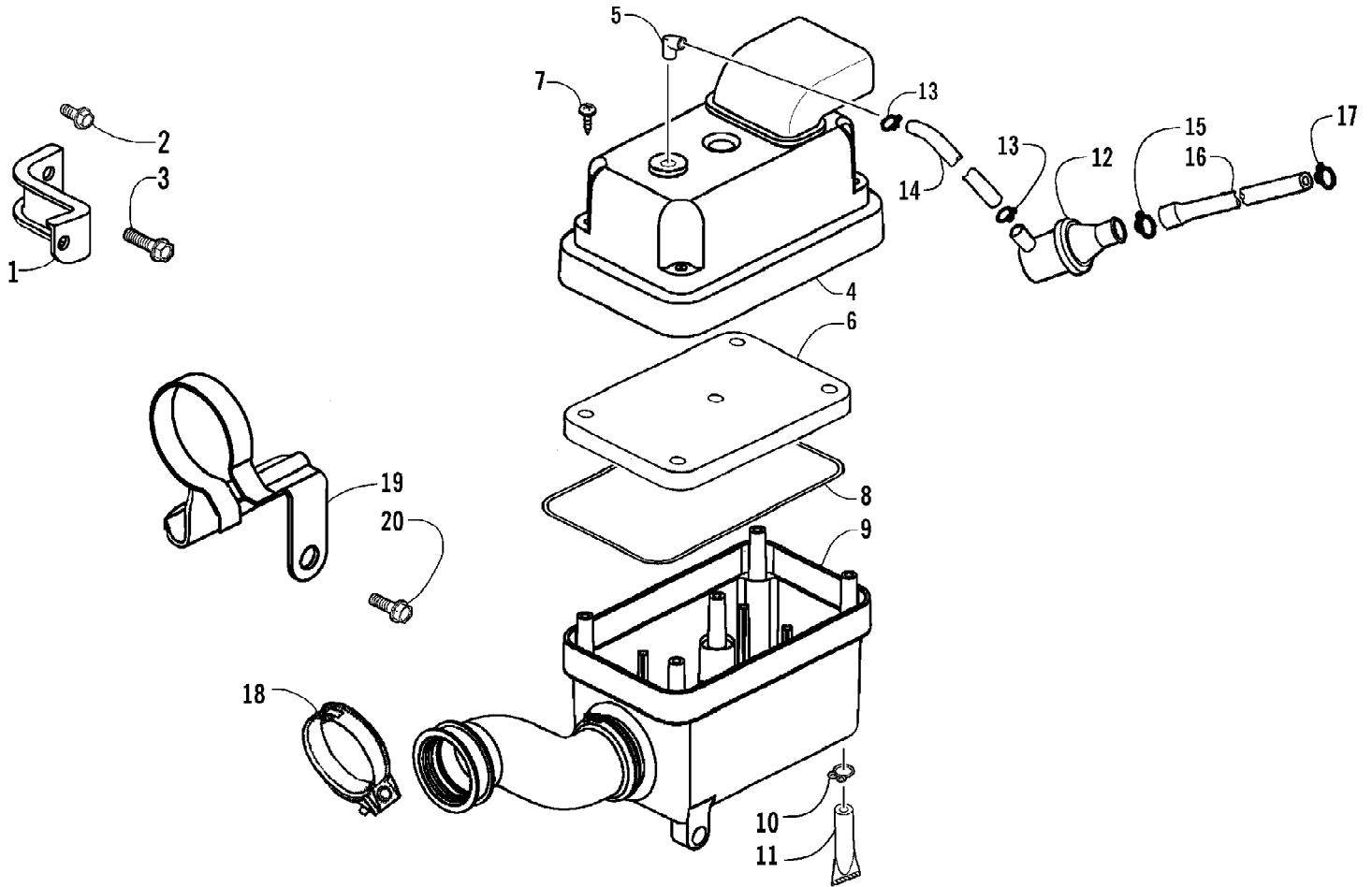


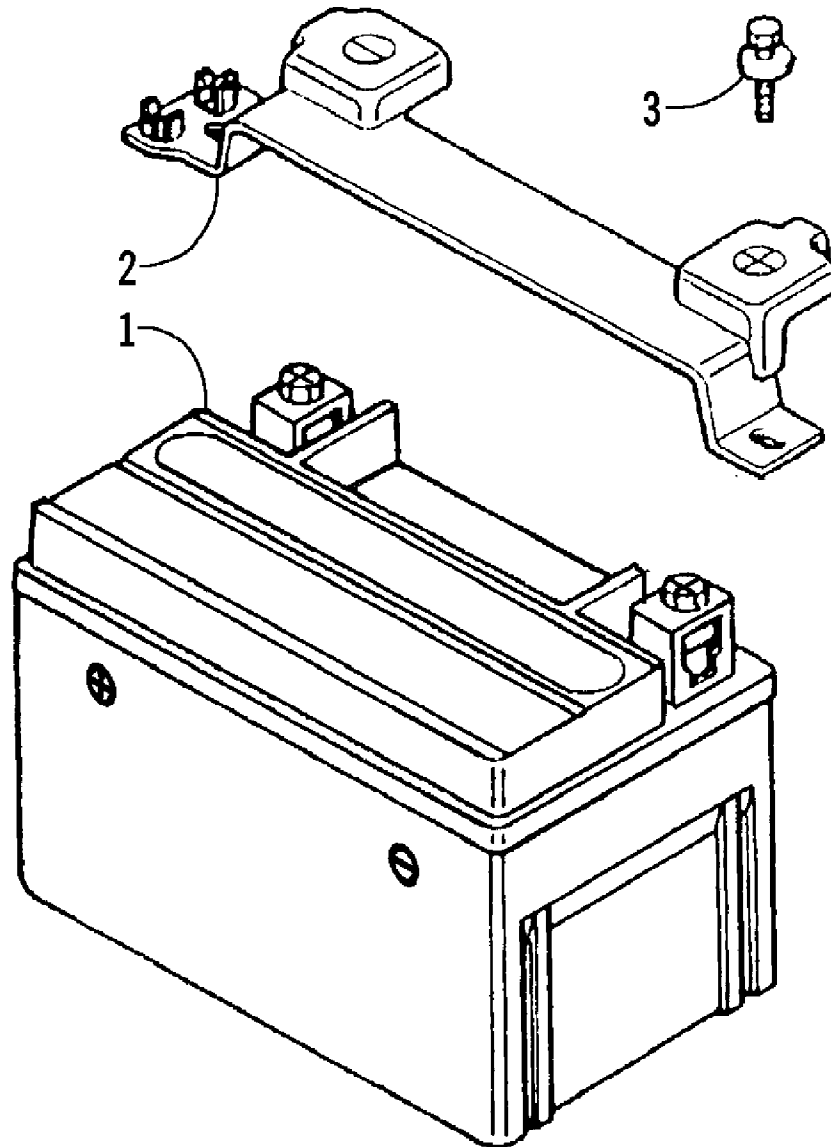
2008 ATV 90 UTILITY GREEN (A2008KUB2BUSG)
AIR INTAKE ASSEMBLY



2008 ATV 90 UTILITY GREEN (A2008KUB2BUSG)
AIR INTAKE ASSEMBLY

Page 2 of 58

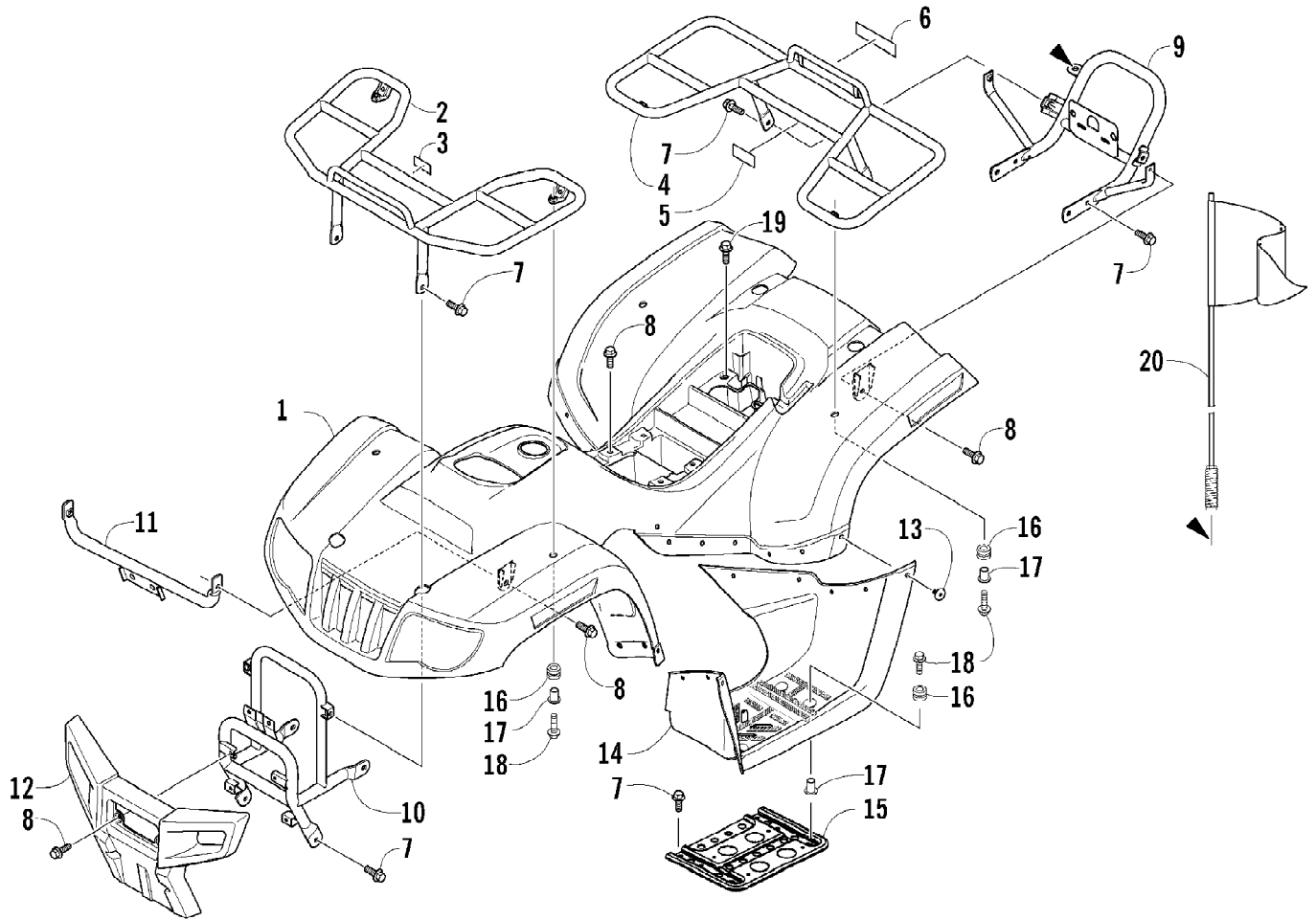
| Ref # | Part Number | Qty | S/P/F | Description |
|-------|-------------|-----|-------|-----------------------------------|
| 1 | 3303-005 | 1 | | Bracket, Mounting |
| 2 | 3305-458 | 1 | | Bolt, Flange |
| 3 | 3303-361 | 1 | | Bolt, Flange |
| 4 | 3303-062 | 1 | | Cover, Air Cleaner (inc. 5) |
| 5 | 0 | 1 | F | Fitting |
| 6 | 3303-060 | 1 | | Element, Air Cleaner |
| 7 | 3305-450 | 5 | /P | Screw, Self-Tapping |
| 8 | 3303-063 | 1 | | Seal, Air Cleaner |
| 9 | 3305-314 | 1 | | Case, Air Cleaner |
| 10 | 3305-315 | 1 | | Clip |
| 11 | 3304-168 | 1 | /P | Tube, Drain |
| 12 | 3303-064 | 1 | /P | Catch, Air Cleaner Element |
| 13 | 3303-350 | 2 | | Clip |
| 14 | 3303-002 | 1 | /P | Tube |
| 15 | 3303-052 | 1 | | Clip, Breather Tube |
| 16 | 3303-001 | 1 | | Tube |
| 17 | 3303-352 | 1 | | Clip |
| 18 | 3303-288 | 1 | | Clamp |
| 19 | 3303-287 | 1 | | Clamp Assembly - Air Cleaner Tube |
| 20 | 3304-551 | 1 | /P | Bolt, Flange |



2008 ATV 90 UTILITY GREEN (A2008KUB2BUSG)
BATTERY ASSEMBLY

| Ref # | Part Number | Qty | S/P/F | Description |
|-------|-------------|-----|-------|---------------|
| 1 | 3303-131 | 1 | /P | Battery |
| 2 | 3303-182 | 1 | | Band, Battery |
| 3 | 3303-263 | 2 | /P | Bolt w/Washer |

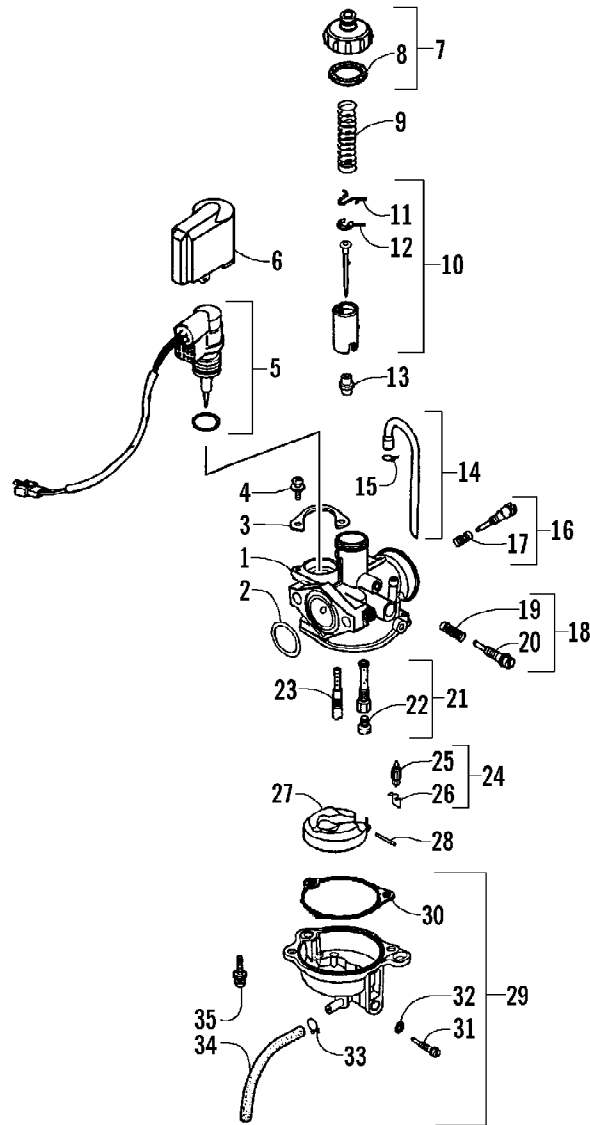
2008 ATV 90 UTILITY GREEN (A2008KUB2BUSG)
BODY PANEL AND RACK ASSEMBLY



2008 ATV 90 UTILITY GREEN (A2008KUB2BUSG)
BODY PANEL AND RACK ASSEMBLY

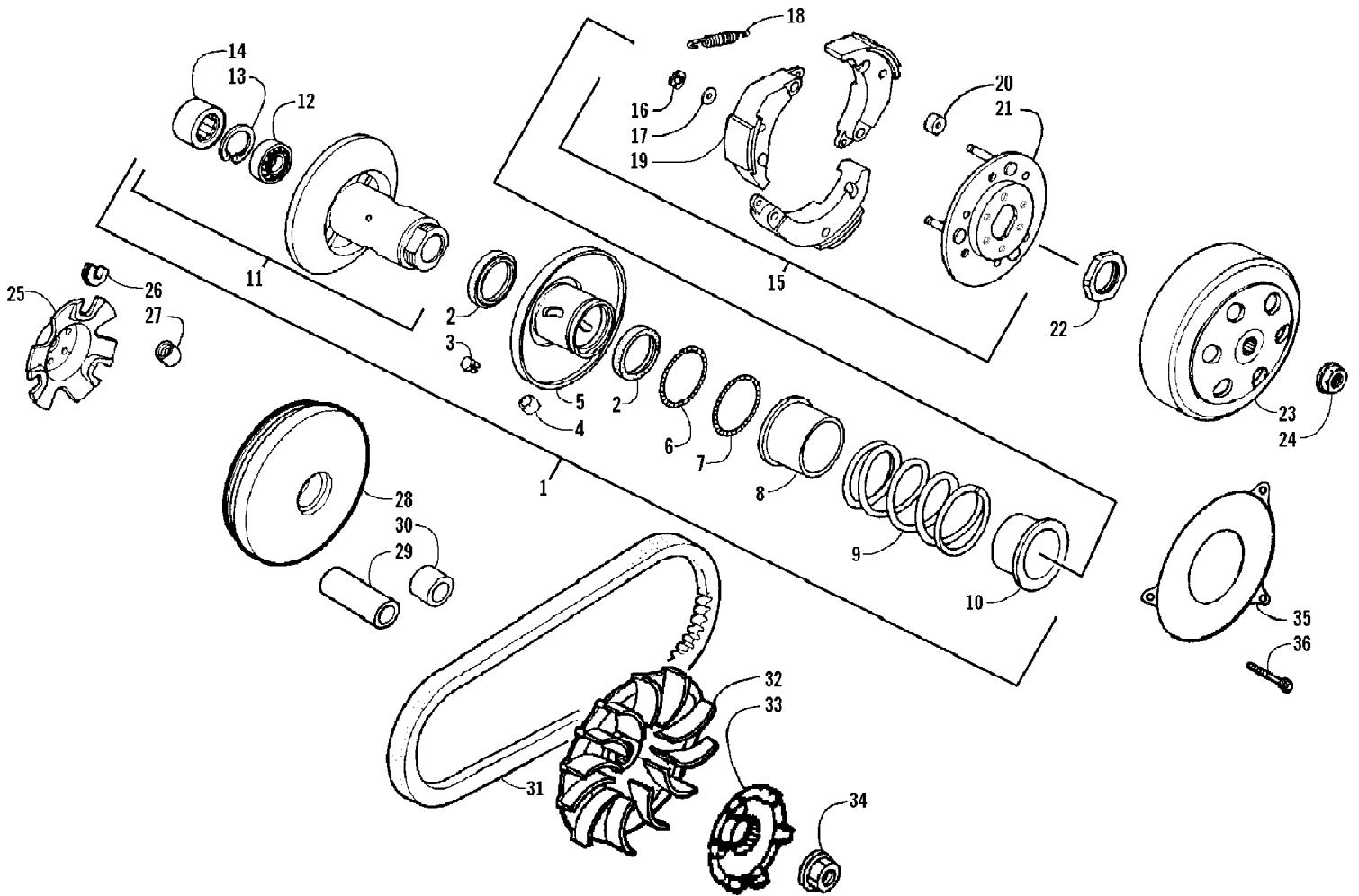
Page 6 of 58

| Ref # | Part Number | Qty | S/P/F | Description |
|-------|-------------|-----|-------|----------------------------------|
| 1 | 3304-499 | 1 | S | Panel, Body |
| 2 | 3304-503 | 1 | | Rack - Front |
| 3 | 1411-316 | 1 | | Decal, Warning - Front Rack Load |
| 4 | 3304-504 | 1 | | Rack - Rear |
| 5 | 1411-317 | 1 | | Decal, Warning - Rear Rack Load |
| 6 | 1411-318 | 1 | | Decal, "Arctic Cat" - White |
| 7 | 3304-543 | 20 | /P | Bolt, Flange |
| 8 | 3304-587 | 10 | /P | Bolt, Flange |
| 9 | 3305-403 | 1 | | Grip, Rear |
| 10 | 3304-541 | 1 | | Bumper |
| 11 | 3304-549 | 1 | | Bracket, Mounting - Front Cover |
| 12 | 3304-496 | 1 | S | Fascia, Bumper - Front |
| 13 | 3305-448 | 20 | | Clip, Mud Guard |
| 14 | 3304-612 | 1 | S | Mud Guard, Floor - Right |
| 14 | 3304-613 | 1 | S | Mud Guard, Floor - Left |
| 15 | 3304-494 | 1 | | Reinforcement, Floor - Right |
| 15 | 3304-495 | 1 | | Reinforcement, Floor - Left |
| 16 | 3303-227 | 12 | | Rubber, Wind Screen |
| 17 | 3303-233 | 12 | | Collar, Floor |
| 18 | 3304-586 | 12 | /P | Bolt w/Washer |
| 19 | 3303-313 | 2 | /P | Bolt, Flange |
| 20 | 3305-308 | 1 | | Flag - Assembly |



| Ref # | Part Number | Qty | S/P/F | Description |
|-------|-------------|-----|-------|---|
| | 3305-529 | 1 | | Complete Carburetor Assembly |
| 1 | 0 | 1 | F | Body, Carburetor |
| 2 | 3304-488 | 1 | | O-Ring |
| 3 | 3304-471 | 1 | | Set Plate |
| 4 | 5507-117 | 2 | /P | Screw w/Washer |
| 5 | 3304-470 | 1 | | Automatic Bypass/Starter Assembly |
| 6 | 3304-469 | 1 | | Holder, Cap |
| 7 | 3304-462 | 1 | | Set, Top (inc. 8) |
| 8 | 3304-463 | 1 | | Gasket, Top |
| 9 | 3304-464 | 1 | | Spring, Compression |
| 10 | 3304-467 | 1 | | Valve, Throttle - Assembly (inc. 11-12) |
| 11 | 3304-465 | 1 | | Plate, Needle Clip |
| 12 | 3304-466 | 1 | | Clip, Needle |
| 13 | 3304-468 | 1 | | Needle Jet |
| 14 | 3304-472 | 1 | | Tube, Rubber - Assembly (inc. 15) |
| 15 | 3304-474 | 1 | | Clip, Tube |
| 16 | 3305-446 | 1 | | Screw, Adjustment - Assembly (inc. 17) |
| 17 | 3305-444 | 1 | | Spring, Compression |
| 18 | 3304-477 | 1 | | Screw, Stop - Assembly (inc. 19-20) |
| 19 | 3304-232 | 1 | | Spring, Compression |
| 20 | 3304-478 | 1 | | Screw, Stop |
| 21 | 3304-479 | 1 | | Holder, Needle Jet - Assembly (inc. 22) |
| 22 | 3304-482 | 1 | | Jet, Main - 80 |
| 22 | 5507-170 | 1 | F | Jet, Main - 75 |
| 22 | 5507-220 | 1 | F | Jet, Main - 78 |
| 23 | 3304-489 | 1 | | Jet, Slow |
| 24 | 3304-490 | 1 | | Valve, Float - Assembly (inc. 25-26) |
| 25 | 3304-483 | 1 | | Valve, Float - Set |
| 26 | 3304-484 | 1 | | Clip |
| 27 | 3304-491 | 1 | | Float Assembly |
| 28 | 3304-485 | 1 | | Pin, Float Arm |
| 29 | 3304-486 | 1 | | Body, Float Chamber - Assembly (inc. 30-34) |
| 30 | 0 | 1 | F | Gasket |
| 31 | 3304-243 | 1 | | Screw, Drain |
| 32 | 3304-239 | 1 | | O-Ring |
| 33 | 3304-452 | 1 | | Clip, Tube |
| 34 | 3305-248 | 1 | /P | Tube, Drain |
| 35 | 3303-320 | 2 | | Screw w/Washer |

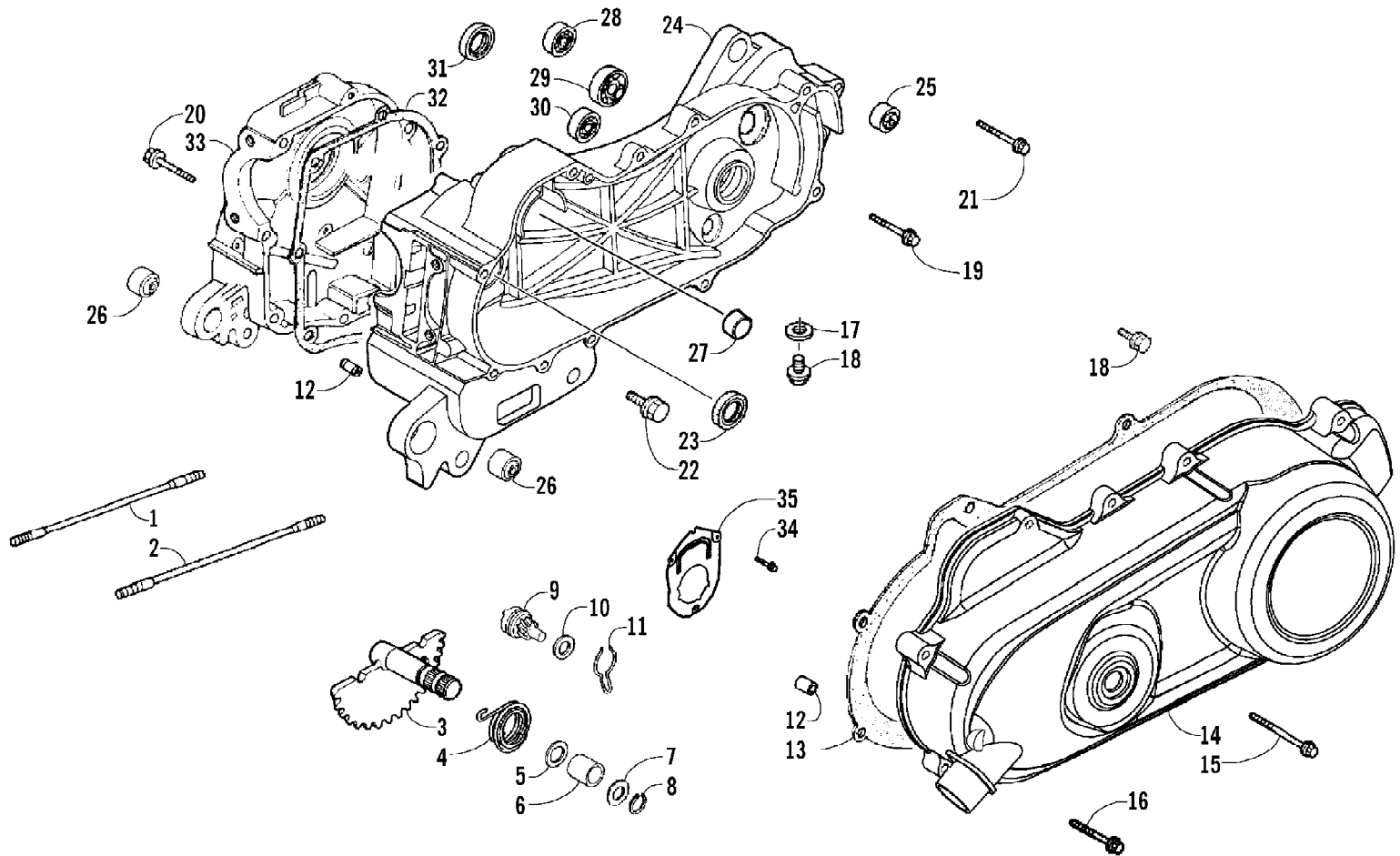
2008 ATV 90 UTILITY GREEN (A2008KUB2BUSG)
CLUTCH ASSEMBLIES



2008 ATV 90 UTILITY GREEN (A2008KUB2BUSG)
CLUTCH ASSEMBLIES

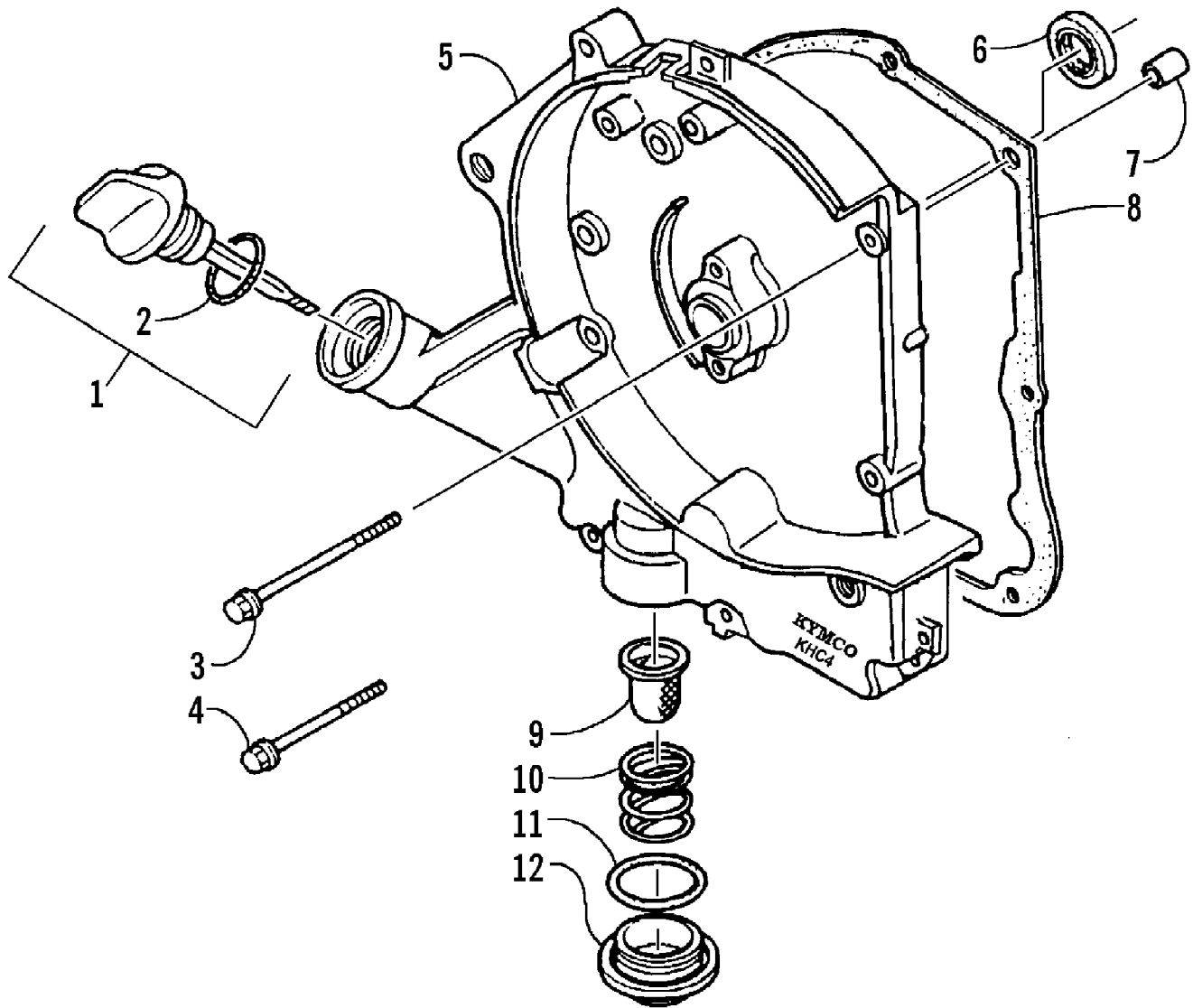
| Ref # | Part Number | Qty | S/P/F | Description |
|-------|-------------|-----|-------|--|
| 1 | 3303-411 | 1 | | Pulley, Driven - Assembly (inc. 2-22) |
| 2 | 3303-299 | 2 | | Seal, Oil |
| 3 | 3303-098 | 3 | | Guide, Pin |
| 4 | 3303-099 | 3 | | Guide, Roller |
| 5 | 3303-097 | 1 | | Face, Driven - Movable |
| 6 | 3304-620 | 1 | | O-Ring |
| 7 | 3304-619 | 1 | | O-Ring |
| 8 | 3303-101 | 1 | | Collar, Seal |
| 9 | 3303-100 | 1 | | Spring, Driven Face |
| 10 | 3303-102 | 1 | | Collar, Spring |
| 11 | 3303-096 | 1 | | Face, Driven - Fixed - Assembly (inc. 12-14) |
| 12 | 3303-291 | 1 | | Bearing, Ball |
| 13 | 3303-346 | 1 | | Circlip |
| 14 | 3303-294 | 1 | | Bearing, Needle |
| 15 | 3303-090 | 1 | | Face, Drive - Assembly (inc. 16-21) |
| 16 | 3304-618 | 3 | /P | E-Ring |
| 17 | 3303-274 | 3 | | Washer, Thrust |
| 18 | 3303-092 | 3 | | Spring, Clutch |
| 19 | 3303-093 | 3 | | Weight, Clutch |
| 20 | 3303-094 | 3 | | Rubber, Clutch Damper |
| 21 | 3303-091 | 1 | | Face, Drive |
| 22 | 3304-025 | 1 | /P | Nut |
| 23 | 3303-082 | 1 | | Housing, Centrifugal Clutch |
| 24 | 3303-333 | 1 | /P | Nut, Flange |
| 25 | 3303-088 | 1 | | Plate, Ramp |
| 26 | 3303-089 | 3 | | Slide |
| 27 | 3303-087 | 6 | | Guide, Roller |
| 28 | 3303-086 | 1 | | Face, Drive - Movable |
| 29 | 3303-409 | 1 | | Boss, Drive Face |
| 30 | 3303-410 | 1 | | Collar, Drive Face |
| 31 | 3303-095 | 1 | | Belt, Drive |
| 32 | 3303-083 | 1 | | Face, Drive |
| 33 | 3303-116 | 1 | | Ratchet, Kick Starter |
| 34 | 3303-334 | 1 | | Nut, Flange |
| 35 | 3304-460 | 1 | | Plate, Dust |
| 36 | 3303-381 | 3 | | Bolt, Flange |

2008 ATV 90 UTILITY GREEN (A2008KUB2BUSG)
CRANKCASE ASSEMBLY



2008 ATV 90 UTILITY GREEN (A2008KUB2BUSG)
CRANKCASE ASSEMBLY

| Ref # | Part Number | Qty | S/P/F | Description |
|-------|-------------|-----|-------|---|
| 1 | 3303-247 | 2 | | Bolt, Stud |
| 2 | 3303-248 | 2 | | Bolt, Stud |
| 3 | 3303-119 | 1 | | Spindle, Kick Starter |
| 4 | 3303-122 | 1 | | Spring, Return - Kick Starter |
| 5 | 3303-121 | 1 | | Collar, Boss - Kick Starter |
| 6 | 3303-120 | 1 | | Bushing, Spindle - Kick Starter |
| 7 | 3303-276 | 1 | | Washer, Spindle - Kick Starter |
| 8 | 3303-345 | 1 | | Circlip |
| 9 | 3303-118 | 1 | | Gear, Driven - Kick Starter |
| 10 | 3303-272 | 1 | | Washer, Thrust |
| 11 | 3303-117 | 1 | | Spring, Driven - Kick Starter |
| 12 | 3303-341 | 4 | | Pin, Dowel |
| 13 | 3303-013 | 1 | | Gasket, Crankcase Cover - Left |
| 14 | 3304-615 | 1 | | Cover , Crankcase - Left |
| 15 | 3303-386 | 7 | /P | Bolt, Flange |
| 16 | 3303-385 | 1 | | Bolt, Flange |
| 17 | 3303-278 | 1 | | Washer |
| 18 | 3303-365 | 2 | | Bolt, Flange |
| 19 | 3303-372 | 1 | | Bolt, Flange |
| 20 | 3303-387 | 1 | | Bolt, Flange |
| 21 | 3303-370 | 6 | | Bolt, Flange |
| 22 | 3304-052 | 1 | /P | Bolt, Drain Plug - Assembly |
| 23 | 3303-296 | 1 | | Seal, Oil |
| 24 | 3303-004 | 1 | | Crankcase, Set - Left (inc. 25, one No. 26, and 27) |
| 25 | 3303-403 | 2 | | Bushing, Rubber - Rear Cushion |
| 26 | 3303-402 | 2 | /P | Bushing, Rubber - Engine Hanger |
| 27 | 3304-597 | 1 | | Bushing |
| 28 | 3303-464 | 1 | | Bearing, Ball |
| 29 | 3303-459 | 1 | | Bearing, Needle |
| 30 | 3303-465 | 1 | | Bearing, Ball |
| 31 | 3303-297 | 1 | /P | Seal, Oil |
| 32 | 3303-003 | 1 | | Gasket, Crankcase - Right |
| 33 | 3303-400 | 1 | /P | Crankcase, Set - Right (inc. one No. 26) |
| 34 | 3303-391 | 3 | | Bolt |
| 35 | 3303-009 | 1 | | Plate, Cover |

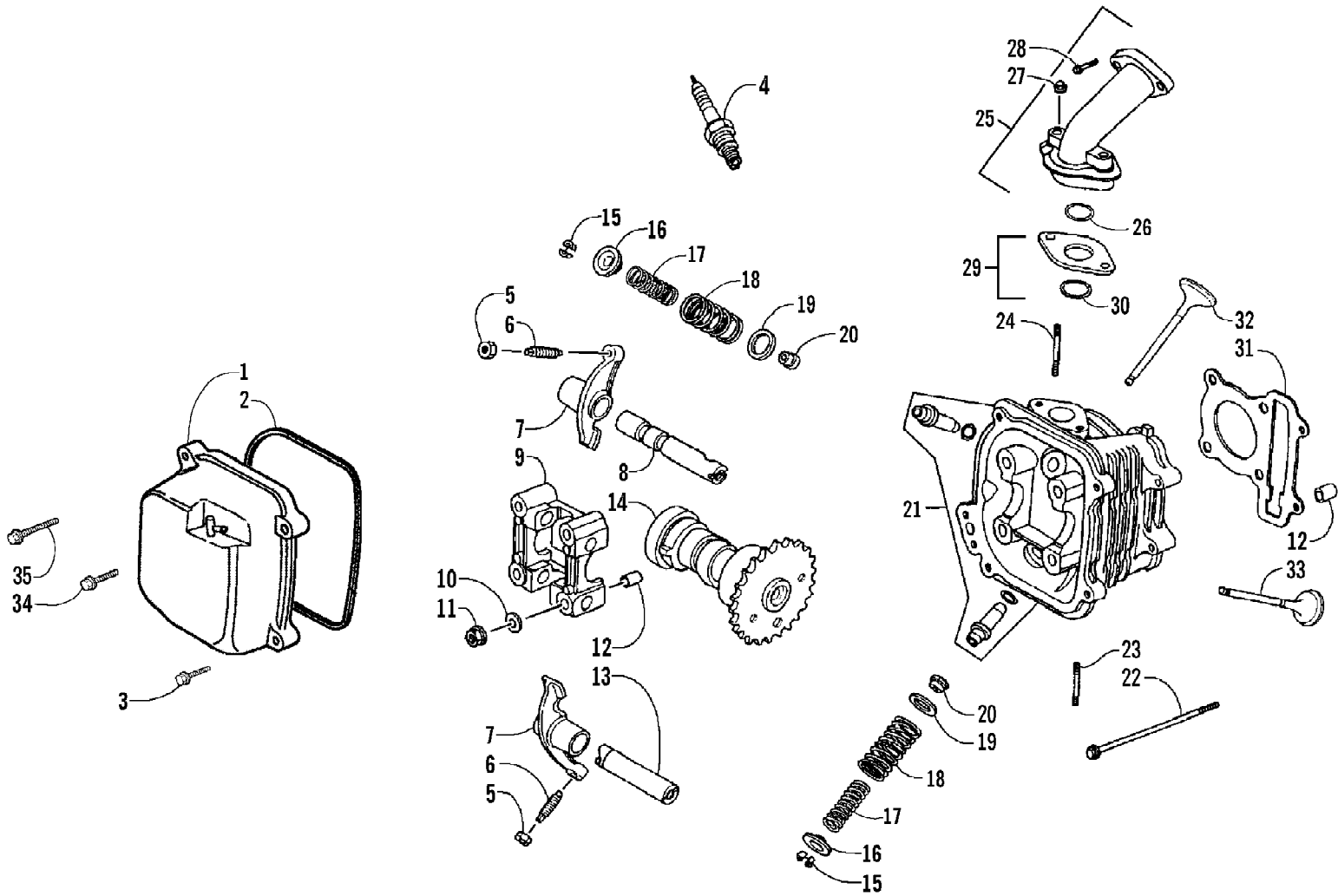


2008 ATV 90 UTILITY GREEN (A2008KUB2BUSG)
CRANKCASE COVER ASSEMBLY

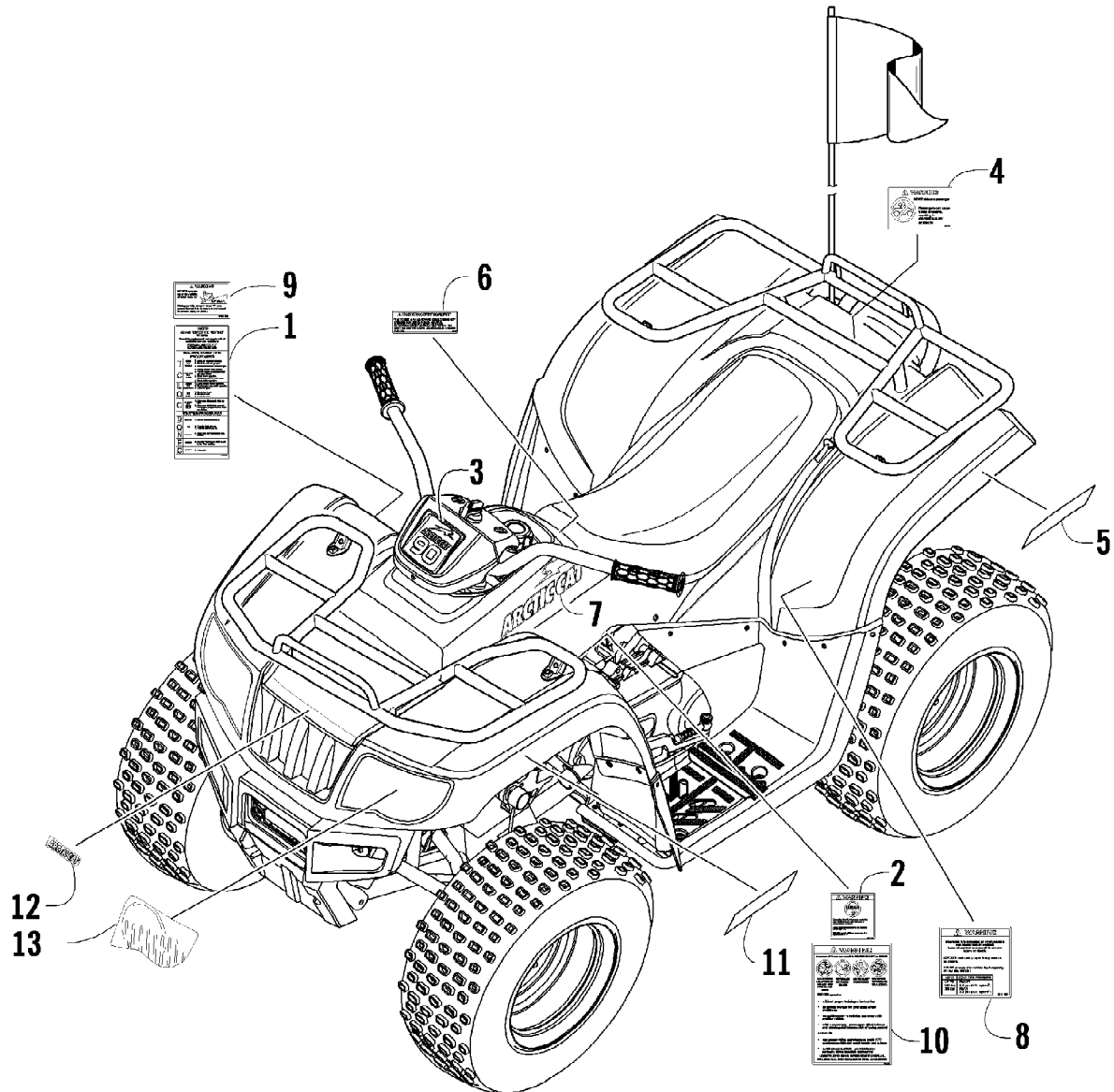
Page 14 of 58

| Ref # | Part Number | Qty | S/P/F | Description |
|-------|-------------|-----|-------|--------------------------------------|
| 1 | 3303-050 | 1 | | Gauge, Oil Level - Assembly (inc. 2) |
| 2 | 3303-306 | 1 | S | O-Ring |
| 3 | 3303-390 | 4 | | Bolt, Flange |
| 4 | 3304-580 | 4 | | Bolt, Flange |
| 5 | 3303-007 | 1 | | Cover, Crankcase (inc. 6) |
| 6 | 3303-296 | 1 | | Seal, Oil |
| 7 | 3303-341 | 2 | | Pin, Dowel |
| 8 | 3303-012 | 1 | | Gasket, Crankcase |
| 9 | 3303-048 | 1 | S | Screen, Oil Filter |
| 10 | 3303-049 | 1 | S | Spring, Oil Filter Screen |
| 11 | 3304-096 | 1 | /P | O-Ring |
| 12 | 3303-021 | 1 | | Cap, Oil Filter |

2008 ATV 90 UTILITY GREEN (A2008KUB2BUSG)
CYLINDER HEAD ASSEMBLY

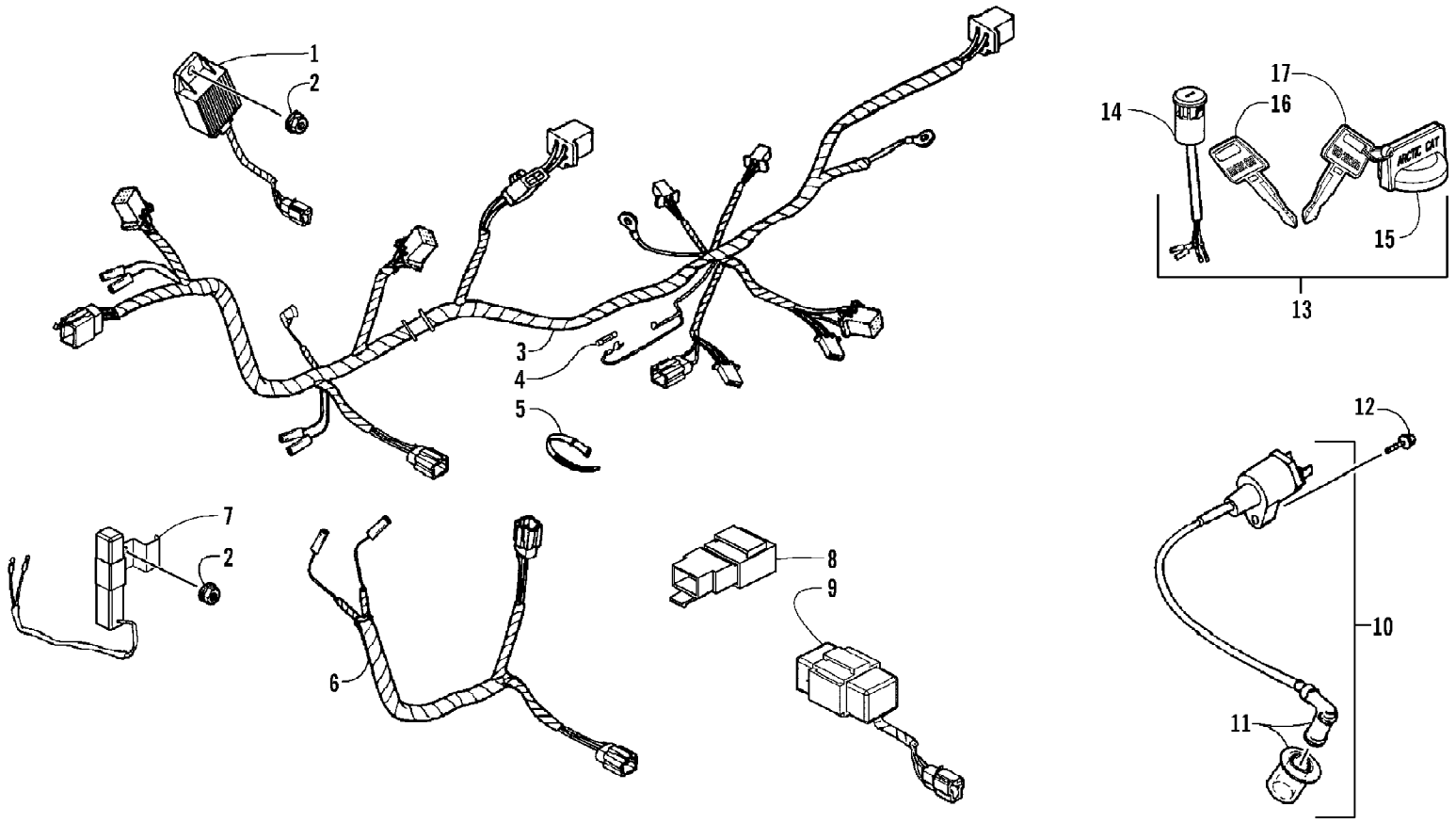


| Ref # | Part Number | Qty | S/P/F | Description |
|-------|-------------|-----|-------|--|
| | 3305-471 | 1 | F | Complete Engine Assembly |
| 1 | 3305-292 | 1 | | Cover, Head - Assembly |
| 2 | 3304-616 | 1 | | Gasket, Cylinder Head Cover |
| 3 | 3303-360 | 2 | | Bolt, Flange |
| 4 | 0217-726 | 1 | /P | Plug, Spark |
| 5 | 3304-026 | 2 | /P | Nut, Tappet Adjusting |
| 6 | 3304-007 | 2 | /P | Screw, Tappet Adjusting |
| 7 | 3303-031 | 2 | | Valve, Rocker Arm |
| 8 | 3303-032 | 1 | | Shaft, Rocker Arm - Intake |
| 9 | 3303-018 | 1 | | Holder, Camshaft |
| 10 | 3304-048 | 4 | /P | Washer, Sealing |
| 11 | 3303-332 | 4 | | Nut, Flange |
| 12 | 3303-342 | 4 | | Pin, Dowel |
| 13 | 3303-033 | 1 | | Shaft, Rocker Arm - Exhaust |
| 14 | 3304-617 | 1 | | Camshaft |
| 15 | 3303-044 | 4 | | Cotter, Valve |
| 16 | 3303-042 | 2 | /P | Retainer, Valve Spring |
| 17 | 3303-041 | 2 | | Spring, Valve - Inner |
| 18 | 3303-040 | 2 | | Spring, Valve - Outer |
| 19 | 3303-043 | 2 | | Seat, Valve Spring - Outer |
| 20 | 3303-657 | 2 | /P | Seal, Valve Stem |
| 21 | 3303-016 | 1 | | Head, Cylinder |
| 22 | 3303-389 | 2 | | Bolt, Flange |
| 23 | 3304-010 | 2 | | Bolt, Stud |
| 24 | 3303-310 | 2 | | Bolt, Stud |
| 25 | 3303-059 | 1 | | Pipe, Intake - Assembly (inc. 26) |
| 26 | 3303-304 | 1 | | O-Ring |
| 27 | 3303-331 | 2 | /P | Nut, Flange |
| 28 | 3303-384 | 2 | /P | Bolt, Flange |
| 29 | 3303-511 | 1 | /P | Insulator, Carburetor - Assembly (inc. 30) |
| 30 | 3304-596 | 1 | | O-Ring |
| 31 | 3303-019 | 1 | | Gasket, Cylinder Head |
| 32 | 3303-039 | 1 | | Valve, Exhaust |
| 33 | 3303-038 | 1 | | Valve, Intake |
| 34 | 3303-362 | 2 | | Bolt, Flange |
| 35 | 3303-363 | 2 | | Bolt, Flange |



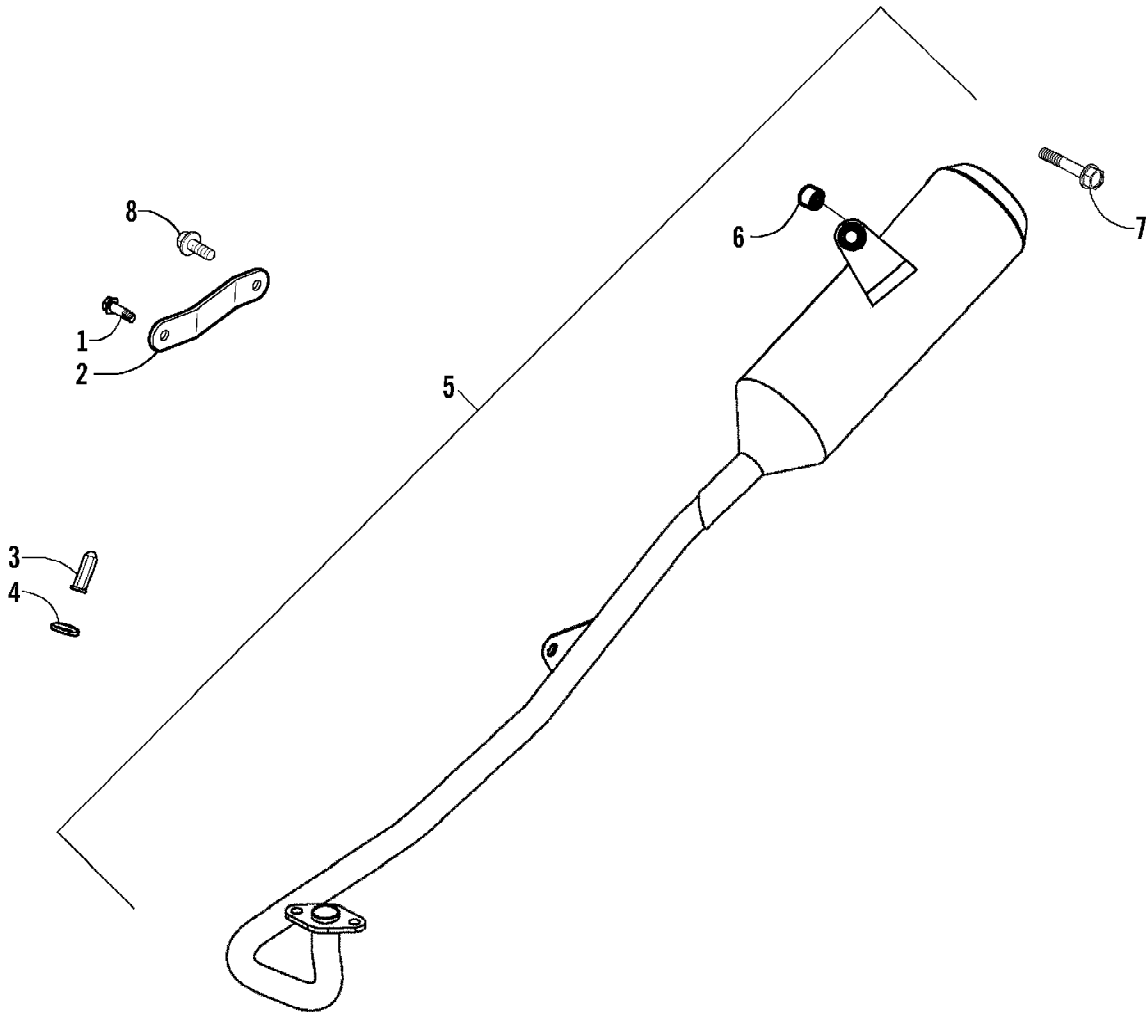
| Ref # | Part Number | Qty | S/P/F | Description |
|-------|-------------|-----|-------|-----------------------------------|
| 1 | 0411-457 | 1 | | Decal, Warning - Reverse/Pre-Ride |
| 2 | 0411-400 | 1 | | Decal, Warning - Age |
| 3 | 1411-618 | 1 | | Decal, Instrument Pod |
| 4 | 0411-435 | 1 | | Decal, Warning - Passenger |
| 5 | 1411-178 | 1 | | Decal, Reflector - Rear - Right |
| 5 | 1411-179 | 1 | | Decal, Reflector - Rear - Left |
| 6 | 1411-577 | 1 | | Decal, Warning - Off Road Only |
| 7 | 1411-636 | 1 | | Decal, Graphic - Side - Right |
| 7 | 1411-637 | 1 | | Decal, Graphic - Side - Left |
| 8 | 0411-455 | 1 | | Decal, Warning - Tire/Load |
| 9 | 0411-836 | 1 | | Decal, Warning - Hill |
| 10 | 0411-218 | 1 | | Decal, Warning - General |
| 11 | 1411-180 | 1 | | Decal, Reflector - Front - Right |
| 11 | 1411-181 | 1 | | Decal, Reflector - Front - Left |
| 12 | 1411-825 | 1 | | Decal, Graphic - Front |
| 13 | 1411-242 | 1 | | Decal, Headlight - Right |
| 13 | 1411-243 | 1 | | Decal, Headlight - Left |

2008 ATV 90 UTILITY GREEN (A2008KUB2BUSG)
ELECTRICAL AND WIRING HARNESS ASSEMBLY



2008 ATV 90 UTILITY GREEN (A2008KUB2BUSG)
ELECTRICAL AND WIRING HARNESS ASSEMBLY

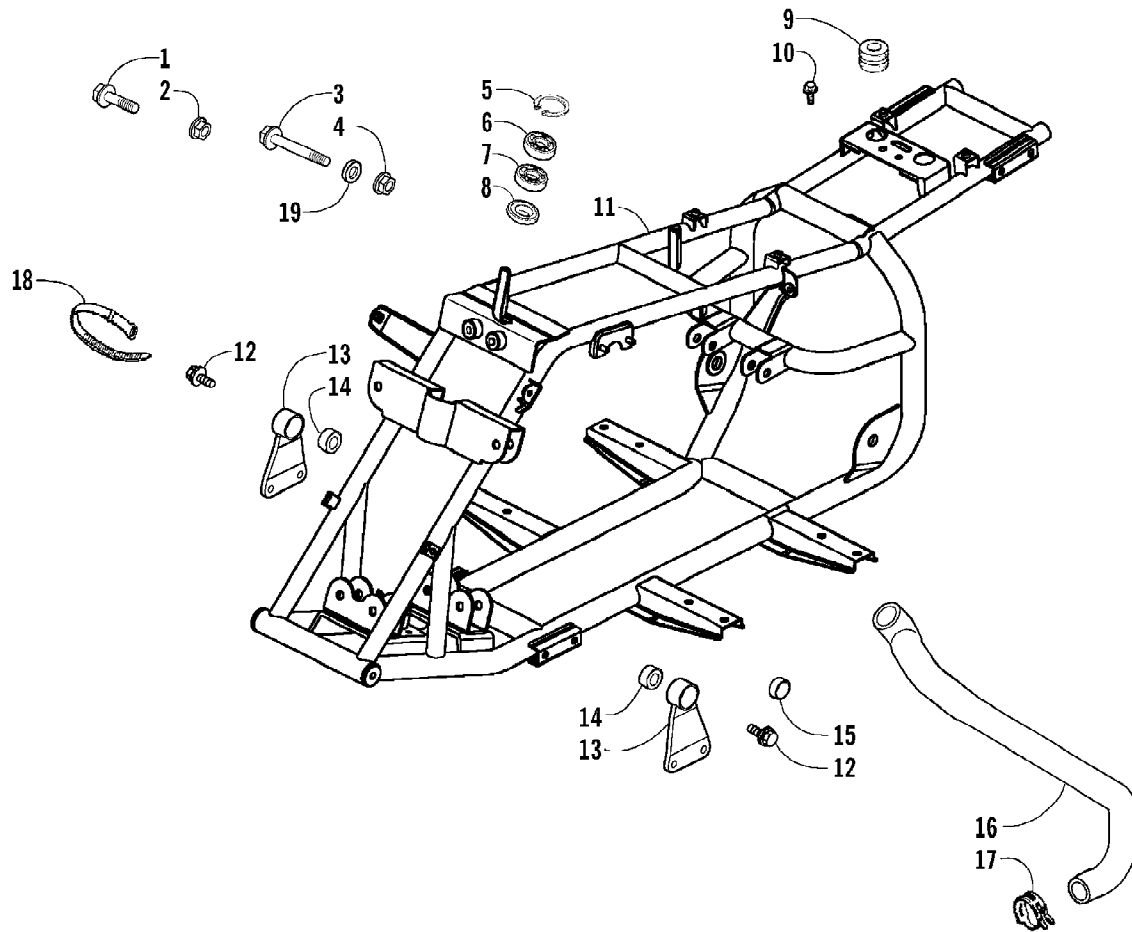
| Ref # | Part Number | Qty | S/P/F | Description |
|-------|-------------|-----|-------|--|
| 1 | 3303-132 | 1 | | Regulator, Voltage |
| 2 | 3303-331 | 2 | /P | Nut, Flange |
| 3 | 3305-455 | 1 | | Harness, Main (inc. 4) |
| 4 | 3303-399 | 2 | | Fuse |
| 5 | 3303-289 | 4 | /P | Cable Tie |
| 6 | 3303-134 | 1 | /P | Sub-Cord |
| 7 | 3303-142 | 1 | | Resistor |
| 8 | 3303-143 | 1 | | Relay, Starter |
| 9 | 3305-456 | 1 | | CDI Unit |
| 10 | 3303-125 | 1 | | Coil Assembly - Ignition (inc. 11) |
| 11 | 3303-126 | 1 | | Cap, Noise Suppressor - Assembly |
| 12 | 3303-252 | 1 | | Bolt, Flange |
| 13 | 3303-423 | 1 | | Switch, Ignition - Assembly (inc. 14-16) |
| 14 | 0 | 1 | F | Switch, Ignition |
| 15 | 3304-522 | 1 | | Cover, Key - "Arctic Cat" |
| 16 | 3304-520 | 1 | | Key, Ignition - Set - Right-Side Cut |
| 17 | 3304-521 | 1 | | Key, Ignition - Set - Left-Side Cut |



2008 ATV 90 UTILITY GREEN (A2008KUB2BUSG)
EXHAUST ASSEMBLY

Page 22 of 58

| Ref # | Part Number | Qty | S/P/F | Description |
|-------|-------------|-----|-------|-----------------------------|
| 1 | 3303-314 | 1 | | Bolt, Flange |
| 2 | 3304-573 | 1 | | Bracket, Mounting - Muffler |
| 3 | 3303-261 | 2 | | Nut, Cap - 8 mm |
| 4 | 3303-071 | 1 | | Gasket, Exhaust Pipe |
| 5 | 3305-600 | 1 | | Muffler - Assembly (inc. 6) |
| 6 | 3304-571 | 1 | | Bushing, Rubber |
| 7 | 3304-572 | 1 | /P | Bolt, Flange |
| 8 | 3304-543 | 1 | /P | Bolt, Flange |

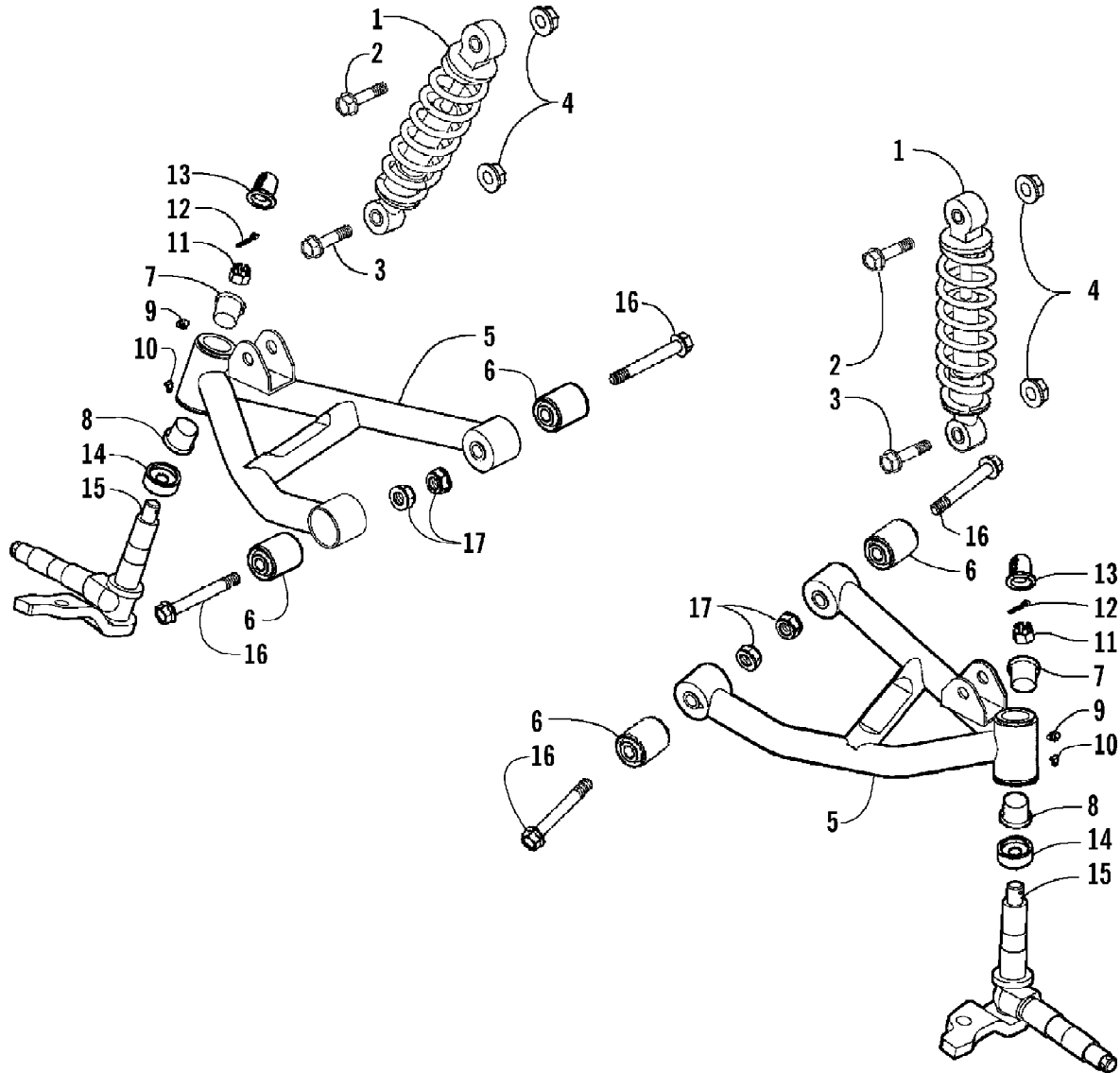


2008 ATV 90 UTILITY GREEN (A2008KUB2BUSG)
FRAME AND RELATED PARTS ASSEMBLY

Page 24 of 58

| Ref # | Part Number | Qty | S/P/F | Description |
|-------|-------------|-----|-------|--|
| 1 | 3304-547 | 2 | /P | Bolt, Flange |
| 2 | 3303-269 | 2 | | Nut, Flange |
| 3 | 3304-548 | 2 | /P | Bolt, Flange |
| 4 | 3304-031 | 2 | /P | Nut, Flange |
| 5 | 3303-347 | 1 | | Circlip |
| 6 | 3303-295 | 1 | | Seal, Oil |
| 7 | 3303-392 | 1 | | Bearing |
| 8 | 3303-298 | 1 | | Seal, Oil |
| 9 | 3303-232 | 2 | | Rubber, Engine Mounting |
| 10 | 3303-308 | 1 | | Bolt, Hex |
| 11 | 3305-276 | 1 | | Frame, Main |
| 12 | 3304-543 | 4 | /P | Bolt, Flange |
| 13 | 3303-183 | 1 | /P | Bracket, Engine Hanger - Right (inc. one No. 14) |
| 13 | 3303-184 | 1 | /P | Bracket, Engine Hanger - Left (inc. one No. 14) |
| 14 | 3304-542 | 2 | | Bushing, Rubber - Engine Hanger |
| 15 | 3303-445 | 1 | | Collar |
| 16 | 3303-010 | 1 | | Duct - Cover |
| 17 | 3303-074 | 1 | | Clamp, Hose |
| 18 | 3303-289 | 1 | /P | Cable Tie |
| 19 | 3303-238 | 2 | | Rubber, Engine - Rear |

2008 ATV 90 UTILITY GREEN (A2008KUB2BUSG)
FRONT SUSPENSION ASSEMBLY

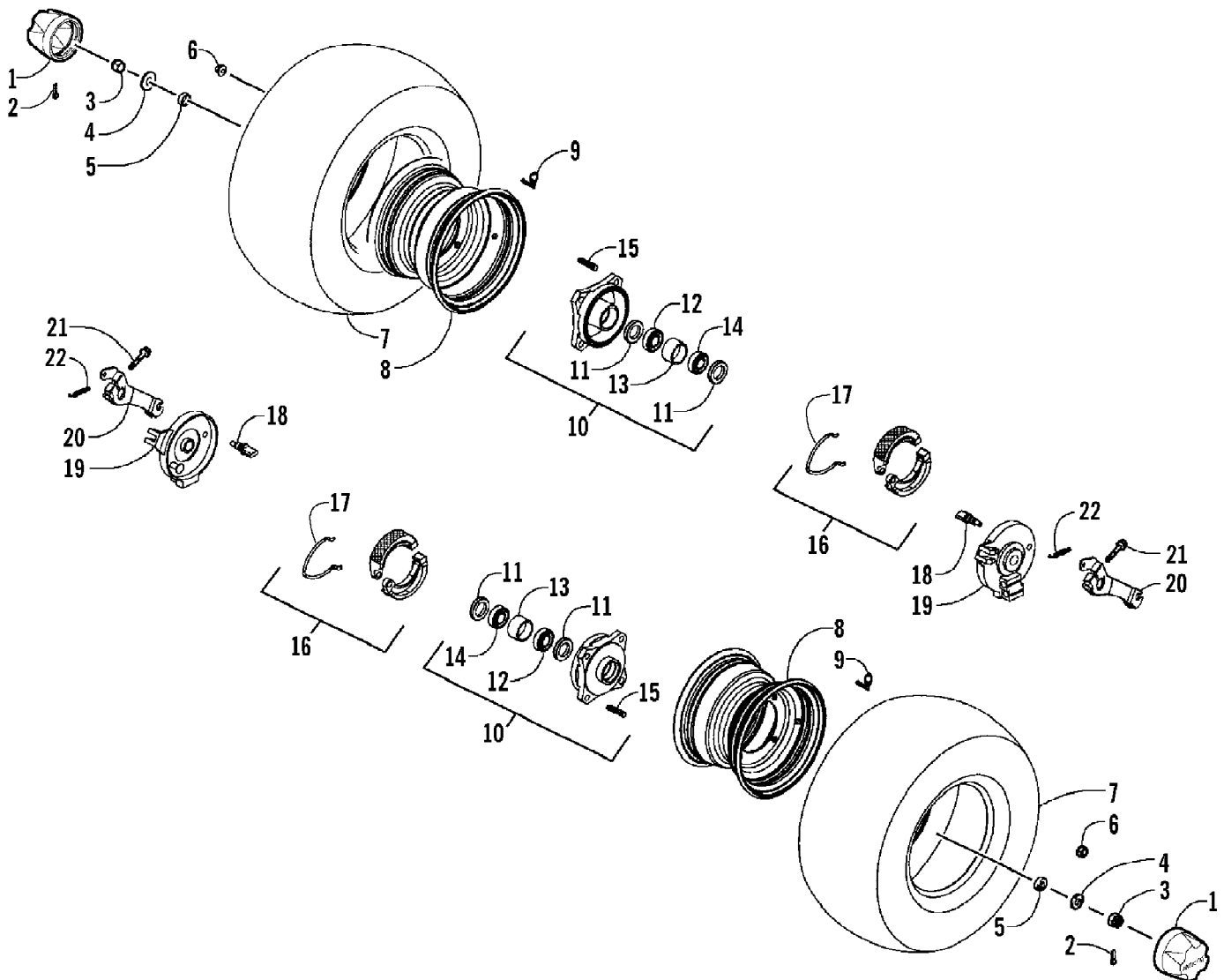


2008 ATV 90 UTILITY GREEN (A2008KUB2BUSG)
FRONT SUSPENSION ASSEMBLY

Page 26 of 58

| Ref # | Part Number | Qty | S/P/F | Description |
|-------|-------------|-----|-------|--|
| 1 | 3305-451 | 2 | | Shock, Front - Assembly |
| 2 | 3303-376 | 2 | /P | Bolt, Flange |
| 3 | 3303-309 | 2 | | Bolt, Hex |
| 4 | 3303-333 | 4 | /P | Nut, Flange |
| 5 | 3305-452 | 1 | | Arm, Swing - Set - Front Right (inc. 6-10) |
| 5 | 3305-453 | 1 | | Arm, Swing - Set - Front Left (inc. 6-10) |
| 6 | 3303-216 | 4 | | Bushing, Swing Arm |
| 7 | 3303-218 | 2 | | Bushing, Swing Arm - Top |
| 8 | 3303-217 | 2 | | Bushing, Swing Arm - Bottom |
| 9 | 3303-393 | 2 | | Fitting, Grease |
| 10 | 3303-394 | 2 | | Boot, Grease Fitting |
| 11 | 3303-329 | 2 | | Nut, Flange Castle |
| 12 | 3303-337 | 2 | | Pin, Cotter |
| 13 | 3303-219 | 2 | | Cap, Swing Arm |
| 14 | 3303-220 | 2 | | Seal, Swing Arm |
| 15 | 3303-178 | 1 | | Shaft, Steering - Right |
| 15 | 3303-180 | 1 | | Shaft, Steering - Left |
| 16 | 3304-595 | 4 | /P | Bolt, Flange |
| 17 | 3304-031 | 4 | /P | Nut, Flange |

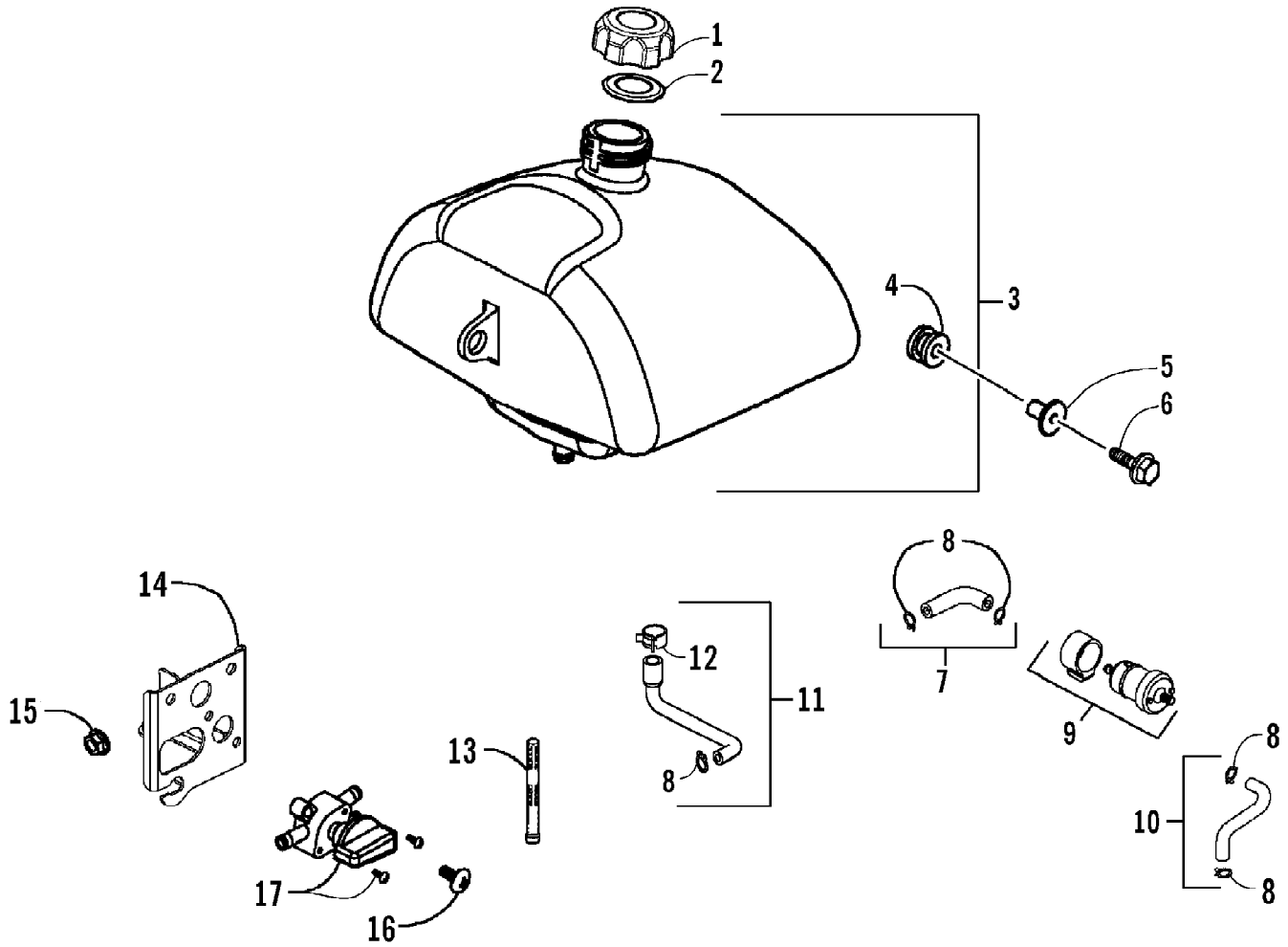
2008 ATV 90 UTILITY GREEN (A2008KUB2BUSG)
FRONT WHEEL AND BRAKE ASSEMBLIES



2008 ATV 90 UTILITY GREEN (A2008KUB2BUSG)
FRONT WHEEL AND BRAKE ASSEMBLIES

Page 28 of 58

| Ref # | Part Number | Qty | S/P/F | Description |
|-------|-------------|-----|-------|------------------------------------|
| 1 | 3303-430 | 2 | | Cap, Wheel Shaft |
| 2 | 3303-470 | 2 | | Pin, Cotter |
| 3 | 3303-328 | 2 | | Nut, Flange Castle |
| 4 | 3303-279 | 2 | /P | Washer |
| 5 | 3303-164 | 2 | /P | Collar, Wheel - Front |
| 6 | 3303-266 | 8 | | Nut, Flange |
| 7 | 3303-429 | 2 | | Tire - Assembly |
| 8 | 3303-166 | 2 | | Rim - Assembly (inc. 9) |
| 9 | 3304-562 | 2 | | Stem, Valve |
| 10 | 3303-165 | 2 | | Hub, Front - Assembly (inc. 11-15) |
| 11 | 3303-456 | 4 | | Seal, Dust |
| 12 | 3303-468 | 2 | | Bearing, Ball - Radial |
| 13 | 3303-445 | 2 | | Collar, Front Disc |
| 14 | 3303-467 | 2 | | Bearing, Ball - Radial |
| 15 | 3303-463 | 8 | | Bolt, Stud |
| 16 | 3303-169 | 2 | | Shoe, Front - Assembly (inc. 17) |
| 17 | 3304-563 | 2 | | Spring, Brake Shoe |
| 18 | 3303-170 | 2 | | Cam, Front Brake |
| 19 | 3303-168 | 1 | | Panel - Front - Right |
| 19 | 3303-176 | 1 | | Panel - Front - Left |
| 20 | 3303-171 | 1 | | Arm, Brake - Right |
| 20 | 3303-177 | 1 | | Arm, Brake - Left |
| 21 | 3303-355 | 2 | | Bolt, Flange |
| 22 | 3303-172 | 2 | | Spring, Return |

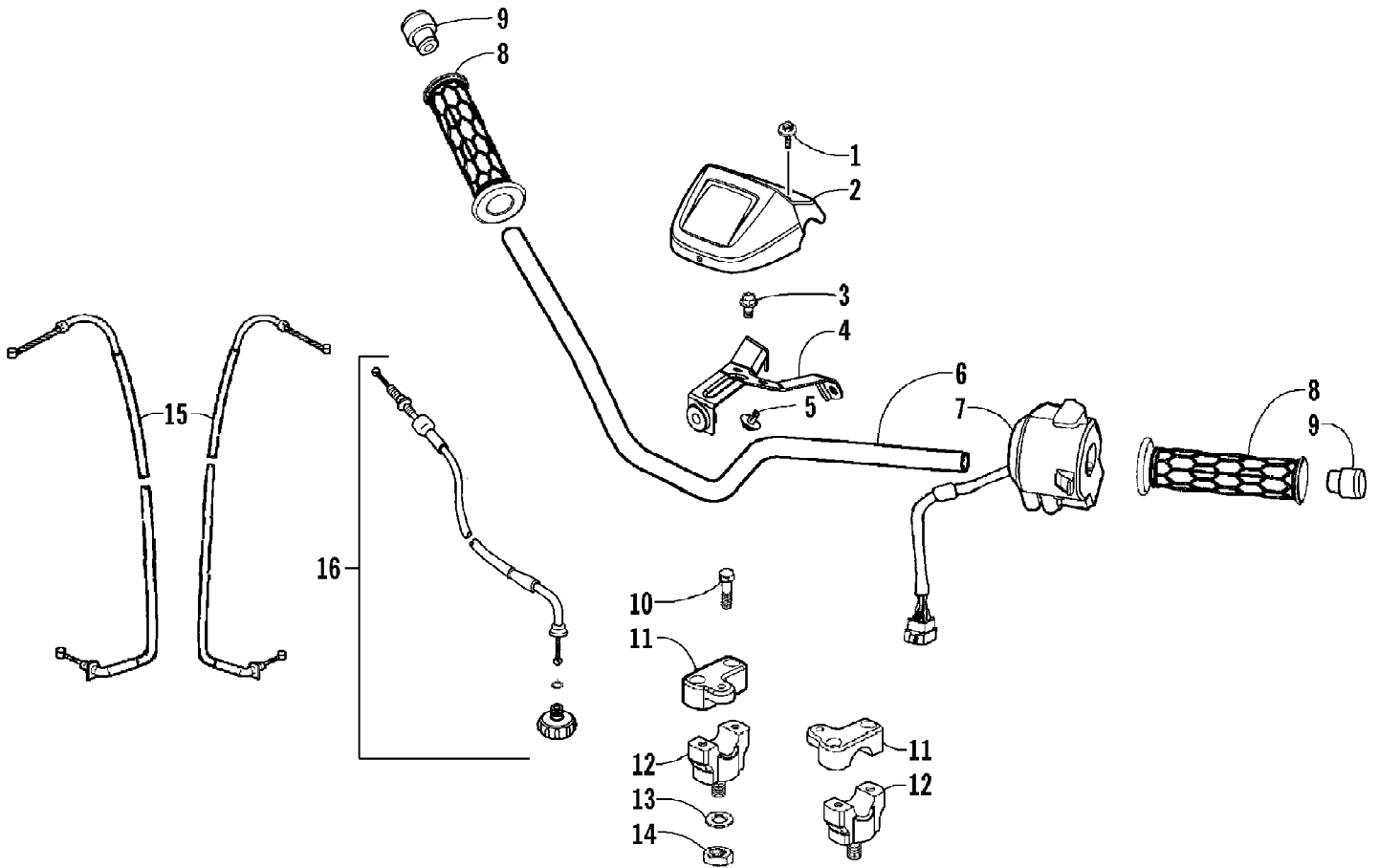


2008 ATV 90 UTILITY GREEN (A2008KUB2BUSG)
GAS TANK ASSEMBLY

Page 30 of 58

| Ref # | Part Number | Qty | S/P/F | Description |
|-------|-------------|-----|-------|--|
| 1 | 3303-067 | 1 | | Cap, Gas Tank |
| 2 | 3303-068 | 1 | | Seal, Gas Tank Cap |
| 3 | 3305-488 | 1 | | Gas Tank - Assembly (inc. 4) |
| 4 | 3303-406 | 2 | | Rubber, Gas Tank |
| 5 | 3303-226 | 2 | | Collar |
| 6 | 3303-383 | 2 | /P | Bolt, Flange |
| 7 | 3305-504 | 1 | | Hose, Gas - Assembly (inc. two No. 8) |
| 8 | 3303-349 | 5 | | Clip |
| 9 | 3305-502 | 1 | | Strainer, Fuel - Assembly |
| 10 | 3305-505 | 1 | | Hose, Gas - Assembly (inc. two No. 8) |
| 11 | 3305-489 | 1 | | Hose, Gas - Assembly (inc. one No. 8 and 12) |
| 12 | 3305-523 | 1 | | Clamp, Tube |
| 13 | 3303-058 | 1 | | Screen, Fuel Strainer |
| 14 | 3305-294 | 1 | | Bracket, Shut-Off Valve |
| 15 | 3303-331 | 2 | /P | Nut, Flange |
| 16 | 3303-316 | 2 | | Screw |
| 17 | 3303-057 | 1 | | Valve, Shut-Off w/Screws |

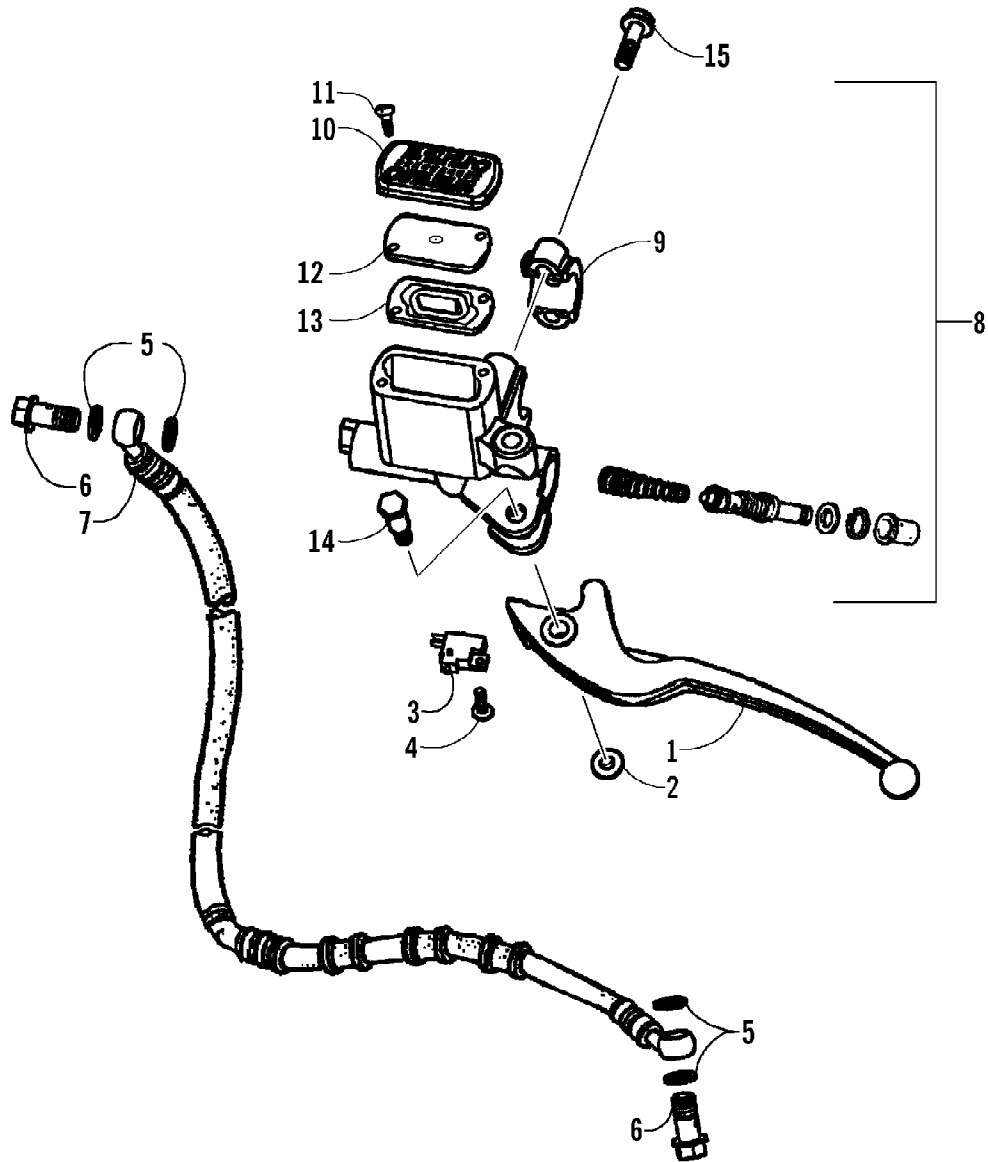
2008 ATV 90 UTILITY GREEN (A2008KUB2BUSG)
HANDLEBAR AND CONTROL ASSEMBLY



2008 ATV 90 UTILITY GREEN (A2008KUB2BUSG)
HANDLEBAR AND CONTROL ASSEMBLY

Page 32 of 58

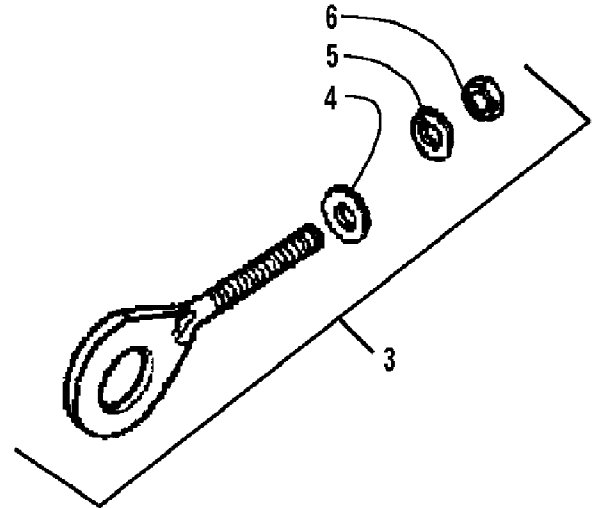
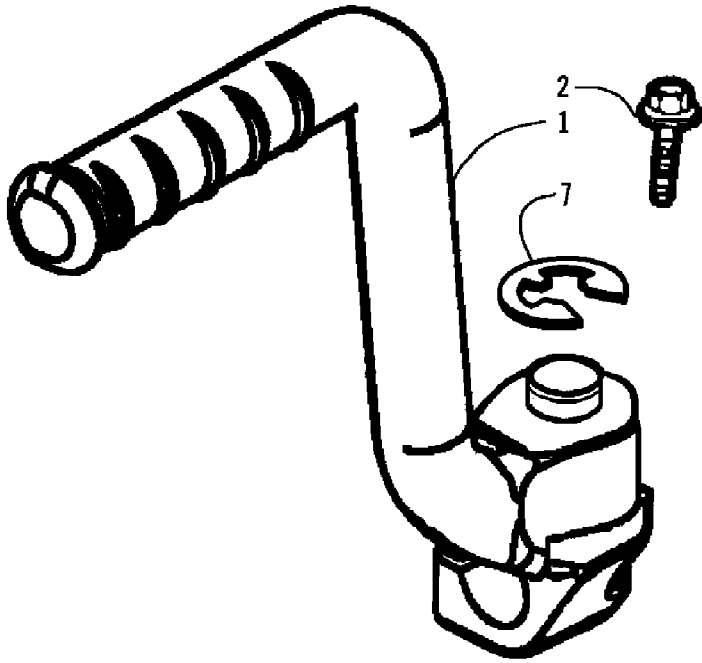
| Ref # | Part Number | Qty | S/P/F | Description |
|-------|-------------|-----|-------|------------------------------|
| 1 | 3304-029 | 2 | /P | Bolt w/Washer |
| 2 | 3304-501 | 1 | | Instrument Pod |
| 3 | 3304-553 | 2 | | Bolt, Flange |
| 4 | 3304-506 | 1 | | Bracket, Instrument Pod |
| 5 | 3304-552 | 1 | | Clip, Mud Guard |
| 6 | 3303-434 | 1 | | Handlebar |
| 7 | 3303-424 | 1 | | Switch, Handlebar - Assembly |
| 8 | 3303-203 | 2 | S | Grip, Handlebar |
| 9 | 3303-196 | 2 | | End Cap, Handlebar |
| 10 | 3303-398 | 4 | | Bolt, Socket |
| 11 | 3303-197 | 1 | | Holder, Handlebar - Right |
| 11 | 3303-198 | 1 | | Holder, Handlebar - Left |
| 12 | 3303-199 | 2 | | Holder, Handlebar - Lower |
| 13 | 3305-277 | 2 | | Washer |
| 14 | 3303-325 | 2 | | Nut, Hex |
| 15 | 3303-173 | 2 | | Cable, Brake - Front |
| 16 | 1502-096 | 1 | /P | Cable, Throttle - Kit |



2008 ATV 90 UTILITY GREEN (A2008KUB2BUSG)
HYDRAULIC HAND BRAKE ASSEMBLY

Page 34 of 58

| Ref # | Part Number | Qty | S/P/F | Description |
|-------|-------------|-----|-------|---|
| 1 | 3303-206 | 1 | /P | Lever |
| 2 | 3304-654 | 1 | /P | Nut, Flange |
| 3 | 3303-141 | 1 | /P | Switch Assembly |
| 4 | 3305-463 | 1 | | Screw w/Washer |
| 5 | 3303-284 | 4 | /P | Washer, Crush |
| 6 | 3303-257 | 2 | /P | Bolt, Banjo-Fitting |
| 7 | 3305-278 | 1 | | Hose, Brake - Assembly |
| 8 | 3305-484 | 1 | S | Brake, Master Cylinder - Assembly (inc. 9-14) |
| 9 | 3303-175 | 1 | /P | Clamp, Master Cylinder |
| 10 | 3303-174 | 1 | /P | Cap, Master Cylinder |
| 11 | 3303-318 | 2 | | Screw, Flat-Head |
| 12 | 3305-250 | 1 | | Plate, Diaphragm |
| 13 | 3305-309 | 1 | | Diaphragm |
| 14 | 3303-254 | 1 | /P | Bolt, Lever |
| 15 | 3305-297 | 2 | | Bolt, Flange |

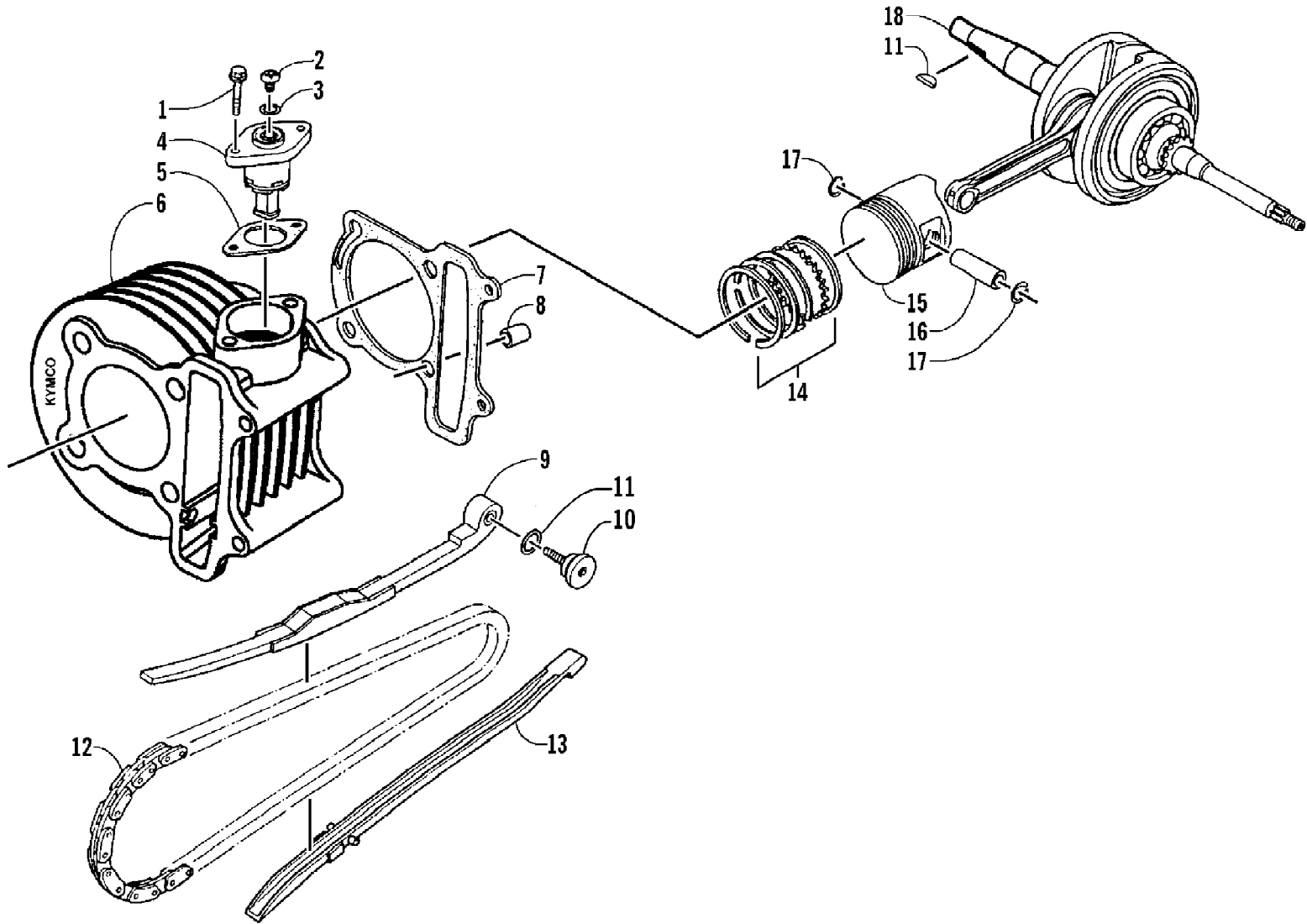


2008 ATV 90 UTILITY GREEN (A2008KUB2BUSG)
KICK STARTER ASSEMBLY

Page 36 of 58

| Ref # | Part Number | Qty | S/P/F | Description |
|-------|-------------|-----|-------|---|
| 1 | 3303-123 | 1 | /P | Arm, Kick Starter - Assembly |
| 2 | 3304-551 | 1 | /P | Bolt, Flange |
| 3 | 3303-147 | 1 | | Adjuster, Drive Train - Assembly (inc. 4-6) |
| 4 | 3304-135 | 1 | /P | Washer |
| 5 | 3303-607 | 1 | /P | Washer, Spring |
| 6 | 3304-125 | 1 | | Nut, Hex |
| 7 | 3305-247 | 1 | /P | E-Clip |

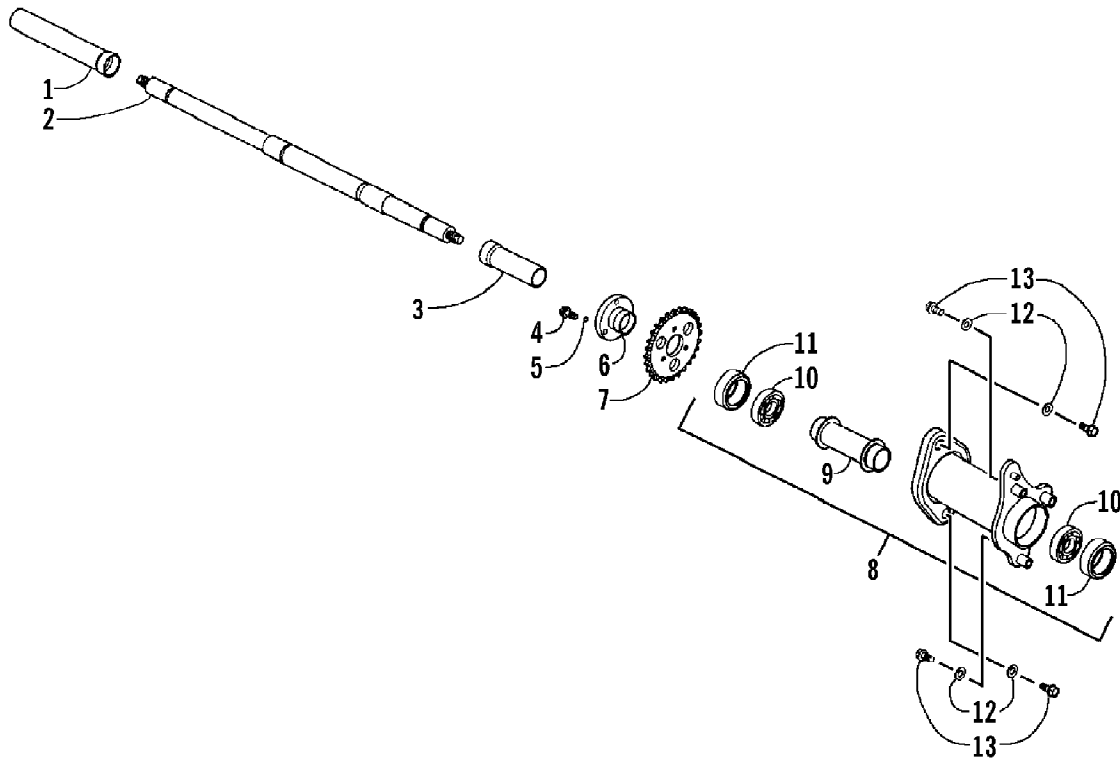
2008 ATV 90 UTILITY GREEN (A2008KUB2BUSG)
PISTON ASSEMBLY



2008 ATV 90 UTILITY GREEN (A2008KUB2BUSG)
PISTON ASSEMBLY

Page 38 of 58

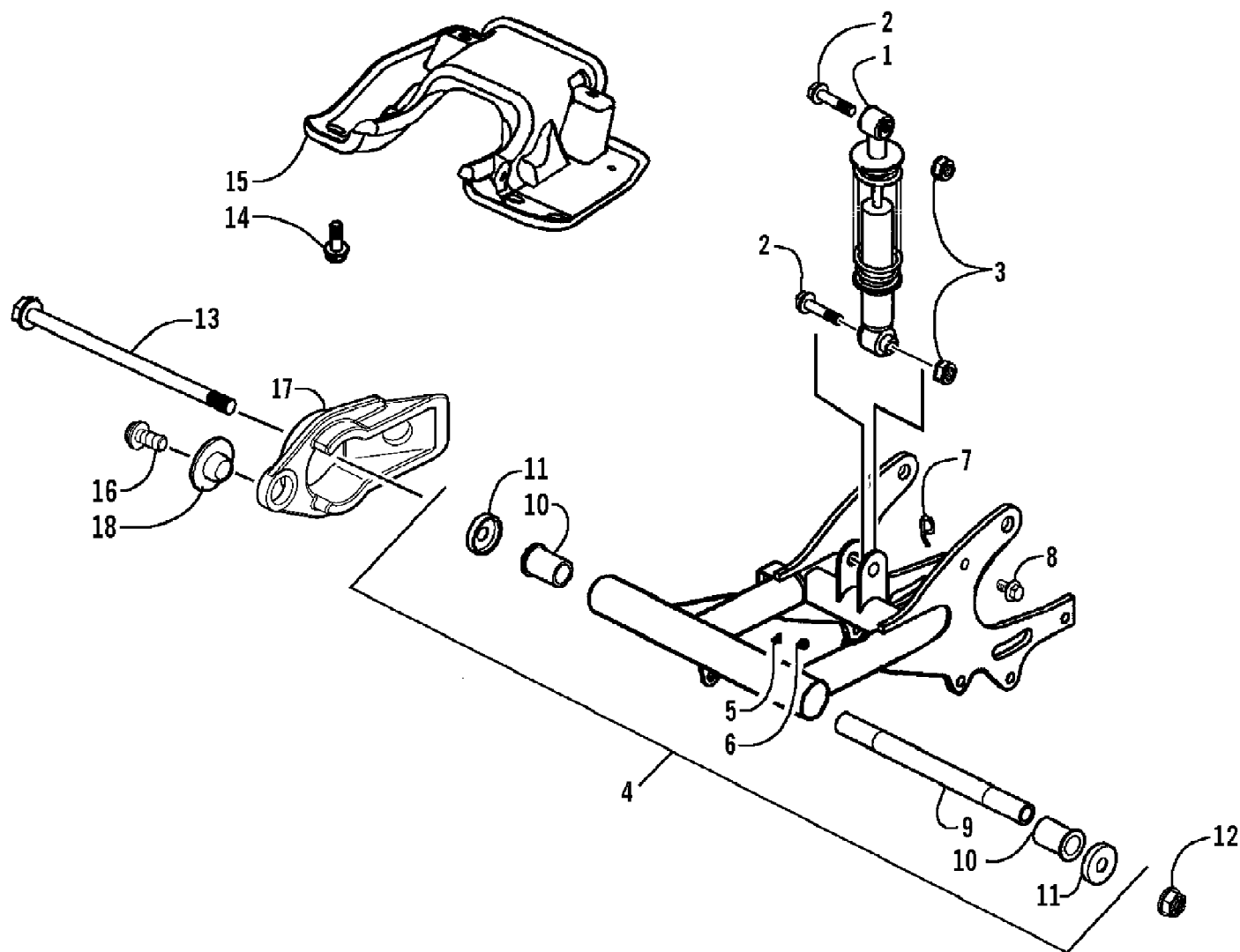
| Ref # | Part Number | Qty | S/P/F | Description |
|-------|-------------|-----|-------|----------------------------|
| 1 | 3304-002 | 2 | /P | Bolt, Flange |
| 2 | 3303-244 | 1 | | Screw |
| 3 | 3304-100 | 1 | /P | O-Ring |
| 4 | 3303-677 | 1 | | Adjuster, Cam Chain |
| 5 | 3303-035 | 1 | | Gasket, Cam Chain Adjuster |
| 6 | 3303-014 | 1 | | Cylinder A |
| 7 | 3303-015 | 1 | | Gasket, Cylinder A |
| 8 | 3303-342 | 2 | | Pin, Dowel |
| 9 | 3303-034 | 1 | | Tensioner, Cam Chain |
| 10 | 3303-036 | 1 | | Pivot, Cam Chain Tensioner |
| 11 | 3303-301 | 1 | /P | O-Ring |
| 12 | 3303-030 | 1 | | Cam Chain |
| 13 | 3303-037 | 1 | | Guide, Cam Chain |
| 14 | 3303-024 | 1 | | Ring, Piston - Set |
| 15 | 3303-025 | 1 | | Piston |
| 16 | 3303-026 | 1 | | Pin, Piston |
| 17 | 3303-027 | 2 | | Clip, Piston Pin |
| 18 | 3305-443 | 1 | | Crankshaft |
| 19 | 3303-290 | 1 | | Key |



2008 ATV 90 UTILITY GREEN (A2008KUB2BUSG)
REAR AXLE ASSEMBLY

Page 40 of 58

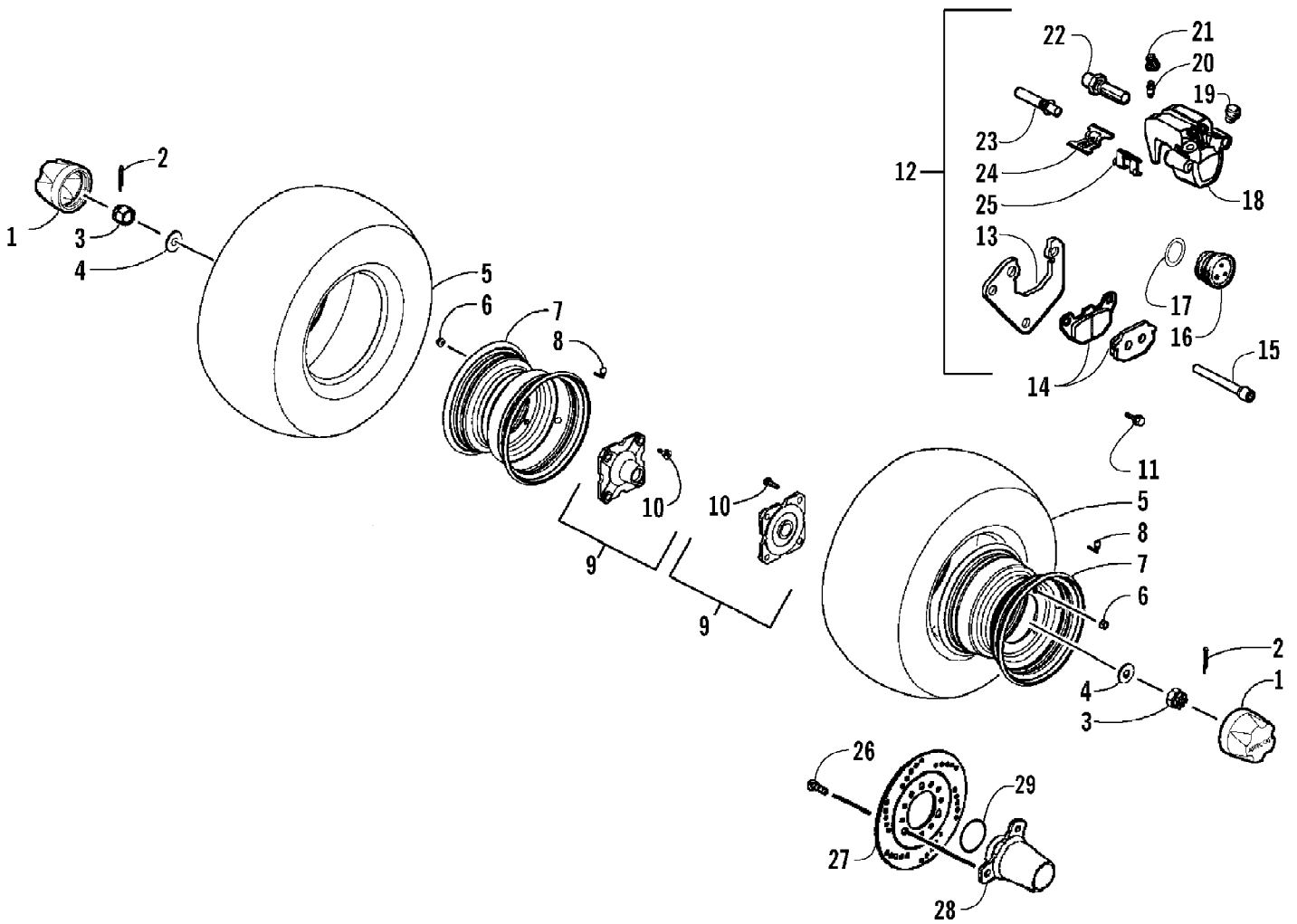
| Ref # | Part Number | Qty | S/P/F | Description |
|-------|-------------|-----|-------|----------------------------------|
| 1 | 3303-152 | 1 | | Spacer, Rear Wheel - Right |
| 2 | 3305-287 | 1 | | Shaft, Rear Wheel |
| 3 | 3303-153 | 1 | | Spacer, Rear Wheel - Left |
| 4 | 3304-565 | 3 | /P | Bolt, Flange |
| 5 | 3303-607 | 3 | /P | Washer, Spring |
| 6 | 3305-289 | 1 | | Holder, Sprocket |
| 7 | 3303-426 | 1 | | Sprocket, Final Drive |
| 8 | 3303-154 | 1 | S | Hub, Rear - Assembly (inc. 9-11) |
| 9 | 3303-427 | 1 | | Collar, Hub - Right |
| 10 | 3303-466 | 2 | | Bearing |
| 11 | 3303-461 | 2 | | Seal, Dust |
| 12 | 3303-281 | 4 | | Washer |
| 13 | 3303-379 | 4 | | Bolt, Flange |



2008 ATV 90 UTILITY GREEN (A2008KUB2BUSG)
REAR SUSPENSION ASSEMBLY

| Ref # | Part Number | Qty | S/P/F | Description |
|-------|-------------|-----|-------|-----------------------------------|
| 1 | 3303-433 | 1 | | Shock, Rear - Assembly |
| 2 | 3303-376 | 2 | /P | Bolt, Flange |
| 3 | 3304-031 | 2 | /P | Nut, Flange |
| 4 | 3305-290 | 1 | | Fork, Rear - Assembly (inc. 5-11) |
| 5 | 3303-394 | 1 | | Boot, Grease Fitting |
| 6 | 3303-393 | 1 | | Fitting, Grease |
| 7 | 3304-594 | 1 | | Clamp, Brake Hose |
| 8 | 3305-341 | 1 | | Bolt |
| 9 | 3303-189 | 1 | | Axle, Rear Fork |
| 10 | 3303-191 | 2 | | Bushing, Rear Fork |
| 11 | 3303-192 | 2 | | Cap, Rear Fork |
| 12 | 3304-032 | 1 | | Nut |
| 13 | 3303-150 | 1 | | Bolt, Rear Fork |
| 14 | 3305-454 | 4 | | Bolt, Flange |
| 15 | 3304-593 | 1 | | Guard, Rear Fork |
| 16 | 3304-690 | 2 | | Screw, Self-Tapping |
| 17 | 3305-291 | 1 | | Slider, Chain |
| 18 | 3304-360 | 2 | | Collar, Chain Slider |

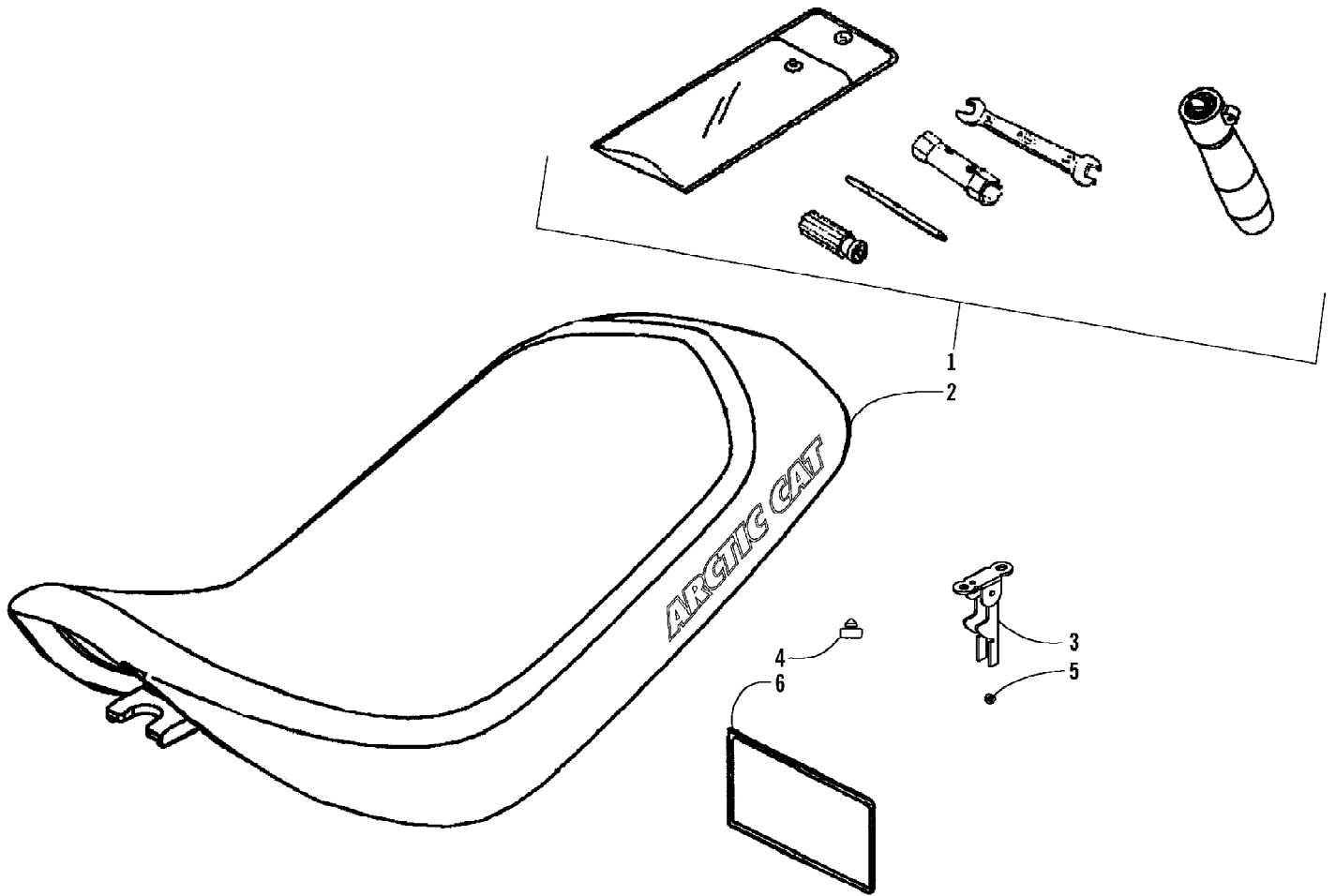
2008 ATV 90 UTILITY GREEN (A2008KUB2BUSG)
REAR WHEEL AND BRAKE ASSEMBLIES



2008 ATV 90 UTILITY GREEN (A2008KUB2BUSG)
REAR WHEEL AND BRAKE ASSEMBLIES

Page 44 of 58

| Ref # | Part Number | Qty | S/P/F | Description |
|-------|-------------|-----|-------|---------------------------------------|
| 1 | 3303-430 | 2 | | Cap, Wheel Shaft |
| 2 | 3303-340 | 2 | | Pin, Cotter |
| 3 | 3303-330 | 2 | | Nut, Flange Castle |
| 4 | 3305-285 | 2 | | Washer |
| 5 | 3303-428 | 2 | | Tire - Rear |
| 6 | 3303-266 | 8 | | Nut, Flange |
| 7 | 3303-156 | 2 | | Wheel - Assembly (inc. 8) |
| 8 | 3304-562 | 2 | | Stem, Valve w/Cap |
| 9 | 3303-157 | 2 | /P | Connector - Assembly (inc. 10) |
| 10 | 3303-250 | 8 | | Bolt, Connector |
| 11 | 3303-256 | 2 | | Bolt, Flange |
| 12 | 3305-449 | 1 | | Caliper, Rear - Assembly (inc. 13-25) |
| 13 | 3305-286 | 1 | S | Bracket |
| 14 | 3305-139 | 1 | S | Pad, Brake - Assembly |
| 15 | 3304-566 | 2 | | Pin, Bolt |
| 16 | 3304-592 | 1 | S | Piston |
| 17 | 3304-327 | 1 | S | Seal, Piston |
| 18 | 0 | 1 | F | Housing, Caliper - Assembly |
| 19 | 3304-333 | 1 | | Plug |
| 20 | 3304-302 | 1 | | Valve, Bleed |
| 21 | 3304-303 | 1 | | Cap, Bleed Valve |
| 22 | 3304-589 | 1 | | Bushing, Pin Bolt |
| 23 | 3304-590 | 1 | | Boot |
| 24 | 3304-591 | 1 | | Spring, Brake Pad |
| 25 | 3304-316 | 1 | S | Seal, Dust |
| 26 | 3305-143 | 3 | S | Bolt, Disc |
| 27 | 3303-162 | 1 | | Disc, Brake - Rear |
| 28 | 3305-249 | 1 | | Collar, Hub - Rear |
| 29 | 3305-298 | 1 | | O-Ring |

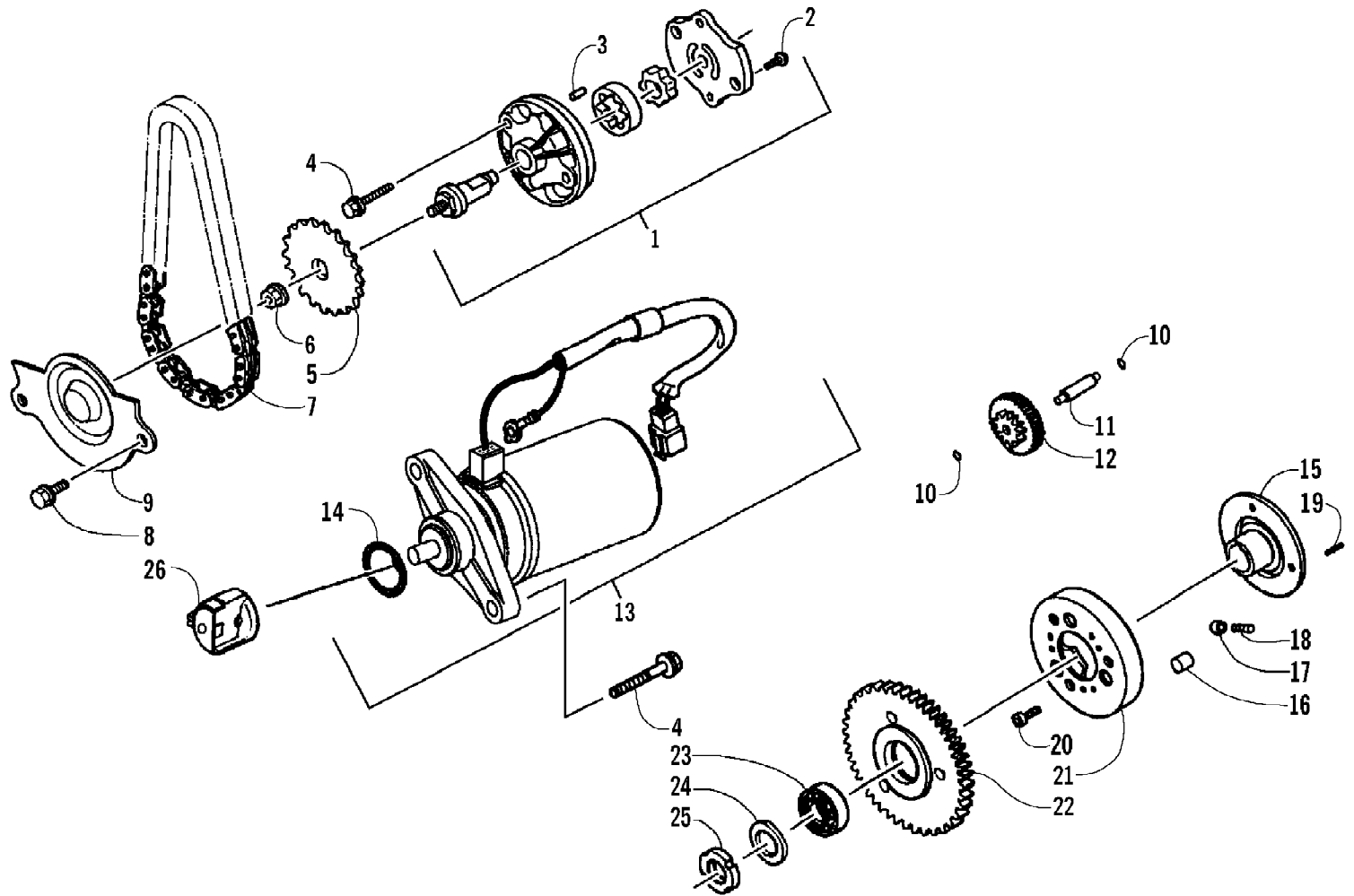


2008 ATV 90 UTILITY GREEN (A2008KUB2BUSG)
SEAT AND TOOL KIT ASSEMBLY

Page 46 of 58

| Ref # | Part Number | Qty | S/P/F | Description |
|-------|-------------|-----|-------|----------------------------|
| 1 | 3303-578 | 1 | /P | Tool - Kit |
| 2 | 3304-497 | 1 | /P | Seat - Assembly (inc. 3-5) |
| 3 | 3304-392 | 1 | | Latch, Seat - Assembly |
| 4 | 3304-568 | 2 | | Rubber, Seat Cushion |
| 5 | 3303-331 | 2 | /P | Nut, Flange |
| 6 | 3303-242 | 1 | | Band, Tool Kit |

2008 ATV 90 UTILITY GREEN (A2008KUB2BUSG)
STARTER MOTOR AND OIL PUMP ASSEMBLIES

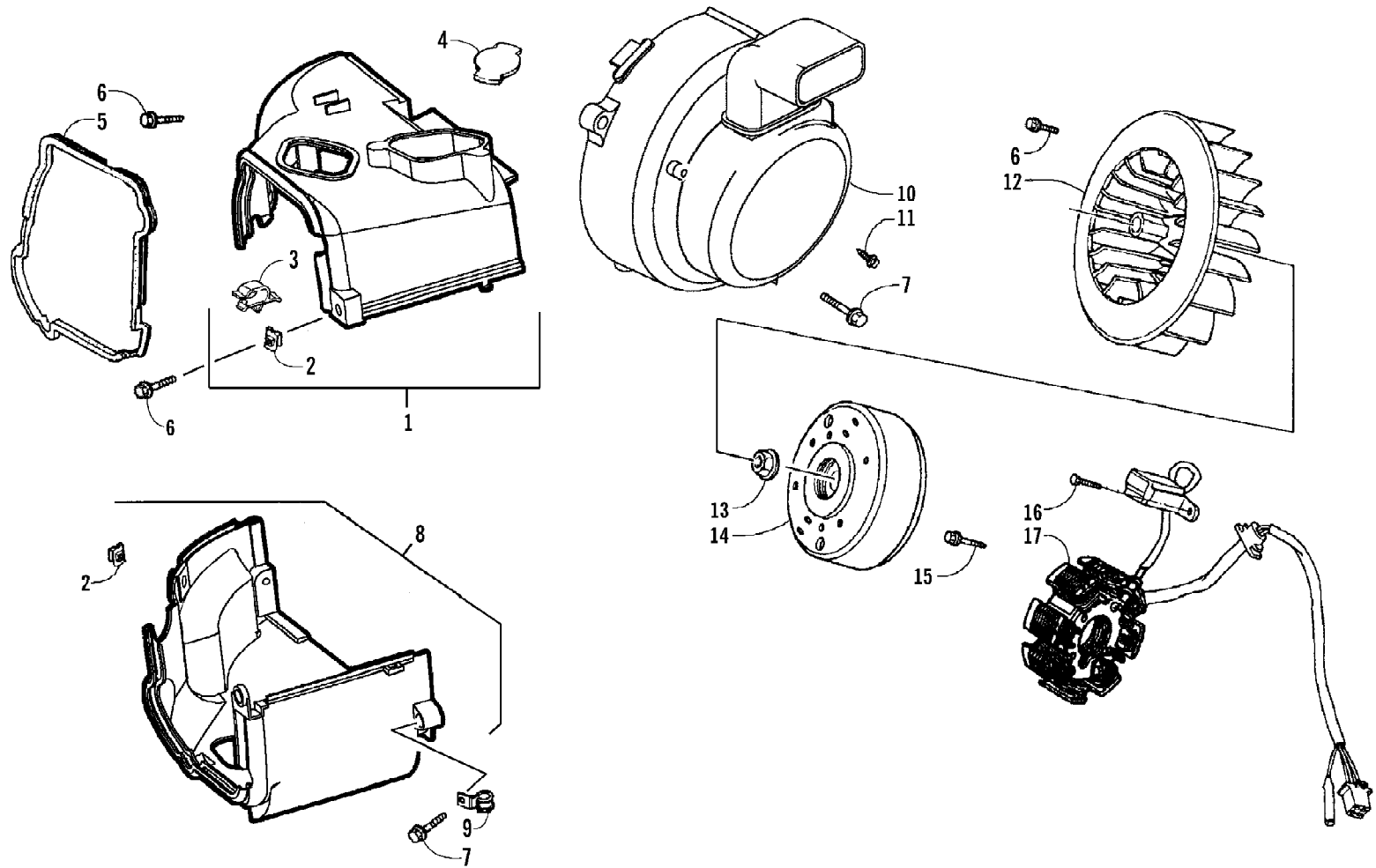


2008 ATV 90 UTILITY GREEN (A2008KUB2BUSG)
STARTER MOTOR AND OIL PUMP ASSEMBLIES

Page 48 of 58

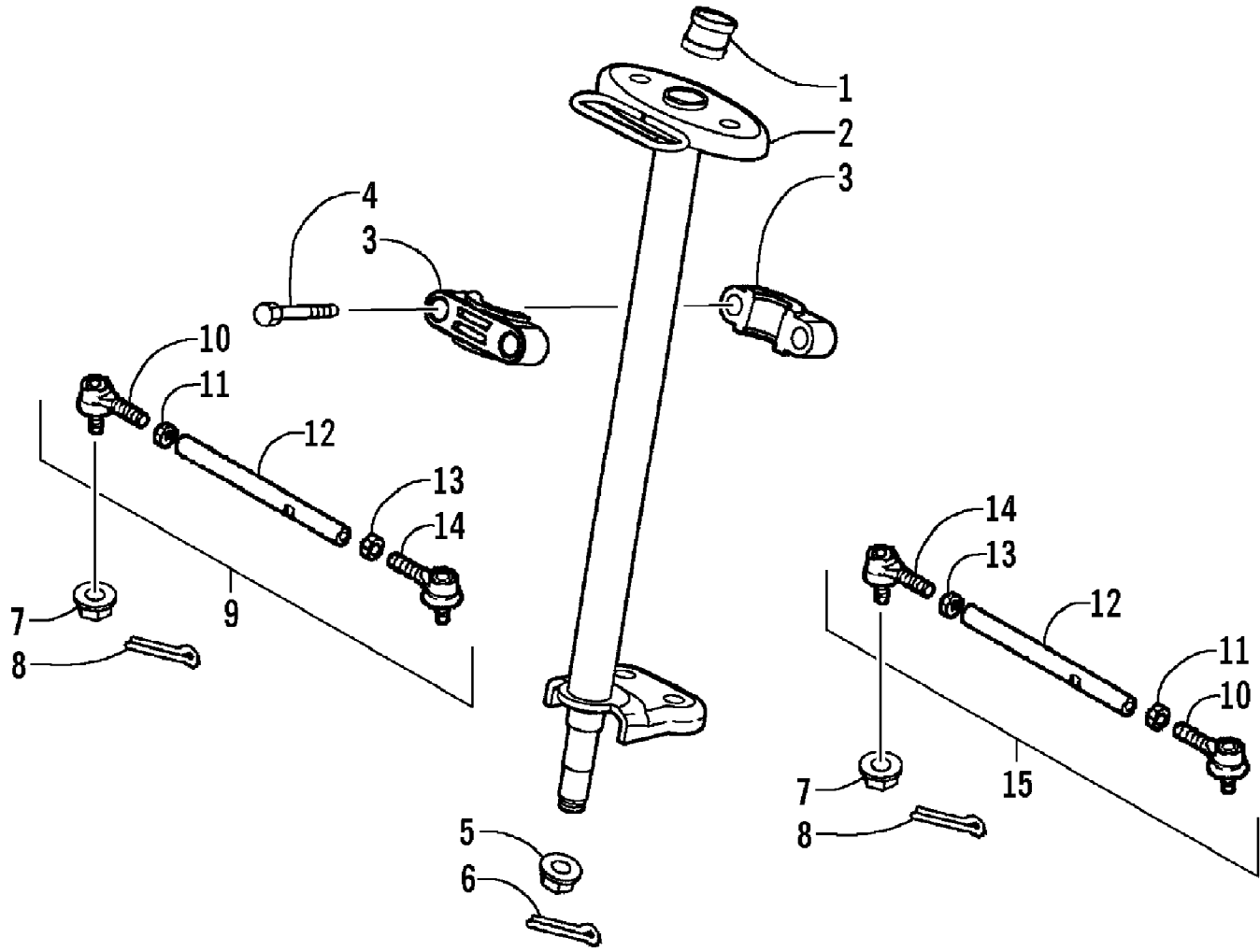
| Ref # | Part Number | Qty | S/P/F | Description |
|-------|-------------|-----|-------|---------------------------------|
| 1 | 3303-045 | 1 | | Pump, Oil - Assembly (inc. 2-3) |
| 2 | 3304-426 | 1 | | Screw, Pan Head |
| 3 | 3304-144 | 1 | | Pin, Dowel |
| 4 | 3303-384 | 4 | /P | Bolt, Flange |
| 5 | 3303-046 | 1 | | Sprocket |
| 6 | 3303-331 | 1 | /P | Nut, Flange |
| 7 | 3303-047 | 1 | | Chain, Oil Pump |
| 8 | 3303-381 | 2 | | Bolt, Flange |
| 9 | 3303-051 | 1 | | Separator, Oil |
| 10 | 3303-282 | 2 | | Washer |
| 11 | 3303-110 | 1 | | Shaft, Starter Reduction |
| 12 | 3303-109 | 1 | | Gear, Starter Reduction |
| 13 | 3304-639 | 1 | /P | Motor, Starter - Assembly |
| 14 | 3303-604 | 1 | | O-Ring |
| 15 | 3303-115 | 1 | | Boss, Starter Clutch |
| 16 | 3303-293 | 3 | | Roller |
| 17 | 3303-114 | 3 | | Roller, Starter |
| 18 | 3303-113 | 3 | | Spring, Roller - Outer Clutch |
| 19 | 3303-395 | 1 | | Roller |
| 20 | 3303-396 | 3 | | Bolt |
| 21 | 3303-112 | 1 | | Clutch, Outer |
| 22 | 3303-111 | 1 | | Gear, Starter |
| 23 | 3303-292 | 1 | | Bearing, Ball |
| 24 | 3303-285 | 1 | | Circlip |
| 25 | 3303-258 | 1 | | Nut |
| 26 | 3303-130 | 1 | | Holder, Starter |

2008 ATV 90 UTILITY GREEN (A2008KUB2BUSG)
STATOR, FLYWHEEL, AND ENGINE SHROUD ASSEMBLIES



2008 ATV 90 UTILITY GREEN (A2008KUB2BUSG)
STATOR, FLYWHEEL, AND ENGINE SHROUD ASSEMBLIES

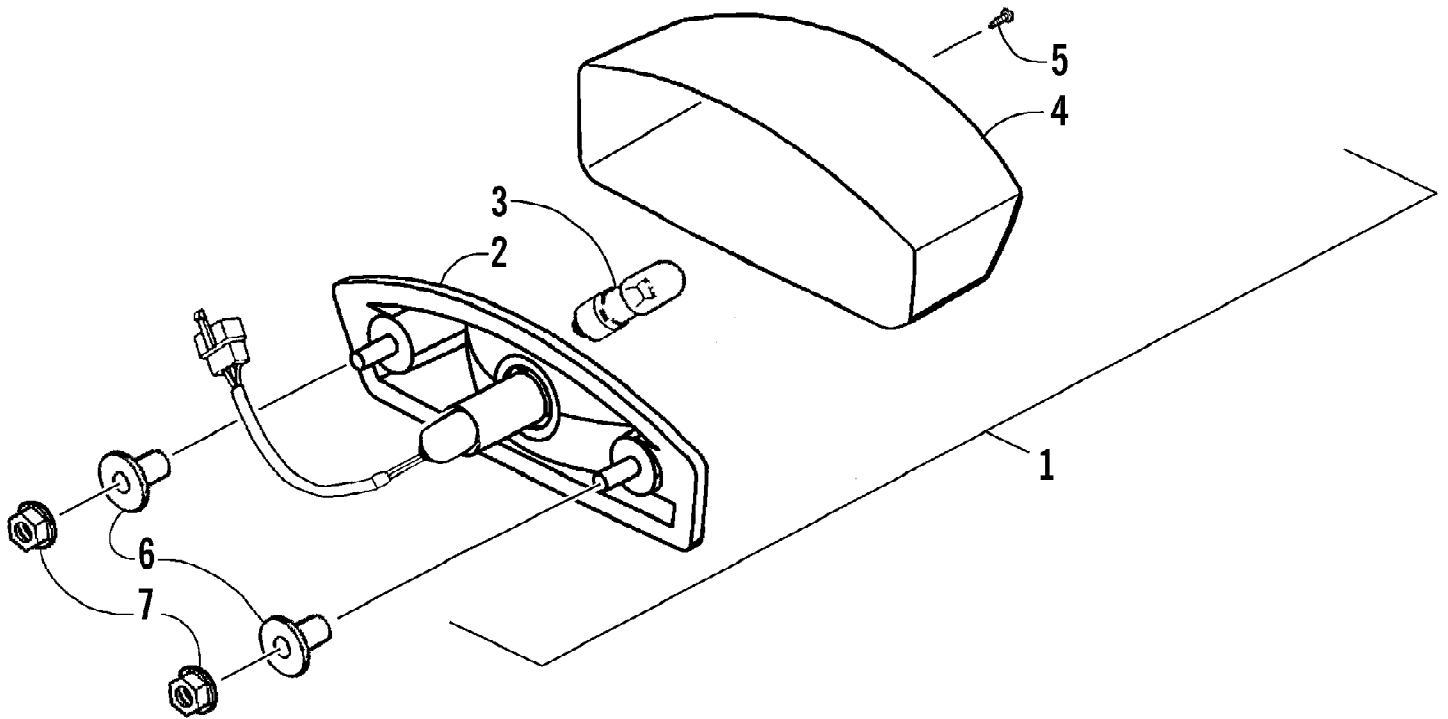
| Ref # | Part Number | Qty | S/P/F | Description |
|-------|-------------|-----|-------|--|
| 1 | 3303-079 | 1 | | Shroud B - Assembly (inc. one No. 2 and 3-4) |
| 2 | 3303-267 | 2 | | Nut, Clip |
| 3 | 3303-443 | 1 | /P | Clip, Vacuum Tube |
| 4 | 3303-408 | 1 | | Grommet, Shroud |
| 5 | 3303-077 | 1 | | Seal, Shroud |
| 6 | 3303-382 | 6 | /P | Bolt, Flange |
| 7 | 3303-384 | 3 | /P | Bolt, Flange |
| 8 | 3303-078 | 1 | | Shroud A - Assembly (inc. one No. 2) |
| 9 | 3304-640 | 1 | | Clamp, Carburetor Drain Tube |
| 10 | 3303-076 | 1 | | Cover, Fan - Assembly |
| 11 | 3304-585 | 2 | /P | Screw, Self-Tapping |
| 12 | 3303-075 | 1 | | Fan, Cooling |
| 13 | 3303-333 | 1 | /P | Nut, Flange |
| 14 | 3303-127 | 1 | | Flywheel (A) D402 |
| 14 | 3303-414 | 1 | | Flywheel (B) D406 |
| 14 | 3303-415 | 1 | | Flywheel (C) D414 |
| 15 | 3303-383 | 2 | /P | Bolt, Flange |
| 16 | 3303-308 | 2 | | Bolt |
| 17 | 3304-641 | 1 | | Stator - Assembly (O) D402 |
| 17 | 3305-254 | 1 | /P | Stator - Assembly (A) D406 |
| 17 | 3305-256 | 1 | /P | Stator - Assembly (B) D414 |



2008 ATV 90 UTILITY GREEN (A2008KUB2BUSG)
STEERING POST ASSEMBLY

Page 52 of 58

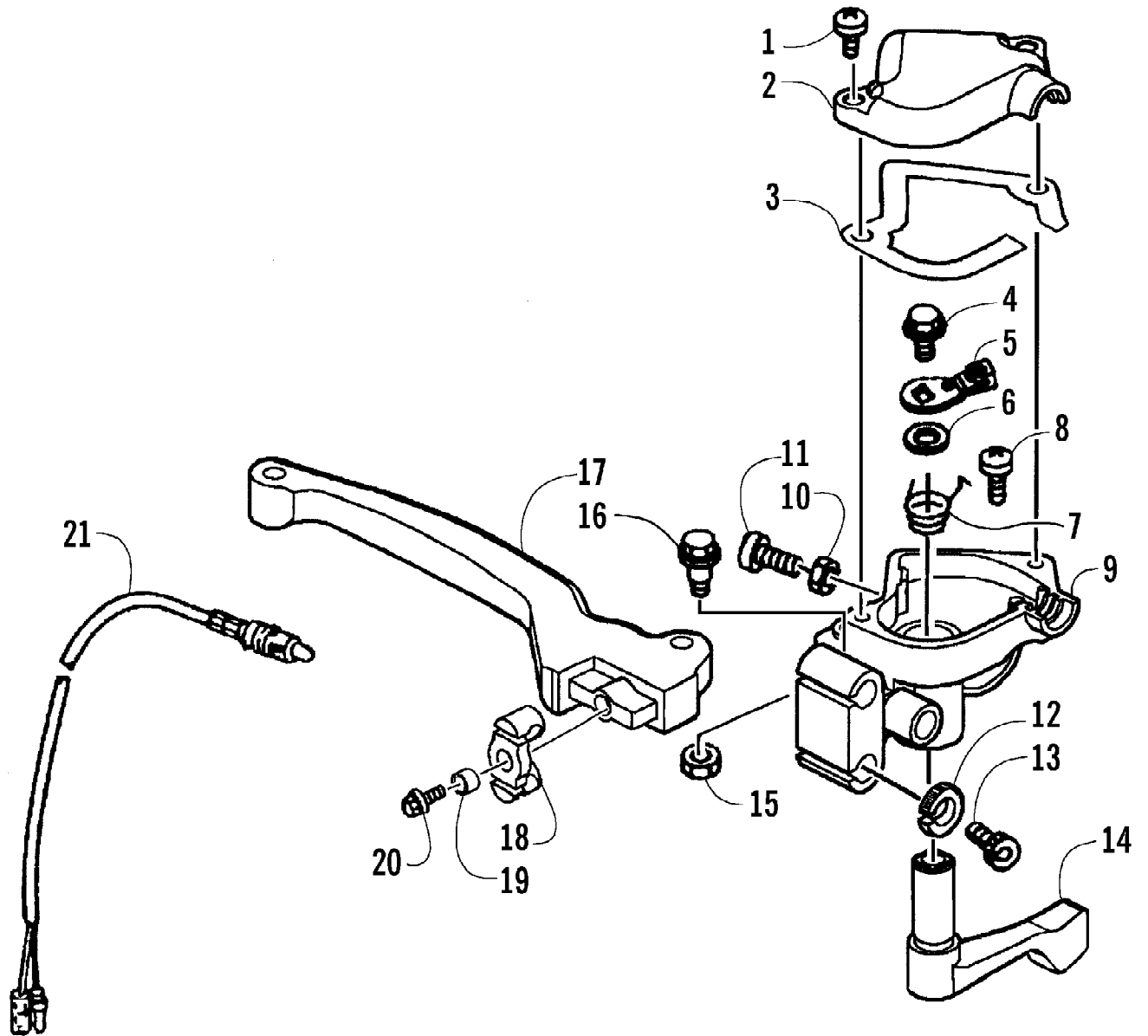
| Ref # | Part Number | Qty | S/P/F | Description |
|-------|-------------|-----|-------|---|
| 1 | 3303-214 | 1 | S | Sleeve, Steering Post |
| 2 | 3303-573 | 1 | /P | Post, Steering |
| 3 | 3303-213 | 2 | | Holder, Steering Post |
| 4 | 3304-559 | 2 | | Bolt, Flange |
| 5 | 3304-032 | 1 | | Nut |
| 6 | 3303-470 | 1 | | Pin, Cotter |
| 7 | 3303-266 | 4 | | Nut, Flange |
| 8 | 3303-621 | 4 | /P | Pin, Cotter |
| 9 | 3305-280 | 1 | | Tie Rod Assembly - Right (inc. one No. 10-14) |
| 10 | 3305-281 | 2 | | Ball Joint, Tie Rod - Right |
| 11 | 3303-326 | 2 | | Nut, Hex |
| 12 | 3305-282 | 2 | | Tie Rod |
| 13 | 3303-327 | 2 | | Nut, Hex |
| 14 | 3305-283 | 2 | | Ball Joint, Tie Rod - Left |
| 15 | 3305-284 | 1 | | Tie Rod Assembly - Left (inc. one No. 10-14) |



2008 ATV 90 UTILITY GREEN (A2008KUB2BUSG)
TAILLIGHT ASSEMBLY

Page 54 of 58

| Ref # | Part Number | Qty | S/P/F | Description |
|-------|-------------|-----|-------|---------------------------------|
| 1 | 3303-420 | 1 | | Taillight - Assembly (inc. 2-5) |
| 2 | 3303-422 | 1 | | Base, Taillight |
| 3 | 3303-444 | 1 | S | Bulb, Taillight |
| 4 | 3303-421 | 1 | /P | Lens, Taillight |
| 5 | 3304-537 | 2 | | Screw |
| 6 | 3303-226 | 2 | | Collar, Front Fender |
| 7 | 3303-331 | 2 | /P | Nut, Flange |

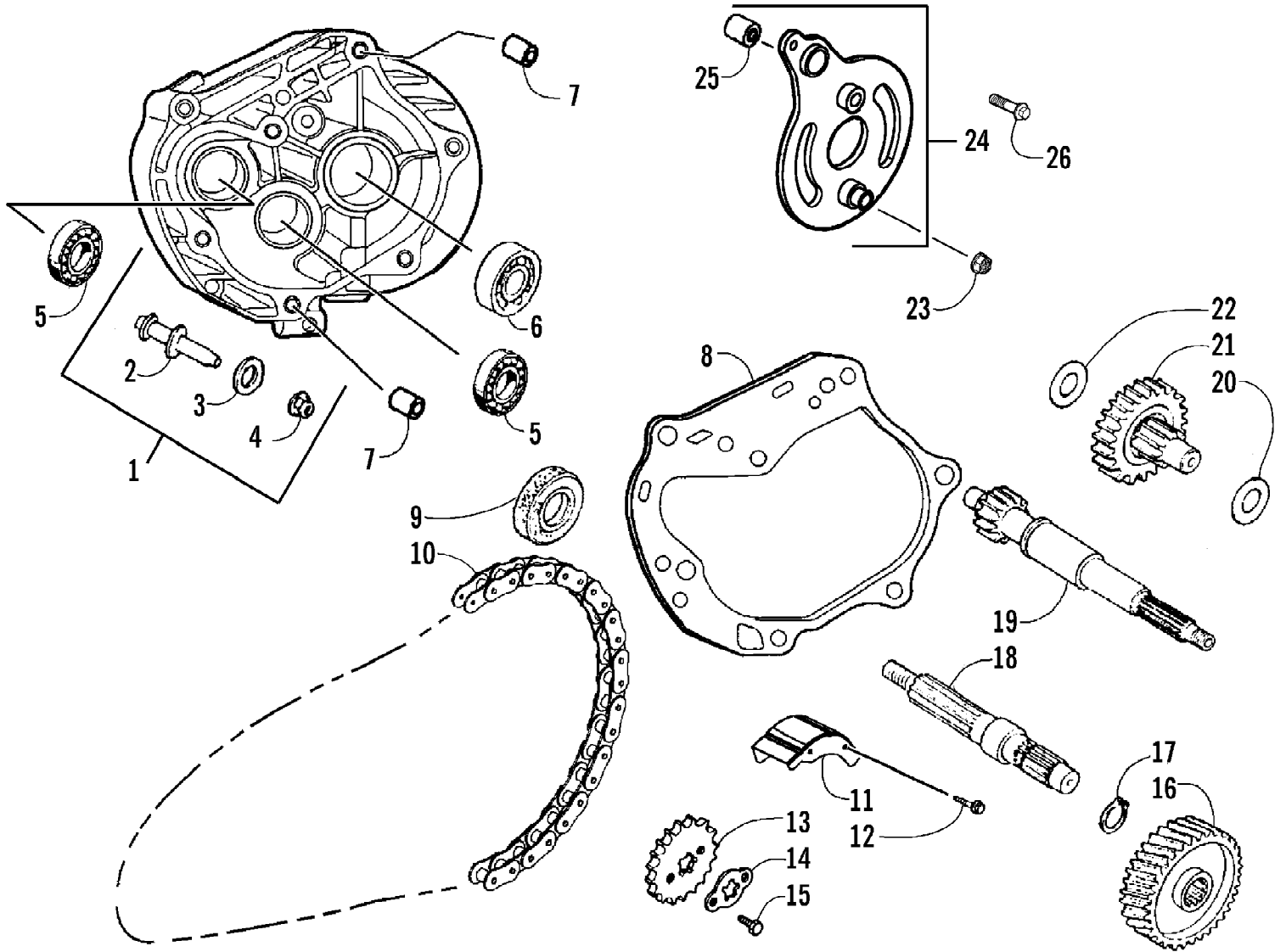


2008 ATV 90 UTILITY GREEN (A2008KUB2BUSG)
THROTTLE CONTROL ASSEMBLY

Page 56 of 58

| Ref # | Part Number | Qty | S/P/F | Description |
|-------|-------------|-----|-------|------------------------------------|
| | 3303-447 | 1 | | Complete Throttle Control Assembly |
| 1 | 3303-315 | 2 | | Bolt, Flange |
| 2 | 3303-207 | 1 | | Cover, Throttle Control |
| 3 | 3303-209 | 1 | | Gasket, Throttle Control Cover |
| 4 | 3304-554 | 1 | | Screw |
| 5 | 3304-555 | 1 | | Cover, Parking Brake |
| 6 | 3304-556 | 1 | | Button, Parking Brake |
| 7 | 3304-557 | 1 | | Stopper, Parking Brake |
| 8 | 3303-397 | 1 | | Bolt, Socket |
| 9 | 3303-204 | 1 | | Case, Throttle Control |
| 10 | 3303-324 | 1 | | Nut, Hex |
| 11 | 3304-558 | 1 | | Screw |
| 12 | 3303-271 | 2 | | Nut, Lock |
| 13 | 3303-208 | 2 | | Bolt, Wire Adjustment |
| 14 | 3303-200 | 1 | | Lever, Throttle |
| 15 | 3303-262 | 1 | | Nut |
| 16 | 3303-255 | 1 | | Bolt |
| 17 | 3303-205 | 1 | | Lever, Brake |
| 18 | 3303-201 | 1 | | Equalizer, Brake Cable |
| 19 | 3303-202 | 1 | | Spacer |
| 20 | 3303-558 | 1 | | Bolt, Flange |
| 21 | 3303-140 | 1 | | Switch, Brake |

2008 ATV 90 UTILITY GREEN (A2008KUB2BUSG)
TRANSMISSION ASSEMBLY



| Ref # | Part Number | Qty | S/P/F | Description |
|-------|-------------|-----|-------|---|
| 1 | 3303-080 | 1 | | Case, Transmission - Set (inc. 2-6) |
| 2 | 3304-606 | 1 | /P | Bolt, Engine Brake |
| 3 | 3303-462 | 1 | | O-Ring |
| 4 | 3303-270 | 1 | | Nut, Flange |
| 5 | 3303-596 | 2 | /P | Bearing, Ball |
| 6 | 3303-598 | 1 | /P | Bearing, Ball |
| 7 | 3303-343 | 2 | | Pin, Dowel |
| 8 | 3303-081 | 1 | | Gasket, Transmission Case A |
| 9 | 3303-300 | 1 | | Seal, Oil |
| 10 | 3303-425 | 1 | | Chain, Drive |
| 11 | 3303-144 | 1 | | Cover, Chain |
| 12 | 3304-610 | 2 | | Bolt, Flange |
| 13 | 3303-107 | 1 | /P | Sprocket, Drive |
| 14 | 3303-108 | 1 | | Plate |
| 15 | 3303-307 | 2 | | Bolt |
| 16 | 3303-106 | 1 | | Gear, Final |
| 17 | 3303-344 | 1 | | Circlip |
| 18 | 3303-105 | 1 | | Shaft, Final |
| 19 | 3303-103 | 1 | | Driveshaft |
| 20 | 3303-275 | 1 | /P | Washer |
| 21 | 3303-104 | 1 | | Countershaft - Assembly |
| 22 | 3303-273 | 1 | | Washer |
| 23 | 3303-268 | 2 | | Nut, Flange |
| 24 | 3303-185 | 1 | /P | Bracket, Engine Hanger - Assembly (inc. 25) |
| 25 | 3303-403 | 1 | | Bushing, Rubber |
| 26 | 3304-607 | 1 | | Bolt, Flange |