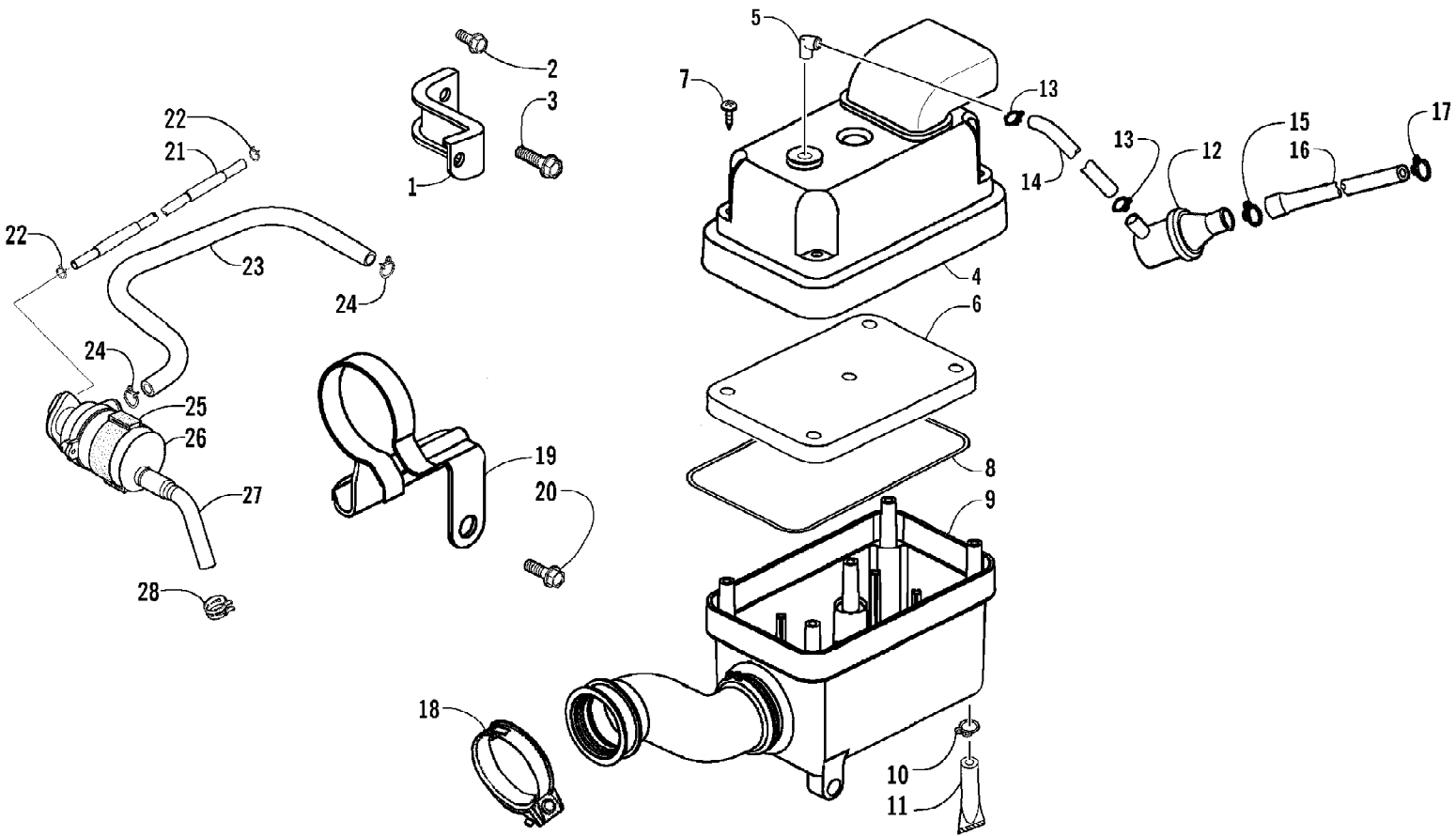
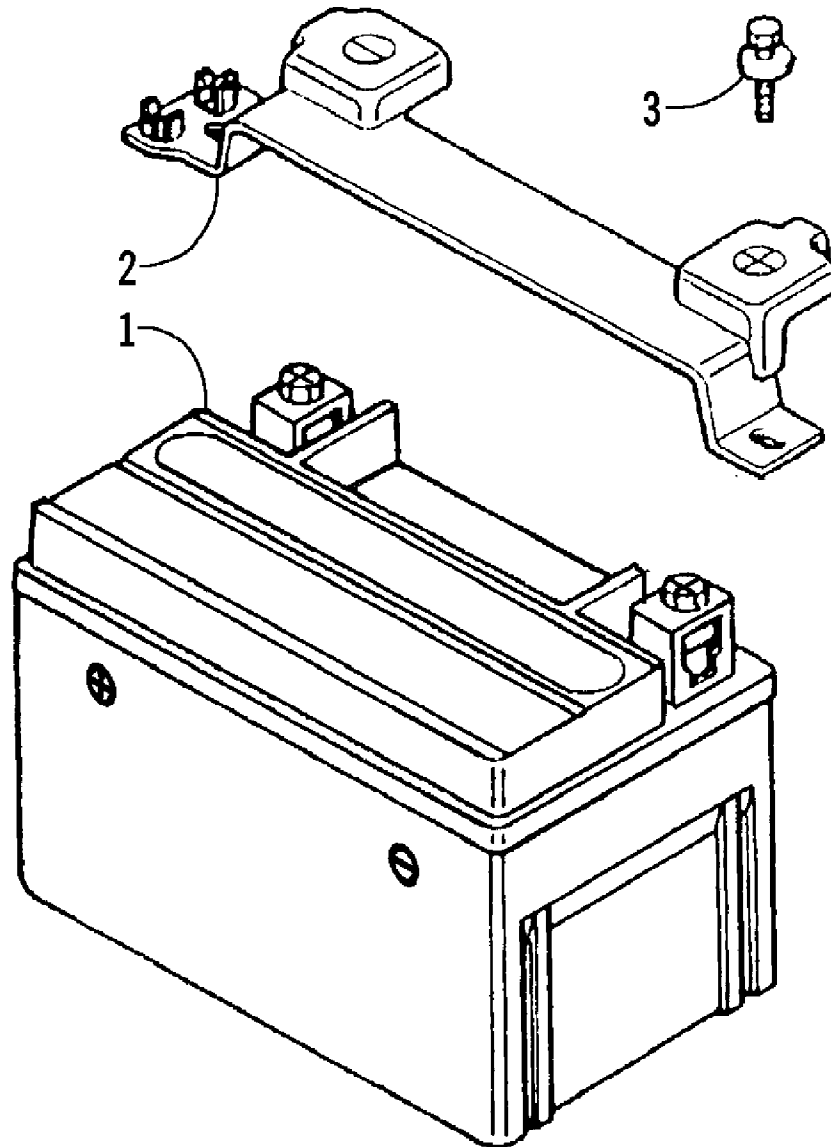


2008 ATV 90 UTILITY CALIFORNIA RED (A2008 KUB2BCAR)  
AIR INTAKE ASSEMBLY



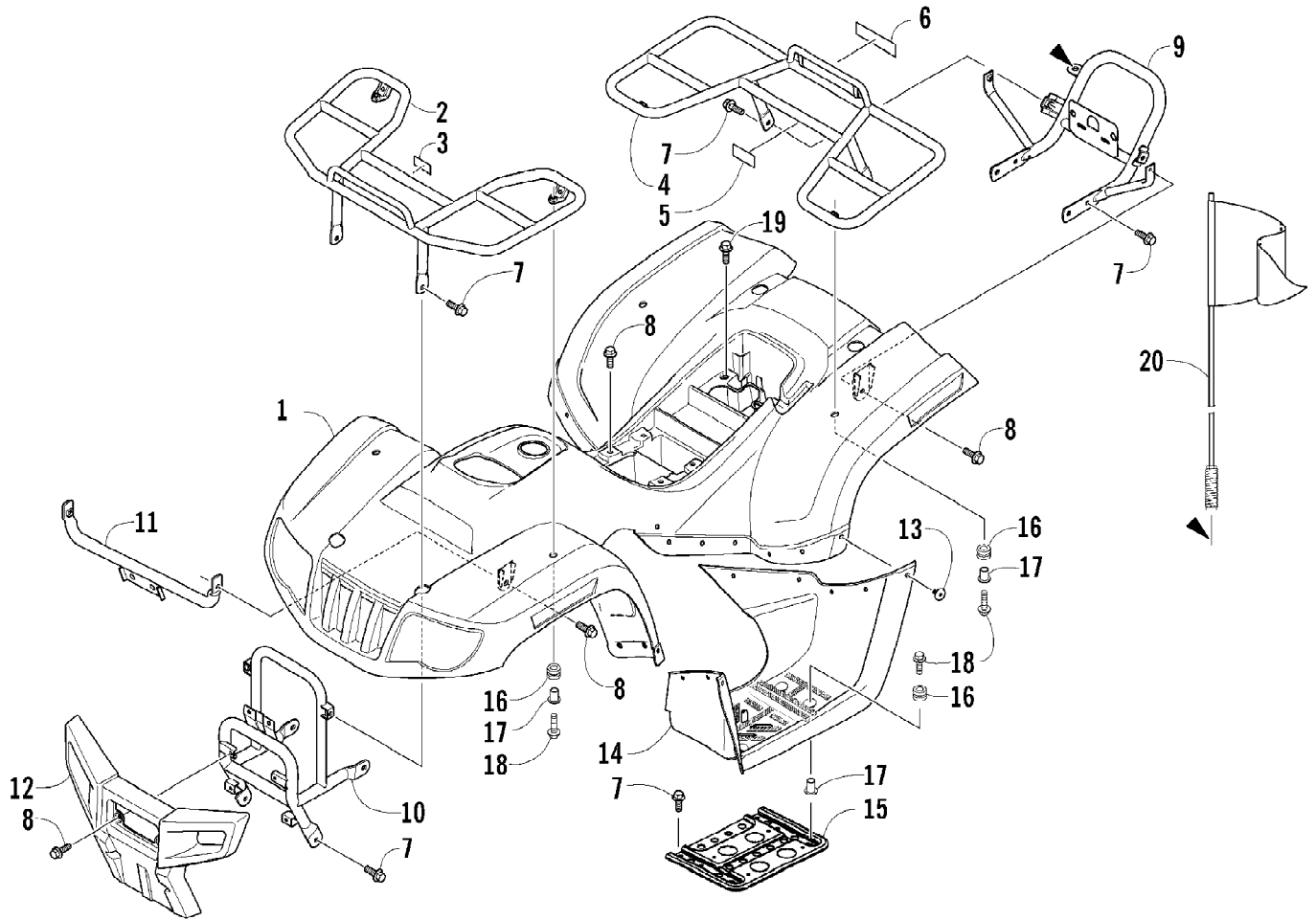
Ref #	Part Number	Qty	S/P/F	Description
1	3303-005	1		Bracket, Mounting
2	3305-458	1		Bolt, Flange
3	3303-360	1		Bolt, Flange
4	3303-062	1		Cover, Air Cleaner (inc. 5)
5	0	1	F	Fitting
6	3303-060	1		Element, Air Cleaner
7	3305-450	5	/P	Screw, Self-Tapping
8	3303-063	1		Seal, Air Cleaner
9	3305-314	1		Case, Air Cleaner
10	3305-315	1		Clip
11	3304-168	1	/P	Tube, Drain
12	3303-064	1	/P	Catch, Air Cleaner Element
13	3303-350	2		Clip
14	3303-002	1	/P	Tube
15	3303-052	1		Clip, Breather Tube
16	3303-001	1		Tube
17	3303-352	1		Clip
18	3303-288	1		Clamp
19	3303-287	1		Clamp Assembly - Air Cleaner Tube
20	3304-551	1	/P	Bolt, Flange
21	3005-596	1		Tube, Vacuum
22	3004-161	2		Clip, Tube
23	3005-598	1		Duct, Air - AICV Unit
24	3004-167	2		Clip, Tube
25	3305-355	1		Mount, Rubber - AICV Unit
26	3305-599	1		AICV Unit
27	3305-597	1		Duct, Reed Valve - AICV Unit
28	3303-712	1		Clamp



2008 ATV 90 UTILITY CALIFORNIA RED (A2008 KUB2BCAR)  
BATTERY ASSEMBLY

---

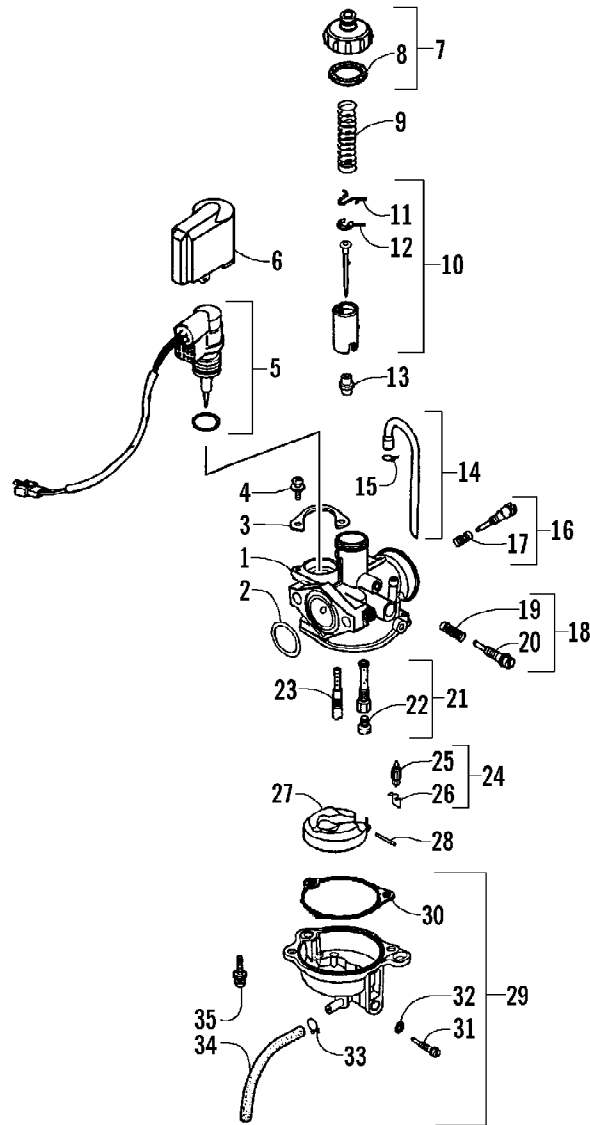
Ref #	Part Number	Qty	S/P/F	Description
1	3303-131	1	/P	Battery
2	3303-182	1		Band, Battery
3	3303-263	2	/P	Bolt w/Washer



2008 ATV 90 UTILITY CALIFORNIA RED (A2008 KUB2BCAR)  
BODY PANEL AND RACK ASSEMBLY

Page 6 of 58

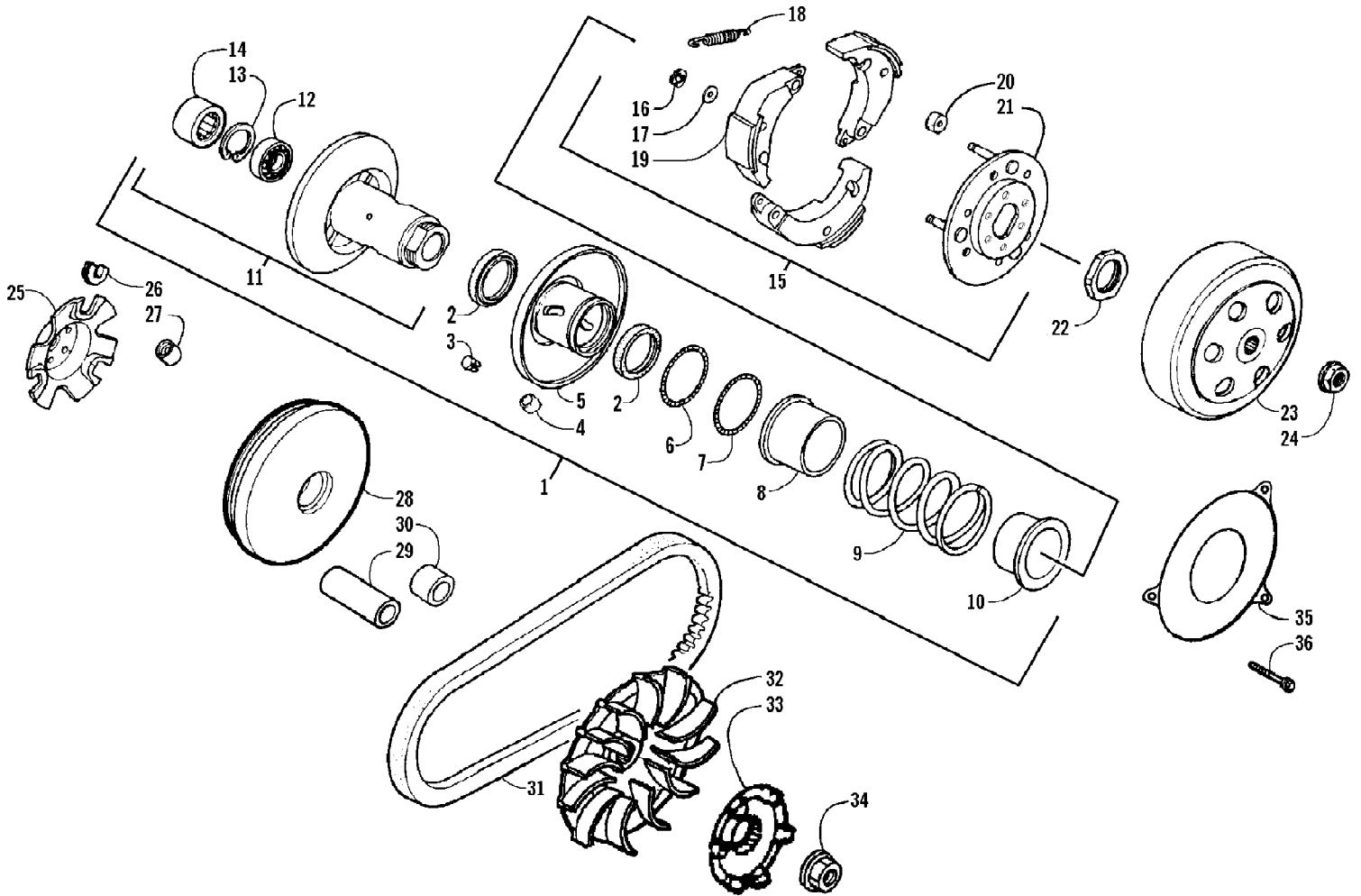
Ref #	Part Number	Qty	S/P/F	Description
1	3304-498	1	S	Panel, Body
2	3304-503	1		Rack - Front
3	1411-316	1		Decal, Warning - Front Rack Load
4	3304-504	1		Rack - Rear
5	1411-317	1		Decal, Warning - Rear Rack Load
6	1411-318	1		Decal, "Arctic Cat" - White
7	3304-543	20	/P	Bolt, Flange
8	3304-587	10	/P	Bolt, Flange
9	3305-403	1		Grip, Rear
10	3304-541	1		Bumper
11	3304-549	1		Bracket, Mounting - Front Cover
12	3304-496	1	S	Fascia, Bumper - Front
13	3305-448	20		Clip, Mud Guard
14	3304-612	1	S	Mud Guard, Floor - Right
14	3304-613	1	S	Mud Guard, Floor - Left
15	3304-494	1		Reinforcement, Floor - Right
15	3304-495	1		Reinforcement, Floor - Left
16	3303-227	12		Rubber, Wind Screen
17	3303-233	12		Collar, Floor
18	3304-586	12	/P	Bolt w/Washer
19	3303-313	2	/P	Bolt, Flange
20	3305-308	1		Flag - Assembly



Ref #	Part Number	Qty	S/P/F	Description
	3305-529	1		Complete Carburetor Assembly
1	0	1	F	Body, Carburetor
2	3304-488	1		O-Ring
3	3304-471	1		Set Plate
4	5507-117	2	/P	Screw w/Washer
5	3304-470	1		Automatic Bypass/Starter Assembly
6	3304-469	1		Holder, Cap
7	3304-462	1		Set, Top (inc. 8)
8	3304-463	1		Gasket, Top
9	3304-464	1		Spring, Compression
10	3304-467	1		Valve, Throttle - Assembly (inc. 11-12)
11	3304-465	1		Plate, Needle Clip
12	3304-466	1		Clip, Needle
13	3304-468	1		Needle Jet
14	3304-472	1		Tube, Rubber - Assembly (inc. 15)
15	3304-474	1		Clip, Tube
16	3305-446	1		Screw, Adjustment - Assembly (inc. 17)
17	3305-444	1		Spring, Compression
18	3304-477	1		Screw, Stop - Assembly (inc. 19-20)
19	3304-232	1		Spring, Compression
20	3304-478	1		Screw, Stop
21	3304-479	1		Holder, Needle Jet - Assembly (inc. 22)
22	3304-482	1		Jet, Main - 80
22	5507-170	1	F	Jet, Main - 75
22	5507-220	1	F	Jet, Main - 78
23	3304-489	1		Jet, Slow
24	3304-490	1		Valve, Float - Assembly (inc. 25-26)
25	3304-483	1		Valve, Float - Set
26	3304-484	1		Clip
27	3304-491	1		Float Assembly
28	3304-485	1		Pin, Float Arm
29	3304-486	1		Body, Float Chamber - Assembly (inc. 30-34)
30	0	1	F	Gasket
31	3304-243	1		Screw, Drain
32	3304-239	1		O-Ring
33	3304-452	1		Clip, Tube
34	3305-248	1	/P	Tube, Drain
35	3303-320	2		Screw w/Washer

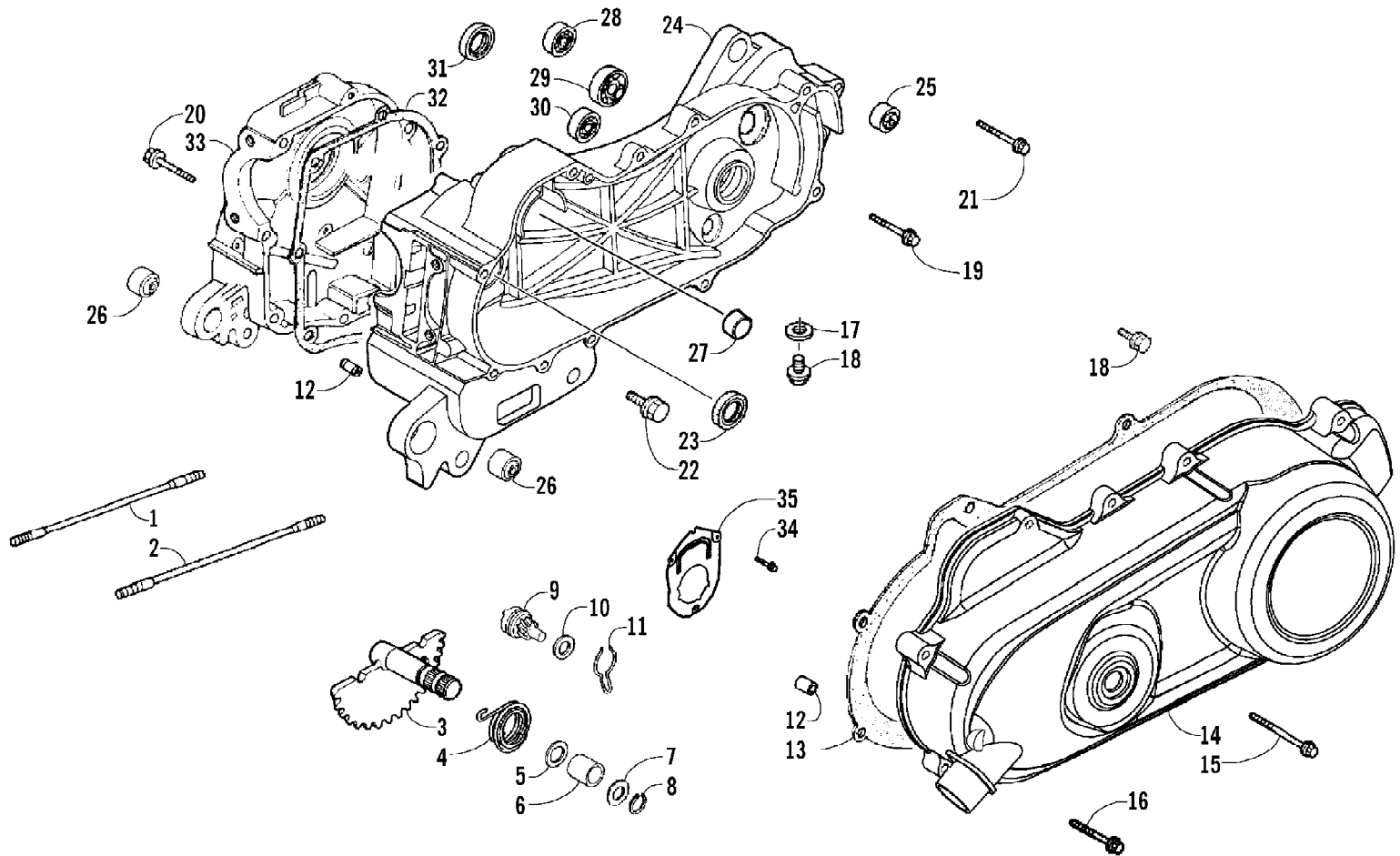


2008 ATV 90 UTILITY CALIFORNIA RED (A2008 KUB2BCAR)  
CLUTCH ASSEMBLIES

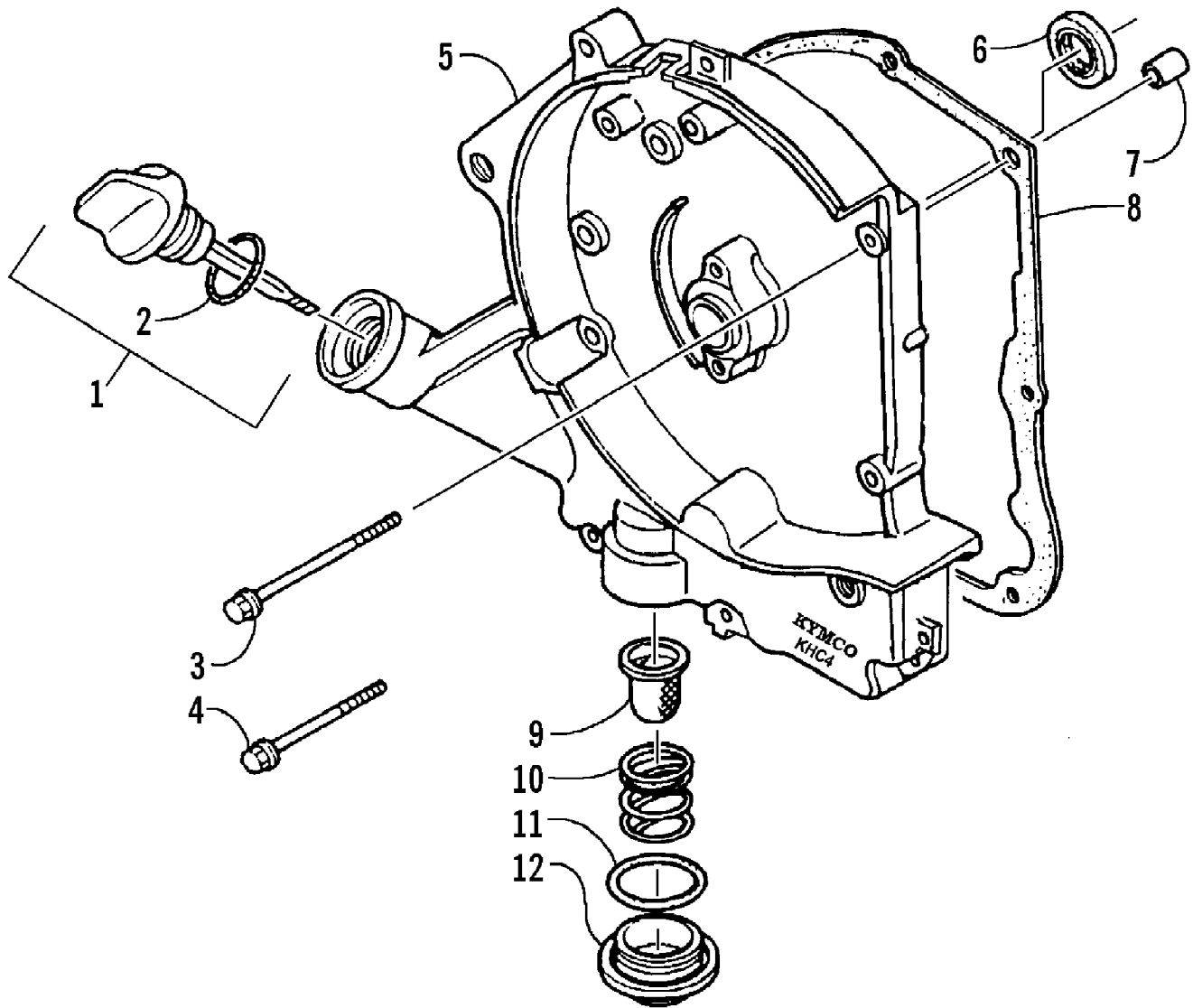


Ref #	Part Number	Qty	S/P/F	Description
1	3303-411	1		Pulley, Driven - Assembly (inc. 2-22)
2	3303-299	2		Seal, Oil
3	3303-098	3		Guide, Pin
4	3303-099	3		Guide, Roller
5	3303-097	1		Face, Driven - Movable
6	3304-620	1		O-Ring
7	3304-619	1		O-Ring
8	3303-101	1		Collar, Seal
9	3303-100	1		Spring, Driven Face
10	3303-102	1		Collar, Spring
11	3303-096	1		Face, Driven - Fixed - Assembly (inc. 12-14)
12	3303-291	1		Bearing, Ball
13	3303-346	1		Circlip
14	3303-294	1		Bearing, Needle
15	3303-090	1		Face, Drive - Assembly (inc. 16-21)
16	3304-618	3	/P	E-Ring
17	3303-274	3		Washer, Thrust
18	3303-092	3		Spring, Clutch
19	3303-093	3		Weight, Clutch
20	3303-094	3		Rubber, Clutch Damper
21	3303-091	1		Face, Drive
22	3304-025	1	/P	Nut
23	3303-082	1		Housing, Centrifugal Clutch
24	3303-333	1	/P	Nut, Flange
25	3303-088	1		Plate, Ramp
26	3303-089	3		Slide
27	3303-087	6		Guide, Roller
28	3303-086	1		Face, Drive - Movable
29	3303-409	1		Boss, Drive Face
30	3303-410	1		Collar, Drive Face
31	3303-095	1		Belt, Drive
32	3303-083	1		Face, Drive
33	3303-116	1		Ratchet, Kick Starter
34	3303-334	1		Nut, Flange
35	3304-460	1		Plate, Dust
36	3303-381	3		Bolt, Flange

2008 ATV 90 UTILITY CALIFORNIA RED (A2008 KUB2BCAR)  
CRANKCASE ASSEMBLY



Ref #	Part Number	Qty	S/P/F	Description
1	3303-247	2		Bolt, Stud
2	3303-248	2		Bolt, Stud
3	3303-119	1		Spindle, Kick Starter
4	3303-122	1		Spring, Return - Kick Starter
5	3303-121	1		Collar, Boss - Kick Starter
6	3303-120	1		Bushing, Spindle - Kick Starter
7	3303-276	1		Washer, Spindle - Kick Starter
8	3303-345	1		Circlip
9	3303-118	1		Gear, Driven - Kick Starter
10	3303-272	1		Washer, Thrust
11	3303-117	1		Spring, Driven - Kick Starter
12	3303-341	4		Pin, Dowel
13	3303-013	1		Gasket, Crankcase Cover - Left
14	3304-615	1		Cover , Crankcase - Left
15	3303-386	7	/P	Bolt, Flange
16	3303-385	1		Bolt, Flange
17	3303-278	1		Washer
18	3303-365	2		Bolt, Flange
19	3303-372	1		Bolt, Flange
20	3303-387	1		Bolt, Flange
21	3303-370	6		Bolt, Flange
22	3304-052	1	/P	Bolt, Drain Plug - Assembly
23	3303-296	1		Seal, Oil
24	3303-004	1		Crankcase, Set - Left (inc. 25, one No. 26, and 27)
25	3303-403	2		Bushing, Rubber - Rear Cushion
26	3303-402	2	/P	Bushing, Rubber - Engine Hanger
27	3304-597	1		Bushing
28	3303-464	1		Bearing, Ball
29	3303-459	1		Bearing, Needle
30	3303-465	1		Bearing, Ball
31	3303-297	1	/P	Seal, Oil
32	3303-003	1		Gasket, Crankcase - Right
33	3303-400	1	/P	Crankcase, Set - Right (inc. one No. 26)
34	3303-391	3		Bolt
35	3303-009	1		Plate, Cover

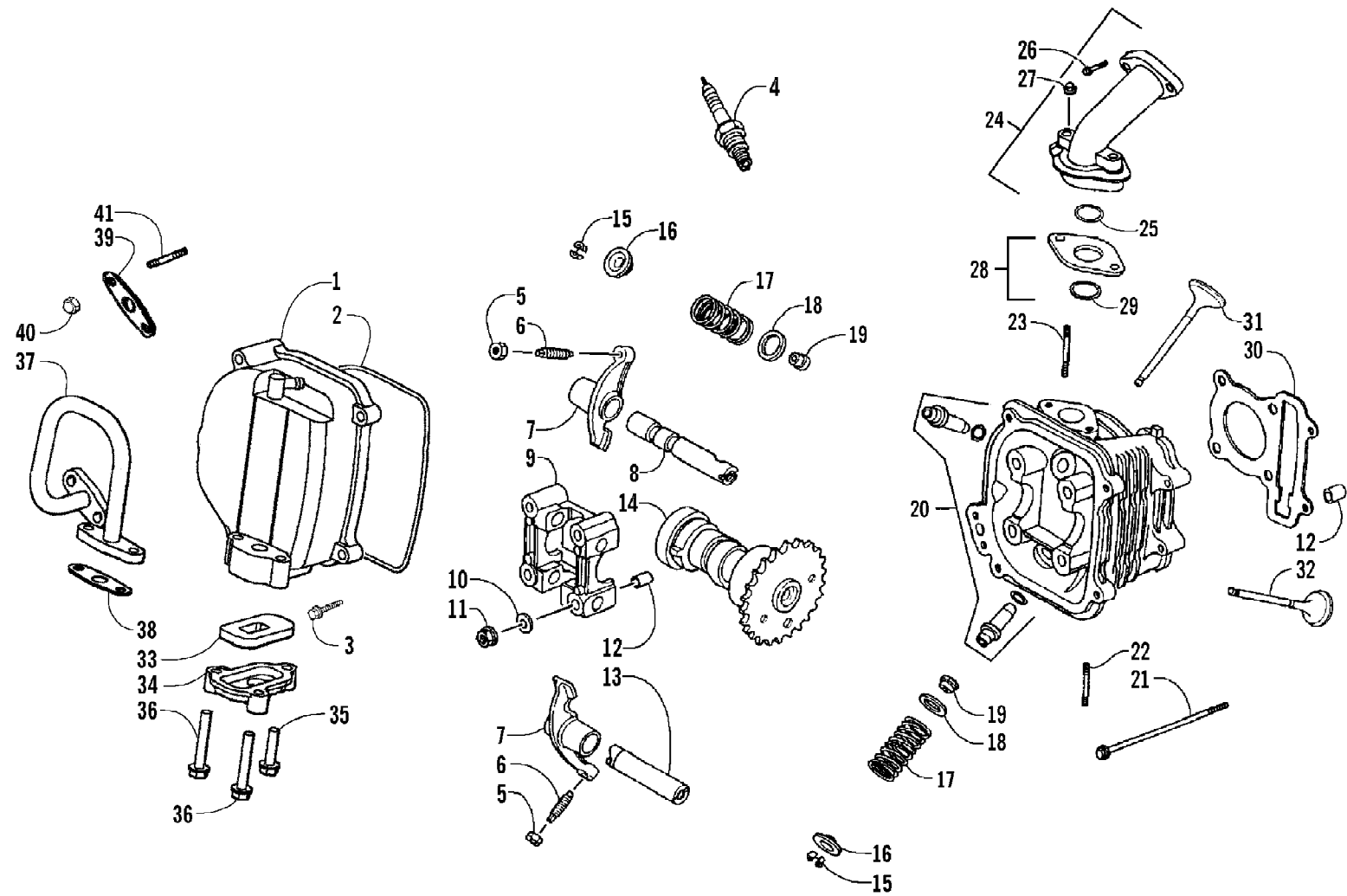


2008 ATV 90 UTILITY CALIFORNIA RED (A2008 KUB2BCAR)  
CRANKCASE COVER ASSEMBLY

Page 14 of 58

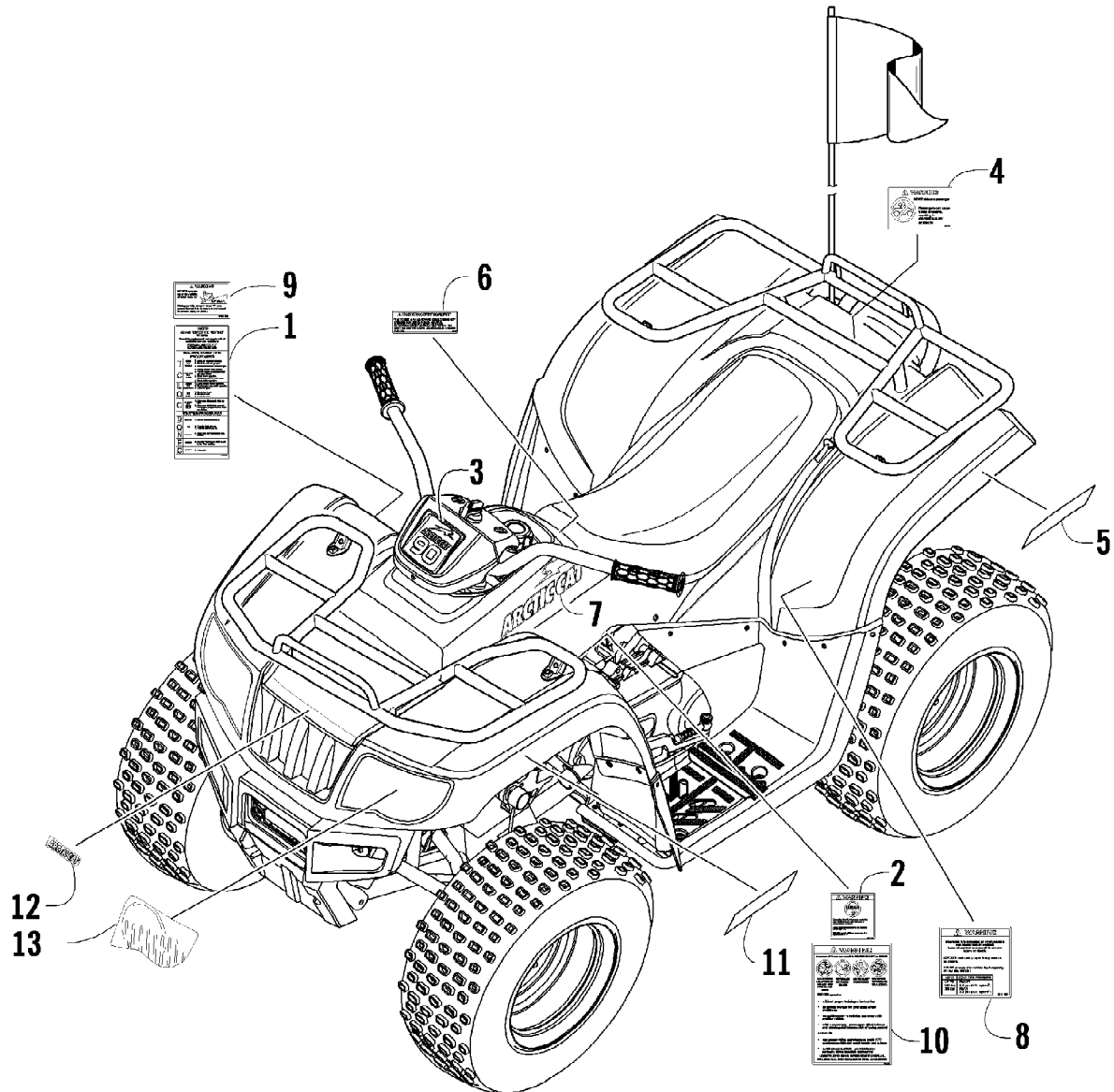
Ref #	Part Number	Qty	S/P/F	Description
1	3303-050	1		Gauge, Oil Level - Assembly (inc. 2)
2	3303-306	1	S	O-Ring
3	3303-390	4		Bolt, Flange
4	3304-580	4		Bolt, Flange
5	3303-007	1		Cover, Crankcase (inc. 6)
6	3303-296	1		Seal, Oil
7	3303-341	2		Pin, Dowel
8	3303-012	1		Gasket, Crankcase
9	3303-048	1	S	Screen, Oil Filter
10	3303-049	1	S	Spring, Oil Filter Screen
11	3304-096	1	/P	O-Ring
12	3303-021	1		Cap, Oil Filter

2008 ATV 90 UTILITY CALIFORNIA RED (A2008 KUB2BCAR)  
CYLINDER HEAD ASSEMBLY



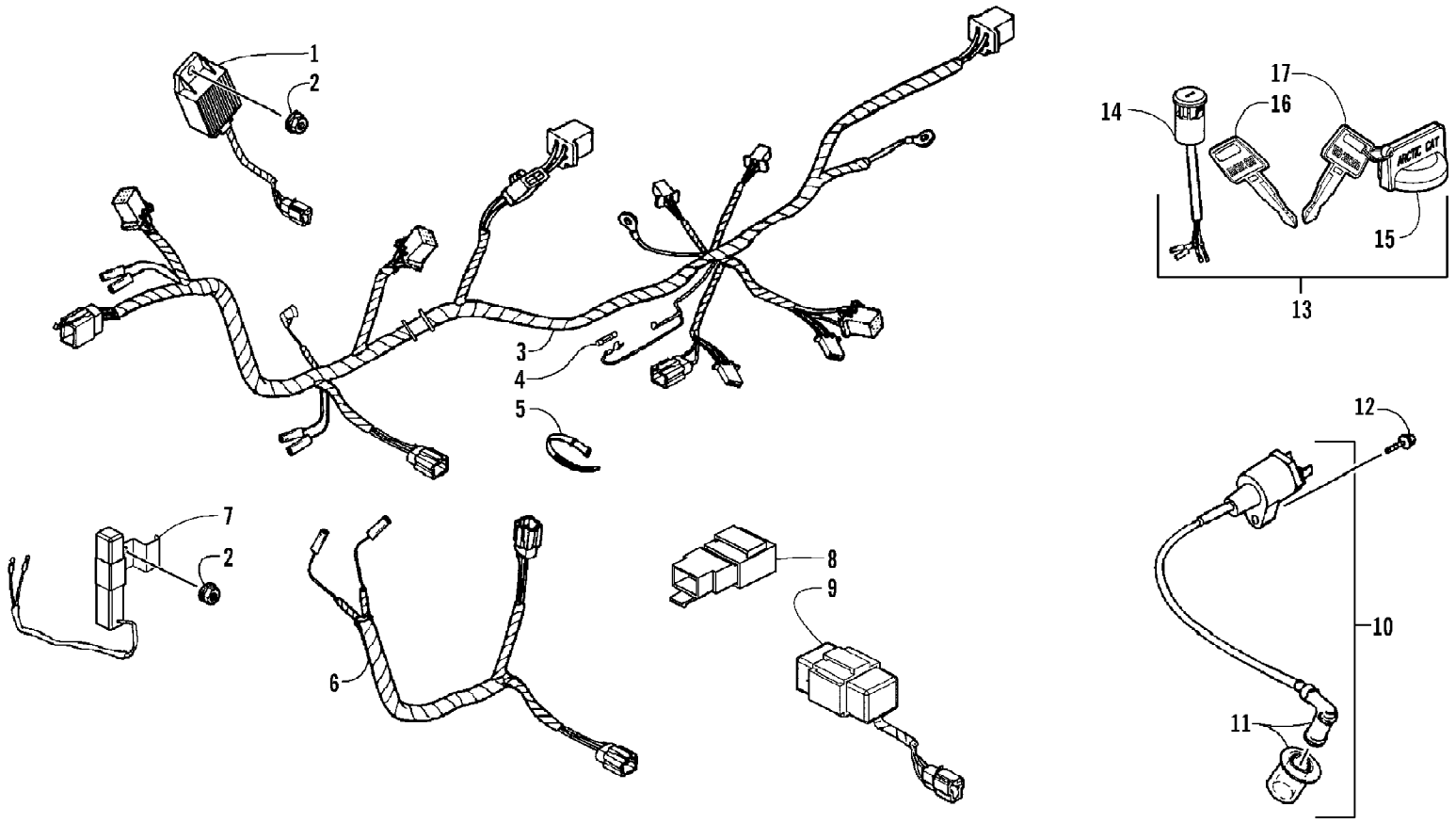
Ref #	Part Number	Qty	S/P/F	Description
1	3305-594	1		Cover, Cylinder Head
2	3305-588	1		Gasket, Cylinder Head Cover
3	3303-360	4		Bolt, Flange
4	0217-726	1	/P	Plug, Spark
5	3304-026	2	/P	Nut, Tappet Adjusting
6	3304-007	2	/P	Screw, Tappet Adjusting
7	3303-495	2		Arm, Rocker
8	3303-496	1		Shaft, Rocker Arm - Intake
9	3303-486	1		Holder, Camshaft
10	3303-589	4		Washer, Sealing
11	3303-584	4		Nut, Flange
12	3303-594	4		Pin, Dowel
13	3303-497	1		Shaft, Rocker Arm - Exhaust
14	3303-493	1		Camshaft
15	3303-044	4		Cotter, Valve
16	3303-042	2	/P	Retainer, Valve Spring
17	3303-506	2		Spring, Valve - Outer
18	3303-043	2		Seat, Valve Spring - Outer
19	3303-657	2	/P	Seal, Valve Stem
20	3305-585	1		Head, Cylinder
21	3304-580	2		Bolt, Flange
22	3303-581	2		Bolt, Stud
23	3303-310	2		Bolt, Stud
24	3305-595	1		Pipe, Inlet - Assembly (inc. 25)
25	3303-304	1		O-Ring
26	3303-384	2	/P	Bolt, Flange
27	3303-331	2	/P	Nut, Flange
28	3303-511	1	/P	Insulator, Carburetor - Assembly (inc. 29)
29	3304-596	1		O-Ring
30	3303-487	1		Gasket, Cylinder Head
31	3303-504	1		Valve, Inlet
32	3303-505	1		Valve, Exhaust
33	3305-353	1		Valve, Reed
34	3305-354	1		Cover, Reed Valve
35	3305-401	1		Bolt, Flange
36	3305-402	2		Bolt, Flange
37	3305-589	1		Pipe, Air Intake
38	3305-356	1		Gasket, Air Intake Pipe
39	3303-732	1		Gasket, Air Intake Pipe
40	3304-030	2		Nut
41	3303-582	2		Bolt, Stud



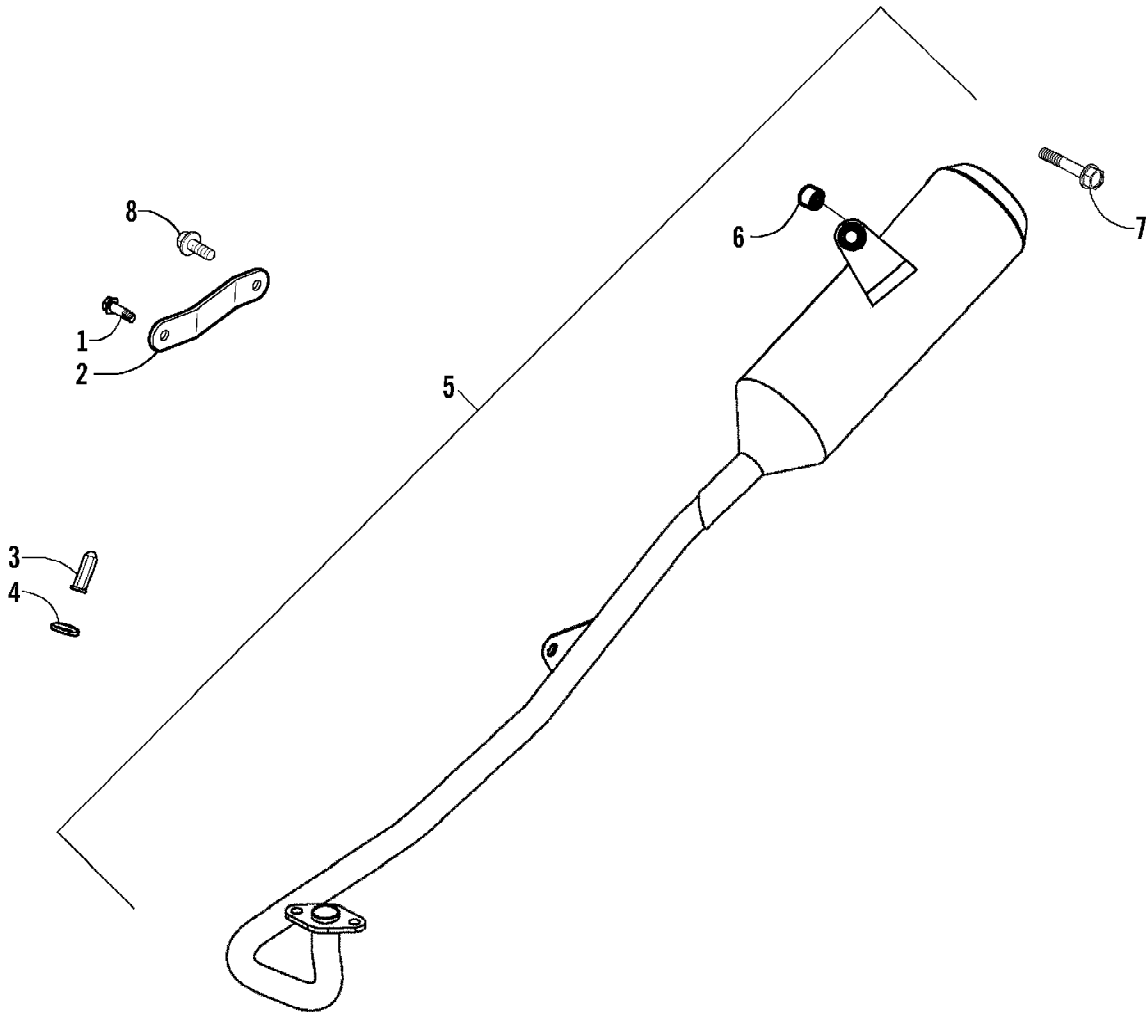


Ref #	Part Number	Qty	S/P/F	Description
1	0411-457	1		Decal, Warning - Reverse/Pre-Ride
2	0411-400	1		Decal, Warning - Age
3	1411-618	1		Decal, Instrument Pod
4	0411-435	1		Decal, Warning - Passenger
5	1411-178	1		Decal, Reflector - Rear - Right
5	1411-179	1		Decal, Reflector - Rear - Left
6	1411-577	1		Decal, Warning - Off Road Only
7	1411-636	1		Decal, Graphic - Side - Right
7	1411-637	1		Decal, Graphic - Side - Left
8	0411-455	1		Decal, Warning - Tire/Load
9	0411-836	1		Decal, Warning - Hill
10	0411-218	1		Decal, Warning - General
11	1411-180	1		Decal, Reflector - Front - Right
11	1411-181	1		Decal, Reflector - Front - Left
12	1411-825	1		Decal, Graphic - Front
13	1411-242	1		Decal, Headlight - Right
13	1411-243	1		Decal, Headlight - Left

2008 ATV 90 UTILITY CALIFORNIA RED (A2008 KUB2BCAR)  
ELECTRICAL AND WIRING HARNESS ASSEMBLY



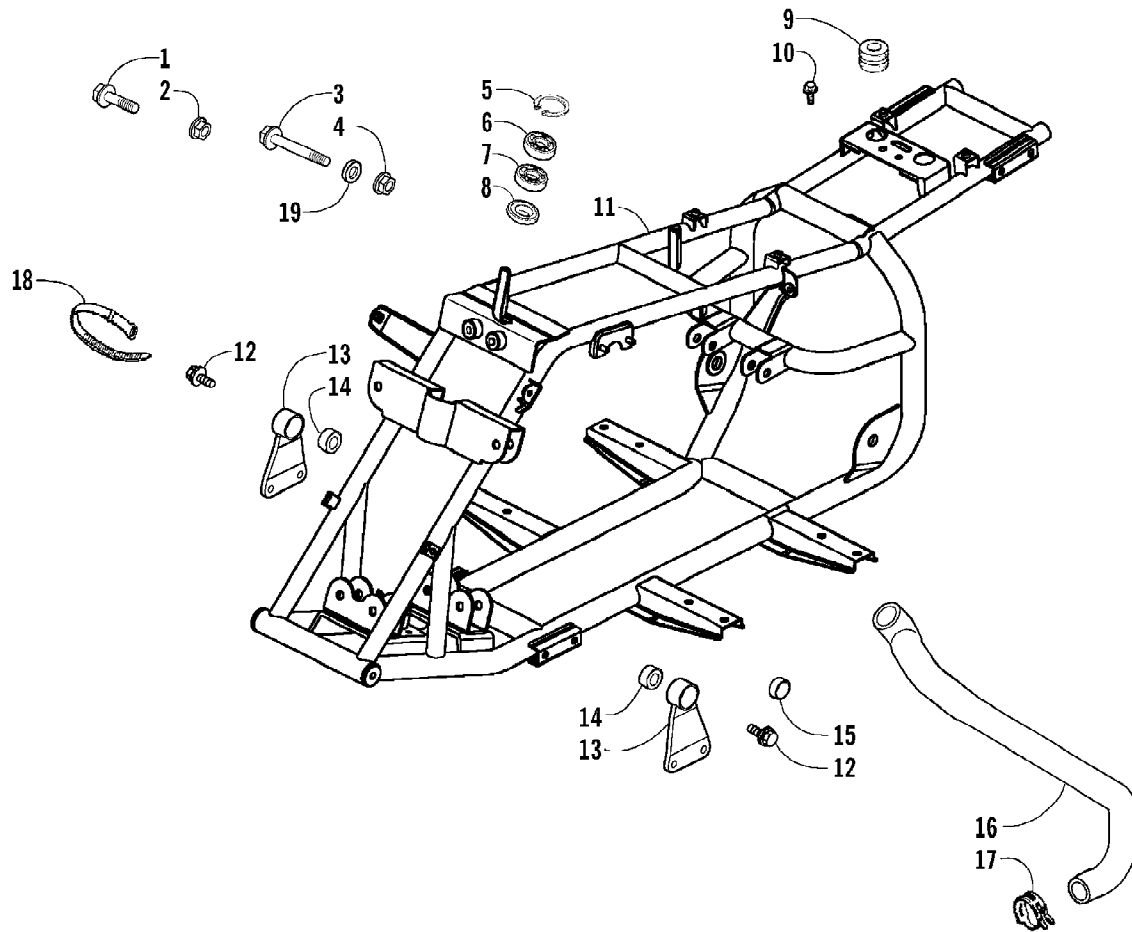
Ref #	Part Number	Qty	S/P/F	Description
1	3303-132	1		Regulator, Voltage
2	3303-331	2	/P	Nut, Flange
3	3305-455	1		Harness, Main (inc. 4)
4	3303-399	2		Fuse
5	3303-289	4	/P	Cable Tie
6	3303-134	1	/P	Sub-Cord
7	3303-142	1		Resistor
8	3303-143	1		Relay, Starter
9	3305-456	1		CDI Unit
10	3303-125	1		Coil Assembly - Ignition (inc. 11)
11	3303-126	1		Cap, Noise Suppressor - Assembly
12	3303-252	1		Bolt, Flange
13	3303-423	1		Switch, Ignition - Assembly (inc. 14-16)
14	0	1	F	Switch, Ignition
15	3304-522	1		Cover, Key - "Arctic Cat"
16	3304-520	1		Key, Ignition - Set - Right-Side Cut
17	3304-521	1		Key, Ignition - Set - Left-Side Cut



2008 ATV 90 UTILITY CALIFORNIA RED (A2008 KUB2BCAR)  
EXHAUST ASSEMBLY

Page 22 of 58

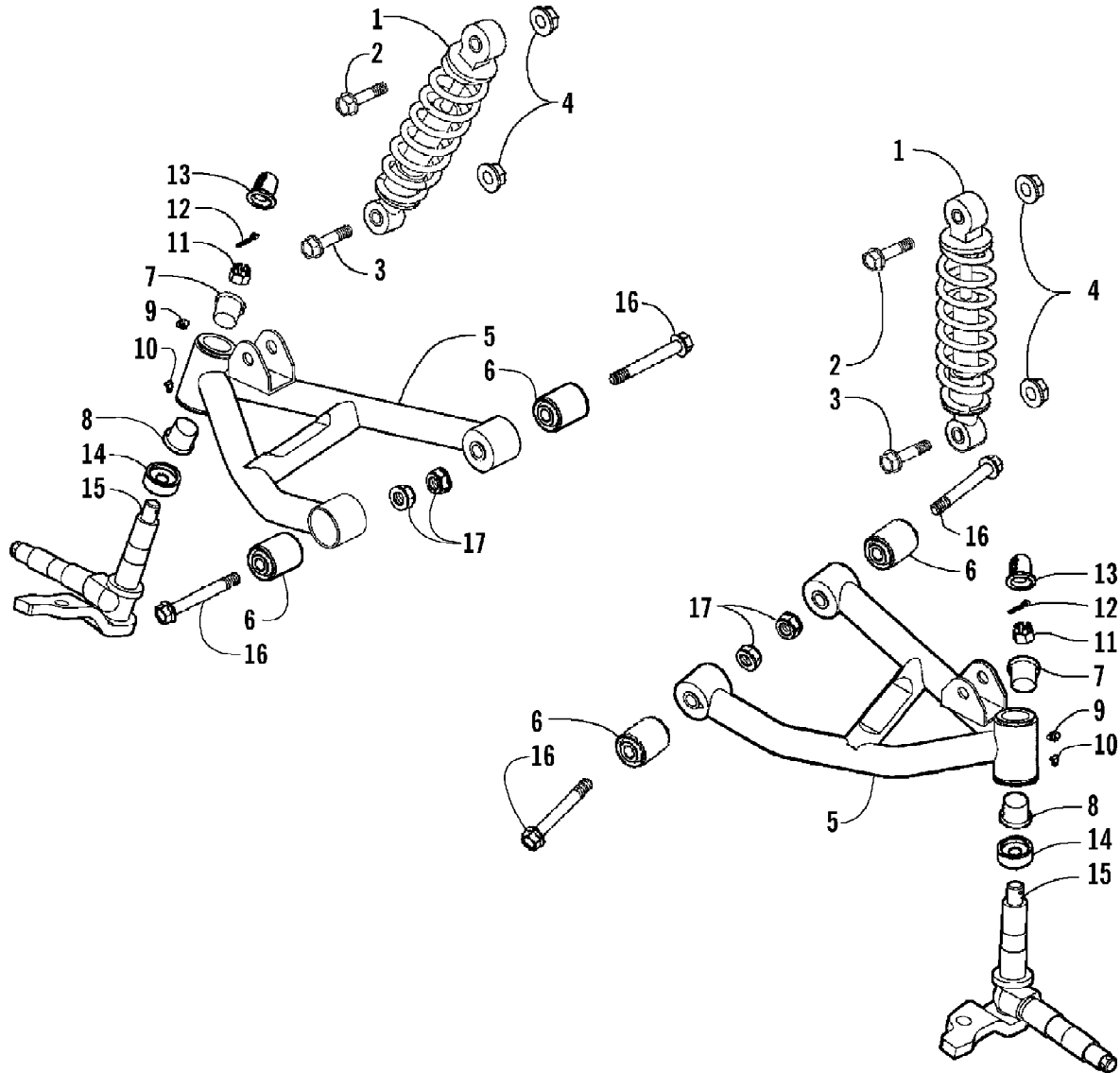
Ref #	Part Number	Qty	S/P/F	Description
1	3303-314	1		Bolt, Flange
2	3304-573	1		Bracket, Mounting - Muffler
3	3303-261	2		Nut, Cap - 8 mm
4	3303-071	1		Gasket, Exhaust Pipe
5	3305-600	1		Muffler - Assembly (inc. 6)
6	3304-571	1		Bushing, Rubber
7	3304-572	1	/P	Bolt, Flange
8	3304-543	1	/P	Bolt, Flange



Ref #	Part Number	Qty	S/P/F	Description
1	3304-547	2	/P	Bolt, Flange
2	3303-269	2		Nut, Flange
3	3304-548	2	/P	Bolt, Flange
4	3304-031	2	/P	Nut, Flange
5	3303-347	1		Circlip
6	3303-295	1		Seal, Oil
7	3303-392	1		Bearing
8	3303-298	1		Seal, Oil
9	3303-232	2		Rubber, Engine Mounting
10	3303-308	1		Bolt, Hex
11	3305-276	1		Frame, Main
12	3304-543	4	/P	Bolt, Flange
13	3303-183	1	/P	Bracket, Engine Hanger - Right (inc. one No. 14)
13	3303-184	1	/P	Bracket, Engine Hanger - Left (inc. one No. 14)
14	3304-542	2		Bushing, Rubber - Engine Hanger
15	3303-445	1		Collar
16	3303-010	1		Duct - Cover
17	3303-074	1		Clamp, Hose
18	3303-289	1	/P	Cable Tie
19	3303-238	2		Rubber, Engine - Rear



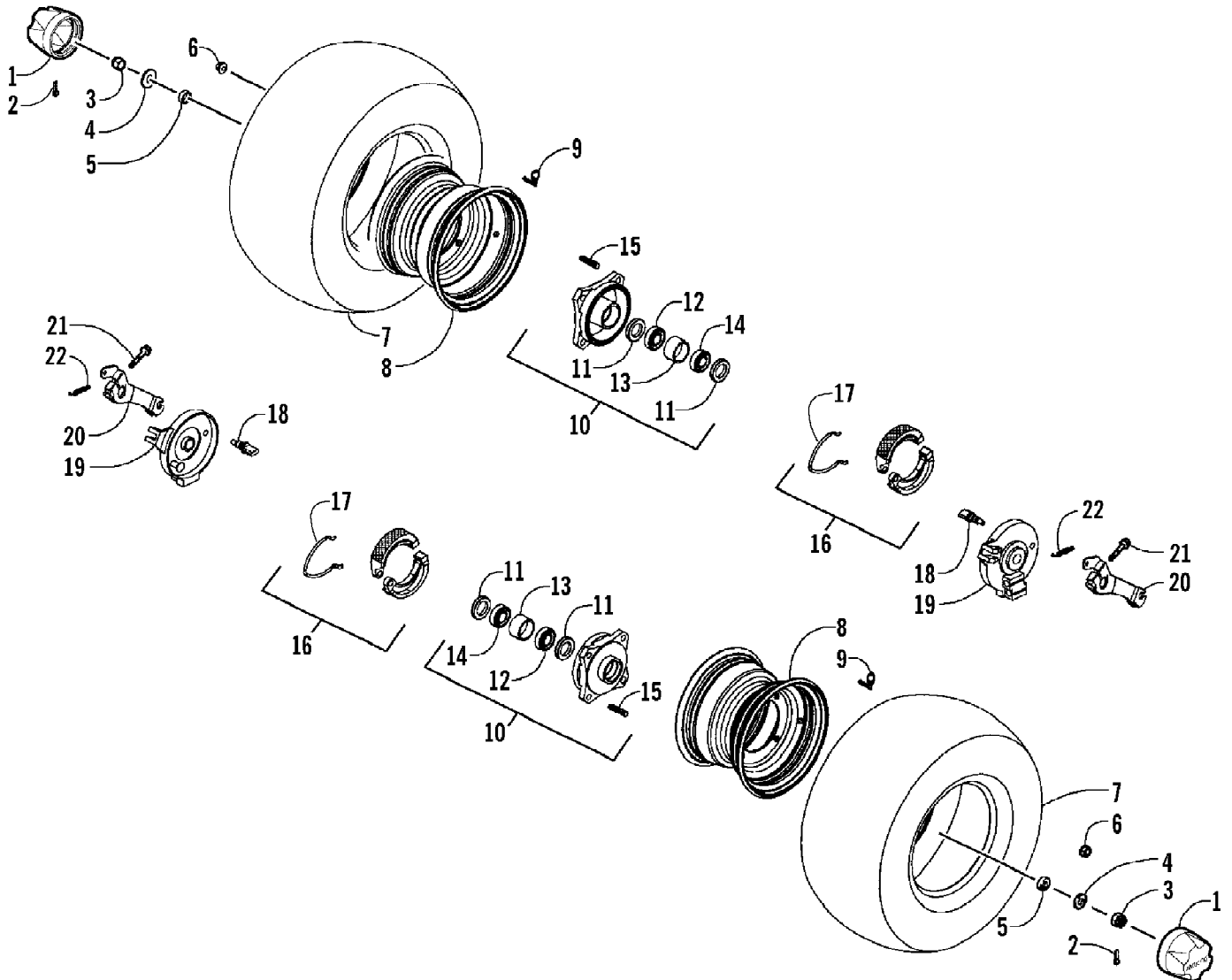
2008 ATV 90 UTILITY CALIFORNIA RED (A2008 KUB2BCAR)  
FRONT SUSPENSION ASSEMBLY



2008 ATV 90 UTILITY CALIFORNIA RED (A2008 KUB2BCAR)  
FRONT SUSPENSION ASSEMBLY

Page 26 of 58

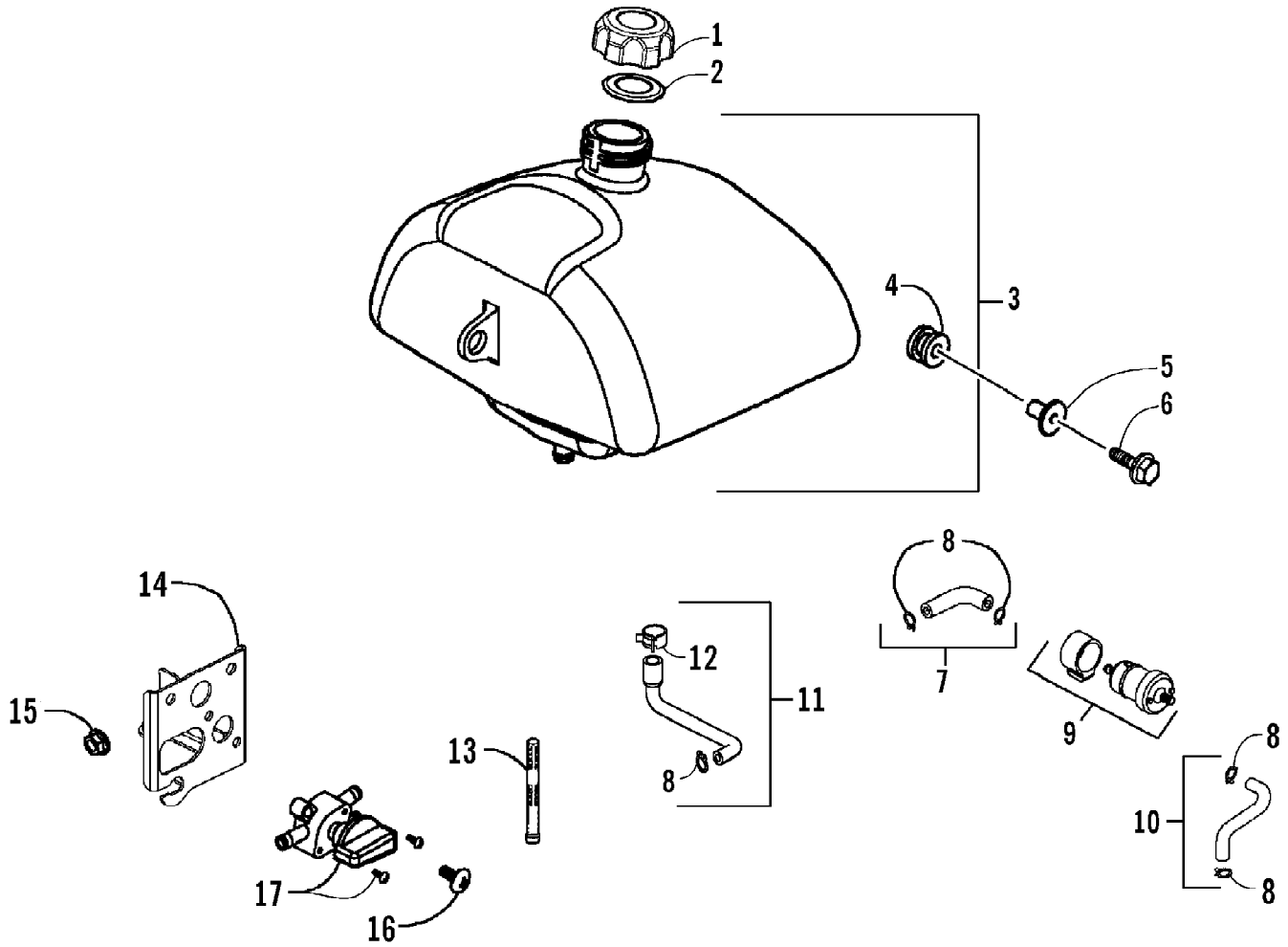
Ref #	Part Number	Qty	S/P/F	Description
1	3305-451	2		Shock, Front - Assembly
2	3303-376	2	/P	Bolt, Flange
3	3303-309	2		Bolt, Hex
4	3303-333	4	/P	Nut, Flange
5	3305-452	1		Arm, Swing - Set - Front Right (inc. 6-10)
5	3305-453	1		Arm, Swing - Set - Front Left (inc. 6-10)
6	3303-216	4		Bushing, Swing Arm
7	3303-218	2		Bushing, Swing Arm - Top
8	3303-217	2		Bushing, Swing Arm - Bottom
9	3303-393	2		Fitting, Grease
10	3303-394	2		Boot, Grease Fitting
11	3303-329	2		Nut, Flange Castle
12	3303-337	2		Pin, Cotter
13	3303-219	2		Cap, Swing Arm
14	3303-220	2		Seal, Swing Arm
15	3303-178	1		Shaft, Steering - Right
15	3303-180	1		Shaft, Steering - Left
16	3304-595	4	/P	Bolt, Flange
17	3304-031	4	/P	Nut, Flange



2008 ATV 90 UTILITY CALIFORNIA RED (A2008 KUB2BCAR)  
FRONT WHEEL AND BRAKE ASSEMBLIES

Page 28 of 58

Ref #	Part Number	Qty	S/P/F	Description
1	3303-430	2		Cap, Wheel Shaft
2	3303-470	2		Pin, Cotter
3	3303-328	2		Nut, Flange Castle
4	3303-279	2	/P	Washer
5	3303-164	2	/P	Collar, Wheel - Front
6	3303-266	8		Nut, Flange
7	3303-429	2		Tire - Assembly
8	3303-166	2		Rim - Assembly (inc. 9)
9	3304-562	2		Stem, Valve
10	3303-165	2		Hub, Front - Assembly (inc. 11-15)
11	3303-456	4		Seal, Dust
12	3303-468	2		Bearing, Ball - Radial
13	3303-445	2		Collar, Front Disc
14	3303-467	2		Bearing, Ball - Radial
15	3303-463	8		Bolt, Stud
16	3303-169	2		Shoe, Front - Assembly (inc. 17)
17	3304-563	2		Spring, Brake Shoe
18	3303-170	2		Cam, Front Brake
19	3303-168	1		Panel - Front - Right
19	3303-176	1		Panel - Front - Left
20	3303-171	1		Arm, Brake - Right
20	3303-177	1		Arm, Brake - Left
21	3303-355	2		Bolt, Flange
22	3303-172	2		Spring, Return

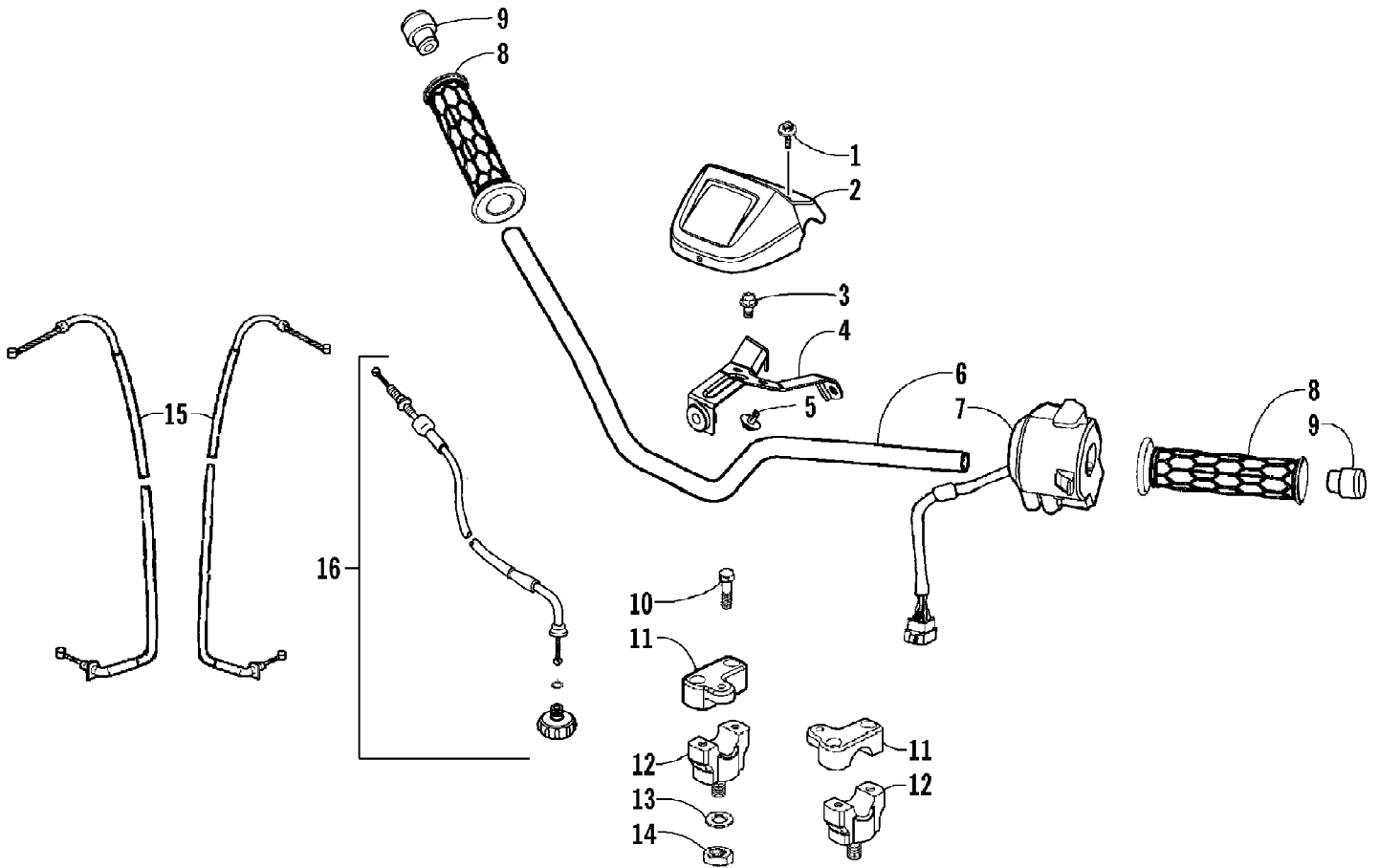


2008 ATV 90 UTILITY CALIFORNIA RED (A2008 KUB2BCAR)  
GAS TANK ASSEMBLY

Page 30 of 58

Ref #	Part Number	Qty	S/P/F	Description
1	3303-067	1		Cap, Gas Tank
2	3303-068	1		Seal, Gas Tank Cap
3	3305-488	1		Gas Tank - Assembly (inc. 4)
4	3303-406	2		Rubber, Gas Tank
5	3303-226	2		Collar
6	3303-383	2	/P	Bolt, Flange
7	3305-504	1		Hose, Gas - Assembly (inc. two No. 8)
8	3303-349	5		Clip
9	3305-502	1		Strainer, Fuel - Assembly
10	3305-505	1		Hose, Gas - Assembly (inc. two No. 8)
11	3305-489	1		Hose, Gas - Assembly (inc. one No. 8 and 12)
12	3305-523	1		Clamp, Tube
13	3303-058	1		Screen, Fuel Strainer
14	3305-294	1		Bracket, Shut-Off Valve
15	3303-331	2	/P	Nut, Flange
16	3303-316	2		Screw
17	3303-057	1		Valve, Shut-Off w/Screws

2008 ATV 90 UTILITY CALIFORNIA RED (A2008 KUB2BCAR)  
HANDLEBAR AND CONTROL ASSEMBLY

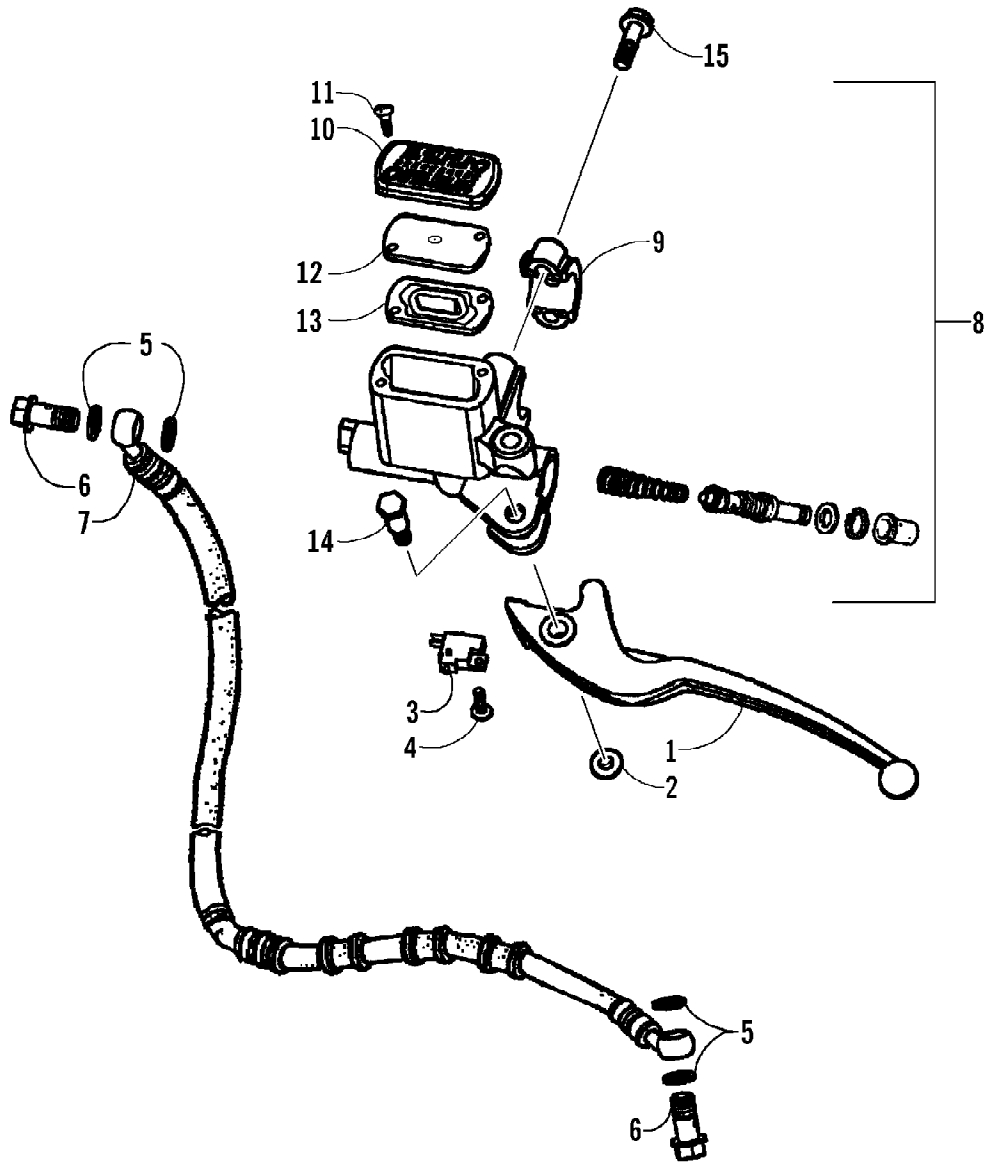


2008 ATV 90 UTILITY CALIFORNIA RED (A2008 KUB2BCAR)  
HANDLEBAR AND CONTROL ASSEMBLY

Page 32 of 58

Ref #	Part Number	Qty	S/P/F	Description
1	3304-029	2	/P	Bolt w/Washer
2	3304-500	1		Instrument Pod
3	3304-553	2		Bolt, Flange
4	3304-506	1		Bracket, Instrument Pod
5	3304-552	1		Clip, Mud Guard
6	3303-434	1		Handlebar
7	3303-424	1		Switch, Handlebar - Assembly
8	3303-203	2	S	Grip, Handlebar
9	3303-196	2		End Cap, Handlebar
10	3303-398	4		Bolt, Socket
11	3303-197	1		Holder, Handlebar - Right
11	3303-198	1		Holder, Handlebar - Left
12	3303-199	2		Holder, Handlebar - Lower
13	3305-277	2		Washer
14	3303-325	2		Nut, Hex
15	3303-173	2		Cable, Brake - Front
16	1502-096	1	/P	Cable, Throttle - Kit

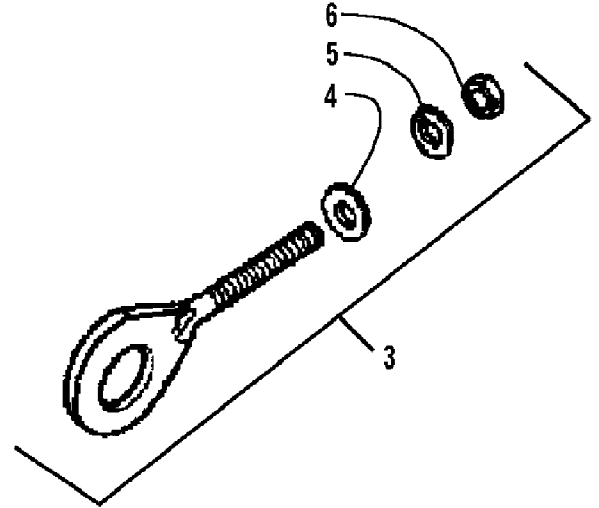
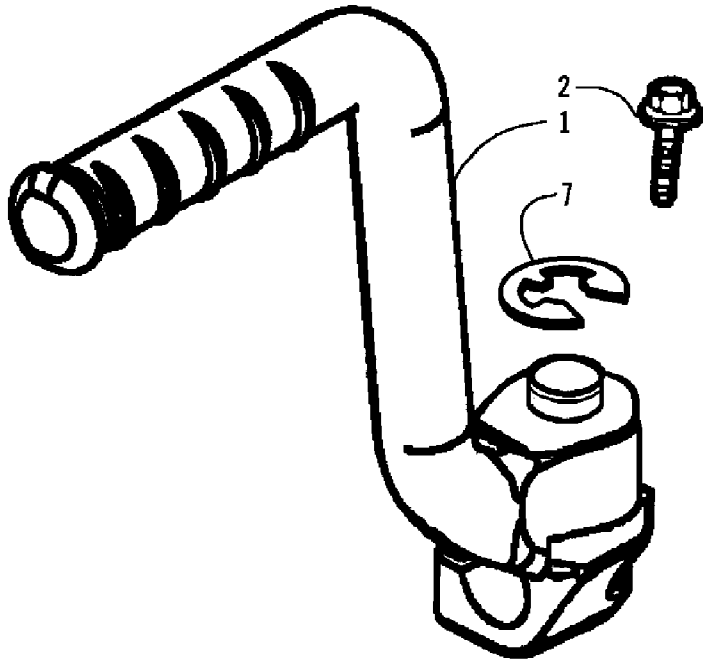




2008 ATV 90 UTILITY CALIFORNIA RED (A2008 KUB2BCAR)  
HYDRAULIC HAND BRAKE ASSEMBLY

Page 34 of 58

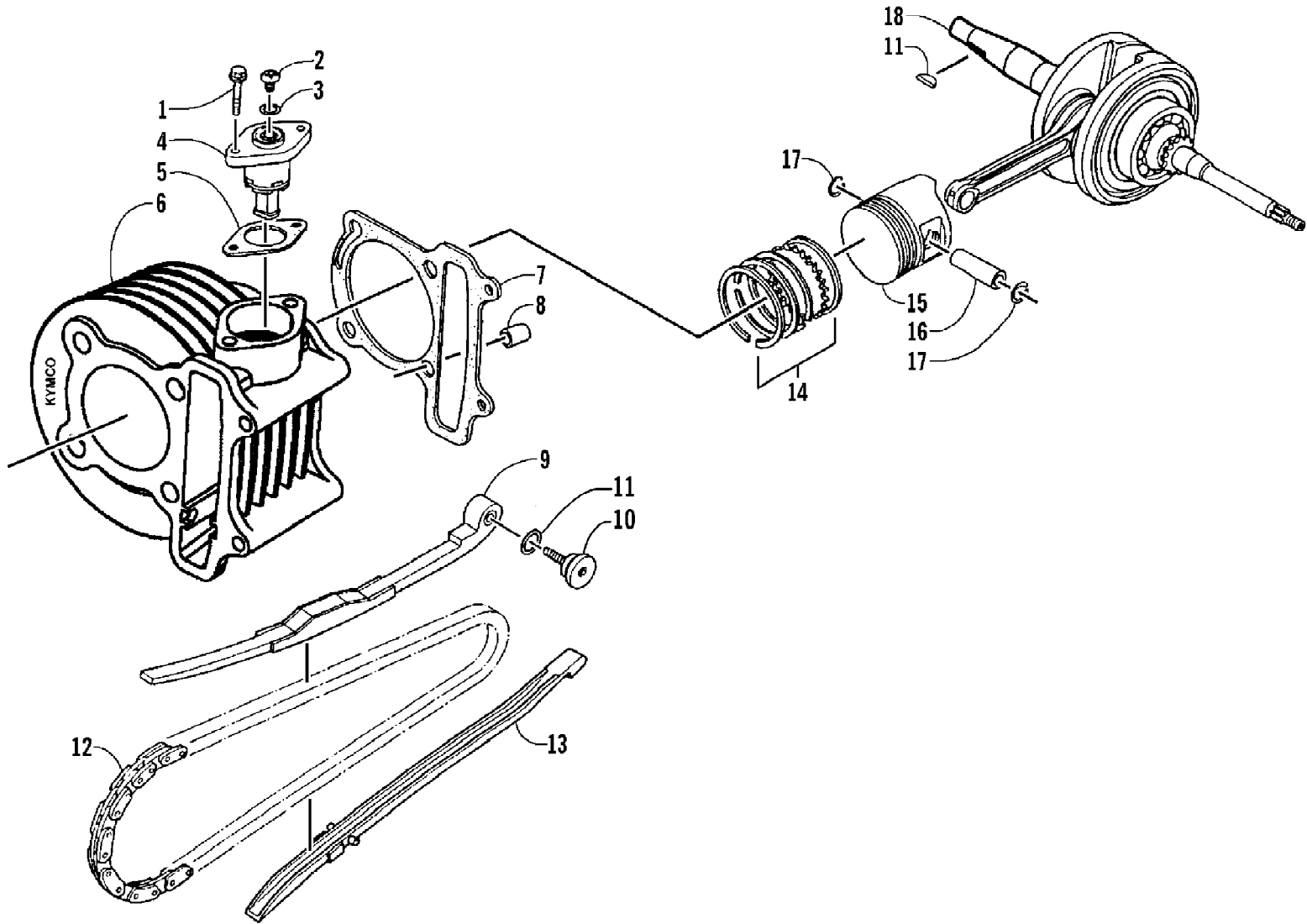
Ref #	Part Number	Qty	S/P/F	Description
1	3303-206	1	/P	Lever
2	3304-654	1	/P	Nut, Flange
3	3303-141	1	/P	Switch Assembly
4	3305-463	1		Screw w/Washer
5	3303-284	4	/P	Washer, Crush
6	3303-257	2	/P	Bolt, Banjo-Fitting
7	3305-278	1		Hose, Brake - Assembly
8	3305-484	1	S	Brake, Master Cylinder - Assembly (inc. 9-14)
9	3303-175	1	/P	Clamp, Master Cylinder
10	3303-174	1	/P	Cap, Master Cylinder
11	3303-318	2		Screw, Flat-Head
12	3305-250	1		Plate, Diaphragm
13	3305-309	1		Diaphragm
14	3303-254	1	/P	Bolt, Lever
15	3305-297	2		Bolt, Flange



2008 ATV 90 UTILITY CALIFORNIA RED (A2008 KUB2BCAR)  
KICK STARTER ASSEMBLY

Page 36 of 58

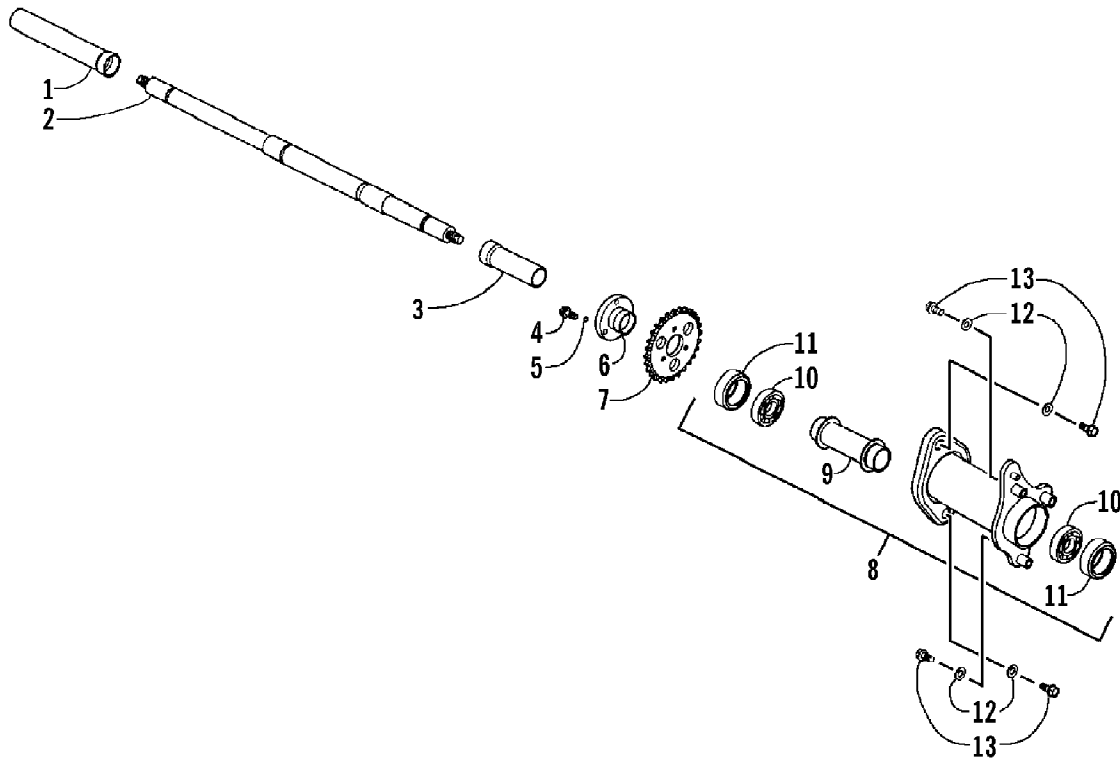
Ref #	Part Number	Qty	S/P/F	Description
1	3303-123	1	/P	Arm, Kick Starter - Assembly
2	3304-551	1	/P	Bolt, Flange
3	3303-147	1		Adjuster, Drive Train - Assembly (inc. 4-6)
4	3304-135	1	/P	Washer
5	3303-607	1	/P	Washer, Spring
6	3304-125	1		Nut, Hex
7	3305-247	1	/P	E-Clip



2008 ATV 90 UTILITY CALIFORNIA RED (A2008 KUB2BCAR)  
PISTON ASSEMBLY

Page 38 of 58

Ref #	Part Number	Qty	S/P/F	Description
1	3304-002	2	/P	Bolt, Flange
2	3303-244	1		Screw
3	3304-100	1	/P	O-Ring
4	3303-677	1		Adjuster, Cam Chain
5	3303-035	1		Gasket, Cam Chain Adjuster
6	3303-014	1		Cylinder A
7	3303-015	1		Gasket, Cylinder A
8	3303-342	2		Pin, Dowel
9	3303-034	1		Tensioner, Cam Chain
10	3303-036	1		Pivot, Cam Chain Tensioner
11	3303-301	1	/P	O-Ring
12	3303-030	1		Cam Chain
13	3303-037	1		Guide, Cam Chain
14	3303-024	1		Ring, Piston - Set
15	3303-025	1		Piston
16	3303-026	1		Pin, Piston
17	3303-027	2		Clip, Piston Pin
18	3305-443	1		Crankshaft
19	3303-290	1		Key

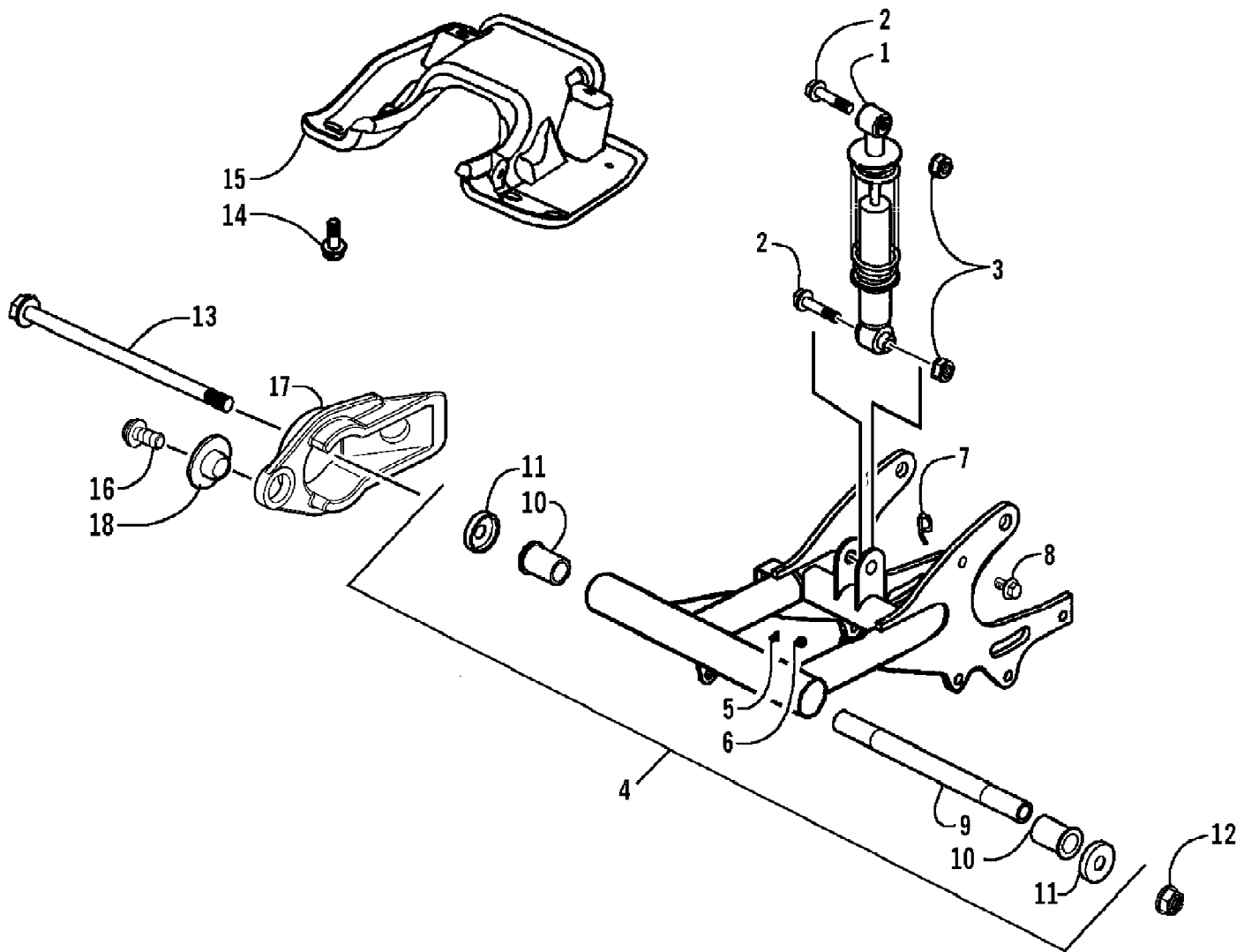


2008 ATV 90 UTILITY CALIFORNIA RED (A2008 KUB2BCAR)  
REAR AXLE ASSEMBLY

Page 40 of 58

Ref #	Part Number	Qty	S/P/F	Description
1	3303-152	1		Spacer, Rear Wheel - Right
2	3305-287	1		Shaft, Rear Wheel
3	3303-153	1		Spacer, Rear Wheel - Left
4	3304-565	3	/P	Bolt, Flange
5	3303-607	3	/P	Washer, Spring
6	3305-289	1		Holder, Sprocket
7	3303-426	1		Sprocket, Final Drive
8	3303-154	1	S	Hub, Rear - Assembly (inc. 9-11)
9	3303-427	1		Collar, Hub - Right
10	3303-466	2		Bearing
11	3303-461	2		Seal, Dust
12	3303-281	4		Washer
13	3303-379	4		Bolt, Flange

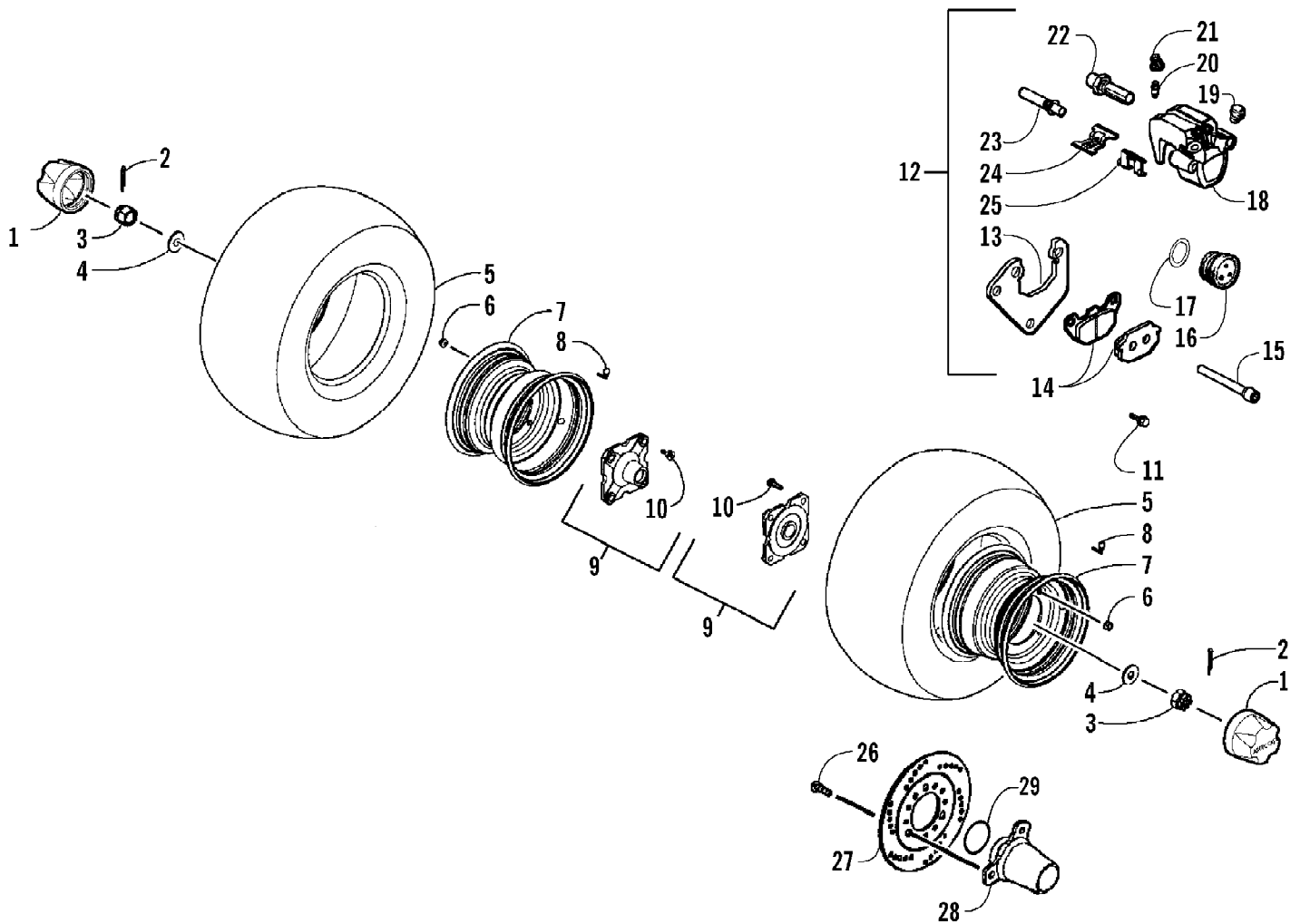




2008 ATV 90 UTILITY CALIFORNIA RED (A2008 KUB2BCAR)  
 REAR SUSPENSION ASSEMBLY

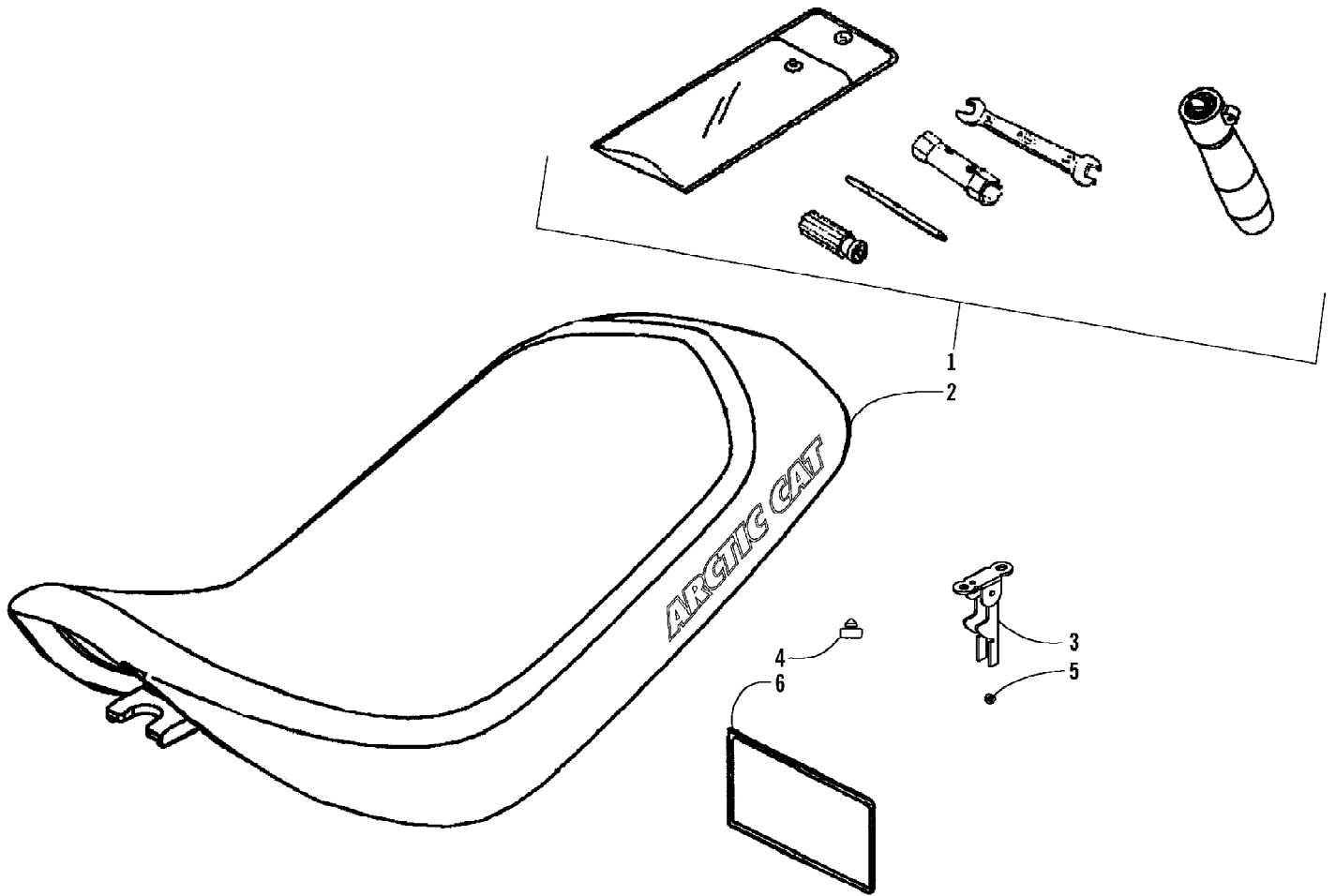
Page 42 of 58

Ref #	Part Number	Qty	S/P/F	Description
1	3303-433	1		Shock, Rear - Assembly
2	3303-376	2	/P	Bolt, Flange
3	3304-031	2	/P	Nut, Flange
4	3305-290	1		Fork, Rear - Assembly (inc. 5-11)
5	3303-394	1		Boot, Grease Fitting
6	3303-393	1		Fitting, Grease
7	3304-594	1		Clamp, Brake Hose
8	3305-341	1		Bolt
9	3303-189	1		Axle, Rear Fork
10	3303-191	2		Bushing, Rear Fork
11	3303-192	2		Cap, Rear Fork
12	3304-032	1		Nut
13	3303-150	1		Bolt, Rear Fork
14	3305-454	4		Bolt, Flange
15	3304-593	1		Guard, Rear Fork
16	3304-690	2		Screw, Self-Tapping
17	3305-291	1		Slider, Chain
18	3304-360	2		Collar, Chain Slider



2008 ATV 90 UTILITY CALIFORNIA RED (A2008 KUB2BCAR)  
REAR WHEEL AND BRAKE ASSEMBLIES

Ref #	Part Number	Qty	S/P/F	Description
1	3303-430	2		Cap, Wheel Shaft
2	3303-340	2		Pin, Cotter
3	3303-330	2		Nut, Flange Castle
4	3305-285	2		Washer
5	3303-428	2		Tire - Rear
6	3303-266	8		Nut, Flange
7	3303-156	2		Wheel - Assembly (inc. 8)
8	3304-562	2		Stem, Valve w/Cap
9	3303-157	2	/P	Connector - Assembly (inc. 10)
10	3303-250	8		Bolt, Connector
11	3303-256	2		Bolt, Flange
12	3305-449	1		Caliper, Rear - Assembly (inc. 13-25)
13	3305-286	1	S	Bracket
14	3305-139	1	S	Pad, Brake - Assembly
15	3304-566	2		Pin, Bolt
16	3304-592	1	S	Piston
17	3304-327	1	S	Seal, Piston
18	0	1	F	Housing, Caliper - Assembly
19	3304-333	1		Plug
20	3304-302	1		Valve, Bleed
21	3304-303	1		Cap, Bleed Valve
22	3304-589	1		Bushing, Pin Bolt
23	3304-590	1		Boot
24	3304-591	1		Spring, Brake Pad
25	3304-316	1	S	Seal, Dust
26	3305-143	3	S	Bolt, Disc
27	3303-162	1		Disc, Brake - Rear
28	3305-249	1		Collar, Hub - Rear
29	3305-298	1		O-Ring

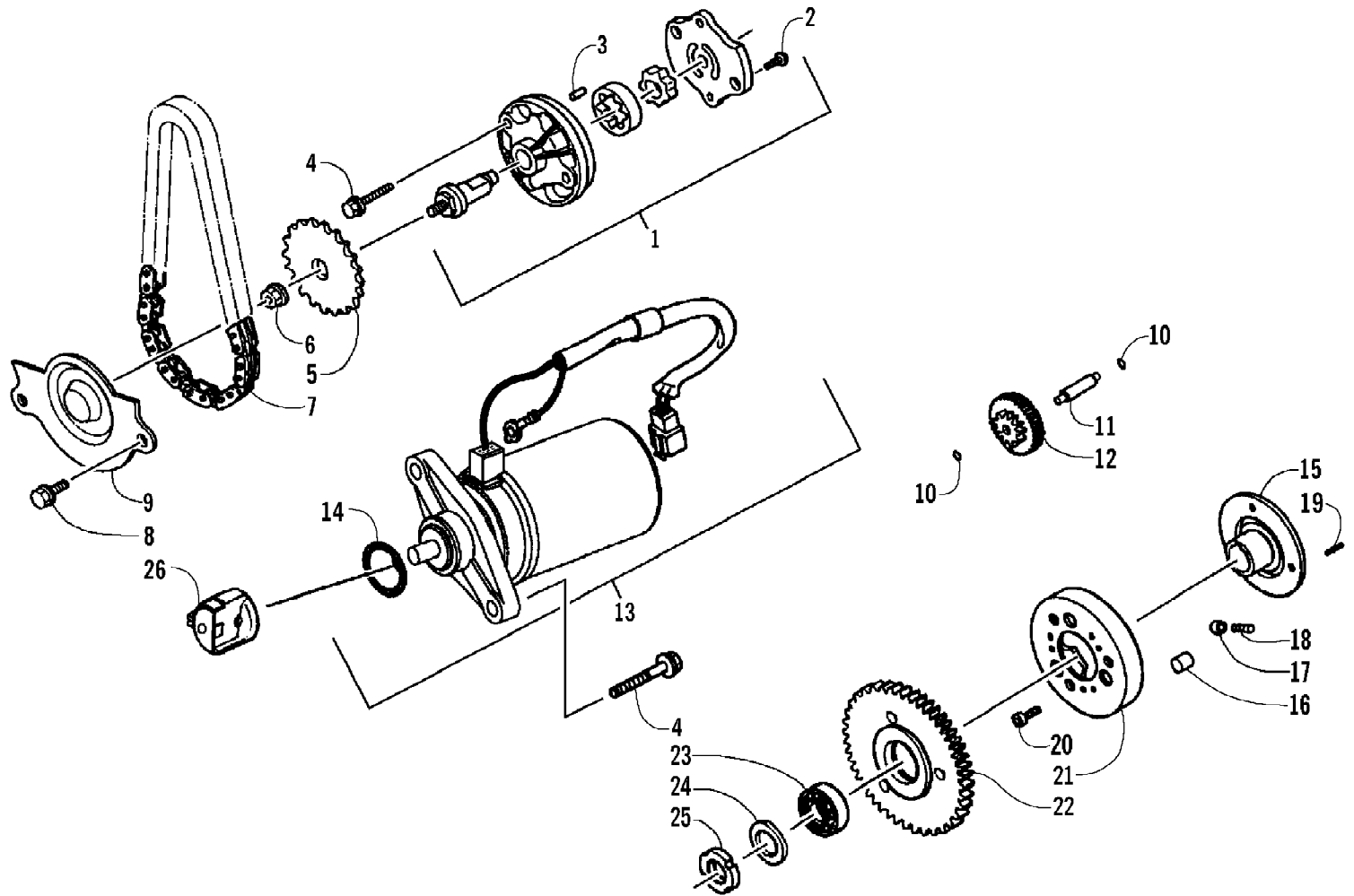


2008 ATV 90 UTILITY CALIFORNIA RED (A2008 KUB2BCAR)  
SEAT AND TOOL KIT ASSEMBLY

Page 46 of 58

Ref #	Part Number	Qty	S/P/F	Description
1	3303-578	1	/P	Tool - Kit
2	3304-497	1	/P	Seat - Assembly (inc. 3-5)
3	3304-392	1		Latch, Seat - Assembly
4	3304-568	2		Rubber, Seat Cushion
5	3303-331	2	/P	Nut, Flange
6	3303-242	1		Band, Tool Kit

2008 ATV 90 UTILITY CALIFORNIA RED (A2008 KUB2BCAR)  
STARTER MOTOR AND OIL PUMP ASSEMBLIES



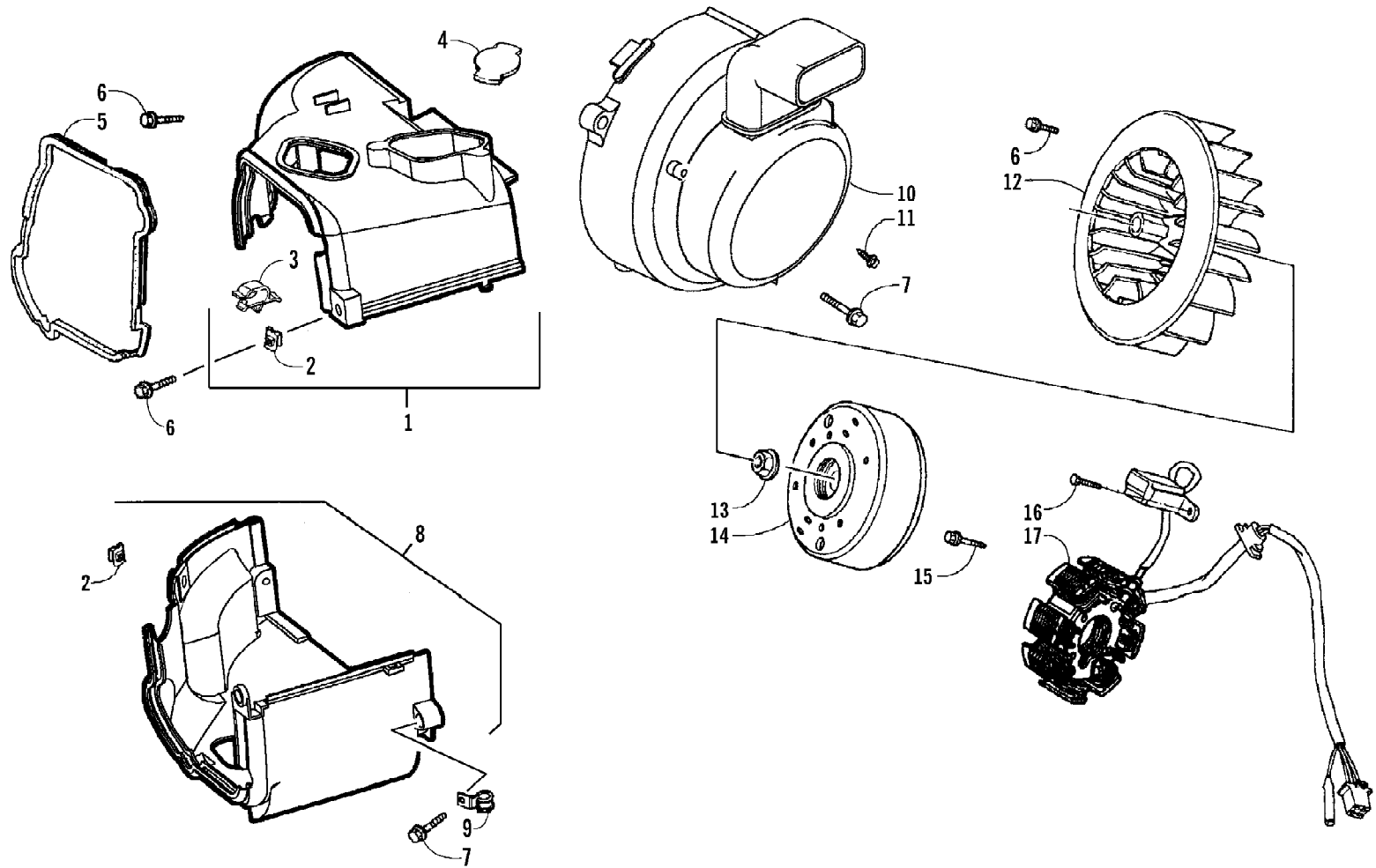
2008 ATV 90 UTILITY CALIFORNIA RED (A2008 KUB2BCAR)  
STARTER MOTOR AND OIL PUMP ASSEMBLIES

Page 48 of 58

Ref #	Part Number	Qty	S/P/F	Description
1	3303-045	1		Pump, Oil - Assembly (inc. 2-3)
2	3304-426	1		Screw, Pan Head
3	3304-144	1		Pin, Dowel
4	3303-384	4	/P	Bolt, Flange
5	3303-046	1		Sprocket
6	3303-331	1	/P	Nut, Flange
7	3303-047	1		Chain, Oil Pump
8	3303-381	2		Bolt, Flange
9	3303-051	1		Separator, Oil
10	3303-282	2		Washer
11	3303-110	1		Shaft, Starter Reduction
12	3303-109	1		Gear, Starter Reduction
13	3304-639	1	/P	Motor, Starter - Assembly
14	3303-604	1		O-Ring
15	3303-115	1		Boss, Starter Clutch
16	3303-293	3		Roller
17	3303-114	3		Roller, Starter
18	3303-113	3		Spring, Roller - Outer Clutch
19	3303-395	1		Roller
20	3303-396	3		Bolt
21	3303-112	1		Clutch, Outer
22	3303-111	1		Gear, Starter
23	3303-292	1		Bearing, Ball
24	3303-285	1		Circlip
25	3303-258	1		Nut
26	3303-130	1		Holder, Starter



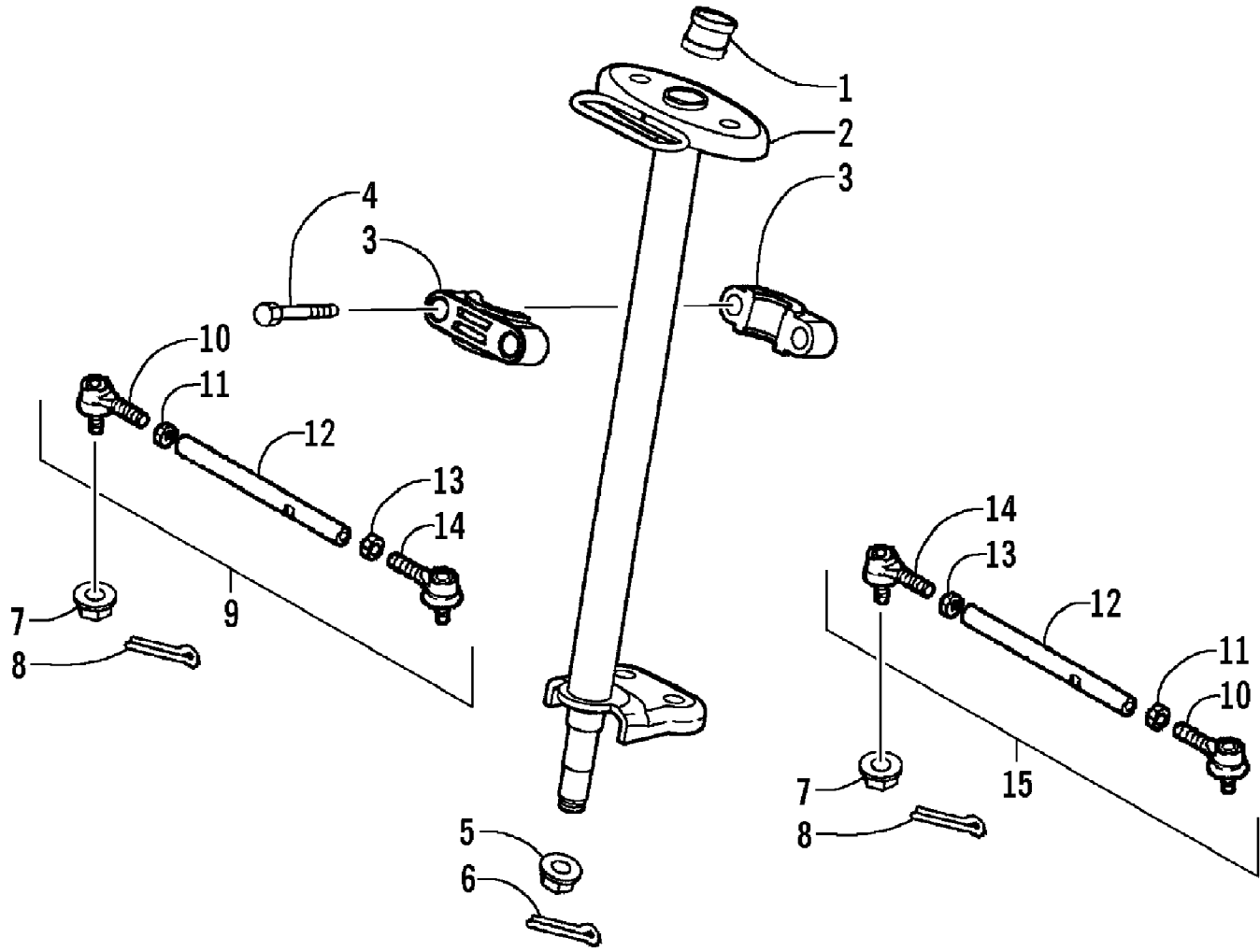
2008 ATV 90 UTILITY CALIFORNIA RED (A2008 KUB2BCAR)  
STATOR, FLYWHEEL, AND ENGINE SHROUD ASSEMBLIES



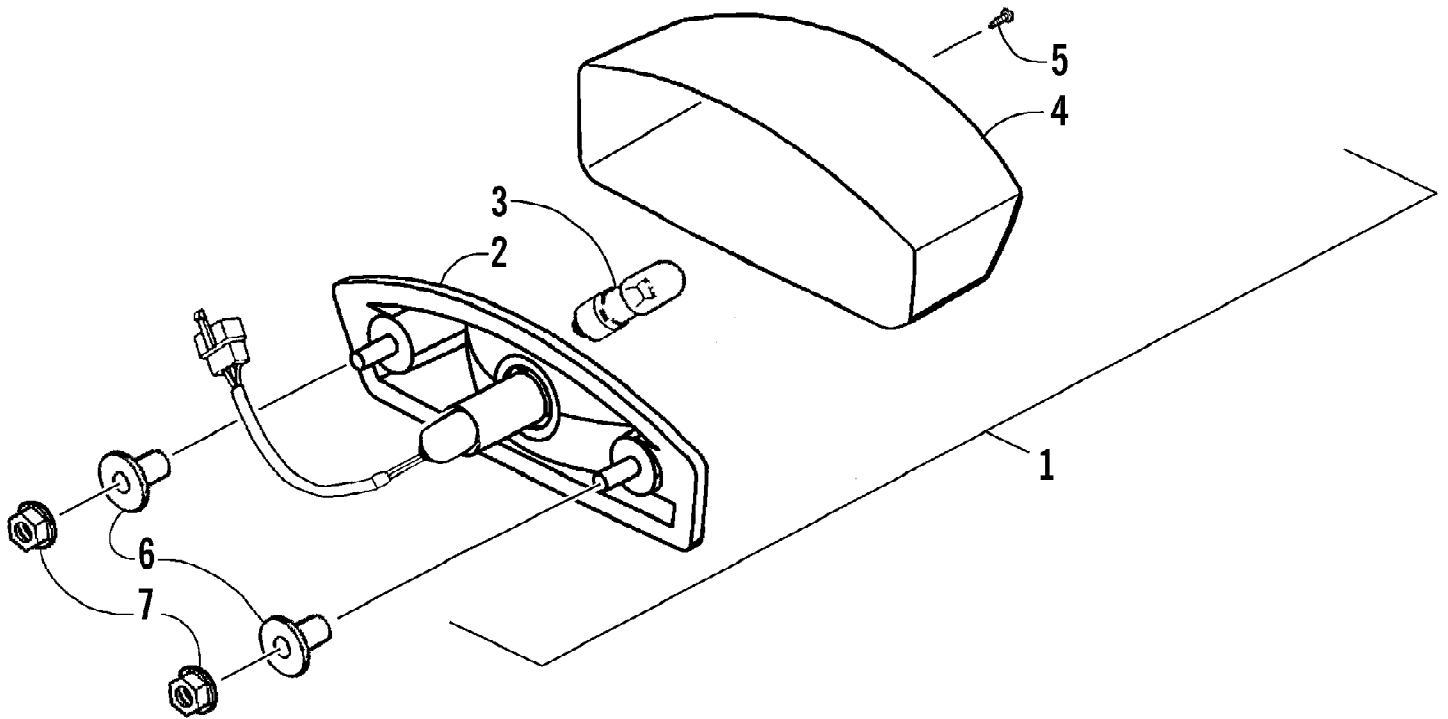
2008 ATV 90 UTILITY CALIFORNIA RED (A2008 KUB2BCAR)  
 STATOR, FLYWHEEL, AND ENGINE SHROUD ASSEMBLIES

Page 50 of 58

Ref #	Part Number	Qty	S/P/F	Description
1	3303-079	1		Shroud B - Assembly (inc. one No. 2 and 3-4)
2	3303-267	2		Nut, Clip
3	3303-443	1	/P	Clip, Vacuum Tube
4	3303-408	1		Grommet, Shroud
5	3303-077	1		Seal, Shroud
6	3303-382	6	/P	Bolt, Flange
7	3303-384	3	/P	Bolt, Flange
8	3303-078	1		Shroud A - Assembly (inc. one No. 2)
9	3304-640	1		Clamp, Carburetor Drain Tube
10	3303-076	1		Cover, Fan - Assembly
11	3304-585	2	/P	Screw, Self-Tapping
12	3303-075	1		Fan, Cooling
13	3303-333	1	/P	Nut, Flange
14	3303-127	1		Flywheel (A) D402
14	3303-414	1		Flywheel (B) D406
14	3303-415	1		Flywheel (C) D414
15	3303-383	2	/P	Bolt, Flange
16	3303-308	2		Bolt
17	3304-641	1		Stator - Assembly (O) D402
17	3305-254	1	/P	Stator - Assembly (A) D406
17	3305-256	1	/P	Stator - Assembly (B) D414



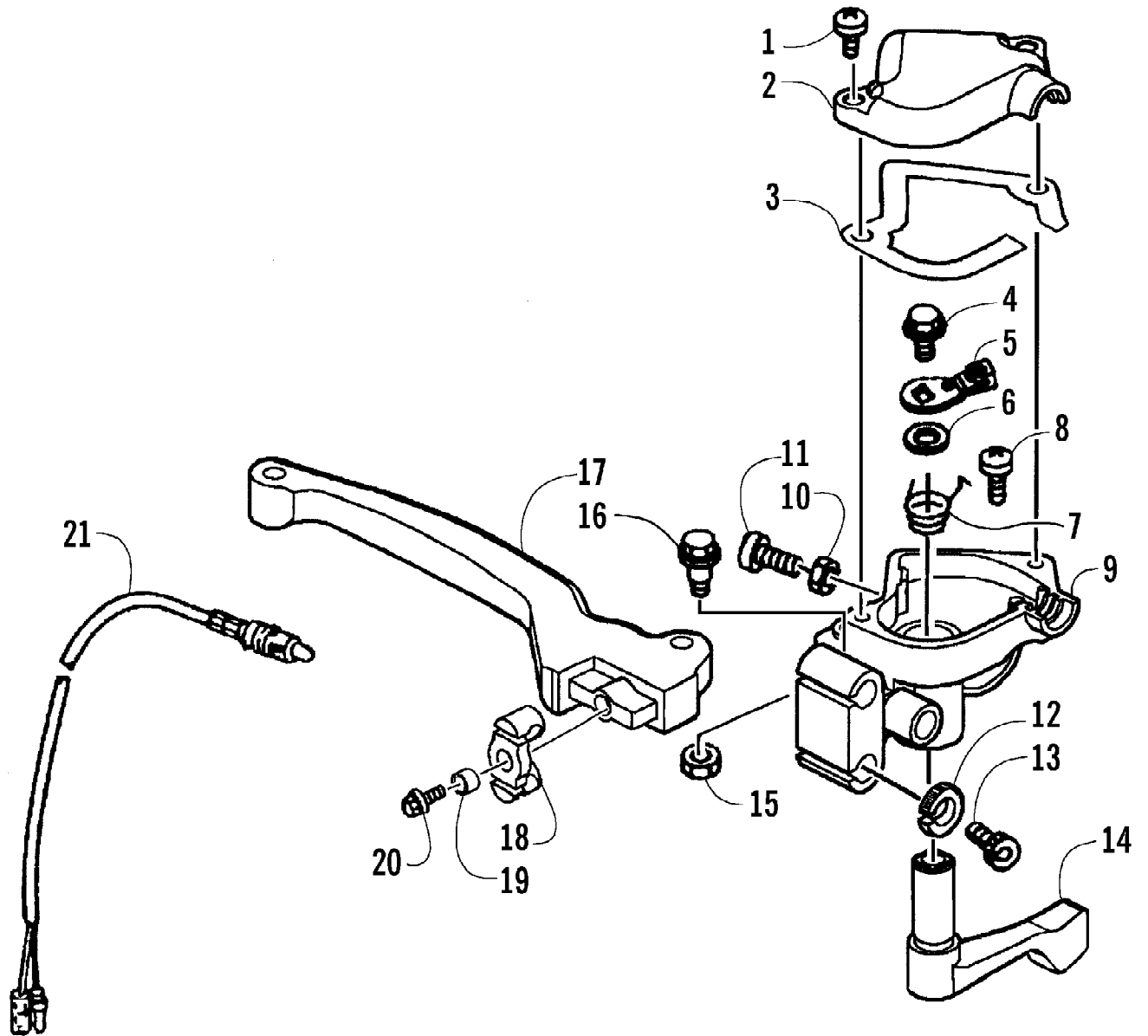
Ref #	Part Number	Qty	S/P/F	Description
1	3303-214	1	S	Sleeve, Steering Post
2	3303-573	1	/P	Post, Steering
3	3303-213	2		Holder, Steering Post
4	3304-559	2		Bolt, Flange
5	3304-032	1		Nut
6	3303-470	1		Pin, Cotter
7	3303-266	4		Nut, Flange
8	3303-621	4	/P	Pin, Cotter
9	3305-280	1		Tie Rod Assembly - Right (inc. one No. 10-14)
10	3305-281	2		Ball Joint, Tie Rod - Right
11	3303-326	2		Nut, Hex
12	3305-282	2		Tie Rod
13	3303-327	2		Nut, Hex
14	3305-283	2		Ball Joint, Tie Rod - Left
15	3305-284	1		Tie Rod Assembly - Left (inc. one No. 10-14)



2008 ATV 90 UTILITY CALIFORNIA RED (A2008 KUB2BCAR)  
TAILLIGHT ASSEMBLY

Page 54 of 58

Ref #	Part Number	Qty	S/P/F	Description
1	3303-420	1		Taillight - Assembly (inc. 2-5)
2	3303-422	1		Base, Taillight
3	3303-444	1	S	Bulb, Taillight
4	3303-421	1	/P	Lens, Taillight
5	3304-537	2		Screw
6	3303-226	2		Collar, Front Fender
7	3303-331	2	/P	Nut, Flange



Ref #	Part Number	Qty	S/P/F	Description
	3303-447	1		Complete Throttle Control Assembly
1	3303-315	2		Bolt, Flange
2	3303-207	1		Cover, Throttle Control
3	3303-209	1		Gasket, Throttle Control Cover
4	3304-554	1		Screw
5	3304-555	1		Cover, Parking Brake
6	3304-556	1		Button, Parking Brake
7	3304-557	1		Stopper, Parking Brake
8	3303-397	1		Bolt, Socket
9	3303-204	1		Case, Throttle Control
10	3303-324	1		Nut, Hex
11	3304-558	1		Screw
12	3303-271	2		Nut, Lock
13	3303-208	2		Bolt, Wire Adjustment
14	3303-200	1		Lever, Throttle
15	3303-262	1		Nut
16	3303-255	1		Bolt
17	3303-205	1		Lever, Brake
18	3303-201	1		Equalizer, Brake Cable
19	3303-202	1		Spacer
20	3303-558	1		Bolt, Flange
21	3303-140	1		Switch, Brake





Ref #	Part Number	Qty	S/P/F	Description
1	3303-080	1		Case, Transmission - Set (inc. 2-6)
2	3304-606	1	/P	Bolt, Engine Brake
3	3303-462	1		O-Ring
4	3303-270	1		Nut, Flange
5	3303-596	2	/P	Bearing, Ball
6	3303-598	1	/P	Bearing, Ball
7	3303-343	2		Pin, Dowel
8	3303-081	1		Gasket, Transmission Case A
9	3303-300	1		Seal, Oil
10	3303-425	1		Chain, Drive
11	3303-144	1		Cover, Chain
12	3304-610	2		Bolt, Flange
13	3303-107	1	/P	Sprocket, Drive
14	3303-108	1		Plate
15	3303-307	2		Bolt
16	3303-106	1		Gear, Final
17	3303-344	1		Circlip
18	3303-105	1		Shaft, Final
19	3303-103	1		Driveshaft
20	3303-275	1	/P	Washer
21	3303-104	1		Countershaft - Assembly
22	3303-273	1		Washer
23	3303-268	2		Nut, Flange
24	3303-185	1	/P	Bracket, Engine Hanger - Assembly (inc. 25)
25	3303-403	1		Bushing, Rubber
26	3304-607	1		Bolt, Flange