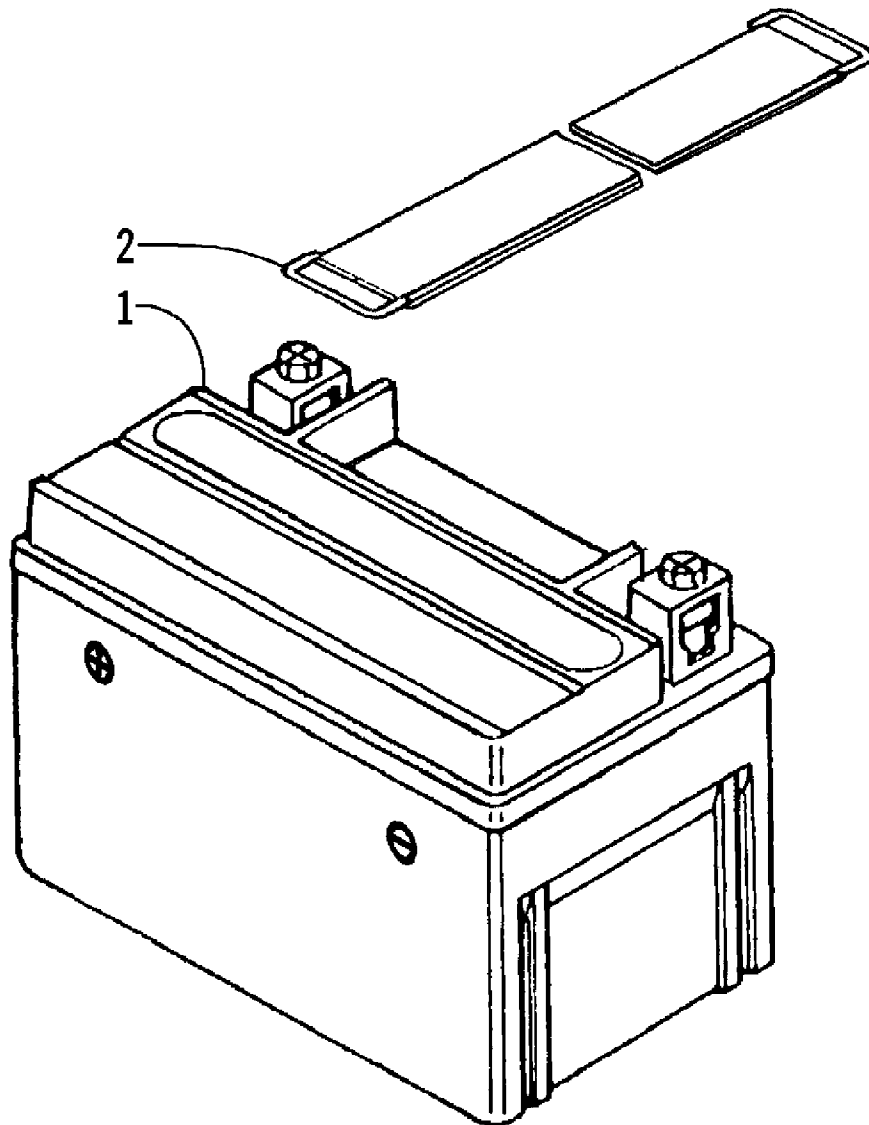
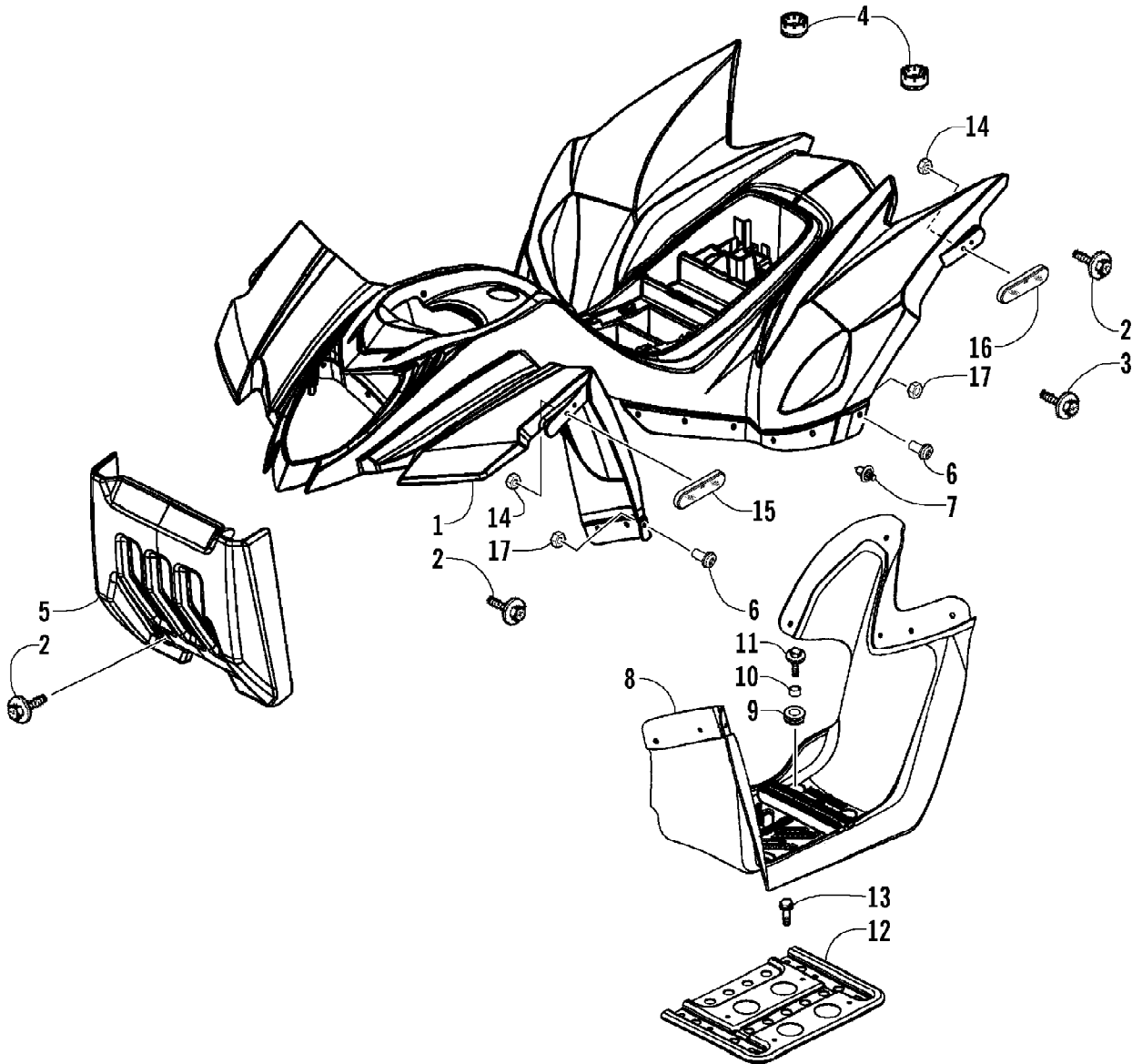


| Ref # | Part Number | Qty | S/P/F | Description                       |
|-------|-------------|-----|-------|-----------------------------------|
| 1     | 3303-005    | 1   |       | Bracket, Mounting                 |
| 2     | 3305-458    | 1   |       | Bolt, Flange                      |
| 3     | 3303-360    | 1   |       | Bolt, Flange                      |
| 4     | 3303-062    | 1   |       | Cover, Air Cleaner (inc. 5)       |
| 5     | 0           | 1   | F     | Fitting                           |
| 6     | 3303-060    | 1   |       | Element, Air Cleaner              |
| 7     | 3305-450    | 5   | /P    | Screw, Self-Tapping               |
| 8     | 3303-063    | 1   |       | Seal, Air Cleaner                 |
| 9     | 3305-314    | 1   |       | Case, Air Cleaner                 |
| 10    | 3305-315    | 1   |       | Clip                              |
| 11    | 3304-168    | 1   | /P    | Tube, Drain                       |
| 12    | 3303-064    | 1   | /P    | Catch, Air Cleaner Element        |
| 13    | 3303-350    | 2   |       | Clip                              |
| 14    | 3303-002    | 1   | /P    | Tube                              |
| 15    | 3303-052    | 1   |       | Clip, Breather Tube               |
| 16    | 3303-001    | 1   |       | Tube                              |
| 17    | 3303-352    | 1   |       | Clip                              |
| 18    | 3303-288    | 1   |       | Clamp                             |
| 19    | 3303-287    | 1   |       | Clamp Assembly - Air Cleaner Tube |
| 20    | 3304-551    | 1   | /P    | Bolt, Flange                      |
| 21    | 3005-596    | 1   |       | Tube, Vacuum                      |
| 22    | 3004-161    | 2   |       | Clip, Tube                        |
| 23    | 3005-598    | 1   |       | Duct, Air - AICV Unit             |
| 24    | 3004-167    | 2   |       | Clip, Tube                        |
| 25    | 3305-355    | 1   |       | Mount, Rubber - AICV Unit         |
| 26    | 3305-599    | 1   |       | AICV Unit                         |
| 27    | 3305-597    | 1   |       | Duct, Reed Valve - AICV Unit      |
| 28    | 3303-712    | 1   |       | Clamp                             |

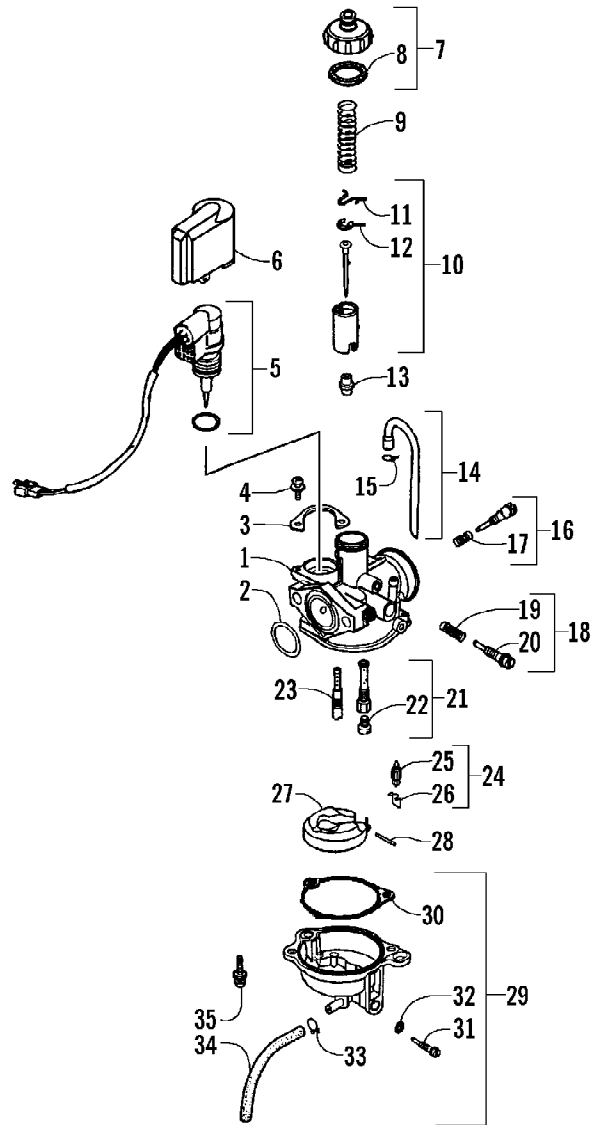


---

| Ref # | Part Number | Qty | S/P/F | Description   |
|-------|-------------|-----|-------|---------------|
| 1     | 3303-131    | 1   | /P    | Battery       |
| 2     | 3304-434    | 1   |       | Band, Battery |

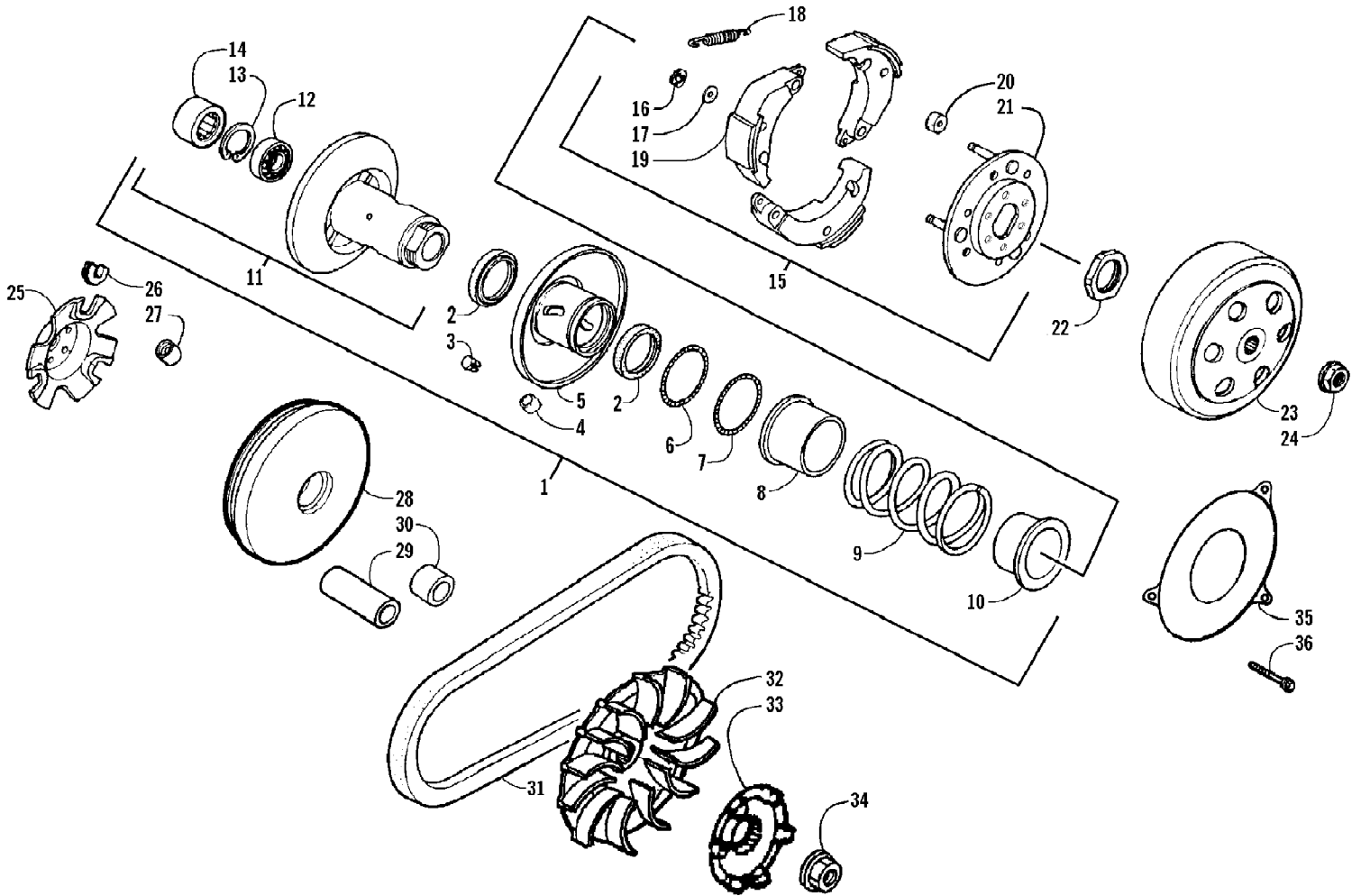


| Ref # | Part Number | Qty | S/P/F | Description                             |
|-------|-------------|-----|-------|---|
| 1     | 3305-508    | 1   |       | Panel, Body - Main                      |
| 2     | 3303-311    | 8   | S     | Bolt w/Washer                           |
| 3     | 3304-586    | 4   | /P    | Bolt w/Washer                           |
| 4     | 3303-232    | 2   |       | Grommet, Rubber                         |
| 5     | 3303-575    | 1   | S     | Cover, Front Bumper                     |
| 6     | 3303-251    | 4   | /P    | Screw w/Washer                          |
| 7     | 3305-448    | 14  |       | Clip, Mudguard                          |
| 8     | 3304-612    | 1   | S     | Mudguard, Right - Assembly (inc. 10-11) |
| 8     | 3304-613    | 1   | S     | Mudguard, Left - Assembly (inc. 10-11)  |
| 9     | 3303-227    | 8   |       | Rubber, Windscreen                      |
| 10    | 3303-233    | 8   |       | Collar, Floor                           |
| 11    | 3304-586    | 8   | /P    | Bolt w/Washer                           |
| 12    | 3304-494    | 2   |       | Reinforcement, Floor                    |
| 13    | 3304-543    | 8   | /P    | Bolt, Flange                            |
| 14    | 3305-527    | 4   | /P    | Nut                                     |
| 15    | 3313-359    | 2   | /P    | Reflector - Front - Amber               |
| 16    | 3313-360    | 2   | /P    | Reflector - Rear - Red                  |
| 17    | 3304-431    | 4   | /P    | Nut, Lock                               |

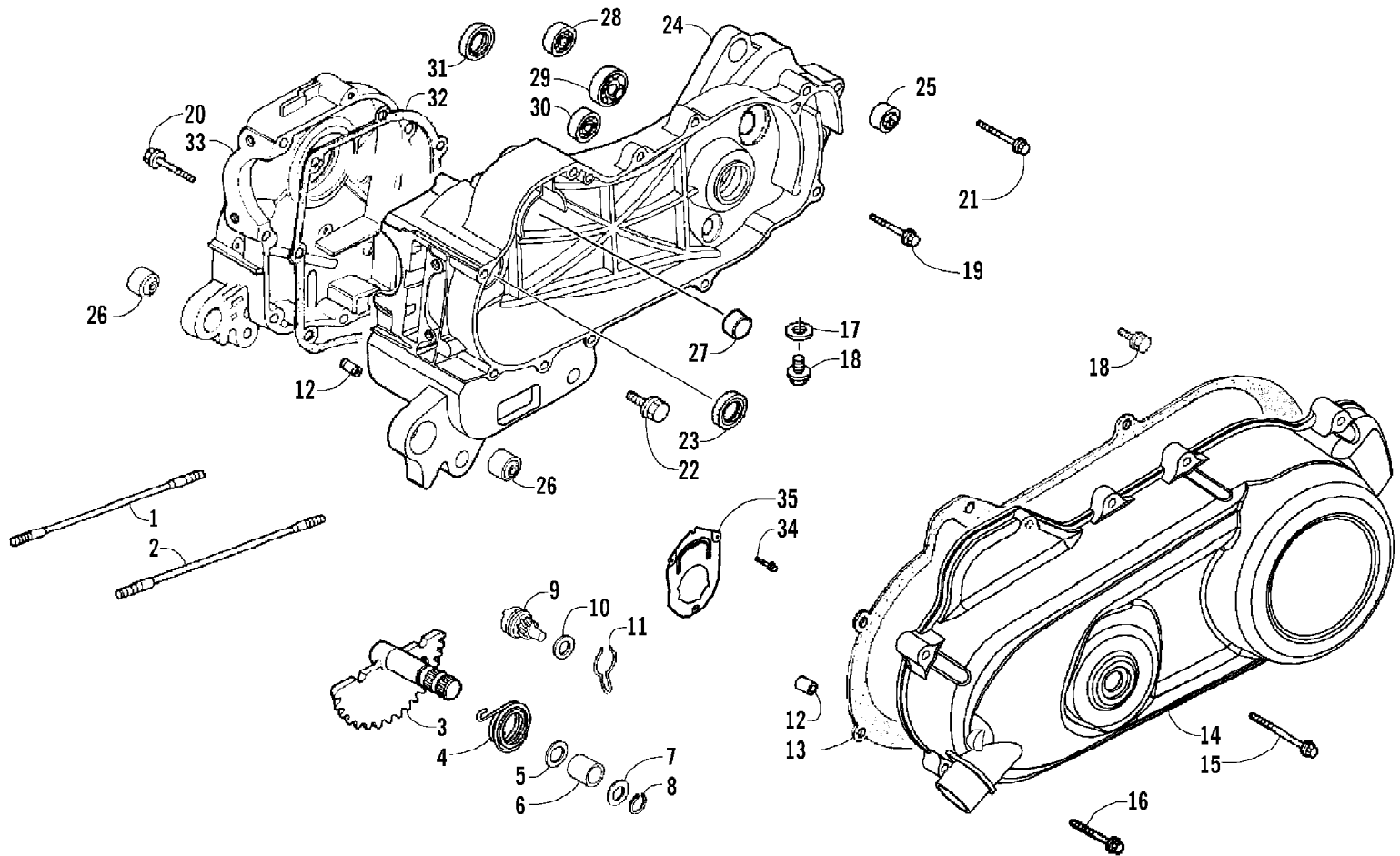


| Ref # | Part Number | Qty | S/P/F | Description                                 |
|-------|-------------|-----|-------|---|
|       | 3305-529    | 1   |       | Complete Carburetor Assembly                |
| 1     | 0           | 1   | F     | Body, Carburetor                            |
| 2     | 3304-488    | 1   |       | O-Ring                                      |
| 3     | 3304-471    | 1   |       | Set Plate                                   |
| 4     | 5507-117    | 2   | /P    | Screw w/Washer                              |
| 5     | 3304-470    | 1   |       | Automatic Bypass/Starter Assembly           |
| 6     | 3304-469    | 1   |       | Holder, Cap                                 |
| 7     | 3304-462    | 1   |       | Set, Top (inc. 8)                           |
| 8     | 3304-463    | 1   |       | Gasket, Top                                 |
| 9     | 3304-464    | 1   |       | Spring, Compression                         |
| 10    | 3304-467    | 1   |       | Valve, Throttle - Assembly (inc. 11-12)     |
| 11    | 3304-465    | 1   |       | Plate, Needle Clip                          |
| 12    | 3304-466    | 1   |       | Clip, Needle                                |
| 13    | 3304-468    | 1   |       | Needle Jet                                  |
| 14    | 3304-472    | 1   |       | Tube, Rubber - Assembly (inc. 15)           |
| 15    | 3304-474    | 1   |       | Clip, Tube                                  |
| 16    | 3305-446    | 1   |       | Screw, Adjustment - Assembly (inc. 17)      |
| 17    | 3305-444    | 1   |       | Spring, Compression                         |
| 18    | 3304-477    | 1   |       | Screw, Stop - Assembly (inc. 19-20)         |
| 19    | 3304-232    | 1   |       | Spring, Compression                         |
| 20    | 3304-478    | 1   |       | Screw, Stop                                 |
| 21    | 3304-479    | 1   |       | Holder, Needle Jet - Assembly (inc. 22)     |
| 22    | 3304-482    | 1   |       | Jet, Main - 80                              |
| 22    | 5507-170    | 1   | F     | Jet, Main - 75                              |
| 22    | 5507-220    | 1   | F     | Jet, Main - 78                              |
| 23    | 3304-489    | 1   |       | Jet, Slow                                   |
| 24    | 3304-490    | 1   |       | Valve, Float - Assembly (inc. 25-26)        |
| 25    | 3304-483    | 1   |       | Valve, Float - Set                          |
| 26    | 3304-484    | 1   |       | Clip  |
| 27    | 3304-491    | 1   |       | Float Assembly                              |
| 28    | 3304-485    | 1   |       | Pin, Float Arm                              |
| 29    | 3304-486    | 1   |       | Body, Float Chamber - Assembly (inc. 30-34) |
| 30    | 0           | 1   | F     | Gasket                                      |
| 31    | 3304-243    | 1   |       | Screw, Drain                                |
| 32    | 3304-239    | 1   |       | O-Ring                                      |
| 33    | 3304-452    | 1   |       | Clip, Tube                                  |
| 34    | 3305-248    | 1   | /P    | Tube, Drain                                 |
| 35    | 3303-320    | 2   |       | Screw w/Washer                              |

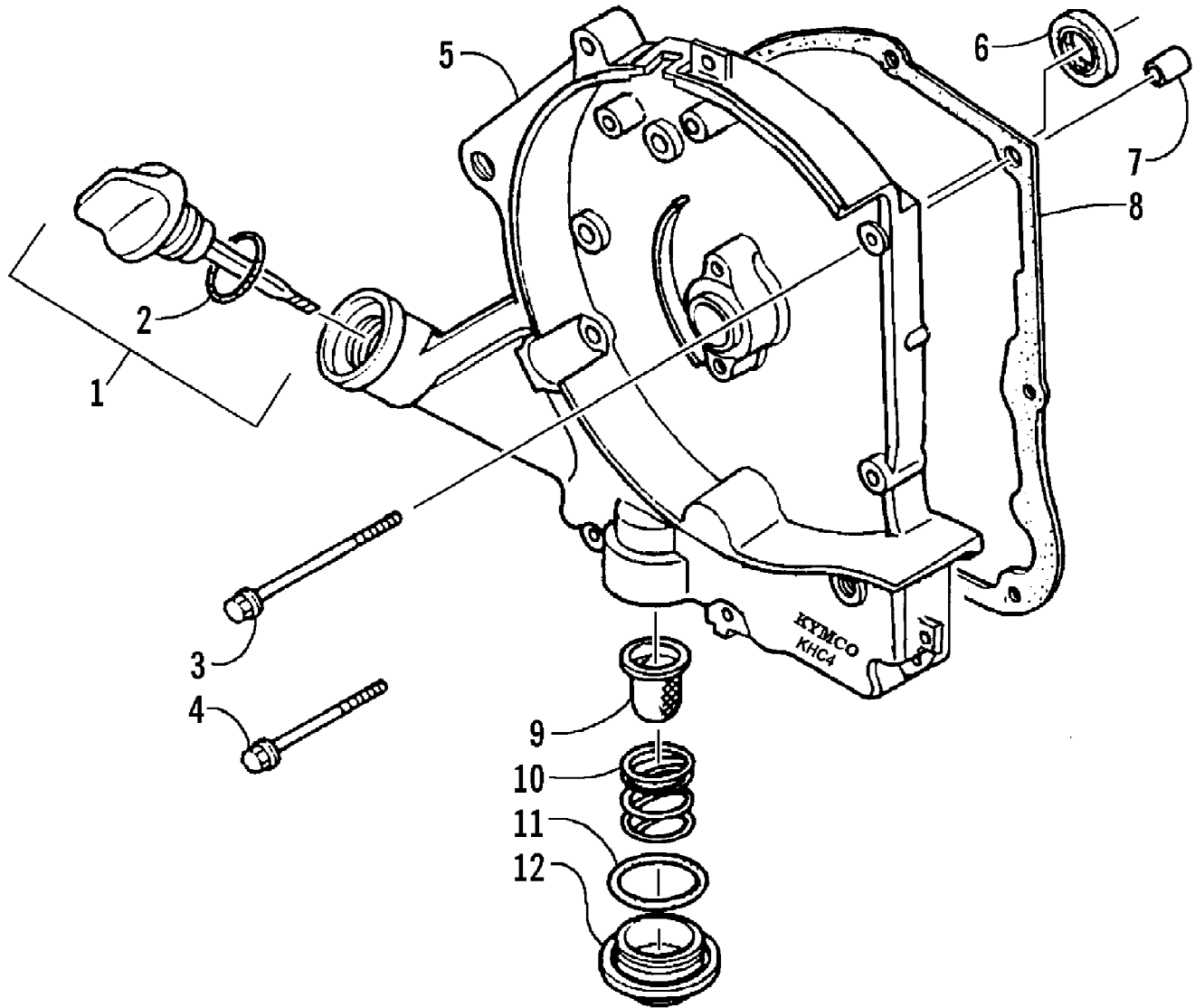




| Ref # | Part Number | Qty | S/P/F | Description                                  |
|-------|-------------|-----|-------|--|
| 1     | 3303-411    | 1   |       | Pulley, Driven - Assembly (inc. 2-22)        |
| 2     | 3303-299    | 2   |       | Seal, Oil                                    |
| 3     | 3303-098    | 3   |       | Guide, Pin                                   |
| 4     | 3303-099    | 3   |       | Guide, Roller                                |
| 5     | 3303-097    | 1   |       | Face, Driven - Movable                       |
| 6     | 3304-620    | 1   |       | O-Ring                                       |
| 7     | 3304-619    | 1   |       | O-Ring                                       |
| 8     | 3303-101    | 1   |       | Collar, Seal                                 |
| 9     | 3303-100    | 1   |       | Spring, Driven Face                          |
| 10    | 3303-102    | 1   |       | Collar, Spring                               |
| 11    | 3303-096    | 1   |       | Face, Driven - Fixed - Assembly (inc. 12-14) |
| 12    | 3303-291    | 1   |       | Bearing, Ball                                |
| 13    | 3303-346    | 1   |       | Circlip                                      |
| 14    | 3303-294    | 1   |       | Bearing, Needle                              |
| 15    | 3303-090    | 1   |       | Face, Drive - Assembly (inc. 16-21)          |
| 16    | 3304-618    | 3   | /P    | E-Ring                                       |
| 17    | 3303-274    | 3   |       | Washer, Thrust                               |
| 18    | 3303-092    | 3   |       | Spring, Clutch                               |
| 19    | 3303-093    | 3   |       | Weight, Clutch                               |
| 20    | 3303-094    | 3   |       | Rubber, Clutch Damper                        |
| 21    | 3303-091    | 1   |       | Face, Drive                                  |
| 22    | 3304-025    | 1   | /P    | Nut  |
| 23    | 3303-082    | 1   |       | Housing, Centrifugal Clutch                  |
| 24    | 3303-333    | 1   | /P    | Nut, Flange                                  |
| 25    | 3303-088    | 1   |       | Plate, Ramp                                  |
| 26    | 3303-089    | 3   |       | Slide  |
| 27    | 3303-087    | 6   |       | Guide, Roller                                |
| 28    | 3303-086    | 1   |       | Face, Drive - Movable                        |
| 29    | 3303-409    | 1   |       | Boss, Drive Face                             |
| 30    | 3303-410    | 1   |       | Collar, Drive Face                           |
| 31    | 3303-095    | 1   |       | Belt, Drive                                  |
| 32    | 3303-083    | 1   |       | Face, Drive                                  |
| 33    | 3303-116    | 1   |       | Ratchet, Kick Starter                        |
| 34    | 3303-334    | 1   |       | Nut, Flange                                  |
| 35    | 3304-460    | 1   |       | Plate, Dust                                  |
| 36    | 3303-381    | 3   |       | Bolt, Flange                                 |



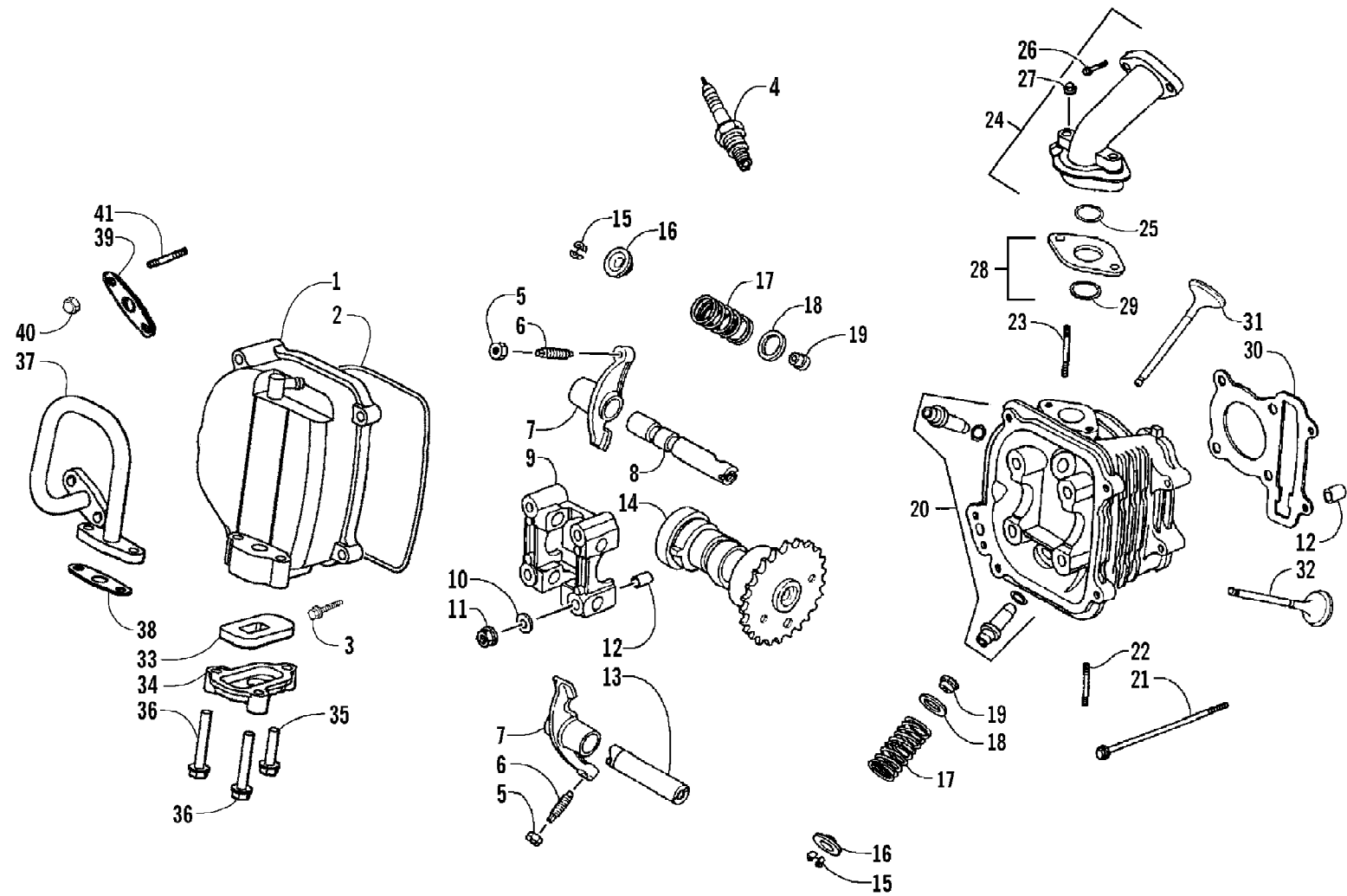
| Ref # | Part Number | Qty | S/P/F | Description   |
|-------|-------------|-----|-------|---|
| 1     | 3303-247    | 2   |       | Bolt, Stud  |
| 2     | 3303-248    | 2   |       | Bolt, Stud  |
| 3     | 3303-119    | 1   |       | Spindle, Kick Starter                               |
| 4     | 3303-122    | 1   |       | Spring, Return - Kick Starter                       |
| 5     | 3303-121    | 1   |       | Collar, Boss - Kick Starter                         |
| 6     | 3303-120    | 1   |       | Bushing, Spindle - Kick Starter                     |
| 7     | 3303-276    | 1   |       | Washer, Spindle - Kick Starter                      |
| 8     | 3303-345    | 1   |       | Circlip   |
| 9     | 3303-118    | 1   |       | Gear, Driven - Kick Starter                         |
| 10    | 3303-272    | 1   |       | Washer, Thrust                                      |
| 11    | 3303-117    | 1   |       | Spring, Driven - Kick Starter                       |
| 12    | 3303-341    | 4   |       | Pin, Dowel  |
| 13    | 3303-013    | 1   |       | Gasket, Crankcase Cover - Left                      |
| 14    | 3304-615    | 1   |       | Cover , Crankcase - Left                            |
| 15    | 3303-386    | 7   | /P    | Bolt, Flange  |
| 16    | 3303-385    | 1   |       | Bolt, Flange  |
| 17    | 3303-278    | 1   |       | Washer  |
| 18    | 3303-365    | 2   |       | Bolt, Flange  |
| 19    | 3303-372    | 1   |       | Bolt, Flange  |
| 20    | 3303-387    | 1   |       | Bolt, Flange  |
| 21    | 3303-370    | 6   |       | Bolt, Flange  |
| 22    | 3304-052    | 1   | /P    | Bolt, Drain Plug - Assembly                         |
| 23    | 3303-296    | 1   |       | Seal, Oil   |
| 24    | 3303-004    | 1   |       | Crankcase, Set - Left (inc. 25, one No. 26, and 27) |
| 25    | 3303-403    | 2   |       | Bushing, Rubber - Rear Cushion                      |
| 26    | 3303-402    | 2   | /P    | Bushing, Rubber - Engine Hanger                     |
| 27    | 3304-597    | 1   |       | Bushing   |
| 28    | 3303-464    | 1   |       | Bearing, Ball                                       |
| 29    | 3303-459    | 1   |       | Bearing, Needle                                     |
| 30    | 3303-465    | 1   |       | Bearing, Ball                                       |
| 31    | 3303-297    | 1   | /P    | Seal, Oil   |
| 32    | 3303-003    | 1   |       | Gasket, Crankcase - Right                           |
| 33    | 3303-400    | 1   | /P    | Crankcase, Set - Right (inc. one No. 26)            |
| 34    | 3303-391    | 3   |       | Bolt  |
| 35    | 3303-009    | 1   |       | Plate, Cover  |



2008 ATV 90 DVX CALIFORNIA BLACK-CAT GREEN (A2008KSB2BCAE)  
CRANKCASE COVER ASSEMBLY

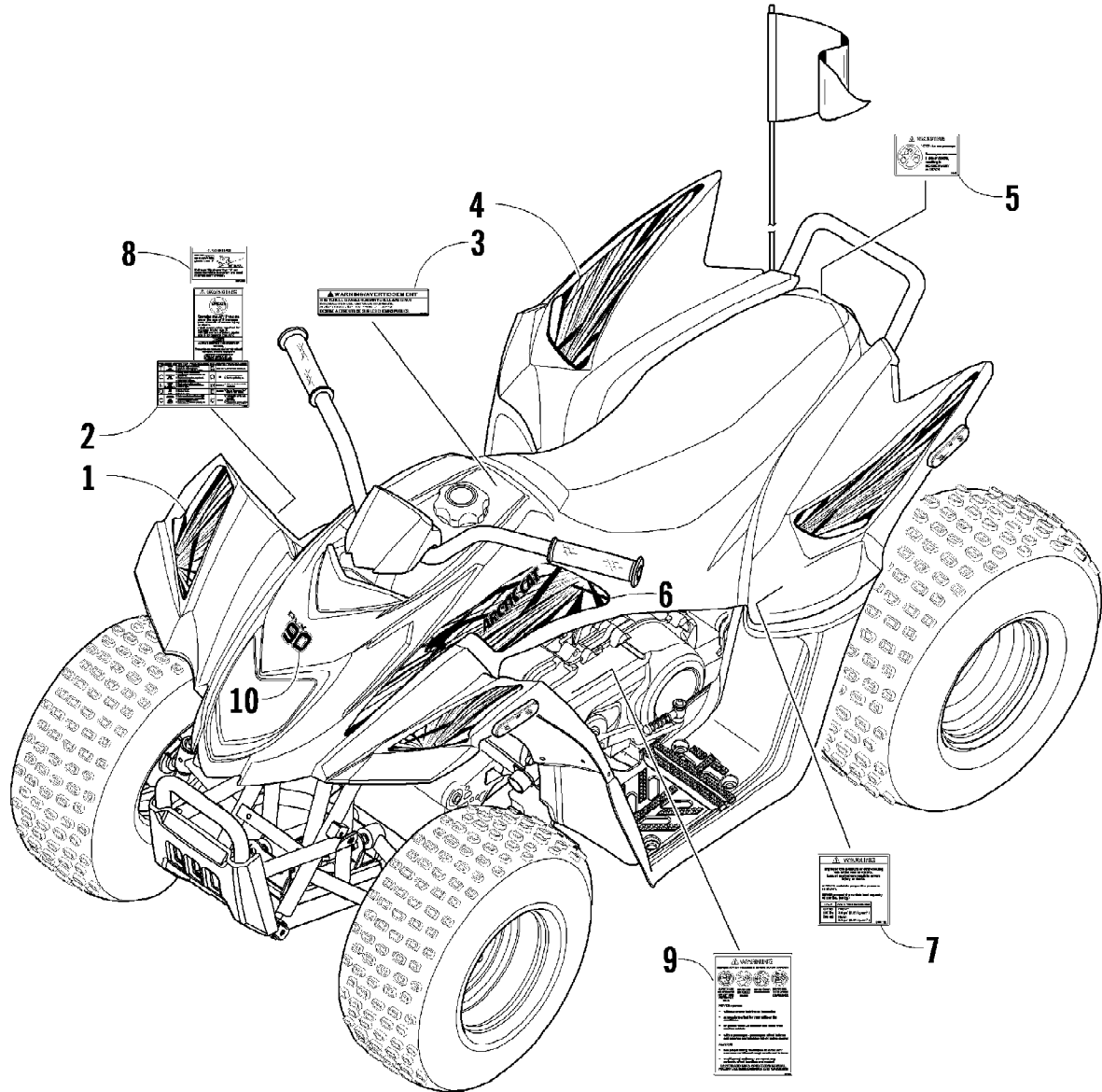
Page 14 of 60

| Ref # | Part Number | Qty | S/P/F | Description                          |
|-------|-------------|-----|-------|--------------------------------------|
| 1     | 3303-050    | 1   |       | Gauge, Oil Level - Assembly (inc. 2) |
| 2     | 3303-306    | 1   | S     | O-Ring                               |
| 3     | 3303-390    | 4   |       | Bolt, Flange                         |
| 4     | 3304-580    | 4   |       | Bolt, Flange                         |
| 5     | 3303-007    | 1   |       | Cover, Crankcase (inc. 6)            |
| 6     | 3303-296    | 1   |       | Seal, Oil                            |
| 7     | 3303-341    | 2   |       | Pin, Dowel                           |
| 8     | 3303-012    | 1   |       | Gasket, Crankcase                    |
| 9     | 3303-048    | 1   | S     | Screen, Oil Filter                   |
| 10    | 3303-049    | 1   | S     | Spring, Oil Filter Screen            |
| 11    | 3304-096    | 1   | /P    | O-Ring                               |
| 12    | 3303-021    | 1   |       | Cap, Oil Filter                      |

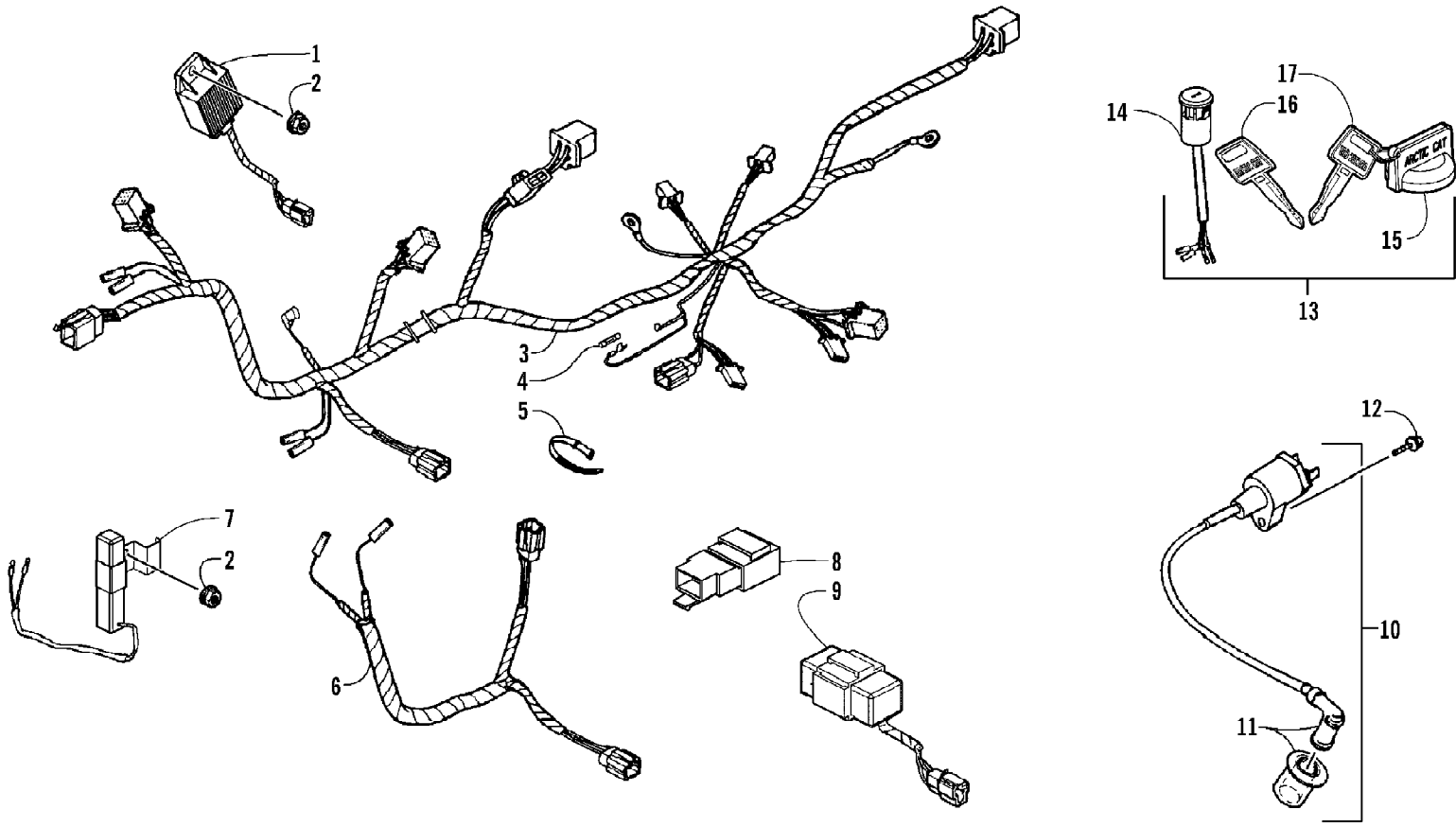


| Ref # | Part Number | Qty | S/P/F | Description                                |
|-------|-------------|-----|-------|--|
| 1     | 3305-594    | 1   |       | Cover, Cylinder Head                       |
| 2     | 3305-588    | 1   |       | Gasket, Cylinder Head Cover                |
| 3     | 3303-360    | 4   |       | Bolt, Flange                               |
| 4     | 0217-726    | 1   | /P    | Plug, Spark                                |
| 5     | 3304-026    | 2   | /P    | Nut, Tappet Adjusting                      |
| 6     | 3304-007    | 2   | /P    | Screw, Tappet Adjusting                    |
| 7     | 3303-495    | 2   |       | Arm, Rocker                                |
| 8     | 3303-496    | 1   |       | Shaft, Rocker Arm - Intake                 |
| 9     | 3303-486    | 1   |       | Holder, Camshaft                           |
| 10    | 3303-589    | 4   |       | Washer, Sealing                            |
| 11    | 3303-584    | 4   |       | Nut, Flange                                |
| 12    | 3303-594    | 4   |       | Pin, Dowel                                 |
| 13    | 3303-497    | 1   |       | Shaft, Rocker Arm - Exhaust                |
| 14    | 3303-493    | 1   |       | Camshaft                                   |
| 15    | 3303-044    | 4   |       | Cotter, Valve                              |
| 16    | 3303-042    | 2   | /P    | Retainer, Valve Spring                     |
| 17    | 3303-506    | 2   |       | Spring, Valve - Outer                      |
| 18    | 3303-043    | 2   |       | Seat, Valve Spring - Outer                 |
| 19    | 3303-657    | 2   | /P    | Seal, Valve Stem                           |
| 20    | 3305-585    | 1   |       | Head, Cylinder                             |
| 21    | 3304-580    | 2   |       | Bolt, Flange                               |
| 22    | 3303-581    | 2   |       | Bolt, Stud                                 |
| 23    | 3303-310    | 2   |       | Bolt, Stud                                 |
| 24    | 3305-595    | 1   |       | Pipe, Inlet - Assembly (inc. 25)           |
| 25    | 3303-304    | 1   |       | O-Ring                                     |
| 26    | 3303-384    | 2   | /P    | Bolt, Flange                               |
| 27    | 3303-331    | 2   | /P    | Nut, Flange                                |
| 28    | 3303-511    | 1   | /P    | Insulator, Carburetor - Assembly (inc. 29) |
| 29    | 3304-596    | 1   |       | O-Ring                                     |
| 30    | 3303-487    | 1   |       | Gasket, Cylinder Head                      |
| 31    | 3303-504    | 1   |       | Valve, Inlet                               |
| 32    | 3303-505    | 1   |       | Valve, Exhaust                             |
| 33    | 3305-353    | 1   |       | Valve, Reed                                |
| 34    | 3305-354    | 1   |       | Cover, Reed Valve                          |
| 35    | 3305-401    | 1   |       | Bolt, Flange                               |
| 36    | 3305-402    | 2   |       | Bolt, Flange                               |
| 37    | 3305-589    | 1   |       | Pipe, Air Intake                           |
| 38    | 3305-356    | 1   |       | Gasket, Air Intake Pipe                    |
| 39    | 3303-732    | 1   |       | Gasket, Air Intake Pipe                    |
| 40    | 3304-030    | 2   |       | Nut  |
| 41    | 3303-582    | 2   |       | Bolt, Stud                                 |

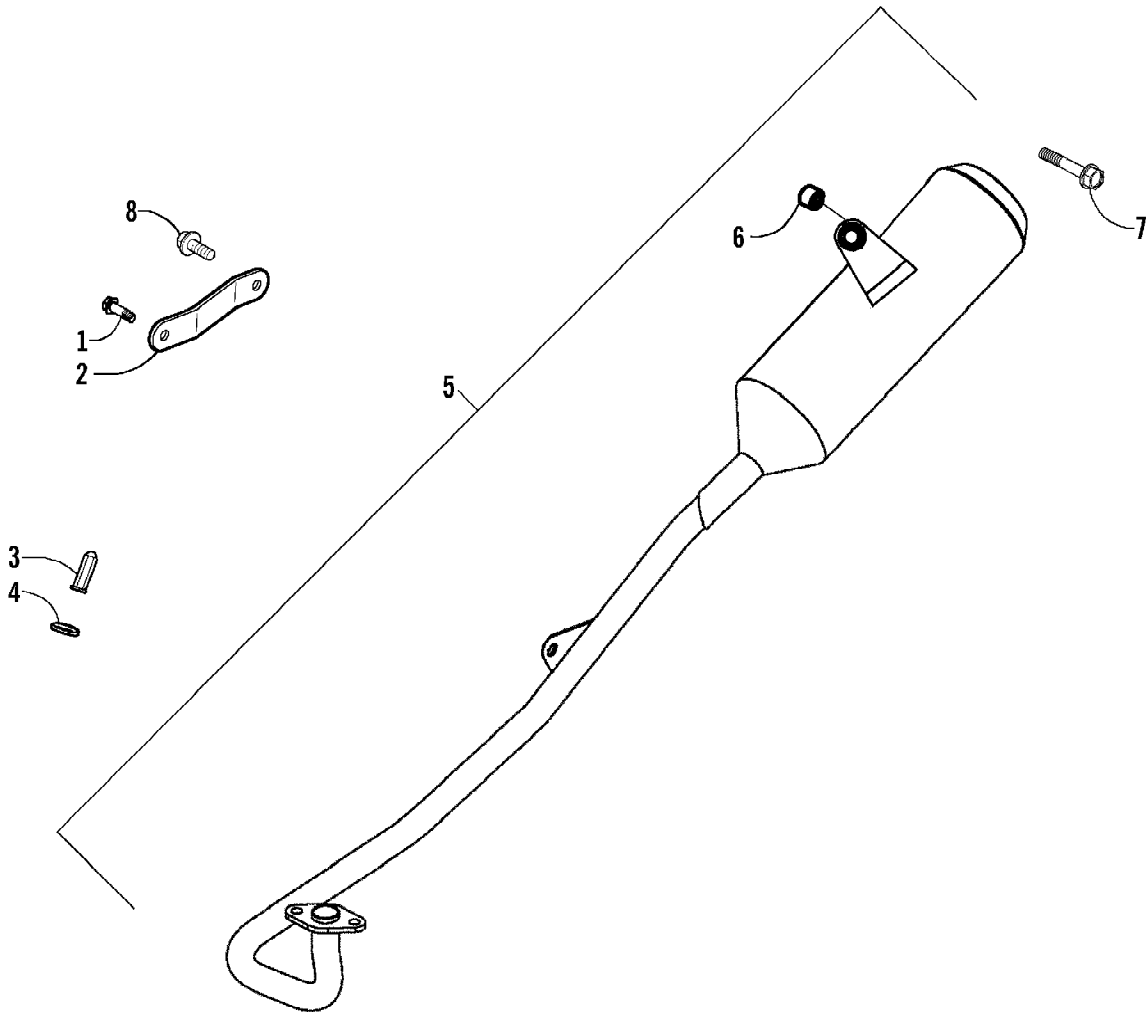




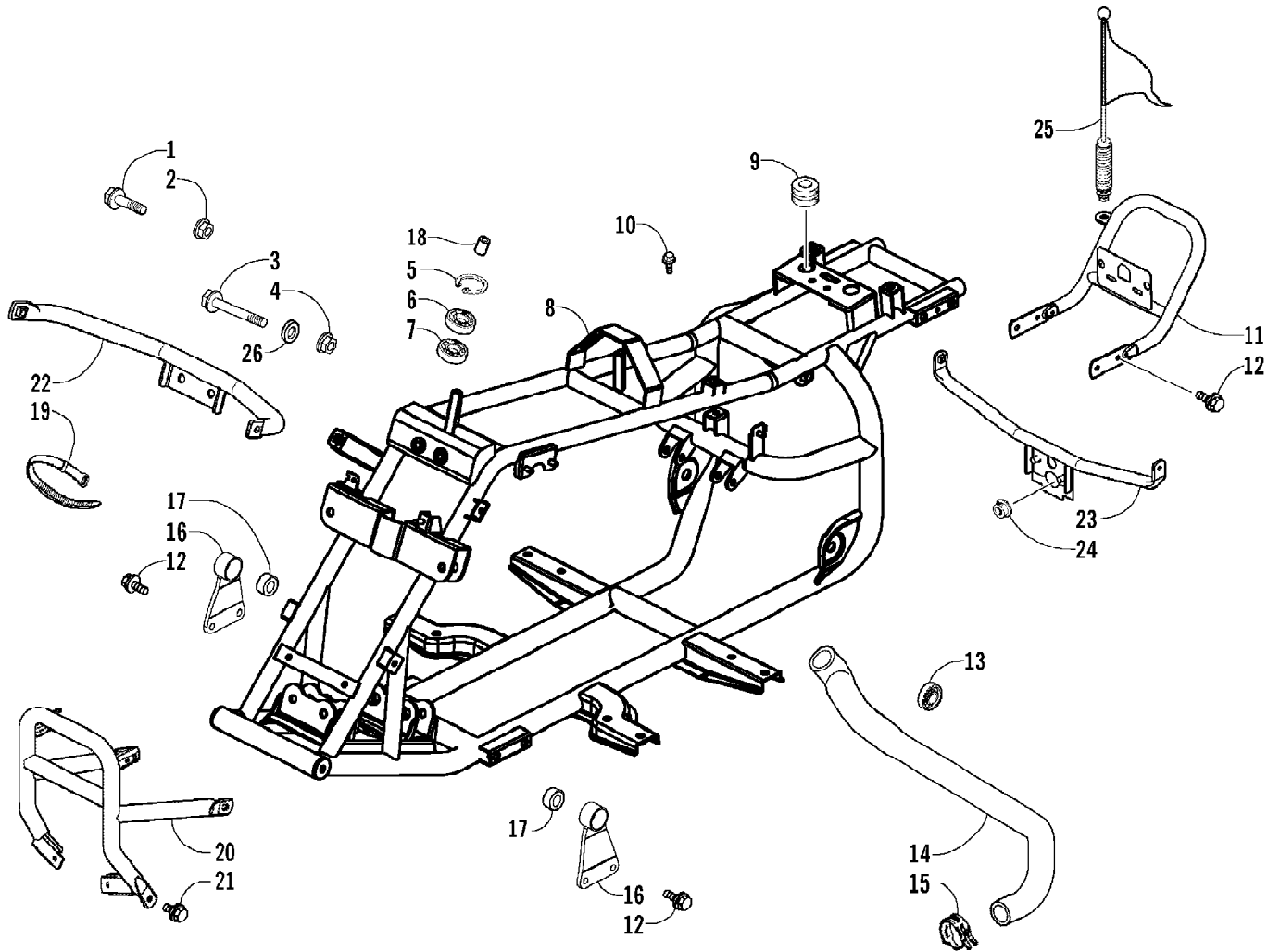
| Ref # | Part Number | Qty | S/P/F | Description                           |
|-------|-------------|-----|-------|---------------------------------------|
| 1     | 1411-780    | 1   |       | Decal, Graphic - Front Fender - Right |
| 1     | 1411-781    | 1   |       | Decal, Graphic - Front Fender - Left  |
| 2     | 1411-230    | 1   |       | Decal, Warning - Reverse/Pre-Ride     |
| 3     | 1411-574    | 1   |       | Decal, Warning - Not for Highways     |
| 4     | 1411-784    | 1   |       | Decal, Graphic - Rear Fender - Right  |
| 4     | 1411-785    | 1   |       | Decal, Graphic - Rear Fender - Left   |
| 5     | 0411-435    | 1   |       | Decal, Warning - Passenger            |
| 6     | 1411-774    | 1   |       | Decal, Graphic - Side - Right         |
| 6     | 1411-775    | 1   |       | Decal, Graphic - Side - Left          |
| 7     | 0411-455    | 1   |       | Decal, Warning - Tire/Load            |
| 8     | 0411-836    | 1   |       | Decal, Warning - Hill                 |
| 9     | 0411-218    | 1   |       | Decal, Warning - General              |
| 10    | 1411-787    | 1   |       | Decal, Graphic - Front                |



| Ref # | Part Number | Qty | S/P/F | Description                              |
|-------|-------------|-----|-------|--|
| 1     | 3303-132    | 1   |       | Regulator, Voltage                       |
| 2     | 3303-331    | 2   | /P    | Nut, Flange                              |
| 3     | 3305-518    | 1   |       | Harness, Main (inc. 4)                   |
| 4     | 3303-399    | 2   |       | Fuse                                     |
| 5     | 3303-289    | 4   | /P    | Cable Tie                                |
| 6     | 3303-134    | 1   | /P    | Sub-Cord                                 |
| 7     | 3303-142    | 1   |       | Resistor                                 |
| 8     | 3303-143    | 1   |       | Relay, Starter                           |
| 9     | 3305-456    | 1   |       | CDI Unit                                 |
| 10    | 3303-125    | 1   |       | Coil Assembly - Ignition (inc. 11)       |
| 11    | 3303-126    | 1   |       | Cap, Noise Suppressor - Assembly         |
| 12    | 3303-252    | 1   |       | Bolt, Flange                             |
| 13    | 3305-519    | 1   | S     | Switch, Ignition - Assembly (inc. 14-16) |
| 14    | 0           | 1   | F     | Switch, Ignition                         |
| 15    | 3304-522    | 1   |       | Cover, Key - "Arctic Cat"                |
| 16    | 3304-520    | 1   |       | Key, Ignition - Set - Right-Side Cut     |
| 17    | 3304-521    | 1   |       | Key, Ignition - Set - Left-Side Cut      |

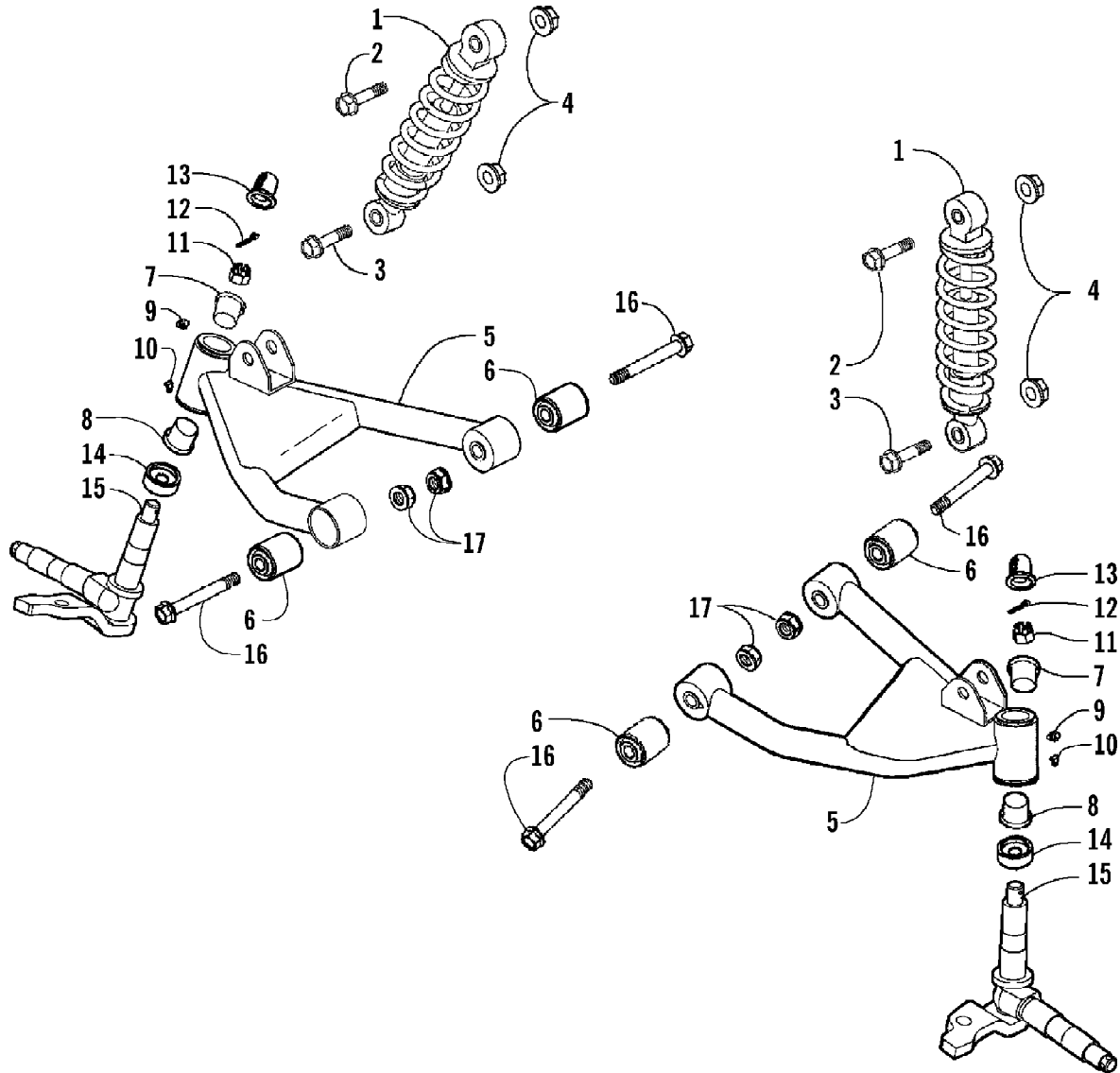


| Ref # | Part Number | Qty | S/P/F | Description                 |
|-------|-------------|-----|-------|-----------------------------|
| 1     | 3303-314    | 1   |       | Bolt, Flange                |
| 2     | 3304-573    | 1   |       | Bracket, Mounting - Muffler |
| 3     | 3303-261    | 2   |       | Nut, Cap - 8 mm             |
| 4     | 3303-071    | 1   |       | Gasket, Exhaust Pipe        |
| 5     | 3305-600    | 1   |       | Muffler - Assembly (inc. 6) |
| 6     | 3304-571    | 1   |       | Bushing, Rubber             |
| 7     | 3304-572    | 1   | /P    | Bolt, Flange                |
| 8     | 3304-543    | 1   | /P    | Bolt, Flange                |

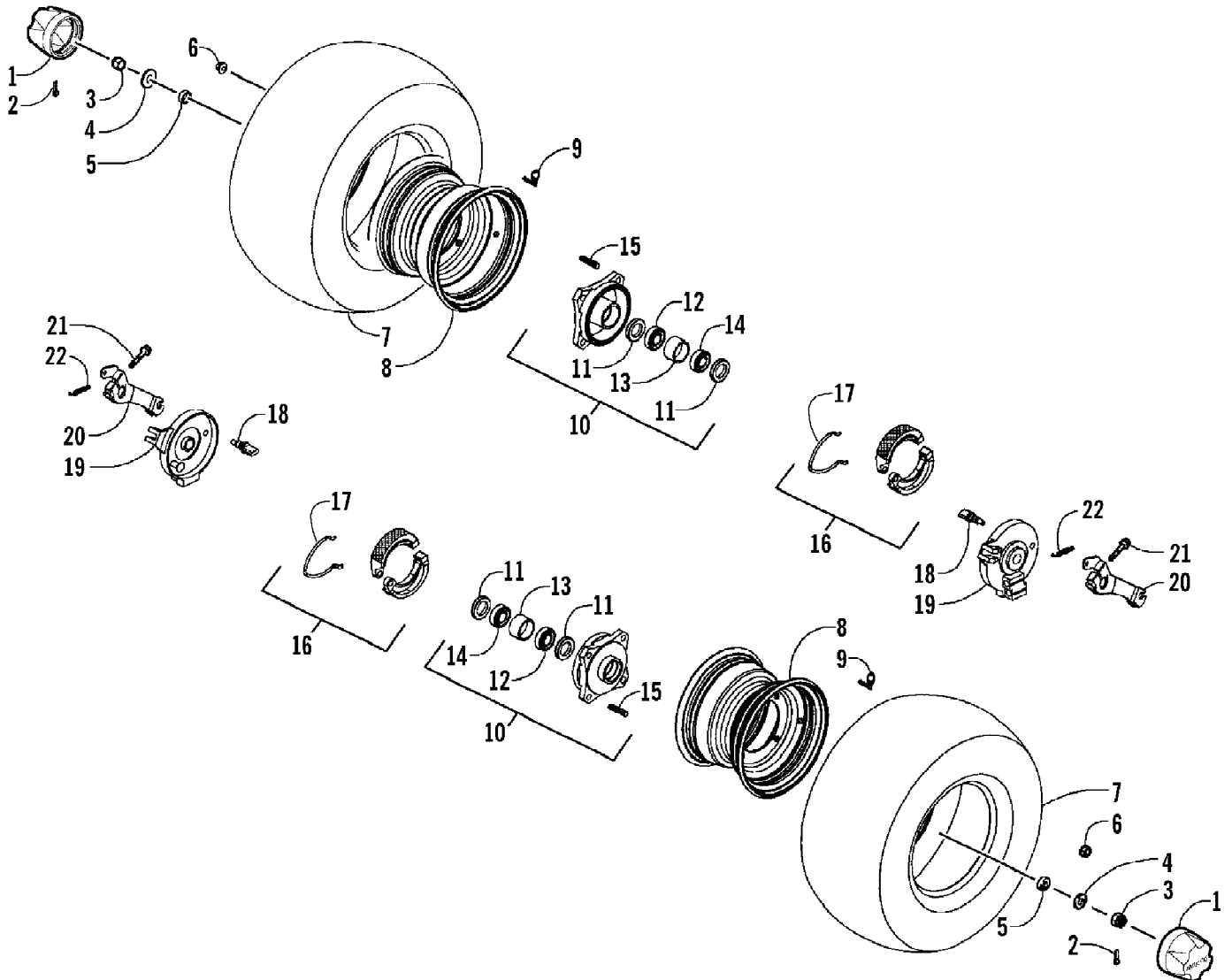


| Ref # | Part Number | Qty | S/P/F | Description                                      |
|-------|-------------|-----|-------|--|
| 1     | 3305-513    | 2   |       | Bolt, Flange                                     |
| 2     | 3303-269    | 2   |       | Nut, Flange                                      |
| 3     | 3304-548    | 2   | /P    | Bolt, Flange                                     |
| 4     | 3303-265    | 2   | S     | Nut, Flange                                      |
| 5     | 3303-347    | 1   |       | Circlip  |
| 6     | 3303-295    | 1   |       | Seal, Oil  |
| 7     | 3303-298    | 1   |       | Seal, Oil  |
| 8     | 3305-510    | 1   |       | Body Frame, Complete                             |
| 9     | 3303-239    | 2   |       | Rubber, Taillight                                |
| 10    | 3303-308    | 1   |       | Bolt, Hex  |
| 11    | 3305-512    | 1   |       | Grip, Rear - Assembly                            |
| 12    | 3304-543    | 8   | /P    | Bolt, Flange                                     |
| 13    | 3303-392    | 1   |       | Bearing  |
| 14    | 3303-010    | 1   |       | Hose, Duct                                       |
| 15    | 3303-074    | 1   |       | Clamp, Hose                                      |
| 16    | 3303-183    | 1   | /P    | Bracket, Engine Hanger - Right (inc. one No. 17) |
| 16    | 3303-184    | 1   | /P    | Bracket, Engine Hanger - Left (inc. one No. 17)  |
| 17    | 3304-542    | 2   |       | Bushing, Rubber - Engine Hanger Bracket          |
| 18    | 3303-445    | 1   |       | Collar   |
| 19    | 3303-289    | 1   | /P    | Cable Tie  |
| 20    | 3303-442    | 1   | S/P   | Bumper, Front                                    |
| 21    | 3304-544    | 8   |       | Bolt, Flange                                     |
| 22    | 3305-511    | 1   |       | Bracket, Mounting - Front Cover                  |
| 23    | 3305-514    | 1   |       | Bracket, Mounting - Rear Fender                  |
| 24    | 3304-668    | 2   |       | Nut, Flange                                      |
| 25    | 3305-308    | 1   |       | Flag Assembly                                    |
| 26    | 3303-238    | 2   |       | Rubber, Engine - Rear                            |





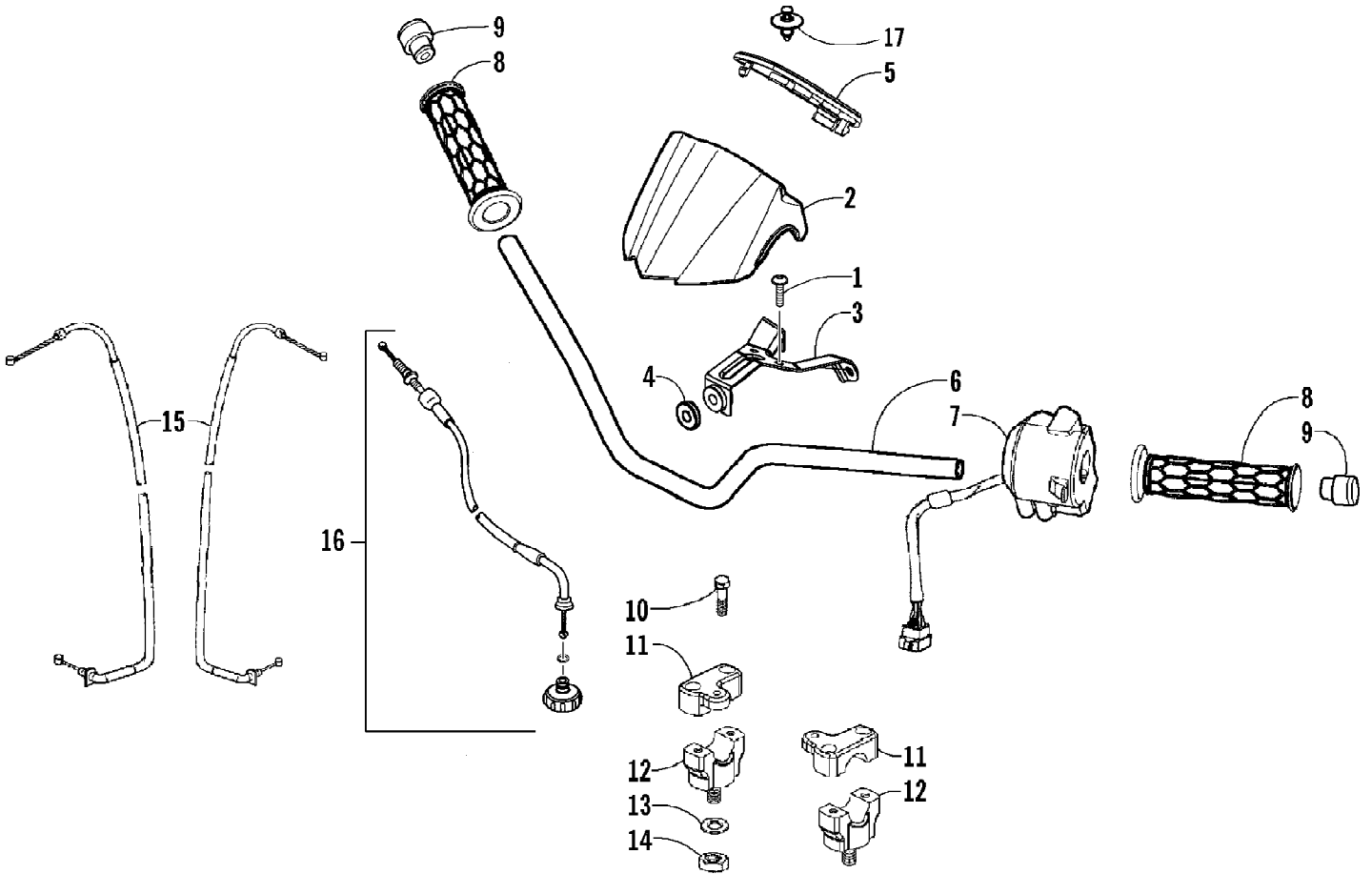
| Ref # | Part Number | Qty | S/P/F | Description                                |
|-------|-------------|-----|-------|--|
| 1     | 3305-491    | 2   |       | Shock, Front - Assembly                    |
| 2     | 3303-376    | 2   | /P    | Bolt, Flange                               |
| 3     | 3303-309    | 2   |       | Bolt, Hex                                  |
| 4     | 3303-333    | 4   | /P    | Nut, Flange                                |
| 5     | 3305-452    | 1   |       | Arm, Swing - Set - Front Right (inc. 6-10) |
| 5     | 3305-453    | 1   |       | Arm, Swing - Set - Front Left (inc. 6-10)  |
| 6     | 3303-216    | 4   |       | Bushing, Swing Arm                         |
| 7     | 3303-218    | 2   |       | Bushing, Swing Arm - Top                   |
| 8     | 3303-217    | 2   |       | Bushing, Swing Arm - Bottom                |
| 9     | 3303-393    | 2   |       | Fitting, Grease                            |
| 10    | 3303-394    | 2   |       | Boot, Grease Fitting                       |
| 11    | 3303-329    | 2   |       | Nut, Flange Castle                         |
| 12    | 3303-337    | 2   |       | Pin, Cotter                                |
| 13    | 3303-219    | 2   |       | Cap, Swing Arm                             |
| 14    | 3303-220    | 2   |       | Seal, Swing Arm                            |
| 15    | 3303-178    | 1   |       | Shaft, Steering - Right                    |
| 15    | 3303-180    | 1   |       | Shaft, Steering - Left                     |
| 16    | 3304-595    | 4   | /P    | Bolt, Flange                               |
| 17    | 3303-265    | 4   | S     | Nut, Flange                                |



| Ref # | Part Number | Qty | S/P/F | Description                        |
|-------|-------------|-----|-------|------------------------------------|
| 1     | 3303-430    | 2   |       | Cap, Wheel Shaft                   |
| 2     | 3303-470    | 2   |       | Pin, Cotter                        |
| 3     | 3303-328    | 2   |       | Nut, Flange Castle                 |
| 4     | 3303-279    | 2   | /P    | Washer                             |
| 5     | 3303-164    | 2   | /P    | Collar, Wheel - Front              |
| 6     | 3303-266    | 8   |       | Nut, Flange                        |
| 7     | 3303-429    | 2   |       | Tire - Assembly                    |
| 8     | 3303-166    | 2   |       | Rim - Assembly (inc. 9)            |
| 9     | 3304-562    | 2   |       | Stem, Valve                        |
| 10    | 3303-165    | 2   |       | Hub, Front - Assembly (inc. 11-15) |
| 11    | 3303-456    | 4   |       | Seal, Dust                         |
| 12    | 3303-468    | 2   |       | Bearing, Ball - Radial             |
| 13    | 3303-445    | 2   |       | Collar, Front Disc                 |
| 14    | 3303-467    | 2   |       | Bearing, Ball - Radial             |
| 15    | 3303-463    | 8   |       | Bolt, Stud                         |
| 16    | 3303-169    | 2   |       | Shoe, Front - Assembly (inc. 17)   |
| 17    | 3304-563    | 2   |       | Spring, Brake Shoe                 |
| 18    | 3303-170    | 2   |       | Cam, Front Brake                   |
| 19    | 3303-168    | 1   |       | Panel - Front - Right              |
| 19    | 3303-176    | 1   |       | Panel - Front - Left               |
| 20    | 3303-171    | 1   |       | Arm, Brake - Right                 |
| 20    | 3303-177    | 1   |       | Arm, Brake - Left                  |
| 21    | 3303-355    | 2   |       | Bolt, Flange                       |
| 22    | 3303-172    | 2   |       | Spring, Return                     |

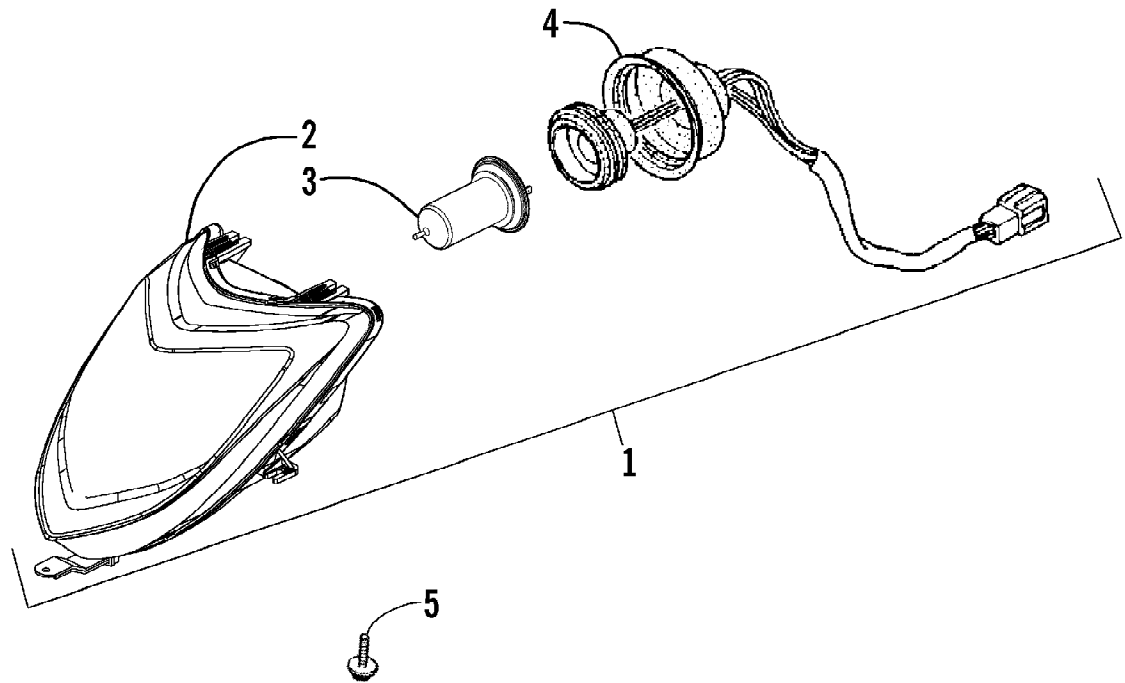


| Ref # | Part Number | Qty | S/P/F | Description                                  |
|-------|-------------|-----|-------|--|
| 1     | 3303-067    | 1   |       | Cap, Gas Tank                                |
| 2     | 3303-068    | 1   |       | Seal, Gas Tank Cap                           |
| 3     | 3305-488    | 1   |       | Gas Tank - Assembly (inc. 4)                 |
| 4     | 3303-406    | 2   |       | Rubber, Gas Tank                             |
| 5     | 3303-226    | 2   |       | Collar                                       |
| 6     | 3303-383    | 2   | /P    | Bolt, Flange                                 |
| 7     | 3305-521    | 1   |       | Hose, Gas - Assembly (inc. two No. 8)        |
| 8     | 3303-349    | 5   |       | Clip   |
| 9     | 3303-699    | 1   | /P    | Strainer, Fuel - Assembly                    |
| 10    | 3305-522    | 1   |       | Hose, Gas - Assembly (inc. 8)                |
| 11    | 3305-489    | 1   |       | Hose, Gas - Assembly (inc. one No. 8 and 12) |
| 12    | 3305-523    | 1   |       | Clamp, Tube                                  |
| 13    | 3303-058    | 1   |       | Screen, Fuel Strainer                        |
| 14    | 3305-294    | 1   |       | Bracket, Shut-Off Valve                      |
| 15    | 3303-331    | 2   | /P    | Nut, Flange                                  |
| 16    | 3303-316    | 2   |       | Screw  |
| 17    | 3303-057    | 1   |       | Valve, Shut-Off w/Screws                     |



| Ref # | Part Number | Qty | S/P/F | Description                       |
|-------|-------------|-----|-------|-----------------------------------|
| 1     | 3304-553    | 2   |       | Bolt w/Washer                     |
| 2     | 3303-436    | 1   |       | Cover, Handlebar                  |
| 3     | 3303-435    | 1   |       | Bracket, Handlebar Cover (inc. 4) |
| 4     | 3303-239    | 1   |       | Grommet                           |
| 5     | 3305-515    | 1   |       | Lid, Handlebar Cover              |
| 6     | 3303-434    | 1   |       | Handlebar                         |
| 7     | 3305-516    | 1   |       | Switch, Handlebar - Assembly      |
| 8     | 3303-203    | 2   | S     | Grip, Handlebar                   |
| 9     | 3303-196    | 2   |       | End Cap, Handlebar                |
| 10    | 3303-398    | 4   |       | Bolt                              |
| 11    | 3303-197    | 1   |       | Holder, Handlebar - Upper - Right |
| 11    | 3303-198    | 1   |       | Holder, Handlebar - Upper - Left  |
| 12    | 3303-199    | 2   |       | Holder, Handlebar - Lower         |
| 13    | 3304-136    | 2   |       | Washer                            |
| 14    | 3305-517    | 2   |       | Nut, Hex                          |
| 15    | 3303-173    | 2   |       | Cable, Brake - Front              |
| 16    | 1502-096    | 1   | /P    | Cable, Throttle - Kit             |
| 17    | 3303-592    | 2   |       | Clip                              |

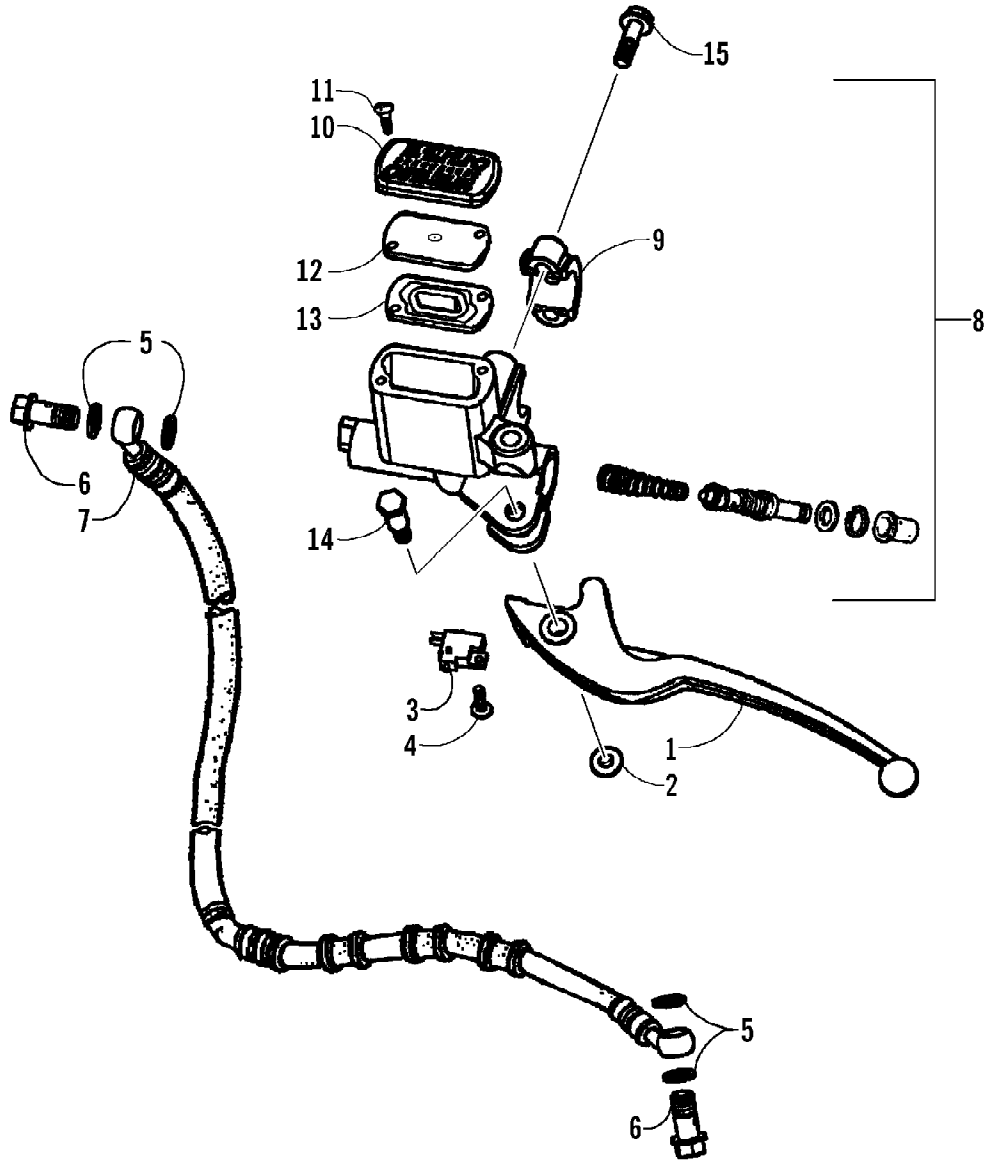




2008 ATV 90 DVX CALIFORNIA BLACK-CAT GREEN (A2008KSB2BCAE)  
HEADLIGHT ASSEMBLY

Page 34 of 60

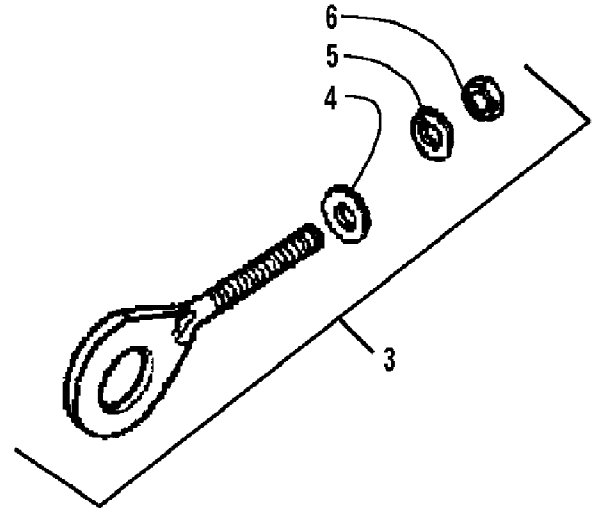
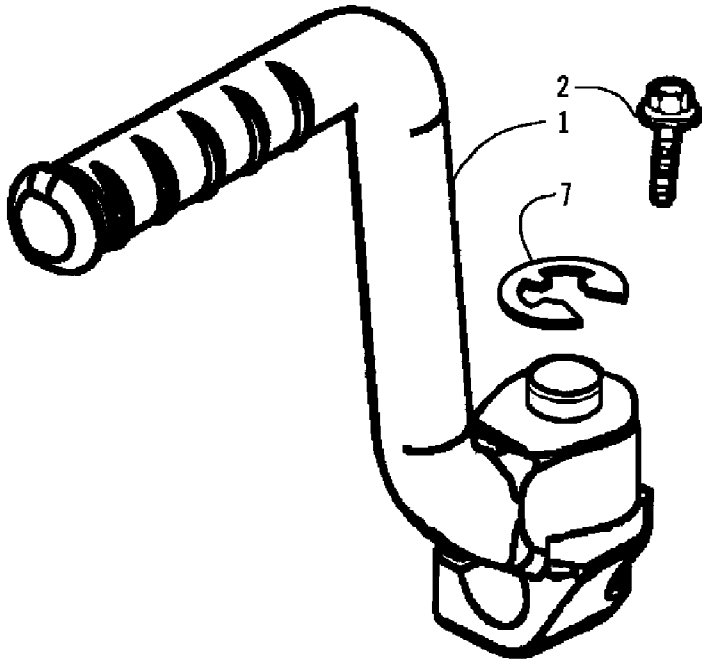
| Ref # | Part Number | Qty | S/P/F | Description                   |
|-------|-------------|-----|-------|-------------------------------|
| 1     | 3304-280    | 1   |       | Headlight Assembly (inc. 2-4) |
| 2     | 3304-281    | 1   |       | Lens, Headlight               |
| 3     | 3303-846    | 1   | /P    | Bulb, Headlight               |
| 4     | 3304-282    | 1   |       | Socket Assembly               |
| 5     | 3304-650    | 5   | /P    | Screw, Self-Tapping           |



2008 ATV 90 DVX CALIFORNIA BLACK-CAT GREEN (A2008KSB2BCAE)  
HYDRAULIC HAND BRAKE ASSEMBLY

Page 36 of 60

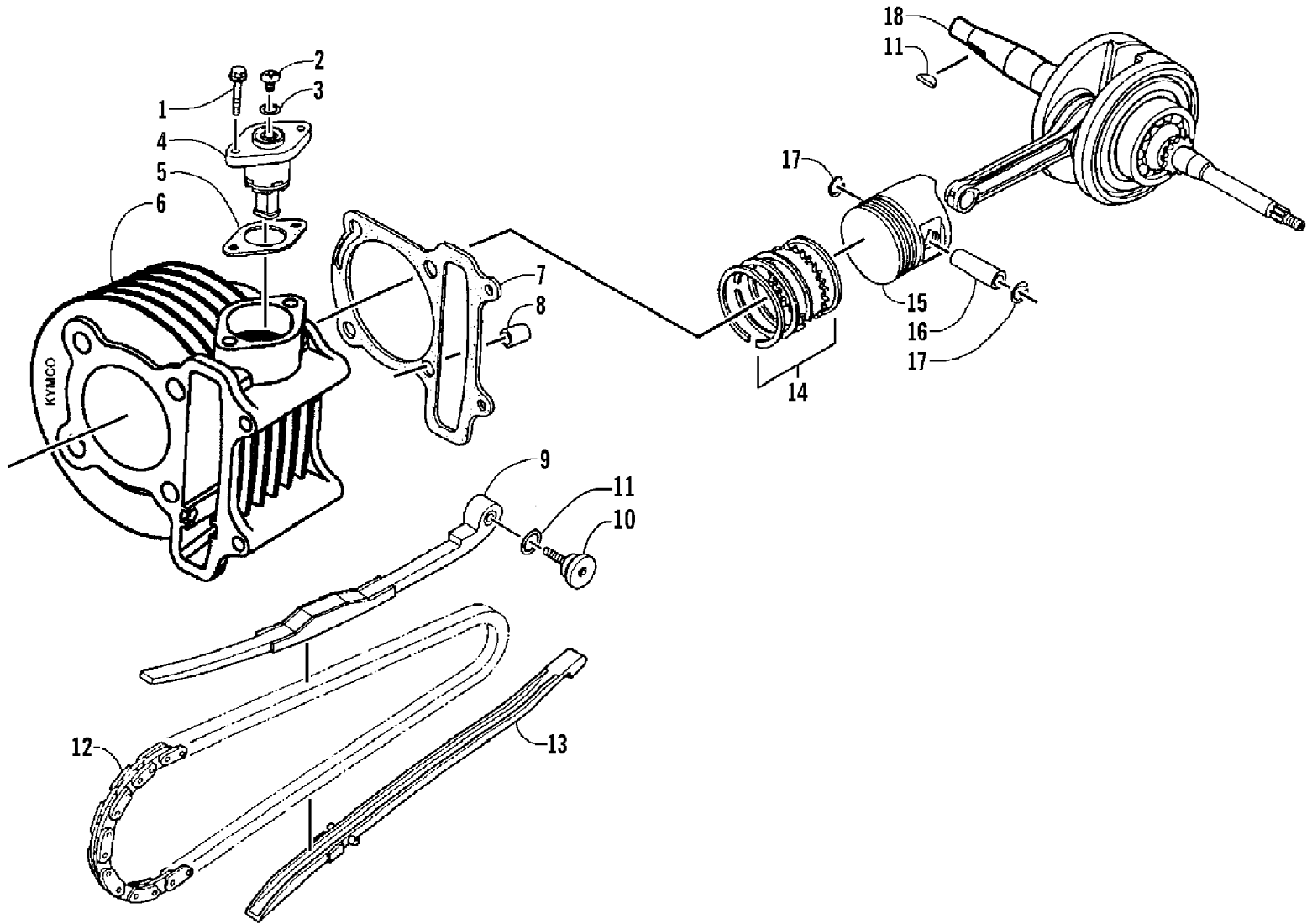
| Ref # | Part Number | Qty | S/P/F | Description                                   |
|-------|-------------|-----|-------|---|
| 1     | 3303-206    | 1   | /P    | Lever   |
| 2     | 3304-654    | 1   | /P    | Nut, Flange                                   |
| 3     | 3303-141    | 1   | /P    | Switch Assembly                               |
| 4     | 3305-463    | 1   |       | Screw w/Washer                                |
| 5     | 3303-284    | 4   | /P    | Washer, Crush                                 |
| 6     | 3303-257    | 2   | /P    | Bolt, Banjo-Fitting                           |
| 7     | 3305-278    | 1   |       | Hose, Brake - Assembly                        |
| 8     | 3305-484    | 1   | S     | Brake, Master Cylinder - Assembly (inc. 9-14) |
| 9     | 3303-175    | 1   | /P    | Clamp, Master Cylinder                        |
| 10    | 3303-174    | 1   | /P    | Cap, Master Cylinder                          |
| 11    | 3303-318    | 2   |       | Screw, Flat-Head                              |
| 12    | 3305-250    | 1   |       | Plate, Diaphragm                              |
| 13    | 3305-309    | 1   |       | Diaphragm                                     |
| 14    | 3303-254    | 1   | /P    | Bolt, Lever                                   |
| 15    | 3305-297    | 2   |       | Bolt, Flange                                  |



2008 ATV 90 DVX CALIFORNIA BLACK-CAT GREEN (A2008KSB2BCAE)  
KICK STARTER ASSEMBLY

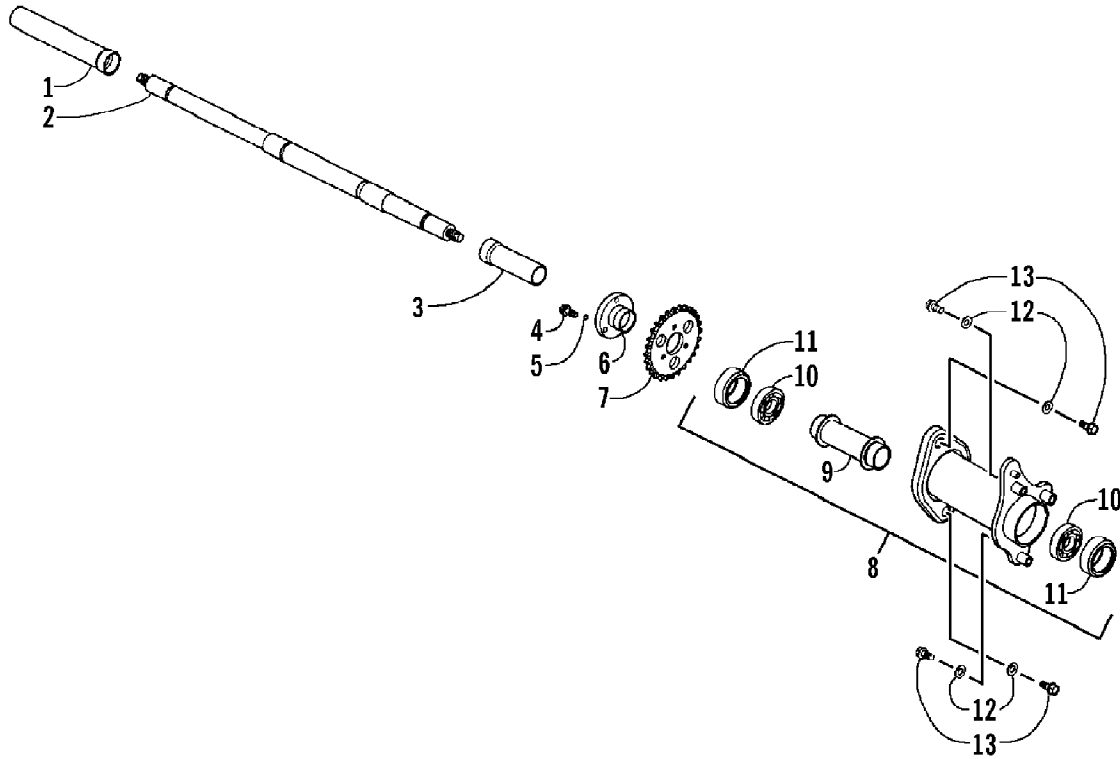
Page 38 of 60

| Ref # | Part Number | Qty | S/P/F | Description                                 |
|-------|-------------|-----|-------|---|
| 1     | 3303-123    | 1   | /P    | Arm, Kick Starter - Assembly                |
| 2     | 3304-551    | 1   | /P    | Bolt, Flange                                |
| 3     | 3303-147    | 1   |       | Adjuster, Drive Train - Assembly (inc. 4-6) |
| 4     | 3304-135    | 1   | /P    | Washer                                      |
| 5     | 3303-607    | 1   | /P    | Washer, Spring                              |
| 6     | 3304-125    | 1   |       | Nut, Hex                                    |
| 7     | 3305-247    | 1   | /P    | E-Clip                                      |

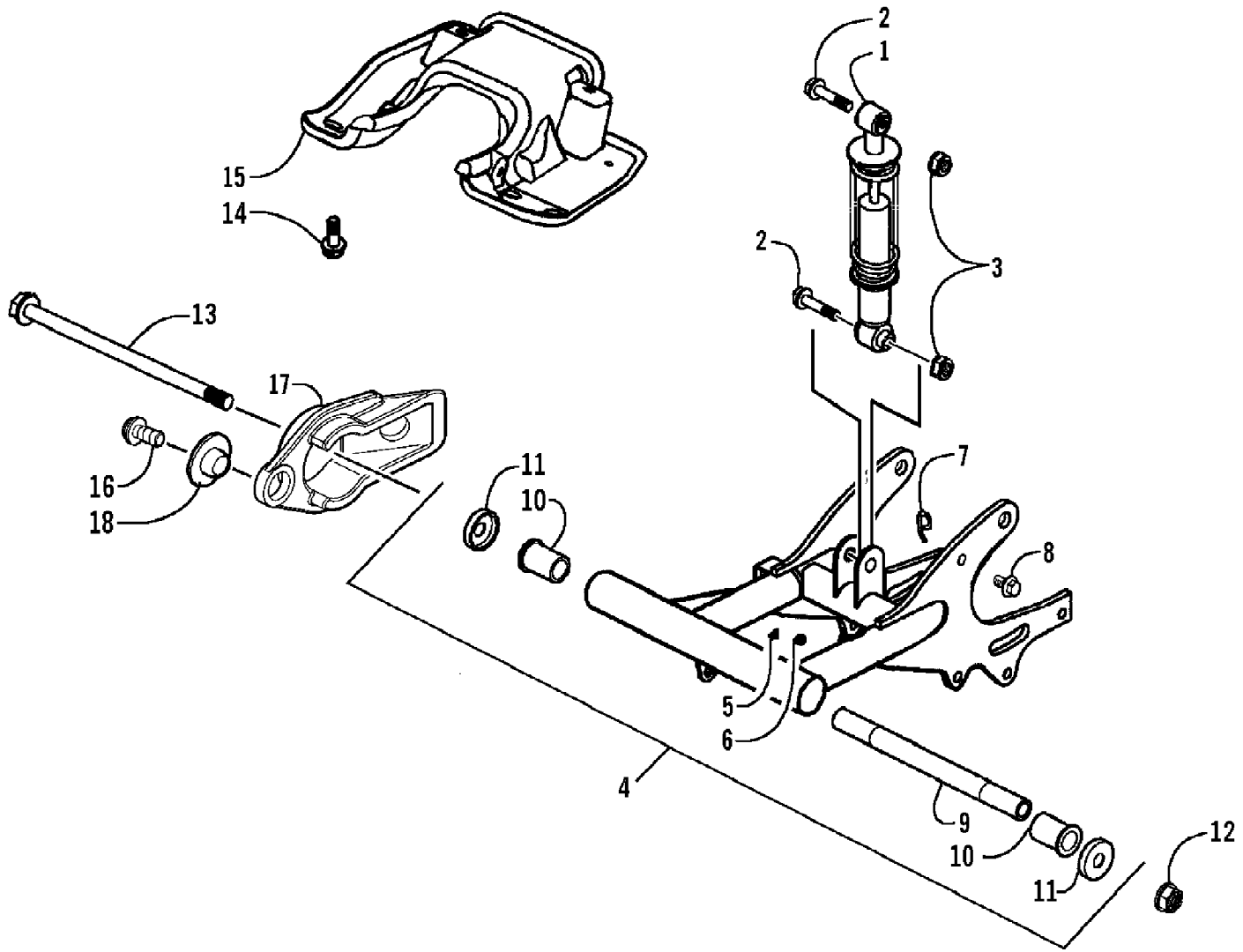


| Ref # | Part Number | Qty | S/P/F | Description                |
|-------|-------------|-----|-------|----------------------------|
| 1     | 3304-002    | 2   | /P    | Bolt, Flange               |
| 2     | 3303-244    | 1   |       | Screw                      |
| 3     | 3304-100    | 1   | /P    | O-Ring                     |
| 4     | 3303-677    | 1   |       | Adjuster, Cam Chain        |
| 5     | 3303-035    | 1   |       | Gasket, Cam Chain Adjuster |
| 6     | 3303-014    | 1   |       | Cylinder A                 |
| 7     | 3303-015    | 1   |       | Gasket, Cylinder A         |
| 8     | 3303-342    | 2   |       | Pin, Dowel                 |
| 9     | 3303-034    | 1   |       | Tensioner, Cam Chain       |
| 10    | 3303-036    | 1   |       | Pivot, Cam Chain Tensioner |
| 11    | 3303-301    | 1   | /P    | O-Ring                     |
| 12    | 3303-030    | 1   |       | Cam Chain                  |
| 13    | 3303-037    | 1   |       | Guide, Cam Chain           |
| 14    | 3303-024    | 1   |       | Ring, Piston - Set         |
| 15    | 3303-025    | 1   |       | Piston                     |
| 16    | 3303-026    | 1   |       | Pin, Piston                |
| 17    | 3303-027    | 2   |       | Clip, Piston Pin           |
| 18    | 3305-443    | 1   |       | Crankshaft                 |
| 19    | 3303-290    | 1   |       | Key                        |





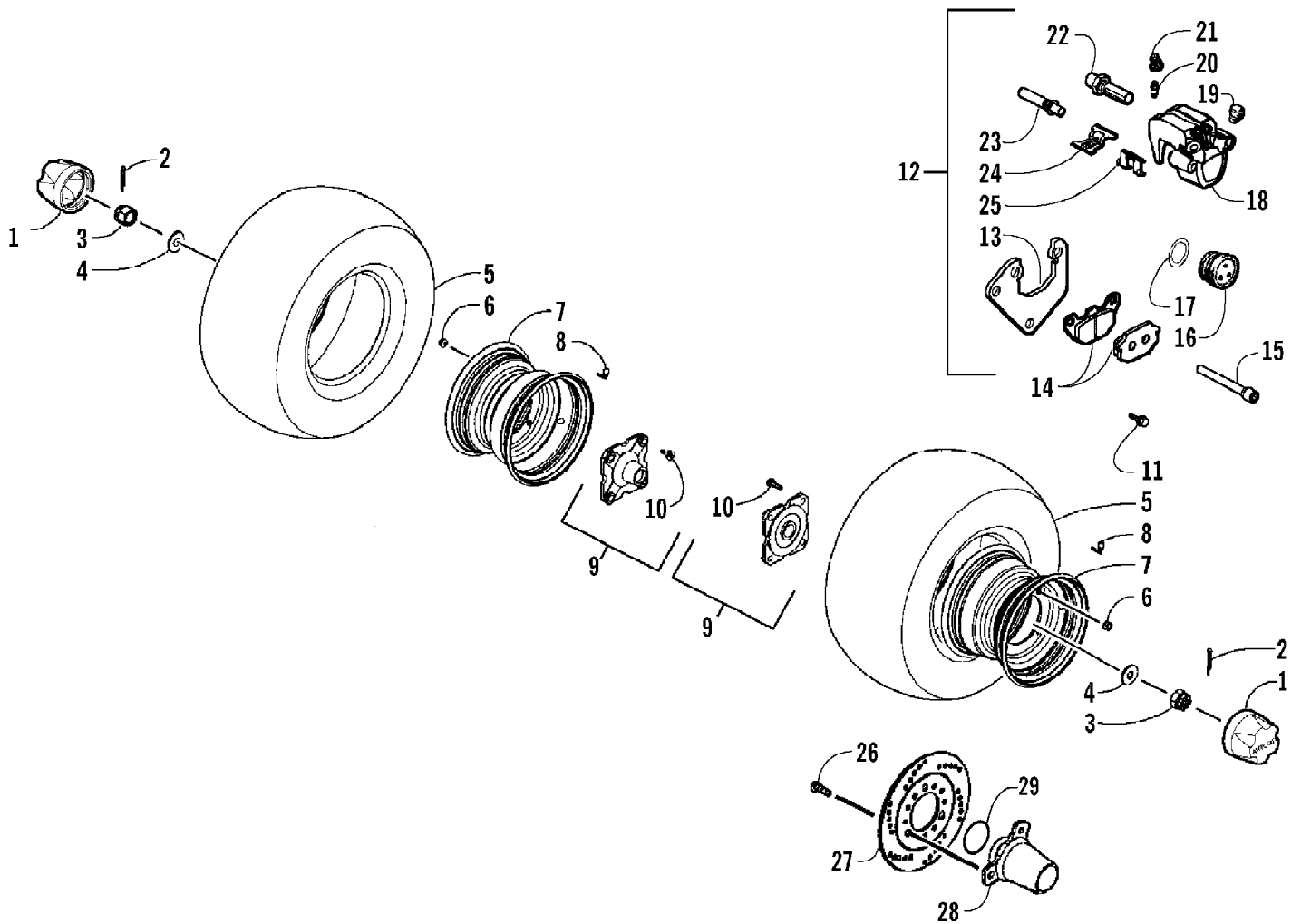
| Ref # | Part Number | Qty | S/P/F | Description                      |
|-------|-------------|-----|-------|----------------------------------|
| 1     | 3303-152    | 1   |       | Spacer, Rear Wheel - Right       |
| 2     | 3305-287    | 1   |       | Shaft, Rear Wheel                |
| 3     | 3303-153    | 1   |       | Spacer, Rear Wheel - Left        |
| 4     | 3304-565    | 3   | /P    | Bolt, Flange                     |
| 5     | 3303-607    | 3   | /P    | Washer, Spring                   |
| 6     | 3305-289    | 1   |       | Holder, Sprocket                 |
| 7     | 3303-426    | 1   |       | Sprocket, Final Drive            |
| 8     | 3303-154    | 1   | S     | Hub, Rear - Assembly (inc. 9-11) |
| 9     | 3303-427    | 1   |       | Collar, Hub - Right              |
| 10    | 3303-466    | 2   |       | Bearing                          |
| 11    | 3303-461    | 2   |       | Seal, Dust                       |
| 12    | 3303-281    | 4   |       | Washer                           |
| 13    | 3303-379    | 4   |       | Bolt, Flange                     |



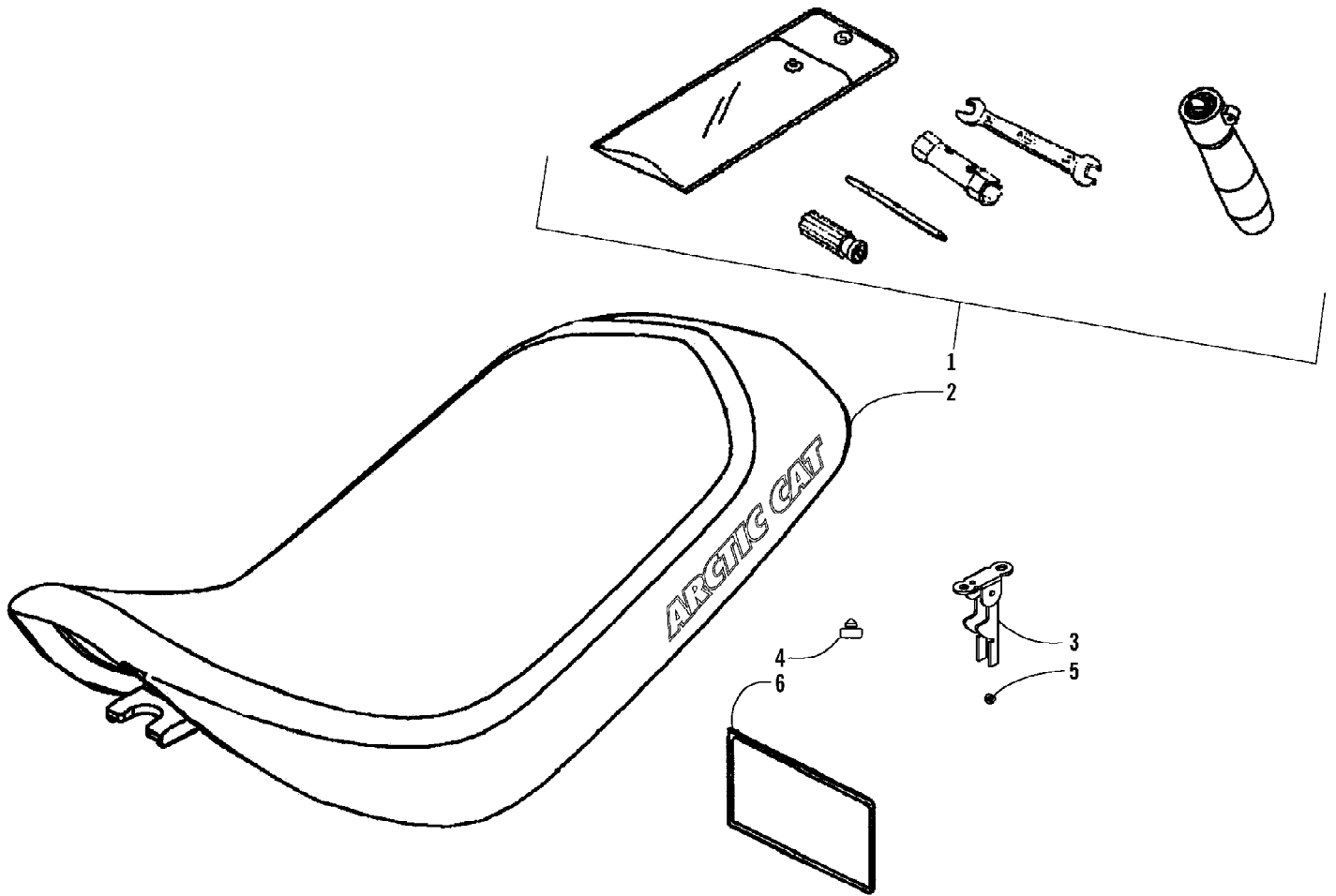
2008 ATV 90 DVX CALIFORNIA BLACK-CAT GREEN (A2008KSB2BCAE)  
REAR SUSPENSION ASSEMBLY

Page 44 of 60

| Ref # | Part Number | Qty | S/P/F | Description                       |
|-------|-------------|-----|-------|-----------------------------------|
| 1     | 3303-433    | 1   |       | Shock, Rear - Assembly            |
| 2     | 3303-376    | 2   | /P    | Bolt, Flange                      |
| 3     | 3303-265    | 2   | S     | Nut, Flange                       |
| 4     | 3305-290    | 1   |       | Fork, Rear - Assembly (inc. 5-11) |
| 5     | 3303-394    | 1   |       | Boot, Grease Fitting              |
| 6     | 3303-393    | 1   |       | Fitting, Grease                   |
| 7     | 3304-594    | 1   |       | Clamp, Brake Hose                 |
| 8     | 3305-341    | 1   |       | Bolt                              |
| 9     | 3303-189    | 1   |       | Axle, Rear Fork                   |
| 10    | 3303-191    | 2   |       | Bushing, Rear Fork                |
| 11    | 3303-192    | 2   |       | Cap, Rear Fork                    |
| 12    | 3304-032    | 1   |       | Nut                               |
| 13    | 3303-150    | 1   |       | Bolt, Rear Fork                   |
| 14    | 3305-454    | 4   |       | Bolt, Flange                      |
| 15    | 3304-593    | 1   |       | Guard, Rear Fork                  |
| 16    | 3304-690    | 2   |       | Screw, Self-Tapping               |
| 17    | 3305-291    | 1   |       | Slider, Chain                     |
| 18    | 3304-360    | 2   |       | Collar, Chain Slider              |



| Ref # | Part Number | Qty | S/P/F | Description                           |
|-------|-------------|-----|-------|---------------------------------------|
| 1     | 3303-430    | 2   |       | Cap, Wheel Shaft                      |
| 2     | 3303-340    | 2   |       | Pin, Cotter                           |
| 3     | 3303-330    | 2   |       | Nut, Flange Castle                    |
| 4     | 3305-285    | 2   |       | Washer                                |
| 5     | 3303-428    | 2   |       | Tire - Rear                           |
| 6     | 3303-266    | 8   |       | Nut, Flange                           |
| 7     | 3303-156    | 2   |       | Wheel - Assembly (inc. 8)             |
| 8     | 3304-562    | 2   |       | Stem, Valve w/Cap                     |
| 9     | 3303-157    | 2   | /P    | Connector - Assembly (inc. 10)        |
| 10    | 3303-250    | 8   |       | Bolt, Connector                       |
| 11    | 3303-256    | 2   |       | Bolt, Flange                          |
| 12    | 3305-449    | 1   |       | Caliper, Rear - Assembly (inc. 13-25) |
| 13    | 3305-286    | 1   | S     | Bracket                               |
| 14    | 3305-139    | 1   | S     | Pad, Brake - Assembly                 |
| 15    | 3304-566    | 2   |       | Pin, Bolt                             |
| 16    | 3304-592    | 1   | S     | Piston                                |
| 17    | 3304-327    | 1   | S     | Seal, Piston                          |
| 18    | 0           | 1   | F     | Housing, Caliper - Assembly           |
| 19    | 3304-333    | 1   |       | Plug                                  |
| 20    | 3304-302    | 1   |       | Valve, Bleed                          |
| 21    | 3304-303    | 1   |       | Cap, Bleed Valve                      |
| 22    | 3304-589    | 1   |       | Bushing, Pin Bolt                     |
| 23    | 3304-590    | 1   |       | Boot                                  |
| 24    | 3304-591    | 1   |       | Spring, Brake Pad                     |
| 25    | 3304-316    | 1   | S     | Seal, Dust                            |
| 26    | 3305-143    | 3   | S     | Bolt, Disc                            |
| 27    | 3303-162    | 1   |       | Disc, Brake - Rear                    |
| 28    | 3305-249    | 1   |       | Collar, Hub - Rear                    |
| 29    | 3305-298    | 1   |       | O-Ring                                |

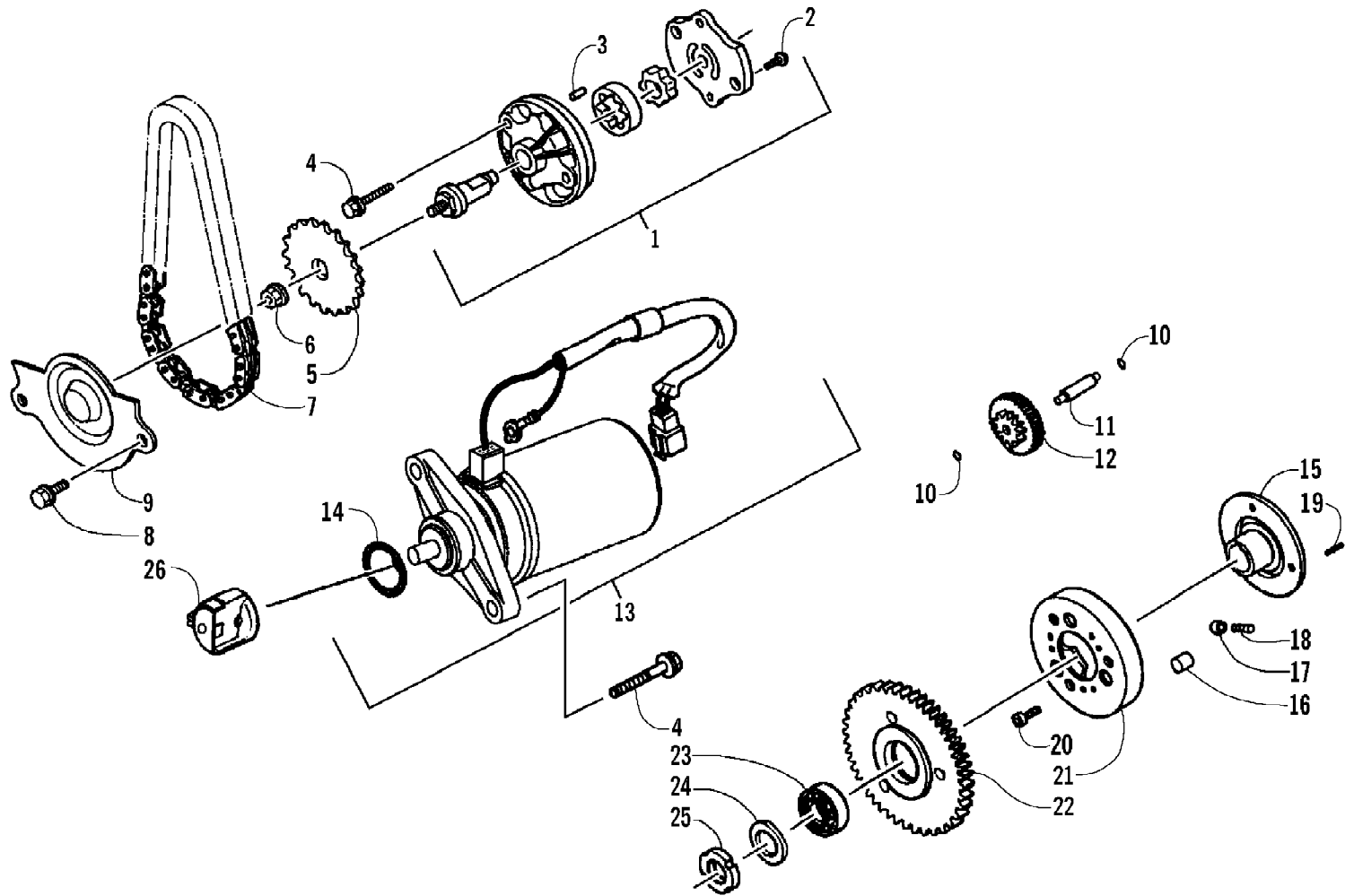


2008 ATV 90 DVX CALIFORNIA BLACK-CAT GREEN (A2008KSB2BCAE)  
SEAT AND TOOL KIT ASSEMBLY

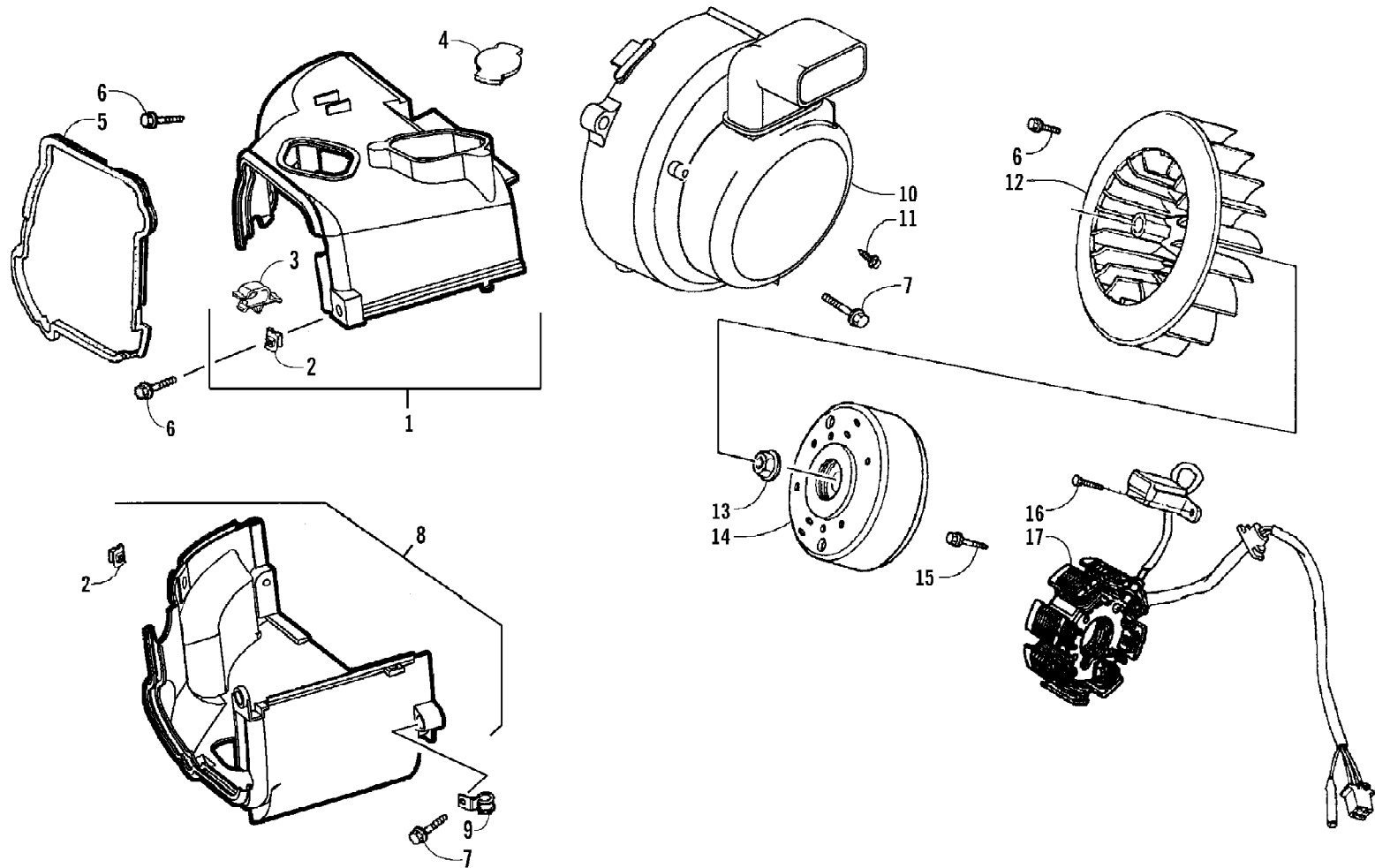
Page 48 of 60

| Ref # | Part Number | Qty | S/P/F | Description                |
|-------|-------------|-----|-------|----------------------------|
| 1     | 3303-578    | 1   | /P    | Tool - Kit                 |
| 2     | 3304-497    | 1   | /P    | Seat - Assembly (inc. 3-5) |
| 3     | 3304-392    | 1   |       | Latch, Seat - Assembly     |
| 4     | 3304-568    | 2   |       | Rubber, Seat Cushion       |
| 5     | 3303-331    | 2   | /P    | Nut, Flange                |
| 6     | 3303-242    | 1   |       | Band, Tool Kit             |

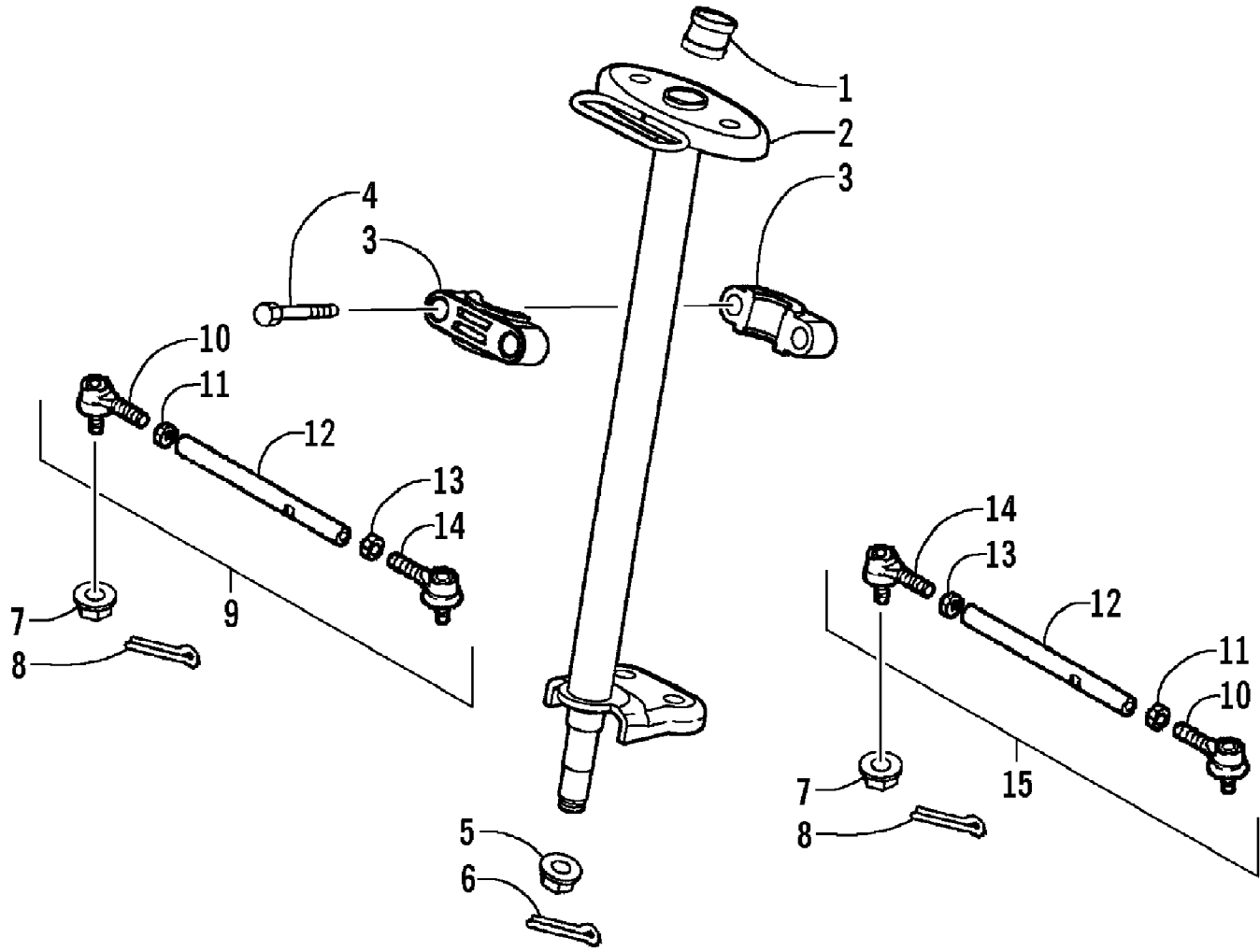




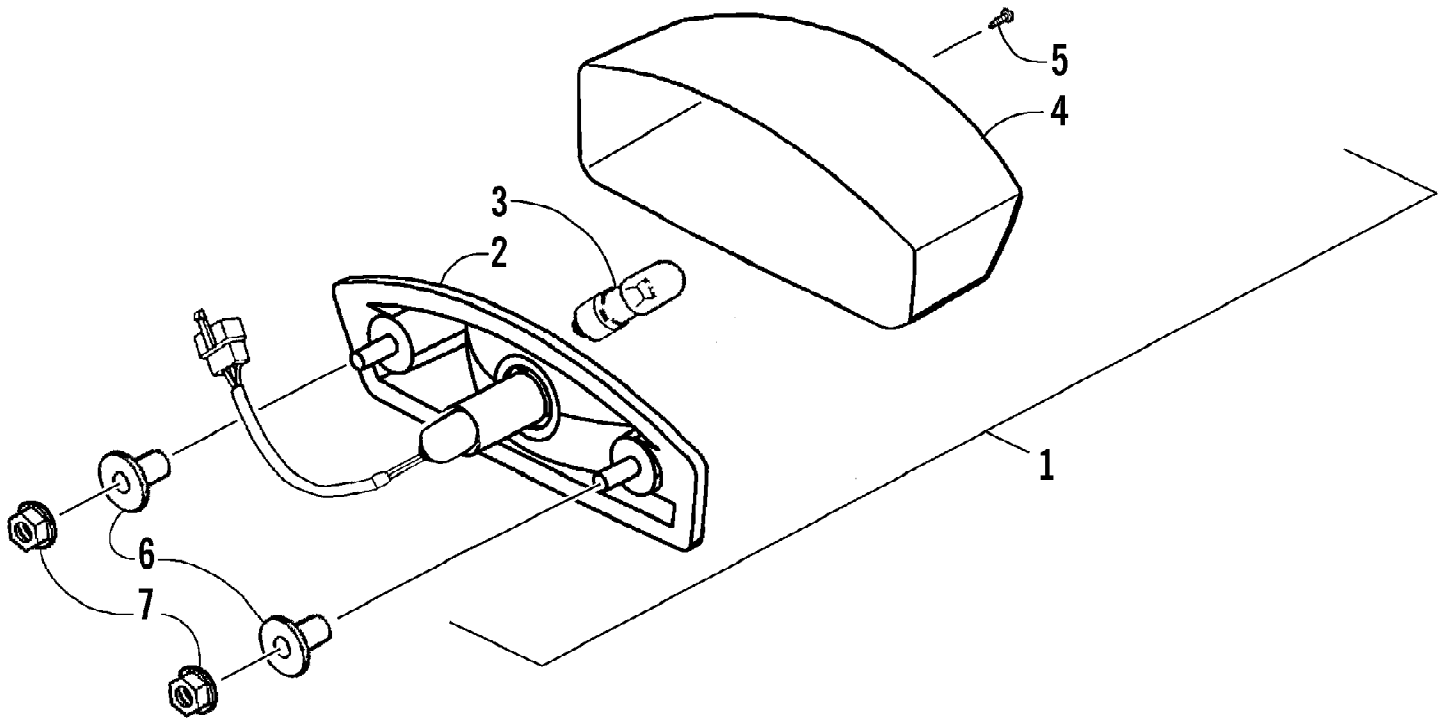
| Ref # | Part Number | Qty | S/P/F | Description                     |
|-------|-------------|-----|-------|---------------------------------|
| 1     | 3303-045    | 1   |       | Pump, Oil - Assembly (inc. 2-3) |
| 2     | 3304-426    | 1   |       | Screw, Pan Head                 |
| 3     | 3304-144    | 1   |       | Pin, Dowel                      |
| 4     | 3303-384    | 4   | /P    | Bolt, Flange                    |
| 5     | 3303-046    | 1   |       | Sprocket                        |
| 6     | 3303-331    | 1   | /P    | Nut, Flange                     |
| 7     | 3303-047    | 1   |       | Chain, Oil Pump                 |
| 8     | 3303-381    | 2   |       | Bolt, Flange                    |
| 9     | 3303-051    | 1   |       | Separator, Oil                  |
| 10    | 3303-282    | 2   |       | Washer                          |
| 11    | 3303-110    | 1   |       | Shaft, Starter Reduction        |
| 12    | 3303-109    | 1   |       | Gear, Starter Reduction         |
| 13    | 3304-639    | 1   | /P    | Motor, Starter - Assembly       |
| 14    | 3303-604    | 1   |       | O-Ring                          |
| 15    | 3303-115    | 1   |       | Boss, Starter Clutch            |
| 16    | 3303-293    | 3   |       | Roller                          |
| 17    | 3303-114    | 3   |       | Roller, Starter                 |
| 18    | 3303-113    | 3   |       | Spring, Roller - Outer Clutch   |
| 19    | 3303-395    | 1   |       | Roller                          |
| 20    | 3303-396    | 3   |       | Bolt                            |
| 21    | 3303-112    | 1   |       | Clutch, Outer                   |
| 22    | 3303-111    | 1   |       | Gear, Starter                   |
| 23    | 3303-292    | 1   |       | Bearing, Ball                   |
| 24    | 3303-285    | 1   |       | Circlip                         |
| 25    | 3303-258    | 1   |       | Nut                             |
| 26    | 3303-130    | 1   |       | Holder, Starter                 |



| Ref # | Part Number | Qty | S/P/F | Description                                  |
|-------|-------------|-----|-------|--|
| 1     | 3303-079    | 1   |       | Shroud B - Assembly (inc. one No. 2 and 3-4) |
| 2     | 3303-267    | 2   |       | Nut, Clip                                    |
| 3     | 3303-443    | 1   | /P    | Clip, Vacuum Tube                            |
| 4     | 3303-408    | 1   |       | Grommet, Shroud                              |
| 5     | 3303-077    | 1   |       | Seal, Shroud                                 |
| 6     | 3303-382    | 6   | /P    | Bolt, Flange                                 |
| 7     | 3303-384    | 3   | /P    | Bolt, Flange                                 |
| 8     | 3303-078    | 1   |       | Shroud A - Assembly (inc. one No. 2)         |
| 9     | 3304-640    | 1   |       | Clamp, Carburetor Drain Tube                 |
| 10    | 3303-076    | 1   |       | Cover, Fan - Assembly                        |
| 11    | 3304-585    | 2   | /P    | Screw, Self-Tapping                          |
| 12    | 3303-075    | 1   |       | Fan, Cooling                                 |
| 13    | 3303-333    | 1   | /P    | Nut, Flange                                  |
| 14    | 3303-127    | 1   |       | Flywheel (A) D402                            |
| 14    | 3303-414    | 1   |       | Flywheel (B) D406                            |
| 14    | 3303-415    | 1   |       | Flywheel (C) D414                            |
| 15    | 3303-383    | 2   | /P    | Bolt, Flange                                 |
| 16    | 3303-308    | 2   |       | Bolt   |
| 17    | 3304-641    | 1   |       | Stator - Assembly (O) D402                   |
| 17    | 3305-254    | 1   | /P    | Stator - Assembly (A) D406                   |
| 17    | 3305-256    | 1   | /P    | Stator - Assembly (B) D414                   |

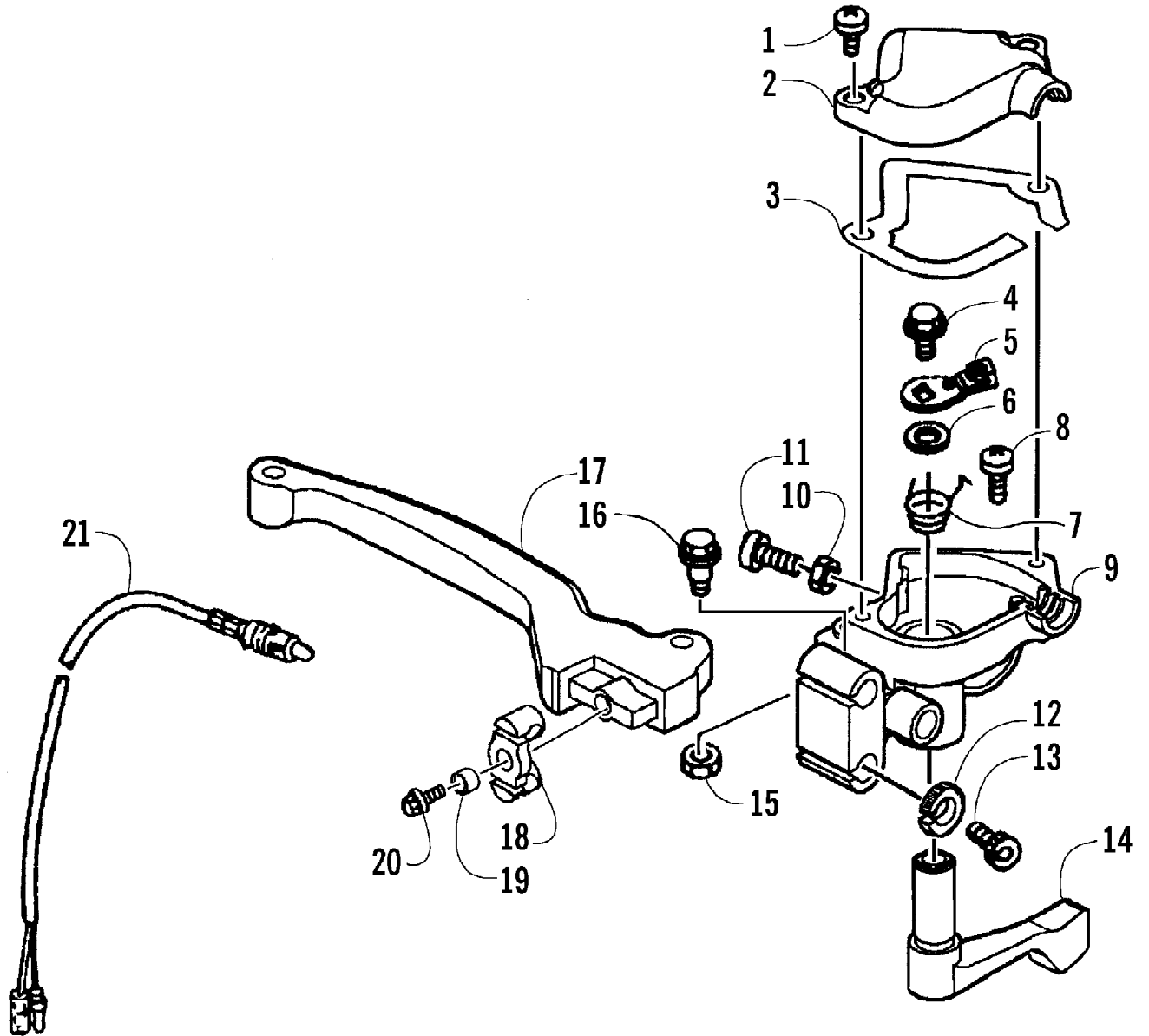


| Ref # | Part Number | Qty | S/P/F | Description                                   |
|-------|-------------|-----|-------|---|
| 1     | 3303-214    | 1   | S     | Sleeve, Steering Post                         |
| 2     | 3303-573    | 1   | /P    | Post, Steering                                |
| 3     | 3303-213    | 2   |       | Holder, Steering Post                         |
| 4     | 3304-559    | 2   |       | Bolt, Flange                                  |
| 5     | 3304-032    | 1   |       | Nut   |
| 6     | 3303-470    | 1   |       | Pin, Cotter                                   |
| 7     | 3303-266    | 4   |       | Nut, Flange                                   |
| 8     | 3303-621    | 4   | /P    | Pin, Cotter                                   |
| 9     | 3305-280    | 1   |       | Tie Rod Assembly - Right (inc. one No. 10-14) |
| 10    | 3305-281    | 2   |       | Ball Joint, Tie Rod - Right                   |
| 11    | 3303-326    | 2   |       | Nut, Hex                                      |
| 12    | 3305-282    | 2   |       | Tie Rod                                       |
| 13    | 3303-327    | 2   |       | Nut, Hex                                      |
| 14    | 3305-283    | 2   |       | Ball Joint, Tie Rod - Left                    |
| 15    | 3305-284    | 1   |       | Tie Rod Assembly - Left (inc. one No. 10-14)  |

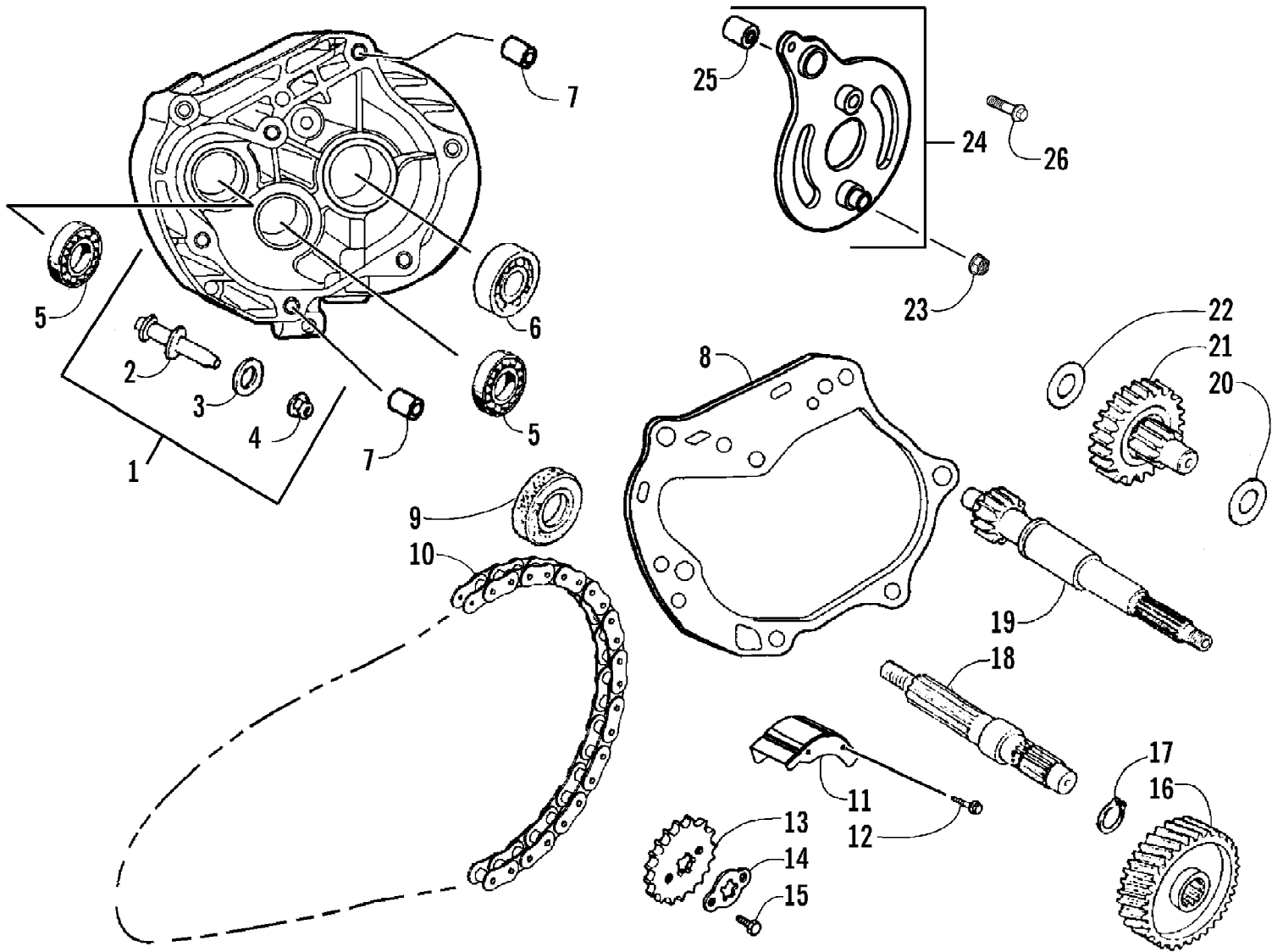


| Ref # | Part Number | Qty | S/P/F | Description                     |
|-------|-------------|-----|-------|---------------------------------|
| 1     | 3303-420    | 1   |       | Taillight - Assembly (inc. 2-5) |
| 2     | 3303-422    | 1   |       | Base, Taillight                 |
| 3     | 3303-444    | 1   | S     | Bulb, Taillight                 |
| 4     | 3303-421    | 1   | /P    | Lens, Taillight                 |
| 5     | 3304-537    | 2   |       | Screw                           |
| 6     | 3303-226    | 2   |       | Collar, Front Fender            |
| 7     | 3303-331    | 2   | /P    | Nut, Flange                     |





| Ref # | Part Number | Qty | S/P/F | Description                        |
|-------|-------------|-----|-------|------------------------------------|
|       | 3303-447    | 1   |       | Complete Throttle Control Assembly |
| 1     | 3303-315    | 2   |       | Bolt, Flange                       |
| 2     | 3303-207    | 1   |       | Cover, Throttle Control            |
| 3     | 3303-209    | 1   |       | Gasket, Throttle Control Cover     |
| 4     | 3304-554    | 1   |       | Screw                              |
| 5     | 3304-555    | 1   |       | Cover, Parking Brake               |
| 6     | 3304-556    | 1   |       | Button, Parking Brake              |
| 7     | 3304-557    | 1   |       | Stopper, Parking Brake             |
| 8     | 3303-397    | 1   |       | Bolt, Socket                       |
| 9     | 3303-204    | 1   |       | Case, Throttle Control             |
| 10    | 3303-324    | 1   |       | Nut, Hex                           |
| 11    | 3304-558    | 1   |       | Screw                              |
| 12    | 3303-271    | 2   |       | Nut, Lock                          |
| 13    | 3303-208    | 2   |       | Bolt, Wire Adjustment              |
| 14    | 3303-200    | 1   |       | Lever, Throttle                    |
| 15    | 3303-262    | 1   |       | Nut                                |
| 16    | 3303-255    | 1   |       | Bolt                               |
| 17    | 3303-205    | 1   |       | Lever, Brake                       |
| 18    | 3303-201    | 1   |       | Equalizer, Brake Cable             |
| 19    | 3303-202    | 1   |       | Spacer                             |
| 20    | 3303-558    | 1   |       | Bolt, Flange                       |
| 21    | 3303-140    | 1   |       | Switch, Brake                      |



| Ref # | Part Number | Qty | S/P/F | Description                                 |
|-------|-------------|-----|-------|---|
| 1     | 3303-080    | 1   |       | Case, Transmission - Set (inc. 2-6)         |
| 2     | 3304-606    | 1   | /P    | Bolt, Engine Brake                          |
| 3     | 3303-462    | 1   |       | O-Ring                                      |
| 4     | 3303-270    | 1   |       | Nut, Flange                                 |
| 5     | 3303-596    | 2   | /P    | Bearing, Ball                               |
| 6     | 3303-598    | 1   | /P    | Bearing, Ball                               |
| 7     | 3303-343    | 2   |       | Pin, Dowel                                  |
| 8     | 3303-081    | 1   |       | Gasket, Transmission Case A                 |
| 9     | 3303-300    | 1   |       | Seal, Oil                                   |
| 10    | 3303-425    | 1   |       | Chain, Drive                                |
| 11    | 3303-144    | 1   |       | Cover, Chain                                |
| 12    | 3304-610    | 2   |       | Bolt, Flange                                |
| 13    | 3303-107    | 1   | /P    | Sprocket, Drive                             |
| 14    | 3303-108    | 1   |       | Plate                                       |
| 15    | 3303-307    | 2   |       | Bolt  |
| 16    | 3303-106    | 1   |       | Gear, Final                                 |
| 17    | 3303-344    | 1   |       | Circlip                                     |
| 18    | 3303-105    | 1   |       | Shaft, Final                                |
| 19    | 3303-103    | 1   |       | Driveshaft                                  |
| 20    | 3303-275    | 1   | /P    | Washer                                      |
| 21    | 3303-104    | 1   |       | Countershaft - Assembly                     |
| 22    | 3303-273    | 1   |       | Washer                                      |
| 23    | 3303-268    | 2   |       | Nut, Flange                                 |
| 24    | 3303-185    | 1   | /P    | Bracket, Engine Hanger - Assembly (inc. 25) |
| 25    | 3303-403    | 1   |       | Bushing, Rubber                             |
| 26    | 3304-607    | 1   |       | Bolt, Flange                                |