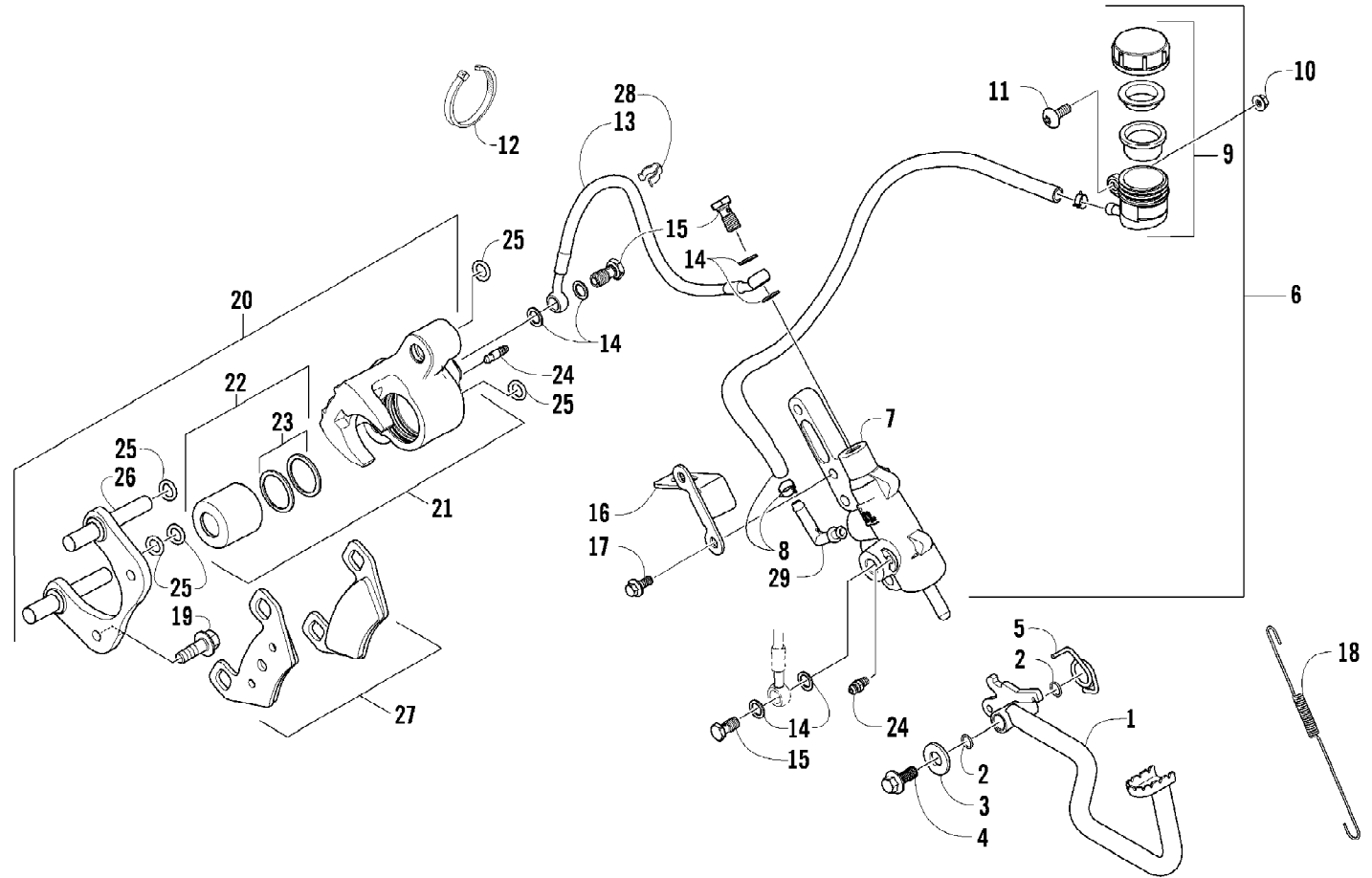




2008 ATV 700 EFI AUTOMATIC TRANSMISSION 4X4 TRV CRUISER BLUE (A2008T01407)  
AIR INTAKE ASSEMBLY

Ref #	Part Number	Qty	S/P/F	Description
1	0413-091	1		Diverter, Air - Top
2	0413-093	1		Diverter, Air - Bottom
3	1406-785	1		Shroud, Splash
4	0623-362	2		Rivet, Reinstallable
5	0423-551	2		Clamp
6	0423-342	2	/P	Screw, Self-Tapping
7	0413-096	1		Cap, Air Intake - Diverter
8	0470-583	1		Boot, Air Intake
9	0423-380	1	/P	Clamp
10	0423-716	2		Wing Nut
11	0470-616	1	S	Cover, Air Intake
12	0470-580	1		Filter, Air
13	0470-731	1	/P	Cage, Air Filter
14	0570-211	1		Housing, Air Intake
15	0406-877	4	/P	Bumper
16	0470-442	2	/P	Valve, Drain
17	0423-045	2		Clamp
18	0410-103	1		Hose, Vent - Crankcase
19	0470-582	1		Boot, Throttle Body
20	0423-066	1		Clamp, Hose
21	2406-149	1		Panel, Shield
22	3006-657	1		Grommet, Air Temperature Sensor
23	3006-656	1		Sensor, Air Temperature
24	0430-066	1		Support, Sensor

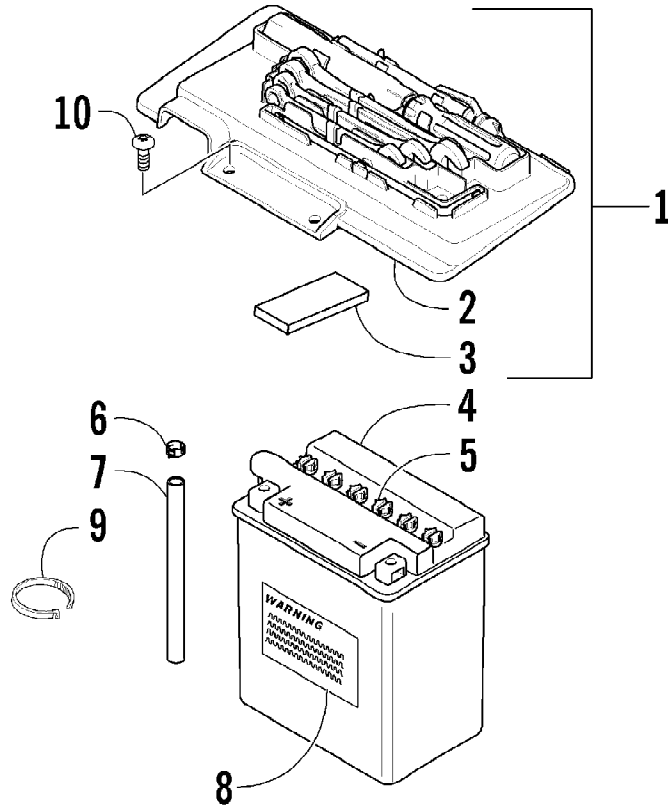
2008 ATV 700 EFI AUTOMATIC TRANSMISSION 4X4 TRV CRUISER BLUE (A2008731407)  
AUXILIARY BRAKE ASSEMBLY



2008 ATV 700 EFI AUTOMATIC TRANSMISSION 4X4 TRV CRUISER BLUE (A2008011407)  
AUXILIARY BRAKE ASSEMBLY

Ref #	Part Number	Qty	S/P/F	Description
	1502-294	1		Master Cylinder Replacement Kit
1	1502-063	1		Lever, Brake
2	1602-213	2	/P	O-Ring
3	8050-252	1		Washer
4	8408-816	1		Screw, Cap
5	0502-807	1		Spring, Brake Lever
6	1502-293	1		Brake Assembly (inc. 7-9)
7	0	1	F	Master Cylinder
8	0	1	F	Hose, Brake Fluid Reservoir w/Clamps
9	1502-155	1		Reservoir, Brake Fluid w/Clamp
10	0623-038	1		Nut, Flanged
11	8476-616	1		Screw, Machine
12	0123-788	1	/P	Cable Tie - 7.5 in.
13	1502-140	1		Hose, Brake
14	0423-178	6		Washer, Crush
15	0423-413	3		Bolt, Banjo-Fitting
16	0502-840	1		Bracket, Switch
17	8408-625	2		Screw, Cap
18	0502-785	1		Spring, Brake Switch
19	8408-821	2	/P	Screw, Cap
20	0502-878	1	S	Caliper, Brake (inc. 21-23, one No. 24, and 25-27)
21	0502-603	1	S	Housing, Caliper - Assembly - Right Rear (inc. 22-23 and one No. 24)
22	0502-606	1		Piston/Seal Set (inc. 23)
23	0502-607	1		Seal Set
24	0502-609	2	/P	Valve, Bleed
25	0502-608	1		O-Ring, Guide - Set
26	0502-605	1		Bracket Assembly
27	0502-875	1	S	Pad, Brake - Set
28	1502-115	2		Clip, Brake Hose
29	1502-296	1	/P	Adapter, Hose

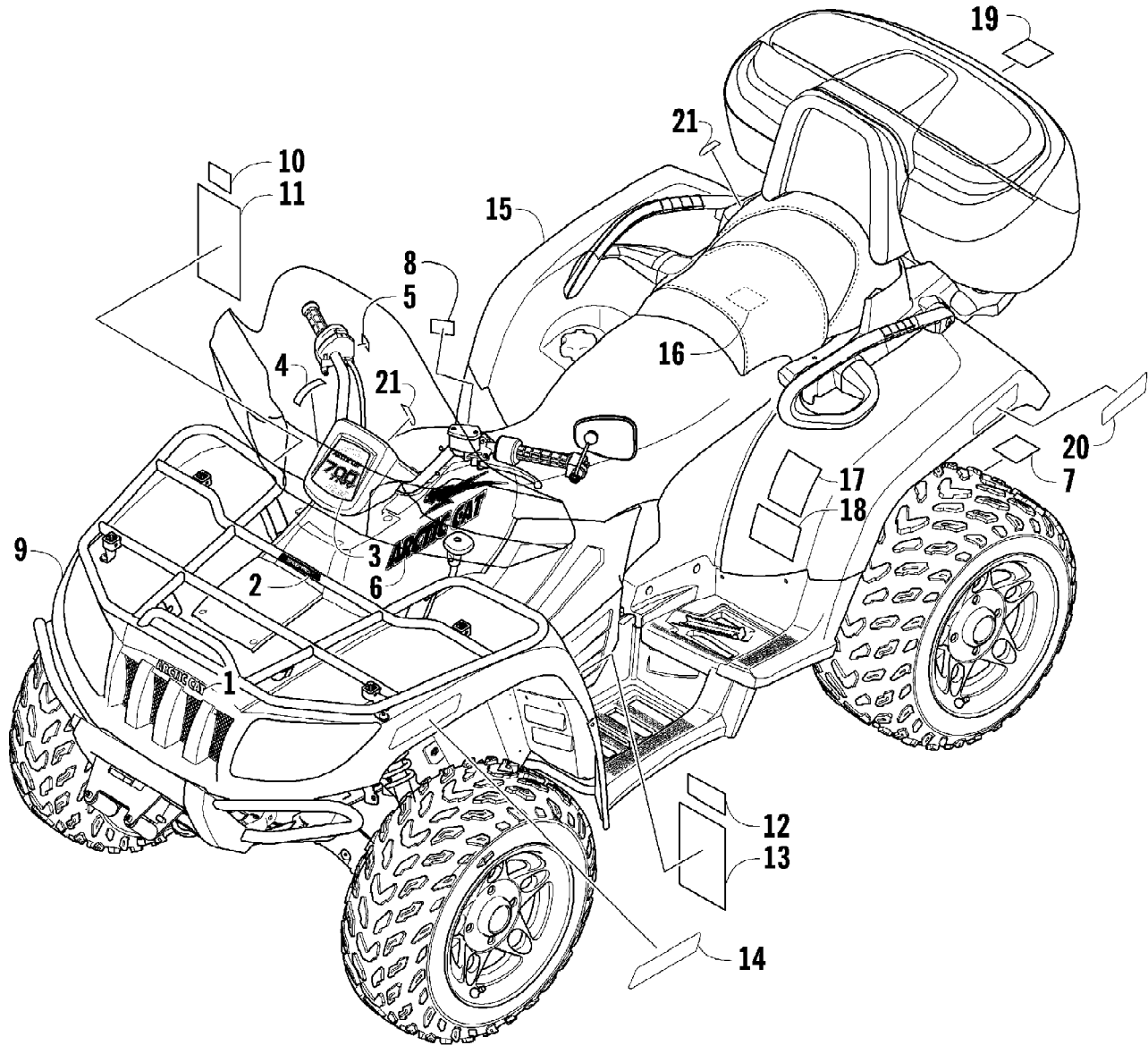
2008 ATV 700 EFI AUTOMATIC TRANSMISSION 4X4 TRV CRUISER BLUE (A2008761407)  
BATTERY ASSEMBLY



2008 ATV 700 EFI AUTOMATIC TRANSMISSION 4X4 TRV CRUISER BLUE (A2008761407)  
 BATTERY ASSEMBLY

Ref #	Part Number	Qty	S/P/F	Description
1	5991-395	1	S	Battery Cover/Tool Tray Assembly (inc. 2-3)
2	2406-815	1	/P	Cover, Battery
3	0406-288	2		Pad, Battery
3	0444-122	1	S/P/F	Kit, Tool
4	0745-047	1	/P	Battery Assembly (inc. 5-8)
5	0645-045	6		Cap, Battery
6	0645-152	1		Clamp, Hose
7	0645-263	1	/P	Hose, Battery Vent
8	0645-151	1		Label, Warning - Battery
8	0645-198	1	F	Hardware, Battery - Kit
9	0123-788	1	/P	Cable Tie
10	8476-620	2		Screw, Machine

2008 ATV 700 EFI AUTOMATIC TRANSMISSION 4X4 TRV CRUISER BLUE (A2008707497)  
BODY PANELS AND DECALS

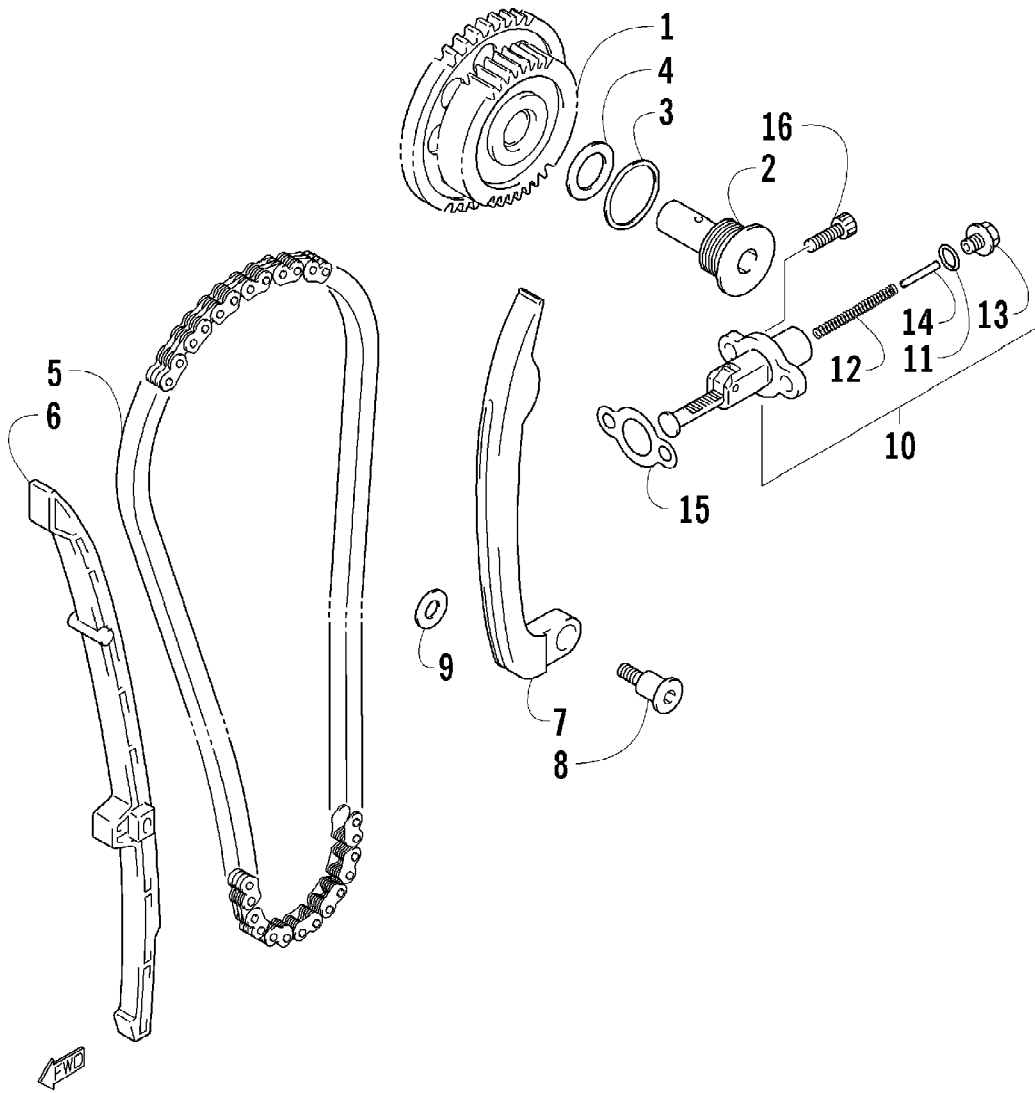


2008 ATV 700 EFI AUTOMATIC TRANSMISSION 4X4 TRV CRUISER BLUE (A2008781497)  
BODY PANELS AND DECALS

Ref #	Part Number	Qty	S/P/F	Description
1	1411-725	1		Decal, Front
2	1411-050	1	/P	Decal, "Speedrack"
3	1411-849	1		Decal, Instrument Pod
4	0411-426	1		Decal, Warning - Clutch Cover
5	0411-966	1		Decal, Warning - Differential Lock
6	1411-634	1		Decal, Side - Upper Right
6	1411-635	1		Decal, Side - Upper Left
7	1411-077	1		Decal, Warning - Towing
8	1411-865	1		Decal, Warning - Brake Lever Lock
9	2506-768	1	S	Panel, Fender - Front (inc. 10-14)
10	0411-894	1		Decal, Warning - Hill
11	1411-250	1		Decal, Warning - Reverse/Pre-Ride
12	1411-574	1		Decal, Warning - Off-Road Only
13	1411-648	1		Decal, Warning - Age/General
14	0411-818	1		Decal, Reflector - Front - Right
14	0411-819	1		Decal, Reflector - Front - Left
15	2506-750	1	S	Panel, Fender - Rear (inc. 16-20 and one No. 1)
16	1411-269	1		Decal, Warning - Passenger
17	0411-833	1		Decal, Passenger
18	0411-832	1		Decal, Warning - Tire Pressure
19	1411-251	1		Decal, Warning - Seat/Passenger
20	1411-592	1	/P	Decal, Reflector - Rear - Right
20	1411-593	1	/P	Decal, Reflector - Rear - Left
21	1411-925	2		Decal, High/Low



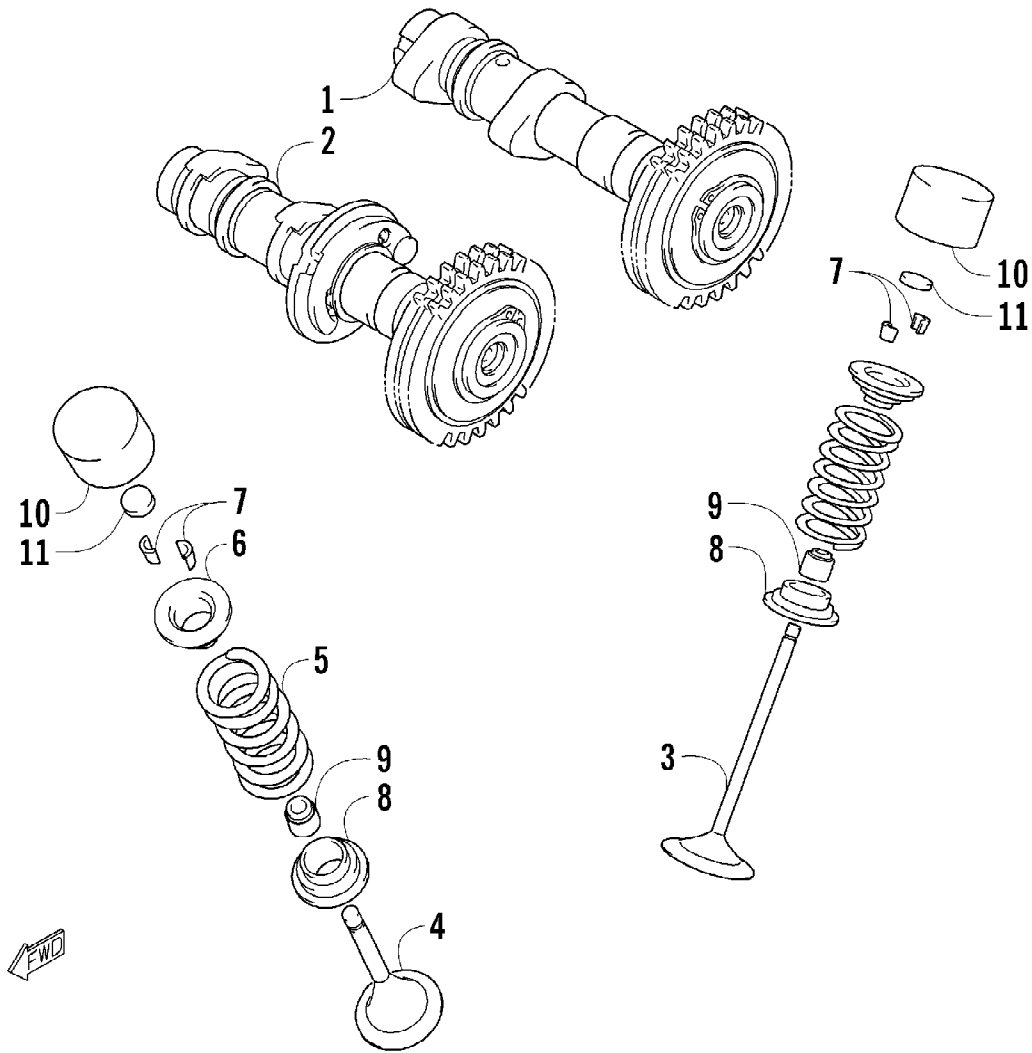
2008 ATV 700 EFI AUTOMATIC TRANSMISSION 4X4 TRV CRUISER BLUE (A2008701497)  
CAM CHAIN ASSEMBLY



2008 ATV 700 EFI AUTOMATIC TRANSMISSION 4X4 TRV CRUISER BLUE (AP2008101497)  
CAM CHAIN ASSEMBLY

Ref #	Part Number	Qty	S/P/F	Description
1	3403-104	1		Gear, Cam Chain Idler
2	3403-105	1		Shaft, Cam Chain Idler
3	3403-106	1	/P	Gasket, Idler Shaft
4	3403-107	1		Shim, Cam Chain Idler
4	3403-108	1		Shim, Cam Chain Idler
4	3403-109	1		Shim, Cam Chain Idler
4	3403-110	1		Shim, Cam Chain Idler
4	3403-111	1		Shim, Cam Chain Idler
4	3403-112	1		Shim, Cam Chain Idler
5	3403-113	1		Chain, Cam
6	3403-114	1		Guide, Chain
7	3403-115	1		Tensioner, Cam Chain
8	3423-810	1		Bolt, Cam Chain Tensioner
9	3423-811	1		Washer
10	3402-283	1		Adjuster, Tensioner - Assembly (inc. 11-14)
11	3423-286	1		O-Ring
12	3402-284	1		Spring
13	3402-285	1		Plug
14	3402-286	1		Bar
15	3402-287	1		Gasket, Tensioner Adjuster
16	3004-576	2	S	Screw, Machine

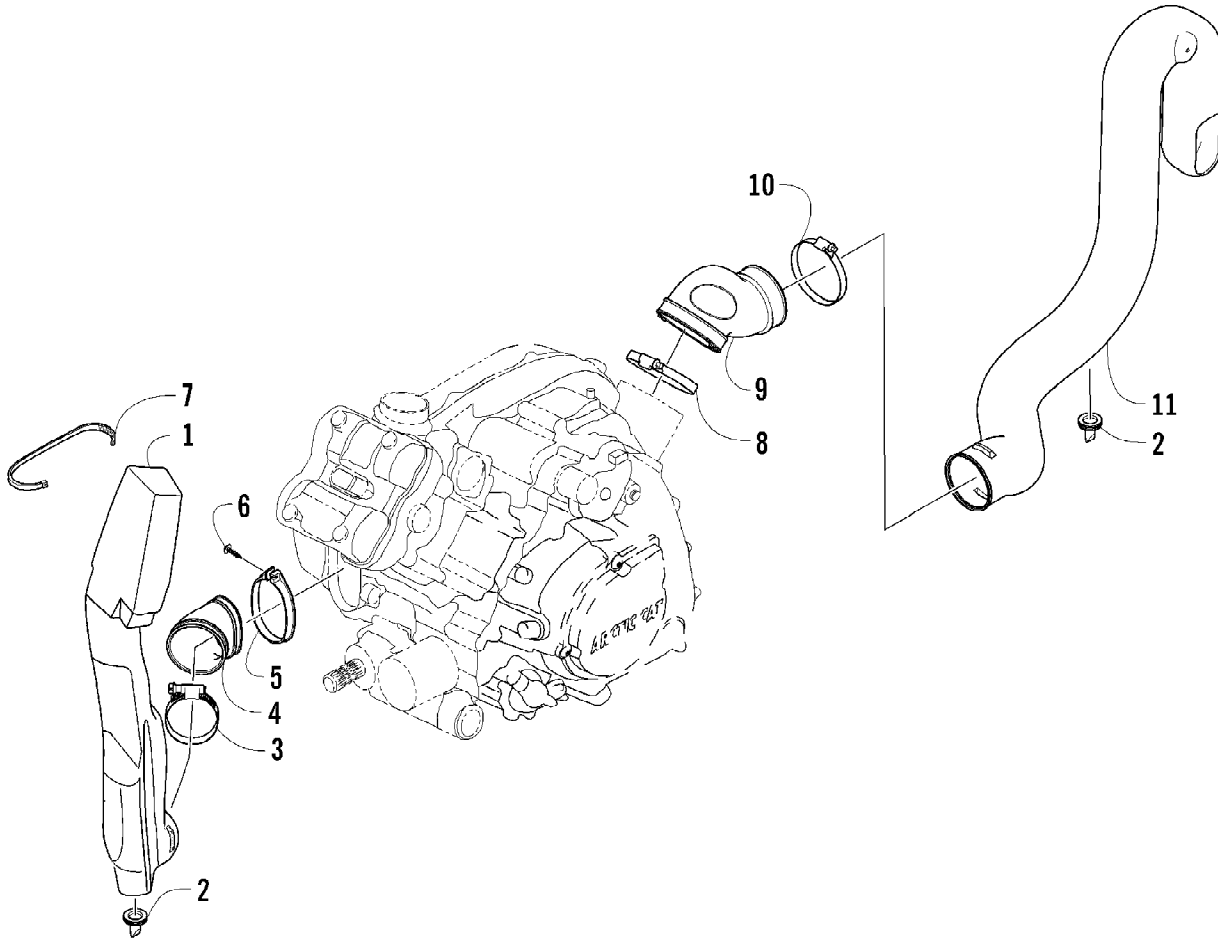
2008 ATV 700 EFI AUTOMATIC TRANSMISSION 4X4 TRV CRUISER BLUE (A20081015497)  
CAMSHAFT/VALVE ASSEMBLY



2008 ATV 700 EFI AUTOMATIC TRANSMISSION 4X4 TRV CRUISER BLUE (A2008121497)  
CAMSHAFT/VALVE ASSEMBLY

Ref #	Part Number	Qty	S/P/F	Description
	3402-931	1		Shim, Tappet - Set
1	3403-099	1		Camshaft - Intake
2	3403-100	1		Camshaft - Exhaust
3	3403-101	2		Valve, Intake
4	3403-102	2		Valve, Exhaust
5	3403-103	4		Spring, Valve
6	3402-934	4		Retainer, Valve Spring
7	0693-281	8	/P	Cotter, Valve
8	3402-880	4		Seat, Valve Spring
9	3402-226	4		Seal, Oil
10	3402-851	4		Tappet
11	3402-852	AR		Shim, Tappet - 2.30 mm
11	3402-853	AR		Shim, Tappet - 2.35 mm
11	3402-854	AR		Shim, Tappet - 2.40 mm
11	3402-855	AR		Shim, Tappet - 2.45 mm
11	3402-856	AR		Shim, Tappet - 2.50 mm
11	3402-857	AR		Shim, Tappet - 2.55 mm
11	3402-858	AR		Shim, Tappet - 2.60 mm
11	3402-859	AR		Shim, Tappet - 2.65 mm
11	3402-860	AR		Shim, Tappet - 2.70 mm
11	3402-861	AR		Shim, Tappet - 2.75 mm
11	3402-862	AR		Shim, Tappet - 2.80 mm
11	3402-863	AR		Shim, Tappet - 2.85 mm
11	3402-864	AR		Shim, Tappet - 2.90 mm
11	3402-865	AR		Shim, Tappet - 2.95 mm
11	3402-866	AR		Shim, Tappet - 3.00 mm
11	3402-867	AR		Shim, Tappet - 3.05 mm
11	3402-868	AR		Shim, Tappet - 3.10 mm
11	3402-869	AR		Shim, Tappet - 3.15 mm
11	3402-870	AR		Shim, Tappet - 3.20 mm
11	3402-871	AR		Shim, Tappet - 3.25 mm
11	3402-872	AR		Shim, Tappet - 3.30 mm
11	3402-873	AR		Shim, Tappet - 3.35 mm
11	3402-874	AR		Shim, Tappet - 3.40 mm
11	3402-875	AR		Shim, Tappet - 3.45 mm
11	3402-876	AR		Shim, Tappet - 3.50 mm

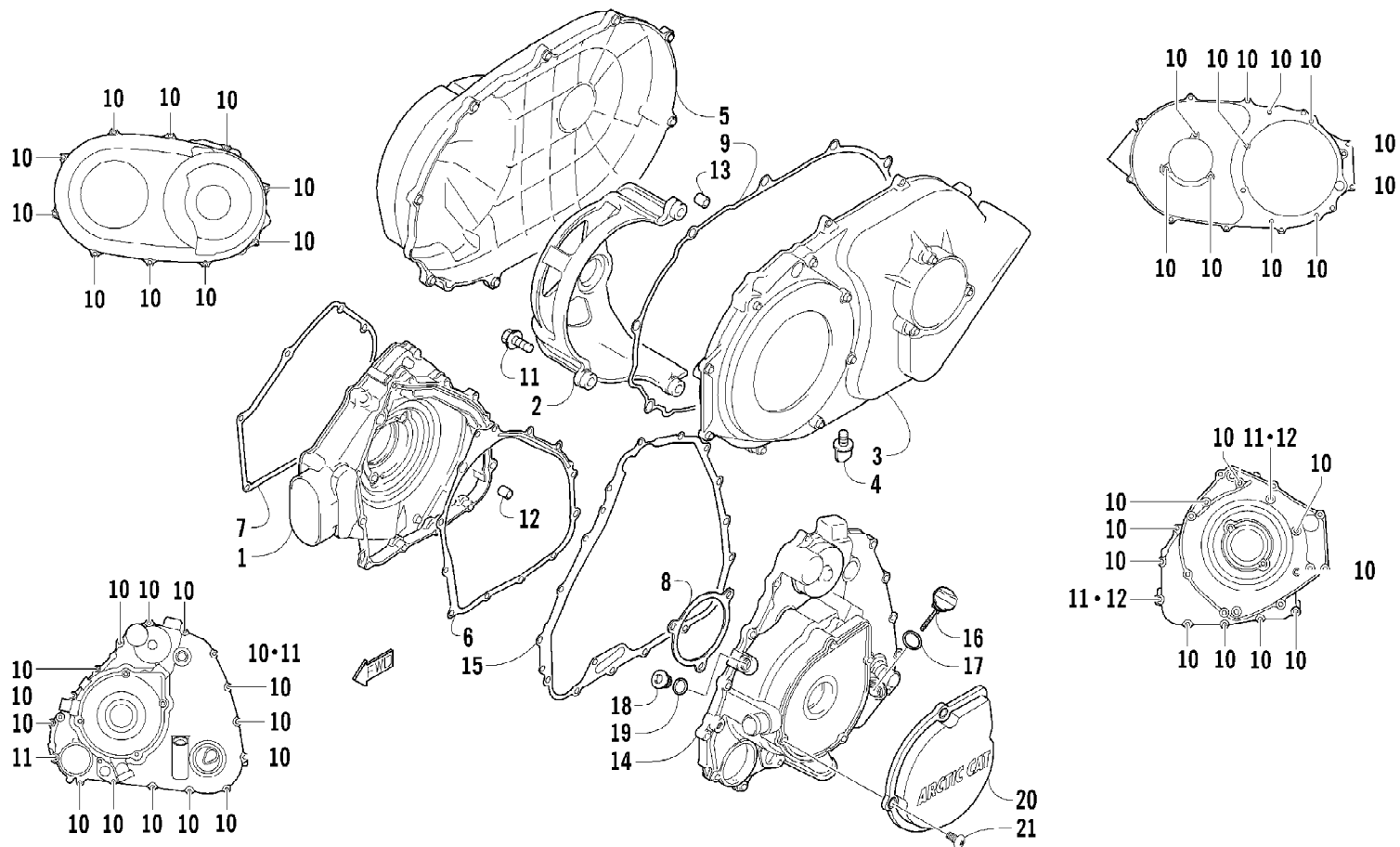
2008 ATV 700 EFI AUTOMATIC TRANSMISSION 4X4 TRV CRUISER BLUE (A2008131407)  
CASE/BELT COOLING ASSEMBLY



2008 ATV 700 EFI AUTOMATIC TRANSMISSION 4X4 TRV CRUISER BLUE (AP2008700T400)  
CASE/BELT COOLING ASSEMBLY

Ref #	Part Number	Qty	S/P/F	Description
1	0413-126	1		Duct, Belt Cooling - Front
2	0470-442	2	/P	Valve, Drain
3	0423-578	1		Clamp, Boot
4	0413-160	1	/P	Boot, Belt Cooling - Front
5	0423-550	1		Clamp, Boot
6	0423-342	1	/P	Screw, Self-Tapping
7	0123-903	1		Cable Tie - 11.5 in.
8	0423-018	1		Clamp, Boot
9	0413-196	1		Boot, Belt Cooling - Rear
10	0423-380	1	/P	Clamp, Boot
11	0413-106	1		Duct, Belt Cooling - Rear

2008 ATV 700 EFI AUTOMATIC TRANSMISSION 4X4 TRV CRUISER BLUE (A20087165497)  
CLUTCH/V-BELT/MAGNETO COVER ASSEMBLY

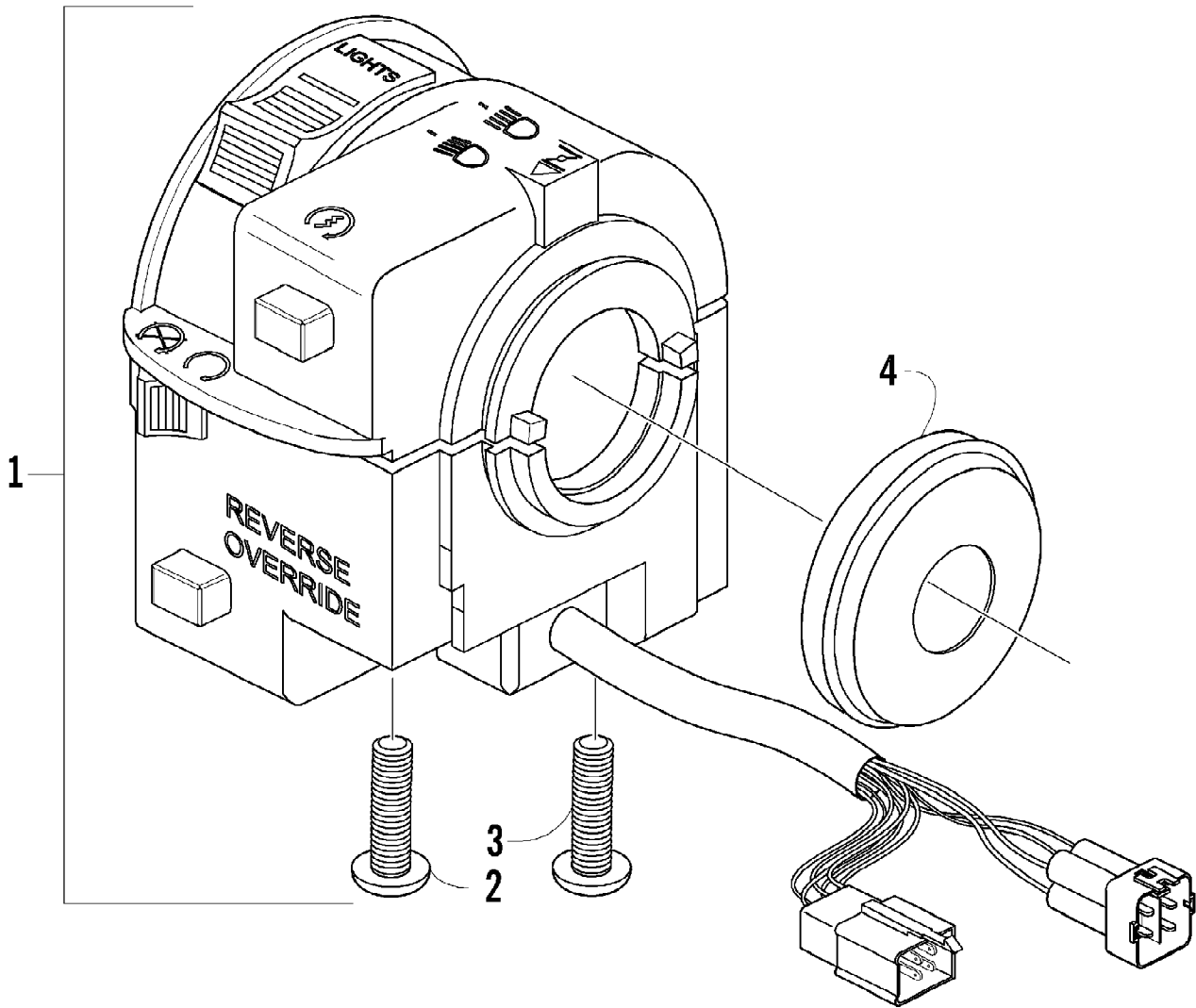


2008 ATV 700 EFI AUTOMATIC TRANSMISSION 4X4 TRV CRUISER BLUE (AP2008161407)  
CLUTCH/V-BELT/MAGNETO COVER ASSEMBLY

Ref #	Part Number	Qty	S/P/F	Description
1	3403-066	1		Cover, Clutch
2	3403-067	1		Housing, V-Belt Bearing
3	3403-068	1		Cover, V-Belt - Inner
4	3423-800	1		Plug
5	3403-069	1		Cover, V-Belt - Outer
6	3403-070	1		Gasket, Clutch Cover
7	3403-071	1		Gasket, V-Belt Cover - Inner - Rear
8	3403-072	1		Gasket, V-Belt Cover - Inner - Front
9	3403-073	1		Gasket, V-Belt Cover - Outer
10	3007-369	46	/P	Bolt
11	0693-327	6	S	Bolt
12	3004-822	4		Pin
13	3423-610	2		Pin
14	3403-074	1	S	Cover, Magneto
15	3403-075	1		Gasket, Magneto Cover
16	3402-438	1		Gauge, Oil Level
17	3423-055	1		O-Ring
18	3402-040	1	/P	Plug, Check
19	3403-200	1		Gasket, Check Plug
20	0820-062	1		Cover, Magneto - Outer
21	0826-008	4		Screw, Machine



2008 ATV 700 EFI AUTOMATIC TRANSMISSION 4X4 TRV CRUISER BLUE (A20081071497)  
CONTROL SWITCH HOUSING ASSEMBLY



2008 ATV 700 EFI AUTOMATIC TRANSMISSION 4X4 TRV CRUISER BLUE (AP2008181407)  
CONTROL SWITCH HOUSING ASSEMBLY

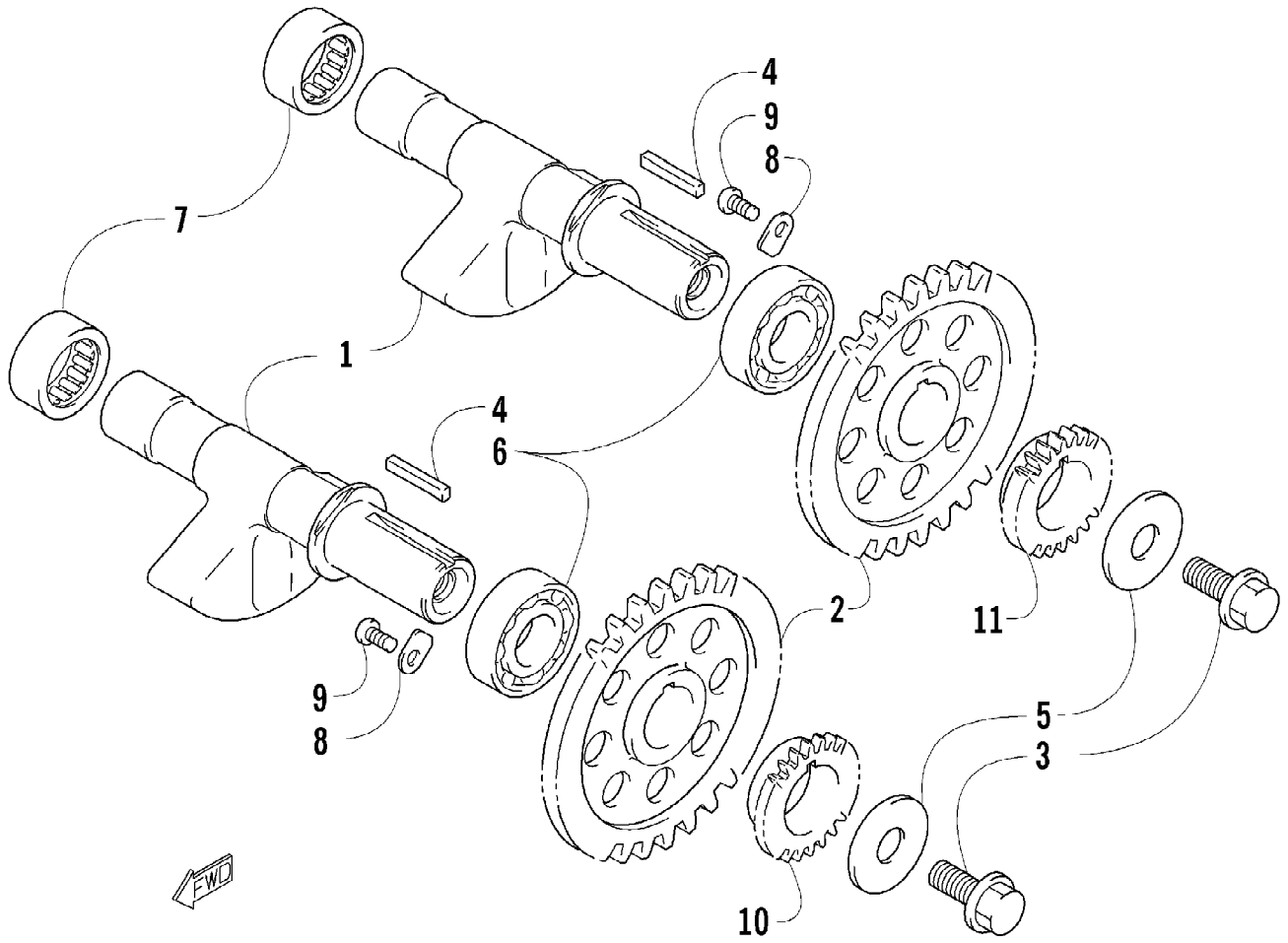
Ref #	Part Number	Qty	S/P/F	Description
1	0509-014	1		Switch, Control - Assembly (inc. 2-4)
2	0409-027	1		Screw, Machine
3	0409-028	1		Screw, Machine
4	3409-019	1		Cover, Switch Housing



2008 ATV 700 EFI AUTOMATIC TRANSMISSION 4X4 TRV CRUISER BLUE (A2008201497)  
COOLING ASSEMBLY

Ref #	Part Number	Qty	S/P/F	Description
1	0413-172	1	S	Radiator Assembly (inc. 2-13)
2	0413-184	1	/P	Radiator
3	0413-007	1		Screen, Radiator
4	0413-002	1	S	Cap, Radiator
5	0423-030	2		Grommet
6	0610-016	AR	/P	Hose - 25 ft
7	0413-046	1		Shroud, Fan
8	0413-123	1	/P	Fan, Cooling
9	8475-512	12		Screw, Machine
10	0423-351	1		Clamp, Wire
11	0123-397	1		Clamp, Cable
12	0413-168	1		Switch, Sensor - Temperature
13	0423-390	1	S	O-Ring
14	0423-484	2		Screw, Shoulder
15	0623-038	2		Nut w/Washer
16	0423-028	2		Bushing, Stem
17	0423-496	4		Clamp, Hose
18	0410-105	1		Hose, Coolant - Upper
19	0410-055	1		Hose, Coolant - Lower
20	3006-324	2		Clamp
21	3410-021	1		Hose, Coolant - Crossover
22	0124-045	1	/P	Clamp, Hose
23	0413-086	1		Tank, Coolant Overflow
24	0413-087	1		Stopper, Coolant Tank
25	0610-011	AR	/P	Hose, Clear - 25 ft
26	0623-316	1		Cable Tie
27	0123-788	2	/P	Cable Tie

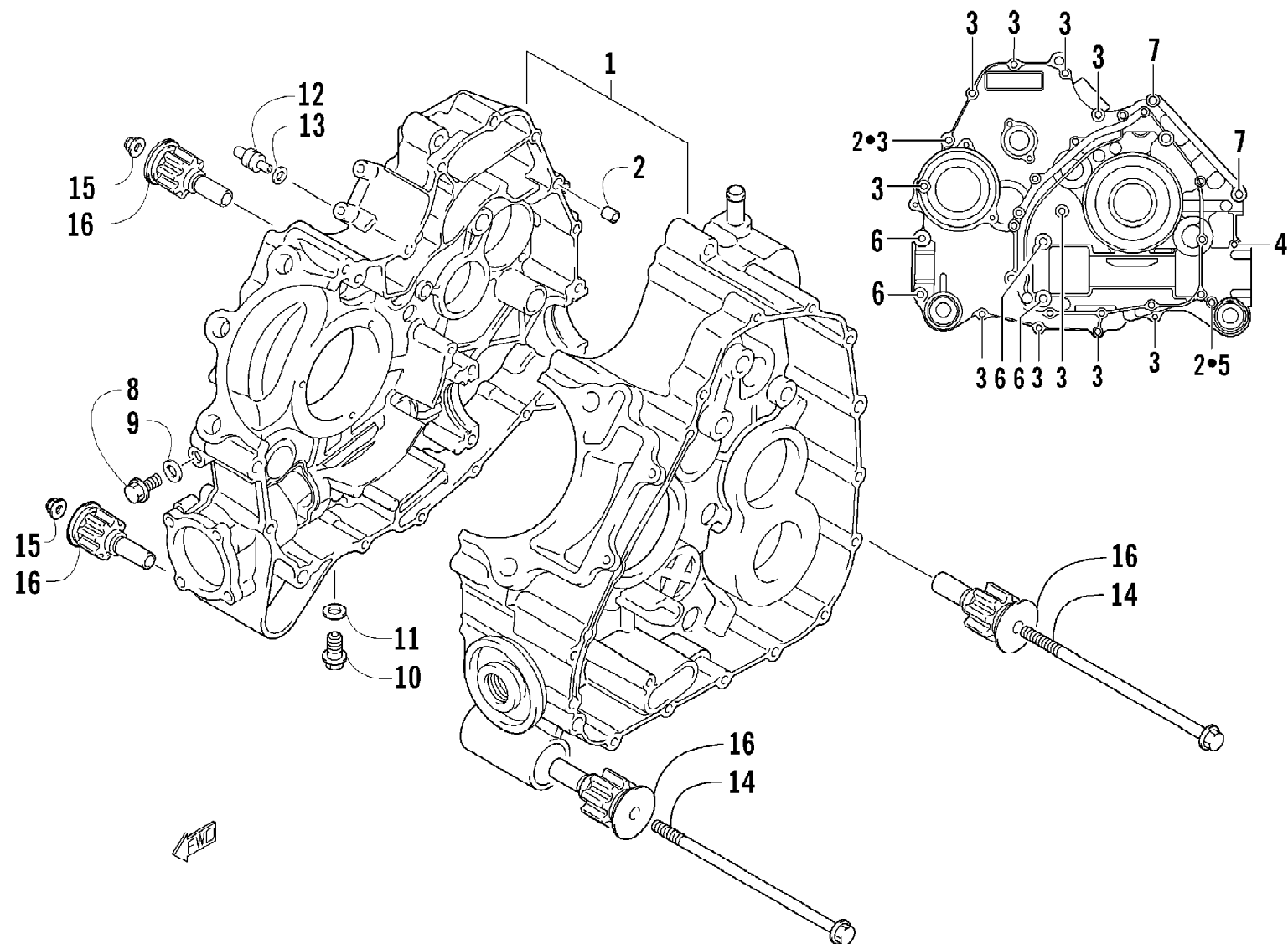
2008 ATV 700 EFI AUTOMATIC TRANSMISSION 4X4 TRV CRUISER BLUE (AP2008201497)  
CRANK BALANCER ASSEMBLY



2008 ATV 700 EFI AUTOMATIC TRANSMISSION 4X4 TRV CRUISER BLUE (AP2008121497)  
CRANK BALANCER ASSEMBLY

Ref #	Part Number	Qty	S/P/F	Description
1	3403-093	2		Balancer, Crank
2	3403-094	2		Gear, Driven - Crank Balancer
3	3423-555	2		Bolt
4	3423-808	2		Key
5	3423-401	2		Washer
6	3403-095	2		Bearing
7	3403-096	2		Bearing
8	3446-031	4	/P	Retainer, Bearing - Crank Balancer
9	3423-370	4		Bolt
10	3403-097	1		Sprocket, Drive - Oil Pump
11	3403-098	1		Gear, Drive - Water Pump

2008 ATV 700 EFI AUTOMATIC TRANSMISSION 4X4 TRV CRUISER BLUE (A2008231497)  
CRANKCASE ASSEMBLY

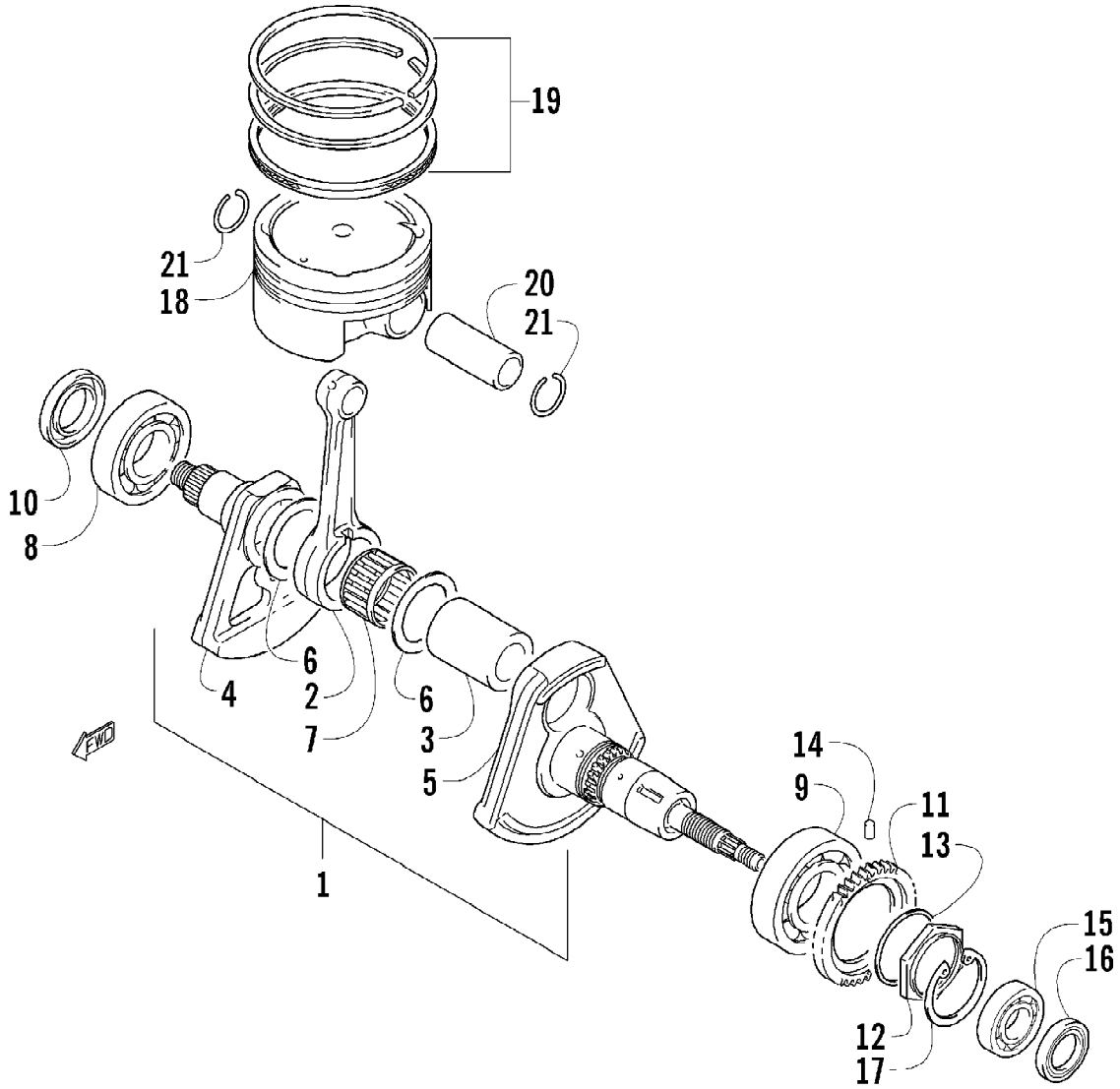


2008 ATV 700 EFI AUTOMATIC TRANSMISSION 4X4 TRV CRUISER BLUE (AP2008201497)  
CRANKCASE ASSEMBLY

Ref #	Part Number	Qty	S/P/F	Description
1	3403-063	1	S	Crankcase Assembly (inc. 2-7)
2	3004-822	2		Pin
3	3423-307	11	S	Bolt
4	3423-392	1		Bolt
5	3423-094	1		Bolt
6	3007-399	4	/P	Bolt
7	3004-424	2		Bolt
8	3007-407	2	/P	Plug, Oil Gallery
9	3402-436	2	/P	Gasket, Oil Gallery Plug
10	3403-064	1		Plug, Drain
11	3402-011	1		Gasket, Drain Plug
12	3403-065	1		Jet, Oil Gallery
13	3423-051	1		O-Ring
14	3423-456	2		Bolt, Engine Mounting
15	3423-457	2	S	Nut, Engine Mounting
16	3423-799	4		Bushing, Engine Mounting



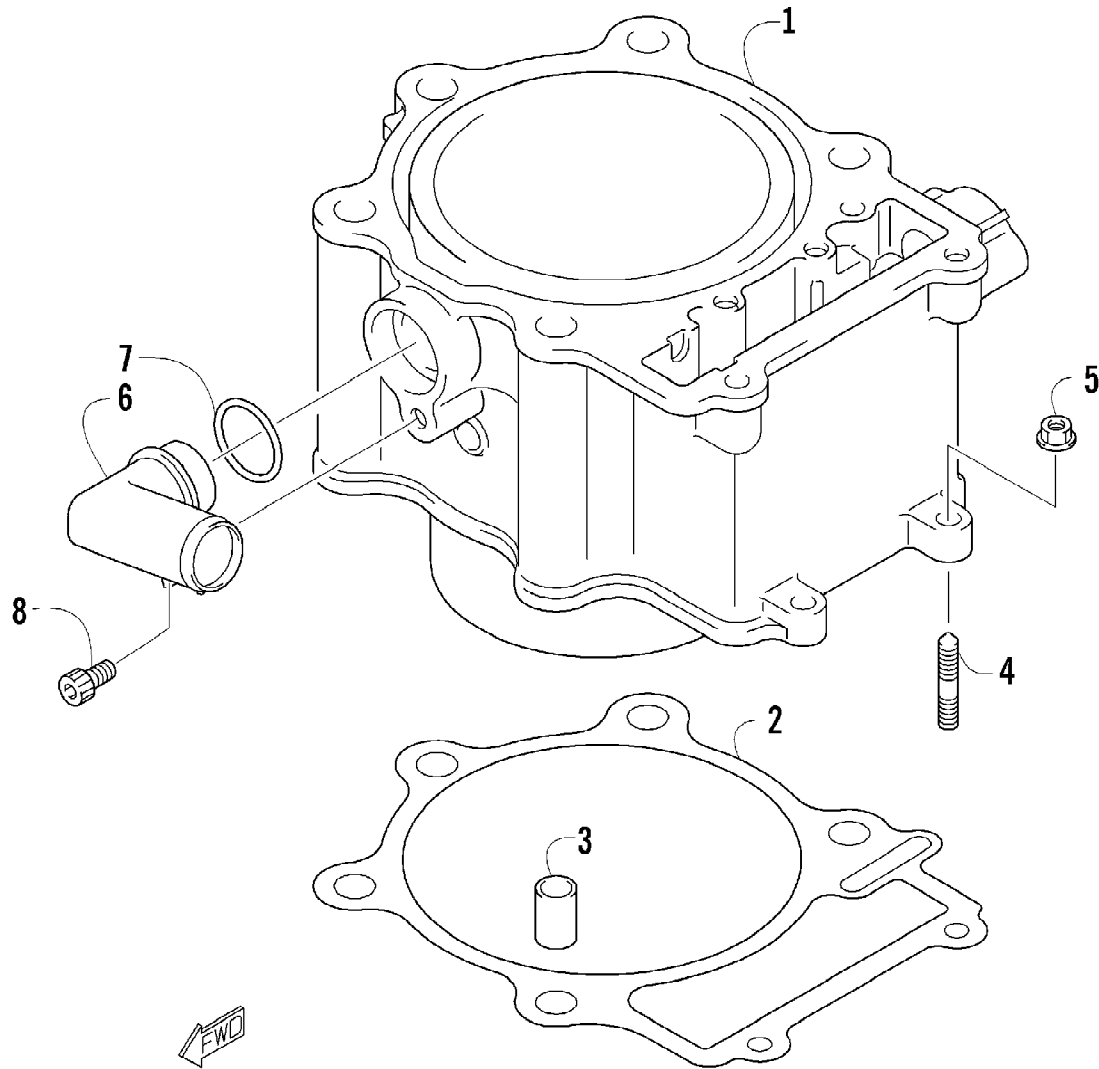
2008 ATV 700 EFI AUTOMATIC TRANSMISSION 4X4 TRV CRUISER BLUE (A2008251497)  
CRANKSHAFT AND PISTON ASSEMBLY



2008 ATV 700 EFI AUTOMATIC TRANSMISSION 4X4 TRV CRUISER BLUE (A2008261497)  
CRANKSHAFT AND PISTON ASSEMBLY

Ref #	Part Number	Qty	S/P/F	Description
1	3403-221	1	S	Crankshaft Assembly (inc. 2-7)
2	3403-077	1		Rod, Connecting
3	3403-078	1		Pin, Crank
4	3403-222	1	/P	Crankshaft - Right
5	3403-223	1		Crankshaft - Left
6	3423-801	2		Washer
7	3403-081	1		Bearing
8	3403-082	1	/P	Bearing - Right
9	3403-083	1		Bearing - Left
10	3402-573	1		Seal, Oil
11	3403-084	1	S	Gear, Drive - Crank Balancer
12	3423-802	1		Nut, Crank Balancer Drive Gear
13	3423-803	1		Washer
14	3423-047	1		Pin
15	3402-051	1		Bearing
16	3403-085	1		Seal, Oil
17	3423-826	1	/P	Circlip
18	3403-086	1		Piston
19	3403-087	1		Ring, Piston - Set
20	3403-088	1		Pin, Piston
21	3423-344	2		Circlip, Piston Pin

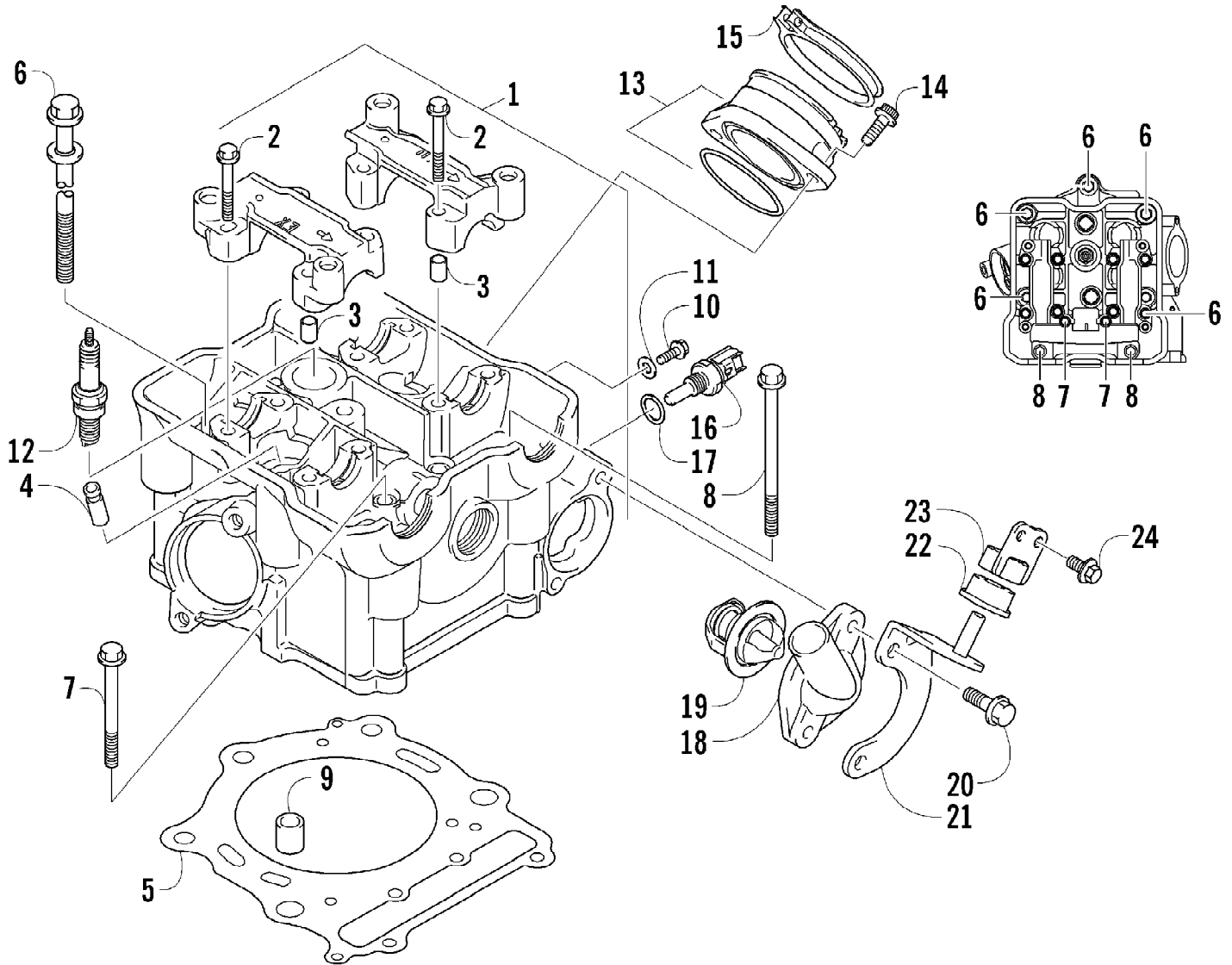
2008 ATV 700 EFI AUTOMATIC TRANSMISSION 4X4 TRV CRUISER BLUE (A2008207497)  
CYLINDER ASSEMBLY



2008 ATV 700 EFI AUTOMATIC TRANSMISSION 4X4 TRV CRUISER BLUE (AP200828T407)  
 CYLINDER ASSEMBLY

Ref #	Part Number	Qty	S/P/F	Description
1	3403-214	1	/P	Cylinder
2	3403-062	1		Gasket, Cylinder
3	3423-088	2		Pin, Dowel
4	3423-384	2	S	Bolt, Stud
5	3007-373	2	/P	Nut
6	3413-040	1		Union, Water Hose
7	3423-058	1		O-Ring
8	3423-121	1	S	Screw, Machine

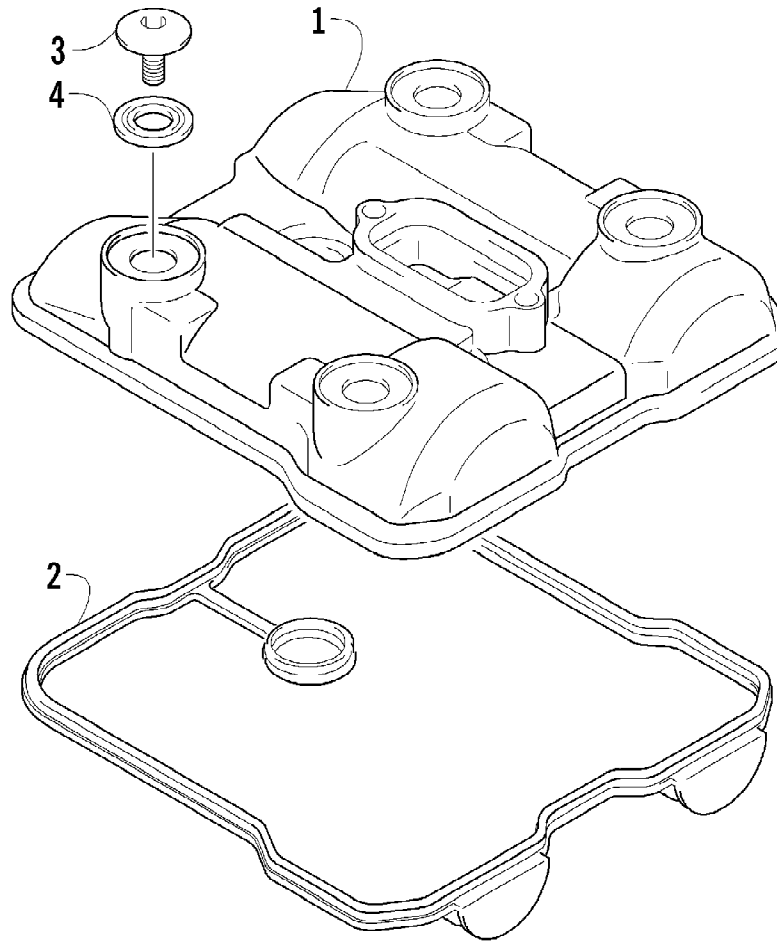
2008 2014 2015 2016 2017  
2008 ATV 700 EFI AUTOMATIC TRANSMISSION 4X4 TRV CRUISER BLUE (A2008201407)  
CYLINDER HEAD ASSEMBLY



2008 ATV 700 EFI AUTOMATIC TRANSMISSION 4X4 TRV CRUISER BLUE (AP200830T497)  
CYLINDER HEAD ASSEMBLY

Ref #	Part Number	Qty	S/P/F	Description
1	3403-055	1		Head, Cylinder - Assembly (inc. 2-3)
2	3423-794	8		Screw, Cap
3	3423-043	4	/P	Pin
4	3403-056	4	/P	Guide, Valve
5	3403-057	1		Gasket, Cylinder Head
6	3423-795	5		Screw, Cap
7	3006-650	2		Screw, Cap
8	3423-796	2		Screw, Cap
9	3423-088	2		Pin, Dowel
10	3007-497	1		Plug, Cylinder Head
11	3003-290	1	/P	O-Ring
12	0217-632	1		Spark Plug (NGK CR6E)
13	3403-058	1		Pipe, Intake - Assembly
14	3423-797	2		Screw, Cap
15	3402-236	1	/P	Clamp, Intake Pipe
16	3530-046	1		Switch, Water Temperature
17	3007-215	1		Gasket, Water Temperature Switch
18	3413-038	1		Cover, Thermostat
19	3413-039	1		Thermostat
20	3007-377	2	/P	Screw, Cap
21	3423-798	1	S	Plate, Engine Mounting Damper
22	3403-059	1		Damper, Engine Mounting
23	3403-060	1		Stopper, Engine Mounting
24	3007-407	2	/P	Screw, Cap

2008 ATV 700 EFI AUTOMATIC TRANSMISSION 4X4 TRV CRUISER BLUE (A2008BCT407)  
CYLINDER HEAD COVER ASSEMBLY



2008 ATV 700 EFI AUTOMATIC TRANSMISSION 4X4 TRV CRUISER BLUE (AP2008B2T407)  
CYLINDER HEAD COVER ASSEMBLY

Ref #	Part Number	Qty	S/P/F	Description
1	3403-053	1		Cover, Cylinder Head
2	3403-054	1		Gasket, Cylinder Head Cover
3	3423-646	4		Bolt
4	3423-680	4		Washer

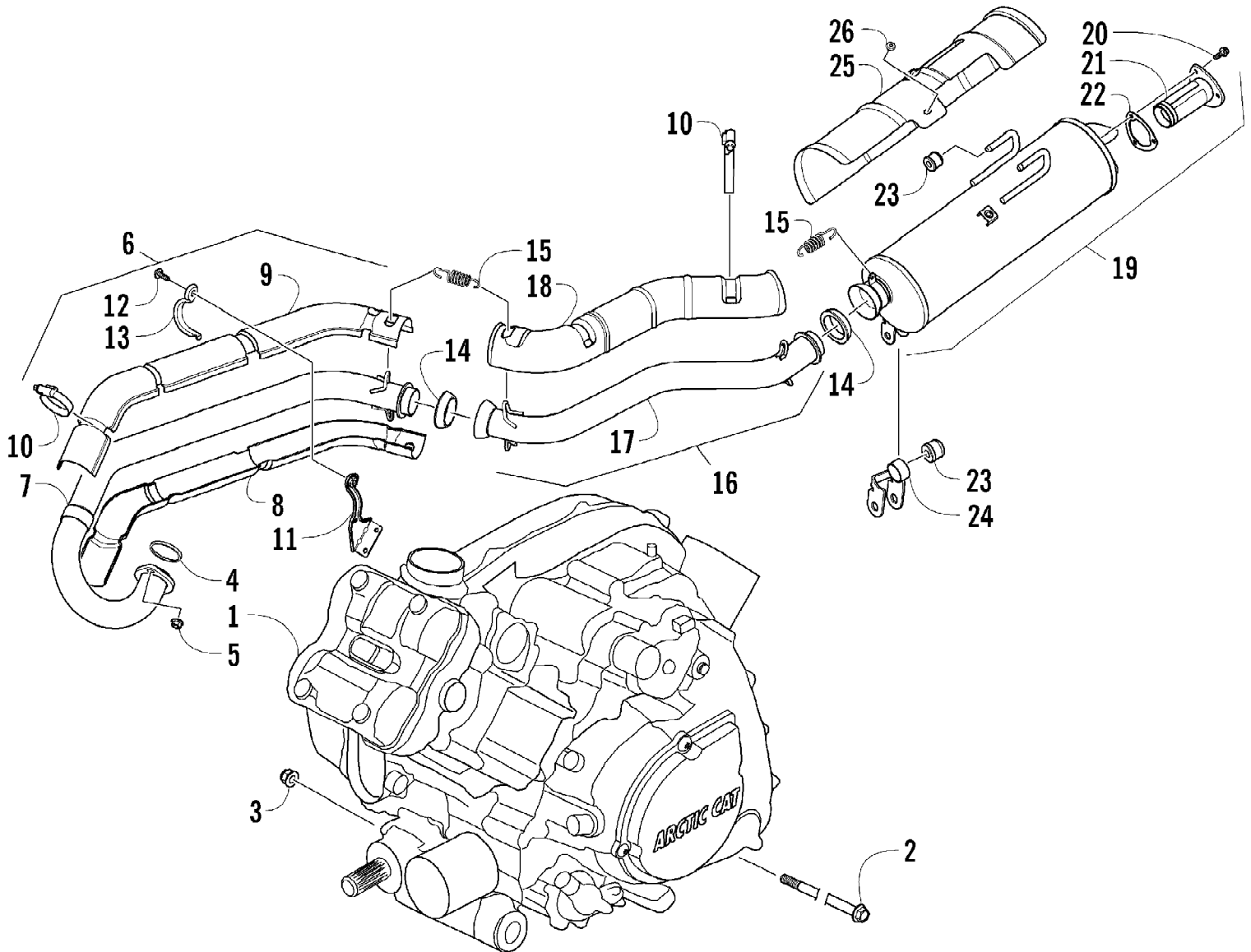




2008 ATV 700 EFI AUTOMATIC TRANSMISSION 4X4 TRV CRUISER BLUE (AP2008BCT407)  
DRIVE TRAIN ASSEMBLY

Ref #	Part Number	Qty	S/P/F	Description
1	0402-147	2	S	Bladder, Gearcase
2	0423-315	4		Clamp, Fitting
3	8428-002	4		Nut, Lock
4	0423-426	8		Washer
5	0423-404	4		Screw, Cap
6	1502-242	1		Gearcase, Front
7	0502-500	1		Plate, Cable
8	0423-396	2		Screw, Self-Tapping
9	0502-909	1		Gearcase, Rear
10	0410-070	AR	/P	Hose, Vent - 25 ft
11	0470-462	1		Fitting, Vent
12	0423-393	2		Clamp, Boot
13	0402-985	2	/P	Boot
14	0423-411	2		Clamp, Boot
15	1402-688	1		Shaft, Propeller
16	0402-950	1		Flange, Output
17	8408-820	4	/P	Screw, Cap
18	0502-918	1		Driveshaft, Front - Assembly (inc. 19-23)
19	0502-915	1		Yoke, Front Slip
20	1402-164	2	/P	Joint, Universal (inc. 21)
21	0423-450	8		Ring, Retaining
22	0502-917	1		Driveshaft, Front
23	1402-439	1		Yoke, Slip
24	1402-521	1		Spring
25	0123-788	AR	/P	Tie, Cable

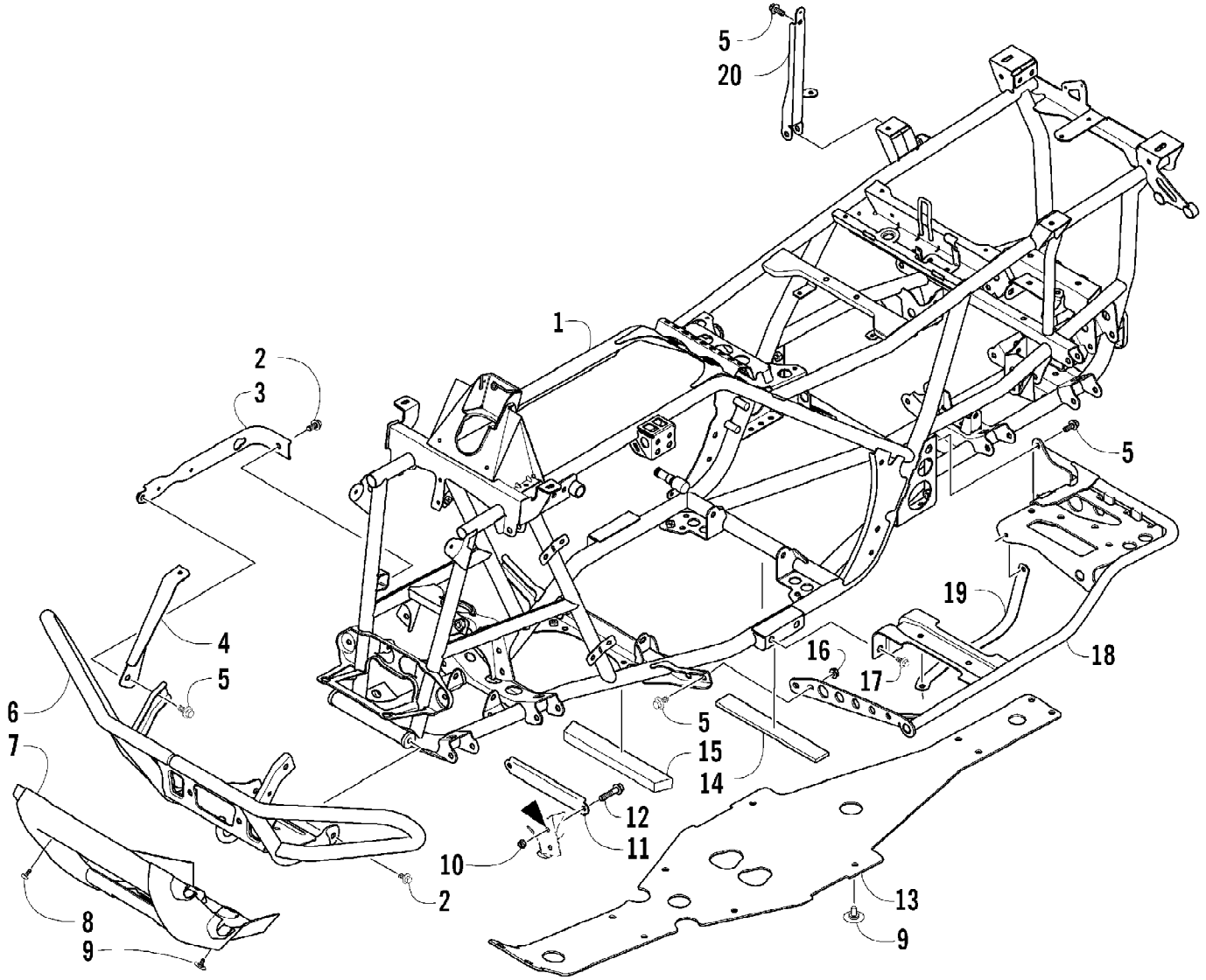
2008 ATV 700 EFI AUTOMATIC TRANSMISSION 4X4 TRV CRUISER BLUE (AP2008351407)  
ENGINE AND EXHAUST



2008 ATV 700 EFI AUTOMATIC TRANSMISSION 4X4 TRV CRUISER BLUE (A2008B6T497)  
ENGINE AND EXHAUST

Ref #	Part Number	Qty	S/P/F	Description
1	0462-046	1	/P	Engine
2	3423-456	2		Screw, Cap
3	8428-002	2		Nut, Lock
4	0412-361	1		Gasket, Exhaust Pipe
5	8424-802	2		Nut, Hex
6	0512-294	1		Pipe, Exhaust - Assembly (inc. 7-9 and three No. 10)
7	0512-293	1		Pipe, Exhaust
8	0412-364	1		Shield, Exhaust Pipe - Inner
9	0412-365	1		Shield, Exhaust Pipe - Outer
10	0423-317	6	/P	Hose Clamp
11	0512-317	1		Support, Exhaust Pipe
12	8477-620	1		Screw, Machine
13	0512-318	1		Bracket, Exhaust Pipe
14	0412-375	2	/P	Seal, Exhaust
15	0612-668	4	/P	Spring, Extension
16	0512-439	1		Pipe, Exhaust - Assembly - Rear (inc. 17-18 and three No. 10)
17	0512-438	1		Pipe, Exhaust
18	0412-464	1		Shield, Exhaust
19	0512-355	1	/P	Muffler - Assembly (inc. 20-22)
20	8408-616	3		Screw, Cap
21	0512-219	1	/P	Arrester, Spark - Assembly
22	0412-313	1		Gasket, Spark Arrester
23	0412-215	3	S	Bushing, Exhaust Pipe
24	1506-732	1		Channel, Muffler Support
25	0412-373	1	/P	Cover, Muffler
26	8477-610	3		Screw, Machine

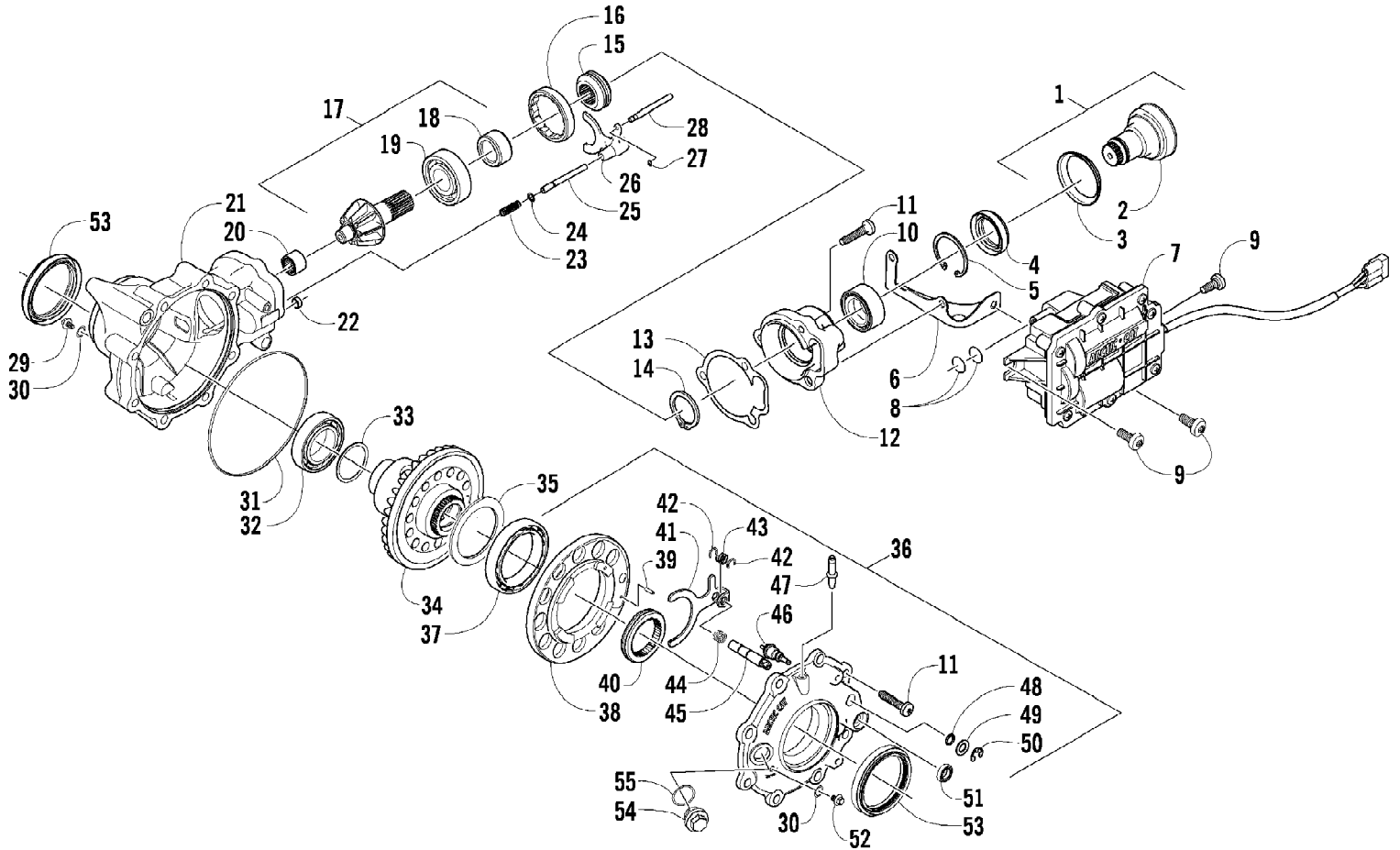
2008 ATV 700 EFI AUTOMATIC TRANSMISSION 4X4 TRV CRUISER BLUE (AP2008307497)  
FRAME AND RELATED PARTS



2008 ATV 700 EFI AUTOMATIC TRANSMISSION 4X4 TRV CRUISER BLUE (AP2008381497)  
FRAME AND RELATED PARTS

Ref #	Part Number	Qty	S/P/F	Description
1	2506-737	1		Frame, Main
2	8409-020	4	/P	Screw, Cap
3	1506-596	1	/P	Channel, Bumper Mounting - Right
3	0506-653	1	S	Channel, Bumper Mounting - Left
4	1506-562	1		Bracket, Mounting - Bumper - Right
4	1506-563	1		Bracket, Mounting - Bumper - Left
5	8408-816	11		Screw, Cap
6	1506-855	1	/P	Bumper
7	1406-360	1		Fascia, Bumper
8	0423-419	2		Screw, Machine
9	0423-101	14		Screw, Body
10	8428-002	2		Nut, Lock
11	1506-429	1	S	Brace, A-Arm
12	8409-025	2		Screw, Cap
13	2406-701	1		Panel, Belly
14	0406-289	1		Pad, Frame
15	1506-981	1		Foam, Frame
16	8424-802	4		Nut, Flange
17	8409-016	4		Screw, Cap
18	1506-848	1		Footrest - Right
18	1506-849	1		Footrest - Left
19	2406-216	1		Strap, Footrest - Right
19	2406-217	1		Strap, Footrest - Left
20	2506-447	1		Bracket, Gas Tank

2008 ATV 700 EFI AUTOMATIC TRANSMISSION 4X4 TRV CRUISER BLUE (A200830T407)  
FRONT DRIVE GEARCASE ASSEMBLY



2008 ATV 700 EFI AUTOMATIC TRANSMISSION 4X4 TRV CRUISER BLUE (A20087011497)  
FRONT DRIVE GEARCASE ASSEMBLY

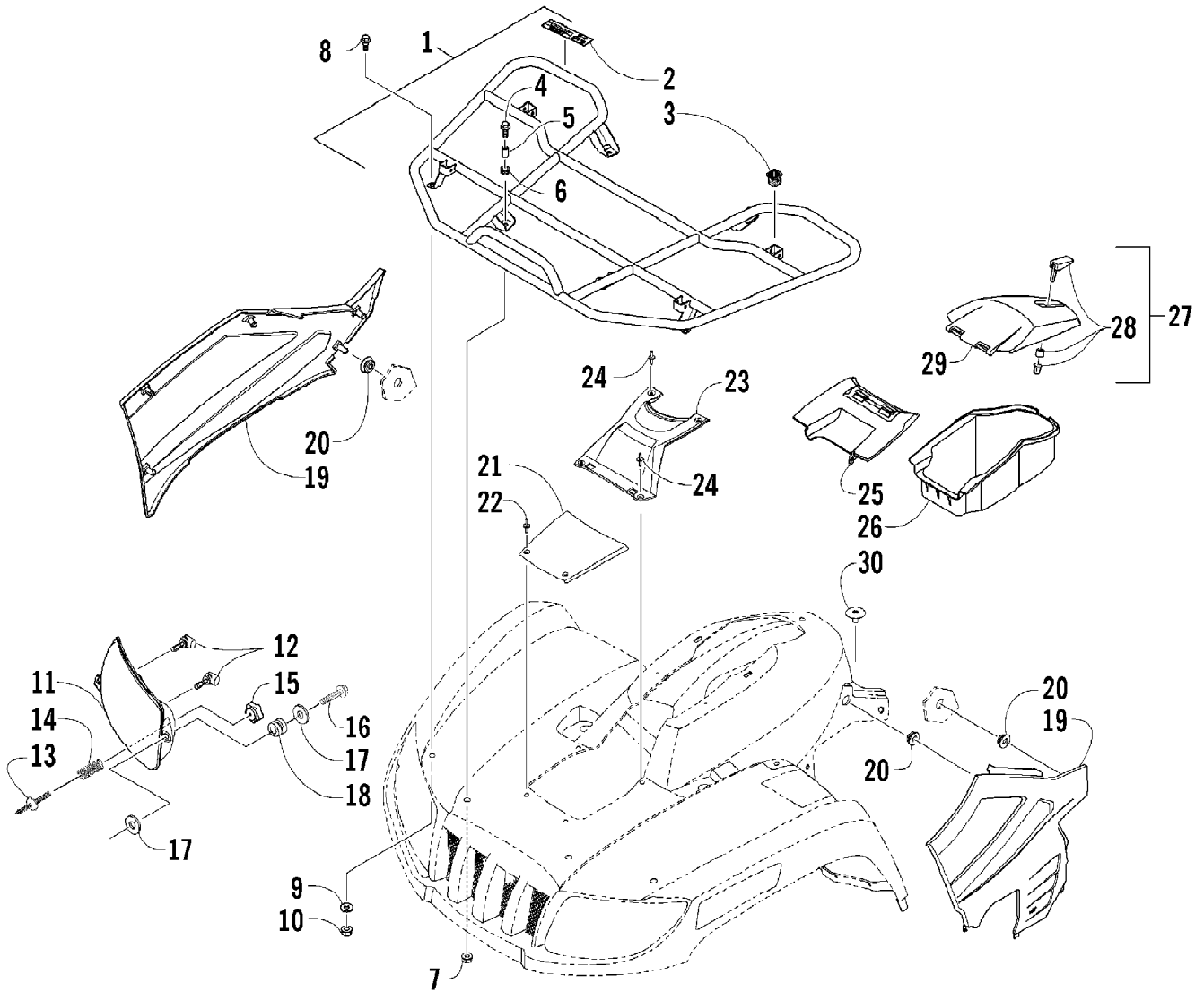
Ref #	Part Number	Qty	S/P/F	Description
	1502-242	1		Complete Front Drive Gearcase Assembly
1	0502-923	1		Shaft, Propeller - Assembly (inc. 2-3)
2	1402-438	1		Shaft, Input
3	1402-168	1		Deflector
4	1402-011	1		Seal
5	0423-423	1		Ring, Retaining
6	0502-347	1		Bracket, Actuator
7	0502-579	1		Actuator (inc. one No. 8)
8	0423-498	2	S	O-Ring
9	0423-396	3		Screw, Self-Tapping
10	1402-043	1		Bearing
11	0423-118	11		Screw, Self-Tapping
12	0502-528	1	/P	Housing, Pinion
13	0402-947	1		Gasket, Flange
14	0423-417	1		Ring, Retaining
15	0402-413	1		Coupler, Drive
16	0402-357	1		Collar, Lock
17	0502-783	1		Gear, Pinion - Assembly - 10T (inc. 18-19)
18	0402-336	1		Collar, Retaining
19	0402-327	1		Bearing
20	0402-328	1		Bearing
21	0502-514	1		Housing, Gearcase
22	0402-411	1		Pin, Dowel
23	0402-999	1		Spring, Return
24	0423-147	1		O-Ring
25	0402-417	1		Shaft, Shuttle
26	0402-998	1		Fork, Selector
27	0423-402	1		Ring, Retaining
28	0402-997	1		Shaft, Selector
29	1402-210	1	/P	Plug, Magnetic (inc. one No. 30)
30	0423-153	2		O-Ring
31	0423-149	1		O-Ring
32	0402-393	1		Bearing
33	0402-405	AR		Shim
33	0402-406	AR		Shim
33	0402-407	AR		Shim
33	0402-408	AR		Shim
33	0402-409	AR		Shim
34	1502-234	1	S	Gear, Ring - 36T
35	1402-074	AR		Shim
35	1402-075	AR		Shim
35	1402-076	AR		Shim
35	1402-077	AR		Shim
35	1402-078	AR		Shim
36	1502-097	1		Cover, Gearcase (inc. one No. 30, 37-52, and one No. 53)
37	1402-053	1		Bearing
38	0502-413	1		Flange, Bearing
39	1402-079	1		Pin, Parallel
40	1402-042	1		Collar, Sliding
41	1402-054	1		Fork
42	1402-058	2		Ring, Retaining



2008 ATV 700 EFI AUTOMATIC TRANSMISSION 4X4 TRV CRUISER BLUE (AP20087010107)  
 FRONT DRIVE GEARCASE ASSEMBLY

Ref #	Part Number	Qty	S/P/F	Description
43	1402-057	1		Spring
44	1402-063	1		Spring
45	1402-055	1		Shaft, Lock
46	0402-419	1		Switch, Indicator
47	1402-104	1		Fitting
48	0423-133	1		O-Ring
49	0423-132	1		Washer
50	0423-424	1		Ring, Retaining
51	1402-056	1		Seal
52	1402-211	1		Plug, Oil Level (inc. 30)
53	1402-441	2	S	Seal
54	0402-333	1	/P	Plug, Fill (inc. 55)
55	0423-154	1		O-Ring

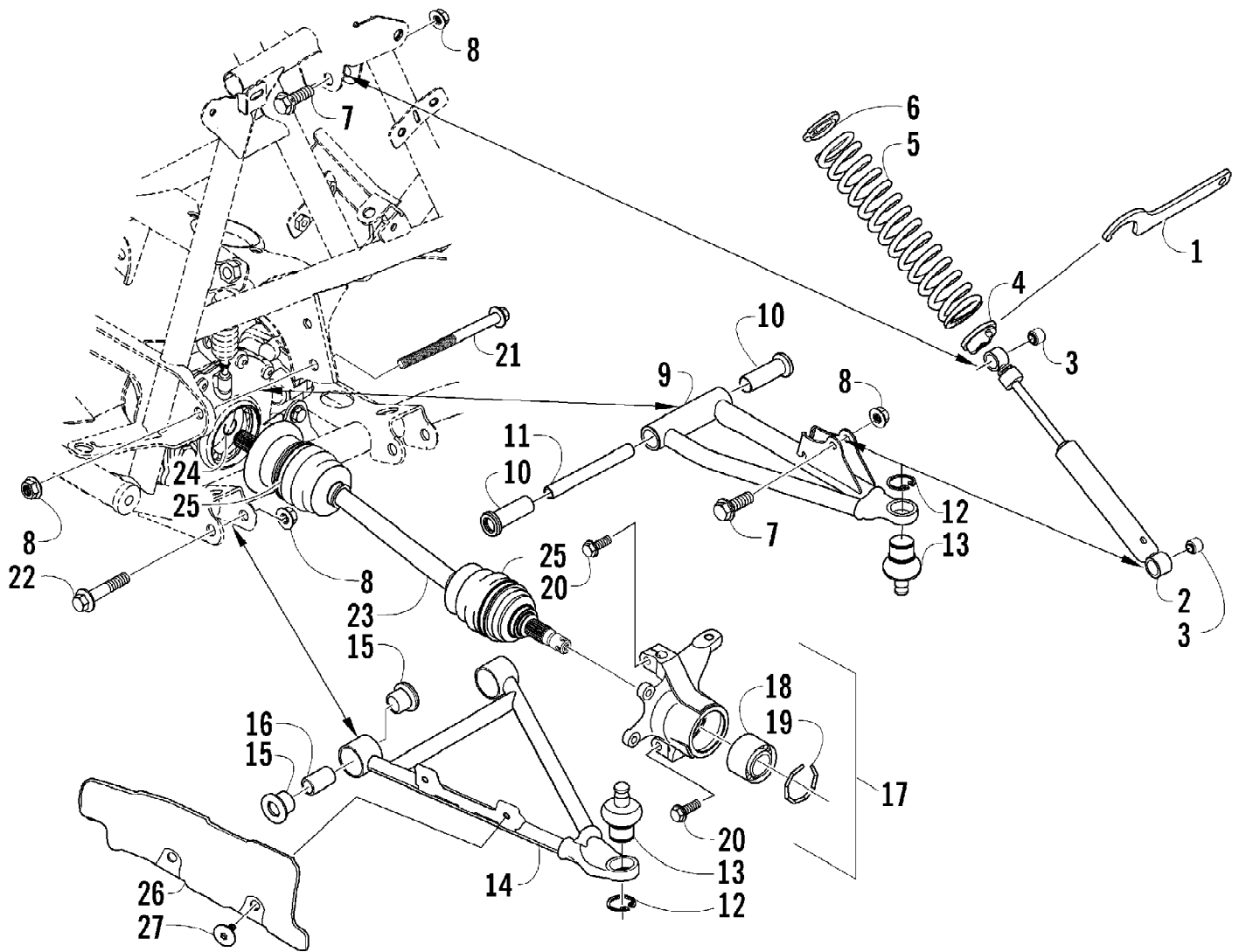
2008 ATV 700 EFI AUTOMATIC TRANSMISSION 4X4 TRV CRUISER BLUE (A20087025497)  
FRONT RACK AND HEADLIGHT ASSEMBLIES



2008 ATV 700 EFI AUTOMATIC TRANSMISSION 4X4 TRV CRUISER BLUE (A200873T497)  
FRONT RACK AND HEADLIGHT ASSEMBLIES

Ref #	Part Number	Qty	S/P/F	Description
1	2506-106	1		Rack, Front - Assembly (inc. 2-3)
2	0411-576	1		Decal, Warning - Front Rack Load
3	0441-592	4	/P	Bushing, Rack
4	8410-830	4		Screw, Cap
5	0423-669	4		Spacer
6	0423-465	4		Grommet
7	8432-802	4		Nut, Lock
8	0423-654	2		Screw, Shoulder
9	8050-222	2	/P	Washer
10	0423-540	2		Nut, Lock
11	0509-034	1	S	Headlight Assembly - Right (inc. 12)
11	0509-035	1		Headlight Assembly - Left (inc. 12)
12	0409-055	4		Bulb, Headlight
13	0423-514	2		Stud, Adjuster - Headlight
14	0423-522	2		Spring, Adjuster
15	0423-513	2		Knob, Adjuster
16	0623-785	4		Screw, Self-Tapping
17	8050-217	8	/P	Washer
18	0423-447	4		Grommet
19	2406-706	1		Panel, Side - Lower - Right
19	2406-707	1		Panel, Side - Lower - Left
20	0423-678	8		Grommet
21	1406-358	1		Cover, Access
22	0423-535	2		Rivet, Reinstallable
23	1406-484	1		Cover, Steering Post
24	0623-362	4		Rivet, Reinstallable
25	0470-513	1		Cover, Storage Box
26	1406-573	1		Box, Storage
27	2506-234	1		Lid, Storage Box w/Latch (inc. 28-29)
28	1406-599	1		Latch, Storage Box
29	0470-514	1		Lid, Storage Box
30	0423-101	2		Screw, Body

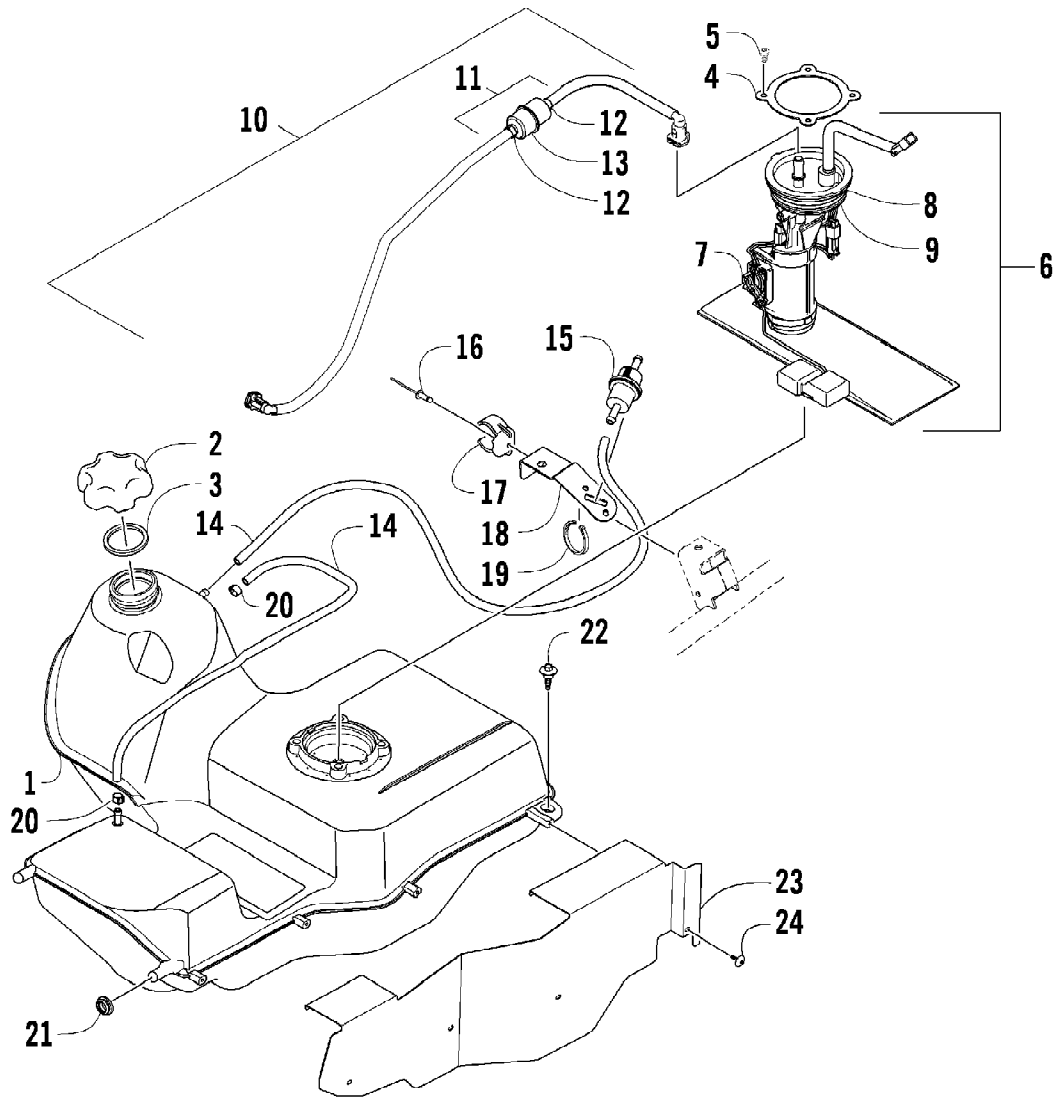
2008 ATV 700 EFI AUTOMATIC TRANSMISSION 4X4 TRV CRUISER BLUE (A2008701497)  
FRONT SUSPENSION ASSEMBLY



2008 ATV 700 EFI AUTOMATIC TRANSMISSION 4X4 TRV CRUISER BLUE (A20087651497)  
FRONT SUSPENSION ASSEMBLY

Ref #	Part Number	Qty	S/P/F	Description
1	0441-587	1		Wrench, Spanner
2	0403-176	2		Shock Absorber - Front (inc. 3)
3	0403-182	4		Bushing, Double-Bonded
4	0403-102	2		Cam, Spring Adjuster
5	0403-174	2		Spring, Shock Absorber
6	1603-889	2	/P	Retainer, Spring
7	8409-040	4		Screw, Cap
8	0423-744	10		Nut, Lock w/Patch-Lock
9	0503-272	1	S	A-Arm, Upper Right (inc. 10-13)
9	0503-273	1	S	A-Arm, Upper Left (inc. 10-13)
10	0403-081	4	S	Bushing
11	0403-080	2		Collar
12	0423-009	4	/P	Clip, Ball Joint
13	0405-115	4	/P	Ball Joint - Front
14	0503-342	1	S	A-Arm, Lower Right (inc. 12-13 and 15-16)
14	0503-343	1	S	A-Arm, Lower Left (inc. 12-13 and 15-16)
15	0403-115	8	S	Bushing
16	0403-114	4	S	Collar
17	0505-460	1		Knuckle - Assembly - Right (inc. 18-19)
17	0505-461	1	S	Knuckle - Assembly - Left (inc. 18-19)
18	1402-027	2	S/P	Bearing, Wheel Hub
19	0423-423	2		Ring, Retaining
20	8409-030	4		Screw, Cap
21	0423-334	2		Screw, Cap
22	8409-075	4		Screw, Cap
23	0502-813	1	S	Axle, Drive - Front - Left (inc. 24-25)
23	0502-812	1	S	Axle, Drive - Front - Right (inc. 24-25)
24	1441-109	2	S	Clip, Retaining
25	0436-276	2	S	Repair Kit, Boot
26	1406-034	1		Guard, Boot - Right
26	1406-035	1		Guard, Boot - Left
27	0423-545	4	/P	Screw, Body

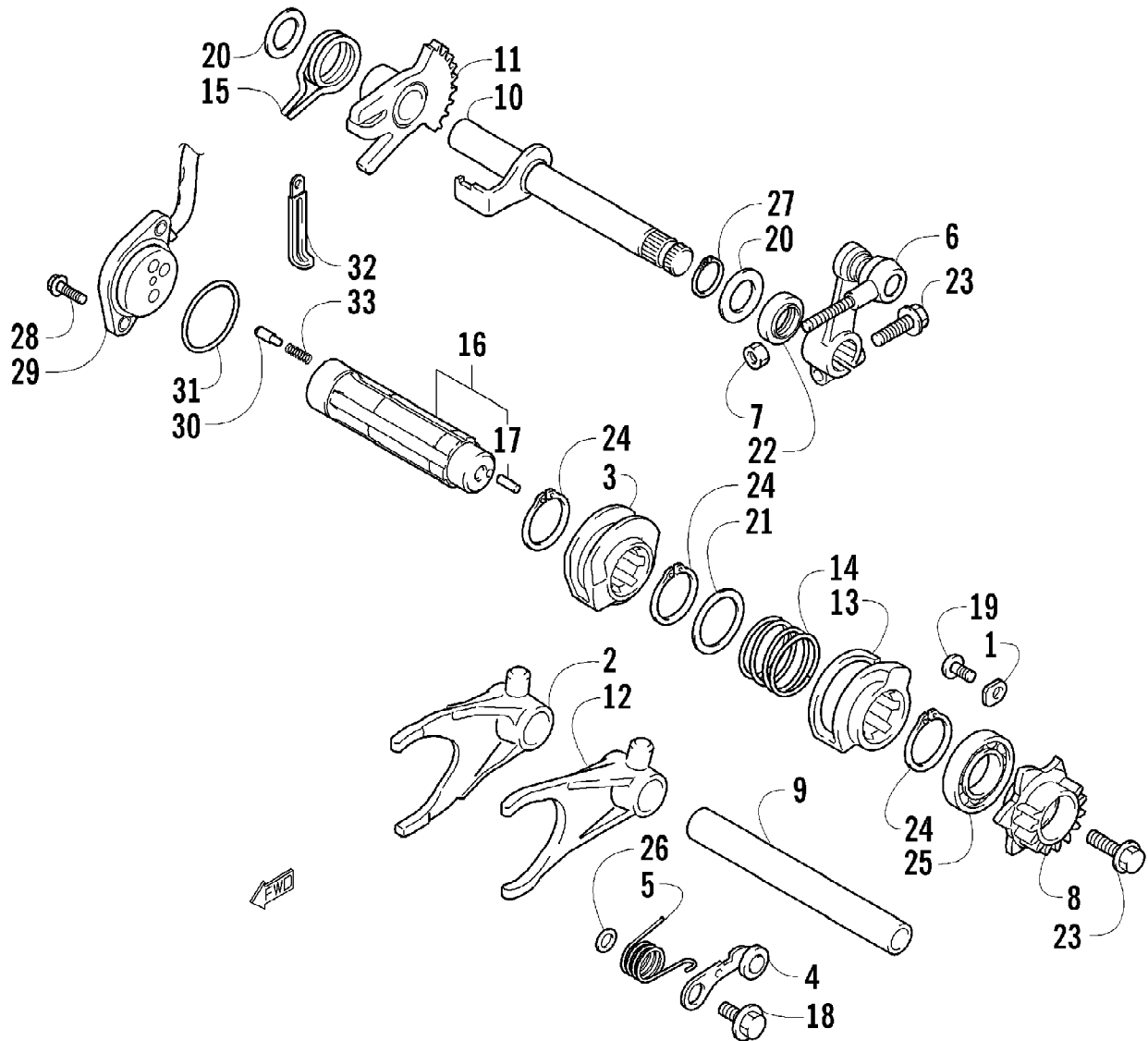
2008 ATV 700 EFI AUTOMATIC TRANSMISSION 4X4 TRV CRUISER BLUE (A200876T407)  
GAS TANK ASSEMBLY



2008 ATV 700 EFI AUTOMATIC TRANSMISSION 4X4 TRV CRUISER BLUE (AP200870T497)  
GAS TANK ASSEMBLY

Ref #	Part Number	Qty	S/P/F	Description
1	0570-206	1		Tank, Gas - Assembly (inc. 2-5)
2	0470-438	1	/P	Cap, Gas Tank (inc. 3)
3	0109-733	1	/P	Gasket, Gas Tank Cap
4	0470-606	1		Plate, Mounting - Fuel Pump
5	8476-612	4		Screw, Self-Tapping
6	0570-207	1	S	Pump, Fuel - Assembly (inc. 7-9)
7	0570-208	1	S	Sensor, Fuel Level - Kit (inc. 8-9)
8	0470-614	1		Seal, Fuel Pump
9	0470-613	1		Seal, Fuel Pump
10	0570-242	1		Hose, Gasline - Assembly (inc. 11-13)
11	0570-246	1		Filter, Fuel - Kit (inc. 12-13)
12	0	2	F	Clamp
13	0	1	F	Filter, Fuel
14	0410-070	AR	/P	Hose, Gasline - 25 ft
15	0510-355	1		Filter, In-Line
16	8060-628	1		Rivet
17	1670-826	1		Bracket, Fuel Filter
18	0470-794	1		Bracket, Filter Mounting
19	0123-788	1	/P	Tie, Cable
20	0423-688	2		Clamp, Hose
21	0423-460	2		Grommet
22	0423-732	2		Screw, Gas Tank
23	0470-822	1		Shield, Heat - Gas Tank
24	0623-797	4		Screw, Self-Tapping

2008 ATV 700 EFI AUTOMATIC TRANSMISSION 4X4 TRV CRUISER BLUE (A2008785497)  
GEAR SHIFTING ASSEMBLY

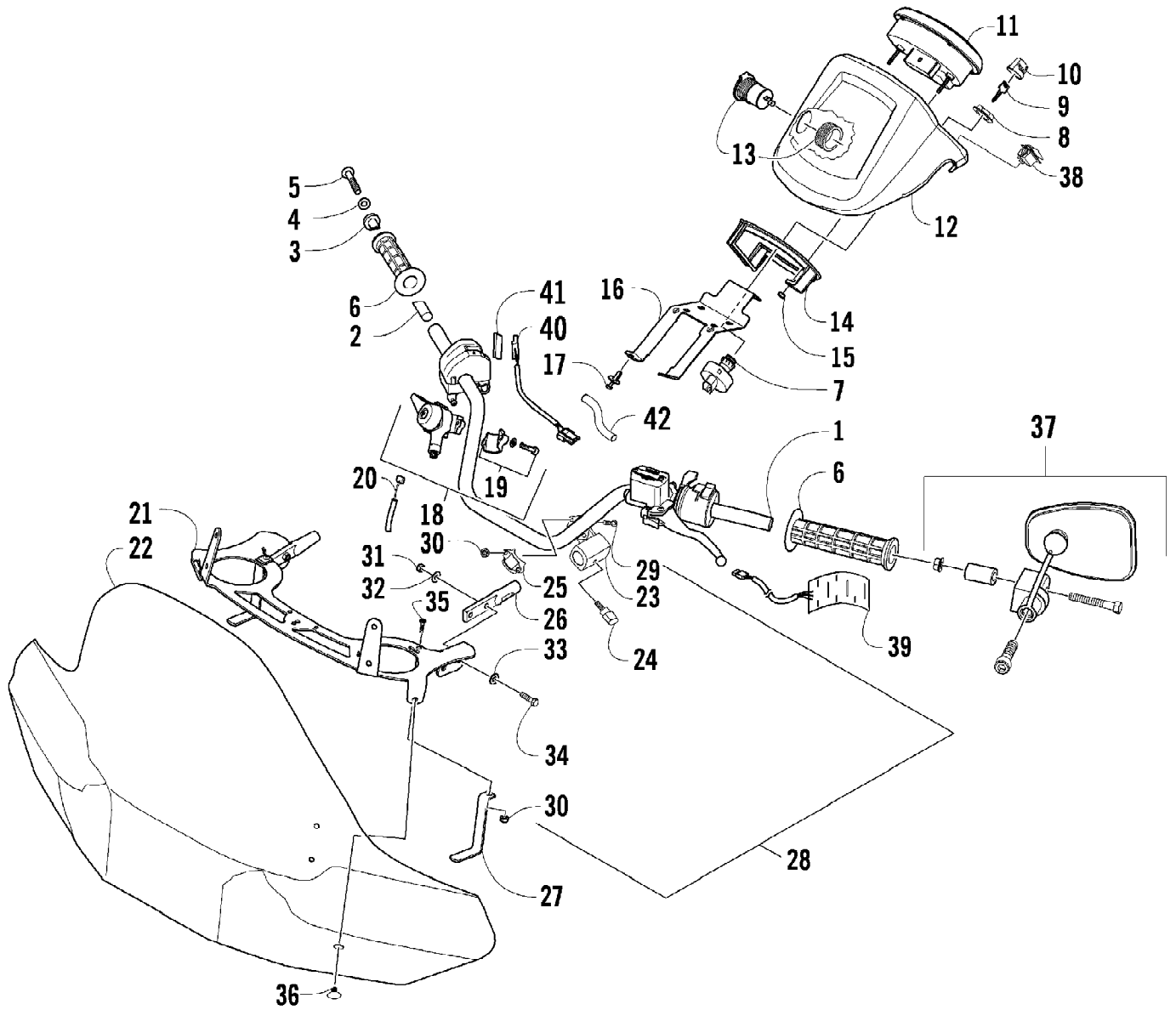




2008 ATV 700 EFI AUTOMATIC TRANSMISSION 4X4 TRV CRUISER BLUE (A200870T407)  
GEAR SHIFTING ASSEMBLY

Ref #	Part Number	Qty	S/P/F	Description
1	3446-031	2	/P	Retainer, Shift Cam
2	3446-423	1		Fork, Reverse Gear Shift
3	3403-163	1		Cam, Reverse Gear Shift
4	3403-164	1		Stopper, Shift Cam
5	3423-839	1		Spring, Shift Cam Stopper
6	3403-165	1	/P	Arm, Select
7	0693-489	1	/P	Nut, Select Arm
8	3403-166	1		Plate, Gear Shift Cam Stopper
9	3403-167	1		Shaft, Gear Shift
10	3403-168	1		Shaft, Shift - No. 2
11	3403-169	1		Gear, Shift Shaft
12	3446-424	1		Fork, Gear Shift
13	3403-170	1		Cam, Gear Shift
14	3423-840	1		Spring, Shift Fork
15	3423-841	1		Spring, Shift Shaft Return
16	3403-171	1		Shaft, Gear Shift (inc. 17)
17	3423-114	1	/P	Pin, Gear Shift
18	3423-652	1		Bolt, Shift Cam
19	3423-370	2		Screw, Shift Retainer
20	3423-445	2		Washer, Shift Shaft
21	3402-382	1		Washer, Shift Fork Spring
22	3402-068	1	/P	Seal, Shift Shaft
23	3004-341	2	S/P	Bolt, Gear Shift
24	3423-191	3	/P	Circlip, Gear Shift Shaft
25	3403-172	1		Bearing, Gear Shift Shaft
26	3423-615	1		Washer, Shift Cam Stopper
27	3423-546	1		Circlip, Shift Shaft
28	3423-418	2		Bolt, Gear Shift Position Switch
29	3530-052	1		Switch, Gear Shift Position
30	3423-044	2		Contact, Gear Shift Position Switch
31	3423-842	1		O-Ring, Gear Shift Position Switch
32	3004-787	2		Clamp, Gear Shift Switch Position Lever
33	3402-087	2		Spring, Gear Shift Position Switch

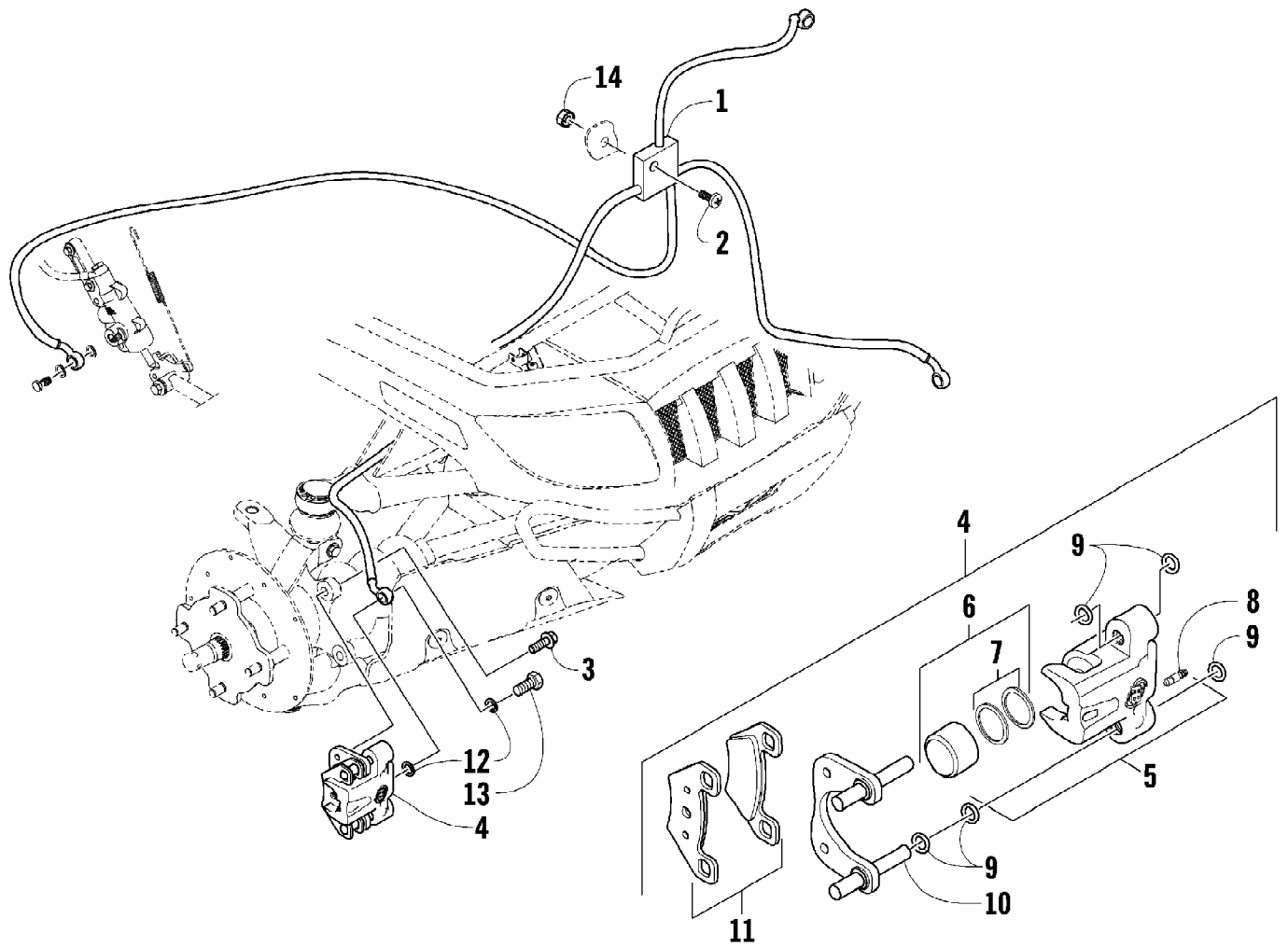
2008 ATV 700 EFI AUTOMATIC TRANSMISSION 4X4 TRV CRUISER BLUE (A2008501497)  
HANDLEBAR AND WINDSHIELD ASSEMBLY



2008 ATV 700 EFI AUTOMATIC TRANSMISSION 4X4 TRV CRUISER BLUE (A2008501497)  
HANDLEBAR AND WINDSHIELD ASSEMBLY

Ref #	Part Number	Qty	S/P/F	Description
	0436-979	1	S	Complete Windshield Kit
1	0505-476	1		Tube, Handlebar
2	0405-218	1		Plug, Handlebar
3	0405-149	1		End Cap, Handlebar
4	8050-247	1	/P	Washer
5	8477-845	1		Screw, Machine
6	0405-147	2		Grip, Handlebar
7	0430-069	1	S	Switch, Ignition - Assembly (inc. 8-10)
8	0430-050	1		Nut, Flange - Ignition Switch
9	0430-042	1		Key, Ignition (Y Series - Left-Side Cut)
9	0430-043	1		Key, Ignition (Z Series - Right-Side Cut)
10	0430-054	1		Cover, Key
11	0520-031	1		Gauge, LCD
12	0505-534	1	S	Instrument Pod
13	0641-897	1	/P	Outlet, Accessory - 12V
14	0420-065	1	/P	Clamp, Plastic
15	0423-493	2		Nut w/Washer
16	2506-470	1		Bracket, Mounting - Instrument Pod
17	0423-535	2		Rivet, Reinstallable
18	0502-527	1		Control, Differential Lock (inc. 19)
19	0502-613	1		Clamp, Differential Lock Control - Kit
20	0487-050	1	/P	Cable, Differential Lock
21	0541-589	1		Bracket, Mounting - Windshield
22	1441-621	1		Windshield
23	0541-592	1	S	Bracket, Mounting - Right
23	0541-593	1	S	Bracket, Mounting - Left
24	1441-624	2		Knob, Plastic
25	0502-613	2		Cap
26	0541-590	1	S	Pin, Mounting - Tapered - Right
26	0541-591	1		Pin, Mounting - Tapered - Left
27	0541-594	2		Bracket, Support
28	1436-033	1	S	Hardware - Kit (inc. 29-36)
29	0	4	F	Screw, Cap
30	0	6	F	Nut, Lock
31	0	4	F	Nut, Lock
32	0	4	F	Washer, Nylon
33	0	4	F	Washer
34	0	4	F	Screw, Cap
35	0	4	F	Screw, Cap
36	0	6	F	Rivet, Reinstallable
37	0436-154	1	/P	Kit, Mirror
38	0609-835	1		Switch, Handwarmer
39	0609-800	2		Element, Handwarmer
40	0409-117	1	S	Element, Thumbwarmer
41	0441-500	1	S	Insulation
42	0441-498	1		Tube, Shrink

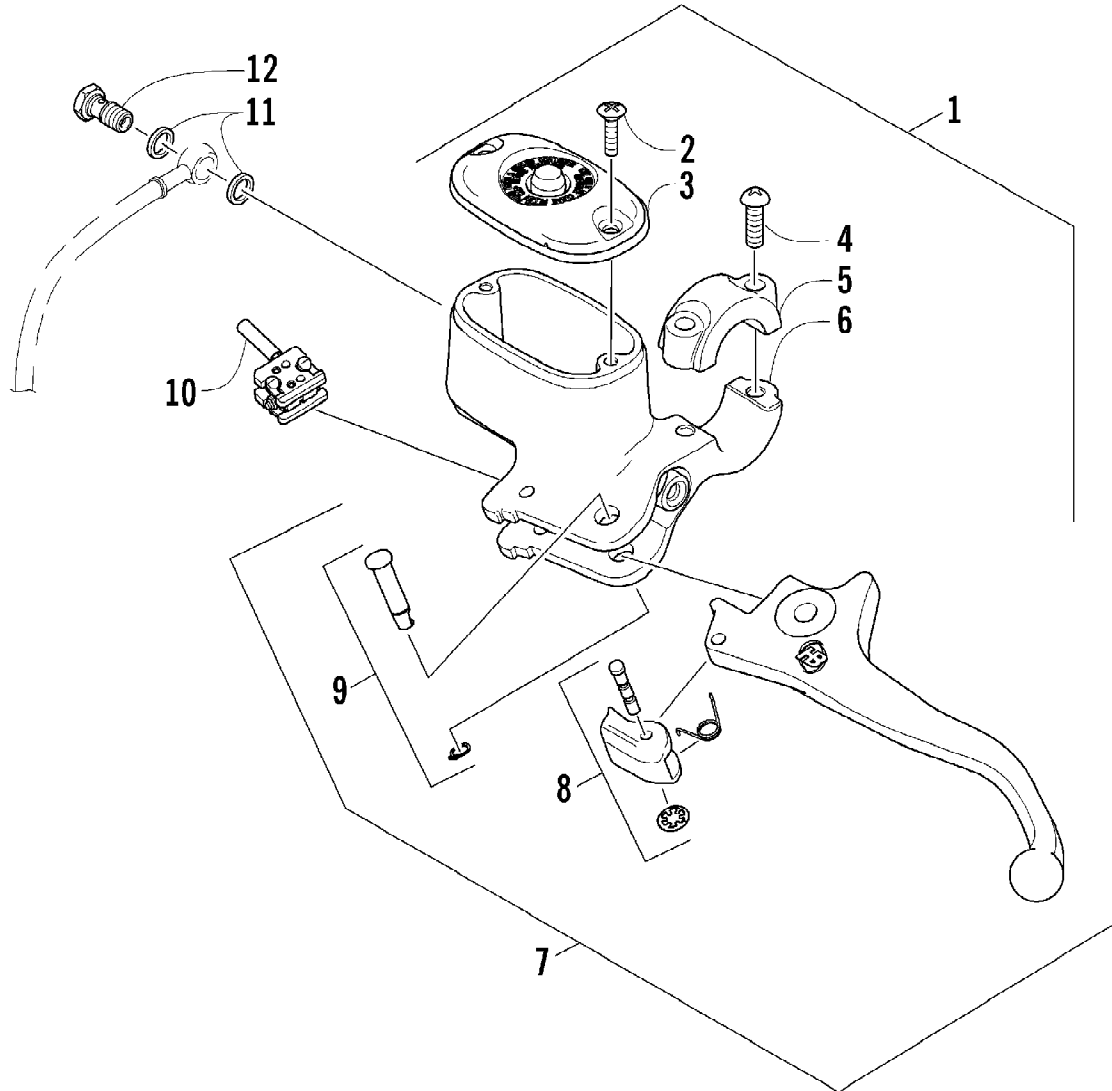
2008 ATV 700 EFI AUTOMATIC TRANSMISSION 4X4 TRV CRUISER BLUE (A2008521497)  
HYDRAULIC BRAKE ASSEMBLY



2008 ATV 700 EFI AUTOMATIC TRANSMISSION 4X4 TRV CRUISER BLUE (AP2008535407)  
HYDRAULIC BRAKE ASSEMBLY

Ref #	Part Number	Qty	S/P/F	Description
1	1502-015	1		Hose, Brake - Assembly
2	8476-625	1		Screw, Cap
3	8408-821	4	/P	Screw, Cap
4	0502-878	1	S	Caliper, Brake - Right Front (inc. 5-11)
4	0502-879	1	S	Caliper, Brake - Left Front (inc. 5-11)
5	0502-603	1	S	Housing, Caliper - Assembly - Right Front (inc. 6-8)
5	0502-611	1	S	Housing, Caliper - Assembly - Left Front (inc. 6-8)
6	0502-606	2		Piston/Seal Set (inc. 7)
7	0502-607	2		Seal Set
8	0502-609	2	/P	Valve, Bleed
9	0502-608	2		O-Ring, Guide - Set
10	0502-605	2		Bracket Assembly
11	0502-875	2	S	Pad, Brake - Set
12	0423-178	4		Washer, Crush
13	0423-413	2		Bolt, Banjo-Fitting
14	0623-038	1		Nut, Lock

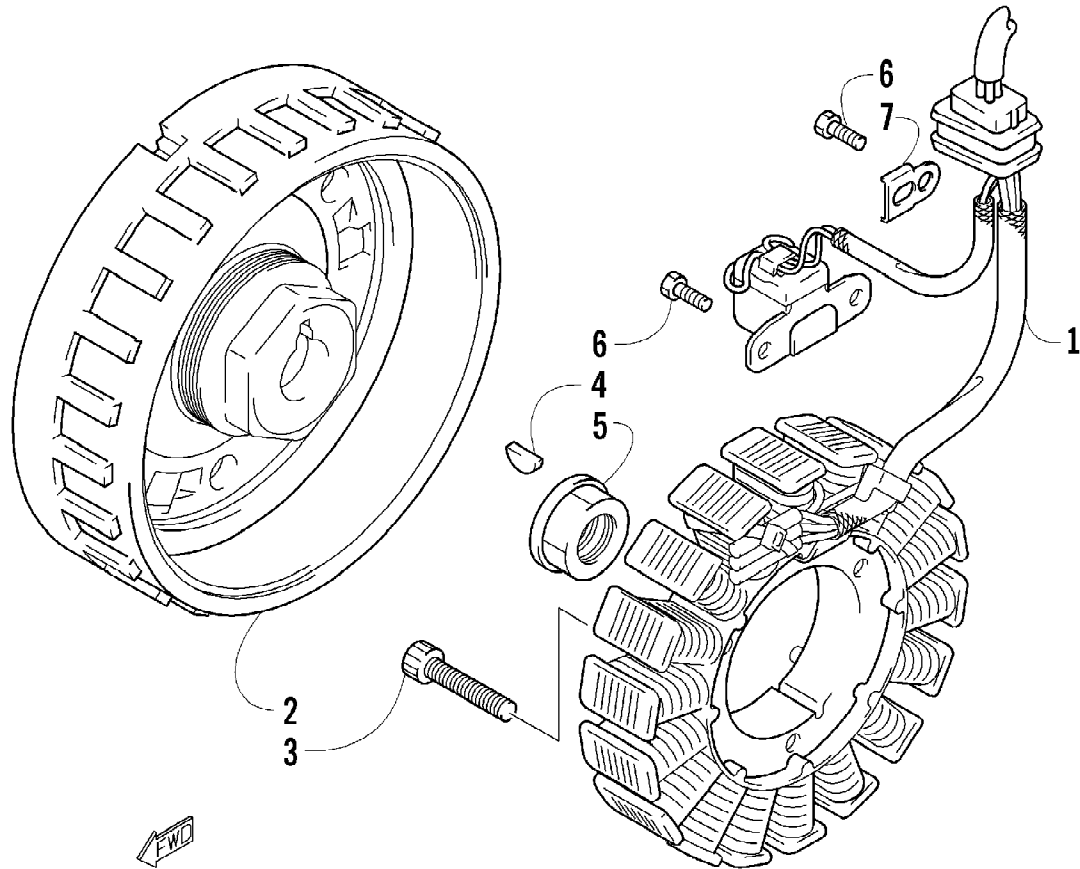
2008 ATV 700 EFI AUTOMATIC TRANSMISSION 4X4 TRV CRUISER BLUE (A2008501497)  
HYDRAULIC HAND BRAKE ASSEMBLY



2008 ATV 700 EFI AUTOMATIC TRANSMISSION 4X4 TRV CRUISER BLUE (A200855149)  
 HYDRAULIC HAND BRAKE ASSEMBLY

Ref #	Part Number	Qty	S/P/F	Description
1	0502-914	1	S	Brake Assembly (inc. 2-10)
2	0502-566	1		Screw, Reservoir Cover
3	0502-868	1	/P	Cover, Reservoir
4	0502-568	1		Screw, Master Cylinder Clamp
5	0502-869	1		Clamp, Master Cylinder
6	0502-704	1		Master Cylinder Assembly
7	0502-866	1		Lever Assembly (inc. 8-9)
8	0502-867	1	/P	Lock, Brake Lever - Kit
9	0502-580	1		Lever Pin - Kit
10	0502-564	1	/P	Switch, Brake - Kit
11	0423-178	2		Washer, Crush
12	0423-413	1		Bolt, Banjo-Fitting

2008 ATV 700 EFI AUTOMATIC TRANSMISSION 4X4 TRV CRUISER BLUE (A2008561497)  
MAGNETO ASSEMBLY

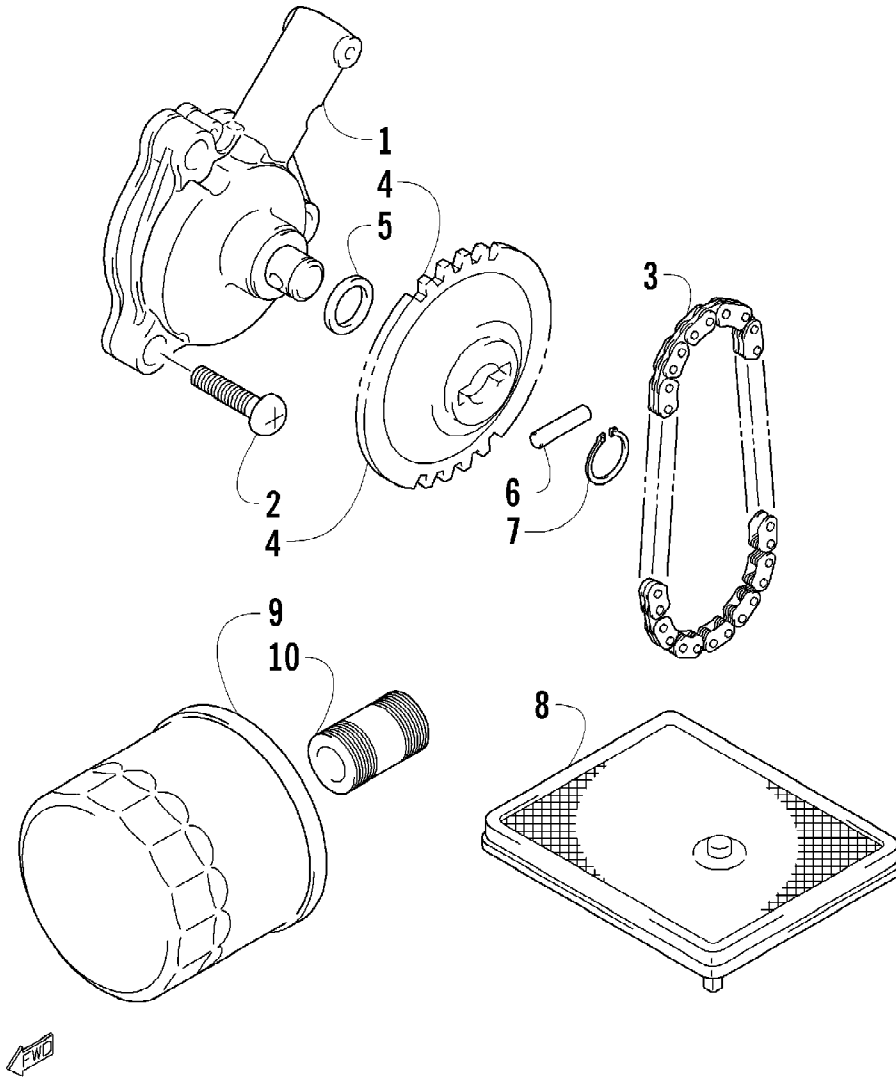




2008 ATV 700 EFI AUTOMATIC TRANSMISSION 4X4 TRV CRUISER BLUE (AP2008507497)  
MAGNETO ASSEMBLY

Ref #	Part Number	Qty	S/P/F	Description
1	3430-067	1		Stator - Assembly
2	3430-068	1		Rotor/Flywheel
3	3004-484	3	S	Screw, Cap
4	0691-785	1		Key
5	3423-086	1		Nut
6	3423-005	4	/P	Bolt
7	3430-005	2		Clamp, Magneto Lead

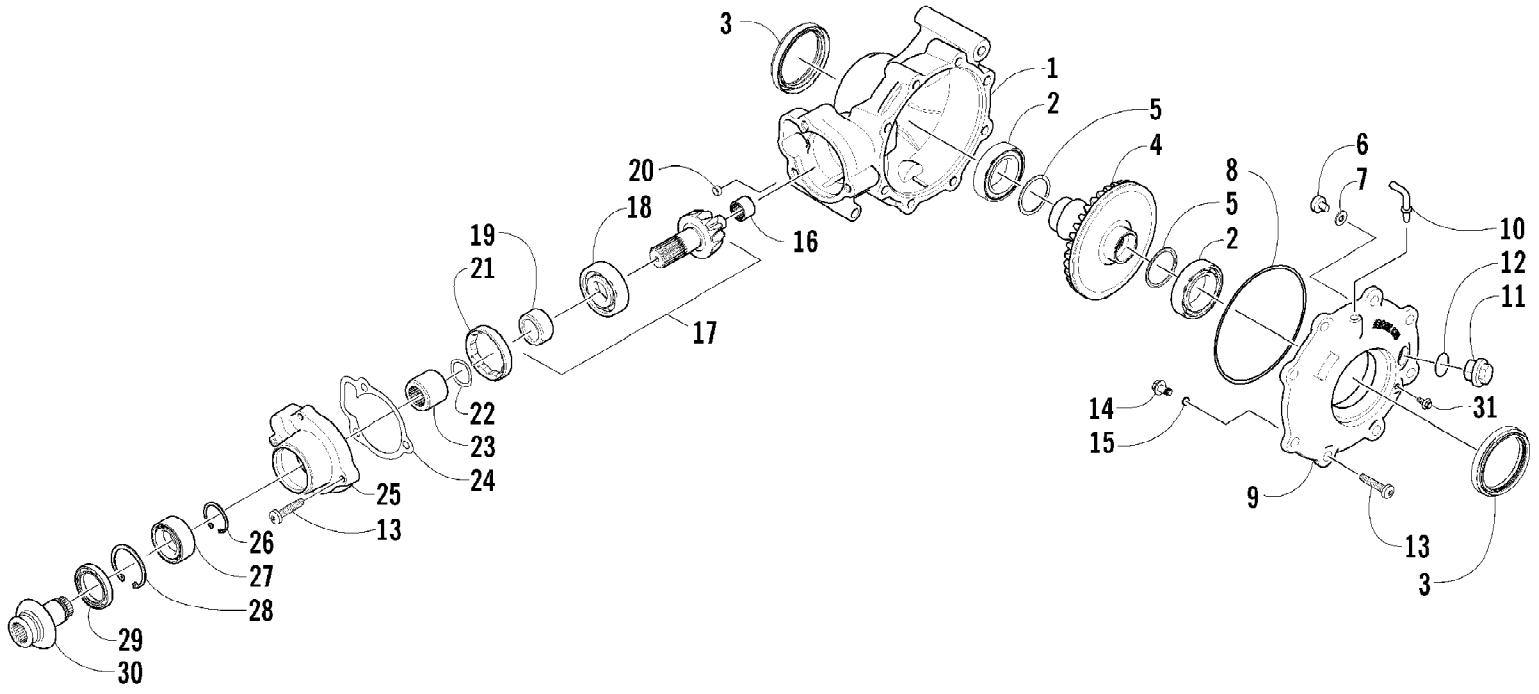
2008 ATV 700 EFI AUTOMATIC TRANSMISSION 4X4 TRV CRUISER BLUE (A2008581407)  
OIL FILTER/PUMP ASSEMBLY



2008 ATV 700 EFI AUTOMATIC TRANSMISSION 4X4 TRV CRUISER BLUE (AP200859T497)  
 OIL FILTER/PUMP ASSEMBLY

Ref #	Part Number	Qty	S/P/F	Description
1	3403-123	1		Pump, Oil
2	3423-510	3		Screw, Machine
3	3403-124	1		Chain, Drive
4	3403-125	1		Sprocket, Drive Chain
5	3423-443	1		Washer
6	3423-046	1		Pin
7	3423-184	1	S	Circlip
8	3403-126	1		Strainer, Oil
9	0812-029	1	S	Filter, Oil
10	3403-219	1	/P	Union, Oil Filter

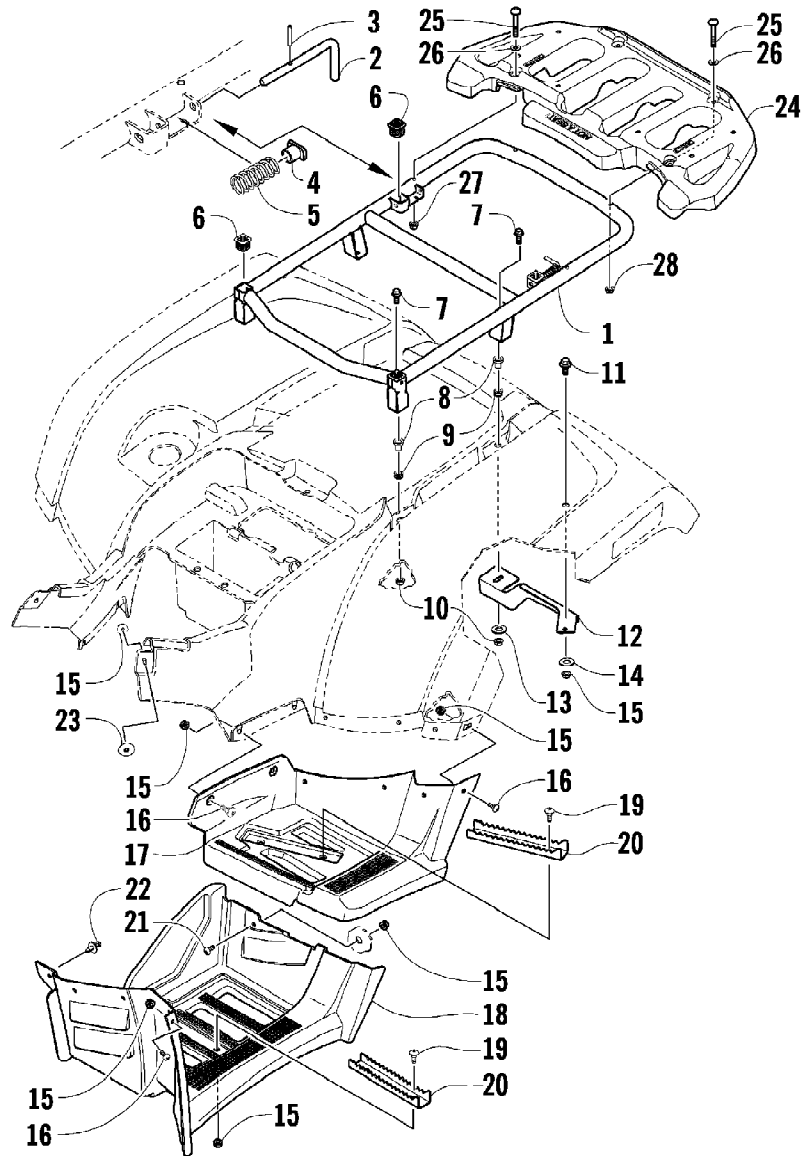
2008 ATV 700 EFI AUTOMATIC TRANSMISSION 4X4 TRV CRUISER BLUE (A2008700T407)  
REAR DRIVE GEARCASE ASSEMBLY



2008 ATV 700 EFI AUTOMATIC TRANSMISSION 4X4 TRV CRUISER BLUE (AP2008BCT497)  
REAR DRIVE GEARCASE ASSEMBLY

Ref #	Part Number	Qty	S/P/F	Description
	0502-909	1		Complete Rear Gearcase Assembly
1	0502-911	1		Housing, Gearcase
2	0402-393	2		Bearing
3	0402-394	2	S	Seal
4	1402-032	1		Gear, Ring - 36T
5	0402-405	AR		Shim
5	0402-406	AR		Shim
5	0402-407	AR		Shim
5	0402-408	AR		Shim
5	0402-409	AR		Shim
6	0402-326	1		Button, Thrust
7	0423-149	1		O-Ring
8	0402-429	AR		Shim
8	0402-430	AR		Shim
8	0402-431	AR		Shim
8	0402-432	AR		Shim
8	0402-433	AR		Shim
9	0502-920	1		Cover, Gearcase
10	1402-102	1		Fitting
11	0402-333	1	/P	Plug, Fill (inc. 12)
12	0423-154	1		O-Ring
13	0423-118	11		Screw, Self-Tapping
14	0402-450	1	S	Plug, Magnetic (inc. 15)
15	0423-153	1		O-Ring
16	0402-328	1		Bearing
17	0502-783	1		Gear, Pinion - Assembly - 10T (inc. 18-19)
18	0402-327	1		Bearing
19	0402-336	1		Collar, Retaining
20	0402-411	1		Pin, Dowel
21	0402-331	1		Collar, Lock
22	0402-982	1		Washer, Wave
23	0402-981	1		Collar, Shaft
24	0402-947	1		Gasket, Flange
25	0502-529	1		Housing, Pinion
26	0423-417	1		Ring, Retaining
27	1402-043	1		Bearing
28	0423-423	1		Ring, Retaining
29	1402-011	1		Seal
30	0502-407	1	S	Shaft, Input
31	1402-211	1		Plug, Oil Level

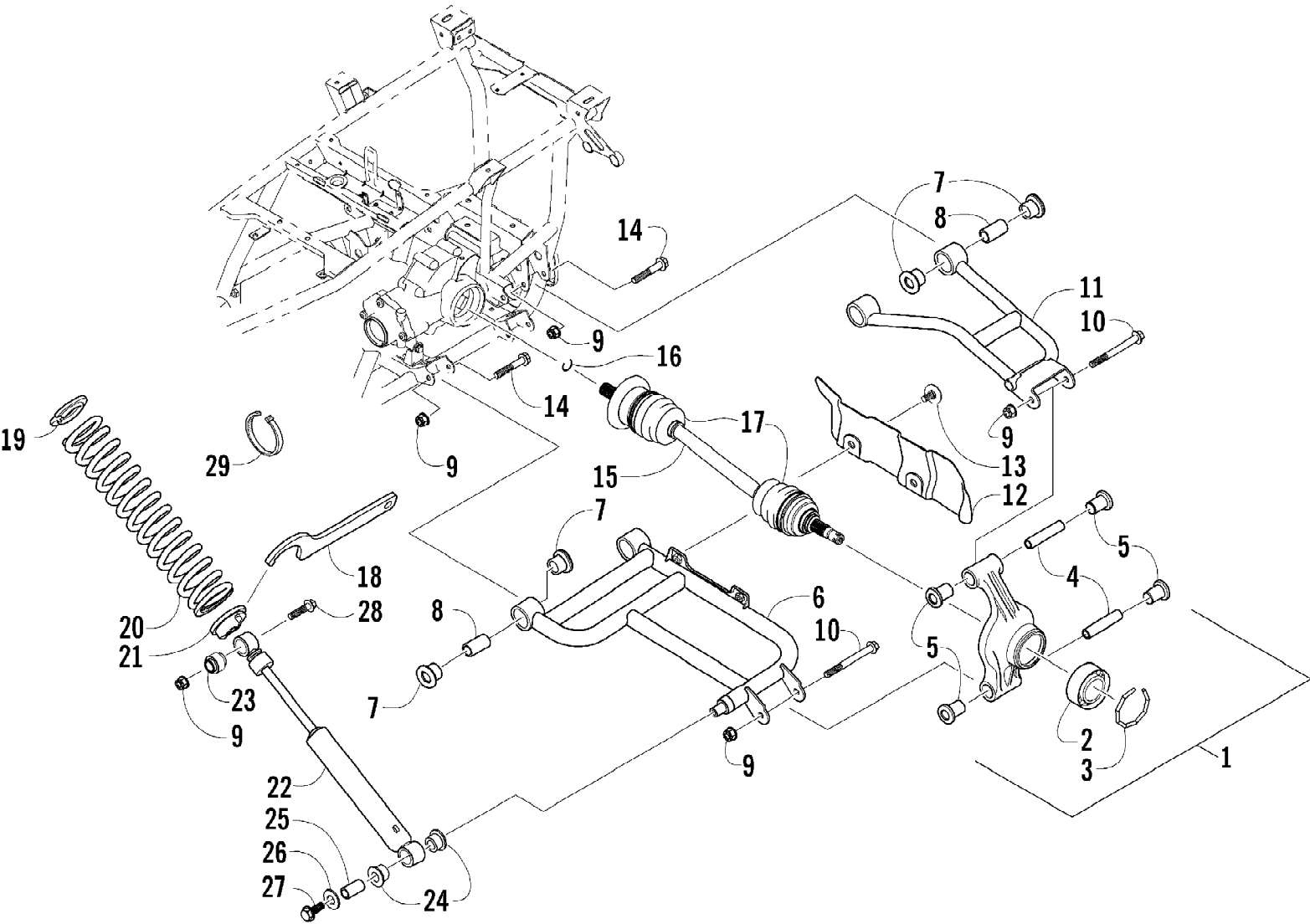
2008 ATV 700 EFI AUTOMATIC TRANSMISSION 4X4 TRV CRUISER BLUE (A2008621497)  
REAR RACK AND FOOTWELL ASSEMBLIES



2008 ATV 700 EFI AUTOMATIC TRANSMISSION 4X4 TRV CRUISER BLUE (A2008B3T407)  
REAR RACK AND FOOTWELL ASSEMBLIES

Ref #	Part Number	Qty	S/P/F	Description
1	2506-598	1		Rack, Rear - Assembly (inc. 2-6)
2	0541-504	2		Pin - Assembly (inc. 3-5)
3	0423-635	2		Pin, Roll
4	0423-677	2		Collar
5	0423-636	2		Spring
6	0441-592	4	/P	Bushing, Rack
7	8410-835	4		Screw, Cap
8	0423-669	4		Spacer
9	0423-465	4		Grommet
10	8432-802	4		Nut, Lock
11	0423-654	2		Screw, Shoulder
12	2506-092	1		Bracket, Rear Fender - Right
12	2506-093	1		Bracket, Rear Fender - Left
13	0423-087	2		Washer
14	8050-222	2	/P	Washer
15	0423-540	34		Nut, Lock
16	0423-419	20		Screw, Machine
17	2406-042	1		Footwell, Rear - Right
17	2406-043	1		Footwell, Rear - Left
18	1506-813	1		Footwell - Right
18	2406-471	1	/P	Footwell - Left
19	0423-355	8		Screw, Shoulder
20	1506-125	4	/P	Footpeg
21	8477-620	2		Screw, Machine
22	0623-362	2		Rivet, Reinstallable
23	0423-101	2		Screw, Body
24	2406-777	1	S	Rack, Rear
25	8410-640	4		Screw, Cap
26	8050-223	4		Washer, Flat
27	0423-540	2		Nut, Lock
28	0423-891	2		Nut, Lock - Domed

2008 ATV 700 EFI AUTOMATIC TRANSMISSION 4X4 TRV CRUISER BLUE (A2008700T407)  
REAR SUSPENSION ASSEMBLY

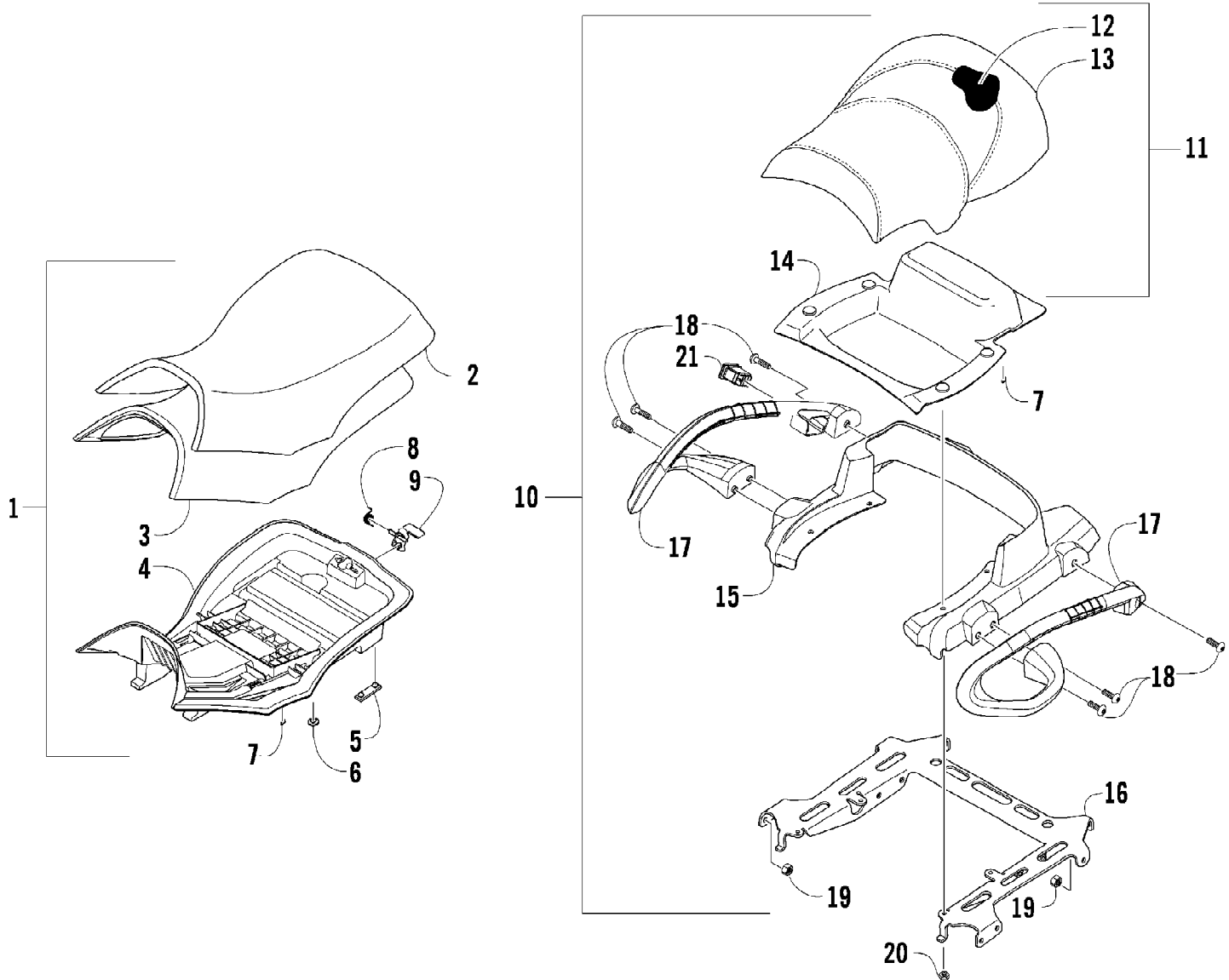




2008 ATV 700 EFI AUTOMATIC TRANSMISSION 4X4 TRV CRUISER BLUE (A2008651407)  
REAR SUSPENSION ASSEMBLY

Ref #	Part Number	Qty	S/P/F	Description
1	0504-372	1	S	Knuckle, Right Rear - Assembly (inc. 2-5)
1	0504-373	1	S/P	Knuckle, Left Rear - Assembly (inc. 2-5)
2	1402-027	2	S/P	Bearing, Wheel Hub
3	0423-423	2		Ring, Retaining
4	0403-038	4	S/P	Collar, Suspension Bushing
5	0403-032	8	S	Bushing, Suspension
6	0504-440	1	S	A-Arm, Rear - Lower Right (inc. 7-8)
6	0504-441	1	S	A-Arm, Rear - Lower Left (inc. 7-8)
7	0403-115	16	S	Bushing
8	0403-114	8	S	Collar
9	0423-744	14		Nut, Lock
10	8409-000	4		Screw, Cap
11	0504-476	1		A-Arm, Rear - Upper Right (inc. 7-8)
11	0504-477	1		A-Arm, Rear - Upper Left (inc. 7-8)
12	1406-068	1		Guard, Boot - Right
12	1406-069	1		Guard, Boot - Left
13	0423-545	4	/P	Screw, Body
14	8409-075	8		Screw, Cap
15	0502-811	2	S	Axle, Drive - Rear (inc. 16-17)
16	0441-893	2	S	Clip, Retaining
17	0436-276	2	S	Repair Kit, Boot
18	0441-587	1		Wrench, Spanner
19	1603-889	2	/P	Retainer, Spring
20	0403-174	2		Spring, Suspension
21	0404-057	2		Cam, Spring Adjuster
22	0404-147	2		Shock Absorber - Rear (inc. 23-25)
23	0403-182	2		Bushing, Double-Bonded
24	0603-955	4		Bushing, Shock Absorber
25	1603-219	2	S	Sleeve, Shock Absorber
26	0423-087	2		Washer
27	8408-820	2	/P	Screw, Cap
28	8409-050	2		Screw, Cap
29	0123-788	2	/P	Cable Tie

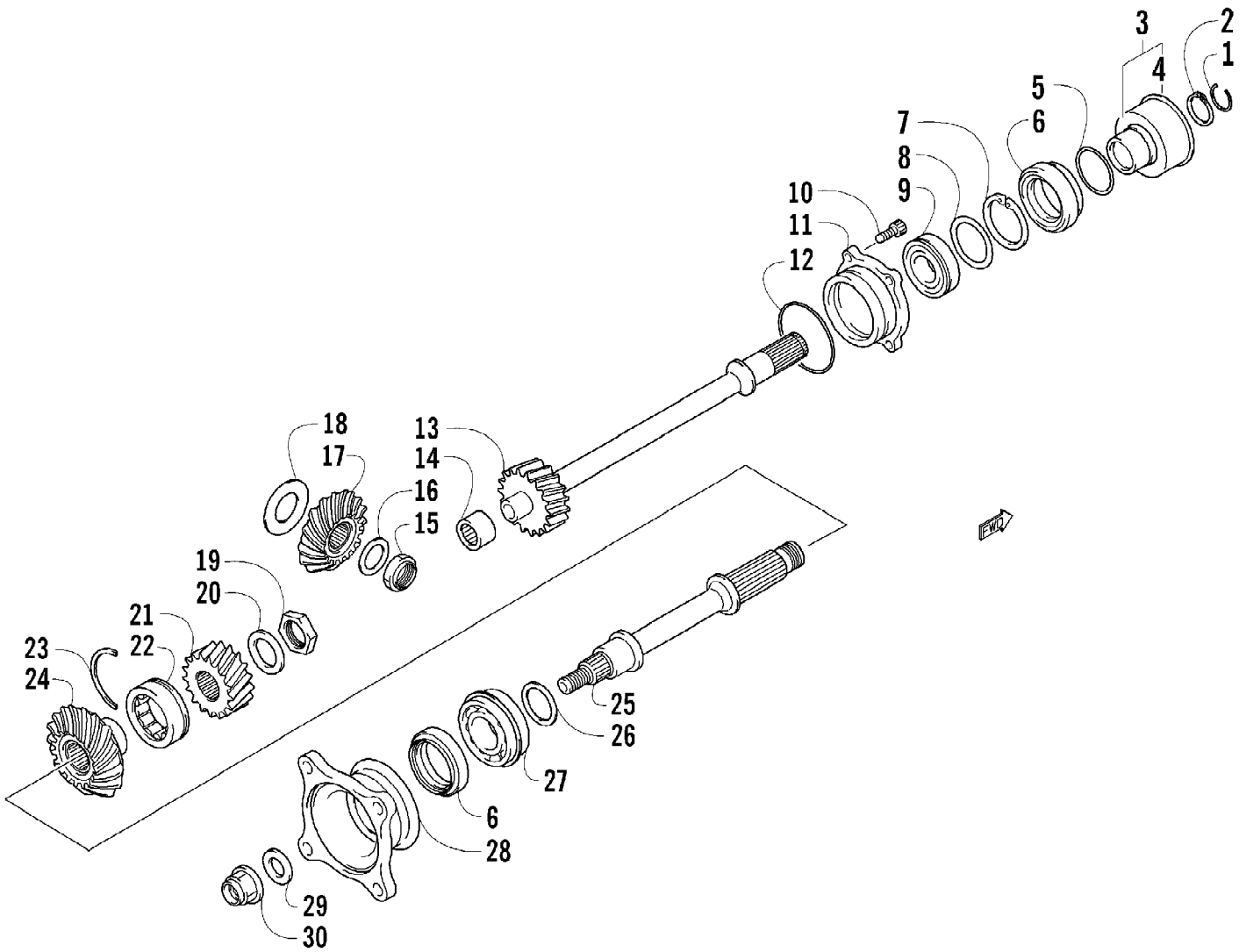
2008 ATV 700 EFI AUTOMATIC TRANSMISSION 4X4 TRV CRUISER BLUE (A2008700407)  
SEAT ASSEMBLY



2008 ATV 700 EFI AUTOMATIC TRANSMISSION 4X4 TRV CRUISER BLUE (A2008BCT407)  
SEAT ASSEMBLY

Ref #	Part Number	Qty	S/P/F	Description
1	1506-937	1	S/P	Seat Assembly (inc. 2-9)
2	1506-209	1		Cover, Seat
3	1506-208	1		Foam, Seat
4	2406-144	1	S/P	Base, Seat - Assembly (inc. 5-6)
5	0406-879	2		Bumper, Seat - Rear
6	0406-877	4	/P	Bumper, Seat - Front
7	0624-528	AR	/P	Staple
8	1406-592	1	/P	Spring, Seat Latch
9	1506-156	1		Latch, Seat
10	2506-848	1		Seat, Passenger - Assembly (inc. 11-20)
11	2506-064	1		Seat, Passenger - Sub-Assembly (inc. 7 and 12-14)
12	1506-816	1		Foam, Seat - Passenger
13	1506-815	1		Cover, Seat - Passenger
14	2406-110	1		Base, Seat - Inner
15	2406-044	1		Base, Seat - Passenger
16	1506-932	1		Bracket, Seat Support - Assembly
17	2406-744	1		Handhold, Passenger - Right
17	2406-745	1		Handhold, Passenger - Left
18	8468-830	6		Screw, Machine
19	8432-802	6		Nut, Hex
20	8427-602	4		Nut, Lock
21	0609-835	1		Switch, Handwarmer

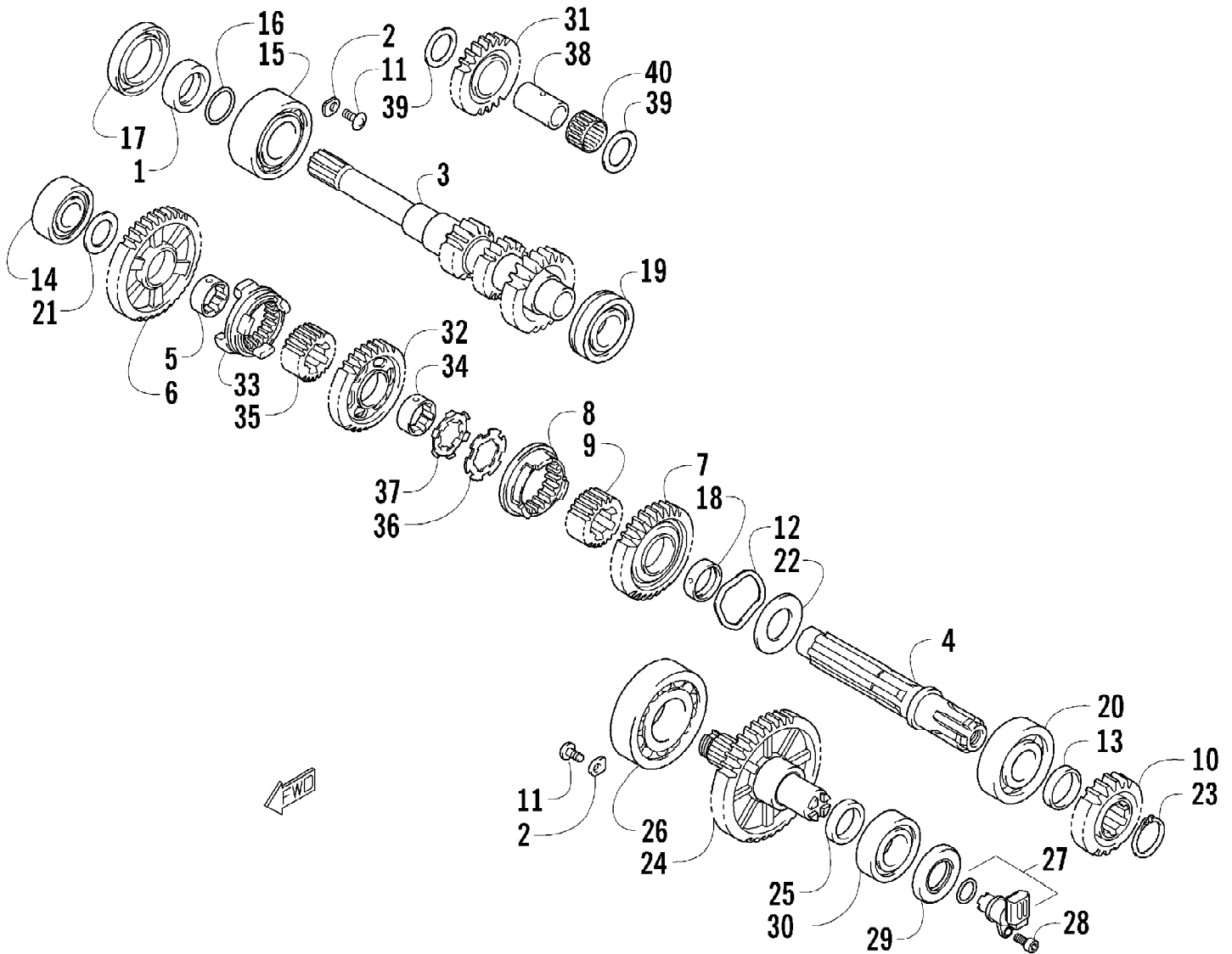
2008 ATV 700 EFI AUTOMATIC TRANSMISSION 4X4 TRV CRUISER BLUE (A2008781497)  
SECONDARY DRIVE ASSEMBLY



2008 ATV 700 EFI AUTOMATIC TRANSMISSION 4X4 TRV CRUISER BLUE (A2008691497)  
SECONDARY DRIVE ASSEMBLY

Ref #	Part Number	Qty	S/P/F	Description
1	3423-069	1		C-Ring, Secondary Driven Output
2	3423-191	1	/P	Circlip, Front Drive Output
3	3423-835	1		Collar, Front Drive Output (inc. 4)
4	3423-836	1		Plate, Front Drive Output Collar
5	3423-837	1		O-Ring, Front Drive Output
6	3402-072	2		Seal, Output Shaft
7	3423-194	1	S	Circlip, Front Drive Output Shaft
8	3423-845	1		Washer, Front Drive Output Yoke
9	3004-209	1	/P	Bearing, Front Drive Output
10	3004-576	1	S	Bolt, Front Bearing Housing
11	3403-160	1		Housing, Front Drive Output Shaft
12	3423-838	1		O-Ring, Front Bearing Housing
13	3403-216	1	/P	Shaft, Secondary Output - Front
14	3403-175	1		Bearing, Front Drive Output - Rear
15	3423-023	1		Nut, Secondary Drive Output
16	3005-372	1		Washer, Secondary Drive Bevel
17	3403-157	1		Gear, Secondary Drive Bevel
18	3423-549	AR		Shim, Secondary Drive Bevel - Set
19	3423-136	1		Nut, Secondary Driven Output
20	3423-137	1		Washer, Output Shaft Gear
21	3403-215	1	/P	Gear, Secondary Driven Output
22	3402-515	1	/P	Bearing, Secondary Driven Gear
23	3423-072	1		Ring, Secondary Driven Gear
24	3403-158	1		Gear, Secondary Driven Bevel
25	3403-161	1		Shaft, Secondary Output - Rear
26	3402-017	AR		Shim, 25 x 34 x 0.60 mm
26	3402-018	AR		Shim, 25 x 34 x 0.65 mm
26	3402-019	AR		Shim, 25 x 34 x 0.70 mm
26	3402-020	AR		Shim, 25 x 34 x 0.75 mm
26	3403-217	AR	/P	Shim, 25 x 34 x 0.80 mm
26	3402-022	AR		Shim, 25 x 34 x 0.85 mm
26	3402-023	AR		Shim, 25 x 34 x 0.90 mm
26	3402-024	AR		Shim, 25 x 34 x 0.95 mm
26	3423-421	AR	/P	Shim, 25 x 34 x 1.00 mm
26	3402-028	AR		Shim, 25 x 34 x 1.05 mm
26	3402-029	AR		Shim, 25 x 34 x 1.10 mm
26	3402-030	AR		Shim, 25 x 34 x 1.15 mm
26	3402-031	AR		Shim, 25 x 34 x 1.20 mm
27	3403-210	1	/P	Bearing, Rear Output Shaft
28	3402-514	1	/P	Flange, Rear Output Joint
29	3423-028	1		Washer, Rear Drive Output Yoke
30	3423-025	1		Nut, Rear Drive Output Yoke

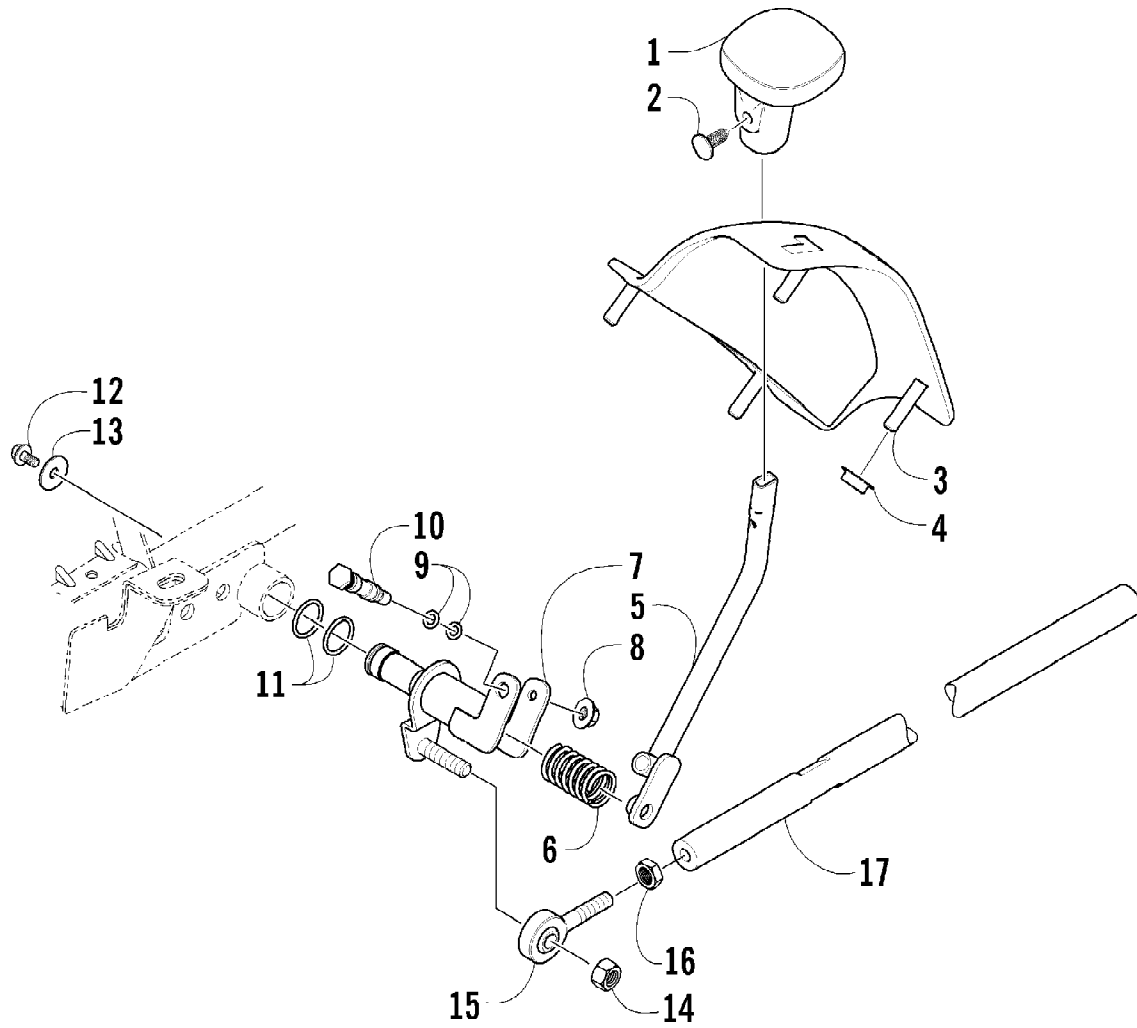
2008 ATV 700 EFI AUTOMATIC TRANSMISSION 4X4 TRV CRUISER BLUE (A2008701497)  
SECONDARY TRANSMISSION ASSEMBLY



2008 ATV 700 EFI AUTOMATIC TRANSMISSION 4X4 TRV CRUISER BLUE (AP08701497)  
SECONDARY TRANSMISSION ASSEMBLY

Ref #	Part Number	Qty	S/P/F	Description
1	3423-821	1	/P	Spacer, Driveshaft
2	3446-031	4	/P	Retainer, Driveshaft
3	3403-142	1	S	Driveshaft
4	3403-143	1		Countershaft
5	3446-380	1		Bushing, Driven Gear - Low
6	3403-144	1		Gear, Driven - Low
7	3403-145	1		Gear, Driven - High
8	3403-146	1		Dog, Gear Shift - High
9	3423-828	1		Spacer
10	3403-147	1		Gear, Drive
11	3423-370	4		Screw, Retainer
12	3423-829	1		Washer
13	3423-830	1		Spacer
14	3402-979	1	/P	Bearing
15	3402-499	1		Bearing
16	3423-831	1	/P	O-Ring
17	3403-148	1	/P	Seal, Driveshaft
18	3423-547	1		Bushing, Driven Gear
19	3004-209	1	/P	Bearing, Driveshaft - Left
20	3402-219	1		Bearing, Countershaft - Left
21	3423-832	1		Washer, Driven Gear - Right
22	3423-833	1		Washer, Driven Gear - Left
23	3423-191	1	/P	Circlip
24	3403-149	1		Shaft, Output
25	3402-207	1		Spacer, Output Shaft
26	3403-150	1		Bearing, Output Shaft - Right
27	3530-051	1		Sensor, Speedometer
28	3423-614	1	S	Screw, Machine
29	3403-151	1		Seal, Output Shaft - Left
30	3004-209	1	/P	Bearing, Output Shaft - Left
31	3403-152	1		Gear, Reverse Idler
32	3403-153	1		Gear, Reverse Driven
33	3403-154	1		Dog, Select
34	3446-380	1		Bushing, Reverse Driven Gear
35	3423-828	1		Spacer, Reverse Select
36	3423-262	1		Washer, Lock
37	3423-266	1		Washer, Lock
38	3403-155	1		Shaft, Reverse Idler
39	3402-195	1		Washer, Reverse Idler Gear
40	3403-156	1		Bearing, Reverse Idler Gear

2008 ATV 700 EFI AUTOMATIC TRANSMISSION 4X4 TRV CRUISER BLUE (A200870T407)  
SHIFT LEVER ASSEMBLY

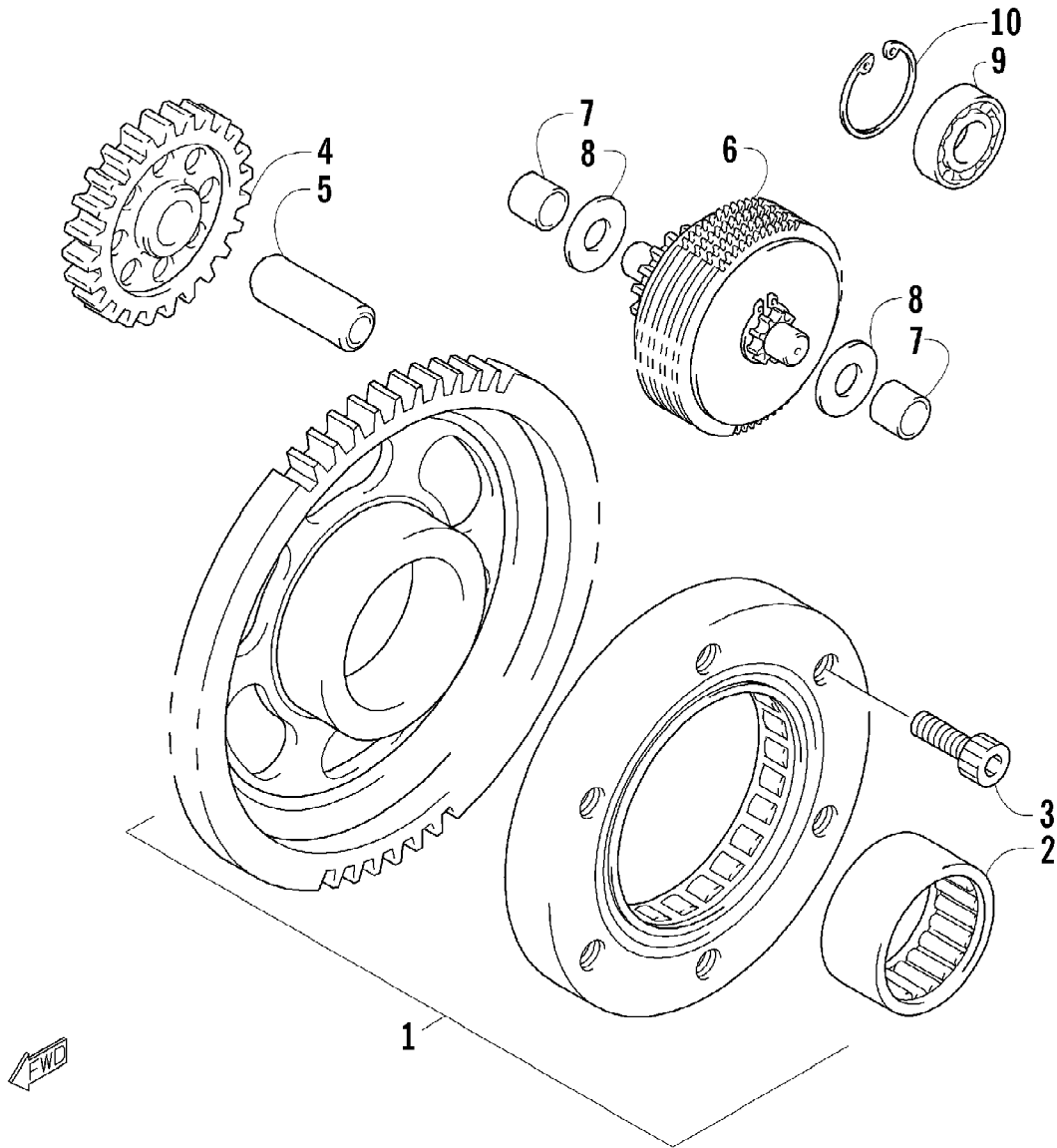




2008 ATV 700 EFI AUTOMATIC TRANSMISSION 4X4 TRV CRUISER BLUE (A2008731497)  
SHIFT LEVER ASSEMBLY

Ref #	Part Number	Qty	S/P/F	Description
1	0402-843	1	/P	Knob, Reverse Shift Lever
2	0423-345	1		Clip, Push
3	1402-576	1		Plate, Shift
4	0423-357	4		Nut, Stamped
5	0502-659	1		Lever, Reverse Shift
6	0502-410	1	S	Spring, Reverse Shift Lever
7	0502-950	1		Axle, Reverse Shift Lever
8	8424-602	1	/P	Nut
9	0423-182	2	/P	O-Ring
10	0402-675	1		Axle, Pivot
11	0423-299	2	/P	O-Ring
12	8408-812	1		Screw, Cap
13	0423-087	1		Washer
14	0624-250	1		Nut
15	0423-648	1		End, Rod
16	0423-649	1		Nut, Jam
17	2406-201	1		Linkage, Shift

2008 ATV 700 EFI AUTOMATIC TRANSMISSION 4X4 TRV CRUISER BLUE (A2008701497)  
STARTER CLUTCH ASSEMBLY



2008 ATV 700 EFI AUTOMATIC TRANSMISSION 4X4 TRV CRUISER BLUE (AP2008761407)  
STARTER CLUTCH ASSEMBLY

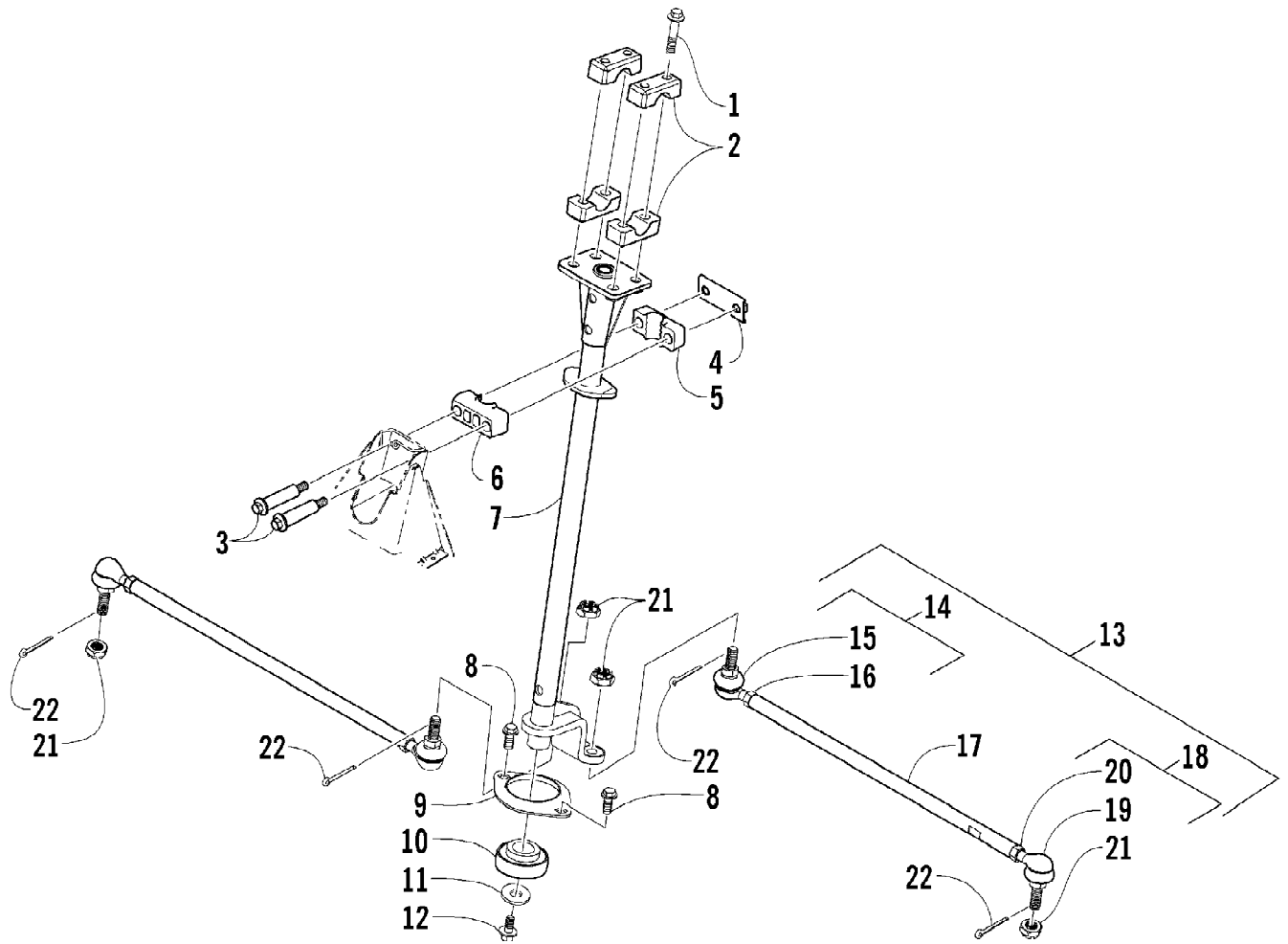
Ref #	Part Number	Qty	S/P/F	Description
1	3403-089	1		Clutch, Starter - Set (inc. 2)
2	3403-090	1		Bearing
3	3423-509	1		Bolt
4	3403-091	1		Gear, Starter Idler - No. 2
5	3423-805	1		Pin, Starter Idler Gear No. 2
6	3403-092	1		Limiter, Starter Idler Gear No. 2
7	3423-806	2		Bushing, Limiter Gear Shaft
8	3423-103	2	/P	Washer
9	3402-043	1	/P	Bearing
10	3423-807	1		Circlip



2008 ATV 700 EFI AUTOMATIC TRANSMISSION 4X4 TRV CRUISER BLUE (AP200870T407)  
STARTER MOTOR ASSEMBLY

Ref #	Part Number	Qty	S/P/F	Description
1	3545-020	1		Motor, Starter - Assembly (inc. 2-9)
2	3008-094	1	/P	Terminal Set, Brush (inc. 3)
3	3008-164	1		O-Ring
4	3008-095	1	/P	Holder Set, Brush (inc. 5)
5	3008-096	4		Spring, Brush
6	3008-099	1		Washer Set
7	3008-553	2	/P	O-Ring
8	3423-085	2		Through-Bolt
9	3423-272	1		O-Ring
10	3007-369	2	/P	Screw, Cap
11	3423-195	1	/P	Nut

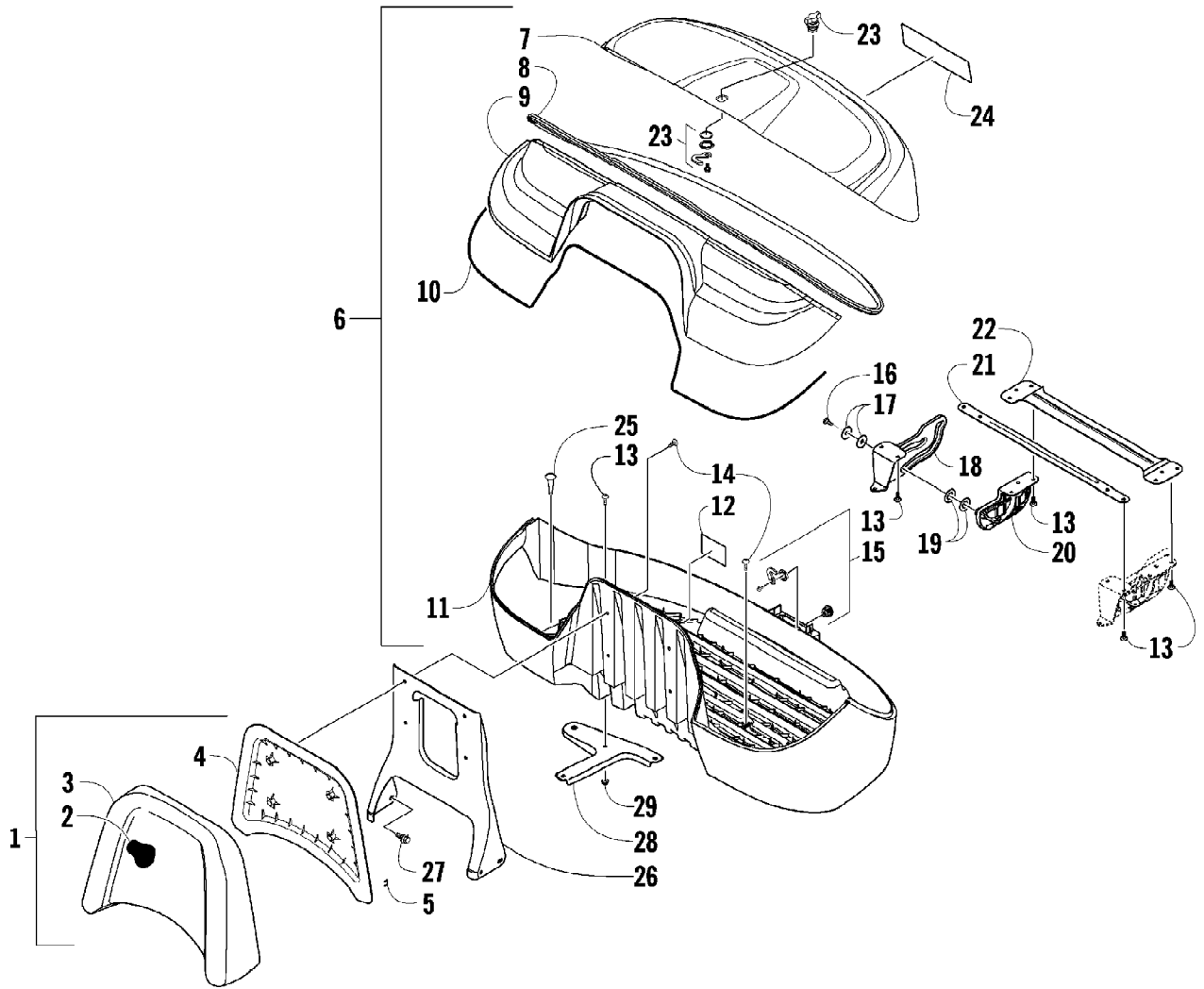
2008 ATV 700 EFI AUTOMATIC TRANSMISSION 4X4 TRV CRUISER BLUE (A2008781497)  
STEERING ASSEMBLY



2008 ATV 700 EFI AUTOMATIC TRANSMISSION 4X4 TRV CRUISER BLUE (A200870T407)  
STEERING ASSEMBLY

Ref #	Part Number	Qty	S/P/F	Description
1	8408-860	4		Screw, Cap
2	0405-035	4		Cap, Steering Adjuster
3	0423-505	2		Screw, Shoulder
4	0505-484	1		Cap, Housing
5	0405-138	1		Housing, Lower
6	0405-139	1		Housing, Upper
7	0505-451	1	S	Post, Steering
8	8408-816	2		Screw, Cap
9	0602-233	1		Flange, Bearing
10	0405-052	1		Bearing w/Inverted Oil Seal
11	0423-073	1		Washer
12	8409-020	1	/P	Screw, Cap
13	0505-499	2	/P	Tie Rod - Assembly (inc. 14-20)
14	0505-511	2	/P	End, Tie Rod - Left-Hand Thread - Kit (inc. 15-16 and two No. 21-22)
15	0	2	F	End, Tie Rod - Left Hand Thread
16	0423-013	2		Nut - Left-Hand Thread
17	0405-281	2	/P	Tie Rod
18	0505-510	2	/P	End, Tie Rod - Right-Hand Thread - Kit (inc. 19-20 and two No. 21-22)
19	0	2	F	End, Tie Rod - Right-Hand Thread
20	8420-002	2	/P	Nut - Right-Hand Thread
21	0423-157	4		Nut, Lock
22	0623-175	4		Pin, Cotter

2008 ATV 700 EFI AUTOMATIC TRANSMISSION 4X4 TRV CRUISER BLUE (AP2008B01497)  
STORAGE BOX ASSEMBLY

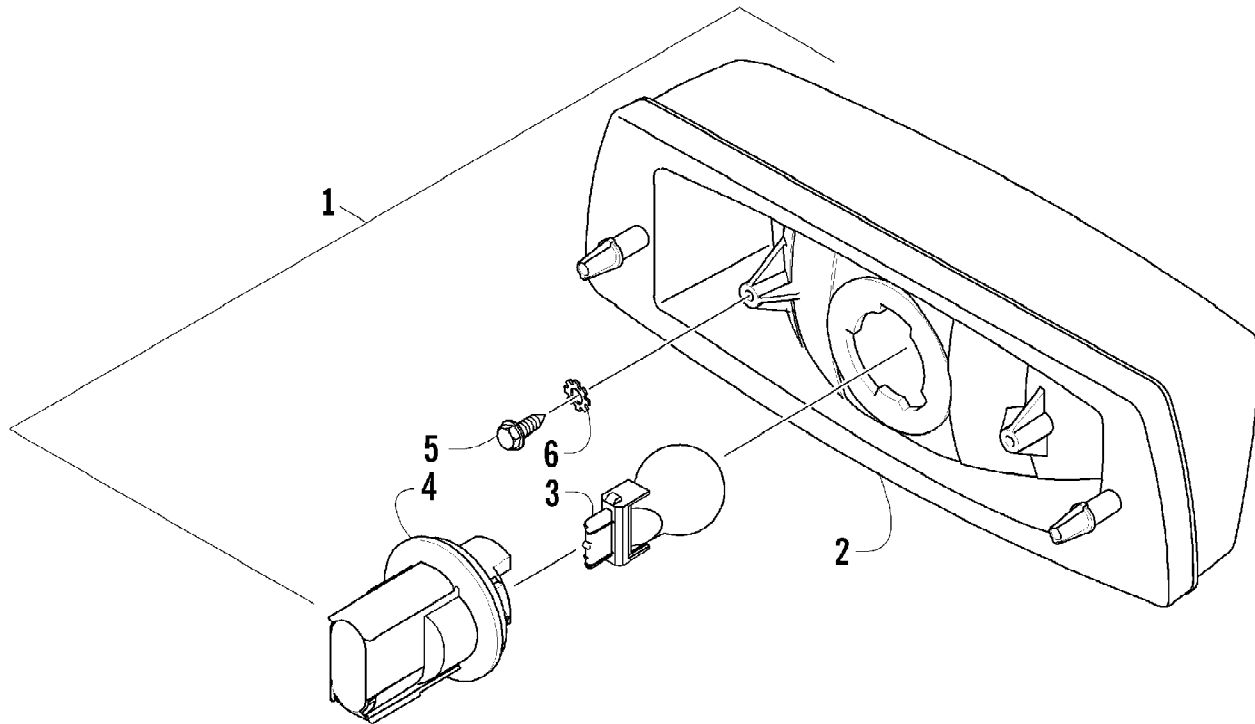




2008 ATV 700 EFI AUTOMATIC TRANSMISSION 4X4 TRV CRUISER BLUE (AP2008BCT407)  
STORAGE BOX ASSEMBLY

Ref #	Part Number	Qty	S/P/F	Description
1	2506-806	1		Seat, Storage Box - Assembly (inc. 2-5)
2	2406-768	1		Cover, Seat
3	2406-765	1		Foam, Seat
4	2406-762	1		Plate, Seat Back
5	0624-100	AR		Staple
6	2506-820	1	S	Box, Storage - Assembly (inc. 7-12, twelve No. 13, and 14-25)
7	2506-802	1	S	Lid, Storage Box
8	2406-787	1		Seal, Storage Box Lid
9	2506-799	1		Top, Storage Box
10	2406-793	1		Seal, Storage Box Top
11	2406-741	1		Bottom, Storage Box (inc. 12)
12	1411-877	1		Decal, Warning - Storage Box
13	8477-616	15		Screw, Machine
14	0423-889	10		Screw, Machine
15	2406-792	1	S	Latch, Storage Box Lid
16	0423-355	4		Screw, Shoulder
17	0423-087	8		Washer
18	2406-760	2		Hinge, Half w/Slot
19	0623-675	8		Washer
20	2406-761	2		Hinge, Half w/Tab
21	2506-921	1		Brace, Top - Storage Box
22	2506-922	1		Brace, Lid - Storage Box
23	2406-907	1		Latch, Storage Box Top
24	1411-725	1		Decal, Rear
25	2406-843	10		Plug
26	2506-955	1		Brace, Seat Back
27	8408-816	4		Screw, Cap
28	2506-926	1		Bracket, Mounting - Safety Flag
29	8424-602	3	/P	Nut

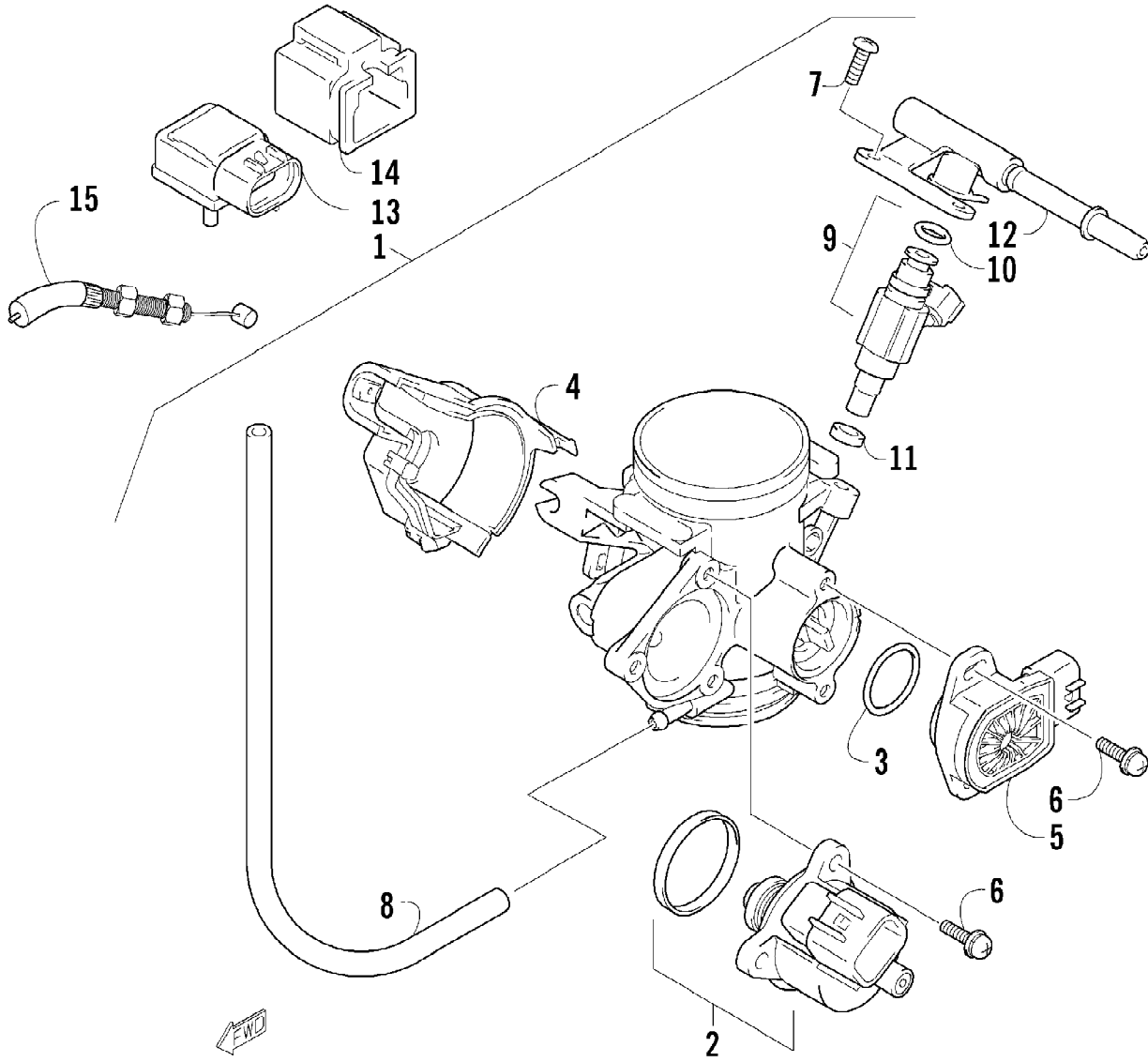
2008 ATV 700 EFI AUTOMATIC TRANSMISSION 4X4 TRV CRUISER BLUE (A2008B2T407)  
TAILLIGHT ASSEMBLY



2008 ATV 700 EFI AUTOMATIC TRANSMISSION 4X4 TRV CRUISER BLUE (AP2008B3T407)  
 TAILLIGHT ASSEMBLY

Ref #	Part Number	Qty	S/P/F	Description
1	0509-022	1		Taillight Assembly (inc. 2-4)
2	0509-025	1		Housing, Taillight
3	0409-056	1		Bulb, Taillight
4	0409-057	1		Socket, Taillight
5	0623-301	2	/P	Screw, Self-Tapping
6	8053-212	2	/P	Washer, Lock - External Tooth

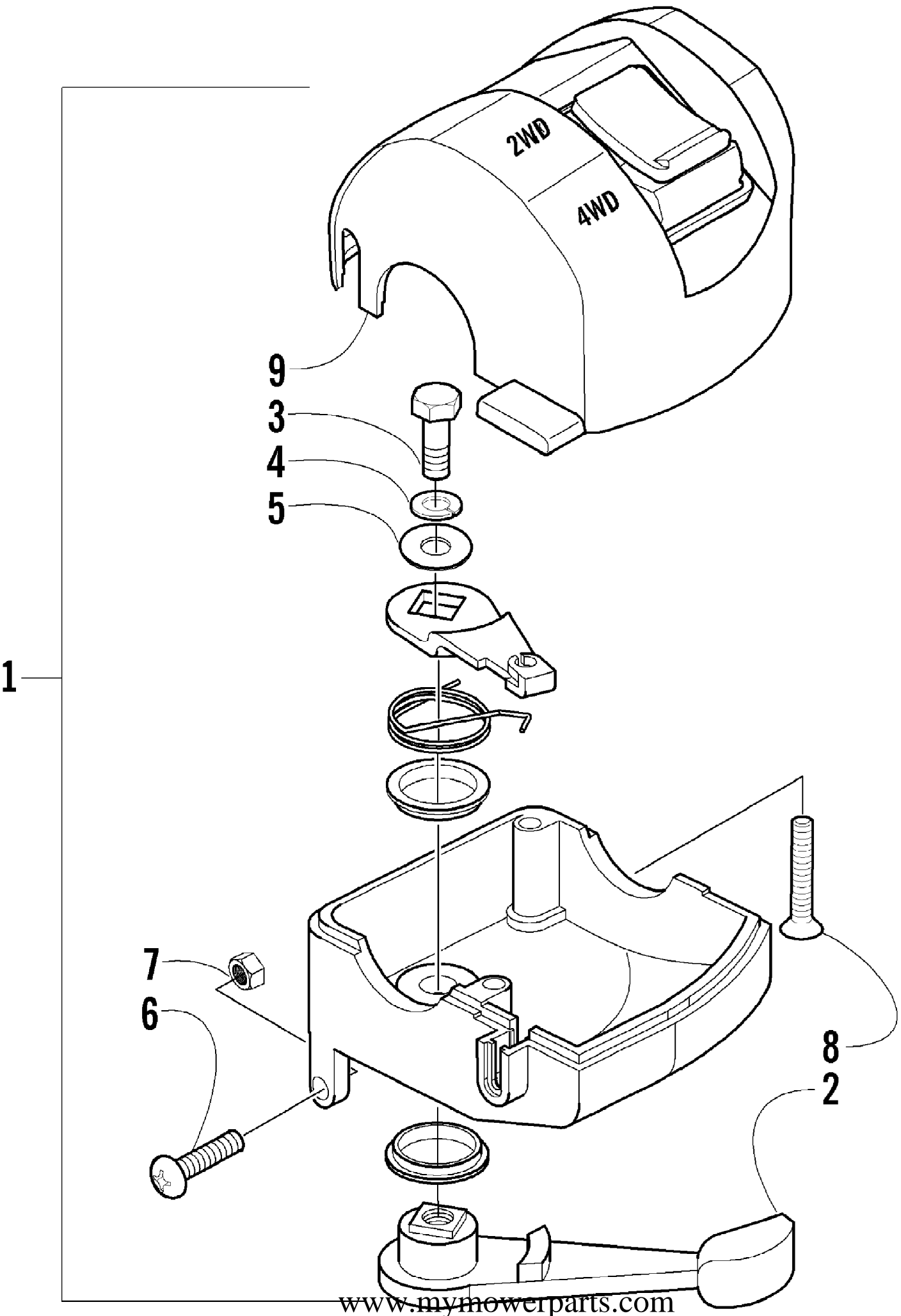
2008 ATV 700 EFI AUTOMATIC TRANSMISSION 4X4 TRV CRUISER BLUE (A2008B01497)  
THROTTLE BODY ASSEMBLY



2008 ATV 700 EFI AUTOMATIC TRANSMISSION 4X4 TRV CRUISER BLUE (AP2008B5T407)  
THROTTLE BODY ASSEMBLY

Ref #	Part Number	Qty	S/P/F	Description
1	3403-116	1		Body, Throttle - Assembly (inc. 2-12)
2	3403-117	1		ISC Valve
3	3423-812	1		O-Ring
4	3403-118	1		Cover
5	3530-048	1		Sensor - Assembly
6	3423-813	5		Screw
7	3423-814	2		Screw
8	3403-119	1		Hose
9	3403-120	1		Injector - Assembly (inc. 10)
10	3423-815	1		O-Ring
11	3403-121	1		Seal
12	3403-122	1		Delivery Pipe
13	3530-049	1		Sensor, Air Pressure
14	3530-050	1		Holder, Air Pressure
15	0487-032	1		Cable, Throttle

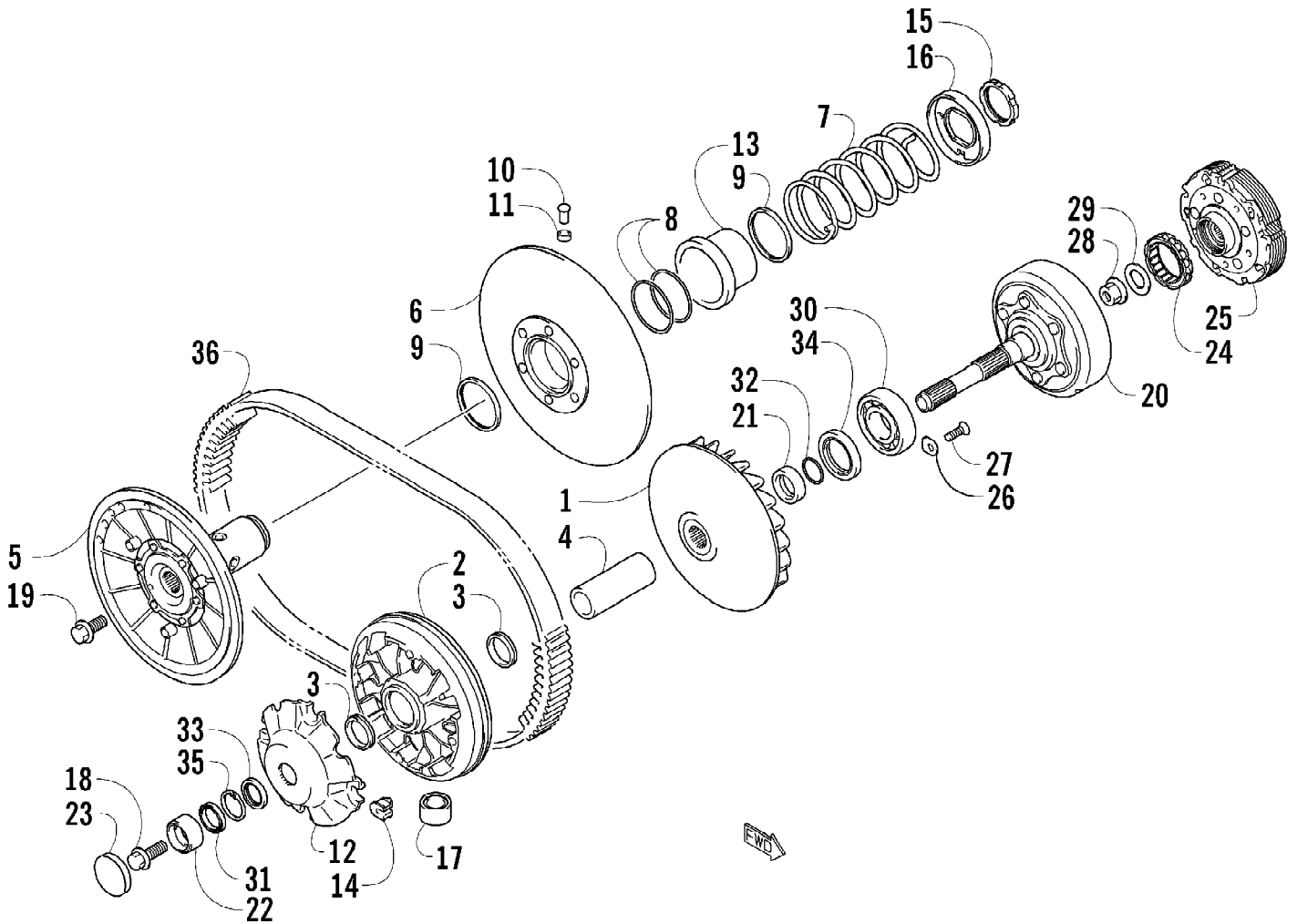
2008 ATV 700 EFI AUTOMATIC TRANSMISSION 4X4 TRV CRUISER BLUE (A2008B6T407)  
THROTTLE CASE ASSEMBLY



2008 ATV 700 EFI AUTOMATIC TRANSMISSION 4X4 TRV CRUISER BLUE (AP2008BCT497)  
 THROTTLE CASE ASSEMBLY

Ref #	Part Number	Qty	S/P/F	Description
1	0509-012	1		Case, Throttle - Assembly (inc. 2-9)
2	3409-001	1		Lever
3	3004-533	1	S/P	Screw, Cap
4	3004-447	1	/P	Washer, Lock
5	3003-030	1	/P	Washer
6	3423-014	1		Screw
7	3423-327	1		Nut
8	3423-199	2		Screw
9	0409-048	1		Cover, Throttle w/Switch

2008 ATV 700 EFI AUTOMATIC TRANSMISSION 4X4 TRV CRUISER BLUE (A2008B8T407)  
TRANSMISSION ASSEMBLY

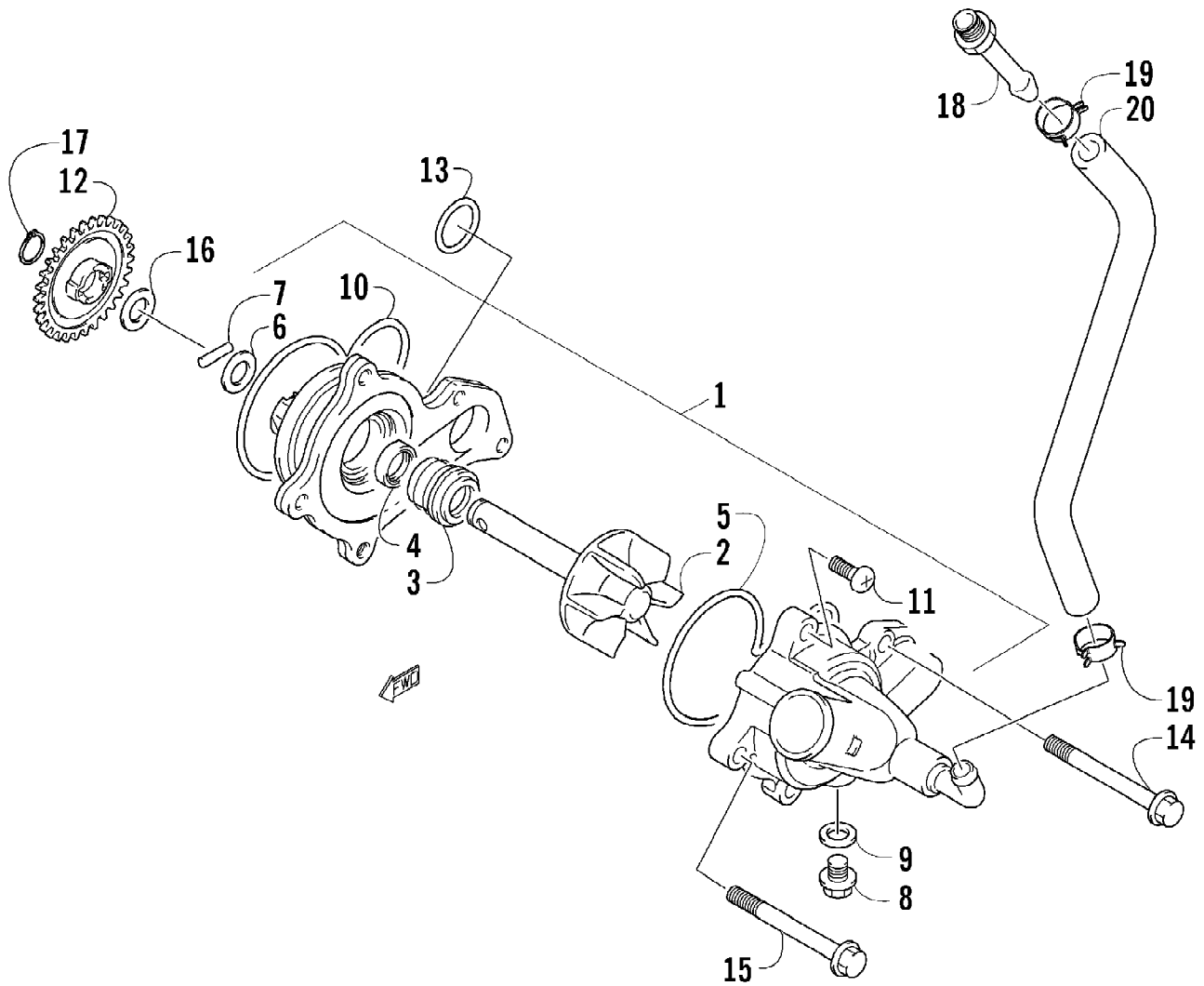




2008 ATV 700 EFI AUTOMATIC TRANSMISSION 4X4 TRV CRUISER BLUE (A2008B0T407)  
TRANSMISSION ASSEMBLY

Ref #	Part Number	Qty	S/P/F	Description
1	3403-130	1		Face, Fixed Drive
2	3403-131	1		Face, Movable Drive
3	3403-132	2		Seal, Movable Drive Face
4	3423-843	1		Spacer, Movable Drive Face
5	3403-133	1		Face, Fixed Driven
6	3403-134	1		Face, Movable Driven
7	3402-474	1	/P	Spring, Movable Driven Face
8	3402-475	2		O-Ring, Movable Driven Face
9	3403-135	2		Seal, Movable Driven Face
10	3402-477	4		Pin, Movable Driven Face
11	3402-478	4		Spacer, Movable Driven Face
12	3403-136	1		Plate, Movable Drive Face
13	3402-756	1		Sheet, Movable Driven Face
14	3402-481	4		Damper, Movable Drive Face
15	3423-406	1		Nut, Driven Pulley Spring
16	3402-482	1		Holder, Movable Driven Face
17	3403-137	8		Roller, Movable Driven Face
18	3423-819	1		Bolt, Drive Face
19	3423-820	1		Bolt, Driven Face
20	3403-138	1		Housing, Clutch
21	3423-821	1	/P	Spacer, Primary Shaft
22	3423-822	1		Spacer, Clutch Housing
23	3423-823	1		Cap, V-Belt Bearing
24	3446-003	1		Clutch, One-Way
25	3403-139	1		Centrifugal Clutch - Assembly
26	3423-824	2		Retainer, Bearing
27	3423-018	2		Screw, Bearing Retainer
28	3423-501	1		Nut
29	3423-825	1		Washer
30	3402-221	1		Bearing, Clutch Housing - Left
31	3403-140	1		Bearing, Clutch Housing - Right
32	3423-831	1	/P	O-Ring
33	3403-173	1		Seal, Clutch Housing - Right
34	3403-148	1	/P	Seal, Clutch Housing - Left
35	3423-826	1	/P	Circlip, Clutch Housing
36	3403-141	1		V-Belt

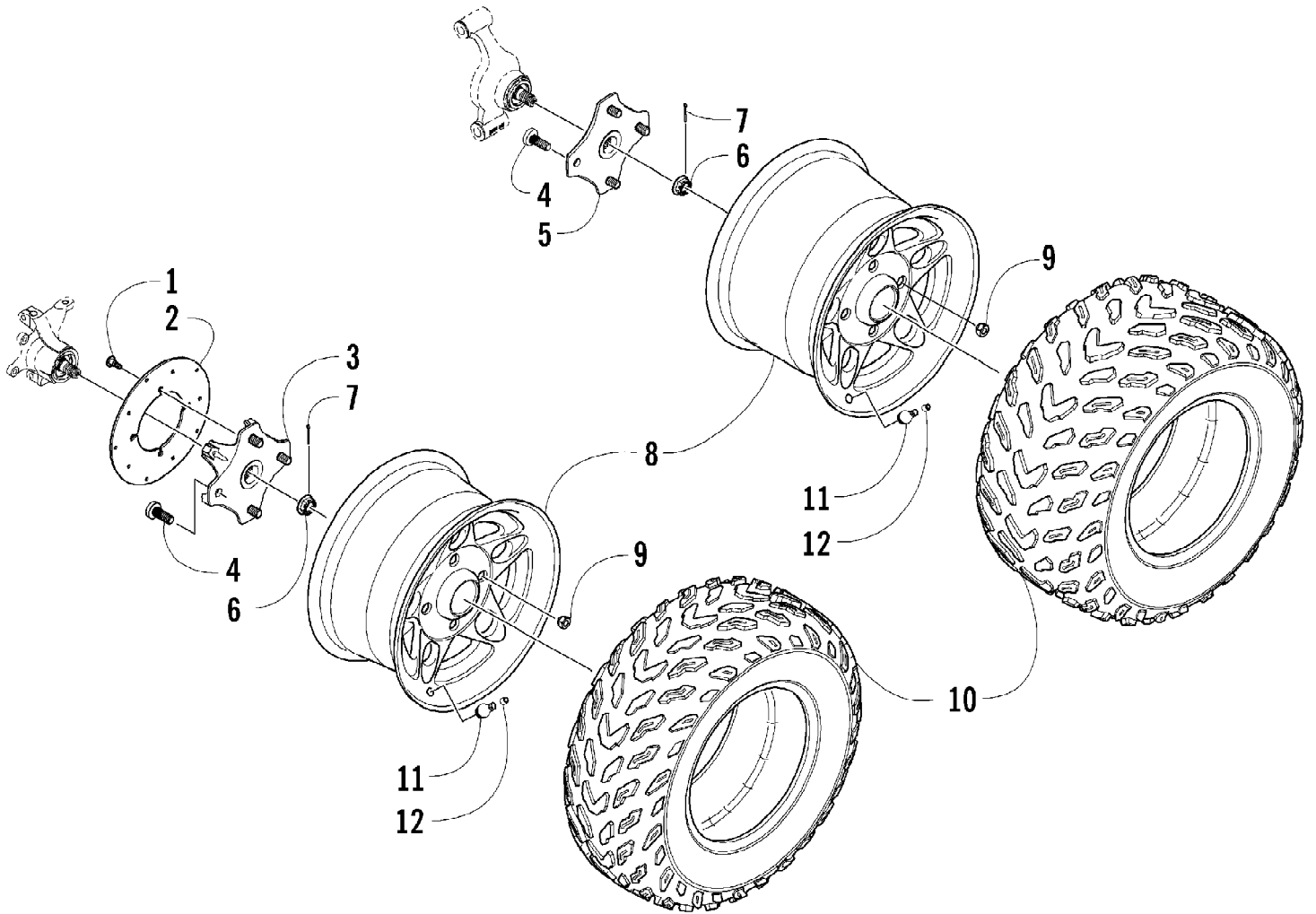
2008 ATV 700 EFI AUTOMATIC TRANSMISSION 4X4 TRV CRUISER BLUE (A2008101407)  
WATER PUMP ASSEMBLY



2008 ATV 700 EFI AUTOMATIC TRANSMISSION 4X4 TRV CRUISER BLUE (AP2008011407)  
WATER PUMP ASSEMBLY

Ref #	Part Number	Qty	S/P/F	Description
1	3403-128	1		Pump, Water - Assembly (inc. 2-11)
2	3413-041	1		Impeller
3	3005-909	1	/P	Seal, Mechanical
4	3406-143	1		Seal, Oil
5	3423-816	1		O-Ring
6	3423-772	1		Washer
7	3423-817	1		Pin
8	3423-185	1		Bolt
9	3402-436	1	/P	Washer
10	3423-818	1		O-Ring
11	3007-511	1	/P	Screw
12	3403-129	1		Gear, Driven - Water Pump
13	3004-521	1	/P	O-Ring
14	3423-091	1	S	Bolt
15	3007-370	1	/P	Bolt
16	3423-443	1		Washer
17	3423-184	1	S	Circlip
18	3007-075	1		Fitting, Coolant Bypass
19	3423-855	2		Clamp
20	3410-022	1		Hose, Coolant Bypass

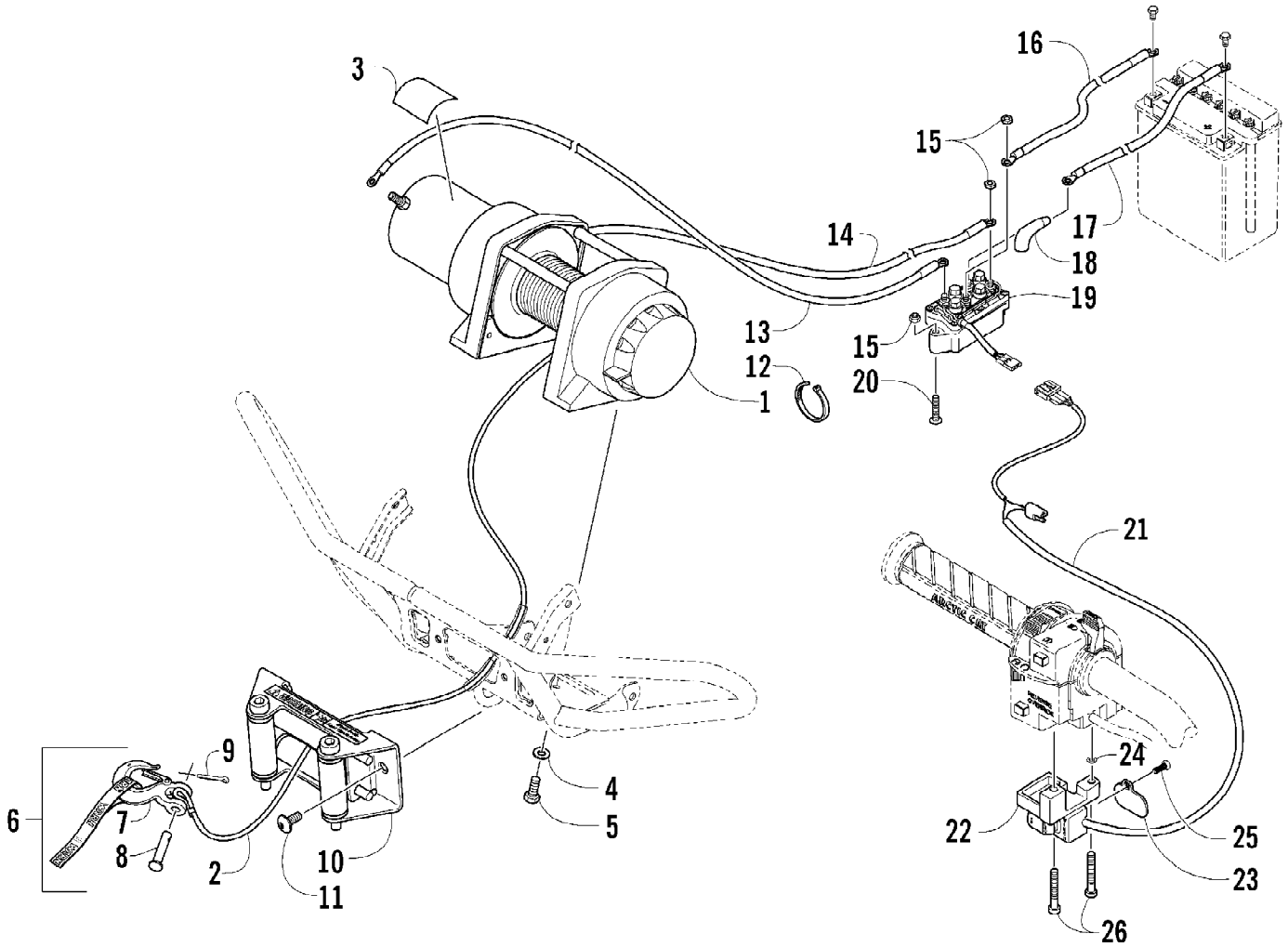
2008 ATV 700 EFI AUTOMATIC TRANSMISSION 4X4 TRV CRUISER BLUE (A20081021497)  
WHEEL AND TIRE ASSEMBLY



2008 ATV 700 EFI AUTOMATIC TRANSMISSION 4X4 TRV CRUISER BLUE (A200813T407)  
WHEEL AND TIRE ASSEMBLY

Ref #	Part Number	Qty	S/P/F	Description
1	0423-557	12		Screw, Shoulder w/Loctite
2	1436-164	3	/P	Disc, Brake
3	0502-599	2	S	Hub, Wheel - Front (inc. 4)
4	0402-974	16	/P	Stud, Wheel Hub
5	0502-601	1	S	Hub, Wheel - Rear - Left (inc. 4)
5	0502-599	1	S	Hub, Wheel - Rear - Right (inc. 4)
6	0423-607	4		Nut, Castle Flange
7	0423-407	4		Pin, Cotter
8	1402-424	2		Wheel - Front
8	1402-425	2		Wheel - Rear
9	0423-618	16		Nut, Mounting - Wheel
10	1402-548	2		Tire - Front
10	1402-549	2		Tire - Rear
11	0402-064	4		Stem, Valve (inc. 12)
12	0402-140	4		Cap, Valve Stem

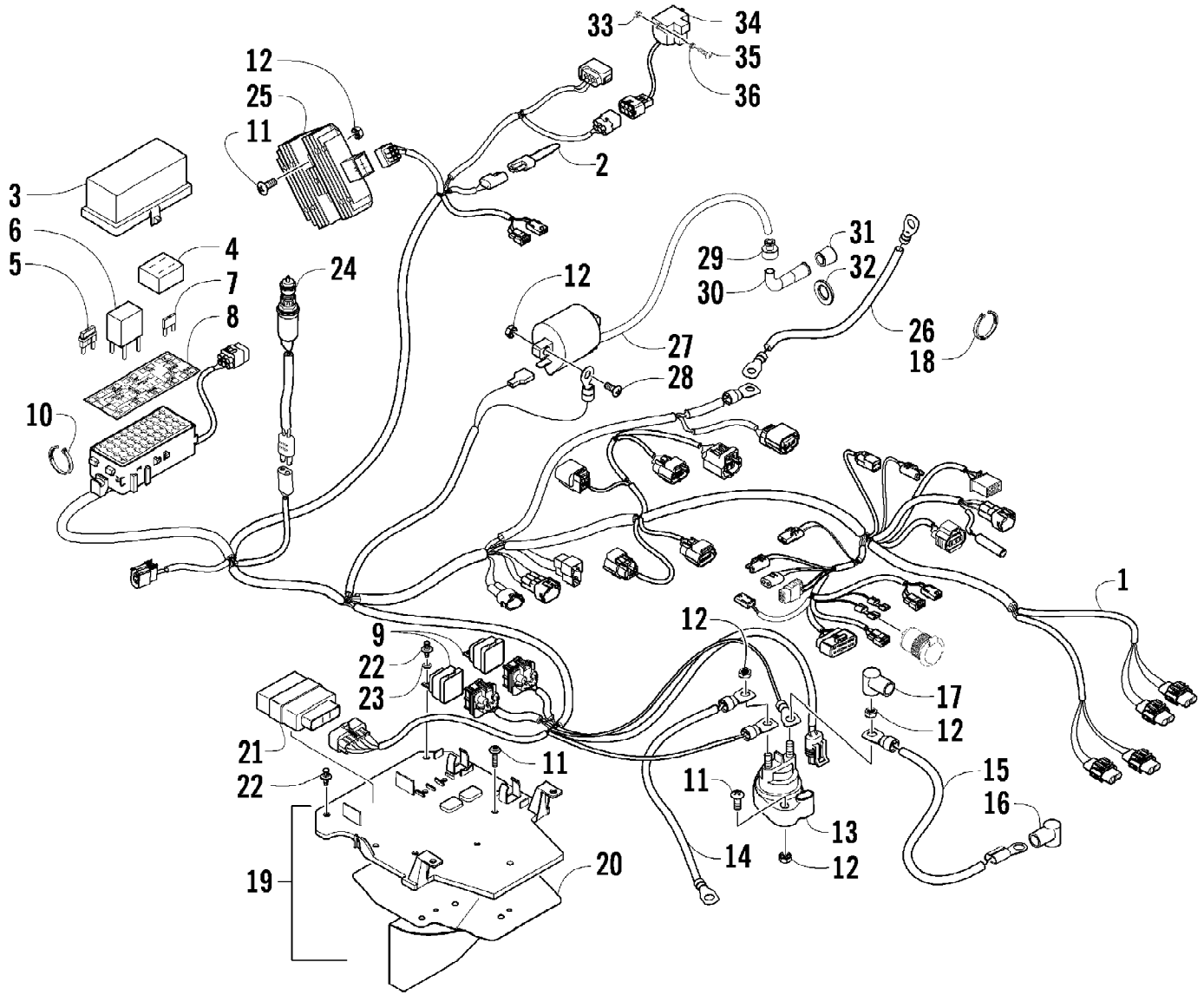
2008 ATV 700 EFI AUTOMATIC TRANSMISSION 4X4 TRV CRUISER BLUE (A2008101497)  
WINCH ASSEMBLY



2008 ATV 700 EFI AUTOMATIC TRANSMISSION 4X4 TRV CRUISER BLUE (AP2008151497)  
WINCH ASSEMBLY

Ref #	Part Number	Qty	S/P/F	Description
1	1441-704	1		Winch (inc. 2-3)
2	0441-061	1		Cable, Winch
3	1411-826	1		Decal, Warning
4	8051-246	4		Washer, Lock
5	8408-820	4	/P	Screw, Cap
6	0441-426	1	/P	Hook, Winch w/Strap - Assembly (inc. 7-9)
7	1441-131	1	/P	Hook, Winch w/Strap
8	1441-130	1		Pin
9	1441-129	1		Cotter Pin
10	0441-403	1	/P	Roller, Winch
11	8468-820	2		Screw, Machine
12	0123-788	AR	/P	Cable Tie - 7.5 in.
13	0445-068	1		Cable, Winch/Solenoid - Yellow
14	0445-069	1		Cable, Winch/Solenoid - Blue
15	0623-038	8		Nut w/Washer
16	1441-112	1		Cable, Solenoid/Battery - Black
17	1441-113	1		Cable, Solenoid/Battery - Red
18	0441-060	3		Boot, Terminal
19	0409-066	1	/P	Solenoid
20	8476-625	2		Screw, Machine
21	0409-087	1		Switch, Control
22	0409-034	1		Holder, Control Switch
23	0409-106	1		Cover, Switch
24	0423-593	1		Washer
25	0423-382	1		Screw, Self-Tapping
26	8464-560	2		Screw, Machine

2008 ATV 700 EFI AUTOMATIC TRANSMISSION 4X4 TRV CRUISER BLUE (A20081061497)  
WIRING HARNESS ASSEMBLY





2008 ATV 700 EFI AUTOMATIC TRANSMISSION 4X4 TRV CRUISER BLUE (A2008070407)  
WIRING HARNESS ASSEMBLY

Ref #	Part Number	Qty	S/P/F	Description
1	0486-261	1		Harness, Main (inc. 2-9)
2	0486-164	1		Tether, Accessory Connector
3	0530-008	1		Cover, Fuse Block
4	0430-037	1		Holder, Fuse
5	0430-034	4		Diode
6	0430-045	3	/P	Relay (4-Pin) - 20 Amp
7	0430-032	6		Fuse - 10 Amp
7	0430-031	3		Fuse - 15 Amp
7	0430-030	2		Fuse - 30 Amp
8	1411-920	1		Decal, Fuse Block
9	0430-052	2		Relay - 30 Amp
10	0123-788	AR	/P	Cable Tie - 7.5 in.
11	8476-625	7		Screw, Machine
12	0623-038	8		Nut w/Washer
13	0445-058	1	/P	Solenoid
14	0445-062	1		Cable, Battery/Solenoid
15	0445-064	1		Cable, Solenoid/Starter (inc. 16)
16	0645-019	1		Boot, Terminal
17	0645-327	1		Boot, Terminal
18	0123-903	AR		Cable Tie - 11.5 in.
19	2506-759	1		Tray, Electrical (inc. 20 and three No. 11)
20	2506-760	1		Shield, Heat - Assembly
21	3430-063	1		Electronic Control Unit
22	0623-362	6		Rivet, Reinstallable
23	8050-217	2	/P	Washer
24	0409-089	1		Switch, Brake - Assembly
25	0824-037	1	/P	Regulator, Voltage
26	0445-065	1		Cable, Battery/Ground
27	3530-053	1	/P	Coil, Ignition - Assembly
28	8476-620	2		Screw, Machine
29	3430-009	1	/P	Seal, High Tension Wire
30	3530-054	1	/P	Cap, Spark Plug
31	3409-031	1		Cover, Spark Plug Cap
32	3409-030	1		Seal, Spark Plug Cap
33	0423-493	2		Nut, Hex
34	0409-064	1		Switch, Tilt Sensor
35	8468-425	2		Screw, Machine
36	0123-802	2		Washer
	0644-347	1	F	Wrench, Spark Plug