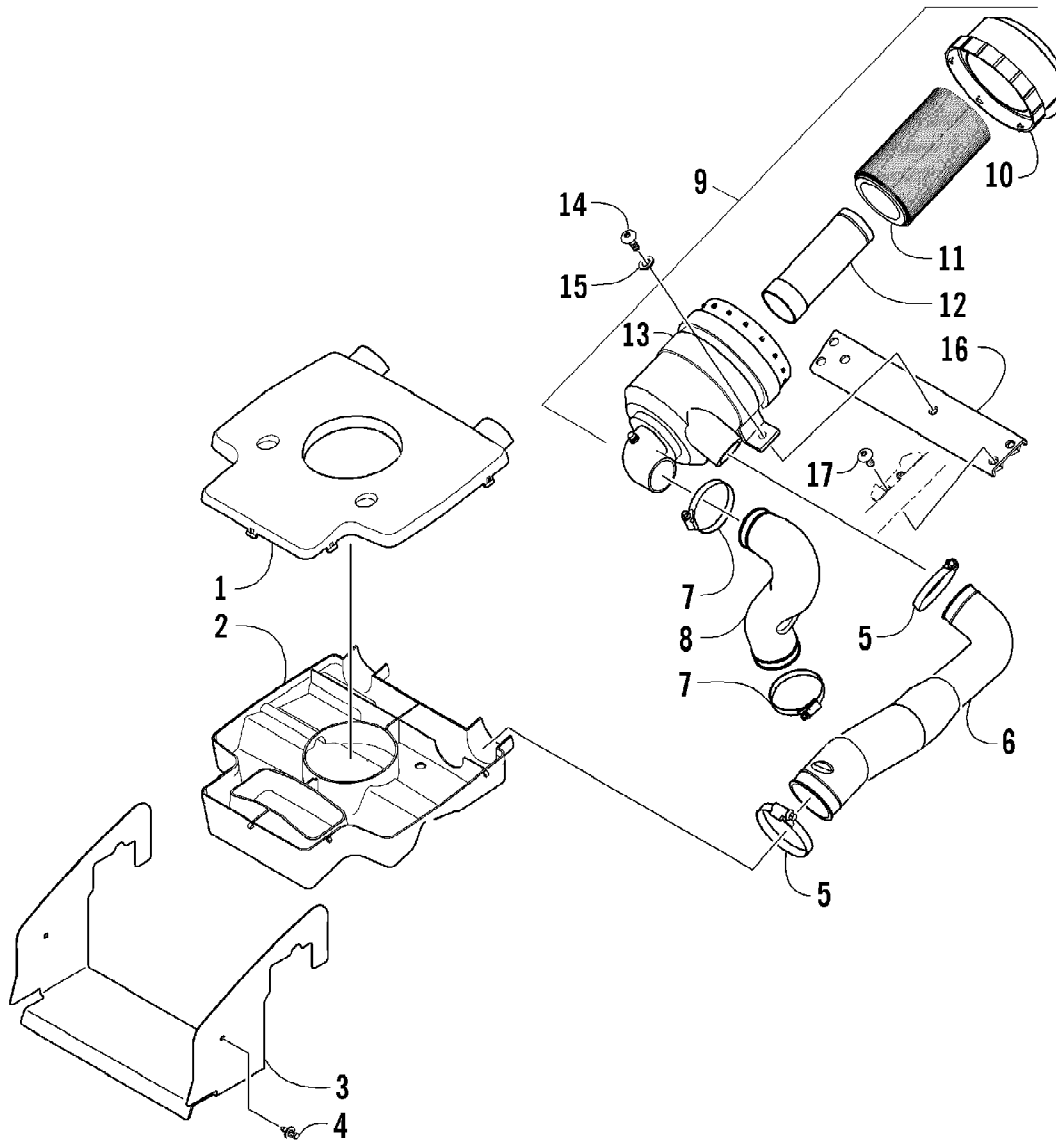


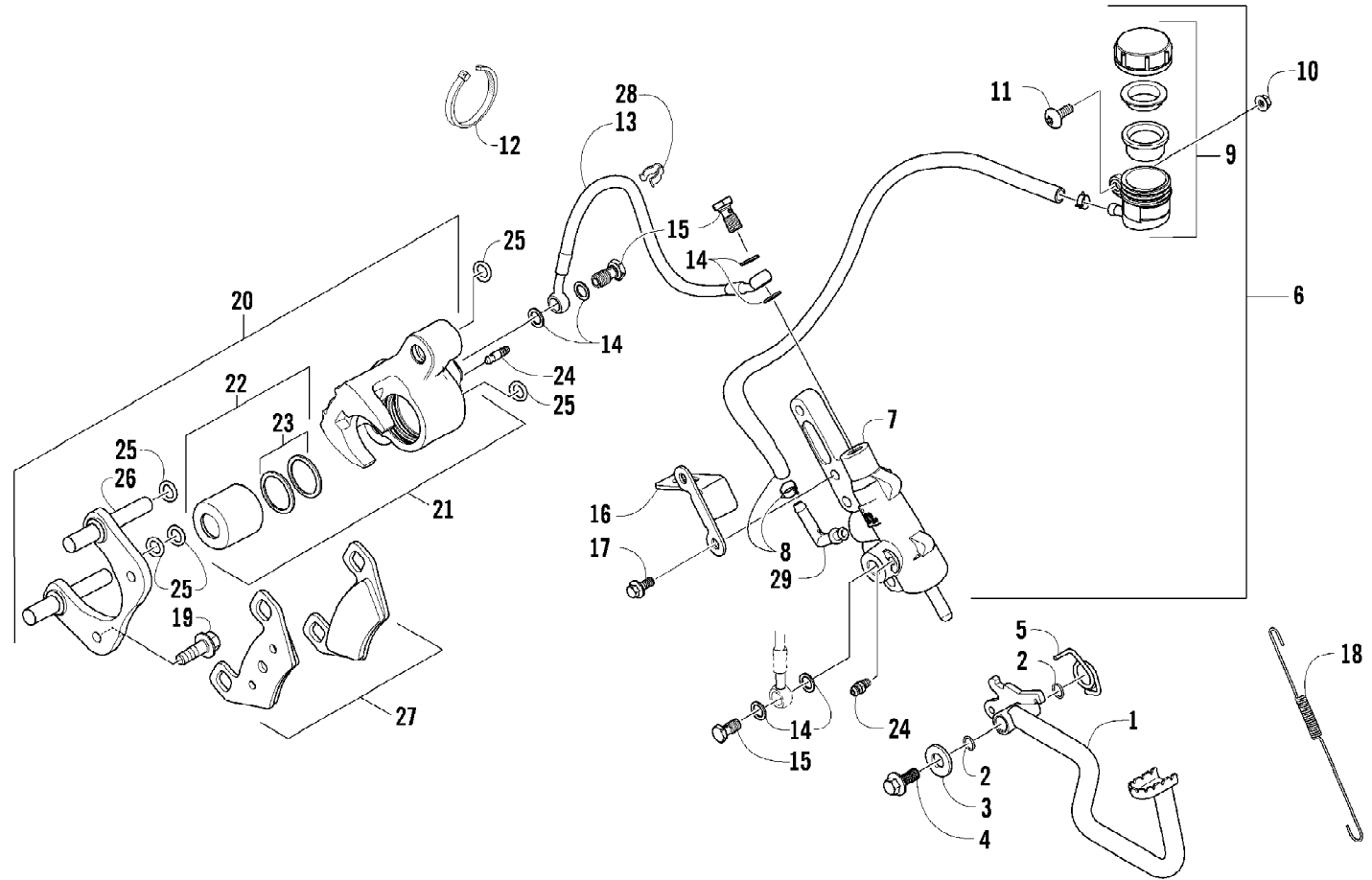
2008 ATV 700 AUTOMATIC TRANSMISSION 4X4 DIESEL GREEN (A2008TBTADJLSC) of 114  
AIR INTAKE ASSEMBLY



2008 ATV 700 AUTOMATIC TRANSMISSION 4X4 DIESEL GREEN (A2008TBTD14) Page 12 of 114  
 AIR INTAKE ASSEMBLY

Ref #	Part Number	Qty	S/P/F	Description
1	0413-091	1		Diverter, Air - Top
2	0413-093	1		Diverter, Air - Bottom
3	2406-509	1		Shroud, Splash
4	0623-362	2		Rivet, Reinstallable
5	0423-317	2	/P	Clamp, Boot
6	0470-618	1		Duct, Air Intake
7	0423-066	2		Clamp, Boot
8	0470-621	1		Duct, Engine Intake
9	0470-617	1		Filter, Air - Assembly (inc. 10-13)
10	0470-627	1		Cap, Air Filter
11	0470-619	1		Element, Air Filter - Main
12	0470-620	1		Element, Air Filter - Safety
13	0470-628	1		Bracket, Mounting - Air Filter Element
14	8476-620	2		Screw, Bracket
15	8050-222	2	/P	Washer
16	2506-082	1		Bracket, Mounting - Air Filter
17	8476-616	4		Screw, Machine

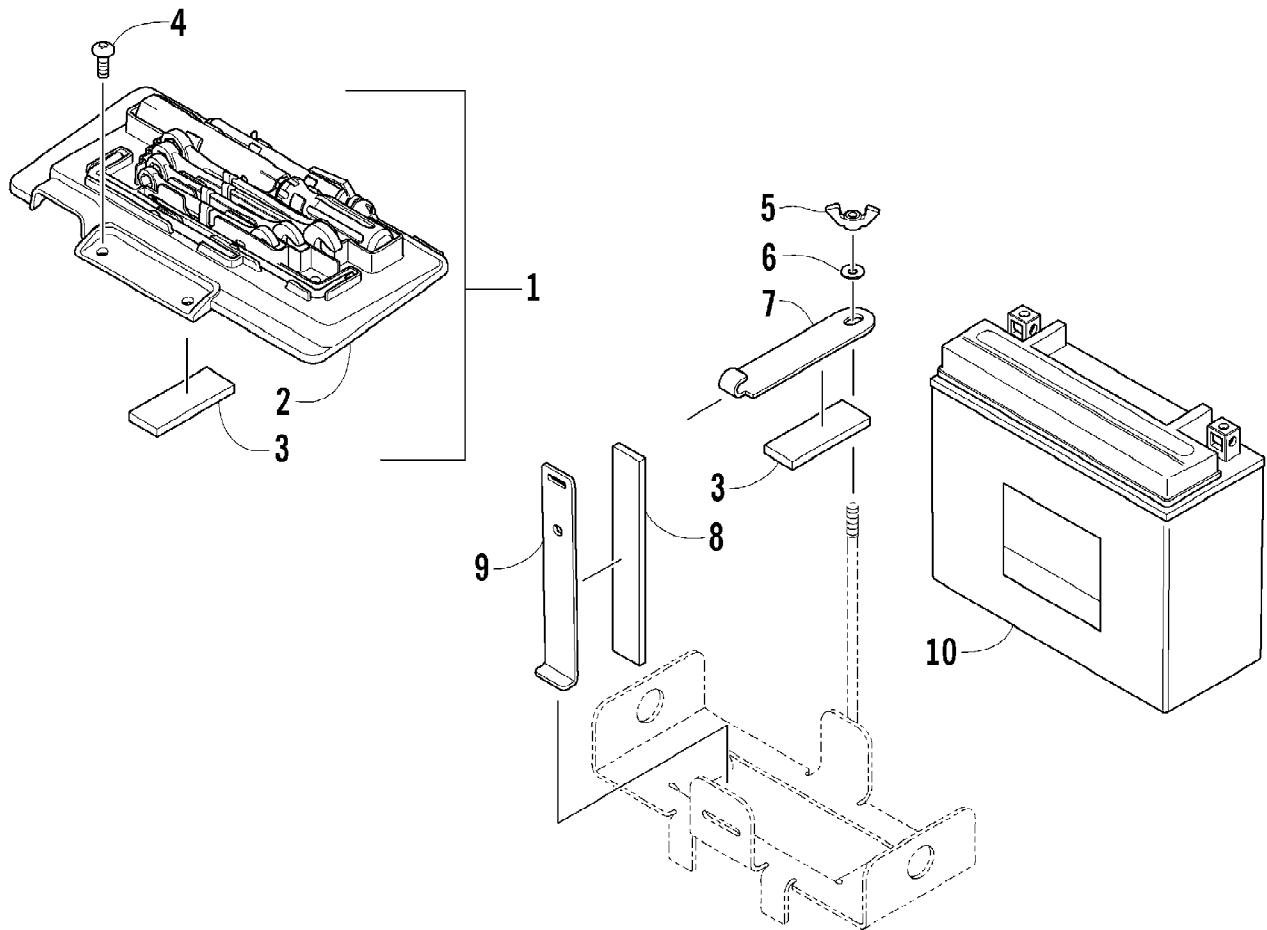
2008 ATV 700 AUTOMATIC TRANSMISSION 4X4 DIESEL GREEN (A2008TBTD) of 114  
AUXILIARY BRAKE ASSEMBLY



2008 ATV 700 AUTOMATIC TRANSMISSION 4X4 DIESEL GREEN (A2008TBTR441SC) Page 114  
AUXILIARY BRAKE ASSEMBLY

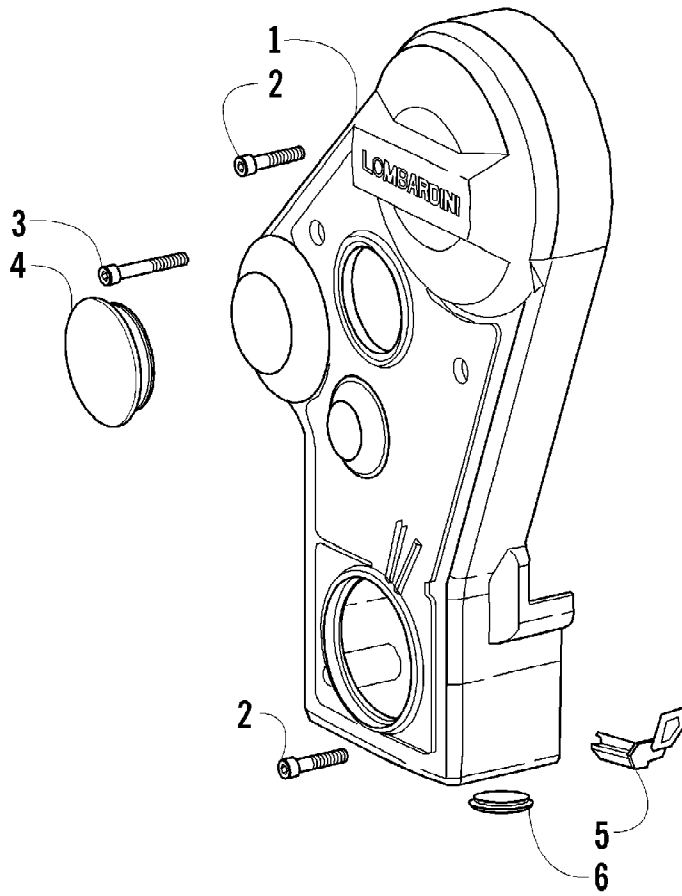
Ref #	Part Number	Qty	S/P/F	Description
	1502-294	1		Master Cylinder Replacement Kit
1	1502-063	1		Lever, Brake
2	1602-213	2	/P	O-Ring
3	8050-252	1		Washer
4	8408-816	1		Screw, Cap
5	0502-807	1		Spring, Brake Lever
6	1502-293	1		Brake Assembly (inc. 7-9)
7	0	1	F	Master Cylinder
8	0	1	F	Hose, Brake Fluid Reservoir w/Clamps
9	1502-155	1		Reservoir, Brake Fluid w/Clamp
10	0623-038	1		Nut, Flanged
11	8476-616	1		Screw, Machine
12	0123-788	1	/P	Cable Tie - 7.5 in.
13	1502-140	1		Hose, Brake
14	0423-178	6		Washer, Crush
15	0423-413	3		Bolt, Banjo-Fitting
16	0502-840	1		Bracket, Switch
17	8408-625	2		Screw, Cap
18	0502-785	1		Spring, Brake Switch
19	8408-821	2	/P	Screw, Cap
20	0502-878	1	S	Caliper, Brake (inc. 21-23, one No. 24, and 25-27)
21	0502-603	1	S	Housing, Caliper - Assembly - Right Rear (inc. 22-23 and one No. 24)
22	0502-606	1		Piston/Seal Set (inc. 23)
23	0502-607	1		Seal Set
24	0502-609	2	/P	Valve, Bleed
25	0502-608	1		O-Ring, Guide - Set
26	0502-605	1		Bracket Assembly
27	0502-875	1	S	Pad, Brake - Set
28	1502-115	2		Clip, Brake Hose
29	1502-296	1	/P	Adapter, Hose

2008 ATV 700 AUTOMATIC TRANSMISSION 4X4 DIESEL GREEN (A2008TBT4DUSC) of 114  
BATTERY ASSEMBLY



2008 ATV 700 AUTOMATIC TRANSMISSION 4X4 DIESEL GREEN (A2008TBTH441SC) Page 6 of 114  
BATTERY ASSEMBLY

Ref #	Part Number	Qty	S/P/F	Description
1	5990-839	1	S	Battery Cover/Tool Tray Assembly (inc. 2-3)
2	2406-511	1	S/P	Cover, Battery
3	0406-288	2		Pad, Battery
3	0444-122	1	S/P/F	Kit, Tool
4	8476-620	2		Screw, Machine
5	0623-325	1		Nut, Wing
6	8050-217	1	/P	Washer
7	0645-243	1		Strap, Battery - Top
8	0406-289	1		Pad, Battery
9	0645-311	1		Strap, Battery - Side
10	0645-432	1	S	Battery

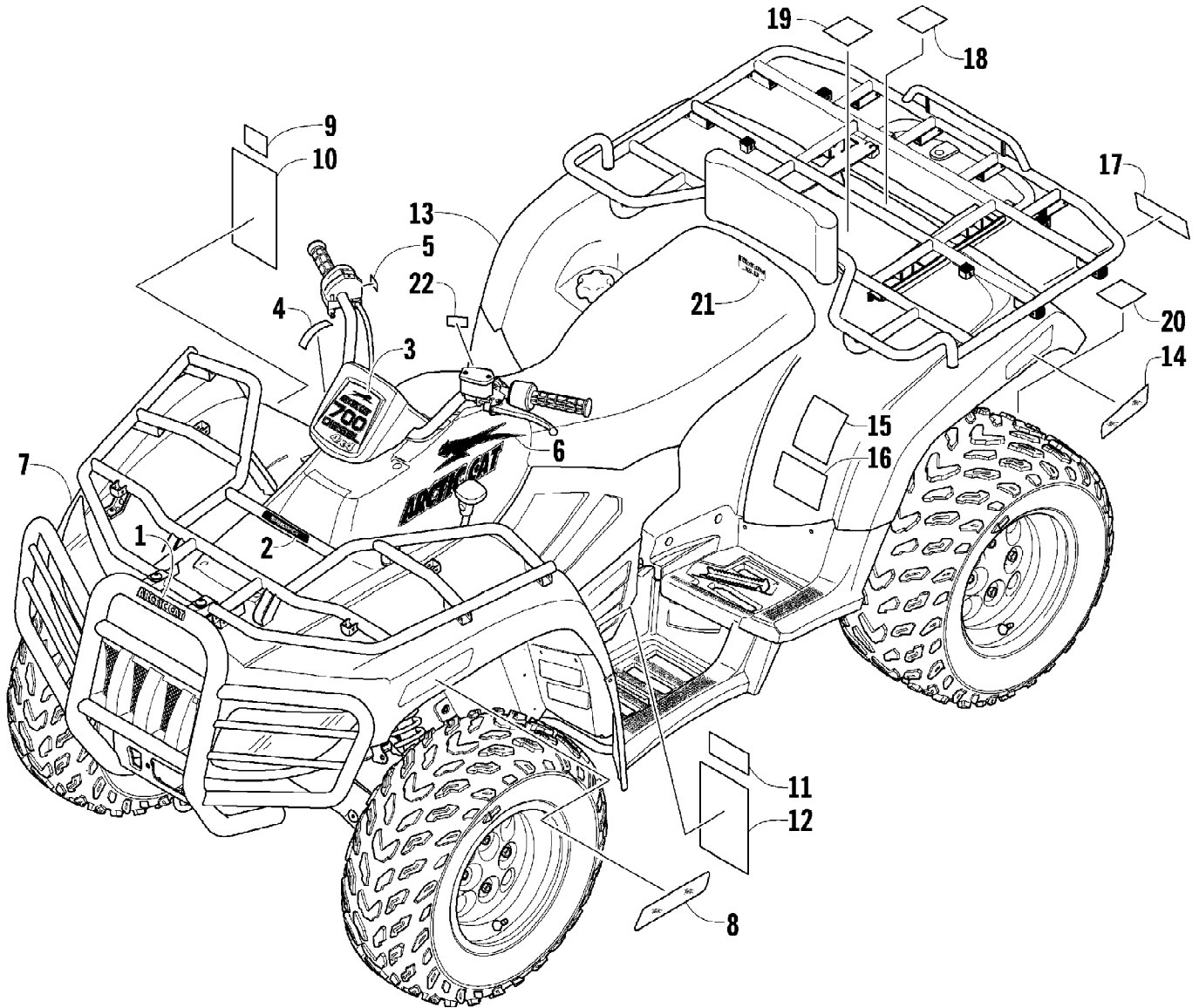


2008 ATV 700 AUTOMATIC TRANSMISSION 4X4 DIESEL GREEN (A2008TBTDJLSC) Page 8 of 114  
BELT GUARD ASSEMBLY

Ref #	Part Number	Qty	S/P/F	Description
1	3206-315	1	S	Guard, Belt
2	3206-043	3		Screw
3	3206-189	1		Screw
4	3206-318	1		Cap
5	3206-317	1		Gasket
6	3206-316	1		Plug



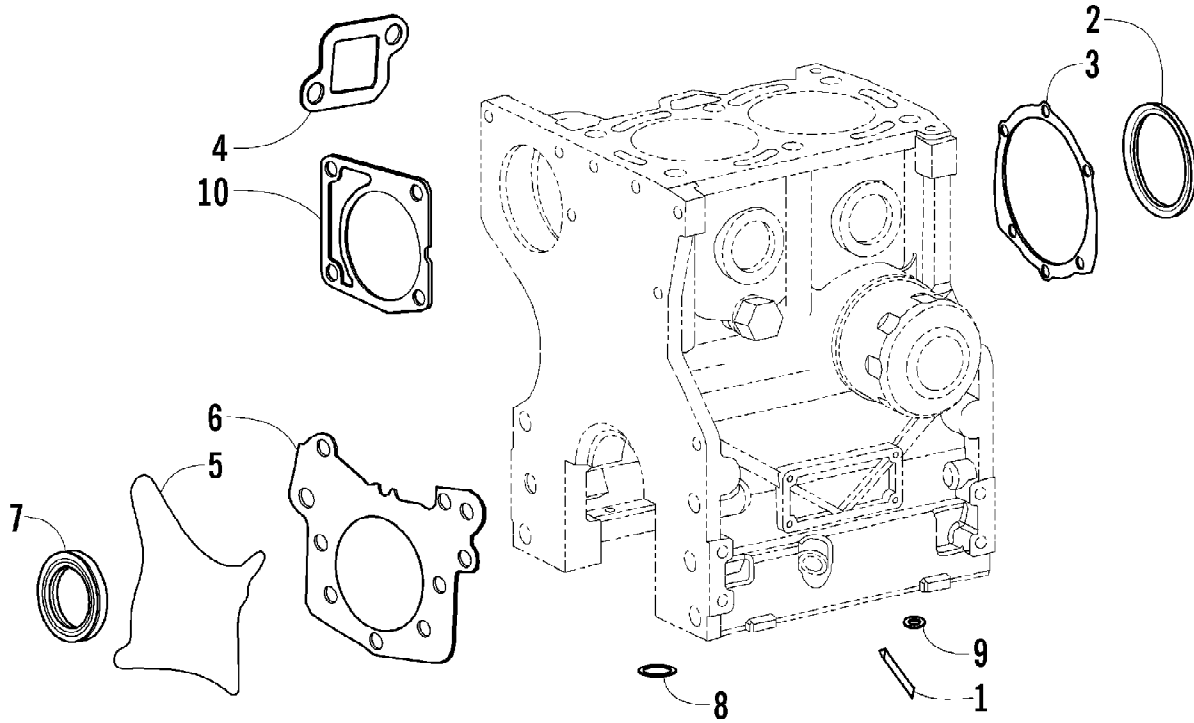
2008 ATV 700 AUTOMATIC TRANSMISSION 4X4 DIESEL GREEN (A2008TBTD) of 114  
BODY PANEL AND DECALS



2008 ATV 700 AUTOMATIC TRANSMISSION 4X4 DIESEL GREEN (A2008TBF40USG) Page 10 of 114  
 BODY PANEL AND DECALS

Ref #	Part Number	Qty	S/P/F	Description
1	0411-501	1		Decal, Front Bumper - "Arctic Cat"
2	1411-050	1	/P	Decal, Speedrack
3	1411-610	1		Decal, Instrument Pod
4	0411-426	1		Decal, Warning - Clutch Cover
5	0411-966	1		Decal, Warning - Differential Lock
6	1411-634	1		Decal, Side - Upper Right
6	1411-635	1		Decal, Side - Upper Left
7	2506-237	1		Panel, Fender - Front (inc. 8-12)
8	0411-818	1		Decal, Reflector - Front - Right
8	0411-819	1		Decal, Reflector - Front - Left
9	0411-894	1		Decal, Warning - Hill
10	1411-490	1		Decal, Warning - Reverse/Pre-Ride
11	1411-574	1		Decal, Warning - Off-Road Only
12	0411-753	1		Decal, Warning - Age/General
13	2506-709	1	S	Panel, Fender - Rear (inc. 14-19)
14	1411-592	1	/P	Decal, Reflector - Rear - Right
14	1411-593	1	/P	Decal, Reflector - Rear - Left
15	0411-833	1		Decal, Passenger
16	0411-832	1		Decal, Warning - Tire Pressure
17	1411-725	1		Decal, Rear
18	1411-269	1		Decal, Warning - Passenger
19	1411-251	1		Decal, Warning - Seat/Passenger
20	1411-077	1		Decal, Warning - Towing
21	1411-508	1		Decal, Storage
22	1411-865	1		Decal, Warning - Brake Lever Lock

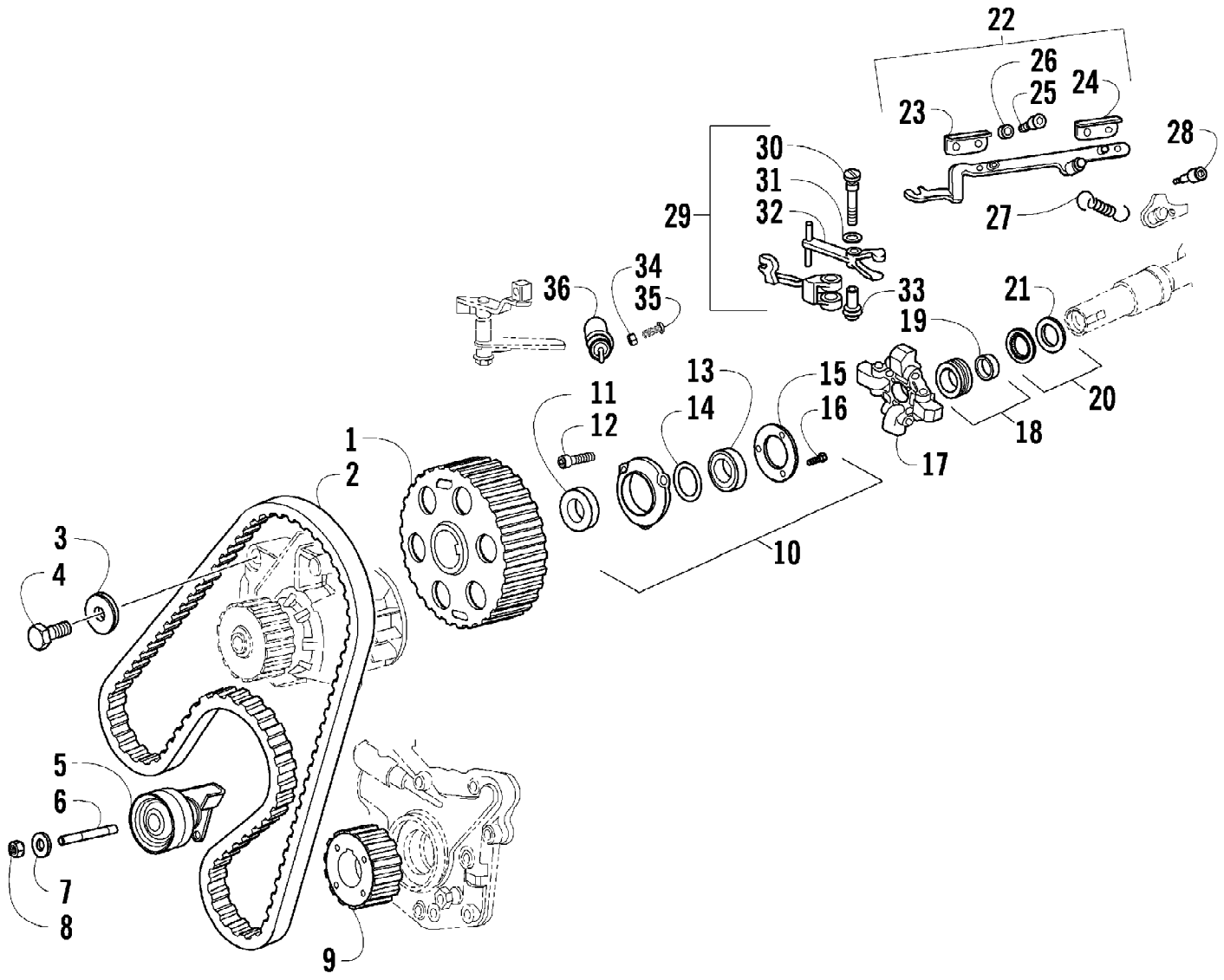
2008 ATV 700 AUTOMATIC TRANSMISSION 4X4 DIESEL GREEN (A2008TBF4DUSG) of 114  
BOTTOM END GASKET SET ASSEMBLY



2008 ATV 700 AUTOMATIC TRANSMISSION 4X4 DIESEL GREEN (A2008TBF40USG) Page 12 of 114  
BOTTOM END GASKET SET ASSEMBLY

Ref #	Part Number	Qty	S/P/F	Description
	3206-329	1		Bottom End Gasket Set
1	3206-054	4		Gasket, Crankcase
2	3206-091	1		Ring, Engine Flange
3	3206-089	1	S	Gasket, Engine Flange
4	3206-264	1		Gasket, Thermostat
5	3206-172	1		O-Ring, Oil Pump
6	3206-173	1	/P	Gasket, Oil Pump
7	3206-161	1		Ring, Seal - Oil Pump
8	3206-176	1		Seal, Oil - Oil Pan
9	3206-177	1		Seal, Oil - Oil Pan
10	3206-272	1		Gasket, Water Pump

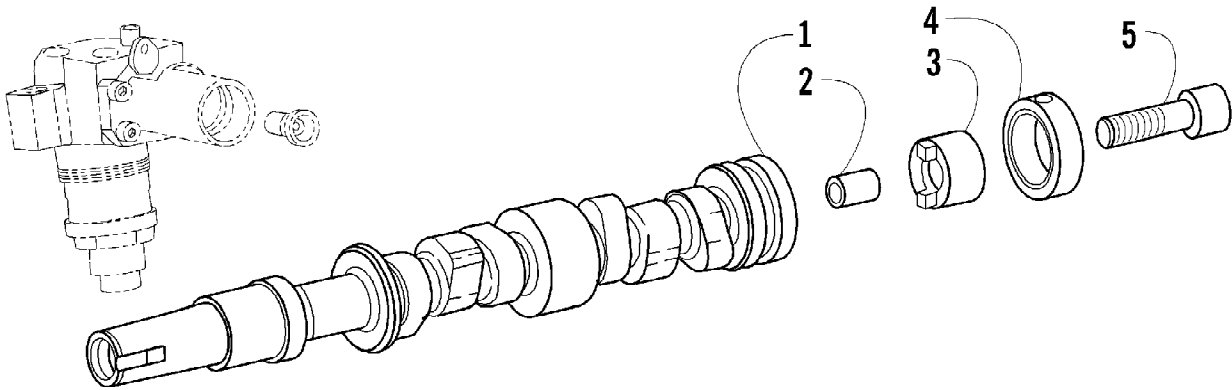
2008 ATV 700 AUTOMATIC TRANSMISSION 4X4 DIESEL GREEN (A2008TBF40US) of 114  
CAM PULLEYS, TIMING BELT, AND SPEED GOVERNOR ASSEMBLY



2008 ATV 700 AUTOMATIC TRANSMISSION 4X4 DIESEL GREEN (A2008TBF4DUSG) of 114  
CAM PULLEYS, TIMING BELT, AND SPEED GOVERNOR ASSEMBLY

Ref #	Part Number	Qty	S/P/F	Description
1	3206-153	1		Pulley, Cam Driven
2	3206-154	1		Belt, Timing
3	3206-156	1		Washer
4	3206-155	1		Screw
5	3206-159	1		Pulley
6	3206-158	1		Stud
7	3206-157	1		Washer
8	3206-142	1		Nut
9	3206-160	1		Pulley, Cam Drive
10	3206-209	1		Camshaft Support (inc. 11-16)
11	3206-208	1		Ring, Seal
12	3206-088	3		Screw
13	3206-211	1		Bearing, Ball
14	3206-210	1		Seal, Oil
15	3206-212	1		Plate
16	3206-166	3		Screw
17	3206-213	1		Flyweight - Assembly
18	3206-214	1		Sleeve, Control (inc. 19)
19	3206-216	1		Sleeve
20	3206-217	1		Roller, Thrust (inc. 21)
21	3206-215	1		Washer, Thrust
22	3206-218	1	S	Rail, Injection Pump (inc. 23-26)
23	3206-220	1		Plate
24	3206-219	1		Plate
25	3206-221	2		Screw
26	3206-223	2		Washer
27	3206-222	1		Spring, Fuel - Extra
28	3206-225	2		Screw
29	3206-228	1		Lever, Governor - Assembly (inc. 30-33)
30	3206-224	1		Pin, Lever
31	3206-226	1		Seal
32	3206-229	1		Sleeve
33	3206-227	1		Journal
34	3206-232	1		Nut
35	3206-231	1		Screw
36	3206-230	1		Device, Min-Max

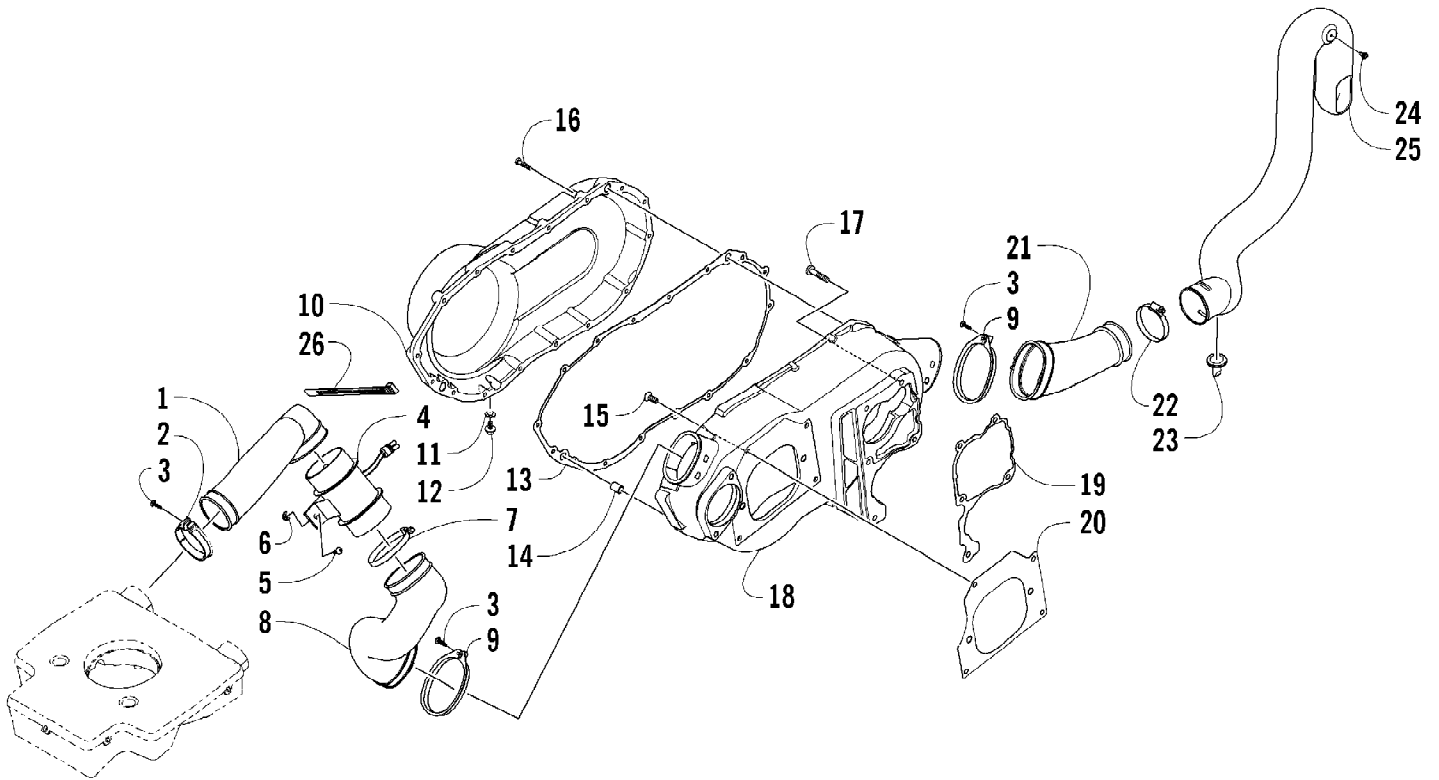
2008 ATV 700 AUTOMATIC TRANSMISSION 4X4 DIESEL GREEN (A2008TBF40US) Page 5 of 114  
CAMSHAFT AND FUEL PUMP DRIVE ECCENTRIC



2008 ATV 700 AUTOMATIC TRANSMISSION 4X4 DIESEL GREEN (A2008TBF4DU3G) of 114  
CAMSHAFT AND FUEL PUMP DRIVE ECCENTRIC

Ref #	Part Number	Qty	S/P/F	Description
1	3206-129	1		Camshaft
2	3206-130	1		Sleeve
3	3206-131	1		Cam
4	3206-128	1		Sleeve
5	3206-132	1		Screw

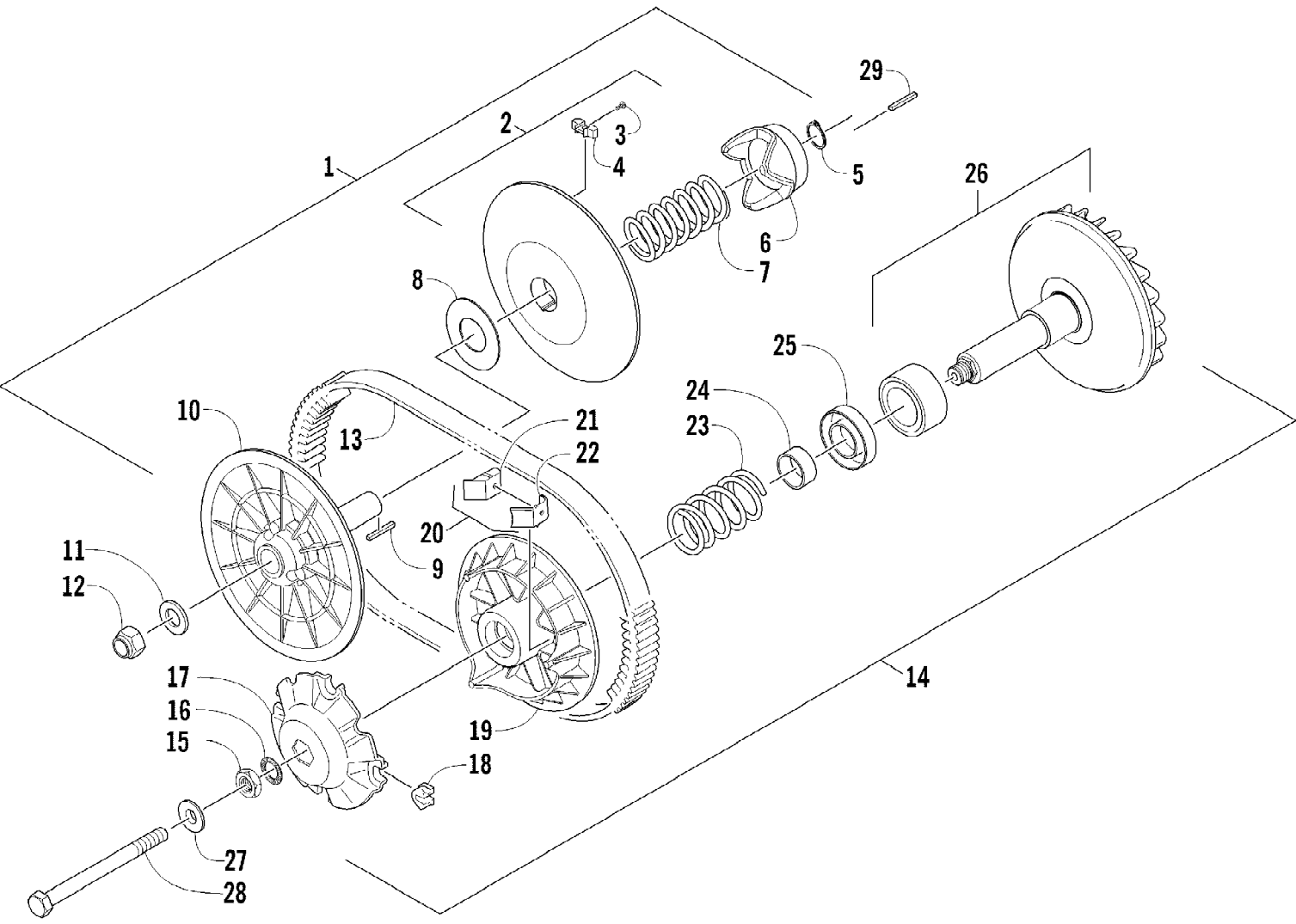




2008 ATV 700 AUTOMATIC TRANSMISSION 4X4 DIESEL GREEN (A2008TBF40USG) Page 83 of 114  
CASE/BELT COOLING ASSEMBLY

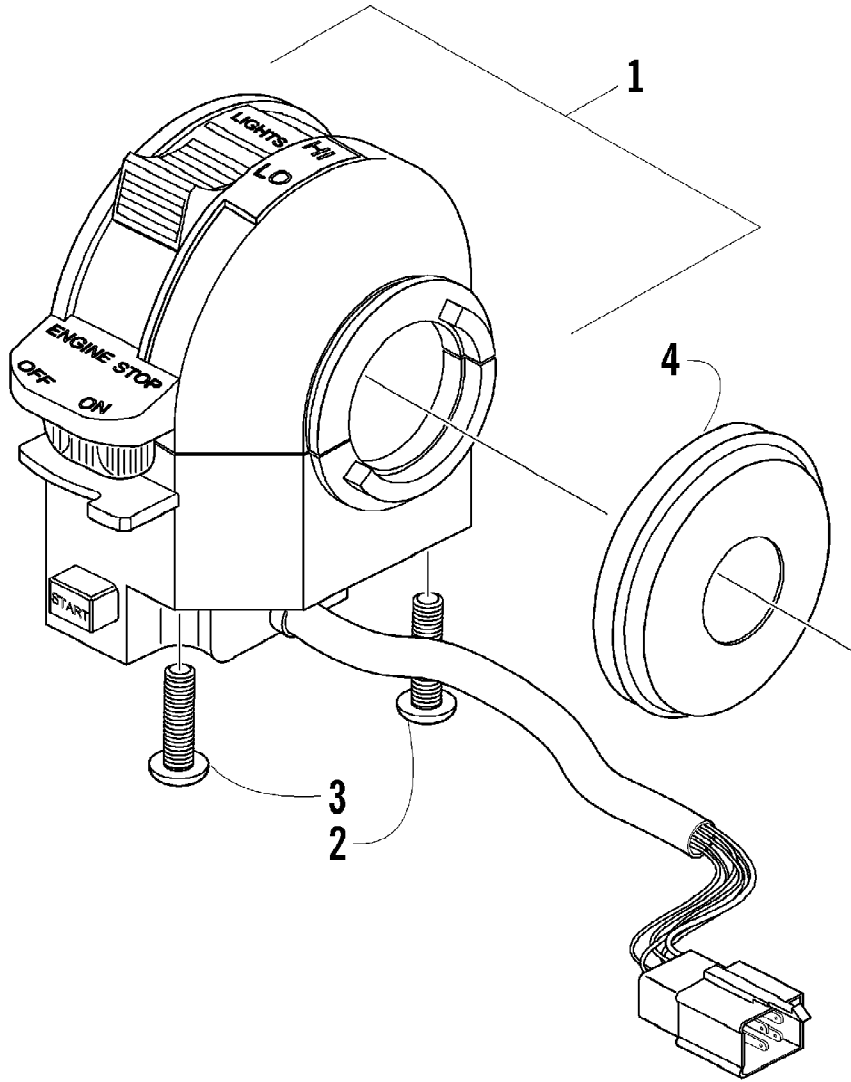
Ref #	Part Number	Qty	S/P/F	Description
1	0413-132	1		Duct, Belt Cooling - Front
2	0423-551	1		Clamp, Plastic
3	0423-342	3	/P	Screw, Self-Tapping
4	0413-141	1		Fan, Belt Cooling
5	8475-512	2		Screw, Machine
6	8424-502	2		Nut, Hex
7	0423-018	1		Clamp, Boot
8	0413-133	1		Boot, Belt Cooling - Inlet
9	0423-550	2		Clamp, Plastic
10	1502-157	1		Cover, Clutch
11	0830-013	1		Washer, Crush
12	8408-812	1		Screw, Cap
13	1402-528	1		Gasket, V-Belt Cover
14	0829-002	2		Dowel, Split
15	8473-820	4		Screw, Machine
16	8468-630	16		Screw, Machine
17	0423-118	5		Screw, Self-Tapping
18	1402-527	1		Cover, Clutch
19	1402-526	1		Gasket, Gearcase
20	1402-524	1		Gasket, Clutch Cover
21	0413-134	1		Boot, Belt Cooling - Outlet
22	0423-380	1	/P	Clamp, Boot
23	0470-442	1	/P	Valve, Drain
24	0623-301	1	/P	Screw, Self-Tapping
25	0413-106	1		Duct, Belt Cooling - Rear
26	0623-316	1		Cable Tie

2008 ATV 700 AUTOMATIC TRANSMISSION 4X4 DIESEL GREEN (A2008TBF40US) of 114  
CLUTCHES AND DRIVE BELT ASSEMBLIES



2008 ATV 700 AUTOMATIC TRANSMISSION 4X4 DIESEL GREEN (A2008TBF40LJ2G) of 114  
CLUTCHES AND DRIVE BELT ASSEMBLIES

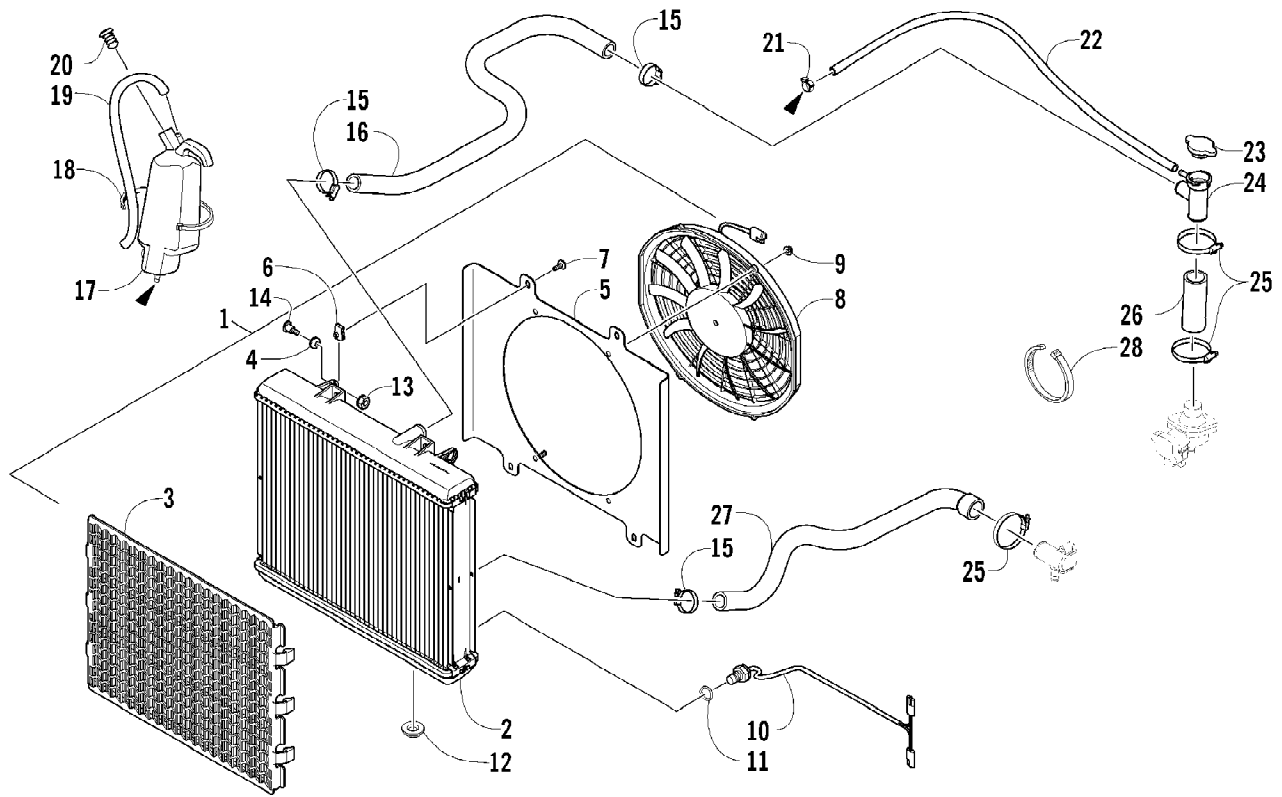
Ref #	Part Number	Qty	S/P/F	Description
1	1502-073	1	S	Pulley, Driven - Assembly (inc 2-10)
2	1502-208	1		Face, Driven - Movable (inc. 3-4)
3	0423-752	3		Screw, Cam
4	1402-632	3	S	Cam, Shoe
5	0423-751	1		Ring, Retaining
6	1402-630	1		Cam
7	0423-750	1		Spring
8	0423-749	1		Shim
9	1402-631	1		Key
10	1402-629	1		Face, Driven - Fixed
11	0828-020	1		Washer
12	0827-013	1		Nut, Driven Pulley
13	1402-564	1		Belt, Drive
14	1502-072	1		Pulley, Drive - Assembly (inc. 15-26)
15	0423-747	1		Nut, Hex
16	0423-746	1		Washer, Lock
17	1502-207	1		Plate, Movable Drive Face
18	1402-628	3		Damper, Movable Drive Face
19	1402-625	1		Face, Drive - Movable
20	1502-205	6	/P	Block, Weight - Assembly (inc. 21-22)
21	1402-627	6	S	Weight
22	1402-626	6	S	Block, Weight
23	0423-745	1		Spring
24	1402-624	1		Stopper
25	1402-623	1		Seat, Spring
26	1502-206	1		Face, Drive - Fixed
27	0423-733	1		Washer
28	0423-673	1		Bolt, Hex
29	0423-718	1		Key



2008 ATV 700 AUTOMATIC TRANSMISSION 4X4 DIESEL GREEN (A2008TBF40USG) Page 12 of 114  
CONTROL SWITCH HOUSING ASSEMBLY

Ref #	Part Number	Qty	S/P/F	Description
1	0409-083	1		Switch, Control - Assembly (inc. 2-3)
2	3423-196	1		Screw
3	0409-028	1		Screw
4	3409-019	1		Cover, Housing

2008 ATV 700 AUTOMATIC TRANSMISSION 4X4 DIESEL GREEN (A2008TBF40USG) of 114  
COOLING ASSEMBLY

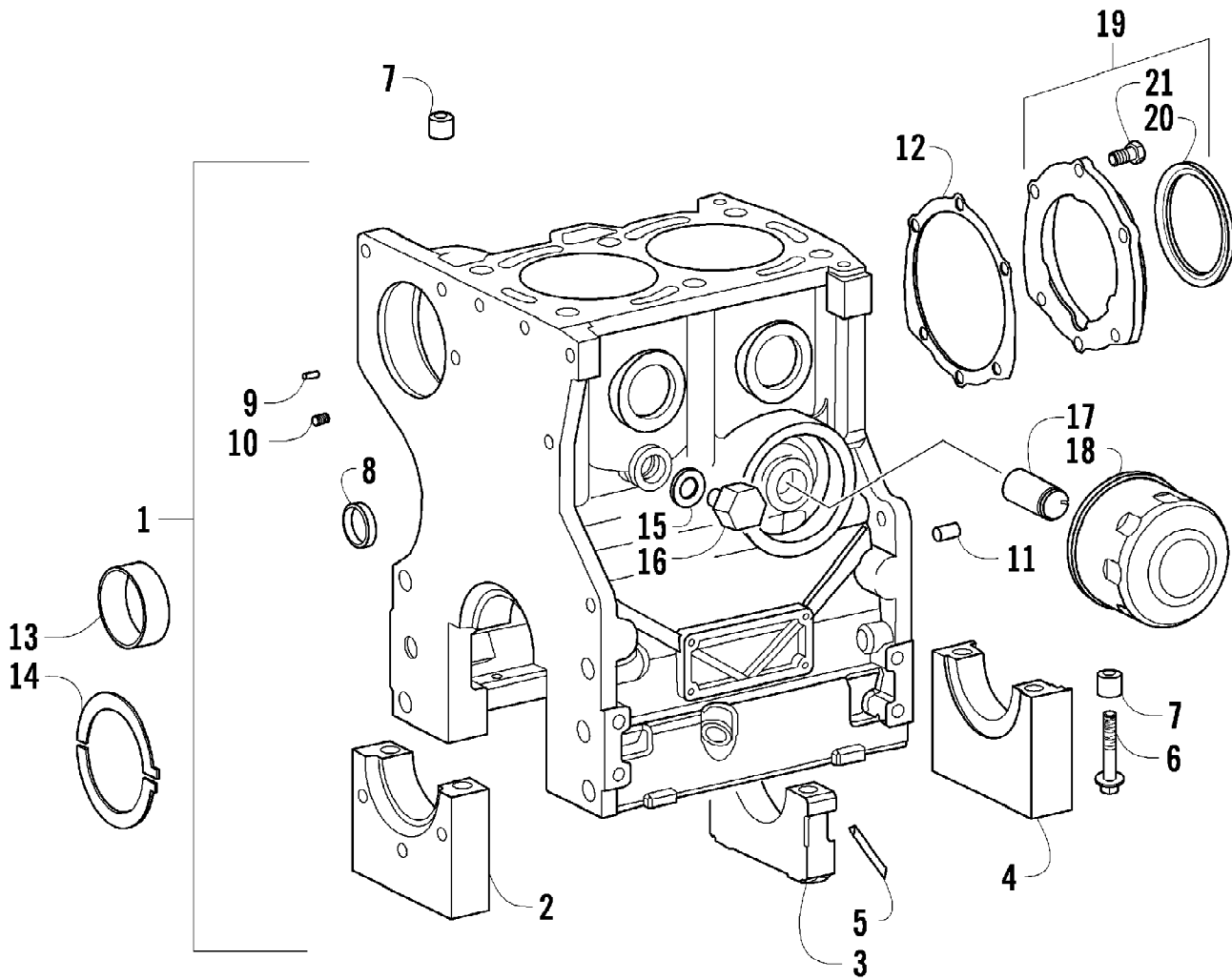


2008 ATV 700 AUTOMATIC TRANSMISSION 4X4 DIESEL GREEN (A2008TBF4DUSG) Page 2 of 114  
COOLING ASSEMBLY

Ref #	Part Number	Qty	S/P/F	Description
1	0413-143	1		Radiator Assembly (inc. 2-11)
2	0413-180	1		Radiator
3	0413-181	1		Screen, Radiator
4	0423-030	2		Grommet
5	0413-182	1		Shroud, Fan
6	0423-577	4		Clip, U-Nut
7	8476-616	4		Screw
8	0413-183	1		Fan, Cooling
9	8424-602	4	/P	Nut, Hex
10	0413-168	1		Sensor, Temperature - Coolant
11	1602-213	1	/P	O-Ring
12	0423-028	2		Bushing, Stem
13	0623-038	2		Nut w/Washer
14	0423-484	2		Screw, Shoulder
15	0423-496	3		Clamp, Hose
16	0410-106	1		Hose, Coolant
17	0413-086	1		Tank, Coolant Overflow
18	0623-316	1		Cable Tie
19	0610-011	AR	/P	Hose - 25 ft
20	0413-087	1		Stopper, Coolant Tank
21	0124-045	1	/P	Clamp, Hose
22	0610-016	AR	/P	Hose - 25 ft
23	0413-002	1	S	Cap, Radiator
24	0413-193	1	/P	Tank, Coolant Fill
25	1623-093	3		Clamp
26	0410-121	1		Hose, Coolant - Coupler
27	0410-107	1		Hose, Coolant
28	0123-788	2	/P	Cable Tie

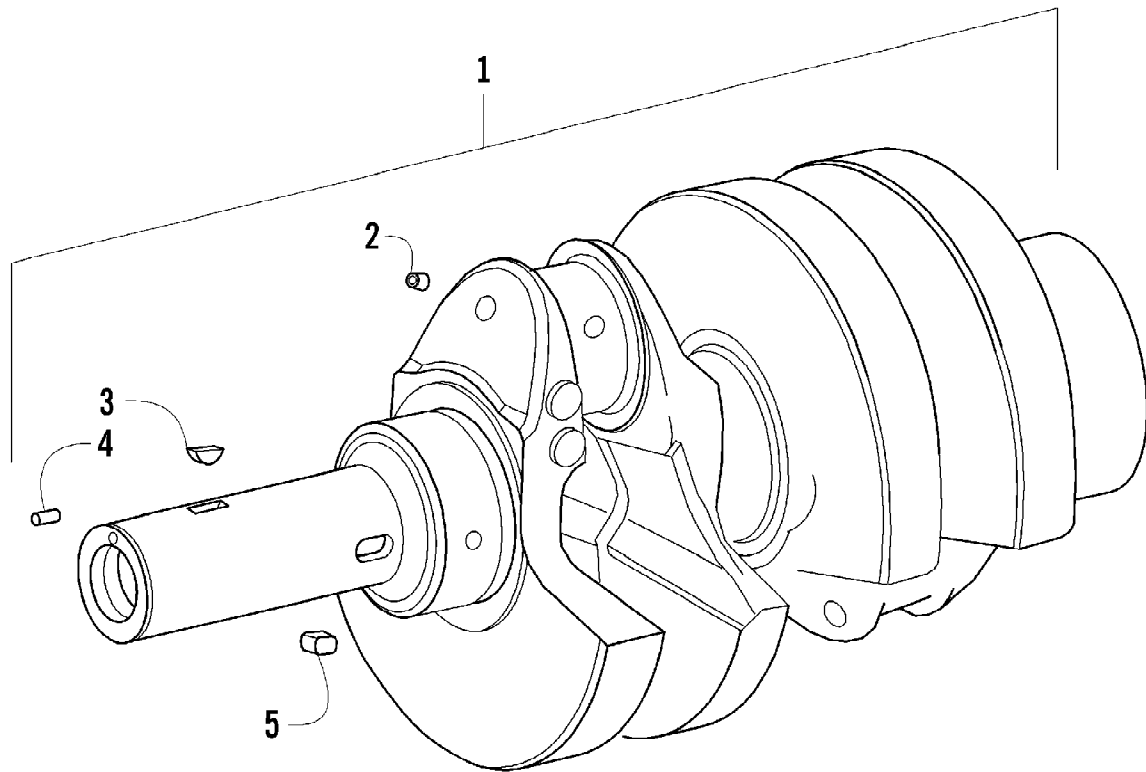


2008 ATV 700 AUTOMATIC TRANSMISSION 4X4 DIESEL GREEN (A2008TBF40J2G) Page 25 of 114  
CRANKCASE, CRANKSHAFT SUPPORT, AND OIL FILTER ASSEMBLIES



2008 ATV 700 AUTOMATIC TRANSMISSION 4X4 DIESEL GREEN (A2008TBF4DUJ8G) of 114  
CRANKCASE, CRANKSHAFT SUPPORT, AND OIL FILTER ASSEMBLIES

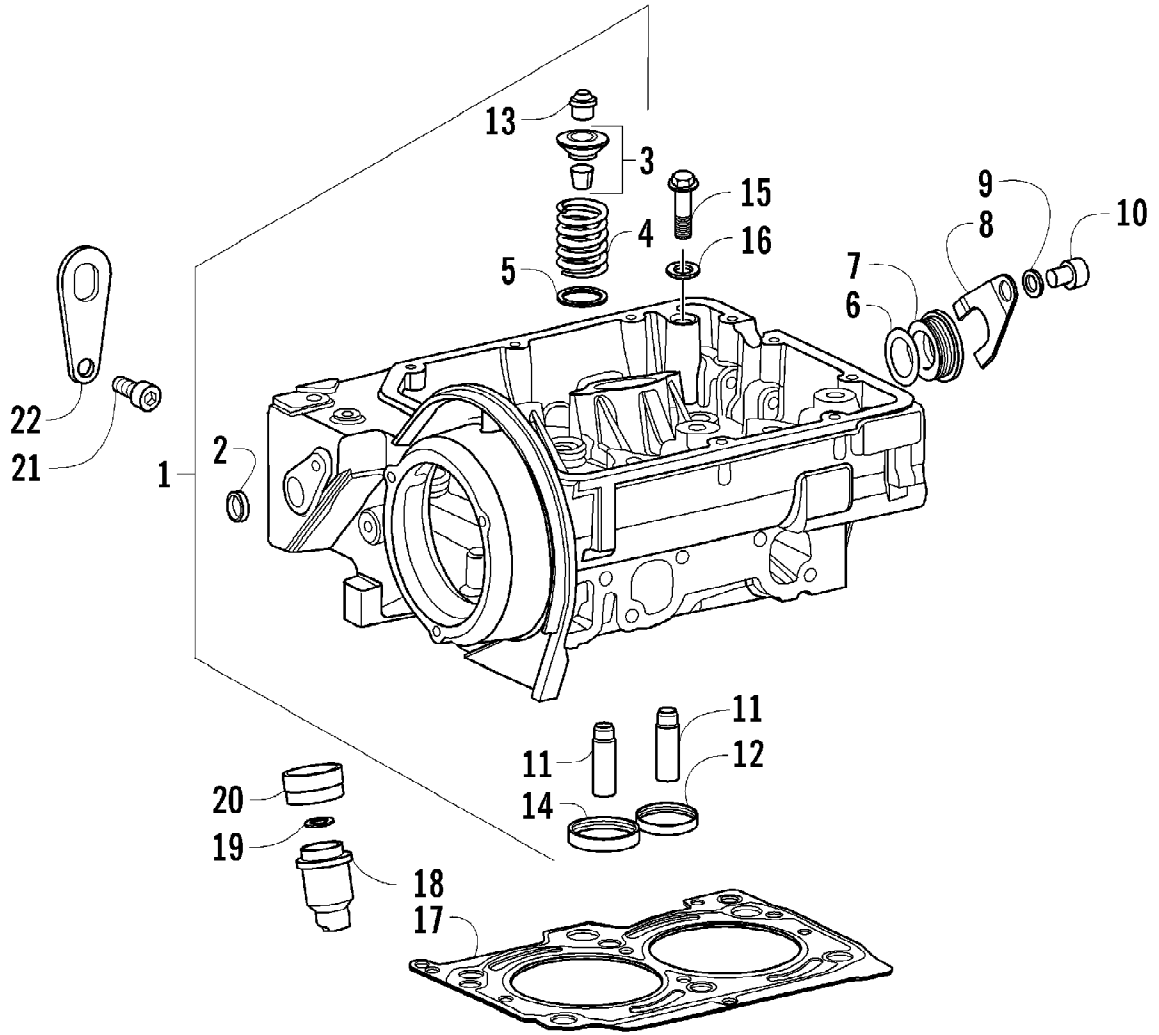
Ref #	Part Number	Qty	S/P/F	Description
1	3206-046	1		Crankcase (inc. 2-6, two No. 7, and 8-10)
2	0	1	F	Housing - Front
3	0	1	F	Housing - Center
4	0	1	F	Housing - Rear
5	3206-054	4		Gasket
6	3206-049	6		Screw
7	3206-045	4		Sleeve
8	3206-058	1		Pin, Tapered
9	3206-047	1		Plug
10	3206-048	2		Plug
11	3206-053	2		Pin, Lock
12	3206-089	1	S	Gasket
13	3206-055	3		Bearing
13	3206-056	3		Bearing (-0.25 mm)
13	3206-057	3		Bearing (-0.50 mm)
14	3206-050	2		Washer
14	3206-051	2		Washer ( 0.10 mm)
14	3206-052	2		Washer ( 0.20 mm)
15	3206-206	1		Gasket
16	3206-207	1		Plug
17	3206-193	1		Connector, Oil Filter
18	3206-194	1		Cartridge, Oil Filter
19	3206-090	1		Flange, Engine (inc. 20-21)
20	3206-091	1		Ring
21	3206-088	6		Screw



2008 ATV 700 AUTOMATIC TRANSMISSION 4X4 DIESEL GREEN (A2008TBF4D18G) Page 28 of 114  
CRANKSHAFT ASSEMBLY

Ref #	Part Number	Qty	S/P/F	Description
1	3206-019	1		Crankshaft Assembly (inc. 2-5)
2	3206-020	2		Plug
3	3206-018	1		Key
4	3206-022	1		Pin
5	3206-021	1		Key

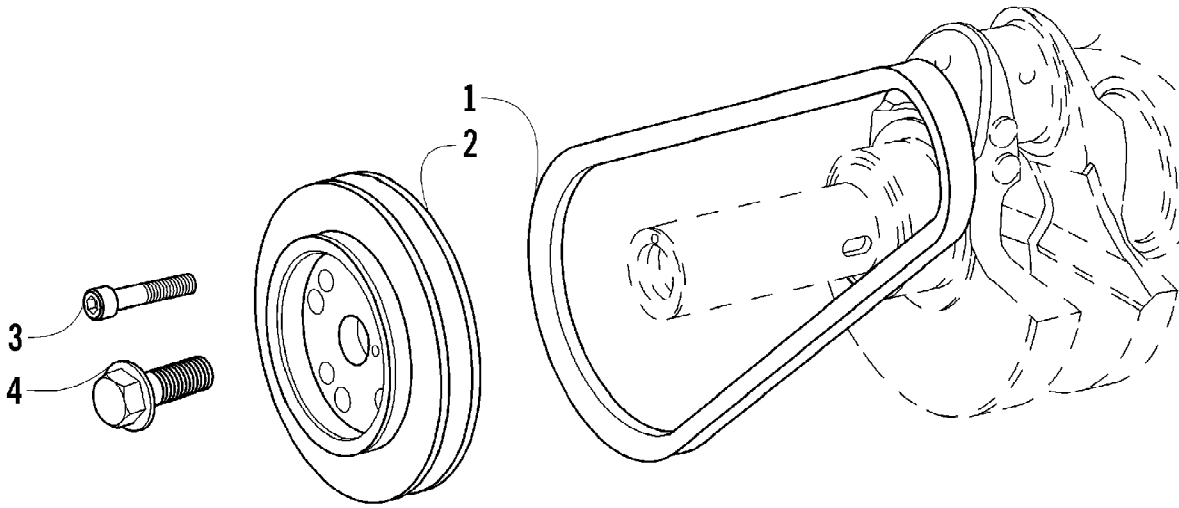
2008 ATV 700 AUTOMATIC TRANSMISSION 4X4 DIESEL GREEN (A2008TBF40U2G) of 114  
CYLINDER HEAD AND PRECOMBUSTION CHAMBER ASSEMBLY



2008 ATV 700 AUTOMATIC TRANSMISSION 4X4 DIESEL GREEN (A2008TBF40USG) of 114  
CYLINDER HEAD AND PRECOMBUSTION CHAMBER ASSEMBLY

Ref #	Part Number	Qty	S/P/F	Description
1	3206-063	1		Cylinder Head (inc. 2-14)
2	3206-065	1		Plug
3	3206-148	4		Retainer
4	3206-147	4		Spring, Valve
5	3206-149	4		Washer
6	3206-076	1		O-Ring
7	3206-275	0		Plug
8	3206-074	1		Retainer
9	3206-075	1		Washer
10	3206-077	1		Bolt
11	3206-061	4		Guide, Valve
11	3206-062	4		Guide, Valve ( 0.50 mm)
12	3206-073	2		Seat, Exhaust Valve
13	3206-152	4		Retainer, Valve
14	3206-072	2		Seat, Intake Valve
15	3206-066	6		Screw
16	3206-064	6		Washer
17	3206-069	1		Gasket, Head - 1.56-1.64 (1 small hole)
17	3206-070	1		Gasket, Head - 1.66-1.74 (2 small holes)
17	3206-071	1		Gasket, Head - 1.76-1.84 (3 small holes)
18	3206-068	2		Chamber, Precombustion
19	3206-079	2		Spacer
20	3206-067	2		Nut, Locking
21	3206-078	2		Bolt
22	3206-060	2		Brace, Lifting

2008 ATV 700 AUTOMATIC TRANSMISSION 4X4 DIESEL GREEN (A2008TBF40USG) of 114  
DRIVE PULLEY AND ALTERNATOR BELT ASSEMBLY

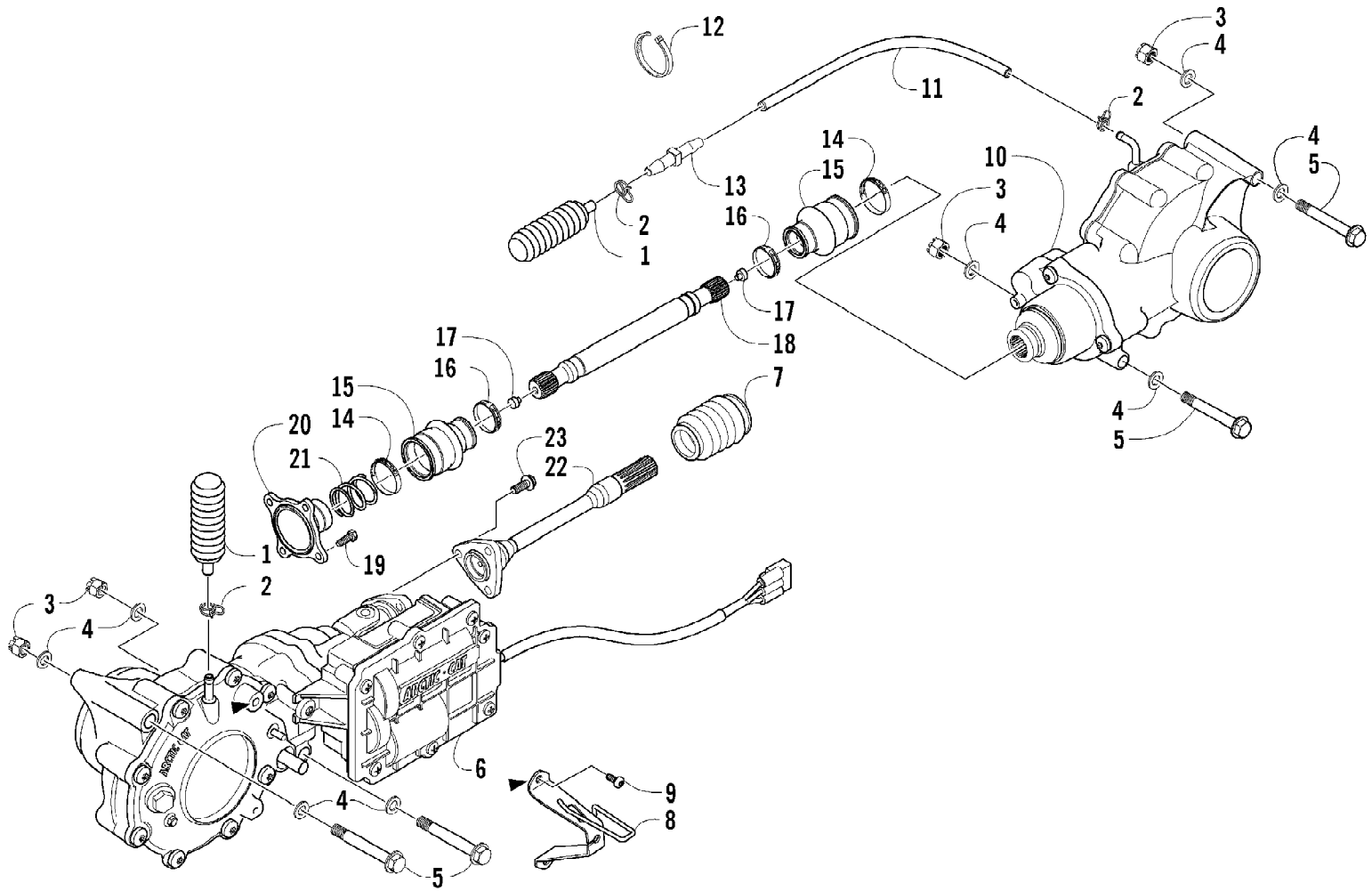


2008 ATV 700 AUTOMATIC TRANSMISSION 4X4 DIESEL GREEN (A2008TBF40USG) Page 12 of 114  
DRIVE PULLEY AND ALTERNATOR BELT ASSEMBLY

Ref #	Part Number	Qty	S/P/F	Description
1	3206-042	1		Belt
2	3206-044	1		Pulley
3	3206-043	4		Screw
4	3206-041	1		Screw



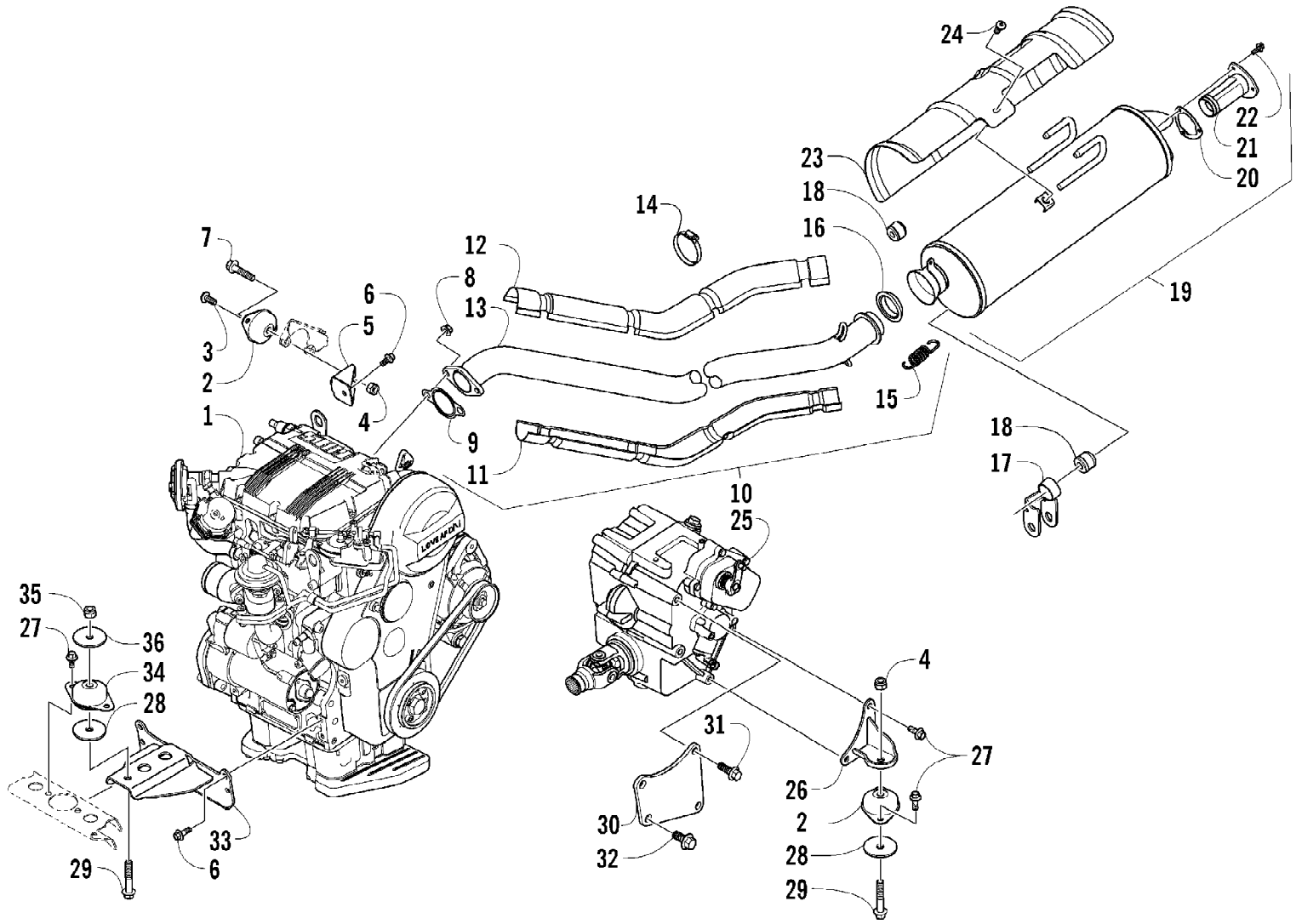
2008 ATV 700 AUTOMATIC TRANSMISSION 4X4 DIESEL GREEN (A2008TBF14DUSG) of 114  
DRIVE TRAIN ASSEMBLY



2008 ATV 700 AUTOMATIC TRANSMISSION 4X4 DIESEL GREEN (A2008TBF40USG) Page 3 of 114  
DRIVE TRAIN ASSEMBLY

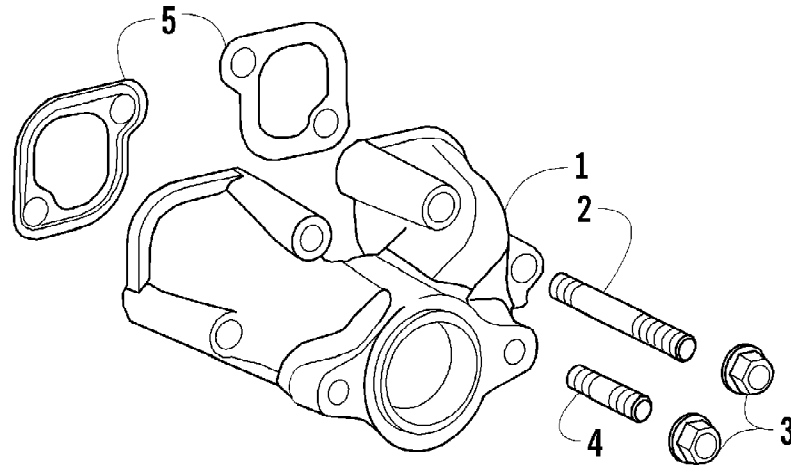
Ref #	Part Number	Qty	S/P/F	Description
1	0402-147	2	S	Bladder, Gearcase
2	0423-315	4		Clamp, Fitting
3	0423-744	4		Nut, Lock
4	0423-426	10		Washer
5	0423-404	4		Screw, Cap
6	1502-244	1		Gearcase, Front
7	0402-966	1		Boot, Shaft
8	0502-500	1		Plate, Cable
9	0423-396	2		Screw, Self-Tapping
10	1502-079	1	S	Gearcase, Rear
11	0410-048	AR	S	Hose, Vent
12	0123-788	1	/P	Cable Tie
13	0470-462	1		Fitting, Vent
14	0423-393	2		Clamp, Boot
15	0402-985	2	/P	Boot
16	0423-411	2		Clamp, Boot
17	0673-618	2	/P	Bumper, Propeller Shaft
18	1402-507	1		Shaft, Propeller
19	8408-820	4	/P	Screw, Cap
20	0402-950	1		Flange, Output
21	1402-026	1		Spring
22	0502-976	1		Shaft, Propeller
23	8409-025	3		Screw, Cap

2008 ATV 700 AUTOMATIC TRANSMISSION 4X4 DIESEL GREEN (A2008TBF14DUSG) of 114  
ENGINE AND EXHAUST



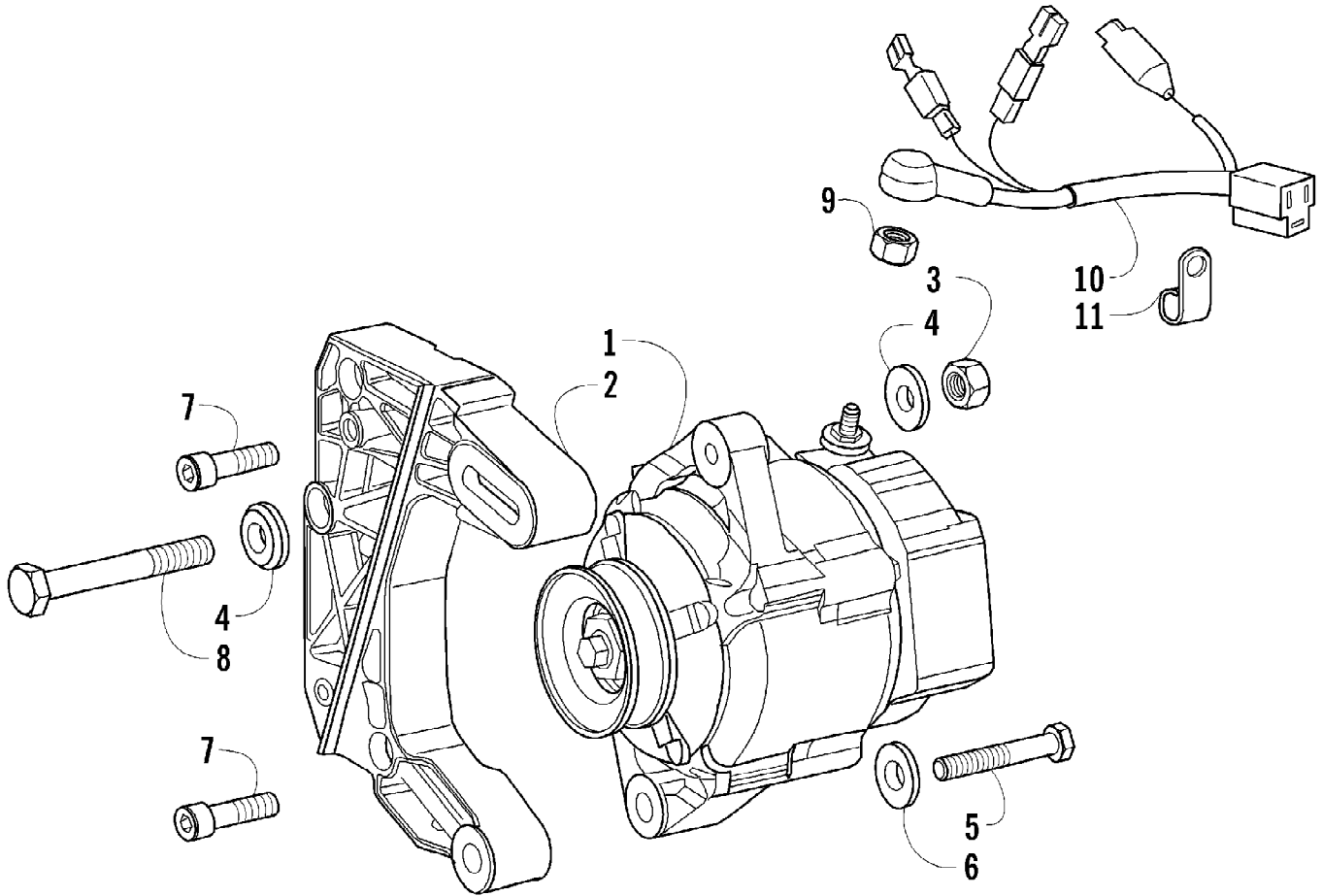
2008 ATV 700 AUTOMATIC TRANSMISSION 4X4 DIESEL GREEN (A2008TBF40USG) of 114  
ENGINE AND EXHAUST

Ref #	Part Number	Qty	S/P/F	Description
1	0463-044	1		Engine
2	2406-323	3		Mount, Engine - Rubber
3	8468-820	2		Screw, Cap
4	8422-002	3		Nut, Lock
5	2506-186	1		Mounting, Bracket - Engine
6	8408-816	5		Screw, Cap
7	0423-736	1		Screw, Cap
8	0423-687	2	S	Nut
9	3206-296	1	/P	Gasket, Exhaust Manifold
10	0512-322	1		Pipe, Exhaust - Assembly (inc. 11-14)
11	0412-386	1		Shield, Exhaust Pipe - Lower
12	0412-385	1		Shield, Exhaust Pipe - Upper
13	0512-321	1		Pipe, Exhaust
14	0423-317	4	/P	Hose Clamp
15	0612-668	2	/P	Spring
16	0412-375	1	/P	Seal, Exhaust
17	1506-732	1		Channel, Muffler Support (inc. one No. 18)
18	0412-215	3	S	Bushing
19	0512-306	1	/P	Muffler (inc. 20-22)
20	0412-313	1		Gasket, Spark Arrester
21	0512-219	1	/P	Arrester, Spark
22	8408-616	3		Screw, Cap
23	0412-373	1	/P	Cover, Muffler
24	8477-610	3		Screw, Machine
25	0502-993	1	S	Gearcase - Assembly
26	2506-190	1		Bracket, Mounting - Engine - Right
26	2506-191	1		Bracket, Mounting - Engine - Left
27	8408-820	8	/P	Screw, Cap
28	2506-061	3		Washer, Engine Mount
29	8408-055	3		Screw, Cap
30	0408-015	1		Plate, Mounting - Engine/Transmission
31	8409-030	2		Screw, Cap
32	0423-685	2		Screw, Cap
33	2506-189	1		Bracket, Mounting - Engine - Front
34	2406-322	1		Mount, Engine - Rubber
35	0423-737	1		Nut
36	0423-073	1		Washer



2008 ATV 700 AUTOMATIC TRANSMISSION 4X4 DIESEL GREEN (A2008TBF4DUSG) Page 18 of 114  
EXHAUST MANIFOLD ASSEMBLY

Ref #	Part Number	Qty	S/P/F	Description
1	3206-294	1		Manifold, Exhaust
2	3206-292	4		Stud
3	3206-293	6	/P	Nut
4	3206-297	2		Stud
5	3206-291	2		Gasket, Exhaust Manifold

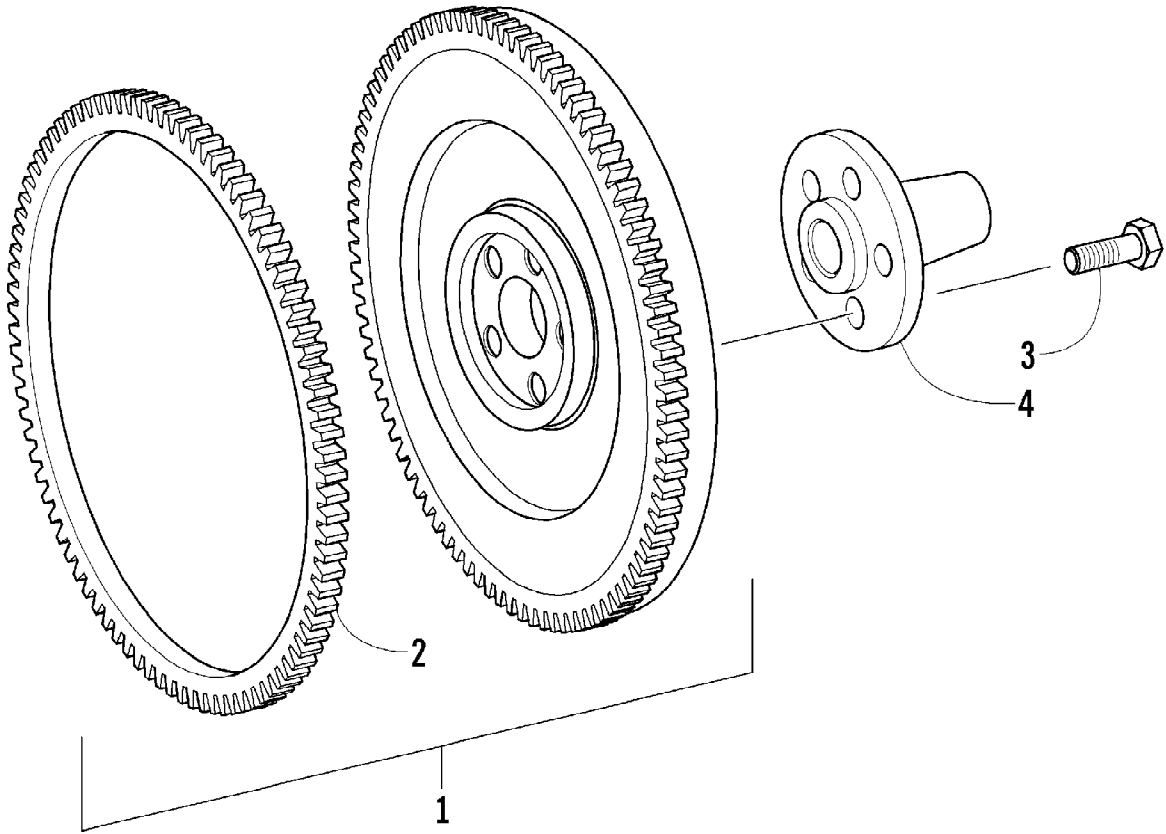


2008 ATV 700 AUTOMATIC TRANSMISSION 4X4 DIESEL GREEN (A2008TBF4DUSG) Page 4 of 114  
EXTERNAL ALTERNATOR ASSEMBLY

Ref #	Part Number	Qty	S/P/F	Description
1	3206-303	1		Alternator
2	3206-300	1		Support, Alternator
3	3206-142	1		Nut
4	3206-298	2		Washer
5	3206-301	1		Bolt
6	3206-302	1		Washer
7	3206-266	3		Screw
8	3206-299	1		Bolt
9	3206-137	1		Nut
10	3206-324	1		Wire w/Diode
11	3206-325	1		Clamp



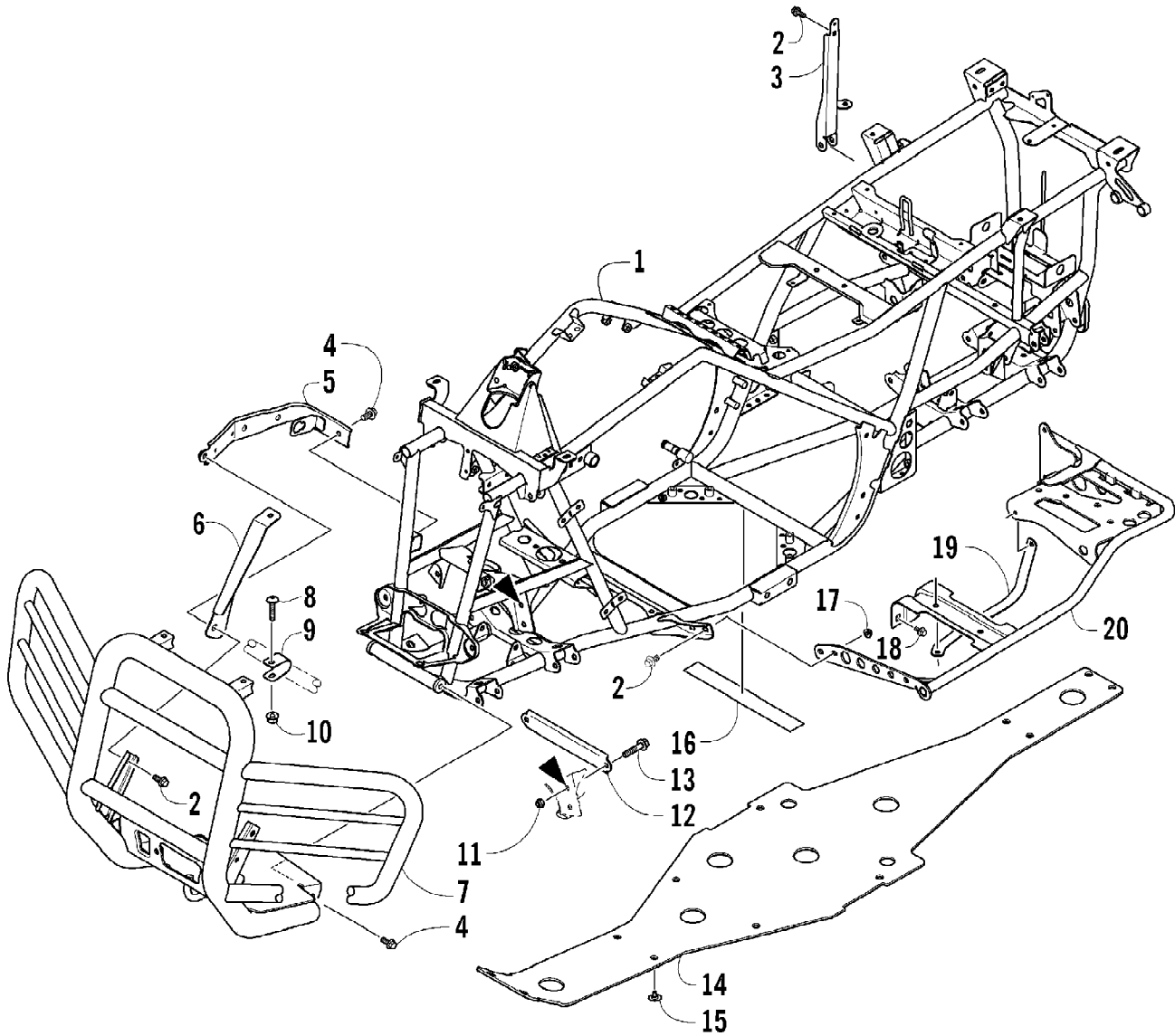
2008 ATV 700 AUTOMATIC TRANSMISSION 4X4 DIESEL GREEN (A2008TBF40USG) Page 4 of 114  
FLYWHEEL AND CROWN GEAR ASSEMBLY



2008 ATV 700 AUTOMATIC TRANSMISSION 4X4 DIESEL GREEN (A2008TBF40USG) Page 4 of 114  
FLYWHEEL AND CROWN GEAR ASSEMBLY

Ref #	Part Number	Qty	S/P/F	Description
1	3206-040	1		Flywheel (inc. 2)
2	3206-037	1		Gear, Crown
3	8409-040	5		Bolt
4	1402-560	1		Axle, Stub

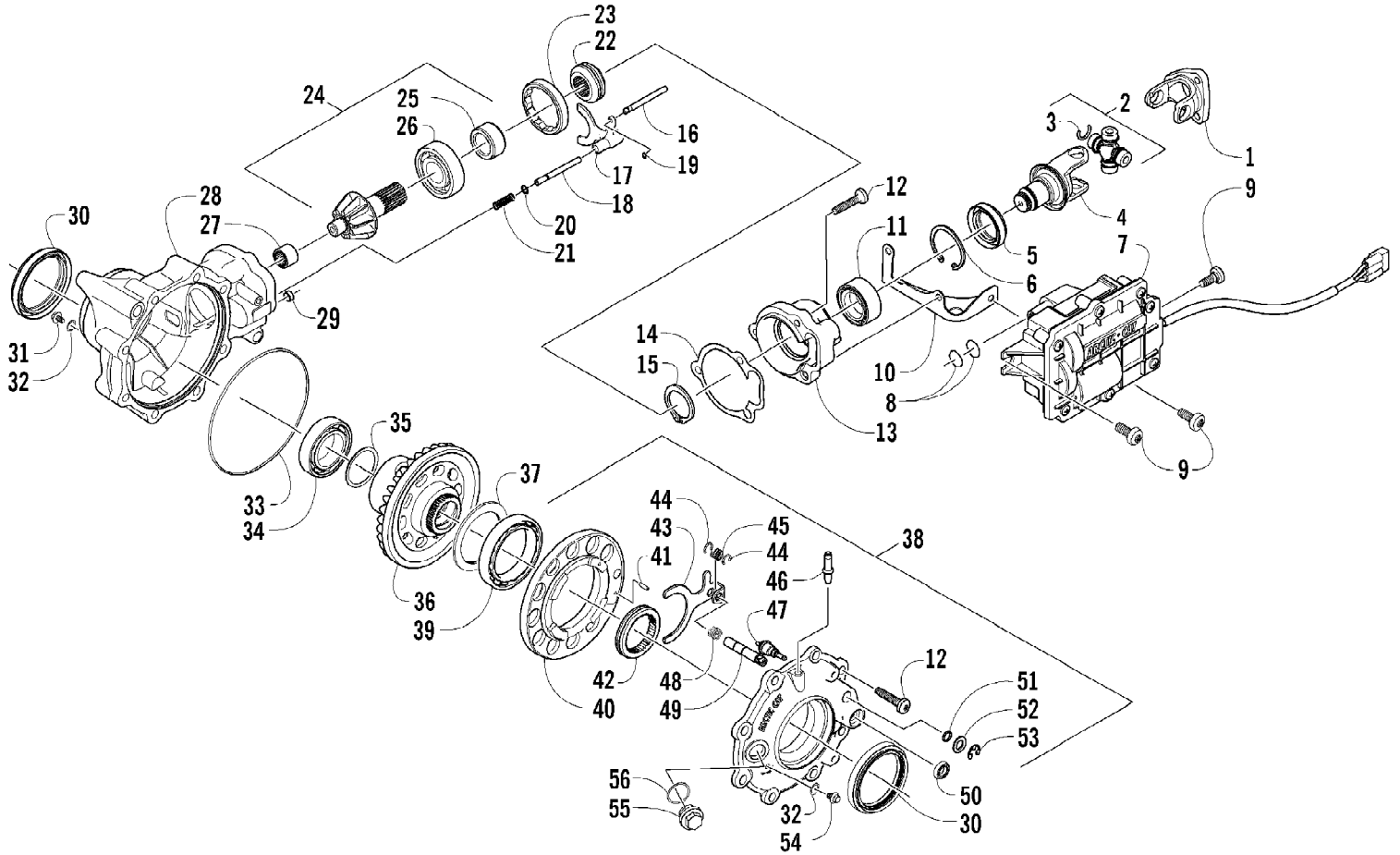
2008 ATV 700 AUTOMATIC TRANSMISSION 4X4 DIESEL GREEN (A2008TBF140USC) Page 43 of 114  
FRAME AND RELATED PARTS



2008 ATV 700 AUTOMATIC TRANSMISSION 4X4 DIESEL GREEN (A2008TBF4DUJG) of 114  
FRAME AND RELATED PARTS

Ref #	Part Number	Qty	S/P/F	Description
1	2506-568	1		Frame, Main
2	8408-816	11		Screw, Cap
3	2506-447	1		Channel, Shock Support
4	8409-020	4	/P	Screw, Cap
5	2506-813	1		Channel, Bumper Mounting - Right
5	2506-285	1		Channel, Bumper Mounting - Left
6	1506-562	1		Bracket, Mounting - Bumper - Right
6	1506-563	1		Bracket, Mounting - Bumper - Left
7	2506-421	1		Bumper
8	8468-845	2		Screw, Machine
9	1506-667	2		Strap, Bumper Support
10	8424-805	2		Nut, Lock
11	0423-744	2		Nut, Lock
12	1506-429	1	S	Brace, A-Arm
13	8409-025	2		Screw, Cap
14	2406-253	1		Panel, Belly
15	0423-101	12		Screw, Body
16	0406-289	2		Pad, Frame
17	8424-802	4		Nut, Flange
18	8409-016	3		Screw, Cap
19	2406-216	1		Strap, Footrest - Right
19	2406-217	1		Strap, Footrest - Left
20	1506-848	1		Footrest - Right
20	1506-849	1		Footrest - Left

2008 ATV 700 AUTOMATIC TRANSMISSION 4X4 DIESEL GREEN (A2008TBF14DUSG) of 114  
FRONT DRIVE GEARCASE ASSEMBLY



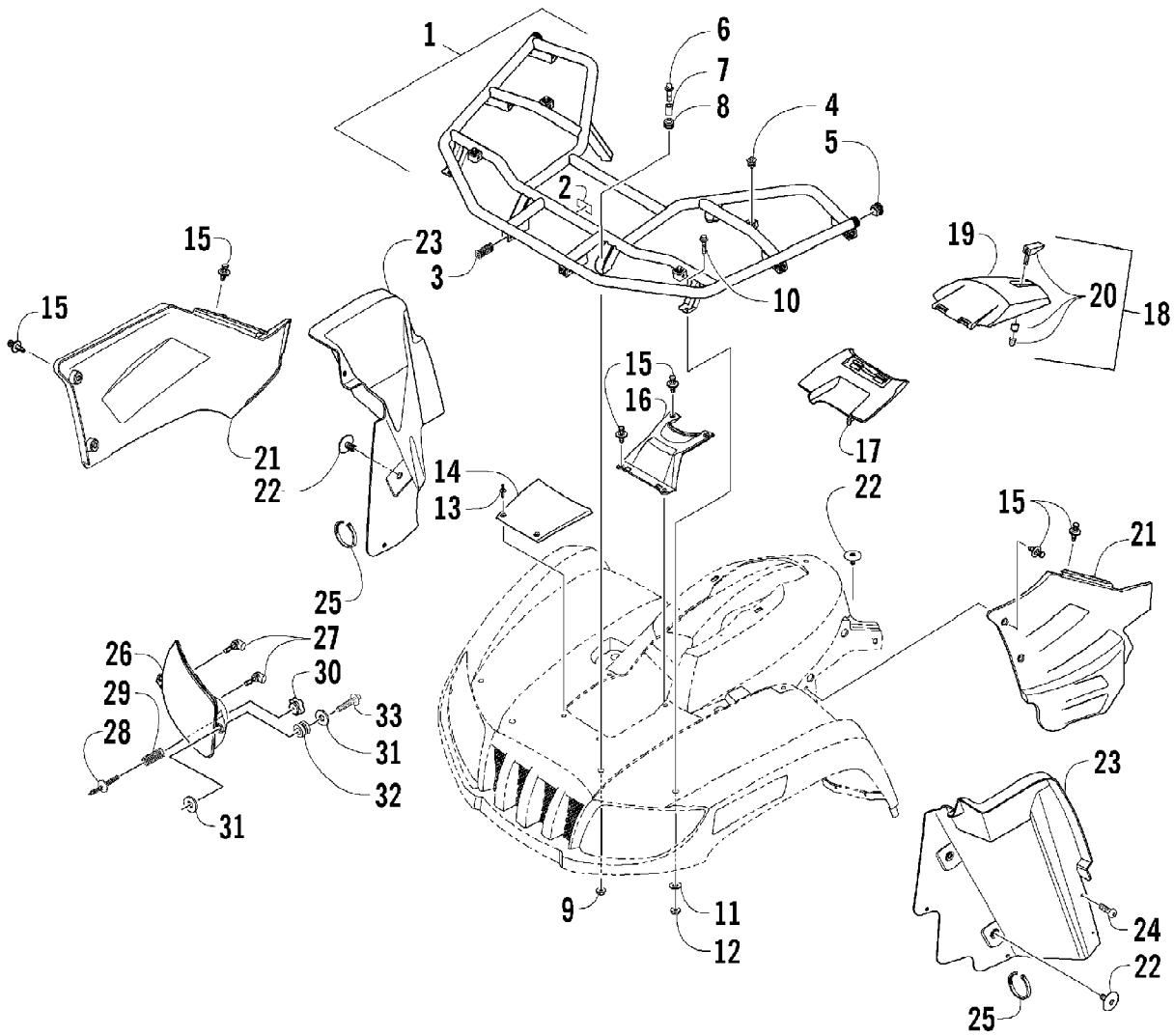
2008 ATV 700 AUTOMATIC TRANSMISSION 4X4 DIESEL GREEN (A2008TBF4DU46) of 114  
FRONT DRIVE GEARCASE ASSEMBLY

Ref #	Part Number	Qty	S/P/F	Description
	1502-244	1		Complete Front Drive Gearcase
1	1402-369	1		Yoke, Flange
2	1402-164	1	/P	Joint, Universal - Set (inc. 3)
3	0423-450	4		Retainer
4	0502-517	1		Yoke, Front End - Assembly
5	1402-011	1		Seal
6	0423-423	1		Ring, Retaining
7	0502-579	1		Actuator (inc. one No. 8)
8	0423-498	2	S	O-Ring
9	0423-396	3		Screw, Self-Tapping
10	0502-347	1		Bracket, Actuator
11	1402-043	1		Bearing
12	0423-118	11		Screw, Self-Tapping
13	0502-528	1	/P	Housing, Pinion
14	0402-947	1		Gasket, Flange
15	0423-417	1		Ring, Retaining
16	0402-997	1		Shaft, Selector
17	0402-998	1		Fork, Selector
18	0402-417	1		Shaft, Shuttle
19	0423-402	1		Ring, Retaining
20	0423-147	1		O-Ring
21	0402-999	1		Spring, Return
22	0402-413	1		Coupler, Drive
23	0402-357	1		Collar, Lock
24	0502-783	1		Gear, Pinion - Assembly - 10T (inc. 25-26)
25	0402-336	1		Collar, Retaining
26	0402-327	1		Bearing
27	0402-328	1		Bearing
28	0502-514	1		Housing, Gearcase
29	0402-411	1		Pin, Dowel
30	1402-441	2	S	Seal
31	1402-210	1	/P	Plug, Magnetic (inc. one No. 32)
32	0423-153	2		O-Ring
33	0423-149	1		O-Ring
34	0402-393	1		Bearing
35	0402-405	AR		Shim
35	0402-406	AR		Shim
35	0402-407	AR		Shim
35	0402-408	AR		Shim
35	0402-409	AR		Shim
36	1502-234	1	S	Gear, Ring - 36T
37	1402-074	AR		Shim
37	1402-075	AR		Shim
37	1402-076	AR		Shim
37	1402-077	AR		Shim
37	1402-078	AR		Shim
38	1502-097	1		Cover, Gearcase (inc. one No. 30, one No. 32, and 39-54)
39	1402-053	1		Bearing
40	0502-413	1		Flange, Bearing
41	1402-079	1		Pin, Parallel
42	1402-042	1		Collar, Sliding

2008 ATV 700 AUTOMATIC TRANSMISSION 4X4 DIESEL GREEN (A2008TBF40USG) Page 4 of 114  
 FRONT DRIVE GEARCASE ASSEMBLY

Ref #	Part Number	Qty	S/P/F	Description
43	1402-054	1		Fork
44	1402-058	2		Ring, Retaining
45	1402-057	1		Spring
46	1402-104	1		Fitting
47	0402-419	1		Switch, Indicator
48	1402-063	1		Spring
49	1402-055	1		Shaft, Lock
50	1402-056	1		Seal
51	0423-133	1		O-Ring
52	0423-132	1		Washer
53	0423-424	1		Ring, Retaining
54	1402-211	1		Plug, Oil Level (inc. one No. 32)
55	0402-333	1	/P	Plug, Fill (inc. 56)
56	0423-154	1		O-Ring

2008 ATV 700 AUTOMATIC TRANSMISSION 4X4 DIESEL GREEN (A2008TBF40USC) of 114  
FRONT RACK AND HEADLIGHT ASSEMBLIES

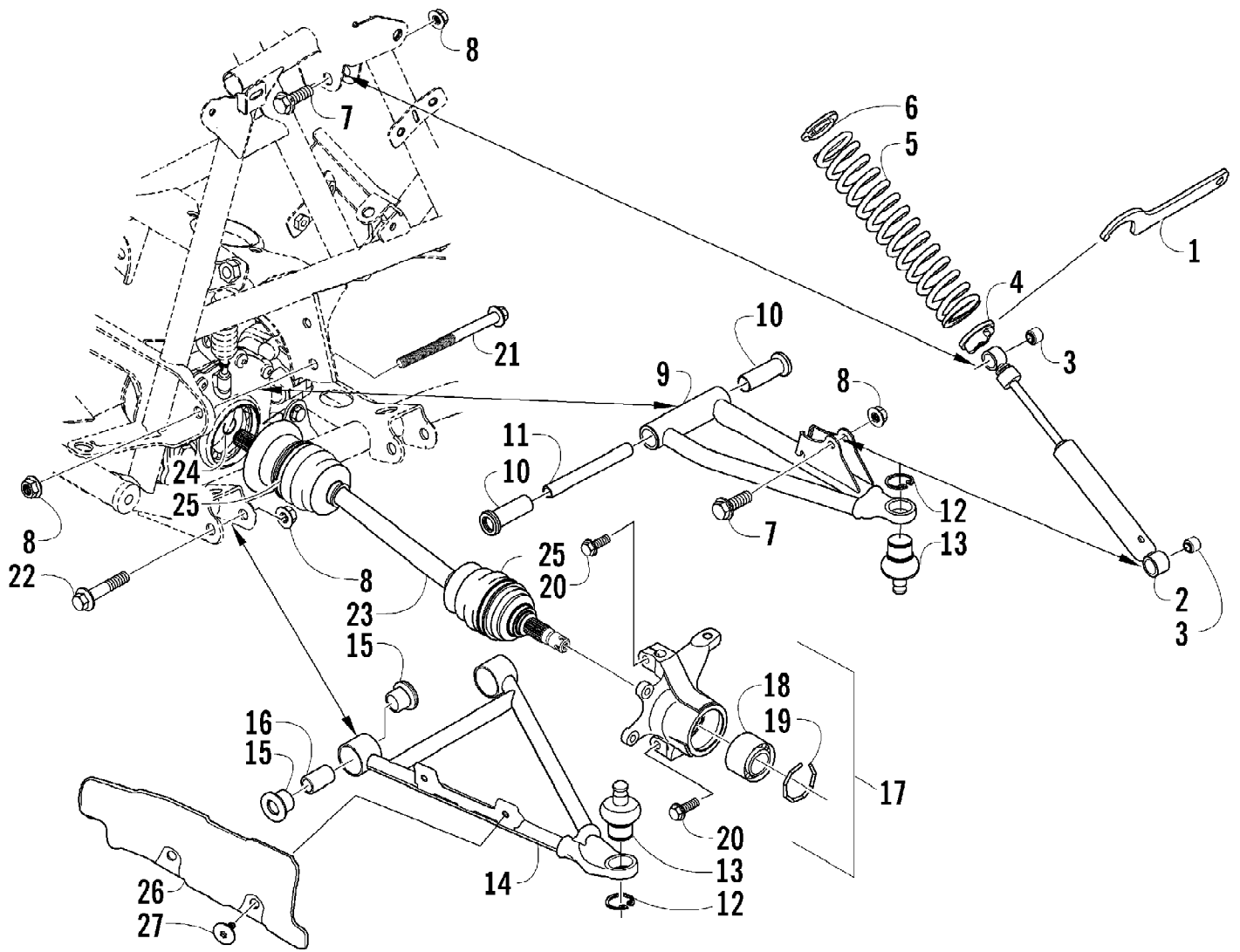




2008 ATV 700 AUTOMATIC TRANSMISSION 4X4 DIESEL GREEN (A2008TBF4DU3G) Page 48 of 114  
FRONT RACK AND HEADLIGHT ASSEMBLIES

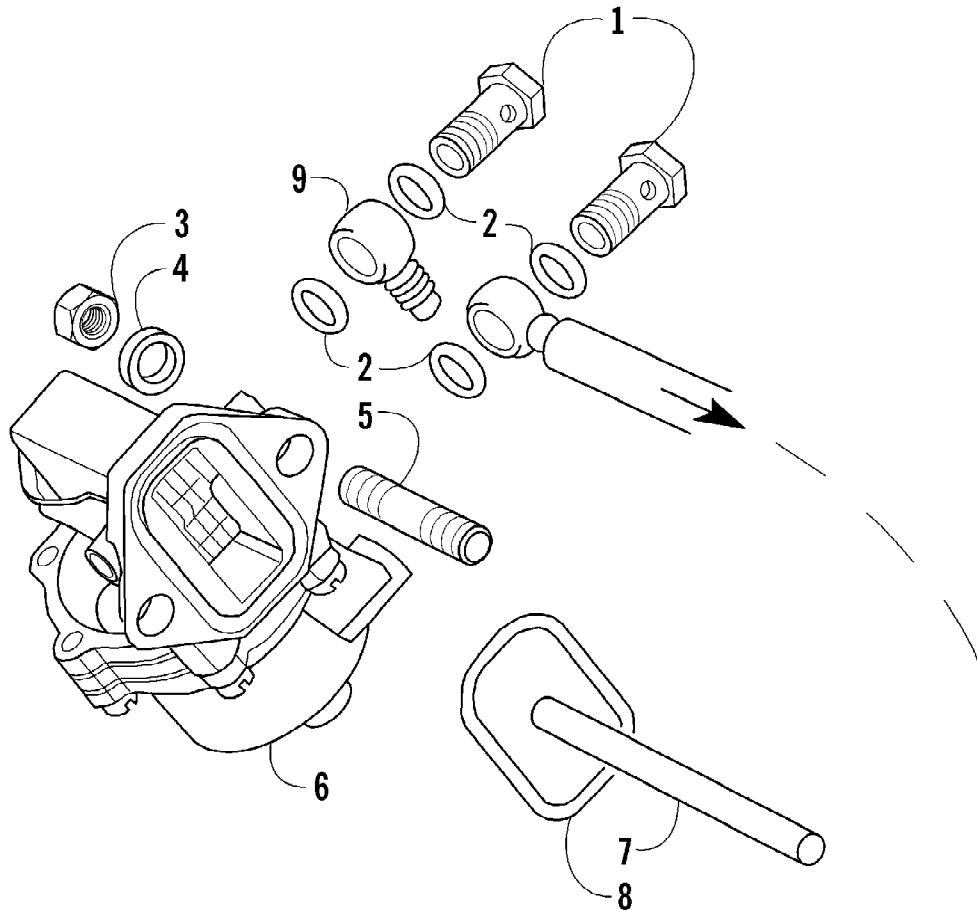
Ref #	Part Number	Qty	S/P/F	Description
1	1506-883	1		Rack - Front - Assembly (inc. 2-5)
2	0411-576	1		Decal, Warning - Front Rack Load
3	2406-014	6		Bushing, Rack
4	0441-592	4	/P	Bushing, Rack
5	1441-049	2		Plug, Rack
6	8410-830	4		Screw, Cap
7	0423-669	4		Spacer
8	0423-465	4		Grommet
9	8432-802	4		Nut, Lock
10	0423-654	2		Screw, Shoulder
11	8050-222	2	/P	Washer
12	0423-540	2		Nut, Lock
13	0423-535	2		Rivet, Reinstallable
14	1406-358	1		Cover, Access
15	0623-362	12		Rivet, Reinstallable
16	1406-484	1		Cover, Steering Post
17	0470-513	1		Cover, Storage Box
18	2506-234	1		Lid, Storage Box w/Latch (inc. 19-20)
19	0470-514	1		Lid, Storage Box
20	1406-599	1		Latch, Storage Box
21	2406-404	1		Panel, Side - Lower - Right
21	2406-405	1		Panel, Side - Lower - Left
22	0423-101	5		Screw, Body
23	2506-434	1		Panel, Splash - Right
23	2506-383	1	/P	Panel, Splash - Left
24	0423-342	2	/P	Screw, Self-Tapping
25	0123-788	AR	/P	Cable Tie - 7.5 in.
26	0509-034	1	S	Headlight Assembly - Right (inc. 27)
26	0509-035	1		Headlight Assembly - Left (inc. 27)
27	0409-055	4		Bulb, Headlight
28	0423-514	2		Stud, Adjuster - Headlight
29	0423-522	2		Spring, Adjuster
30	0423-513	2		Knob, Adjuster
31	8050-217	8	/P	Washer
32	0423-447	4		Grommet
33	0623-785	4		Screw, Self-Tapping

2008 ATV 700 AUTOMATIC TRANSMISSION 4X4 DIESEL GREEN (A2008TBF40USG) of 114  
FRONT SUSPENSION ASSEMBLY



2008 ATV 700 AUTOMATIC TRANSMISSION 4X4 DIESEL GREEN (A2008TBF40USG) of 114  
FRONT SUSPENSION ASSEMBLY

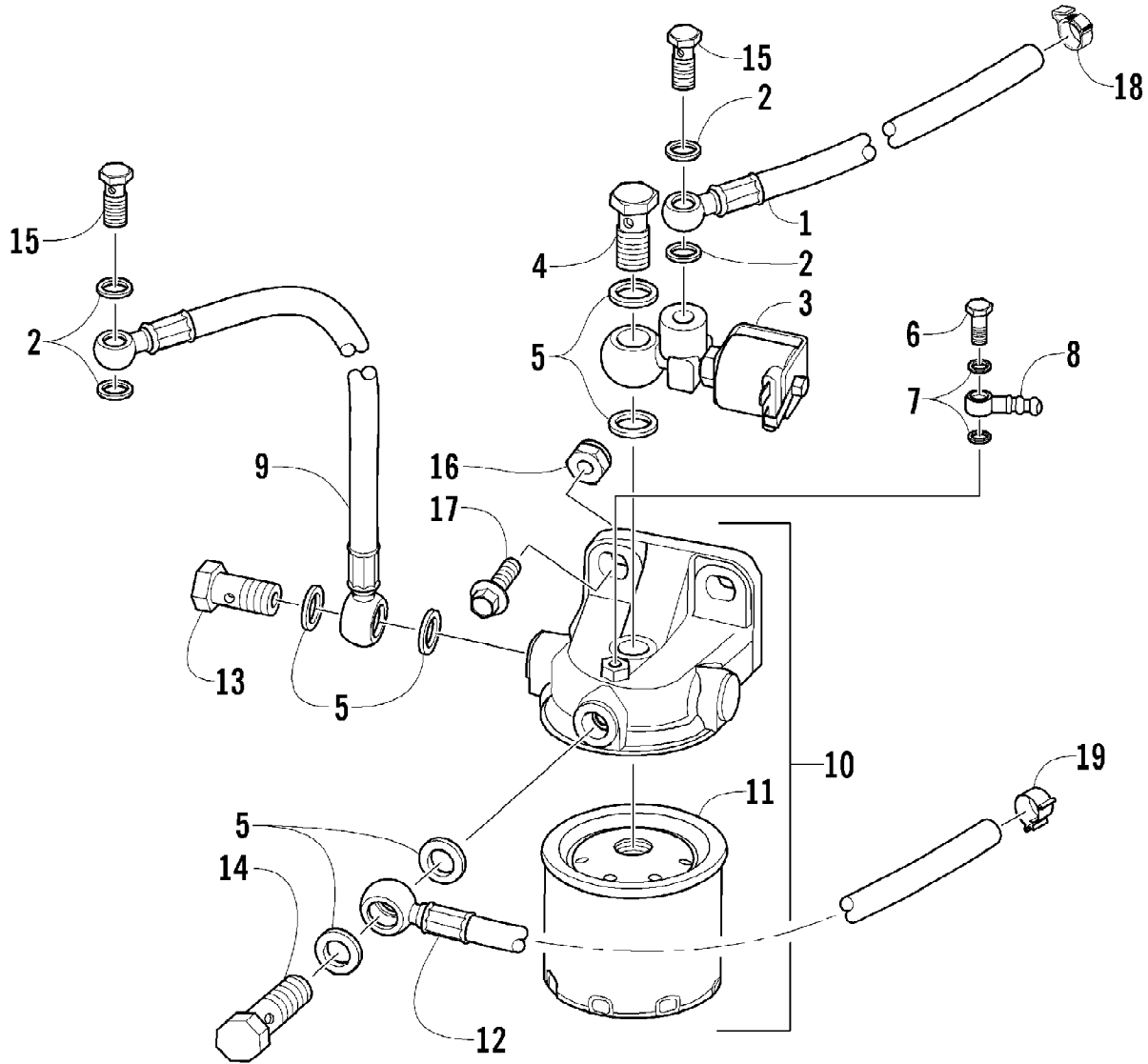
Ref #	Part Number	Qty	S/P/F	Description
1	0441-587	1		Wrench, Spanner
2	0403-176	2		Shock Absorber - Front (inc. 3)
3	0403-182	4		Bushing, Double-Bonded
4	0403-102	2		Cam, Spring Adjuster
5	0403-173	2		Spring, Shock Absorber
6	1603-889	2	/P	Retainer, Spring
7	8409-040	4		Screw, Cap
8	8428-002	10		Nut, Lock
9	0503-196	1	S	A-Arm, Upper Right (inc. 10-13)
9	0503-197	1		A-Arm, Upper Left (inc. 10-13)
10	0403-081	4	S	Bushing
11	0403-080	2		Collar
12	0423-009	4	/P	Clip, Ball Joint
13	0405-115	4	/P	Ball Joint - Front
14	0503-334	1	S	A-Arm, Lower Right (inc. 12-13 and 15-16)
14	0503-335	1	S	A-Arm, Lower Left (inc. 12-13 and 15-16)
15	0403-115	8	S	Bushing
16	0403-114	4	S	Collar
17	0505-460	1		Knuckle - Assembly - Right (inc. 18-19)
17	0505-461	1	S	Knuckle - Assembly - Left (inc. 18-19)
18	1402-027	2	S/P	Bearing, Wheel Hub
19	0423-423	2		Ring, Retaining
20	8409-030	4		Screw, Cap
21	0423-334	2		Screw, Cap
22	8409-075	4		Screw, Cap
23	0502-812	1	S	Axle, Drive - Front - Right (inc. 24-25)
23	0502-813	1	S	Axle, Drive - Front - Left (inc. 24-25)
24	1441-109	2	S	Clip, Retaining
25	0436-276	2	S	Repair Kit, Boot
26	1441-002	1		Guard, Boot - Right
26	1441-003	1		Guard, Boot - Left
27	0423-545	4	/P	Screw, Body



2008 ATV 700 AUTOMATIC TRANSMISSION 4X4 DIESEL GREEN (A2008TBF4DUSG) Page 53 of 114  
 FUEL FEED PUMP AND PUSH ROD ASSEMBLIES

Ref #	Part Number	Qty	S/P/F	Description
1	3206-009	2		Bolt, Banjo-Fitting
2	3206-010	4		Washer, Crush
3	3206-245	2		Nut
4	3206-234	2		Washer
5	3206-254	2		Stud
6	3206-255	1		Pump
7	3206-257	1		Rod, Push
8	3206-256	1		O-Ring
9	3206-258	1		Banjo-Fitting

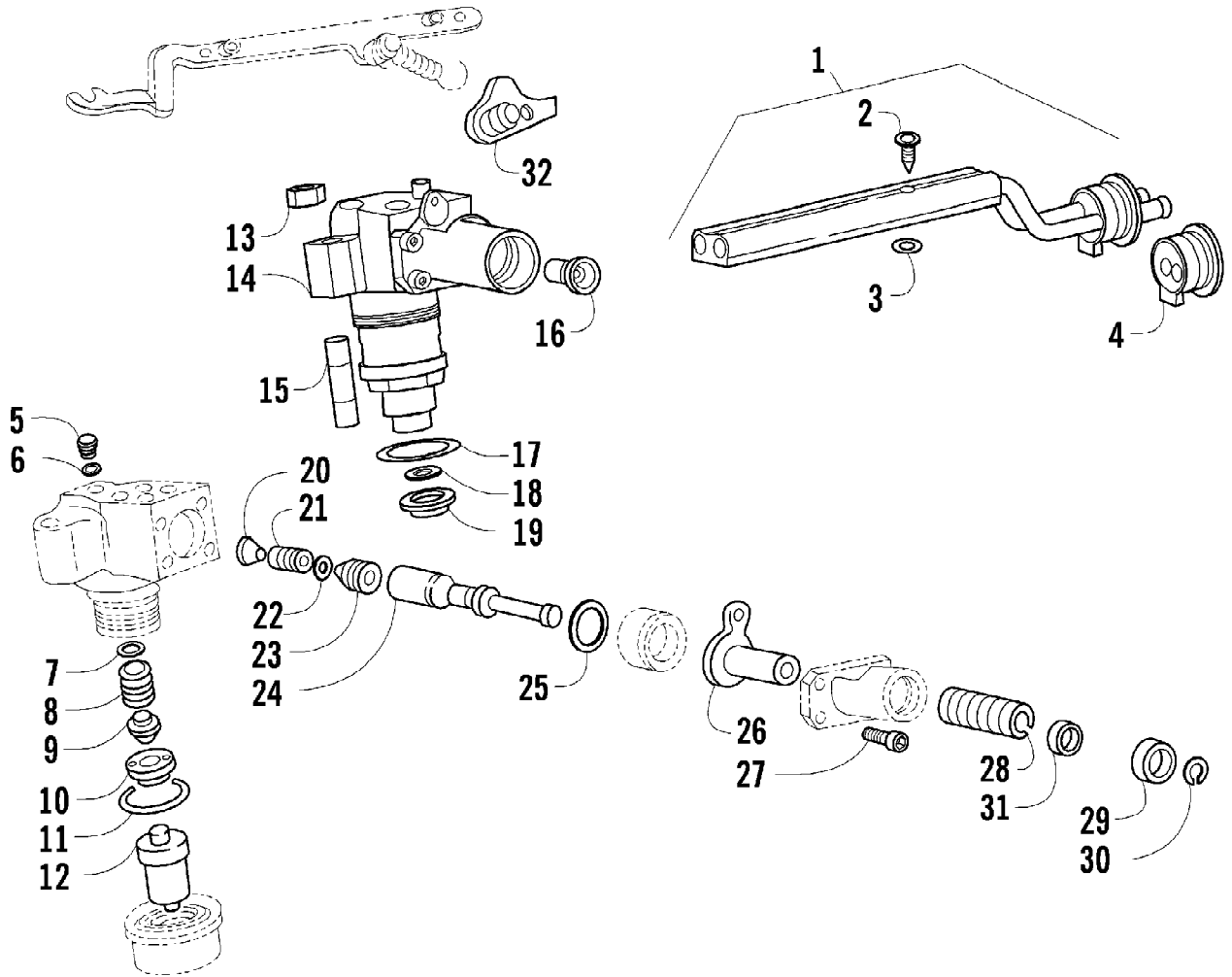
2008 ATV 700 AUTOMATIC TRANSMISSION 4X4 DIESEL GREEN (A2008TBF40USG) Page 5 of 114  
FUEL FILTER, ELECTRO-VALVE, AND HOSES ASSEMBLY



2008 ATV 700 AUTOMATIC TRANSMISSION 4X4 DIESEL GREEN (A2008TBF4DUSG) Page 5 of 114  
FUEL FILTER, ELECTRO-VALVE, AND HOSES ASSEMBLY

Ref #	Part Number	Qty	S/P/F	Description
1	3206-014	1		Hose, Fuel
2	3206-010	4		Washer, Crush
3	3206-002	1		Electro-Valve
4	3206-003	1		Cap, Filler
5	3206-004	6		Washer, Crush
6	3206-006	1		Bolt, Banjo-Fitting
7	3206-007	2		Gasket
8	3206-008	1		Banjo-Fitting
9	3206-015	1		Hose, Fuel
10	3206-001	1		Fuel Filter - Assembly (inc. 11)
11	3206-012	1		Fuel Filter
12	3206-013	1		Hose, Fuel
13	3206-011	1		Bolt, Banjo-Fitting
14	3206-005	1		Bolt, Banjo-Fitting w/Valve
15	3206-009	2		Bolt, Banjo-Fitting
16	8432-802	2		Nut, Lock
17	8408-825	2		Screw, Cap
18	0124-045	1	/P	Clamp, Hose
19	0423-670	1		Clamp, Hose

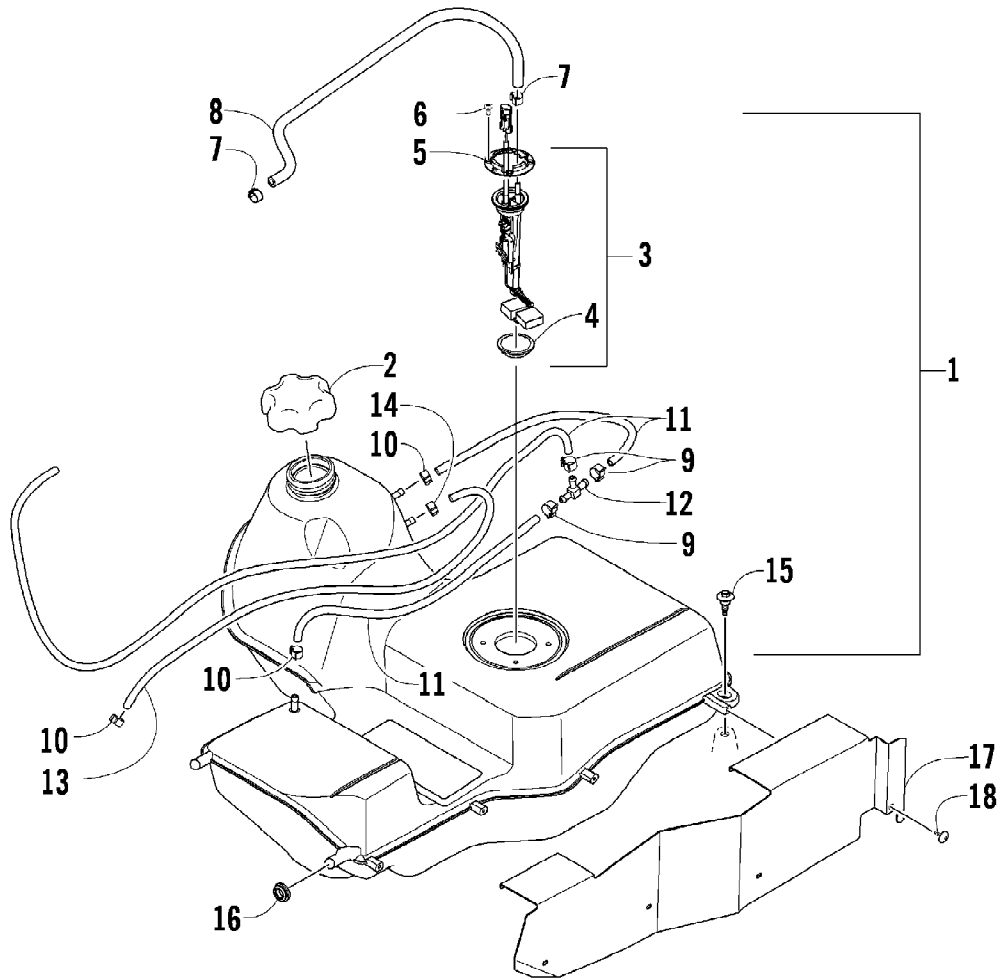
2008 ATV 700 AUTOMATIC TRANSMISSION 4X4 DIESEL GREEN (A2008TBF4DUSG) of 114  
FUEL SYSTEM INJECTION PUMP ASSEMBLY





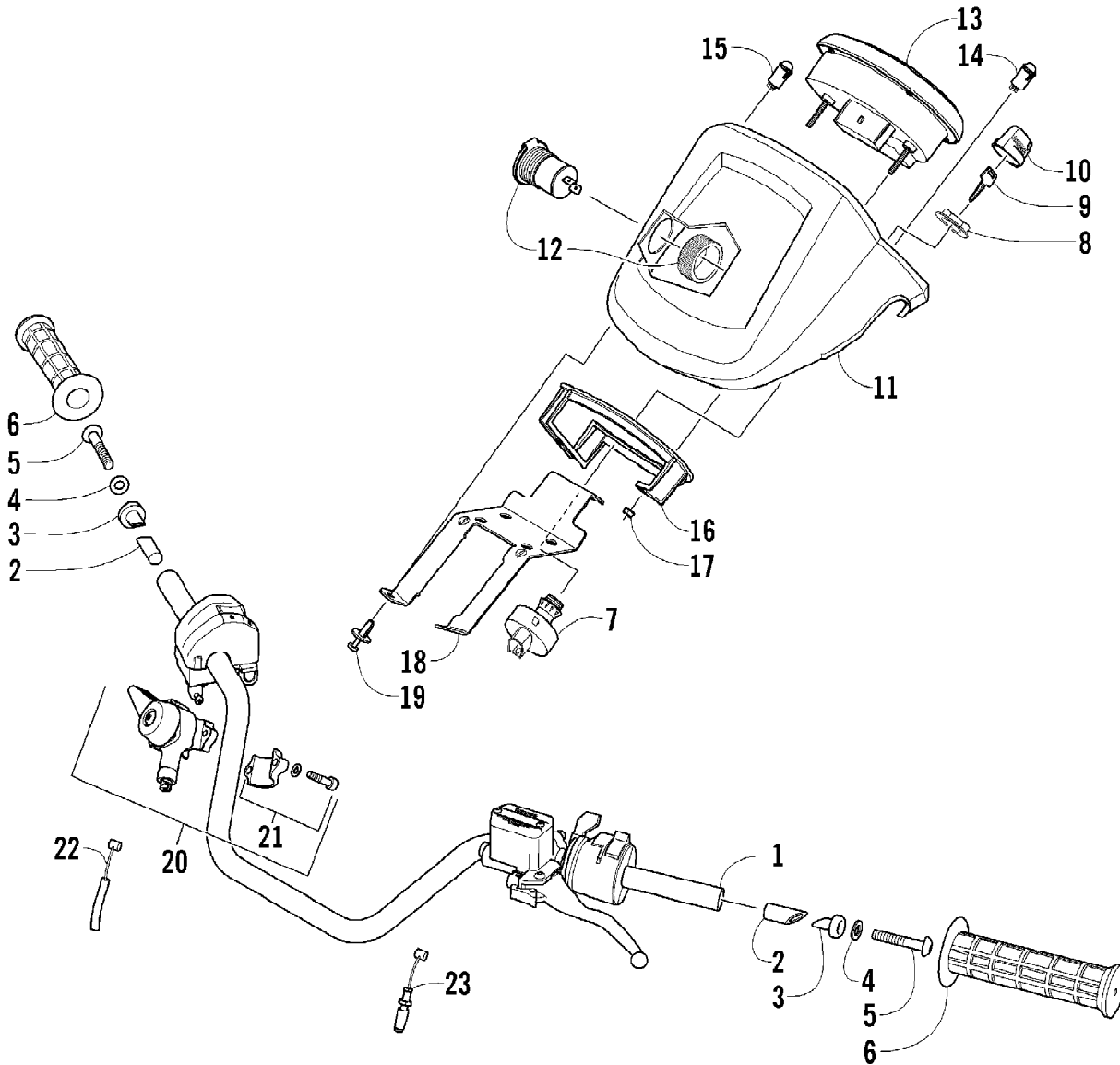
2008 ATV 700 AUTOMATIC TRANSMISSION 4X4 DIESEL GREEN (A2008TBF4DUSG) of 114  
 FUEL SYSTEM INJECTION PUMP ASSEMBLY

Ref #	Part Number	Qty	S/P/F	Description
1	3206-092	1		Pipe, Delivery (inc. 2-4)
2	3206-093	4		Screw, Fit
3	3206-095	4		Seal, Ring
4	3206-094	1		Seal, Delivery Pipe
5	3206-098	2		Valve, Bleed
6	3206-126	2		Gasket
7	3206-103	2		Spacer - 2.00
7	3206-104	2		Spacer - 1.90
7	3206-105	2		Spacer - 1.80
7	3206-106	2		Spacer - 1.70
7	3206-107	2		Spacer - 1.60
7	3206-108	2		Spacer - 1.50
7	3206-109	2		Spacer - 1.40
7	3206-110	2		Spacer - 1.30
7	3206-111	2		Spacer - 1.20
7	3206-112	2		Spacer - 1.10
7	3206-113	2		Spacer - 1.00
8	0	1	F	Spring, Pressure
9	3206-114	2		Drive Rod
10	3206-115	2		Spacer
11	3206-125	2		O-Ring
12	3206-123	2		Nozzle
13	3206-245	4		Nut
14	3206-102	2		Pump, Injection - Nozzle
15	3206-097	4		Stud
16	3206-133	2		Tappet
17	3206-122	2		O-Ring
18	3206-124	2		Gasket, Copper
19	3206-059	2		Arrester, Spark
20	3206-116	2		Filler
21	3206-099	2		Spring, Delivery Valve
22	3206-117	2		Gasket, Valve
23	3206-100	2		Valve, Delivery
24	0	1	F	Plunger, Injection
25	3206-118	1		O-Ring
26	3206-119	2		Sleeve
27	3206-120	8		Screw
28	3206-101	2		Spring, Tappet
29	0	1	F	Push Rod
30	3206-121	2		Circlip
31	3206-375	1		Retainer, Lower
32	3206-127	1		Plate, Locking



2008 ATV 700 AUTOMATIC TRANSMISSION 4X4 DIESEL GREEN (A2008TBF40USG) Page 53 of 114  
 FUEL TANK ASSEMBLY

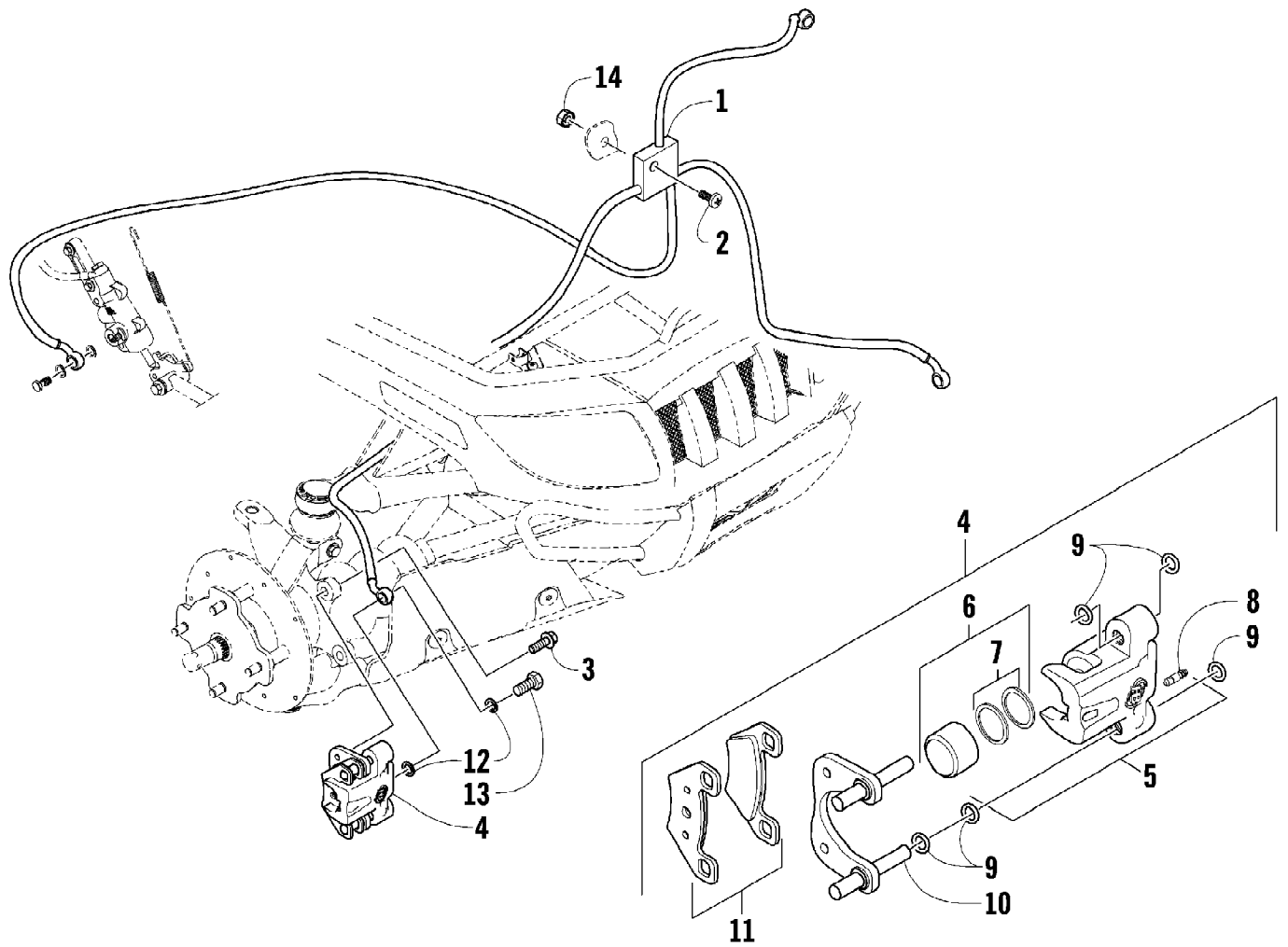
Ref #	Part Number	Qty	S/P/F	Description
1	0570-214	1		Tank, Fuel - Assembly w/Straps (inc. 2-6)
2	0470-653	1		Cap, Fuel Tank
3	0570-228	1	/P	Sensor, Fuel Level (inc. 4)
4	0470-521	1		Seal, Fuel Level Sensor
5	0470-639	1	/P	Plate, Mounting - Fuel Level Sensor
6	1623-158	4		Screw, Plastite
7	0423-689	2		Clamp, Hose
8	0410-143	AR		Hose, Fuel - 25 ft
9	0423-670	3		Clamp, Hose
10	0423-688	4		Clamp, Hose
11	0410-070	AR	/P	Hose, Fuel - 25 ft
12	0109-332	1		Fitting, T
13	0410-142	AR		Hose, Fuel - 25 ft
14	0423-732	2		Screw, Mounting - Fuel Tank
15	0623-038	2		Nut, Hex
16	0423-460	2		Grommet
17	0470-715	1		Shield, Fuel Tank
18	0623-797	4		Screw, Self-Tapping



2008 ATV 700 AUTOMATIC TRANSMISSION 4X4 DIESEL GREEN (A2008TBF40USG) of 114  
HANDLEBAR ASSEMBLY

Ref #	Part Number	Qty	S/P/F	Description
1	0505-476	1		Tube, Handlebar
2	0405-218	2		Plug, Handlebar
3	0405-149	2		End Cap, Handlebar
4	8050-247	2	/P	Washer
5	8477-845	2		Screw, Machine
6	0405-147	2		Grip, Handlebar
7	0430-069	1	S	Switch, Ignition - Assembly (inc. 8-10)
8	0430-050	1		Nut, Flange - Ignition Switch
9	0430-042	1		Key, Ignition (Y Series - Left-Side Cut)
9	0430-043	1		Key, Ignition - Blank (Z Series - Right-Side Cut)
10	0430-054	1		Cover, Key
11	0505-501	1		Instrument Pod
12	0641-897	1	/P	Outlet, Accessory - 12V
13	0520-024	1		Gauge, LCD
14	0420-074	1		Light, Indicator - Glow Plug
15	0420-075	1		Light, Indicator - Battery
16	0420-065	1	/P	Clamp, Plastic
17	0423-493	2		Nut w/Washer
18	2506-470	1		Bracket, Mounting - Instrument Pod
19	0423-535	2		Rivet, Reinstallable
20	0502-527	1		Control, Differential Lock (inc. 21)
21	0502-613	1		Clamp, Differential Lock Control - Kit
22	0487-050	1	/P	Cable, Differential Lock
23	0487-044	1		Cable, Throttle

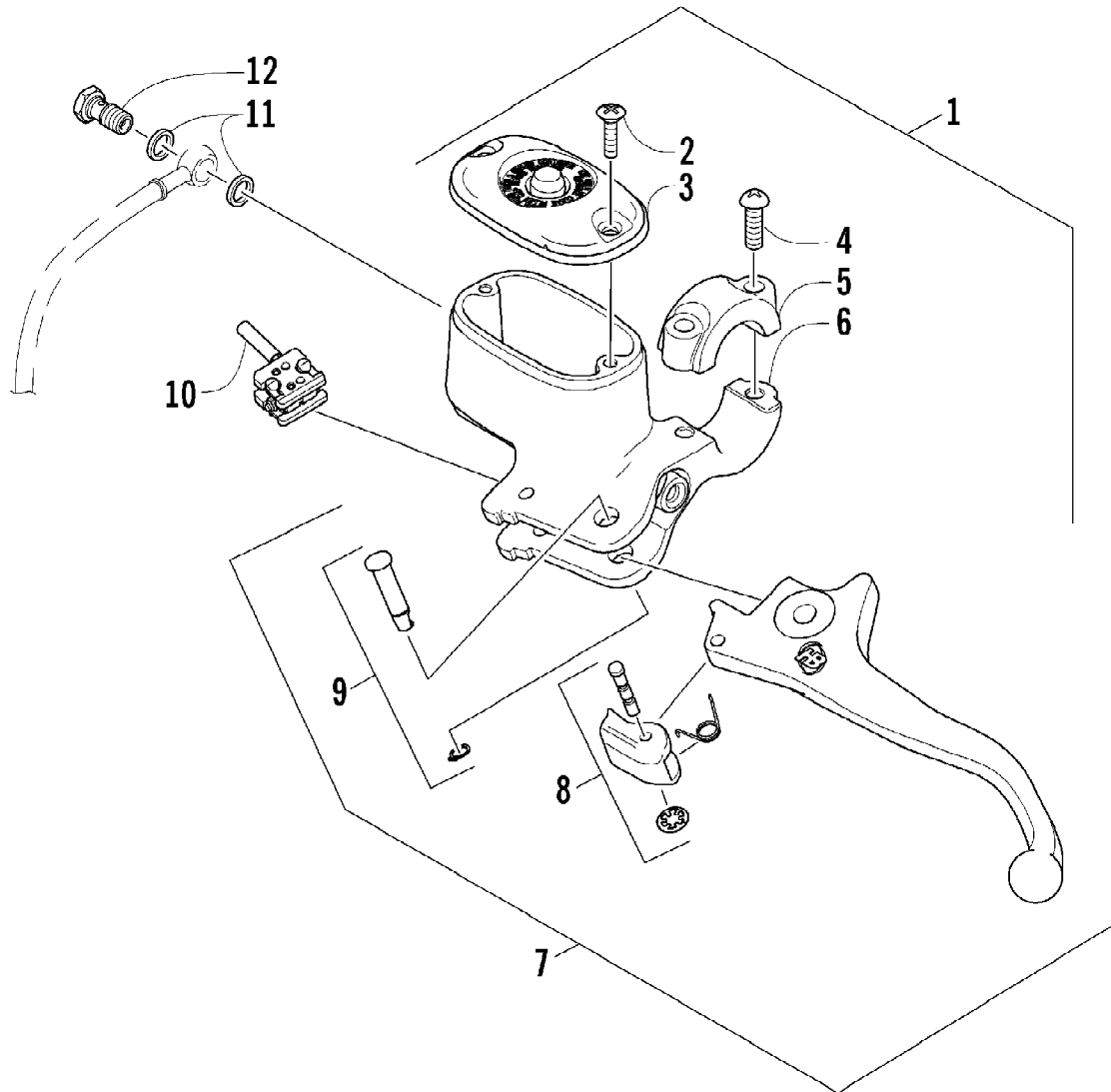
2008 ATV 700 AUTOMATIC TRANSMISSION 4X4 DIESEL GREEN (A2008TBF14DUSZ) of 114  
HYDRAULIC BRAKE ASSEMBLY



2008 ATV 700 AUTOMATIC TRANSMISSION 4X4 DIESEL GREEN (A2008TBF4DUSG) Page 13 of 114  
 HYDRAULIC BRAKE ASSEMBLY

Ref #	Part Number	Qty	S/P/F	Description
1	1502-015	1		Hose, Brake - Assembly
2	8476-625	1		Screw, Cap
3	8408-821	4	/P	Screw, Cap
4	0502-878	1	S	Caliper, Brake - Right Front (inc. 5-11)
4	0502-879	1	S	Caliper, Brake - Left Front (inc. 5-11)
5	0502-603	1	S	Housing, Caliper - Assembly - Right Front (inc. 6-8)
5	0502-611	1	S	Housing, Caliper - Assembly - Left Front (inc. 6-8)
6	0502-606	2		Piston/Seal Set (inc. 7)
7	0502-607	2		Seal Set
8	0502-609	2	/P	Valve, Bleed
9	0502-608	2		O-Ring, Guide - Set
10	0502-605	2		Bracket Assembly
11	0502-875	2	S	Pad, Brake - Set
12	0423-178	4		Washer, Crush
13	0423-413	2		Bolt, Banjo-Fitting
14	0623-038	1		Nut, Lock

2008 ATV 700 AUTOMATIC TRANSMISSION 4X4 DIESEL GREEN (A2008TBF4DUSC) of 114  
HYDRAULIC HAND BRAKE ASSEMBLY

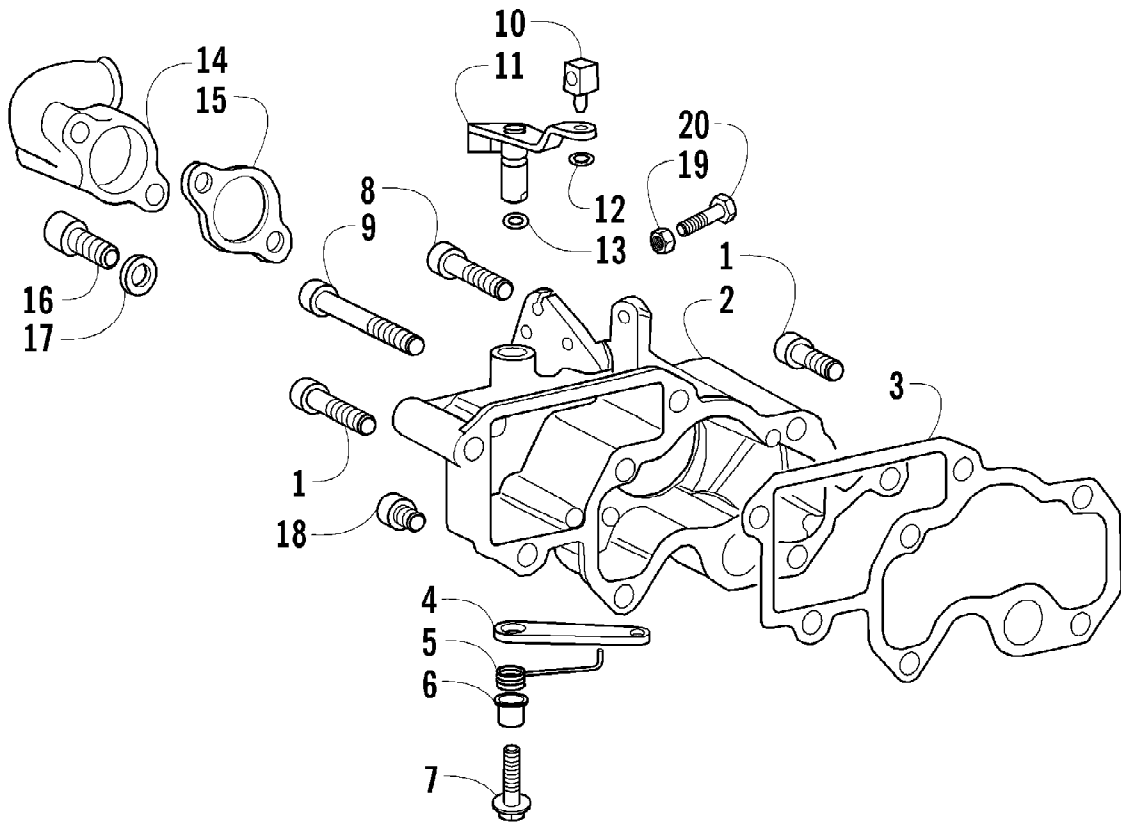




2008 ATV 700 AUTOMATIC TRANSMISSION 4X4 DIESEL GREEN (A2008TBF4DUSG) Page 53 of 114  
HYDRAULIC HAND BRAKE ASSEMBLY

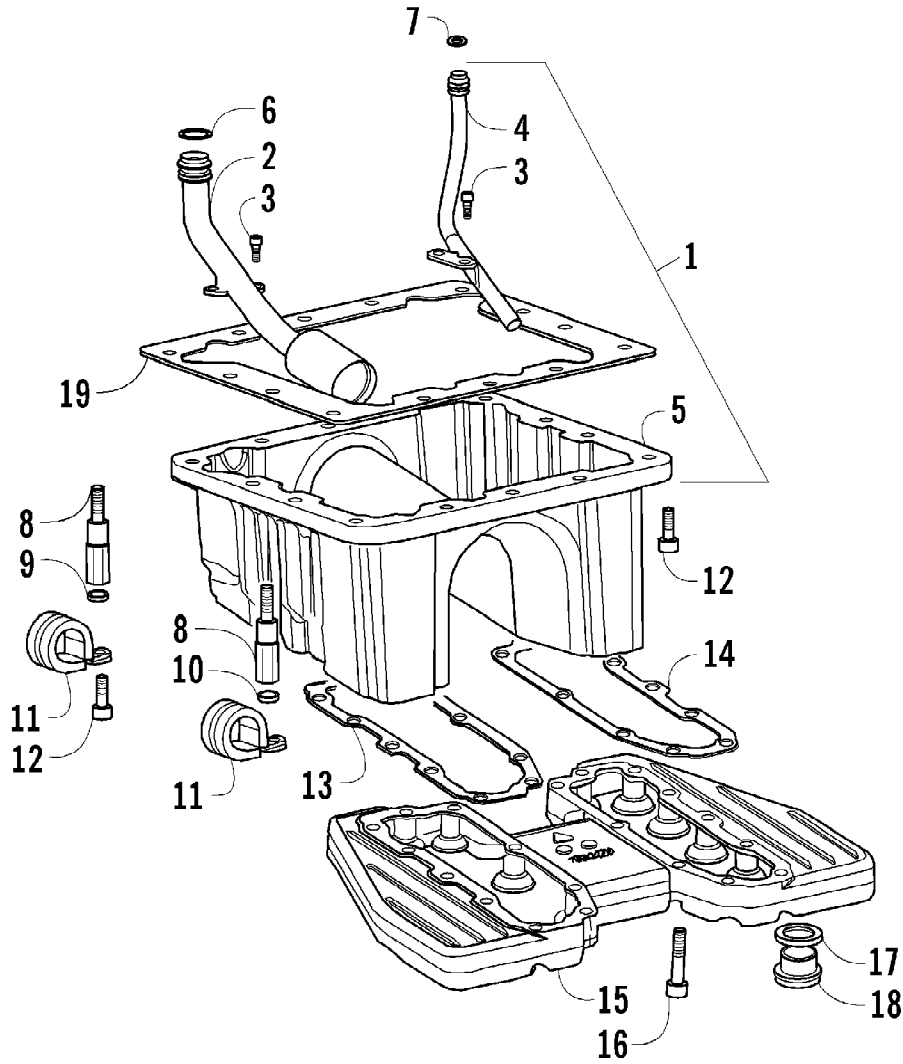
Ref #	Part Number	Qty	S/P/F	Description
1	0502-914	1	S	Brake Assembly (inc. 2-10)
2	0502-566	1		Screw, Reservoir Cover
3	0502-868	1	/P	Cover, Reservoir
4	0502-568	1		Screw, Master Cylinder Clamp
5	0502-869	1		Clamp, Master Cylinder
6	0502-704	1		Master Cylinder Assembly
7	0502-866	1		Lever Assembly (inc. 8-9)
8	0502-867	1	/P	Lock, Brake Lever - Kit
9	0502-580	1		Lever Pin - Kit
10	0502-564	1	/P	Switch, Brake - Kit
11	0423-178	2		Washer, Crush
12	0423-413	1		Bolt, Banjo-Fitting

2008 ATV 700 AUTOMATIC TRANSMISSION 4X4 DIESEL GREEN (A2008TBF4DUJ6C) Page 66 of 114  
INTAKE MANIFOLD AND THROTTLE CONTROL ASSEMBLY



2008 ATV 700 AUTOMATIC TRANSMISSION 4X4 DIESEL GREEN (A2008TBF4DUSG) Page 6 of 114  
INTAKE MANIFOLD AND THROTTLE CONTROL ASSEMBLY

Ref #	Part Number	Qty	S/P/F	Description
1	3206-276	3		Screw
2	3206-278	1		Manifold, Intake
3	3206-277	1		Gasket, Intake Manifold
4	3206-286	1		Lever, Internal
5	3206-283	1		Spring, Recovery
6	3206-284	1		Sleeve
7	3206-285	1		Screw
8	3206-280	1		Screw
9	3206-279	1		Screw
10	3206-288	1		Pin
11	3206-287	1		Lever, External
12	3206-242	1		Circlip
13	3206-281	1		O-Ring
14	3206-290	1		Flange, Intake
15	3206-289	1		Gasket
16	3206-169	2		Screw
17	3206-234	2		Washer
18	3206-266	4		Screw
19	3206-137	1		Nut
20	3206-282	1		Bolt



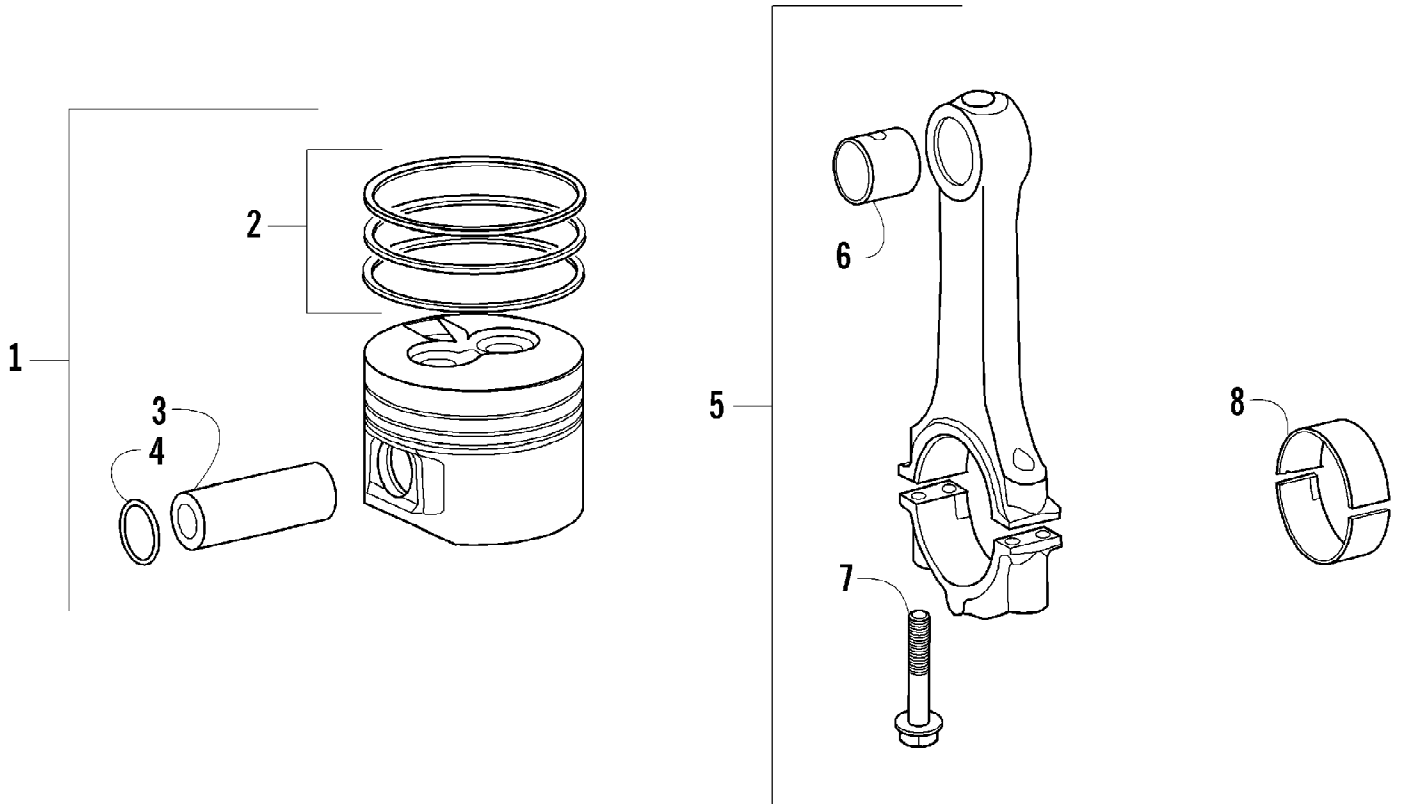
2008 ATV 700 AUTOMATIC TRANSMISSION 4X4 DIESEL GREEN (A2008TBF4DUSG) Page 114 of 114  
 OIL PAN ASSEMBLY

Ref #	Part Number	Qty	S/P/F	Description
1	3206-179	1	/P	Pan, Oil - Assembly (inc. 2-5)
2	0	1		Pipe, Oil - Intake Not a Service Part
3	3206-183	4		Screw
4	0	1		Pipe, Oil - Return Not a Service Part
5	0	1		Pan, Oil Not a Service Part
6	3206-176	1		Seal, Oil
7	3206-177	1		Seal, Oil
8	3206-178	2		Stud, Hollow
9	3206-192	1		Washer
10	3206-191	1		Washer
11	3206-190	2		Clamp
12	3206-088	20		Screw
13	3206-186	1		Gasket
14	3206-187	1		Gasket
15	3206-188	1		Cover, Oil Pan
16	3206-189	20		Screw
17	3206-181	1		Gasket, Copper
18	3206-182	1		Plug
19	3206-175	1		Gasket



2008 ATV 700 AUTOMATIC TRANSMISSION 4X4 DIESEL GREEN (A2008TBF40USG) Page 11 of 114  
 OIL PUMP ASSEMBLY

Ref #	Part Number	Qty	S/P/F	Description
1	3206-171	1		Pump, Oil (inc. 2-10)
2	3206-167	1		Rotors, Oil Pump
3	3206-163	1		Plug
4	3206-162	1		Gasket
5	3206-164	1		Spring, Pressure Valve
6	3206-165	1		Rod, Drive
7	3206-172	1		O-Ring
8	0	1	F	Plate
9	3206-166	3		Screw
10	3206-173	1	/P	Gasket
11	3206-168	1		Bolt
12	3206-169	6		Screw
13	3206-161	1		Ring, Seal
14	3206-174	2		Screw

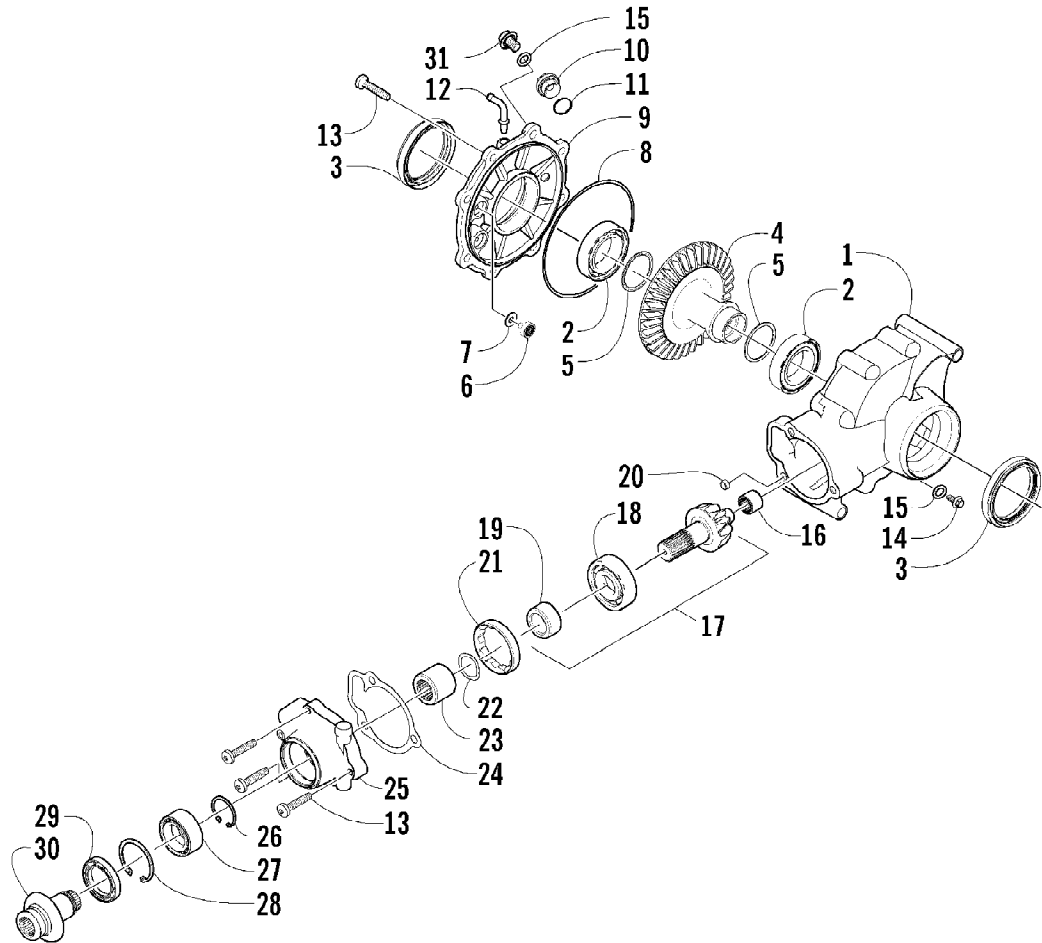




2008 ATV 700 AUTOMATIC TRANSMISSION 4X4 DIESEL GREEN (A2008TBF40USG) Page 13 of 114  
PISTON SET AND CONNECTING ROD ASSEMBLY

Ref #	Part Number	Qty	S/P/F	Description
1	3206-026	2		Piston - Set (inc. 2-4)
1	3206-027	2		Piston - Set ( 0.50 mm)
1	3206-028	2		Piston - Set ( 1.00 mm)
2	3206-023	2		Ring - Set
2	3206-024	2		Ring - Set ( 0.50 mm)
2	3206-025	2		Ring - Set ( 1.00 mm)
3	3206-030	2		Piston Pin
4	3206-031	4		Circlip
5	3206-035	2		Connecting Rod (inc. 6-7)
6	3206-029	2		Bushing
7	3206-036	4		Bolt
8	3206-032	2		Bushing
8	3206-033	2		Bushing (-0.25 mm)
8	3206-034	2		Bushing (-0.50 mm)

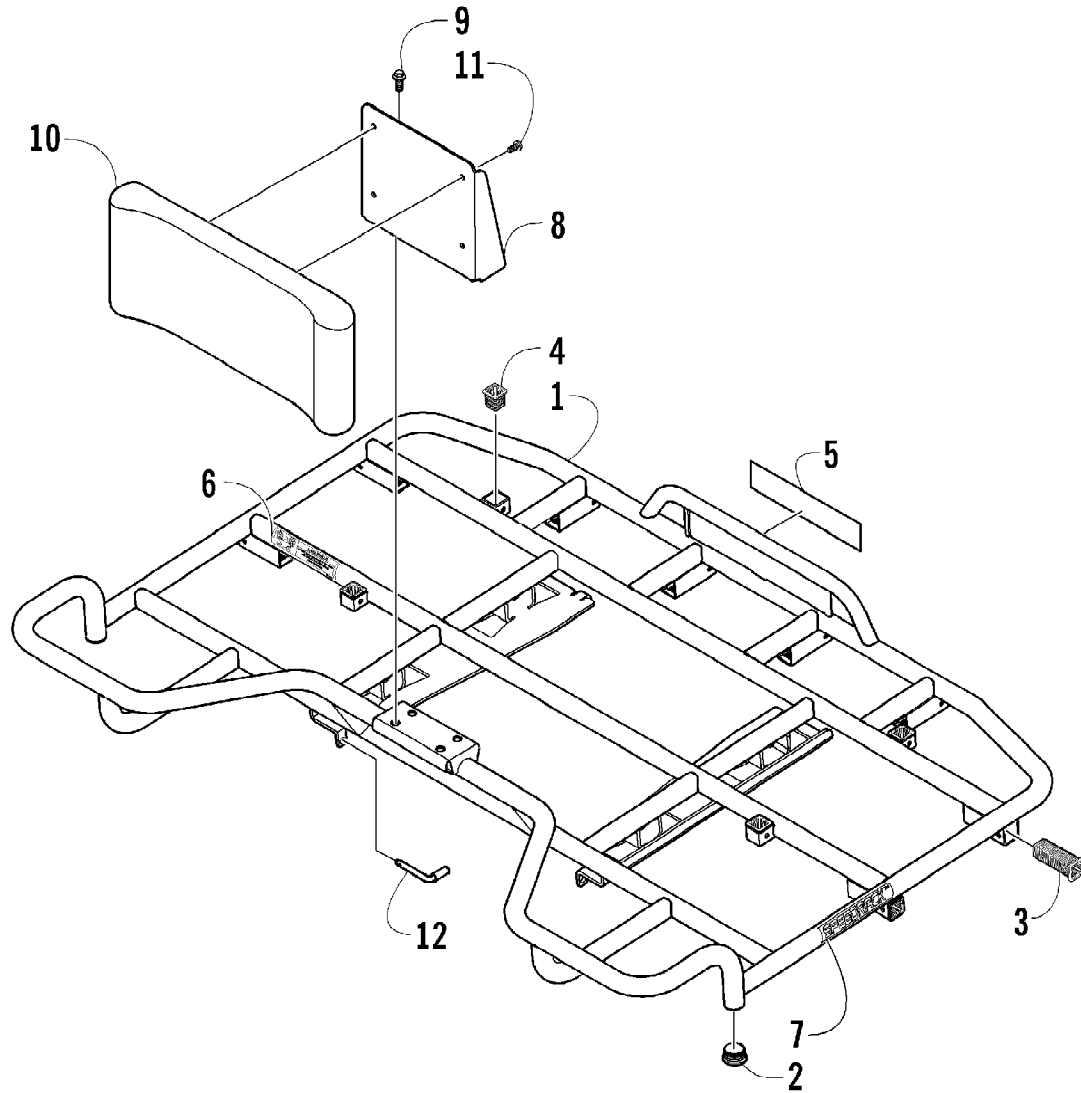
2008 ATV 700 AUTOMATIC TRANSMISSION 4X4 DIESEL GREEN (A2008TBF40USG) of 114  
REAR DRIVE GEARCASE ASSEMBLY



2008 ATV 700 AUTOMATIC TRANSMISSION 4X4 DIESEL GREEN (A2008TBF40USG) of 114  
REAR DRIVE GEARCASE ASSEMBLY

Ref #	Part Number	Qty	S/P/F	Description
	1502-079	1	S	Complete Rear Gearcase Assembly
1	0502-622	1		Housing, Gearcase
2	0402-393	2		Bearing
3	1402-441	2	S	Seal
4	1402-032	1		Gear, Ring - 36T
5	0402-405	AR		Shim
5	0402-406	AR		Shim
5	0402-407	AR		Shim
5	0402-408	AR		Shim
5	0402-409	AR		Shim
6	0402-326	1		Button, Thrust
7	0402-429	AR		Shim
7	0402-430	AR		Shim
7	0402-431	AR		Shim
7	0402-432	AR		Shim
7	0402-433	AR		Shim
8	0423-149	1		O-Ring
9	1502-082	1		Cover, Gearcase
10	0402-333	1	/P	Plug, Fill (inc. 11)
11	0423-154	1		O-Ring
12	1402-102	1		Fitting
13	0423-118	11		Screw, Self-Tapping
14	0402-450	1	S	Plug, Magnetic (inc. one No. 15)
15	0423-153	2		O-Ring
16	0402-328	1		Bearing
17	0502-783	1		Gear, Pinion - Assembly - 10T (inc. 18-19)
18	0402-327	1		Bearing
19	0402-336	1		Collar, Retaining
20	0402-411	1		Pin, Dowel
21	0402-331	1		Collar, Lock
22	0402-982	1		Washer, Spring
23	0402-981	1		Collar, Shaft
24	0402-947	1		Gasket, Flange
25	0502-529	1		Housing, Pinion
26	0423-417	1		Ring, Retaining
27	1402-043	1		Bearing
28	0423-423	1		Ring, Retaining
29	1402-011	1		Seal
30	1502-085	1	/P	Shaft, Input
31	1402-211	1		Plug, Oil Level (inc. one No. 15)

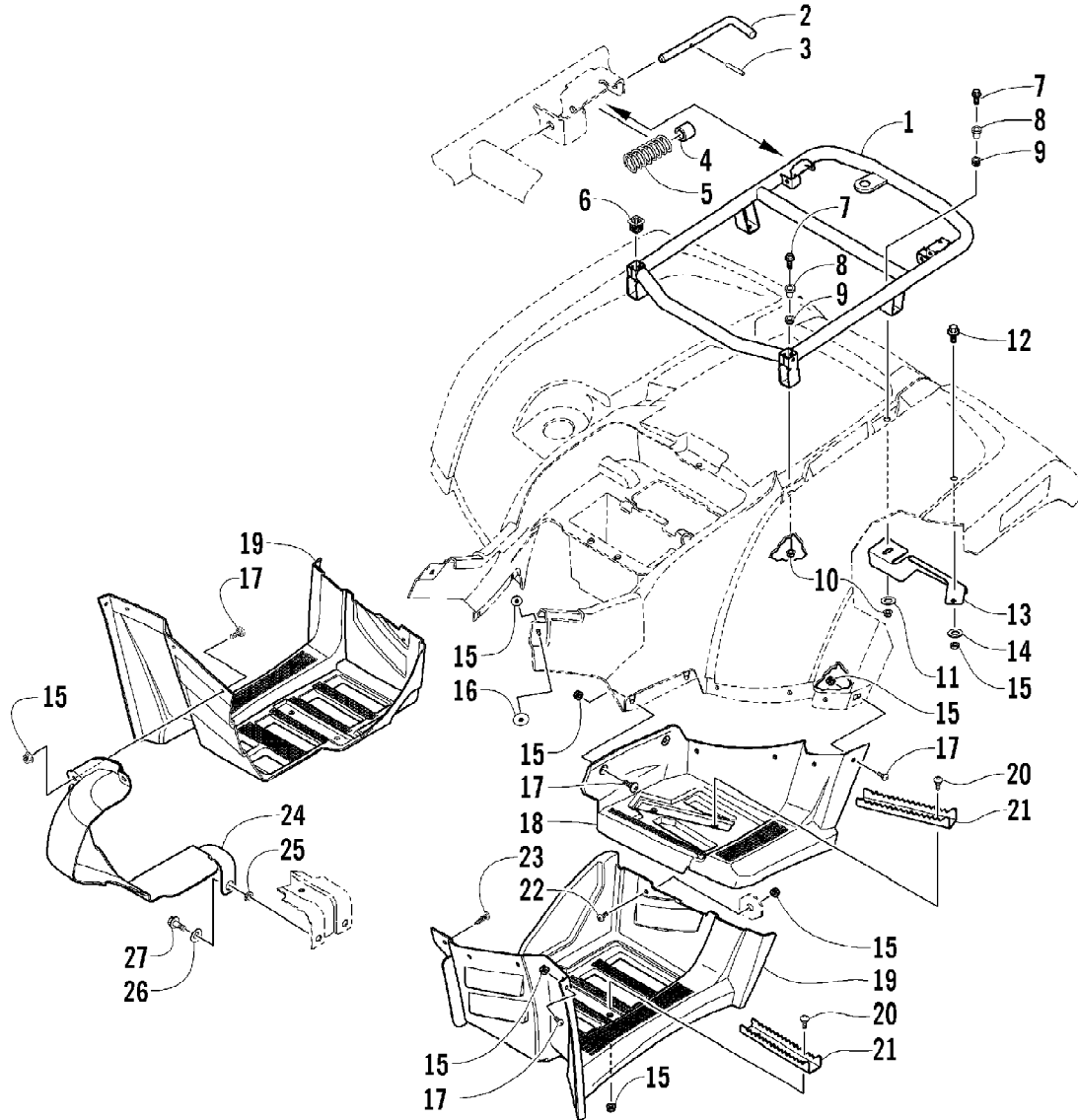
2008 ATV 700 AUTOMATIC TRANSMISSION 4X4 DIESEL GREEN (A2008TBF40U8G) of 114  
REAR RACK AND BACKREST ASSEMBLY



2008 ATV 700 AUTOMATIC TRANSMISSION 4X4 DIESEL GREEN (A2008TBF40USG) Page 114 of 114  
 REAR RACK AND BACKREST ASSEMBLY

Ref #	Part Number	Qty	S/P/F	Description
	0436-798	1	/P	Rear Rack Kit
	0453-349	1		Instructions
1	0541-438	1	S	Rack, Rear - Assembly (inc. 2-7)
2	1441-049	2		Plug
3	2406-014	8		Bushing
4	0441-592	4	/P	Bushing
5	0411-814	1	/P	Decal, "Arctic Cat"
6	0411-648	1		Decal, Warning - Rear Rack Load
7	0411-965	2		Decal, Speedrack
8	0541-486	1		Bracket, Backrest
9	8408-816	4		Screw, Cap
10	0506-686	1		Backrest
11	8476-620	4		Screw, Machine
12	0541-447	2	/P	Pin

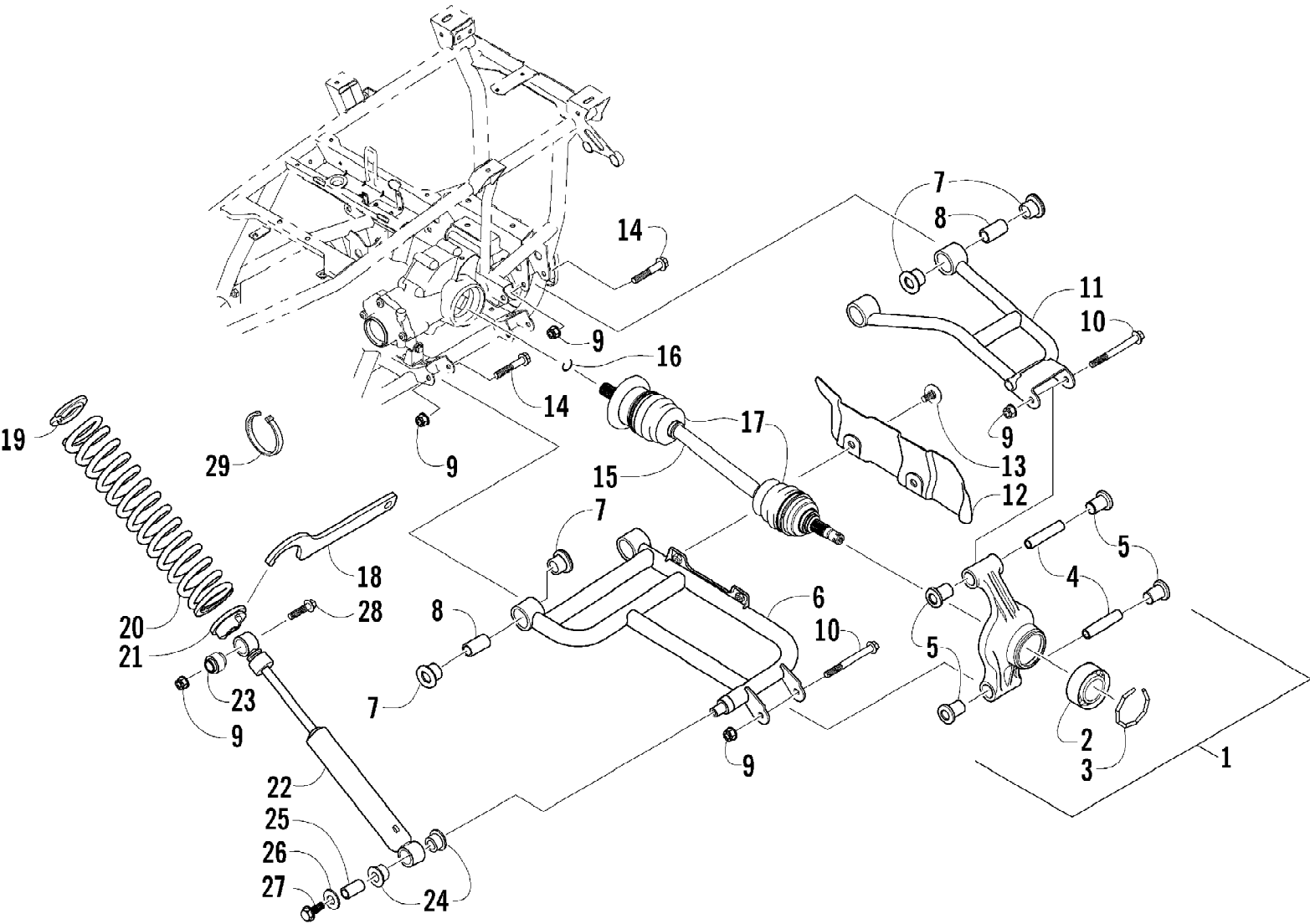
2008 ATV 700 AUTOMATIC TRANSMISSION 4X4 DIESEL GREEN (A2008TBF40UJ8C) of 114  
REAR RACK AND FOOTWELL ASSEMBLIES



2008 ATV 700 AUTOMATIC TRANSMISSION 4X4 DIESEL GREEN (A2008TBF4DUJ8G) Page 8 of 114  
REAR RACK AND FOOTWELL ASSEMBLIES

Ref #	Part Number	Qty	S/P/F	Description
1	2506-221	1	/P	Rack, Rear - Assembly (inc. 2-6)
2	0541-504	2		Pin - Assembly (inc. 3-5)
3	0423-635	2		Pin, Roll
4	0423-677	2		Collar
5	0423-636	2		Spring
6	0441-592	4	/P	Bushing, Rack
7	8410-835	4		Screw, Cap
8	0423-669	4		Spacer
9	0423-465	4		Grommet
10	8432-802	4		Nut, Lock
11	0423-087	2		Washer
12	0423-654	2		Screw, Shoulder
13	2506-092	1		Bracket, Rear Fender - Right
13	2506-093	1		Bracket, Rear Fender - Left
14	8050-222	2	/P	Washer
15	0423-540	34		Nut, Lock
16	0423-101	2		Screw, Body
17	0423-419	20		Screw, Machine
18	2406-042	1		Footwell, Rear - Right
18	2406-043	1		Footwell, Rear - Left
19	2506-193	1		Footwell - Right
19	2406-471	1	/P	Footwell - Left
20	0423-355	8		Screw, Shoulder
21	1506-125	4	/P	Footpeg
22	8477-620	2		Screw, Machine
23	0423-719	2		Screw, Self-Tapping
24	2406-531	1		Panel, Splash
25	0405-261	1		Bushing, Splash Panel
26	8050-282	1	/P	Washer
27	8409-020	1	/P	Screw, Cap

2008 ATV 700 AUTOMATIC TRANSMISSION 4X4 DIESEL GREEN (A2008TBF14DUSG) of 114  
REAR SUSPENSION ASSEMBLY

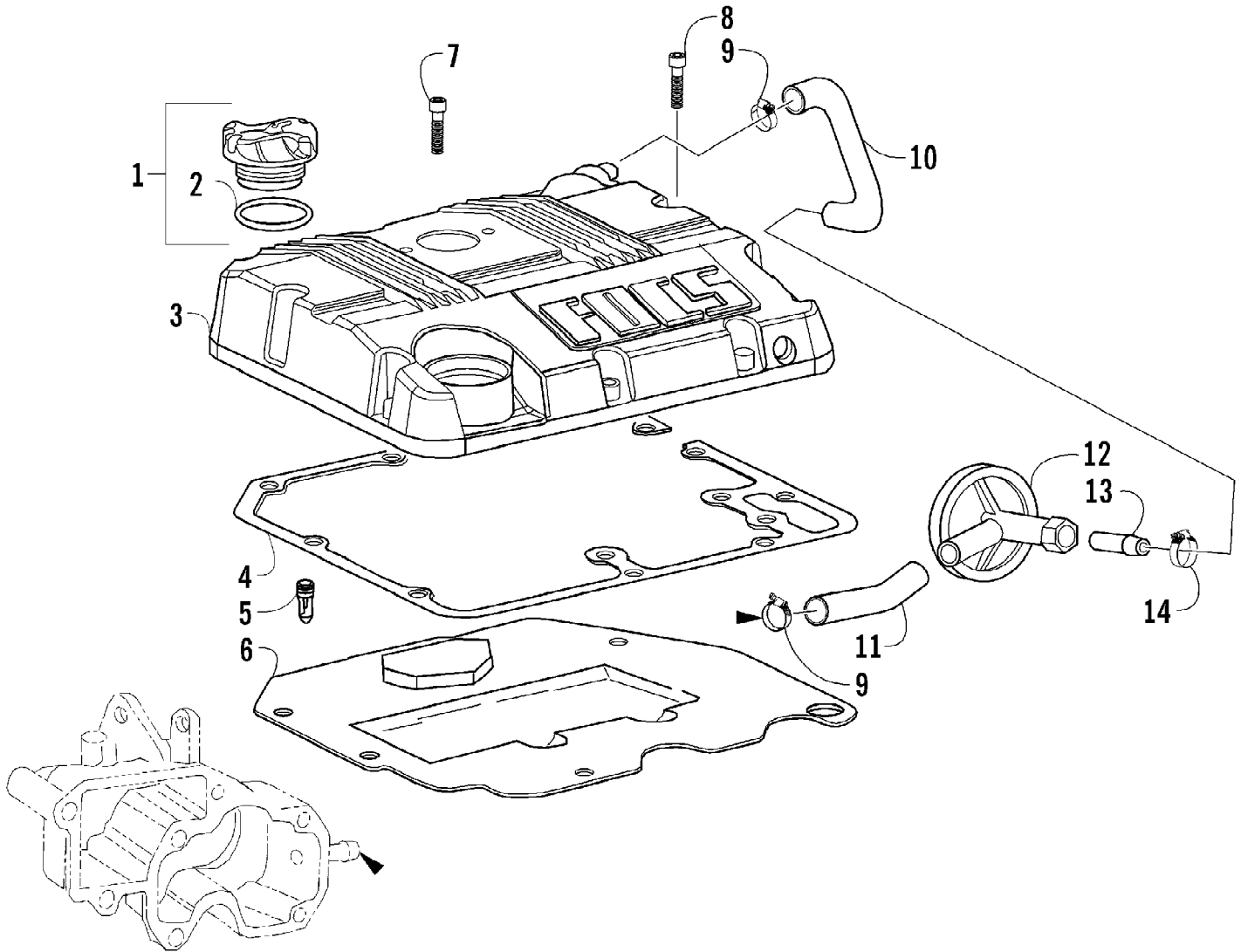




2008 ATV 700 AUTOMATIC TRANSMISSION 4X4 DIESEL GREEN (A2008TBF40USG) of 114  
REAR SUSPENSION ASSEMBLY

Ref #	Part Number	Qty	S/P/F	Description
1	0504-372	1	S	Knuckle, Right Rear - Assembly (inc. 2-5)
1	0504-373	1	S/P	Knuckle, Left Rear - Assembly (inc. 2-5)
2	1402-027	2	S/P	Bearing, Wheel Hub
3	0423-423	2		Ring, Retaining
4	0403-038	4	S/P	Collar, Suspension Bushing
5	0403-032	8	S	Bushing, Suspension
6	0504-438	1	/P	A-Arm, Rear - Lower Right (inc. 7-8)
6	0504-439	1	S	A-Arm, Rear - Lower Left (inc. 7-8)
7	0403-115	16	S	Bushing
8	0403-114	8	S	Collar
9	0423-744	14		Nut, Lock
10	8409-000	4		Screw, Cap
11	0504-470	1		A-Arm, Rear - Upper Right (inc. 7-8)
11	0504-471	1	S	A-Arm, Rear - Upper Left (inc. 7-8)
12	1441-004	1		Guard, Boot - Right
12	1441-005	1		Guard, Boot - Left
13	0423-545	4	/P	Screw, Body
14	8409-075	8		Screw, Cap
15	0502-811	2	S	Axle, Drive - Rear (inc. 16-17)
16	0441-893	2	S	Clip, Retaining
17	0436-276	2	S	Repair Kit, Boot
18	0441-587	1		Wrench, Spanner
19	1603-889	2	/P	Retainer, Spring
20	0403-173	2		Spring, Suspension
21	0404-057	2		Cam, Spring Adjuster
22	0404-147	2		Shock Absorber - Rear (inc. 23-25)
23	0403-182	2		Bushing, Double-Bonded
24	0603-955	4		Bushing, Shock Absorber
25	1603-219	2	S	Sleeve, Shock Absorber
26	0423-087	2		Washer
27	8408-820	2	/P	Screw, Cap
28	8409-050	2		Screw, Cap
29	0123-788	2	/P	Tie, Cable - 8 in.

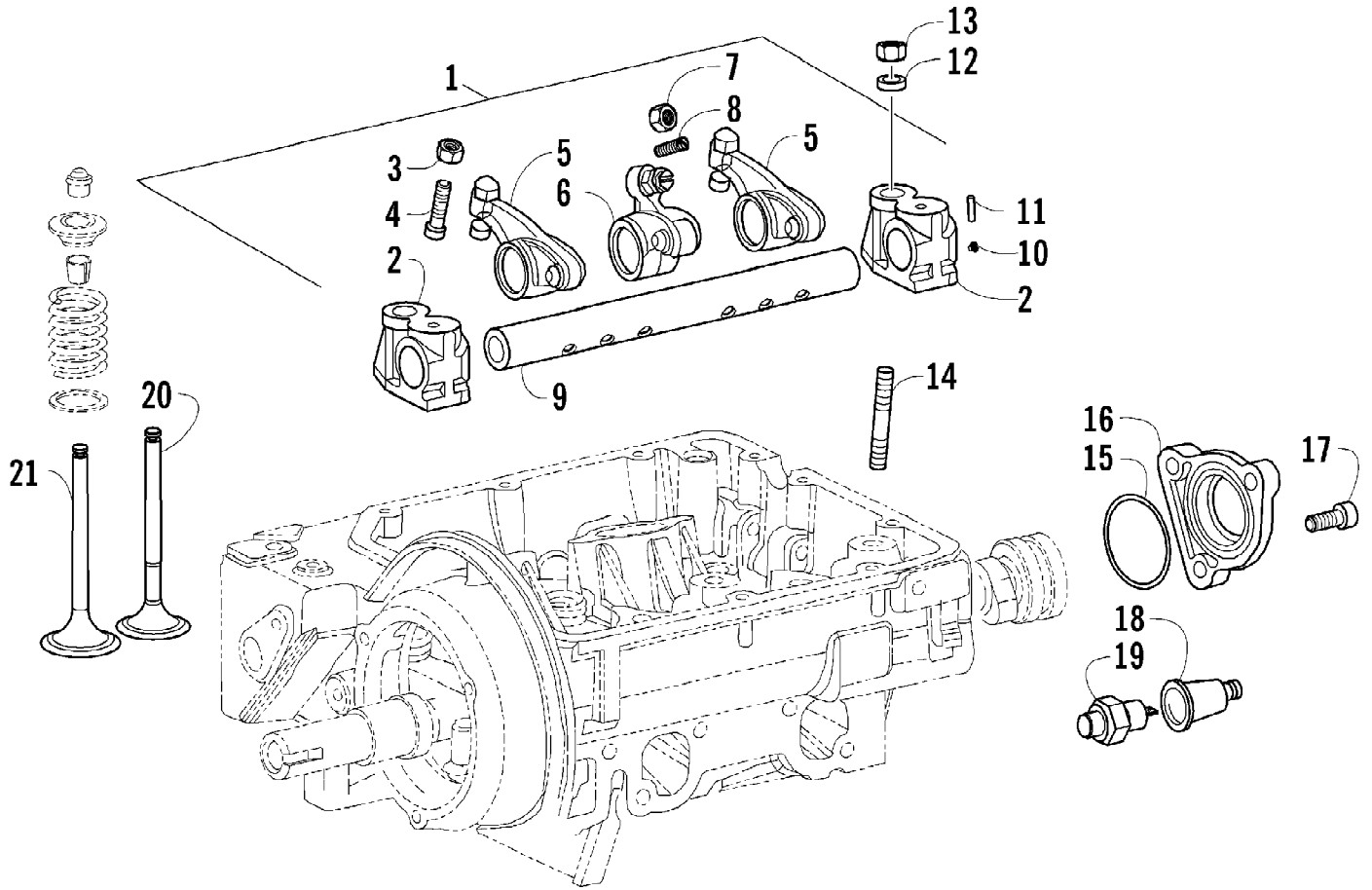
2008 ATV 700 AUTOMATIC TRANSMISSION 4X4 DIESEL GREEN (A2008TBF40USC) of 114  
ROCKER ARM COVER AND BREATHER SYSTEM ASSEMBLIES



2008 ATV 700 AUTOMATIC TRANSMISSION 4X4 DIESEL GREEN (A2008TBF40USG) Page 13 of 114  
 ROCKER ARM COVER AND BREATHER SYSTEM ASSEMBLIES

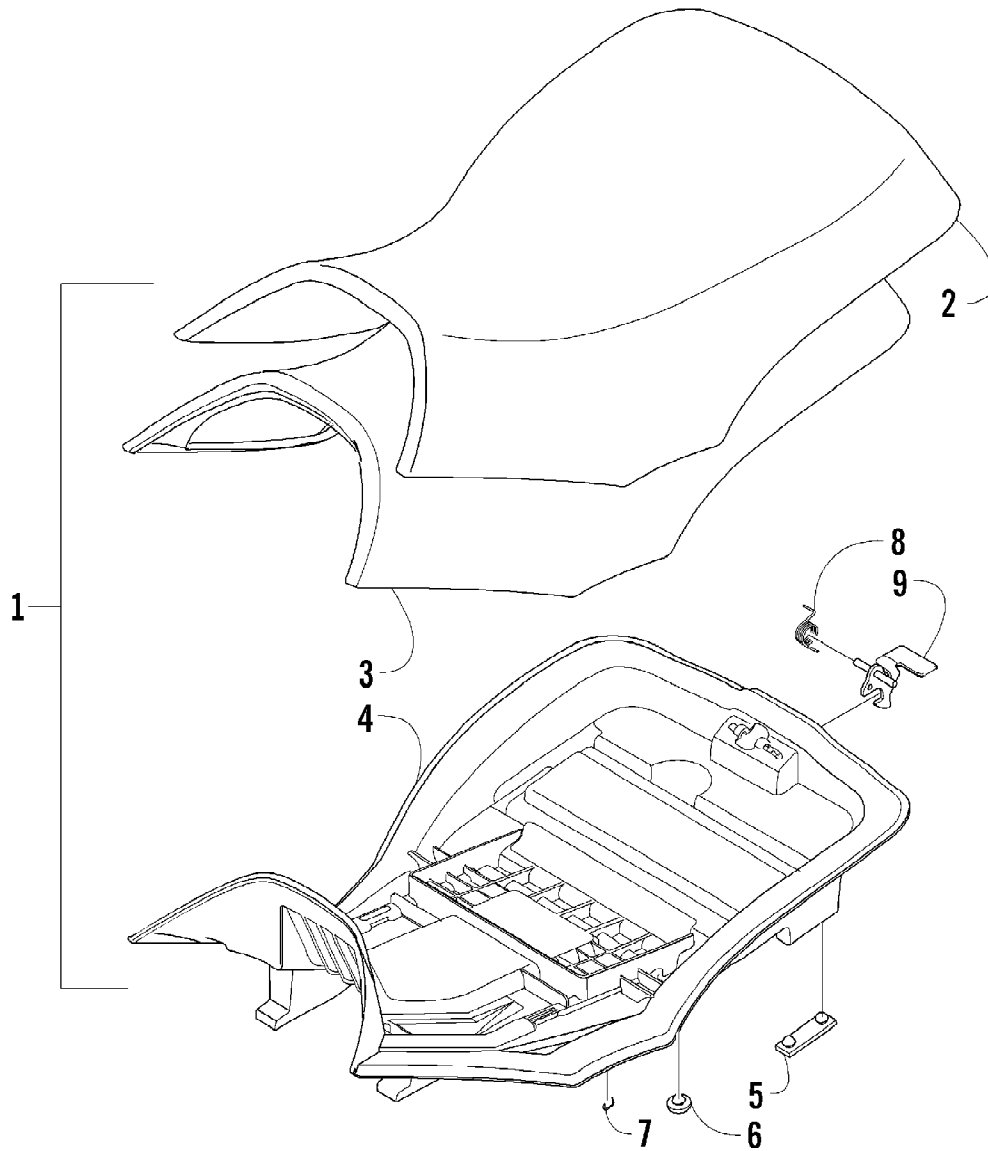
Ref #	Part Number	Qty	S/P/F	Description
1	3206-081	1		Cap, Oil Filler (inc. 2)
2	3206-087	1		O-Ring
3	3206-080	1		Cover, Rocker Arm
4	3206-086	1		Gasket
5	3206-084	1		Connection
6	3206-085	1		Separator
7	3206-083	2		Screw
8	3206-082	8		Screw
9	3206-200	4		Clamp
10	3206-205	1		Hose, Connection
11	3206-202	1		Hose, Drain
12	3206-201	1		Valve, Suction
13	3206-203	1		Tube, Valve
14	3206-204	1		Clamp

2008 ATV 700 AUTOMATIC TRANSMISSION 4X4 DIESEL GREEN (A2008TBF14USC) of 114  
ROCKER ARM, VALVES, AND OIL SWITCH ASSEMBLIES



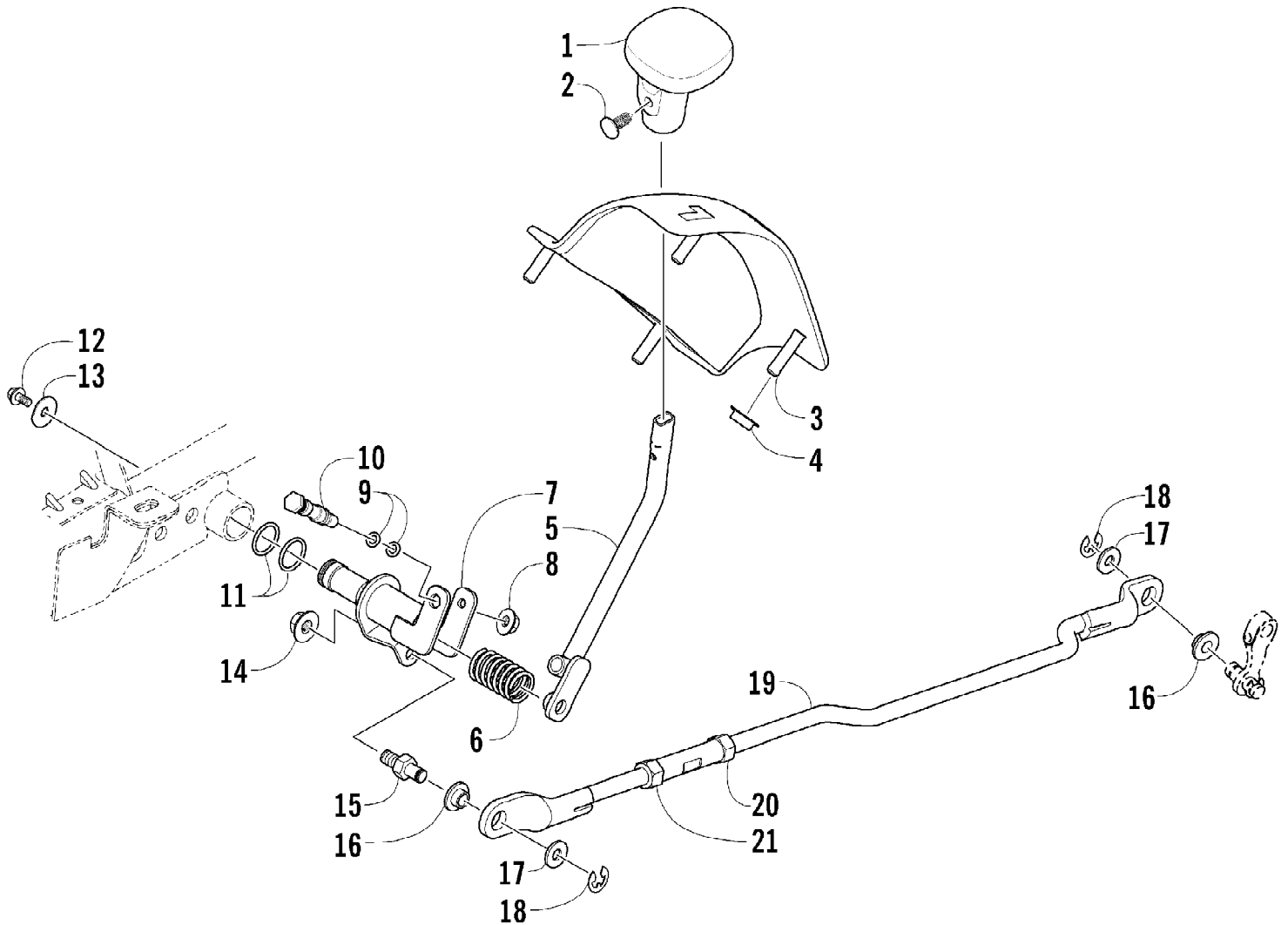
2008 ATV 700 AUTOMATIC TRANSMISSION 4X4 DIESEL GREEN (A2008TBF4DUSG) Page 55 of 114  
 ROCKER ARM, VALVES, AND OIL SWITCH ASSEMBLIES

Ref #	Part Number	Qty	S/P/F	Description
1	3206-135	1		Arm, Rocker - Assembly (inc. 2-11)
2	3206-141	2		Support
3	3206-137	4		Nut
4	3206-136	4		Screw
5	3206-134	4		Arm, Rocker - Intake/Exhaust
6	3206-140	2		Arm, Rocker - Injection Pump
7	3206-139	2		Nut
8	3206-138	2		Screw
9	3206-144	1		Shaft, Rocker Arm
10	3206-146	2		Plug
11	3206-145	1		Pin, Lock
12	3206-064	3		Washer
13	3206-142	3		Nut
14	3206-143	3		Stud, Bolt
15	3206-313	1		O-Ring
16	3206-314	1		Flange
17	3206-082	3		Screw
18	3206-305	1		Elbow, Pipe
19	3206-304	1		Switch, Oil
20	3206-150	2		Valve, Exhaust
21	3206-151	2		Valve, Intake



2008 ATV 700 AUTOMATIC TRANSMISSION 4X4 DIESEL GREEN (A2008TBF40USG) of 114  
 SEAT ASSEMBLY

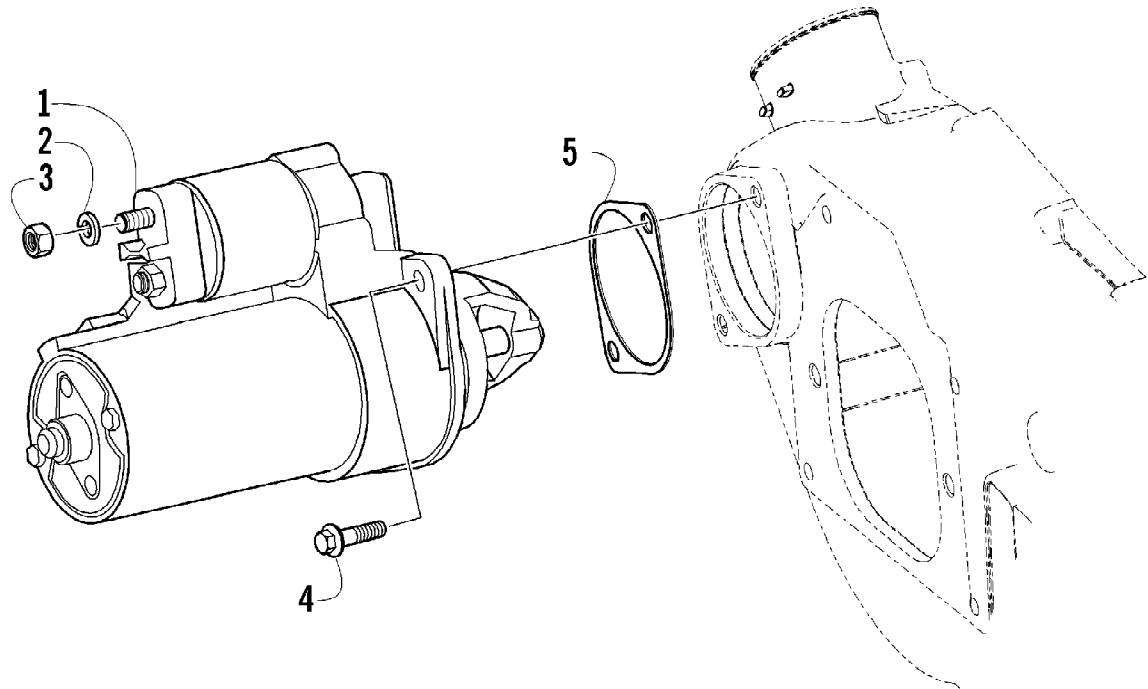
Ref #	Part Number	Qty	S/P/F	Description
1	1506-937	1	S/P	Seat Assembly (inc. 2-9)
2	1506-209	1		Cover, Seat
3	1506-208	1		Foam, Seat
4	2406-144	1	S/P	Base, Seat - Assembly (inc. 5-6)
5	0406-879	2		Bumper, Seat - Rear
6	0406-877	4	/P	Bumper, Seat - Front
7	0624-263	AR		Staple
8	1406-592	1	/P	Spring, Seat Latch
9	1506-156	1		Latch, Seat





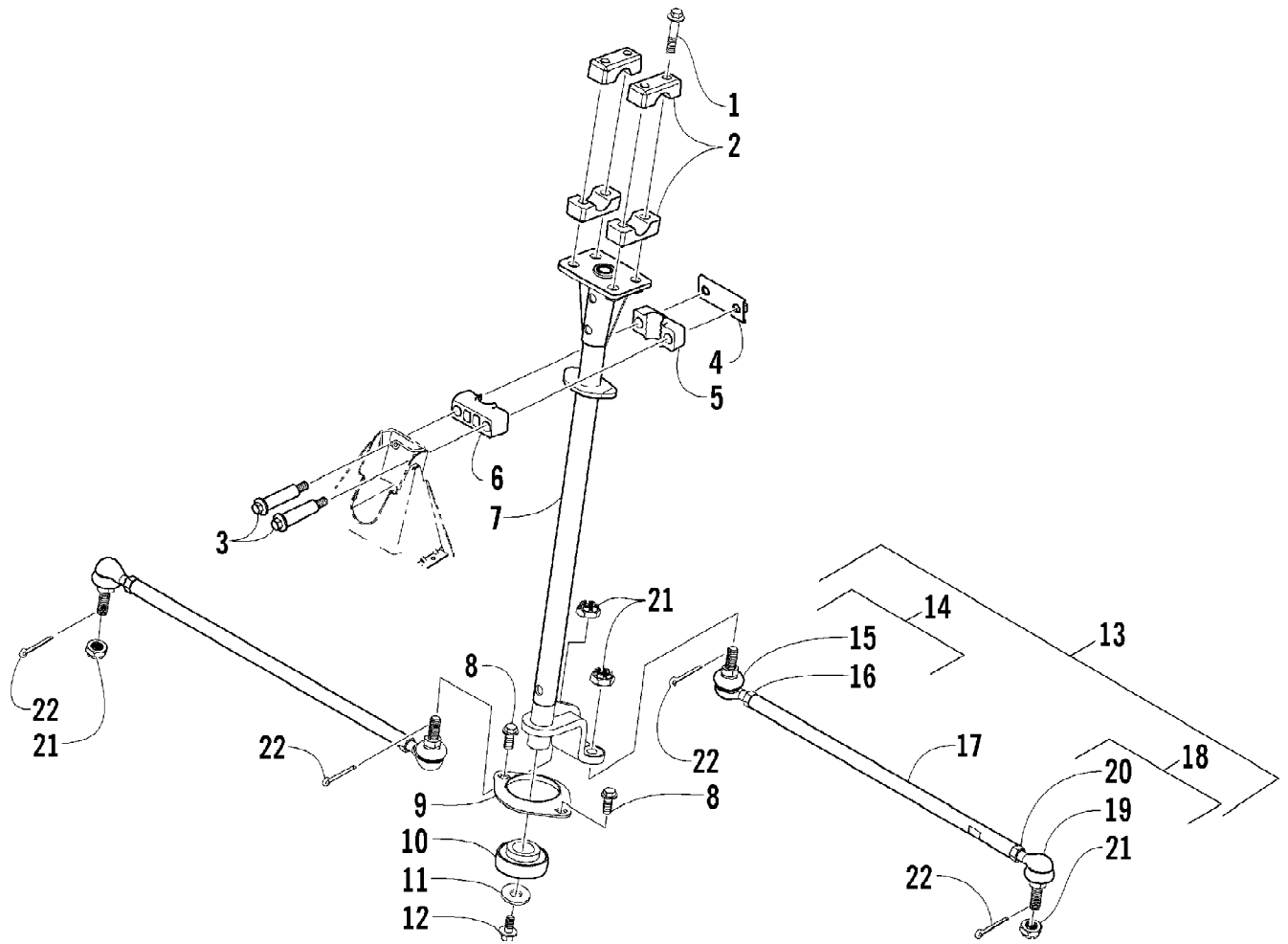
2008 ATV 700 AUTOMATIC TRANSMISSION 4X4 DIESEL GREEN (A2008TBF4DUSG) of 114  
SHIFT LEVER ASSEMBLY

Ref #	Part Number	Qty	S/P/F	Description
1	0402-843	1	/P	Knob, Shift Lever
2	0423-345	1		Clip, Push
3	1402-576	1		Plate, Shift
4	0423-357	4		Nut, Stamped
5	0502-659	1		Lever, Shift
6	0402-678	1	/P	Spring, Shift Lever
7	1502-012	1		Axle, Shift Lever
8	8424-602	1	/P	Nut
9	0423-182	2	/P	O-Ring
10	0402-675	1		Axle, Pivot
11	0423-299	2	/P	O-Ring
12	8408-812	1		Screw, Cap
13	0423-087	1		Washer
14	8424-802	1		Nut, Hex
15	1402-621	1		Pin, Mounting - Shift Linkage
16	0423-091	2		Bushing, Shift Linkage
17	0623-094	2		Washer
18	0423-169	2	/P	E-Ring
19	1502-226	1		Linkage, Shift - Assembly (inc. 20-21)
20	0123-917	1	/P	Nut, Hex - Left-Hand Thread
21	0623-294	1		Nut, Hex - Right-Hand Thread



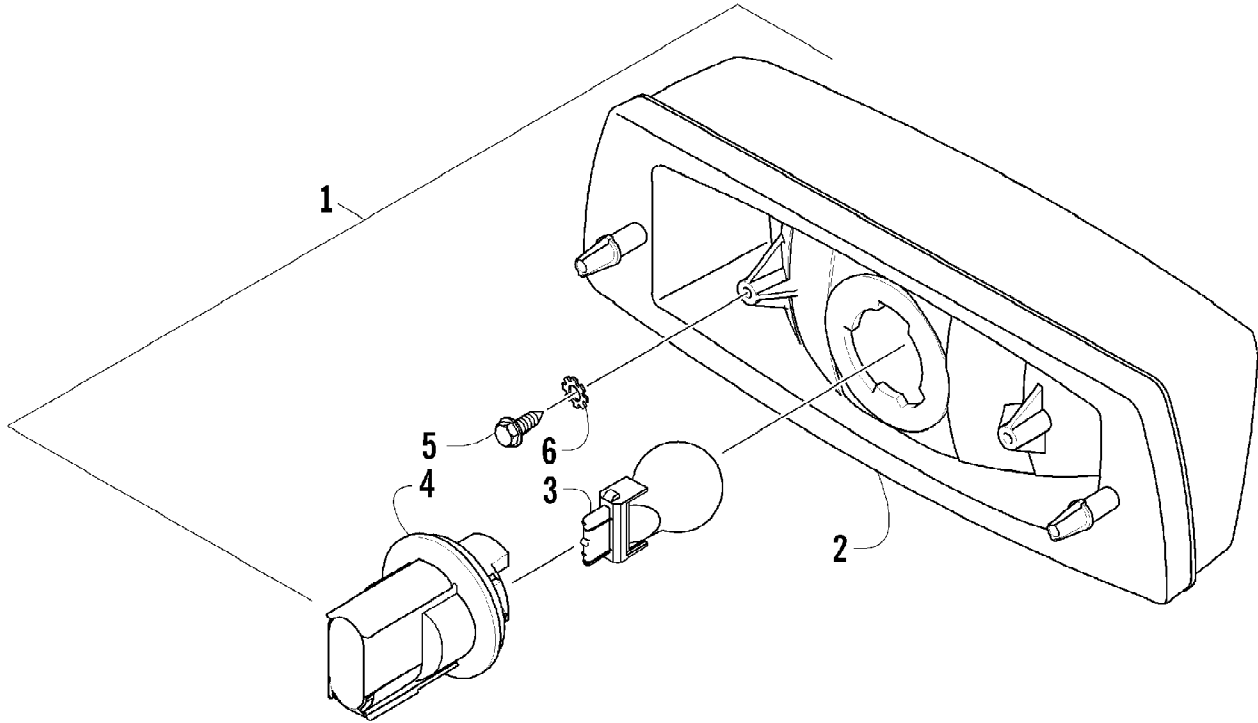
2008 ATV 700 AUTOMATIC TRANSMISSION 4X4 DIESEL GREEN (A2008TBF4DUSG) Page 114  
STARTER MOTOR ASSEMBLY

Ref #	Part Number	Qty	S/P/F	Description
1	3206-319	1		Motor, Starter
2	3206-322	1		Washer, Lock
3	3206-321	1		Nut
4	8409-025	2		Screw, Cap
5	1402-525	1		Gasket, Starter



2008 ATV 700 AUTOMATIC TRANSMISSION 4X4 DIESEL GREEN (A2008TBF40USG) Page 13 of 114  
 STEERING ASSEMBLY

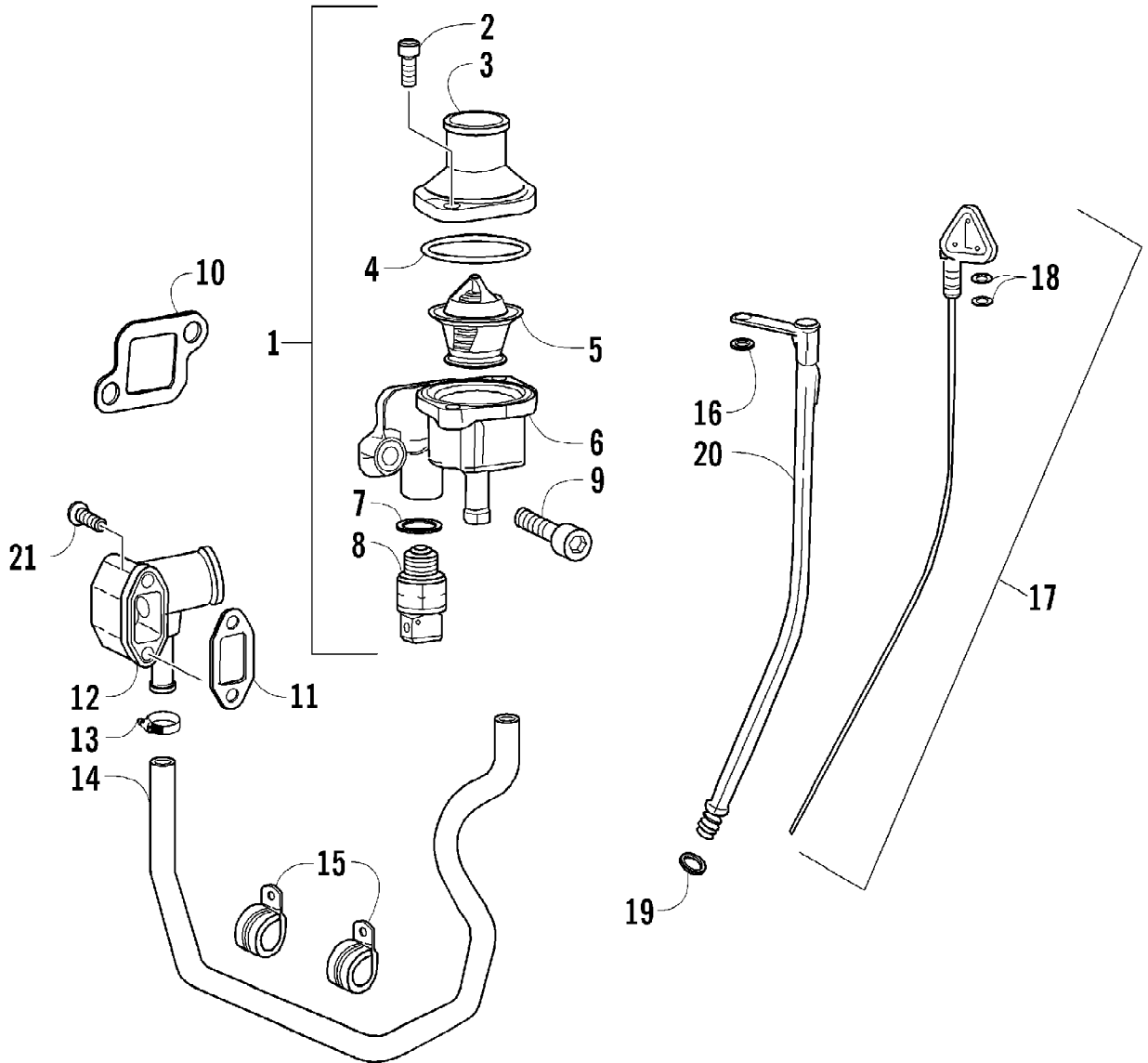
Ref #	Part Number	Qty	S/P/F	Description
1	8408-860	4		Screw, Cap
2	0405-035	4		Cap, Steering Adjuster
3	0423-505	2		Screw, Shoulder
4	0505-484	1		Cap, Housing
5	0405-138	1		Housing, Lower
6	0405-139	1		Housing, Upper
7	0505-451	1	S	Post, Steering
8	8408-816	2		Screw, Cap
9	0602-233	1		Flange, Bearing
10	0405-052	1		Bearing w/Inverted Oil Seal
11	0423-073	1		Washer
12	8409-020	1	/P	Screw, Cap
13	0505-499	2	/P	Tie Rod - Assembly (inc. 14-20)
14	0505-511	2	/P	End, Tie Rod - Left-Hand Thread - Kit (inc. 15-16 and two No. 21-22)
15	0	2	F	End, Tie Rod - Left Hand Thread
16	0423-013	2		Nut - Left-Hand Thread
17	0405-281	2	/P	Tie Rod
18	0505-510	2	/P	End, Tie Rod - Right-Hand Thread - Kit (inc. 19-20 and two No. 21-22)
19	0	2	F	End, Tie Rod - Right-Hand Thread
20	8420-002	2	/P	Nut - Right-Hand Thread
21	0423-157	4		Nut, Lock
22	0623-175	4		Pin, Cotter



2008 ATV 700 AUTOMATIC TRANSMISSION 4X4 DIESEL GREEN (A2008TBF4DUSG) Page 5 of 114  
 TAILLIGHT ASSEMBLY

Ref #	Part Number	Qty	S/P/F	Description
1	0509-022	1		Taillight Assembly (inc. 2-4)
2	0509-025	1		Housing, Taillight
3	0409-056	1		Bulb, Taillight
4	0409-057	1		Socket, Taillight
5	0623-301	2	/P	Screw, Self-Tapping
6	8053-212	2	/P	Washer, Lock - External Tooth

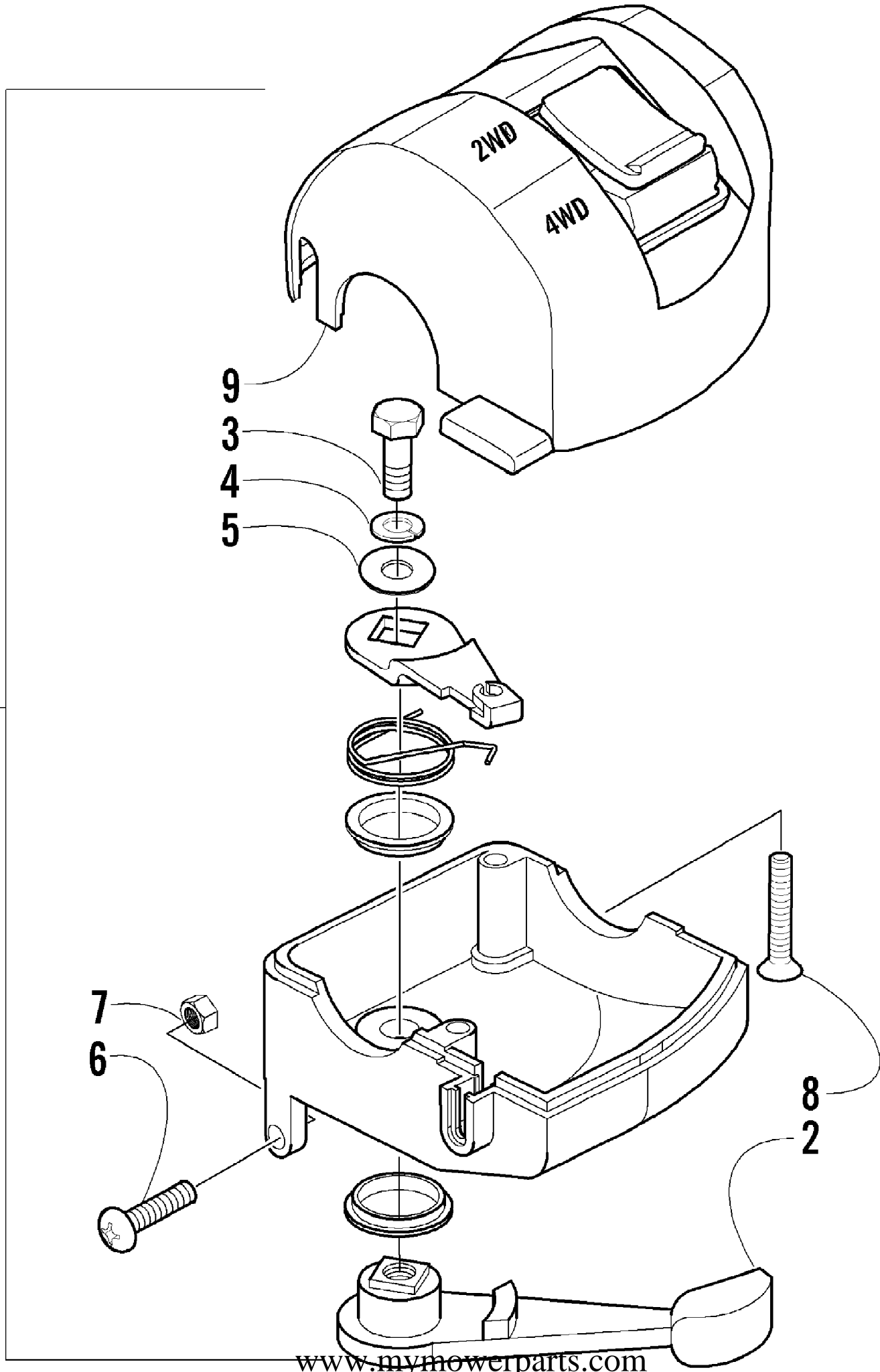
2008 ATV 700 AUTOMATIC TRANSMISSION 4X4 DIESEL GREEN (A2008TBF40USG) of 114  
THERMOSTAT, WATER INLET FLANGE, AND OIL LEVEL STICK ASSEMBLIES





2008 ATV 700 AUTOMATIC TRANSMISSION 4X4 DIESEL GREEN (A2008TBF4DUSG) Page 114 of 114  
 THERMOSTAT, WATER INLET FLANGE, AND OIL LEVEL STICK ASSEMBLIES

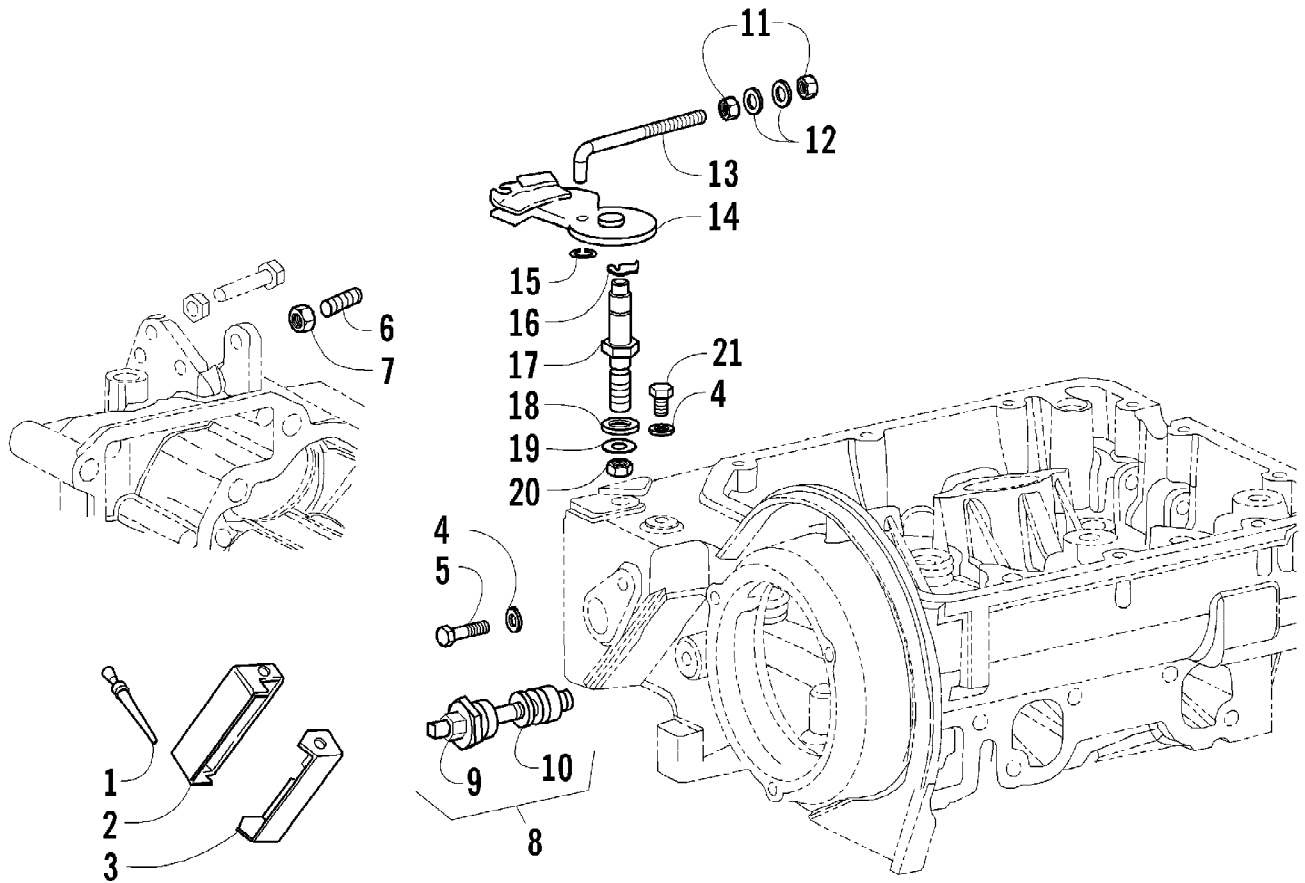
Ref #	Part Number	Qty	S/P/F	Description
1	3206-262	1		Thermostat - Assembly (inc. 2-8)
2	3206-169	2		Screw
3	3206-259	1		Cover, Thermostat
4	3206-260	1		O-Ring
5	3206-261	1		Thermostat
6	3206-263	1		Body, Thermostat - Assembly
7	3206-206	1		Gasket
8	3206-265	1		Sensor, Water Temperature
9	3206-266	2		Screw
10	3206-264	1		Gasket
11	3206-268	1		Gasket
12	3206-269	1		Flange
13	3206-200	2		Clamp
14	0410-111	1		Hose
15	3206-190	2		Clamp
16	3206-199	1		Washer
17	3206-197	1		Stick, Oil Level (inc. 18)
18	3206-198	2		Seal
19	3206-195	1		O-Ring
20	3206-196	1		Guard, Oil Level Stick
21	3206-267	2		Screw



2008 ATV 700 AUTOMATIC TRANSMISSION 4X4 DIESEL GREEN (A2008TBF40USG) Page 114 of 114  
 THROTTLE CASE ASSEMBLY

Ref #	Part Number	Qty	S/P/F	Description
1	0509-012	1		Case, Throttle - Assembly (inc. 2-9)
2	3409-001	1		Lever
3	3004-533	1	S/P	Screw, Cap
4	3004-447	1	/P	Washer, Lock
5	3003-030	1	/P	Washer
6	3423-014	1		Screw
7	3423-327	1		Nut
8	3423-199	2		Screw
9	0409-048	1		Cover, Throttle w/Switch

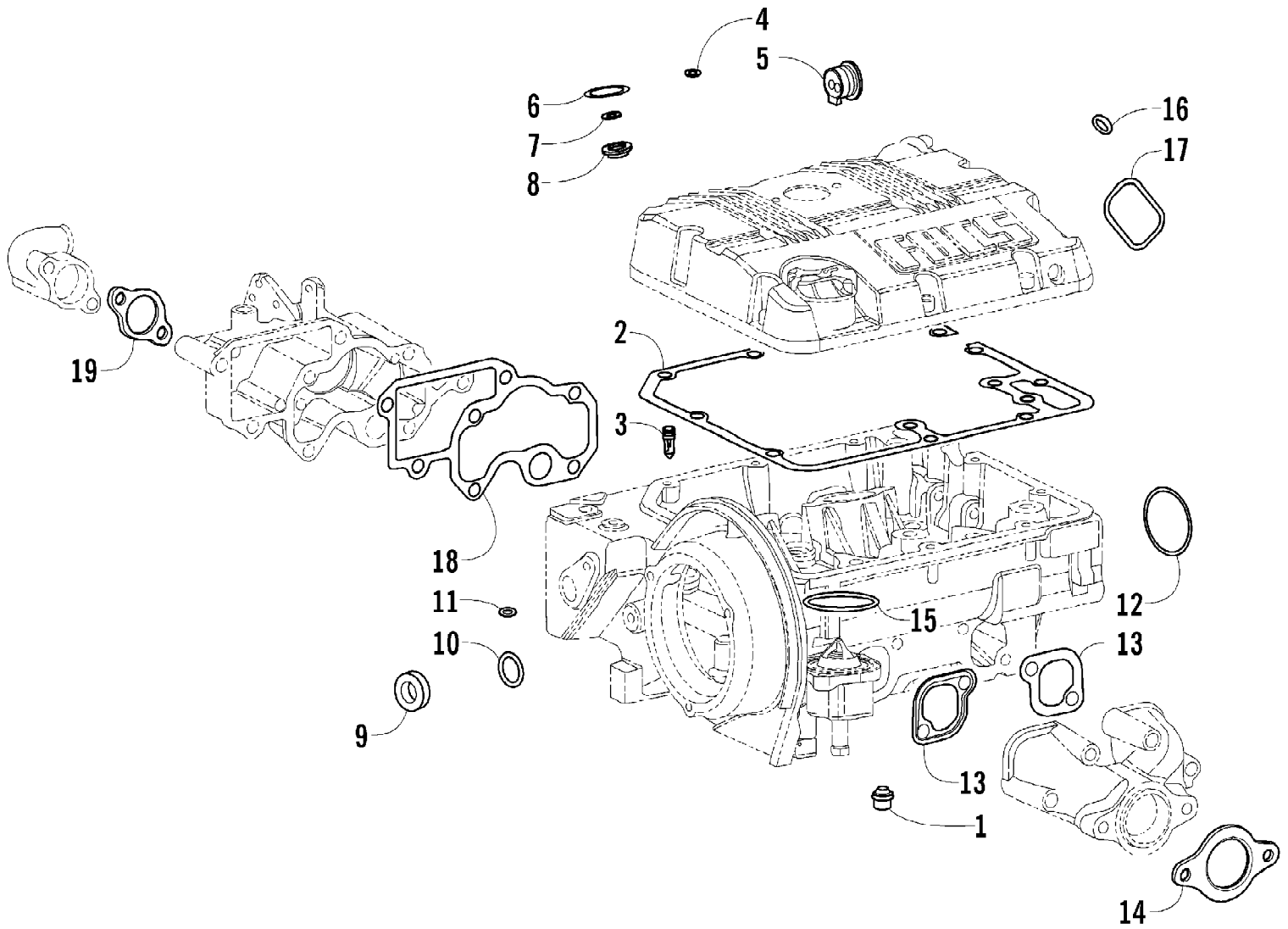
2008 ATV 700 AUTOMATIC TRANSMISSION 4X4 DIESEL GREEN (A2008TB14) (USA) of 114  
THROTTLE CONTROL AND LOCKED TORQUE DEVICE ASSEMBLIES



2008 ATV 700 AUTOMATIC TRANSMISSION 4X4 DIESEL GREEN (A2008TBA4DUSG) of 114  
THROTTLE CONTROL AND LOCKED TORQUE DEVICE ASSEMBLIES

Ref #	Part Number	Qty	S/P/F	Description
1	3206-247	3		Nail
2	3206-251	1		Plate, Safety
3	3206-250	1		Plate, Safety
4	3206-007	2		Gasket, Copper
5	3206-252	1		Bolt
6	3206-249	1		Screw
7	3206-248	1		Nut
8	3206-236	1		Device, Locked Torque (inc. 9-10)
9	0	1	F	Nut
10	3206-235	1		Gasket
11	3206-237	2		Nut
12	3206-238	2		Washer
13	3206-239	1		Rod, Tie
14	3206-241	1		Lever, Throttle Control
15	3206-242	1		Circlip
16	3206-243	1		Circlip
17	3206-244	1		Pin
18	3206-253	1		Washer
19	3206-246	1		Seal, Oil
20	3206-245	1		Nut
21	3206-240	2		Bolt

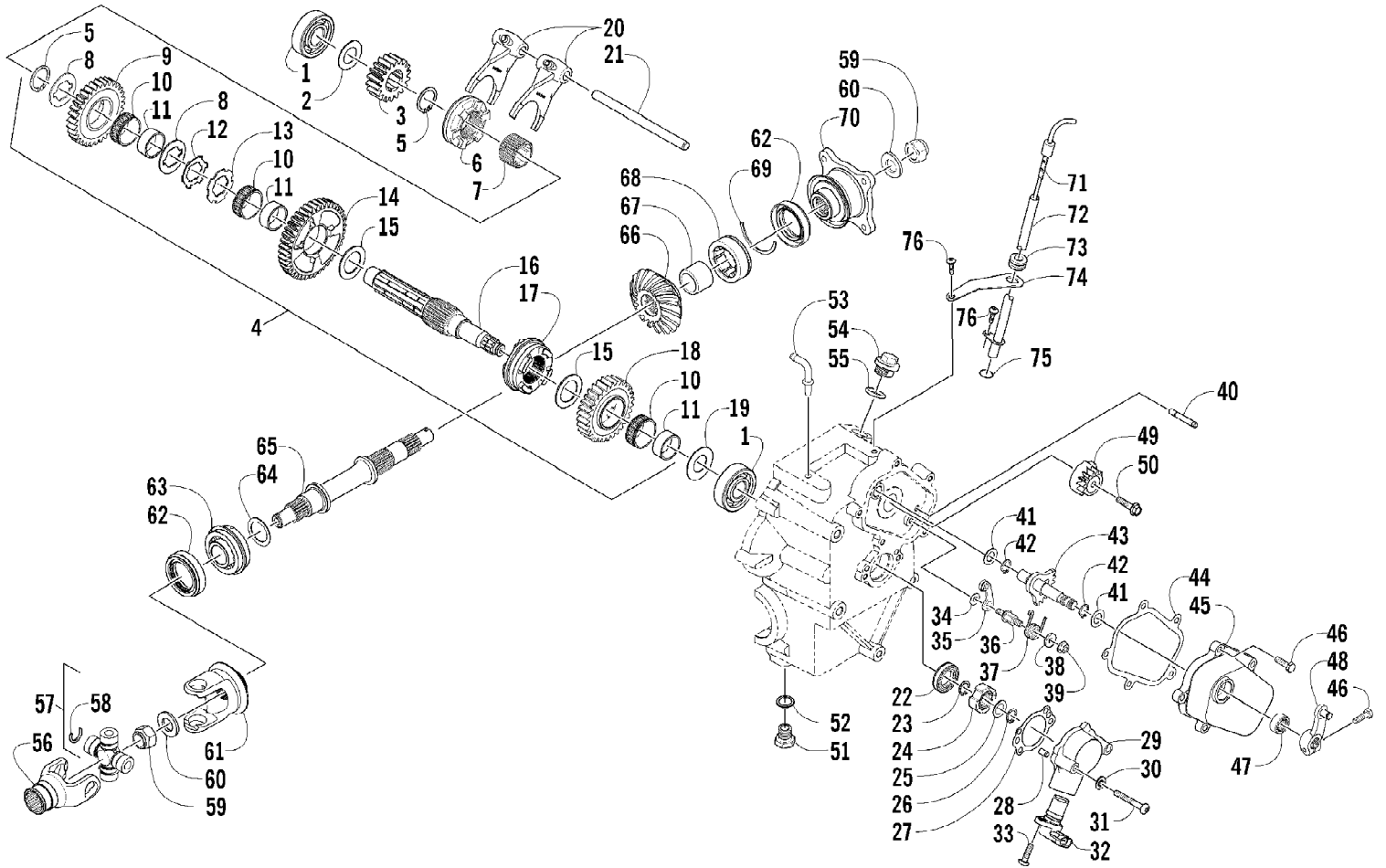
2008 ATV 700 AUTOMATIC TRANSMISSION 4X4 DIESEL GREEN (A2008TBT4DUSC) of 114  
TOP END GASKET SET ASSEMBLY



2008 ATV 700 AUTOMATIC TRANSMISSION 4X4 DIESEL GREEN (A2008TBT4DUSG) Page 114 of 114  
 TOP END GASKET SET ASSEMBLY

Ref #	Part Number	Qty	S/P/F	Description
	3206-328	1		Top End Gasket Set
1	3206-152	4		Retainer, Valve - Cylinder Head
2	3206-086	1		Gasket, Rocker Arm Cover
3	3206-084	1		Connection, Rocker Arm Cover
4	3206-095	4		Seal, Ring - Delivery Pipe
5	3206-094	1		Seal, Delivery Pipe
6	3206-122	2		O-Ring, Injection Nozzle
7	3206-124	2		Gasket, Copper - Injection Nozzle
8	3206-059	2		Arrester, Spark - Injection Nozzle
9	3206-208	1		Ring, Seal - Governor Cover
10	3206-210	1		Seal, Oil - Governor Cover
11	3206-226	1		Seal, Governor Lever
12	3206-313	1		O-Ring, Cylinder Head Flange
13	3206-291	2		Gasket, Exhaust Manifold
14	3206-296	1	/P	Gasket, Exhaust
15	3206-260	1		O-Ring, Thermostat
16	3206-010	4		Washer, Crush
17	3206-256	1		O-Ring, Fuel Feed Pump
18	3206-277	1		Gasket, Intake Manifold
19	3206-289	1		Gasket, Intake Flange

2008 ATV 700 AUTOMATIC TRANSMISSION 4X4 DIESEL GREEN (A2008TB14) (USA) of 114  
TRANSMISSION LEFT-SIDE ASSEMBLY





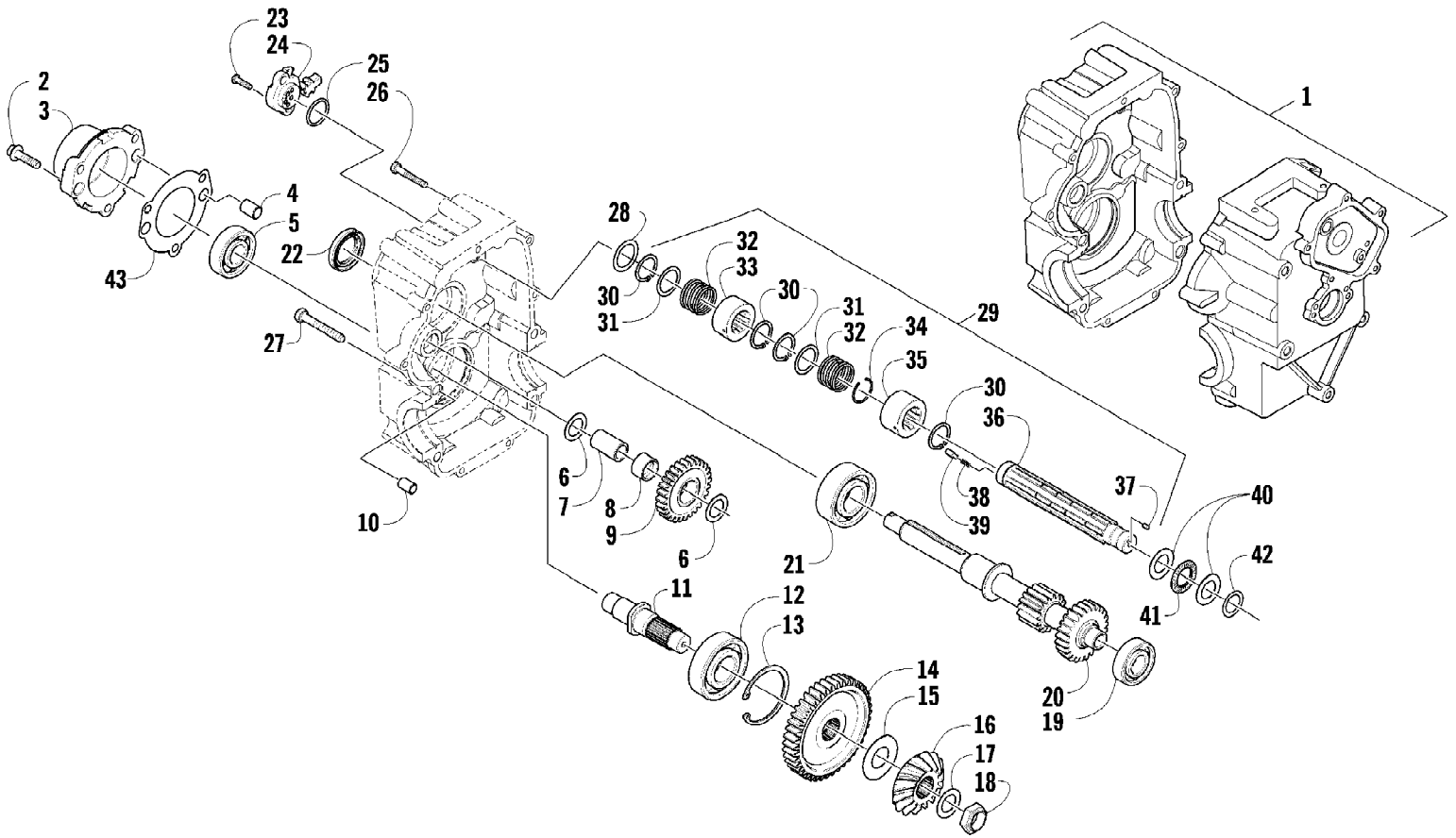
2008 ATV 700 AUTOMATIC TRANSMISSION 4X4 DIESEL GREEN (A2008TB4DUSG) of 114  
TRANSMISSION LEFT-SIDE ASSEMBLY

Ref #	Part Number	Qty	S/P/F	Description
1	0832-014	2	S	Bearing
2	0828-010	1		Washer, Thrust - Secondary Transmission
3	1402-558	1		Gear, Drive - No. 2 (18T)
4	1502-149	1	S	Countershaft (inc. 5-18)
5	0831-011	2		Ring, Retaining
6	0822-014	1		Dog, Reverse Gear
7	0822-045	1		Insert, Gear
8	0828-008	2		Washer, Secondary Transmission
9	0822-013	1		Gear, Reverse Driven
10	0832-011	3		Bearing
11	0822-005	3		Bushing
12	0828-015	1		Washer, Lock - Secondary Transmission
13	0828-014	1		Washer, Secondary Transmission
14	0822-004	1		Gear, Driven - Low (40T)
15	0822-046	2		Shim, Drive Gear Spacer
16	0822-003	1		Countershaft
17	0822-007	1		Dog, Sliding Driven Gear - High/Low
18	0822-006	1		Gear, Driven - High (30T)
19	0828-011	1		Washer
20	0818-072	2	/P	Fork, Shift
21	0818-006	1		Shaft, Shift Fork
22	0822-052	1		Seal, Countershaft - Right
23	0831-040	1		Ring, External Retaining
24	0822-050	1		Trigger, Speedometer Sensor
25	0828-069	1		Washer, Thrust
26	0831-039	1		Ring, External Retaining
27	0830-129	1		Gasket, Odometer Drive
28	0829-023	2		Pin, Solid Dowel
29	0822-049	1		Housing, Speedometer Sensor
30	0830-107	2		Seal, Fastener
31	8468-645	2		Screw, Machine
32	0824-042	1	/P	Sensor, Speedometer
33	8468-620	1	/P	Screw, Machine
34	0828-038	1		Washer
35	0818-002	1		Stopper, Swing Arm - Cam Assembly
36	0818-004	1		Support, Cam Stopper
37	0818-028	1		Spring, Torsion - Cam Arm
38	0828-035	1		Washer
39	8424-602	1	/P	Nut, Hex Flange
40	1402-556	1		Stop, Spring - Selector
41	0828-036	2		Washer
42	0831-010	2		Ring, Retaining
43	0818-007	1	/P	Shaft, Sub - Gear Shift
44	1402-557	1		Gasket, Cover - Selector
45	1502-009	1		Cover, Selector - Gearcase
46	8405-620	6		Screw, Cap
47	0830-044	1		Seal, Sub - Gear Shift
48	0818-014	1		Arm, Selector
49	0818-005	1	S	Plate, Gear Shift Cam
50	0826-006	1		Screw, Cap
51	0812-006	1		Plug, Drain - Magnetic
52	0830-017	1		Gasket, Compression
53	1402-102	1		Fitting, Oil

2008 ATV 700 AUTOMATIC TRANSMISSION 4X4 DIESEL GREEN (A2008TBA14) (USA) Page 10 of 114  
TRANSMISSION LEFT-SIDE ASSEMBLY

Ref #	Part Number	Qty	S/P/F	Description
54	0402-333	1	/P	Plug, Fill (inc. 55)
55	0423-154	1		O-Ring
56	0819-063	1		Yoke, Propeller Shaft
57	1402-463	1	S	Joint, Universal - Set (inc. 58)
58	0423-450	4		Ring, Retaining - Universal Joint
59	0827-013	2		Nut, Hex
60	0828-020	2		Washer
61	0819-061	1		Yoke, Drive Output - Front Assembly
62	0830-043	2		Seal, Oil - Driven Shaft
63	0832-017	1		Bearing, Driven Shaft
64	0828-026	1		Shim, 25.00 x 34.00 x 1.00
65	1402-554	1		Shaft, Output - Secondary
66	0819-002	1		Gear, Secondary Driven
67	1402-555	1		Sleeve, Bearing - Output Shaft
68	0832-016	1		Bearing, Driven Gear
69	0819-011	1		Ring, Driven Bearing
70	0819-005	1		Flange, Output Joint - Assembly
71	0470-689	1		Level Stick, Lubricant
72	2506-388	1		Tube, Level Stick
73	0423-465	1		Grommet
74	2506-445	1		Bracket, Level Stick Tube
75	0423-715	1		O-Ring
76	0423-396	2		Screw, Self-Tapping

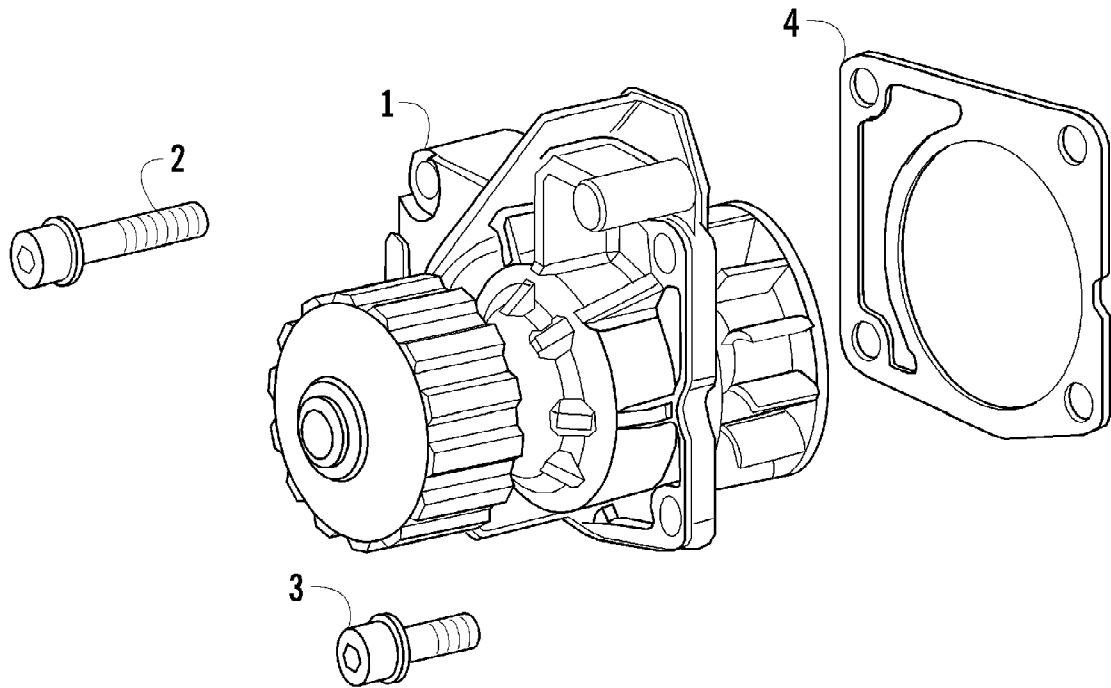
2008 ATV 700 AUTOMATIC TRANSMISSION 4X4 DIESEL GREEN (A2008TB14) (USA) of 114  
TRANSMISSION RIGHT-SIDE ASSEMBLY



2008 ATV 700 AUTOMATIC TRANSMISSION 4X4 DIESEL GREEN (A2008TBA10USG) of 114  
TRANSMISSION RIGHT-SIDE ASSEMBLY

Ref #	Part Number	Qty	S/P/F	Description
1	1502-043	1	S	Housing, Gearcase - Set
2	8408-830	3		Screw, Cap
3	0801-006	1		Housing, Secondary Output Shaft Bearing
4	0829-002	2		Dowel, Split
5	0832-014	1	S	Bearing, Secondary Output Shaft
6	0828-016	2		Washer, Thrust
7	0822-015	1		Shaft, Reverse Idle
8	0822-012	1		Bushing, Reverse Idle Gear
9	0822-011	1		Gear, Reverse Idle
10	0829-003	2		Dowel, Split
11	0822-067	1	/P	Shaft, Output - Secondary
12	0832-015	1	S/P	Bearing, Output - Secondary Shaft
13	0402-347	1		Ring, Retaining
14	1402-559	1		Gear, Driven - No. 2 (42 Tooth)
15	0828-030	1		Shim, 24 x 48 x 0.25 mm
15	0828-031	1		Shim, 24 x 48 x 0.30 mm
15	0828-032	1		Shim, 24 x 48 x 0.35 mm
15	0828-033	1		Shim, 24 x 48 x 0.90 mm
15	0828-018	1		Shim, 24 x 48 x 0.95 mm
15	0828-062	1		Shim, 24 x 48 x 1.00 mm
15	0828-063	1		Shim, 24 x 48 x 1.05 mm
15	0828-064	1		Shim, 24 x 48 x 1.10 mm
15	0828-065	1		Shim, 24 x 48 x 1.15 mm
16	0819-001	1		Gear, Secondary Drive
17	0828-019	1		Washer, Thrust
18	0827-012	1		Nut, Hex
19	0832-013	1	S	Bearing
20	1402-553	1		Shaft, Input
21	0832-012	1	S	Bearing, Driveshaft
22	0830-035	1		Seal, Driveshaft
23	8470-520	2		Screw, Machine
24	0818-049	1	S	Sensor, Gear Shift Position
25	0423-714	1		O-Ring
26	8405-640	7		Screw, Cap
27	8405-855	4		Screw, Cap
28	0828-040	1		Washer, Steel
29	0818-046	1		Shaft, Gear Shift - Assembly (inc. 30-37)
30	0831-011	4		Ring, Retaining
31	0828-039	2		Washer
32	0818-012	2		Spring, Cam - Gear Shift
33	0818-027	1		Cam, Reverse - Gear Shift
34	0818-011	1		C-Ring
35	0818-009	1		Cam, Forward - Gear Shift
36	0818-010	1		Shaft, Gear Shift
37	0829-011	1		Pin, Dowel
38	0818-017	2		Spring, Gear Shift Contacts
39	0818-013	2		Contact, Gear Shift
40	0828-067	2		Washer, Thrust Bearing
41	0832-034	1	S	Bearing, Thrust - Roller
42	0828-037	1		Washer
43	1402-605	1		Gasket

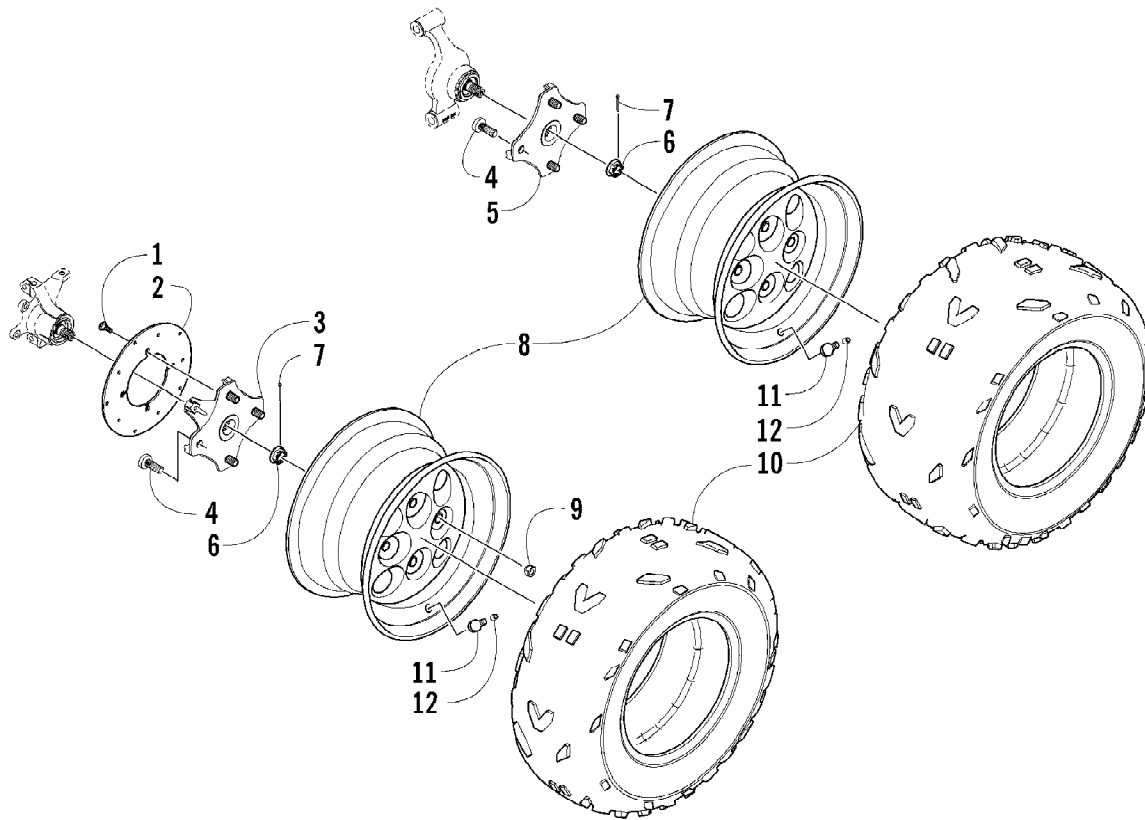
2008 ATV 700 AUTOMATIC TRANSMISSION 4X4 DIESEL GREEN (A2008TBA10USC) Page 10 of 114  
WATER PUMP ASSEMBLY



2008 ATV 700 AUTOMATIC TRANSMISSION 4X4 DIESEL GREEN (A2008TBA4DUSG) Page 114  
WATER PUMP ASSEMBLY

Ref #	Part Number	Qty	S/P/F	Description
1	3206-271	1		Pump, Water - Assembly
2	3206-273	2		Screw
3	3206-274	2		Screw
4	3206-272	1		Gasket

2008 ATV 700 AUTOMATIC TRANSMISSION 4X4 DIESEL GREEN (A2008TB14DUSG) of 114  
WHEEL AND TIRE ASSEMBLY

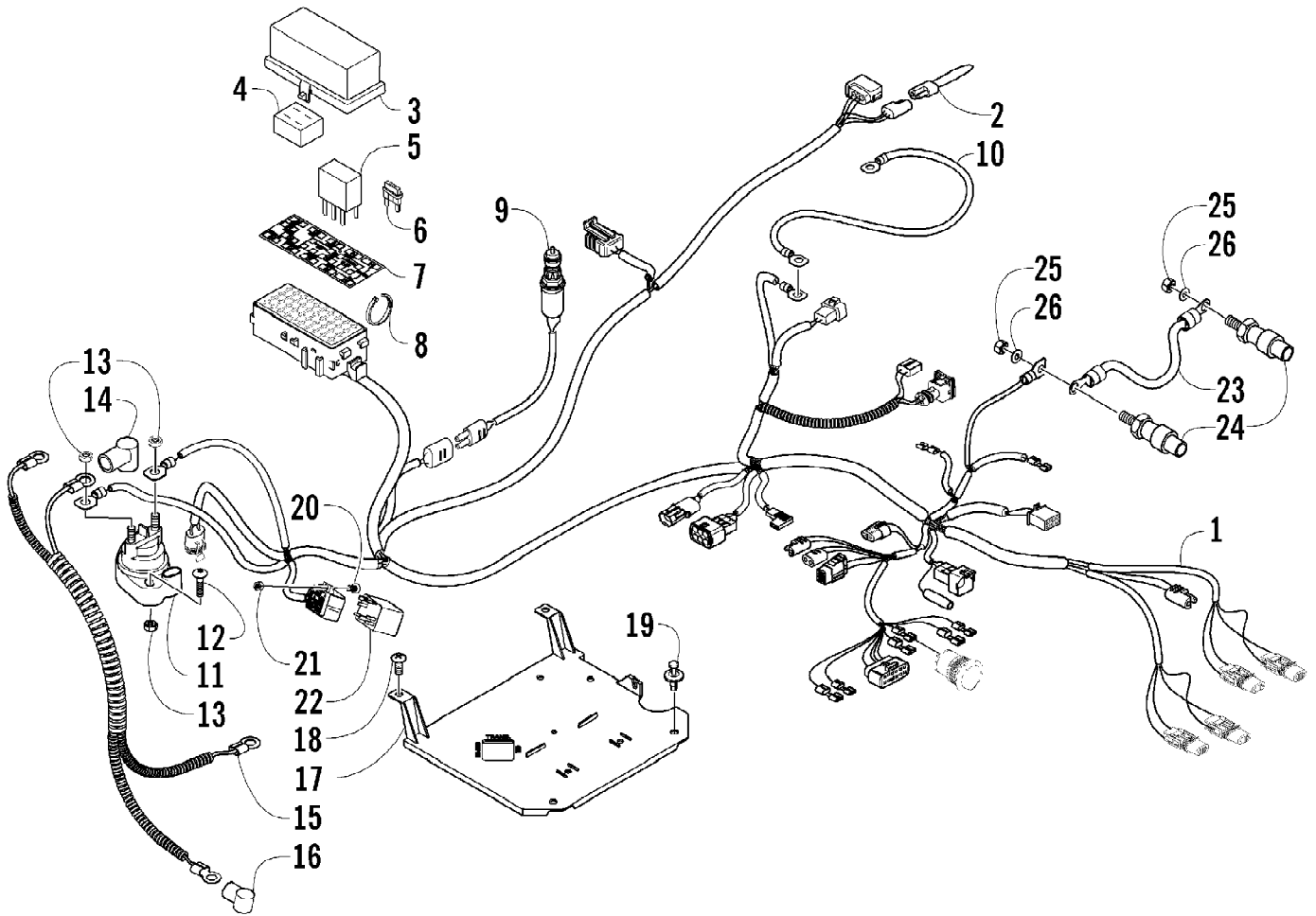


2008 ATV 700 AUTOMATIC TRANSMISSION 4X4 DIESEL GREEN (A2008TBA10USG) Page 114  
 WHEEL AND TIRE ASSEMBLY

Ref #	Part Number	Qty	S/P/F	Description
1	0423-557	12		Screw, Shoulder w/Loctite
2	1402-225	3	S	Disc, Brake
3	0502-599	2	S	Hub, Wheel - Front (inc. 4)
4	0402-974	16	/P	Stud, Wheel Hub
5	0502-601	1	S	Hub, Wheel - Rear - Left (inc. 4)
5	0502-599	1	S	Hub, Wheel - Rear - Right (inc. 4)
6	0423-607	4		Nut, Castle
7	0423-407	4		Pin, Cotter
8	0402-856	2		Wheel - Front
8	0402-858	2		Wheel - Rear
9	0423-408	16	/P	Nut, Mounting - Wheel
10	1402-658	2		Tire - Front
10	1402-659	2		Tire - Rear
11	0402-064	4		Stem, Valve (inc. 12)
12	0402-140	4		Cap, Valve Stem



2008 ATV 700 AUTOMATIC TRANSMISSION 4X4 DIESEL GREEN (A2008TB14DUS) of 114  
WIRING HARNESS ASSEMBLY



2008 ATV 700 AUTOMATIC TRANSMISSION 4X4 DIESEL GREEN (A2008TBA14) (USA) Page 10 of 114  
WIRING HARNESS ASSEMBLY

Ref #	Part Number	Qty	S/P/F	Description
1	0486-246	1		Harness, Main (inc. 2-7)
2	0486-164	1		Tether, Accessory Connector
3	0530-008	1		Cover, Fuse Block
4	0430-037	1		Holder, Fuse
5	0430-033	1		Relay (5-Pin) - 20 Amp
5	0430-045	3	/P	Relay (4-Pin) - 20 Amp
6	0430-032	4		Fuse - 10 Amp
6	0430-031	4		Fuse - 15 Amp
6	0430-030	2		Fuse - 30 Amp
7	1411-381	1		Decal, Fuse Block
8	0123-788	AR	/P	Cable Tie - 7.5 in.
9	0409-089	1		Switch, Brake - Assembly
10	0445-060	1		Cable, Battery/Ground
11	0445-058	1	/P	Solenoid
12	8476-625	2		Screw, Machine
13	0623-038	4		Nut w/Washer
14	0645-327	1		Boot, Terminal
15	0445-059	1		Cable, Battery - Assembly
16	0645-019	2		Boot, Terminal
17	2406-388	1		Tray, Electrical
18	8476-620	2		Screw, Machine
19	0623-362	4		Rivet, Reinstallable
20	0423-371	1		Screw, Machine
21	8424-502	1		Nut, Hex
22	3206-311	1		Relay, Glow Plug
23	3206-307	1		Wire, Glow Plug
24	3206-306	2		Plug, Glow
25	3206-308	2		Nut
26	3206-309	2		Washer