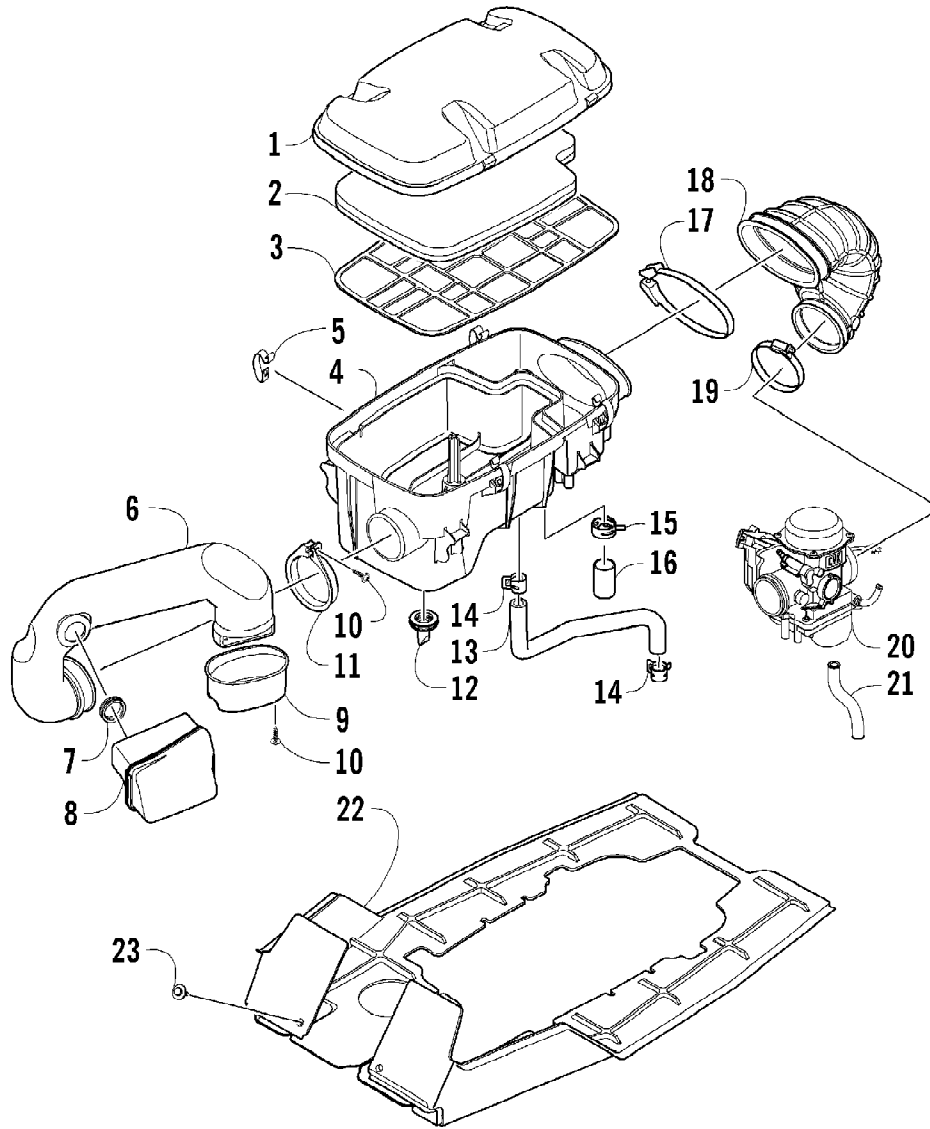


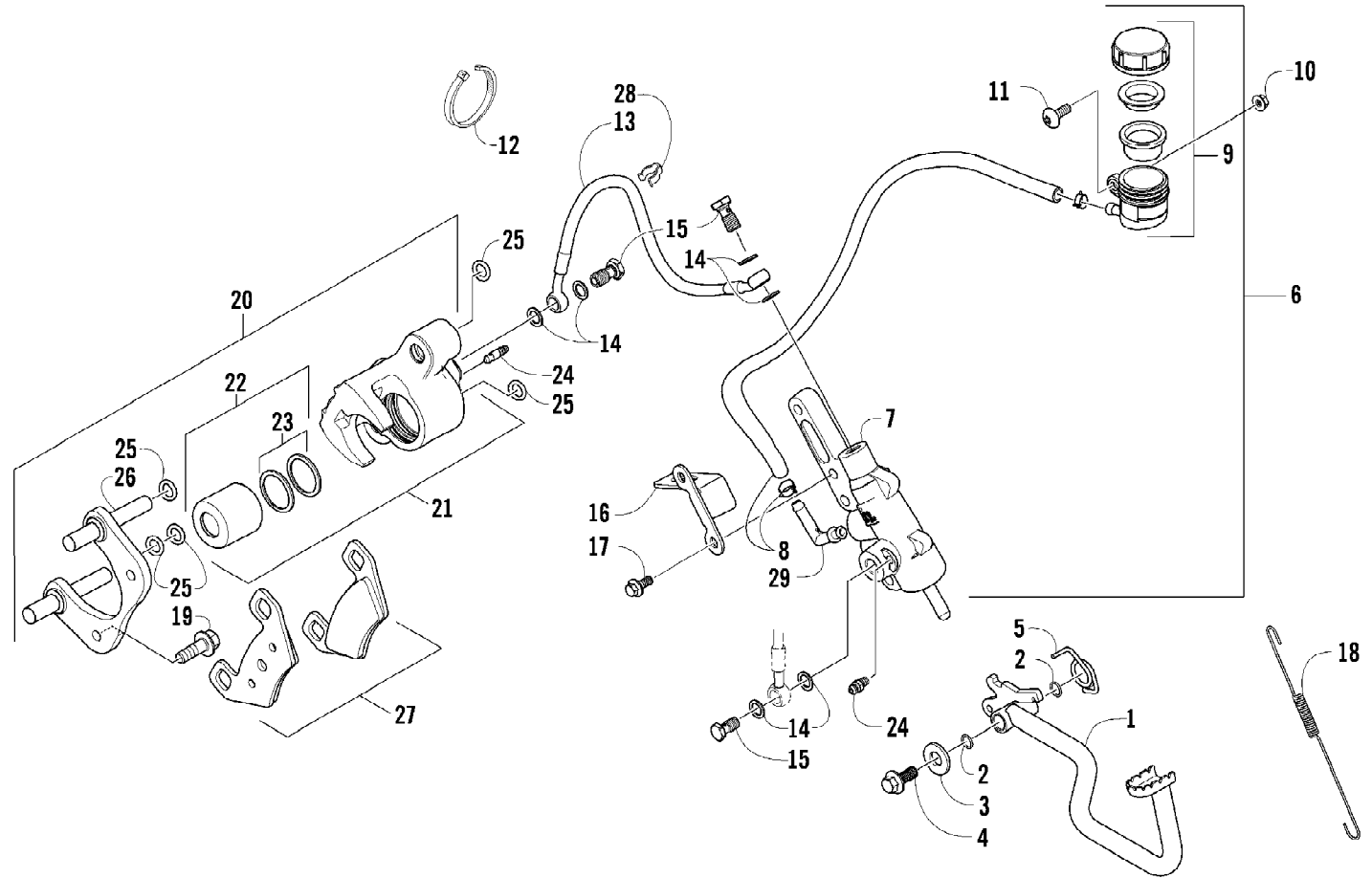
2008 ATV 650 H1 AUTOMATIC TRANSMISSION 4X4 TRV BLACK (A2008TBS4B) of 93  
AIR INTAKE ASSEMBLY



2008 ATV 650 H1 AUTOMATIC TRANSMISSION 4X4 TRV BLACK (A2008TBS4B) of 93  
AIR INTAKE ASSEMBLY

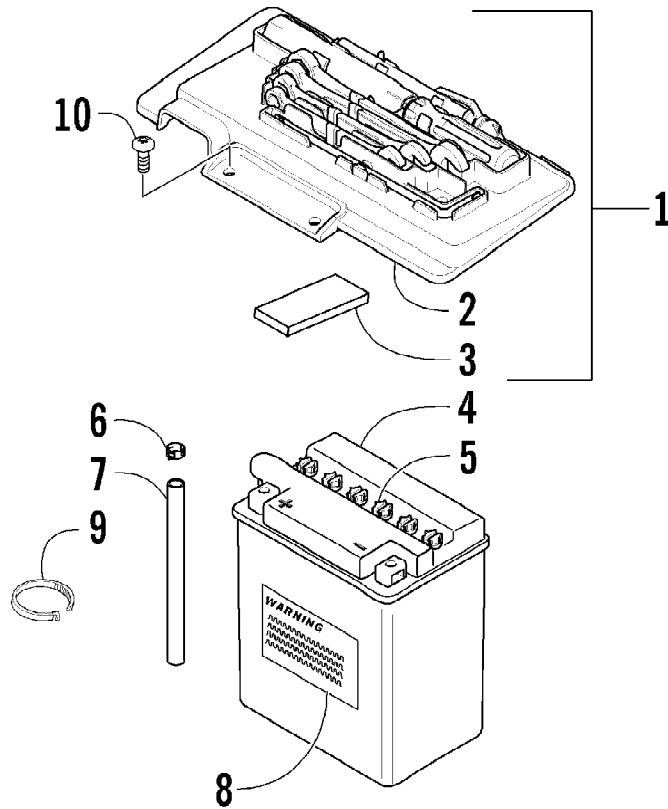
| Ref # | Part Number | Qty | S/P/F | Description               |
|-------|-------------|-----|-------|---------------------------|
| 1     | 0470-755    | 1   | S     | Cover, Air Intake         |
| 2     | 0470-558    | 1   |       | Filter, Air               |
| 3     | 0470-560    | 1   |       | Screen, Air Filter        |
| 4     | 0470-675    | 1   |       | Housing, Air Intake       |
| 5     | 0423-455    | 4   |       | Clip, Spring              |
| 6     | 0470-749    | 1   |       | Duct, Engine - Air Intake |
| 7     | 0423-763    | 1   |       | Grommet, Air Intake       |
| 8     | 0570-215    | 1   |       | Resonator                 |
| 9     | 0470-729    | 1   |       | Cup, Air Intake           |
| 10    | 0423-342    | 3   | /P    | Screw, Self-Tapping       |
| 11    | 0423-551    | 3   |       | Clamp                     |
| 12    | 0470-442    | 2   | /P    | Valve, Drain              |
| 13    | 0410-079    | 1   | S     | Hose, Vent - Crankcase    |
| 14    | 0423-045    | 2   |       | Clamp, Hose               |
| 15    | 1623-287    | 1   |       | Clamp, Hose               |
| 16    | 0423-766    | 1   |       | Cap, Drain                |
| 17    | 0423-554    | 1   |       | Clamp, Boot               |
| 18    | 0470-525    | 1   |       | Boot, Carburetor          |
| 19    | 0423-019    | 1   |       | Clamp, Boot               |
| 20    | 0470-741    | 1   |       | Carburetor, CVK36-AE      |
| 21    | 0510-592    | 1   |       | Hose, Carburetor Drain    |
| 22    | 2406-604    | 1   |       | Panel, Shield             |
| 23    | 0623-362    | 2   |       | Rivet, Reinstallable      |

2008 ATV 650 H1 AUTOMATIC TRANSMISSION 4X4 TRV BLACK (A2008TBS4B) of 93  
AUXILIARY BRAKE ASSEMBLY



2008 ATV 650 H1 AUTOMATIC TRANSMISSION 4X4 TRV BLACK (A2008TBS4B) of 93  
AUXILIARY BRAKE ASSEMBLY

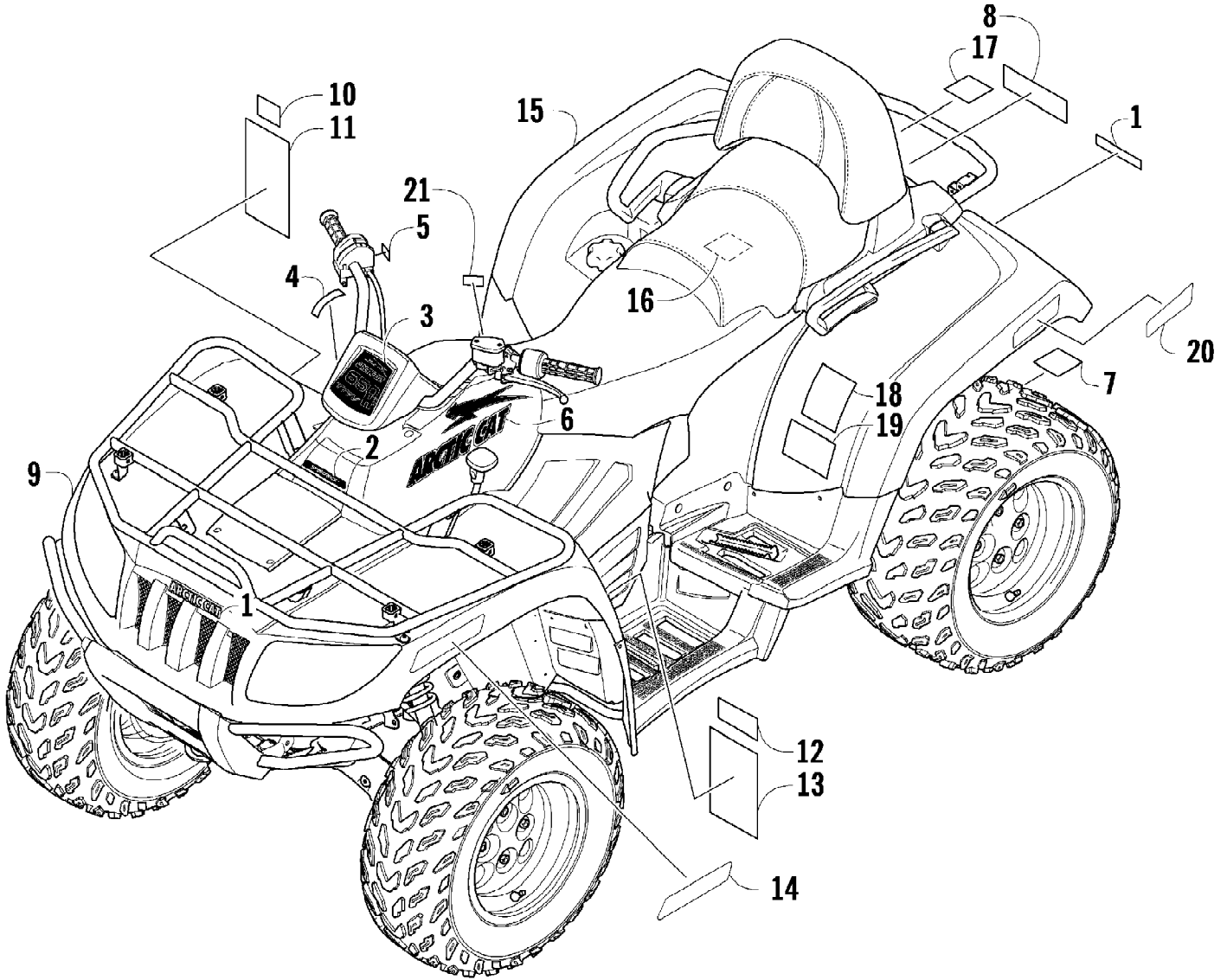
| Ref # | Part Number | Qty | S/P/F | Description  |
|-------|-------------|-----|-------|--|
|       | 1502-294    | 1   |       | Master Cylinder Replacement Kit                                      |
| 1     | 1502-063    | 1   |       | Lever, Brake   |
| 2     | 1602-213    | 2   | /P    | O-Ring   |
| 3     | 8050-252    | 1   |       | Washer   |
| 4     | 8408-816    | 1   |       | Screw, Cap   |
| 5     | 0502-807    | 1   |       | Spring, Brake Lever  |
| 6     | 1502-293    | 1   |       | Brake Assembly (inc. 7-9)  |
| 7     | 0           | 1   | F     | Master Cylinder  |
| 8     | 0           | 1   | F     | Hose, Brake Fluid Reservoir w/Clamps                                 |
| 9     | 1502-155    | 1   |       | Reservoir, Brake Fluid w/Clamp                                       |
| 10    | 0623-038    | 1   |       | Nut, Flanged   |
| 11    | 8476-616    | 1   |       | Screw, Machine   |
| 12    | 0123-788    | 1   | /P    | Cable Tie - 7.5 in.  |
| 13    | 1502-140    | 1   |       | Hose, Brake  |
| 14    | 0423-178    | 6   |       | Washer, Crush  |
| 15    | 0423-413    | 3   |       | Bolt, Banjo-Fitting  |
| 16    | 0502-840    | 1   |       | Bracket, Switch  |
| 17    | 8408-625    | 2   |       | Screw, Cap   |
| 18    | 0502-785    | 1   |       | Spring, Brake Switch   |
| 19    | 8408-821    | 2   | /P    | Screw, Cap   |
| 20    | 0502-878    | 1   | S     | Caliper, Brake (inc. 21-23, one No. 24, and 25-27)                   |
| 21    | 0502-603    | 1   | S     | Housing, Caliper - Assembly - Right Rear (inc. 22-23 and one No. 24) |
| 22    | 0502-606    | 1   |       | Piston/Seal Set (inc. 23)  |
| 23    | 0502-607    | 1   |       | Seal Set   |
| 24    | 0502-609    | 2   | /P    | Valve, Bleed   |
| 25    | 0502-608    | 1   |       | O-Ring, Guide - Set  |
| 26    | 0502-605    | 1   |       | Bracket Assembly   |
| 27    | 0502-875    | 1   | S     | Pad, Brake - Set   |
| 28    | 1502-115    | 2   |       | Clip, Brake Hose   |
| 29    | 1502-296    | 1   | /P    | Adapter, Hose  |



2008 ATV 650 H1 AUTOMATIC TRANSMISSION 4X4 TRV BLACK (A2008TBS4BLS) of 93  
 BATTERY ASSEMBLY

| Ref # | Part Number | Qty | S/P/F | Description                                 |
|-------|-------------|-----|-------|---|
| 1     | 5991-395    | 1   | S     | Battery Cover/Tool Tray Assembly (inc. 2-3) |
| 2     | 2406-815    | 1   | /P    | Cover, Battery                              |
| 3     | 0406-288    | 2   |       | Pad, Battery                                |
| 3     | 0444-122    | 1   | S/P/F | Kit, Tool                                   |
| 4     | 0745-045    | 1   | /P    | Battery Assembly (inc. 5-8)                 |
| 5     | 0645-045    | 6   |       | Cap, Battery                                |
| 6     | 0645-152    | 1   |       | Clamp, Hose                                 |
| 7     | 0645-263    | 1   | /P    | Hose, Battery Vent                          |
| 8     | 0645-151    | 1   |       | Label, Warning - Battery                    |
| 9     | 0123-903    | 4   |       | Cable Tie - 11.5 in.                        |
| 10    | 0423-609    | 2   |       | Screw, Machine                              |

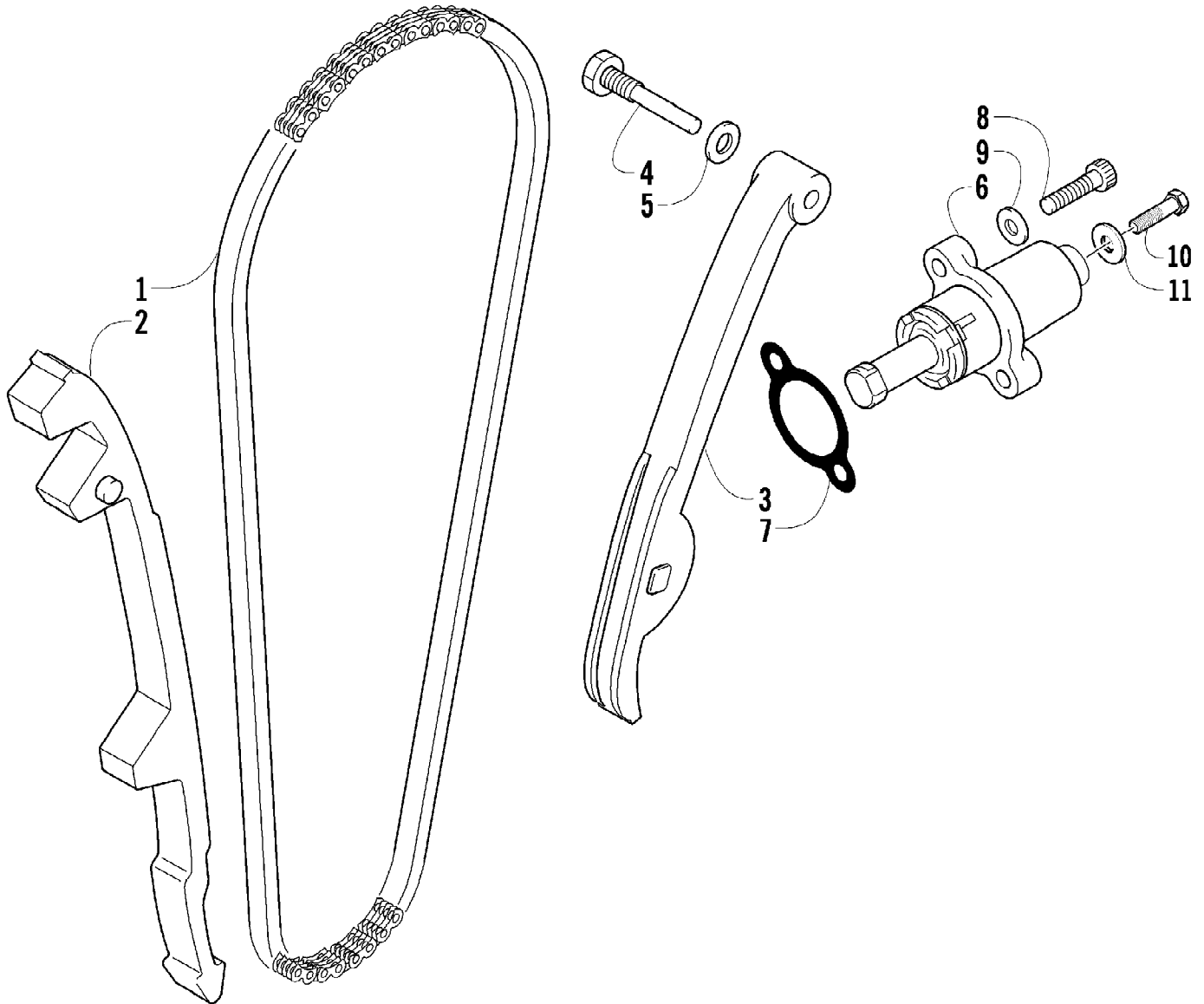
2008 ATV 650 H1 AUTOMATIC TRANSMISSION 4X4 TRV BLACK (A2008TBS4) of 93  
BODY PANELS AND DECALS



2008 ATV 650 H1 AUTOMATIC TRANSMISSION 4X4 TRV BLACK (A2008TBS4B) of 93  
BODY PANELS AND DECALS

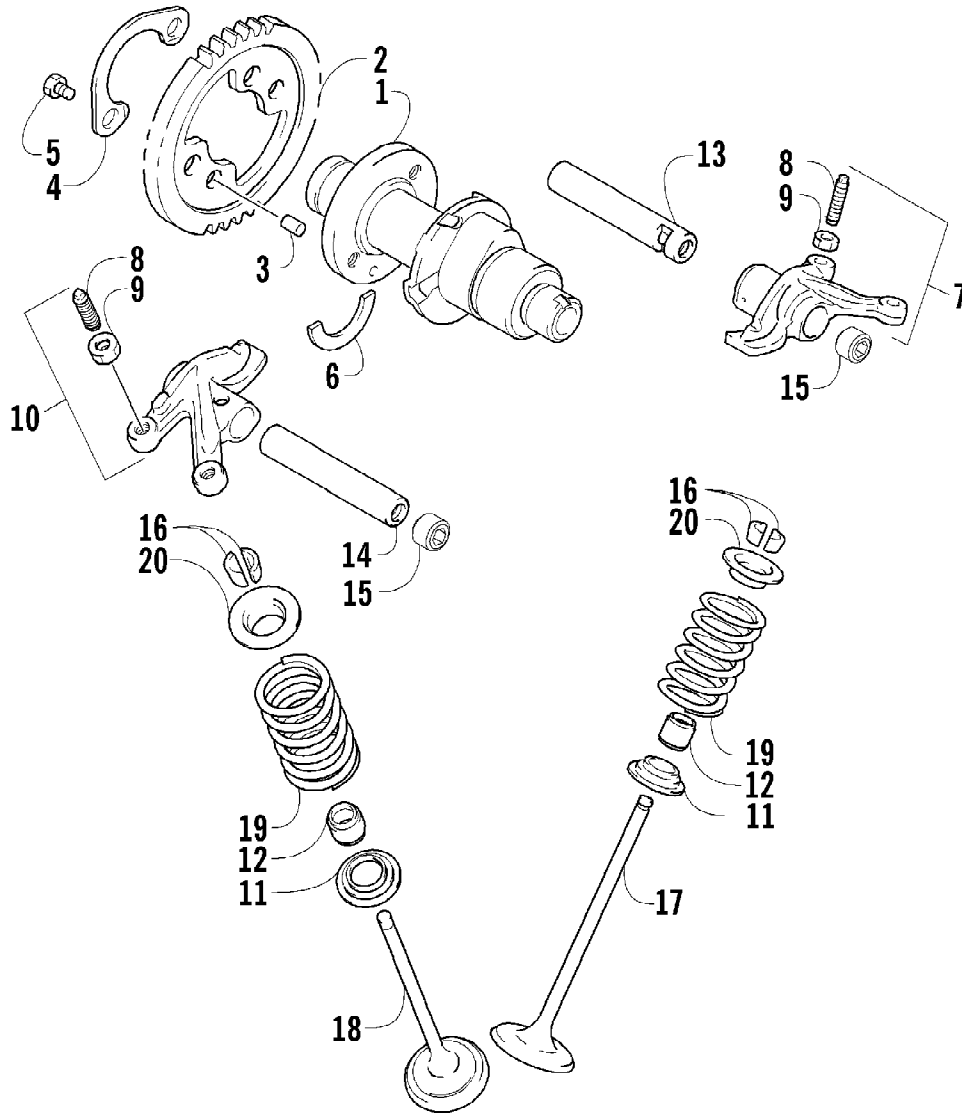
| Ref # | Part Number | Qty | S/P/F | Description  |
|-------|-------------|-----|-------|--|
| 1     | 1411-725    | 2   |       | Decal, Front/Rear  |
| 2     | 1411-050    | 1   | /P    | Decal, "Speedrack"   |
| 3     | 1411-552    | 1   |       | Decal, Instrument Pod  |
| 4     | 0411-426    | 1   |       | Decal, Warning - Clutch Cover                                |
| 5     | 0411-966    | 1   |       | Decal, Warning - Differential Lock                           |
| 6     | 1411-634    | 1   |       | Decal, Side - Upper Right                                    |
| 6     | 1411-635    | 1   |       | Decal, Side - Upper Left                                     |
| 7     | 1411-077    | 1   |       | Decal, Warning - Towing                                      |
| 8     | 0411-814    | 1   | /P    | Decal, "Arctic Cat" - White                                  |
| 9     | 0518-009    | 1   |       | Panel, Fender - Assembly - Front (inc. 10-14)                |
| 10    | 0411-894    | 1   |       | Decal, Warning - Hill  |
| 11    | 0411-666    | 1   |       | Decal, Warning - Reverse/Pre-Ride                            |
| 12    | 1411-574    | 1   |       | Decal, Warning - Off-Road Only                               |
| 13    | 0411-753    | 1   |       | Decal, Warning - Age/General                                 |
| 14    | 0411-818    | 1   |       | Decal, Reflector - Front - Right                             |
| 14    | 0411-819    | 1   |       | Decal, Reflector - Front - Left                              |
| 15    | 2506-711    | 1   | S     | Panel, Fender - Assembly - Rear - (inc. 16-20 and one No. 1) |
| 16    | 1411-269    | 1   |       | Decal, Warning - Passenger                                   |
| 17    | 1411-251    | 1   |       | Decal, Warning - Seat/Passenger                              |
| 18    | 0411-833    | 1   |       | Decal, Passenger   |
| 19    | 0411-832    | 1   |       | Decal, Warning - Tire Pressure                               |
| 20    | 1411-592    | 1   | /P    | Decal, Reflector - Rear - Right                              |
| 20    | 1411-593    | 1   | /P    | Decal, Reflector - Rear - Left                               |
| 21    | 1411-865    | 1   |       | Decal, Warning - Brake Lever Lock                            |





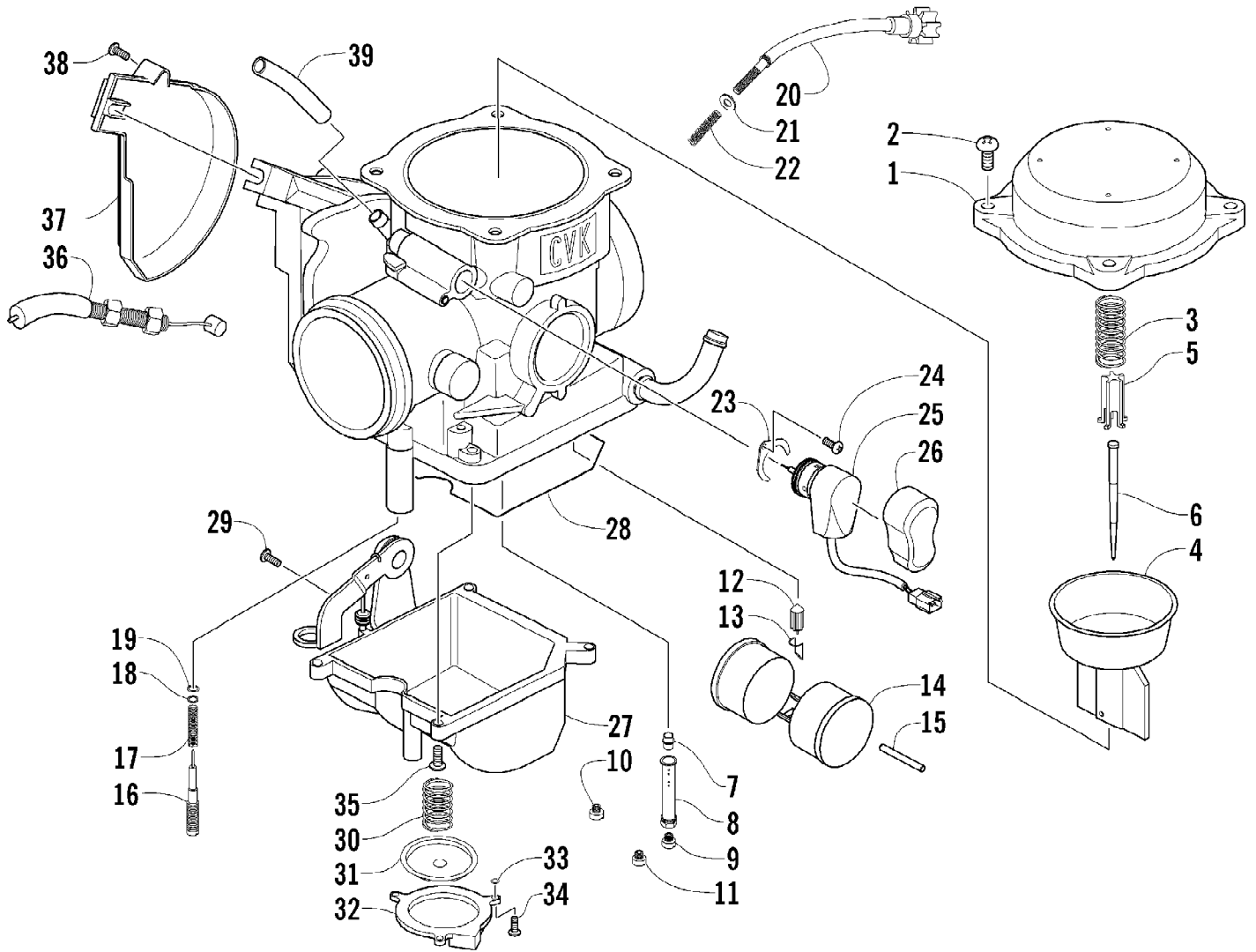
2008 ATV 650 H1 AUTOMATIC TRANSMISSION 4X4 TRV BLACK (A2008TBS#16510) of 93  
CAM CHAIN ASSEMBLY

| Ref # | Part Number | Qty | S/P/F | Description                    |
|-------|-------------|-----|-------|--------------------------------|
| 1     | 0810-001    | 1   |       | Chain, Cam                     |
| 2     | 0810-002    | 1   |       | Guide, Chain                   |
| 3     | 0810-003    | 1   |       | Tensioner, Chain               |
| 4     | 0826-036    | 1   |       | Bolt                           |
| 5     | 0830-025    | 1   |       | Washer                         |
| 6     | 0810-004    | 1   |       | Adjuster, Tensioner - Assembly |
| 7     | 0830-018    | 1   |       | Gasket                         |
| 8     | 8468-625    | 2   |       | Screw, Machine                 |
| 9     | 0830-107    | 2   |       | Gasket                         |
| 10    | 8400-610    | 1   |       | Screw, Cap                     |
| 11    | 0828-110    | 1   |       | Washer                         |



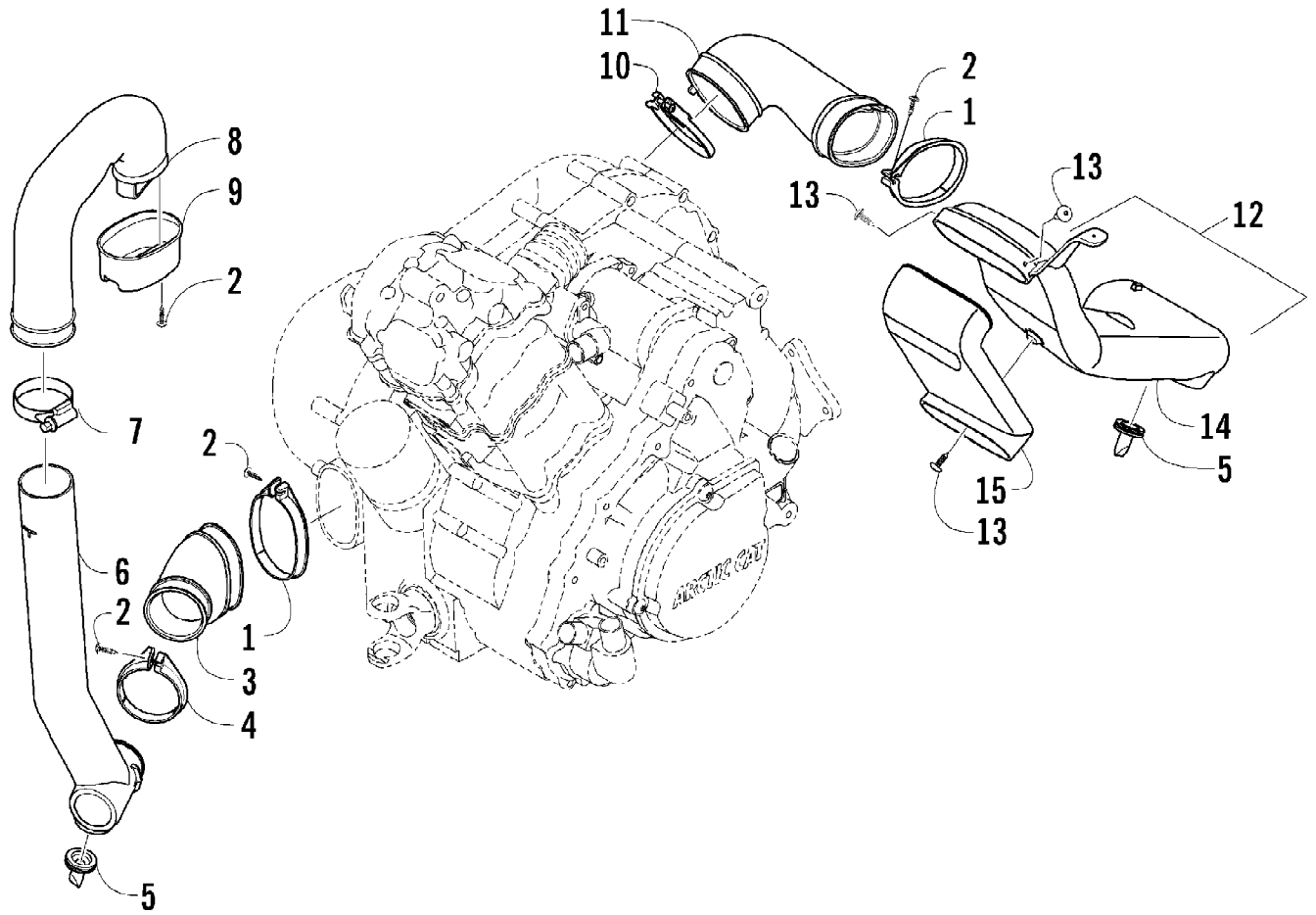
2008 ATV 650 H1 AUTOMATIC TRANSMISSION 4X4 TRV BLACK (A2008TBS#46512) of 93  
 CAMSHAFT/VALVE ASSEMBLY

| Ref # | Part Number | Qty | S/P/F | Description                                    |
|-------|-------------|-----|-------|--|
| 1     | 0809-200    | 1   | S     | Camshaft                                       |
| 2     | 0809-002    | 1   |       | Sprocket                                       |
| 3     | 0829-008    | 1   |       | Pin  |
| 4     | 0828-004    | 1   |       | Washer   |
| 5     | 0826-034    | 2   |       | Bolt   |
| 6     | 0809-003    | 1   |       | C-Ring   |
| 7     | 0809-202    | 1   | S/F   | Arm, Valve Rocker - Intake (inc. two No. 8-9)  |
| 8     | 0809-033    | 4   | S/F   | Screw  |
| 9     | 0827-007    | 4   | F     | Nut  |
| 10    | 0809-205    | 1   | S/F   | Arm, Valve Rocker - Exhaust (inc. two No. 8-9) |
| 11    | 0809-006    | 4   | F     | Seat, Spring - Valve                           |
| 12    | 0830-016    | 4   | S/F   | Seal, Oil                                      |
| 13    | 0809-007    | 1   | F     | Shaft, Rocker Arm - Intake                     |
| 14    | 0809-008    | 1   | F     | Shaft, Rocker Arm - Exhaust                    |
| 15    | 0831-066    | 2   | F     | Plug, Shaft                                    |
| 16    | 0809-014    | 8   | F     | Keeper, Valve                                  |
| 17    | 0809-039    | 2   | S/F   | Valve, Intake                                  |
| 18    | 0809-040    | 2   | S/F   | Valve, Exhaust                                 |
| 19    | 0809-138    | 4   | S/F   | Spring, Valve                                  |
| 20    | 0809-013    | 4   | F     | Retainer, Spring                               |



2008 ATV 650 H1 AUTOMATIC TRANSMISSION 4X4 TRV BLACK (A2008TBS) Page 14 of 93  
CARBURETOR

| Ref # | Part Number | Qty | S/P/F | Description                            |
|-------|-------------|-----|-------|--|
|       | 0470-741    | 1   |       | Complete Carburetor Assembly           |
| 1     | 5507-001    | 1   |       | Cover, Top                             |
| 2     | 5507-002    | 4   | /P    | Screw, Top Cover                       |
| 3     | 5507-066    | 1   | /P    | Spring                                 |
| 4     | 5507-099    | 1   |       | Piston, Vacuum                         |
| 5     | 5507-005    | 1   |       | Seat, Spring                           |
| 6     | 5507-236    | 1   |       | Jet Needle                             |
| 7     | 5507-237    | 1   |       | Needle Jet                             |
| 8     | 5507-047    | 1   | /P    | Holder, Needle Jet                     |
| 9     | 5507-057    | 1   | /P    | Main Jet - 135                         |
| 9     | 5507-072    | 1   | F     | Main Jet - 125                         |
| 9     | 5507-073    | 1   | F     | Main Jet - 128                         |
| 9     | 5507-074    | 1   | F     | Main Jet - 130                         |
| 9     | 5507-076    | 1   | /P/F  | Main Jet - 138                         |
| 9     | 5507-075    | 1   | F     | Main Jet - 132                         |
| 9     | 5507-043    | 1   | F     | Main Jet - 142                         |
| 9     | 5507-042    | 1   | /P/F  | Main Jet - 145                         |
| 9     | 5507-041    | 1   | F     | Main Jet - 148                         |
| 9     | 5507-009    | 1   | /P/F  | Main Jet - 150                         |
| 9     | 5507-077    | 1   | F     | Main Jet - 152                         |
| 9     | 5507-078    | 1   | F     | Main Jet - 155                         |
| 10    | 5507-070    | 1   | /P    | Slow Jet - 40                          |
| 11    | 5507-112    | 1   |       | Starter Jet - 85                       |
| 12    | 5507-183    | 1   |       | Valve, Float - Set (inc. 13)           |
| 13    | 0           | 1   | F     | Clip                                   |
| 14    | 5507-039    | 1   |       | Float Set (inc. 15)                    |
| 15    | 0           | 1   | F     | Pin, Float                             |
| 16    | 5507-213    | 1   |       | Screw, Pilot - Set (inc. 17-19)        |
| 17    | 0           | 1   | F     | Spring                                 |
| 18    | 0           | 1   | F     | Washer                                 |
| 19    | 0           | 1   | F     | O-Ring                                 |
| 20    | 5507-027    | 1   |       | Screw, Idle Adjust                     |
| 21    | 5507-028    | 1   |       | Washer                                 |
| 22    | 5507-029    | 1   |       | Spring                                 |
| 23    | 5507-115    | 1   |       | Plate                                  |
| 24    | 5507-117    | 1   | /P    | Screw                                  |
| 25    | 5507-204    | 1   |       | Choke, Electric                        |
| 26    | 5507-114    | 1   |       | Cover, Electric Choke                  |
| 27    | 5507-214    | 1   |       | Chamber, Float - Assembly (inc. 28-34) |
| 28    | 5507-067    | 1   | /P    | O-Ring, Float Chamber                  |
| 29    | 5507-050    | 1   | /P    | Screw, Drain                           |
| 30    | 5507-211    | 1   |       | Spring                                 |
| 31    | 5507-197    | 1   |       | Diaphragm Assembly - Pump Housing      |
| 32    | 5507-198    | 1   |       | Housing, Pump                          |
| 33    | 5507-034    | 1   |       | U-Ring                                 |
| 34    | 5507-035    | 3   |       | Screw                                  |
| 35    | 5507-017    | 4   | /P    | Screw                                  |
| 36    | 0487-049    | 1   | /P    | Cable, Throttle                        |
| 37    | 5507-036    | 1   |       | Cover                                  |
| 38    | 5507-037    | 1   | /P    | Screw                                  |
| 39    | 0410-048    | AR  | S     | Hose, Vent 25 ft                       |

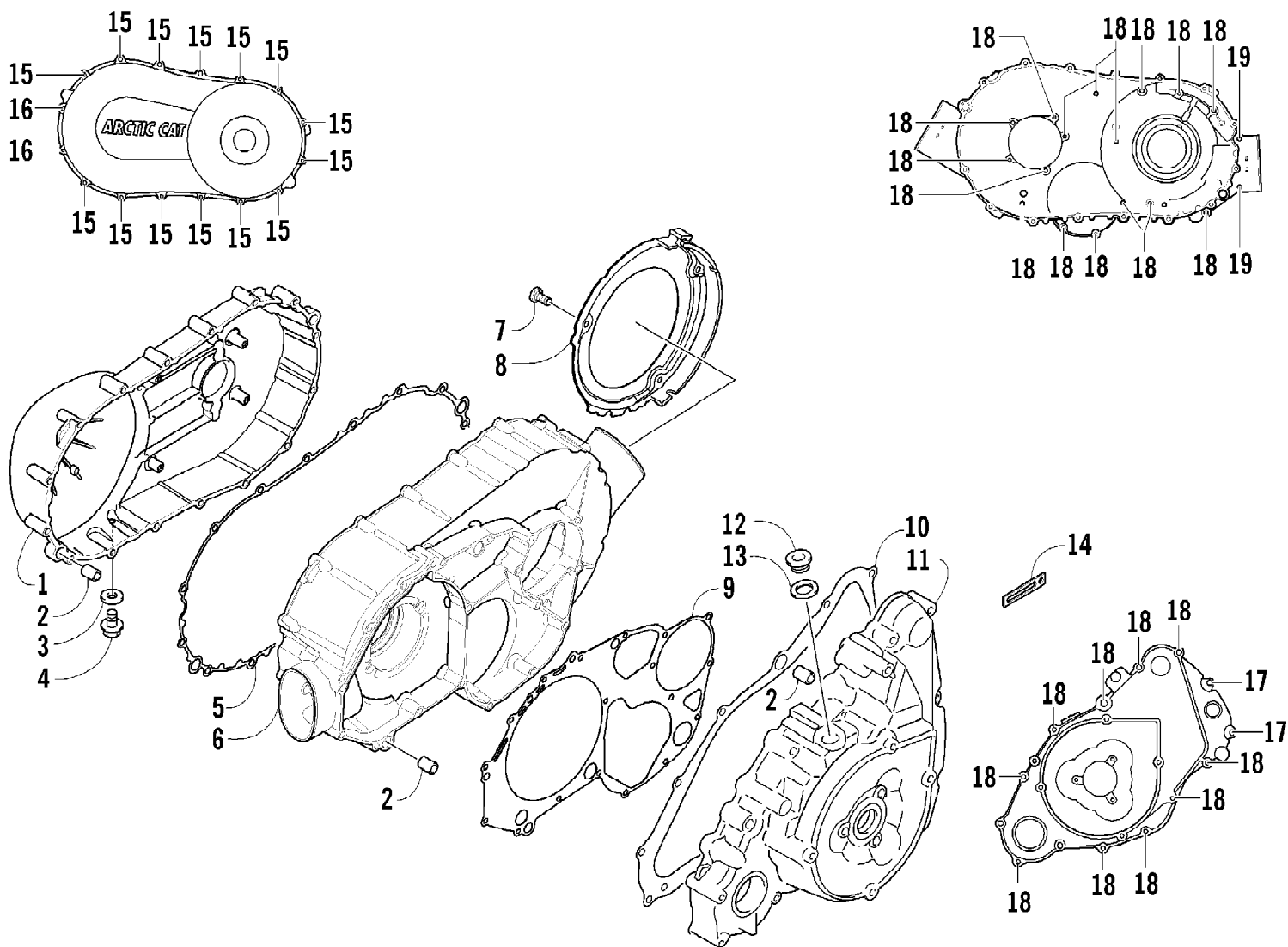


2008 ATV 650 H1 AUTOMATIC TRANSMISSION 4X4 TRV BLACK (A2008TBS#16) of 93  
CASE/BELT COOLING ASSEMBLY

| Ref # | Part Number | Qty | S/P/F | Description  |
|-------|-------------|-----|-------|--|
| 1     | 0423-550    | 2   |       | Clamp, Plastic                                     |
| 2     | 0423-342    | 5   | /P    | Screw, Self-Tapping                                |
| 3     | 0413-198    | 1   | /P    | Boot, Duct - Air Intake - Front                    |
| 4     | 0423-551    | 1   |       | Clamp, Boot  |
| 5     | 0470-442    | 2   | /P    | Valve, Drain                                       |
| 6     | 0513-010    | 1   |       | Duct, Air Intake - Front - Lower                   |
| 7     | 0423-019    | 1   |       | Clamp, Boot  |
| 8     | 0470-750    | 1   |       | Duct, Air Intake - Front - Upper                   |
| 9     | 0470-729    | 1   |       | Cup, Air Intake                                    |
| 10    | 0423-730    | 1   |       | Clamp, Boot  |
| 11    | 0413-187    | 1   | S     | Boot, Duct - Air Out - Rear                        |
| 12    | 0470-766    | 1   | S     | Duct, Air Out - Rear (inc. three No. 13 and 14-15) |
| 13    | 0623-784    | 4   |       | Screw, Self-Tapping                                |
| 14    | 0470-777    | 1   |       | Duct, Air Out - Primary                            |
| 15    | 0470-778    | 1   |       | Duct, Air Out - Secondary                          |

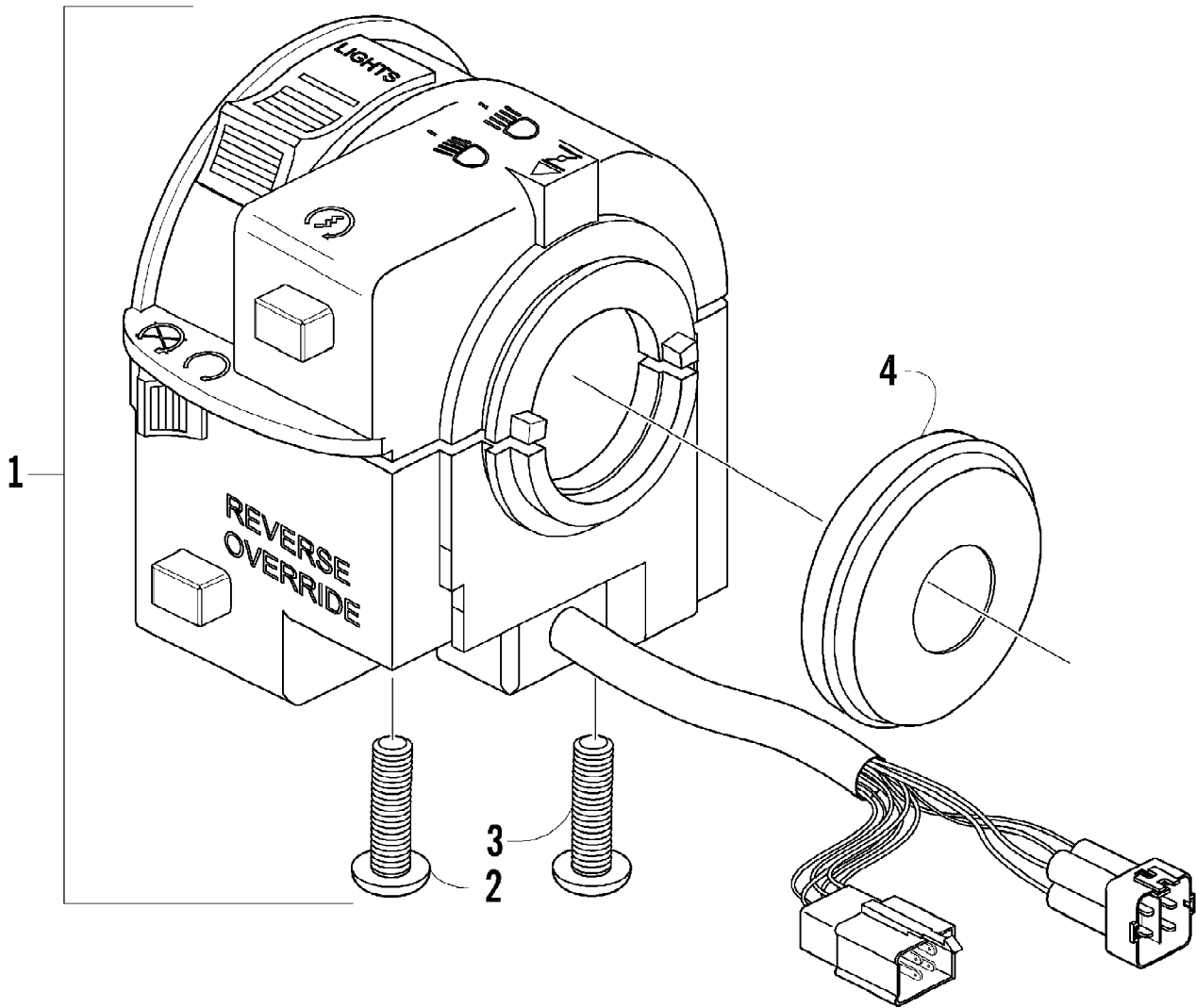


2008 ATV 650 H1 AUTOMATIC TRANSMISSION 4X4 TRV BLACK (A2008TBS#17) of 93  
CLUTCH/V-BELT/MAGNETO COVER ASSEMBLY



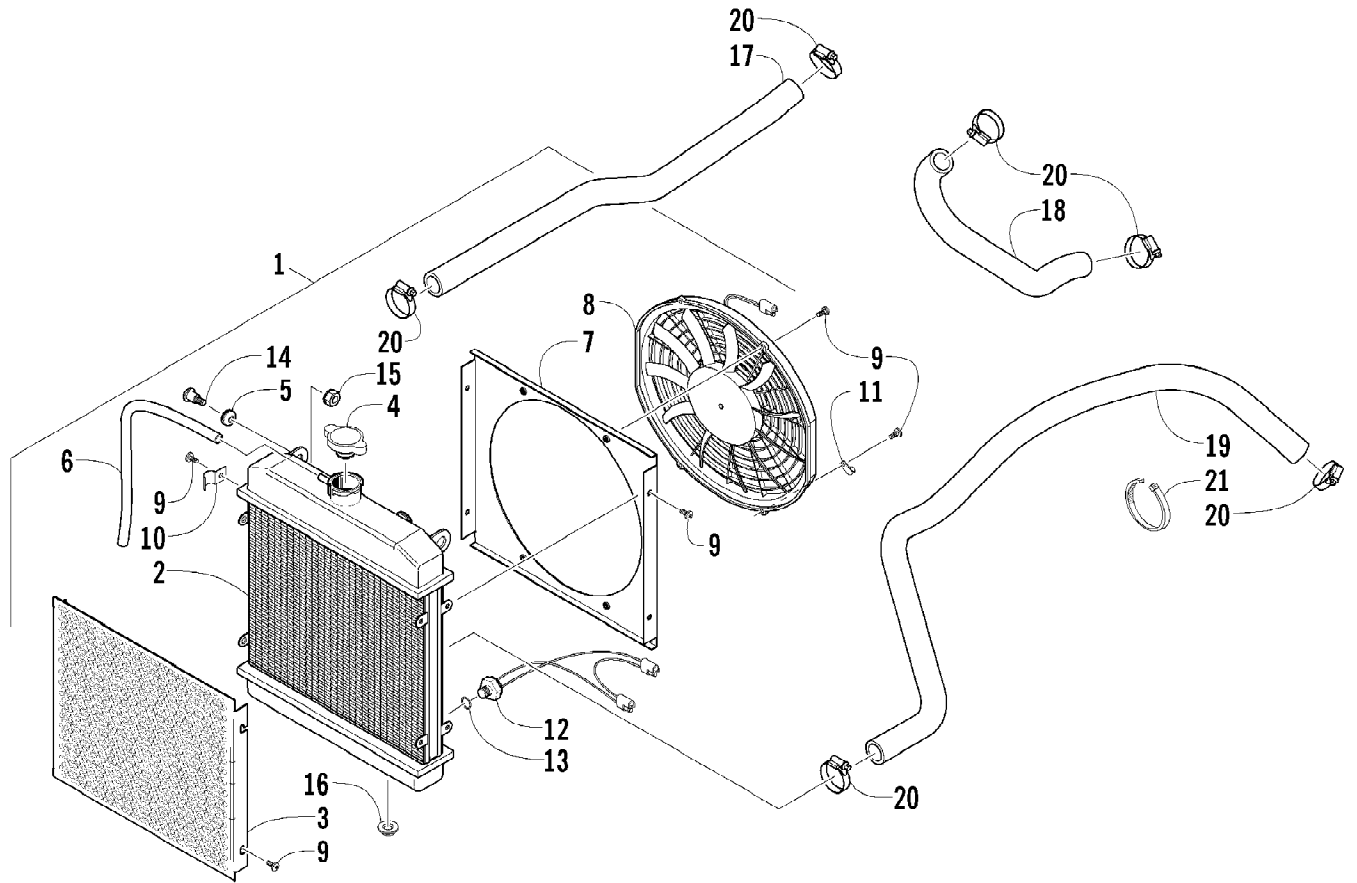
2008 ATV 650 H1 AUTOMATIC TRANSMISSION 4X4 TRV BLACK (A2008TBS#16518) of 93  
 CLUTCH/V-BELT/MAGNETO COVER ASSEMBLY

| Ref # | Part Number | Qty | S/P/F | Description               |
|-------|-------------|-----|-------|---------------------------|
| 1     | 0806-088    | 1   | /P    | Cover, V-Belt             |
| 2     | 0829-002    | 4   |       | Pin, Dowel                |
| 3     | 0830-013    | 1   |       | Washer, Crush             |
| 4     | 8408-812    | 1   |       | Screw, Cap                |
| 5     | 0830-174    | 1   | /P    | Gasket, V-Belt Cover      |
| 6     | 0806-086    | 1   |       | Cover, Clutch             |
| 7     | 0826-029    | 3   |       | Screw                     |
| 8     | 0806-048    | 1   |       | Plate, Air Intake         |
| 9     | 0830-116    | 1   | /P    | Gasket, Clutch Cover      |
| 10    | 0830-128    | 1   |       | Gasket, Magneto Cover     |
| 11    | 0806-082    | 1   | /P    | Cover, Magneto - Assembly |
| 12    | 0806-022    | 1   |       | Plug                      |
| 13    | 0830-015    | 1   |       | Washer, Crush             |
| 14    | 3002-964    | 1   | /P    | Clamp, Wire               |
| 15    | 8468-645    | 14  |       | Screw, Machine            |
| 16    | 8468-655    | 2   |       | Screw, Machine            |
| 17    | 8468-625    | 2   |       | Screw, Machine            |
| 18    | 8468-640    | 26  |       | Screw, Machine            |
| 19    | 8468-675    | 2   |       | Screw, Machine            |



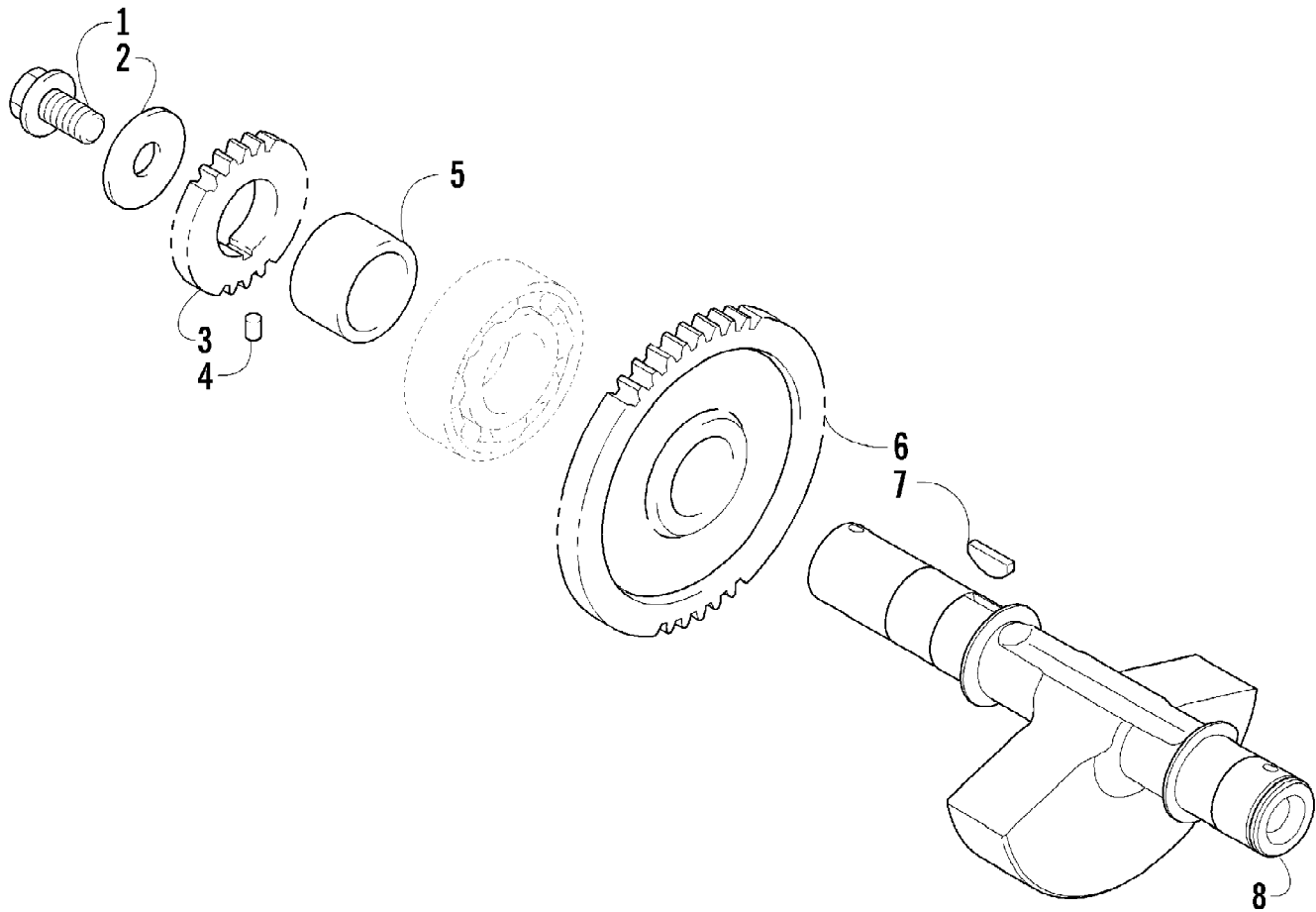
2008 ATV 650 H1 AUTOMATIC TRANSMISSION 4X4 TRV BLACK (A2008TBS#1620) of 93  
CONTROL SWITCH HOUSING ASSEMBLY

| Ref # | Part Number | Qty | S/P/F | Description                           |
|-------|-------------|-----|-------|---------------------------------------|
| 1     | 0509-014    | 1   |       | Switch, Control - Assembly (inc. 2-4) |
| 2     | 0409-027    | 1   |       | Screw, Machine                        |
| 3     | 0409-028    | 1   |       | Screw, Machine                        |
| 4     | 3409-019    | 1   |       | Cover, Switch Housing                 |



2008 ATV 650 H1 AUTOMATIC TRANSMISSION 4X4 TRV BLACK (A2008TBS#1662) of 93  
 COOLING ASSEMBLY

| Ref # | Part Number | Qty | S/P/F | Description                   |
|-------|-------------|-----|-------|-------------------------------|
| 1     | 0413-172    | 1   | S     | Radiator Assembly (inc. 2-13) |
| 2     | 0413-184    | 1   | /P    | Radiator                      |
| 3     | 0413-007    | 1   |       | Screen, Radiator              |
| 4     | 0413-002    | 1   | S     | Cap, Radiator                 |
| 5     | 0423-030    | 2   |       | Grommet                       |
| 6     | 0610-016    | AR  | /P    | Hose - 25 ft                  |
| 7     | 0413-046    | 1   |       | Shroud, Fan                   |
| 8     | 0413-123    | 1   | /P    | Fan, Cooling                  |
| 9     | 8475-512    | 12  |       | Screw, Machine                |
| 10    | 0423-351    | 1   |       | Clamp, Wire                   |
| 11    | 0123-397    | 1   |       | Clamp, Cable                  |
| 12    | 0413-168    | 1   |       | Sensor, Temperature - Coolant |
| 13    | 0423-390    | 1   | S     | O-Ring                        |
| 14    | 0423-484    | 2   |       | Screw, Shoulder               |
| 15    | 0623-038    | 2   |       | Nut w/Washer                  |
| 16    | 0423-028    | 2   |       | Bushing, Stem                 |
| 17    | 0410-002    | 1   |       | Hose, Coolant - Upper         |
| 18    | 0410-022    | 1   |       | Hose, Coolant - Crossover     |
| 19    | 0410-041    | 1   |       | Hose, Coolant - Lower         |
| 20    | 0423-496    | 6   |       | Clamp, Hose                   |
| 21    | 0123-788    | 2   | /P    | Cable Tie                     |

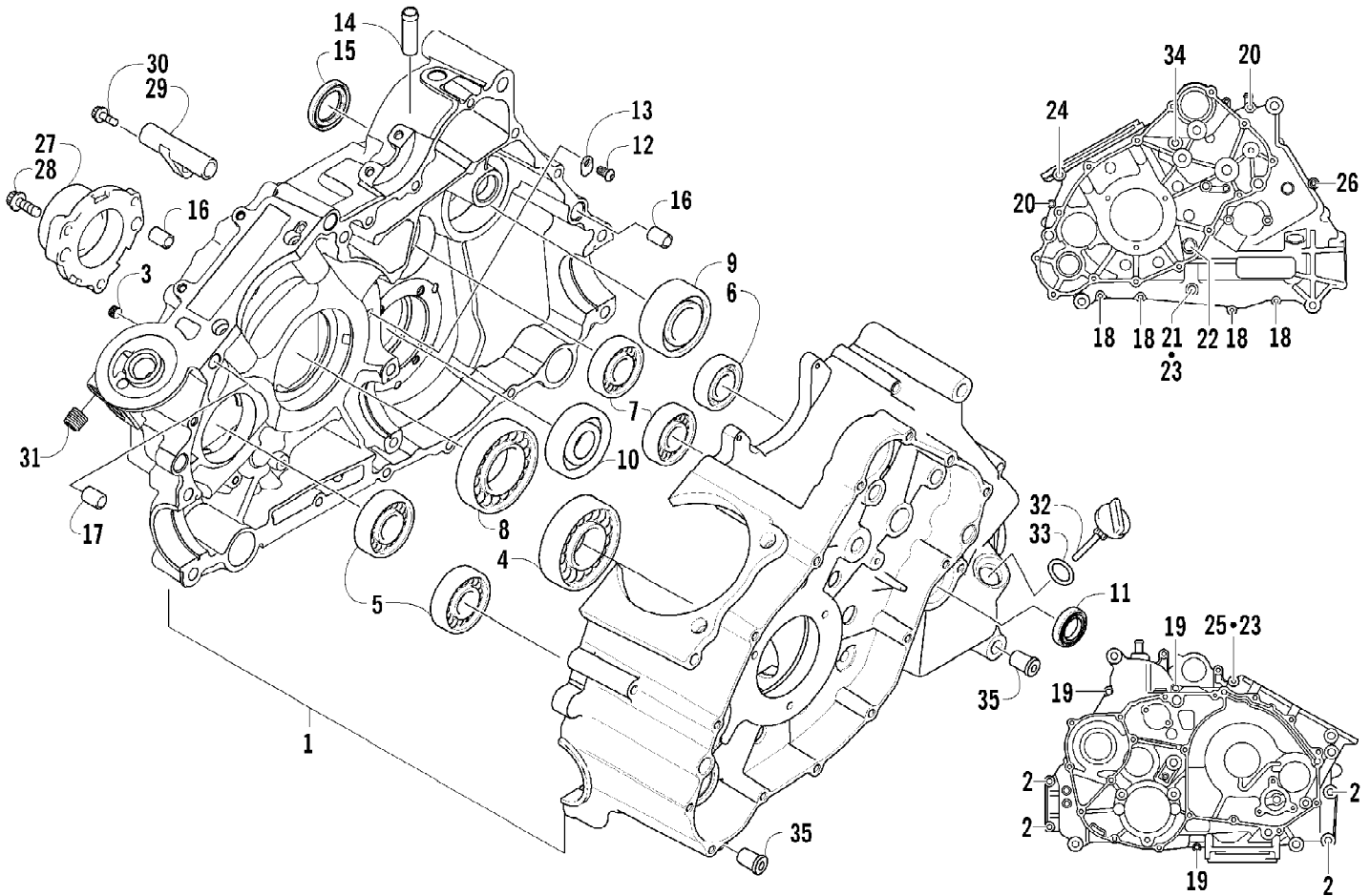


2008 ATV 650 H1 AUTOMATIC TRANSMISSION 4X4 TRV BLACK (A2008TBS#16524) of 93  
CRANK BALANCER ASSEMBLY

| Ref # | Part Number | Qty | S/P/F | Description                |
|-------|-------------|-----|-------|----------------------------|
| 1     | 0826-033    | 1   |       | Screw, Cap                 |
| 2     | 0828-003    | 1   |       | Washer                     |
| 3     | 0811-003    | 1   |       | Gear, Oil Pump Drive       |
| 4     | 0829-007    | 1   |       | Dowel, Solid               |
| 5     | 0811-004    | 1   |       | Spacer                     |
| 6     | 0811-002    | 1   |       | Gear, Driven               |
| 7     | 0829-006    | 1   |       | Key - Crank Balancer Shaft |
| 8     | 0811-017    | 1   |       | Balancer, Crank            |

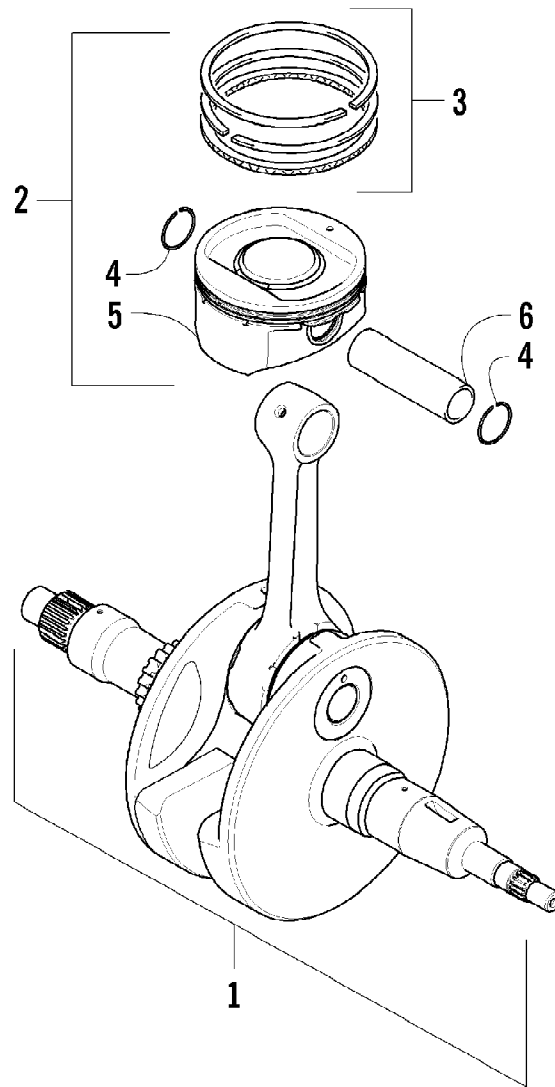


2008 ATV 650 H1 AUTOMATIC TRANSMISSION 4X4 TRV BLACK (A2008TBS) Page 25 of 93  
CRANKCASE ASSEMBLY



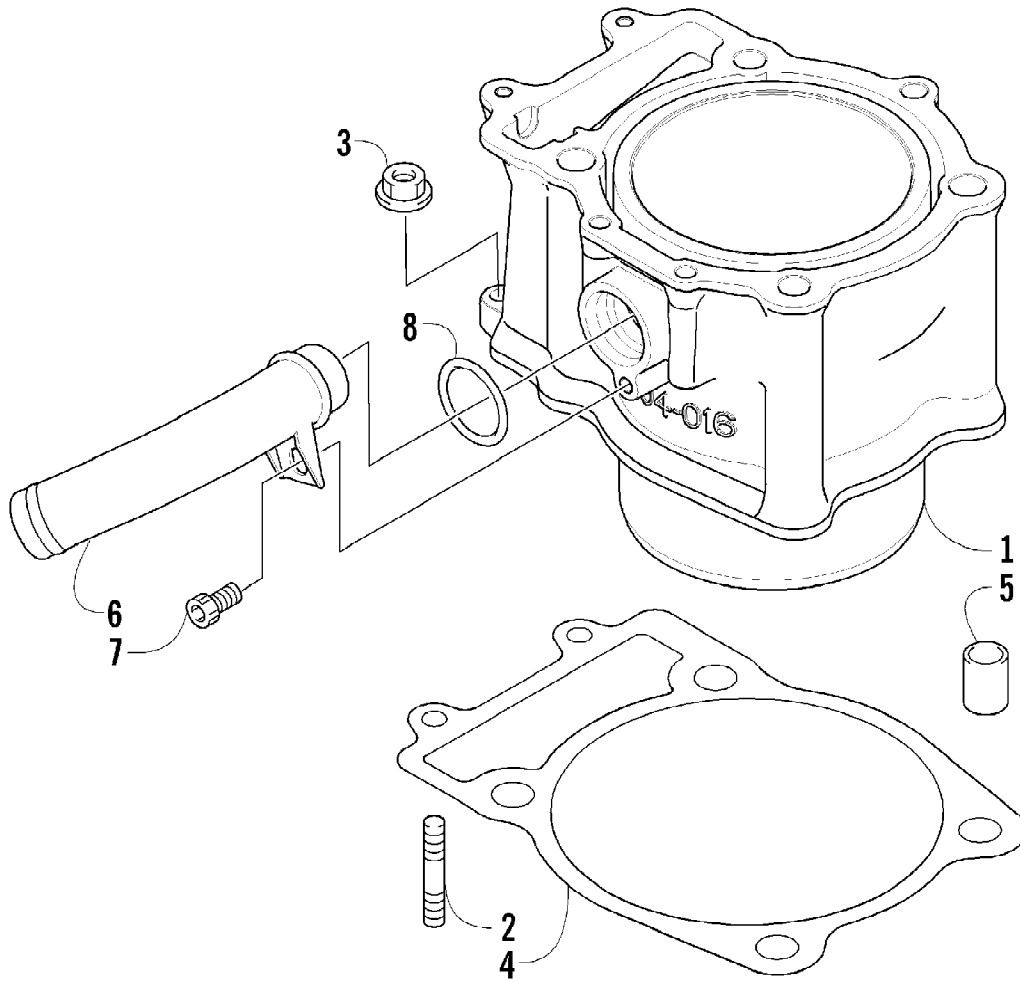
2008 ATV 650 H1 AUTOMATIC TRANSMISSION 4X4 TRV BLACK (A2008TBS#16) of 93  
CRANKCASE ASSEMBLY

| Ref # | Part Number | Qty | S/P/F | Description                      |
|-------|-------------|-----|-------|----------------------------------|
| 1     | 0801-096    | 1   | S     | Crankcase Assembly (inc. 2-15)   |
| 2     | 8412-850    | 4   |       | Screw, Cap                       |
| 3     | 0801-002    | 1   |       | Plug                             |
| 4     | 0832-043    | 1   | /P    | Bearing                          |
| 5     | 0832-044    | 2   | /P    | Bearing                          |
| 6     | 0832-049    | 1   | /P    | Bearing                          |
| 7     | 0832-050    | 2   | /P    | Bearing                          |
| 8     | 0832-042    | 1   | /P    | Bearing                          |
| 9     | 0832-048    | 1   | /P    | Bearing - Driveshaft             |
| 10    | 0832-051    | 1   | S     | Bearing                          |
| 11    | 0822-052    | 1   |       | Seal, Countershaft               |
| 12    | 0826-100    | 4   |       | Screw, Cap                       |
| 13    | 0822-010    | 4   | /P    | Retainer, Bearing                |
| 14    | 0801-028    | 1   |       | Pipe, Breather                   |
| 15    | 0830-035    | 1   |       | Seal, Driveshaft                 |
| 16    | 0829-002    | 5   |       | Pin, Dowel                       |
| 17    | 0829-003    | 1   |       | Pin, Dowel                       |
| 18    | 8468-645    | 4   |       | Screw, Machine                   |
| 19    | 8468-655    | 3   |       | Screw, Machine                   |
| 20    | 8468-675    | 2   |       | Screw, Machine                   |
| 21    | 8412-860    | 1   |       | Screw, Cap                       |
| 22    | 0826-017    | 1   |       | Screw, Cap                       |
| 23    | 0830-008    | 2   |       | Gasket                           |
| 24    | 0826-019    | 1   |       | Screw, Cap                       |
| 25    | 0826-018    | 1   |       | Screw, Cap                       |
| 26    | 8468-695    | 1   |       | Screw, Machine                   |
| 27    | 0801-006    | 1   |       | Housing, Secondary Shaft Bearing |
| 28    | 0826-105    | 3   |       | Bolt                             |
| 29    | 0801-069    | 1   |       | Pipe, Breather                   |
| 30    | 0826-038    | 1   |       | Bolt, Breather Pipe              |
| 31    | 0812-064    | 2   |       | Plug                             |
| 32    | 0801-073    | 1   |       | Stick, Oil Level                 |
| 33    | 0830-010    | 1   |       | O-Ring, Oil Level Stick          |
| 34    | 8468-680    | 1   |       | Screw, Machine                   |
| 35    | 0801-108    | 4   | S     | Bushing, Engine Mounting         |



2008 ATV 650 H1 AUTOMATIC TRANSMISSION 4X4 TRV BLACK (A2008TBS#46528) of 93  
 CRANKSHAFT ASSEMBLY

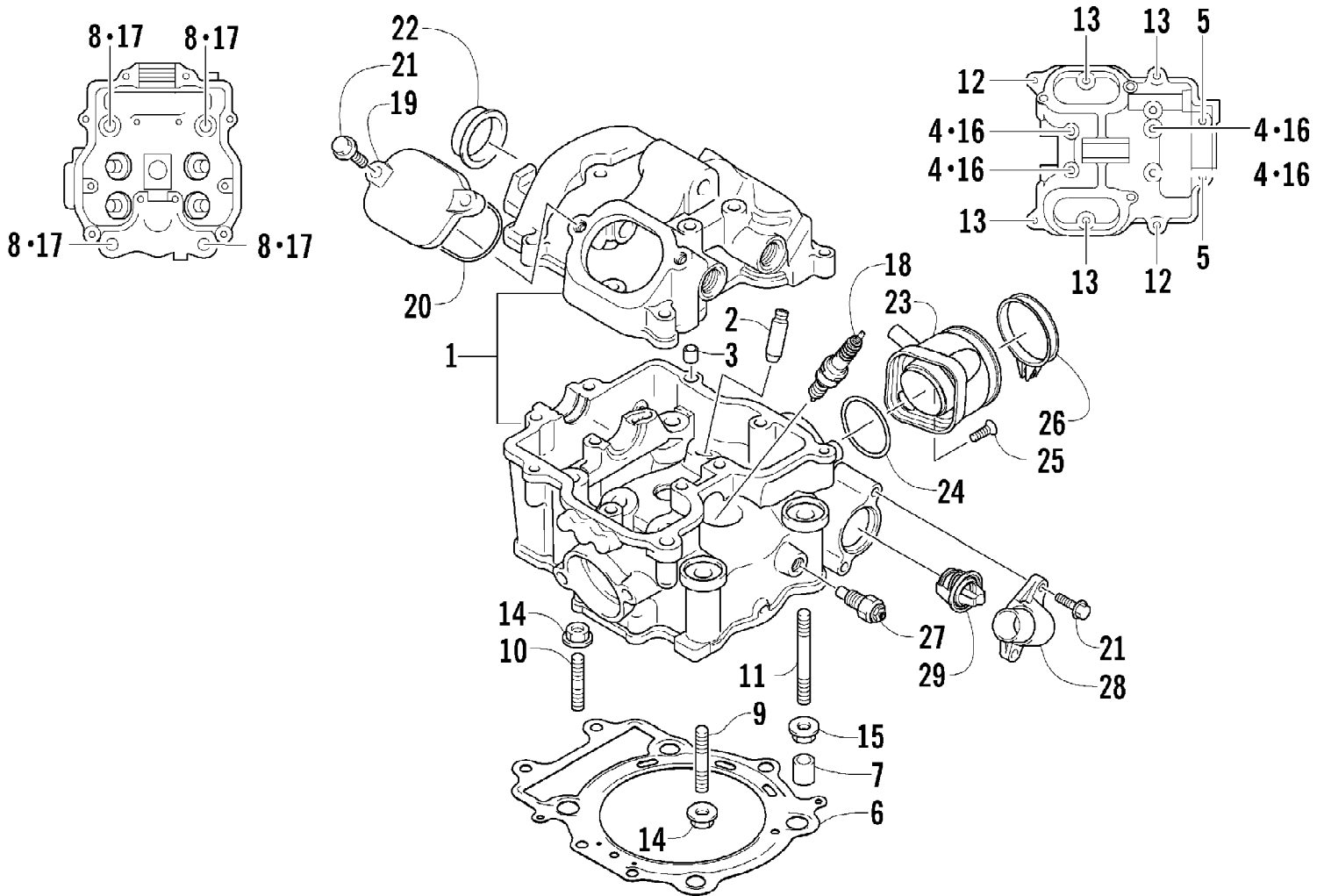
| Ref # | Part Number | Qty | S/P/F | Description           |
|-------|-------------|-----|-------|-----------------------|
| 1     | 0805-032    | 1   | S     | Crankshaft Assembly   |
| 2     | 0805-035    | 1   | /P    | Piston Set (inc. 3-6) |
| 3     | 0805-011    | 1   |       | Ring, Piston - Set    |
| 4     | 0831-001    | 2   |       | Circlip, Piston Pin   |
| 5     | 0805-010    | 1   | S     | Piston                |
| 6     | 0805-012    | 1   |       | Pin, Piston           |



2008 ATV 650 H1 AUTOMATIC TRANSMISSION 4X4 TRV BLACK (A2008TBS#1658) of 93  
CYLINDER ASSEMBLY

| Ref # | Part Number | Qty | S/P/F | Description       |
|-------|-------------|-----|-------|-------------------|
| 1     | 0804-016    | 1   |       | Cylinder          |
| 2     | 0827-002    | 2   |       | Bolt, Stud        |
| 3     | 8424-604    | 2   |       | Nut               |
| 4     | 0830-084    | 1   |       | Gasket, Base      |
| 5     | 0829-002    | 2   |       | Pin, Dowel        |
| 6     | 0804-002    | 1   | S     | Union, Water Hose |
| 7     | 8468-612    | 1   |       | Screw, Machine    |
| 8     | 0830-007    | 1   |       | O-Ring            |

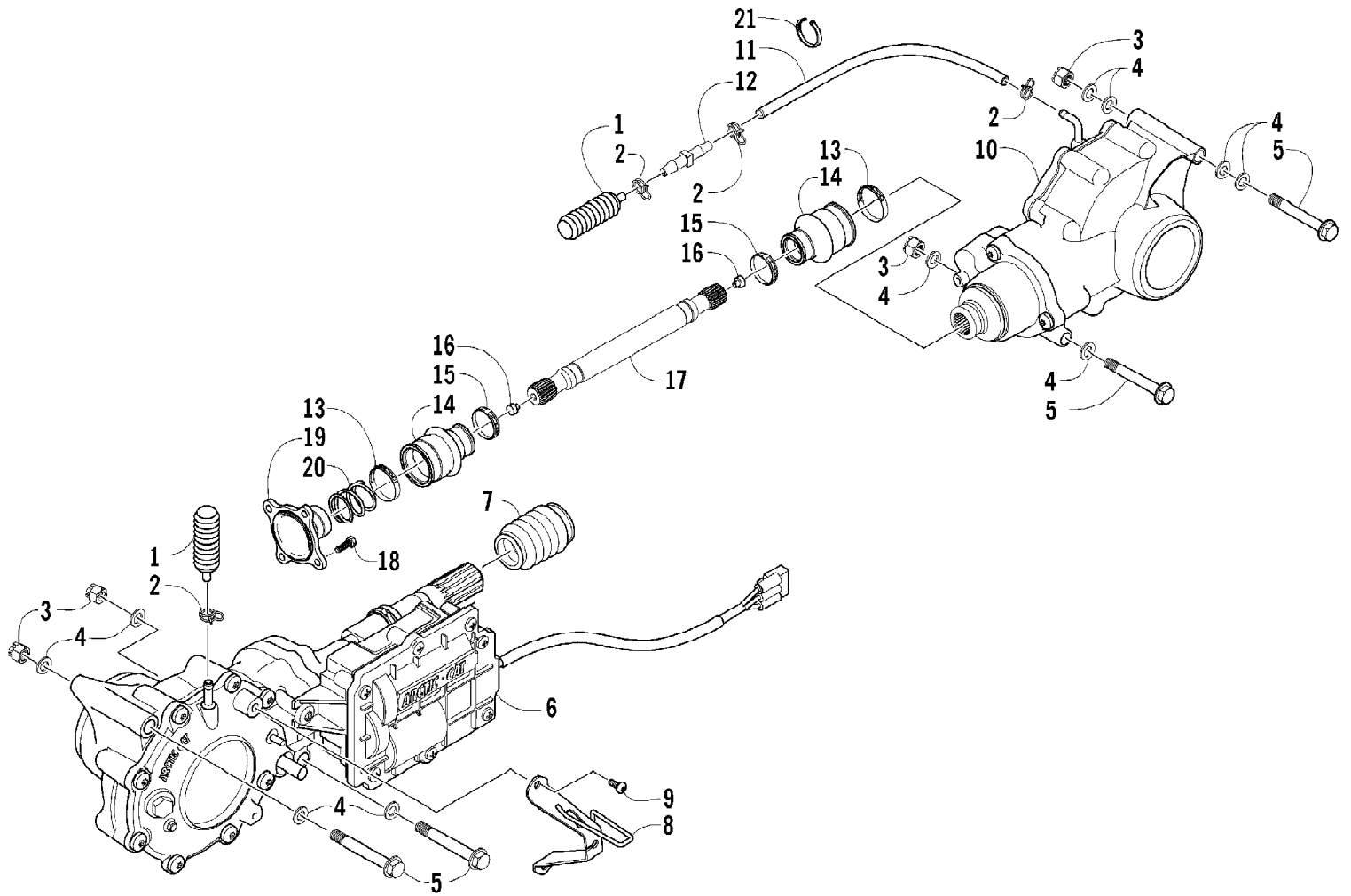
2008 ATV 650 H1 AUTOMATIC TRANSMISSION 4X4 TRV BLACK (A2008TBS#1) of 93  
CYLINDER HEAD ASSEMBLY



2008 ATV 650 H1 AUTOMATIC TRANSMISSION 4X4 TRV BLACK (A2008TBS#1658) of 93  
CYLINDER HEAD ASSEMBLY

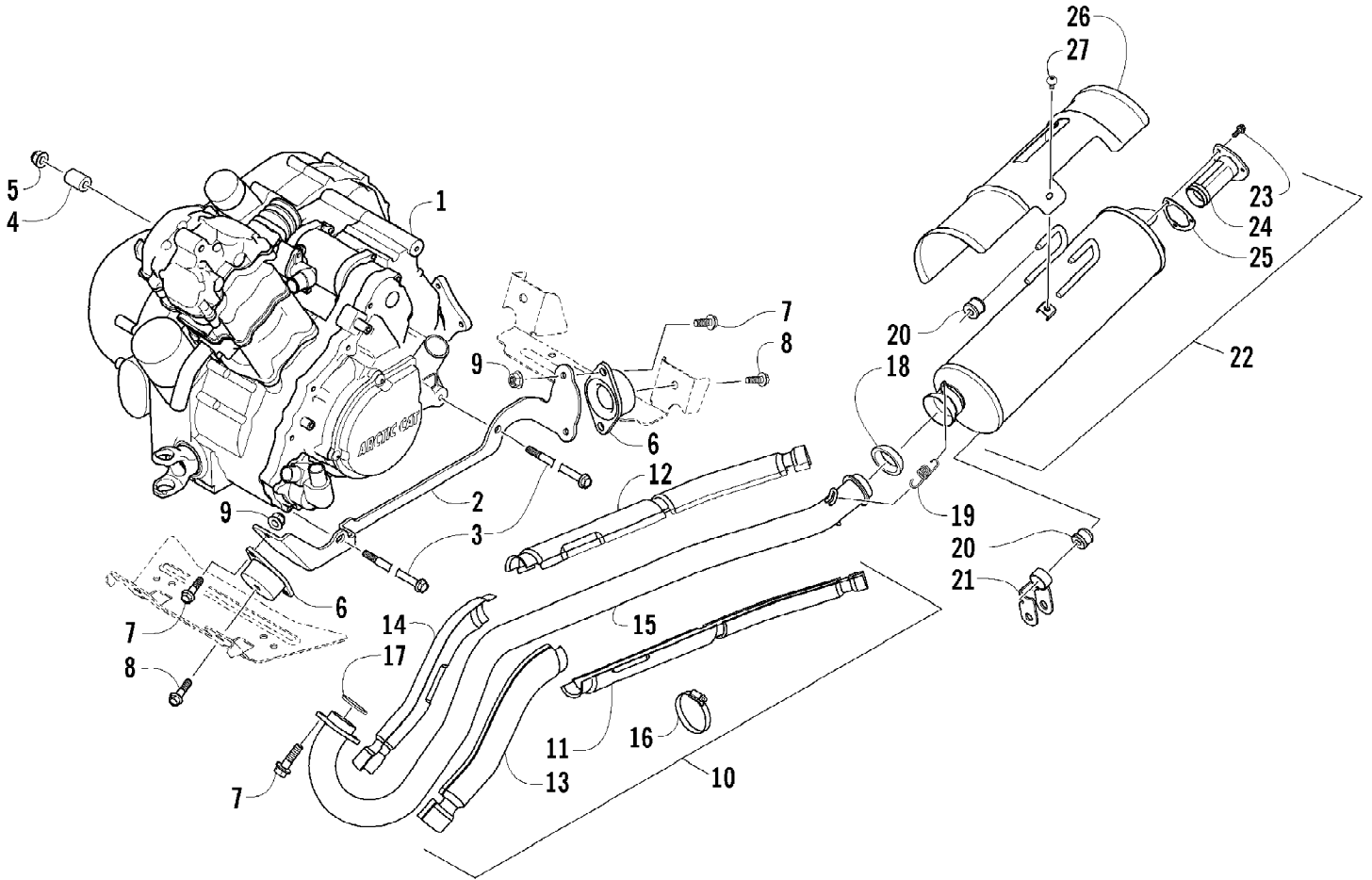
| Ref # | Part Number | Qty | S/P/F | Description                          |
|-------|-------------|-----|-------|--------------------------------------|
| 1     | 0808-047    | 1   | F     | Head, Cylinder - Assembly (inc. 2-4) |
| 2     | 0           | 4   | F     | Guide, Valve                         |
| 3     | 0829-001    | 2   | S     | Dowel, Sleeve                        |
| 4     | 0826-001    | 4   |       | Screw, Cap                           |
| 5     | 0826-002    | 2   |       | Screw, Cap                           |
| 6     | 0830-085    | 1   | /P    | Gasket, Cylinder Head                |
| 7     | 0829-002    | 2   |       | Pin, Dowel                           |
| 8     | 0808-037    | 4   | /P    | Screw, Cap                           |
| 9     | 0827-030    | 2   |       | Bolt, Stud                           |
| 10    | 0827-002    | 2   |       | Bolt, Stud                           |
| 11    | 0827-031    | 1   |       | Bolt, Stud                           |
| 12    | 0826-005    | 2   |       | Screw, Cap                           |
| 13    | 0826-006    | 4   |       | Screw, Cap                           |
| 14    | 8424-604    | 4   |       | Nut                                  |
| 15    | 8424-804    | 1   |       | Nut                                  |
| 16    | 0830-107    | 4   |       | Gasket - Seal, Fastener              |
| 17    | 0830-147    | 4   | /P    | Washer, Crush                        |
| 18    | 0217-727    | 1   | S     | Spark Plug (RG6YC)                   |
| 19    | 0808-003    | 2   |       | Cap, Inspection                      |
| 20    | 0830-167    | 2   | /P    | O-Ring                               |
| 21    | 0826-007    | 4   |       | Screw, Cap                           |
| 22    | 0808-077    | 1   |       | Plug, Cylinder Head                  |
| 23    | 0570-115    | 1   |       | Pipe, Intake - Assembly              |
| 24    | 0830-090    | 1   |       | O-Ring                               |
| 25    | 0826-008    | 2   |       | Screw, Machine                       |
| 26    | 0423-317    | 1   | /P    | Clamp, Intercooler                   |
| 27    | 0808-127    | 1   |       | Switch, Water Temperature - Assembly |
| 28    | 0808-008    | 1   |       | Cover, Thermostat                    |
| 29    | 0808-078    | 1   |       | Thermostat                           |





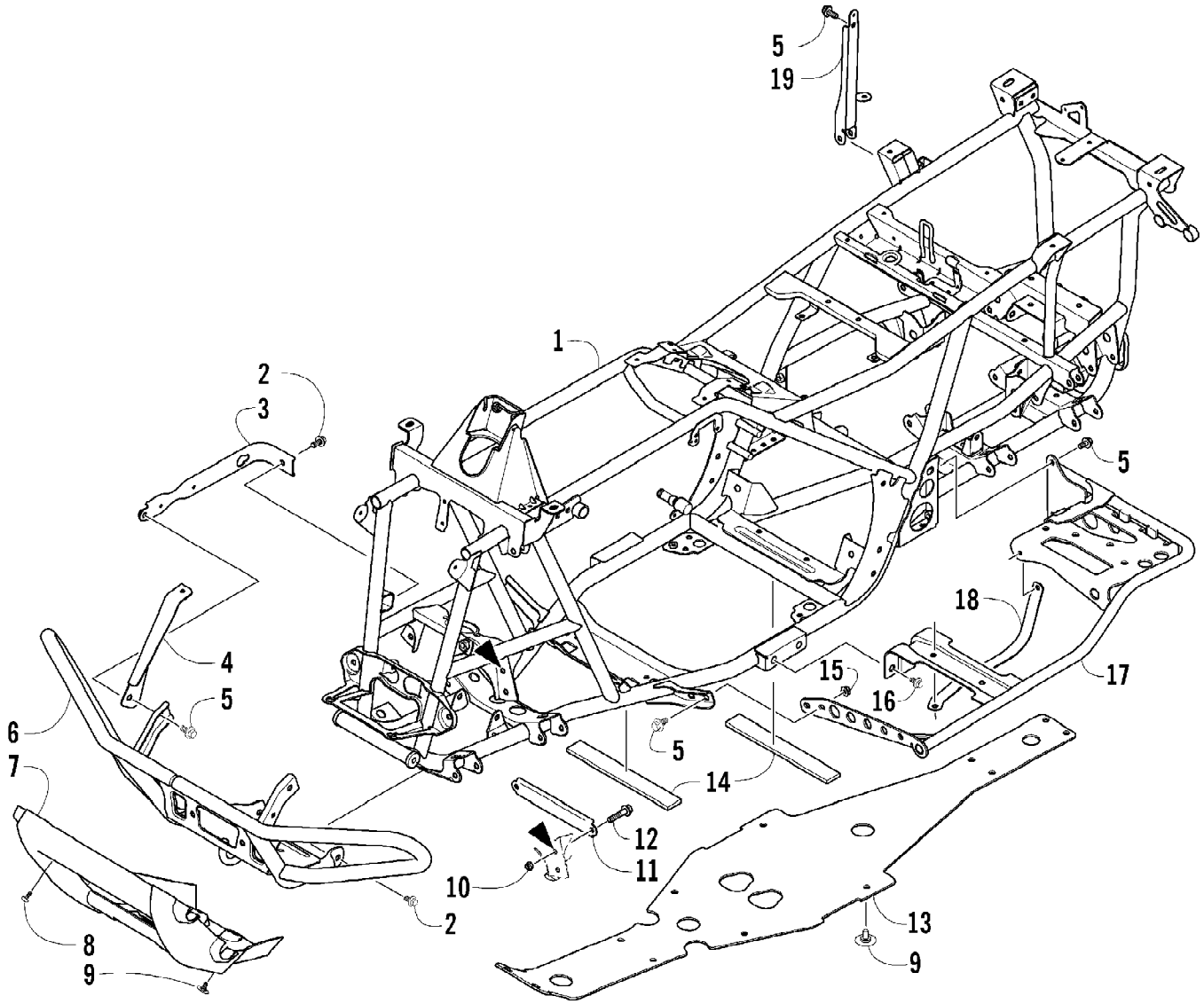
2008 ATV 650 H1 AUTOMATIC TRANSMISSION 4X4 TRV BLACK (A2008TBS#1658) of 93  
 DRIVE TRAIN ASSEMBLY

| Ref # | Part Number | Qty | S/P/F | Description             |
|-------|-------------|-----|-------|-------------------------|
| 1     | 0402-147    | 2   | S     | Bladder, Gearcase       |
| 2     | 0423-315    | 4   |       | Clamp, Fitting          |
| 3     | 8428-002    | 4   |       | Nut, Lock               |
| 4     | 0423-426    | 10  |       | Washer                  |
| 5     | 0423-404    | 4   |       | Screw, Cap              |
| 6     | 1502-248    | 1   |       | Gearcase, Front Drive   |
| 7     | 0402-966    | 1   |       | Boot, Shaft             |
| 8     | 0502-500    | 1   |       | Plate, Cable            |
| 9     | 0423-396    | 2   |       | Screw, Self-Tapping     |
| 10    | 1502-079    | 1   | S     | Gearcase, Rear Drive    |
| 11    | 0410-048    | AR  | S     | Hose, Vent - 25 ft      |
| 12    | 0470-462    | 1   |       | Fitting, Vent           |
| 13    | 0423-393    | 2   |       | Clamp, Boot             |
| 14    | 0402-985    | 2   | /P    | Boot                    |
| 15    | 0423-411    | 2   |       | Clamp, Boot             |
| 16    | 0673-618    | 2   | /P    | Bumper, Propeller Shaft |
| 17    | 1402-233    | 1   |       | Shaft, Propeller        |
| 18    | 8408-820    | 4   | /P    | Screw, Cap              |
| 19    | 0402-950    | 1   |       | Flange, Output          |
| 20    | 1402-026    | 1   |       | Spring                  |
| 21    | 0123-788    | AR  | /P    | Tie, Cable              |



2008 ATV 650 H1 AUTOMATIC TRANSMISSION 4X4 TRV BLACK (A2008TBS#16) of 93  
ENGINE AND EXHAUST

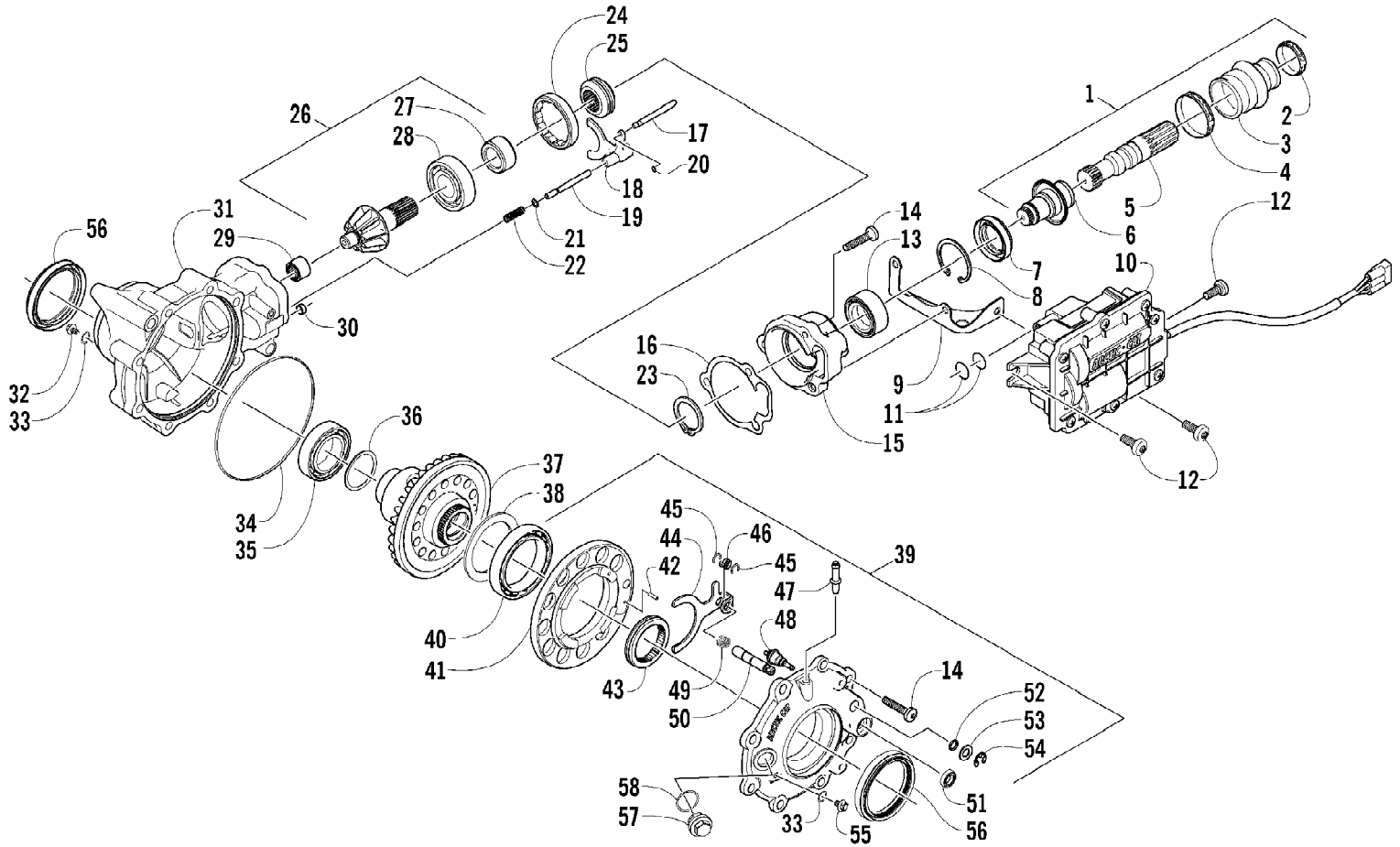
| Ref # | Part Number | Qty | S/P/F | Description                           |
|-------|-------------|-----|-------|---------------------------------------|
| 1     | 0800-035    | 1   | S     | Engine, A650GH1                       |
| 2     | 1506-740    | 1   |       | Bracket, Engine - Right               |
| 2     | 1506-741    | 1   |       | Bracket, Engine - Left                |
| 3     | 0423-405    | 2   |       | Screw, Cap                            |
| 4     | 0423-042    | 1   | S     | Spacer, Engine                        |
| 5     | 8428-002    | 2   |       | Nut, Lock                             |
| 6     | 2406-065    | 4   |       | Mount, Rubber - Engine                |
| 7     | 8408-820    | 10  | /P    | Screw, Cap                            |
| 8     | 8408-012    | 4   |       | Screw, Cap                            |
| 9     | 8432-802    | 8   |       | Nut                                   |
| 10    | 0512-363    | 1   |       | Pipe, Exhaust - Assembly (inc. 11-16) |
| 11    | 0412-355    | 1   |       | Shield, Exhaust Pipe - Lower - Rear   |
| 12    | 0412-354    | 1   |       | Shield, Exhaust Pipe - Upper - Rear   |
| 13    | 0412-349    | 1   |       | Shield, Exhaust Pipe - Inner - Front  |
| 14    | 0412-348    | 1   |       | Shield, Exhaust Pipe - Outer - Front  |
| 15    | 0512-362    | 1   |       | Pipe, Exhaust                         |
| 16    | 0423-317    | 4   | /P    | Hose Clamp                            |
| 17    | 0412-338    | 1   | /P    | Gasket, Exhaust Pipe                  |
| 18    | 0412-375    | 1   | /P    | Seal, Exhaust                         |
| 19    | 0612-668    | 2   | /P    | Spring, Extension                     |
| 20    | 0412-215    | 3   | S     | Bushing, Exhaust Pipe                 |
| 21    | 1506-732    | 1   |       | Channel, Muffler Support              |
| 22    | 0512-355    | 1   | /P    | Muffler - Assembly (inc. 23-25)       |
| 23    | 8408-616    | 3   |       | Screw, Cap                            |
| 24    | 0512-219    | 1   | /P    | Arrester, Spark - Assembly            |
| 25    | 0412-313    | 1   |       | Gasket, Spark Arrester                |
| 26    | 0412-373    | 1   | /P    | Cover, Muffler                        |
| 27    | 8477-610    | 3   |       | Screw, Machine                        |



2008 ATV 650 H1 AUTOMATIC TRANSMISSION 4X4 TRV BLACK (A2008TBS#1658) of 93  
FRAME AND RELATED PARTS

| Ref # | Part Number | Qty | S/P/F | Description                        |
|-------|-------------|-----|-------|------------------------------------|
| 1     | 2506-535    | 1   |       | Frame, Main                        |
| 2     | 8409-020    | 4   | /P    | Screw, Cap                         |
| 3     | 1506-596    | 1   | /P    | Channel, Bumper Mounting - Right   |
| 3     | 0506-653    | 1   | S     | Channel, Bumper Mounting - Left    |
| 4     | 1506-562    | 1   |       | Bracket, Mounting - Bumper - Right |
| 4     | 1506-563    | 1   |       | Bracket, Mounting - Bumper - Left  |
| 5     | 8408-816    | 11  |       | Screw, Cap                         |
| 6     | 1506-855    | 1   | /P    | Bumper                             |
| 7     | 1406-360    | 1   |       | Grille, Bumper                     |
| 8     | 0423-419    | 2   |       | Screw, Machine                     |
| 9     | 0423-101    | 14  |       | Screw, Body                        |
| 10    | 8428-002    | 2   |       | Nut, Lock                          |
| 11    | 1506-429    | 1   | S     | Brace, A-Arm                       |
| 12    | 8409-025    | 2   |       | Screw, Cap                         |
| 13    | 2406-091    | 1   |       | Panel, Belly                       |
| 14    | 0406-289    | 2   |       | Pad, Frame                         |
| 15    | 8424-802    | 4   |       | Nut, Flange                        |
| 16    | 8409-016    | 4   |       | Screw, Cap                         |
| 17    | 1506-848    | 1   |       | Footrest - Right                   |
| 17    | 1506-849    | 1   |       | Footrest - Left                    |
| 18    | 2406-216    | 1   |       | Strap, Footrest - Right            |
| 18    | 2406-217    | 1   |       | Strap, Footrest - Left             |
| 19    | 2506-447    | 1   |       | Channel, Shock Support             |

2008 ATV 650 H1 AUTOMATIC TRANSMISSION 4X4 TRV BLACK (A2008TBS) of 93  
FRONT DRIVE GEARCASE ASSEMBLY



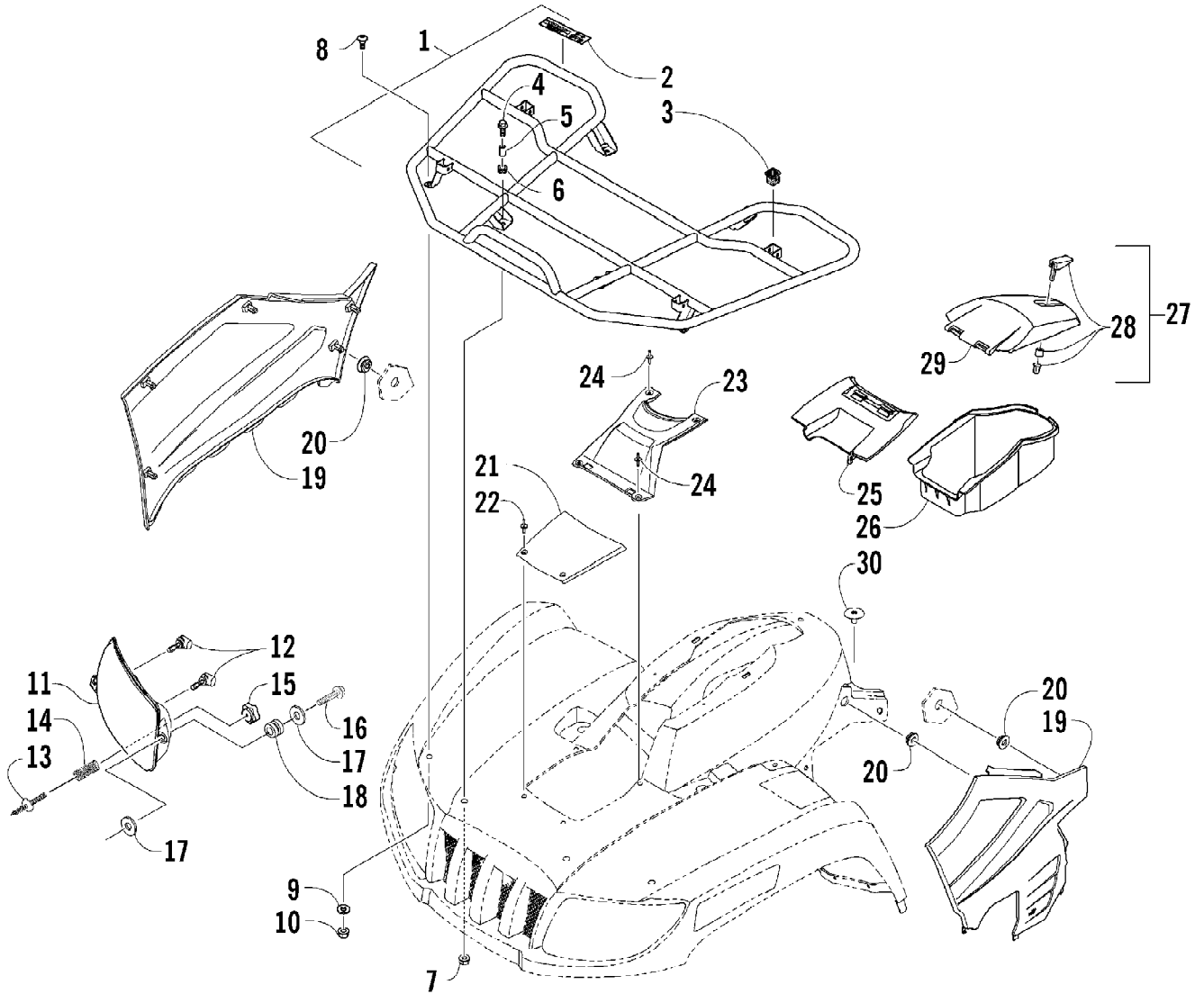
2008 ATV 650 H1 AUTOMATIC TRANSMISSION 4X4 TRV BLACK (A2008TBS#1654) of 93  
FRONT DRIVE GEARCASE ASSEMBLY

| Ref # | Part Number | Qty | S/P/F | Description  |
|-------|-------------|-----|-------|--|
|       | 1502-248    | 1   |       | Complete Front Drive Gearcase Assembly                   |
| 1     | 1502-083    | 1   |       | Shaft, Propeller - Assembly (inc. 2-6)                   |
| 2     | 0423-411    | 1   |       | Clamp, Boot  |
| 3     | 0402-985    | 1   | /P    | Boot, Propeller Shaft                                    |
| 4     | 0423-393    | 1   |       | Clamp, Boot  |
| 5     | 1402-045    | 1   |       | Shaft, Output  |
| 6     | 1502-085    | 1   | /P    | Shaft, Input   |
| 7     | 1402-011    | 1   |       | Seal   |
| 8     | 0423-423    | 1   |       | Ring, Retaining  |
| 9     | 0502-347    | 1   |       | Bracket, Actuator  |
| 10    | 0502-579    | 1   |       | Actuator (inc. one No. 11)                               |
| 11    | 0423-498    | 2   | S     | O-Ring   |
| 12    | 0423-396    | 3   |       | Screw, Self-Tapping                                      |
| 13    | 1402-043    | 1   |       | Bearing  |
| 14    | 0423-118    | 11  |       | Screw, Self-Tapping                                      |
| 15    | 0502-528    | 1   | /P    | Housing, Pinion  |
| 16    | 0402-947    | 1   |       | Gasket, Flange   |
| 17    | 0402-997    | 1   |       | Shaft, Selector  |
| 18    | 0402-998    | 1   |       | Fork, Selector   |
| 19    | 0402-417    | 1   |       | Shaft, Shuttle   |
| 20    | 0423-402    | 1   |       | Ring, Retaining  |
| 21    | 0423-147    | 1   |       | O-Ring   |
| 22    | 0402-999    | 1   |       | Spring, Return   |
| 23    | 0423-417    | 1   |       | Ring, Retaining  |
| 24    | 0402-357    | 1   |       | Collar, Lock   |
| 25    | 0402-413    | 1   |       | Coupler, Drive   |
| 26    | 0502-783    | 1   |       | Gear, Pinion - Assembly - 10T (inc. 27-28)               |
| 27    | 0402-336    | 1   |       | Collar, Retaining  |
| 28    | 0402-327    | 1   |       | Bearing  |
| 29    | 0402-328    | 1   |       | Bearing  |
| 30    | 0402-411    | 1   |       | Pin, Dowel   |
| 31    | 0502-514    | 1   |       | Housing, Gearcase  |
| 32    | 1402-210    | 1   | /P    | Plug, Magnetic (inc. one No. 33)                         |
| 33    | 0423-153    | 2   |       | O-Ring   |
| 34    | 0423-149    | 1   |       | O-Ring   |
| 35    | 0402-393    | 1   |       | Bearing  |
| 36    | 0402-405    | AR  |       | Shim   |
| 36    | 0402-406    | AR  |       | Shim   |
| 36    | 0402-407    | AR  |       | Shim   |
| 36    | 0402-408    | AR  |       | Shim   |
| 36    | 0402-409    | AR  |       | Shim   |
| 37    | 1502-234    | 1   | S     | Gear, Ring - 36T   |
| 38    | 1402-074    | AR  |       | Shim   |
| 38    | 1402-075    | AR  |       | Shim   |
| 38    | 1402-076    | AR  |       | Shim   |
| 38    | 1402-077    | AR  |       | Shim   |
| 38    | 1402-078    | AR  |       | Shim   |
| 39    | 1502-097    | 1   |       | Cover, Gearcase (inc. one No. 33, 40-55, and one No. 56) |
| 40    | 1402-053    | 1   |       | Bearing  |
| 41    | 0502-413    | 1   |       | Flange, Bearing  |
| 42    | 1402-079    | 1   |       | Pin, Parallel  |



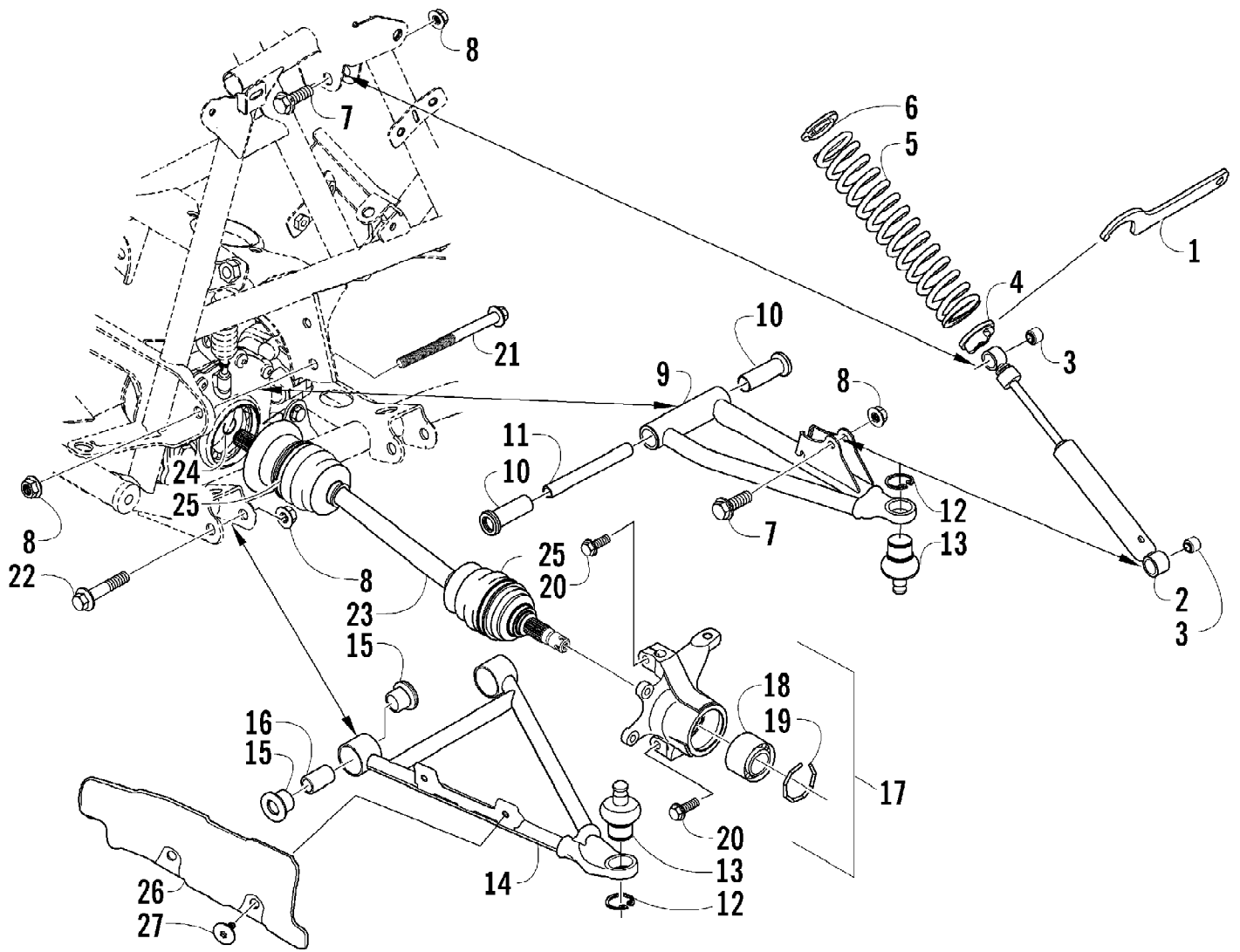
2008 ATV 650 H1 AUTOMATIC TRANSMISSION 4X4 TRV BLACK (A2008TBS#1657) of 93  
 FRONT DRIVE GEARCASE ASSEMBLY

| Ref # | Part Number | Qty | S/P/F | Description                       |
|-------|-------------|-----|-------|-----------------------------------|
| 43    | 1402-042    | 1   |       | Collar, Sliding                   |
| 44    | 1402-054    | 1   |       | Fork                              |
| 45    | 1402-058    | 2   |       | Ring, Retaining                   |
| 46    | 1402-057    | 1   |       | Spring                            |
| 47    | 1402-104    | 1   |       | Fitting                           |
| 48    | 0402-419    | 1   |       | Switch, Indicator                 |
| 49    | 1402-063    | 1   |       | Spring                            |
| 50    | 1402-055    | 1   |       | Shaft, Lock                       |
| 51    | 1402-056    | 1   |       | Seal                              |
| 52    | 0423-133    | 1   |       | O-Ring                            |
| 53    | 0423-132    | 1   |       | Washer                            |
| 54    | 0423-424    | 1   |       | Ring, Retaining                   |
| 55    | 1402-211    | 1   |       | Plug, Oil Level (inc. one No. 33) |
| 56    | 1402-441    | 2   | S     | Seal                              |
| 57    | 0402-333    | 1   | /P    | Plug, Fill (inc. 58)              |
| 58    | 0423-154    | 1   |       | O-Ring                            |



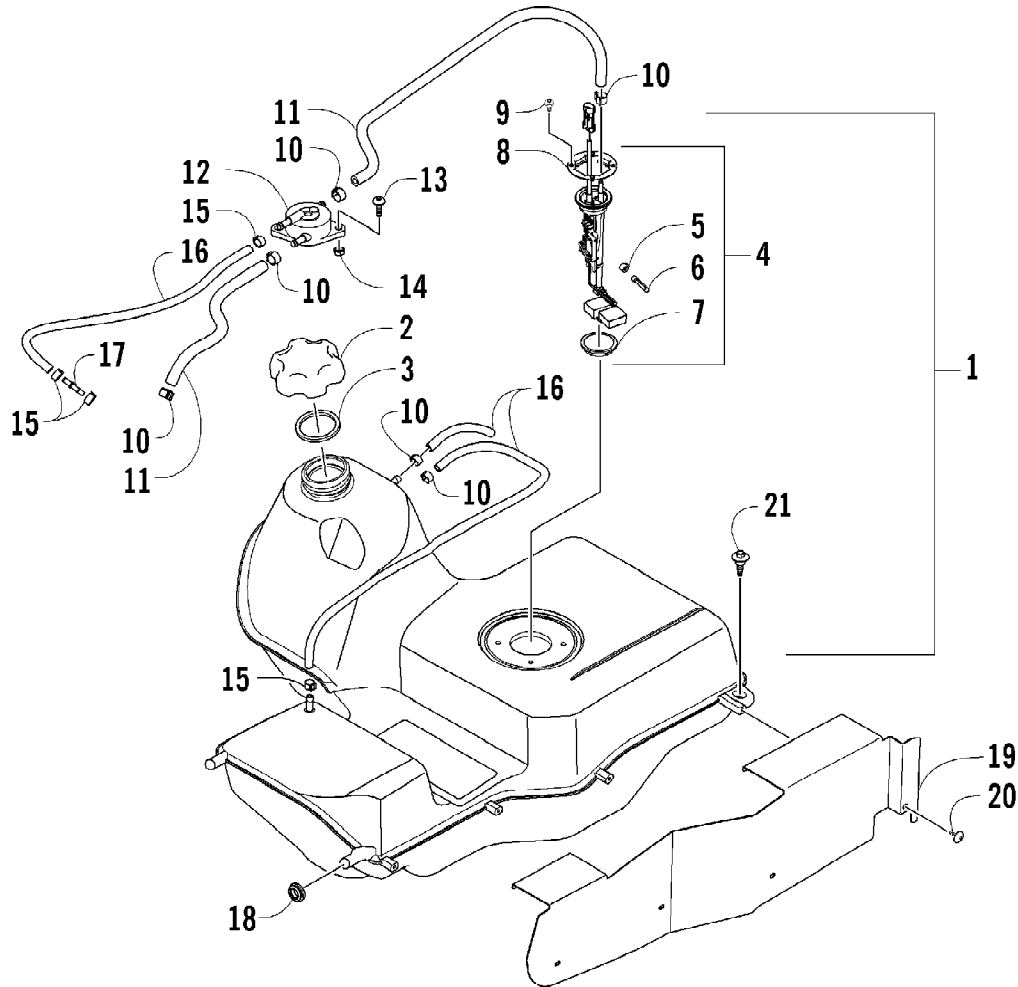
2008 ATV 650 H1 AUTOMATIC TRANSMISSION 4X4 TRV BLACK (A2008TBS#1667) of 93  
FRONT RACK AND HEADLIGHT ASSEMBLIES

| Ref # | Part Number | Qty | S/P/F | Description                           |
|-------|-------------|-----|-------|---------------------------------------|
| 1     | 2506-106    | 1   |       | Rack, Front - Assembly (inc. 2-3)     |
| 2     | 0411-576    | 1   |       | Decal, Warning - Front Rack Load      |
| 3     | 0441-592    | 4   | /P    | Bushing, Rack                         |
| 4     | 8410-830    | 4   |       | Screw, Cap                            |
| 5     | 0423-669    | 4   |       | Spacer                                |
| 6     | 0423-465    | 4   |       | Grommet                               |
| 7     | 8432-802    | 4   |       | Nut, Lock                             |
| 8     | 0423-654    | 2   |       | Screw, Shoulder                       |
| 9     | 8050-222    | 2   | /P    | Washer                                |
| 10    | 0423-540    | 2   |       | Nut, Lock                             |
| 11    | 0509-034    | 1   | S     | Headlight Assembly - Right (inc. 12)  |
| 11    | 0509-035    | 1   |       | Headlight Assembly - Left (inc. 12)   |
| 12    | 0409-055    | 4   |       | Bulb, Headlight                       |
| 13    | 0423-514    | 2   |       | Stud, Adjuster - Headlight            |
| 14    | 0423-522    | 2   |       | Spring, Adjuster                      |
| 15    | 0423-513    | 2   |       | Knob, Adjuster                        |
| 16    | 0623-785    | 4   |       | Screw, Self-Tapping                   |
| 17    | 8050-217    | 8   | /P    | Washer                                |
| 18    | 0423-447    | 4   |       | Grommet                               |
| 19    | 2406-324    | 1   |       | Panel, Side - Lower - Right           |
| 19    | 2406-421    | 1   |       | Panel, Side - Lower - Left            |
| 20    | 0423-678    | 8   |       | Grommet                               |
| 21    | 1406-358    | 1   |       | Cover, Access                         |
| 22    | 0423-535    | 2   |       | Rivet, Reinstallable                  |
| 23    | 1406-484    | 1   |       | Cover, Steering Post                  |
| 24    | 0623-362    | 4   |       | Rivet, Reinstallable                  |
| 25    | 0470-513    | 1   |       | Cover, Storage Box                    |
| 26    | 1406-573    | 1   |       | Box, Storage                          |
| 27    | 2506-234    | 1   |       | Lid, Storage Box w/Latch (inc. 28-29) |
| 28    | 1406-599    | 1   |       | Latch, Storage Box                    |
| 29    | 0470-514    | 1   |       | Lid, Storage Box                      |
| 30    | 0423-101    | 2   |       | Screw, Body                           |



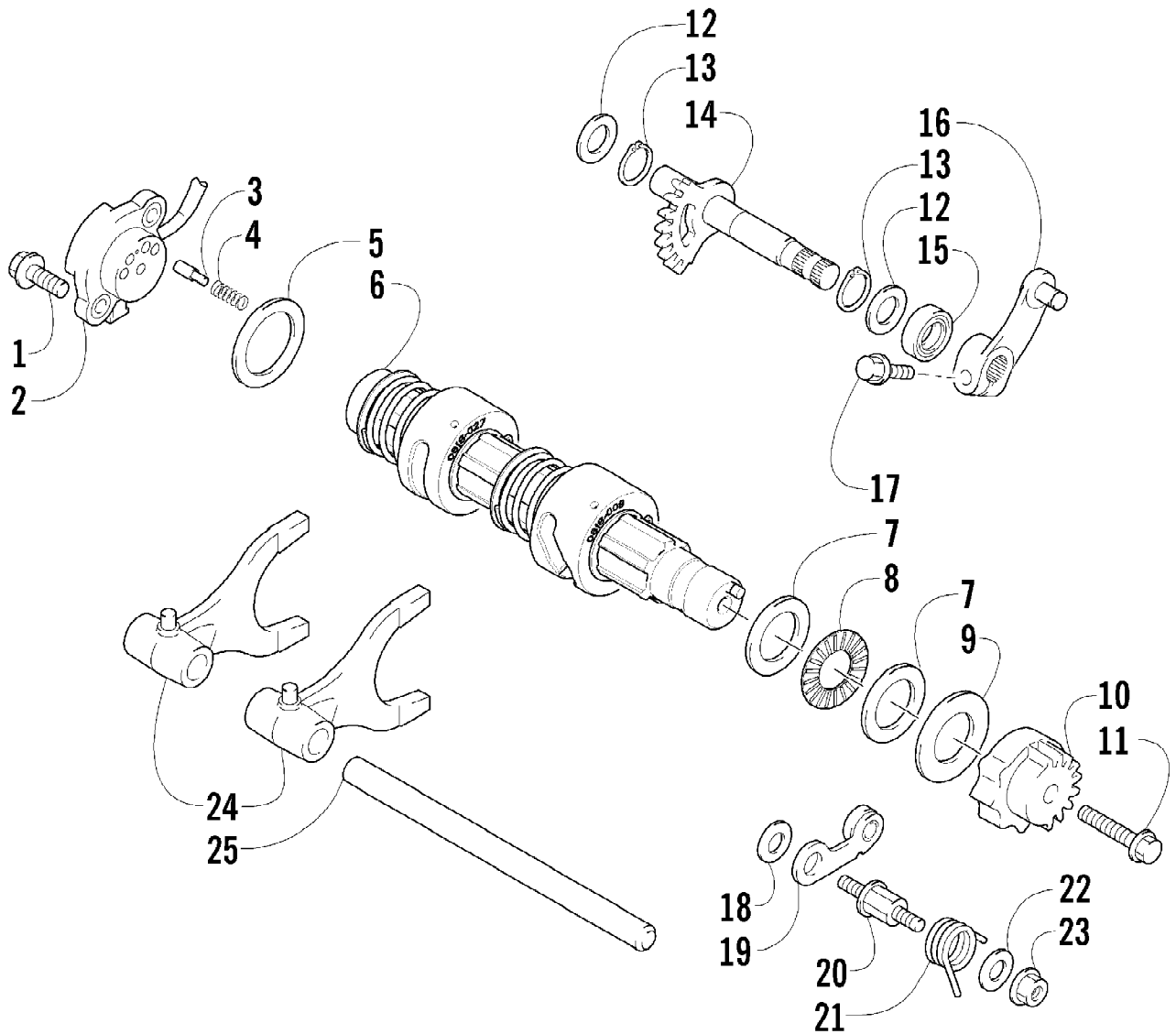
2008 ATV 650 H1 AUTOMATIC TRANSMISSION 4X4 TRV BLACK (A2008TBS) Page 15 of 93  
FRONT SUSPENSION ASSEMBLY

| Ref # | Part Number | Qty | S/P/F | Description                               |
|-------|-------------|-----|-------|---|
| 1     | 0441-587    | 1   |       | Wrench, Spanner                           |
| 2     | 0403-176    | 2   |       | Shock Absorber - Front (inc. 3)           |
| 3     | 0403-182    | 4   |       | Bushing, Double-Bonded                    |
| 4     | 0403-102    | 2   |       | Cam, Spring Adjuster                      |
| 5     | 0503-318    | 2   |       | Spring, Shock Absorber                    |
| 6     | 1603-889    | 2   | /P    | Retainer, Spring                          |
| 7     | 8409-040    | 4   |       | Screw, Cap                                |
| 8     | 8428-002    | 10  |       | Nut, Lock                                 |
| 9     | 0503-272    | 1   | S     | A-Arm, Upper Right (inc. 10-13)           |
| 9     | 0503-273    | 1   | S     | A-Arm, Upper Left (inc. 10-13)            |
| 10    | 0403-081    | 4   | S     | Bushing                                   |
| 11    | 0403-080    | 2   |       | Collar                                    |
| 12    | 0423-009    | 4   | /P    | Clip, Ball Joint                          |
| 13    | 0405-115    | 4   | /P    | Ball Joint - Front                        |
| 14    | 0503-342    | 1   | S     | A-Arm, Lower Right (inc. 12-13 and 15-16) |
| 14    | 0503-343    | 1   | S     | A-Arm, Lower Left (inc. 12-13 and 15-16)  |
| 15    | 0403-115    | 8   | S     | Bushing                                   |
| 16    | 0403-114    | 4   | S     | Collar                                    |
| 17    | 0505-460    | 1   |       | Knuckle - Assembly - Right (inc. 18-19)   |
| 17    | 0505-461    | 1   | S     | Knuckle - Assembly - Left (inc. 18-19)    |
| 18    | 1402-027    | 2   | S/P   | Bearing, Wheel Hub                        |
| 19    | 0423-423    | 2   |       | Ring, Retaining                           |
| 20    | 8409-030    | 4   |       | Screw, Cap                                |
| 21    | 0423-334    | 2   |       | Screw, Cap                                |
| 22    | 8409-075    | 4   |       | Screw, Cap                                |
| 23    | 0502-812    | 1   | S     | Axle, Drive - Front - Right (inc. 24-25)  |
| 23    | 0502-813    | 1   | S     | Axle, Drive - Front - Left (inc. 24-25)   |
| 24    | 1441-109    | 2   | S     | Clip, Retaining                           |
| 25    | 0436-276    | 2   | S     | Repair Kit, Boot                          |
| 26    | 1406-034    | 1   |       | Guard, Boot - Right                       |
| 26    | 1406-035    | 1   |       | Guard, Boot - Left                        |
| 27    | 0423-545    | 4   | /P    | Screw, Body                               |



2008 ATV 650 H1 AUTOMATIC TRANSMISSION 4X4 TRV BLACK (A2008TBS#16647) of 93  
 GAS TANK ASSEMBLY

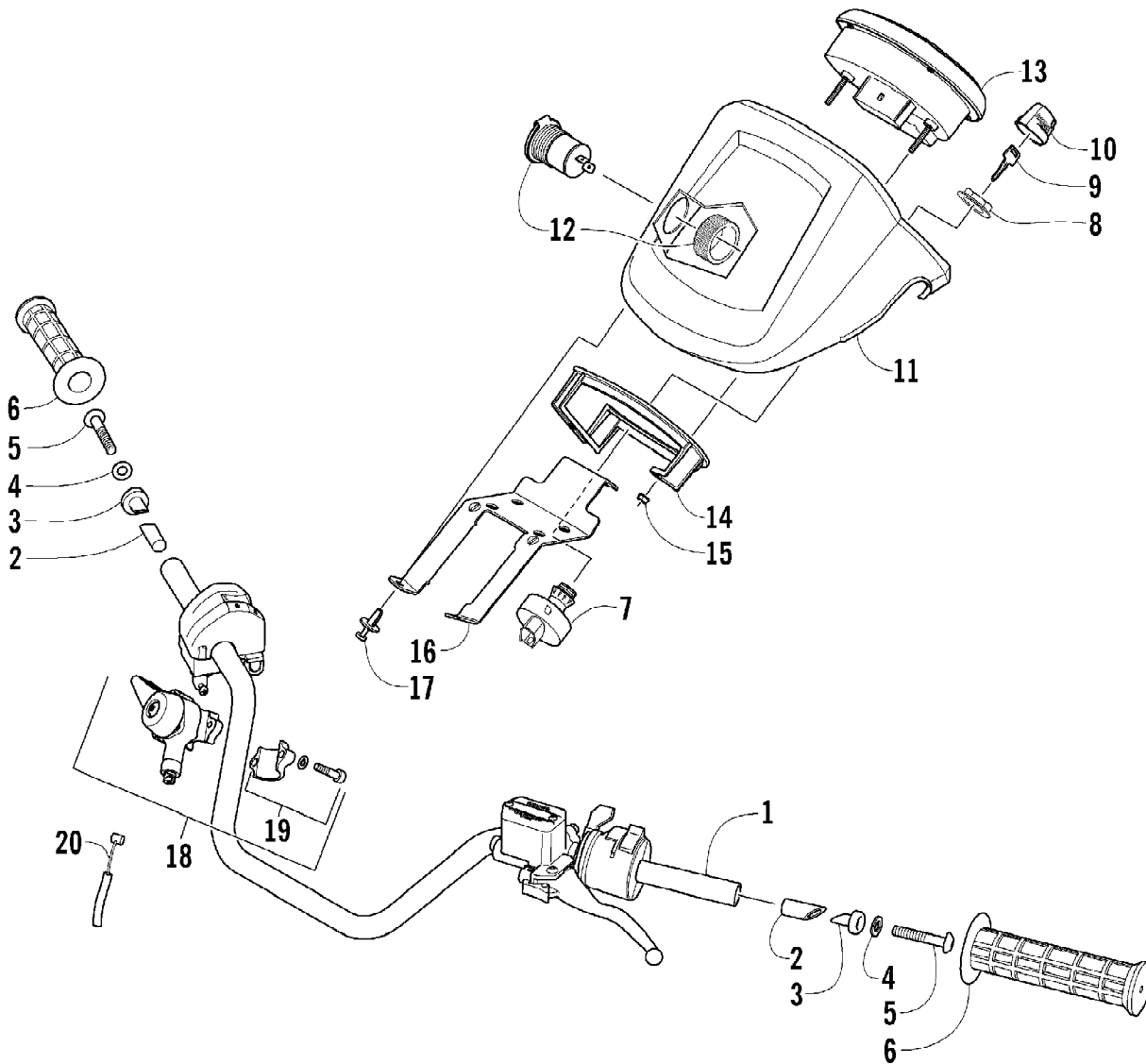
| Ref # | Part Number | Qty | S/P/F | Description                         |
|-------|-------------|-----|-------|-------------------------------------|
| 1     | 0570-210    | 1   | S     | Tank, Gas - Assembly (inc. 2-9)     |
| 2     | 0470-438    | 1   | /P    | Cap, Gas Tank (inc. 3)              |
| 3     | 0109-733    | 1   | /P    | Gasket, Gas Tank Cap                |
| 4     | 0570-229    | 1   | S     | Sensor, Fuel Level (inc. 5-7)       |
| 5     | 0423-603    | 1   |       | Clamp, Hose                         |
| 6     | 0470-475    | 1   |       | Filter, Fuel                        |
| 7     | 0470-521    | 1   |       | Seal, Fuel Level Sensor             |
| 8     | 0470-639    | 1   | /P    | Plate, Mounting - Fuel Level Sensor |
| 9     | 1623-158    | 4   |       | Screw, Plastite                     |
| 10    | 0423-688    | 6   |       | Clamp, Hose                         |
| 11    | 0410-070    | AR  | /P    | Hose, Gasline - 25 ft               |
| 12    | 0470-758    | 1   | /P    | Pump, Fuel                          |
| 13    | 8476-620    | 2   |       | Screw, Machine                      |
| 14    | 0623-038    | 2   |       | Nut, Lock                           |
| 15    | 0423-689    | 4   |       | Clamp, Hose                         |
| 16    | 0410-143    | AR  |       | Hose, Gasline - 25 ft               |
| 17    | 0470-702    | 1   | /P    | Fitting, Straight                   |
| 18    | 0423-460    | 2   |       | Grommet, Gas Tank                   |
| 19    | 0470-715    | 1   |       | Shield, Gas Tank                    |
| 20    | 0623-797    | 4   |       | Screw, Self-Tapping                 |
| 21    | 0423-732    | 2   |       | Screw, Gas Tank                     |





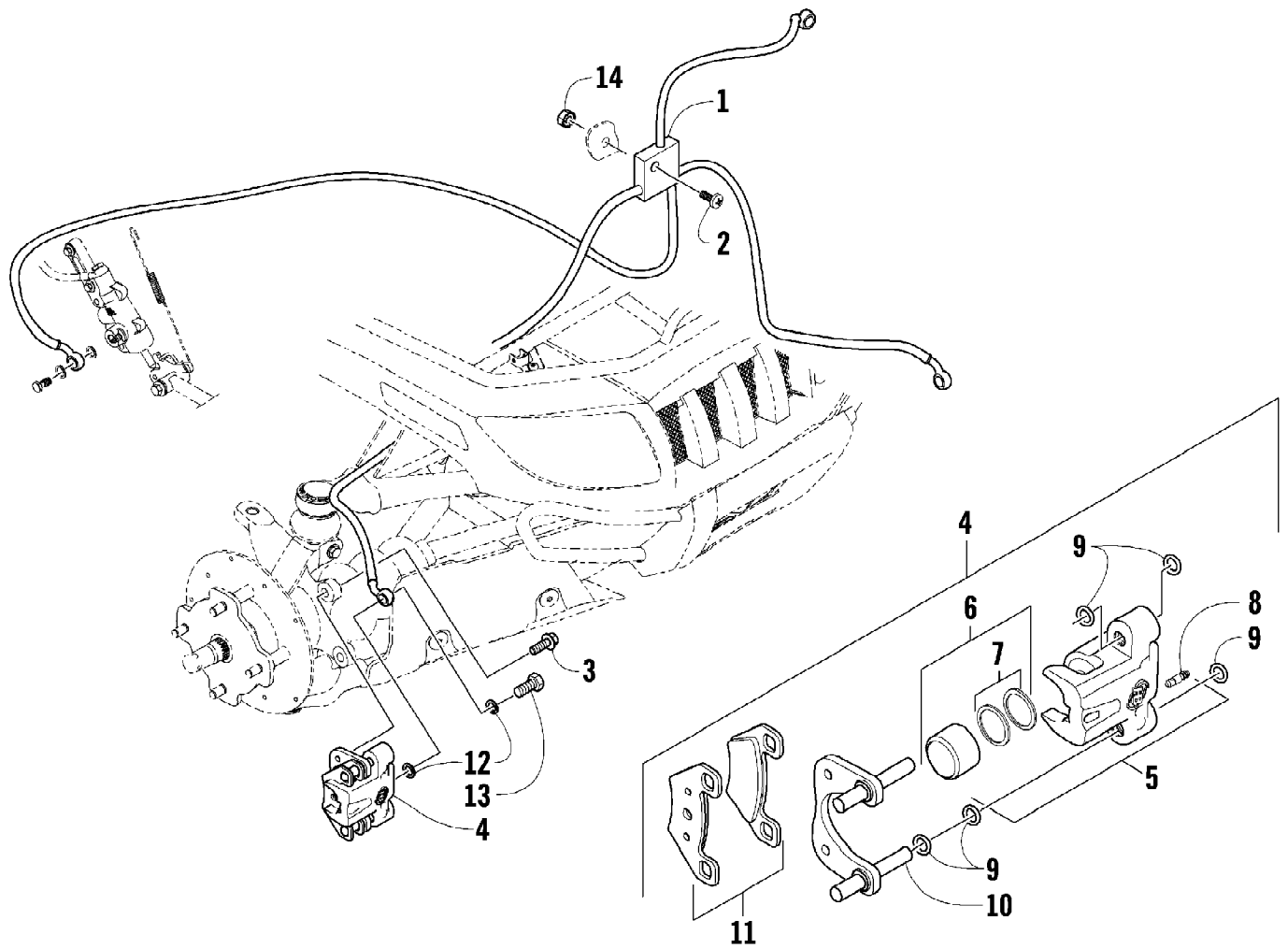
2008 ATV 650 H1 AUTOMATIC TRANSMISSION 4X4 TRV BLACK (A2008TBS#16579) of 93  
GEAR SHIFTING ASSEMBLY

| Ref # | Part Number | Qty | S/P/F | Description                   |
|-------|-------------|-----|-------|-------------------------------|
| 1     | 8470-520    | 2   |       | Screw, Machine                |
| 2     | 0818-049    | 1   | S     | Base, Gear Shift Position     |
| 3     | 0818-013    | 2   |       | Contact                       |
| 4     | 0818-017    | 2   |       | Spring                        |
| 5     | 0828-040    | 1   |       | Washer, Shift Shaft           |
| 6     | 0818-046    | 1   |       | Shaft, Gear Shift - Assembly  |
| 7     | 0828-067    | 2   |       | Washer, Shift Shaft           |
| 8     | 0832-034    | 1   | S     | Bearing                       |
| 9     | 0828-037    | 1   |       | Washer, Gear Shift Cam Plate  |
| 10    | 0818-005    | 1   | S     | Plate, Gear Shift Cam         |
| 11    | 0826-006    | 1   |       | Bolt, Gear Shift Cam Plate    |
| 12    | 0828-036    | 2   |       | Washer, Sub-Gear Shift Shaft  |
| 13    | 0831-010    | 2   |       | Circlip, Sub-Gear Shift Shaft |
| 14    | 0818-007    | 1   | /P    | Shaft, Sub-Gear Shift         |
| 15    | 0830-044    | 1   |       | Seal, Sub-Gear Shift Shaft    |
| 16    | 0818-014    | 1   |       | Arm, Shift                    |
| 17    | 8468-620    | 1   | /P    | Screw, Machine                |
| 18    | 0828-038    | 1   |       | Washer, Cam Stopper           |
| 19    | 0818-002    | 1   |       | Stopper, Cam                  |
| 20    | 0818-004    | 1   |       | Support, Cam Stopper          |
| 21    | 0818-028    | 1   |       | Spring, Cam Stopper           |
| 22    | 0828-035    | 1   |       | Washer, Cam Stopper Spring    |
| 23    | 8424-602    | 1   | /P    | Nut, Cam Stopper Spring       |
| 24    | 0818-072    | 2   | /P    | Fork, Shift                   |
| 25    | 0818-006    | 1   |       | Shaft, Shift Fork             |



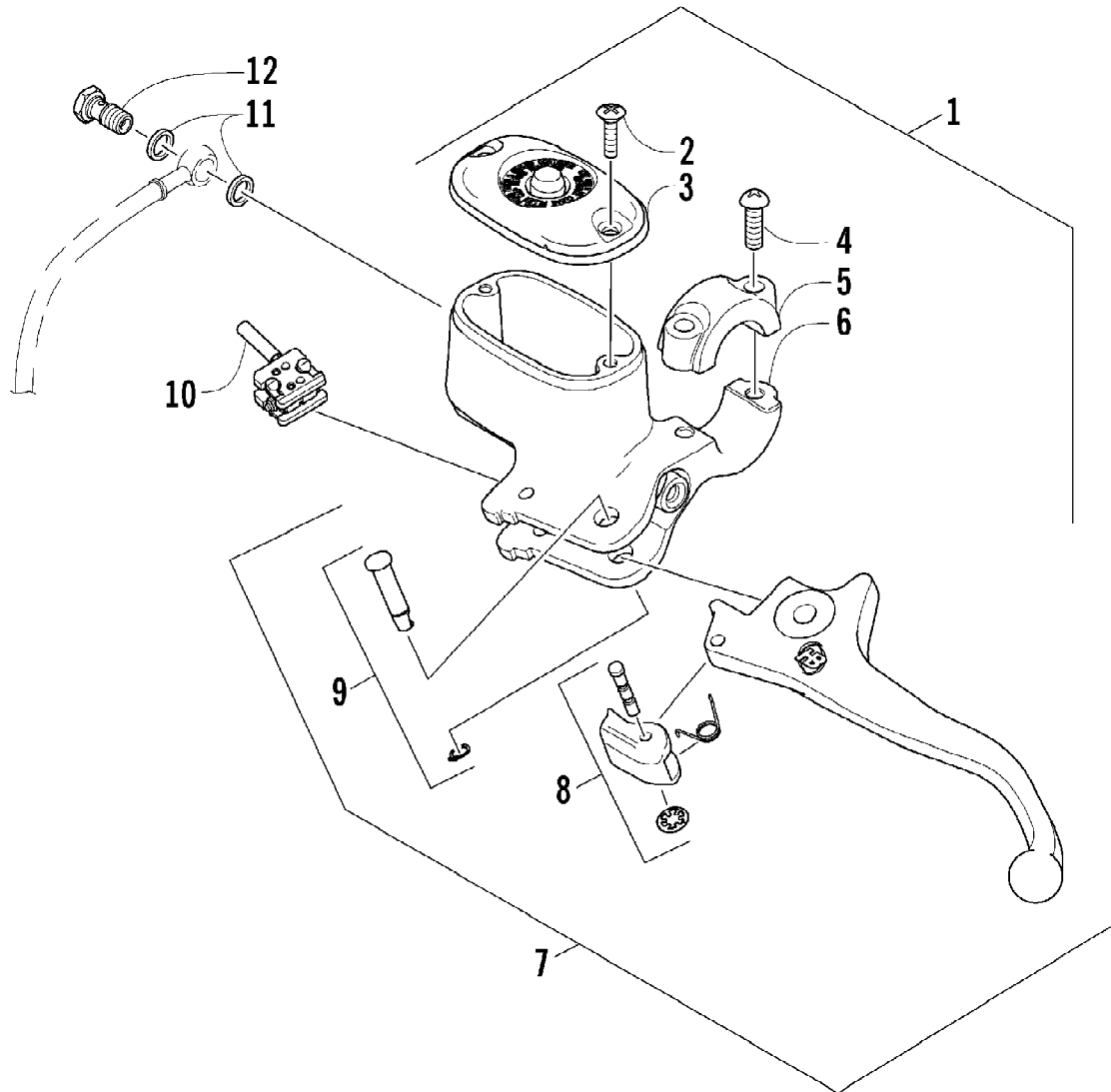
2008 ATV 650 H1 AUTOMATIC TRANSMISSION 4X4 TRV BLACK (A2008TBS#1658) of 93  
 HANDLEBAR ASSEMBLY

| Ref # | Part Number | Qty | S/P/F | Description                               |
|-------|-------------|-----|-------|---|
| 1     | 0505-476    | 1   |       | Tube, Handlebar                           |
| 2     | 0405-218    | 2   |       | Plug, Handlebar                           |
| 3     | 0405-149    | 2   |       | End Cap, Handlebar                        |
| 4     | 8050-247    | 2   | /P    | Washer                                    |
| 5     | 8477-845    | 2   |       | Screw, Machine                            |
| 6     | 0405-147    | 2   |       | Grip, Handlebar                           |
| 7     | 0430-069    | 1   | S     | Switch, Ignition - Assembly (inc. 8-10)   |
| 8     | 0430-050    | 1   |       | Nut, Flange - Ignition Switch             |
| 9     | 0430-042    | 1   |       | Key, Ignition (Y Series - Left-Side Cut)  |
| 9     | 0430-043    | 1   |       | Key, Ignition (Z Series - Right-Side Cut) |
| 10    | 0430-054    | 1   |       | Cover, Key                                |
| 11    | 0405-276    | 1   |       | Instrument Pod                            |
| 12    | 0641-897    | 1   | /P    | Outlet, Accessory - 12V                   |
| 13    | 0520-022    | 1   |       | Gauge, LCD                                |
| 14    | 0420-065    | 1   | /P    | Clamp, Plastic                            |
| 15    | 0423-493    | 2   |       | Nut, Hex                                  |
| 16    | 2506-470    | 1   |       | Bracket, Mounting - Instrument Pod        |
| 17    | 0423-535    | 2   |       | Rivet, Reinstallable                      |
| 18    | 0502-527    | 1   |       | Control, Differential Lock (inc. 19)      |
| 19    | 0502-613    | 1   |       | Clamp, Differential Lock Control - Kit    |
| 20    | 0487-050    | 1   | /P    | Cable, Differential Lock                  |



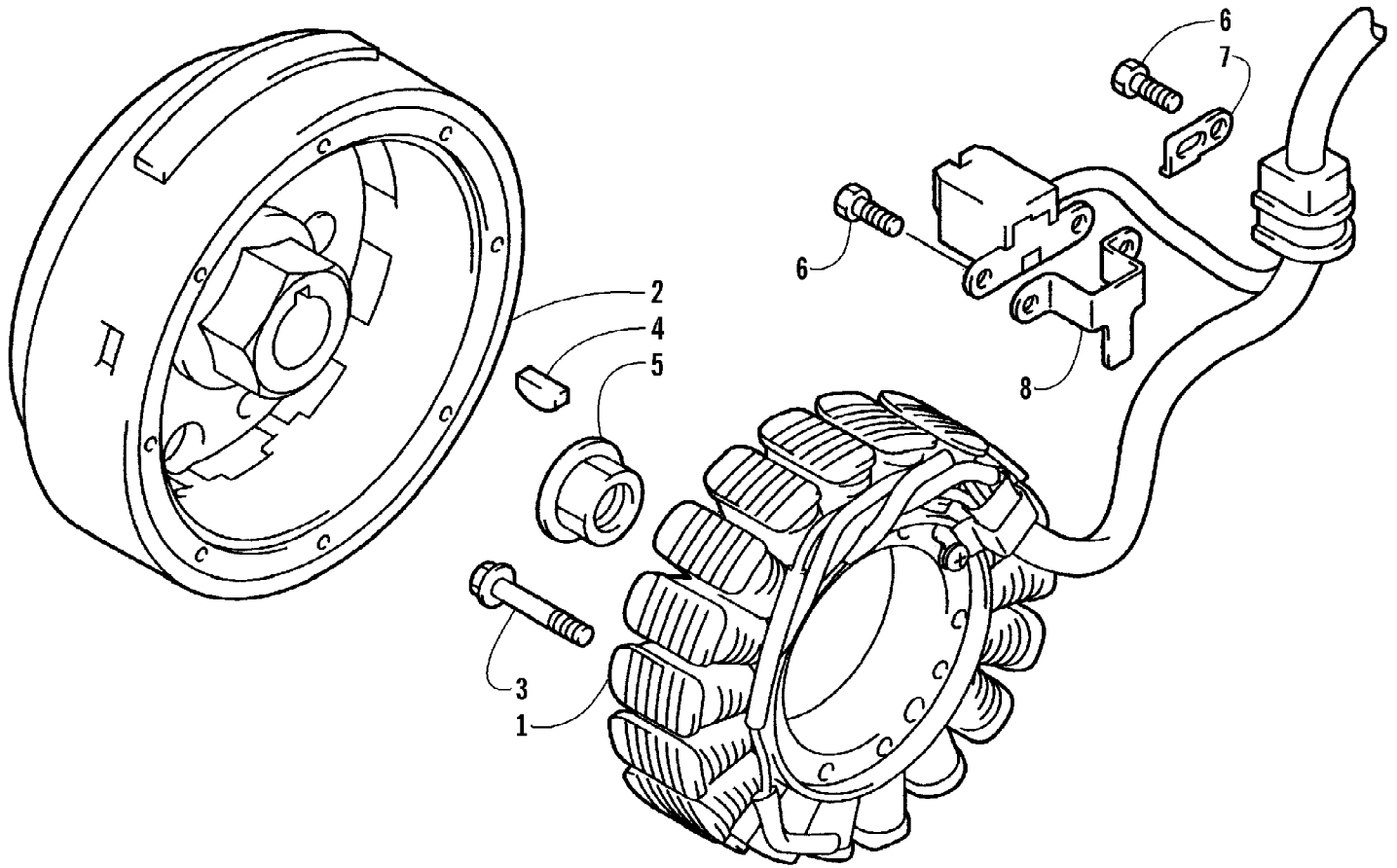
2008 ATV 650 H1 AUTOMATIC TRANSMISSION 4X4 TRV BLACK (A2008TBS#14653) of 93  
 HYDRAULIC BRAKE ASSEMBLY

| Ref # | Part Number | Qty | S/P/F | Description  |
|-------|-------------|-----|-------|--|
| 1     | 1502-015    | 1   |       | Hose, Brake - Assembly                               |
| 2     | 8476-625    | 1   |       | Screw, Cap   |
| 3     | 8408-821    | 4   | /P    | Screw, Cap   |
| 4     | 0502-878    | 1   | S     | Caliper, Brake - Right Front (inc. 5-11)             |
| 4     | 0502-879    | 1   | S     | Caliper, Brake - Left Front (inc. 5-11)              |
| 5     | 0502-603    | 1   | S     | Housing, Caliper - Assembly - Right Front (inc. 6-8) |
| 5     | 0502-611    | 1   | S     | Housing, Caliper - Assembly - Left Front (inc. 6-8)  |
| 6     | 0502-606    | 2   |       | Piston/Seal Set (inc. 7)                             |
| 7     | 0502-607    | 2   |       | Seal Set   |
| 8     | 0502-609    | 2   | /P    | Valve, Bleed   |
| 9     | 0502-608    | 2   |       | O-Ring, Guide - Set                                  |
| 10    | 0502-605    | 2   |       | Bracket Assembly                                     |
| 11    | 0502-875    | 2   | S     | Pad, Brake - Set                                     |
| 12    | 0423-178    | 4   |       | Washer, Crush  |
| 13    | 0423-413    | 2   |       | Bolt, Banjo-Fitting                                  |
| 14    | 0623-038    | 1   |       | Nut, Lock  |



2008 ATV 650 H1 AUTOMATIC TRANSMISSION 4X4 TRV BLACK (A2008TBS#465) of 93  
HYDRAULIC HAND BRAKE ASSEMBLY

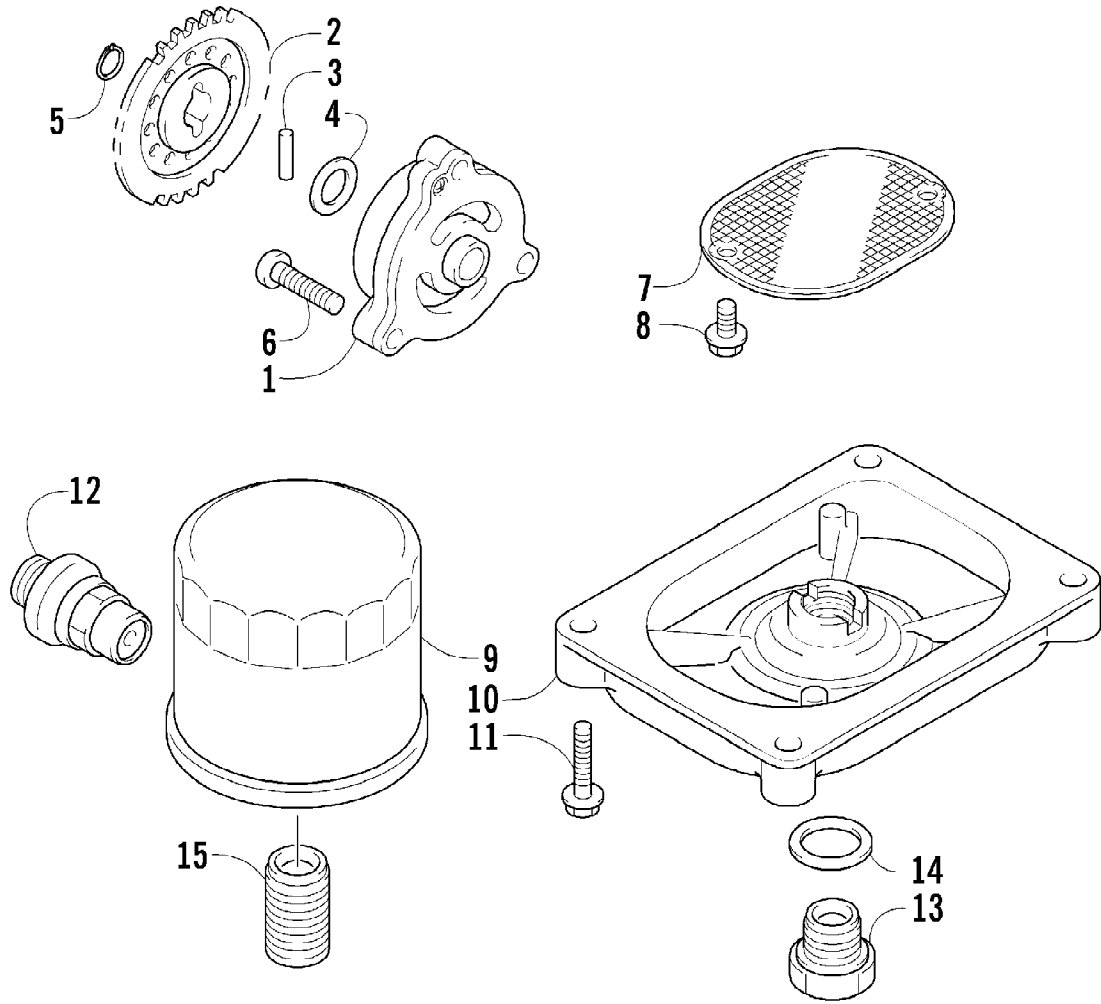
| Ref # | Part Number | Qty | S/P/F | Description                  |
|-------|-------------|-----|-------|------------------------------|
| 1     | 0502-914    | 1   | S     | Brake Assembly (inc. 2-10)   |
| 2     | 0502-566    | 1   |       | Screw, Reservoir Cover       |
| 3     | 0502-868    | 1   | /P    | Cover, Reservoir             |
| 4     | 0502-568    | 1   |       | Screw, Master Cylinder Clamp |
| 5     | 0502-869    | 1   |       | Clamp, Master Cylinder       |
| 6     | 0502-704    | 1   |       | Master Cylinder Assembly     |
| 7     | 0502-866    | 1   |       | Lever Assembly (inc. 8-9)    |
| 8     | 0502-867    | 1   | /P    | Lock, Brake Lever - Kit      |
| 9     | 0502-580    | 1   |       | Lever Pin - Kit              |
| 10    | 0502-564    | 1   | /P    | Switch, Brake - Kit          |
| 11    | 0423-178    | 2   |       | Washer, Crush                |
| 12    | 0423-413    | 1   |       | Bolt, Banjo-Fitting          |





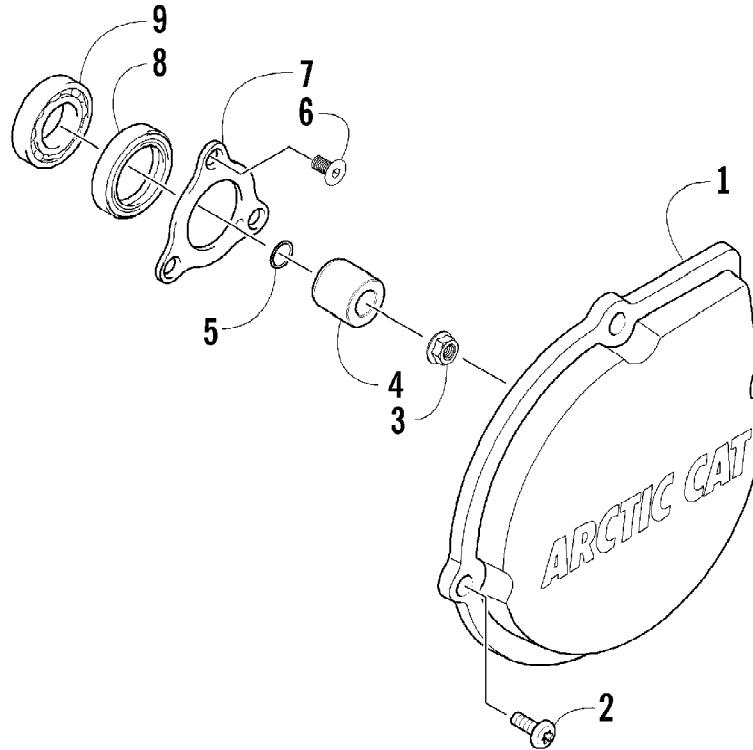
2008 ATV 650 H1 AUTOMATIC TRANSMISSION 4X4 TRV BLACK (A2008TBS#16587) of 93  
MAGNETO ASSEMBLY

| Ref # | Part Number | Qty | S/P/F | Description       |
|-------|-------------|-----|-------|-------------------|
| 1     | 0802-037    | 1   |       | Stator - Assembly |
| 2     | 0802-036    | 1   |       | Rotor/Flywheel    |
| 3     | 0826-102    | 3   |       | Screw, Machine    |
| 4     | 0829-012    | 1   |       | Key               |
| 5     | 0827-014    | 1   |       | Nut               |
| 6     | 8470-510    | 3   |       | Screw, Machine    |
| 7     | 0802-015    | 1   |       | Clamp - No. 1     |
| 8     | 0802-016    | 1   |       | Clamp - No. 2     |



2008 ATV 650 H1 AUTOMATIC TRANSMISSION 4X4 TRV BLACK (A2008TBS#4659) of 93  
 OIL FILTER/PUMP ASSEMBLY

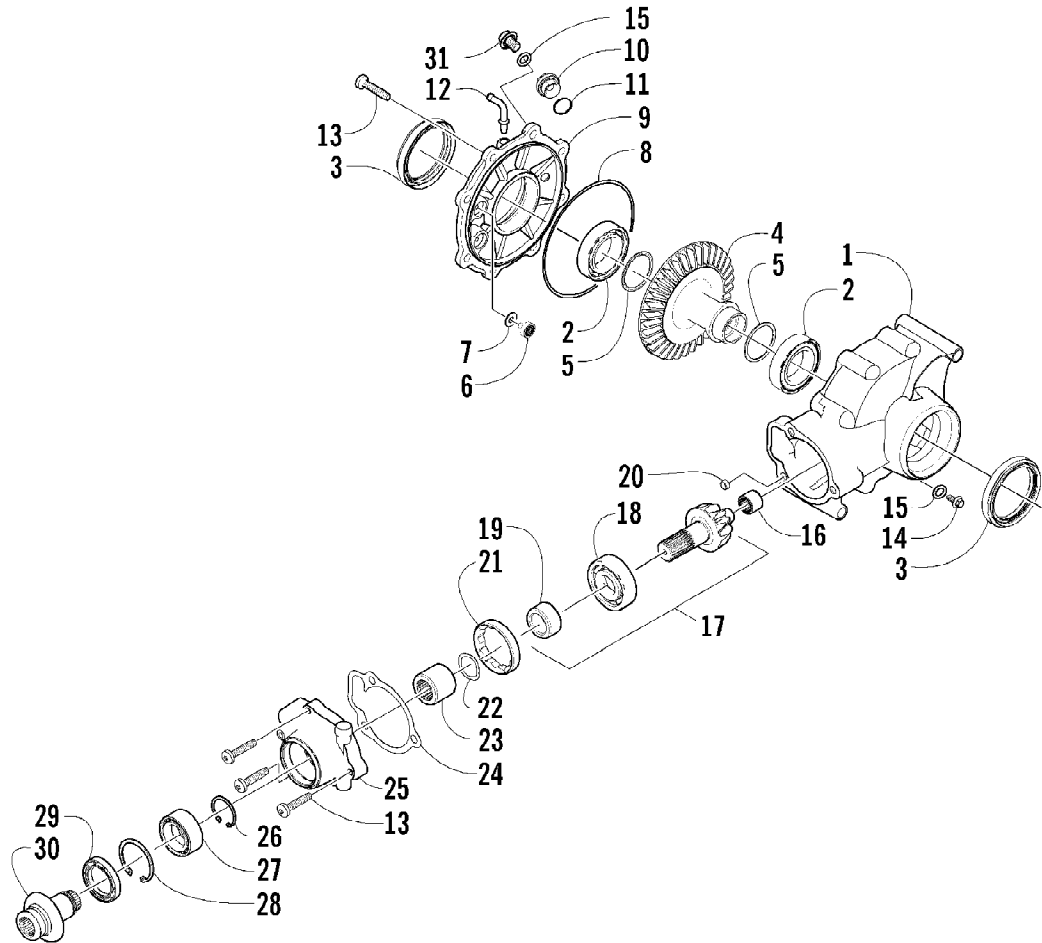
| Ref # | Part Number | Qty | S/P/F | Description                  |
|-------|-------------|-----|-------|------------------------------|
| 1     | 0812-023    | 1   |       | Pump, Oil                    |
| 2     | 0812-002    | 1   | S     | Gear, Driven                 |
| 3     | 0829-009    | 1   |       | Pin                          |
| 4     | 0828-007    | 1   | /P    | Shim                         |
| 5     | 0831-002    | 1   |       | Circlip                      |
| 6     | 0826-039    | 3   |       | Screw, Cap                   |
| 7     | 0812-057    | 1   | /P    | Strainer, Oil                |
| 8     | 0826-040    | 2   |       | Screw, Machine               |
| 9     | 0812-029    | 1   | S     | Filter, Oil                  |
| 10    | 0812-053    | 1   |       | Cap, Oil Strainer            |
| 11    | 8468-625    | 4   |       | Screw, Machine               |
| 12    | 0812-007    | 1   |       | Valve, Oil-Relief - Assembly |
| 13    | 0812-006    | 1   |       | Plug, Drain                  |
| 14    | 0830-017    | 1   |       | Gasket, Drain Plug           |
| 15    | 0812-008    | 1   |       | Union, Oil Filter            |



2008 ATV 650 H1 AUTOMATIC TRANSMISSION 4X4 TRV BLACK (A2008TBS#1658) of 93  
OUTER MAGNETO COVER ASSEMBLY

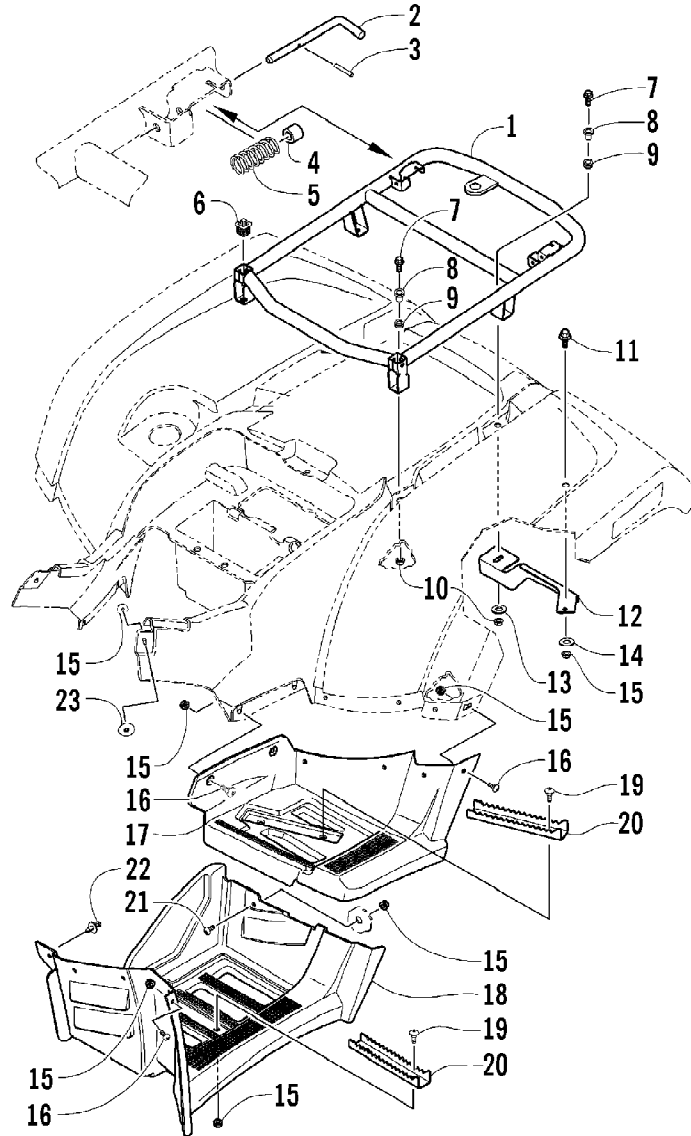
| Ref # | Part Number | Qty | S/P/F | Description            |
|-------|-------------|-----|-------|------------------------|
| 1     | 0820-062    | 1   |       | Cover, Magneto - Outer |
| 2     | 0826-008    | 4   |       | Screw, Machine         |
| 3     | 0827-008    | 1   |       | Nut                    |
| 4     | 0820-061    | 1   |       | Bushing                |
| 5     | 0830-108    | 1   |       | O-Ring                 |
| 6     | 0826-031    | 3   |       | Screw                  |
| 7     | 0805-008    | 1   |       | Retainer, Oil Seal     |
| 8     | 0830-158    | 1   |       | Seal, Oil              |
| 9     | 0832-045    | 1   | S     | Bearing                |

2008 ATV 650 H1 AUTOMATIC TRANSMISSION 4X4 TRV BLACK (A2008TBS#) of 93  
REAR DRIVE GEARCASE ASSEMBLY



2008 ATV 650 H1 AUTOMATIC TRANSMISSION 4X4 TRV BLACK (A2008TBS#1563) of 93  
REAR DRIVE GEARCASE ASSEMBLY

| Ref # | Part Number | Qty | S/P/F | Description                                |
|-------|-------------|-----|-------|--|
|       | 1502-079    | 1   | S     | Complete Rear Gearcase Assembly            |
| 1     | 0502-622    | 1   |       | Housing, Gearcase                          |
| 2     | 0402-393    | 2   |       | Bearing                                    |
| 3     | 1402-441    | 2   | S     | Seal                                       |
| 4     | 1402-032    | 1   |       | Gear, Ring - 36T                           |
| 5     | 0402-405    | AR  |       | Shim                                       |
| 5     | 0402-406    | AR  |       | Shim                                       |
| 5     | 0402-407    | AR  |       | Shim                                       |
| 5     | 0402-408    | AR  |       | Shim                                       |
| 5     | 0402-409    | AR  |       | Shim                                       |
| 6     | 0402-326    | 1   |       | Button, Thrust                             |
| 7     | 0402-429    | AR  |       | Shim                                       |
| 7     | 0402-430    | AR  |       | Shim                                       |
| 7     | 0402-431    | AR  |       | Shim                                       |
| 7     | 0402-432    | AR  |       | Shim                                       |
| 7     | 0402-433    | AR  |       | Shim                                       |
| 8     | 0423-149    | 1   |       | O-Ring                                     |
| 9     | 1502-082    | 1   |       | Cover, Gearcase                            |
| 10    | 0402-333    | 1   | /P    | Plug, Fill (inc. 11)                       |
| 11    | 0423-154    | 1   |       | O-Ring                                     |
| 12    | 1402-102    | 1   |       | Fitting                                    |
| 13    | 0423-118    | 11  |       | Screw, Self-Tapping                        |
| 14    | 0402-450    | 1   | S     | Plug, Magnetic (inc. one No. 15)           |
| 15    | 0423-153    | 2   |       | O-Ring                                     |
| 16    | 0402-328    | 1   |       | Bearing                                    |
| 17    | 0502-783    | 1   |       | Gear, Pinion - Assembly - 10T (inc. 18-19) |
| 18    | 0402-327    | 1   |       | Bearing                                    |
| 19    | 0402-336    | 1   |       | Collar, Retaining                          |
| 20    | 0402-411    | 1   |       | Pin, Dowel                                 |
| 21    | 0402-331    | 1   |       | Collar, Lock                               |
| 22    | 0402-982    | 1   |       | Washer, Spring                             |
| 23    | 0402-981    | 1   |       | Collar, Shaft                              |
| 24    | 0402-947    | 1   |       | Gasket, Flange                             |
| 25    | 0502-529    | 1   |       | Housing, Pinion                            |
| 26    | 0423-417    | 1   |       | Ring, Retaining                            |
| 27    | 1402-043    | 1   |       | Bearing                                    |
| 28    | 0423-423    | 1   |       | Ring, Retaining                            |
| 29    | 1402-011    | 1   |       | Seal                                       |
| 30    | 1502-085    | 1   | /P    | Shaft, Input                               |
| 31    | 1402-211    | 1   |       | Plug, Oil Level (inc. one No. 15)          |

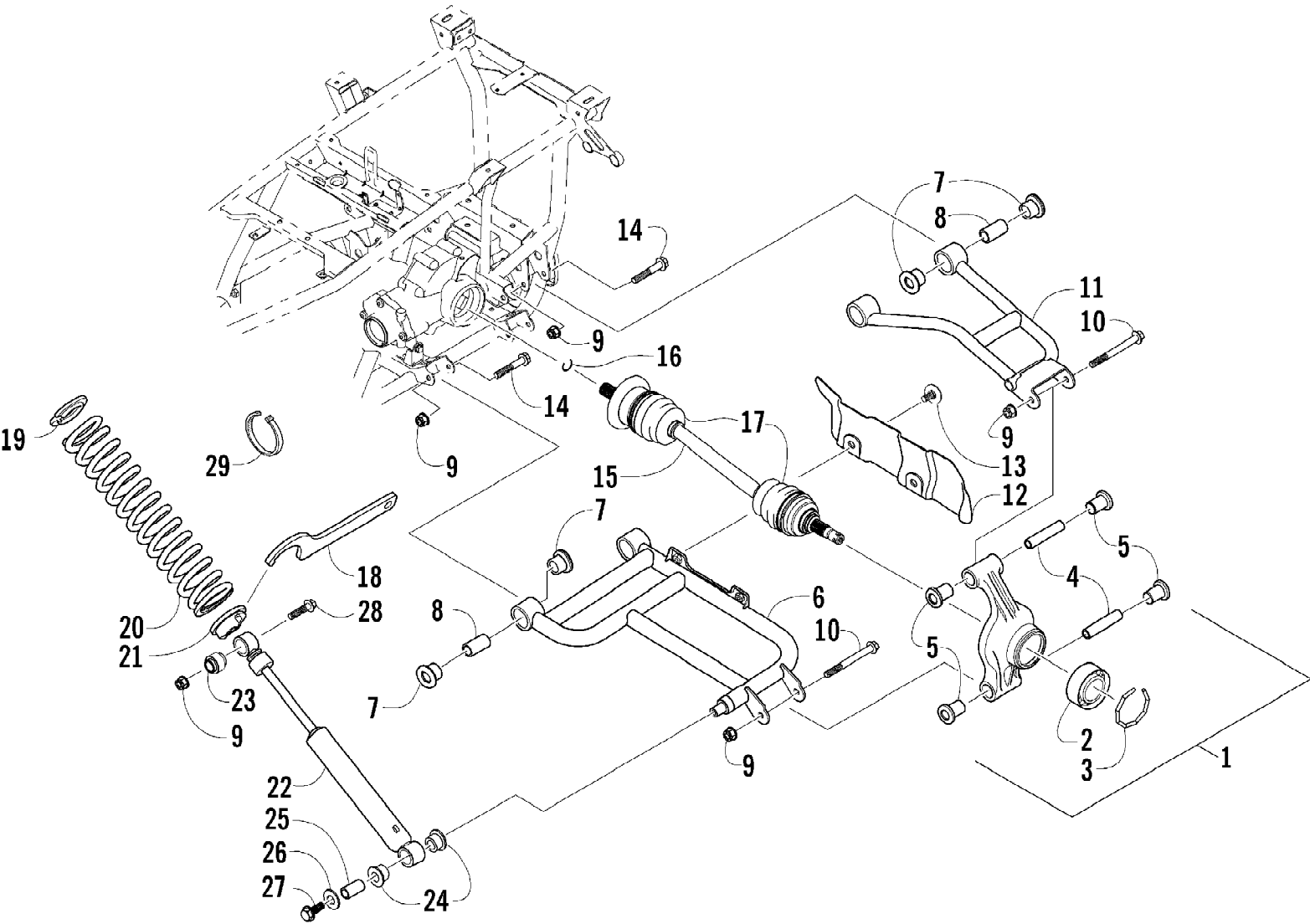




2008 ATV 650 H1 AUTOMATIC TRANSMISSION 4X4 TRV BLACK (A2008TBS#165) of 93  
REAR RACK AND FOOTWELL ASSEMBLIES

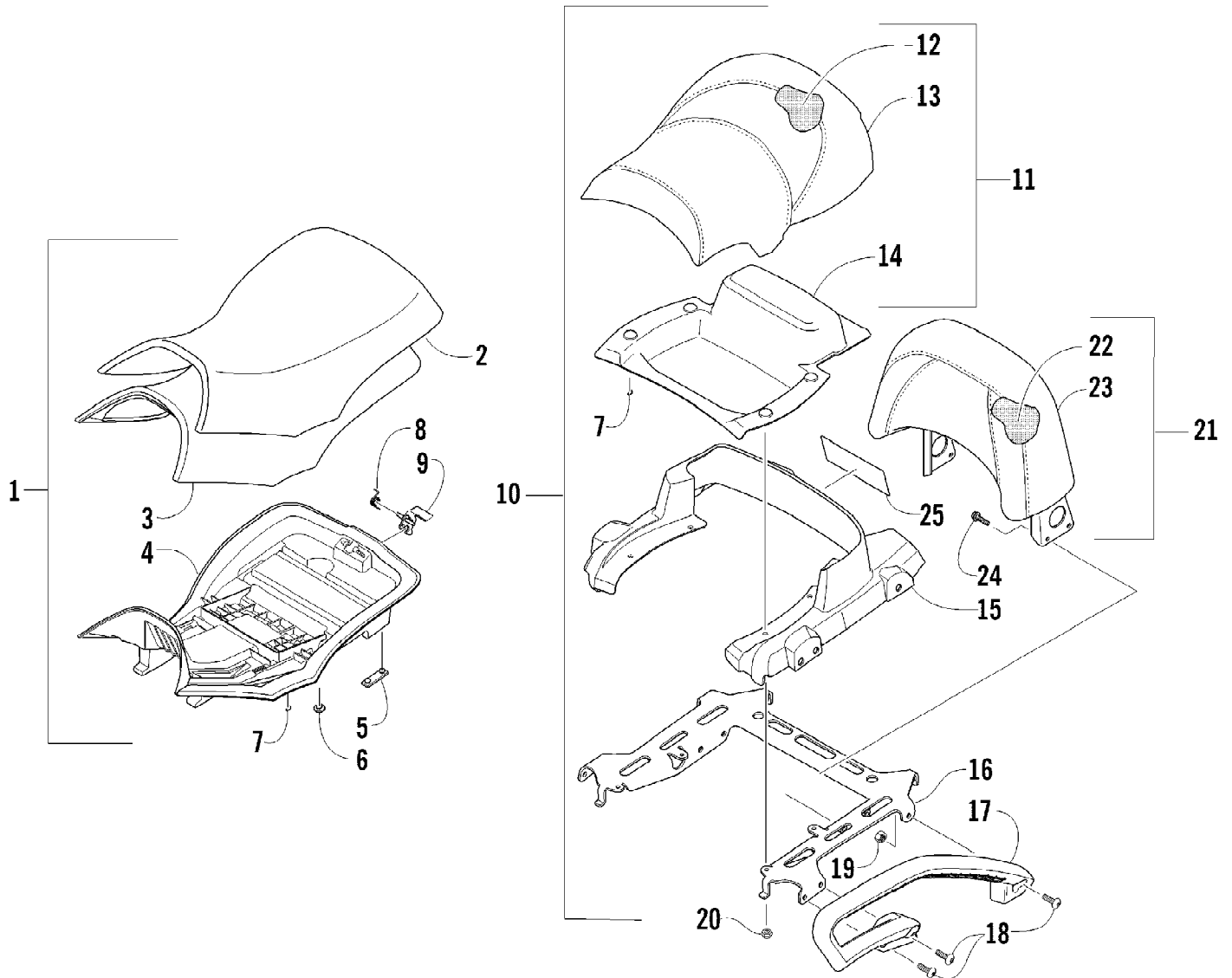
| Ref # | Part Number | Qty | S/P/F | Description                      |
|-------|-------------|-----|-------|----------------------------------|
| 1     | 2506-221    | 1   | /P    | Rack, Rear - Assembly (inc. 2-6) |
| 2     | 0541-504    | 2   |       | Pin - Assembly (inc. 3-5)        |
| 3     | 0423-635    | 2   |       | Pin, Roll                        |
| 4     | 0423-677    | 2   |       | Collar                           |
| 5     | 0423-636    | 2   |       | Spring                           |
| 6     | 0441-592    | 4   | /P    | Bushing, Rack                    |
| 7     | 8410-835    | 4   |       | Screw, Cap                       |
| 8     | 0423-669    | 4   |       | Spacer                           |
| 9     | 0423-465    | 4   |       | Grommet                          |
| 10    | 8432-802    | 4   |       | Nut, Lock                        |
| 11    | 0423-654    | 2   |       | Screw, Shoulder                  |
| 12    | 2506-092    | 1   |       | Bracket, Rear Fender - Right     |
| 12    | 2506-093    | 1   |       | Bracket, Rear Fender - Left      |
| 13    | 0423-087    | 2   |       | Washer                           |
| 14    | 8050-222    | 2   | /P    | Washer                           |
| 15    | 0423-540    | 36  |       | Nut, Lock                        |
| 16    | 0423-419    | 22  |       | Screw, Machine                   |
| 17    | 2406-042    | 1   |       | Footwell, Rear - Right           |
| 17    | 2406-043    | 1   |       | Footwell, Rear - Left            |
| 18    | 1506-813    | 1   |       | Footwell - Right                 |
| 18    | 2406-471    | 1   | /P    | Footwell - Left                  |
| 19    | 0423-355    | 8   |       | Screw, Shoulder                  |
| 20    | 1506-125    | 4   | /P    | Footpeg                          |
| 21    | 8477-620    | 2   |       | Screw, Machine                   |
| 22    | 0623-362    | 2   |       | Rivet, Reinstallable             |
| 23    | 0423-101    | 2   |       | Screw, Body                      |

2008 ATV 650 H1 AUTOMATIC TRANSMISSION 4X4 TRV BLACK (A2008TBS) Page 56 of 93  
REAR SUSPENSION ASSEMBLY



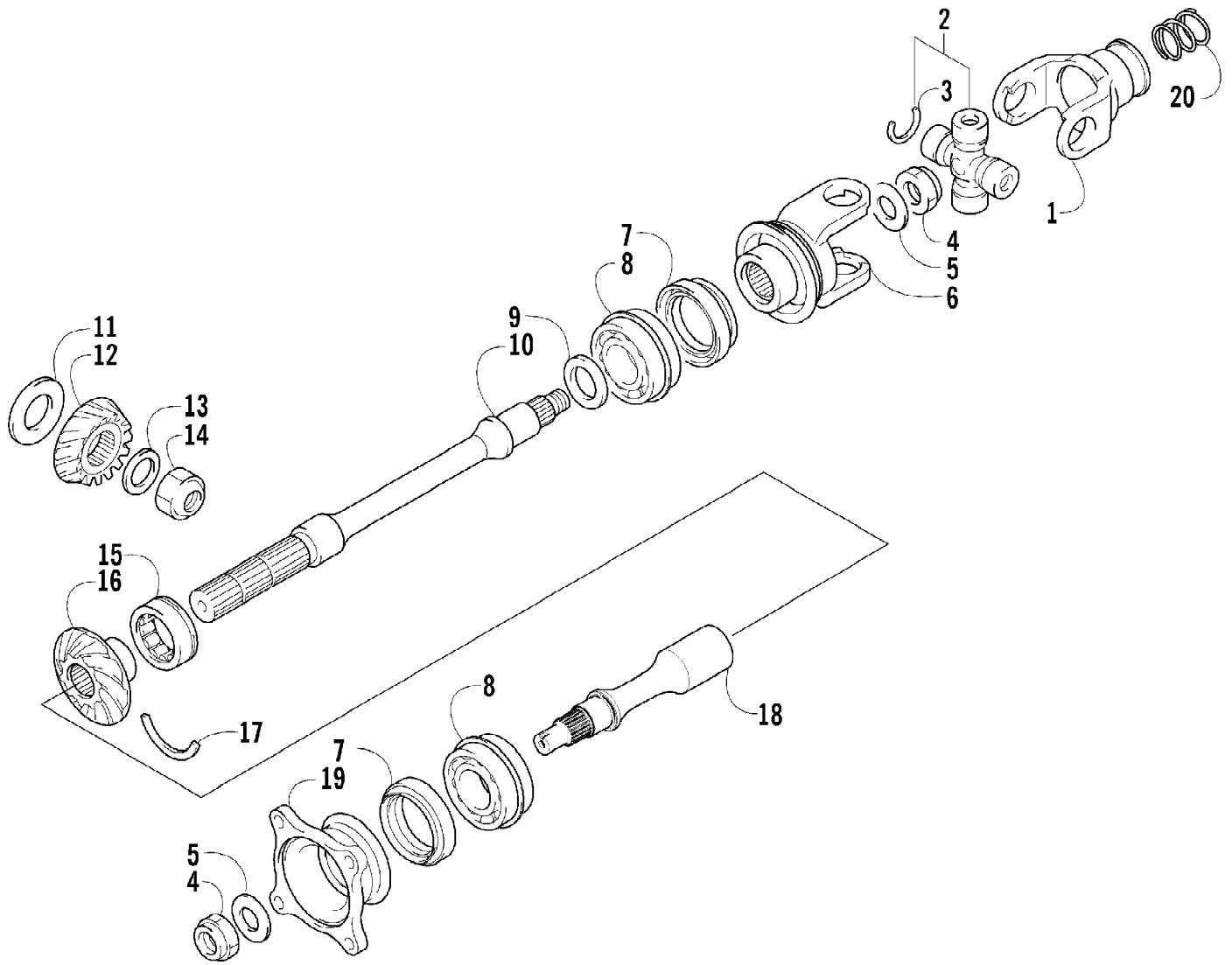
2008 ATV 650 H1 AUTOMATIC TRANSMISSION 4X4 TRV BLACK (A2008TBS#16657) of 93  
REAR SUSPENSION ASSEMBLY

| Ref # | Part Number | Qty | S/P/F | Description                               |
|-------|-------------|-----|-------|---|
| 1     | 0504-372    | 1   | S     | Knuckle, Right Rear - Assembly (inc. 2-5) |
| 1     | 0504-373    | 1   | S/P   | Knuckle, Left Rear - Assembly (inc. 2-5)  |
| 2     | 1402-027    | 2   | S/P   | Bearing, Wheel Hub                        |
| 3     | 0423-423    | 2   |       | Ring, Retaining                           |
| 4     | 0403-038    | 4   | S/P   | Collar, Suspension Bushing                |
| 5     | 0403-032    | 8   | S     | Bushing, Suspension                       |
| 6     | 0504-440    | 1   | S     | A-Arm, Rear - Lower Right (inc. 7-8)      |
| 6     | 0504-441    | 1   | S     | A-Arm, Rear - Lower Left (inc. 7-8)       |
| 7     | 0403-115    | 16  | S     | Bushing                                   |
| 8     | 0403-114    | 8   | S     | Collar                                    |
| 9     | 0423-744    | 14  |       | Nut, Lock                                 |
| 10    | 8409-000    | 4   |       | Screw, Cap                                |
| 11    | 0504-476    | 1   |       | A-Arm, Rear - Upper Right (inc. 7-8)      |
| 11    | 0504-477    | 1   |       | A-Arm, Rear - Upper Left (inc. 7-8)       |
| 12    | 1406-068    | 1   |       | Guard, Boot - Right                       |
| 12    | 1406-069    | 1   |       | Guard, Boot - Left                        |
| 13    | 0423-545    | 4   | /P    | Screw, Body                               |
| 14    | 8409-075    | 8   |       | Screw, Cap                                |
| 15    | 0502-811    | 2   | S     | Axle, Drive - Rear (inc. 16-17)           |
| 16    | 0441-893    | 2   | S     | Clip, Retaining                           |
| 17    | 0436-276    | 2   | S     | Repair Kit, Boot                          |
| 18    | 0441-587    | 1   |       | Wrench, Spanner                           |
| 19    | 1603-889    | 2   | /P    | Retainer, Spring                          |
| 20    | 0403-174    | 2   |       | Spring, Suspension                        |
| 21    | 0404-057    | 2   |       | Cam, Spring Adjuster                      |
| 22    | 0404-147    | 2   |       | Shock Absorber - Rear (inc. 23-25)        |
| 23    | 0403-182    | 2   |       | Bushing, Double-Bonded                    |
| 24    | 0603-955    | 4   |       | Bushing, Shock Absorber                   |
| 25    | 1603-219    | 2   | S     | Sleeve, Shock Absorber                    |
| 26    | 0423-087    | 2   |       | Washer                                    |
| 27    | 8408-820    | 2   | /P    | Screw, Cap                                |
| 28    | 8409-050    | 2   |       | Screw, Cap                                |
| 29    | 0123-788    | 2   | /P    | Tie, Cable - 8 in.                        |



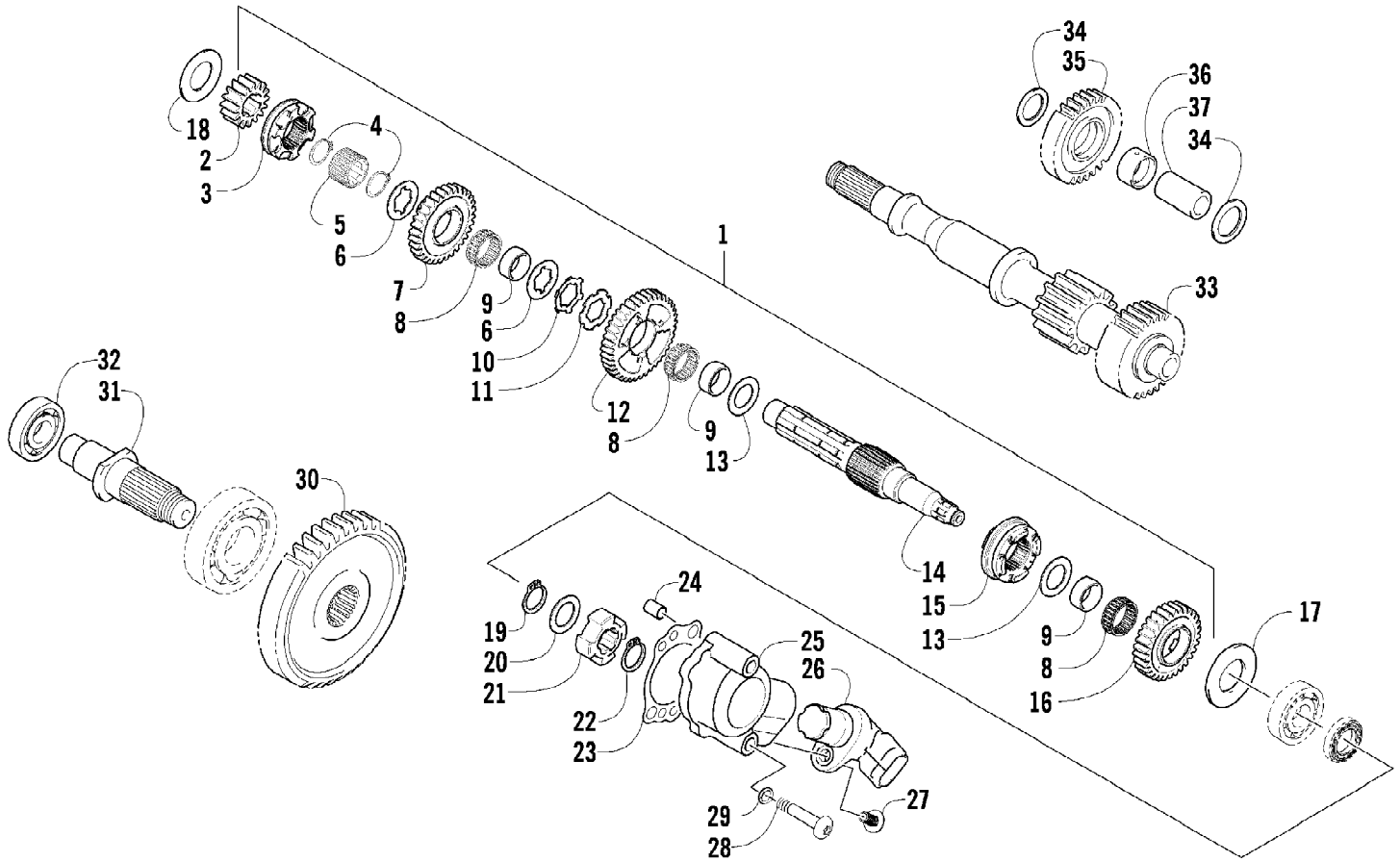
2008 ATV 650 H1 AUTOMATIC TRANSMISSION 4X4 TRV BLACK (A2008TBS#1659) of 93  
SEAT AND BACKREST ASSEMBLY

| Ref # | Part Number | Qty | S/P/F | Description  |
|-------|-------------|-----|-------|--|
| 1     | 1506-937    | 1   | S/P   | Seat Assembly (inc. 2-9)                           |
| 2     | 1506-209    | 1   |       | Cover, Seat  |
| 3     | 1506-208    | 1   |       | Foam, Seat   |
| 4     | 2406-144    | 1   | S/P   | Base, Seat - Assembly (inc. 5-6)                   |
| 5     | 0406-879    | 2   |       | Bumper, Seat - Rear                                |
| 6     | 0406-877    | 4   | /P    | Bumper, Seat - Front                               |
| 7     | 0624-100    | AR  |       | Staple   |
| 8     | 1406-592    | 1   | /P    | Spring, Seat Latch                                 |
| 9     | 1506-156    | 1   |       | Latch, Seat  |
| 10    | 1506-938    | 1   |       | Seat, Passenger - Assembly (inc. 7, 11-20, and 25) |
| 11    | 2506-064    | 1   |       | Seat, Passenger - Sub-Assembly (inc. 7 and 12-14)  |
| 12    | 1506-816    | 1   |       | Foam, Seat - Passenger                             |
| 13    | 1506-815    | 1   |       | Cover, Seat - Passenger                            |
| 14    | 2406-110    | 1   |       | Base, Seat - Inner                                 |
| 15    | 2406-044    | 1   |       | Base, Seat - Passenger                             |
| 16    | 1506-932    | 1   |       | Bracket, Seat Support - Assembly                   |
| 17    | 2406-112    | 1   |       | Handhold, Passenger - Right                        |
| 17    | 2406-113    | 1   |       | Handhold, Passenger - Left                         |
| 18    | 0423-362    | 6   |       | Screw, Machine                                     |
| 19    | 8432-802    | 6   |       | Nut, Lock  |
| 20    | 8427-602    | 4   |       | Nut, Lock  |
| 21    | 1506-939    | 1   |       | Backrest Assembly (inc. 22-23)                     |
| 22    | 1506-818    | 1   |       | Foam, Backrest                                     |
| 23    | 1506-817    | 1   |       | Cover, Backrest                                    |
| 24    | 8408-816    | 4   |       | Screw, Cap   |
| 25    | 0411-814    | 1   | /P    | Decal, "Arctic Cat"                                |



2008 ATV 650 H1 AUTOMATIC TRANSMISSION 4X4 TRV BLACK (A2008TBS#1) of 93  
SECONDARY DRIVE ASSEMBLY

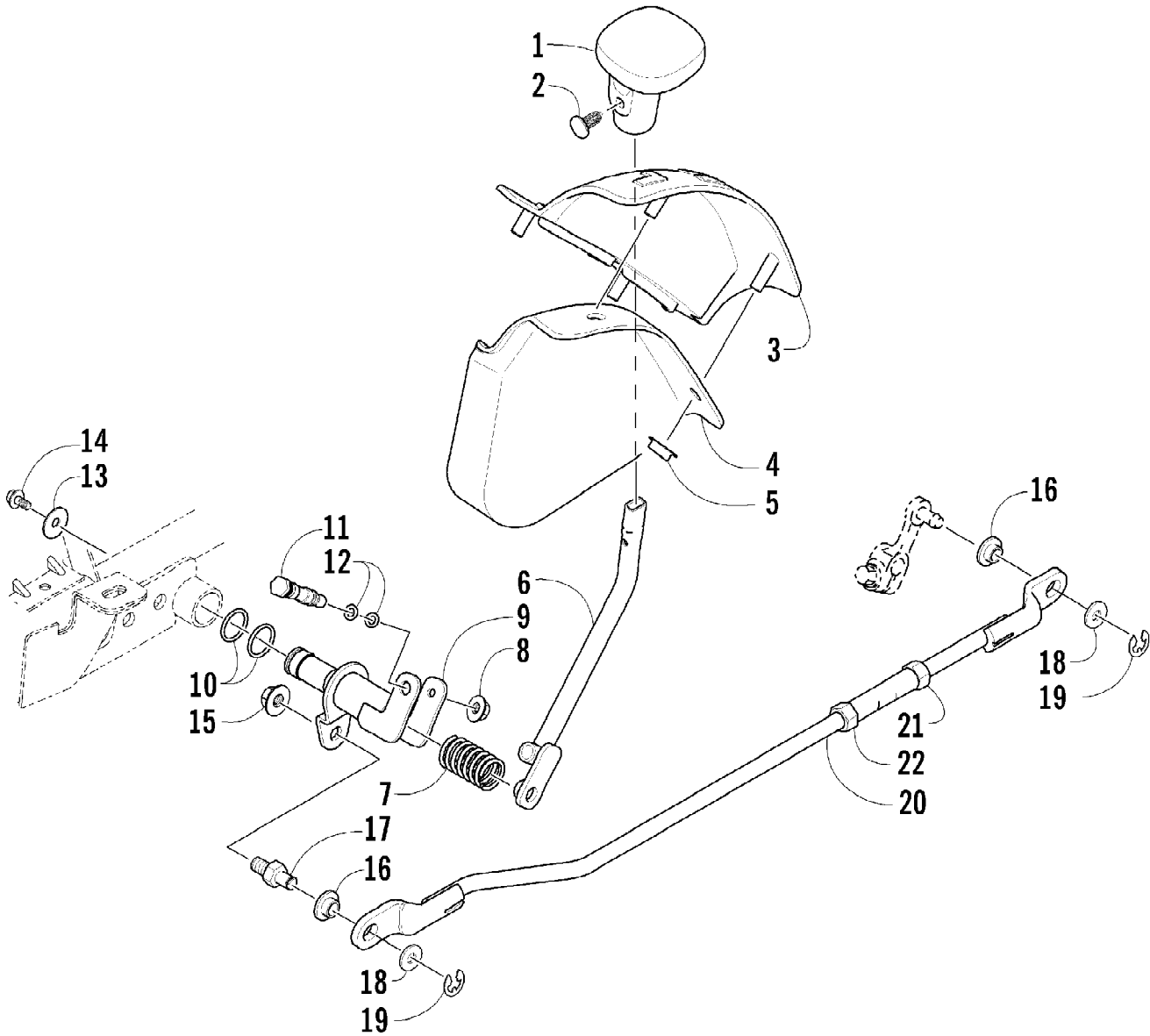
| Ref # | Part Number | Qty | S/P/F | Description                     |
|-------|-------------|-----|-------|---------------------------------|
| 1     | 0819-063    | 1   |       | Yoke, Propeller Shaft Joint     |
| 2     | 1402-463    | 1   | S     | Joint, Universal - Set (inc. 3) |
| 3     | 0423-450    | 4   |       | Circlip                         |
| 4     | 0827-013    | 2   |       | Nut, Rear Output Joint          |
| 5     | 0828-020    | 2   |       | Washer, Rear Output Flange      |
| 6     | 0819-061    | 1   |       | Yoke, Drive Output - Front      |
| 7     | 0830-043    | 2   |       | Seal, Oil - Driven Shaft        |
| 8     | 0832-017    | 2   |       | Bearing, Driven Shaft           |
| 9     | 0828-021    | AR  |       | Shim, 25 x 34 x 0.25 mm         |
| 9     | 0828-022    | AR  |       | Shim, 25 x 34 x 0.30 mm         |
| 9     | 0828-023    | AR  |       | Shim, 25 x 34 x 0.70 mm         |
| 9     | 0828-024    | AR  |       | Shim, 25 x 34 x 0.90 mm         |
| 9     | 0828-025    | AR  |       | Shim, 25 x 34 x 0.95 mm         |
| 9     | 0828-026    | AR  |       | Shim, 25 x 34 x 1.00 mm         |
| 9     | 0828-027    | AR  |       | Shim, 25 x 34 x 1.05 mm         |
| 9     | 0828-028    | AR  |       | Shim, 25 x 34 x 1.10 mm         |
| 9     | 0828-029    | AR  |       | Shim, 25 x 34 x 1.15 mm         |
| 10    | 0819-003    | 1   | S     | Shaft, Secondary Driven - Front |
| 11    | 0828-030    | AR  |       | Shim, 24 x 48 x 0.25 mm         |
| 11    | 0828-031    | AR  |       | Shim, 24 x 48 x 0.30 mm         |
| 11    | 0828-032    | AR  |       | Shim, 24 x 48 x 0.35 mm         |
| 11    | 0828-033    | AR  |       | Shim, 24 x 48 x 0.90 mm         |
| 11    | 0828-018    | AR  |       | Shim, 24 x 48 x 0.95 mm         |
| 11    | 0828-062    | AR  |       | Shim, 24 x 48 x 1.00 mm         |
| 11    | 0828-063    | AR  |       | Shim, 24 x 48 x 1.05 mm         |
| 11    | 0828-064    | AR  |       | Shim, 24 x 48 x 1.10 mm         |
| 11    | 0828-065    | AR  |       | Shim, 24 x 48 x 1.15 mm         |
| 12    | 0819-001    | 1   |       | Gear, Secondary Drive           |
| 13    | 0828-019    | 1   |       | Washer                          |
| 14    | 0827-012    | 1   |       | Nut                             |
| 15    | 0832-016    | 1   |       | Bearing, Driven Gear            |
| 16    | 0819-002    | 1   |       | Gear, Secondary Driven          |
| 17    | 0819-011    | 1   |       | Ring, Driven Bearing            |
| 18    | 0819-053    | 1   |       | Shaft, Secondary Driven - Rear  |
| 19    | 0819-005    | 1   |       | Flange, Output Joint - Rear     |
| 20    | 1402-026    | 1   |       | Spring                          |





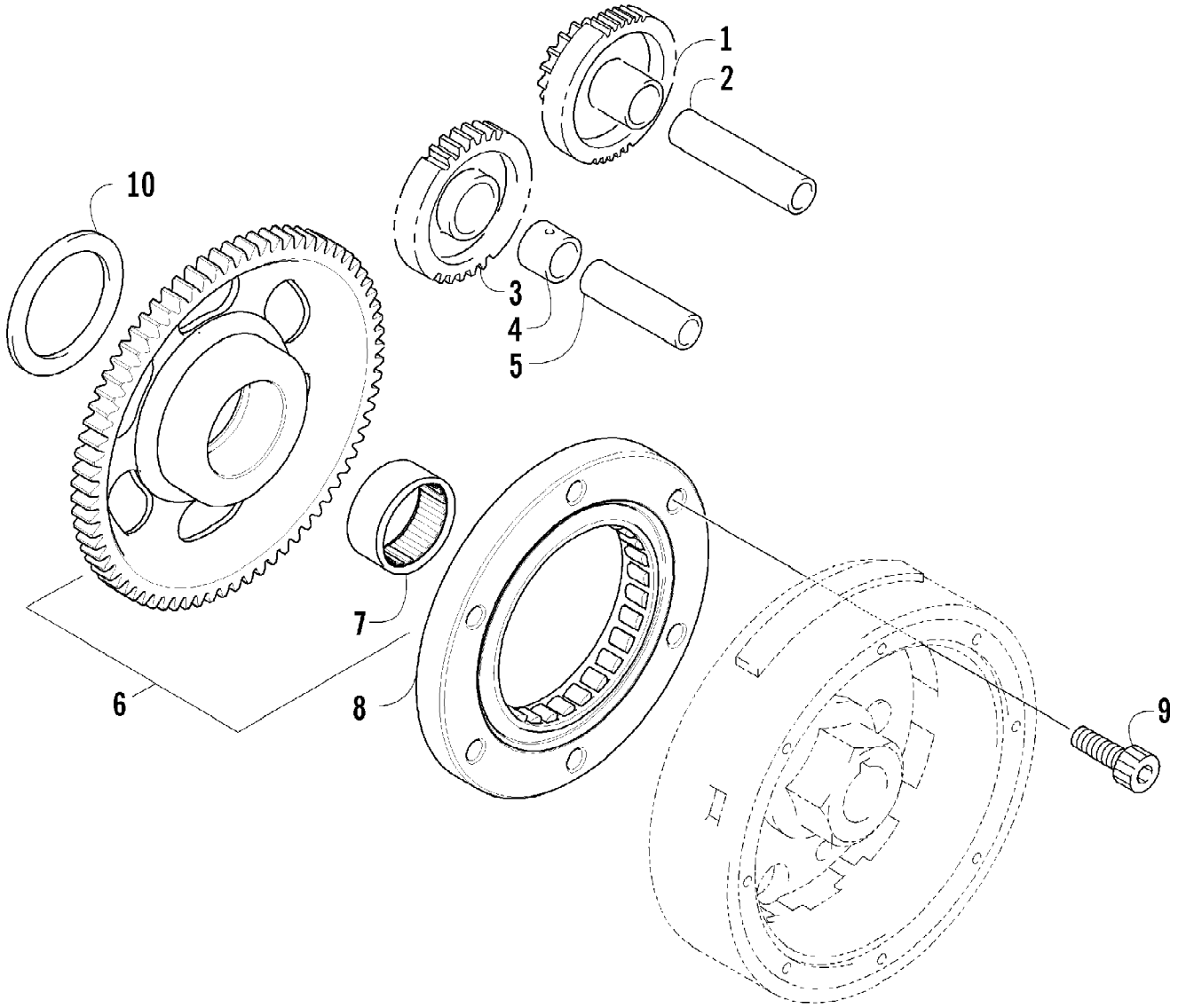
2008 ATV 650 H1 AUTOMATIC TRANSMISSION 4X4 TRV BLACK (A2008TBS#1667) of 93  
SECONDARY TRANSMISSION ASSEMBLY

| Ref # | Part Number | Qty | S/P/F | Description                       |
|-------|-------------|-----|-------|-----------------------------------|
| 1     | 0822-048    | 1   |       | Countershaft Assembly (inc. 2-16) |
| 2     | 0822-008    | 1   |       | Gear, Drive                       |
| 3     | 0822-014    | 1   |       | Dog, Reverse Driven Gear          |
| 4     | 0831-011    | 2   |       | Circlip                           |
| 5     | 0822-045    | 1   |       | Spacer, Reverse Driven Gear       |
| 6     | 0828-008    | 2   |       | Washer                            |
| 7     | 0822-013    | 1   |       | Gear, Reverse Driven              |
| 8     | 0832-011    | 3   |       | Bearing                           |
| 9     | 0822-005    | 3   |       | Bushing                           |
| 10    | 0828-014    | 1   |       | Washer, Lock                      |
| 11    | 0828-015    | 1   |       | Washer, Lock                      |
| 12    | 0822-004    | 1   |       | Gear, Driven - Low                |
| 13    | 0822-046    | 2   |       | Washer, Driven Gear               |
| 14    | 0822-003    | 1   |       | Countershaft                      |
| 15    | 0822-007    | 1   |       | Dog, Sliding                      |
| 16    | 0822-006    | 1   |       | Gear, Driven - High               |
| 17    | 0828-011    | 1   |       | Washer, Drive Gear                |
| 18    | 0828-010    | 1   |       | Washer, Drive Gear                |
| 19    | 0831-040    | 1   |       | Ring, Retaining                   |
| 20    | 0828-069    | 1   |       | Washer, Thrust                    |
| 21    | 0822-050    | 1   |       | Trigger, Speedometer Sensor       |
| 22    | 0831-039    | 1   |       | Ring, Retaining                   |
| 23    | 0830-129    | 1   |       | Gasket                            |
| 24    | 0829-023    | 2   |       | Pin, Dowel                        |
| 25    | 0822-049    | 1   |       | Housing, Speedometer Sensor       |
| 26    | 0824-042    | 1   | /P    | Sensor, Speedometer               |
| 27    | 8468-620    | 1   | /P    | Screw, Machine                    |
| 28    | 8468-645    | 2   |       | Screw, Machine                    |
| 29    | 0830-107    | 2   |       | Seal, Fastener                    |
| 30    | 0822-009    | 1   |       | Gear, Driven                      |
| 31    | 0822-067    | 1   | /P    | Shaft, Output                     |
| 32    | 0832-014    | 1   | S     | Bearing                           |
| 33    | 0822-001    | 1   |       | Driveshaft                        |
| 34    | 0828-016    | 2   |       | Washer, Reverse Idle Gear         |
| 35    | 0822-011    | 1   |       | Gear, Reverse Idle                |
| 36    | 0822-012    | 1   |       | Bushing, Reverse Idle Gear        |
| 37    | 0822-015    | 1   |       | Shaft, Reverse Idle               |



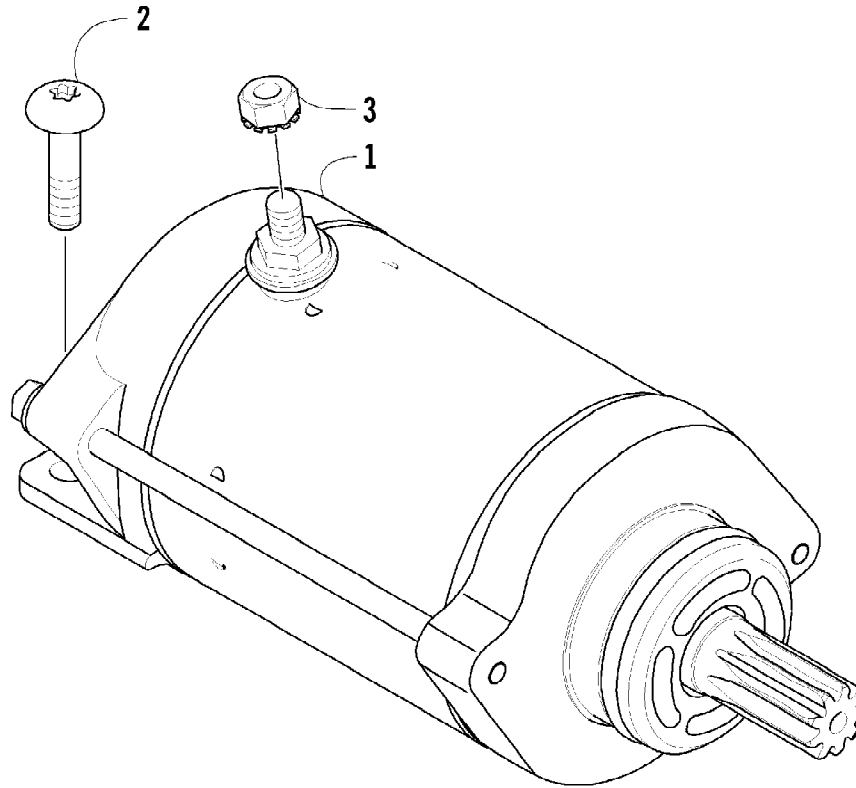
2008 ATV 650 H1 AUTOMATIC TRANSMISSION 4X4 TRV BLACK (A2008TBS) Page 5 of 93  
SHIFT LEVER ASSEMBLY

| Ref # | Part Number | Qty | S/P/F | Description                            |
|-------|-------------|-----|-------|--|
| 1     | 0402-843    | 1   | /P    | Knob, Shift Lever                      |
| 2     | 0423-345    | 1   |       | Clip, Push                             |
| 3     | 1402-576    | 1   |       | Plate, Shift                           |
| 4     | 2406-345    | 1   |       | Shield, Shift Plate                    |
| 5     | 0423-357    | 4   |       | Nut, Stamped                           |
| 6     | 0502-659    | 1   |       | Lever, Shift                           |
| 7     | 0402-678    | 1   | /P    | Spring, Shift Lever                    |
| 8     | 8424-602    | 1   | /P    | Nut                                    |
| 9     | 0502-742    | 1   |       | Axle, Shift Lever                      |
| 10    | 0423-299    | 2   | /P    | O-Ring                                 |
| 11    | 0402-675    | 1   |       | Axle, Pivot                            |
| 12    | 0423-182    | 2   | /P    | O-Ring                                 |
| 13    | 0423-087    | 1   |       | Washer                                 |
| 14    | 8408-812    | 1   |       | Screw, Cap                             |
| 15    | 8424-802    | 1   |       | Nut, Hex                               |
| 16    | 0423-091    | 2   |       | Bushing, Shift Linkage                 |
| 17    | 1402-621    | 1   |       | Pin, Mounting - Shift Linkage          |
| 18    | 0623-094    | 2   |       | Washer                                 |
| 19    | 0423-169    | 2   | /P    | E-Ring                                 |
| 20    | 1502-200    | 1   |       | Linkage, Shift - Assembly (inc. 21-22) |
| 21    | 0623-294    | 1   |       | Nut, Hex - Right-Hand Thread           |
| 22    | 0123-917    | 1   | /P    | Nut, Hex - Left-Hand Thread            |



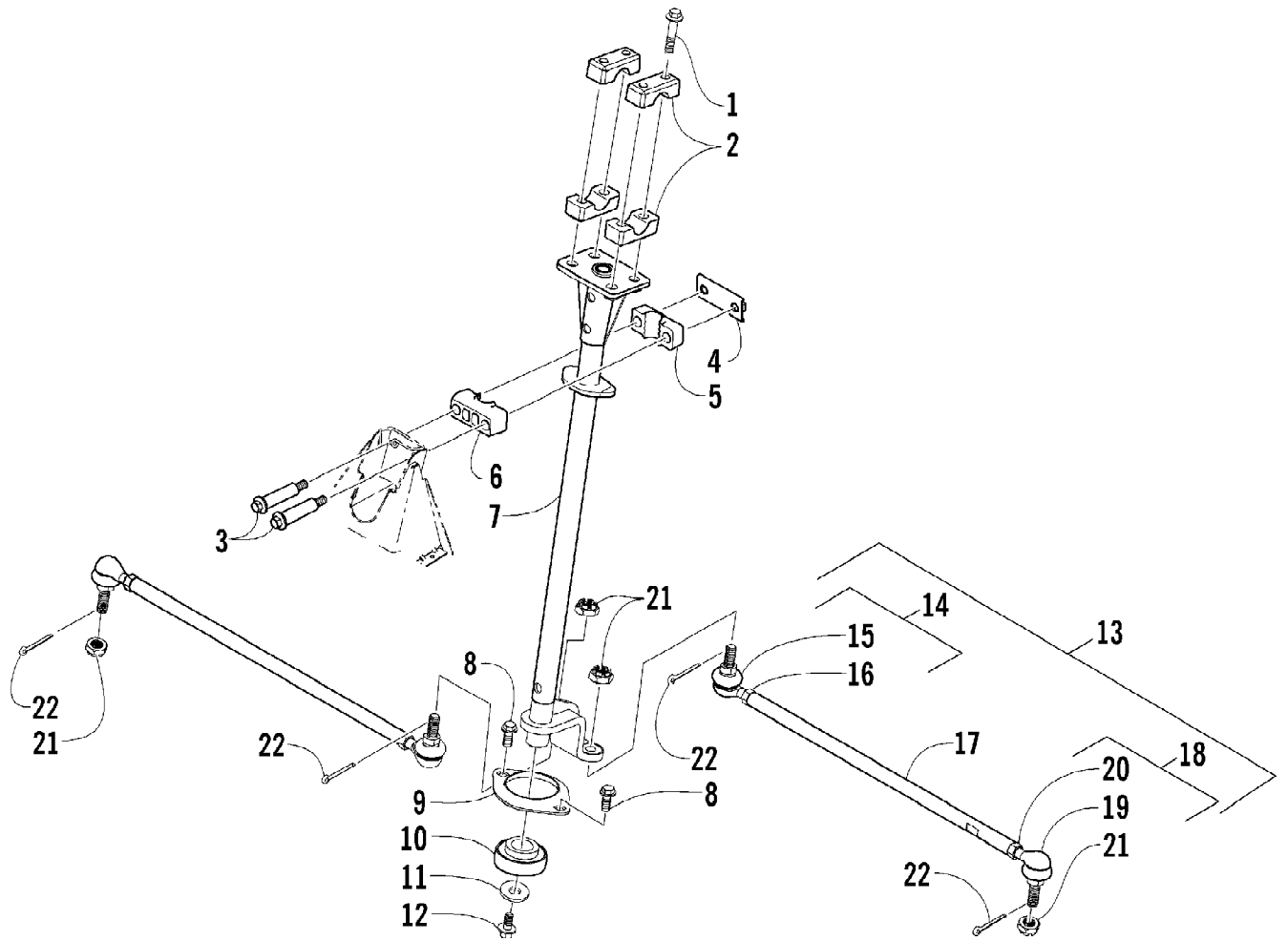
2008 ATV 650 H1 AUTOMATIC TRANSMISSION 4X4 TRV BLACK (A2008TBS#4657) of 93  
STARTER CLUTCH ASSEMBLY

| Ref # | Part Number | Qty | S/P/F | Description                      |
|-------|-------------|-----|-------|----------------------------------|
| 1     | 0815-001    | 1   |       | Gear, Starter Idler - No. 1      |
| 2     | 0829-031    | 1   | /P    | Shaft, Starter Gear              |
| 3     | 0815-002    | 1   |       | Gear, Starter Idler - No. 2      |
| 4     | 0815-003    | 1   |       | Spacer, Starter Idler Gear No. 2 |
| 5     | 0829-032    | 1   | /P    | Shaft, Starter Gear              |
| 6     | 0815-004    | 1   |       | Gear Starter Clutch (inc. 7)     |
| 7     | 0832-004    | 1   | S     | Bearing                          |
| 8     | 0802-035    | 1   |       | Clutch, Starter                  |
| 9     | 0826-069    | 6   |       | Screw, Machine                   |
| 10    | 0828-094    | 1   |       | Washer                           |



2008 ATV 650 H1 AUTOMATIC TRANSMISSION 4X4 TRV BLACK (A2008TBS#1657) of 93  
STARTER MOTOR ASSEMBLY

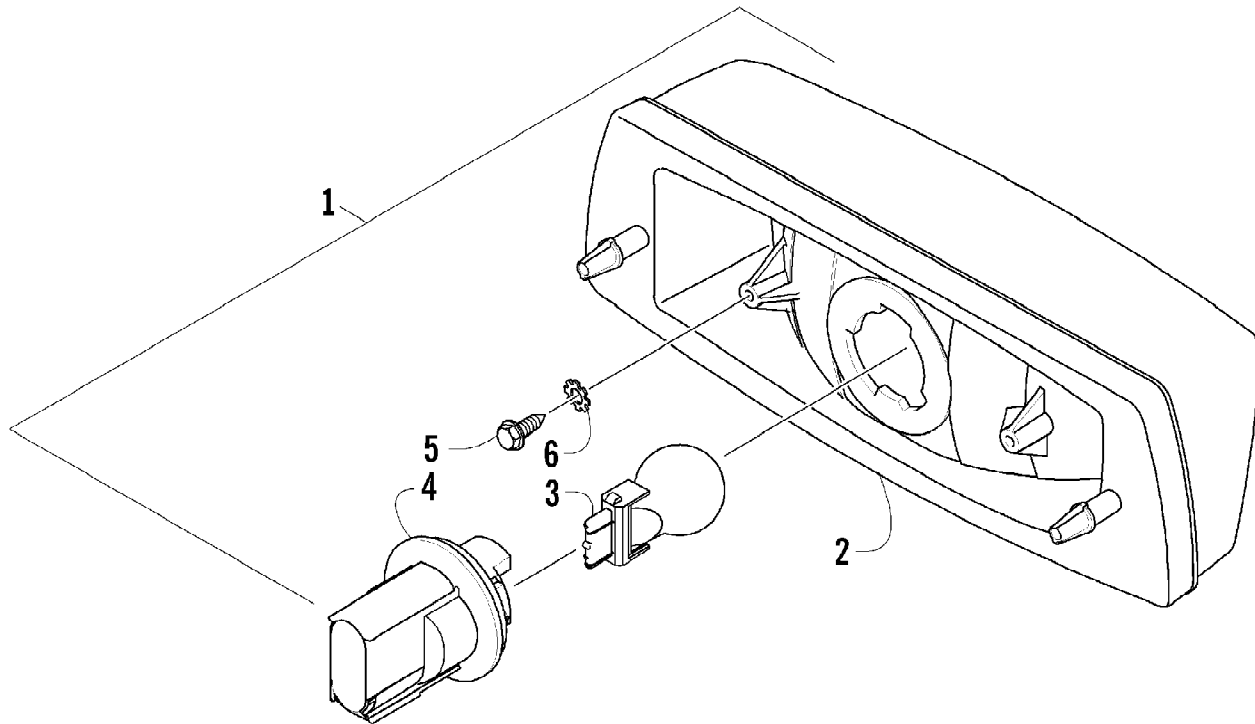
| Ref # | Part Number | Qty | S/P/F | Description               |
|-------|-------------|-----|-------|---------------------------|
| 1     | 0825-011    | 1   | S     | Motor, Starter - Assembly |
| 2     | 8476-625    | 2   |       | Screw, Machine            |
| 3     | 0623-038    | 1   |       | Nut w/Washer              |





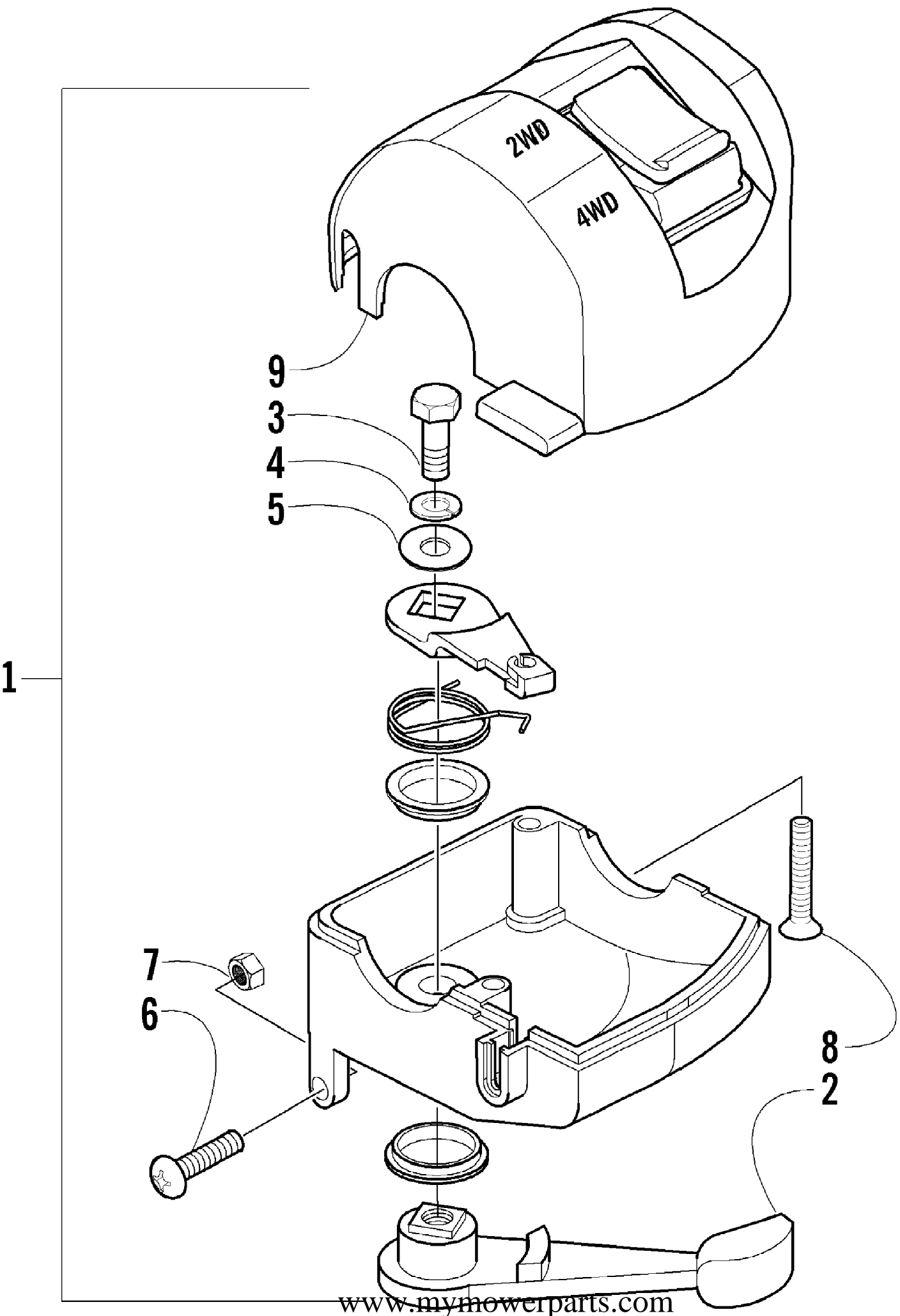
2008 ATV 650 H1 AUTOMATIC TRANSMISSION 4X4 TRV BLACK (A2008TBS#1658) of 93  
 STEERING ASSEMBLY

| Ref # | Part Number | Qty | S/P/F | Description   |
|-------|-------------|-----|-------|---|
| 1     | 8408-860    | 4   |       | Screw, Cap  |
| 2     | 0405-035    | 4   |       | Cap, Steering Adjuster  |
| 3     | 0423-505    | 2   |       | Screw, Shoulder   |
| 4     | 0505-484    | 1   |       | Cap, Housing  |
| 5     | 0405-138    | 1   |       | Housing, Lower  |
| 6     | 0405-139    | 1   |       | Housing, Upper  |
| 7     | 0505-451    | 1   | S     | Post, Steering  |
| 8     | 8408-816    | 2   |       | Screw, Cap  |
| 9     | 0602-233    | 1   |       | Flange, Bearing   |
| 10    | 0405-052    | 1   |       | Bearing w/Inverted Oil Seal   |
| 11    | 0423-073    | 1   |       | Washer  |
| 12    | 8409-020    | 1   | /P    | Screw, Cap  |
| 13    | 0505-499    | 2   | /P    | Tie Rod - Assembly (inc. 14-20)                                       |
| 14    | 0505-511    | 2   | /P    | End, Tie Rod - Left-Hand Thread - Kit (inc. 15-16 and two No. 21-22)  |
| 15    | 0           | 2   | F     | End, Tie Rod - Left Hand Thread                                       |
| 16    | 0423-013    | 2   |       | Nut - Left-Hand Thread  |
| 17    | 0405-281    | 2   | /P    | Tie Rod   |
| 18    | 0505-510    | 2   | /P    | End, Tie Rod - Right-Hand Thread - Kit (inc. 19-20 and two No. 21-22) |
| 19    | 0           | 2   | F     | End, Tie Rod - Right-Hand Thread                                      |
| 20    | 8420-002    | 2   | /P    | Nut - Right-Hand Thread   |
| 21    | 0423-157    | 4   |       | Nut, Lock   |
| 22    | 0623-175    | 4   |       | Pin, Cotter   |



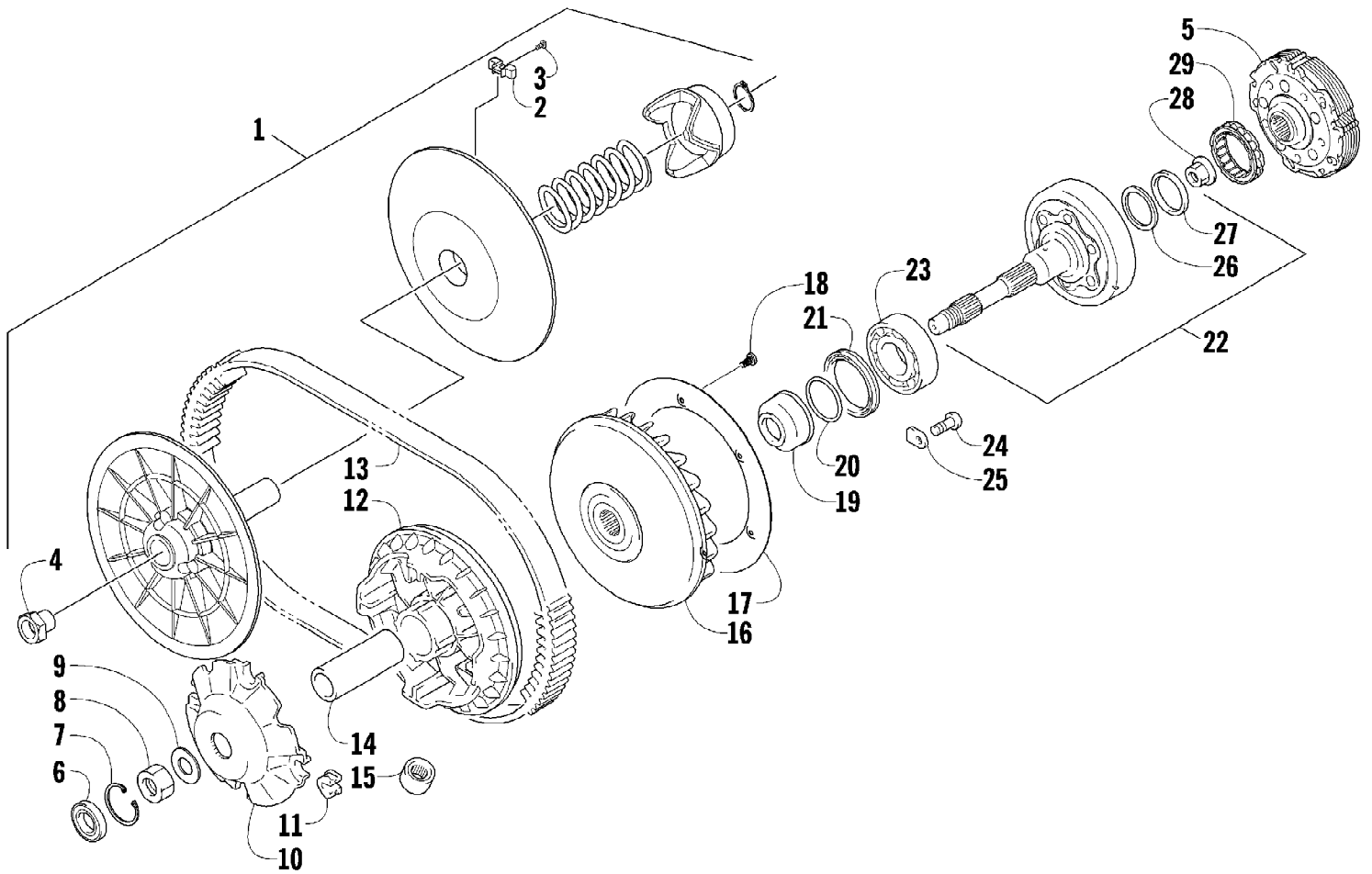
2008 ATV 650 H1 AUTOMATIC TRANSMISSION 4X4 TRV BLACK (A2008TBS#4658) of 93  
TAILLIGHT ASSEMBLY

| Ref # | Part Number | Qty | S/P/F | Description                   |
|-------|-------------|-----|-------|-------------------------------|
| 1     | 0509-022    | 1   |       | Taillight Assembly (inc. 2-4) |
| 2     | 0509-025    | 1   |       | Housing, Taillight            |
| 3     | 0409-056    | 1   |       | Bulb, Taillight               |
| 4     | 0409-057    | 1   |       | Socket, Taillight             |
| 5     | 0623-301    | 2   | /P    | Screw, Self-Tapping           |
| 6     | 8053-212    | 2   | /P    | Washer, Lock - External Tooth |



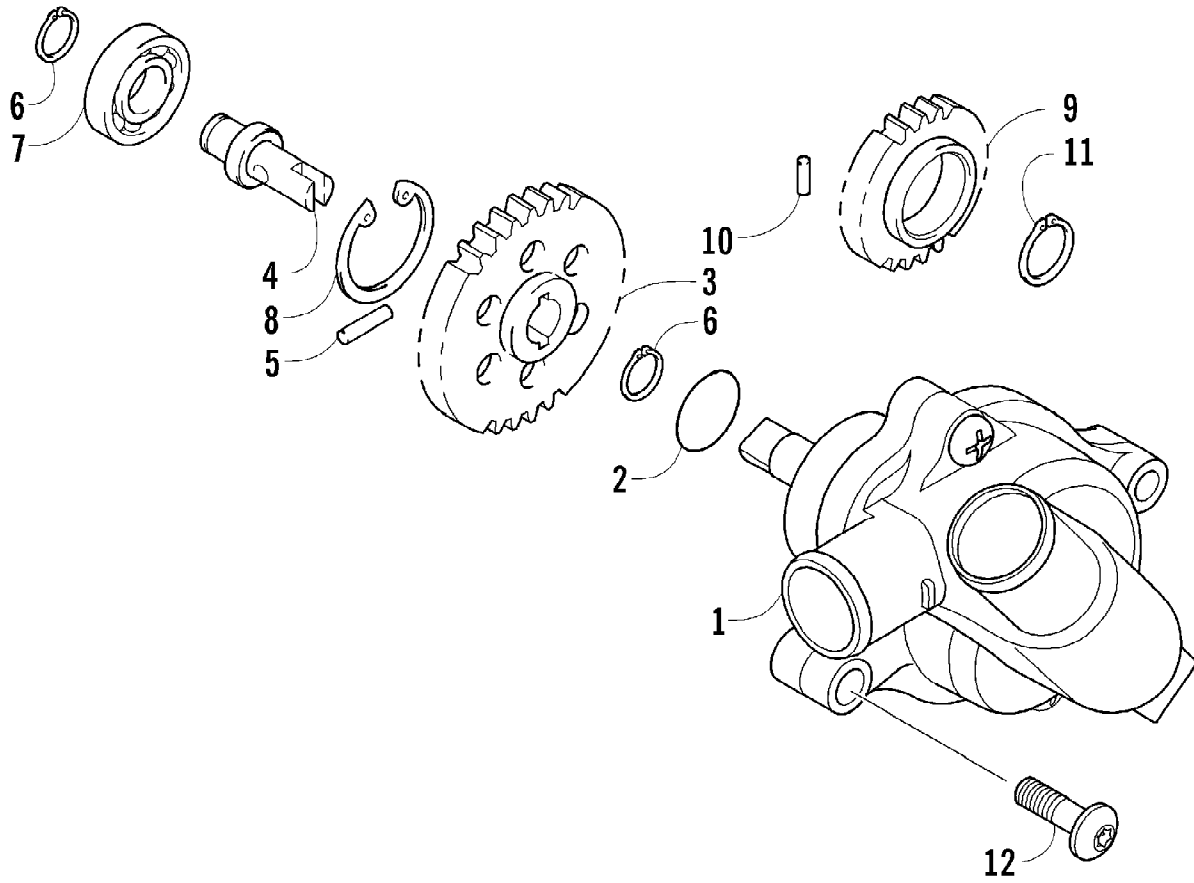
2008 ATV 650 H1 AUTOMATIC TRANSMISSION 4X4 TRV BLACK (A2008TBS#4685) of 93  
THROTTLE CASE ASSEMBLY

| Ref # | Part Number | Qty | S/P/F | Description                          |
|-------|-------------|-----|-------|--------------------------------------|
| 1     | 0509-012    | 1   |       | Case, Throttle - Assembly (inc. 2-9) |
| 2     | 3409-001    | 1   |       | Lever                                |
| 3     | 3004-533    | 1   | S/P   | Screw, Cap                           |
| 4     | 3004-447    | 1   | /P    | Washer, Lock                         |
| 5     | 3003-030    | 1   | /P    | Washer                               |
| 6     | 3423-014    | 1   |       | Screw                                |
| 7     | 3423-327    | 1   |       | Nut                                  |
| 8     | 3423-199    | 2   |       | Screw                                |
| 9     | 0409-048    | 1   |       | Cover, Throttle w/Switch             |



2008 ATV 650 H1 AUTOMATIC TRANSMISSION 4X4 TRV BLACK (A2008TBS#16587) of 93  
TRANSMISSION ASSEMBLY

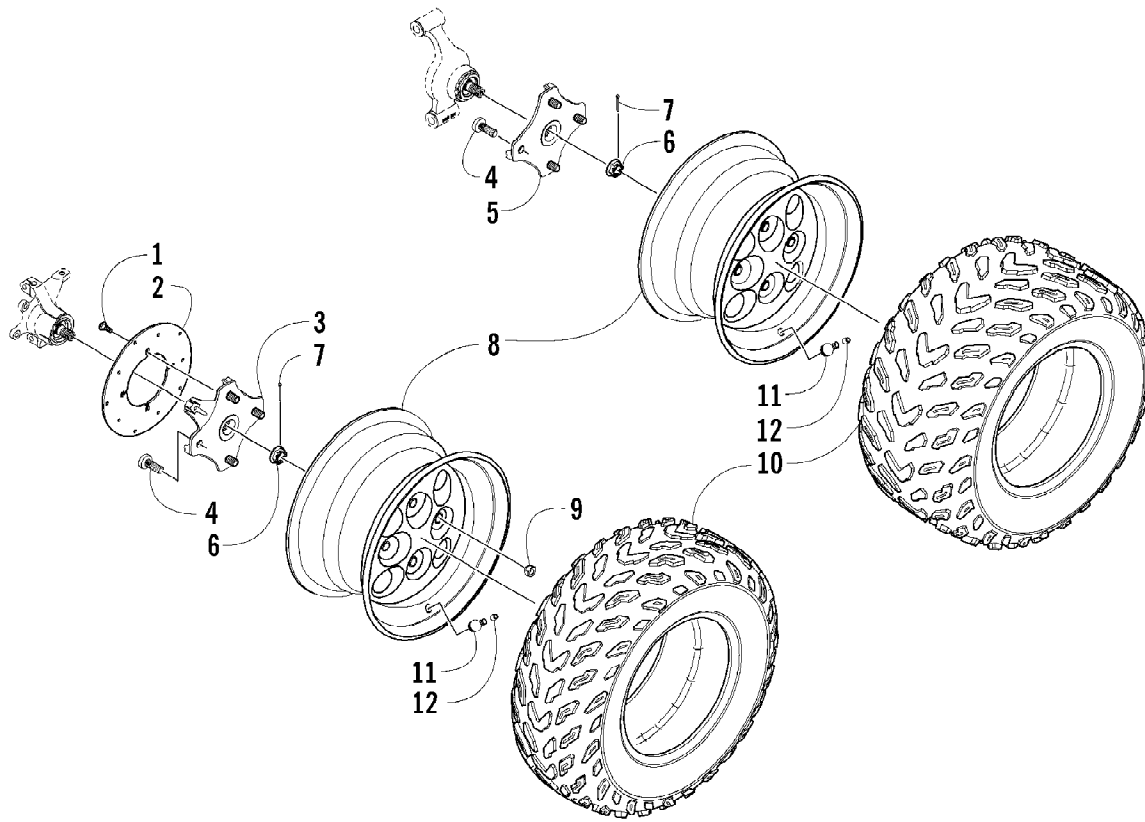
| Ref # | Part Number | Qty | S/P/F | Description                             |
|-------|-------------|-----|-------|---|
| 1     | 0823-157    | 1   | S/P   | Pulley, Driven - Assembly (inc. 2-4)    |
| 2     | 0823-176    | 3   | /P    | Shoe, Cam                               |
| 3     | 0823-177    | 3   |       | Screw, Cam                              |
| 4     | 0823-178    | 1   |       | Nut, Driven Pulley                      |
| 5     | 0823-098    | 1   | S     | Clutch, Centrifugal - 6 Plate           |
| 6     | 0832-060    | 1   |       | Bearing                                 |
| 7     | 0831-078    | 1   |       | Ring, Retaining                         |
| 8     | 0827-010    | 1   |       | Nut                                     |
| 9     | 0828-106    | 1   |       | Washer                                  |
| 10    | 0823-008    | 1   |       | Plate, Movable Drive Face               |
| 11    | 0823-010    | 4   |       | Damper, Movable Drive Face              |
| 12    | 0823-159    | 1   |       | Face, Movable Drive                     |
| 13    | 0823-013    | 1   |       | V-Belt                                  |
| 14    | 0823-149    | 1   |       | Spacer, Movable Drive Face              |
| 15    | 0823-167    | 8   | /P    | Roller, Movable Drive Face              |
| 16    | 0823-156    | 1   | /P    | Face, Fixed Drive                       |
| 17    | 0823-131    | 1   |       | Shroud, Drive Face                      |
| 18    | 0623-914    | 6   |       | Screw, Self-Tapping                     |
| 19    | 0823-015    | 1   |       | Spacer, Fixed Drive Face                |
| 20    | 0470-531    | 1   |       | O-Ring                                  |
| 21    | 0830-034    | 1   | S     | Seal, Clutch Housing - Right            |
| 22    | 0823-270    | 1   | S     | Housing, Clutch - Assembly (inc. 26-27) |
| 23    | 0832-047    | 1   | S     | Bearing                                 |
| 24    | 0826-029    | 2   |       | Screw, Bearing Retainer                 |
| 25    | 0822-084    | 2   | S     | Retainer, Bearing                       |
| 26    | 0828-075    | 1   |       | Shim                                    |
| 27    | 0823-017    | 1   | S     | Seal, Clutch Housing - Left             |
| 28    | 0827-011    | 1   |       | Nut                                     |
| 29    | 0823-018    | 1   |       | Clutch, One-Way                         |





2008 ATV 650 H1 AUTOMATIC TRANSMISSION 4X4 TRV BLACK (A2008TBS#4658) of 93  
WATER PUMP ASSEMBLY

| Ref # | Part Number | Qty | S/P/F | Description                     |
|-------|-------------|-----|-------|---------------------------------|
| 1     | 0813-001    | 1   |       | Pump, Water - Assembly (inc. 2) |
| 2     | 0830-029    | 1   |       | O-Ring                          |
| 3     | 0813-004    | 1   |       | Gear, Driven                    |
| 4     | 0813-005    | 1   |       | Shaft, Driven Gear              |
| 5     | 0829-009    | 1   |       | Pin, Driven Gear                |
| 6     | 0831-002    | 2   |       | Circlip, Driven Gear            |
| 7     | 0832-008    | 1   | S     | Bearing, Shaft                  |
| 8     | 0831-004    | 1   |       | Circlip, Shaft Bearing          |
| 9     | 0811-003    | 1   |       | Gear, Water Pump Drive          |
| 10    | 0829-007    | 1   |       | Pin, Drive Gear                 |
| 11    | 0831-005    | 1   |       | Circlip, Drive Gear             |
| 12    | 8468-665    | 2   |       | Screw, Machine                  |



2008 ATV 650 H1 AUTOMATIC TRANSMISSION 4X4 TRV BLACK (A2008TBS#4659) of 93  
 WHEEL AND TIRE ASSEMBLY

| Ref # | Part Number | Qty | S/P/F | Description                        |
|-------|-------------|-----|-------|------------------------------------|
| 1     | 0423-557    | 12  |       | Screw, Shoulder                    |
| 2     | 1402-225    | 3   | S     | Disc, Brake                        |
| 3     | 0502-599    | 2   | S     | Hub, Wheel - Front (inc. 4)        |
| 4     | 0402-974    | 16  | /P    | Stud, Wheel Hub                    |
| 5     | 0502-601    | 1   | S     | Hub, Wheel - Rear - Left (inc. 4)  |
| 5     | 0502-599    | 1   | S     | Hub, Wheel - Rear - Right (inc. 4) |
| 6     | 0423-607    | 4   |       | Nut, Castle                        |
| 7     | 0423-407    | 4   |       | Pin, Cotter                        |
| 8     | 1402-127    | 2   |       | Wheel - Front                      |
| 8     | 1402-115    | 2   |       | Wheel - Rear                       |
| 9     | 0423-408    | 16  | /P    | Nut, Lug                           |
| 10    | 1402-548    | 2   |       | Tire - Front Goodyear              |
| 10    | 1402-549    | 2   |       | Tire - Rear Goodyear               |
| 11    | 0402-064    | 4   |       | Stem, Valve (inc. 12)              |
| 12    | 0402-140    | 4   |       | Cap, Valve Stem                    |



2008 ATV 650 H1 AUTOMATIC TRANSMISSION 4X4 TRV BLACK (A2008TBS#1659) of 93  
WIRING HARNESS ASSEMBLY

| Ref # | Part Number | Qty | S/P/F | Description                       |
|-------|-------------|-----|-------|-----------------------------------|
| 1     | 0486-244    | 1   |       | Harness, Main (inc. 2-8)          |
| 2     | 0486-164    | 1   |       | Tether, Accessory Connector       |
| 3     | 0530-008    | 1   |       | Cover, Fuse Block                 |
| 4     | 0430-037    | 1   |       | Holder, Fuse                      |
| 5     | 0430-034    | 1   |       | Diode                             |
| 6     | 0430-033    | 2   |       | Relay (5-Pin) - 20 Amp            |
| 6     | 0430-045    | 2   | /P    | Relay (4-Pin) - 20 Amp            |
| 7     | 0430-032    | 4   |       | Fuse - 10 Amp                     |
| 7     | 0430-031    | 3   |       | Fuse - 15 Amp                     |
| 7     | 0430-030    | 2   |       | Fuse - 30 Amp                     |
| 8     | 1411-672    | 1   |       | Decal, Fuse Block                 |
| 9     | 0123-788    | AR  | /P    | Cable Tie - 7.5 in.               |
| 10    | 0445-064    | 1   |       | Cable, Solenoid/Starter (inc. 11) |
| 11    | 0645-019    | 1   |       | Boot, Terminal                    |
| 12    | 0645-327    | 1   |       | Boot, Terminal                    |
| 13    | 0445-062    | 1   |       | Cable, Battery/Solenoid           |
| 14    | 0623-038    | 8   |       | Nut w/Washer                      |
| 15    | 0445-058    | 1   | /P    | Solenoid                          |
| 16    | 8476-625    | 4   |       | Screw, Machine                    |
| 17    | 0412-291    | 1   |       | Shield, Heat                      |
| 18    | 1406-787    | 1   |       | Tray, Electrical                  |
| 19    | 0623-362    | 4   |       | Rivet, Reinstallable              |
| 20    | 0824-038    | 1   | /P    | CDI Unit                          |
| 21    | 0409-089    | 1   |       | Switch, Brake - Assembly          |
| 22    | 0123-903    | AR  |       | Cable Tie - 11.5 in.              |
| 23    | 0824-037    | 1   | /P    | Regulator, Voltage                |
| 24    | 0445-063    | 1   |       | Cable, Battery/Ground             |
| 25    | 0824-036    | 1   |       | Coil, Ignition - Assembly         |
| 26    | 0824-021    | 1   | S     | Cap, Spark Plug                   |
| 27    | 8476-620    | 2   |       | Screw, Machine                    |