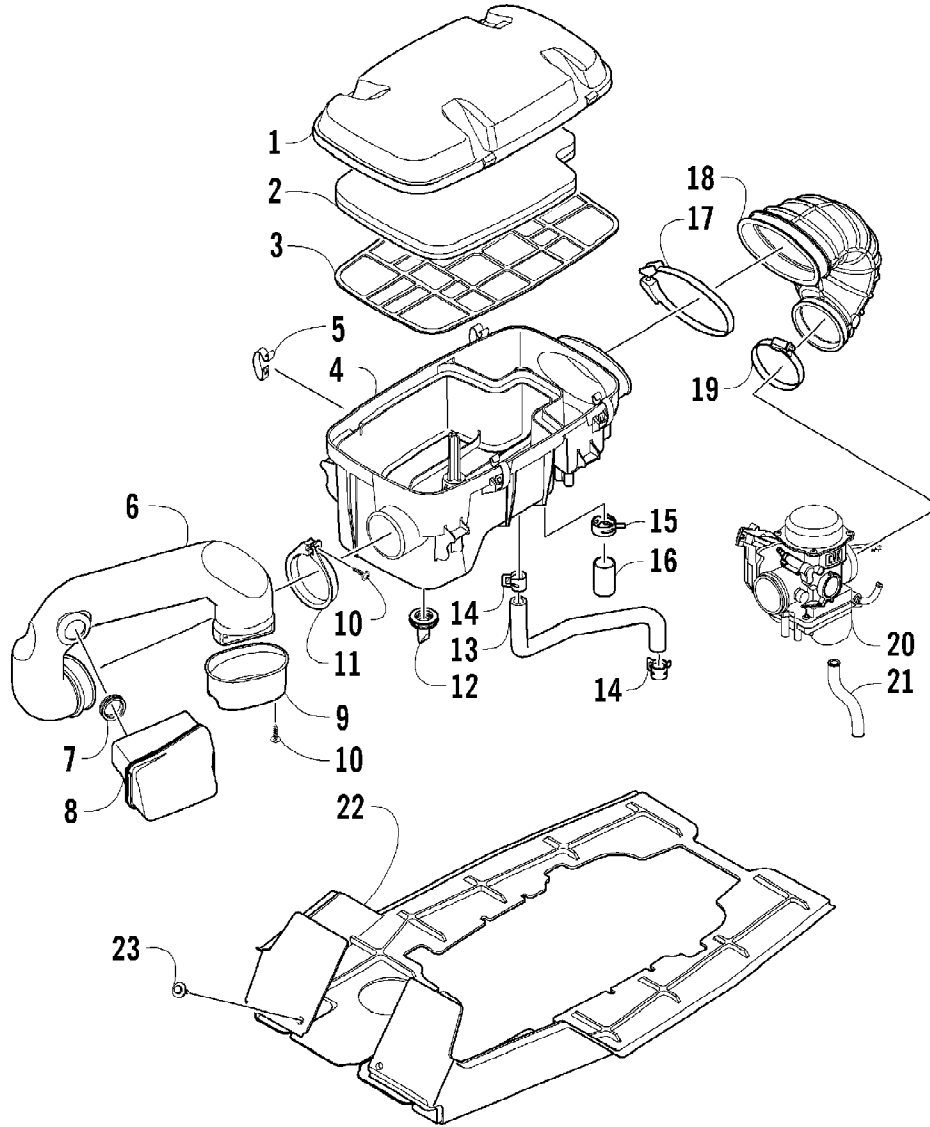


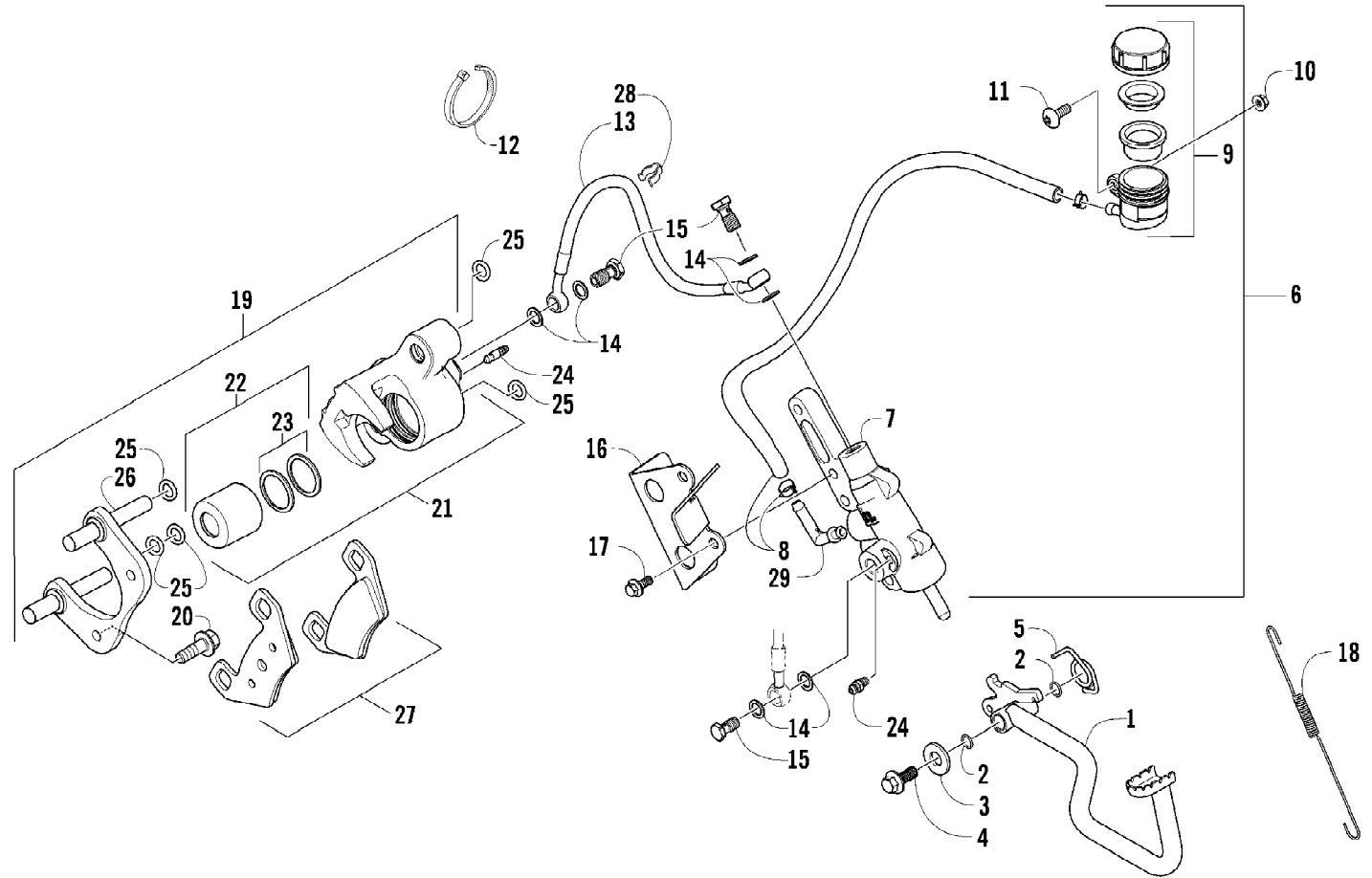
2008 ATV 650 H1 AUTOMATIC TRANSMISSION 4X4 FIS CAT GREEN (A20081B34B137)93  
AIR INTAKE ASSEMBLY



2008 ATV 650 H1 AUTOMATIC TRANSMISSION 4X4 FIS CAT GREEN (A2008164B151)93  
AIR INTAKE ASSEMBLY

Ref #	Part Number	Qty	S/P/F	Description
1	0470-755	1	S	Cover, Air Intake
2	0470-558	1		Filter, Air
3	0470-560	1		Screen, Air Filter
4	0470-675	1		Housing, Air Intake
5	0423-455	4		Clip, Spring
6	0470-749	1		Duct, Engine - Air Intake
7	0423-763	1		Grommet, Air Intake
8	0570-215	1		Resonator
9	0470-729	1		Cup, Air Intake
10	0423-342	3	/P	Screw, Self-Tapping
11	0423-551	3		Clamp
12	0470-442	2	/P	Valve, Drain
13	0410-079	1	S	Hose, Vent - Crankcase
14	0423-045	2		Clamp, Hose
15	1623-287	1		Clamp, Hose
16	0423-766	1		Cap, Drain
17	0423-554	1		Clamp, Boot
18	0470-525	1		Boot, Carburetor
19	0423-019	1		Clamp, Boot
20	0470-741	1		Carburetor, CVK36-AE
21	0510-592	1		Hose, Carburetor Drain
22	2406-604	1		Panel, Shield
23	0623-362	2		Rivet, Reinstallable

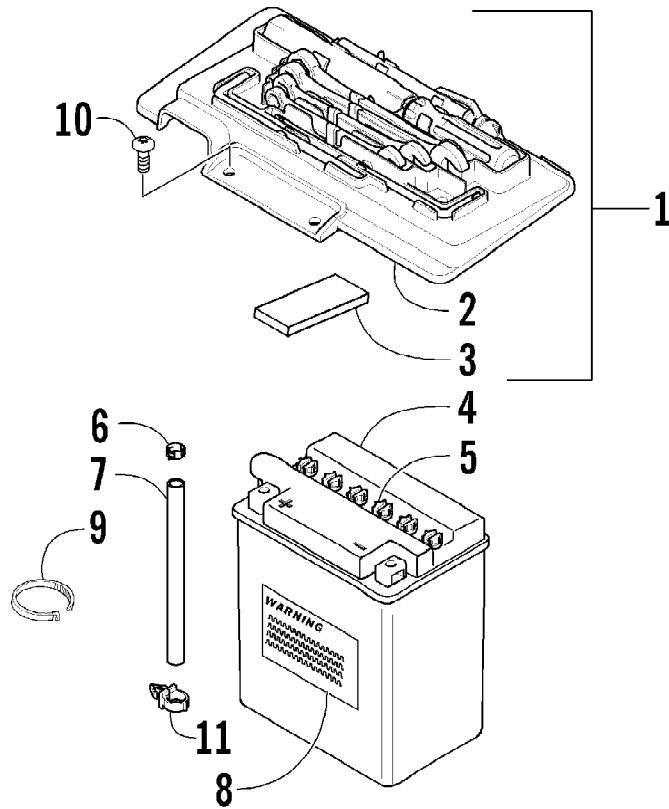
2008 ATV 650 H1 AUTOMATIC TRANSMISSION 4X4 FIS CAT GREEN (A20081B34B33Z)93  
AUXILIARY BRAKE ASSEMBLY



2008 ATV 650 H1 AUTOMATIC TRANSMISSION 4X4 FIS CAT GREEN (A20081B4B45Z)93  
AUXILIARY BRAKE ASSEMBLY

Ref #	Part Number	Qty	S/P/F	Description
	1502-292	1		Master Cylinder Replacement Kit
1	1502-063	1		Lever, Brake
2	1602-213	2	/P	O-Ring
3	8050-252	1		Washer
4	8408-816	1		Screw, Cap
5	0502-807	1		Spring, Brake Lever
6	1502-293	1		Brake Assembly (inc. 7-9)
7	0	1	F	Master Cylinder
8	0	1	F	Hose, Brake Fluid Reservoir w/Clamps
9	1502-155	1		Reservoir, Brake Fluid w/Clamp
10	0623-038	1		Nut, Flanged
11	8476-616	1		Screw, Machine
12	0123-788	1	/P	Cable Tie - 7.5 in.
13	1502-139	1		Hose, Brake
14	0423-178	6		Washer, Crush
15	0423-413	3		Bolt, Banjo-Fitting
16	1502-179	1		Bracket, Switch
17	8408-625	2		Screw, Cap
18	0502-785	1		Spring, Brake Switch
19	1436-163	1		Caliper, Brake (inc. 20-23, one No. 24, and 25-27)
20	8408-821	2	/P	Screw, Cap
21	1436-161	1	/P	Housing, Caliper - Assembly - Right Rear (inc. 22-23 and one No. 24)
22	0502-606	1		Piston/Seal Set (inc. 23)
23	0502-607	1		Seal Set
24	0502-609	2	/P	Valve, Bleed
25	0502-608	1		O-Ring, Guide - Set
26	0502-605	1		Bracket Assembly
27	0502-875	1	S	Pad, Brake - Set
28	1502-115	2		Clip, Brake Hose
29	1502-296	1	/P	Adapter, Hose

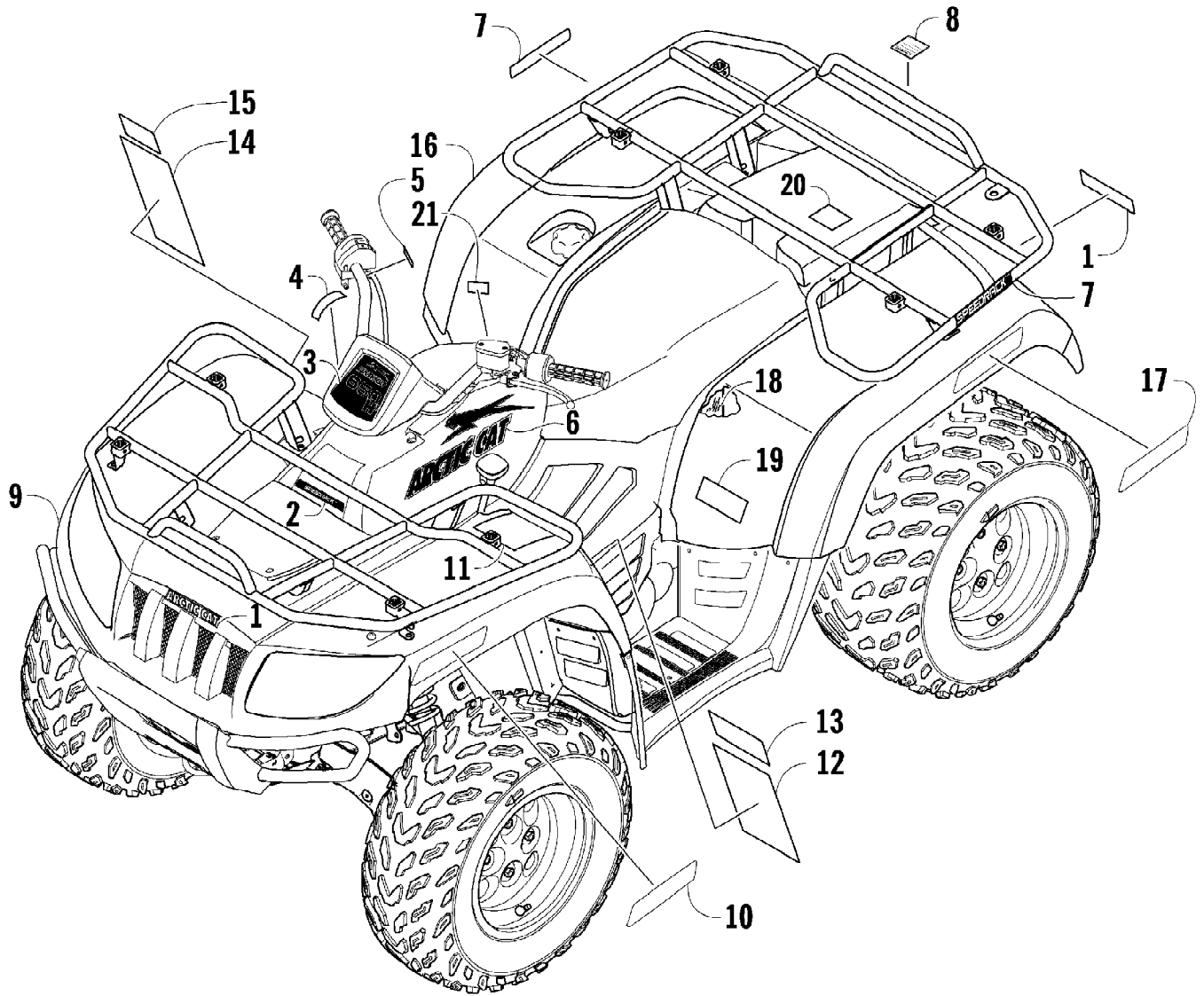
2008 ATV 650 H1 AUTOMATIC TRANSMISSION 4X4 FIS CAT GREEN (A20081BA4B53Z)93  
BATTERY ASSEMBLY



2008 ATV 650 H1 AUTOMATIC TRANSMISSION 4X4 FIS CAT GREEN (A20081B44B03Z)93  
BATTERY ASSEMBLY

Ref #	Part Number	Qty	S/P/F	Description
1	5991-395	1	S	Battery Cover/Tool Tray Assembly (inc. 2-3)
2	2406-815	1	/P	Cover, Battery
3	0406-288	2		Pad, Battery
3	0444-122	1	S/P	Kit, Tool Not Illustrated
4	0745-045	1	/P	Battery Assembly (inc. 5-8)
5	0645-045	6		Cap, Battery
6	0645-152	1		Clamp, Hose
7	0645-263	1	/P	Hose, Vent
8	0645-151	1		Label, Warning - Battery
9	0123-903	4		Cable Tie - 11.5 in.
10	8476-616	2		Screw, Machine
11	0623-101	AR		Clip, Retaining

2008 ATV 650 H1 AUTOMATIC TRANSMISSION 4X4 FIS CAT GREEN (A20081B34B7S1) 93  
BODY PANELS AND DECALS

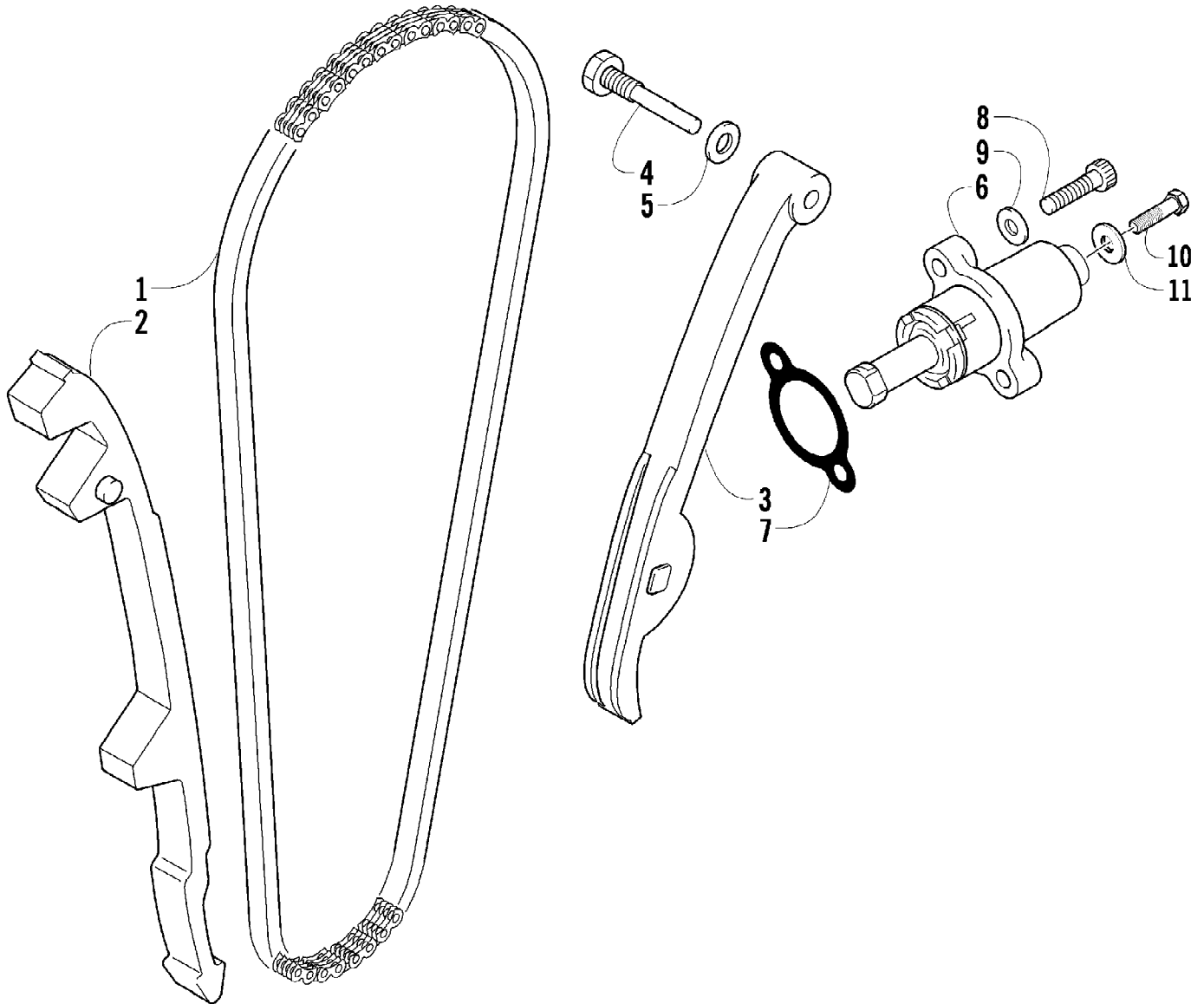


2008 ATV 650 H1 AUTOMATIC TRANSMISSION 4X4 FIS CAT GREEN (A20081B4B183Z)93  
BODY PANELS AND DECALS

Ref #	Part Number	Qty	S/P/F	Description
1	1411-725	2		Decal, Front/Rear
2	1411-050	1	/P	Decal, "Speedrack"
3	1411-561	1		Decal, Instrument Pod
4	0411-426	1		Decal, Warning - Clutch Cover
5	0411-966	1		Decal, Warning - Differential Lock
6	1411-634	1		Decal, Side - Upper Right
6	1411-635	1		Decal, Side - Upper Left
7	0411-965	2		Decal, "Speedrack"
8	1411-077	1		Decal, Warning - Towing
9	0518-002	1	S	Panel, Fender - Front (inc. 10-15)
10	0411-818	1		Decal, Reflector - Front - Right
10	0411-819	1		Decal, Reflector - Front - Left
11	0411-401	1		Decal, Warning - Age
12	0411-218	1		Decal, Warning - General
13	1411-574	1		Decal, Warning - Off-Road Only
14	1411-250	1		Decal, Warning - Reverse/Pre-Ride
15	0411-835	1		Decal, Warning - Turn/Hill
16	2506-704	1	S	Panel, Fender - Rear (inc. 17-20 and one No. 1)
17	1411-592	1	/P	Decal, Reflector - Rear - Right
17	1411-593	1	/P	Decal, Reflector - Rear - Left
18	0470-658	1		Shield, Heat
19	0411-430	1		Decal, Warning - Tire Pressure
20	0411-435	1		Decal, Passenger
21	1411-865	1		Decal, Warning - Brake Lever Lock



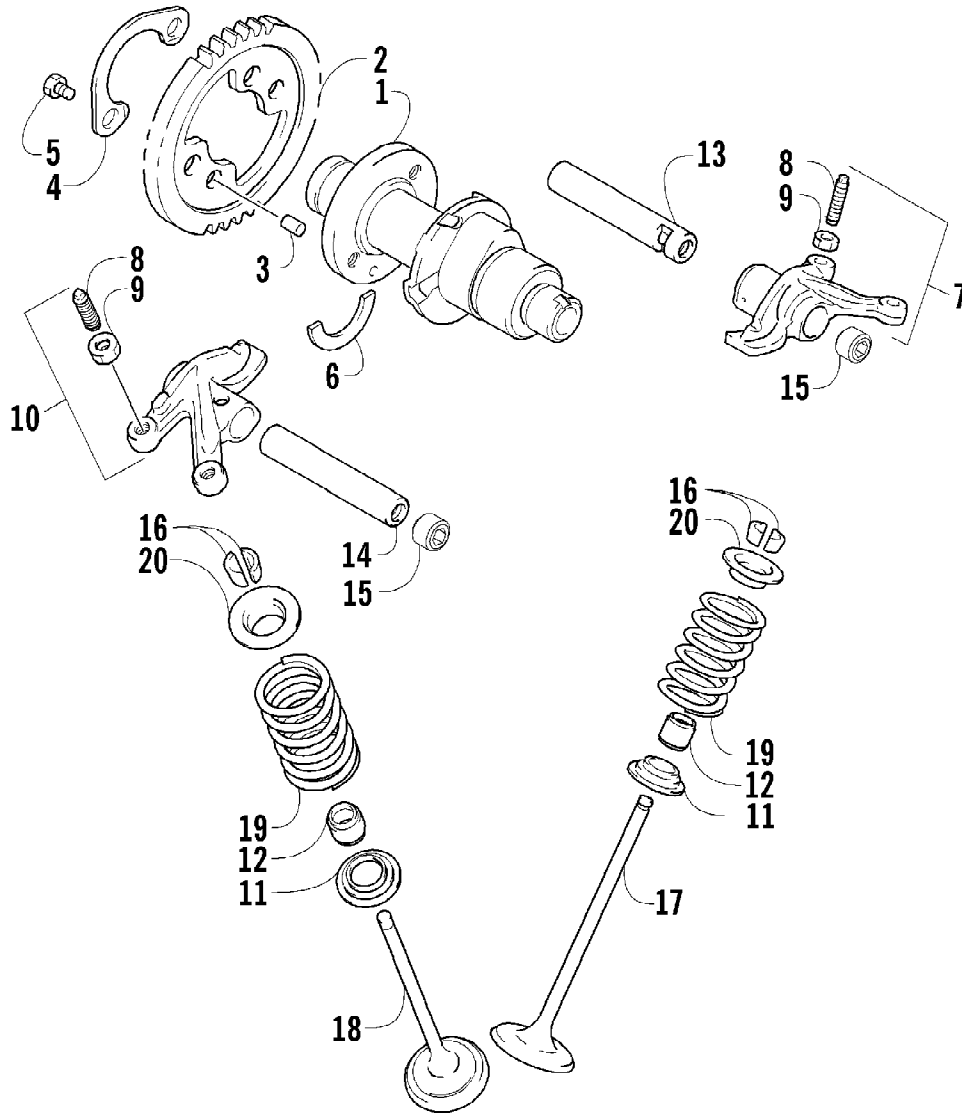
2008 ATV 650 H1 AUTOMATIC TRANSMISSION 4X4 FIS CAT GREEN (A20081B34B03Z) 93  
CAM CHAIN ASSEMBLY



2008 ATV 650 H1 AUTOMATIC TRANSMISSION 4X4 FIS CAT GREEN (A2008P04B105Z)93  
CAM CHAIN ASSEMBLY

Ref #	Part Number	Qty	S/P/F	Description
1	0810-001	1		Chain, Cam
2	0810-002	1		Guide, Chain
3	0810-003	1		Tensioner, Chain
4	0826-036	1		Bolt
5	0830-025	1		Washer
6	0810-004	1		Adjuster, Tensioner - Assembly
7	0830-018	1		Gasket
8	8468-625	2		Screw, Machine
9	0830-107	2		Gasket
10	8400-610	1		Screw, Cap
11	0828-110	1		Washer

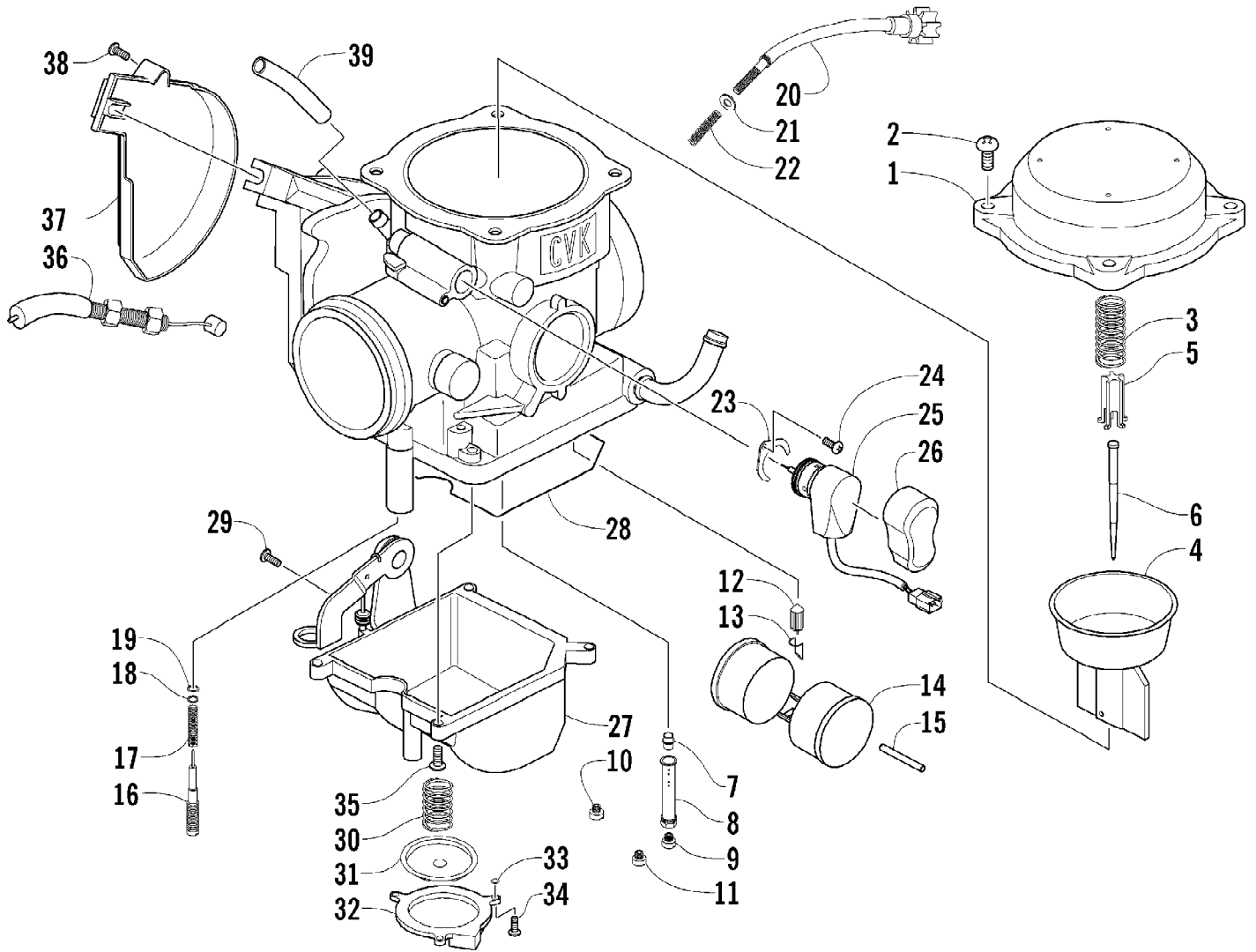
2008 ATV 650 H1 AUTOMATIC TRANSMISSION 4X4 FIS CAT GREEN (A2008P04E1157) 93  
CAMSHAFT/VALVE ASSEMBLY



2008 ATV 650 H1 AUTOMATIC TRANSMISSION 4X4 FIS CAT GREEN (A2008P04B12S1) 93  
CAMSHAFT/VALVE ASSEMBLY

Ref #	Part Number	Qty	S/P/F	Description
1	0809-200	1	S	Camshaft
2	0809-002	1		Sprocket
3	0829-008	1		Pin
4	0828-004	1		Washer
5	0826-034	2		Bolt
6	0809-003	1		C-Ring
7	0809-202	1	S/F	Arm, Valve Rocker - Intake (inc. two No. 8-9)
8	0809-033	4	S/F	Screw
9	0827-007	4	F	Nut
10	0809-205	1	S/F	Arm, Valve Rocker - Exhaust (inc. two No. 8-9)
11	0809-006	4	F	Seat, Spring - Valve
12	0830-016	4	S/F	Seal, Oil
13	0809-007	1	F	Shaft, Rocker Arm - Intake
14	0809-008	1	F	Shaft, Rocker Arm - Exhaust
15	0831-066	2	F	Plug, Shaft
16	0809-014	8	F	Keeper, Valve
17	0809-039	2	S/F	Valve, Intake
18	0809-040	2	S/F	Valve, Exhaust
19	0809-138	4	S/F	Spring, Valve
20	0809-013	4	F	Retainer, Spring

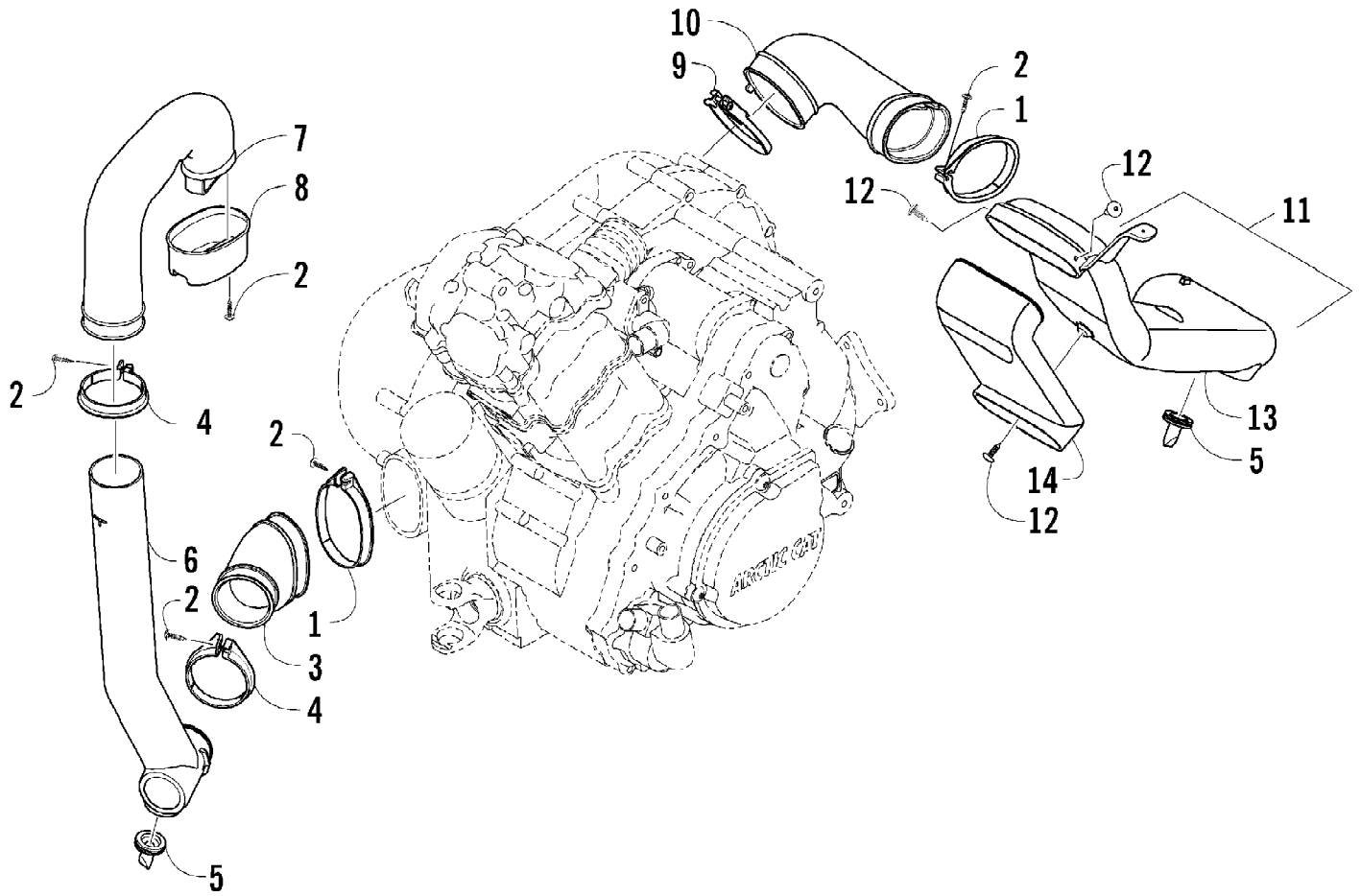
2008 ATV 650 H1 AUTOMATIC TRANSMISSION 4X4 FIS CAT GREEN (A20081351) 93  
CARBURETOR



2008 ATV 650 H1 AUTOMATIC TRANSMISSION 4X4 FIS CAT GREEN (A2008R04B145Z) 93  
CARBURETOR

Ref #	Part Number	Qty	S/P/F	Description
	0470-741	1		Complete Carburetor Assembly
1	5507-001	1		Cover, Top
2	5507-002	4	/P	Screw, Top Cover
3	5507-066	1	/P	Spring
4	5507-099	1		Piston, Vacuum
5	5507-005	1		Seat, Spring
6	5507-236	1		Jet Needle
7	5507-237	1		Needle Jet
8	5507-047	1	/P	Holder, Needle Jet
9	5507-057	1	/P	Main Jet - 135
9	5507-072	1	F	Main Jet - 125
9	5507-073	1	F	Main Jet - 128
9	5507-074	1	F	Main Jet - 130
9	5507-076	1	/P/F	Main Jet - 138
9	5507-075	1	F	Main Jet - 132
9	5507-043	1	F	Main Jet - 142
9	5507-042	1	/P/F	Main Jet - 145
9	5507-041	1	F	Main Jet - 148
9	5507-009	1	/P/F	Main Jet - 150
9	5507-077	1	F	Main Jet - 152
9	5507-078	1	F	Main Jet - 155
10	5507-070	1	/P	Slow Jet - 40
11	5507-112	1		Starter Jet - 85
12	5507-183	1		Valve, Float - Set (inc. 13)
13	0	1	F	Clip
14	5507-039	1		Float Set (inc. 15)
15	0	1	F	Pin, Float
16	5507-213	1		Screw, Pilot - Set (inc. 17-19)
17	0	1	F	Spring
18	0	1	F	Washer
19	0	1	F	O-Ring
20	5507-027	1		Screw, Idle Adjust
21	5507-028	1		Washer
22	5507-029	1		Spring
23	5507-115	1		Plate
24	5507-117	1	/P	Screw
25	5507-204	1		Choke, Electric
26	5507-114	1		Cover, Electric Choke
27	5507-214	1		Chamber, Float - Assembly (inc. 28-34)
28	5507-067	1	/P	O-Ring, Float Chamber
29	5507-050	1	/P	Screw, Drain
30	5507-211	1		Spring
31	5507-197	1		Diaphragm Assembly - Pump Housing
32	5507-198	1		Housing, Pump
33	5507-034	1		U-Ring
34	5507-035	3		Screw
35	5507-017	4	/P	Screw
36	0487-049	1	/P	Cable, Throttle
37	5507-036	1		Cover
38	5507-037	1	/P	Screw
39	0410-048	AR	S	Hose, Vent 25 ft

2008 ATV 650 H1 AUTOMATIC TRANSMISSION 4X4 FIS CAT GREEN (A20081537)  
CASE/BELT COOLING ASSEMBLY

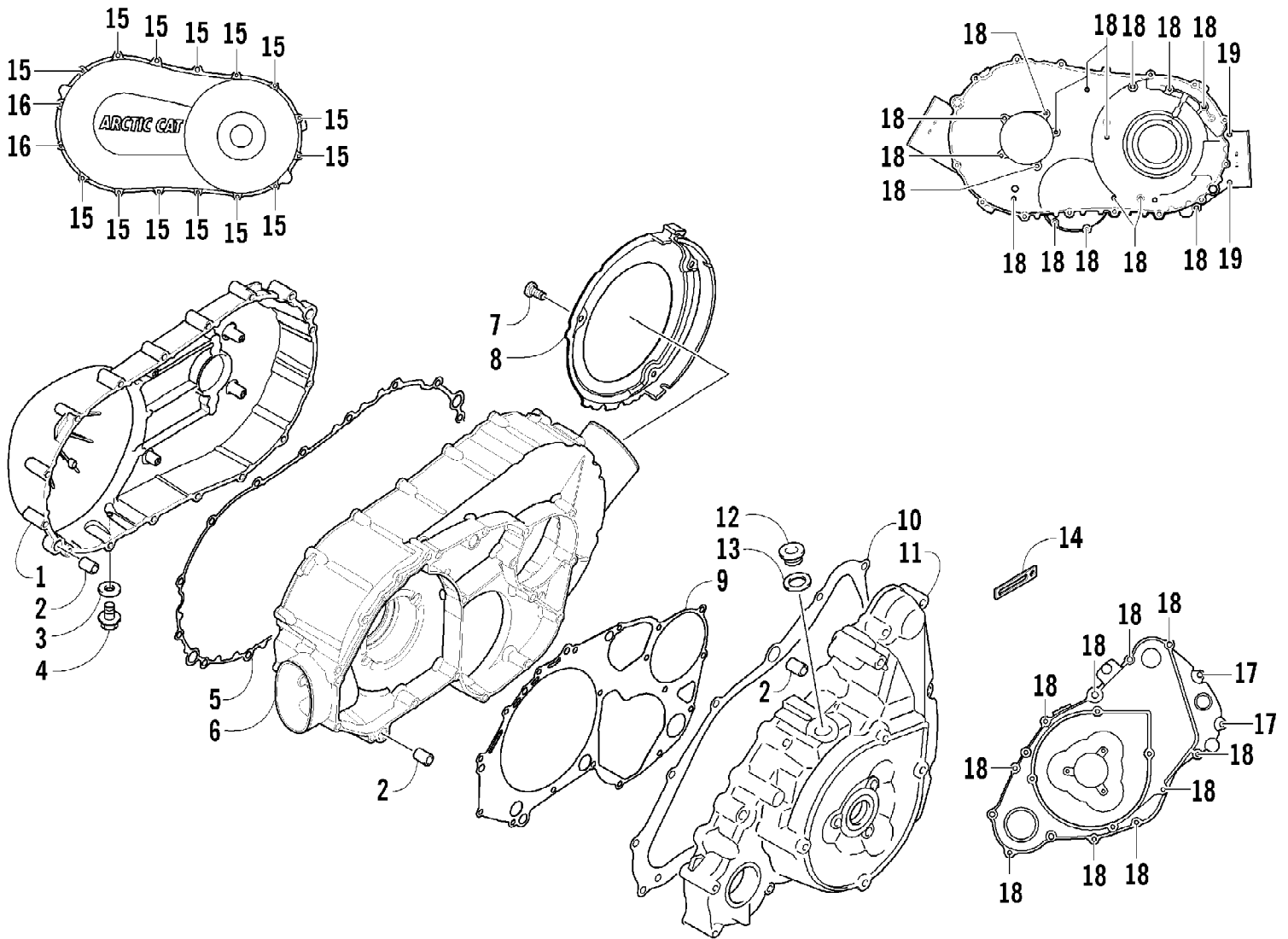


2008 ATV 650 H1 AUTOMATIC TRANSMISSION 4X4 FIS CAT GREEN (A2008P04165Z) 93  
 CASE/BELT COOLING ASSEMBLY

Ref #	Part Number	Qty	S/P/F	Description
1	0423-550	2		Clamp, Plastic
2	0423-342	6	/P	Screw, Self-Tapping
3	0413-198	1	/P	Boot, Duct - Air Intake - Front
4	0423-551	2		Clamp, Boot
5	0470-442	2	/P	Valve, Drain
6	0513-010	1		Duct, Air Intake - Front - Lower
7	0470-750	1		Duct, Air Intake - Front - Upper
8	0470-729	1		Cup, Air Intake
9	0423-730	1		Clamp, Boot
10	0413-187	1	S	Boot, Duct - Air Out - Rear
11	0470-766	1	S	Duct, Air Out - Rear (inc. three No. 12 and 13-14)
12	0623-784	4		Screw, Self-Tapping
13	0470-777	1		Duct
14	0470-778	1		Duct



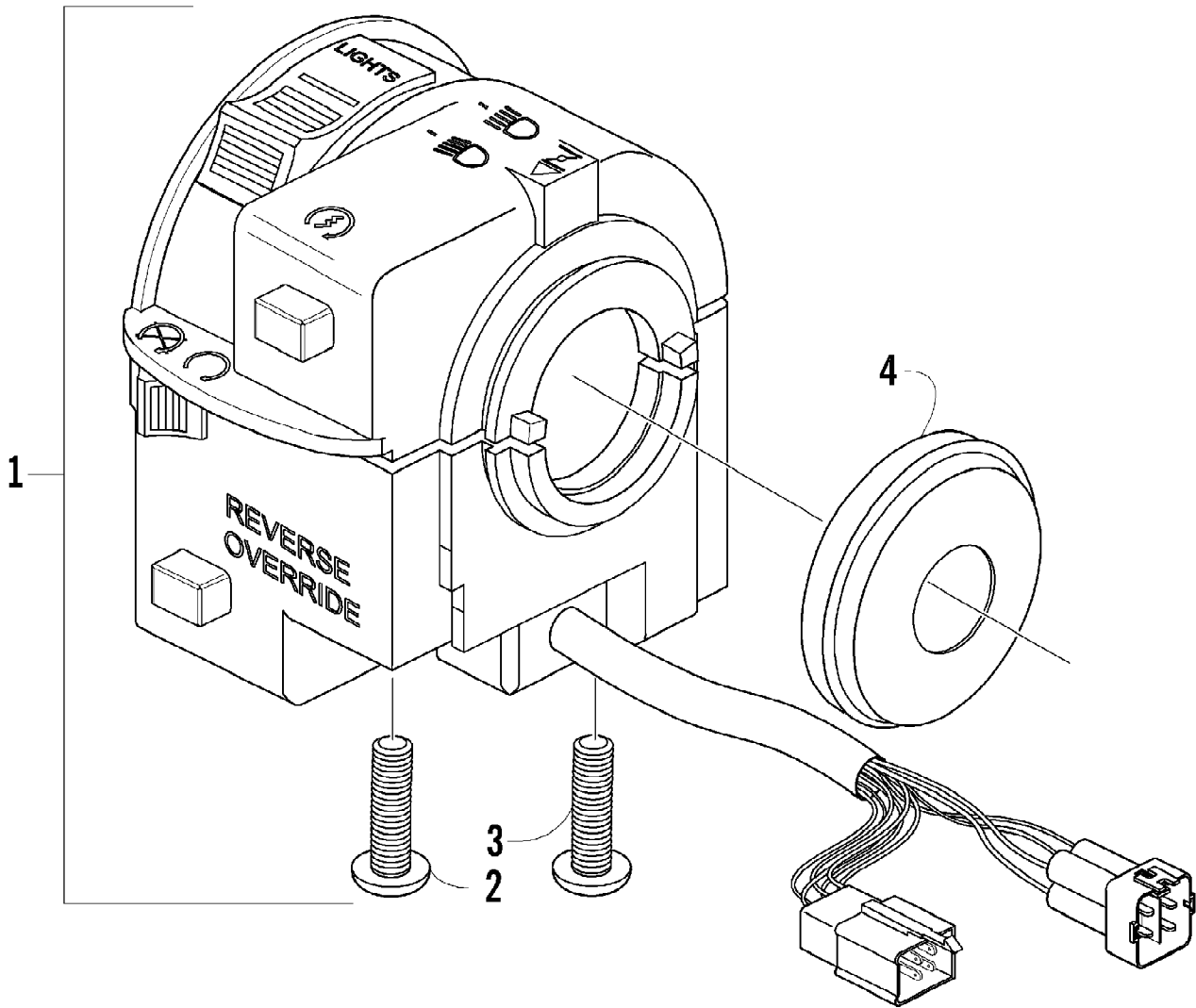
2008 ATV 650 H1 AUTOMATIC TRANSMISSION 4X4 FIS CAT GREEN (A20081731)  
CLUTCH/V-BELT/MAGNETO COVER ASSEMBLY



2008 ATV 650 H1 AUTOMATIC TRANSMISSION 4X4 FIS CAT GREEN (A2008P04185Z) 93  
CLUTCH/V-BELT/MAGNETO COVER ASSEMBLY

Ref #	Part Number	Qty	S/P/F	Description
1	0806-088	1	/P	Cover, V-Belt
2	0829-002	4		Pin, Dowel
3	0830-013	1		Washer, Crush
4	8408-812	1		Screw, Cap
5	0830-174	1	/P	Gasket, V-Belt Cover
6	0806-086	1		Cover, Clutch
7	0826-029	3		Screw
8	0806-048	1		Plate, Air Intake
9	0830-116	1	/P	Gasket, Clutch Cover
10	0830-128	1		Gasket, Magneto Cover
11	0806-082	1	/P	Cover, Magneto - Assembly
12	0806-022	1		Plug
13	0830-015	1		Washer, Crush
14	3002-964	1	/P	Clamp, Wire
15	8468-645	14		Screw, Machine
16	8468-655	2		Screw, Machine
17	8468-625	2		Screw, Machine
18	8468-640	26		Screw, Machine
19	8468-675	2		Screw, Machine

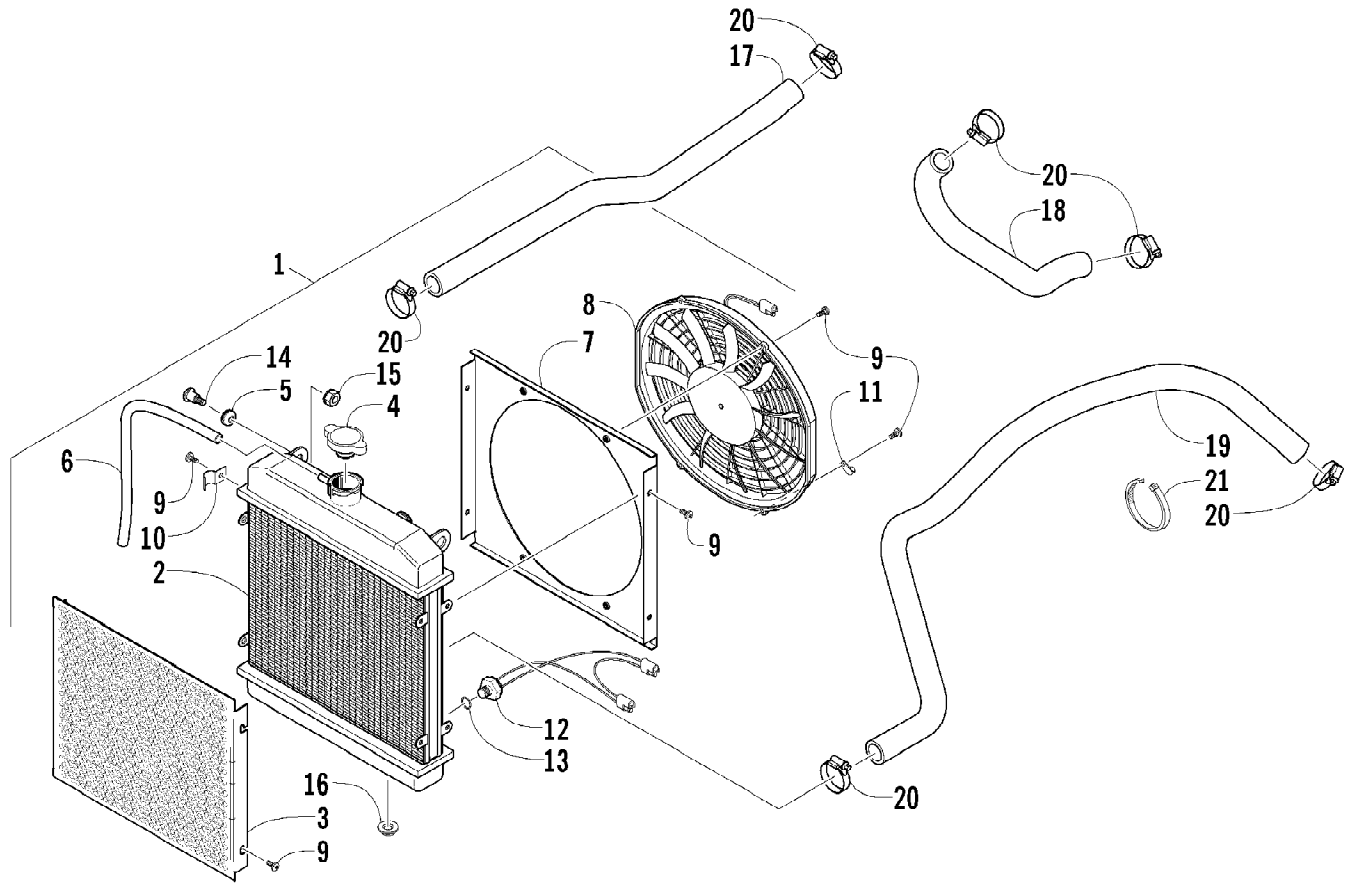
2008 ATV 650 H1 AUTOMATIC TRANSMISSION 4X4 FIS CAT GREEN (A200810341037) 93  
CONTROL SWITCH HOUSING ASSEMBLY



2008 ATV 650 H1 AUTOMATIC TRANSMISSION 4X4 FIS CAT GREEN (A2008P0420S1)93  
CONTROL SWITCH HOUSING ASSEMBLY

Ref #	Part Number	Qty	S/P/F	Description
1	0509-014	1		Switch, Control - Assembly (inc. 2-4)
2	0409-027	1		Screw, Machine
3	0409-028	1		Screw, Machine
4	3409-019	1		Cover, Switch Housing

2008 ATV 650 H1 AUTOMATIC TRANSMISSION 4X4 FIS CAT GREEN (A2008157) 93  
COOLING ASSEMBLY

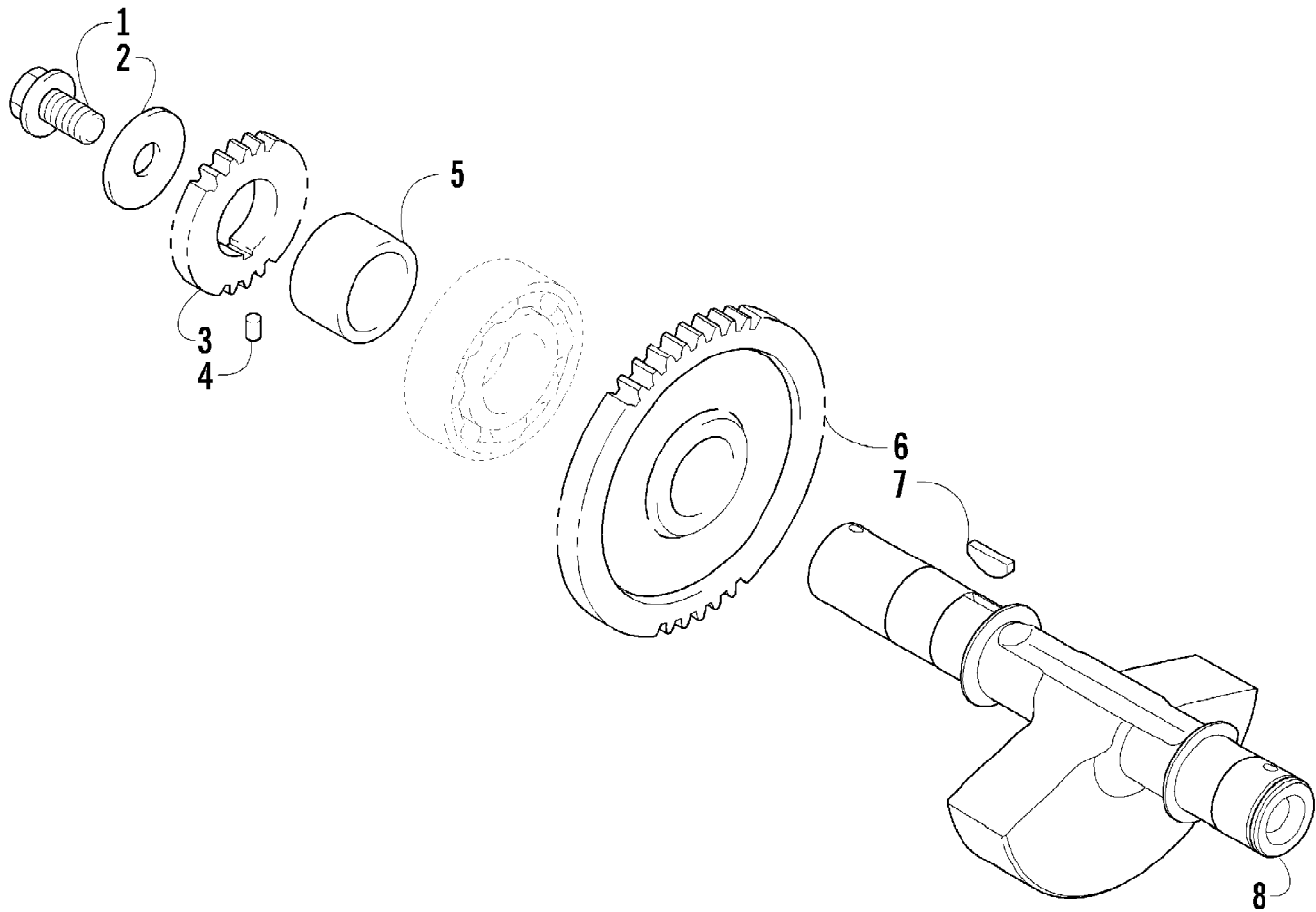


2008 ATV 650 H1 AUTOMATIC TRANSMISSION 4X4 FIS CAT GREEN (A2008P042157)93  
COOLING ASSEMBLY

Page 21 of 23

Ref #	Part Number	Qty	S/P/F	Description
1	0413-172	1	S	Radiator Assembly (inc. 2-13)
2	0413-184	1	/P	Radiator
3	0413-007	1		Screen, Radiator
4	0413-002	1	S	Cap, Radiator
5	0423-030	2		Grommet
6	0610-016	AR	/P	Hose - 25 ft
7	0413-046	1		Shroud, Fan
8	0413-123	1	/P	Fan, Cooling
9	8475-512	12		Screw, Machine
10	0423-351	1		Clamp, Wire
11	0123-397	1		Clamp, Cable
12	0413-168	1		Sensor, Temperature - Coolant
13	0423-390	1	S	O-Ring
14	0423-484	2		Screw, Shoulder
15	0623-038	2		Nut w/Washer
16	0423-028	2		Bushing, Stem
17	0410-002	1		Hose, Coolant - Upper
18	0410-022	1		Hose, Coolant - Crossover
19	0410-041	1		Hose, Coolant - Lower
20	0423-496	6		Clamp, Hose
21	0123-788	2	/P	Cable Tie

2008 ATV 650 H1 AUTOMATIC TRANSMISSION 4X4 FIS CAT GREEN (A200812351) 93  
CRANK BALANCER ASSEMBLY

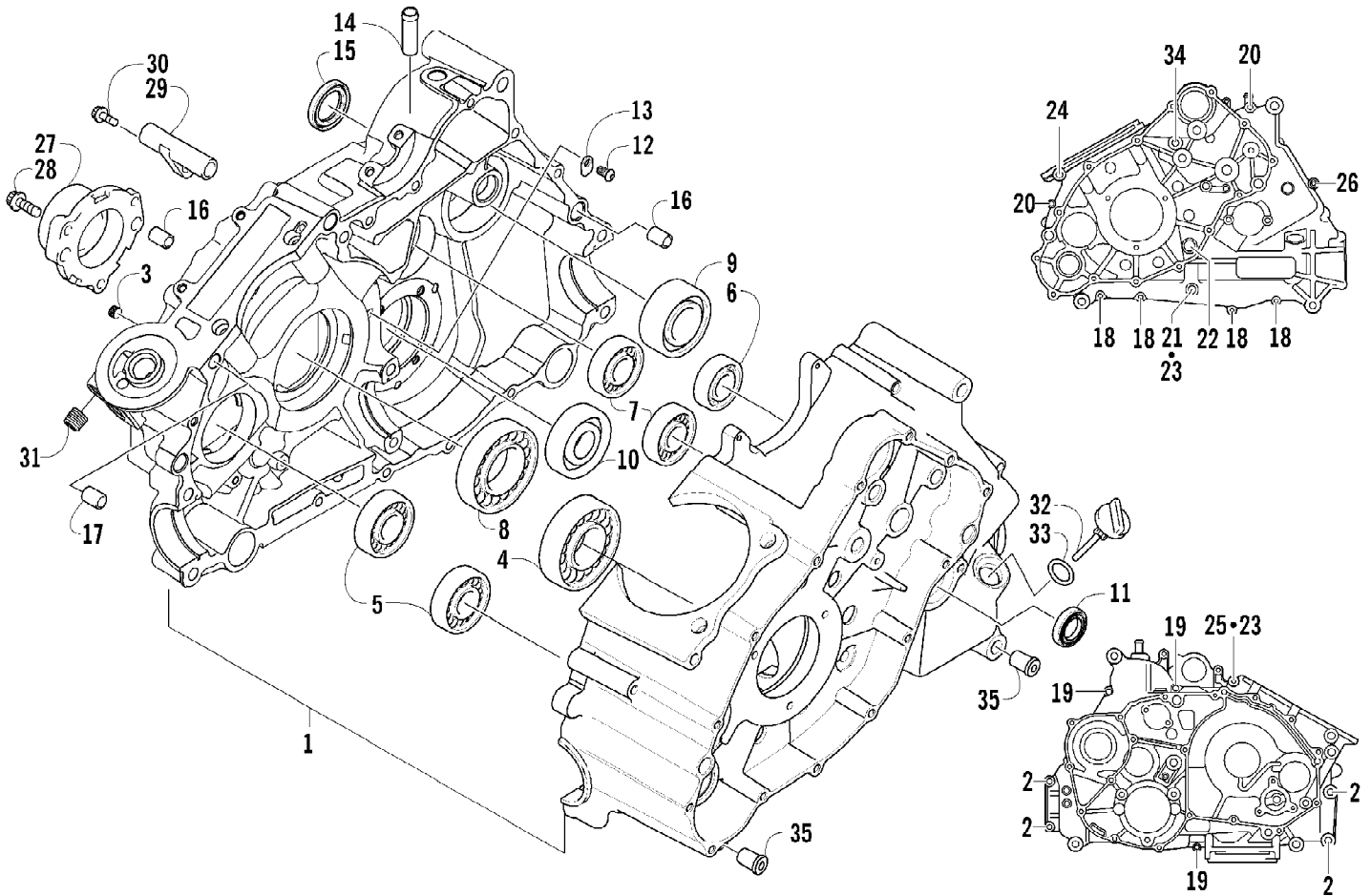


2008 ATV 650 H1 AUTOMATIC TRANSMISSION 4X4 FIS CAT GREEN (A2008P042451)93  
 CRANK BALANCER ASSEMBLY

Ref #	Part Number	Qty	S/P/F	Description
1	0826-033	1		Screw, Cap
2	0828-003	1		Washer
3	0811-003	1		Gear, Oil Pump Drive
4	0829-007	1		Dowel, Solid
5	0811-004	1		Spacer
6	0811-002	1		Gear, Driven
7	0829-006	1		Key - Crank Balancer Shaft
8	0811-017	1		Balancer, Crank



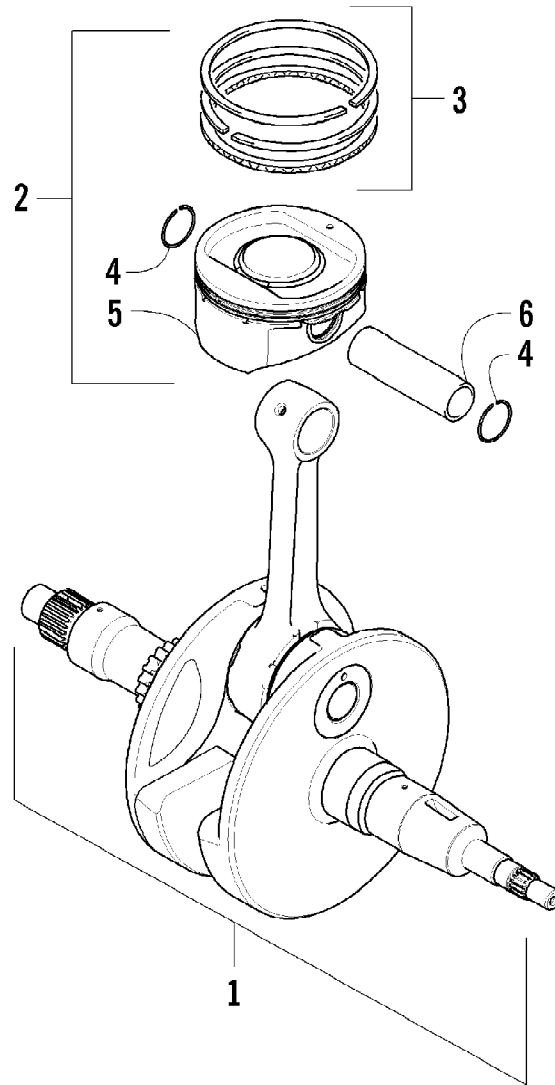
2008 ATV 650 H1 AUTOMATIC TRANSMISSION 4X4 FIS CAT GREEN (A200812551) 93  
CRANKCASE ASSEMBLY



2008 ATV 650 H1 AUTOMATIC TRANSMISSION 4X4 FIS CAT GREEN (A2008P042651) 93  
CRANKCASE ASSEMBLY

Ref #	Part Number	Qty	S/P/F	Description
1	0801-096	1	S	Crankcase Assembly (inc. 2-15)
2	8412-850	4		Screw, Cap
3	0801-002	1		Plug
4	0832-043	1	/P	Bearing
5	0832-044	2	/P	Bearing
6	0832-049	1	/P	Bearing
7	0832-050	2	/P	Bearing
8	0832-042	1	/P	Bearing
9	0832-048	1	/P	Bearing - Driveshaft
10	0832-051	1	S	Bearing
11	0822-052	1		Seal, Countershaft
12	0826-100	4		Screw, Cap
13	0822-010	4	/P	Retainer, Bearing
14	0801-028	1		Pipe, Breather
15	0830-035	1		Seal, Driveshaft
16	0829-002	5		Pin, Dowel
17	0829-003	1		Pin, Dowel
18	8468-645	4		Screw, Machine
19	8468-655	3		Screw, Machine
20	8468-675	2		Screw, Machine
21	8412-860	1		Screw, Cap
22	0826-017	1		Screw, Cap
23	0830-008	2		Gasket
24	0826-019	1		Screw, Cap
25	0826-018	1		Screw, Cap
26	8468-695	1		Screw, Machine
27	0801-006	1		Housing, Secondary Shaft Bearing
28	0826-105	3		Bolt
29	0801-069	1		Pipe, Breather
30	0826-038	1		Bolt, Breather Pipe
31	0812-064	2		Plug
32	0801-073	1		Stick, Oil Level
33	0830-010	1		O-Ring, Oil Level Stick
34	8468-680	1		Screw, Machine
35	0801-108	4	S	Bushing, Engine Mounting

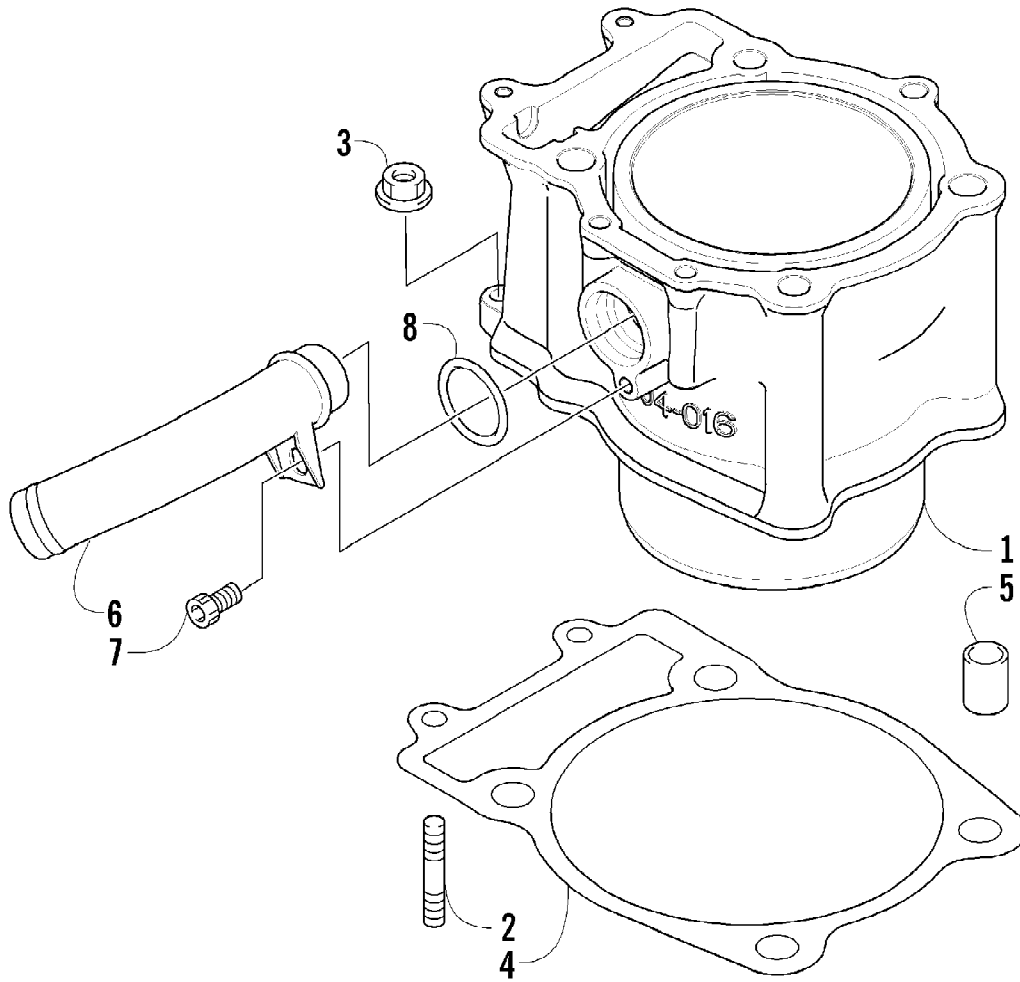
2008 ATV 650 H1 AUTOMATIC TRANSMISSION 4X4 FIS CAT GREEN (A2008P042751) 93  
CRANKSHAFT ASSEMBLY



2008 ATV 650 H1 AUTOMATIC TRANSMISSION 4X4 FIS CAT GREEN (A2008P042851)93  
CRANKSHAFT ASSEMBLY

Ref #	Part Number	Qty	S/P/F	Description
1	0805-032	1	S	Crankshaft Assembly
2	0805-035	1	/P	Piston Set (inc. 3-6)
3	0805-011	1		Ring, Piston - Set
4	0831-001	2		Circlip, Piston Pin
5	0805-010	1	S	Piston
6	0805-012	1		Pin, Piston

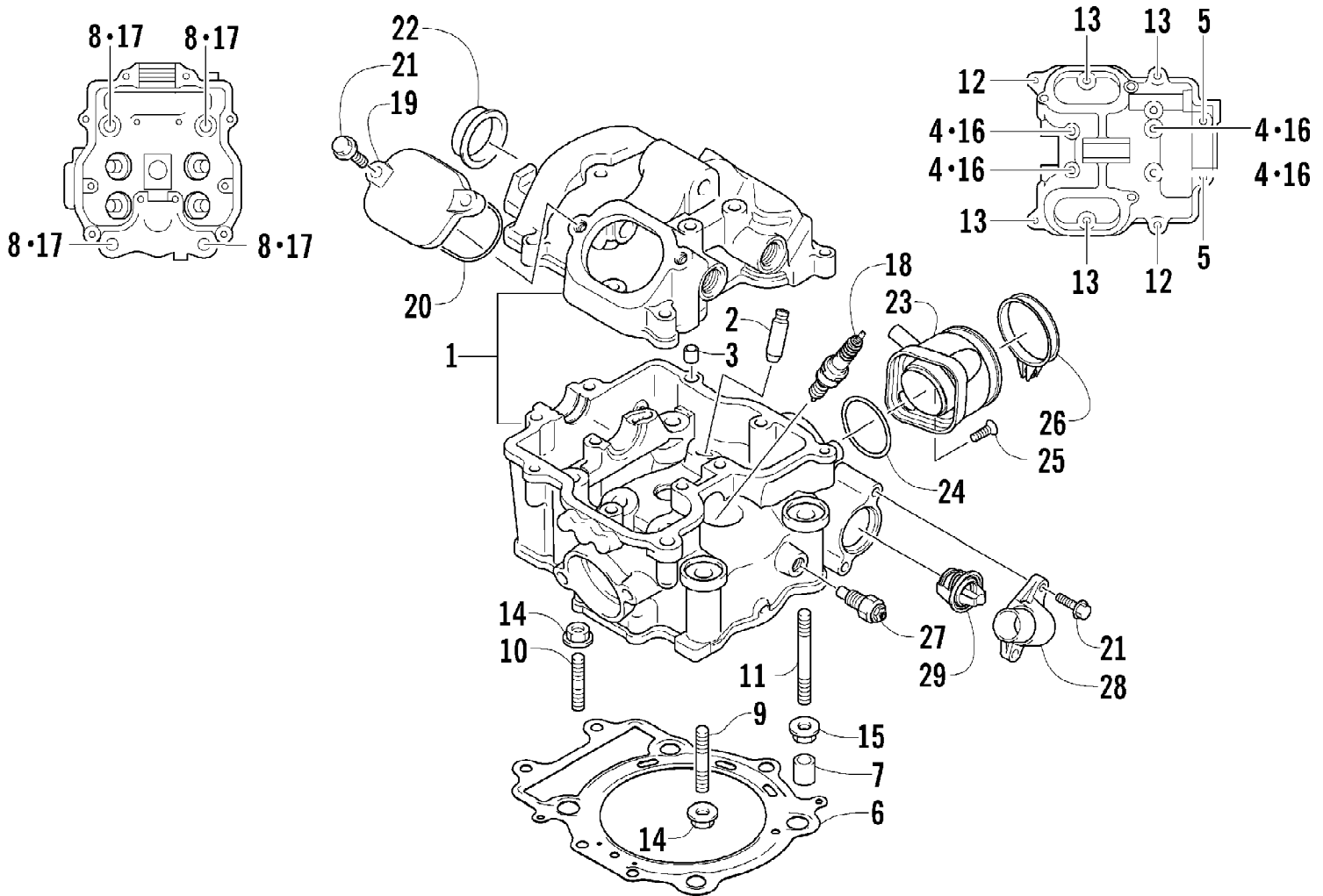
2008 ATV 650 H1 AUTOMATIC TRANSMISSION 4X4 FIS CAT GREEN (A200812042937) 93  
CYLINDER ASSEMBLY



2008 ATV 650 H1 AUTOMATIC TRANSMISSION 4X4 FIS CAT GREEN (A2008P043051)93  
 CYLINDER ASSEMBLY

Ref #	Part Number	Qty	S/P/F	Description
1	0804-016	1		Cylinder
2	0827-002	2		Bolt, Stud
3	8424-604	2		Nut
4	0830-084	1		Gasket, Base
5	0829-002	2		Pin, Dowel
6	0804-002	1	S	Union, Water Hose
7	8468-612	1		Screw, Machine
8	0830-007	1		O-Ring

2008 ATV 650 H1 AUTOMATIC TRANSMISSION 4X4 FIS CAT GREEN (A200813043157) 93  
CYLINDER HEAD ASSEMBLY

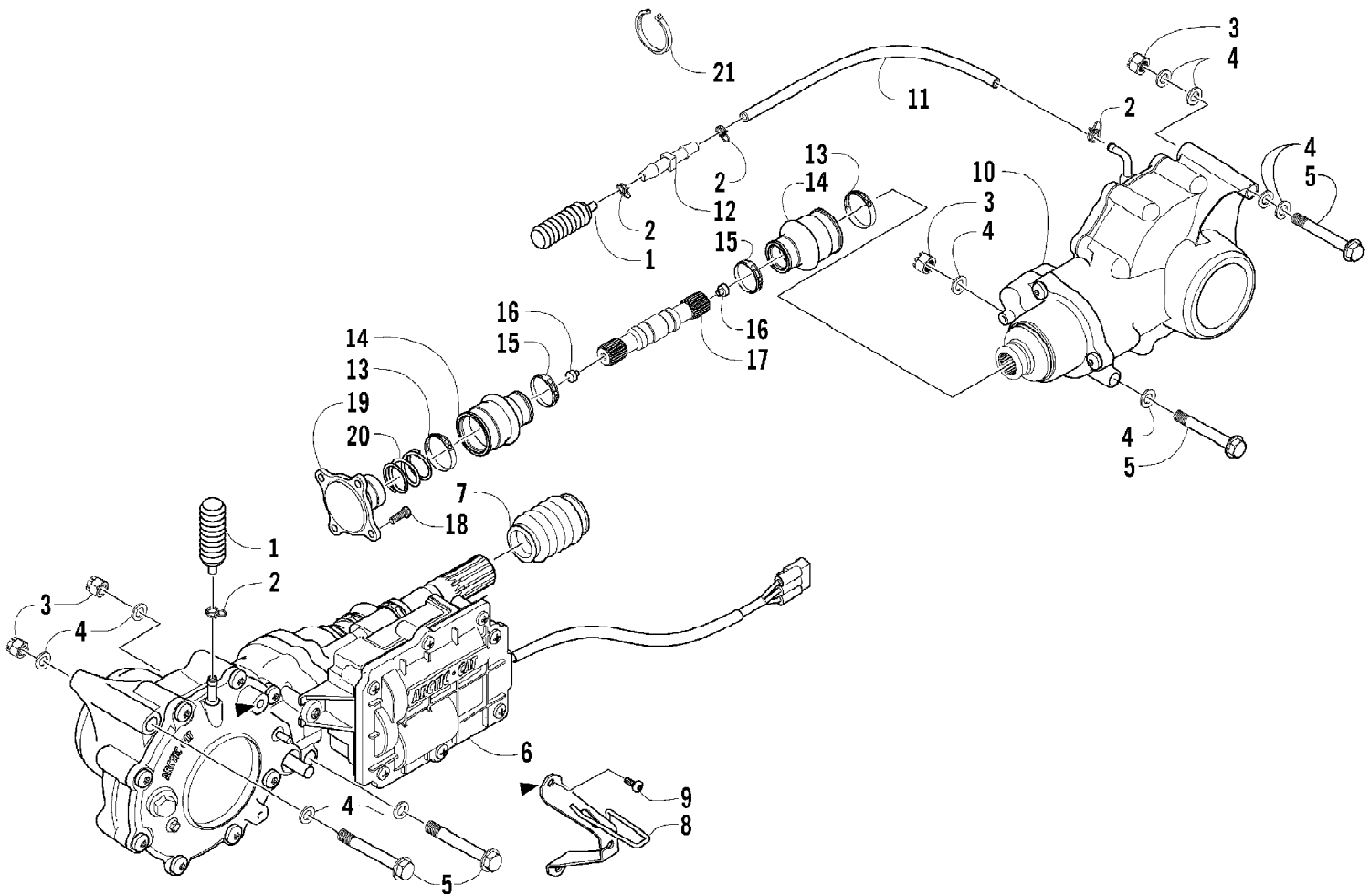


2008 ATV 650 H1 AUTOMATIC TRANSMISSION 4X4 FIS CAT GREEN (A2008P04B1S1)93  
CYLINDER HEAD ASSEMBLY

Ref #	Part Number	Qty	S/P/F	Description
1	0808-047	1	F	Head, Cylinder - Assembly (inc. 2-4)
2	0	4	F	Guide, Valve
3	0829-001	2	S	Dowel, Sleeve
4	0826-001	4		Screw, Cap
5	0826-002	2		Screw, Cap
6	0830-085	1	/P	Gasket, Cylinder Head
7	0829-002	2		Pin, Dowel
8	0808-037	4	/P	Screw, Cap
9	0827-030	2		Bolt, Stud
10	0827-002	2		Bolt, Stud
11	0827-031	1		Bolt, Stud
12	0826-005	2		Screw, Cap
13	0826-006	4		Screw, Cap
14	8424-604	4		Nut
15	8424-804	1		Nut
16	0830-107	4		Gasket - Seal, Fastener
17	0830-147	4	/P	Washer, Crush
18	0217-727	1	S	Spark Plug (RG6YC)
19	0808-003	2		Cap, Inspection
20	0830-167	2	/P	O-Ring
21	0826-007	4		Screw, Cap
22	0808-077	1		Plug, Cylinder Head
23	0570-115	1		Pipe, Intake - Assembly
24	0830-090	1		O-Ring
25	0826-008	2		Screw, Machine
26	0423-317	1	/P	Clamp, Intercooler
27	0808-127	1		Switch, Water Temperature - Assembly
28	0808-008	1		Cover, Thermostat
29	0808-078	1		Thermostat



2008 ATV 650 H1 AUTOMATIC TRANSMISSION 4X4 FIS CAT GREEN (A200812043357) 93  
DRIVE TRAIN ASSEMBLY

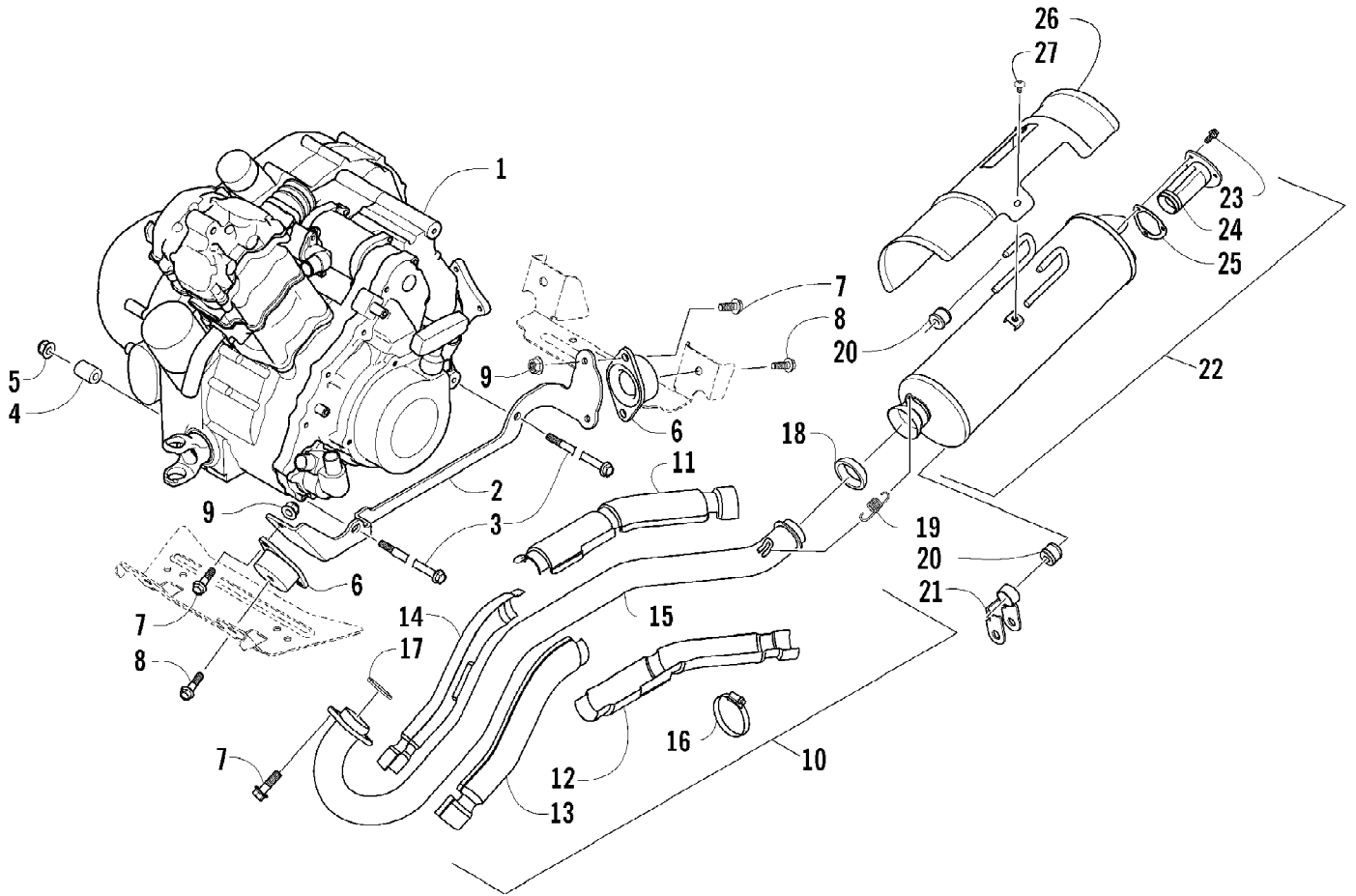


2008 ATV 650 H1 AUTOMATIC TRANSMISSION 4X4 FIS CAT GREEN (A2008P04B4S1)93  
DRIVE TRAIN ASSEMBLY

Page 34 of 37

Ref #	Part Number	Qty	S/P/F	Description
1	0402-147	2	S	Bladder, Gearcase
2	0423-315	4		Clamp, Fitting
3	8428-002	4		Nut, Lock
4	0423-426	10		Washer
5	0423-404	4		Screw, Cap
6	1502-248	1		Gearcase, Front
7	0402-966	1		Boot, Shaft
8	0502-500	1		Plate, Cable
9	0423-396	2		Screw, Self-Tapping
10	1502-079	1	S	Gearcase, Rear
11	0410-048	AR	S	Hose, Vent
12	0470-462	1		Fitting, Vent
13	0423-393	2		Clamp, Boot
14	0402-985	2	/P	Boot
15	0423-411	2		Clamp, Boot
16	0673-618	2	/P	Bumper, Propeller Shaft
17	1402-233	1		Shaft, Propeller
18	8408-820	4	/P	Screw, Cap
19	0402-950	1		Flange, Output
20	1402-026	1		Spring
21	0123-788	AR	/P	Cable Tie

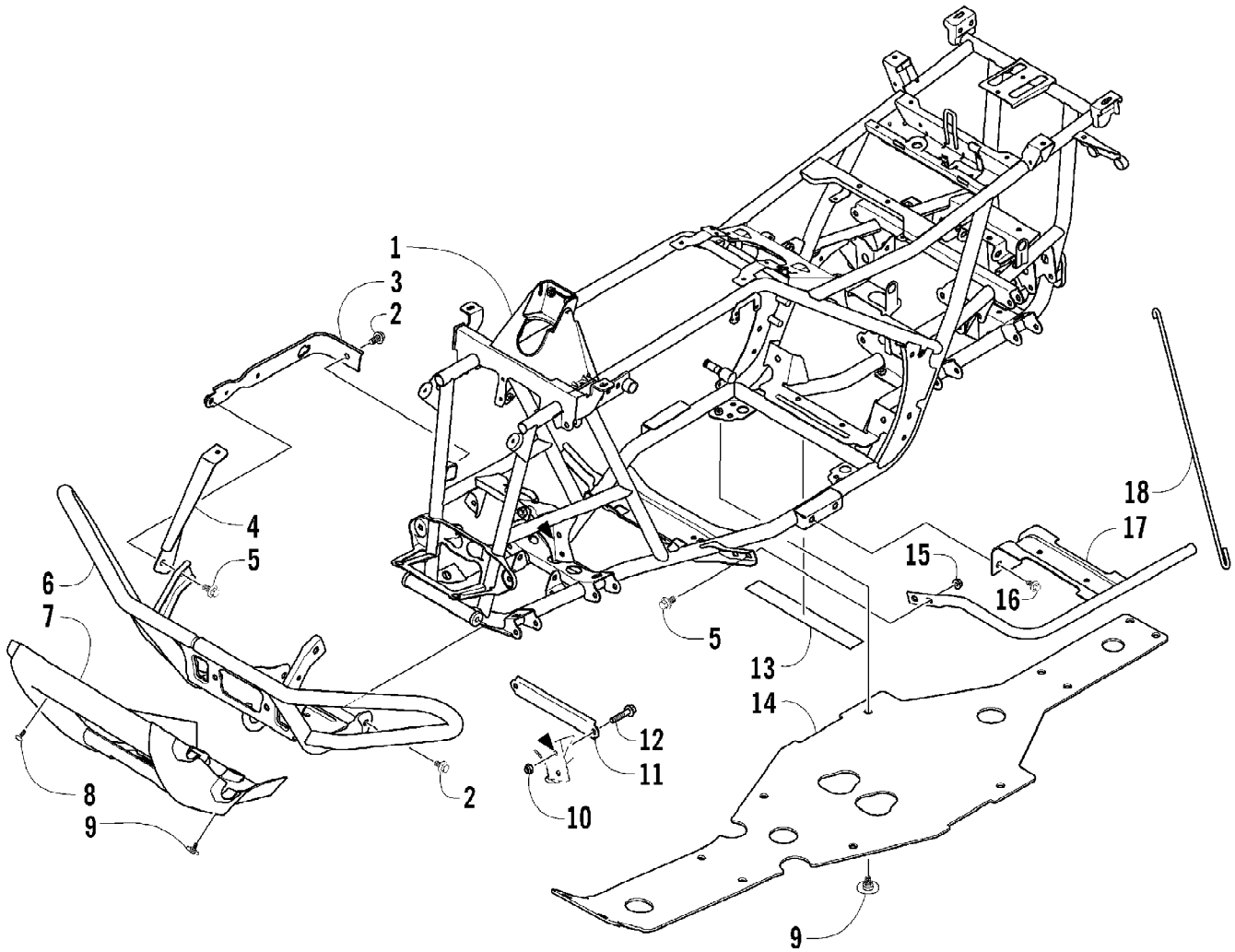
2008 ATV 650 H1 AUTOMATIC TRANSMISSION 4X4 FIS CAT GREEN (A2008P043537) 93  
ENGINE AND EXHAUST



2008 ATV 650 H1 AUTOMATIC TRANSMISSION 4X4 FIS CAT GREEN (A2008P043651) 93  
ENGINE AND EXHAUST

Ref #	Part Number	Qty	S/P/F	Description
1	0800-035	1	S	Engine, A65GH1
2	1506-740	1		Bracket, Engine - Right
2	1506-741	1		Bracket, Engine - Left
3	0423-405	2		Screw, Cap
4	0423-042	1	S	Spacer, Engine
5	8428-002	2		Nut, Lock
6	2406-065	4		Mount, Rubber - Engine
7	8408-820	10	/P	Screw, Cap
8	8408-012	4		Screw, Cap
9	8432-802	8		Nut
10	0512-345	1	/P	Pipe, Exhaust - Assembly (inc. 11-16)
11	0412-350	1		Shield, Exhaust Pipe - Outer - Rear
12	0412-339	1		Shield, Exhaust Pipe - Inner - Rear
13	0412-349	1		Shield, Exhaust Pipe - Inner - Front
14	0412-348	1		Shield, Exhaust Pipe - Outer - Front
15	0512-344	1		Pipe, Exhaust
16	0423-317	3	/P	Hose Clamp
17	0412-338	1	/P	Gasket, Exhaust Pipe
18	0412-375	1	/P	Seal, Exhaust
19	0612-668	2	/P	Spring, Extension
20	0412-215	3	S	Bushing, Exhaust Pipe
21	1506-732	1		Channel, Muffler Support
22	0512-355	1	/P	Muffler - Assembly (inc. 23-25)
23	8408-616	3		Screw, Cap
24	0512-219	1	/P	Arrester, Spark - Assembly
25	0412-313	1		Gasket, Spark Arrester
26	0412-373	1	/P	Cover, Muffler
27	8477-610	3		Screw, Machine

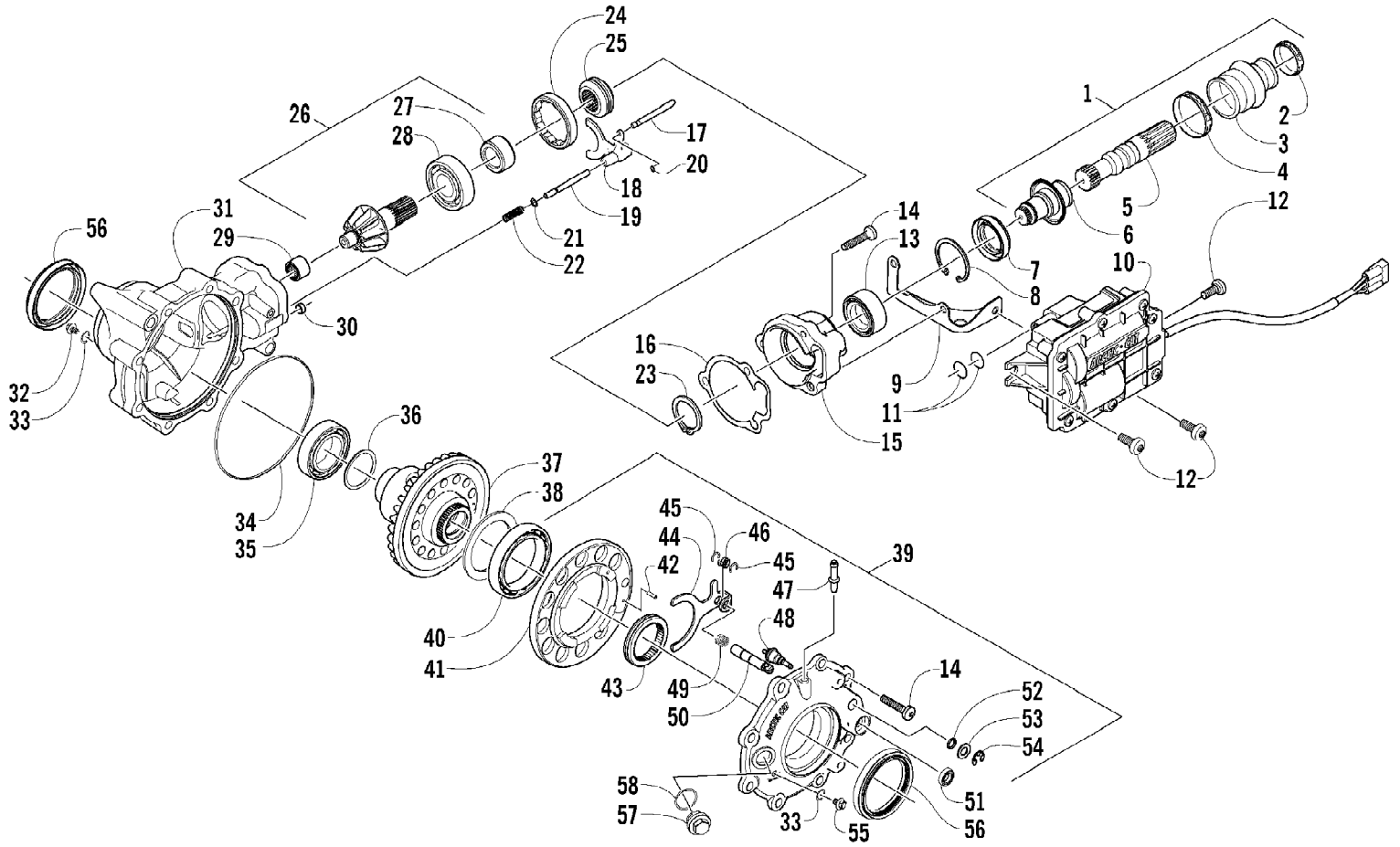
2008 ATV 650 H1 AUTOMATIC TRANSMISSION 4X4 FIS CAT GREEN (A2008P0643793)  
FRAME AND RELATED PARTS



2008 ATV 650 H1 AUTOMATIC TRANSMISSION 4X4 FIS CAT GREEN (A200810043851)93  
FRAME AND RELATED PARTS

Ref #	Part Number	Qty	S/P/F	Description
1	2506-675	1		Frame, Main
2	8409-020	4	/P	Screw, Cap
3	1506-596	1	/P	Channel, Bumper Mounting - Right
3	0506-653	1	S	Channel, Bumper Mounting - Left
4	1506-562	1		Bracket, Mounting - Bumper - Right
4	1506-563	1		Bracket, Mounting - Bumper - Left
5	8408-816	6		Screw, Cap
6	1506-855	1	/P	Bumper
7	1406-360	1		Grille, Bumper
8	0423-419	2		Screw, Machine
9	0423-101	14		Screw, Body
10	8428-002	2		Nut, Lock
11	1506-429	1	S	Brace, A-Arm
12	8409-025	2		Screw, Cap
13	0406-289	2		Pad, Frame
14	2406-029	1		Panel, Belly
15	8424-802	4		Nut, Flange
16	8409-016	4		Screw, Cap
17	1506-380	1		Footrest - Right
17	1506-379	1		Footrest - Left
18	2506-423	2		Rod, Support

2008 ATV 650 H1 AUTOMATIC TRANSMISSION 4X4 FIS CAT GREEN (A200812043957) 93  
FRONT DRIVE GEARCASE ASSEMBLY



2008 ATV 650 H1 AUTOMATIC TRANSMISSION 4X4 FIS CAT GREEN (A2008R064B105Z) 93  
FRONT DRIVE GEARCASE ASSEMBLY

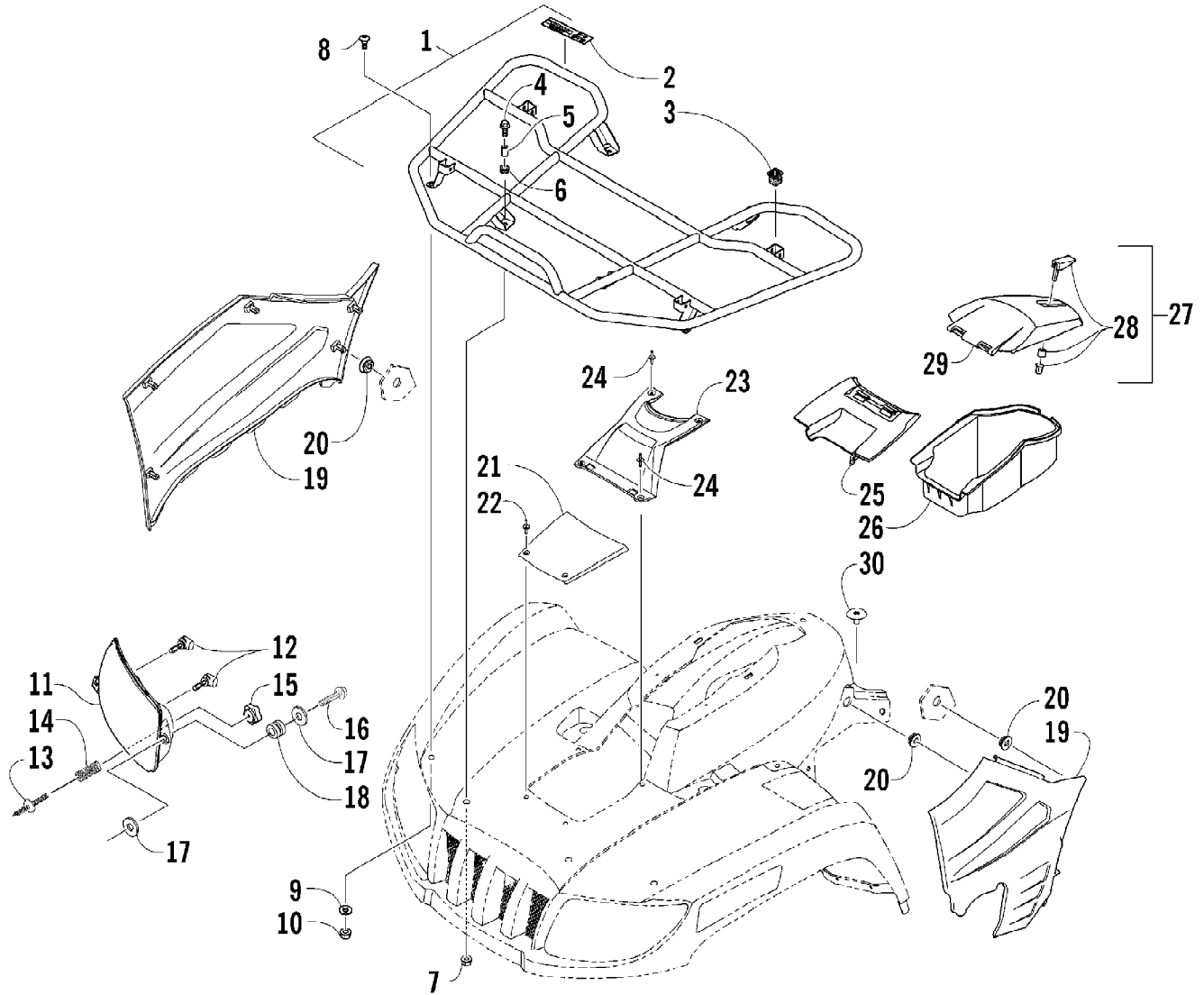
Ref #	Part Number	Qty	S/P/F	Description
	1502-248	1		Complete Front Drive Gearcase Assembly
1	1502-083	1		Shaft, Propeller - Assembly (inc. 2-6)
2	0423-411	1		Clamp, Boot
3	0402-985	1	/P	Boot, Propeller Shaft
4	0423-393	1		Clamp, Boot
5	1402-045	1		Shaft, Output
6	1502-085	1	/P	Shaft, Input
7	1402-011	1		Seal
8	0423-423	1		Ring, Retaining
9	0502-347	1		Bracket, Actuator
10	0502-579	1		Actuator (inc. one No. 11)
11	0423-498	2	S	O-Ring
12	0423-396	3		Screw, Self-Tapping
13	1402-043	1		Bearing
14	0423-118	11		Screw, Self-Tapping
15	0502-528	1	/P	Housing, Pinion
16	0402-947	1		Gasket, Flange
17	0402-997	1		Shaft, Selector
18	0402-998	1		Fork, Selector
19	0402-417	1		Shaft, Shuttle
20	0423-402	1		Ring, Retaining
21	0423-147	1		O-Ring
22	0402-999	1		Spring, Return
23	0423-417	1		Ring, Retaining
24	0402-357	1		Collar, Lock
25	0402-413	1		Coupler, Drive
26	0502-783	1		Gear, Pinion - Assembly - 10T (inc. 27-28)
27	0402-336	1		Collar, Retaining
28	0402-327	1		Bearing
29	0402-328	1		Bearing
30	0402-411	1		Pin, Dowel
31	0502-514	1		Housing, Gearcase
32	1402-210	1	/P	Plug, Magnetic (inc. one No. 33)
33	0423-153	2		O-Ring
34	0423-149	1		O-Ring
35	0402-393	1		Bearing
36	0402-405	AR		Shim
36	0402-406	AR		Shim
36	0402-407	AR		Shim
36	0402-408	AR		Shim
36	0402-409	AR		Shim
37	1502-234	1	S	Gear, Ring - 36T
38	1402-074	AR		Shim
38	1402-075	AR		Shim
38	1402-076	AR		Shim
38	1402-077	AR		Shim
38	1402-078	AR		Shim
39	1502-097	1		Cover, Gearcase (inc. one No. 33, 40-55, and one No. 56)
40	1402-053	1		Bearing
41	0502-413	1		Flange, Bearing
42	1402-079	1		Pin, Parallel



2008 ATV 650 H1 AUTOMATIC TRANSMISSION 4X4 FIS CAT GREEN (A2008P04B15Z)93  
FRONT DRIVE GEARCASE ASSEMBLY

Ref #	Part Number	Qty	S/P/F	Description
43	1402-042	1		Collar, Sliding
44	1402-054	1		Fork
45	1402-058	2		Ring, Retaining
46	1402-057	1		Spring
47	1402-104	1		Fitting
48	0402-419	1		Switch, Indicator
49	1402-063	1		Spring
50	1402-055	1		Shaft, Lock
51	1402-056	1		Seal
52	0423-133	1		O-Ring
53	0423-132	1		Washer
54	0423-424	1		Ring, Retaining
55	1402-211	1		Plug, Oil Level (inc. one No. 33)
56	1402-441	2	S	Seal
57	0402-333	1	/P	Plug, Fill (inc. 58)
58	0423-154	1		O-Ring

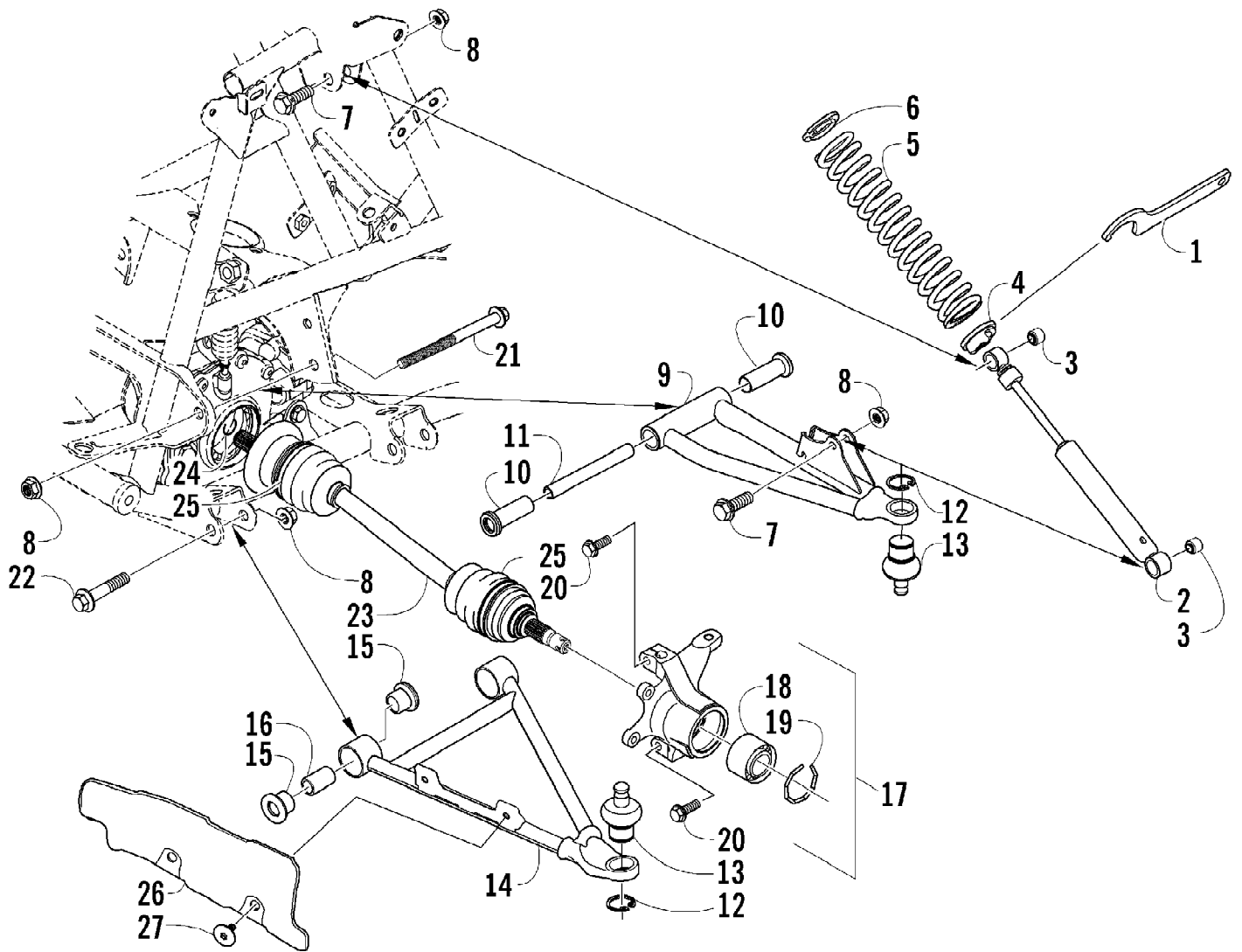
2008 ATV 650 H1 AUTOMATIC TRANSMISSION 4X4 FIS CAT GREEN (A2008P04B1257) 93  
FRONT RACK AND HEADLIGHT ASSEMBLIES



2008 ATV 650 H1 AUTOMATIC TRANSMISSION 4X4 FIS CAT GREEN (A2008P04B135Z) 93  
FRONT RACK AND HEADLIGHT ASSEMBLIES

Ref #	Part Number	Qty	S/P/F	Description
1	2506-106	1		Rack, Front - Assembly (inc. 2-3)
2	0411-576	1		Decal, Warning - Front Rack Load
3	0441-592	4	/P	Bushing, Rack
4	8410-830	4		Screw, Cap
5	0423-669	4		Spacer
6	0423-465	4		Grommet
7	8432-802	4		Nut, Lock
8	0423-654	2		Screw, Shoulder
9	8050-222	2	/P	Washer
10	0423-540	2		Nut, Lock
11	0509-034	1	S	Headlight Assembly - Right (inc. 12)
11	0509-035	1		Headlight Assembly - Left (inc. 12)
12	0409-055	4		Bulb, Headlight
13	0423-514	2		Stud, Adjuster - Headlight
14	0423-522	2		Spring, Adjuster
15	0423-513	2		Knob, Adjuster
16	0623-785	4		Screw, Self-Tapping
17	8050-217	8	/P	Washer
18	0423-447	4		Grommet
19	2406-300	1		Panel, Side - Lower - Right
19	2406-419	1		Panel, Side - Lower - Left
20	0423-678	8		Grommet
21	1406-358	1		Cover, Access
22	0423-535	2		Rivet, Reinstallable
23	1406-484	1		Cover, Steering Post
24	0623-362	4		Rivet, Reinstallable
25	0470-513	1		Cover, Storage Box
26	1406-573	1		Box, Storage
27	2506-234	1		Lid, Storage Box w/Latch (inc. 28-29)
28	1406-599	1		Latch, Storage Box
29	0470-514	1		Lid, Storage Box
30	0423-101	2		Screw, Body

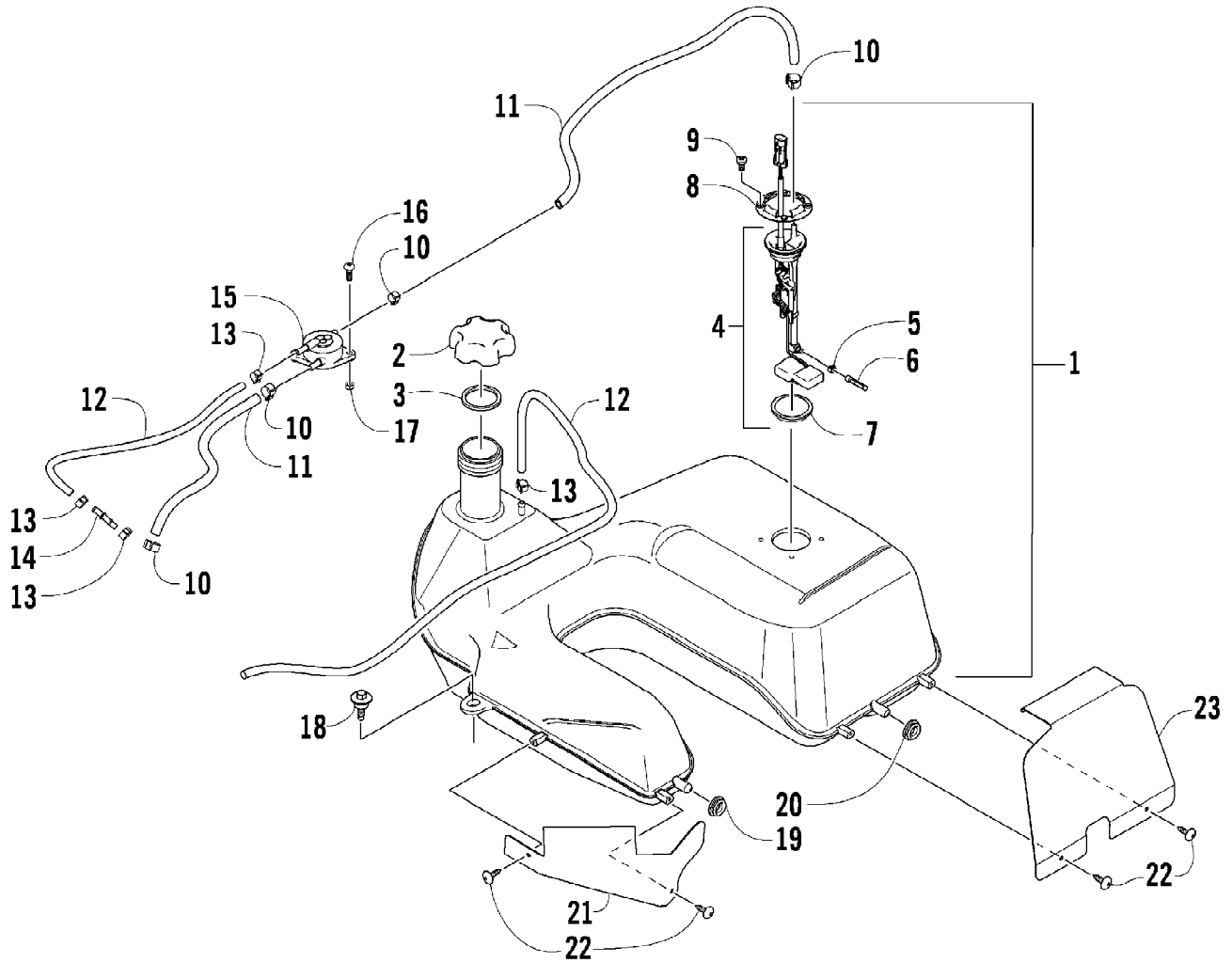
2008 ATV 650 H1 AUTOMATIC TRANSMISSION 4X4 FIS CAT GREEN (A20081451)  
FRONT SUSPENSION ASSEMBLY



2008 ATV 650 H1 AUTOMATIC TRANSMISSION 4X4 FIS CAT GREEN (A2008P04B15S1) 93  
FRONT SUSPENSION ASSEMBLY

Ref #	Part Number	Qty	S/P/F	Description
1	0441-587	1		Wrench, Spanner
2	0403-172	2		Shock Absorber - Front (inc. 3)
3	0403-182	4		Bushing, Double-Bonded
4	0403-102	2		Cam, Spring Adjuster
5	0403-170	2		Spring, Shock Absorber
6	1603-889	2	/P	Retainer, Spring
7	8409-040	4		Screw, Cap
8	8428-002	10		Nut, Lock
9	0503-272	1	S	A-Arm, Upper Right (inc. 10-13)
9	0503-273	1	S	A-Arm, Upper Left (inc. 10-13)
10	0403-081	4	S	Bushing
11	0403-080	2		Collar
12	0423-009	4	/P	Clip, Ball Joint
13	0405-115	4	/P	Ball Joint - Front
14	0503-342	1	S	A-Arm, Lower Right (inc. one No. 12-13 and 15-16)
14	0503-343	1	S	A-Arm, Lower Left (inc. one No. 12-13 and 15-16)
15	0403-115	8	S	Bushing
16	0403-114	4	S	Collar
17	0505-460	1		Knuckle - Assembly - Right (inc. 18-19)
17	0505-461	1	S	Knuckle - Assembly - Left (inc. 18-19)
18	1402-027	2	S/P	Bearing, Wheel Hub
19	0423-423	2		Ring, Retaining
20	8409-030	4		Screw, Cap
21	0423-334	2		Screw, Cap
22	8409-075	4		Screw, Cap
23	0502-812	1	S	Axle, Drive - Front - Right (inc. 24-25)
23	0502-813	1	S	Axle, Drive - Front - Left (inc. 24-25)
24	1441-109	2	S	Clip, Retaining
25	0436-276	2	S	Repair Kit, Boot - Front Axle
26	0441-756	1		Guard, Boot - Axle - Right
26	0441-757	1		Guard, Boot - Axle - Left
27	0423-545	4	/P	Screw, Body

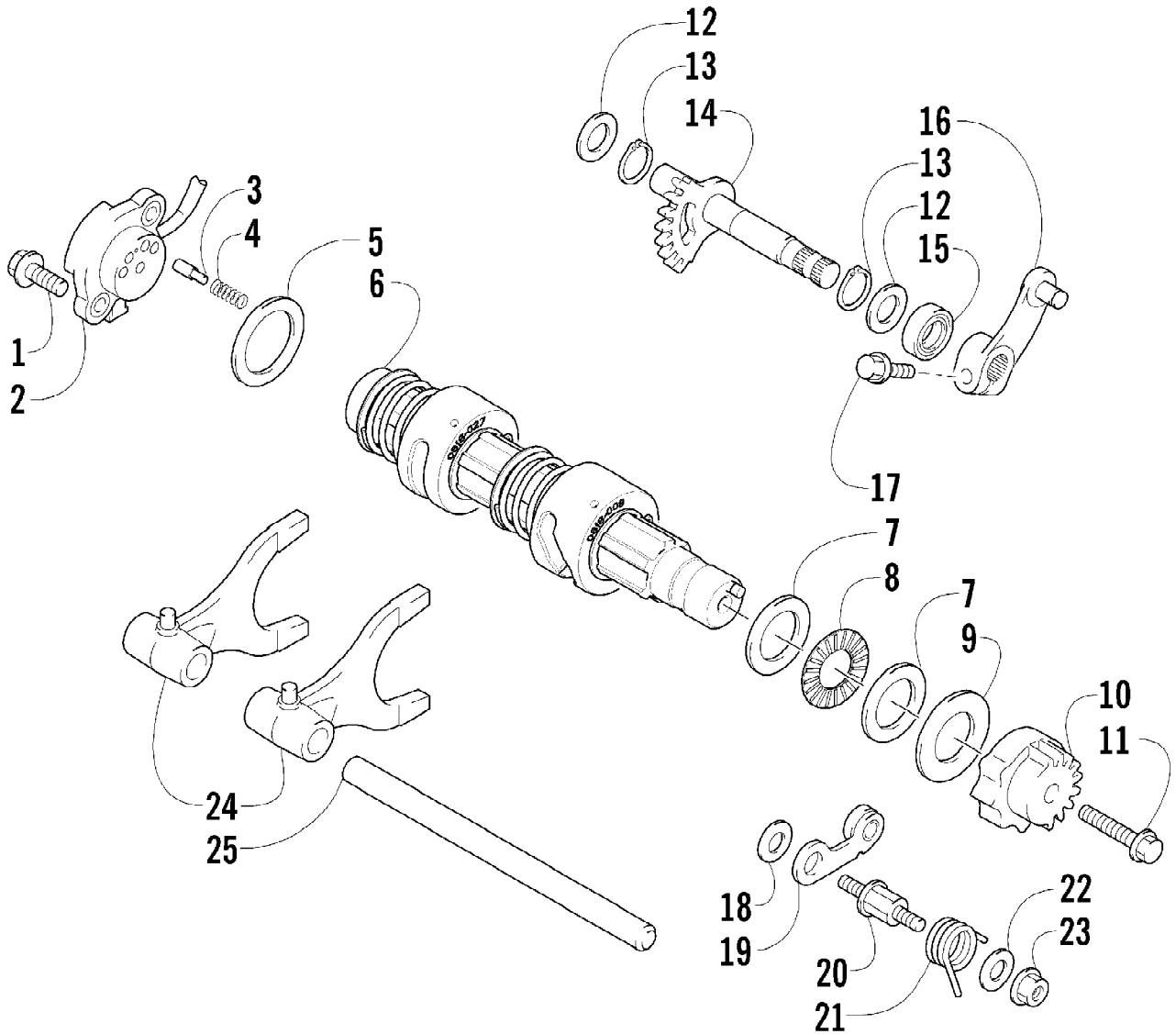
2008 ATV 650 H1 AUTOMATIC TRANSMISSION 4X4 FIS CAT GREEN (A20081651) 93  
GAS TANK ASSEMBLY



2008 ATV 650 H1 AUTOMATIC TRANSMISSION 4X4 FIS CAT GREEN (A2008P04B17S1) 93  
GAS TANK ASSEMBLY

Ref #	Part Number	Qty	S/P/F	Description
1	0570-183	1	S	Tank, Gas - Assembly (inc. 2-9)
2	0470-438	1	/P	Cap, Gas Tank (inc. 3)
3	0109-733	1	/P	Gasket, Gas Tank Cap
4	0570-141	1	S	Sensor, Fuel Level (inc. 5-7)
5	0423-603	1		Clamp, Hose
6	0470-475	1		Filter, Fuel
7	0470-521	1		Seal, Fuel Level Sensor
8	0470-639	1	/P	Plate, Mounting - Fuel Level Sensor
9	1623-158	4		Screw, Plastite
10	0423-688	4		Clamp, Hose
11	0410-143	AR		Hose, Gasline - 25 ft
12	0410-070	AR	/P	Hose, Gasline - 25 ft
13	0423-689	4		Clamp, Hose
14	0470-702	1	/P	Fitting, Straight
15	0470-758	1	/P	Pump, Fuel
16	8476-620	2		Screw, Machine
17	0623-038	2		Nut, Lock
18	0423-732	2		Screw, Shoulder
19	0423-460	1		Grommet
20	0423-806	1		Grommet
21	0470-709	1		Shield, Gas Tank - Front
22	0623-797	4		Screw, Self-Tapping
23	0470-710	1		Shield, Gas Tank - Rear

2008 ATV 650 H1 AUTOMATIC TRANSMISSION 4X4 FIS CAT GREEN (A20081851)  
GEAR SHIFTING ASSEMBLY

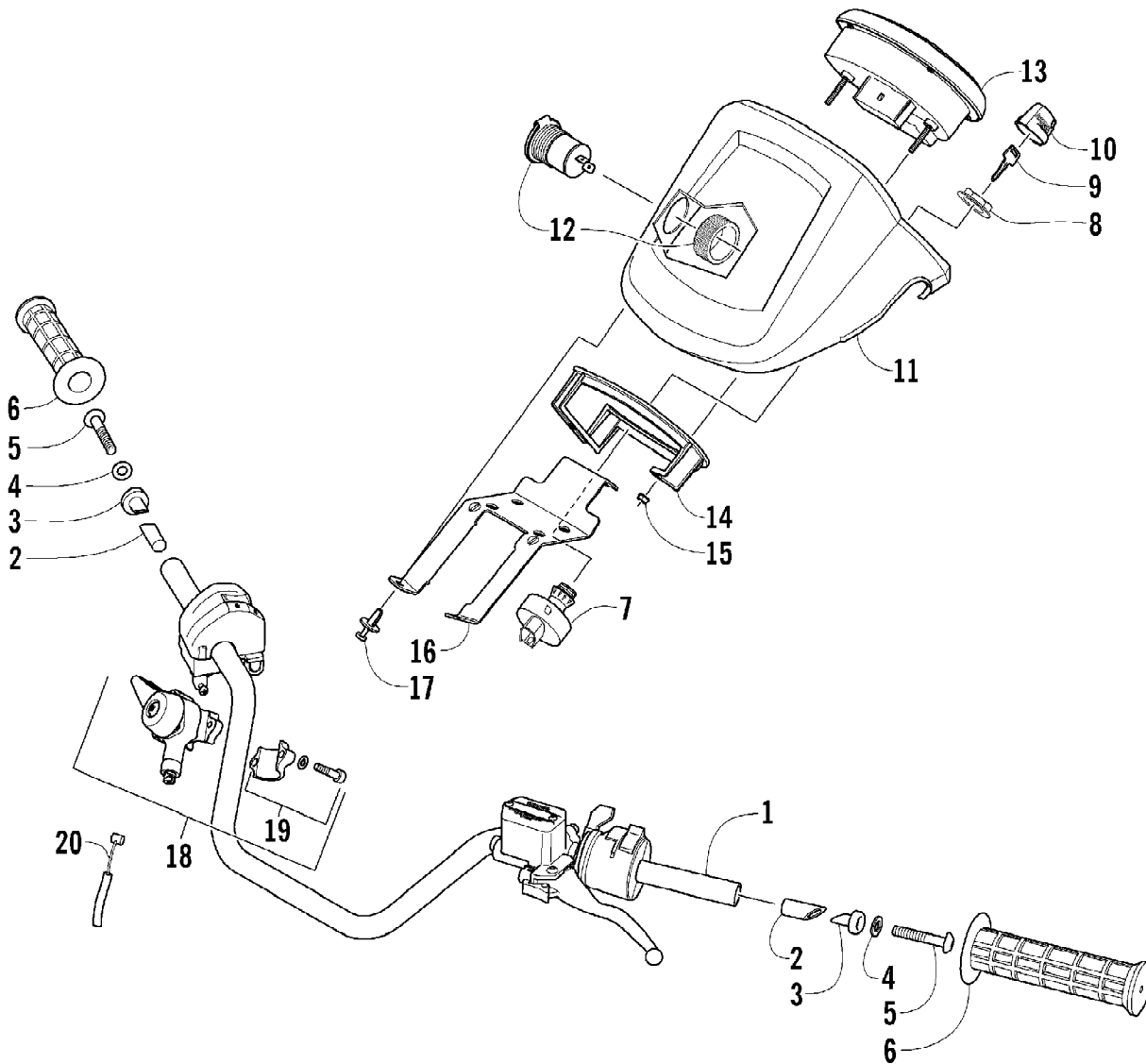




2008 ATV 650 H1 AUTOMATIC TRANSMISSION 4X4 FIS CAT GREEN (A2008P04B19S1)93  
GEAR SHIFTING ASSEMBLY

Ref #	Part Number	Qty	S/P/F	Description
1	8470-520	2		Screw, Machine
2	0818-049	1	S	Base, Gear Shift Position
3	0818-013	2		Contact
4	0818-017	2		Spring
5	0828-040	1		Washer, Shift Shaft
6	0818-046	1		Shaft, Gear Shift - Assembly
7	0828-067	2		Washer, Shift Shaft
8	0832-034	1	S	Bearing
9	0828-037	1		Washer, Gear Shift Cam Plate
10	0818-005	1	S	Plate, Gear Shift Cam
11	0826-006	1		Bolt, Gear Shift Cam Plate
12	0828-036	2		Washer, Sub-Gear Shift Shaft
13	0831-010	2		Circlip, Sub-Gear Shift Shaft
14	0818-007	1	/P	Shaft, Sub-Gear Shift
15	0830-044	1		Seal, Sub-Gear Shift Shaft
16	0818-014	1		Arm, Shift
17	8468-620	1	/P	Screw, Machine
18	0828-038	1		Washer, Cam Stopper
19	0818-002	1		Stopper, Cam
20	0818-004	1		Support, Cam Stopper
21	0818-028	1		Spring, Cam Stopper
22	0828-035	1		Washer, Cam Stopper Spring
23	8424-602	1	/P	Nut, Cam Stopper Spring
24	0818-072	2	/P	Fork, Shift
25	0818-006	1		Shaft, Shift Fork

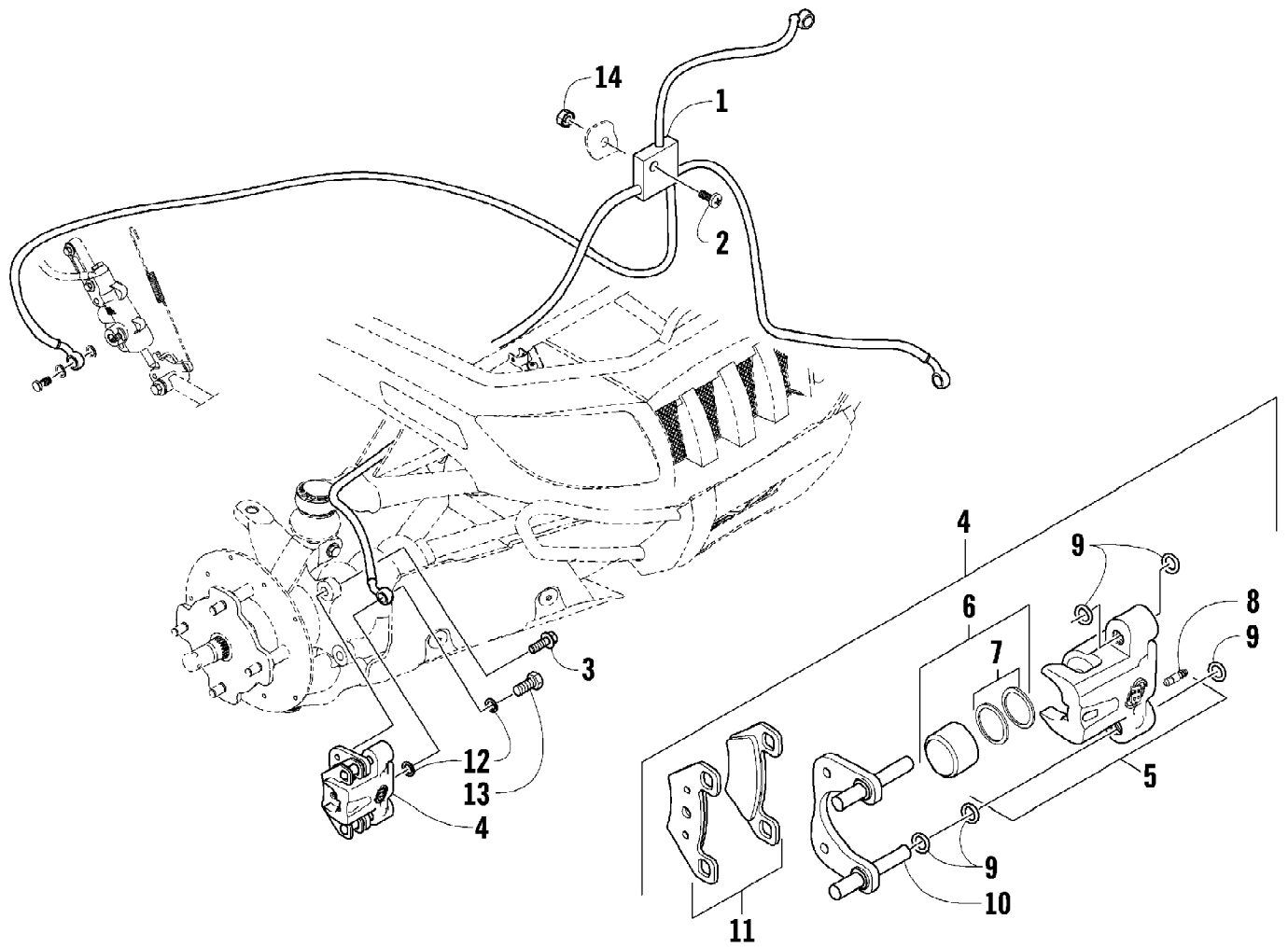
2008 ATV 650 H1 AUTOMATIC TRANSMISSION 4X4 FIS CAT GREEN (A200815037) 93  
HANDLEBAR ASSEMBLY



2008 ATV 650 H1 AUTOMATIC TRANSMISSION 4X4 FIS CAT GREEN (A2008P0451S1) 93  
HANDLEBAR ASSEMBLY

Ref #	Part Number	Qty	S/P/F	Description
1	0505-476	1		Tube, Handlebar
2	0405-218	2		Plug, Handlebar
3	0405-149	2		End Cap, Handlebar
4	8050-247	2	/P	Washer
5	8477-845	2		Screw, Machine
6	0405-147	2		Grip, Handlebar
7	0430-069	1	S	Switch, Ignition - Assembly (inc. 8-10)
8	0430-050	1		Nut, Flange - Ignition Switch
9	0430-042	1		Key, Ignition (Y Series - Left-Side Cut)
9	0430-043	1		Key, Ignition (Z Series - Right-Side Cut)
10	0430-054	1		Cover, Key
11	0405-275	1		Instrument Pod
12	0641-897	1	/P	Outlet, Accessory - 12V
13	0520-019	1		Gauge, LCD
14	0420-065	1	/P	Clamp, Plastic
15	0423-493	2		Nut, Hex
16	2506-470	1		Bracket, Mounting - Instrument Pod
17	0423-535	2		Rivet, Reinstallable
18	0502-527	1		Control, Differential Lock (inc. 19)
19	0502-613	1		Clamp, Differential Lock Control - Kit
20	0487-050	1	/P	Cable, Differential Lock

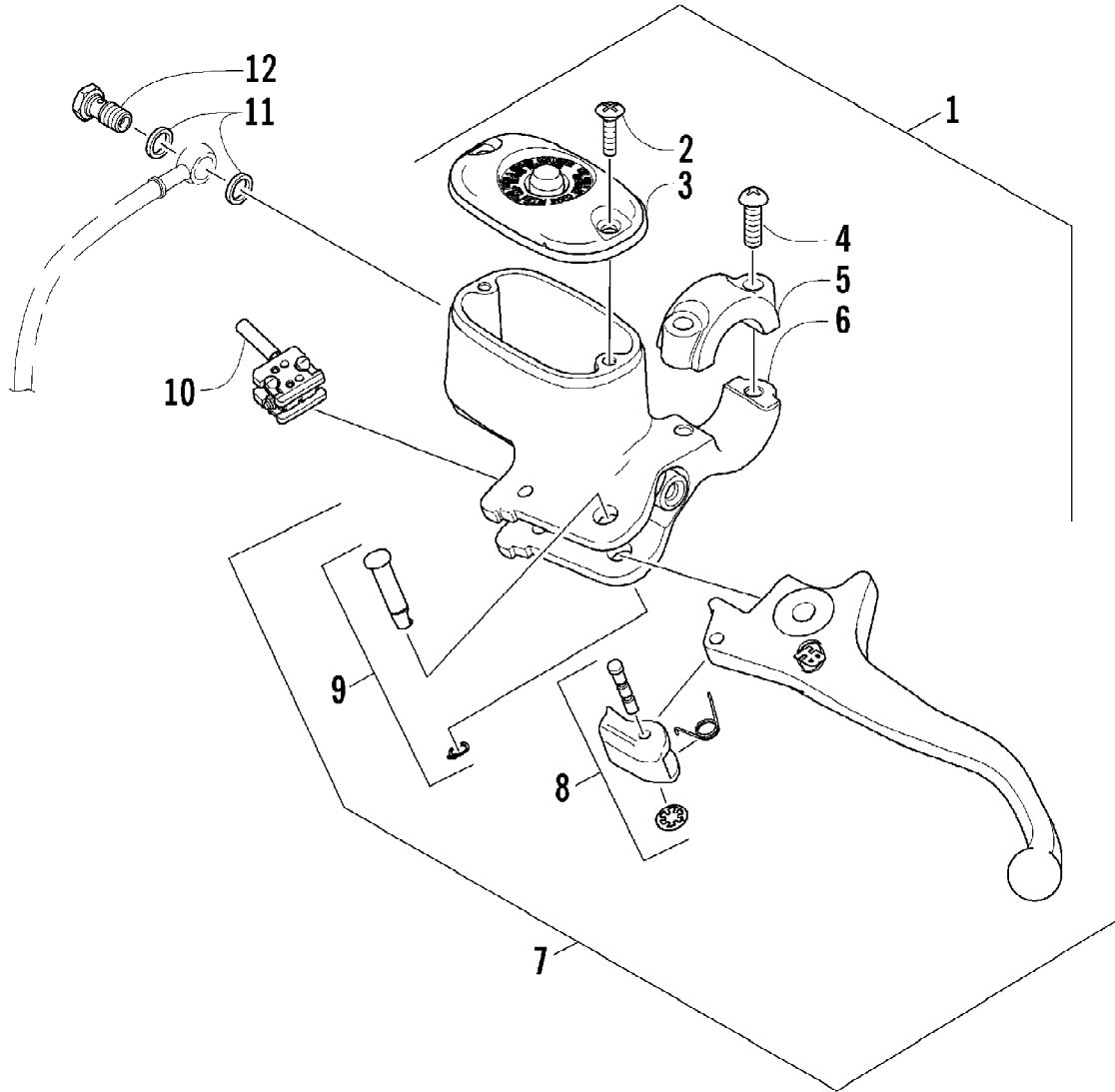
2008 ATV 650 H1 AUTOMATIC TRANSMISSION 4X4 FIS CAT GREEN (A20081231)  
HYDRAULIC BRAKE ASSEMBLY



2008 ATV 650 H1 AUTOMATIC TRANSMISSION 4X4 FIS CAT GREEN (A2008R04535Z) 93  
HYDRAULIC BRAKE ASSEMBLY

Ref #	Part Number	Qty	S/P/F	Description
1	1502-015	1		Hose, Brake - Assembly
2	8476-625	1		Screw, Cap
3	8408-821	4	/P	Screw, Cap
4	0502-878	1	S	Caliper, Brake - Right Front (inc. 5-11)
4	0502-879	1	S	Caliper, Brake - Left Front (inc. 5-11)
5	0502-603	1	S	Housing, Caliper - Assembly - Right Front (inc. 6-8)
5	0502-611	1	S	Housing, Caliper - Assembly - Left Front (inc. 6-8)
6	0502-606	2		Piston/Seal Set (inc. 7)
7	0502-607	2		Seal Set
8	0502-609	2	/P	Valve, Bleed
9	0502-608	2		O-Ring, Guide - Set
10	0502-605	2		Bracket Assembly
11	0502-875	2	S	Pad, Brake - Set
12	0423-178	4		Washer, Crush
13	0423-413	2		Bolt, Banjo-Fitting
14	0623-038	1		Nut, Lock

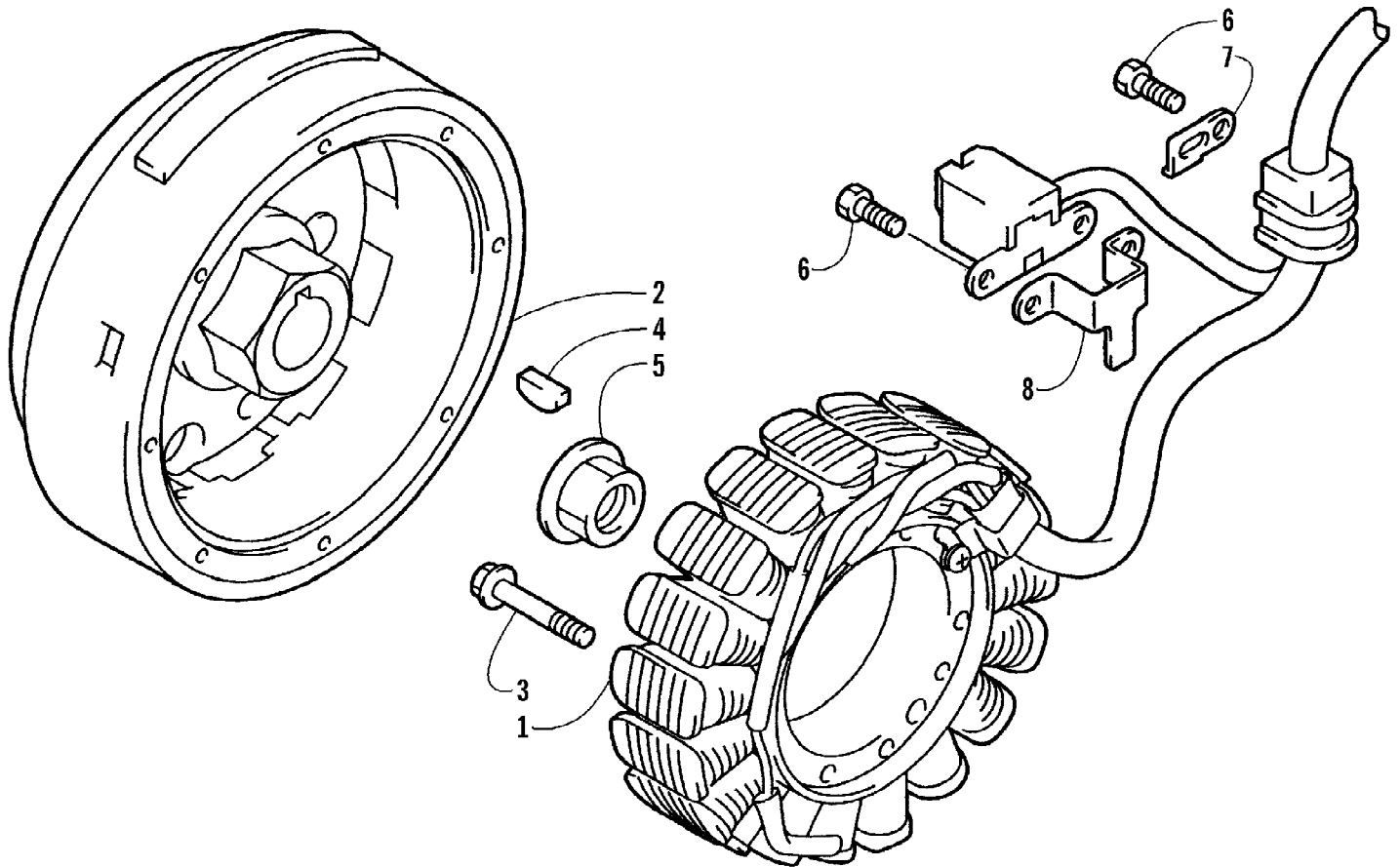
2008 ATV 650 H1 AUTOMATIC TRANSMISSION 4X4 FIS CAT GREEN (A2008P045457) 93  
HYDRAULIC HAND BRAKE ASSEMBLY



2008 ATV 650 H1 AUTOMATIC TRANSMISSION 4X4 FIS CAT GREEN (A2008P0455Z) 93  
HYDRAULIC HAND BRAKE ASSEMBLY

Ref #	Part Number	Qty	S/P/F	Description
1	0502-914	1	S	Brake Assembly (inc. 2-10)
2	0502-566	1		Screw, Reservoir Cover
3	0502-868	1	/P	Cover, Reservoir
4	0502-568	1		Screw, Master Cylinder Clamp
5	0502-869	1		Clamp, Master Cylinder
6	0502-704	1		Master Cylinder Assembly
7	0502-866	1		Lever Assembly (inc. 8-9)
8	0502-867	1	/P	Lock, Brake Lever - Kit
9	0502-580	1		Lever Pin - Kit
10	0502-564	1	/P	Switch, Brake - Kit
11	0423-178	2		Washer, Crush
12	0423-413	1		Bolt, Banjo-Fitting

2008 ATV 650 H1 AUTOMATIC TRANSMISSION 4X4 FIS CAT GREEN (A2008P045657) 93  
MAGNETO ASSEMBLY

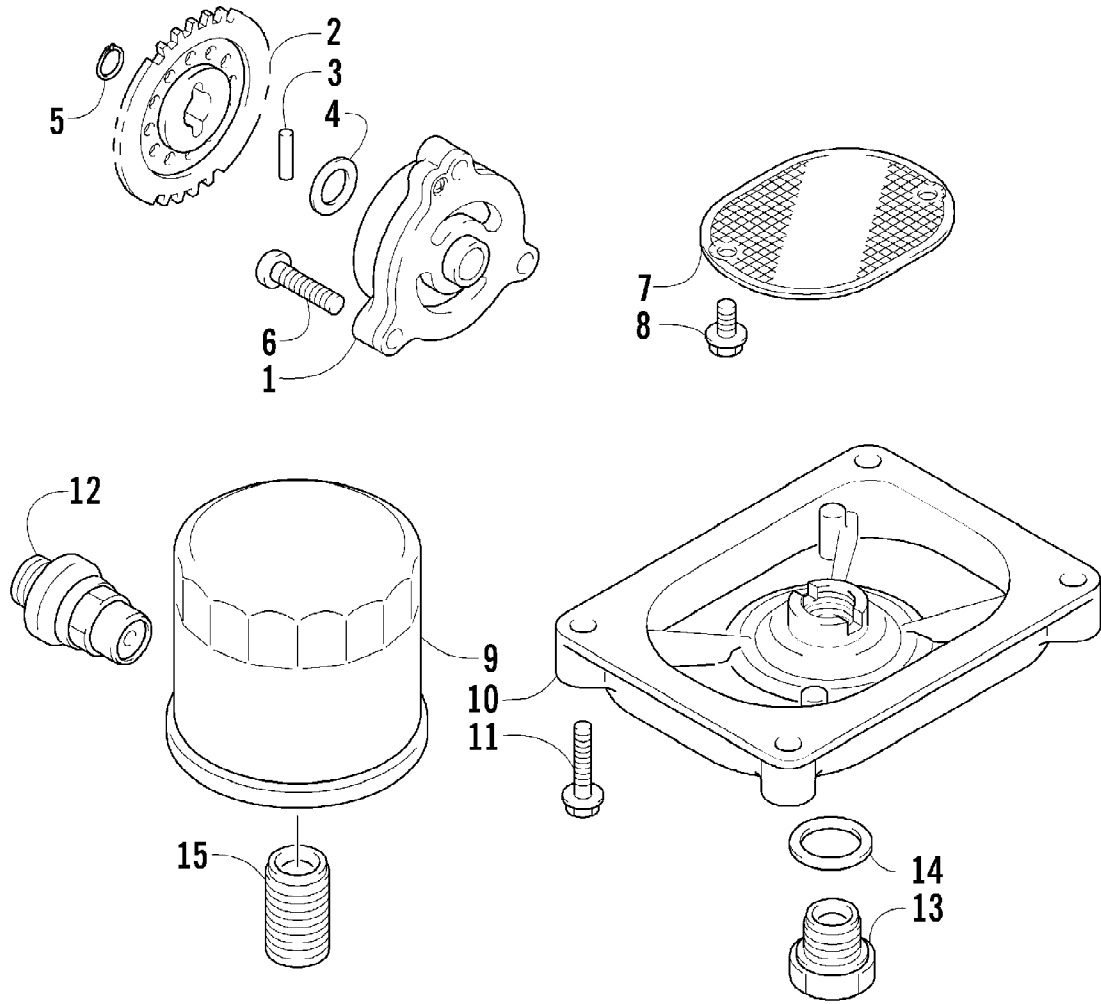




2008 ATV 650 H1 AUTOMATIC TRANSMISSION 4X4 FIS CAT GREEN (A2008P0457S1) 93  
MAGNETO ASSEMBLY

Ref #	Part Number	Qty	S/P/F	Description
1	0802-037	1		Stator - Assembly
2	0802-036	1		Rotor/Flywheel
3	0826-102	3		Screw, Machine
4	0829-012	1		Key
5	0827-014	1		Nut
6	8470-510	3		Screw, Machine
7	0802-015	1		Clamp - No. 1
8	0802-016	1		Clamp - No. 2

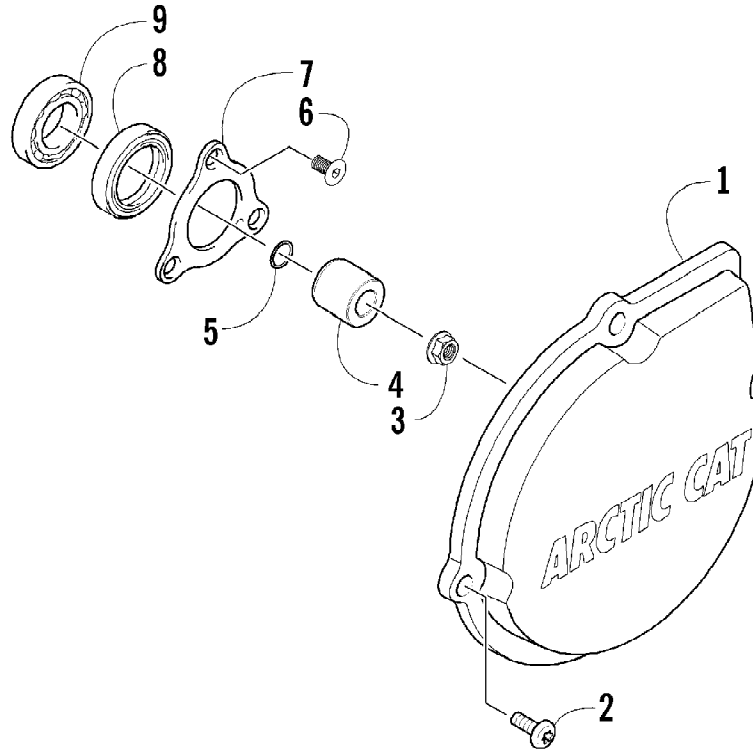
2008 ATV 650 H1 AUTOMATIC TRANSMISSION 4X4 FIS CAT GREEN (A2008P045857) 93  
OIL FILTER/PUMP ASSEMBLY



2008 ATV 650 H1 AUTOMATIC TRANSMISSION 4X4 FIS CAT GREEN (A2008P04593)  
OIL FILTER/PUMP ASSEMBLY

Ref #	Part Number	Qty	S/P/F	Description
1	0812-023	1		Pump, Oil
2	0812-002	1	S	Gear, Driven
3	0829-009	1		Pin
4	0828-007	1	/P	Shim
5	0831-002	1		Circlip
6	0826-039	3		Screw, Cap
7	0812-057	1	/P	Strainer, Oil
8	0826-040	2		Screw, Machine
9	0812-029	1	S	Filter, Oil
10	0812-053	1		Cap, Oil Strainer
11	8468-625	4		Screw, Machine
12	0812-007	1		Valve, Oil-Relief - Assembly
13	0812-006	1		Plug, Drain
14	0830-017	1		Gasket, Drain Plug
15	0812-008	1		Union, Oil Filter

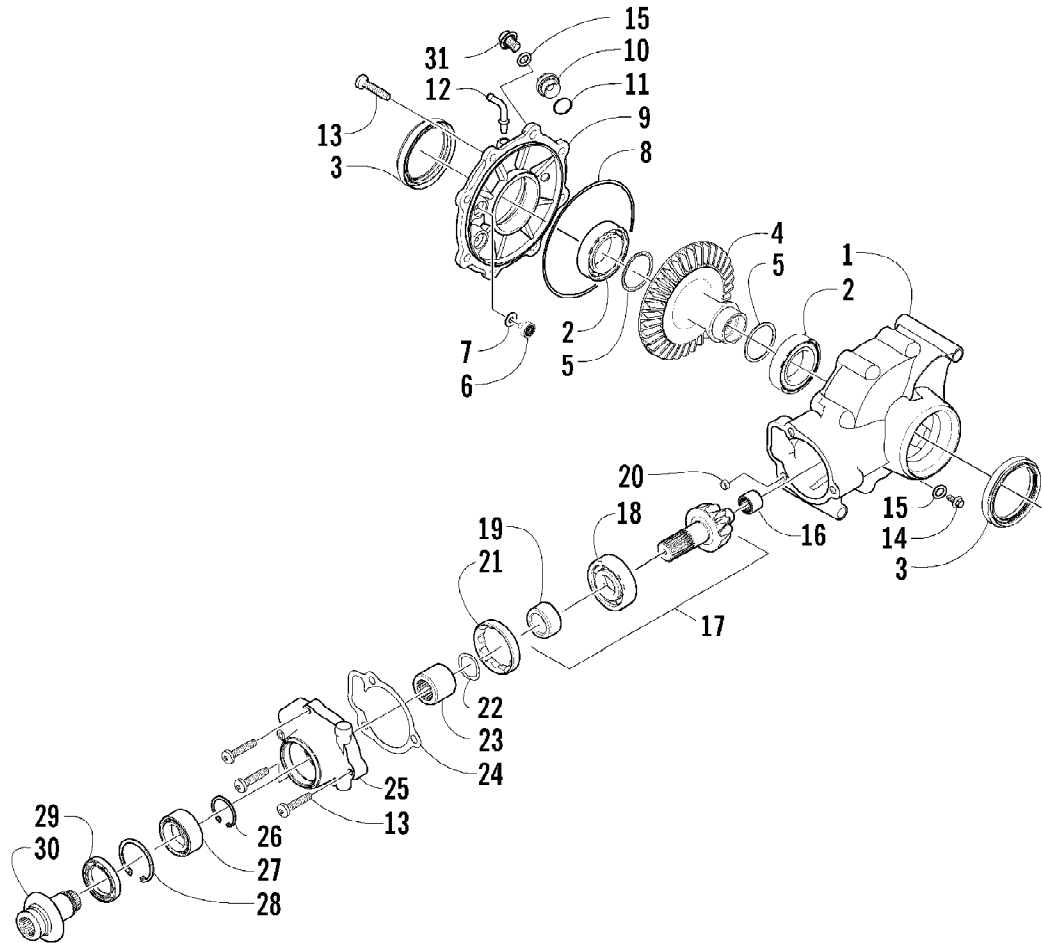
2008 ATV 650 H1 AUTOMATIC TRANSMISSION 4X4 FIS CAT GREEN (A2008P045037) 93  
OUTER MAGNETO COVER ASSEMBLY



2008 ATV 650 H1 AUTOMATIC TRANSMISSION 4X4 FIS CAT GREEN (A2008P045157) 93  
 OUTER MAGNETO COVER ASSEMBLY

Ref #	Part Number	Qty	S/P/F	Description
1	0820-062	1		Cover, Magneto - Outer
2	0826-008	4		Screw, Machine
3	0827-008	1		Nut
4	0820-061	1		Bushing
5	0830-108	1		O-Ring
6	0826-031	3		Screw
7	0805-008	1		Retainer, Oil Seal
8	0830-158	1		Seal, Oil
9	0832-045	1	S	Bearing

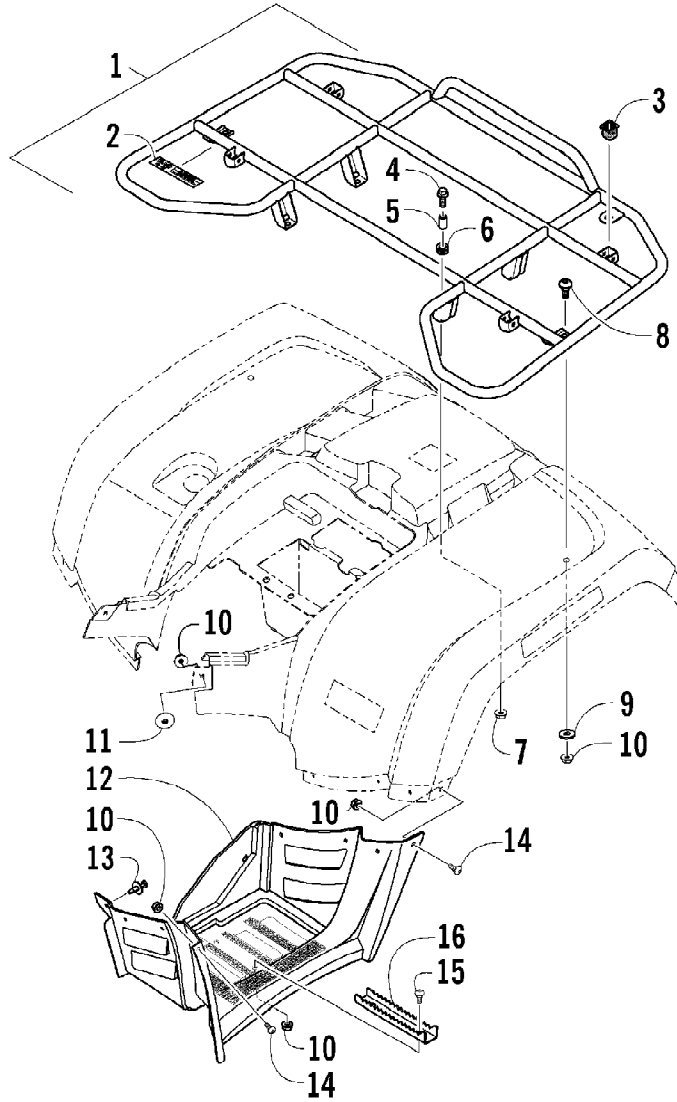
2008 ATV 650 H1 AUTOMATIC TRANSMISSION 4X4 FIS CAT GREEN (A20081231) 93  
REAR DRIVE GEARCASE ASSEMBLY



2008 ATV 650 H1 AUTOMATIC TRANSMISSION 4X4 FIS CAT GREEN (A2008R04E135Z) 93  
REAR DRIVE GEARCASE ASSEMBLY

Ref #	Part Number	Qty	S/P/F	Description
	1502-079	1	S	Complete Rear Gearcase Assembly
1	0502-622	1		Housing, Gearcase
2	0402-393	2		Bearing
3	1402-441	2	S	Seal
4	1402-032	1		Gear, Ring - 36T
5	0402-405	AR		Shim
5	0402-406	AR		Shim
5	0402-407	AR		Shim
5	0402-408	AR		Shim
5	0402-409	AR		Shim
6	0402-326	1		Button, Thrust
7	0402-429	AR		Shim
7	0402-430	AR		Shim
7	0402-431	AR		Shim
7	0402-432	AR		Shim
7	0402-433	AR		Shim
8	0423-149	1		O-Ring
9	1502-082	1		Cover, Gearcase
10	0402-333	1	/P	Plug, Fill (inc. 11)
11	0423-154	1		O-Ring
12	1402-102	1		Fitting
13	0423-118	11		Screw, Self-Tapping
14	0402-450	1	S	Plug, Magnetic (inc. one No. 15)
15	0423-153	2		O-Ring
16	0402-328	1		Bearing
17	0502-783	1		Gear, Pinion - Assembly - 10T (inc. 18-19)
18	0402-327	1		Bearing
19	0402-336	1		Collar, Retaining
20	0402-411	1		Pin, Dowel
21	0402-331	1		Collar, Lock
22	0402-982	1		Washer, Spring
23	0402-981	1		Collar, Shaft
24	0402-947	1		Gasket, Flange
25	0502-529	1		Housing, Pinion
26	0423-417	1		Ring, Retaining
27	1402-043	1		Bearing
28	0423-423	1		Ring, Retaining
29	1402-011	1		Seal
30	1502-085	1	/P	Shaft, Input
31	1402-211	1		Plug, Oil Level (inc. one No. 15)

2008 ATV 650 H1 AUTOMATIC TRANSMISSION 4X4 FIS CAT GREEN (A2008P0451) 93  
REAR RACK AND FOOTWELL ASSEMBLIES

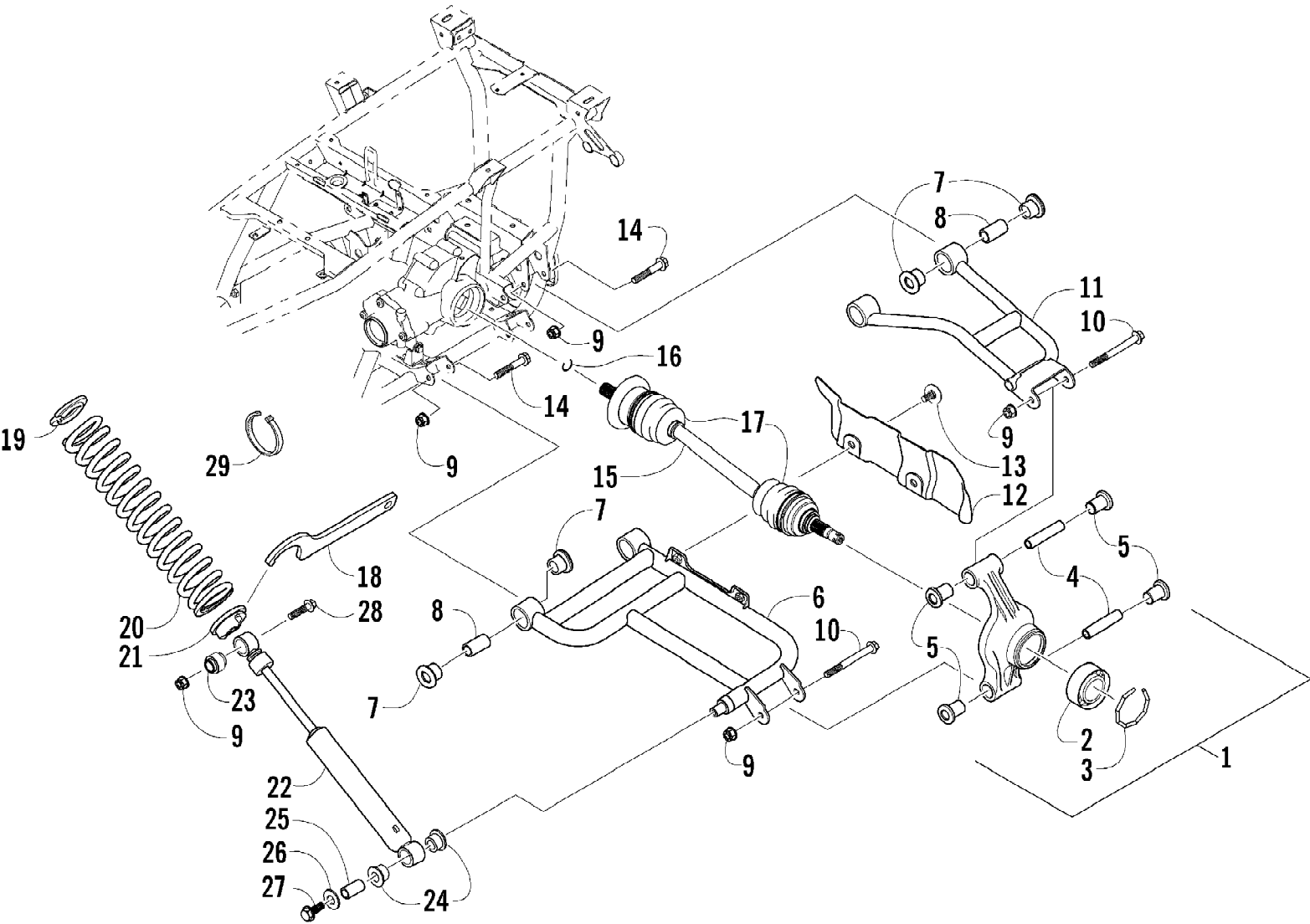




2008 ATV 650 H1 AUTOMATIC TRANSMISSION 4X4 FIS CAT GREEN (A2008P04E55Z)93  
REAR RACK AND FOOTWELL ASSEMBLIES

Ref #	Part Number	Qty	S/P/F	Description
1	2506-125	1		Rack, Rear - Assembly (inc. 2-3)
2	0411-648	1		Decal, Warning - Rear Rack Load
3	0441-592	4	/P	Bushing, Rack
4	8410-830	4		Screw, Cap
5	0423-669	4		Spacer
6	0423-465	4		Grommet
7	8432-802	4		Nut, Lock
8	0423-654	2		Screw, Shoulder
9	8050-222	2	/P	Washer
10	0423-540	24		Nut, Lock
11	0423-101	2		Screw, Body
12	1406-356	1		Footwell - Right
12	2406-429	1	/P	Footwell - Left
13	0623-362	2		Rivet, Reinstallable
14	0423-419	16		Screw, Machine
15	0423-355	4		Screw, Shoulder
16	1506-125	2	/P	Footpeg

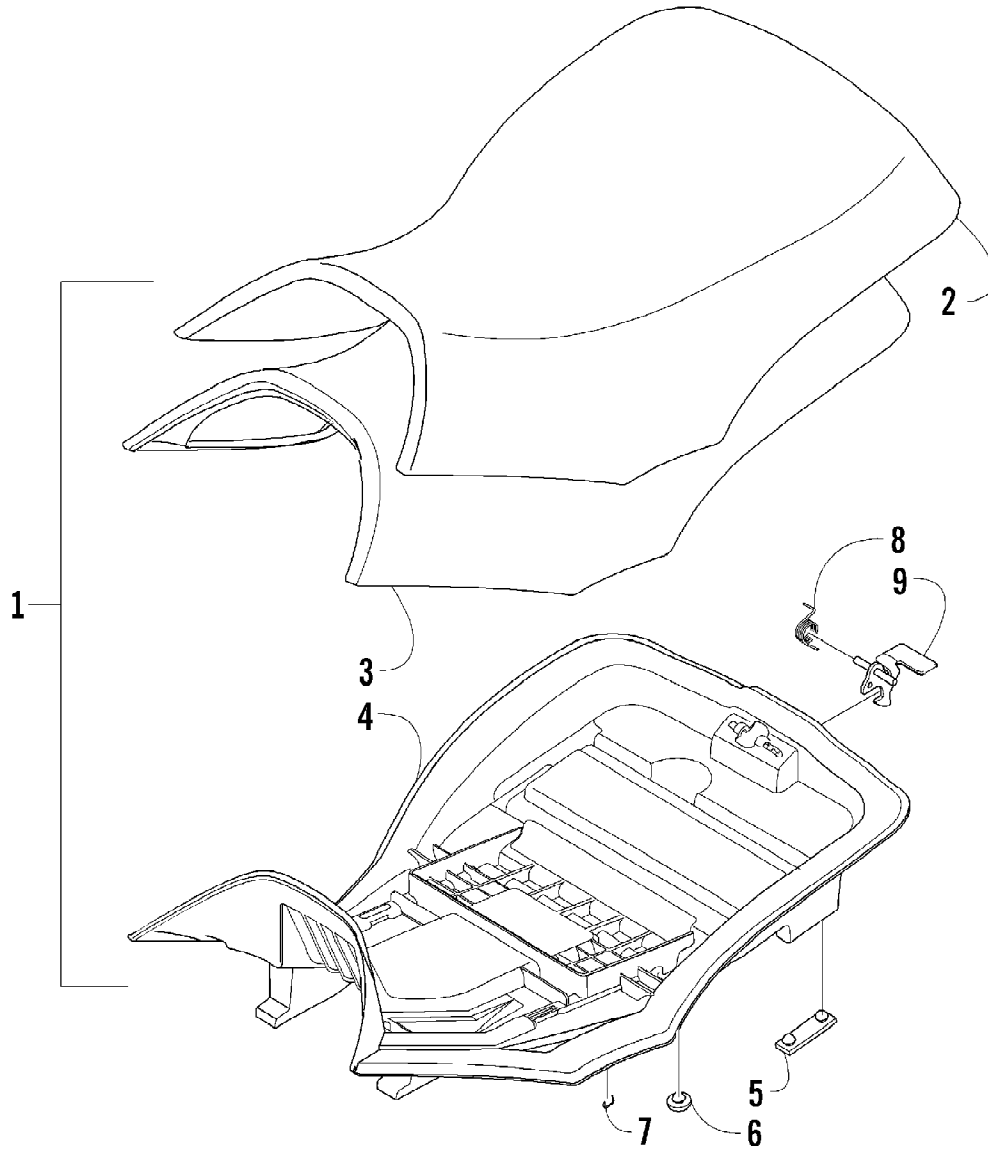
2008 ATV 650 H1 AUTOMATIC TRANSMISSION 4X4 FIS CAT GREEN (A200812045657) 93  
REAR SUSPENSION ASSEMBLY



2008 ATV 650 H1 AUTOMATIC TRANSMISSION 4X4 FIS CAT GREEN (A2008P04B7S1) 93  
REAR SUSPENSION ASSEMBLY

Ref #	Part Number	Qty	S/P/F	Description
1	0504-372	1	S	Knuckle, Right Rear - Assembly (inc. 2-5)
1	0504-373	1	S/P	Knuckle, Left Rear - Assembly (inc. 2-5)
2	1402-027	2	S/P	Bearing, Wheel Hub
3	0423-423	2		Ring, Retaining
4	0403-038	4	S/P	Collar, Suspension Bushing
5	0403-032	8	S	Bushing, Suspension
6	0504-440	1	S	A-Arm, Rear - Lower Right (inc. 7-8)
6	0504-441	1	S	A-Arm, Rear - Lower Left (inc. 7-8)
7	0403-115	16	S	Bushing
8	0403-114	8	S	Collar
9	8428-002	14		Nut, Lock
10	8409-000	4		Screw, Cap
11	0504-476	1		A-Arm, Rear - Upper Right (inc. 7-8)
11	0504-477	1		A-Arm, Rear - Upper Left (inc. 7-8)
12	0441-758	1		Guard, Boot - Right
12	0441-759	1		Guard, Boot - Left
13	0423-545	4	/P	Screw, Body
14	8409-075	8		Screw, Cap
15	0502-811	2	S	Axle, Drive (inc. 16-17)
16	0441-893	2	S	Clip, Retaining
17	0436-276	2	S	Repair Kit, Boot - Rear Axle
18	0441-587	1		Wrench, Spanner
19	1603-889	2	/P	Retainer, Spring
20	0404-113	2		Spring, Suspension
21	0404-057	2		Cam, Spring Adjuster
22	0404-150	2		Shock Absorber - Rear (inc. 23-25)
23	0403-182	2		Bushing, Double-Bonded
24	0603-955	4		Bushing, Shock Absorber
25	1603-219	2	S	Sleeve, Shock Absorber
26	0423-087	2		Washer
27	8408-820	2	/P	Screw, Cap
28	8409-040	1		Screw, Cap - Right
28	8409-050	1		Screw, Cap - Left
29	0123-788	2	/P	Cable Tie

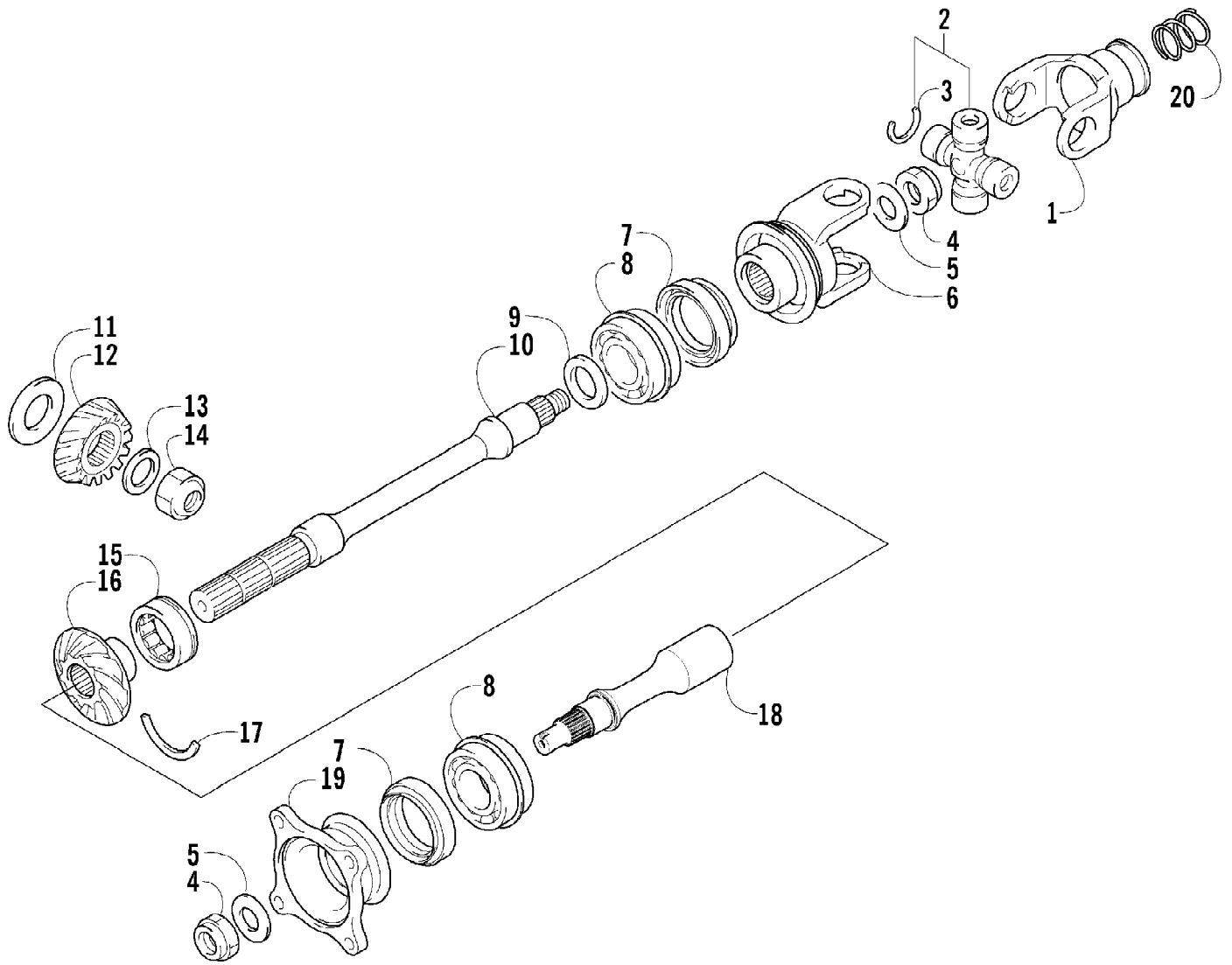
2008 ATV 650 H1 AUTOMATIC TRANSMISSION 4X4 FIS CAT GREEN (A2008FIS455Z)93  
SEAT ASSEMBLY



2008 ATV 650 H1 AUTOMATIC TRANSMISSION 4X4 FIS CAT GREEN (A2008P04B937) 93  
SEAT ASSEMBLY

Ref #	Part Number	Qty	S/P/F	Description
1	1506-937	1	S/P	Seat Assembly (inc. 2-9)
2	1506-209	1		Cover, Seat
3	1506-208	1		Foam, Seat
4	2406-144	1	S/P	Base, Seat - Assembly (inc. 5-6)
5	0406-879	2		Bumper, Seat - Rear
6	0406-877	4	/P	Bumper, Seat - Front
7	0624-263	AR		Staple
8	1406-592	1	/P	Spring, Seat Latch
9	1506-156	1		Latch, Seat

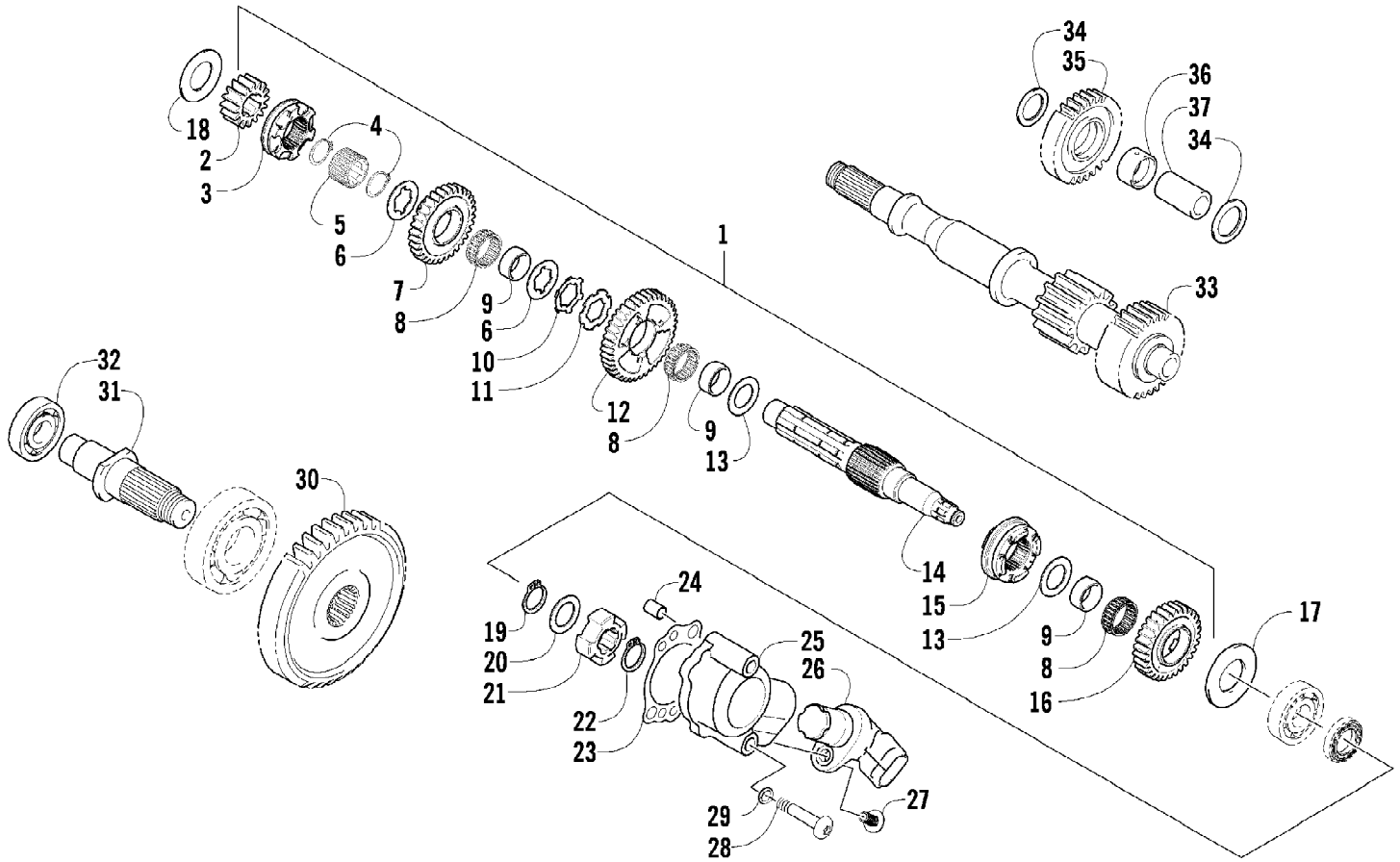
2008 ATV 650 H1 AUTOMATIC TRANSMISSION 4X4 FIS CAT GREEN (A2008P04703Z) 93  
SECONDARY DRIVE ASSEMBLY



2008 ATV 650 H1 AUTOMATIC TRANSMISSION 4X4 FIS CAT GREEN (A2008P04715Z) 93  
SECONDARY DRIVE ASSEMBLY

Ref #	Part Number	Qty	S/P/F	Description
1	0819-063	1		Yoke, Propeller Shaft Joint
2	1402-463	1	S	Joint, Universal - Set (inc. 3)
3	0423-450	4		Circlip
4	0827-013	2		Nut, Rear Output Joint
5	0828-020	2		Washer, Rear Output Flange
6	0819-061	1		Yoke, Drive Output - Front
7	0830-043	2		Seal, Oil - Driven Shaft
8	0832-017	2		Bearing, Driven Shaft
9	0828-021	AR		Shim, 25 x 34 x 0.25 mm
9	0828-022	AR		Shim, 25 x 34 x 0.30 mm
9	0828-023	AR		Shim, 25 x 34 x 0.70 mm
9	0828-024	AR		Shim, 25 x 34 x 0.90 mm
9	0828-025	AR		Shim, 25 x 34 x 0.95 mm
9	0828-026	AR		Shim, 25 x 34 x 1.00 mm
9	0828-027	AR		Shim, 25 x 34 x 1.05 mm
9	0828-028	AR		Shim, 25 x 34 x 1.10 mm
9	0828-029	AR		Shim, 25 x 34 x 1.15 mm
10	0819-003	1	S	Shaft, Secondary Driven - Front
11	0828-030	AR		Shim, 24 x 48 x 0.25 mm
11	0828-031	AR		Shim, 24 x 48 x 0.30 mm
11	0828-032	AR		Shim, 24 x 48 x 0.35 mm
11	0828-033	AR		Shim, 24 x 48 x 0.90 mm
11	0828-018	AR		Shim, 24 x 48 x 0.95 mm
11	0828-062	AR		Shim, 24 x 48 x 1.00 mm
11	0828-063	AR		Shim, 24 x 48 x 1.05 mm
11	0828-064	AR		Shim, 24 x 48 x 1.10 mm
11	0828-065	AR		Shim, 24 x 48 x 1.15 mm
12	0819-001	1		Gear, Secondary Drive
13	0828-019	1		Washer
14	0827-012	1		Nut
15	0832-016	1		Bearing, Driven Gear
16	0819-002	1		Gear, Secondary Driven
17	0819-011	1		Ring, Driven Bearing
18	0819-053	1		Shaft, Secondary Driven - Rear
19	0819-005	1		Flange, Output Joint - Rear
20	1402-026	1		Spring

2008 ATV 650 H1 AUTOMATIC TRANSMISSION 4X4 FIS CAT GREEN (A2008P047137)  
SECONDARY TRANSMISSION ASSEMBLY

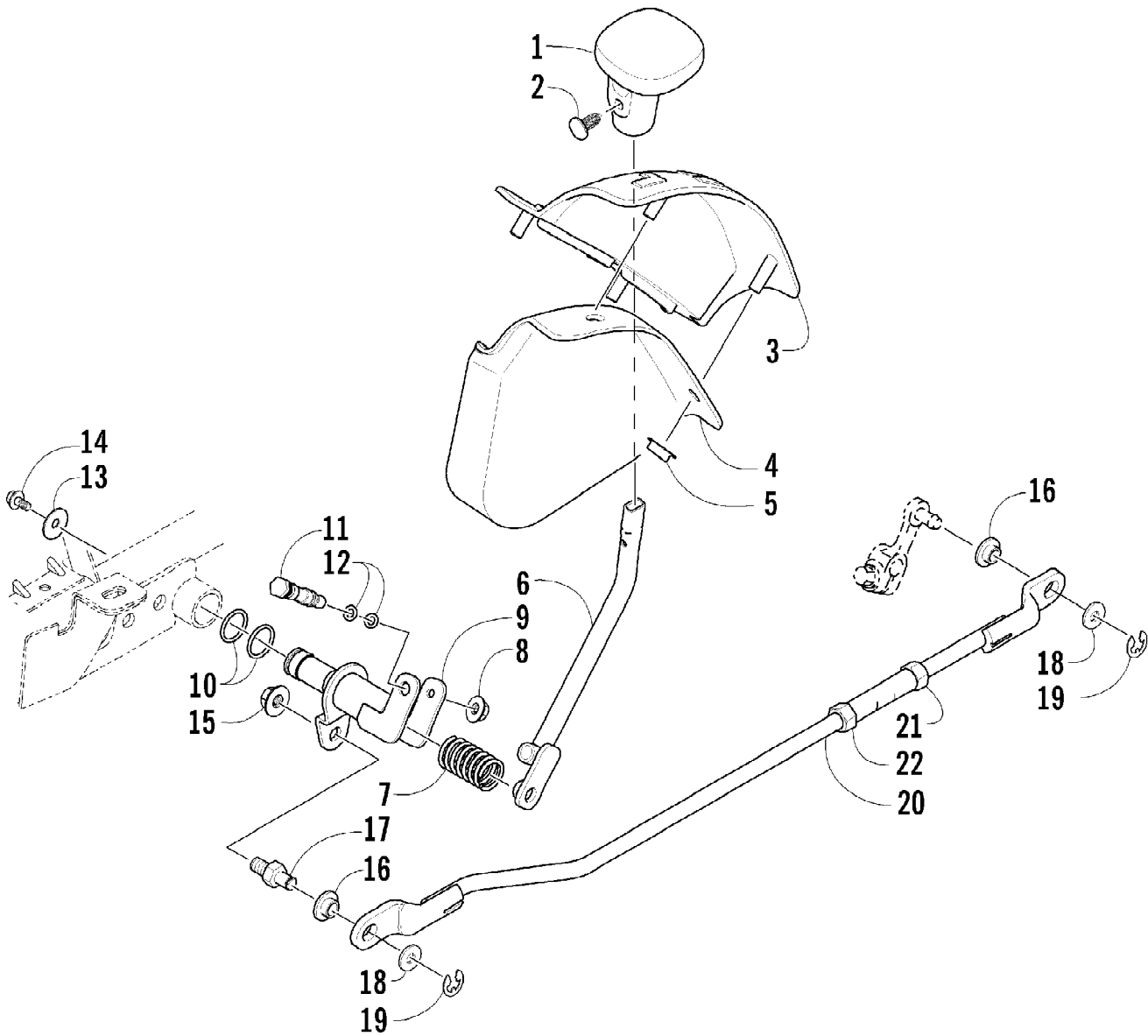




2008 ATV 650 H1 AUTOMATIC TRANSMISSION 4X4 FIS CAT GREEN (A2008P04735Z) 93  
SECONDARY TRANSMISSION ASSEMBLY

Ref #	Part Number	Qty	S/P/F	Description
1	0822-048	1		Countershaft Assembly (inc. 2-16)
2	0822-008	1		Gear, Drive
3	0822-014	1		Dog, Reverse Driven Gear
4	0831-011	2		Circlip
5	0822-045	1		Spacer, Reverse Driven Gear
6	0828-008	2		Washer
7	0822-013	1		Gear, Reverse Driven
8	0832-011	3		Bearing
9	0822-005	3		Bushing
10	0828-014	1		Washer, Lock
11	0828-015	1		Washer, Lock
12	0822-004	1		Gear, Driven - Low
13	0822-046	2		Washer, Driven Gear
14	0822-003	1		Countershaft
15	0822-007	1		Dog, Sliding
16	0822-006	1		Gear, Driven - High
17	0828-011	1		Washer, Drive Gear
18	0828-010	1		Washer, Drive Gear
19	0831-040	1		Ring, Retaining
20	0828-069	1		Washer, Thrust
21	0822-050	1		Trigger, Speedometer Sensor
22	0831-039	1		Ring, Retaining
23	0830-129	1		Gasket
24	0829-023	2		Pin, Dowel
25	0822-049	1		Housing, Speedometer Sensor
26	0824-042	1	/P	Sensor, Speedometer
27	8468-620	1	/P	Screw, Machine
28	8468-645	2		Screw, Machine
29	0830-107	2		Seal, Fastener
30	0822-009	1		Gear, Driven
31	0822-067	1	/P	Shaft, Output
32	0832-014	1	S	Bearing
33	0822-001	1		Driveshaft
34	0828-016	2		Washer, Reverse Idle Gear
35	0822-011	1		Gear, Reverse Idle
36	0822-012	1		Bushing, Reverse Idle Gear
37	0822-015	1		Shaft, Reverse Idle

2008 ATV 650 H1 AUTOMATIC TRANSMISSION 4X4 FIS CAT GREEN (A2008P047451) 93  
SHIFT LEVER ASSEMBLY

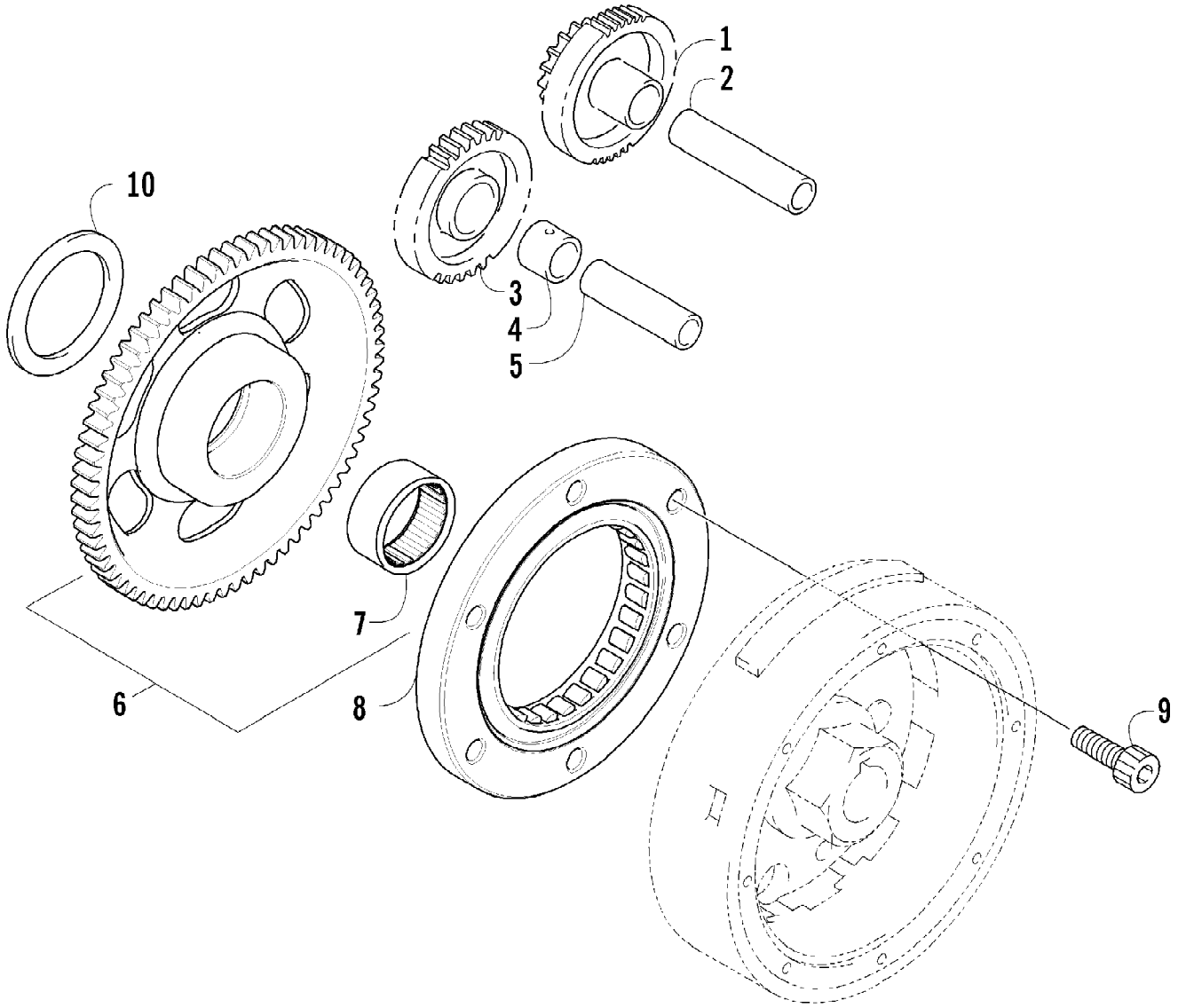


2008 ATV 650 H1 AUTOMATIC TRANSMISSION 4X4 FIS CAT GREEN (A2008P04753Z)  
SHIFT LEVER ASSEMBLY

Page 7 of 93

Ref #	Part Number	Qty	S/P/F	Description
1	0402-843	1	/P	Knob, Shift Lever
2	0423-345	1		Clip, Push
3	1402-576	1		Plate, Shift
4	2406-345	1		Shield, Shift Plate
5	0423-357	4		Nut, Stamped
6	0502-659	1		Lever, Shift
7	0402-678	1	/P	Spring, Shift Lever
8	8424-602	1	/P	Nut
9	0502-742	1		Axle, Shift Lever
10	0423-299	2	/P	O-Ring
11	0402-675	1		Axle, Pivot
12	0423-182	2	/P	O-Ring
13	0423-087	1		Washer
14	8408-812	1		Screw, Cap
15	8424-802	1		Nut, Hex
16	0423-091	2		Bushing, Shift Linkage
17	1402-621	1		Pin, Mounting - Shift Linkage
18	0623-094	2		Washer
19	0423-169	2	/P	E-Ring
20	1502-200	1		Linkage, Shift - Assembly (inc. 21-22)
21	0623-294	1		Nut, Hex - Right-Hand Thread
22	0123-917	1	/P	Nut, Hex - Left-Hand Thread

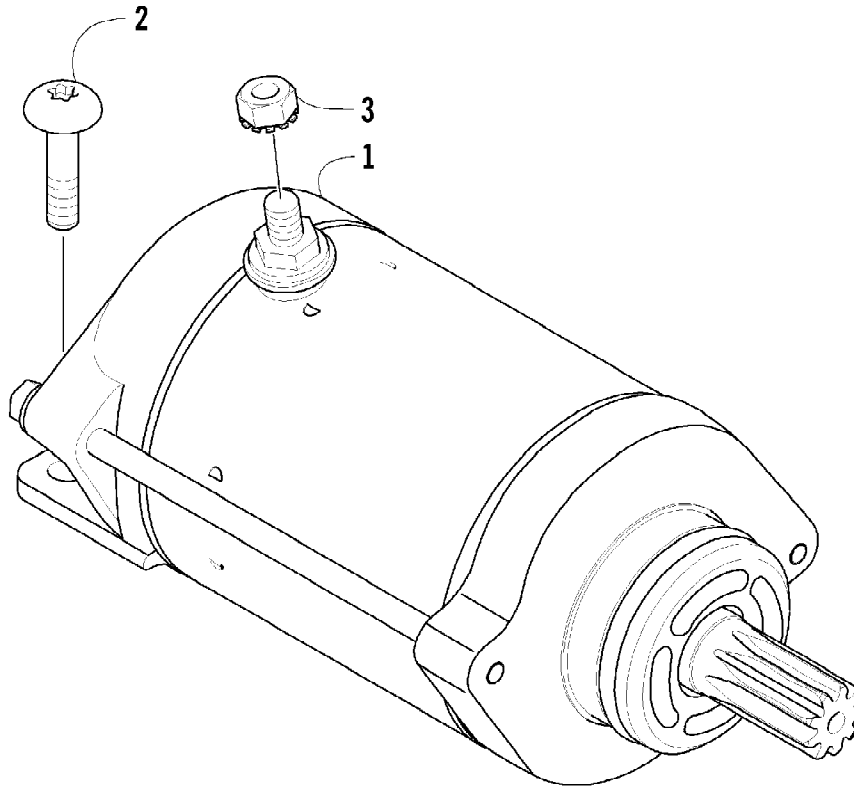
2008 ATV 650 H1 AUTOMATIC TRANSMISSION 4X4 FIS CAT GREEN (A200810047651) 93  
STARTER CLUTCH ASSEMBLY



2008 ATV 650 H1 AUTOMATIC TRANSMISSION 4X4 FIS CAT GREEN (A2008P04751) 93  
STARTER CLUTCH ASSEMBLY

Ref #	Part Number	Qty	S/P/F	Description
1	0815-001	1		Gear, Starter Idler - No. 1
2	0829-031	1	/P	Shaft, Starter Gear
3	0815-002	1		Gear, Starter Idler - No. 2
4	0815-003	1		Spacer, Starter Idler Gear No. 2
5	0829-032	1	/P	Shaft, Starter Gear
6	0815-004	1		Gear Starter Clutch (inc. 7)
7	0832-004	1	S	Bearing
8	0802-035	1		Clutch, Starter
9	0826-069	6		Screw, Machine
10	0828-094	1		Washer

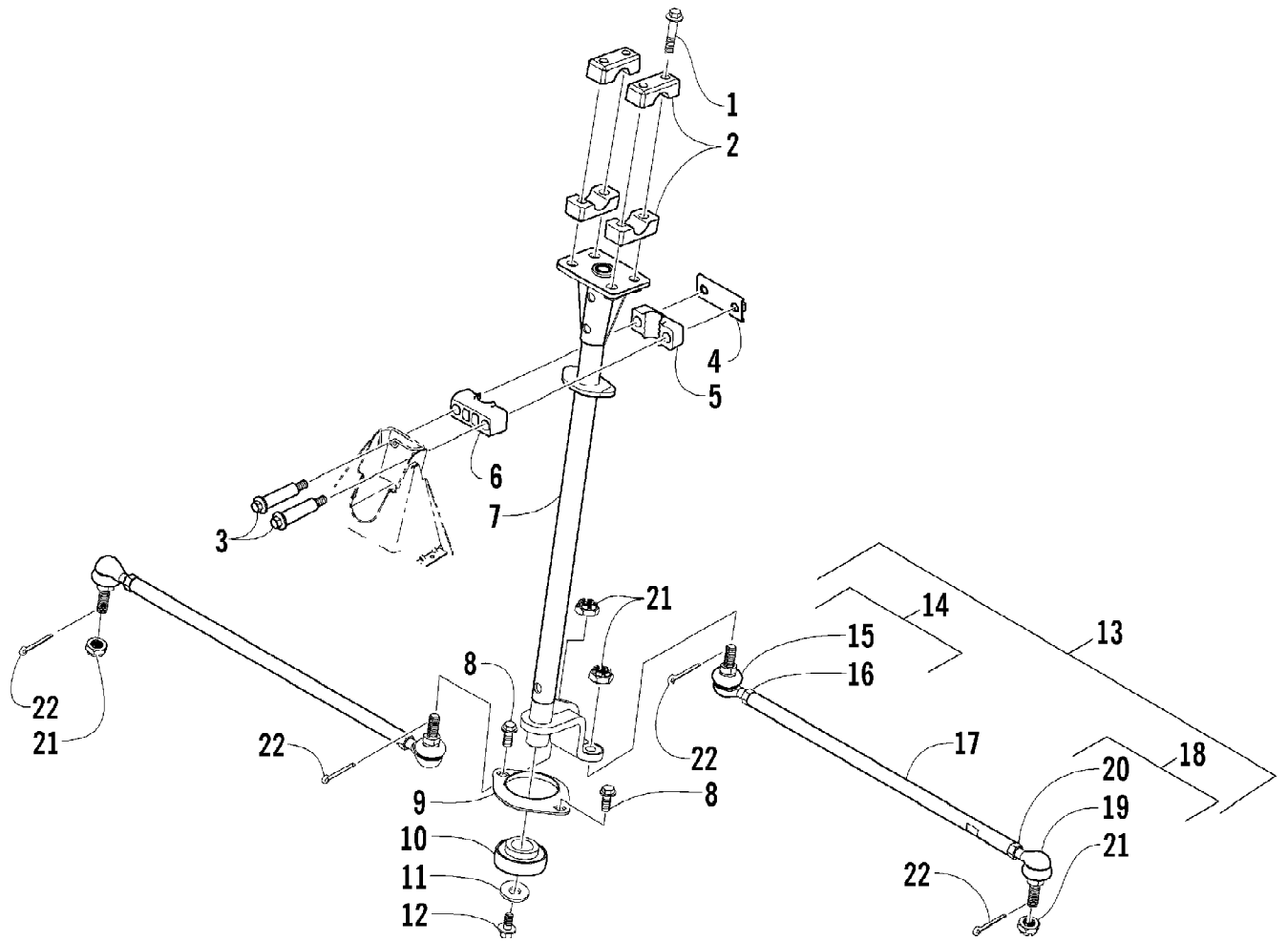
2008 ATV 650 H1 AUTOMATIC TRANSMISSION 4X4 FIS CAT GREEN (A2008P04785Z) 93  
STARTER MOTOR ASSEMBLY



2008 ATV 650 H1 AUTOMATIC TRANSMISSION 4X4 FIS CAT GREEN (A2008P04793)  
STARTER MOTOR ASSEMBLY

Ref #	Part Number	Qty	S/P/F	Description
1	0825-011	1	S	Motor, Starter - Assembly
2	8476-625	2		Screw, Machine
3	0623-038	1		Nut w/Washer

2008 ATV 650 H1 AUTOMATIC TRANSMISSION 4X4 FIS CAT GREEN (A200810041031) 93  
STEERING ASSEMBLY

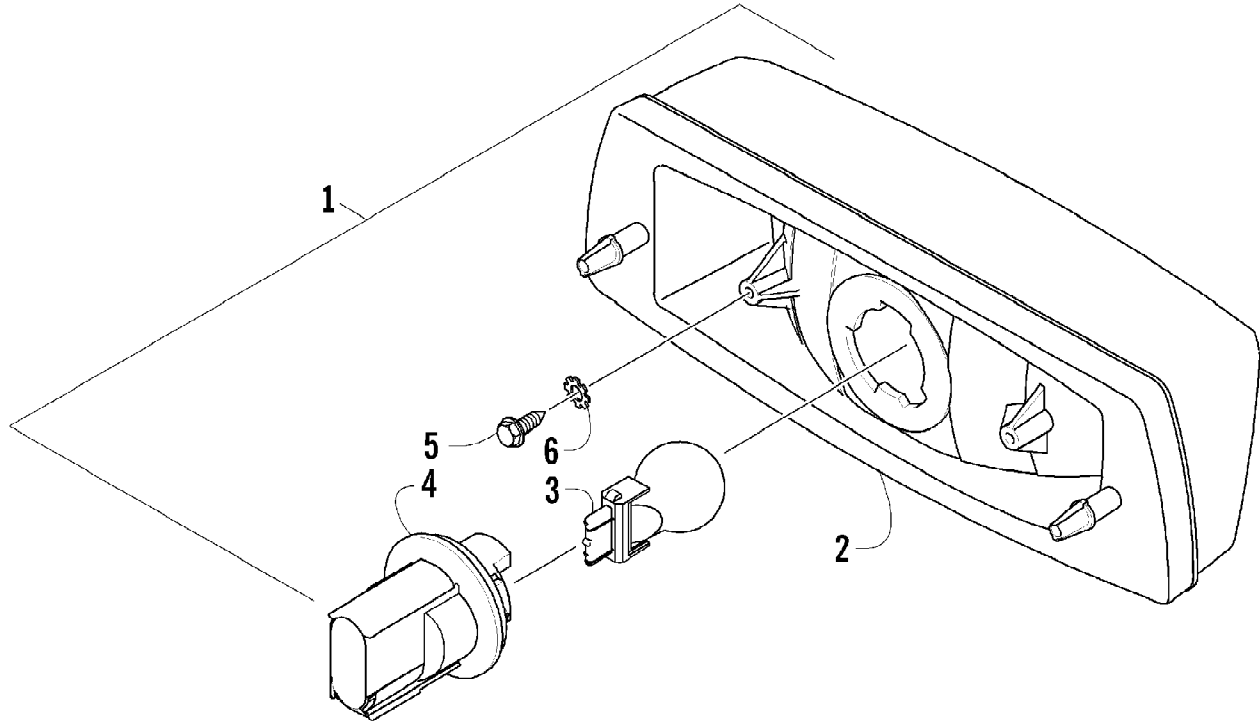




2008 ATV 650 H1 AUTOMATIC TRANSMISSION 4X4 FIS CAT GREEN (A2008P04B15Z) 93  
STEERING ASSEMBLY

Ref #	Part Number	Qty	S/P/F	Description
1	8408-860	4		Screw, Cap
2	0405-035	4		Cap, Steering Adjuster
3	0423-505	2		Screw, Shoulder
4	0505-484	1		Cap, Housing
5	0405-138	1		Housing, Lower
6	0405-139	1		Housing, Upper
7	0505-451	1	S	Post, Steering
8	8408-816	2		Screw, Cap
9	0602-233	1		Flange, Bearing
10	0405-052	1		Bearing w/Inverted Oil Seal
11	0423-073	1		Washer
12	8409-020	1	/P	Screw, Cap
13	0505-499	2	/P	Tie Rod - Assembly (inc. 14-20)
14	0505-511	2	/P	End, Tie Rod - Left-Hand Thread - Kit (inc. 15-16 and two No. 21-22)
15	0	2	F	End, Tie Rod - Left Hand Thread
16	0423-013	2		Nut - Left-Hand Thread
17	0405-281	2	/P	Tie Rod
18	0505-510	2	/P	End, Tie Rod - Right-Hand Thread - Kit (inc. 19-20 and two No. 21-22)
19	0	2	F	End, Tie Rod - Right-Hand Thread
20	8420-002	2	/P	Nut - Right-Hand Thread
21	0423-157	4		Nut, Lock
22	0623-175	4		Pin, Cotter

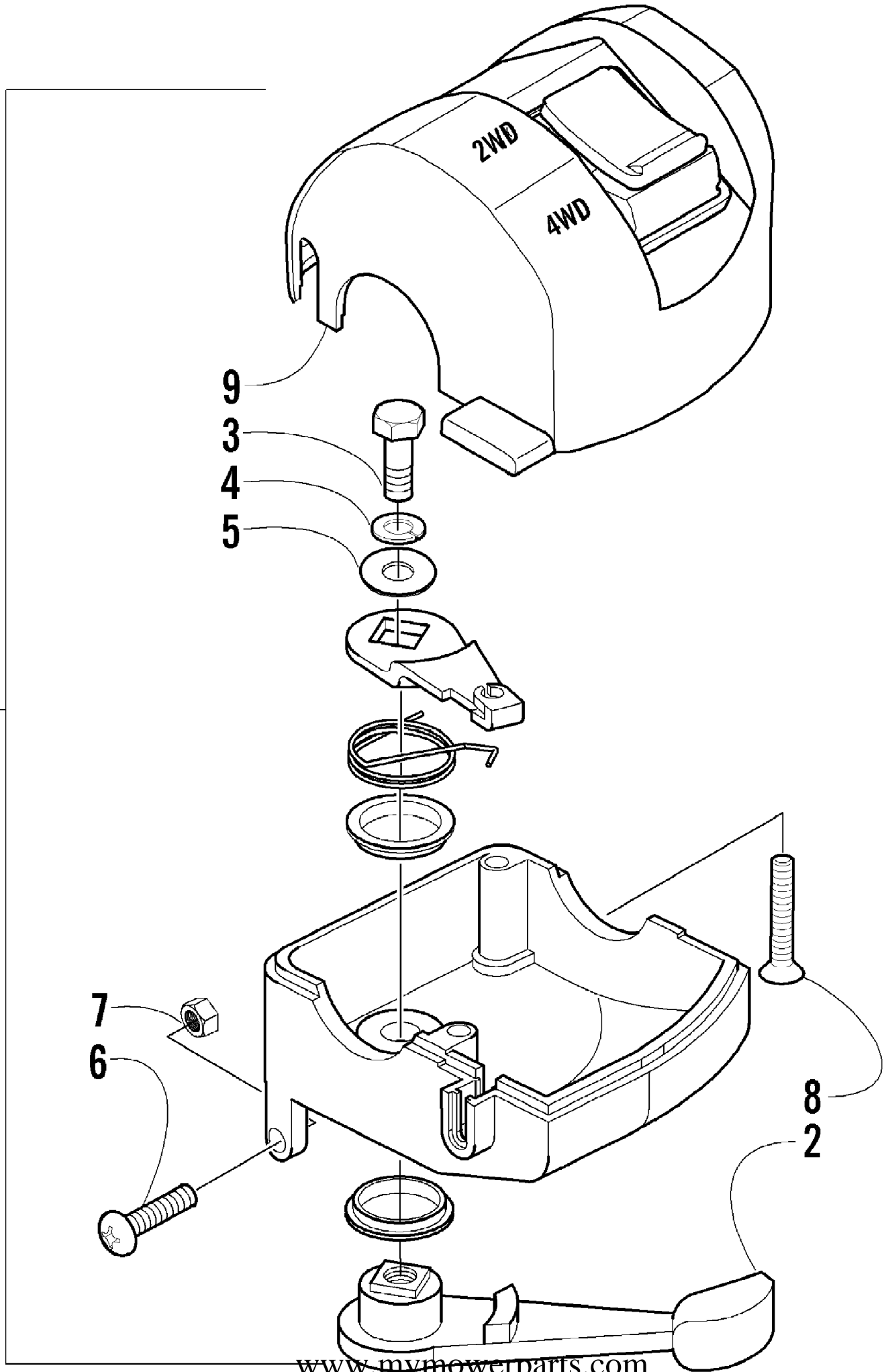
2008 ATV 650 H1 AUTOMATIC TRANSMISSION 4X4 FIS CAT GREEN (A2008P04B151) 93  
TAILLIGHT ASSEMBLY



2008 ATV 650 H1 AUTOMATIC TRANSMISSION 4X4 FIS CAT GREEN (A2008P04B35Z)93  
TAILLIGHT ASSEMBLY

Ref #	Part Number	Qty	S/P/F	Description
1	0509-022	1		Taillight Assembly (inc. 2-4)
2	0509-025	1		Housing, Taillight
3	0409-056	1		Bulb, Taillight
4	0409-057	1		Socket, Taillight
5	0623-301	2	/P	Screw, Self-Tapping
6	8053-212	2	/P	Washer, Lock - External Tooth

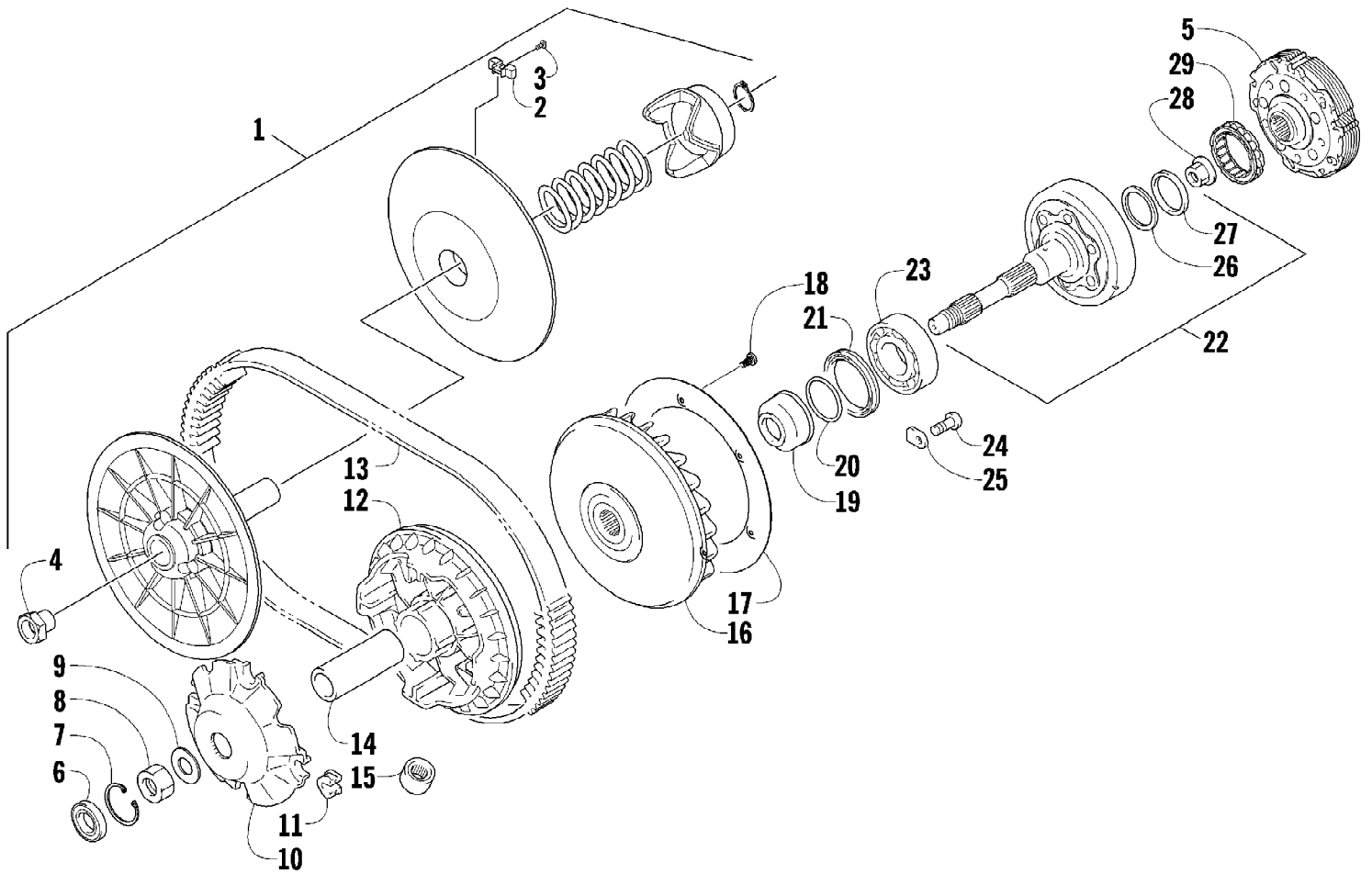
2008 ATV 650 H1 AUTOMATIC TRANSMISSION 4X4 FIS CAT GREEN (A200813041451) 93  
THROTTLE CASE ASSEMBLY



2008 ATV 650 H1 AUTOMATIC TRANSMISSION 4X4 FIS CAT GREEN (A2008P04B5S1) 93  
THROTTLE CASE ASSEMBLY

Ref #	Part Number	Qty	S/P/F	Description
1	0509-012	1		Case, Throttle - Assembly (inc. 2-9)
2	3409-001	1		Lever
3	3004-533	1	S/P	Screw, Cap
4	3004-447	1	/P	Washer, Lock
5	3003-030	1	/P	Washer
6	3423-014	1		Screw
7	3423-327	1		Nut
8	3423-199	2		Screw
9	0409-048	1		Cover, Throttle w/Switch

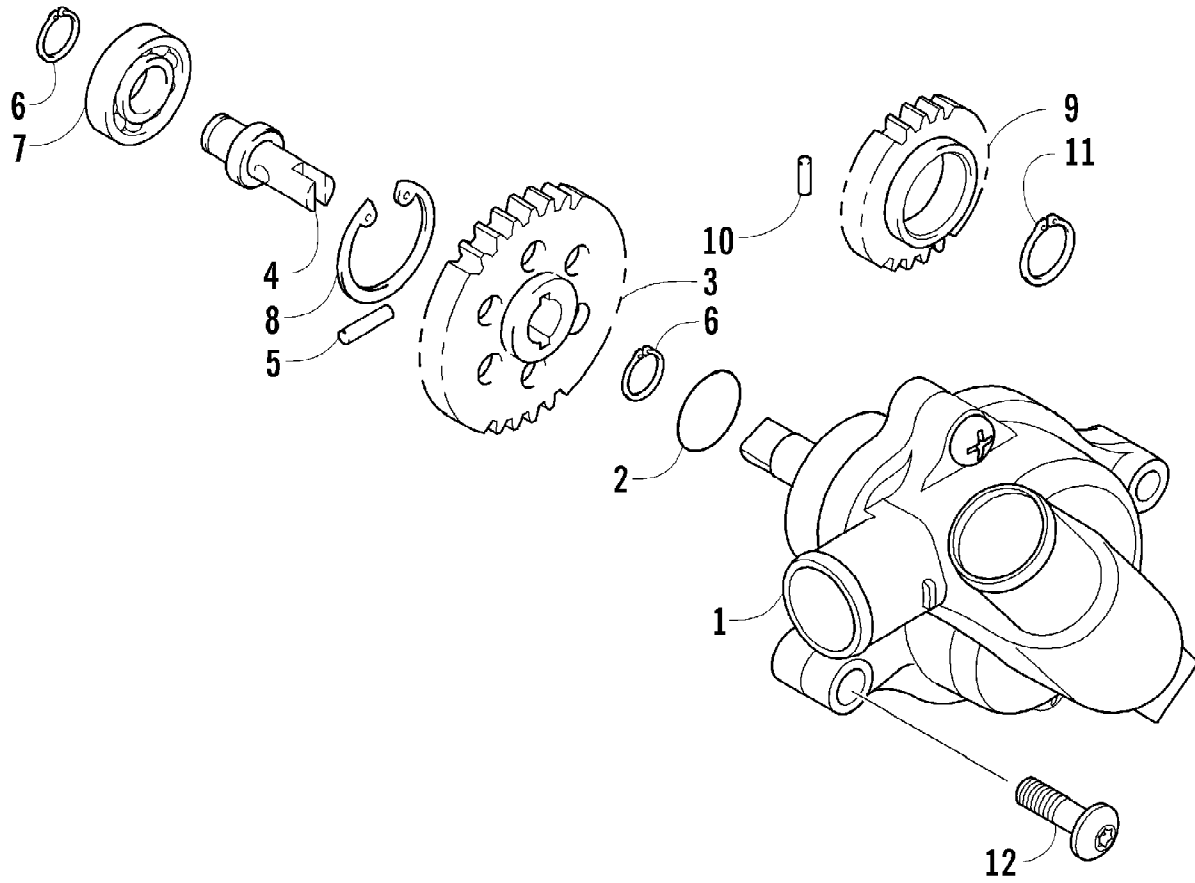
2008 ATV 650 H1 AUTOMATIC TRANSMISSION 4X4 FIS CAT GREEN (A200812041001) 93  
TRANSMISSION ASSEMBLY



2008 ATV 650 H1 AUTOMATIC TRANSMISSION 4X4 FIS CAT GREEN (A2008P04B7S1) 93  
TRANSMISSION ASSEMBLY

Ref #	Part Number	Qty	S/P/F	Description
1	0823-157	1	S/P	Pulley, Driven - Assembly (inc. 2-4)
2	0823-176	3	/P	Shoe, Cam
3	0823-177	3		Screw, Cam
4	0823-178	1		Nut, Driven Pulley
5	0823-098	1	S	Clutch, Centrifugal - 6 Plate
6	0832-060	1		Bearing
7	0831-078	1		Ring, Retaining
8	0827-010	1		Nut
9	0828-106	1		Washer
10	0823-008	1		Plate, Movable Drive Face
11	0823-010	4		Damper, Movable Drive Face
12	0823-159	1		Face, Movable Drive
13	0823-013	1		V-Belt
14	0823-149	1		Spacer, Movable Drive Face
15	0823-167	8	/P	Roller, Movable Drive Face
16	0823-156	1	/P	Face, Fixed Drive
17	0823-131	1		Shroud, Drive Face
18	0623-914	6		Screw, Self-Tapping
19	0823-015	1		Spacer, Fixed Drive Face
20	0470-531	1		O-Ring
21	0830-034	1	S	Seal, Clutch Housing - Right
22	0823-270	1	S	Housing, Clutch - Assembly (inc. 26-27)
23	0832-047	1	S	Bearing
24	0826-029	2		Screw, Bearing Retainer
25	0822-084	2	S	Retainer, Bearing
26	0828-075	1		Shim
27	0823-017	1	S	Seal, Clutch Housing - Left
28	0827-011	1		Nut
29	0823-018	1		Clutch, One-Way

2008 ATV 650 H1 AUTOMATIC TRANSMISSION 4X4 FIS CAT GREEN (A2008P04B85Z)93  
WATER PUMP ASSEMBLY

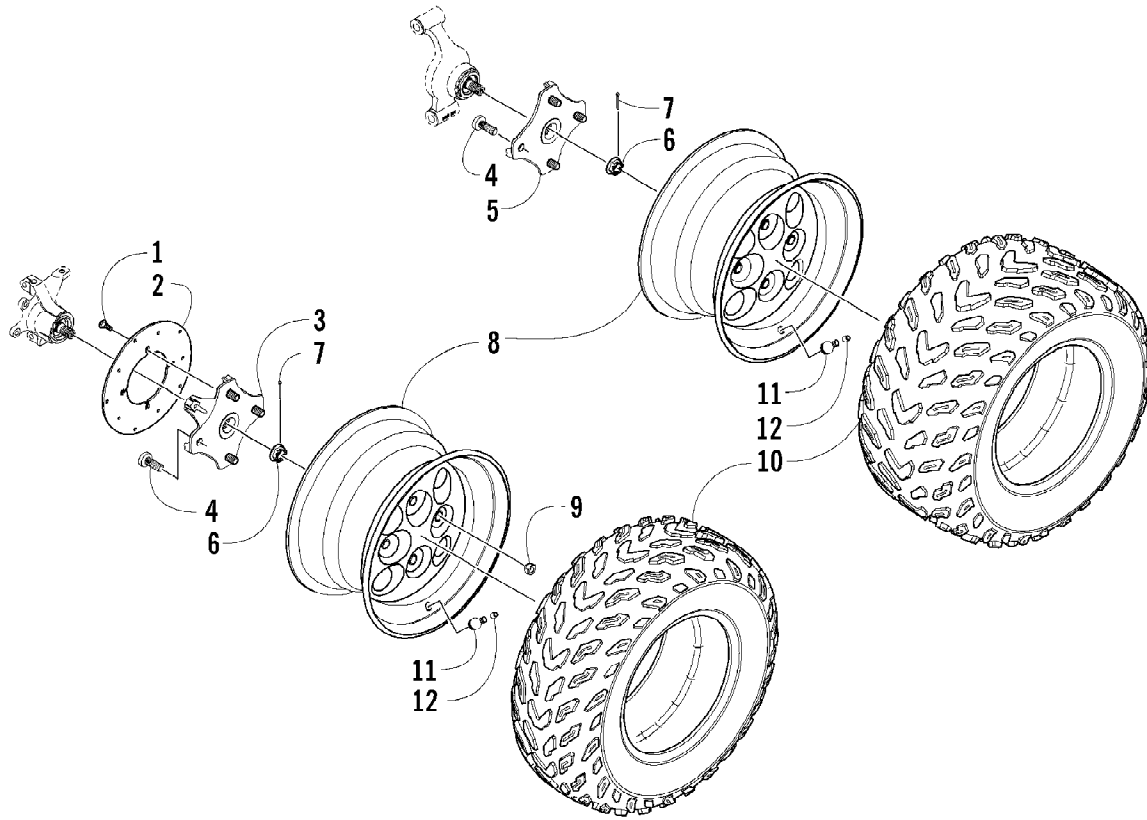




2008 ATV 650 H1 AUTOMATIC TRANSMISSION 4X4 FIS CAT GREEN (A2008P04B9S1)93  
WATER PUMP ASSEMBLY

Ref #	Part Number	Qty	S/P/F	Description
1	0813-001	1		Pump, Water - Assembly (inc. 2)
2	0830-029	1		O-Ring
3	0813-004	1		Gear, Driven
4	0813-005	1		Shaft, Driven Gear
5	0829-009	1		Pin, Driven Gear
6	0831-002	2		Circlip, Driven Gear
7	0832-008	1	S	Bearing, Shaft
8	0831-004	1		Circlip, Shaft Bearing
9	0811-003	1		Gear, Water Pump Drive
10	0829-007	1		Pin, Drive Gear
11	0831-005	1		Circlip, Drive Gear
12	8468-665	2		Screw, Machine

2008 ATV 650 H1 AUTOMATIC TRANSMISSION 4X4 FIS CAT GREEN (A2008R0642037) 93  
WHEEL AND TIRE ASSEMBLY



2008 ATV 650 H1 AUTOMATIC TRANSMISSION 4X4 FIS CAT GREEN (A2008P04B15Z)93  
WHEEL AND TIRE ASSEMBLY

Page 1 of 1

Ref #	Part Number	Qty	S/P/F	Description
1	0423-557	12		Screw, Shoulder
2	1402-225	3	S	Disc, Brake
3	0502-599	2	S	Hub, Wheel - Front (inc. 4)
4	0402-974	16	/P	Stud, Wheel Hub
5	0502-601	1	S	Hub, Wheel - Rear - Left (inc. 4)
5	0502-599	1	S	Hub, Wheel - Rear - Right (inc. 4)
6	0423-607	4		Nut, Castle
7	0423-407	4		Pin, Cotter
8	1402-127	2		Wheel - Front
8	1402-115	2		Wheel - Rear
9	0423-408	16	/P	Nut, Lug
10	1402-548	2		Tire - Front Goodyear
10	1402-549	2		Tire - Rear Goodyear
11	0402-064	4		Stem, Valve (inc. 12)
12	0402-140	4		Cap, Valve Stem



2008 ATV 650 H1 AUTOMATIC TRANSMISSION 4X4 FIS CAT GREEN (A2008P04B35Z)93  
WIRING HARNESS ASSEMBLY

Ref #	Part Number	Qty	S/P/F	Description
1	0486-242	1		Harness, Main (inc. 2-8)
2	0486-164	1		Tether, Accessory Connector
3	0530-008	1		Cover, Fuse Block
4	0430-037	1		Holder, Fuse
5	0430-034	1		Diode
6	0430-033	2		Relay (5-Pin) - 20 Amp
6	0430-045	2	/P	Relay (4-Pin) - 20 Amp
7	0430-032	4		Fuse - 10 Amp
7	0430-031	3		Fuse - 15 Amp
7	0430-030	2		Fuse - 30 Amp
8	1411-672	1		Decal, Fuse Block
9	0123-788	AR	/P	Cable Tie - 7.5 in.
10	0445-064	1		Cable, Solenoid/Starter (inc. 11)
11	0645-019	1		Boot, Terminal
12	0645-327	1		Boot, Terminal
13	0445-062	1		Cable, Battery/Solenoid
14	0623-038	8		Nut w/Washer
15	0445-058	1	/P	Solenoid
16	8476-625	4		Screw, Machine
17	0412-291	1		Shield, Heat
18	1406-787	1		Tray, Electrical
19	0623-362	4		Rivet, Reinstallable
20	0824-038	1	/P	CDI Unit
21	0409-089	1		Switch, Brake - Assembly
22	0123-903	AR		Cable Tie - 11.5 in.
23	0824-037	1	/P	Regulator, Voltage
24	0445-063	1		Cable, Battery/Ground
25	0824-036	1		Coil, Ignition - Assembly
26	0824-021	1	S	Cap, Spark Plug
27	8476-620	2		Screw, Machine