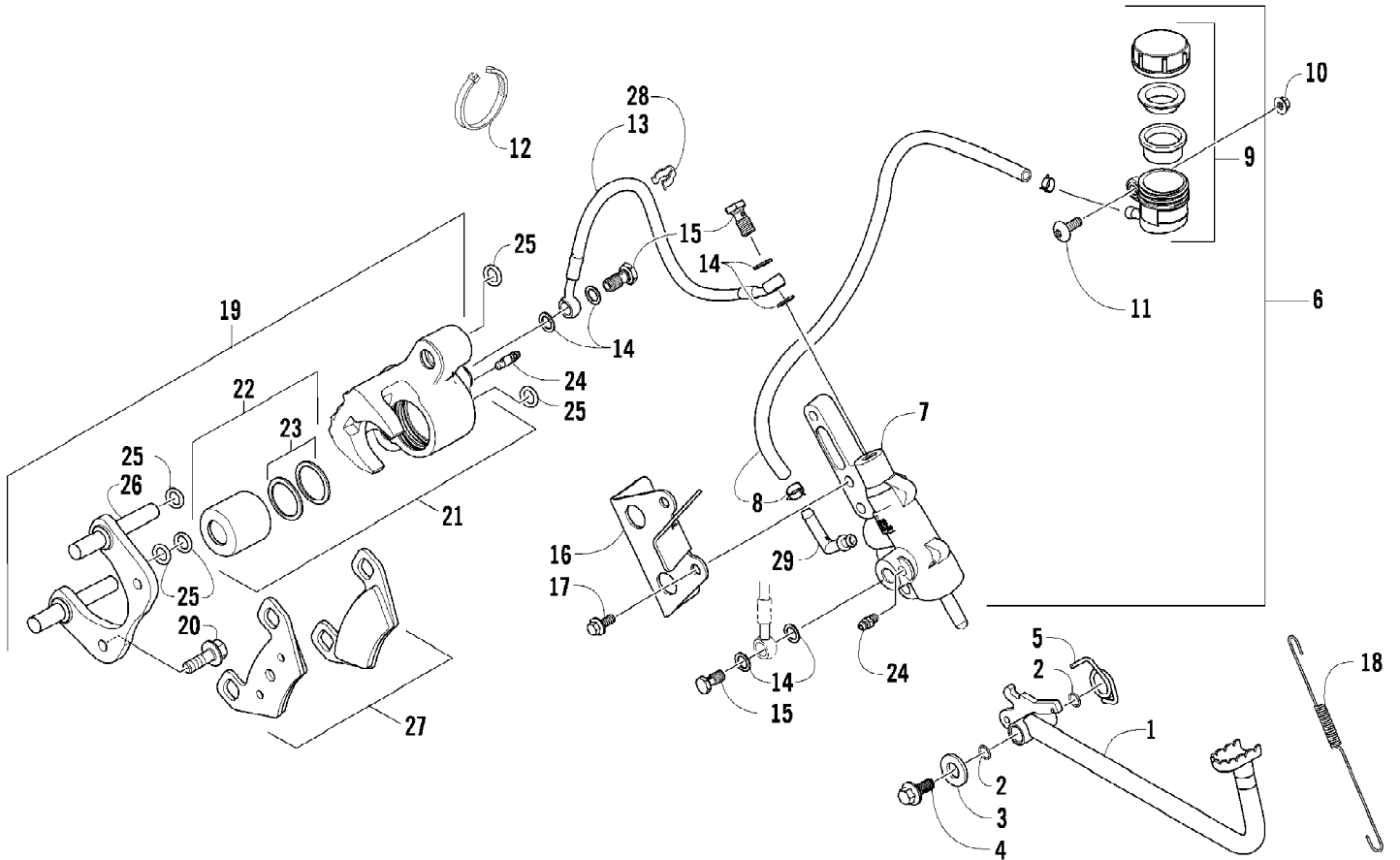


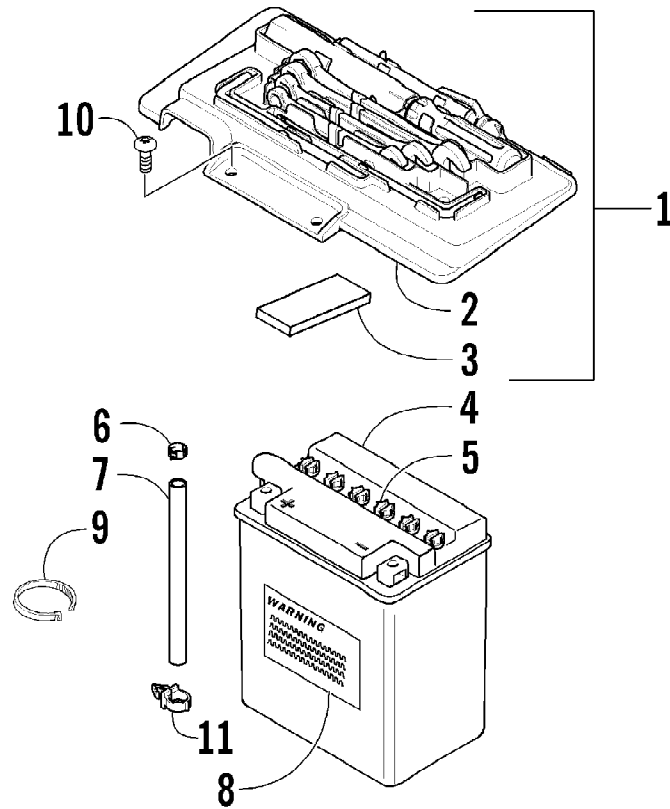
2008 ATV 500 MANUAL TRANSMISSION 4X4 FIS GREEN (A2008IBM4AUSG) Page 2 of 95  
AIR INTAKE ASSEMBLY

Ref #	Part Number	Qty	S/P/F	Description
1	0413-091	1		Diverter, Air - Top
2	0413-093	1		Diverter, Air - Bottom
3	0413-096	1		Cap, Air Diverter
4	0470-529	1		Boot, Air Intake
5	0423-551	3		Clamp, Boot
6	1406-747	1		Shroud, Splash
7	0623-362	2		Rivet, Reinstallable
8	0423-342	7	/P	Screw, Self-Tapping
9	0423-454	2		Clip, Mounting - Air Intake
10	0470-515	1	S	Housing, Air Intake
11	0470-442	2	/P	Valve, Drain
12	0470-755	1	S	Cover, Air Intake
13	0470-663	1	/P	Filter, Air
14	0470-516	1		Screen, Air Filter
15	0423-554	1		Clamp, Boot
16	0423-455	4		Clip, Spring
17	1623-281	2		Clamp, Hose
18	0410-079	1	S	Hose, Vent - Crankcase
19	0470-524	1		Boot, Carburetor
20	0423-019	1		Clamp, Boot
21	0470-739	1		Carburetor, CVK36-AE
22	0510-592	1		Hose, Carburetor Drain



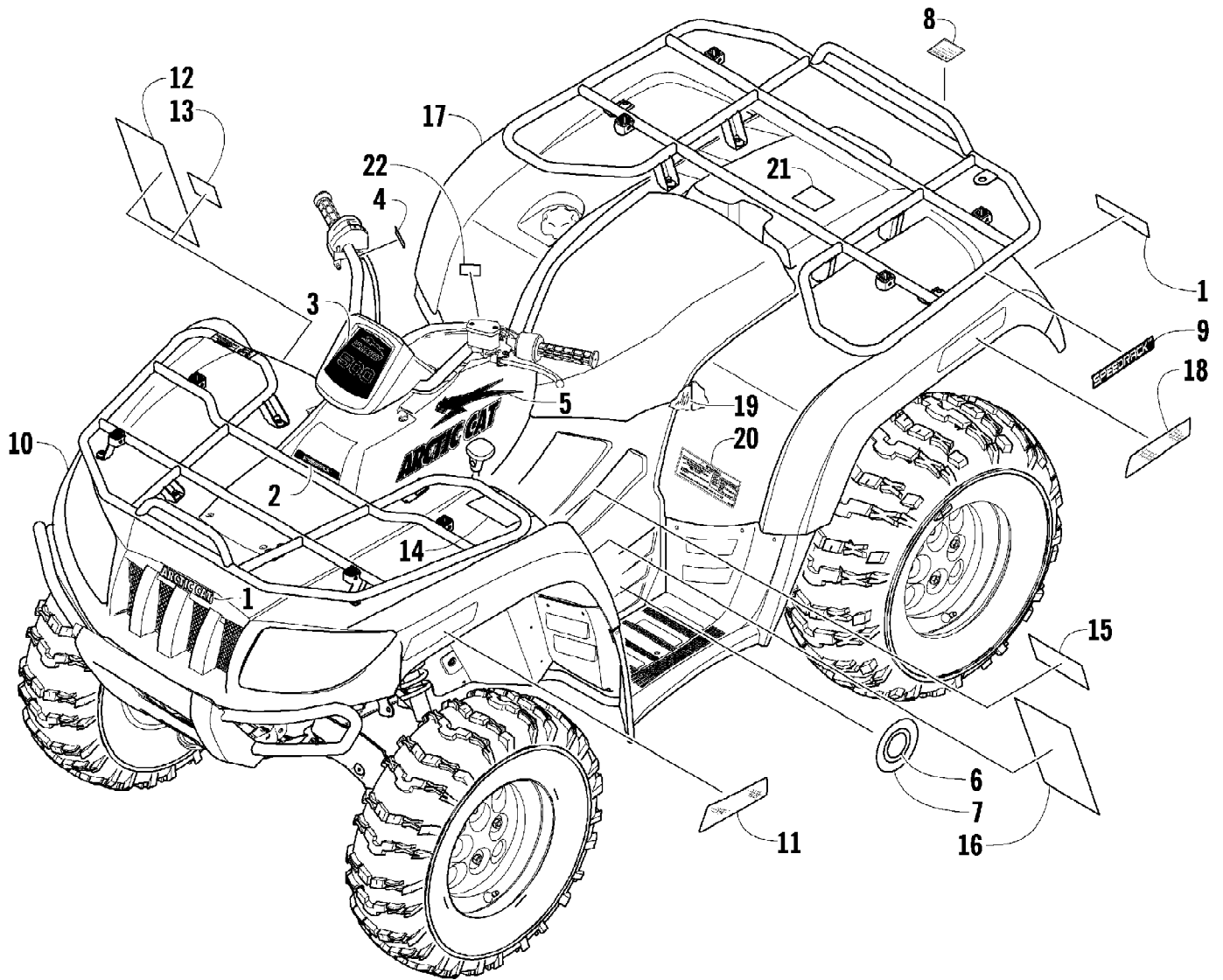
2008 ATV 500 MANUAL TRANSMISSION 4X4 FIS GREEN (A2008IBM4AUSG) Page 4 of 95  
AUXILIARY BRAKE ASSEMBLY

Ref #	Part Number	Qty	S/P/F	Description
	1502-292	1		Master Cylinder Replacement Kit
1	1502-066	1		Lever, Brake
2	1602-213	2	/P	O-Ring
3	8050-252	1		Washer
4	8408-816	1		Screw, Cap
5	0502-807	1		Spring, Brake Lever
6	1502-293	1		Brake Assembly (inc. 7-9)
7	0	1	F	Master Cylinder
8	0	1	F	Hose, Brake Fluid Reservoir w/Clamps
9	1502-155	1		Reservoir, Brake Fluid w/Clamp
10	0623-038	1		Nut, Flanged
11	8476-616	1		Screw, Machine
12	0123-788	AR	/P	Cable Tie - 7.5 in.
13	1502-139	1		Hose, Brake
14	0423-178	6		Washer, Crush
15	0423-413	3		Bolt, Banjo-Fitting
16	1502-179	1		Bracket, Switch
17	8408-625	2		Screw, Cap
18	0502-785	1		Spring, Brake Switch
19	1436-162	1	S/P	Caliper, Brake (inc. 21-23, one No. 24, and 25-27)
20	8408-821	2	/P	Screw, Cap
21	1436-160	1	/P	Housing, Caliper - Assembly - Right Rear (inc. 22-23 and one No. 24)
22	0502-606	1		Piston/Seal Set (inc. 23)
23	0502-607	1		Seal Set
24	0502-609	2	/P	Valve, Bleed
25	0502-608	1		O-Ring, Guide - Set
26	0502-605	1		Bracket Assembly
27	0502-875	1	S	Pad, Brake - Set
28	1502-115	2		Clip, Brake Hose
29	1502-296	1	/P	Adapter, Hose



2008 ATV 500 MANUAL TRANSMISSION 4X4 FIS GREEN (A2008IBM4AUSG) Page 6 of 95  
BATTERY ASSEMBLY

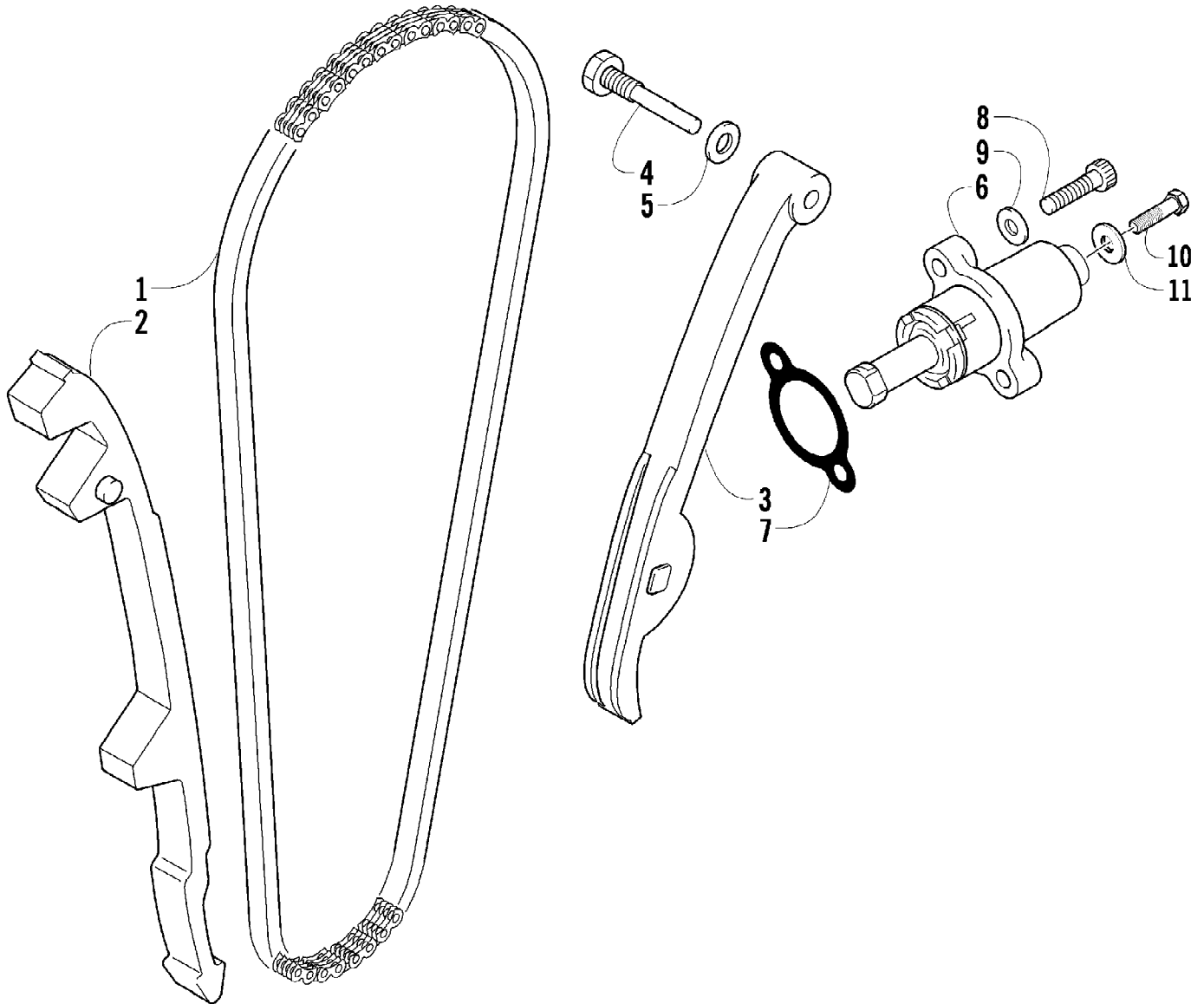
Ref #	Part Number	Qty	S/P/F	Description
1	5991-395	1	S	Battery Cover/Tool Tray Assembly (inc. 2-3)
2	2406-815	1	/P	Cover, Battery
3	0406-288	2		Pad, Battery
3	0444-122	1	S/P	Kit, Tool Not Illustrated
4	0745-045	1	/P	Battery Assembly (inc. 5-8)
5	0645-045	6		Cap, Battery
6	0645-152	1		Clamp, Hose
7	0645-263	1	/P	Hose, Vent
8	0645-151	1		Label, Warning - Battery
9	0123-903	4		Cable Tie - 11.5 in.
10	8476-616	2		Screw, Machine
11	0623-101	AR		Clip, Retaining



2008 ATV 500 MANUAL TRANSMISSION 4X4 FIS GREEN (A2008IBM4AUSG) Page 8 of 95  
BODY PANELS AND DECALS

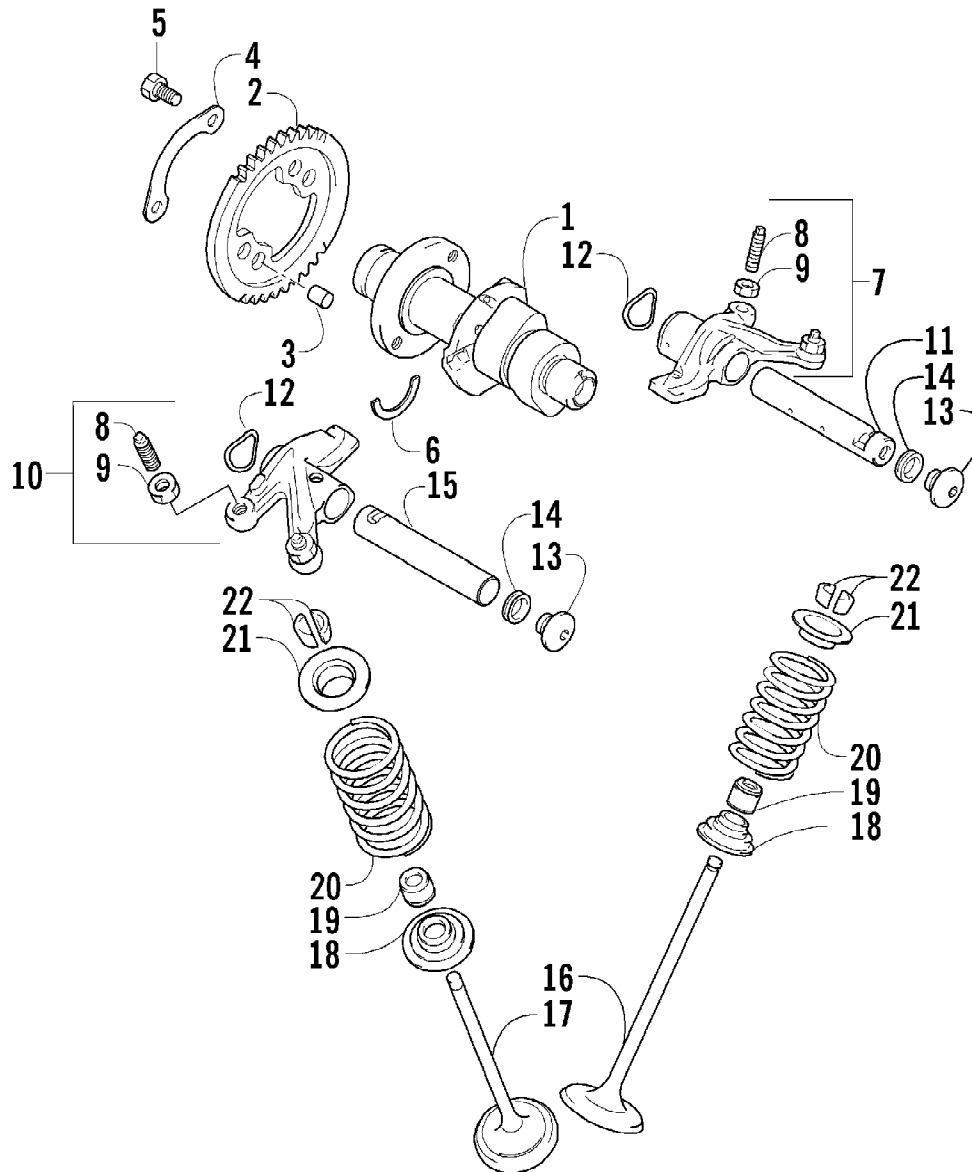
Ref #	Part Number	Qty	S/P/F	Description
1	1411-725	2		Decal, Front/Rear
2	1411-050	1	/P	Decal, "Speedrack"
3	1411-558	1		Decal, Instrument Pod
4	0411-966	1		Decal, Warning - Differential Lock
5	1411-634	1		Decal, Side - Upper Right
5	1411-635	1		Decal, Side - Upper Left
6	0411-003	1		Decal, Shift Pattern
7	0411-009	1		Decal, High-Low
8	1411-077	1		Decal, Warning - Towing
9	0411-965	2		Decal, "Speedrack"
10	0518-003	1	S	Panel, Fender - Front (inc. 11-16)
11	0411-818	1		Decal, Reflector - Front - Right
11	0411-819	1		Decal, Reflector - Front - Left
12	1411-250	1		Decal, Warning - Reverse/Pre-Ride
13	0411-835	1		Decal, Warning - Turn/Hill
14	0411-401	1		Decal, Warning - Age
15	1411-574	1		Decal, Warning - Off-Road Only
16	0411-218	1		Decal, Warning - General
17	2506-703	1	S	Panel, Fender - Rear (inc. 18-21 and one No 1)
18	1411-592	1	/P	Decal, Reflector - Rear - Right
18	1411-593	1	/P	Decal, Reflector - Rear - Left
19	0470-658	1		Shield, Heat
20	0411-430	1		Decal, Warning - Tire Pressure
21	0411-435	1		Decal, Passenger
22	1411-865	1		Decal, Warning - Brake Lever Lock





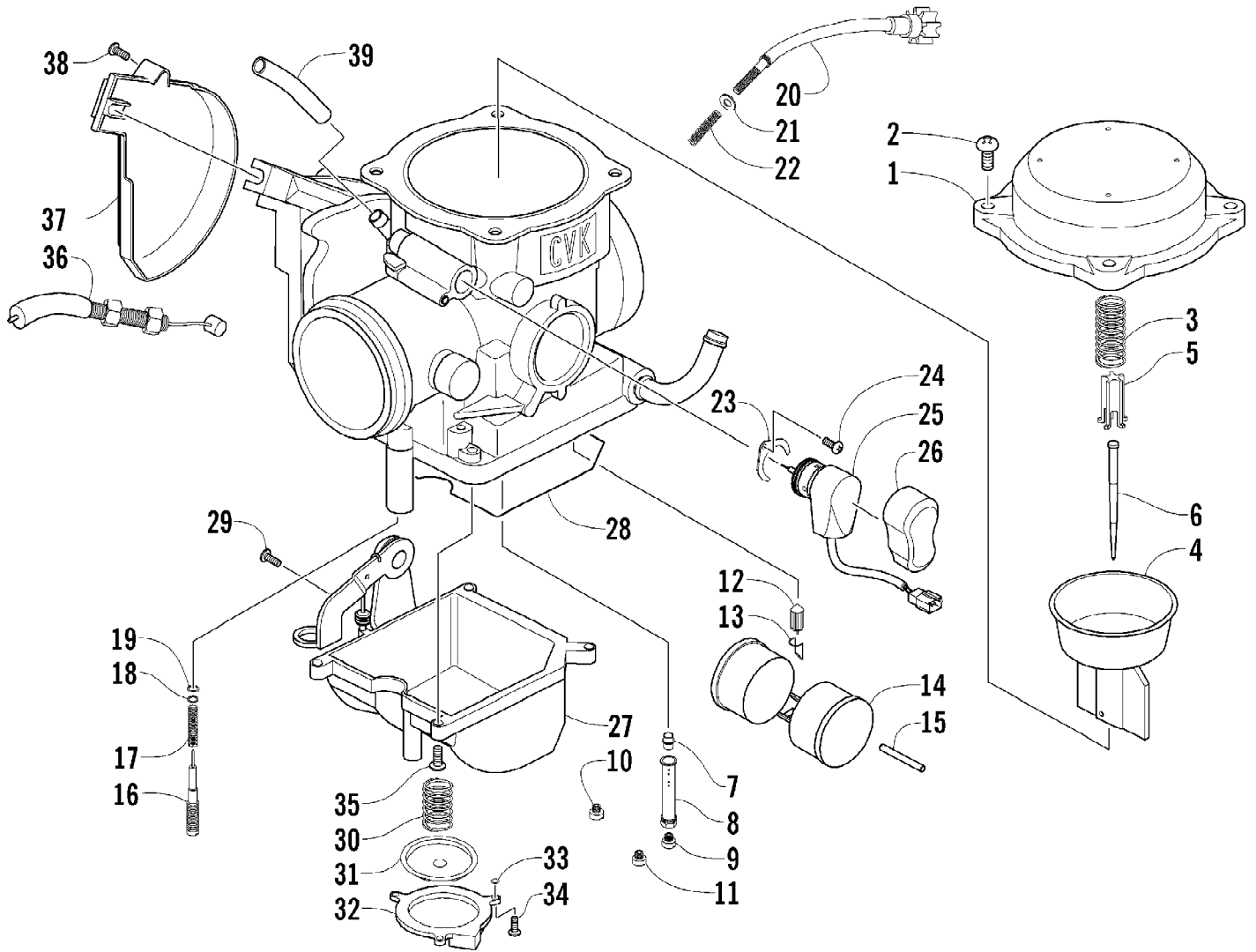
2008 ATV 500 MANUAL TRANSMISSION 4X4 FIS GREEN (A2008IBM4AUSG)Page 10 of 95  
CAM CHAIN ASSEMBLY

Ref #	Part Number	Qty	S/P/F	Description
1	3402-353	1		Chain, Cam
2	3402-355	1		Guide, Chain
3	3402-356	1		Tensioner, Chain
4	3423-074	1		Bolt
5	3402-436	1	/P	Washer
6	3402-136	1		Adjuster, Tensioner - Assembly
7	3402-137	1		Gasket
8	3007-509	2	/P	Bolt
9	3003-290	2	/P	Gasket



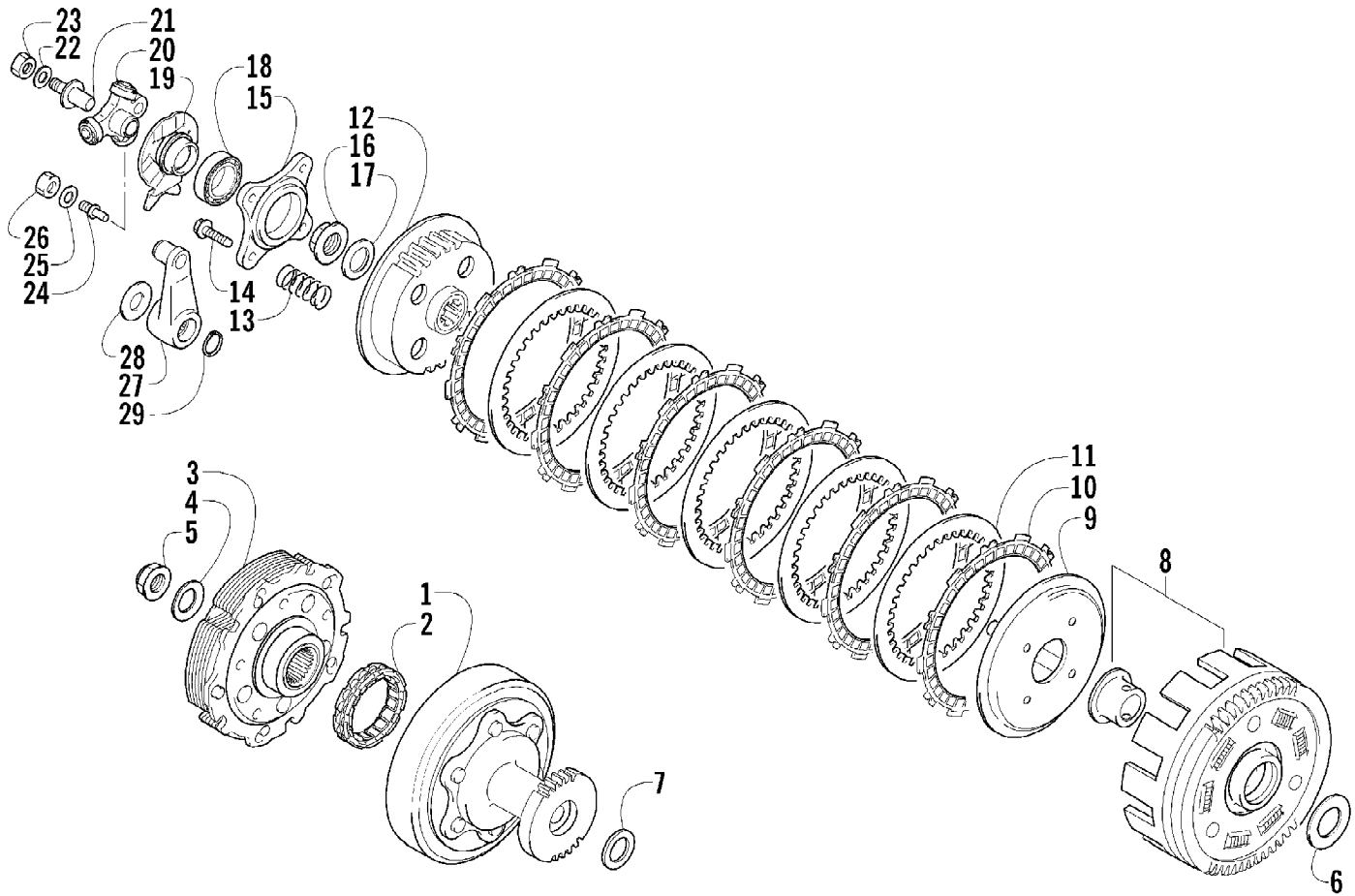
2008 ATV 500 MANUAL TRANSMISSION 4X4 FIS GREEN (A2008IBM4AUSG)Page 12 of 95  
CAMSHAFT/VALVE ASSEMBLY

Ref #	Part Number	Qty	S/P/F	Description
1	3402-982	1	/P	Camshaft
2	3402-352	1		Sprocket
3	3423-047	1		Pin
4	3423-073	1		Washer
5	3423-013	2	S	Screw, Cap
6	3423-071	1	/P	C-Ring
7	3402-805	1	/P	Arm, Valve Rocker - Intake (inc. two No. 8-9)
8	3423-075	4		Screw
9	3423-076	4		Nut
10	3402-139	1		Arm, Valve Rocker - Exhaust (inc. two No. 8-9)
11	3402-140	1		Shaft, Rocker Arm - Intake
12	3423-031	2		Washer
13	3423-111	2	S	Plug, Shaft
14	3402-012	2		Gasket
15	3402-141	1		Shaft, Rocker Arm - Exhaust
16	3402-725	2	/P	Valve, Intake
17	3402-143	2		Valve, Exhaust
18	3402-148	4		Seat, Spring
19	3402-078	4		Seal, Oil
20	3402-726	4		Spring, Valve
21	3423-541	4	/P	Retainer, Spring
22	3402-147	8		Cotter, Valve



2008 ATV 500 MANUAL TRANSMISSION 4X4 FIS GREEN (A2008IBM4AUSG)Page 14 of 95  
CARBURETOR

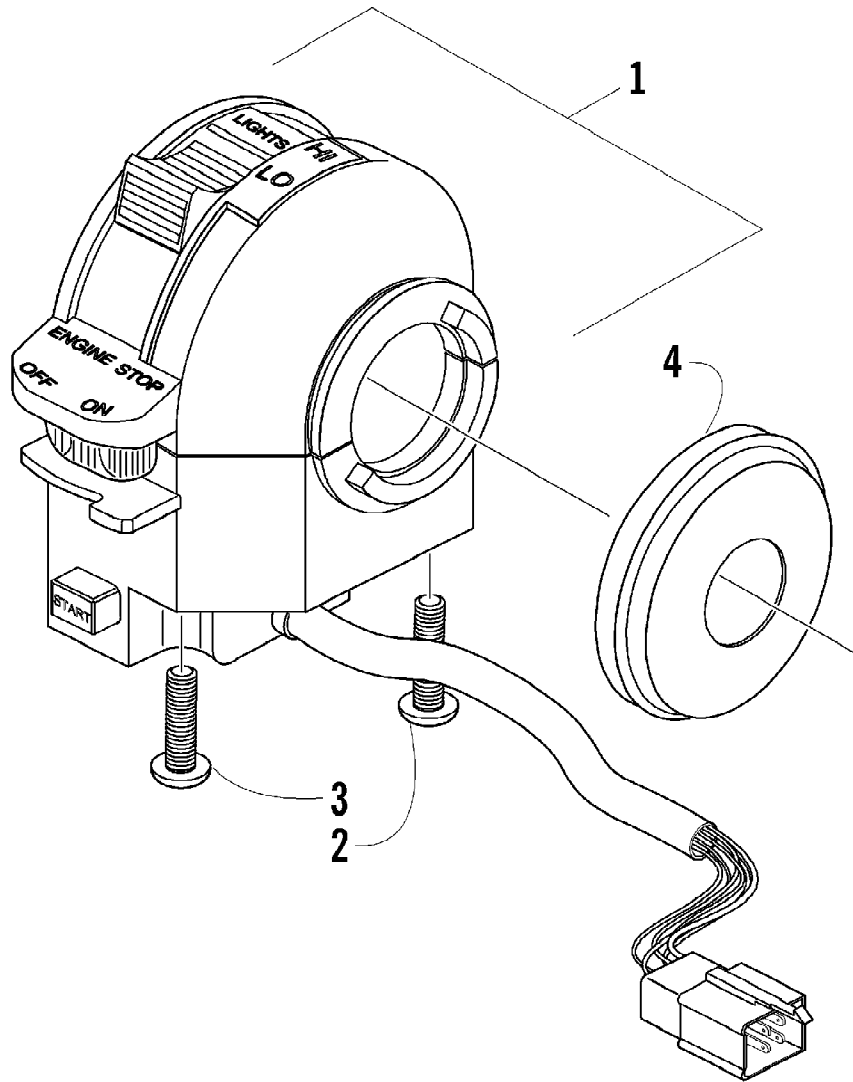
Ref #	Part Number	Qty	S/P/F	Description
	0470-739	1		Complete Carburetor Assembly
1	5507-001	1		Cover, Top
2	5507-002	4	/P	Screw, Top Cover
3	5507-066	1	/P	Spring
4	5507-099	1		Piston, Vacuum
5	5507-005	1		Seat, Spring
6	5507-184	1		Jet Needle
7	5507-007	1		Needle Jet
8	5507-047	1	/P	Holder, Needle Jet
9	5507-210	1	S	Main Jet - 138
9	5507-044	1		Main Jet - 140
9	5507-043	1		Main Jet - 142
9	5507-057	1	/P	Main Jet - 135
9	5507-075	1		Main Jet - 132
9	5507-074	1		Main Jet - 130
10	5507-070	1	/P	Slow Jet
11	5507-112	1		Starter Jet - 85
12	5507-183	1		Valve, Float - Set (inc. 13)
13	0	1	F	Clip
14	5507-039	1		Float Set (inc. 15)
15	0	1	F	Pin, Float
16	5507-213	1		Screw, Pilot - Set (inc. 17-19)
17	0	1	F	Spring
18	0	1	F	Washer
19	0	1	F	O-Ring
20	5507-027	1		Screw, Idle Adjust
21	5507-028	1		Washer
22	5507-029	1		Spring
23	5507-115	1		Plate
24	5507-117	1	/P	Screw
25	5507-113	1		Choke, Electric
26	5507-114	1		Cover, Electric Choke
27	5507-214	1		Chamber, Float - Assembly (inc. 28-34)
28	5507-067	1	/P	O-Ring, Float Chamber
29	5507-050	1	/P	Screw, Drain
30	5507-211	1		Spring
31	5507-197	1		Diaphragm Assembly
32	5507-198	1		Housing, Pump
33	5507-034	1		U-Ring
34	5507-035	3		Screw
35	5507-017	4	/P	Screw
36	0487-049	1	/P	Cable, Throttle
37	5507-036	1		Cover
38	5507-037	1	/P	Screw
39	0410-056	1		Hose, Vent



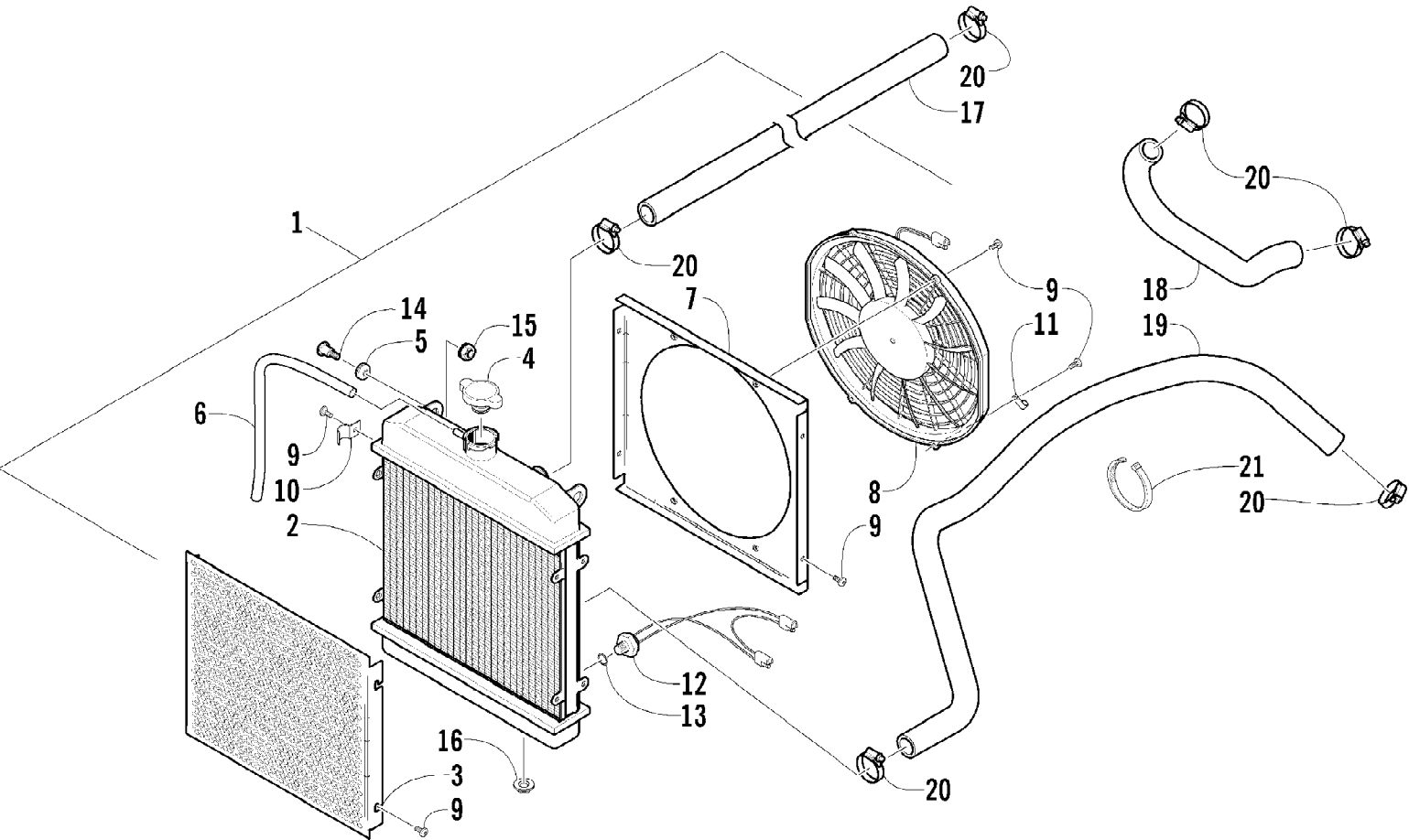
2008 ATV 500 MANUAL TRANSMISSION 4X4 FIS GREEN (A2008IBM4AUSG)Page 16 of 95  
CLUTCH ASSEMBLY

Ref #	Part Number	Qty	S/P/F	Description
1	3446-329	1		Housing, Starter Clutch
2	3446-003	1		Clutch, Primary Drive One-Way
3	3446-330	1		Shoe, Starter Clutch
4	3423-032	1		Washer, Starter Clutch Shoe
5	3423-081	1		Nut, Starter Clutch Shoe
6	3423-122	1		Washer, Primary Driven
7	3423-350	1		Washer, Primary Driven
8	3446-331	1		Gear, Primary Driven - Assembly
9	3446-008	1		Disc, Clutch Pressure
10	3446-332	6		Plate, Clutch Drive
11	3446-007	5		Plate, Clutch Driven
12	3446-004	1		Hub, Clutch Sleeve
13	3423-544	4		Spring, Clutch
14	3423-330	4		Screw, Cap
15	3446-009	1		Plate, Clutch Release
16	3423-080	1		Nut, Clutch Sleeve Hub
17	3423-032	1		Washer, Clutch Sleeve Hub
18	3402-186	1	/P	Bearing, Clutch Release Plate
19	3446-334	1		Guide, Clutch Release Roller
20	3446-335	1		Roller Assembly, Clutch Release
21	3423-361	1		Bolt, Clutch Release - No. 1
22	3423-360	1		Washer, Clutch Release - No. 1
23	3423-853	1		Nut, Clutch Release - No. 1
24	3423-083	1		Bolt, Clutch Release - No. 2
25	3423-027	1		Washer, Clutch Release - No. 2
26	3008-014	1		Nut, Clutch Release - No. 2
27	3446-333	1		Arm, Clutch Release
28	3423-545	1		Washer, Clutch Release Arm
29	3423-546	1		Circlip, Clutch Release Arm



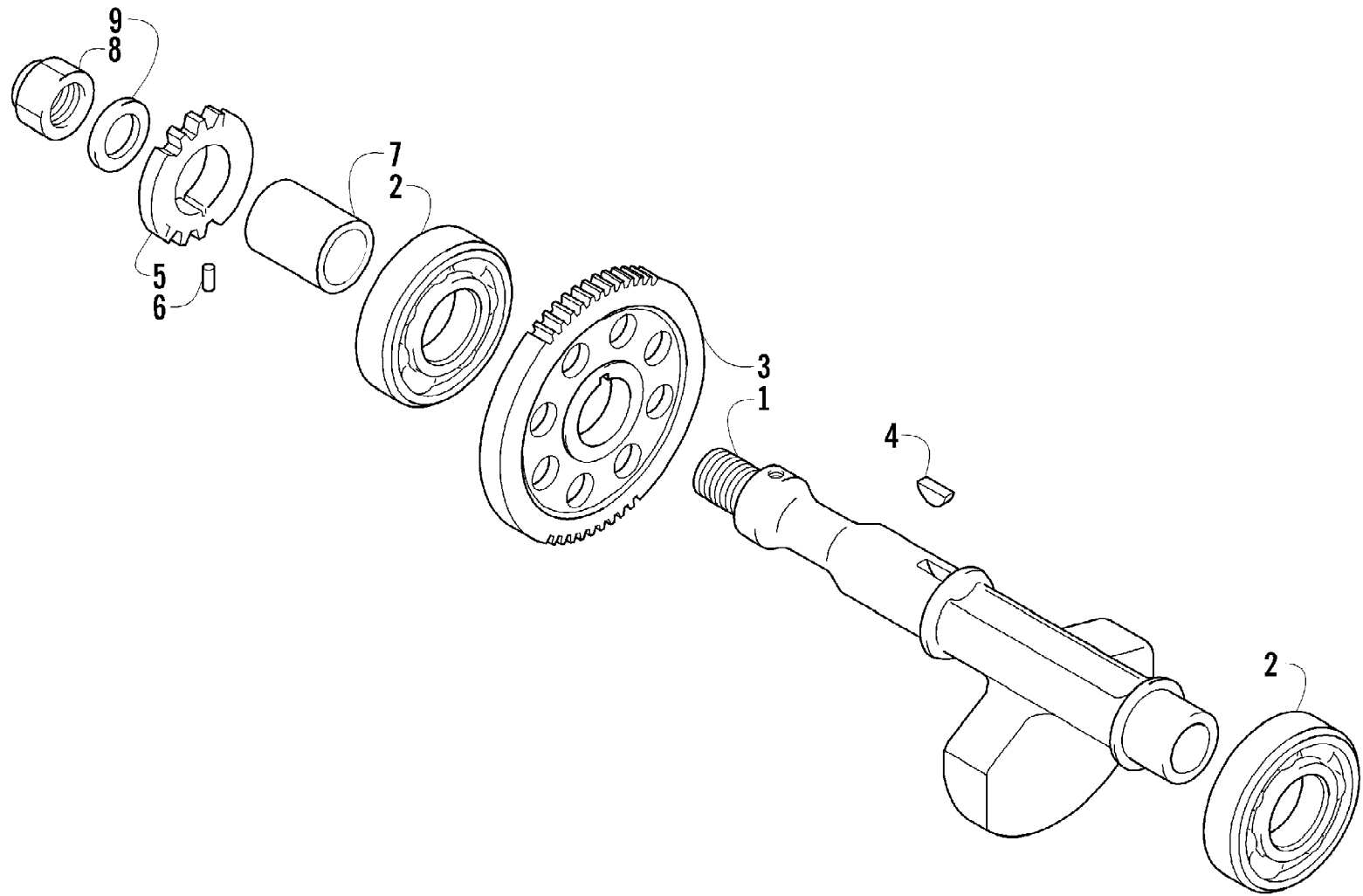


Ref #	Part Number	Qty	S/P/F	Description
1	0509-013	1		Switch, Control - Assembly (inc. 2-3)
2	3423-197	1		Screw, Machine
3	3423-196	1		Screw, Machine
4	3409-019	1		Cover, Switch Housing



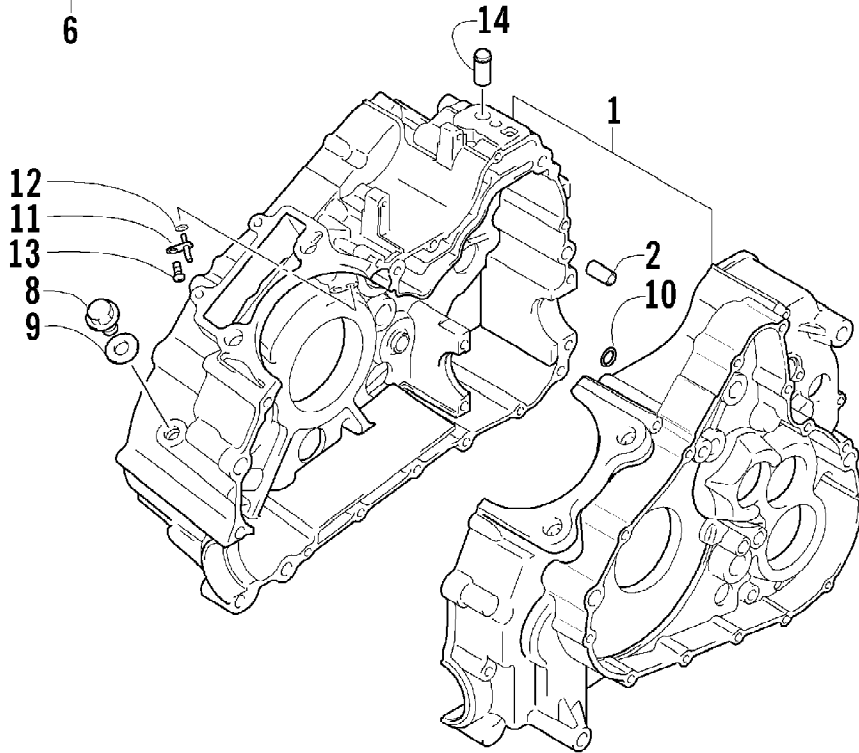
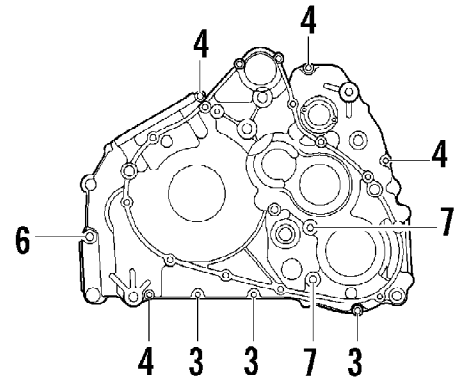
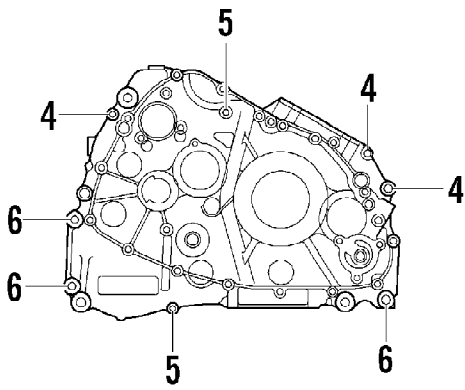
2008 ATV 500 MANUAL TRANSMISSION 4X4 FIS GREEN (A2008IBM4AUSG)Page 20 of 95  
COOLING ASSEMBLY

Ref #	Part Number	Qty	S/P/F	Description
1	0413-172	1	S	Radiator Assembly (inc. 2-13)
2	0413-184	1	/P	Radiator
3	0413-007	1		Screen, Radiator
4	0413-002	1	S	Cap, Radiator
5	0423-030	2		Grommet
6	0610-016	AR	/P	Hose - 25 ft
7	0413-046	1		Shroud, Fan
8	0413-123	1	/P	Fan, Cooling
9	8475-512	12		Screw, Machine
10	0423-351	1		Clamp, Wire
11	0123-397	1		Clamp, Cable
12	0413-168	1		Switch, Sensor - Temperature
13	1602-213	1	/P	O-Ring
14	0423-484	2		Screw, Shoulder
15	0623-038	2		Nut w/Washer
16	0423-028	2		Bushing, Stem
17	0410-002	1		Hose, Coolant - Upper
18	0410-003	1		Hose, Coolant - Crossover
19	0410-042	1		Hose, Coolant - Lower
20	0423-496	6		Clamp, Hose
21	0623-751	1		Cable Tie



2008 ATV 500 MANUAL TRANSMISSION 4X4 FIS GREEN (A2008IBM4AUSG)Page 22 of 95  
CRANK BALANCER ASSEMBLY

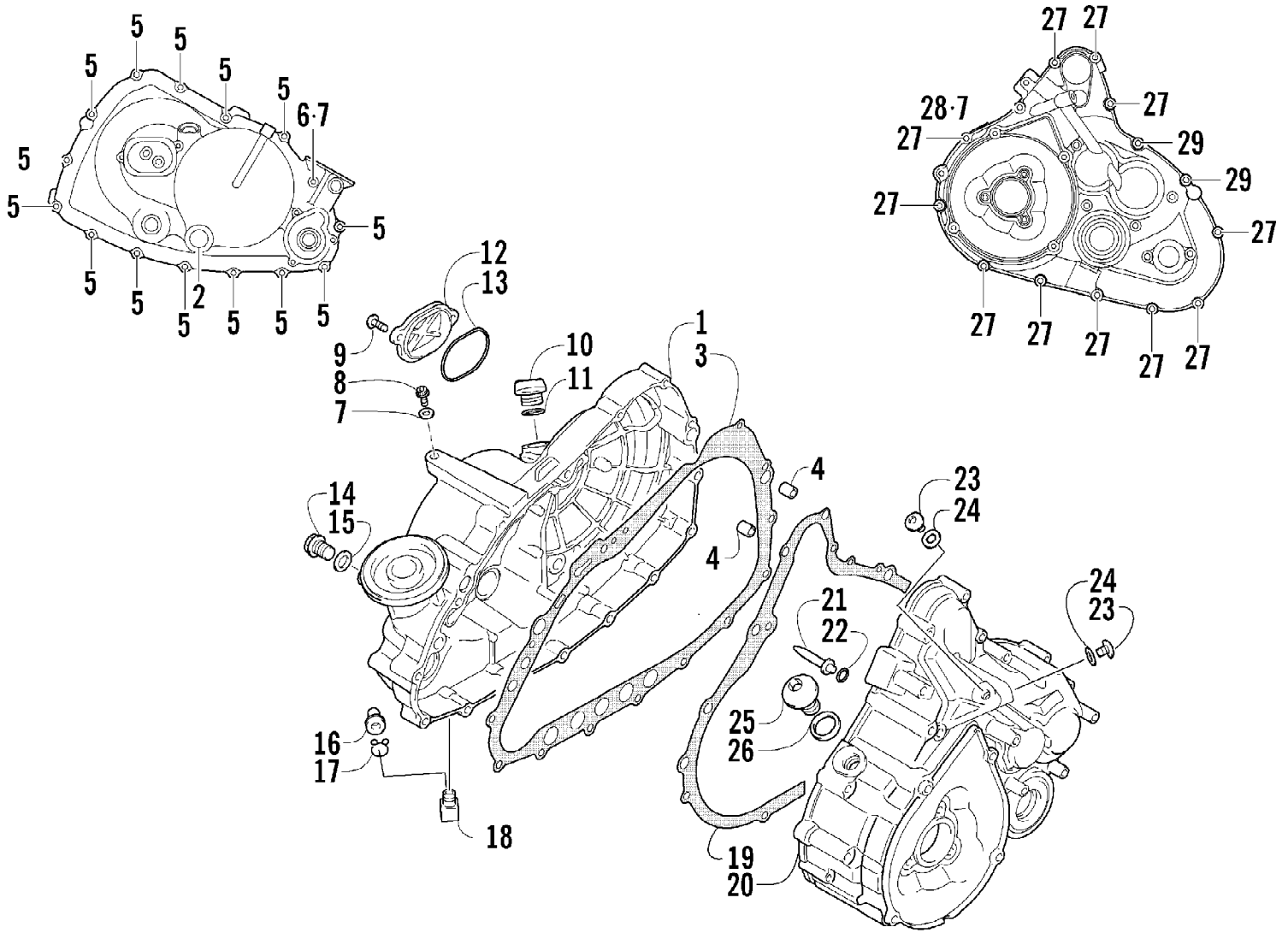
Ref #	Part Number	Qty	S/P/F	Description
1	3402-350	1		Balancer, Crank
2	3402-050	2		Bearing
3	3402-814	1		Gear, Driven
4	3004-540	1	/P	Key
5	3402-390	1		Gear, Oil Pump Drive
6	3423-114	1	/P	Pin, Drive Gear
7	3402-151	1		Spacer, Drive Gear
8	3423-025	1		Nut, Lock
9	3423-029	1		Washer, Drive Gear



2008 ATV 500 MANUAL TRANSMISSION 4X4 FIS GREEN (A2008IBM4AUSG)Page 24 of 95  
CRANKCASE ASSEMBLY

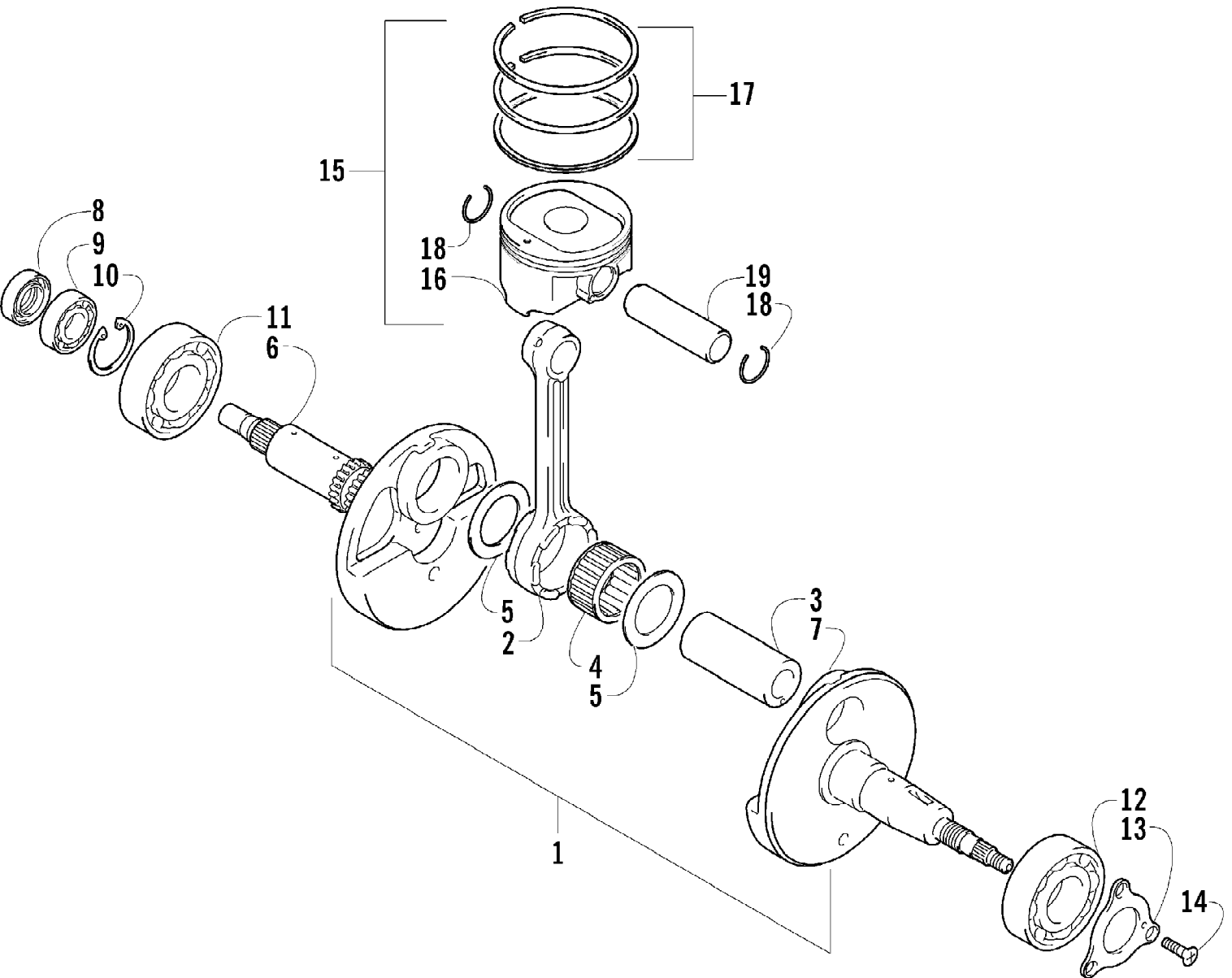
Ref #	Part Number	Qty	S/P/F	Description
1	3402-809	1	S	Crankcase Assembly (inc. 2-13)
2	3423-088	2		Pin, Dowel
3	3423-091	3	S	Bolt
4	3423-092	7	S	Bolt
5	3423-094	2		Bolt
6	0693-303	4	S	Bolt
7	3423-093	2		Bolt
8	3423-095	1		Plug, Oil Gallery
9	3402-011	1		Gasket
10	3423-052	1		O-Ring
11	3402-369	1		Jet, Piston Cooling
12	3423-051	1		O-Ring
13	3423-370	1		Screw
14	3402-389	1		Union, Breather Hose





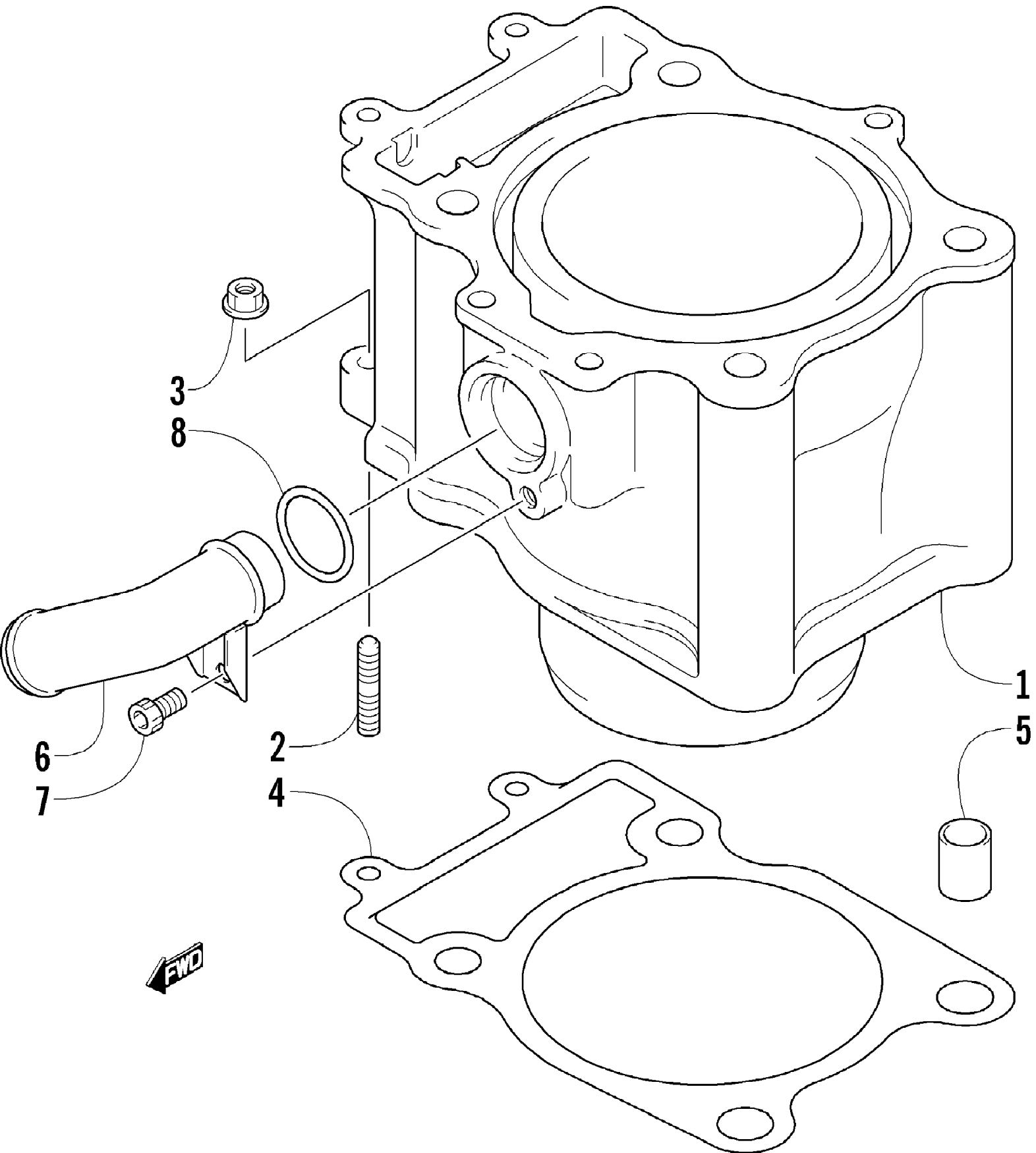
2008 ATV 500 MANUAL TRANSMISSION 4X4 FIS GREEN (A2008IBM4AUSG)Page 26 of 95  
CRANKCASE COVER ASSEMBLY

Ref #	Part Number	Qty	S/P/F	Description
1	3402-810	1		Cover, Clutch (inc. 2)
2	3402-112	1	/P	Lens, Oil Inspection
3	3402-108	1		Gasket
4	3423-088	4		Pin, Dowel
5	0693-327	14	S	Screw, Cap
6	3423-097	1		Screw, Cap
7	3003-290	3	/P	Gasket
8	3423-539	1		Plug, Oil Gallery
9	3423-096	2	S	Screw, Cap
10	3402-042	1		Cap, Engine Oil Filler
11	3423-055	1		O-Ring
12	3402-363	1		Cap, Inspection
13	3402-101	1		O-Ring
14	3402-214	1		Plug, Oil Pressure
15	3402-012	1		Gasket
16	3413-008	1		Hose
17	3423-120	1		Clip
18	3413-009	1		Union, Water Drain
19	3402-538	1	/P	Gasket, Transfer Cover
20	3402-368	1		Cover, Transfer (inc. 21-22)
21	3402-097	1		Jet, Oil Mission
22	3423-051	1		O-Ring
23	3423-540	2		Plug, Oil Gallery
24	3005-242	2		Gasket
25	3402-041	1	S	Plug
26	3402-013	1	/P	Gasket
27	3423-098	11	S	Screw, Cap
28	3423-092	1	S	Screw, Cap
29	3007-505	2	/P	Screw, Cap

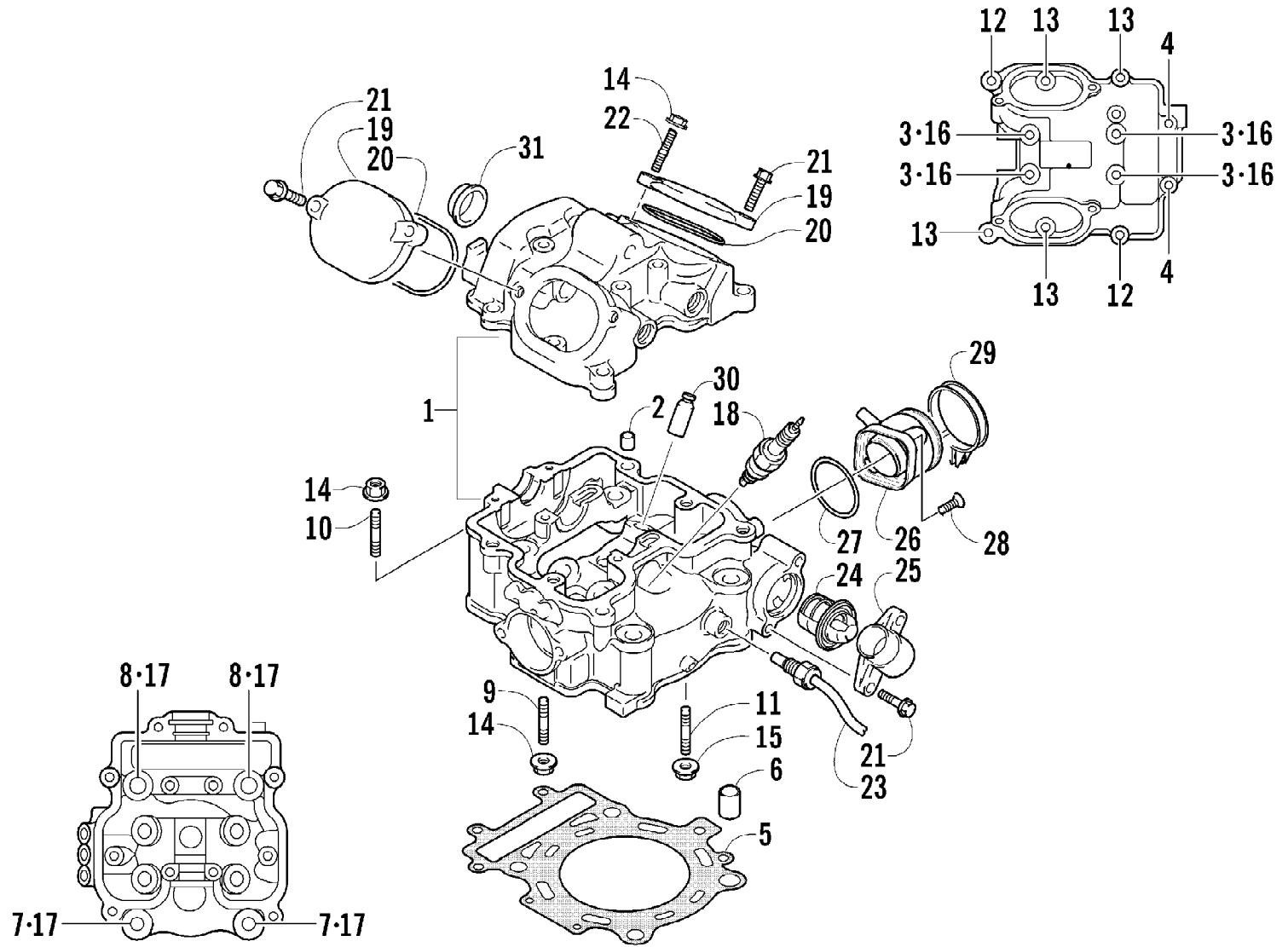


2008 ATV 500 MANUAL TRANSMISSION 4X4 FIS GREEN (A2008IBM4AUSG)Page 28 of 95  
CRANKSHAFT ASSEMBLY

Ref #	Part Number	Qty	S/P/F	Description
1	3402-811	1		Crankshaft Assembly (inc. 2-7)
2	3402-376	1		Rod, Connecting
3	3402-377	1		Pin, Crank
4	3402-717	1	/P	Bearing
5	3423-351	2		Washer
6	3402-812	1		Crankshaft - Right
7	3402-705	1	/P	Crankshaft - Left
8	3402-387	1		Seal, Oil
9	3402-384	1		Bearing - Right
10	3423-355	1		Circlip
11	3402-058	1		Bearing - Middle
12	3402-054	1		Bearing - Left
13	3402-188	1	/P	Retainer, Oil Seal - Left
14	3423-018	3		Screw
15	3402-788	1		Piston Set (inc. 16-18)
16	3402-719	1		Piston
17	3402-720	1		Ring Set, Piston
18	3423-344	2		Circlip
19	3402-375	1		Pin



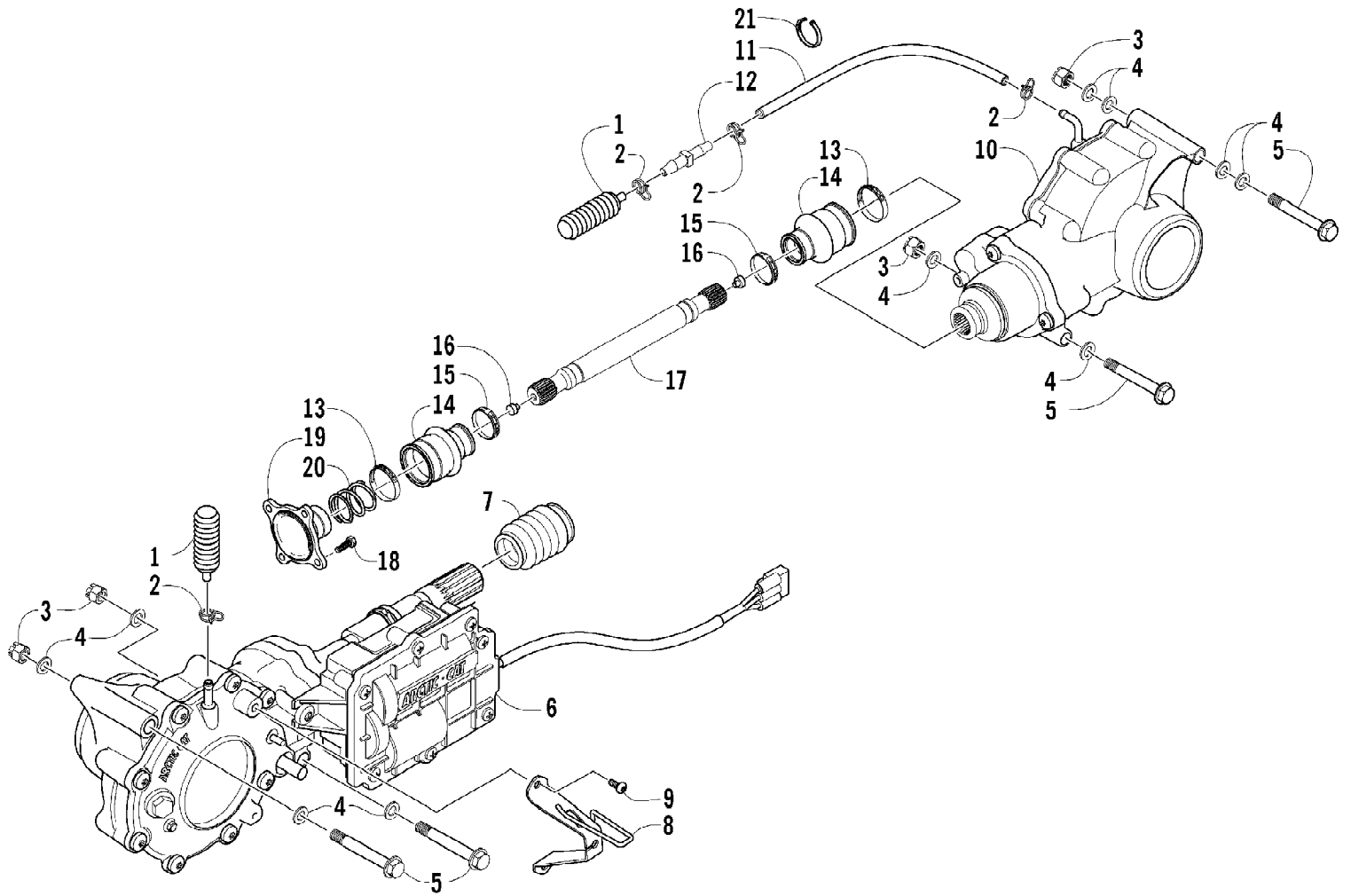
Ref #	Part Number	Qty	S/P/F	Description
1	3402-707	1		Cylinder
2	3423-384	2	S	Bolt, Stud
3	3007-373	2	/P	Nut
4	3402-365	1	/P	Gasket, Cylinder
5	3423-088	2		Pin, Dowel
6	3413-013	1		Union, Water Hose
7	3423-121	1	S	Screw, Cap
8	3423-058	1		O-Ring



2008 ATV 500 MANUAL TRANSMISSION 4X4 FIS GREEN (A2008IBM4AUSG)Page 32 of 95  
CYLINDER HEAD ASSEMBLY

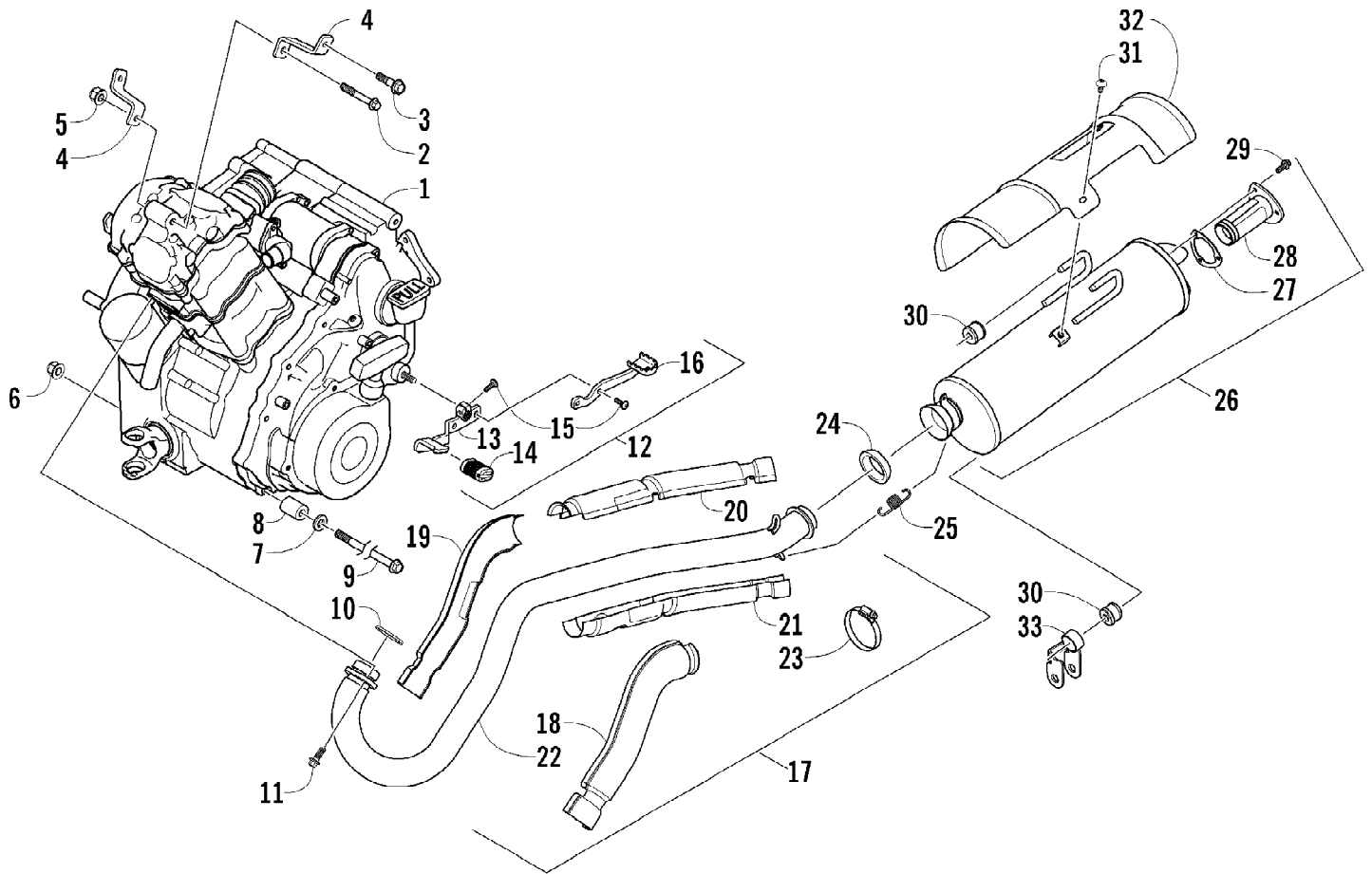
Ref #	Part Number	Qty	S/P/F	Description
1	3402-098	1		Head, Cylinder - Assembly (inc. 2-4)
2	3423-043	2	/P	Pin, Dowel
3	3423-006	4		Bolt
4	3007-395	2	/P	Bolt
5	3402-362	1		Gasket, Cylinder Head
6	3423-088	2		Pin, Dowel
7	3423-015	2		Bolt
8	3423-016	2		Bolt
9	3423-089	2	S	Bolt, Stud
10	3423-087	2	S	Bolt, Stud
11	3423-862	1	/P	Bolt, Stud
12	3423-007	2	S	Bolt
13	3007-380	4	/P	Bolt
14	3007-373	9	/P	Nut
15	3007-390	1	/P	Nut
16	3003-290	4	/P	Washer
17	3402-010	4		Gasket
18	0217-632	1		Spark Plug (NGK CR6E)
18	0217-708	1	F	Spark Plug (NGK CR7E)
18	0217-705	1	/P/F	Spark Plug (NGK CR8E)
19	3402-100	2		Cap, Inspection
20	3402-101	2		O-Ring
21	3004-341	5	S/P	Bolt
22	3423-383	1		Bolt, Stud
23	3530-045	1	/P	Switch, Water Temperature
24	3413-012	1		Thermostat
25	3413-004	1		Cover, Thermostat
26	0570-091	1		Manifold, Intake
27	0470-531	1		O-Ring
28	8476-620	2		Screw, Machine
29	0423-317	1	/P	Clamp
30	3402-099	4		Guide, Valve
31	3402-035	1		Plug, Head
	3402-048	1	F	Plug, Frost





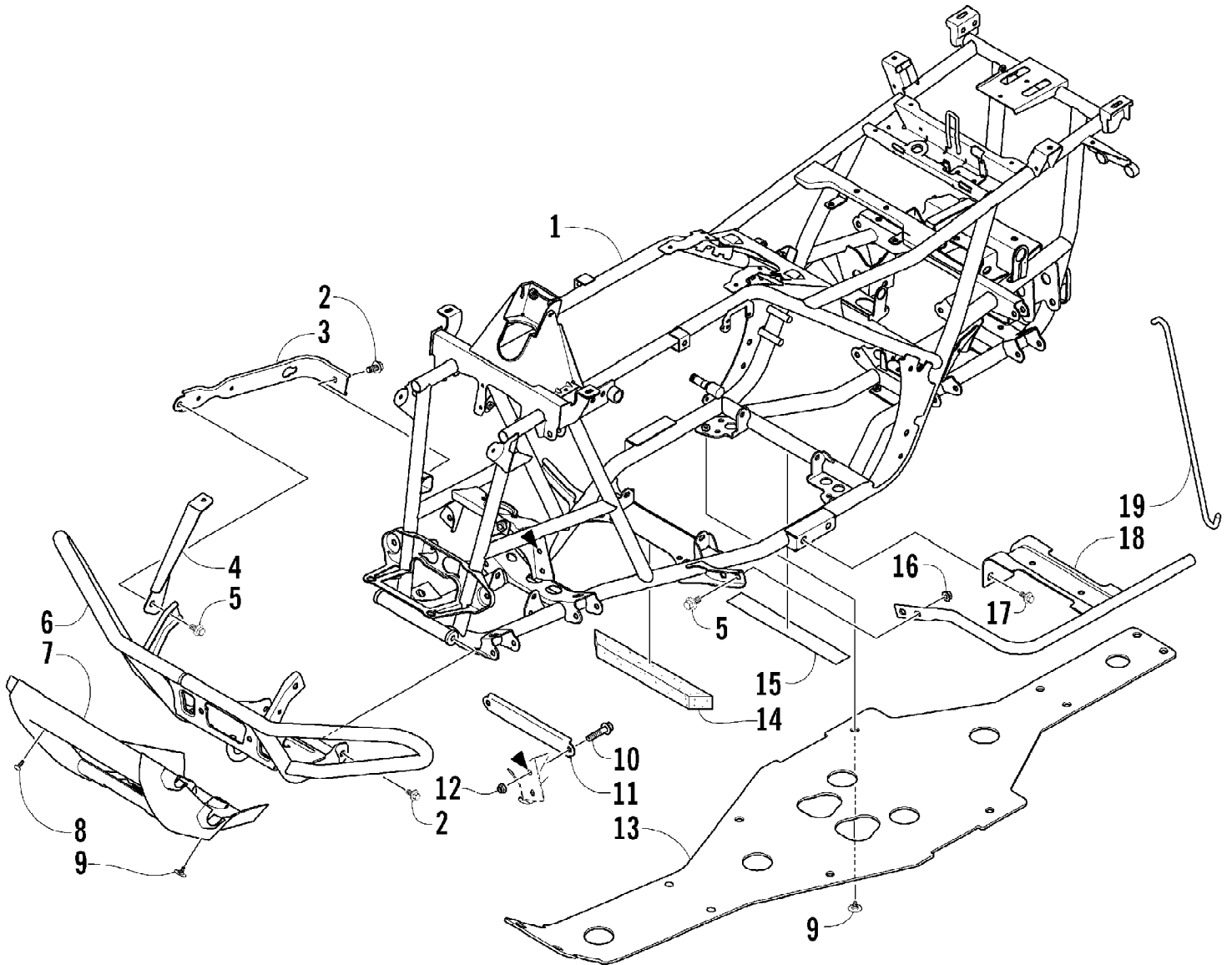
2008 ATV 500 MANUAL TRANSMISSION 4X4 FIS GREEN (A2008IBM4AUSG)Page 34 of 95  
DRIVE TRAIN ASSEMBLY

Ref #	Part Number	Qty	S/P/F	Description
1	0402-147	2	S	Bladder, Gearcase
2	0423-315	4		Clamp, Fitting
3	8428-002	4		Nut, Lock
4	0423-426	10		Washer
5	0423-404	4		Screw, Cap
6	1502-248	1		Gearcase, Front Drive
7	0402-966	1		Boot, Shaft
8	0502-500	1		Plate, Cable
9	0423-396	2		Screw, Self-Tapping
10	1502-079	1	S	Gearcase, Rear Drive
11	0410-048	AR	S	Hose, Vent - 25 ft
12	0470-462	1		Fitting, Vent
13	0423-393	2		Clamp, Boot
14	0402-985	2	/P	Boot
15	0423-411	2		Clamp, Boot
16	0673-618	2	/P	Bumper, Propeller Shaft
17	1402-233	1		Shaft, Propeller
18	8408-820	4	/P	Screw, Cap
19	0402-950	1		Flange, Output
20	1402-026	1		Spring
21	0123-788	AR	/P	Tie, Cable



2008 ATV 500 MANUAL TRANSMISSION 4X4 FIS GREEN (A2008IBM4AUSG)Page 36 of 95  
ENGINE AND EXHAUST

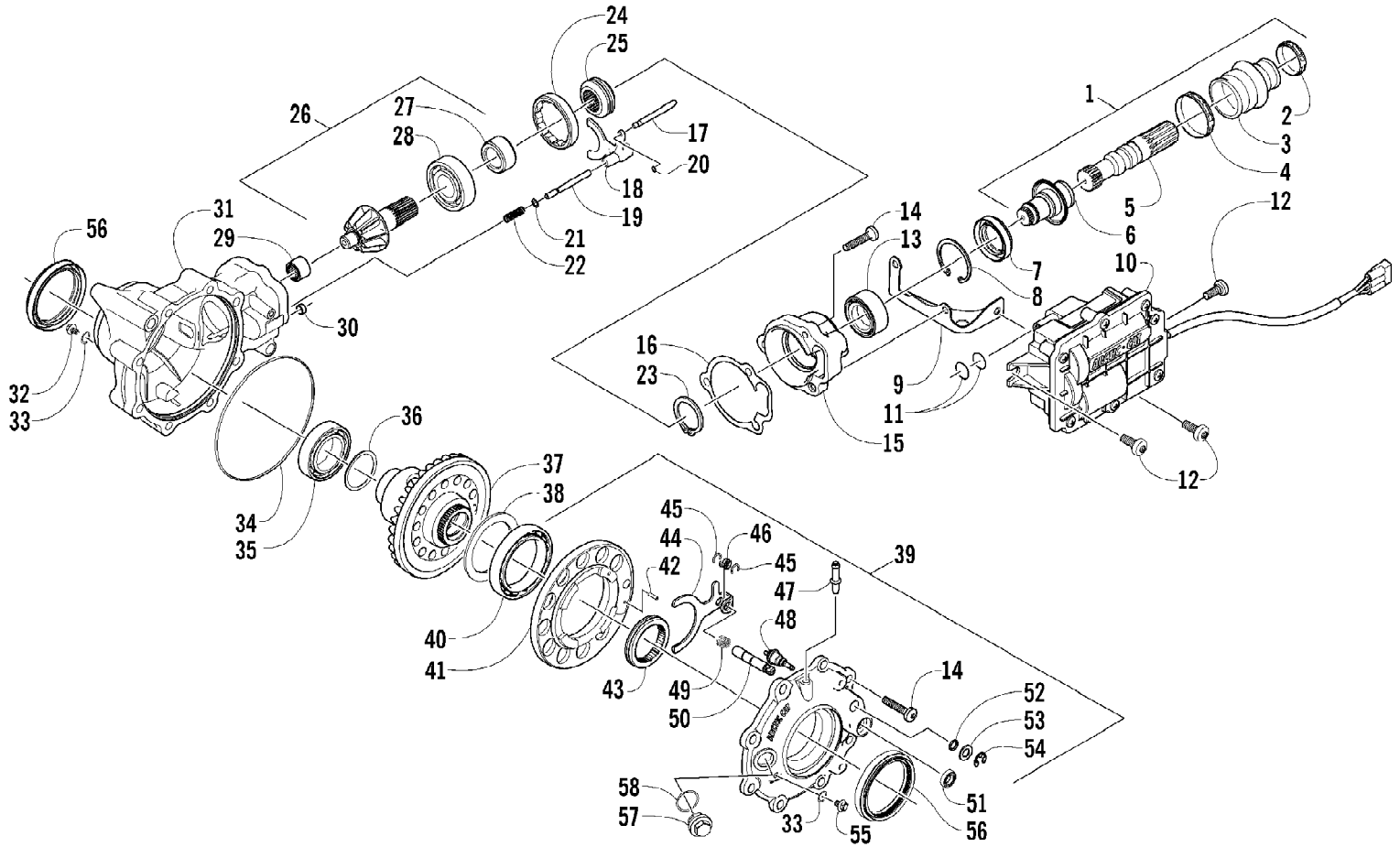
Ref #	Part Number	Qty	S/P/F	Description
1	0462-031	1		Engine
2	8408-860	1		Screw, Cap
3	8408-816	2		Screw, Cap
4	1506-625	1		Bracket, Engine - Right
4	1506-626	1		Bracket, Engine - Left
5	8424-802	1		Nut
6	8428-002	2		Nut, Lock
7	0423-426	2		Washer, Engine
8	0423-042	1	S	Spacer, Engine
9	0423-405	2		Screw, Cap
10	0412-007	1	/P	Seal, Exhaust
11	8408-820	2	/P	Screw, Cap
12	0502-694	1		Lever, Shift - Assembly (inc. 13-14, two No. 15, and 16)
13	0502-691	1		Lever, Toe Shift
14	1402-284	1		Pad, Toe - Shift Lever
15	8476-620	3		Screw, Machine
16	0502-693	1		Lever, Heel Shift
17	0512-341	1	/P	Pipe, Exhaust - Assembly (inc. 18-23)
18	0412-326	1		Shield, Exhaust Pipe - Outer - Front
19	0412-320	1		Shield, Exhaust Pipe - Inner - Front
20	0412-350	1		Shield, Exhaust Pipe - Outer - Rear
21	0412-339	1		Shield, Exhaust Pipe - Inner - Rear
22	0512-340	1	/P	Pipe, Exhaust
23	0423-317	3	/P	Hose Clamp
24	0412-375	1	/P	Seal, Muffler
25	0612-668	2	/P	Spring, Extension
26	0512-306	1	/P	Muffler - Assembly (inc. 27-29)
27	0412-313	1		Gasket, Spark Arrester
28	0512-219	1	/P	Arrester, Spark - Assembly
29	8408-616	3		Screw, Cap
30	0412-215	3	S	Bushing, Exhaust Pipe
31	8477-610	3		Screw, Machine
32	0412-373	1	/P	Cover, Muffler
33	1506-732	1		Channel, Muffler Support



2008 ATV 500 MANUAL TRANSMISSION 4X4 FIS GREEN (A2008IBM4AUSG)Page 38 of 95  
FRAME AND RELATED PARTS

Ref #	Part Number	Qty	S/P/F	Description
1	2506-549	1		Frame, Main
2	8409-020	4	/P	Screw, Cap
3	1506-596	1	/P	Channel, Bumper Mounting - Right
3	0506-653	1	S	Channel, Bumper Mounting - Left
4	1506-562	1		Bracket, Mounting - Bumper - Right
4	1506-563	1		Bracket, Mounting - Bumper - Left
5	8408-816	6		Screw, Cap
6	1506-855	1	/P	Bumper
7	1406-360	1		Grille, Bumper
8	0423-419	2		Screw, Machine
9	0423-101	12		Screw, Shoulder
10	8409-025	2		Screw, Cap
11	1506-429	1	S	Brace, A-Arm
12	8428-002	2		Nut, Lock
13	1406-030	1		Panel, Belly
14	1506-067	1		Pad, Foam
15	0406-289	1		Pad, Foam
16	8424-802	4		Nut
17	8409-016	4		Screw, Cap
18	1506-380	1		Footrest - Right
18	1506-379	1		Footrest - Left
19	2506-423	2		Rod, Support

2008 ATV 500 MANUAL TRANSMISSION 4X4 FIS GREEN (A2008IBM4AUSG)Page 39 of 95  
FRONT DRIVE GEARCASE ASSEMBLY



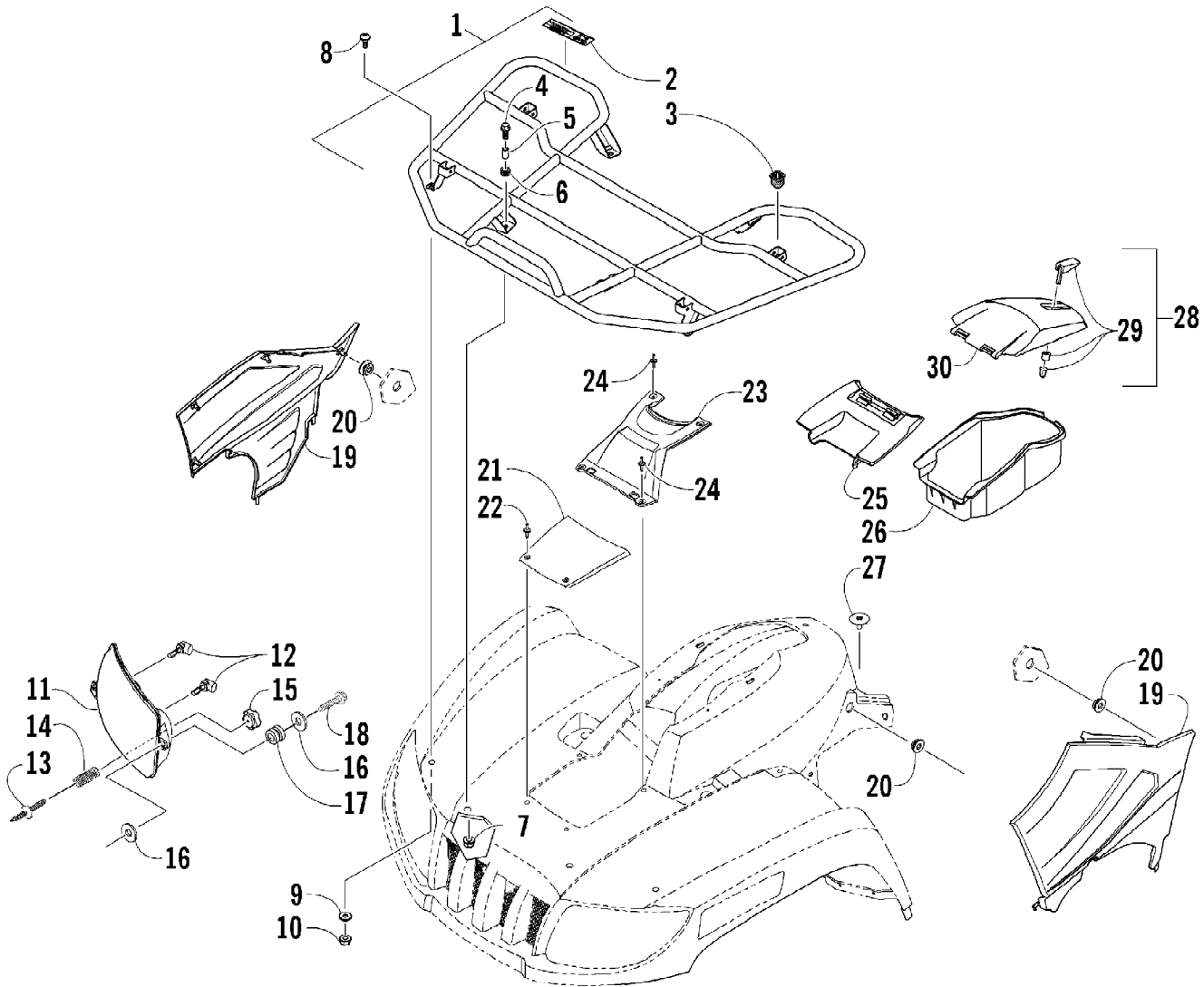
2008 ATV 500 MANUAL TRANSMISSION 4X4 FIS GREEN (A2008IBM4AUSG)Page 40 of 95  
FRONT DRIVE GEARCASE ASSEMBLY

Ref #	Part Number	Qty	S/P/F	Description
	1502-248	1		Complete Front Drive Gearcase Assembly
1	1502-083	1		Shaft, Propeller - Assembly (inc. 2-6)
2	0423-411	1		Clamp, Boot
3	0402-985	1	/P	Boot, Propeller Shaft
4	0423-393	1		Clamp, Boot
5	1402-045	1		Shaft, Output
6	1502-085	1	/P	Shaft, Input
7	1402-011	1		Seal
8	0423-423	1		Ring, Retaining
9	0502-347	1		Bracket, Actuator
10	0502-579	1		Actuator (inc. one No. 11)
11	0423-498	2	S	O-Ring
12	0423-396	3		Screw, Self-Tapping
13	1402-043	1		Bearing
14	0423-118	11		Screw, Self-Tapping
15	0502-528	1	/P	Housing, Pinion
16	0402-947	1		Gasket, Flange
17	0402-997	1		Shaft, Selector
18	0402-998	1		Fork, Selector
19	0402-417	1		Shaft, Shuttle
20	0423-402	1		Ring, Retaining
21	0423-147	1		O-Ring
22	0402-999	1		Spring, Return
23	0423-417	1		Ring, Retaining
24	0402-357	1		Collar, Lock
25	0402-413	1		Coupler, Drive
26	0502-783	1		Gear, Pinion - Assembly - 10T (inc. 27-28)
27	0402-336	1		Collar, Retaining
28	0402-327	1		Bearing
29	0402-328	1		Bearing
30	0402-411	1		Pin, Dowel
31	0502-514	1		Housing, Gearcase
32	1402-210	1	/P	Plug, Magnetic (inc. one No. 33)
33	0423-153	2		O-Ring
34	0423-149	1		O-Ring
35	0402-393	1		Bearing
36	0402-405	AR		Shim
36	0402-406	AR		Shim
36	0402-407	AR		Shim
36	0402-408	AR		Shim
36	0402-409	AR		Shim
37	1502-234	1	S	Gear, Ring - 36T
38	1402-074	AR		Shim
38	1402-075	AR		Shim
38	1402-076	AR		Shim
38	1402-077	AR		Shim
38	1402-078	AR		Shim
39	1502-097	1		Cover, Gearcase (inc. one No. 33, 40-55, and one No. 56)
40	1402-053	1		Bearing
41	0502-413	1		Flange, Bearing
42	1402-079	1		Pin, Parallel



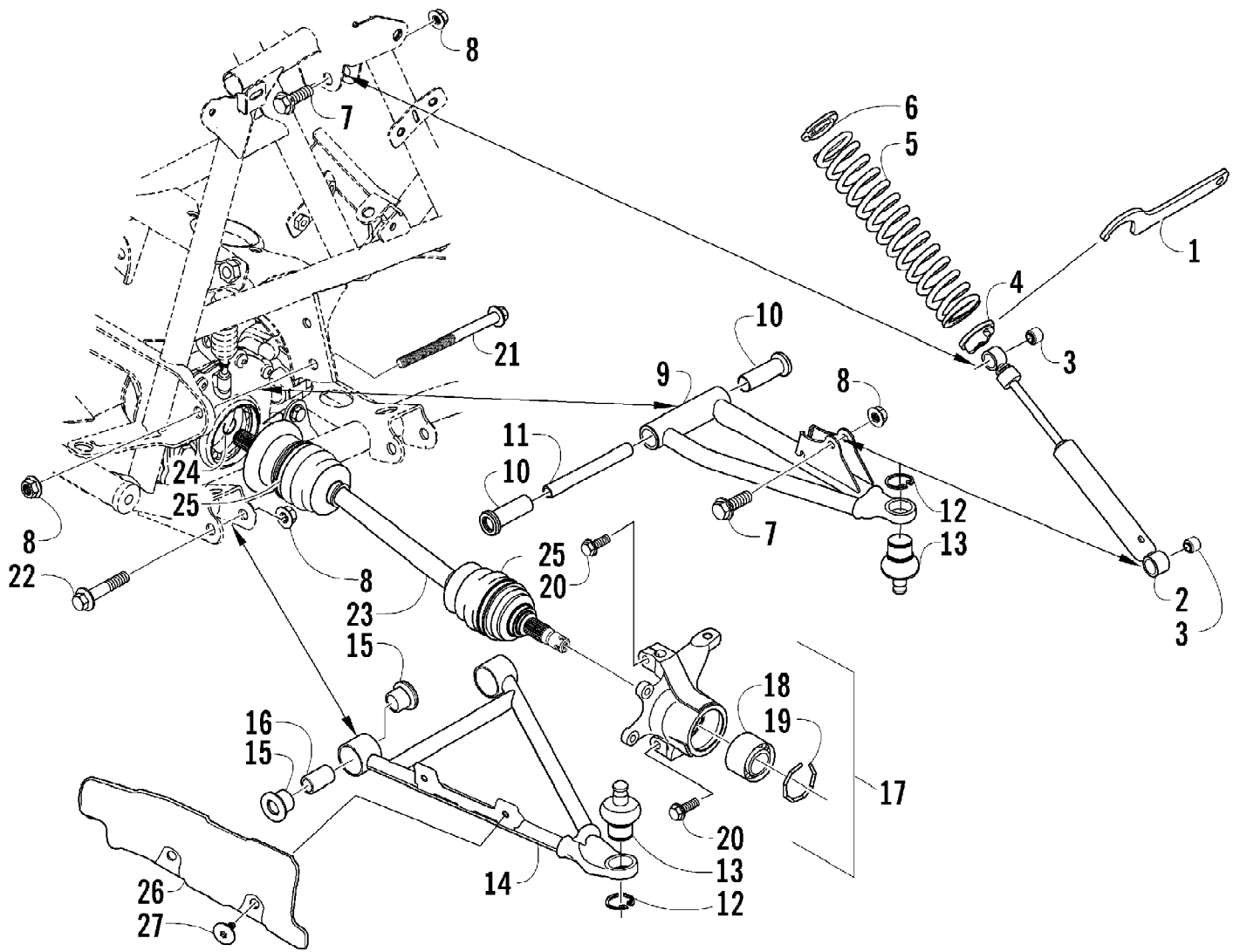
2008 ATV 500 MANUAL TRANSMISSION 4X4 FIS GREEN (A2008IBM4AUSG)Page 41 of 95  
FRONT DRIVE GEARCASE ASSEMBLY

Ref #	Part Number	Qty	S/P/F	Description
43	1402-042	1		Collar, Sliding
44	1402-054	1		Fork
45	1402-058	2		Ring, Retaining
46	1402-057	1		Spring
47	1402-104	1		Fitting
48	0402-419	1		Switch, Indicator
49	1402-063	1		Spring
50	1402-055	1		Shaft, Lock
51	1402-056	1		Seal
52	0423-133	1		O-Ring
53	0423-132	1		Washer
54	0423-424	1		Ring, Retaining
55	1402-211	1		Plug, Oil Level (inc. one No. 33)
56	1402-441	2	S	Seal
57	0402-333	1	/P	Plug, Fill (inc. 58)
58	0423-154	1		O-Ring



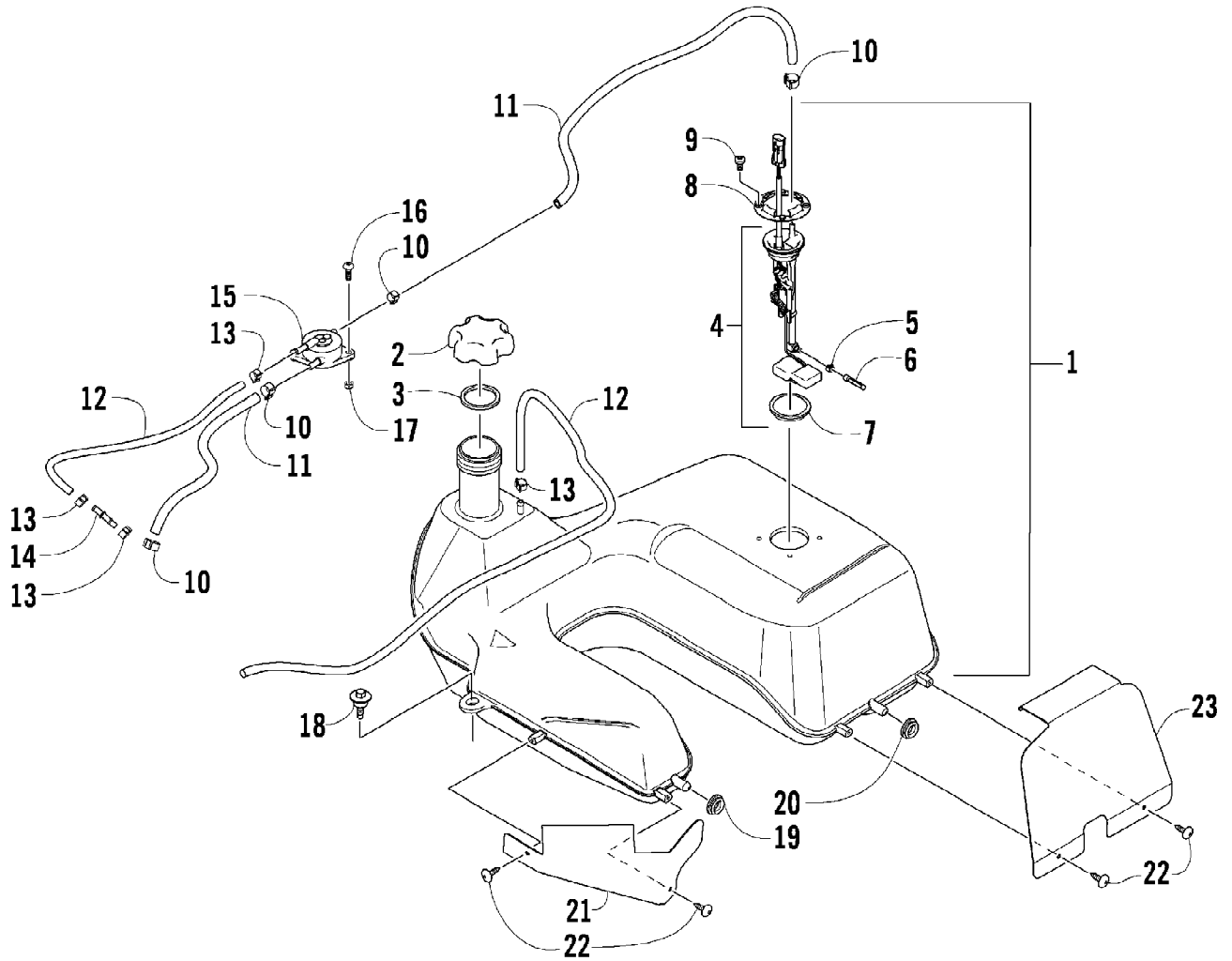
2008 ATV 500 MANUAL TRANSMISSION 4X4 FIS GREEN (A2008IBM4AUSG)Page 43 of 95  
FRONT RACK AND HEADLIGHT ASSEMBLIES

Ref #	Part Number	Qty	S/P/F	Description
1	2506-106	1		Rack, Front - Assembly (inc. 2-3)
2	0411-576	1		Decal, Warning - Front Rack Load
3	0441-592	4	/P	Bushing, Rack
4	8410-830	4		Screw, Cap
5	0423-669	4		Spacer
6	0423-465	4		Grommet
7	8432-802	4		Nut, Lock
8	0423-654	2		Screw, Shoulder
9	8050-222	2	/P	Washer
10	0423-540	2		Nut, Lock
11	0509-034	1	S	Headlight Assembly - Right (inc. 12)
11	0509-035	1		Headlight Assembly - Left (inc. 12)
12	0409-055	4		Bulb, Headlight
13	0423-514	2		Stud, Adjuster - Headlight
14	0423-522	2		Spring, Adjuster
15	0423-513	2		Knob, Adjuster
16	8050-217	8	/P	Washer
17	0423-447	4		Grommet
18	0623-785	4		Screw, Self-Tapping
19	2406-376	1		Panel, Side - Right
19	2406-377	1		Panel, Side - Left
20	0423-678	7		Grommet
21	1406-358	1		Cover, Access
22	0423-535	2		Rivet, Reinstallable
23	1406-484	1		Cover, Steering Post
24	0623-362	4		Rivet, Reinstallable
25	0470-513	1		Cover, Storage Box
26	1406-573	1		Box, Storage
27	0423-101	2		Screw, Body
28	2506-234	1		Lid, Storage Box w/Latch (inc. 29-30)
29	1406-599	1		Latch, Storage Box
30	0470-514	1		Lid, Storage Box



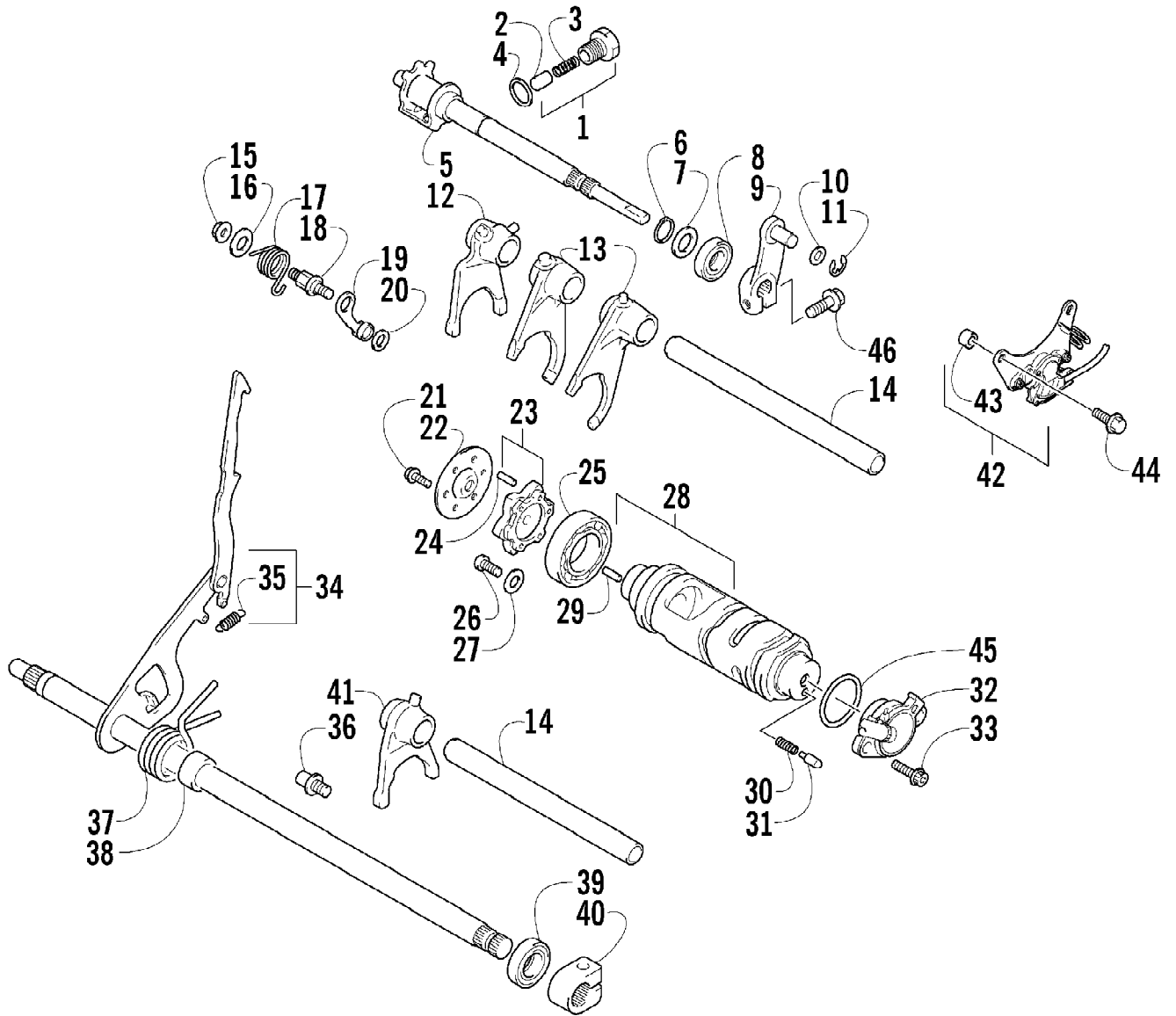
2008 ATV 500 MANUAL TRANSMISSION 4X4 FIS GREEN (A2008IBM4AUSG)Page 45 of 95  
FRONT SUSPENSION ASSEMBLY

Ref #	Part Number	Qty	S/P/F	Description
1	0441-587	1		Wrench, Spanner
2	0403-180	2		Shock Absorber - Front (inc. 3)
3	0403-182	4		Bushing, Double-Bonded
4	0403-102	2		Cam, Spring Adjuster
5	0403-177	2		Spring, Shock Absorber
6	1603-889	2	/P	Retainer, Spring
7	8409-040	4		Screw, Cap
8	8428-002	10		Nut, Lock
9	0503-196	1	S	A-Arm, Upper Right (inc. 10-13)
9	0503-197	1		A-Arm, Upper Left (inc. 10-13)
10	0403-081	4	S	Bushing
11	0403-080	2		Collar
12	0423-009	4	/P	Clip, Ball Joint
13	0405-115	4	/P	Ball Joint - Front
14	0503-334	1	S	A-Arm, Lower Right (inc. 12-13 and 15-16)
14	0503-335	1	S	A-Arm, Lower Left (inc. 12-13 and 15-16)
15	0403-115	8	S	Bushing
16	0403-114	4	S	Collar
17	0505-460	1		Knuckle, Steering - Assembly - Right Front (inc. 18-19)
17	0505-461	1	S	Knuckle, Steering - Assembly - Left Front (inc. 18-19)
18	1402-027	2	S/P	Bearing, Wheel Hub
19	0423-423	2		Ring, Retaining
20	8409-030	4		Screw, Cap
21	0423-334	2		Screw, Cap
22	8409-075	4		Screw, Cap
23	0502-812	1	S	Axle, Drive - Front - Right (inc. 24-25)
23	0502-813	1	S	Axle, Drive - Front - Left (inc. 24-25)
24	1441-109	2	S	Clip, Retaining
25	0436-276	2	S	Repair Kit, Boot - Front Axle
26	1441-002	1		Guard, Boot - Axle - Right
26	1441-003	1		Guard, Boot - Axle - Left
27	0423-545	4	/P	Screw, Body



2008 ATV 500 MANUAL TRANSMISSION 4X4 FIS GREEN (A2008IBM4AUSG)Page 47 of 95  
GAS TANK ASSEMBLY

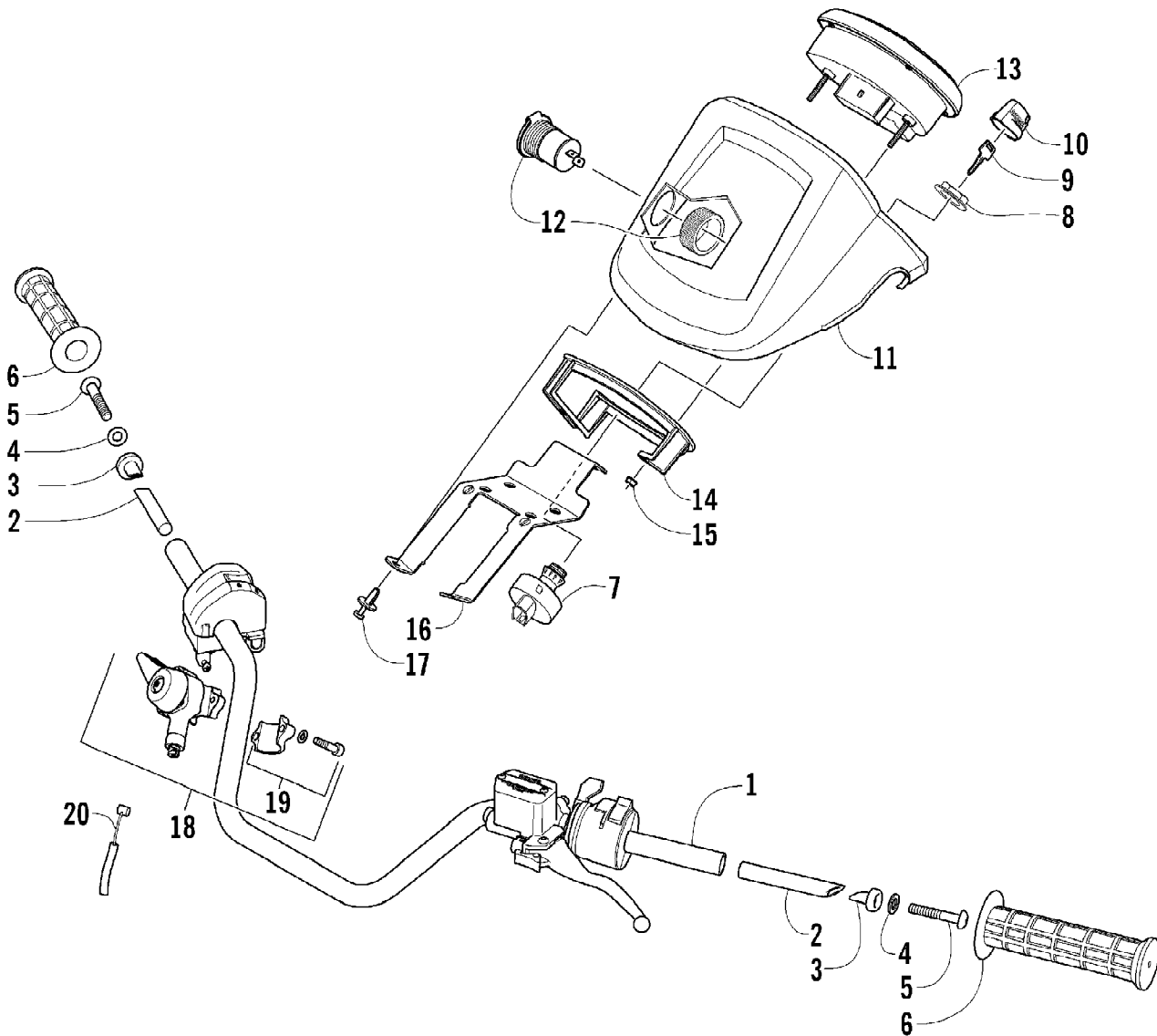
Ref #	Part Number	Qty	S/P/F	Description
1	0570-183	1	S	Tank, Gas - Assembly (inc. 2-9)
2	0470-438	1	/P	Cap, Gas Tank (inc. 3)
3	0109-733	1	/P	Gasket, Gas Tank Cap
4	0570-141	1	S	Sensor, Fuel Level (inc. 5-7)
5	0423-603	1		Clamp, Hose
6	0470-475	1		Filter, Fuel
7	0470-521	1		Seal, Fuel Level Sensor
8	0470-639	1	/P	Plate, Mounting - Fuel Level Sensor
9	1623-158	4		Screw, Plastite
10	0423-688	4		Clamp, Hose
11	0410-143	AR		Hose, Gasline - 25 ft
12	0410-070	AR	/P	Hose, Gasline - 25 ft
13	0423-689	4		Clamp, Hose
14	0470-702	1	/P	Fitting, Straight
15	0470-758	1	/P	Pump, Fuel
16	8476-620	2		Screw, Machine
17	0623-038	2		Nut, Lock
18	0423-732	2		Screw, Shoulder
19	0423-460	1		Grommet
20	0423-806	1		Grommet
21	0470-709	1		Shield, Gas Tank - Front
22	0623-797	4		Screw, Self-Tapping
23	0470-710	1		Shield, Gas Tank - Rear





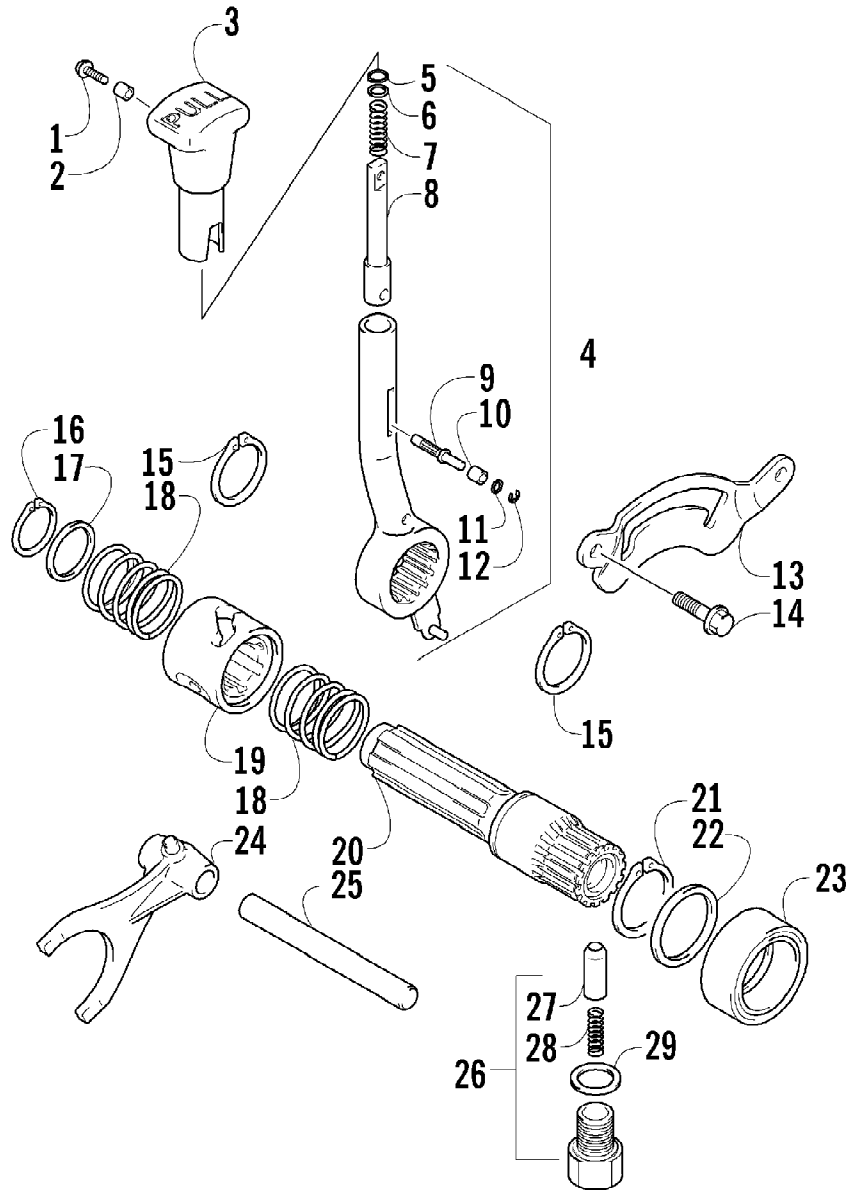
2008 ATV 500 MANUAL TRANSMISSION 4X4 FIS GREEN (A2008IBM4AUSG)Page 49 of 95  
GEAR SHIFTING ASSEMBLY

Ref #	Part Number	Qty	S/P/F	Description
1	3446-164	1		Stopper, Reverse (inc. 2-3)
2	3446-117	1		Stopper
3	3402-088	1		Spring
4	3402-012	1		Gasket, Cam Stopper
5	3446-349	1		Cam, Reverse Shift
6	3423-358	1	S	Circlip
7	3423-357	1		Washer
8	3402-076	1		Seal, Oil
9	3402-434	1	/P	Arm, Reverse Gear Shift
10	3423-204	1	/P	Washer
11	3423-168	1	S	E-Ring
12	3446-040	1		Fork, Gear Shift - Reverse
13	3446-347	2		Fork, Gear Shift
14	3446-052	2		Shaft, Gear Shift Fork
15	3007-373	1	/P	Nut, Cam Stopper
16	3423-142	1		Washer, Cam Stopper
17	3423-551	1		Spring, Cam Stopper
18	3446-048	1		Support, Cam Stopper
19	3446-043	1		Stopper, Cam
20	3423-141	1		Washer, Cam Stopper
21	3423-125	1	S	Bolt, Gear Shift Cam
22	3446-309	1	/P	Guide, Gear Shift Cam
23	3446-049	1		Plate, Gear Shift Cam (inc. 24)
24	3423-045	5		Pin
25	3402-051	1		Bearing, Gear Shift Cam
26	3423-370	2		Screw
27	3423-135	2		Retainer, Shift Cam Bearing
28	3446-348	1		Cam, Gear Shift (inc. 29)
29	3423-114	1	/P	Pin
30	3402-087	2		Spring
31	3423-044	2		Contact
32	3402-816	1		Switch, Gear Position Assembly
33	3423-418	2		Bolt
34	3446-410	1	/P	Shaft, Gear Shift (inc. 35)
35	3402-093	1		Spring
36	3446-056	1		Stopper, Gear Shift
37	3402-094	1		Spring, Gear Return
38	3446-054	1		Spacer, Gear Shift Shaft
39	3402-068	1	/P	Seal, Oil
40	3402-815	1		Boss, Gear Shift Lever
41	3446-039	1		Fork, Gear Shift
42	3409-020	1		Switch, Reverse (inc. 43)
43	3423-553	1		Spacer
44	3423-307	2	S	Bolt
45	3423-059	1		O-Ring
46	8476-620	1		Screw



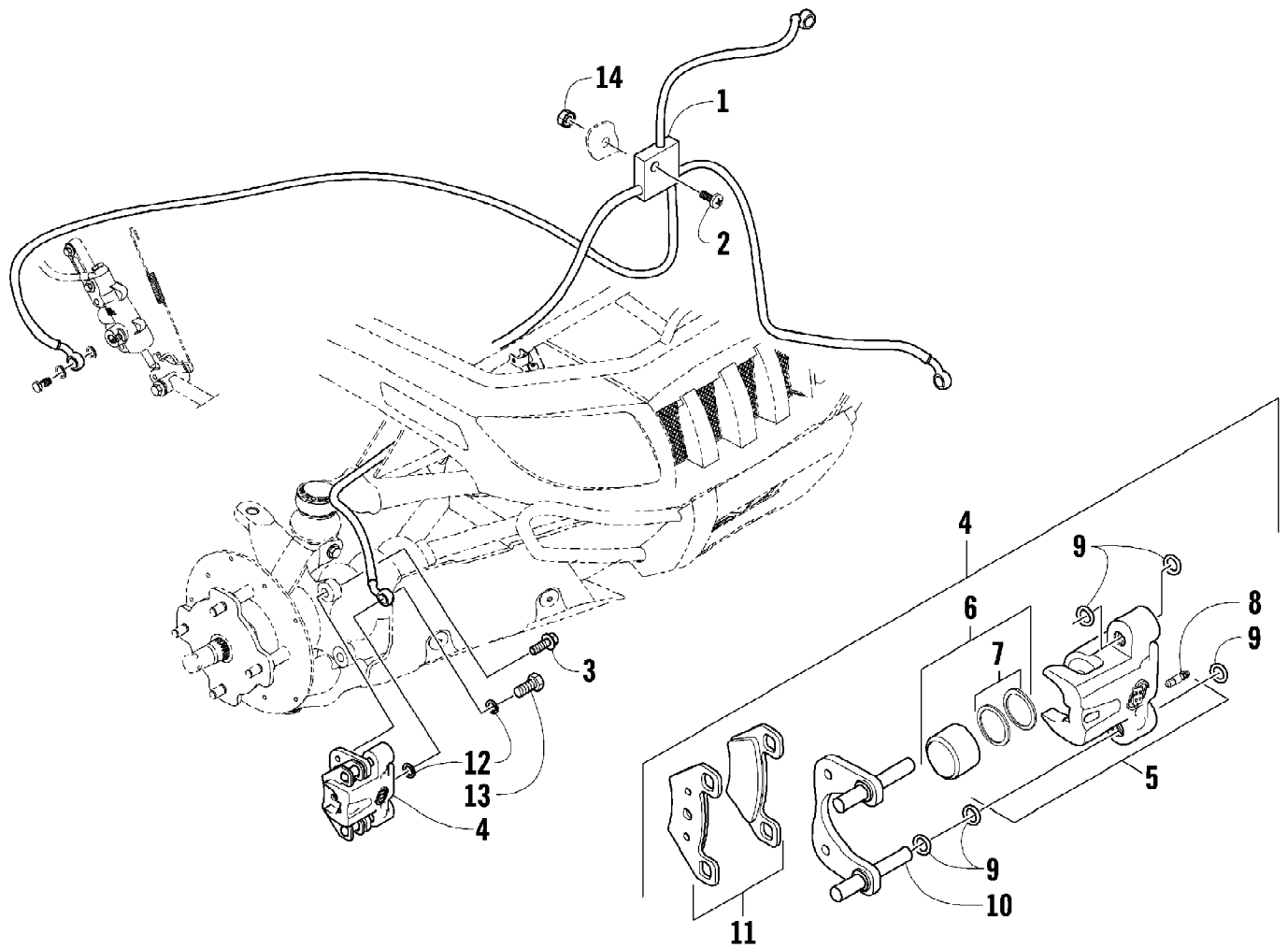
2008 ATV 500 MANUAL TRANSMISSION 4X4 FIS GREEN (A2008IBM4AUSG)Page 51 of 95  
HANDLEBAR ASSEMBLY

Ref #	Part Number	Qty	S/P/F	Description
1	0505-476	1		Tube, Handlebar
2	0405-148	2		Plug, Handlebar
3	0405-149	2		End Cap, Handlebar
4	8050-247	2	/P	Washer
5	8477-845	2		Screw, Machine
6	0405-147	2		Grip, Handlebar
7	0430-069	1	S	Switch, Ignition - Assembly (inc. 8-10)
8	0430-050	1		Nut, Flange - Ignition Switch
9	0430-042	1		Key, Ignition (Y Series - Left-Side Cut)
9	0430-043	1		Key, Ignition (Z Series - Right-Side Cut)
10	0430-054	1		Cover, Key
11	0405-274	1		Instrument Pod
12	0641-897	1	/P	Outlet, Accessory - 12V
13	0520-018	1		Gauge, LCD
14	0420-065	1	/P	Clamp, Plastic
15	0423-493	2		Nut, Hex
16	2506-470	1		Bracket, Mounting - Instrument Pod
17	0423-535	2		Rivet, Reinstallable
18	0502-527	1		Control, Differential Lock (inc. 19)
19	0502-613	1		Clamp, Differential Lock Control - Kit
20	0487-050	1	/P	Cable, Differential Lock



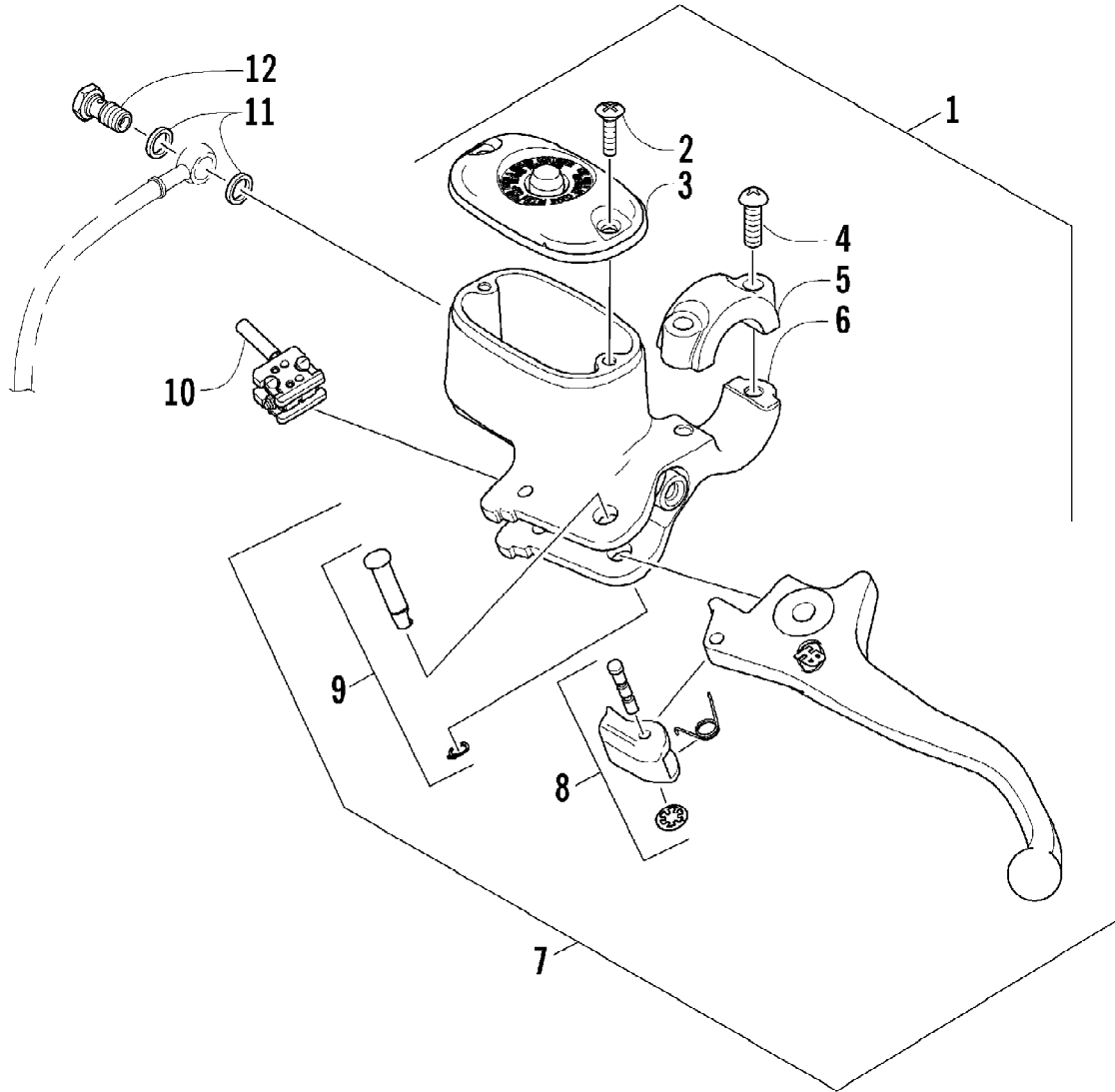
2008 ATV 500 MANUAL TRANSMISSION 4X4 FIS GREEN (A2008IBM4AUSG)Page 53 of 95  
HI/LO SHIFTER ASSEMBLY

Ref #	Part Number	Qty	S/P/F	Description
1	3423-156	1	S	Screw, Shift Handle
2	3402-191	1		Spacer
3	3446-078	1		Handle, Shift
4	3446-351	1		Lever, Shift - Assembly (inc. 5-12)
5	3423-154	1		Circlip
6	3423-155	1		Washer
7	3446-107	1		Spring
8	3446-252	1		Rod
9	3423-205	1		Pin
10	3446-106	1		Roller
11	3423-152	1	/P	Washer
12	3423-153	1		E-Ring
13	3446-077	1		Plate, Lever Stop
14	3004-377	2	S/P	Bolt, Stopper Plate
15	3423-192	2	/P	Circlip, Shift Lever
16	3423-191	1	/P	Circlip
17	3402-382	1		Washer
18	3446-104	2		Spring
19	3446-250	1		Cam, Gear Shift
20	3446-328	1	/P	Shaft, Gear Shift
21	3423-193	1	S/P	Circlip, Gear Shift Shaft
22	3006-489	1		Washer, Gear Shift Shaft
23	3402-071	1	/P	Seal, Oil
24	3446-073	1		Fork, Gear Shift
25	3446-051	1		Shaft, Gear Shift Fork
26	3446-314	1		Stopper, Shift Cam - Assembly (inc. 27-28)
27	3446-315	1		Stopper, Shift Cam
28	3423-524	1		Spring
29	3402-012	1		Gasket, Cam Stopper



2008 ATV 500 MANUAL TRANSMISSION 4X4 FIS GREEN (A2008IBM4AUSG)Page 55 of 95  
HYDRAULIC BRAKE ASSEMBLY

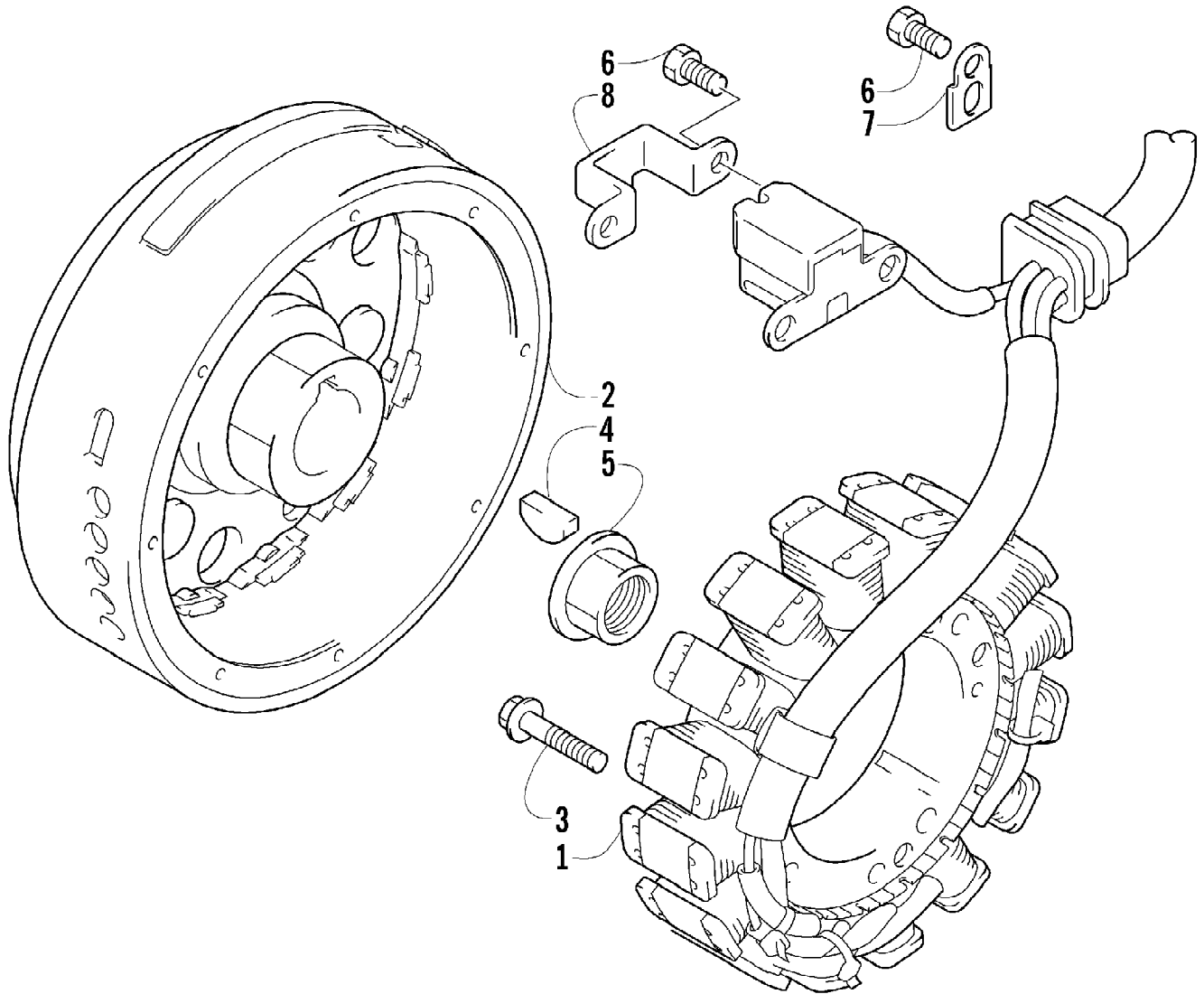
Ref #	Part Number	Qty	S/P/F	Description
1	1502-015	1		Hose, Brake - Assembly
2	8476-625	1		Screw, Cap
3	8408-821	4	/P	Screw, Cap
4	0502-878	1	S	Caliper, Brake - Right Front (inc. 5-11)
4	0502-879	1	S	Caliper, Brake - Left Front (inc. 5-11)
5	0502-603	1	S	Housing, Caliper - Assembly - Right Front (inc. 6-8)
5	0502-611	1	S	Housing, Caliper - Assembly - Left Front (inc. 6-8)
6	0502-606	2		Piston/Seal Set (inc. 7)
7	0502-607	2		Seal Set
8	0502-609	2	/P	Valve, Bleed
9	0502-608	2		O-Ring, Guide - Set
10	0502-605	2		Bracket Assembly
11	0502-875	2	S	Pad, Brake - Set
12	0423-178	4		Washer, Crush
13	0423-413	2		Bolt, Banjo-Fitting
14	0623-038	1		Nut, Lock



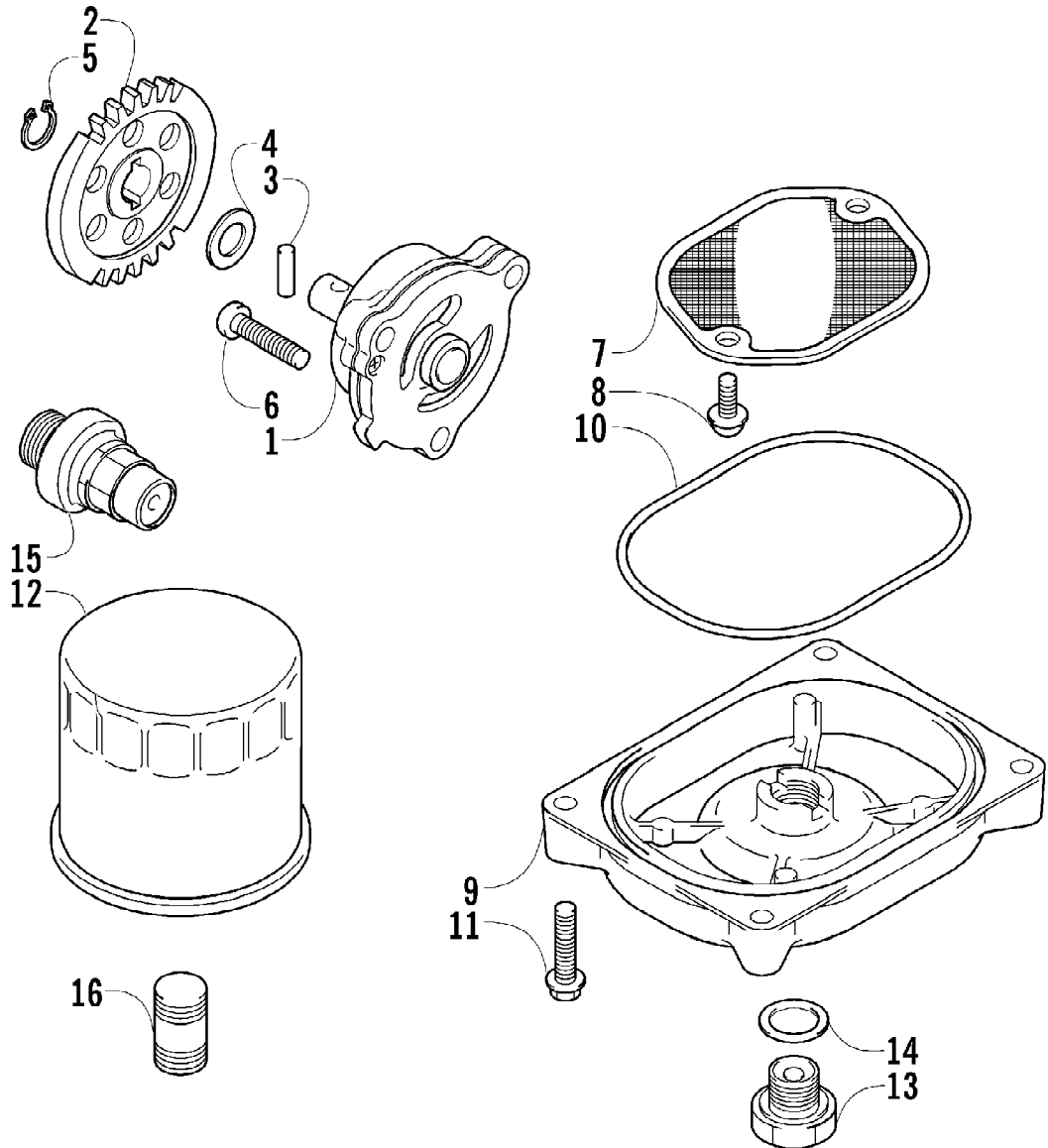


2008 ATV 500 MANUAL TRANSMISSION 4X4 FIS GREEN (A2008IBM4AUSG)Page 57 of 95  
HYDRAULIC HAND BRAKE ASSEMBLY

Ref #	Part Number	Qty	S/P/F	Description
1	0502-914	1	S	Brake Assembly (inc. 2-10)
2	0502-566	1		Screw, Reservoir Cover
3	0502-868	1	/P	Cover, Reservoir
4	0502-568	1		Screw, Master Cylinder Clamp
5	0502-869	1		Clamp, Master Cylinder
6	0502-704	1		Master Cylinder Assembly
7	0502-866	1		Lever Assembly (inc. 8-9)
8	0502-867	1	/P	Lock, Brake Lever - Kit
9	0502-580	1		Lever Pin - Kit
10	0502-564	1	/P	Switch, Brake - Kit
11	0423-178	2		Washer, Crush
12	0423-413	1		Bolt, Banjo-Fitting

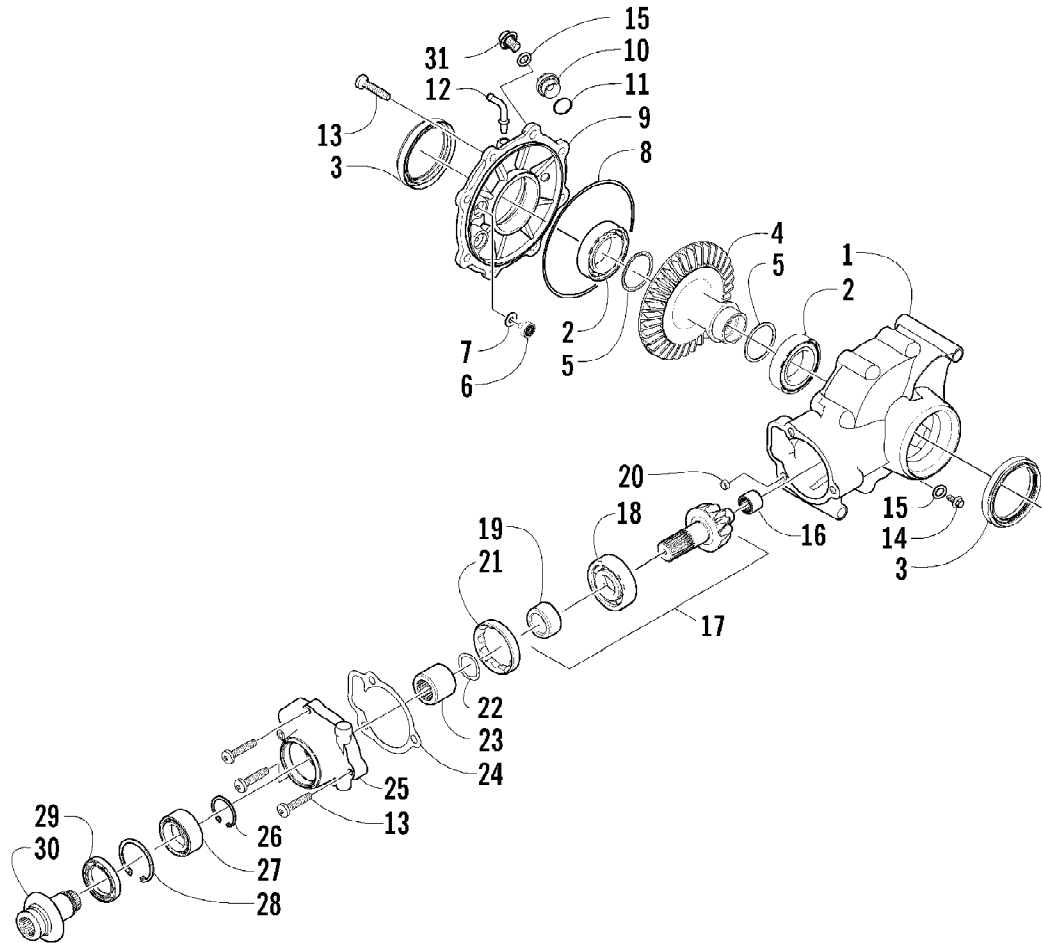


Ref #	Part Number	Qty	S/P/F	Description
1	3430-058	1		Stator Assembly
2	3430-046	1		Rotor/Flywheel
3	3423-162	3	S	Screw, Cap
4	0691-785	1		Key
5	3423-086	1		Nut
6	3423-005	3	/P	Screw, Cap
7	3430-005	1		Clamp
8	3430-006	1		Clamp



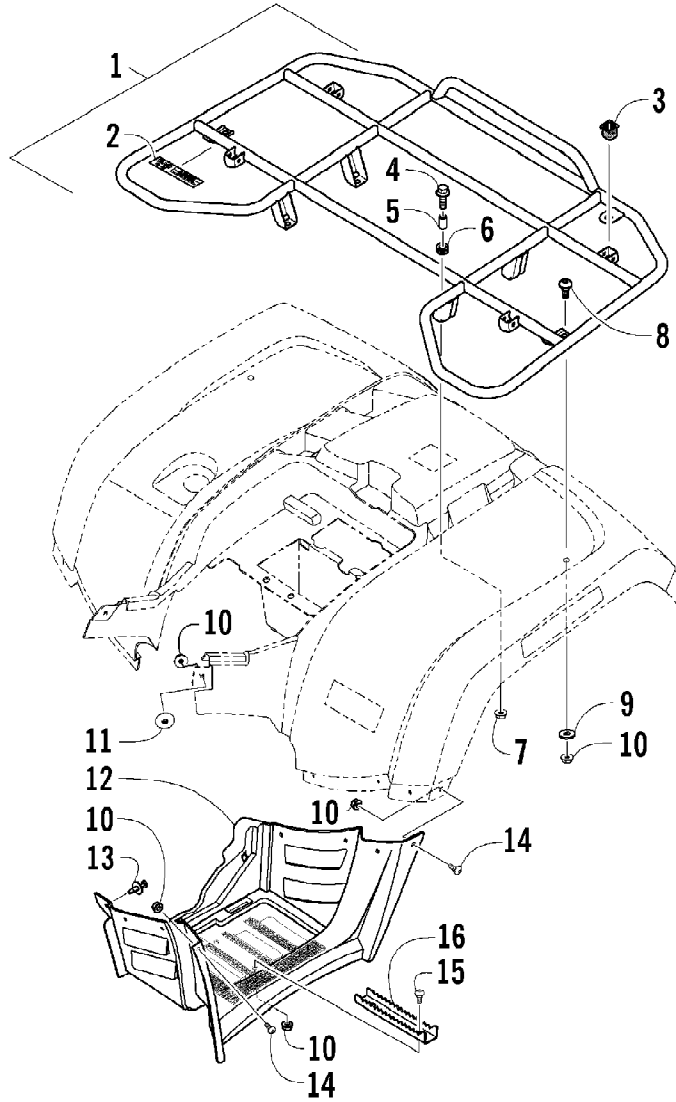
2008 ATV 500 MANUAL TRANSMISSION 4X4 FIS GREEN (A2008IBM4AUSG)Page 61 of 95  
OIL FILTER/PUMP ASSEMBLY

Ref #	Part Number	Qty	S/P/F	Description
1	3402-153	1		Pump, Oil
2	3402-026	1		Gear, Driven
3	3423-046	1		Pin
4	3423-443	1		Washer
5	3423-184	1	S	Circlip
6	3423-510	3		Screw
7	3402-156	1		Strainer, Oil
8	0693-389	2	S	Screw, Cap
9	3402-157	1		Cap, Oil Strainer
10	3423-077	1		O-Ring
11	3004-756	4	S	Screw, Cap
12	0812-005	1	S	Filter, Oil
13	3403-021	1	/P	Plug, Drain
14	3402-012	1		Gasket
15	3402-359	1		Valve, Oil-Relief - Assembly
16	3402-158	1	S	Union, Oil Filter



2008 ATV 500 MANUAL TRANSMISSION 4X4 FIS GREEN (A2008IBM4AUSG)Page 63 of 95  
REAR DRIVE GEARCASE ASSEMBLY

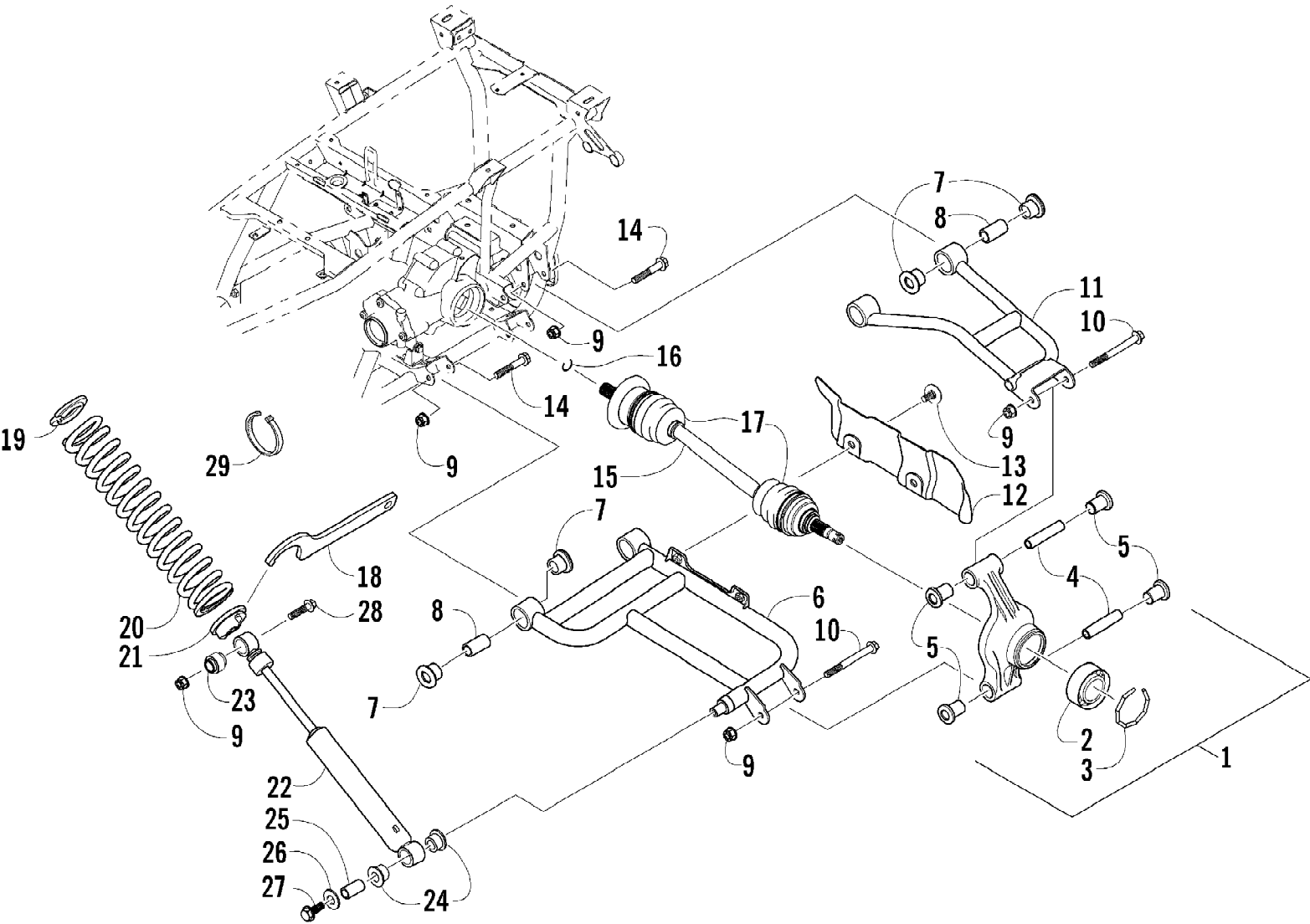
Ref #	Part Number	Qty	S/P/F	Description
	1502-079	1	S	Complete Rear Gearcase Assembly
1	0502-622	1		Housing, Gearcase
2	0402-393	2		Bearing
3	1402-441	2	S	Seal
4	1402-032	1		Gear, Ring - 36T
5	0402-405	AR		Shim
5	0402-406	AR		Shim
5	0402-407	AR		Shim
5	0402-408	AR		Shim
5	0402-409	AR		Shim
6	0402-326	1		Button, Thrust
7	0402-429	AR		Shim
7	0402-430	AR		Shim
7	0402-431	AR		Shim
7	0402-432	AR		Shim
7	0402-433	AR		Shim
8	0423-149	1		O-Ring
9	1502-082	1		Cover, Gearcase
10	0402-333	1	/P	Plug, Fill (inc. 11)
11	0423-154	1		O-Ring
12	1402-102	1		Fitting
13	0423-118	11		Screw, Self-Tapping
14	0402-450	1	S	Plug, Magnetic (inc. one No. 15)
15	0423-153	2		O-Ring
16	0402-328	1		Bearing
17	0502-783	1		Gear, Pinion - Assembly - 10T (inc. 18-19)
18	0402-327	1		Bearing
19	0402-336	1		Collar, Retaining
20	0402-411	1		Pin, Dowel
21	0402-331	1		Collar, Lock
22	0402-982	1		Washer, Spring
23	0402-981	1		Collar, Shaft
24	0402-947	1		Gasket, Flange
25	0502-529	1		Housing, Pinion
26	0423-417	1		Ring, Retaining
27	1402-043	1		Bearing
28	0423-423	1		Ring, Retaining
29	1402-011	1		Seal
30	1502-085	1	/P	Shaft, Input
31	1402-211	1		Plug, Oil Level (inc. one No. 15)





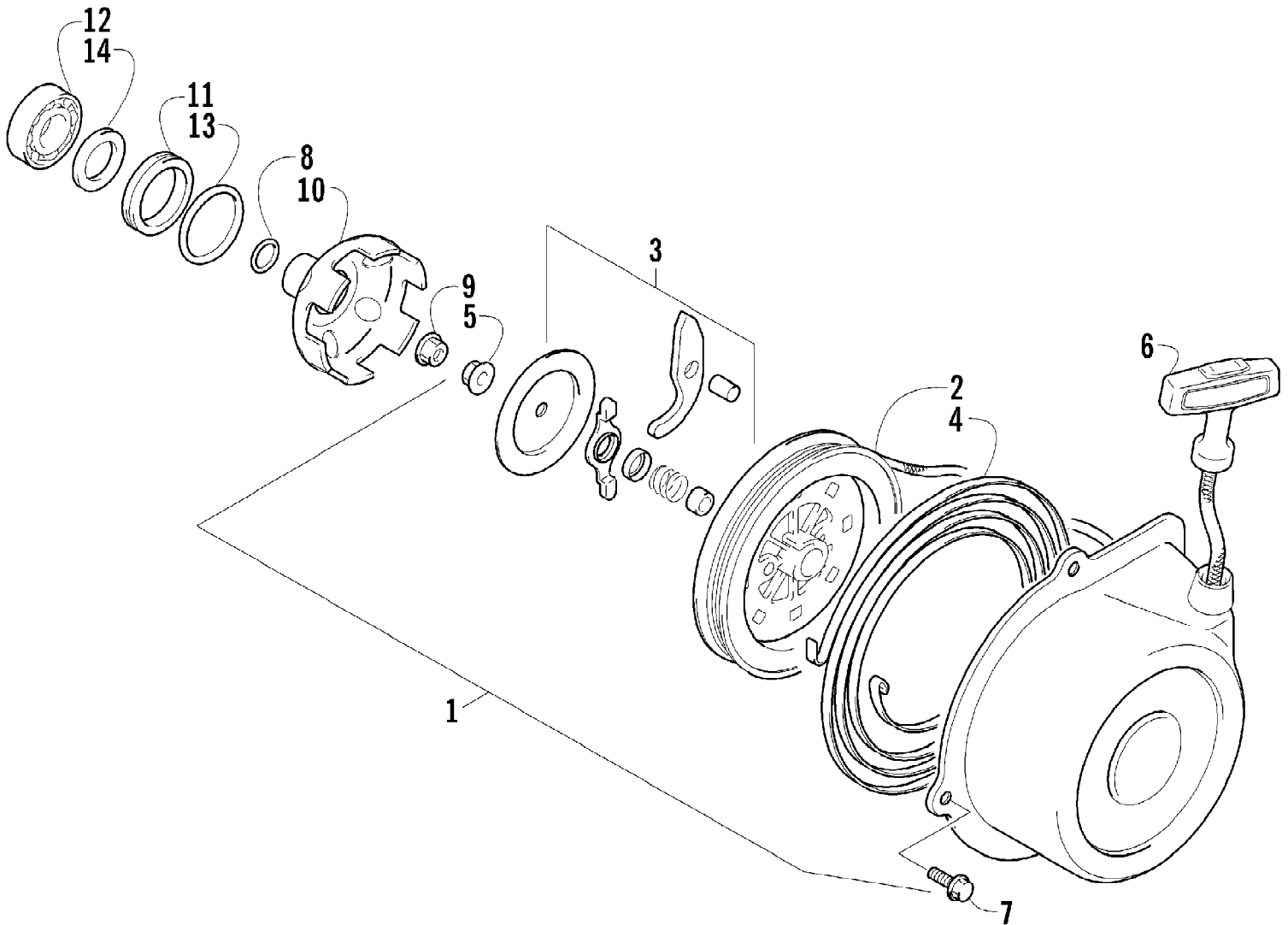
2008 ATV 500 MANUAL TRANSMISSION 4X4 FIS GREEN (A2008IBM4AUSG)Page 65 of 95  
REAR RACK AND FOOTWELL ASSEMBLIES

Ref #	Part Number	Qty	S/P/F	Description
1	2506-125	1		Rack, Rear - Assembly (inc. 2-3)
2	0411-648	1		Decal, Warning - Rear Rack Load
3	0441-592	4	/P	Bushing, Rack
4	8410-830	4		Screw, Cap
5	0423-669	4		Spacer
6	0423-465	4		Grommet
7	8432-802	4		Nut, Lock
8	0423-654	2		Screw, Shoulder
9	8050-222	2	/P	Washer
10	0423-540	24		Nut, Lock
11	0423-101	2		Screw, Body
12	2406-424	1	/P	Footwell - Right
12	2406-425	1	/P	Footwell - Left
13	0623-362	2		Rivet, Reinstallable
14	0423-419	16		Screw, Machine
15	0423-355	4		Screw, Shoulder
16	1506-125	2	/P	Footpeg



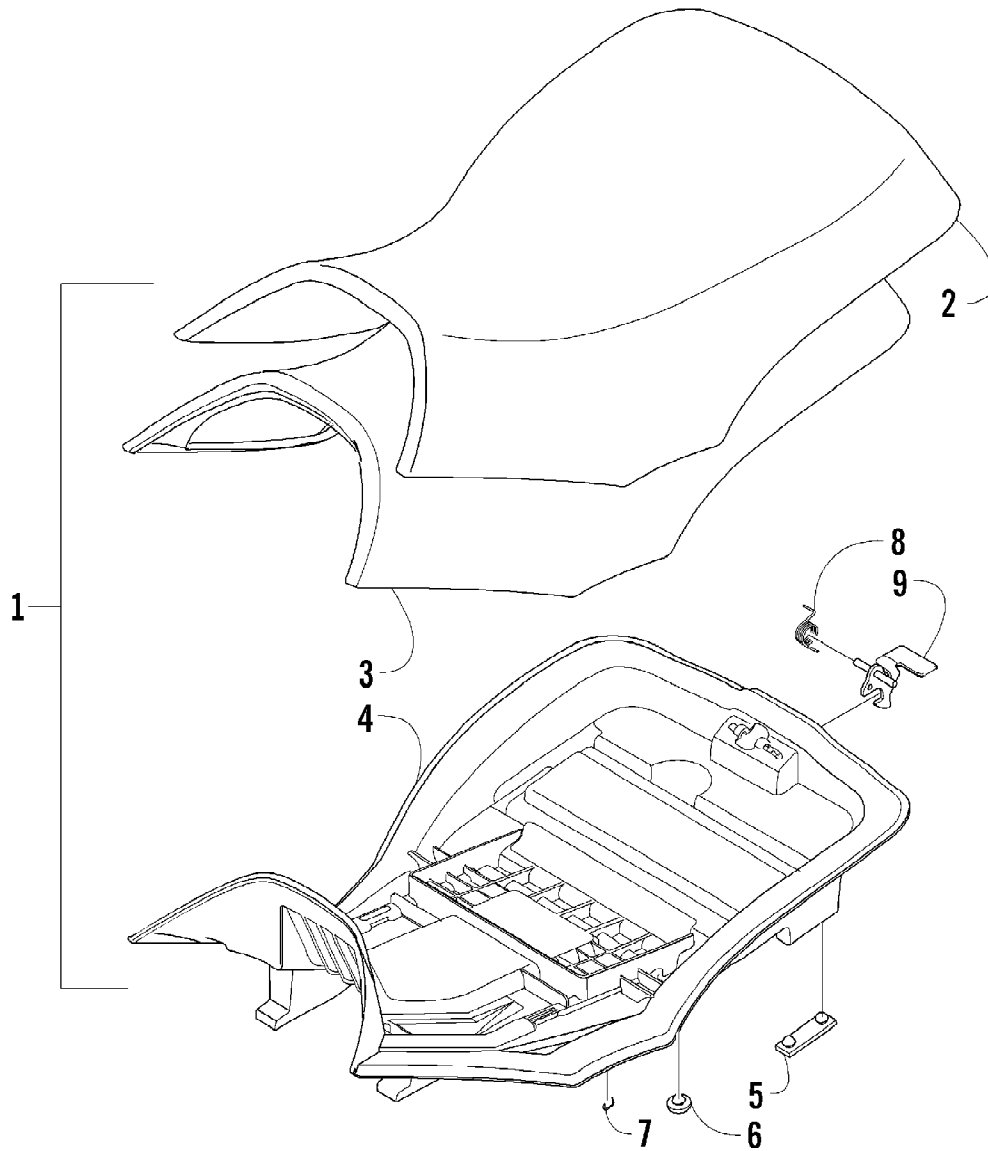
2008 ATV 500 MANUAL TRANSMISSION 4X4 FIS GREEN (A2008IBM4AUSG)Page 67 of 95  
REAR SUSPENSION ASSEMBLY

Ref #	Part Number	Qty	S/P/F	Description
1	0504-372	1	S	Knuckle, Right Rear - Assembly (inc. 2-5)
1	0504-373	1	S/P	Knuckle, Left Rear - Assembly (inc. 2-5)
2	1402-027	2	S/P	Bearing, Wheel Hub
3	0423-423	2		Ring, Retaining
4	0403-038	4	S/P	Collar, Suspension Bushing
5	0403-032	8	S	Bushing, Suspension
6	0504-438	1	/P	A-Arm, Rear - Lower Right (inc. 7-8)
6	0504-439	1	S	A-Arm, Rear - Lower Left (inc. 7-8)
7	0403-115	16	S	Bushing
8	0403-114	8	S	Collar
9	8428-002	14		Nut, Lock
10	8409-000	4		Screw, Cap
11	0504-470	1		A-Arm, Rear - Upper Right (inc. 7-8)
11	0504-471	1	S	A-Arm, Rear - Upper Left (inc. 7-8)
12	1441-004	1		Guard, Boot - Right
12	1441-005	1		Guard, Boot - Left
13	0423-545	4	/P	Screw, Body
14	8409-075	8		Screw, Cap
15	0502-811	2	S	Axle, Drive (inc. 16-17)
16	0441-893	2	S	Clip, Retaining
17	0436-276	2	S	Repair Kit, Boot - Rear Axle
18	0441-587	1		Wrench, Spanner
19	1603-889	2	/P	Retainer, Spring
20	0404-112	2		Spring, Suspension
21	0404-057	2		Cam, Spring Adjuster
22	0404-150	2		Shock Absorber - Rear (inc. 23-25)
23	0403-182	2		Bushing, Double-Bonded
24	0603-955	4		Bushing, Shock Absorber
25	1603-219	2	S	Sleeve, Shock Absorber
26	0423-087	2		Washer
27	8408-820	2	/P	Screw, Cap
28	8409-040	1		Screw, Cap - Right
28	8409-050	1		Screw, Cap - Left
29	0123-788	2	/P	Cable Tie



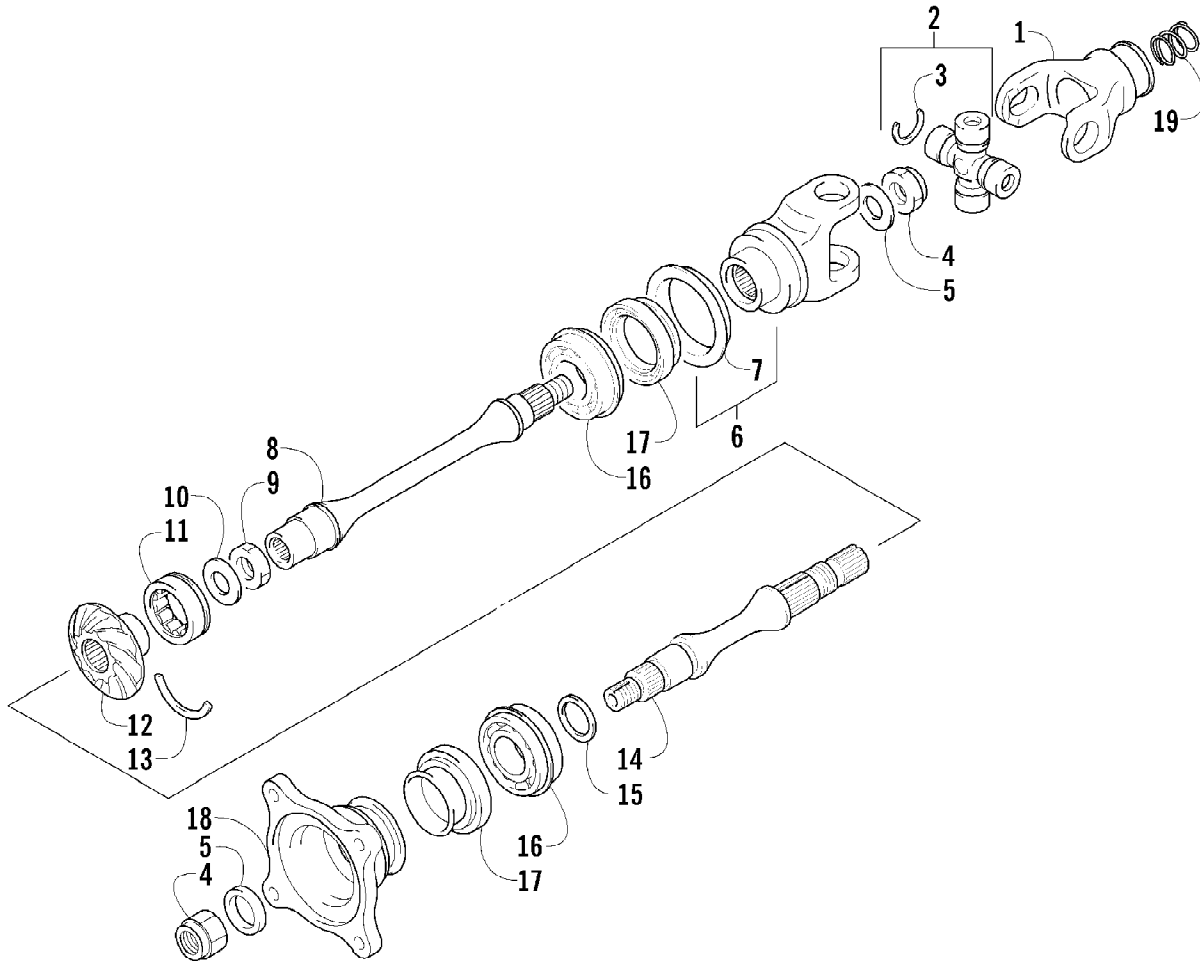
2008 ATV 500 MANUAL TRANSMISSION 4X4 FIS GREEN (A2008IBM4AUSG)Page 69 of 95  
RECOIL STARTER ASSEMBLY

Ref #	Part Number	Qty	S/P/F	Description
1	3445-003	1		Starter, Recoil - Assembly (inc. 2-6)
2	3445-004	1		Reel
3	3445-016	1		Ratchet Set
4	3445-007	1		Spring, Spiral
5	3007-373	1	/P	Nut
6	3445-011	1		Rope Assembly
7	3423-428	4		Bolt
8	3423-053	1	/P	O-Ring
9	3007-391	1	/P	Nut
10	3445-029	1	/P	Cup, Starter
11	3423-542	1	/P	Spacer
12	3402-051	1		Bearing
13	3423-063	1		O-Ring
14	3402-070	1		Seal, Oil



2008 ATV 500 MANUAL TRANSMISSION 4X4 FIS GREEN (A2008IBM4AUSG)Page 71 of 95  
SEAT ASSEMBLY

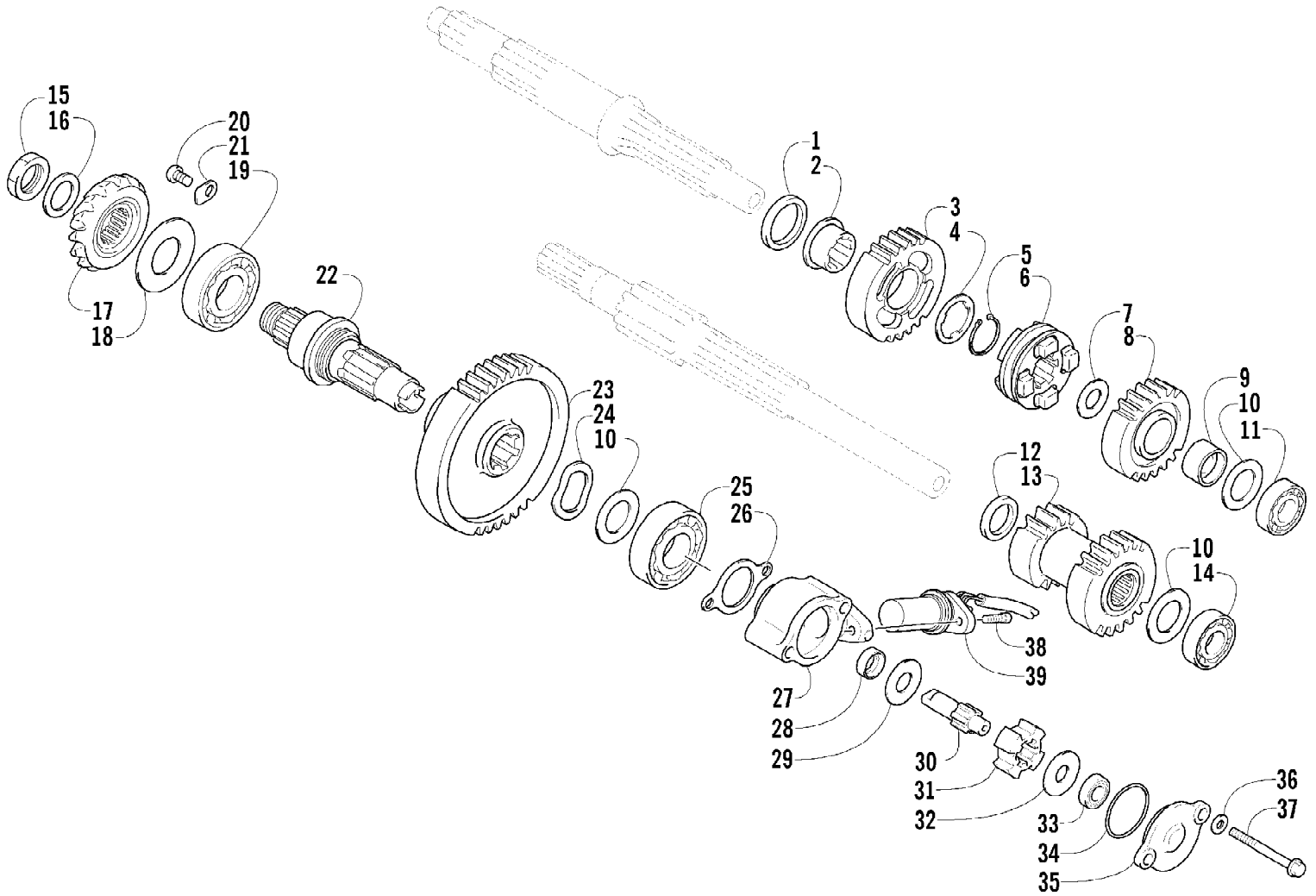
Ref #	Part Number	Qty	S/P/F	Description
1	1506-937	1	S/P	Seat Assembly (inc. 2-9)
2	1506-209	1		Cover, Seat
3	1506-208	1		Foam, Seat
4	2406-144	1	S/P	Base, Seat - Assembly (inc. 5-6)
5	0406-879	2		Bumper, Seat - Rear
6	0406-877	4	/P	Bumper, Seat - Front
7	0624-263	AR		Staple
8	1406-592	1	/P	Spring, Seat Latch
9	1506-156	1		Latch, Seat





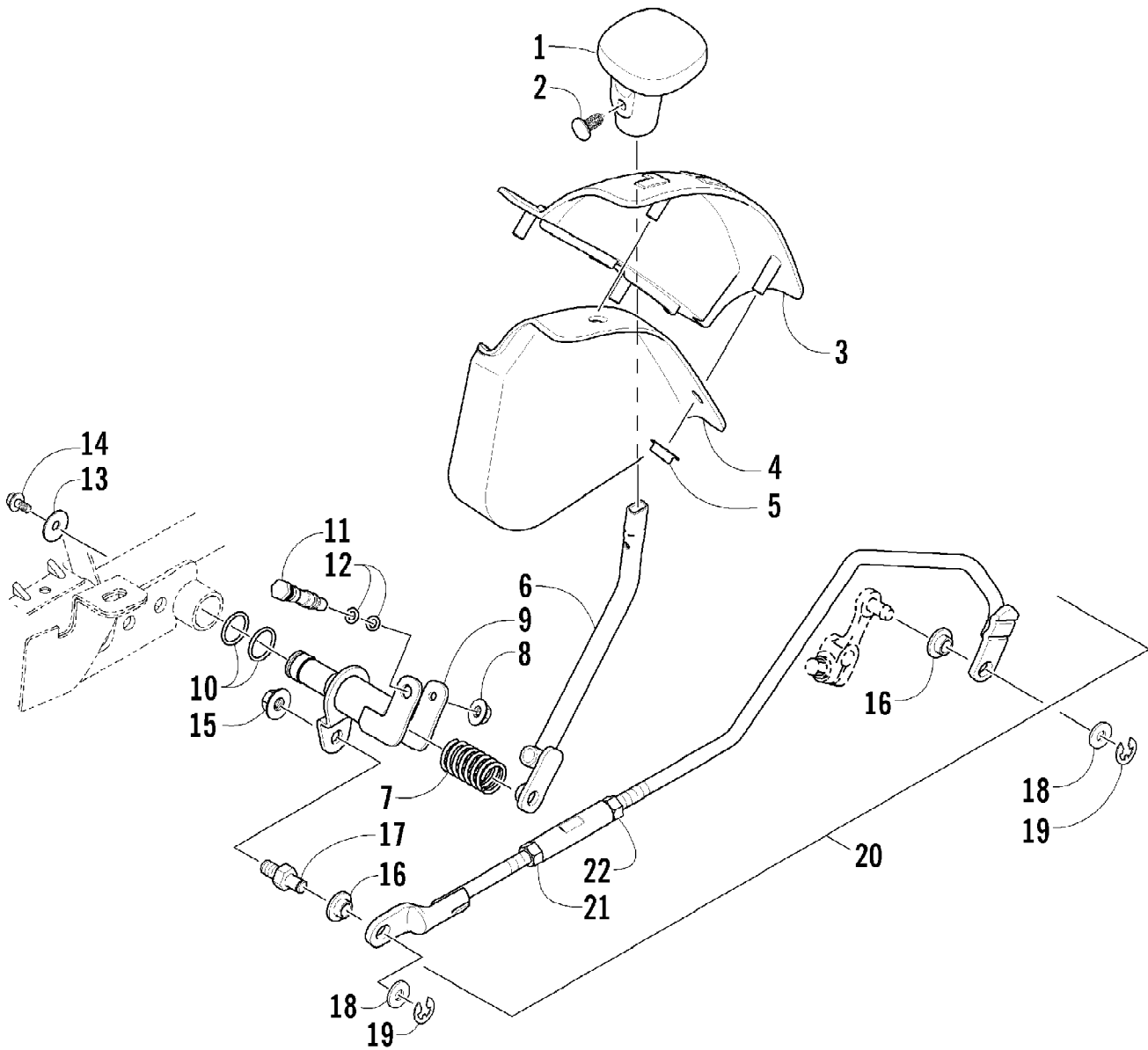
2008 ATV 500 MANUAL TRANSMISSION 4X4 FIS GREEN (A2008IBM4AUSG)Page 73 of 95  
SECONDARY DRIVE ASSEMBLY

Ref #	Part Number	Qty	S/P/F	Description
1	3446-327	1	/P	Yoke, Propeller Shaft
2	3402-562	1		Joint, Universal (inc. 3)
3	3423-479	4		Circlip
4	3423-025	2		Nut
5	3423-028	2		Washer
6	3402-742	1		Yoke, Front Drive Output (inc. 7)
7	3402-743	1		Plate, Output
8	3446-239	1		Shaft, Secondary Driven - Front
9	3423-136	1		Nut, Secondary Driven Gear
10	3423-137	1		Washer, Secondary Driven Gear
11	3402-515	1	/P	Bearing, Secondary Driven Gear
12	3446-222	1	/P	Gear, Secondary Driven
13	3423-072	1		Ring, Secondary Driven Gear Bearing
14	3446-346	1	S	Shaft, Secondary Driven - Rear
15	3402-017	AR		Shim, 25 x 34 x 0.60mm
15	3402-018	AR		Shim, 25 x 34 x 0.65mm
15	3402-019	AR		Shim, 25 x 34 x 0.70mm
15	3402-020	AR		Shim, 25 x 34 x 0.75mm
15	3402-021	AR	S	Shim, 25 x 34 x 0.80mm
15	3402-022	AR		Shim, 25 x 34 x 0.85mm
15	3402-023	AR		Shim, 25 x 34 x 0.90mm
15	3402-024	AR		Shim, 25 x 34 x 0.95mm
15	3402-025	AR	S	Shim, 25 x 34 x 1.00mm
15	3402-028	AR		Shim, 25 x 34 x 1.05mm
15	3402-029	AR		Shim, 25 x 34 x 1.10mm
15	3402-030	AR		Shim, 25 x 34 x 1.15mm
15	3402-031	AR		Shim, 25 x 34 x 1.20mm
16	3403-210	2	/P	Bearing
17	3402-072	2		Seal, Oil
18	3402-514	1	/P	Yoke, Rear Drive Output
19	1402-026	1		Spring



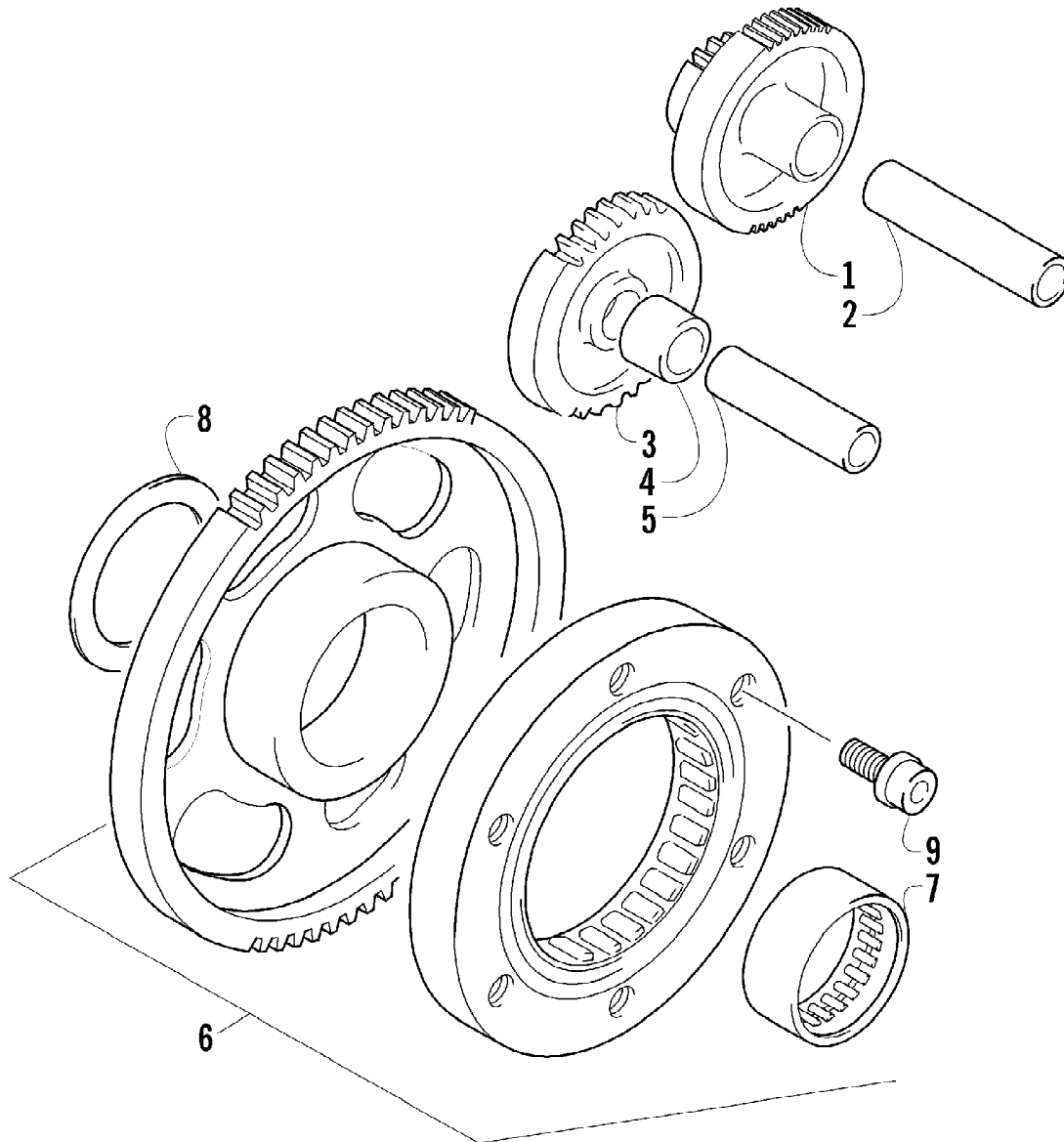
2008 ATV 500 MANUAL TRANSMISSION 4X4 FIS GREEN (A2008IBM4AUSG)Page 75 of 95  
SECONDARY TRANSMISSION ASSEMBLY

Ref #	Part Number	Qty	S/P/F	Description
1	3446-246	1		Spacer, Drive Gear
2	3446-247	1		Bushing, Drive Gear No. 1
3	3446-342	1		Gear, Drive - No. 1
4	3423-036	1		Washer, Drive Gear No. 1
5	3423-066	1	/P	Circlip, Drive Gear No. 1
6	3446-343	1		Dog, Sliding
7	3402-195	1		Washer, Drive Gear No. 2
8	3446-248	1		Gear, Drive - No. 2
9	3446-103	1		Bushing, Drive Gear No. 2
10	3402-381	3	/P	Washer
11	3402-046	1		Bearing, Driveshaft - Left
12	3423-148	1		Spacer, Idle Gear
13	3446-066	1		Gear, Idle
14	3402-979	1	/P	Bearing, Countershaft - Left
15	3423-023	1		Nut
16	3423-032	1		Washer
17	3446-274	1	/P	Gear, Secondary Drive Bevel
18	3423-549	1		Shim Set
19	3402-055	1	/P	Bearing
20	3423-370	2		Screw
21	3446-031	2	/P	Retainer, Secondary Driveshaft Bearing
22	3446-344	1		Shaft, Output
23	3446-345	1		Gear, Driven
24	3423-548	1		Lock Washer
25	3402-045	1	/P	Bearing
26	3446-244	1	/P	Gasket, Sensor Housing
27	3446-400	1		Housing, Speedometer Sensor
28	3006-322	1		Seal, Sensor Housing
29	3423-617	1		Washer
30	3446-402	1		Shaft, Speedometer Rotor
31	3402-837	1		Rotor, Speedometer
32	3423-767	1		Washer
33	3402-980	1		Bearing, Rotor Shaft
34	3423-766	1		O-Ring, Housing Cover
35	3446-401	1		Cover, Speedometer Housing
36	3003-290	2	/P	Gasket
37	3423-307	2	S	Bolt
38	3423-226	1		Bolt
39	3402-981	1		Sensor, Speedometer



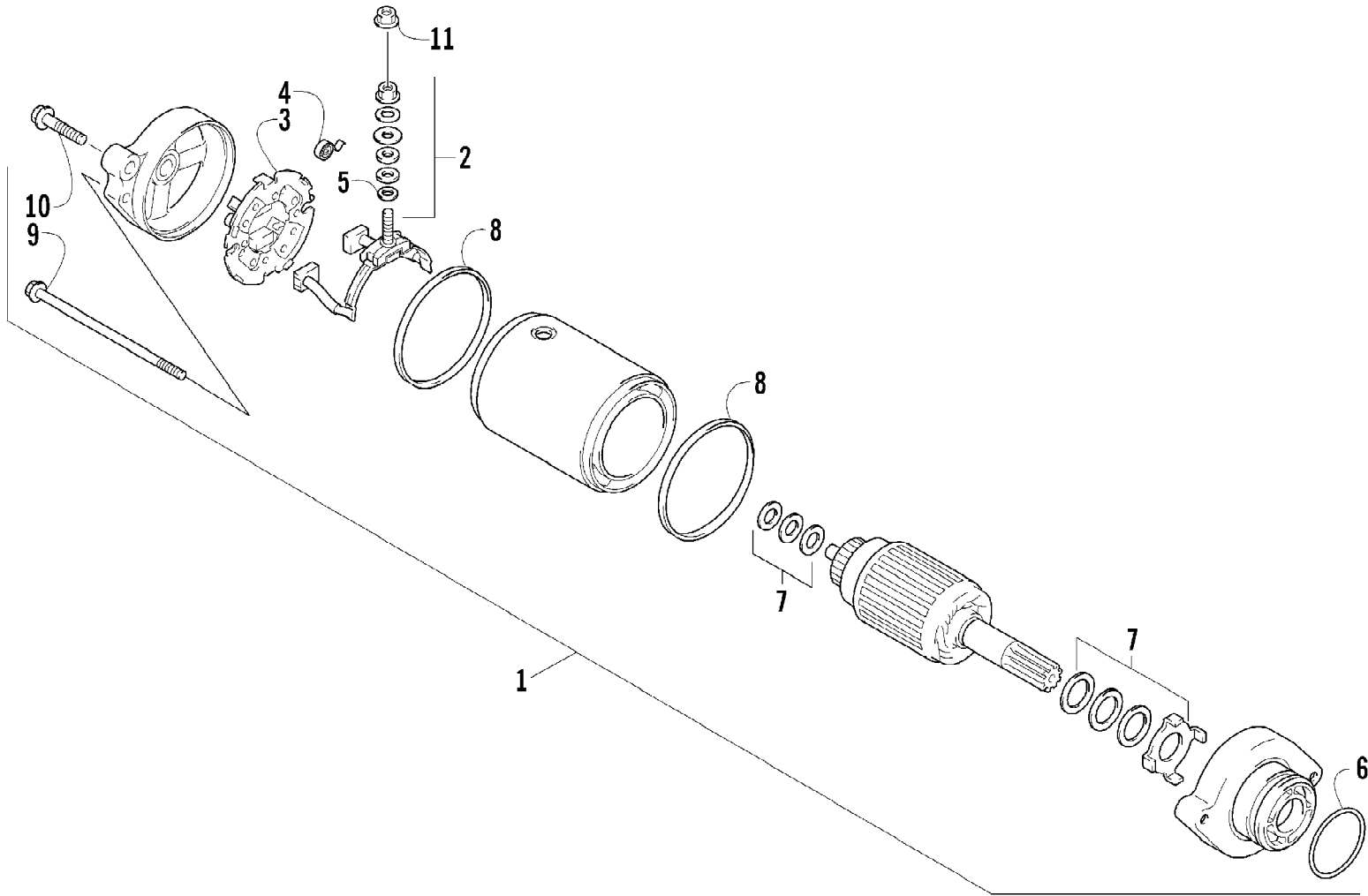
2008 ATV 500 MANUAL TRANSMISSION 4X4 FIS GREEN (A2008IBM4AUSG)Page 77 of 95  
SHIFT LEVER ASSEMBLY

Ref #	Part Number	Qty	S/P/F	Description
1	0402-843	1	/P	Knob, Shift Lever
2	0423-345	1		Clip, Push
3	1402-577	1		Plate, Shift
4	2406-345	1		Shield, Shift Plate
5	0423-357	4		Nut, Stamped
6	0502-659	1		Lever, Shift
7	0402-678	1	/P	Spring, Shift Lever
8	8424-602	1	/P	Nut
9	0502-742	1		Axle, Shift Lever
10	0423-299	2	/P	O-Ring
11	0402-675	1		Axle, Pivot
12	0423-182	2	/P	O-Ring
13	0423-087	1		Washer
14	8408-812	1		Screw, Cap
15	8424-802	1		Nut, Hex
16	0423-091	2		Bushing, Shift Linkage
17	1402-621	1		Pin, Mounting - Shift Linkage
18	0623-094	2		Washer
19	0423-169	2	/P	E-Ring
20	1502-204	1		Linkage, Shift - Assembly (inc. 21-22)
21	0623-294	1		Nut, Hex - Right-Hand Thread
22	0123-917	1	/P	Nut, Hex - Left-Hand Thread



2008 ATV 500 MANUAL TRANSMISSION 4X4 FIS GREEN (A2008IBM4AUSG)Page 79 of 95  
STARTER CLUTCH ASSEMBLY

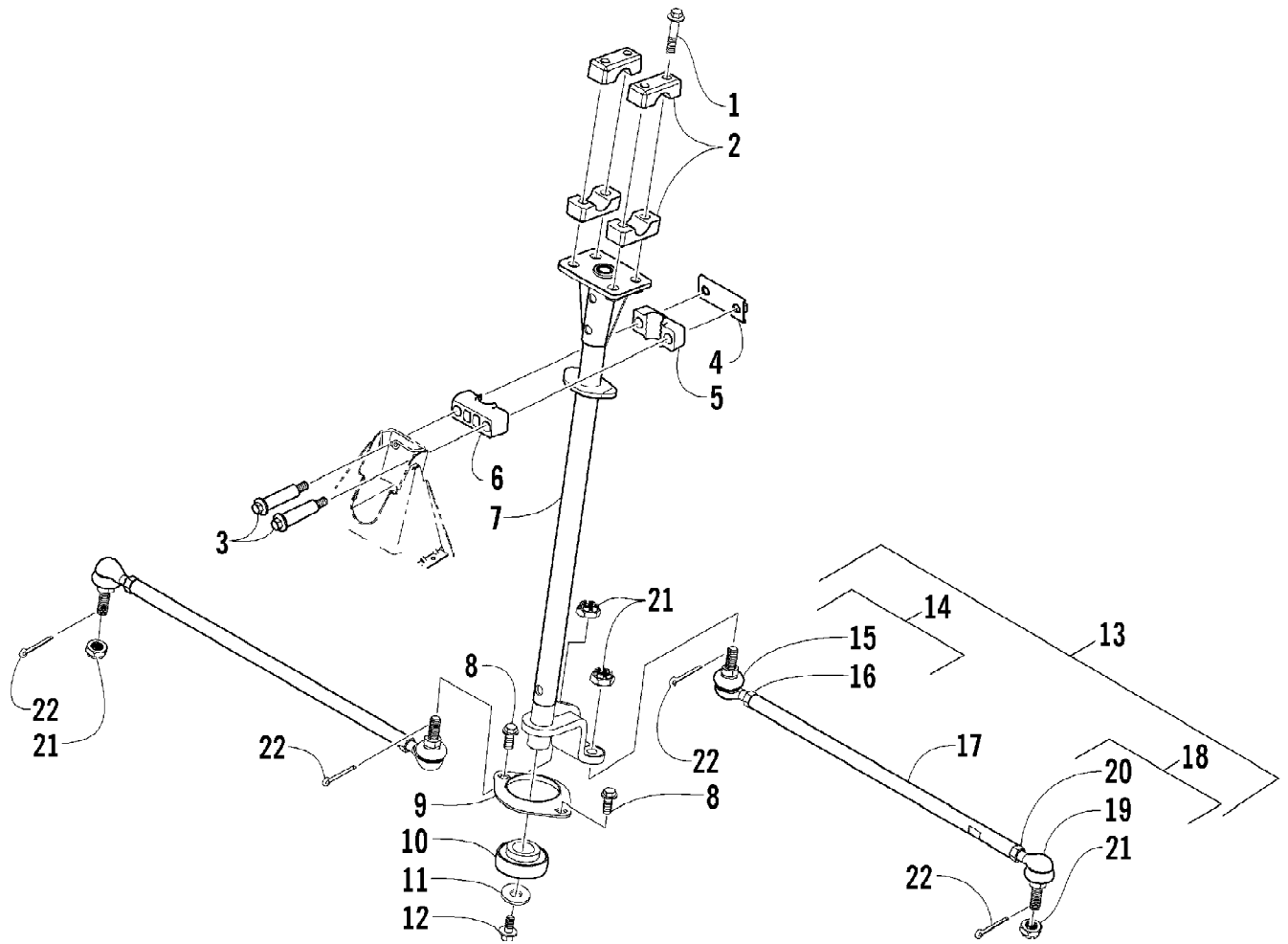
Ref #	Part Number	Qty	S/P/F	Description
1	3402-813	1	/P	Gear, Starter Idler - No.1
2	3423-331	1		Pin
3	3402-349	1		Gear, Starter Idler - No.2
4	3423-396	1		Spacer, Starter Idler Gear No. 2
5	3423-397	1		Pin
6	3402-457	1		Starter, Clutch - Set (inc. 7)
7	3402-063	1		Bearing
8	3423-104	1		Washer
9	3423-509	6		Bolt





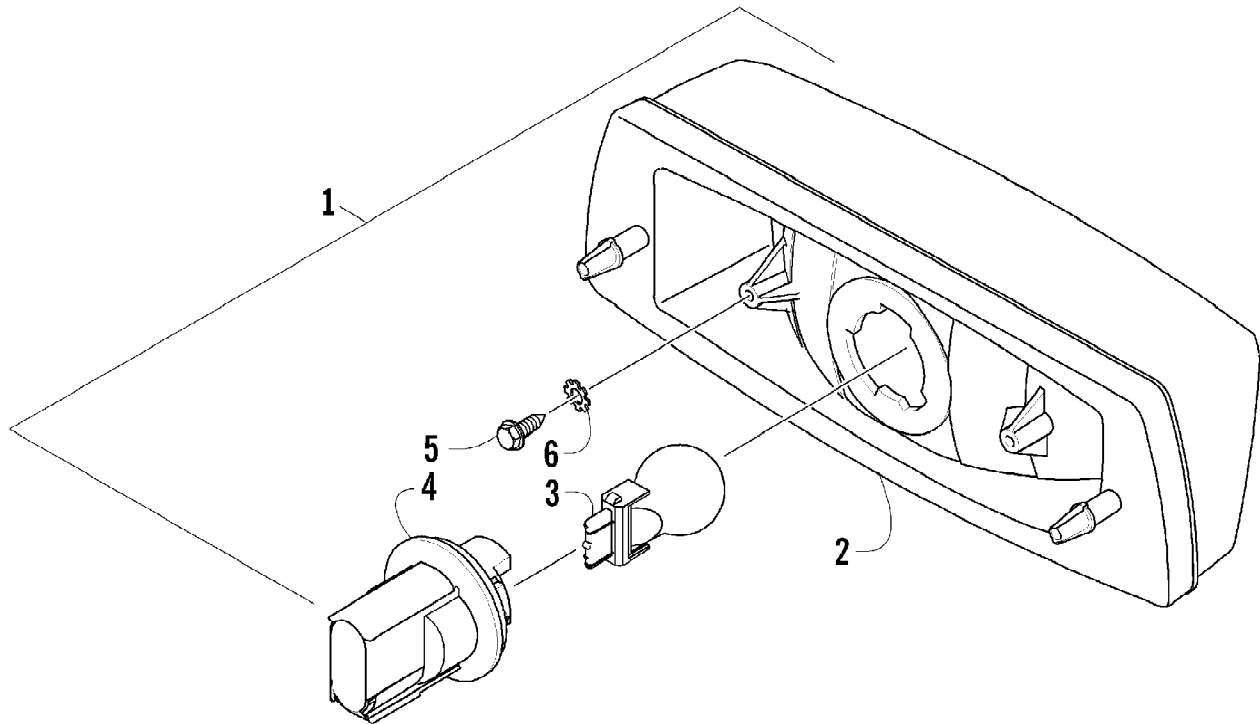
2008 ATV 500 MANUAL TRANSMISSION 4X4 FIS GREEN (A2008IBM4AUSG)Page 81 of 95  
STARTER MOTOR ASSEMBLY

Ref #	Part Number	Qty	S/P/F	Description
1	3545-024	1	/P	Motor, Starter - Assembly (inc. 2-9)
2	3008-094	1	/P	Terminal Set, Brush
3	3008-095	1	/P	Holder Set, Brush
4	3008-096	4		Spring, Brush
5	3008-164	1		O-Ring
6	3423-084	1		O-Ring
7	3436-001	1		Washer Set
8	3008-101	2	S	O-Ring
9	3423-085	2		Through-Bolt
10	3007-369	2	/P	Bolt, Starter Motor
11	3423-195	1	/P	Nut, Starter Motor



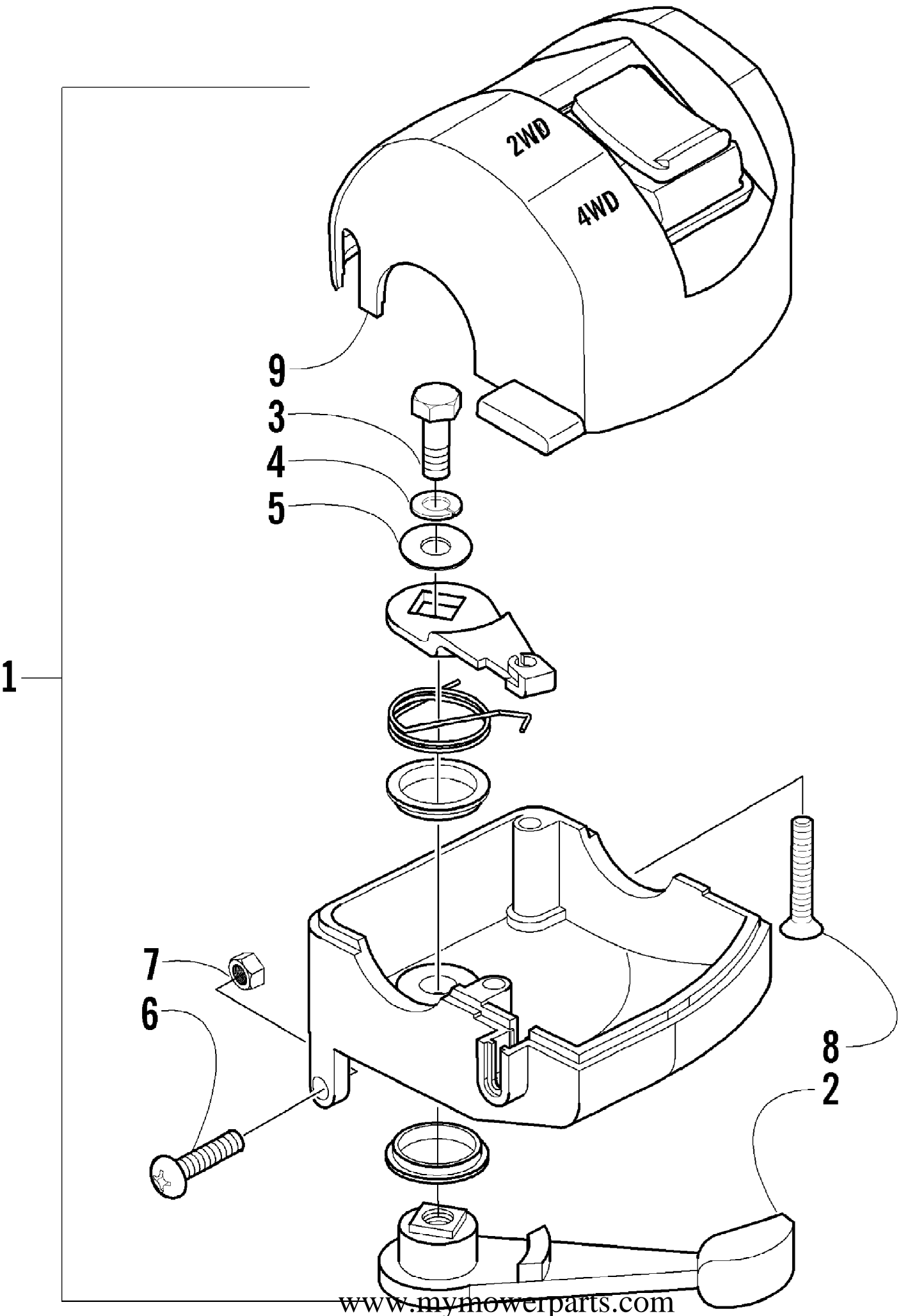
2008 ATV 500 MANUAL TRANSMISSION 4X4 FIS GREEN (A2008IBM4AUSG)Page 83 of 95  
STEERING ASSEMBLY

Ref #	Part Number	Qty	S/P/F	Description
1	8408-860	4		Screw, Cap
2	0405-035	4		Cap, Steering Adjuster
3	0423-505	2		Screw, Shoulder
4	0505-484	1		Cap, Housing
5	0405-138	1		Housing, Lower
6	0405-139	1		Housing, Upper
7	0505-451	1	S	Post, Steering
8	8408-816	2		Screw, Cap
9	0602-233	1		Flange, Bearing
10	0405-052	1		Bearing w/Inverted Oil Seal
11	0423-073	1		Washer
12	8409-020	1	/P	Screw, Cap
13	0505-499	2	/P	Tie Rod - Assembly (inc. 14-20)
14	0505-511	2	/P	End, Tie Rod - Left-Hand Thread - Kit (inc. 15-16 and two No. 21-22)
15	0	2	F	End, Tie Rod - Left Hand Thread
16	0423-013	2		Nut - Left-Hand Thread
17	0405-281	2	/P	Tie Rod
18	0505-510	2	/P	End, Tie Rod - Right-Hand Thread - Kit (inc. 19-20 and two No. 21-22)
19	0	2	F	End, Tie Rod - Right-Hand Thread
20	8420-002	2	/P	Nut - Right-Hand Thread
21	0423-157	4		Nut, Lock
22	0623-175	4		Pin, Cotter



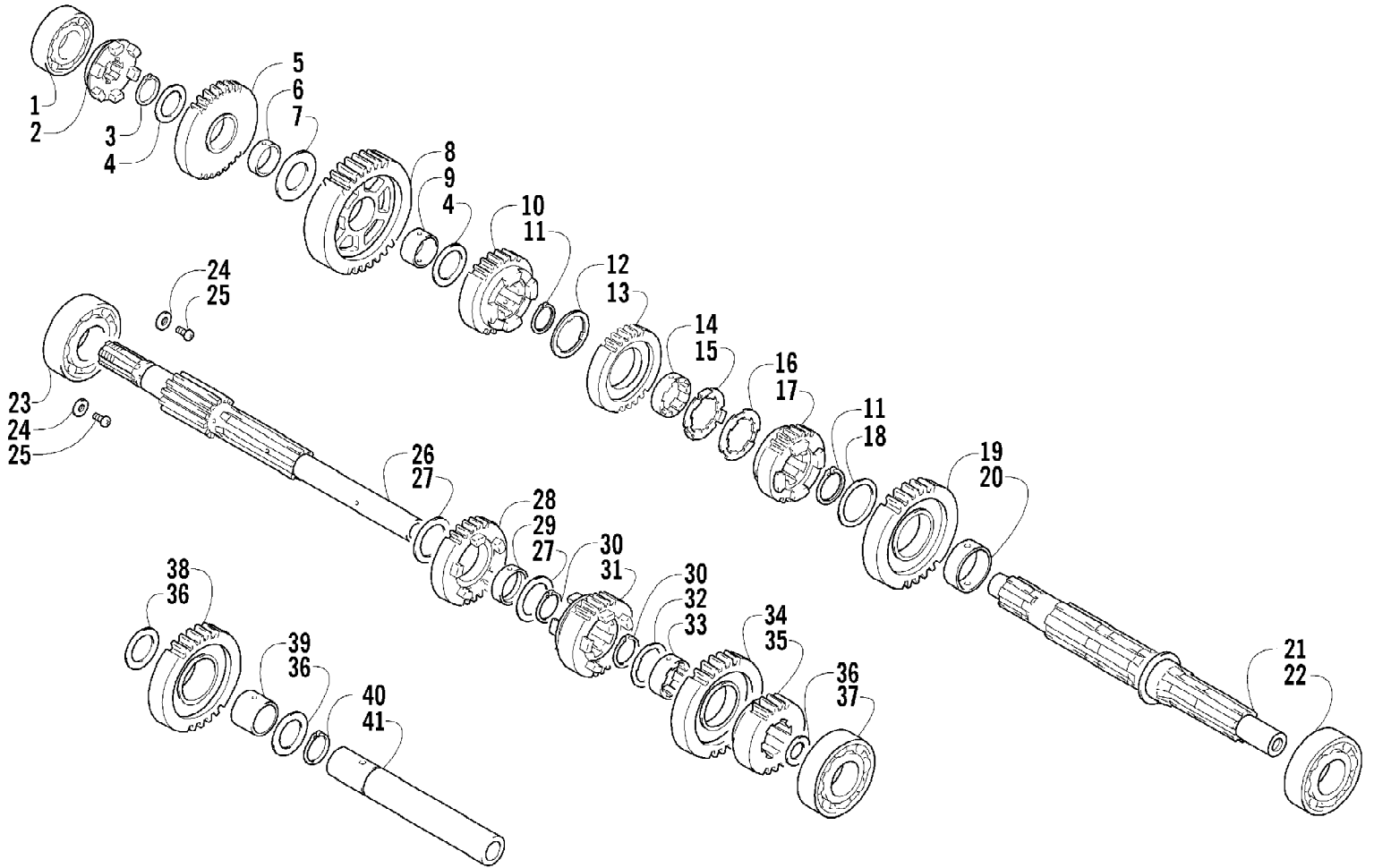
2008 ATV 500 MANUAL TRANSMISSION 4X4 FIS GREEN (A2008IBM4AUSG)Page 85 of 95  
TAILLIGHT ASSEMBLY

Ref #	Part Number	Qty	S/P/F	Description
1	0509-022	1		Taillight Assembly (inc. 2-4)
2	0509-025	1		Housing, Taillight
3	0409-056	1		Bulb, Taillight
4	0409-057	1		Socket, Taillight
5	0623-301	2	/P	Screw, Self-Tapping
6	8053-212	2	/P	Washer, Lock - External Tooth



2008 ATV 500 MANUAL TRANSMISSION 4X4 FIS GREEN (A2008IBM4AUSG)Page 87 of 95  
THROTTLE CASE ASSEMBLY

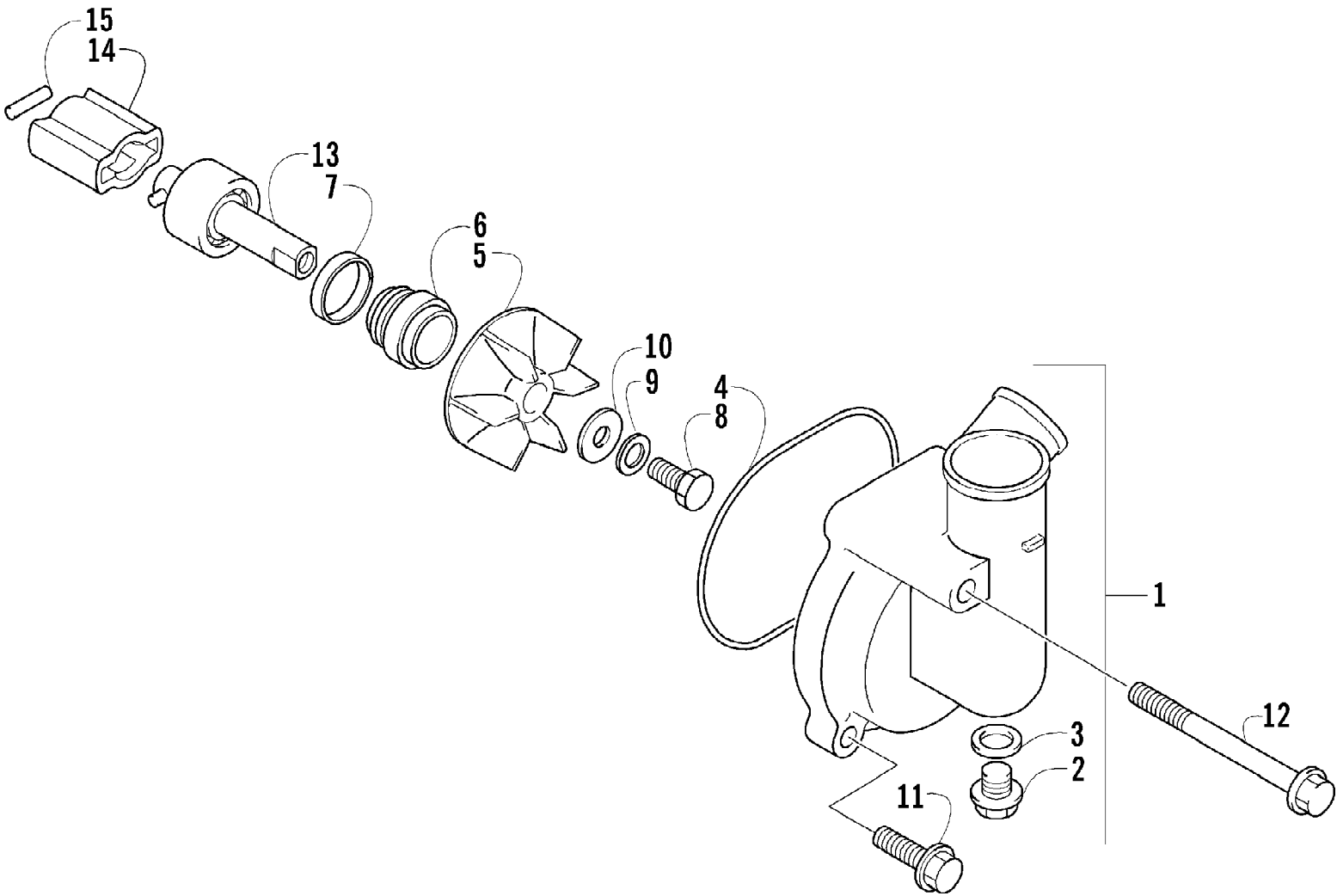
Ref #	Part Number	Qty	S/P/F	Description
1	0509-012	1		Case, Throttle - Assembly (inc. 2-9)
2	3409-001	1		Lever
3	3004-533	1	S/P	Screw, Cap
4	3004-447	1	/P	Washer, Lock
5	3003-030	1	/P	Washer
6	3423-014	1		Screw
7	3423-327	1		Nut
8	3423-199	2		Screw
9	0409-048	1		Cover, Throttle w/Switch





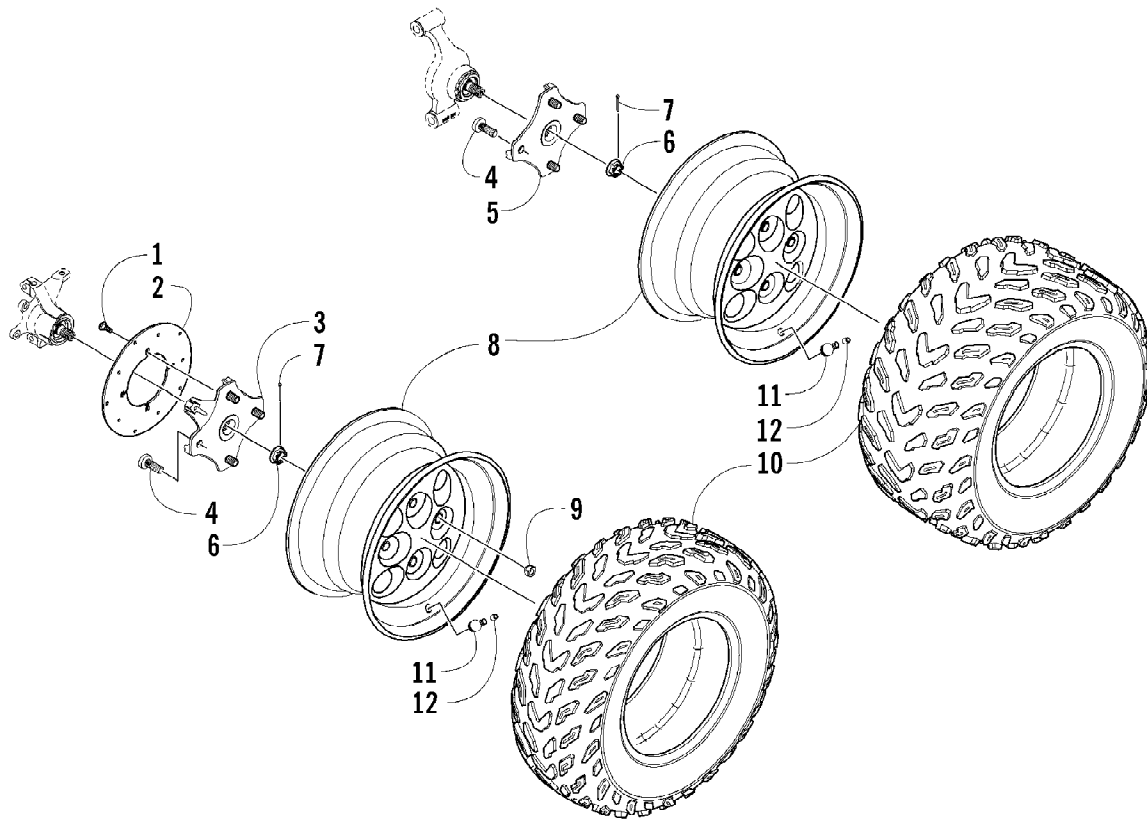
2008 ATV 500 MANUAL TRANSMISSION 4X4 FIS GREEN (A2008IBM4AUSG)Page 89 of 95  
TRANSMISSION ASSEMBLY

Ref #	Part Number	Qty	S/P/F	Description
1	3003-320	1	/P	Bearing, Driveshaft - Right
2	3446-030	1		Dog, Reverse
3	3423-189	1	S	Circlip
4	3402-335	2		Washer
5	3446-029	1		Gear, Reverse Driven
6	3446-032	1		Bushing, Reverse Driven Gear
7	3423-131	1		Washer, 1st Driven Gear - Right
8	3446-235	1	/P	Gear, 1st Driven
9	3402-692	1	/P	Bushing, 1st Driven Gear
10	3446-340	1		Gear, 4th Driven
11	3423-866	2	/P	Circlip
12	3423-038	1		Washer, 3rd Driven Gear - Right
13	3446-339	1		Gear, 3rd Driven
14	3446-024	1		Bushing, 3rd Driven Gear
15	3423-039	1		Washer, 3rd Driven Gear - Left
16	3423-040	1		Washer, 3rd Driven Gear - Left
17	3446-341	1		Gear, 5th Driven
18	3402-383	1		Washer, 2nd Driven Gear
19	3446-022	1		Gear, 2nd Driven
20	3402-082	1		Bushing, 2nd Driven Gear
21	3446-234	1		Driveshaft
22	3402-336	1		Bearing, Driveshaft - Middle
23	3402-050	1		Bearing, Countershaft - Right
24	3423-135	2		Retainer, Countershaft Bearing
25	3423-370	2		Screw
26	3446-014	1		Countershaft
27	3423-187	2	/P	Washer, 4th Drive Gear
28	3446-337	1		Gear, 4th Drive
29	3423-547	1		Bushing, 4th Drive Gear
30	3423-066	2	/P	Circlip
31	3446-336	1		Gear, 3rd Drive
32	3423-037	1		Washer, 5th Drive Gear
33	3446-020	1		Bushing, 5th Drive Gear
34	3446-338	1		Gear, 5th Drive
35	3446-016	1		Gear, 2nd Drive
36	3402-195	3		Washer
37	3402-179	1		Bearing, Countershaft - Middle
38	3446-237	1		Gear, Reverse Idle
39	3446-238	1		Bushing, Reverse Idle
40	3423-865	1	/P	Circlip
41	3446-236	1		Shaft, Reverse Idle



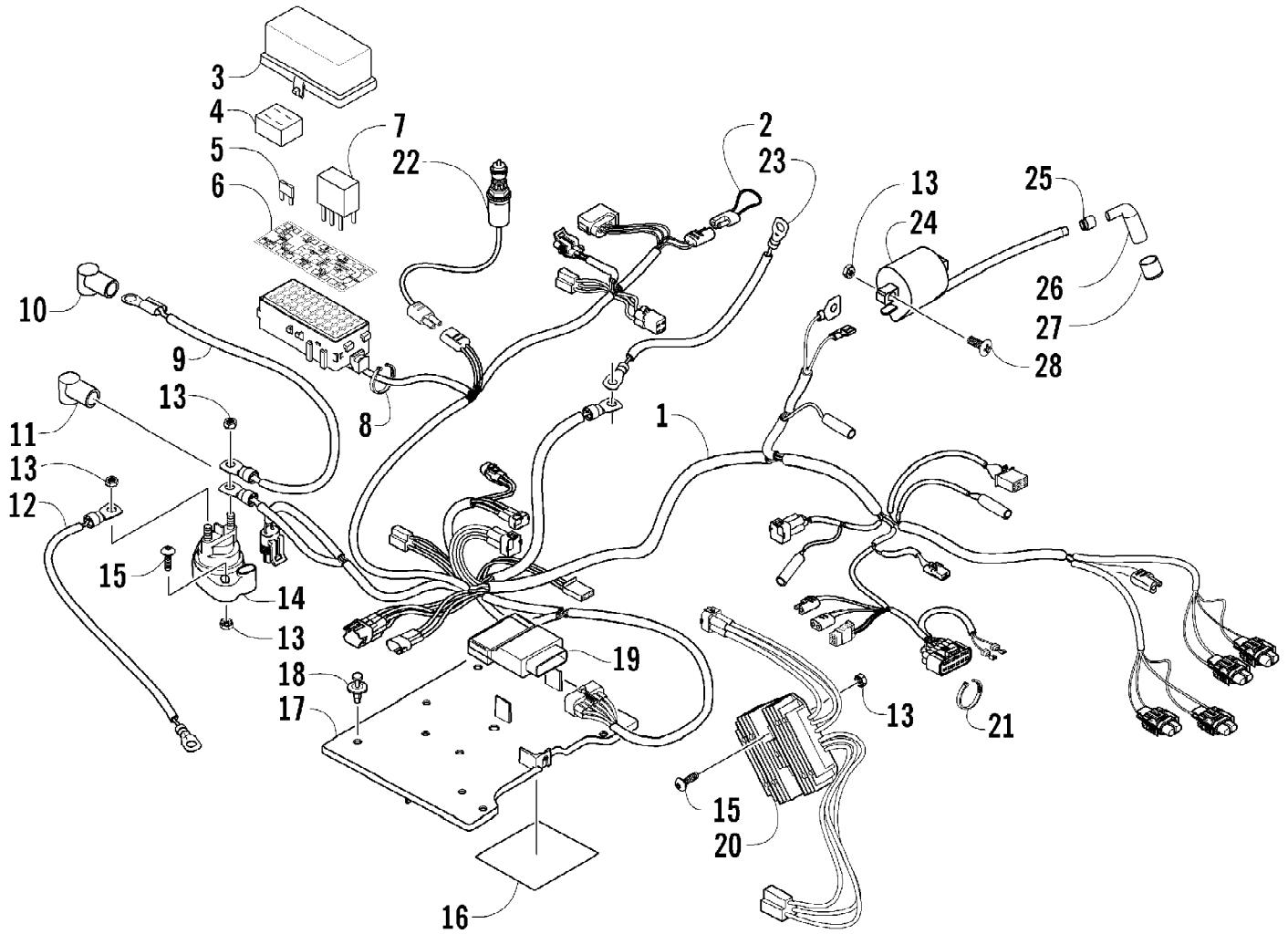
2008 ATV 500 MANUAL TRANSMISSION 4X4 FIS GREEN (A2008IBM4AUSG)Page 91 of 95  
WATER PUMP ASSEMBLY

Ref #	Part Number	Qty	S/P/F	Description
1	3402-354	1	/P	Case, Water Pump (inc. 2-3)
2	3423-343	1		Screw, Cap
3	3402-436	1	/P	Gasket
4	3423-078	1		O-Ring
5	3413-001	1		Impeller
6	3005-909	1	/P	Seal, Mechanical
7	3003-356	1		Oil Seal
8	3423-543	1		Bolt
9	3003-431	1	/P	Washer
10	3003-432	1		Washer
11	3004-507	2	S	Screw, Cap
12	3423-119	1	S	Bolt
13	3413-002	1		Shaft, Pump w/Bearing
14	3413-011	1	/P	Joint, Pump Drive
15	3423-046	1		Pin, Driven Gear



2008 ATV 500 MANUAL TRANSMISSION 4X4 FIS GREEN (A2008IBM4AUSG)Page 93 of 95  
WHEEL AND TIRE ASSEMBLY

Ref #	Part Number	Qty	S/P/F	Description
1	0423-557	12		Screw, Shoulder
2	1402-225	3	S	Disc, Brake
3	0502-599	2	S	Hub, Wheel - Front (inc. 4)
4	0402-974	16	/P	Stud, Wheel Hub
5	0502-601	1	S	Hub, Wheel - Rear - Left (inc. 4)
5	0502-599	1	S	Hub, Wheel - Rear - Right (inc. 4)
6	0423-607	4		Nut, Castle
7	0423-407	4		Pin, Cotter
8	0402-856	2		Wheel - Front
8	0402-858	2		Wheel - Rear
9	0423-408	16	/P	Nut, Lug
10	1402-548	2		Tire - Front Goodyear
10	1402-549	2		Tire - Rear Goodyear
11	0402-064	4		Stem, Valve (inc. 12)
12	0402-140	4		Cap, Valve Stem



2008 ATV 500 MANUAL TRANSMISSION 4X4 FIS GREEN (A2008IBM4AUSG)Page 95 of 95  
WIRING HARNESS ASSEMBLY

Ref #	Part Number	Qty	S/P/F	Description
1	0486-241	1		Harness, Main (inc. 2-7)
2	0486-164	1		Tether, Accessory Connector
3	0530-008	1		Cover, Fuse Block
4	0430-037	1		Holder, Fuse
5	0430-032	4		Fuse - 10 Amp
5	0430-031	3		Fuse - 15 Amp
5	0430-030	2		Fuse - 30 Amp
6	0411-837	1		Decal, Fuse Block
7	0430-033	3		Relay (5-Pin) - 20 Amp
8	0123-788	AR	/P	Cable Tie - 7.5 in.
9	0445-053	1	/P	Cable, Solenoid/Starter (inc. 10)
10	0645-019	1		Boot, Terminal
11	0645-327	1		Boot, Terminal
12	0445-055	1	/P	Cable, Battery/Solenoid
13	0623-038	8		Nut w/Washer
14	0445-058	1	/P	Solenoid
15	8476-625	4		Screw, Machine
16	0412-291	1		Shield, Heat
17	1406-600	1		Tray, Electrical
18	0623-362	4		Rivet, Reinstallable
19	3530-040	1		CDI Unit
20	3530-028	1	S	Regulator, Voltage
21	0123-903	AR		Cable Tie - 11.5 in.
22	0409-089	1		Switch, Brake - Assembly
23	0445-054	1	/P	Cable, Battery/Ground
24	3530-027	1		Coil, Ignition - Assembly
25	3430-009	1	/P	Seal, High Tension Wire
26	3430-007	1	/P	Cap, Spark Plug
27	3430-008	1	/P	Seal, Spark Plug
28	8476-620	2		Screw, Machine