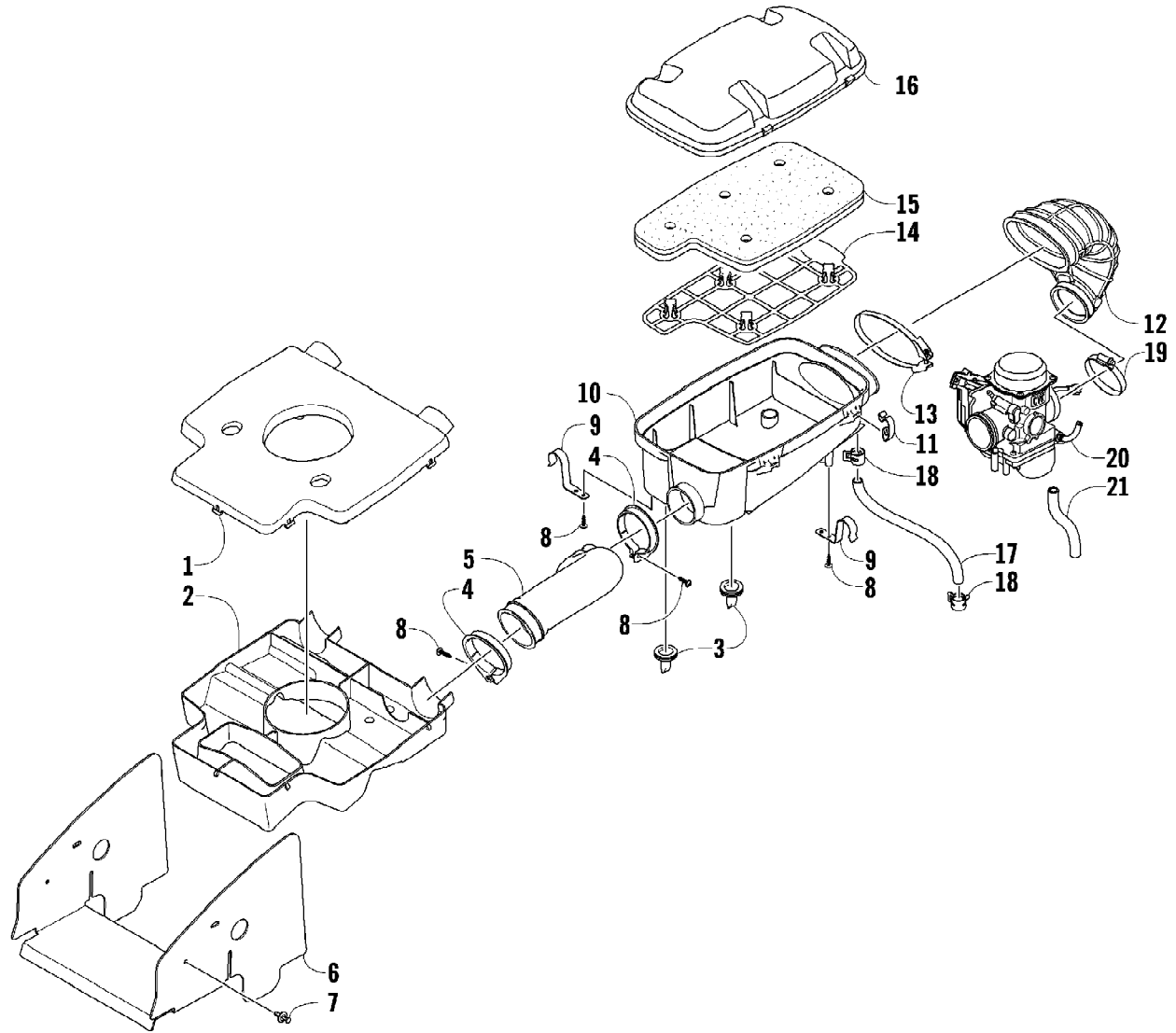


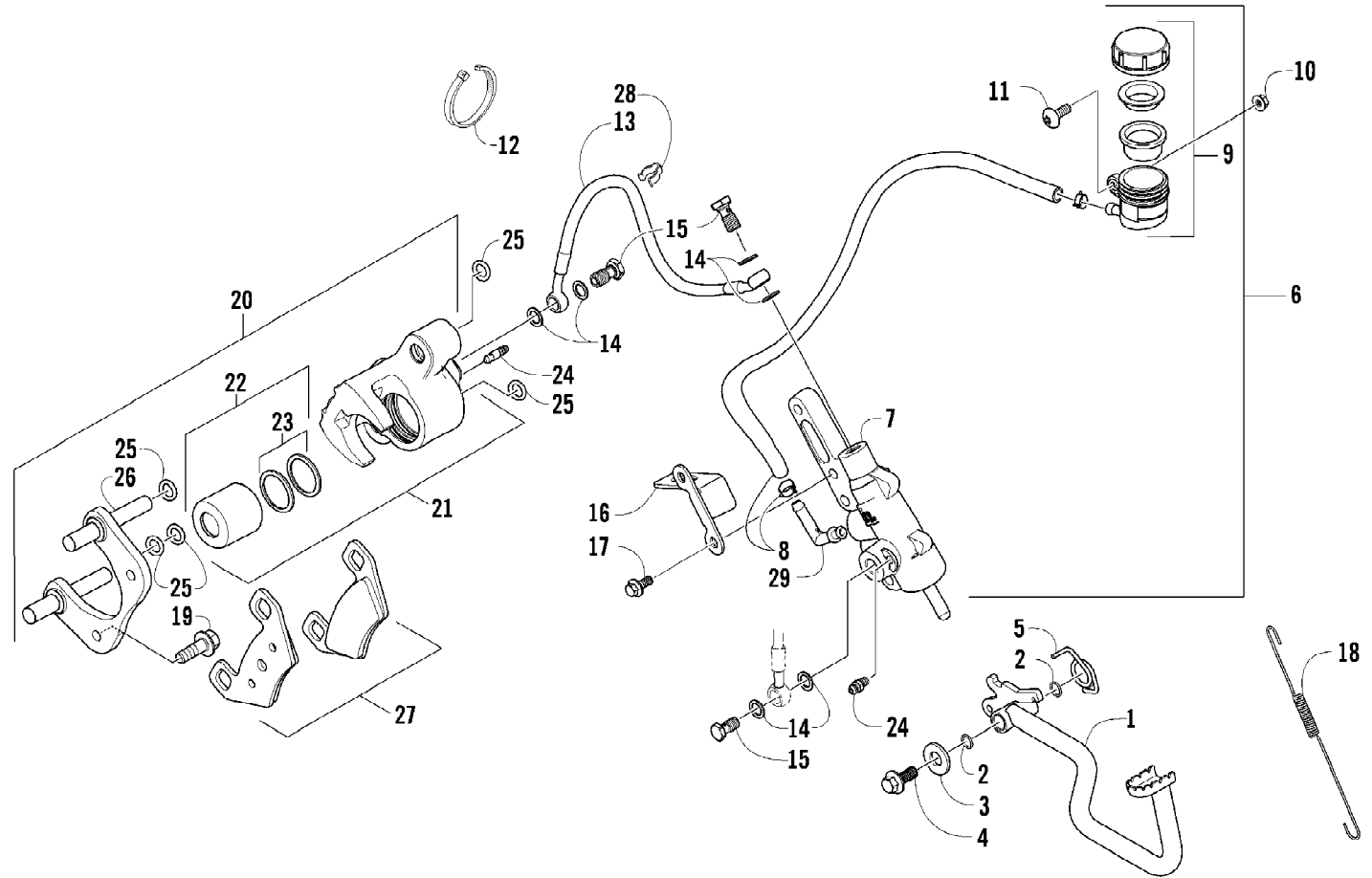
2008 ATV 500 AUTOMATIC TRANSMISSION 4X4 TRV CAT GREEN (A2008TBM140USZ) of 93
AIR INTAKE ASSEMBLY



2008 ATV 500 AUTOMATIC TRANSMISSION 4X4 TRV CAT GREEN (A2008TBM140127) of 93
AIR INTAKE ASSEMBLY

Ref #	Part Number	Qty	S/P/F	Description
1	0413-091	1		Diverter, Air - Top
2	0413-093	1		Diverter, Air - Bottom
3	0470-442	2	/P	Valve, Drain
4	0423-551	2		Clamp, Boot
5	0470-529	1		Boot, Air Intake
6	1406-747	1		Shroud, Splash
7	0623-362	2		Rivet, Reinstallable
8	0423-342	6	/P	Screw, Self-Tapping
9	0423-454	2		Clip, Mounting - Air Intake
10	0470-515	1	S	Housing, Air Intake
11	0423-455	4		Clip, Spring
12	0470-525	1		Boot, Carburetor
13	0423-554	1		Clamp, Boot
14	0470-516	1		Screen, Air Filter
15	0470-663	1	/P	Filter, Air
16	0470-755	1	S	Cover, Air Intake
17	0410-079	1	S	Hose, Vent - Crankcase
18	1623-281	2		Clamp, Hose
19	0423-019	1		Clamp, Boot
20	0470-739	1		Carburetor, CVK36-AE
21	0510-592	1		Hose, Carburetor Drain

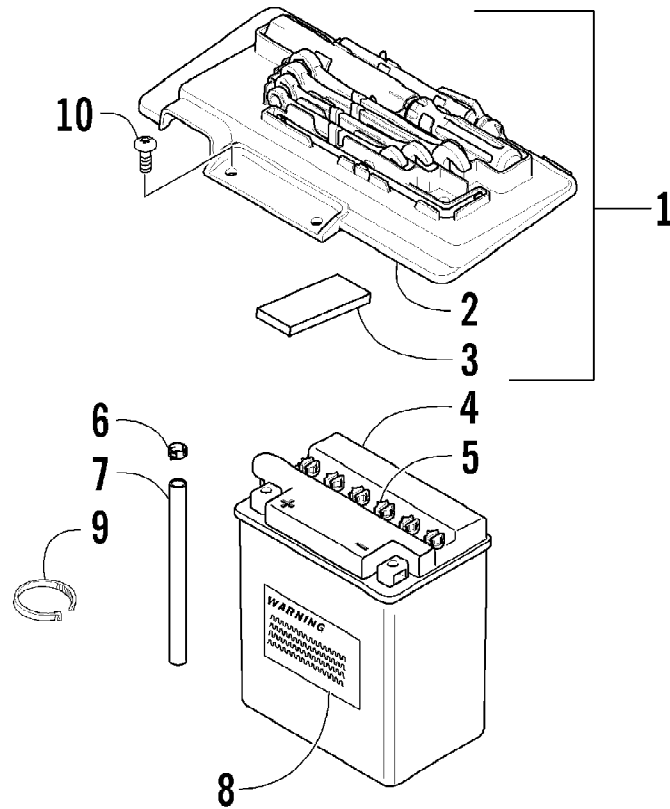
2008 ATV 500 AUTOMATIC TRANSMISSION 4X4 TRV CAT GREEN (A2008TBM140USZ) 93
AUXILIARY BRAKE ASSEMBLY



2008 ATV 500 AUTOMATIC TRANSMISSION 4X4 TRV CAT GREEN (A2008TBM400USZ) of 93
AUXILIARY BRAKE ASSEMBLY

Ref #	Part Number	Qty	S/P/F	Description
	1502-294	1		Master Cylinder Replacement Kit
1	1502-063	1		Lever, Brake
2	1602-213	2	/P	O-Ring
3	8050-252	1		Washer
4	8408-816	1		Screw, Cap
5	0502-807	1		Spring, Brake Lever
6	1502-293	1		Brake Assembly (inc. 7-9)
7	0	1	F	Master Cylinder
8	0	1	F	Hose, Brake Fluid Reservoir w/Clamps
9	1502-155	1		Reservoir, Brake Fluid w/Clamp
10	0623-038	1		Nut, Flanged
11	8476-616	1		Screw, Machine
12	0123-788	1	/P	Cable Tie - 7.5 in.
13	1502-140	1		Hose, Brake
14	0423-178	6		Washer, Crush
15	0423-413	3		Bolt, Banjo-Fitting
16	0502-840	1		Bracket, Switch
17	8408-625	2		Screw, Cap
18	0502-785	1		Spring, Brake Switch
19	8408-821	2	/P	Screw, Cap
20	0502-878	1	S	Caliper, Brake (inc. 21-23, one No. 24, and 25-27)
21	0502-603	1	S	Housing, Caliper - Assembly - Right Rear (inc. 22-23 and one No. 24)
22	0502-606	1		Piston/Seal Set (inc. 23)
23	0502-607	1		Seal Set
24	0502-609	2	/P	Valve, Bleed
25	0502-608	1		O-Ring, Guide - Set
26	0502-605	1		Bracket Assembly
27	0502-875	1	S	Pad, Brake - Set
28	1502-115	2		Clip, Brake Hose
29	1502-296	1	/P	Adapter, Hose

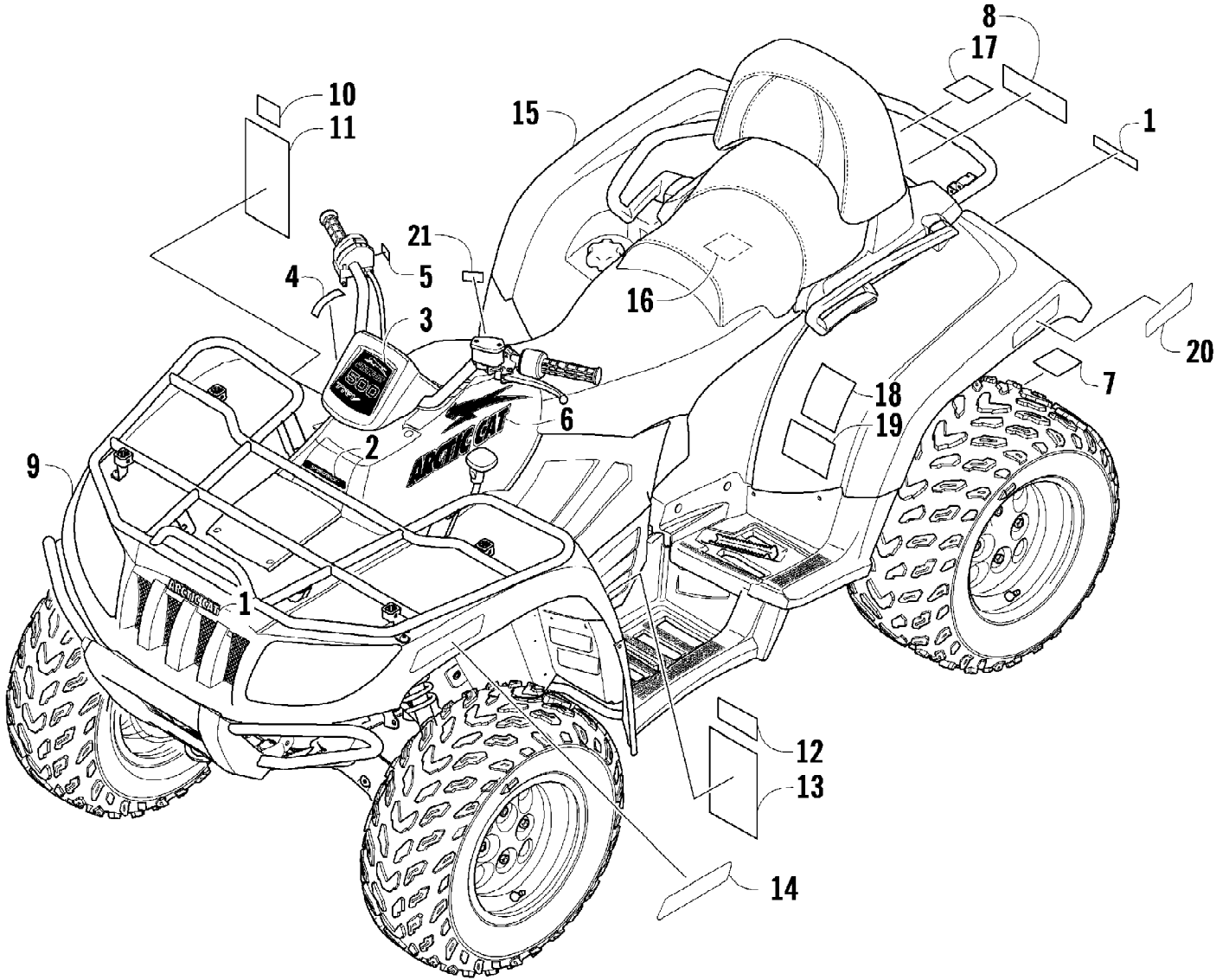
2008 ATV 500 AUTOMATIC TRANSMISSION 4X4 TRV CAT GREEN (A2008TBM140) of 93
BATTERY ASSEMBLY



2008 ATV 500 AUTOMATIC TRANSMISSION 4X4 TRV CAT GREEN (A2008TBM40615Z) of 93
 BATTERY ASSEMBLY

Ref #	Part Number	Qty	S/P/F	Description
1	5991-395	1	S	Battery Cover/Tool Tray Assembly (inc. 2-3)
2	2406-815	1	/P	Cover, Battery
3	0406-288	2		Pad, Battery
3	0444-122	1	S/P/F	Kit, Tool
4	0745-045	1	/P	Battery Assembly (inc. 5-8)
5	0645-045	6		Cap, Battery
6	0645-152	1		Clamp, Hose
7	0645-263	1	/P	Hose, Battery Vent
8	0645-151	1		Label, Warning - Battery
9	0123-903	4		Cable Tie - 11.5 in.
10	0423-609	2		Screw, Machine

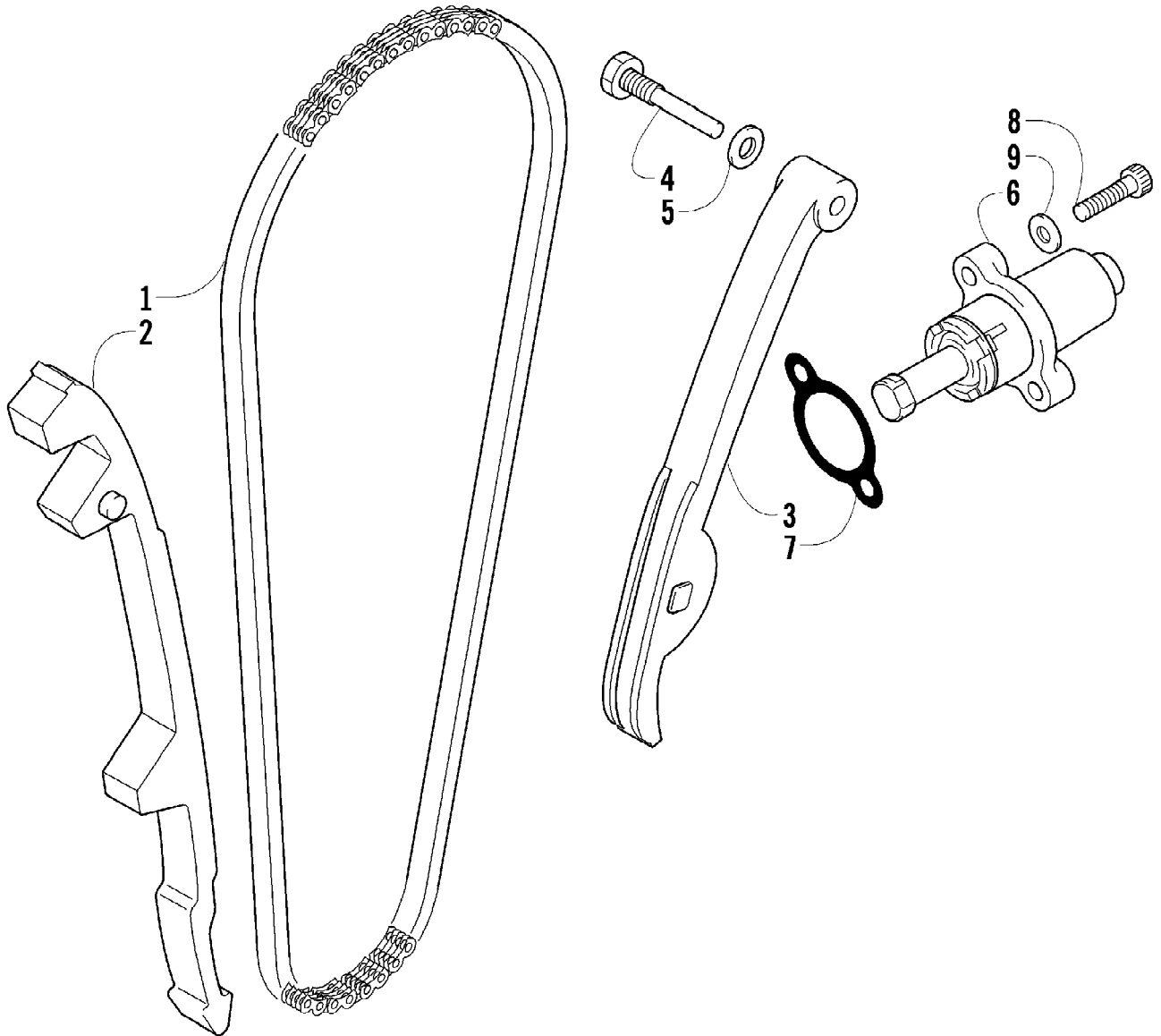
2008 ATV 500 AUTOMATIC TRANSMISSION 4X4 TRV CAT GREEN (A2008TBM140USZ) of 93
BODY PANELS AND DECALS



2008 ATV 500 AUTOMATIC TRANSMISSION 4X4 TRV CAT GREEN (A2008TBMA018Z) of 93
BODY PANELS AND DECALS

Ref #	Part Number	Qty	S/P/F	Description
1	1411-725	2		Decal, Front/Rear
2	1411-050	1	/P	Decal, "Speedrack"
3	1411-695	1		Decal, Instrument Pod
4	0411-426	1		Decal, Warning - Clutch Cover
5	0411-966	1		Decal, Warning - Differential Lock
6	1411-634	1		Decal, Side - Upper Right
6	1411-635	1		Decal, Side - Upper Left
7	1411-077	1		Decal, Warning - Towing
8	0411-814	1	/P	Decal, "Arctic Cat" - White
9	0518-007	1	S	Panel, Fender - Assembly - Front (inc. 10-14)
10	0411-894	1		Decal, Warning - Hill
11	0411-666	1		Decal, Warning - Reverse/Pre-Ride
12	1411-574	1		Decal, Warning - Off-Road Only
13	0411-753	1		Decal, Warning - Age/General
14	0411-818	1		Decal, Reflector - Front - Right
14	0411-819	1		Decal, Reflector - Front - Left
15	2506-710	1	S	Panel, Fender - Assembly - Rear (inc. 16-20 and one No. 1)
16	1411-269	1		Decal, Warning - Passenger
17	1411-251	1		Decal, Warning - Seat/Passenger
18	0411-833	1		Decal, Passenger
19	0411-832	1		Decal, Warning - Tire Pressure
20	1411-592	1	/P	Decal, Reflector - Rear - Right
20	1411-593	1	/P	Decal, Reflector - Rear - Left
21	1411-865	1		Decal, Warning - Brake Lever Lock

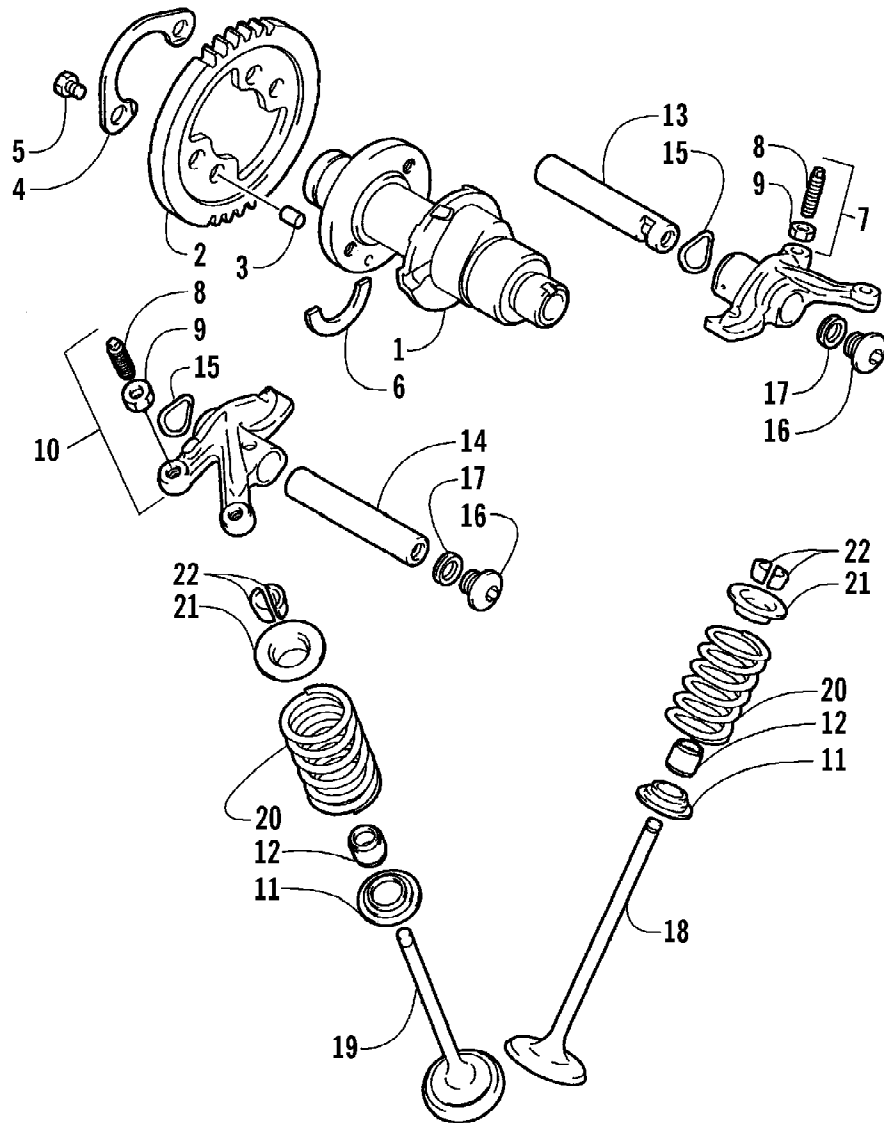
2008 ATV 500 AUTOMATIC TRANSMISSION 4X4 TRV CAT GREEN (A2008TBM140U9Z) of 93
CAM CHAIN ASSEMBLY



2008 ATV 500 AUTOMATIC TRANSMISSION 4X4 TRV CAT GREEN (A2008TRV4015Z) of 93
 CAM CHAIN ASSEMBLY

Ref #	Part Number	Qty	S/P/F	Description
1	3402-353	1		Chain, Cam
2	3402-355	1		Guide, Chain
3	3402-356	1		Tensioner, Chain
4	3423-074	1		Bolt
5	3003-188	1	S/P	Washer
6	3402-136	1		Adjuster, Tensioner - Assembly
7	3402-137	1		Gasket
8	3007-509	2	/P	Screw, Cap
9	3003-290	2	/P	Gasket

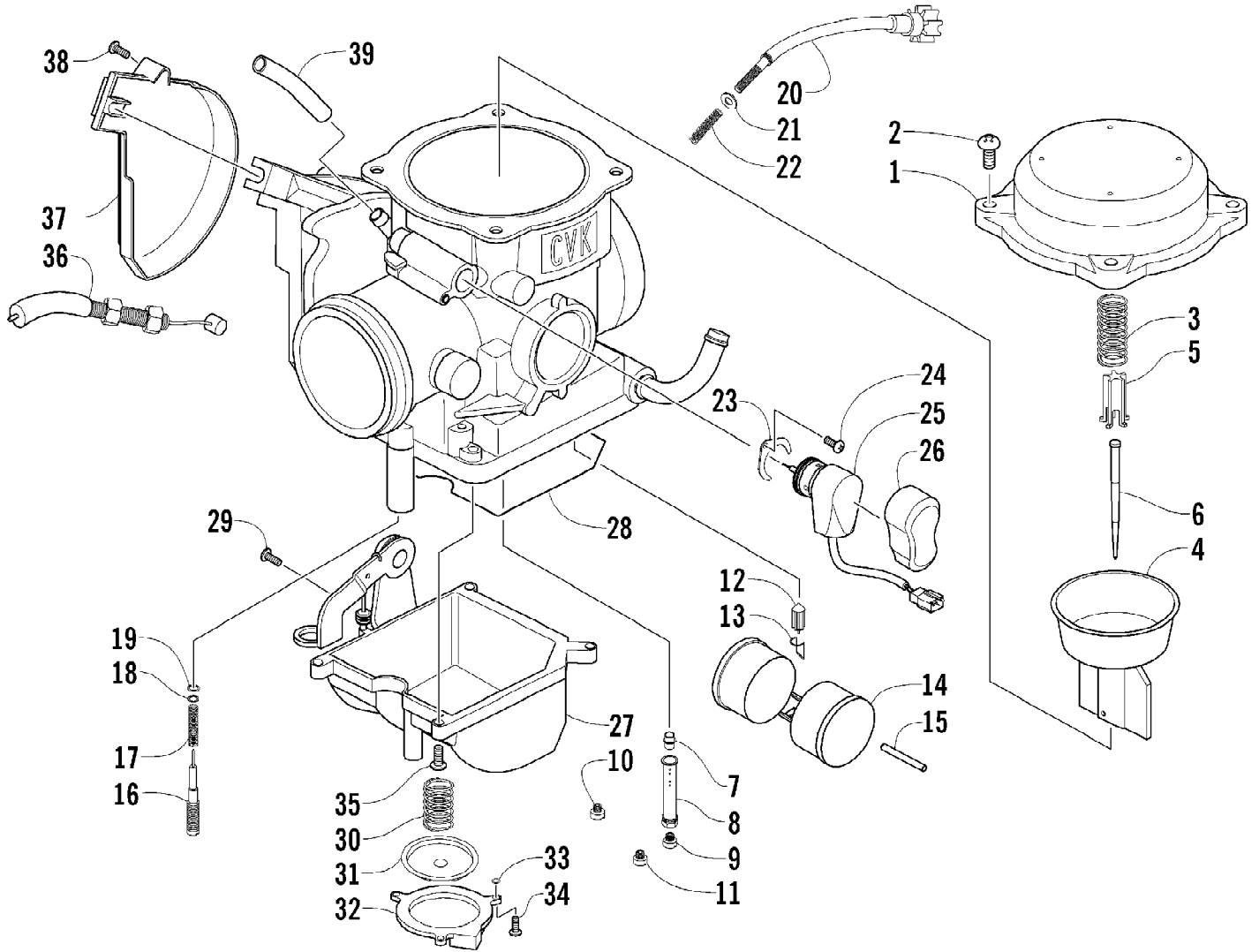
2008 ATV 500 AUTOMATIC TRANSMISSION 4X4 TRV CAT GREEN (A2008TRV401) of 93
CAMSHAFT/VALVE ASSEMBLY



2008 ATV 500 AUTOMATIC TRANSMISSION 4X4 TRV CAT GREEN (A2008TRV4012Z) of 93
CAMSHAFT/VALVE ASSEMBLY

Ref #	Part Number	Qty	S/P/F	Description
1	3402-982	1	/P	Camshaft
2	3402-352	1		Sprocket
3	3423-047	1		Pin
4	3423-073	1		Washer
5	3423-013	2	S	Bolt
6	3423-071	1	/P	C-Ring
7	3402-805	1	/P	Arm, Valve Rocker - Intake (inc. two No. 8-9)
8	3423-075	4		Screw
9	3423-076	4		Nut
10	3402-139	1		Arm, Valve Rocker - Exhaust (inc. two No. 8-9)
11	3402-148	4		Seat, Spring
12	3402-078	4		Seal, Oil
13	3402-140	1		Shaft, Rocker Arm
14	3402-141	1		Shaft, Rocker Arm
15	3423-031	2		Washer
16	3402-040	2	/P	Plug, Shaft
17	3402-012	2		Gasket
18	3402-725	2	/P	Valve, Intake
19	3402-143	2		Valve, Exhaust
20	3402-726	4		Spring, Valve
21	3423-541	4	/P	Retainer, Spring
22	3402-147	8		Cotter, Valve

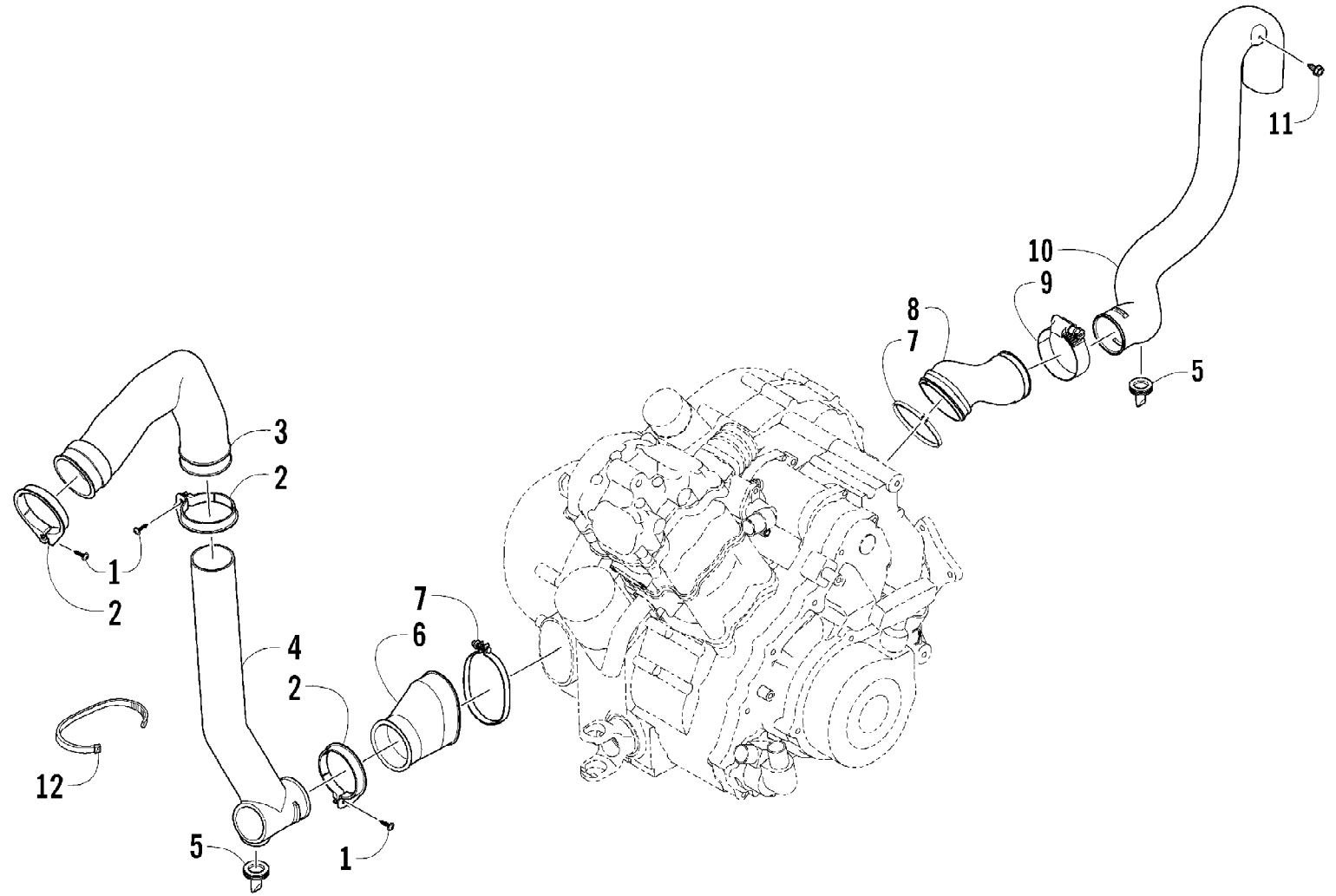
2008 ATV 500 AUTOMATIC TRANSMISSION 4X4 TRV CAT GREEN (A2008TBM401SZ) of 93
CARBURETOR



2008 ATV 500 AUTOMATIC TRANSMISSION 4X4 TRV CAT GREEN (A2008TRV4X4) of 93
CARBURETOR

Ref #	Part Number	Qty	S/P/F	Description
	0470-739	1		Complete Carburetor Assembly
1	5507-001	1		Cover, Top
2	5507-002	4	/P	Screw, Top Cover
3	5507-066	1	/P	Spring
4	5507-099	1		Piston, Vacuum
5	5507-005	1		Seat, Spring
6	5507-184	1		Jet Needle
7	5507-007	1		Needle Jet
8	5507-047	1	/P	Holder, Needle Jet
9	5507-210	1	S	Main Jet - 138
9	5507-044	1		Main Jet - 140
9	5507-043	1		Main Jet - 142
9	5507-057	1	/P	Main Jet - 135
9	5507-075	1		Main Jet - 132
9	5507-074	1		Main Jet - 130
10	5507-070	1	/P	Slow Jet
11	5507-112	1		Starter Jet - 85
12	5507-183	1		Valve, Float - Set (inc. 13)
13	0	1	F	Clip
14	5507-039	1		Float Set (inc. 15)
15	0	1	F	Pin, Float
16	5507-213	1		Screw, Pilot - Set (inc. 17-19)
17	0	1	F	Spring
18	0	1	F	Washer
19	0	1	F	O-Ring
20	5507-027	1		Screw, Idle Adjust
21	5507-028	1		Washer
22	5507-029	1		Spring
23	5507-115	1		Plate
24	5507-117	1	/P	Screw
25	5507-113	1		Choke, Electric
26	5507-114	1		Cover, Electric Choke
27	5507-214	1		Chamber, Float - Assembly (inc. 28-34)
28	5507-067	1	/P	O-Ring, Float Chamber
29	5507-050	1	/P	Screw, Drain
30	5507-211	1		Spring
31	5507-197	1		Diaphragm Assembly
32	5507-198	1		Housing, Pump
33	5507-034	1		U-Ring
34	5507-035	3		Screw
35	5507-017	4	/P	Screw
36	0487-049	1	/P	Cable, Throttle
37	5507-036	1		Cover
38	5507-037	1	/P	Screw
39	0410-056	1		Hose, Vent

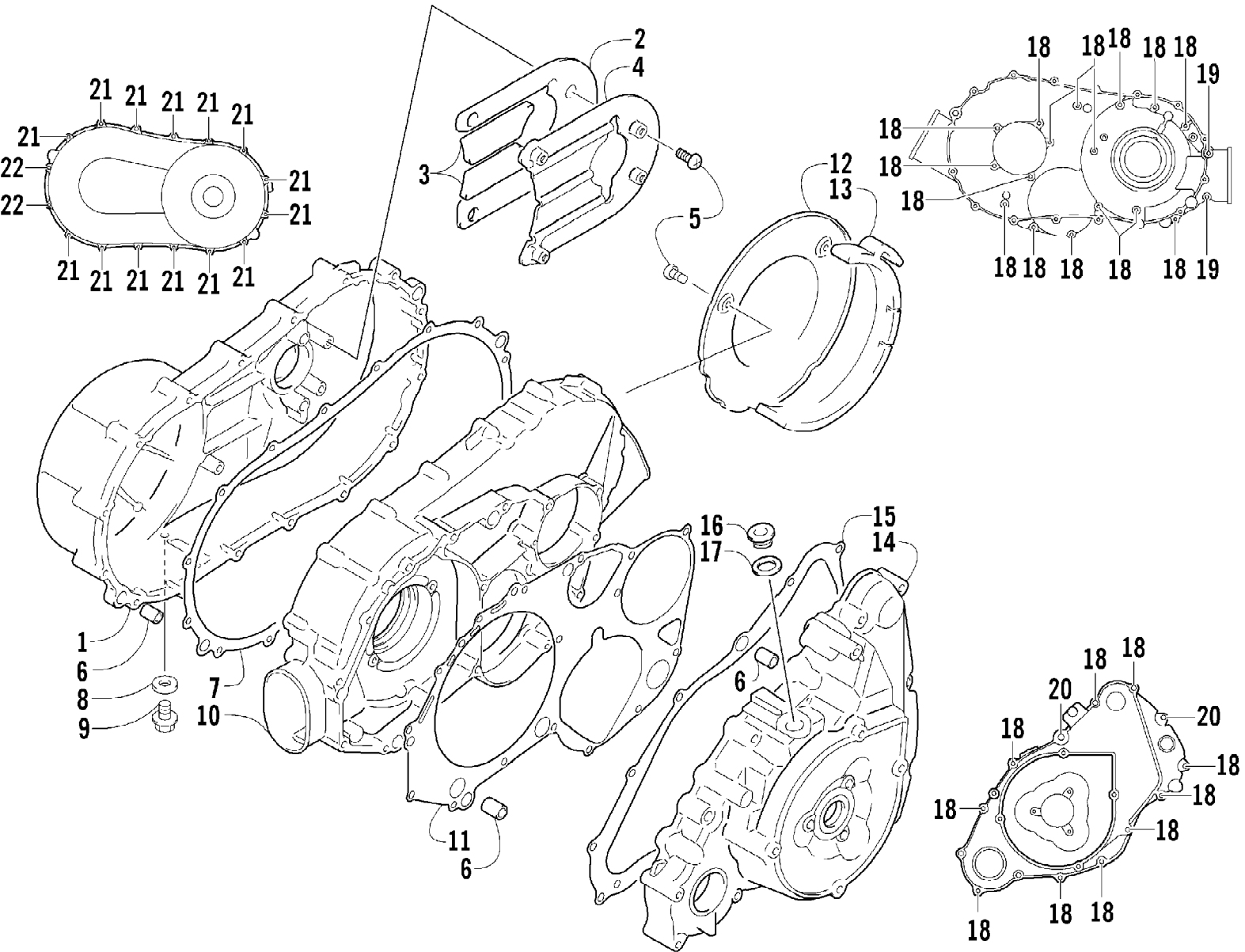
2008 ATV 500 AUTOMATIC TRANSMISSION 4X4 TRV CAT GREEN (A2008TRV45Z) of 93
CASE/BELT COOLING ASSEMBLY



2008 ATV 500 AUTOMATIC TRANSMISSION 4X4 TRV CAT GREEN (A2008TBM4B16Z) of 93
CASE/BELT COOLING ASSEMBLY

Ref #	Part Number	Qty	S/P/F	Description
1	0423-342	3	/P	Screw, Self-Tapping
2	0423-551	3		Clamp, Boot
3	0413-092	1		Boot, Air-In
4	0513-010	1		Duct, Belt Cooling - Front
5	0470-442	2	/P	Valve, Drain
6	0413-198	1	/P	Boot, Duct - Front
7	3402-449	2	/P	Clamp, Boot
8	0413-055	1		Boot, Duct - Rear
9	0423-380	1	/P	Clamp, Duct
10	0413-106	1		Duct, Belt Cooling - Rear
11	0623-301	1	/P	Screw, Self-Tapping
12	0123-903	AR		Cable Tie - 11.5 in.
12	0123-788	AR	/P	Cable Tie - 8.5 in.

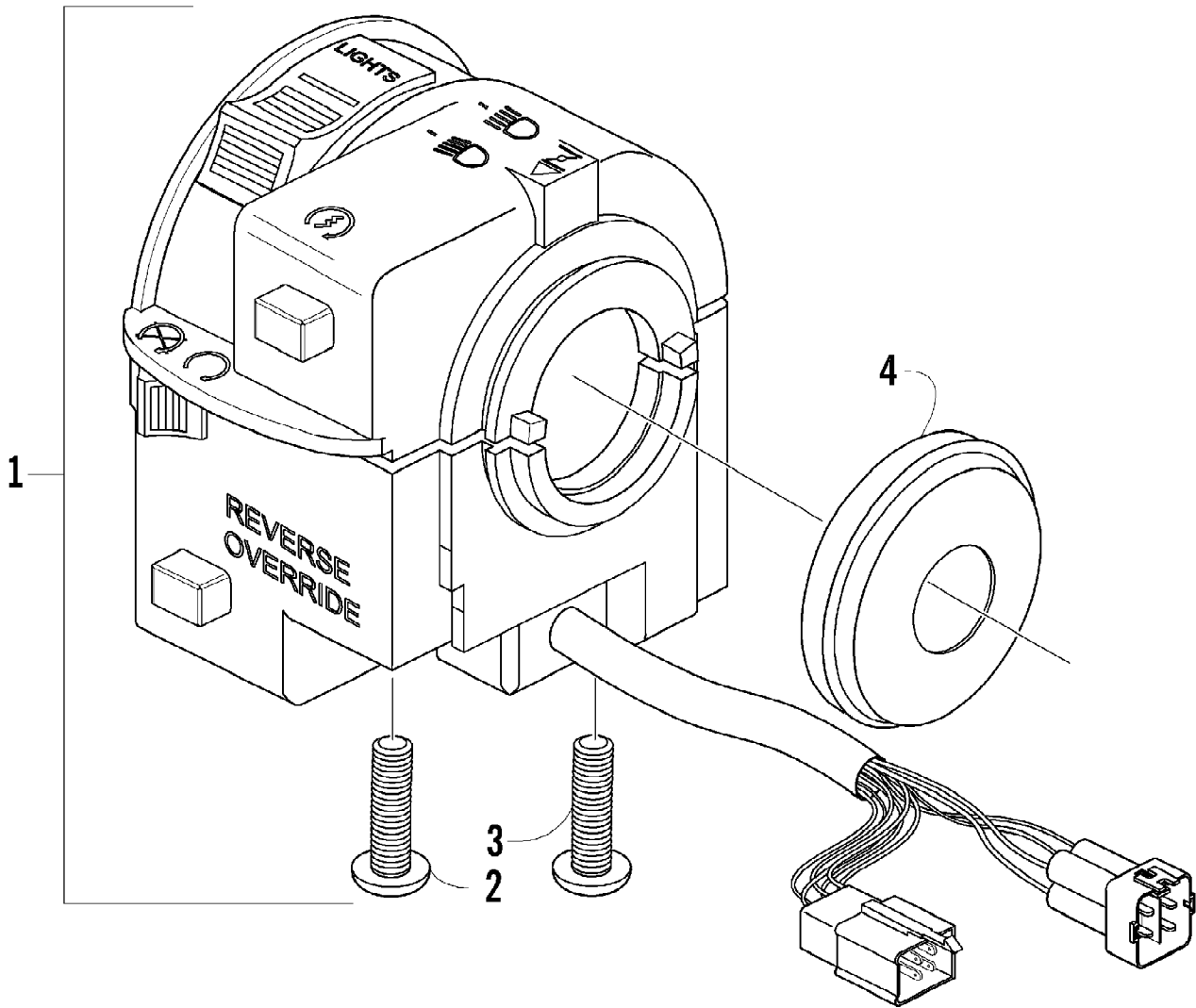
2008 ATV 500 AUTOMATIC TRANSMISSION 4X4 TRV CAT GREEN (A2008TRV4013Z) of 93
CLUTCH/V-BELT/MAGNETO COVER ASSEMBLY



2008 ATV 500 AUTOMATIC TRANSMISSION 4X4 TRV CAT GREEN (A2008TRV4018Z) of 93
CLUTCH/V-BELT/MAGNETO COVER ASSEMBLY

Ref #	Part Number	Qty	S/P/F	Description
1	3402-710	1		Cover, V-Belt
2	3402-711	1		Damper, V-Belt Cover
3	3402-712	2		Damper, V-Belt Cover
4	3402-713	1		Plate, V-Belt Cover
5	3423-370	7		Screw
6	3423-088	6		Pin, Dowel
7	3402-443	1		Gasket, V-Belt Cover
8	3402-444	1		Gasket, Drain Plug
9	3007-407	1	/P	Plug, Drain
10	3402-709	1	/P	Cover, Clutch
11	3402-441	1		Gasket, Clutch Cover
12	3402-445	1		Plate, Air Intake
13	3402-699	1	/P	Cushion, Air Intake Plate
14	3402-714	1		Cover, Magneto
15	3402-715	1		Gasket, Magneto Cover
16	3402-041	1	S	Plug, Oil Filler
17	3402-013	1	/P	Gasket, Oil Filler Plug
18	3423-098	26	S	Bolt
19	3423-092	2	S	Bolt
20	3004-756	2	S	Bolt
21	3423-091	14	S	Bolt
22	3423-119	2	S	Bolt

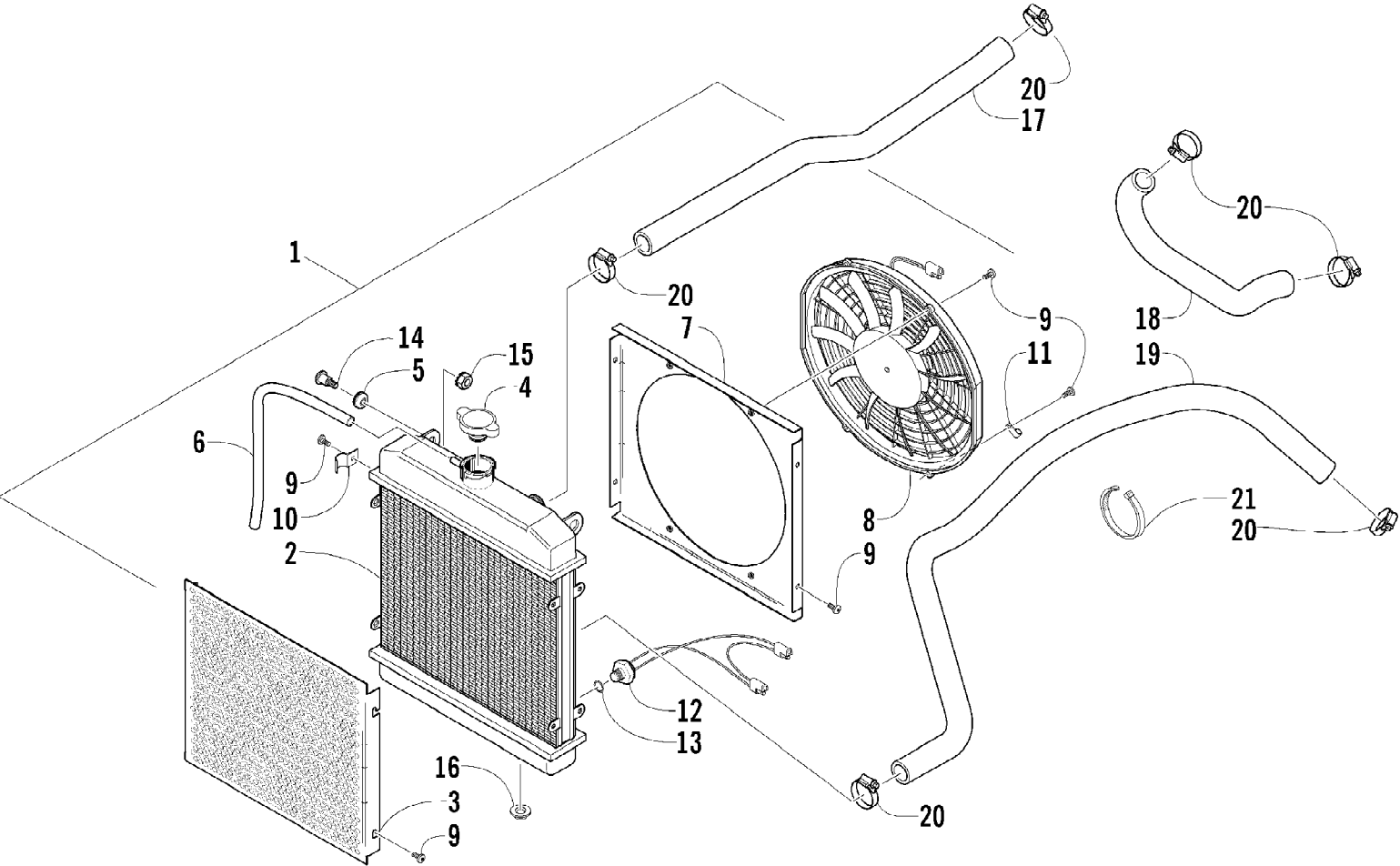
2008 ATV 500 AUTOMATIC TRANSMISSION 4X4 TRV CAT GREEN (A2008TRV4019Z) of 93
CONTROL SWITCH HOUSING ASSEMBLY



2008 ATV 500 AUTOMATIC TRANSMISSION 4X4 TRV CAT GREEN (A2008TRV402Z) of 93
CONTROL SWITCH HOUSING ASSEMBLY

Ref #	Part Number	Qty	S/P/F	Description
1	0509-014	1		Switch, Control - Assembly (inc. 2-4)
2	0409-027	1		Screw, Machine
3	0409-028	1		Screw, Machine
4	3409-019	1		Cover, Switch Housing

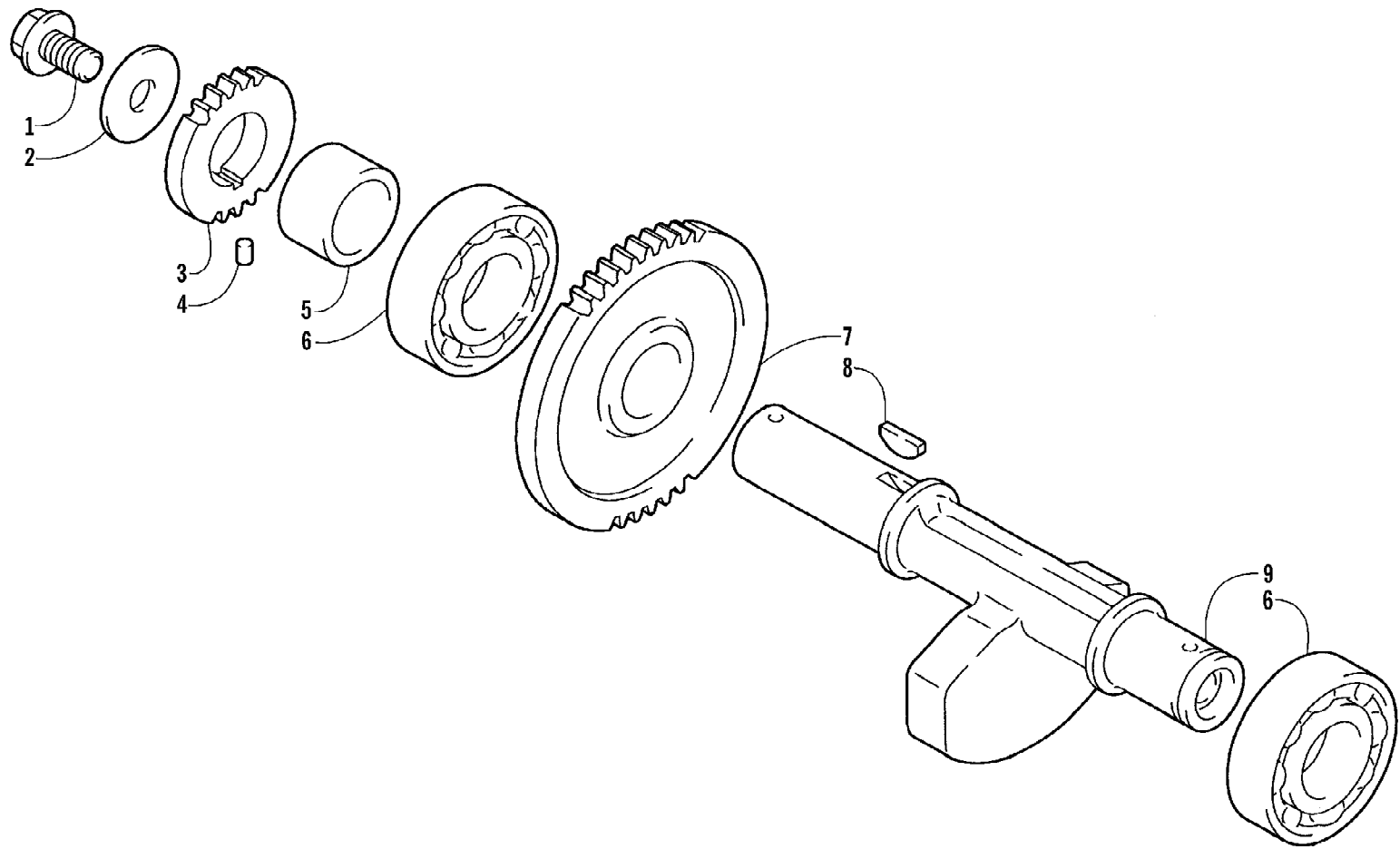
2008 ATV 500 AUTOMATIC TRANSMISSION 4X4 TRV CAT GREEN (A2008TE140125) of 93
COOLING ASSEMBLY



2008 ATV 500 AUTOMATIC TRANSMISSION 4X4 TRV CAT GREEN (A2008TRV402Z) of 93
COOLING ASSEMBLY

Ref #	Part Number	Qty	S/P/F	Description
1	0413-172	1	S	Radiator Assembly (inc. 2-13)
2	0413-184	1	/P	Radiator
3	0413-007	1		Screen, Radiator
4	0413-002	1	S	Cap, Radiator
5	0423-030	2		Grommet
6	0610-016	AR	/P	Hose - 25 ft
7	0413-046	1		Shroud, Fan
8	0413-123	1	/P	Fan, Cooling
9	8475-512	12		Screw, Machine
10	0423-351	1		Clamp, Wire
11	0123-397	1		Clamp, Cable
12	0413-168	1		Switch, Sensor - Temperature
13	1602-213	1	/P	O-Ring
14	0423-484	2		Screw, Shoulder
15	0623-038	2		Nut w/Washer
16	0423-028	2		Bushing, Stem
17	0410-002	1		Hose, Coolant - Upper
18	0410-022	1		Hose, Coolant - Crossover
19	0410-041	1		Hose, Coolant - Lower
20	0423-496	6		Clamp, Hose
21	0623-751	AR		Cable Tie

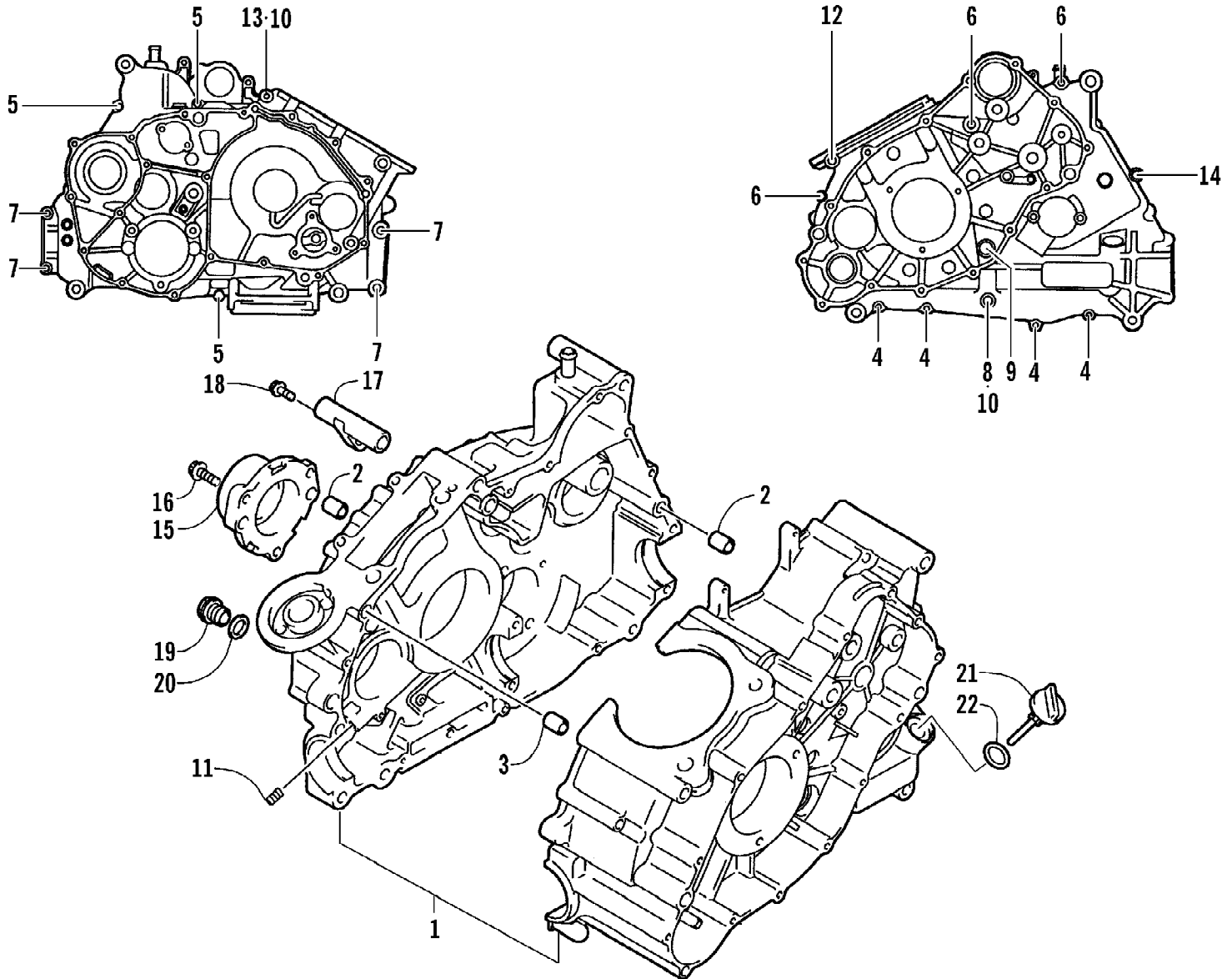
2008 ATV 500 AUTOMATIC TRANSMISSION 4X4 TRV CAT GREEN (A2008TEMA4023Z) of 93
CRANK BALANCER ASSEMBLY



2008 ATV 500 AUTOMATIC TRANSMISSION 4X4 TRV CAT GREEN (A2008TEMA028Z) Page 28 of 93
 CRANK BALANCER ASSEMBLY

Ref #	Part Number	Qty	S/P/F	Description
1	3423-555	1		Bolt
2	3423-401	1		Washer
3	3402-390	1		Gear, Oil Pump Drive
4	3423-110	1		Pin
5	3402-461	1		Spacer
6	3402-050	2		Bearing
7	3402-722	1		Gear, Driven
8	3004-540	1	/P	Key
9	3402-458	1		Balancer, Crank

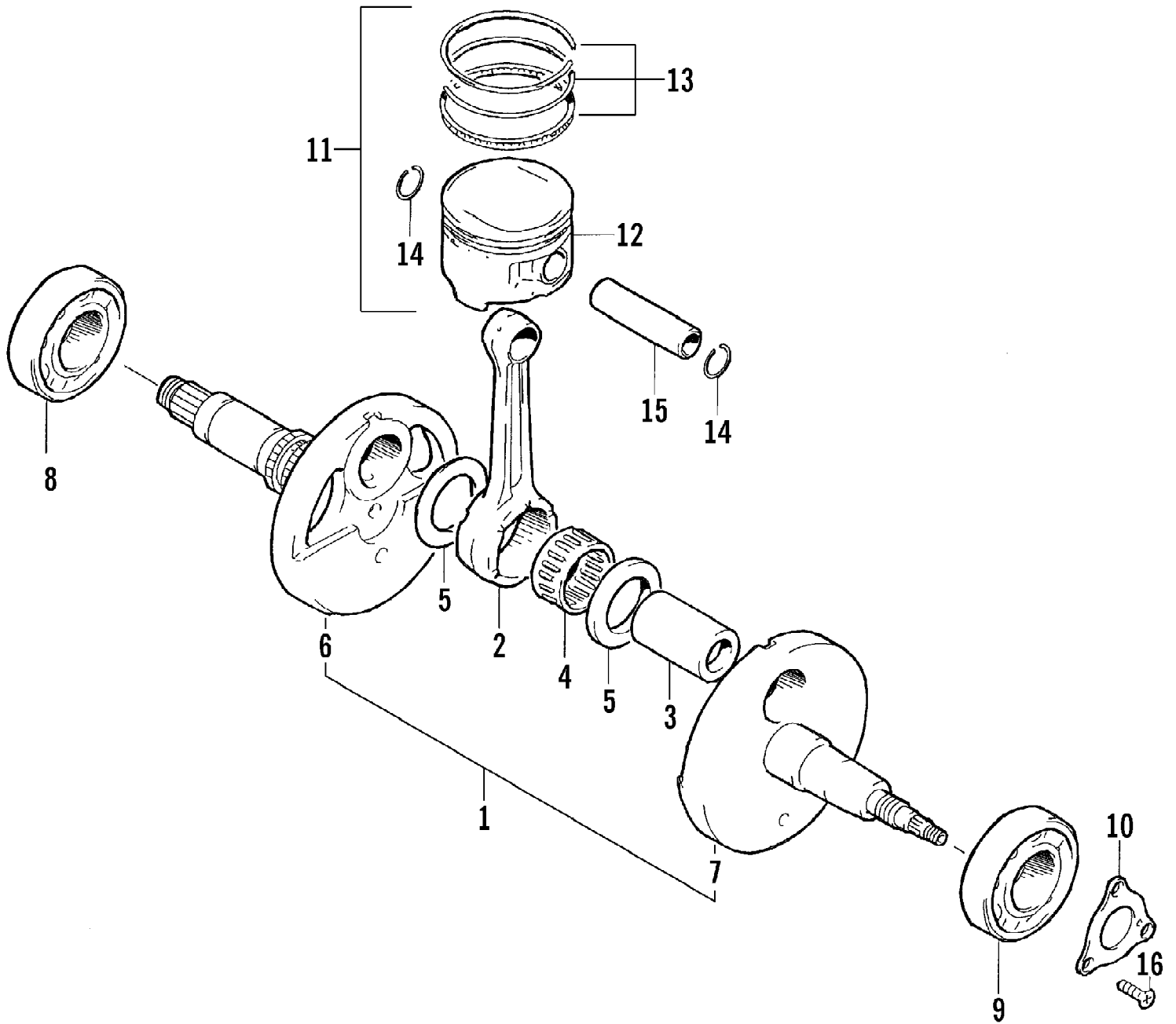
2008 ATV 500 AUTOMATIC TRANSMISSION 4X4 TRV CAT GREEN (A2008TBM4025Z) of 93
CRANKCASE ASSEMBLY



2008 ATV 500 AUTOMATIC TRANSMISSION 4X4 TRV CAT GREEN (A2008TEMA026Z) of 93
CRANKCASE ASSEMBLY

Ref #	Part Number	Qty	S/P/F	Description
1	3402-708	1	/P	Crankcase Assembly (inc. two No. 2 and 3-14)
2	3423-088	4		Pin, Dowel
3	3004-822	1		Pin, Dowel
4	3423-091	4	S	Bolt
5	3007-370	3	/P	Bolt
6	3423-092	3	S	Bolt
7	3004-880	4		Bolt
8	3005-332	1		Bolt
9	3423-385	1		Bolt
10	3402-436	2	/P	Gasket
11	3423-386	1		Plug
12	3423-387	1		Bolt
13	3423-388	1		Bolt
14	3423-508	1		Bolt
15	3402-439	1		Housing, Secondary Shaft Bearing
16	3423-506	3	/P	Bolt
17	3402-437	1		Pipe, Breather
18	3423-389	1		Bolt, Breather Pipe
19	3402-214	1		Plug, Oil Pressure
20	3402-012	1		Gasket, Oil Pressure Plug
21	3402-438	1		Stick, Oil Level
22	3423-055	1		O-Ring, Oil Level Stick

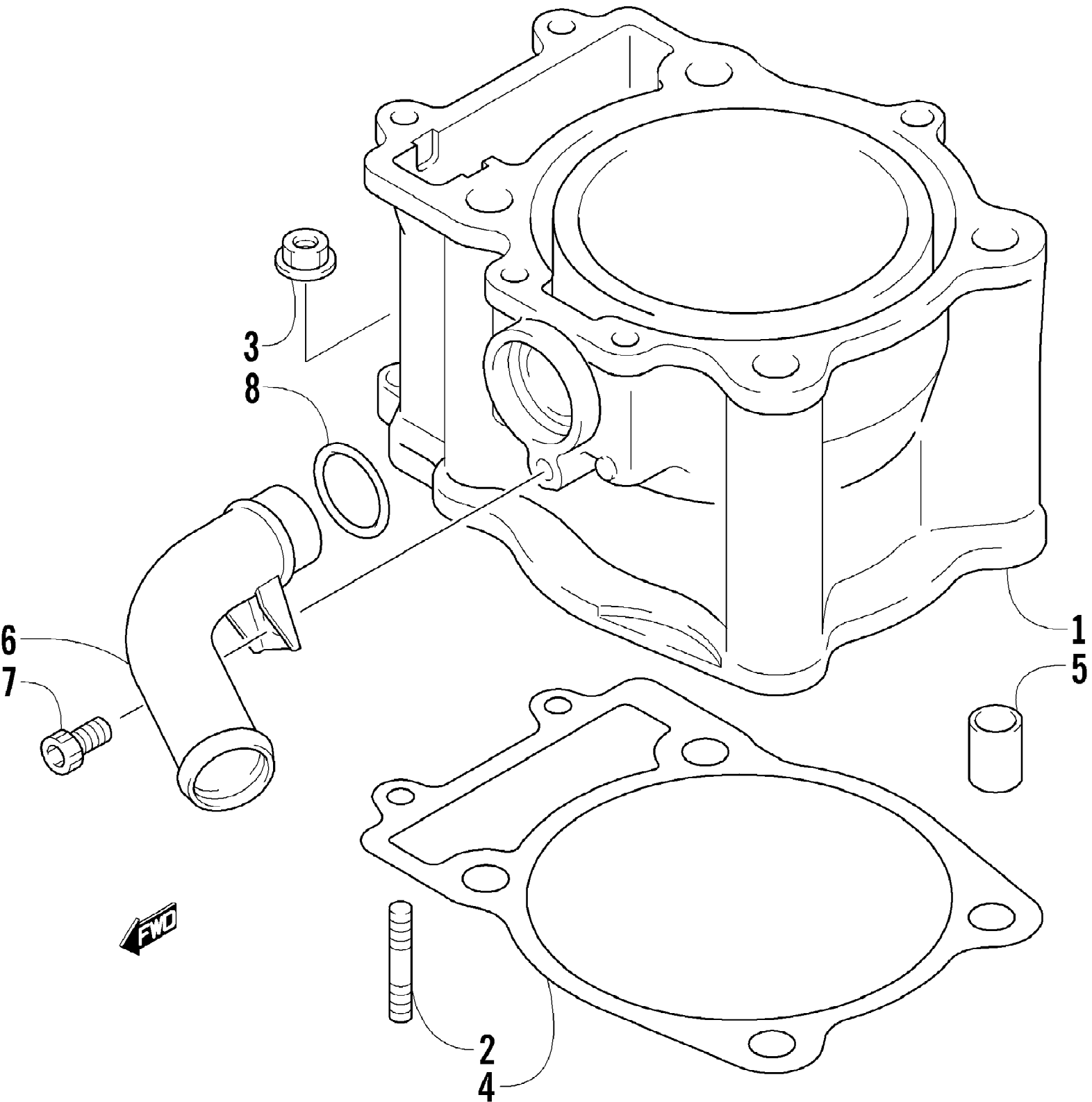
2008 ATV 500 AUTOMATIC TRANSMISSION 4X4 TRV CAT GREEN (A2008TEMA023Z) of 93
CRANKSHAFT ASSEMBLY



2008 ATV 500 AUTOMATIC TRANSMISSION 4X4 TRV CAT GREEN (A2008TEMA4B28Z) of 93
CRANKSHAFT ASSEMBLY

Ref #	Part Number	Qty	S/P/F	Description
1	3403-018	1	/P	Crankshaft Assembly (inc. 2-7)
2	3402-376	1		Rod, Connecting
3	3402-377	1		Pin, Crank
4	3402-717	1	/P	Bearing
5	3423-351	2		Washer
6	3403-025	1		Crankshaft - Right
7	3402-705	1	/P	Crankshaft - Left
8	3402-058	1		Bearing - Right
9	3402-054	1		Bearing - Left
10	3402-188	1	/P	Retainer, Oil Seal - Left
11	3402-788	1		Piston Set (inc. 12-14)
12	3402-719	1		Piston
13	3402-720	1		Ring, Piston - Set
14	3423-344	2		Circlip, Piston Pin
15	3402-375	1		Pin, Piston
16	3423-018	3		Screw

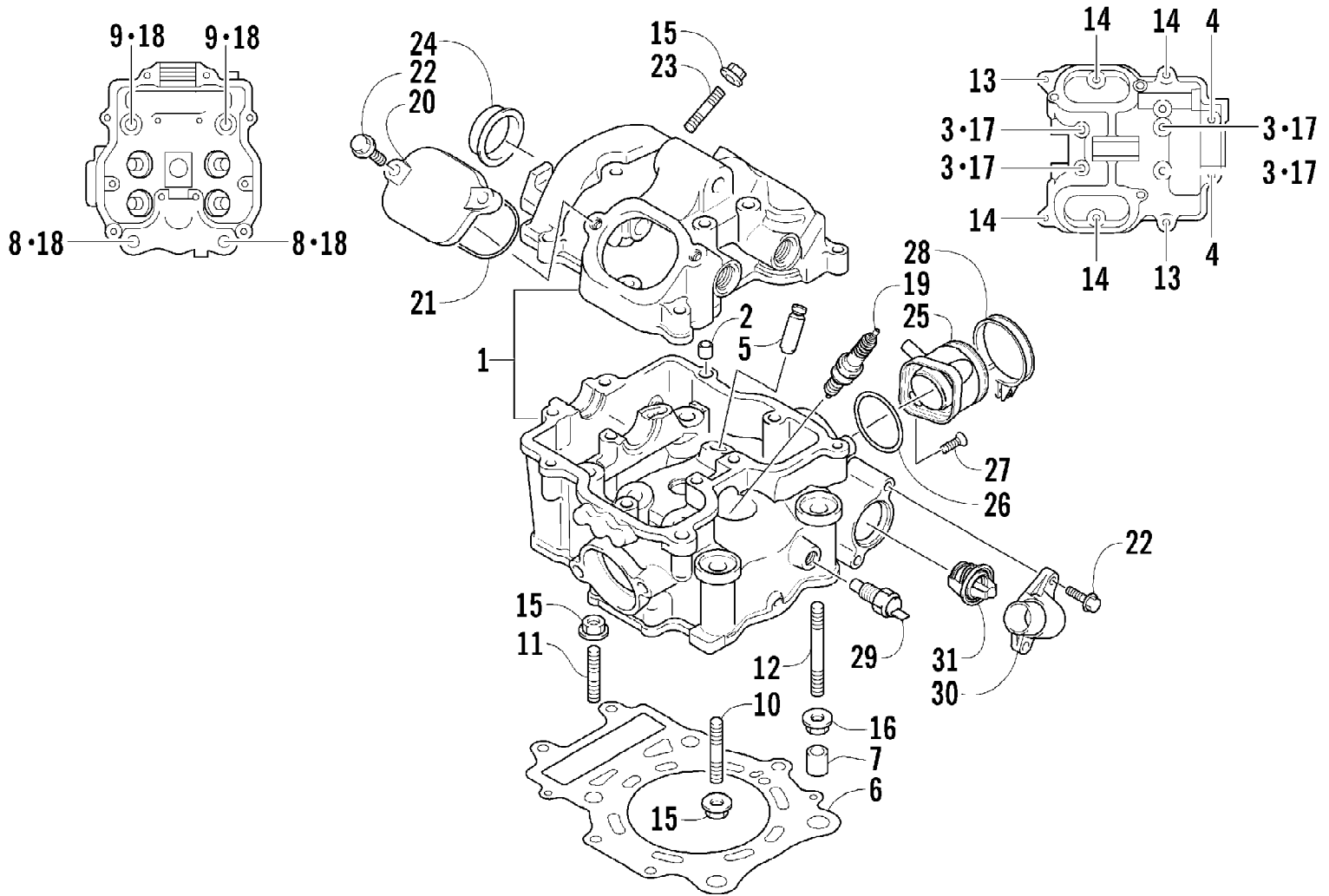
2008 ATV 500 AUTOMATIC TRANSMISSION 4X4 TRV CAT GREEN (A2008TRV4029Z) of 93
CYLINDER ASSEMBLY



2008 ATV 500 AUTOMATIC TRANSMISSION 4X4 TRV CAT GREEN (A2008TRV403Z) of 93
CYLINDER ASSEMBLY

Ref #	Part Number	Qty	S/P/F	Description
1	3402-707	1		Cylinder
2	3423-384	2	S	Bolt, Stud
3	3007-373	2	/P	Nut
4	3402-365	1	/P	Gasket, Cylinder
5	3423-088	2		Pin, Dowel
6	3413-013	1		Union, Water Hose
7	3423-121	1	S	Screw, Cap
8	3423-058	1		O-Ring

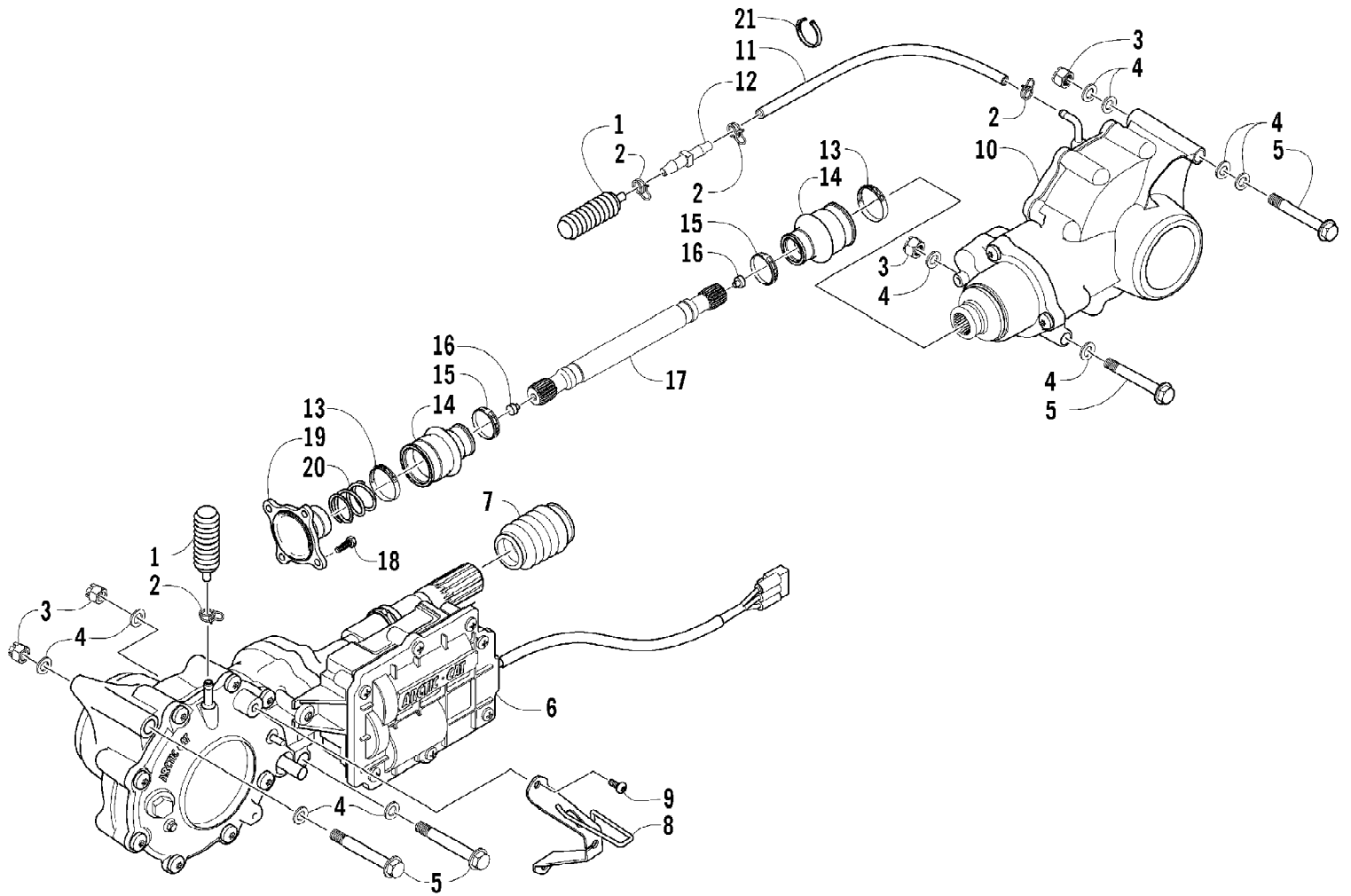
2008 ATV 500 AUTOMATIC TRANSMISSION 4X4 TRV CAT GREEN (A2008TRV403SZ) of 93
CYLINDER HEAD ASSEMBLY



2008 ATV 500 AUTOMATIC TRANSMISSION 4X4 TRV CAT GREEN (A2008TRV403Z) of 93
CYLINDER HEAD ASSEMBLY

Ref #	Part Number	Qty	S/P/F	Description
1	3402-098	1		Head, Cylinder - Assembly (inc. 2-5)
2	3423-043	2	/P	Pin, Dowel
3	3423-006	4		Screw, Cap
4	3008-376	2	S	Screw, Cap
5	3402-099	4		Guide, Valve
6	3402-362	1		Gasket, Cylinder Head
7	3423-088	2		Pin, Dowel
8	3423-015	2		Screw, Cap
9	3423-016	2		Screw, Cap
10	3423-089	2	S	Bolt, Stud
11	3423-864	2	/P	Bolt, Stud
12	3423-862	1	/P	Bolt, Stud
13	3423-007	2	S	Screw, Cap
14	3007-380	4	/P	Screw, Cap
15	3007-373	5	/P	Nut
16	3007-390	1	/P	Nut
17	3003-290	4	/P	Gasket
18	3402-010	4		Gasket, Head Nut
19	0217-632	1		Spark Plug (NGK CR6E)
20	3402-100	2		Cap, Inspection
21	3402-101	2		O-Ring
22	3004-341	5	S/P	Screw, Cap
23	3423-383	1		Bolt, Stud
24	3402-035	1		Plug, Cylinder Head
25	0570-092	1		Manifold, Intake
26	0470-531	1		O-Ring
27	3423-347	2		Screw, Machine
28	3423-507	1	/P	Clamp
29	3530-045	1	/P	Switch, Water Temperature - Assembly
30	3413-004	1		Cover, Thermostat
31	3413-012	1		Thermostat
	3402-048	1	F	Plug, Frost

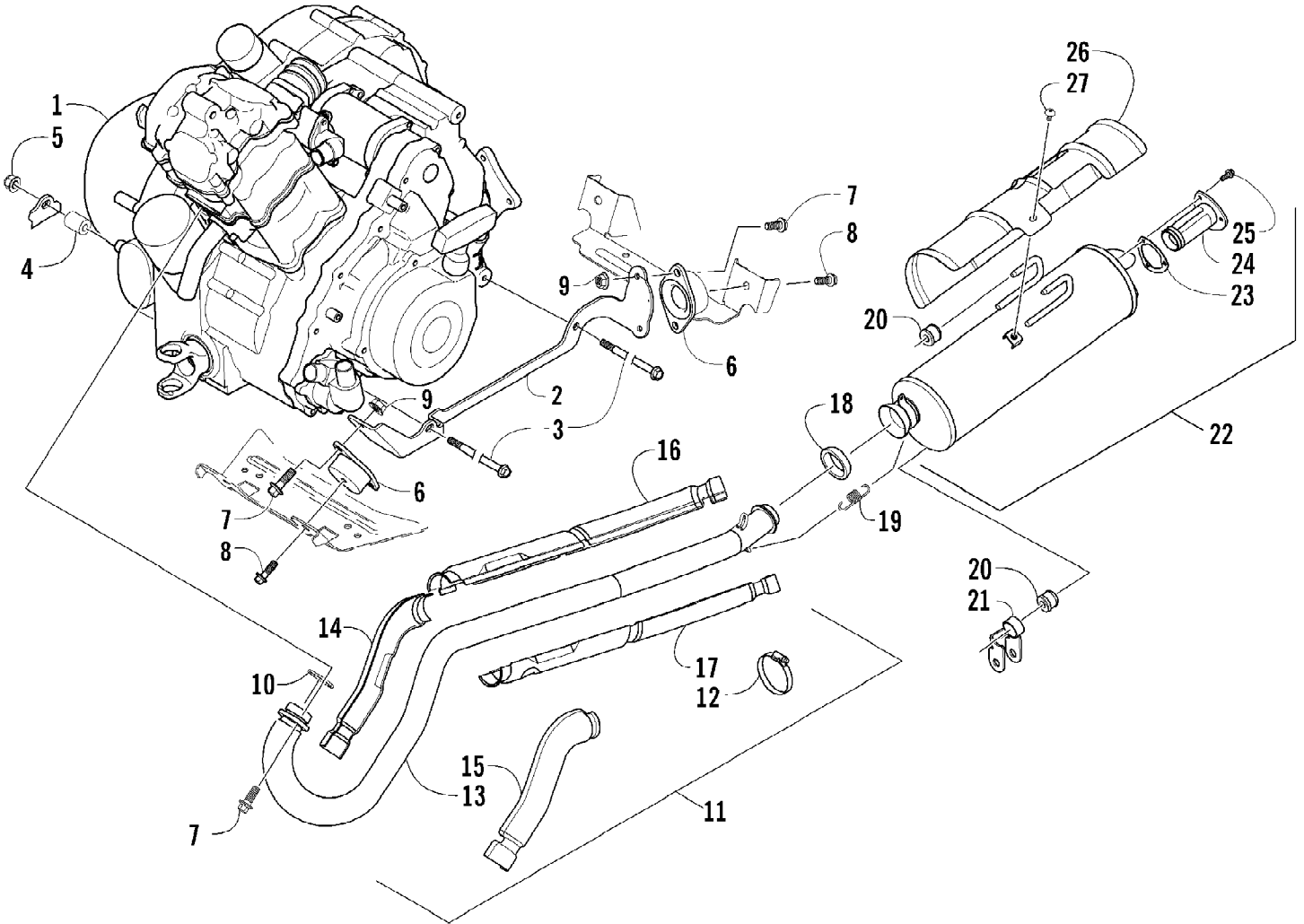
2008 ATV 500 AUTOMATIC TRANSMISSION 4X4 TRV CAT GREEN (A2008TRV403SZ) of 93
DRIVE TRAIN ASSEMBLY



2008 ATV 500 AUTOMATIC TRANSMISSION 4X4 TRV CAT GREEN (A2008TRV403Z) of 93
DRIVE TRAIN ASSEMBLY

Ref #	Part Number	Qty	S/P/F	Description
1	0402-147	2	S	Bladder, Gearcase
2	0423-315	4		Clamp, Fitting
3	8428-002	4		Nut, Lock
4	0423-426	10		Washer
5	0423-404	4		Screw, Cap
6	1502-248	1		Gearcase, Front Drive
7	0402-966	1		Boot, Shaft
8	0502-500	1		Plate, Cable
9	0423-396	2		Screw, Self-Tapping
10	1502-079	1	S	Gearcase, Rear Drive
11	0410-048	AR	S	Hose, Vent - 25 ft
12	0470-462	1		Fitting, Vent
13	0423-393	2		Clamp, Boot
14	0402-985	2	/P	Boot
15	0423-411	2		Clamp, Boot
16	0673-618	2	/P	Bumper, Propeller Shaft
17	1402-233	1		Shaft, Propeller
18	8408-820	4	/P	Screw, Cap
19	0402-950	1		Flange, Output
20	1402-026	1		Spring
21	0123-788	AR	/P	Tie, Cable

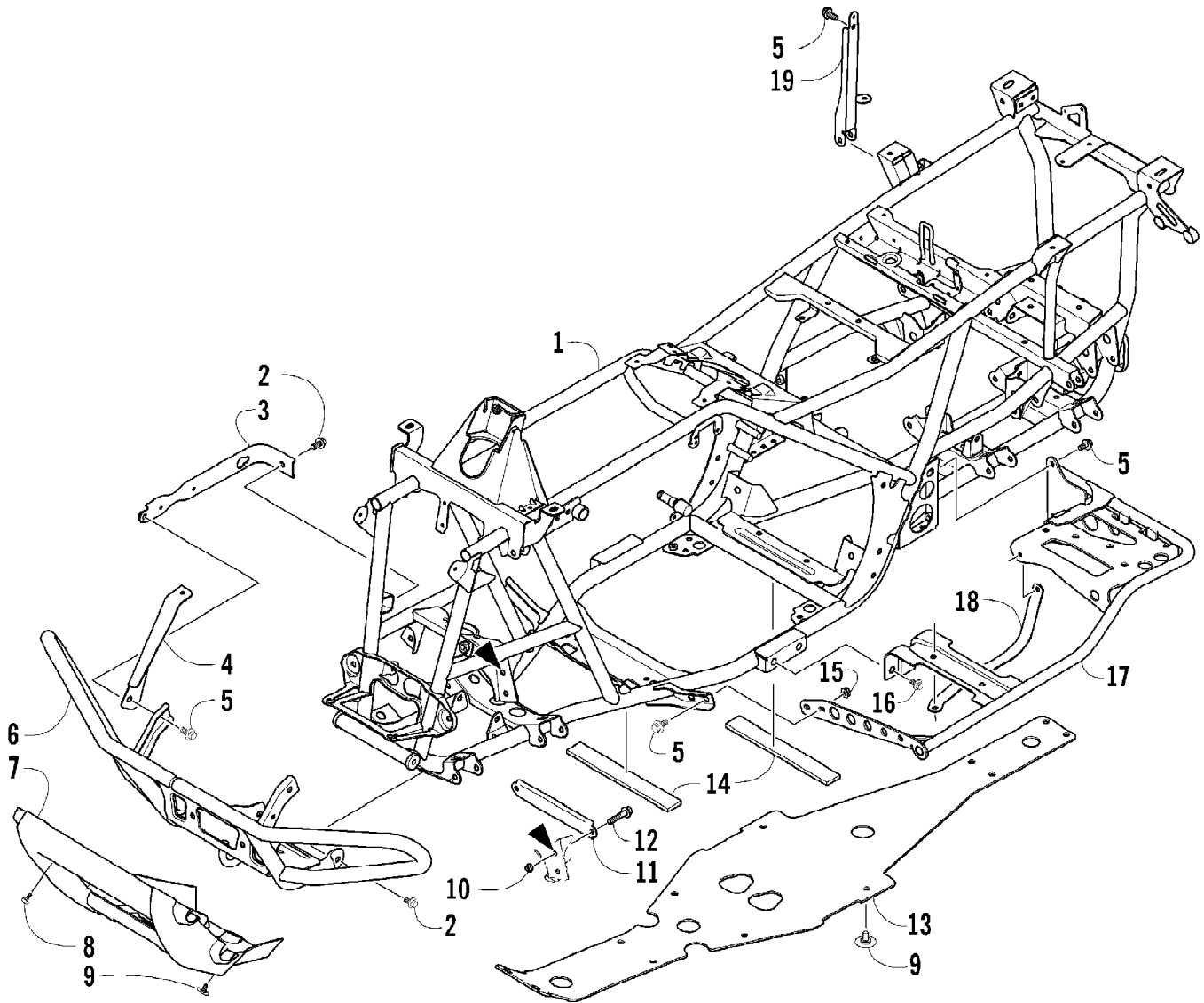
2008 ATV 500 AUTOMATIC TRANSMISSION 4X4 TRV CAT GREEN (A2008TRV4035Z) of 93
ENGINE AND EXHAUST



2008 ATV 500 AUTOMATIC TRANSMISSION 4X4 TRV CAT GREEN (A2008TRV4036Z) of 93
ENGINE AND EXHAUST

Ref #	Part Number	Qty	S/P/F	Description
1	0462-029	1	/P	Engine
2	1506-740	1		Bracket, Engine Mounting - Right
2	1506-741	1		Bracket, Engine Mounting - Left
3	0423-405	2		Screw, Cap
4	0423-042	2	S	Spacer
5	8428-002	2		Nut, Lock
6	2406-065	4		Mount, Rubber - Engine
7	8408-820	10	/P	Screw, Cap
8	8408-012	4		Screw, Cap
9	8432-802	8		Nut
10	0412-007	1	/P	Gasket, Exhaust Pipe
11	0512-276	1		Pipe, Exhaust - Assembly (inc. 12-17)
12	0423-317	4	/P	Hose Clamp
13	0512-278	1		Pipe, Exhaust
14	0412-348	1		Shield, Exhaust Pipe - Front - Upper
15	0412-349	1		Shield, Exhaust Pipe - Front - Lower
16	0412-354	1		Shield, Exhaust Pipe
17	0412-355	1		Shield, Exhaust Pipe
18	0412-375	1	/P	Seal, Exhaust Pipe
19	0612-668	2	/P	Spring, Extension
20	0412-215	3	S	Bushing, Exhaust Pipe
21	1506-732	1		Channel, Muffler Support
22	0512-306	1	/P	Muffler - Assembly (inc. 23-25)
23	0412-313	1		Gasket, Spark Arrester
24	0512-219	1	/P	Arrester, Spark - Assembly
25	8408-616	3		Screw, Cap
26	0412-373	1	/P	Cover, Muffler
27	8477-610	3		Screw, Machine

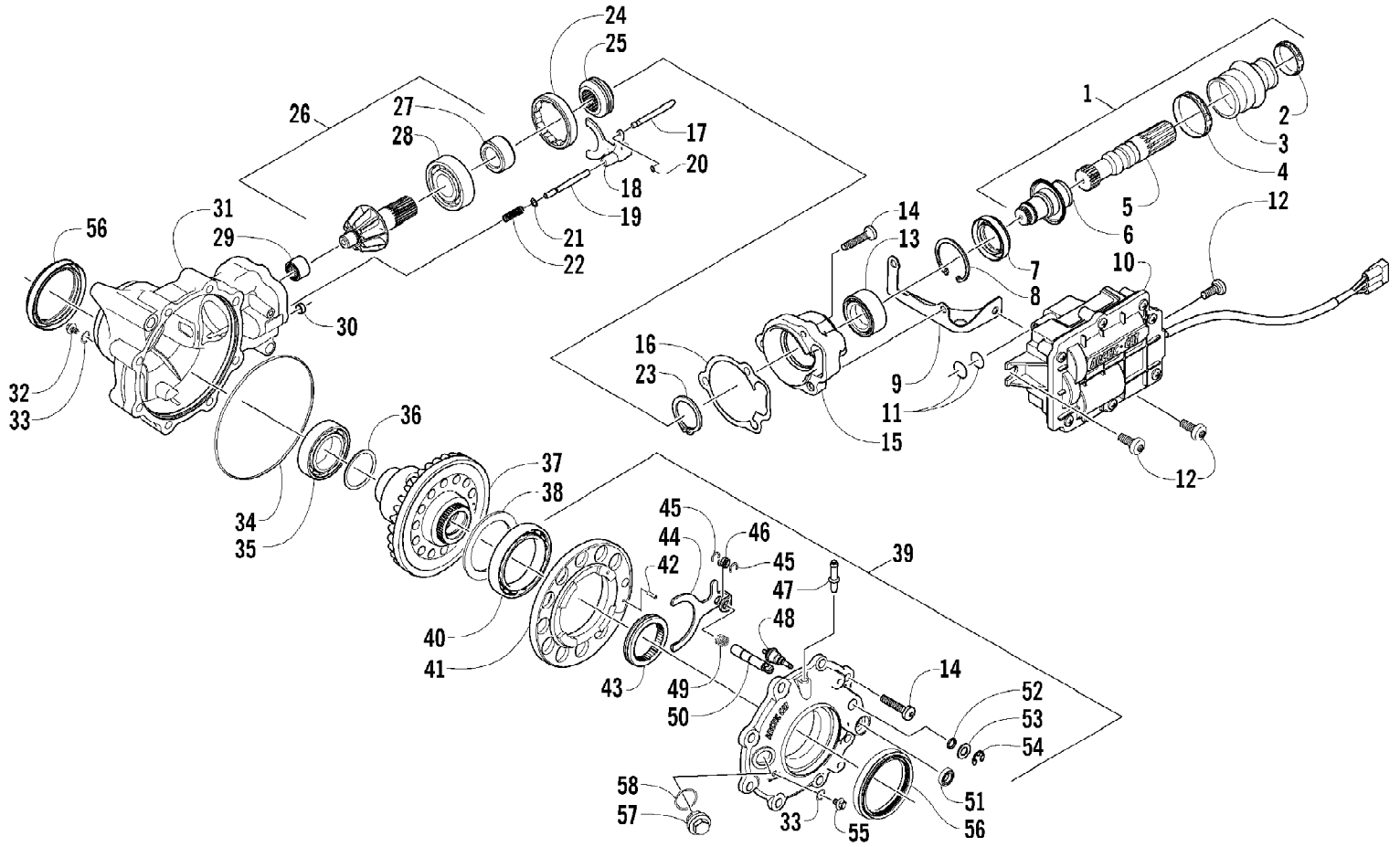
2008 ATV 500 AUTOMATIC TRANSMISSION 4X4 TRV CAT GREEN (A2008TRV4035Z) of 93
FRAME AND RELATED PARTS



2008 ATV 500 AUTOMATIC TRANSMISSION 4X4 TRV CAT GREEN (A2008TRV4038Z) Page 38 of 93
FRAME AND RELATED PARTS

Ref #	Part Number	Qty	S/P/F	Description
1	2506-531	1		Frame, Main
2	8409-020	4	/P	Screw, Cap
3	1506-596	1	/P	Channel, Bumper Mounting - Right
3	0506-653	1	S	Channel, Bumper Mounting - Left
4	1506-562	1		Bracket, Mounting - Bumper - Right
4	1506-563	1		Bracket, Mounting - Bumper - Left
5	8408-816	11		Screw, Cap
6	1506-855	1	/P	Bumper
7	1406-360	1		Grille, Bumper
8	0423-419	2		Screw, Machine
9	0423-101	14		Screw, Shoulder
10	8428-002	2		Nut, Lock
11	1506-429	1	S	Brace, A-Arm
12	8409-025	2		Screw, Cap
13	2406-091	1		Panel, Belly
14	0406-289	2		Pad, Foam
15	8424-802	4		Nut
16	8409-016	4		Screw, Cap
17	1506-848	1		Footrest - Right
17	1506-849	1		Footrest - Left
18	2406-216	1		Strap, Footrest - Right
18	2406-217	1		Strap, Footrest - Left
19	2506-447	1		Channel, Shock Support

2008 ATV 500 AUTOMATIC TRANSMISSION 4X4 TRV CAT GREEN (A2008TBM4039Z) of 93
FRONT DRIVE GEARCASE ASSEMBLY



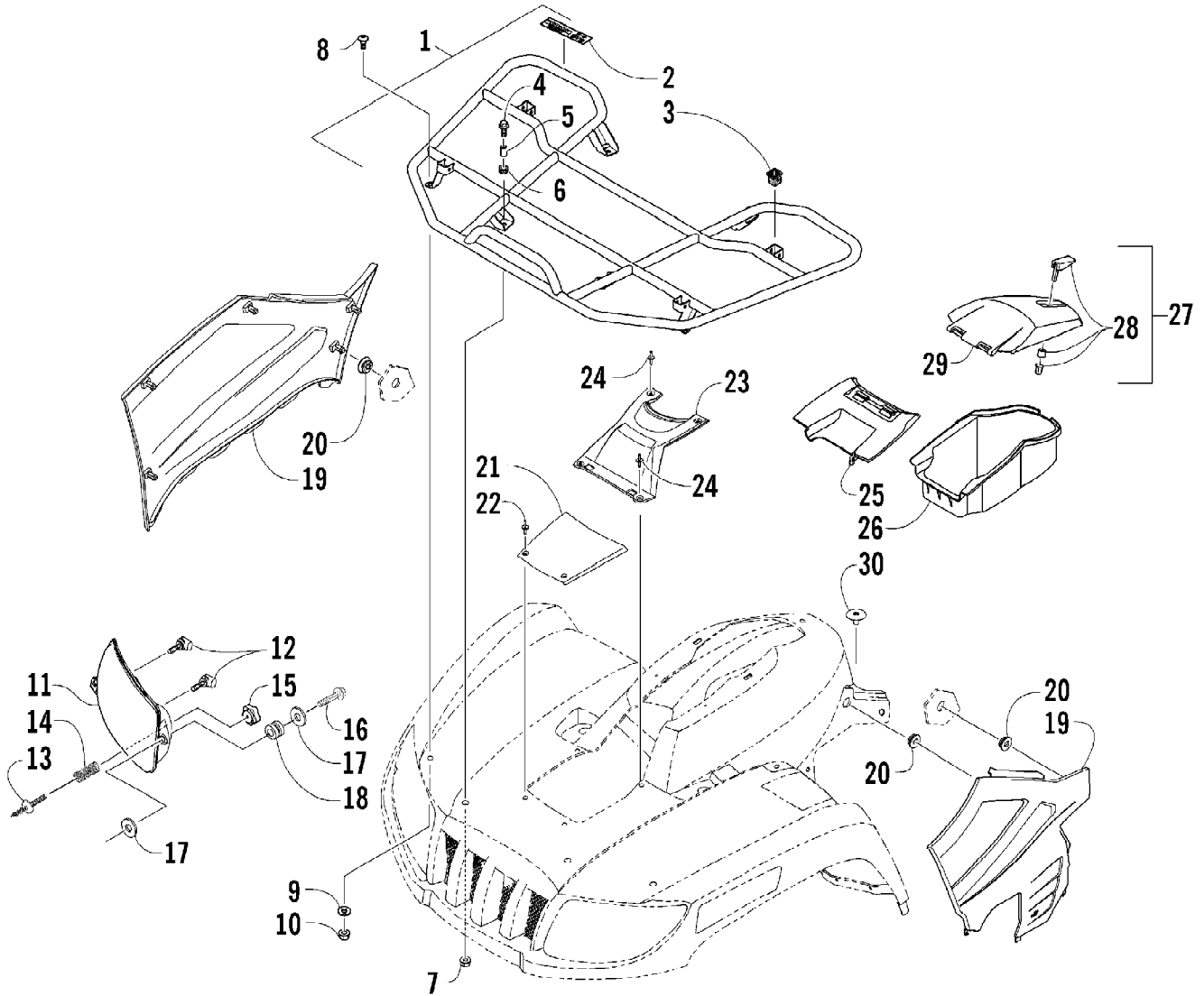
2008 ATV 500 AUTOMATIC TRANSMISSION 4X4 TRV CAT GREEN (A2008TRV400) of 93
FRONT DRIVE GEARCASE ASSEMBLY

Ref #	Part Number	Qty	S/P/F	Description
	1502-248	1		Complete Front Drive Gearcase Assembly
1	1502-083	1		Shaft, Propeller - Assembly (inc. 2-6)
2	0423-411	1		Clamp, Boot
3	0402-985	1	/P	Boot, Propeller Shaft
4	0423-393	1		Clamp, Boot
5	1402-045	1		Shaft, Output
6	1502-085	1	/P	Shaft, Input
7	1402-011	1		Seal
8	0423-423	1		Ring, Retaining
9	0502-347	1		Bracket, Actuator
10	0502-579	1		Actuator (inc. one No. 11)
11	0423-498	2	S	O-Ring
12	0423-396	3		Screw, Self-Tapping
13	1402-043	1		Bearing
14	0423-118	11		Screw, Self-Tapping
15	0502-528	1	/P	Housing, Pinion
16	0402-947	1		Gasket, Flange
17	0402-997	1		Shaft, Selector
18	0402-998	1		Fork, Selector
19	0402-417	1		Shaft, Shuttle
20	0423-402	1		Ring, Retaining
21	0423-147	1		O-Ring
22	0402-999	1		Spring, Return
23	0423-417	1		Ring, Retaining
24	0402-357	1		Collar, Lock
25	0402-413	1		Coupler, Drive
26	0502-783	1		Gear, Pinion - Assembly - 10T (inc. 27-28)
27	0402-336	1		Collar, Retaining
28	0402-327	1		Bearing
29	0402-328	1		Bearing
30	0402-411	1		Pin, Dowel
31	0502-514	1		Housing, Gearcase
32	1402-210	1	/P	Plug, Magnetic (inc. one No. 33)
33	0423-153	2		O-Ring
34	0423-149	1		O-Ring
35	0402-393	1		Bearing
36	0402-405	AR		Shim
36	0402-406	AR		Shim
36	0402-407	AR		Shim
36	0402-408	AR		Shim
36	0402-409	AR		Shim
37	1502-234	1	S	Gear, Ring - 36T
38	1402-074	AR		Shim
38	1402-075	AR		Shim
38	1402-076	AR		Shim
38	1402-077	AR		Shim
38	1402-078	AR		Shim
39	1502-097	1		Cover, Gearcase (inc. one No. 33, 40-55, and one No. 56)
40	1402-053	1		Bearing
41	0502-413	1		Flange, Bearing
42	1402-079	1		Pin, Parallel

2008 ATV 500 AUTOMATIC TRANSMISSION 4X4 TRV CAT GREEN (A2008TEMA4USZ) of 93
 FRONT DRIVE GEARCASE ASSEMBLY

Ref #	Part Number	Qty	S/P/F	Description
43	1402-042	1		Collar, Sliding
44	1402-054	1		Fork
45	1402-058	2		Ring, Retaining
46	1402-057	1		Spring
47	1402-104	1		Fitting
48	0402-419	1		Switch, Indicator
49	1402-063	1		Spring
50	1402-055	1		Shaft, Lock
51	1402-056	1		Seal
52	0423-133	1		O-Ring
53	0423-132	1		Washer
54	0423-424	1		Ring, Retaining
55	1402-211	1		Plug, Oil Level (inc. one No. 33)
56	1402-441	2	S	Seal
57	0402-333	1	/P	Plug, Fill (inc. 58)
58	0423-154	1		O-Ring

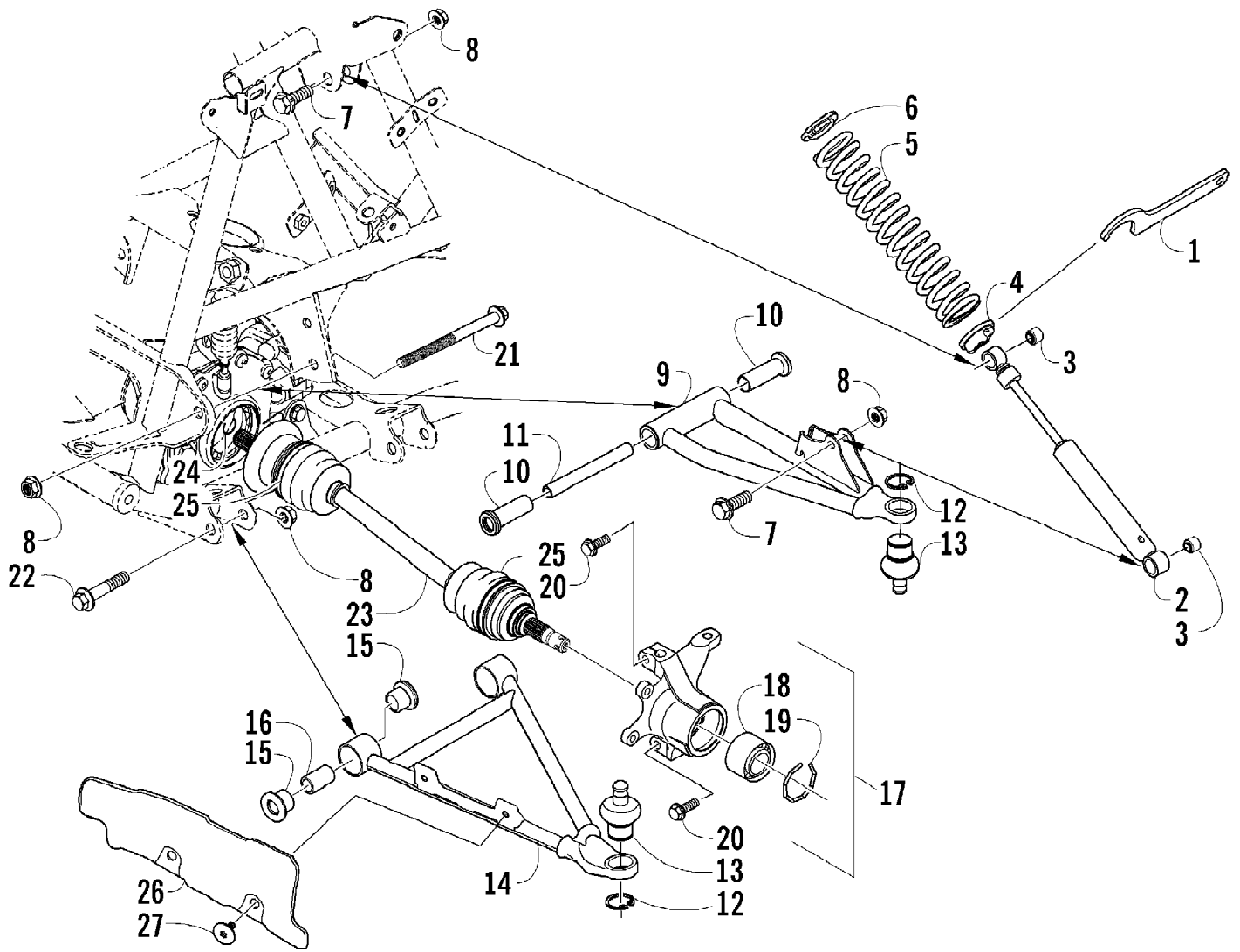
2008 ATV 500 AUTOMATIC TRANSMISSION 4X4 TRV CAT GREEN (A2008TRV420) of 93
FRONT RACK AND HEADLIGHT ASSEMBLIES



2008 ATV 500 AUTOMATIC TRANSMISSION 4X4 TRV CAT GREEN (A2008TRV45Z) of 93
FRONT RACK AND HEADLIGHT ASSEMBLIES

Ref #	Part Number	Qty	S/P/F	Description
1	2506-106	1		Rack, Front - Assembly (inc. 2-3)
2	0411-576	1		Decal, Warning - Front Rack Load
3	0441-592	4	/P	Bushing, Rack
4	8410-830	4		Screw, Cap
5	0423-669	4		Spacer
6	0423-465	4		Grommet
7	8432-802	4		Nut, Lock
8	0423-654	2		Screw, Shoulder
9	8050-222	2	/P	Washer
10	0423-540	2		Nut, Lock
11	0509-034	1	S	Headlight Assembly - Right (inc. 12)
11	0509-035	1		Headlight Assembly - Left (inc. 12)
12	0409-055	4		Bulb, Headlight
13	0423-514	2		Stud, Adjuster - Headlight
14	0423-522	2		Spring, Adjuster
15	0423-513	2		Knob, Adjuster
16	0623-785	4		Screw, Self-Tapping
17	8050-217	8	/P	Washer
18	0423-447	4		Grommet
19	2406-324	1		Panel, Side - Lower - Right
19	2406-421	1		Panel, Side - Lower - Left
20	0423-678	8		Grommet
21	1406-358	1		Cover, Access
22	0423-535	2		Rivet, Reinstallable
23	1406-484	1		Cover, Steering Post
24	0623-362	4		Rivet, Reinstallable
25	0470-513	1		Cover, Storage Box
26	1406-573	1		Box, Storage
27	2506-234	1		Lid, Storage Box w/Latch (inc. 28-29)
28	1406-599	1		Latch, Storage Box
29	0470-514	1		Lid, Storage Box
30	0423-101	2		Screw, Body

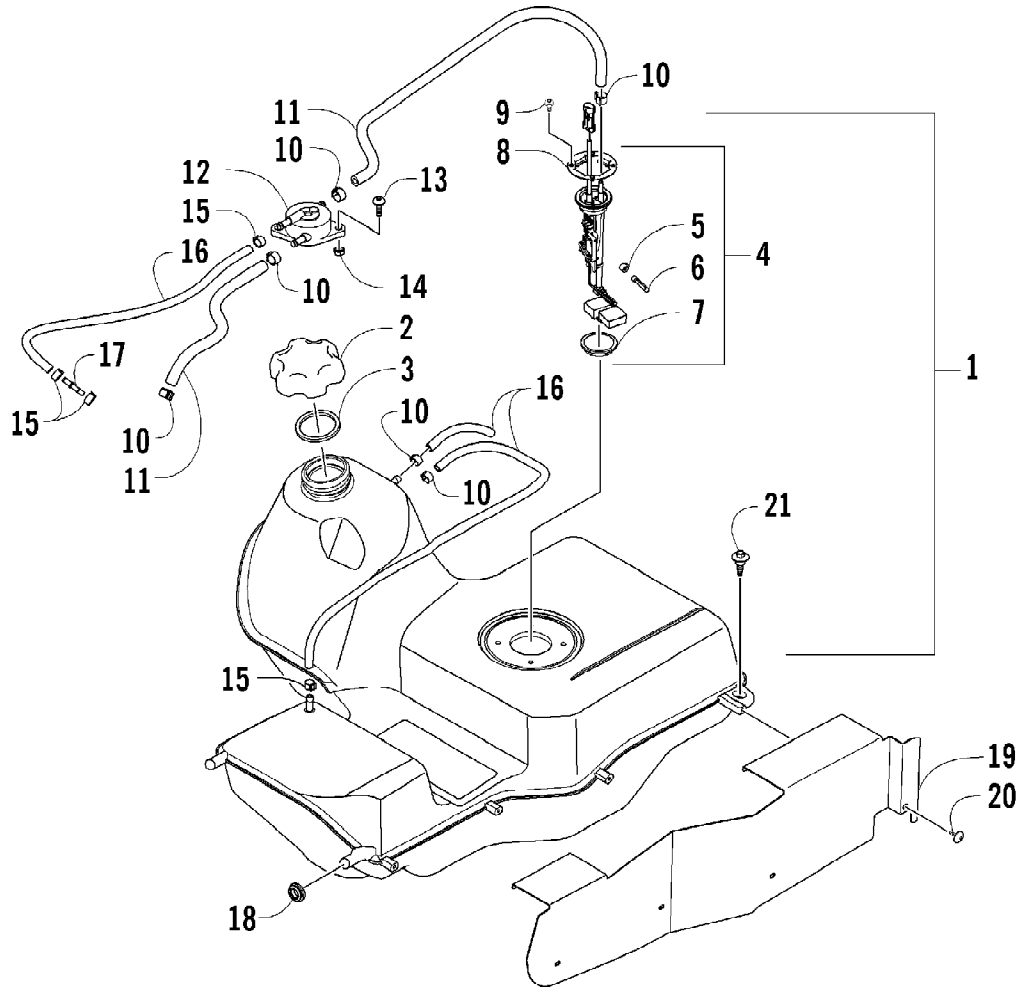
2008 ATV 500 AUTOMATIC TRANSMISSION 4X4 TRV CAT GREEN (A2008TBM43Z) of 93
FRONT SUSPENSION ASSEMBLY



2008 ATV 500 AUTOMATIC TRANSMISSION 4X4 TRV CAT GREEN (A2008TEMA45Z) of 93
FRONT SUSPENSION ASSEMBLY

Ref #	Part Number	Qty	S/P/F	Description
1	0441-587	1		Wrench, Spanner
2	0403-176	2		Shock Absorber - Front (inc. 3)
3	0403-182	4		Bushing, Double-Bonded
4	0403-102	2		Cam, Spring Adjuster
5	0403-174	2		Spring, Shock Absorber
6	1603-889	2	/P	Retainer, Spring
7	8409-040	4		Screw, Cap
8	8428-002	10		Nut, Lock
9	0503-272	1	S	A-Arm, Upper Right (inc. 10-13)
9	0503-273	1	S	A-Arm, Upper Left (inc. 10-13)
10	0403-081	4	S	Bushing
11	0403-080	2		Collar
12	0423-009	4	/P	Clip, Ball Joint
13	0405-115	4	/P	Ball Joint - Front
14	0503-342	1	S	A-Arm, Lower Right (inc. 12-13 and 15-16)
14	0503-343	1	S	A-Arm, Lower Left (inc. 12-13 and 15-16)
15	0403-115	8	S	Bushing
16	0403-114	4	S	Collar
17	0505-460	1		Knuckle - Assembly - Right (inc. 18-19)
17	0505-461	1	S	Knuckle - Assembly - Left (inc. 18-19)
18	1402-027	2	S/P	Bearing, Wheel Hub
19	0423-423	2		Ring, Retaining
20	8409-030	4		Screw, Cap
21	0423-334	2		Screw, Cap
22	8409-075	4		Screw, Cap
23	0502-812	1	S	Axle, Drive - Front - Right (inc. 24-25)
24	1441-109	2	S	Clip, Retaining
23	0502-813	1	S	Axle, Drive - Front - Left (inc. 24-25)
25	0436-276	2	S	Repair Kit, Boot
26	0441-756	1		Guard, Boot - Right
26	0441-757	1		Guard, Boot - Left
27	0423-545	4	/P	Screw, Body

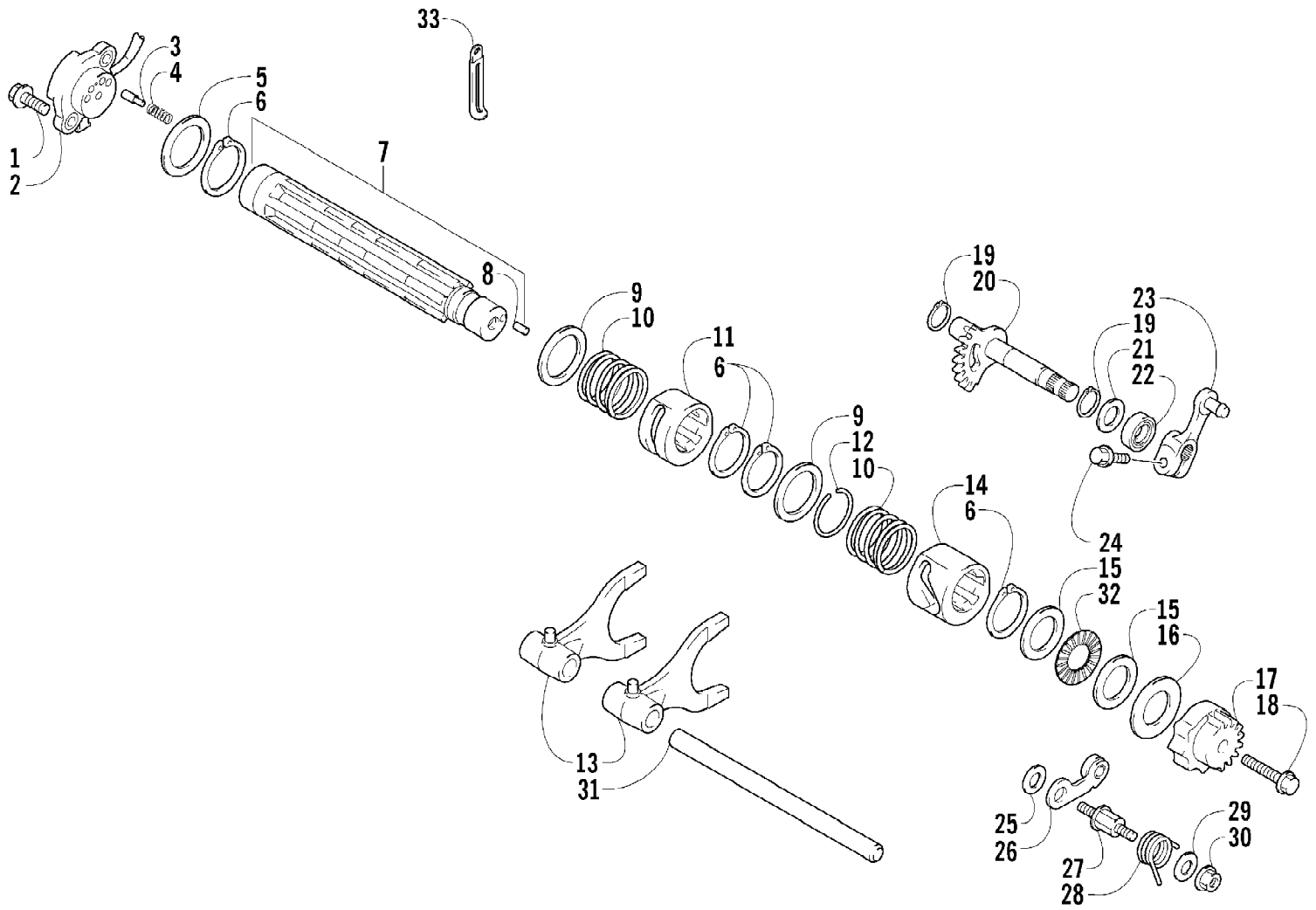
2008 ATV 500 AUTOMATIC TRANSMISSION 4X4 TRV CAT GREEN (A2008TRV46Z) of 93
GAS TANK ASSEMBLY



2008 ATV 500 AUTOMATIC TRANSMISSION 4X4 TRV CAT GREEN (A2008TRV43Z) of 93
GAS TANK ASSEMBLY

Ref #	Part Number	Qty	S/P/F	Description
1	0570-210	1	S	Tank, Gas - Assembly (inc. 2-9)
2	0470-438	1	/P	Cap, Gas Tank (inc. 3)
3	0109-733	1	/P	Gasket, Gas Tank Cap
4	0570-229	1	S	Sensor, Fuel Level (inc. 5-7)
5	0423-603	1		Clamp, Hose
6	0470-475	1		Filter, Fuel
7	0470-521	1		Seal, Fuel Level Sensor
8	0470-639	1	/P	Plate, Mounting - Fuel Level Sensor
9	1623-158	4		Screw, Plastite
10	0423-688	6		Clamp, Hose
11	0410-070	AR	/P	Hose, Gasline - 25 ft
12	0470-758	1	/P	Pump, Fuel
13	8476-620	2		Screw, Machine
14	0623-038	2		Nut, Lock
15	0423-689	4		Clamp, Hose
16	0410-143	AR		Hose, Gasline - 25 ft
17	0470-702	1	/P	Fitting, Straight
18	0423-460	2		Grommet, Gas Tank
19	0470-715	1		Shield, Gas Tank
20	0623-797	4		Screw, Self-Tapping
21	0423-732	2		Screw, Gas Tank

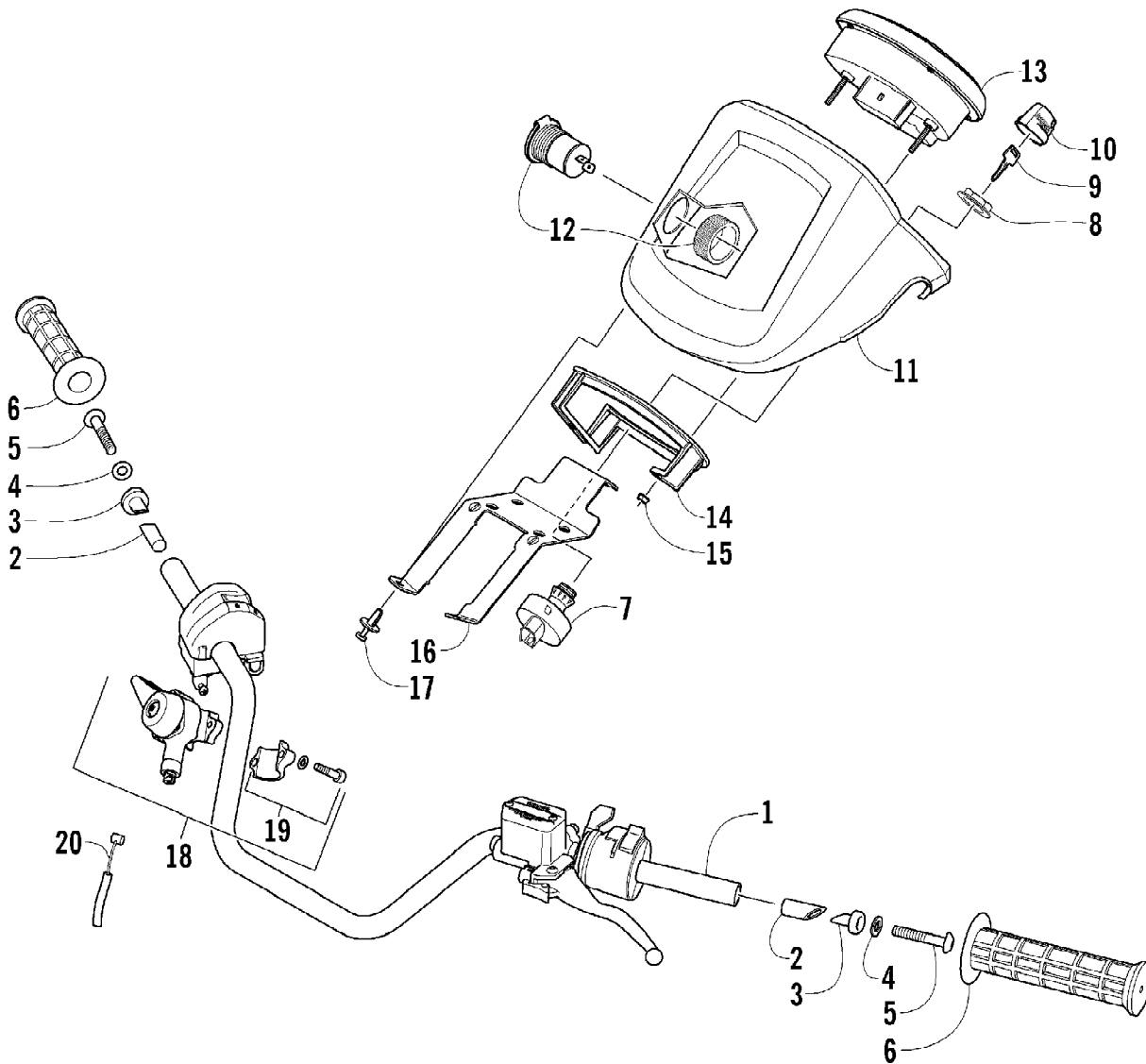
2008 ATV 500 AUTOMATIC TRANSMISSION 4X4 TRV CAT GREEN (A2008TRV48Z) of 93
GEAR SHIFTING ASSEMBLY



2008 ATV 500 AUTOMATIC TRANSMISSION 4X4 TRV CAT GREEN (A2008TRV49Z) of 93
GEAR SHIFTING ASSEMBLY

Ref #	Part Number	Qty	S/P/F	Description
1	3423-418	2		Bolt
2	3530-042	1		Switch, Gear Position
3	3423-044	2		Contact
4	3402-087	2		Spring
5	3423-421	1	/P	Washer, Shift Shaft
6	3423-191	4	/P	Circlip, Cam Spring
7	3402-826	1		Shaft, Gear Shift (inc. 8)
8	3423-114	1	/P	Pin
9	3402-382	2		Washer, Cam Spring
10	3446-280	2		Spring, Cam
11	3402-827	1		Cam, Reverse
12	3423-416	1		C-Ring, Cam
13	3446-353	2		Fork, Shift
14	3402-828	1		Cam, Gear Shift
15	3402-381	2	/P	Washer, Shift Shaft
16	3423-446	1		Washer, Gear Shift Cam Plate
17	3402-642	1		Plate, Gear Shift Cam
18	3007-380	1	/P	Bolt, Gear Shift Cam Plate
19	3423-358	2	S	Circlip, Sub-Gear Shift Shaft
20	3402-747	1		Shaft, Sub-Gear Shift
21	1691-043	2		Washer, Sub-Gear Shift Shaft
22	3402-076	1		Seal, Sub-Gear Shift Shaft
23	3402-434	1	/P	Arm, Shift
24	3004-341	1	S/P	Bolt, Select Arm
25	3423-141	1		Washer, Cam Stopper
26	3402-746	2		Stopper, Cam
27	3446-048	1		Support, Cam Stopper
28	3423-511	1		Spring, Cam Stopper
29	3423-438	2		Washer, Cam Stopper Spring
30	3007-373	1	/P	Nut, Cam Stopper Spring
31	3446-266	1		Shaft, Shift Fork
32	3402-829	1		Bearing
33	3004-787	1		Clamp, Wire

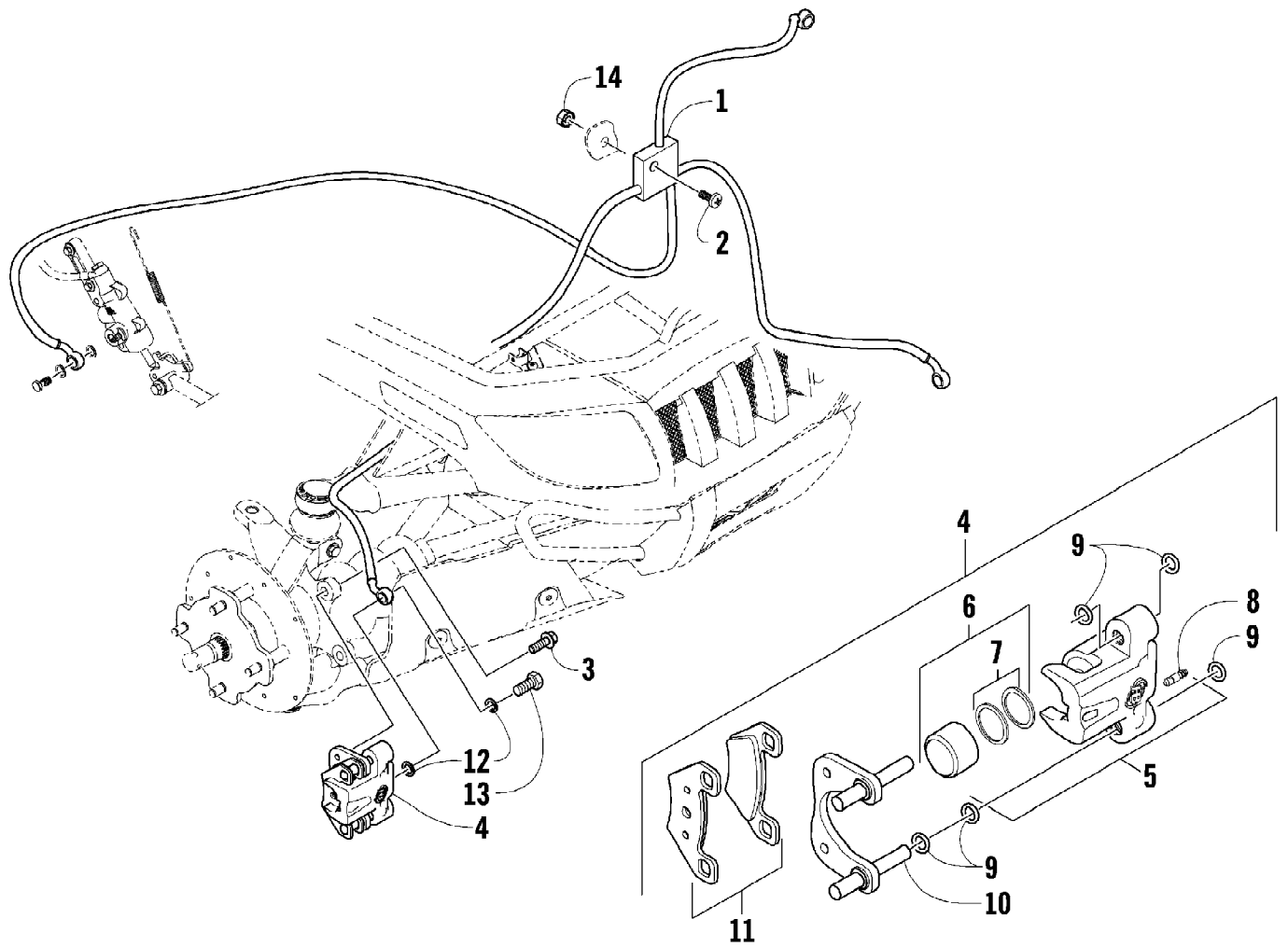
2008 ATV 500 AUTOMATIC TRANSMISSION 4X4 TRV CAT GREEN (A2008TRV4050Z) of 93
HANDLEBAR ASSEMBLY



2008 ATV 500 AUTOMATIC TRANSMISSION 4X4 TRV CAT GREEN (A2008TRV440USZ) of 93
HANDLEBAR ASSEMBLY

Ref #	Part Number	Qty	S/P/F	Description
1	0505-476	1		Tube, Handlebar
2	0405-218	2		Plug, Handlebar
3	0405-149	2		End Cap, Handlebar
4	8050-247	2	/P	Washer
5	8477-845	2		Screw, Machine
6	0405-147	2		Grip, Handlebar
7	0430-069	1	S	Switch, Ignition - Assembly (inc. 8-10)
8	0430-050	1		Nut, Flange - Ignition Switch
9	0430-042	1		Key, Ignition (Y Series - Left-Side Cut)
9	0430-043	1		Key, Ignition (Z Series - Right-Side Cut)
10	0430-054	1		Cover, Key
11	0405-273	1		Instrument Pod
12	0641-897	1	/P	Outlet, Accessory - 12V
13	0520-022	1		Gauge, LCD
14	0420-065	1	/P	Clamp, Plastic
15	0423-493	2		Nut, Hex
16	2506-470	1		Bracket, Mounting - Instrument Pod
17	0423-535	2		Rivet, Reinstallable
18	0502-527	1		Control, Differential Lock (inc. 19)
19	0502-613	1		Clamp, Differential Lock Control - Kit
20	0487-050	1	/P	Cable, Differential Lock

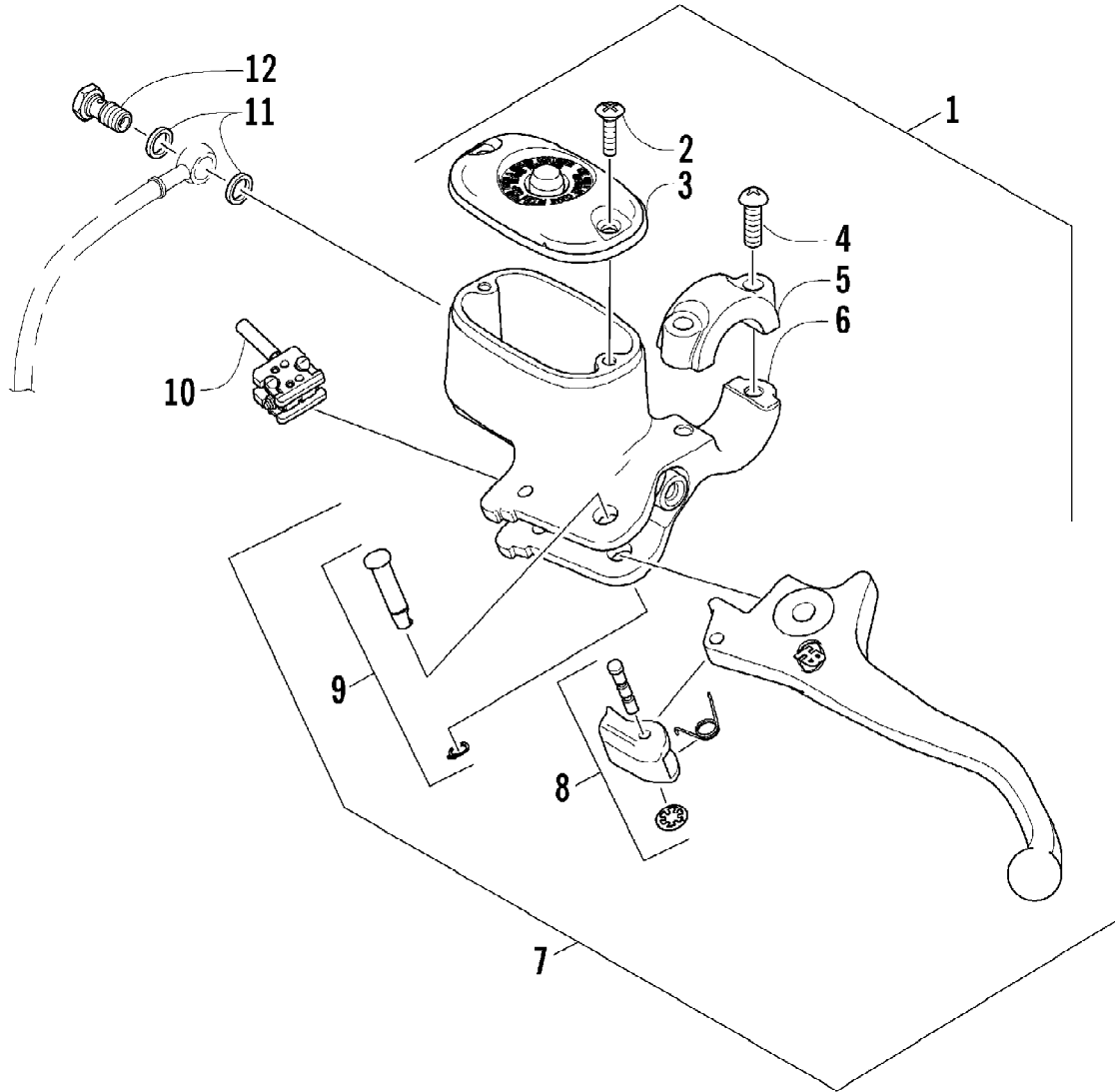
2008 ATV 500 AUTOMATIC TRANSMISSION 4X4 TRV CAT GREEN (A2008TBM4052Z) of 93
HYDRAULIC BRAKE ASSEMBLY



2008 ATV 500 AUTOMATIC TRANSMISSION 4X4 TRV CAT GREEN (A2008TRV45Z) of 93
HYDRAULIC BRAKE ASSEMBLY

Ref #	Part Number	Qty	S/P/F	Description
1	1502-015	1		Hose, Brake - Assembly
2	8476-625	1		Screw, Cap
3	8408-821	4	/P	Screw, Cap
4	0502-878	1	S	Caliper, Brake - Right Front (inc. 5-11)
4	0502-879	1	S	Caliper, Brake - Left Front (inc. 5-11)
5	0502-603	1	S	Housing, Caliper - Assembly - Right Front (inc. 6-8)
5	0502-611	1	S	Housing, Caliper - Assembly - Left Front (inc. 6-8)
6	0502-606	2		Piston/Seal Set (inc. 7)
7	0502-607	2		Seal Set
8	0502-609	2	/P	Valve, Bleed
9	0502-608	2		O-Ring, Guide - Set
10	0502-605	2		Bracket Assembly
11	0502-875	2	S	Pad, Brake - Set
12	0423-178	4		Washer, Crush
13	0423-413	2		Bolt, Banjo-Fitting
14	0623-038	1		Nut, Lock

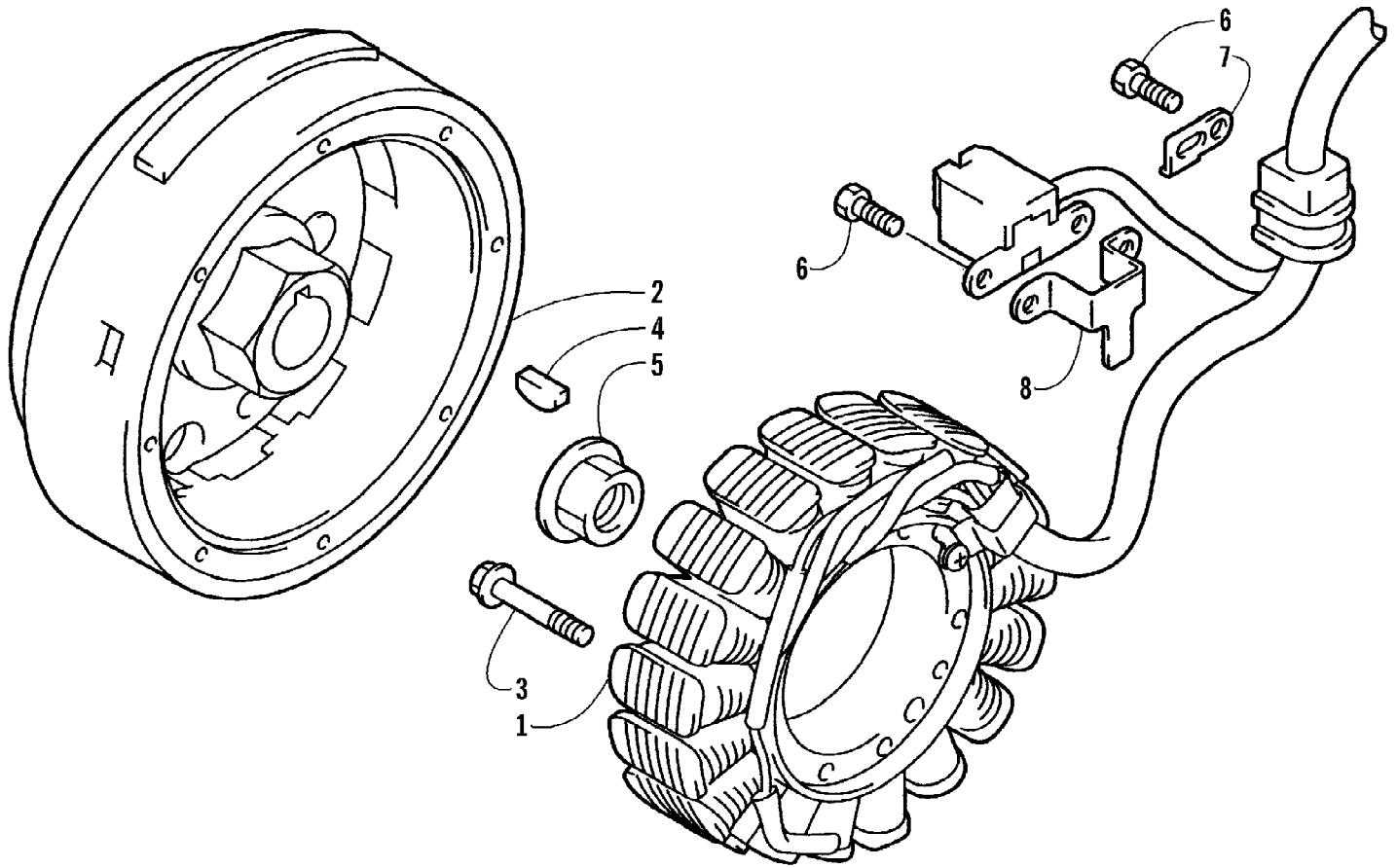
2008 ATV 500 AUTOMATIC TRANSMISSION 4X4 TRV CAT GREEN (A2008TRV400) of 93
HYDRAULIC HAND BRAKE ASSEMBLY



2008 ATV 500 AUTOMATIC TRANSMISSION 4X4 TRV CAT GREEN (A2008TRV45Z) of 93
HYDRAULIC HAND BRAKE ASSEMBLY

Ref #	Part Number	Qty	S/P/F	Description
1	0502-914	1	S	Brake Assembly (inc. 2-10)
2	0502-566	1		Screw, Reservoir Cover
3	0502-868	1	/P	Cover, Reservoir
4	0502-568	1		Screw, Master Cylinder Clamp
5	0502-869	1		Clamp, Master Cylinder
6	0502-704	1		Master Cylinder Assembly
7	0502-866	1		Lever Assembly (inc. 8-9)
8	0502-867	1	/P	Lock, Brake Lever - Kit
9	0502-580	1		Lever Pin - Kit
10	0502-564	1	/P	Switch, Brake - Kit
11	0423-178	2		Washer, Crush
12	0423-413	1		Bolt, Banjo-Fitting

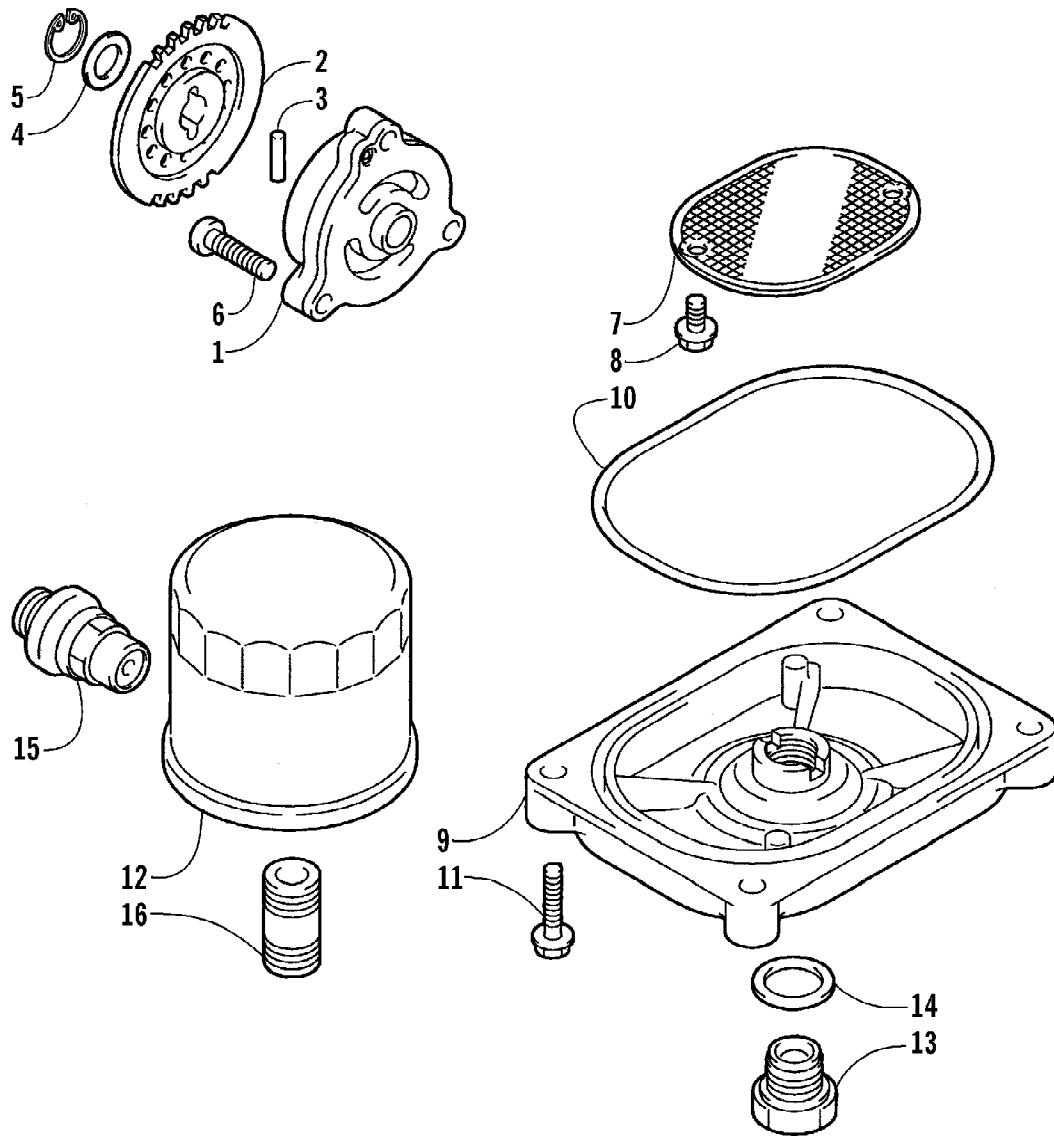
2008 ATV 500 AUTOMATIC TRANSMISSION 4X4 TRV CAT GREEN (A2008TRV4056Z) of 93
MAGNETO ASSEMBLY



2008 ATV 500 AUTOMATIC TRANSMISSION 4X4 TRV CAT GREEN (A2008TEMA4B5Z) of 93
 MAGNETO ASSEMBLY

Ref #	Part Number	Qty	S/P/F	Description
1	3430-058	1		Stator Assembly
2	3430-046	1		Rotor/Flywheel
3	3423-162	3	S	Bolt
4	0691-785	1		Key
5	3423-086	1		Nut
6	3423-005	3	/P	Bolt
7	3430-005	1		Clamp (No. 1)
8	3430-006	1		Clamp (No. 2)

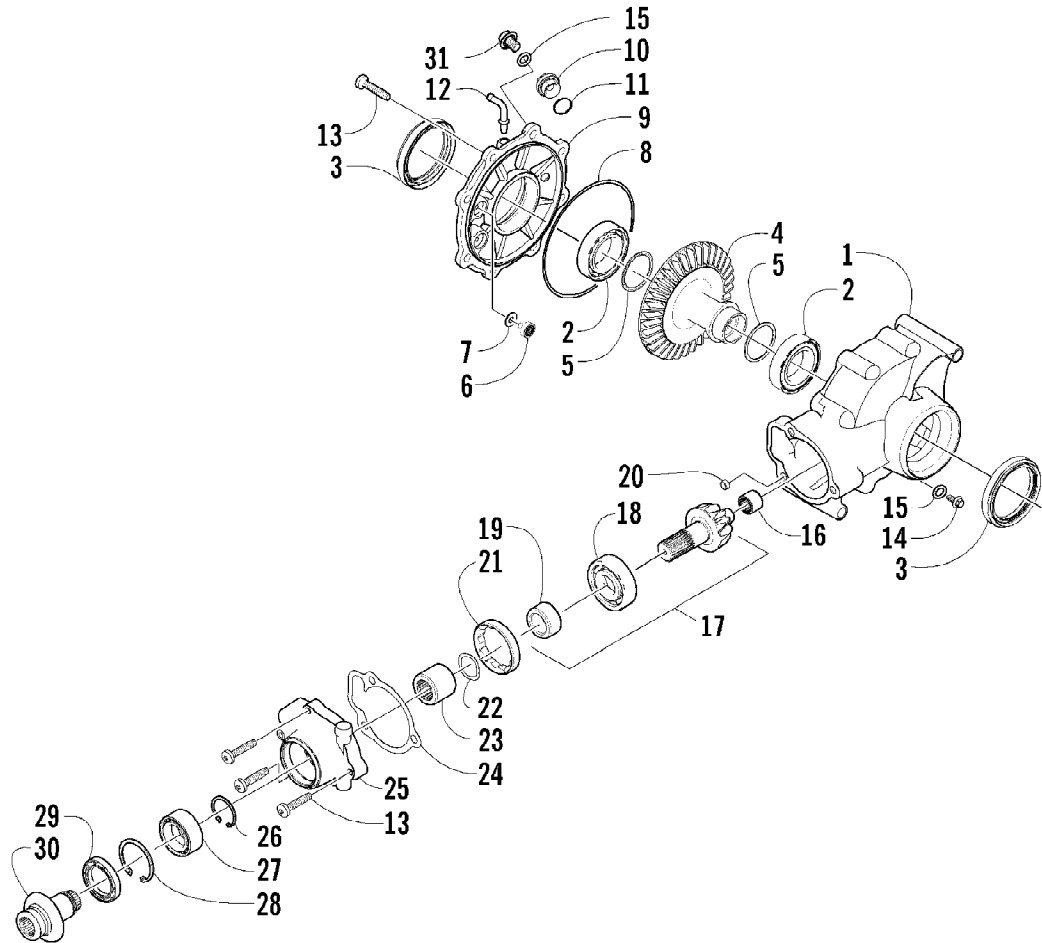
2008 ATV 500 AUTOMATIC TRANSMISSION 4X4 TRV CAT GREEN (A2008TRV4058Z) of 93
OIL FILTER/PUMP ASSEMBLY



2008 ATV 500 AUTOMATIC TRANSMISSION 4X4 TRV CAT GREEN (A2008TRV405Z) of 93
OIL FILTER/PUMP ASSEMBLY

Ref #	Part Number	Qty	S/P/F	Description
1	3402-727	1	/P	Pump, Oil
2	3402-463	1		Gear, Driven
3	3423-046	1		Pin
4	3423-443	1		Washer
5	3423-184	1	S	Circlip
6	3423-510	3		Screw, Cap
7	3402-156	1		Strainer, Oil
8	0693-389	2	S	Screw, Cap
9	3402-157	1		Cap, Oil Strainer
10	3423-077	1		O-Ring
11	3004-756	4	S	Screw, Cap
12	0812-029	1	S	Filter, Oil
13	3402-728	1	S	Plug, Drain
14	3402-012	1		Gasket, Drain Plug
15	3402-154	1		Valve, Oil-Relief - Assembly
16	3403-219	1	/P	Union, Oil Filter

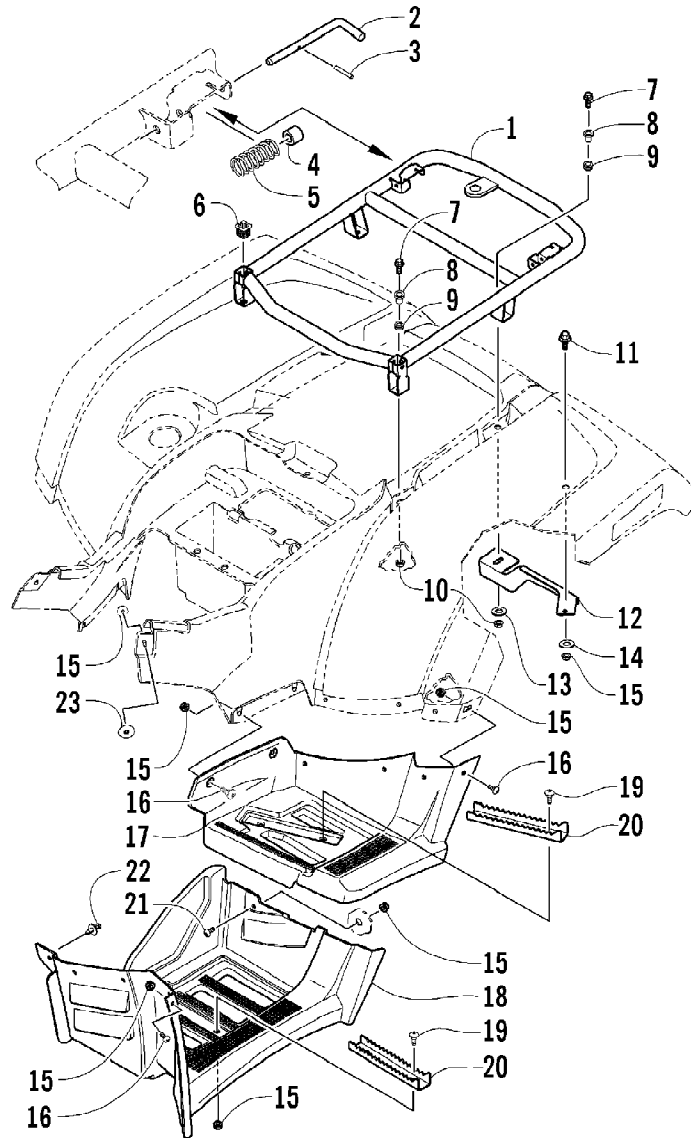
2008 ATV 500 AUTOMATIC TRANSMISSION 4X4 TRV CAT GREEN (A2008TRV400Z) of 93
REAR DRIVE GEARCASE ASSEMBLY



2008 ATV 500 AUTOMATIC TRANSMISSION 4X4 TRV CAT GREEN (A2008TRV40SZ) of 93
REAR DRIVE GEARCASE ASSEMBLY

Ref #	Part Number	Qty	S/P/F	Description
	1502-079	1	S	Complete Rear Gearcase Assembly
1	0502-622	1		Housing, Gearcase
2	0402-393	2		Bearing
3	1402-441	2	S	Seal
4	1402-032	1		Gear, Ring - 36T
5	0402-405	AR		Shim
5	0402-406	AR		Shim
5	0402-407	AR		Shim
5	0402-408	AR		Shim
5	0402-409	AR		Shim
6	0402-326	1		Button, Thrust
7	0402-429	AR		Shim
7	0402-430	AR		Shim
7	0402-431	AR		Shim
7	0402-432	AR		Shim
7	0402-433	AR		Shim
8	0423-149	1		O-Ring
9	1502-082	1		Cover, Gearcase
10	0402-333	1	/P	Plug, Fill (inc. 11)
11	0423-154	1		O-Ring
12	1402-102	1		Fitting
13	0423-118	11		Screw, Self-Tapping
14	0402-450	1	S	Plug, Magnetic (inc. one No. 15)
15	0423-153	2		O-Ring
16	0402-328	1		Bearing
17	0502-783	1		Gear, Pinion - Assembly - 10T (inc. 18-19)
18	0402-327	1		Bearing
19	0402-336	1		Collar, Retaining
20	0402-411	1		Pin, Dowel
21	0402-331	1		Collar, Lock
22	0402-982	1		Washer, Spring
23	0402-981	1		Collar, Shaft
24	0402-947	1		Gasket, Flange
25	0502-529	1		Housing, Pinion
26	0423-417	1		Ring, Retaining
27	1402-043	1		Bearing
28	0423-423	1		Ring, Retaining
29	1402-011	1		Seal
30	1502-085	1	/P	Shaft, Input
31	1402-211	1		Plug, Oil Level (inc. one No. 15)

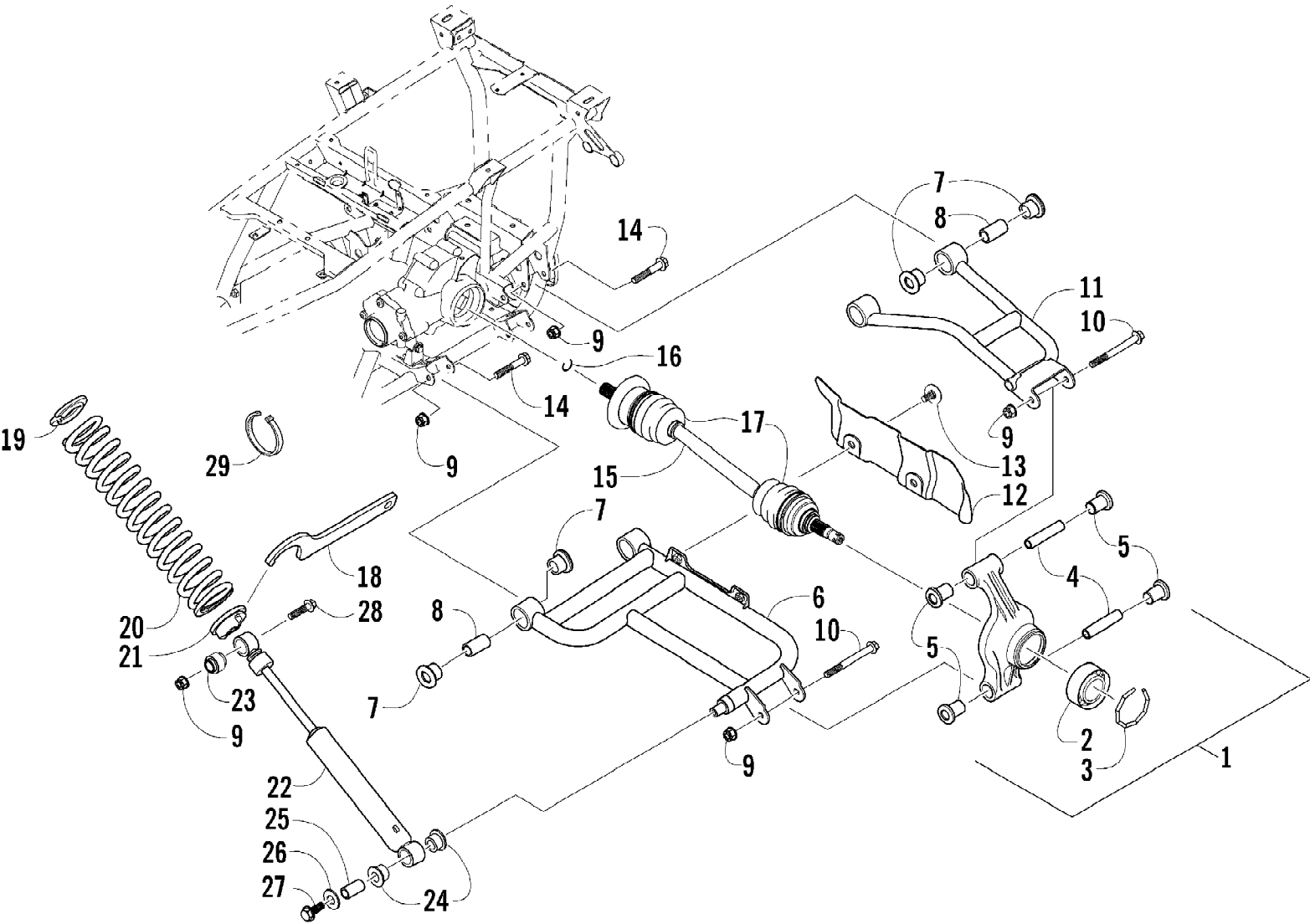
2008 ATV 500 AUTOMATIC TRANSMISSION 4X4 TRV CAT GREEN (A2008TRV4002) of 93
REAR RACK AND FOOTWELL ASSEMBLIES



2008 ATV 500 AUTOMATIC TRANSMISSION 4X4 TRV CAT GREEN (A2008TRV403Z) of 93
REAR RACK AND FOOTWELL ASSEMBLIES

Ref #	Part Number	Qty	S/P/F	Description
1	2506-221	1	/P	Rack, Rear - Assembly (inc. 2-6)
2	0541-504	2		Pin - Assembly (inc. 3-5)
3	0423-635	2		Pin, Roll
4	0423-677	2		Collar
5	0423-636	2		Spring
6	0441-592	4	/P	Bushing, Rack
7	8410-835	4		Screw, Cap
8	0423-669	4		Spacer
9	0423-465	4		Grommet
10	8432-802	4		Nut, Lock
11	0423-654	2		Screw, Shoulder
12	2506-092	1		Bracket, Rear Fender - Right
12	2506-093	1		Bracket, Rear Fender - Left
13	0423-087	2		Washer
14	8050-222	2	/P	Washer
15	0423-540	36		Nut, Lock
16	0423-419	22		Screw, Machine
17	2406-042	1		Footwell, Rear - Right
17	2406-043	1		Footwell, Rear - Left
18	1506-813	1		Footwell - Right
18	2406-471	1	/P	Footwell - Left
19	0423-355	8		Screw, Shoulder
20	1506-125	4	/P	Footpeg
21	8477-620	2		Screw, Machine
22	0623-362	2		Rivet, Reinstallable
23	0423-101	2		Screw, Body

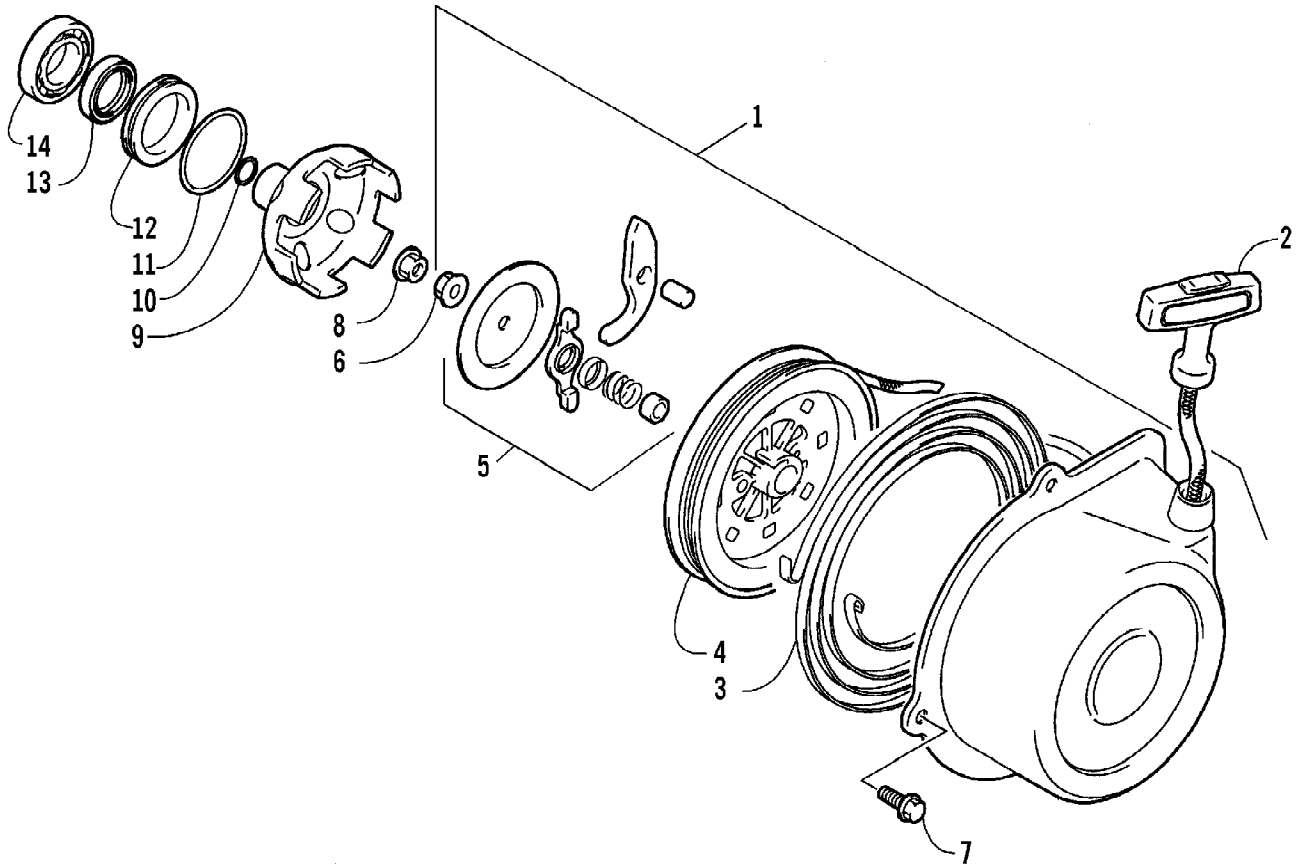
2008 ATV 500 AUTOMATIC TRANSMISSION 4X4 TRV CAT GREEN (A2008TRV403Z) of 93
REAR SUSPENSION ASSEMBLY



2008 ATV 500 AUTOMATIC TRANSMISSION 4X4 TRV CAT GREEN (A2008TRV405Z) of 93
REAR SUSPENSION ASSEMBLY

Ref #	Part Number	Qty	S/P/F	Description
1	0504-372	1	S	Knuckle, Right Rear - Assembly (inc. 2-5)
1	0504-373	1	S/P	Knuckle, Left Rear - Assembly (inc. 2-5)
2	1402-027	2	S/P	Bearing, Wheel Hub
3	0423-423	2		Ring, Retaining
4	0403-038	4	S/P	Collar, Suspension Bushing
5	0403-032	8	S	Bushing, Suspension
6	0504-440	1	S	A-Arm, Rear - Lower Right (inc. 7-8)
6	0504-441	1	S	A-Arm, Rear - Lower Left (inc. 7-8)
7	0403-115	16	S	Bushing
8	0403-114	8	S	Collar
9	0423-744	14		Nut, Lock
10	8409-000	4		Screw, Cap
11	0504-476	1		A-Arm, Rear - Upper Right (inc. 7-8)
11	0504-477	1		A-Arm, Rear - Upper Left (inc. 7-8)
12	0441-758	1		Guard, Boot - Right
12	0441-759	1		Guard, Boot - Left
13	0423-545	4	/P	Screw, Body
14	8409-075	8		Screw, Cap
15	0502-811	2	S	Axle, Drive - Rear (inc. 16-17)
16	0441-893	2	S	Clip, Retaining
17	0436-276	2	S	Repair Kit, Boot
18	0441-587	1		Wrench, Spanner
19	1603-889	2	/P	Retainer, Spring
20	0403-174	2		Spring, Suspension
21	0404-057	2		Cam, Spring Adjuster
22	0404-147	2		Shock Absorber - Rear (inc. 23-25)
23	0403-182	2		Bushing, Double-Bonded
24	0603-955	4		Bushing, Shock Absorber
25	1603-219	2	S	Sleeve, Shock Absorber
26	0423-087	2		Washer
27	8408-820	2	/P	Screw, Cap
28	8409-050	2		Screw, Cap
29	0123-788	2	/P	Tie, Cable - 8 in.

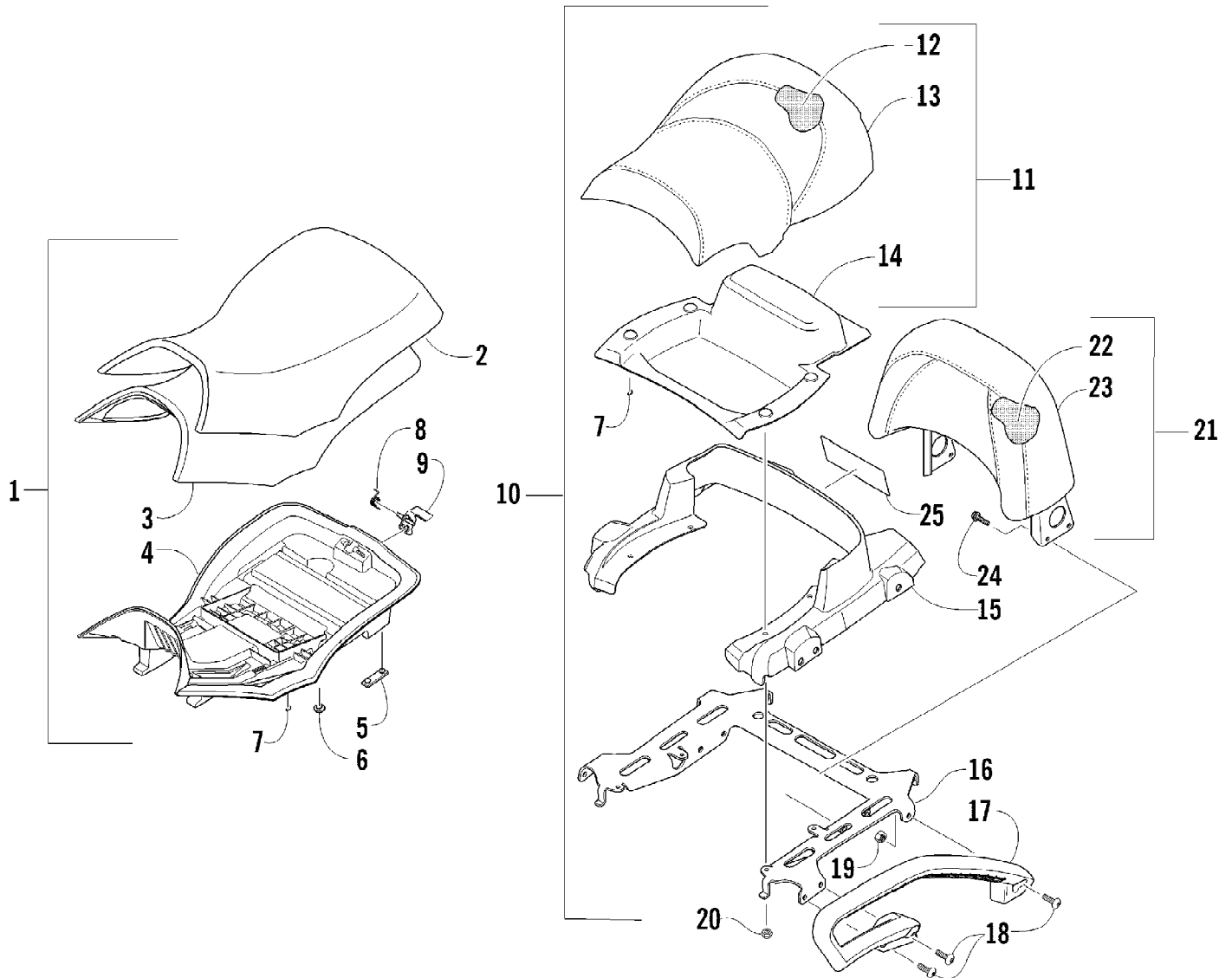
2008 ATV 500 AUTOMATIC TRANSMISSION 4X4 TRV CAT GREEN (A2008TRV406Z) of 93
RECOIL STARTER ASSEMBLY



2008 ATV 500 AUTOMATIC TRANSMISSION 4X4 TRV CAT GREEN (A2008TRV405Z) of 93
RECOIL STARTER ASSEMBLY

Ref #	Part Number	Qty	S/P/F	Description
1	3445-003	1		Starter, Recoil - Assembly (inc. 2-6)
2	3445-011	1		Rope Assembly
3	3445-007	1		Spring, Spiral
4	3445-004	1		Reel
5	3445-016	1		Ratchet Assembly
6	3007-373	1	/P	Nut
7	3423-428	4		Screw, Cap
8	3007-391	1	/P	Nut
9	3445-029	1	/P	Cup, Starter
10	3423-053	1	/P	O-Ring
11	3423-063	1		O-Ring
12	3423-542	1	/P	Spacer
13	3402-070	1		Seal, Oil
14	3402-051	1		Bearing

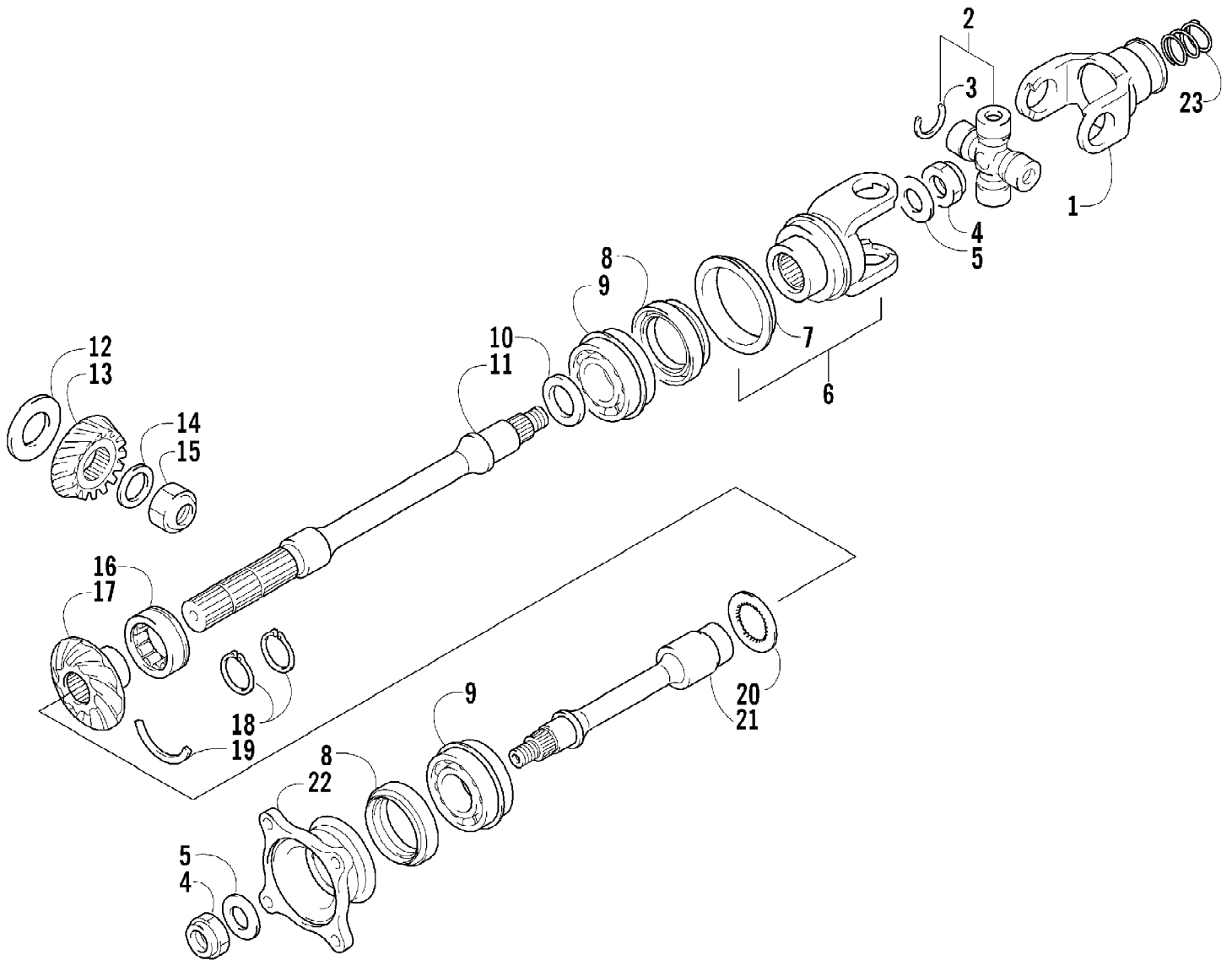
2008 ATV 500 AUTOMATIC TRANSMISSION 4X4 TRV CAT GREEN (A2008TRV400Z) of 93
SEAT AND BACKREST ASSEMBLY



2008 ATV 500 AUTOMATIC TRANSMISSION 4X4 TRV CAT GREEN (A2008TRV409Z) of 93
SEAT AND BACKREST ASSEMBLY

Ref #	Part Number	Qty	S/P/F	Description
1	1506-937	1	S/P	Seat Assembly (inc. 2-9)
2	1506-209	1		Cover, Seat
3	1506-208	1		Foam, Seat
4	2406-144	1	S/P	Base, Seat - Assembly (inc. 5-6)
5	0406-879	2		Bumper, Seat - Rear
6	0406-877	4	/P	Bumper, Seat - Front
7	0624-100	AR		Staple
8	1406-592	1	/P	Spring, Seat Latch
9	1506-156	1		Latch, Seat
10	1506-938	1		Seat, Passenger - Assembly (inc. 7, 11-20, and 25)
11	2506-064	1		Seat, Passenger - Sub-Assembly (inc. 7 and 12-14)
12	1506-816	1		Foam, Seat - Passenger
13	1506-815	1		Cover, Seat - Passenger
14	2406-110	1		Base, Seat - Inner
15	2406-044	1		Base, Seat - Passenger
16	1506-932	1		Bracket, Seat Support - Assembly
17	2406-112	1		Handhold, Passenger - Right
17	2406-113	1		Handhold, Passenger - Left
18	0423-362	6		Screw, Machine
19	8432-802	6		Nut, Lock
20	8427-602	4		Nut, Lock
21	1506-939	1		Backrest Assembly (inc. 22-23)
22	1506-818	1		Foam, Backrest
23	1506-817	1		Cover, Backrest
24	8408-816	4		Screw, Cap
25	0411-814	1	/P	Decal, "Arctic Cat"

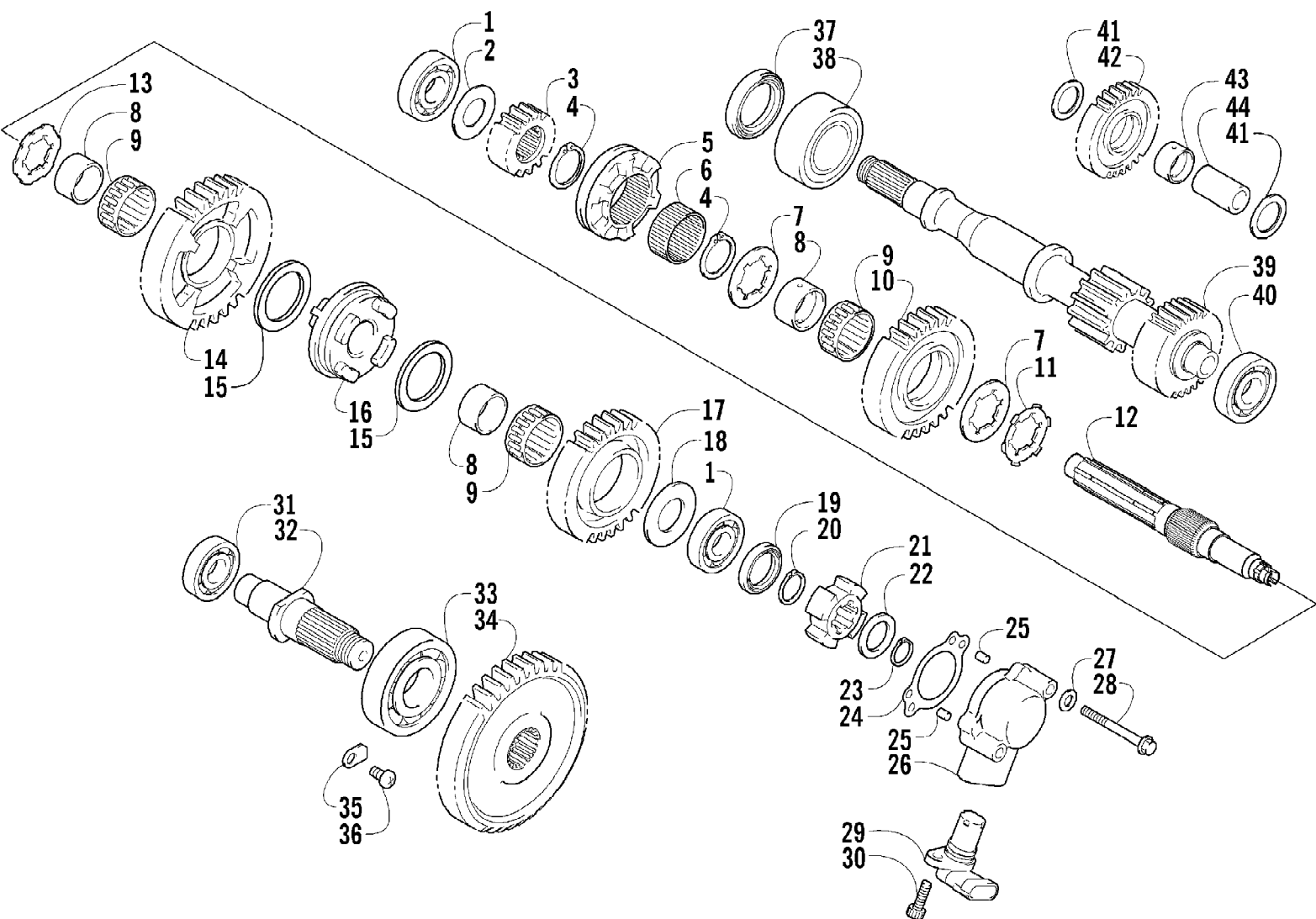
2008 ATV 500 AUTOMATIC TRANSMISSION 4X4 TRV CAT GREEN (A2008TRV4X4) of 93
SECONDARY DRIVE ASSEMBLY



2008 ATV 500 AUTOMATIC TRANSMISSION 4X4 TRV CAT GREEN (A2008TEMA4B7S) of 93
SECONDARY DRIVE ASSEMBLY

Ref #	Part Number	Qty	S/P/F	Description
1	3446-327	1	/P	Yoke, Propeller Shaft Joint
2	3402-562	1		Joint, Universal - Set (inc. 3)
3	3423-479	4		Circlip
4	3423-025	2		Nut, Rear Output Joint
5	3423-028	2		Washer, Rear Output Flange
6	3402-742	1		Yoke, Drive Output - Front (inc. 7)
7	3402-743	1		Plate, Output Yoke
8	3402-072	2		Seal, Oil - Driven Shaft
9	3403-210	2	/P	Bearing, Driven Shaft
10	3402-017	AR		Shim, 25 x 34 x 0.60 mm
10	3402-018	AR		Shim, 25 x 34 x 0.65 mm
10	3402-019	AR		Shim, 25 x 34 x 0.70 mm
10	3402-020	AR		Shim, 25 x 34 x 0.75 mm
10	3402-021	AR	S	Shim, 25 x 34 x 0.80 mm
10	3402-022	AR		Shim, 25 x 34 x 0.85 mm
10	3402-023	AR		Shim, 25 x 34 x 0.90 mm
10	3402-024	AR		Shim, 25 x 34 x 0.95 mm
10	3402-025	AR	S	Shim, 25 x 34 x 1.00 mm
10	3402-028	AR		Shim, 25 x 34 x 1.05 mm
10	3402-029	AR		Shim, 25 x 34 x 1.10 mm
10	3402-030	AR		Shim, 25 x 34 x 1.15 mm
10	3402-031	AR		Shim, 25 x 34 x 1.20 mm
11	3402-740	1		Shaft, Secondary Driven - Front
12	3423-549	1		Shim, Secondary Drive Gear - Set
13	3402-738	1		Gear, Secondary Drive
14	3005-372	1		Washer
15	3423-023	1		Nut
16	3402-515	1	/P	Bearing, Driven Gear
17	3402-739	1		Gear, Secondary Driven
18	3423-340	2	S	Circlip, Secondary Driven Gear
19	3423-072	1		Ring, Driven Bearing
20	3423-415	1		Washer, Driven Shaft
21	3402-513	1		Shaft, Secondary Driven - Rear
22	3402-514	1	/P	Flange, Output Joint - Rear
23	1402-026	1		Spring

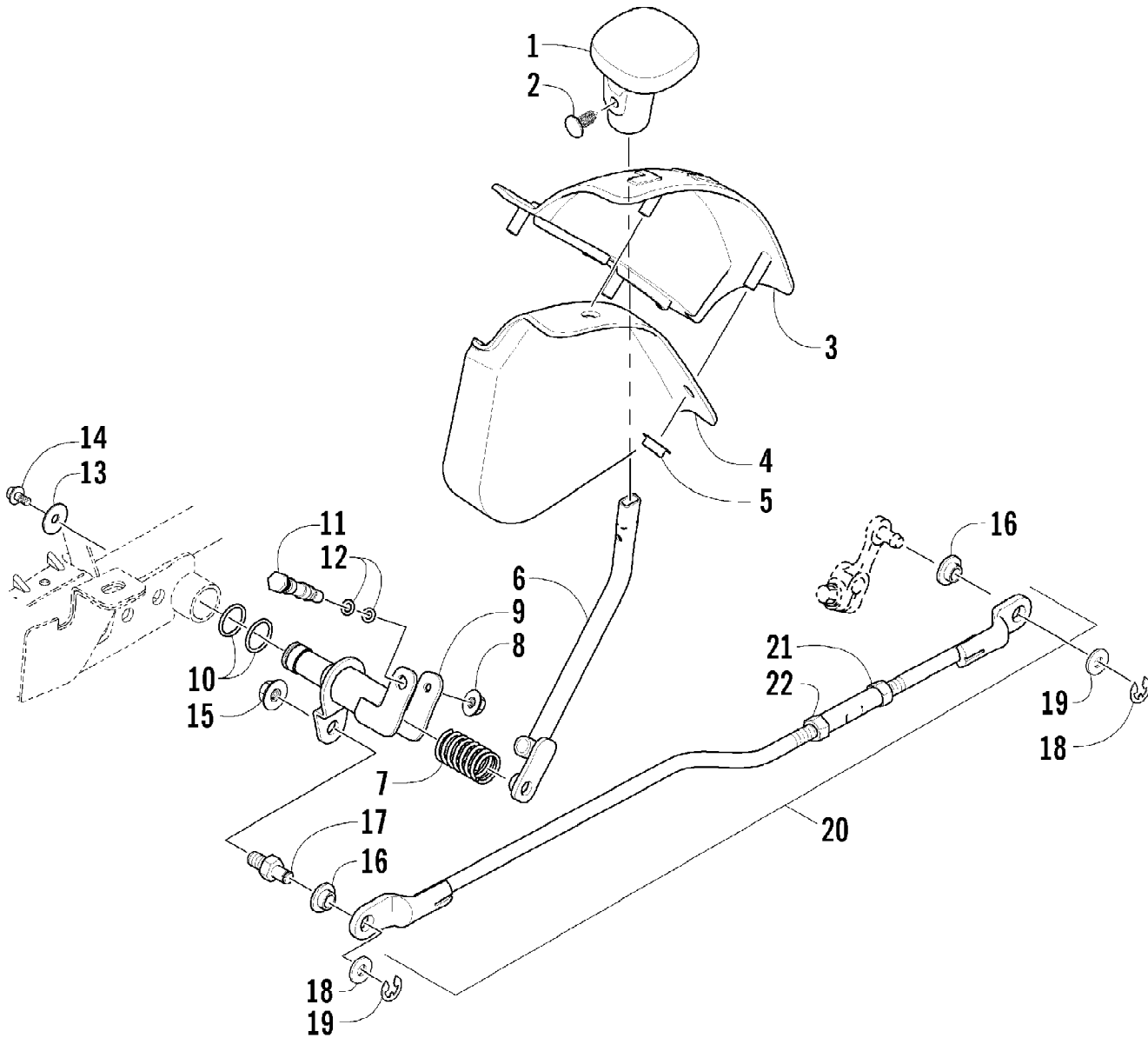
2008 ATV 500 AUTOMATIC TRANSMISSION 4X4 TRV CAT GREEN (A2008TBM40172) of 93
SECONDARY TRANSMISSION ASSEMBLY



2008 ATV 500 AUTOMATIC TRANSMISSION 4X4 TRV CAT GREEN (A2008TRV400) Page 13 of 93
SECONDARY TRANSMISSION ASSEMBLY

Ref #	Part Number	Qty	S/P/F	Description
1	3402-045	2	/P	Bearing, Shaft
2	3402-381	1	/P	Washer, Drive Gear - Right
3	3402-497	1		Gear, Drive
4	3423-066	2	/P	Circlip
5	3402-737	1		Dog, Reverse Driven Gear
6	3402-825	1		Spacer, Reverse Driven Gear
7	3423-263	2		Washer
8	3402-494	3		Bushing
9	3402-498	3		Bearing
10	3402-822	1		Gear, Reverse Driven
11	3423-266	1		Washer, Lock
12	3402-820	1		Countershaft
13	3423-262	1		Washer, Lock
14	3402-668	1	/P	Gear, Driven - Low
15	3423-554	2		Washer, Driven Gear
16	3402-824	1		Dog, Sliding
17	3402-733	1		Gear, Driven - High
18	3423-412	1		Washer, Drive Gear - Left
19	3402-791	1		Seal, Countershaft - Left
20	3423-518	1		Circlip
21	3402-837	1		Rotor
22	3423-556	1		Washer
23	3423-557	1		Circlip
24	3446-289	1		Gasket
25	3006-547	2	/P	Pin
26	3446-355	1		Housing, Speedometer Sensor
27	3003-290	2	/P	Gasket
28	3423-091	2	S	Bolt
29	3402-838	1		Sensor, Speedometer
30	3423-226	1		Bolt
31	3402-735	1		Bearing, Shaft
32	3402-491	1		Shaft, Output
33	3402-502	1		Bearing, Output Shaft
34	3402-534	1	/P	Gear, Driven
35	3446-031	2	/P	Retainer, Bearing
36	3423-370	2		Screw, Bearing Retainer
37	3402-537	1	/P	Seal, Driveshaft - Left
38	3402-499	1		Bearing, Driveshaft - Right
39	3402-731	1		Driveshaft
40	3003-261	1	/P	Bearing, Driveshaft - Left
41	3402-195	2		Washer, Reverse Idle Gear
42	3402-503	1		Gear, Reverse Idle
43	3446-103	1		Bushing, Reverse Idle Gear
44	3402-507	1		Shaft, Reverse Idle

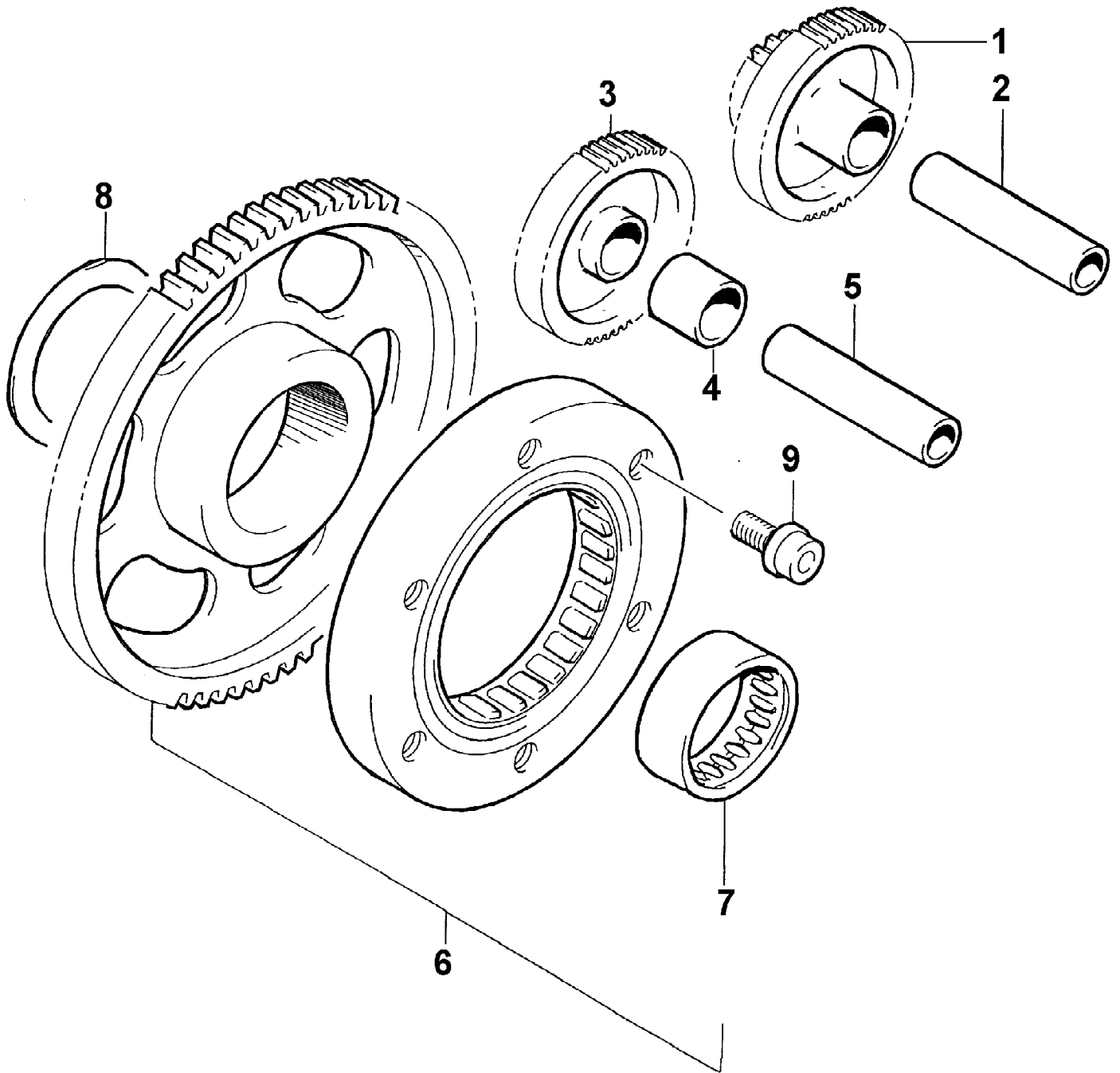
2008 ATV 500 AUTOMATIC TRANSMISSION 4X4 TRV CAT GREEN (A2008TRV4073Z) of 93
SHIFT LEVER ASSEMBLY



2008 ATV 500 AUTOMATIC TRANSMISSION 4X4 TRV CAT GREEN (A2008TRV400) Page 15 of 93
SHIFT LEVER ASSEMBLY

Ref #	Part Number	Qty	S/P/F	Description
1	0402-843	1	/P	Knob, Shift Lever
2	0423-345	1		Clip, Push
3	1402-576	1		Plate, Shift
4	2406-345	1		Shield, Shift Plate
5	0423-357	4		Nut, Stamped
6	0502-659	1		Lever, Shift
7	0402-678	1	/P	Spring, Shift Lever
8	8424-602	1	/P	Nut
9	0502-742	1		Axle, Shift Lever
10	0423-299	2	/P	O-Ring
11	0402-675	1		Axle, Pivot
12	0423-182	2	/P	O-Ring
13	0423-087	1		Washer
14	8408-812	1		Screw, Cap
15	8424-802	1		Nut, Hex
16	0423-091	2		Bushing, Shift Linkage
17	1402-621	1		Pin, Mounting - Shift Linkage
18	0623-094	2		Washer
19	0423-169	2	/P	E-Ring
20	1502-203	1		Linkage, Shift - Assembly (inc. 21-22)
21	0623-294	1		Nut, Hex - Right-Hand Thread
22	0123-917	1	/P	Nut, Hex - Left-Hand Thread

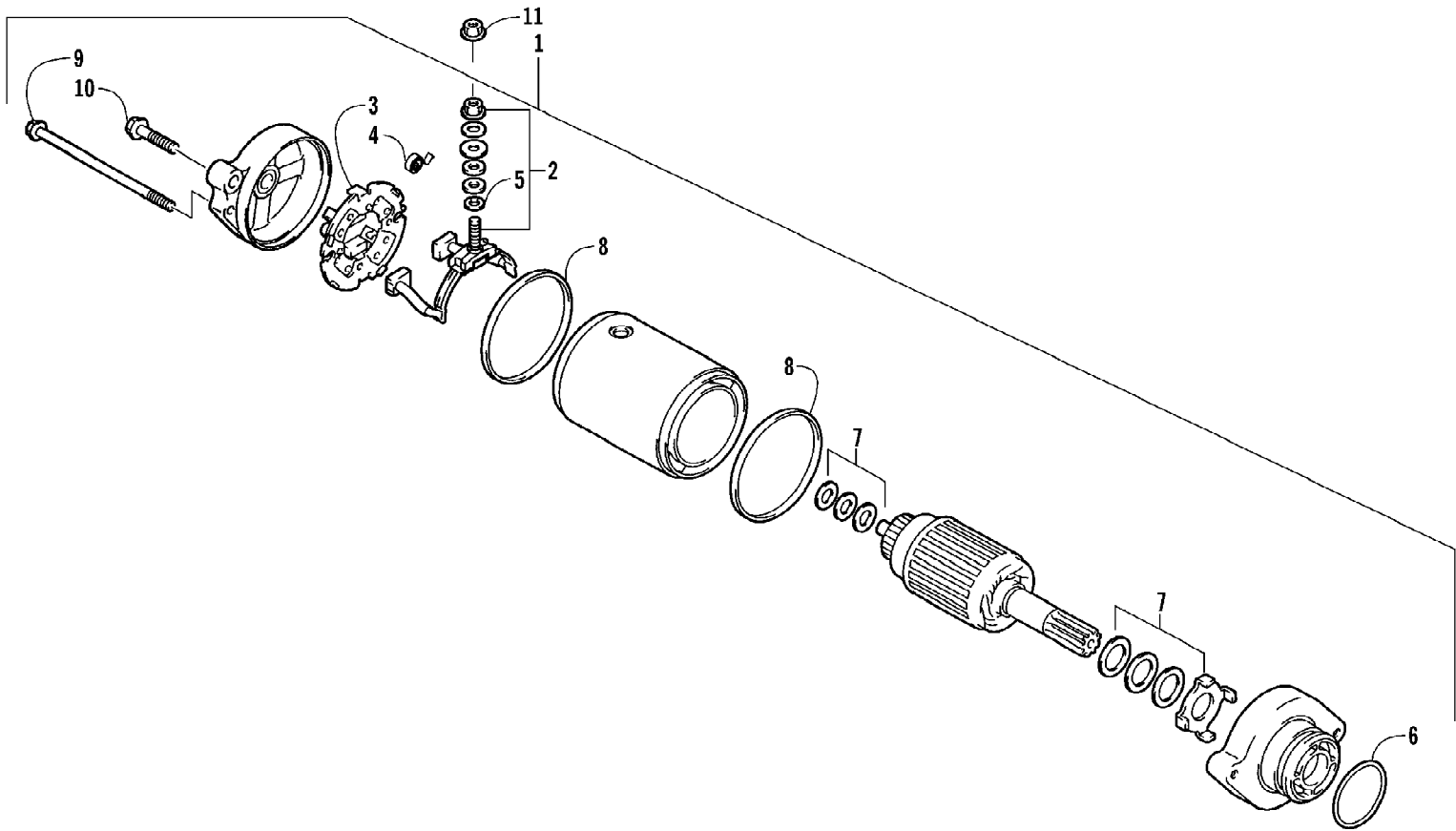
2008 ATV 500 AUTOMATIC TRANSMISSION 4X4 TRV CAT GREEN (A2008TBM4B76Z) of 93
STARTER CLUTCH ASSEMBLY



2008 ATV 500 AUTOMATIC TRANSMISSION 4X4 TRV CAT GREEN (A2008TRV4073) of 93
 STARTER CLUTCH ASSEMBLY

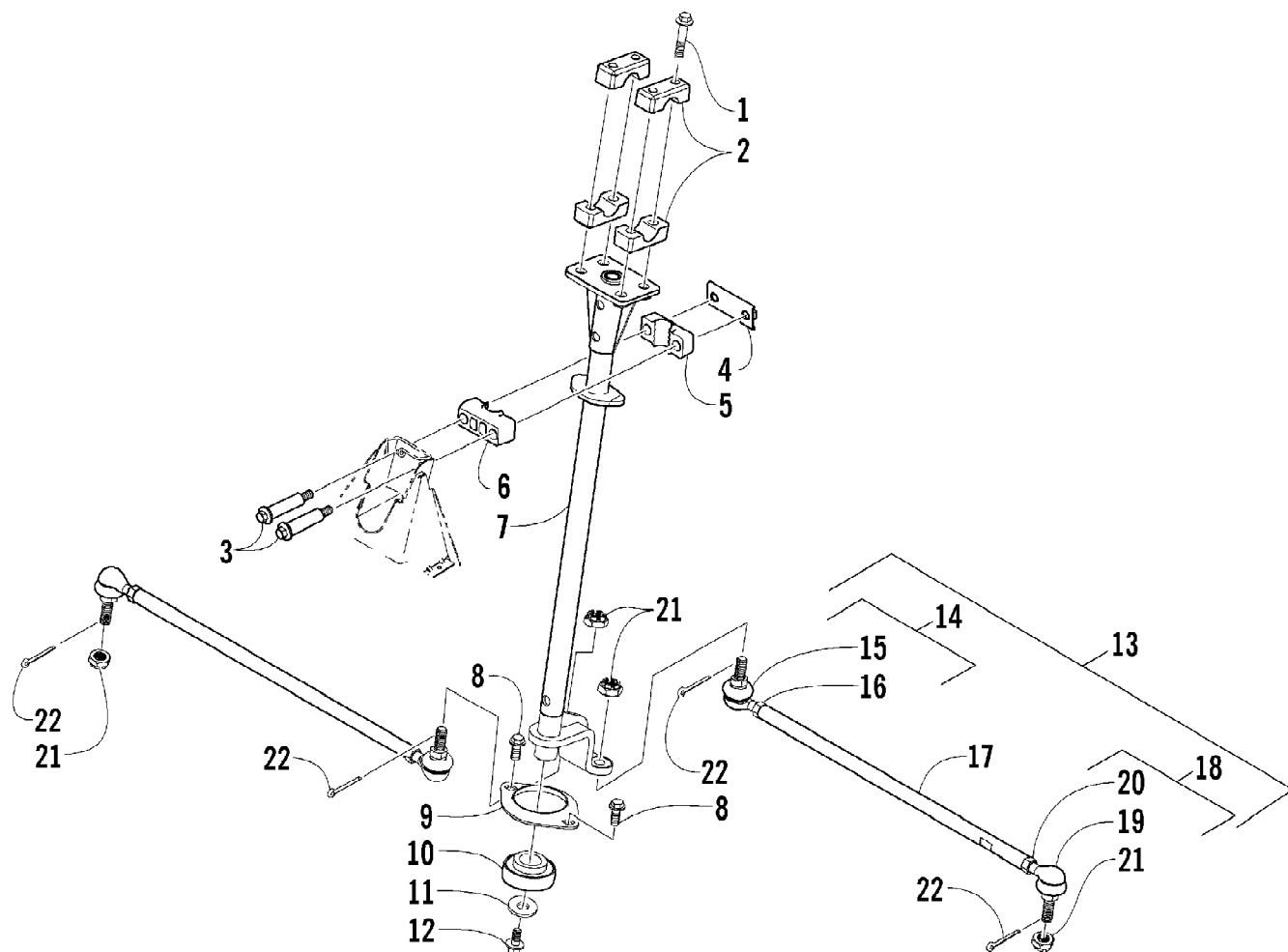
Ref #	Part Number	Qty	S/P/F	Description
1	3402-813	1	/P	Gear, Starter Idler - No. 1
2	3423-331	1		Pin
3	3402-349	1		Gear, Starter Idler - No. 2
4	3423-396	1		Spacer, Starter Idler Gear No. 2
5	3423-397	1		Pin
6	3402-457	1		Clutch, Starter - Set (inc. 7)
7	3402-063	1		Bearing
8	3423-104	1		Washer
9	3402-509	6		Screw, Cap

2008 ATV 500 AUTOMATIC TRANSMISSION 4X4 TRV CAT GREEN (A2008TBM4B78Z) of 93
STARTER MOTOR ASSEMBLY



2008 ATV 500 AUTOMATIC TRANSMISSION 4X4 TRV CAT GREEN (A2008TEMA1B19Z) of 93
STARTER MOTOR ASSEMBLY

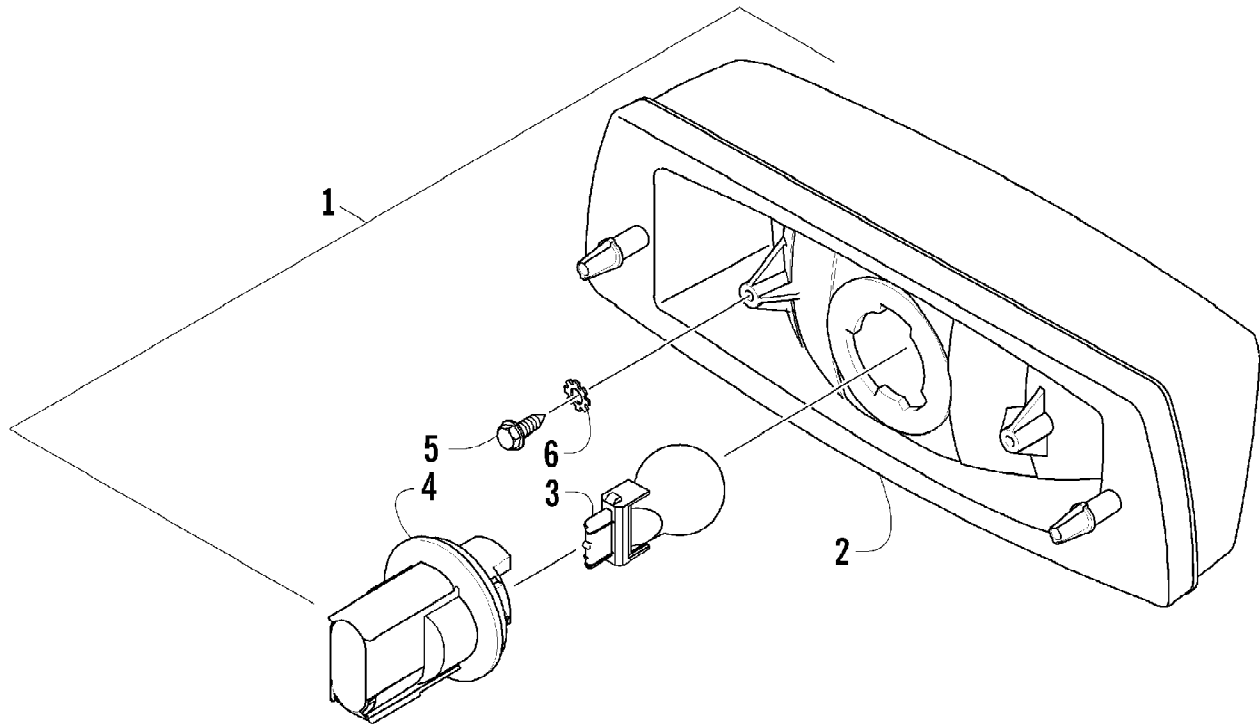
Ref #	Part Number	Qty	S/P/F	Description
1	3545-015	1	S	Motor, Starter Assembly (inc. 2-9)
2	3008-094	1	/P	Terminal Set, Brush
3	3008-095	1	/P	Holder Set, Brush
4	3008-096	4		Spring, Brush
5	3008-164	1		O-Ring
6	3423-084	1		O-Ring
7	3436-001	1		Washer Set
8	3008-553	2	/P	O-Ring
9	3423-085	2		Through-Bolt
10	3423-162	2	S	Screw, Cap
11	3423-195	1	/P	Nut



2008 ATV 500 AUTOMATIC TRANSMISSION 4X4 TRV CAT GREEN (A2008TRV400) of 93
STEERING ASSEMBLY

Page 18 of 93

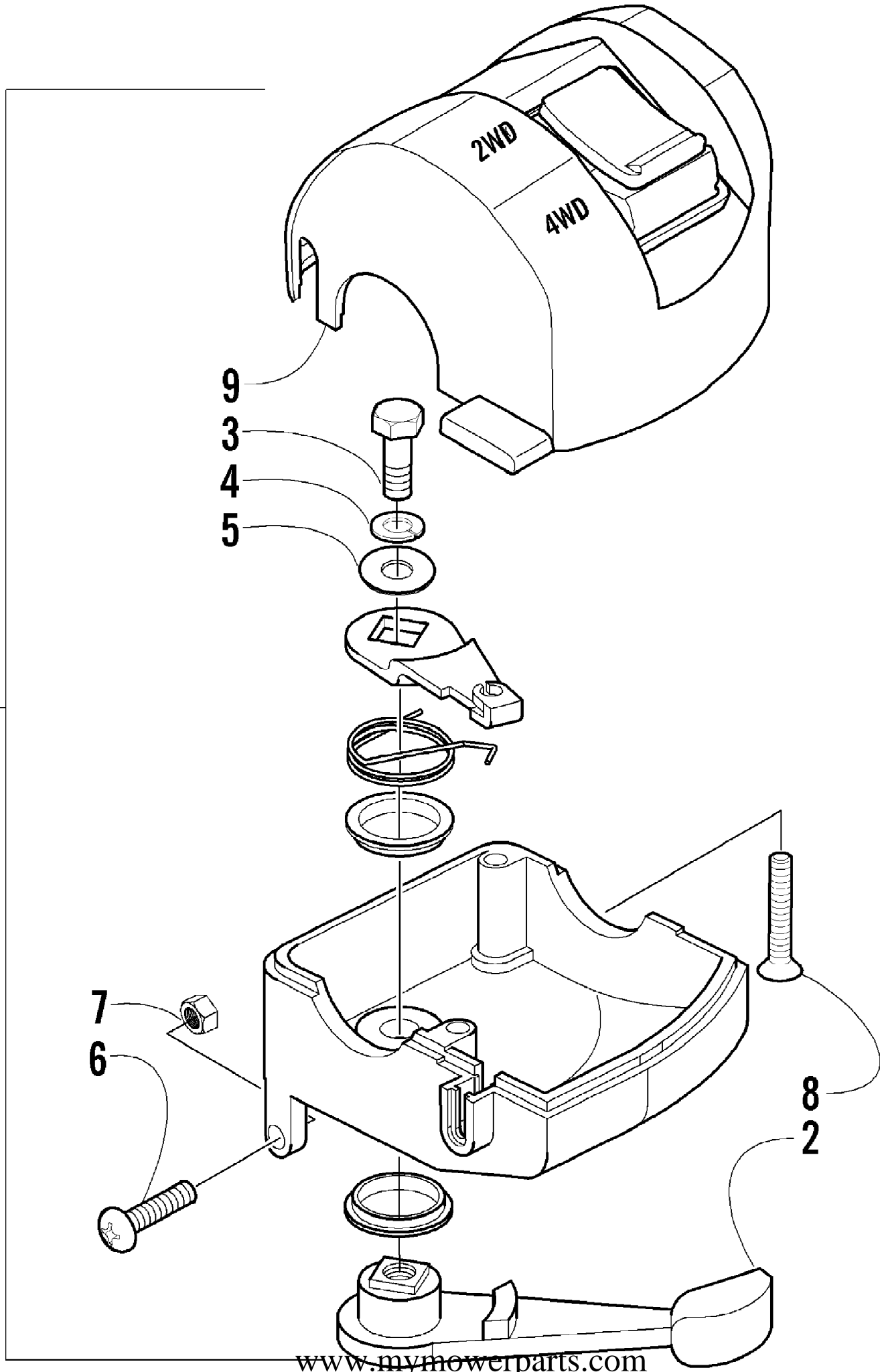
Ref #	Part Number	Qty	S/P/F	Description
1	8408-860	4		Screw, Cap
2	0405-035	4		Cap, Steering Adjuster
3	0423-505	2		Screw, Shoulder
4	0505-484	1		Cap, Housing
5	0405-138	1		Housing, Lower
6	0405-139	1		Housing, Upper
7	0505-451	1	S	Post, Steering
8	8408-816	2		Screw, Cap
9	0602-233	1		Flange, Bearing
10	0405-052	1		Bearing w/Inverted Oil Seal
11	0423-073	1		Washer
12	8409-020	1	/P	Screw, Cap
13	0505-499	2	/P	Tie Rod - Assembly (inc. 14-20)
14	0505-511	2	/P	End, Tie Rod - Left-Hand Thread - Kit (inc. 15-16 and two No. 21-22)
15	0	2	F	End, Tie Rod - Left Hand Thread
16	0423-013	2		Nut - Left-Hand Thread
17	0405-281	2	/P	Tie Rod
18	0505-510	2	/P	End, Tie Rod - Right-Hand Thread - Kit (inc. 19-20 and two No. 21-22)
19	0	2	F	End, Tie Rod - Right-Hand Thread
20	8420-002	2	/P	Nut - Right-Hand Thread
21	0423-157	4		Nut, Lock
22	0623-175	4		Pin, Cotter



2008 ATV 500 AUTOMATIC TRANSMISSION 4X4 TRV CAT GREEN (A2008TRV400SZ) of 93
TAILLIGHT ASSEMBLY

Ref #	Part Number	Qty	S/P/F	Description
1	0509-022	1		Taillight Assembly (inc. 2-4)
2	0509-025	1		Housing, Taillight
3	0409-056	1		Bulb, Taillight
4	0409-057	1		Socket, Taillight
5	0623-301	2	/P	Screw, Self-Tapping
6	8053-212	2	/P	Washer, Lock - External Tooth

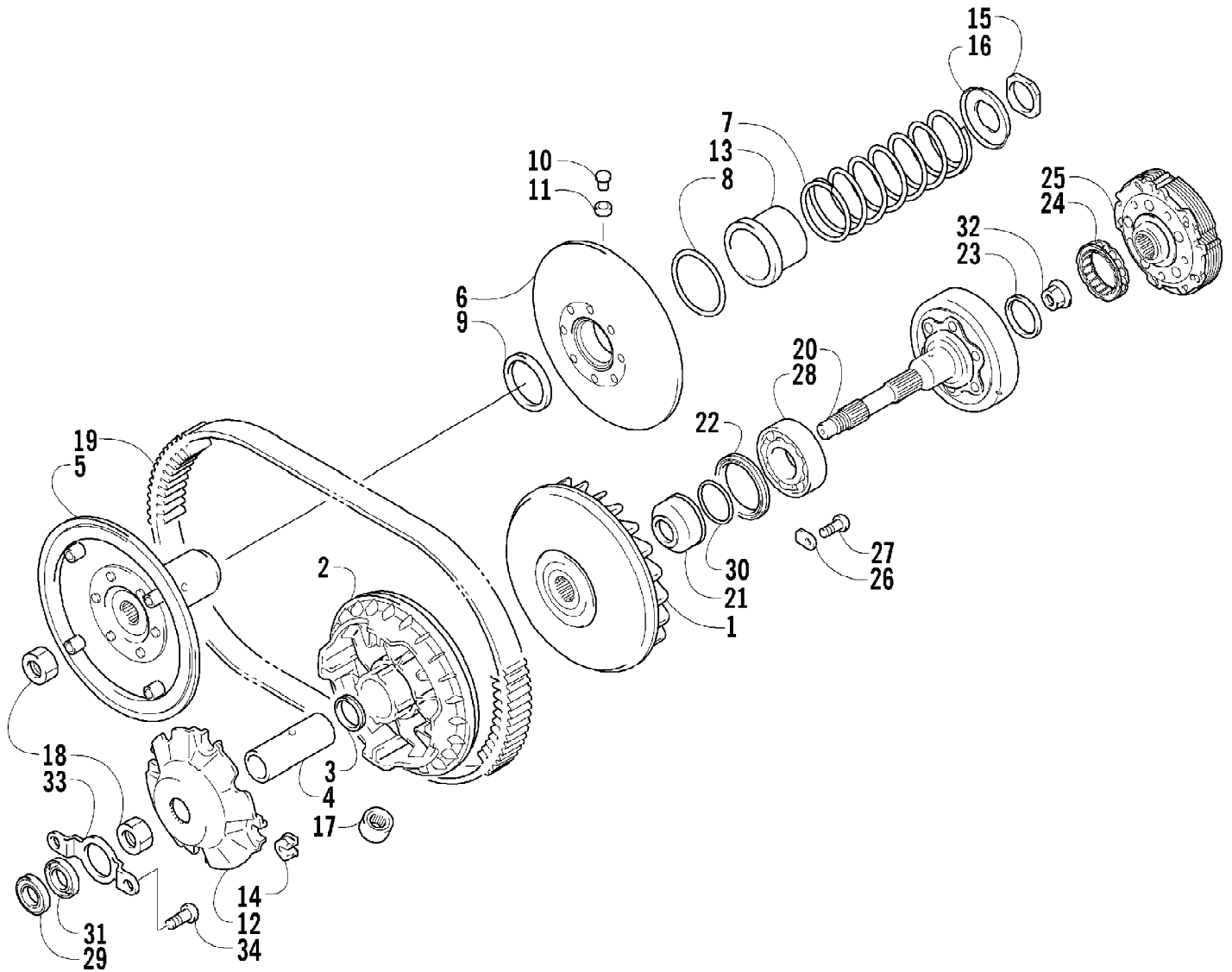
2008 ATV 500 AUTOMATIC TRANSMISSION 4X4 TRV CAT GREEN (A2008TRV4003Z) of 93
THROTTLE CASE ASSEMBLY



2008 ATV 500 AUTOMATIC TRANSMISSION 4X4 TRV CAT GREEN (A2008TRV405Z) of 93
 THROTTLE CASE ASSEMBLY

Ref #	Part Number	Qty	S/P/F	Description
1	0509-012	1		Case, Throttle - Assembly (inc. 2-9)
2	3409-001	1		Lever
3	3004-533	1	S/P	Screw, Cap
4	3004-447	1	/P	Washer, Lock
5	3003-030	1	/P	Washer
6	3423-014	1		Screw
7	3423-327	1		Nut
8	3423-199	2		Screw
9	0409-048	1		Cover, Throttle w/Switch

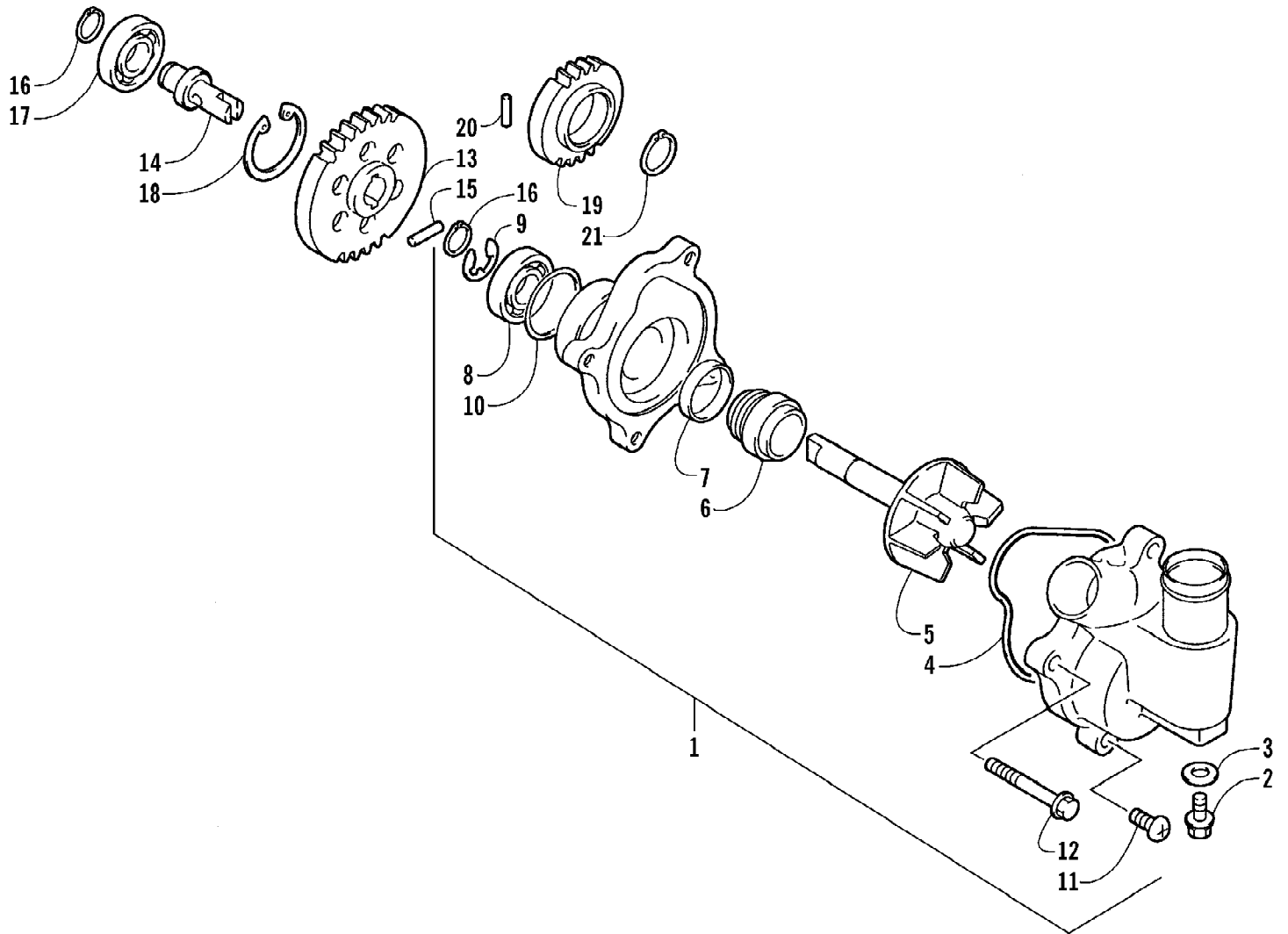
2008 ATV 500 AUTOMATIC TRANSMISSION 4X4 TRV CAT GREEN (A2008TRV4006Z) of 93
TRANSMISSION ASSEMBLY



2008 ATV 500 AUTOMATIC TRANSMISSION 4X4 TRV CAT GREEN (A2008TRV400) of 93
TRANSMISSION ASSEMBLY

Ref #	Part Number	Qty	S/P/F	Description
1	3402-750	1		Face, Fixed Drive
2	3402-751	1		Face, Movable Drive
3	3402-470	2		Seal, Movable Drive Face
4	3402-471	1		Spacer, Movable Drive Face
5	3402-752	1		Face, Fixed Driven
6	3402-753	1		Face, Movable Driven
7	3402-474	1	/P	Spring, Movable Driven Face
8	3402-475	2		O-Ring, Movable Driven Face
9	3402-476	2		Seal, Movable Driven Face
10	3402-477	4		Pin, Movable Driven Face
11	3402-478	4		Spacer, Movable Driven Face
12	3402-755	1	/P	Plate, Movable Drive Face
13	3402-756	1		Sleeve, Movable Driven Face
14	3402-481	4		Damper, Movable Drive Face
15	3423-406	1		Nut, Driven Pulley
16	3402-482	1		Holder, Movable Driven Face Spring
17	3402-483	8		Roller, Movable Drive Face
18	3423-514	2		Nut
19	3402-757	1		V-Belt
20	3402-758	1	/P	Housing, Clutch
21	3402-544	1	/P	Spacer, Fixed Drive Face
22	3402-977	1	/P	Seal, Clutch Housing - Center
23	3402-488	1		Seal, Clutch Housing - Left
24	3446-003	1		Clutch, One-Way
25	3402-760	1		Shoe, Clutch - Assembly
26	3446-031	2	/P	Retainer, Bearing
27	3423-370	2		Screw, Bearing Retainer
28	3402-567	1		Bearing
29	3402-729	1	/P	Bearing
30	3423-353	1	/P	O-Ring
31	3402-761	2		Seal, Clutch Housing - Right
32	3423-501	1		Nut
33	3402-730	1		Retainer, Bearing
34	3423-018	2		Screw

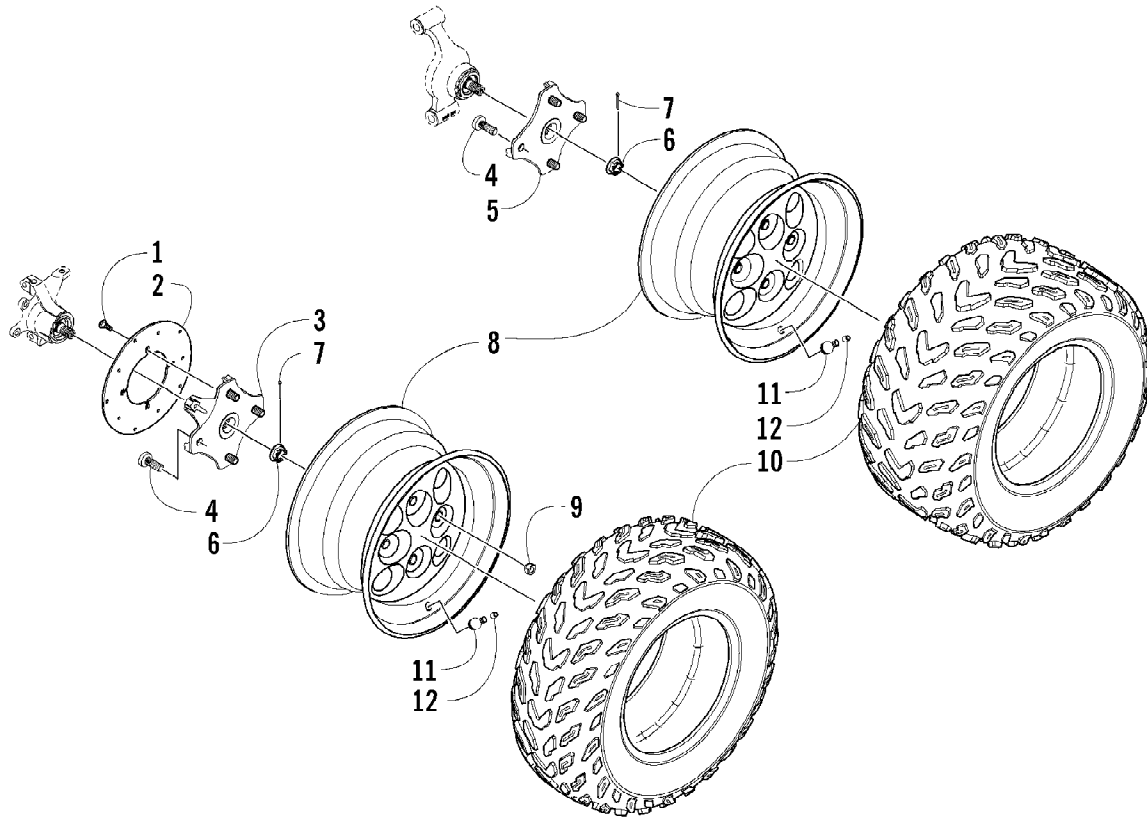
2008 ATV 500 AUTOMATIC TRANSMISSION 4X4 TRV CAT GREEN (A2008TBM408Z) of 93
WATER PUMP ASSEMBLY



2008 ATV 500 AUTOMATIC TRANSMISSION 4X4 TRV CAT GREEN (A2008TRV400) of 93
WATER PUMP ASSEMBLY

Ref #	Part Number	Qty	S/P/F	Description
1	3402-464	1	/P	Pump, Water - Assembly (inc. 2-11)
2	3423-343	1		Screw, Cap
3	3402-436	1	/P	Gasket
4	3423-402	1		O-Ring
5	3413-014	1		Impeller/Shaft
6	3005-909	1	/P	Seal, Mechanical
7	3402-465	1		Seal, Oil
8	3003-615	1	/P	Bearing
9	3423-403	1	S	E-Ring
10	3423-404	1		O-Ring
11	3007-511	2	/P	Screw
12	3423-308	2	S	Screw, Cap
13	3402-026	1		Gear, Driven
14	3402-466	1		Shaft, Driven Gear
15	3423-046	1		Pin, Driven Gear
16	3423-184	2	S	Circlip, Driven Gear
17	3402-467	1		Bearing, Shaft
18	3423-405	1		Circlip, Shaft Bearing
19	3402-390	1		Gear, Water Pump Drive
20	3423-110	1		Pin, Drive Gear
21	3423-189	1	S	Circlip, Drive Gear

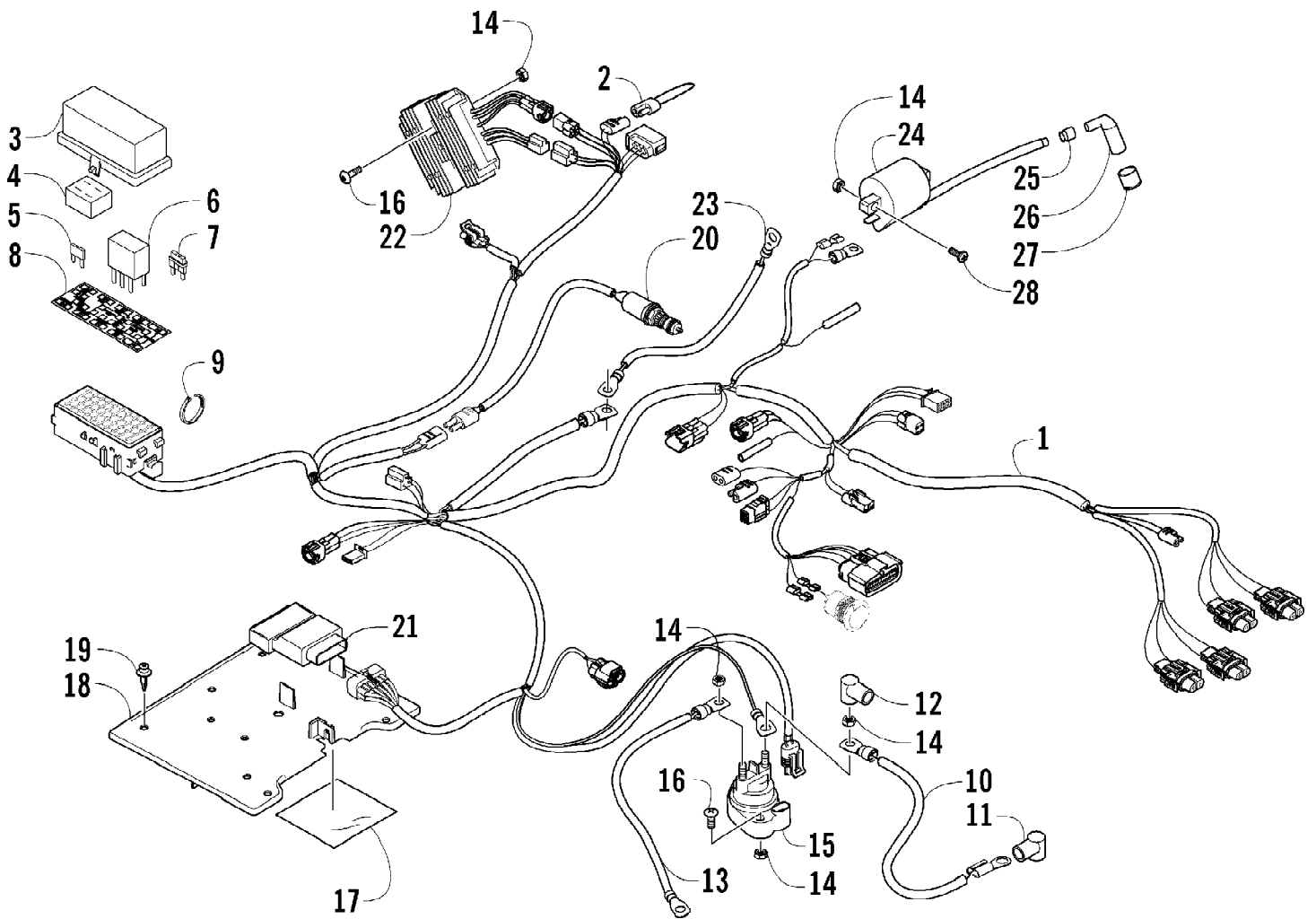
2008 ATV 500 AUTOMATIC TRANSMISSION 4X4 TRV CAT GREEN (A2008TBM4B09Z) of 93
WHEEL AND TIRE ASSEMBLY



2008 ATV 500 AUTOMATIC TRANSMISSION 4X4 TRV CAT GREEN (A2008TRV405Z) of 93
WHEEL AND TIRE ASSEMBLY

Ref #	Part Number	Qty	S/P/F	Description
1	0423-557	12		Screw, Shoulder
2	1402-225	3	S	Disc, Brake
3	0502-599	2	S	Hub, Wheel - Front (inc. 4)
4	0402-974	16	/P	Stud, Wheel Hub
5	0502-601	1	S	Hub, Wheel - Rear - Left (inc. 4)
5	0502-599	1	S	Hub, Wheel - Rear - Right (inc. 4)
6	0423-607	4		Nut, Castle
7	0423-407	4		Pin, Cotter
8	1402-127	2		Wheel - Front
8	1402-115	2		Wheel - Rear
9	0423-408	16	/P	Nut, Lug
10	1402-548	2		Tire - Front Goodyear
10	1402-549	2		Tire - Rear Goodyear
11	0402-064	4		Stem, Valve (inc. 12)
12	0402-140	4		Cap, Valve Stem

2008 ATV 500 AUTOMATIC TRANSMISSION 4X4 TRV CAT GREEN (A2008TRV4092Z) of 93
WIRING HARNESS ASSEMBLY



2008 ATV 500 AUTOMATIC TRANSMISSION 4X4 TRV CAT GREEN (A2008TRV400SZ) of 93
WIRING HARNESS ASSEMBLY

Ref #	Part Number	Qty	S/P/F	Description
1	0486-258	1		Harness, Main (inc. 2-8)
2	0486-164	1		Tether, Accessory Connector
3	0530-008	1		Cover, Fuse Block
4	0430-037	1		Holder, Fuse
5	0430-034	3		Diode
6	0430-033	3		Relay (5-Pin) - 20 Amp
7	0430-032	4		Fuse - 10 Amp
7	0430-031	3		Fuse - 15 Amp
7	0430-030	2		Fuse - 30 Amp
8	0411-828	1		Decal, Fuse Block
9	0123-788	AR	/P	Cable Tie - 7.5 in.
10	0445-053	1	/P	Cable, Solenoid/Starter (inc. 11)
11	0645-019	1		Boot, Terminal
12	0645-327	1		Boot, Terminal
13	0445-055	1	/P	Cable, Battery/Solenoid
14	0623-038	8		Nut w/Washer
15	0445-058	1	/P	Solenoid
16	8476-625	4		Screw, Machine
17	0412-291	1		Shield, Heat
18	1406-600	1		Tray, Electrical
19	0623-362	4		Rivet, Reinstallable
20	0409-089	1		Switch, Brake - Assembly
21	3530-039	1		CDI Unit
22	3402-682	1		Regulator, Voltage
23	0445-054	1	/P	Cable, Battery/Ground
24	3530-027	1		Coil, Ignition - Assembly
25	3430-009	1	/P	Seal, High Tension Wire
26	3430-007	1	/P	Cap, Spark Plug
27	3430-008	1	/P	Seal, Spark Plug
28	8476-620	2		Screw, Machine