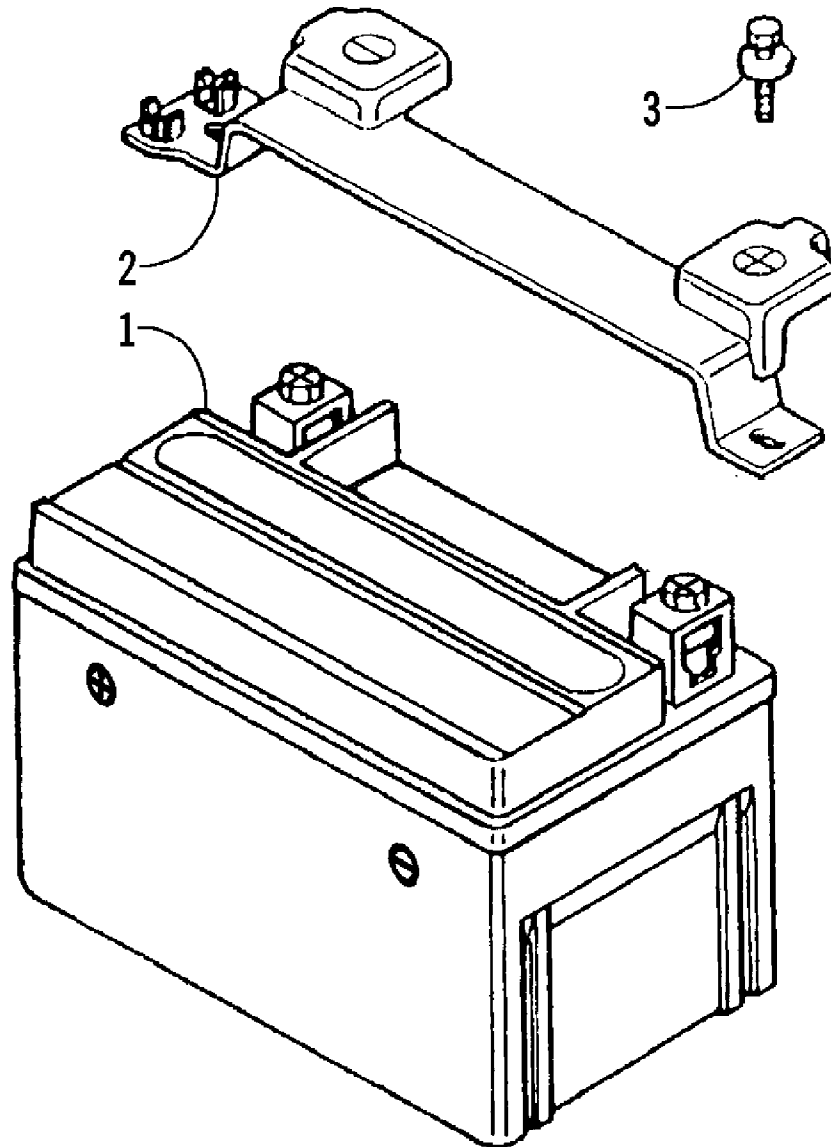


2008 ATV 50 UTILITY PINK (A2008KUA2BUST)
AIR INTAKE ASSEMBLY

Page 2 of 58

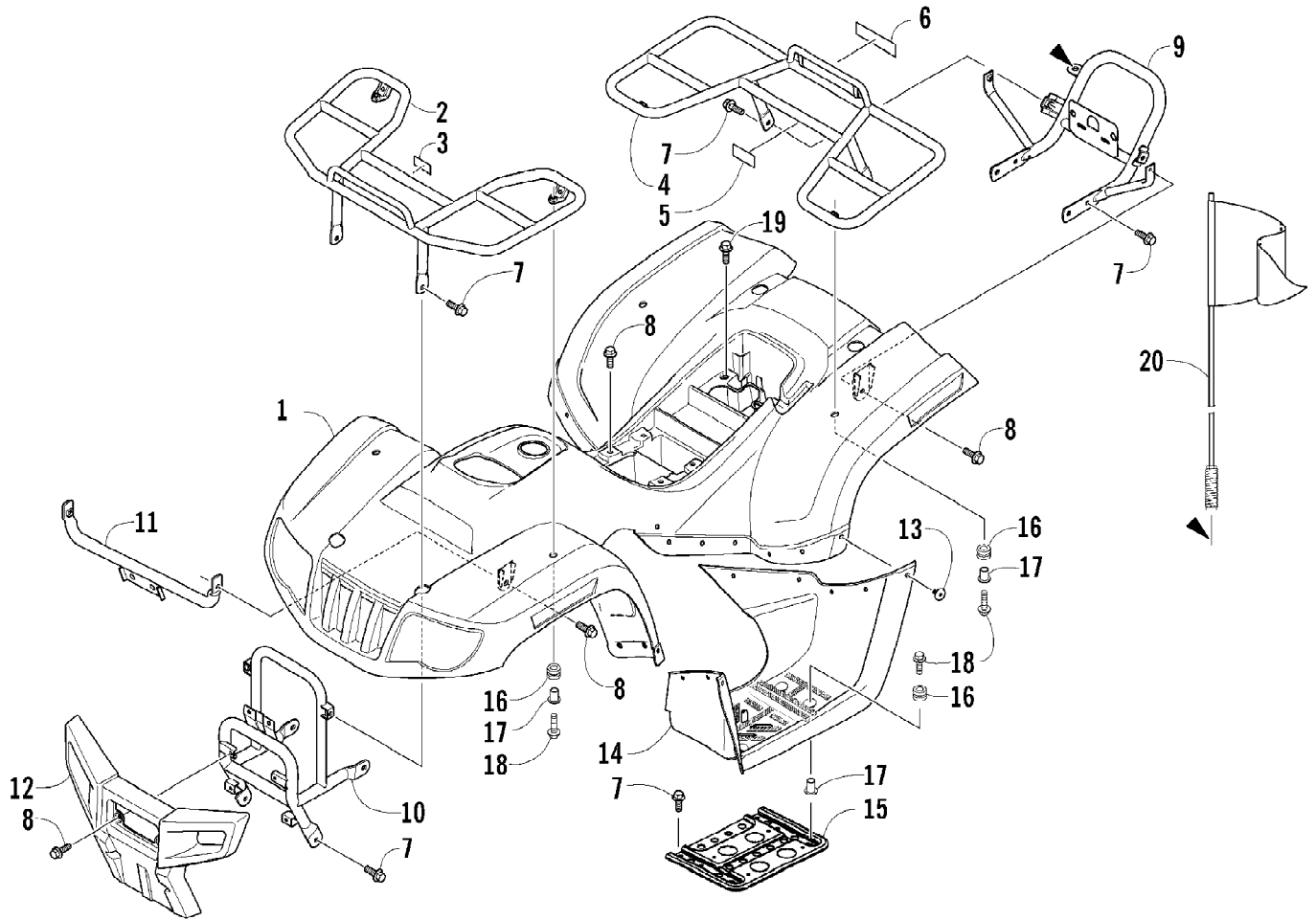
Ref #	Part Number	Qty	S/P/F	Description
1	3303-005	1		Bracket, Mounting
2	3305-458	1		Bolt, Flange
3	3303-360	1		Bolt, Flange
4	3303-062	1		Cover, Air Cleaner (inc. 5)
5	0	1	F	Fitting
6	3303-060	1		Element, Air Cleaner
7	3305-450	5	/P	Screw, Self-Tapping
8	3303-063	1		Seal, Air Cleaner
9	3305-314	1		Case, Air Cleaner
10	3305-315	1		Clip
11	3304-168	1	/P	Tube, Drain
12	3303-064	1	/P	Catch, Air Cleaner Element
13	3303-350	2		Clip
14	3303-002	1	/P	Tube
15	3303-052	1		Clip, Breather Tube
16	3303-001	1		Tube
17	3303-352	1		Clip
18	3303-288	1		Clamp
19	3303-287	1		Clamp Assembly - Air Cleaner Tube
20	3304-551	1	/P	Bolt, Flange
21	3005-596	1		Tube, Vacuum
22	3004-161	2		Clip, Tube
23	3005-598	1		Duct, Air - AICV Unit
24	3004-167	2		Clip, Tube
25	3305-355	1		Mount, Rubber - AICV Unit
26	3305-599	1		AICV Unit
27	3305-597	1		Duct, Reed Valve - AICV Unit
28	3303-712	1		Clamp



2008 ATV 50 UTILITY PINK (A2008KUA2BUST)
BATTERY ASSEMBLY

Ref #	Part Number	Qty	S/P/F	Description
1	3303-131	1	/P	Battery
2	3303-182	1		Band, Battery
3	3303-263	2	/P	Bolt w/Washer

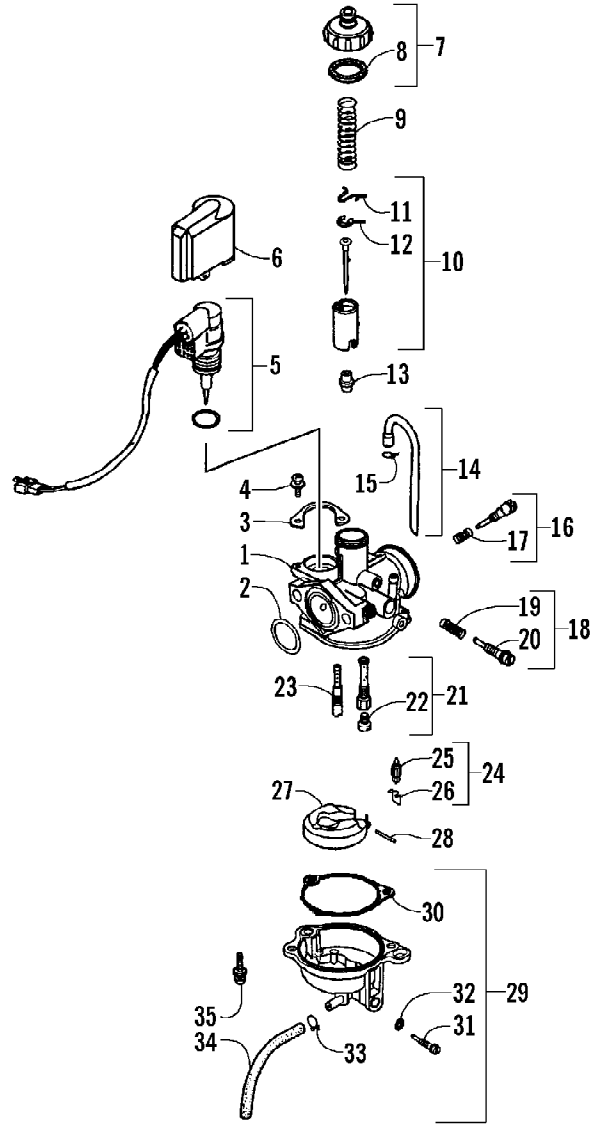
2008 ATV 50 UTILITY PINK (A2008KUA2BUST)
BODY PANEL AND RACK ASSEMBLY



2008 ATV 50 UTILITY PINK (A2008KUA2BUST)
BODY PANEL AND RACK ASSEMBLY

Ref #	Part Number	Qty	S/P/F	Description
1	3305-578	1	S	Panel, Body
2	3304-503	1		Rack - Front
3	1411-316	1		Decal, Warning - Front Rack Load
4	3304-504	1		Rack - Rear
5	1411-317	1		Decal, Warning - Rear Rack Load
6	1411-318	1		Decal, "Arctic Cat" - White
7	3304-543	20	/P	Bolt, Flange
8	3304-587	10	/P	Bolt, Flange
9	3305-403	1		Grip, Rear
10	3304-541	1		Bumper
11	3304-549	1		Bracket, Mounting - Front Cover
12	3304-496	1	S	Fascia, Bumper - Front
13	3305-448	20		Clip, Mud Guard
14	3304-612	1	S	Mud Guard, Floor - Right
14	3304-613	1	S	Mud Guard, Floor - Left
15	3304-494	1		Reinforcement, Floor - Right
15	3304-495	1		Reinforcement, Floor - Left
16	3303-227	12		Rubber, Wind Screen
17	3303-233	12		Collar, Floor
18	3304-586	12	/P	Bolt w/Washer
19	3303-313	2	/P	Bolt, Flange
20	3305-308	1		Flag - Assembly

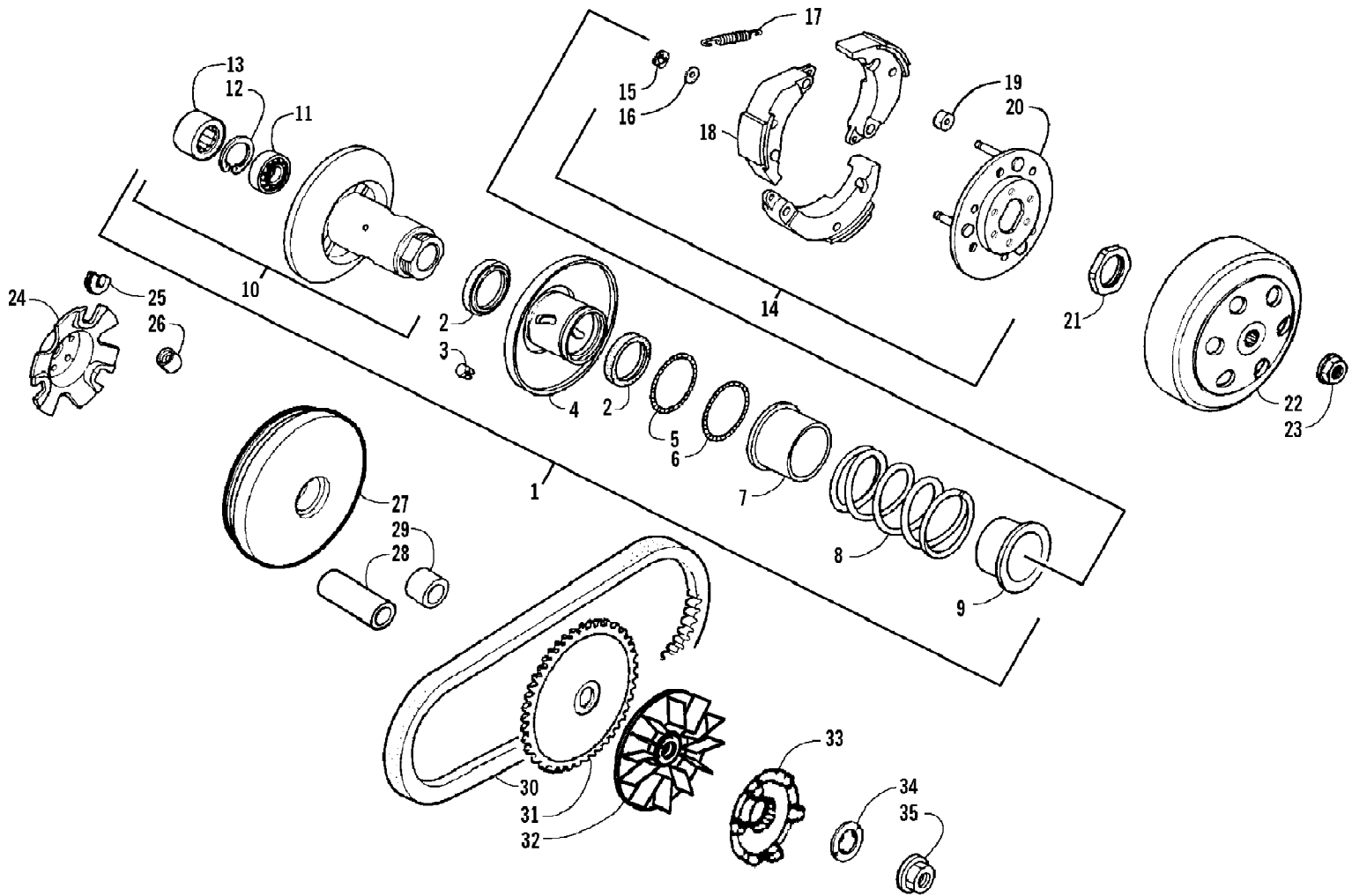
2008 ATV 50 UTILITY PINK (A2008KUA2BUST)
CARBURETOR ASSEMBLY



2008 ATV 50 UTILITY PINK (A2008KUA2BUST)
CARBURETOR ASSEMBLY

Ref #	Part Number	Qty	S/P/F	Description
	3305-480	1	S	Complete Carburetor Assembly
1	0	1	F	Body, Carburetor
2	3304-488	1		O-Ring
3	3304-471	1		Set Plate
4	5507-117	2	/P	Screw w/Washer
5	3304-470	1		Automatic Bypass/Starter Assembly
6	3304-469	1		Holder, Cap
7	3304-462	1		Set, Top (inc. 8)
8	3304-463	1		Gasket, Top
9	3304-464	1		Spring, Compression
10	3305-580	1		Valve, Throttle - Assembly (inc. 11-12)
11	3304-465	1		Plate, Needle Clip
12	3304-466	1		Clip, Needle
13	3304-468	1		Needle Jet
14	3304-472	1		Tube, Rubber - Assembly (inc. 15)
15	3304-474	1		Clip, Tube
16	3305-446	1		Screw, Adjustment - Assembly (inc. 17)
17	3305-444	1		Spring, Compression
18	3304-477	1		Screw, Stop - Assembly (inc. 19-20)
19	3304-232	1		Spring, Compression
20	3304-478	1		Screw, Stop
21	3304-479	1		Holder, Needle Jet - Assembly (inc. 22)
22	3305-482	1		Jet, Main - 85
22	5507-221	1	F	Jet, Main - 90
22	5507-222	1	F	Jet, Main - 88
23	3304-489	1		Jet, Slow
24	3304-490	1		Valve, Float - Assembly (inc. 25-26)
25	3304-483	1		Valve, Float - Set
26	3304-484	1		Clip
27	3304-491	1		Float Assembly
28	3304-485	1		Pin, Float Arm
29	3304-486	1		Body, Float Chamber - Assembly (inc. 30-34)
30	3305-569	1		Gasket
31	3304-243	1		Screw, Drain
32	3304-239	1		O-Ring
33	3304-474	1		Clip, Tube
34	3305-248	1	/P	Tube, Drain
35	3303-320	2		Screw w/Washer

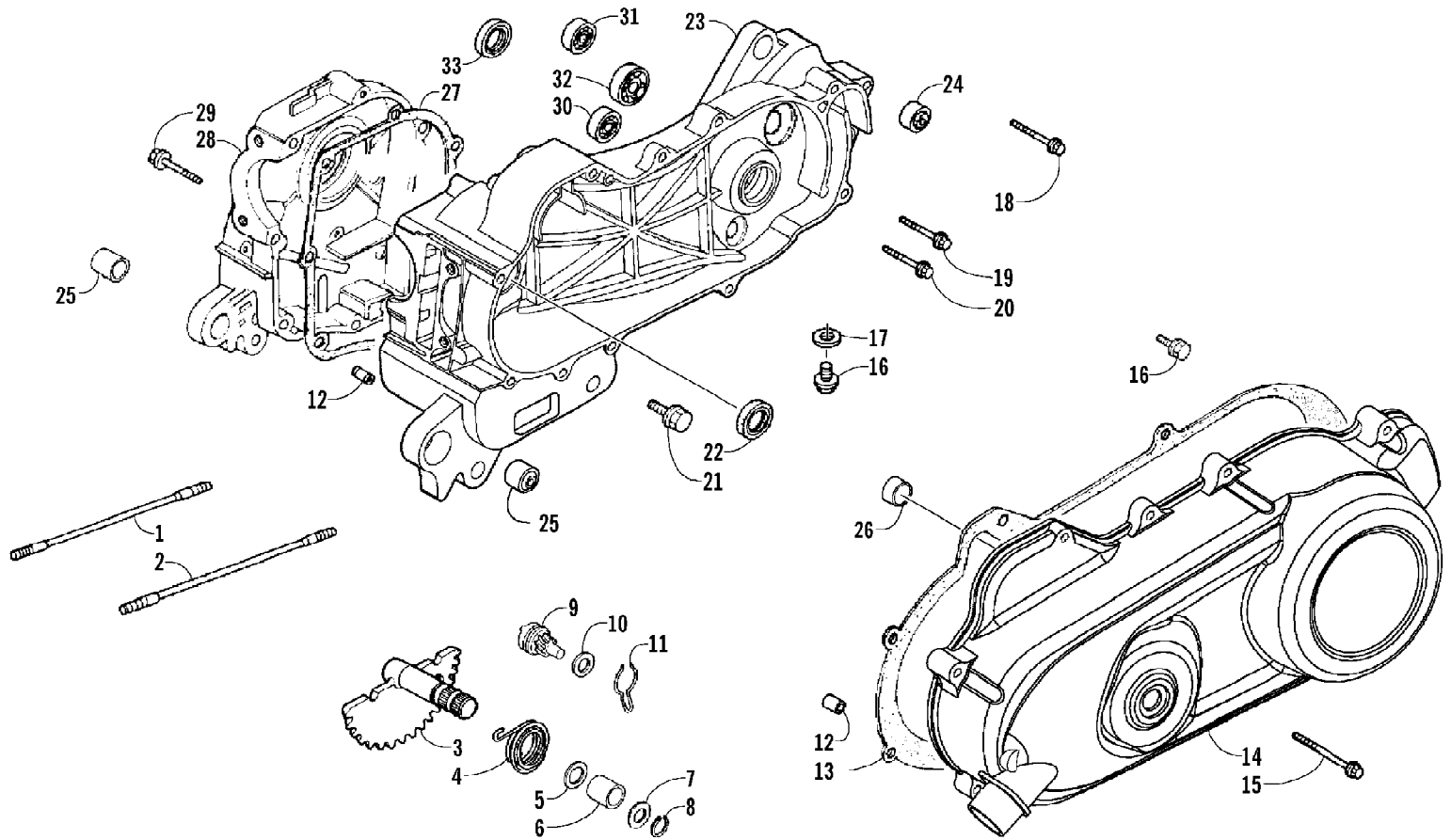
2008 ATV 50 UTILITY PINK (A2008KUA2BUST)
CLUTCH ASSEMBLIES



2008 ATV 50 UTILITY PINK (A2008KUA2BUST)
CLUTCH ASSEMBLIES

Ref #	Part Number	Qty	S/P/F	Description
1	3303-536	1		Pulley, Driven - Assembly (inc. 2-21)
2	3303-299	2		Seal, Oil
3	3303-540	3		Guide, Pin
4	3303-539	1	/P	Face, Movable Driven
5	3303-602	1		O-Ring
6	3303-603	1		O-Ring
7	3303-542	1	/P	Collar, Seal
8	3303-541	1		Spring, Driven Face
9	3303-543	1	/P	Collar, Spring
10	3303-538	1		Face, Driven - Assembly (inc. 11-13)
11	3303-291	1		Bearing, Ball
12	3303-346	1		Circlip
13	3303-294	1		Bearing, Needle
14	3303-532	1		Face, Drive - Assembly (inc. 15-20)
15	3303-590	3		Circlip
16	3303-274	3		Washer, Thrust
17	3303-534	3		Spring, Clutch
18	3304-602	3		Weight, Clutch
19	3303-094	3		Rubber, Clutch Damper
20	3303-533	1		Face, Drive
21	3304-025	1	/P	Nut
22	3303-523	1		Clutch, Outer
23	3303-333	1	/P	Nut, Flange
24	3303-530	1		Plate, Ramp
25	3303-531	3		Slide
26	3303-529	6		Guide, Roller
27	3303-528	1		Face, Movable
28	3305-479	1		Boss, Drive Face
29	3303-527	1	/P	Collar, Drive Face
30	3303-537	1		Belt, Drive
31	3303-524	1		Face, Fixed Drive
32	3303-525	1		Fan, CVT Cooling
33	3303-547	1		Ratchet, Kick Starter
34	3303-588	1		Washer
35	3304-601	1		Nut, Hex

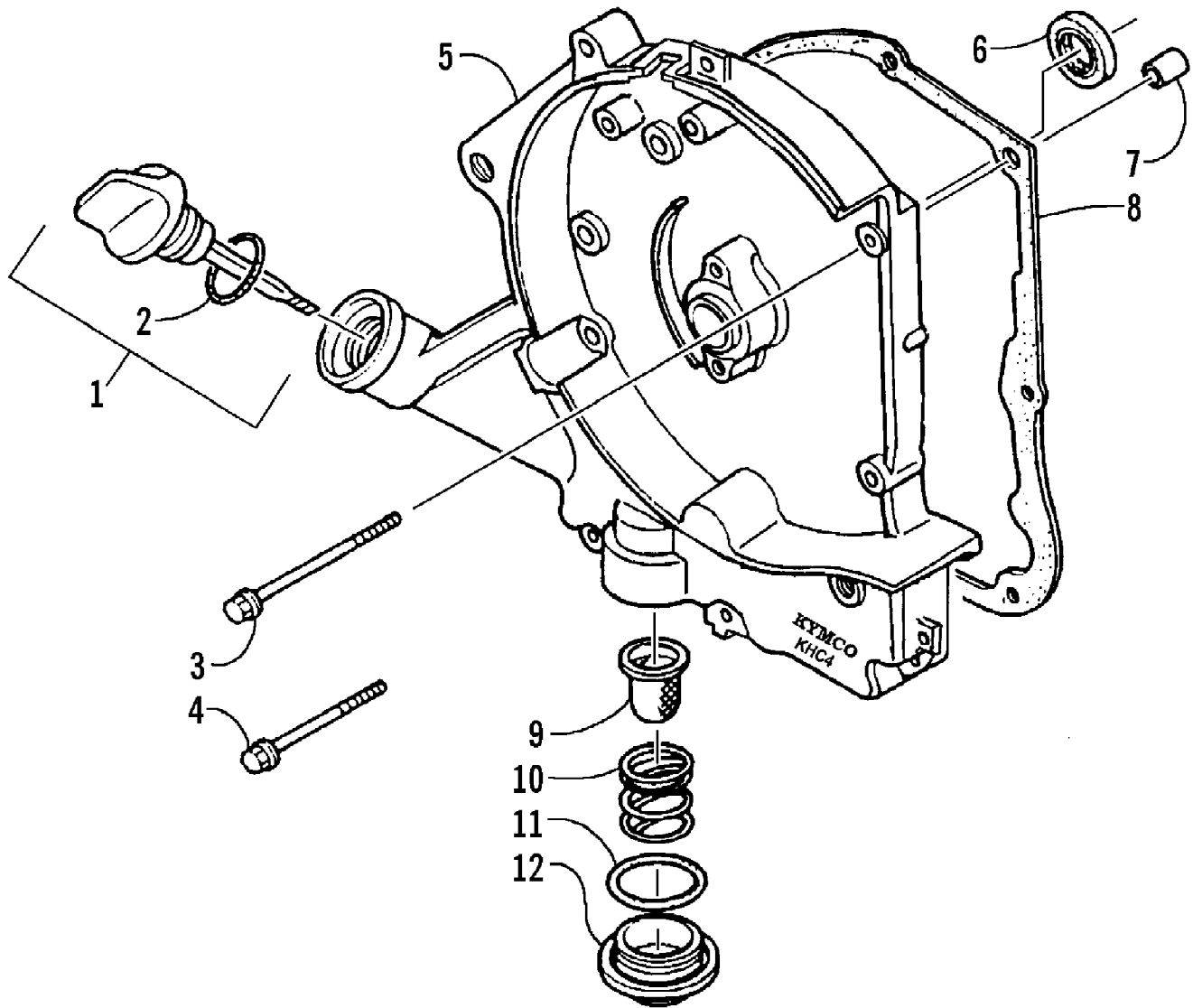
2008 ATV 50 UTILITY PINK (A2008KUA2BUST)
CRANKCASE ASSEMBLY



2008 ATV 50 UTILITY PINK (A2008KUA2BUST)
CRANKCASE ASSEMBLY

Page 12 of 58

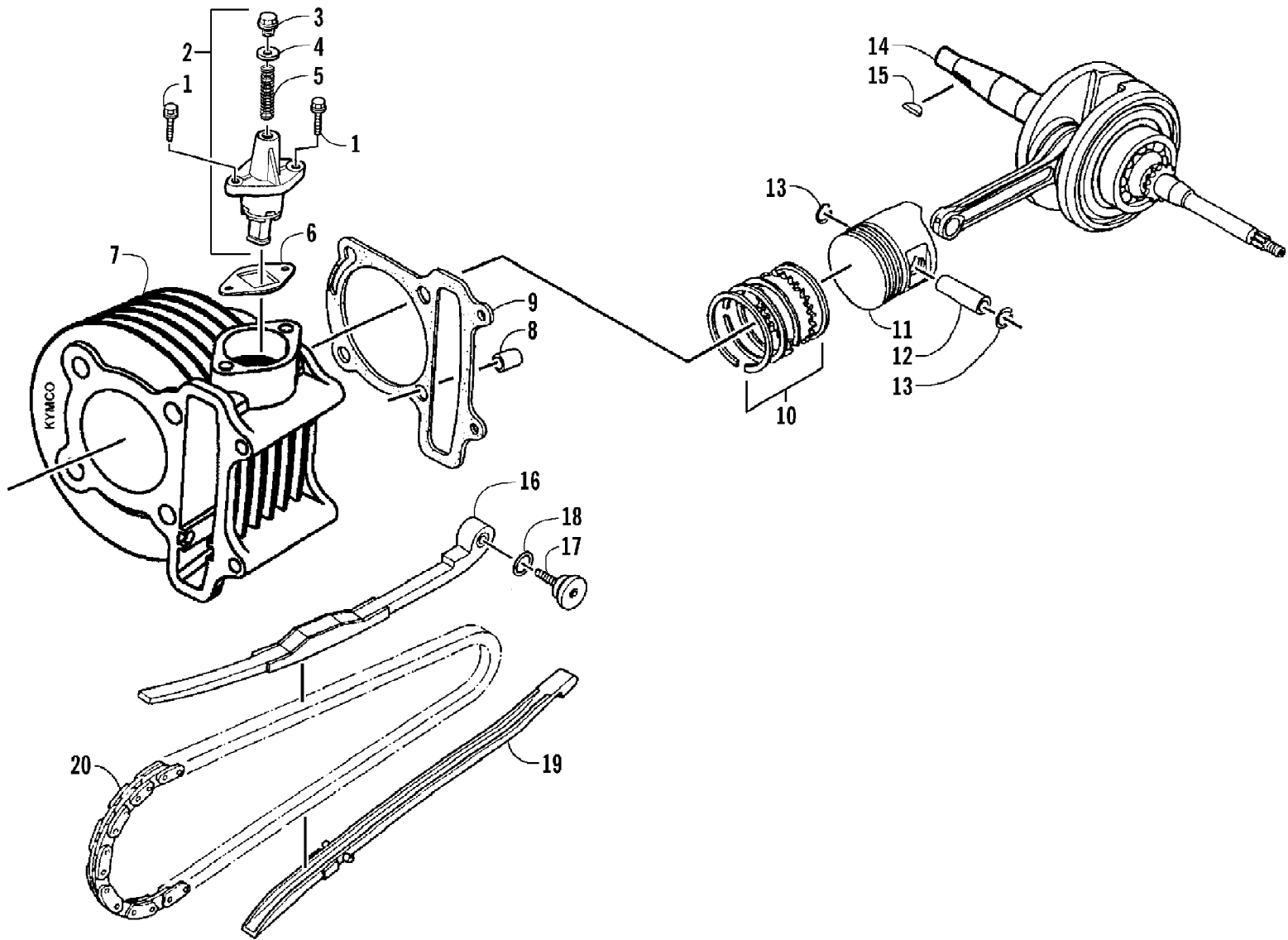
Ref #	Part Number	Qty	S/P/F	Description
1	3303-579	2		Bolt, Stud
2	3303-580	2		Bolt, Stud
3	3303-119	1		Spindle, Kick Starter
4	3303-122	1		Spring, Return - Kick Starter
5	3303-121	1		Collar, Boss - Kick Starter
6	3303-120	1		Bushing, Spindle - Kick Starter
7	3303-276	1		Washer, Spindle - Kick Starter
8	3303-345	1		Circlip
9	3303-548	1		Gear, Driven - Kick Starter
10	3303-272	1		Washer, Thrust
11	3303-117	1		Spring, Driven - Kick Starter
12	3303-341	4		Pin, Dowel
13	3305-469	1		Gasket, Crankcase Cover - Left
14	3303-476	1		Cover, Crankcase - Left
15	3303-386	8	/P	Bolt, Flange
16	3303-365	2		Bolt, Flange
17	3303-591	1		Washer
18	3303-615	5		Bolt, Flange
19	3305-468	2		Bolt, Flange
20	3303-381	1		Bolt, Flange
21	3304-052	1	/P	Bolt, Drain Plug - Assembly
22	3303-296	1		Seal, Oil
23	3303-473	1		Crankcase, Set - Left (inc. 24 and one No. 25)
24	3303-403	1		Bushing, Rubber - Rear Cushion
25	3303-402	2	/P	Bushing, Rubber - Engine Hanger Bracket
26	3303-597	1		Bushing
27	3305-495	1		Gasket, Crankcase - Right
28	3303-471	1		Crankcase, Set - Right (inc. one No. 25)
29	3303-387	1		Bolt, Flange
30	3303-596	1	/P	Bearing, Ball
31	3303-597	1		Bearing, Ball
32	3303-464	1		Bearing, Ball
33	3303-600	1		Seal, Oil



2008 ATV 50 UTILITY PINK (A2008KUA2BUST)
CRANKCASE COVER ASSEMBLY

Ref #	Part Number	Qty	S/P/F	Description
1	3303-050	1		Gauge, Oil Level - Assembly (inc. 2)
2	3304-102	1	/P	O-Ring
3	3303-390	4		Bolt, Flange
4	3304-580	4		Bolt, Flange
5	3303-475	1	/P	Cover, Crankcase (inc. 6)
6	3303-599	1		Seal, Oil
7	3303-341	2		Pin, Dowel
8	3305-478	1		Gasket, Crankcase
9	3303-691	1	/P	Screen, Oil Filter
10	3303-049	1	S	Spring, Oil Filter Screen
11	3304-096	1	/P	O-Ring
12	3303-021	1		Cap, Oil Filter

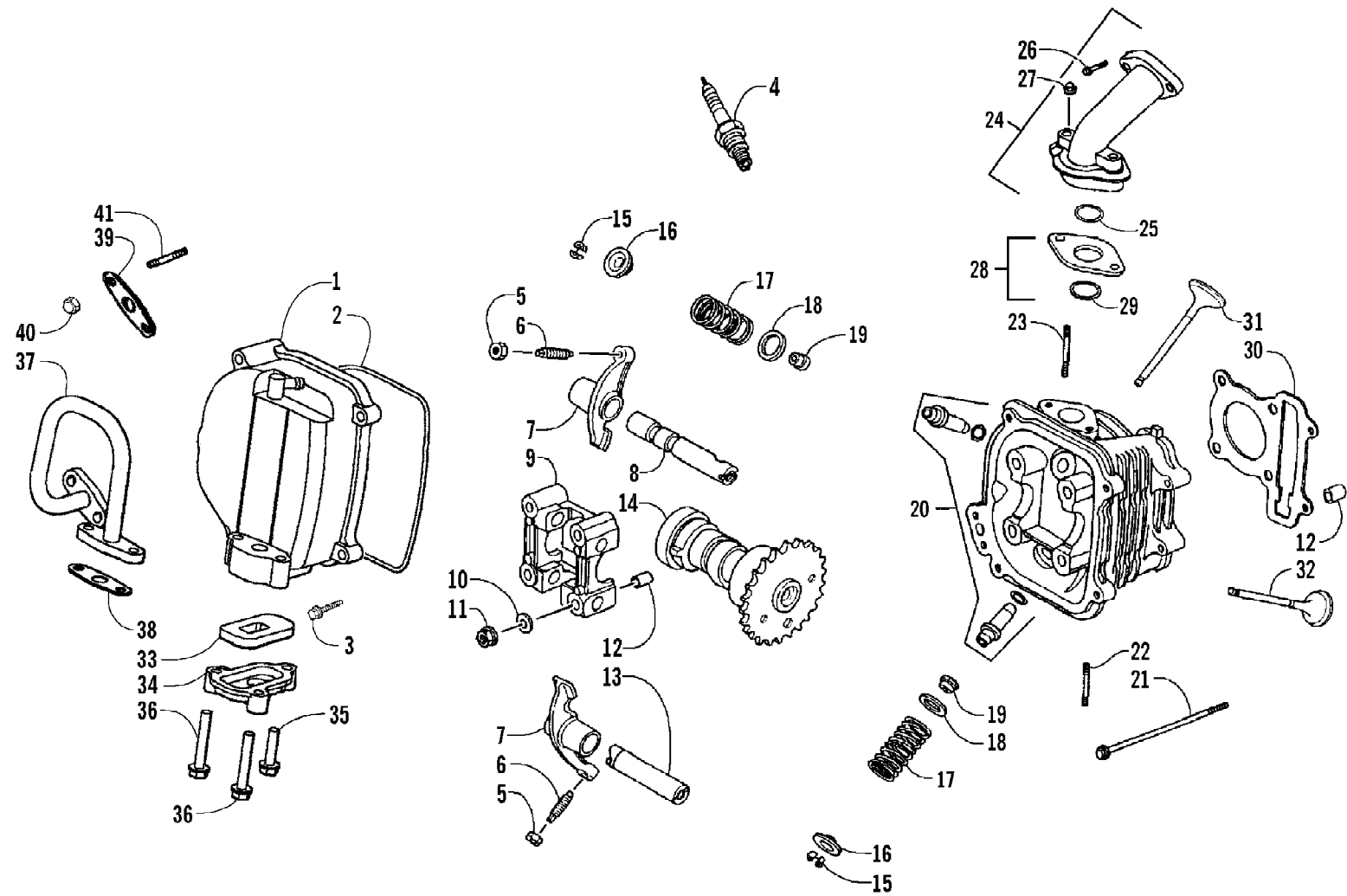
2008 ATV 50 UTILITY PINK (A2008KUA2BUST)
CRANKSHAFT, CYLINDER, PISTON, AND CAM CHAIN ASSEMBLIES



2008 ATV 50 UTILITY PINK (A2008KUA2BUST)
CRANKSHAFT, CYLINDER, PISTON, AND CAM CHAIN ASSEMBLIES

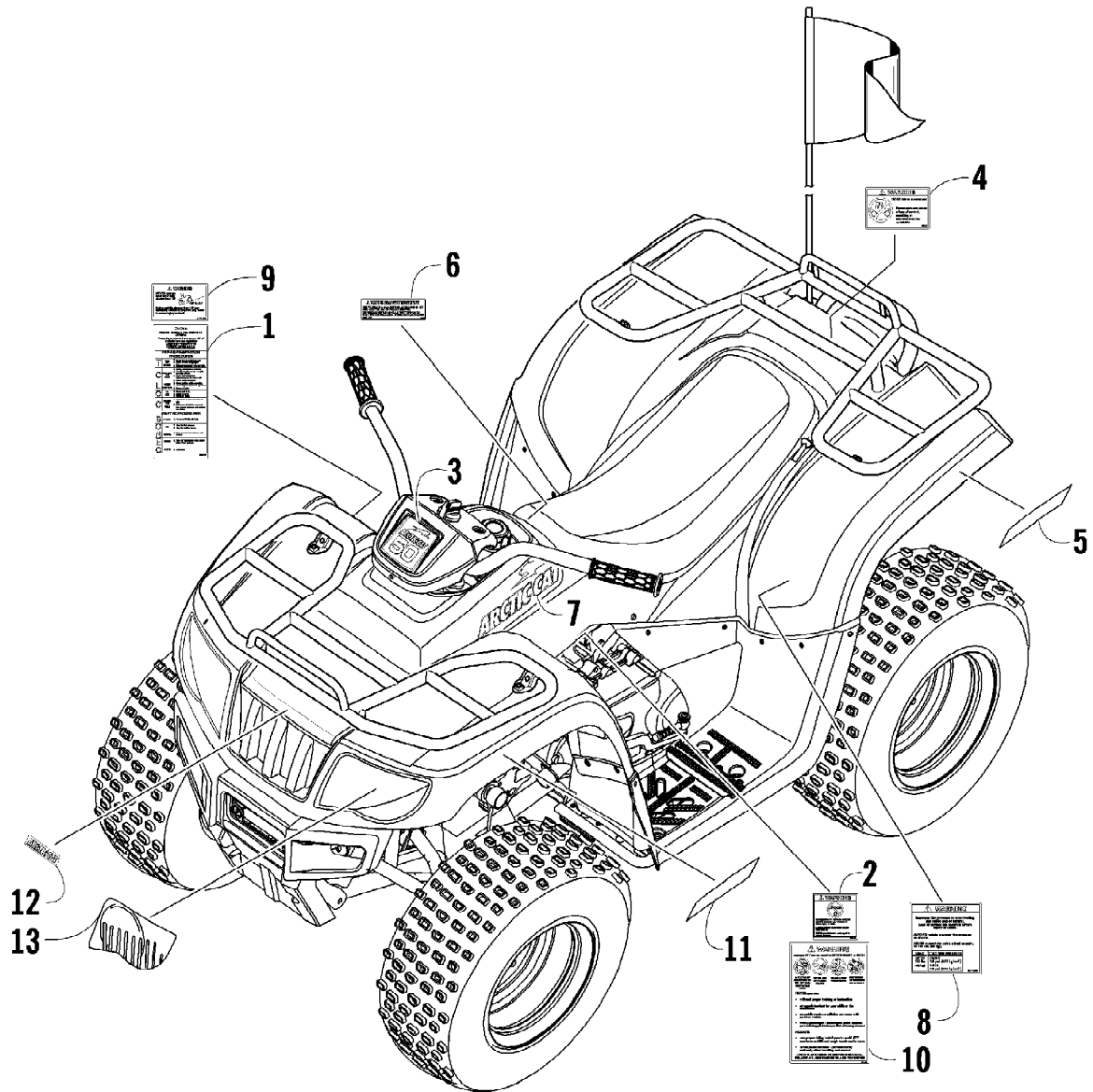
Ref #	Part Number	Qty	S/P/F	Description
1	3303-617	2	/P	Bolt, Flange
2	3303-499	1	/P	Adjuster, Cam Chain (inc. 3-5)
3	3305-500	1		Plug, Adjuster
4	3303-587	1		Washer, Sealing
5	3304-574	1	S	Spring, Cam Chain Adjuster
6	3305-477	1		Gasket, Cam Chain Adjuster
7	3303-483	1		Cylinder A
8	3303-594	2		Pin, Dowel
9	3305-474	1		Gasket, Cylinder A
10	3305-475	1		Ring, Piston - Set
11	3305-476	1		Piston
12	3304-578	1		Pin, Piston
13	3303-027	2		Clip, Piston Pin
14	3303-490	1	/P	Crankshaft
15	3303-290	1		Key
16	3303-498	1		Tensioner, Cam Chain
17	3303-036	1		Pivot, Cam Chain Tensioner
18	3303-301	1	/P	O-Ring
19	3303-503	1		Guide, Cam Chain
20	3303-494	1		Cam Chain

2008 ATV 50 UTILITY PINK (A2008KUA2BUST)
CYLINDER HEAD ASSEMBLY



2008 ATV 50 UTILITY PINK (A2008KUA2BUST)
CYLINDER HEAD ASSEMBLY

Ref #	Part Number	Qty	S/P/F	Description
	3305-534	1		Complete Engine Assembly (Includes a Starter Motor Assembly and Carburetor)
1	3305-586	1		Cover, Cylinder Head
2	3305-588	1		Gasket, Cylinder Head Cover
3	3303-360	4		Bolt, Flange
4	0217-726	1	/P	Plug, Spark
5	3304-026	2	/P	Nut, Tappet Adjusting
6	3304-007	2	/P	Screw, Tappet Adjusting
7	3303-495	2		Arm, Rocker
8	3303-496	1		Shaft, Rocker Arm - Intake
9	3303-486	1		Holder, Camshaft
10	3303-589	4		Washer, Sealing
11	3303-584	4		Nut, Flange
12	3303-594	4		Pin, Dowel
13	3303-497	1		Shaft, Rocker Arm - Exhaust
14	3303-493	1		Camshaft
15	3303-044	4		Cotter, Valve
16	3303-042	2	/P	Retainer, Valve Spring
17	3303-506	2		Spring, Valve - Outer
18	3303-043	2		Seat, Valve Spring - Outer
19	3303-657	2	/P	Seal, Valve Stem
20	3305-585	1		Head, Cylinder
21	3304-580	2		Bolt, Flange
22	3303-581	2		Bolt, Stud
23	3303-310	2		Bolt, Stud
24	3305-590	1		Pipe, Inlet - Assembly (inc. 25)
25	3303-304	1		O-Ring
26	3303-384	2	/P	Bolt, Flange
27	3303-331	2	/P	Nut, Flange
28	3303-511	1	/P	Insulator, Carburetor - Assembly (inc. 29)
29	3304-596	1		O-Ring
30	3303-487	1		Gasket, Cylinder Head
31	3303-504	1		Valve, Inlet
32	3303-505	1		Valve, Exhaust
33	3305-587	1		Valve, Reed
34	3305-354	1		Cover, Reed Valve
35	3305-401	1		Bolt, Flange
36	3305-402	2		Bolt, Flange
37	3305-589	1		Pipe, Air Intake
38	3305-356	1		Gasket, Air Intake Pipe
39	3303-732	1		Gasket, Air Intake Pipe
40	3304-030	2		Nut
41	3303-582	2		Bolt, Stud

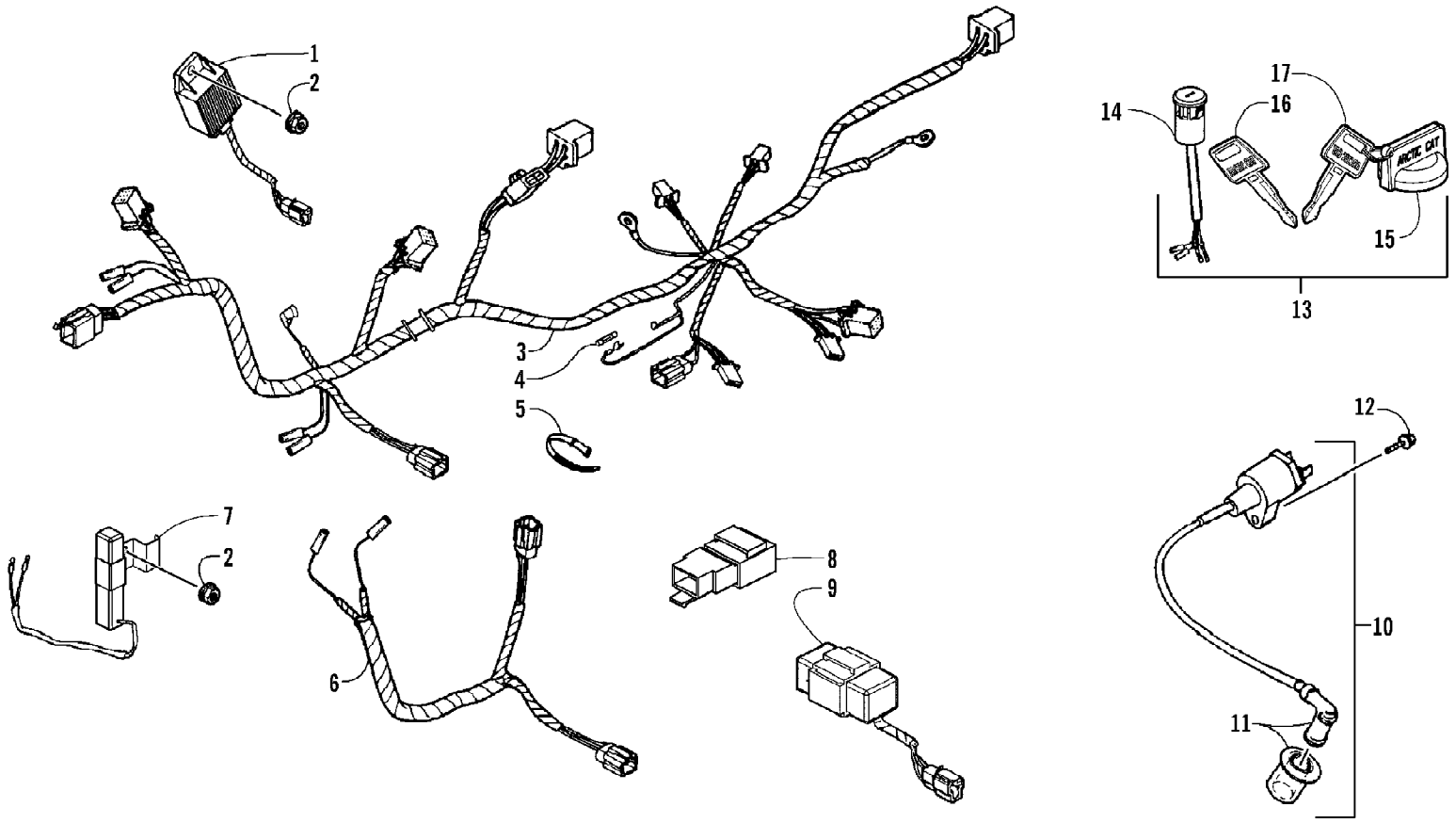


2008 ATV 50 UTILITY PINK (A2008KUA2BUST)
DECALS

Page 20 of 58

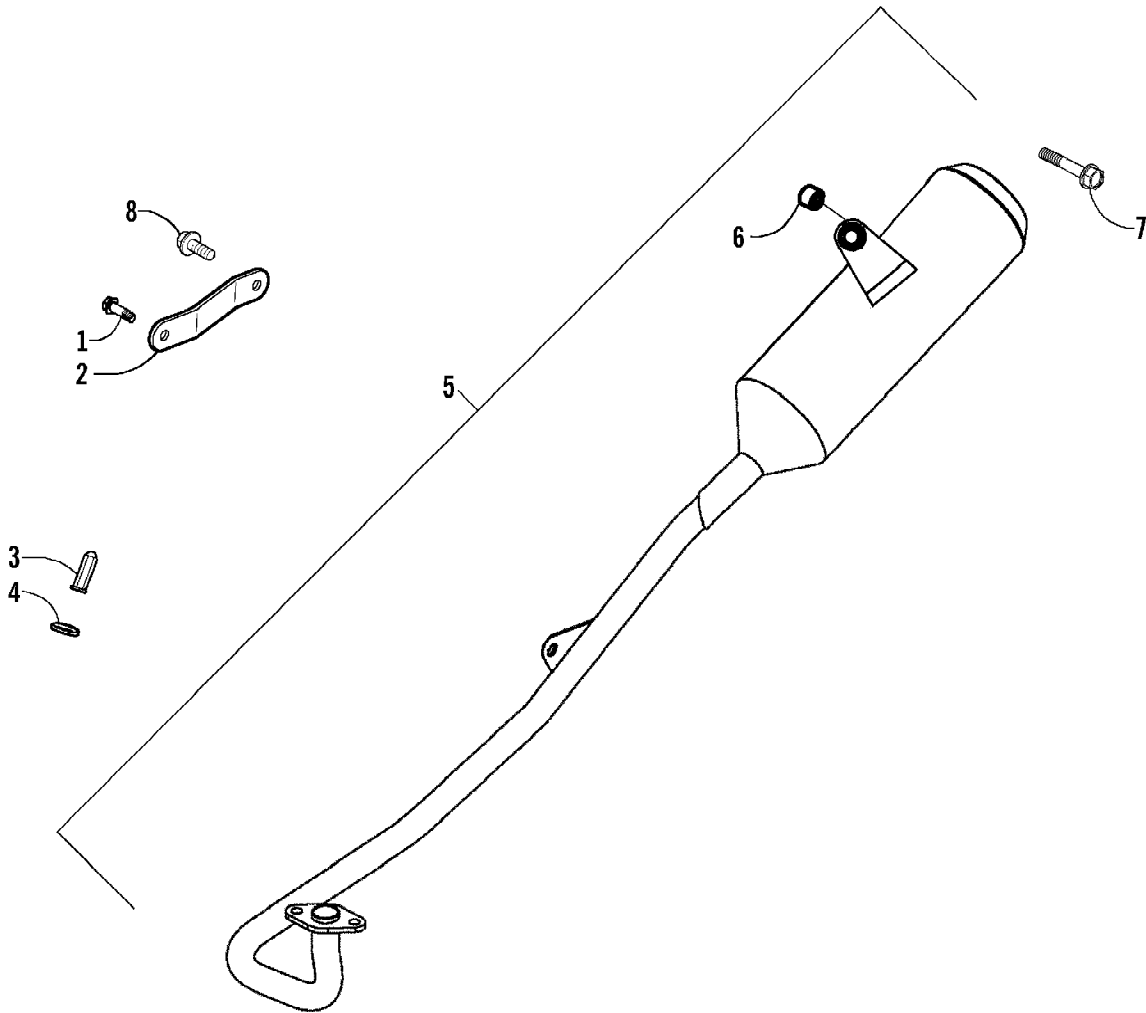
Ref #	Part Number	Qty	S/P/F	Description
1	0411-457	1		Decal, Warning - Reverse/Pre-Ride
2	0411-399	1		Decal, Warning - Age
3	1411-617	1		Decal, Instrument Pod
4	0411-435	1		Decal, Warning - Passenger
5	1411-178	1		Decal, Reflector - Rear - Right
5	1411-179	1		Decal, Reflector - Rear - Left
6	1411-577	1		Decal, Warning - Off Road Only
7	1411-636	1		Decal, Graphic - Side - Right
7	1411-637	1		Decal, Graphic - Side - Left
8	0411-455	1		Decal, Warning - Tire/Load
9	0411-836	1		Decal, Warning - Hill
10	0411-218	1		Decal, Warning - General
11	1411-180	1		Decal, Reflector - Front - Right
11	1411-181	1		Decal, Reflector - Front - Left
12	1411-825	1		Decal, Graphic - Front
13	1411-242	1		Decal, Headlight - Right
13	1411-243	1		Decal, Headlight - Left

2008 ATV 50 UTILITY PINK (A2008KUA2BUST)
ELECTRICAL AND WIRING HARNESS ASSEMBLY



2008 ATV 50 UTILITY PINK (A2008KUA2BUST)
ELECTRICAL AND WIRING HARNESS ASSEMBLY

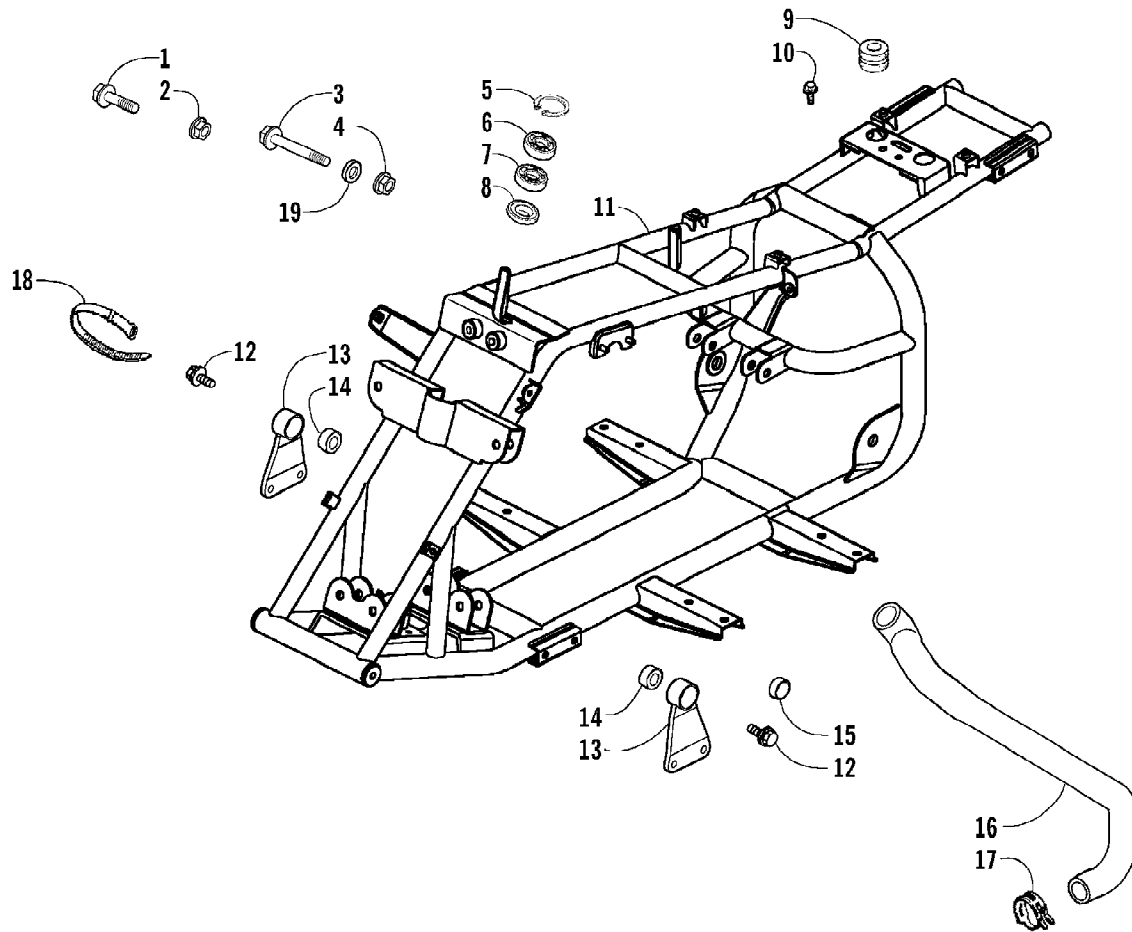
Ref #	Part Number	Qty	S/P/F	Description
1	3303-132	1		Regulator, Voltage
2	3303-331	2	/P	Nut, Flange
3	3305-492	1		Harness, Main (inc. 4)
4	3303-399	2		Fuse
5	3303-289	4	/P	Cable Tie
6	3303-134	1	/P	Sub-Cord
7	3303-142	1		Resistor
8	3303-565	1		Relay, Starter
9	3305-493	1		CDI Assembly
10	3303-125	1		Coil Assembly - Ignition (inc. 11)
11	3303-126	1		Cap, Noise Suppressor - Assembly
12	3303-252	1		Bolt, Flange
13	3303-423	1		Switch, Ignition - Assembly (inc. 14-17)
14	0	1	F	Switch, Ignition
15	3304-522	1		Cover, Key - "Arctic Cat"
16	3304-520	1		Key, Ignition - Set - Right-Side Cut
17	3304-521	1		Key, Ignition - Set - Left-Side Cut



2008 ATV 50 UTILITY PINK (A2008KUA2BUST)
EXHAUST ASSEMBLY

Page 24 of 58

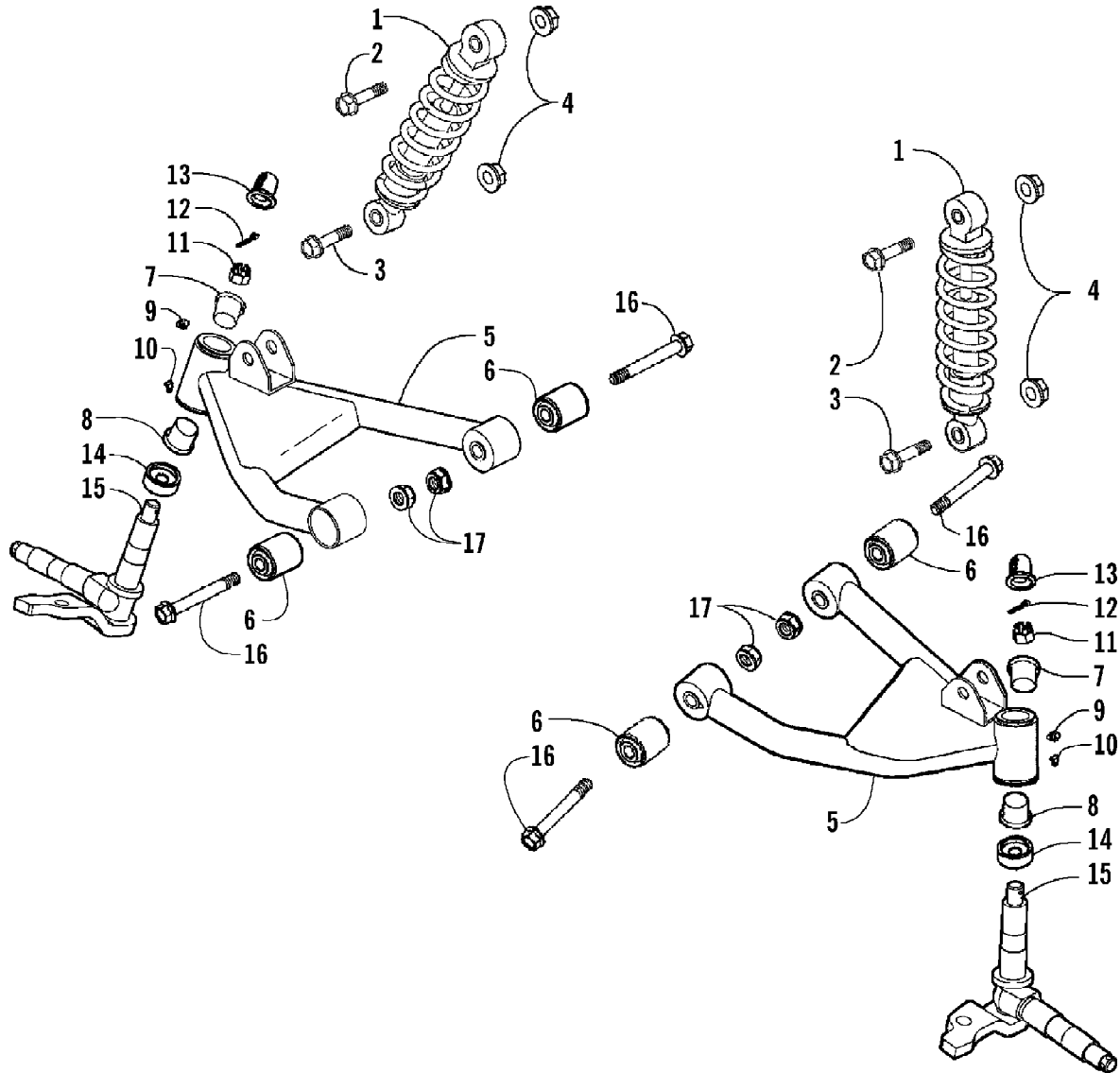
Ref #	Part Number	Qty	S/P/F	Description
1	3303-314	1		Bolt, Flange
2	3304-573	1		Bracket, Mounting - Muffler
3	3303-261	2		Nut, Cap
4	3303-071	1		Gasket, Exhaust Pipe
5	3305-490	1		Muffler - Assembly (inc. 6)
6	3304-571	1		Bushing, Rubber
7	3304-572	1	/P	Bolt, Flange
8	3304-543	1	/P	Bolt, Flange



2008 ATV 50 UTILITY PINK (A2008KUA2BUST)
FRAME AND RELATED PARTS ASSEMBLY

Ref #	Part Number	Qty	S/P/F	Description
1	3304-547	2	/P	Bolt, Flange
2	3303-269	2		Nut, Flange
3	3304-548	2	/P	Bolt, Flange
4	3304-031	2	/P	Nut, Flange
5	3303-347	1		Circlip
6	3303-295	1		Seal, Oil
7	3303-392	1		Bearing
8	3303-298	1		Seal, Oil
9	3303-232	2		Rubber, Engine Mounting
10	3303-308	1		Bolt, Hex
11	3305-276	1		Frame, Main
12	3304-543	4	/P	Bolt, Flange
13	3303-183	1	/P	Bracket, Engine Hanger - Right (inc. one No. 14)
13	3303-184	1	/P	Bracket, Engine Hanger - Left (inc. one No. 14)
14	3304-542	2		Bushing, Rubber - Engine Hanger
15	3303-445	1		Collar
16	3303-010	1		Duct - Cover
17	3303-074	1		Clamp, Hose
18	3303-289	1	/P	Cable Tie
19	3303-238	2		Rubber, Engine - Rear

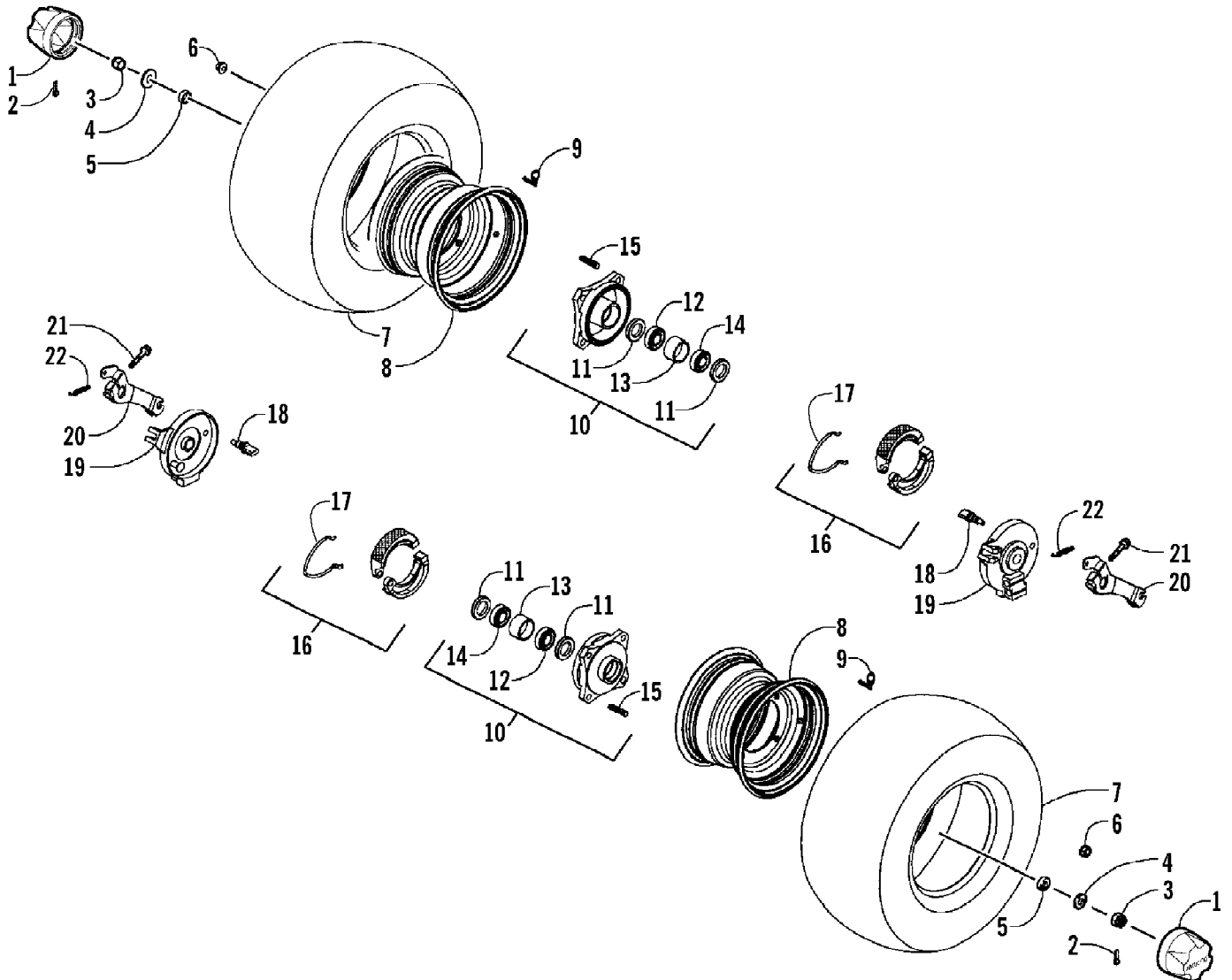
2008 ATV 50 UTILITY PINK (A2008KUA2BUST)
FRONT SUSPENSION ASSEMBLY



2008 ATV 50 UTILITY PINK (A2008KUA2BUST)
FRONT SUSPENSION ASSEMBLY

Ref #	Part Number	Qty	S/P/F	Description
1	3305-491	2		Shock, Front - Assembly
2	3303-376	2	/P	Bolt, Flange
3	3303-309	2		Bolt, Hex
4	3303-333	4	/P	Nut, Flange
5	3305-452	1		Arm, Swing - Set - Front Right (inc. 6-10)
5	3305-453	1		Arm, Swing - Set - Front Left (inc. 6-10)
6	3303-216	4		Bushing, Swing Arm
7	3303-218	2		Bushing, Swing Arm - Top
8	3303-217	2		Bushing, Swing Arm - Bottom
9	3303-393	2		Fitting, Grease
10	3303-394	2		Boot, Grease Fitting
11	3303-329	2		Nut, Flange Castle
12	3303-337	2		Pin, Cotter
13	3303-219	2		Cap, Swing Arm
14	3303-220	2		Seal, Swing Arm
15	3303-178	1		Shaft, Steering - Right
15	3303-180	1		Shaft, Steering - Left
16	3304-595	4	/P	Bolt, Flange
17	3304-031	4	/P	Nut, Flange

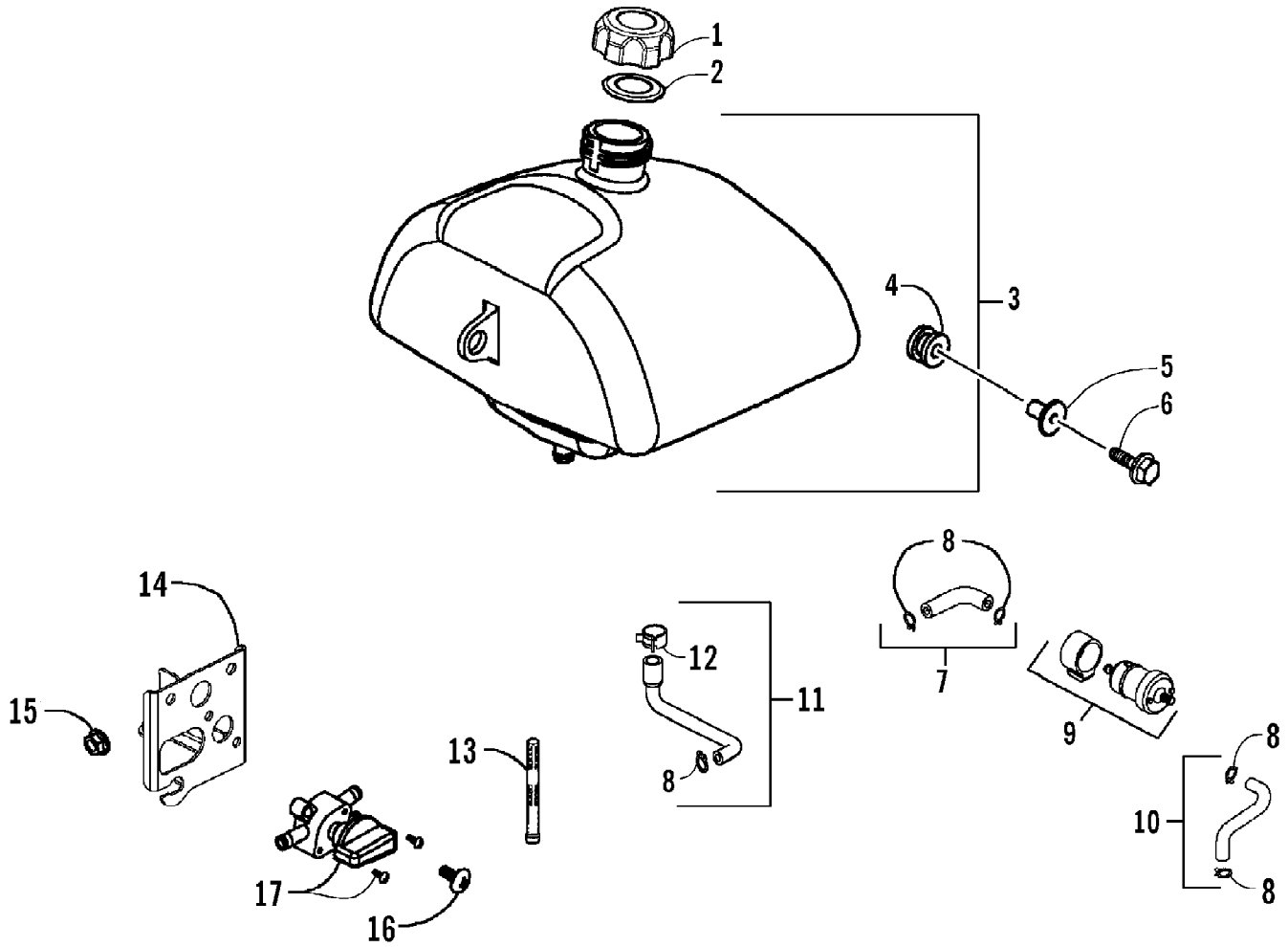
2008 ATV 50 UTILITY PINK (A2008KUA2BUST)
FRONT WHEEL AND BRAKE ASSEMBLIES



2008 ATV 50 UTILITY PINK (A2008KUA2BUST)
FRONT WHEEL AND BRAKE ASSEMBLIES

Page 30 of 58

Ref #	Part Number	Qty	S/P/F	Description
1	3303-430	2		Cap, Wheel Shaft
2	3303-470	2		Pin, Cotter
3	3303-328	2		Nut, Flange Castle
4	3303-279	2	/P	Washer
5	3303-164	2	/P	Collar, Wheel - Front
6	3303-266	8		Nut, Flange
7	3303-569	2		Tire - Assembly
8	3304-524	2		Rim - Assembly (inc. 9)
9	3304-562	2		Stem, Valve
10	3303-165	2		Hub, Front - Assembly (inc. 11-15)
11	3303-456	4		Seal, Dust
12	3303-468	2		Bearing, Ball
13	3303-445	2		Collar
14	3303-467	2		Bearing
15	3303-463	8		Bolt, Stud
16	3303-169	2		Shoe, Front - Assembly (inc. 17)
17	3304-563	2		Spring
18	3303-170	2		Cam, Front Brake
19	3303-168	1		Panel - Front - Right
19	3303-176	1		Panel - Front - Left
20	3303-171	1		Arm, Brake - Right
20	3303-177	1		Arm, Brake - Left
21	3303-355	2		Screw, Cap
22	3303-172	2		Spring, Return

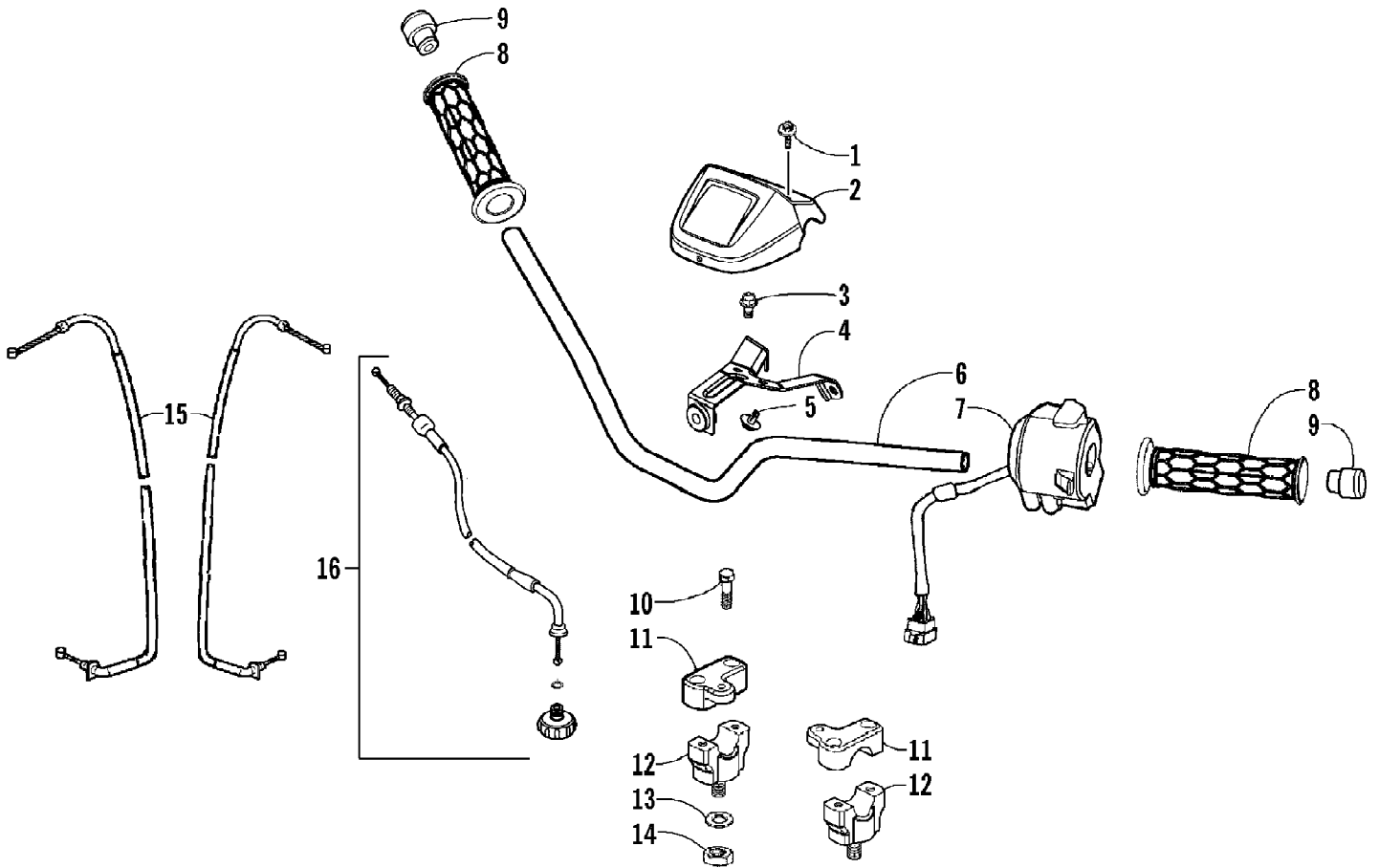


2008 ATV 50 UTILITY PINK (A2008KUA2BUST)
GAS TANK ASSEMBLY

Page 32 of 58

Ref #	Part Number	Qty	S/P/F	Description
1	3303-067	1		Cap, Gas Tank
2	3303-068	1		Seal, Gas Tank Cap
3	3305-488	1		Gas Tank - Assembly (inc. 4)
4	3303-406	2		Rubber, Gas Tank
5	3303-226	2		Collar
6	3303-383	2	/P	Bolt, Flange
7	3305-504	1		Hose, Gas - Assembly (inc. two No. 8)
8	3303-349	5		Clip
9	3305-502	1		Strainer, Fuel - Assembly
10	3305-505	1		Hose, Gas - Assembly (inc. two No. 8)
11	3305-489	1		Hose, Gas - Assembly (inc. one No. 8 and 12)
12	3305-523	1		Clamp, Tube
13	3303-058	1		Screen, Fuel Strainer
14	3305-294	1		Bracket, Shut-Off Valve
15	3303-331	2	/P	Nut, Flange
16	3303-316	2		Screw
17	3303-057	1		Valve, Shut-Off w/Screws

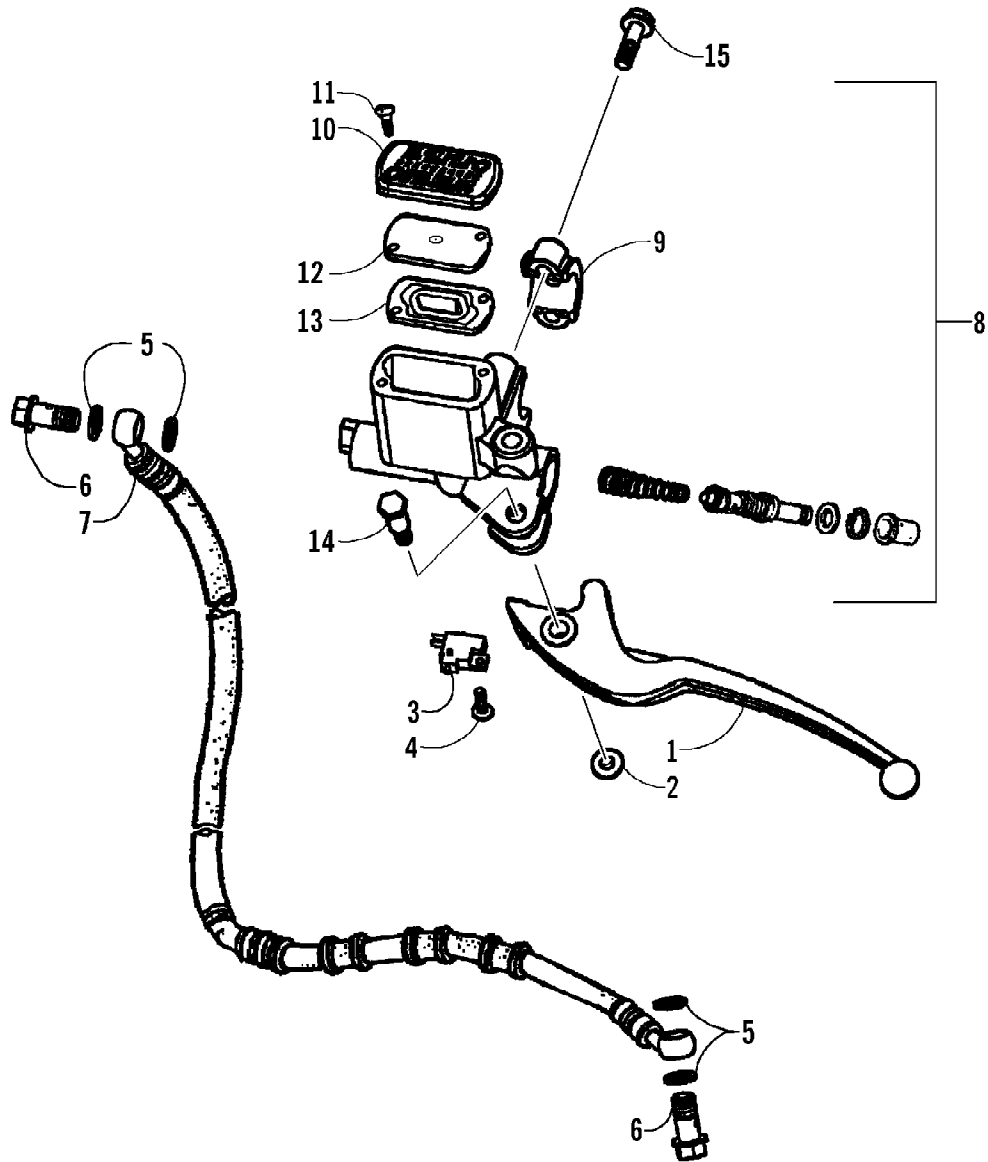
2008 ATV 50 UTILITY PINK (A2008KUA2BUST)
HANDLEBAR AND CONTROL ASSEMBLY



2008 ATV 50 UTILITY PINK (A2008KUA2BUST)
HANDLEBAR AND CONTROL ASSEMBLY

Page 34 of 58

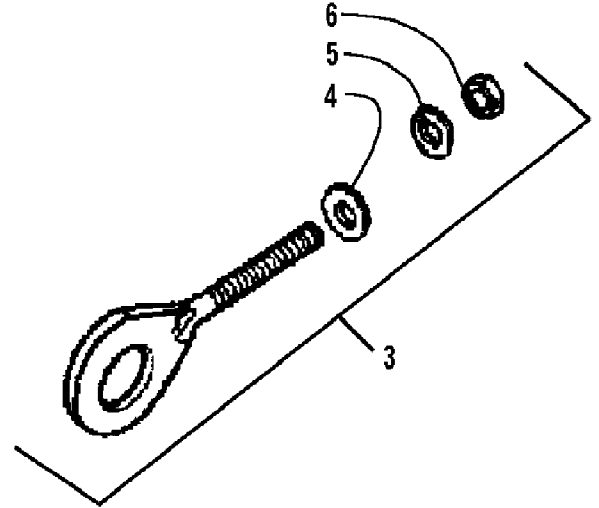
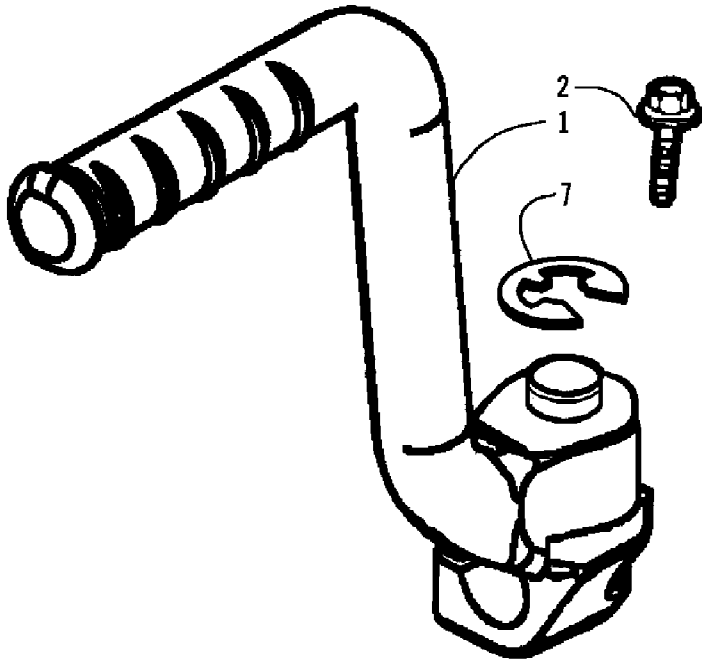
Ref #	Part Number	Qty	S/P/F	Description
1	3304-029	2	/P	Bolt w/Washer
2	3305-577	1		Instrument Pod
3	3304-553	2		Bolt, Flange
4	3304-506	1		Bracket, Instrument Pod
5	3304-552	1		Clip, Mud Guard
6	3303-434	1		Handlebar
7	3303-424	1		Switch, Handlebar - Assembly
8	3303-203	2	S	Grip, Handlebar
9	3303-196	2		End Cap, Handlebar
10	3303-398	4		Bolt, Socket
11	3303-197	1		Holder, Handlebar - Right
11	3303-198	1		Holder, Handlebar - Left
12	3303-199	2		Holder, Handlebar - Lower
13	3305-277	2		Washer
14	3303-325	2		Nut, Hex
15	3303-173	2		Cable, Brake - Front
16	1502-096	1	/P	Cable, Throttle - Kit



2008 ATV 50 UTILITY PINK (A2008KUA2BUST)
HYDRAULIC HAND BRAKE ASSEMBLY

Page 36 of 58

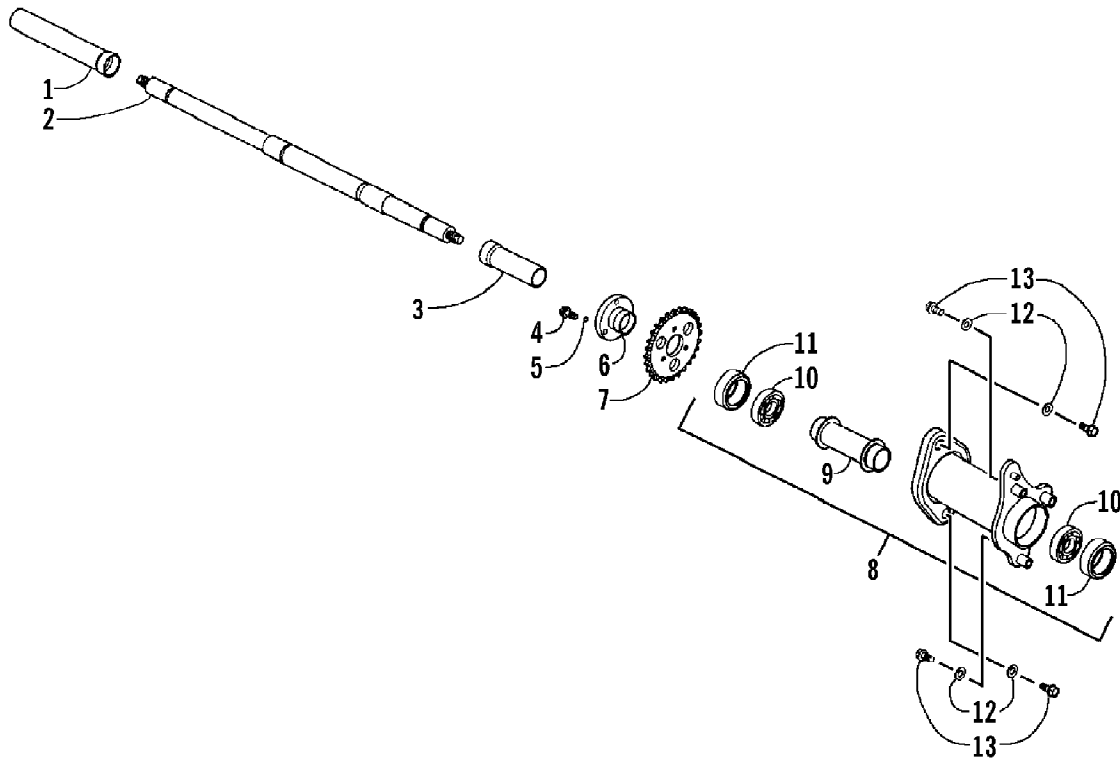
Ref #	Part Number	Qty	S/P/F	Description
1	3303-206	1	/P	Lever
2	3304-654	1	/P	Nut, Flange
3	3303-141	1	/P	Switch Assembly
4	3305-463	1		Screw w/Washer
5	3303-284	4	/P	Washer, Crush
6	3303-257	2	/P	Bolt, Banjo-Fitting
7	3305-278	1		Hose, Brake - Assembly
8	3305-484	1	S	Brake, Master Cylinder - Assembly (inc. 9-14)
9	3303-175	1	/P	Clamp, Master Cylinder
10	3303-174	1	/P	Cap, Master Cylinder
11	3303-318	2		Screw, Flat-Head
12	3305-250	1		Plate, Diaphragm
13	3305-309	1		Diaphragm
14	3303-254	1	/P	Bolt, Lever
15	3305-297	2		Bolt, Flange



2008 ATV 50 UTILITY PINK (A2008KUA2BUST)
KICK STARTER ASSEMBLY

Page 38 of 58

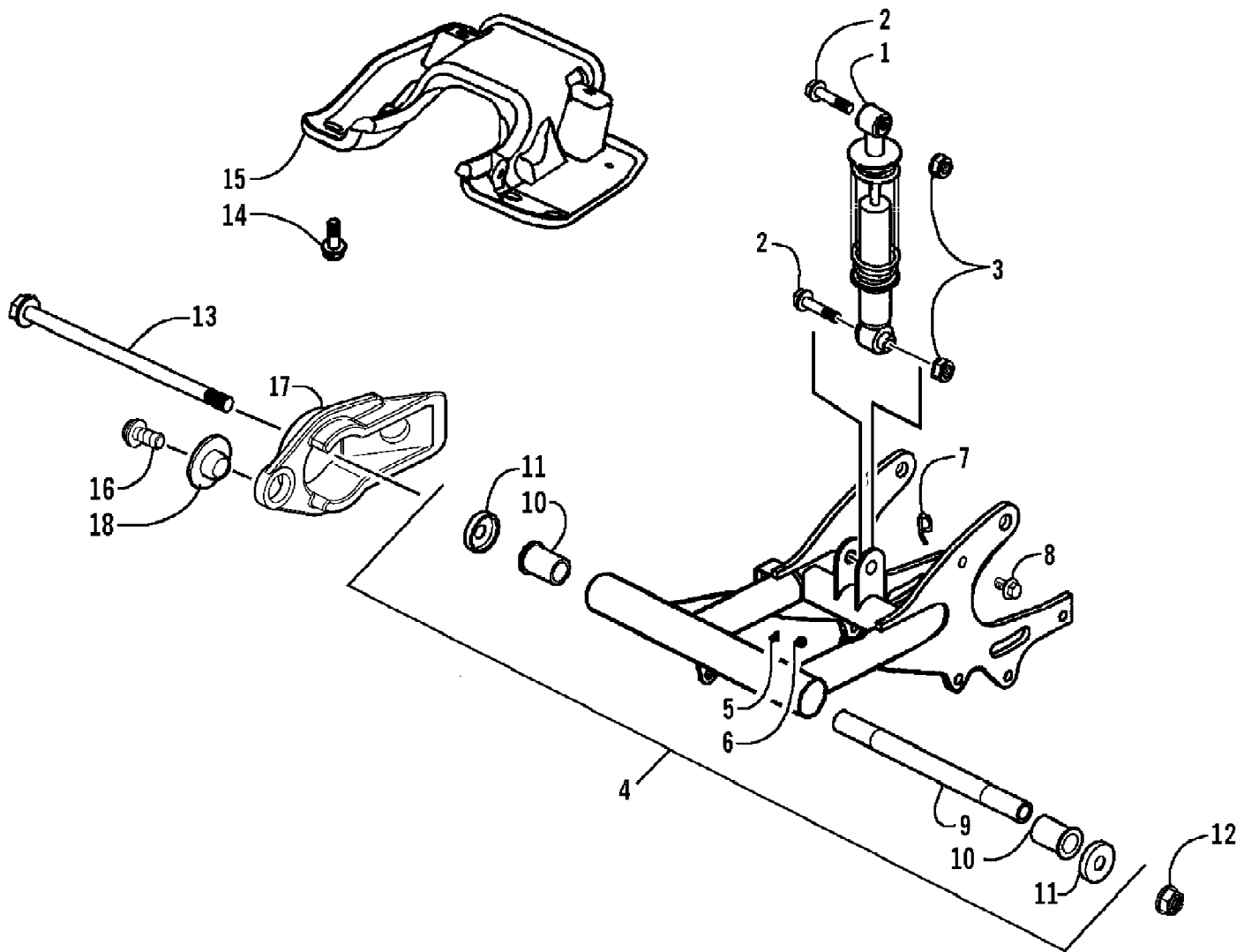
Ref #	Part Number	Qty	S/P/F	Description
1	3303-123	1	/P	Arm, Kick Starter - Assembly
2	3304-551	1	/P	Bolt, Flange
3	3303-147	1		Adjuster, Drive Train - Assembly (inc. 4-6)
4	3304-135	1	/P	Washer
5	3303-607	1	/P	Washer, Spring
6	3304-125	1		Nut, Hex
7	3305-247	1	/P	E-Clip



2008 ATV 50 UTILITY PINK (A2008KUA2BUST)
REAR AXLE ASSEMBLY

Page 40 of 58

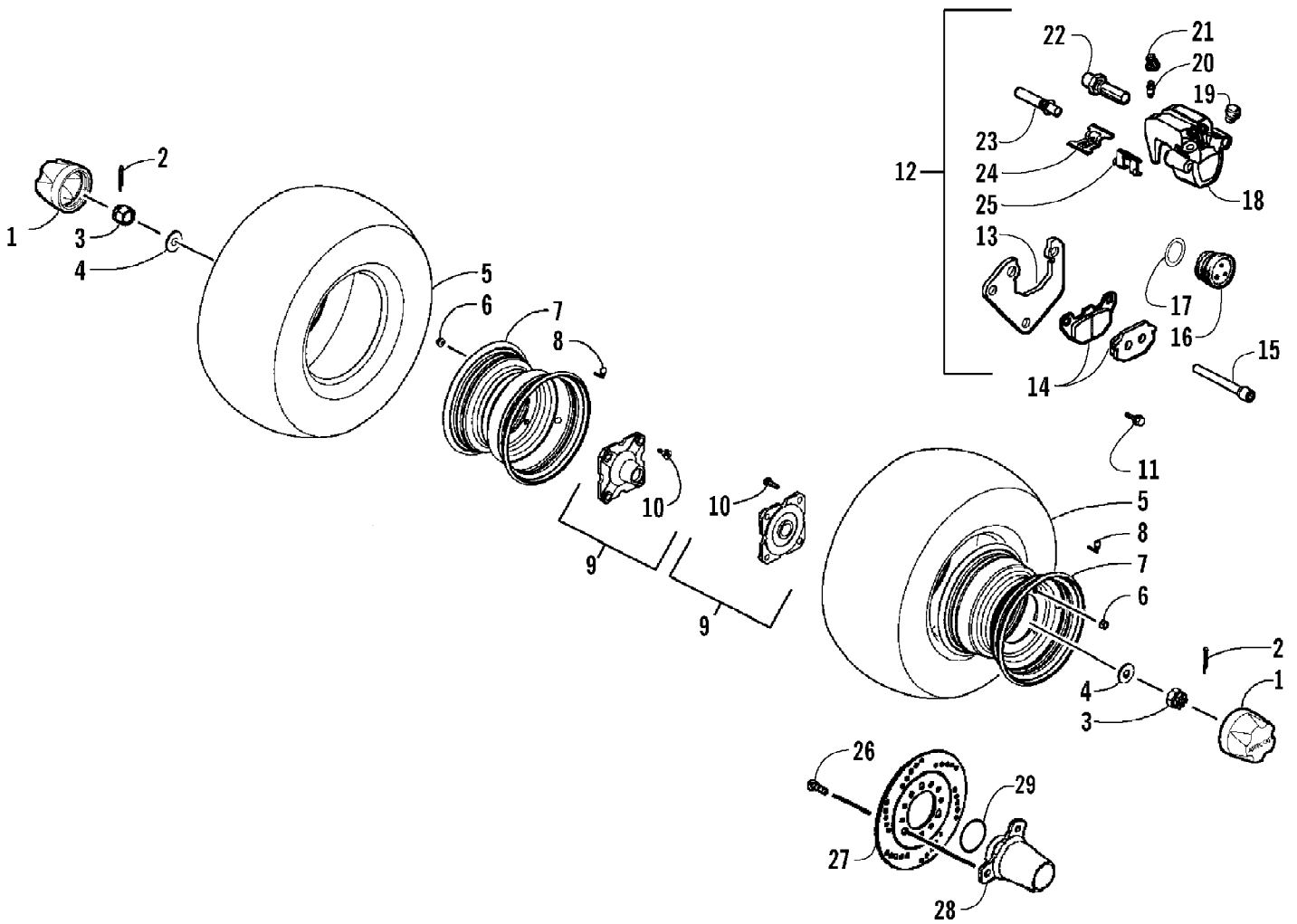
Ref #	Part Number	Qty	S/P/F	Description
1	3303-152	1		Spacer, Rear Wheel - Right
2	3305-287	1		Shaft, Rear Wheel
3	3303-153	1		Spacer, Rear Wheel - Left
4	3304-565	3	/P	Bolt, Flange
5	3303-607	3	/P	Washer, Spring
6	3305-289	1		Holder, Sprocket
7	3303-426	1		Sprocket, Final Drive
8	3303-154	1	S	Hub, Rear - Assembly (inc. 9-11)
9	3303-427	1		Collar, Hub - Right
10	3303-466	2		Bearing
11	3303-461	2		Seal, Dust
12	3303-281	4		Washer
13	3303-379	4		Bolt, Flange



2008 ATV 50 UTILITY PINK (A2008KUA2BUST)
REAR SUSPENSION ASSEMBLY

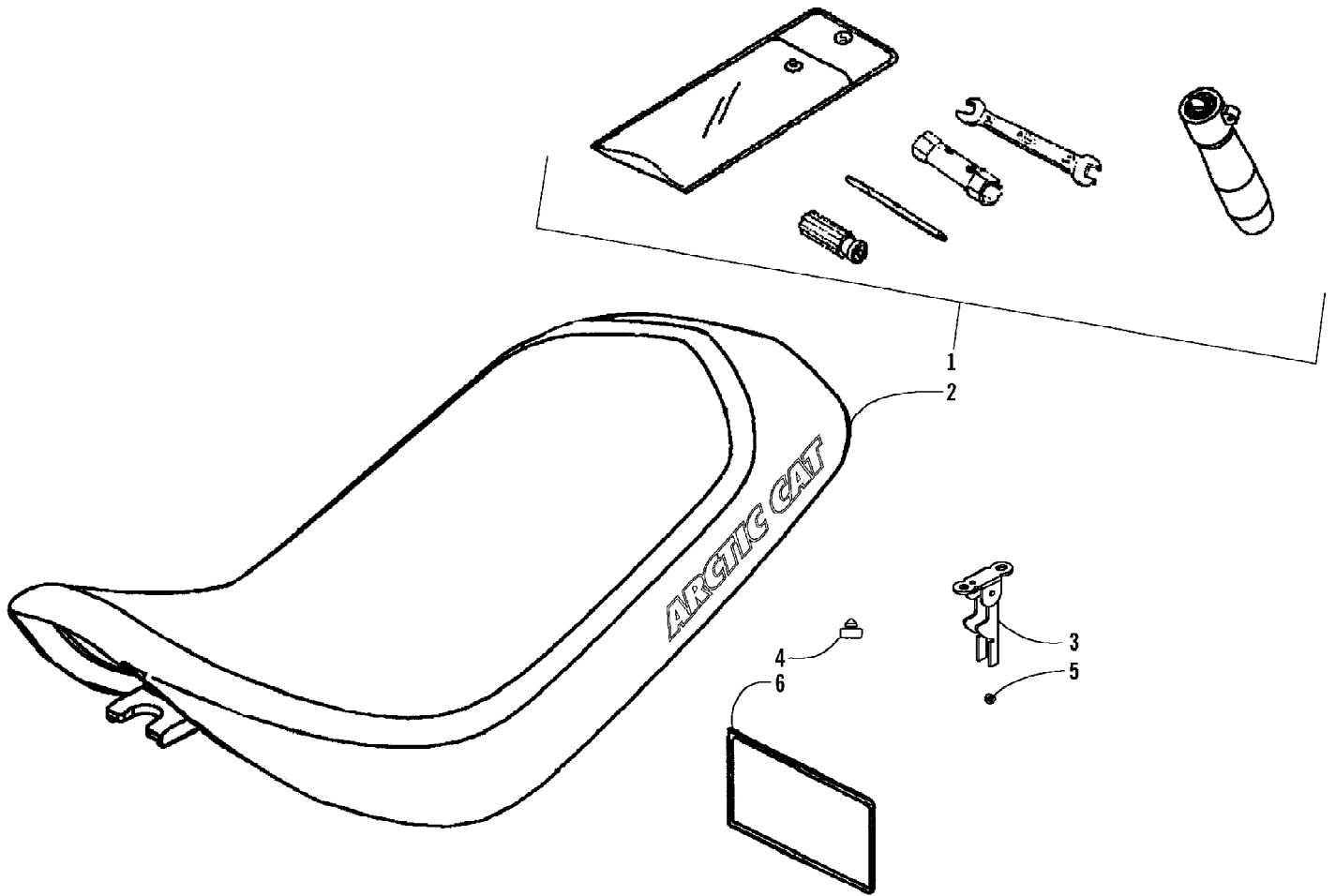
Ref #	Part Number	Qty	S/P/F	Description
1	3303-433	1		Shock, Rear - Assembly
2	3303-376	2	/P	Bolt, Flange
3	3304-031	2	/P	Nut, Flange
4	3305-290	1		Fork, Rear - Assembly (inc. 5-11)
5	3303-394	1		Boot, Grease Fitting
6	3303-393	1		Fitting, Grease
7	3304-594	1		Clamp, Brake Hose
8	3305-341	1		Bolt
9	3303-189	1		Axle, Rear Fork
10	3303-191	2		Bushing, Rear Fork
11	3303-192	2		Cap, Rear Fork
12	3304-032	1		Nut
13	3303-150	1		Bolt, Rear Fork
14	3305-454	4		Bolt, Flange
15	3304-593	1		Guard, Rear Fork
16	3304-690	2		Screw, Self-Tapping
17	3305-291	1		Slider, Chain
18	3304-360	2		Collar, Chain Slider

2008 ATV 50 UTILITY PINK (A2008KUA2BUST)
REAR WHEEL AND BRAKE ASSEMBLIES



2008 ATV 50 UTILITY PINK (A2008KUA2BUST)
REAR WHEEL AND BRAKE ASSEMBLIES

Ref #	Part Number	Qty	S/P/F	Description
1	3303-430	2		Cap, Wheel Shaft
2	3303-340	2		Pin, Cotter
3	3303-330	2		Nut, Flange Castle
4	3305-285	2		Washer
5	3303-569	2		Tire - Rear
6	3303-266	8		Nut, Flange
7	3304-524	2		Wheel - Assembly (inc. 8)
8	3304-562	2		Stem, Valve w/Cap
9	3303-157	2	/P	Connector - Assembly (inc. 10)
10	3303-250	8		Bolt, Connector
11	3303-256	2		Bolt, Flange
12	3305-449	1		Caliper, Rear - Assembly (inc. 13-25)
13	3303-469	1	/P	Bracket
14	3304-567	1	/P	Pad, Brake - Assembly
15	3304-566	2		Pin, Bolt
16	3304-314	1	/P	Piston
17	3305-380	1	/P	Seal, Piston
18	0	1	F	Housing, Caliper - Assembly
19	3304-333	1		Plug
20	3304-302	1		Valve, Bleed
21	3304-303	1		Cap, Bleed Valve
22	3304-589	1		Bushing, Pin Bolt
23	3304-590	1		Boot
24	3304-591	1		Spring, Brake Pad
25	3305-377	1	/P	Seal, Dust
26	3305-143	3	S	Bolt, Disc
27	3303-162	1		Disc, Brake - Rear
28	3305-249	1		Collar, Hub - Rear
29	3305-298	1		O-Ring

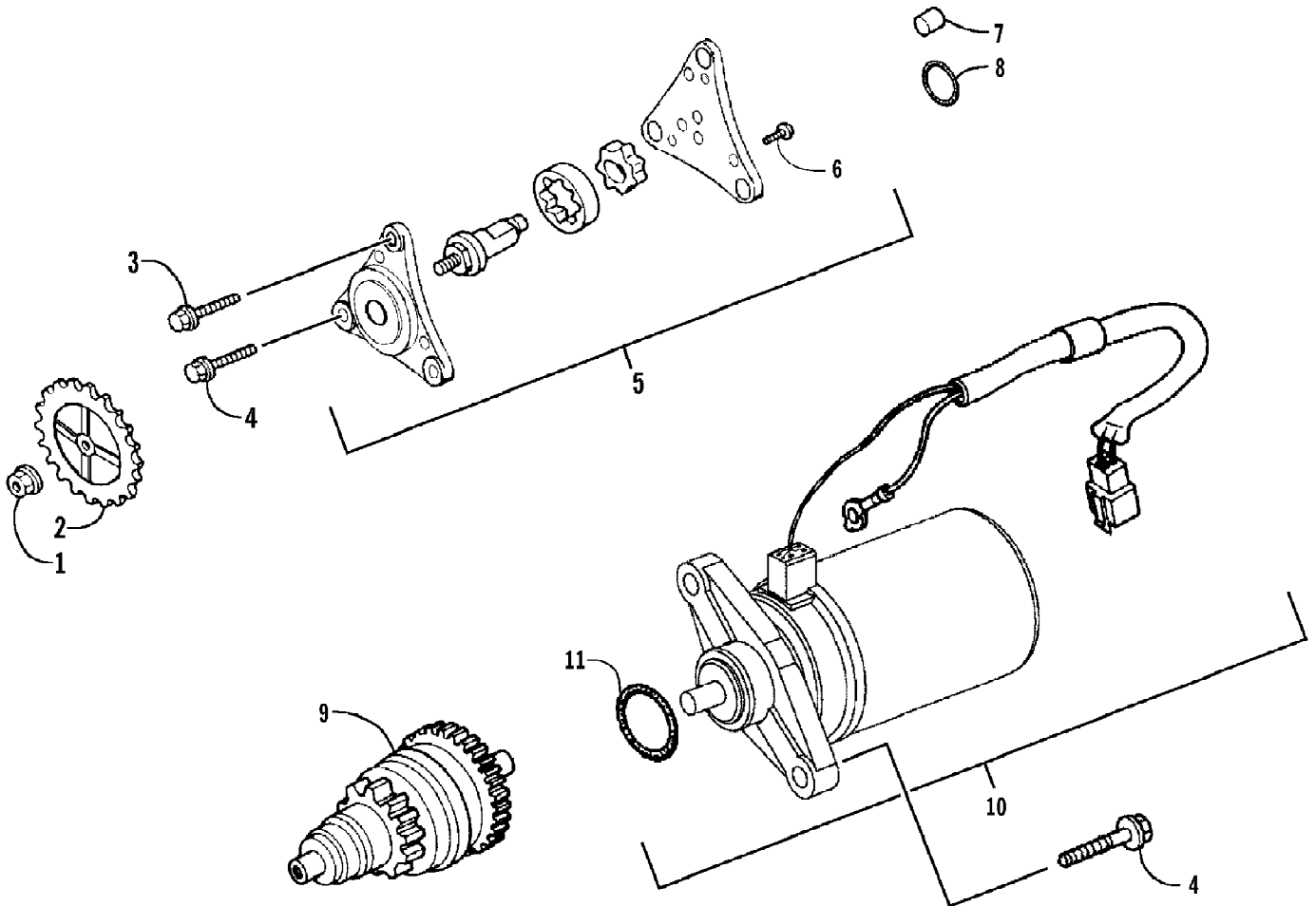


2008 ATV 50 UTILITY PINK (A2008KUA2BUST)
SEAT AND TOOL KIT ASSEMBLY

Page 46 of 58

Ref #	Part Number	Qty	S/P/F	Description
1	3303-578	1	/P	Tool - Kit
2	3304-497	1	/P	Seat - Assembly (inc. 3-5)
3	3304-392	1		Latch, Seat - Assembly
4	3304-568	2		Rubber, Seat Cushion
5	3303-331	2	/P	Nut, Flange
6	3303-242	1		Band, Tool Kit

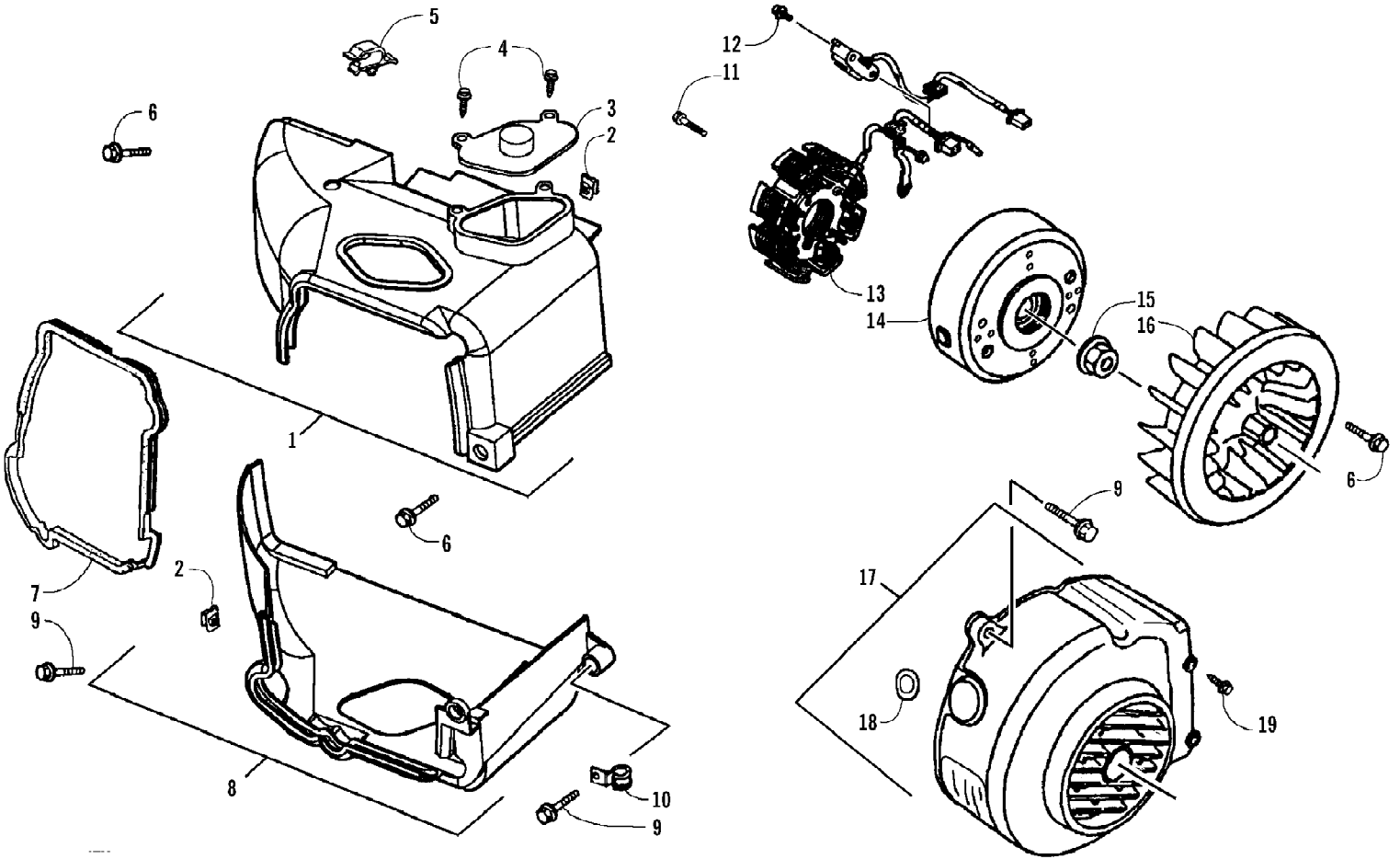
2008 ATV 50 UTILITY PINK (A2008KUA2BUST)
STARTER MOTOR AND OIL PUMP ASSEMBLIES



2008 ATV 50 UTILITY PINK (A2008KUA2BUST)
STARTER MOTOR AND OIL PUMP ASSEMBLIES

Ref #	Part Number	Qty	S/P/F	Description
1	3303-331	1	/P	Nut, Flange
2	3303-509	1		Gear, Driven - Oil Pump
3	3303-383	2	/P	Bolt, Flange
4	3303-384	3	/P	Bolt, Flange
5	3303-508	1		Pump, Oil - Assembly
6	3304-583	3		Screw, Pan Head
7	3303-595	2		Pin, Dowel
8	3304-461	2		O-Ring
9	3303-558	1		Pinion, Starter - Assembly
10	3303-556	1		Motor, Starter - Assembly
11	3303-604	1		O-Ring

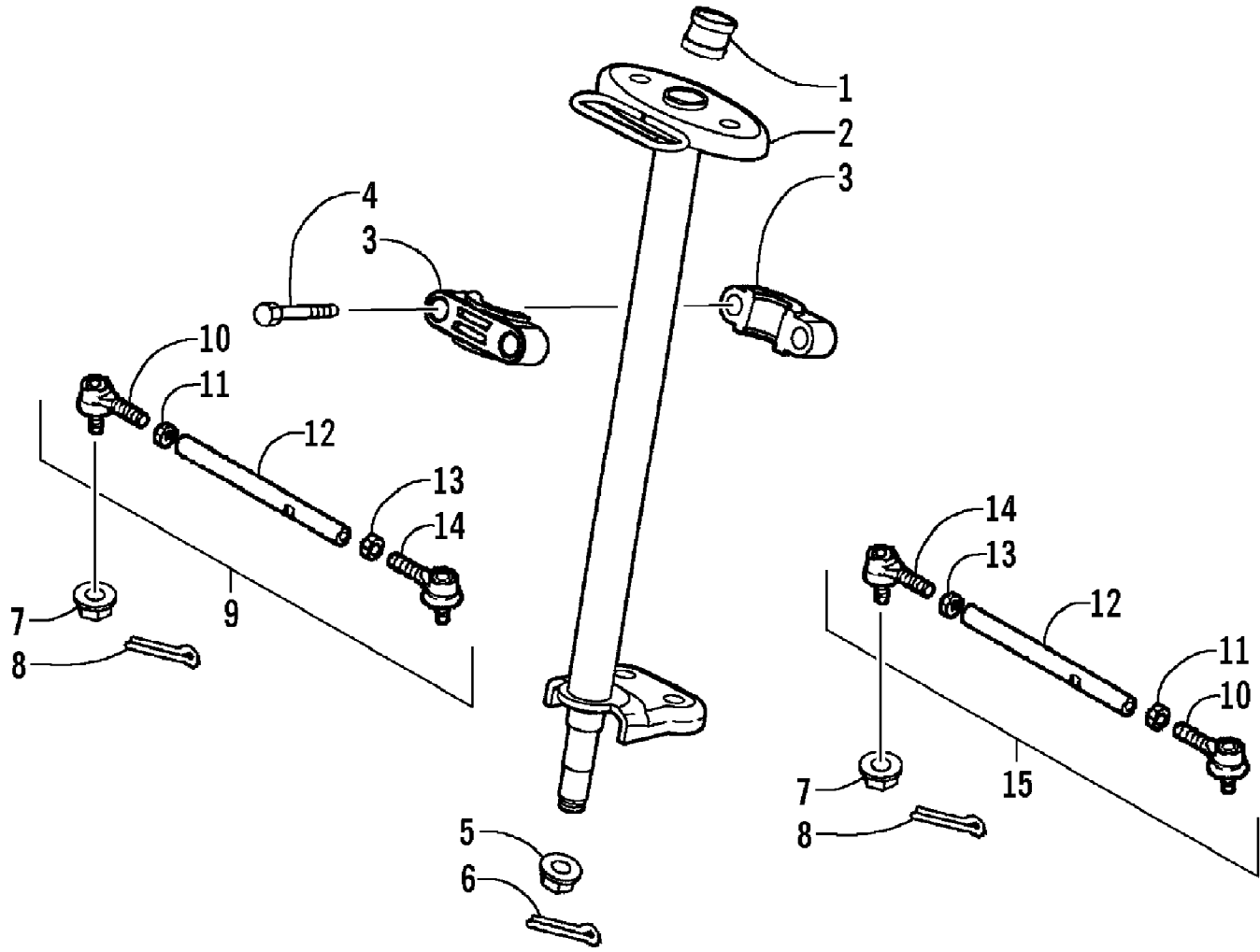
2008 ATV 50 UTILITY PINK (A2008KUA2BUST)
STATOR, FLYWHEEL, AND ENGINE SHROUD ASSEMBLIES



2008 ATV 50 UTILITY PINK (A2008KUA2BUST)
STATOR, FLYWHEEL, AND ENGINE SHROUD ASSEMBLIES

Ref #	Part Number	Qty	S/P/F	Description
1	3303-520	1		Shroud B - Assembly (inc. one No. 2 and 3-5)
2	3303-267	2		Nut, Clip
3	3303-519	1		Box, Tensioner Lifter
4	3303-605	2		Screw, Self-Tapping
5	3303-443	1	/P	Clip, Vacuum Tube
6	3303-382	6	/P	Bolt, Flange
7	3303-517	1		Seal, Shroud
8	3303-518	1		Shroud A - Assembly (inc. one No. 2)
9	3303-384	3	/P	Bolt, Flange
10	3304-640	1		Clamp, Carburetor Drain Tube
11	3303-619	2	/P	Bolt, Flange
12	3303-308	2		Bolt
13	3305-300	1		Stator - Assembly (A) - D402
13	3303-554	1		Stator - Assembly (B) - D406
13	3303-555	1		Stator - Assembly (C) - D414
14	3303-551	1		Flywheel (A) - D402
14	3303-552	1		Flywheel (B) - D406
14	3303-553	1		Flywheel (C) - D414
15	3303-333	1	/P	Nut, Flange
16	3303-515	1		Fan, Cooling
17	3303-516	1	/P	Cover, Fan - Assembly (inc. 18)
18	3303-620	1		Grommet
19	3304-585	2	/P	Screw, Self-Tapping

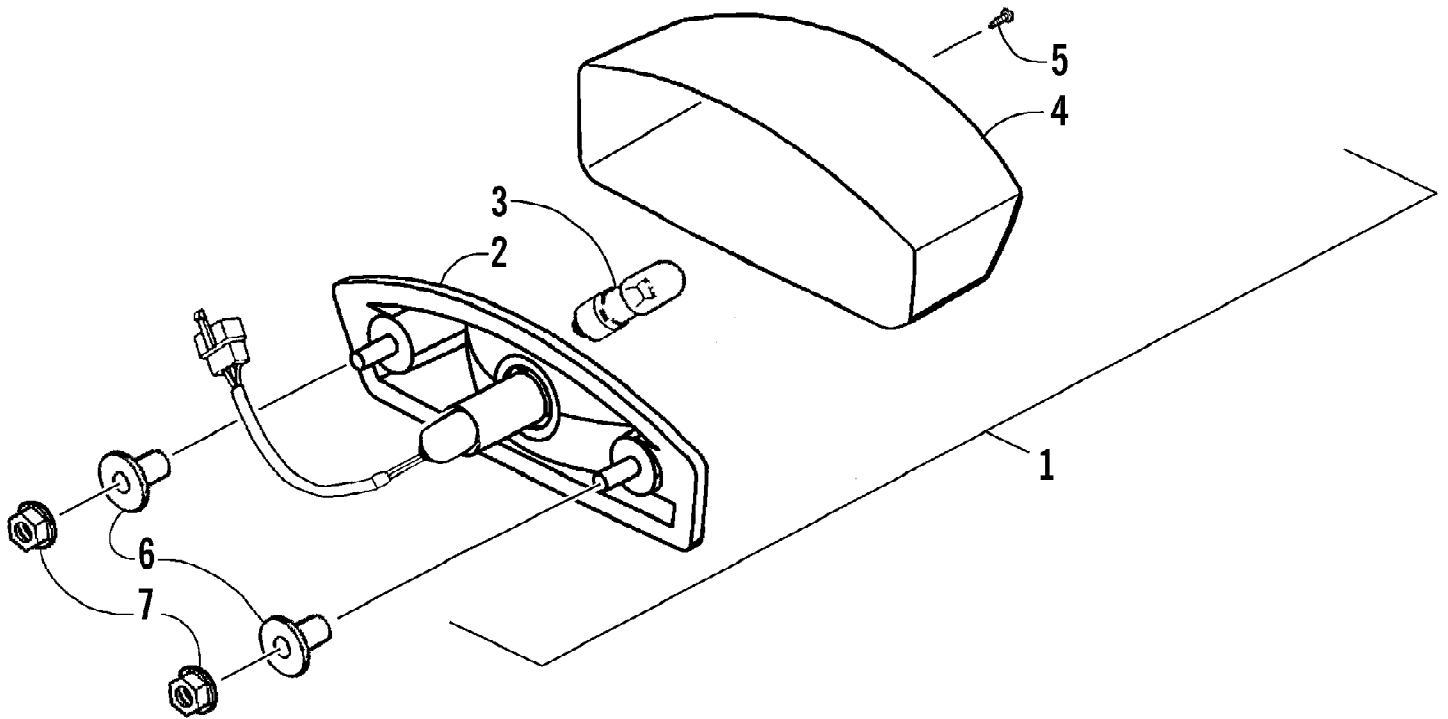
2008 ATV 50 UTILITY PINK (A2008KUA2BUST)
STEERING POST ASSEMBLY



2008 ATV 50 UTILITY PINK (A2008KUA2BUST)
STEERING POST ASSEMBLY

Page 52 of 58

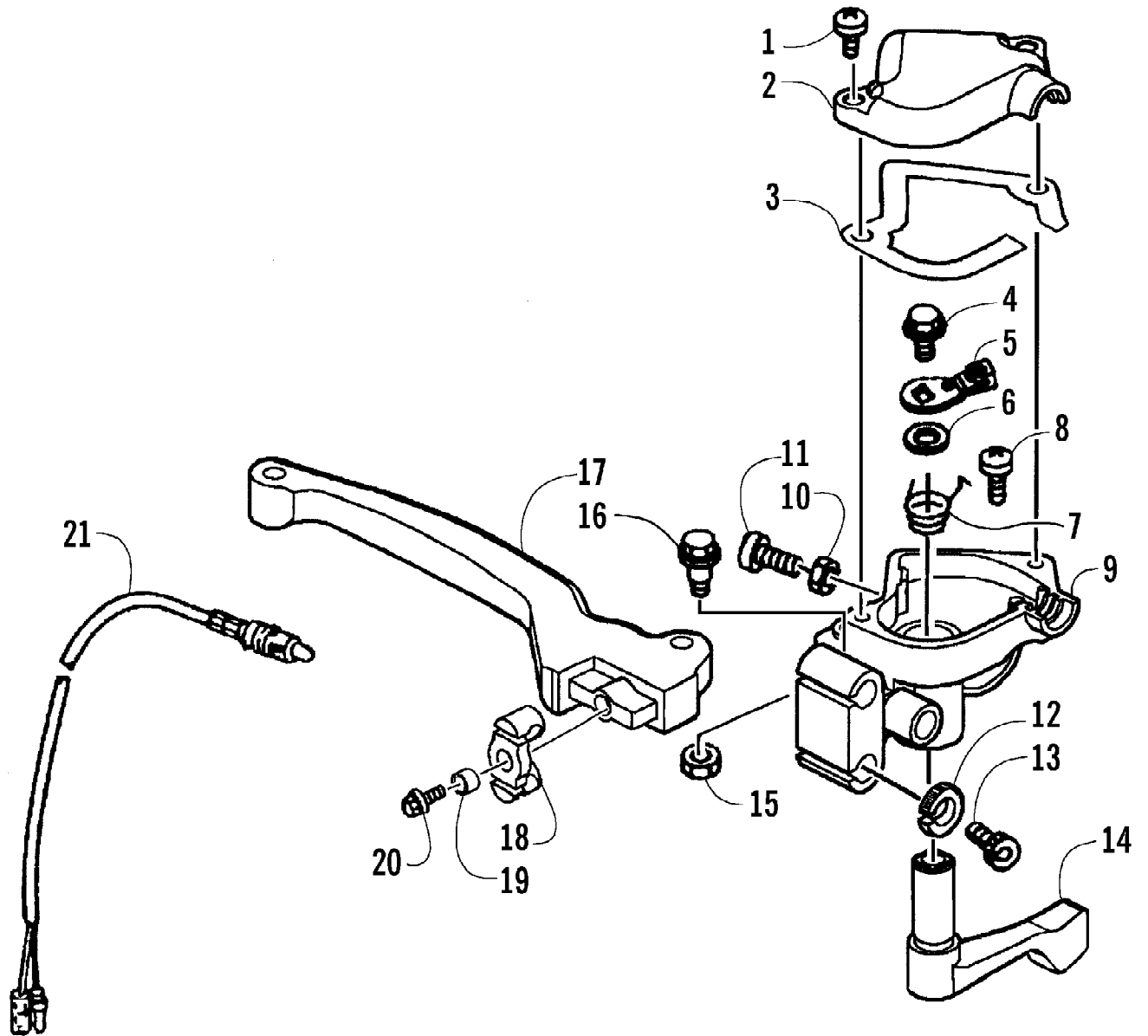
Ref #	Part Number	Qty	S/P/F	Description
1	3303-214	1	S	Sleeve, Steering Post
2	3303-573	1	/P	Post, Steering
3	3303-213	2		Holder, Steering Post
4	3304-559	2		Bolt, Flange
5	3304-032	1		Nut
6	3303-470	1		Pin, Cotter
7	3303-266	4		Nut, Flange
8	3303-621	4	/P	Pin, Cotter
9	3305-280	1		Tie Rod Assembly - Right (inc. one No. 10-14)
10	3305-281	2		Ball Joint, Tie Rod - Right
11	3303-326	2		Nut, Hex
12	3305-282	2		Tie Rod
13	3303-327	2		Nut, Hex
14	3305-283	2		Ball Joint, Tie Rod - Left
15	3305-284	1		Tie Rod Assembly - Left (inc. one No. 10-14)



2008 ATV 50 UTILITY PINK (A2008KUA2BUST)
TAILLIGHT ASSEMBLY

Page 54 of 58

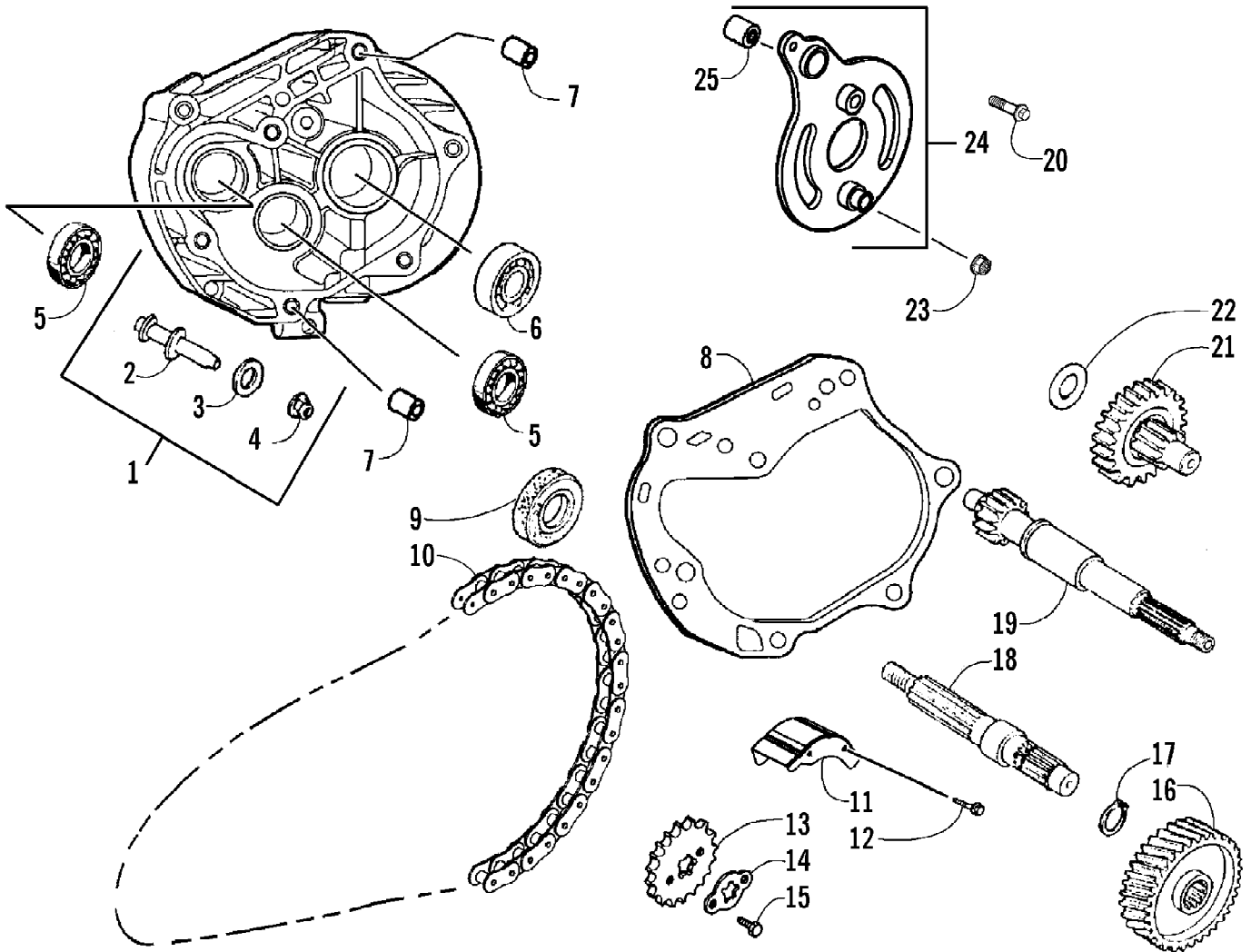
Ref #	Part Number	Qty	S/P/F	Description
1	3303-420	1		Taillight - Assembly (inc. 2-5)
2	3303-422	1		Base, Taillight
3	3303-444	1	S	Bulb, Taillight
4	3303-421	1	/P	Lens, Taillight
5	3304-537	2		Screw
6	3303-226	2		Collar, Front Fender
7	3303-331	2	/P	Nut, Flange



2008 ATV 50 UTILITY PINK (A2008KUA2BUST)
THROTTLE CONTROL ASSEMBLY

Page 56 of 58

Ref #	Part Number	Qty	S/P/F	Description
	3303-447	1		Complete Throttle Control Assembly
1	3303-315	2		Bolt, Flange
2	3303-207	1		Cover, Throttle Control
3	3303-209	1		Gasket, Throttle Control Cover
4	3304-554	1		Screw
5	3304-555	1		Cover, Parking Brake
6	3304-556	1		Button, Parking Brake
7	3304-557	1		Stopper, Parking Brake
8	3303-397	1		Bolt, Socket
9	3303-204	1		Case, Throttle Control
10	3303-324	1		Nut, Hex
11	3304-558	1		Screw
12	3303-271	2		Nut, Lock
13	3303-208	2		Bolt, Wire Adjustment
14	3303-200	1		Lever, Throttle
15	3303-262	1		Nut
16	3303-255	1		Bolt
17	3303-205	1		Lever, Brake
18	3303-201	1		Equalizer, Brake Cable
19	3303-202	1		Spacer
20	3303-558	1		Bolt, Flange
21	3303-140	1		Switch, Brake



2008 ATV 50 UTILITY PINK (A2008KUA2BUST)
TRANSMISSION ASSEMBLY

Page 58 of 58

Ref #	Part Number	Qty	S/P/F	Description
1	3303-521	1		Case, Transmission - Set (inc. 2-4)
2	3304-606	1	/P	Bolt, Engine Brake
3	3303-462	1		O-Ring
4	3303-270	1		Nut, Flange
5	3303-596	2	/P	Bearing, Ball
6	3303-598	1	/P	Bearing, Ball
7	3303-343	2		Pin, Dowel
8	3303-081	1		Gasket, Transmission Case A
9	3303-300	1		Seal, Oil
10	3303-425	1		Chain, Drive
11	3303-144	1		Cover, Chain
12	3304-610	2		Bolt, Flange
13	3303-107	1	/P	Sprocket, Drive
14	3303-108	1		Plate
15	3303-307	2		Bolt
16	3303-546	1		Gear, Final
17	3303-344	1		Circlip
18	3304-826	1		Shaft, Final
19	3303-544	1		Driveshaft
20	3304-607	1		Bolt, Flange
21	3303-545	1		Countershaft - Assembly
22	3303-273	1		Washer
23	3303-268	2		Nut, Flange
24	3303-185	1	/P	Bracket, Engine Hanger - Assembly (inc. 25)
25	3303-403	1		Bushing, Rubber