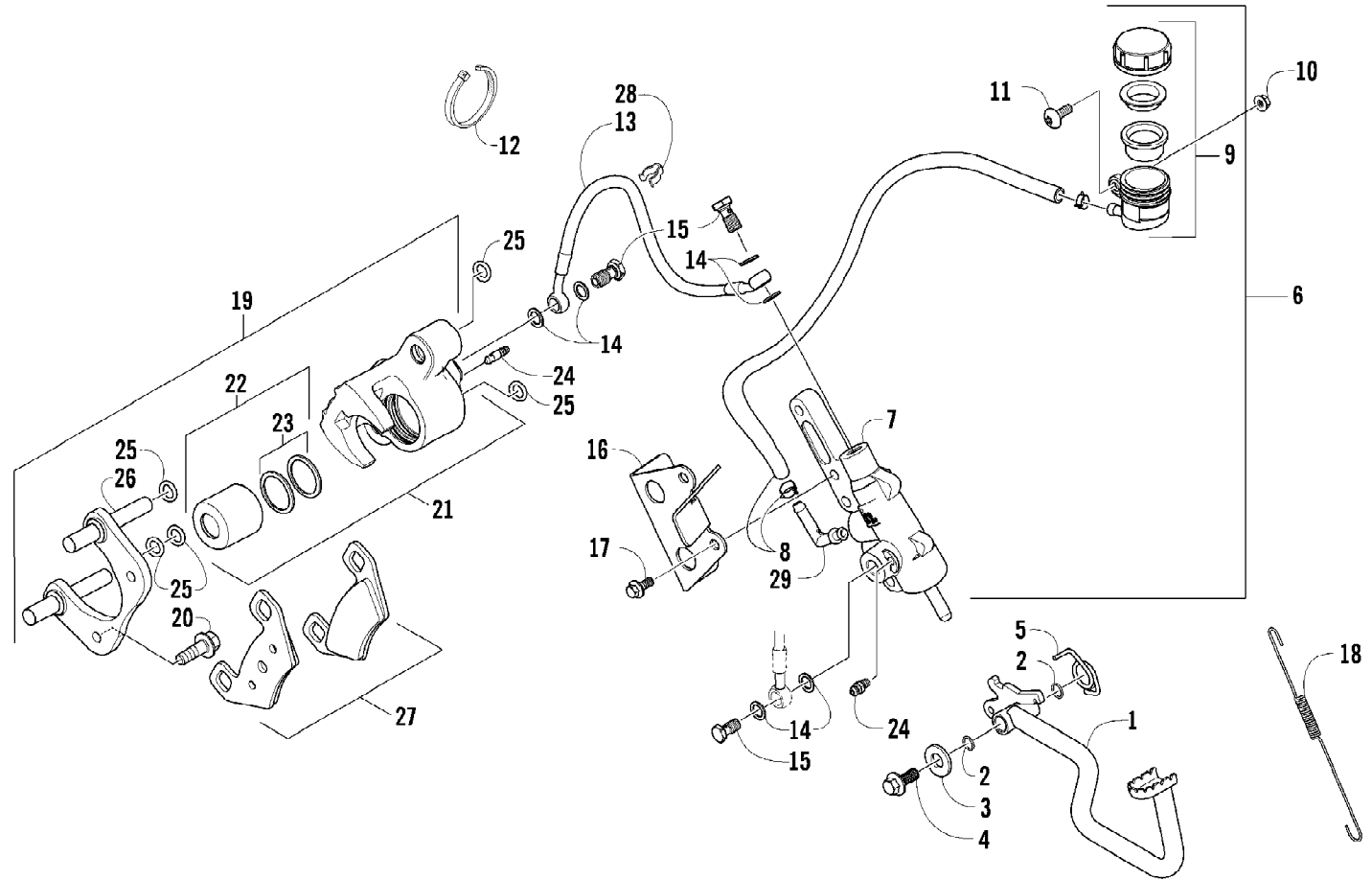


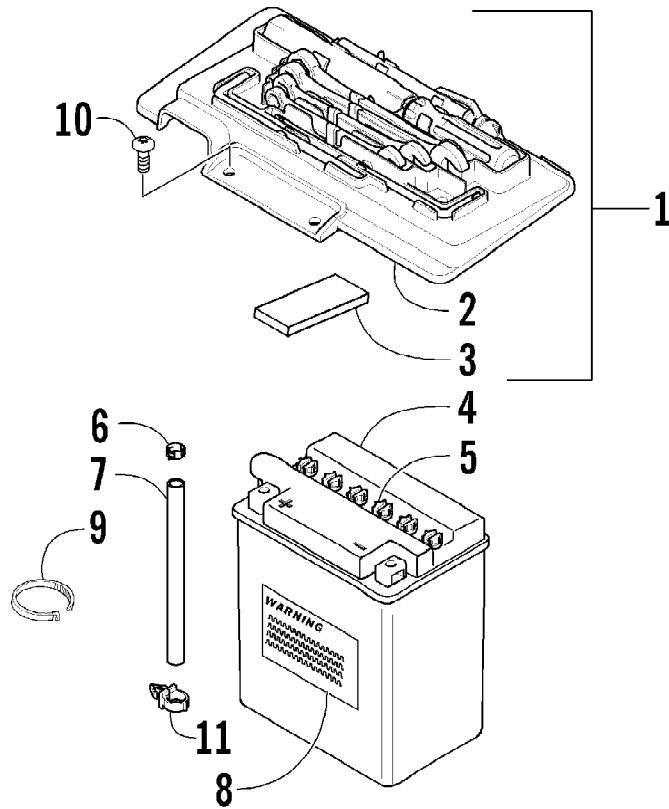
2008 ATV 400 MANUAL TRANSMISSION 4X4 FIS GREEN (A2008ICH4AUSG) Page 2 of 93
AIR INTAKE ASSEMBLY

| Ref # | Part Number | Qty | S/P/F | Description |
|-------|-------------|-----|-------|-----------------------------|
| 1 | 0413-091 | 1 | | Diverter, Air - Top |
| 2 | 0413-093 | 1 | | Diverter, Air - Bottom |
| 3 | 0470-442 | 2 | /P | Valve, Drain |
| 4 | 2406-013 | 1 | | Shroud, Splash |
| 5 | 0623-362 | 2 | | Rivet, Reinstallable |
| 6 | 0413-096 | 1 | | Cap, Air Diverter |
| 7 | 0423-551 | 3 | | Clamp, Boot |
| 8 | 0423-342 | 7 | /P | Screw, Self-Tapping |
| 9 | 0470-529 | 1 | | Boot, Air Intake |
| 10 | 0470-540 | 1 | S | Housing, Air Intake |
| 11 | 0423-454 | 2 | | Clip, Mounting - Air Intake |
| 12 | 0470-516 | 1 | | Screen, Air Filter |
| 13 | 0470-663 | 1 | /P | Filter, Air |
| 14 | 0470-755 | 1 | S | Cover, Air Intake |
| 15 | 0423-455 | 4 | | Clip, Spring |
| 16 | 0423-045 | 2 | | Clamp, Hose |
| 17 | 0410-087 | 1 | S | Hose, Vent - Crankcase |
| 18 | 0423-554 | 1 | | Clamp, Boot |
| 19 | 0470-517 | 1 | | Boot, Carburetor |
| 20 | 0423-019 | 1 | | Clamp, Boot |
| 21 | 0470-738 | 1 | | Carburetor, CVK34-AE |
| 22 | 0510-592 | 1 | | Hose, Carburetor Drain |



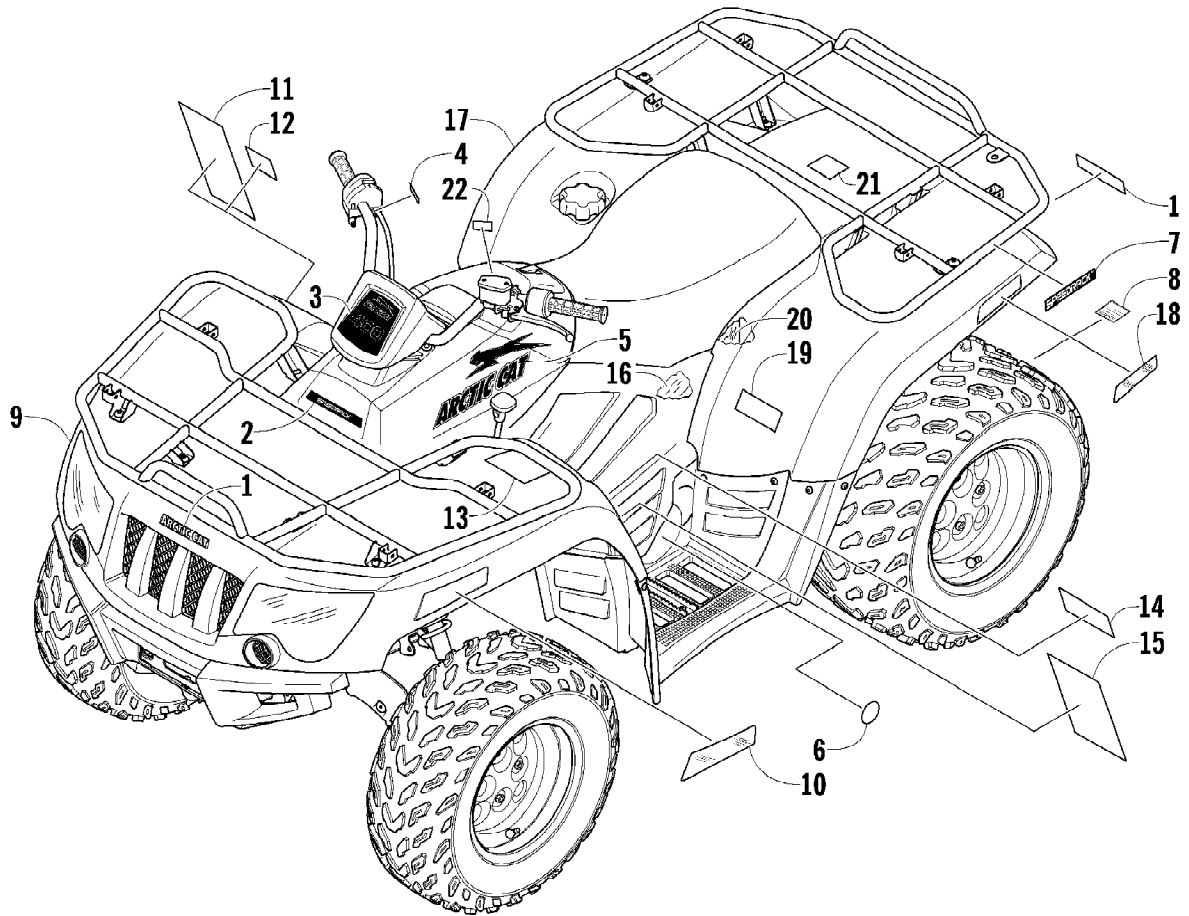
2008 ATV 400 MANUAL TRANSMISSION 4X4 FIS GREEN (A2008ICH4AUSG) Page 4 of 93
AUXILIARY BRAKE ASSEMBLY

| Ref # | Part Number | Qty | S/P/F | Description |
|-------|-------------|-----|-------|--|
| | 1502-292 | 1 | | Master Cylinder Replacement Kit |
| 1 | 1502-068 | 1 | | Lever, Brake |
| 2 | 1602-213 | 2 | /P | O-Ring |
| 3 | 8050-252 | 1 | | Washer |
| 4 | 8408-816 | 1 | | Screw, Cap |
| 5 | 0502-807 | 1 | | Spring, Brake Lever |
| 6 | 1502-293 | 1 | | Brake Assembly (inc. 7-9) |
| 7 | 0 | 1 | F | Master Cylinder |
| 8 | 0 | 1 | F | Hose, Brake Fluid Reservoir w/Clamps |
| 9 | 1502-155 | 1 | | Reservoir, Brake Fluid w/Clamp |
| 10 | 0623-038 | 1 | | Nut, Flanged |
| 11 | 8476-616 | 1 | | Screw, Machine |
| 12 | 0123-788 | 1 | /P | Cable Tie - 7.5 in. |
| 13 | 1502-139 | 1 | | Hose, Brake |
| 14 | 0423-178 | 6 | | Washer, Crush |
| 15 | 0423-413 | 3 | | Bolt, Banjo-Fitting |
| 16 | 1502-179 | 1 | | Bracket, Switch |
| 17 | 8408-625 | 2 | | Screw, Cap |
| 18 | 0502-785 | 1 | | Spring, Brake Switch |
| 19 | 1436-163 | 1 | | Caliper, Brake (inc. 20-23, one No. 24, and 25-27) |
| 20 | 8408-821 | 2 | /P | Screw, Cap |
| 21 | 1436-161 | 1 | /P | Housing, Caliper - Assembly - Right Rear (inc. 22-23 and one No. 24) |
| 22 | 0502-606 | 1 | | Piston/Seal Set (inc. 23) |
| 23 | 0502-607 | 1 | | Seal Set |
| 24 | 0502-609 | 2 | /P | Valve, Bleed |
| 25 | 0502-608 | 1 | | O-Ring, Guide - Set |
| 26 | 0502-605 | 1 | | Bracket Assembly |
| 27 | 0502-875 | 1 | S | Pad, Brake - Set |
| 28 | 1502-115 | 2 | | Clip, Brake Hose |
| 29 | 1502-296 | 1 | /P | Adapter, Hose |



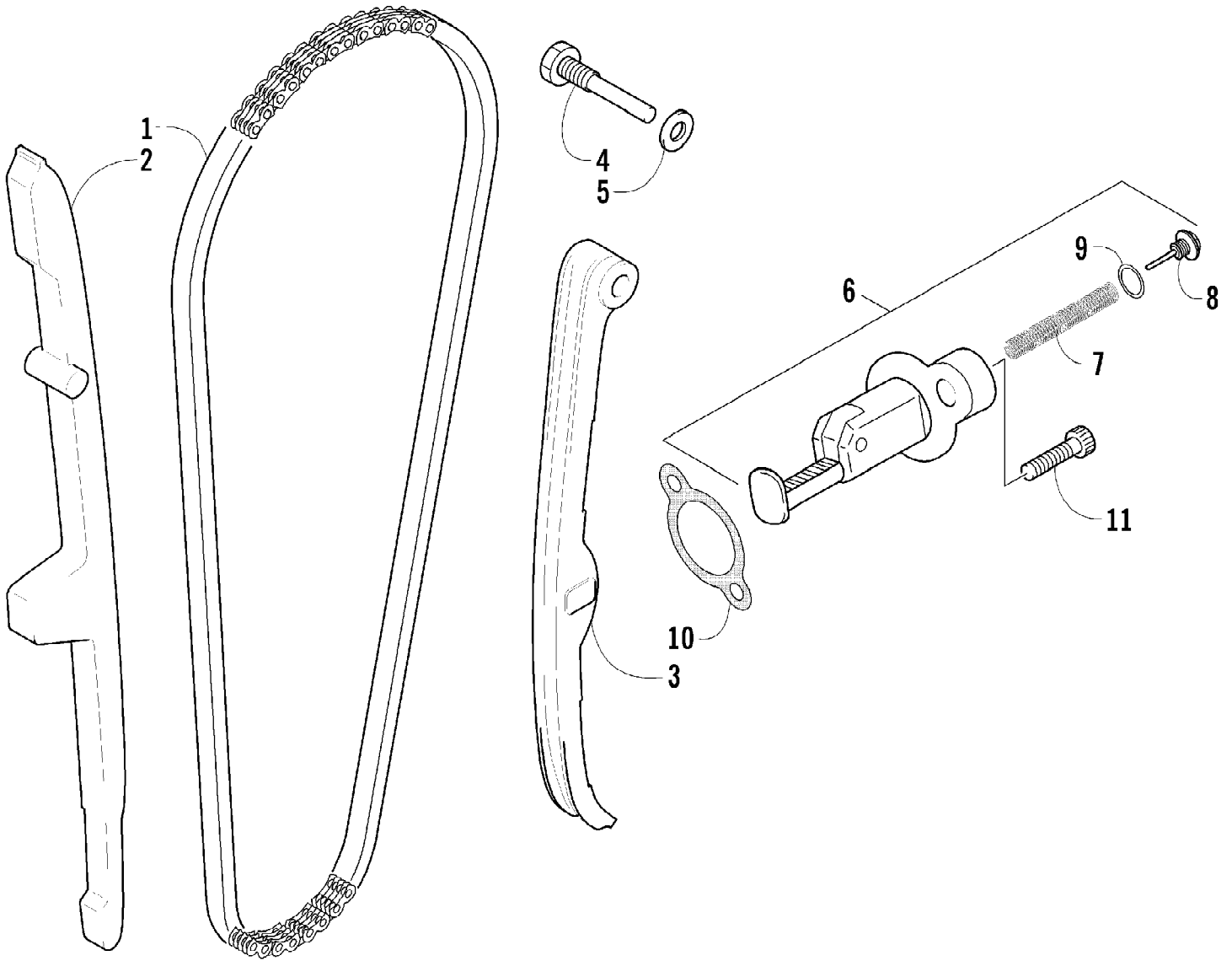
2008 ATV 400 MANUAL TRANSMISSION 4X4 FIS GREEN (A2008ICH4AUSG) Page 6 of 93
BATTERY ASSEMBLY

| Ref # | Part Number | Qty | S/P/F | Description |
|-------|-------------|-----|-------|---|
| 1 | 5991-395 | 1 | S | Battery Cover/Tool Tray Assembly (inc. 2-3) |
| 2 | 2406-815 | 1 | /P | Cover, Battery |
| 3 | 0406-288 | 2 | | Pad, Battery |
| 3 | 0444-122 | 1 | S/P | Kit, Tool Not Illustrated |
| 4 | 0745-045 | 1 | /P | Battery Assembly (inc. 5-8) |
| 5 | 0645-045 | 6 | | Cap, Battery |
| 6 | 0645-152 | 1 | | Clamp, Hose |
| 7 | 0645-263 | 1 | /P | Hose, Vent |
| 8 | 0645-151 | 1 | | Label, Warning - Battery |
| 9 | 0123-903 | 4 | | Cable Tie - 11.5 in. |
| 10 | 8476-616 | 2 | | Screw, Machine |
| 11 | 0623-101 | AR | | Clip, Retaining |



2008 ATV 400 MANUAL TRANSMISSION 4X4 FIS GREEN (A2008ICH4AUSG) Page 8 of 93
BODY PANELS AND DECALS

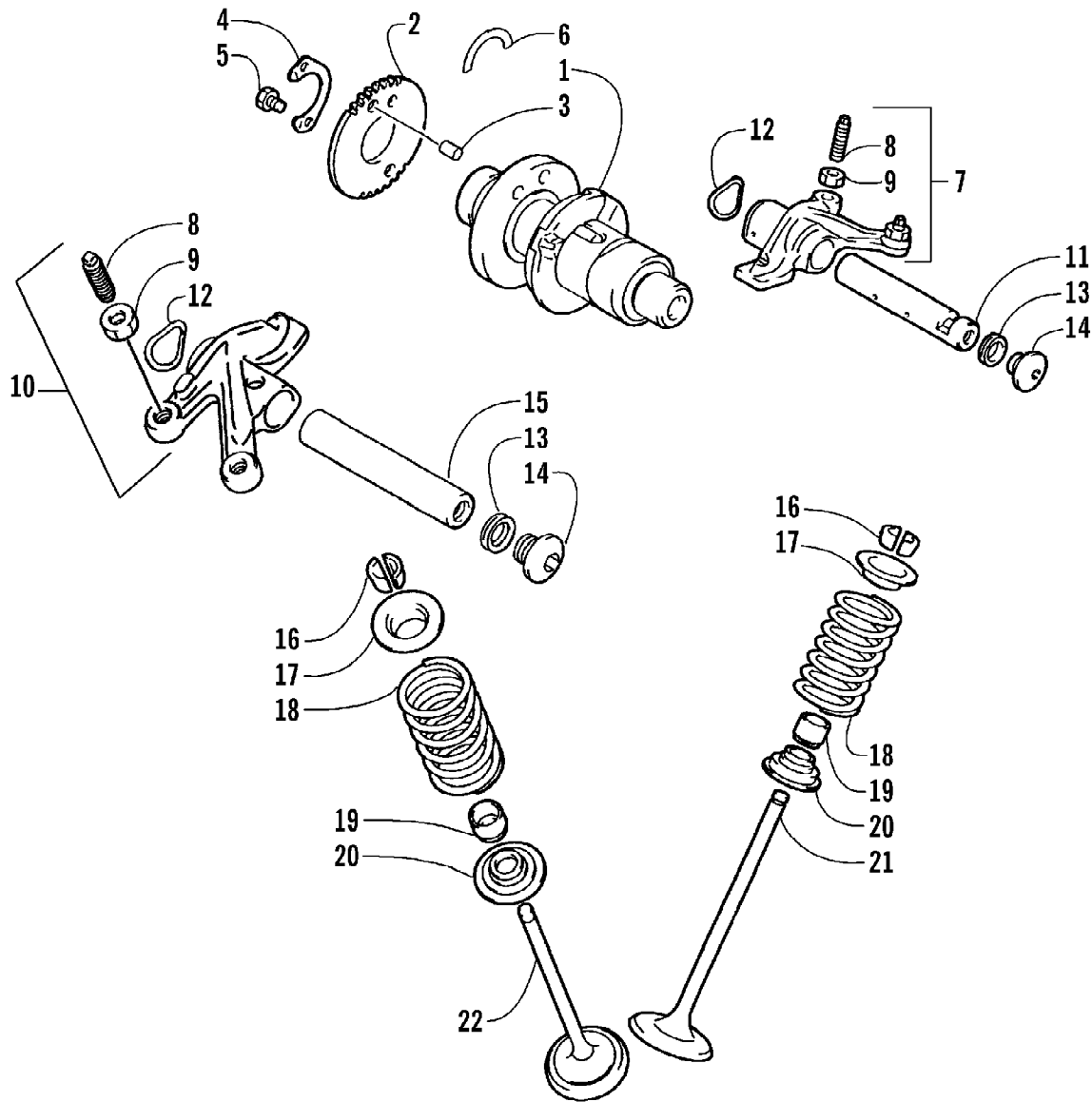
| Ref # | Part Number | Qty | S/P/F | Description |
|-------|-------------|-----|-------|---|
| 1 | 1411-725 | 2 | | Decal, Front/Rear |
| 2 | 1411-052 | 1 | S | Decal, "Speedrack" |
| 3 | 1411-614 | 1 | | Decal, Instrument Pod |
| 4 | 0411-966 | 1 | | Decal, Warning - Differential Lock |
| 5 | 1411-634 | 1 | | Decal, Side - Upper Right |
| 5 | 1411-635 | 1 | | Decal, Side - Upper Left |
| 6 | 0411-003 | 1 | | Decal, Shift Pattern |
| 7 | 0411-965 | 2 | | Decal, "Speedrack" |
| 8 | 1411-077 | 1 | | Decal, Warning - Towing |
| 9 | 2506-357 | 1 | S | Panel, Fender - Front (inc. 10-16) |
| 10 | 1411-078 | 1 | | Decal, Reflector - Front - Right |
| 10 | 1411-079 | 1 | | Decal, Reflector - Front - Left |
| 11 | 1411-250 | 1 | | Decal, Warning - Reverse/Pre-Ride |
| 12 | 0411-835 | 1 | | Decal, Warning - Hill |
| 13 | 0411-401 | 1 | | Decal, Warning - Age |
| 14 | 1411-574 | 1 | | Decal, Warning - Off-Road Only |
| 15 | 0411-218 | 1 | | Decal, Warning - General |
| 16 | 0412-394 | 1 | /P | Shield, Heat - Fender - Front |
| 17 | 2506-763 | 1 | | Panel, Fender - Rear (inc. 18-21 and one No. 1) |
| 18 | 1411-598 | 1 | | Decal, Reflector - Rear - Right |
| 18 | 1411-599 | 1 | | Decal, Reflector - Rear - Left |
| 19 | 0411-430 | 1 | | Decal, Warning - Tire Pressure |
| 20 | 0412-351 | 1 | | Shield, Heat - Battery Box |
| 21 | 0411-435 | 1 | | Decal, Warning - Passenger |
| 22 | 1411-865 | 1 | | Decal, Warning - Brake Lever Lock |



2008 ATV 400 MANUAL TRANSMISSION 4X4 FIS GREEN (A2008ICH4AUSG)Page 10 of 93
CAM CHAIN ASSEMBLY

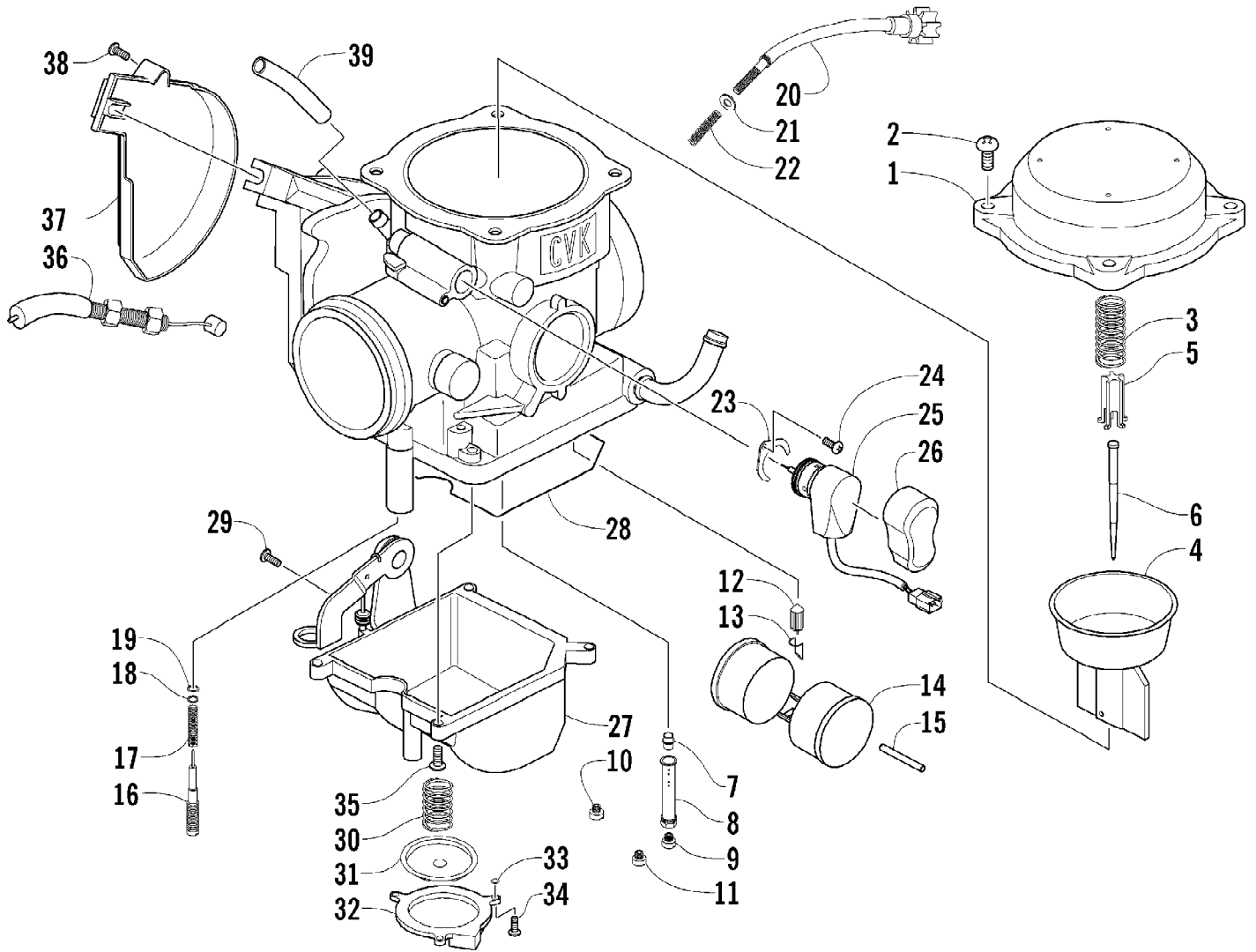
| Ref # | Part Number | Qty | S/P/F | Description |
|-------|-------------|-----|-------|---|
| 1 | 3402-281 | 1 | | Chain, Cam |
| 2 | 3402-612 | 1 | | Guide, Cam Chain |
| 3 | 3402-613 | 1 | | Tensioner, Cam Chain |
| 4 | 3423-074 | 1 | | Bolt |
| 5 | 3402-436 | 1 | /P | Washer |
| 6 | 3402-614 | 1 | | Adjuster, Tensioner - Assembly (inc. 7-9) |
| 7 | 3423-484 | 1 | | Spring |
| 8 | 3423-485 | 1 | | Plug |
| 9 | 3423-286 | 1 | | O-Ring |
| 10 | 3403-020 | 1 | | Gasket, Adjuster |
| 11 | 3004-512 | 2 | S | Bolt |

2008 ATV 400 MANUAL TRANSMISSION 4X4 FIS GREEN (A2008ICH4AUSG)Page 11 of 93
CAMSHAFT/VALVE ASSEMBLY



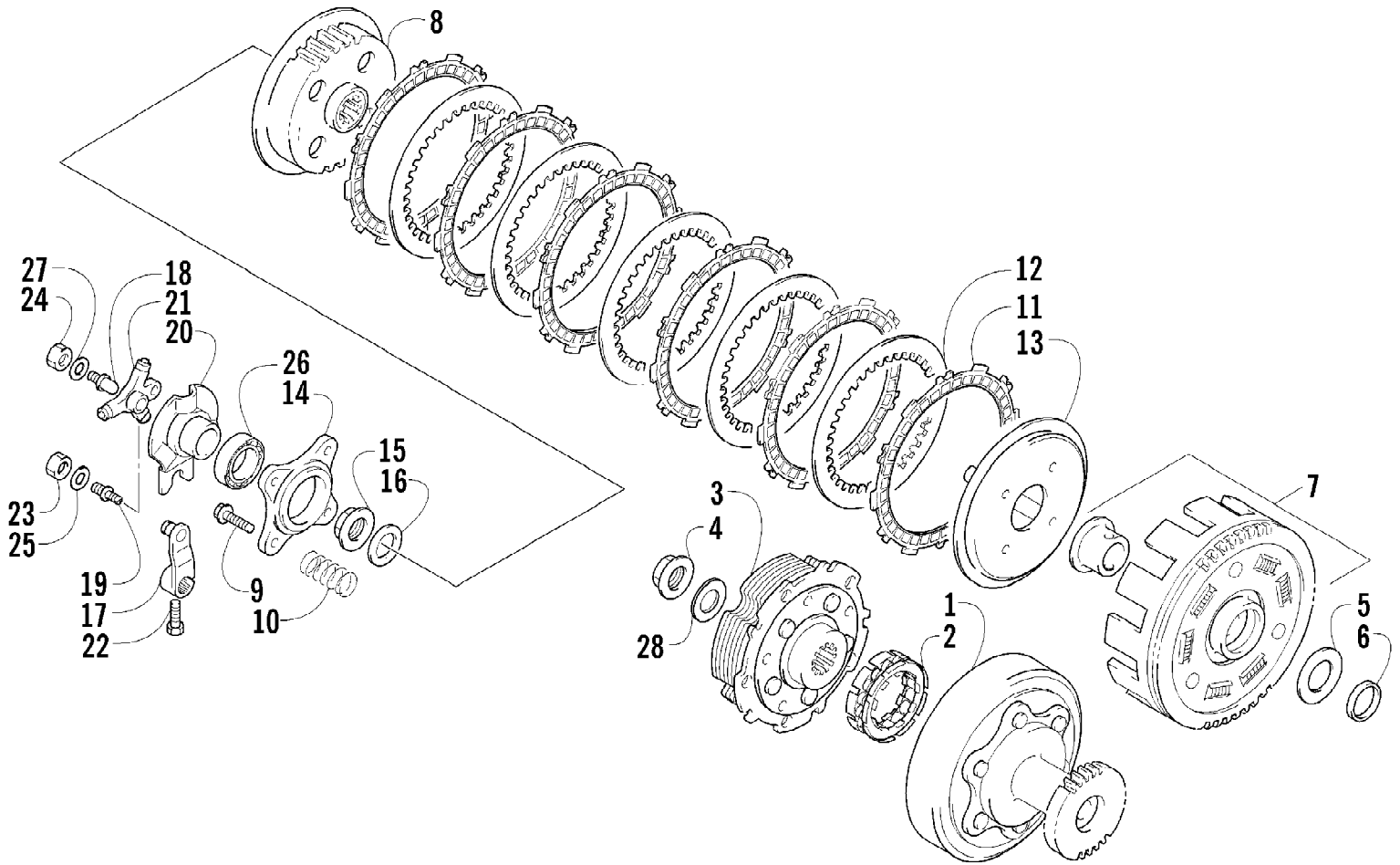
2008 ATV 400 MANUAL TRANSMISSION 4X4 FIS GREEN (A2008ICH4AUSG)Page 12 of 93
CAMSHAFT/VALVE ASSEMBLY

| Ref # | Part Number | Qty | S/P/F | Description |
|-------|-------------|-----|-------|--|
| 1 | 3402-989 | 1 | S | Camshaft |
| 2 | 3402-611 | 1 | | Sprocket |
| 3 | 3423-047 | 1 | | Pin |
| 4 | 3423-073 | 1 | | Washer |
| 5 | 3423-013 | 2 | S | Bolt |
| 6 | 3423-071 | 1 | /P | C-Ring |
| 7 | 3402-805 | 1 | /P | Arm, Valve Rocker - Intake (inc. two No. 8-9) |
| 8 | 3423-075 | 4 | | Screw |
| 9 | 3423-076 | 4 | | Nut |
| 10 | 3402-139 | 1 | | Arm, Valve Rocker - Exhaust (inc. two No. 8-9) |
| 11 | 3402-140 | 1 | | Shaft, Rocker Arm |
| 12 | 3423-031 | 2 | | Washer |
| 13 | 3402-012 | 2 | | Gasket |
| 14 | 3402-040 | 2 | /P | Plug, Shaft |
| 15 | 3402-141 | 1 | | Shaft, Rocker Arm |
| 16 | 3402-147 | 8 | | Cotter, Valve |
| 17 | 3423-541 | 4 | /P | Retainer, Spring |
| 18 | 3402-726 | 4 | | Spring, Valve |
| 19 | 3402-078 | 4 | | Seal, Oil |
| 20 | 3402-148 | 4 | | Seat, Spring |
| 21 | 3402-725 | 2 | /P | Valve, Intake |
| 22 | 3402-143 | 2 | | Valve, Exhaust |



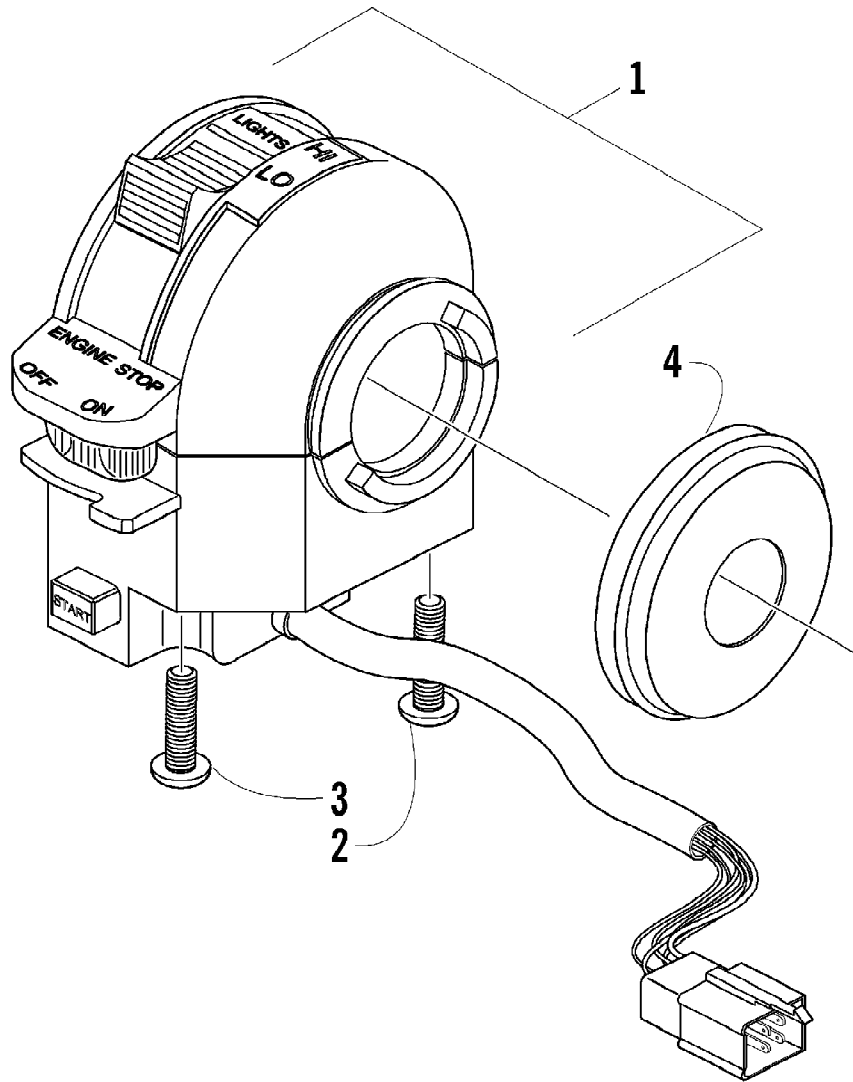
2008 ATV 400 MANUAL TRANSMISSION 4X4 FIS GREEN (A2008ICH4AUSG)Page 14 of 93
CARBURETOR

| Ref # | Part Number | Qty | S/P/F | Description |
|-------|-------------|-----|-------|--|
| | 0470-738 | 1 | | Complete Carburetor Assembly |
| 1 | 5507-001 | 1 | | Cover, Top |
| 2 | 5507-002 | 4 | /P | Screw, Top Cover |
| 3 | 5507-066 | 1 | /P | Spring |
| 4 | 5507-109 | 1 | S | Piston, Vacuum |
| 5 | 5507-005 | 1 | | Seat, Spring |
| 6 | 5507-110 | 1 | | Jet Needle |
| 7 | 5507-007 | 1 | | Needle Jet |
| 8 | 5507-047 | 1 | /P | Holder, Needle Jet |
| 9 | 5507-215 | 1 | S | Main Jet - 135 |
| 9 | 5507-073 | 1 | F | Main Jet - 128 |
| 9 | 5507-074 | 1 | F | Main Jet - 130 |
| 9 | 5507-075 | 1 | F | Main Jet - 132 |
| 9 | 5507-044 | 1 | F | Main Jet - 140 |
| 9 | 5507-043 | 1 | F | Main Jet - 142 |
| 10 | 5507-010 | 1 | S | Slow Jet - 38 |
| 11 | 5507-097 | 1 | /P | Starter Jet - 75 |
| 12 | 5507-183 | 1 | | Valve, Float - Set (inc. 13) |
| 13 | 0 | 1 | F | Clip |
| 14 | 5507-039 | 1 | | Float Set (inc. 15) |
| 15 | 0 | 1 | F | Pin, Float |
| 16 | 5507-216 | 1 | | Screw, Pilot - Set (inc. 17-19) |
| 17 | 0 | 1 | F | Spring |
| 18 | 0 | 1 | F | Washer |
| 19 | 0 | 1 | F | O-Ring |
| 20 | 5507-027 | 1 | | Screw, Idle Adjust |
| 21 | 5507-028 | 1 | | Washer |
| 22 | 5507-029 | 1 | | Spring |
| 23 | 5507-115 | 1 | | Plate |
| 24 | 5507-117 | 1 | /P | Screw |
| 25 | 5507-180 | 1 | | Choke, Electric |
| 26 | 5507-114 | 1 | | Cover, Electric Choke |
| 27 | 5507-214 | 1 | | Chamber, Float - Assembly (inc. 28-34) |
| 28 | 5507-067 | 1 | /P | O-Ring, Float Chamber |
| 29 | 5507-050 | 1 | /P | Screw, Drain |
| 30 | 5507-211 | 1 | | Spring |
| 31 | 5507-197 | 1 | | Diaphragm Assembly |
| 32 | 0 | 1 | F | Housing, Pump |
| 33 | 5507-034 | 1 | | U-Ring |
| 34 | 5507-035 | 3 | | Screw |
| 35 | 5507-017 | 4 | /P | Screw |
| 36 | 0487-049 | 1 | /P | Cable, Throttle |
| 37 | 5507-036 | 1 | | Cover |
| 38 | 5507-037 | 1 | /P | Screw |
| 39 | 0410-056 | 1 | | Hose, Vent |

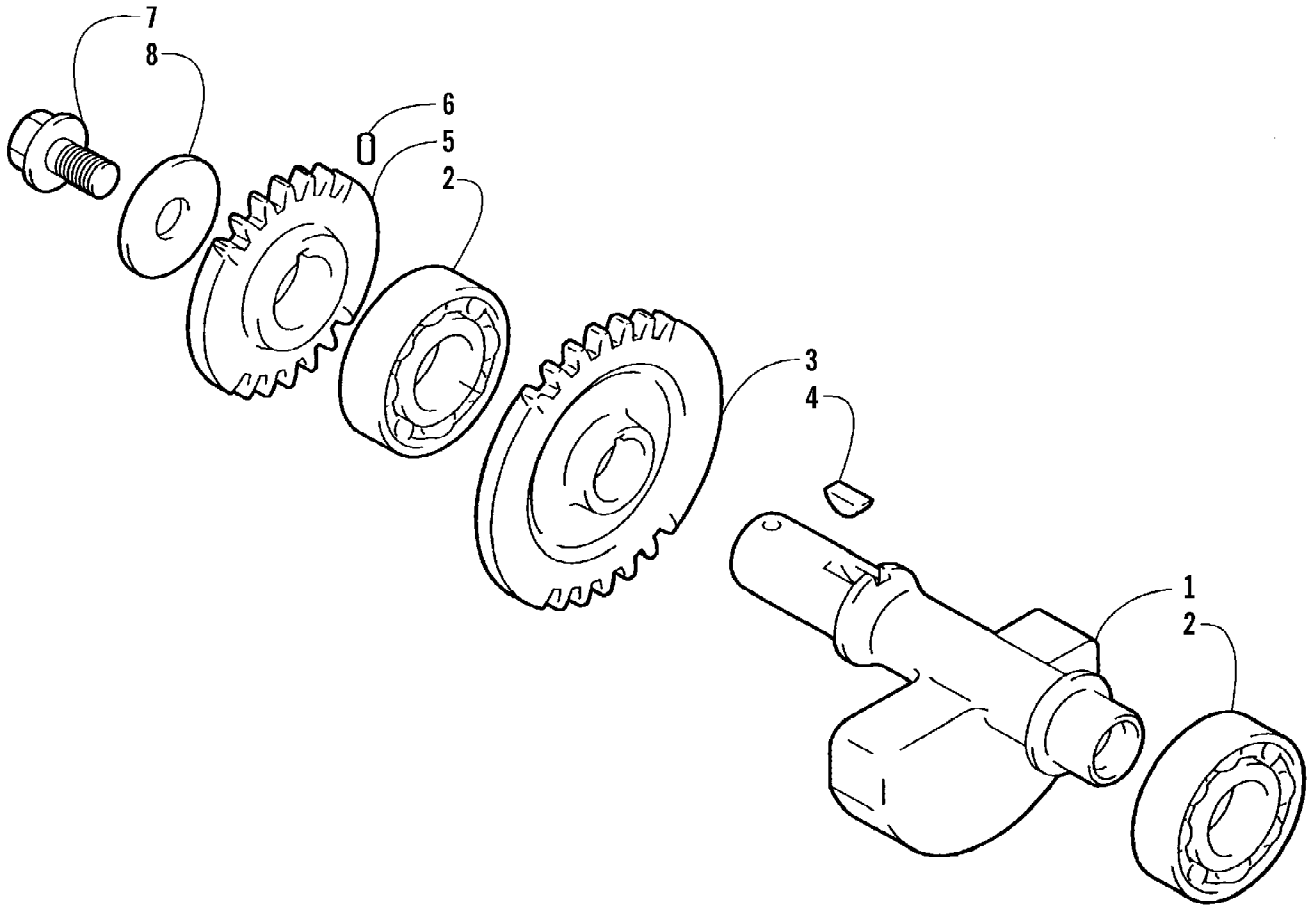


2008 ATV 400 MANUAL TRANSMISSION 4X4 FIS GREEN (A2008ICH4AUSG)Page 16 of 93
CLUTCH ASSEMBLY

| Ref # | Part Number | Qty | S/P/F | Description |
|-------|-------------|-----|-------|-----------------------------------|
| 1 | 3446-352 | 1 | /P | Housing, Starter Clutch |
| 2 | 3446-003 | 1 | | Clutch, Primary Drive One-Way |
| 3 | 3446-290 | 1 | | Shoe, Starter Clutch |
| 4 | 3423-409 | 1 | | Nut, Starter Clutch Shoe |
| 5 | 3423-515 | 1 | | Washer, Primary Driven |
| 6 | 3423-516 | 1 | | Washer |
| 7 | 3446-291 | 1 | | Gear, Primary Driven - Assembly |
| 8 | 3446-004 | 1 | | Hub, Clutch Sleeve |
| 9 | 3423-330 | 4 | | Screw, Cap - Clutch Spring |
| 10 | 3423-517 | 4 | | Spring, Clutch |
| 11 | 3446-006 | 6 | | Plate, Clutch Drive |
| 12 | 3446-007 | 5 | | Plate, Clutch Driven |
| 13 | 3446-008 | 1 | | Disc, Clutch Pressure |
| 14 | 3446-009 | 1 | | Plate, Clutch Release |
| 15 | 3423-080 | 1 | | Nut, Clutch Sleeve Hub |
| 16 | 3423-032 | 1 | | Washer, Sleeve Hub |
| 17 | 3446-292 | 1 | | Arm, Clutch Release |
| 18 | 3423-361 | 1 | | Bolt, Clutch Release - No. 1 |
| 19 | 3423-083 | 1 | | Bolt, Clutch Release - No. 2 |
| 20 | 3446-293 | 1 | | Guide, Release Roller |
| 21 | 3446-294 | 1 | | Roller, Clutch Release - Assembly |
| 22 | 3423-125 | 1 | S | Bolt, Clutch Release Arm |
| 23 | 3008-014 | 1 | | Nut, Clutch Release - No. 2 |
| 24 | 3423-853 | 1 | | Nut, Clutch Release - No. 1 |
| 25 | 3423-027 | 1 | | Washer, Clutch Release - No. 2 |
| 26 | 3402-186 | 1 | /P | Bearing, Clutch |
| 27 | 3423-360 | 1 | | Washer, Clutch Release - No. 1 |
| 28 | 3423-846 | 1 | /P | Washer |

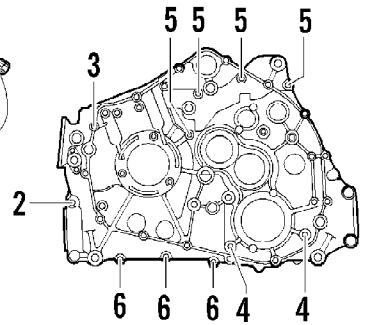
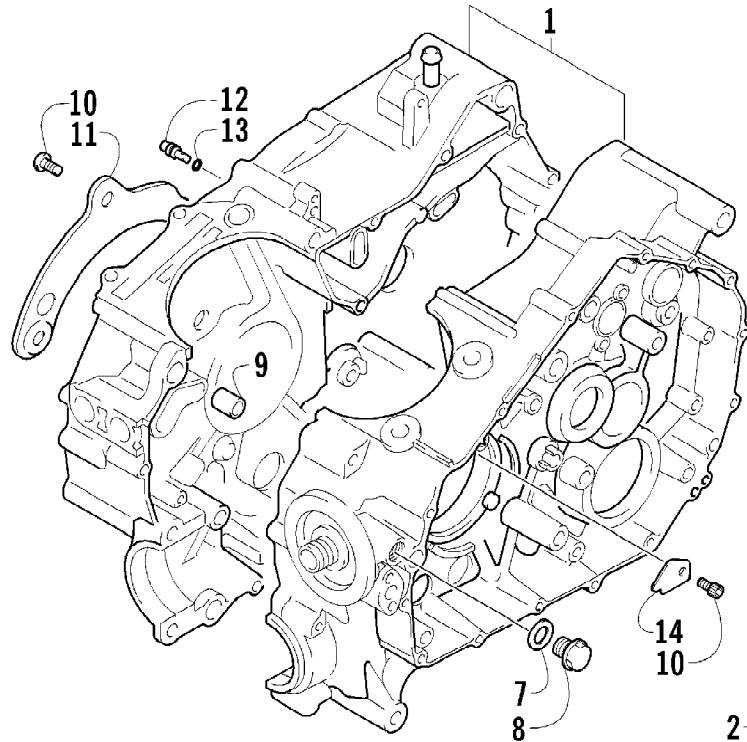
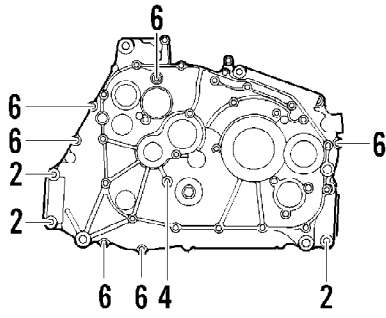


| Ref # | Part Number | Qty | S/P/F | Description |
|-------|-------------|-----|-------|---------------------------------------|
| 1 | 0509-013 | 1 | | Switch, Control - Assembly (inc. 2-3) |
| 2 | 3423-197 | 1 | | Screw, Machine |
| 3 | 3423-196 | 1 | | Screw, Machine |
| 4 | 3409-019 | 1 | | Cover, Switch Housing |



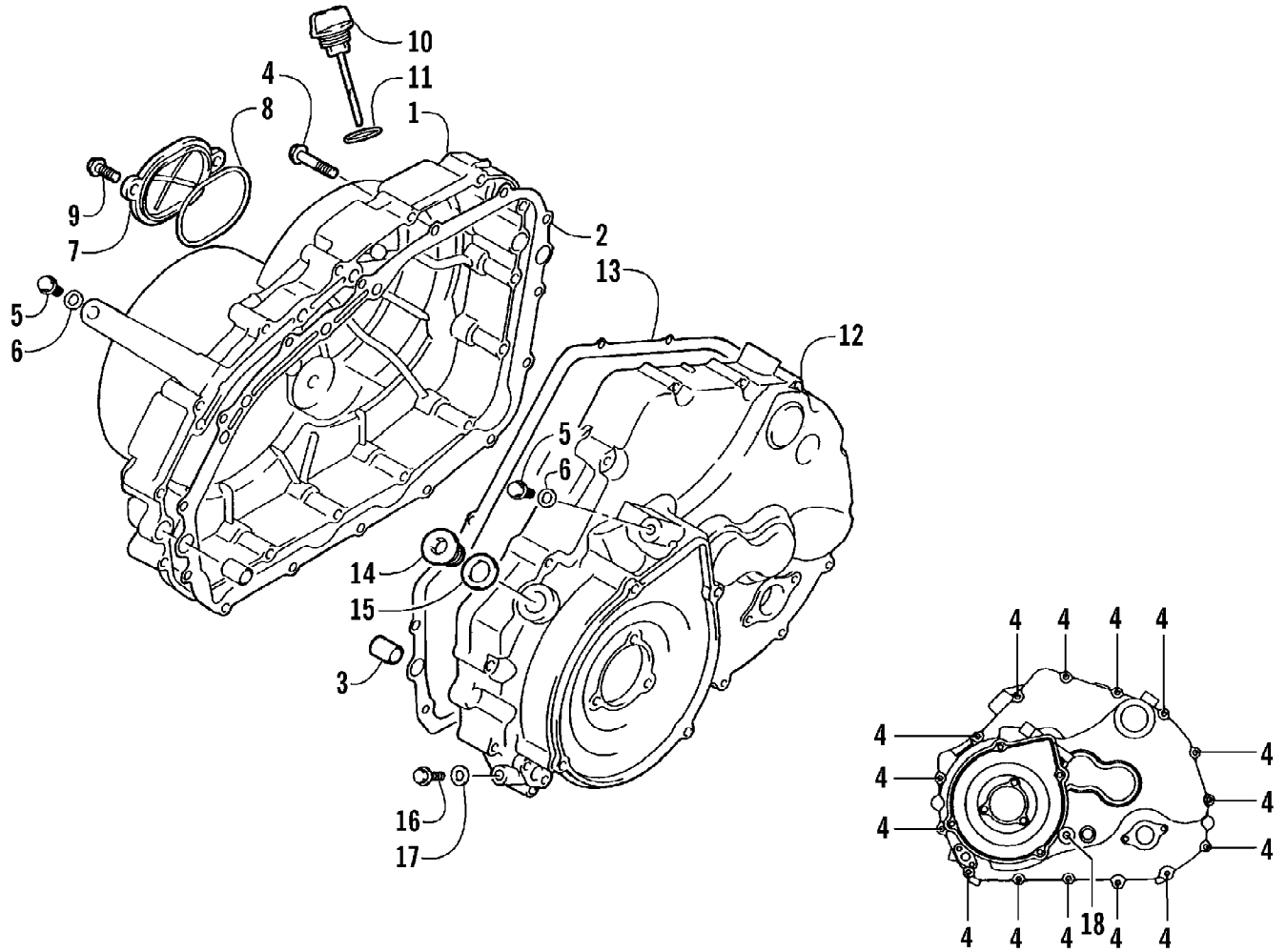
2008 ATV 400 MANUAL TRANSMISSION 4X4 FIS GREEN (A2008ICH4AUSG)Page 20 of 93
CRANK BALANCER ASSEMBLY

| Ref # | Part Number | Qty | S/P/F | Description |
|-------|-------------|-----|-------|----------------------|
| 1 | 3402-605 | 1 | | Balancer, Crank |
| 2 | 3402-553 | 2 | /P | Bearing |
| 3 | 3402-772 | 1 | | Gear, Driven - No. 1 |
| 4 | 3004-540 | 1 | /P | Key |
| 5 | 3402-617 | 1 | | Gear, Oil Pump Drive |
| 6 | 3423-110 | 1 | | Pin, Drive Gear |
| 7 | 3423-555 | 1 | | Bolt, Drive Gear |
| 8 | 3423-401 | 1 | | Washer, Drive Gear |



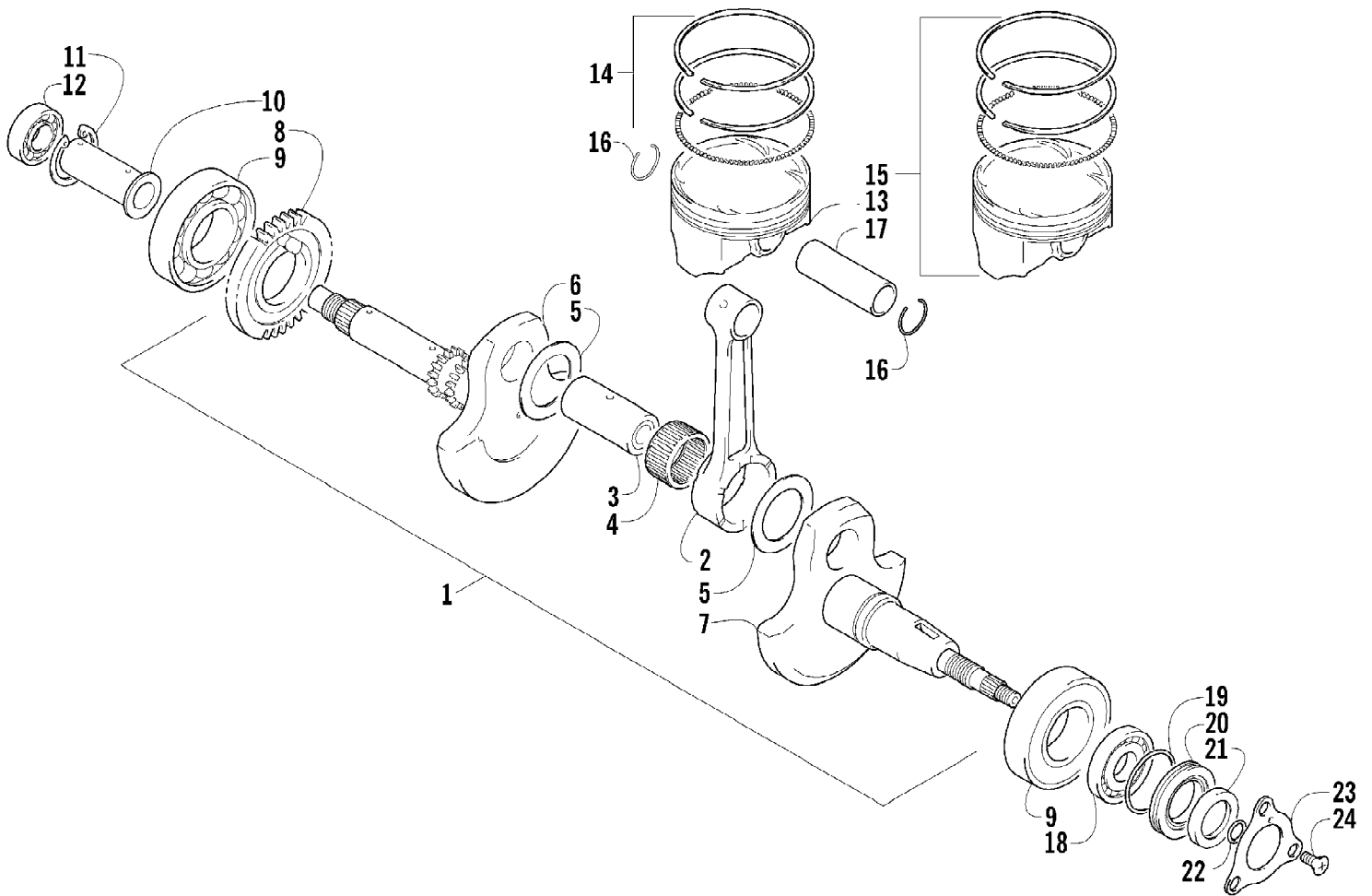
2008 ATV 400 MANUAL TRANSMISSION 4X4 FIS GREEN (A2008ICH4AUSG)Page 22 of 93
CRANKCASE ASSEMBLY

| Ref # | Part Number | Qty | S/P/F | Description |
|-------|-------------|-----|-------|-------------------------------|
| 1 | 3402-763 | 1 | | Crankcase Assembly (inc. 2-9) |
| 2 | 3004-880 | 4 | | Bolt |
| 3 | 3423-234 | 1 | | Bolt |
| 4 | 3005-410 | 3 | | Bolt |
| 5 | 3423-097 | 4 | | Bolt |
| 6 | 3423-091 | 8 | S | Bolt |
| 7 | 3402-012 | 1 | | Gasket, Oil Pressure Plug |
| 8 | 3402-214 | 1 | | Plug, Oil Pressure |
| 9 | 3423-088 | 2 | | Pin, Dowel |
| 10 | 3004-552 | 4 | S | Screw, Oil Guide Plate |
| 11 | 3402-764 | 1 | | Plate, Oil Guide - Right |
| 12 | 3402-691 | 1 | | Jet, Oil Gallery |
| 13 | 3423-051 | 1 | | O-Ring, Oil Gallery Jet |
| 14 | 3402-582 | 1 | | Plate, Oil Guide - Left |



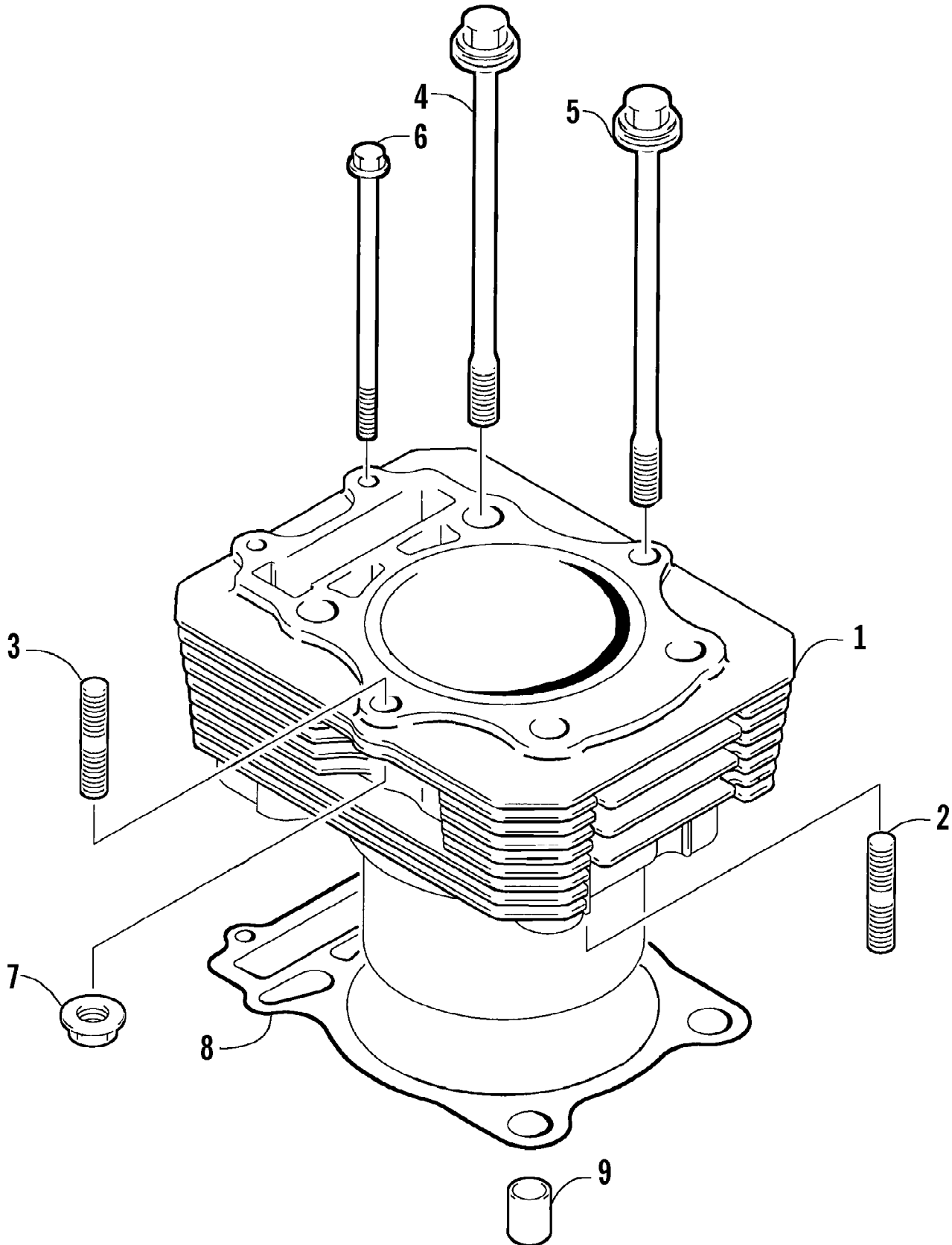
2008 ATV 400 MANUAL TRANSMISSION 4X4 FIS GREEN (A2008ICH4AUSG)Page 24 of 93
CRANKCASE COVER ASSEMBLY

| Ref # | Part Number | Qty | S/P/F | Description |
|-------|-------------|-----|-------|-------------------------|
| 1 | 3402-991 | 1 | | Cover, Clutch |
| 2 | 3402-766 | 1 | | Gasket |
| 3 | 3423-088 | 4 | | Pin, Dowel |
| 4 | 3423-098 | 30 | S | Bolt |
| 5 | 3004-338 | 2 | S/P | Plug, Oil Gallery |
| 6 | 3003-290 | 2 | /P | Gasket |
| 7 | 3402-100 | 1 | | Cap, Inspection |
| 8 | 3402-101 | 1 | | O-Ring, Inspection Cap |
| 9 | 3004-341 | 2 | S/P | Bolt, Inspection Cap |
| 10 | 3402-593 | 1 | | Stick, Oil Level |
| 11 | 3423-055 | 1 | | O-Ring, Oil Level Stick |
| 12 | 3402-767 | 1 | | Cover, Magneto |
| 13 | 3402-768 | 1 | | Gasket, Magneto Cover |
| 14 | 3423-180 | 1 | S | Plug |
| 15 | 3402-013 | 1 | /P | Gasket |
| 16 | 3004-705 | 1 | S | Plug, Drain |
| 17 | 3402-444 | 1 | | Gasket, Drain Plug |
| 18 | 3423-430 | 1 | | Bolt |



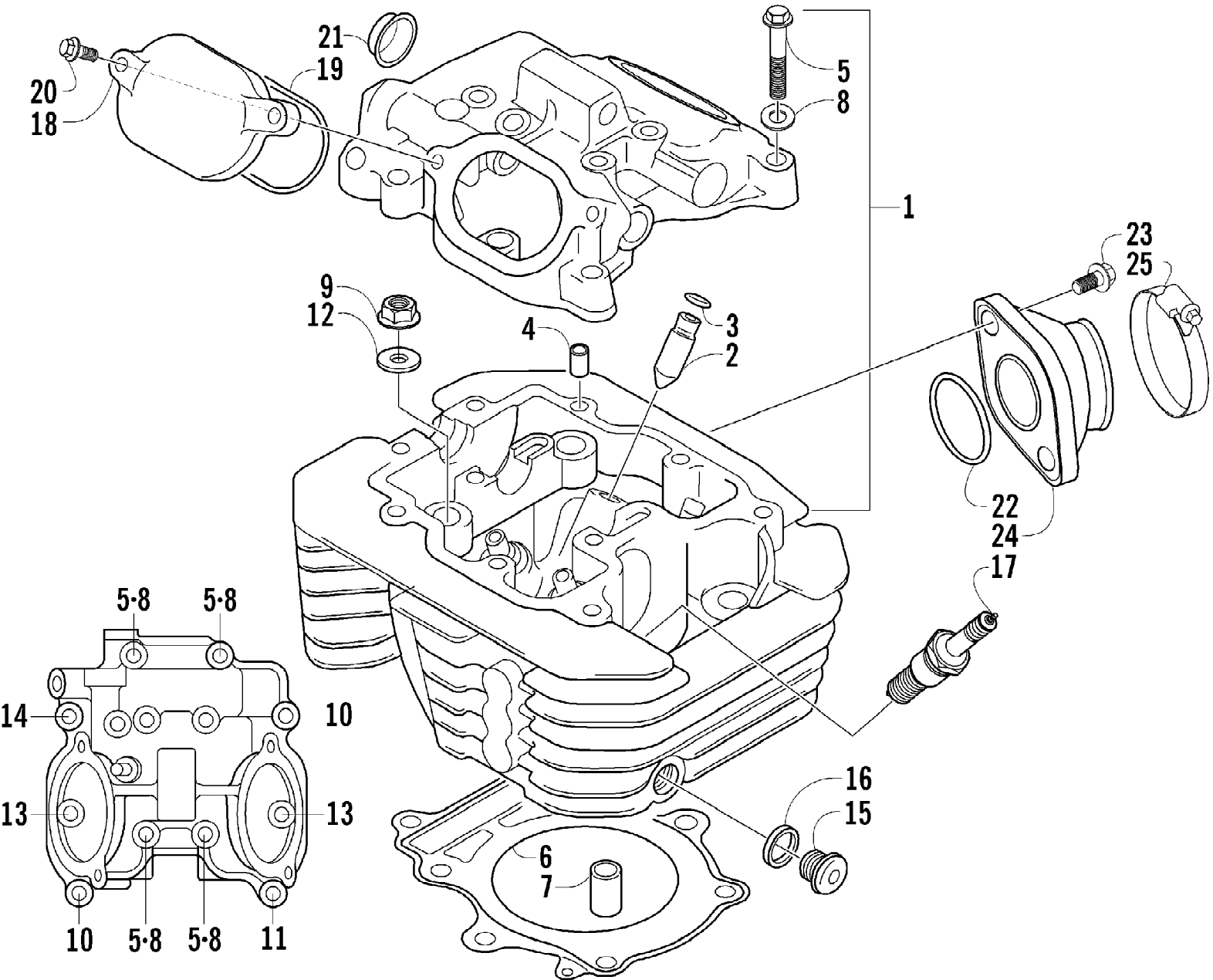
2008 ATV 400 MANUAL TRANSMISSION 4X4 FIS GREEN (A2008ICH4AUSG)Page 26 of 93
CRANKSHAFT ASSEMBLY

| Ref # | Part Number | Qty | S/P/F | Description |
|-------|-------------|-----|-------|--------------------------------------|
| 1 | 3402-992 | 1 | /P | Crankshaft Assembly (inc. 2-8) |
| 2 | 3402-597 | 1 | | Rod, Connecting |
| 3 | 3402-769 | 1 | | Pin, Crank |
| 4 | 3402-571 | 1 | | Bearing |
| 5 | 3423-440 | 2 | | Washer |
| 6 | 3402-993 | 1 | /P | Crankshaft - Right |
| 7 | 3403-019 | 1 | /P | Crankshaft - Left |
| 8 | 3402-698 | 1 | /P | Gear, Crank Balancer Drive |
| 9 | 3402-994 | 2 | | Bearing - Middle |
| 10 | 3423-768 | 1 | | Spacer |
| 11 | 3402-771 | 1 | | Circlip |
| 12 | 3402-216 | 1 | | Bearing - Right |
| 13 | 3402-594 | 1 | | Piston |
| 14 | 3402-595 | 1 | | Ring, Piston - Set |
| 15 | 3436-015 | 1 | F | Piston Set Oversized 0.50 mm |
| 16 | 3003-439 | 2 | /P | Circlip |
| 17 | 3402-596 | 1 | | Pin, Piston |
| 18 | 3402-051 | 1 | | Bearing |
| 19 | 3423-063 | 1 | | O-Ring |
| 20 | 3423-542 | 1 | /P | Spacer |
| 21 | 3402-070 | 1 | | Seal, Oil |
| 22 | 3423-053 | 1 | /P | O-Ring |
| 23 | 3402-188 | 1 | /P | Retainer, Crankshaft Oil Seal - Left |
| 24 | 3423-018 | 3 | | Screw, Retainer |



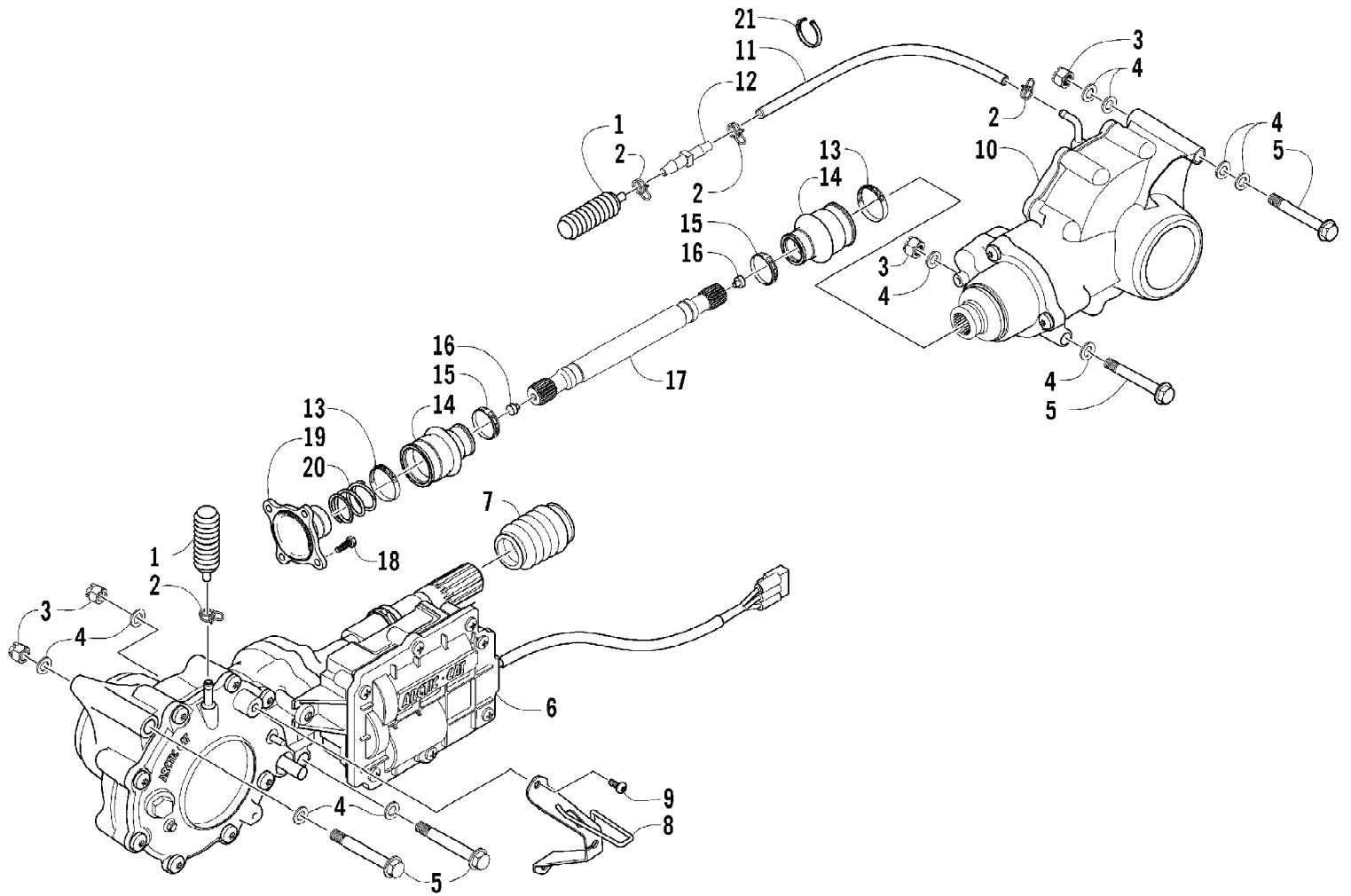
2008 ATV 400 MANUAL TRANSMISSION 4X4 FIS GREEN (A2008ICH4AUSG)Page 28 of 93
CYLINDER ASSEMBLY

| Ref # | Part Number | Qty | S/P/F | Description |
|-------|-------------|-----|-------|------------------|
| 1 | 3402-578 | 1 | S | Cylinder |
| 2 | 3423-384 | 2 | S | Bolt, Stud |
| 3 | 3004-778 | 2 | S | Bolt, Stud |
| 4 | 3423-431 | 2 | | Bolt |
| 5 | 3423-432 | 2 | | Bolt |
| 6 | 3423-427 | 2 | | Bolt |
| 7 | 3004-488 | 2 | S/P | Nut |
| 8 | 3402-579 | 1 | | Gasket, Cylinder |
| 9 | 3423-088 | 2 | | Pin, Dowel |



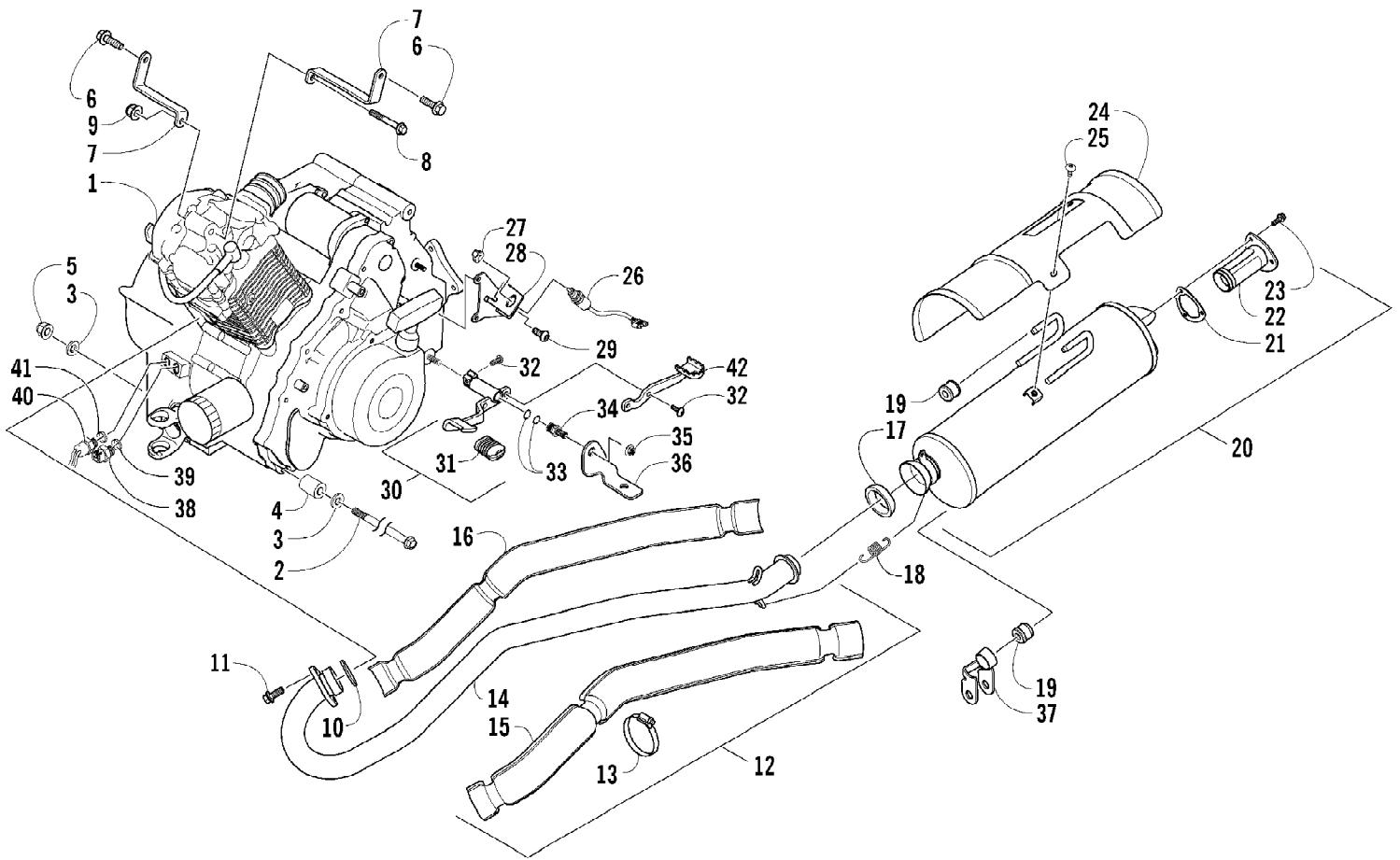
2008 ATV 400 MANUAL TRANSMISSION 4X4 FIS GREEN (A2008ICH4AUSG)Page 30 of 93
CYLINDER HEAD ASSEMBLY

| Ref # | Part Number | Qty | S/P/F | Description |
|-------|-------------|-----|-------|--------------------------------------|
| 1 | 3402-576 | 1 | S | Head, Cylinder - Assembly (inc. 2-5) |
| 2 | 3402-099 | 2 | | Guide, Valve |
| 3 | 3423-068 | 4 | | Ring, Valve Guide |
| 4 | 3423-043 | 2 | /P | Pin, Dowel |
| 5 | 3423-006 | 4 | | Bolt |
| 6 | 3402-577 | 1 | | Gasket, Cylinder Head |
| 7 | 3423-449 | 2 | | Pin, Dowel |
| 8 | 3003-290 | 4 | /P | Gasket |
| 9 | 3004-326 | 2 | S/P | Nut, Cylinder Head |
| 10 | 3423-007 | 2 | S | Bolt, Head Cover |
| 11 | 3423-429 | 1 | | Bolt, Head Cover |
| 12 | 3423-439 | 4 | S | Washer, Cylinder Head Nut |
| 13 | 3004-376 | 2 | S/P | Bolt, Head Cover |
| 14 | 3008-376 | 1 | S | Bolt, Head Cover |
| 15 | 3423-453 | 1 | | Plug, Oil Gallery |
| 16 | 3402-011 | 1 | | Gasket, Oil Gallery Plug |
| 17 | 0217-708 | 1 | | Spark Plug (NGK CR7E) |
| 18 | 3402-100 | 2 | | Cap, Inspection |
| 19 | 3402-101 | 2 | | O-Ring |
| 20 | 3004-341 | 4 | S/P | Bolt, Inspection Cap |
| 21 | 3402-035 | 1 | | Plug, Head |
| 22 | 0470-531 | 1 | | O-Ring |
| 23 | 8476-620 | 2 | | Screw, Machine |
| 24 | 0570-084 | 1 | | Manifold, Intake |
| 25 | 0423-317 | 1 | /P | Clamp |
| | 3402-048 | 1 | F | Plug, Frost |



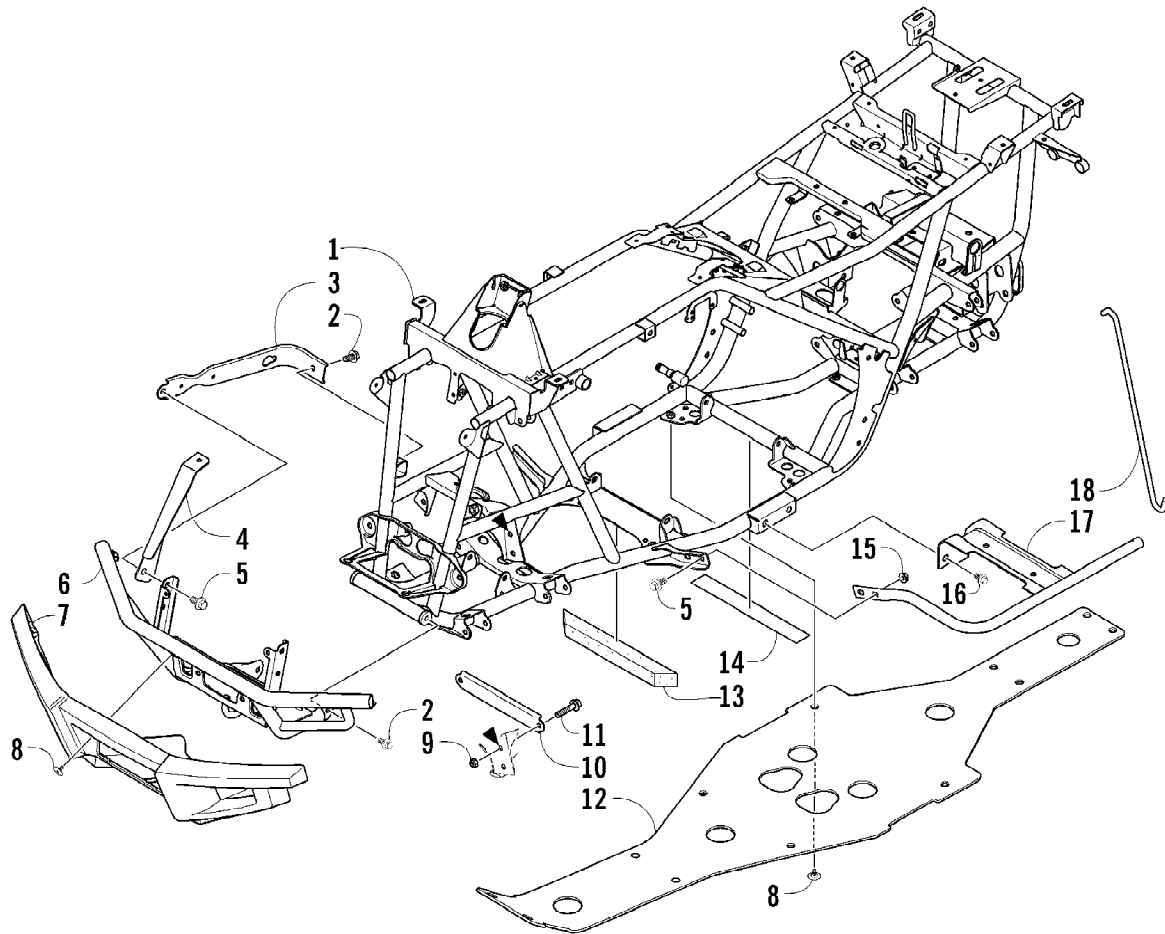
2008 ATV 400 MANUAL TRANSMISSION 4X4 FIS GREEN (A2008ICH4AUSG)Page 32 of 93
DRIVE TRAIN ASSEMBLY

| Ref # | Part Number | Qty | S/P/F | Description |
|-------|-------------|-----|-------|-------------------------|
| 1 | 0402-147 | 2 | S | Bladder, Gearcase |
| 2 | 0423-315 | 4 | | Clamp, Fitting |
| 3 | 8428-002 | 4 | | Nut, Lock |
| 4 | 0423-426 | 10 | | Washer |
| 5 | 0423-404 | 4 | | Screw, Cap |
| 6 | 1502-246 | 1 | | Gearcase, Front Drive |
| 7 | 0402-966 | 1 | | Boot, Shaft |
| 8 | 0502-500 | 1 | | Plate, Cable |
| 9 | 0423-396 | 2 | | Screw, Self-Tapping |
| 10 | 1502-079 | 1 | S | Gearcase, Rear Drive |
| 11 | 0410-048 | AR | S | Hose, Vent - 25 ft |
| 12 | 0470-462 | 1 | | Fitting, Vent |
| 13 | 0423-393 | 2 | | Clamp, Boot |
| 14 | 0402-985 | 2 | /P | Boot |
| 15 | 0423-411 | 2 | | Clamp, Boot |
| 16 | 0673-618 | 2 | /P | Bumper, Propeller Shaft |
| 17 | 1402-233 | 1 | | Shaft, Propeller |
| 18 | 8408-820 | 4 | /P | Screw, Cap |
| 19 | 0402-950 | 1 | | Flange, Output |
| 20 | 1402-026 | 1 | | Spring |
| 21 | 0123-788 | AR | /P | Cable Tie |



2008 ATV 400 MANUAL TRANSMISSION 4X4 FIS GREEN (A2008ICH4AUSG)Page 34 of 93
ENGINE AND EXHAUST

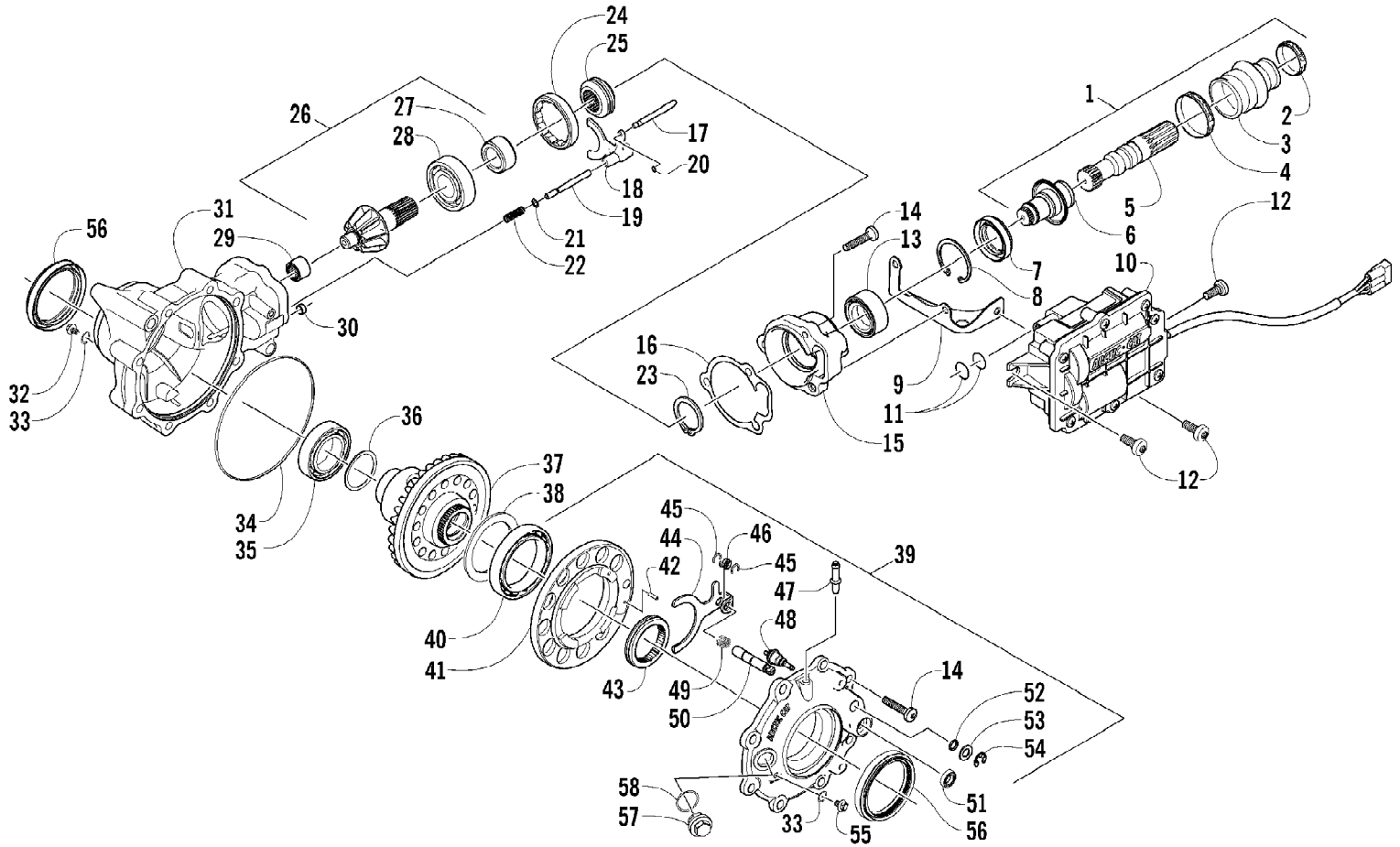
| Ref # | Part Number | Qty | S/P/F | Description |
|-------|-------------|-----|-------|--|
| 1 | 0462-035 | 1 | /P | Engine |
| 2 | 0423-405 | 2 | | Screw, Cap |
| 3 | 0423-426 | 4 | | Washer |
| 4 | 0423-042 | 2 | S | Spacer |
| 5 | 8428-002 | 2 | | Nut, Lock |
| 6 | 8408-816 | 2 | | Screw, Cap |
| 7 | 1506-626 | 1 | | Bracket, Engine - Right |
| 7 | 1506-625 | 1 | | Bracket, Engine - Left |
| 8 | 8408-860 | 1 | | Screw, Cap |
| 9 | 8424-802 | 1 | | Nut |
| 10 | 0412-007 | 1 | /P | Seal, Exhaust |
| 11 | 8408-820 | 2 | /P | Screw, Cap |
| 12 | 0512-261 | 1 | | Pipe, Exhaust - Assembly (inc. 13-16) |
| 13 | 0423-317 | 3 | /P | Clamp, Hose |
| 14 | 0512-242 | 1 | | Pipe, Exhaust |
| 15 | 0412-342 | 1 | | Shield, Exhaust Pipe - Outer |
| 16 | 0412-341 | 1 | | Shield, Exhaust Pipe - Inner |
| 17 | 0612-188 | 1 | /P | Gasket, Exhaust |
| 18 | 0612-668 | 2 | /P | Spring, Exhaust |
| 19 | 0412-215 | 3 | S | Bushing, Exhaust |
| 20 | 0512-306 | 1 | /P | Muffler - Assembly (inc. 21-23) |
| 21 | 0412-313 | 1 | | Gasket, Spark Arrester |
| 22 | 0512-219 | 1 | /P | Arrester, Spark - Assembly |
| 23 | 8408-616 | 3 | | Screw, Cap |
| 24 | 0412-373 | 1 | /P | Cover, Muffler |
| 25 | 8477-610 | 3 | | Screw, Machine |
| 26 | 0409-008 | 1 | | Switch, Reverse |
| 27 | 0402-991 | 1 | | Retainer, Reverse Switch |
| 28 | 1506-449 | 1 | | Bracket, Mounting - Reverse Switch (inc. 29) |
| 29 | 0423-361 | 1 | | Screw, Machine |
| 30 | 0502-871 | 1 | | Lever, Toe Shift - Assembly (inc. 31 and one No. 32) |
| 31 | 1402-284 | 1 | | Pad, Toe - Shift Lever |
| 32 | 8476-620 | 3 | | Screw, Machine |
| 33 | 1602-213 | 2 | /P | O-Ring |
| 34 | 0402-994 | 1 | | Pin, Shift Lever |
| 35 | 8422-002 | 1 | | Nut |
| 36 | 1506-693 | 1 | | Bracket, Shift Lever |
| 37 | 1506-732 | 1 | | Channel, Muffler Support |
| 38 | 3530-037 | 1 | /P | Switch, Oil Light |
| 39 | 3402-556 | 1 | /P | Gasket |
| 40 | 3430-033 | 1 | | Switch, Cooling Fan |
| 41 | 3402-013 | 1 | /P | Gasket |
| 42 | 0502-693 | 1 | | Lever, Heel Shift |



2008 ATV 400 MANUAL TRANSMISSION 4X4 FIS GREEN (A2008ICH4AUSG)Page 36 of 93
FRAME AND RELATED PARTS

| Ref # | Part Number | Qty | S/P/F | Description |
|-------|-------------|-----|-------|------------------------------------|
| 1 | 2506-549 | 1 | | Frame, Main |
| 2 | 8409-020 | 4 | /P | Screw, Cap |
| 3 | 1506-596 | 1 | /P | Channel, Bumper Mounting - Right |
| 3 | 0506-653 | 1 | S | Channel, Bumper Mounting - Left |
| 4 | 1506-686 | 1 | | Bracket, Mounting - Bumper - Right |
| 4 | 1506-687 | 1 | | Bracket, Mounting - Bumper - Left |
| 5 | 8408-816 | 6 | | Screw, Cap |
| 6 | 1506-684 | 1 | | Bumper |
| 7 | 1406-868 | 1 | | Facia, Bumper - Front |
| 8 | 0423-101 | 16 | | Screw, Body |
| 9 | 8428-002 | 2 | | Nut, Lock |
| 10 | 1506-429 | 1 | S | Brace, A-Arm |
| 11 | 8409-025 | 2 | | Screw, Cap |
| 12 | 1406-030 | 1 | | Panel, Belly |
| 13 | 1506-067 | 1 | | Foam, Frame |
| 14 | 0406-289 | 1 | | Pad, Frame |
| 15 | 8424-802 | 4 | | Nut, Flange |
| 16 | 8409-016 | 4 | | Screw, Cap |
| 17 | 1506-659 | 1 | | Footrest - Right |
| 17 | 1506-660 | 1 | | Footrest - Left |
| 18 | 2506-426 | 2 | /P | Rod, Support |

2008 ATV 400 MANUAL TRANSMISSION 4X4 FIS GREEN (A2008ICH4AUSG)Page 37 of 93
FRONT DRIVE GEARCASE ASSEMBLY

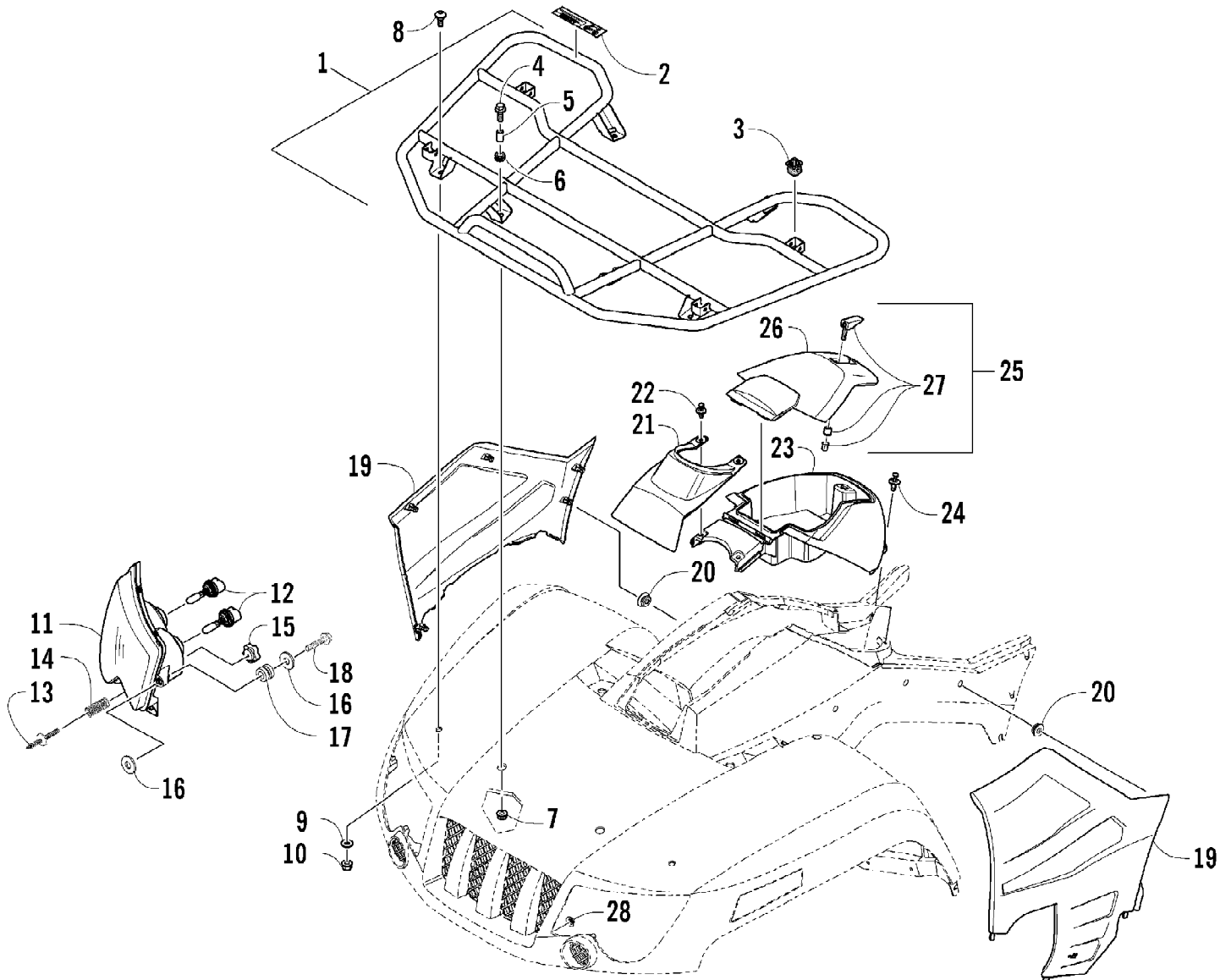


2008 ATV 400 MANUAL TRANSMISSION 4X4 FIS GREEN (A2008ICH4AUSG)Page 38 of 93
FRONT DRIVE GEARCASE ASSEMBLY

| Ref # | Part Number | Qty | S/P/F | Description |
|-------|-------------|-----|-------|--|
| | 1502-246 | 1 | | Complete Gearcase Assembly |
| 1 | 1502-084 | 1 | | Shaft, Propeller - Assembly (inc. 2-6) |
| 2 | 0423-411 | 1 | | Clamp, Boot |
| 3 | 0402-985 | 1 | /P | Boot, Propeller Shaft |
| 4 | 0423-393 | 1 | | Clamp, Boot |
| 5 | 1402-046 | 1 | | Shaft, Output |
| 6 | 1502-085 | 1 | /P | Shaft, Input |
| 7 | 1402-011 | 1 | | Seal |
| 8 | 0423-423 | 1 | | Ring, Retaining |
| 9 | 0502-347 | 1 | | Bracket, Actuator |
| 10 | 0502-579 | 1 | | Actuator (inc. one No. 11) |
| 11 | 0423-498 | 2 | S | O-Ring |
| 12 | 0423-396 | 3 | | Screw, Self-Tapping |
| 13 | 1402-043 | 1 | | Bearing |
| 14 | 0423-118 | 11 | | Screw, Self-Tapping |
| 15 | 0502-528 | 1 | /P | Housing, Pinion |
| 16 | 0402-947 | 1 | | Gasket, Flange |
| 17 | 0402-997 | 1 | | Shaft, Selector |
| 18 | 0402-998 | 1 | | Fork, Selector |
| 19 | 0402-417 | 1 | | Shaft, Shuttle |
| 20 | 0423-402 | 1 | | Ring, Retaining |
| 21 | 0423-147 | 1 | | O-Ring |
| 22 | 0402-999 | 1 | | Spring, Return |
| 23 | 0423-417 | 1 | | Ring, Retaining |
| 24 | 0402-357 | 1 | | Collar, Lock |
| 25 | 0402-413 | 1 | | Coupler, Drive |
| 26 | 0502-783 | 1 | | Gear, Pinion - Assembly - 10T (inc. 27-28) |
| 27 | 0402-336 | 1 | | Collar, Retaining |
| 28 | 0402-327 | 1 | | Bearing |
| 29 | 0402-328 | 1 | | Bearing |
| 30 | 0402-411 | 1 | | Pin, Dowel |
| 31 | 0502-514 | 1 | | Housing, Gearcase |
| 32 | 1402-210 | 1 | /P | Plug, Magnetic (inc. one No. 33) |
| 33 | 0423-153 | 2 | | O-Ring |
| 34 | 0423-149 | 1 | | O-Ring |
| 35 | 0402-393 | 1 | | Bearing |
| 36 | 0402-405 | AR | | Shim |
| 36 | 0402-406 | AR | | Shim |
| 36 | 0402-407 | AR | | Shim |
| 36 | 0402-408 | AR | | Shim |
| 36 | 0402-409 | AR | | Shim |
| 37 | 1502-234 | 1 | S | Gear, Ring - 36T |
| 38 | 1402-074 | AR | | Shim |
| 38 | 1402-075 | AR | | Shim |
| 38 | 1402-076 | AR | | Shim |
| 38 | 1402-077 | AR | | Shim |
| 38 | 1402-078 | AR | | Shim |
| 39 | 1502-097 | 1 | | Cover, Gearcase (inc. one No. 33, 40-55, and one No. 56) |
| 40 | 1402-053 | 1 | | Bearing |
| 41 | 0502-413 | 1 | | Flange, Bearing |
| 42 | 1402-079 | 1 | | Pin, Parallel |

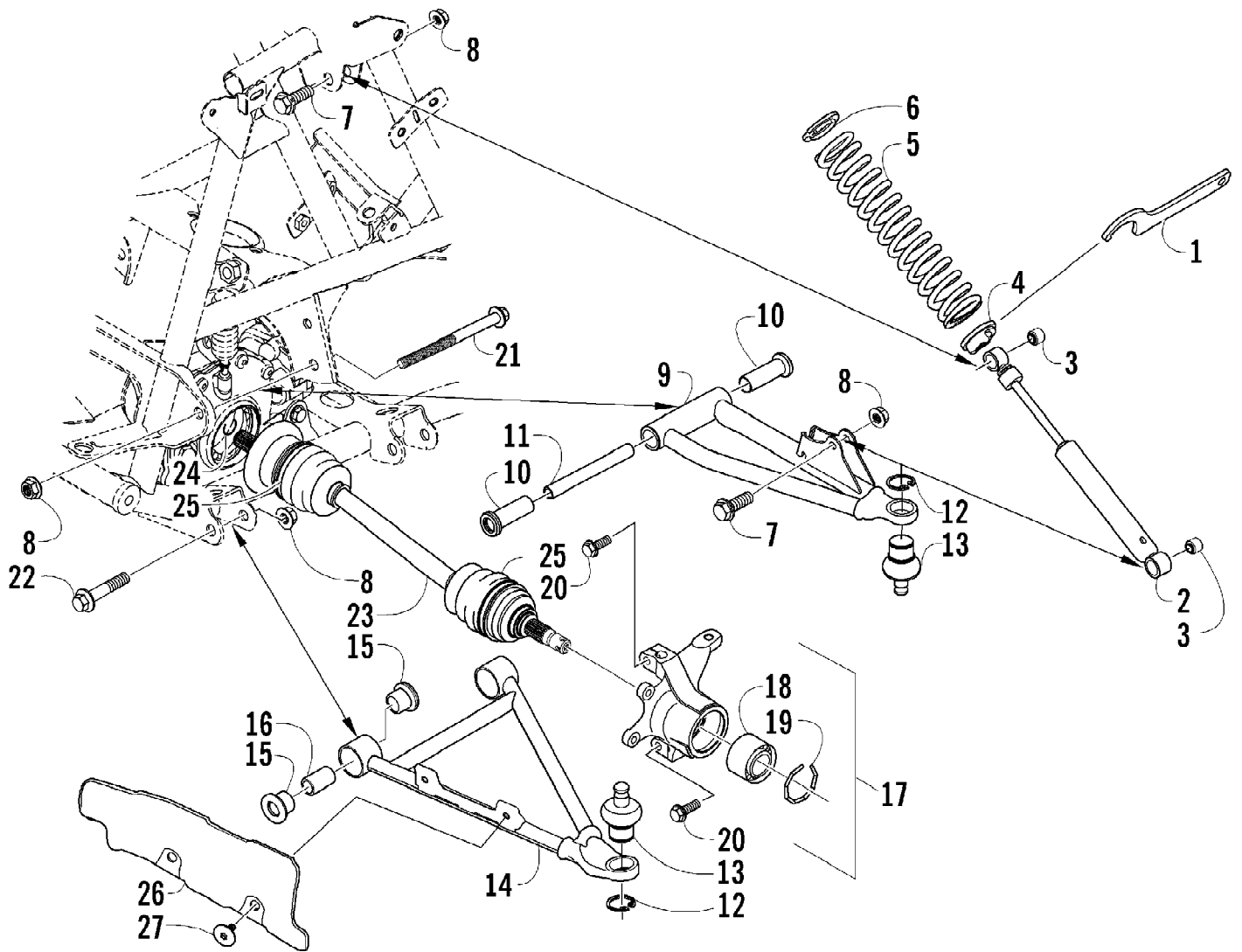
2008 ATV 400 MANUAL TRANSMISSION 4X4 FIS GREEN (A2008ICH4AUSG)Page 39 of 93
FRONT DRIVE GEARCASE ASSEMBLY

| Ref # | Part Number | Qty | S/P/F | Description |
|-------|-------------|-----|-------|-----------------------------------|
| 43 | 1402-042 | 1 | | Collar, Sliding |
| 44 | 1402-054 | 1 | | Fork |
| 45 | 1402-058 | 2 | | Ring, Retaining |
| 46 | 1402-057 | 1 | | Spring |
| 47 | 1402-104 | 1 | | Fitting |
| 48 | 0402-419 | 1 | | Switch, Indicator |
| 49 | 1402-063 | 1 | | Spring |
| 50 | 1402-055 | 1 | | Shaft, Lock |
| 51 | 1402-056 | 1 | | Seal |
| 52 | 0423-133 | 1 | | O-Ring |
| 53 | 0423-132 | 1 | | Washer |
| 54 | 0423-424 | 1 | | Ring, Retaining |
| 55 | 1402-211 | 1 | | Plug, Oil Level (inc. one No. 33) |
| 56 | 1402-441 | 2 | S | Seal |
| 57 | 0402-333 | 1 | /P | Plug, Fill (inc. 58) |
| 58 | 0423-154 | 1 | | O-Ring |



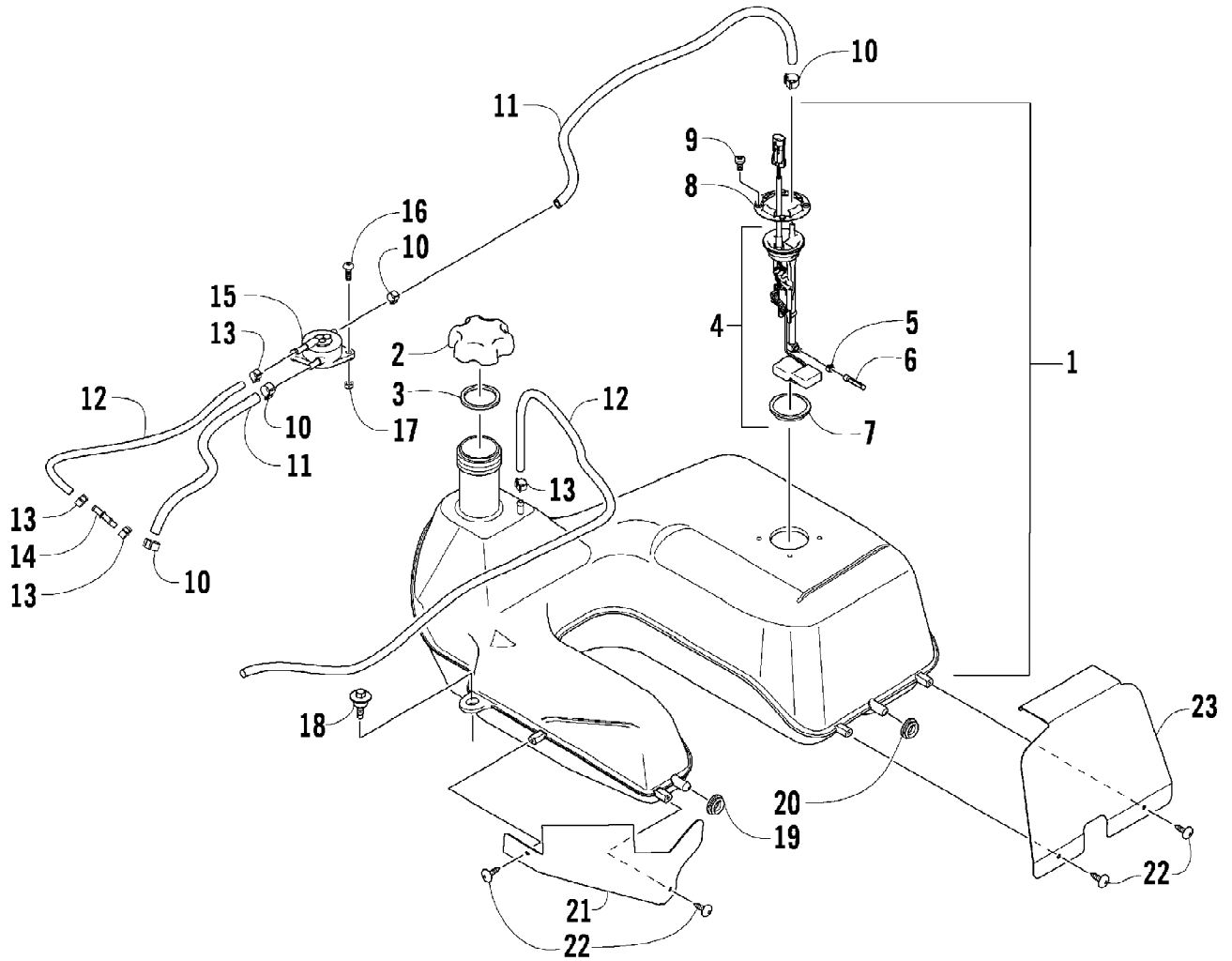
2008 ATV 400 MANUAL TRANSMISSION 4X4 FIS GREEN (A2008ICH4AUSG)Page 41 of 93
FRONT RACK AND HEADLIGHT ASSEMBLIES

| Ref # | Part Number | Qty | S/P/F | Description |
|-------|-------------|-----|-------|---|
| 1 | 2506-107 | 1 | | Rack - Front - Assembly (inc. 2-3) |
| 2 | 0411-576 | 1 | | Decal, Warning - Front Rack Load |
| 3 | 0441-592 | 4 | /P | Bushing, Rack |
| 4 | 8410-830 | 4 | | Screw, Cap |
| 5 | 0423-669 | 4 | | Spacer |
| 6 | 0423-465 | 4 | | Grommet |
| 7 | 8432-802 | 4 | | Nut, Lock |
| 8 | 0423-654 | 2 | | Screw, Shoulder |
| 9 | 8050-222 | 2 | /P | Washer |
| 10 | 0423-540 | 2 | | Nut, Lock |
| 11 | 0509-027 | 1 | S | Headlight Assembly - Right (inc. 12) |
| 11 | 0509-028 | 1 | S | Headlight Assembly - Left (inc. 12) |
| 12 | 0409-073 | 4 | | Bulb, Headlight |
| 13 | 0423-514 | 2 | | Stud, Adjuster - Headlight |
| 14 | 0423-522 | 2 | | Spring, Adjuster - Headlight |
| 15 | 0423-513 | 2 | | Knob, Adjuster - Headlight |
| 16 | 8050-217 | 8 | /P | Washer |
| 17 | 0423-447 | 4 | | Grommet |
| 18 | 0623-785 | 4 | | Screw, Self-Tapping |
| 19 | 2406-378 | 1 | | Panel, Side - Right |
| 19 | 2406-379 | 1 | | Panel, Side - Left |
| 20 | 0423-678 | 8 | | Grommet |
| 21 | 1406-970 | 1 | | Cover, Steering Post |
| 22 | 0623-362 | 2 | | Rivet, Reinstallable |
| 23 | 1406-947 | 1 | | Box, Storage |
| 24 | 0623-544 | 2 | | Plug |
| 25 | 2506-235 | 1 | | Cover, Storage Box w/Latch (inc. 26-27) |
| 26 | 1406-862 | 1 | | Cover, Storage Box |
| 27 | 1406-599 | 1 | | Latch, Storage Box |
| 28 | 0423-357 | 2 | | Nut, Stamped |



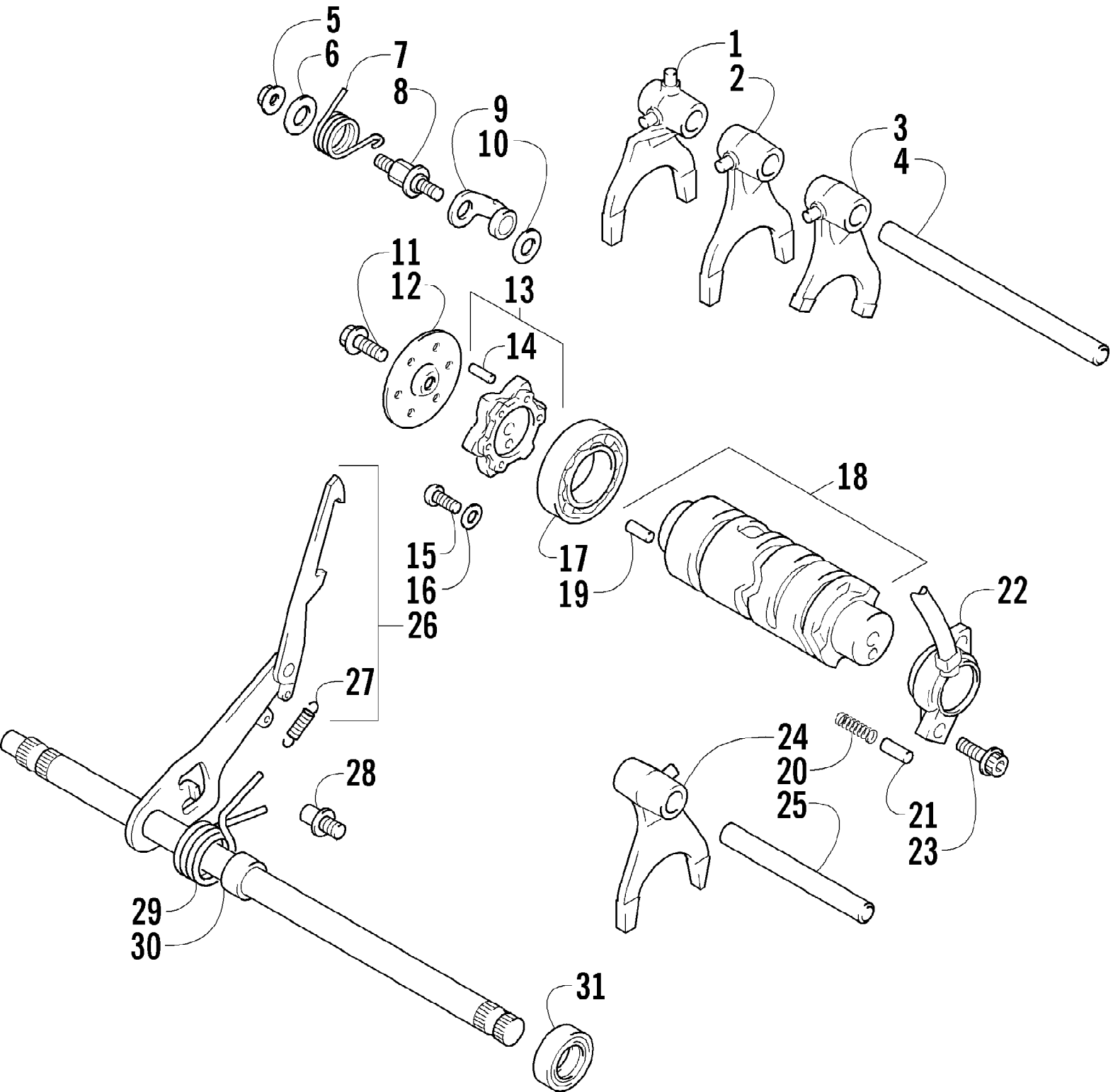
2008 ATV 400 MANUAL TRANSMISSION 4X4 FIS GREEN (A2008ICH4AUSG)Page 43 of 93
FRONT SUSPENSION ASSEMBLY

| Ref # | Part Number | Qty | S/P/F | Description |
|-------|-------------|-----|-------|---|
| 1 | 0441-587 | 1 | | Wrench, Spanner |
| 2 | 0403-172 | 2 | | Shock Absorber - Front (inc. 3) |
| 3 | 0403-182 | 4 | | Bushing, Double-Bonded |
| 4 | 0403-102 | 2 | | Cam, Spring Adjuster |
| 5 | 0403-169 | 2 | | Spring, Shock Absorber |
| 6 | 1603-889 | 2 | /P | Retainer, Spring |
| 7 | 8409-040 | 4 | | Screw, Cap |
| 8 | 8428-002 | 10 | | Nut, Lock |
| 9 | 0503-196 | 1 | S | A-Arm, Upper Right (inc. 10-13) |
| 9 | 0503-197 | 1 | | A-Arm, Upper Left (inc. 10-13) |
| 10 | 0403-081 | 4 | S | Bushing |
| 11 | 0403-080 | 2 | | Collar |
| 12 | 0423-009 | 4 | /P | Clip, Ball Joint |
| 13 | 0405-115 | 4 | /P | Ball Joint - Front |
| 14 | 0503-334 | 1 | S | A-Arm, Lower Right (inc. 12-13 and 15-16) |
| 14 | 0503-335 | 1 | S | A-Arm, Lower Left (inc. 12-13 and 15-16) |
| 15 | 0403-115 | 8 | S | Bushing |
| 16 | 0403-114 | 4 | S | Collar |
| 17 | 0505-460 | 1 | | Knuckle - Assembly - Right (inc. 18-19) |
| 17 | 0505-461 | 1 | S | Knuckle - Assembly - Left (inc. 18-19) |
| 18 | 1402-027 | 2 | S/P | Bearing, Wheel Hub |
| 19 | 0423-423 | 2 | | Ring, Retaining |
| 20 | 8409-030 | 4 | | Screw, Cap |
| 21 | 0423-334 | 2 | | Screw, Cap |
| 22 | 8409-075 | 4 | | Screw, Cap |
| 23 | 0502-812 | 1 | S | Axle, Drive - Front - Right (inc. 24-25) |
| 23 | 0502-813 | 1 | S | Axle, Drive - Front - Left (inc. 24-25) |
| 24 | 1441-109 | 2 | S | Clip, Retaining |
| 25 | 0436-276 | 2 | S | Repair Kit, Boot - Front Axle |
| 26 | 1441-002 | 1 | | Guard, Boot - Axle - Right |
| 26 | 1441-003 | 1 | | Guard, Boot - Axle - Left |
| 27 | 0423-545 | 4 | /P | Screw, Body |



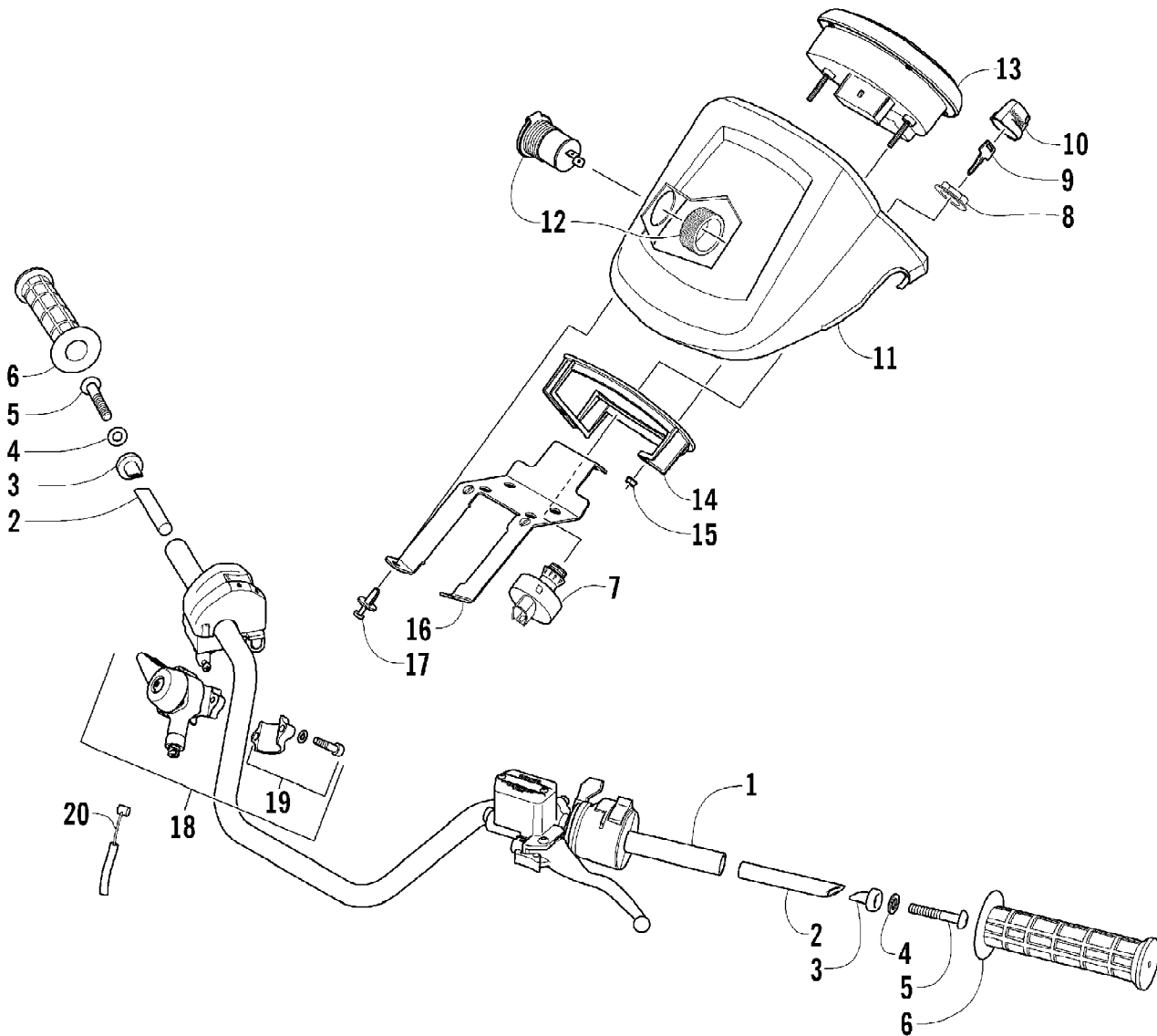
2008 ATV 400 MANUAL TRANSMISSION 4X4 FIS GREEN (A2008ICH4AUSG)Page 45 of 93
GAS TANK ASSEMBLY

| Ref # | Part Number | Qty | S/P/F | Description |
|-------|-------------|-----|-------|-------------------------------------|
| 1 | 0570-183 | 1 | S | Tank, Gas - Assembly (inc. 2-9) |
| 2 | 0470-438 | 1 | /P | Cap, Gas Tank (inc. 3) |
| 3 | 0109-733 | 1 | /P | Gasket, Gas Tank Cap |
| 4 | 0570-141 | 1 | S | Sensor, Fuel Level (inc. 5-7) |
| 5 | 0423-603 | 1 | | Clamp, Hose |
| 6 | 0470-475 | 1 | | Filter, Fuel |
| 7 | 0470-521 | 1 | | Seal, Fuel Level Sensor |
| 8 | 0470-639 | 1 | /P | Plate, Mounting - Fuel Level Sensor |
| 9 | 1623-158 | 4 | | Screw, Plastite |
| 10 | 0423-688 | 4 | | Clamp, Hose |
| 11 | 0410-143 | AR | | Hose, Gasline - 25 ft |
| 12 | 0410-070 | AR | /P | Hose, Gasline - 25 ft |
| 13 | 0423-689 | 4 | | Clamp, Hose |
| 14 | 0470-702 | 1 | /P | Fitting, Straight |
| 15 | 0470-758 | 1 | /P | Pump, Fuel |
| 16 | 8476-620 | 2 | | Screw, Machine |
| 17 | 0623-038 | 2 | | Nut, Lock |
| 18 | 0423-732 | 2 | | Screw, Shoulder |
| 19 | 0423-460 | 1 | | Grommet |
| 20 | 0423-806 | 1 | | Grommet |
| 21 | 0470-709 | 1 | | Shield, Gas Tank - Front |
| 22 | 0623-797 | 4 | | Screw, Self-Tapping |
| 23 | 0470-710 | 1 | | Shield, Gas Tank - Rear |



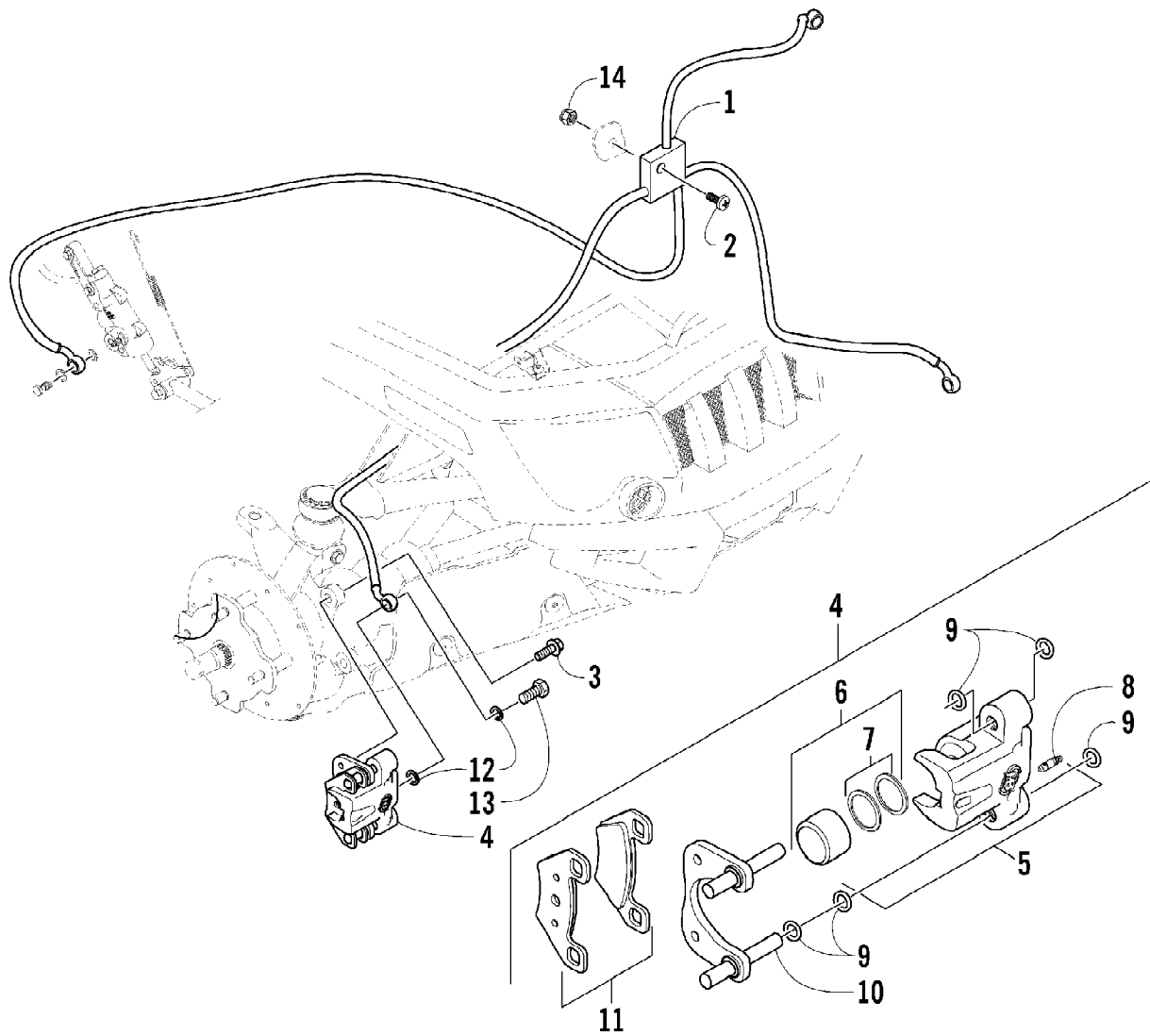
2008 ATV 400 MANUAL TRANSMISSION 4X4 FIS GREEN (A2008ICH4AUSG)Page 47 of 93
GEAR SHIFTING ASSEMBLY

| Ref # | Part Number | Qty | S/P/F | Description |
|-------|-------------|-----|-------|---------------------------------|
| 1 | 3446-306 | 1 | | Fork, Gear Shift - Reverse |
| 2 | 3446-155 | 1 | | Fork, Gear Shift - No. 1 |
| 3 | 3446-156 | 1 | | Fork, Gear Shift - No. 2 |
| 4 | 3402-643 | 1 | | Shaft, Gear Shift Fork - No. 2 |
| 5 | 3004-488 | 1 | S/P | Nut |
| 6 | 3423-142 | 1 | | Washer |
| 7 | 3423-521 | 1 | S | Spring, Gear Shift Cam Stopper |
| 8 | 3446-048 | 1 | | Support, Gear Shift Cam Stopper |
| 9 | 3402-746 | 1 | | Stopper, Gear Shift Cam |
| 10 | 3423-141 | 1 | | Washer |
| 11 | 3423-125 | 1 | S | Bolt |
| 12 | 3446-309 | 1 | /P | Guide, Gear Shift |
| 13 | 3446-049 | 1 | | Plate, Gear Shift Cam (inc. 14) |
| 14 | 3423-045 | 5 | | Pin |
| 15 | 3423-370 | 2 | | Screw |
| 16 | 3423-135 | 2 | | Retainer |
| 17 | 3402-051 | 1 | | Bearing, Gear Shift Cam |
| 18 | 3446-308 | 1 | | Cam, Gear Shift (inc. 19) |
| 19 | 3423-114 | 1 | /P | Pin |
| 20 | 3402-087 | 2 | | Spring |
| 21 | 3423-044 | 2 | | Contact |
| 22 | 3446-313 | 1 | | Base, Neutral Switch |
| 23 | 3423-418 | 2 | | Bolt |
| 24 | 3446-157 | 1 | | Fork, Gear Shift - No. 3 |
| 25 | 3446-307 | 1 | | Shaft, Gear Shift Fork - No. 1 |
| 26 | 3446-310 | 1 | | Shaft, Gear Shift (inc. 27) |
| 27 | 3402-093 | 1 | | Spring |
| 28 | 3446-056 | 1 | | Stopper, Gear Shift Shaft |
| 29 | 3402-094 | 1 | | Spring, Return |
| 30 | 3446-054 | 1 | | Spacer, Gear Shift Shaft |
| 31 | 3402-068 | 1 | /P | Seal, Oil |



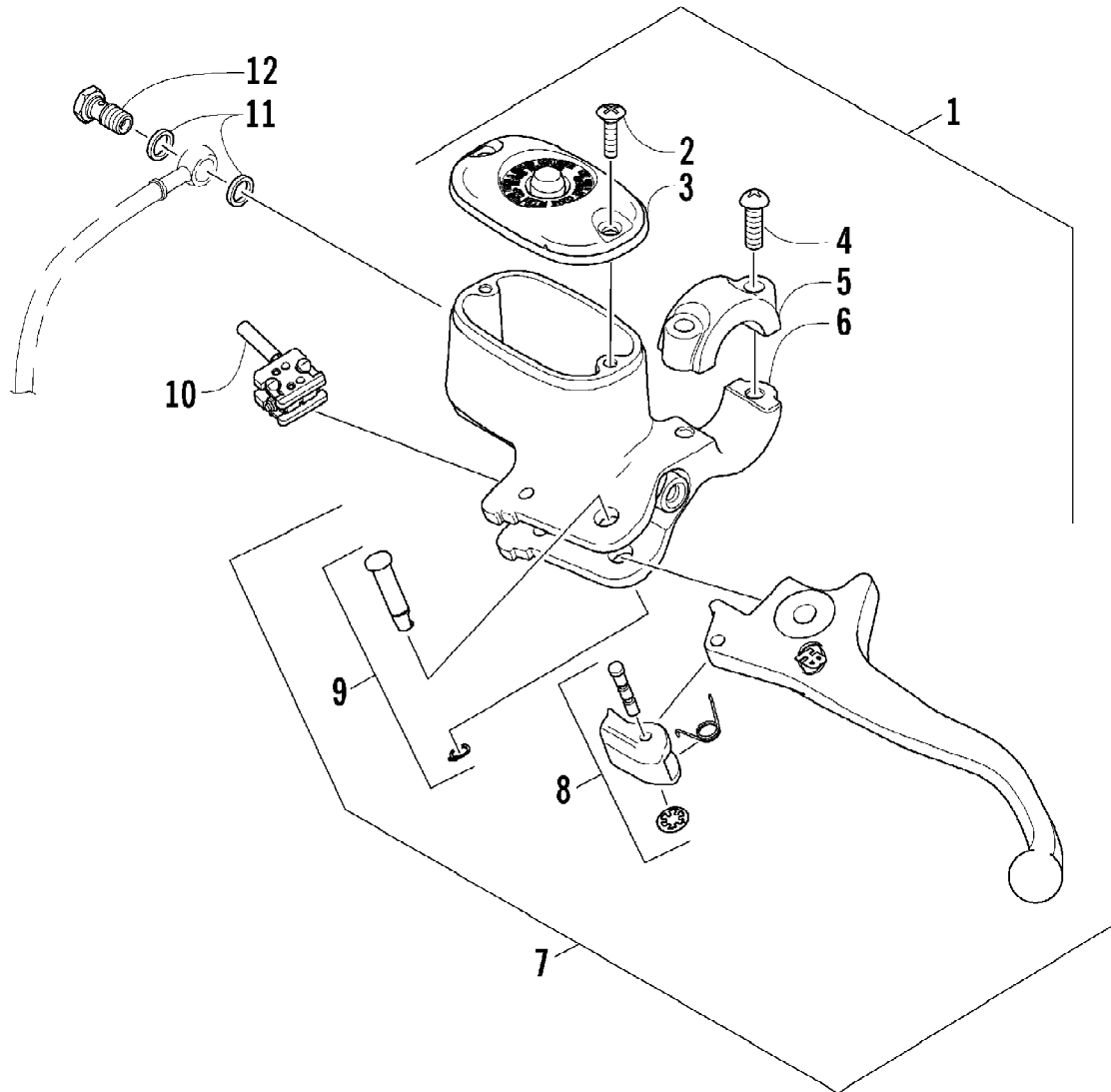
2008 ATV 400 MANUAL TRANSMISSION 4X4 FIS GREEN (A2008ICH4AUSG)Page 49 of 93
HANDLEBAR ASSEMBLY

| Ref # | Part Number | Qty | S/P/F | Description |
|-------|-------------|-----|-------|---|
| 1 | 0505-476 | 1 | | Tube, Handlebar |
| 2 | 0405-148 | 2 | | Plug, Handlebar |
| 3 | 0405-149 | 2 | | End Cap, Handlebar |
| 4 | 8050-247 | 2 | /P | Washer |
| 5 | 8477-845 | 2 | | Screw, Machine |
| 6 | 0405-147 | 2 | | Grip, Handlebar |
| 7 | 0430-069 | 1 | S | Switch, Ignition - Assembly (inc. 8-10) |
| 8 | 0430-050 | 1 | | Nut, Flange - Ignition Switch |
| 9 | 0430-042 | 1 | | Key, Ignition (Y Series - Left-Side Cut) |
| 9 | 0430-043 | 1 | | Key, Ignition (Z Series - Right-Side Cut) |
| 10 | 0430-054 | 1 | | Cover, Key |
| 11 | 0405-274 | 1 | | Instrument Pod |
| 12 | 0641-897 | 1 | /P | Outlet, Accessory - 12V |
| 13 | 0520-017 | 1 | | Gauge, Digital |
| 14 | 0420-065 | 1 | /P | Clamp, Plastic |
| 15 | 0423-493 | 2 | | Nut, Hex |
| 16 | 2506-470 | 1 | | Bracket, Mounting - Instrument Pod |
| 17 | 0423-535 | 2 | | Rivet, Reinstallable |
| 18 | 0502-527 | 1 | | Control, Differential Lock (inc. 19) |
| 19 | 0502-613 | 1 | | Clamp, Differential Lock Control - Kit |
| 20 | 0487-050 | 1 | /P | Cable, Differential Lock |



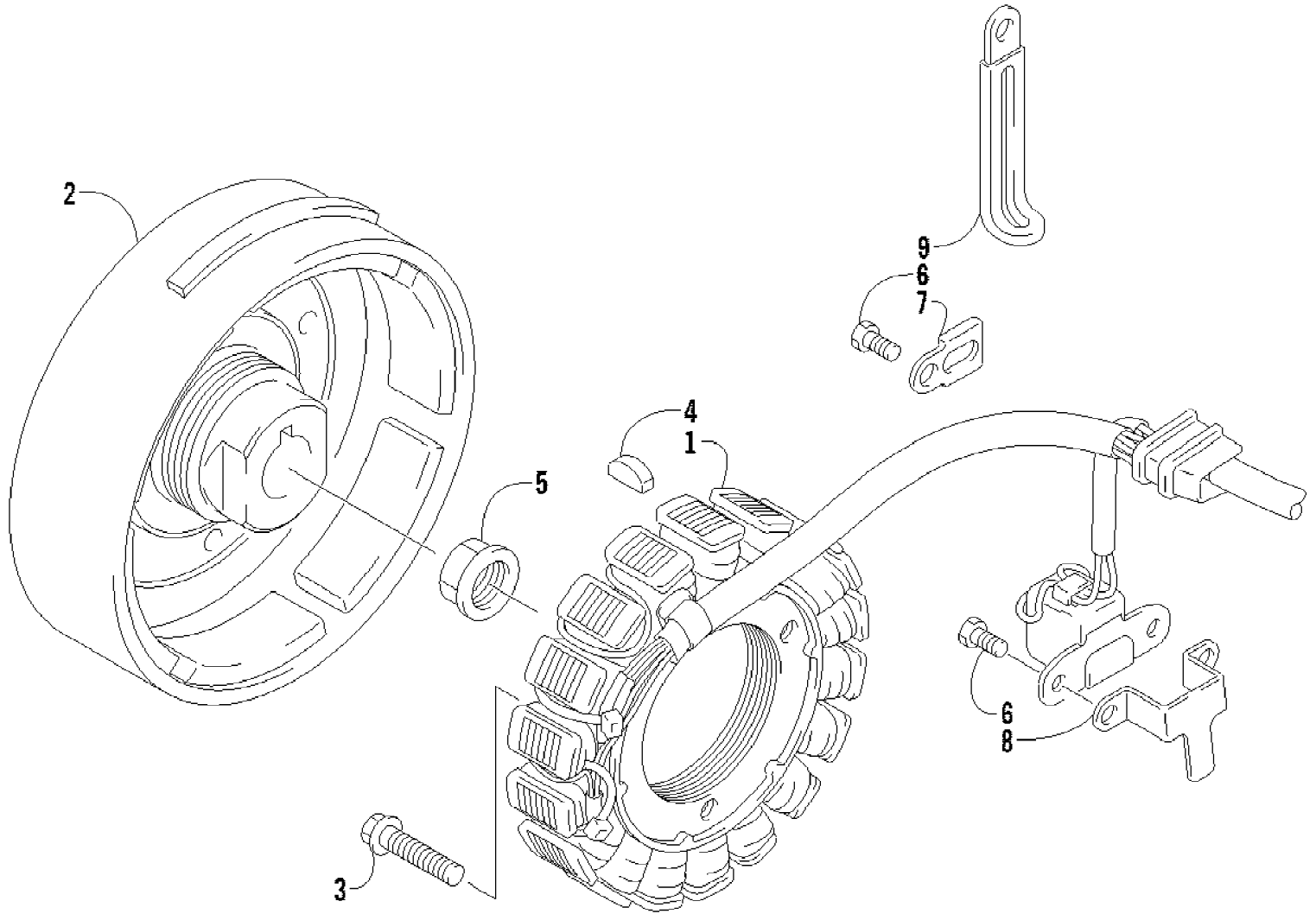
2008 ATV 400 MANUAL TRANSMISSION 4X4 FIS GREEN (A2008ICH4AUSG)Page 51 of 93
HYDRAULIC BRAKE ASSEMBLY

| Ref # | Part Number | Qty | S/P/F | Description |
|-------|-------------|-----|-------|--|
| 1 | 1502-015 | 1 | | Hose, Brake - Assembly |
| 2 | 8476-625 | 1 | | Screw, Cap |
| 3 | 8408-821 | 4 | /P | Screw, Cap |
| 4 | 0502-878 | 1 | S | Caliper, Brake - Right Front (inc. 5-11) |
| 4 | 0502-879 | 1 | S | Caliper, Brake - Left Front (inc. 5-11) |
| 5 | 0502-603 | 1 | S | Housing, Caliper - Assembly - Right Front (inc. 6-8) |
| 5 | 0502-611 | 1 | S | Housing, Caliper - Assembly - Left Front (inc. 6-8) |
| 6 | 0502-606 | 2 | | Piston/Seal Set (inc. 7) |
| 7 | 0502-607 | 2 | | Seal Set |
| 8 | 0502-609 | 2 | /P | Valve, Bleed |
| 9 | 0502-608 | 2 | | O-Ring, Guide - Set |
| 10 | 0502-605 | 2 | | Bracket Assembly |
| 11 | 0502-875 | 2 | S | Pad, Brake - Set |
| 12 | 0423-178 | 4 | | Washer, Crush |
| 13 | 0423-413 | 2 | | Bolt, Banjo-Fitting |
| 14 | 0623-038 | 1 | | Nut, Lock |

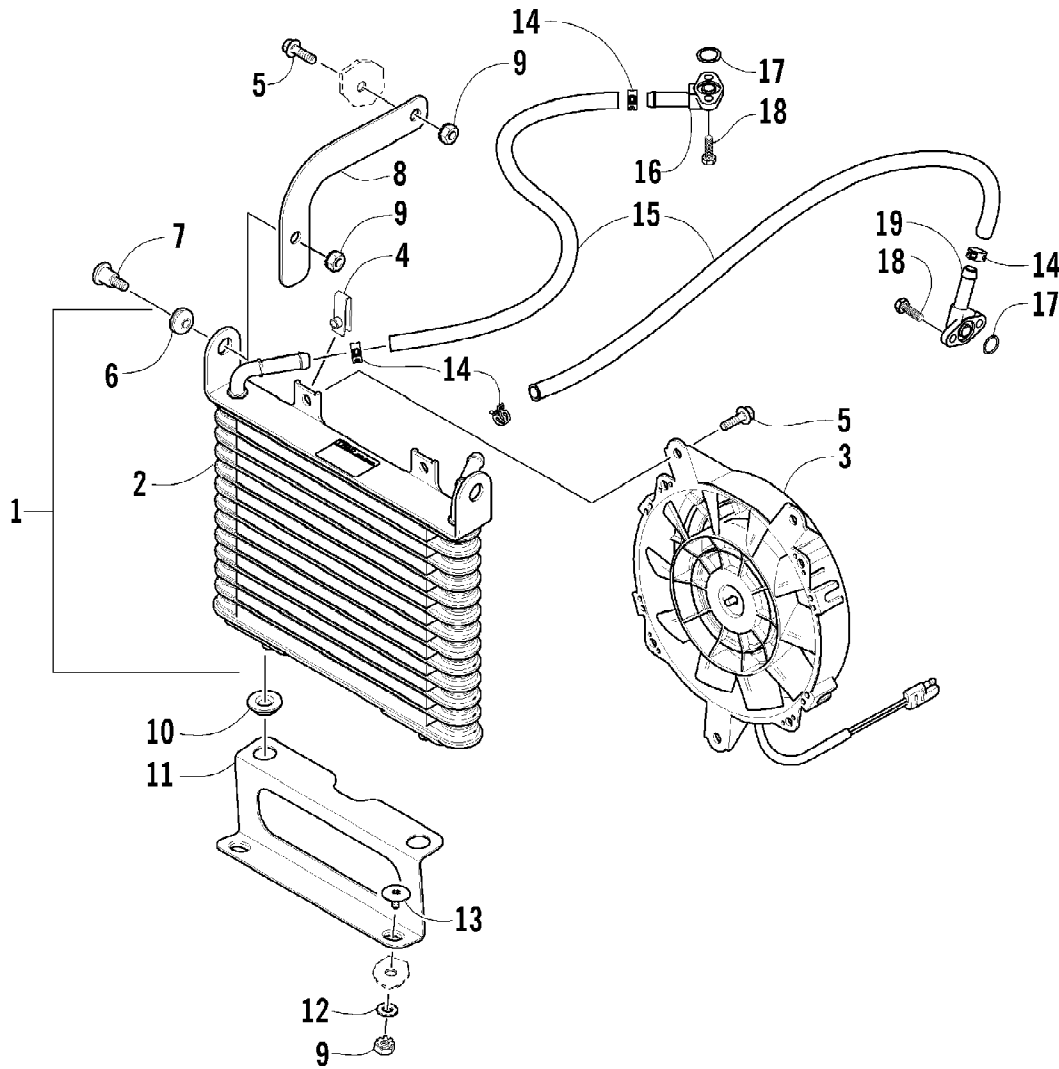


2008 ATV 400 MANUAL TRANSMISSION 4X4 FIS GREEN (A2008ICH4AUSG)Page 53 of 93
HYDRAULIC HAND BRAKE ASSEMBLY

| Ref # | Part Number | Qty | S/P/F | Description |
|-------|-------------|-----|-------|------------------------------|
| 1 | 0502-914 | 1 | S | Brake Assembly (inc. 2-10) |
| 2 | 0502-566 | 1 | | Screw, Reservoir Cover |
| 3 | 0502-868 | 1 | /P | Cover, Reservoir |
| 4 | 0502-568 | 1 | | Screw, Master Cylinder Clamp |
| 5 | 0502-869 | 1 | | Clamp, Master Cylinder |
| 6 | 0502-704 | 1 | | Master Cylinder Assembly |
| 7 | 0502-866 | 1 | | Lever Assembly (inc. 8-9) |
| 8 | 0502-867 | 1 | /P | Lock, Brake Lever - Kit |
| 9 | 0502-580 | 1 | | Lever Pin - Kit |
| 10 | 0502-564 | 1 | /P | Switch, Brake - Kit |
| 11 | 0423-178 | 2 | | Washer, Crush |
| 12 | 0423-413 | 1 | | Bolt, Banjo-Fitting |

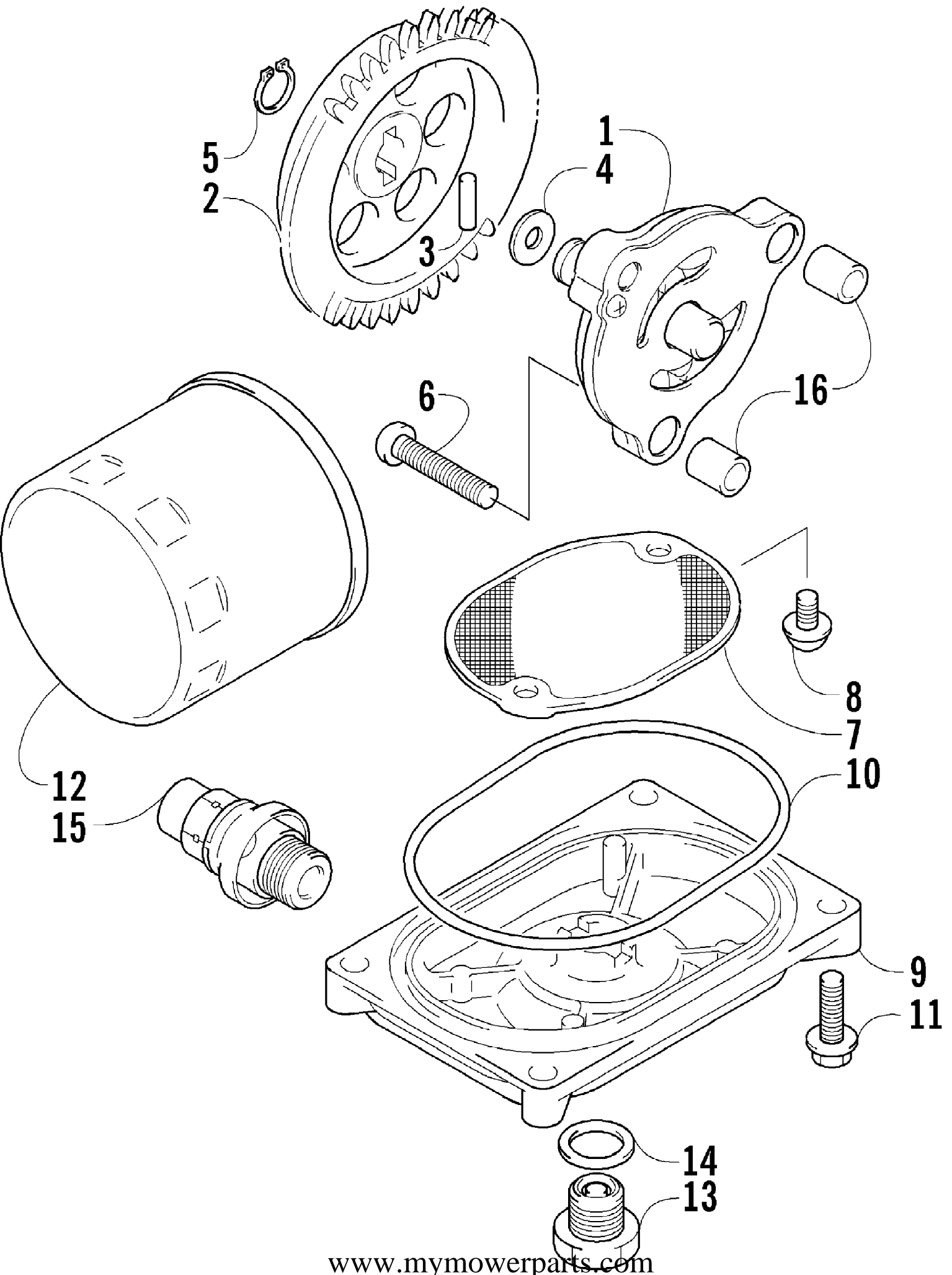


| Ref # | Part Number | Qty | S/P/F | Description |
|-------|-------------|-----|-------|-----------------|
| 1 | 3430-053 | 1 | | Stator Assembly |
| 2 | 3430-054 | 1 | S | Rotor/Flywheel |
| 3 | 3004-756 | 3 | S | Bolt |
| 4 | 0691-785 | 1 | | Key |
| 5 | 3423-086 | 1 | | Nut |
| 6 | 3423-005 | 3 | /P | Bolt |
| 7 | 3430-005 | 1 | | Clamp |
| 8 | 3430-006 | 1 | | Clamp |
| 9 | 3006-580 | 1 | | Clamp, Wire |



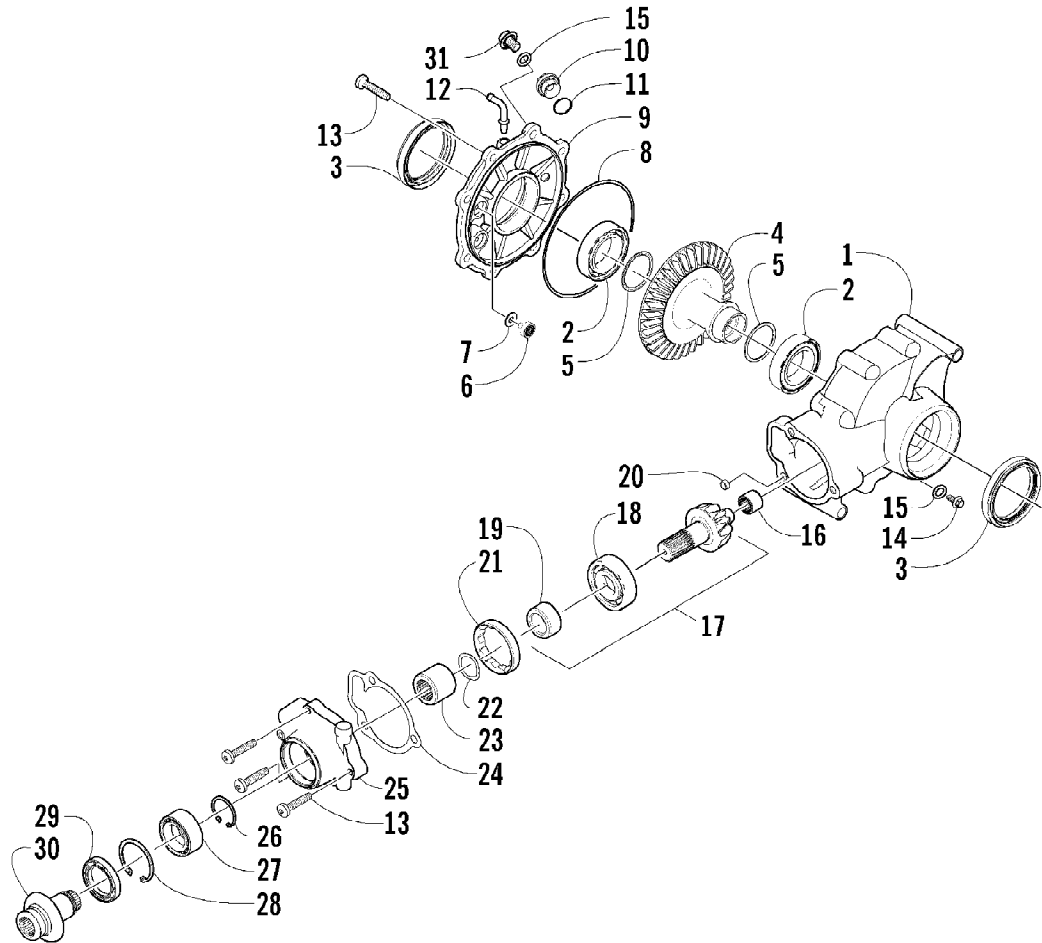
2008 ATV 400 MANUAL TRANSMISSION 4X4 FIS GREEN (A2008ICH4AUSG)Page 57 of 93
OIL COOLER ASSEMBLY

| Ref # | Part Number | Qty | S/P/F | Description |
|-------|-------------|-----|-------|---|
| 1 | 0413-144 | 1 | | Cooler, Oil - Assembly (inc. 2-4, three No. 5, and 6) |
| 2 | 0413-146 | 1 | | Cooler, Oil |
| 3 | 0413-145 | 1 | | Fan, Cooling |
| 4 | 0423-031 | 3 | | Nut, Speed |
| 5 | 8476-612 | 5 | | Screw, Machine |
| 6 | 0423-030 | 2 | | Grommet |
| 7 | 0423-484 | 2 | | Screw, Shoulder |
| 8 | 0513-020 | 2 | | Bracket, Mounting - Oil Cooler - Upper |
| 9 | 0623-038 | 6 | | Nut w/Washer |
| 10 | 0423-028 | 2 | | Bushing, Stem |
| 11 | 0513-021 | 1 | | Bracket, Mounting - Oil Cooler - Lower |
| 12 | 8050-222 | 2 | /P | Washer |
| 13 | 0423-101 | 2 | | Screw, Body |
| 14 | 0423-098 | 4 | /P | Clamp, Hose |
| 15 | 0410-044 | 2 | | Hose, Oil |
| 16 | 0410-013 | 1 | | Fitting, Oil |
| 17 | 0423-089 | 2 | | O-Ring, Oil Fitting |
| 18 | 8471-616 | 4 | | Screw, Cap |
| 19 | 0410-012 | 1 | | Fitting, Oil - Angled |



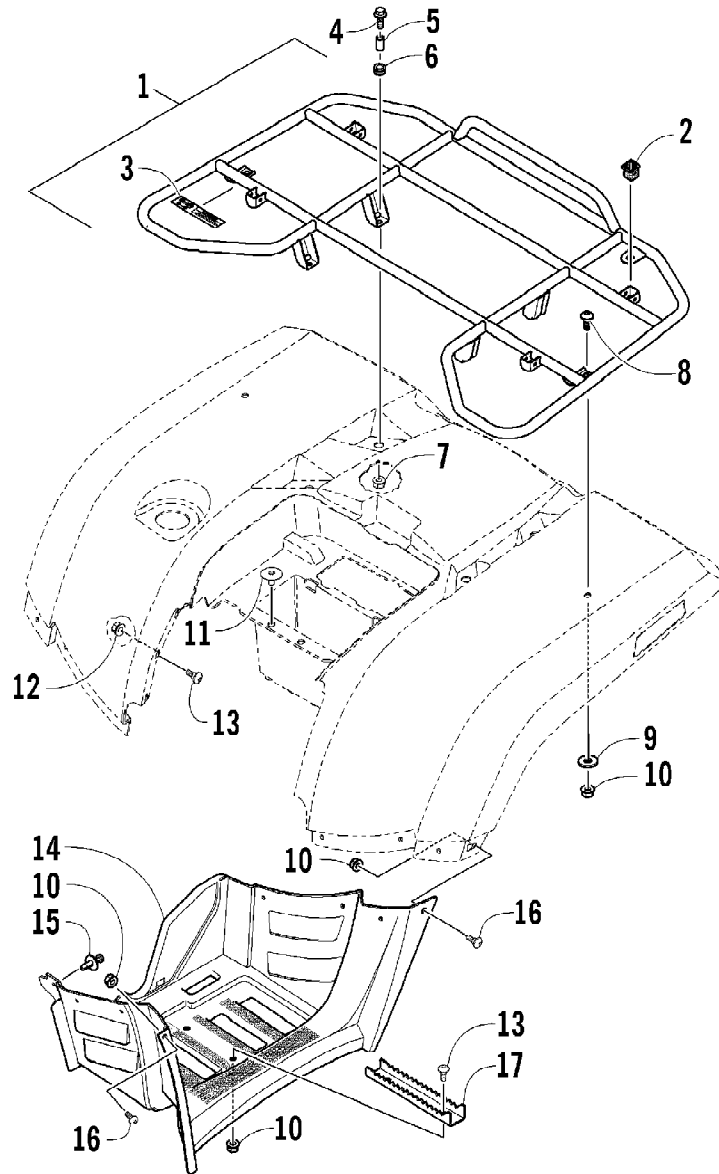
2008 ATV 400 MANUAL TRANSMISSION 4X4 FIS GREEN (A2008ICH4AUSG)Page 59 of 93
OIL FILTER/PUMP ASSEMBLY

| Ref # | Part Number | Qty | S/P/F | Description |
|-------|-------------|-----|-------|------------------------------|
| 1 | 3402-619 | 1 | | Pump, Oil |
| 2 | 3402-618 | 1 | | Gear, Driven |
| 3 | 3423-046 | 1 | | Pin |
| 4 | 3423-443 | 1 | | Washer |
| 5 | 3423-184 | 1 | S | Circlip |
| 6 | 3423-113 | 3 | S/P | Screw |
| 7 | 3402-156 | 1 | | Strainer, Oil |
| 8 | 1691-164 | 2 | /P | Screw |
| 9 | 3402-157 | 1 | | Cap, Oil Strainer |
| 10 | 3423-077 | 1 | | O-Ring |
| 11 | 3004-756 | 4 | S | Screw, Cap |
| 12 | 0812-005 | 1 | S | Filter, Oil |
| 13 | 3403-021 | 1 | /P | Plug, Drain |
| 14 | 3402-012 | 1 | | Gasket, Drain Plug |
| 15 | 3402-773 | 1 | | Valve, Oil-Relief - Assembly |
| 16 | 3005-206 | 2 | /P | Pin, Oil Pump |



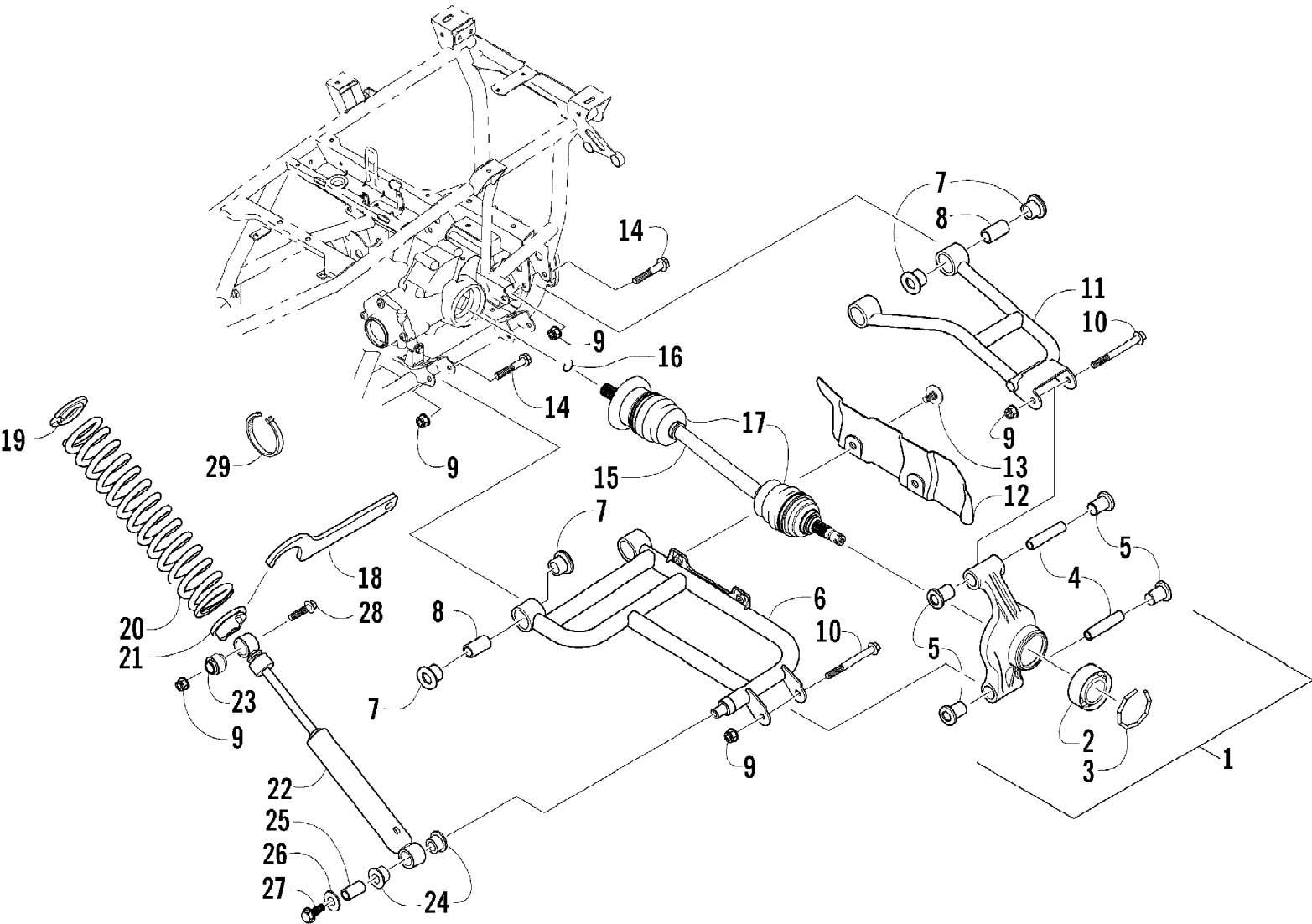
2008 ATV 400 MANUAL TRANSMISSION 4X4 FIS GREEN (A2008ICH4AUSG)Page 61 of 93
REAR DRIVE GEARCASE ASSEMBLY

| Ref # | Part Number | Qty | S/P/F | Description |
|-------|-------------|-----|-------|--|
| | 1502-079 | 1 | S | Complete Rear Gearcase Assembly |
| 1 | 0502-622 | 1 | | Housing, Gearcase |
| 2 | 0402-393 | 2 | | Bearing |
| 3 | 1402-441 | 2 | S | Seal |
| 4 | 1402-032 | 1 | | Gear, Ring - 36T |
| 5 | 0402-405 | AR | | Shim |
| 5 | 0402-406 | AR | | Shim |
| 5 | 0402-407 | AR | | Shim |
| 5 | 0402-408 | AR | | Shim |
| 5 | 0402-409 | AR | | Shim |
| 6 | 0402-326 | 1 | | Button, Thrust |
| 7 | 0402-429 | AR | | Shim |
| 7 | 0402-430 | AR | | Shim |
| 7 | 0402-431 | AR | | Shim |
| 7 | 0402-432 | AR | | Shim |
| 7 | 0402-433 | AR | | Shim |
| 8 | 0423-149 | 1 | | O-Ring |
| 9 | 1502-082 | 1 | | Cover, Gearcase |
| 10 | 0402-333 | 1 | /P | Plug, Fill (inc. 11) |
| 11 | 0423-154 | 1 | | O-Ring |
| 12 | 1402-102 | 1 | | Fitting |
| 13 | 0423-118 | 11 | | Screw, Self-Tapping |
| 14 | 0402-450 | 1 | S | Plug, Magnetic (inc. one No. 15) |
| 15 | 0423-153 | 2 | | O-Ring |
| 16 | 0402-328 | 1 | | Bearing |
| 17 | 0502-783 | 1 | | Gear, Pinion - Assembly - 10T (inc. 18-19) |
| 18 | 0402-327 | 1 | | Bearing |
| 19 | 0402-336 | 1 | | Collar, Retaining |
| 20 | 0402-411 | 1 | | Pin, Dowel |
| 21 | 0402-331 | 1 | | Collar, Lock |
| 22 | 0402-982 | 1 | | Washer, Spring |
| 23 | 0402-981 | 1 | | Collar, Shaft |
| 24 | 0402-947 | 1 | | Gasket, Flange |
| 25 | 0502-529 | 1 | | Housing, Pinion |
| 26 | 0423-417 | 1 | | Ring, Retaining |
| 27 | 1402-043 | 1 | | Bearing |
| 28 | 0423-423 | 1 | | Ring, Retaining |
| 29 | 1402-011 | 1 | | Seal |
| 30 | 1502-085 | 1 | /P | Shaft, Input |
| 31 | 1402-211 | 1 | | Plug, Oil Level (inc. one No. 15) |



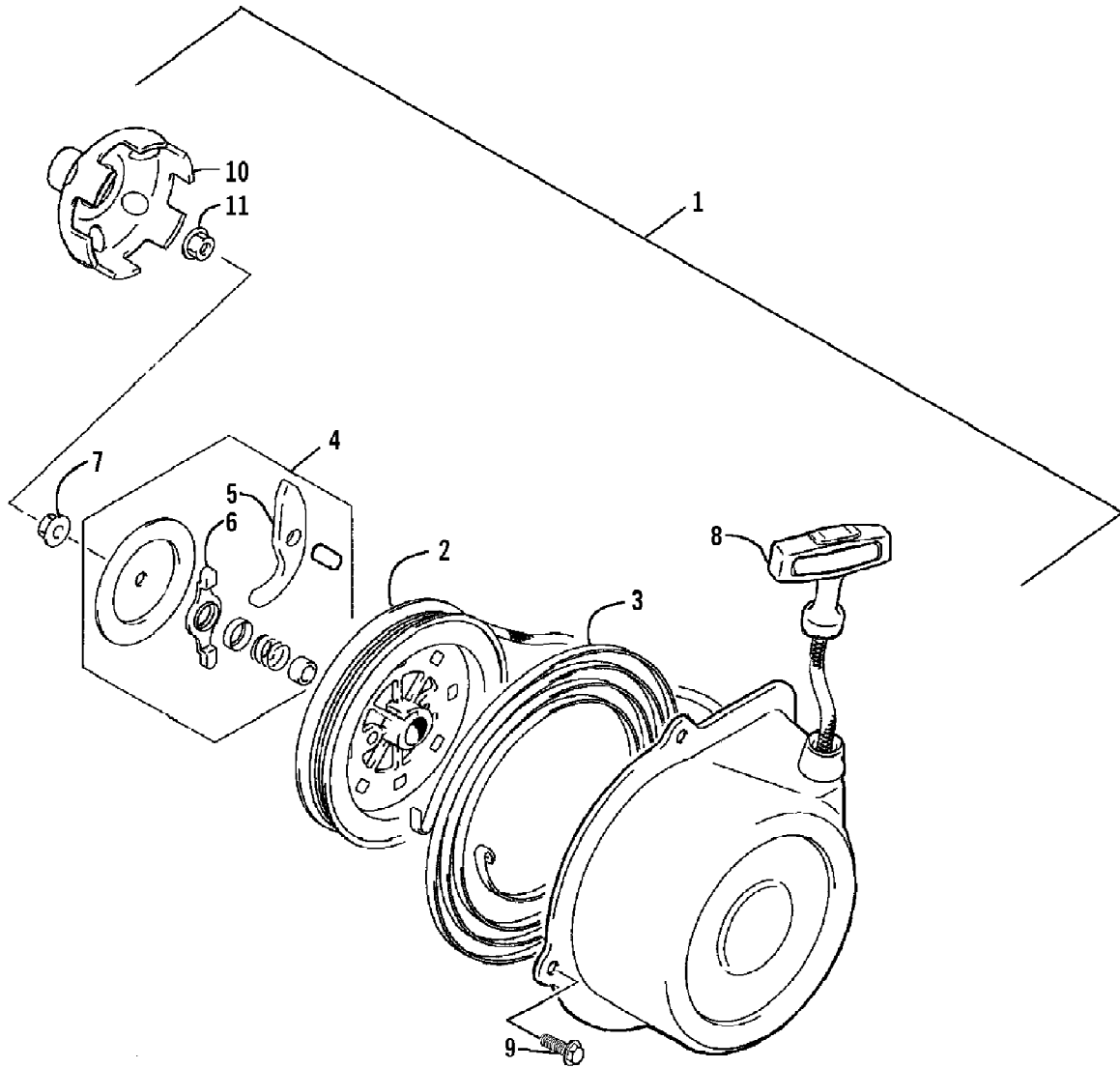
2008 ATV 400 MANUAL TRANSMISSION 4X4 FIS GREEN (A2008ICH4AUSG)Page 63 of 93
REAR RACK AND FOOTWELL ASSEMBLIES

| Ref # | Part Number | Qty | S/P/F | Description |
|-------|-------------|-----|-------|-----------------------------------|
| 1 | 2506-124 | 1 | | Rack - Rear - Assembly (inc. 2-3) |
| 2 | 0441-592 | 4 | /P | Bushing, Rack |
| 3 | 0411-648 | 1 | | Decal, Warning - Rear Rack Load |
| 4 | 8410-830 | 4 | | Screw, Cap |
| 5 | 0423-669 | 4 | | Spacer |
| 6 | 0423-465 | 4 | | Grommet |
| 7 | 8432-802 | 4 | | Nut, Lock |
| 8 | 0423-654 | 2 | | Screw, Shoulder |
| 9 | 8050-222 | 2 | /P | Washer |
| 10 | 0423-540 | 22 | | Nut, Lock |
| 11 | 0423-101 | 2 | | Screw, Body |
| 12 | 8424-602 | 6 | /P | Nut, Lock |
| 13 | 0423-355 | 10 | | Screw, Shoulder |
| 14 | 2406-428 | 1 | /P | Footwell - Right |
| 14 | 2406-429 | 1 | /P | Footwell - Left |
| 15 | 0623-362 | 4 | | Rivet, Reinstallable |
| 16 | 0423-419 | 16 | | Screw, Machine |
| 17 | 1506-125 | 2 | /P | Footpeg |



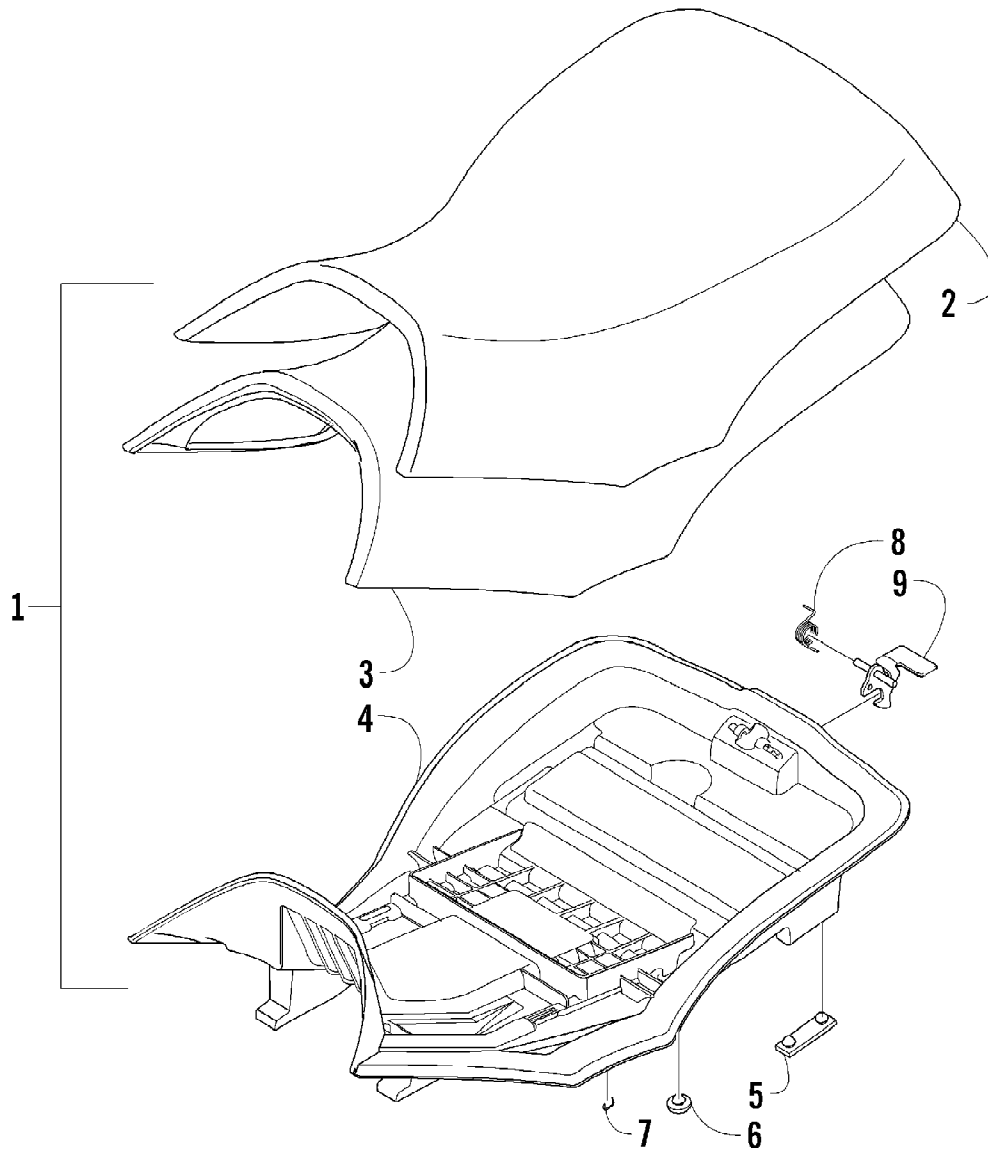
2008 ATV 400 MANUAL TRANSMISSION 4X4 FIS GREEN (A2008ICH4AUSG)Page 65 of 93
REAR SUSPENSION ASSEMBLY

| Ref # | Part Number | Qty | S/P/F | Description |
|-------|-------------|-----|-------|---|
| 1 | 0504-372 | 1 | S | Knuckle, Right Rear - Assembly (inc. 2-5) |
| 1 | 0504-373 | 1 | S/P | Knuckle, Left Rear - Assembly (inc. 2-5) |
| 2 | 1402-027 | 2 | S/P | Bearing, Wheel Hub |
| 3 | 0423-423 | 2 | | Ring, Retaining |
| 4 | 0403-038 | 4 | S/P | Collar, Suspension Bushing |
| 5 | 0403-032 | 8 | S | Bushing, Suspension |
| 6 | 0504-438 | 1 | /P | A-Arm, Rear - Lower Right (inc. 7-8) |
| 6 | 0504-439 | 1 | S | A-Arm, Rear - Lower Left (inc. 7-8) |
| 7 | 0403-115 | 16 | S | Bushing |
| 8 | 0403-114 | 8 | S | Collar |
| 9 | 8428-002 | 14 | | Nut, Lock |
| 10 | 8409-000 | 4 | | Screw, Cap |
| 11 | 0504-470 | 1 | | A-Arm, Rear - Upper Right (inc. 7-8) |
| 11 | 0504-471 | 1 | S | A-Arm, Rear - Upper Left (inc. 7-8) |
| 12 | 1441-004 | 1 | | Guard, Boot - Right |
| 12 | 1441-005 | 1 | | Guard, Boot - Left |
| 13 | 0423-545 | 4 | /P | Screw, Body |
| 14 | 8409-075 | 8 | | Screw, Cap |
| 15 | 0502-811 | 2 | S | Axle, Drive (inc. 16-17) |
| 16 | 0441-893 | 2 | S | Clip, Retaining |
| 17 | 0436-276 | 2 | S | Repair Kit, Boot - Rear Axle |
| 18 | 0441-587 | 1 | | Wrench, Spanner |
| 19 | 1603-889 | 2 | /P | Retainer, Spring |
| 20 | 0404-112 | 2 | | Spring, Suspension |
| 21 | 0404-057 | 2 | | Cam, Spring Adjuster |
| 22 | 0404-150 | 2 | | Shock Absorber - Rear (inc. 23-25) |
| 23 | 0403-182 | 2 | | Bushing, Double-Bonded |
| 24 | 0603-955 | 4 | | Bushing, Shock Absorber |
| 25 | 1603-219 | 2 | S | Sleeve, Shock Absorber |
| 26 | 0423-087 | 2 | | Washer |
| 27 | 8408-820 | 2 | /P | Screw, Cap |
| 28 | 8409-040 | 1 | | Screw, Cap - Right |
| 28 | 8409-050 | 1 | | Screw, Cap - Left |
| 29 | 0123-788 | 2 | /P | Cable Tie |



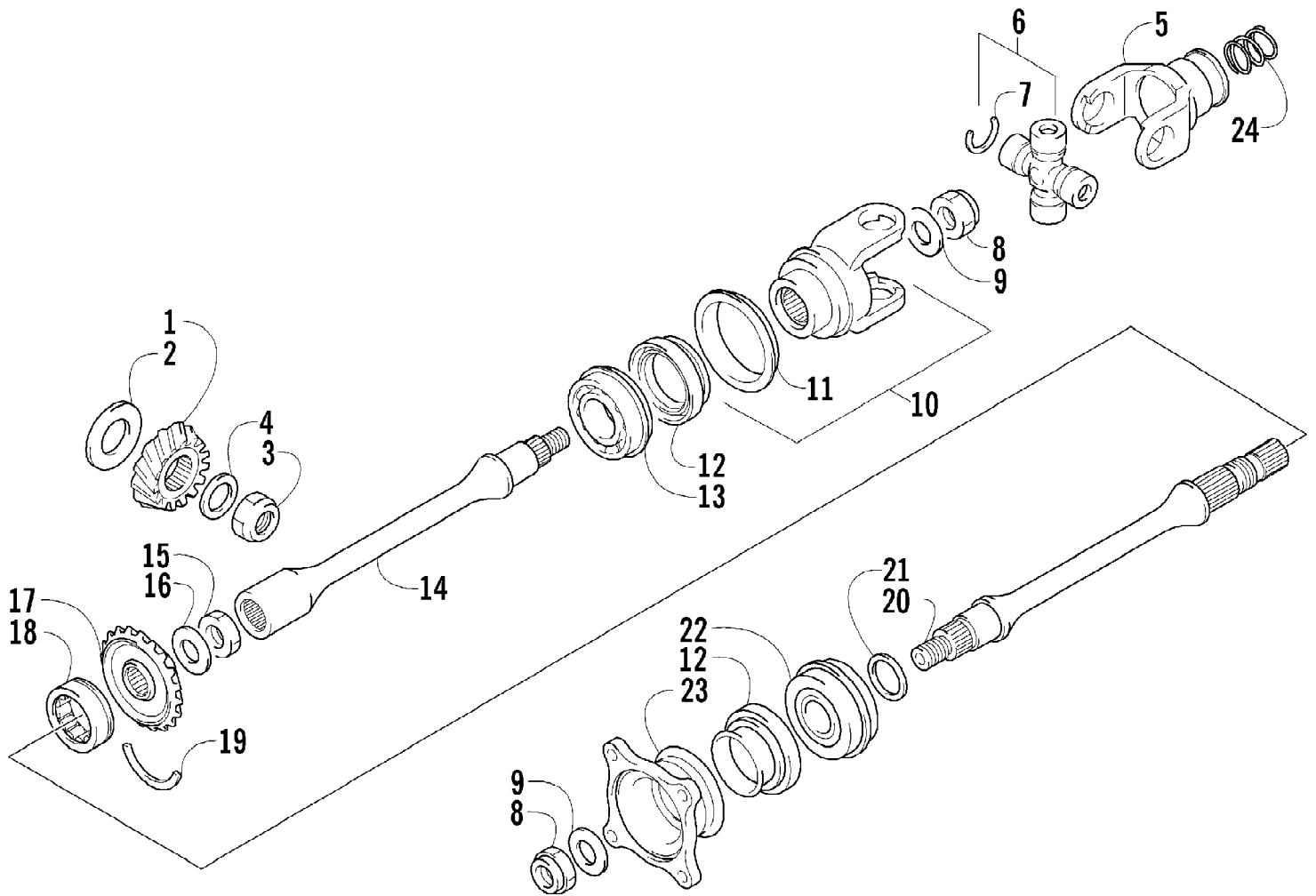
2008 ATV 400 MANUAL TRANSMISSION 4X4 FIS GREEN (A2008ICH4AUSG)Page 67 of 93
RECOIL STARTER ASSEMBLY

| Ref # | Part Number | Qty | S/P/F | Description |
|-------|-------------|-----|-------|---------------------------------------|
| 1 | 3445-003 | 1 | | Starter, Recoil - Assembly (inc. 2-8) |
| 2 | 3445-004 | 1 | | Reel |
| 3 | 3445-007 | 1 | | Spring, Sprial |
| 4 | 3445-016 | 1 | | Ratchet - Assembly (inc. 5-6) |
| 5 | 3445-005 | 1 | | Ratchet |
| 6 | 3445-006 | 1 | | Guide, Ratchet |
| 7 | 3004-488 | 1 | S/P | Nut |
| 8 | 3445-011 | 1 | | Rope Assembly |
| 9 | 3423-428 | 4 | | Screw, Cap |
| 10 | 3445-029 | 1 | /P | Cup, Starter |
| 11 | 3004-491 | 1 | S/P | Nut |



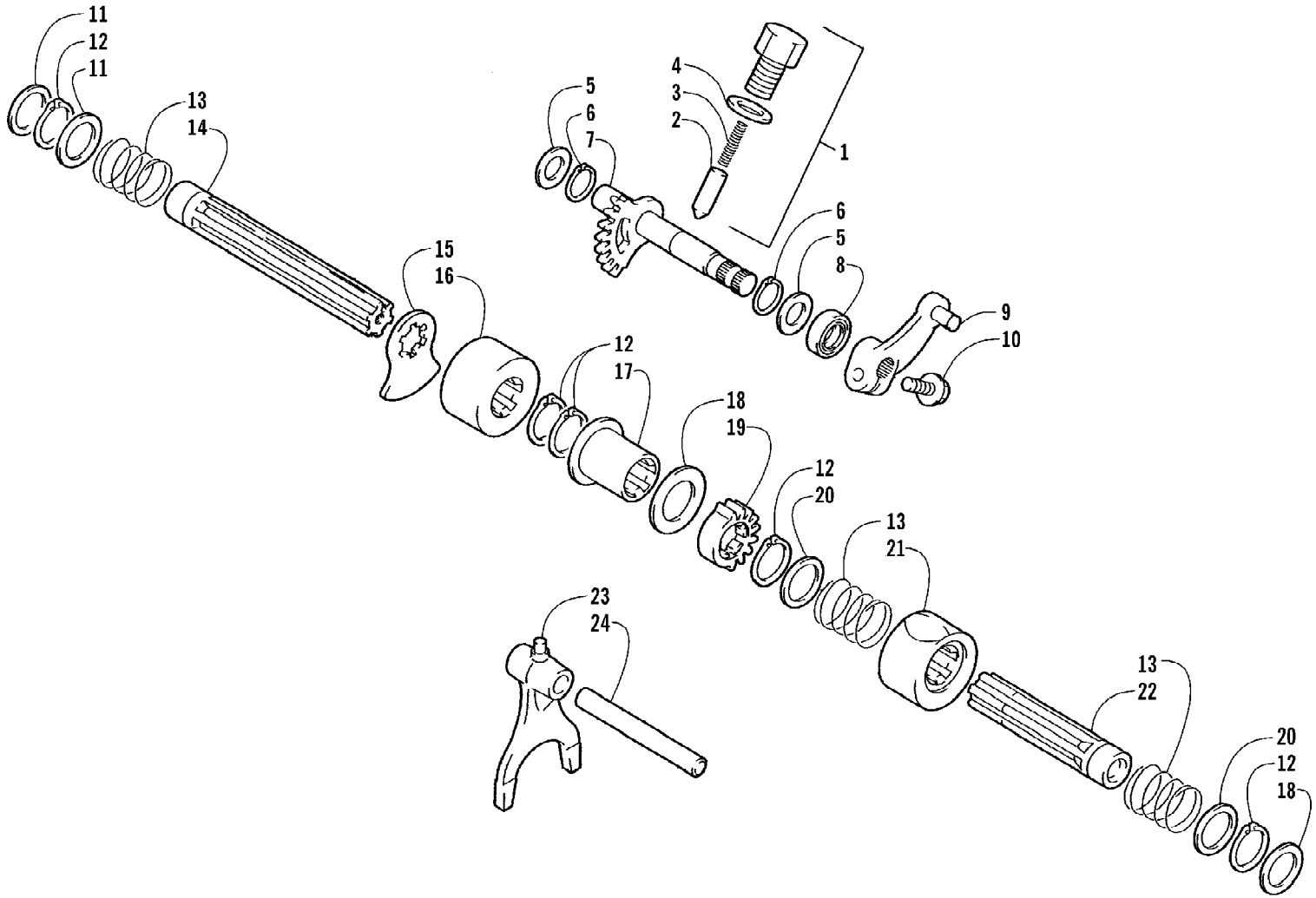
2008 ATV 400 MANUAL TRANSMISSION 4X4 FIS GREEN (A2008ICH4AUSG)Page 69 of 93
SEAT ASSEMBLY

| Ref # | Part Number | Qty | S/P/F | Description |
|-------|-------------|-----|-------|--------------------------------|
| 1 | 1506-937 | 1 | S/P | Seat Assembly (inc. 2-9) |
| 2 | 1506-209 | 1 | | Cover, Seat |
| 3 | 1506-208 | 1 | | Foam, Seat |
| 4 | 2406-144 | 1 | S/P | Base, Seat Assembly (inc. 5-6) |
| 5 | 0406-879 | 2 | | Bumper, Seat - Rear |
| 6 | 0406-877 | 4 | /P | Bumper, Seat - Front |
| 7 | 0624-528 | AR | /P | Staple |
| 8 | 1406-592 | 1 | /P | Spring, Seat Latch |
| 9 | 1506-156 | 1 | | Latch, Seat |



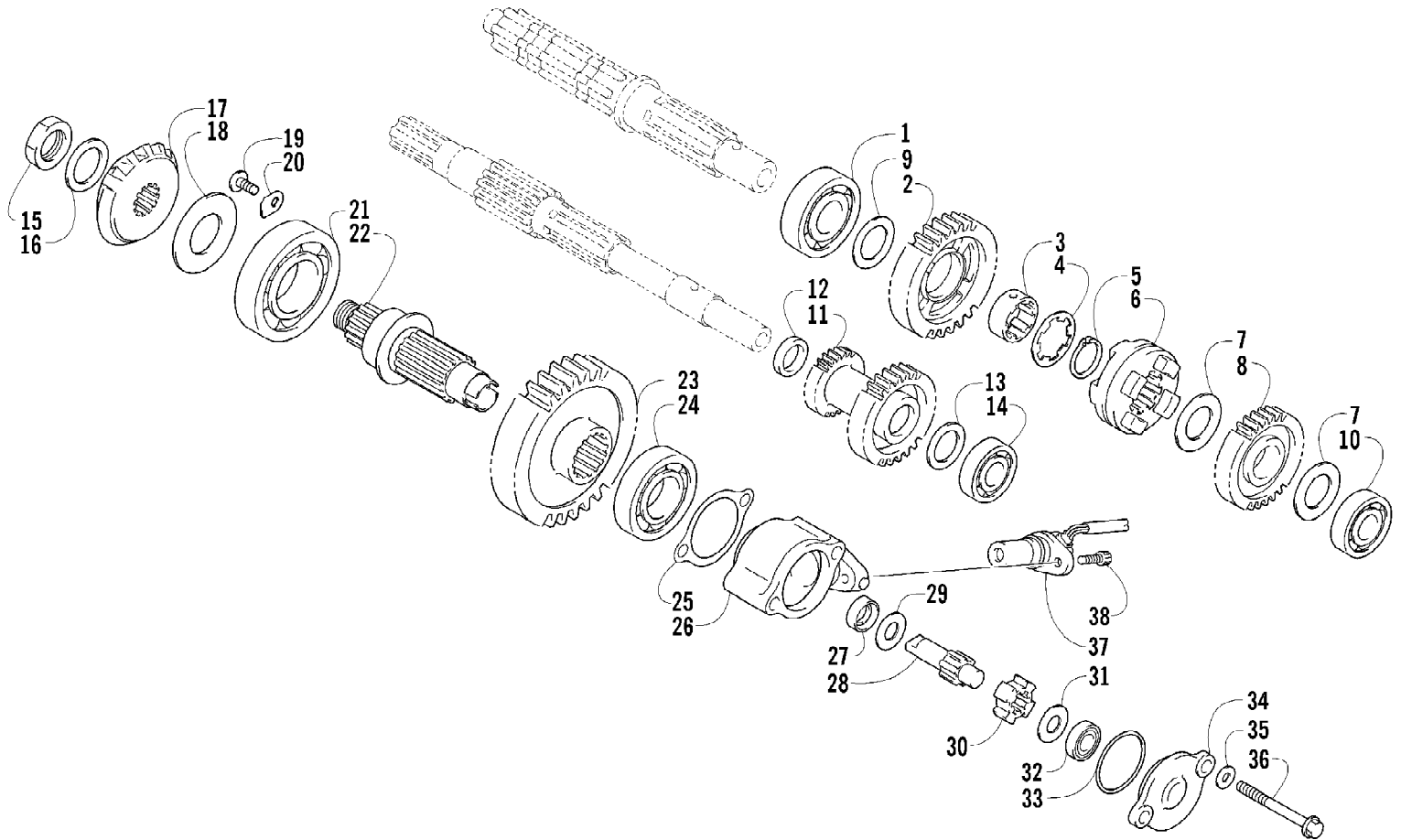
2008 ATV 400 MANUAL TRANSMISSION 4X4 FIS GREEN (A2008ICH4AUSG)Page 71 of 93
SECONDARY DRIVE ASSEMBLY

| Ref # | Part Number | Qty | S/P/F | Description |
|-------|-------------|-----|-------|---------------------------------------|
| 1 | 3446-274 | 1 | /P | Gear, Secondary Drive |
| 2 | 3423-549 | 1 | | Shim, Secondary Drive Gear - Set |
| 3 | 3423-023 | 1 | | Nut |
| 4 | 3005-372 | 1 | | Washer |
| 5 | 3446-327 | 1 | /P | Yoke, Propeller Shaft |
| 6 | 3402-562 | 1 | | Joint, Universal - Set (inc. 7) |
| 7 | 3423-479 | 4 | | Circlip |
| 8 | 3423-025 | 2 | | Nut |
| 9 | 3423-028 | 2 | | Washer |
| 10 | 3402-742 | 1 | | Yoke, Drive Output - Front (inc. 11) |
| 11 | 3402-743 | 1 | | Plate, Drive Output Yoke |
| 12 | 3402-072 | 2 | | Seal, Oil |
| 13 | 3402-558 | 1 | | Bearing, Front Secondary Driven Shaft |
| 14 | 3402-559 | 1 | | Shaft, Secondary Driven - Front |
| 15 | 3423-136 | 1 | | Nut, Secondary Driven Gear |
| 16 | 3423-520 | 1 | | Washer, Secondary Driven Gear |
| 17 | 3446-222 | 1 | /P | Gear, Secondary Driven |
| 18 | 3402-515 | 1 | /P | Bearing, Driven Gear |
| 19 | 3423-072 | 1 | | C-Ring, Driven Bearing |
| 20 | 3446-305 | 1 | | Shaft, Secondary Driven - Rear |
| 21 | 3402-017 | AR | | Shim, 25 x 34 x 0.60 mm |
| 21 | 3402-018 | AR | | Shim, 25 x 34 x 0.65 mm |
| 21 | 3402-019 | AR | | Shim, 25 x 34 x 0.70 mm |
| 21 | 3402-020 | AR | | Shim, 25 x 34 x 0.75 mm |
| 21 | 3402-021 | AR | S | Shim, 25 x 34 x 0.80 mm |
| 21 | 3402-022 | AR | | Shim, 25 x 34 x 0.85 mm |
| 21 | 3402-023 | AR | | Shim, 25 x 34 x 0.90 mm |
| 21 | 3402-024 | AR | | Shim, 25 x 34 x 0.95 mm |
| 21 | 3402-025 | AR | S | Shim, 25 x 34 x 1.00 mm |
| 21 | 3402-028 | AR | | Shim, 25 x 34 x 1.05 mm |
| 21 | 3402-029 | AR | | Shim, 25 x 34 x 1.10 mm |
| 21 | 3402-030 | AR | | Shim, 25 x 34 x 1.15 mm |
| 21 | 3402-031 | AR | | Shim, 25 x 34 x 1.20 mm |
| 22 | 3402-067 | 1 | S | Bearing, Rear Secondary Driven Shaft |
| 23 | 3402-514 | 1 | /P | Flange, Output Joint - Rear |
| 24 | 1402-026 | 1 | | Spring |



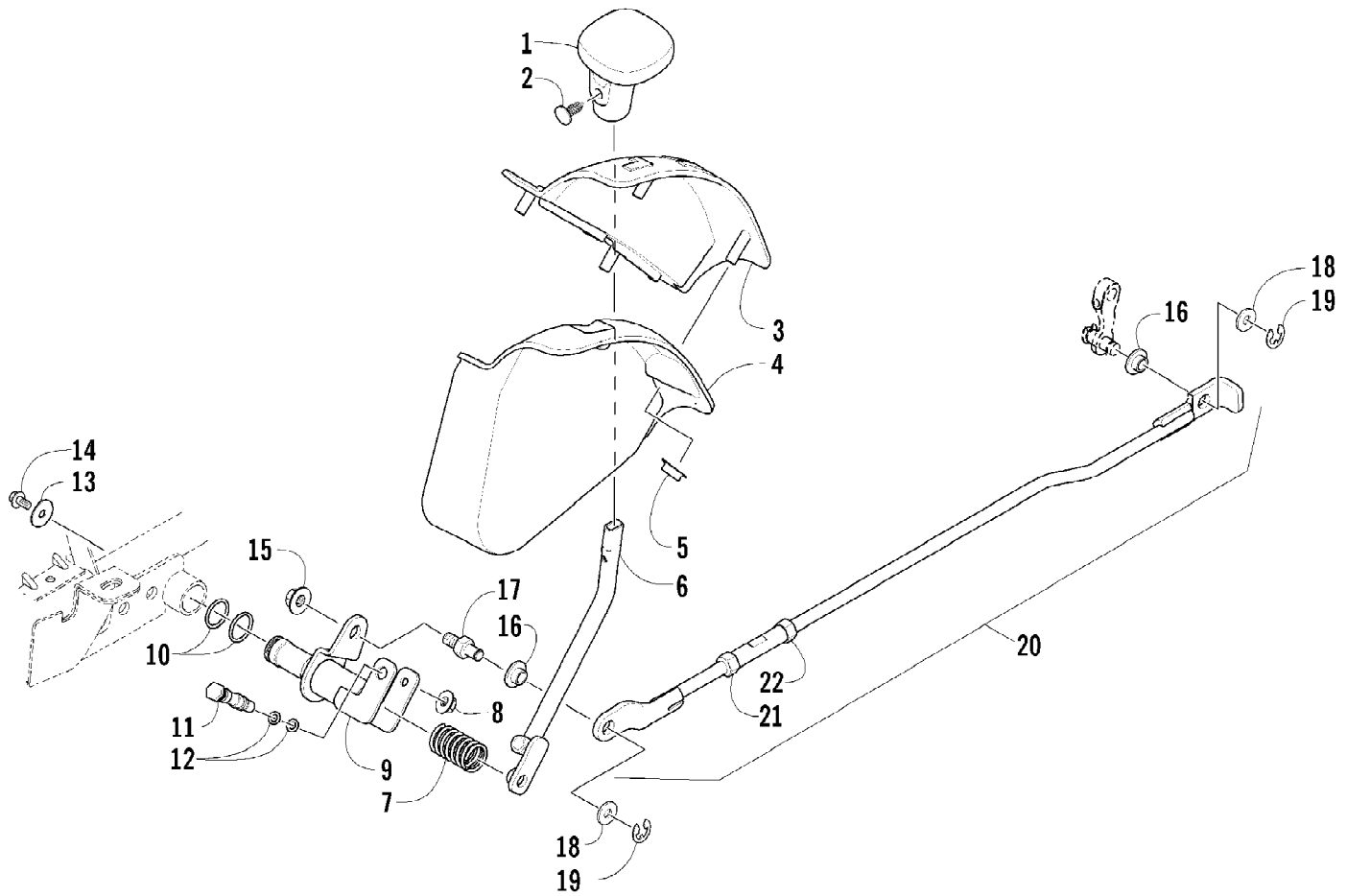
2008 ATV 400 MANUAL TRANSMISSION 4X4 FIS GREEN (A2008ICH4AUSG)Page 73 of 93
SECONDARY SHIFTING ASSEMBLY

| Ref # | Part Number | Qty | S/P/F | Description |
|-------|-------------|-----|-------|------------------------------------|
| 1 | 3446-314 | 1 | | Stopper, Gear Shift Cam (inc. 2-3) |
| 2 | 3446-315 | 1 | | Stopper |
| 3 | 3423-524 | 1 | | Spring |
| 4 | 3402-012 | 1 | | Gasket |
| 5 | 1691-043 | 2 | | Washer |
| 6 | 3423-358 | 2 | S | Circlip |
| 7 | 3446-322 | 1 | | Shaft, Gear Shift |
| 8 | 3402-076 | 1 | | Seal, Oil |
| 9 | 3402-434 | 1 | /P | Arm, Gear Shift |
| 10 | 3004-341 | 1 | S/P | Bolt, Gear Shift Arm |
| 11 | 3423-527 | 2 | /P | Washer |
| 12 | 3423-190 | 5 | S | Circlip |
| 13 | 3423-526 | 3 | /P | Spring |
| 14 | 3446-325 | 1 | | Camshaft, Reverse |
| 15 | 3446-324 | 1 | | Plate, Cam Lock |
| 16 | 3446-323 | 1 | | Cam, Reverse |
| 17 | 3446-321 | 1 | | Joint, Camshaft |
| 18 | 3402-381 | 2 | /P | Washer |
| 19 | 3446-316 | 1 | | Gear, Camshaft |
| 20 | 3423-533 | 2 | | Washer |
| 21 | 3423-525 | 1 | | Cam |
| 22 | 3446-320 | 1 | | Camshaft |
| 23 | 3446-318 | 1 | | Fork, Gear Shift |
| 24 | 3446-317 | 1 | | Shaft, Gear Shift Fork |



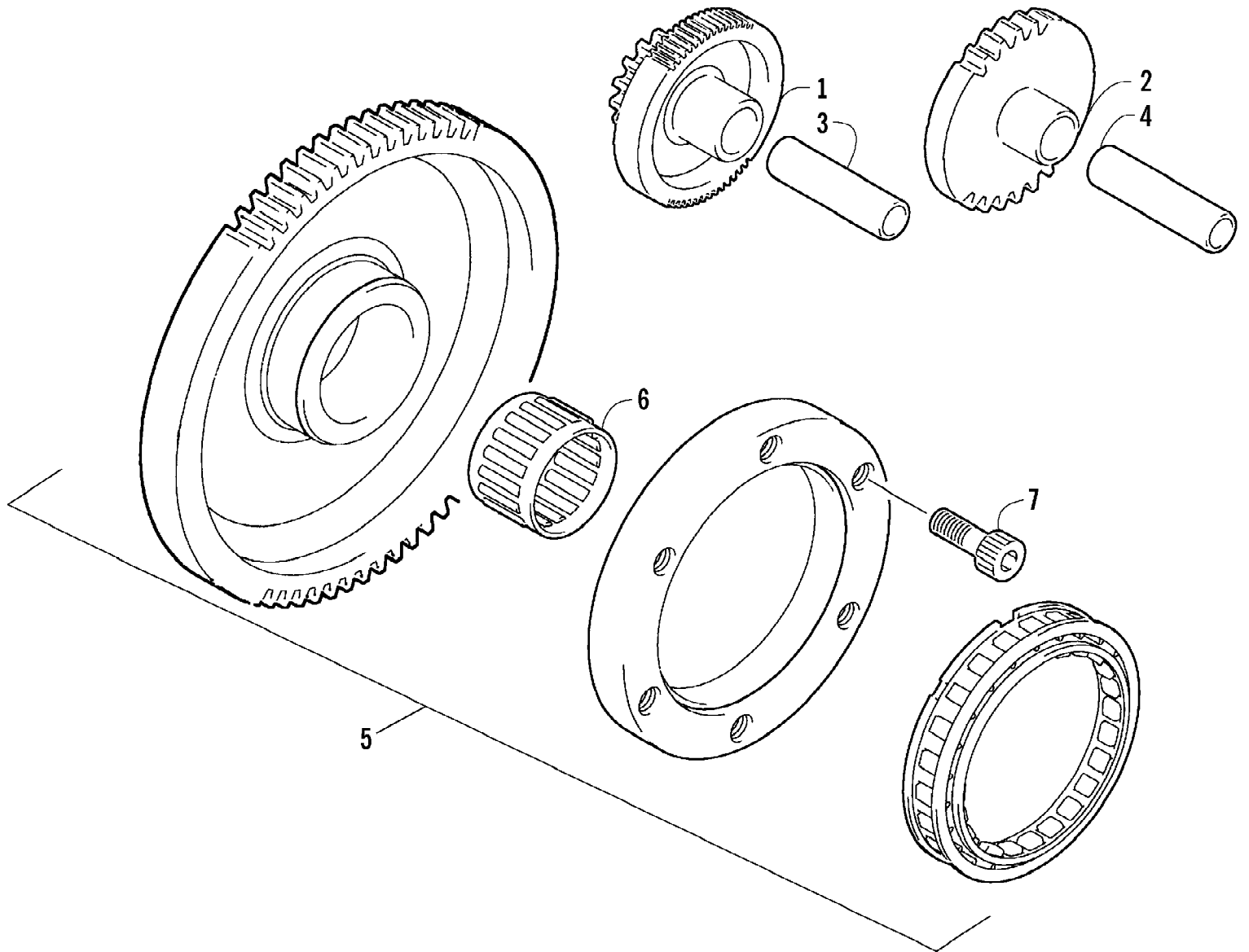
2008 ATV 400 MANUAL TRANSMISSION 4X4 FIS GREEN (A2008ICH4AUSG)Page 75 of 93
SECONDARY TRANSMISSION ASSEMBLY

| Ref # | Part Number | Qty | S/P/F | Description |
|-------|-------------|-----|-------|-----------------------------------|
| 1 | 3402-776 | 1 | | Bearing |
| 2 | 3446-300 | 1 | | Gear, Drive - No. 1 |
| 3 | 3446-301 | 1 | | Bushing, Drive Gear No. 1 |
| 4 | 3423-036 | 1 | | Washer |
| 5 | 3423-721 | 1 | S | Circlip |
| 6 | 3446-249 | 1 | | Dog, Sliding |
| 7 | 3423-126 | 2 | /P | Washer |
| 8 | 3446-302 | 1 | | Gear, Drive - No. 2 |
| 9 | 3423-519 | 1 | | Spacer, Drive Gear |
| 10 | 3402-979 | 1 | /P | Bearing, Driveshaft |
| 11 | 3446-299 | 1 | | Gear, Idle |
| 12 | 3402-205 | 1 | | Spacer, Idle Gear |
| 13 | 3423-319 | 1 | | Washer |
| 14 | 3402-217 | 1 | | Bearing |
| 15 | 3423-023 | 1 | | Nut, Secondary Drive Gear |
| 16 | 3005-372 | 1 | | Washer, Secondary Drive Gear |
| 17 | 3446-274 | 1 | /P | Gear, Secondary Drive |
| 18 | 3423-549 | 1 | | Shim, Secondary Drive Gear - Set |
| 19 | 3423-370 | 2 | | Screw |
| 20 | 3446-031 | 2 | /P | Retainer, Output Shaft |
| 21 | 3402-180 | 1 | S | Bearing |
| 22 | 3446-403 | 1 | /P | Shaft, Output |
| 23 | 3446-304 | 1 | | Gear, Driven |
| 24 | 3402-045 | 1 | /P | Bearing |
| 25 | 3446-244 | 1 | /P | Gasket, Speedometer Housing |
| 26 | 3446-400 | 1 | | Housing, Speedometer Sensor |
| 27 | 3006-322 | 1 | | Seal, Shaft |
| 28 | 3446-402 | 1 | | Shaft, Output |
| 29 | 3423-617 | 1 | | Washer |
| 30 | 3402-837 | 1 | | Rotor |
| 31 | 3423-767 | 1 | | Washer |
| 32 | 3402-980 | 1 | | Bearing |
| 33 | 3423-766 | 1 | | O-Ring |
| 34 | 3446-401 | 1 | | Cover, Speedometer Sensor Housing |
| 35 | 3003-290 | 2 | /P | Gasket |
| 36 | 3423-307 | 2 | S | Bolt |
| 37 | 3402-981 | 1 | | Sensor, Speedometer |
| 38 | 3423-226 | 1 | | Bolt |



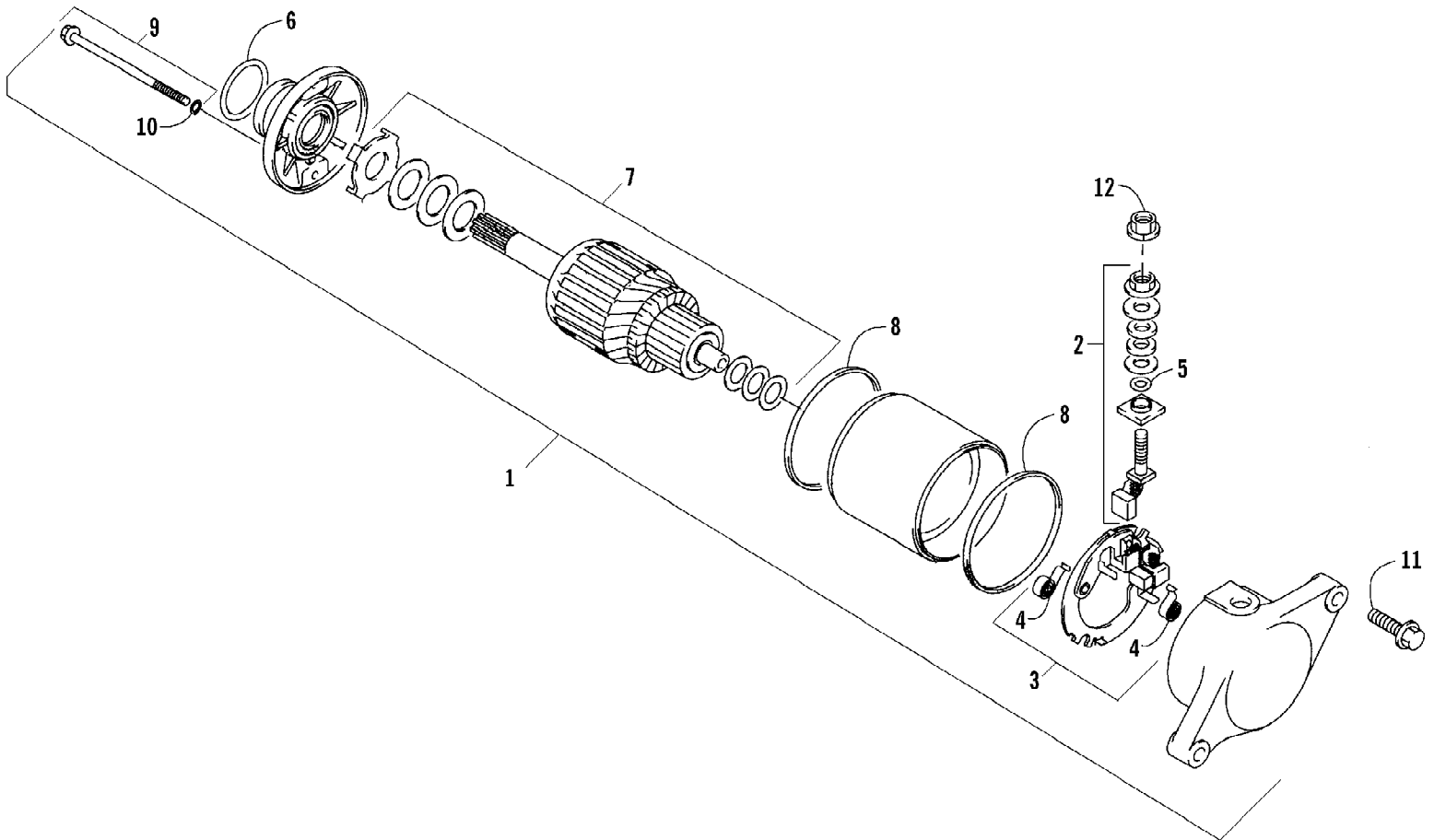
2008 ATV 400 MANUAL TRANSMISSION 4X4 FIS GREEN (A2008ICH4AUSG)Page 77 of 93
SHIFT LEVER ASSEMBLY

| Ref # | Part Number | Qty | S/P/F | Description |
|-------|-------------|-----|-------|--|
| 1 | 0402-843 | 1 | /P | Knob, Shift Lever |
| 2 | 0423-345 | 1 | | Clip, Push |
| 3 | 1402-563 | 1 | /P | Plate, Shift |
| 4 | 2406-348 | 1 | | Shield, Shift Plate |
| 5 | 0423-357 | 4 | | Nut, Stamped |
| 6 | 0502-659 | 1 | | Lever, Shift |
| 7 | 0402-678 | 1 | /P | Spring, Shift Lever |
| 8 | 8424-602 | 1 | /P | Nut |
| 9 | 0502-760 | 1 | | Axle, Shift Lever |
| 10 | 0423-299 | 2 | /P | O-Ring |
| 11 | 0402-675 | 1 | | Axle, Pivot |
| 12 | 0423-182 | 2 | /P | O-Ring |
| 13 | 0423-087 | 1 | | Washer |
| 14 | 8408-812 | 1 | | Screw, Cap |
| 15 | 8424-802 | 1 | | Nut, Hex |
| 16 | 0423-091 | 2 | | Bushing, Shift Linkage |
| 17 | 1402-621 | 1 | | Pin, Mounting - Shift Linkage |
| 18 | 0623-094 | 2 | | Washer |
| 19 | 0423-169 | 2 | /P | E-Ring |
| 20 | 1502-202 | 1 | | Linkage, Shift - Assembly (inc. 21-22) |
| 21 | 0623-294 | 1 | | Nut, Hex - Right-Hand Thread |
| 22 | 0123-917 | 1 | /P | Nut, Hex - Left-Hand Thread |



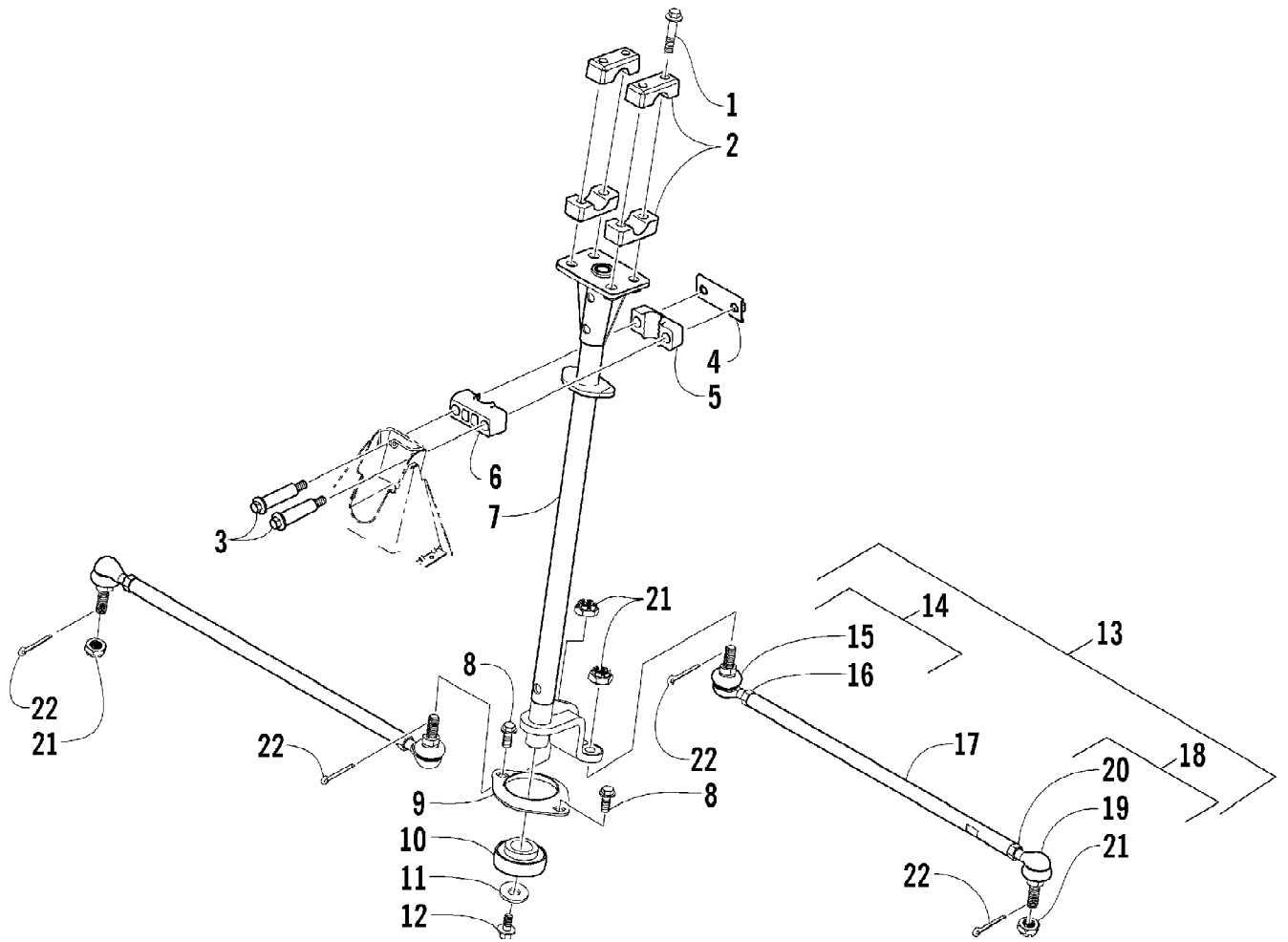
2008 ATV 400 MANUAL TRANSMISSION 4X4 FIS GREEN (A2008ICH4AUSG)Page 79 of 93
STARTER CLUTCH ASSEMBLY

| Ref # | Part Number | Qty | S/P/F | Description |
|-------|-------------|-----|-------|--------------------------------|
| 1 | 3402-603 | 1 | | Gear, Starter Idler - No. 1 |
| 2 | 3402-124 | 1 | | Gear, Starter Idler - No. 2 |
| 3 | 3423-331 | 1 | | Pin, Starter Idler Gear No. 1 |
| 4 | 3423-397 | 1 | | Pin, Starter Idler Gear No. 2 |
| 5 | 3403-030 | 1 | /P | Clutch, Starter - Set (inc. 6) |
| 6 | 3402-674 | 1 | | Bearing |
| 7 | 3423-102 | 6 | S | Bolt |



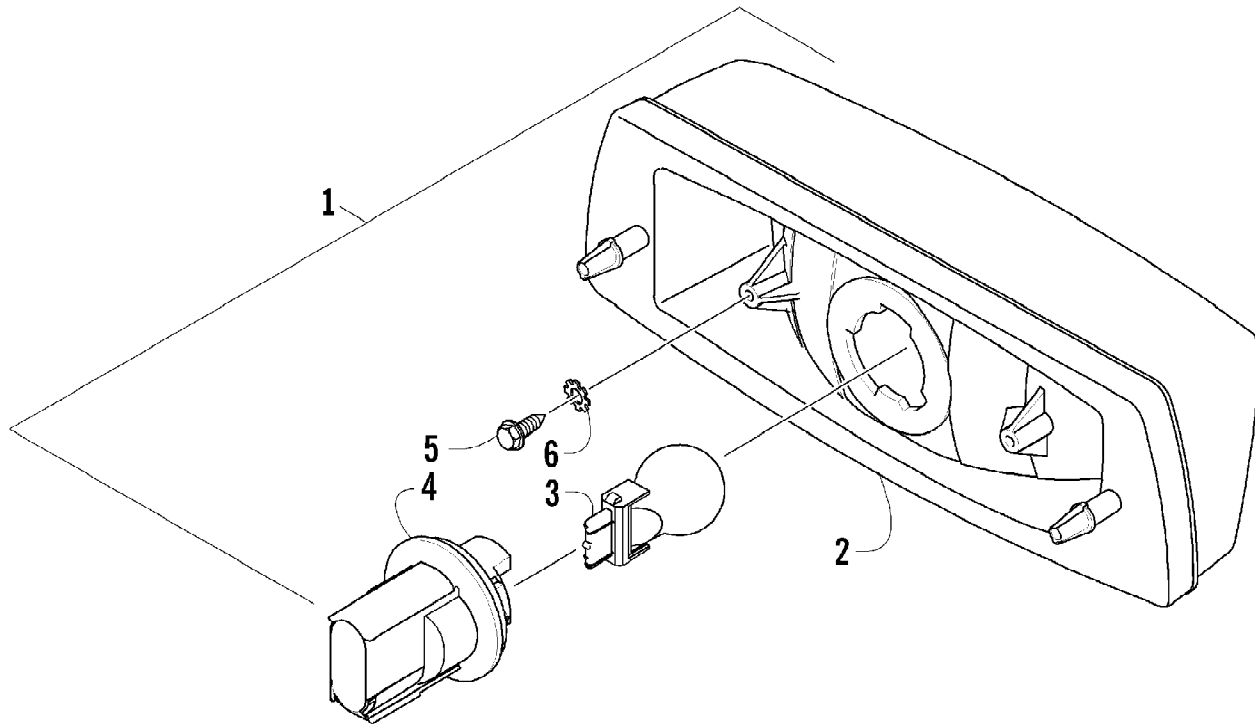
2008 ATV 400 MANUAL TRANSMISSION 4X4 FIS GREEN (A2008ICH4AUSG)Page 81 of 93
STARTER MOTOR ASSEMBLY

| Ref # | Part Number | Qty | S/P/F | Description |
|-------|-------------|-----|-------|-------------------------------------|
| 1 | 3545-016 | 1 | | Motor, Starter Assembly (inc. 2-10) |
| 2 | 3402-671 | 1 | | Terminal Set, Brush |
| 3 | 3402-672 | 1 | | Holder Set, Brush |
| 4 | 3008-551 | 4 | | Spring, Brush |
| 5 | 3008-164 | 1 | | O-Ring |
| 6 | 3423-272 | 1 | | O-Ring |
| 7 | 3008-099 | 1 | | Washer Set |
| 8 | 3423-497 | 2 | | O-Ring |
| 9 | 3423-498 | 2 | | Through-Bolt (inc. 10) |
| 10 | 3423-496 | 2 | | O-Ring |
| 11 | 3004-756 | 2 | S | Bolt |
| 12 | 3423-195 | 1 | /P | Nut |



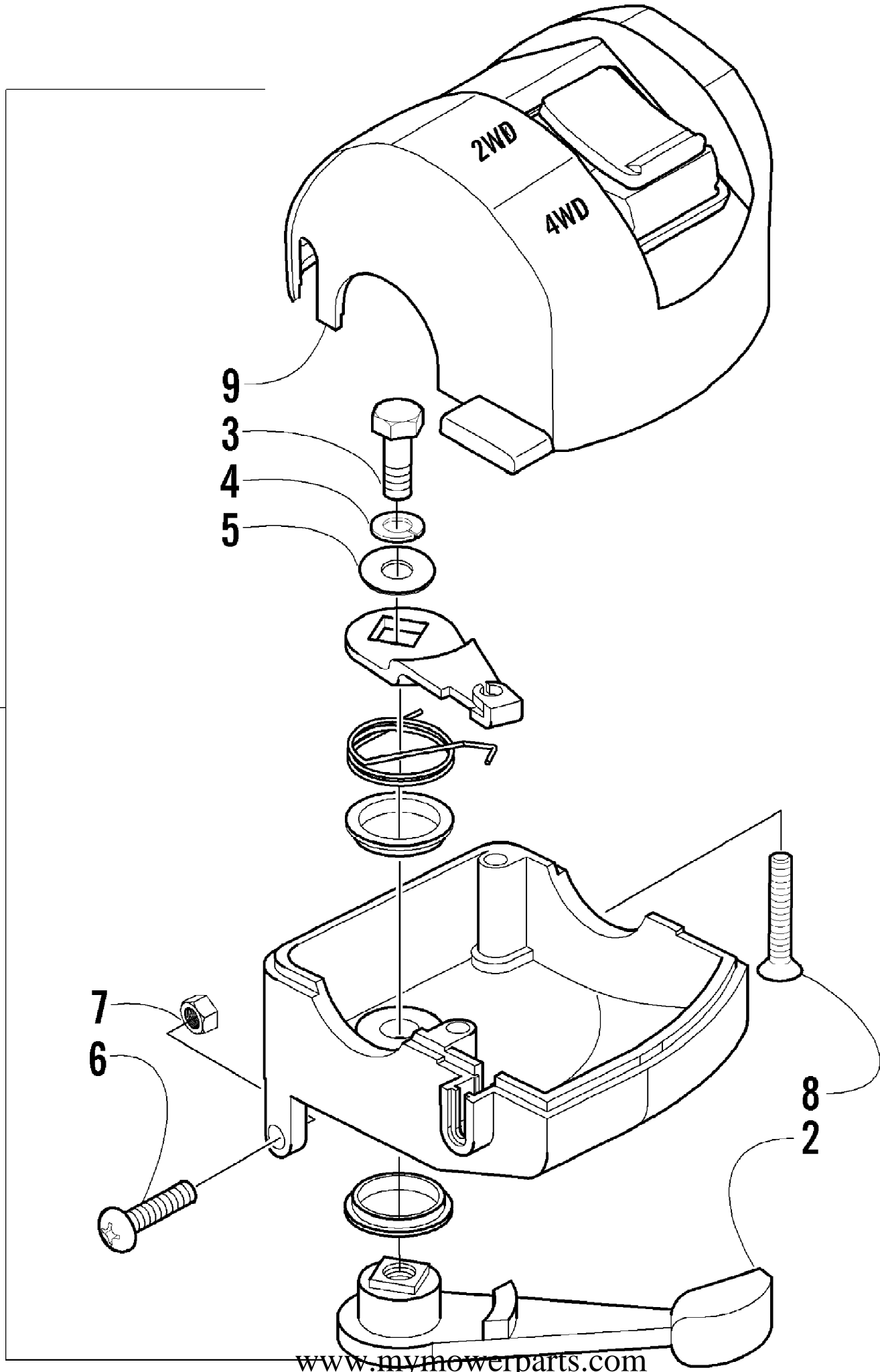
2008 ATV 400 MANUAL TRANSMISSION 4X4 FIS GREEN (A2008ICH4AUSG)Page 83 of 93
STEERING ASSEMBLY

| Ref # | Part Number | Qty | S/P/F | Description |
|-------|-------------|-----|-------|---|
| 1 | 8408-860 | 4 | | Screw, Cap |
| 2 | 0405-035 | 4 | | Cap, Steering Adjuster |
| 3 | 0423-505 | 2 | | Screw, Shoulder |
| 4 | 0505-484 | 1 | | Cap, Housing |
| 5 | 0405-138 | 1 | | Housing, Lower |
| 6 | 0405-139 | 1 | | Housing, Upper |
| 7 | 0505-451 | 1 | S | Post, Steering |
| 8 | 8408-816 | 2 | | Screw, Cap |
| 9 | 0602-233 | 1 | | Flange, Bearing |
| 10 | 0405-052 | 1 | | Bearing w/Inverted Oil Seal |
| 11 | 0423-073 | 1 | | Washer |
| 12 | 8409-020 | 1 | /P | Screw, Cap |
| 13 | 0505-499 | 2 | /P | Tie Rod - Assembly (inc. 14-20) |
| 14 | 0505-511 | 2 | /P | End, Tie Rod - Left-Hand Thread - Kit (inc. 15-16 and two No. 21-22) |
| 15 | 0 | 2 | F | End, Tie Rod - Left Hand Thread |
| 16 | 0423-013 | 2 | | Nut - Left-Hand Thread |
| 17 | 0405-281 | 2 | /P | Tie Rod |
| 18 | 0505-510 | 2 | /P | End, Tie Rod - Right-Hand Thread - Kit (inc. 19-20 and two No. 21-22) |
| 19 | 0 | 2 | F | End, Tie Rod - Right-Hand Thread |
| 20 | 8420-002 | 2 | /P | Nut - Right-Hand Thread |
| 21 | 0423-157 | 4 | | Nut, Lock |
| 22 | 0623-175 | 4 | | Pin, Cotter |



2008 ATV 400 MANUAL TRANSMISSION 4X4 FIS GREEN (A2008ICH4AUSG)Page 85 of 93
TAILLIGHT ASSEMBLY

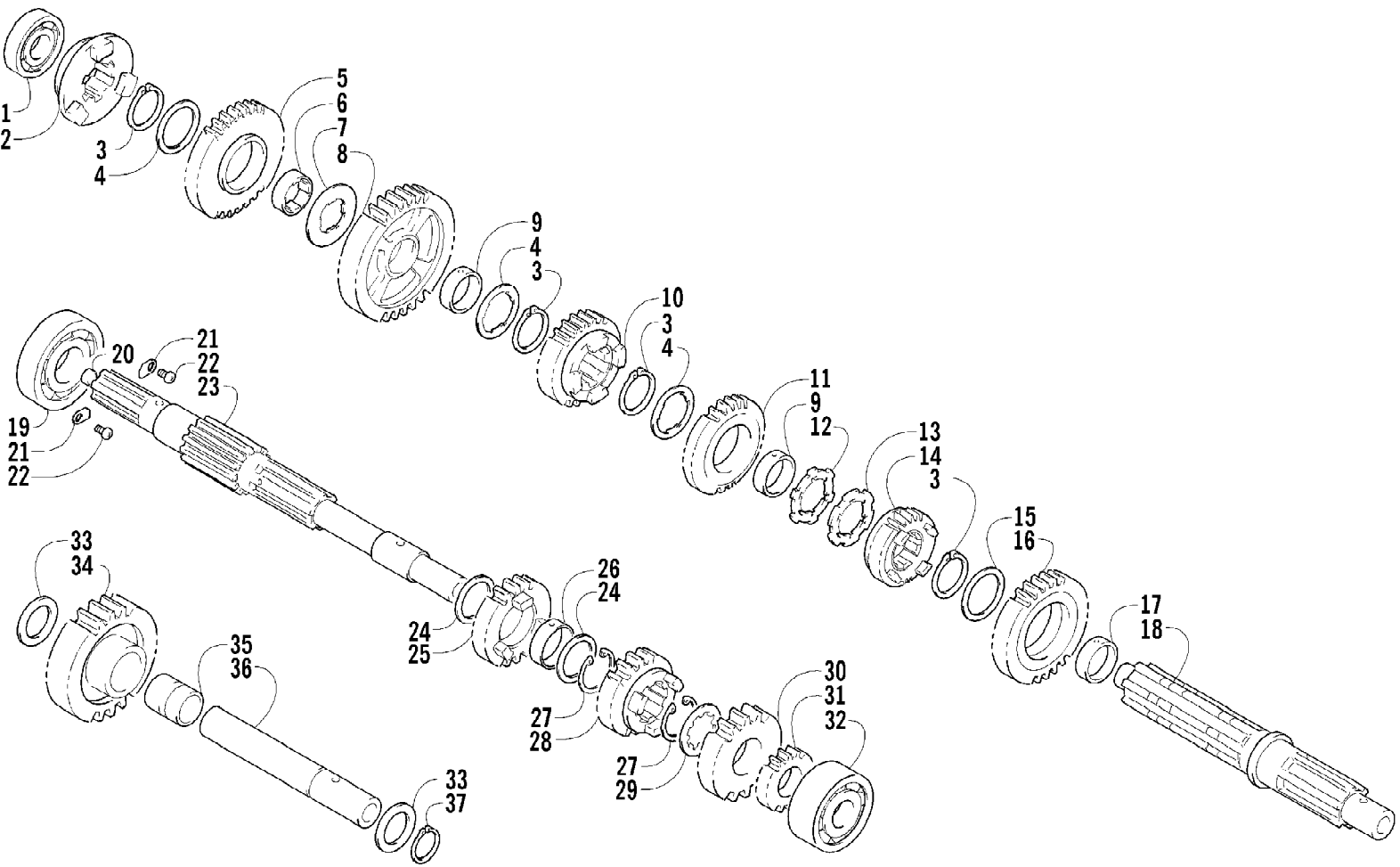
| Ref # | Part Number | Qty | S/P/F | Description |
|-------|-------------|-----|-------|-------------------------------|
| 1 | 0509-022 | 1 | | Taillight Assembly (inc. 2-4) |
| 2 | 0509-025 | 1 | | Housing, Taillight |
| 3 | 0409-056 | 1 | | Bulb, Taillight |
| 4 | 0409-057 | 1 | | Socket, Taillight |
| 5 | 0623-301 | 2 | /P | Screw, Self-Tapping |
| 6 | 8053-212 | 2 | /P | Washer, Lock - External Tooth |



2008 ATV 400 MANUAL TRANSMISSION 4X4 FIS GREEN (A2008ICH4AUSG)Page 87 of 93
THROTTLE CASE ASSEMBLY

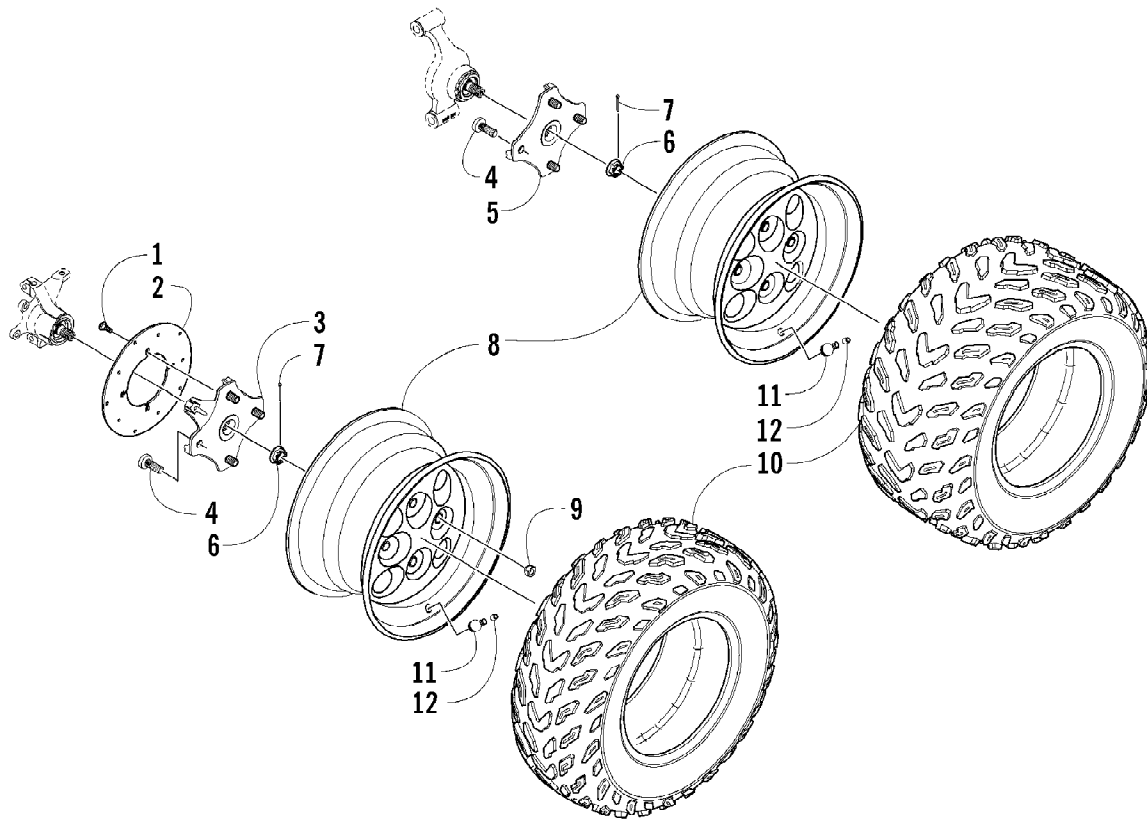
| Ref # | Part Number | Qty | S/P/F | Description |
|-------|-------------|-----|-------|--------------------------------------|
| 1 | 0509-012 | 1 | | Case, Throttle - Assembly (inc. 2-9) |
| 2 | 3409-001 | 1 | | Lever |
| 3 | 3004-533 | 1 | S/P | Screw, Cap |
| 4 | 3004-447 | 1 | /P | Washer, Lock |
| 5 | 3003-030 | 1 | /P | Washer |
| 6 | 3423-014 | 1 | | Screw |
| 7 | 3423-327 | 1 | | Nut |
| 8 | 3423-199 | 2 | | Screw |
| 9 | 0409-048 | 1 | | Cover, Throttle w/Switch |

2008 ATV 400 MANUAL TRANSMISSION 4X4 FIS GREEN (A2008ICH4AUSG)Page 88 of 93
TRANSMISSION ASSEMBLY



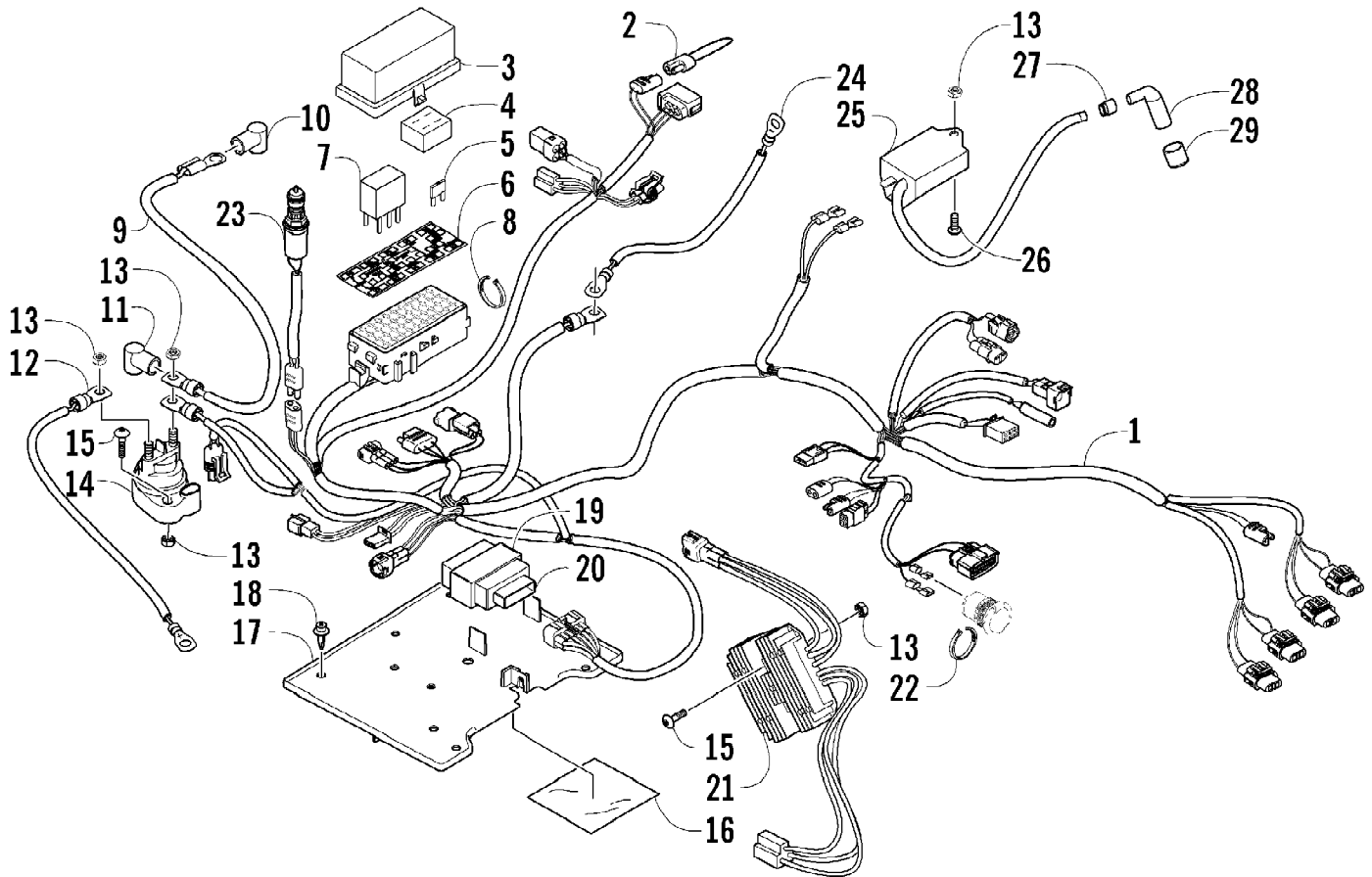
2008 ATV 400 MANUAL TRANSMISSION 4X4 FIS GREEN (A2008ICH4AUSG)Page 89 of 93
TRANSMISSION ASSEMBLY

| Ref # | Part Number | Qty | S/P/F | Description |
|-------|-------------|-----|-------|----------------------|
| 1 | 3402-218 | 1 | | Bearing |
| 2 | 3446-297 | 1 | | Dog, Reverse |
| 3 | 3423-066 | 4 | /P | Circlip |
| 4 | 3423-036 | 3 | | Washer, Lock |
| 5 | 3446-296 | 1 | | Gear, Reverse Driven |
| 6 | 3446-145 | 1 | | Bushing |
| 7 | 3423-263 | 1 | | Washer |
| 8 | 3446-141 | 1 | | Gear, 1st Driven |
| 9 | 3446-273 | 2 | /P | Bushing |
| 10 | 3446-146 | 1 | | Gear, 4th Driven |
| 11 | 3446-143 | 1 | | Gear, 3rd Driven |
| 12 | 3423-266 | 1 | | Washer, Lock |
| 13 | 3423-262 | 1 | | Washer, Lock |
| 14 | 3446-147 | 1 | | Gear, 5th Driven |
| 15 | 3423-317 | 1 | | Washer |
| 16 | 3446-142 | 1 | | Gear, 2nd Driven |
| 17 | 3402-230 | 1 | | Bushing |
| 18 | 3402-775 | 1 | | Driveshaft |
| 19 | 0691-374 | 1 | | Bearing |
| 20 | 3402-033 | 1 | | Plug, Countershaft |
| 21 | 3446-031 | 2 | /P | Retainer, Bearing |
| 22 | 3423-370 | 2 | | Screw |
| 23 | 3446-295 | 1 | S | Countershaft |
| 24 | 3402-210 | 2 | | Washer |
| 25 | 3446-139 | 1 | | Gear, 4th Drive |
| 26 | 3402-229 | 1 | | Bushing |
| 27 | 3423-279 | 2 | | Circlip |
| 28 | 3446-138 | 1 | | Gear, 3rd Drive |
| 29 | 3423-261 | 1 | S | Washer |
| 30 | 3446-140 | 1 | | Gear, 5th Drive |
| 31 | 3446-137 | 1 | | Gear, 2nd Drive |
| 32 | 3402-224 | 1 | | Bearing |
| 33 | 3402-209 | 2 | | Washer |
| 34 | 3446-149 | 1 | | Gear, Reverse Idle |
| 35 | 3402-228 | 1 | | Bushing |
| 36 | 3446-298 | 1 | | Shaft, Reverse Idle |
| 37 | 3423-518 | 1 | | Circlip |



2008 ATV 400 MANUAL TRANSMISSION 4X4 FIS GREEN (A2008ICH4AUSG)Page 91 of 93
WHEEL AND TIRE ASSEMBLY

| Ref # | Part Number | Qty | S/P/F | Description |
|-------|-------------|-----|-------|------------------------------------|
| 1 | 0423-557 | 12 | | Screw, Shoulder |
| 2 | 1402-225 | 3 | S | Disc, Brake |
| 3 | 0502-599 | 2 | S | Hub, Wheel - Front (inc. 4) |
| 4 | 0402-974 | 16 | /P | Stud, Wheel Hub |
| 5 | 0502-601 | 1 | S | Hub, Wheel - Rear - Left (inc. 4) |
| 5 | 0502-599 | 1 | S | Hub, Wheel - Rear - Right (inc. 4) |
| 6 | 0423-607 | 4 | | Nut, Castle |
| 7 | 0423-407 | 4 | | Pin, Cotter |
| 8 | 0402-856 | 2 | | Wheel - Front |
| 8 | 0402-858 | 2 | | Wheel - Rear |
| 9 | 0423-408 | 16 | /P | Nut, Lug |
| 10 | 1402-548 | 2 | | Tire - Front Goodyear |
| 10 | 1402-549 | 2 | | Tire - Rear Goodyear |
| 11 | 0402-064 | 4 | | Stem, Valve (inc. 12) |
| 12 | 0402-140 | 4 | | Cap, Valve Stem |



2008 ATV 400 MANUAL TRANSMISSION 4X4 FIS GREEN (A2008ICH4AUSG)Page 93 of 93
WIRING HARNESS ASSEMBLY

| Ref # | Part Number | Qty | S/P/F | Description |
|-------|-------------|-----|-------|--|
| 1 | 0486-248 | 1 | | Harness, Main (inc. 2-7 and two No. 8) |
| 2 | 0486-164 | 1 | | Tether, Accessory Connector |
| 3 | 0530-008 | 1 | | Cover, Fuse Block |
| 4 | 0430-037 | 1 | | Holder, Spare Fuse |
| 5 | 0430-032 | 4 | | Fuse - 10 Amp |
| 5 | 0430-031 | 3 | | Fuse - 15 Amp |
| 5 | 0430-030 | 2 | | Fuse - 30 Amp |
| 6 | 0411-837 | 1 | | Decal, Fuse Block |
| 7 | 0430-033 | 3 | | Relay (5-Pin) - 20 Amp |
| 8 | 0123-788 | AR | /P | Cable Tie - 7.5 in. |
| 9 | 0445-053 | 1 | /P | Cable, Solenoid/Starter (inc. 10) |
| 10 | 0645-019 | 1 | | Boot, Terminal |
| 11 | 0645-327 | 1 | | Boot, Terminal |
| 12 | 0445-055 | 1 | /P | Cable, Battery/Solenoid |
| 13 | 0623-038 | 7 | | Nut, Lock |
| 14 | 0445-058 | 1 | /P | Solenoid |
| 15 | 8476-625 | 4 | | Screw, Machine |
| 16 | 0412-291 | 1 | | Shield, Heat |
| 17 | 1406-787 | 1 | | Tray, Electrical |
| 18 | 0623-362 | 4 | | Rivet, Reinstallable |
| 19 | 3402-684 | 1 | | Cushion, CDI Unit |
| 20 | 3402-785 | 1 | | CDI Unit |
| 21 | 3402-682 | 1 | | Regulator, Voltage |
| 22 | 0123-903 | AR | | Cable Tie - 11.5 in. |
| 23 | 0409-089 | 1 | | Switch, Brake - Assembly |
| 24 | 0445-054 | 1 | /P | Cable, Battery/Ground |
| 25 | 3430-055 | 1 | | Coil, Ignition - Assembly |
| 26 | 8476-620 | 1 | | Screw, Machine |
| 27 | 3430-009 | 1 | /P | Seal, High Tension Wire |
| 28 | 3430-007 | 1 | /P | Cap, Spark Plug |
| 29 | 3430-008 | 1 | /P | Seal, Spark Plug |