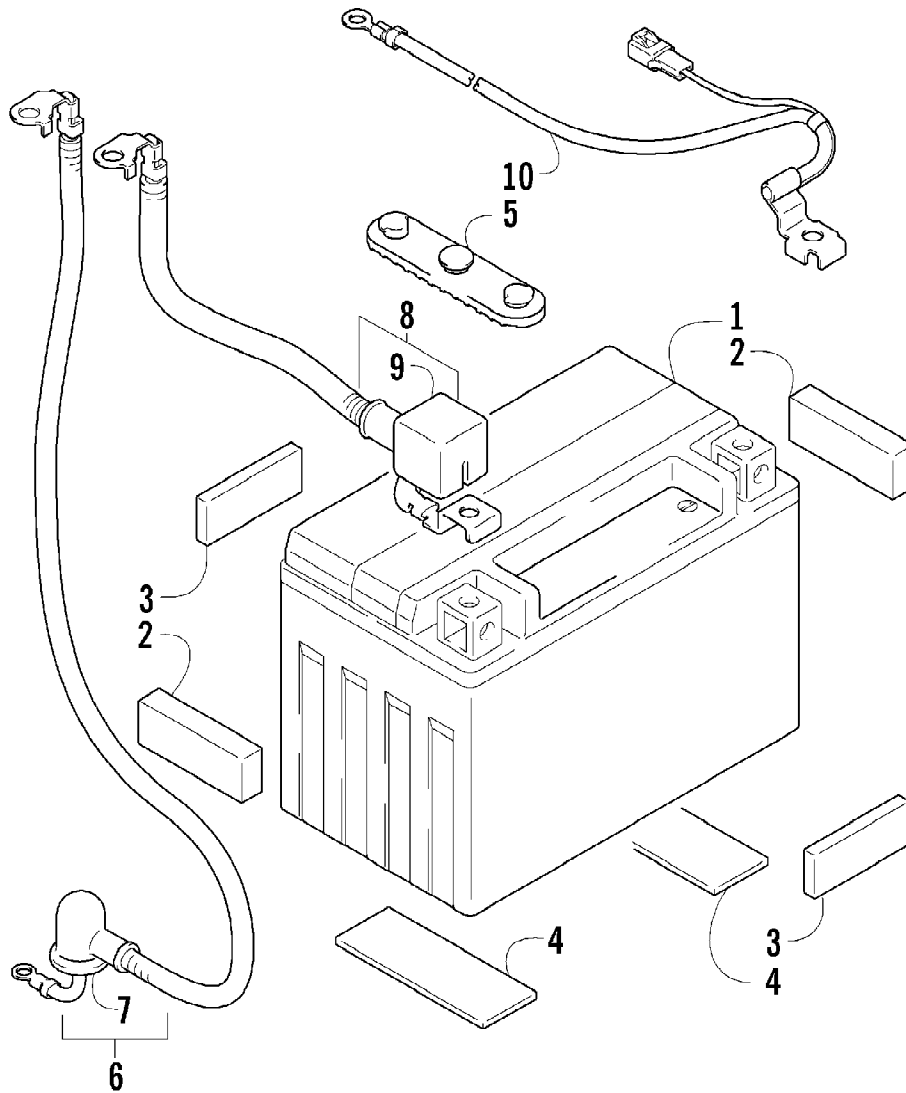


2008 ATV 400 DVX BLACK-RED (A2008DVI2AUSD)
AIR CLEANER ASSEMBLY

Page 2 of 103

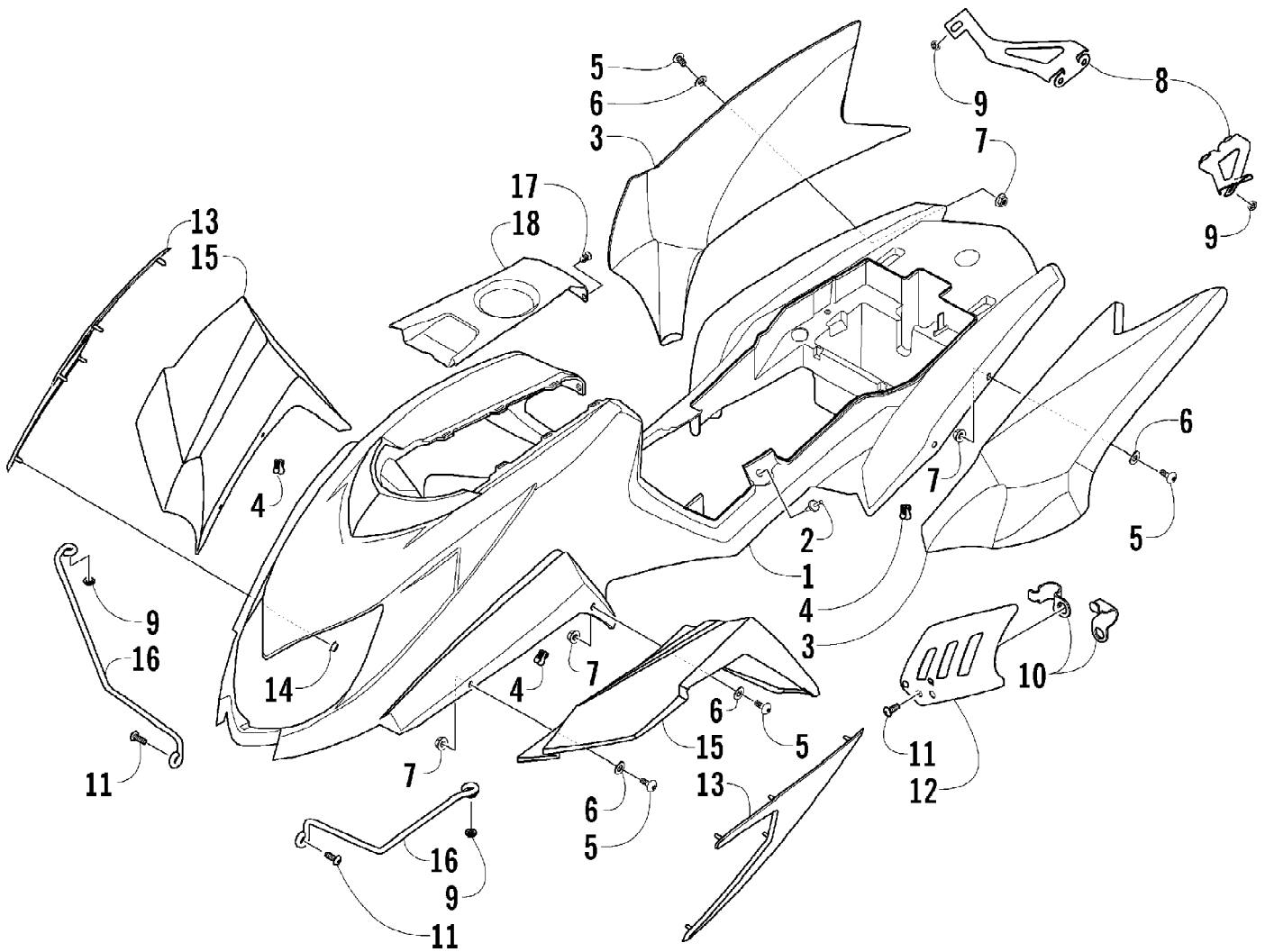
| Ref # | Part Number | Qty | S/P/F | Description |
|-------|-------------|-----|-------|-------------------------------------|
| 1 | 3470-032 | 1 | | Cleaner, Air - Assembly (inc. 2-17) |
| 2 | 3470-014 | 1 | | Filter |
| 3 | 3470-015 | 1 | | Holder |
| 4 | 3470-016 | 1 | | Stopper, Holder |
| 5 | 0693-505 | 1 | | Screw |
| 6 | 3470-026 | 1 | | Tube, Outlet |
| 7 | 3470-025 | 1 | | Fitting, Elbow |
| 8 | 3402-334 | 1 | | Plug, Breather |
| 9 | 3423-313 | 2 | | Clip |
| 10 | 3423-727 | 1 | | Clamp, Tube |
| 11 | 3423-726 | 1 | | Clamp, Tube |
| 12 | 3470-017 | 1 | | Trap, Flame |
| 13 | 3470-012 | 1 | S | Cap, Air Cleaner (inc. 14) |
| 14 | 3470-013 | 1 | | Gasket |
| 15 | 3470-027 | 1 | | Joint, Inlet |
| 16 | 3470-028 | 1 | | Duct, Inlet |
| 17 | 3423-503 | 1 | | Clamp |
| 18 | 3004-377 | 1 | S/P | Screw, Cap |
| 19 | 3004-507 | 2 | S | Screw, Cap |



2008 ATV 400 DVX BLACK-RED (A2008DVI2AUSD)
BATTERY ASSEMBLY

Page 4 of 103

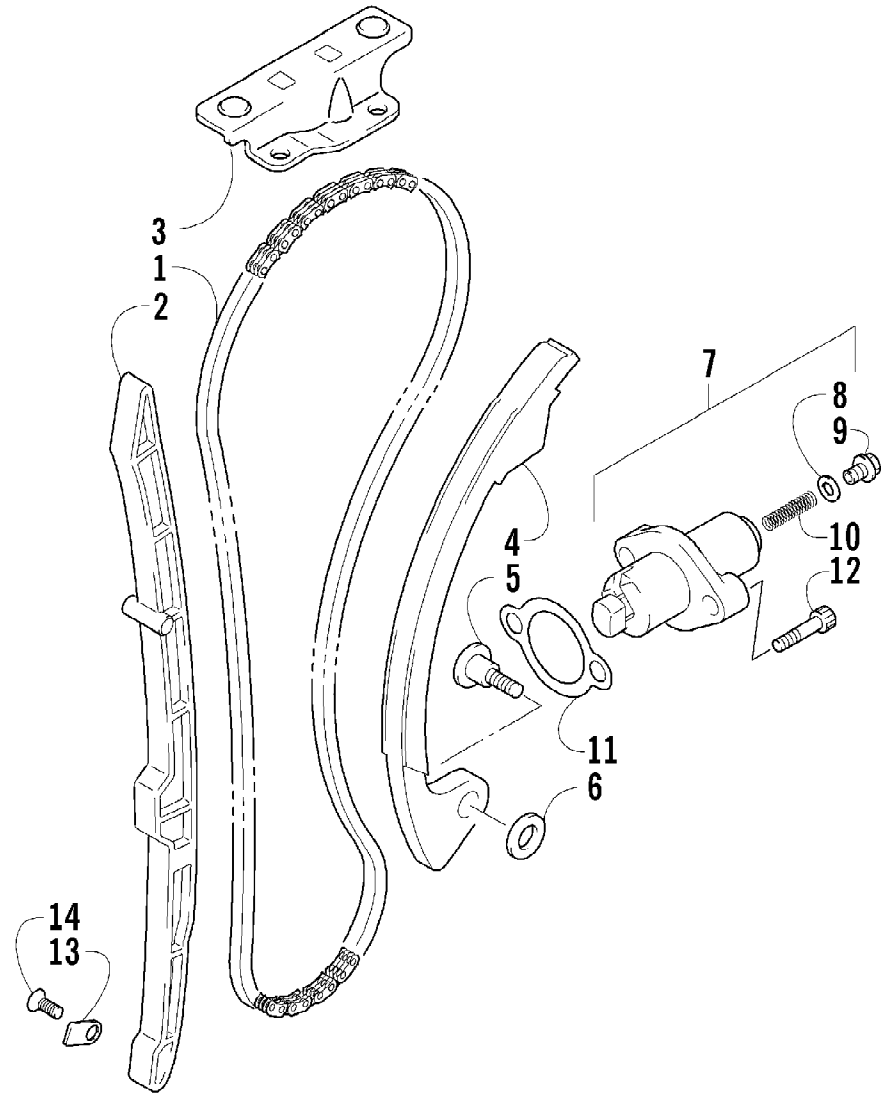
| Ref # | Part Number | Qty | S/P/F | Description |
|-------|-------------|-----|-------|---|
| 1 | 3445-034 | 1 | /P | Battery |
| 2 | 3406-003 | 1 | | Protector |
| 3 | 3445-036 | 1 | S | Protector |
| 4 | 3445-037 | 1 | | Protector |
| 5 | 3445-035 | 1 | | Protector, Battery |
| 6 | 3445-039 | 1 | | Cable, Starter Motor/Starter Relay (inc. 7) |
| 7 | 3545-018 | 1 | | Cap, Terminal |
| 8 | 3445-040 | 1 | | Cable, Battery/Starter Relay (inc. 9) |
| 9 | 3445-019 | 1 | | Cap, Terminal |
| 10 | 3445-041 | 1 | | Cable, Battery/Ground |



2008 ATV 400 DVX BLACK-RED (A2008DVI2AUSD)
BODY PANEL ASSEMBLY

Page 6 of 103

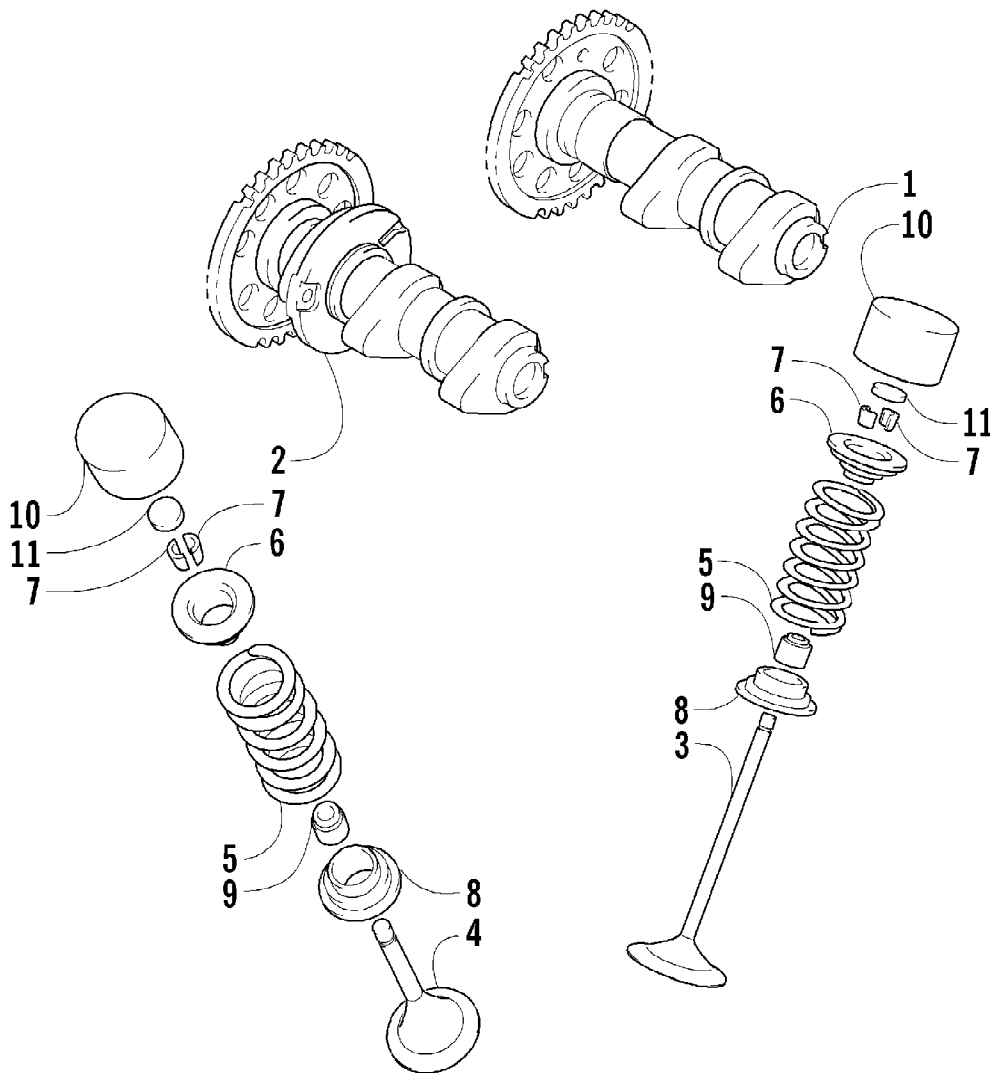
| Ref # | Part Number | Qty | S/P/F | Description |
|-------|-------------|-----|-------|--|
| 1 | 2506-458 | 1 | | Panel, Body |
| 2 | 0423-494 | 2 | | Rivet, Reinstallable |
| 3 | 1406-451 | 1 | | Fender, Rear - Right |
| 3 | 1406-452 | 1 | | Fender, Rear - Left |
| 4 | 0423-459 | 4 | | Clip, Mounting |
| 5 | 8476-616 | 12 | | Screw, Machine |
| 6 | 8050-212 | 12 | /P | Washer |
| 7 | 0624-250 | 12 | | Nut, Lock |
| 8 | 1506-306 | 1 | | Bracket, Mounting - Rear Fender - Right |
| 8 | 1506-305 | 1 | | Bracket, Mounting - Rear Fender - Left |
| 9 | 0423-357 | 4 | | Nut, Stamped |
| 10 | 1506-410 | 4 | | Clamp, Foot Guard |
| 11 | 0423-419 | 7 | | Screw, Machine |
| 12 | 1506-411 | 1 | | Guard, Foot - Right |
| 12 | 1506-412 | 1 | | Guard, Foot - Left |
| 13 | 1406-488 | 1 | | Panel, Trim - Right |
| 13 | 1406-489 | 1 | | Panel, Trim - Left |
| 14 | 0423-489 | 10 | | Nut, Stamped |
| 15 | 1406-449 | 1 | | Fender, Front - Right |
| 15 | 1406-450 | 1 | | Fender, Front - Left |
| 16 | 1506-301 | 1 | | Bracket, Mounting - Front Fender - Right |
| 16 | 1506-302 | 1 | | Bracket, Mounting - Front Fender - Left |
| 17 | 0623-269 | 2 | | Clip, Retaining |
| 18 | 2506-462 | 1 | | Cover, Tank |



2008 ATV 400 DVX BLACK-RED (A2008DVI2AUSD)
CAM CHAIN ASSEMBLY

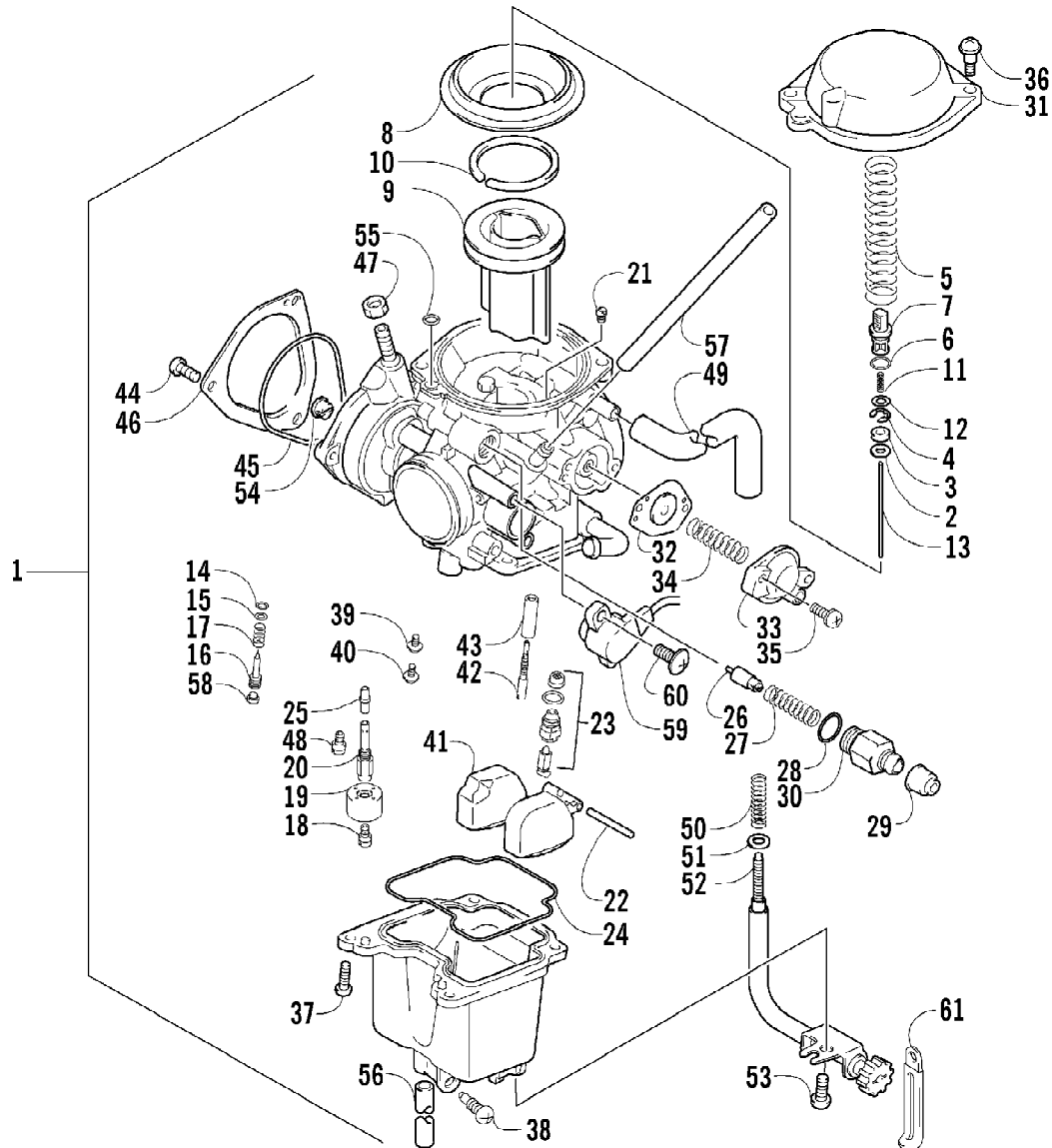
Page 8 of 103

| Ref # | Part Number | Qty | S/P/F | Description |
|-------|-------------|-----|-------|--|
| 1 | 3502-027 | 1 | /P | Chain, Camshaft Drive |
| 2 | 3402-848 | 1 | | Guide, Cam Chain - No. 1 |
| 3 | 3402-930 | 1 | | Guide, Cam Chain - No. 2 |
| 4 | 3402-849 | 1 | | Tensioner, Cam Chain |
| 5 | 3423-561 | 1 | | Bolt |
| 6 | 3423-142 | 1 | | Washer |
| 7 | 3502-019 | 1 | | Adjuster, Tensioner - Assembly (inc. 8-10) |
| 8 | 3402-850 | 1 | | Gasket |
| 9 | 3402-933 | 1 | | Plug |
| 10 | 3402-932 | 1 | | Spring |
| 11 | 3402-137 | 1 | | Gasket, Adjuster |
| 12 | 3007-509 | 2 | /P | Bolt |
| 13 | 3402-929 | 1 | | Retainer, Cam Chain Guide No.1 |
| 14 | 3423-018 | 1 | | Screw |



| Ref # | Part Number | Qty | S/P/F | Description |
|-------|-------------|-----|-------|------------------------|
| | 3402-931 | 1 | | Shim, Tappet - Set |
| 1 | 3502-015 | 1 | | Camshaft, Intake |
| 2 | 3502-031 | 1 | | Camshaft, Exhaust |
| 3 | 3402-877 | 2 | | Valve, Intake |
| 4 | 3402-878 | 2 | | Valve, Exhaust |
| 5 | 3402-726 | 4 | | Spring, Valve |
| 6 | 3402-934 | 4 | | Retainer, Spring |
| 7 | 3402-879 | 8 | | Cotter, Valve |
| 8 | 3402-880 | 4 | | Seat, Spring |
| 9 | 3402-078 | 4 | | Seal, Oil |
| 10 | 3402-851 | 4 | | Tappet |
| 11 | 3402-852 | AR | | Shim, Tappet - 2.30 mm |
| 11 | 3402-853 | AR | | Shim, Tappet - 2.35 mm |
| 11 | 3402-854 | AR | | Shim, Tappet - 2.40 mm |
| 11 | 3402-855 | AR | | Shim, Tappet - 2.45 mm |
| 11 | 3402-856 | AR | | Shim, Tappet - 2.50 mm |
| 11 | 3402-857 | AR | | Shim, Tappet - 2.55 mm |
| 11 | 3402-858 | AR | | Shim, Tappet - 2.60 mm |
| 11 | 3402-859 | AR | | Shim, Tappet - 2.65 mm |
| 11 | 3402-860 | AR | | Shim, Tappet - 2.70 mm |
| 11 | 3402-861 | AR | | Shim, Tappet - 2.75 mm |
| 11 | 3402-862 | AR | | Shim, Tappet - 2.80 mm |
| 11 | 3402-863 | AR | | Shim, Tappet - 2.85 mm |
| 11 | 3402-864 | AR | | Shim, Tappet - 2.90 mm |
| 11 | 3402-865 | AR | | Shim, Tappet - 2.95 mm |
| 11 | 3402-866 | AR | | Shim, Tappet - 3.00 mm |
| 11 | 3402-867 | AR | | Shim, Tappet - 3.05 mm |
| 11 | 3402-868 | AR | | Shim, Tappet - 3.10 mm |
| 11 | 3402-869 | AR | | Shim, Tappet - 3.15 mm |
| 11 | 3402-870 | AR | | Shim, Tappet - 3.20 mm |
| 11 | 3402-871 | AR | | Shim, Tappet - 3.25 mm |
| 11 | 3402-872 | AR | | Shim, Tappet - 3.30 mm |
| 11 | 3402-873 | AR | | Shim, Tappet - 3.35 mm |
| 11 | 3402-874 | AR | | Shim, Tappet - 3.40 mm |
| 11 | 3402-875 | AR | | Shim, Tappet - 3.45 mm |
| 11 | 3402-876 | AR | | Shim, Tappet - 3.50 mm |

2008 ATV 400 DVX BLACK-RED (A2008DVI2AUSD)
CARBURETOR ASSEMBLY

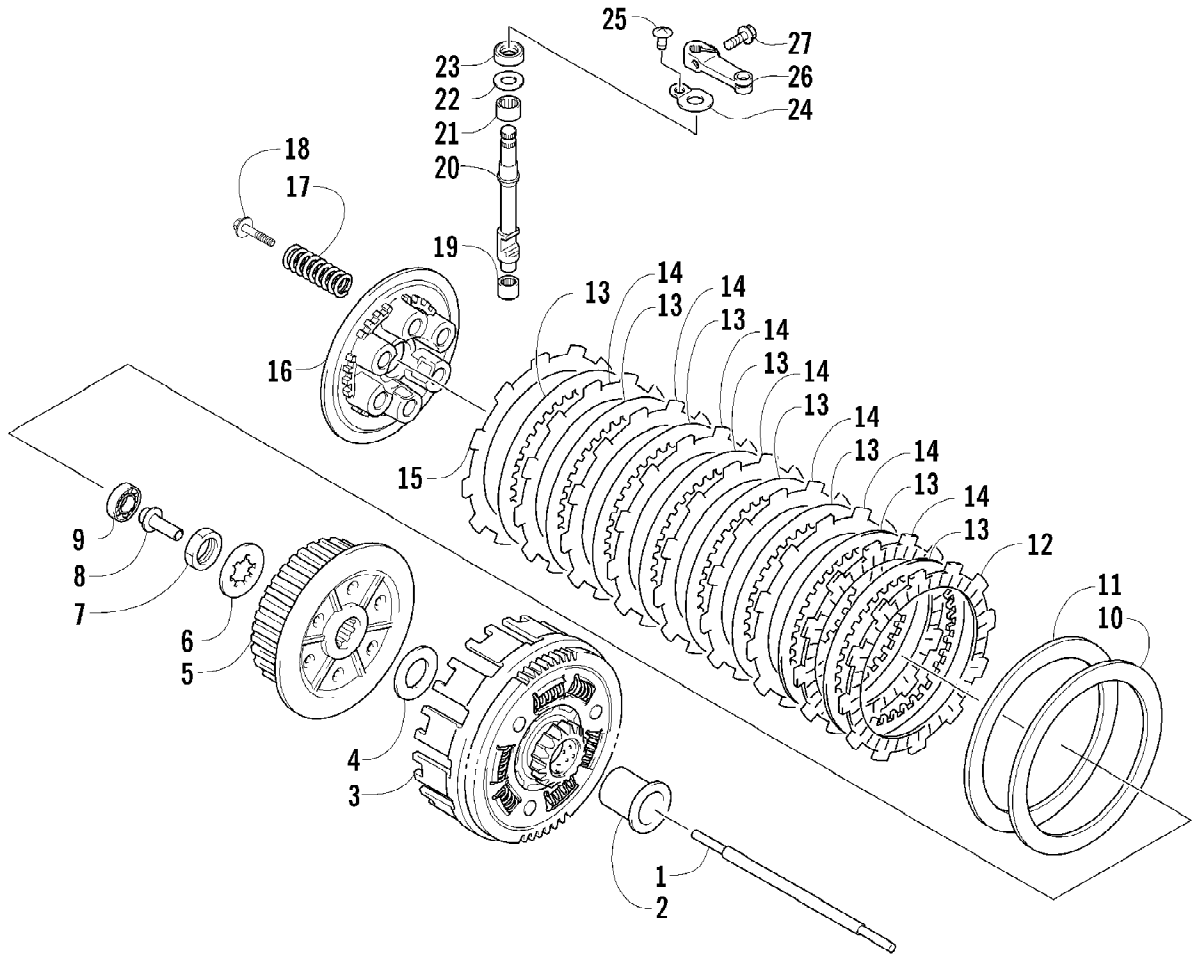


| Ref # | Part Number | Qty | S/P/F | Description |
|-------|-------------|-----|-------|---------------------------------|
| 1 | 3470-035 | 1 | | Carburetor Assembly (inc. 2-58) |
| 2 | 3423-567 | 1 | | Washer |
| 3 | 4505-118 | 1 | | Ring |
| 4 | 4505-119 | 1 | | E-Ring |
| 5 | 4505-145 | 1 | | Spring |
| 6 | 3423-709 | 1 | | O-Ring |
| 7 | 4505-123 | 1 | | Holder |
| 8 | 4505-130 | 1 | | Diaphragm |
| 9 | 4505-126 | 1 | | Valve, Piston |
| 10 | 4505-146 | 1 | | Ring |
| 11 | 4505-124 | 1 | | Spring |
| 12 | 4505-143 | 1 | | Washer |
| 13 | 4505-117 | 1 | | Jet Needle 5E26-1 |
| 14 | 3423-568 | 1 | | O-Ring |
| 15 | 3423-566 | 1 | | Washer |
| 16 | 4505-152 | 1 | | Adjuster |
| 17 | 4505-113 | 1 | | Spring |
| 18 | 4505-071 | 1 | | Main Jet - 130 |
| 19 | 4505-140 | 1 | | Ring |
| 20 | 4505-141 | 1 | | Holder, Jet |
| 21 | 4505-136 | 1 | | Jet |
| 22 | 4505-110 | 1 | | Pin |
| 23 | 4505-116 | 1 | | Needle Valve Assembly |
| 24 | 4505-111 | 1 | | O-Ring |
| 25 | 4505-114 | 1 | | Needle Jet P-0M |
| 26 | 4505-120 | 1 | | Starter Plunger Assembly |
| 27 | 4505-121 | 1 | | Spring |
| 28 | 3423-565 | 1 | | O-Ring |
| 29 | 3470-011 | 1 | | Cap |
| 30 | 4505-122 | 1 | | Holder, Guide |
| 31 | 4505-153 | 1 | | Cover, Diaphragm |
| 32 | 4505-144 | 1 | | Diaphragm Assembly |
| 33 | 4505-129 | 1 | | Cover Assembly |
| 34 | 4505-125 | 1 | | Spring |
| 35 | 3423-570 | 2 | | Screw |
| 36 | 3423-564 | 2 | | Screw |
| 37 | 4505-133 | 4 | | Screw |
| 38 | 3423-563 | 1 | | Screw |
| 39 | 0694-025 | 1 | | Screw |
| 40 | 3423-571 | 1 | | Screw |
| 41 | 4505-109 | 1 | | Float Assembly |
| 42 | 4505-135 | 1 | | Pilot Jet - 22.5 |
| 43 | 4505-142 | 1 | | Pipe |
| 44 | 3004-645 | 3 | S/P | Screw |
| 45 | 4505-148 | 1 | | O-Ring |
| 46 | 4505-127 | 1 | | Cover |
| 47 | 3423-572 | 1 | | Nut |
| 48 | 4505-134 | 1 | | Starter Jet - 60 |
| 49 | 4505-150 | 1 | | Hose |
| 50 | 4505-112 | 1 | | Spring |
| 51 | 3423-573 | 1 | | Washer |
| 52 | 4505-137 | 1 | | Screw, Adjust - Assembly |
| 53 | 4505-151 | 1 | | Screw |

2008 ATV 400 DVX BLACK-RED (A2008DVI2AUSD)
CARBURETOR ASSEMBLY

Page 13 of 103

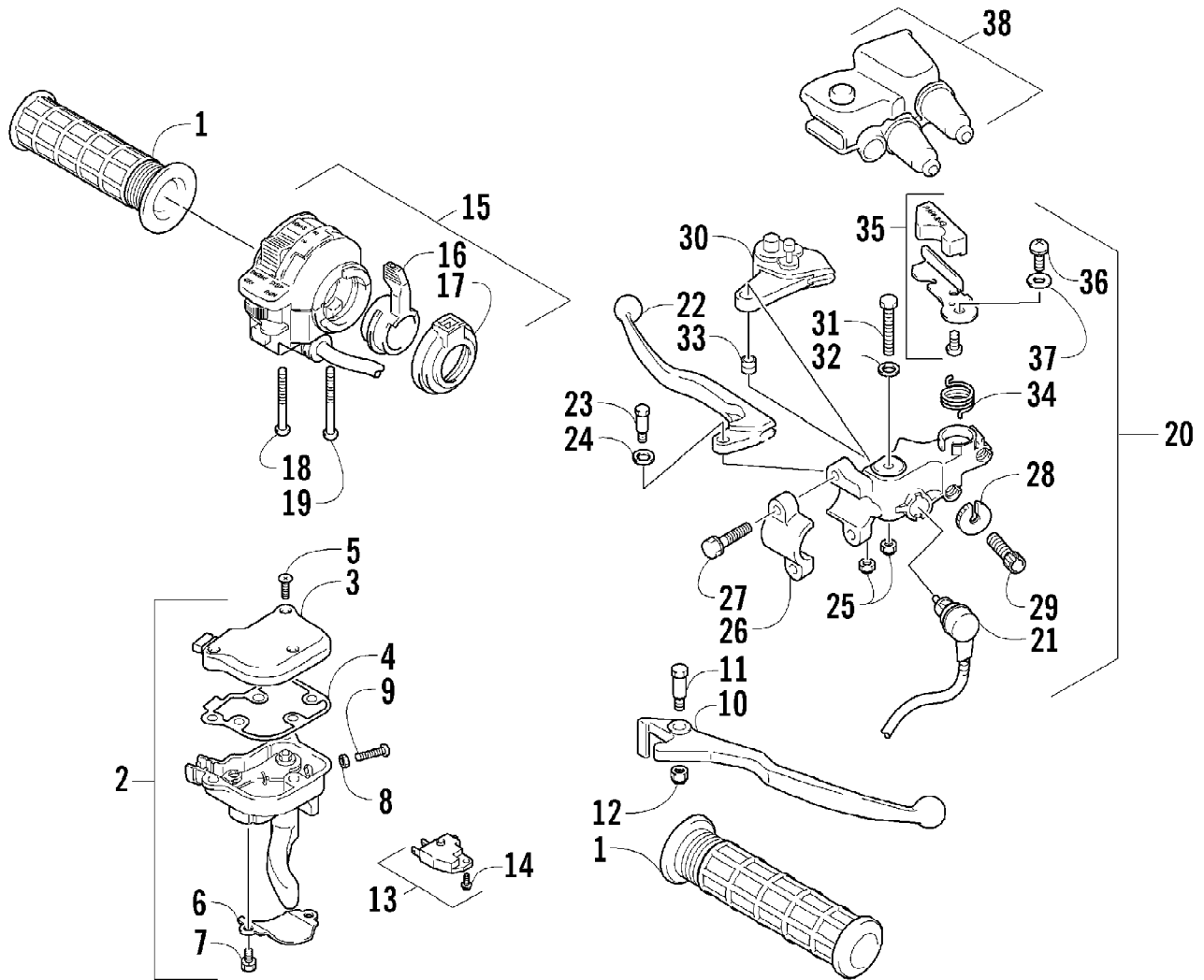
| Ref # | Part Number | Qty | S/P/F | Description |
|-------|-------------|-----|-------|-------------------|
| 54 | 4505-147 | 1 | | Guide, Cable |
| 55 | 3423-569 | 1 | | O-Ring |
| 56 | 4505-149 | 1 | | Hose |
| 57 | 0693-784 | 1 | | Hose |
| 58 | 4505-157 | 1 | S | Plug |
| 59 | 4505-155 | 1 | | Sensor Assembly |
| 60 | 4505-156 | 1 | | Screw |
| 61 | 3004-787 | 1 | | Clamp, Drain Hose |



2008 ATV 400 DVX BLACK-RED (A2008DVI2AUSD)
CLUTCH ASSEMBLY

Page 15 of 103

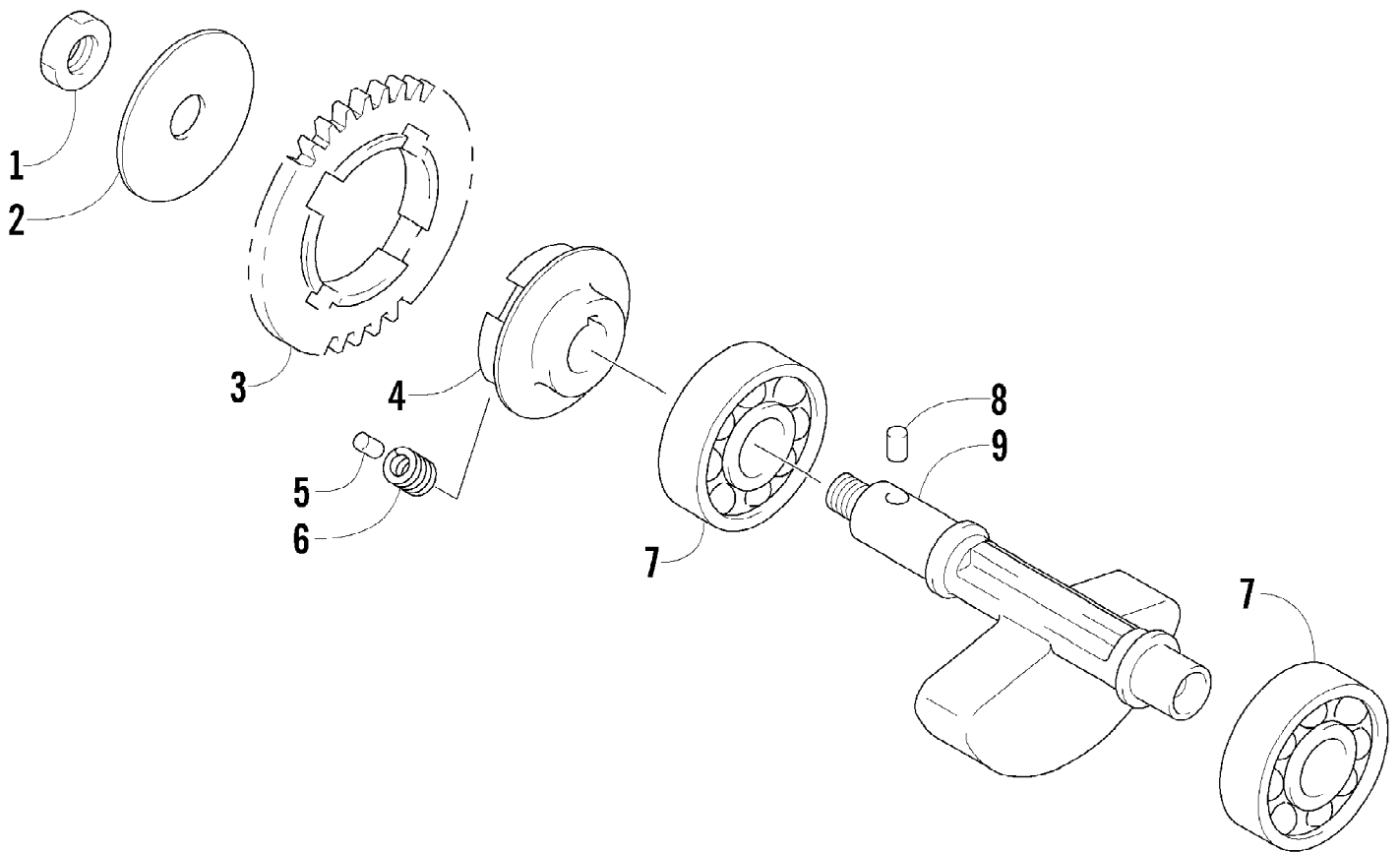
| Ref # | Part Number | Qty | S/P/F | Description |
|-------|-------------|-----|-------|-----------------------------------|
| 1 | 3446-394 | 1 | | Rod, Clutch Push |
| 2 | 3402-940 | 1 | | Spacer, Primary Driven Gear |
| 3 | 3406-145 | 1 | | Gear, Primary Driven |
| 4 | 3423-619 | 1 | | Washer |
| 5 | 3446-414 | 1 | | Hub, Sleeve |
| 6 | 3423-688 | 1 | | Washer, Lock |
| 7 | 3423-254 | 1 | | Nut |
| 8 | 3446-395 | 1 | | Pin, Clutch Release |
| 9 | 3402-043 | 1 | /P | Bearing, Pressure Disc |
| 10 | 3423-774 | 1 | | Seat, Washer |
| 11 | 3423-775 | 1 | | Washer |
| 12 | 3446-360 | 1 | | Plate, Drive - No. 2 |
| 13 | 3446-427 | 8 | | Plate, Driven |
| 14 | 3446-359 | 7 | | Plate, Drive - No. 1 |
| 15 | 3446-332 | 1 | | Plate, Drive - No. 3 |
| 16 | 3446-415 | 1 | | Disc, Pressure |
| 17 | 3423-848 | 6 | S/P | Spring |
| 18 | 3423-776 | 6 | | Bolt |
| 19 | 3402-972 | 1 | | Bearing, Clutch Release - Lower |
| 20 | 3446-396 | 1 | | Camshaft, Clutch Release |
| 21 | 3402-973 | 1 | | Bearing, Clutch Release - Upper |
| 22 | 3423-765 | 1 | | Washer, Clutch Release |
| 23 | 3402-974 | 1 | | Seal, Clutch Release Arm |
| 24 | 3402-941 | 1 | | Retainer, Clutch Release Oil Seal |
| 25 | 3403-225 | 1 | /P | Stopper, Clutch Release Camshaft |
| 26 | 3446-361 | 1 | | Arm, Clutch Release |
| 27 | 3423-328 | 1 | S | Bolt, Clutch Release Arm |



2008 ATV 400 DVX BLACK-RED (A2008DVI2AUSD)
CONTROLS

Page 17 of 103

| Ref # | Part Number | Qty | S/P/F | Description |
|-------|-------------|-----|-------|---|
| 1 | 3405-037 | 2 | | Grip, Handlebar |
| 2 | 3405-042 | 1 | | Case, Throttle (inc. 3-9) |
| 3 | 3405-035 | 1 | | Cap |
| 4 | 3423-582 | 1 | | Gasket |
| 5 | 3423-581 | 3 | | Screw |
| 6 | 3405-036 | 1 | | Holder |
| 7 | 3423-580 | 2 | | Bolt |
| 8 | 3004-853 | 1 | S/P | Nut |
| 9 | 1691-018 | 1 | | Screw |
| 10 | 3402-886 | 1 | | Lever, Front Brake |
| 11 | 3423-583 | 1 | | Bolt, Pivot |
| 12 | 3423-748 | 1 | | Nut |
| 13 | 3409-037 | 1 | | Switch, Stop (inc. 14) |
| 14 | 3423-750 | 1 | | Screw |
| 15 | 3509-010 | 1 | S | Switch, Control - Assembly (inc. 16-19) |
| 16 | 3409-009 | 1 | | Lever, Choke |
| 17 | 3409-010 | 1 | | Cover, Choke |
| 18 | 3423-196 | 1 | | Screw |
| 19 | 3423-197 | 1 | | Screw |
| 20 | 3446-419 | 1 | | Lever, Clutch - Assembly (inc. 21-37) |
| 21 | 3409-041 | 1 | | Switch, Clutch |
| 22 | 3402-964 | 1 | | Lever |
| 23 | 3423-751 | 1 | | Bolt, Pivot |
| 24 | 3423-746 | 1 | | Washer |
| 25 | 3423-623 | 2 | S | Nut |
| 26 | 3502-025 | 1 | | Holder |
| 27 | 3004-507 | 2 | S | Bolt |
| 28 | 3402-963 | 2 | | Nut, Adjuster |
| 29 | 3423-749 | 2 | | Bolt, Adjuster |
| 30 | 3402-968 | 1 | | Lock, Parking Brake |
| 31 | 3423-745 | 1 | | Bolt, Parking Brake Lock |
| 32 | 3423-747 | 1 | | Washer |
| 33 | 3402-965 | 1 | | Spacer |
| 34 | 3402-966 | 1 | | Spring, Return |
| 35 | 3402-967 | 1 | | Knob, Parking Brake Lock |
| 36 | 3423-753 | 1 | | Screw, Parking Brake Lock Knob |
| 37 | 3423-752 | 1 | | Washer |
| 38 | 3406-019 | 1 | | Cover, Clutch Lever |

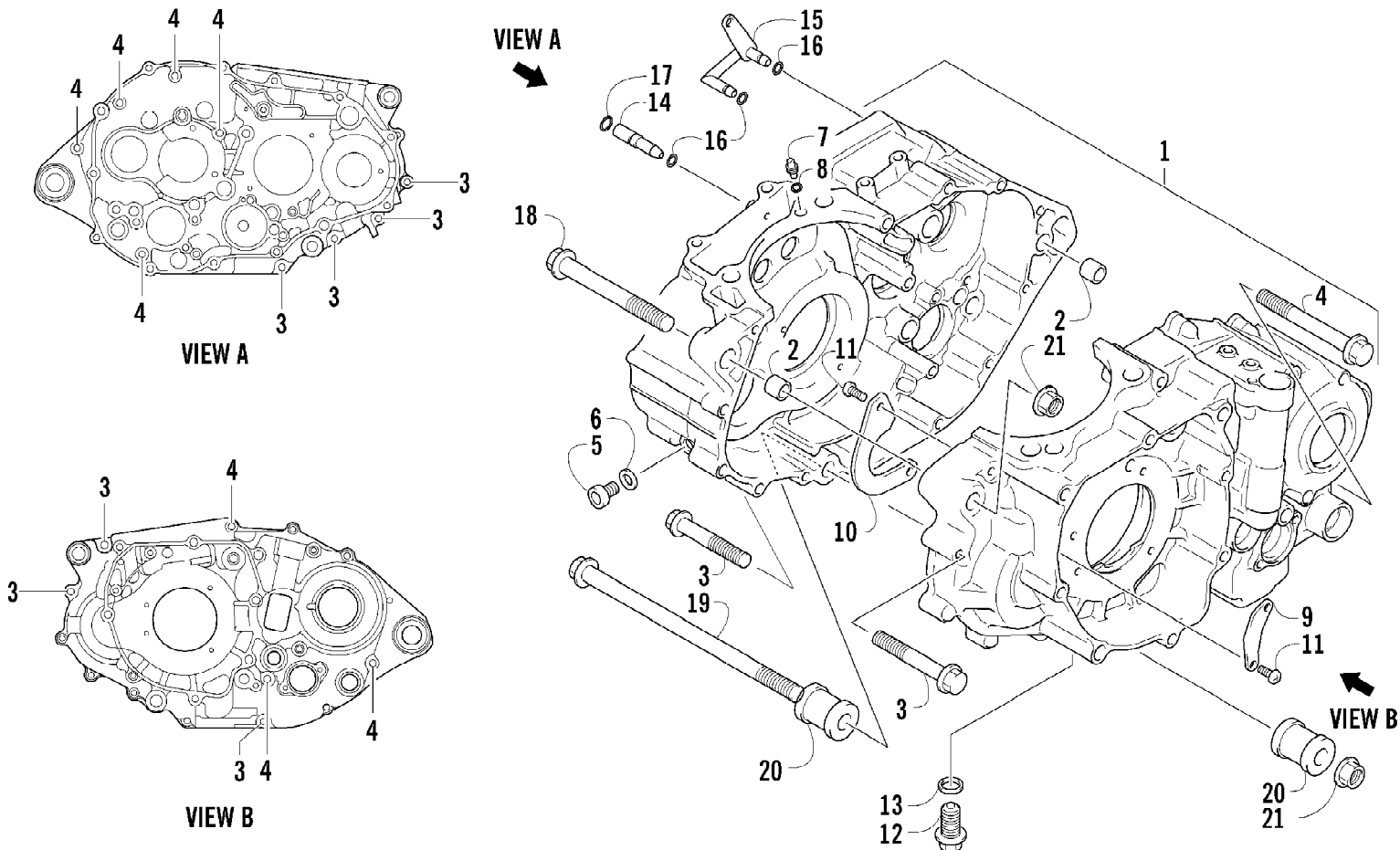


2008 ATV 400 DVX BLACK-RED (A2008DVI2AUSD)
CRANK BALANCER ASSEMBLY

Page 19 of 103

| Ref # | Part Number | Qty | S/P/F | Description |
|-------|-------------|-----|-------|-----------------------------|
| 1 | 3423-666 | 1 | | Nut |
| 2 | 3423-698 | 1 | | Washer |
| 3 | 3406-137 | 1 | | Gear, Driven |
| 4 | 3406-138 | 1 | /P | Race, Driven Gear - Inner |
| 5 | 3423-106 | 2 | /P | Pin, Driven Gear |
| 6 | 3402-090 | 4 | | Spring, Driven Gear |
| 7 | 3402-900 | 2 | | Bearing |
| 8 | 3423-047 | 1 | | Pin, Inner Driven Gear Race |
| 9 | 3402-925 | 1 | | Balancer, Crank |

2008 ATV 400 DVX BLACK-RED (A2008DVI2AUSD)
CRANKCASE ASSEMBLY

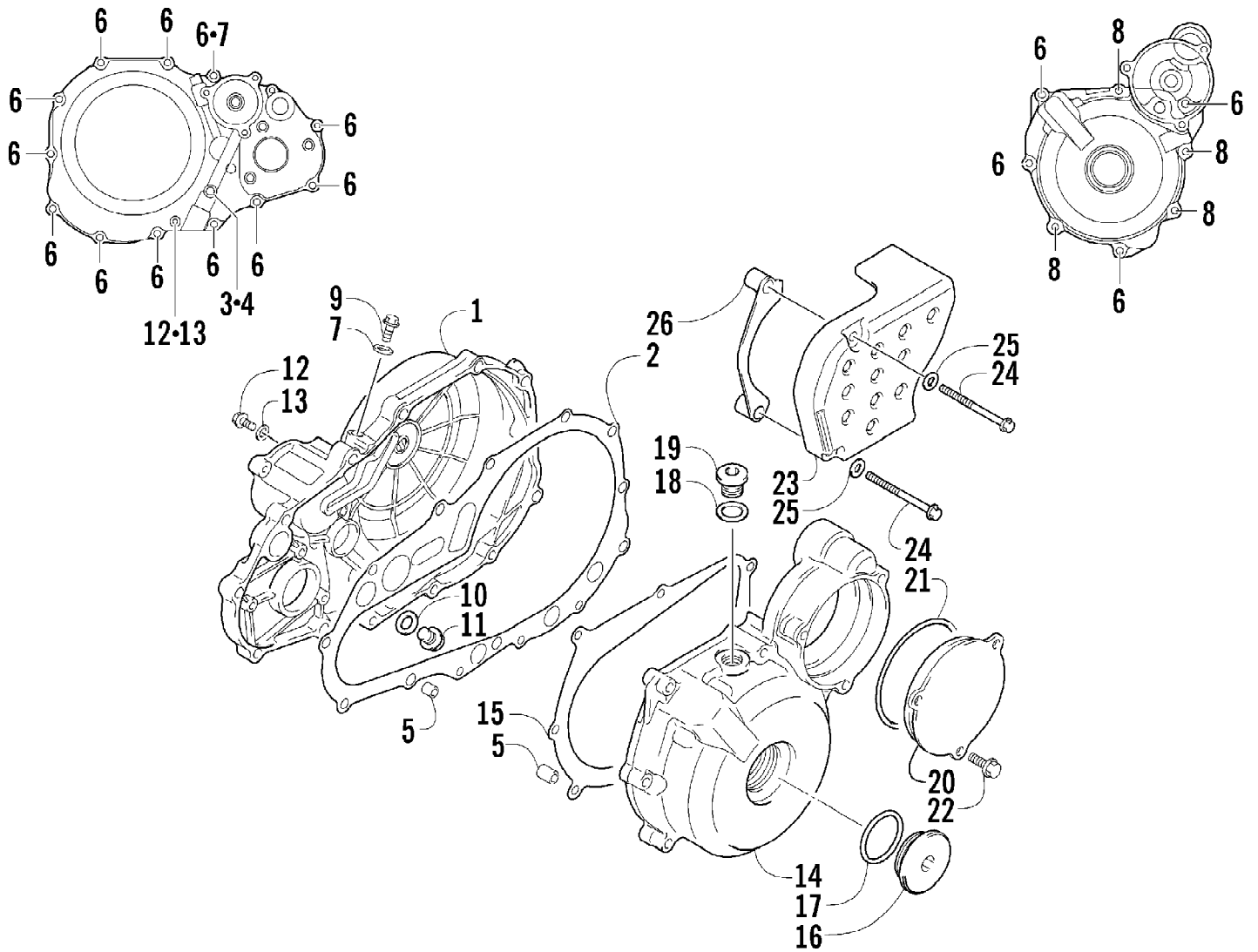


2008 ATV 400 DVX BLACK-RED (A2008DVI2AUSD)
CRANKCASE ASSEMBLY

Page 21 of 103

| Ref # | Part Number | Qty | S/P/F | Description |
|-------|-------------|-----|-------|-----------------------------|
| | 0462-039 | 1 | | Complete Crankcase Assembly |
| 1 | 3502-028 | 1 | | Crankcase Set (inc. 2-11) |
| 2 | 3423-088 | 2 | | Pin, Dowel |
| 3 | 3423-098 | 7 | S | Bolt |
| 4 | 3423-097 | 8 | | Bolt |
| 5 | 3423-706 | 1 | | Plug, Oil Gallery |
| 6 | 3402-894 | 1 | | Gasket |
| 7 | 3402-918 | 1 | | Jet, Oil Gallery |
| 8 | 3423-051 | 1 | | O-Ring |
| 9 | 3402-919 | 1 | | Separator, Oil - No. 1 |
| 10 | 3402-920 | 1 | | Separator, Oil - No. 2 |
| 11 | 3423-370 | 4 | | Screw, Separator |
| 12 | 3402-404 | 1 | | Plug, Oil Drain |
| 13 | 3402-011 | 1 | | Gasket |
| 14 | 3446-391 | 1 | | Pipe, Oil - Inner - No. 1 |
| 15 | 3446-356 | 1 | | Pipe, Oil - Inner - No. 2 |
| 16 | 3423-709 | 3 | | O-Ring |
| 17 | 3423-710 | 1 | | O-Ring |
| 18 | 3005-514 | 1 | | Bolt |
| 19 | 3423-391 | 1 | | Bolt |
| 20 | 3423-737 | 2 | | Spacer, Engine Mounting |
| 21 | 3423-863 | 2 | /P | Nut |

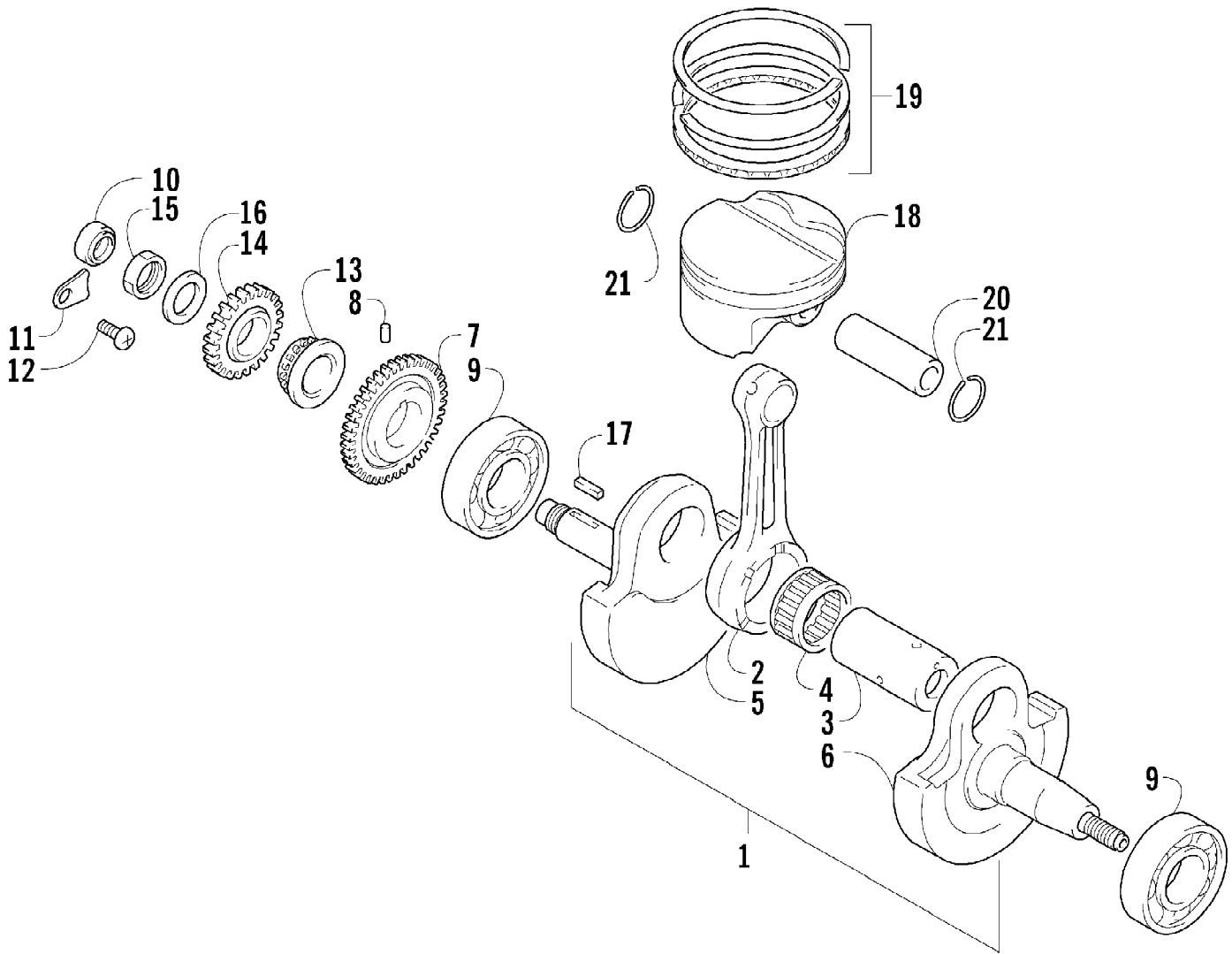
2008 ATV 400 DVX BLACK-RED (A2008DVI2AUSD)
CRANKCASE COVER ASSEMBLY



2008 ATV 400 DVX BLACK-RED (A2008DVI2AUSD)
CRANKCASE COVER ASSEMBLY

Page 23 of 103

| Ref # | Part Number | Qty | S/P/F | Description |
|-------|-------------|-----|-------|--------------------------|
| 1 | 3402-921 | 1 | /P | Cover, Clutch |
| 2 | 3446-357 | 1 | | Gasket, Clutch Cover |
| 3 | 3423-540 | 1 | | Plug, Oil Gallery |
| 4 | 3402-436 | 1 | /P | Gasket, Oil Gallery Plug |
| 5 | 3423-610 | 4 | | Pin |
| 6 | 3423-162 | 16 | S | Bolt |
| 7 | 3003-290 | 2 | /P | Gasket |
| 8 | 3423-098 | 4 | S | Bolt |
| 9 | 3423-112 | 1 | S | Plug, Oil Gallery |
| 10 | 3402-011 | 1 | | Gasket |
| 11 | 3423-705 | 1 | | Plug, Oil Gallery |
| 12 | 3004-339 | 1 | S/P | Bolt, Oil Level |
| 13 | 3402-009 | 1 | /P | Gasket |
| 14 | 3409-042 | 1 | | Cover, Magneto |
| 15 | 3409-023 | 1 | | Gasket, Magneto Cover |
| 16 | 3402-898 | 1 | | Plug, Crank Hole |
| 17 | 3423-061 | 1 | | O-Ring |
| 18 | 3402-012 | 1 | | Gasket |
| 19 | 3402-040 | 1 | /P | Plug |
| 20 | 3409-022 | 1 | | Cover, Starter Idle Gear |
| 21 | 3423-872 | 1 | | O-Ring |
| 22 | 3423-328 | 3 | S | Bolt |
| 23 | 3435-098 | 1 | | Cover, Engine Sprocket |
| 24 | 3007-488 | 2 | /P | Bolt |
| 25 | 3423-672 | 2 | | Washer |
| 26 | 3402-962 | 1 | | Plate, Chain Guide |

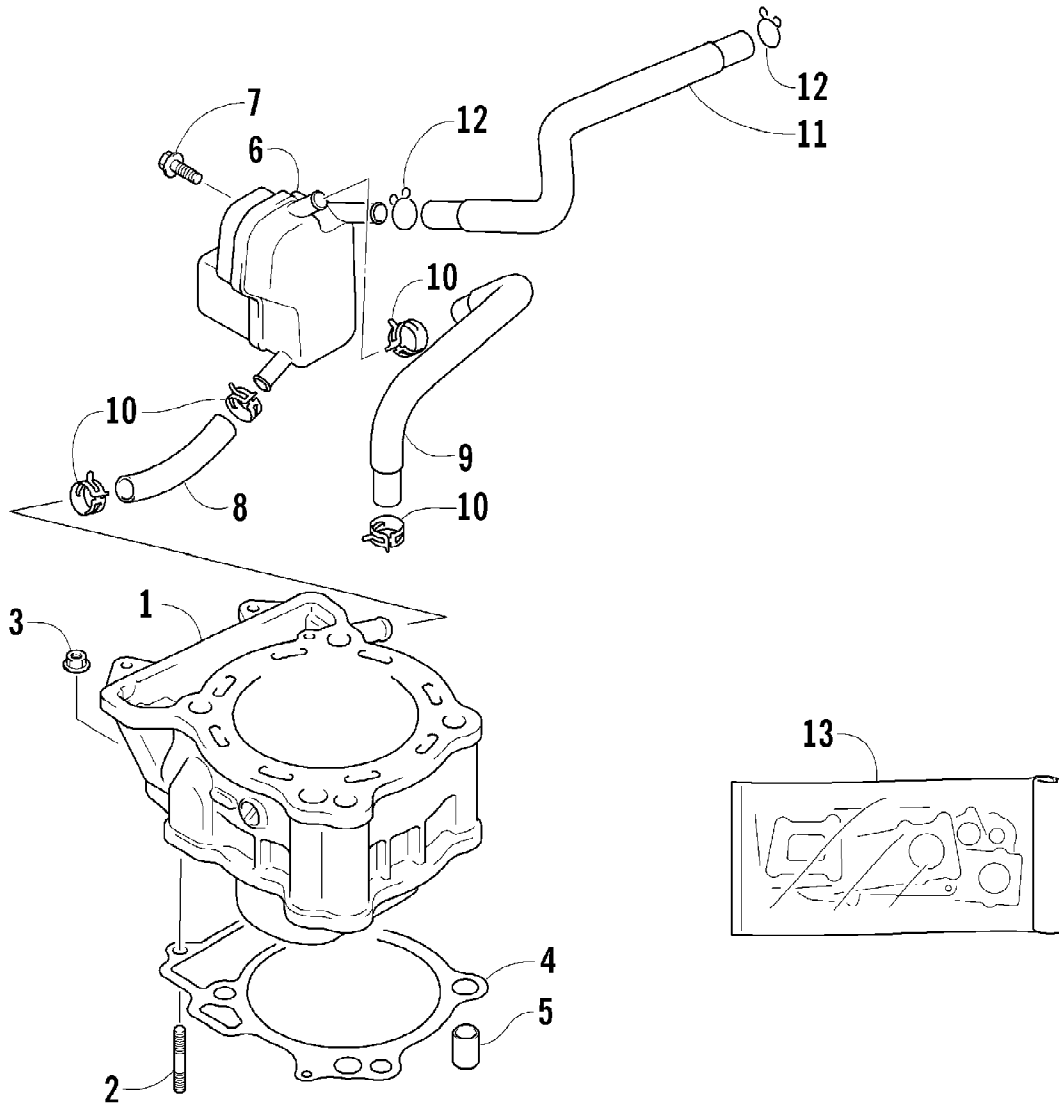


2008 ATV 400 DVX BLACK-RED (A2008DVI2AUSD)
CRANKSHAFT ASSEMBLY

Page 25 of 103

| Ref # | Part Number | Qty | S/P/F | Description |
|-------|-------------|-----|-------|--------------------------------|
| 1 | 3502-029 | 1 | S | Crankshaft Assembly (inc. 2-6) |
| 2 | 3502-012 | 1 | | Rod, Connecting |
| 3 | 3502-014 | 1 | | Pin |
| 4 | 3406-139 | 1 | | Bearing |
| 5 | 3402-922 | 1 | | Crankshaft - Right |
| 6 | 3402-923 | 1 | | Crankshaft - Left |
| 7 | 3402-926 | 1 | /P | Gear, Balancer Drive |
| 8 | 3423-047 | 1 | | Pin |
| 9 | 3402-904 | 2 | | Bearing |
| 10 | 3402-910 | 1 | | Seal, Oil - Right |
| 11 | 3402-952 | 1 | | Retainer, Oil Seal - Right |
| 12 | 3004-552 | 1 | S | Screw |
| 13 | 3502-030 | 1 | | Sprocket, Cam Chain Drive |
| 14 | 3406-140 | 1 | | Gear, Primary Drive |
| 15 | 3423-253 | 1 | | Nut |
| 16 | 3423-684 | 1 | | Washer |
| 17 | 3006-890 | 1 | | Key |
| 18 | 3402-846 | 1 | | Piston |
| 19 | 3502-011 | 1 | | Ring Set, Piston |
| 20 | 3402-847 | 1 | | Pin, Piston |
| 21 | 3003-439 | 2 | /P | Circlip |

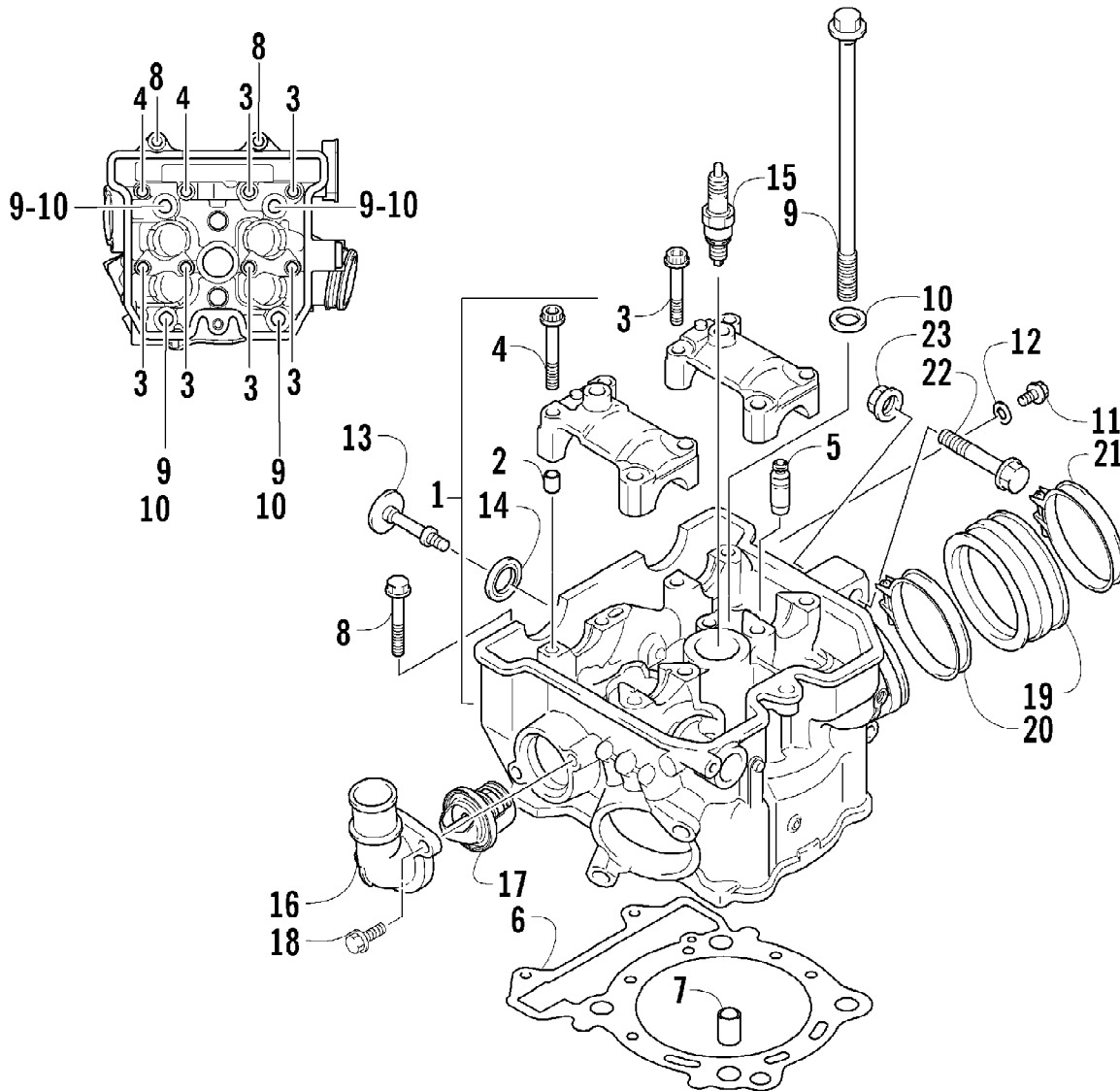
2008 ATV 400 DVX BLACK-RED (A2008DVI2AUSD)
CYLINDER ASSEMBLY



2008 ATV 400 DVX BLACK-RED (A2008DVI2AUSD)
CYLINDER ASSEMBLY

Page 27 of 103

| Ref # | Part Number | Qty | S/P/F | Description |
|-------|-------------|-----|-------|------------------|
| 1 | 3402-844 | 1 | | Cylinder |
| 2 | 3423-089 | 2 | S | Bolt, Stud |
| 3 | 3004-488 | 2 | S/P | Nut |
| 4 | 3402-845 | 1 | | Gasket, Cylinder |
| 5 | 3423-088 | 2 | | Pin, Dowel |
| 6 | 3502-010 | 1 | | Tank, Oil Return |
| 7 | 3423-600 | 1 | | Bolt |
| 8 | 3406-002 | 1 | | Hose, Breather |
| 9 | 3410-013 | 1 | | Hose, Breather |
| 10 | 3006-855 | 4 | | Clamp, Hose |
| 11 | 3410-014 | 1 | | Hose, Breather |
| 12 | 3423-724 | 2 | | Clamp, Hose |
| 13 | 3403-013 | 1 | /P | Gasket Set |

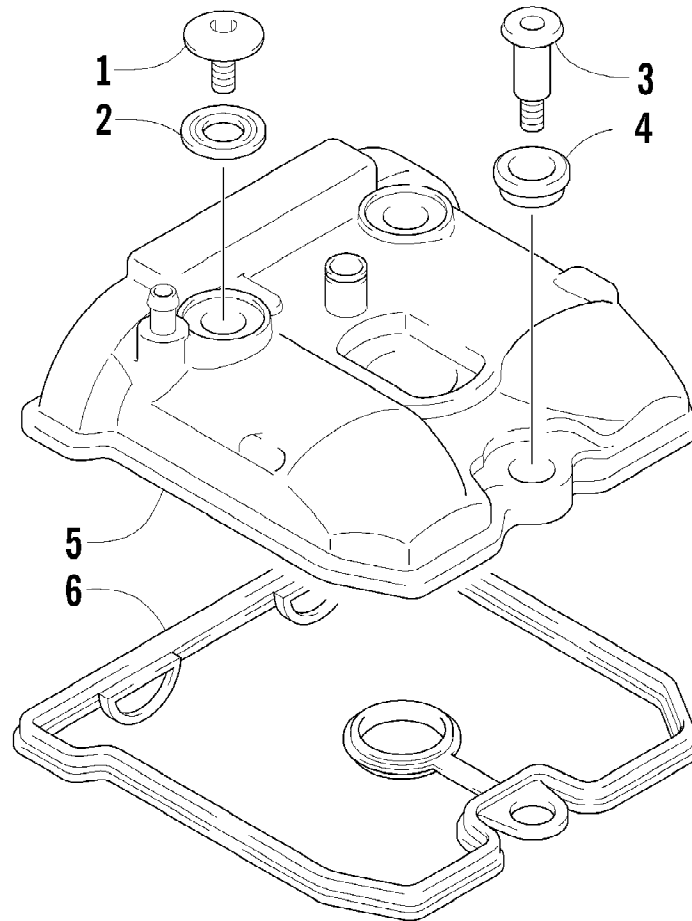


2008 ATV 400 DVX BLACK-RED (A2008DVI2AUSD)
CYLINDER HEAD ASSEMBLY

Page 29 of 103

| Ref # | Part Number | Qty | S/P/F | Description |
|-------|-------------|-----|-------|--------------------------------------|
| 1 | 3402-839 | 1 | | Head, Cylinder - Assembly (inc. 2-4) |
| 2 | 3423-043 | 4 | /P | Pin |
| 3 | 3423-611 | 6 | S | Bolt |
| 4 | 3423-764 | 2 | S | Bolt |
| 5 | 3402-840 | 4 | | Guide, Valve |
| 6 | 3402-841 | 1 | | Gasket, Cylinder Head |
| 7 | 3423-088 | 2 | | Pin, Dowel |
| 8 | 3423-429 | 2 | | Bolt |
| 9 | 3423-637 | 4 | | Bolt |
| 10 | 3423-675 | 4 | | Washer |
| 11 | 3004-339 | 1 | S/P | Plug, Oil Gallery |
| 12 | 3003-290 | 1 | /P | Gasket |
| 13 | 3423-558 | 1 | | Bolt |
| 14 | 3423-559 | 1 | | Washer |
| 15 | 0217-708 | 1 | | Spark Plug (NGK CR7E) |
| 16 | 3413-024 | 1 | | Cover, Thermostat |
| 17 | 3413-025 | 1 | | Thermostat |
| 18 | 3423-328 | 2 | S | Bolt |
| 19 | 3470-030 | 1 | | Pipe, Intake |
| 20 | 3402-235 | 1 | | Clamp, Intake Pipe |
| 21 | 3423-507 | 1 | /P | Clamp, Intake Pipe |
| 22 | 3423-847 | 1 | | Bolt |
| 23 | 3423-863 | 1 | /P | Nut |

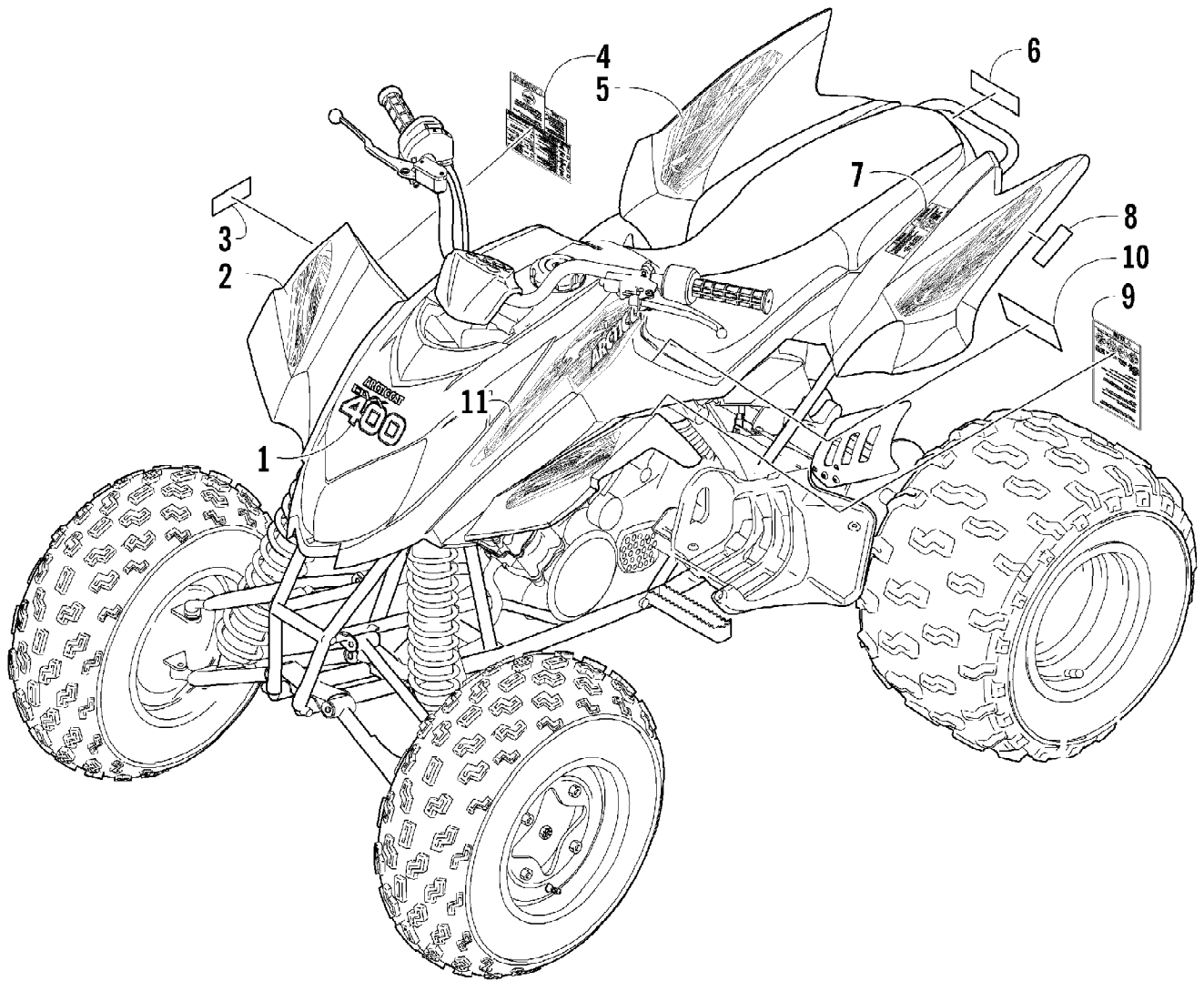
2008 ATV 400 DVX BLACK-RED (A2008DVI2AUSD)
CYLINDER HEAD COVER



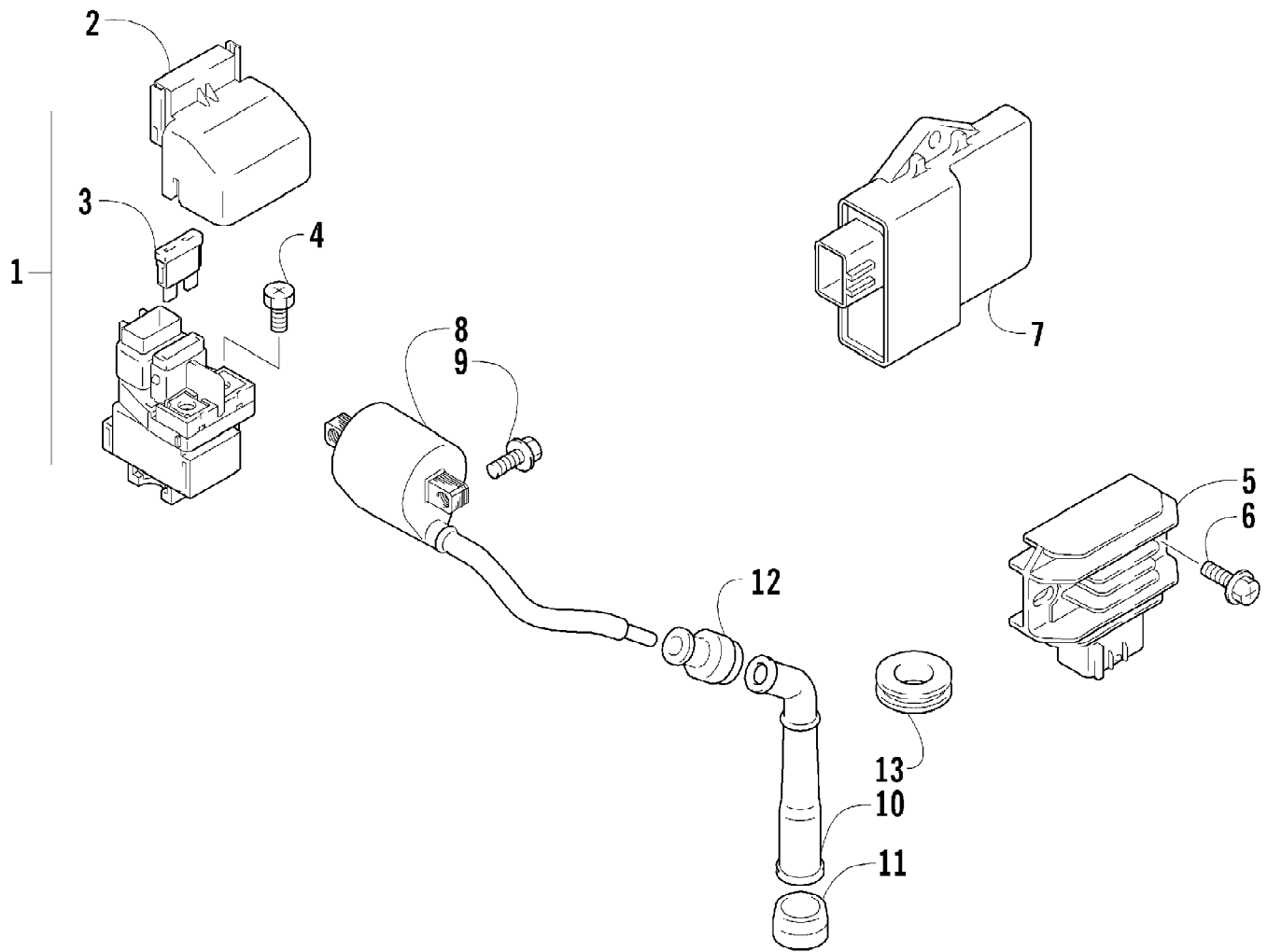
2008 ATV 400 DVX BLACK-RED (A2008DVI2AUSD)
CYLINDER HEAD COVER

Page 31 of 103

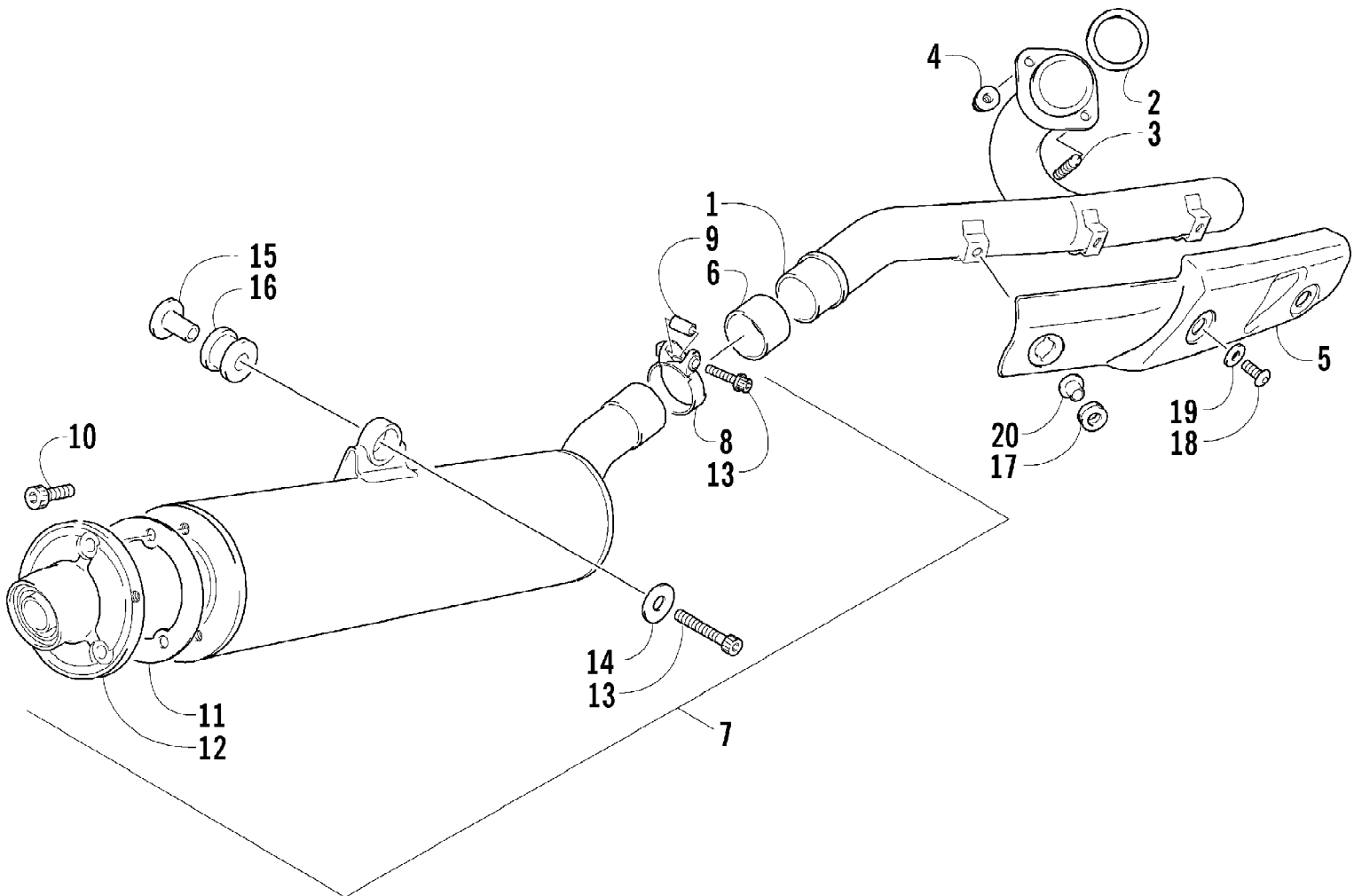
| Ref # | Part Number | Qty | S/P/F | Description |
|-------|-------------|-----|-------|----------------------|
| 1 | 3423-646 | 2 | | Bolt |
| 2 | 3423-680 | 2 | | Washer |
| 3 | 3423-647 | 1 | | Bolt |
| 4 | 3423-560 | 1 | | Cushion |
| 5 | 3403-016 | 1 | | Cover, Cylinder Head |
| 6 | 3402-843 | 1 | | Gasket |



| Ref # | Part Number | Qty | S/P/F | Description |
|-------|-------------|-----|-------|--|
| 1 | 1411-717 | 1 | | Decal, Graphic - Front |
| 2 | 1411-736 | 1 | | Decal, Graphic - Front Fender - Right |
| 2 | 1411-737 | 1 | | Decal, Graphic - Front Fender - Left |
| 3 | 0411-744 | 1 | | Reflector, Front - Amber - Right |
| 3 | 0411-745 | 1 | | Reflector, Front - Amber - Left |
| 4 | 0411-759 | 1 | | Decal, Warning - Pre-Ride |
| 5 | 1411-746 | 1 | | Decal, Graphic - Rear Fender - Right |
| 5 | 1411-747 | 1 | | Decal, Graphic - Rear Fender - Left |
| 6 | 0411-762 | 1 | | Decal, "Arctic Cat" |
| 7 | 0411-696 | 1 | | Decal, Warning - Tire Pressure/Passenger |
| 8 | 0411-746 | 1 | | Reflector, Rear - Red - Right |
| 8 | 0411-747 | 1 | | Reflector, Rear - Red - Left |
| 9 | 0411-218 | 1 | | Decal, Warning - General |
| 10 | 1411-574 | 1 | | Decal, Warning - Off-Road Only |
| 11 | 1411-728 | 1 | | Decal, Graphic - Side - Right |
| 11 | 1411-729 | 1 | | Decal, Graphic - Side - Left |



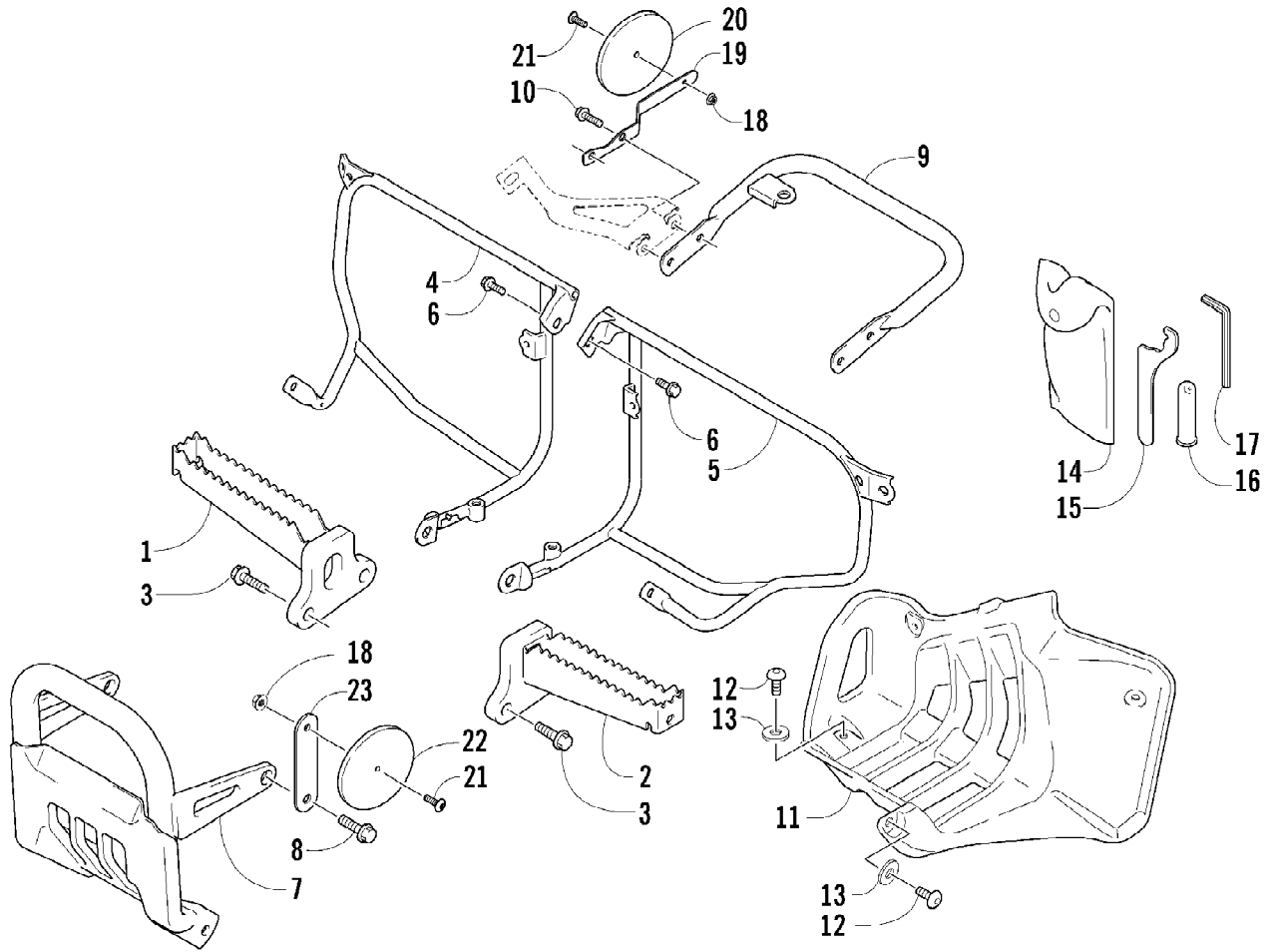
| Ref # | Part Number | Qty | S/P/F | Description |
|-------|-------------|-----|-------|---------------------------|
| 1 | 3409-025 | 1 | | Relay, Starter (inc. 2-3) |
| 2 | 3409-038 | 1 | | Cover, Starter Relay |
| 3 | 3530-044 | 1 | | Fuse - 20 Amp |
| 4 | 3423-020 | 2 | /P | Bolt, Starter Motor |
| 5 | 3409-027 | 1 | S | Rectifier |
| 6 | 0693-982 | 2 | | Bolt |
| 7 | 3409-043 | 1 | | CDI |
| 8 | 3530-027 | 1 | | Coil, Ignition |
| 9 | 3004-377 | 1 | S/P | Bolt |
| 10 | 3409-029 | 1 | | Cap, Spark Plug |
| 11 | 3409-031 | 1 | | Cover, Spark Plug Cap |
| 12 | 3430-009 | 1 | /P | Seal, High Tension Wire |
| 13 | 3409-030 | 1 | | Seal, Spark Plug Cap |



2008 ATV 400 DVX BLACK-RED (A2008DVI2AUSD)
EXHAUST ASSEMBLY

Page 37 of 103

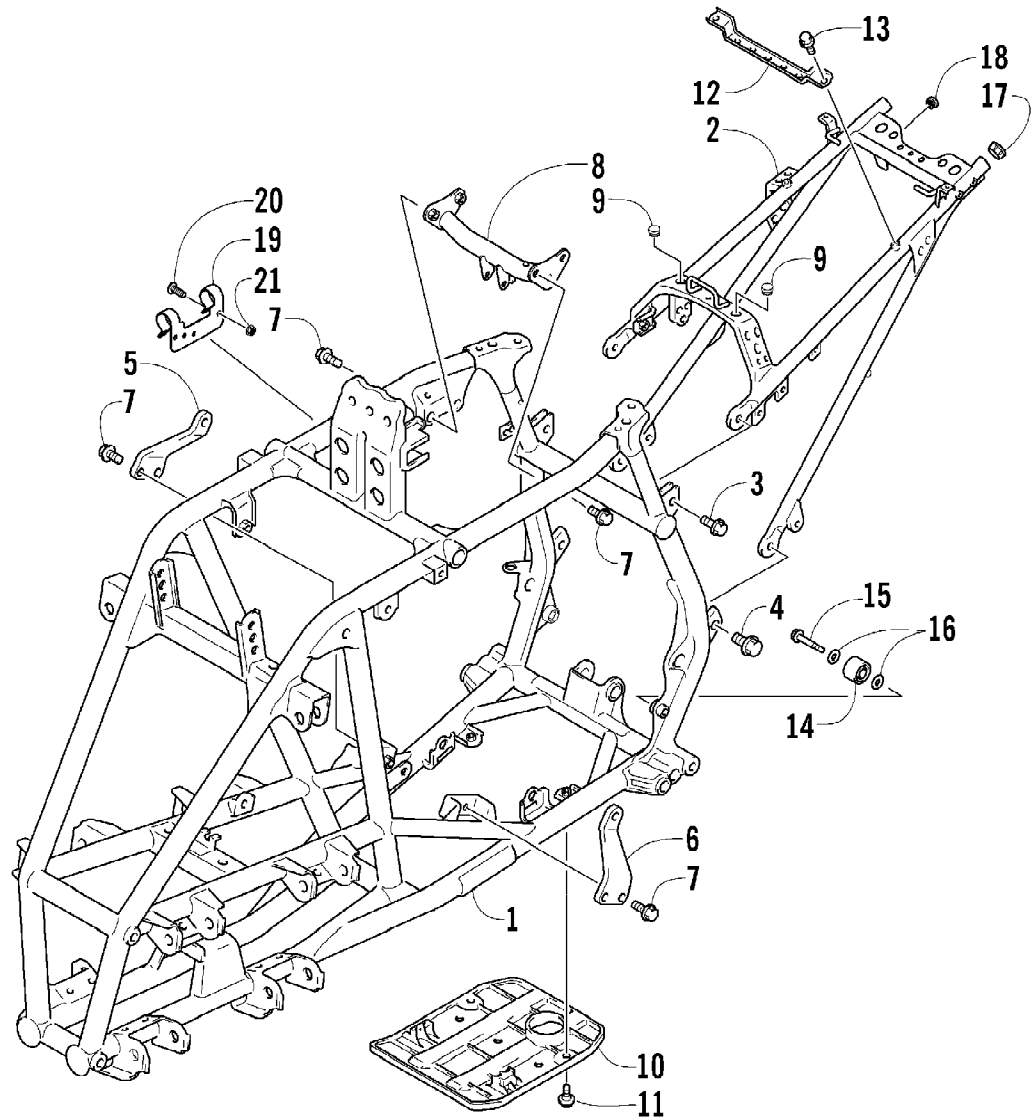
| Ref # | Part Number | Qty | S/P/F | Description |
|-------|-------------|-----|-------|--|
| 1 | 3512-007 | 1 | /P | Pipe, Exhaust |
| 2 | 3412-003 | 1 | | Gasket, Exhaust Pipe |
| 3 | 3004-301 | 2 | S | Bolt, Stud |
| 4 | 3423-868 | 2 | /P | Nut |
| 5 | 3412-006 | 1 | | Cover, Exhaust Pipe |
| 6 | 3412-004 | 1 | | Connector, Muffler |
| 7 | 3512-006 | 1 | | Body, Muffler (inc. 8-12 and one No. 13) |
| 8 | 3423-740 | 1 | | Clamp |
| 9 | 3423-739 | 1 | | Spacer |
| 10 | 3423-645 | 3 | | Bolt |
| 11 | 3412-008 | 1 | /P | Arrester |
| 12 | 3412-005 | 1 | | Gasket |
| 13 | 3423-613 | 3 | | Bolt |
| 14 | 0694-024 | 2 | | Washer |
| 15 | 3423-694 | 2 | | Spacer |
| 16 | 3423-718 | 2 | | Cushion |
| 17 | 3423-715 | 3 | | Cushion, Exhaust Pipe Cover |
| 18 | 3423-661 | 3 | | Screw |
| 19 | 3423-574 | 3 | | Washer |
| 20 | 3423-575 | 3 | | Spacer, Exhaust Pipe Cover |



2008 ATV 400 DVX BLACK-RED (A2008DVI2AUSD)
FOOTREST ASSEMBLY

Page 39 of 103

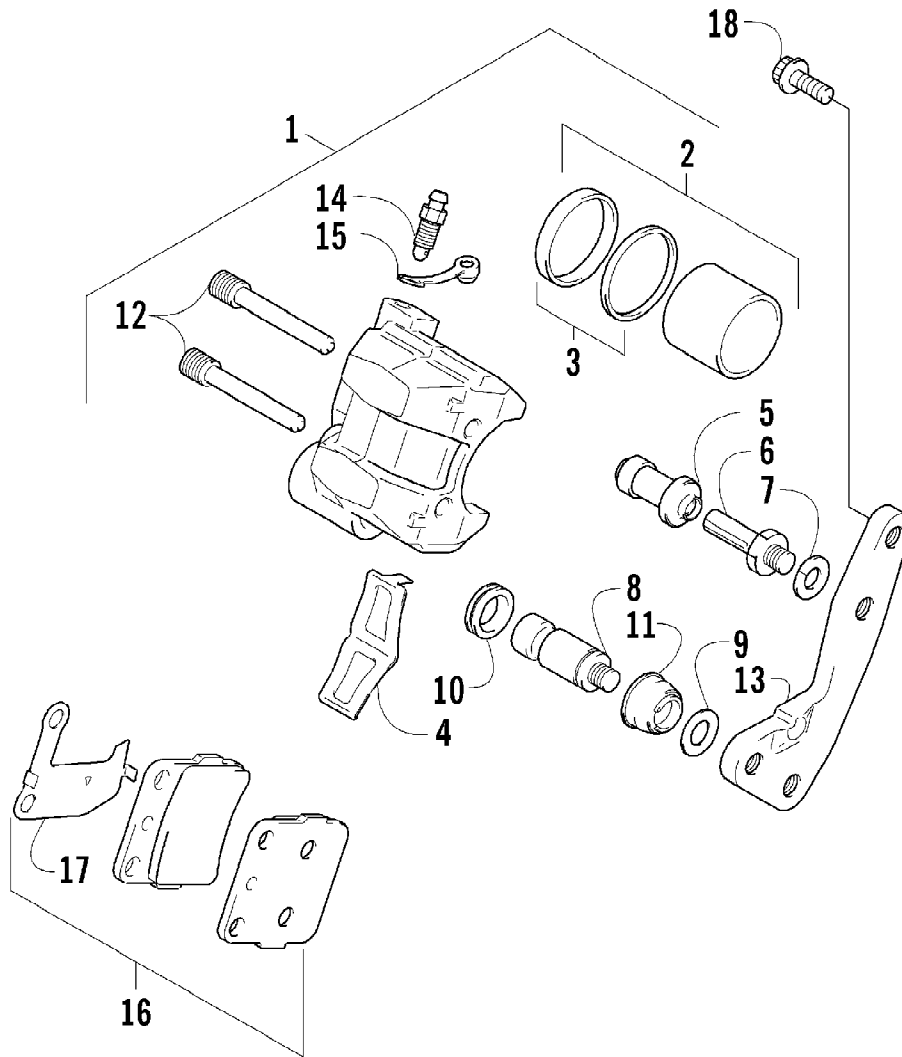
| Ref # | Part Number | Qty | S/P/F | Description |
|-------|-------------|-----|-------|-----------------------------------|
| 1 | 3406-009 | 1 | | Footrest - Right |
| 2 | 3406-010 | 1 | | Footrest - Left |
| 3 | 3423-636 | 4 | | Bolt |
| 4 | 3406-136 | 1 | /P | Support, Mudguard - Right |
| 5 | 3406-164 | 1 | /P | Support, Mudguard - Left |
| 6 | 3423-633 | 2 | | Bolt |
| 7 | 3406-148 | 1 | | Grip, Front |
| 8 | 3004-630 | 4 | S | Bolt |
| 9 | 3406-149 | 1 | | Grip, Rear |
| 10 | 3006-544 | 4 | S | Bolt |
| 11 | 3406-070 | 1 | | Guard, Foot - Right |
| 11 | 3406-071 | 1 | | Guard, Foot - Left |
| 12 | 3423-661 | 8 | | Bolt |
| 13 | 3423-690 | 8 | | Washer |
| 14 | 3436-017 | 1 | | Kit, Tool |
| 15 | 3436-019 | 1 | | Wrench, Spanner |
| 16 | 3436-020 | 1 | | Gauge, Air Pressure |
| 17 | 3436-018 | 1 | | Wrench, Hex |
| 18 | 8424-502 | 4 | | Nut |
| 19 | 2506-412 | 1 | | Bracket, Reflector - Rear - Right |
| 19 | 2506-413 | 1 | | Bracket, Reflector - Rear - Left |
| 20 | 4606-877 | 2 | | Reflector, Rear |
| 21 | 0423-371 | 4 | | Screw, Machine |
| 22 | 4606-878 | 2 | | Reflector, Front |
| 23 | 2506-389 | 2 | | Bracket, Reflector - Front |



2008 ATV 400 DVX BLACK-RED (A2008DVI2AUSD)
FRAME ASSEMBLY

Page 41 of 103

| Ref # | Part Number | Qty | S/P/F | Description |
|-------|-------------|-----|-------|------------------------------------|
| 1 | 3406-146 | 1 | | Frame |
| 2 | 3406-147 | 1 | | Rail, Seat |
| 3 | 3423-779 | 2 | | Bolt |
| 4 | 3423-478 | 2 | | Bolt |
| 5 | 3406-105 | 1 | | Plate, Mounting - Engine - Right |
| 6 | 3406-106 | 1 | | Plate, Mounting - Engine - Left |
| 7 | 3006-544 | 8 | S | Bolt |
| 8 | 3406-168 | 1 | | Plate, Mounting - Engine - Upper |
| 9 | 3406-016 | 2 | | Cushion, Seat Mount - Front |
| 10 | 3406-006 | 1 | | Protector, Engine |
| 11 | 3423-653 | 2 | | Bolt |
| 12 | 3406-162 | 1 | /P | Plate, Battery |
| 13 | 3005-985 | 2 | | Bolt |
| 14 | 3446-381 | 1 | | Roller, Chain Control |
| 15 | 3423-631 | 1 | | Bolt |
| 16 | 3423-696 | 2 | | Washer |
| 17 | 3406-013 | 2 | | Cap, Seat Rail |
| 18 | 0423-534 | 2 | | Grommet, Taillight |
| 19 | 1506-413 | 1 | /P | Bracket, Mounting - Reverse Switch |
| 20 | 0423-419 | 2 | | Screw, Machine |
| 21 | 8424-602 | 2 | /P | Nut, Lock |

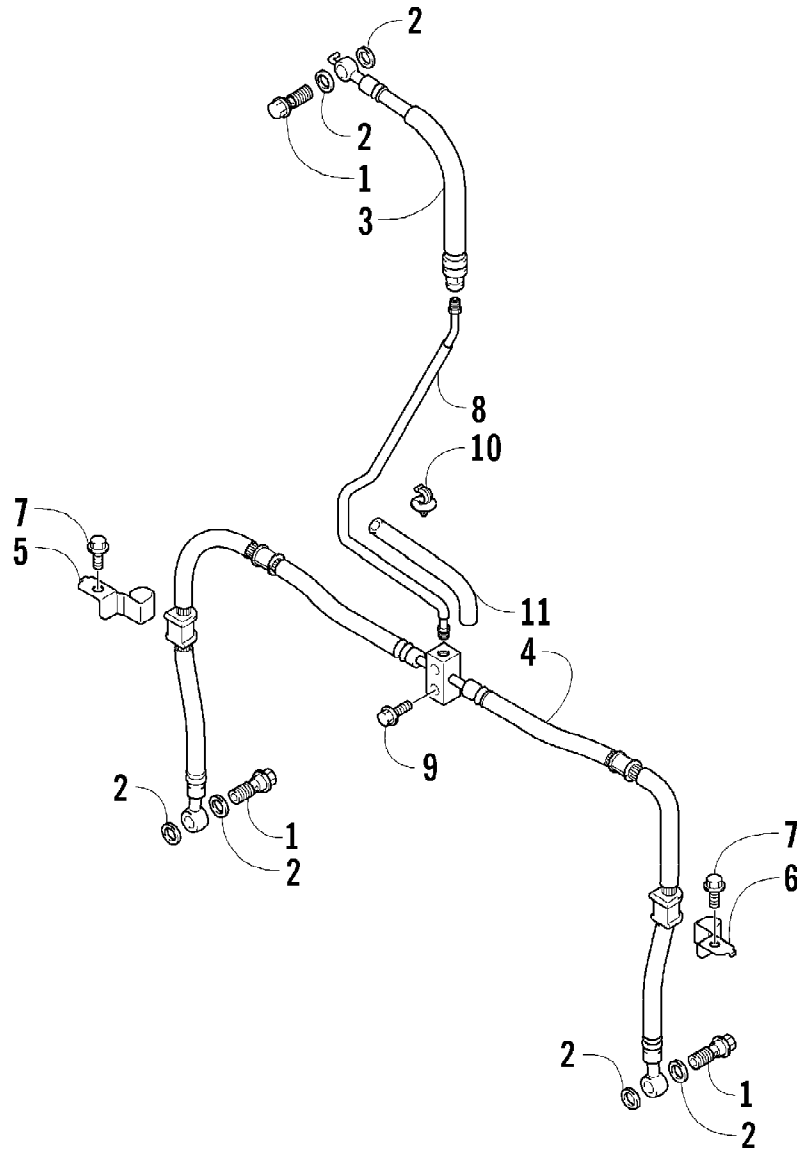


2008 ATV 400 DVX BLACK-RED (A2008DVI2AUSD)
FRONT BRAKE ASSEMBLY

Page 43 of 103

| Ref # | Part Number | Qty | S/P/F | Description |
|-------|-------------|-----|-------|------------------------------------|
| 1 | 3406-023 | 1 | | Caliper, Brake - Right (inc. 2-15) |
| 1 | 3406-030 | 1 | | Caliper, Brake - Left (inc. 2-15) |
| 2 | 3406-021 | 2 | | Piston Set (inc. 3) |
| 3 | 3406-022 | 2 | | Seal Set, Piston |
| 4 | 3406-036 | 2 | | Spring, Pad |
| 5 | 3406-043 | 2 | | Boot |
| 6 | 3423-584 | 2 | | Pin |
| 7 | 3406-035 | 2 | | Washer |
| 8 | 3406-024 | 2 | | Pin, Slide |
| 9 | 3406-034 | 2 | | Spring |
| 10 | 3406-042 | 2 | | Plug, Dust |
| 11 | 3406-033 | 2 | | Boot |
| 12 | 3406-037 | 4 | | Pin |
| 13 | 3406-027 | 1 | | Bracket - Right |
| 13 | 3406-040 | 1 | | Bracket - Left |
| 14 | 3406-025 | 2 | | Valve, Bleed |
| 15 | 3406-026 | 2 | | Cap, Bleed Valve |
| 16 | 3406-031 | 1 | | Pad, Brake - Set - Right (inc. 17) |
| 16 | 3406-032 | 1 | | Pad, Brake - Set - Left (inc. 17) |
| 17 | 3406-041 | 1 | | Shim - Right |
| 17 | 3406-082 | 1 | | Shim - Left |
| 18 | 3423-784 | 4 | | Bolt |

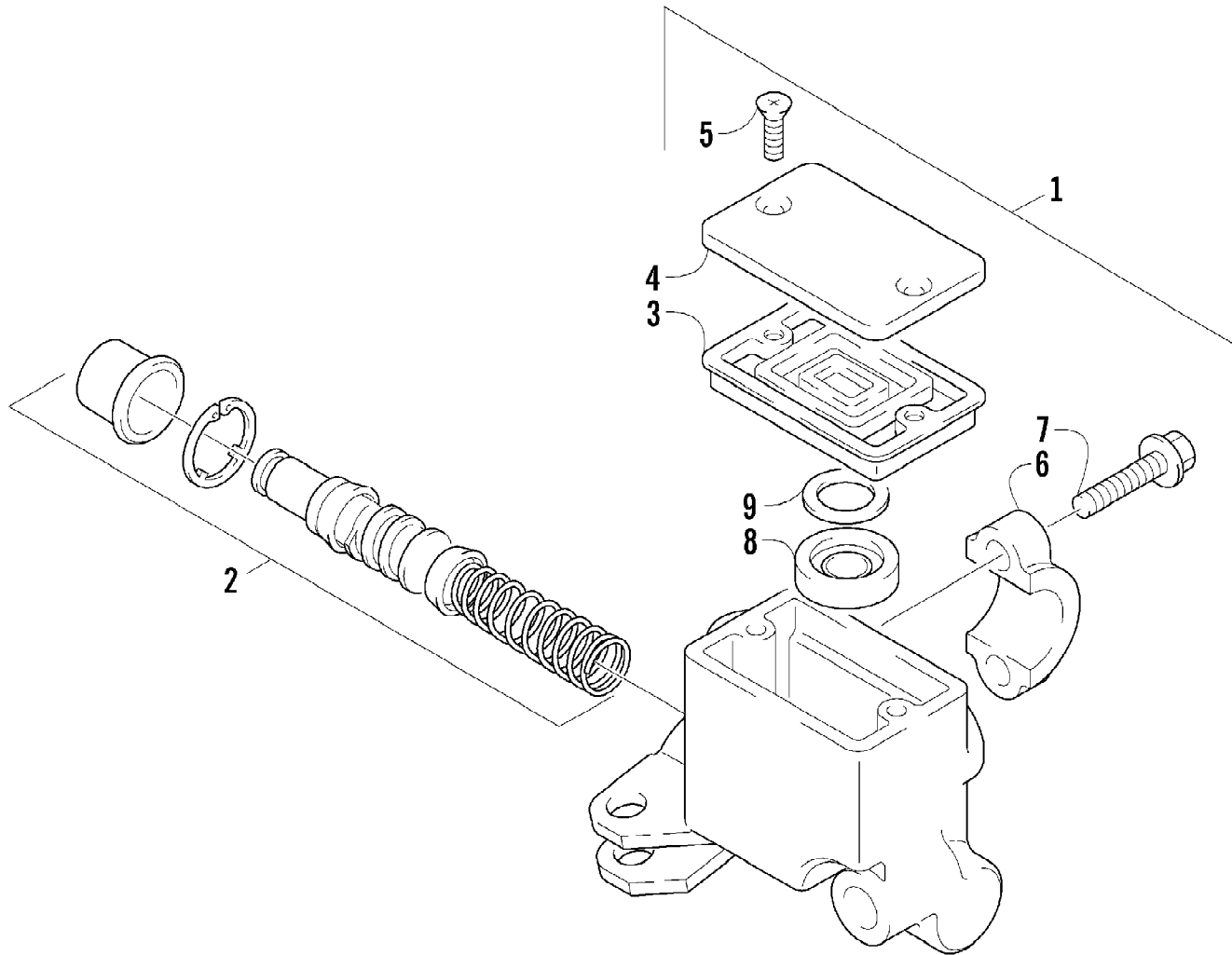
2008 ATV 400 DVX BLACK-RED (A2008DVI2AUSD)
FRONT BRAKE HOSE ASSEMBLY



2008 ATV 400 DVX BLACK-RED (A2008DVI2AUSD)
FRONT BRAKE HOSE ASSEMBLY

Page 45 of 103

| Ref # | Part Number | Qty | S/P/F | Description |
|-------|-------------|-----|-------|---------------------------|
| 1 | 3423-719 | 3 | | Bolt |
| 2 | 3006-112 | 6 | | Washer |
| 3 | 3406-153 | 1 | S | Hose, Front Brake - No. 1 |
| 4 | 3406-154 | 1 | | Hose, Front Brake - No. 2 |
| 5 | 3423-754 | 1 | | Clamp, Hose No. 2 - Right |
| 6 | 3423-755 | 1 | | Clamp, Hose No. 2 - Left |
| 7 | 3004-339 | 2 | S/P | Bolt |
| 8 | 3406-155 | 1 | | Brakeline, Front |
| 9 | 3423-328 | 1 | S | Bolt |
| 10 | 3423-780 | 1 | | Clamp, Front Brakeline |
| 11 | 3406-119 | 1 | | Cover, Front Brakeline |

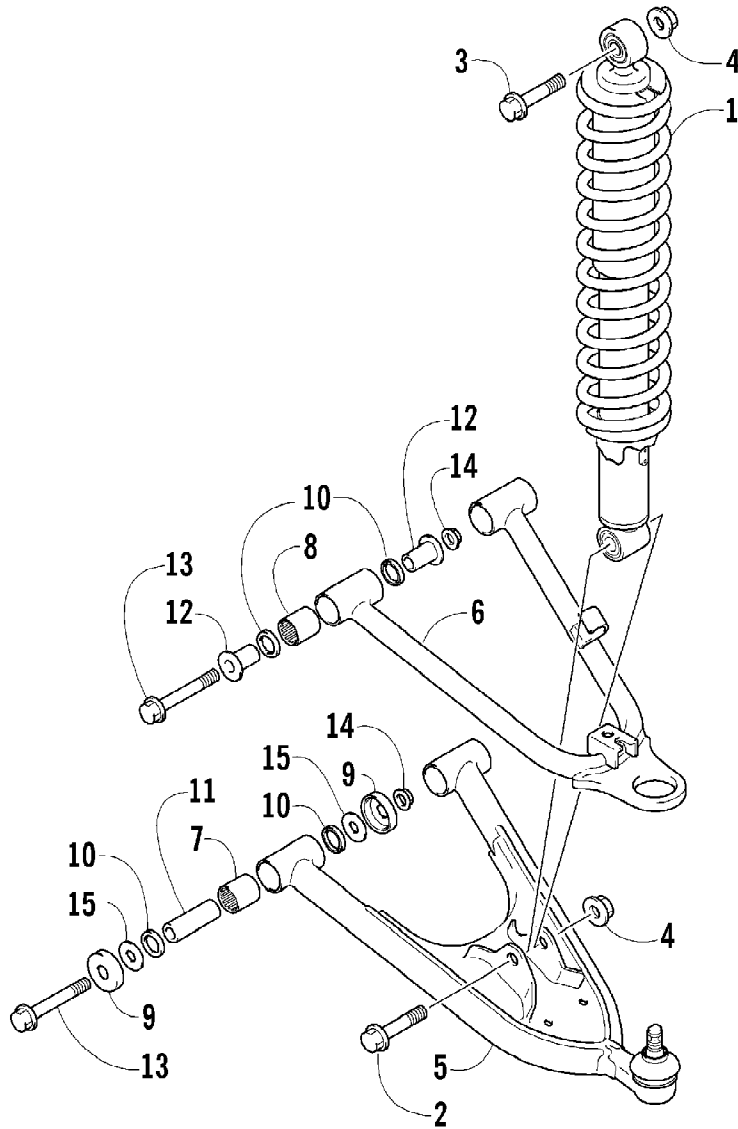


2008 ATV 400 DVX BLACK-RED (A2008DVI2AUSD)
FRONT MASTER CYLINDER ASSEMBLY

Page 47 of 103

| Ref # | Part Number | Qty | S/P/F | Description |
|-------|-------------|-----|-------|-------------------------------------|
| 1 | 3406-046 | 1 | S | Master Cylinder Assembly (inc. 2-9) |
| 2 | 3406-045 | 1 | | Piston Set |
| 3 | 3406-048 | 1 | | Diaphragm |
| 4 | 3406-088 | 1 | | Cap |
| 5 | 3423-598 | 2 | | Screw, Cap |
| 6 | 3406-049 | 1 | | Holder |
| 7 | 3423-585 | 2 | | Bolt |
| 8 | 3406-120 | 1 | | Separator |
| 9 | 3406-121 | 1 | | Plate |

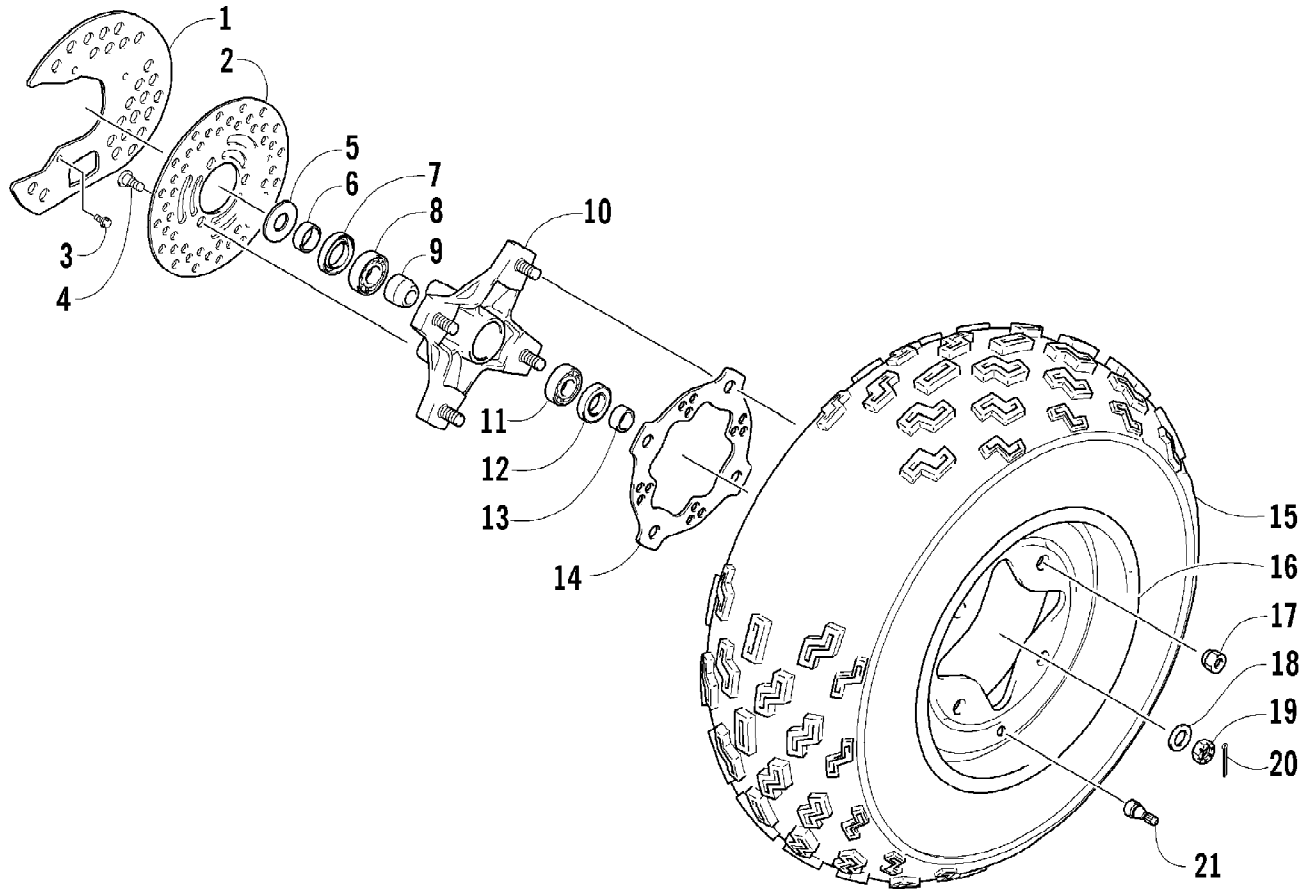
2008 ATV 400 DVX BLACK-RED (A2008DVI2AUSD)
FRONT SUSPENSION ASSEMBLY



2008 ATV 400 DVX BLACK-RED (A2008DVI2AUSD)
FRONT SUSPENSION ASSEMBLY

Page 49 of 103

| Ref # | Part Number | Qty | S/P/F | Description |
|-------|-------------|-----|-------|--------------------------|
| 1 | 3405-061 | 2 | | Shock Assembly - Front |
| 2 | 3423-641 | 2 | | Bolt |
| 3 | 3423-640 | 2 | | Bolt |
| 4 | 3423-457 | 4 | S | Nut |
| 5 | 3405-052 | 1 | /P | A-Arm - Lower Right |
| 5 | 3405-053 | 1 | | A-Arm - Lower Left |
| 6 | 3405-054 | 1 | | A-Arm - Upper Right |
| 6 | 3405-055 | 1 | | A-Arm - Upper Left |
| 7 | 3406-093 | 4 | | Bearing |
| 8 | 3406-094 | 4 | | Bearing |
| 9 | 3405-020 | 8 | | Seal, Dust - Lower A-Arm |
| 10 | 3406-101 | 16 | | Seal, Dust - Inner |
| 11 | 3406-112 | 4 | | Spacer |
| 12 | 3406-111 | 8 | | Spacer |
| 13 | 3423-634 | 8 | | Bolt |
| 14 | 3423-457 | 8 | S | Nut |
| 15 | 3423-617 | 8 | | Washer |



2008 ATV 400 DVX BLACK-RED (A2008DVI2AUSD)
FRONT WHEEL ASSEMBLY

Page 51 of 103

| Ref # | Part Number | Qty | S/P/F | Description |
|-------|-------------|-----|-------|----------------------------|
| 1 | 3406-165 | 2 | | Cover, Brake Disc |
| 2 | 3406-028 | 2 | | Disc, Brake |
| 3 | 3423-455 | 6 | | Bolt |
| 4 | 3423-649 | 6 | | Bolt, Brake Disc |
| 5 | 3405-059 | 2 | | Shim, Front Axle |
| 6 | 3403-205 | 2 | | Spacer, Front Axle |
| 7 | 3402-914 | 2 | | Seal, Dust - Inner |
| 8 | 3402-893 | 2 | | Bearing, Wheel Hub - Inner |
| 9 | 3405-023 | 2 | | Spacer, Wheel Hub Bearing |
| 10 | 3405-058 | 2 | | Hub, Wheel |
| 11 | 3402-899 | 2 | | Bearing, Wheel Hub - Outer |
| 12 | 3402-913 | 2 | | Seal, Dust - Outer |
| 13 | 3402-895 | 2 | | Spacer, Front Axle |
| 14 | 3405-063 | 2 | | Plate, Wheel Hub |
| 15 | 3406-017 | 2 | | Tire, Front |
| 16 | 3406-151 | 2 | | Wheel, Front |
| 17 | 3423-788 | 8 | /P | Nut, Wheel |
| 18 | 3003-156 | 2 | S/P | Washer |
| 19 | 3423-622 | 2 | | Nut, Wheel Hub |
| 20 | 3423-608 | 2 | | Pin, Cotter |
| 21 | 3406-008 | 2 | | Valve Assembly |

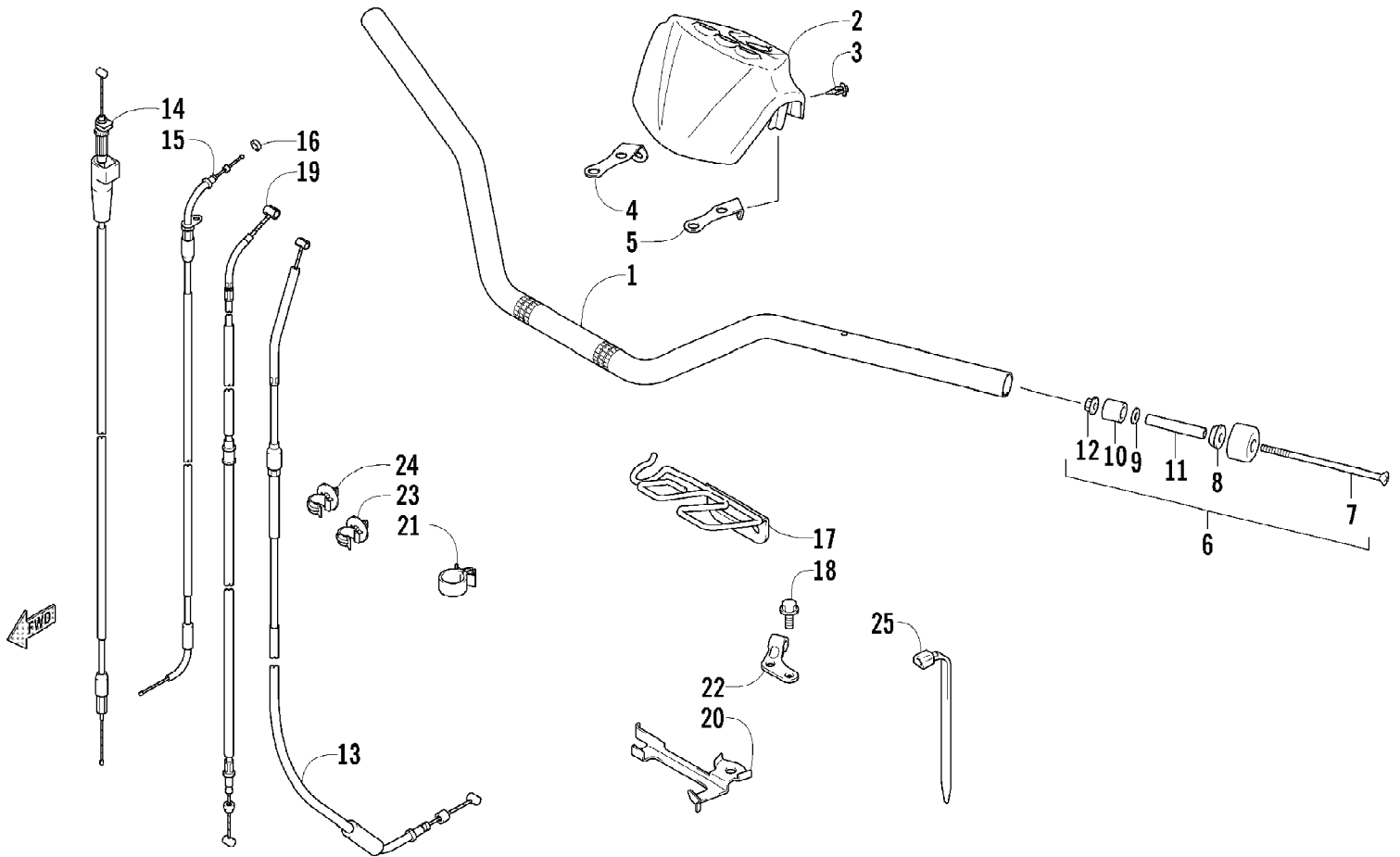
2008 ATV 400 DVX BLACK-RED (A2008DVI2AUSD)
GAS TANK ASSEMBLY

Page 53 of 103

| Ref # | Part Number | Qty | S/P/F | Description |
|-------|-------------|-----|-------|-------------------------------|
| 1 | 3570-006 | 1 | | Tank, Gas |
| 2 | 3470-018 | 1 | | Cap, Gas Tank |
| 3 | 3470-022 | 1 | | Hose, Breather |
| 4 | 3470-033 | 1 | | Hose, Breather |
| 5 | 3406-109 | 1 | | Cushion, Front |
| 6 | 3406-110 | 2 | | Cushion, Side |
| 7 | 3003-787 | 2 | | Clamp |
| 8 | 3423-673 | 1 | | Washer, Seat Hook |
| 9 | 3423-691 | 1 | | Spacer |
| 10 | 3423-096 | 1 | S | Screw |
| 11 | 3423-743 | 2 | | Cushion, Rear |
| 12 | 3423-693 | 2 | | Spacer |
| 13 | 3423-655 | 2 | | Bolt |
| 14 | 3470-036 | 1 | | Valve, Shut-Off - Assembly |
| 15 | 3470-037 | 1 | /P | Hose, Gasline |
| 16 | 3423-722 | 2 | | Clamp, Hose |
| 17 | 3423-328 | 2 | S | Bolt |
| 18 | 3006-599 | 2 | | Gasket |
| 19 | 3470-029 | 1 | | Cover, Air Cleaner Inlet Duct |

| Ref # | Part Number | Qty | S/P/F | Description |
|-------|-------------|-----|-------|---------------------------------|
| 1 | 3446-397 | 1 | | Fork, Gear Shift - No. 1 |
| 2 | 3446-398 | 1 | | Fork, Gear Shift - No. 2 |
| 3 | 3446-399 | 1 | | Fork, Gear Shift - No. 3 |
| 4 | 3402-958 | 1 | | Shaft, Gear Fork - No. 1 |
| 5 | 3446-031 | 2 | /P | Retainer, Shift Cam Bearing |
| 6 | 3402-953 | 1 | | Cam, Gear Shift (inc. 7) |
| 7 | 3423-114 | 1 | /P | Pin, Shift Cam |
| 8 | 3446-369 | 1 | | Pin, Shift |
| 9 | 3446-370 | 1 | | Shaft, Reverse Lock |
| 10 | 3402-954 | 1 | | Shifter, Gear Shift Cam |
| 11 | 3446-371 | 1 | | Pawl, Gear Shift - No. 1 |
| 12 | 3446-372 | 1 | | Pawl, Gear Shift - No. 2 |
| 13 | 3446-373 | 1 | | Spring, Reverse Lock |
| 14 | 3402-955 | 1 | | Lifter, Gear Shift Pawl |
| 15 | 3402-132 | 1 | | Roller, Gear Cam Shifter |
| 16 | 3423-708 | 2 | | Pin, Shift Pawl |
| 17 | 3402-907 | 1 | | Bearing, Shift Cam - Left |
| 18 | 3402-911 | 1 | | Seal, Reverse Lock |
| 19 | 3446-389 | 2 | | Spring, Shift Pawl Return |
| 20 | 3423-370 | 2 | | Screw, Shift Cam Bearing |
| 21 | 3423-018 | 2 | | Screw, Shift Pawl Lifter |
| 22 | 3402-186 | 1 | /P | Bearing, Shift Cam - Right |
| 23 | 3402-956 | 1 | | Stopper, Shift Cam |
| 24 | 3402-957 | 1 | | Plate, Shift Cam Stopper |
| 25 | 3423-652 | 1 | | Bolt, Cam Stopper Arm |
| 26 | 3446-374 | 1 | | Spring, Shift Cam |
| 27 | 3423-615 | 1 | | Washer, Shift Cam |
| 28 | 3402-959 | 1 | | Shaft, Gear Shift |
| 29 | 3402-960 | 1 | | Stopper, Gear Shift Arm |
| 30 | 3402-068 | 1 | /P | Seal, Oil - Gear Shift Shaft |
| 31 | 3446-390 | 1 | | Spring, Gear Shift Shaft Return |
| 32 | 3423-700 | 1 | | Washer, Gear Shaft |
| 33 | 3423-546 | 2 | | Circlip, Gear Shaft |
| 34 | 3423-678 | 1 | | Washer |
| 35 | 3402-385 | 1 | | Bearing |
| 36 | 3423-695 | 2 | | Spacer |
| 37 | 3446-418 | 1 | | Lever, Gear Shift (inc. 38) |
| 38 | 3446-376 | 1 | | Rubber, Gear Shift Lever |
| 39 | 3004-341 | 1 | S/P | Bolt, Gear Shift Lever |
| 40 | 3509-006 | 1 | | Switch, Gear Shift Position |
| 41 | 3423-044 | 2 | | Contact |
| 42 | 3423-273 | 1 | | O-Ring |
| 43 | 3402-087 | 2 | | Spring |
| 44 | 3423-418 | 2 | | Bolt |

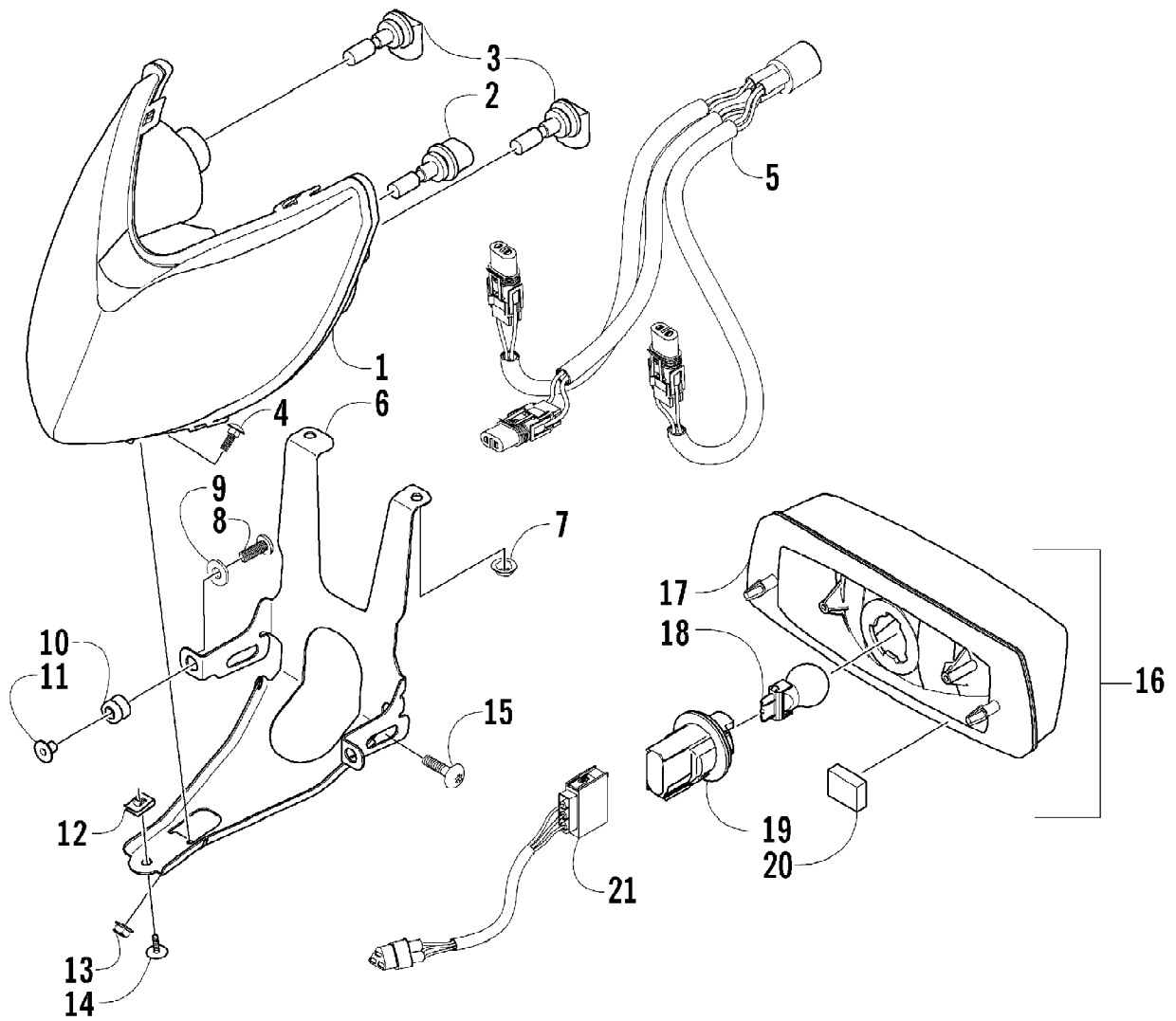
2008 ATV 400 DVX BLACK-RED (A2008DVI2AUSD)
HANDLEBAR ASSEMBLY



2008 ATV 400 DVX BLACK-RED (A2008DVI2AUSD)
HANDLEBAR ASSEMBLY

Page 57 of 103

| Ref # | Part Number | Qty | S/P/F | Description |
|-------|-------------|-----|-------|-------------------------------------|
| 1 | 3405-024 | 1 | | Handlebar |
| 2 | 3405-025 | 1 | S | Pod, Indicator Light |
| 3 | 3423-735 | 2 | | Clip |
| 4 | 3405-032 | 1 | | Bracket, Mounting - Right |
| 5 | 3405-033 | 1 | | Bracket, Mounting - Left |
| 6 | 3405-026 | 2 | | Balancer Set, Handlebar (inc. 7-12) |
| 7 | 3423-660 | 2 | | Screw |
| 8 | 3405-029 | 2 | | Expander |
| 9 | 3423-672 | 2 | | Washer |
| 10 | 3405-030 | 2 | | Expander |
| 11 | 3405-031 | 2 | | Spacer |
| 12 | 3423-668 | 2 | | Nut |
| 13 | 3487-002 | 1 | | Cable, Clutch |
| 14 | 3487-003 | 1 | | Cable, Throttle |
| 15 | 3445-038 | 1 | | Cable, Starter |
| 16 | 3423-714 | 1 | | Washer |
| 17 | 3406-113 | 1 | | Guide, Cable |
| 18 | 3423-627 | 2 | | Bolt |
| 19 | 3487-004 | 1 | | Cable, Parking Brake |
| 20 | 3406-114 | 1 | | Guide, Parking Brake Cable |
| 21 | 3423-730 | 1 | | Clamp |
| 22 | 3406-115 | 1 | | Stopper, Cable |
| 23 | 3423-728 | 1 | | Clamp |
| 24 | 3423-729 | 1 | | Clamp |
| 25 | 3008-044 | 3 | | Cable Tie |

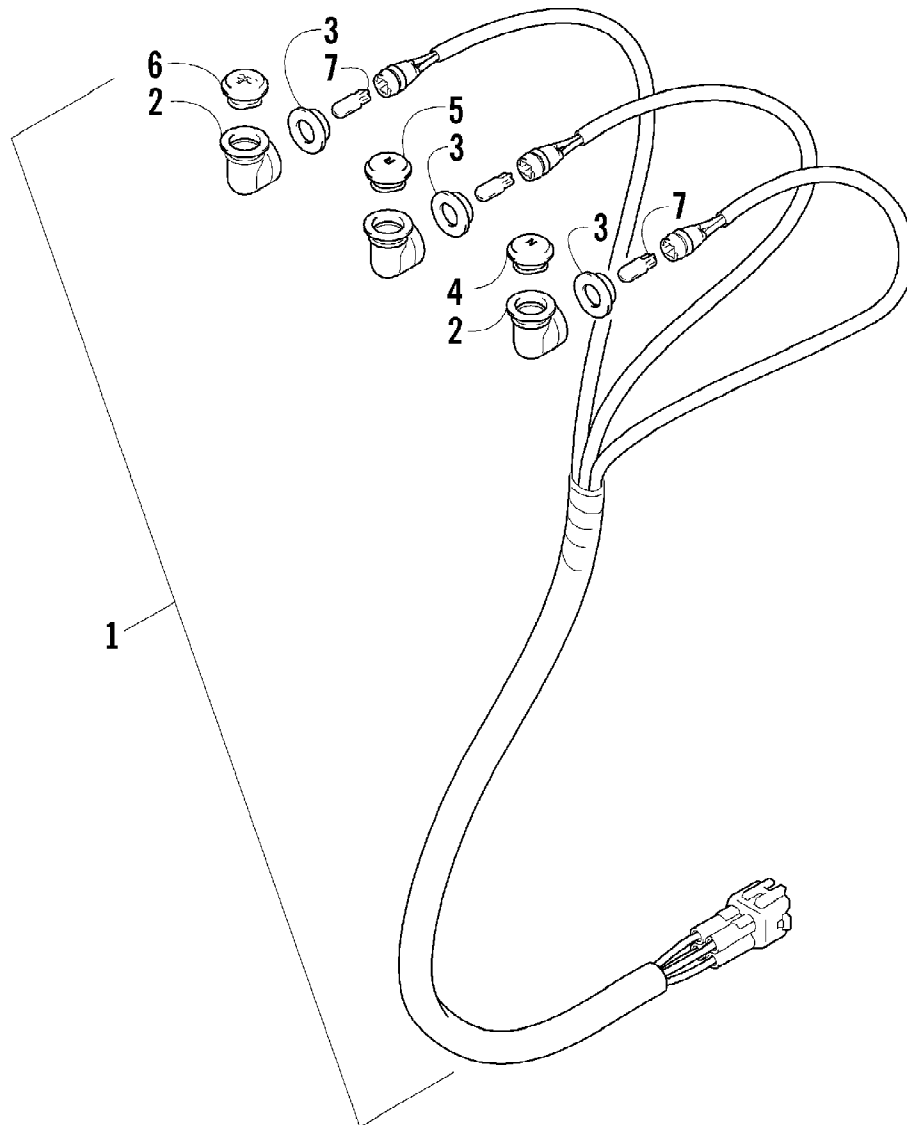


2008 ATV 400 DVX BLACK-RED (A2008DVI2AUSD)
HEADLIGHT AND TAILLIGHT ASSEMBLIES

Page 59 of 103

| Ref # | Part Number | Qty | S/P/F | Description |
|-------|-------------|-----|-------|---------------------------------|
| 1 | 0509-023 | 1 | | Housing, Headlight |
| 2 | 0609-252 | 1 | | Bulb, Headlight - Low Beam |
| 3 | 0409-055 | 2 | | Bulb, Headlight - High Beam |
| 4 | 0423-488 | 1 | | Bolt, Carriage |
| 5 | 0486-146 | 1 | | Harness, Adapter - Headlight |
| 6 | 1406-480 | 1 | | Bracket, Mounting - Headlight |
| 7 | 0423-357 | 2 | | Nut, Stamped |
| 8 | 0423-501 | 2 | | Screw, Self-Tapping |
| 9 | 0123-802 | 2 | | Washer |
| 10 | 0423-447 | 2 | | Grommet |
| 11 | 0423-487 | 2 | | Washer, Shoulder |
| 12 | 0423-060 | 1 | | Clip, Tinerman |
| 13 | 8424-502 | 1 | | Nut, Lock |
| 14 | 0623-301 | 1 | /P | Screw, Self-Tapping |
| 15 | 8408-616 | 2 | | Screw, Cap |
| 16 | 0509-022 | 1 | | Taillight Assembly (inc. 17-19) |
| 17 | 0509-025 | 1 | | Housing, Taillight |
| 18 | 0409-056 | 1 | | Bulb, Taillight |
| 19 | 0409-057 | 1 | | Socket, Taillight |
| 20 | 1406-790 | 4 | | Pad, Taillight |
| 21 | 0486-138 | 1 | | Harness, Adapter - Taillight |

2008 ATV 400 DVX BLACK-RED (A2008DVI2AUSD)
INDICATOR LIGHT ASSEMBLY

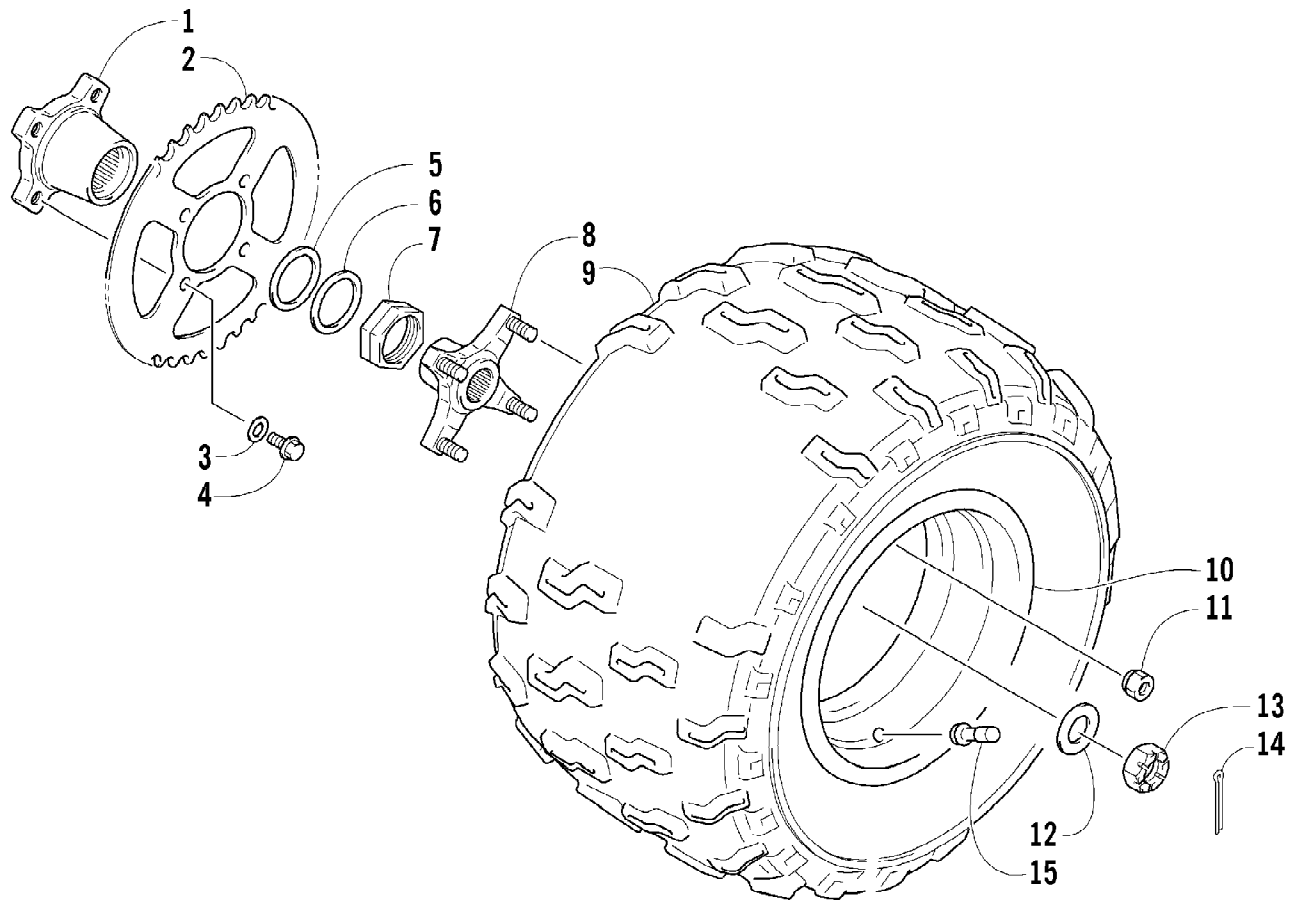


2008 ATV 400 DVX BLACK-RED (A2008DVI2AUSD)
INDICATOR LIGHT ASSEMBLY

Page 61 of 103

| Ref # | Part Number | Qty | S/P/F | Description |
|-------|-------------|-----|-------|--|
| 1 | 3420-011 | 1 | S | Light, Indicator - Assembly (inc. 2-7) |
| 2 | 3409-034 | 3 | | Socket |
| 3 | 3409-039 | 3 | | Ring |
| 4 | 3420-005 | 1 | | Lens, Neutral |
| 5 | 3420-006 | 1 | | Lens, Reverse |
| 6 | 3420-007 | 1 | | Lens, Water Temperature |
| 7 | 3420-009 | 3 | | Bulb, Indicator Light |

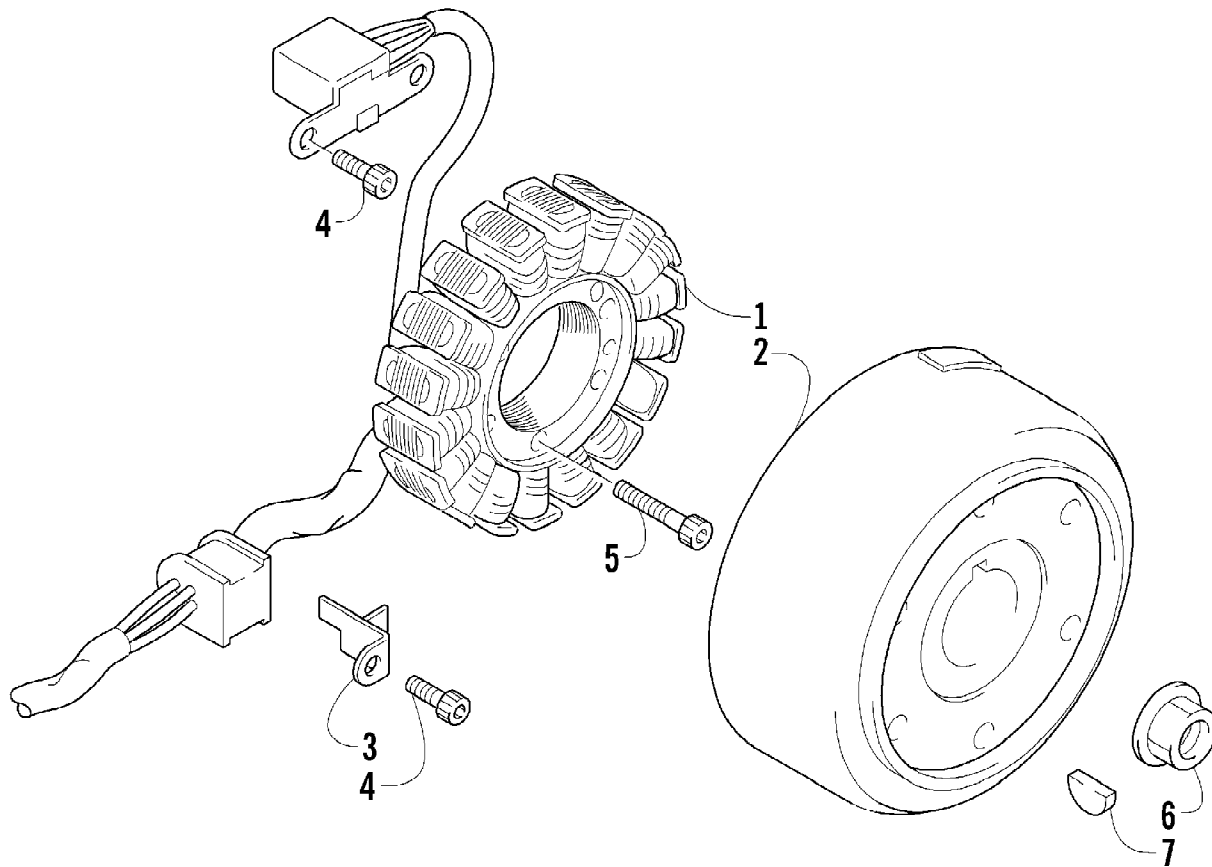
2008 ATV 400 DVX BLACK-RED (A2008DVI2AUSD)
LEFT REAR WHEEL ASSEMBLY



2008 ATV 400 DVX BLACK-RED (A2008DVI2AUSD)
LEFT REAR WHEEL ASSEMBLY

Page 63 of 103

| Ref # | Part Number | Qty | S/P/F | Description |
|-------|-------------|-----|-------|----------------------|
| 1 | 3446-421 | 1 | S | Hub, Rear Sprocket |
| 2 | 3446-422 | 1 | S | Sprocket, Rear - 40T |
| 3 | 3423-683 | 4 | | Washer |
| 4 | 3423-642 | 4 | | Bolt |
| 5 | 3423-852 | 1 | | Washer |
| 6 | 3423-851 | 1 | | Washer |
| 7 | 3423-850 | 1 | | Nut, Rear Axle |
| 8 | 3406-166 | 1 | | Hub, Wheel |
| 9 | 3406-072 | 1 | | Tire, Rear |
| 10 | 3406-160 | 1 | | Wheel, Rear |
| 11 | 3423-788 | 4 | /P | Nut, Wheel |
| 12 | 3423-685 | 1 | | Washer |
| 13 | 3423-667 | 1 | | Nut, Wheel Hub |
| 14 | 3423-609 | 1 | | Pin, Cotter |
| 15 | 3406-008 | 1 | | Valve Assembly |

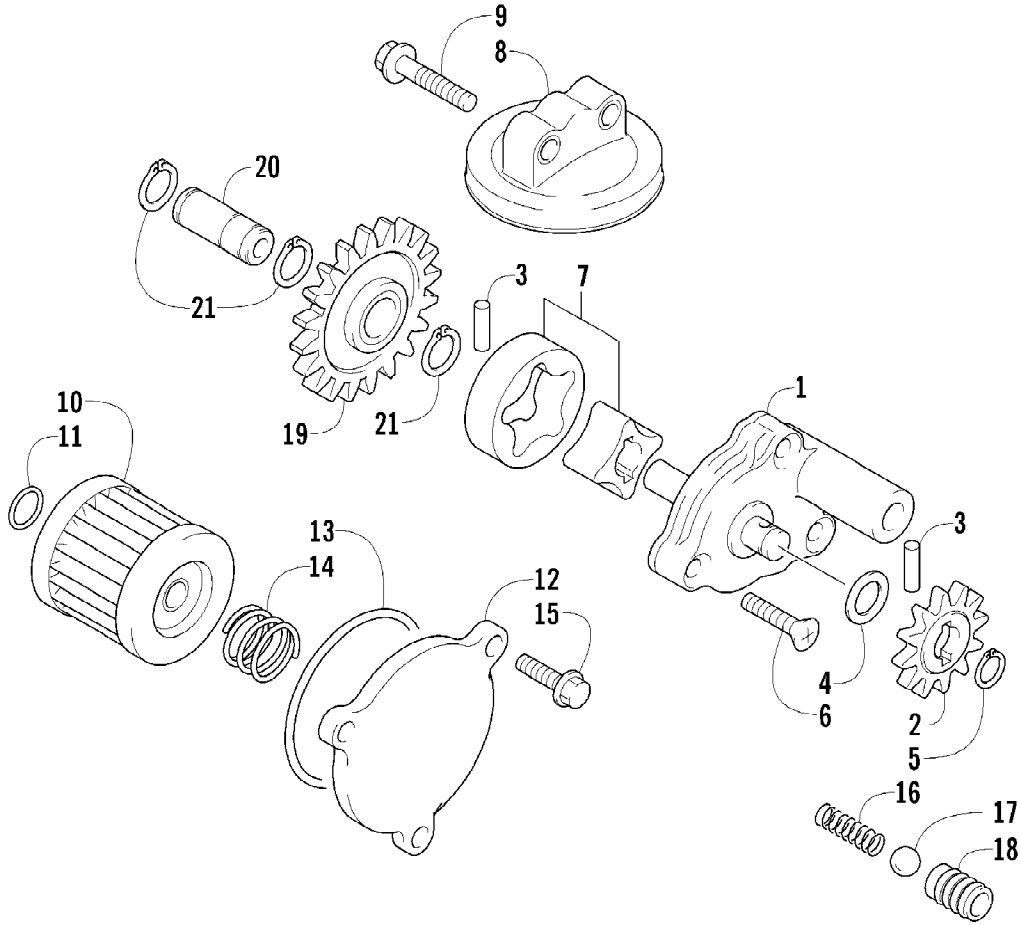


2008 ATV 400 DVX BLACK-RED (A2008DVI2AUSD)
MAGNETO ASSEMBLY

Page 65 of 103

| Ref # | Part Number | Qty | S/P/F | Description |
|-------|-------------|-----|-------|---------------------|
| 1 | 3409-026 | 1 | | Stator Assembly |
| 2 | 3430-060 | 1 | | Rotor Assembly |
| 3 | 3430-061 | 1 | | Clamp, Magneto Lead |
| 4 | 3005-564 | 3 | S | Bolt |
| 5 | 3003-307 | 3 | | Bolt |
| 6 | 3423-742 | 1 | | Nut |
| 7 | 3004-540 | 1 | /P | Key |

2008 ATV 400 DVX BLACK-RED (A2008DVI2AUSD)
OIL PUMP ASSEMBLY



2008 ATV 400 DVX BLACK-RED (A2008DVI2AUSD)
OIL PUMP ASSEMBLY

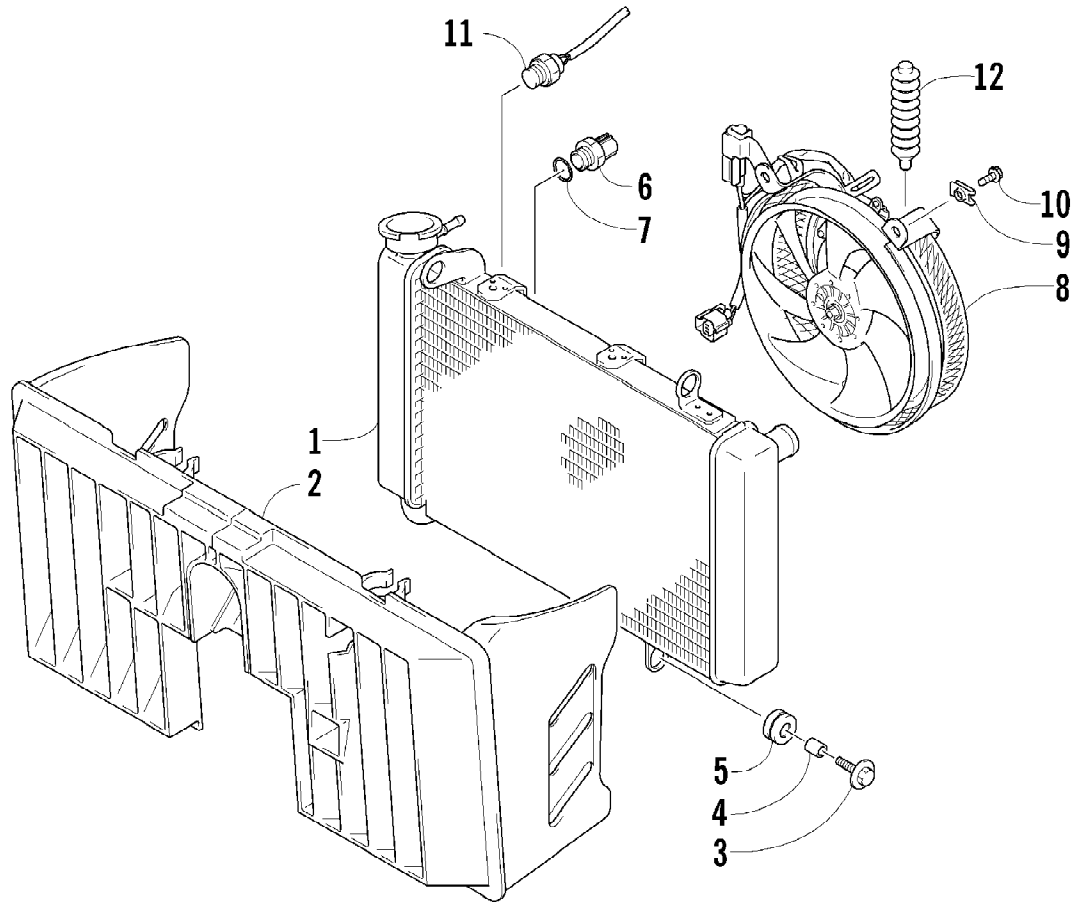
Page 67 of 103

| Ref # | Part Number | Qty | S/P/F | Description |
|-------|-------------|-----|-------|-----------------------|
| 1 | 3502-020 | 1 | | Pump, Oil - Assembly |
| 2 | 3402-881 | 1 | | Gear, Driven |
| 3 | 3423-046 | 2 | | Pin |
| 4 | 3423-443 | 1 | | Washer |
| 5 | 3423-184 | 1 | S | Circlip |
| 6 | 3004-520 | 3 | S/P | Screw |
| 7 | 3502-022 | 1 | | Rotor Set, Oil Pump |
| 8 | 3502-023 | 1 | | Strainer, Oil Pump |
| 9 | 3004-376 | 2 | S/P | Bolt |
| 10 | 3470-008 | 1 | | Filter, Oil |
| 11 | 3423-270 | 1 | | O-Ring |
| 12 | 3402-885 | 1 | | Cap, Oil Filter |
| 13 | 3423-277 | 1 | | O-Ring |
| 14 | 3402-238 | 1 | | Spring |
| 15 | 3423-328 | 3 | S | Bolt |
| 16 | 3402-917 | 1 | | Spring |
| 17 | 3402-891 | 1 | | Ball |
| 18 | 3402-883 | 1 | | Seat, Oil Check Valve |
| 19 | 3402-935 | 1 | | Gear, Idle - Oil Pump |
| 20 | 3402-936 | 1 | | Shaft |
| 21 | 3423-358 | 2 | S | Circlip |

2008 ATV 400 DVX BLACK-RED (A2008DVI2AUSD)
OIL TANK AND HOSE ASSEMBLY

Page 69 of 103

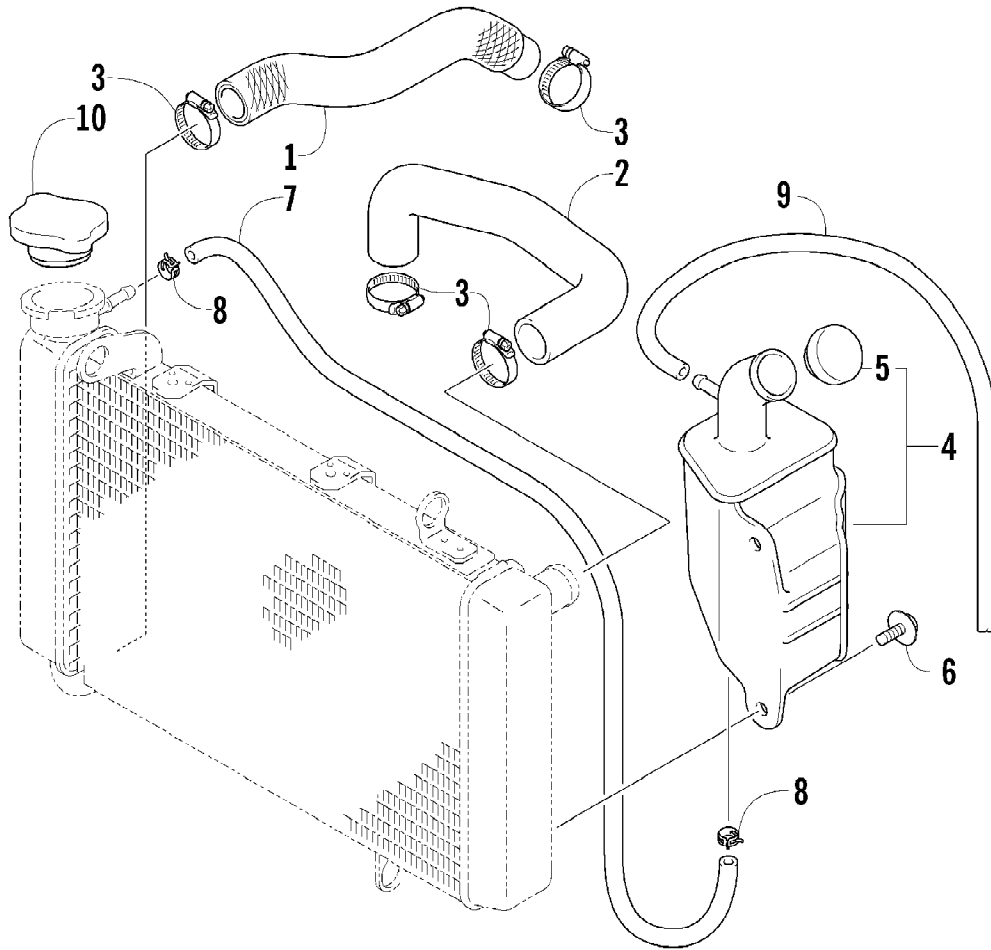
| Ref # | Part Number | Qty | S/P/F | Description |
|-------|-------------|-----|-------|-------------------------|
| 1 | 3410-019 | 1 | | Hose, Oil Tank - Right |
| 2 | 3410-020 | 1 | | Hose, Oil Tank - Left |
| 3 | 3423-720 | 1 | | Bolt, Union |
| 4 | 3006-113 | 2 | | Gasket, Oil Hose Union |
| 5 | 3004-512 | 3 | S | Bolt |
| 6 | 3423-744 | 2 | | Cushion, Oil Tank |
| 7 | 3423-711 | 3 | | O-Ring, Oil Hose |
| 8 | 3008-199 | 3 | /P | Pin, Oil Tank Hose |
| 9 | 3410-018 | 1 | | Hose, Oil Overflow |
| 10 | 3423-723 | 2 | | Clamp, Hose |
| 11 | 3470-009 | 1 | | Gauge, Oil Level |
| 12 | 3423-055 | 1 | | O-Ring, Oil Level Gauge |
| 13 | 3004-705 | 1 | S | Plug, Oil Drain |
| 14 | 3402-436 | 1 | /P | Gasket, Oil Drain Plug |
| 15 | 3502-021 | 1 | | Tank, Oil |
| 16 | 3423-657 | 2 | | Bolt, Oil Tank |
| 17 | 3423-716 | 2 | | Cushion, Oil Tank |
| 18 | 3423-692 | 2 | | Spacer, Oil Tank |
| 19 | 3406-074 | 1 | | Decal, Oil Level |
| 20 | 3402-882 | 1 | | Protector, Oil Tank |
| 21 | 3423-423 | 2 | | Clip |



2008 ATV 400 DVX BLACK-RED (A2008DVI2AUSD)
RADIATOR ASSEMBLY

Page 71 of 103

| Ref # | Part Number | Qty | S/P/F | Description |
|-------|-------------|-----|-------|-------------------------------|
| 1 | 3413-026 | 1 | | Radiator |
| 2 | 3413-028 | 1 | | Cover, Radiator |
| 3 | 3423-657 | 3 | | Bolt |
| 4 | 3423-692 | 3 | | Spacer |
| 5 | 3423-716 | 3 | | Cushion |
| 6 | 3409-024 | 1 | | Switch, Radiator Fan (inc. 7) |
| 7 | 3423-576 | 1 | | O-Ring |
| 8 | 3413-035 | 1 | | Fan, Radiator |
| 9 | 3423-741 | 3 | | Nut |
| 10 | 3004-339 | 3 | S/P | Bolt |
| 11 | 3409-035 | 1 | | Switch, Temperature |
| 12 | 3402-937 | 1 | | Boot, Radiator Fan |

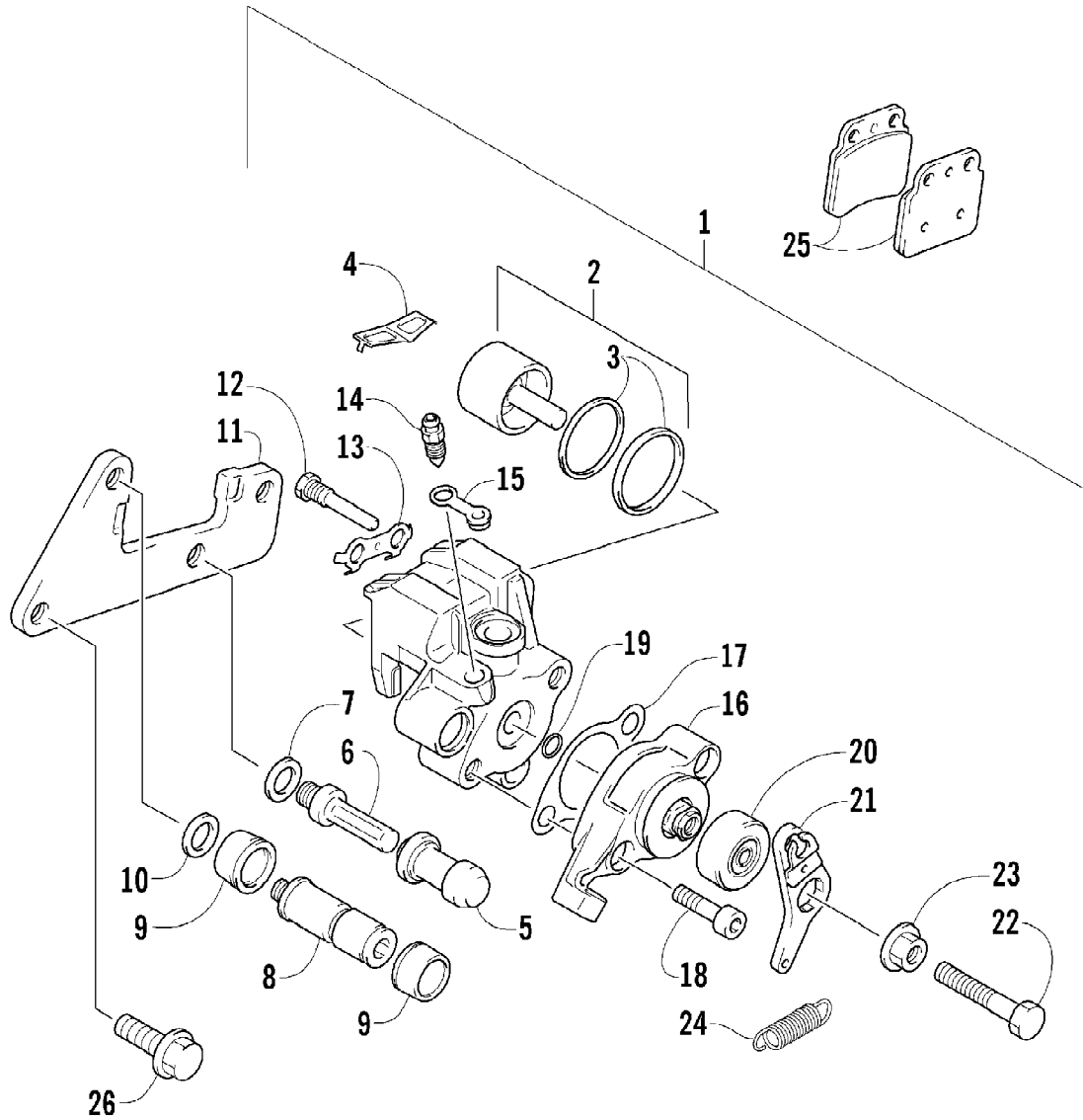


2008 ATV 400 DVX BLACK-RED (A2008DVI2AUSD)
RADIATOR HOSE ASSEMBLY

Page 73 of 103

| Ref # | Part Number | Qty | S/P/F | Description |
|-------|-------------|-----|-------|-----------------------|
| 1 | 3413-029 | 1 | | Hose, Radiator Inlet |
| 2 | 3413-030 | 1 | | Hose, Radiator Outlet |
| 3 | 3006-324 | 4 | | Clamp |
| 4 | 3413-031 | 1 | | Reservoir (inc. 5) |
| 5 | 3413-032 | 1 | | Cap, Reservoir |
| 6 | 3423-654 | 2 | | Screw |
| 7 | 3413-034 | 1 | | Hose, Inlet |
| 8 | 3423-480 | 2 | | Clip |
| 9 | 3413-033 | 1 | | Hose, Overflow |
| 10 | 3413-027 | 1 | | Cap |

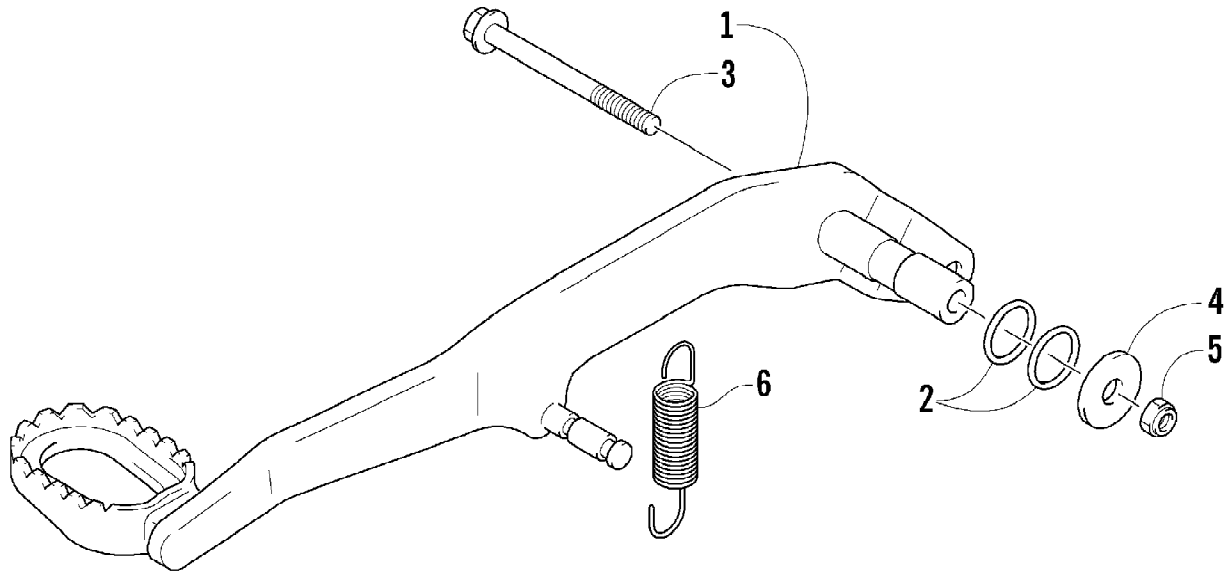
2008 ATV 400 DVX BLACK-RED (A2008DVI2AUSD)
REAR BRAKE ASSEMBLY



2008 ATV 400 DVX BLACK-RED (A2008DVI2AUSD)
 REAR BRAKE ASSEMBLY

Page 75 of 103

| Ref # | Part Number | Qty | S/P/F | Description |
|-------|-------------|-----|-------|------------------------------------|
| 1 | 3406-076 | 1 | | Caliper Assembly, Rear (inc. 2-24) |
| 2 | 3406-078 | 1 | | Piston Set (inc. 3) |
| 3 | 3406-077 | 1 | | Seal Set |
| 4 | 3406-036 | 1 | | Spring, Pad |
| 5 | 3406-043 | 1 | | Boot |
| 6 | 3423-584 | 1 | | Bolt |
| 7 | 3406-035 | 1 | | Washer |
| 8 | 3423-762 | 1 | | Pin |
| 9 | 3406-033 | 2 | | Boot |
| 10 | 3406-034 | 1 | | Washer |
| 11 | 3406-128 | 1 | | Bracket |
| 12 | 3406-038 | 2 | | Pin |
| 13 | 3406-039 | 1 | | Washer |
| 14 | 3406-025 | 1 | | Valve, Bleed |
| 15 | 3406-026 | 1 | | Cap, Bleed Valve |
| 16 | 3406-129 | 1 | | Actuator, Parking Brake |
| 17 | 3406-080 | 1 | | Gasket |
| 18 | 3423-763 | 2 | | Bolt |
| 19 | 3423-592 | 1 | | O-Ring |
| 20 | 3406-081 | 1 | | Boot |
| 21 | 3406-130 | 1 | | Arm |
| 22 | 3423-760 | 1 | | Bolt |
| 23 | 3423-593 | 1 | | Nut |
| 24 | 3423-595 | 1 | | Spring |
| 25 | 3406-075 | 1 | | Pad Set |
| 26 | 3423-789 | 2 | | Bolt |



2008 ATV 400 DVX BLACK-RED (A2008DVI2AUSD)
REAR BRAKE PEDAL ASSEMBLY

Page 77 of 103

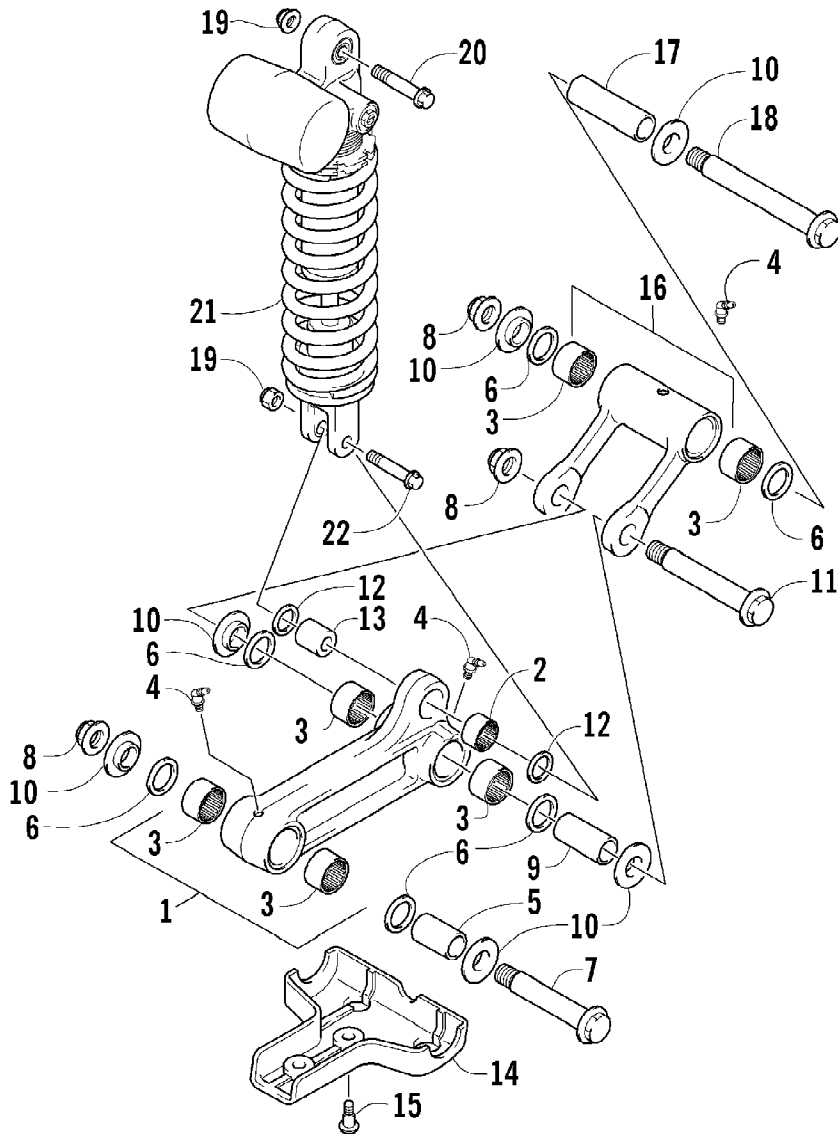
| Ref # | Part Number | Qty | S/P/F | Description |
|-------|-------------|-----|-------|----------------|
| 1 | 3406-007 | 1 | | Pedal, Brake |
| 2 | 3423-712 | 2 | | O-Ring |
| 3 | 3423-601 | 1 | | Bolt |
| 4 | 3423-674 | 1 | | Washer |
| 5 | 3423-623 | 1 | S | Nut |
| 6 | 3502-024 | 1 | | Spring, Return |

2008 ATV 400 DVX BLACK-RED (A2008DVI2AUSD)
 REAR MASTER CYLINDER ASSEMBLY

Page 79 of 103

| Ref # | Part Number | Qty | S/P/F | Description |
|-------|-------------|-----|-------|-------------------------------------|
| 1 | 3406-083 | 1 | | Master Cylinder Assembly (inc. 2-9) |
| 2 | 3406-084 | 1 | | Piston Set (inc. 3) |
| 3 | 3402-887 | 1 | | Boot |
| 4 | 3406-089 | 1 | | Rod, Push |
| 5 | 3402-970 | 1 | | Yoke |
| 6 | 3423-599 | 2 | | Nut |
| 7 | 3406-090 | 1 | | Fitting, Elbow |
| 8 | 3423-596 | 1 | | Circlip |
| 9 | 3423-597 | 1 | | O-Ring |
| 10 | 3423-628 | 2 | | Bolt |
| 11 | 3406-132 | 1 | | Reservoir (inc. 12-14) |
| 12 | 3406-085 | 1 | | Diaphragm |
| 13 | 3406-086 | 1 | | Plate |
| 14 | 3406-087 | 1 | | Cap |
| 15 | 3423-112 | 1 | S | Bolt |
| 16 | 3410-015 | 1 | | Hose - Reservoir/Master Cylinder |
| 17 | 3004-193 | 2 | | Clamp, Hose |
| 18 | 3402-969 | 1 | | Hose, Brake |
| 19 | 3423-719 | 2 | | Bolt, Union |
| 20 | 3006-112 | 4 | | Washer |
| 21 | 3423-703 | 1 | | Pin |
| 22 | 0693-556 | 1 | | Washer |
| 23 | 3423-606 | 1 | | Pin, Cotter |
| 24 | 3423-790 | 1 | | Clamp, Brake Hose |
| 25 | 3423-600 | 1 | | Bolt |
| 26 | 3406-091 | 1 | | Guide, Hose |

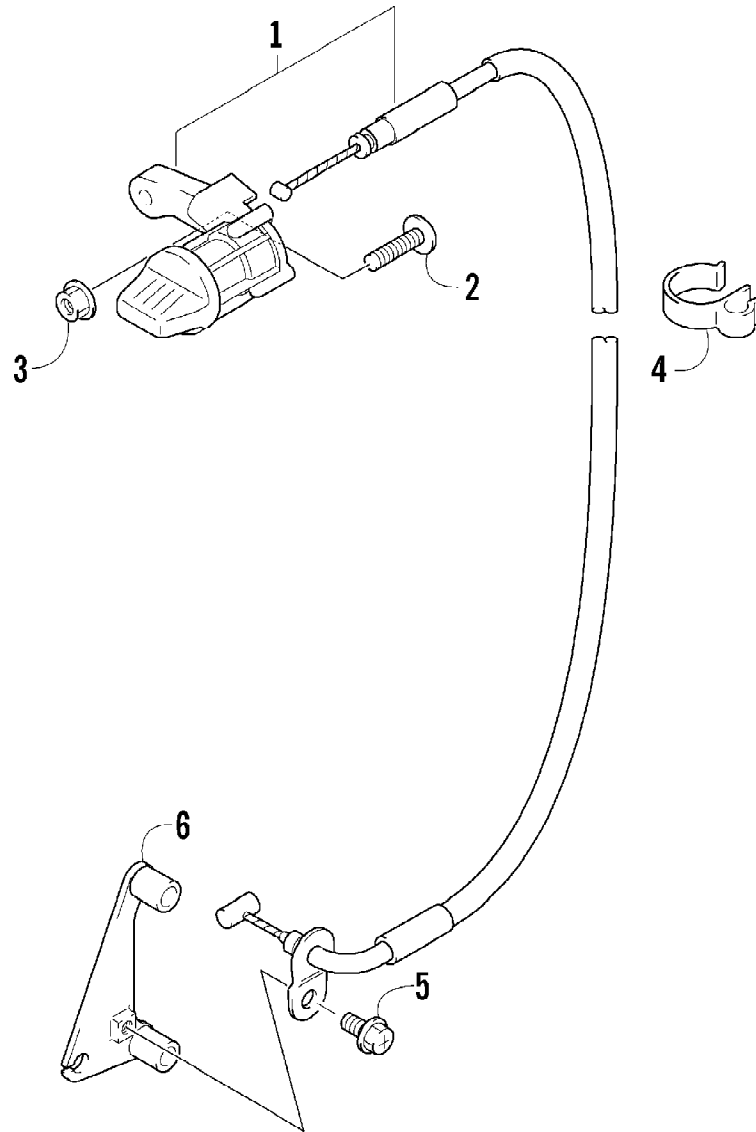
2008 ATV 400 DVX BLACK-RED (A2008DVI2AUSD)
REAR SUSPENSION ASSEMBLY



2008 ATV 400 DVX BLACK-RED (A2008DVI2AUSD)
 REAR SUSPENSION ASSEMBLY

Page 81 of 103

| Ref # | Part Number | Qty | S/P/F | Description |
|-------|-------------|-----|-------|------------------------------------|
| 1 | 3406-061 | 1 | | Arm, Front (inc. 2 and four No. 3) |
| 2 | 3406-095 | 1 | | Bearing |
| 3 | 3406-096 | 6 | /P | Bearing |
| 4 | 3423-626 | 3 | | Fitting, Grease |
| 5 | 3406-060 | 1 | | Spacer |
| 6 | 3406-063 | 6 | | Seal, Dust |
| 7 | 3423-591 | 1 | | Bolt |
| 8 | 3423-670 | 3 | | Nut |
| 9 | 3406-065 | 1 | | Spacer |
| 10 | 3406-066 | 6 | | Spacer |
| 11 | 3423-590 | 1 | | Bolt |
| 12 | 3406-100 | 2 | | Seal |
| 13 | 3406-068 | 1 | | Spacer, Rear |
| 14 | 3406-067 | 1 | | Guard, Front Arm |
| 15 | 3423-662 | 2 | | Screw |
| 16 | 3406-163 | 1 | | Arm, Rear (inc. two No. 3) |
| 17 | 3406-064 | 1 | | Spacer |
| 18 | 3423-589 | 1 | | Bolt |
| 19 | 3423-457 | 2 | S | Nut |
| 20 | 3423-588 | 1 | | Bolt, Upper |
| 21 | 3406-158 | 1 | | Shock Assembly - Rear |
| 22 | 3423-856 | 1 | | Bolt, Lower |

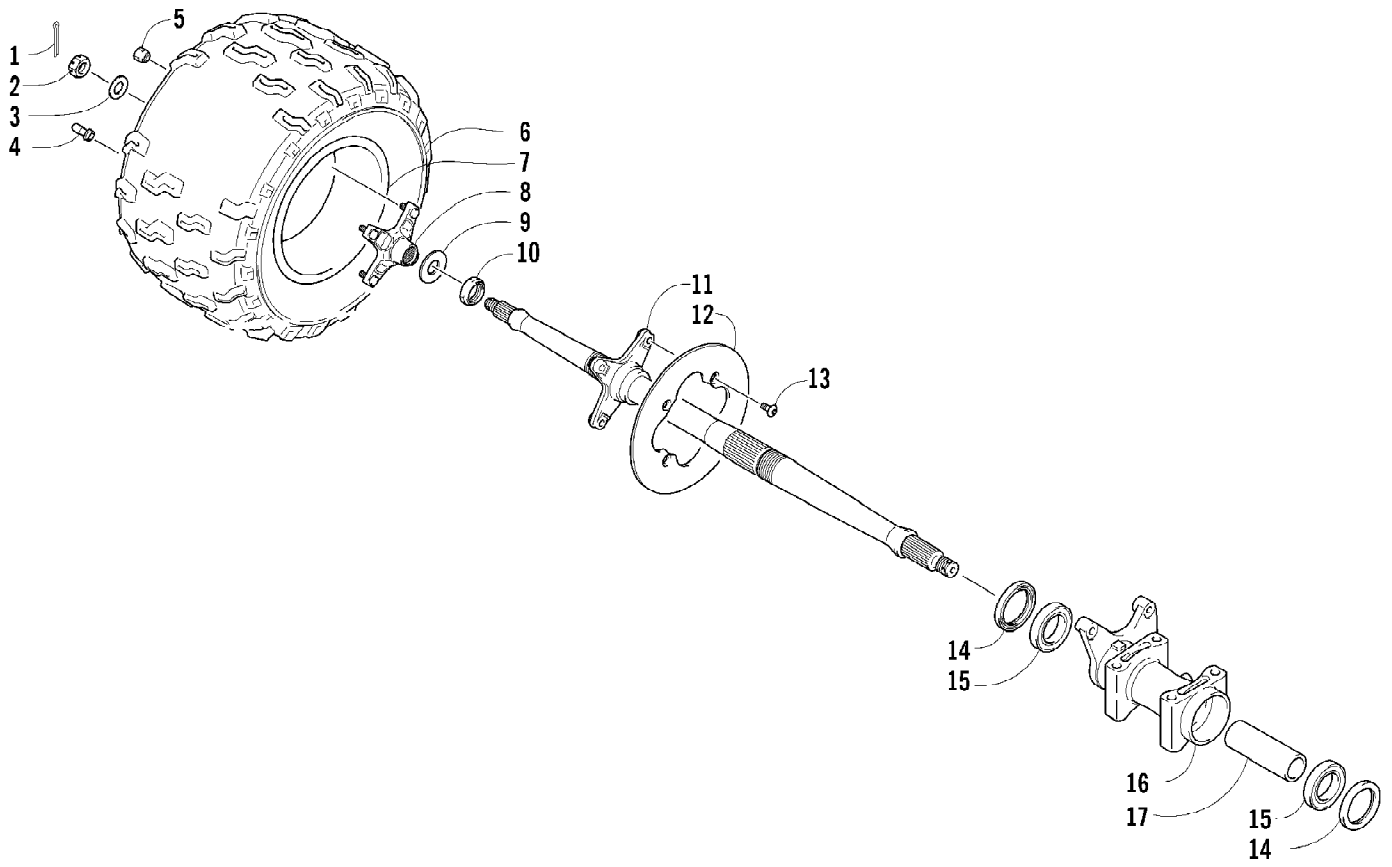


2008 ATV 400 DVX BLACK-RED (A2008DVI2AUSD)
REVERSE LOCK ASSEMBLY

Page 83 of 103

| Ref # | Part Number | Qty | S/P/F | Description |
|-------|-------------|-----|-------|-------------------------------|
| 1 | 3502-026 | 1 | | Knob, Reverse Lock - Assembly |
| 2 | 3423-603 | 1 | S | Screw |
| 3 | 3006-700 | 1 | | Nut |
| 4 | 3423-734 | 2 | | Clip |
| 5 | 3423-604 | 1 | | Bolt |
| 6 | 3406-116 | 1 | S | Bracket, Reverse Cable |

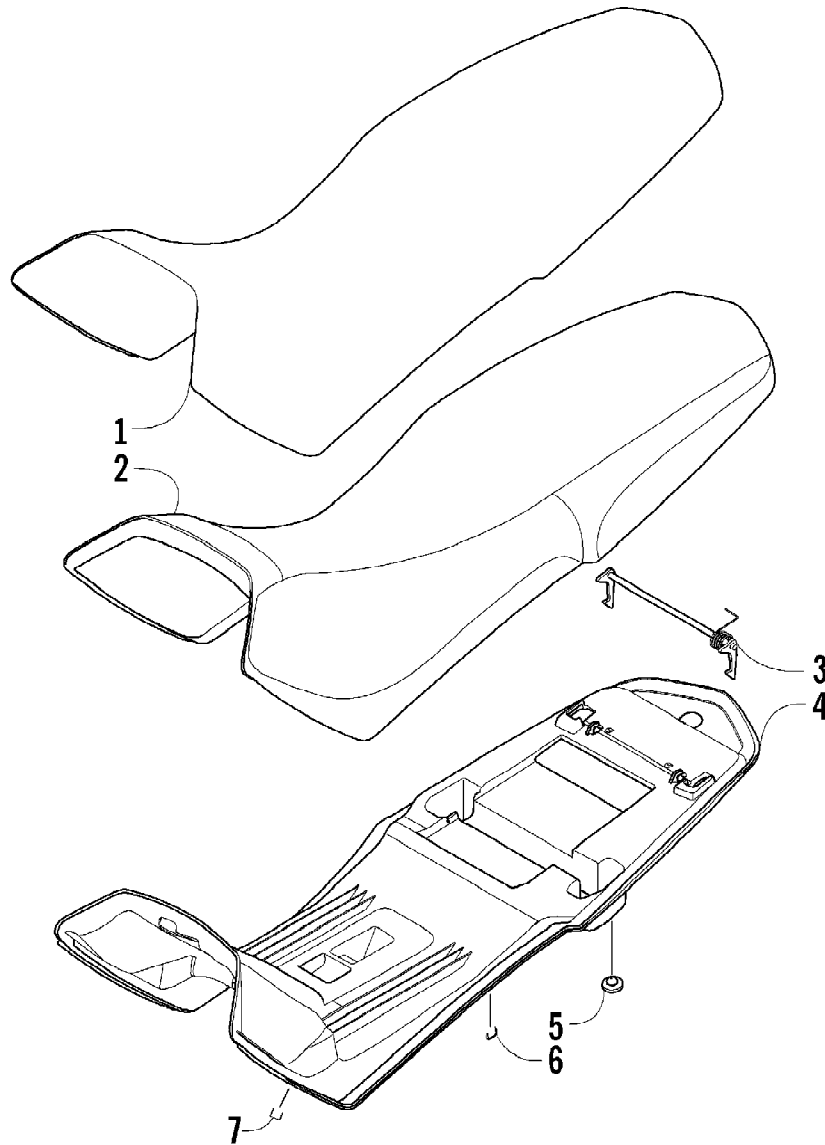
2008 ATV 400 DVX BLACK-RED (A2008DVI2AUSD)
RIGHT REAR WHEEL ASSEMBLY



2008 ATV 400 DVX BLACK-RED (A2008DVI2AUSD)
RIGHT REAR WHEEL ASSEMBLY

Page 85 of 103

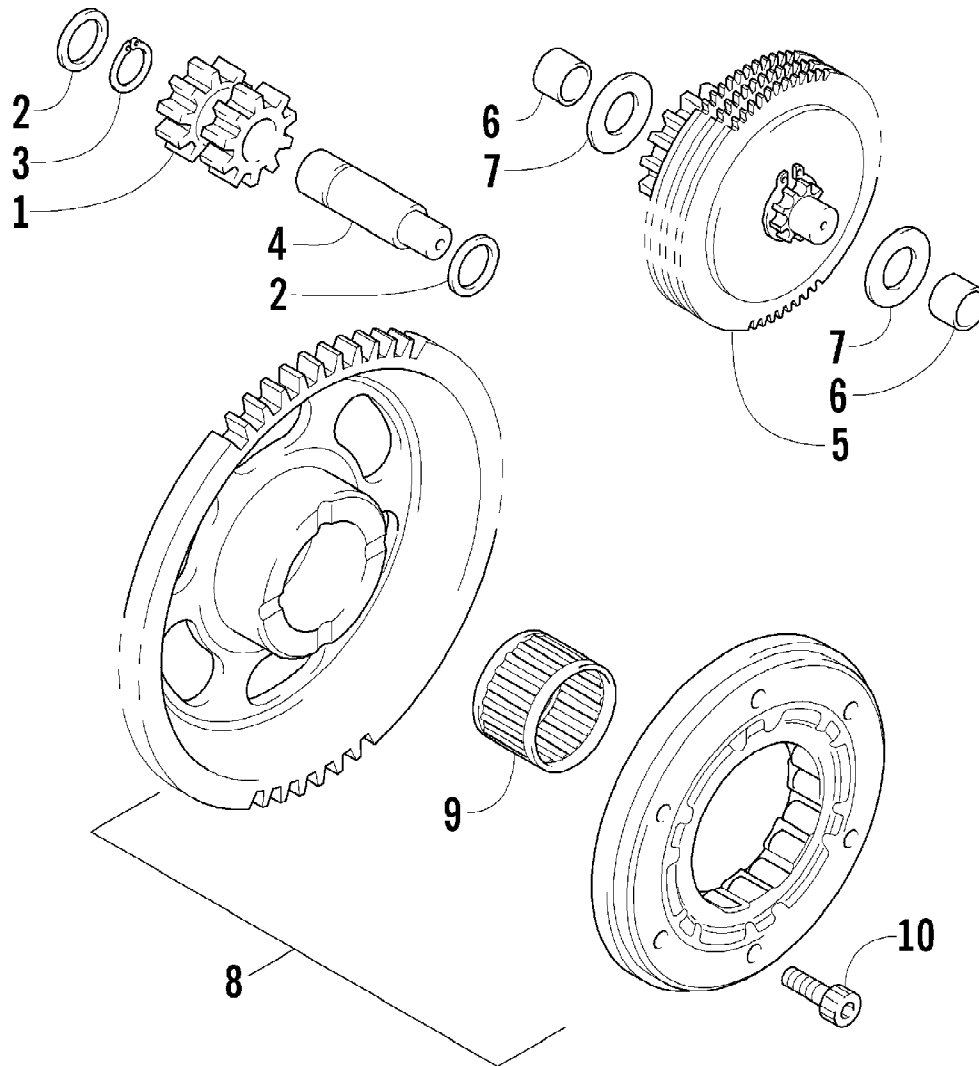
| Ref # | Part Number | Qty | S/P/F | Description |
|-------|-------------|-----|-------|----------------------------|
| 1 | 3423-609 | 1 | | Pin, Cotter |
| 2 | 3423-667 | 1 | | Nut, Wheel Hub |
| 3 | 3423-685 | 1 | | Washer |
| 4 | 3406-008 | 1 | | Valve Assembly |
| 5 | 3423-788 | 4 | /P | Nut, Wheel |
| 6 | 3406-072 | 1 | | Tire, Rear |
| 7 | 3406-160 | 1 | | Wheel, Rear |
| 8 | 3406-166 | 1 | | Hub, Wheel |
| 9 | 3423-687 | 1 | | Washer |
| 10 | 3423-849 | 1 | | Nut, Rear Axle |
| 11 | 3446-429 | 1 | /P | Axle, Rear |
| 12 | 3406-079 | 1 | | Disc, Brake |
| 13 | 3423-649 | 4 | | Bolt |
| 14 | 3406-099 | 2 | | Seal, Dust |
| 15 | 3406-092 | 2 | | Bearing, Rear Axle |
| 16 | 3406-134 | 1 | /P | Housing, Rear Axle Bearing |
| 17 | 3406-127 | 1 | | Spacer, Rear Axle Bearing |



2008 ATV 400 DVX BLACK-RED (A2008DVI2AUSD)
SEAT ASSEMBLY

Page 87 of 103

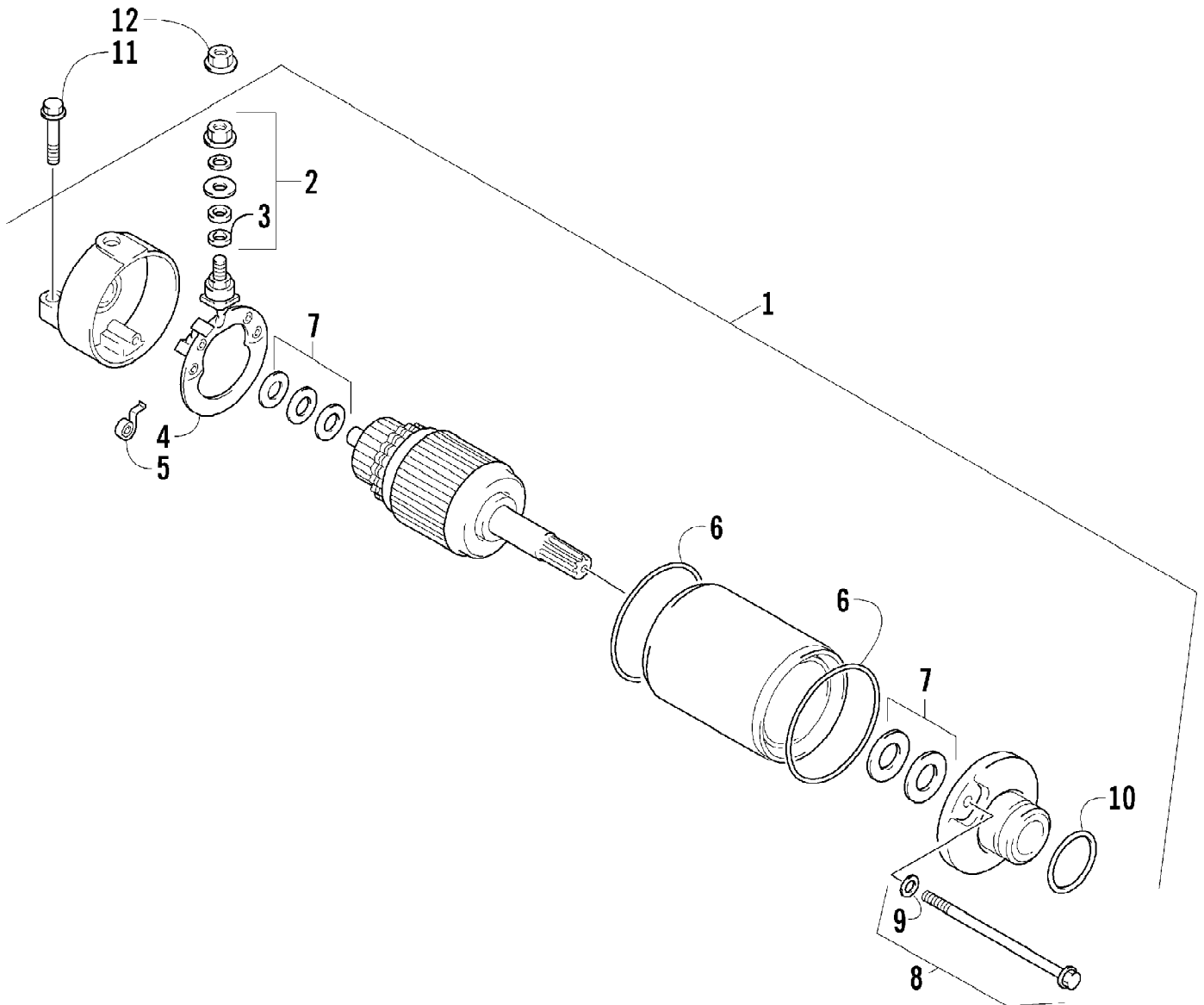
| Ref # | Part Number | Qty | S/P/F | Description |
|-------|-------------|-----|-------|------------------------|
| | 1506-300 | 1 | | Complete Seat Assembly |
| 1 | 1506-297 | 1 | | Cover, Seat |
| 2 | 1506-298 | 1 | | Foam, Seat |
| 3 | 1506-359 | 1 | | Latch, Seat |
| 4 | 1506-299 | 1 | | Base, Seat (inc. 5) |
| 5 | 0406-877 | 3 | /P | Bumper, Seat |
| 6 | 0624-528 | AR | /P | Staple - 5/16 in. |
| 7 | 0624-094 | AR | | Staple - 1/4 in. |



2008 ATV 400 DVX BLACK-RED (A2008DVI2AUSD)
STARTER CLUTCH ASSEMBLY

Page 89 of 103

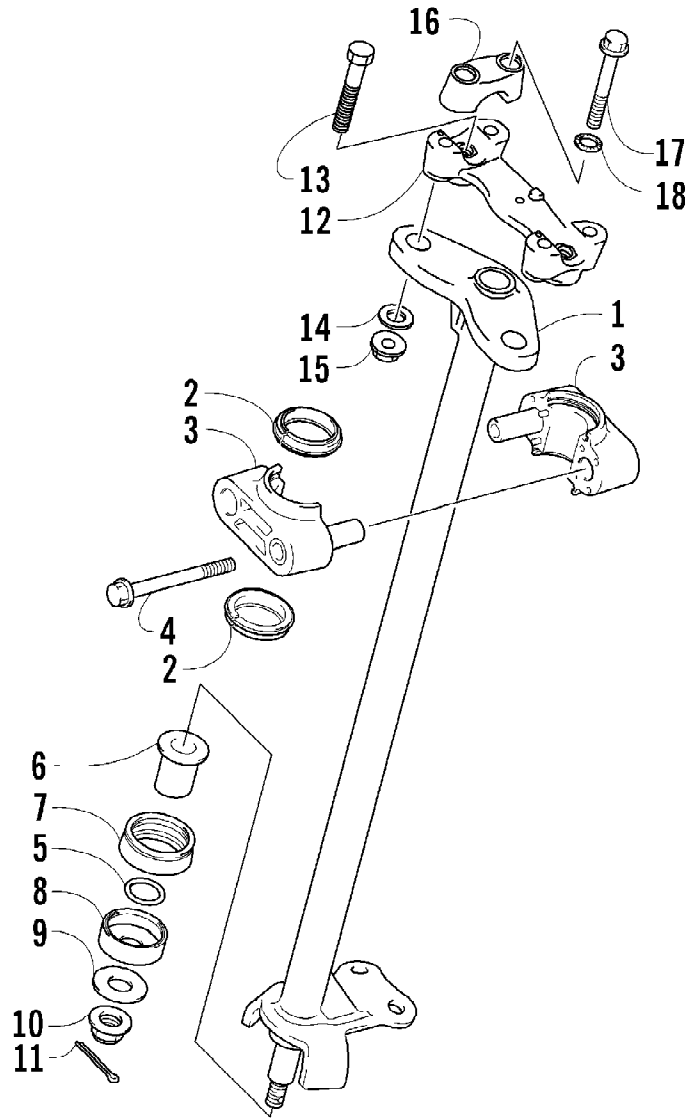
| Ref # | Part Number | Qty | S/P/F | Description |
|-------|-------------|-----|-------|----------------------------|
| 1 | 3402-924 | 1 | | Gear, Starter Idle - No. 1 |
| 2 | 3423-699 | 2 | | Washer |
| 3 | 3423-358 | 1 | S | Circlip |
| 4 | 3423-738 | 1 | | Pin |
| 5 | 3445-032 | 1 | | Limiter, Starter Idle Gear |
| 6 | 3402-125 | 2 | | Bushing |
| 7 | 3423-616 | 2 | S | Washer |
| 8 | 3445-031 | 1 | | Clutch, Starter (inc. 9) |
| 9 | 3402-222 | 1 | | Bearing |
| 10 | 3423-226 | 6 | | Bolt |



2008 ATV 400 DVX BLACK-RED (A2008DVI2AUSD)
STARTER MOTOR ASSEMBLY

Page 91 of 103

| Ref # | Part Number | Qty | S/P/F | Description |
|-------|-------------|-----|-------|----------------------------|
| 1 | 3445-033 | 1 | | Motor, Starter (inc. 2-10) |
| 2 | 3402-671 | 1 | | Brush Terminal Set |
| 3 | 3008-164 | 1 | | O-Ring |
| 4 | 3402-672 | 1 | | Brush Holder Set |
| 5 | 3008-551 | 2 | | Brush Spring |
| 6 | 3423-497 | 2 | | O-Ring |
| 7 | 3008-099 | 1 | | Washer Set |
| 8 | 3423-536 | 2 | | Through-Bolt (inc. 9) |
| 9 | 3423-496 | 2 | | O-Ring |
| 10 | 3423-272 | 1 | | O-Ring |
| 11 | 3004-756 | 2 | S | Bolt |
| 12 | 3423-195 | 1 | /P | Nut |

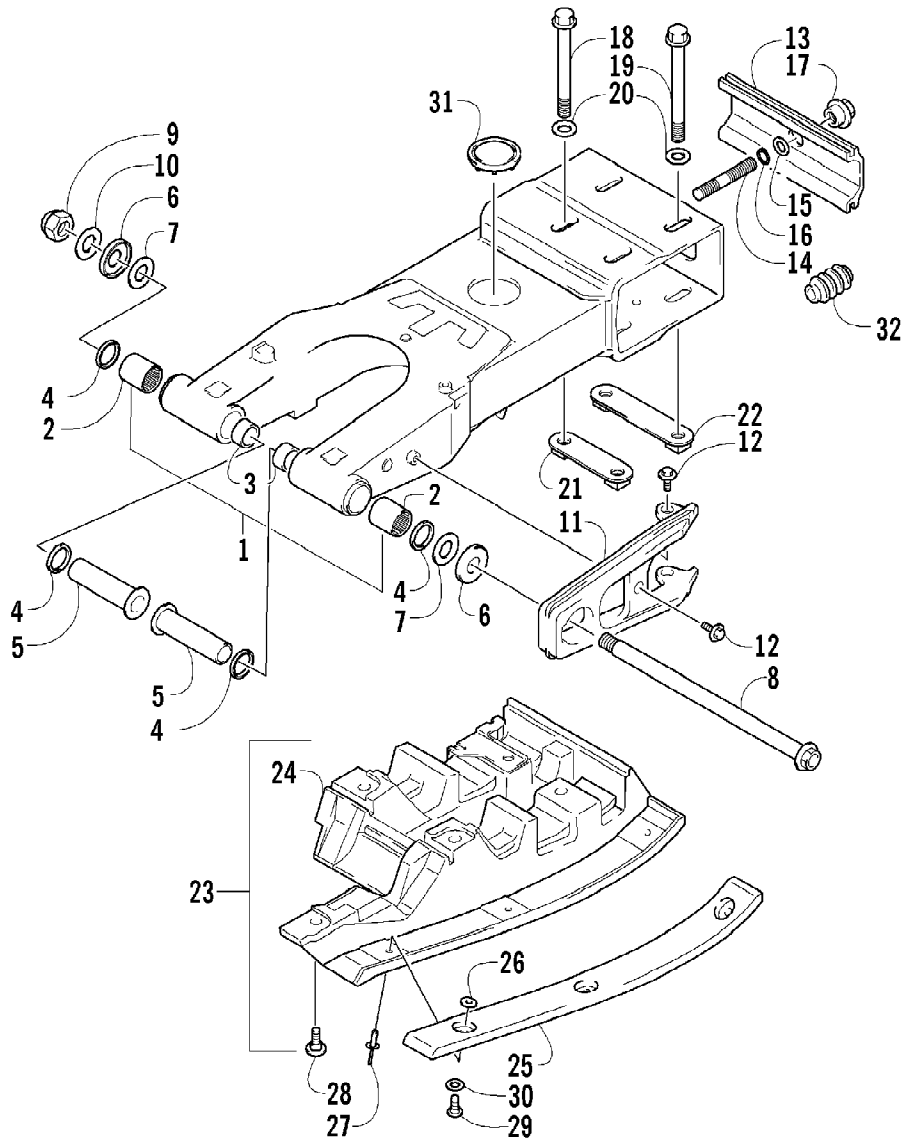


2008 ATV 400 DVX BLACK-RED (A2008DVI2AUSD)
STEERING POST ASSEMBLY

Page 93 of 103

| Ref # | Part Number | Qty | S/P/F | Description |
|-------|-------------|-----|-------|------------------------------------|
| 1 | 3405-062 | 1 | | Post, Steering |
| 2 | 3405-014 | 2 | | Seal, Dust - Steering Post Holder |
| 3 | 3405-013 | 2 | /P | Holder, Steering Post |
| 4 | 3423-602 | 2 | | Bolt |
| 5 | 3423-055 | 1 | | O-Ring |
| 6 | 3405-038 | 1 | | Bushing, Steering Post |
| 7 | 3405-047 | 1 | S | Seal, Dust - Steering Post -Upper |
| 8 | 3405-057 | 1 | /P | Seal, Dust - Steering Post - Lower |
| 9 | 3423-676 | 1 | | Washer |
| 10 | 3423-624 | 1 | | Nut |
| 11 | 3423-607 | 1 | S | Pin, Cotter |
| 12 | 3405-050 | 1 | | Clamp, Handlebar - Lower |
| 13 | 3423-781 | 2 | | Bolt, Handle Holder |
| 14 | 3423-782 | 2 | | Washer, Handle Holder |
| 15 | 3423-341 | 2 | | Nut |
| 16 | 3405-049 | 2 | | Clamp, Handlebar - Upper |
| 17 | 3004-498 | 4 | S | Bolt |
| 18 | 3423-682 | 4 | | Washer |

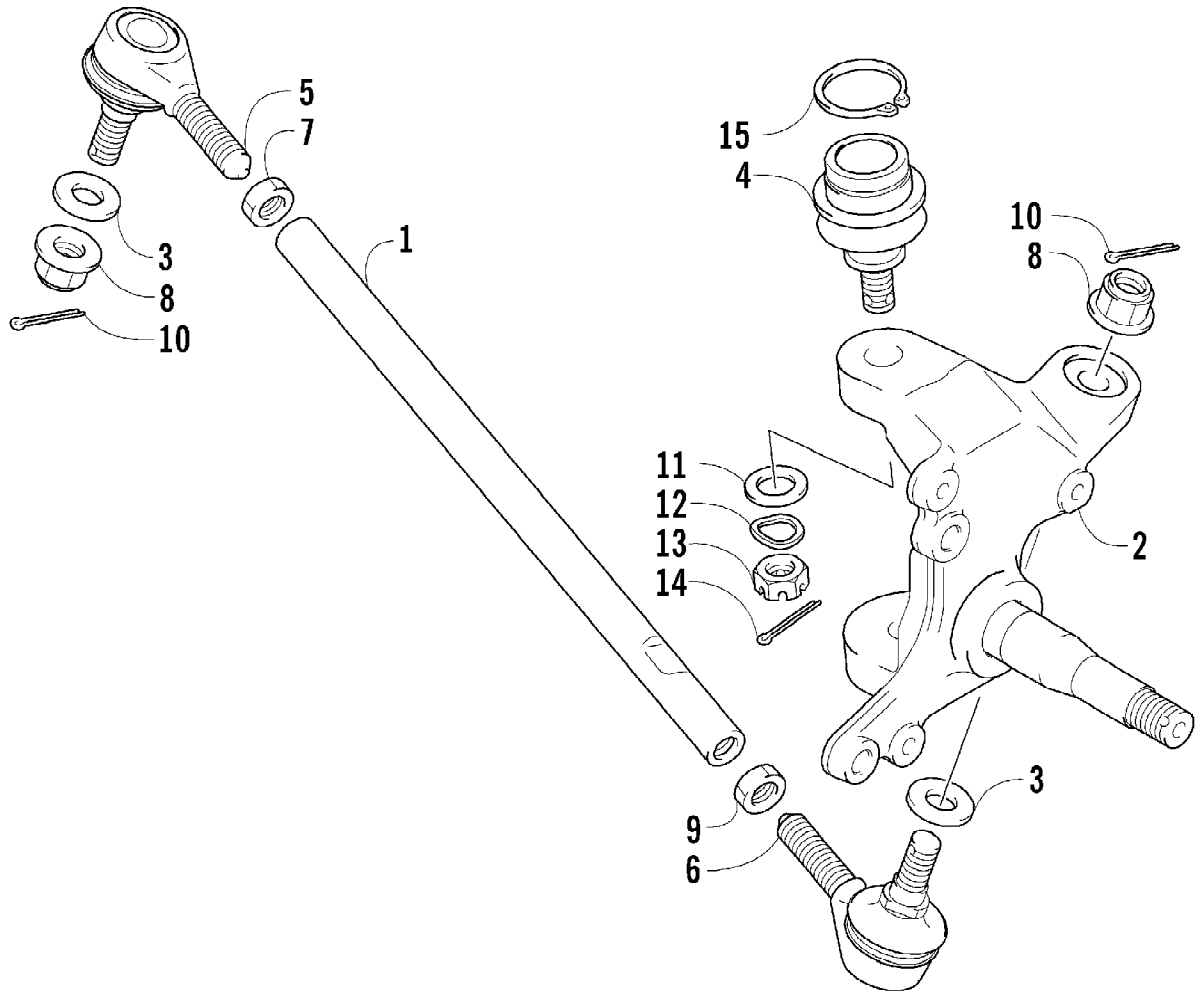
2008 ATV 400 DVX BLACK-RED (A2008DVI2AUSD)
SWING ARM ASSEMBLY



2008 ATV 400 DVX BLACK-RED (A2008DVI2AUSD)
SWING ARM ASSEMBLY

Page 95 of 103

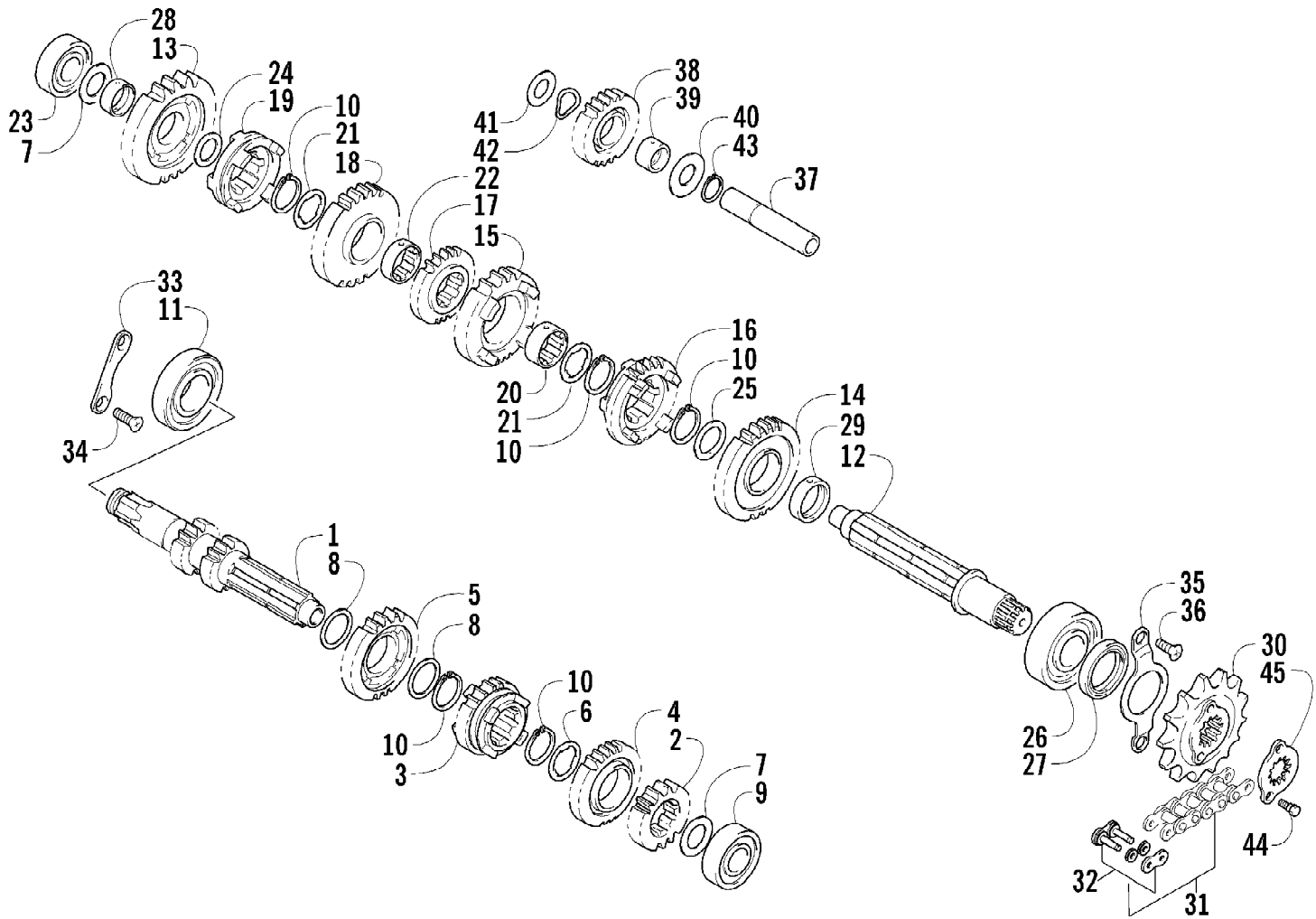
| Ref # | Part Number | Qty | S/P/F | Description |
|-------|-------------|-----|-------|--|
| 1 | 3406-156 | 1 | | Arm, Swing (inc. 2-3) |
| 2 | 3406-133 | 2 | | Bearing |
| 3 | 3406-053 | 2 | | Bushing |
| 4 | 3406-102 | 4 | | Seal, Bearing |
| 5 | 3406-052 | 2 | | Spacer |
| 6 | 3406-054 | 2 | | Cover, Dust |
| 7 | 3423-618 | 2 | | Washer, Thrust |
| 8 | 3406-051 | 1 | | Shaft, Pivot |
| 9 | 3423-785 | 1 | | Nut |
| 10 | 3423-786 | 1 | | Washer |
| 11 | 3406-055 | 1 | | Slide, Chain |
| 12 | 3423-656 | 3 | | Bolt |
| 13 | 3446-383 | 1 | | Plate, Chain Adjuster |
| 14 | 3423-650 | 1 | | Bolt, Chain Adjuster |
| 15 | 3423-679 | 1 | | Washer, Chain Adjuster Nut |
| 16 | 3423-190 | 1 | S | Circlip |
| 17 | 3423-757 | 1 | | Nut, Chain Adjuster |
| 18 | 3423-643 | 2 | | Bolt |
| 19 | 3423-644 | 2 | | Bolt |
| 20 | 3423-677 | 4 | | Washer |
| 21 | 3423-586 | 1 | | Plate |
| 22 | 3423-587 | 1 | | Plate |
| 23 | 3406-056 | 1 | | Guard, Swing Arm - Assembly (inc. 24-27) |
| 24 | 3406-057 | 1 | | Guard, Swing Arm |
| 25 | 3406-058 | 1 | | Slide, Chain - Swing Arm Guard |
| 26 | 3423-671 | 3 | | Washer |
| 27 | 3423-704 | 3 | | Rivet |
| 28 | 3423-756 | 3 | | Bolt |
| 29 | 3423-648 | 2 | | Bolt |
| 30 | 3007-410 | 2 | /P | Washer |
| 31 | 3406-123 | 1 | | Cap, Swing Arm |
| 32 | 3406-124 | 1 | | Boot, Chain Adjuster Bolt |



2008 ATV 400 DVX BLACK-RED (A2008DVI2AUSD)
TIE ROD ASSEMBLY

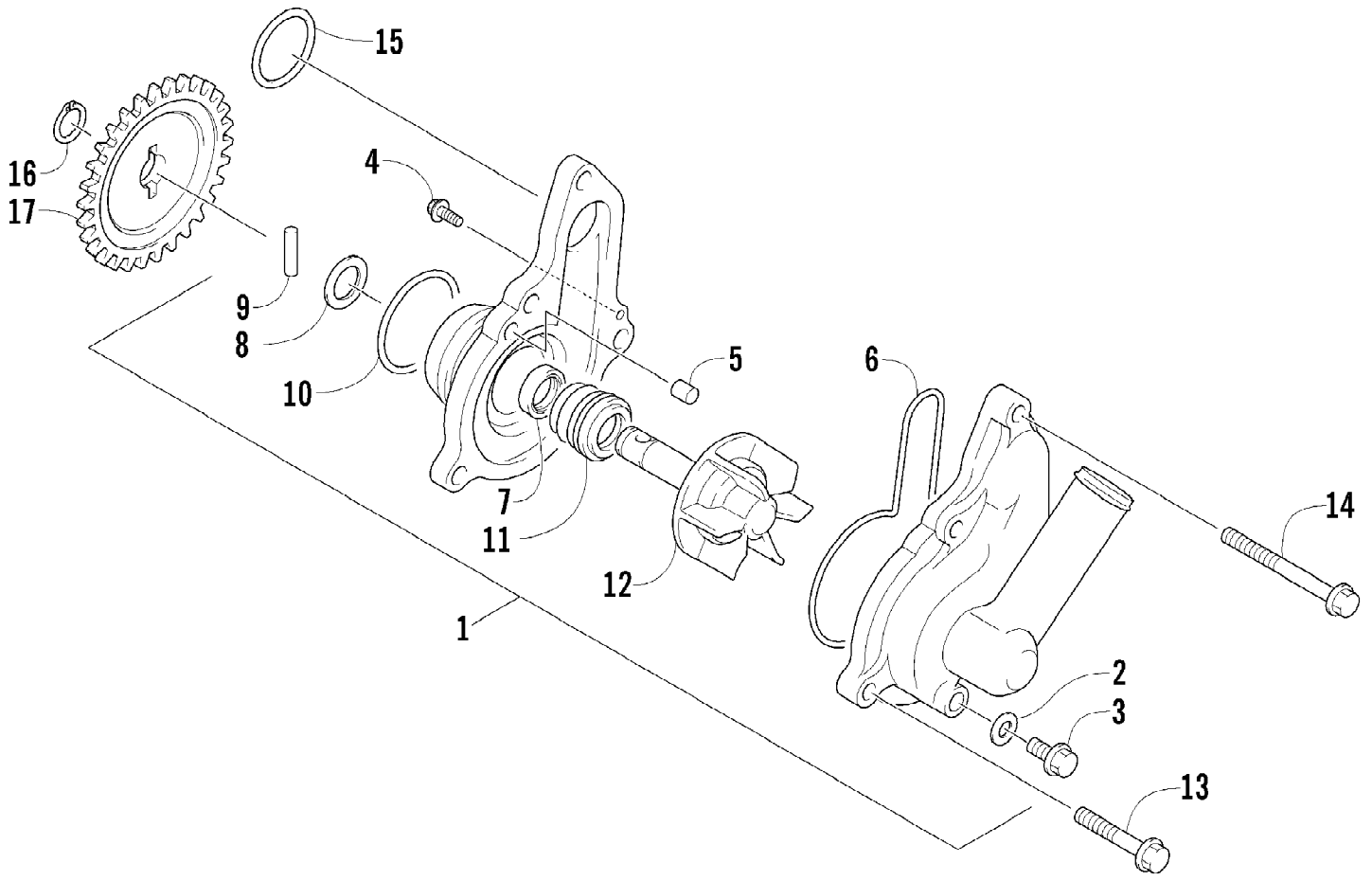
Page 97 of 103

| Ref # | Part Number | Qty | S/P/F | Description |
|-------|-------------|-----|-------|---------------------------|
| 1 | 3405-009 | 2 | | Tie Rod |
| 2 | 3405-043 | 1 | | Knuckle, Steering - Right |
| 2 | 3405-044 | 1 | | Knuckle, Steering - Left |
| 3 | 3423-681 | 4 | | Washer, Rod End Lock |
| 4 | 3405-045 | 2 | S | End, Knuckle - Upper |
| 5 | 3405-008 | 2 | | Ball Joint - Left |
| 6 | 3405-007 | 2 | | Ball Joint - Right |
| 7 | 3423-664 | 2 | | Nut, Tie Rod - Left |
| 8 | 3423-620 | 4 | S | Nut |
| 9 | 3423-873 | 2 | | Nut, Tie Rod - Right |
| 10 | 3423-607 | 4 | S | Pin, Cotter |
| 11 | 3007-410 | 4 | /P | Washer |
| 12 | 3423-681 | 4 | | Washer, Wave |
| 13 | 3423-620 | 4 | S | Nut |
| 14 | 3423-607 | 4 | S | Pin, Cotter |
| 15 | 3423-193 | 2 | S/P | Circlip |



| Ref # | Part Number | Qty | S/P/F | Description |
|-------|-------------|-----|-------|--------------------------------|
| 1 | 3402-942 | 1 | | Countershaft |
| 2 | 3402-943 | 1 | | Gear, 2nd Drive - 18T |
| 3 | 3446-362 | 1 | | Gear, 3rd Drive - 21T |
| 4 | 3446-363 | 1 | | Gear, 4th Drive - 23T |
| 5 | 3446-364 | 1 | | Gear, 5th Drive - 26T |
| 6 | 3423-689 | 1 | | Washer |
| 7 | 3423-702 | 2 | | Washer |
| 8 | 3402-382 | 2 | | Washer |
| 9 | 3402-975 | 1 | | Bearing, Countershaft - Left |
| 10 | 3423-066 | 5 | /P | Circlip |
| 11 | 3402-976 | 1 | | Bearing, Countershaft - Right |
| 12 | 3435-099 | 1 | | Driveshaft |
| 13 | 3446-365 | 1 | | Gear, 1st Driven - 33T |
| 14 | 3446-366 | 1 | | Gear, 2nd Driven - 30T |
| 15 | 3402-944 | 1 | | Gear, 3rd Driven - 26T |
| 16 | 3402-945 | 1 | | Gear, 4th Driven - 23T |
| 17 | 3402-946 | 1 | | Gear, 5th Driven - 22T |
| 18 | 3402-950 | 1 | | Gear, Reverse Driven - 28T |
| 19 | 3402-951 | 1 | | Dog, Reverse |
| 20 | 3446-380 | 1 | | Bushing, 3rd Driven Gear |
| 21 | 3423-036 | 2 | | Washer |
| 22 | 3446-273 | 1 | /P | Bushing, Reverse Driven Gear |
| 23 | 3003-320 | 1 | /P | Bearing, Driveshaft - Right |
| 24 | 3402-195 | 1 | | Washer |
| 25 | 3423-421 | 1 | /P | Washer |
| 26 | 3402-903 | 1 | | Bearing, Driveshaft - Left |
| 27 | 3402-912 | 1 | | Seal, Oil - Driveshaft |
| 28 | 3402-915 | 1 | | Bushing, 1st Driven Gear |
| 29 | 3402-230 | 1 | | Bushing, 2nd Driven Gear |
| 30 | 3446-377 | 1 | | Sprocket, Driveshaft - 14T |
| 31 | 3446-416 | 1 | | Chain Assembly (inc. 32) |
| 32 | 3446-417 | 1 | | Joint Set |
| 33 | 3446-367 | 1 | | Retainer, Countershaft - Right |
| 34 | 3423-018 | 2 | | Screw |
| 35 | 3446-368 | 1 | | Retainer, Driveshaft Oil Seal |
| 36 | 3423-659 | 2 | | Bolt, Retainer |
| 37 | 3402-947 | 1 | | Shaft, Reverse Idle |
| 38 | 3402-948 | 1 | | Gear, Reverse Idle - 24T |
| 39 | 3402-949 | 1 | | Bushing, Reverse Idle Gear |
| 40 | 3402-209 | 1 | | Washer |
| 41 | 3423-701 | 1 | | Washer |
| 42 | 3423-686 | 1 | | Washer, Wave |
| 43 | 3423-518 | 1 | | Circlip |
| 44 | 3423-651 | 2 | | Bolt |
| 45 | 3402-961 | 1 | | Plate, Sprocket |

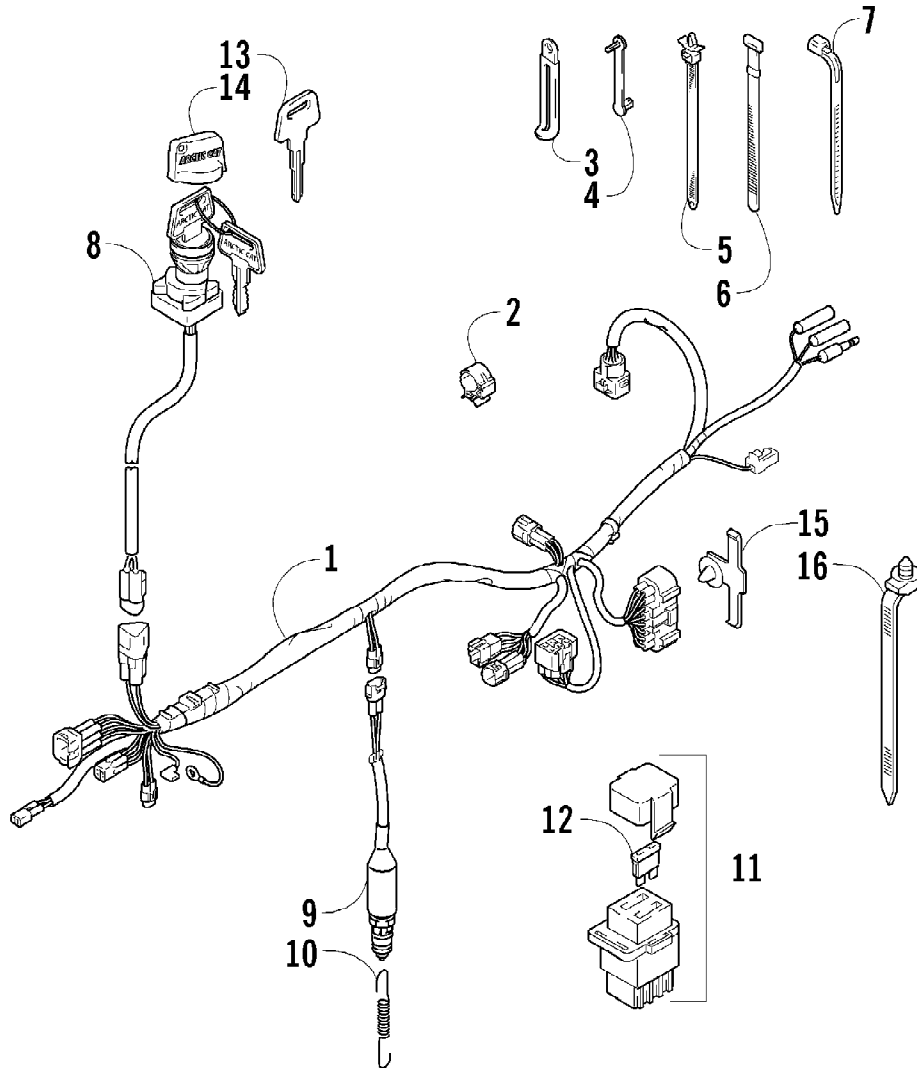
2008 ATV 400 DVX BLACK-RED (A2008DVI2AUSD)
WATER PUMP ASSEMBLY



2008 ATV 400 DVX BLACK-RED (A2008DVI2AUSD)
WATER PUMP ASSEMBLY

Page 101 of 103

| Ref # | Part Number | Qty | S/P/F | Description |
|-------|-------------|-----|-------|-------------------------|
| 1 | 3413-036 | 1 | S | Pump, Water (inc. 2-12) |
| 2 | 3406-141 | 1 | | Gasket |
| 3 | 3423-769 | 3 | | Bolt |
| 4 | 3423-770 | 2 | | Screw |
| 5 | 3423-771 | 1 | | Pin |
| 6 | 3406-142 | 1 | | O-Ring |
| 7 | 3406-143 | 1 | | Seal, Oil |
| 8 | 3423-772 | 1 | | Washer |
| 9 | 3423-773 | 1 | | Pin |
| 10 | 3406-144 | 1 | | O-Ring |
| 11 | 3005-909 | 1 | /P | Seal, Water Pump Shaft |
| 12 | 3413-037 | 1 | | Impeller/Shaft |
| 13 | 3423-629 | 3 | | Bolt |
| 14 | 3423-630 | 1 | | Bolt |
| 15 | 3004-521 | 1 | /P | O-Ring |
| 16 | 3423-184 | 1 | S | Circlip |
| 17 | 3413-021 | 1 | | Gear, Water Pump Driven |



2008 ATV 400 DVX BLACK-RED (A2008DVI2AUSD)
WIRING HARNESS ASSEMBLY

Page 103 of 103

| Ref # | Part Number | Qty | S/P/F | Description |
|-------|-------------|-----|-------|----------------------------------|
| 1 | 3509-008 | 1 | | Harness, Main |
| 2 | 3423-731 | 1 | | Clamp |
| 3 | 3402-237 | 1 | | Clamp |
| 4 | 3423-732 | 3 | | Clamp |
| 5 | 0693-564 | 1 | | Clamp |
| 6 | 3423-733 | 2 | | Clamp |
| 7 | 3008-044 | 3 | | Clamp |
| 8 | 3509-009 | 1 | | Switch, Ignition |
| 9 | 3409-045 | 1 | /P | Switch, Brakelight |
| 10 | 3423-736 | 1 | | Spring |
| 11 | 3409-040 | 1 | | Fuse Box - Cooling Fan (inc. 12) |
| 12 | 3530-043 | 2 | | Fuse - 10 Amp |
| 13 | 3409-007 | 1 | /P | Key, Blank (Type C) |
| 13 | 3409-011 | 1 | | Key, Blank (Type D) |
| 13 | 3409-012 | 1 | | Key, Blank (Type E) |
| 13 | 3409-013 | 1 | | Key, Blank (Type F) |
| 14 | 0409-013 | 1 | | Cover, Key |
| 15 | 3423-777 | 1 | | Clamp |
| 16 | 3423-778 | 1 | | Clamp |