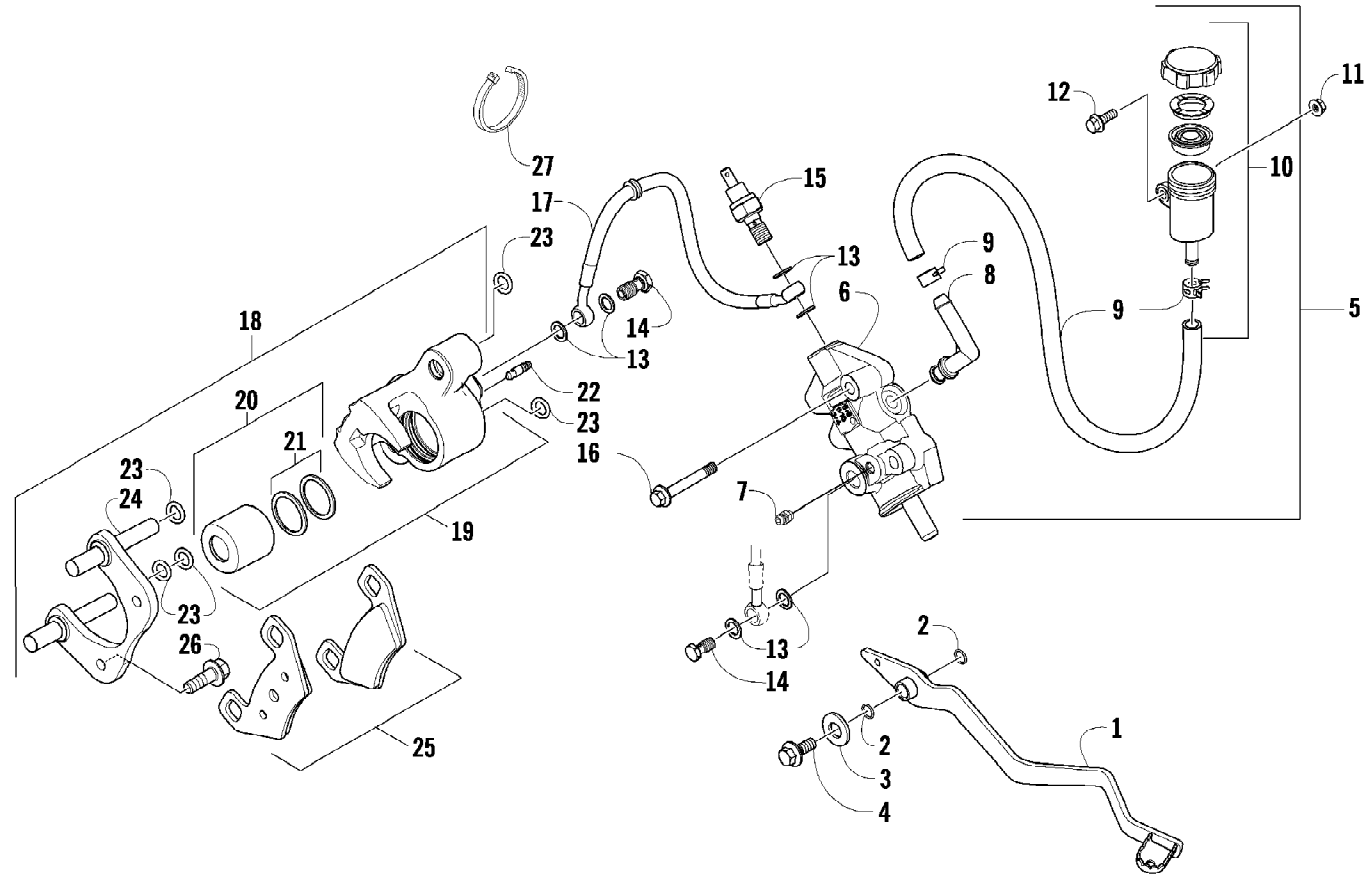


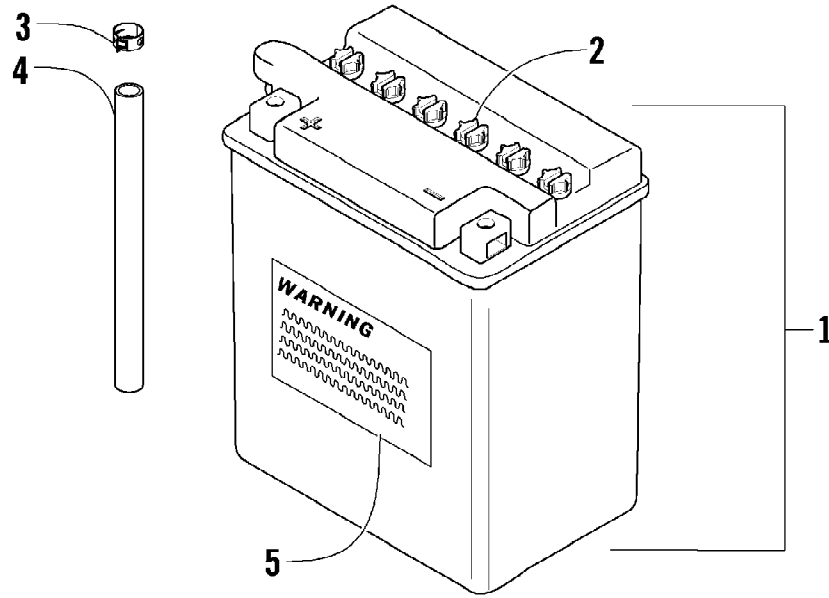
2008 ATV 366 AUTOMATIC TRANSMISSION 4X4 FIS RED (A2008IDG4BUSR) Page 2 of 86
AIR INTAKE ASSEMBLY

Ref #	Part Number	Qty	S/P/F	Description
1	3313-395	1		Filter, Air - Assembly (inc. 2-12)
2	3323-199	3		Screw, Cap
3	3323-160	1		Valve
4	3313-375	3		Latch
5	3313-376	1		Cover, Air Filter
6	3323-014	3		Spacer
7	3313-446	1		Gasket, Air Filter
8	3313-378	1		Element, Air Filter
9	3313-377	1		Body, Air Filter
10	3323-039	3	S	Spring
11	3323-198	3		Washer
12	3304-668	3		Nut, Lock
13	0423-380	7	/P	Clamp
14	3313-367	1		Boot, Air Intake - Bottom
15	3313-366	1		Boot, Air Intake - Top
16	3313-275	1		Boot, Air Intake
17	3313-063	1		Boot, Air Intake
18	3313-224	1		Housing, Air Intake
19	3313-356	1		Bracket, Mounting - Air Intake Housing
20	3304-650	2	/P	Screw, Self-Tapping
21	3313-374	1	S	Shield, Heat - Air Intake Housing
22	3313-397	1		Tube C - Oil Catch (inc. two No. 23)
23	3303-712	3		Clamp, Hose
24	3313-274	1		Boot, Air Intake
25	3313-551	1		Boot, Air Intake - Carburetor
26	0470-737	1	/P	Carburetor, CVK34-AE
27	0423-317	1	/P	Clamp, Hose
28	3303-349	1		Clamp, Hose
29	3313-476	1		Hose, Vent
30	3303-592	2		Clip, Mudguard
31	3313-543	1		Pipe, Drain



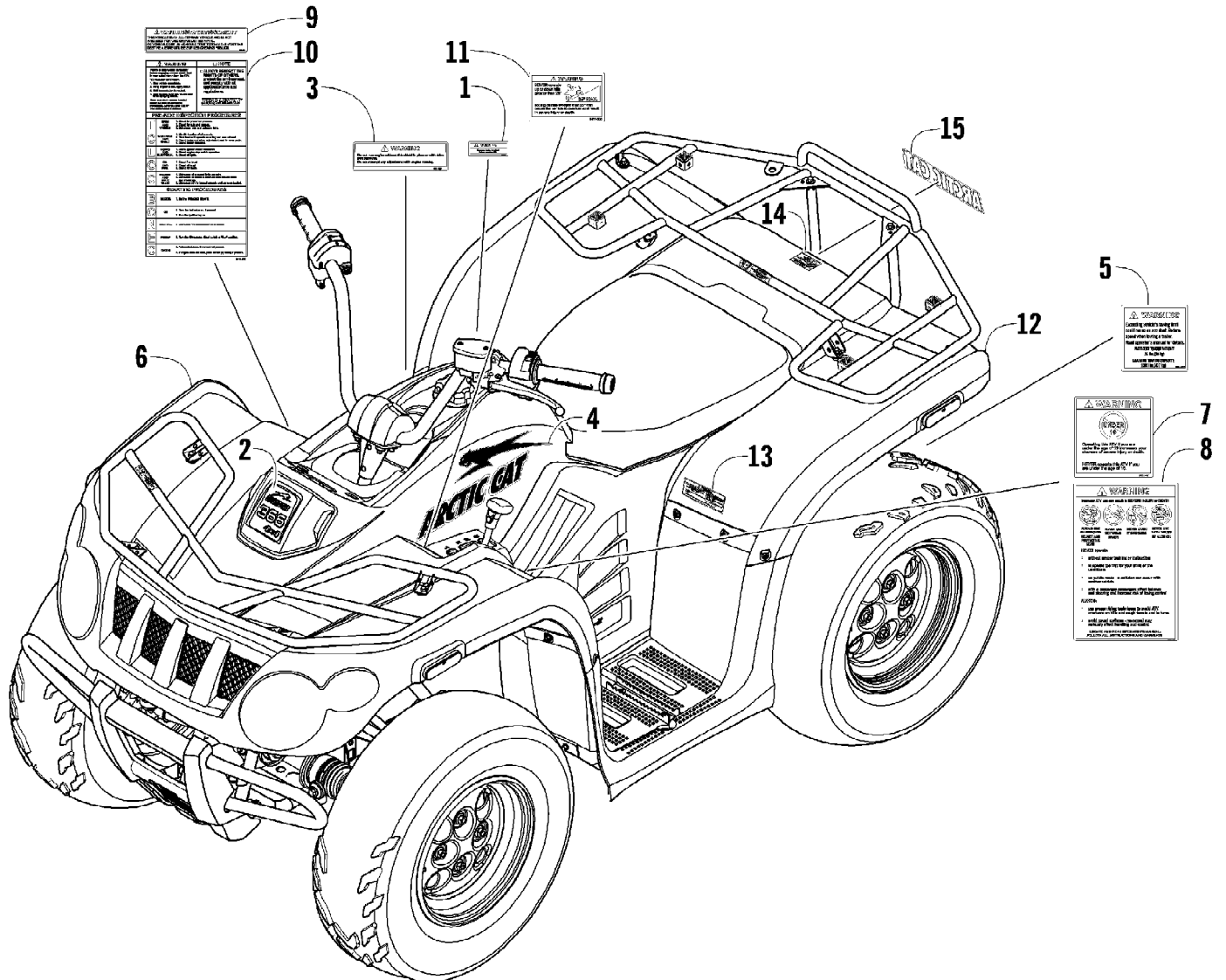
2008 ATV 366 AUTOMATIC TRANSMISSION 4X4 FIS RED (A2008IDG4BUSR) Page 4 of 86
AUXILIARY BRAKE ASSEMBLY

Ref #	Part Number	Qty	S/P/F	Description
	3313-478	1	/P	Master Cylinder Replacement Kit
1	3313-156	1	/P	Lever, Brake
2	3323-022	2		O-Ring
3	3323-191	1		Washer
4	3304-543	1	/P	Bolt, Flange
5	3313-398	1	S	Brake Assembly (inc. 7-10)
6	0	1	F	Master Cylinder
7	0502-609	1	/P	Screw, Bleed
8	1502-296	1	/P	Adapter, Hose
9	3313-489	1		Hose, Brake Fluid Reservoir w/Clamps
10	1502-141	1		Reservoir, Brake Fluid w/Clamp
11	3304-654	1	/P	Nut, Flange
12	3303-384	1	/P	Screw, Cap
13	3323-155	6	S	Washer, Crush
14	3303-257	2	/P	Bolt, Banjo-Fitting
15	3313-239	1		Switch, Brake
16	3303-386	2	/P	Screw, Cap
17	3313-315	1		Hose, Brake
18	3323-157	1		Caliper, Brake (inc. 19-25)
19	1436-161	1	/P	Housing, Caliper - Assembly - Left Rear (inc. 21-22)
20	0502-606	1		Piston/Seal Set (inc. 21)
21	0502-607	1		Seal Set
22	0502-609	1	/P	Valve, Bleed
23	0502-608	1		O-Ring, Guide - Set
24	1436-135	1		Bracket Assembly
25	1436-165	1	S	Pad, Brake - Set
26	3304-565	2	/P	Screw, Cap
27	0123-788	1	/P	Cable Tie - 7.5 in.



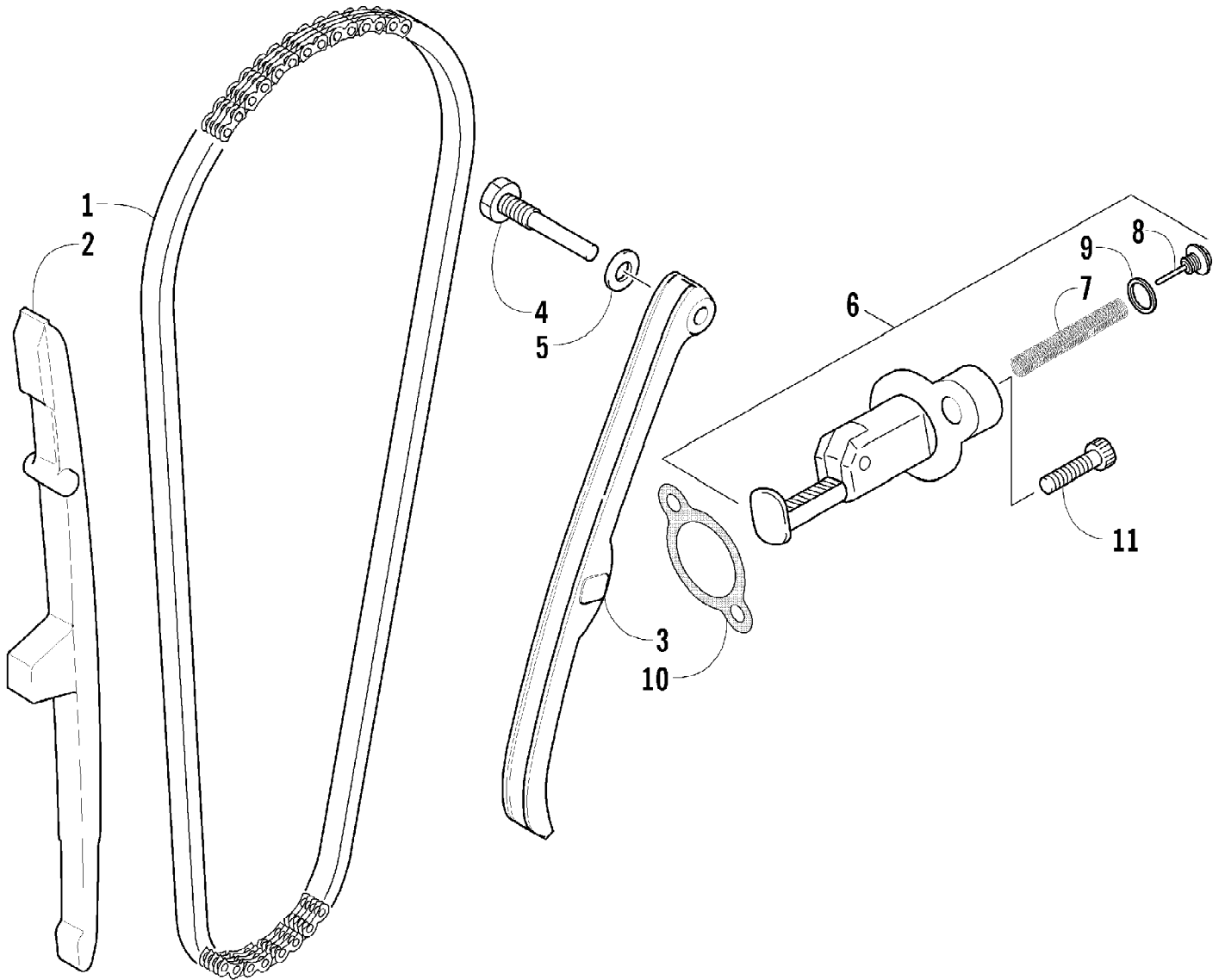
Ref #	Part Number	Qty	S/P/F	Description
1	0745-045	1	/P	Battery Assembly (inc. 2-5)
2	0645-045	6		Cap, Battery
3	0645-152	1		Clamp, Hose
4	0645-263	1	/P	Hose, Battery Vent
5	0645-151	1		Label, Warning - Battery

2008 ATV 366 AUTOMATIC TRANSMISSION 4X4 FIS RED (A2008IDG4BUSR) Page 7 of 86
BODY PANELS AND DECALS



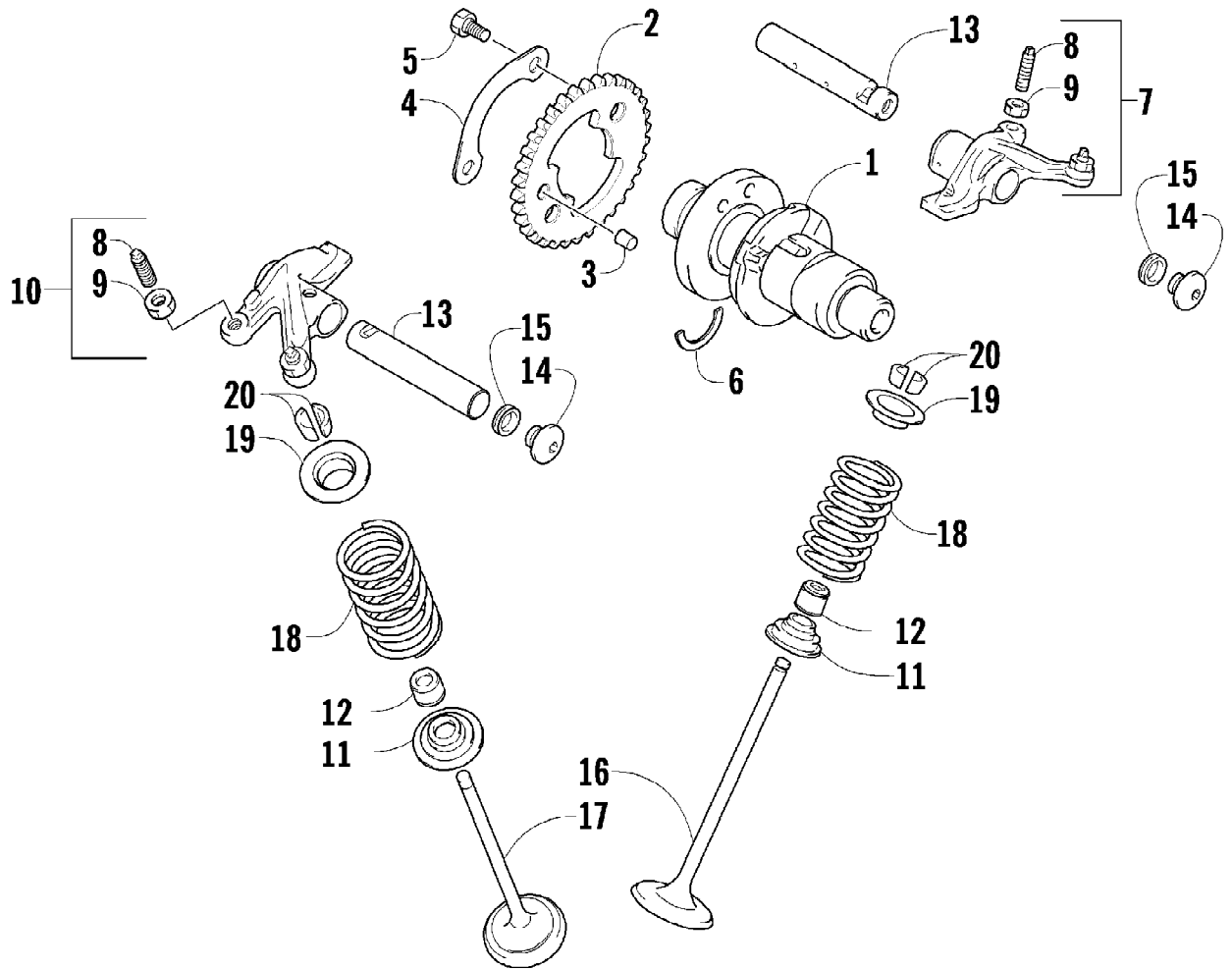
2008 ATV 366 AUTOMATIC TRANSMISSION 4X4 FIS RED (A2008IDG4BUSR) Page 8 of 86
BODY PANELS AND DECALS

Ref #	Part Number	Qty	S/P/F	Description
1	1411-865	1		Decal, Brake Lever Lock
2	1411-691	1	/P	Decal, Instrument Pod
3	0411-426	1		Decal, Warning - Clutch Cover
4	1411-634	1		Decal, Side - Upper Right
4	1411-635	1		Decal, Side - Upper Left
5	1411-077	1		Decal, Warning - Towing
6	3313-537	1		Panel, Fender - Front (inc. 7-11)
7	0411-401	1		Decal, Warning - Age
8	0411-218	1		Decal, Warning - General
9	1411-574	1		Decal, Warning - Off-Road Only
10	1411-250	1		Decal, Warning - Reverse/Pre-Ride
11	0411-835	1		Decal, Warning - Turn/Hill
12	3313-533	1		Panel, Fender - Rear (inc. 13-15)
13	1411-893	1		Decal, Warning - Tire Pressure
14	0411-435	1		Decal, Warning - Passenger
15	1411-725	1		Decal, Rear



2008 ATV 366 AUTOMATIC TRANSMISSION 4X4 FIS RED (A2008IDG4BUSR)Page 10 of 86
CAM CHAIN ASSEMBLY

Ref #	Part Number	Qty	S/P/F	Description
1	0810-005	1		Chain, Cam
2	0810-006	1		Guide, Cam Chain
3	0810-007	1		Tensioner, Cam Chain
4	0826-133	1		Bolt
5	0830-150	1		Washer
6	0810-054	1		Adjuster, Tensioner - Assembly (inc. 7-9)
7	0810-056	1		Spring
8	0810-061	1		Plug
9	0810-062	1		Washer
10	0830-060	1		Gasket, Adjuster
11	3303-360	2		Bolt, Flange

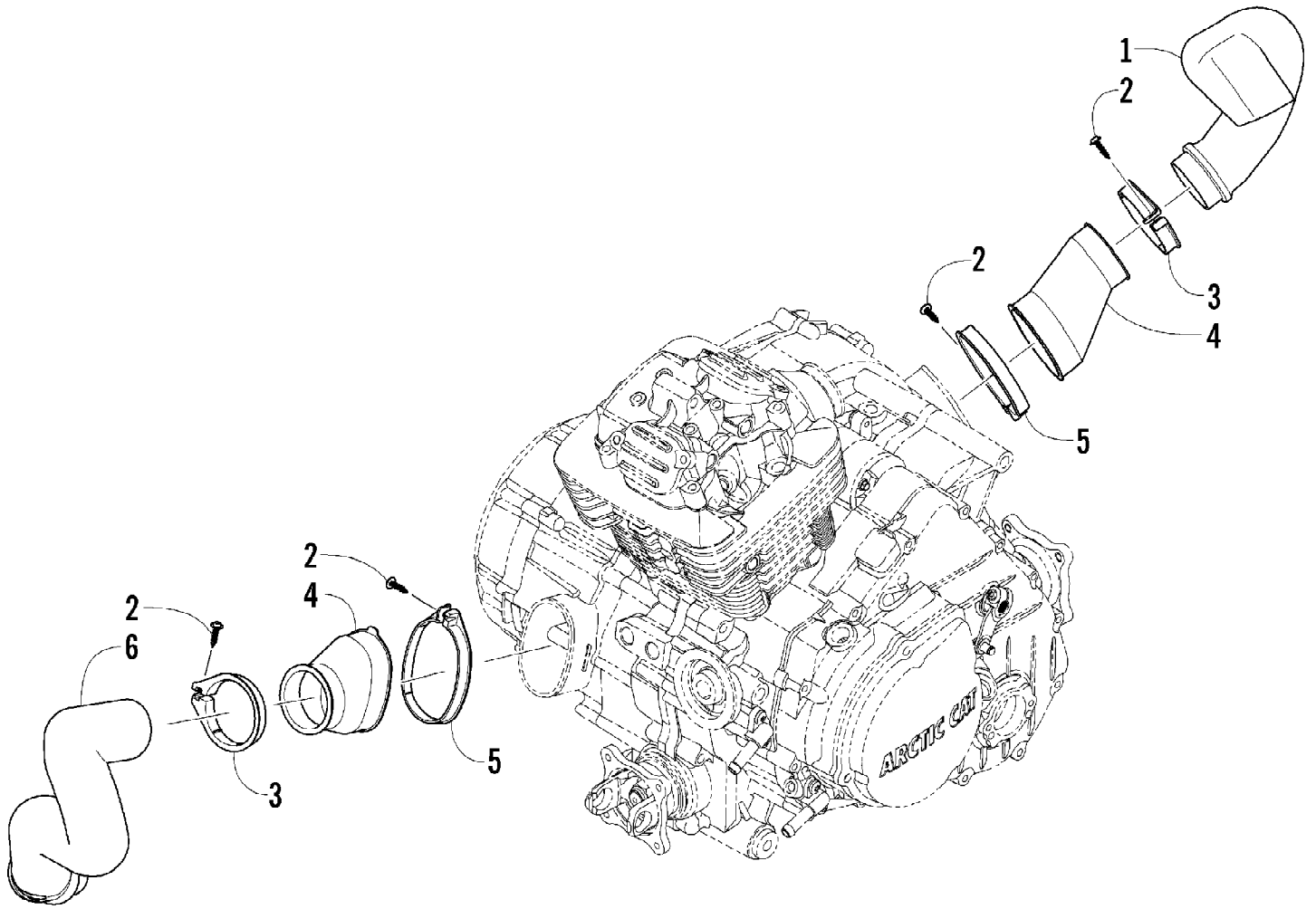


2008 ATV 366 AUTOMATIC TRANSMISSION 4X4 FIS RED (A2008IDG4BUSR) Page 12 of 86
CAMSHAFT/VALVE ASSEMBLY

Ref #	Part Number	Qty	S/P/F	Description
1	0809-155	1	S	Camshaft
2	0809-166	1		Sprocket
3	0829-036	1		Pin
4	0828-086	1		Washer
5	0826-117	2		Bolt
6	0809-165	1		C-Ring
7	0809-144	1	F	Arm, Valve Rocker - Intake (inc. two No. 8-9)
8	3304-007	4	/P/F	Screw
9	3304-026	4	/P/F	Nut
10	0809-148	1	F	Arm, Valve Rocker - Exhaust (inc. two No. 8-9)
11	0809-141	4	F	Seat, Spring
12	0809-190	4	F	Seal, Oil
13	0809-151	2	F	Shaft, Rocker Arm
14	0831-053	2	F	Plug, Shaft
15	0830-143	2	/P/F	Gasket
16	0809-188	2	F	Valve, Intake
17	0809-189	2	F	Valve, Exhaust
18	0809-140	4	F	Spring, Valve
19	0809-142	4	F	Retainer, Spring
20	3303-044	8	F	Cotter, Valve

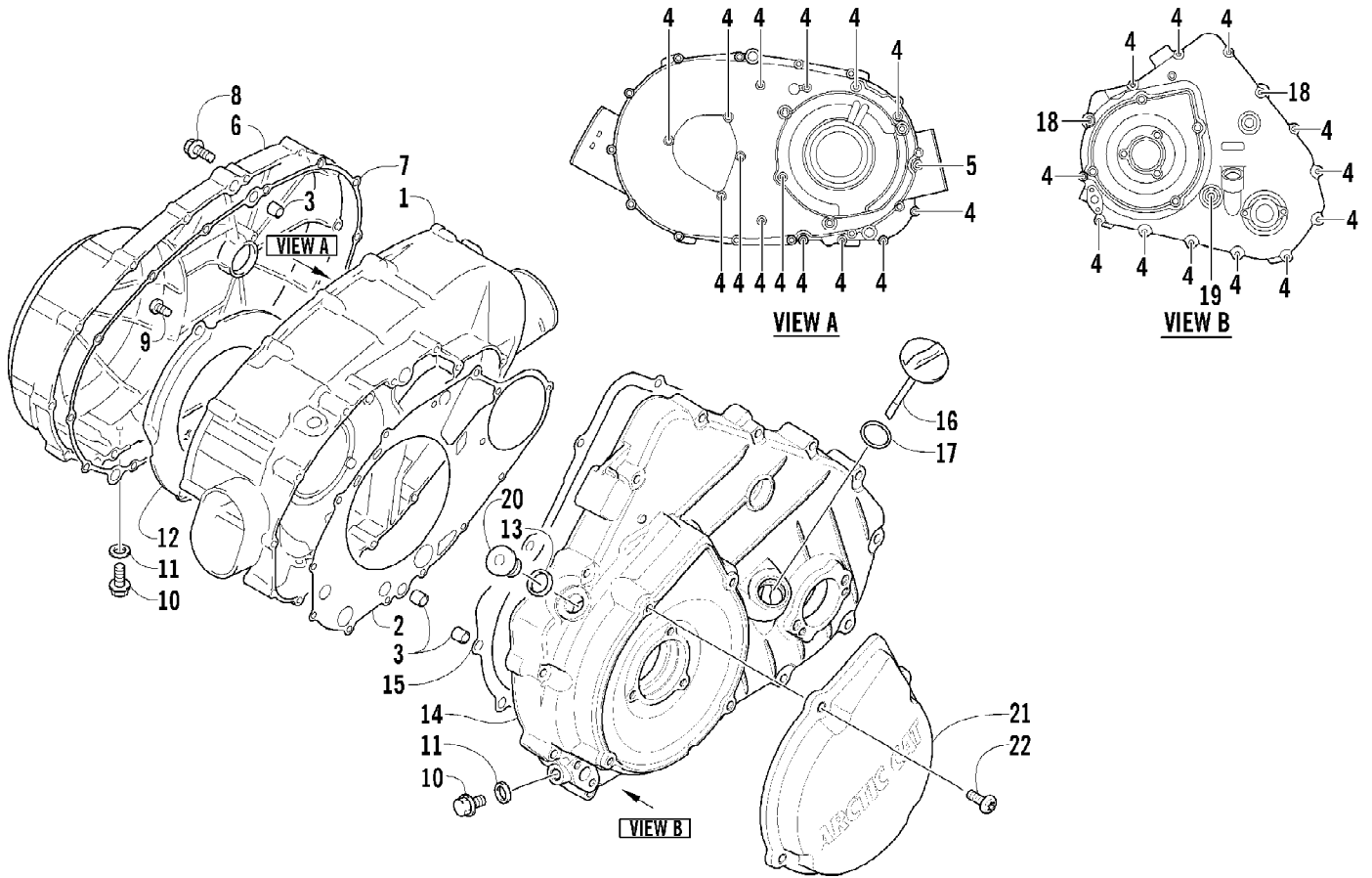
2008 ATV 366 AUTOMATIC TRANSMISSION 4X4 FIS RED (A2008IDG4BUSR) Page 14 of 86
CARBURETOR

Ref #	Part Number	Qty	S/P/F	Description
	0470-737	1	/P	Complete Carburetor Assembly
1	5507-001	1		Cover, Top
2	5507-002	4	/P	Screw, Top Cover
3	5507-240	1		Spring
4	5507-109	1	S	Piston, Vacuum
5	5507-005	1		Seat, Spring
6	5507-243	1		Jet Needle
7	5507-007	1		Needle Jet
8	5507-047	1	/P	Holder, Needle Jet
9	3305-434	1		Main Jet - 112
9	5507-242	1	F	Main Jet - 108
9	5507-166	1	F	Main Jet - 110
9	5507-126	1	F	Main Jet - 115
9	5507-241	1	F	Main Jet - 118
10	5507-069	1		Slow Jet - 35
11	5507-097	1	/P	Starter Jet - 75
12	5507-107	1		Valve, Float - Set (inc. 13)
13	0	1	F	Clip
14	5507-039	1		Float Set (inc. 15)
15	0	1	F	Pin, Float
16	5507-111	1		Screw, Pilot - Set (inc. 17-19)
17	0	1	F	Spring
18	0	1	F	Washer
19	0	1	F	O-Ring
20	5507-027	1		Screw, Idle Adjust
21	5507-028	1		Washer
22	5507-029	1		Spring
23	5507-115	1		Plate
24	5507-117	1	/P	Screw
25	5507-180	1		Choke, Electric
26	5507-114	1		Cover, Electric Choke
27	0	1	F	Chamber, Float - Assembly (inc. 28-34)
28	5507-067	1	/P	O-Ring, Float Chamber
29	5507-050	1	/P	Screw, Drain
30	5507-032	1		Spring
31	5507-182	1	S/P	Diaphragm Assembly
32	5507-198	1		Housing, Pump
33	5507-034	1		U-Ring
34	5507-035	3		Screw
35	5507-017	4	/P	Screw
36	3323-029	1		Cable, Throttle
37	5507-036	1		Cover
38	5507-037	1	/P	Screw
39	0410-048	AR	S	Hose, Vent - 25 ft



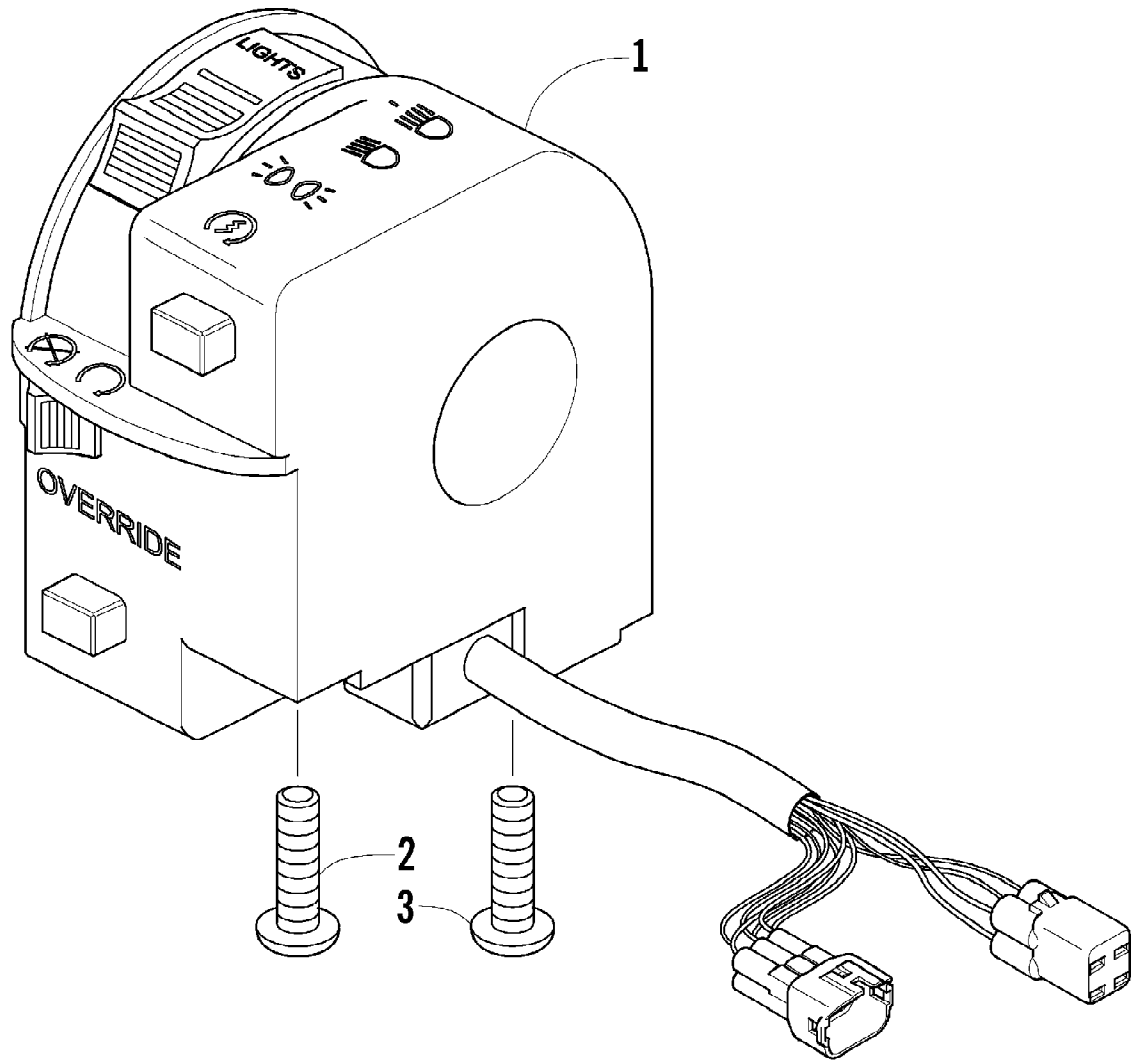
2008 ATV 366 AUTOMATIC TRANSMISSION 4X4 FIS RED (A2008IDG4BUSR) Page 16 of 86
CASE/BELT COOLING ASSEMBLY

Ref #	Part Number	Qty	S/P/F	Description
1	3313-064	1		Duct, Belt - Air Out
2	3304-650	4	/P	Screw, Self-Tapping
3	3323-034	2		Clamp, Plastic
4	0413-049	2		Boot, Duct
5	3323-033	2		Clamp, Plastic
6	3313-065	1		Duct, Belt - Air In

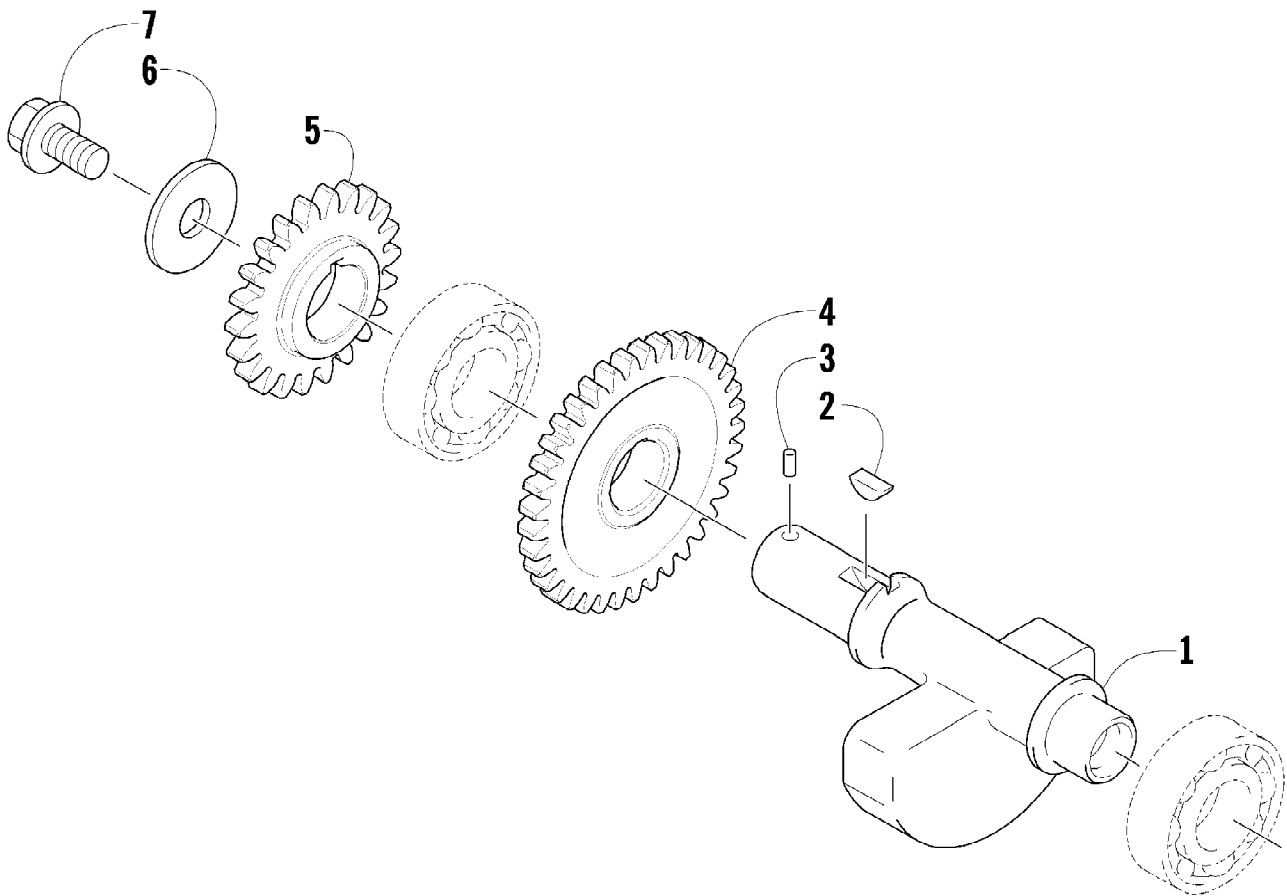


2008 ATV 366 AUTOMATIC TRANSMISSION 4X4 FIS RED (A2008IDG4BUSR)Page 18 of 86
CLUTCH/V-BELT/MAGNETO COVER ASSEMBLY

Ref #	Part Number	Qty	S/P/F	Description
1	0806-026	1		Cover, Clutch
2	0830-055	1		Gasket
3	0829-046	6		Pin, Dowel
4	3304-903	26		Bolt, Flange
5	0826-066	1		Bolt
6	0806-027	1		Cover, V-Belt
7	0830-056	1		Gasket, V-Belt Cover
8	3303-386	14	/P	Bolt, Flange
9	0826-144	3		Screw, Pan-Head
10	3303-365	2		Plug, Drain
11	3303-591	2		Gasket, Drain Plug
12	0806-103	1		Plate, Air Intake
13	0830-141	1		Gasket
14	0806-028	1		Cover, Magneto
15	0830-057	1		Gasket, Magneto Cover
16	0806-029	1		Stick, Oil Level
17	3304-102	1	/P	O-Ring, Oil Level Stick
18	3304-191	2	/P	Bolt, Flange
19	0826-068	1		Bolt
20	0806-099	1		Plug
21	0820-066	1		Cover, Magneto - Outer
22	3303-617	4	/P	Screw, Machine

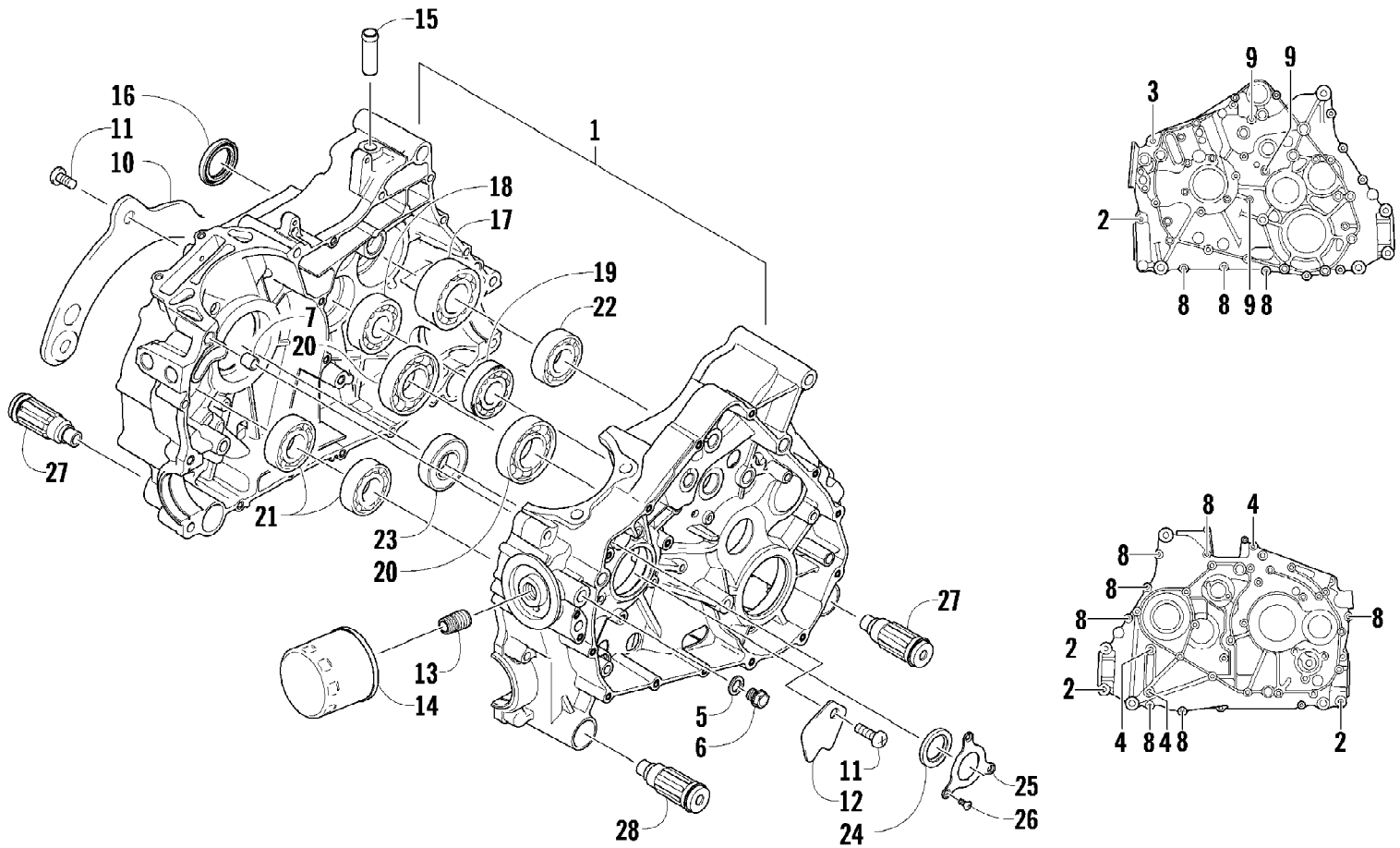


Ref #	Part Number	Qty	S/P/F	Description
1	3313-428	1		Switch, Control - Assembly (inc. 2-3)
2	0409-028	1		Screw
3	0409-027	1		Screw



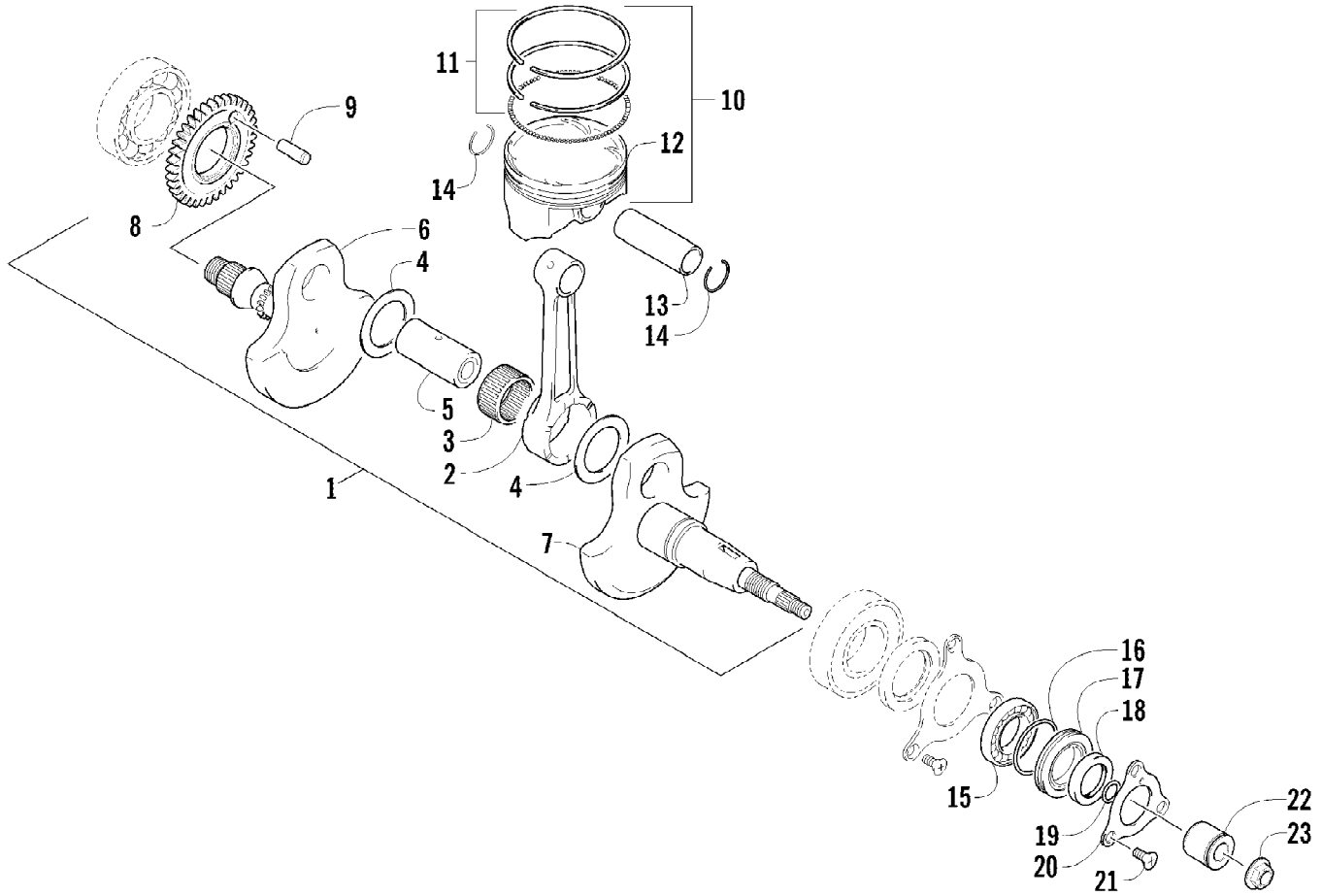
Ref #	Part Number	Qty	S/P/F	Description
1	0811-005	1		Balancer, Crank
2	0829-037	1		Key
3	3304-144	1		Pin, Drive Gear
4	0811-006	1		Gear, Driven
5	0811-009	1		Gear, Oil Pump Drive
6	0828-091	1		Washer, Drive Gear
7	0826-118	1		Bolt, Drive Gear

2008 ATV 366 AUTOMATIC TRANSMISSION 4X4 FIS RED (A2008IDG4BUSR) Page 23 of 86
CRANKCASE ASSEMBLY



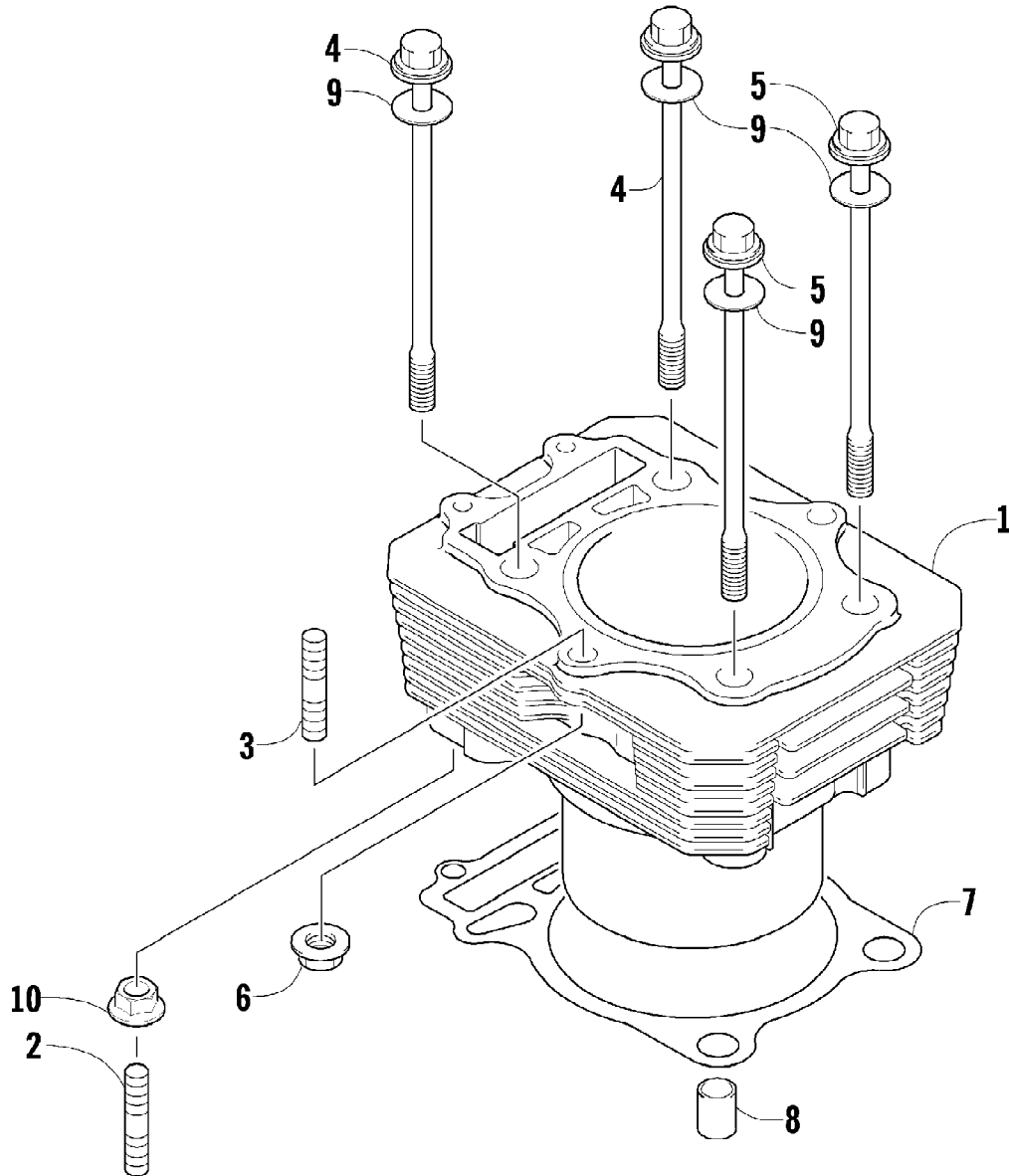
2008 ATV 366 AUTOMATIC TRANSMISSION 4X4 FIS RED (A2008IDG4BUSR)Page 24 of 86
CRANKCASE ASSEMBLY

Ref #	Part Number	Qty	S/P/F	Description
1	0801-021	1		Crankcase - Assembly (inc. 2-26)
2	0826-126	4		Bolt, Flange
3	3303-372	1		Bolt, Flange
4	0826-064	3		Bolt, Flange
5	0830-143	1	/P	Gasket, Oil Pressure Plug
6	0835-001	1		Plug, Oil Pressure
7	0829-046	2		Pin, Dowel
8	3303-387	10		Bolt, Flange
9	0826-065	3		Bolt, Flange
10	0801-018	1		Plate, Oil Guide - Right
11	0826-144	4		Screw, Pan-Head
12	0801-019	1		Plate, Oil Guide - Left
13	0812-066	1		Union, Oil Filter
14	0812-029	1	S	Filter, Oil
15	0801-027	1		Tube, Vent - Crankcase
16	0830-066	1		Seal, Driveshaft
17	0832-074	1		Bearing, Driveshaft
18	3304-198	1		Bearing, Driveshaft
19	3304-195	1		Bearing, Driveshaft
20	0832-019	2		Bearing
21	0832-022	2		Bearing
22	3304-699	1	/P	Bearing, Driveshaft
23	0832-020	1		Bearing, Crankshaft
24	0830-058	1		Seal, Crankshaft
25	0805-018	1		Retainer
26	0826-145	3		Screw, Flat-Head
27	0801-092	3		Mount, Rubber - Engine
28	0801-144	1		Mount, Rubber - Engine



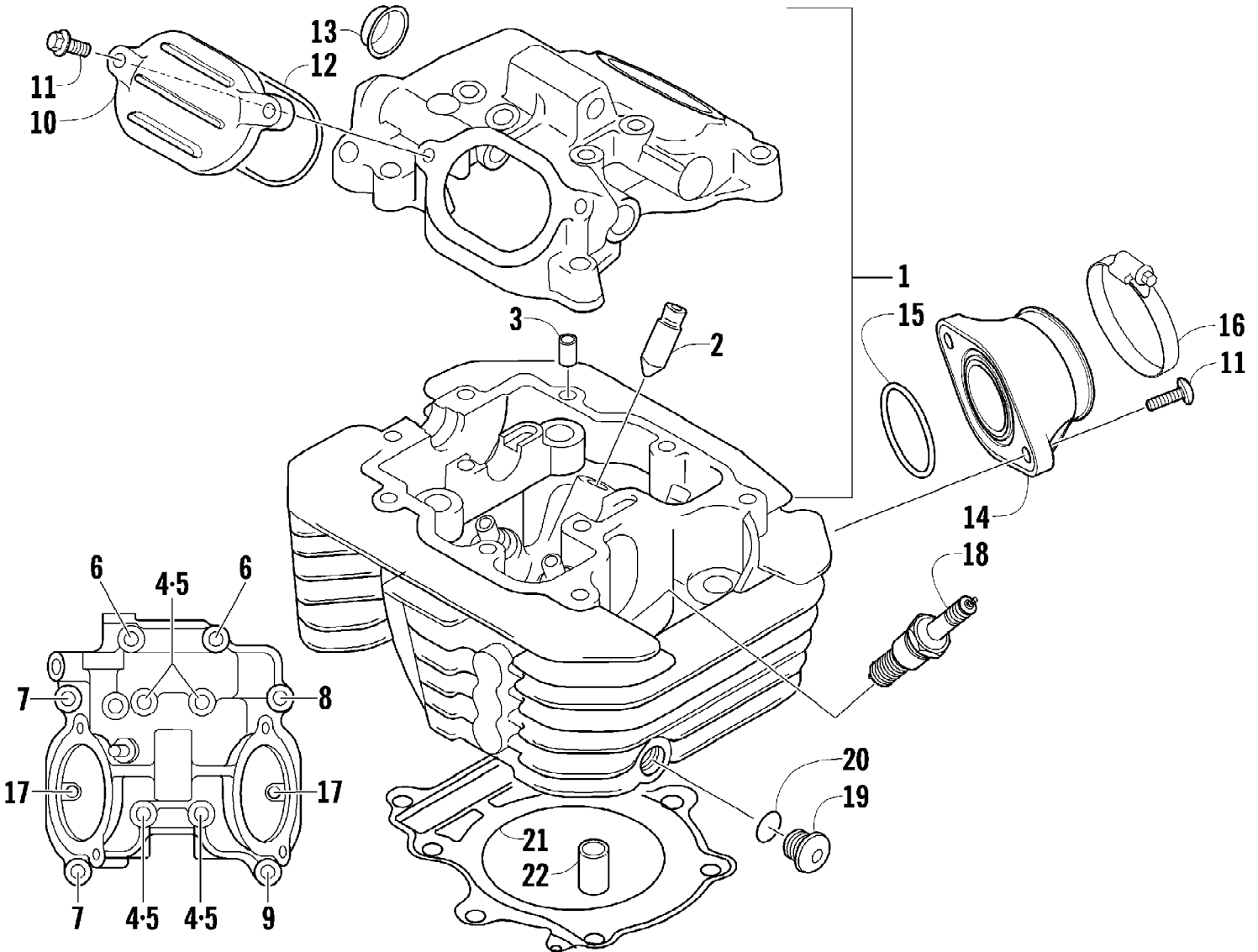
2008 ATV 366 AUTOMATIC TRANSMISSION 4X4 FIS RED (A2008IDG4BUSR)Page 26 of 86
CRANKSHAFT ASSEMBLY

Ref #	Part Number	Qty	S/P/F	Description
1	0805-013	1		Crankshaft Assembly (inc. 2-9)
2	0	1	F	Rod, Connecting
3	0832-018	1		Bearing
4	0828-045	2		Washer
5	0805-043	1		Pin, Crankshaft
6	0805-036	1		Crankshaft - Right
7	0805-038	1		Crankshaft - Left
8	0805-020	1		Gear, Crank Balancer Drive
9	0805-168	1		Pin, Dowel
10	0805-169	1		Piston Set (inc. 11-14)
11	0805-170	1		Ring, Piston - Set
12	0805-021	1		Piston
13	0805-023	1		Pin, Piston
14	0831-060	2		Circlip
15	0832-053	1		Bearing
16	0830-184	1	S	O-Ring
17	0820-037	1		Spacer
18	0830-145	1	S	Seal, Oil
19	0830-153	1		O-Ring
20	0805-178	1		Retainer, Crankshaft Oil Seal
21	0826-145	3		Screw, Retainer
22	0820-064	1		Bushing
23	3303-333	1	/P	Nut



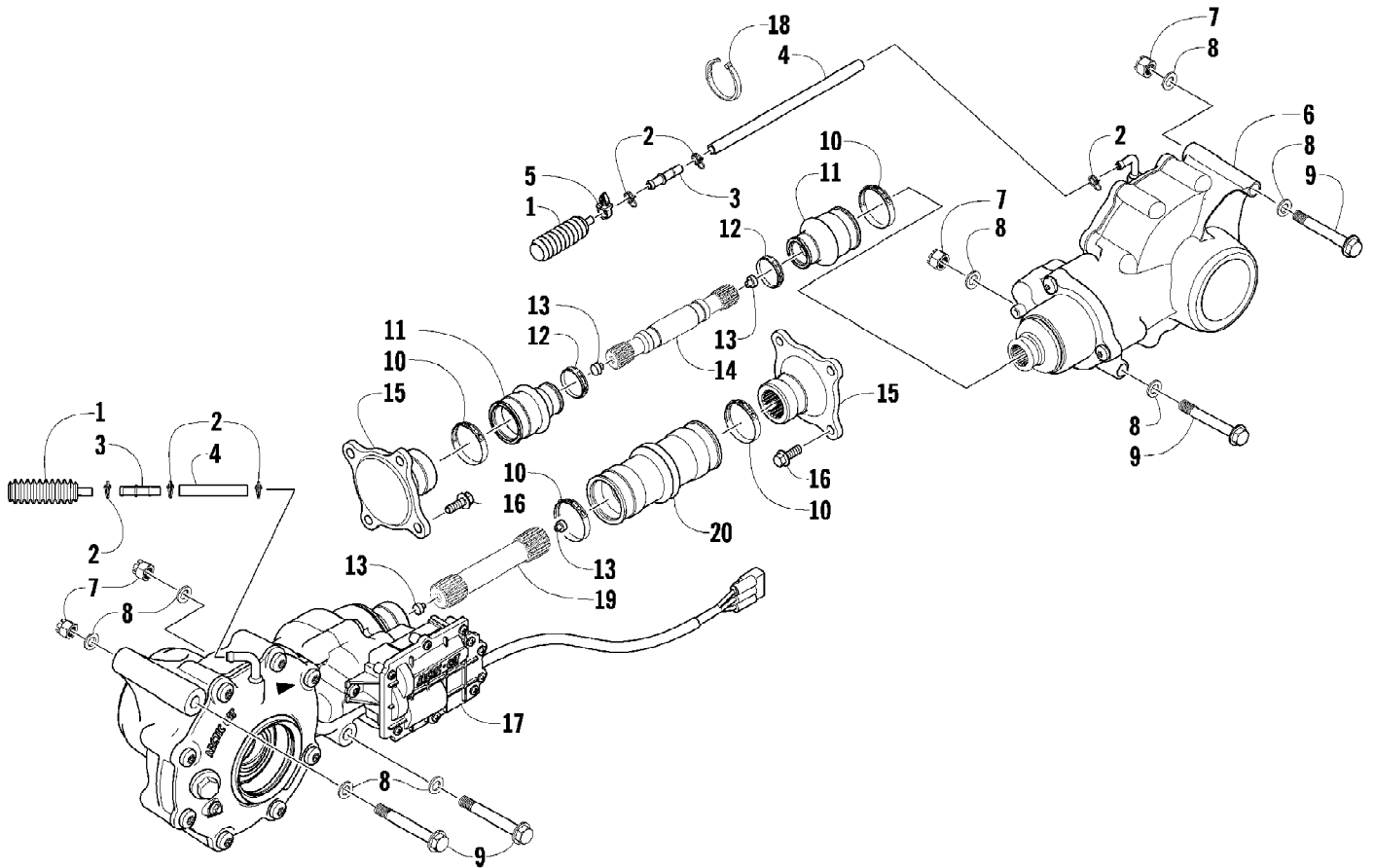
2008 ATV 366 AUTOMATIC TRANSMISSION 4X4 FIS RED (A2008IDG4BUSR) Page 28 of 86
CYLINDER ASSEMBLY

Ref #	Part Number	Qty	S/P/F	Description
1	0804-042	1		Cylinder
2	0827-044	2		Bolt, Stud
3	0827-019	2		Bolt, Stud
4	0826-061	2		Bolt, Head
5	0826-062	2		Bolt, Head
6	3303-332	2		Nut
7	0830-053	1		Gasket, Cylinder
8	0829-046	2		Pin, Dowel
9	0828-044	4		Washer, Head Bolt
10	3303-331	2	/P	Nut



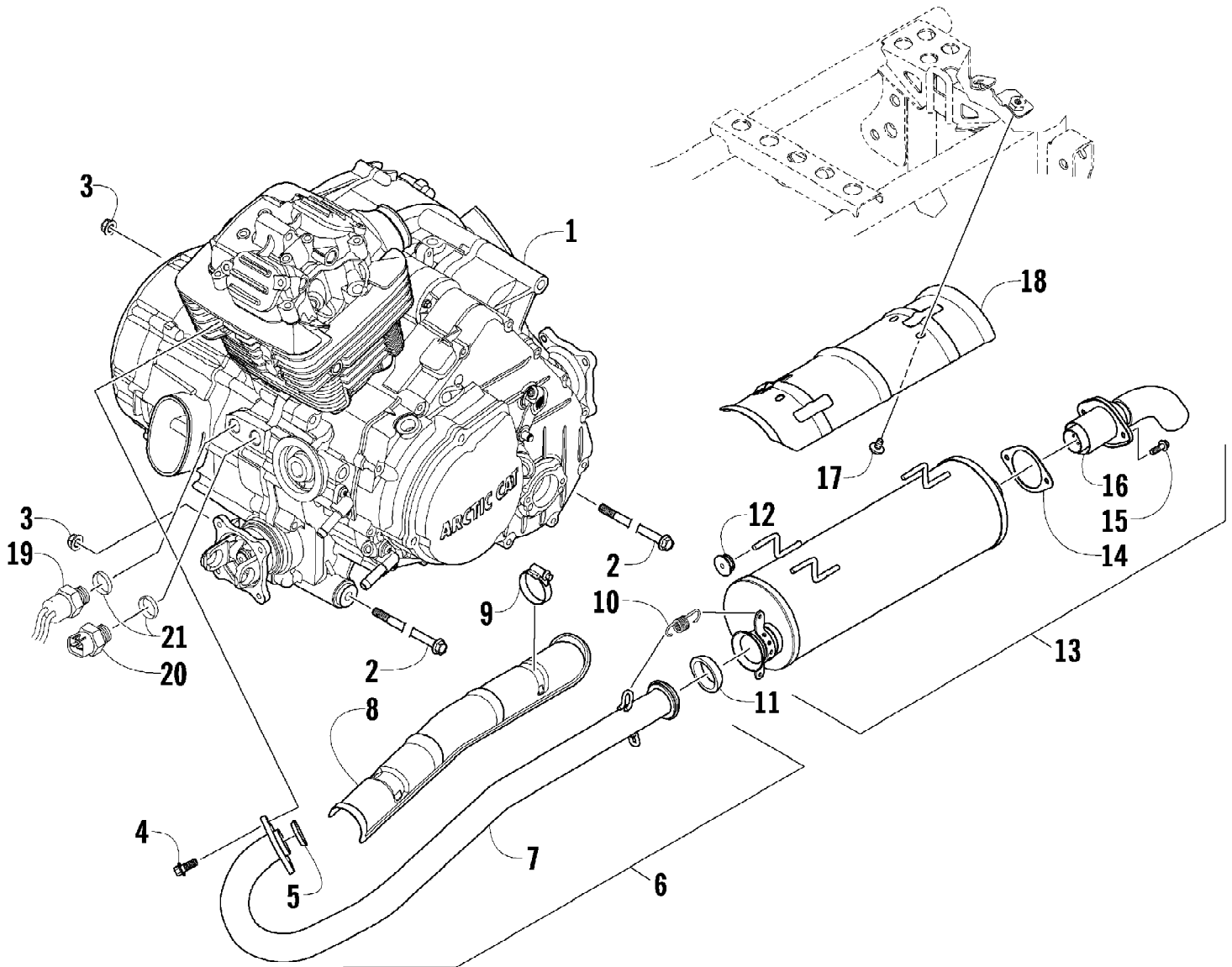
2008 ATV 366 AUTOMATIC TRANSMISSION 4X4 FIS RED (A2008IDG4BUSR)Page 30 of 86
CYLINDER HEAD ASSEMBLY

Ref #	Part Number	Qty	S/P/F	Description
1	0808-018	1	S/F	Head, Cylinder - Assembly (inc. 2-9 and 17)
2	0808-107	4		Guide, Valve
3	3303-341	2		Pin, Dowel
4	0826-115	4		Bolt
5	0830-155	4	/P	Gasket
6	3304-918	2		Bolt, Flange
7	3303-386	2	/P	Bolt, Flange
8	3304-903	1		Bolt, Flange
9	0826-136	1		Bolt, Flange
10	0808-111	2		Cap, Inspection
11	3303-383	6	/P	Bolt, Flange
12	0830-139	2		O-Ring
13	0808-112	1		Plug, Head
14	3323-030	1		Manifold, Intake
15	3323-145	1		O-Ring
16	0423-317	1	/P	Clamp
17	3303-384	2	/P	Bolt, Flange
18	0217-705	1	/P	Spark Plug NGK CR8E
19	3303-656	1		Plug, Oil Gallery
20	0830-051	1		Gasket, Oil Gallery Plug
21	0830-050	1		Gasket, Cylinder Head
22	0829-013	2		Pin, Dowel



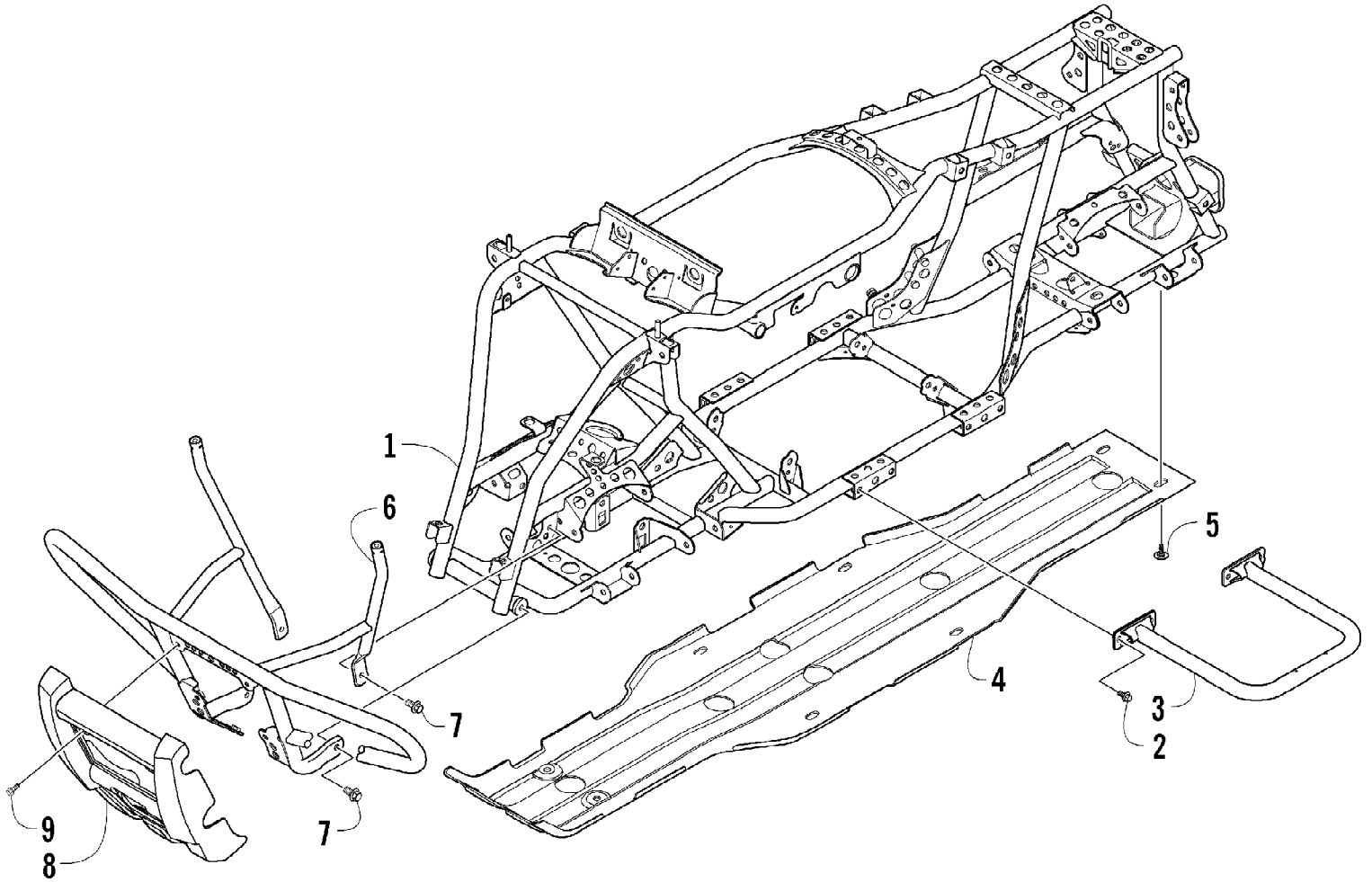
2008 ATV 366 AUTOMATIC TRANSMISSION 4X4 FIS RED (A2008IDG4BUSR) Page 32 of 86
 DRIVE TRAIN ASSEMBLY

Ref #	Part Number	Qty	S/P/F	Description
1	3323-151	2	S	Bladder, Gearcase
2	3323-149	6		Clamp, Fitting
3	3323-150	2		Fitting, Vent
4	0410-048	AR	S	Hose, Vent
5	3323-152	1		Clip, Routing
6	1502-316	1		Gearcase, Rear
7	8428-002	4		Nut, Lock
8	0423-426	8		Washer
9	0423-404	4		Screw, Cap
10	0423-393	4		Clamp, Boot
11	0402-985	2	/P	Boot
12	0423-411	2		Clamp, Boot
13	1402-693	4	S	Bumper, Propeller Shaft
14	1402-234	1		Shaft, Propeller
15	0402-950	2		Flange, Output
16	8408-820	8	/P	Screw, Cap
17	1502-213	1		Gearcase, Front
18	0123-788	AR	/P	Tie, Cable
19	0402-963	1		Shaft, Propeller
20	0402-954	1		Boot, Coupler



2008 ATV 366 AUTOMATIC TRANSMISSION 4X4 FIS RED (A2008IDG4BUSR)Page 34 of 86
ENGINE AND EXHAUST

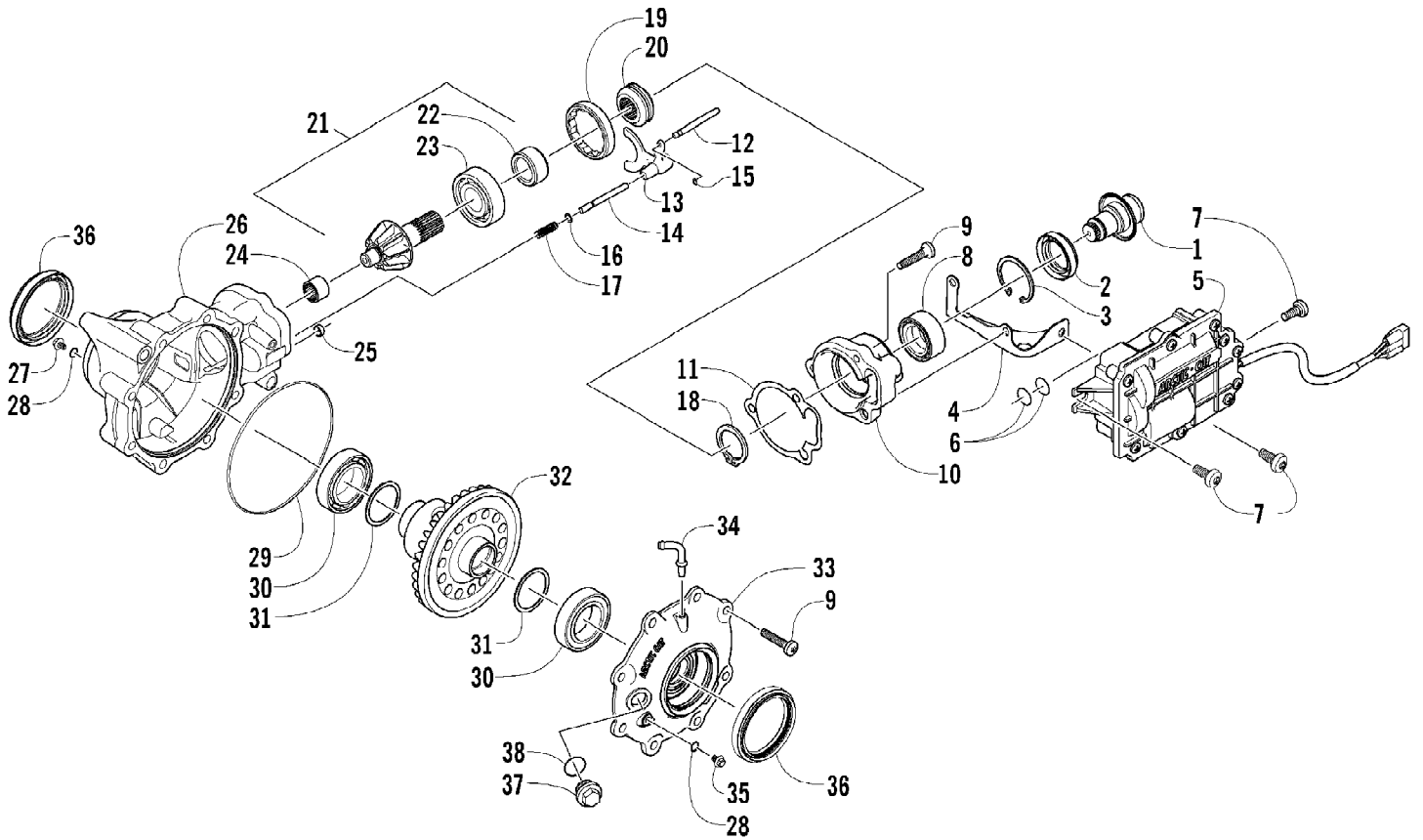
Ref #	Part Number	Qty	S/P/F	Description
1	3313-400	1		Engine
2	3323-174	2		Bolt
3	3323-178	2		Nut, Lock
4	3304-565	2	/P	Screw, Cap
5	0612-188	1	/P	Gasket, Exhaust Pipe
6	3313-364	1		Pipe, Exhaust - Assembly (inc. 7-9)
7	3313-024	1		Pipe, Exhaust
8	3313-025	1		Shield, Exhaust Pipe
9	0423-317	2	/P	Clamp, Hose
10	0612-668	2	/P	Spring, Extension
11	0412-007	1	/P	Seal, Exhaust
12	3313-264	3		Bushing, Exhaust Pipe
13	3313-050	1		Muffler - Assembly (inc. 14-16)
14	3323-116	1		Gasket, Spark Arrester
15	3304-173	2	S	Screw, Cap
16	3313-365	1		Arrester, Spark - Assembly
17	3304-187	3		Screw, Machine
18	3313-026	1		Cover, Muffler
19	3313-432	1		Switch - Temperature - Fan
20	3313-431	1		Switch - Temperature - Light
21	0830-180	2		O-Ring



2008 ATV 366 AUTOMATIC TRANSMISSION 4X4 FIS RED (A2008IDG4BUSR)Page 36 of 86
FRAME AND RELATED PARTS

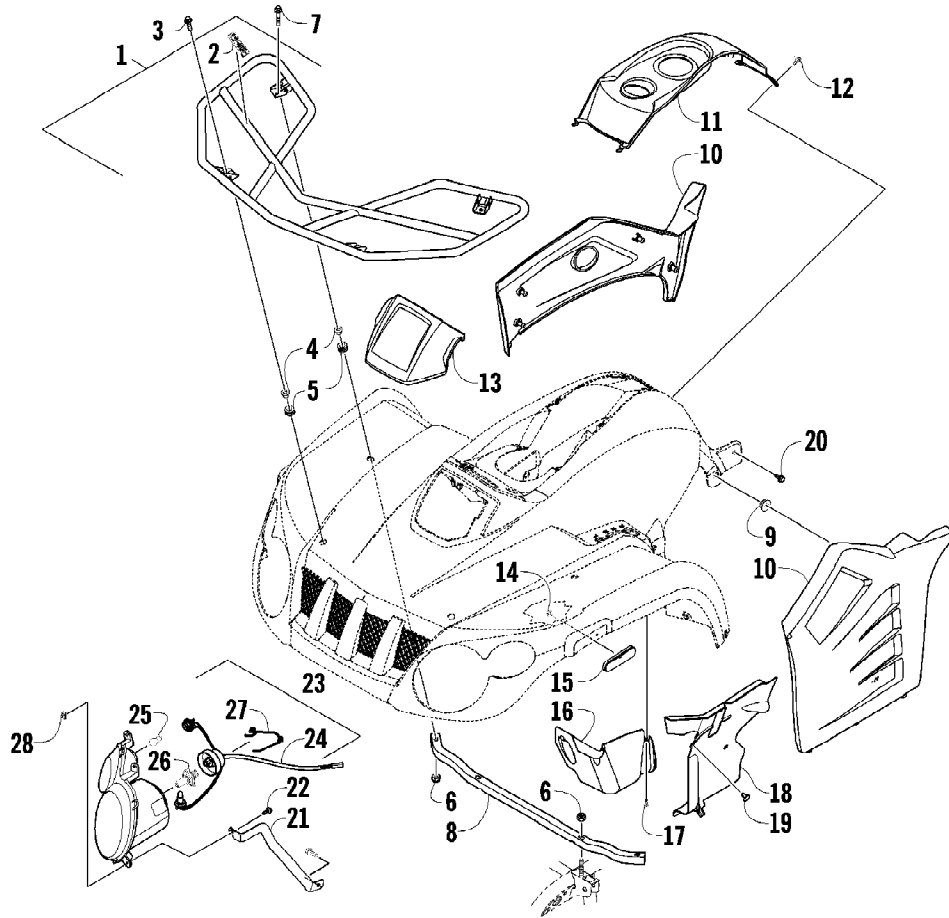
Ref #	Part Number	Qty	S/P/F	Description
1	3313-241	1		Frame, Main
2	3304-543	8	/P	Bolt, Flange
3	3313-351	2		Footrest
4	3313-234	1	S	Panel, Belly
5	0423-545	10	/P	Screw, Body
6	3313-357	1		Bumper - Front
7	3323-185	4		Bolt
8	3303-980	1	S	Bumper, Plastic
9	3323-180	4		Screw

2008 ATV 366 AUTOMATIC TRANSMISSION 4X4 FIS RED (A2008IDG4BUSR) Page 37 of 86
FRONT DRIVE GEARCASE ASSEMBLY



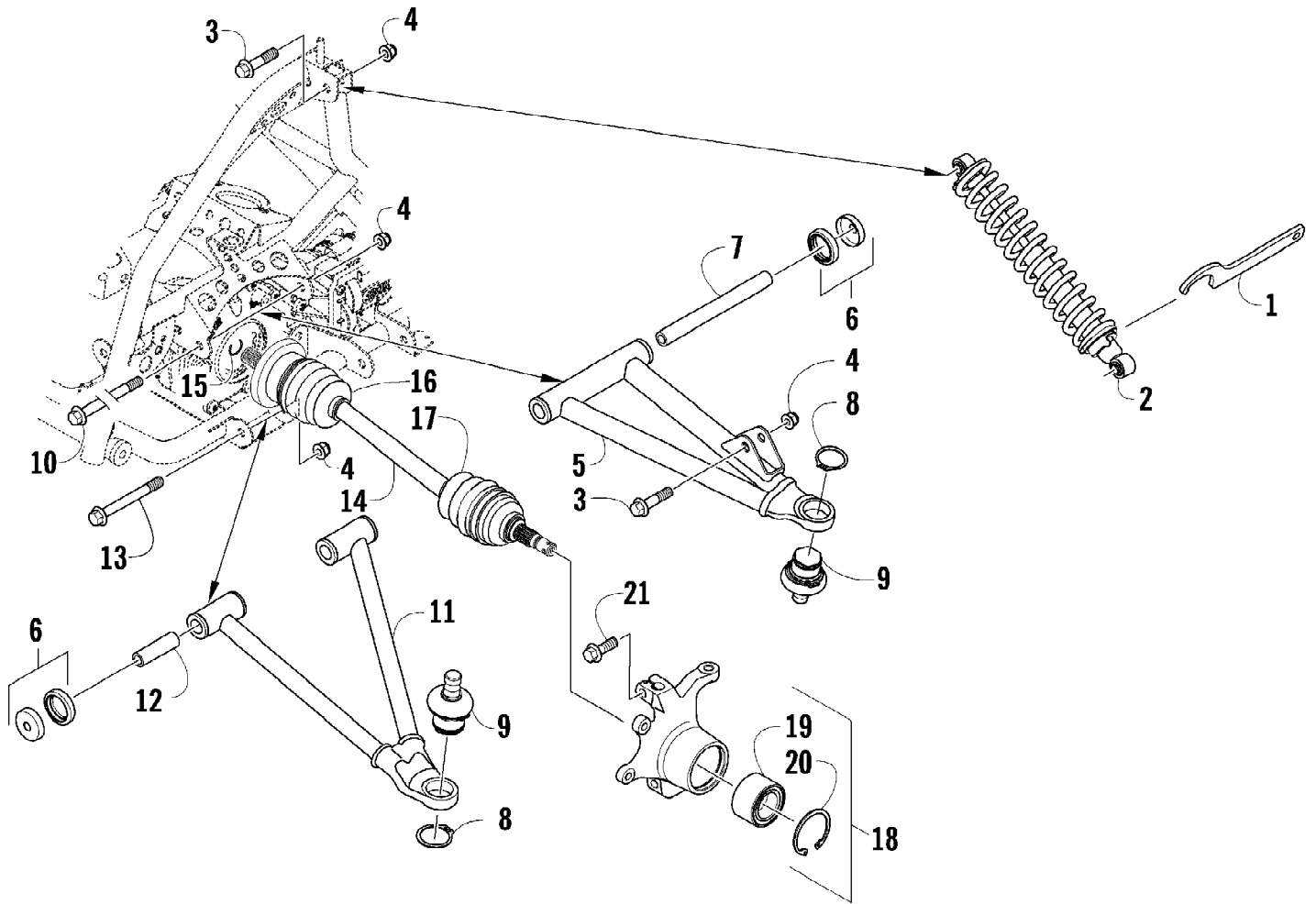
2008 ATV 366 AUTOMATIC TRANSMISSION 4X4 FIS RED (A2008IDG4BUSR)Page 38 of 86
FRONT DRIVE GEARCASE ASSEMBLY

Ref #	Part Number	Qty	S/P/F	Description
	1502-213	1		Complete Front Drive Gearcase
1	1502-085	1	/P	Shaft, Input
2	1402-011	1		Seal
3	0423-423	1		Ring, Retaining
4	0502-347	1		Bracket, Actuator
5	0502-296	1		Actuator (inc. one No. 6)
6	0423-498	2	S	O-Ring
7	0423-396	3		Screw, Self-Tapping
8	1402-043	1		Bearing
9	0423-118	11		Screw, Self-Tapping
10	0502-528	1	/P	Housing, Pinion
11	0402-947	1		Gasket, Flange
12	0402-997	1		Shaft, Selector
13	0402-998	1		Fork, Selector
14	0402-417	1		Shaft, Shuttle
15	0423-402	1		Ring, Retaining
16	0423-147	1		O-Ring
17	0402-999	1		Spring, Return
18	0423-417	1		Ring, Retaining
19	0402-357	1		Collar, Lock
20	0402-413	1		Coupler, Drive
21	0502-784	1		Gear, Pinion - Assembly - 11T (inc. 22-23)
22	0402-336	1		Collar, Retaining
23	0402-327	1		Bearing
24	0402-328	1		Bearing
25	0402-411	1		Pin, Dowel
26	0502-514	1		Housing, Gearcase
27	0402-450	1	S	Plug, Magnetic (inc. one No. 28)
28	0423-153	2		O-Ring
29	0423-149	1		O-Ring
30	0402-393	2		Bearing
31	0402-405	AR		Shim
31	0402-406	AR		Shim
31	0402-407	AR		Shim
31	0402-408	AR		Shim
31	0402-409	AR		Shim
32	1502-229	1		Gear, Ring - 34T
33	1502-081	1		Cover, Gearcase
34	1402-102	1		Fitting, 90°
35	1402-211	1		Plug, Oil Level (inc. one No. 28)
36	1402-441	2	S	Seal
37	0402-333	1	/P	Plug, Fill (inc. 38)
38	0423-154	1		O-Ring



2008 ATV 366 AUTOMATIC TRANSMISSION 4X4 FIS RED (A2008IDG4BUSR)Page 40 of 86
FRONT RACK AND HEADLIGHT ASSEMBLY

Ref #	Part Number	Qty	S/P/F	Description
1	3313-372	1		Rack, Front - Assembly (inc. 2)
2	1411-681	1		Decal, Warning - Front Rack Load
3	3323-219	2		Screw, Cap
4	3323-014	4		Spacer
5	3323-013	4		Grommet
6	3304-668	4		Nut, Lock
7	3323-199	2		Screw, Cap
8	3313-469	1		Tube, Mounting - Front Rack
9	3323-015	10		Grommet
10	3313-192	1		Panel, Side - Lower - Right
10	3313-193	1		Panel, Side - Lower - Left
11	3313-188	1		Cover, Tank - Gas
12	3313-477	2	S	Rivet, Plastic
13	3313-266	1		Cover, Access - Electrical
14	3305-527	2	/P	Nut
15	3313-359	2	/P	Reflector
16	3313-466	1		Shield, Linkage
17	3304-650	3	/P	Screw, Self-Tapping
18	3313-444	1		Panel, Splash - Right
18	3313-445	1		Panel, Splash - Left
19	3303-592	2		Clip
20	3304-543	2	/P	Bolt, Flange
21	3313-492	1		Bracket, Support - Headlight - Right
21	3313-493	1		Bracket, Support - Headlight - Left
22	3313-473	8	S	Bolt, w/Washer
23	3313-516	1		Headlight - Assembly - Right (inc. 24-27)
23	3313-517	1		Headlight - Assembly - Left (inc. 24-27)
24	3313-173	2		Socket, Headlight - Assembly
25	3313-508	2	/P	Bulb
26	3303-846	2	/P	Bulb, Headlight
27	3313-249	1		Clip, Retaining - Assembly - Right
27	3313-495	1		Clip, Retaining - Assembly - Left
28	3304-061	8	/P	Nut, Clip

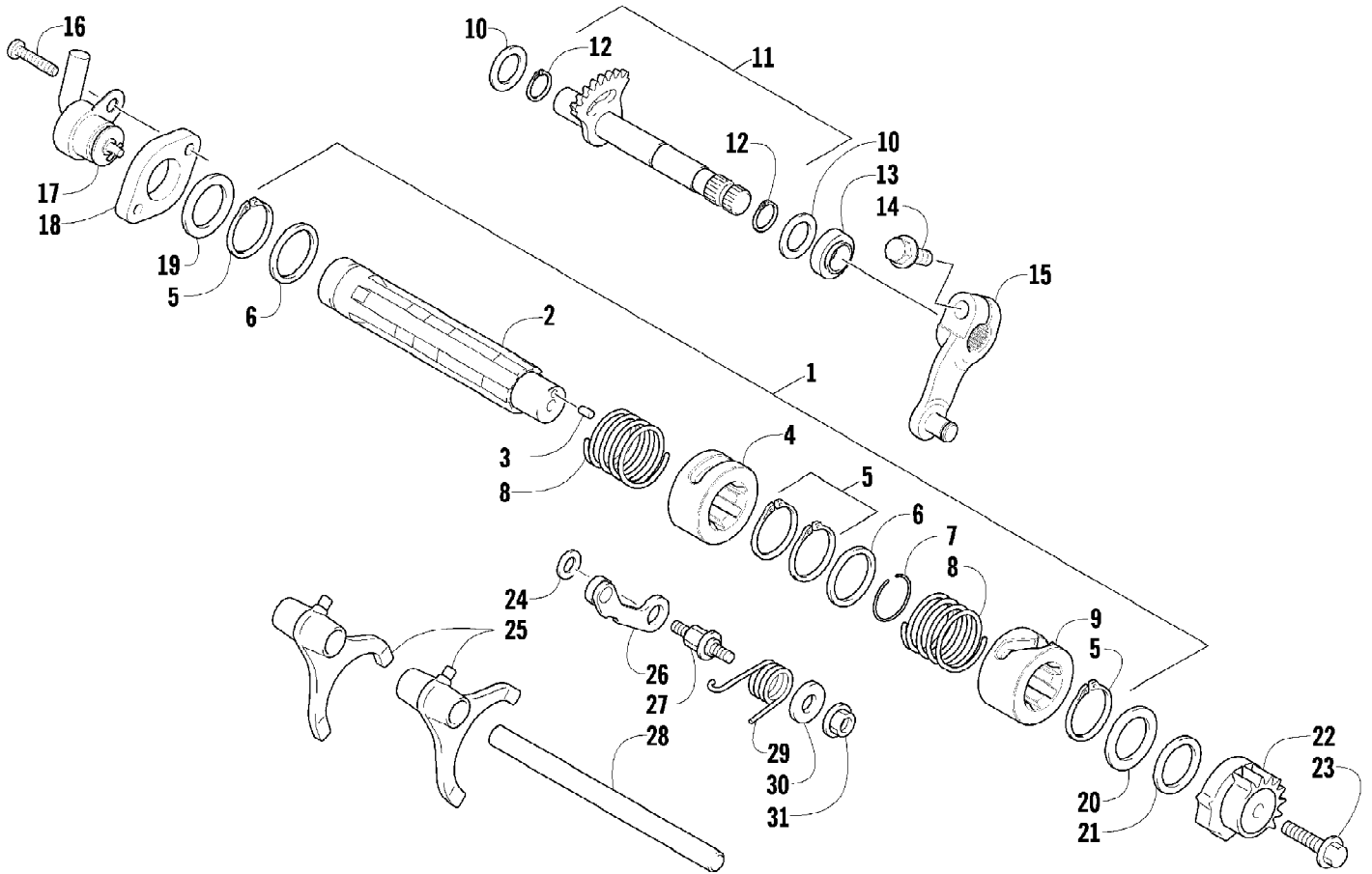


2008 ATV 366 AUTOMATIC TRANSMISSION 4X4 FIS RED (A2008IDG4BUSR)Page 42 of 86
FRONT SUSPENSION ASSEMBLY

Ref #	Part Number	Qty	S/P/F	Description
1	1441-797	1	F	Wrench, Spanner
2	3313-330	2		Shock Absorber - Assembly
3	3303-376	4	/P	Screw, Cap
4	3304-031	10	/P	Nut, Lock
5	3313-084	1		A-Arm, Upper Right (inc. two No. 6 and one No. 7-9)
5	3313-085	1		A-Arm, Upper Left (inc. two No. 6 and one No. 7-9)
6	3313-113	12		Seal, Suspension
7	3313-111	2	/P	Sleeve, Suspension
8	0423-009	4	/P	Clip, Ball Joint
9	0405-115	4	/P	Ball Joint - Front
10	3313-430	2		Screw, Cap
11	3313-080	1		A-Arm, Lower Right (inc. four No. 6, one No. 8-9, and two No. 12)
11	3313-081	1		A-Arm, Lower Left (inc. four No. 6, one No. 8-9, and two No. 12)
12	3313-107	4		Sleeve, Suspension
13	3304-183	4	/P	Screw, Cap
14	3313-447	2		Axle, Drive - Front (inc. 15-16)
15	1441-109	2	S	Clip, Retaining
16	3313-560	1		Repair Kit, Boot - Drive Axle - Inbound
17	3313-558	1		Repair Kit, Boot - Drive Axle - Outbound
18	3323-130	1		Knuckle - Assembly - Right (inc. one No. 19-20)
18	3323-131	1		Knuckle - Assembly - Left (inc. one No. 19-20)
19	1402-027	2	S/P	Bearing
20	3323-143	2		Ring, Retaining
21	3323-127	4		Screw, Cap

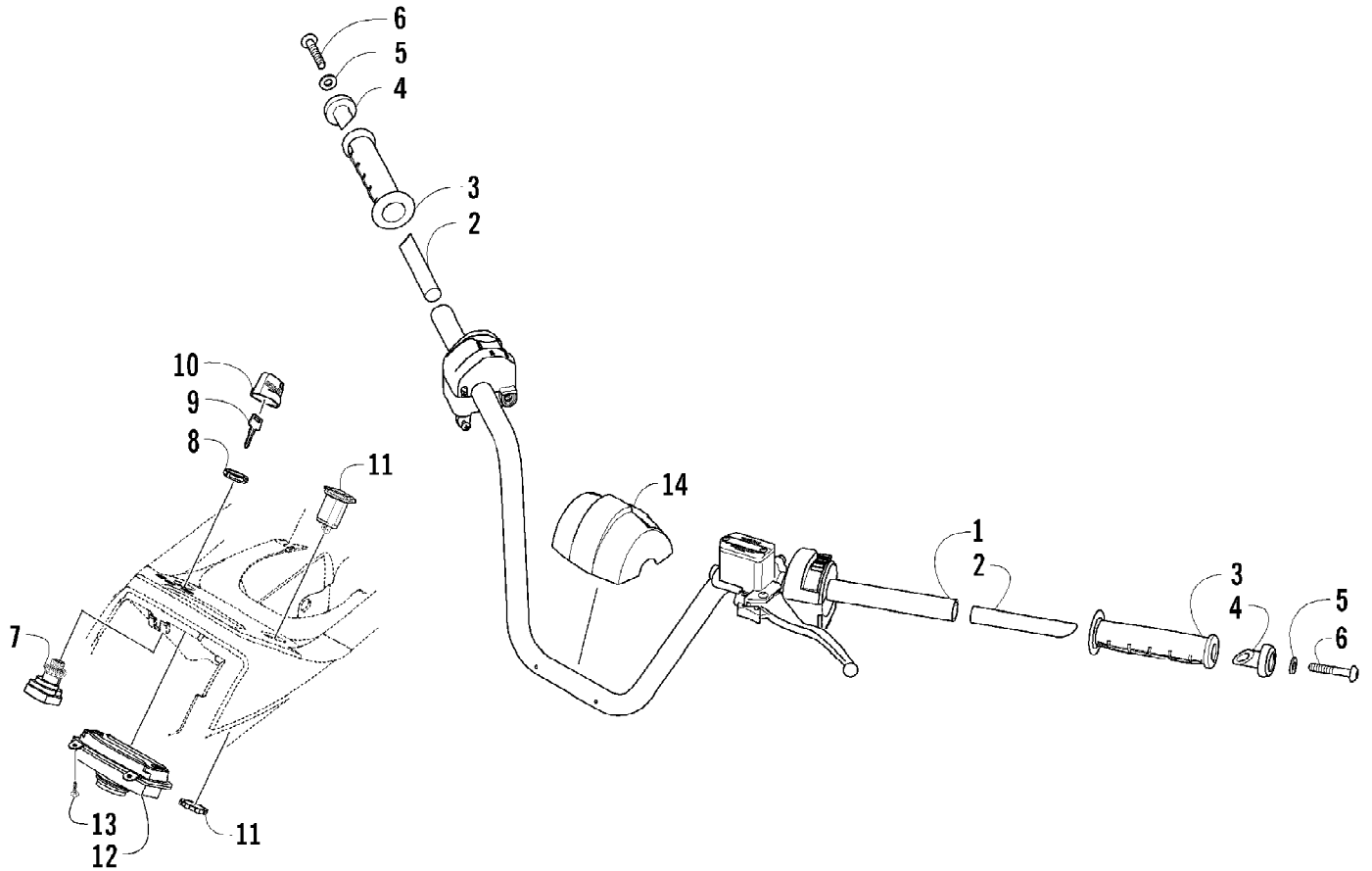
2008 ATV 366 AUTOMATIC TRANSMISSION 4X4 FIS RED (A2008IDG4BUSR)Page 44 of 86
GAS TANK ASSEMBLY

Ref #	Part Number	Qty	S/P/F	Description
1	3313-283	1		Tank, Gas - Assembly (inc. 2-7)
2	3323-094	1		Cap, Gas Tank (inc. 3)
3	3323-086	1	S	Gasket, Gas Tank Cap
4	3313-324	1	S	Gauge, Gas - Assembly (inc. 5)
5	3323-092	1		Seal, Gas Gauge
6	3313-325	1		Valve, Gas Tank
7	3323-095	2	S	Nut, Lock
8	3323-091	1		Screw, Valve Knob
9	3313-287	1		Knob, Gas Tank Valve
10	3303-349	3		Clamp, Hose
11	3313-288	1		Hose, Gasline
12	3313-322	1		Hose, Gasline
13	3323-087	1		Screw, Gas Tank
14	0423-460	2		Grommet
15	3313-286	1		Shield, Heat



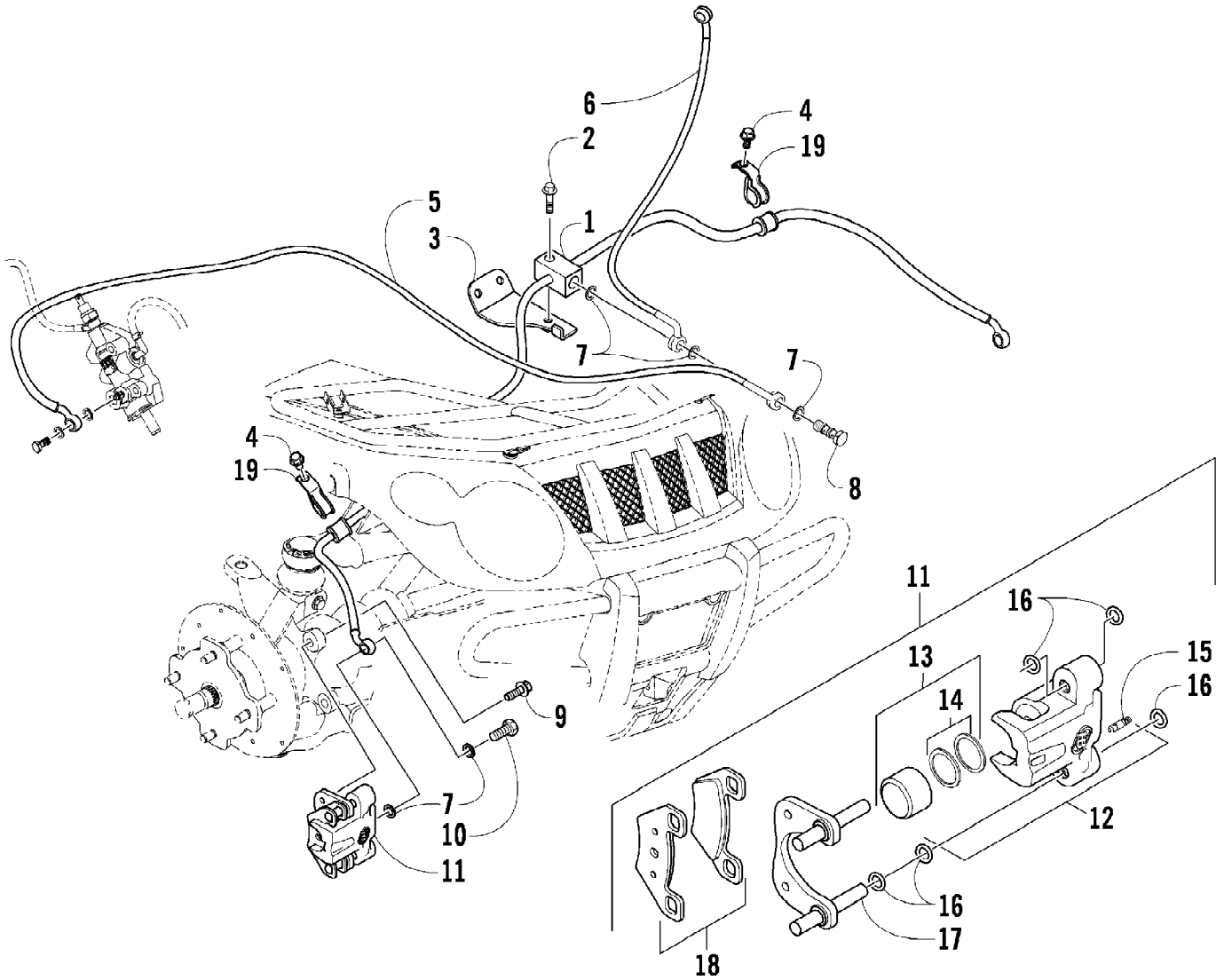
2008 ATV 366 AUTOMATIC TRANSMISSION 4X4 FIS RED (A2008IDG4BUSR) Page 46 of 86
GEAR SHIFTING ASSEMBLY

Ref #	Part Number	Qty	S/P/F	Description
1	0818-024	1	S	Shaft, Gear Shift - Assembly (inc. 2-9)
2	0	1	F	Shaft, Gear Shift
3	3304-439	1		Pin, Dowel
4	0	1	F	Cam, Reverse
5	3304-147	4	/P	Circlip, Cam Spring
6	0828-079	2		Washer, Cam Spring
7	0	1	F	C-Ring, Cam
8	0	2	F	Spring, Cam
9	0	1	F	Cam, Gear Shift
10	0828-084	2		Washer, Sub-Gear Shift Shaft
11	0818-022	1		Shaft, Sub-Gear Shift (inc. 12)
12	0831-056	2		Circlip, Sub-Gear Shift Shaft
13	0830-179	1		Seal, Sub-Gear Shift Shaft
14	3304-551	1	/P	Bolt, Flange
15	0818-080	1		Arm, Select
16	0826-135	2		Bolt
17	3313-434	1		Switch, Gear Shift Position
18	0818-073	1		Spacer, Speed Sensor
19	0828-079	1		Washer, Shift Shaft
20	0828-081	1		Washer, Shift Shaft
21	0828-080	1		Washer, Gear Shift Cam Plate
22	0818-061	1		Plate, Gear Shift Cam
23	3304-569	1		Bolt, Gear Shift Cam Plate
24	0828-083	1		Washer, Cam Stopper
25	0818-088	2		Fork, Shift
26	0818-084	1		Stopper, Cam
27	0818-062	1		Support, Cam Stopper
28	0818-021	1		Shaft, Shift Fork
29	0818-020	1		Spring, Cam Stopper
30	0828-082	1		Washer, Cam Stopper Spring
31	3305-527	1	/P	Nut, Cam Stopper Spring

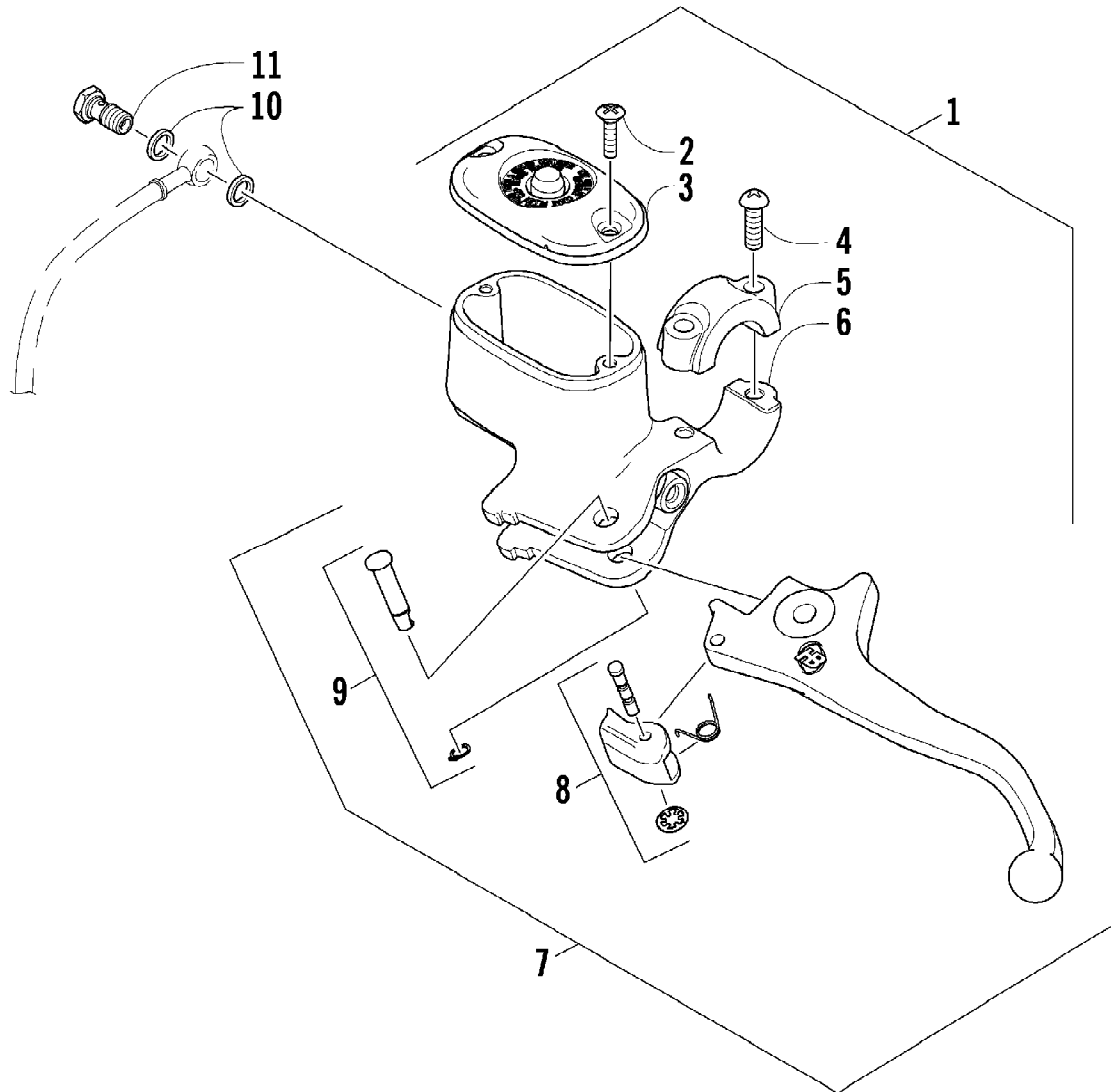


2008 ATV 366 AUTOMATIC TRANSMISSION 4X4 FIS RED (A2008IDG4BUSR) Page 48 of 86
HANDLEBAR ASSEMBLY

Ref #	Part Number	Qty	S/P/F	Description
1	3313-059	1		Tube, Handlebar
2	3323-054	2		Plug, Handlebar
3	3323-053	2		Grip, Handlebar
4	3323-055	2		End Cap, Handlebar
5	3323-186	2		Washer
6	3323-177	2		Screw, Machine
7	3313-439	1		Switch, Ignition - Assembly (inc. 8-10)
8	0430-050	1		Nut, Flange - Ignition Switch
9	3409-007	1	/P	Key, Ignition - Blank (C Series)
10	0430-054	1		Cover, Key
11	3313-468	1		Outlet, Accessory - 12V
12	3313-435	1		Speedometer - Assembly
13	3304-650	3	/P	Screw, Self-Tapping
14	3313-457	1		Cover, Post - Steering

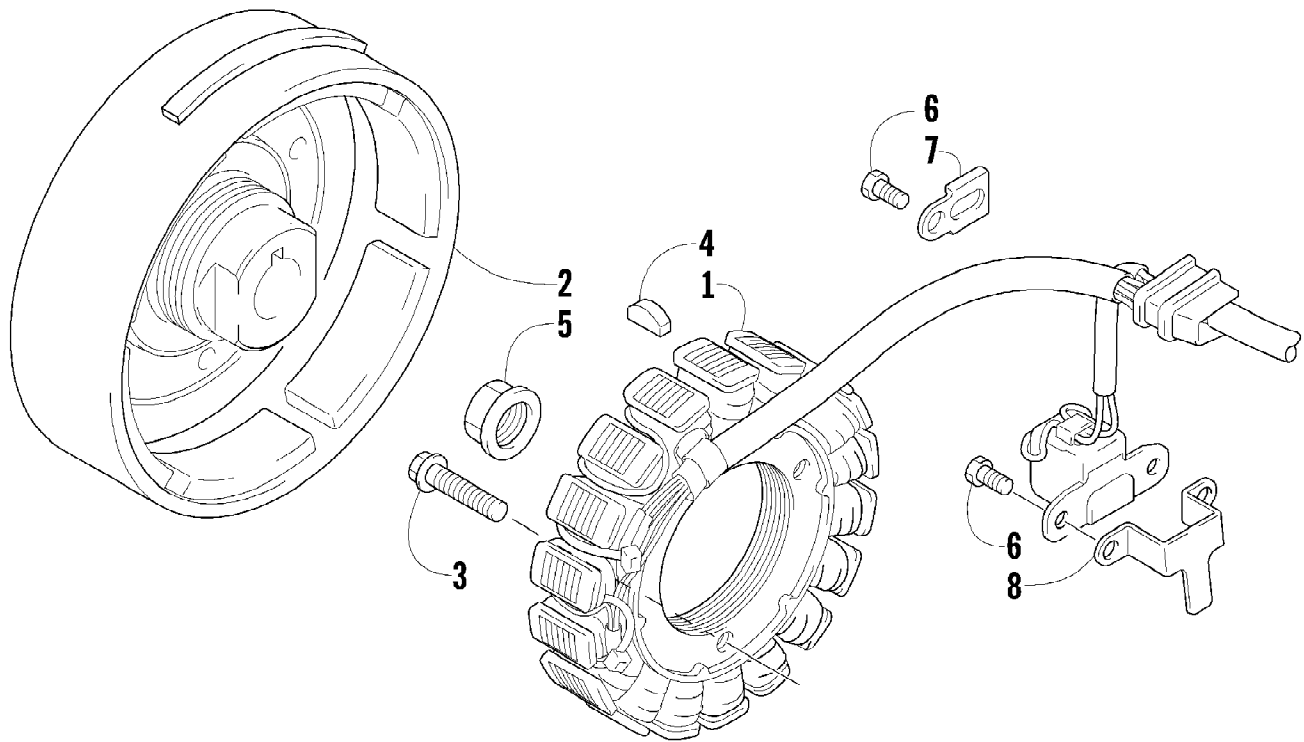


Ref #	Part Number	Qty	S/P/F	Description
1	3313-750	1	/P	Hose, Brake - Assembly
2	3323-023	1	S	Screw, Cap
3	3323-022	2		O-Ring
4	3304-654	1	/P	Nut, Flange
5	3313-423	1		Hose, Brake
6	3313-422	1		Hose, Brake
7	3323-155	5	S	Washer, Crush
8	3323-158	1	S	Bolt, Banjo-Fitting - Double
9	3304-565	4	/P	Bolt, Flange
10	3303-257	1	/P	Bolt, Banjo-Fitting
11	3323-156	1		Caliper, Brake - Right Front (inc. 12-18)
11	3323-157	1		Caliper, Brake - Left Front (inc. 12-18)
12	1436-160	1	/P	Housing, Caliper - Assembly - Right Front (inc. 13-15)
12	1436-161	1	/P	Housing, Caliper - Assembly - Left Front (inc. 13-15)
13	0502-606	2		Piston/Seal Set (inc. 14)
14	0502-607	2		Seal Set
15	0502-609	2	/P	Valve, Bleed
16	0502-608	2		O-Ring, Guide - Set
17	0502-605	2		Bracket Assembly
18	1436-165	2	S	Pad, Brake - Set

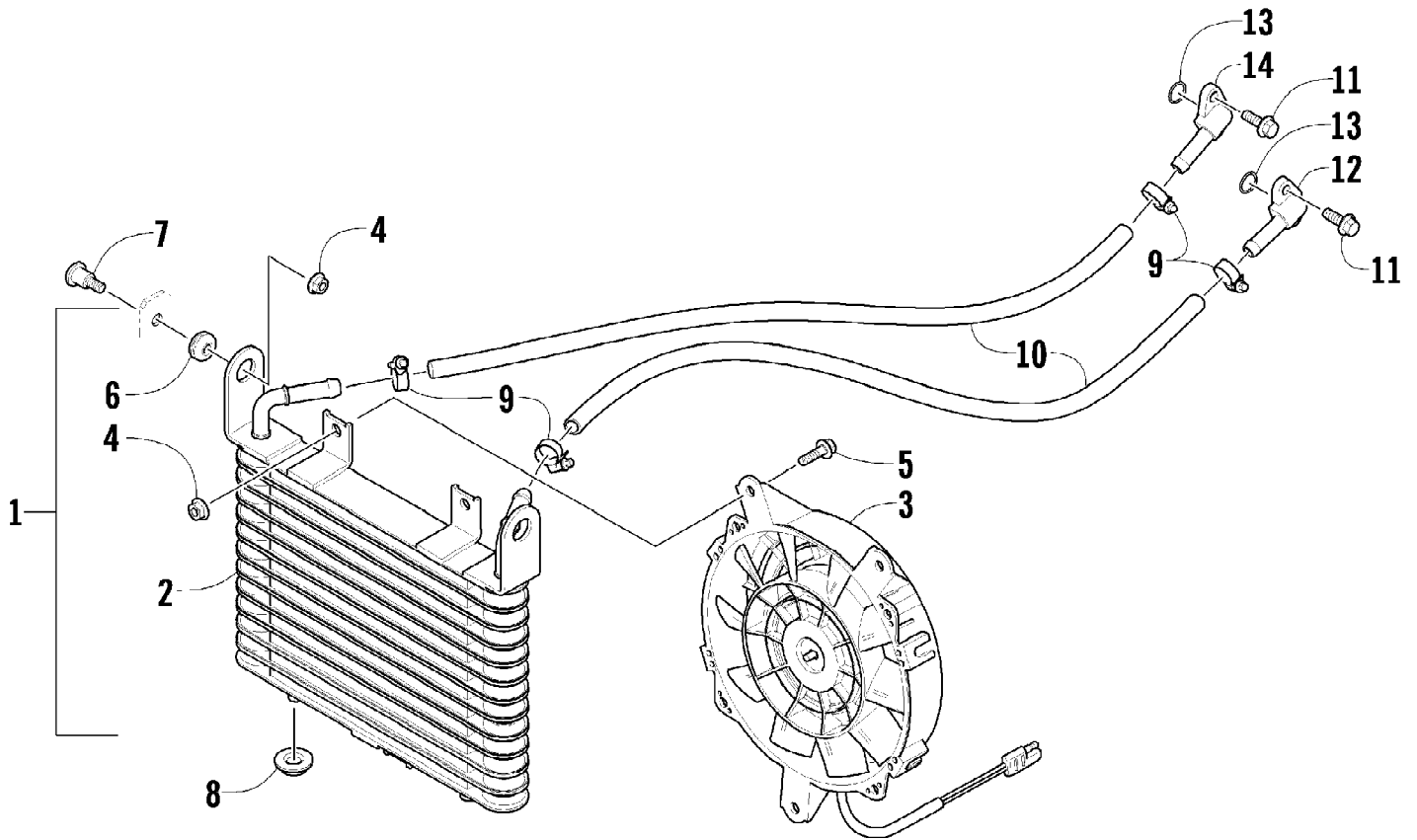


2008 ATV 366 AUTOMATIC TRANSMISSION 4X4 FIS RED (A2008IDG4BUSR)Page 52 of 86
HYDRAULIC HAND BRAKE ASSEMBLY

Ref #	Part Number	Qty	S/P/F	Description
1	3313-316	1		Brake Assembly (inc. 2-9)
2	0502-566	2		Screw, Reservoir Cover
3	0502-868	1	/P	Cover, Reservoir
4	0502-568	2		Screw, Master Cylinder Clamp
5	0502-869	1		Clamp, Master Cylinder
6	0502-704	1		Master Cylinder Assembly
7	0502-866	1		Lever Assembly - Kit (inc. 8-9)
8	0502-867	1	/P	Lock, Brake Lever - Kit
9	0502-580	1		Lever Pin - Kit
10	3323-155	2	S	Washer, Crush
11	3303-257	1	/P	Bolt, Banjo-Fitting

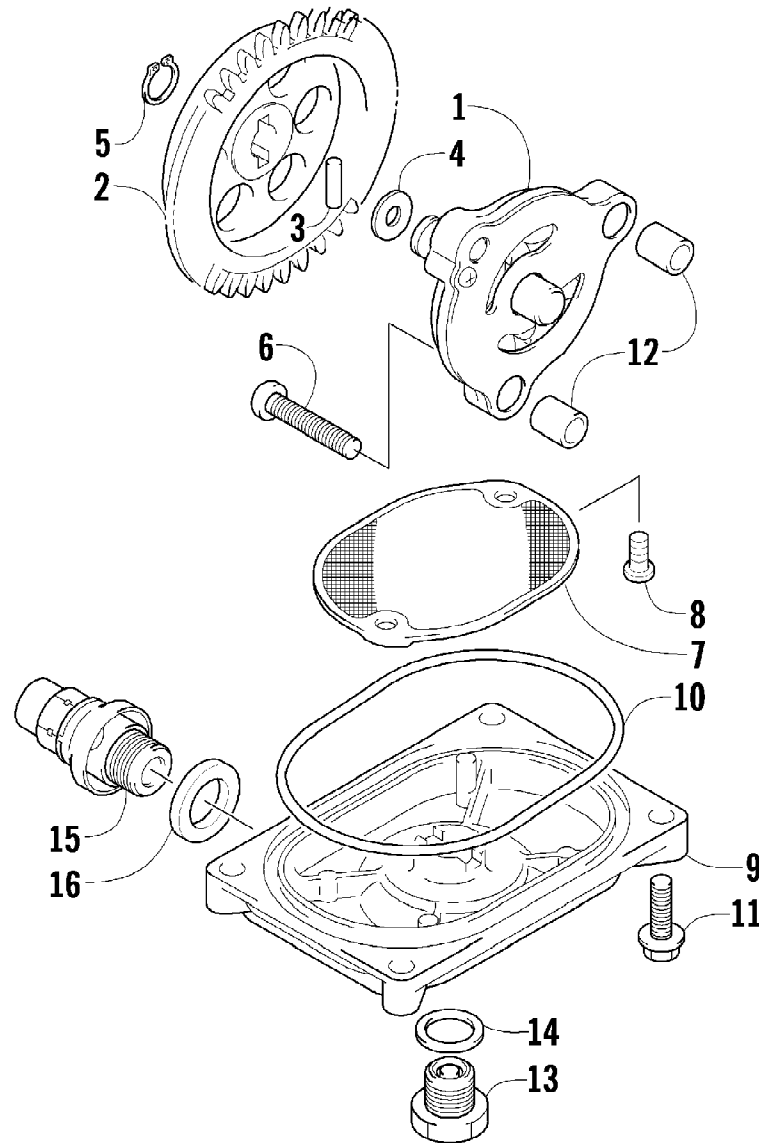


Ref #	Part Number	Qty	S/P/F	Description
1	3323-200	1		Stator Assembly
2	0802-047	1	S	Rotor/Flywheel
3	3303-384	3	/P	Bolt
4	0829-039	1		Key
5	0827-046	1		Nut
6	3303-308	3		Bolt
7	0802-003	1		Clamp
8	0802-004	1		Clamp



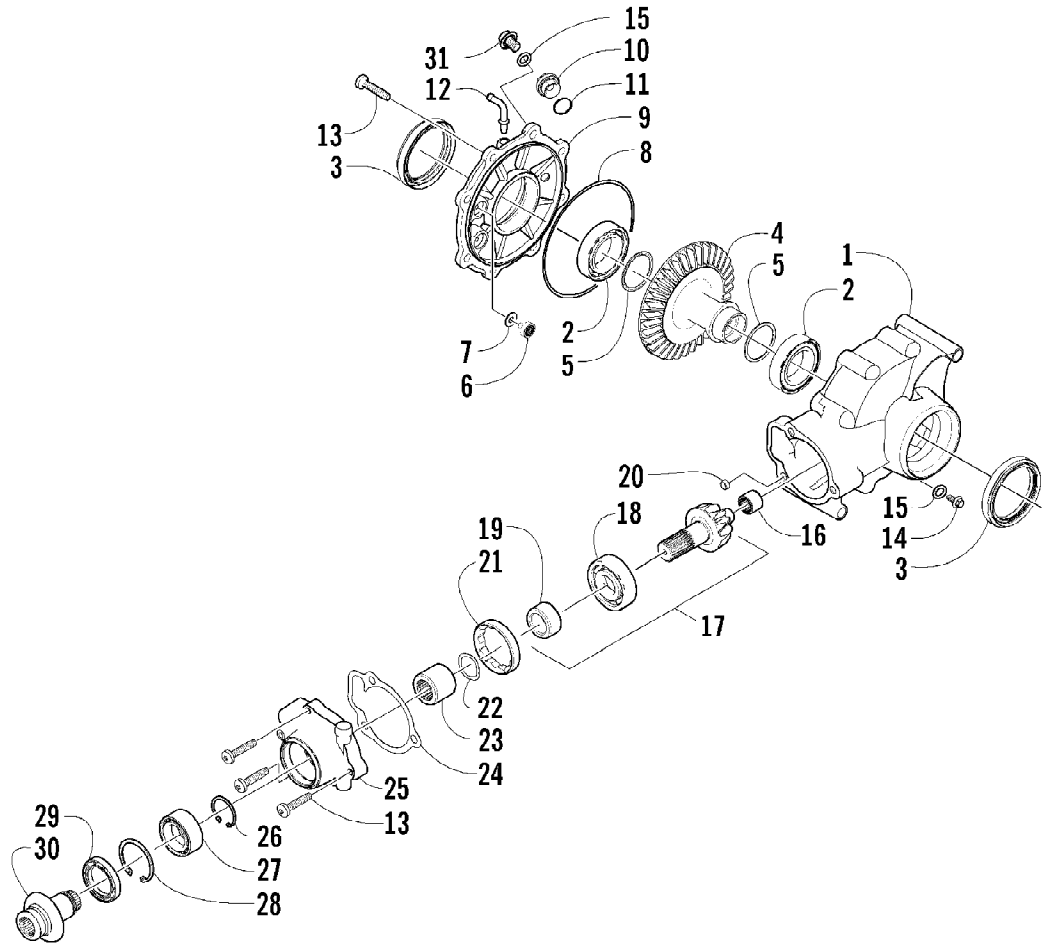
2008 ATV 366 AUTOMATIC TRANSMISSION 4X4 FIS RED (A2008IDG4BUSR) Page 56 of 86
 OIL COOLER ASSEMBLY

Ref #	Part Number	Qty	S/P/F	Description
1	3323-202	1		Cooler, Oil - Assembly (inc. 2-3, three No. 4, and 5-6)
2	3323-203	1		Cooler, Oil
3	3323-204	1		Fan, Cooling
4	3304-654	5	/P	Nut, Flange
5	3304-173	3	S	Screw, Machine
6	3323-201	2		Grommet
7	3313-166	2		Screw, Shoulder
8	3323-194	2		Bushing, Stem
9	0423-098	4	/P	Clamp, Hose
10	0410-044	2		Hose, Oil
11	3303-617	4	/P	Bolt, Flange
12	0812-059	1		Fitting, Oil
13	0830-172	2		O-Ring, Oil Fitting
14	0812-060	1		Fitting, Oil



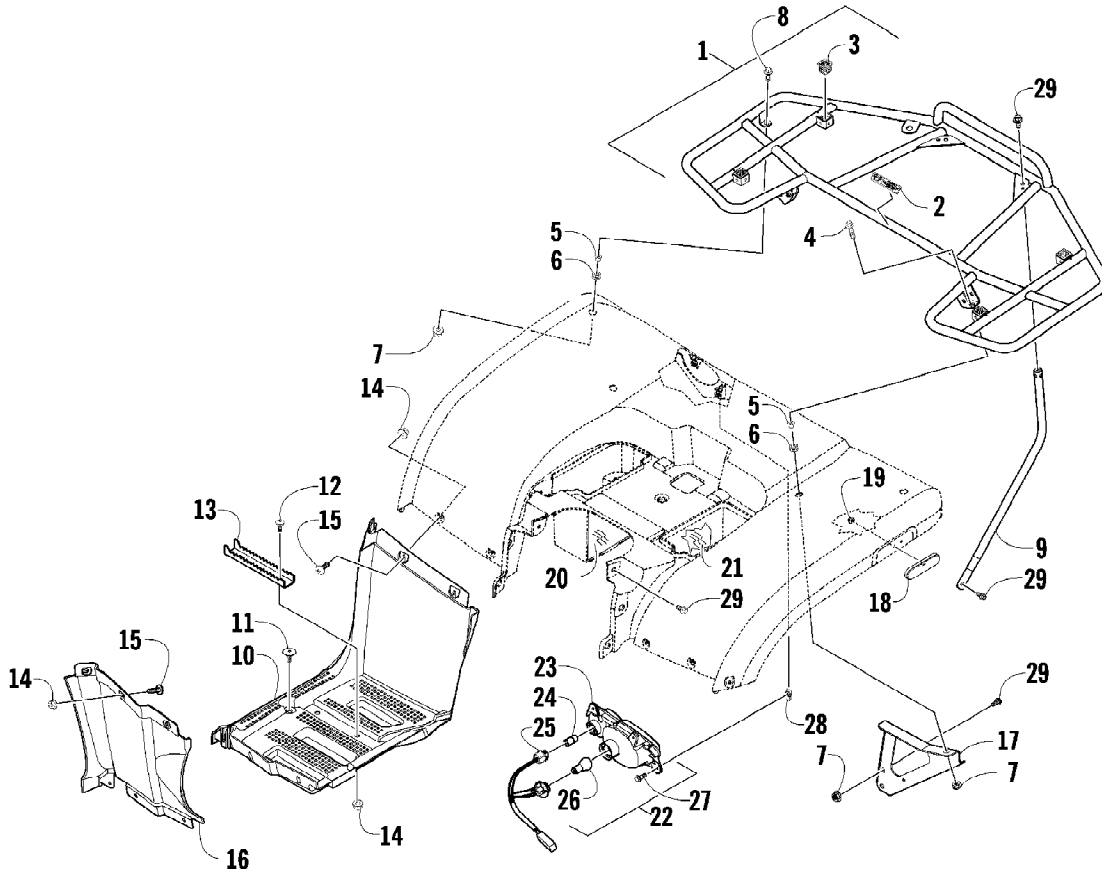
2008 ATV 366 AUTOMATIC TRANSMISSION 4X4 FIS RED (A2008IDG4BUSR)Page 58 of 86
OIL PUMP AND STRAINER ASSEMBLY

Ref #	Part Number	Qty	S/P/F	Description
1	0812-069	1		Pump, Oil
2	0812-010	1		Gear, Driven
3	0812-036	1		Pin
4	0828-114	1	S	Washer
5	3304-146	1		Circlip
6	0826-086	3		Screw
7	0812-049	1		Strainer, Oil
8	0826-144	2		Screw, Pan-Head
9	0812-038	1		Cap, Oil Strainer
10	0830-159	1		O-Ring
11	3303-384	4	/P	Screw, Cap
12	0829-016	2		Pin, Oil Pump
13	0812-065	1		Plug, Drain
14	0830-154	1	S/P	Gasket, Drain Plug
15	0812-067	1		Valve, Oil Relief - Assembly (inc. 16)
16	0830-181	1		O-Ring



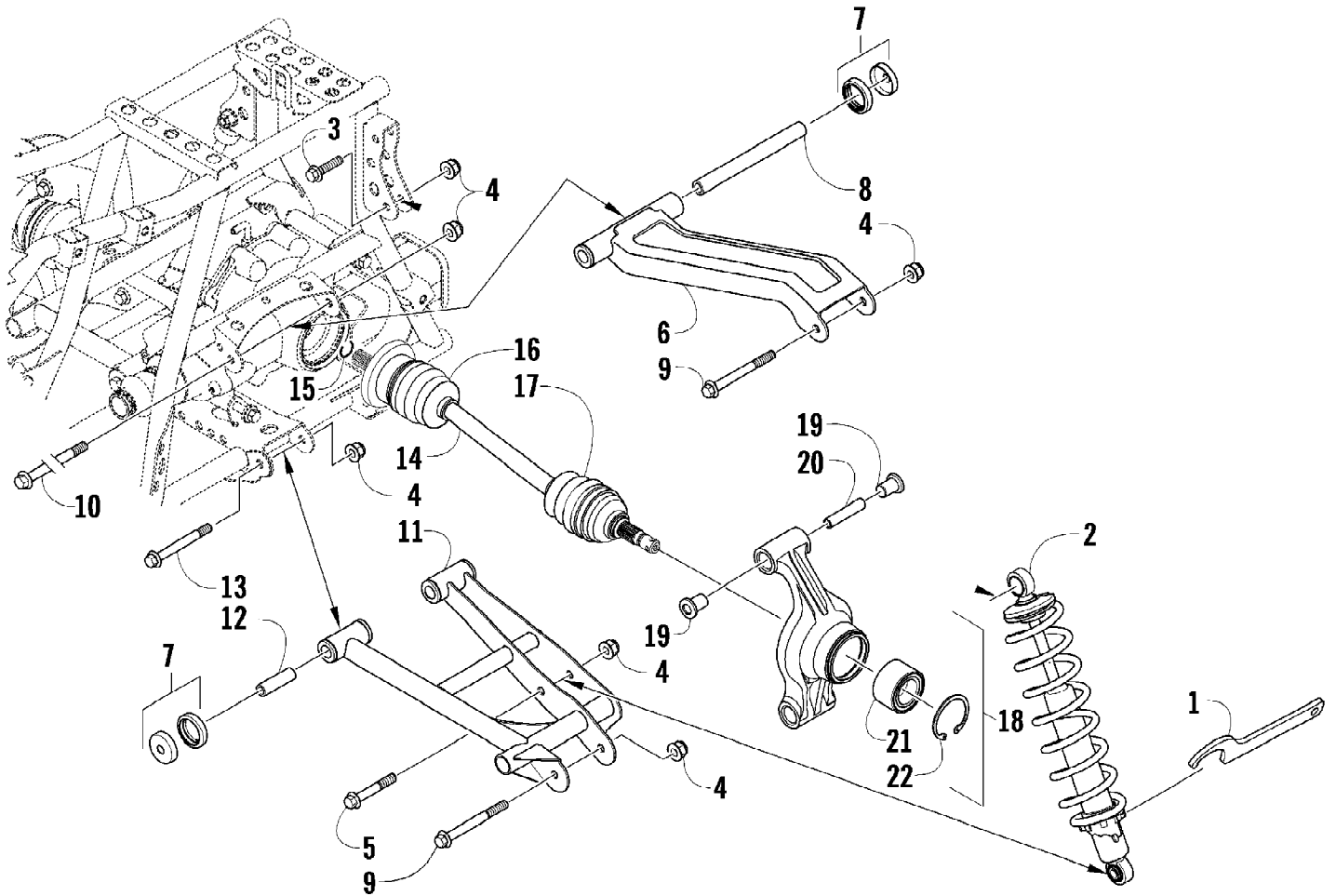
2008 ATV 366 AUTOMATIC TRANSMISSION 4X4 FIS RED (A2008IDG4BUSR) Page 60 of 86
REAR DRIVE GEARCASE ASSEMBLY

Ref #	Part Number	Qty	S/P/F	Description
	1502-316	1		Complete Rear Drive Gearcase
1	1502-317	1		Housing, Gearcase
2	0402-393	2		Bearing
3	1402-441	2	S	Seal
4	1402-033	1		Gear, Ring - 34T
5	0402-405	AR		Shim
5	0402-406	AR		Shim
5	0402-407	AR		Shim
5	0402-408	AR		Shim
5	0402-409	AR		Shim
6	0402-326	1		Button, Thrust
7	0402-429	AR		Shim
7	0402-430	AR		Shim
7	0402-431	AR		Shim
7	0402-432	AR		Shim
7	0402-433	AR		Shim
8	0423-149	1		O-Ring
9	1502-082	1		Cover, Gearcase
10	0402-333	1	/P	Plug, Fill (inc. 11)
11	0423-154	1		O-Ring
12	1402-102	1		Fitting, 90°
13	0423-118	11		Screw, Self-Tapping
14	0402-450	1	S	Plug, Magnetic (inc. one No. 15)
15	0423-153	2		O-Ring
16	0402-328	1		Bearing
17	0502-784	1		Gear, Pinion - Assembly - 11T (inc. 18-19)
18	0402-327	1		Bearing
19	0402-336	1		Collar, Retaining
20	0402-411	1		Pin, Dowel
21	0402-331	1		Collar, Lock
22	0402-982	1		Washer, Wave
23	0402-981	1		Collar, Shaft
24	0402-947	1		Gasket, Flange
25	0502-529	1		Housing, Pinion
26	0423-417	1		Ring, Retaining
27	1402-043	1		Bearing
28	0423-423	1		Ring, Retaining
29	1402-011	1		Seal
30	1502-085	1	/P	Shaft, Input
31	1402-211	1		Plug, Oil Level (inc. one No. 15)



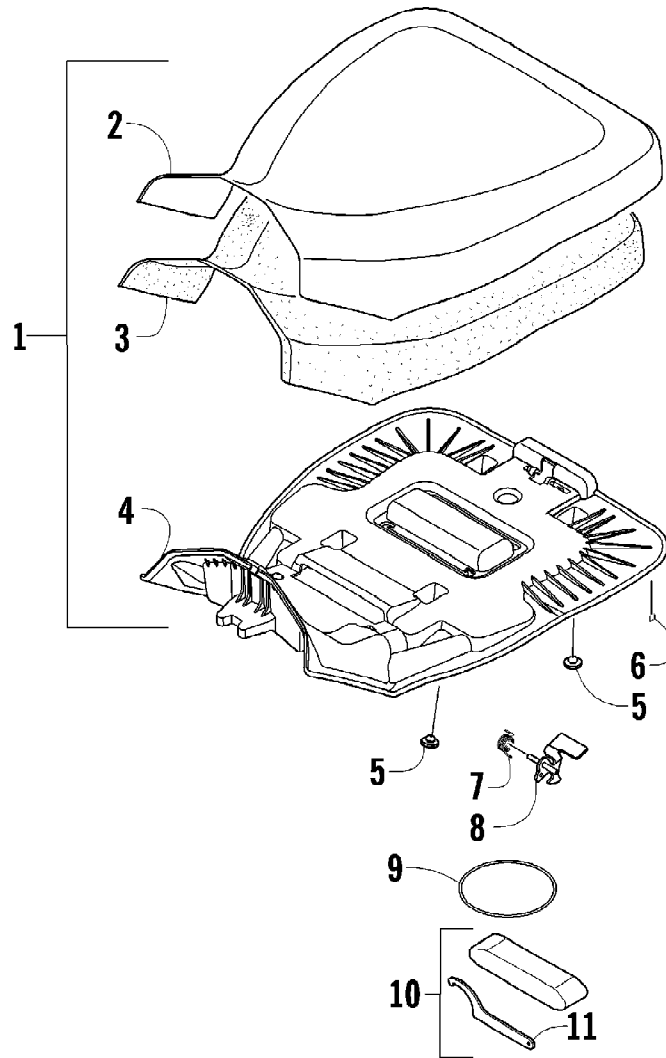
2008 ATV 366 AUTOMATIC TRANSMISSION 4X4 FIS RED (A2008IDG4BUSR) Page 62 of 86
REAR RACK, FOOTWELL, AND TAILLIGHT ASSEMBLY

Ref #	Part Number	Qty	S/P/F	Description
1	3313-373	1		Rack, Rear - Assembly (inc. 2-3)
2	1411-682	1		Decal, Warning - Rear Rack Load
3	3323-214	4	S	Bushing, Rack
4	3303-616	2	/P	Screw, Cap
5	3323-014	4		Spacer
6	3323-013	4		Grommet
7	3304-668	8		Nut, Lock
8	3313-522	2		Bolt, Flange
9	3313-449	2		Tube, Mounting - Rear Rack
10	3313-194	1		Footwell - Rear - Right
10	3313-195	1		Footwell - Rear - Left
11	0423-545	2	/P	Screw, Body
12	3323-223	4	S	Screw, Shoulder
13	3323-027	2	S	Footpeg
14	3305-275	22	/P	Nut, Lock
15	3305-342	18		Screw, Machine
16	3313-462	1		Footwell - Front - Right
16	3313-463	1		Footwell - Front - Left
17	3313-352	1		Bracket, Mounting - Rear Rack - Right
17	3313-353	1		Bracket, Mounting - Rear Rack - Left
18	3313-360	2	/P	Reflector
19	3305-527	2	/P	Nut, Flange
20	3313-362	1	/P	Shield, Heat - Right
21	3313-363	1		Shield, Heat - Left
22	3313-382	1		Taillight Assembly - Right (inc. 23-26)
22	3313-383	1		Taillight Assembly - Left (inc. 23-26)
23	0	1	F	Housing, Taillight - Right
23	0	1	F	Housing, Taillight - Left
24	3313-508	2	/P	Bulb, Backup
25	3313-499	2		Socket, Taillight - Assembly
26	3303-849	2	/P	Bulb, Taillight
27	3304-029	8	/P	Bolt w/Washer
28	3304-061	8	/P	Nut, Clip
29	3304-543	10	/P	Bolt, Flange



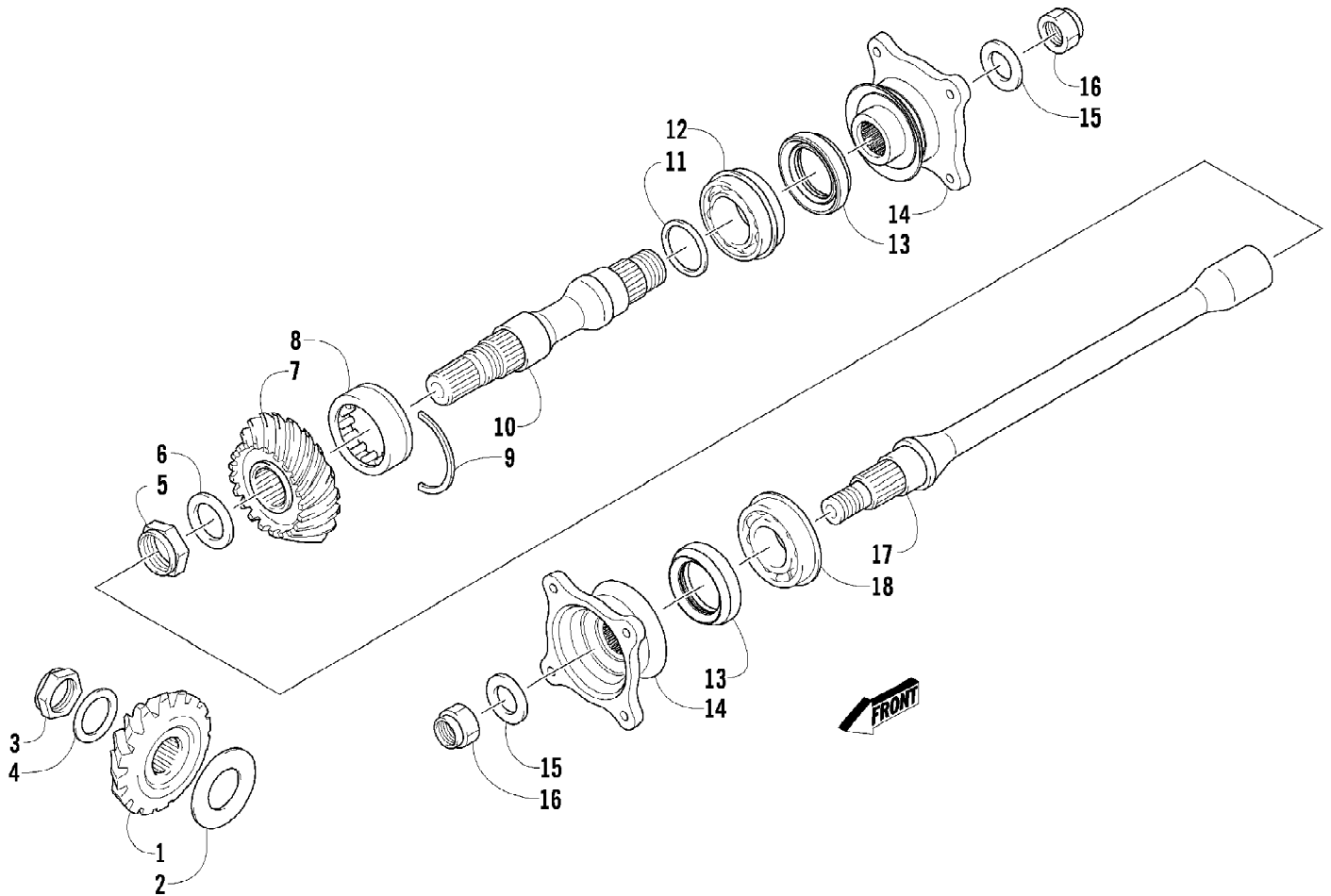
2008 ATV 366 AUTOMATIC TRANSMISSION 4X4 FIS RED (A2008IDG4BUSR)Page 64 of 86
REAR SUSPENSION ASSEMBLY

Ref #	Part Number	Qty	S/P/F	Description
1	1441-797	1	F	Wrench, Spanner
2	3313-541	2		Shock Absorber - Assembly
3	3303-376	2	/P	Screw, Cap
4	3304-031	14	/P	Nut, Lock
5	3323-217	2		Screw, Cap
6	3313-120	1		Control Arm, Upper Right (inc. two No. 7 and one No. 8)
6	3313-121	1		Control Arm, Upper Left (inc. two No. 7 and one No. 8)
7	3313-113	12		Seal, Suspension
8	3313-111	2	/P	Sleeve, Suspension
9	3323-188	4		Screw, Cap
10	3313-430	2		Screw, Cap
11	3313-134	1		A-Arm, Lower Right (inc. four No. 7 and two No. 12)
11	3313-135	1		A-Arm, Lower Left (inc. four No. 7 and two No. 12)
12	3313-107	4		Sleeve, Suspension
13	3304-183	4	/P	Screw, Cap
14	3313-448	2		Axle, Drive (inc. 15-17)
15	0441-893	2	S	Clip, Retaining
16	3313-558	1		Repair Kit, Boot - Drive Axle - Inbound
17	3313-560	1		Repair Kit, Boot - Drive Axle - Outbound
18	3323-108	1		Knuckle - Assembly - Right (inc. four No. 19, two No. 20, and one No. 21-22)
18	3323-109	1		Knuckle - Assembly - Left (inc. four No. 19, two No. 20, and one No. 21-22)
19	0403-038	8	S/P	Bushing
20	0403-032	4	S	Axle
21	1402-027	2	S/P	Bearing, Wheel Hub
22	3323-143	2		Ring, Retaining



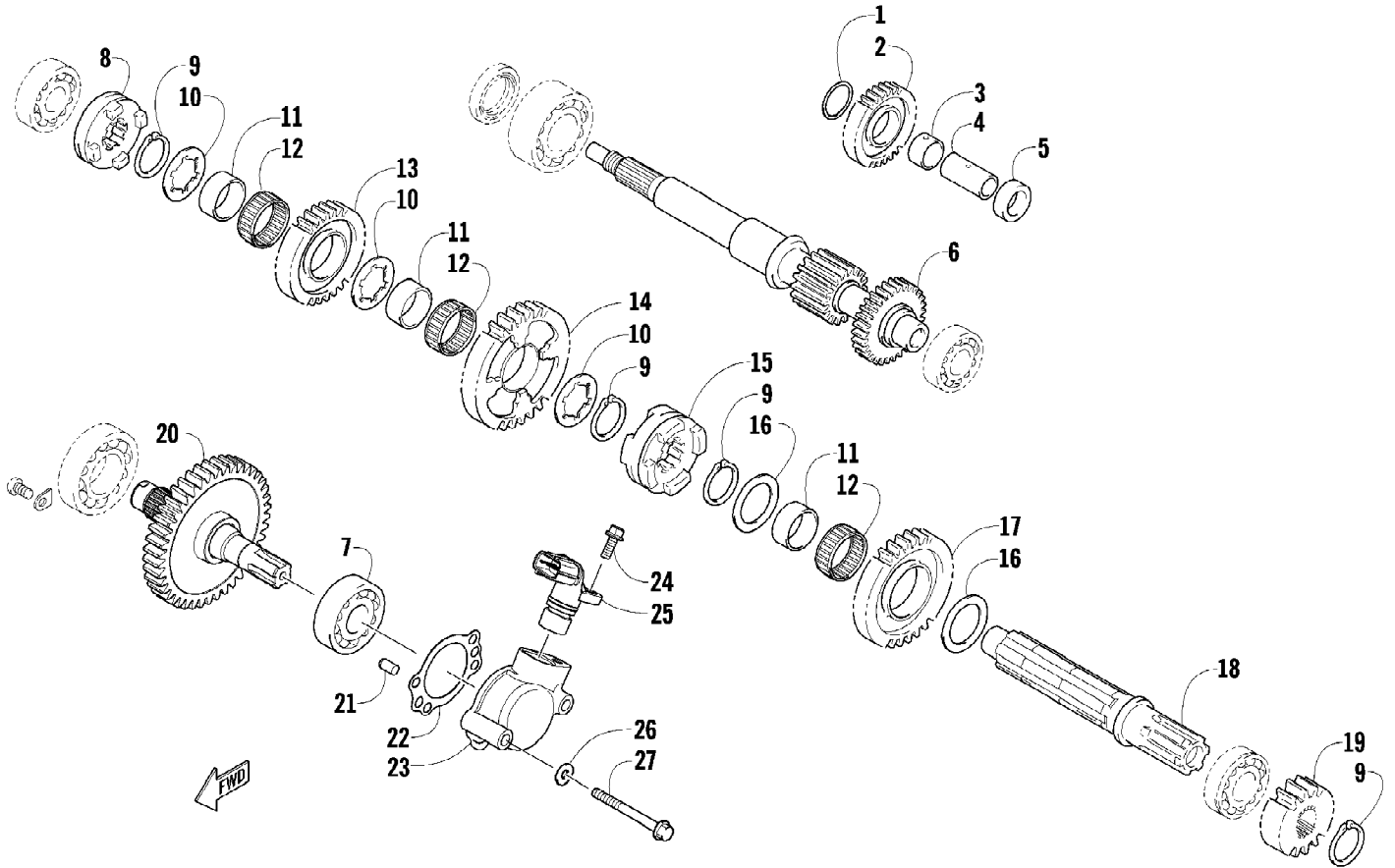
2008 ATV 366 AUTOMATIC TRANSMISSION 4X4 FIS RED (A2008IDG4BUSR)Page 66 of 86
SEAT ASSEMBLY

Ref #	Part Number	Qty	S/P/F	Description
1	3313-199	1		Seat Assembly (inc. 2-11)
2	3313-197	1		Cover, Seat
3	3313-198	1		Foam, Seat
4	3313-196	1		Base, Seat
5	0406-877	6	/P	Bumper, Seat
6	3323-226	AR		Staple
7	1406-592	1	/P	Spring, Seat Latch
8	3323-028	1		Latch, Seat
9	3313-236	1		Band, Tool Kit
10	3304-648	1		Kit, Tool (inc. 11)
11	1441-797	1		Wrench, Spanner



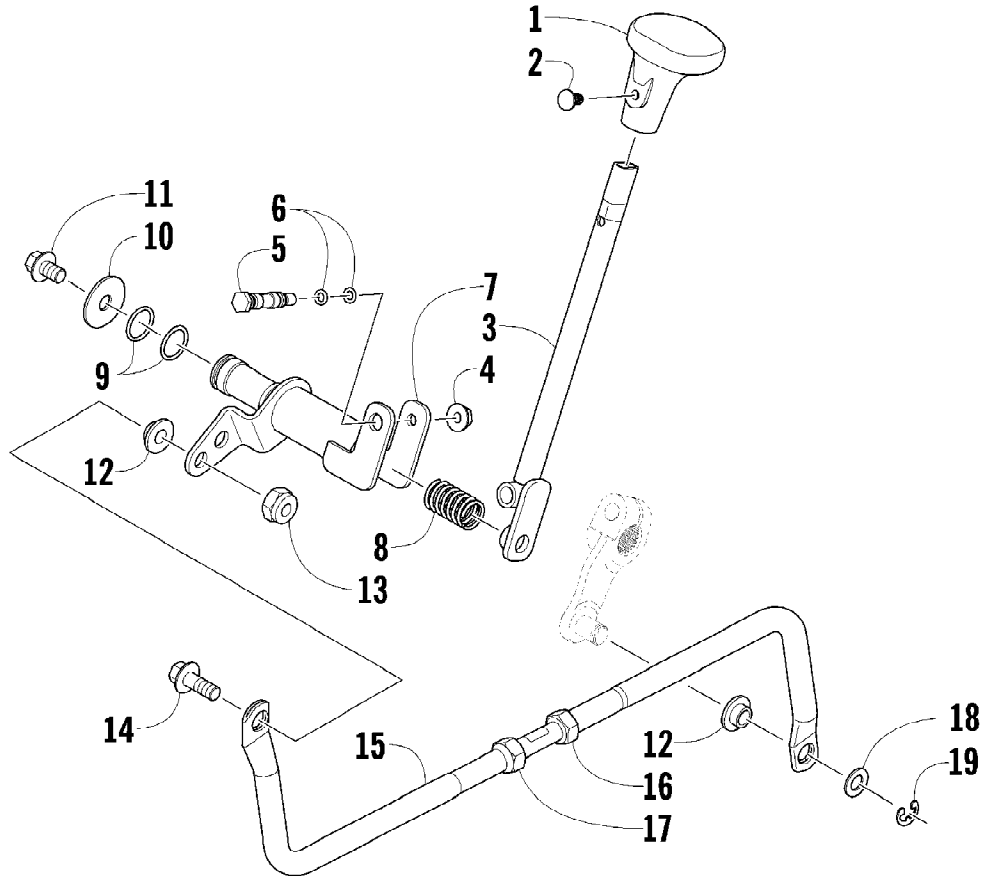
2008 ATV 366 AUTOMATIC TRANSMISSION 4X4 FIS RED (A2008IDG4BUSR)Page 68 of 86
SECONDARY DRIVE ASSEMBLY

Ref #	Part Number	Qty	S/P/F	Description
1	0819-018	1		Gear, Secondary Drive
2	3305-554	1	/P	Shim, Secondary Drive Gear - Set
3	0827-047	1		Nut
4	3305-554	1	/P	Washer
5	0827-022	1		Nut, Secondary Driven Gear
6	0828-090	1		Washer, Secondary Driven Gear
7	0819-019	1		Gear, Secondary Driven
8	0832-040	1		Bearing, Driven Gear
9	0819-070	1		C-Ring, Driven Bearing
10	0819-021	1		Shaft, Secondary Driven
11	0828-088	AR		Shim, 25 x 34 - Set
12	0832-041	1		Bearing, Rear Secondary Driven Shaft
13	0830-144	2		Seal, Oil
14	0819-022	2		Flange, Output Joint
15	3304-958	2		Washer
16	0817-001	2	S	Nut
17	0819-020	1		Shaft, Secondary Driven
18	0832-026	1		Bearing, Front Secondary Driven Shaft



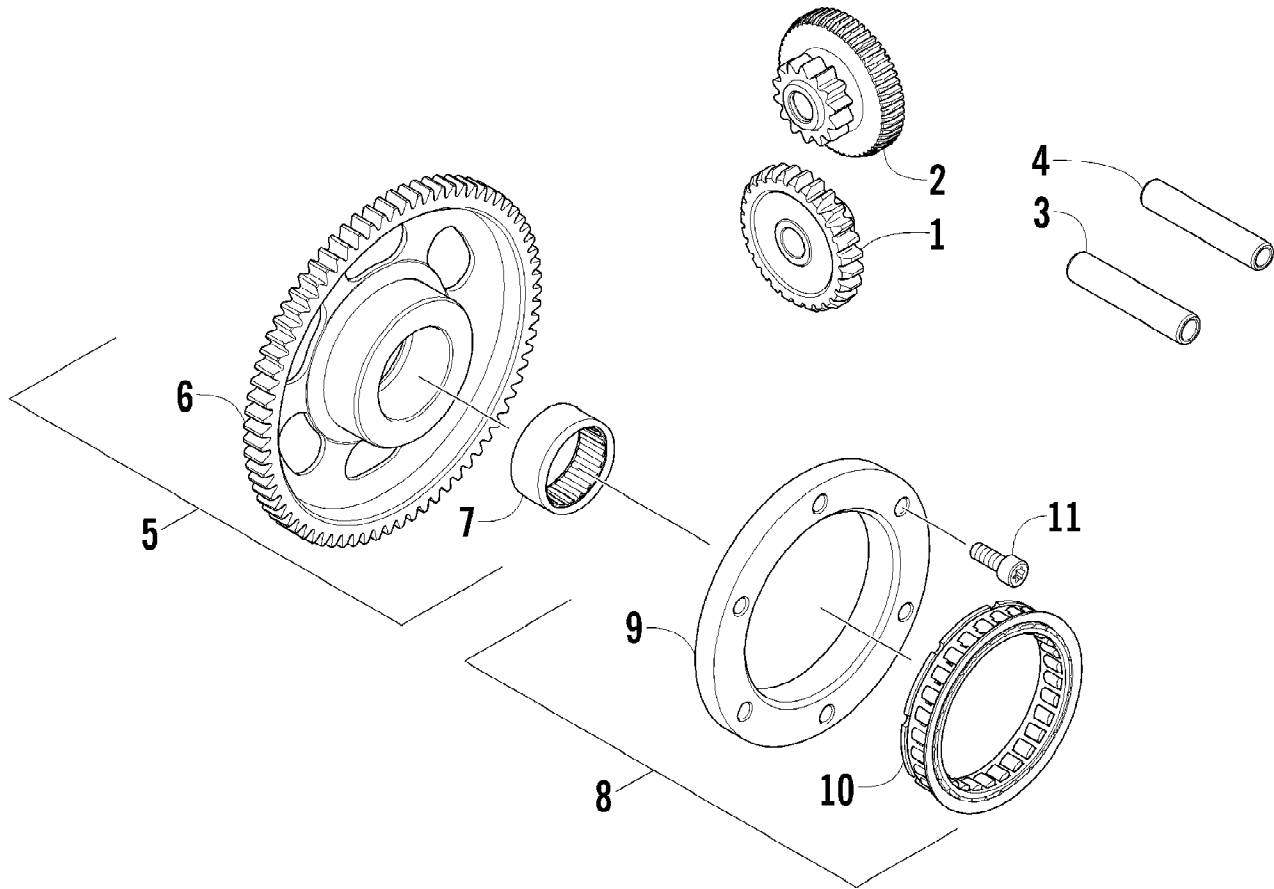
2008 ATV 366 AUTOMATIC TRANSMISSION 4X4 FIS RED (A2008IDG4BUSR)Page 70 of 86
SECONDARY TRANSMISSION ASSEMBLY

Ref #	Part Number	Qty	S/P/F	Description
1	0828-081	1		Washer, Reverse Idle Gear
2	0822-061	1		Gear, Reverse Idle
3	0822-065	1		Bushing, Reverse Idle Gear
4	0822-064	1		Shaft, Reverse Idle
5	0822-029	1		Spacer, Reverse Idle Gear
6	0822-022	1		Driveshaft
7	3304-198	1		Bearing, Shaft
8	0822-033	1		Dog, Reverse Driven Gear
9	3304-147	4	/P	Circlip
10	3304-045	3		Washer
11	0822-062	3		Bushing
12	0832-038	3		Bearing
13	0822-032	1		Gear, Reverse Driven
14	0822-063	1		Gear, Driven - Low
15	0822-027	1		Dog, Sliding
16	3304-044	2		Washer
17	0822-026	1		Gear, Driven - High
18	0822-025	1		Countershaft
19	0822-028	1		Gear, Drive
20	0822-023	1		Shaft, Output
21	3303-395	2		Pin, Dowel
22	0830-156	1		Gasket, Housing
23	0822-105	1		Housing, Speedometer Sensor
24	3303-382	1	/P	Screw, Flange
25	3313-172	1		Sensor, Speedometer
26	0830-155	2	/P	Gasket
27	3303-387	2		Bolt



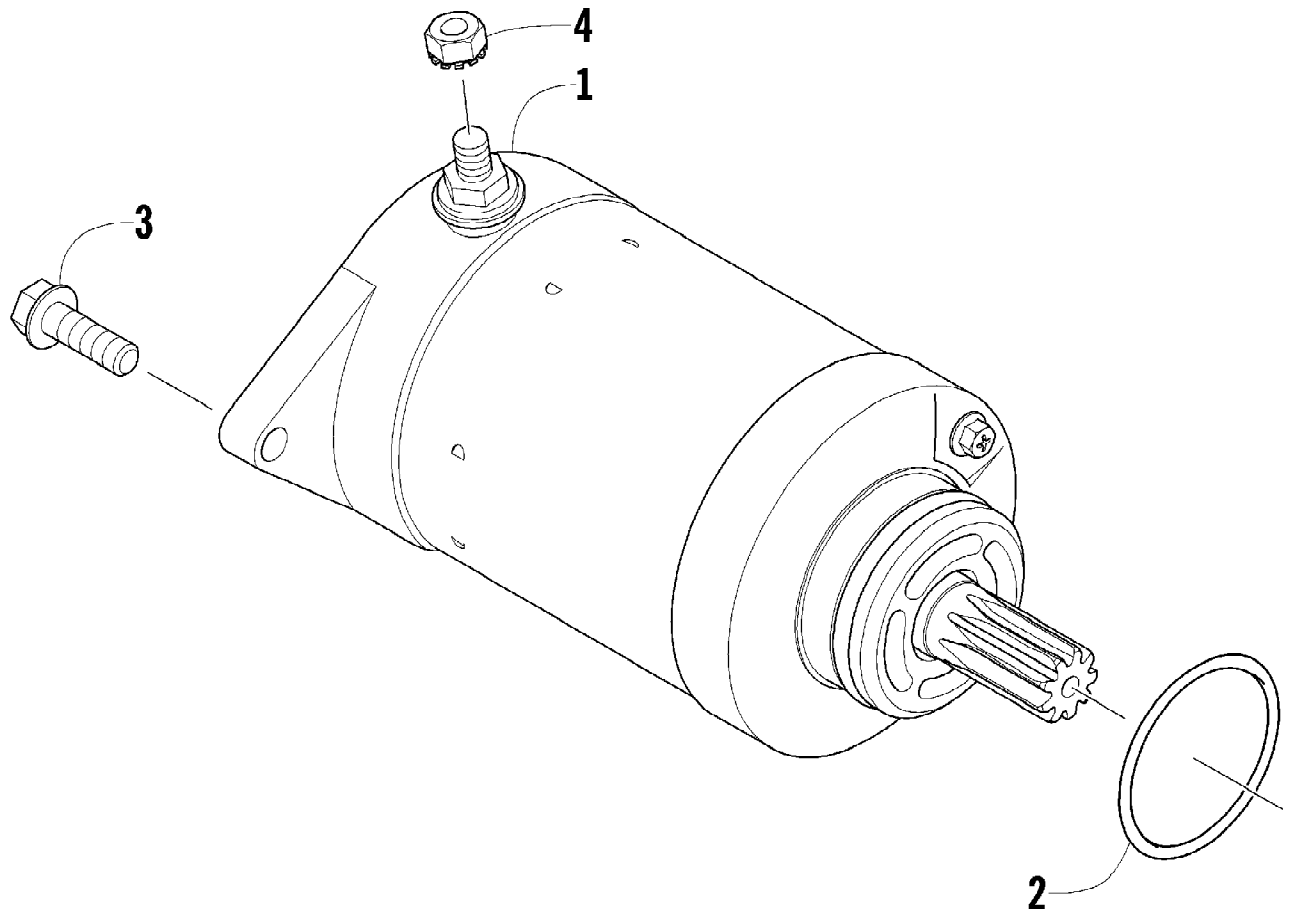
2008 ATV 366 AUTOMATIC TRANSMISSION 4X4 FIS RED (A2008IDG4BUSR)Page 72 of 86
SHIFT LEVER ASSEMBLY

Ref #	Part Number	Qty	S/P/F	Description
1	3323-036	1	S	Knob, Shift Lever
2	3323-166	1		Clip, Push
3	3313-317	1		Lever, Shift
4	3304-654	1	/P	Nut, Flange
5	3323-035	1		Axle, Pivot
6	0423-182	2	/P	O-Ring
7	3313-051	1		Axle, Shift Lever
8	3323-038	1	S	Spring, Shift Lever
9	0423-299	2	/P	O-Ring
10	3323-170	1		Washer
11	3304-544	1		Bolt, Flange
12	3323-037	2		Bushing, Shift Linkage
13	3304-668	1		Nut, Lock
14	3304-565	1	/P	Bolt, Flange
15	3313-054	1		Linkage, Shift - Assembly (inc. 16-17)
16	3303-325	1		Nut, Hex - Right-Hand Thread
17	3323-165	1	/P	Nut, Hex - Left-Hand Thread
18	3304-138	1		Washer
19	0423-169	1	/P	E-Ring

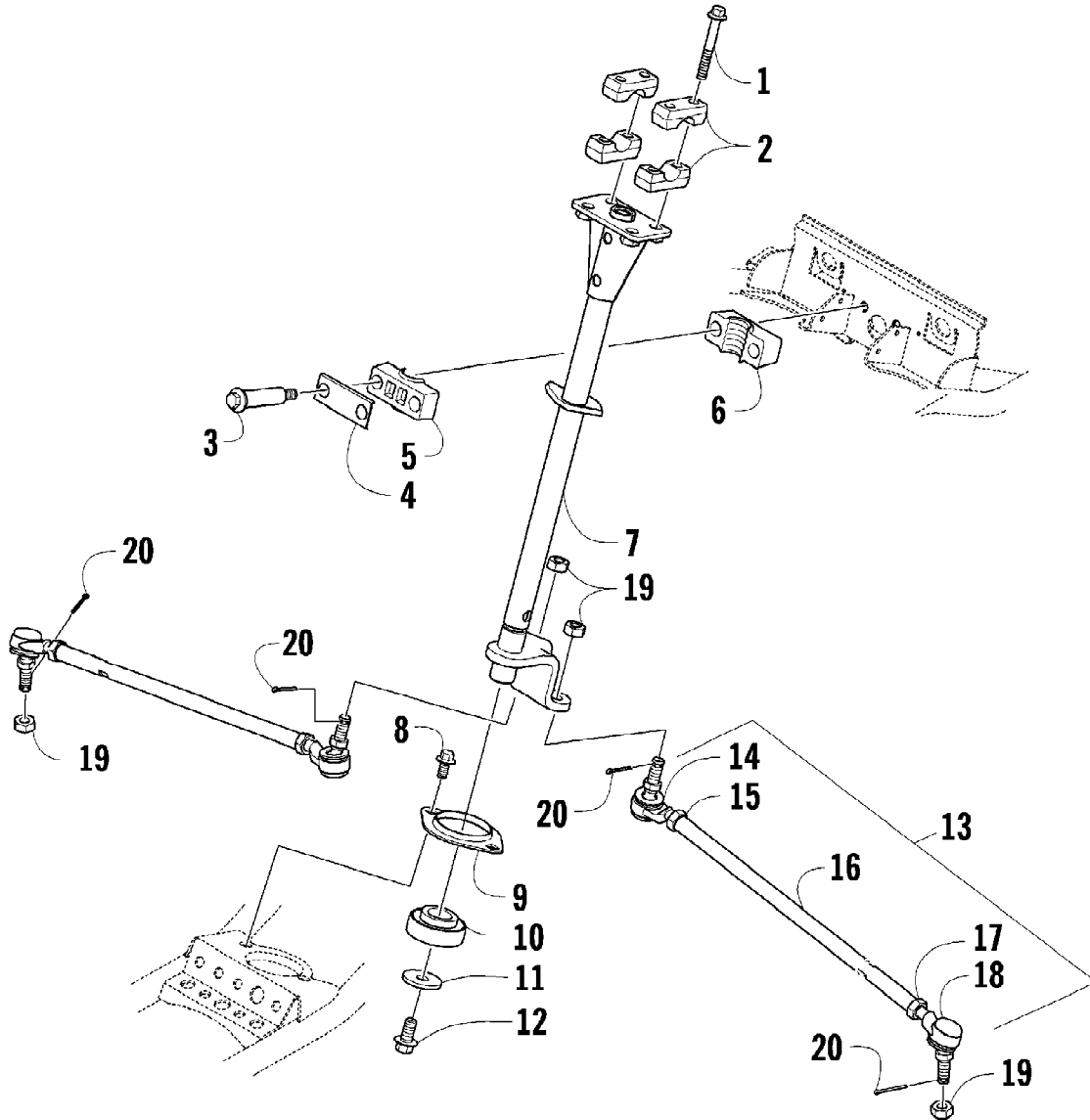


2008 ATV 366 AUTOMATIC TRANSMISSION 4X4 FIS RED (A2008IDG4BUSR)Page 74 of 86
STARTER CLUTCH ASSEMBLY

Ref #	Part Number	Qty	S/P/F	Description
1	0815-022	1		Gear, Starter Idler - No. 2
2	0815-025	1		Gear, Starter Idler - No. 1
3	0815-015	1		Pin, Starter Idler Gear No. 2
4	0815-007	1		Pin, Starter Idler Gear No. 1
5	0815-023	1		Gear, Starter Clutch (inc. 6-7)
6	0815-024	1		Gear, Ring
7	0832-069	1		Bearing
8	0802-044	1	/P	Clutch, One-Way (inc. 9-10)
9	0802-045	1		Hub, Clutch
10	0802-046	1	S	Bearing
11	0826-120	6		Bolt

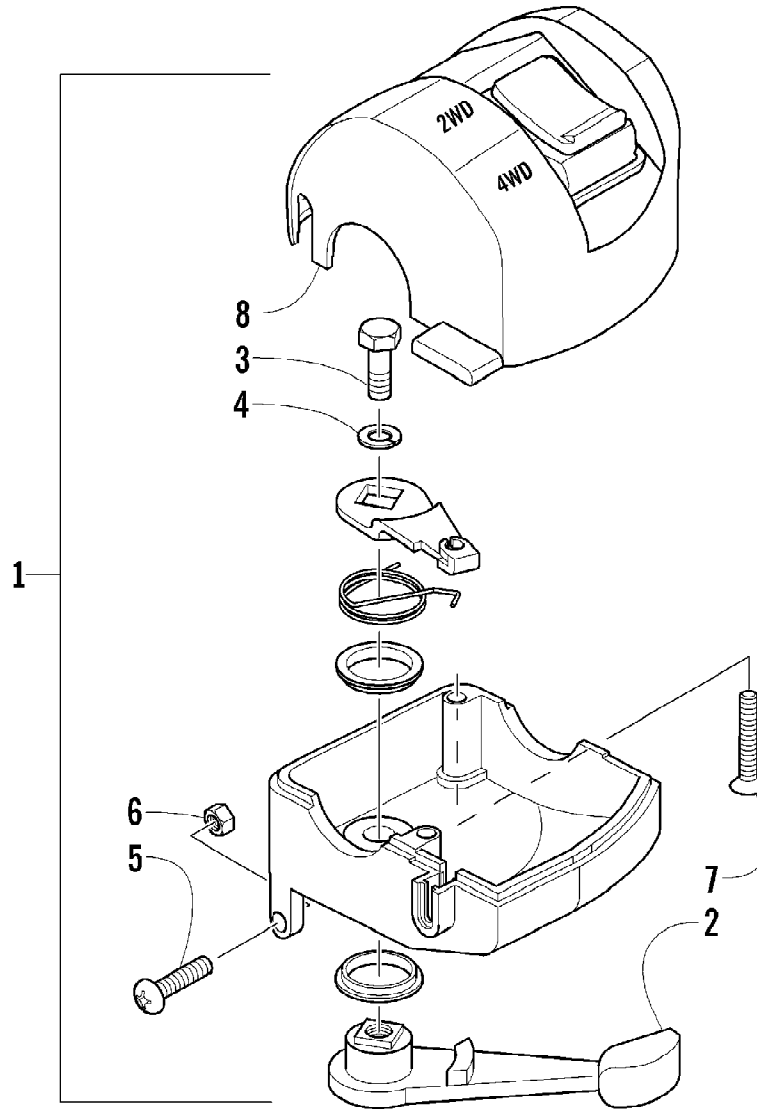


Ref #	Part Number	Qty	S/P/F	Description
1	3313-433	1	S	Motor, Starter - Assembly (inc. 2)
2	3304-104	1		O-Ring
3	3303-385	2		Bolt, Flange
4	3304-011	1		Nut w/Washer



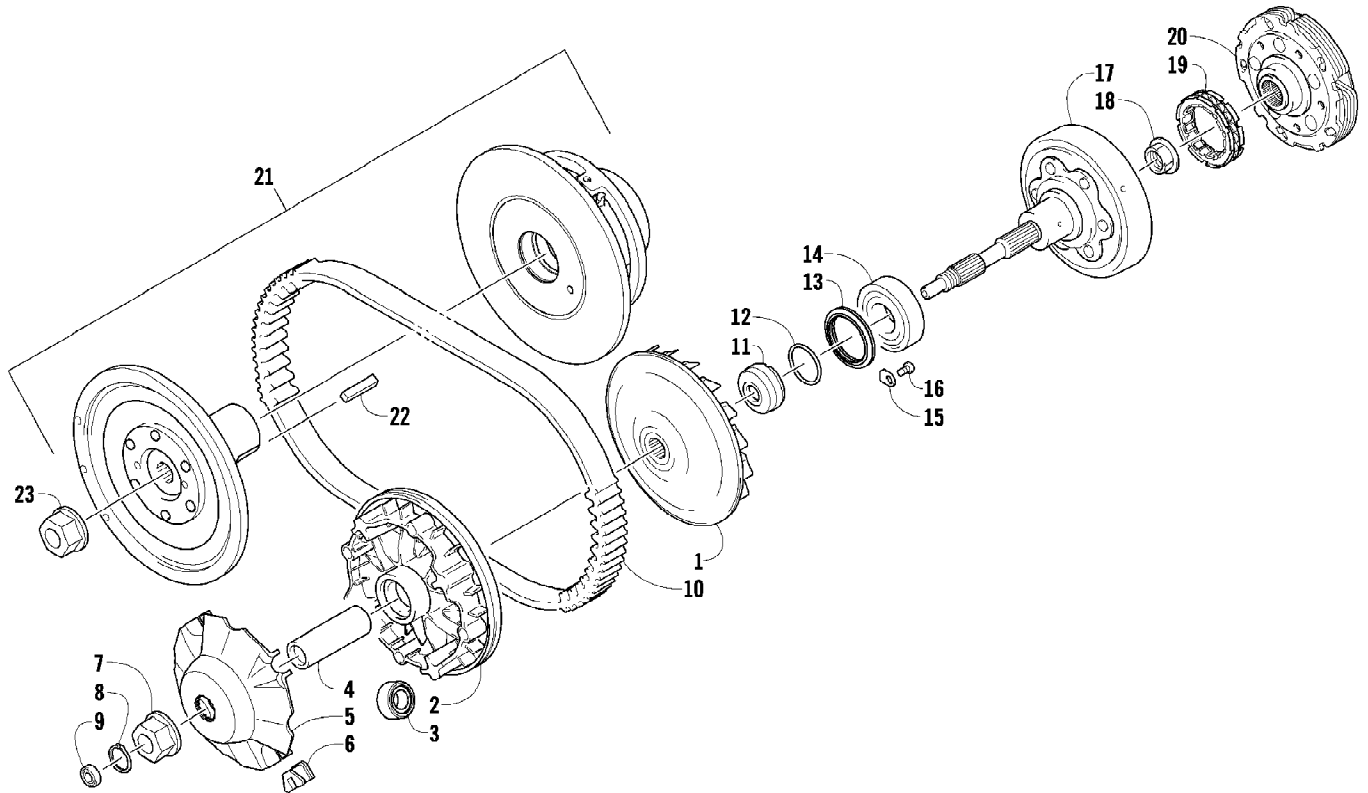
2008 ATV 366 AUTOMATIC TRANSMISSION 4X4 FIS RED (A2008IDG4BUSR) Page 78 of 86
STEERING POST ASSEMBLY

Ref #	Part Number	Qty	S/P/F	Description
1	3323-176	4		Screw, Cap
2	3323-049	4		Cap, Steering Adjuster
3	3323-182	2		Screw, Shoulder
4	3323-056	1		Cap, Housing
5	3323-052	1		Housing - Upper
6	3323-051	1		Housing - Lower
7	3313-056	1		Post, Steering
8	3304-543	2	/P	Bolt, Flange
9	3323-061	1		Flange, Bearing
10	0405-052	1		Bearing w/Inverted Oil Seal
11	3323-184	1		Washer
12	3323-185	1		Screw, Cap
13	3313-102	2		Tie Rod - Assembly (inc. 14-18)
14	0	2	F	End, Tie Rod - Left-Hand Thread
15	0	2	F	Nut - Left-Hand Thread
16	0	2	F	Tie Rod
17	0	2	F	Nut - Right-Hand Thread
18	0	2	F	End, Tie Rod - Right-Hand Thread
19	3323-183	4		Nut, Lock
20	3303-621	4	/P	Pin, Cotter

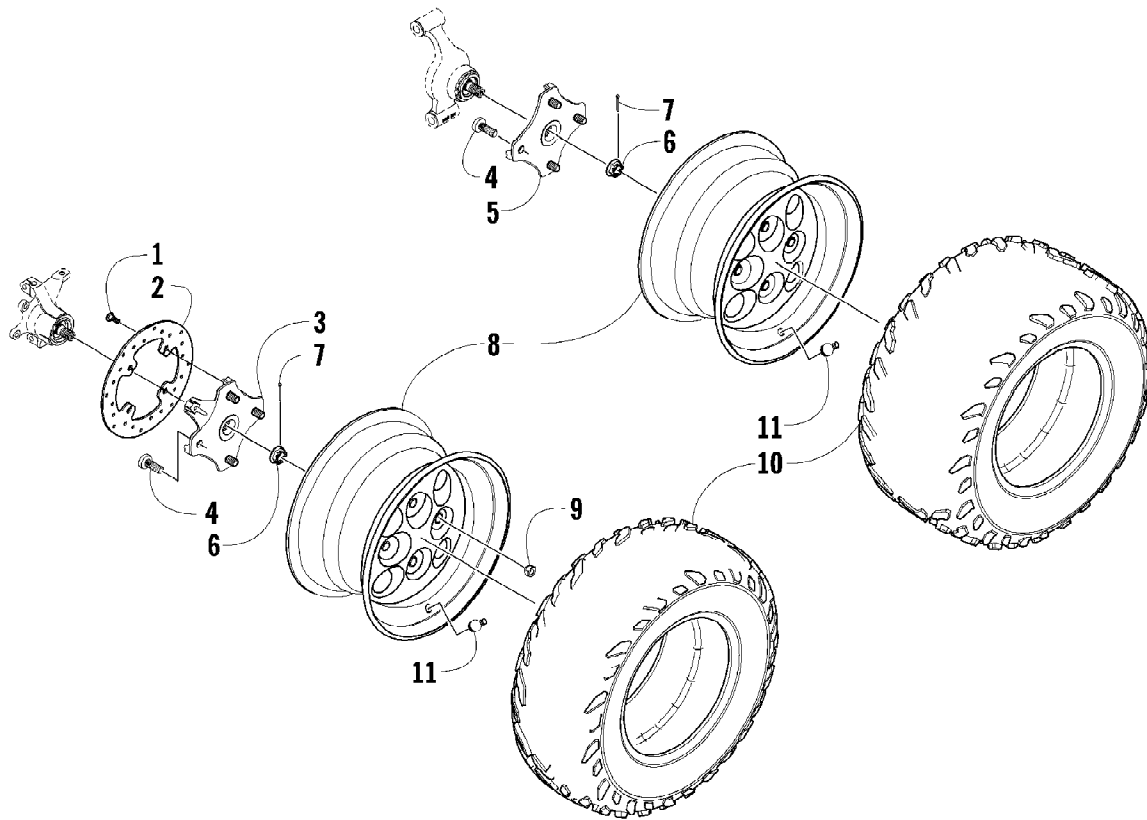


2008 ATV 366 AUTOMATIC TRANSMISSION 4X4 FIS RED (A2008IDG4BUSR)Page 80 of 86
THROTTLE CASE ASSEMBLY

Ref #	Part Number	Qty	S/P/F	Description
1	3313-429	1		Case, Throttle - Assembly (inc. 2-8)
2	3409-001	1		Lever
3	3423-420	1		Screw, Cap
4	3004-447	1	/P	Washer, Lock
5	3423-014	1		Screw
6	3423-327	1		Nut
7	3423-199	2		Screw
8	0409-048	1		Cover, Throttle Case w/Switch

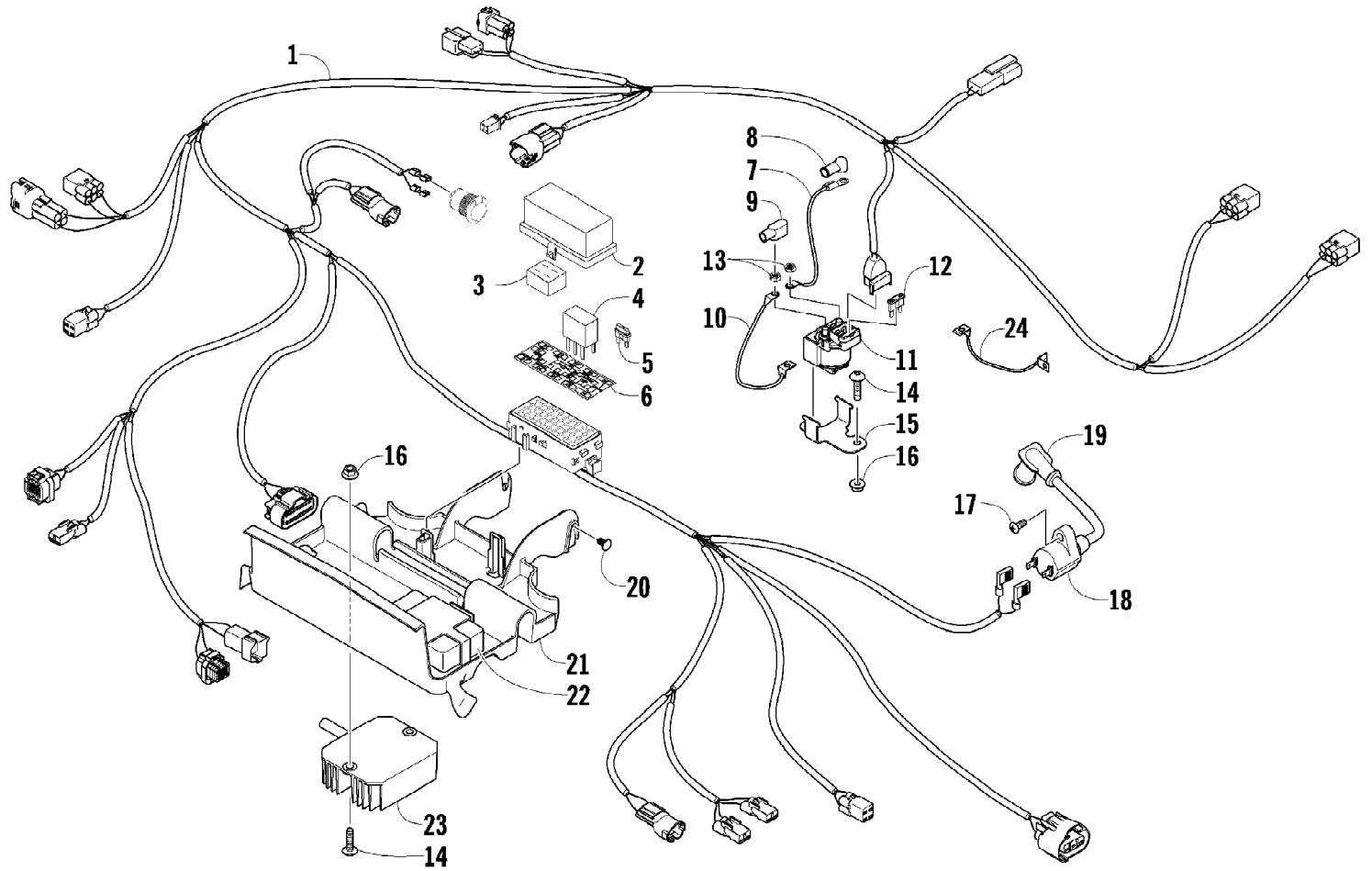


Ref #	Part Number	Qty	S/P/F	Description
1	0823-203	1		Face, Fixed Drive
2	0823-207	1		Face, Movable Drive
3	0823-210	8		Roller, Movable Drive Face
4	0823-206	1		Spacer, Movable Drive Face
5	0823-213	1		Plate, Movable Drive Face
6	0823-214	4		Damper, Movable Drive Face
7	3323-165	1	/P	Nut, Flange
8	3303-347	1		Circlip
9	0832-023	1		Bearing
10	0823-228	1		V-Belt
11	0823-058	1		Spacer, Fixed Drive Face
12	0830-187	1		O-Ring
13	0830-157	1		Seal, Clutch Housing
14	0832-071	1		Bearing
15	0822-104	2		Retainer, Bearing
16	0826-071	2		Screw, Bearing Retainer
17	0823-200	1		Housing, Clutch
18	0827-050	1		Nut
19	0823-198	1		Clutch, One-Way
20	0823-197	1		Shoe, Clutch - Assembly
21	0823-238	1	S	Clutch, Driven - Assembly (inc. 22)
22	0829-043	1		Key
23	0827-058	1		Nut, Flange



2008 ATV 366 AUTOMATIC TRANSMISSION 4X4 FIS RED (A2008IDG4BUSR)Page 84 of 86
WHEEL AND TIRE ASSEMBLY

Ref #	Part Number	Qty	S/P/F	Description
1	3323-102	12		Screw, Shoulder
2	3323-097	3		Disc, Brake
3	3323-100	2	S	Hub, Wheel - Front (inc. 4)
4	0402-974	16	/P	Stud, Wheel Hub
5	3323-113	1	/P	Hub, Wheel - Rear - Left (inc. 4)
5	3323-100	1	S	Hub, Wheel - Rear - Right (inc. 4)
6	3323-140	4		Nut, Castle
7	0423-407	4		Pin, Cotter
8	3313-306	4	/P	Wheel
9	3323-173	16	S	Nut, Mounting - Wheel
10	3313-311	2		Tire - Front
10	3313-312	2		Tire - Rear
11	3304-562	4		Stem, Valve



2008 ATV 366 AUTOMATIC TRANSMISSION 4X4 FIS RED (A2008IDG4BUSR)Page 86 of 86
WIRING HARNESS ASSEMBLY

Ref #	Part Number	Qty	S/P/F	Description
1	3313-437	1		Harness, Main (inc. 2-6)
2	0530-008	1		Cover, Fuse Block
3	0430-037	1		Holder, Fuse
4	0430-033	3		Relay (5-Pin) - 20 Amp
5	0430-032	4		Fuse - 10 Amp
5	0430-031	3		Fuse - 15 Amp
5	0430-030	2		Fuse - 30 Amp
6	0411-837	1		Decal, Fuse Block
7	3313-527	1		Cable, Solenoid/Starter (inc. 8)
8	0	1	F	Boot, Terminal
9	0645-327	1		Boot, Terminal
10	3313-526	1		Cable, Battery/Solenoid
11	3313-464	1		Solenoid (inc. 12-13)
12	0630-098	1		Fuse - 30 Amp
13	0623-038	2		Nut w/Washer
14	3304-569	4		Bolt, Flange
15	3313-467	1		Bracket, Mounting - Solenoid
16	3304-654	4	/P	Nut, Flange
17	3313-473	1	S	Screw, Machine
18	3323-216	1		Coil, Ignition - Assembly
19	3303-831	1		Cap, Spark Plug
20	3323-166	2		Rivet, Reinstallable
21	3313-273	1		Tray, Electrical
22	3313-436	1		CDI Unit
23	3323-208	1		Regulator, Voltage
24	3313-525	1		Cable, Battery/Ground