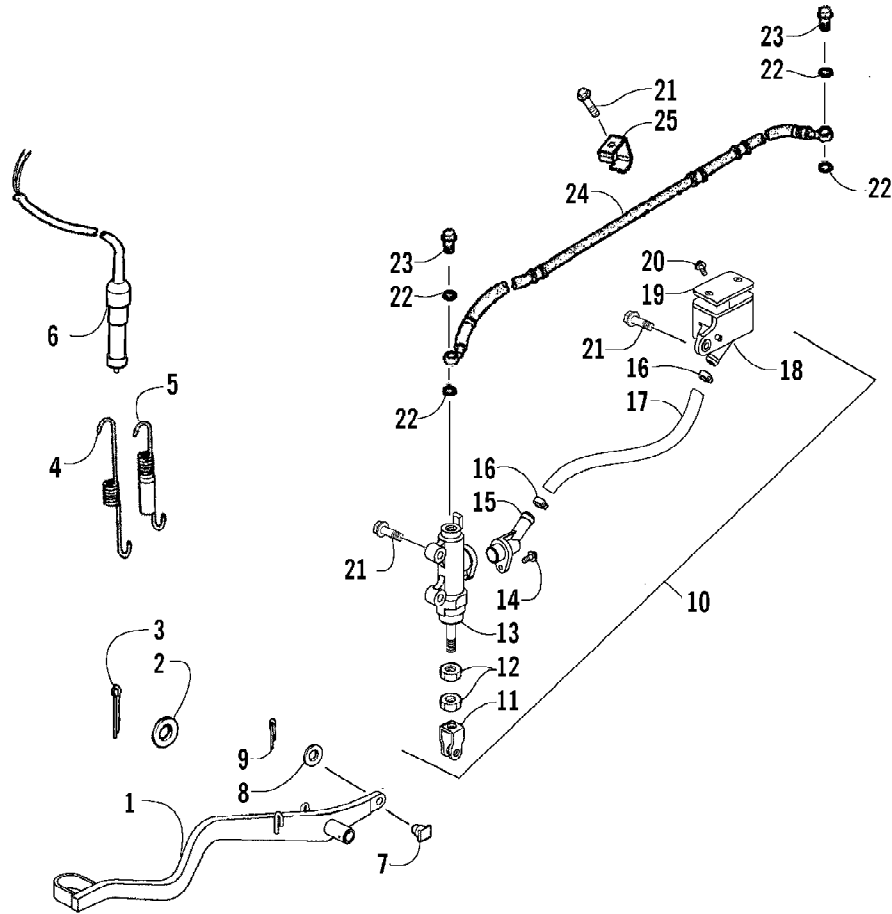


2008 ATV 250 UTILITY GREEN (A2008KUE2BUSG)
AIR INTAKE ASSEMBLY

Page 2 of 69

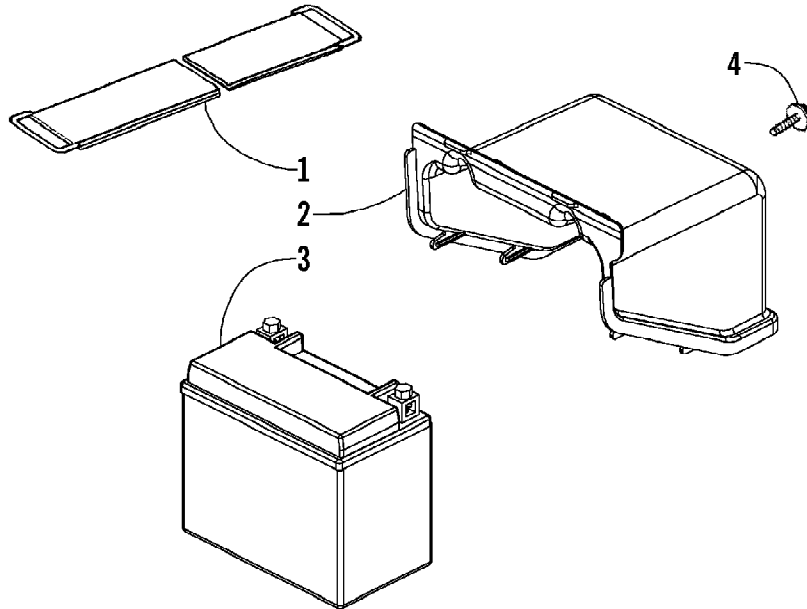
Ref #	Part Number	Qty	S/P/F	Description
1	3303-705	1		Cover, Air Filter Housing
2	3303-708	4		Clip, Spring
3	3303-703	1		Seal, Air Filter Housing Cover
4	3303-704	1		Filter, Air - Assembly (inc. 5)
5	0	1	F	Filter, Foam
6	3304-416	1		Clamp, Hose w/Screw
7	3305-423	1		Body, Air Filter Housing
8	3304-652	2		Screw w/Washer
9	3303-716	1		Clip, Tube
10	3305-424	1		Tube, Drain
11	3303-709	2		Clamp, Hose w/Screw
12	3303-710	1		Duct
13	3304-062	1		Screw, Body
14	3304-433	2		Clip, Tube
15	3303-711	1		Joint, Blow-By
16	3304-117	2		Screw, Pan-Head w/Washer
17	3303-734	1		Tube B - Oil Catch (inc. one No. 18)
18	3303-714	2		Clip, Tube
19	3303-706	1		Catch, Oil
20	3304-553	2		Bolt, Flange
21	3303-735	1		Tube C - Oil Catch (inc. two No. 22)
22	3303-712	3		Clip, Tube
23	3303-733	1		Tube A - Oil Catch (inc. one No. 18)



2008 ATV 250 UTILITY GREEN (A2008KUE2BUSG)
AUXILIARY BRAKE ASSEMBLY

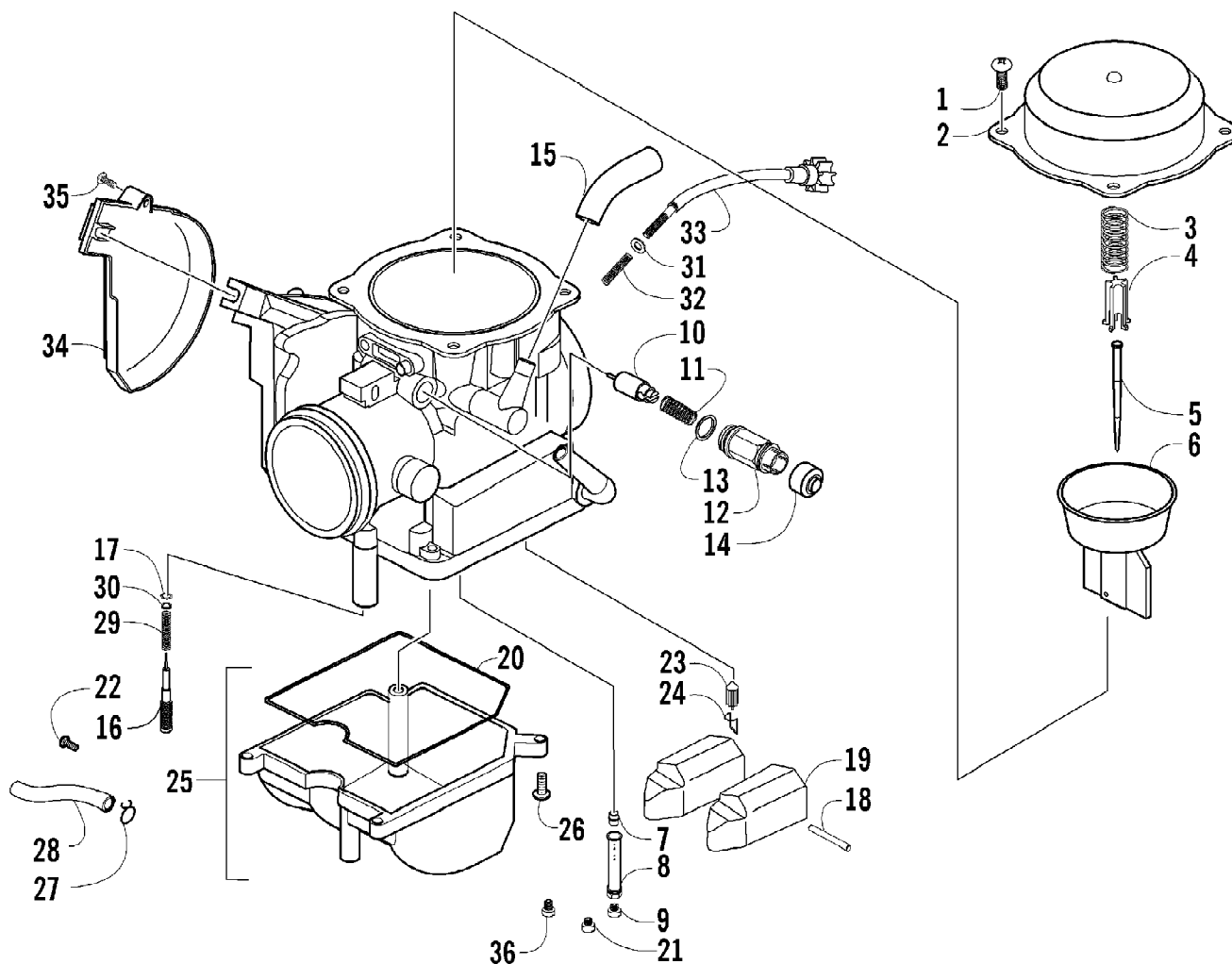
Page 4 of 69

Ref #	Part Number	Qty	S/P/F	Description
1	3303-926	1		Lever, Brake
2	3304-139	2		Washer
3	3304-143	1		Pin
4	3303-855	1		Spring, Stop - Brake Lever
5	3303-929	1		Spring, Set - Brake Lever
6	3303-854	1		Switch, Brake
7	3303-927	1		Pin, Clevis
8	3304-050	1		Washer
9	3304-141	1		Pin, Cotter
10	3304-306	1		Brake Assembly - Rear (inc. 11-20)
11	3303-928	1		Actuator, Push Rod
12	3304-128	2		Nut, Jam
13	0	1	F	Master Cylinder
14	3303-321	1		Screw w/Washer
15	3304-307	1		Connector
16	3303-895	2		Clamp, Brake Hose
17	3304-308	1		Hose, Brake
18	3303-896	1		Reservoir, Brake
19	3304-332	1		Cover, Brake Reservoir
20	3304-119	2		Screw, Flat-Head
21	3304-551	3	/P	Screw, Cap
22	3303-284	4	/P	Washer, Crush
23	3303-257	2	/P	Bolt, Banjo-Fitting
24	3303-889	1		Hose, Brake - Assembly - Rear
25	3303-891	1		Clamp, Brake Hose - Rear



Ref #	Part Number	Qty	S/P/F	Description
1	3303-937	1		Strap, Battery
2	3303-995	1		Cover, Battery
3	3304-275	1	/P	Battery
4	3304-029	2	/P	Bolt

2008 ATV 250 UTILITY GREEN (A2008KUE2BUSG)
CARBURETOR ASSEMBLY

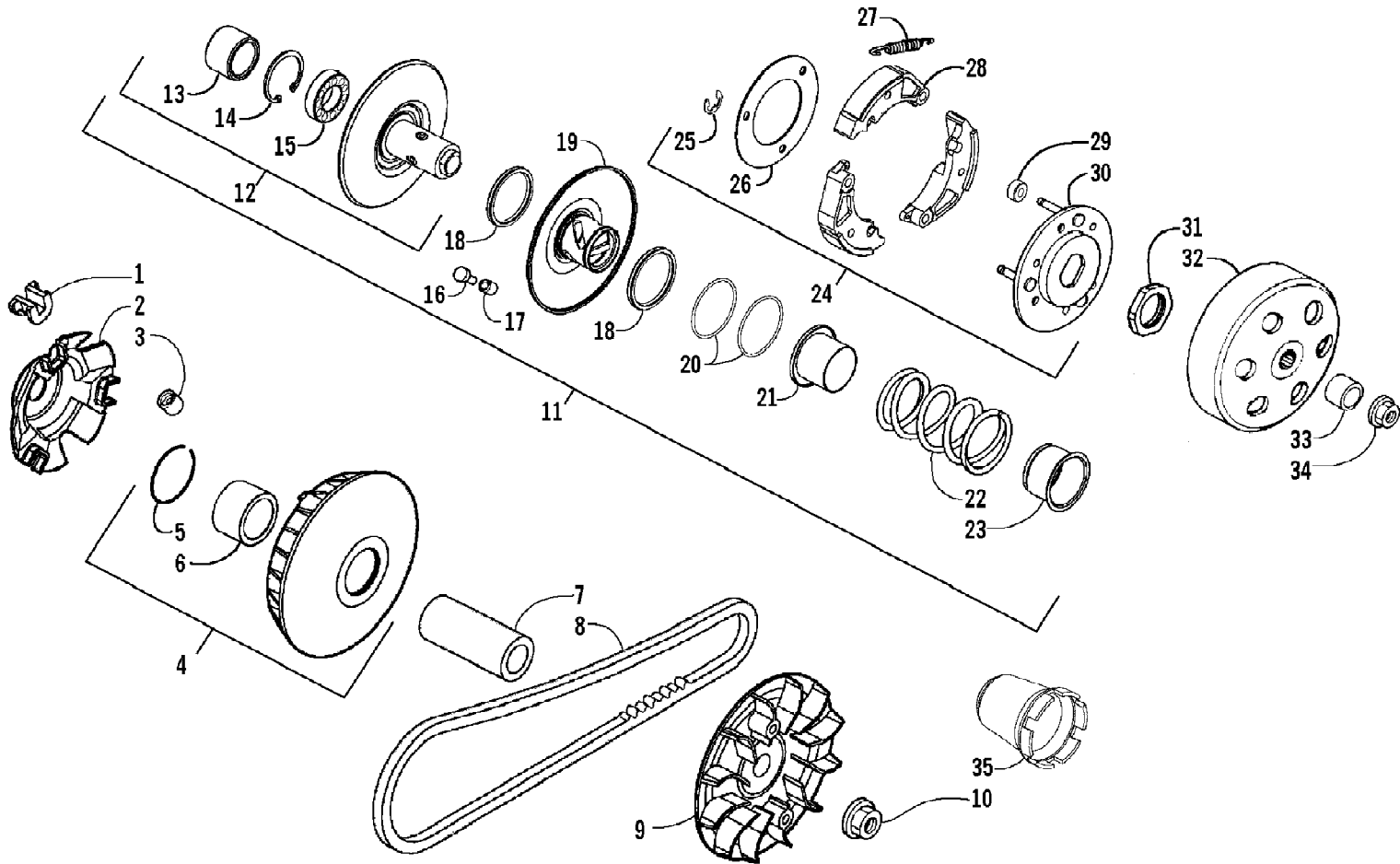


2008 ATV 250 UTILITY GREEN (A2008KUE2BUSG)
CARBURETOR ASSEMBLY

Page 8 of 69

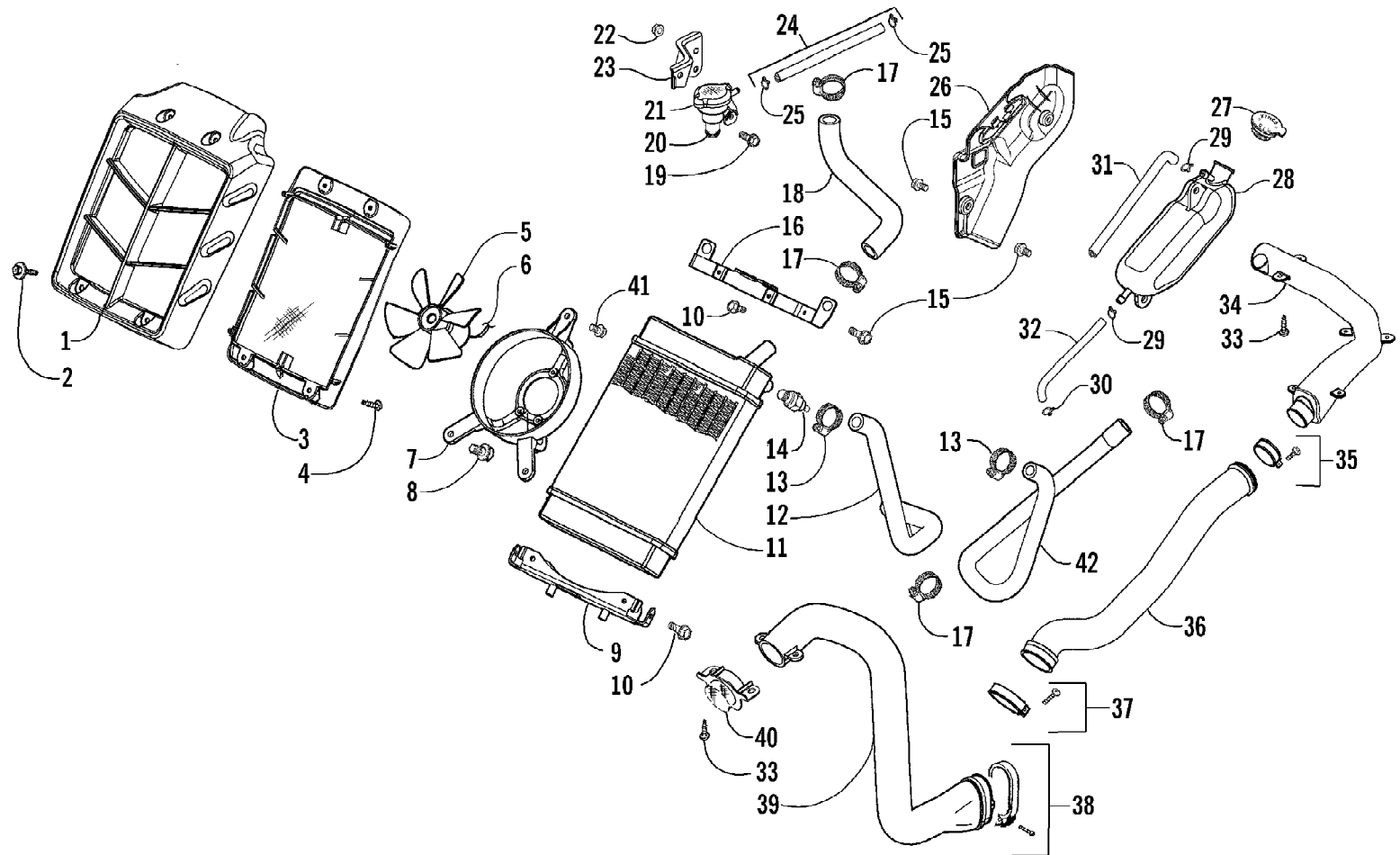
Ref #	Part Number	Qty	S/P/F	Description
	3305-537	1		Complete Carburetor Assembly
1	5507-002	2	/P	Screw, Pan-Head
2	5507-051	1		Top
3	3305-432	1		Spring, Compression
4	3305-538	1		Seat, Spring
5	3305-540	1	/P	Needle, Jet
6	3305-433	1	S/P	Piston, Vacuum
7	3305-436	1	S	Jet, Needle
8	5507-047	1	/P	Holder, Jet Needle
9	5507-126	1		Jet, Main - 115
10	5507-022	1		Valve, Starter
11	5507-023	1		Spring, Coil
12	5507-025	1		Cap
13	5507-024	1		O-Ring
14	5507-026	1		Cable, Sealing Cap
15	3305-427	1	S	Tube
16	3305-442	1		Screw, Pilot
17	3304-237	1		O-Ring
18	3304-451	1		Pin, Float Arm
19	3305-550	1		Float, Set
20	5507-068	1		O-Ring
21	3305-539	1	S	Jet, Slow
22	5507-050	1	/P	Screw, Drain
23	3304-242	1		Valve, Float (inc. 24)
24	0	1	F	Clip
25	3305-430	1	S	Chamber, Float - Assembly
26	5507-017	4	/P	Screw, Pan-Head
27	3304-474	1		Clip, Tube
28	3305-428	1		Tube, Drain
29	5507-226	1		Spring
30	5507-225	1		Washer
31	5507-028	1		Washer
32	5507-029	1		Spring
33	3305-437	1		Screw, Stop
34	3305-441	1		Cover, Top - Assembly
35	5507-037	1	/P	Screw, Pan-Head
36	5507-058	1		Jet, Starter

2008 ATV 250 UTILITY GREEN (A2008KUE2BUSG)
CLUTCH ASSEMBLY



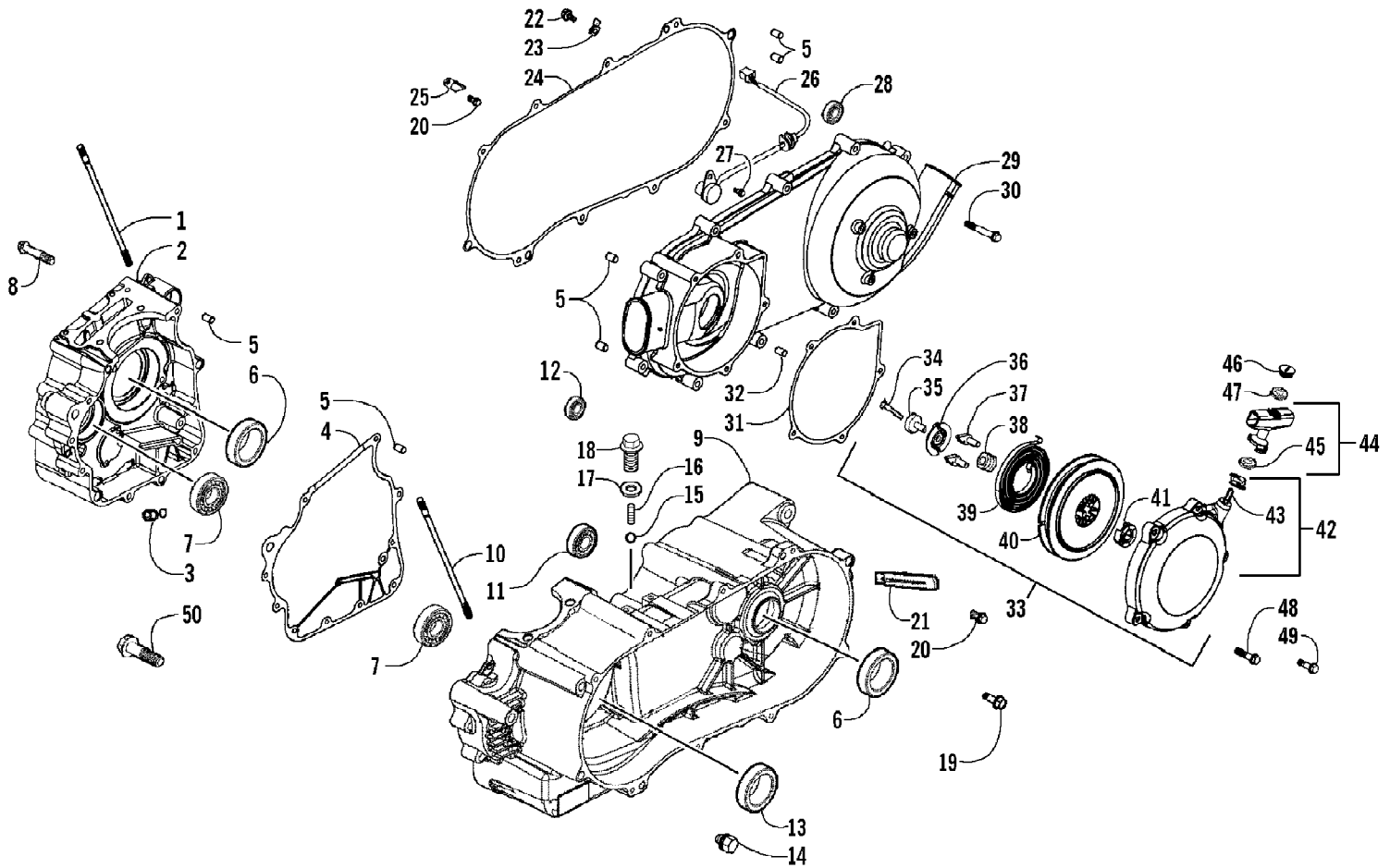
Ref #	Part Number	Qty	S/P/F	Description
1	3303-774	3		Slide
2	3303-773	1		Plate, Ramp
3	3303-772	6		Guide, Roller
4	3303-770	1		Face, Movable - Drive (inc. 5-6)
5	3304-160	1		Ring, Retaining
6	3303-771	1		Bushing
7	3303-769	1		Sleeve, Drive Face
8	3303-782	1		Belt, Drive
9	3303-768	1		Face, Fixed - Drive
10	3304-024	1		Nut, Jam
11	3303-781	1		Clutch, Driven - Assembly (inc. 12-31)
12	3303-783	1		Face, Fixed - Driven (inc. 13-15)
13	3304-072	1		Bearing
14	3304-149	1		Circlip
15	3304-070	1		Bearing
16	3303-786	4		Pin, Roller Guide
17	3303-787	4		Roller, Guide
18	3304-082	2		Seal, Oil
19	3303-785	1		Face, Movable - Driven
20	3304-107	2		O-Ring
21	3303-789	1		Collar, Seal
22	3303-788	1		Spring, Driven Face
23	3303-790	1		Collar, Spring
24	3303-775	1		Clutch, Centrifugal - Assembly (inc. 25-30)
25	3304-054	3		E-Ring
26	3303-777	1		Plate, Side
27	3303-778	3		Spring, Clutch
28	3303-779	3		Weight, Clutch
29	3303-780	3		Rubber, Clutch Damper
30	3303-776	1		Plate, Drive Clutch
31	3304-025	1	/P	Nut
32	3303-767	1		Clutch, Outer
33	3303-638	1		Sleeve, Driveshaft
34	3304-023	1		Nut, Jam
35	3303-828	1		Ratchet, Face

2008 ATV 250 UTILITY GREEN (A2008KUE2BUSG)
COOLING ASSEMBLY



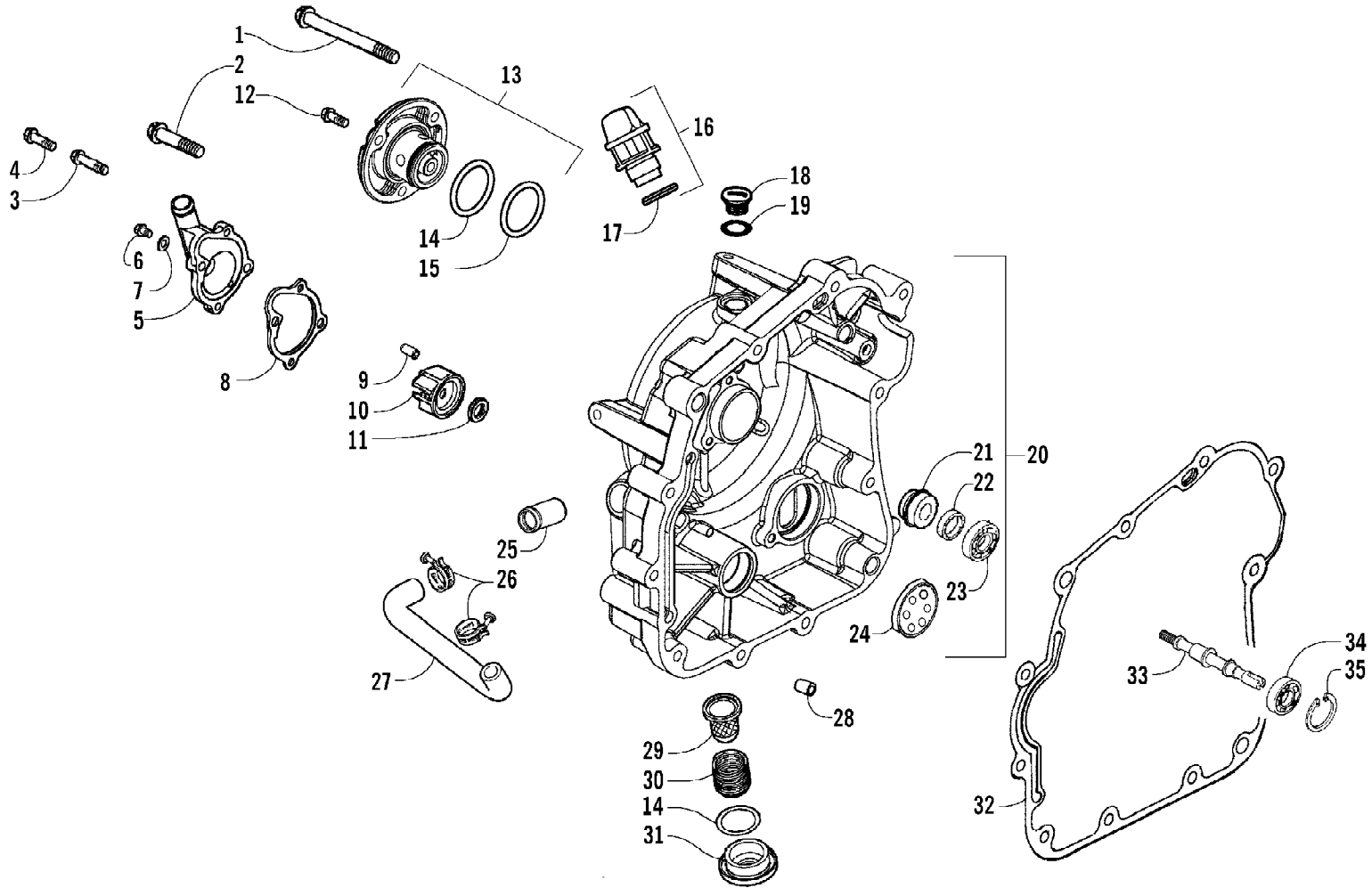
Ref #	Part Number	Qty	S/P/F	Description
1	3303-743	1	/P	Shroud, Radiator
2	3303-263	4	/P	Screw w/Washer
3	3303-744	1		Screen, Radiator
4	3304-123	6	/P	Screw w/Washer
5	3303-741	1		Fan, Cooling
6	3303-742	1		Motor, Fan
7	3303-739	1		Shroud, Fan
8	3304-586	3	/P	Bolt
9	3303-984	1		Bracket, Radiator - Lower
10	3304-116	4		Bolt w/Washer
11	3303-737	1		Radiator Assembly
12	3303-759	1		Hose, Cooling - Radiator/Engine
13	3304-164	2		Clamp, Hose
14	3303-862	1		Switch, Temperature
15	3304-587	6	/P	Bolt w/Washer
16	3303-983	1		Bracket, Radiator - Upper
17	3304-165	4	/P	Clamp, Hose
18	3303-761	1		Hose, Cooling - Radiator
19	3304-553	1		Bolt, Flange
20	3303-738	1		Neck, Filler
21	3303-748	1		Cap, Radiator
22	3304-654	2	/P	Nut
23	3303-740	1		Bracket, Mounting - Filler Neck
24	3304-066	1		Tube, Water Pump - Assembly (inc. 25)
25	3304-161	2		Clip, Tube
26	3303-993	1		Shield, Master Cylinder
27	3303-749	1		Cap, Reserve Tank
28	3304-253	1		Tank, Reserve
29	3304-163	2		Clip, Tube
30	3303-349	1		Clip, Tube
31	3303-745	1		Hose, Drain - Reserve Tank
32	3303-746	1		Hose, Reserve Tank
33	3304-650	8	/P	Screw, Self-Tapping
34	3303-637	1		Duct, Cooling - Cover
35	3305-440	1		Clamp w/Screw
36	3303-633	1		Duct, Cooling
37	3303-636	1		Clamp w/Screw
38	3303-635	1		Clamp w/Screw
39	3303-634	1		Duct, Cooling
40	3303-640	1		Element, Duct
41	3303-320	3		Screw w/Washer
42	3303-760	1		Hose, Cooling - Engine/Radiator

2008 ATV 250 UTILITY GREEN (A2008KUE2BUSG)
CRANKCASE ASSEMBLY



Ref #	Part Number	Qty	S/P/F	Description
1	3304-008	2		Bolt, Stud
2	3303-626	1		Crankcase - Right (inc. 3)
3	3304-065	1		Plug, Cone-Type
4	3303-628	1		Gasket, Crankcase
5	3303-342	4		Pin, Dowel
6	3304-091	1		Seal, Oil
7	3304-198	2		Bearing
8	3304-191	4	/P	Screw, Cap
9	3303-629	1		Crankcase - Left
10	3304-009	2		Bolt, Stud
11	3304-195	1		Bearing
12	3304-074	1	/P	Bearing
13	3304-079	1		Seal, Oil
14	3304-052	1	/P	Plug, Drain
15	3304-205	1		Ball, Steel
16	3304-063	1		Spring, Bolt Seat Inner
17	3304-021	1		Washer, Bolt Seat
18	3304-109	1		Bolt, Seat Ball Stopper
19	3303-365	1		Screw, Cap
20	3303-381	3		Screw, Cap
21	3304-158	1		Clip, Wire
22	3304-005	2		Screw, Cap
23	3304-039	2		Plate, Bearing Holder
24	3303-642	1		Gasket, Crankcase Cover - Left
25	3303-843	2		Clamp, Wire
26	3303-856	1		Cable, Gear Change
27	3304-187	1		Screw, Cap
28	3304-073	1	/P	Bearing
29	3303-632	1		Cover, Crankcase - Left
30	3304-003	8		Screw, Cap
31	3304-101	1		Gasket, Starter Cover
32	3303-341	2		Pin, Dowel
33	3305-459	1		Recoil Starter - Assembly (inc. 34-47)
34	3304-113	1		Bolt, Hex
35	3303-651	1		Insert, Collar
36	3303-649	1		Guide, Ratchet
37	3303-646	2		Ratchet
38	3303-647	1		Spring, Ratchet Guide
39	3303-645	1		Spiral, Starter
40	3305-346	1		Reel, Starter Spiral
41	3303-648	1		Spacer, Starter - Reel/Cover
42	3303-639	1		Cover, Starter (inc. 43)
43	3303-650	1		Rope, Starter
44	3303-652	1		Handle, Starter Rope (inc. 45)
45	3304-103	1		O-Ring
46	3305-269	1		Cap, Starter Rope Handle
47	3304-137	1		Washer
48	3304-190	2		Screw, Cap
49	3303-384	3	/P	Screw, Cap
50	3304-004	2		Bolt, Flange

2008 ATV 250 UTILITY GREEN (A2008KUE2BUSG)
CRANKCASE COVER ASSEMBLY

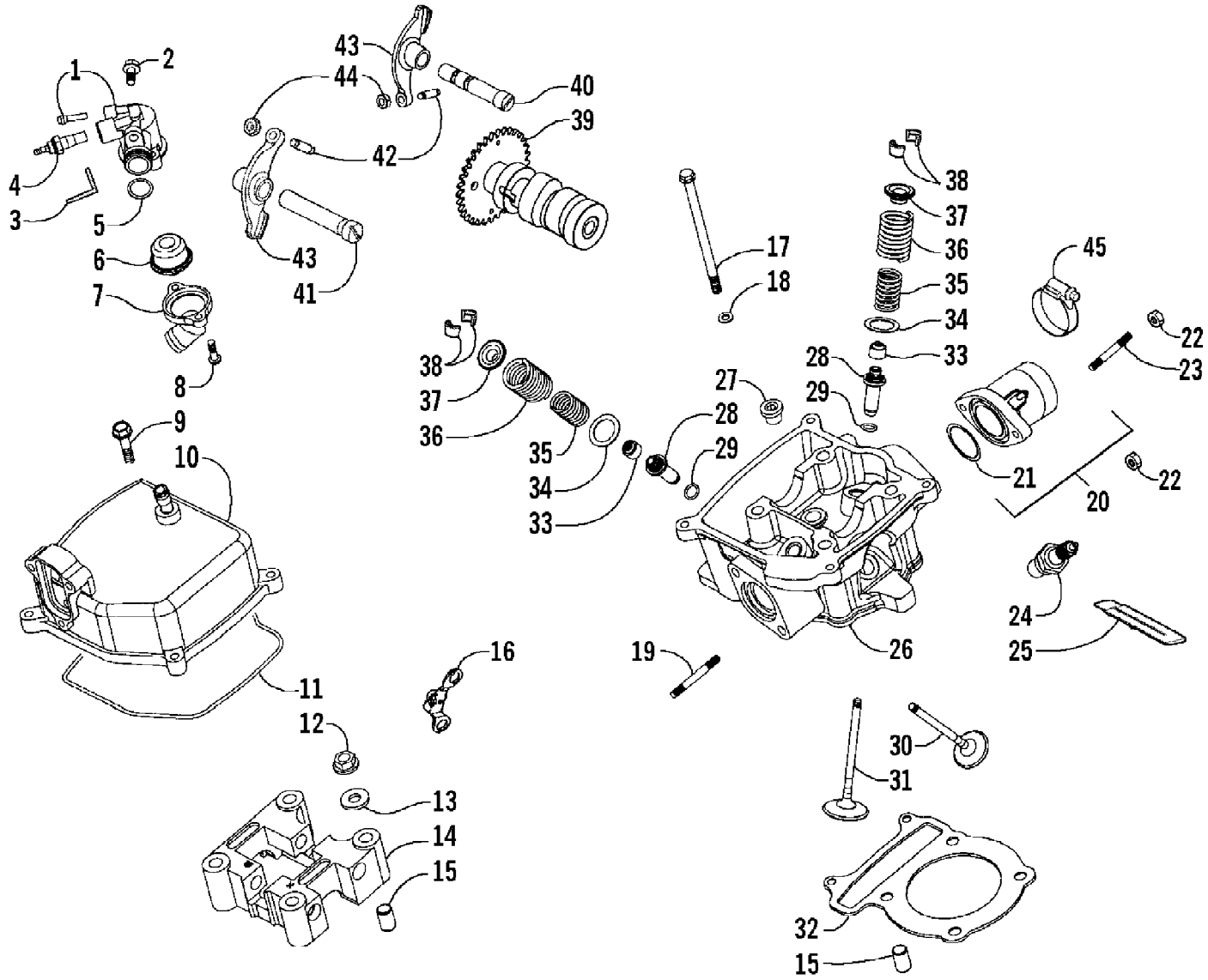


2008 ATV 250 UTILITY GREEN (A2008KUE2BUSG)
CRANKCASE COVER ASSEMBLY

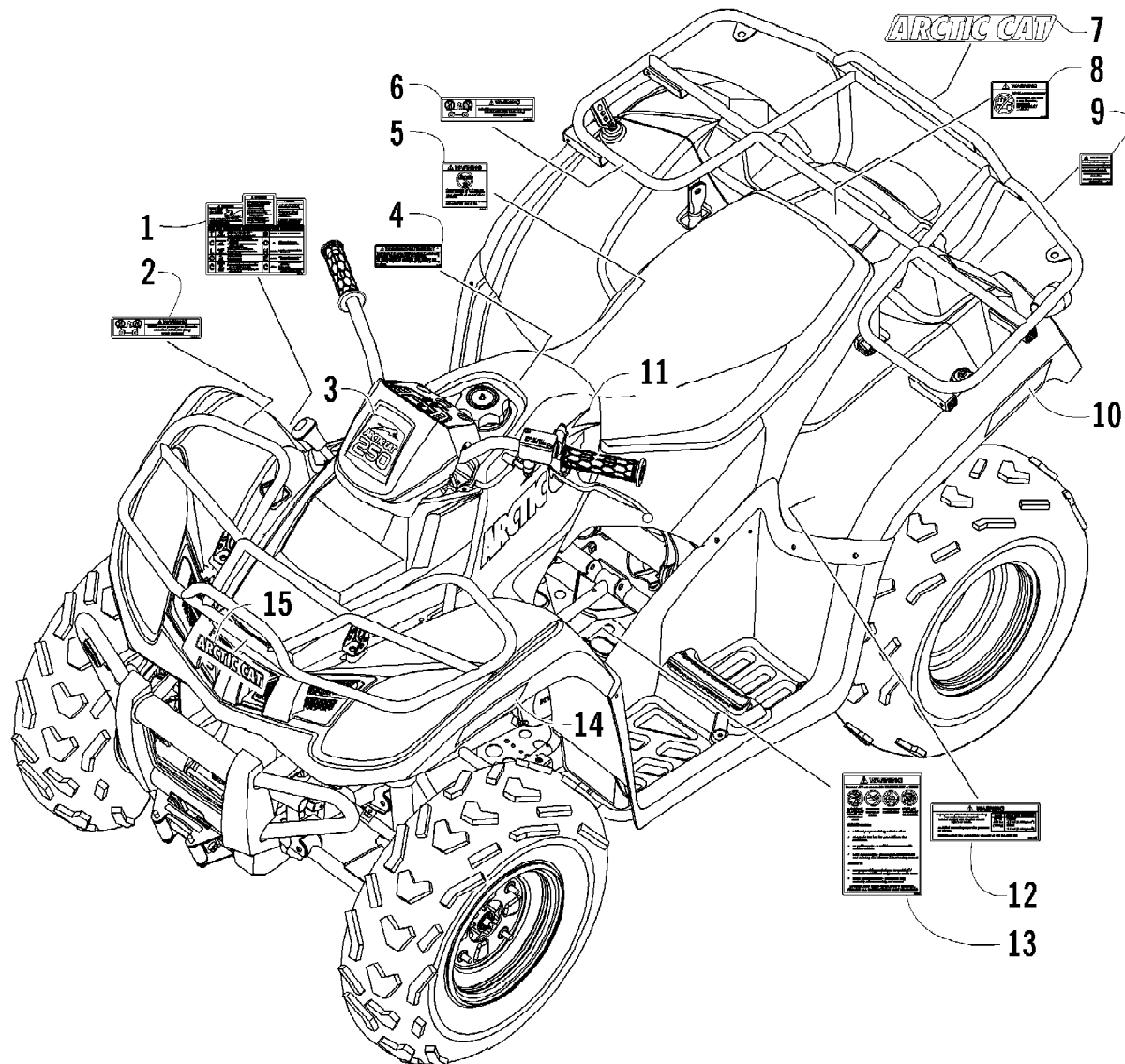
Page 16 of 69

Ref #	Part Number	Qty	S/P/F	Description
1	3304-192	8		Screw, Cap
2	3303-387	4		Screw, Cap
3	3303-385	2		Screw, Cap
4	3303-619	2	/P	Screw, Cap
5	3303-752	1		Cover, Water Pump
6	3304-186	1		Screw, Cap
7	3304-049	1		Washer
8	3303-753	1		Gasket, Water Pump
9	3303-341	2		Pin, Dowel
10	3303-750	1		Impeller, Water Pump
11	3304-038	1		Washer
12	3303-382	3	/P	Screw, Cap
13	3304-013	1		Cap, Crankcase Cover - Assembly (inc. one No. 14 and 15)
14	3304-096	2	/P	O-Ring
15	3304-098	1		O-Ring
16	3303-695	1		Gauge, Oil Level (inc. 17)
17	3304-102	1	/P	O-Ring
18	3304-012	1		Cap
19	3304-099	1		O-Ring
20	3303-631	1		Cover, Crankcase (inc. 21-25)
21	3303-751	1		Seal, Mechanical
22	3304-078	1		Seal, Oil
23	3304-068	1		Bearing
24	3303-696	1		Finder, Oil Level
25	0	1	F	Sleeve
26	3304-165	2	/P	Clip, Hose
27	3303-758	1		Hose, Water
28	3303-342	2		Pin, Dowel
29	3303-691	1	/P	Screen, Oil Filter
30	3303-692	1	/P	Spring, Oil Filter
31	3303-021	1		Cap, Oil Filter
32	3303-641	1		Gasket
33	3303-754	1		Shaft, Water Pump
34	3304-193	1		Bearing
35	3304-148	1		Circlip

2008 ATV 250 UTILITY GREEN (A2008KUE2BUSG)
CYLINDER HEAD ASSEMBLY



Ref #	Part Number	Qty	S/P/F	Description
	3305-533	1	F	Complete Engine Assembly AC50EA
1	3303-756	1		Housing, Thermostat - Upper
2	3303-617	1	/P	Bolt, Flange
3	3303-860	1		Terminal, Ground
4	3303-861	1		Sensor, Coolant Temperature
5	3304-094	1		O-Ring
6	3303-755	1		Thermostat
7	3303-757	1		Housing, Thermostat - Lower
8	3304-118	2		Screw, Pan-Head
9	3303-360	4		Screw, Cap
10	3303-660	1		Cover, Cylinder Head
11	3303-661	1		Gasket, Cylinder Head Cover
12	3303-332	4		Nut, Lock
13	3304-048	4	/P	Washer
14	3303-658	1		Holder, Camshaft
15	3303-342	4		Pin, Dowel
16	3303-670	1		Plate, Stopper - Assembly
17	3303-390	2		Screw, Cap
18	3304-049	2		Washer
19	3304-010	2		Bolt, Stud
20	3305-460	1		Manifold, Intake (inc. 21)
21	3304-097	1		O-Ring
22	3304-124	4		Nut, Lock
23	3304-114	4		Bolt, Stud
24	0217-730	1	/P	Spark Plug
25	3304-157	1		Clip, Wire
26	3303-655	1		Head, Cylinder (inc. 27-29)
27	3303-656	1		Bolt, Sealing
28	0	2	F	Guide, Valve
29	0	2	F	O-Ring
30	3303-680	1		Valve, Intake
31	3303-681	1		Valve, Exhaust
32	3303-659	1		Gasket, Head Cylinder
33	3303-657	2	/P	Seal, Valve Stem
34	3303-043	2		Seat, Valve Spring
35	3303-683	2		Spring, Valve - Inner
36	3303-682	2		Spring, Valve - Outer
37	3303-042	2	/P	Retainer, Valve Spring
38	3303-044	4		Valve, Cotter
39	3303-669	1		Camshaft
40	3303-674	1		Shaft, Rocker Arm - Intake
41	3303-675	1		Shaft, Rocker Arm - Exhaust
42	3304-007	2	/P	Screw, Gap Adjuster
43	3303-673	2		Arm, Rocker
44	3304-026	2	/P	Nut, Gap Adjuster
45	3305-410	1		Clamp

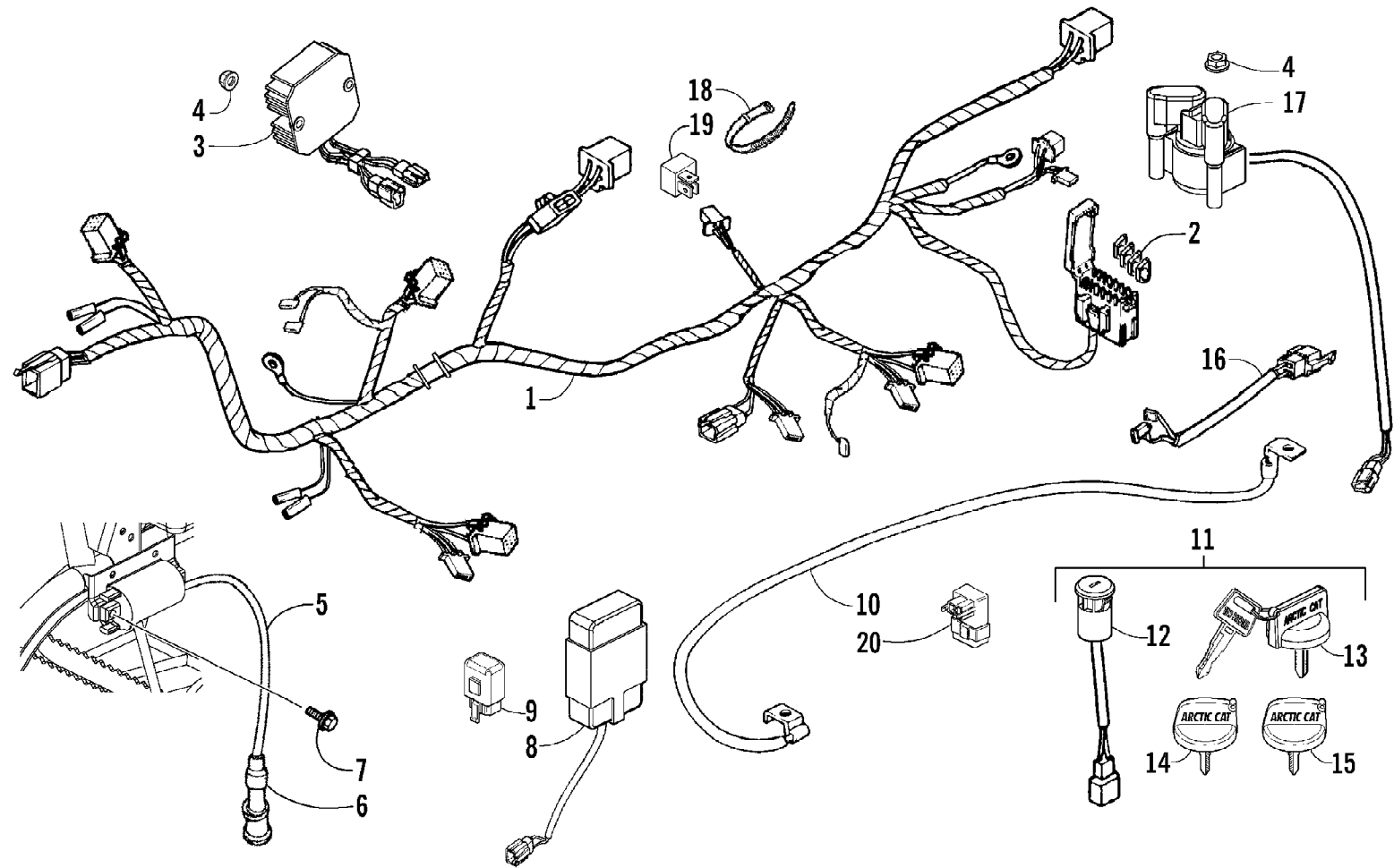


2008 ATV 250 UTILITY GREEN (A2008KUE2BUSG)
DECALS

Page 20 of 69

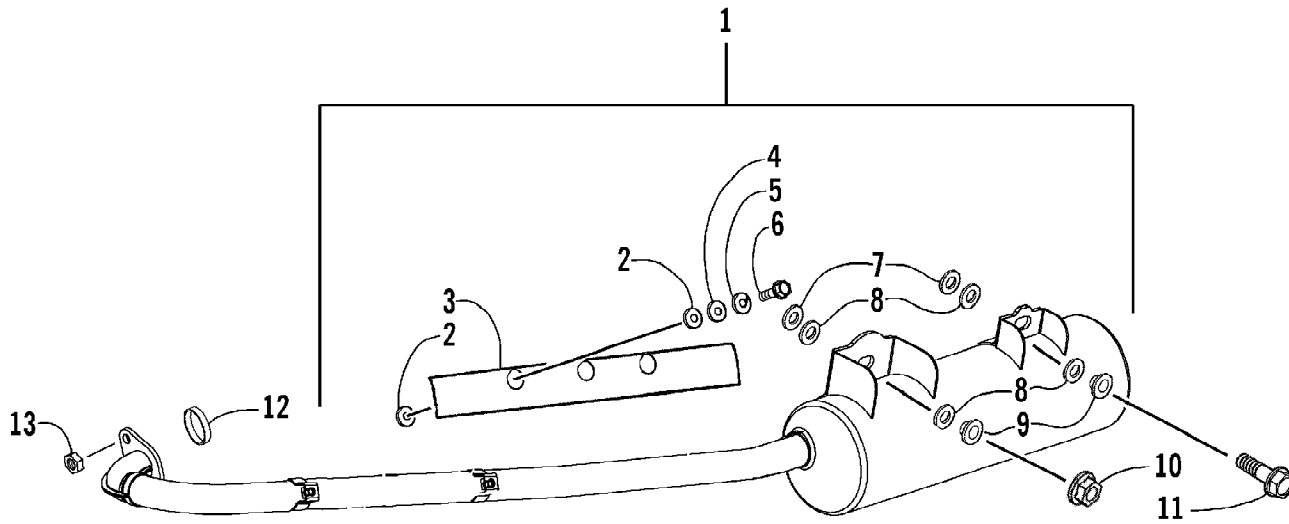
Ref #	Part Number	Qty	S/P/F	Description
1	1411-173	1		Decal, Pre-Ride Inspection
2	1411-201	1		Decal, Warning - Rack
3	1411-622	1		Decal, Instrument Pod
4	1411-577	1		Decal, Warning - Not for Highways
5	0411-401	1		Decal, Warning - Age
6	0411-576	1		Decal, Warning - Rack
7	1411-318	1		Decal, "Arctic Cat" - White
8	0411-435	1		Decal, Warning - Passenger
9	1411-102	1		Decal, Warning - Towing
10	1411-178	1		Decal, Reflector - Rear - Right
10	1411-179	1		Decal, Reflector - Rear - Left
11	1411-636	1		Decal, Side - Upper Right
11	1411-637	1		Decal, Side - Upper Left
12	1411-108	1		Decal, Warning - Tire/Load
13	0411-218	1		Decal, Warning - General
14	1411-180	1		Decal, Reflector - Front - Right
14	1411-181	1		Decal, Reflector - Front - Left
15	1411-825	1		Decal, Front

2008 ATV 250 UTILITY GREEN (A2008KUE2BUSG)
ELECTRICAL AND WIRING HARNESS ASSEMBLY



2008 ATV 250 UTILITY GREEN (A2008KUE2BUSG)
ELECTRICAL AND WIRING HARNESS ASSEMBLY

Ref #	Part Number	Qty	S/P/F	Description
1	3303-838	1		Harness, Main (inc. 2)
2	3304-210	1		Fuse - 10 Amp
2	3304-211	2		Fuse - 15 Amp
2	3304-212	1		Fuse - 30 Amp
3	3303-836	1		Regulator, Voltage
4	3303-331	4	/P	Nut
5	3303-830	1		Coil, Ignition (inc. 6)
6	3303-831	1		Cap, Noise Suppression
7	3303-382	2	/P	Screw, Cap
8	3303-829	1		CDI Unit
9	3303-867	1		Relay, Start-in-Gear
10	3303-841	1		Cable, Battery
11	3303-850	1		Switch, Ignition - Assembly (inc. 12-15)
12	0	1	F	Switch, Ignition
13	3304-522	1		Cover, Key - "Arctic Cat"
14	3304-520	1	F	Key, Ignition w/Cover Right Side Cut
15	3304-521	1	F	Key, Ignition w/Cover Left Side Cut
16	3303-134	1	/P	Sub-Cord
17	3303-857	1		Relay, Starter
18	3303-840	1		Cable Tie
19	3303-837	1		Diode, Neutral
20	3304-523	1		Relay, Lighting Control

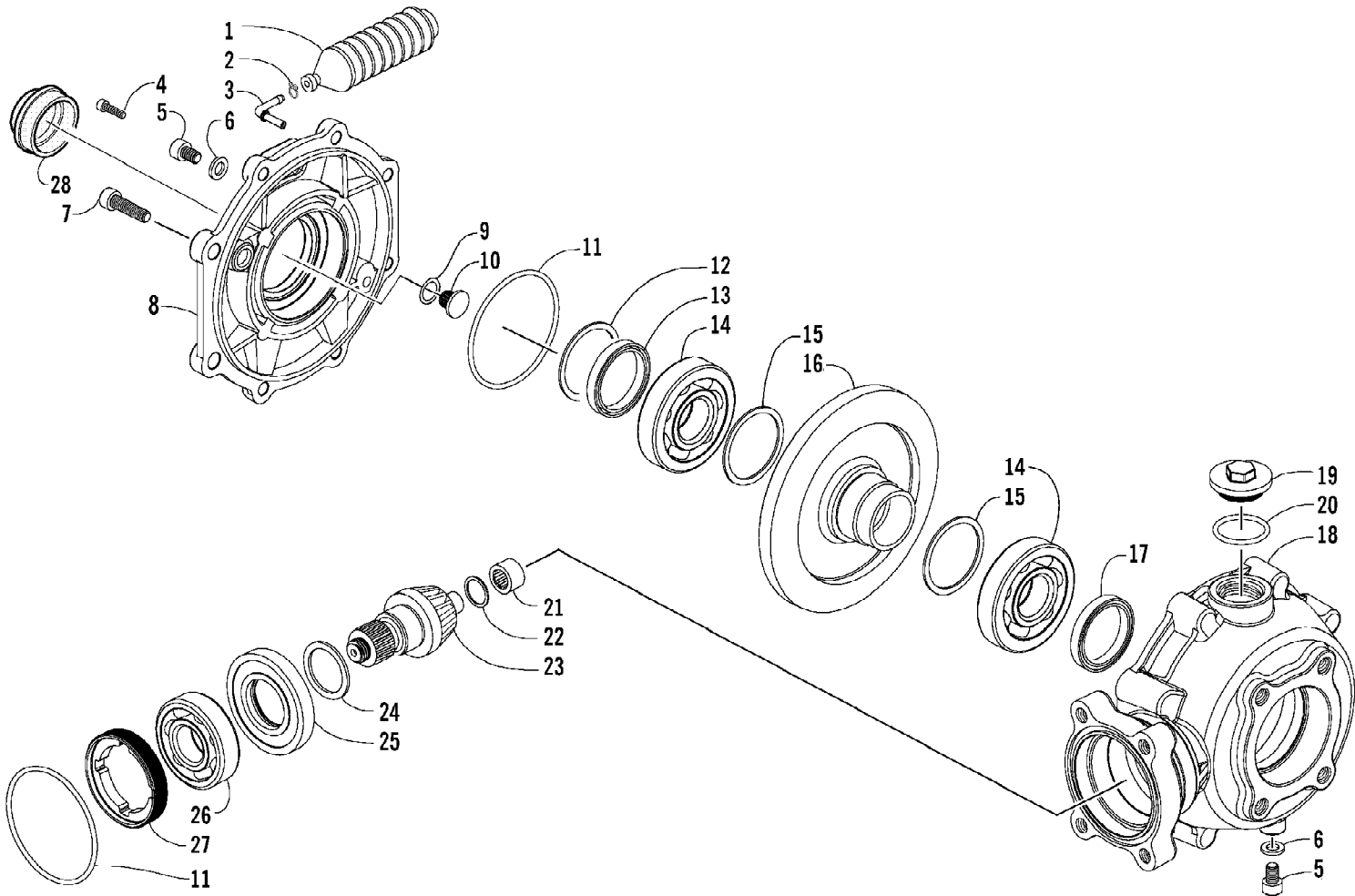


2008 ATV 250 UTILITY GREEN (A2008KUE2BUSG)
EXHAUST ASSEMBLY

Page 24 of 69

Ref #	Part Number	Qty	S/P/F	Description
1	3303-729	1		Muffler Assembly (inc. 2-9)
2	3303-727	4		Packing, Exhaust Shield
3	3303-730	1		Shield, Exhaust
4	3304-134	2		Washer
5	3304-140	2		Washer, Spring
6	3303-381	2		Bolt, Flange
7	3303-726	2		Bushing, Rubber
8	3303-728	4		Packing, Muffler Assembly
9	3303-731	2		Collar, Muffler Assembly
10	3303-332	1		Nut, Flange
11	3304-175	1		Bolt, Flange
12	3303-725	1		Gasket, Exhaust Pipe
13	3304-125	2		Nut, Hex

2008 ATV 250 UTILITY GREEN (A2008KUE2BUSG)
FINAL DRIVE ASSEMBLY

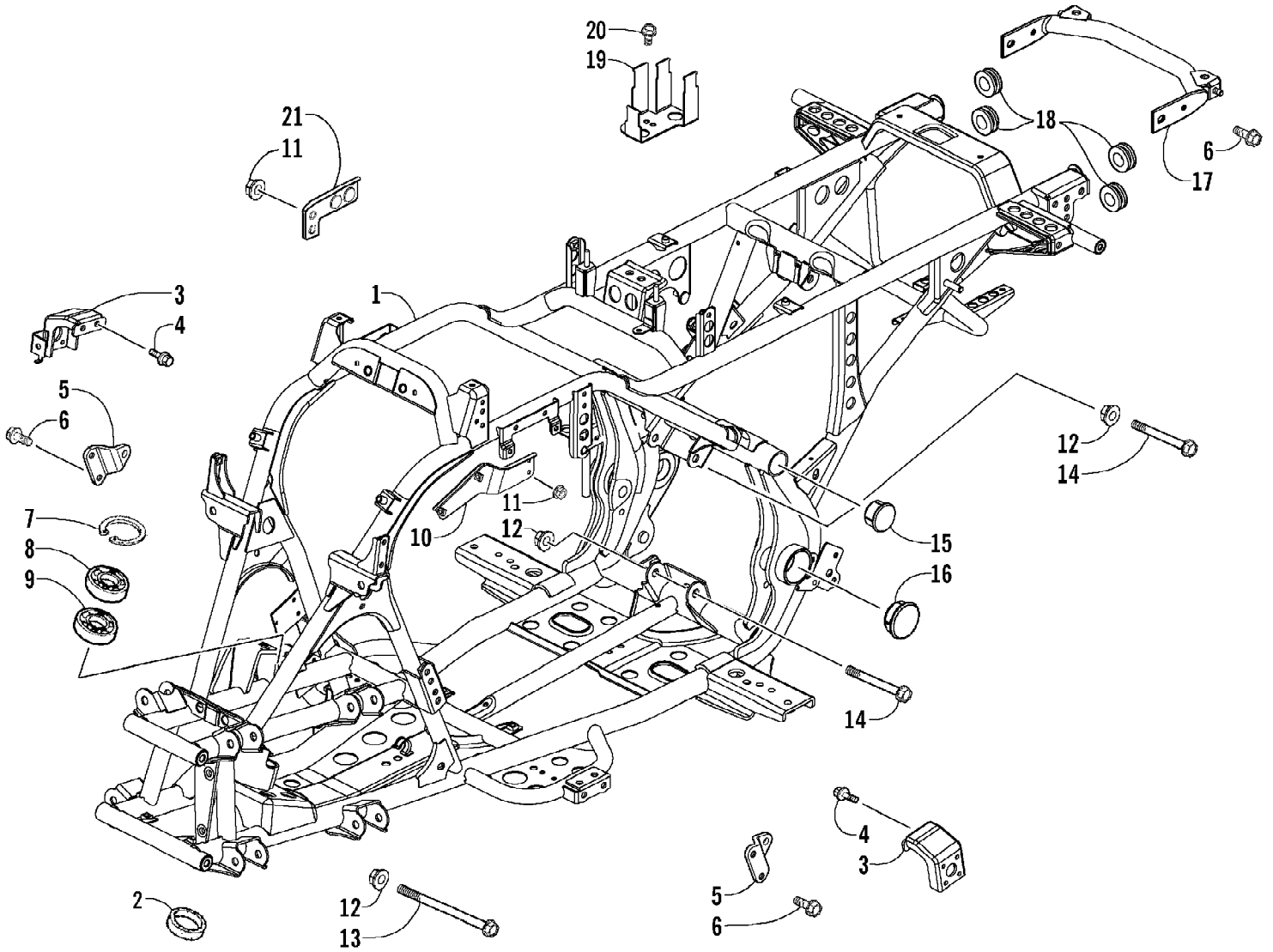


2008 ATV 250 UTILITY GREEN (A2008KUE2BUSG)
FINAL DRIVE ASSEMBLY

Page 26 of 69

Ref #	Part Number	Qty	S/P/F	Description
	3305-894	1		Complete Gearcase Assembly
1	3304-170	1	/P	Bladder, Rear Gearcase
2	3304-669	1		Clip
3	3303-877	1		Fitting, Bladder
4	3304-177	6		Screw, Cap
5	3303-365	2		Screw, Cap
6	3303-591	2		Washer
7	3304-178	2		Screw, Cap
8	3303-873	1		Cover, Rear Gearcase
9	3303-879	1		Shim
10	3303-878	1		Pin, Ring Gear
11	3304-095	2		O-Ring
12	3304-670	1		O-Ring
13	3304-092	1		Seal, Oil
14	3304-194	2		Bearing
15	3305-311	AR		Shim, 46 x 54 x 1.47 mm
15	3303-881	AR		Shim
15	3305-310	AR		Shim
16	3305-549	1		Gear, Ring
17	3304-093	1		Seal, Oil
18	3303-872	1		Gearcase - Rear
19	3303-021	1		Plug, Fill
20	3304-096	1	/P	O-Ring
21	3304-076	1		Bearing, Needle
22	3303-874	1		O-Ring
23	3303-875	1		Gear, Pinion
24	3305-313	AR		Shim, 31 x 40 x 1.97 mm
24	3305-312	AR		Shim
24	3303-880	AR		Shim
25	3304-085	1		Seal, Dust
26	3304-196	1		Bearing
27	3304-027	1		Nut, Lock
28	3313-670	1		Seal

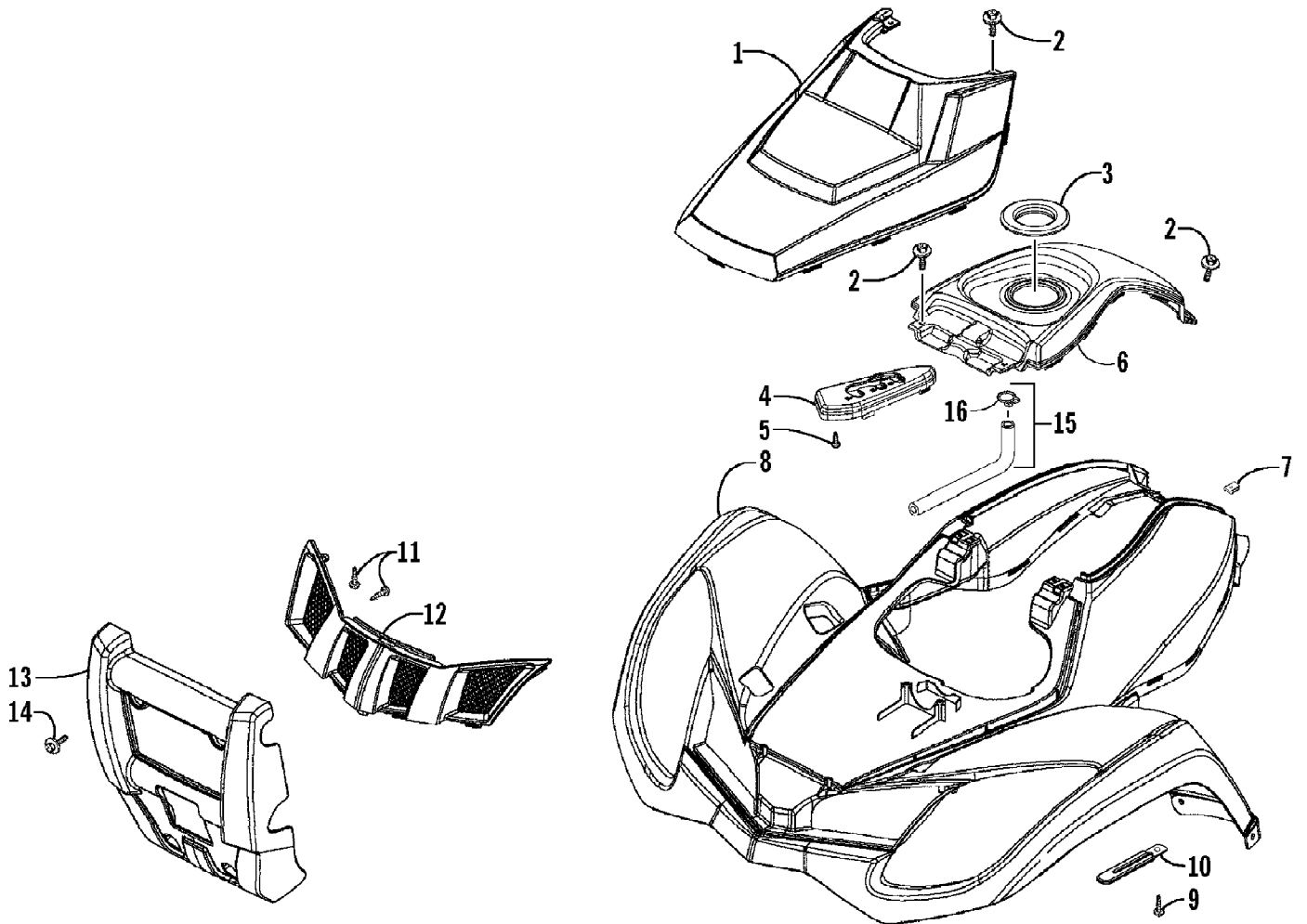
2008 ATV 250 UTILITY GREEN (A2008KUE2BUSG)
FRAME AND RELATED PARTS ASSEMBLY



2008 ATV 250 UTILITY GREEN (A2008KUE2BUSG)
FRAME AND RELATED PARTS ASSEMBLY

Page 28 of 69

Ref #	Part Number	Qty	S/P/F	Description
1	3303-933	1		Frame, Main
2	3304-064	1		Seal, Dust
3	3303-942	1		Bracket, Mounting - Front Rack - Right
3	3303-943	1		Bracket, Mounting - Front Rack - Left
4	3304-553	4		Screw, Cap
5	3303-938	2		Bracket, Mounting - Engine
6	3304-543	8	/P	Screw, Cap
7	3304-150	1		Circlip
8	3304-203	1		Bearing
9	3303-298	1		Seal, Oil
10	3303-935	1	/P	Bracket, Mounting - Clutch/Gas Tank
11	3304-654	4	/P	Nut, Flange
12	3323-178	3		Nut, Flange Lock
13	3304-184	1	/P	Screw, Cap
14	3304-183	2	/P	Screw, Cap
15	3304-658	2		Cap, End
16	3303-999	2		Cap, End
17	3303-936	1		Bracket, Mounting - Rear Rack
18	3303-239	4		Grommet, Rubber
19	3303-934	1		Bracket, Mounting - Starter/Magneto Switch
20	3304-409	1	/P	Bolt w/Washer
21	3304-655	1		Bracket, Mounting - Brake Switch

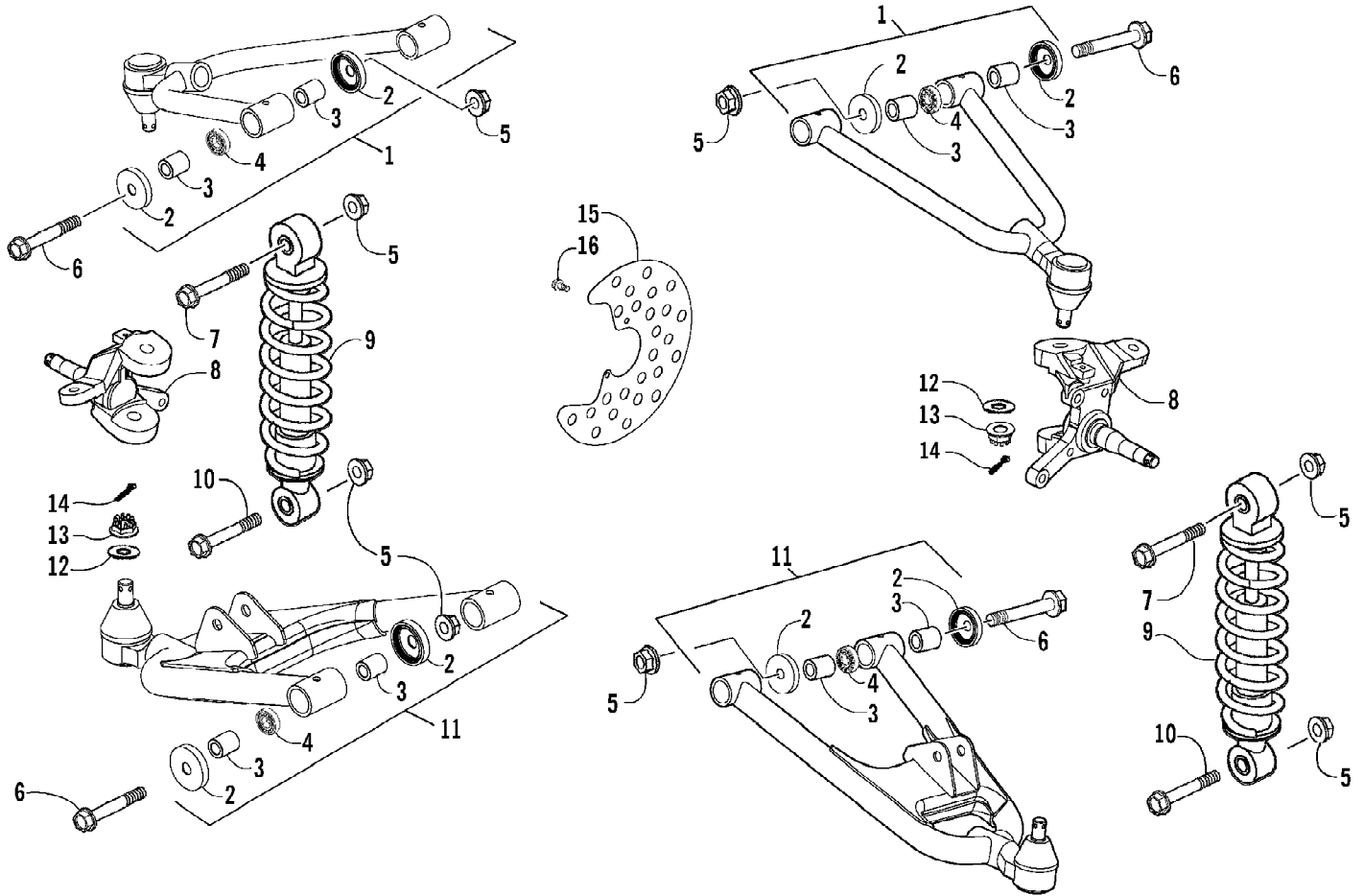


2008 ATV 250 UTILITY GREEN (A2008KUE2BUSG)
FRONT BODY PANEL ASSEMBLY

Page 30 of 69

Ref #	Part Number	Qty	S/P/F	Description
1	3303-979	1		Cover, Front
2	3304-029	6	/P	Bolt w/Washer
3	3303-721	1		Grommet, Gas Tank Cover
4	3303-976	1		Guide, Shift Handle
5	3304-650	2	/P	Screw, Self-Tapping
6	3304-540	1		Cover, Gas Tank
7	3304-061	6	/P	Nut, Clip
8	3303-975	1		Fender, Front
9	3304-651	2		Screw, Self-Tapping
10	3304-156	2		Clip, Wire
11	3304-645	4	/P	Screw
12	3303-982	1		Grill, Front
13	3303-980	1	S	Bumper, Front
14	3304-587	4	/P	Bolt w/Washer
15	3303-720	1		Tube, Fuel Drain (inc. 16)
16	3303-349	1		Clip, Tube

2008 ATV 250 UTILITY GREEN (A2008KUE2BUSG)
FRONT SUSPENSION ASSEMBLY

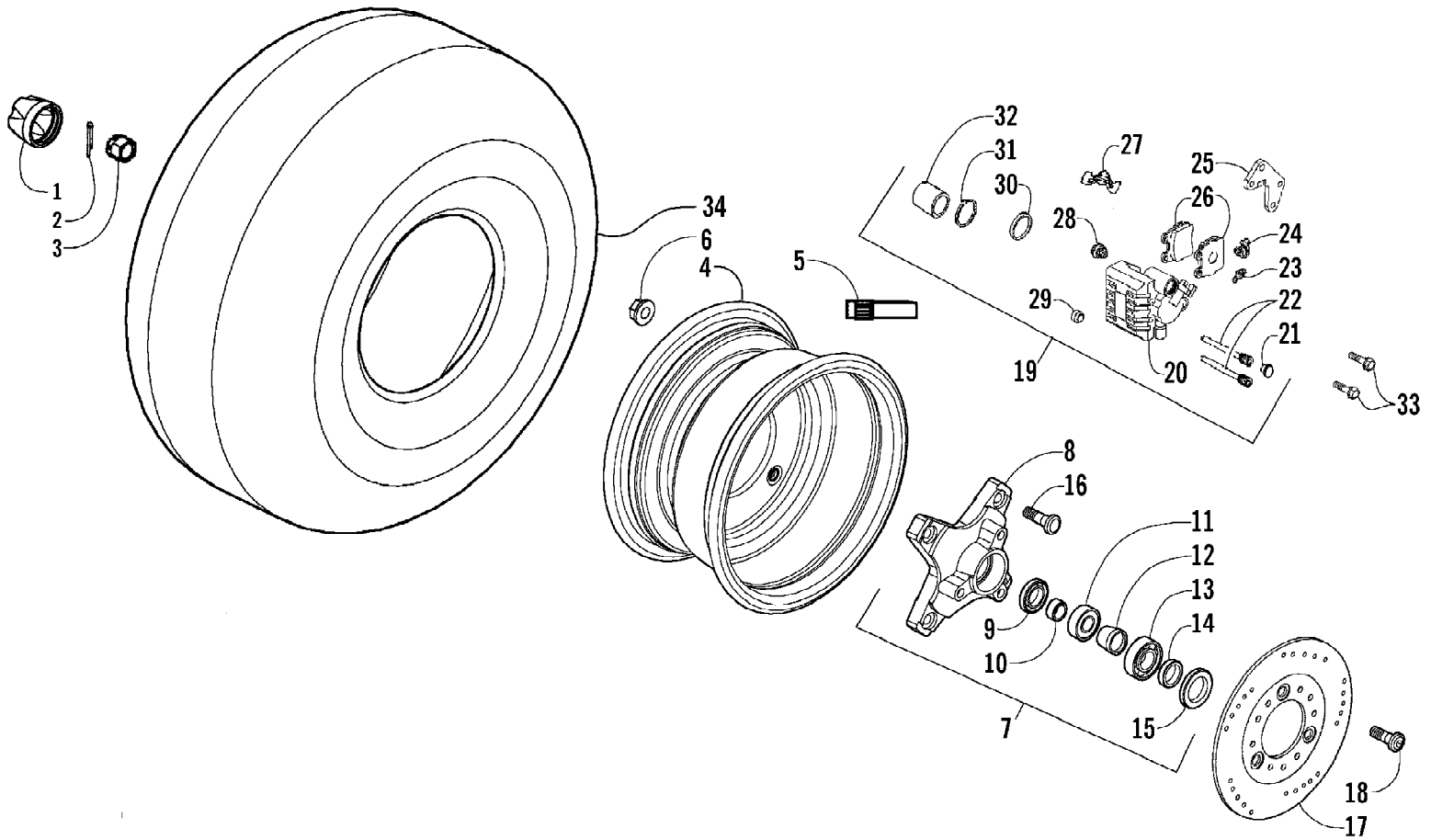


2008 ATV 250 UTILITY GREEN (A2008KUE2BUSG)
FRONT SUSPENSION ASSEMBLY

Page 32 of 69

Ref #	Part Number	Qty	S/P/F	Description
1	3303-964	1		A-Arm Assembly - Upper Right (inc. 2-4)
1	3303-967	1		A-Arm Assembly - Upper Left (inc. 2-4)
2	3304-090	16		Seal, Oil
3	3304-689	16	/P	Bushing, Swing Arm
4	3304-199	8		Bearing
5	3303-265	12	S	Nut
6	3304-182	8	/P	Bolt, Flange
7	3303-376	2	/P	Bolt, Flange
8	3303-930	1		Knuckle - Assembly - Right
8	3303-932	1		Knuckle - Assembly - Left
9	3303-941	2		Cushion - Assembly - Front
10	3304-595	2	/P	Bolt, Flange
11	3303-966	1		A-Arm Assembly - Lower Right (inc. 2-4)
11	3303-968	1		A-Arm Assembly - Lower Left (inc. 2-4)
12	3303-335	4		Washer
13	3303-328	4		Nut, Castle
14	3303-339	4		Pin, Cotter
15	3303-920	2		Guard, Brake Disc
16	3303-356	4	/P	Bolt, Flange

2008 ATV 250 UTILITY GREEN (A2008KUE2BUSG)
FRONT WHEELS AND BRAKE ASSEMBLY

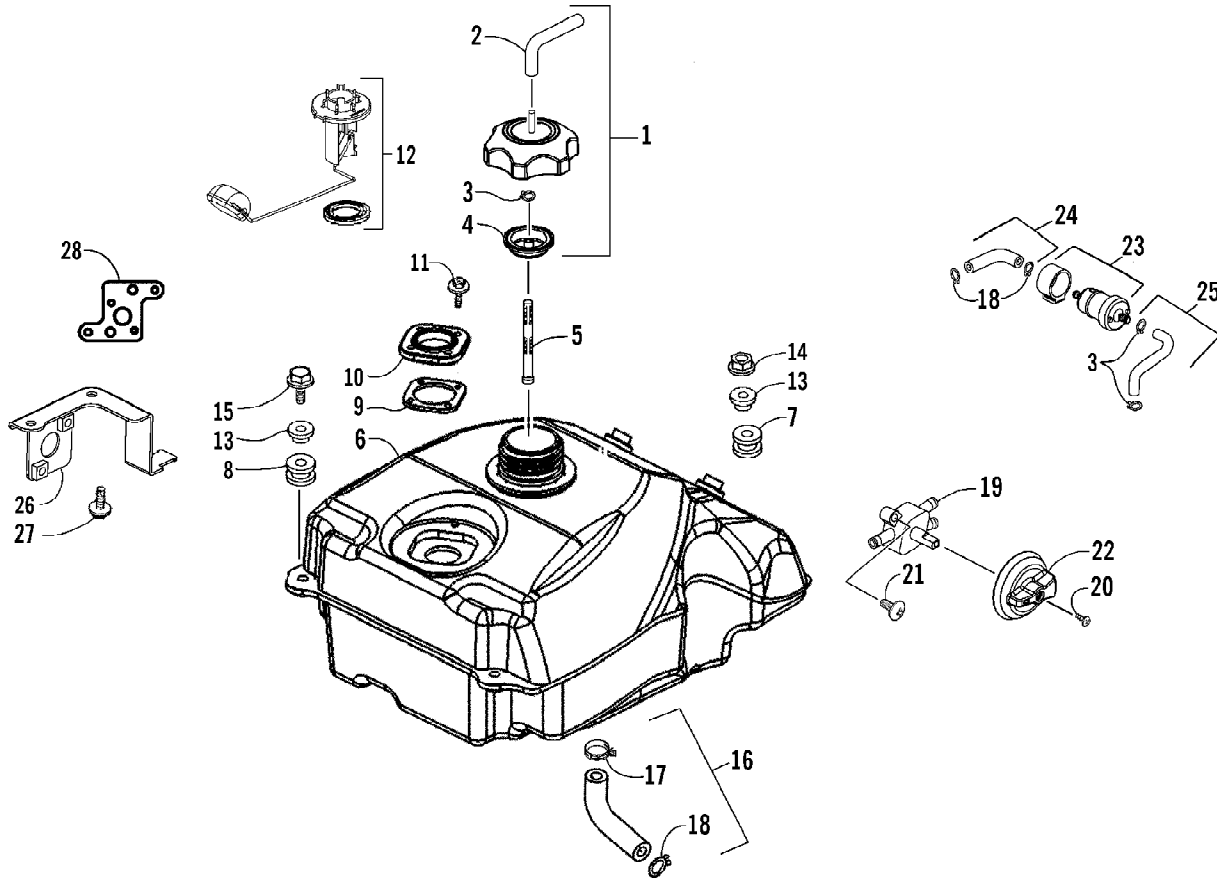


2008 ATV 250 UTILITY GREEN (A2008KUE2BUSG)
FRONT WHEELS AND BRAKE ASSEMBLY

Page 34 of 69

Ref #	Part Number	Qty	S/P/F	Description
1	3303-931	2		Cap, Wheel
2	3303-340	2		Pin, Cotter
3	3303-330	2		Nut
4	3303-902	2	/P	Wheel, Front
5	3304-562	2		Valve, Wheel
6	3304-028	8		Nut, Wheel
7	3303-903	2		Hub, Wheel - Assembly - Front (inc. 8-16)
8	0	2	F	Hub, Wheel - Front
9	3304-089	2		Seal, Oil
10	3303-898	2		Collar, Wheel - Inside
11	3304-200	2		Bearing
12	3303-900	2		Collar, Wheel - Center
13	3304-202	2		Bearing
14	3303-899	2		Collar, Wheel - Outside
15	3304-088	2		Seal, Oil
16	3304-014	8		Bolt, Hub
17	3303-912	1		Disc, Brake - Front - Right
17	3303-918	1		Disc, Brake - Front - Left
18	3304-015	6		Bolt
19	3304-313	1	/P	Caliper Assembly - Front - Right (inc. 20-32)
19	3303-921	1		Caliper Assembly - Front - Left (inc. 20-32)
20	0	1	F	Housing, Caliper - Assembly - Right
20	0	1	F	Housing, Caliper - Assembly - Left
21	3304-334	2		Plug
22	3304-326	4		Pin
23	3304-330	2		Valve, Bleed
24	3304-331	2		Cap, Bleed Valve
25	3304-317	1		Bracket, Right
25	3304-328	1		Bracket, Left
26	3303-908	2		Pad, Brake - Set
27	3304-315	2		Spring, Brake Pad
28	3304-322	2		Boot A
29	3304-329	1		Bushing
30	3303-922	2		Seal, Piston - Inner
31	3303-910	2		Seal, Dust - Outer
32	3303-909	2		Piston
33	3304-174	4		Screw, Cap
34	3303-904	2		Tire, Front

2008 ATV 250 UTILITY GREEN (A2008KUE2BUSG)
GAS TANK ASSEMBLY

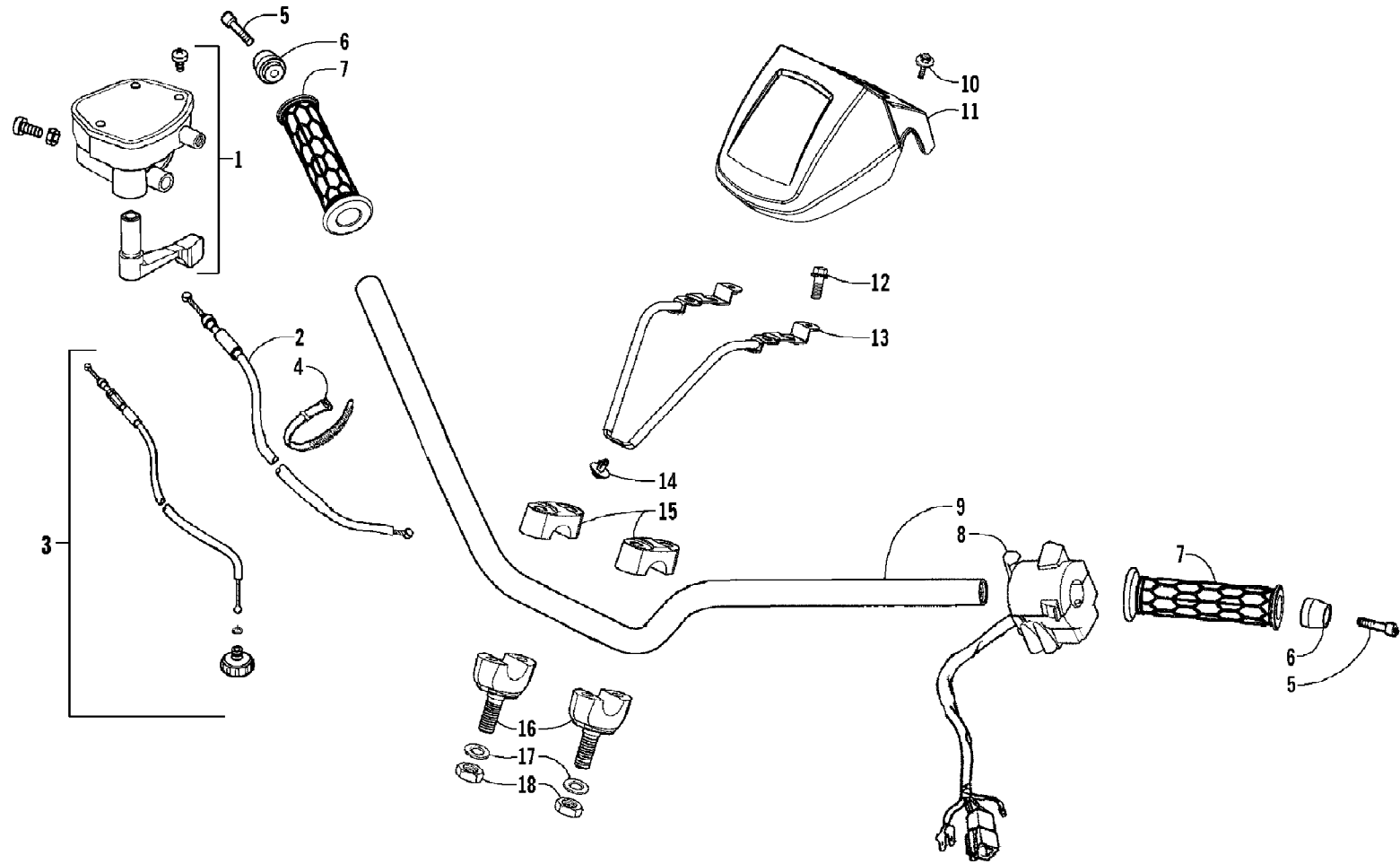


2008 ATV 250 UTILITY GREEN (A2008KUE2BUSG)
GAS TANK ASSEMBLY

Page 36 of 69

Ref #	Part Number	Qty	S/P/F	Description
1	3304-246	1	/P	Cap, Gas Tank - Assembly (inc. 2, one No. 3, and 4)
2	3304-169	1		Hose, Vent
3	3303-348	3		Clip, Tube
4	0	1	F	Diaphragm
5	3303-058	1		Screen, Fuel Strainer
6	3305-415	1		Tank, Gas - Assembly (inc. 7-10)
7	3304-647	2		Grommet, Rubber
8	3303-406	2		Grommet, Rubber
9	0	1	F	Seal, Gas Tank
10	0	1	F	Collar, Gas Tank
11	3305-397	4		Screw w/Washer
12	3305-545	1		Sensor, Fuel Level
13	3303-226	4		Collar, Front Fender
14	3303-331	2	/P	Nut
15	3304-551	2	/P	Screw, Cap
16	3305-416	2		Tube, Gas Tank - Assembly (inc. 17 and two No. 18)
17	3303-351	2		Clamp, Tube
18	3303-349	4		Clip, Tube
19	3303-700	1		Valve, Gas Tank (inc. 20)
20	3301-828	1	/P	Screw
21	3303-316	2		Screw, Pan-Head
22	3303-701	1		Cover, Gas Tank Valve
23	3305-501	1		Strainer, Fuel - Assembly
24	3305-421	1		Tube, Fuel Strainer - Assembly (inc. two No. 18)
25	3305-422	1		Tube, Fuel Strainer - Assembly (inc. two No. 3)
26	3305-419	1		Bracket, Mounting - Gas Tank Valve
27	3304-409	2	/P	Screw
28	3305-551	1		Bracket, Mounting - Fuel Tank

2008 ATV 250 UTILITY GREEN (A2008KUE2BUSG)
HANDLEBAR AND CONTROLS ASSEMBLY

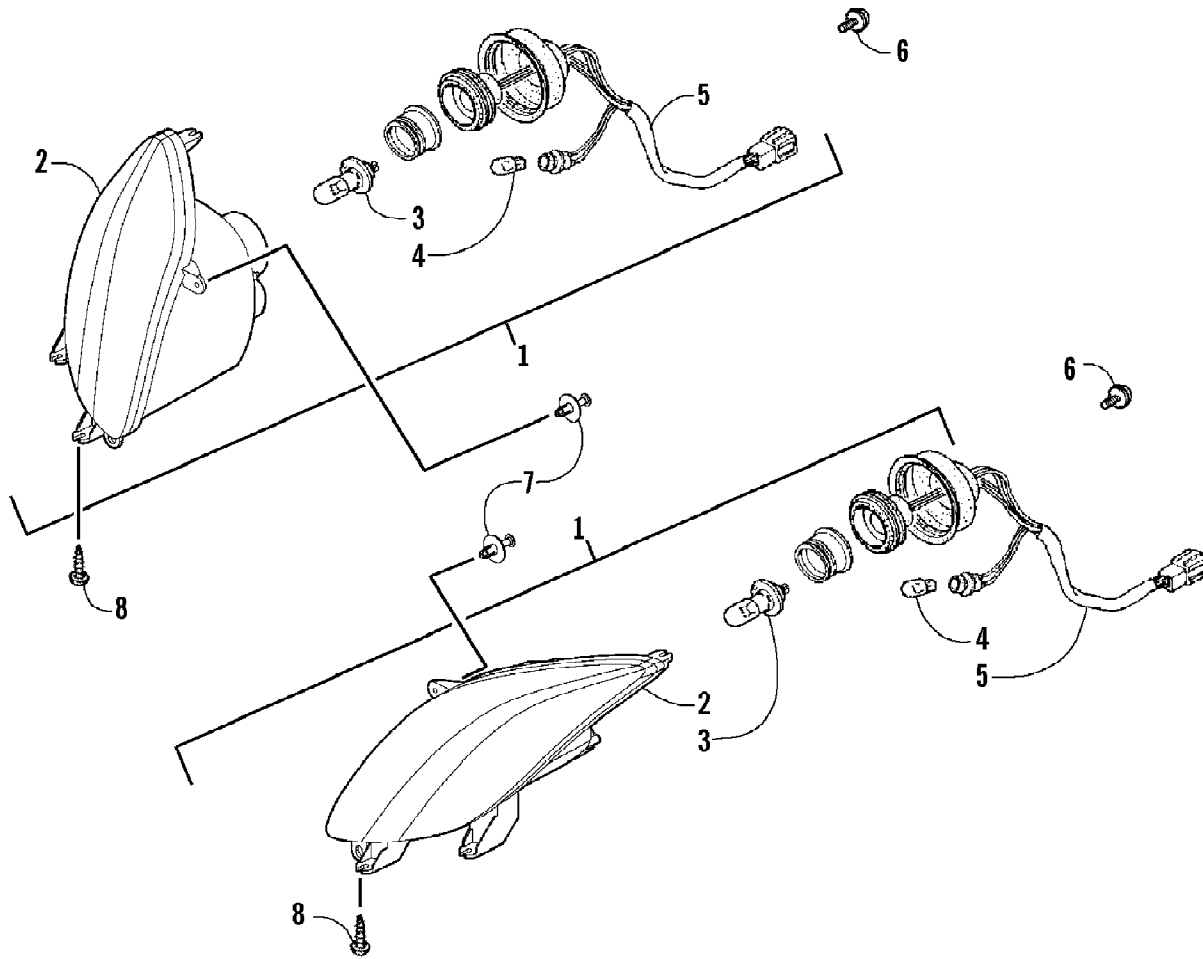


2008 ATV 250 UTILITY GREEN (A2008KUE2BUSG)
HANDLEBAR AND CONTROLS ASSEMBLY

Page 38 of 69

Ref #	Part Number	Qty	S/P/F	Description
1	3303-953	1		Lever, Throttle - Assembly
2	3305-462	1		Cable, Choke
3	1502-297	1	S	Cable, Throttle - Kit
4	3303-839	1		Cable Tie
5	3304-016	2		Bolt w/Washer
6	3305-541	2		Cap, End - Handlebar
7	3303-203	2	S	Grip, Handlebar
8	3303-852	1	/P	Switch Assembly - Left
9	3305-457	1		Handlebar
10	3304-029	2	/P	Bolt w/Washer
11	3303-959	1		Instrument Pod
12	3305-400	4		Bolt w/Washer
13	3303-951	1		Bracket, Instrument Pod
14	3304-552	1		Clip
15	3303-954	1		Holder, Handlebar - Upper
16	3303-955	1		Holder, Handlebar - Lower
17	3305-088	2	/P	Washer
18	3303-325	2		Nut

2008 ATV 250 UTILITY GREEN (A2008KUE2BUSG)
HEADLIGHT ASSEMBLY

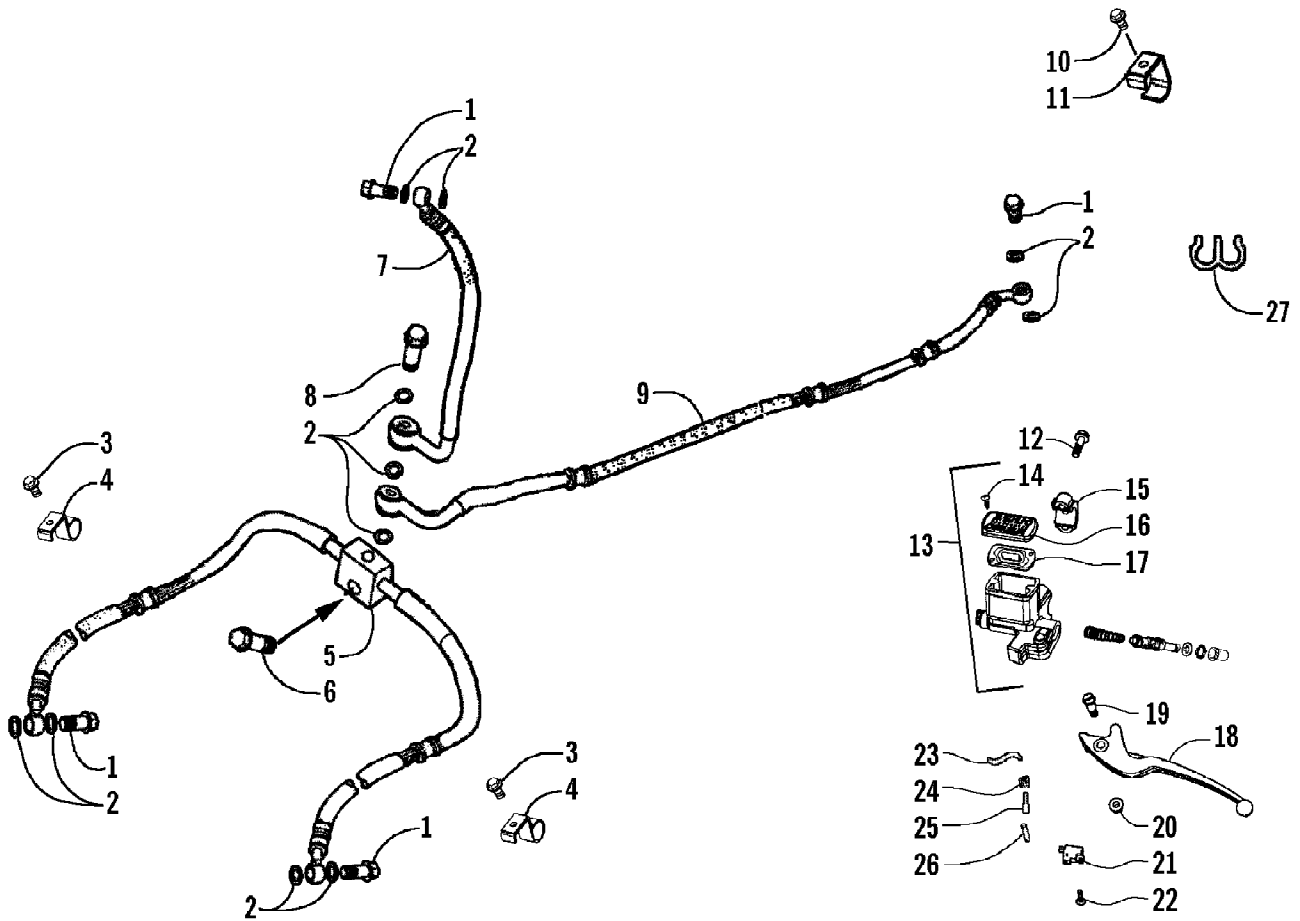


2008 ATV 250 UTILITY GREEN (A2008KUE2BUSG)
HEADLIGHT ASSEMBLY

Page 40 of 69

Ref #	Part Number	Qty	S/P/F	Description
1	3303-844	1		Headlight Assembly - Right (inc. 2-5)
1	3303-845	1		Headlight Assembly - Left (inc. 2-5)
2	3304-643	1		Lens, Headlight - Right
2	3304-644	1		Lens, Headlight - Left
3	3303-846	2	/P	Bulb, Headlight
4	3303-847	2		Bulb, Position
5	0	2	F	Socket Assembly
6	3304-587	2	/P	Screw w/Washer
7	3304-057	2	/P	Clip, Fender
8	3304-645	6	/P	Screw, Self-Tapping

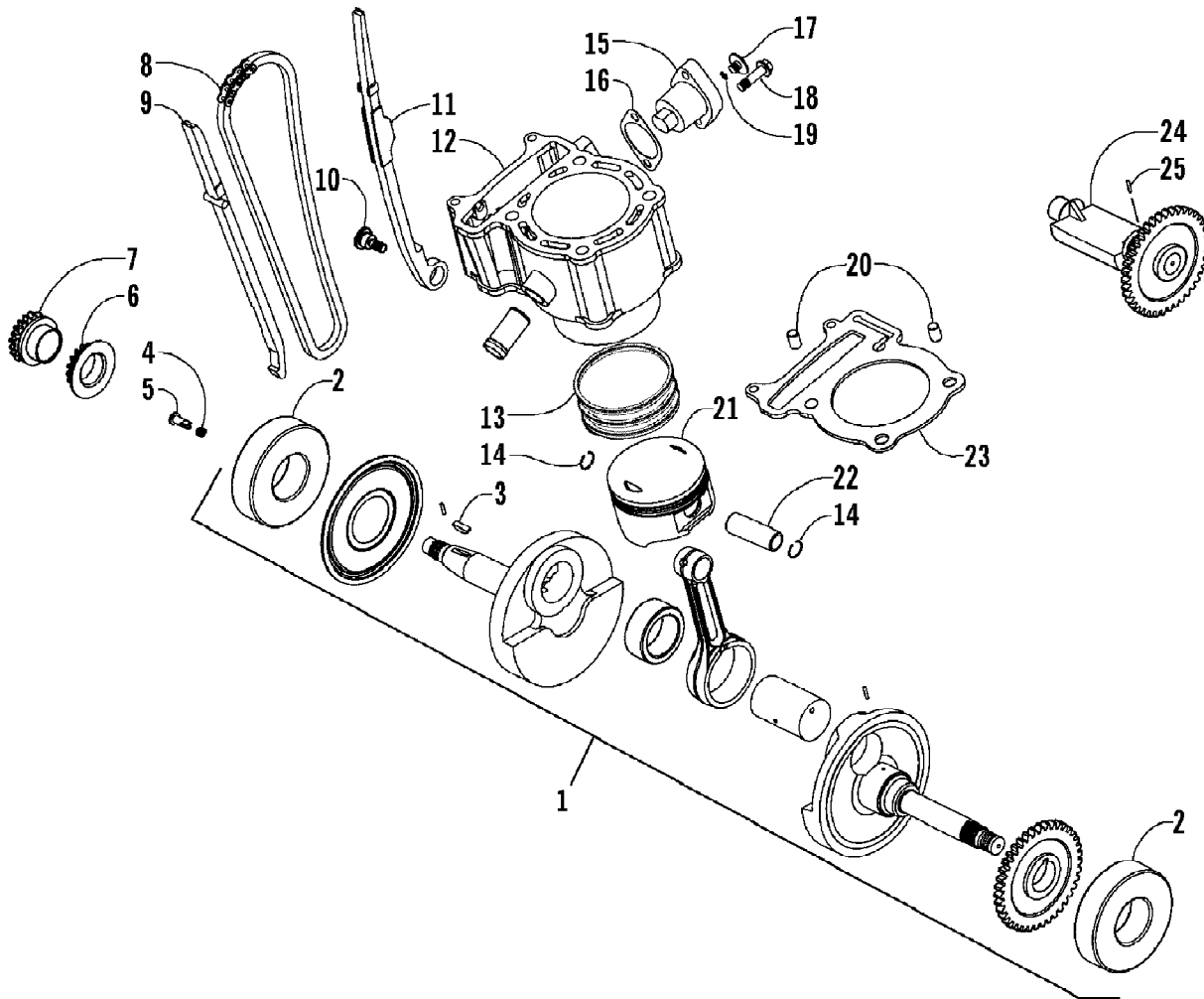
2008 ATV 250 UTILITY GREEN (A2008KUE2BUSG)
HYDRAULIC BRAKE HOSE AND HAND BRAKE ASSEMBLY



2008 ATV 250 UTILITY GREEN (A2008KUE2BUSG)
HYDRAULIC BRAKE HOSE AND HAND BRAKE ASSEMBLY

Ref #	Part Number	Qty	S/P/F	Description
1	3303-257	4	/P	Bolt, Banjo-Fitting
2	3303-284	11	/P	Washer, Crush
3	3304-553	2		Bolt, Flange
4	3303-919	2		Clamp, Brake Hose - Front
5	3304-320	1		Hose, Brake w/Junction Block - Front
6	3304-176	1		Screw, Cap
7	3304-321	1		Hose, Brake - Assembly - Front
8	3304-674	1	/P	Bolt, Banjo-Fitting - Double
9	3303-914	1		Hose, Brake - Assembly - Rear
10	3303-356	1	/P	Screw, Cap
11	3303-891	1		Clamp, Brake Hose - Rear
12	3304-746	2		Screw, Cap
13	3304-676	1		Master Cylinder - Assembly - Rear Brake (inc. 14-17)
14	3303-318	2		Screw, Flat-Head
15	3303-175	1	/P	Clamp, Master Cylinder
16	3303-923	1		Cover, Master Cylinder
17	3303-925	1		Diaphragm, Master Cylinder
18	3304-369	1	/P	Lever, Brake
19	3304-017	1		Bolt, Brake Lever
20	3304-654	1	/P	Nut, Flange
21	3303-141	1	/P	Switch, Brake
22	3303-321	1		Screw w/Washer
23	3304-442	1	/P	Lock, Brake Lever
24	3304-678	1		Spring, Return - Brake Lever
25	3304-679	1		Pin - Brake Lever
26	3304-680	1		Clip - Brake Lever
27	3304-675	1		Clip, Hose - Double

2008 ATV 250 UTILITY GREEN (A2008KUE2BUSG)
PISTON AND CRANKSHAFT ASSEMBLY

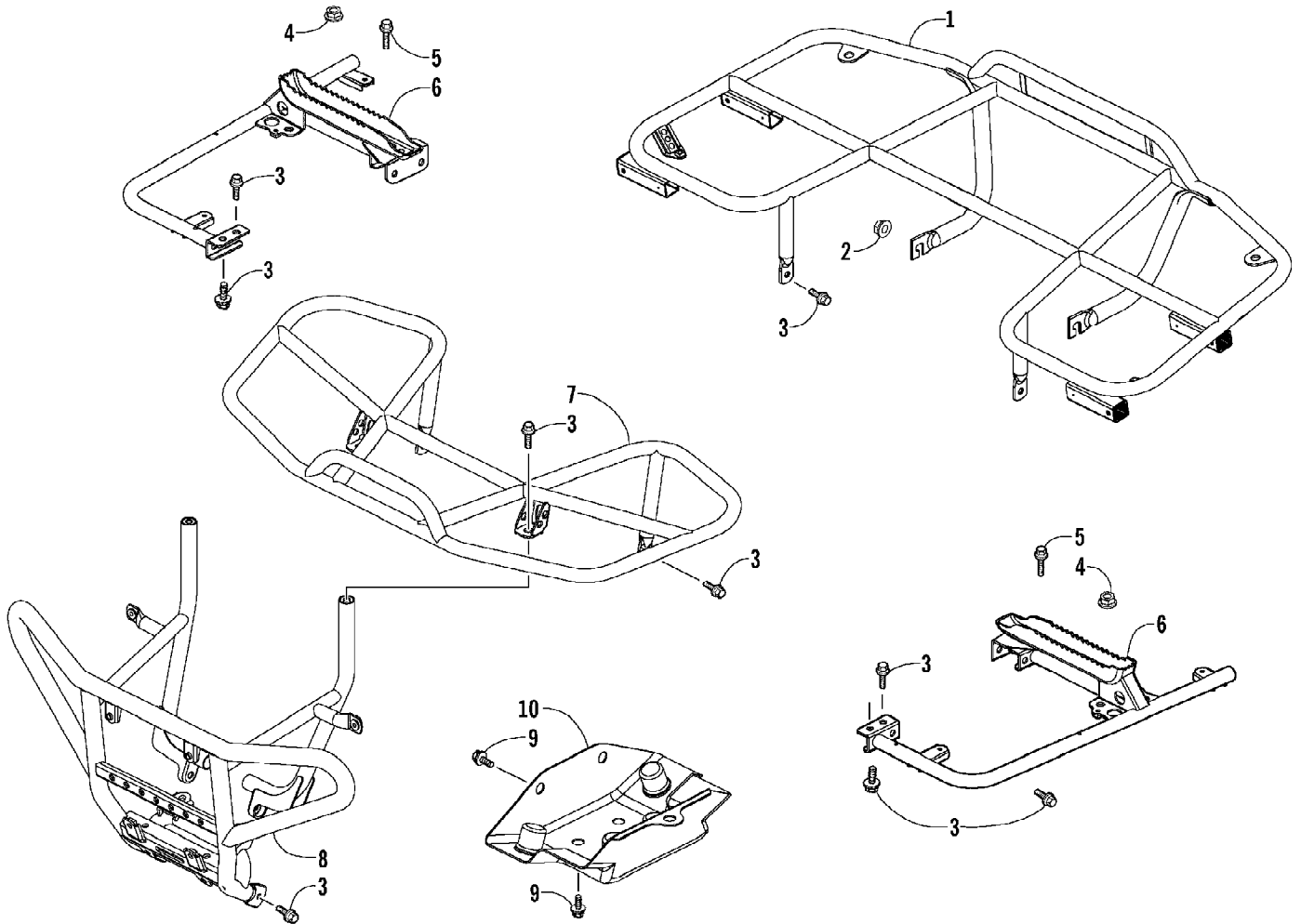


2008 ATV 250 UTILITY GREEN (A2008KUE2BUSG)
PISTON AND CRANKSHAFT ASSEMBLY

Page 44 of 69

Ref #	Part Number	Qty	S/P/F	Description
1	3303-663	1		Crankshaft Assembly (inc. 2)
2	3304-419	2	S	Bearing
3	3304-145	1		Key
4	3303-694	1		Spring, Oil Through
5	3303-693	1		Oil Through
6	3304-236	1		Gear, Timing
7	3303-689	1		Gear, Oil Pump Drive
8	3303-671	1		Chain, Cam
9	3303-679	1		Guide, Cam Chain
11	3303-676	1		Tensioner, Cam Chain
10	3303-678	1		Pivot, Cam Chain Tensioner
12	3303-653	1		Cylinder Assembly
13	3303-664	1	/P	Ring Set, Piston
14	3304-159	2		Circlip
15	3303-677	1		Lifter, Cam Chain Tensioner
16	3303-035	1		Gasket, Cylinder
17	3304-006	2		Screw w/Washer
18	3303-243	2	S	Screw, Cap
19	3303-305	1	S	O-Ring
20	3303-342	2		Pin, Dowel
21	3303-665	1		Piston
22	3303-666	1		Pin, Piston
23	3303-654	1	S	Gasket, Cylinder
24	3303-667	1		Balancer, Crankshaft (inc. 25)
25	3304-439	1		Key

2008 ATV 250 UTILITY GREEN (A2008KUE2BUSG)
RACKS AND BUMPER ASSEMBLY

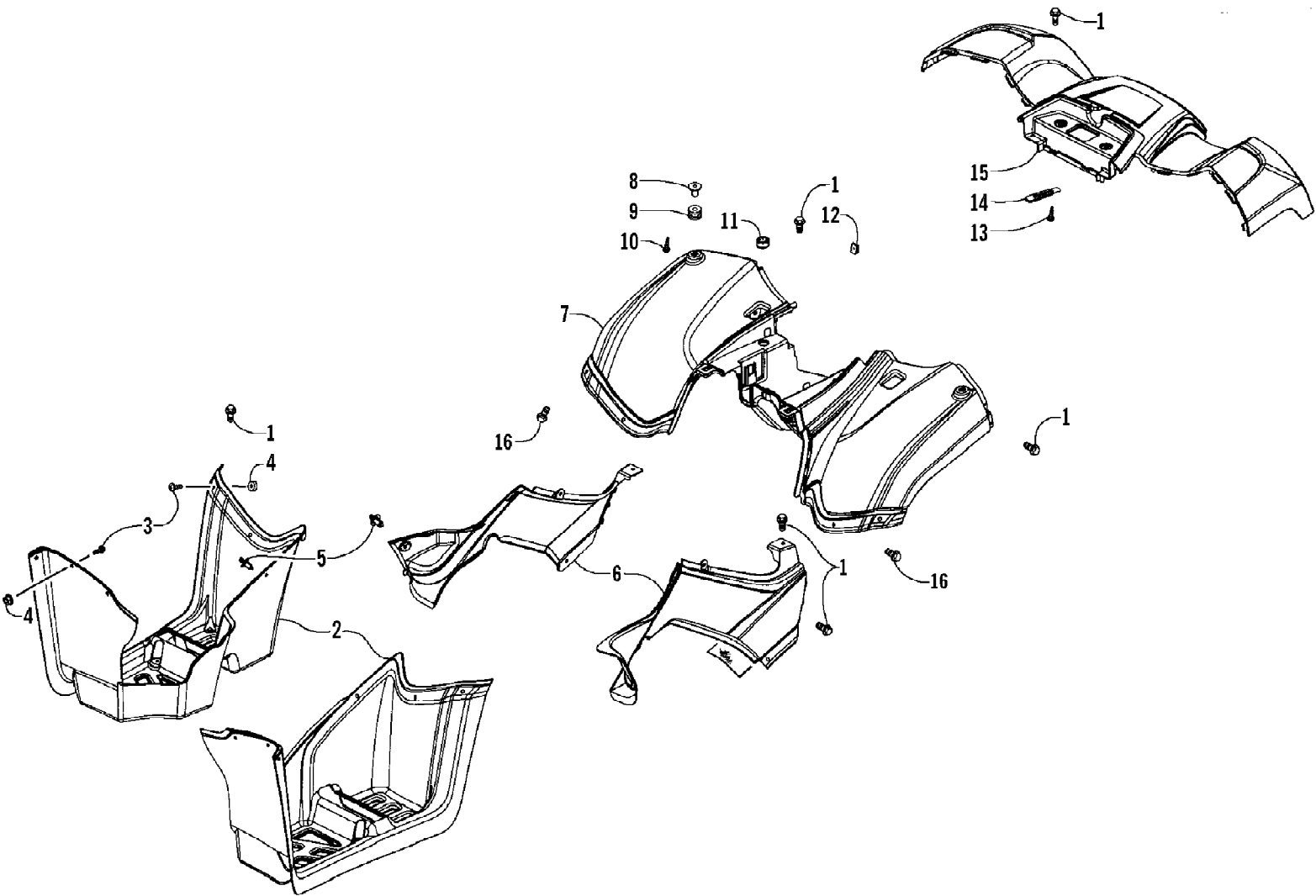


2008 ATV 250 UTILITY GREEN (A2008KUE2BUSG)
RACKS AND BUMPER ASSEMBLY

Page 46 of 69

Ref #	Part Number	Qty	S/P/F	Description
1	3303-987	1		Rack, Rear
2	3304-668	2		Nut, Flange
3	3304-543	18	/P	Screw, Cap
4	3303-332	2		Nut
5	3303-616	2	/P	Bolt, Flange
6	3303-939	1		Bracket, Floor Panel - Right
6	3303-940	1		Bracket, Floor Panel - Left
7	3303-988	1		Rack, Front
8	3304-001	1		Bumper, Front - Assembly
9	3304-544	3		Screw, Cap
10	3303-871	1		Plate, Skid - Assembly

2008 ATV 250 UTILITY GREEN (A2008KUE2BUSG)
REAR BODY PANEL ASSEMBLY

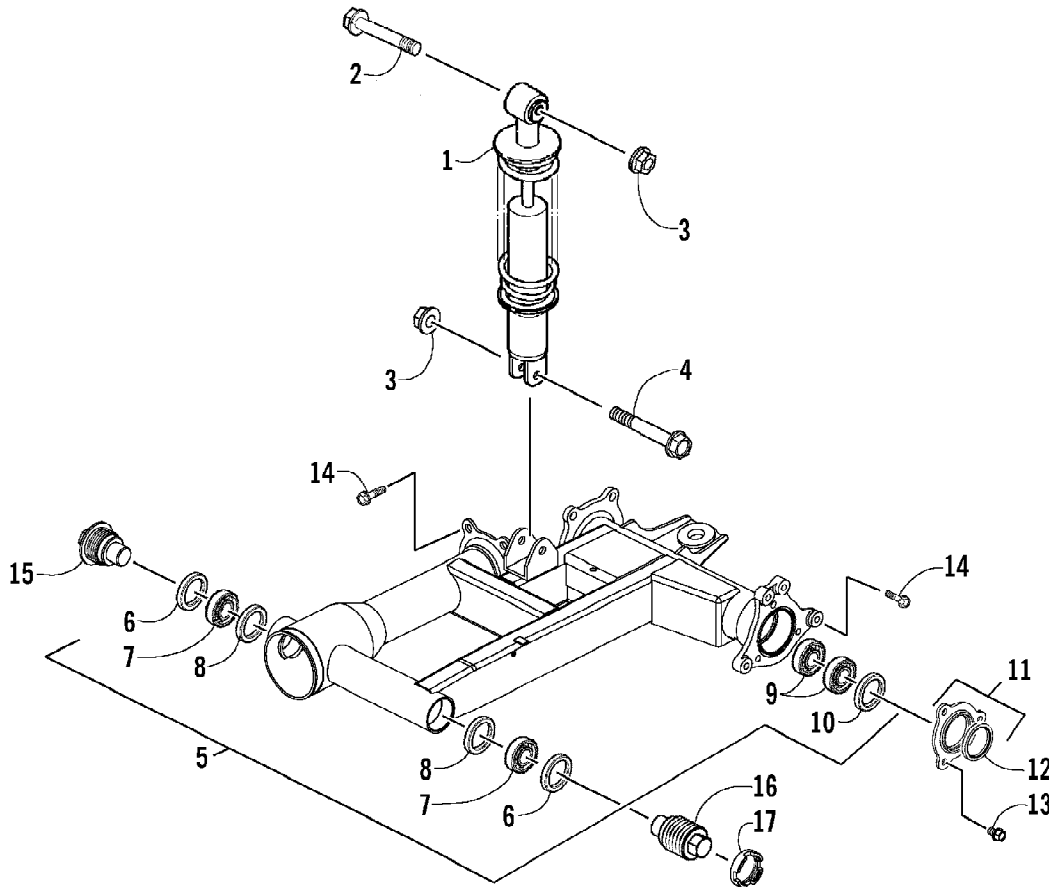


2008 ATV 250 UTILITY GREEN (A2008KUE2BUSG)
 REAR BODY PANEL ASSEMBLY

Page 48 of 69

Ref #	Part Number	Qty	S/P/F	Description
1	3304-587	19	/P	Bolt
2	3303-991	1		Mudguard, Floor - Right
2	3303-992	1		Mudguard, Floor - Left
3	3303-251	11	/P	Screw
4	3304-538	11	S	Nut
5	3305-448	3		Clip, Mudguard
6	3303-997	1		Fender, Rear - Lower Right
6	3303-998	1		Fender, Rear - Lower Left
7	3303-990	1		Fender, Rear
8	3303-233	2		Collar, Insert
9	3303-227	2		Grommet, Rubber
10	3304-650	10	/P	Screw, Self-Tapping
11	3303-232	2		Grommet, Rubber
12	3304-061	2	/P	Nut, Clip
13	3304-651	1		Screw, Self-Tapping
14	3304-156	1		Clip, Wire
15	3304-502	1		Molding, Rear Fender
16	3304-586	2	/P	Bolt w/Washer

2008 ATV 250 UTILITY GREEN (A2008KUE2BUSG)
REAR SUSPENSION ASSEMBLY

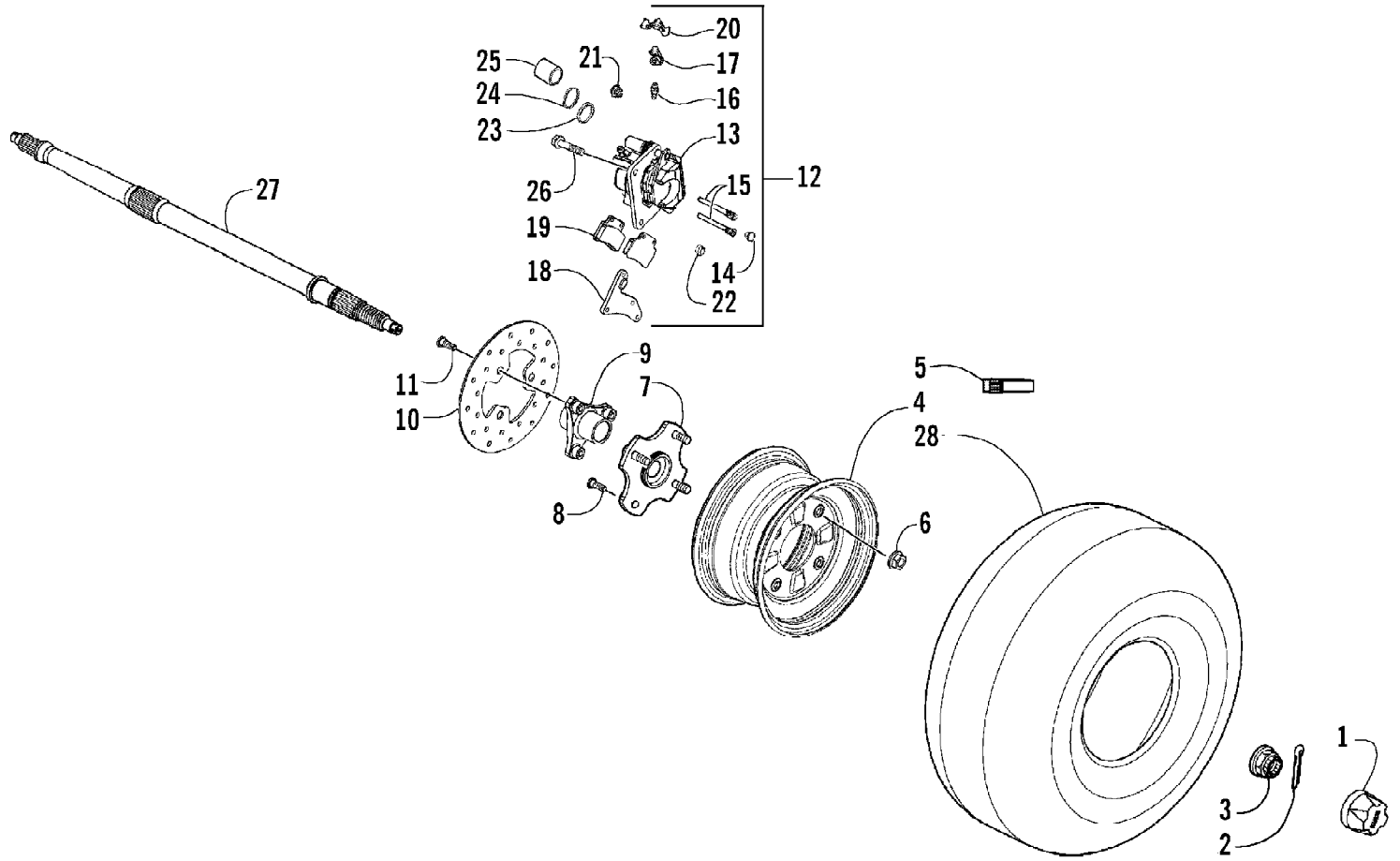


2008 ATV 250 UTILITY GREEN (A2008KUE2BUSG)
REAR SUSPENSION ASSEMBLY

Page 50 of 69

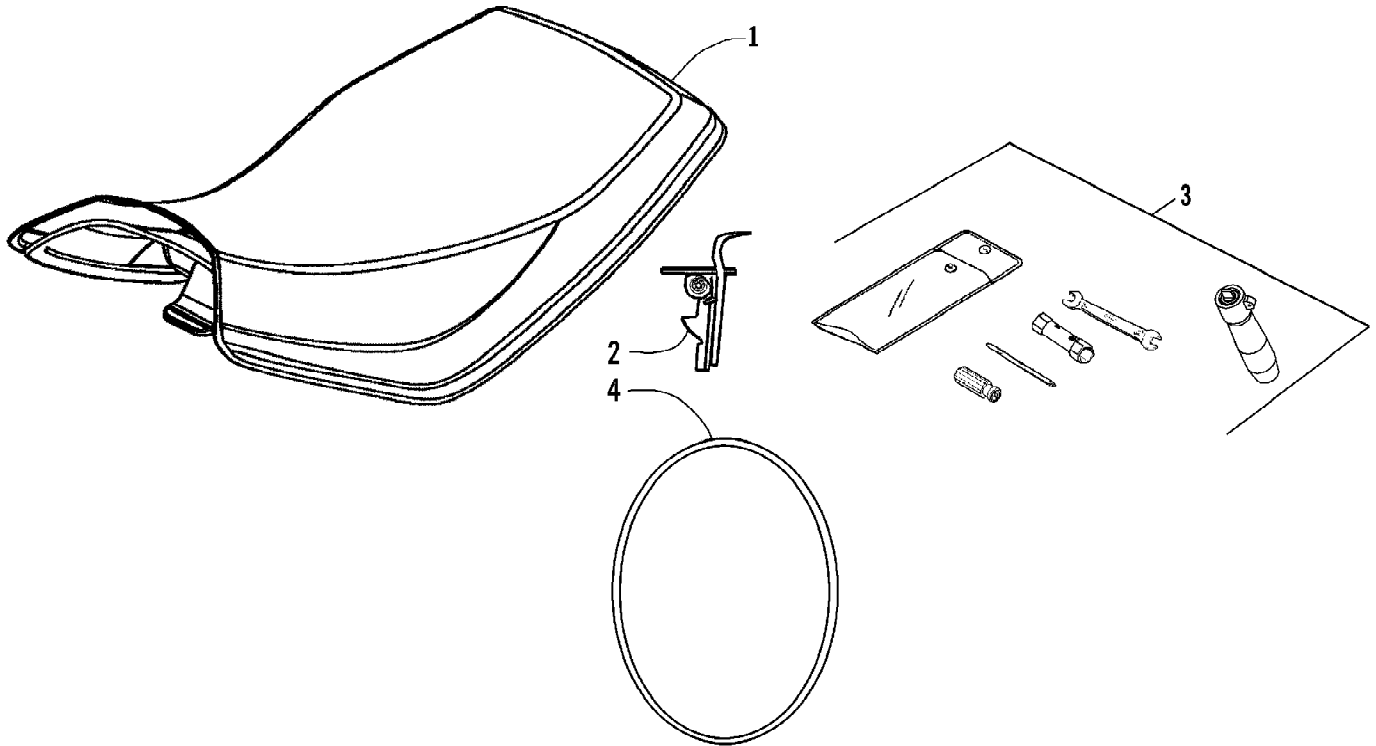
Ref #	Part Number	Qty	S/P/F	Description
1	3303-949	1		Cushion - Assembly - Rear
2	3304-182	1	/P	Bolt, Flange
3	3323-178	2		Nut
4	3304-185	1		Bolt, Flange
5	3303-944	1		Fork - Assembly - Rear (inc. 6-10)
6	3304-086	2		Seal, Dust
7	3304-666	2		Bearing
8	3303-946	2		Seal, Grease
9	3304-201	2		Bearing
10	3304-106	1		O-Ring
11	3305-547	1	/P	Gasket w/Seal (inc. 12)
12	3305-548	1	/P	Seal, Oil
13	3304-544	3		Screw, Cap
14	3304-181	8		Screw, Cap
15	3304-018	1		Bolt, Right
16	3304-019	1		Bolt, Left
17	3304-020	1		Nut

2008 ATV 250 UTILITY GREEN (A2008KUE2BUSG)
REAR WHEELS, AXLE, AND BRAKE ASSEMBLY



2008 ATV 250 UTILITY GREEN (A2008KUE2BUSG)
REAR WHEELS, AXLE, AND BRAKE ASSEMBLY

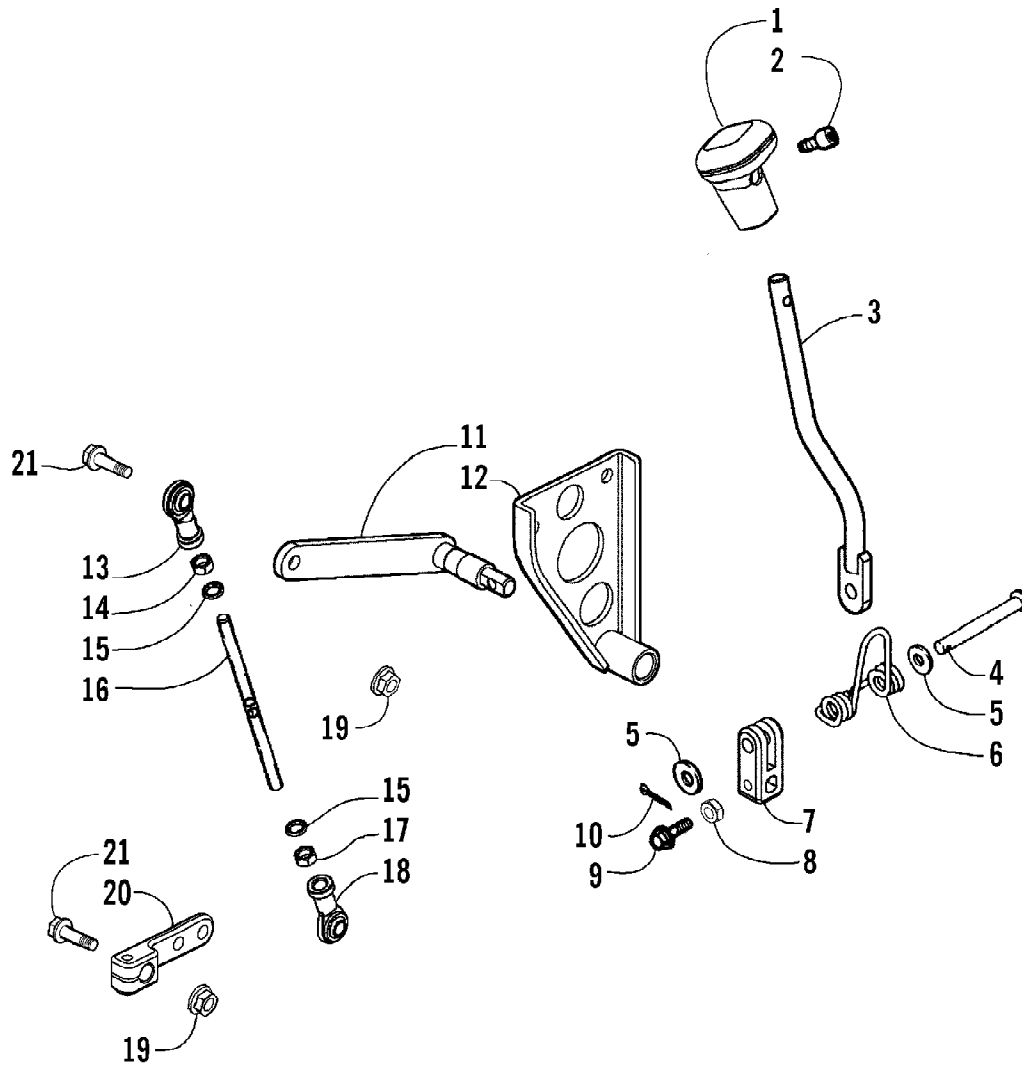
Ref #	Part Number	Qty	S/P/F	Description
1	3303-931	2		Cap, Wheel
2	3303-340	2		Pin, Cotter
3	3304-129	2		Nut
4	3303-883	2	/P	Wheel, Rear
5	3304-562	2		Valve, Wheel
6	3304-028	8		Nut, Wheel
7	3304-296	2		Hub, Wheel - Rear (inc. 8)
8	3304-014	8		Bolt, Hub
9	3303-893	1		Hub, Brake Disc
10	3303-913	1		Disc, Brake - Rear
11	3304-015	3		Bolt
12	3303-888	1		Caliper Assembly - Foot Brake (inc. 13-25)
12	3303-892	1		Caliper Assembly - Hand Brake (inc. 13-25)
13	0	1	F	Housing, Caliper - Assembly - Right
13	0	1	F	Housing, Caliper - Assembly - Left
14	3304-334	2		Plug
15	3304-326	4		Pin
16	3304-330	2		Bleed Valve
17	3304-331	2		Cap, Bleed Valve
18	3303-911	2		Bracket
19	3303-908	2		Pad, Brake - Set
20	3304-315	2		Spring, Brake Pad
21	3304-322	2		Boot A
22	3304-329	2		Bushing
23	3305-380	1	/P	Seal, Piston - Inner - Foot Brake
23	3303-922	1		Seal, Piston - Inner - Hand Brake
24	3305-377	1	/P	Seal, Dust - Outer - Foot Brake
24	3303-910	1		Seal, Dust - Outer - Hand Brake
25	3304-314	1	/P	Piston - Foot Brake
25	3303-909	1		Piston - Hand Brake
26	3304-565	4	/P	Screw, Cap
27	3305-546	1	/P	Axle, Wheel - Rear
28	3303-885	2		Tire, Rear



2008 ATV 250 UTILITY GREEN (A2008KUE2BUSG)
SEAT AND TOOL KIT ASSEMBLY

Page 54 of 69

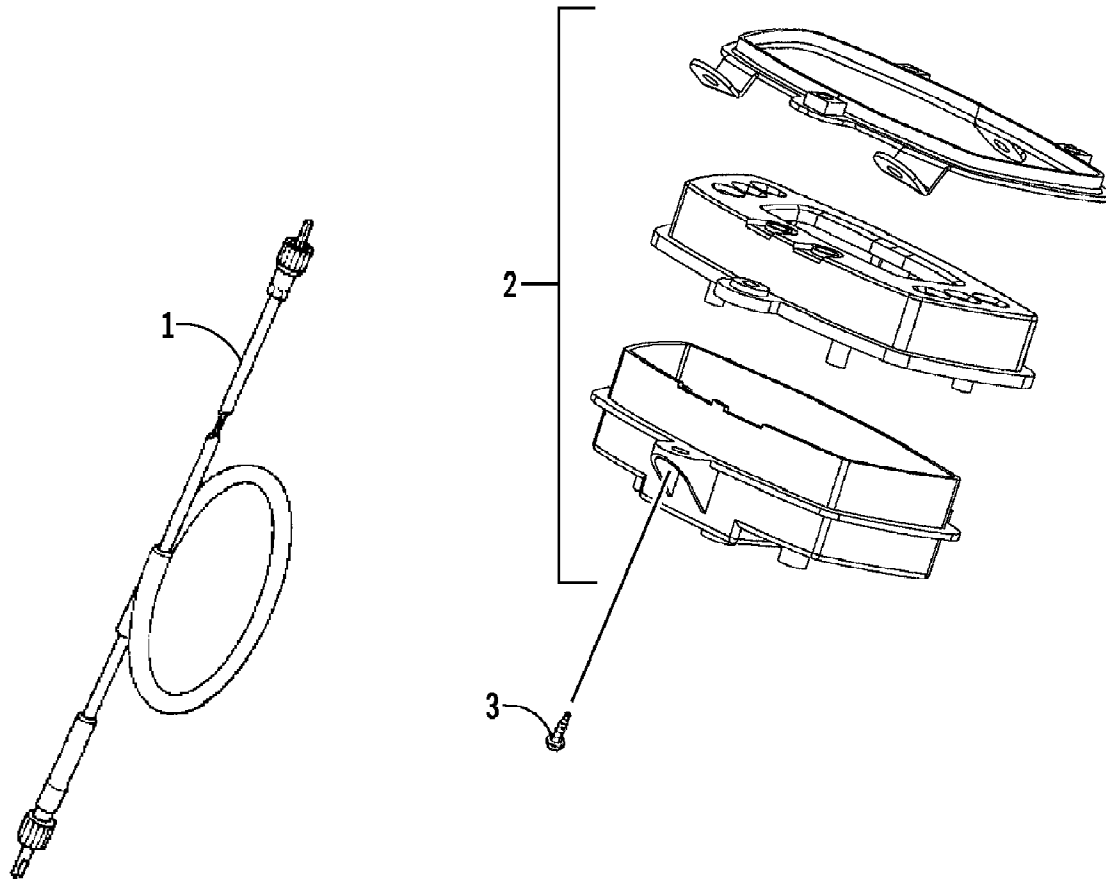
Ref #	Part Number	Qty	S/P/F	Description
1	3303-985	1		Seat Assembly (inc. 2)
2	3303-986	1		Latch, Seat - Hook Assembly
3	3304-648	1		Kit, Tool
4	3303-242	1		Band, Tool Kit



2008 ATV 250 UTILITY GREEN (A2008KUE2BUSG)
SHIFT LEVER ASSEMBLY

Page 56 of 69

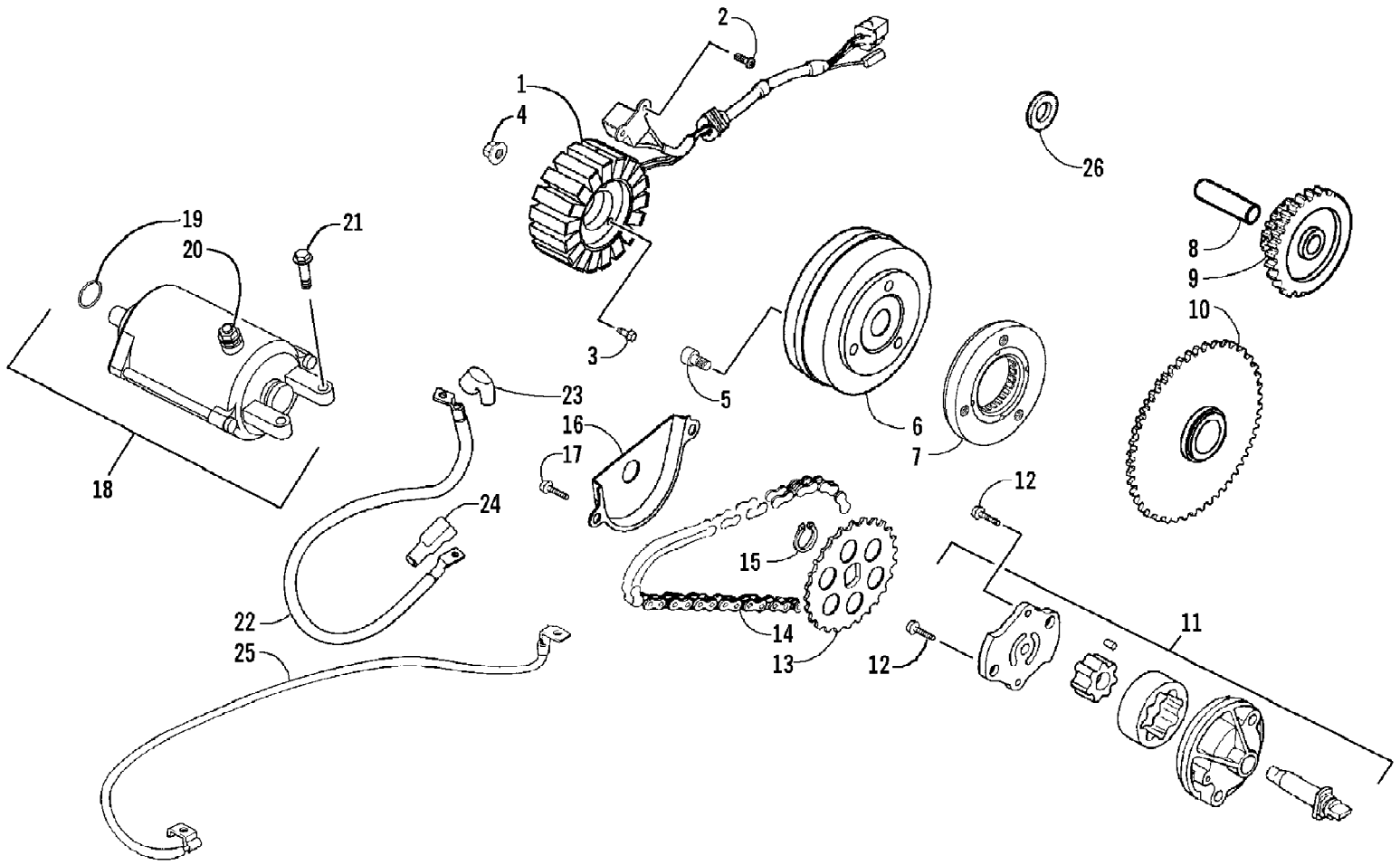
Ref #	Part Number	Qty	S/P/F	Description
1	3303-823	1		Knob, Gear Shift Rod
2	3304-401	1		Bolt, Socket
3	3303-816	1	/P	Rod, Gear Shift
4	3303-817	1		Pin, Gear Shift
5	3304-138	2		Washer
6	3303-818	1		Spring, Gear Shift
7	3303-819	1		Bracket, Gear Shift
8	3305-340	1	/P	Nut, Hex
9	3303-382	1	/P	Bolt, Flange
10	3304-142	1		Pin, Cotter
11	3303-821	1		Lever, Gear Shift
12	3305-299	1		Cover, Gear Shift
13	3303-970	1		Ball Joint, Tie Rod - Right
14	3304-125	1		Nut, Hex
15	3303-607	2	/P	Washer
16	3303-822	1		Tie Rod
17	3304-126	1		Nut, Hex
18	3303-972	1		Ball Joint, Tie Rod - Left
19	3303-332	4		Nut
20	3303-814	1		Link, Gear Shift
21	3304-176	2		Screw, Cap



2008 ATV 250 UTILITY GREEN (A2008KUE2BUSG)
SPEEDOMETER AND CABLE ASSEMBLY

Ref #	Part Number	Qty	S/P/F	Description
1	3303-906	1	/P	Cable, Speedometer
2	3303-859	1		Gauge, Speedometer - Assembly
3	3304-645	3	/P	Screw

2008 ATV 250 UTILITY GREEN (A2008KUE2BUSG)
STARTER MOTOR AND MAGNETO ASSEMBLY

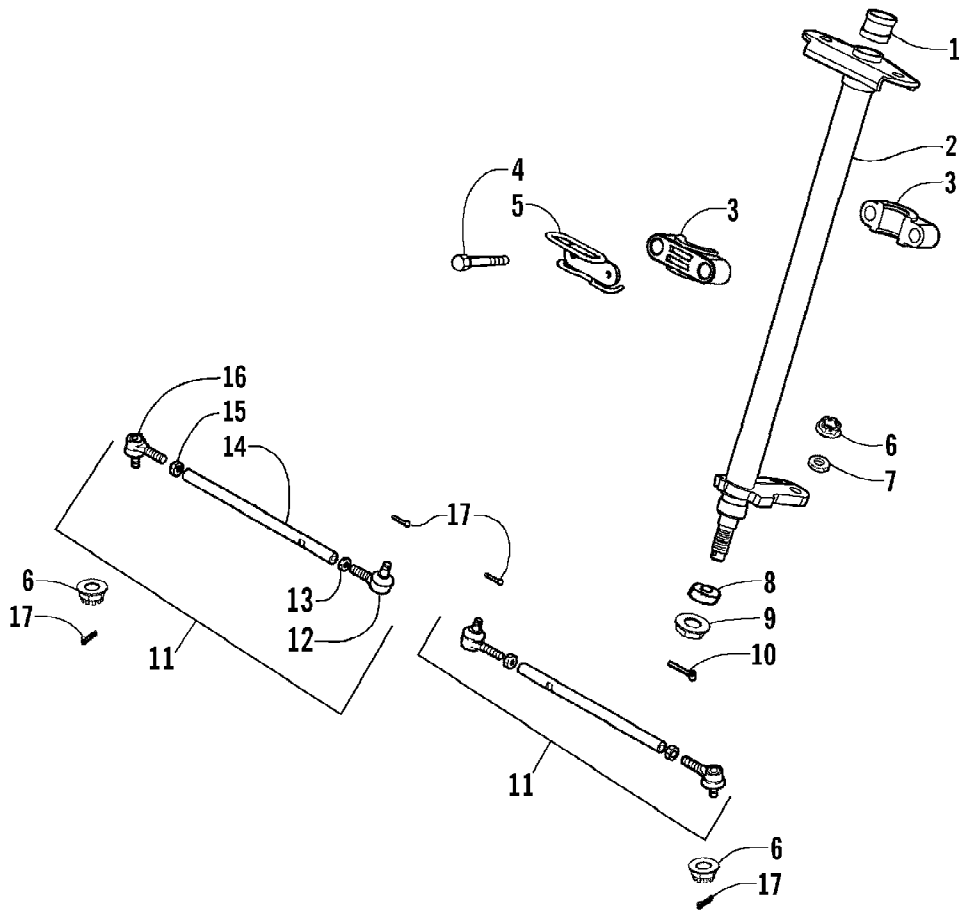


2008 ATV 250 UTILITY GREEN (A2008KUE2BUSG)
STARTER MOTOR AND MAGNETO ASSEMBLY

Page 60 of 69

Ref #	Part Number	Qty	S/P/F	Description
1	3303-833	1		Stator
2	3304-118	2		Screw
3	3304-111	3		Bolt, Flange
4	3304-024	1		Nut
5	3304-208	3		Bolt, Socket
6	3303-832	1		Flywheel
7	3305-412	1		Clutch, One-Way
8	3303-825	1		Shaft, Starter Reduction
9	3303-824	1		Gear, Starter Reduction
10	3305-411	1	/P	Gear, Starter
11	3303-687	1		Pump, Oil
12	3303-385	2		Screw, Cap
13	3303-688	1		Sprocket, Drive - Oil Pump
14	3303-690	1		Chain, Oil Pump
15	3304-146	1		Circlip
16	3303-697	1		Separator, Oil
17	3303-381	2		Screw, Cap
18	3304-274	1		Motor, Starter (inc. 19-20)
19	3304-104	1		O-Ring
20	3304-011	2		Nut w/Washer
21	3304-002	2	/P	Screw, Cap
22	3304-277	1		Cable, Starter Motor (inc. 23-24)
23	3305-251	1		Boot, Starter Motor Terminal
24	3305-252	1		Boot, Starter Solenoid
25	3303-842	1		Cable, Ground
26	3304-036	1		Washer, Thrust

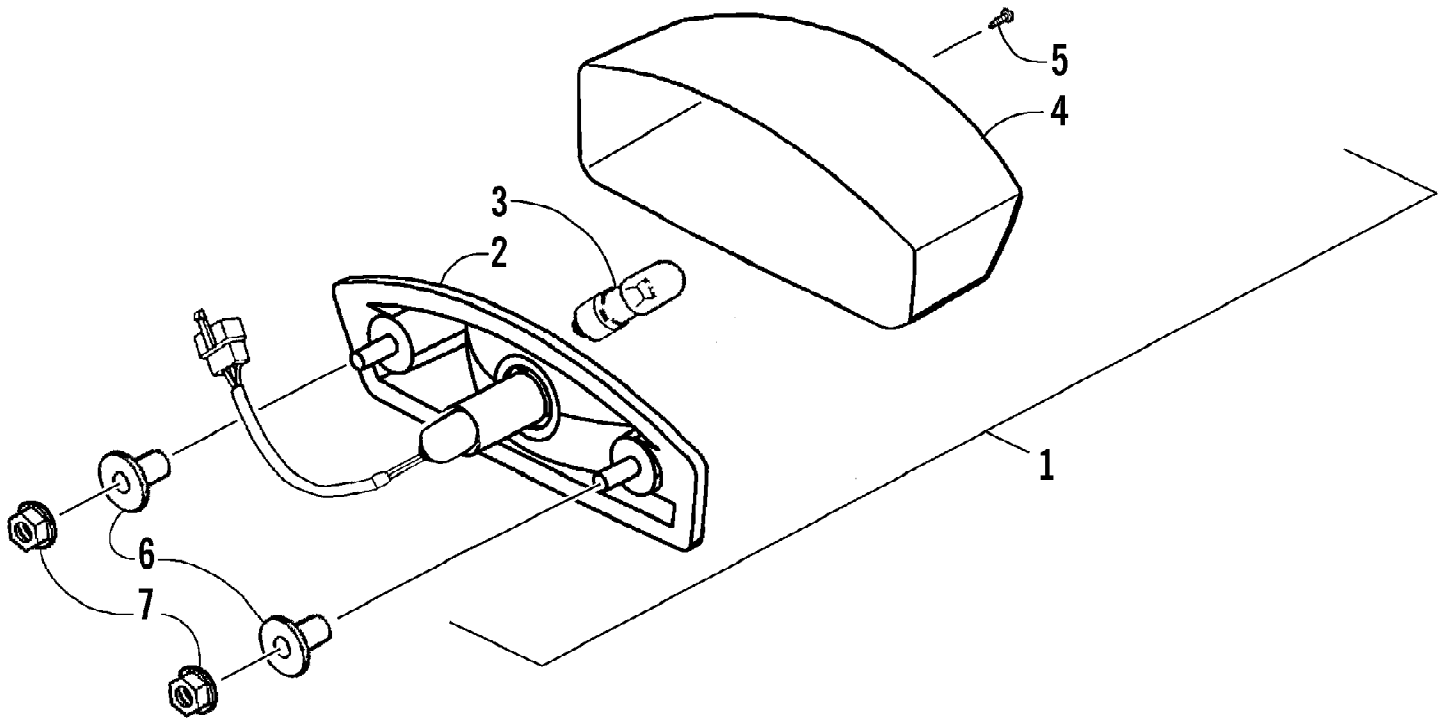
2008 ATV 250 UTILITY GREEN (A2008KUE2BUSG)
STEERING POST ASSEMBLY



2008 ATV 250 UTILITY GREEN (A2008KUE2BUSG)
STEERING POST ASSEMBLY

Page 62 of 69

Ref #	Part Number	Qty	S/P/F	Description
1	3303-963	1	S	Bushing, Sleeve
2	3303-957	1		Post, Steering
3	3303-961	2		Block, Mounting - Steering Post
4	3304-649	2		Screw, Cap
5	3303-962	1		Clamp, Mounting Block
6	3304-130	4		Nut, Castle
7	3304-136	2		Washer
8	3303-960	1		Collar, Steering Post - Lower
9	3304-032	1		Nut, Flange
10	3303-470	1		Pin, Cotter
11	3303-969	2		Tie Rod - Assembly (inc. 12-16)
12	3303-973	2		Ball Joint, Tie Rod - Left
13	3303-327	2		Nut, Hex - Left
14	3304-376	2		Tube, Tie Rod
15	3303-326	2		Nut, Hex - Right
16	3303-971	2		Ball Joint, Tie Rod - Right
17	3304-143	4		Pin, Cotter

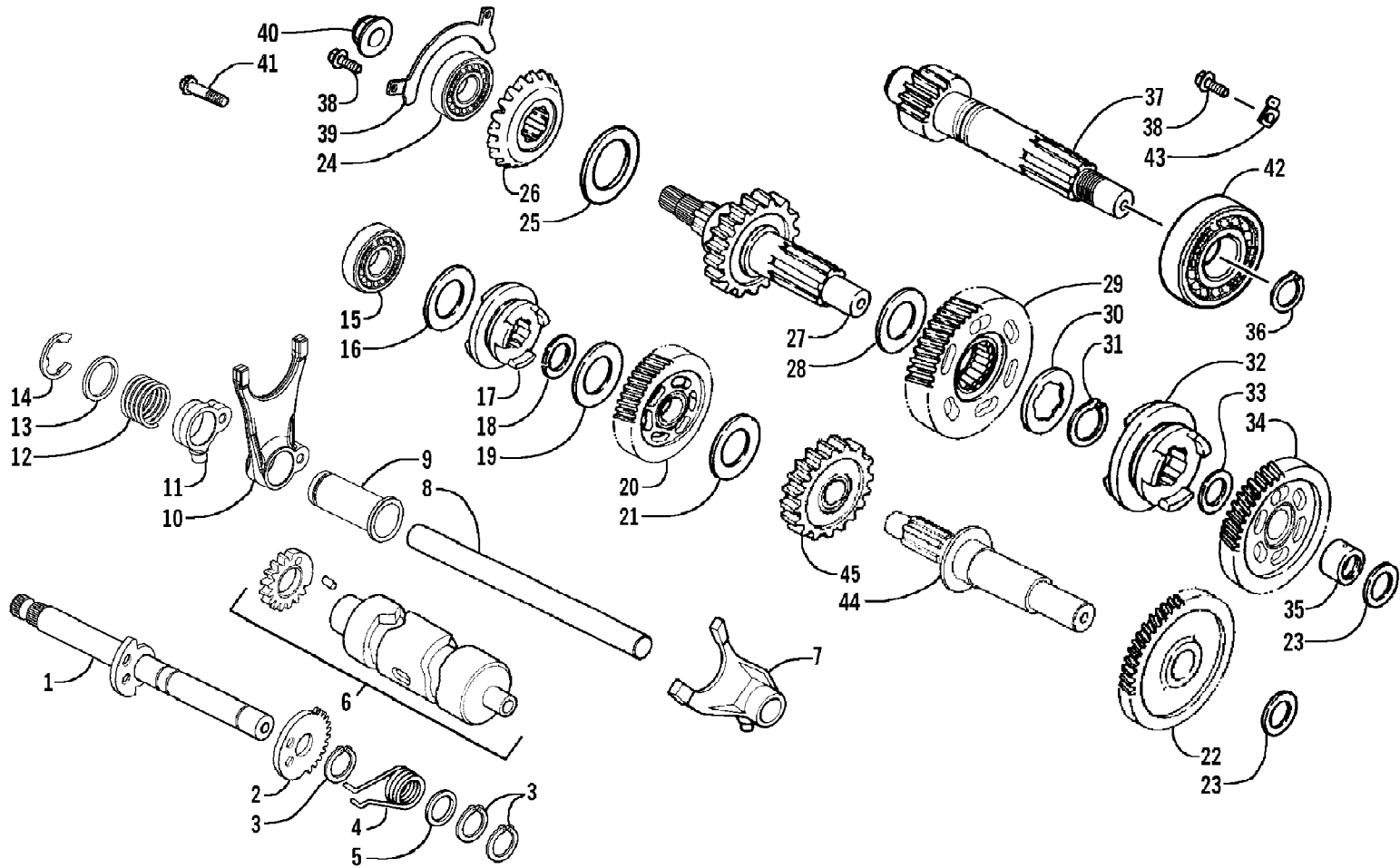


2008 ATV 250 UTILITY GREEN (A2008KUE2BUSG)
TAILLIGHT ASSEMBLY

Page 64 of 69

Ref #	Part Number	Qty	S/P/F	Description
1	3303-136	1	/P	Taillight - Assembly (inc. 2-5)
2	3303-422	1		Base, Taillight
3	3303-849	1	/P	Bulb, Taillight
4	3303-421	1	/P	Lens, Taillight
5	3304-537	2		Screw
6	3303-226	2		Collar, Front Fender
7	3305-396	2		Nut, Flange

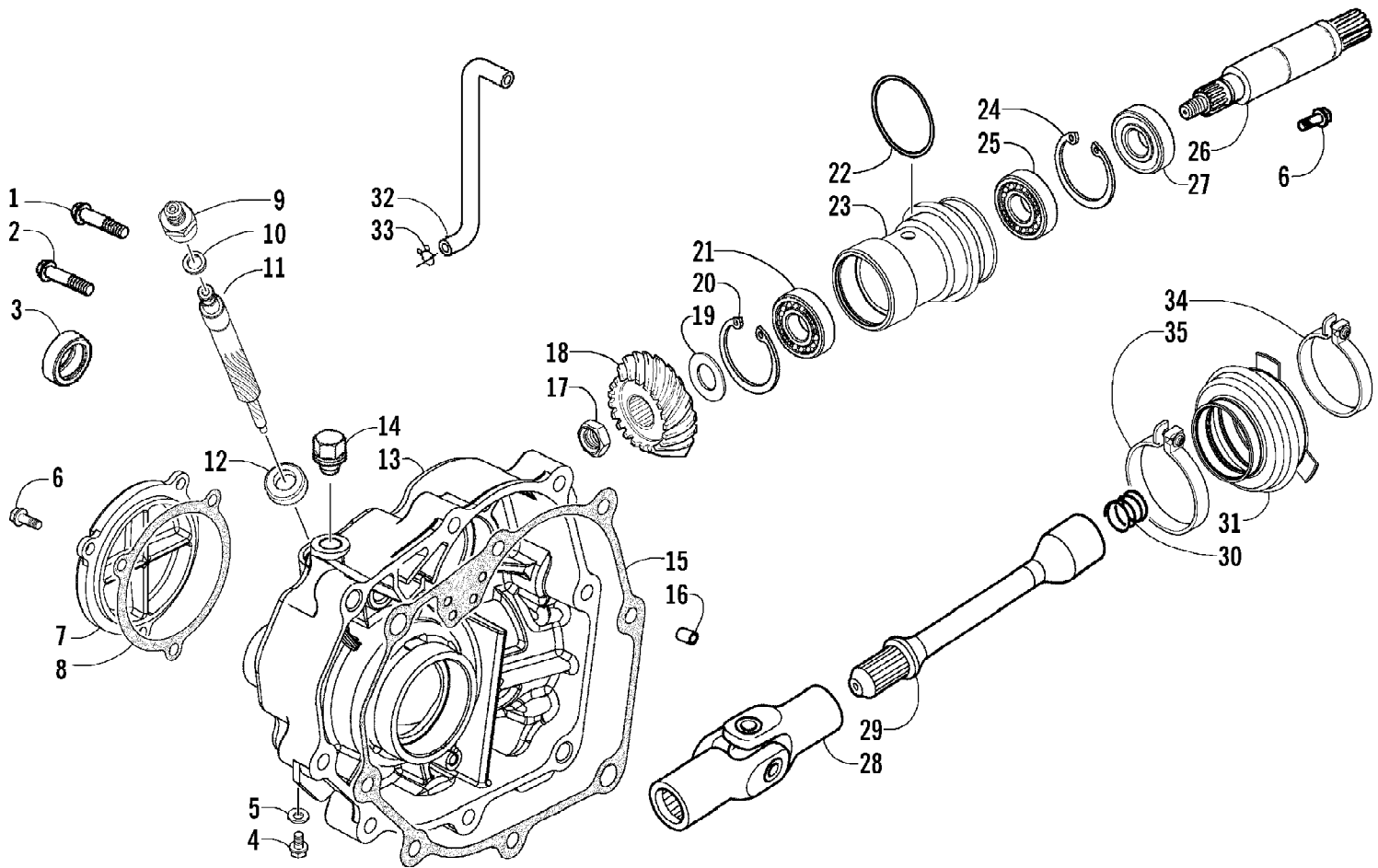
2008 ATV 250 UTILITY GREEN (A2008KUE2BUSG)
TRANSMISSION ASSEMBLY



Ref #	Part Number	Qty	S/P/F	Description
1	3303-812	1		Spindle, Gear Shift Cam
2	3303-815	1		Gear, Shift Handle
3	3304-153	3		Circlip
4	3303-813	1		Spring, Gear Shift Return
5	3304-036	1		Washer, Thrust
6	3305-552	1		Cam, Gear Shift - Assembly
7	3303-805	1		Fork, Gear Shift - Left
8	3303-806	1		Shaft, Gear Shift Fork
9	3303-807	1		Sleeve, Fork
10	3303-804	1		Fork, Gear Shift - Right
11	3303-808	1		Guide, Right Fork
12	3304-821	1	/P	Spring, Cam
13	3304-051	1		Washer
14	3304-154	1		E-Ring
15	3304-197	1		Bearing
16	3304-637	1		Washer, Thrust
17	3305-555	1		Shift, Forward - Dog
18	3304-638	1		Circlip
19	3304-046	1		Washer
20	3304-621	1		Gear, Forward
21	3305-553	1	/P	Washer, Thrust
22	3303-793	1		Gear, Counter
23	3305-554	2	/P	Washer, Thrust
24	3304-194	1		Bearing
25	3304-525	AR		Shim, Drive Bevel Gear - A
25	3304-526	AR		Shim, Drive Bevel Gear - B
25	3304-527	AR		Shim, Drive Bevel Gear - C
25	3304-528	AR		Shim, Drive Bevel Gear - D
25	3304-529	AR		Shim, Drive Bevel Gear - E
25	3304-530	AR		Shim, Drive Bevel Gear - F
25	3304-531	AR		Shim, Drive Bevel Gear - G
25	3304-532	AR		Shim, Drive Bevel Gear - H
25	3304-533	AR		Shim, Drive Bevel Gear - I
25	3304-534	AR		Shim, Drive Bevel Gear - J
25	3304-535	AR		Shim, Drive Bevel Gear - K
25	3304-536	AR		Shim, Drive Bevel Gear - L
26	3303-801	1		Gear, Bevel - Drive
27	3303-784	1		Shaft, Main
28	3304-044	1		Washer, Thrust
29	3304-622	1		Gear, Lower - Driven
30	3304-045	1		Washer, Spline
31	3304-056	1		Circlip
32	3305-556	1		Shift, Reverse - Dog
33	3304-043	1		Washer, Thrust
34	3303-797	1		Gear, Reverse
35	3304-074	1	/P	Bearing, Needle
36	3304-147	1	/P	Circlip
37	3303-791	1		Driveshaft
38	3304-005	3		Screw, Cap
39	3304-041	1		Plate, Holder
40	3304-033	1		Nut
41	3304-112	1		Bolt, Flange
42	3304-067	1		Bushing

Ref #	Part Number	Qty	S/P/F	Description
43	3304-040	1		Plate, Bearing Holder
44	3303-792	1		Countershaft
45	3303-800	1		Gear, Lower - Drive

2008 ATV 250 UTILITY GREEN (A2008KUE2BUSG)
TRANSMISSION CASE ASSEMBLY



Ref #	Part Number	Qty	S/P/F	Description
1	3303-615	2		Screw, Cap
2	3303-614	7	S	Screw, Cap
3	3304-081	1		Seal, Oil
4	3303-365	1		Screw, Drain
5	3303-591	1		Washer
6	3303-383	7	/P	Screw, Cap
7	3303-763	1		Cap, Transmission Case
8	3303-766	1		Gasket, Transmission Case Cap
9	3304-108	1	/P	Bolt, Tachometer
10	3304-047	1	/P	Washer
11	3303-662	1		Gear, Tachometer
12	3304-077	2	/P	Seal, Oil
13	3303-762	1		Case, Transmission (inc. one No. 12)
14	3304-052	1	/P	Plug, Drain
15	3303-765	1		Gasket, Transmission Case
16	3303-342	2		Pin, Dowel
17	3304-131	1		Nut
18	3303-802	1		Gear, Bevel - Driven
19	3304-624	AR		Shim, Driven Bevel Gear - A
19	3304-625	AR		Shim, Driven Bevel Gear - B
19	3304-626	AR		Shim, Driven Bevel Gear - C
19	3304-627	AR		Shim, Driven Bevel Gear - D
19	3304-628	AR		Shim, Driven Bevel Gear - E
19	3304-629	AR		Shim, Driven Bevel Gear - F
19	3304-630	AR		Shim, Driven Bevel Gear - G
19	3304-631	AR		Shim, Driven Bevel Gear - H
19	3304-632	AR		Shim, Driven Bevel Gear - I
19	3304-633	AR		Shim, Driven Bevel Gear - J
19	3304-634	AR		Shim, Driven Bevel Gear - K
19	3304-635	AR		Shim, Driven Bevel Gear - L
20	3304-151	1		Circlip
21	3304-069	1		Bearing
22	3304-105	1		O-Ring
23	3303-764	1		Case, Final Shaft
24	3304-152	1		Circlip
25	3304-071	1		Bearing
26	3304-642	1	/P	Shaft, Final
27	3304-087	1		Seal, Oil
28	3303-869	1		Joint, Yoke
29	3303-868	1		Shaft, Propeller
30	3303-870	1		Spring, Propeller Shaft
31	3303-945	1		Boot, Joint
32	3303-630	1		Tube, Breather - Transmission
33	3304-433	1		Clip, Tube
34	3304-058	1		Clamp
35	3304-059	1		Clamp