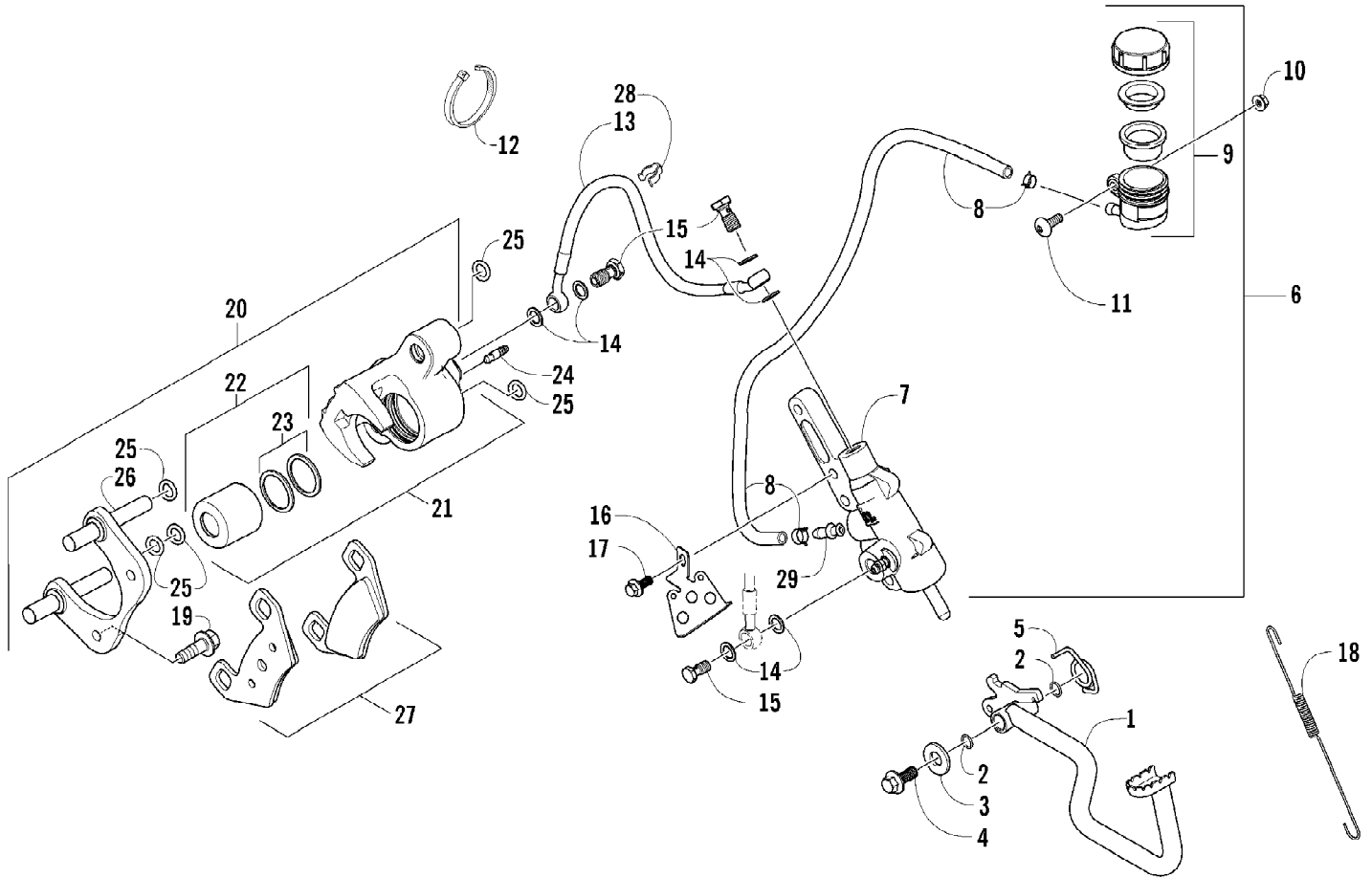


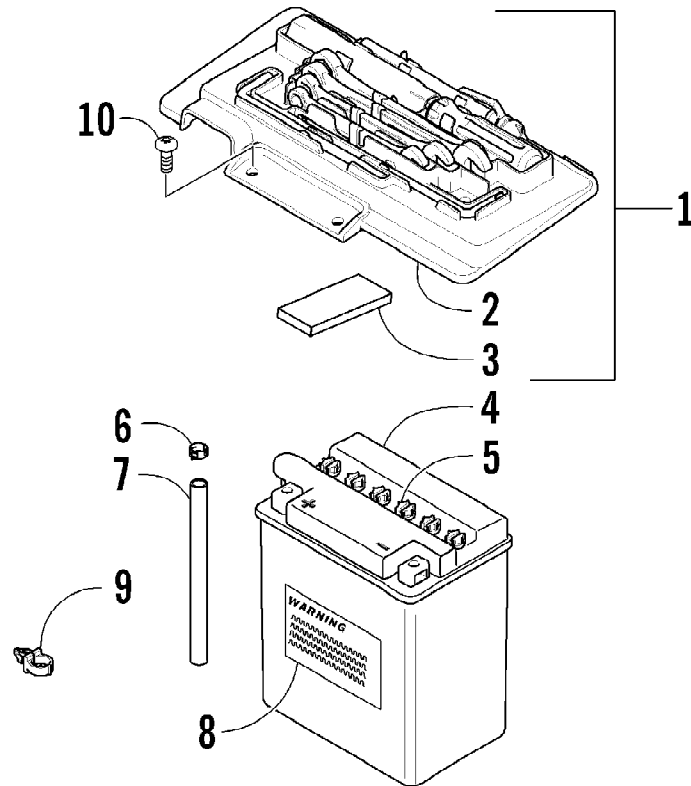
2007 ATV 700 EFI AUTOMATIC TRANSMISSION 4X4 FIS RED (A2007IBT4CUS) Page 2 of 98
 AIR INTAKE ASSEMBLY

Ref #	Part Number	Qty	S/P/F	Description
1	0413-091	1		Diverter, Air - Top
2	0413-093	1		Diverter, Air - Bottom
3	1406-785	1		Shroud, Splash
4	0623-362	2		Rivet, Reinstallable
5	0423-551	2		Clamp
6	0423-342	2	/P	Screw, Self-Tapping
7	0413-096	1		Cap, Air Intake - Diverter
8	0470-583	1		Boot, Air Intake
9	0423-380	1	/P	Clamp
10	0423-716	2		Wing Nut
11	0470-616	1	S	Cover, Air Intake
12	0470-580	1		Filter, Air
13	0470-581	1	S	Cage, Air Filter
14	0570-129	1	S	Housing, Air Intake
15	0406-877	4	/P	Bumper
16	0470-442	2	/P	Valve, Drain
17	0423-045	2		Clamp, Hose
18	0410-103	1		Hose, Vent - Crankcase
19	0470-582	1		Boot, Throttle Body
20	0423-066	1		Clamp
21	2406-149	1		Panel, Shield
22	3006-657	1		Grommet, Air Temperature Sensor
23	3006-656	1		Sensor, Air Temperature



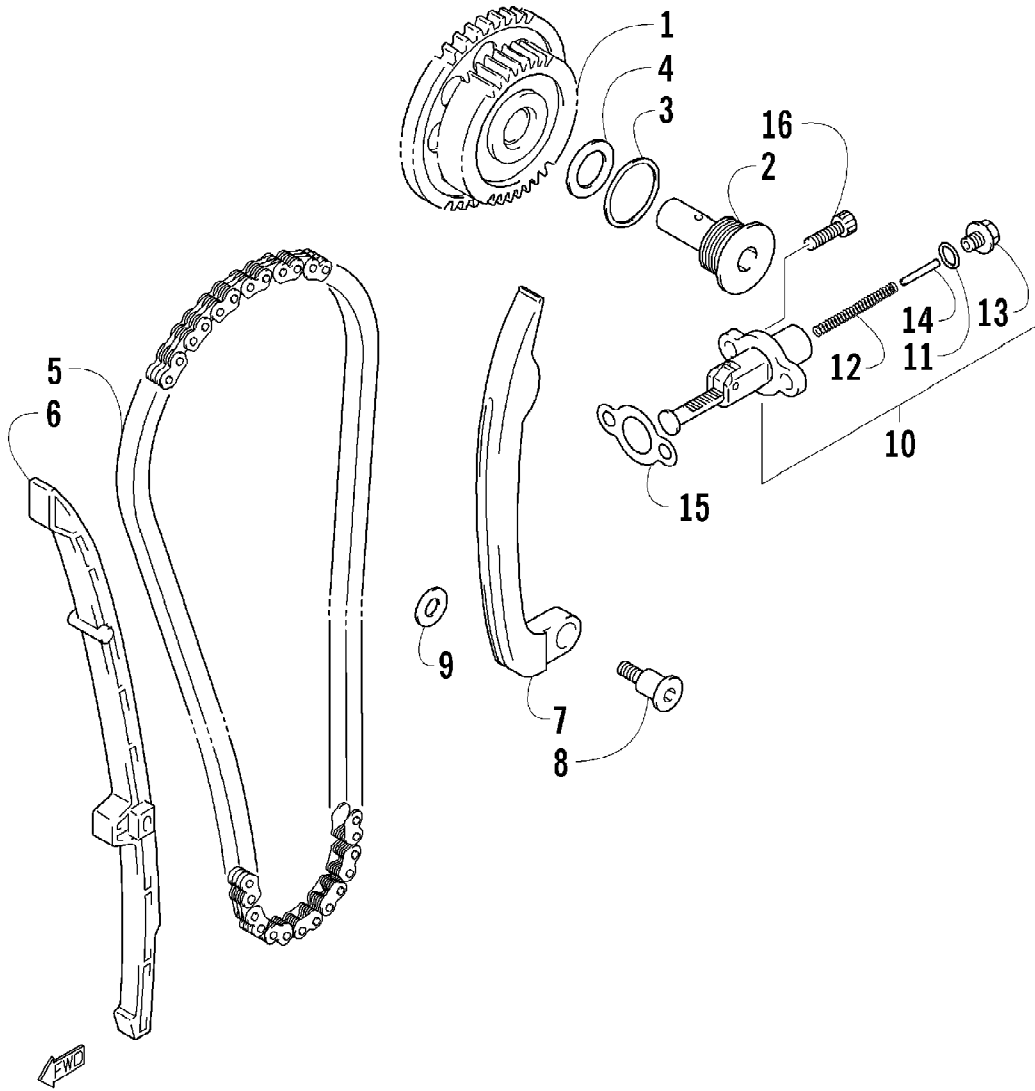
2007 ATV 700 EFI AUTOMATIC TRANSMISSION 4X4 FIS RED (A2007IBT4CUS) Page 4 of 98
AUXILIARY BRAKE ASSEMBLY

Ref #	Part Number	Qty	S/P/F	Description
	1502-156	1		Fully Bled Master Cylinder Replacement Kit
1	1502-063	1		Lever, Brake
2	1602-213	2	/P	O-Ring
3	8050-252	1		Washer
4	8408-816	1		Screw, Cap
5	0502-807	1		Spring, Brake Lever
6	1502-153	1		Brake Assembly (inc. 7-9)
7	*	1		Master Cylinder
8	1502-154	1		Hose, Brake Reservoir w/Clamps
9	1502-155	1		Reservoir, Brake
10	0623-038	1		Nut, Flanged
11	8476-616	1		Screw, Machine
12	0123-788	1	/P	Cable Tie - 7.5 in.
13	1502-139	1		Hose, Brake
14	0423-178	6		Washer, Crush
15	0423-413	3		Bolt, Banjo-Fitting
16	1502-179	1		Bracket, Switch
17	8408-625	2		Screw, Cap
18	0502-785	1		Spring, Brake Switch
19	1623-589	2	S	Screw, Cap
20	0502-878	1	S	Caliper, Brake (inc. 21-27)
21	0502-603	1	S	Housing, Caliper - Assembly - Right Rear (inc. 22-24)
22	0502-606	1		Piston/Seal Set (inc. 23)
23	0502-607	1		Seal Set
24	0502-609	1	/P	Valve, Bleed
25	0502-608	1		O-Ring, Guide - Set
26	0502-605	1		Bracket Assembly
27	0502-875	1	S	Pad, Brake - Set
28	1502-115	2		Clip, Brake Hose
29	1502-138	1	S	Adapter, Hose



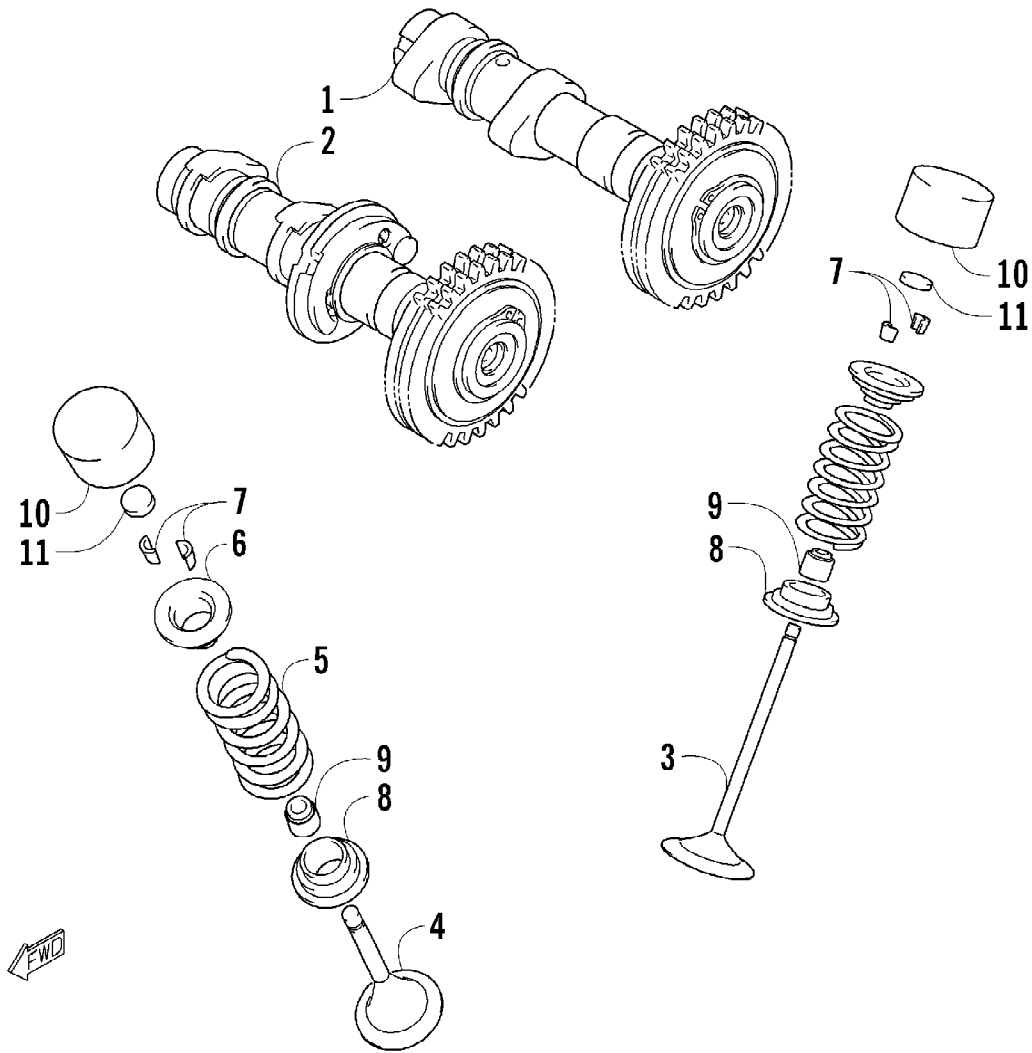
2007 ATV 700 EFI AUTOMATIC TRANSMISSION 4X4 FIS RED (A2007IBT4CUSA) Page 6 of 98
BATTERY ASSEMBLY

Ref #	Part Number	Qty	S/P/F	Description
1	5990-839	1	S	Battery Cover/Tool Tray Assembly (inc. 2-3)
2	1406-507	1	S	Cover, Battery
3	0406-288	2		Pad, Battery
3	0444-122	1	S/P/F	Kit, Tool
4	0745-047	1	/P	Battery Assembly (inc. 5-8)
5	0645-045	6		Cap, Battery
6	0645-152	1		Clamp, Hose
7	0645-263	1	/P	Hose, Battery Vent
8	0645-151	1		Label, Warning - Battery
8	0645-198	1	F	Hardware, Battery-Kit
9	0623-101	1		Routing Clip, Snap-In
10	8476-616	2		Screw, Machine



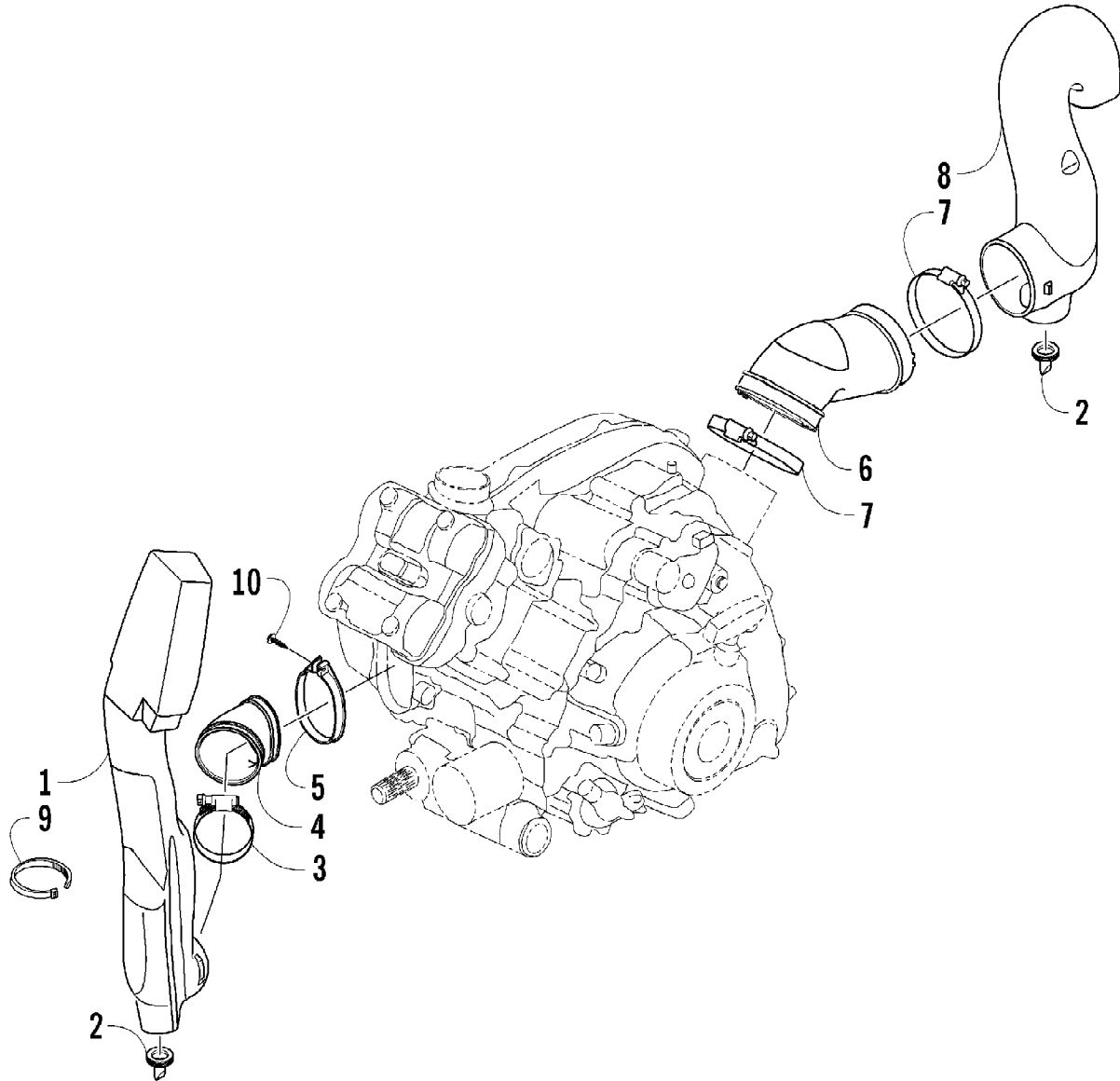
2007 ATV 700 EFI AUTOMATIC TRANSMISSION 4X4 FIS RED (A2007IBT4CUS) Page 8 of 98
CAM CHAIN ASSEMBLY

Ref #	Part Number	Qty	S/P/F	Description
1	3403-104	1		Gear, Cam Chain Idler
2	3403-105	1		Shaft, Cam Chain Idler
3	3403-106	1	/P	Gasket, Idler Shaft
4	3403-107	1		Shim, Cam Chain Idler
4	3403-108	1		Shim, Cam Chain Idler
4	3403-109	1		Shim, Cam Chain Idler
4	3403-110	1		Shim, Cam Chain Idler
4	3403-111	1		Shim, Cam Chain Idler
4	3403-112	1		Shim, Cam Chain Idler
5	3403-113	1		Chain, Cam
6	3403-114	1		Guide, Chain
7	3403-115	1		Tensioner, Cam Chain
8	3423-810	1		Bolt, Cam Chain Tensioner
9	3423-811	1		Washer
10	3402-283	1		Adjuster, Tensioner - Assembly (inc. 11-14)
11	3423-286	1		O-Ring
12	3402-284	1		Spring
13	3402-285	1		Plug
14	3402-286	1		Bar
15	3402-287	1		Gasket, Tensioner Adjuster
16	3004-576	2	S	Screw, Machine



2007 ATV 700 EFI AUTOMATIC TRANSMISSION 4X4 FIS RED (A2007IBT4CU) Page 10 of 98
CAMSHAFT/VALVE ASSEMBLY

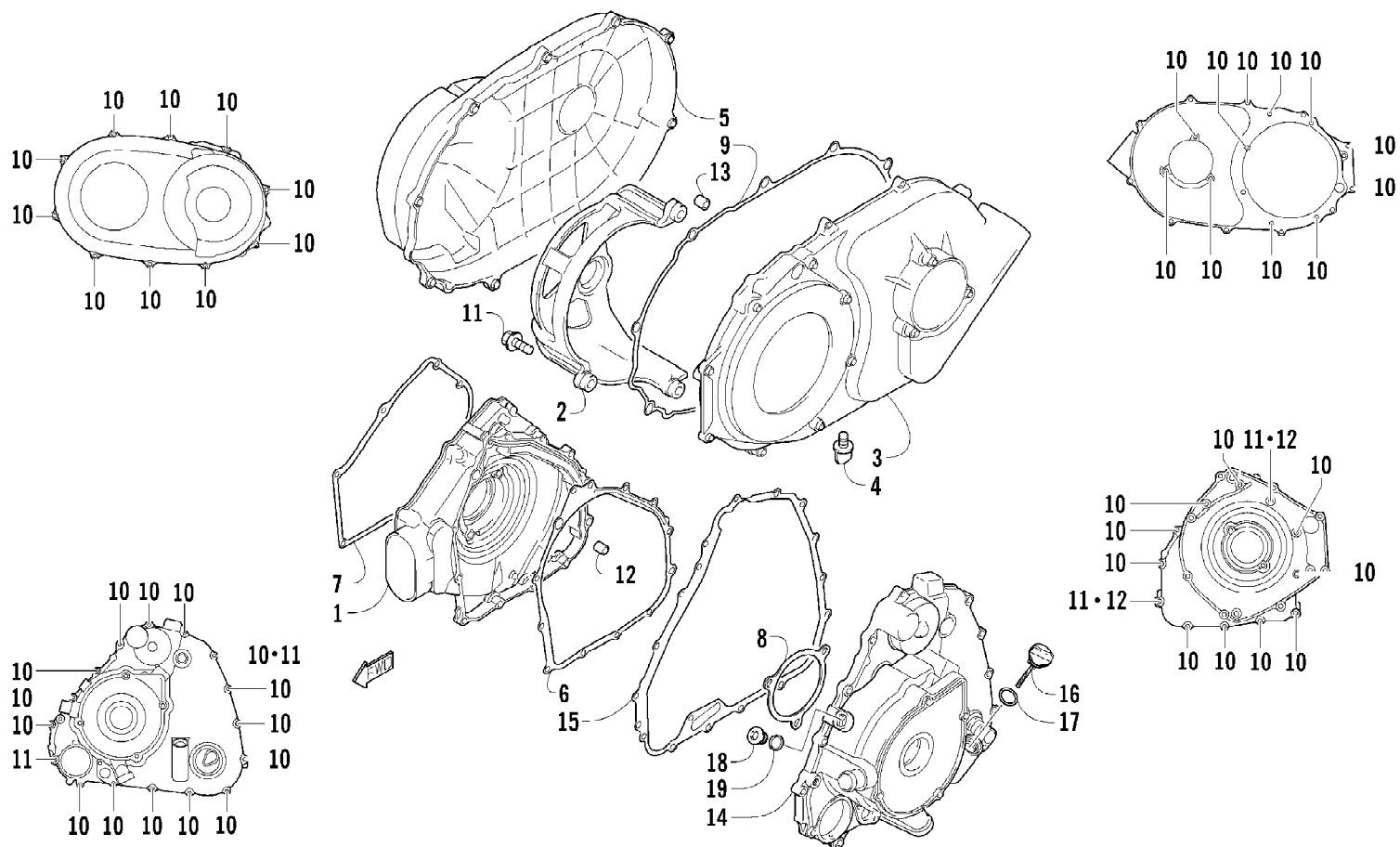
Ref #	Part Number	Qty	S/P/F	Description
	3402-931	1		Shim, Tappet - Set
1	3403-099	1		Camshaft - Intake
2	3403-100	1		Camshaft - Exhaust
3	3403-101	2		Valve, Intake
4	3403-102	2		Valve, Exhaust
5	3403-103	4		Spring, Valve
6	3402-934	4		Retainer, Valve Spring
7	0693-281	8	/P	Cotter, Valve
8	3402-880	4		Seat, Valve Spring
9	3402-226	4		Seal, Oil
10	3402-851	4		Tappet
11	3402-852	AR		Shim, Tappet - 2.30 mm
11	3402-853	AR		Shim, Tappet - 2.35 mm
11	3402-854	AR		Shim, Tappet - 2.40 mm
11	3402-855	AR		Shim, Tappet - 2.45 mm
11	3402-856	AR		Shim, Tappet - 2.50 mm
11	3402-857	AR		Shim, Tappet - 2.55 mm
11	3402-858	AR		Shim, Tappet - 2.60 mm
11	3402-859	AR		Shim, Tappet - 2.65 mm
11	3402-860	AR		Shim, Tappet - 2.70 mm
11	3402-861	AR		Shim, Tappet - 2.75 mm
11	3402-862	AR		Shim, Tappet - 2.80 mm
11	3402-863	AR		Shim, Tappet - 2.85 mm
11	3402-864	AR		Shim, Tappet - 2.90 mm
11	3402-865	AR		Shim, Tappet - 2.95 mm
11	3402-866	AR		Shim, Tappet - 3.00 mm
11	3402-867	AR		Shim, Tappet - 3.05 mm
11	3402-868	AR		Shim, Tappet - 3.10 mm
11	3402-869	AR		Shim, Tappet - 3.15 mm
11	3402-870	AR		Shim, Tappet - 3.20 mm
11	3402-871	AR		Shim, Tappet - 3.25 mm
11	3402-872	AR		Shim, Tappet - 3.30 mm
11	3402-873	AR		Shim, Tappet - 3.35 mm
11	3402-874	AR		Shim, Tappet - 3.40 mm
11	3402-875	AR		Shim, Tappet - 3.45 mm
11	3402-876	AR		Shim, Tappet - 3.50 mm



2007 ATV 700 EFI AUTOMATIC TRANSMISSION 4X4 FIS RED (A2007IBT4CU) Page 12 of 98
CASE/BELT COOLING ASSEMBLY

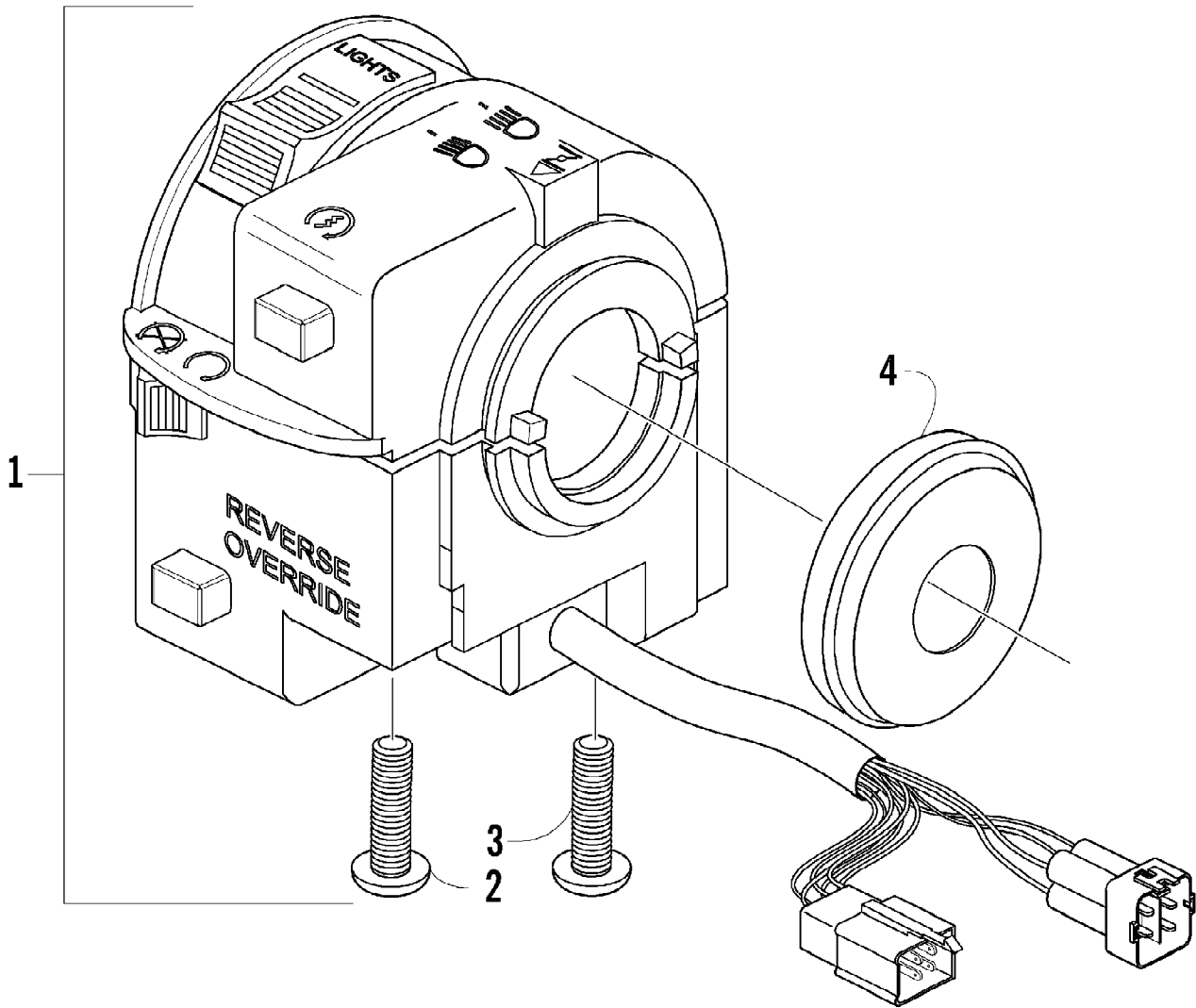
Ref #	Part Number	Qty	S/P/F	Description
1	0413-126	1		Duct, Belt Cooling - Front
2	0470-442	2	/P	Valve, Drain
3	0423-578	1		Clamp, Boot
4	0413-160	1	/P	Boot, Duct - Front
5	0423-550	1		Clamp, Boot
6	0413-128	1		Boot, Duct - Rear
7	0423-018	2		Clamp, Boot
8	0413-129	1		Duct, Belt Cooling - Rear
9	0123-903	1		Cable Tie - 11.5 in.
10	0423-342	1	/P	Screw, Self-Tapping

2007 ATV 700 EFI AUTOMATIC TRANSMISSION 4X4 FIS RED (A2007IBT4CU) Page 13 of 98
CLUTCH/V-BELT/MAGNETO COVER ASSEMBLY



2007 ATV 700 EFI AUTOMATIC TRANSMISSION 4X4 FIS RED (A2007IBT4CU) Page 14 of 98
CLUTCH/V-BELT/MAGNETO COVER ASSEMBLY

Ref #	Part Number	Qty	S/P/F	Description
1	3403-066	1		Cover, Clutch
2	3403-067	1		Housing, V-Belt Bearing
3	3403-068	1		Cover, V-Belt - Inner
4	3423-800	1		Plug
5	3403-069	1		Cover, V-Belt - Outer
6	3403-070	1		Gasket, Clutch Cover
7	3403-071	1		Gasket, V-Belt Cover - Inner - Rear
8	3403-072	1		Gasket, V-Belt Cover - Inner - Front
9	3403-073	1		Gasket, V-Belt Cover - Outer
10	3004-756	46	S	Bolt
11	0693-327	6	S	Bolt
12	3004-822	4		Pin
13	3423-610	2		Pin
14	3403-074	1	S	Cover, Magneto
15	3403-075	1		Gasket, Magneto Cover
16	3402-438	1		Gauge, Oil Level
17	3423-055	1		O-Ring
18	3402-040	1	/P	Plug, Check
19	3403-200	1		Gasket, Check Plug

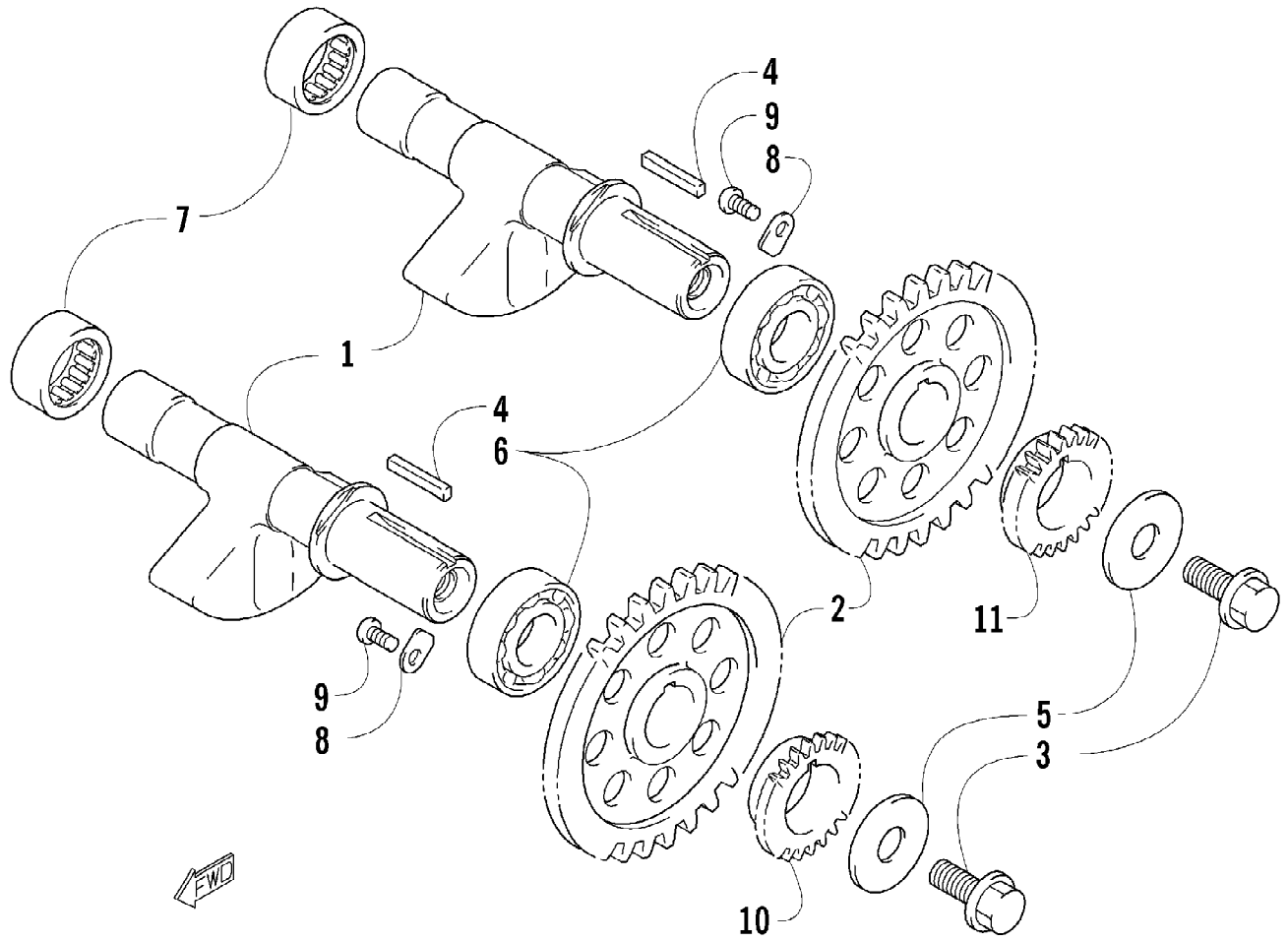


2007 ATV 700 EFI AUTOMATIC TRANSMISSION 4X4 FIS RED (A2007IBT4CU) Page 16 of 98
CONTROL SWITCH HOUSING ASSEMBLY

Ref #	Part Number	Qty	S/P/F	Description
1	0509-014	1		Switch, Control - Assembly (inc. 2-4)
2	0409-027	1		Screw, Machine
3	0409-028	1		Screw, Machine
4	3409-019	1		Cover, Switch Housing

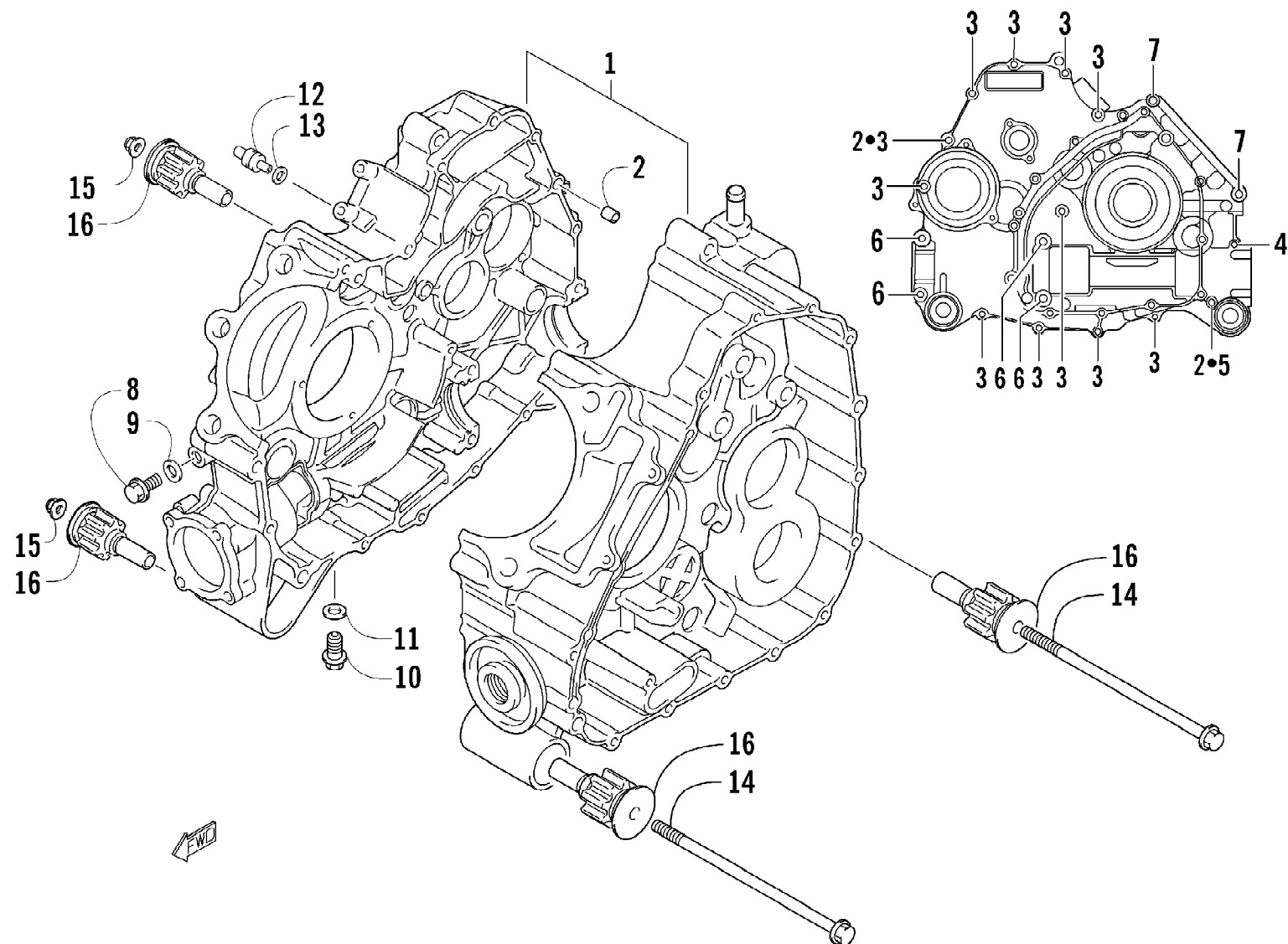
2007 ATV 700 EFI AUTOMATIC TRANSMISSION 4X4 FIS RED (A2007IBT4CU) Page 18 of 98
COOLING ASSEMBLY

Ref #	Part Number	Qty	S/P/F	Description
1	0413-117	1		Radiator Assembly (inc. 2-13)
2	0413-043	1	S	Radiator
3	0413-007	1		Screen, Radiator
4	0413-002	1	S	Cap, Radiator
5	0423-030	2		Grommet
6	0610-016	AR	/P	Hose - 25 ft
7	0413-046	1		Shroud, Fan
8	0413-123	1	/P	Fan, Cooling
9	8475-512	12		Screw, Machine
10	0423-351	1		Clamp, Wire
11	0123-397	1		Clamp, Cable
12	0413-045	1		Sender, Temperature - Coolant
13	0423-390	1	S	O-Ring
14	0423-484	2		Screw, Shoulder
15	0623-038	2		Nut w/Washer
16	0423-028	2		Bushing, Stem
17	0423-496	4		Clamp, Hose
18	0410-105	1		Hose, Coolant - Upper
19	0410-055	1		Hose, Coolant - Lower
20	3006-324	2		Clamp
21	3410-021	1		Hose, Coolant - Crossover
22	0124-045	1	/P	Clamp, Hose
23	0413-086	1		Tank, Coolant Overflow
24	0413-087	1		Stopper, Coolant Tank
25	0610-011	AR	/P	Hose, Clear - 25 ft
26	0623-316	1		Cable Tie
27	0123-788	2	/P	Cable Tie



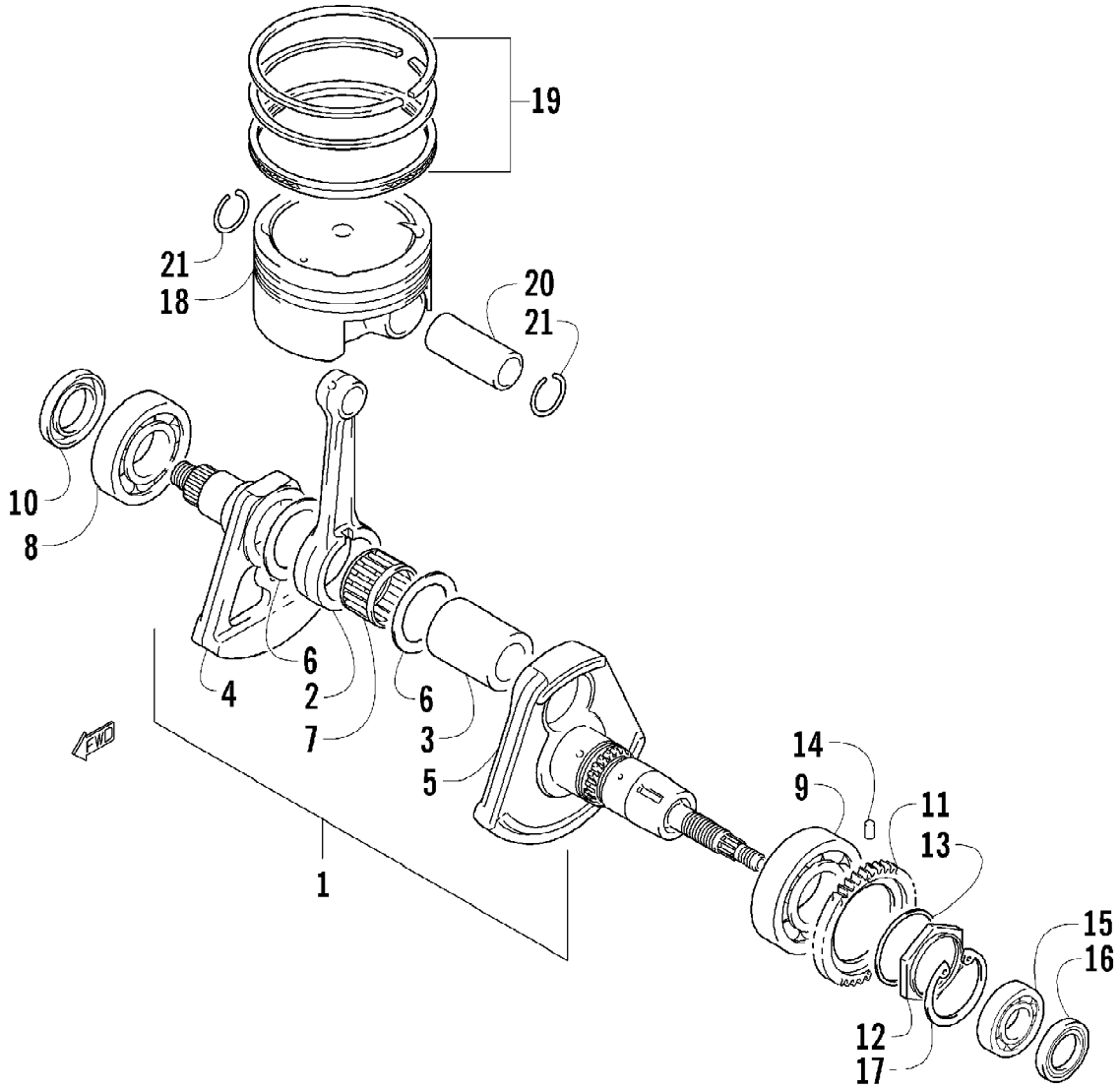
2007 ATV 700 EFI AUTOMATIC TRANSMISSION 4X4 FIS RED (A2007IBT4CU) Page 20 of 98
CRANK BALANCER ASSEMBLY

Ref #	Part Number	Qty	S/P/F	Description
1	3403-093	2		Balancer, Crank
2	3403-094	2		Gear, Driven - Crank Balancer
3	3423-555	2		Bolt
4	3423-808	2		Key
5	3423-401	2		Washer
6	3403-095	2		Bearing
7	3403-096	2		Bearing
8	3446-031	4	/P	Retainer, Bearing - Crank Balancer
9	3423-370	4		Bolt
10	3403-097	1		Sprocket, Drive - Oil Pump
11	3403-098	1		Gear, Drive - Water Pump



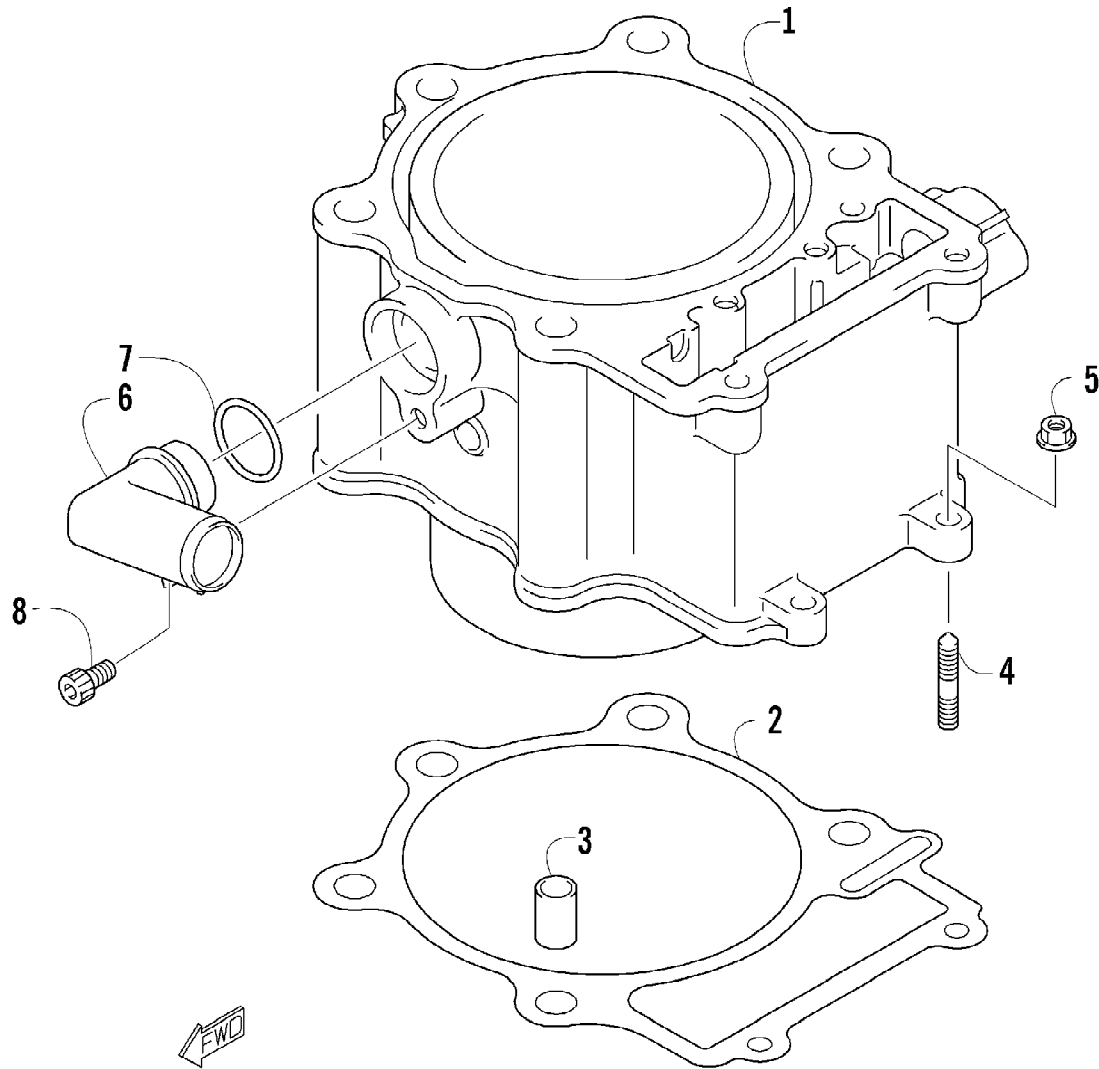
2007 ATV 700 EFI AUTOMATIC TRANSMISSION 4X4 FIS RED (A2007IBT4CU) Page 22 of 98
CRANKCASE ASSEMBLY

Ref #	Part Number	Qty	S/P/F	Description
1	3403-063	1	S	Crankcase Assembly (inc. 2-7)
2	3004-822	2		Pin
3	3423-307	11	S	Bolt
4	3423-392	1		Bolt
5	3423-094	1		Bolt
6	0693-303	4	S	Bolt
7	3423-602	2		Bolt
8	3004-705	2	S	Plug, Oil Gallery
9	3402-436	2	/P	Gasket, Oil Gallery Plug
10	3403-064	1		Plug, Drain
11	3402-011	1		Gasket, Drain Plug
12	3403-065	1		Jet, Oil Gallery
13	3423-051	1		O-Ring
14	3423-456	2		Bolt, Engine Mounting
15	3423-457	2	S	Nut, Engine Mounting
16	3423-799	4		Bushing, Engine Mounting



2007 ATV 700 EFI AUTOMATIC TRANSMISSION 4X4 FIS RED (A2007IBT4CU) Page 24 of 98
CRANKSHAFT ASSEMBLY

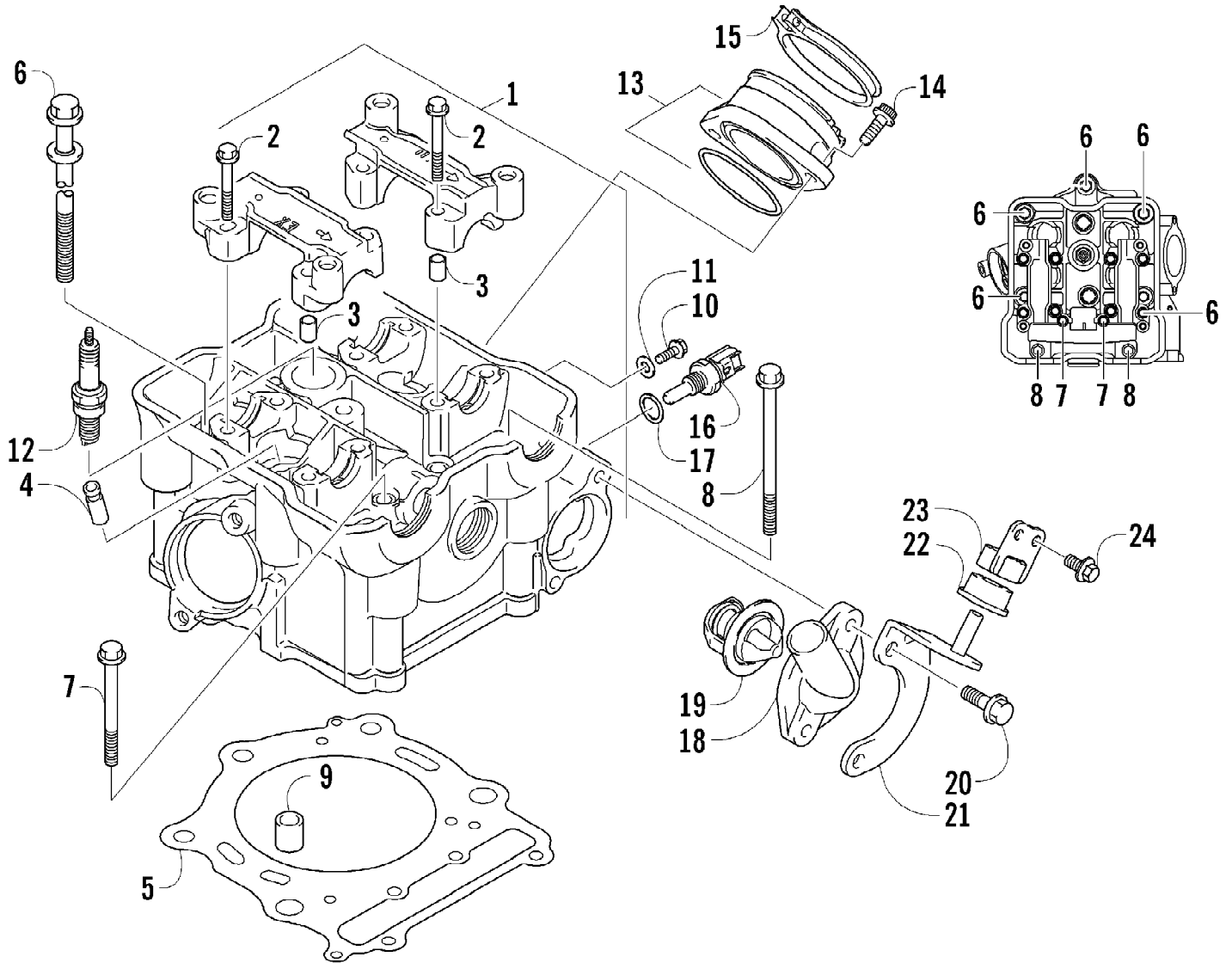
Ref #	Part Number	Qty	S/P/F	Description
1	3403-076	1	S	Crankshaft Assembly (inc. 2-7)
2	3403-077	1		Rod, Connecting
3	3403-078	1		Pin, Crank
4	3403-079	1	S	Crankshaft - Right
5	3403-080	1		Crankshaft - Left
6	3423-801	2		Washer
7	3403-081	1		Bearing
8	3403-202	1	S	Bearing - Right
9	3403-083	1		Bearing - Left
10	3402-573	1		Seal, Oil
11	3403-084	1	S	Gear, Drive - Crank Balancer
12	3423-802	1		Nut, Crank Balancer Drive Gear
13	3423-803	1		Washer
14	3423-047	1		Pin
15	3402-051	1		Bearing
16	3403-085	1		Seal, Oil
17	3423-804	1	S	Circlip
18	3403-086	1		Piston
19	3403-087	1		Ring, Piston - Set
20	3403-088	1		Pin, Piston
21	3423-344	2		Circlip, Piston Pin



2007 ATV 700 EFI AUTOMATIC TRANSMISSION 4X4 FIS RED (A2007IBT4CU) Page 26 of 98
CYLINDER ASSEMBLY

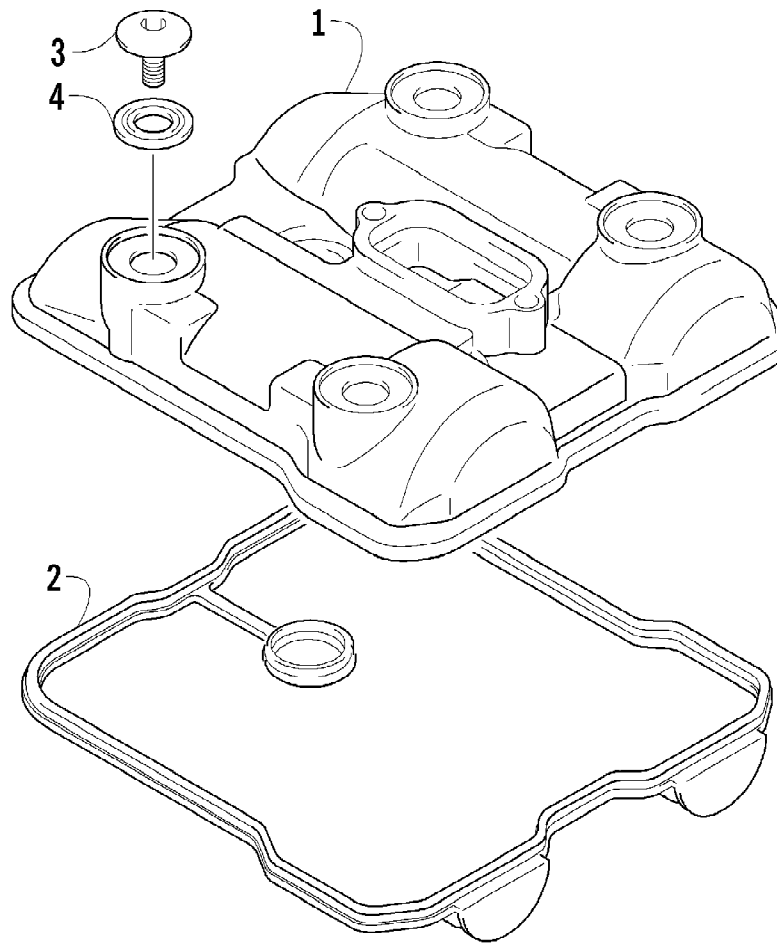
Ref #	Part Number	Qty	S/P/F	Description
1	3403-061	1	S	Cylinder
2	3403-062	1		Gasket, Cylinder
3	3423-088	2		Pin, Dowel
4	3423-384	2	S	Bolt, Stud
5	3004-488	2	S/P	Nut
6	3413-040	1		Union, Water Hose
7	3423-058	1		O-Ring
8	3423-121	1	S	Screw, Machine

2007 ATV 700 EFI AUTOMATIC TRANSMISSION 4X4 FIS RED (A2007IBT4CU) Page 27 of 98
CYLINDER HEAD ASSEMBLY



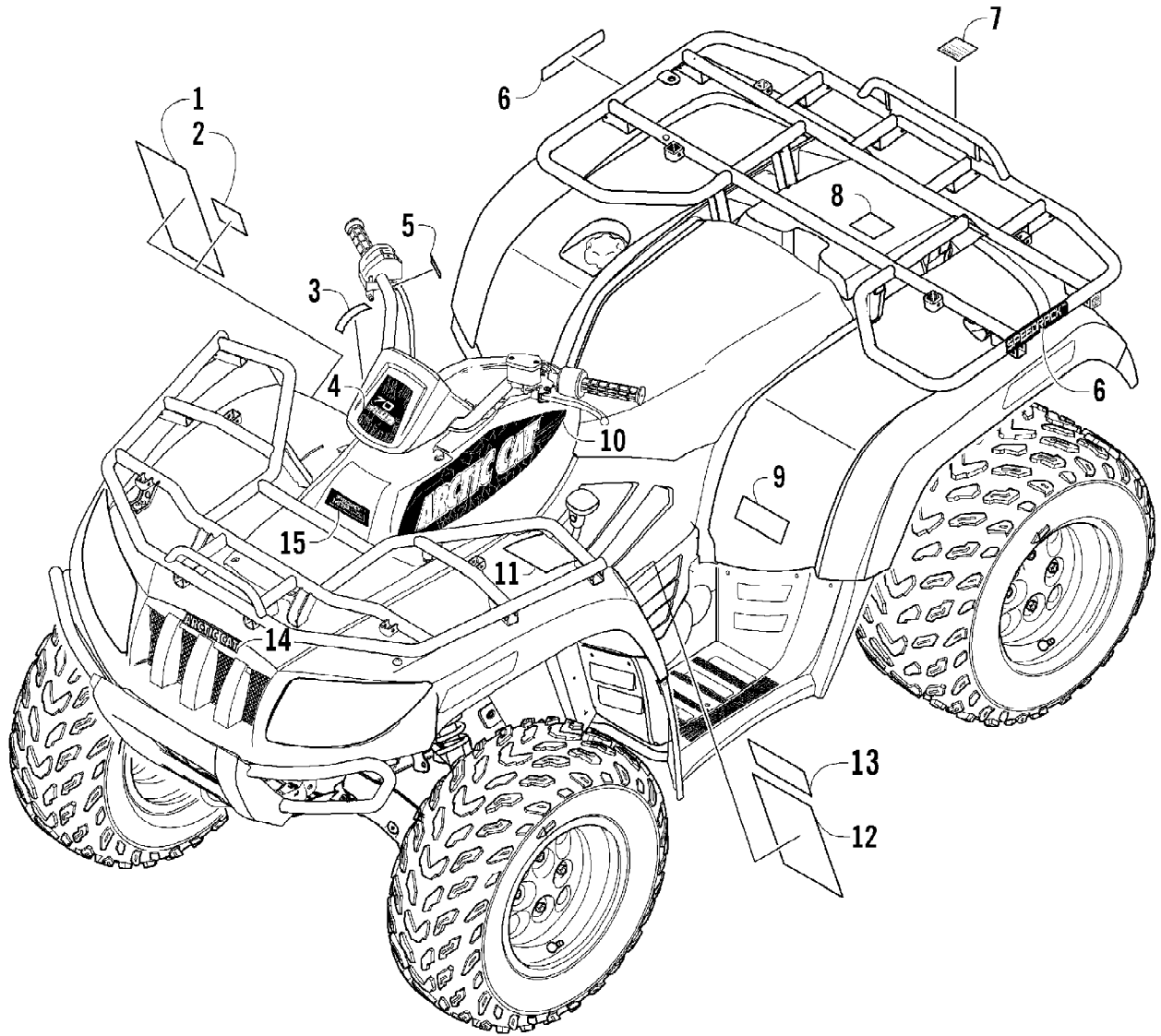
2007 ATV 700 EFI AUTOMATIC TRANSMISSION 4X4 FIS RED (A2007IBT4CU) Page 28 of 98
CYLINDER HEAD ASSEMBLY

Ref #	Part Number	Qty	S/P/F	Description
1	3403-055	1		Head, Cylinder - Assembly (inc. 2-3)
2	3423-794	8		Screw, Cap
3	3423-043	4	/P	Pin
4	3403-056	4	/P	Guide, Valve
5	3403-057	1		Gasket, Cylinder Head
6	3423-795	5		Screw, Cap
7	3006-650	2		Screw, Cap
8	3423-796	2		Screw, Cap
9	3423-088	2		Pin, Dowel
10	3423-389	1		Plug, Cylinder Head
11	3003-290	1	/P	O-Ring
12	0217-632	1		Spark Plug (NGK CR6E)
13	3403-058	1		Pipe, Intake - Assembly
14	3423-797	2		Screw, Cap
15	3402-236	1	/P	Clamp, Intake Pipe
16	3530-046	1		Switch, Water Temperature
17	3530-047	1	/P	Gasket, Water Temperature Switch
18	3413-038	1		Cover, Thermostat
19	3413-039	1		Thermostat
20	3423-175	2	S	Screw, Cap
21	3423-798	1	S	Plate, Engine Mounting Damper
22	3403-059	1		Damper, Engine Mounting
23	3403-060	1		Stopper, Engine Mounting
24	8408-816	2		Screw, Cap



2007 ATV 700 EFI AUTOMATIC TRANSMISSION 4X4 FIS RED (A2007IBT4CU) Page 30 of 98
CYLINDER HEAD COVER ASSEMBLY

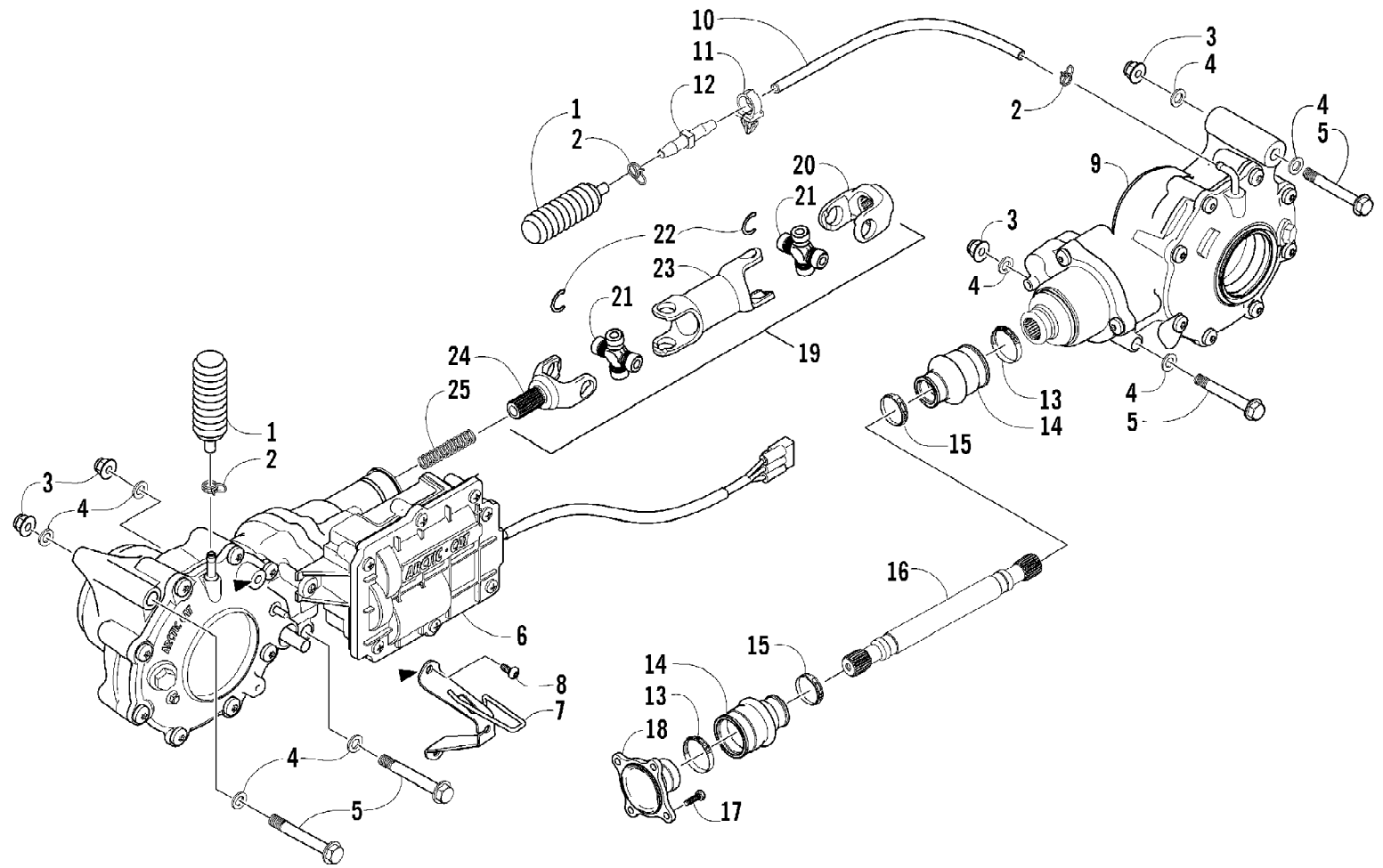
Ref #	Part Number	Qty	S/P/F	Description
1	3403-053	1		Cover, Cylinder Head
2	3403-054	1		Gasket, Cylinder Head Cover
3	3423-646	4		Bolt
4	3423-680	4		Washer



2007 ATV 700 EFI AUTOMATIC TRANSMISSION 4X4 FIS RED (A2007IBT4CU) Page 32 of 98
 DECALS

Ref #	Part Number	Qty	S/P/F	Description
1	1411-250	1		Decal, Warning - Reverse/Pre-Ride
2	0411-835	1		Decal, Warning - Turn/Hill
3	0411-426	1		Decal, Warning - Clutch Cover
4	1411-399	1		Decal, Instrument Pod
5	0411-966	1		Decal, Warning - Differential Lock
6	0411-965	2		Decal, "Speedrack"
7	1411-077	1		Decal, Warning - Towing
8	0411-435	1		Decal, Passenger
9	0411-430	1		Decal, Warning - Tire Pressure
10	1411-356	1		Decal, Side - Upper Right
10	1411-357	1		Decal, Side - Upper Left
11	0411-401	1		Decal, Warning - Age
12	0411-218	1		Decal, Warning - General
13	1411-574	1		Decal, Warning - Off-Road Only
14	0411-840	1		Decal, Front
15	1411-050	1	/P	Decal, "Speedrack"

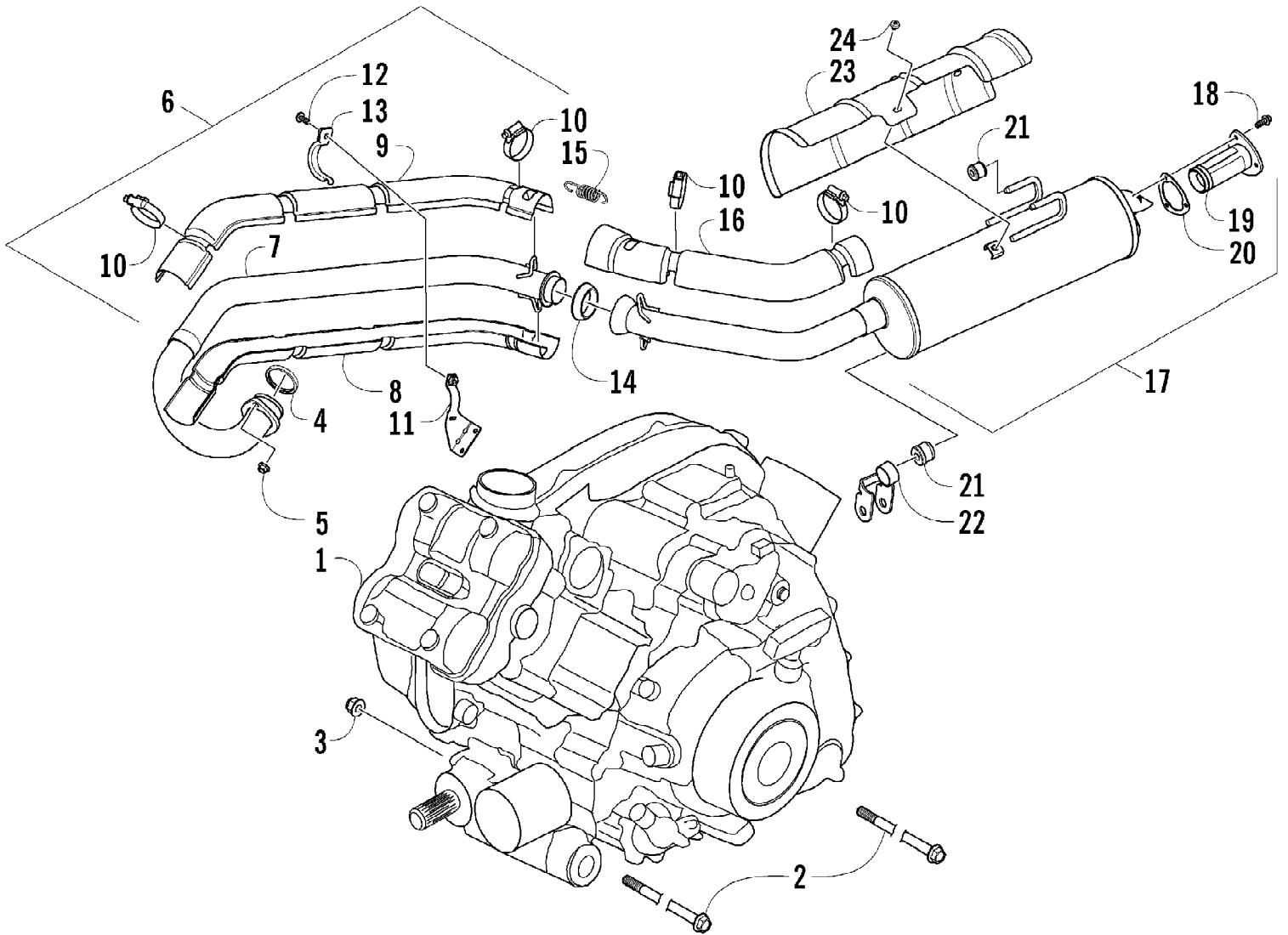
2007 ATV 700 EFI AUTOMATIC TRANSMISSION 4X4 FIS RED (A2007IBT4CU) Page 33 of 98
DRIVE TRAIN ASSEMBLY



2007 ATV 700 EFI AUTOMATIC TRANSMISSION 4X4 FIS RED (A2007IBT4CU) Page 34 of 98
DRIVE TRAIN ASSEMBLY

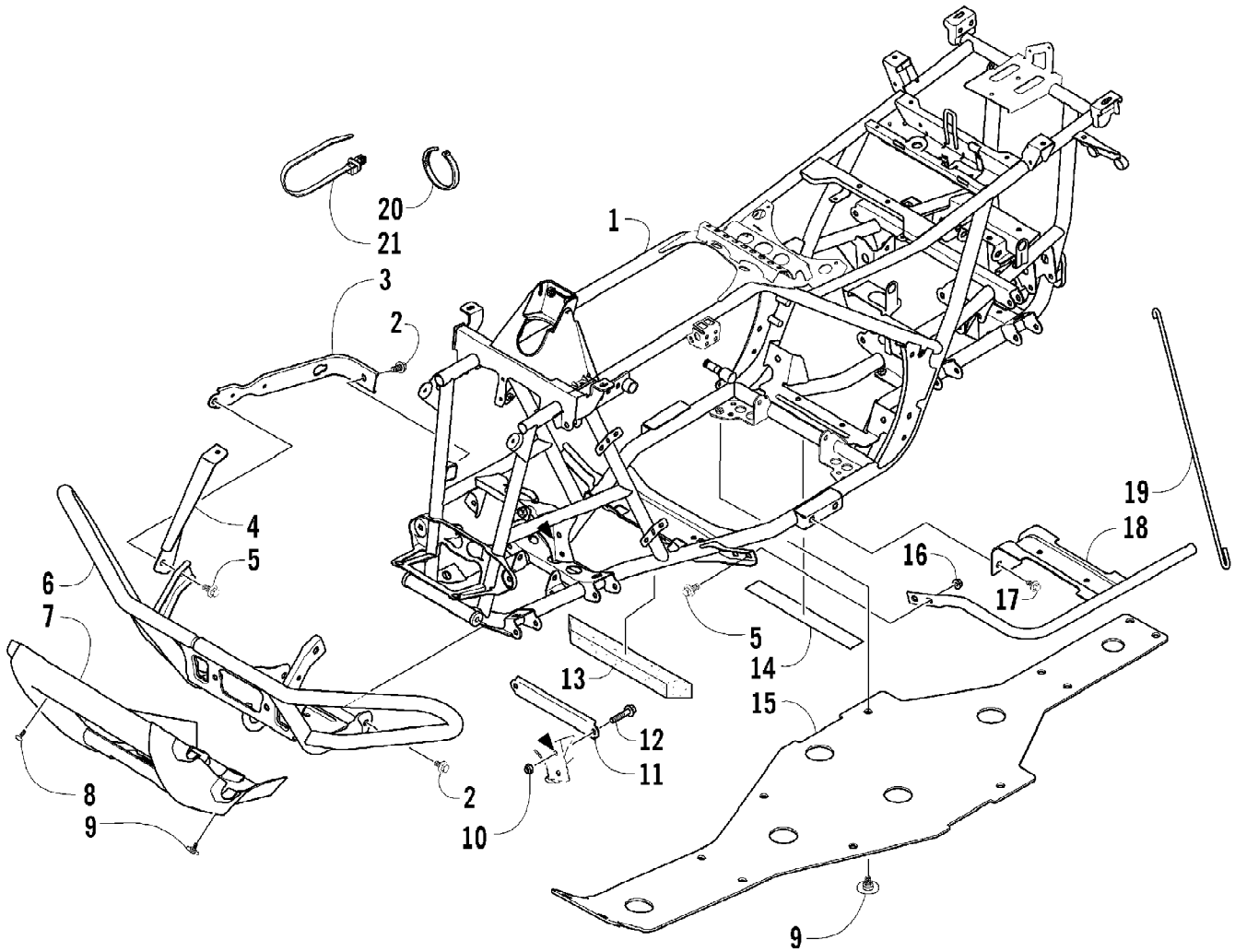
Ref #	Part Number	Qty	S/P/F	Description
1	0402-147	2	S	Bladder, Gearcase
2	0423-315	4		Clamp, Fitting
3	8428-002	4		Nut, Lock
4	0423-426	8		Washer
5	0423-404	4		Screw, Cap
6	0502-916	1		Gearcase, Front
7	0502-500	1		Plate, Cable
8	0423-396	2		Screw, Self-Tapping
9	0502-909	1		Gearcase, Rear
10	0410-048	AR	S	Hose, Vent - 25 ft
11	0623-101	1		Clip, Routing - Snap-In
12	0470-462	1		Fitting, Vent
13	0423-393	2		Clamp, Boot
14	0402-985	2	/P	Boot
15	0423-411	2		Clamp, Boot
16	1402-234	1		Shaft, Propeller
17	8408-820	4	/P	Screw, Cap
18	0402-950	1		Flange, Output
19	0502-918	1		Driveshaft, Front - Assembly (inc. 20-24)
20	0502-915	1		Yoke, Front Slip
21	1402-164	2	/P	Joint, Universal (inc. 22)
22	0423-450	8		Ring, Retaining
23	0502-917	1		Driveshaft, Front
24	1402-439	1		Yoke, Slip
25	1402-521	1		Spring

2007 ATV 700 EFI AUTOMATIC TRANSMISSION 4X4 FIS RED (A2007IBT4CU) Page 35 of 98
ENGINE AND EXHAUST



2007 ATV 700 EFI AUTOMATIC TRANSMISSION 4X4 FIS RED (A2007IBT4CU) Page 36 of 98
ENGINE AND EXHAUST

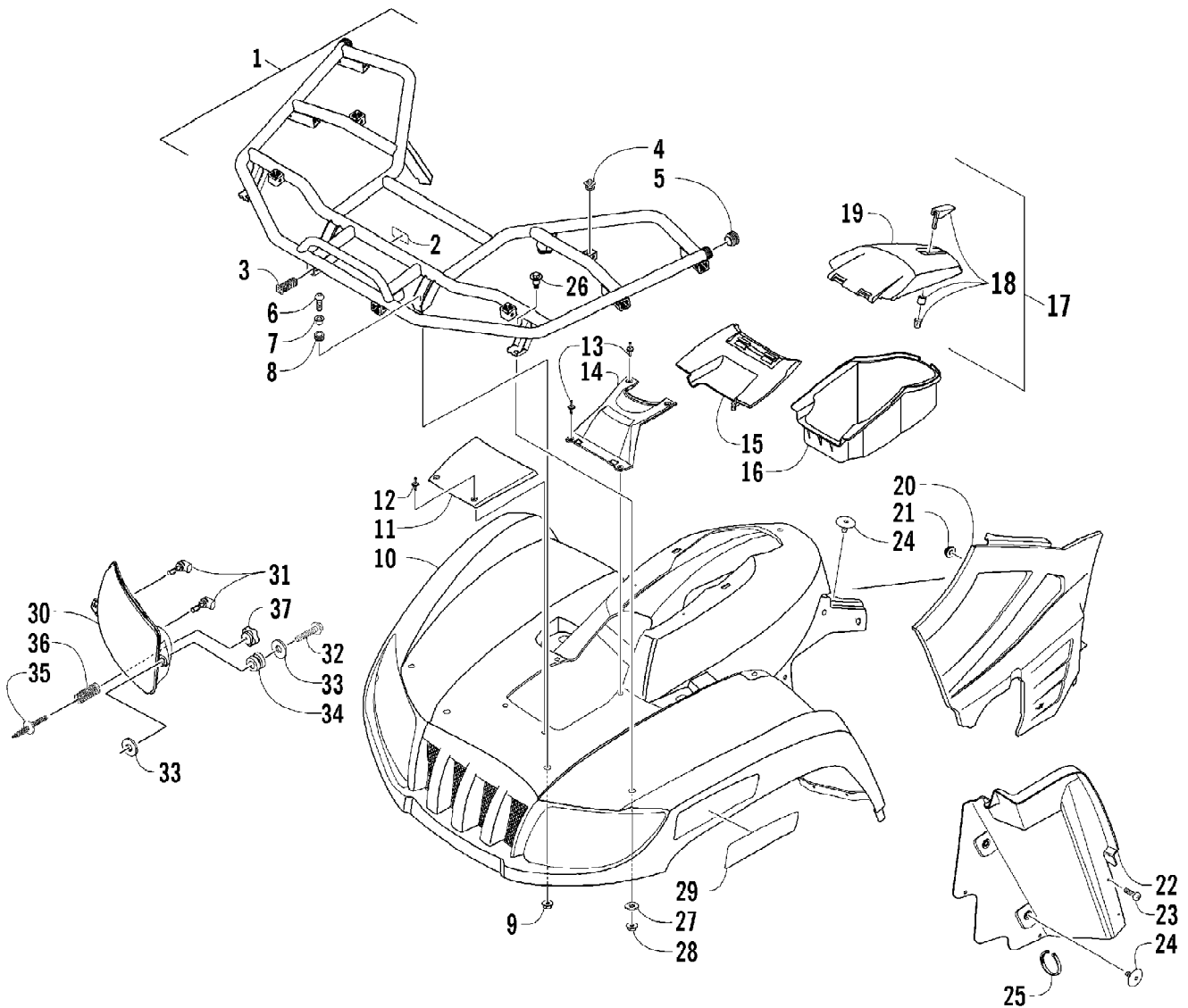
Ref #	Part Number	Qty	S/P/F	Description
1	0462-042	1	S	Engine
2	3423-456	2		Screw, Cap
3	8428-002	2		Nut, Lock
4	0412-361	1		Gasket, Exhaust Pipe
5	8424-802	2		Nut, Hex
6	0512-294	1		Pipe, Exhaust - Assembly (inc. 7-9 and three No. 10)
7	0512-293	1		Pipe, Exhaust
8	0412-364	1		Shield, Exhaust Pipe - Inner
9	0412-365	1		Shield, Exhaust Pipe - Outer
10	0423-317	5	/P	Clamp
11	0512-317	1		Support, Exhaust Pipe
12	8477-620	1		Screw, Machine
13	0512-318	1		Bracket, Exhaust Pipe
14	0412-375	1	/P	Seal, Exhaust
15	0612-668	2	/P	Spring, Extension
16	0412-369	1		Shield, Exhaust Pipe - Rear
17	0512-305	1		Muffler - Assembly (inc. 18-20)
18	8408-616	3		Screw, Cap
19	0512-219	1	/P	Arrester, Spark - Assembly
20	0412-313	1		Gasket, Spark Arrester
21	0412-215	3	S	Bushing, Exhaust Pipe
22	1506-732	1		Channel, Muffler Support
23	0412-373	1	/P	Cover, Muffler
24	8477-610	3		Screw, Machine



2007 ATV 700 EFI AUTOMATIC TRANSMISSION 4X4 FIS RED (A2007IBT4CU) Page 38 of 98
FRAME AND RELATED PARTS

Ref #	Part Number	Qty	S/P/F	Description
1	2506-087	1		Frame, Main
2	8409-020	4	/P	Screw, Cap
3	1506-596	1	/P	Channel, Bumper Support - Right
3	0506-653	1	S	Channel, Bumper Support - Left
4	1506-562	1		Bracket, Mounting - Bumper - Right
4	1506-563	1		Bracket, Mounting - Bumper - Left
5	8408-816	6		Screw, Cap
6	1506-855	1	/P	Bumper
7	1406-360	1		Grille, Bumper
8	0423-419	2		Screw, Machine
9	0423-101	14		Screw, Body
10	8428-002	2		Nut, Lock
11	1506-429	1	S	Brace, A-Arm
12	8409-025	2		Screw, Cap
13	1506-981	1		Foam, Frame
14	0406-289	1		Pad, Frame
15	2406-139	1		Panel, Belly
16	8424-802	4		Nut, Flange
17	8409-016	4		Screw, Cap
18	1506-380	1		Footrest - Right
18	1506-379	1		Footrest - Left
19	2506-423	2		Rod, Support
20	0623-751	1		Cable Tie
21	0423-075	1		Cable Tie, Push-Mount

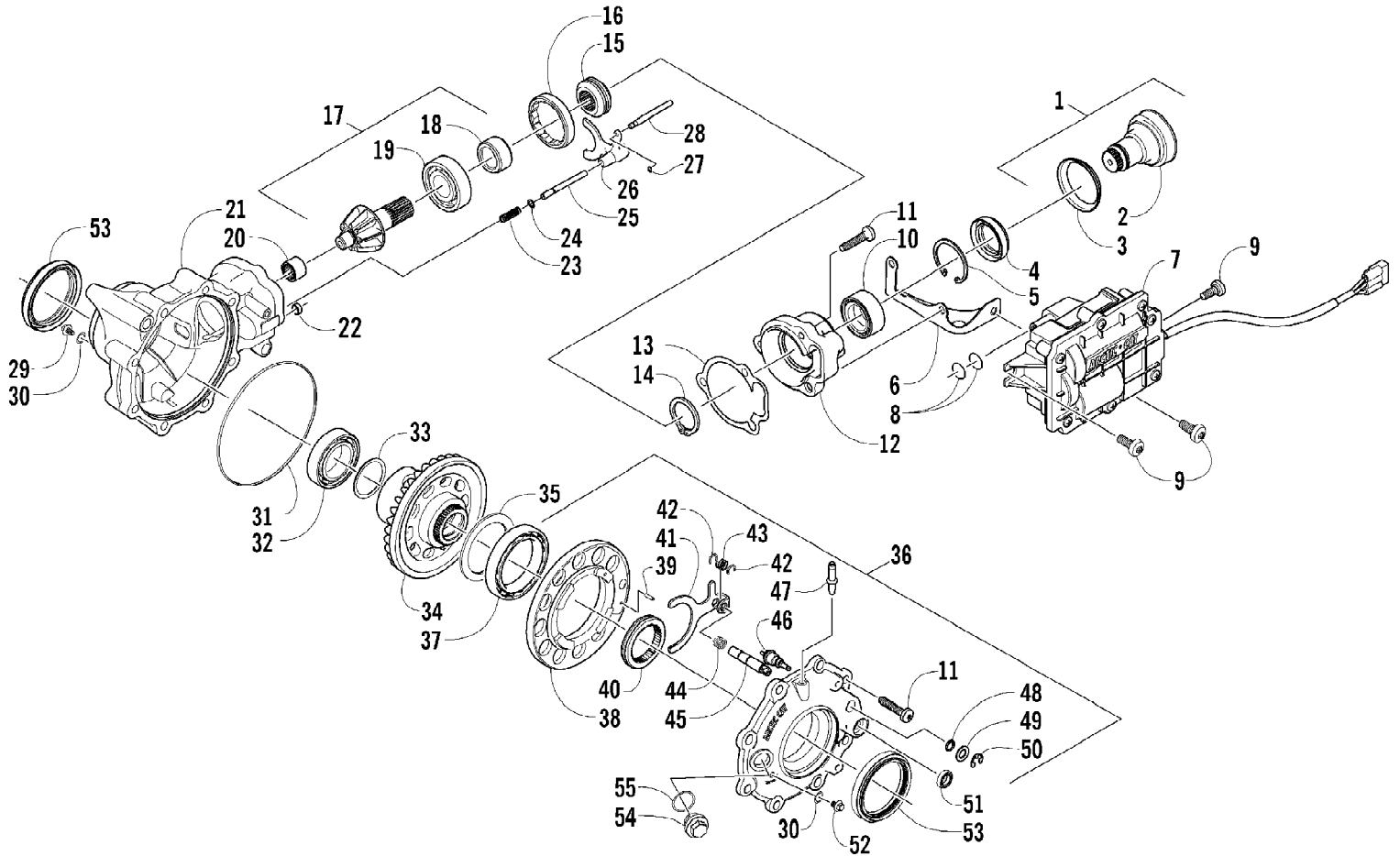
2007 ATV 700 EFI AUTOMATIC TRANSMISSION 4X4 FIS RED (A2007IBT4CU) Page 39 of 98
FRONT BODY PANEL ASSEMBLY



2007 ATV 700 EFI AUTOMATIC TRANSMISSION 4X4 FIS RED (A2007IBT4CU) Page 40 of 98
FRONT BODY PANEL ASSEMBLY

Ref #	Part Number	Qty	S/P/F	Description
1	0541-272	1		Rack, Front - Assembly (inc. 2-5)
2	0411-576	1		Decal, Warning - Front Rack Load
3	2406-014	6		Bushing, Rack
4	0441-592	4	/P	Bushing, Rack
5	1441-049	2		Plug, Rack
6	8410-830	4		Screw, Machine
7	0423-669	4		Spacer
8	0423-465	4		Grommet
9	8432-802	4		Nut, Lock
10	0518-001	1	S	Panel, Fender - Front (inc. 29)
11	1406-358	1		Cover, Access
12	0423-535	2		Rivet, Reinstallable
13	0623-362	4		Rivet, Reinstallable
14	1406-484	1		Cover, Steering Post
15	0470-513	1		Cover, Storage Box
16	1406-573	1		Box, Storage
17	2506-234	1		Lid, Storage Box w/Latch (inc. 18-19)
18	1406-599	1		Latch, Storage Box
19	0470-514	1		Lid, Storage Box
20	2406-358	1		Panel, Side - Lower - Right
20	2406-359	1		Panel, Side - Lower - Left
21	0423-678	8		Grommet
22	1406-354	1		Panel, Splash - Right
22	1406-355	1	S	Panel, Splash - Left
23	0423-719	4		Screw, Self-Tapping
24	0423-101	5		Screw, Body
25	0123-788	AR	/P	Cable Tie - 7.5 in.
26	0423-654	2		Screw, Shoulder
27	8050-222	2	/P	Washer
28	0423-540	2		Nut, Lock
29	0411-818	1		Decal, Reflector - Amber - Right
29	0411-819	1		Decal, Reflector - Amber - Left
30	0509-034	1	S	Headlight Assembly - Right (inc. 31)
30	0509-035	1		Headlight Assembly - Left (inc. 31)
31	0409-055	4		Bulb, Headlight
32	0623-785	4		Screw, Self-Tapping
33	8050-217	8	/P	Washer
34	0423-447	4		Grommet
35	0423-514	2		Stud, Adjuster - Headlight
36	0423-522	2		Spring, Adjuster
37	0423-513	2		Knob, Adjuster

2007 ATV 700 EFI AUTOMATIC TRANSMISSION 4X4 FIS RED (A2007IBT4CU) Page 41 of 98
FRONT DRIVE GEARCASE ASSEMBLY



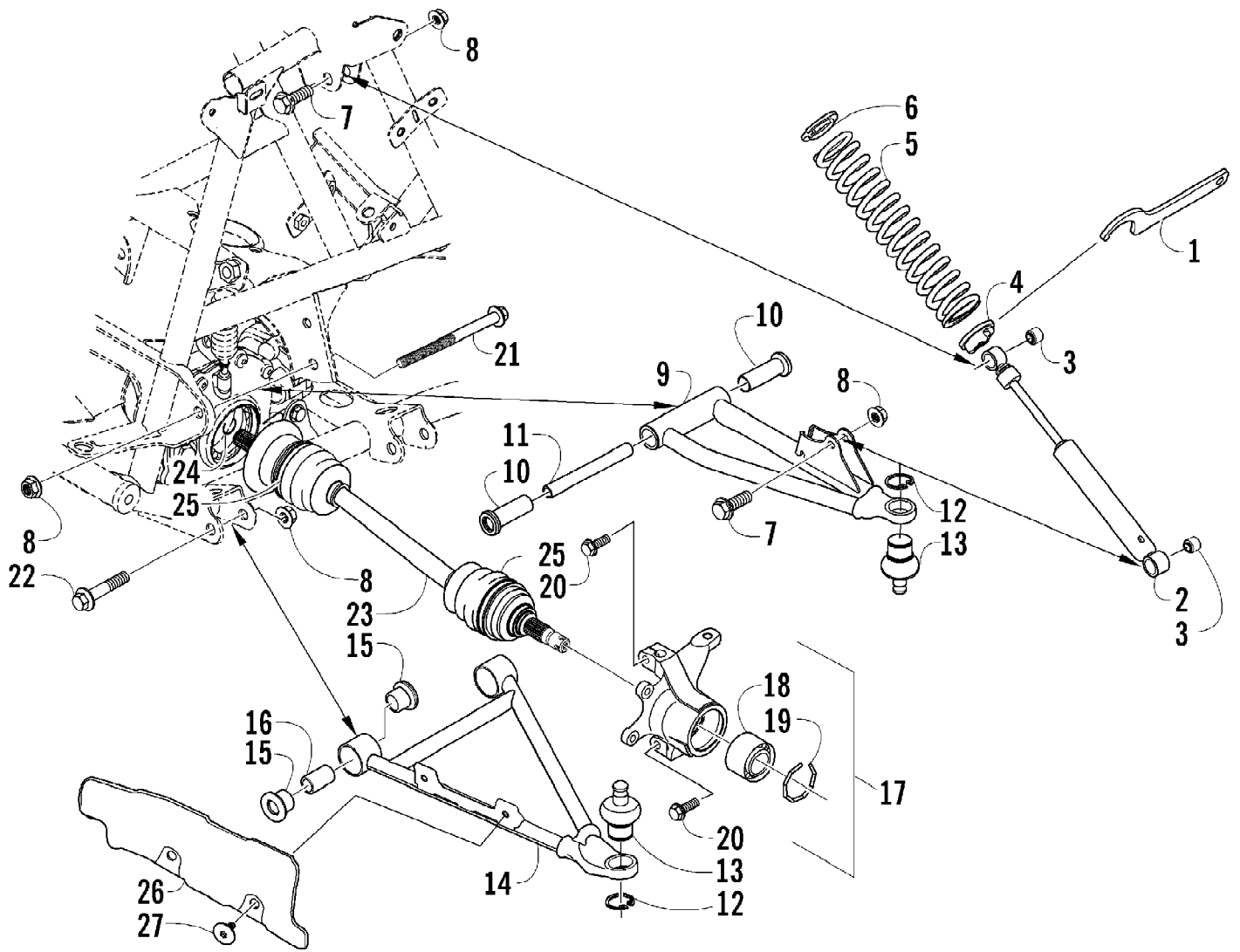
2007 ATV 700 EFI AUTOMATIC TRANSMISSION 4X4 FIS RED (A2007IBT4CU) Page 42 of 98
FRONT DRIVE GEARCASE ASSEMBLY

Ref #	Part Number	Qty	S/P/F	Description
	0502-916	1		Complete Front Gearcase Assembly
1	0502-923	1		Shaft, Propeller - Assembly (inc. 2-3)
2	1402-438	1		Shaft, Input
3	1402-168	1		Deflector
4	1402-011	1		Seal
5	0423-423	1		Ring, Retaining
6	0502-347	1		Bracket, Actuator
7	0502-579	1		Actuator (inc. one No. 8)
8	0423-498	2	S	O-Ring
9	0423-396	3		Screw, Self-Tapping
10	1402-043	1		Bearing
11	0423-118	11		Screw, Self-Tapping
12	0502-528	1	/P	Housing, Pinion
13	0402-947	1		Gasket, Flange
14	0423-417	1		Ring, Retaining
15	0402-413	1		Coupler, Drive
16	0402-357	1		Collar, Lock
17	0502-783	1		Gear, Pinion - Assembly - 10T (inc. 18-19)
18	0402-336	1		Collar, Retaining
19	0402-327	1		Bearing
20	0402-328	1		Bearing
21	0502-514	1		Housing, Gearcase
22	0402-411	1		Pin, Dowel
23	0402-999	1		Spring, Return
24	0423-147	1		O-Ring
25	0402-417	1		Shaft, Shuttle
26	0402-998	1		Fork, Selector
27	0423-402	1		Ring, Retaining
28	0402-997	1		Shaft, Selector
29	1402-210	1	/P	Plug, Magnetic (inc. one No. 30)
30	0423-153	2		O-Ring
31	0423-149	1		O-Ring
32	0402-393	1		Bearing
33	0402-405	AR		Shim
33	0402-406	AR		Shim
33	0402-407	AR		Shim
33	0402-408	AR		Shim
33	0402-409	AR		Shim
34	0502-851	1		Gear, Ring - 36T
35	1402-074	AR		Shim
35	1402-075	AR		Shim
35	1402-076	AR		Shim
35	1402-077	AR		Shim
35	1402-078	AR		Shim
36	0502-434	1		Cover, Gearcase (inc. one No. 30, 37-52, and one No. 53)
37	1402-053	1		Bearing
38	0502-413	1		Flange, Bearing
39	1402-079	1		Pin, Parallel
40	1402-042	1		Collar, Sliding
41	1402-054	1		Fork
42	1402-058	2		Ring, Retaining

2007 ATV 700 EFI AUTOMATIC TRANSMISSION 4X4 FIS RED (A2007IBT4CU) Page 43 of 98
 FRONT DRIVE GEARCASE ASSEMBLY

Ref #	Part Number	Qty	S/P/F	Description
43	1402-057	1		Spring
44	1402-063	1		Spring
45	1402-055	1		Shaft, Lock
46	0402-419	1		Switch, Indicator
47	1402-104	1		Fitting
48	0423-133	1		O-Ring
49	0423-132	1		Washer
50	0423-424	1		Ring, Retaining
51	1402-056	1		Seal
52	1402-211	1		Plug, Oil Level (inc. one No. 30)
53	0402-394	2	S	Seal
54	0402-333	1	/P	Plug, Fill (inc. 55)
55	0423-154	1		O-Ring

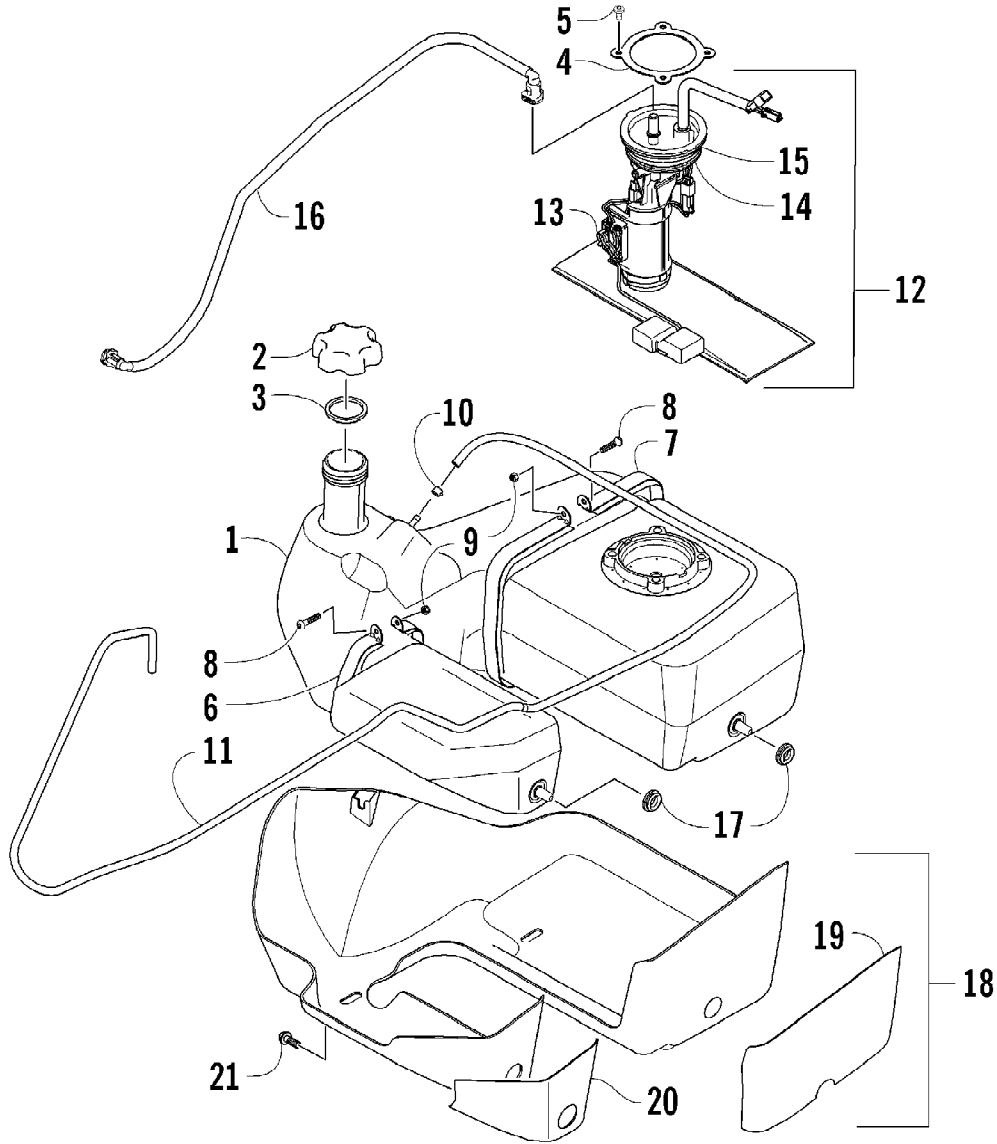
2007 ATV 700 EFI AUTOMATIC TRANSMISSION 4X4 FIS RED (A2007IBT4CU) Page 44 of 98
FRONT SUSPENSION ASSEMBLY



2007 ATV 700 EFI AUTOMATIC TRANSMISSION 4X4 FIS RED (A2007IBT4CU) Page 45 of 98
FRONT SUSPENSION ASSEMBLY

Ref #	Part Number	Qty	S/P/F	Description
1	0441-587	1		Wrench, Spanner
2	0403-172	2		Shock Absorber - Front (inc. 3)
3	0403-182	4		Bushing, Double-Bonded
4	0403-102	2		Cam, Spring Adjuster
5	0403-170	2		Spring, Shock Absorber
6	1603-889	2	/P	Retainer, Spring
7	8409-040	4		Screw, Cap
8	8428-002	10		Nut, Lock
9	0503-272	1	S	A-Arm, Upper Right (inc. 10-13)
9	0503-273	1	S	A-Arm, Upper Left (inc. 10-13)
10	0403-081	4	S	Bushing
11	0403-080	2		Collar
12	0423-009	4	/P	Clip, Ball Joint
13	0405-115	4	/P	Ball Joint - Front
14	0503-342	1	S	A-Arm, Lower Right (inc. 12-13 and 15-16)
14	0503-343	1	S	A-Arm, Lower Left (inc. 12-13 and 15-16)
15	0403-115	8	S	Bushing
16	0403-114	4	S	Collar
17	0505-460	1		Knuckle - Assembly - Right (inc. 18-19)
17	0505-461	1	S	Knuckle - Assembly - Left (inc. 18-19)
18	1402-027	2	S/P	Bearing, Wheel Hub
19	0423-423	2		Ring, Retaining
20	8409-030	4		Screw, Cap
21	0423-334	2		Screw, Cap
22	8409-075	4		Screw, Cap
23	0502-812	1	S	Axle, Drive - Front - Right (inc. 24-25)
23	0502-813	1	S	Axle, Drive - Front - Left (inc. 24-25)
24	1441-109	2	S	Clip, Retaining
25	0436-276	2	S	Repair Kit, Boot - Front Axle
26	0441-752	1		Guard, Boot - Axle - Right
26	0441-753	1		Guard, Boot - Axle - Left
27	0423-545	4	/P	Screw, Body

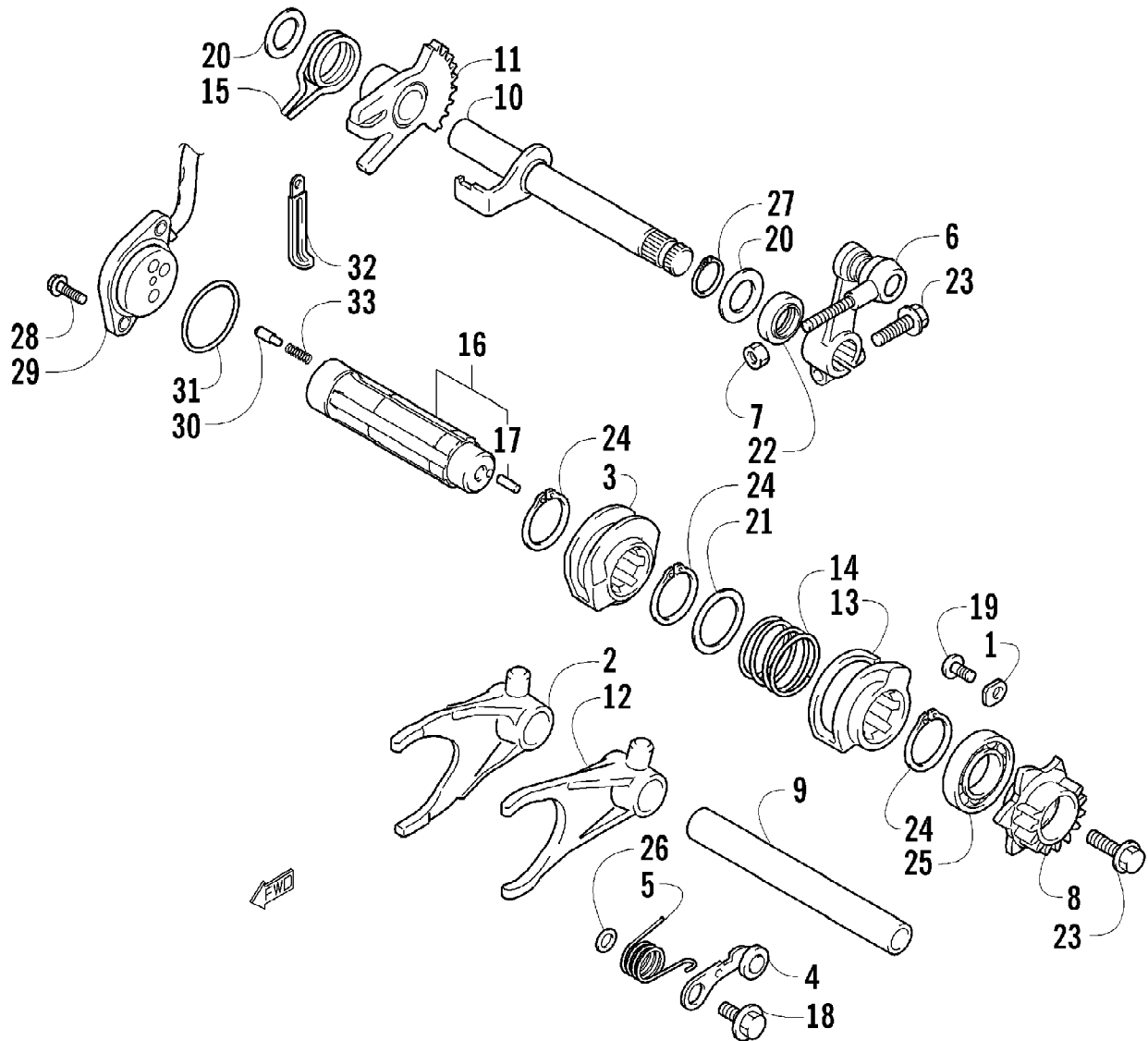
2007 ATV 700 EFI AUTOMATIC TRANSMISSION 4X4 FIS RED (A2007IBT4CU) Page 46 of 98
GAS TANK ASSEMBLY



2007 ATV 700 EFI AUTOMATIC TRANSMISSION 4X4 FIS RED (A2007IBT4CU) Page 47 of 98
GAS TANK ASSEMBLY

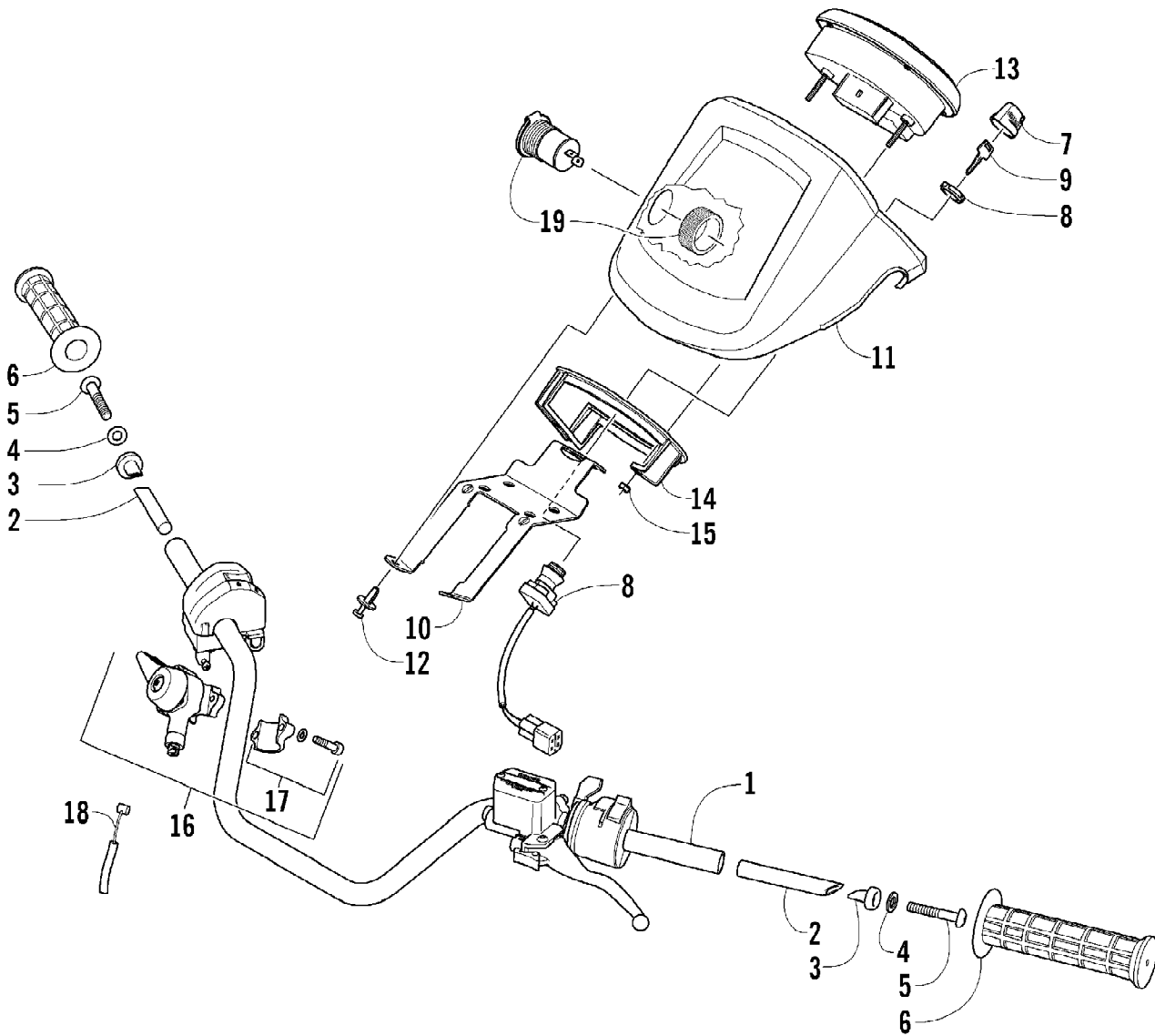
Ref #	Part Number	Qty	S/P/F	Description
1	0570-180	1	/P	Tank, Gas - Assembly (inc. 2-9 and one No. 15)
2	0470-438	1	/P	Cap, Gas Tank (inc. 3)
3	0109-733	1	/P	Gasket, Tank Cap
4	0470-606	1		Plate, Mounting - Fuel Pump
5	8476-612	4		Screw, Self-Tapping
6	0570-167	1		Strap, Gas Tank - Rear
7	0570-166	1		Strap, Gas Tank - Front
8	8476-650	2		Screw, Machine
9	8427-602	2		Nut, Lock
10	0423-670	1		Clamp, Hose
11	0410-070	AR	/P	Hose, Gasline - 25 ft
12	0570-139	1	S	Pump, Fuel - Assembly (inc. 13-15)
13	0570-137	1	S	Sender, Fuel Level - Kit (inc. one No. 14-15)
14	0470-614	2		Seal, Fuel Pump
15	0470-613	2		Seal, Fuel Pump
16	0470-611	1		Hose, Gasline - Assembly
17	0423-460	2		Grommet
18	0570-081	1		Shield, Gas Tank - Assembly (inc. 19-20)
19	0470-499	1		Shield, Heat
20	0470-498	1		Shield, Heat
21	8408-816	2		Screw, Cap

2007 ATV 700 EFI AUTOMATIC TRANSMISSION 4X4 FIS RED (A2007IBT4CU) Page 48 of 98
GEAR SHIFTING ASSEMBLY



2007 ATV 700 EFI AUTOMATIC TRANSMISSION 4X4 FIS RED (A2007IBT4CU) Page 49 of 98
GEAR SHIFTING ASSEMBLY

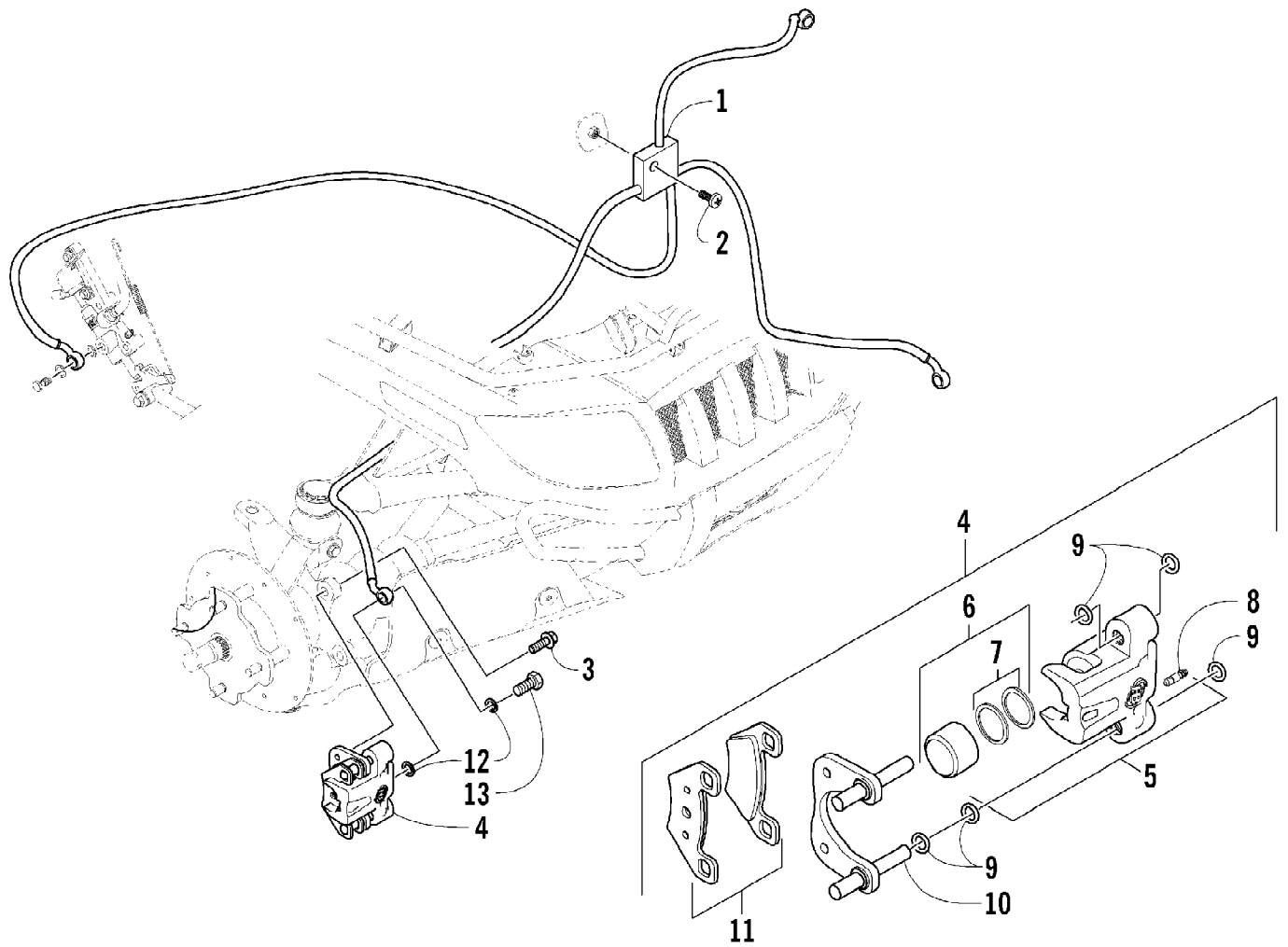
Ref #	Part Number	Qty	S/P/F	Description
1	3446-031	2	/P	Retainer, Shift Cam
2	3446-423	1		Fork, Reverse Gear Shift
3	3403-163	1		Cam, Reverse Gear Shift
4	3403-164	1		Stopper, Shift Cam
5	3423-839	1		Spring, Shift Cam Stopper
6	3403-165	1	/P	Arm, Select
7	0693-489	1	/P	Nut, Select Arm
8	3403-166	1		Plate, Gear Shift Cam Stopper
9	3403-167	1		Shaft, Gear Shift
10	3403-168	1		Shaft, Shift - No. 2
11	3403-169	1		Gear, Shift Shaft
12	3446-424	1		Fork, Gear Shift
13	3403-170	1		Cam, Gear Shift
14	3423-840	1		Spring, Shift Fork
15	3423-841	1		Spring, Shift Shaft Return
16	3403-171	1		Shaft, Gear Shift (inc. 17)
17	3423-114	1	/P	Pin, Gear Shift
18	3423-652	1		Bolt, Shift Cam
19	3423-370	2		Screw, Shift Retainer
20	3423-445	2		Washer, Shift Shaft
21	3402-382	1		Washer, Shift Fork Spring
22	3402-068	1	/P	Seal, Shift Shaft
23	3004-341	2	S/P	Bolt, Gear Shift
24	3423-191	3	/P	Circlip, Gear Shift Shaft
25	3403-172	1		Bearing, Gear Shift Shaft
26	3423-615	1		Washer, Shift Cam Stopper
27	3423-546	1		Circlip, Shift Shaft
28	3423-418	2		Bolt, Gear Shift Position Switch
29	3530-052	1		Switch, Gear Shift Position
30	3423-044	2		Contact, Gear Shift Position Switch
31	3423-842	1		O-Ring, Gear Shift Position Switch
32	3004-787	2		Clamp, Gear Shift Switch Position Lever
33	3402-087	2		Spring, Gear Shift Position Switch



2007 ATV 700 EFI AUTOMATIC TRANSMISSION 4X4 FIS RED (A2007IBT4CU) Page 51 of 98
HANDLEBAR ASSEMBLY

Ref #	Part Number	Qty	S/P/F	Description
1	0505-476	1		Tube, Handlebar
2	0405-218	2		Plug, Handlebar
3	0405-149	2		End Cap, Handlebar
4	8050-247	2	/P	Washer
5	8477-845	2		Screw, Machine
6	0405-147	2		Grip, Handlebar
7	0409-013	1		Cover, Key
8	0430-036	1		Switch, Ignition - Assembly (inc. 9)
9	3409-007	1	/P	Key, Ignition - Blank
9	3409-011	1		Key, Ignition - Blank
9	3409-012	1		Key, Ignition - Blank
9	3409-013	1		Key, Ignition - Blank
10	1506-578	1		Bracket, Mounting - Instrument Pod
11	0405-188	1		Instrument Pod
12	0423-535	2		Rivet, Reinstallable
13	0520-023	1		Gauge, LCD
14	0420-065	1	/P	Clamp
15	0423-493	2		Nut, Hex
16	0502-527	1		Control, Differential Lock (inc. 17)
17	0502-613	1		Clamp, Differential Lock Control - Kit
18	0487-050	1	/P	Cable, Differential Lock
19	0641-897	1	/P	Outlet, Accessory - 12V

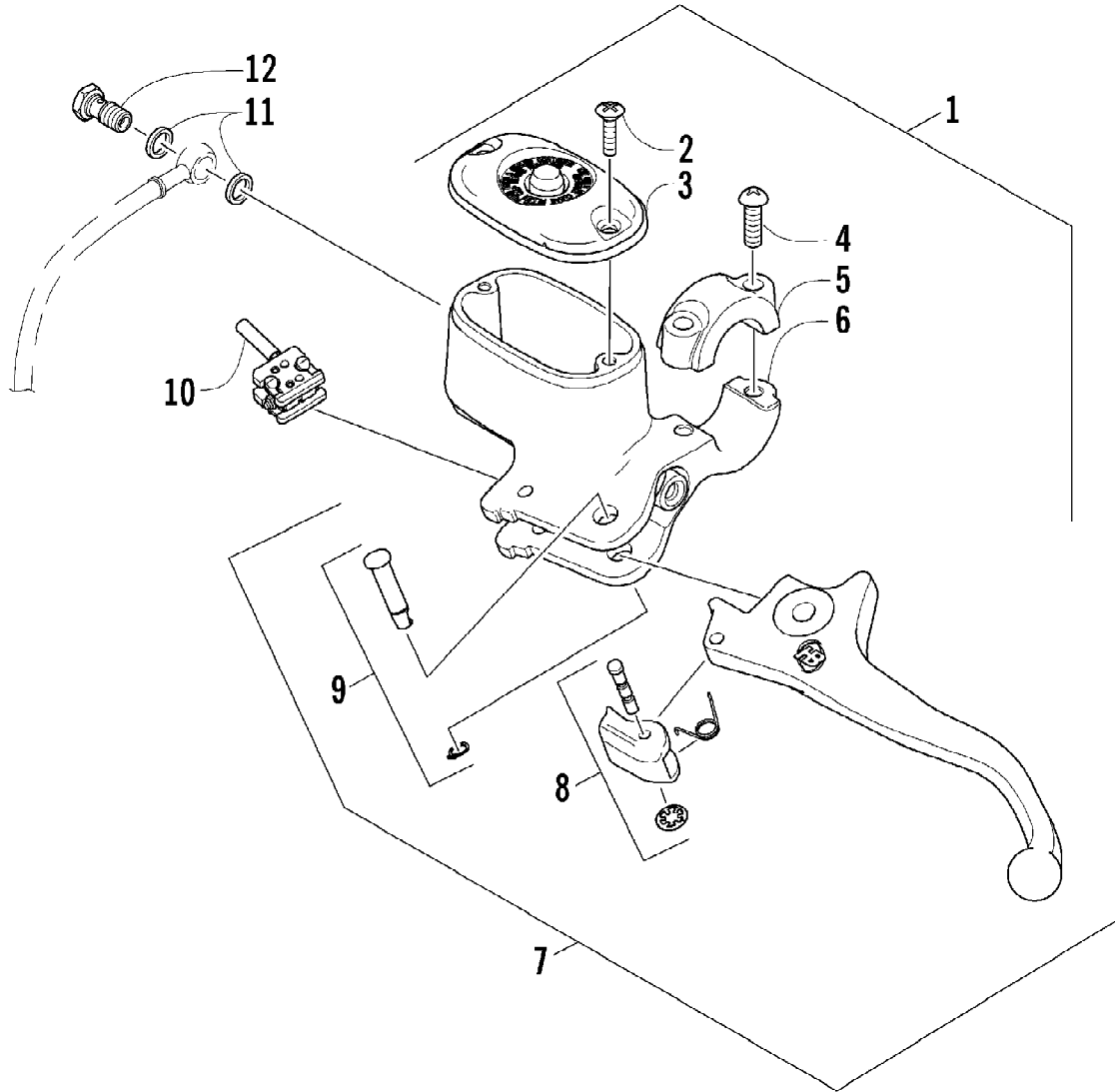
2007 ATV 700 EFI AUTOMATIC TRANSMISSION 4X4 FIS RED (A2007IBT4CU) Page 52 of 98
HYDRAULIC BRAKE ASSEMBLY



2007 ATV 700 EFI AUTOMATIC TRANSMISSION 4X4 FIS RED (A2007IBT4CU) Page 53 of 98
HYDRAULIC BRAKE ASSEMBLY

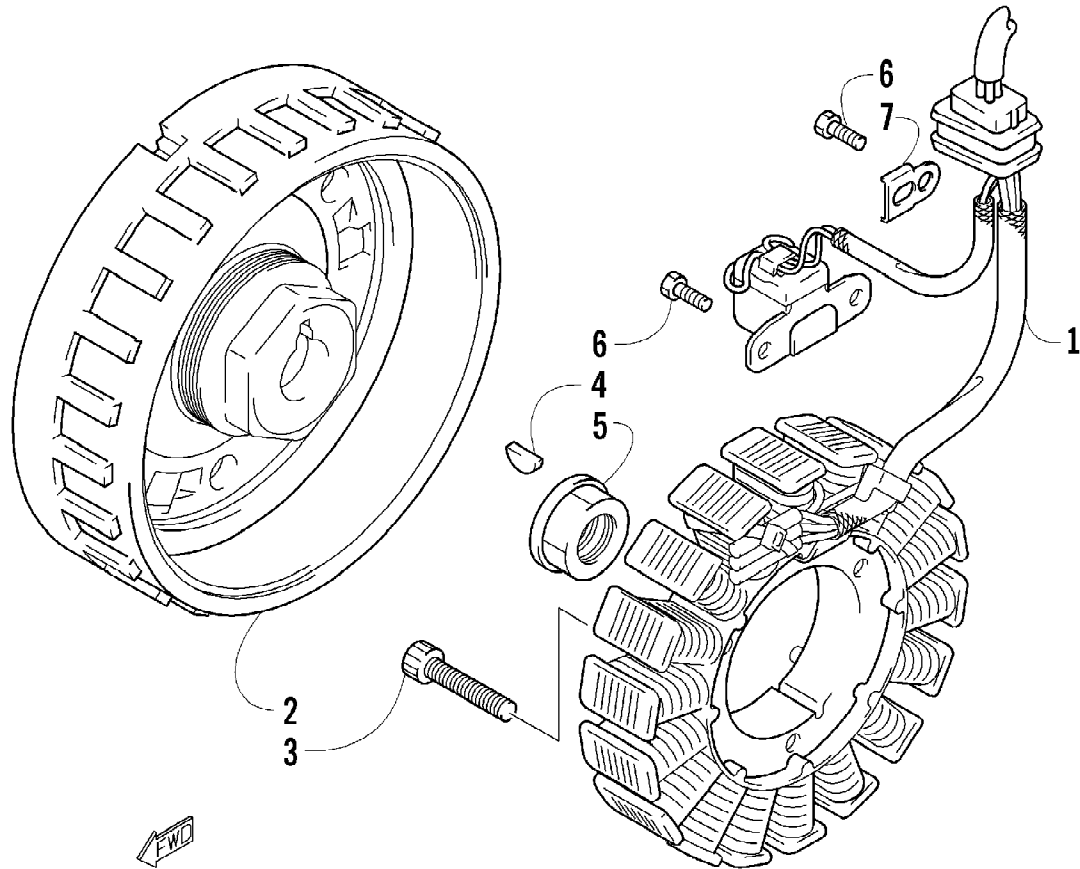
Ref #	Part Number	Qty	S/P/F	Description
1	1502-015	1		Hose, Brake - Assembly
2	8476-625	1		Screw, Cap
3	1623-589	4	S	Screw, Cap
4	0502-878	1	S	Caliper, Brake - Right Front (inc. 5-11)
4	0502-879	1	S	Caliper, Brake - Left Front (inc. 5-11)
5	0502-603	1	S	Housing, Caliper - Assembly - Right Front (inc. 6-8)
5	0502-611	1	S	Housing, Caliper - Assembly - Left Front (inc. 6-8)
6	0502-606	2		Piston/Seal Set (inc. 7)
7	0502-607	2		Seal Set
8	0502-609	2	/P	Valve, Bleed
9	0502-608	2		O-Ring, Guide - Set
10	0502-605	2		Bracket Assembly
11	0502-875	2	S	Pad, Brake - Set
12	0423-178	4		Washer, Crush
13	0423-413	2		Bolt, Banjo-Fitting

2007 ATV 700 EFI AUTOMATIC TRANSMISSION 4X4 FIS RED (A2007IBT4CU) Page 54 of 98
HYDRAULIC HAND BRAKE ASSEMBLY



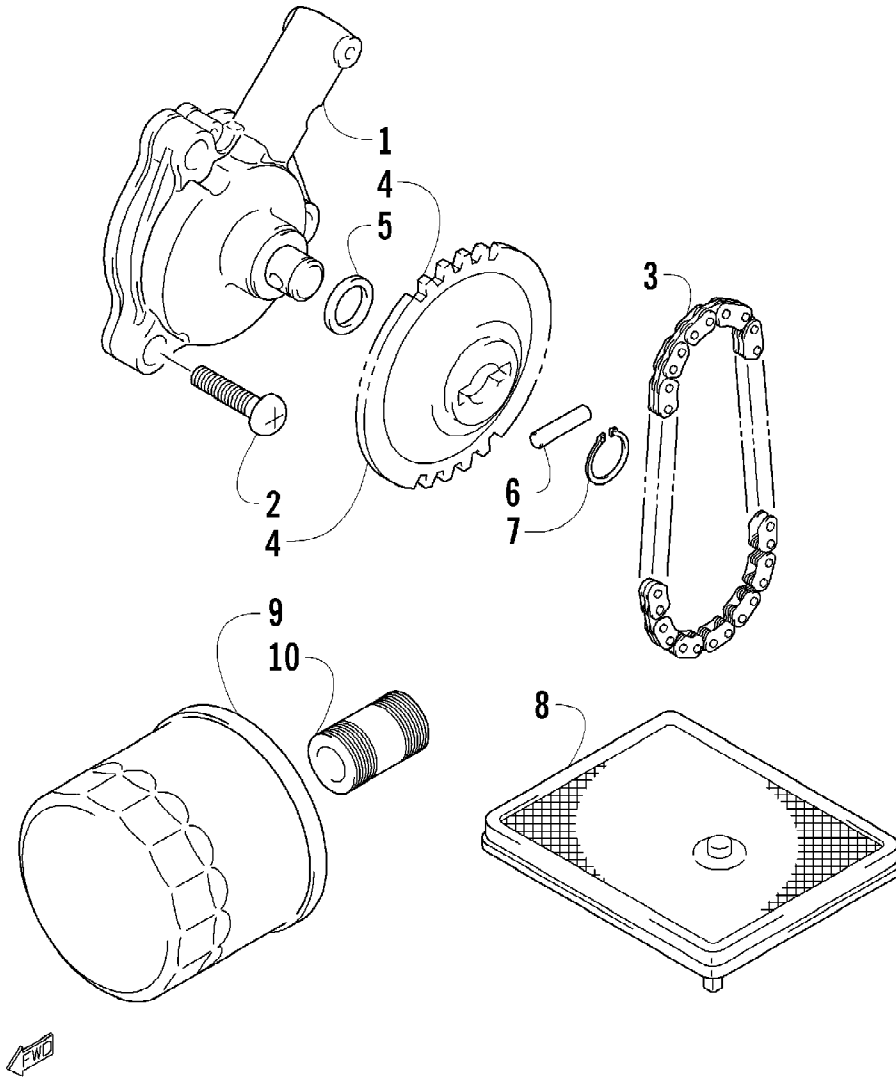
2007 ATV 700 EFI AUTOMATIC TRANSMISSION 4X4 FIS RED (A2007IBT4CU) Page 55 of 98
HYDRAULIC HAND BRAKE ASSEMBLY

Ref #	Part Number	Qty	S/P/F	Description
1	0502-914	1	S	Brake Assembly (inc. 2-10)
2	0502-566	1		Screw, Reservoir Cover
3	0502-868	1	/P	Cover, Reservoir
4	0502-568	1		Screw, Master Cylinder Clamp
5	0502-869	1		Clamp, Master Cylinder
6	0502-704	1		Master Cylinder Assembly
7	0502-866	1		Lever Assembly (inc. 8-9)
8	0502-867	1	/P	Lock, Brake Lever - Kit
9	0502-580	1		Lever Pin - Kit
10	0502-564	1	/P	Switch, Brake - Kit
11	0423-178	2		Washer, Crush
12	0423-413	1		Bolt, Banjo-Fitting



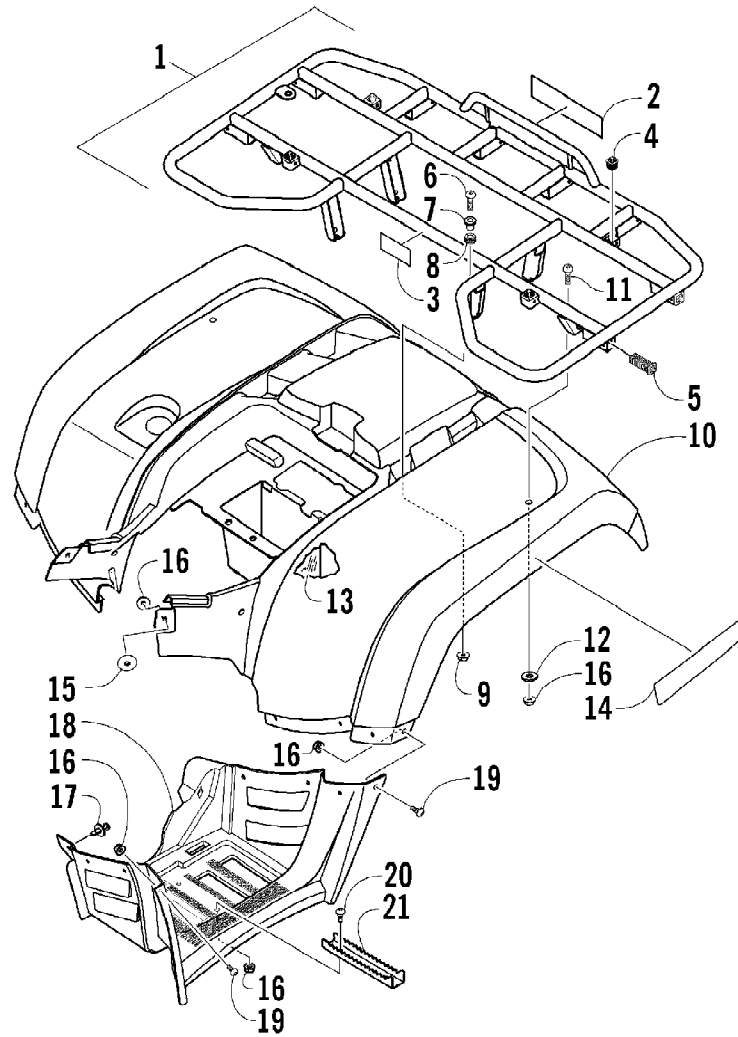
2007 ATV 700 EFI AUTOMATIC TRANSMISSION 4X4 FIS RED (A2007IBT4CU) Page 57 of 98
MAGNETO ASSEMBLY

Ref #	Part Number	Qty	S/P/F	Description
1	3430-067	1		Stator - Assembly
2	3430-068	1		Rotor/Flywheel
3	3004-484	3	S	Screw, Cap
4	0691-785	1		Key
5	3423-086	1		Nut
6	3423-005	4	/P	Bolt
7	3430-005	2		Clamp, Magneto Lead



2007 ATV 700 EFI AUTOMATIC TRANSMISSION 4X4 FIS RED (A2007IBT4CU) Page 59 of 98
OIL FILTER/PUMP ASSEMBLY

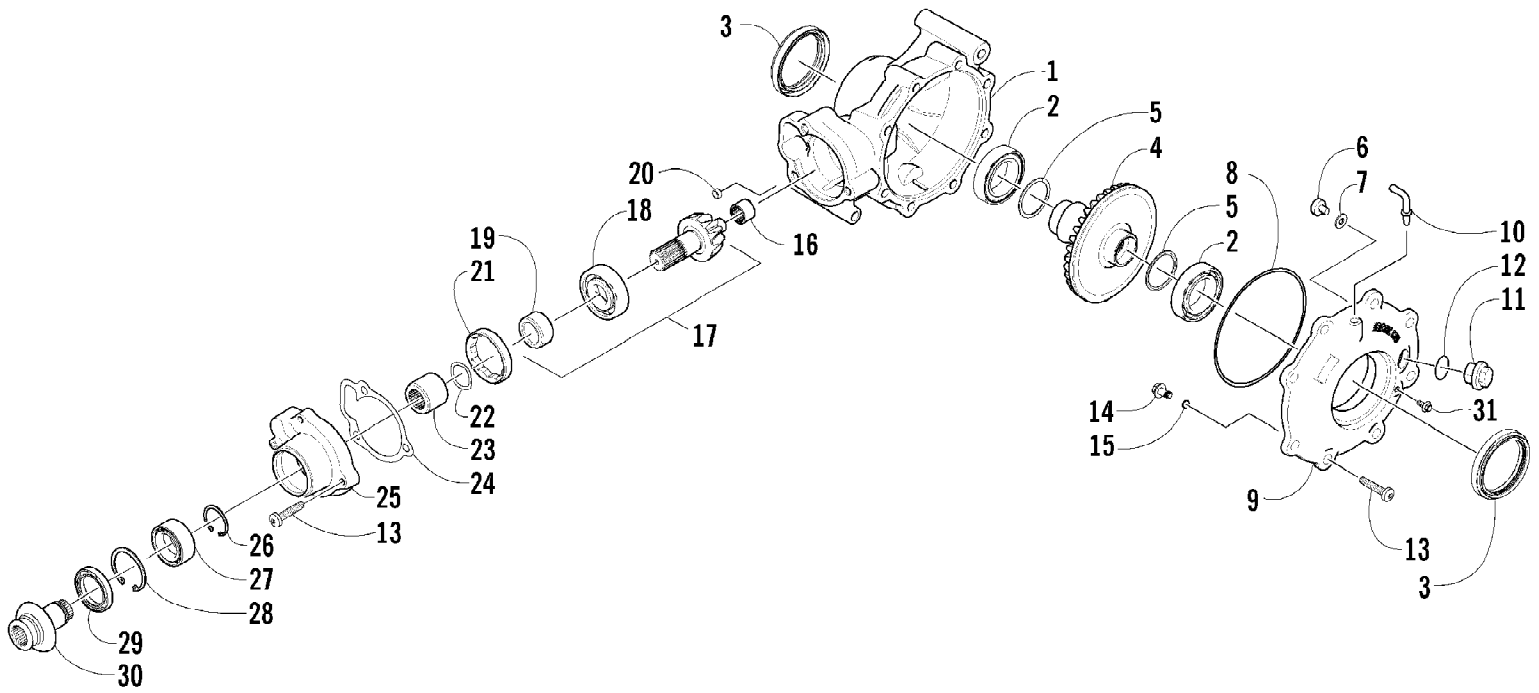
Ref #	Part Number	Qty	S/P/F	Description
1	3403-123	1		Pump, Oil
2	3423-510	3		Screw, Machine
3	3403-124	1		Chain, Drive
4	3403-125	1		Sprocket, Drive Chain
5	3423-443	1		Washer
6	3423-046	1		Pin
7	3423-184	1	S	Circlip
8	3403-126	1		Strainer, Oil
9	3436-021	1	S	Filter, Oil
10	3403-127	1	S	Union, Oil Filter



2007 ATV 700 EFI AUTOMATIC TRANSMISSION 4X4 FIS RED (A2007IBT4CU) Page 61 of 98
REAR BODY PANEL ASSEMBLY

Ref #	Part Number	Qty	S/P/F	Description
1	0541-337	1	/P	Rack, Rear - Assembly (inc. 2-5)
2	0411-814	1	/P	Decal, "Arctic Cat"
3	0411-648	1		Decal, Warning - Rear Rack Load
4	0441-592	4	/P	Bushing, Rack
5	2406-014	8		Bushing, Rack
6	8410-830	4		Screw, Machine
7	0423-669	4		Spacer
8	0423-465	4		Grommet
9	8432-802	4		Nut, Lock
10	2506-335	1	S	Panel, Fender - Rear (inc. 13-14)
11	0423-654	2		Screw, Shoulder
12	8050-222	2	/P	Washer
13	0470-658	1		Shield, Heat
14	0411-820	1	S	Decal, Reflector - Rear - Right
14	0411-821	1	S	Decal, Reflector - Rear - Left
15	0423-101	2		Screw, Body
16	0423-540	24		Nut, Lock
17	0623-362	2		Rivet, Reinstallable
18	1406-356	1		Footwell - Right
18	2406-425	1	/P	Footwell - Left
19	0423-419	16		Screw, Machine
20	0423-355	4		Screw, Shoulder
21	1506-125	2	/P	Footpeg

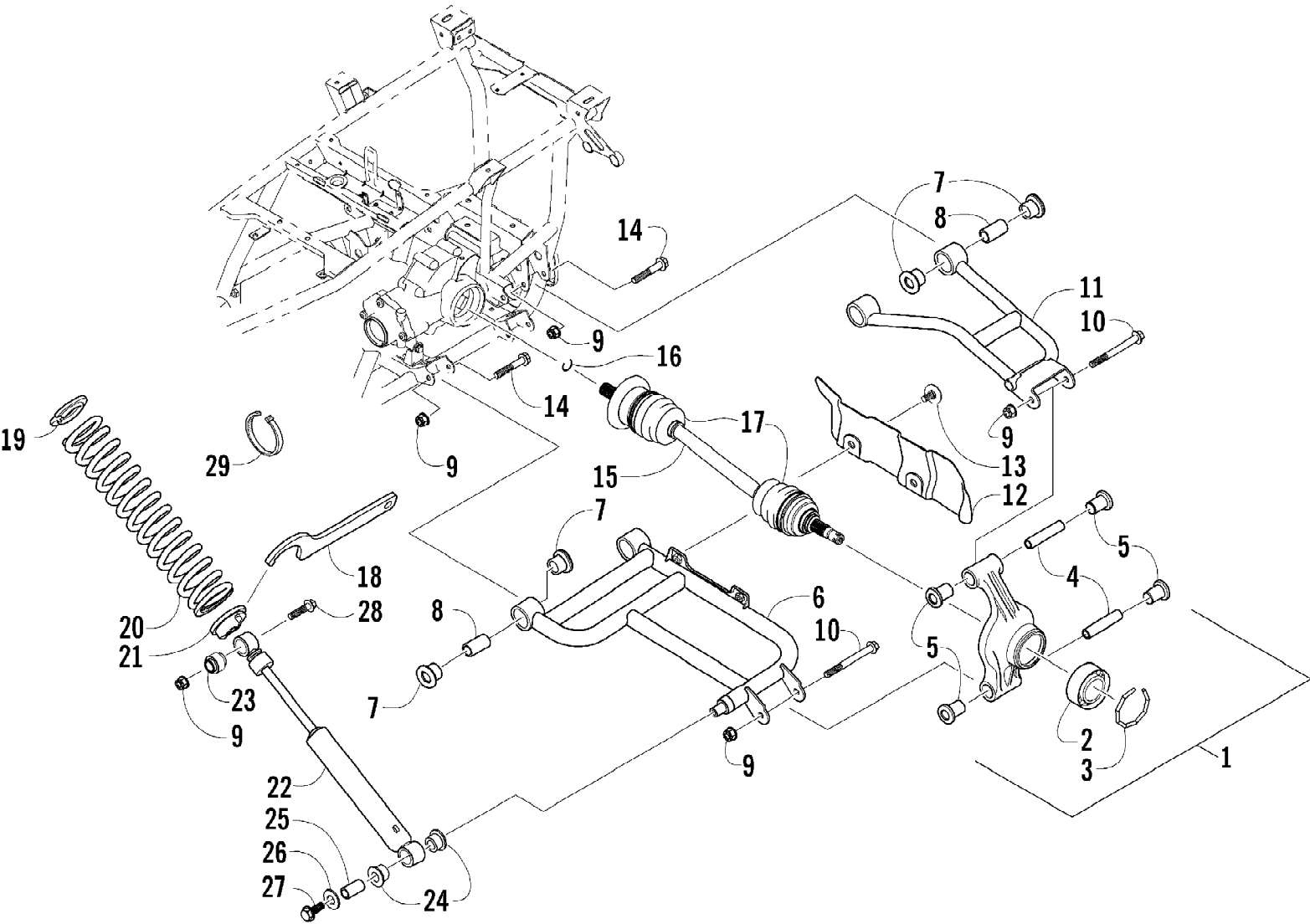
2007 ATV 700 EFI AUTOMATIC TRANSMISSION 4X4 FIS RED (A2007IBT4CU) Page 62 of 98
REAR DRIVE GEARCASE ASSEMBLY



2007 ATV 700 EFI AUTOMATIC TRANSMISSION 4X4 FIS RED (A2007IBT4CU) Page 63 of 98
REAR DRIVE GEARCASE ASSEMBLY

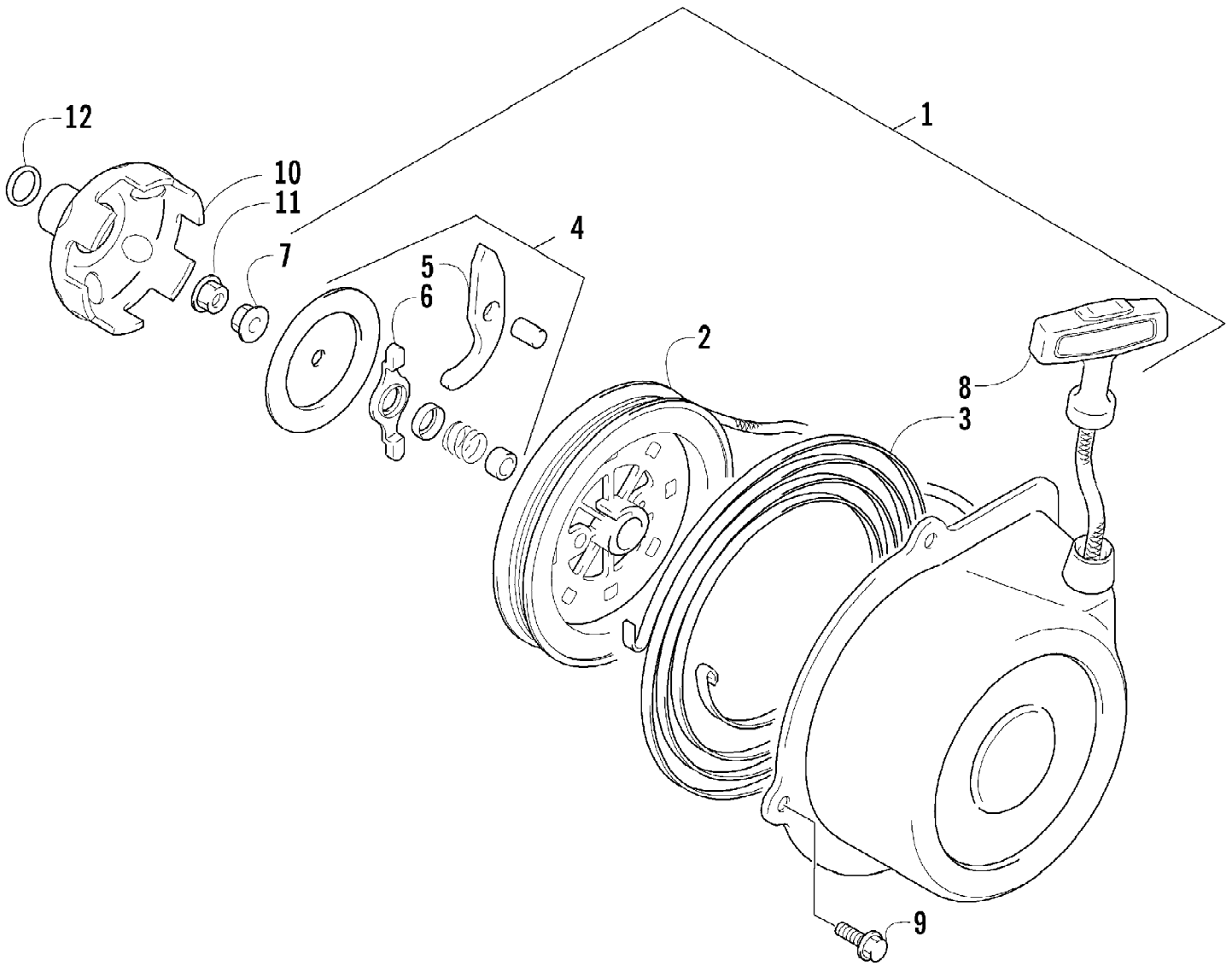
Ref #	Part Number	Qty	S/P/F	Description
	0502-909	1		Complete Rear Gearcase Assembly
1	0502-911	1		Housing, Gearcase
2	0402-393	2		Bearing
3	0402-394	2	S	Seal
4	1402-032	1		Gear, Ring - 36T
5	0402-405	AR		Shim
5	0402-406	AR		Shim
5	0402-407	AR		Shim
5	0402-408	AR		Shim
5	0402-409	AR		Shim
6	0402-326	1		Button, Thrust
7	0423-149	1		O-Ring
8	0402-429	AR		Shim
8	0402-430	AR		Shim
8	0402-431	AR		Shim
8	0402-432	AR		Shim
8	0402-433	AR		Shim
9	0502-920	1		Cover, Gearcase
10	1402-102	1		Fitting
11	0402-333	1	/P	Plug, Fill (inc. 12)
12	0423-154	1		O-Ring
13	0423-118	11		Screw, Self-Tapping
14	0402-450	1	S	Plug, Magnetic (inc. 15)
15	0423-153	1		O-Ring
16	0402-328	1		Bearing
17	0502-783	1		Gear, Pinion - Assembly - 10T (inc. 18-19)
18	0402-327	1		Bearing
19	0402-336	1		Collar, Retaining
20	0402-411	1		Pin, Dowel
21	0402-331	1		Collar, Lock
22	0402-982	1		Washer, Wave
23	0402-981	1		Collar, Shaft
24	0402-947	1		Gasket, Flange
25	0502-529	1		Housing, Pinion
26	0423-417	1		Ring, Retaining
27	1402-043	1		Bearing
28	0423-423	1		Ring, Retaining
29	1402-011	1		Seal
30	0502-407	1	S	Shaft, Input
31	1402-211	1		Plug, Oil Level

2007 ATV 700 EFI AUTOMATIC TRANSMISSION 4X4 FIS RED (A2007IBT4CU) Page 64 of 98
REAR SUSPENSION ASSEMBLY



2007 ATV 700 EFI AUTOMATIC TRANSMISSION 4X4 FIS RED (A2007IBT4CU) Page 65 of 98
REAR SUSPENSION ASSEMBLY

Ref #	Part Number	Qty	S/P/F	Description
1	0504-372	1	S	Knuckle, Right Rear - Assembly (inc. 2-5)
1	0504-373	1	S/P	Knuckle, Left Rear - Assembly (inc. 2-5)
2	1402-027	2	S/P	Bearing, Wheel Hub
3	0423-423	2		Ring, Retaining
4	0403-038	4	S/P	Collar, Suspension Bushing
5	0403-032	8	S	Bushing, Suspension
6	0504-440	1	S	A-Arm, Rear - Lower Right (inc. 7-8)
6	0504-441	1	S	A-Arm, Rear - Lower Left (inc. 7-8)
7	0403-115	16	S	Bushing
8	0403-114	8	S	Collar
9	8428-002	14		Nut, Lock
10	8409-000	4		Screw, Cap
11	0504-476	1		A-Arm, Rear - Upper Right (inc. 7-8)
11	0504-477	1		A-Arm, Rear - Upper Left (inc. 7-8)
12	0441-754	1		Guard, Boot - Right
12	0441-755	1		Guard, Boot - Left
13	0423-545	4	/P	Screw, Body
14	8409-075	8		Screw, Cap
15	0502-811	2	S	Axle, Drive (inc. 16-17)
16	0441-893	2	S	Clip, Retaining
17	0436-276	2	S	Repair Kit, Boot - Rear Axle
18	0441-587	1		Wrench, Spanner
19	1603-889	2	/P	Retainer, Spring
20	0404-113	2		Spring, Suspension
21	0404-057	2		Cam, Spring Adjuster
22	0404-150	2		Shock Absorber - Rear (inc. 23-25)
23	0403-182	2		Bushing, Double-Bonded
24	0603-955	4		Bushing, Shock Absorber
25	1603-219	2	S	Sleeve, Shock Absorber
26	0423-087	2		Washer
27	8408-820	2	/P	Screw, Cap
28	8409-040	1		Screw, Cap - Right
28	8409-050	1		Screw, Cap - Left
29	0123-788	2	/P	Cable Tie



2007 ATV 700 EFI AUTOMATIC TRANSMISSION 4X4 FIS RED (A2007IBT4CU) Page 67 of 98
RECOIL STARTER ASSEMBLY

Ref #	Part Number	Qty	S/P/F	Description
1	3445-003	1		Starter, Recoil - Assembly (inc. 2-8)
2	3445-004	1		Reel
3	3445-007	1		Spring, Spiral
4	3445-016	1		Ratchet - Assembly (inc. 5-6)
5	3445-005	1		Ratchet
6	3445-006	1		Guide, Ratchet
7	3004-488	1	S/P	Nut
8	3445-011	1		Rope Assembly
9	3423-428	4		Screw, Cap
10	3445-029	1	/P	Cup, Starter
11	3004-491	1	S/P	Nut
12	3423-053	1	/P	O-Ring

No
Diagram
Available

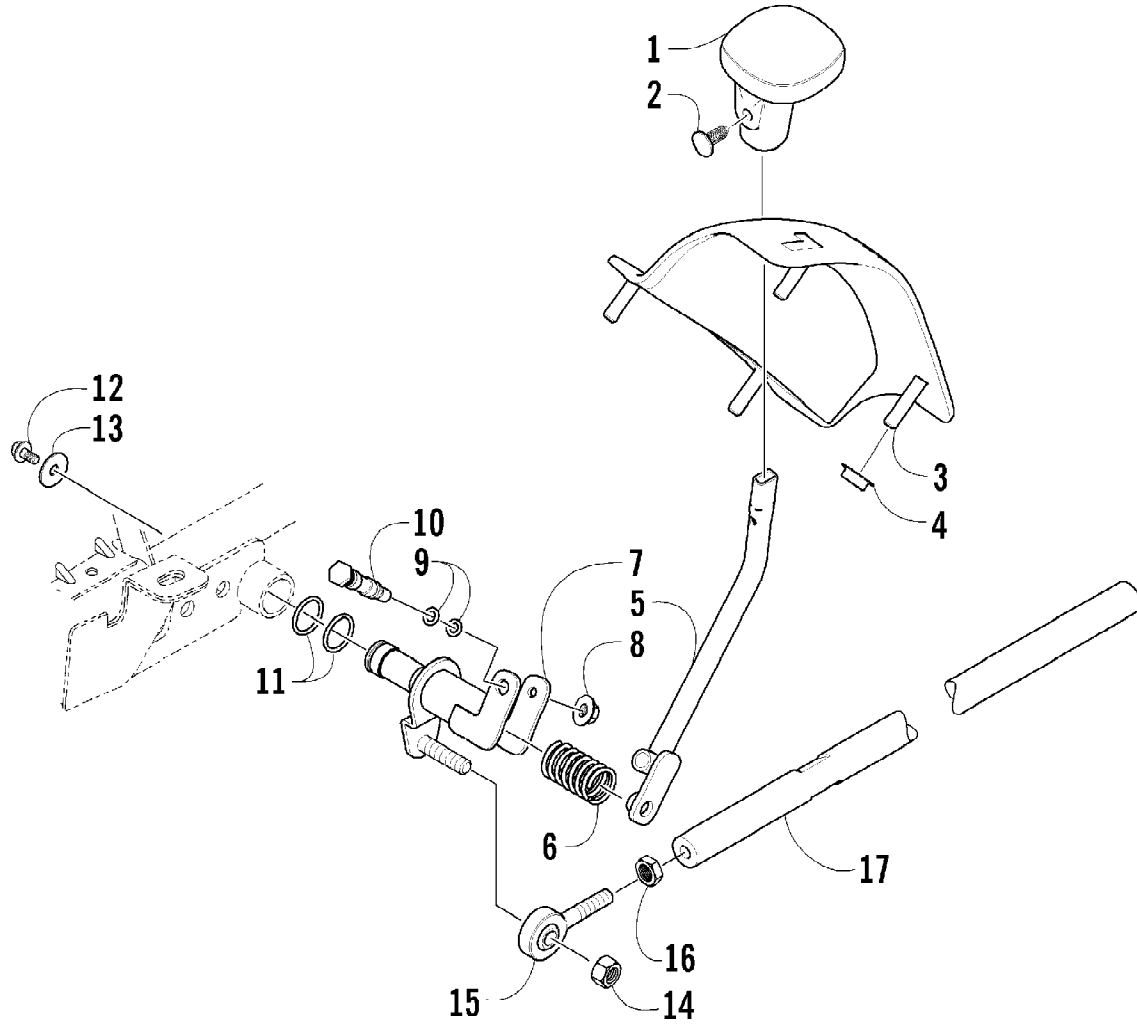
Parts List
Only

2007 ATV 700 EFI AUTOMATIC TRANSMISSION 4X4 FIS RED (A2007IBT4CU) Page 69 of 98
RELATED ITEMS

Ref #	Part Number	Qty	S/P/F	Description
	0436-479	1		Articulating Spool Mount
	0436-548	1		Articulating Spool Receiver Mount Adapter
	0436-961	1	/P	Bag, Fender - Black
	0436-925	1	S	Bag, Rack, Front - Black
	0436-480	1		Bar, Utility/Gun Rack
	0436-811	1		Basket, Open-End
	0436-462	1		Bucket Holder
	0436-619	1		Bumper, Brushguard
	0436-620	1		Bumper, Rear
	0436-454	1		Cargo Box
	0436-625	1		Cargo Box Quick-Release Kit
	0436-828	1		Carrier, Utility - Gun
	0436-460	1		Carryall (11 x 17)
	0436-652	1		Carryall (14 x 27)
	0436-476	1		Chain Saw Lock
	0436-477	1		Cord Reel
	0436-777	1	S	Cover, Black and Green
	0436-668	1		Cover, Timber Camo
	0436-005	1	S	Engine Oil - 10W40
	0436-003	1	S	Engine Oil - 5W30
	0436-466	1		Fender Box
	0436-538	1		Gear Cradle
	0436-007	1	S	Gear Lube (Diff) - 80W90
	0436-501	1	S	Grease, High-Performance
	0436-627	1		Gun Scabbard Kit
	0436-706	1	/P	Gun Scabbard Mount
	0436-505	1		Hand Guards - Black
	0436-352	1		Hand/Thumb Warmers
	0436-639	1		Ice Auger Holder
	0436-795	1		King Kong Pack
	0436-793	1		Laydown Blind
	0436-787	1		License Plate Kit
	0436-463	1		Light Bar
	2257-691	1		Manual, Illustrated Parts
	2257-603	1		Manual, Operator's (E)
	2257-604	1		Manuel d'utilisation (F)
	0436-635	1		Plow Attachment Kit
	0436-228	1		Plow Blade, 50 in. - Straight
	0436-287	1		Plow Blade, 50 in. - One-Way
	0436-296	1		Plow Blade, 60 in. - Straight
	0436-360	1		Plow Blade, 60 in. - One-Way
	0436-636	1	/P	Plow, Push Frame
	0436-626	1	S	Rack Basket
	0436-647	1		Rack Extension, 4 in. (Front)
	0436-646	1		Rack Extension, 8 in. (Rear)
	0436-629	1		Rapid Blind (Break-Up)
	0436-630	1		Rapid Blind (Shadow Grass)
	0436-628	1		Rapid Shack (Blue Ice)
	0436-471	1		Speedclamp, Double
	0436-624	1		Sprayer System
	0436-741	1	/P	Sprayer Boom (120 in.)
	0436-744	1		Sway Bar Kit
	1402-028	1		Tires, Titan AT589 (25x8-12, Mud - Snow)

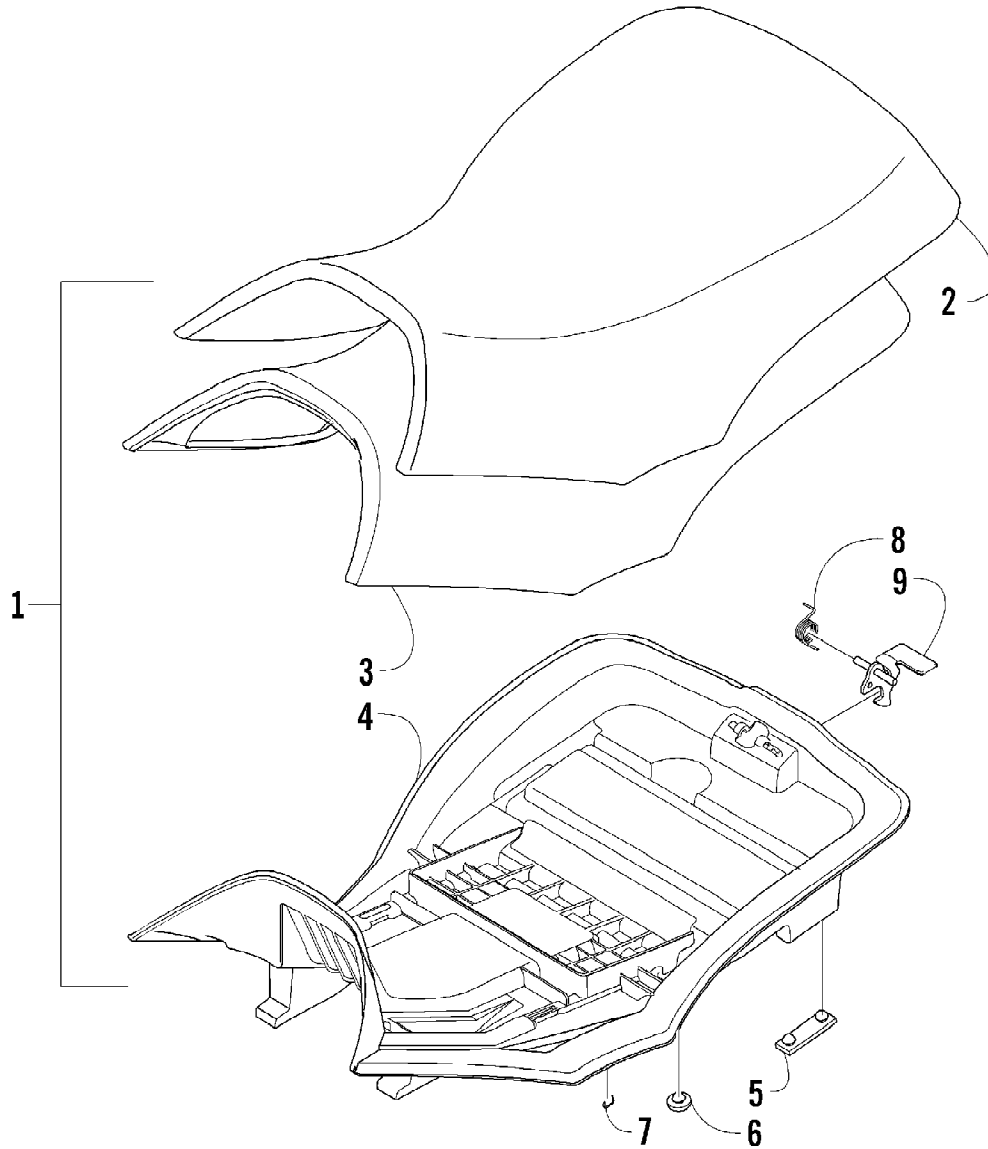
2007 ATV 700 EFI AUTOMATIC TRANSMISSION 4X4 FIS RED (A2007IBT4CU) Page 70 of 98
RELATED ITEMS

Ref #	Part Number	Qty	S/P/F	Description
	0402-563	1		Tire, Titan AT589 (25x10-12, Mud - Snow)
	0436-297	1		Tool Holder - Double
	0436-263	1	/P	Tool Holder - Single
	0436-792	1	S	Tree Stand/Bow Case Holder



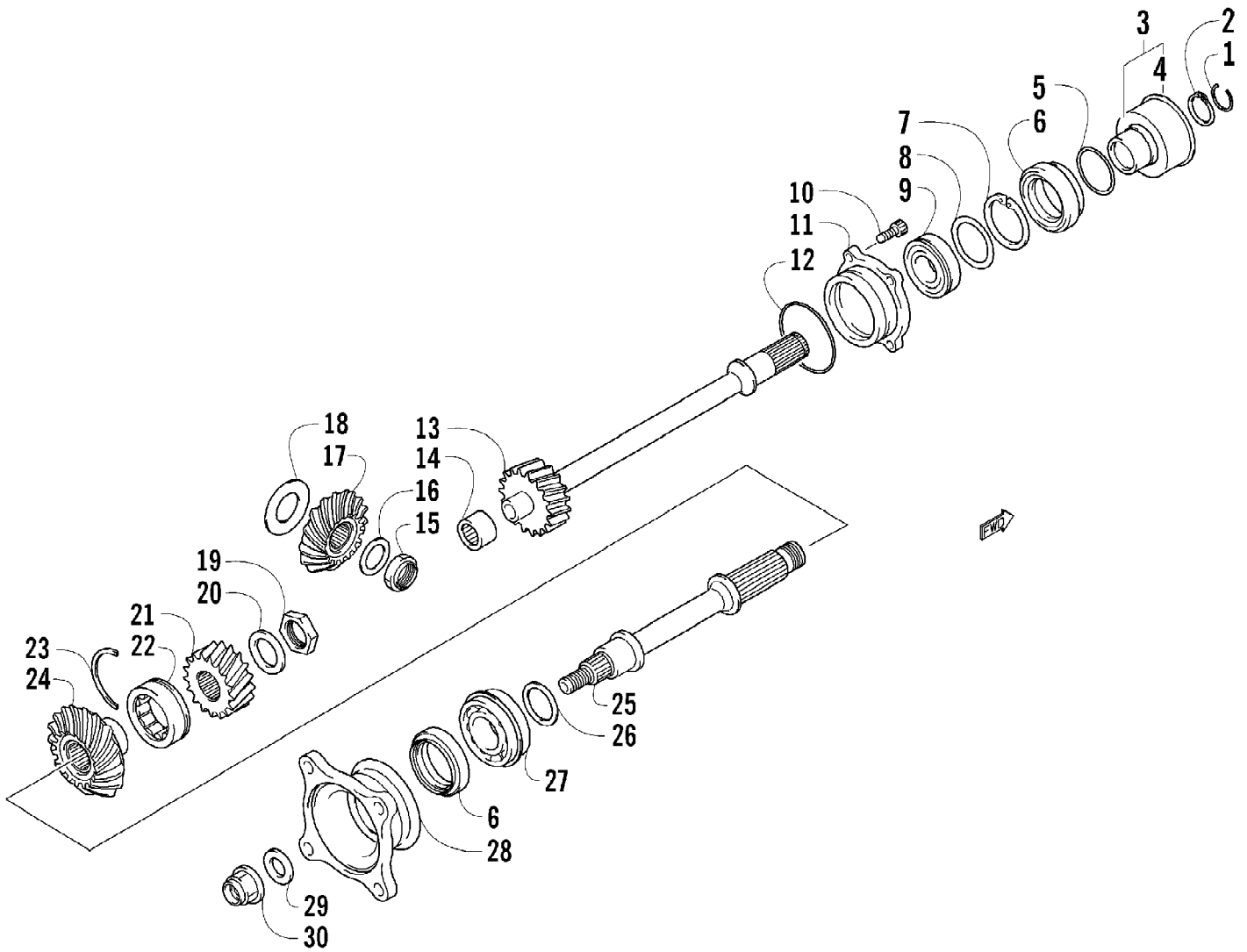
2007 ATV 700 EFI AUTOMATIC TRANSMISSION 4X4 FIS RED (A2007IBT4CU) Page 72 of 98
REVERSE SHIFT LEVER ASSEMBLY

Ref #	Part Number	Qty	S/P/F	Description
1	0402-843	1	/P	Knob, Reverse Shift Lever
2	0423-345	1		Clip, Push
3	1402-576	1		Plate, Shift
4	0423-357	4		Nut, Stamped
5	0502-659	1		Lever, Reverse Shift
6	0502-410	1	S	Spring, Reverse Shift Lever
7	0502-950	1		Axle, Reverse Shift Lever
8	8424-602	1	/P	Nut
9	0423-182	2	/P	O-Ring
10	0402-675	1		Axle, Pivot
11	0423-299	2	/P	O-Ring
12	8408-812	1		Screw, Cap
13	0423-087	1		Washer
14	0624-250	1		Nut
15	0423-648	1		End, Rod
16	0423-649	1		Nut, Jam
17	2406-201	1		Linkage, Shift



2007 ATV 700 EFI AUTOMATIC TRANSMISSION 4X4 FIS RED (A2007IBT4CU) Page 74 of 98
SEAT ASSEMBLY

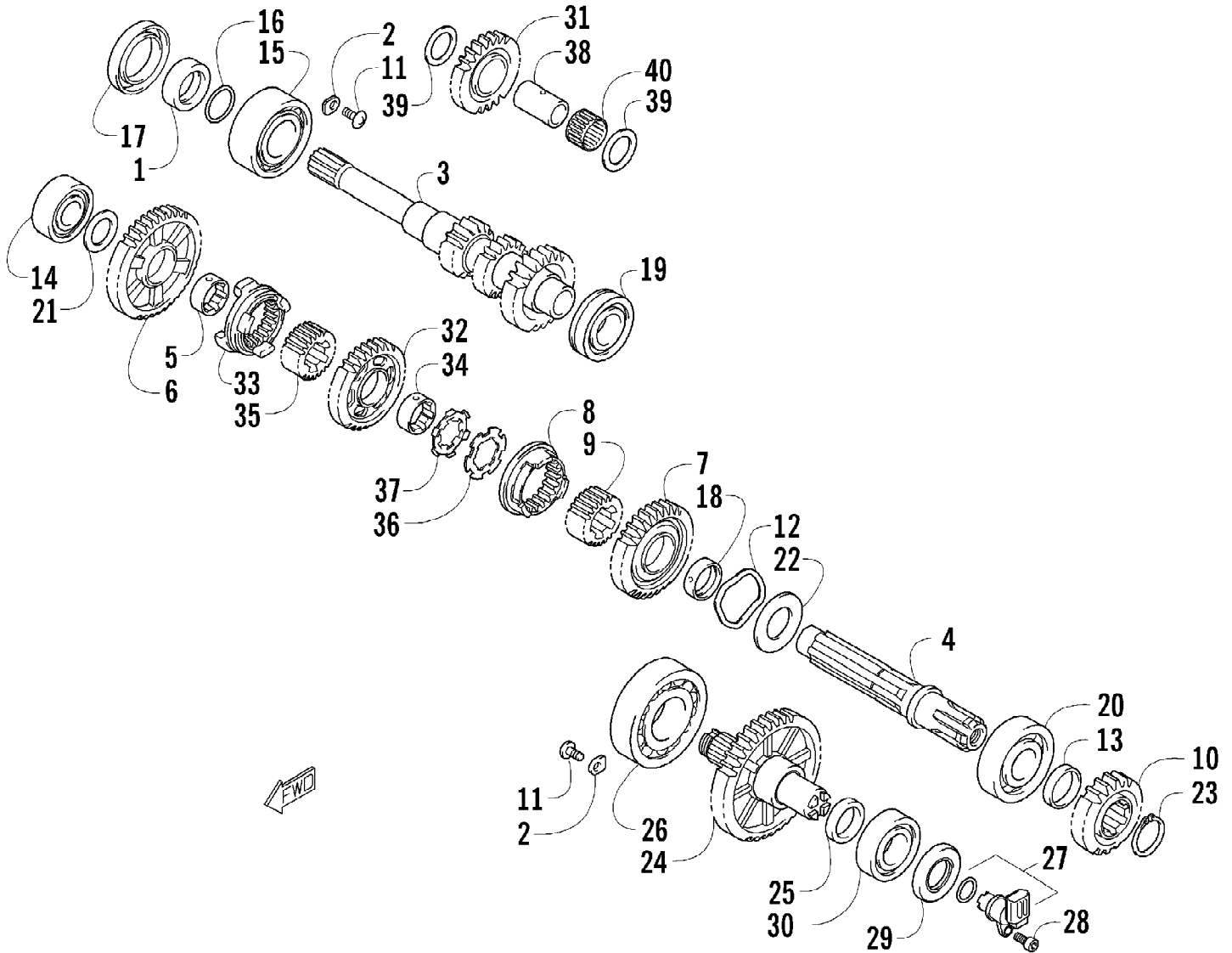
Ref #	Part Number	Qty	S/P/F	Description
1	1506-937	1	S/P	Seat Assembly (inc. 2-9)
2	1506-209	1		Cover, Seat
3	1506-208	1		Foam, Seat
4	2406-144	1	S/P	Base, Seat - Assembly (inc. 5-6)
5	0406-879	2		Bumper, Seat - Rear
6	0406-877	4	/P	Bumper, Seat - Front
7	0624-263	AR		Staple
8	1406-592	1	/P	Spring, Seat Latch
9	1506-156	1		Latch, Seat



2007 ATV 700 EFI AUTOMATIC TRANSMISSION 4X4 FIS RED (A2007IBT4CU) Page 76 of 98
SECONDARY DRIVE ASSEMBLY

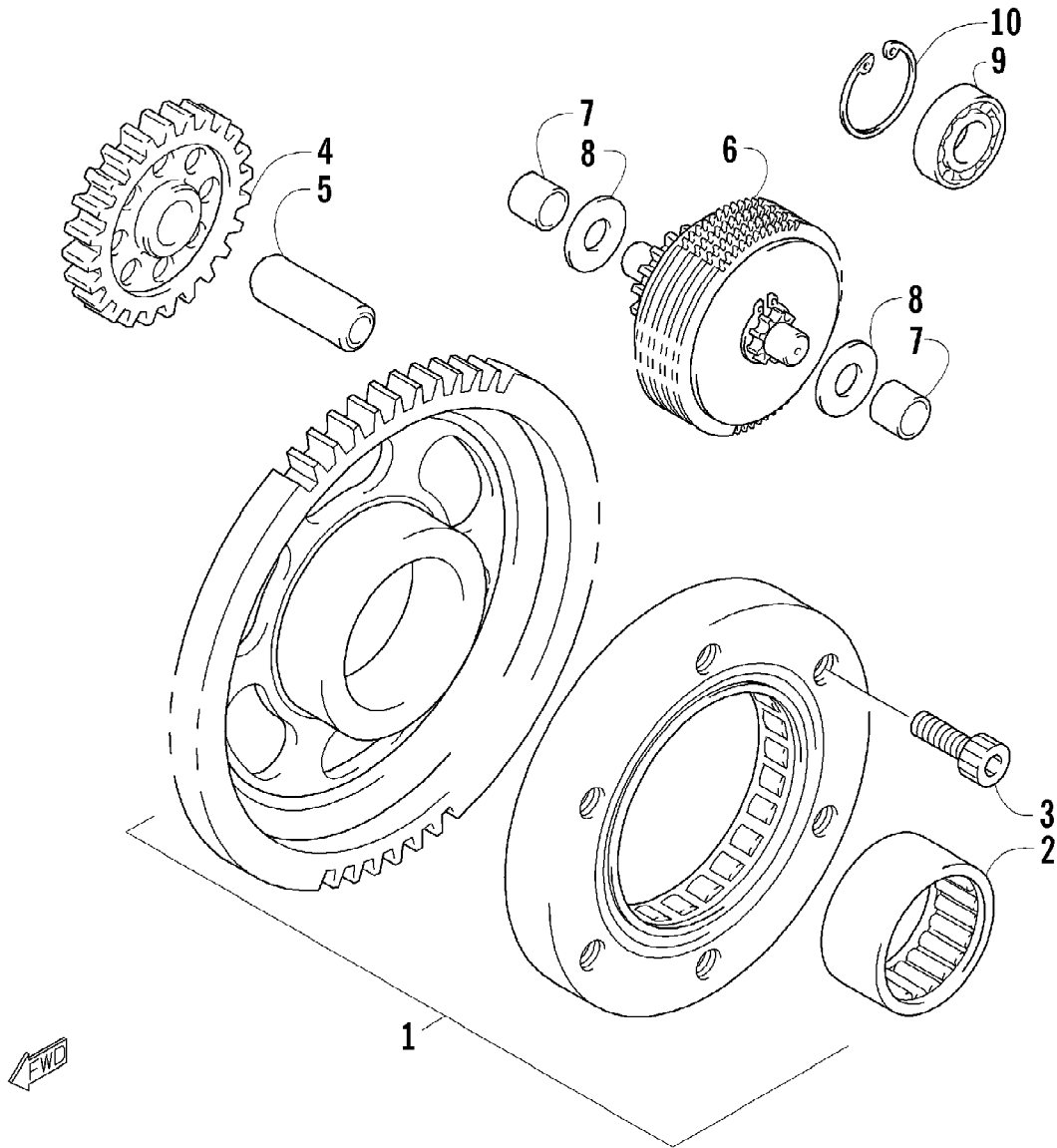
Ref #	Part Number	Qty	S/P/F	Description
1	3423-069	1		C-Ring, Secondary Driven Output
2	3423-191	1	/P	Circlip, Front Drive Output
3	3423-835	1		Collar, Front Drive Output (inc. 4)
4	3423-836	1		Plate, Front Drive Output Collar
5	3423-837	1		O-Ring, Front Drive Output
6	3402-072	2		Seal, Output Shaft
7	3423-194	1	S	Circlip, Front Drive Output Shaft
8	3423-845	1		Washer, Front Drive Output Yoke
9	3004-209	1	/P	Bearing, Front Drive Output
10	3004-576	1	S	Bolt, Front Bearing Housing
11	3403-160	1		Housing, Front Drive Output Shaft
12	3423-838	1		O-Ring, Front Bearing Housing
13	3403-159	1	S	Shaft, Secondary Output - Front
14	3403-175	1		Bearing, Front Drive Output - Rear
15	3423-023	1		Nut, Secondary Drive Output
16	3005-372	1		Washer, Secondary Drive Bevel
17	3403-157	1		Gear, Secondary Drive Bevel
18	3423-549	AR		Shim, Secondary Drive Bevel - Set
19	3423-136	1		Nut, Secondary Driven Output
20	3423-137	1		Washer, Output Shaft Gear
21	3403-162	1	S	Gear, Secondary Driven Output
22	3402-515	1	/P	Bearing, Secondary Driven Gear
23	3423-072	1		Ring, Secondary Driven Gear
24	3403-158	1		Gear, Secondary Driven Bevel
25	3403-161	1		Shaft, Secondary Output - Rear
26	3402-017	AR		Shim, 25 x 34 x 0.60 mm
26	3402-018	AR		Shim, 25 x 34 x 0.65 mm
26	3402-019	AR		Shim, 25 x 34 x 0.70 mm
26	3402-020	AR		Shim, 25 x 34 x 0.75 mm
26	3402-021	AR	S	Shim, 25 x 34 x 0.80 mm
26	3402-022	AR		Shim, 25 x 34 x 0.85 mm
26	3402-023	AR		Shim, 25 x 34 x 0.90 mm
26	3402-024	AR		Shim, 25 x 34 x 0.95 mm
26	3402-025	AR	S	Shim, 25 x 34 x 1.00 mm
26	3402-028	AR		Shim, 25 x 34 x 1.05 mm
26	3402-029	AR		Shim, 25 x 34 x 1.10 mm
26	3402-030	AR		Shim, 25 x 34 x 1.15 mm
26	3402-031	AR		Shim, 25 x 34 x 1.20 mm
27	3403-210	1	/P	Bearing, Rear Output Shaft
28	3402-514	1	/P	Flange, Rear Output Joint
29	3423-028	1		Washer, Rear Drive Output Yoke
30	3423-025	1		Nut, Rear Drive Output Yoke

2007 ATV 700 EFI AUTOMATIC TRANSMISSION 4X4 FIS RED (A2007IBT4CU) Page 77 of 98
SECONDARY TRANSMISSION ASSEMBLY



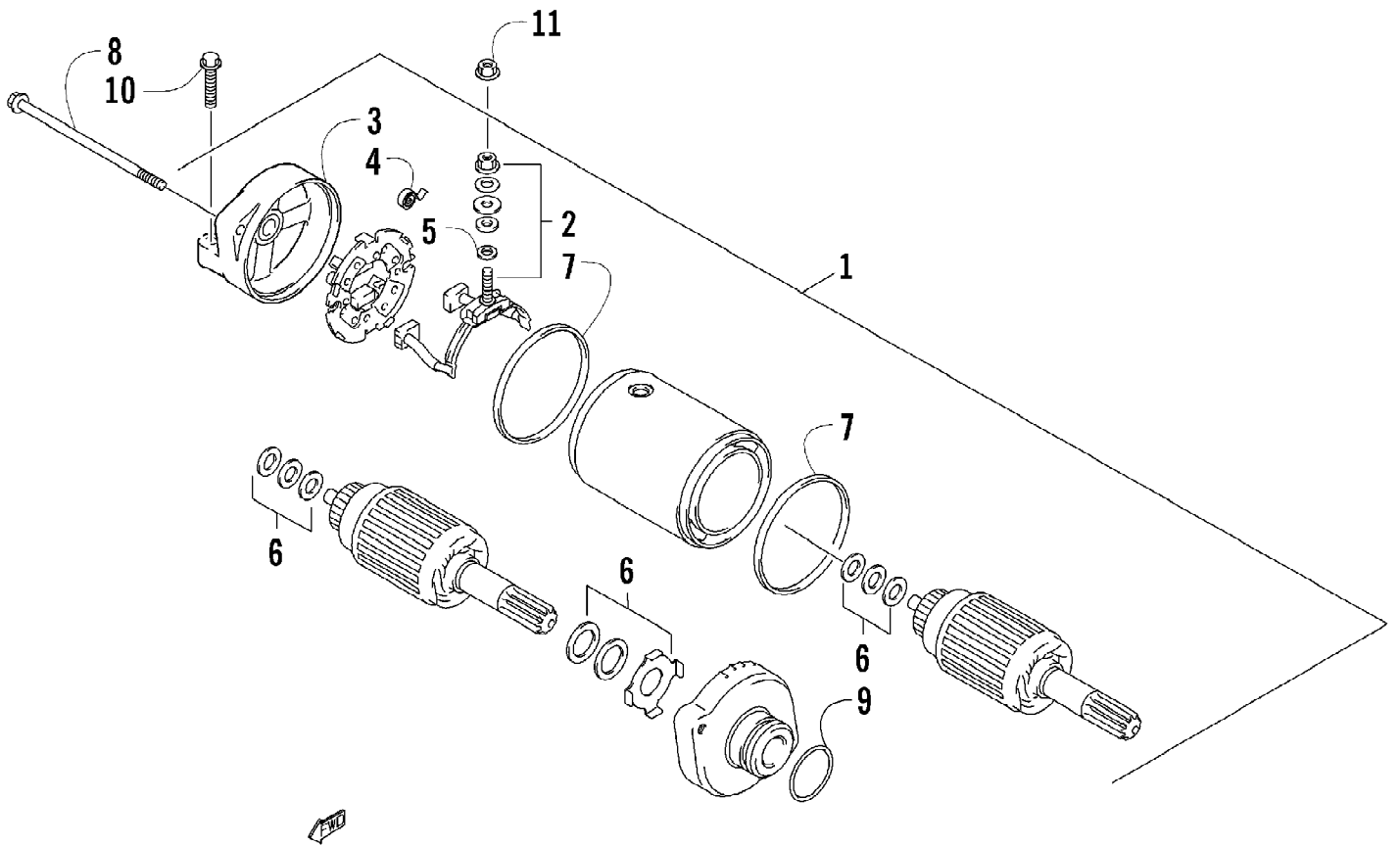
2007 ATV 700 EFI AUTOMATIC TRANSMISSION 4X4 FIS RED (A2007IBT4CU) Page 78 of 98
SECONDARY TRANSMISSION ASSEMBLY

Ref #	Part Number	Qty	S/P/F	Description
1	3423-827	1	S	Spacer, Driveshaft
2	3446-031	4	/P	Retainer, Driveshaft
3	3403-142	1	S	Driveshaft
4	3403-143	1		Countershaft
5	3446-380	1		Bushing, Driven Gear Low
6	3403-144	1		Gear, Driven - Low
7	3403-145	1		Gear, Driven - High
8	3403-146	1		Dog, Gear Shift - High
9	3423-828	1		Spacer
10	3403-147	1		Gear, Drive
11	3423-370	4		Screw, Retainer
12	3423-829	1		Washer
13	3423-830	1		Spacer
14	3402-979	1	/P	Bearing
15	3402-499	1		Bearing
16	3423-831	1	/P	O-Ring
17	3403-148	1	/P	Seal, Driveshaft
18	3423-547	1		Bushing, Driven Gear
19	3004-209	1	/P	Bearing, Driveshaft - Left
20	3402-219	1		Bearing, Countershaft - Left
21	3423-832	1		Washer, Driven Gear - Right
22	3423-833	1		Washer, Driven Gear - Left
23	3423-191	1	/P	Circlip
24	3403-149	1		Shaft, Output
25	3402-207	1		Spacer, Output Shaft
26	3403-150	1		Bearing, Output Shaft - Right
27	3530-051	1		Sensor, Speedometer
28	3423-614	1	S	Screw, Machine
29	3403-151	1		Seal, Output Shaft - Left
30	3004-209	1	/P	Bearing, Output Shaft - Left
31	3403-152	1		Gear, Reverse Idler
32	3403-153	1		Gear, Reverse Driven
33	3403-154	1		Dog, Select
34	3446-380	1		Bushing, Reverse Driven Gear
35	3423-834	1		Spacer, Reverse Select
36	3423-262	1		Washer, Lock
37	3423-266	1		Washer, Lock
38	3403-155	1		Shaft, Reverse Idler
39	3402-195	1		Washer, Reverse Idler Gear
40	3403-156	1		Bearing, Reverse Idler Gear



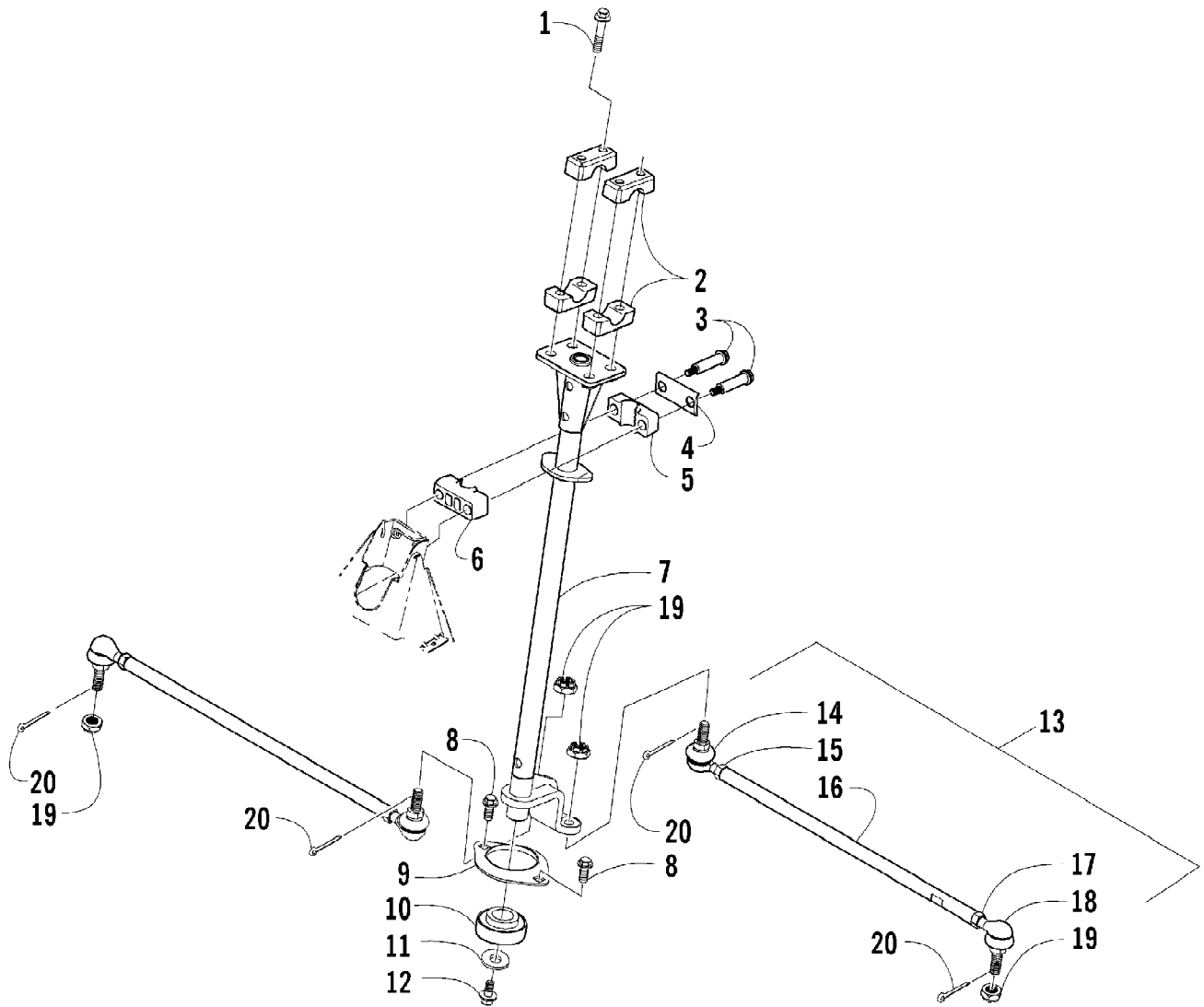
2007 ATV 700 EFI AUTOMATIC TRANSMISSION 4X4 FIS RED (A2007IBT4CU) Page 80 of 98
STARTER CLUTCH ASSEMBLY

Ref #	Part Number	Qty	S/P/F	Description
1	3403-089	1		Clutch, Starter - Set (inc. 2)
2	3403-090	1		Bearing
3	3423-509	1		Bolt
4	3403-091	1		Gear, Starter Idler - No. 2
5	3423-805	1		Pin, Starter Idler Gear No. 2
6	3403-092	1		Limiter, Starter Idler Gear No. 2
7	3423-806	2		Bushing, Limiter Gear Shaft
8	3423-103	2	/P	Washer
9	3402-043	1	/P	Bearing
10	3423-807	1		Circlip



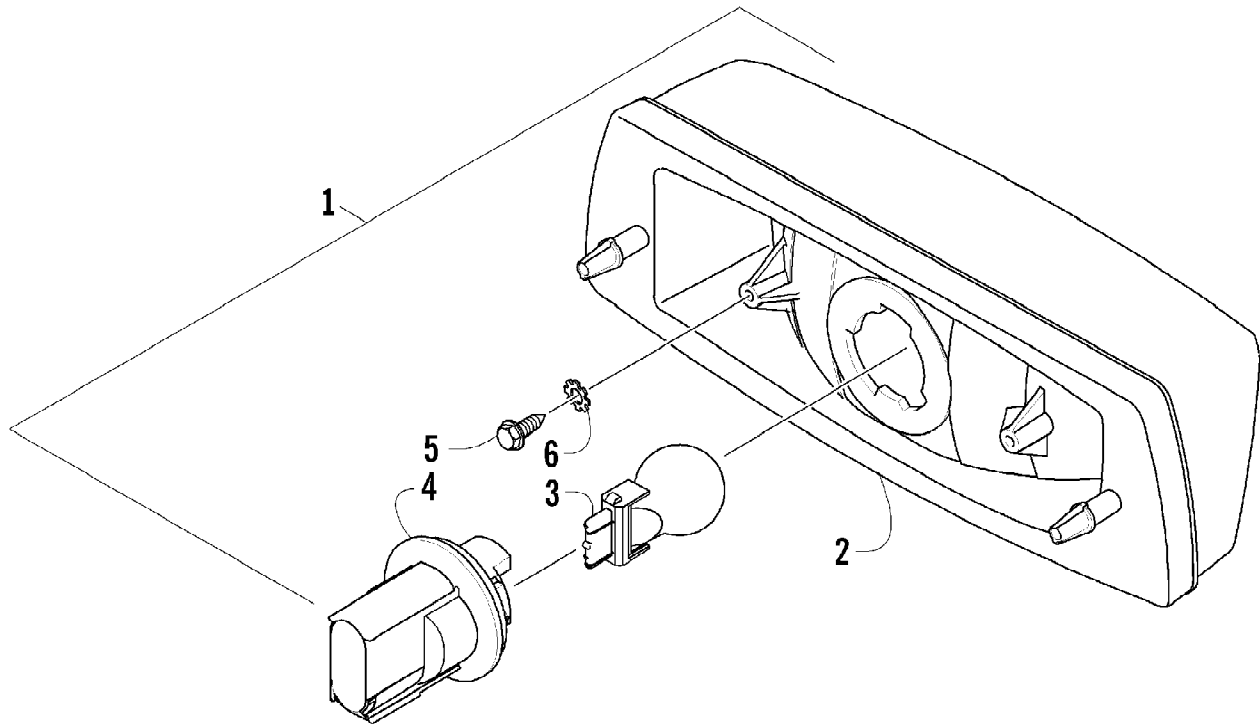
2007 ATV 700 EFI AUTOMATIC TRANSMISSION 4X4 FIS RED (A2007IBT4CU) Page 82 of 98
STARTER MOTOR ASSEMBLY

Ref #	Part Number	Qty	S/P/F	Description
1	3545-020	1		Motor, Starter - Assembly (inc. 2-9)
2	3008-094	1	/P	Terminal Set, Brush
3	3008-095	1	/P	Holder Set, Brush
4	3008-096	4		Spring, Brush
5	3008-164	1		O-Ring
6	3008-099	1		Washer Set
7	3008-101	2	S	O-Ring
8	3423-085	2		Through-Bolt
9	3423-272	1		O-Ring
10	3004-756	2	S	Screw, Cap
11	3423-195	1	/P	Nut



2007 ATV 700 EFI AUTOMATIC TRANSMISSION 4X4 FIS RED (A2007IBT4CU) Page 84 of 98
STEERING POST ASSEMBLY

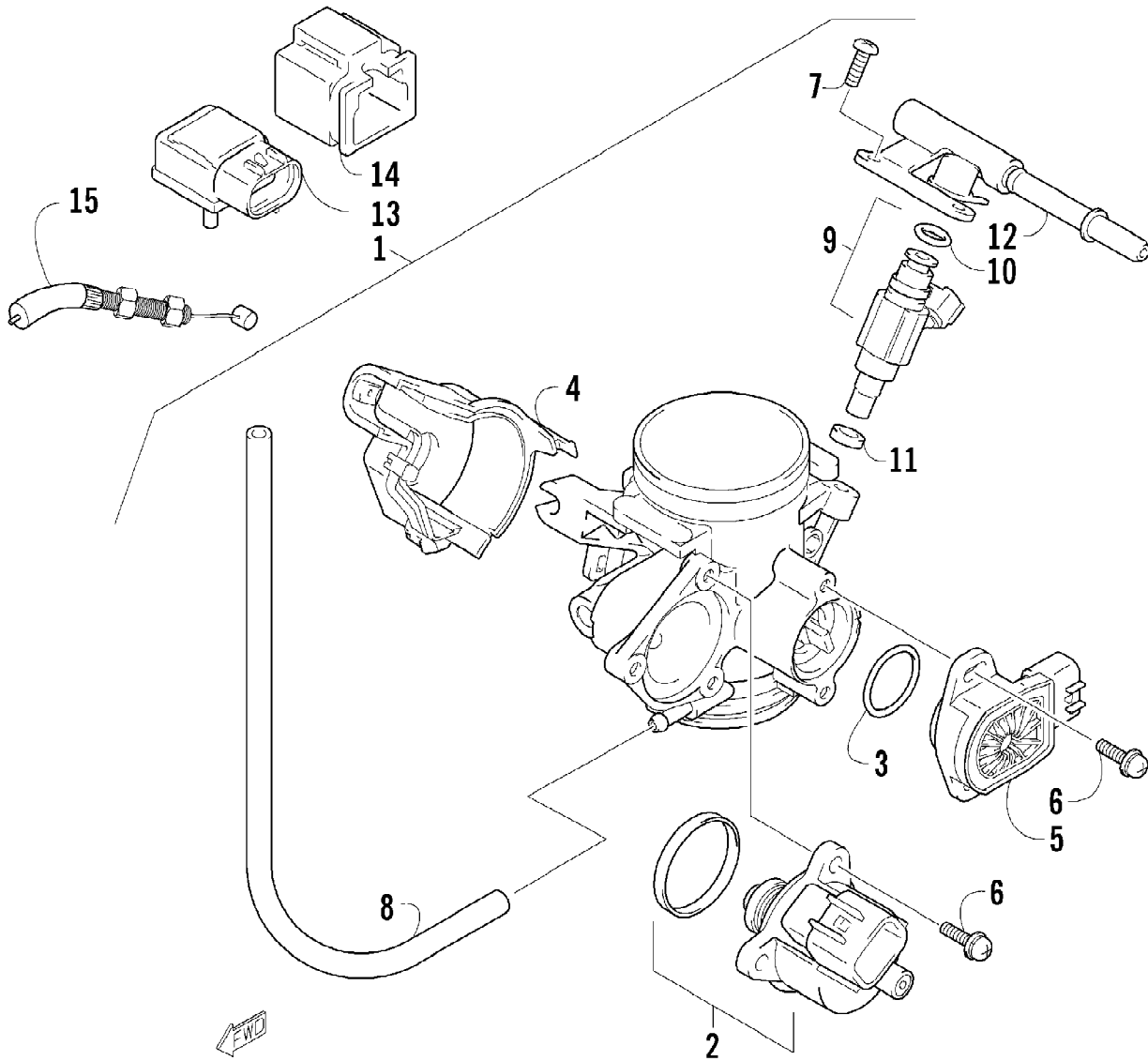
Ref #	Part Number	Qty	S/P/F	Description
1	8408-860	4		Screw, Cap
2	0405-035	4		Cap, Steering Adjuster
3	0423-505	2		Screw, Shoulder
4	0405-166	1		Cap, Housing
5	0405-138	1		Housing, Lower
6	0405-139	1		Housing, Upper
7	0505-451	1	S	Post, Steering
8	8408-816	2		Screw, Cap
9	0602-233	1		Flange, Bearing
10	0405-052	1		Bearing w/Inverted Oil Seal
11	0423-073	1		Washer
12	8409-020	1	/P	Screw, Cap
13	0505-408	2	S	Tie Rod - Assembly (inc. 14-18)
14	0405-083	2	S	Ball Joint, Tie Rod - Left-Hand Thread
15	0423-013	2		Nut - Left
16	0405-107	2	S	Tie Rod
17	8420-002	2	/P	Nut - Right
18	0405-082	2	S	Ball Joint, Tie Rod - Right-Hand Thread
19	0423-157	4		Nut, Lock
20	0623-175	4		Pin, Cotter



2007 ATV 700 EFI AUTOMATIC TRANSMISSION 4X4 FIS RED (A2007IBT4CU) Page 86 of 98
TAILLIGHT ASSEMBLY

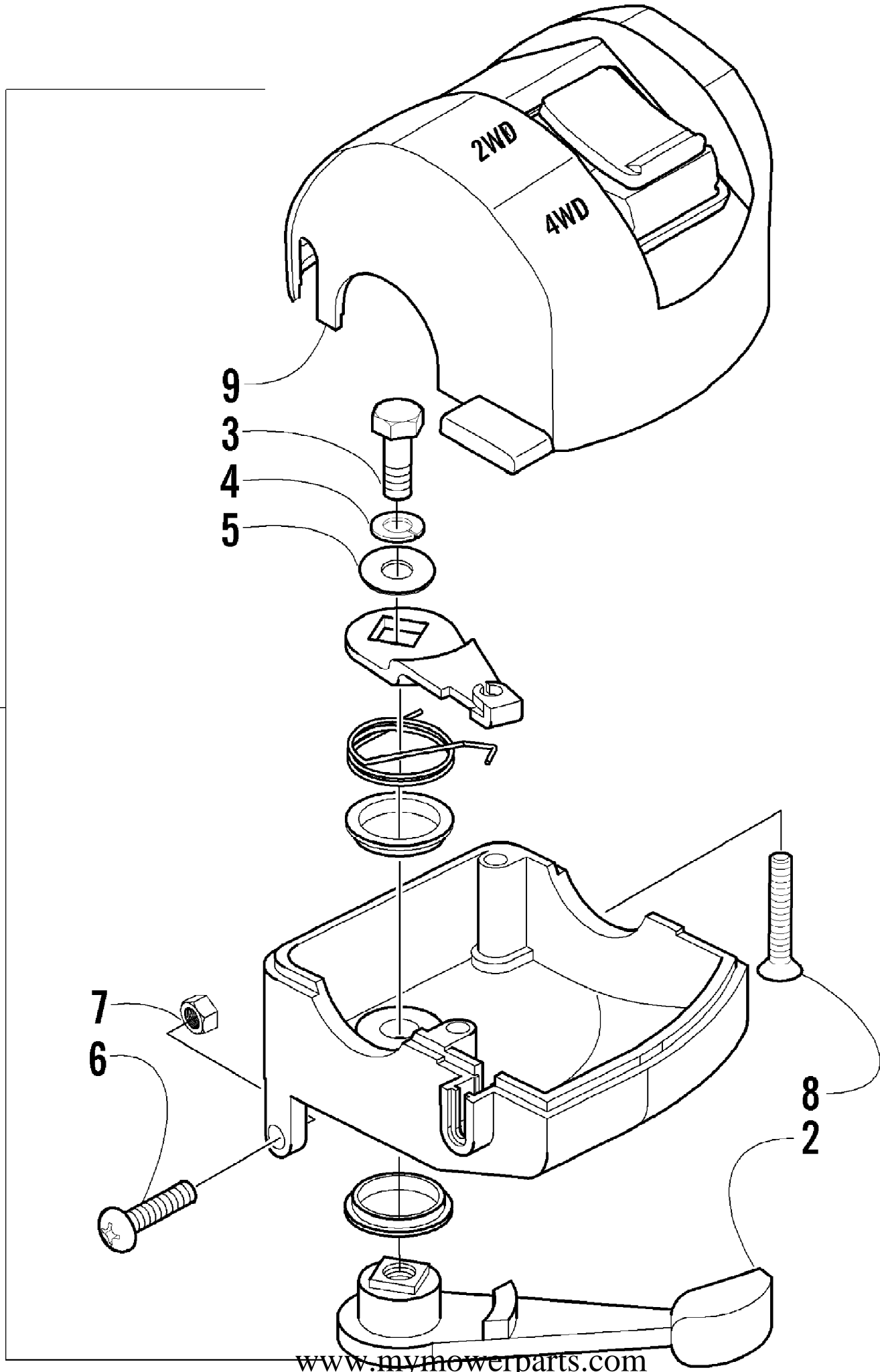
Ref #	Part Number	Qty	S/P/F	Description
1	0509-022	1		Taillight Assembly (inc. 2-4)
2	0509-025	1		Housing, Taillight
3	0409-056	1		Bulb, Taillight
4	0409-057	1		Socket, Taillight
5	0623-301	2	/P	Screw, Self-Tapping
6	8053-212	2	/P	Washer, Lock - External Tooth

2007 ATV 700 EFI AUTOMATIC TRANSMISSION 4X4 FIS RED (A2007IBT4CU) Page 87 of 98
THROTTLE BODY ASSEMBLY



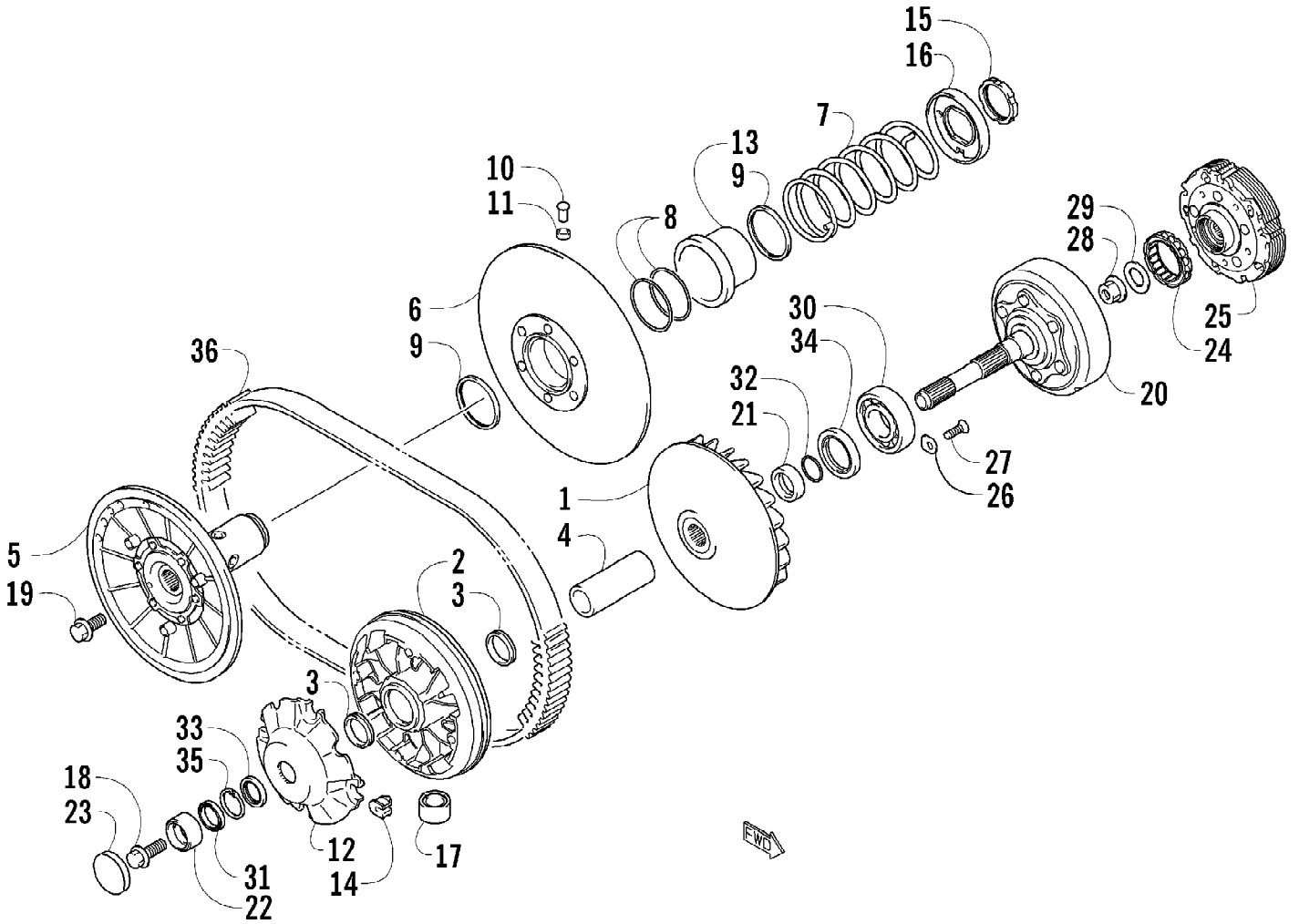
2007 ATV 700 EFI AUTOMATIC TRANSMISSION 4X4 FIS RED (A2007IBT4CU) Page 88 of 98
THROTTLE BODY ASSEMBLY

Ref #	Part Number	Qty	S/P/F	Description
1	3403-116	1		Body, Throttle - Assembly (inc. 2-12)
2	3403-117	1		ISC Valve
3	3423-812	1		O-Ring
4	3403-118	1		Cover
5	3530-048	1		Sensor - Assembly
6	3423-813	5		Screw
7	3423-814	2		Screw
8	3403-119	1		Hose
9	3403-120	1		Injector - Assembly (inc. 10)
10	3423-815	1		O-Ring
11	3403-121	1		Seal
12	3403-122	1		Delivery Pipe
13	3530-049	1		Sensor, Air Pressure
14	3530-050	1		Holder, Air Pressure
15	0487-032	1		Cable, Throttle



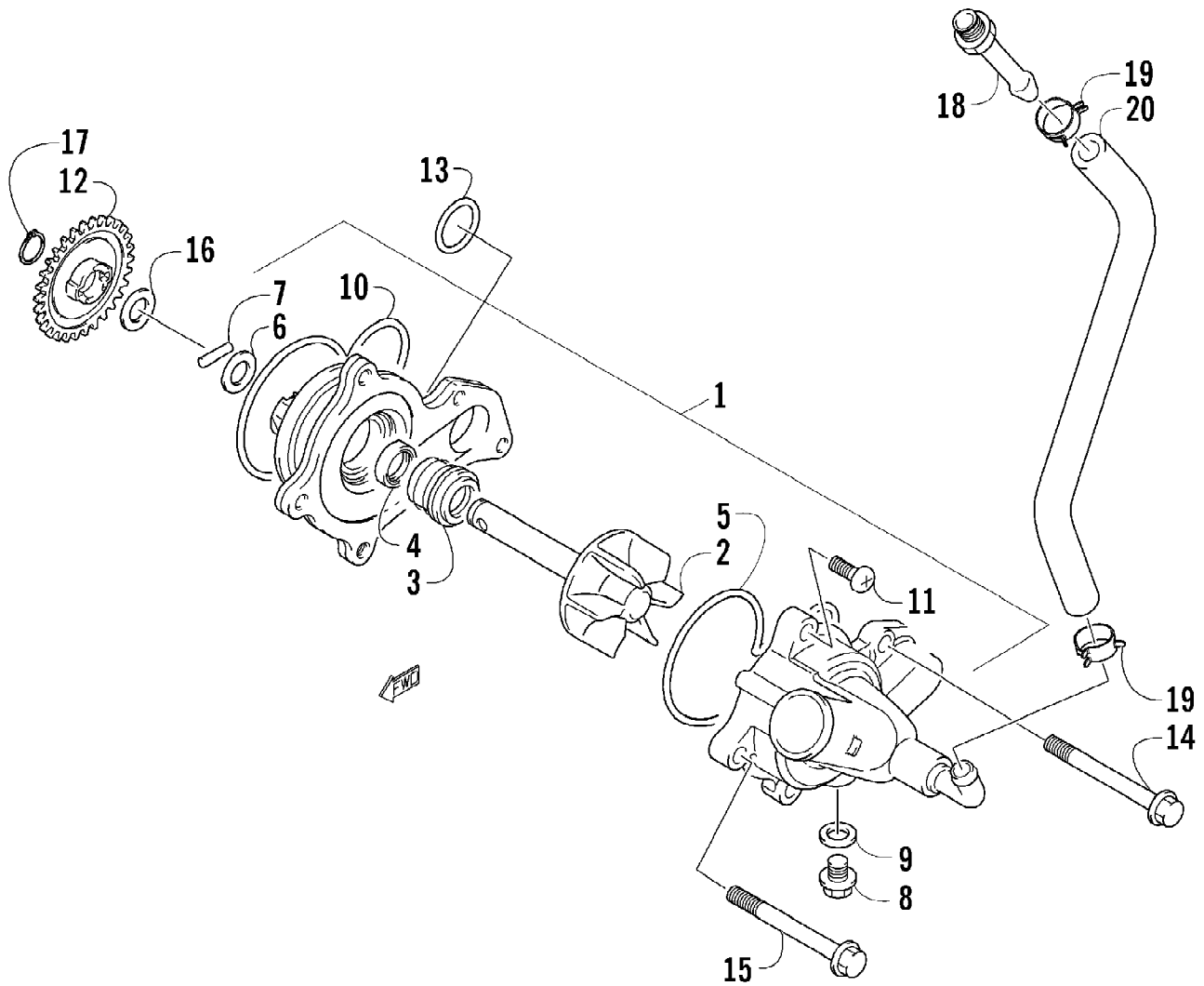
2007 ATV 700 EFI AUTOMATIC TRANSMISSION 4X4 FIS RED (A2007IBT4CU) Page 90 of 98
THROTTLE CASE ASSEMBLY

Ref #	Part Number	Qty	S/P/F	Description
1	0509-012	1		Case, Throttle - Assembly (inc. 2-9)
2	3409-001	1		Lever
3	3004-533	1	S/P	Screw, Cap
4	3004-447	1	/P	Washer, Lock
5	3003-030	1	/P	Washer
6	3423-014	1		Screw
7	3423-327	1		Nut
8	3423-199	2		Screw
9	0409-048	1		Cover, Throttle w/Switch



2007 ATV 700 EFI AUTOMATIC TRANSMISSION 4X4 FIS RED (A2007IBT4CU) Page 92 of 98
TRANSMISSION ASSEMBLY

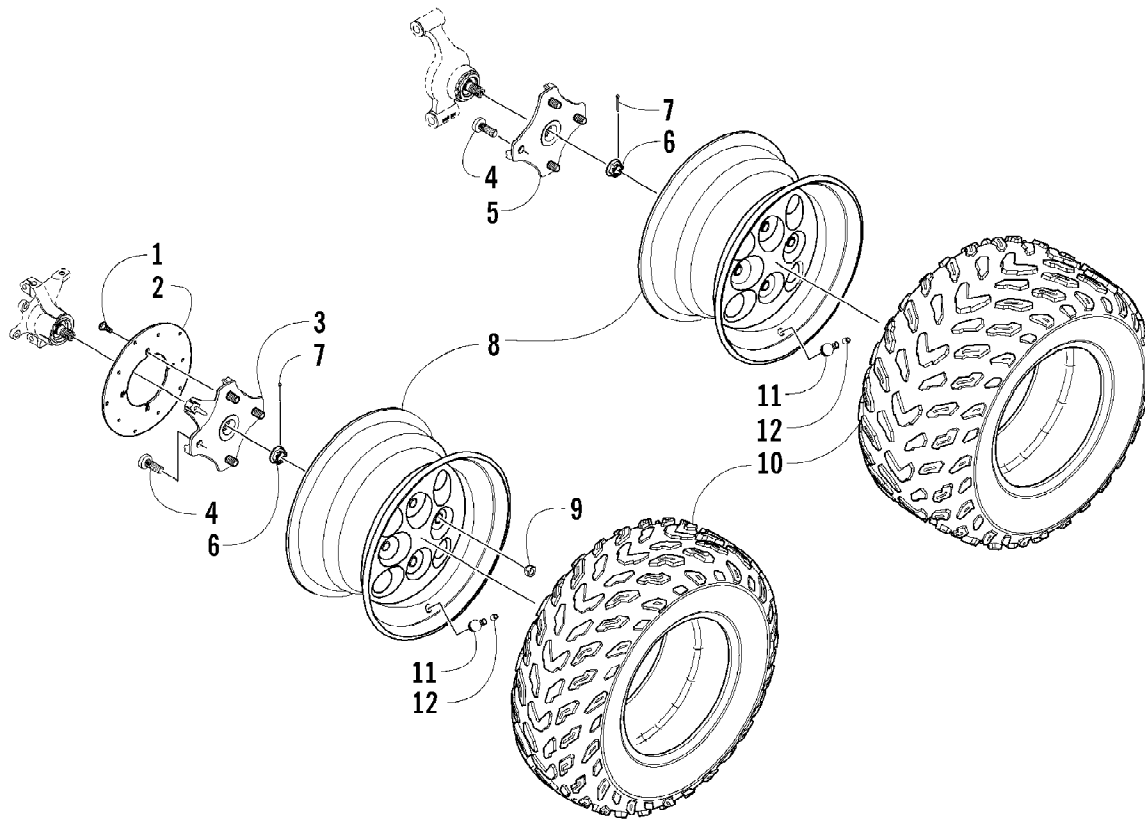
Ref #	Part Number	Qty	S/P/F	Description
1	3403-130	1		Face, Fixed Drive
2	3403-131	1		Face, Movable Drive
3	3403-132	2		Seal, Movable Drive Face
4	3423-843	1		Spacer, Movable Drive Face
5	3403-133	1		Face, Fixed Driven
6	3403-134	1		Face, Movable Driven
7	3402-474	1	/P	Spring, Movable Driven Face
8	3402-475	2		O-Ring, Movable Driven Face
9	3403-135	2		Seal, Movable Driven Face
10	3402-477	4		Pin, Movable Driven Face
11	3402-478	4		Spacer, Movable Driven Face
12	3403-136	1		Plate, Movable Drive Face
13	3402-756	1		Sheet, Movable Driven Face
14	3402-481	4		Damper, Movable Drive Face
15	3423-406	1		Nut, Driven Pulley Spring
16	3402-482	1		Holder, Movable Driven Face
17	3403-137	8		Roller, Movable Driven Face
18	3423-819	1		Bolt, Drive Face
19	3423-820	1		Bolt, Driven Face
20	3403-138	1		Housing, Clutch
21	3423-821	1	/P	Spacer, Primary Shaft
22	3423-822	1		Spacer, Clutch Housing
23	3423-823	1		Cap, V-Belt Bearing
24	3446-003	1		Clutch, One-Way
25	3403-139	1		Centrifugal Clutch - Assembly
26	3423-824	2		Retainer, Bearing
27	3423-018	2		Screw, Bearing Retainer
28	3423-501	1		Nut
29	3423-825	1		Washer
30	3402-221	1		Bearing, Clutch Housing - Left
31	3403-140	1		Bearing, Clutch Housing - Right
32	3423-831	1	/P	O-Ring
33	3403-173	1		Seal, Clutch Housing - Right
34	3403-148	1	/P	Seal, Clutch Housing - Left
35	3423-826	1	/P	Circlip, Clutch Housing
36	3403-141	1		V-Belt



2007 ATV 700 EFI AUTOMATIC TRANSMISSION 4X4 FIS RED (A2007IBT4CU) Page 94 of 98
 WATER PUMP ASSEMBLY

Ref #	Part Number	Qty	S/P/F	Description
1	3403-128	1		Pump, Water - Assembly (inc. 2-11)
2	3413-041	1		Impeller
3	3005-909	1	/P	Seal, Mechanical
4	3406-143	1		Seal, Oil
5	3423-816	1		O-Ring
6	3423-772	1		Washer
7	3423-817	1		Pin
8	3423-185	1		Bolt
9	3402-436	1	/P	Washer
10	3423-818	1		O-Ring
11	3003-484	1	S/P	Screw
12	3403-129	1		Gear, Driven - Water Pump
13	3004-521	1	/P	O-Ring
14	3423-091	1	S	Bolt
15	3423-119	1	S	Bolt
16	3423-443	1		Washer
17	3423-184	1	S	Circlip
18	3007-075	1		Fitting, Coolant Bypass
19	3423-855	2		Clamp
20	3410-022	1		Hose, Coolant Bypass

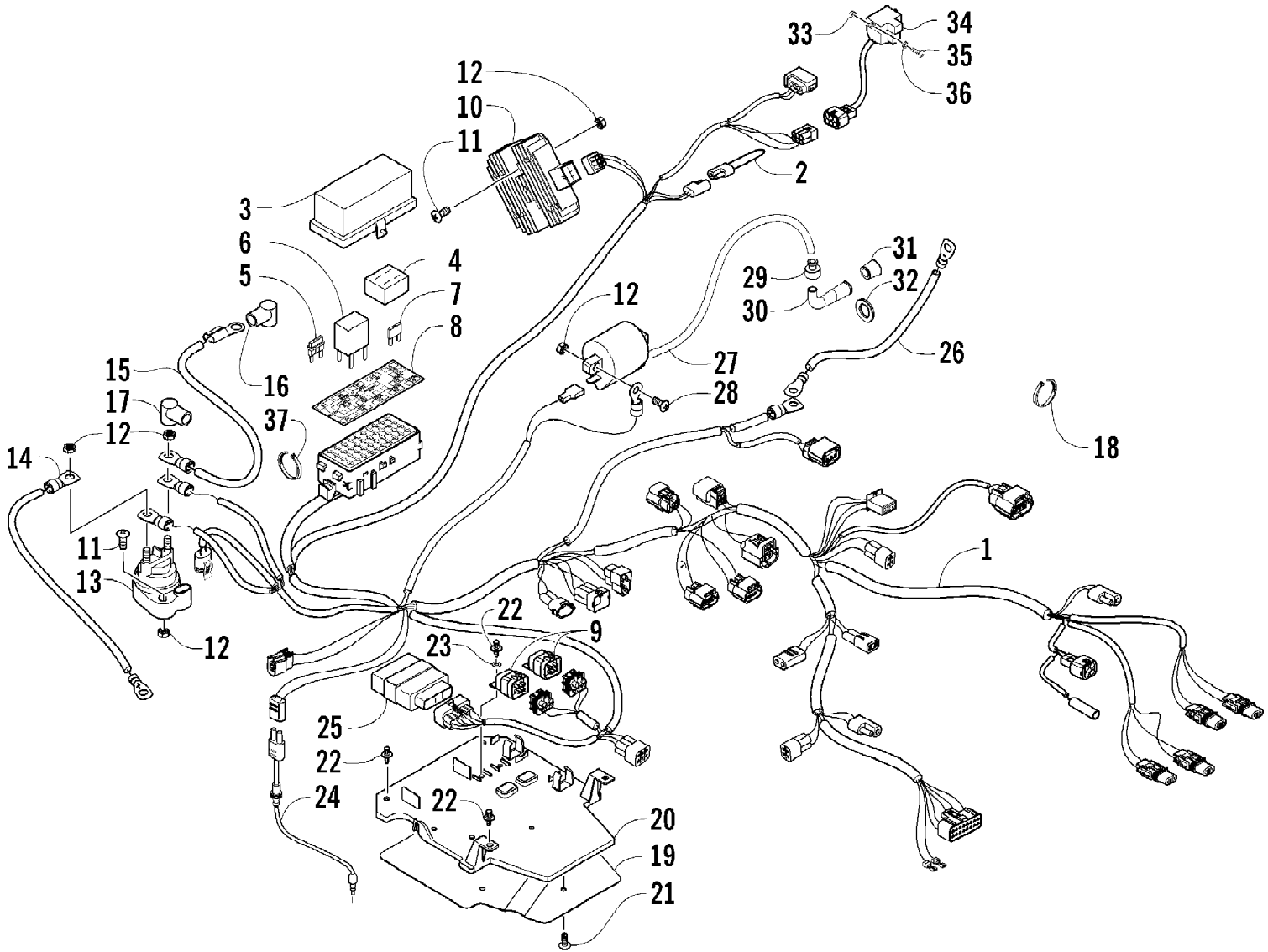
2007 ATV 700 EFI AUTOMATIC TRANSMISSION 4X4 FIS RED (A2007IBT4CU) Page 95 of 98
WHEEL AND TIRE ASSEMBLY



2007 ATV 700 EFI AUTOMATIC TRANSMISSION 4X4 FIS RED (A2007IBT4CU) Page 96 of 98
 WHEEL AND TIRE ASSEMBLY

Ref #	Part Number	Qty	S/P/F	Description
1	0423-557	12		Screw, Shoulder
2	1402-225	3	S	Disc, Brake
3	0502-599	2	S	Hub, Wheel - Front (inc. 4)
4	0402-974	16	/P	Stud, Wheel Hub
5	0502-601	1	S	Hub, Wheel - Rear - Left (inc. 4)
5	0502-599	1	S	Hub, Wheel - Rear - Right (inc. 4)
6	0423-607	4		Nut, Castle
7	0423-407	4		Pin, Cotter
8	1402-127	2		Wheel - Front
8	1402-115	2		Wheel - Rear
9	0423-408	16	/P	Nut, Lug
10	1402-548	2		Tire - Front Goodyear
10	1402-549	2		Tire - Rear Goodyear
11	0402-064	4		Stem, Valve (inc. 12)
12	0402-140	4		Cap, Valve Stem

2007 ATV 700 EFI AUTOMATIC TRANSMISSION 4X4 FIS RED (A2007IBT4CU) Page 97 of 98
WIRING HARNESS ASSEMBLY



2007 ATV 700 EFI AUTOMATIC TRANSMISSION 4X4 FIS RED (A2007IBT4CU) Page 98 of 98
WIRING HARNESS ASSEMBLY

Ref #	Part Number	Qty	S/P/F	Description
1	0486-217	1	/P	Harness, Main (inc. 2-9)
2	0486-164	1		Tether, Accessory Connector
3	0530-008	1		Cover, Fuse Block
4	0430-037	1		Holder, Fuse
5	0430-034	4		Diode
6	0430-045	4	/P	Relay - 20 Amp
7	0430-032	5		Fuse - 10 Amp
7	0430-031	3		Fuse - 15 Amp
7	0430-030	2		Fuse - 30 Amp
8	1411-578	1		Decal, Fuse Block
9	0430-052	2		Relay - 30 Amp
10	0824-037	1	/P	Regulator, Voltage
11	8476-625	4		Screw, Machine
12	0623-038	8		Nut w/Washer
13	0445-058	1	/P	Solenoid
14	0445-062	1		Cable, Battery/Solenoid
15	0445-064	1		Cable, Solenoid/Starter (inc. 16)
16	0645-019	1		Boot, Terminal
17	0645-327	1		Boot, Terminal
18	0123-903	AR		Cable Tie - 11.5 in.
19	2406-406	1		Plate, Shield
20	2406-105	1		Tray, Electrical
21	0623-797	3		Screw, Self-Tapping
22	0623-362	8		Rivet, Reinstallable
23	8050-217	2	/P	Washer
24	0409-072	1		Switch, Brake - Assembly
25	3430-063	1		Electronic Control Module
26	0445-065	1		Cable, Battery/Ground
27	3430-064	1	S	Coil, Ignition - Assembly
28	8476-620	2		Screw, Machine
29	3430-009	1	/P	Seal, High Tension Wire
30	3409-044	1	S	Cap, Spark Plug
31	3409-031	1		Cover, Spark Plug Cap
32	3409-030	1		Seal, Spark Plug Cap
33	0423-493	2		Nut, Hex
34	0409-064	1		Switch, Invert Sensor
35	8468-425	2		Screw, Machine
36	0123-802	2		Washer
37	0123-788	AR	/P	Cable Tie - 7.5 in.
0	0644-347	1	F	Wrench, Spark Plug