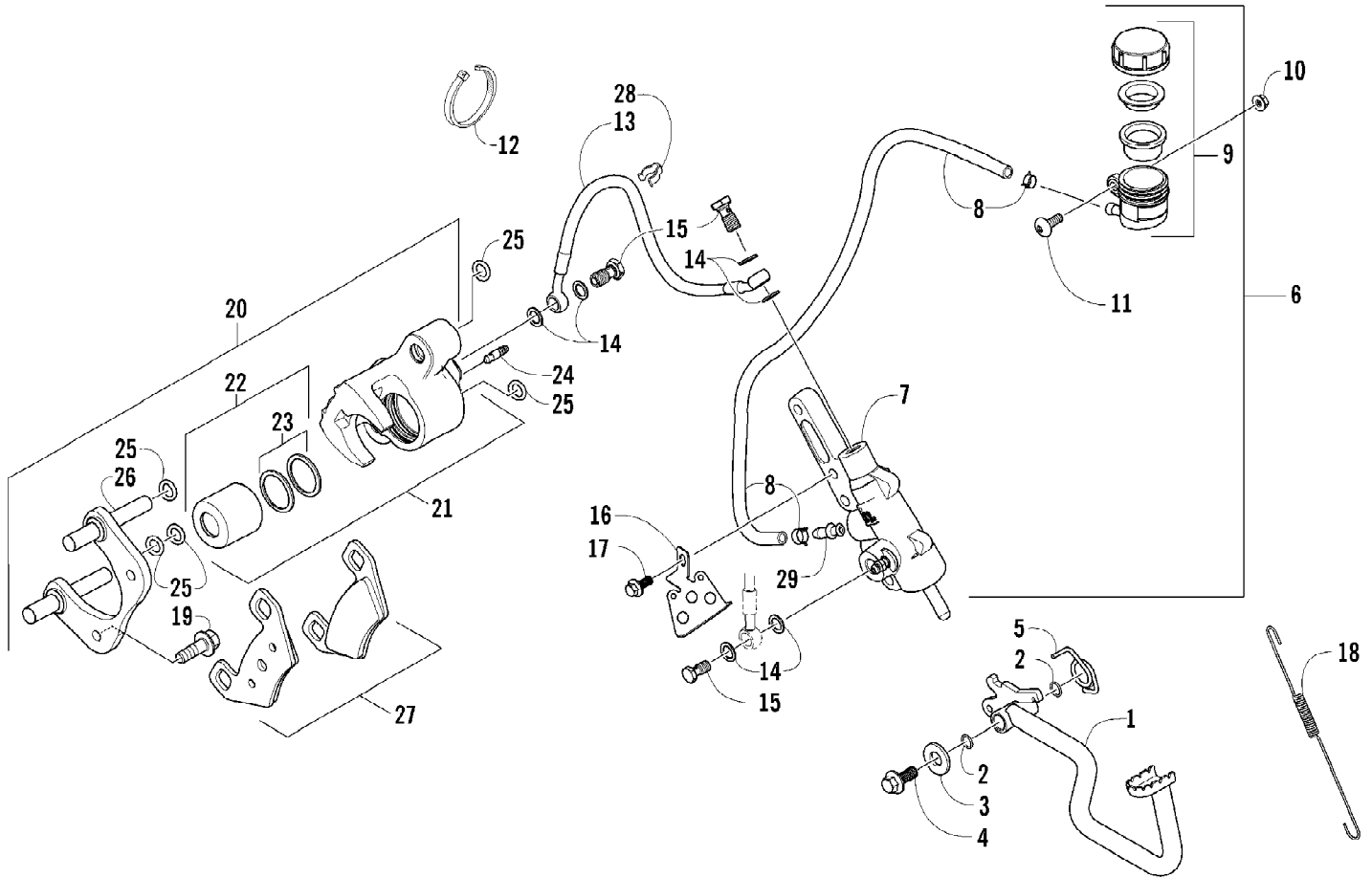


2007 ATV 700 AUTOMATIC TRANSMISSION 4X4 DIESEL RED (A2007TBT4DE) 2 of 116
 AIR INTAKE ASSEMBLY

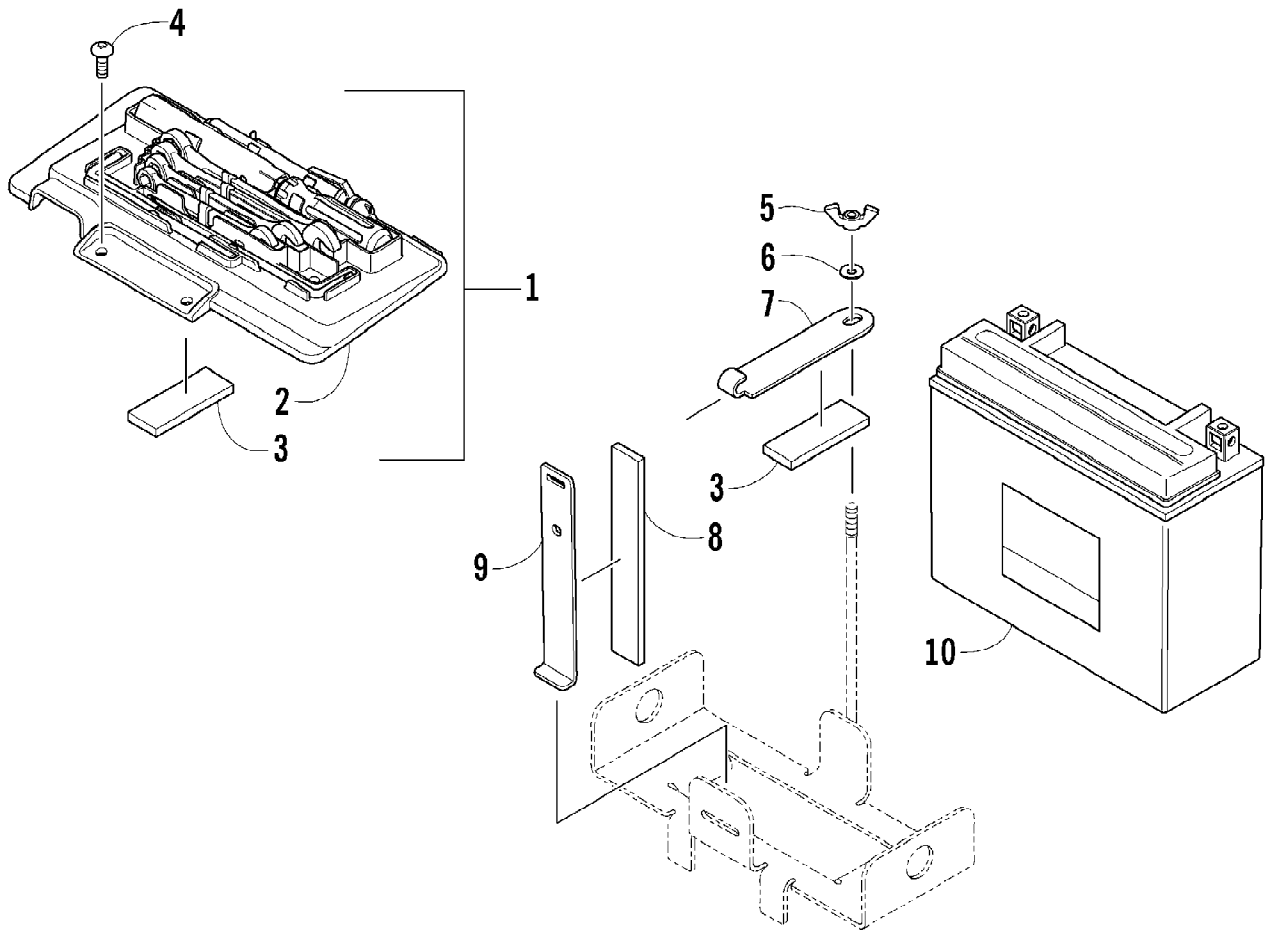
Ref #	Part Number	Qty	S/P/F	Description
1	0413-091	1		Diverter, Air - Top
2	0413-093	1		Diverter, Air - Bottom
3	2406-509	1		Shroud, Splash
4	0623-362	2		Rivet, Reinstallable
5	0423-317	2	/P	Clamp, Boot
6	0470-618	1		Duct, Air Intake
7	0423-066	2		Clamp, Boot
8	0470-621	1		Duct, Engine Intake
9	0470-617	1		Filter, Air - Assembly (inc. 10-13)
10	0470-627	1		Cap, Air Filter
11	0470-619	1		Element, Air Filter - Main
12	0470-620	1		Element, Air Filter - Safety
13	0470-628	1		Bracket, Mounting - Air Filter Element
14	8476-620	2		Screw, Bracket
15	8050-222	2	/P	Washer
16	2506-082	1		Bracket, Mounting - Air Filter
17	8476-616	4		Screw, Machine

2007 ATV 700 AUTOMATIC TRANSMISSION 4X4 DIESEL RED (A2007TBT4D) 3 of 116
AUXILIARY BRAKE ASSEMBLY



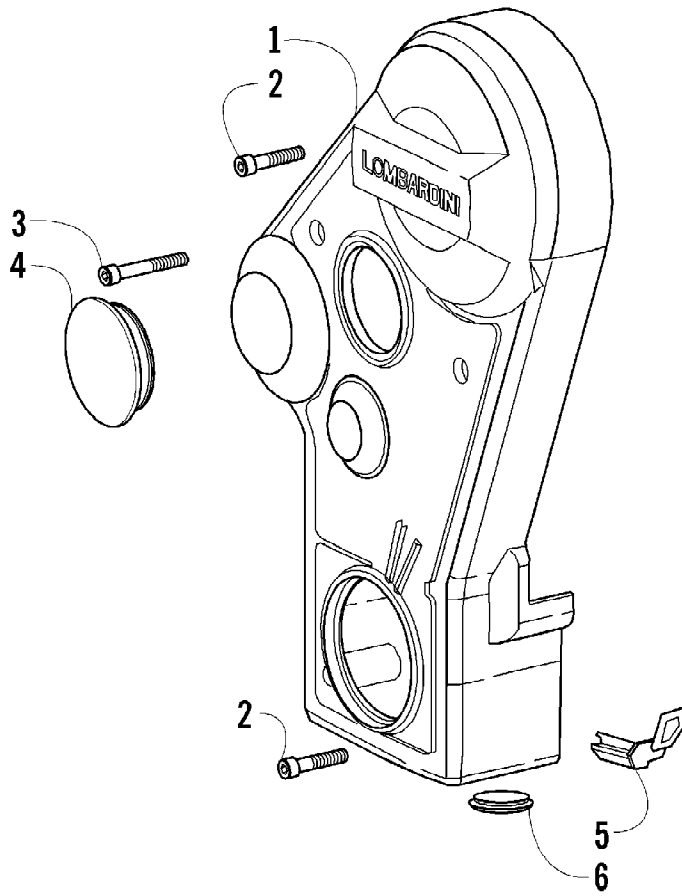
2007 ATV 700 AUTOMATIC TRANSMISSION 4X4 DIESEL RED (A2007TBT4DPS) 4 of 116
AUXILIARY BRAKE ASSEMBLY

Ref #	Part Number	Qty	S/P/F	Description
	1502-175	1		Fully Bled Master Cylinder Replacement Kit
1	1502-063	1		Lever, Brake
2	1602-213	2	/P	O-Ring
3	8050-252	1		Washer
4	8408-816	1		Screw, Cap
5	0502-807	1		Spring, Brake Lever
6	1502-153	1		Brake Assembly (inc. 7-9)
7	0	1	F	Master Cylinder
8	1502-154	1		Hose, Brake Reservoir w/Clamps
9	1502-155	1		Reservoir, Brake
10	0623-038	1		Nut, Flanged
11	8476-616	1		Screw, Machine
12	0123-788	1	/P	Cable Tie - 7.5 in.
13	1502-140	1		Hose, Brake
14	0423-178	6		Washer, Crush
15	0423-413	3		Bolt, Banjo-Fitting
16	1502-179	1		Bracket, Switch
17	8408-625	2		Screw, Cap
18	0502-785	1		Spring, Brake Switch
19	1623-589	2	S	Screw, Cap
20	0502-878	1	S	Caliper, Brake (inc. 21-27)
21	0502-603	1	S	Housing, Caliper - Assembly - Right Rear (inc. 22-24)
22	0502-606	1		Piston/Seal Set (inc. 23)
23	0502-607	1		Seal Set
24	0502-609	1	/P	Valve, Bleed
25	0502-608	1		O-Ring, Guide - Set
26	0502-605	1		Bracket Assembly
27	0502-875	1	S	Pad, Brake - Set
28	1502-115	2		Clip, Brake Hose
29	1502-138	1	S	Adapter, Hose



2007 ATV 700 AUTOMATIC TRANSMISSION 4X4 DIESEL RED (A2007TBT4DE) Page 6 of 116
BATTERY ASSEMBLY

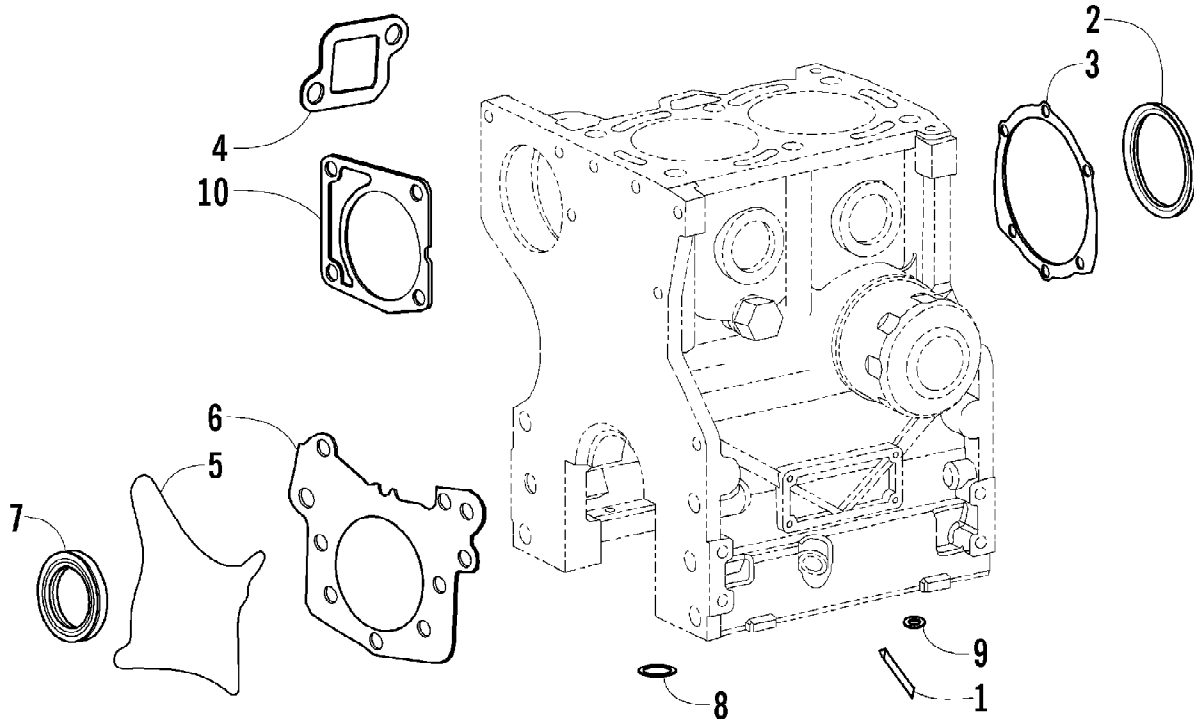
Ref #	Part Number	Qty	S/P/F	Description
1	5990-839	1	S	Battery Cover/Tool Tray Assembly (inc. 2-3)
2	2406-511	1	S/P	Cover, Battery
3	0406-288	2		Pad, Battery
3	0444-122	1	S/P/F	Kit, Tool
4	8476-620	2		Screw, Machine
5	0623-325	1		Nut, Wing
6	8050-217	1	/P	Washer
7	0645-243	1		Strap, Battery - Top
8	0406-289	1		Pad, Battery
9	0645-311	1		Strap, Battery - Side
10	0645-432	1	S	Battery



2007 ATV 700 AUTOMATIC TRANSMISSION 4X4 DIESEL RED (A2007TBT4DE) 8 of 116
BELT GUARD ASSEMBLY

Ref #	Part Number	Qty	S/P/F	Description
1	3206-315	1	S	Guard, Belt
2	3206-043	3		Screw
3	3206-189	1		Screw
4	3206-318	1		Cap
5	3206-317	1		Gasket
6	3206-316	1		Plug

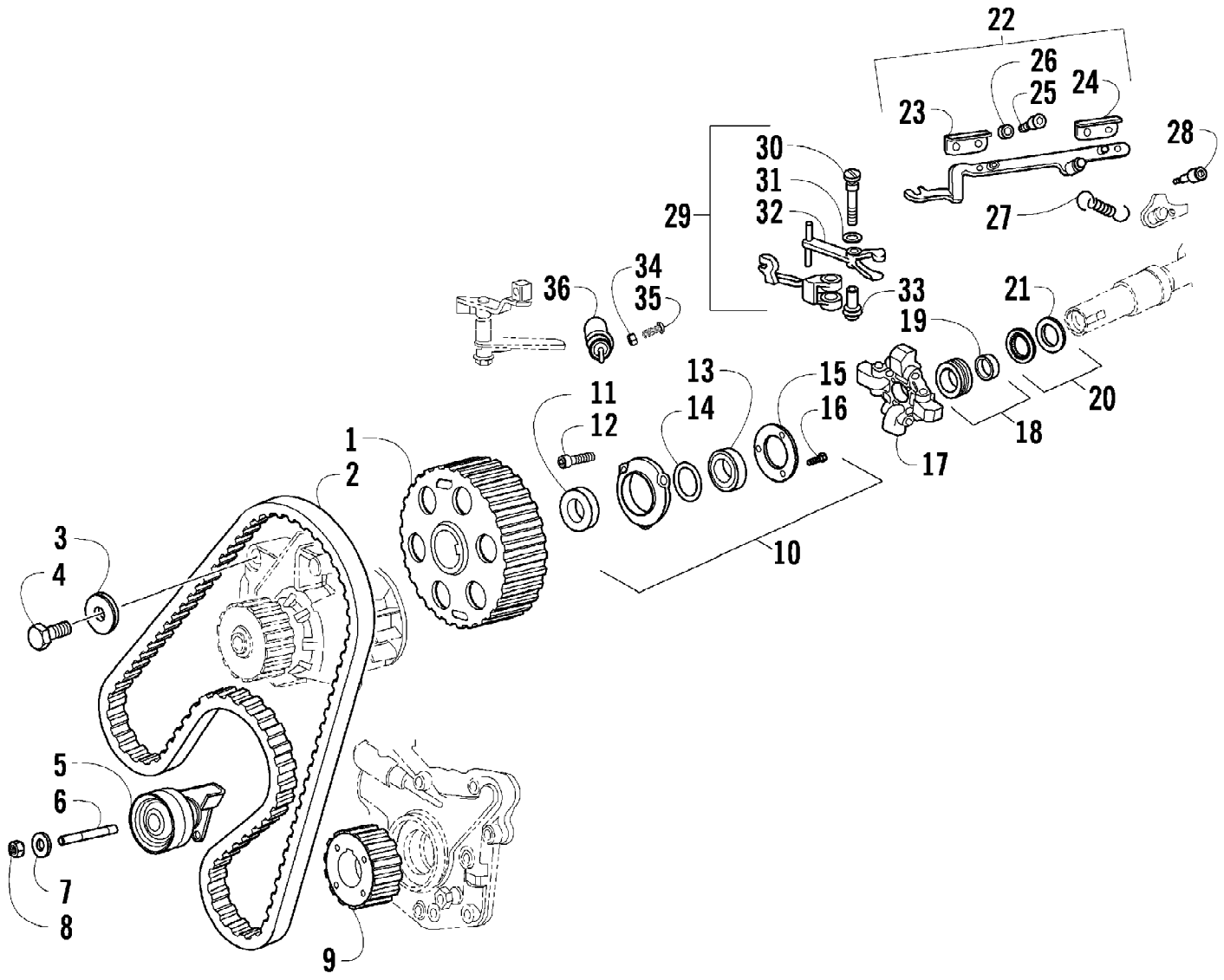
2007 ATV 700 AUTOMATIC TRANSMISSION 4X4 DIESEL RED (A2007TBT4D) 9 of 116
BOTTOM END GASKET SET ASSEMBLY



2007 ATV 700 AUTOMATIC TRANSMISSION 4X4 DIESEL RED (A2007TBT4D) 10 of 116
BOTTOM END GASKET SET ASSEMBLY

Ref #	Part Number	Qty	S/P/F	Description
	3206-329	1		Bottom End Gasket Set
1	3206-054	4		Gasket, Crankcase
2	3206-091	1		Ring, Engine Flange
3	3206-089	1	S	Gasket, Engine Flange
4	3206-264	1		Gasket, Thermostat
5	3206-172	1		O-Ring, Oil Pump
6	3206-173	1	/P	Gasket, Oil Pump
7	3206-161	1		Ring, Seal - Oil Pump
8	3206-176	1		Seal, Oil - Oil Pan
9	3206-177	1		Seal, Oil - Oil Pan
10	3206-272	1		Gasket, Water Pump

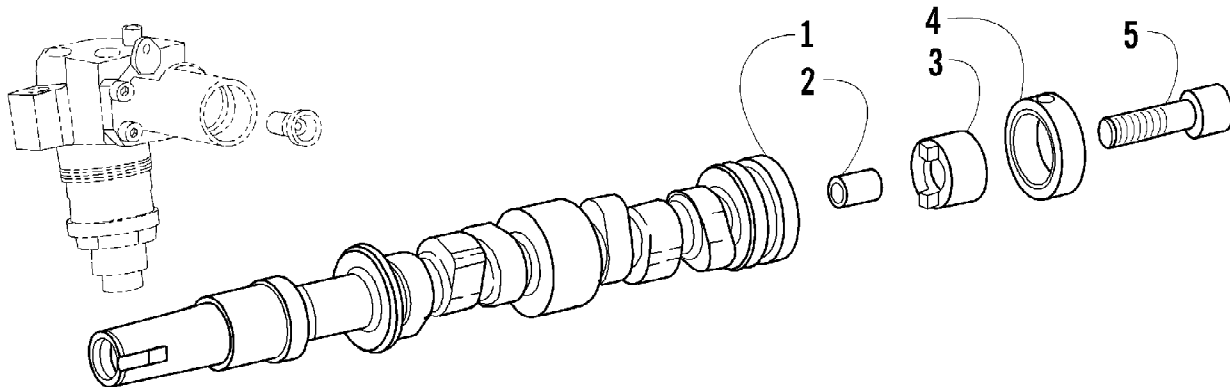
2007 ATV 700 AUTOMATIC TRANSMISSION 4X4 DIESEL RED (A2007TBT4D) Page 11 of 116
CAM PULLEYS, TIMING BELT, AND SPEED GOVERNOR ASSEMBLY



2007 ATV 700 AUTOMATIC TRANSMISSION 4X4 DIESEL RED (A2007TBT4D) 12 of 116
CAM PULLEYS, TIMING BELT, AND SPEED GOVERNOR ASSEMBLY

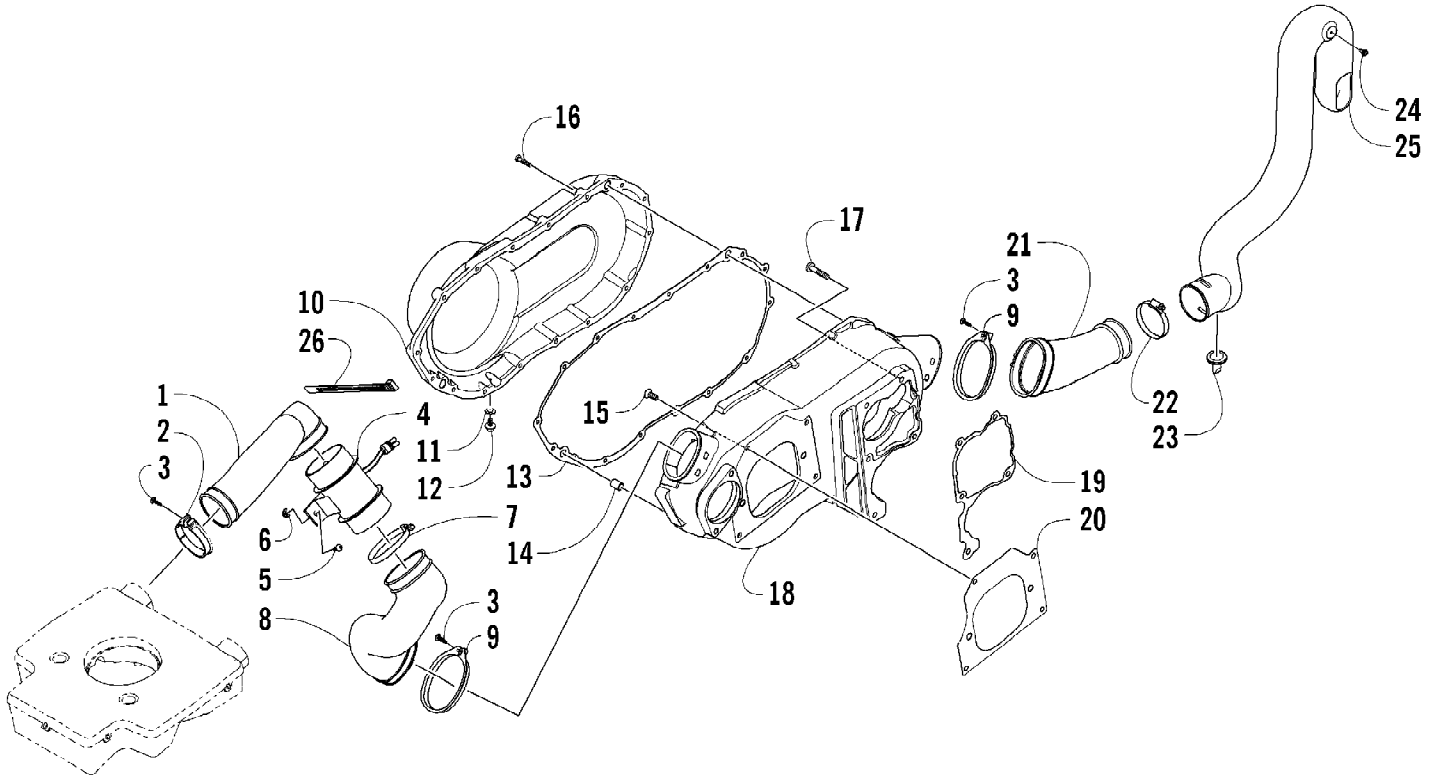
Ref #	Part Number	Qty	S/P/F	Description
1	3206-153	1		Pulley, Cam Driven
2	3206-154	1		Belt, Timing
3	3206-156	1		Washer
4	3206-155	1		Screw
5	3206-159	1		Pulley
6	3206-158	1		Stud
7	3206-157	1		Washer
8	3206-142	1		Nut
9	3206-160	1		Pulley, Cam Drive
10	3206-209	1		Camshaft Support (inc. 11-16)
11	3206-208	1		Ring, Seal
12	3206-088	3		Screw
13	3206-211	1		Bearing, Ball
14	3206-210	1		Seal, Oil
15	3206-212	1		Plate
16	3206-166	3		Screw
17	3206-213	1		Flyweight - Assembly
18	3206-214	1		Sleeve, Control (inc. 19)
19	3206-216	1		Sleeve
20	3206-217	1		Roller, Thrust (inc. 21)
21	3206-215	1		Washer, Thrust
22	3206-218	1	S	Rail, Injection Pump (inc. 23-26)
23	3206-220	1		Plate
24	3206-219	1		Plate
25	3206-221	2		Screw
26	3206-223	2		Washer
27	3206-222	1		Spring, Fuel - Extra
28	3206-225	2		Screw
29	3206-228	1		Lever, Governor - Assembly (inc. 30-33)
30	3206-224	1		Pin, Lever
31	3206-226	1		Seal
32	3206-229	1		Sleeve
33	3206-227	1		Journal
34	3206-232	1		Nut
35	3206-231	1		Screw
36	3206-230	1		Device, Min-Max

2007 ATV 700 AUTOMATIC TRANSMISSION 4X4 DIESEL RED (A2007TBT410) Page 13 of 116
CAMSHAFT AND FUEL PUMP DRIVE ECCENTRIC



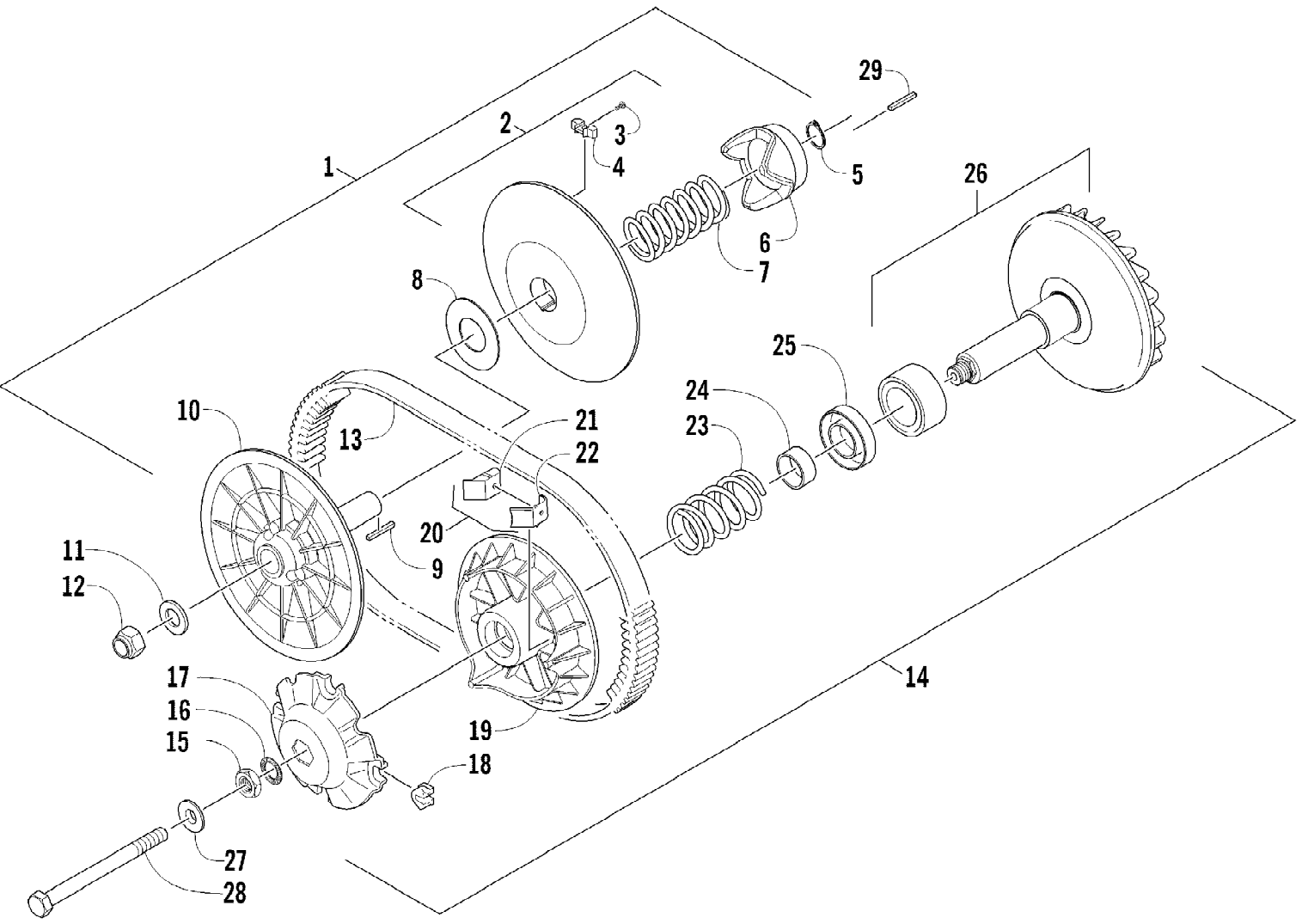
2007 ATV 700 AUTOMATIC TRANSMISSION 4X4 DIESEL RED (A2007TBT4DISE) Page 14 of 116
CAMSHAFT AND FUEL PUMP DRIVE ECCENTRIC

Ref #	Part Number	Qty	S/P/F	Description
1	3206-129	1		Camshaft
2	3206-130	1		Sleeve
3	3206-131	1		Cam
4	3206-128	1		Sleeve
5	3206-132	1		Screw



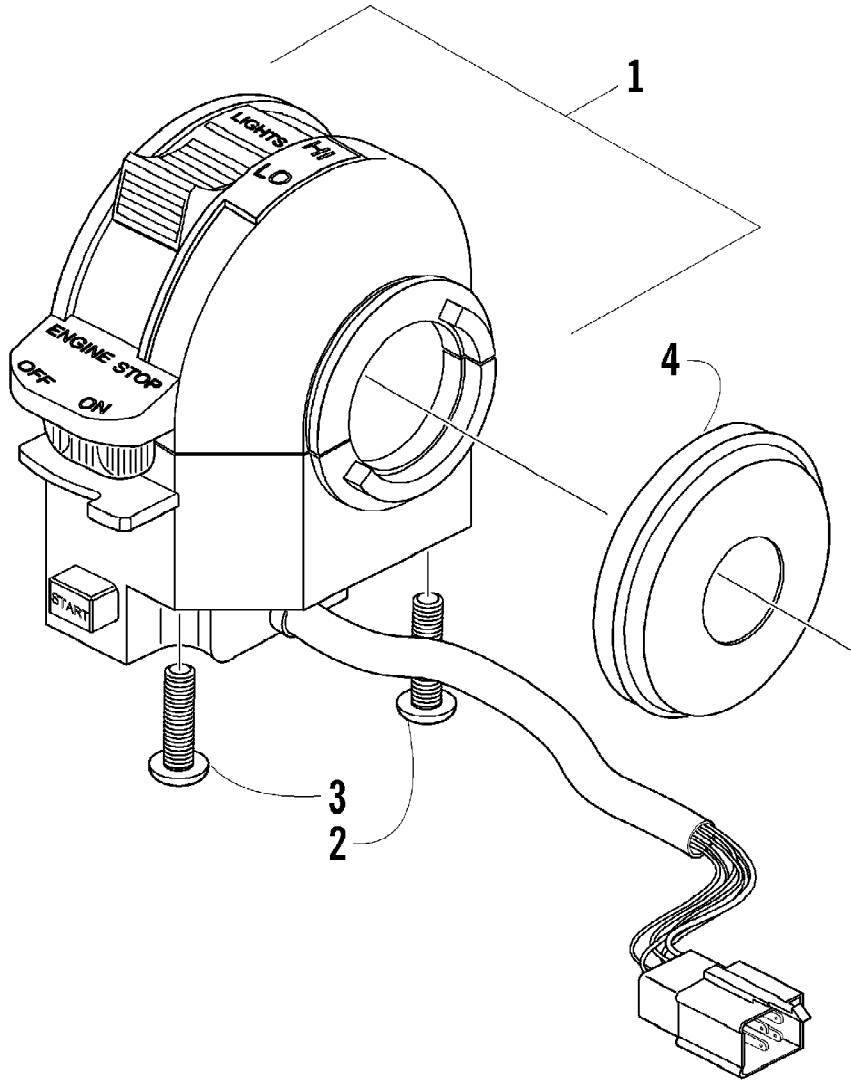
2007 ATV 700 AUTOMATIC TRANSMISSION 4X4 DIESEL RED (A2007TBT4D) 16 of 116
CASE/BELT COOLING ASSEMBLY

Ref #	Part Number	Qty	S/P/F	Description
1	0413-132	1		Duct, Belt Cooling - Front
2	0423-551	1		Clamp, Plastic
3	0423-342	3	/P	Screw, Self-Tapping
4	0413-141	1		Fan, Belt Cooling
5	8475-512	2		Screw, Machine
6	8424-502	2		Nut, Hex
7	0423-018	1		Clamp, Boot
8	0413-133	1		Boot, Belt Cooling - Inlet
9	0423-550	2		Clamp, Plastic
10	1502-157	1		Cover, Clutch
11	0830-013	1		Washer, Crush
12	8408-812	1		Screw, Cap
13	1402-528	1		Gasket, V-Belt Cover
14	0829-002	2		Dowel, Split
15	8473-820	4		Screw, Machine
16	8468-630	16		Screw, Machine
17	0423-118	5		Screw, Self-Tapping
18	1402-527	1		Cover, Clutch
19	1402-526	1		Gasket, Gearcase
20	1402-524	1		Gasket, Clutch Cover
21	0413-134	1		Boot, Belt Cooling - Outlet
22	0423-380	1	/P	Clamp, Boot
23	0470-442	1	/P	Valve, Drain
24	0623-301	1	/P	Screw, Self-Tapping
25	0413-106	1		Duct, Belt Cooling - Rear
26	0623-316	1		Cable Tie



2007 ATV 700 AUTOMATIC TRANSMISSION 4X4 DIESEL RED (A2007TBT4D) Page 18 of 116
CLUTCHES AND DRIVE BELT ASSEMBLIES

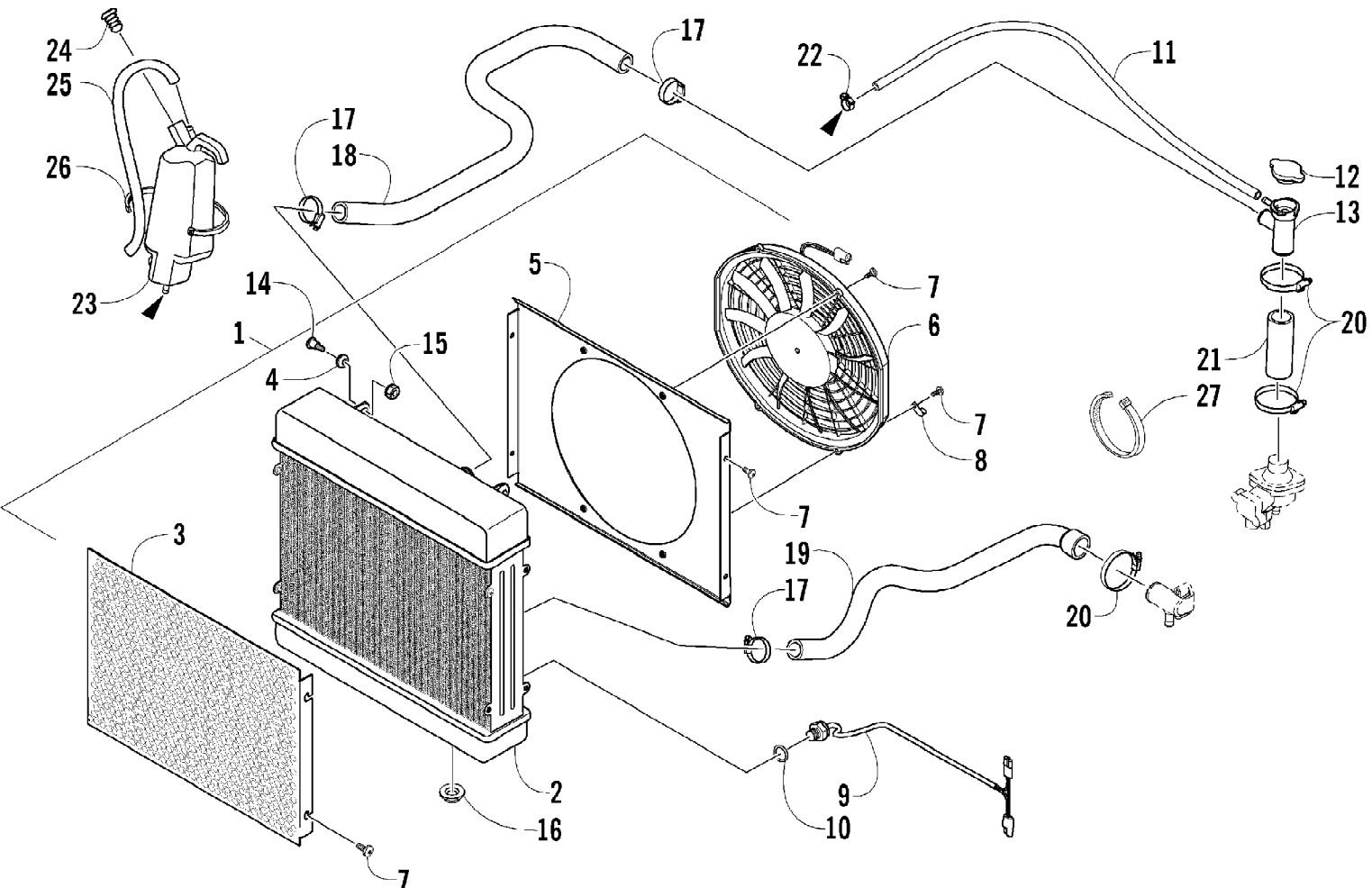
Ref #	Part Number	Qty	S/P/F	Description
1	1502-073	1	S	Pulley, Driven - Assembly (inc 2-10)
2	1502-208	1		Face, Driven - Movable (inc. 3-4)
3	0423-752	3		Screw, Cam
4	1402-632	3	S	Cam, Shoe
5	0423-751	1		Ring, Retaining
6	1402-630	1		Cam
7	0423-750	1		Spring
8	0423-749	1		Shim
9	1402-631	1		Key
10	1402-629	1		Face, Driven - Fixed
11	0828-020	1		Washer
12	0827-013	1		Nut, Driven Pulley
13	1402-564	1		Belt, Drive
14	1502-072	1		Pulley, Drive - Assembly (inc. 15-26)
15	0423-747	1		Nut, Hex
16	0423-746	1		Washer, Lock
17	1502-207	1		Plate, Movable Drive Face
18	1402-628	3		Damper, Movable Drive Face
19	1402-625	1		Face, Drive - Movable
20	1502-205	6	/P	Block, Weight - Assembly (inc. 21-22)
21	1402-627	6	S	Weight
22	1402-626	6	S	Block, Weight
23	0423-745	1		Spring
24	1402-624	1		Stopper
25	1402-623	1		Seat, Spring
26	1502-206	1		Face, Drive - Fixed
27	0423-733	1		Washer
28	0423-673	1		Bolt, Hex
29	0423-718	1		Key



2007 ATV 700 AUTOMATIC TRANSMISSION 4X4 DIESEL RED (A2007TBT4D) Page 20 of 116
CONTROL SWITCH HOUSING ASSEMBLY

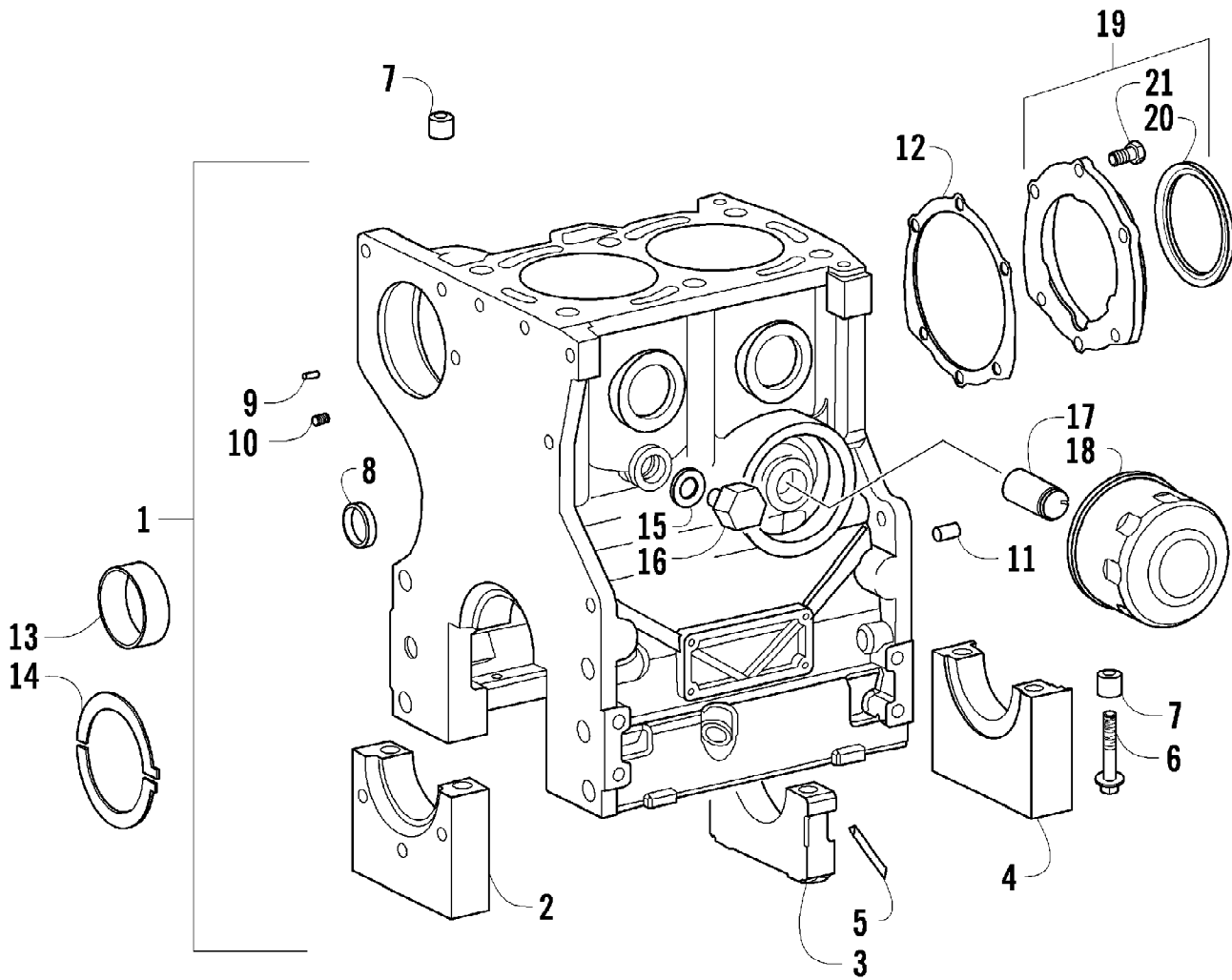
Ref #	Part Number	Qty	S/P/F	Description
1	0409-083	1		Switch, Control - Assembly (inc. 2-3)
2	3423-196	1		Screw
3	0409-028	1		Screw
4	3409-019	1		Cover, Housing

2007 ATV 700 AUTOMATIC TRANSMISSION 4X4 DIESEL RED (A2007TBT4) **Page 21 of 116**
COOLING ASSEMBLY



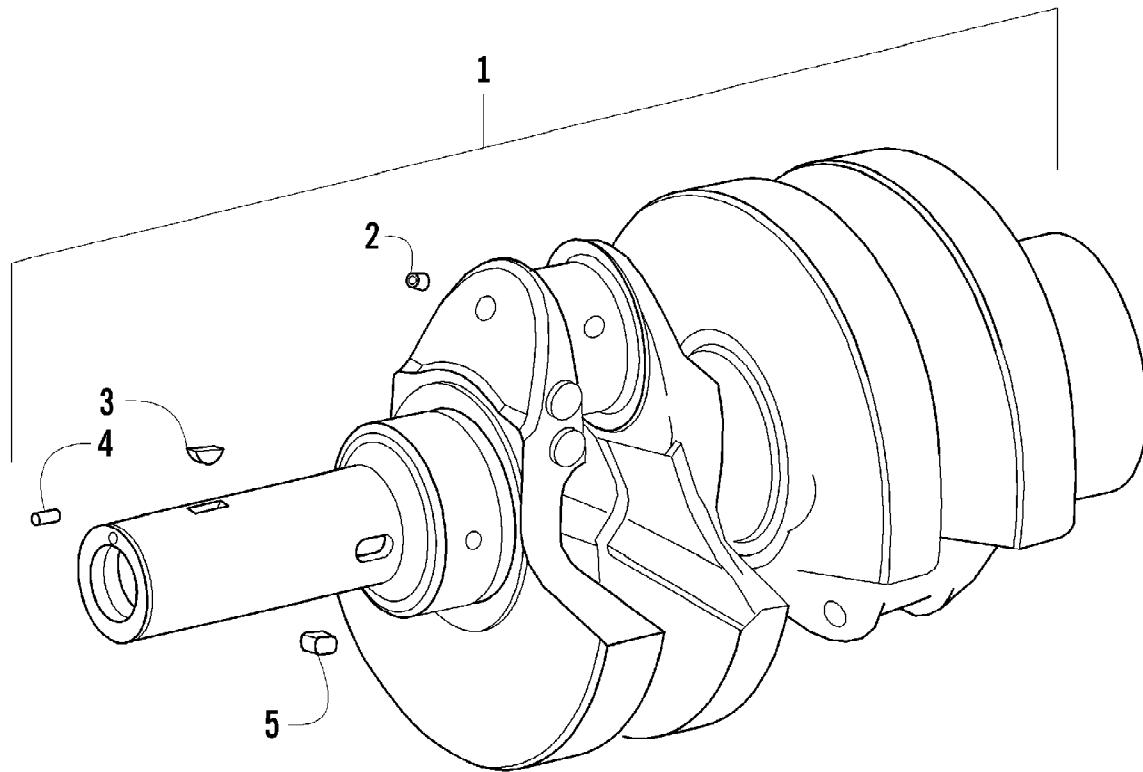
2007 ATV 700 AUTOMATIC TRANSMISSION 4X4 DIESEL RED (A2007TBT4D) Page 22 of 116
COOLING ASSEMBLY

Ref #	Part Number	Qty	S/P/F	Description
1	0413-142	1		Radiator Assembly (inc. 2-10)
2	0413-156	1		Radiator
3	0413-154	1		Screen, Radiator
4	0423-030	2		Grommet
5	0413-155	1		Shroud, Fan
6	0413-123	1	/P	Fan, Cooling
7	8475-512	12		Screw, Machine
8	0123-397	1		Clamp, Cable
9	0413-045	1		Sensor, Temperature - Coolant
10	0423-390	1	S	O-Ring
11	0610-016	AR	/P	Hose - 25 ft
12	0413-002	1	S	Cap, Radiator
13	0413-140	1	S	Tank, Coolant Fill
14	0423-484	2		Screw, Shoulder
15	0623-038	2		Nut w/Washer
16	0423-028	2		Bushing, Stem
17	0423-496	3		Clamp, Hose
18	0410-106	1		Hose, Coolant
19	0410-107	1		Hose, Coolant
20	1623-093	3		Clamp
21	0410-121	1		Hose, Coolant - Coupler
22	0124-045	1	/P	Clamp, Hose
23	0413-086	1		Tank, Coolant Overflow
24	0413-087	1		Stopper, Coolant Tank
25	0610-011	AR	/P	Hose, Clear - 25 ft
26	0623-316	1		Cable Tie
27	0123-788	2	/P	Cable Tie



2007 ATV 700 AUTOMATIC TRANSMISSION 4X4 DIESEL RED (A2007TBT4D) Page 24 of 116
CRANKCASE, CRANKSHAFT SUPPORT, AND OIL FILTER ASSEMBLIES

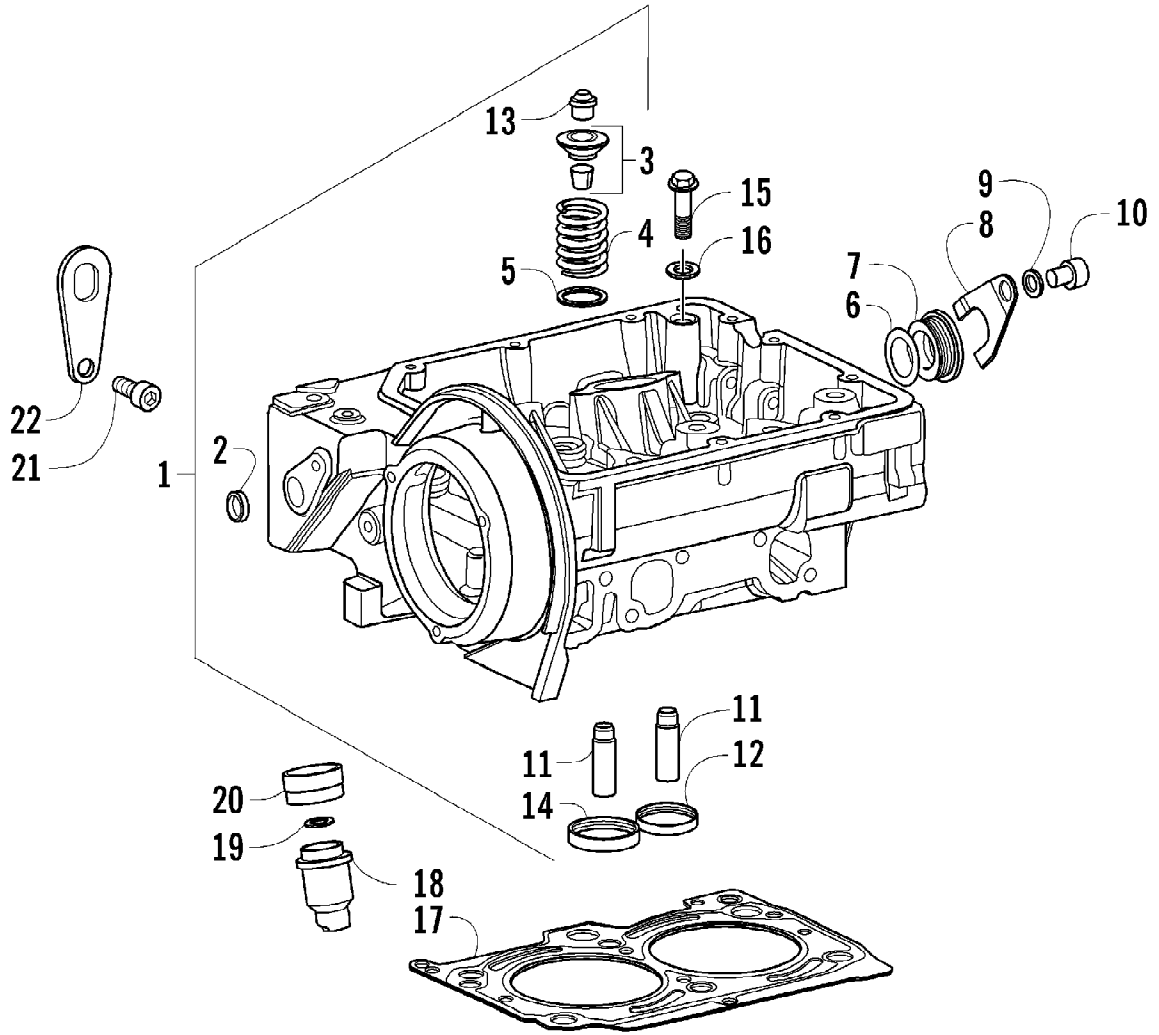
Ref #	Part Number	Qty	S/P/F	Description
1	3206-046	1		Crankcase (inc. 2-6, two No. 7, and 8-10)
2	0	1	F	Housing - Front
3	0	1	F	Housing - Center
4	0	1	F	Housing - Rear
5	3206-054	4		Gasket
6	3206-049	6		Screw
7	3206-045	4		Sleeve
8	3206-058	1		Pin, Tapered
9	3206-047	1		Plug
10	3206-048	2		Plug
11	3206-053	2		Pin, Lock
12	3206-089	1	S	Gasket
13	3206-055	3		Bearing
13	3206-056	3		Bearing (-0.25 mm)
13	3206-057	3		Bearing (-0.50 mm)
14	3206-050	2		Washer
14	3206-051	2		Washer (0.10 mm)
14	3206-052	2		Washer (0.20 mm)
15	3206-206	1		Gasket
16	3206-207	1		Plug
17	3206-193	1		Connector, Oil Filter
18	3206-194	1		Cartridge, Oil Filter
19	3206-090	1		Flange, Engine (inc. 20-21)
20	3206-091	1		Ring
21	3206-088	6		Screw



2007 ATV 700 AUTOMATIC TRANSMISSION 4X4 DIESEL RED (A2007TBT4D) Page 26 of 116
CRANKSHAFT ASSEMBLY

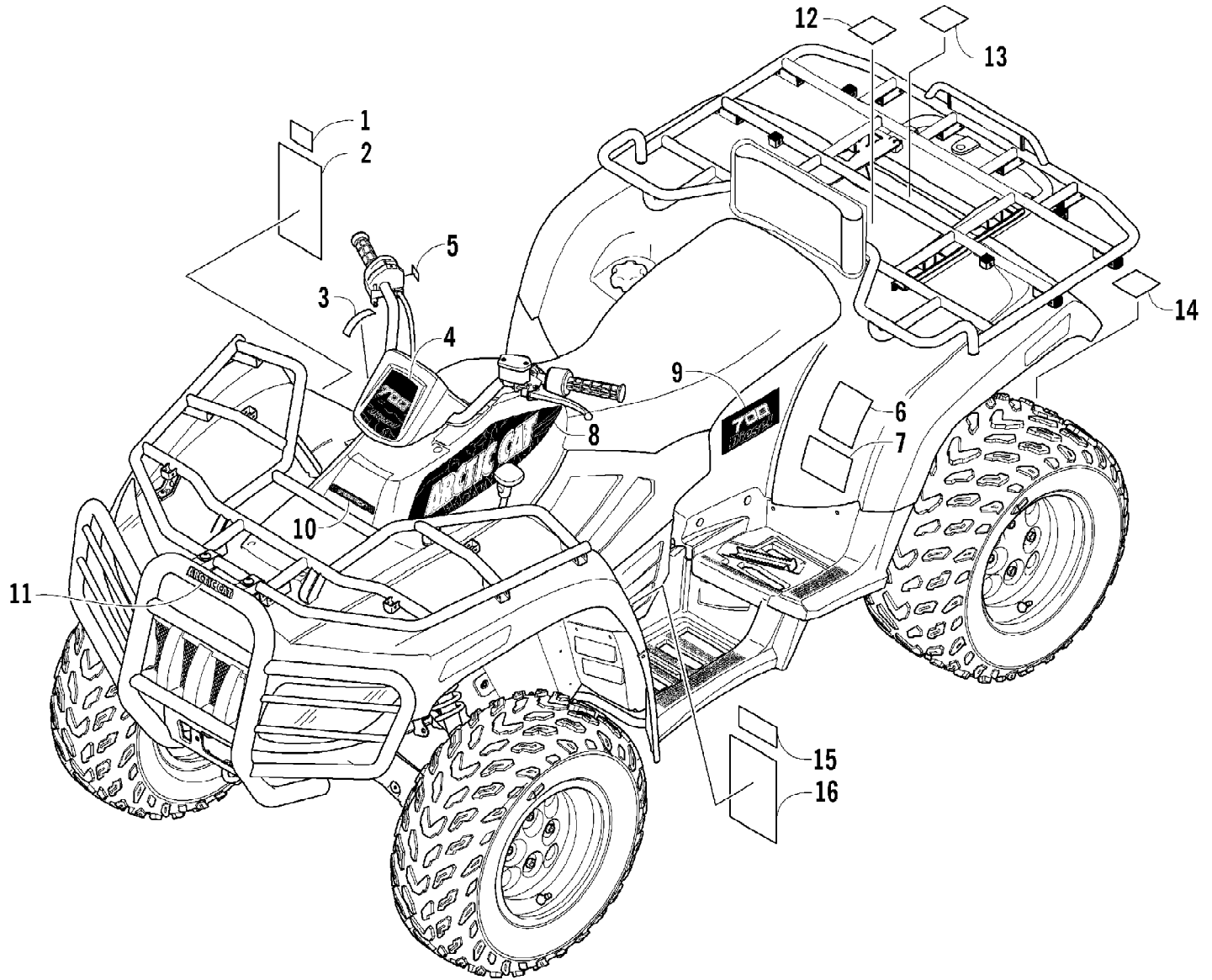
Ref #	Part Number	Qty	S/P/F	Description
1	3206-019	1		Crankshaft Assembly (inc. 2-5)
2	3206-020	2		Plug
3	3206-018	1		Key
4	3206-022	1		Pin
5	3206-021	1		Key

2007 ATV 700 AUTOMATIC TRANSMISSION 4X4 DIESEL RED (A2007TBT4) **DISC 27** of 116
CYLINDER HEAD AND PRECOMBUSTION CHAMBER ASSEMBLY



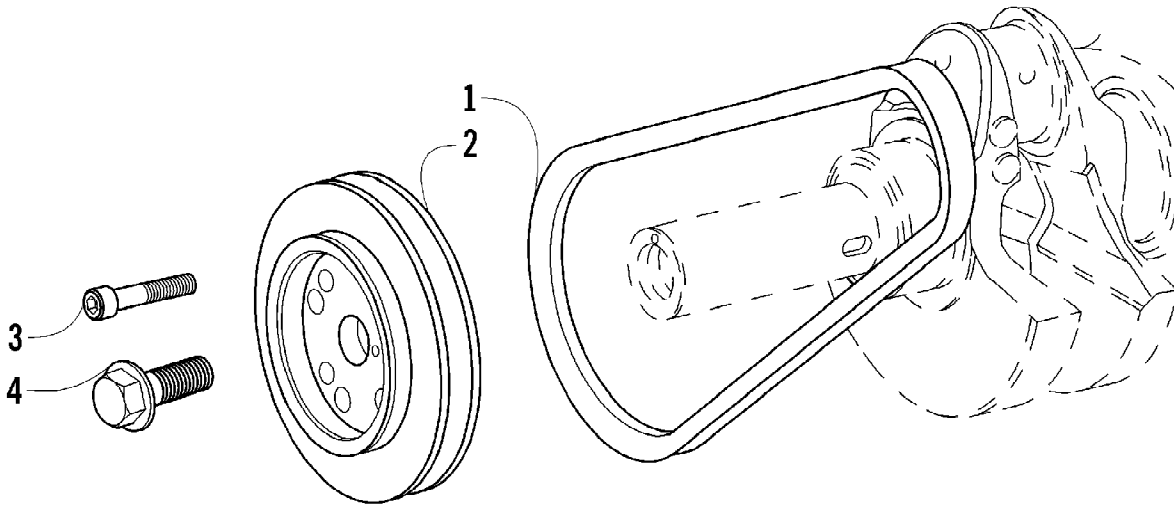
2007 ATV 700 AUTOMATIC TRANSMISSION 4X4 DIESEL RED (A2007TBT4D) Page 28 of 116
CYLINDER HEAD AND PRECOMBUSTION CHAMBER ASSEMBLY

Ref #	Part Number	Qty	S/P/F	Description
1	3206-063	1		Cylinder Head (inc. 2-14)
2	3206-065	1		Plug
3	3206-148	4		Retainer
4	3206-147	4		Spring, Valve
5	3206-149	4		Washer
6	3206-076	1		O-Ring
7	3206-275	0		Plug
8	3206-074	1		Retainer
9	3206-075	1		Washer
10	3206-077	1		Bolt
11	3206-061	4		Guide, Valve
11	3206-062	4		Guide, Valve (0.50 mm)
12	3206-073	2		Seat, Exhaust Valve
13	3206-152	4		Retainer, Valve
14	3206-072	2		Seat, Intake Valve
15	3206-066	6		Screw
16	3206-064	6		Washer
17	3206-069	1		Gasket, Head - 1.56-1.64 (1 small hole)
17	3206-070	1		Gasket, Head - 1.66-1.74 (2 small holes)
17	3206-071	1		Gasket, Head - 1.76-1.84 (3 small holes)
18	3206-068	2		Chamber, Precombustion
19	3206-079	2		Spacer
20	3206-067	2		Nut, Locking
21	3206-078	2		Bolt
22	3206-060	2		Brace, Lifting



2007 ATV 700 AUTOMATIC TRANSMISSION 4X4 DIESEL RED (A2007TBT4D) Page 30 of 116
 DECALS

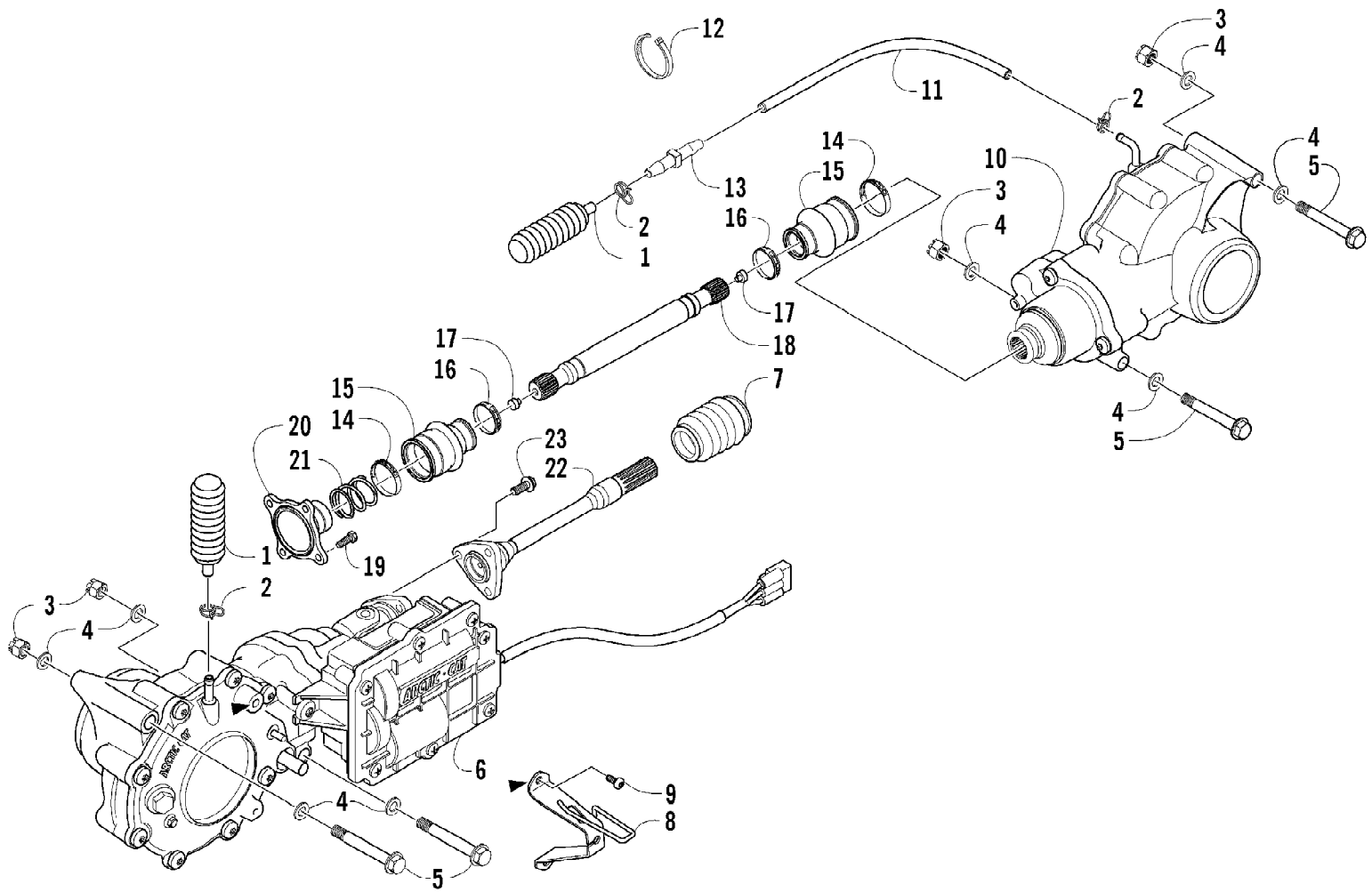
Ref #	Part Number	Qty	S/P/F	Description
1	1441-490	1	F	Decal, Warning - Reverse/Pre-Ride
2	0411-894	1	F	Decal, Warning - Hill
3	0411-426	1		Decal, Warning - Clutch Cover
4	1411-644	1		Decal, Instrument Pod
5	0411-966	1		Decal, Warning - Differential Lock
6	0411-833	1	F	Decal, Passenger
7	0411-832	1	F	Decal, Warning - Tire Pressure
8	1411-356	1		Decal, Side - Upper Right
8	1411-357	1		Decal, Side - Upper Left
9	1411-645	2		Decal, Graphic - Lower
10	1411-050	1	/P	Decal, Speedrack
11	0411-501	1		Decal, Front Bumper - "Arctic Cat"
12	1411-269	1	F	Decal, Warning - Passenger
13	1411-251	1	F	Decal, Warning - Seat/Passenger
14	1411-077	1		Decal, Warning - Towing
15	1411-574	1	F	Decal, Warning - Off-Road Only
16	0411-753	1		Decal, Warning - Age/General



2007 ATV 700 AUTOMATIC TRANSMISSION 4X4 DIESEL RED (A2007TBT4D16R) Page 32 of 116
DRIVE PULLEY AND ALTERNATOR BELT ASSEMBLY

Ref #	Part Number	Qty	S/P/F	Description
1	3206-042	1		Belt
2	3206-044	1		Pulley
3	3206-043	4		Screw
4	3206-041	1		Screw

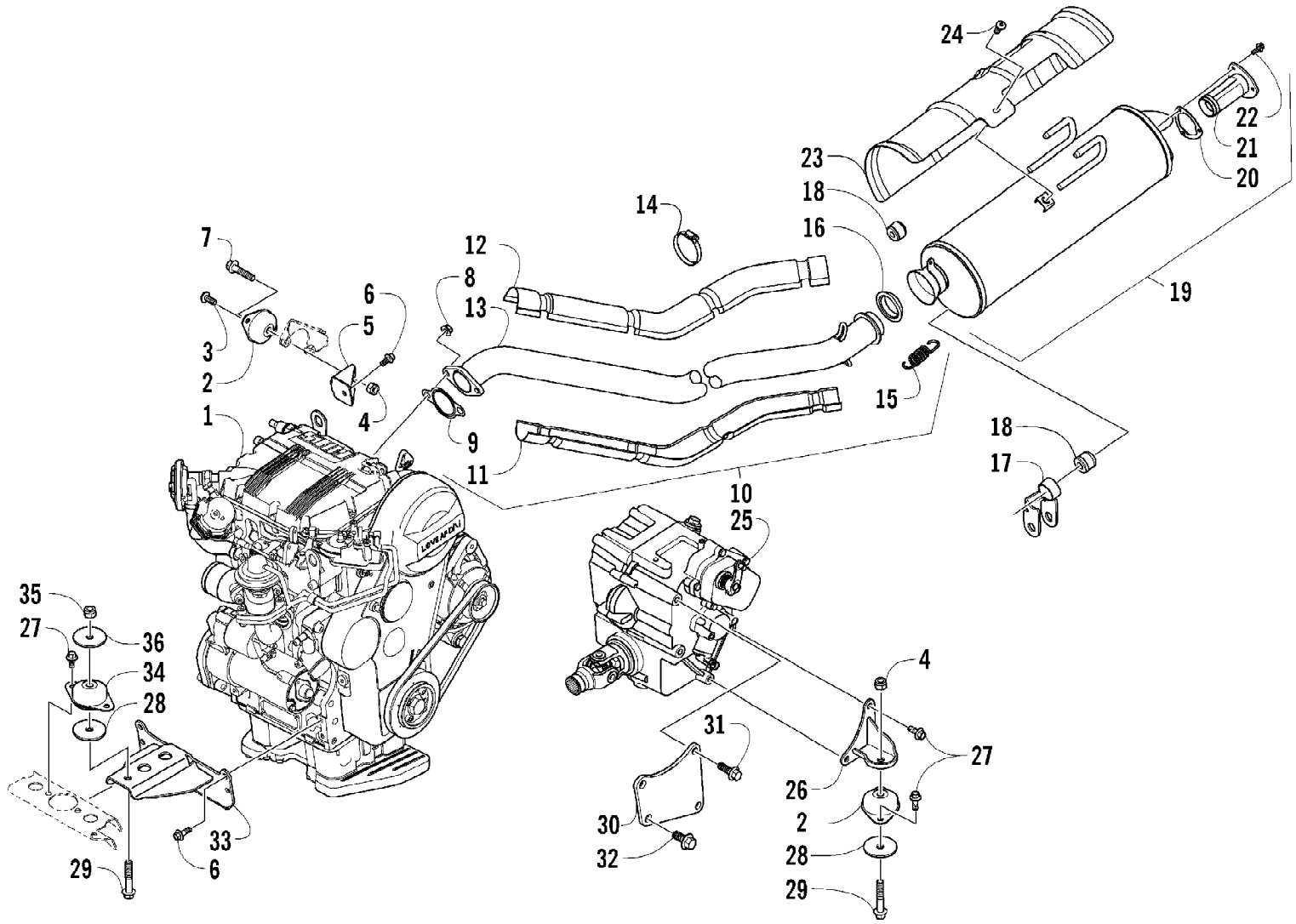
2007 ATV 700 AUTOMATIC TRANSMISSION 4X4 DIESEL RED (A2007TBT41D) Page 33 of 116
DRIVE TRAIN ASSEMBLY



2007 ATV 700 AUTOMATIC TRANSMISSION 4X4 DIESEL RED (A2007TBT4D) Page 34 of 116
DRIVE TRAIN ASSEMBLY

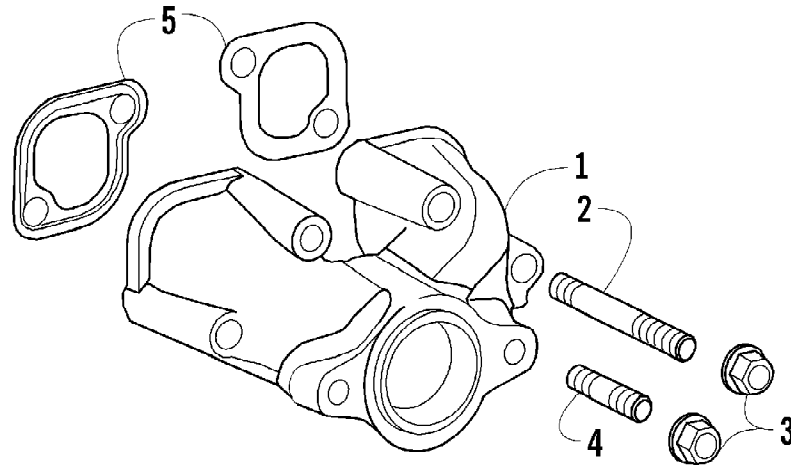
Ref #	Part Number	Qty	S/P/F	Description
1	0402-147	2	S	Bladder, Gearcase
2	0423-315	4		Clamp, Fitting
3	8428-002	4		Nut, Lock
4	0423-426	10		Washer
5	0423-404	4		Screw, Cap
6	0502-975	1		Gearcase, Front
7	0402-966	1		Boot, Shaft
8	0502-500	1		Plate, Cable
9	0423-396	2		Screw, Self-Tapping
10	1502-079	1	S	Gearcase, Rear
11	0410-048	AR	S	Hose, Vent
12	0123-788	1	/P	Cable Tie
13	0470-462	1		Fitting, Vent
14	0423-393	2		Clamp, Boot
15	0402-985	2	/P	Boot
16	0423-411	2		Clamp, Boot
17	0673-618	2	/P	Bumper, Propeller Shaft
18	1402-507	1		Shaft, Propeller
19	8408-820	4	/P	Screw, Cap
20	0402-950	1		Flange, Output
21	1402-026	1		Spring
22	0502-976	1		Shaft, Propeller
23	8409-025	3		Screw, Cap

2007 ATV 700 AUTOMATIC TRANSMISSION 4X4 DIESEL RED (A2007TBT4) **Page 35 of 116**
ENGINE AND EXHAUST



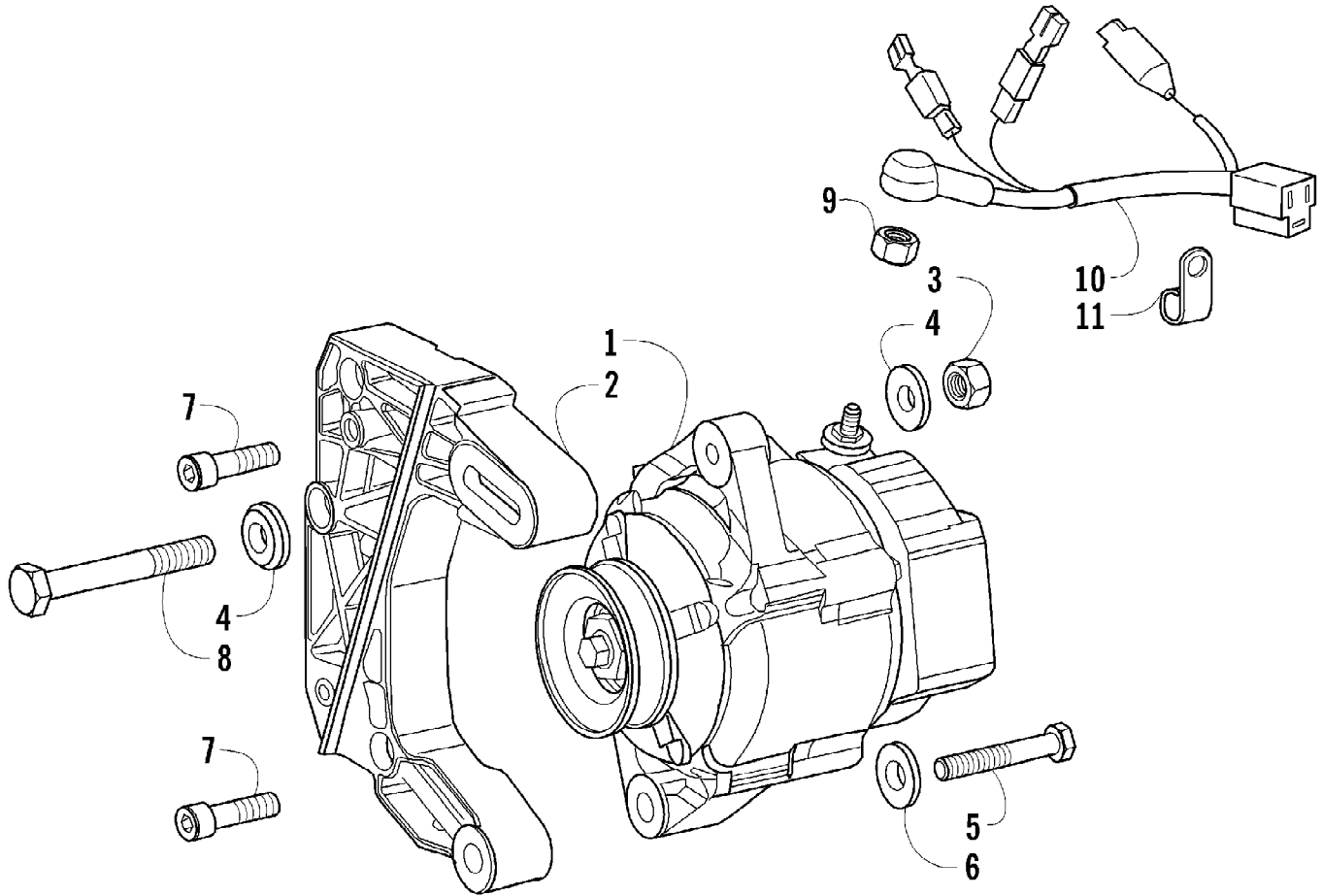
2007 ATV 700 AUTOMATIC TRANSMISSION 4X4 DIESEL RED (A2007TBT4D) Page 36 of 116
ENGINE AND EXHAUST

Ref #	Part Number	Qty	S/P/F	Description
1	0463-044	1		Engine
2	2406-323	3		Mount, Engine - Rubber
3	8468-820	2		Screw, Cap
4	8422-002	3		Nut, Lock
5	2506-186	1		Mounting, Bracket - Engine
6	8408-816	5		Screw, Cap
7	0423-736	1		Screw, Cap
8	0423-687	2	S	Nut
9	3206-296	1	/P	Gasket, Exhaust Manifold
10	0512-322	1		Pipe, Exhaust - Assembly (inc. 11-14)
11	0412-386	1		Shield, Exhaust Pipe - Lower
12	0412-385	1		Shield, Exhaust Pipe - Upper
13	0512-321	1		Pipe, Exhaust
14	0423-317	4	/P	Hose Clamp
15	0612-668	2	/P	Spring
16	0412-375	1	/P	Seal, Exhaust
17	1506-732	1		Channel, Muffler Support (inc. one No. 18)
18	0412-215	3	S	Bushing
19	0512-306	1	/P	Muffler (inc. 20-22)
20	0412-313	1		Gasket, Spark Arrester
21	0512-219	1	/P	Arrester, Spark
22	8408-616	3		Screw, Cap
23	0412-373	1	/P	Cover, Muffler
24	8477-610	3		Screw, Machine
25	0502-993	1	S	Gearcase - Assembly
26	2506-190	1		Bracket, Mounting - Engine - Right
26	2506-191	1		Bracket, Mounting - Engine - Left
27	8408-820	8	/P	Screw, Cap
28	2506-061	3		Washer, Engine Mount
29	8408-055	3		Screw, Cap
30	0408-015	1		Plate, Mounting - Engine/Transmission
31	8409-030	2		Screw, Cap
32	0423-685	2		Screw, Cap
33	2506-189	1		Bracket, Mounting - Engine - Front
34	2406-322	1		Mount, Engine - Rubber
35	0423-737	1		Nut
36	0423-073	1		Washer



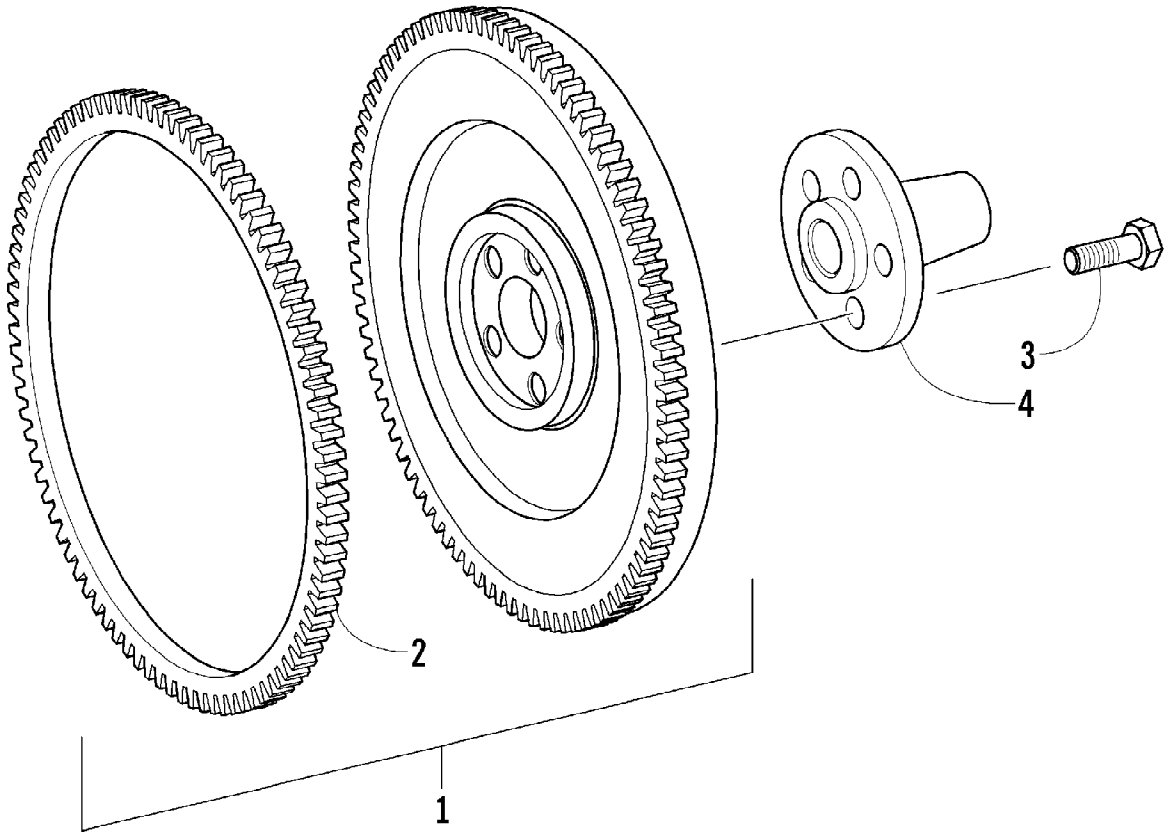
2007 ATV 700 AUTOMATIC TRANSMISSION 4X4 DIESEL RED (A2007TBT4D16R) Page 38 of 116
EXHAUST MANIFOLD ASSEMBLY

Ref #	Part Number	Qty	S/P/F	Description
1	3206-294	1		Manifold, Exhaust
2	3206-292	4		Stud
3	3206-293	6	/P	Nut
4	3206-297	2		Stud
5	3206-291	2		Gasket, Exhaust Manifold



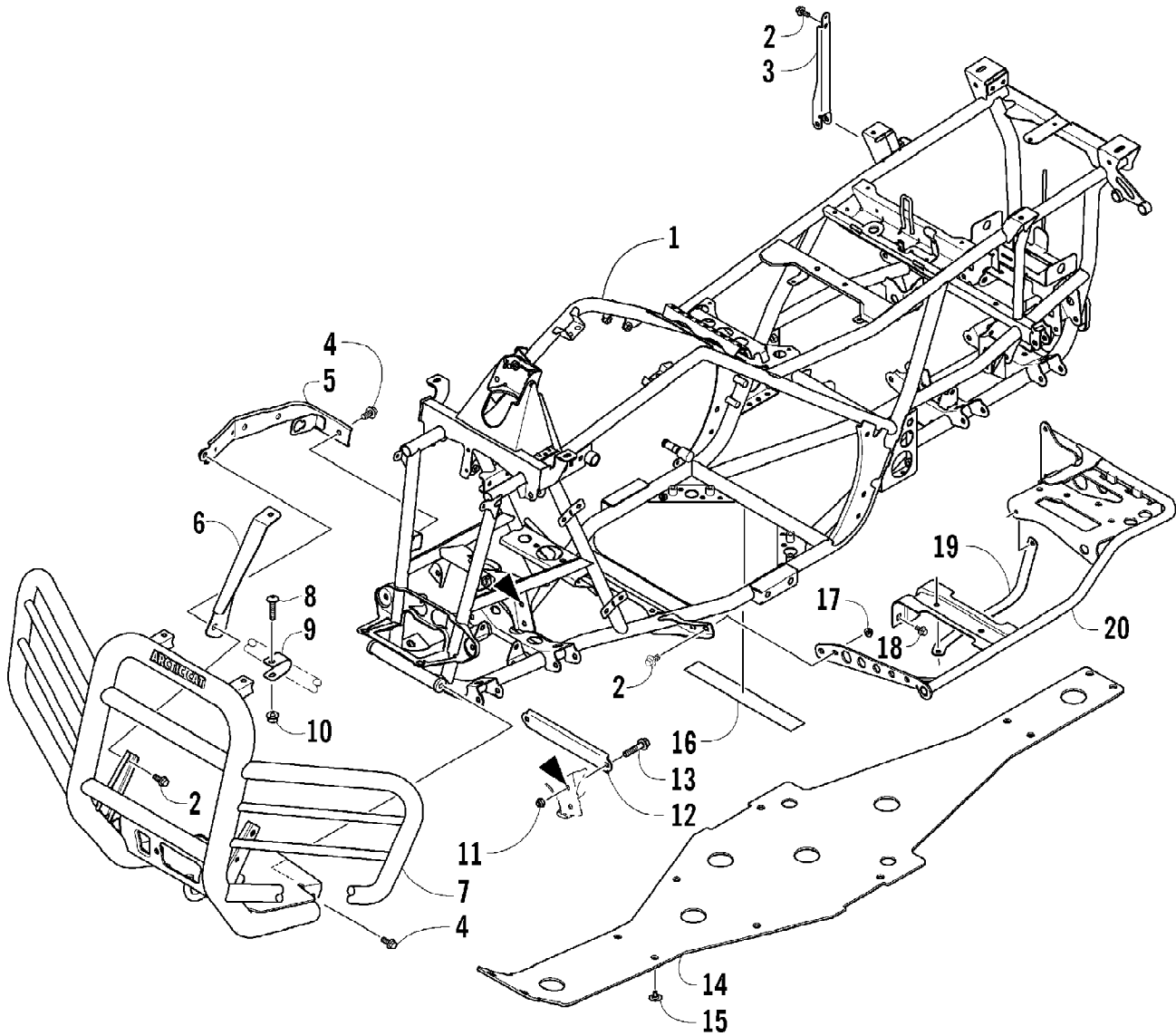
2007 ATV 700 AUTOMATIC TRANSMISSION 4X4 DIESEL RED (A2007TBT4D) Page 10 of 116
EXTERNAL ALTERNATOR ASSEMBLY

Ref #	Part Number	Qty	S/P/F	Description
1	3206-303	1		Alternator
2	3206-300	1		Support, Alternator
3	3206-142	1		Nut
4	3206-298	2		Washer
5	3206-301	1		Bolt
6	3206-302	1		Washer
7	3206-266	3		Screw
8	3206-299	1		Bolt
9	3206-137	1		Nut
10	3206-324	1		Wire w/Diode
11	3206-325	1		Clamp



2007 ATV 700 AUTOMATIC TRANSMISSION 4X4 DIESEL RED (A2007TBT4D) Page 12 of 116
FLYWHEEL AND CROWN GEAR ASSEMBLY

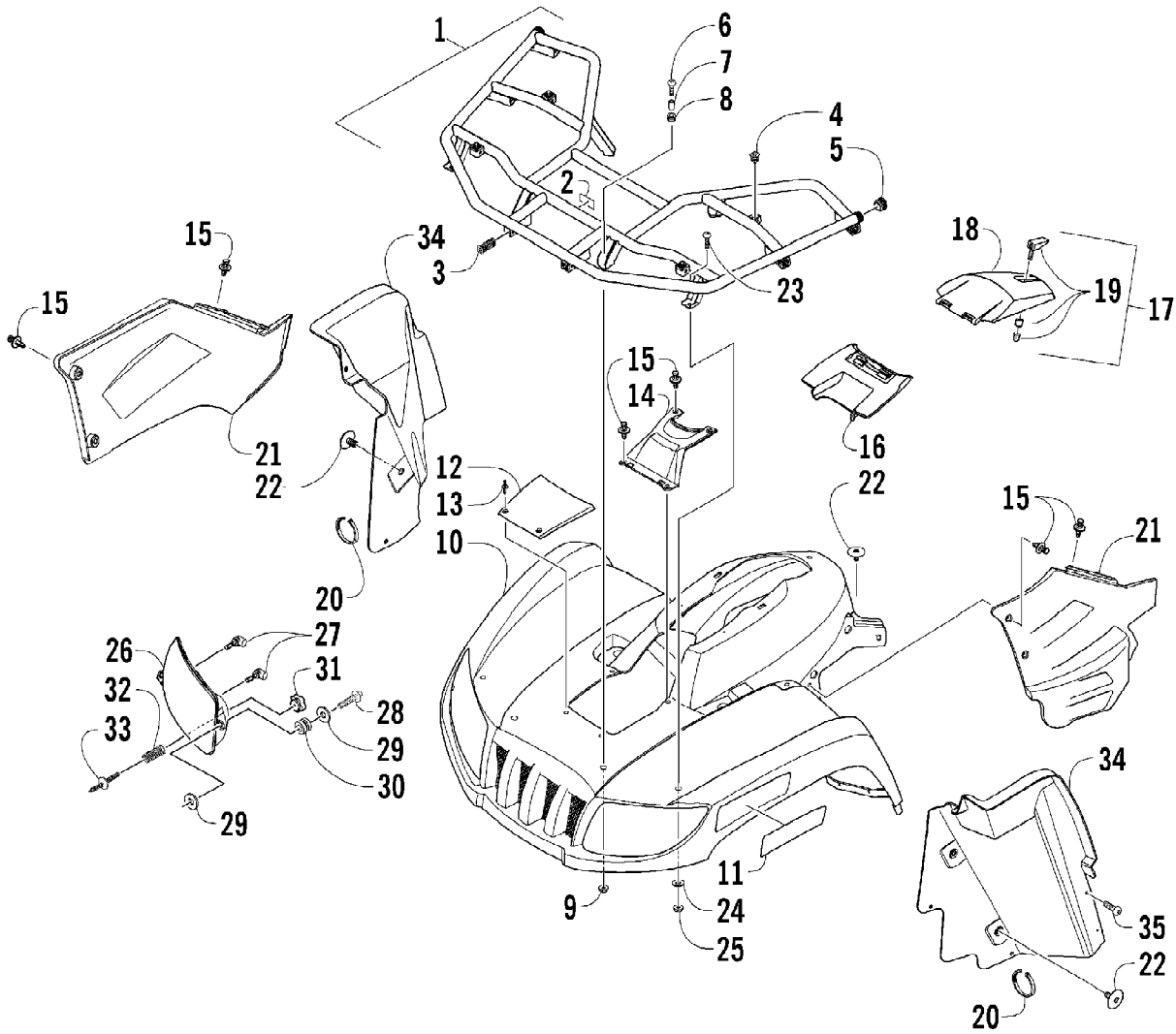
Ref #	Part Number	Qty	S/P/F	Description
1	3206-040	1		Flywheel (inc. 2)
2	3206-037	1		Gear, Crown
3	8409-040	5		Bolt
4	1402-560	1		Axle, Stub



2007 ATV 700 AUTOMATIC TRANSMISSION 4X4 DIESEL RED (A2007TBT4D) Page 14 of 116
FRAME AND RELATED PARTS

Ref #	Part Number	Qty	S/P/F	Description
1	2506-006	1		Frame, Main
2	8408-816	11		Screw, Cap
3	1506-548	1		Channel, Shock Support
4	8409-020	4	/P	Screw, Cap
5	2506-283	1		Channel, Bumper Mounting - Right
5	2506-285	1		Channel, Bumper Mounting - Left
6	1506-562	1		Bracket, Mounting - Bumper - Right
6	1506-563	1		Bracket, Mounting - Bumper - Left
7	2506-420	1		Bumper
8	8468-845	2		Screw, Machine
9	1506-667	2		Strap, Bumper Support
10	8424-805	2		Nut, Lock
11	8428-002	2		Nut, Lock
12	1506-429	1	S	Brace, A-Arm
13	8409-025	2		Screw, Cap
14	2406-253	1		Panel, Belly
15	0423-101	17		Screw, Body
16	0406-289	2		Pad, Frame
17	8424-802	4		Nut, Flange
18	8409-016	3		Screw, Cap
19	2406-216	1		Strap, Footrest - Right
19	2406-217	1		Strap, Footrest - Left
20	1506-848	1		Footrest - Right
20	1506-849	1		Footrest - Left

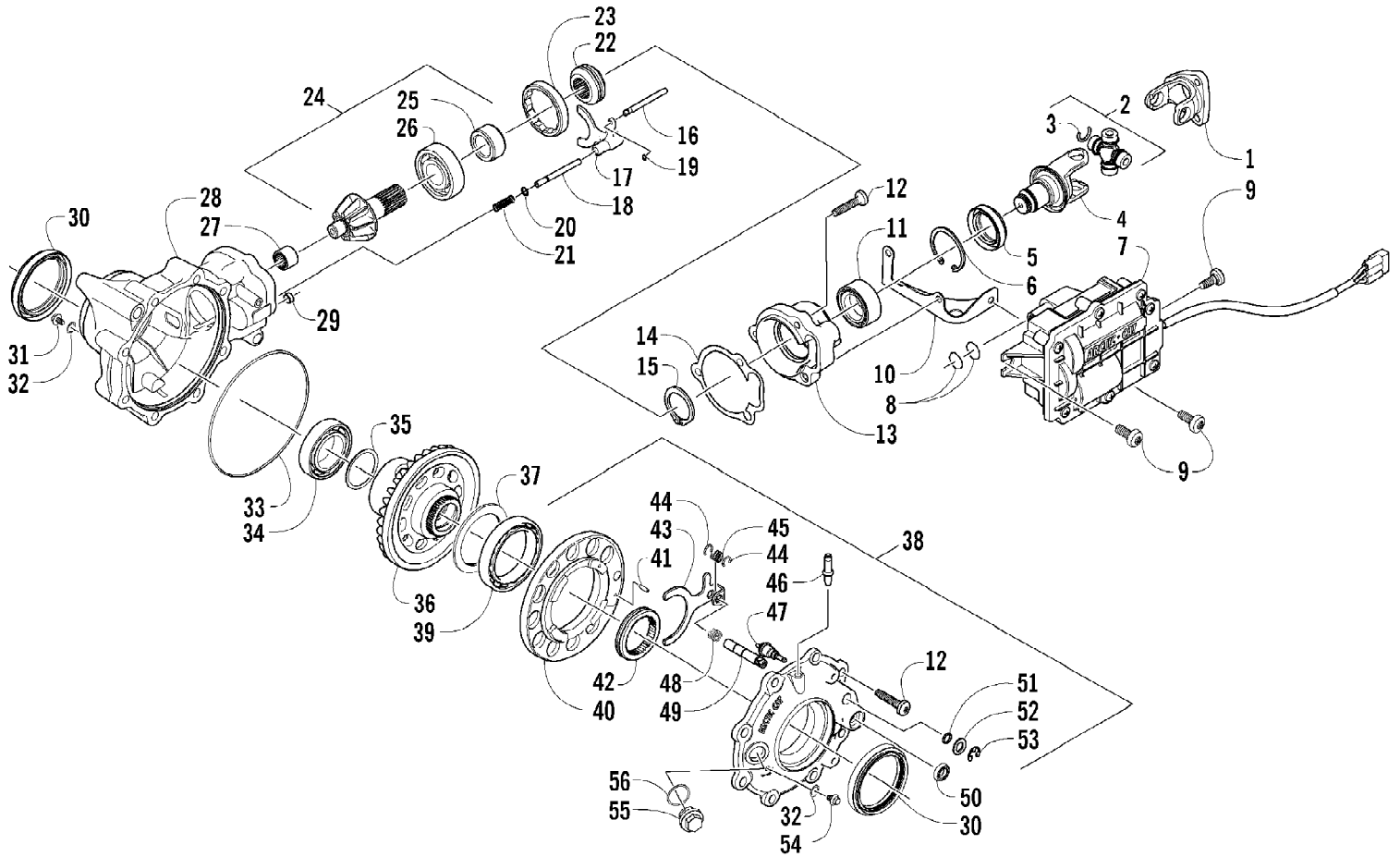
2007 ATV 700 AUTOMATIC TRANSMISSION 4X4 DIESEL RED (A2007TBT4) DISC 15 of 116
FRONT BODY PANEL ASSEMBLY



2007 ATV 700 AUTOMATIC TRANSMISSION 4X4 DIESEL RED (A2007TBT4DUSR)
FRONT BODY PANEL ASSEMBLY Page 46 of 116

Ref #	Part Number	Qty	S/P/F	Description
1	1506-883	1		Rack - Front - Assembly (inc. 2-5)
2	0411-576	1		Decal, Warning - Front Rack Load
3	2406-014	6		Bushing, Rack
4	0441-592	4	/P	Bushing, Rack
5	1441-049	2		Plug, Rack
6	8410-830	4		Screw, Machine
7	0423-669	4		Spacer
8	0423-465	4		Grommet
9	8432-802	4		Nut, Lock
10	2506-322	1	S	Panel, Fender - Front (inc. 11)
11	0411-818	1		Decal, Reflector - Front - Right
11	0411-819	1		Decal, Reflector - Front - Left
12	1406-358	1		Cover, Access
13	0423-535	2		Rivet, Reinstallable
14	1406-484	1		Cover, Steering Post
15	0623-362	12		Rivet, Reinstallable
16	0470-513	1		Cover, Storage Box
17	2506-234	1		Lid, Storage Box w/Latch (inc. 18-19)
18	0470-514	1		Lid, Storage Box
19	1406-599	1		Latch, Storage Box
20	0123-788	AR	/P	Cable Tie - 7.5 in.
21	2406-404	1		Panel, Side - Lower - Right
21	2406-405	1		Panel, Side - Lower - Left
22	0423-101	5		Screw, Body
23	0423-654	2		Screw, Shoulder
24	8050-222	2	/P	Washer
25	0423-540	2		Nut, Lock
26	0509-034	1	S	Headlight Assembly - Right (inc. 27)
26	0509-035	1		Headlight Assembly - Left (inc. 27)
27	0409-055	4		Bulb, Headlight
28	0623-785	4		Screw, Self-Tapping
29	8050-217	8	/P	Washer
30	0423-447	4		Grommet
31	0423-513	2		Knob, Adjuster
32	0423-522	2		Spring, Adjuster
33	0423-514	2		Stud, Adjuster - Headlight
34	2506-434	1		Panel, Splash - Right
34	2506-383	1	/P	Panel, Splash - Left
35	0423-342	2	/P	Screw, Self-Tapping

2007 ATV 700 AUTOMATIC TRANSMISSION 4X4 DIESEL RED (A2007TBT4) Page 17 of 116
FRONT DRIVE GEARCASE ASSEMBLY



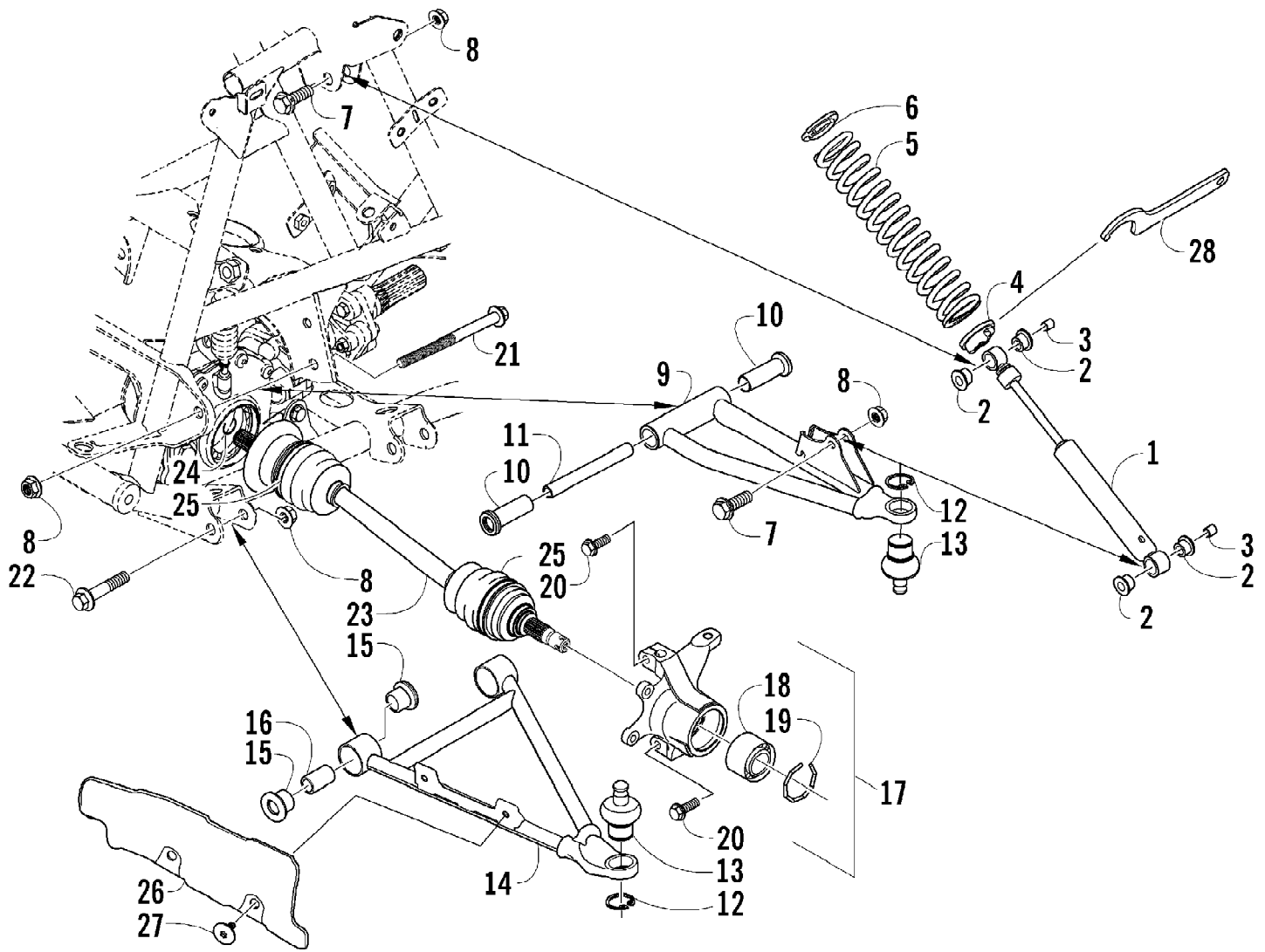
2007 ATV 700 AUTOMATIC TRANSMISSION 4X4 DIESEL RED (A2007TBT4DUSA)
FRONT DRIVE GEARCASE ASSEMBLY Page 18 of 116

Ref #	Part Number	Qty	S/P/F	Description
	0502-975	1		Complete Front Drive Gearcase Assembly
1	1402-369	1		Yoke, Flange
2	1402-164	1	/P	Joint, Universal - Set (inc. 3)
3	0423-450	4		Retainer
4	0502-517	1		Yoke, Front End - Assembly
5	1402-011	1		Seal
6	0423-423	1		Ring, Retaining
7	0502-579	1		Actuator (inc. one No. 8)
8	0423-498	2	S	O-Ring
9	0423-396	3		Screw, Self-Tapping
10	0502-347	1		Bracket, Actuator
11	1402-043	1		Bearing
12	0423-118	11		Screw, Self-Tapping
13	0502-528	1	/P	Housing, Pinion
14	0402-947	1		Gasket, Flange
15	0423-417	1		Ring, Retaining
16	0402-997	1		Shaft, Selector
17	0402-998	1		Fork, Selector
18	0402-417	1		Shaft, Shuttle
19	0423-402	1		Ring, Retaining
20	0423-147	1		O-Ring
21	0402-999	1		Spring, Return
22	0402-413	1		Coupler, Drive
23	0402-357	1		Collar, Lock
24	0502-783	1		Gear, Pinion - Assembly - 10T (inc. 25-26)
25	0402-336	1		Collar, Retaining
26	0402-327	1		Bearing
27	0402-328	1		Bearing
28	0502-514	1		Housing, Gearcase
29	0402-411	1		Pin, Dowel
30	1402-441	2	S	Seal
31	1402-210	1	/P	Plug, Magnetic (inc. one No. 32)
32	0423-153	2		O-Ring
33	0423-149	1		O-Ring
34	0402-393	1		Bearing
35	0402-405	AR		Shim
35	0402-406	AR		Shim
35	0402-407	AR		Shim
35	0402-408	AR		Shim
35	0402-409	AR		Shim
36	0502-851	1		Gear, Ring - 36T
37	1402-074	AR		Shim
37	1402-075	AR		Shim
37	1402-076	AR		Shim
37	1402-077	AR		Shim
37	1402-078	AR		Shim
38	1502-097	1		Cover, Gearcase (inc. one No. 30, one No. 32 and 39-54)
39	1402-053	1		Bearing
40	0502-413	1		Flange, Bearing
41	1402-079	1		Pin, Parallel
42	1402-042	1		Collar, Sliding

2007 ATV 700 AUTOMATIC TRANSMISSION 4X4 DIESEL RED (A2007TBT4DUSA)
FRONT DRIVE GEARCASE ASSEMBLY Page 49 of 116

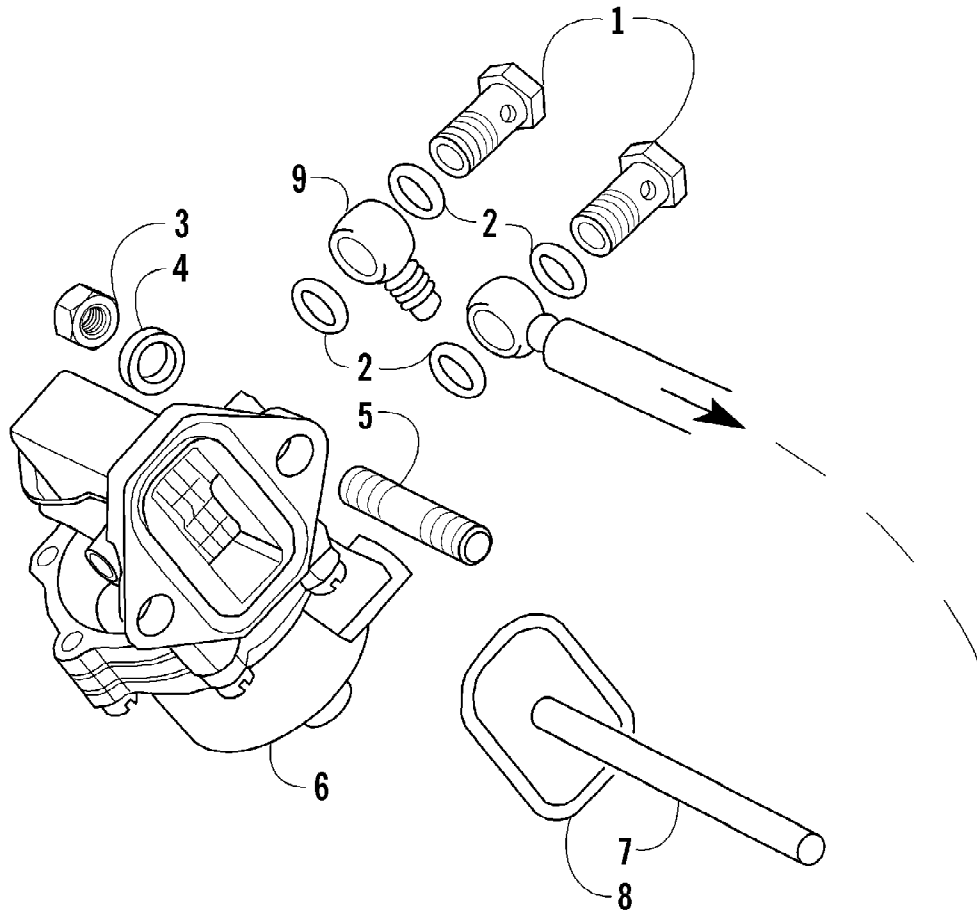
Ref #	Part Number	Qty	S/P/F	Description
43	1402-054	1		Fork
44	1402-058	2		Ring, Retaining
45	1402-057	1		Spring
46	1402-104	1		Fitting
47	0402-419	1		Switch, Indicator
48	1402-063	1		Spring
49	1402-055	1		Shaft, Lock
50	1402-056	1		Seal
51	0423-133	1		O-Ring
52	0423-132	1		Washer
53	0423-424	1		Ring, Retaining
54	1402-211	1		Plug, Oil Level (inc. one No. 32)
55	0402-333	1	/P	Plug, Fill (inc. 56)
56	0423-154	1		O-Ring

2007 ATV 700 AUTOMATIC TRANSMISSION 4X4 DIESEL RED (A2007TBT4) Page 50 of 116
FRONT SUSPENSION ASSEMBLY



2007 ATV 700 AUTOMATIC TRANSMISSION 4X4 DIESEL RED (A2007TBT4D) Page 51 of 116
FRONT SUSPENSION ASSEMBLY

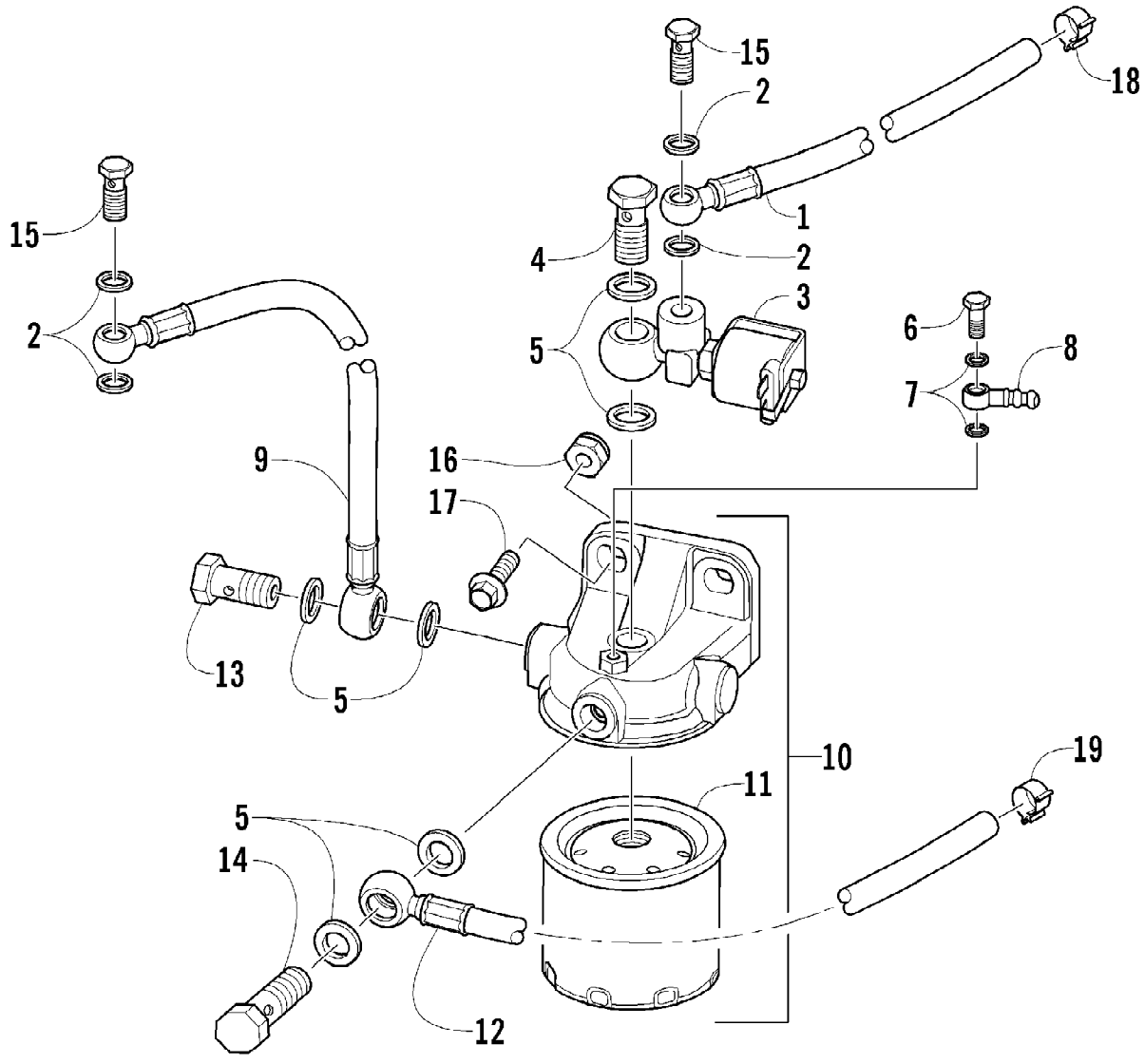
Ref #	Part Number	Qty	S/P/F	Description
1	0403-137	2	/P	Shock Absorber - Front (inc. 2-3)
2	0604-310	8		Bushing, Shock Absorber
3	0403-028	4		Sleeve, Shock
4	0403-102	2		Cam, Spring Adjuster
5	0503-318	2		Spring, Shock Absorber
6	1603-889	2	/P	Retainer, Spring
7	8409-040	4		Screw, Cap
8	8428-002	10		Nut, Lock
9	0503-272	1	S	A-Arm, Upper Right (inc. 10-13)
9	0503-273	1	S	A-Arm, Upper Left (inc. 10-13)
10	0403-081	4	S	Bushing
11	0403-080	2		Collar
12	0423-009	4	/P	Clip, Ball Joint
13	0405-115	4	/P	Ball Joint - Front
14	0503-342	1	S	A-Arm, Lower Right (inc. 12-13 and 15-16)
14	0503-343	1	S	A-Arm, Lower Left (inc. 12-13 and 15-16)
15	0403-115	8	S	Bushing
16	0403-114	4	S	Collar
17	0505-460	1		Knuckle - Assembly - Right (inc. 18-19)
17	0505-461	1	S	Knuckle - Assembly - Left (inc. 18-19)
18	1402-027	2	S/P	Bearing, Wheel Hub
19	0423-423	2		Ring, Retaining
20	8409-030	4		Screw, Cap
21	0423-334	2		Screw, Cap
22	8409-075	4		Screw, Cap
23	0502-813	1	S	Axle, Drive - Front - Left (inc. 24-25)
23	0502-812	1	S	Axle, Drive - Front - Right (inc. 24-25)
24	1441-109	2	S	Clip, Retaining
25	0436-276	2	S	Repair Kit, Boot
26	0441-752	1		Guard, Boot - Right
26	0441-753	1		Guard, Boot - Left
27	0423-545	4	/P	Screw, Body
28	0441-587	1		Wrench, Spanner



2007 ATV 700 AUTOMATIC TRANSMISSION 4X4 DIESEL RED (A2007TBT4D) Page 53 of 116
FUEL FEED PUMP AND PUSH ROD ASSEMBLIES

Ref #	Part Number	Qty	S/P/F	Description
1	3206-009	2		Bolt, Banjo-Fitting
2	3206-010	4		Washer, Crush
3	3206-245	2		Nut
4	3206-234	2		Washer
5	3206-254	2		Stud
6	3206-255	1		Pump
7	3206-257	1		Rod, Push
8	3206-256	1		O-Ring
9	3206-258	1		Banjo-Fitting

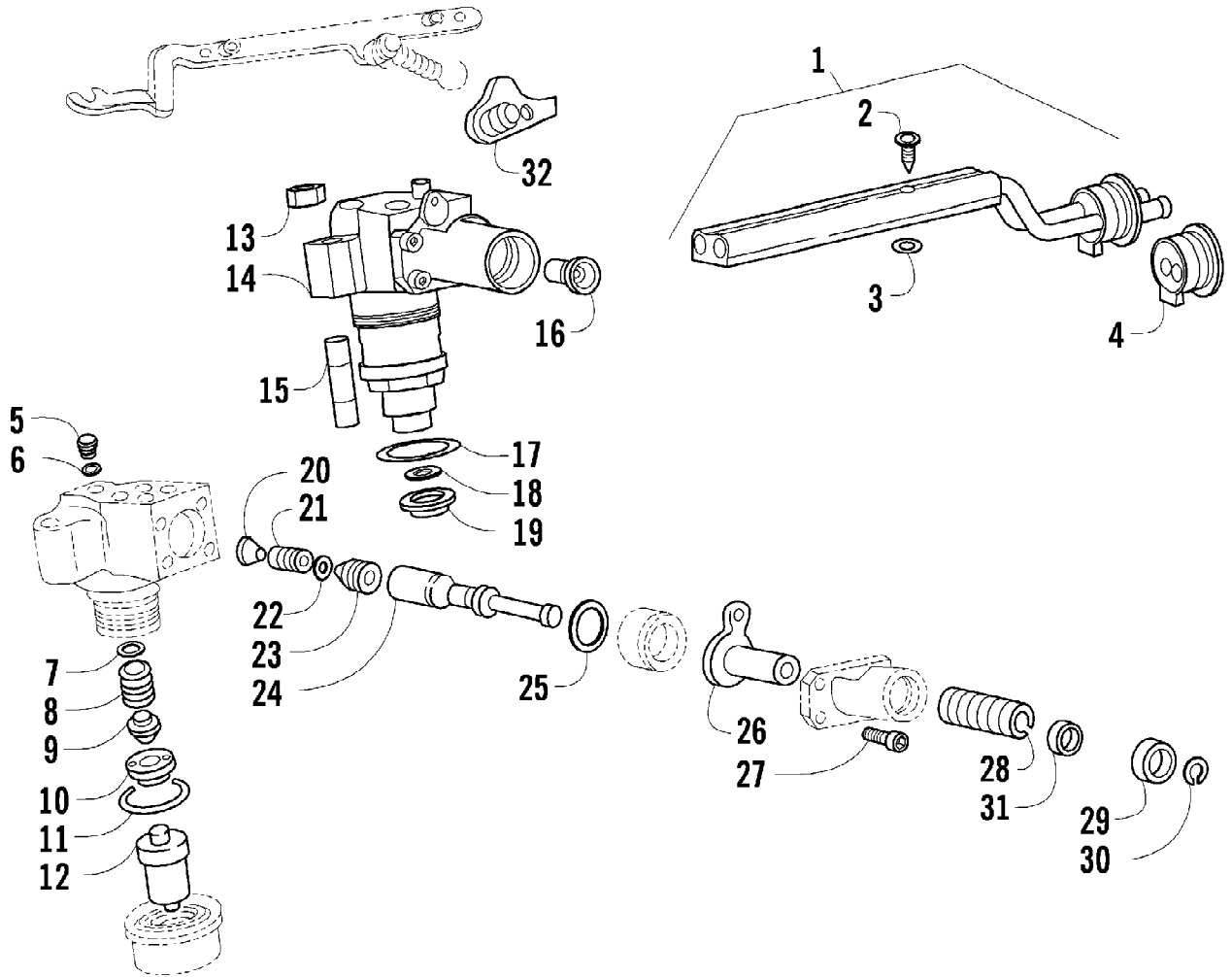
2007 ATV 700 AUTOMATIC TRANSMISSION 4X4 DIESEL RED (A2007TBT4) Page 54 of 116
FUEL FILTER, ELECTRO-VALVE, AND HOSES ASSEMBLY



2007 ATV 700 AUTOMATIC TRANSMISSION 4X4 DIESEL RED (A2007TBT4D) Page 5 of 116
FUEL FILTER, ELECTRO-VALVE, AND HOSES ASSEMBLY

Ref #	Part Number	Qty	S/P/F	Description
1	3206-014	1		Hose, Fuel
2	3206-010	4		Washer, Crush
3	3206-002	1		Electro-Valve
4	3206-003	1		Cap, Filler
5	3206-004	6		Washer, Crush
6	3206-006	1		Bolt, Banjo-Fitting
7	3206-007	2		Gasket
8	3206-008	1		Banjo-Fitting
9	3206-015	1		Hose, Fuel
10	3206-001	1		Fuel Filter - Assembly (inc. 11)
11	3206-012	1		Fuel Filter
12	3206-013	1		Hose, Fuel
13	3206-011	1		Bolt, Banjo-Fitting
14	3206-005	1		Bolt, Banjo-Fitting w/Valve
15	3206-009	2		Bolt, Banjo-Fitting
16	8432-802	2		Nut, Lock
17	8408-825	2		Screw, Cap
18	0124-045	1	/P	Clamp, Hose
19	0423-670	1		Clamp, Hose

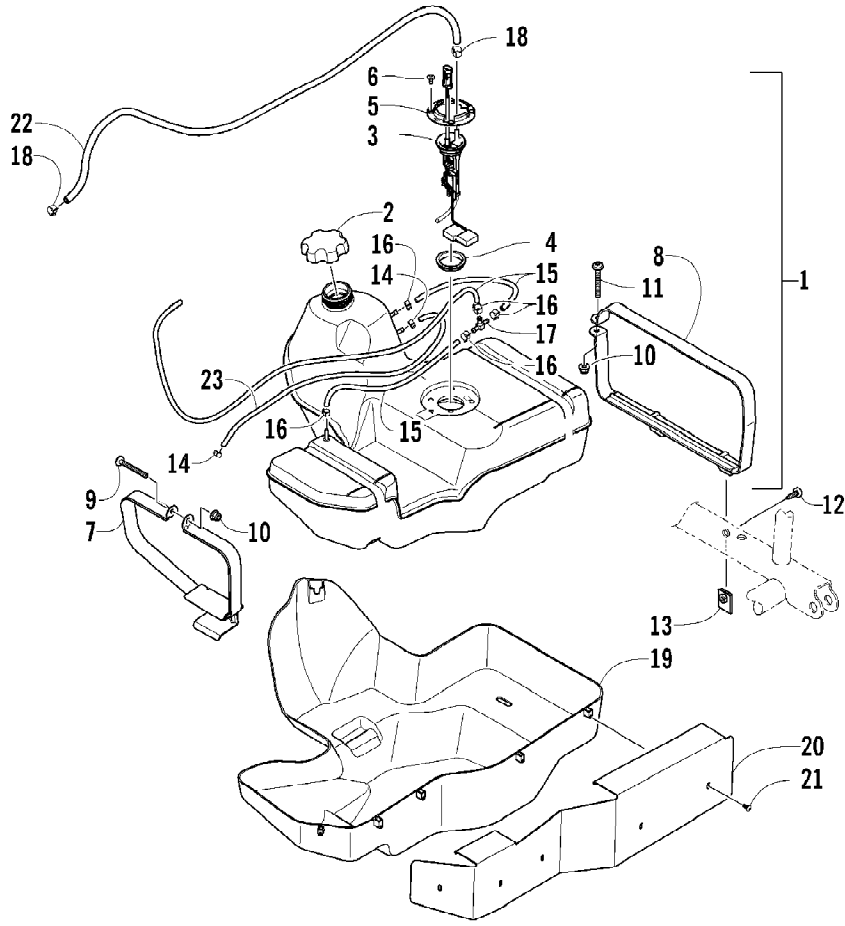
2007 ATV 700 AUTOMATIC TRANSMISSION 4X4 DIESEL RED (A2007TBT4) Page 56 of 116
FUEL SYSTEM INJECTION PUMP ASSEMBLY



2007 ATV 700 AUTOMATIC TRANSMISSION 4X4 DIESEL RED (A2007TBT4D) Page 57 of 116
FUEL SYSTEM INJECTION PUMP ASSEMBLY

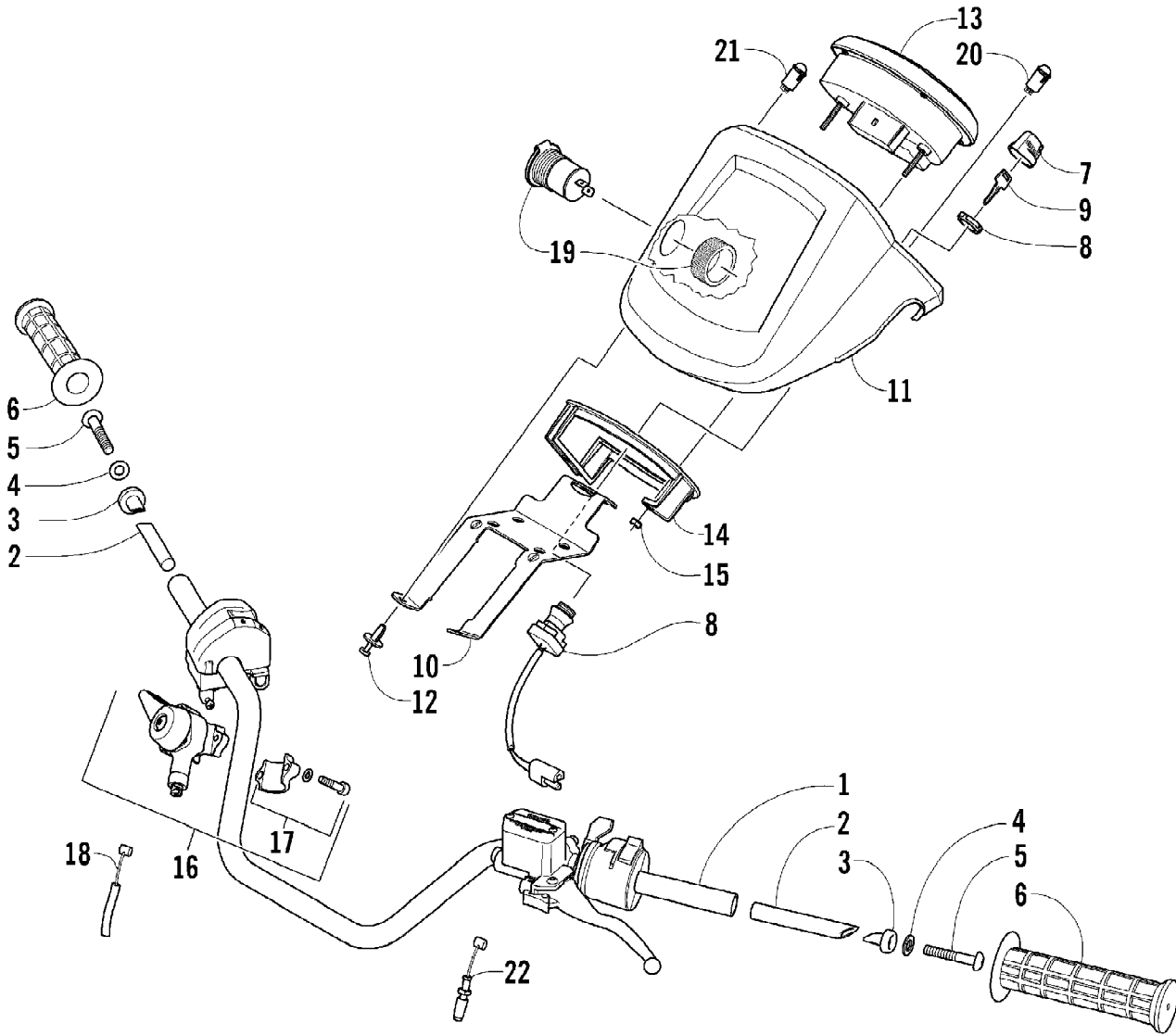
Ref #	Part Number	Qty	S/P/F	Description
1	3206-092	1		Pipe, Delivery (inc. 2-4)
2	3206-093	4		Screw, Fit
3	3206-095	4		Seal, Ring
4	3206-094	1		Seal, Delivery Pipe
5	3206-098	2		Valve, Bleed
6	3206-126	2		Gasket
7	3206-103	2		Spacer - 2.00
7	3206-104	2		Spacer - 1.90
7	3206-105	2		Spacer - 1.80
7	3206-106	2		Spacer - 1.70
7	3206-107	2		Spacer - 1.60
7	3206-108	2		Spacer - 1.50
7	3206-109	2		Spacer - 1.40
7	3206-110	2		Spacer - 1.30
7	3206-111	2		Spacer - 1.20
7	3206-112	2		Spacer - 1.10
7	3206-113	2		Spacer - 1.00
8	0	1	F	Spring, Pressure
9	3206-114	2		Drive Rod
10	3206-115	2		Spacer
11	3206-125	2		O-Ring
12	3206-123	2		Nozzle
13	3206-245	4		Nut
14	3206-102	2		Pump, Injection - Nozzle
15	3206-097	4		Stud
16	3206-133	2		Tappet
17	3206-122	2		O-Ring
18	3206-124	2		Gasket, Copper
19	3206-059	2		Arrester, Spark
20	3206-116	2		Filler
21	3206-099	2		Spring, Delivery Valve
22	3206-117	2		Gasket, Valve
23	3206-100	2		Valve, Delivery
24	0	1	F	Plunger, Injection
25	3206-118	1		O-Ring
26	3206-119	2		Sleeve
27	3206-120	8		Screw
28	3206-101	2		Spring, Tappet
29	0	1	F	Push Rod
30	3206-121	2		Circlip
31	3206-375	1		Retainer, Lower
32	3206-127	1		Plate, Locking

2007 ATV 700 AUTOMATIC TRANSMISSION 4X4 DIESEL RED (A2007TBT4D) Page 58 of 116
FUEL TANK ASSEMBLY



2007 ATV 700 AUTOMATIC TRANSMISSION 4X4 DIESEL RED (A2007TBT4D) Page 59 of 116
FUEL TANK ASSEMBLY

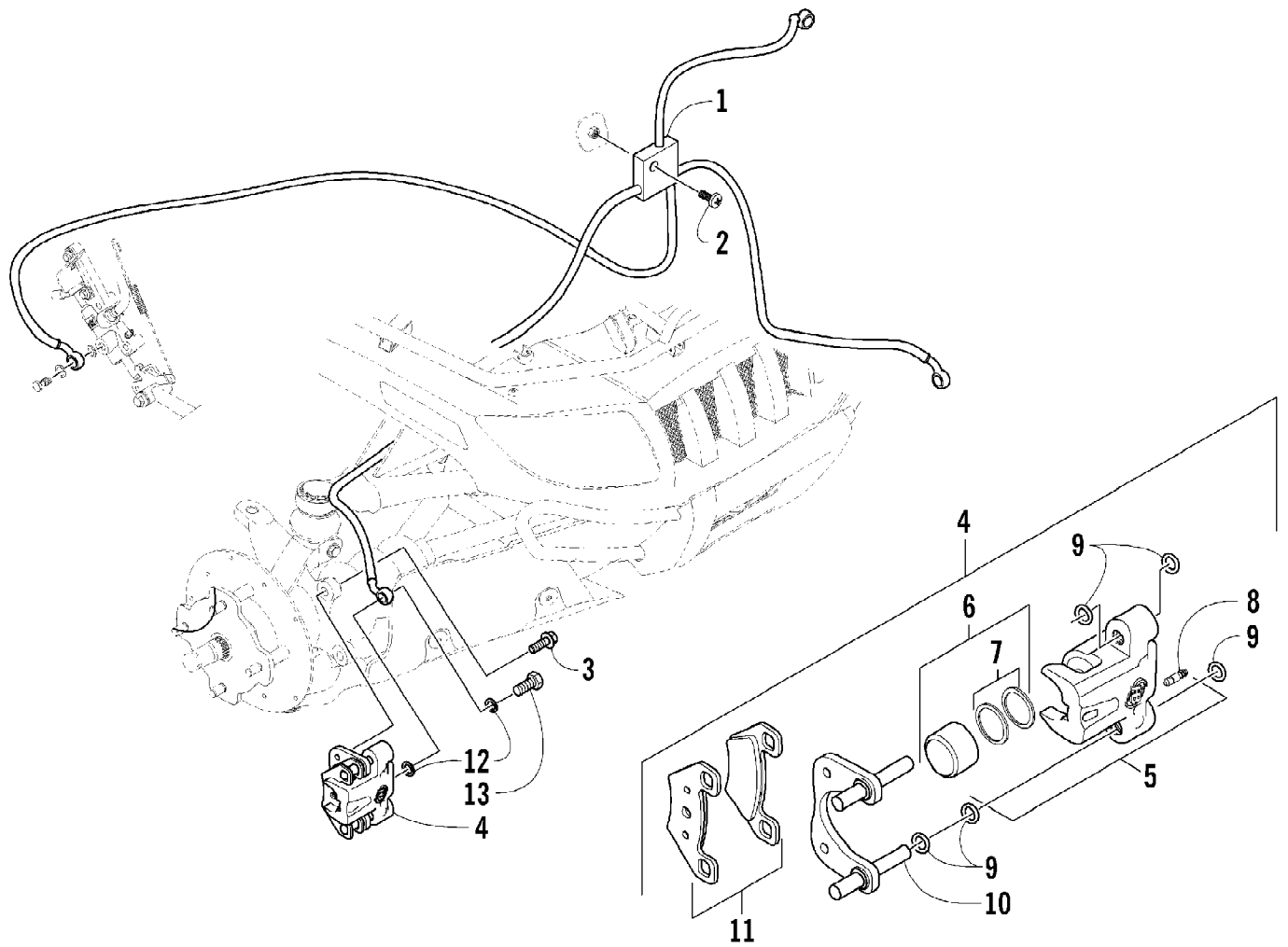
Ref #	Part Number	Qty	S/P/F	Description
1	0570-143	1		Tank, Fuel - Assembly w/Straps (inc. 2-11)
2	0470-653	1		Cap, Fuel Tank
3	0570-155	1		Sensor, Fuel Level (inc. 4)
4	0470-521	1		Seal, Fuel Level Sensor
5	0470-639	1	/P	Plate, Mounting - Fuel Level Sensor
6	1623-158	4		Screw, Plastite
7	0570-168	1		Strap, Mounting - Fuel Tank - Front
8	0570-169	1		Strap, Mounting - Fuel Tank - Rear
9	8476-650	1		Screw, Machine
10	8427-602	2		Nut, Lock
11	8476-640	1		Screw, Machine
12	0423-609	2		Screw, Mounting - Fuel Tank
13	0470-536	2		Clip, Mounting - Fuel Tank
14	0423-688	2		Clamp, Hose
15	0410-070	AR	/P	Hose, Fuel - 25 ft
16	0423-670	5		Clamp, Hose
17	0109-332	1		Fitting, T
18	0423-689	2		Clamp, Hose
19	0470-479	1		Shield, Fuel Tank
20	0470-474	1		Shield, Heat
21	0623-797	5		Screw, Self-Tapping
22	0410-143	AR		Hose, Fuel - 25 ft
23	0410-142	AR		Hose, Fuel - 25 ft



2007 ATV 700 AUTOMATIC TRANSMISSION 4X4 DIESEL RED (A2007TBT4D) Page 1 of 116
HANDLEBAR ASSEMBLY

Ref #	Part Number	Qty	S/P/F	Description
1	0505-476	1		Tube, Handlebar
2	0405-218	2		Plug, Handlebar
3	0405-149	2		End Cap, Handlebar
4	8050-247	2	/P	Washer
5	8477-845	2		Screw, Machine
6	0405-147	2		Grip, Handlebar
7	0409-013	1		Cover, Key
8	0430-036	1		Switch, Ignition - Assembly (inc. 9)
9	3409-007	1	/P	Key, Ignition - Blank (C Series)
9	3409-011	1		Key, Ignition - Blank (D Series)
9	3409-012	1		Key, Ignition - Blank (E Series)
9	3409-013	1		Key, Ignition - Blank (F Series)
10	1506-578	1		Bracket, Mounting - Instrument Pod
11	0505-495	1		Instrument Pod
12	0423-535	2		Rivet, Reinstallable
13	0520-024	1		Gauge, LCD
14	0420-065	1	/P	Clamp, Plastic
15	0423-493	2		Nut w/Washer
16	0502-527	1		Control, Differential Lock (inc. 17)
17	0502-613	1		Clamp, Differential Lock Control - Kit
18	0487-050	1	/P	Cable, Differential Lock
19	0641-897	1	/P	Outlet, Accessory - 12V
20	0420-074	1		Light, Indicator - Glow Plug
21	0420-075	1		Light, Indicator - Battery
22	0487-044	1		Cable, Throttle

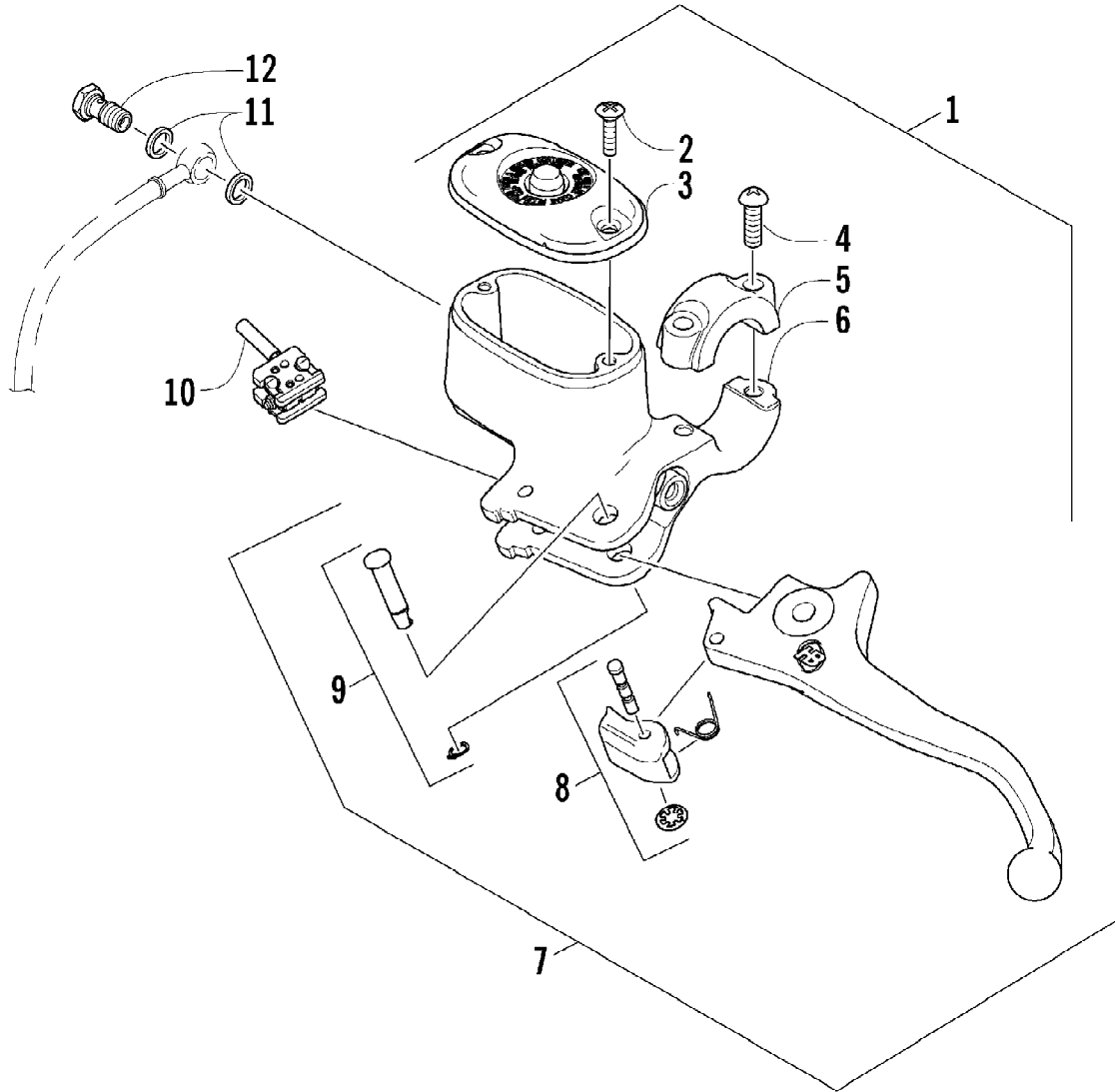
2007 ATV 700 AUTOMATIC TRANSMISSION 4X4 DIESEL RED (A2007TBT4D) Page 2 of 116
HYDRAULIC BRAKE ASSEMBLY



2007 ATV 700 AUTOMATIC TRANSMISSION 4X4 DIESEL RED (A2007TBT4D) Page 3 of 116
HYDRAULIC BRAKE ASSEMBLY

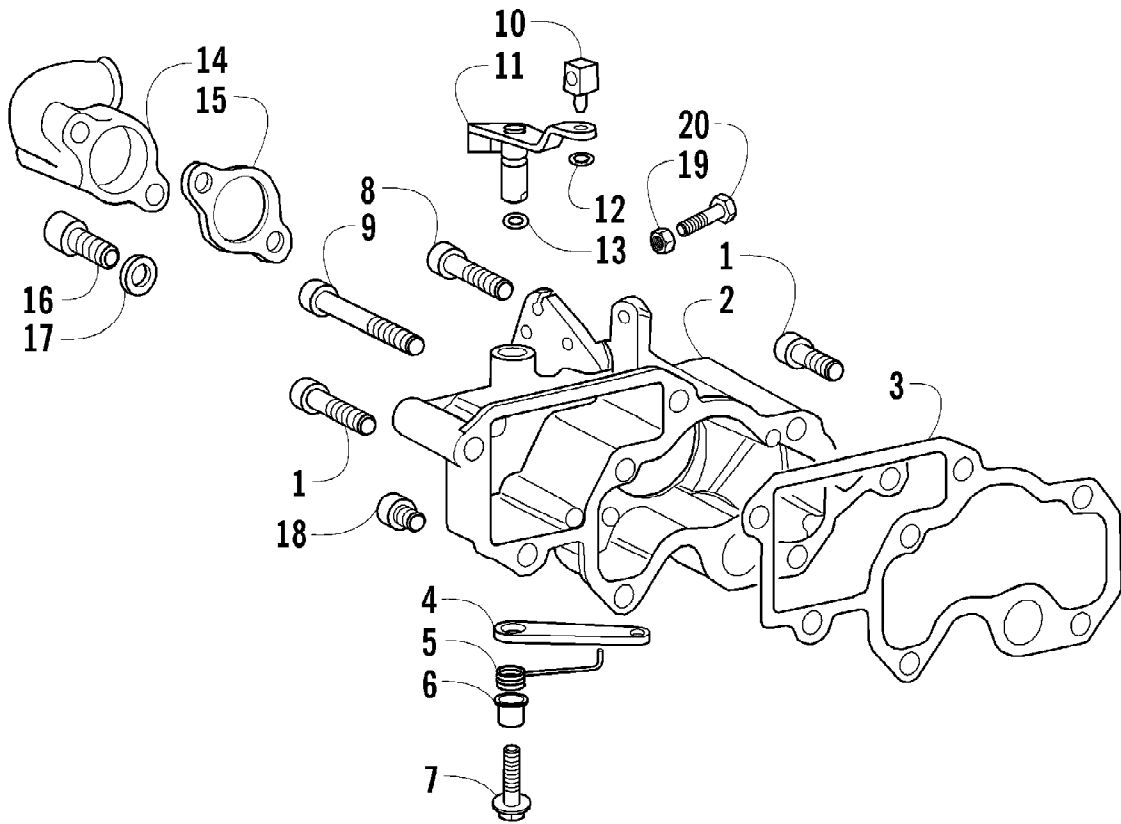
Ref #	Part Number	Qty	S/P/F	Description
1	1502-015	1		Hose, Brake - Assembly
2	8476-625	1		Screw, Cap
3	1623-589	4	S	Screw, Cap
4	0502-878	1	S	Caliper, Brake - Right Front (inc. 5-11)
4	0502-879	1	S	Caliper, Brake - Left Front (inc. 5-11)
5	0502-603	1	S	Housing, Caliper - Assembly - Right Front (inc. 6-8)
5	0502-611	1	S	Housing, Caliper - Assembly - Left Front (inc. 6-8)
6	0502-606	2		Piston/Seal Set (inc. 7)
7	0502-607	2		Seal Set
8	0502-609	2	/P	Valve, Bleed
9	0502-608	2		O-Ring, Guide - Set
10	0502-605	2		Bracket Assembly
11	0502-875	2	S	Pad, Brake - Set
12	0423-178	4		Washer, Crush
13	0423-413	2		Bolt, Banjo-Fitting

2007 ATV 700 AUTOMATIC TRANSMISSION 4X4 DIESEL RED (A2007TBT4) Page 4 of 116
HYDRAULIC HAND BRAKE ASSEMBLY



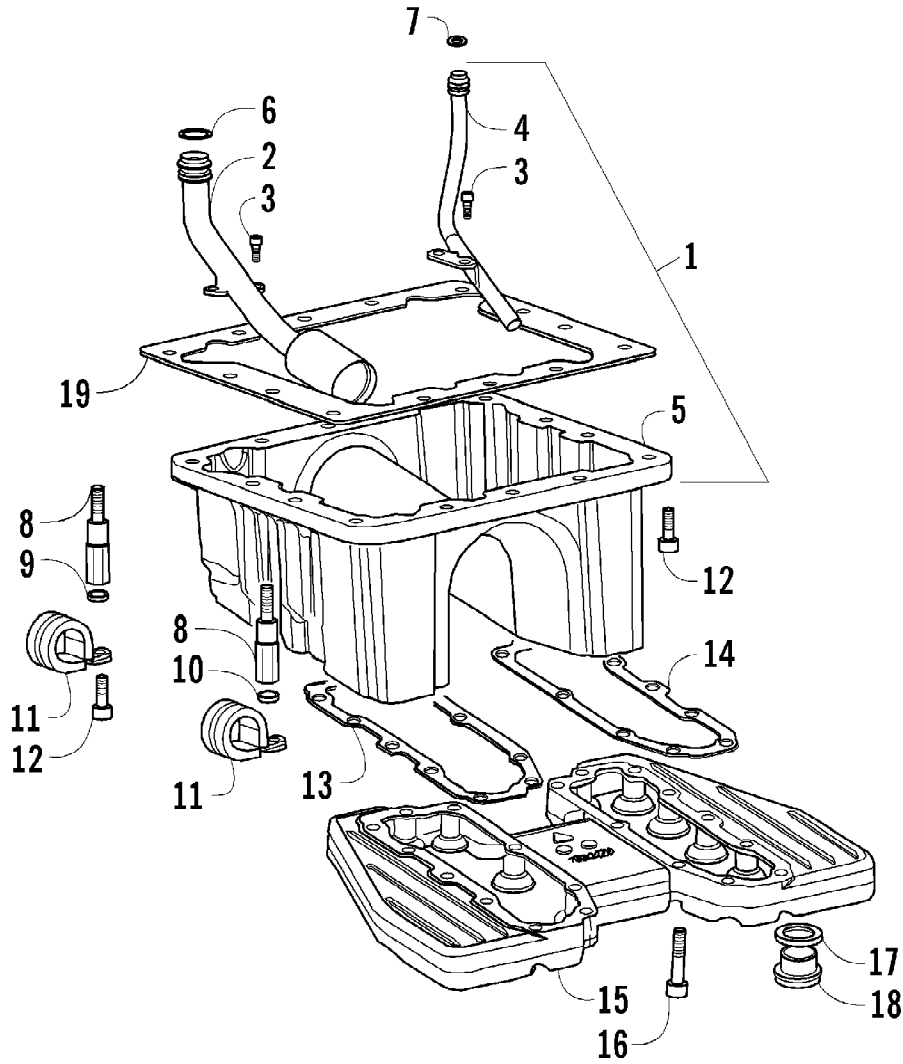
2007 ATV 700 AUTOMATIC TRANSMISSION 4X4 DIESEL RED (A2007TBT4D) Page 5 of 116
HYDRAULIC HAND BRAKE ASSEMBLY

Ref #	Part Number	Qty	S/P/F	Description
1	0502-914	1	S	Brake Assembly (inc. 2-10)
2	0502-566	1		Screw, Reservoir Cover
3	0502-868	1	/P	Cover, Reservoir
4	0502-568	1		Screw, Master Cylinder Clamp
5	0502-869	1		Clamp, Master Cylinder
6	0502-704	1		Master Cylinder Assembly
7	0502-866	1		Lever Assembly (inc. 8-9)
8	0502-867	1	/P	Lock, Brake Lever - Kit
9	0502-580	1		Lever Pin - Kit
10	0502-564	1	/P	Switch, Brake - Kit
11	0423-178	2		Washer, Crush
12	0423-413	1		Bolt, Banjo-Fitting



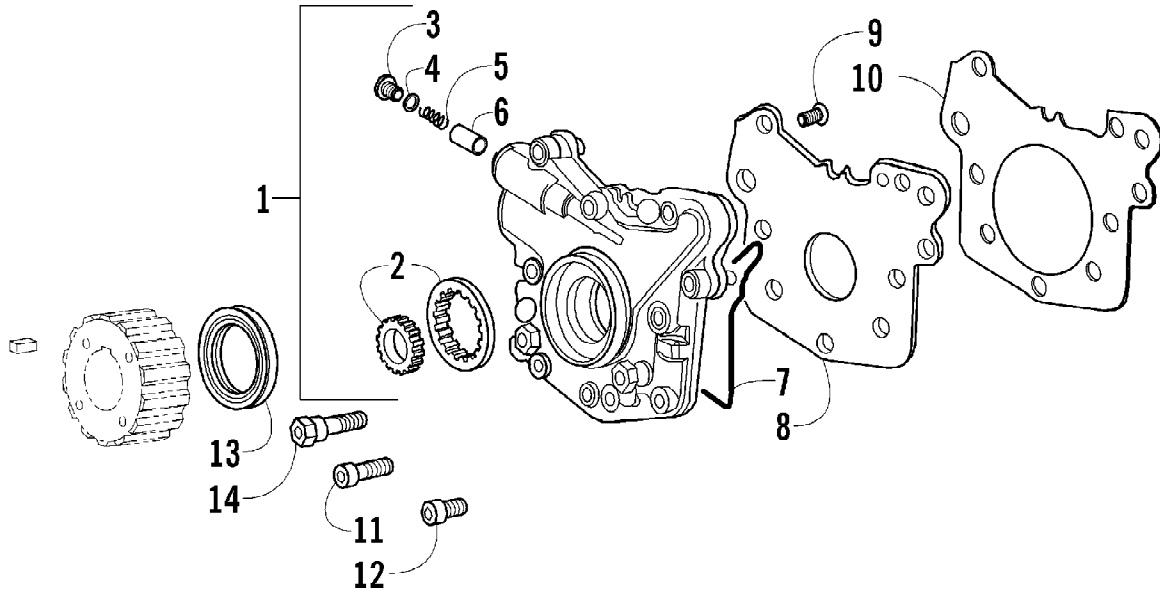
2007 ATV 700 AUTOMATIC TRANSMISSION 4X4 DIESEL RED (A2007TBT4D) Page 7 of 116
INTAKE MANIFOLD AND THROTTLE CONTROL ASSEMBLY

Ref #	Part Number	Qty	S/P/F	Description
1	3206-276	3		Screw
2	3206-278	1		Manifold, Intake
3	3206-277	1		Gasket, Intake Manifold
4	3206-286	1		Lever, Internal
5	3206-283	1		Spring, Recovery
6	3206-284	1		Sleeve
7	3206-285	1		Screw
8	3206-280	1		Screw
9	3206-279	1		Screw
10	3206-288	1		Pin
11	3206-287	1		Lever, External
12	3206-242	1		Circlip
13	3206-281	1		O-Ring
14	3206-290	1		Flange, Intake
15	3206-289	1		Gasket
16	3206-169	2		Screw
17	3206-234	2		Washer
18	3206-266	4		Screw
19	3206-137	1		Nut
20	3206-282	1		Bolt



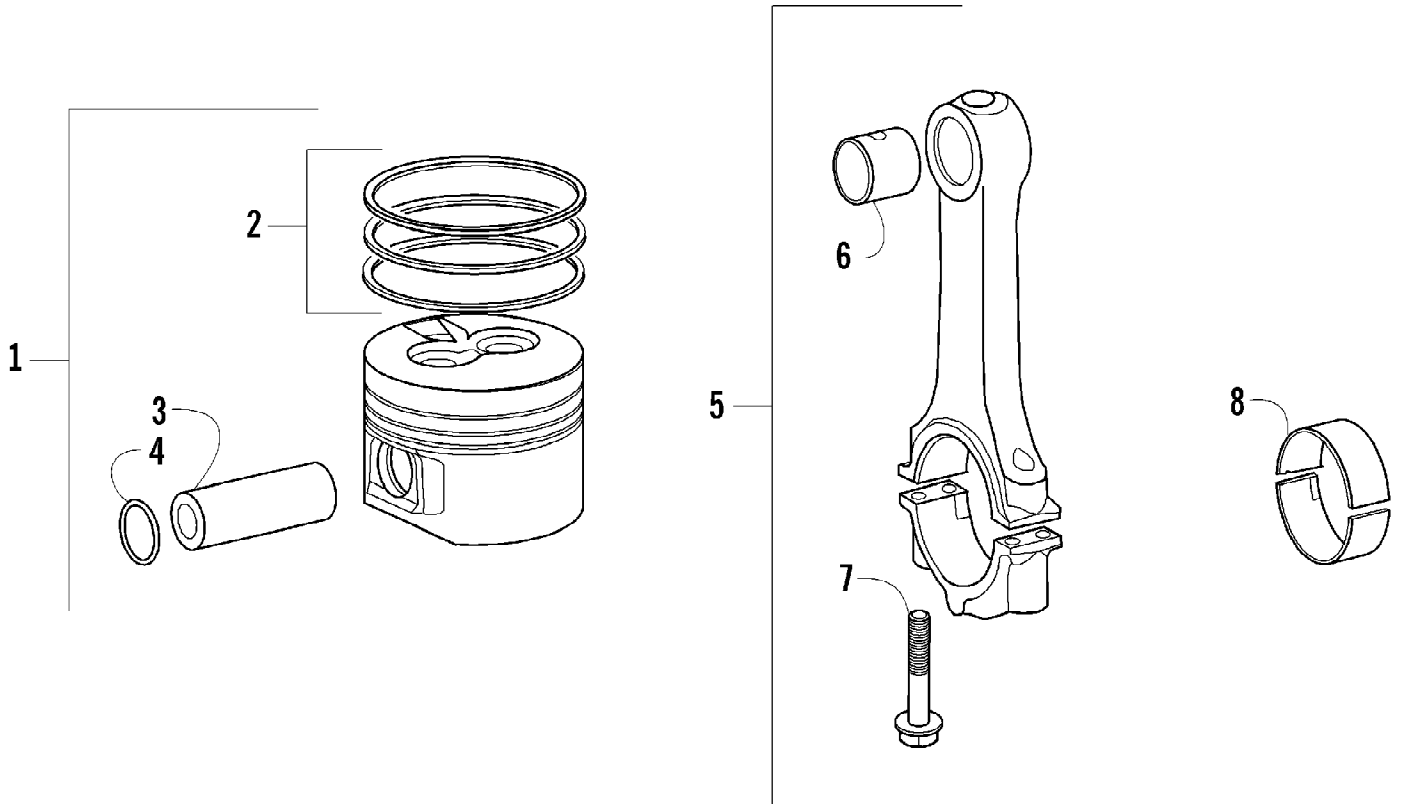
2007 ATV 700 AUTOMATIC TRANSMISSION 4X4 DIESEL RED (A2007TBT4D) Page 9 of 116
 OIL PAN ASSEMBLY

Ref #	Part Number	Qty	S/P/F	Description
1	3206-179	1	/P	Pan, Oil - Assembly (inc. 2-5)
2	0	1		Pipe, Oil - Intake Not a Service Part
3	3206-183	4		Screw
4	0	1		Pipe, Oil - Return Not a Service Part
5	0	1		Pan, Oil Not a Service Part
6	3206-176	1		Seal, Oil
7	3206-177	1		Seal, Oil
8	3206-178	2		Stud, Hollow
9	3206-192	1		Washer
10	3206-191	1		Washer
11	3206-190	2		Clamp
12	3206-088	20		Screw
13	3206-186	1		Gasket
14	3206-187	1		Gasket
15	3206-188	1		Cover, Oil Pan
16	3206-189	20		Screw
17	3206-181	1		Gasket, Copper
18	3206-182	1		Plug
19	3206-175	1		Gasket



2007 ATV 700 AUTOMATIC TRANSMISSION 4X4 DIESEL RED (A2007TBT4D) Page 71 of 116
OIL PUMP ASSEMBLY

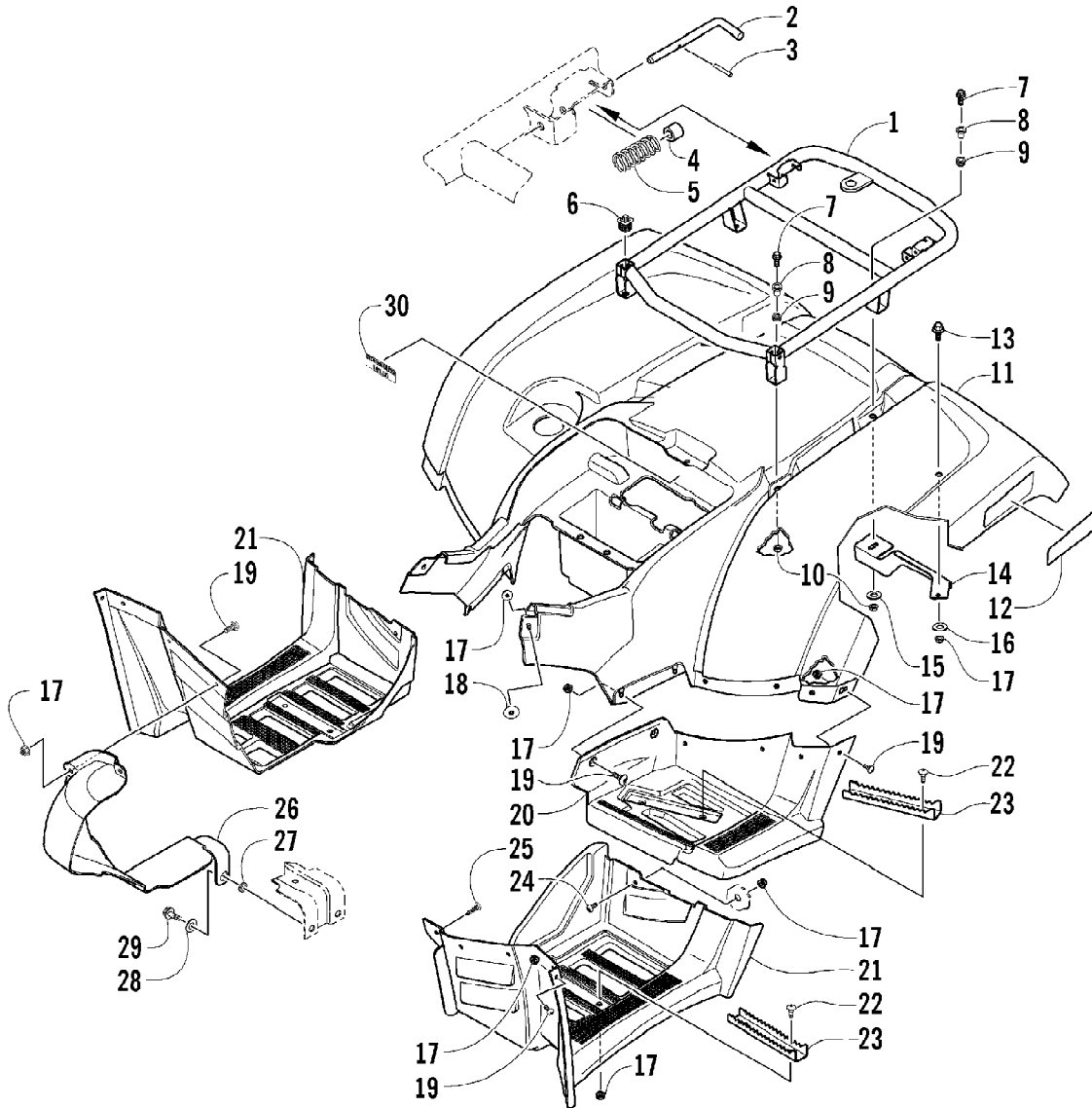
Ref #	Part Number	Qty	S/P/F	Description
1	3206-171	1		Pump, Oil (inc. 2-10)
2	3206-167	1		Rotors, Oil Pump
3	3206-163	1		Plug
4	3206-162	1		Gasket
5	3206-164	1		Spring, Pressure Valve
6	3206-165	1		Rod, Drive
7	3206-172	1		O-Ring
8	0	1	F	Plate
9	3206-166	3		Screw
10	3206-173	1	/P	Gasket
11	3206-168	1		Bolt
12	3206-169	6		Screw
13	3206-161	1		Ring, Seal
14	3206-174	2		Screw



2007 ATV 700 AUTOMATIC TRANSMISSION 4X4 DIESEL RED (A2007TBT4D) Page 73 of 116
PISTON SET AND CONNECTING ROD ASSEMBLY

Ref #	Part Number	Qty	S/P/F	Description
1	3206-026	2		Piston - Set (inc. 2-4)
1	3206-027	2		Piston - Set (0.50 mm)
1	3206-028	2		Piston - Set (1.00 mm)
2	3206-023	2		Ring - Set
2	3206-024	2		Ring - Set (0.50 mm)
2	3206-025	2		Ring - Set (1.00 mm)
3	3206-030	2		Piston Pin
4	3206-031	4		Circlip
5	3206-035	2		Connecting Rod (inc. 6-7)
6	3206-029	2		Bushing
7	3206-036	4		Bolt
8	3206-032	2		Bushing
8	3206-033	2		Bushing (-0.25 mm)
8	3206-034	2		Bushing (-0.50 mm)

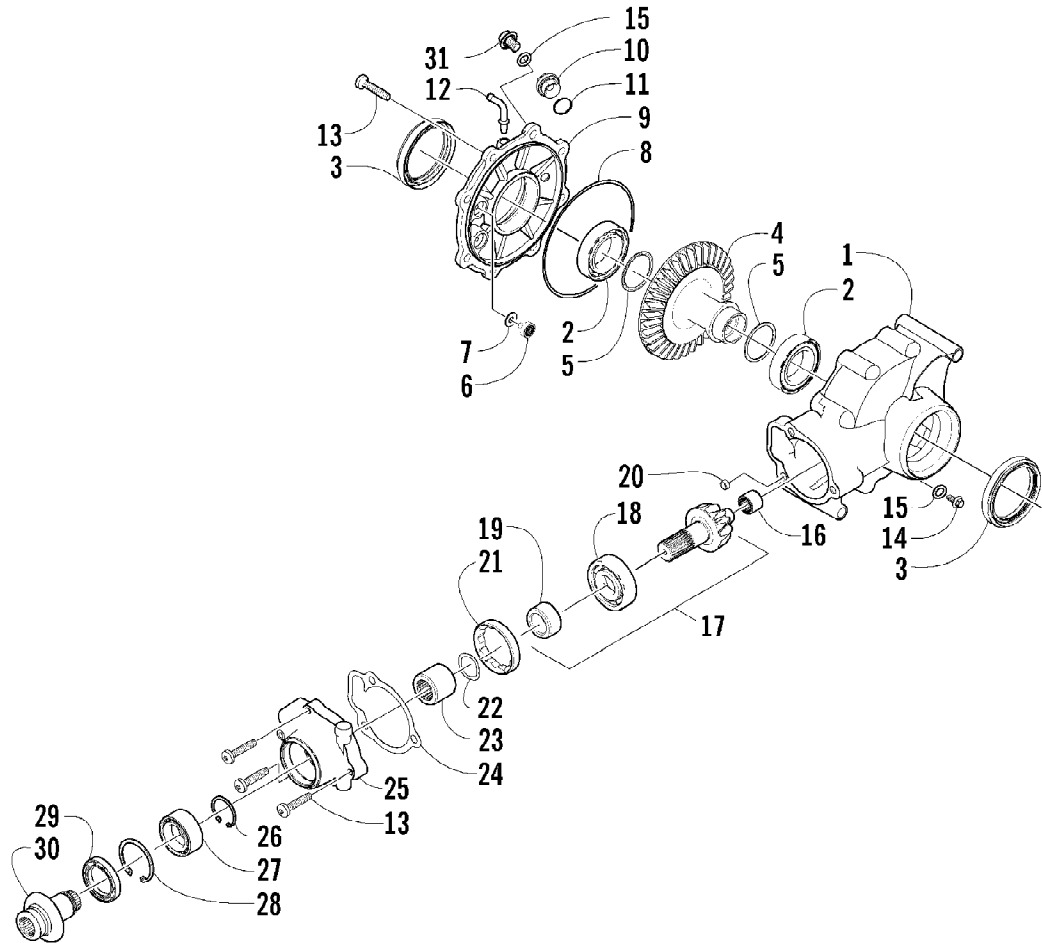
2007 ATV 700 AUTOMATIC TRANSMISSION 4X4 DIESEL RED (A2007TBT4) **Page 74 of 116**
REAR BODY PANEL ASSEMBLY



2007 ATV 700 AUTOMATIC TRANSMISSION 4X4 DIESEL RED (A2007TBT4D) Page 75 of 116
REAR BODY PANEL ASSEMBLY

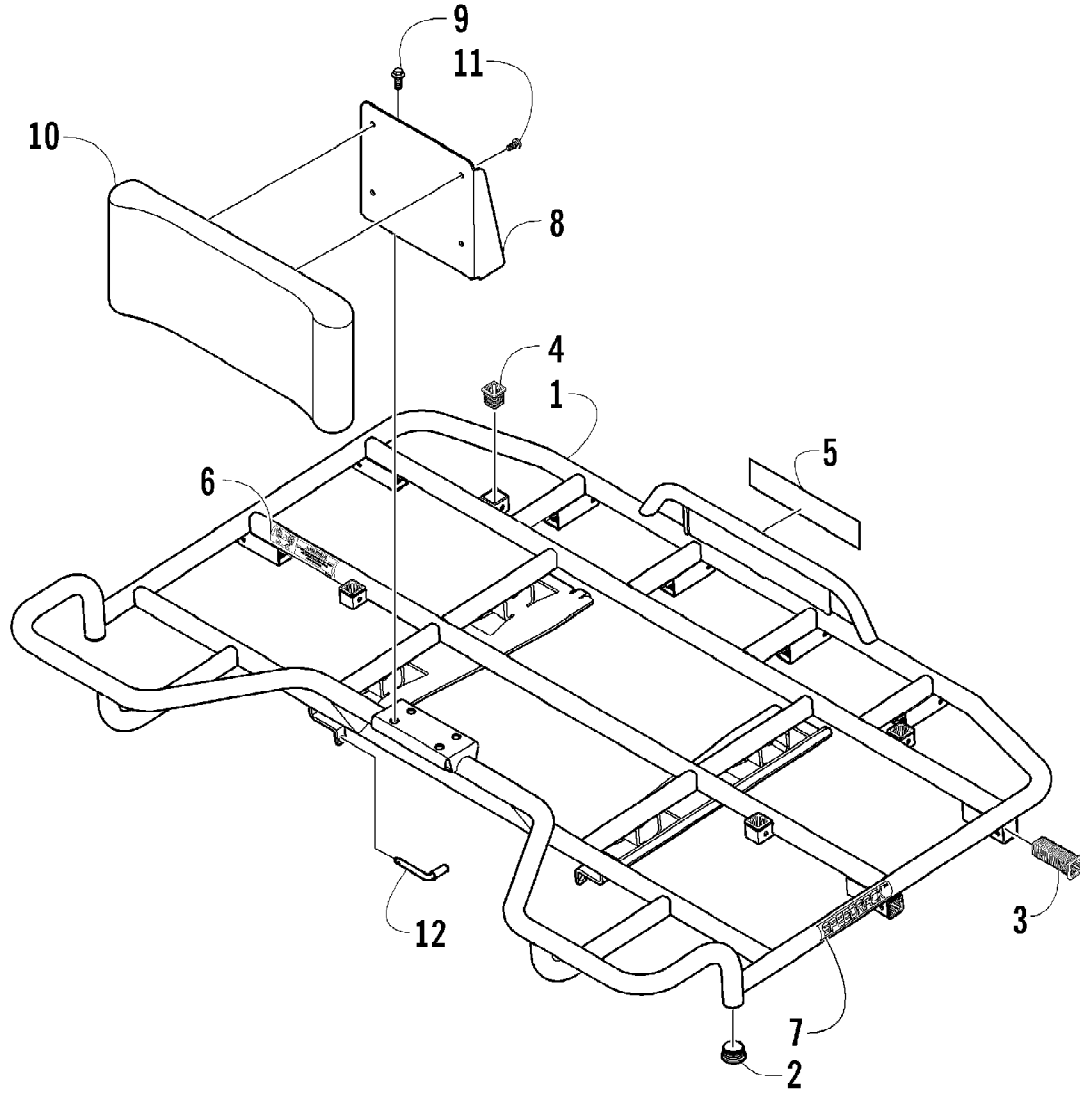
Ref #	Part Number	Qty	S/P/F	Description
1	2506-221	1	/P	Rack, Rear - Assembly (inc. 2-6)
2	0541-504	2		Pin - Assembly (inc. 3)
3	0423-635	2		Pin, Roll
4	0423-677	2		Collar
5	0423-636	2		Spring
6	0441-592	4	/P	Bushing, Rack
7	8410-835	4		Screw, Machine
8	0423-669	4		Spacer
9	0423-465	4		Grommet
10	8432-802	4		Nut, Lock
11	2506-352	1	S	Panel, Fender (inc. 12)
12	0411-820	1	S	Decal, Reflector - Right
12	0411-821	1	S	Decal, Reflector - Left
13	0423-654	2		Screw, Shoulder
14	2506-092	1		Bracket, Rear Fender - Right
14	2506-093	1		Bracket, Rear Fender - Left
15	0423-087	2		Washer
16	8050-222	2	/P	Washer
17	0423-540	40		Nut, Lock
18	0423-101	2		Screw, Body
19	0423-419	24		Screw, Machine
20	2406-042	1		Footwell, Rear - Right
20	2406-043	1		Footwell, Rear - Left
21	2506-193	1		Footwell - Right
21	2406-471	1	/P	Footwell - Left
22	0423-355	8		Screw, Shoulder
23	1506-125	4	/P	Footpeg
24	8477-620	2		Screw, Machine
25	0423-719	2		Screw, Self-Tapping
26	2406-531	1		Panel, Splash
27	0405-261	1		Bushing, Splash Panel
28	8050-282	1	/P	Washer
29	8409-020	1	/P	Screw, Cap
30	1411-508	1		Decal, Storage

2007 ATV 700 AUTOMATIC TRANSMISSION 4X4 DIESEL RED (A2007TBT4D) Page 76 of 116
REAR DRIVE GEARCASE ASSEMBLY



2007 ATV 700 AUTOMATIC TRANSMISSION 4X4 DIESEL RED (A2007TBT4D) Page 7 of 116
REAR DRIVE GEARCASE ASSEMBLY

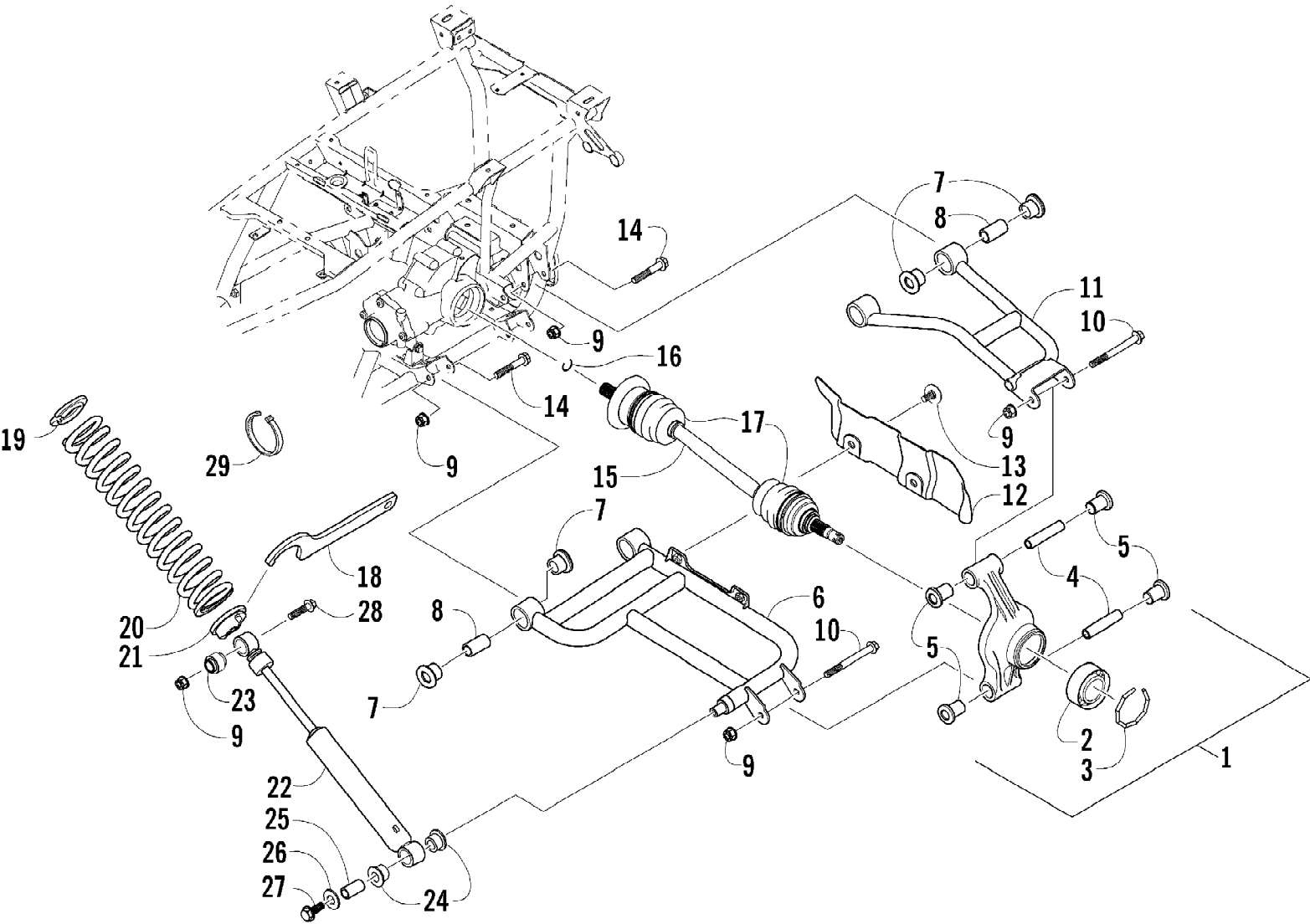
Ref #	Part Number	Qty	S/P/F	Description
	1502-079	1	S	Complete Rear Gearcase Assembly
1	0502-622	1		Housing, Gearcase
2	0402-393	2		Bearing
3	1402-441	2	S	Seal
4	1402-032	1		Gear, Ring - 36T
5	0402-405	AR		Shim
5	0402-406	AR		Shim
5	0402-407	AR		Shim
5	0402-408	AR		Shim
5	0402-409	AR		Shim
6	0402-326	1		Button, Thrust
7	0402-429	AR		Shim
7	0402-430	AR		Shim
7	0402-431	AR		Shim
7	0402-432	AR		Shim
7	0402-433	AR		Shim
8	0423-149	1		O-Ring
9	1502-082	1		Cover, Gearcase
10	0402-333	1	/P	Plug, Fill (inc. 11)
11	0423-154	1		O-Ring
12	1402-102	1		Fitting
13	0423-118	11		Screw, Self-Tapping
14	0402-450	1	S	Plug, Magnetic (inc. one No. 15)
15	0423-153	2		O-Ring
16	0402-328	1		Bearing
17	0502-783	1		Gear, Pinion - Assembly - 10T (inc. 18-19)
18	0402-327	1		Bearing
19	0402-336	1		Collar, Retaining
20	0402-411	1		Pin, Dowel
21	0402-331	1		Collar, Lock
22	0402-982	1		Washer, Spring
23	0402-981	1		Collar, Shaft
24	0402-947	1		Gasket, Flange
25	0502-529	1		Housing, Pinion
26	0423-417	1		Ring, Retaining
27	1402-043	1		Bearing
28	0423-423	1		Ring, Retaining
29	1402-011	1		Seal
30	1502-085	1	/P	Shaft, Input
31	1402-211	1		Plug, Oil Level (inc. one No. 15)



2007 ATV 700 AUTOMATIC TRANSMISSION 4X4 DIESEL RED (A2007TBT4D) Page 79 of 116
REAR RACK AND BACKREST ASSEMBLY

Ref #	Part Number	Qty	S/P/F	Description
	0436-798	1	/P	Rear Rack Kit
	0453-349	1		Instructions
1	0541-438	1	S	Rack, Rear - Assembly (inc. 2-7)
2	1441-049	2		Plug
3	2406-014	8		Bushing
4	0441-592	4	/P	Bushing
5	0411-814	1	/P	Decal, "Arctic Cat"
6	0411-648	1		Decal, Warning - Rear Rack Load
7	0411-965	2		Decal, Speedrack
8	0541-486	1		Bracket, Backrest
9	8408-816	4		Screw, Cap
10	0506-686	1		Backrest
11	8476-620	4		Screw, Machine
12	0541-447	2	/P	Pin

2007 ATV 700 AUTOMATIC TRANSMISSION 4X4 DIESEL RED (A2007TBT4) Page 80 of 116
REAR SUSPENSION ASSEMBLY



2007 ATV 700 AUTOMATIC TRANSMISSION 4X4 DIESEL RED (A2007TBT4D) Page 1 of 116
REAR SUSPENSION ASSEMBLY

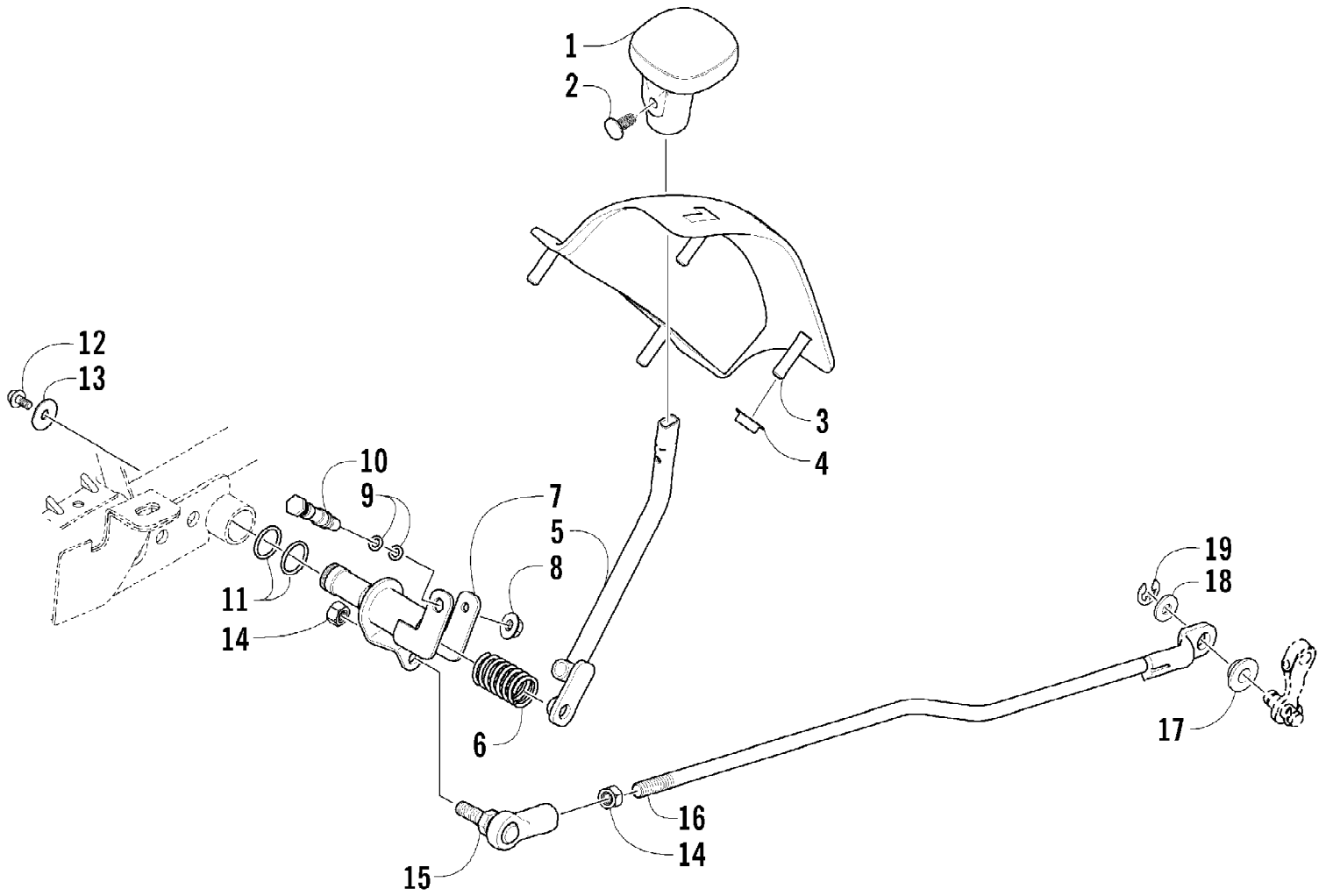
Ref #	Part Number	Qty	S/P/F	Description
1	0504-372	1	S	Knuckle, Right Rear - Assembly (inc. 2-5)
1	0504-373	1	S/P	Knuckle, Left Rear - Assembly (inc. 2-5)
2	1402-027	2	S/P	Bearing, Wheel Hub
3	0423-423	2		Ring, Retaining
4	0403-038	4	S/P	Collar, Suspension Bushing
5	0403-032	8	S	Bushing, Suspension
6	0504-440	1	S	A-Arm, Rear - Lower Right (inc. 7-8)
6	0504-441	1	S	A-Arm, Rear - Lower Left (inc. 7-8)
7	0403-115	16	S	Bushing
8	0403-114	8	S	Collar
9	0423-744	14		Nut, Lock
10	8409-000	4		Screw, Cap
11	0504-476	1		A-Arm, Rear - Upper Right (inc. 7-8)
11	0504-477	1		A-Arm, Rear - Upper Left (inc. 7-8)
12	0441-754	1		Guard, Boot - Right
12	0441-755	1		Guard, Boot - Left
13	0423-545	4	/P	Screw, Body
14	8409-075	8		Screw, Cap
15	0502-811	2	S	Axle, Drive - Rear (inc. 16-17)
16	0441-893	2	S	Clip, Retaining
17	0436-276	2	S	Repair Kit, Boot
18	0441-587	1		Wrench, Spanner
19	1603-889	2	/P	Retainer, Spring
20	0404-145	2		Spring, Suspension
21	0404-057	2		Cam, Spring Adjuster
22	0404-147	2		Shock Absorber - Rear (inc. 23-25)
23	0403-182	2		Bushing, Double-Bonded
24	0603-955	4		Bushing, Shock Absorber
25	1603-219	2	S	Sleeve, Shock Absorber
26	0423-087	2		Washer
27	8408-820	2	/P	Screw, Cap
28	8409-050	2		Screw, Cap
29	0123-788	2	/P	Cable Tie

No
Diagram
Available

Parts List
Only

2007 ATV 700 AUTOMATIC TRANSMISSION 4X4 DIESEL RED (A2007TBT4D) Page 3 of 116
RELATED ITEMS

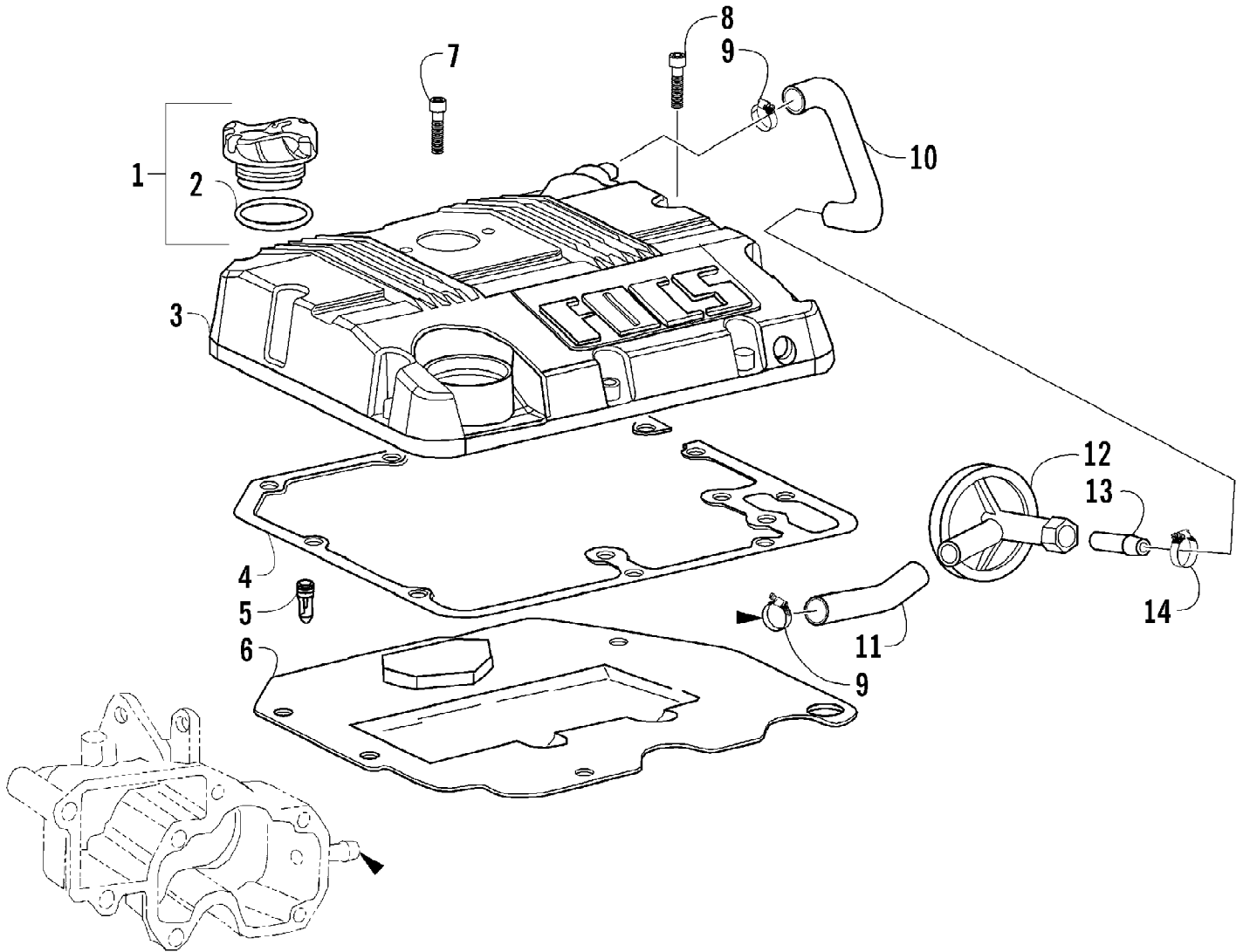
Ref #	Part Number	Qty	S/P/F	Description
	0436-925	1	S	Bag, Rack, Front, Black
	0436-480	1		Bar, Utility
	0436-619	1		Brush Guard/Bumper - Deluxe
	0436-794	1		Bumper - Rear
	0436-827	1		Cargo Box
	0436-460	1		Carryall (11 x 17)
	0436-462	1		Carryall (10 D)
	0436-726	1	S	Cover, Trailerable
	0436-087	1	/P	Electrical Plug
	0436-466	1		Fender Box
	0436-538	1		Gear Cradle
	0436-905	1	/P	Grease, High-Performance
	0436-828	1		Gun Holder
	0436-352	1		Hand/Thumb Warmers
	0436-463	1		Light Bar
	0436-774	1	S	Lunch Pack, Black
	2257-970	1		Manual, Illustrated Parts
	2257-907	1	/P	Manual, Operator's (E)
	2257-920	1		Manuel d'utilisation (F)
	0652-024	1		Paint, Metal - Black
	0436-635	1		Plow Attachment Kit
	0436-228	1		Plow Blade, 50 in. - Straight
	0436-287	1		Plow Blade, 50 in. - One-Way
	0436-296	1		Plow Blade, 60 in. - Straight
	0436-360	1		Plow Blade, 60 in. - One-Way
	0436-636	1	/P	Plow, Push Frame
	0436-626	1	S	Rack Basket
	0436-965	1	S	Saddlebag (with passenger seat attached)
	1436-028	1		Seat, Passenger
	0436-026	1		Tire Chains, Size B (24 in. and 25 in. Tires)
	0436-027	1		Tire Chains, Size C (25 in. and 26 in. Tires)
	1402-028	1		Tire, Titan AT589 (25x8-12, Mud & Snow)
	0402-563	1		Tire, Titan AT589 (25x10-12, Mud & Snow)
	0436-656	1		Winch Accessories Kit
	0436-979	1	S	Windshield, Black



2007 ATV 700 AUTOMATIC TRANSMISSION 4X4 DIESEL RED (A2007TBT4D) Page 5 of 116
REVERSE SHIFT LEVER ASSEMBLY

Ref #	Part Number	Qty	S/P/F	Description
1	0402-843	1	/P	Knob, Reverse Shift Lever
2	0423-345	1		Clip, Push
3	1402-576	1		Plate, Shift
4	0423-357	4		Nut, Stamped
5	0502-659	1		Lever, Reverse Shift
6	0502-410	1	S	Spring, Reverse Shift Lever
7	1502-012	1		Axle, Reverse Shift Lever
8	8424-602	1	/P	Nut
9	0423-182	2	/P	O-Ring
10	0402-675	1		Axle, Pivot
11	0423-299	2	/P	O-Ring
12	8408-812	1		Screw, Cap
13	0423-087	1		Washer
14	0623-294	2		Nut
15	1402-270	1		End, Rod
16	1502-014	1		Linkage, Shift
17	0423-091	1		Bushing, Shift Linkage
18	0623-094	1		Washer
19	0423-169	1	/P	E-Ring

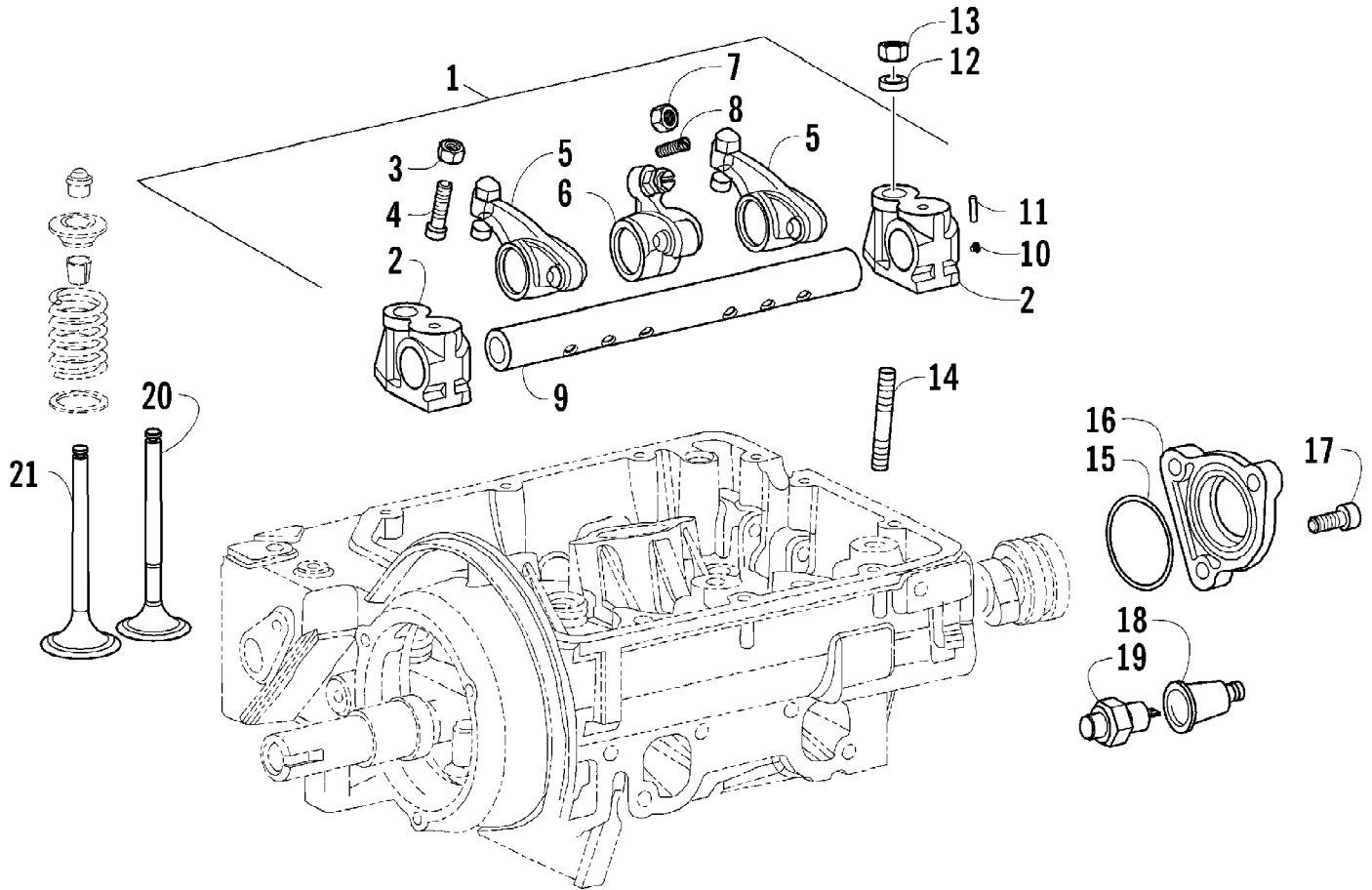
2007 ATV 700 AUTOMATIC TRANSMISSION 4X4 DIESEL RED (A2007TBT4D) Page 86 of 116
ROCKER ARM COVER AND BREATHER SYSTEM ASSEMBLIES



2007 ATV 700 AUTOMATIC TRANSMISSION 4X4 DIESEL RED (A2007TBT4D) Page 7 of 116
 ROCKER ARM COVER AND BREATHER SYSTEM ASSEMBLIES

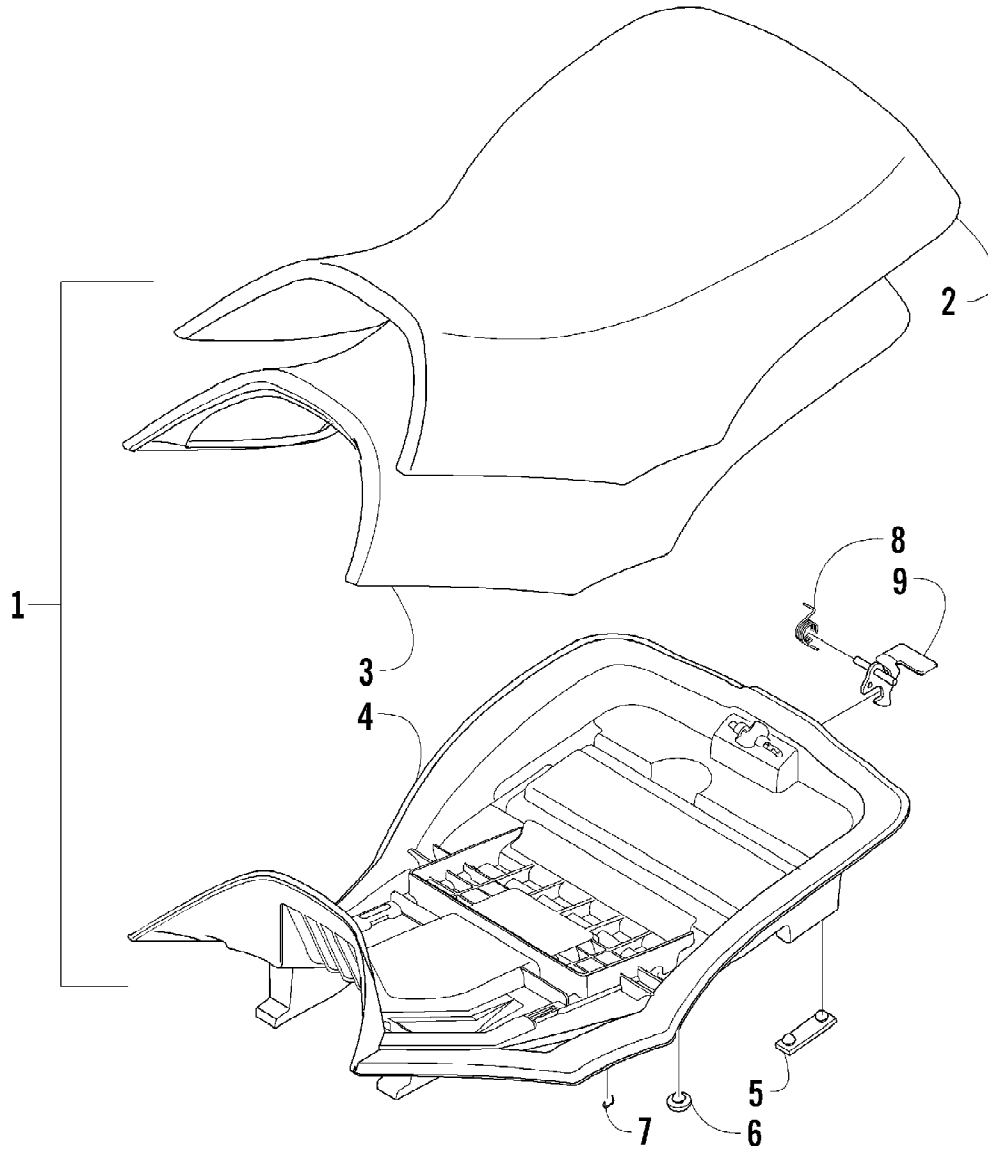
Ref #	Part Number	Qty	S/P/F	Description
1	3206-081	1		Cap, Oil Filler (inc. 2)
2	3206-087	1		O-Ring
3	3206-080	1		Cover, Rocker Arm
4	3206-086	1		Gasket
5	3206-084	1		Connection
6	3206-085	1		Separator
7	3206-083	2		Screw
8	3206-082	8		Screw
9	3206-200	4		Clamp
10	3206-205	1		Hose, Connection
11	3206-202	1		Hose, Drain
12	3206-201	1		Valve, Suction
13	3206-203	1		Tube, Valve
14	3206-204	1		Clamp

2007 ATV 700 AUTOMATIC TRANSMISSION 4X4 DIESEL RED (A2007TBT4) Page 8 of 116
ROCKER ARM, VALVES, AND OIL SWITCH ASSEMBLIES



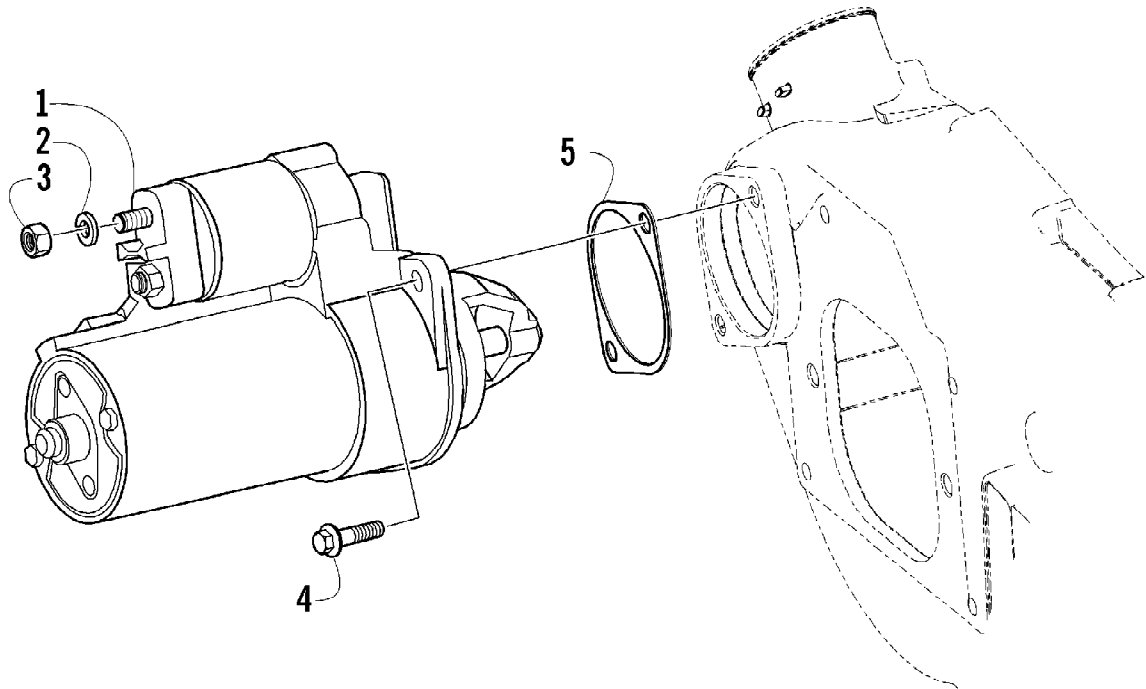
2007 ATV 700 AUTOMATIC TRANSMISSION 4X4 DIESEL RED (A2007TBT4D) Page 9 of 116
 ROCKER ARM, VALVES, AND OIL SWITCH ASSEMBLIES

Ref #	Part Number	Qty	S/P/F	Description
1	3206-135	1		Arm, Rocker - Assembly (inc. 2-11)
2	3206-141	2		Support
3	3206-137	4		Nut
4	3206-136	4		Screw
5	3206-134	4		Arm, Rocker - Intake/Exhaust
6	3206-140	2		Arm, Rocker - Injection Pump
7	3206-139	2		Nut
8	3206-138	2		Screw
9	3206-144	1		Shaft, Rocker Arm
10	3206-146	2		Plug
11	3206-145	1		Pin, Lock
12	3206-064	3		Washer
13	3206-142	3		Nut
14	3206-143	3		Stud, Bolt
15	3206-313	1		O-Ring
16	3206-314	1		Flange
17	3206-082	3		Screw
18	3206-305	1		Elbow, Pipe
19	3206-304	1		Switch, Oil
20	3206-150	2		Valve, Exhaust
21	3206-151	2		Valve, Intake



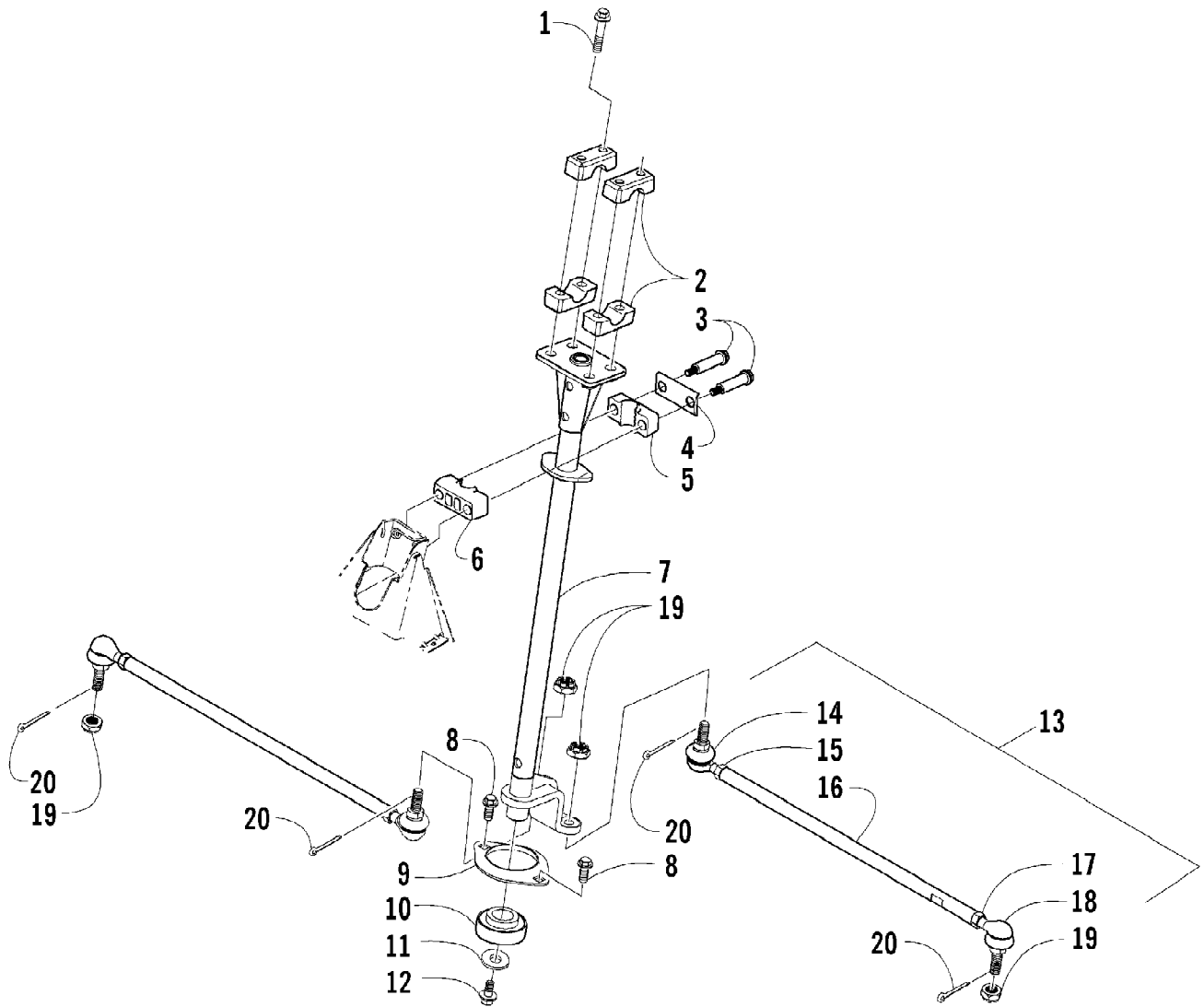
2007 ATV 700 AUTOMATIC TRANSMISSION 4X4 DIESEL RED (A2007TBT4D1SR) Page 91 of 116
SEAT ASSEMBLY

Ref #	Part Number	Qty	S/P/F	Description
1	1506-937	1	S/P	Seat Assembly (inc. 2-9)
2	1506-209	1		Cover, Seat
3	1506-208	1		Foam, Seat
4	2406-144	1	S/P	Base, Seat - Assembly (inc. 5-6)
5	0406-879	2		Bumper, Seat - Rear
6	0406-877	4	/P	Bumper, Seat - Front
7	0624-263	AR		Staple
8	1406-592	1	/P	Spring, Seat Latch
9	1506-156	1		Latch, Seat



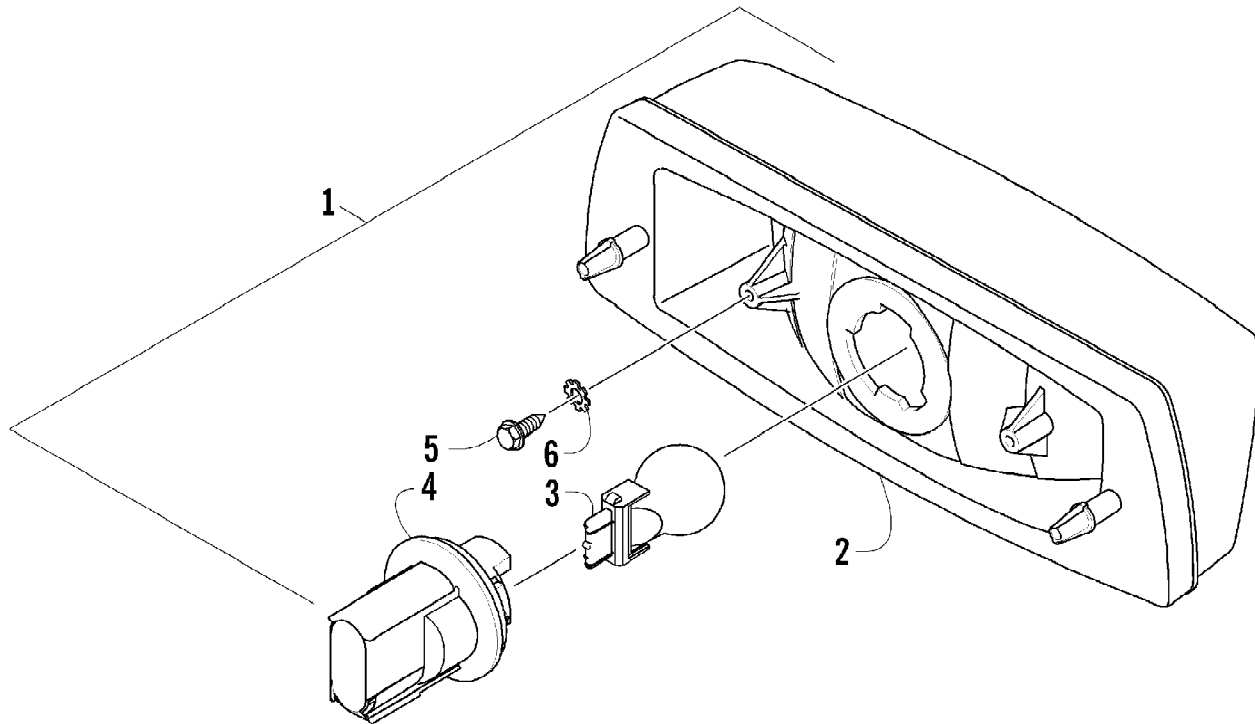
2007 ATV 700 AUTOMATIC TRANSMISSION 4X4 DIESEL RED (A2007TBT4D16R) Page 93 of 116
STARTER MOTOR ASSEMBLY

Ref #	Part Number	Qty	S/P/F	Description
1	3206-319	1		Motor, Starter
2	3206-322	1		Washer, Lock
3	3206-321	1		Nut
4	8409-025	2		Screw, Cap
5	1402-525	1		Gasket, Starter



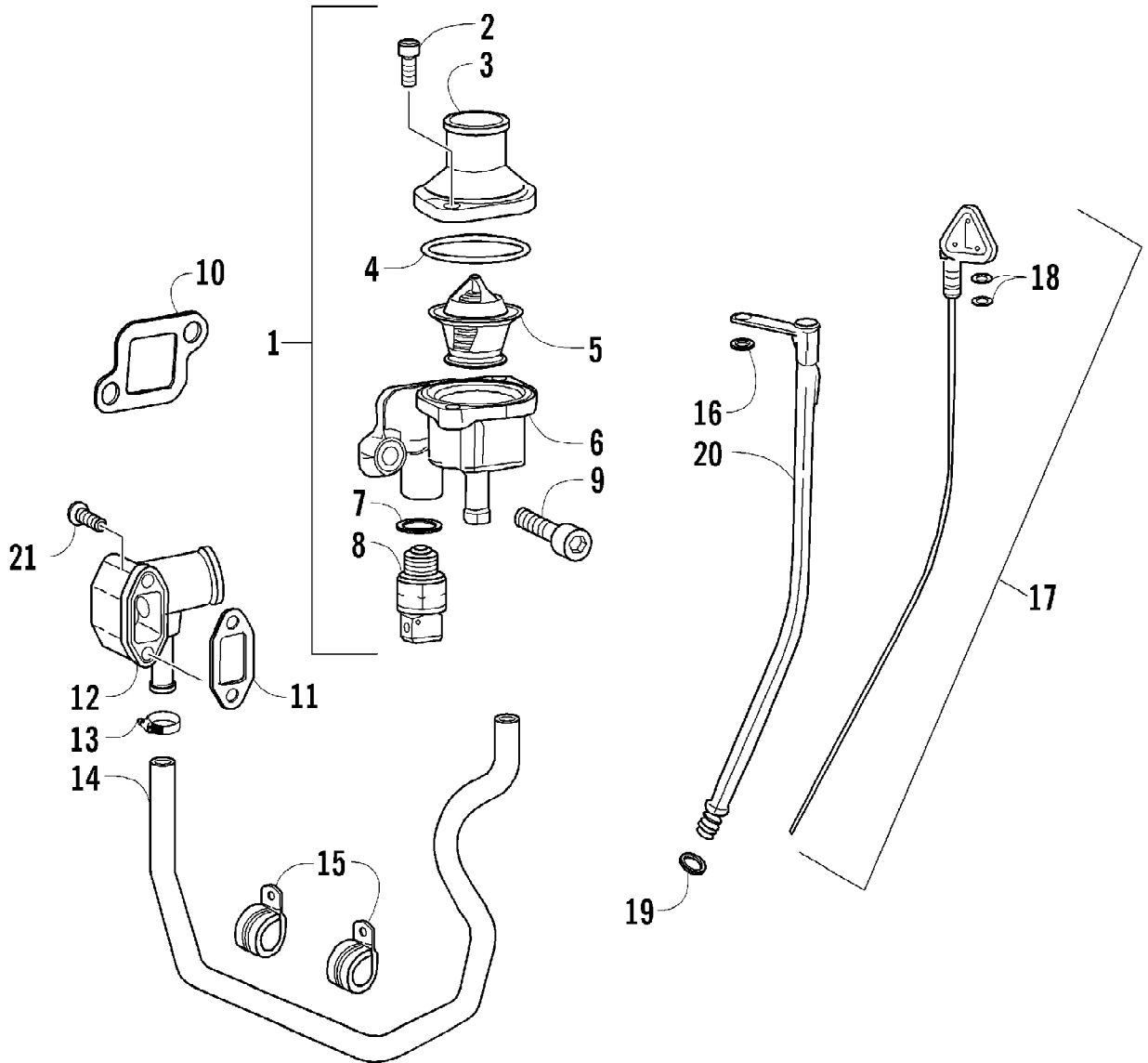
2007 ATV 700 AUTOMATIC TRANSMISSION 4X4 DIESEL RED (A2007TBT4D) Page 95 of 116
STEERING POST ASSEMBLY

Ref #	Part Number	Qty	S/P/F	Description
1	8408-860	4		Screw, Cap
2	0405-035	4		Cap, Steering Adjuster
3	0423-505	2		Screw, Shoulder
4	0405-166	1		Cap, Housing
5	0405-138	1		Housing, Lower
6	0405-139	1		Housing, Upper
7	0505-451	1	S	Post, Steering
8	8408-816	2		Screw, Cap
9	0602-233	1		Flange, Bearing
10	0405-052	1		Bearing w/Inverted Oil Seal
11	0423-073	1		Washer
12	8409-020	1	/P	Screw, Cap
13	0505-408	2	S	Tie Rod - Assembly (inc. 14-18)
14	0405-083	2	S	Ball Joint, Tie Rod - Left
15	0423-013	2		Nut - Left
16	0405-107	2	S	Tie Rod
17	8420-002	2	/P	Nut - Right
18	0405-082	2	S	Ball Joint, Tie Rod - Right
19	0423-157	4		Nut, Lock
20	0623-175	4		Pin, Cotter



2007 ATV 700 AUTOMATIC TRANSMISSION 4X4 DIESEL RED (A2007TBT4DLSR) Page 97 of 116
TAILLIGHT ASSEMBLY

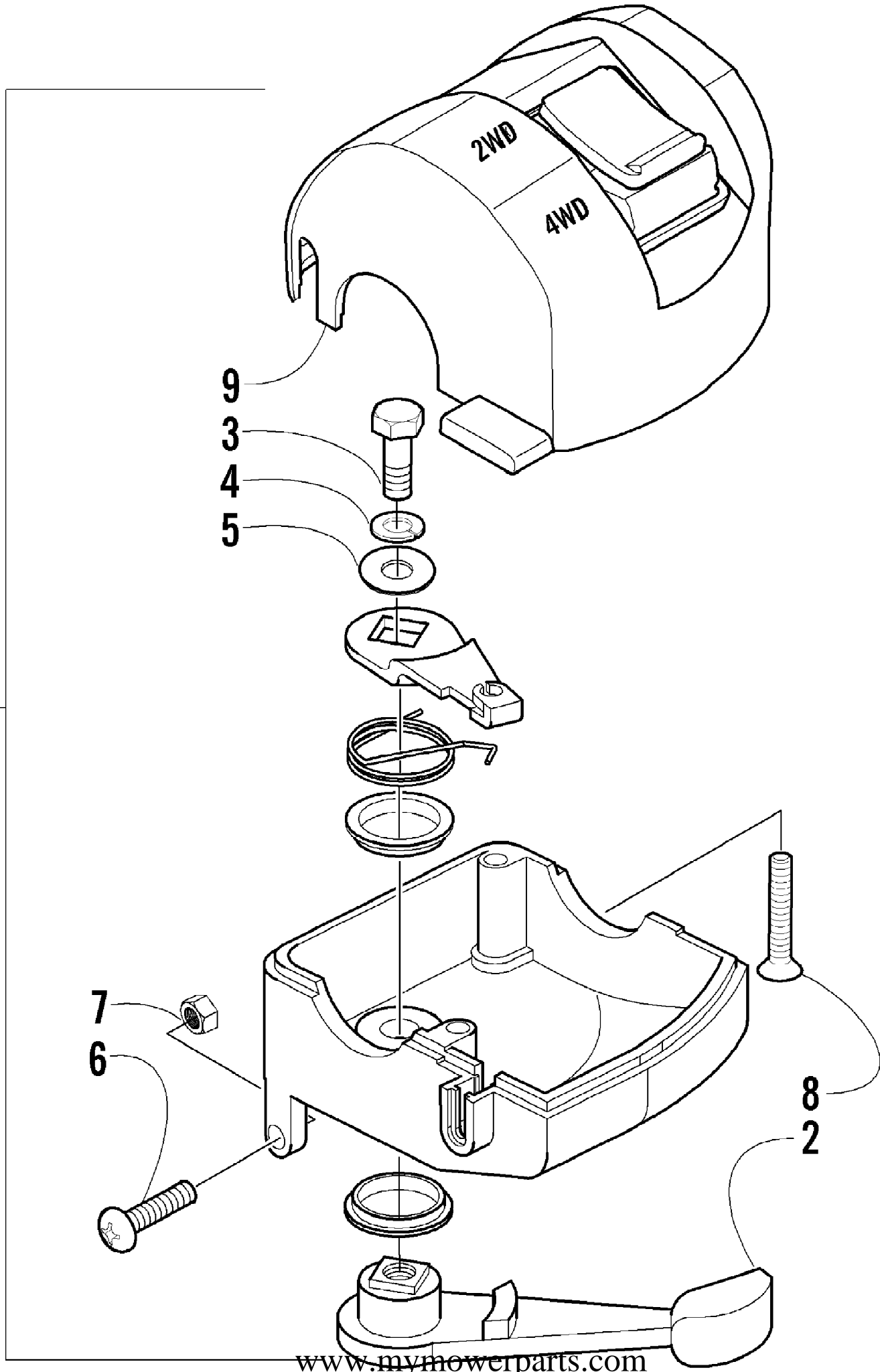
Ref #	Part Number	Qty	S/P/F	Description
1	0509-022	1		Taillight Assembly (inc. 2-4)
2	0509-025	1		Housing, Taillight
3	0409-056	1		Bulb, Taillight
4	0409-057	1		Socket, Taillight
5	0623-301	2	/P	Screw, Self-Tapping
6	8053-212	2	/P	Washer, Lock - External Tooth



2007 ATV 700 AUTOMATIC TRANSMISSION 4X4 DIESEL RED (A2007TBT4D) Page 99 of 116
THERMOSTAT, WATER INLET FLANGE, AND OIL LEVEL STICK ASSEMBLIES

Ref #	Part Number	Qty	S/P/F	Description
1	3206-262	1		Thermostat - Assembly (inc. 2-8)
2	3206-169	2		Screw
3	3206-259	1		Cover, Thermostat
4	3206-260	1		O-Ring
5	3206-261	1		Thermostat
6	3206-263	1		Body, Thermostat - Assembly
7	3206-206	1		Gasket
8	3206-265	1		Sensor, Water Temperature
9	3206-266	2		Screw
10	3206-264	1		Gasket
11	3206-268	1		Gasket
12	3206-269	1		Flange
13	3206-200	2		Clamp
14	0410-111	1		Hose
15	3206-190	2		Clamp
16	3206-199	1		Washer
17	3206-197	1		Stick, Oil Level (inc. 18)
18	3206-198	2		Seal
19	3206-195	1		O-Ring
20	3206-196	1		Guard, Oil Level Stick
21	3206-267	2		Screw

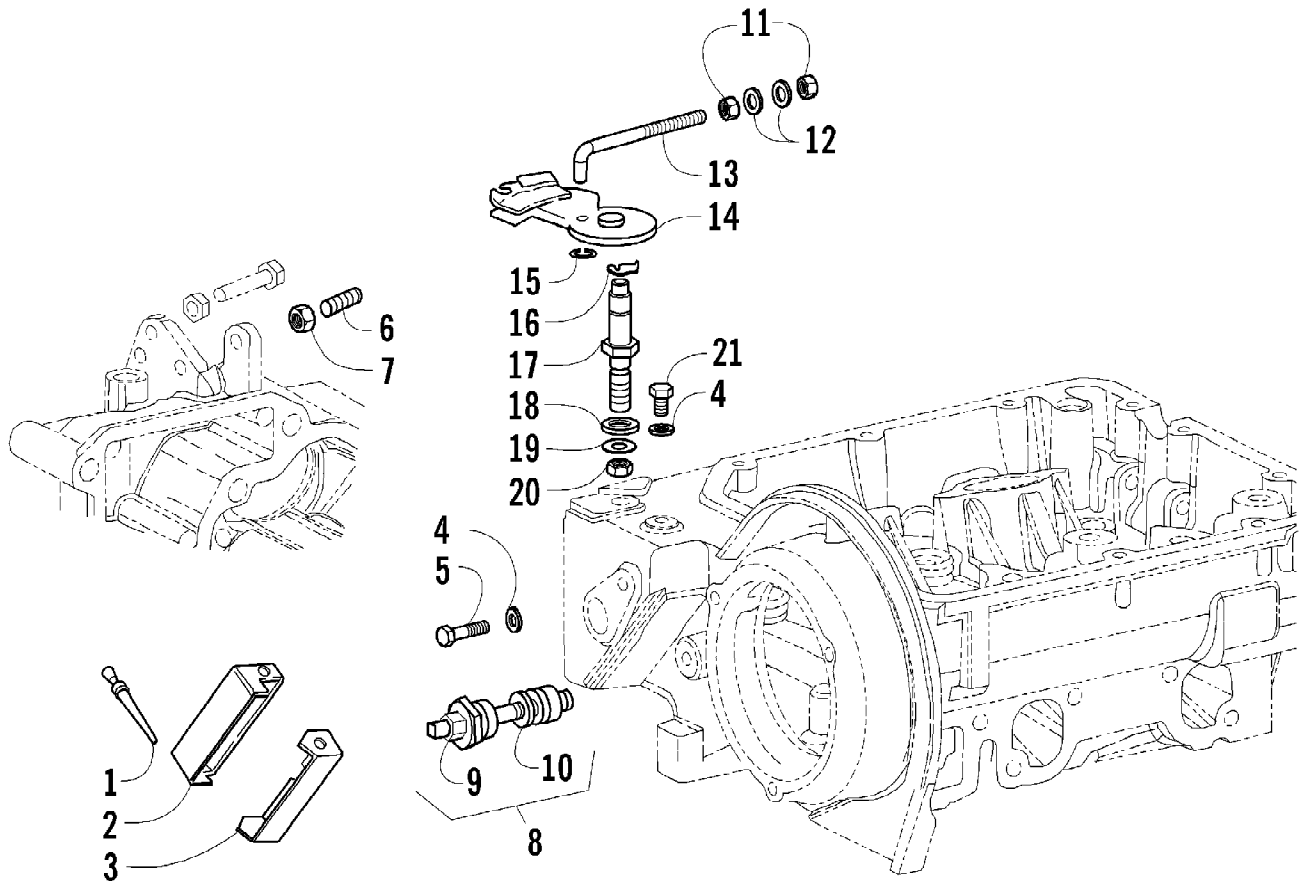
2007 ATV 700 AUTOMATIC TRANSMISSION 4X4 DIESEL RED (A2007TBT416SR) Page 10 of 116
THROTTLE CASE ASSEMBLY



2007 ATV 700 AUTOMATIC TRANSMISSION 4X4 DIESEL RED (A2007TBT4D6SR) Page 01 of 116
THROTTLE CASE ASSEMBLY

Ref #	Part Number	Qty	S/P/F	Description
1	0509-012	1		Case, Throttle - Assembly (inc. 2-9)
2	3409-001	1		Lever
3	3004-533	1	S/P	Screw, Cap
4	3004-447	1	/P	Washer, Lock
5	3003-030	1	/P	Washer
6	3423-014	1		Screw
7	3423-327	1		Nut
8	3423-199	2		Screw
9	0409-048	1		Cover, Throttle w/Switch

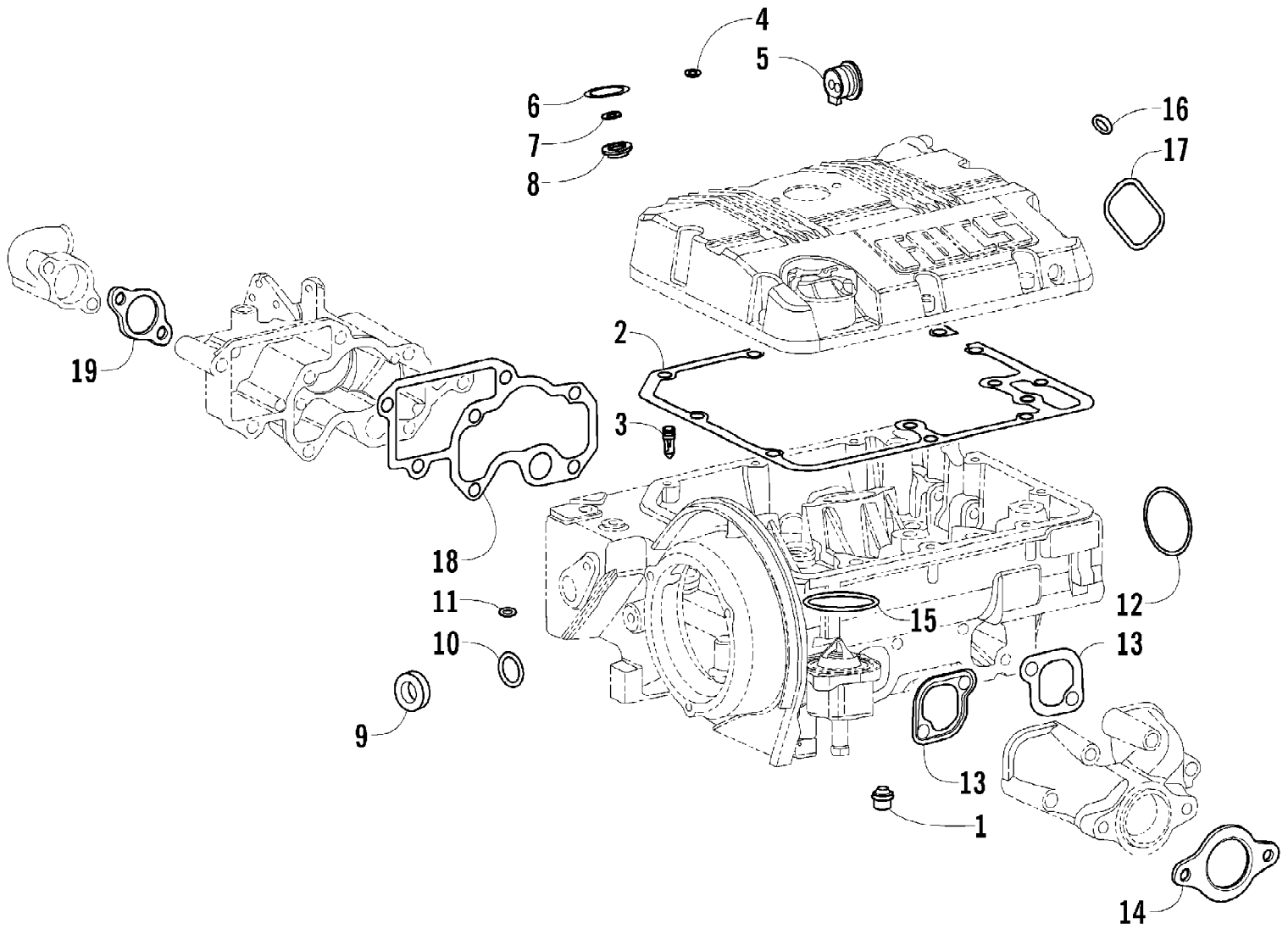
2007 ATV 700 AUTOMATIC TRANSMISSION 4X4 DIESEL RED (A2007TBT416SR) Page 2 of 116
THROTTLE CONTROL AND LOCKED TORQUE DEVICE ASSEMBLIES



2007 ATV 700 AUTOMATIC TRANSMISSION 4X4 DIESEL RED (A2007TBT4D6SR) Page 3 of 116
THROTTLE CONTROL AND LOCKED TORQUE DEVICE ASSEMBLIES

Ref #	Part Number	Qty	S/P/F	Description
1	3206-247	3		Nail
2	3206-251	1		Plate, Safety
3	3206-250	1		Plate, Safety
4	3206-007	2		Gasket, Copper
5	3206-252	1		Bolt
6	3206-249	1		Screw
7	3206-248	1		Nut
8	3206-236	1		Device, Locked Torque (inc. 9-10)
9	0	1	F	Nut
10	3206-235	1		Gasket
11	3206-237	2		Nut
12	3206-238	2		Washer
13	3206-239	1		Rod, Tie
14	3206-241	1		Lever, Throttle Control
15	3206-242	1		Circlip
16	3206-243	1		Circlip
17	3206-244	1		Pin
18	3206-253	1		Washer
19	3206-246	1		Seal, Oil
20	3206-245	1		Nut
21	3206-240	2		Bolt

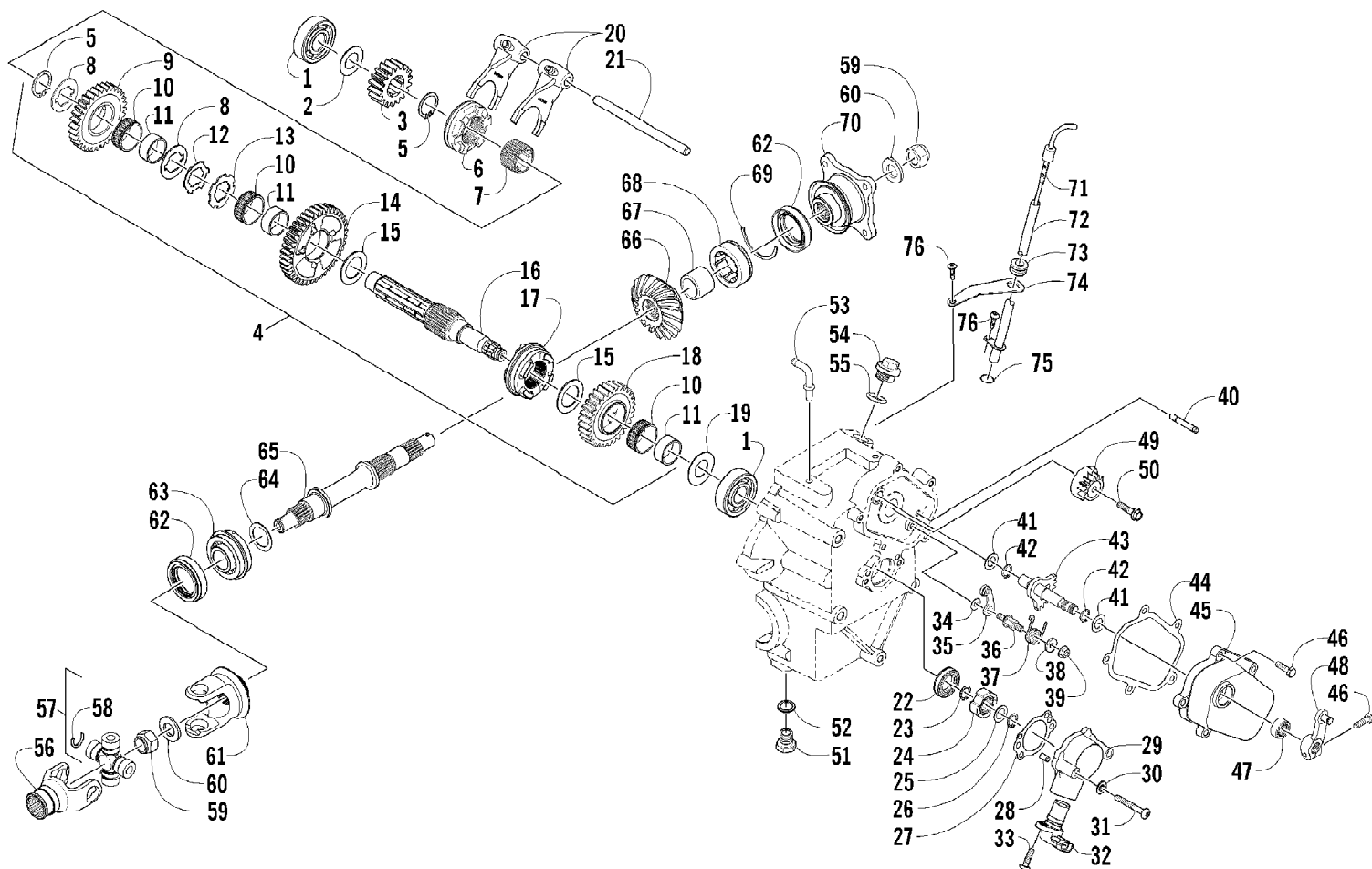
2007 ATV 700 AUTOMATIC TRANSMISSION 4X4 DIESEL RED (A2007TBT426SR) Page 4 of 116
TOP END GASKET SET ASSEMBLY



2007 ATV 700 AUTOMATIC TRANSMISSION 4X4 DIESEL RED (A2007TBT4DLSR) Page 5 of 116
TOP END GASKET SET ASSEMBLY

Ref #	Part Number	Qty	S/P/F	Description
	3206-328	1		Top End Gasket Set
1	3206-152	4		Retainer, Valve - Cylinder Head
2	3206-086	1		Gasket, Rocker Arm Cover
3	3206-084	1		Connection, Rocker Arm Cover
4	3206-095	4		Seal, Ring - Delivery Pipe
5	3206-094	1		Seal, Delivery Pipe
6	3206-122	2		O-Ring, Injection Nozzle
7	3206-124	2		Gasket, Copper - Injection Nozzle
8	3206-059	2		Arrester, Spark - Injection Nozzle
9	3206-208	1		Ring, Seal - Governor Cover
10	3206-210	1		Seal, Oil - Governor Cover
11	3206-226	1		Seal, Governor Lever
12	3206-313	1		O-Ring, Cylinder Head Flange
13	3206-291	2		Gasket, Exhaust Manifold
14	3206-296	1	/P	Gasket, Exhaust
15	3206-260	1		O-Ring, Thermostat
16	3206-010	4		Washer, Crush
17	3206-256	1		O-Ring, Fuel Feed Pump
18	3206-277	1		Gasket, Intake Manifold
19	3206-289	1		Gasket, Intake Flange

2007 ATV 700 AUTOMATIC TRANSMISSION 4X4 DIESEL RED (A2007TBT426SR) Page 6 of 116
TRANSMISSION LEFT-SIDE ASSEMBLY



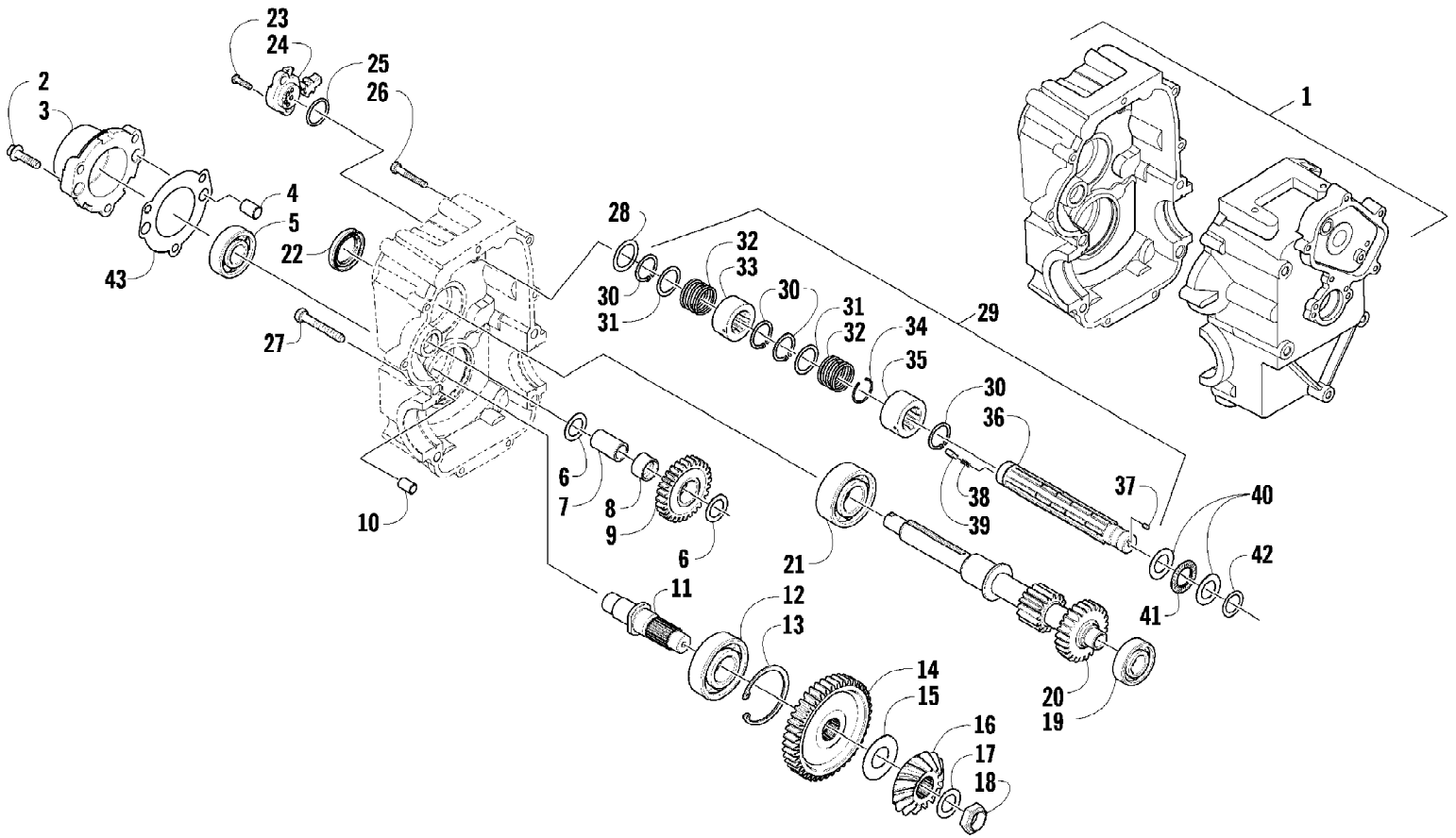
2007 ATV 700 AUTOMATIC TRANSMISSION 4X4 DIESEL RED (A2007TBT4DLSR) Page 07 of 116
TRANSMISSION LEFT-SIDE ASSEMBLY

Ref #	Part Number	Qty	S/P/F	Description
1	0832-014	2	S	Bearing
2	0828-010	1		Washer, Thrust - Secondary Transmission
3	1402-558	1		Gear, Drive - No. 2 (18 Tooth)
4	1502-149	1	S	Countershaft (inc. 5-18)
5	0831-011	2		Ring, Retaining
6	0822-014	1		Dog, Reverse Gear
7	0822-045	1		Insert, Gear
8	0828-008	2		Washer, Secondary Transmission
9	0822-013	1		Gear, Reverse Driven
10	0832-011	3		Bearing
11	0822-005	3		Bushing
12	0828-015	1		Washer, Lock - Secondary Transmission
13	0828-014	1		Washer, Secondary Transmission
14	0822-004	1		Gear, Driven - Low (40 Tooth)
15	0822-046	2		Shim, Drive Gear Spacer
16	0822-003	1		Countershaft
17	0822-007	1		Dog, Sliding Driven Gear - High/Low
18	0822-006	1		Gear, Driven - High (30 Tooth)
19	0828-011	1		Washer
20	0818-072	2	/P	Fork, Shift
21	0818-006	1		Shaft, Shift Fork
22	0822-052	1		Seal, Countershaft - Right
23	0831-040	1		Ring, External Retaining
24	0822-050	1		Trigger, Speedometer Sensor
25	0828-069	1		Washer, Thrust
26	0831-039	1		Ring, External Retaining
27	0830-129	1		Gasket, Odometer Drive
28	0829-023	2		Pin, Solid Dowel
29	0822-049	1		Housing, Speedometer Sensor
30	0830-107	2		Seal, Fastener
31	8468-645	2		Screw, Machine
32	0824-015	1	S	Sensor, Speedometer
33	8468-620	1	/P	Screw, Machine
34	0828-038	1		Washer
35	0818-002	1		Stopper, Swing Arm - Cam Assembly
36	0818-004	1		Support, Cam Stopper
37	0818-028	1		Spring, Torsion - Cam Arm
38	0828-035	1		Washer
39	8424-602	1	/P	Nut, Hex Flange
40	1402-556	1		Stop, Spring - Selector
41	0828-036	2		Washer
42	0831-010	2		Ring, Retaining
43	0818-007	1	/P	Shaft, Sub - Gear Shift
44	1402-557	1		Gasket, Cover - Selector
45	1502-009	1		Cover, Selector - Gearcase
46	8405-620	6		Screw, Cap
47	0830-044	1		Seal, Sub - Gear Shift
48	0818-014	1		Arm, Selector
49	0818-005	1	S	Plate, Gear Shift Cam
50	0826-006	1		Screw, Cap
51	0812-006	1		Plug, Drain - Magnetic
52	0830-017	1		Gasket, Compression
53	1402-102	1		Fitting, Oil

2007 ATV 700 AUTOMATIC TRANSMISSION 4X4 DIESEL RED (A2007TBT4D6SR) Page 8 of 116
TRANSMISSION LEFT-SIDE ASSEMBLY

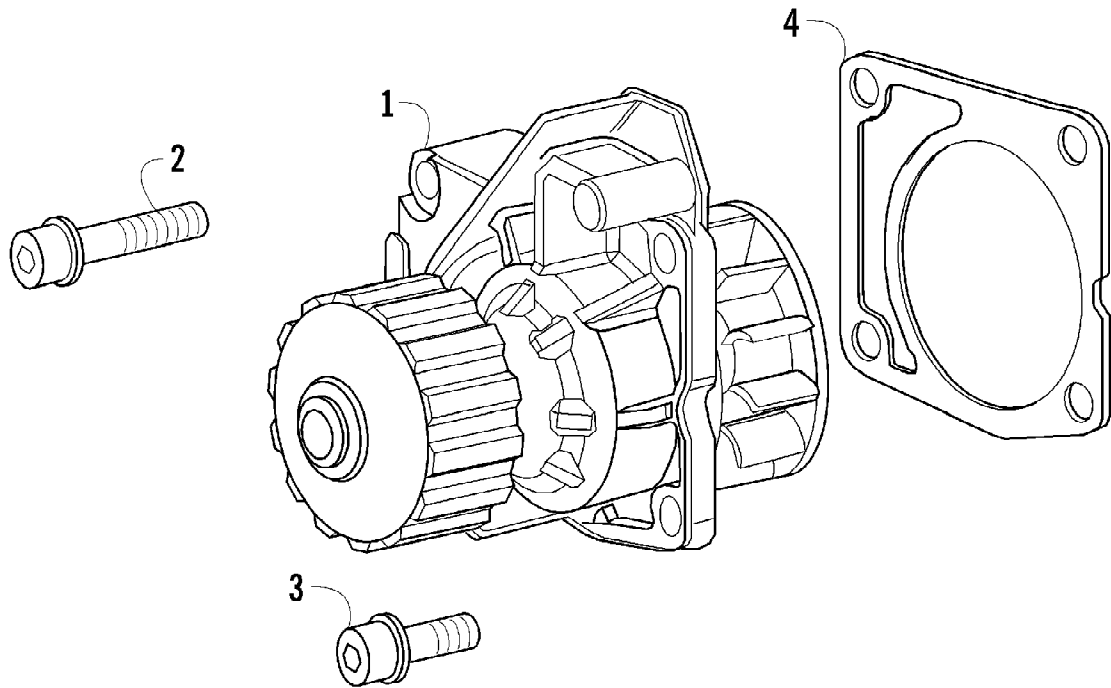
Ref #	Part Number	Qty	S/P/F	Description
54	0402-333	1	/P	Plug, Fill (inc. 55)
55	0423-154	1		O-Ring
56	0819-063	1		Yoke, Propeller Shaft
57	1402-463	1	S	Joint, Universal - Set (inc. 58)
58	0423-450	4		Ring, Retaining - Universal Joint
59	0827-013	2		Nut, Hex
60	0828-020	2		Washer
61	0819-061	1		Yoke, Drive Output - Front Assembly
62	0830-043	2		Seal, Oil - Driven Shaft
63	0832-017	1		Bearing, Driven Shaft
64	0828-026	1		Shim, 25.00 x 34.00 x 1.00
65	1402-554	1		Shaft, Output - Secondary
66	0819-002	1		Gear, Secondary Driven
67	1402-555	1		Sleeve, Bearing - Output Shaft
68	0832-016	1		Bearing, Driven Gear
69	0819-011	1		Ring, Driven Bearing
70	0819-005	1		Flange, Output Joint - Assembly
71	0470-689	1		Level Stick, Lubricant
72	2506-388	1		Tube, Level Stick
73	0423-465	1		Grommet
74	2506-445	1		Bracket, Level Stick Tube
75	0423-715	1		O-Ring
76	0423-396	2		Screw, Self-Tapping

2007 ATV 700 AUTOMATIC TRANSMISSION 4X4 DIESEL RED (A2007TBT426R) Page 9 of 116
TRANSMISSION RIGHT-SIDE ASSEMBLY



2007 ATV 700 AUTOMATIC TRANSMISSION 4X4 DIESEL RED (A2007TBT4D) Page 10 of 116
TRANSMISSION RIGHT-SIDE ASSEMBLY

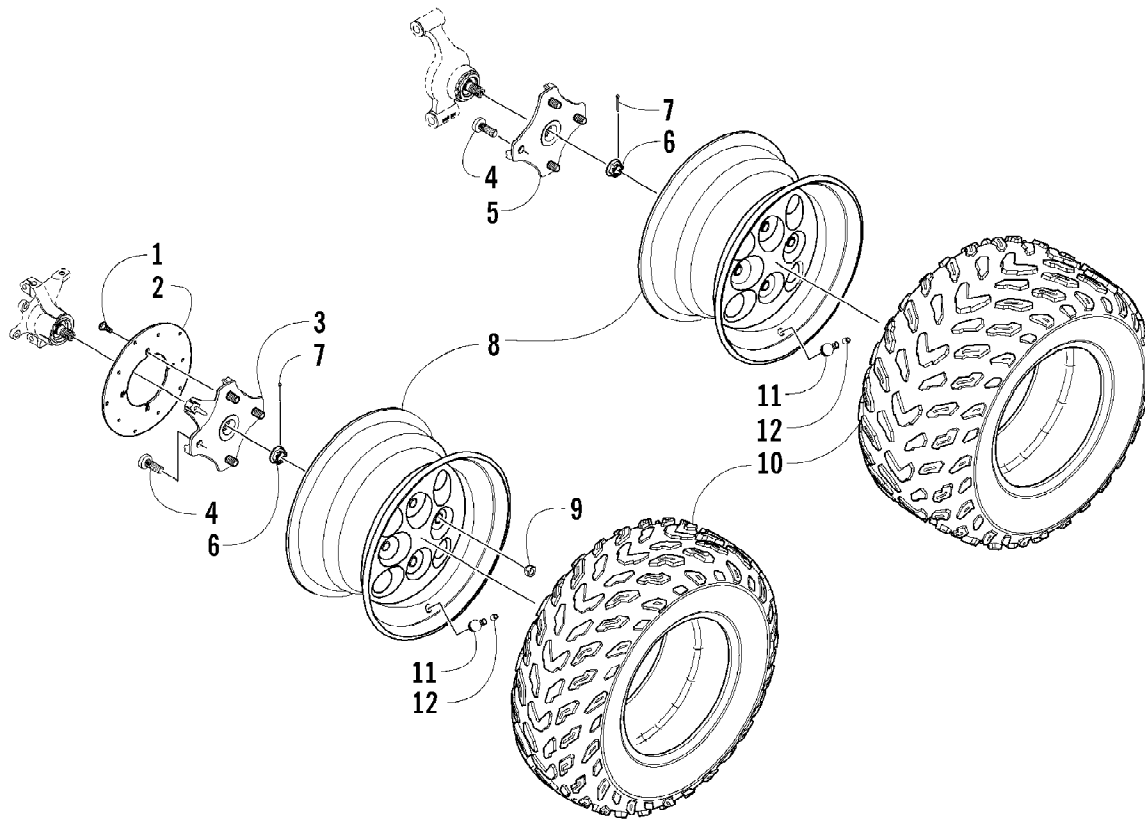
Ref #	Part Number	Qty	S/P/F	Description
1	1502-043	1	S	Housing, Gearcase - Set
2	8408-830	3		Screw, Cap
3	0801-006	1		Housing, Secondary Output Shaft Bearing
4	0829-002	2		Dowel, Split
5	0832-014	1	S	Bearing, Secondary Output Shaft
6	0828-016	2		Washer, Thrust
7	0822-015	1		Shaft, Reverse Idle
8	0822-012	1		Bushing, Reverse Idle Gear
9	0822-011	1		Gear, Reverse Idle
10	0829-003	2		Dowel, Split
11	0822-067	1	/P	Shaft, Output - Secondary
12	0832-015	1	S/P	Bearing, Output - Secondary Shaft
13	0402-347	1		Ring, Retaining
14	1402-559	1		Gear, Driven - No. 2 (42 Tooth)
15	0828-030	1		Shim, 24 x 48 x 0.25 mm
15	0828-031	1		Shim, 24 x 48 x 0.30 mm
15	0828-032	1		Shim, 24 x 48 x 0.35 mm
15	0828-033	1		Shim, 24 x 48 x 0.90 mm
15	0828-018	1		Shim, 24 x 48 x 0.95 mm
15	0828-062	1		Shim, 24 x 48 x 1.00 mm
15	0828-063	1		Shim, 24 x 48 x 1.05 mm
15	0828-064	1		Shim, 24 x 48 x 1.10 mm
15	0828-065	1		Shim, 24 x 48 x 1.15 mm
16	0819-001	1		Gear, Secondary Drive
17	0828-019	1		Washer, Thrust
18	0827-012	1		Nut, Hex
19	0832-013	1	S	Bearing
20	1402-553	1		Shaft, Input
21	0832-012	1	S	Bearing, Driveshaft
22	0830-035	1		Seal, Driveshaft
23	8470-520	2		Screw, Machine
24	0818-049	1	S	Sensor, Gear Shift Position
25	0423-714	1		O-Ring
26	8405-640	7		Screw, Cap
27	8405-855	4		Screw, Cap
28	0828-040	1		Washer, Steel
29	0818-046	1		Shaft, Gear Shift - Assembly (inc. 30-37)
30	0831-011	4		Ring, Retaining
31	0828-039	2		Washer
32	0818-012	2		Spring, Cam - Gear Shift
33	0818-027	1		Cam, Reverse - Gear Shift
34	0818-011	1		C-Ring
35	0818-009	1		Cam, Forward - Gear Shift
36	0818-010	1		Shaft, Gear Shift
37	0829-011	1		Pin, Dowel
38	0818-017	2		Spring, Gear Shift Contacts
39	0818-013	2		Contact, Gear Shift
40	0828-067	2		Washer, Thrust Bearing
41	0832-034	1	S	Bearing, Thrust - Roller
42	0828-037	1		Washer
43	1402-605	1		Gasket



2007 ATV 700 AUTOMATIC TRANSMISSION 4X4 DIESEL RED (A2007TBT4DLSR) 12 of 116
WATER PUMP ASSEMBLY

Ref #	Part Number	Qty	S/P/F	Description
1	3206-271	1		Pump, Water - Assembly
2	3206-273	2		Screw
3	3206-274	2		Screw
4	3206-272	1		Gasket

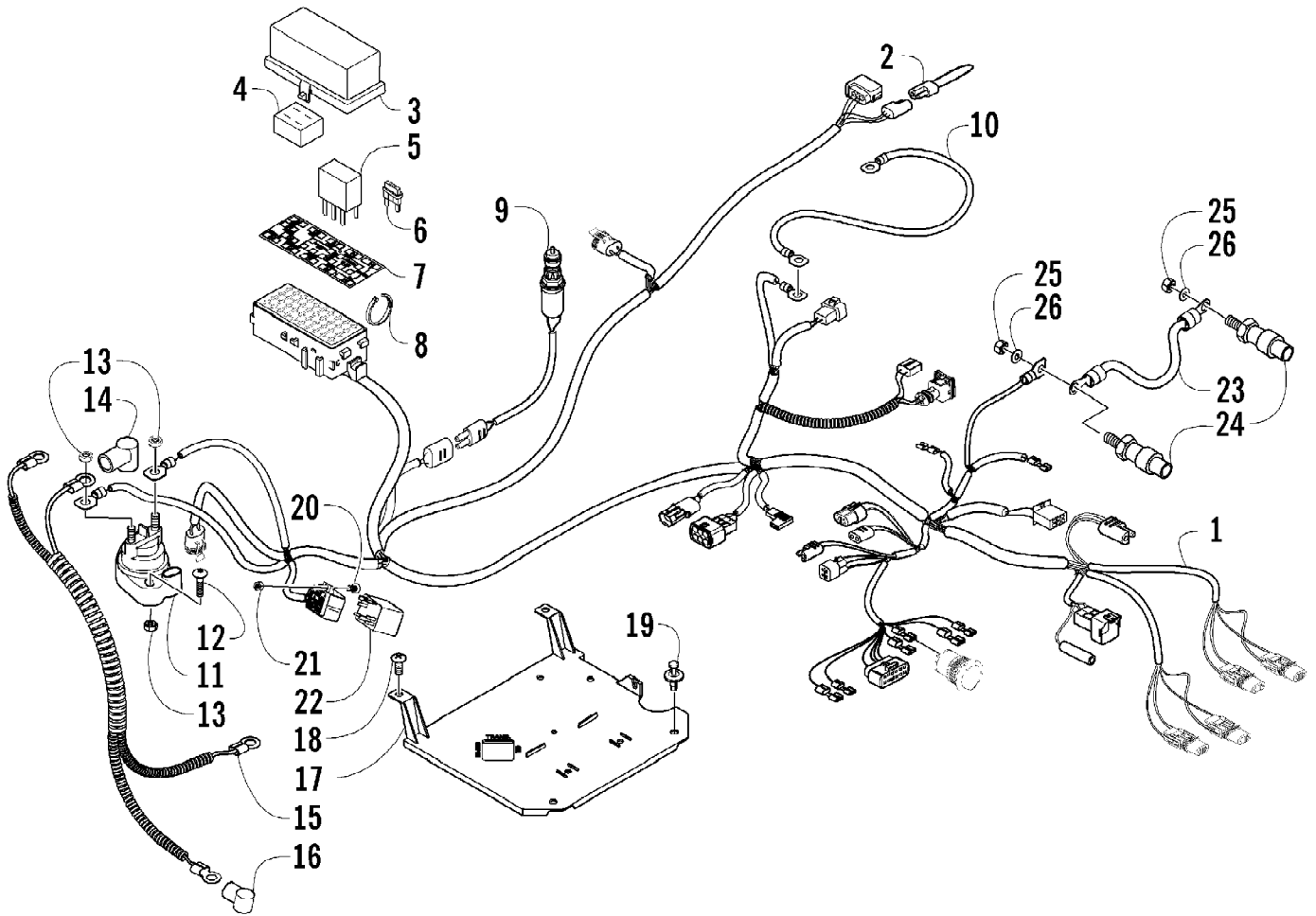
2007 ATV 700 AUTOMATIC TRANSMISSION 4X4 DIESEL RED (A2007TBT446SR) 3 of 116
WHEEL AND TIRE ASSEMBLY



2007 ATV 700 AUTOMATIC TRANSMISSION 4X4 DIESEL RED (A2007TBT4D6R) 14 of 116
WHEEL AND TIRE ASSEMBLY

Ref #	Part Number	Qty	S/P/F	Description
1	0423-557	12		Screw, Shoulder
2	1402-225	3	S	Disc, Brake
3	0502-599	2	S	Hub, Wheel - Front (inc. 4)
4	0402-974	16	/P	Stud, Wheel Hub
5	0502-601	1	S	Hub, Wheel - Rear - Left (inc. 4)
5	0502-599	1	S	Hub, Wheel - Rear - Right (inc. 4)
6	0423-607	4		Nut, Castle
7	0423-407	4		Pin, Cotter
8	1402-127	2		Wheel - Front
8	1402-115	2		Wheel - Rear
9	0423-408	16	/P	Nut, Lug
10	1402-548	2		Tire - Front Goodyear
10	1402-549	2		Tire - Rear Goodyear
11	0402-064	4		Stem, Valve (inc. 12)
12	0402-140	4		Cap, Valve Stem

2007 ATV 700 AUTOMATIC TRANSMISSION 4X4 DIESEL RED (A2007TBT426SR) 15 of 116
WIRING HARNESS ASSEMBLY



2007 ATV 700 AUTOMATIC TRANSMISSION 4X4 DIESEL RED (A2007TBT4D6SR) Page 16 of 116
WIRING HARNESS ASSEMBLY

Ref #	Part Number	Qty	S/P/F	Description
1	0486-197	1		Harness, Main (inc. 2-7)
2	0486-164	1		Tether, Accessory Connector
3	0530-008	1		Cover, Fuse Block
4	0430-037	1		Holder, Fuse
5	0430-033	1		Relay - 20 Amp (5-Pin)
5	0430-045	3	/P	Relay - 20 Amp (4 Pin)
6	0430-032	4		Fuse - 10 Amp
6	0430-031	4		Fuse - 15 Amp
6	0430-030	2		Fuse - 30 Amp
7	1411-381	1		Decal, Fuse Block
8	0123-788	AR	/P	Cable Tie - 7.5 in.
9	0409-072	1		Switch, Brake - Assembly
10	0445-060	1		Cable, Battery/Ground
11	0445-058	1	/P	Solenoid
12	8476-625	2		Screw, Machine
13	0623-038	8		Nut w/Washer
14	0645-327	1		Boot, Terminal
15	0445-059	1		Cable, Battery - Assembly
16	0645-019	2		Boot, Terminal
17	2406-388	1		Tray, Electrical
18	8476-620	2		Screw, Machine
19	0623-362	4		Rivet, Reinstallable
20	0423-371	1		Screw, Machine
21	8424-502	1		Nut, Hex
22	3206-311	1		Relay, Glow Plug
23	3206-307	1		Wire, Glow Plug
24	3206-306	2		Plug, Glow
25	3206-308	2		Nut
26	3206-309	2		Washer