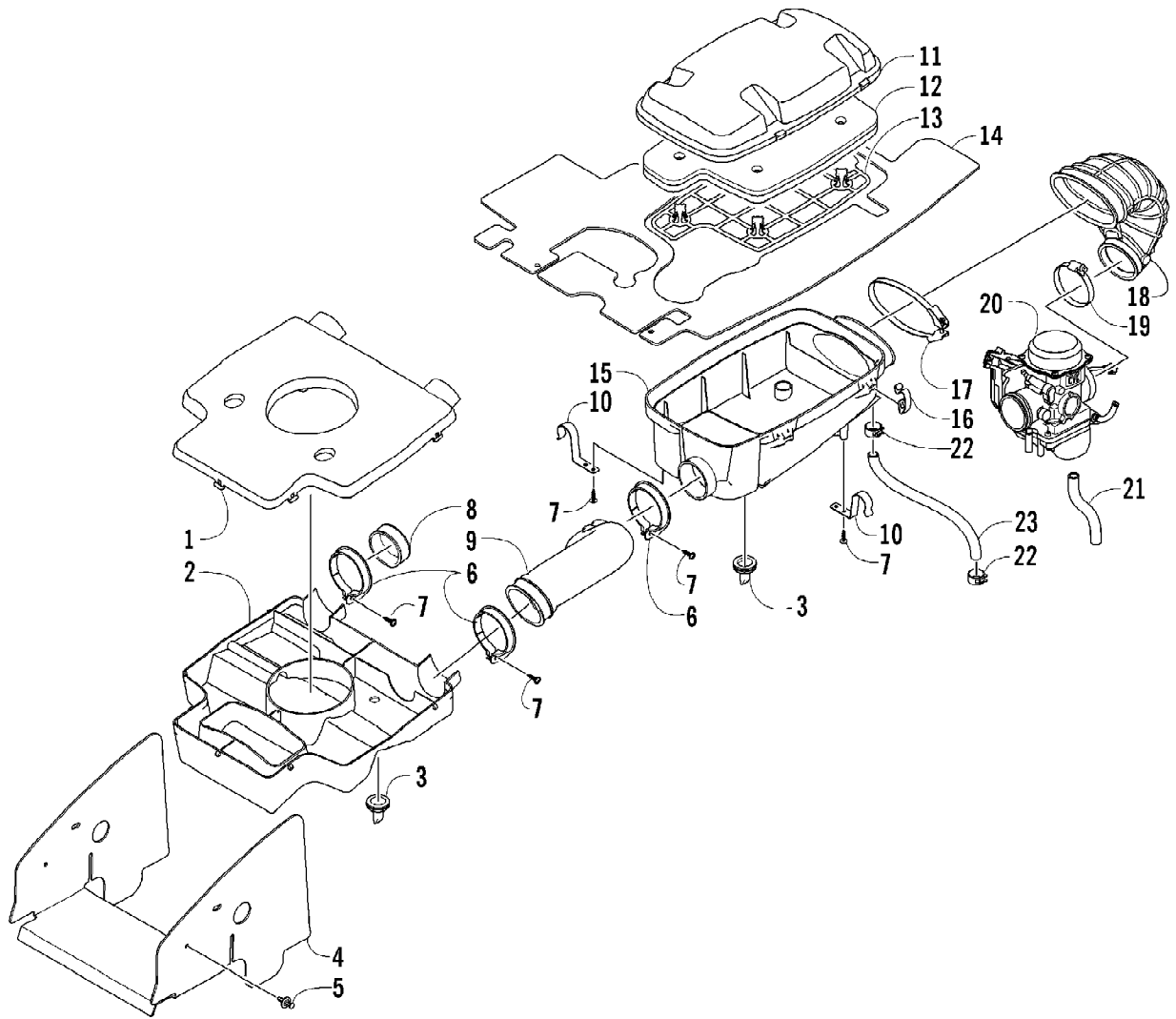


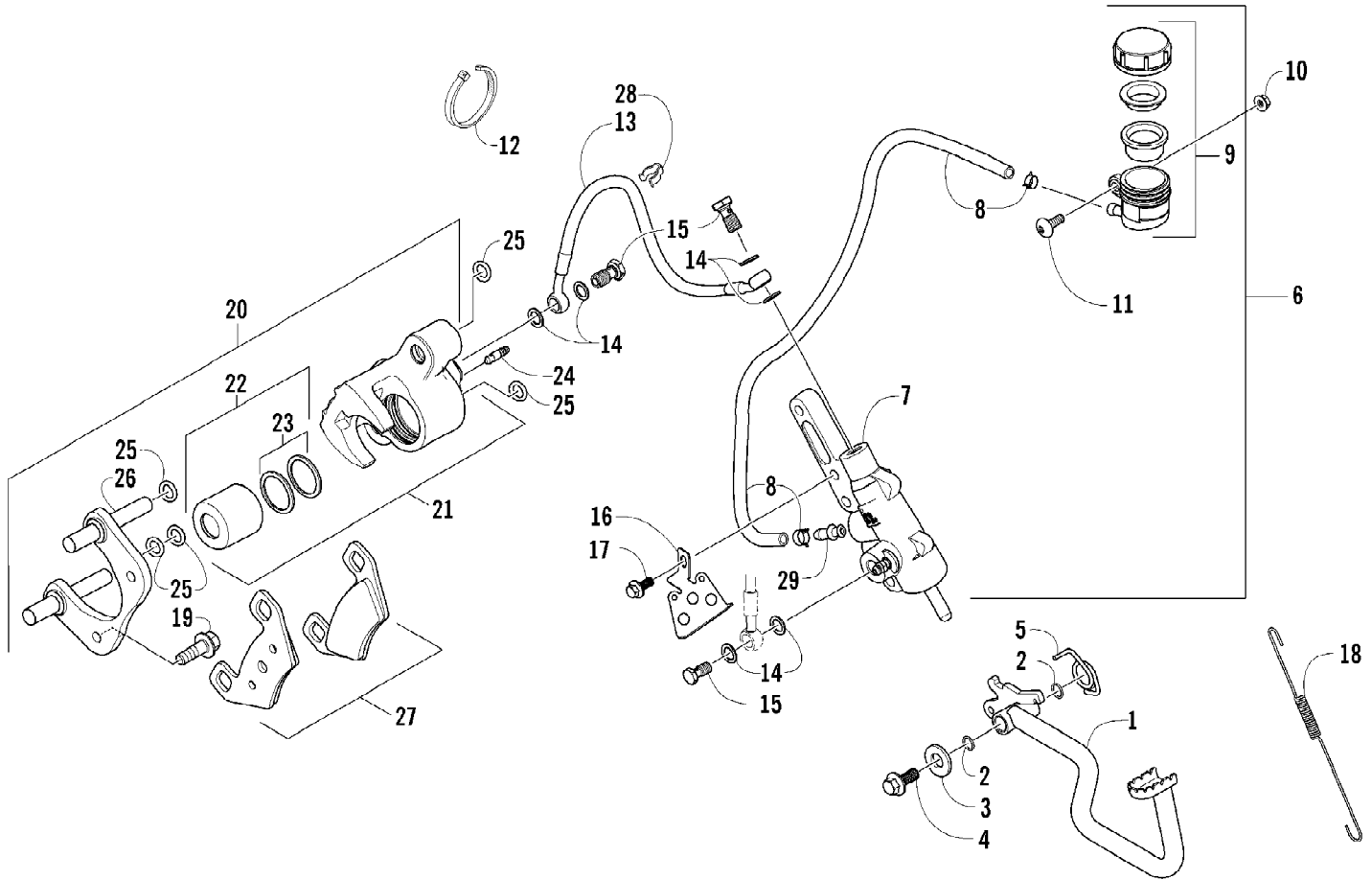
2007 ATV 650 H1 AUTOMATIC TRANSMISSION 4X4 FIS M4 CAMO (A2007IBSA) of 104
AIR INTAKE ASSEMBLY



2007 ATV 650 H1 AUTOMATIC TRANSMISSION 4X4 FIS M4 CAMO (A2007IBS40) of 104
AIR INTAKE ASSEMBLY

Ref #	Part Number	Qty	S/P/F	Description
1	0413-091	1		Diverter, Air - Top
2	0413-093	1		Diverter, Air - Bottom
3	0470-442	2	/P	Valve, Drain
4	1406-973	1		Shroud, Splash
5	0623-362	2		Rivet, Reinstallable
6	0423-551	3		Clamp
7	0423-342	7	/P	Screw, Self-Tapping
8	0413-096	1		Cap, Air Intake - Diverter
9	0470-529	1		Boot, Air Intake
10	0423-454	2		Clip, Mounting - Air Intake
11	0470-554	1	S	Cover, Air Intake
12	0470-663	1	/P	Filter, Air
13	0470-516	1		Screen, Air Filter
14	2406-009	1		Panel, Shield
15	0470-515	1	S	Housing, Air Intake
16	0423-455	4		Clip, Spring
17	0423-554	1		Clamp, Boot
18	0470-525	1		Boot, Carburetor
19	0423-019	1		Clamp, Boot
20	0470-571	1		Carburetor, CVK36-AE
21	0510-592	1		Hose, Carburetor Drain
22	0423-045	2		Clamp, Hose
23	0410-079	1	S	Hose, Vent - Crankcase

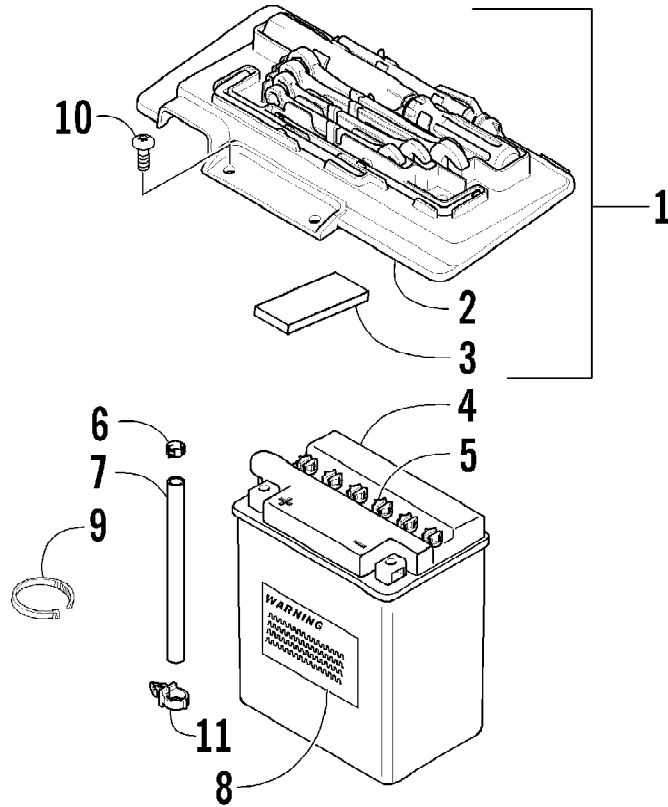
2007 ATV 650 H1 AUTOMATIC TRANSMISSION 4X4 FIS M4 CAMO (A2007IBSA) (USA) 104
AUXILIARY BRAKE ASSEMBLY



2007 ATV 650 H1 AUTOMATIC TRANSMISSION 4X4 FIS M4 CAMO (A2007IBS40) of 104
AUXILIARY BRAKE ASSEMBLY

Ref #	Part Number	Qty	S/P/F	Description
	1502-135	1		Fully Bled Master Cylinder Replacement Kit
1	1502-063	1		Lever, Brake
2	1602-213	2	/P	O-Ring
3	8050-252	1		Washer
4	8408-816	1		Screw, Cap
5	0502-807	1		Spring, Brake Lever
6	1502-137	1	S	Brake Assembly (inc. 7-9)
7	0	1	F	Master Cylinder
8	1502-142	1		Hose, Brake Reservoir w/Clamps
9	1502-141	1		Reservoir, Brake
10	0623-038	1		Nut, Flanged
11	8476-616	1		Screw, Machine
12	0123-788	1	/P	Cable Tie - 7.5 in.
13	1502-139	1		Hose, Brake
14	0423-178	6		Washer, Crush
15	0423-413	3		Bolt, Banjo-Fitting
16	1502-179	1		Bracket, Switch
17	8408-625	2		Screw, Cap
18	0502-785	1		Spring, Brake Switch
19	1623-589	2	S	Screw, Cap
20	0502-878	1	S	Caliper, Brake (inc. 21-27)
21	0502-603	1	S	Housing, Caliper - Assembly - Right Rear (inc. 22-24)
22	0502-606	1		Piston/Seal Set (inc. 23)
23	0502-607	1		Seal Set
24	0502-609	1	/P	Valve, Bleed
25	0502-608	1		O-Ring, Guide - Set
26	0502-605	1		Bracket Assembly
27	0502-875	1	S	Pad, Brake - Set
28	1502-115	2		Clip, Brake Hose
29	1502-138	1	S	Adapter, Hose

2007 ATV 650 H1 AUTOMATIC TRANSMISSION 4X4 FIS M4 CAMO (A2007IBSA) (USA) of 104
BATTERY ASSEMBLY



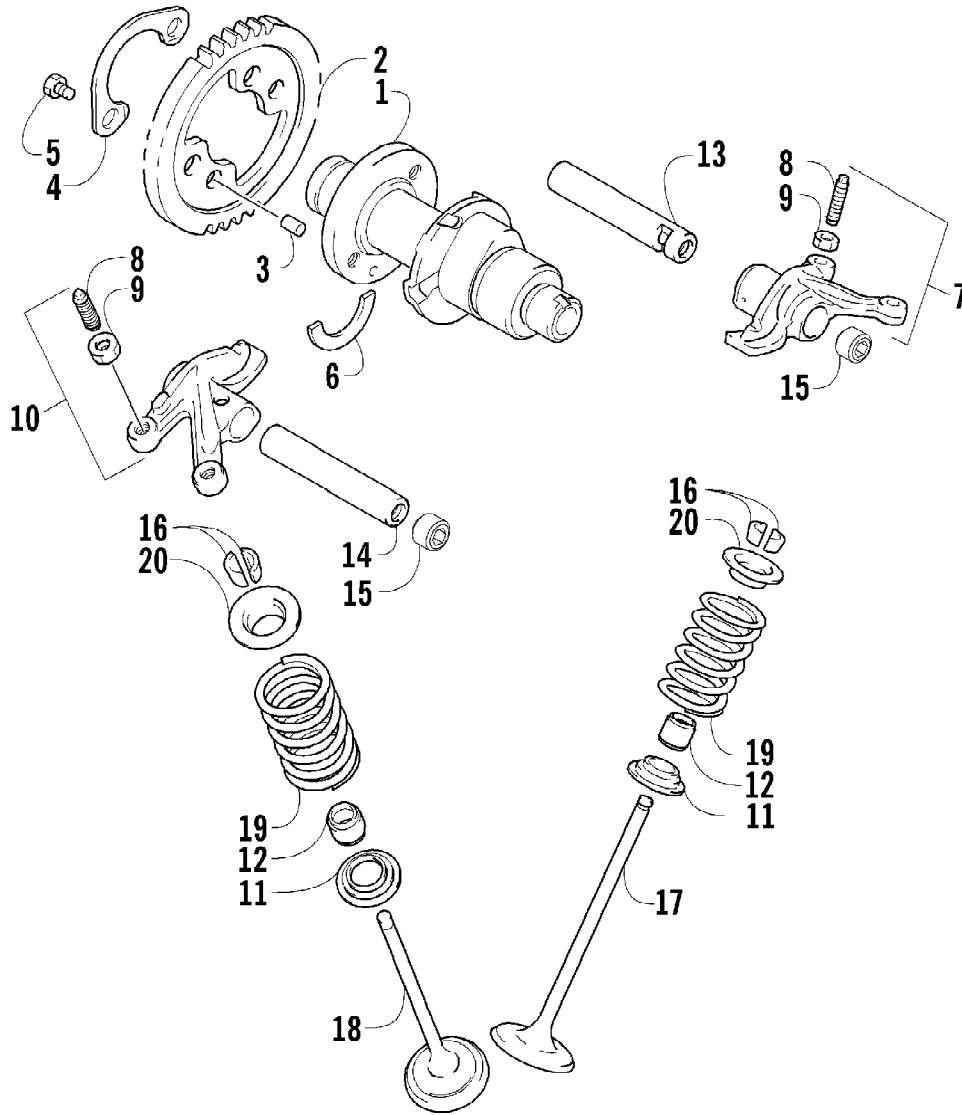
2007 ATV 650 H1 AUTOMATIC TRANSMISSION 4X4 FIS M4 CAMO (A2007IBS40150) of 104
 BATTERY ASSEMBLY

Ref #	Part Number	Qty	S/P/F	Description
1	5991-395	1	S	Battery Cover/Tool Tray Assembly (inc. 2-3)
2	2406-815	1	/P	Cover, Battery
3	0406-288	2		Pad, Battery
3	0444-122	1	S/P	Kit, Tool Not Illustrated
4	0745-045	1	/P	Battery Assembly (inc. 5-8)
5	0645-045	6		Cap, Battery
6	0645-152	1		Clamp, Hose
7	0645-263	1	/P	Hose, Vent
8	0645-151	1		Label, Warning - Battery
9	0123-903	4		Cable Tie - 11.5 in.
10	8476-616	2		Screw, Machine
11	0623-101	AR		Clip, Retaining

2007 ATV 650 H1 AUTOMATIC TRANSMISSION 4X4 FIS M4 CAMO (A2007IBS40180) of 104
CAM CHAIN ASSEMBLY

Ref #	Part Number	Qty	S/P/F	Description
1	0810-001	1		Chain, Cam
2	0810-002	1		Guide, Chain
3	0810-003	1		Tensioner, Chain
4	0826-036	1		Bolt
5	0830-025	1		Washer
6	0810-004	1		Adjuster, Tensioner - Assembly
7	0830-018	1		Gasket
8	8468-625	2		Screw, Machine
9	0830-107	2		Gasket
10	8400-610	1		Screw, Cap
11	0828-110	1		Washer

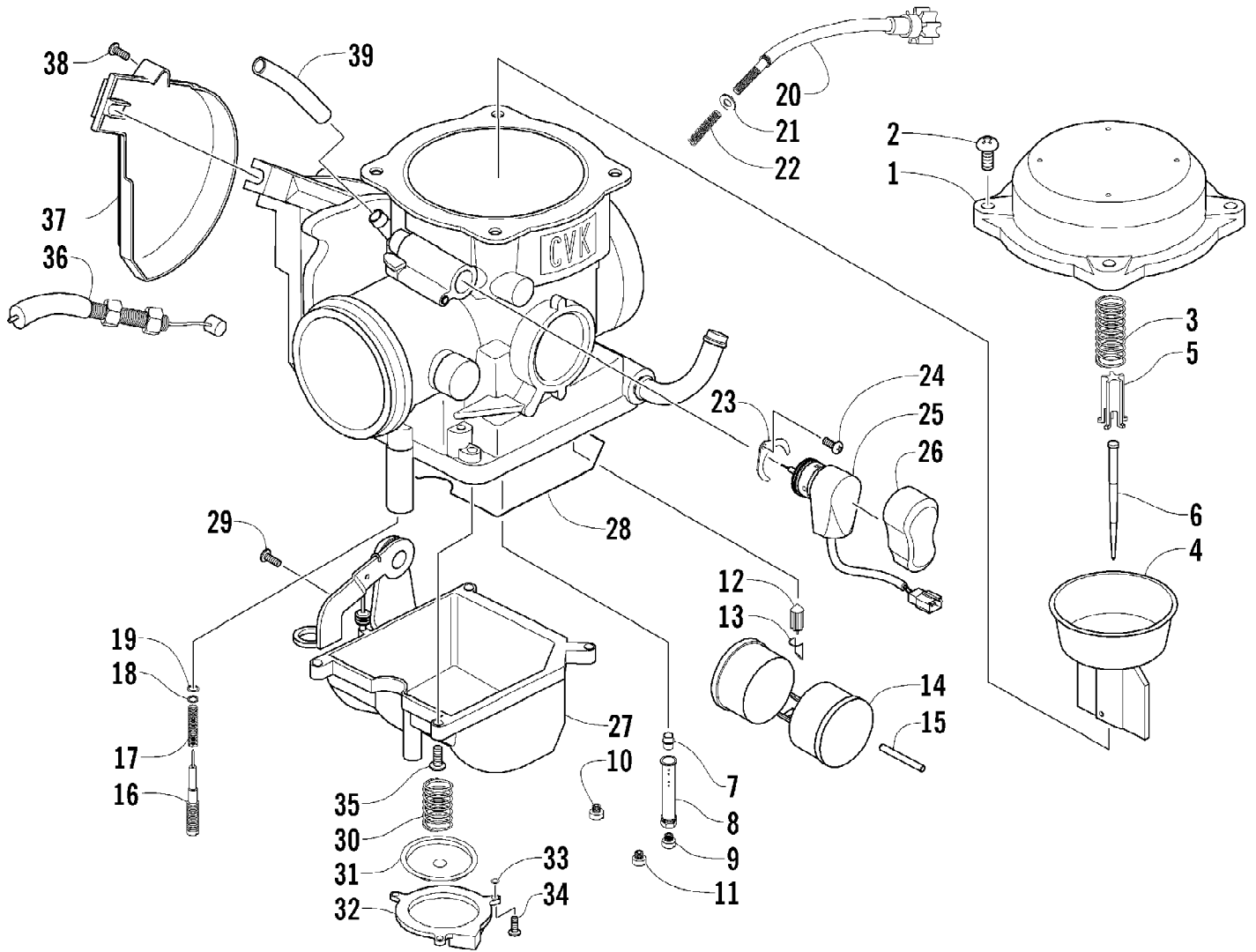
2007 ATV 650 H1 AUTOMATIC TRANSMISSION 4X4 FIS M4 CAMO (A2007IB949) of 104
CAMSHAFT/VALVE ASSEMBLY



2007 ATV 650 H1 AUTOMATIC TRANSMISSION 4X4 FIS M4 CAMO (A2007IB34B19C) of 104
CAMSHAFT/VALVE ASSEMBLY

Ref #	Part Number	Qty	S/P/F	Description
1	0809-116	1	S	Camshaft
2	0809-002	1		Sprocket
3	0829-008	1		Pin
4	0828-004	1		Washer
5	0826-034	2		Bolt
6	0809-003	1		C-Ring
7	0809-134	1	S/F	Arm, Valve Rocker - Intake (inc. two No. 8-9)
8	0809-033	4	S/F	Screw
9	0827-007	4	F	Nut
10	0809-136	1	S/F	Arm, Valve Rocker - Exhaust (inc. two No. 8-9)
11	0809-006	4	F	Seat, Spring - Valve
12	0830-016	4	S/F	Seal, Oil
13	0809-007	1	F	Shaft, Rocker Arm - Intake
14	0809-008	1	F	Shaft, Rocker Arm - Exhaust
15	0831-041	2	F	Plug, Shaft
16	0809-014	8	F	Keeper, Valve
17	0809-039	2	S/F	Valve, Intake
18	0809-040	2	S/F	Valve, Exhaust
19	0809-138	4	S/F	Spring, Valve
20	0809-013	4	F	Retainer, Spring

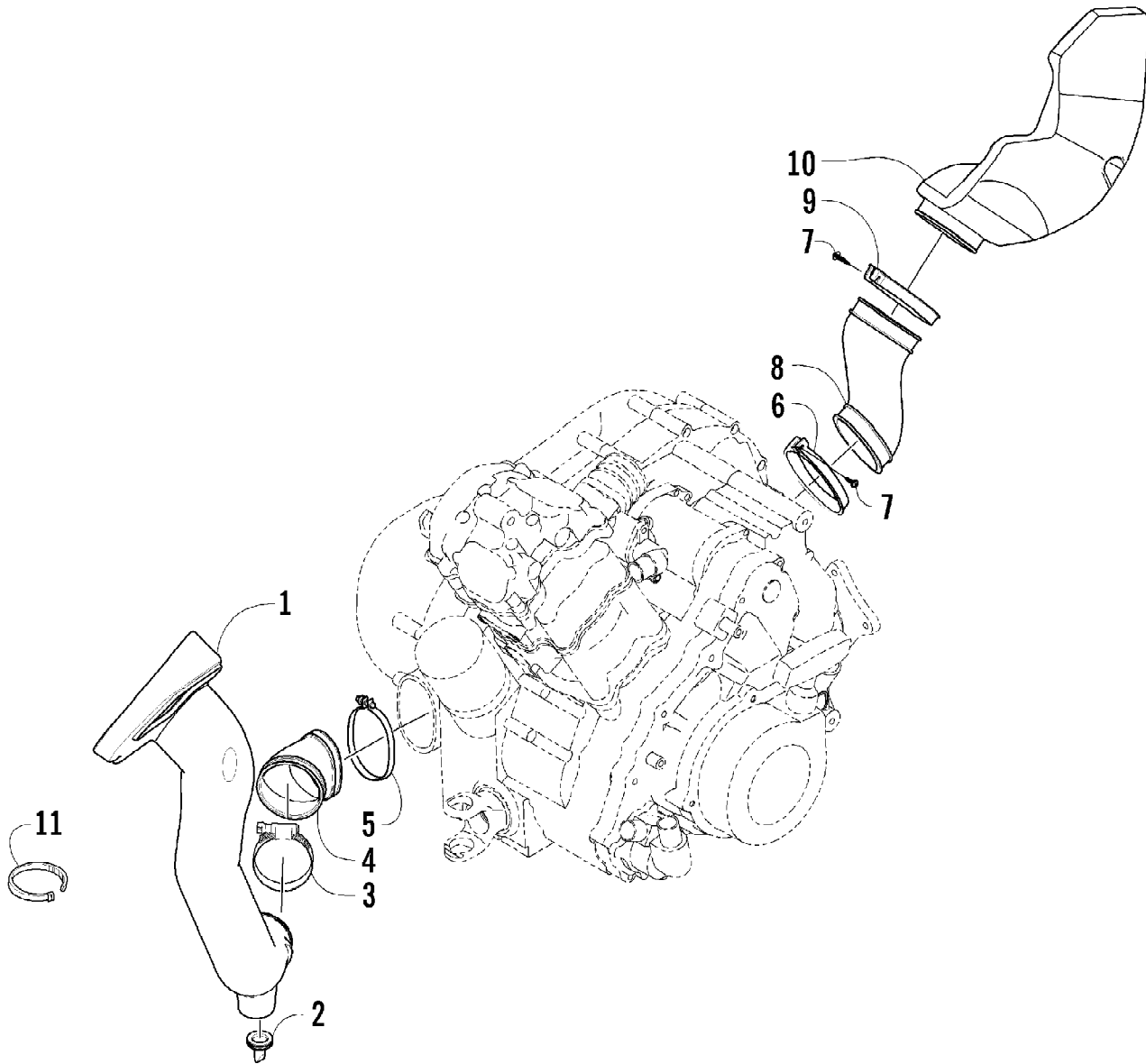
2007 ATV 650 H1 AUTOMATIC TRANSMISSION 4X4 FIS M4 CAMO (A2007IB34B) of 104 CARBURETOR



2007 ATV 650 H1 AUTOMATIC TRANSMISSION 4X4 FIS M4 CAMO (A2007IB34BU12C) of 104
CARBURETOR

Ref #	Part Number	Qty	S/P/F	Description
	0470-571	1		Complete Carburetor Assembly CVK36-AE
1	5507-001	1		Cover, Top
2	5507-002	4	/P	Screw, Top Cover
3	5507-173	1	S	Spring
4	5507-099	1		Piston, Vacuum
5	5507-005	1		Seat, Spring
6	5507-184	1		Jet Needle
7	5507-007	1		Needle Jet
8	5507-047	1	/P	Holder, Needle Jet
9	5507-075	1		Main Jet - 132
9	5507-072	1		Main Jet - 125 Optional
9	5507-073	1		Main Jet - 128 Optional
9	5507-074	1		Main Jet - 130 Optional
9	5507-057	1	/P	Main Jet - 135 Optional
9	5507-076	1	/P	Main Jet - 138 Optional
9	5507-043	1		Main Jet - 142 Optional
9	5507-042	1	/P	Main Jet - 145 Optional
9	5507-041	1		Main Jet - 148 Optional
9	5507-009	1	/P	Main Jet - 150 Optional
9	5507-077	1		Main Jet - 152 Optional
9	5507-078	1		Main Jet - 155 Optional
10	5507-101	1	S	Slow Jet
11	5507-112	1		Starter Jet - 85
12	5507-183	1		Valve, Float - Set (inc. 13)
13	0	1	F	Clip
14	5507-039	1		Float Set (inc. 15)
15	0	1	F	Pin, Float
16	5507-111	1		Screw, Pilot - Set (inc. 17-19)
17	0	1	F	Spring
18	0	1	F	Washer
19	0	1	F	O-Ring
20	5507-027	1		Screw, Idle Adjust
21	5507-028	1		Washer
22	5507-029	1		Spring
23	5507-115	1		Plate
24	5507-117	1	/P	Screw
25	5507-204	1		Choke, Electric
26	5507-114	1		Cover, Electric Choke
27	5507-203	1		Chamber, Float - Assembly (inc. 28-34)
28	5507-067	1	/P	O-Ring, Float Chamber
29	5507-050	1	/P	Screw, Drain
30	5507-032	1		Spring
31	5507-202	1		Diaphragm Assembly
32	5507-033	1		Housing, Pump
33	5507-034	1		U-Ring
34	5507-035	3		Screw
35	5507-017	4	/P	Screw
36	0487-021	1	S	Cable, Throttle
37	5507-036	1		Cover
38	5507-037	1	/P	Screw
39	0410-048	AR	S	Hose, Vent - 25 ft

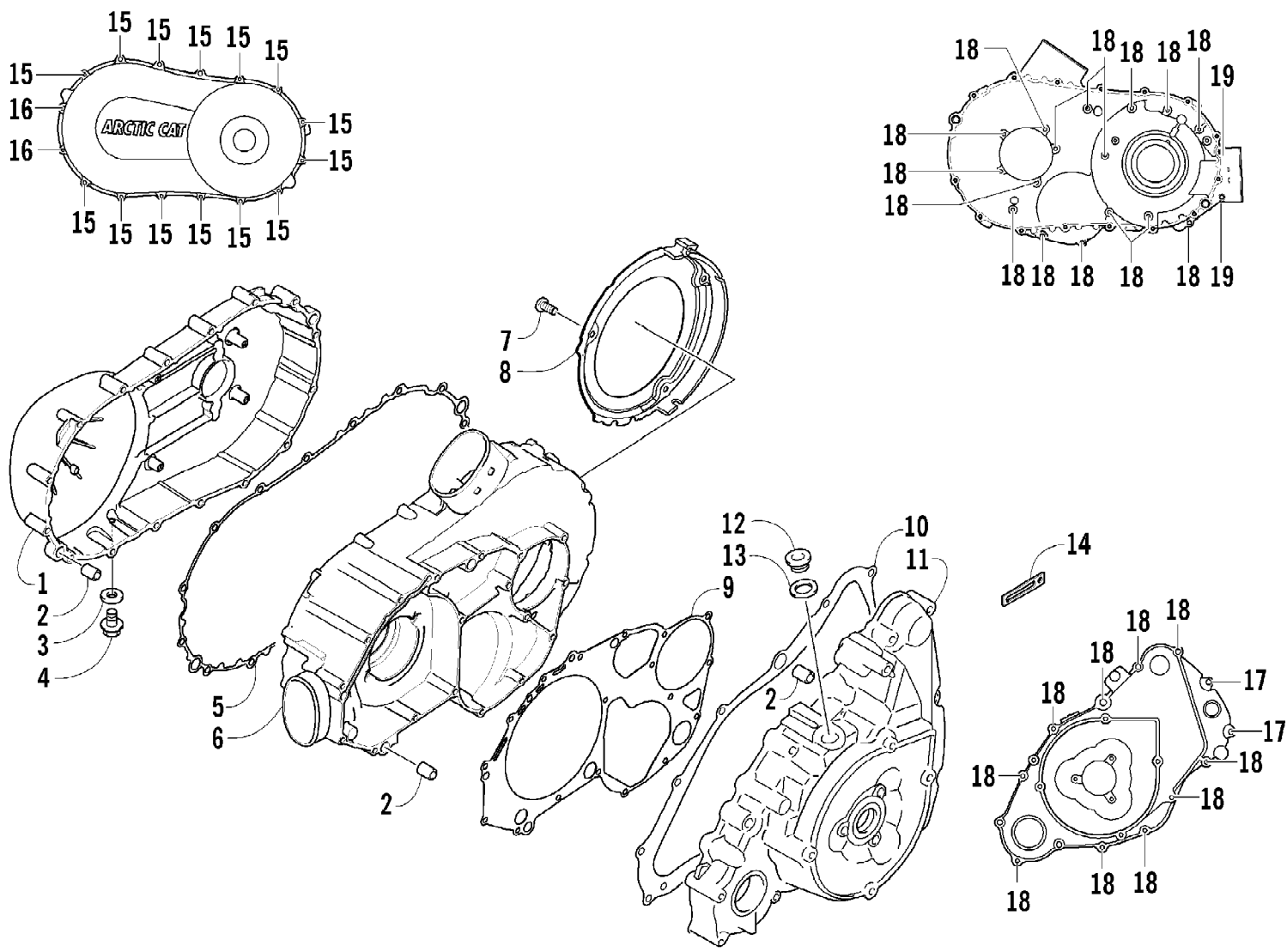
2007 ATV 650 H1 AUTOMATIC TRANSMISSION 4X4 FIS M4 CAMO (A2007IB34B) of 104
CASE/BELT COOLING ASSEMBLY



2007 ATV 650 H1 AUTOMATIC TRANSMISSION 4X4 FIS M4 CAMO (A2007IB34B13C) of 104
 CASE/BELT COOLING ASSEMBLY

Ref #	Part Number	Qty	S/P/F	Description
1	0413-115	1		Duct, Belt Cooling - Front
2	0470-442	1	/P	Valve, Drain
3	0423-578	1		Clamp, Boot
4	0413-114	1	S	Boot, Duct - Front
5	0423-539	1	S	Clamp, Boot
6	0423-550	1		Clamp, Plastic
7	0423-342	2	/P	Screw, Self-Tapping
8	0413-097	1		Boot, Duct - Rear
9	0423-554	1		Clamp, Boot
10	0413-153	1	/P	Duct, Belt Cooling - Rear
11	0123-903	1		Cable Tie - 11.5 in.

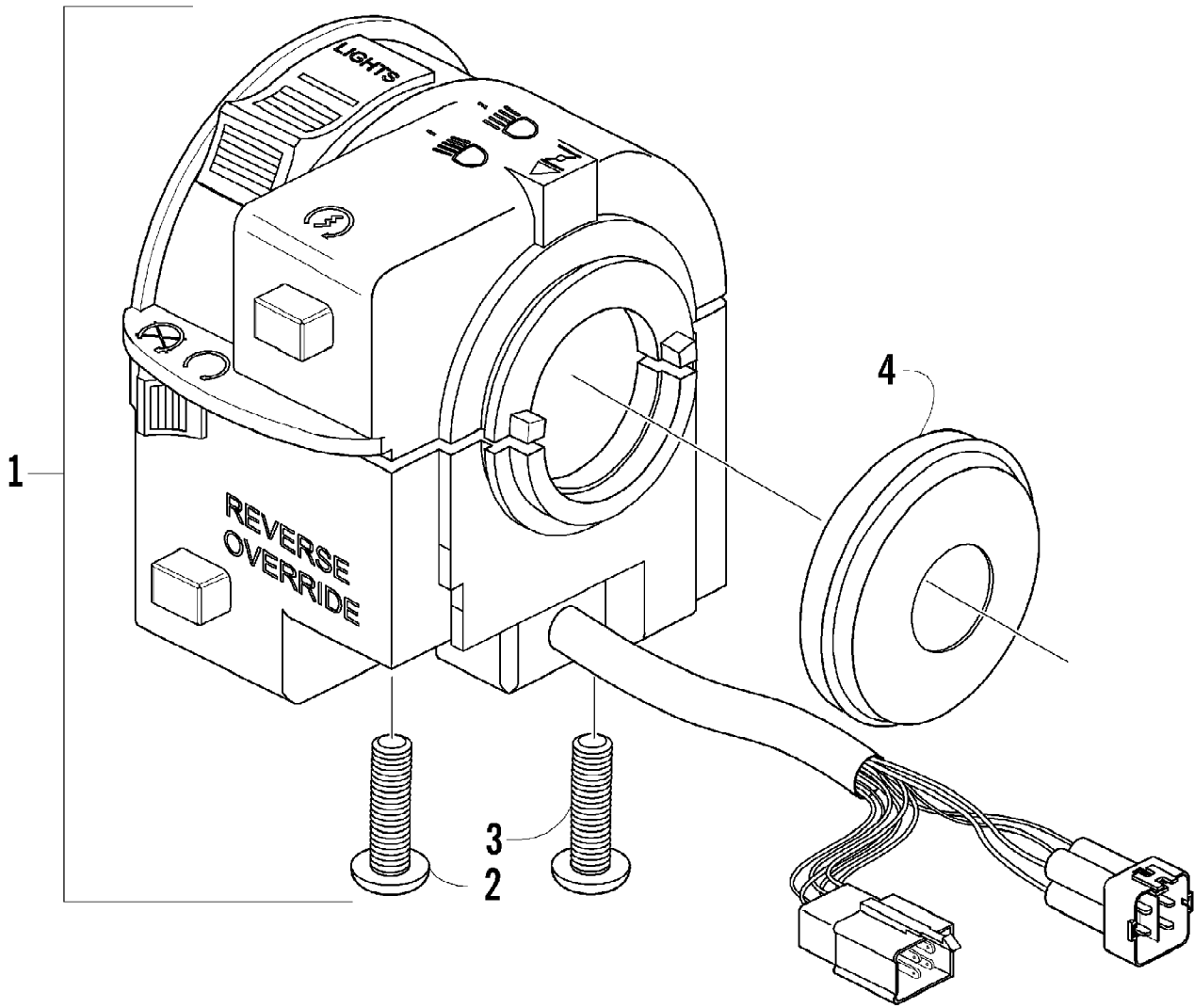
2007 ATV 650 H1 AUTOMATIC TRANSMISSION 4X4 FIS M4 CAMO (A20071B34B) (USA) 104
CLUTCH/V-BELT/MAGNETO COVER ASSEMBLY



2007 ATV 650 H1 AUTOMATIC TRANSMISSION 4X4 FIS M4 CAMO (A2007IB34B150) of 104
CLUTCH/V-BELT/MAGNETO COVER ASSEMBLY

Ref #	Part Number	Qty	S/P/F	Description
1	0806-014	1	S	Cover, V-Belt
2	0829-002	4		Pin, Dowel
3	0830-013	1		Washer, Crush
4	8408-812	1		Screw, Cap
5	0830-012	1	S	Gasket, V-Belt Cover
6	0806-013	1	S	Cover, Clutch
7	0826-029	3		Screw
8	0806-048	1		Plate, Air Intake
9	0830-116	1	/P	Gasket, Clutch Cover
10	0830-128	1		Gasket, Magneto Cover
11	0806-077	1	S	Cover, Magneto - Assembly
12	0806-022	1		Plug
13	0830-015	1		Washer, Crush
14	3002-964	1	/P	Clamp, Wire
15	8468-645	14		Screw, Machine
16	8468-655	2		Screw, Machine
17	8468-625	2		Screw, Machine
18	8468-640	26		Screw, Machine
19	8468-675	2		Screw, Machine

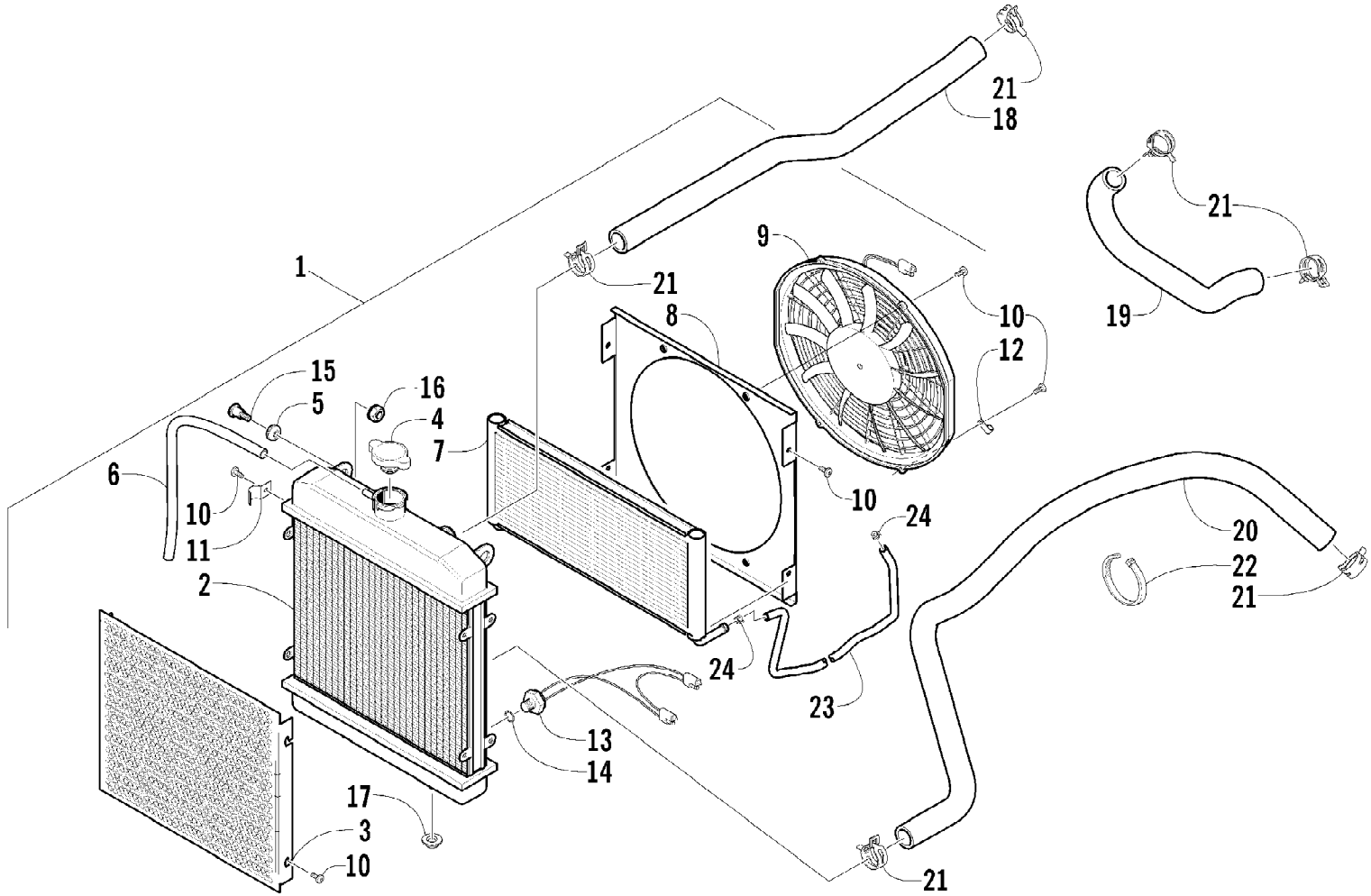
2007 ATV 650 H1 AUTOMATIC TRANSMISSION 4X4 FIS M4 CAMO (A2007IB34B) of 104
CONTROL SWITCH HOUSING ASSEMBLY



2007 ATV 650 H1 AUTOMATIC TRANSMISSION 4X4 FIS M4 CAMO (A2007IB34B18C) of 104
CONTROL SWITCH HOUSING ASSEMBLY

Ref #	Part Number	Qty	S/P/F	Description
1	0509-014	1		Switch, Control - Assembly (inc. 2-4)
2	0409-027	1		Screw, Machine
3	0409-028	1		Screw, Machine
4	3409-019	1		Cover, Switch Housing

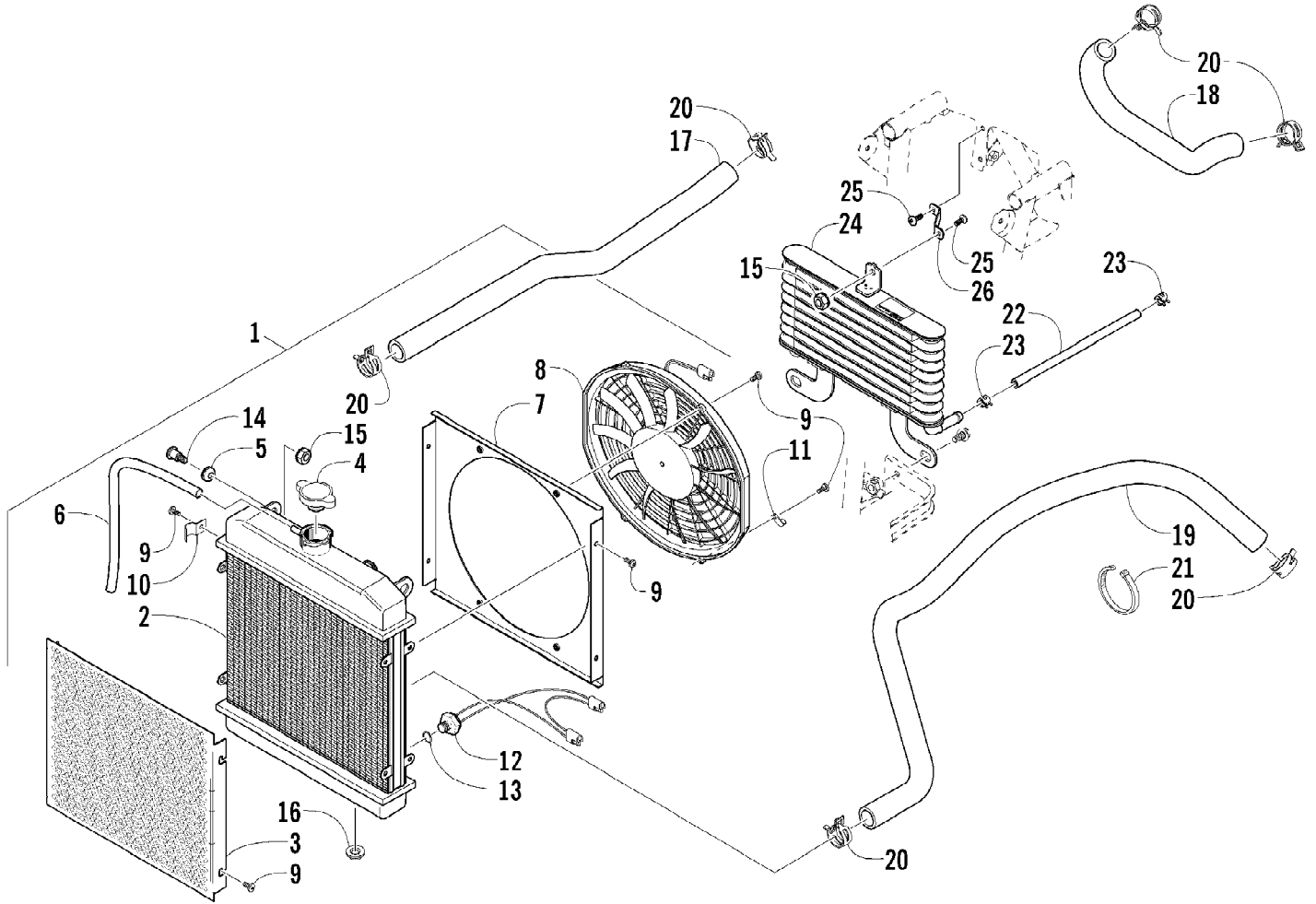
2007 ATV 650 H1 AUTOMATIC TRANSMISSION 4X4 FIS M4 CAMO (A2007IB34BU19C) 104
COOLING ASSEMBLY (Up to VIN: 4UF07ATV17T236134)



2007 ATV 650 H1 AUTOMATIC TRANSMISSION 4X4 FIS M4 CAMO (A2007IB34B29C) of 104
 COOLING ASSEMBLY (Up to VIN: 4UF07ATV17T236134)

Ref #	Part Number	Qty	S/P/F	Description
1	0413-116	1		Radiator Assembly (inc. 2-14)
2	0413-043	1	S	Radiator
3	0413-007	1		Screen, Radiator
4	0413-002	1	S	Cap, Radiator
5	0423-030	2		Grommet
6	0610-016	AR	/P	Hose - 25 ft
7	0413-122	1		Cooler, Oil
8	0413-124	1		Shroud, Fan
9	0413-123	1	/P	Fan, Cooling
10	8475-512	12		Screw, Machine
11	0423-351	1		Clamp, Wire
12	0123-397	1		Clamp, Cable
13	0413-045	1		Sensor, Temperature - Coolant
14	0423-390	1	S	O-Ring
15	0423-484	2		Screw, Shoulder
16	0623-038	2		Nut w/Washer
17	0423-028	2		Bushing, Stem
18	0410-002	1		Hose, Coolant - Upper
19	0410-022	1		Hose, Coolant - Crossover
20	0410-041	1		Hose, Coolant - Lower
21	0423-496	6		Clamp, Hose
22	0123-788	2	/P	Cable Tie
23	0410-100	AR	S	Hose, Oil Cooler
24	0423-632	4		Clamp, Hose

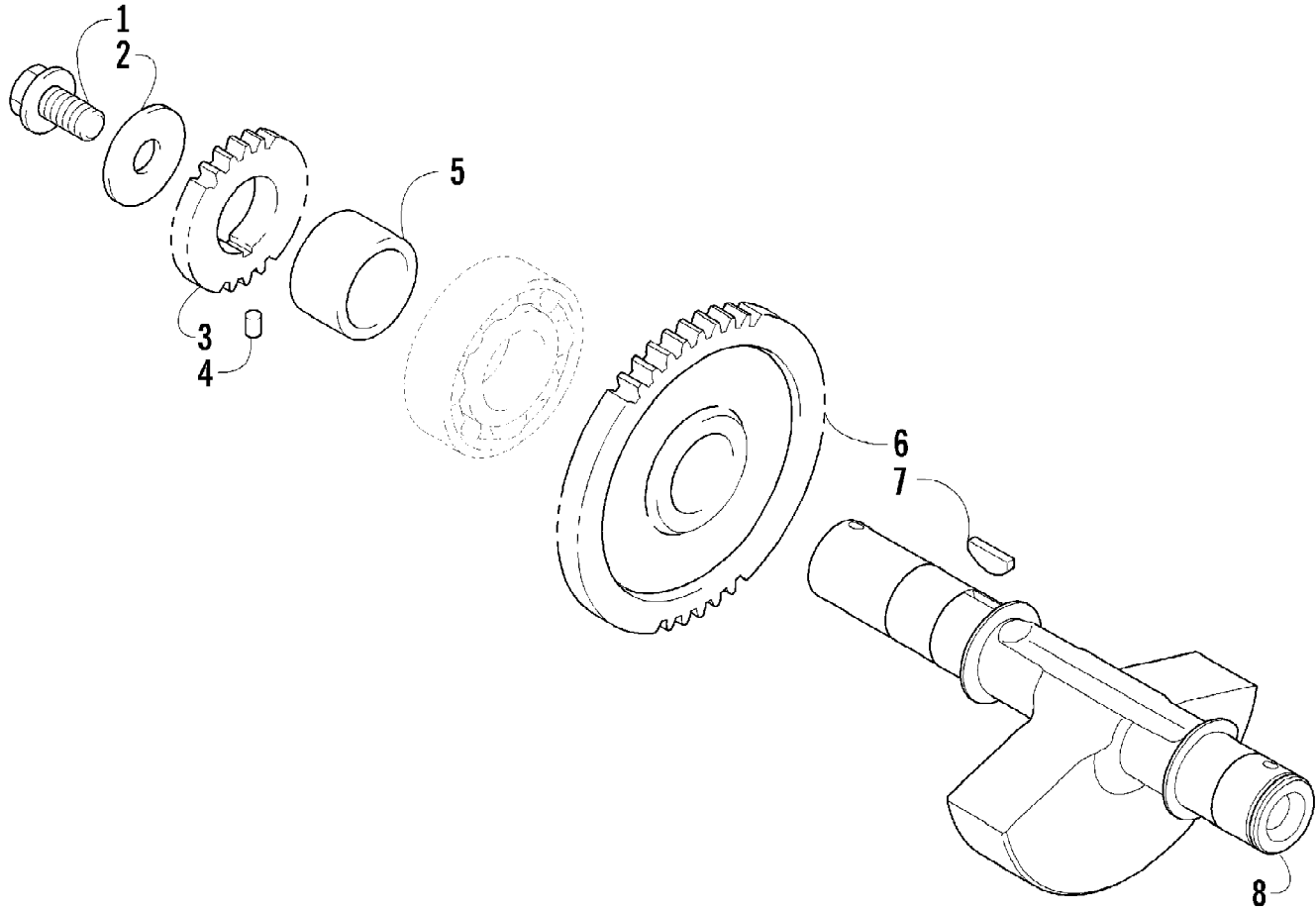
2007 ATV 650 H1 AUTOMATIC TRANSMISSION 4X4 FIS M4 CAMO (A2007IB34B23C) of 104
COOLING ASSEMBLY (VIN: 4UF07ATV17T236134 and above)



2007 ATV 650 H1 AUTOMATIC TRANSMISSION 4X4 FIS M4 CAMO (A2007IBSA4B220) of 104
 COOLING ASSEMBLY (VIN: 4UF07ATV17T236134 and above)

Ref #	Part Number	Qty	S/P/F	Description
1	0413-172	1	S	Radiator Assembly (inc. 2-13)
2	0413-184	1	/P	Radiator
3	0413-007	1		Screen, Radiator
4	0413-002	1	S	Cap, Radiator
5	0423-030	2		Grommet
6	0610-016	AR	/P	Hose - 25 ft
7	0413-046	1		Shroud, Fan
8	0413-123	1	/P	Fan, Cooling
9	8475-512	12		Screw, Machine
10	0423-351	1		Clamp, Wire
11	0123-397	1		Clamp, Cable
12	0413-168	1		Sensor, Temperature - Coolant
13	0423-390	1	S	O-Ring
14	0423-484	2		Screw, Shoulder
15	0623-038	4		Nut w/Washer
16	0423-028	2		Bushing, Stem
17	0410-002	1		Hose, Coolant - Upper
18	0410-022	1		Hose, Coolant - Crossover
19	0410-041	1		Hose, Coolant - Lower
20	0423-496	6		Clamp, Hose
21	0123-788	2	/P	Cable Tie
22	0410-127	2		Hose, Oil Cooler
23	0423-632	4		Clamp, Hose
24	0413-163	1	S	Cooler, Oil
25	8476-612	2		Screw, Machine
26	0513-022	1		Bracket, Mtg Upper-Oil Cooler

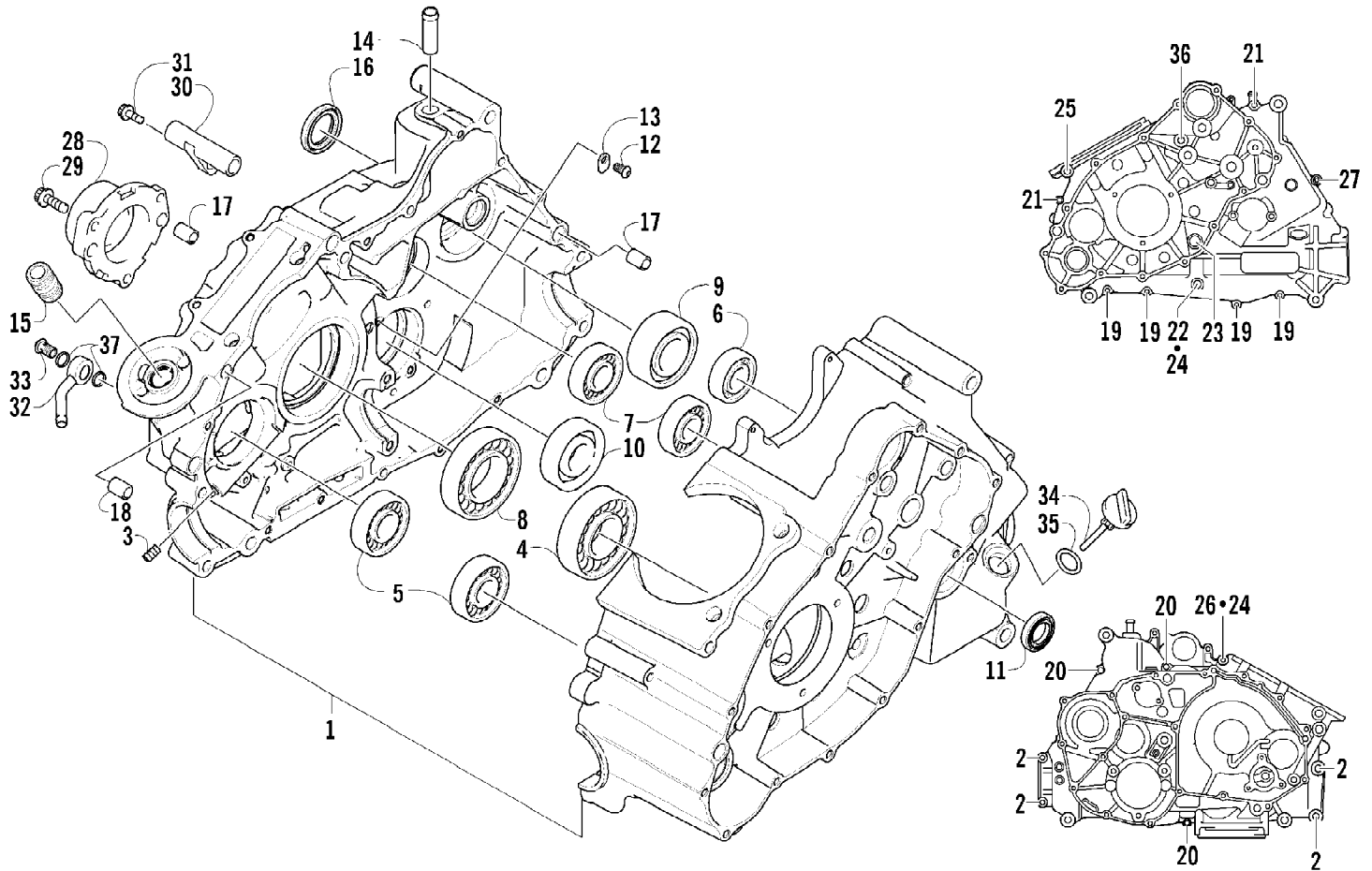
2007 ATV 650 H1 AUTOMATIC TRANSMISSION 4X4 FIS M4 CAMO (A2007IB34B23C) 104
CRANK BALANCER ASSEMBLY



2007 ATV 650 H1 AUTOMATIC TRANSMISSION 4X4 FIS M4 CAMO (A2007IBSA4B23C) 104
 CRANK BALANCER ASSEMBLY

Ref #	Part Number	Qty	S/P/F	Description
1	0826-033	1		Screw, Cap
2	0828-003	1		Washer
3	0811-003	1		Gear, Oil Pump Drive
4	0829-007	1		Dowel, Solid
5	0811-004	1		Spacer
6	0811-002	1		Gear, Driven
7	0829-006	1		Key - Crank Balancer Shaft
8	0811-017	1		Balancer, Crank

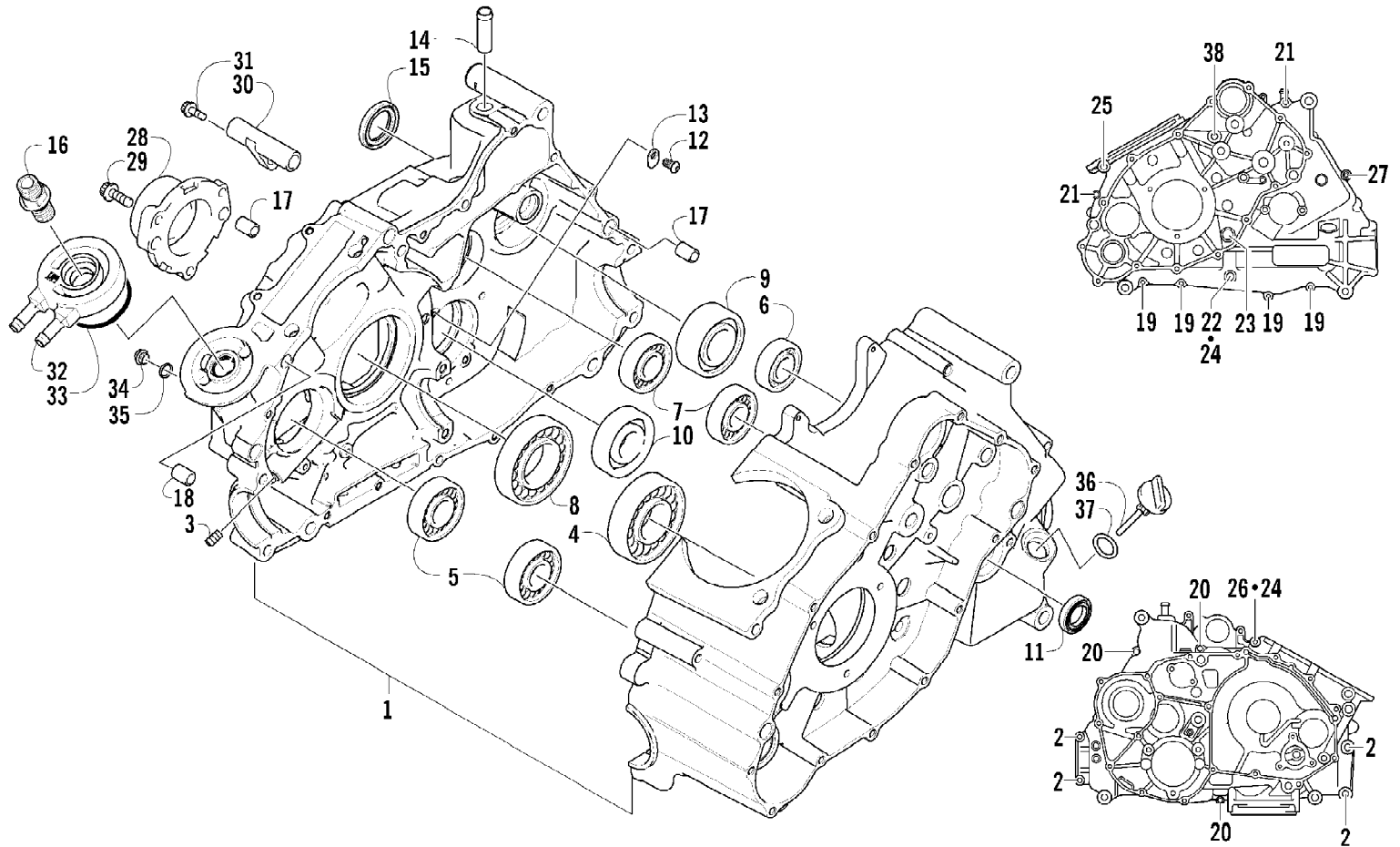
2007 ATV 650 H1 AUTOMATIC TRANSMISSION 4X4 FIS M4 CAMO (A20071B34B25C) 104
CRANKCASE ASSEMBLY (Up to VIN: 4UF07ATV47T237701)



2007 ATV 650 H1 AUTOMATIC TRANSMISSION 4X4 FIS M4 CAMO (A2007IB34B26) of 104
 CRANKCASE ASSEMBLY (Up to VIN: 4UF07ATV47T237701)

Ref #	Part Number	Qty	S/P/F	Description
1	0801-056	1	S	Crankcase Assembly (inc. 2-16)
2	8412-850	4		Screw, Cap
3	0801-002	2		Plug
4	0832-003	1	S	Bearing
5	0832-005	2	S	Bearing
6	0832-013	1	S	Bearing
7	0832-014	2	S	Bearing
8	0832-002	1	S	Bearing
9	0832-012	1	S	Bearing
10	0832-015	1	S/P	Bearing
11	0822-052	1		Seal, Countershaft
12	0826-100	2		Screw, Cap
13	0822-010	2	/P	Retainer, Bearing
14	0801-028	1		Pipe, Breather
15	0812-008	1		Union, Oil Filter
16	0830-035	1		Seal, Driveshaft
17	0829-002	5		Pin, Dowel
18	0829-003	1		Pin, Dowel
19	8468-645	4		Screw, Machine
20	8468-655	3		Screw, Machine
21	8468-675	2		Screw, Machine
22	8412-860	1		Screw, Cap
23	0826-017	1		Screw, Cap
24	0830-008	2		Gasket
25	0826-019	1		Screw, Cap
26	0826-018	1		Screw, Cap
27	8468-695	1		Screw, Machine
28	0801-006	1		Housing, Secondary Shaft Bearing
29	0826-105	3		Bolt
30	0801-069	1		Pipe, Breather
31	0826-038	1		Bolt, Breather Pipe
32	0812-028	2		Fitting, Oil Cooler
33	0812-025	2		Bolt, Oil Cooler Fitting
34	0801-005	1		Stick, Oil Level
35	0830-010	1		O-Ring, Oil Level Stick
36	8468-680	1		Screw, Machine
37	0812-026	4		Gasket

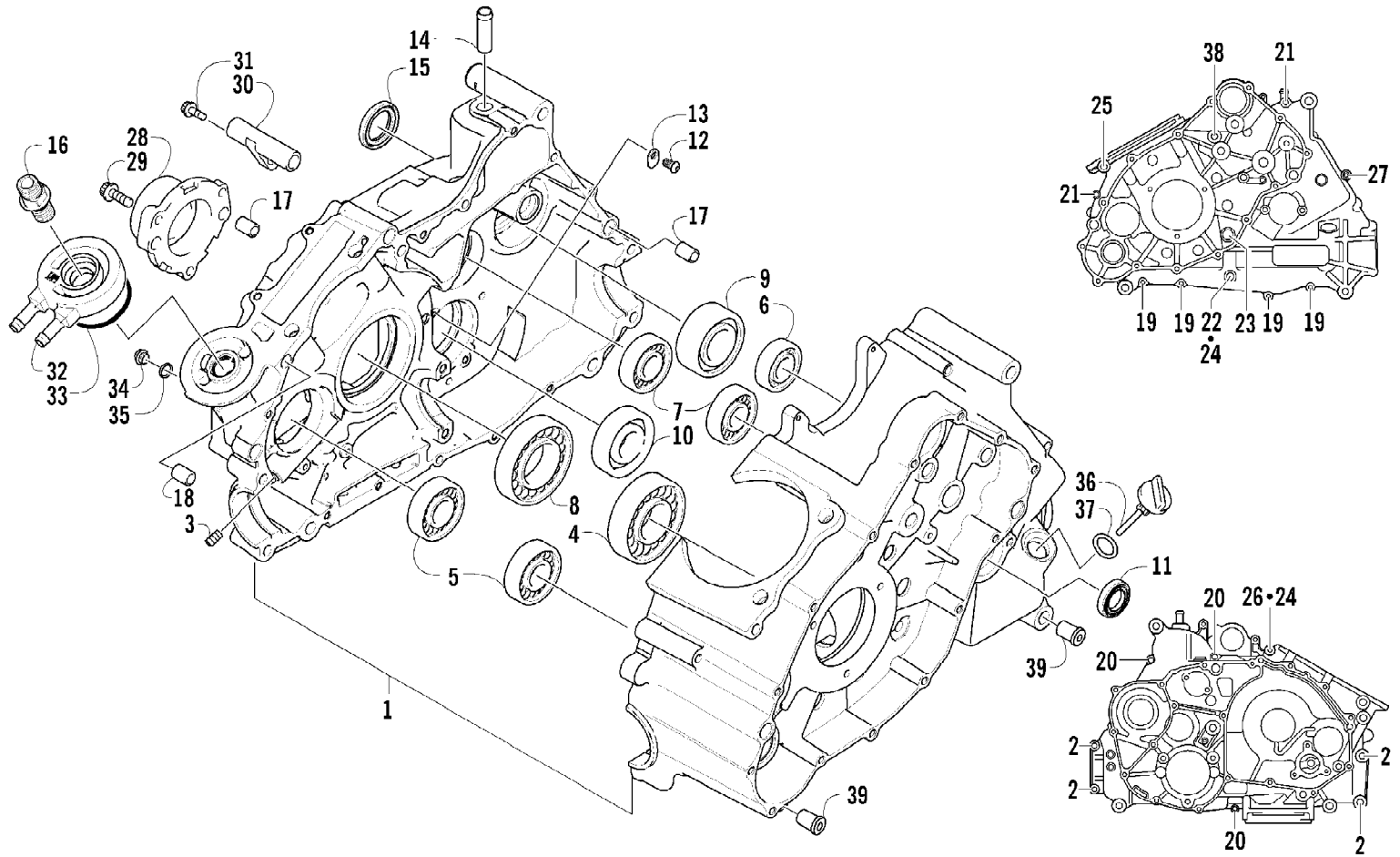
2007 ATV 650 H1 AUTOMATIC TRANSMISSION 4X4 FIS M4 CAMO (A2007IB34B23C) of 104
CRANKCASE ASSEMBLY (VIN: 4UF07ATV47T237701 up to 4UF07ATV97T270001 and up)



2007 ATV 650 H1 AUTOMATIC TRANSMISSION 4X4 FIS M4 CAMO (A2007IB34B28C) of 104
 CRANKCASE ASSEMBLY (VIN: 4UF07ATV47T237701 up to 4UF07ATV97T270001 and up)

Ref #	Part Number	Qty	S/P/F	Description
1	0801-096	1	S	Crankcase Assembly (inc. 2-15)
2	8412-850	4		Screw, Cap
3	0801-002	2		Plug
4	0832-003	1	S	Bearing
5	0832-005	2	S	Bearing
6	0832-013	1	S	Bearing
7	0832-014	2	S	Bearing
8	0832-002	1	S	Bearing
9	0832-012	1	S	Bearing
10	0832-015	1	S/P	Bearing
11	0822-052	1		Seal, Countershaft
12	0826-100	2		Screw, Machine
13	0822-010	2	/P	Retainer, Bearing
14	0801-028	1		Pipe, Breather
15	0830-035	1		Seal, Driveshaft
16	0812-056	1		Union, Oil Filter
17	0829-002	5		Pin, Dowel
18	0829-003	1		Pin, Dowel
19	8468-645	4		Screw, Machine
20	8468-655	3		Screw, Machine
21	8468-675	2		Screw, Machine
22	8412-860	1		Screw, Cap
23	0826-017	1		Screw, Cap
24	0830-008	2		Gasket
25	0826-019	1		Screw, Cap
26	0826-018	1		Screw, Cap
27	8468-695	1		Screw, Machine
28	0801-006	1		Housing, Secondary Shaft Bearing
29	0826-105	3		Screw, Cap
30	0801-069	1		Pipe, Breather
31	0826-038	1		Screw, Machine
32	0812-055	1		Tower, Oil Filter
33	0830-166	1		O-Ring
34	0812-058	2		Plug
35	0812-026	2		Gasket
36	0801-005	1		Stick, Oil Level
37	0830-010	1		O-Ring, Oil Level Stick
38	8468-680	1		Screw, Machine

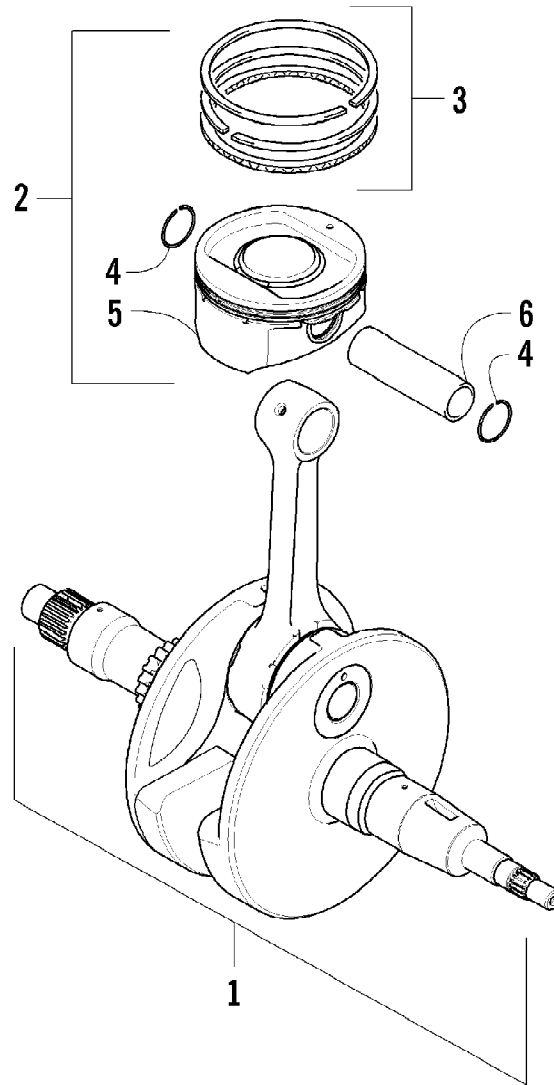
2007 ATV 650 H1 AUTOMATIC TRANSMISSION 4X4 FIS M4 CAMO (A2007IB34B29C) 104
CRANKCASE ASSEMBLY (VIN: 4UF07ATV97T270001 and above)



2007 ATV 650 H1 AUTOMATIC TRANSMISSION 4X4 FIS M4 CAMO (A2007IB34B39C) 104
 CRANKCASE ASSEMBLY (VIN: 4UF07ATV97T270001 and above)

Ref #	Part Number	Qty	S/P/F	Description
1	0801-093	1	S	Crankcase Assembly (inc. 2-15)
2	8412-850	4		Screw, Cap
3	0801-002	2		Plug
4	0832-003	1	S	Bearing
5	0832-005	2	S	Bearing
6	0832-013	1	S	Bearing
7	0832-014	2	S	Bearing
8	0832-002	1	S	Bearing
9	0832-012	1	S	Bearing
10	0832-015	1	S/P	Bearing
11	0822-052	1		Seal, Countershaft
12	0826-100	2		Screw, Machine
13	0822-010	2	/P	Retainer, Bearing
14	0801-028	1		Pipe, Breather
15	0830-035	1		Seal, Driveshaft
16	0812-056	1		Union, Oil Filter
17	0829-002	5		Pin, Dowel
18	0829-003	1		Pin, Dowel
19	8468-645	4		Screw, Machine
20	8468-655	3		Screw, Machine
21	8468-675	2		Screw, Machine
22	8412-860	1		Screw, Cap
23	0826-017	1		Screw, Cap
24	0830-008	2		Gasket
25	0826-019	1		Screw, Cap
26	0826-018	1		Screw, Cap
27	8468-695	1		Screw, Machine
28	0801-006	1		Housing, Secondary Shaft Bearing
29	0826-105	3		Screw, Cap
30	0801-069	1		Pipe, Breather
31	0826-038	1		Screw, Machine
32	0812-055	1		Tower, Oil Filter
33	0830-166	1		O-Ring
34	0812-058	2		Plug
35	0812-026	2		Gasket
36	0801-005	1		Stick, Oil Level
37	0830-010	1		O-Ring, Oil Level Stick
38	8468-680	1		Screw, Machine
39	0801-108	4	S	Bushing, Engine Mounting

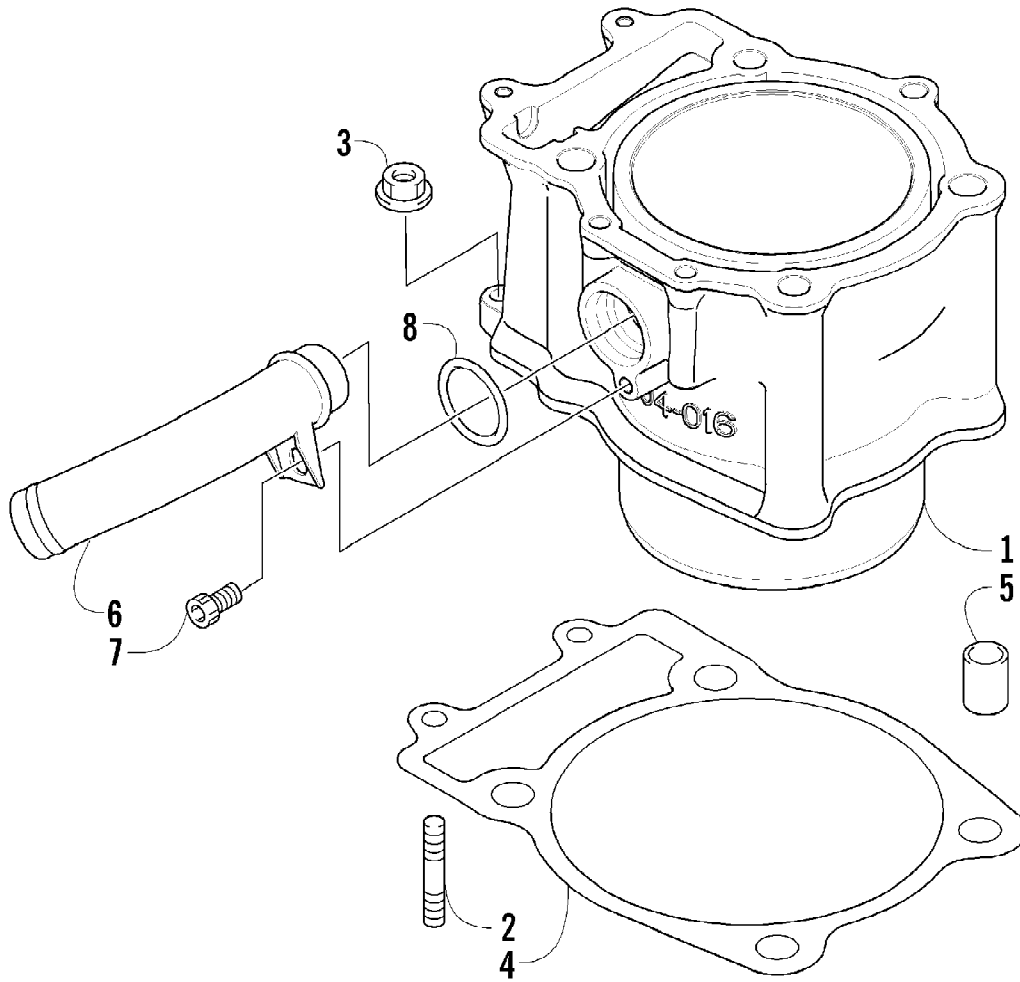
2007 ATV 650 H1 AUTOMATIC TRANSMISSION 4X4 FIS M4 CAMO (A2007IB34B130) of 104
CRANKSHAFT ASSEMBLY



2007 ATV 650 H1 AUTOMATIC TRANSMISSION 4X4 FIS M4 CAMO (A2007IBSA4130) 104
CRANKSHAFT ASSEMBLY

Ref #	Part Number	Qty	S/P/F	Description
1	0805-032	1	S	Crankshaft Assembly
2	0805-035	1	/P	Piston Set (inc. 3-6)
3	0805-011	1		Ring, Piston - Set
4	0831-001	2		Circlip, Piston Pin
5	0805-010	1	S	Piston
6	0805-012	1		Pin, Piston

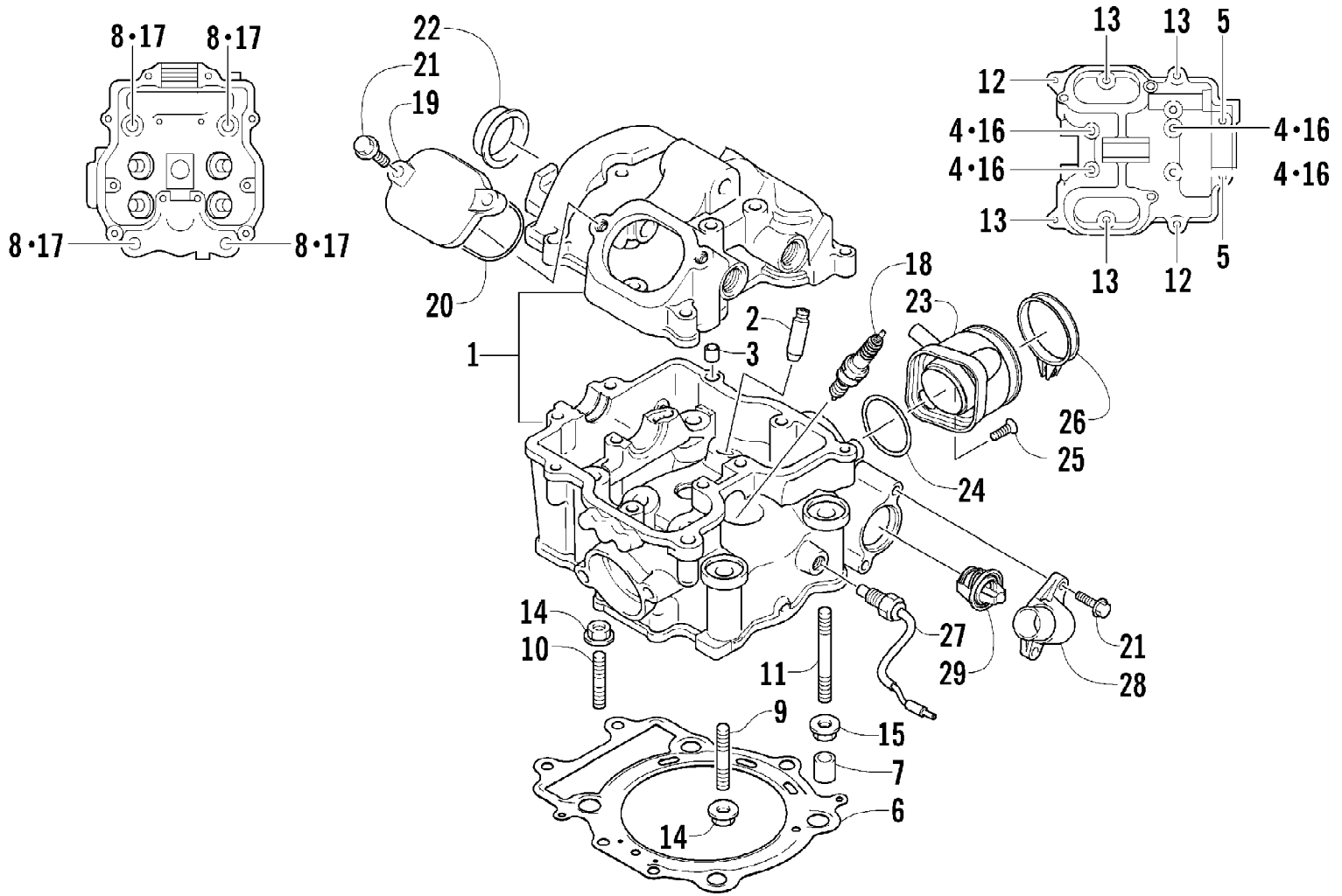
2007 ATV 650 H1 AUTOMATIC TRANSMISSION 4X4 FIS M4 CAMO (A2007IB34B3C) of 104
CYLINDER ASSEMBLY



2007 ATV 650 H1 AUTOMATIC TRANSMISSION 4X4 FIS M4 CAMO (A2007IB34B33C) of 104
 CYLINDER ASSEMBLY

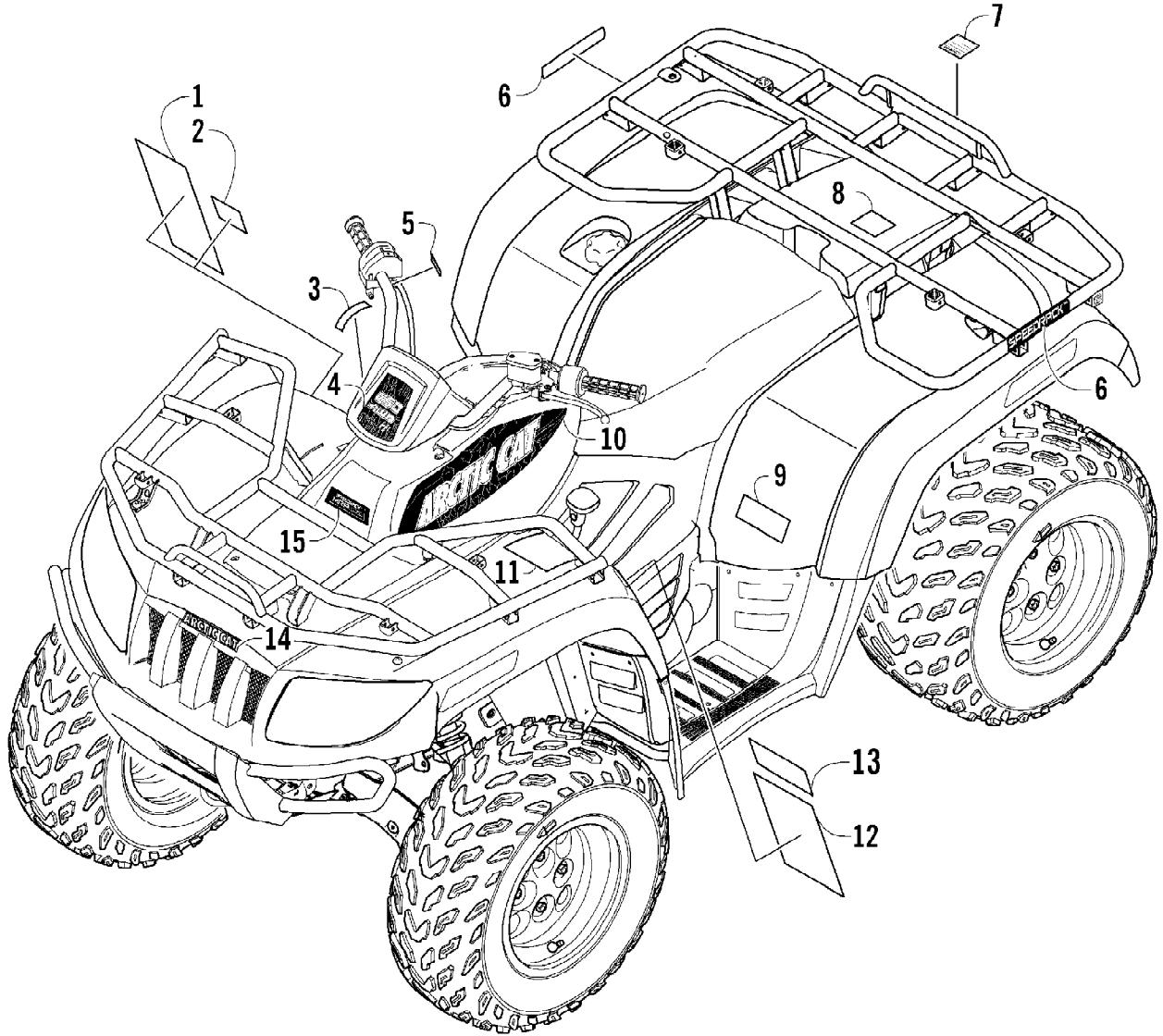
Ref #	Part Number	Qty	S/P/F	Description
1	0804-016	1		Cylinder
2	0827-002	2		Bolt, Stud
3	8424-604	2		Nut
4	0830-084	1		Gasket, Base
5	0829-002	2		Pin, Dowel
6	0804-002	1	S	Union, Water Hose
7	8468-612	1		Screw, Machine
8	0830-007	1		O-Ring

2007 ATV 650 H1 AUTOMATIC TRANSMISSION 4X4 FIS M4 CAMO (A20071B34B150) 104
CYLINDER HEAD ASSEMBLY



2007 ATV 650 H1 AUTOMATIC TRANSMISSION 4X4 FIS M4 CAMO (A2007IB34B136) of 104
CYLINDER HEAD ASSEMBLY

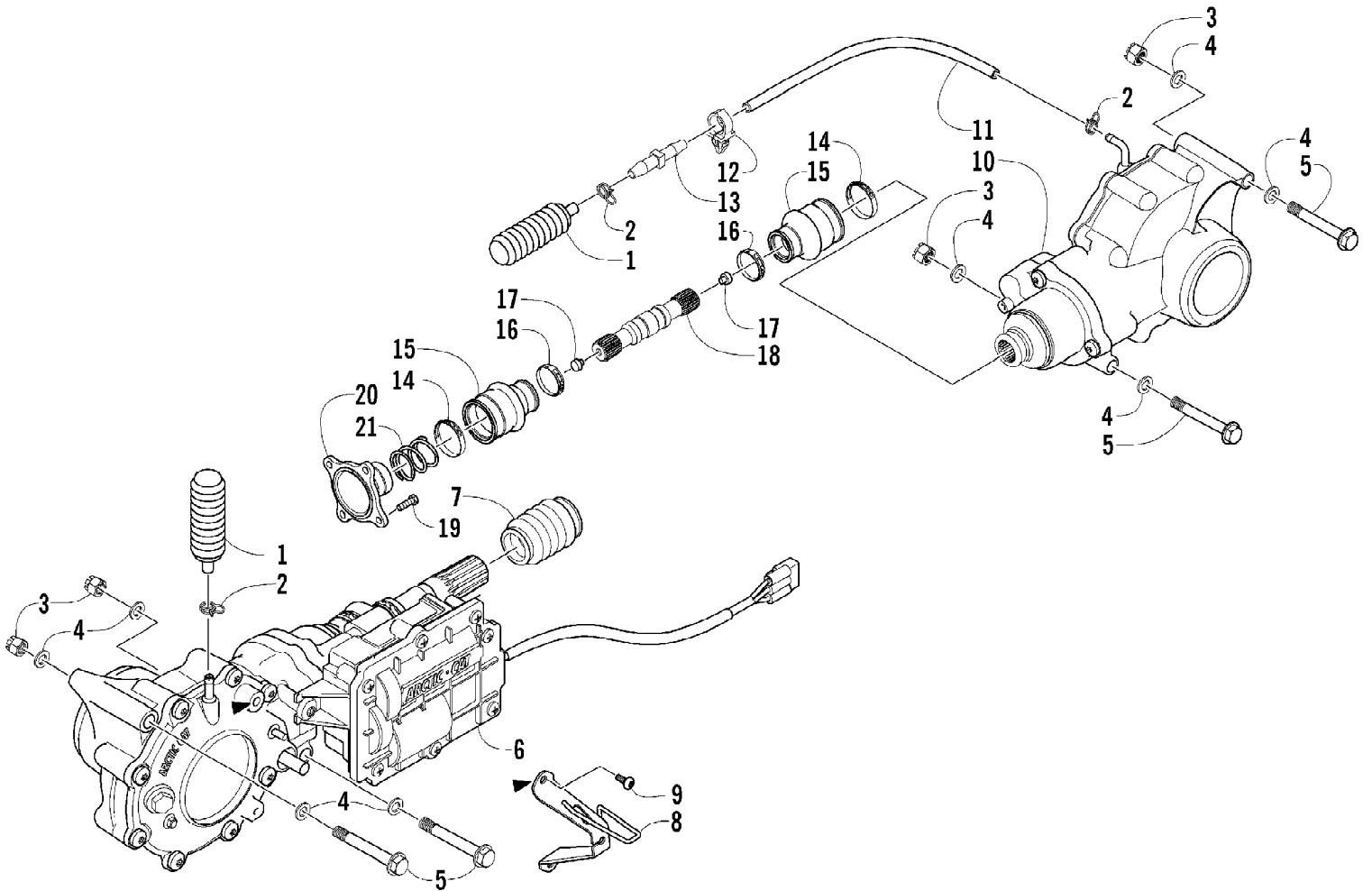
Ref #	Part Number	Qty	S/P/F	Description
1	0808-047	1	F	Head, Cylinder - Assembly (inc. 2-4)
2	0	4	F	Guide, Valve
3	0829-001	2	S	Dowel, Sleeve
4	0826-001	4		Screw, Cap
5	0826-002	2		Screw, Cap
6	0830-124	1	S	Gasket, Cylinder Head
7	0829-002	2		Pin, Dowel
8	0808-037	4	/P	Screw, Cap
9	0827-030	2		Bolt, Stud
10	0827-002	2		Bolt, Stud
11	0827-031	1		Bolt, Stud
12	0826-005	2		Screw, Cap
13	0826-006	4		Screw, Cap
14	8424-604	5		Nut
15	8424-804	1		Nut
16	0830-107	4		Gasket - Seal, Fastener
17	0830-147	4	/P	Washer, Crush
18	0217-727	1	S	Spark Plug (RG6YC)
19	0808-003	2		Cap, Inspection
20	0830-004	2	S	O-Ring
21	0826-007	5		Screw, Cap
22	0808-077	1		Plug, Cylinder Head
23	0570-115	1		Pipe, Intake - Assembly
24	0830-090	1		O-Ring
25	0826-008	2		Screw, Machine
26	0423-066	1		Clamp, Intercooler
27	0808-007	1		Switch, Water Temperature - Assembly
28	0808-008	1		Cover, Thermostat
29	0808-078	1		Thermostat



2007 ATV 650 H1 AUTOMATIC TRANSMISSION 4X4 FIS M4 CAMO (A2007IB34B38C) of 104
 DECALS

Ref #	Part Number	Qty	S/P/F	Description
1	1411-250	1	F	Decal, Warning - Reverse/Pre-Ride
2	0411-835	1		Decal, Warning - Turn/Hill
3	0411-426	1		Decal, Warning - Clutch Cover
4	1411-474	1		Decal, Instrument Pod
5	0411-966	1		Decal, Warning - Differential Lock
6	0411-965	2		Decal, "Speedrack"
7	1411-077	1		Decal, Warning - Towing
8	0411-435	1		Decal, Passenger
9	0411-430	1		Decal, Warning - Tire Pressure
10	1411-301	2		Decal, Side - Upper
11	0411-401	1	F	Decal, Warning - Age
12	0411-218	1	F	Decal, Warning - General
13	1411-574	1		Decal, Warning - Off-Road Only
14	0	0	F	Decal, Front
15	1411-050	1	/P	Decal, "Speedrack"

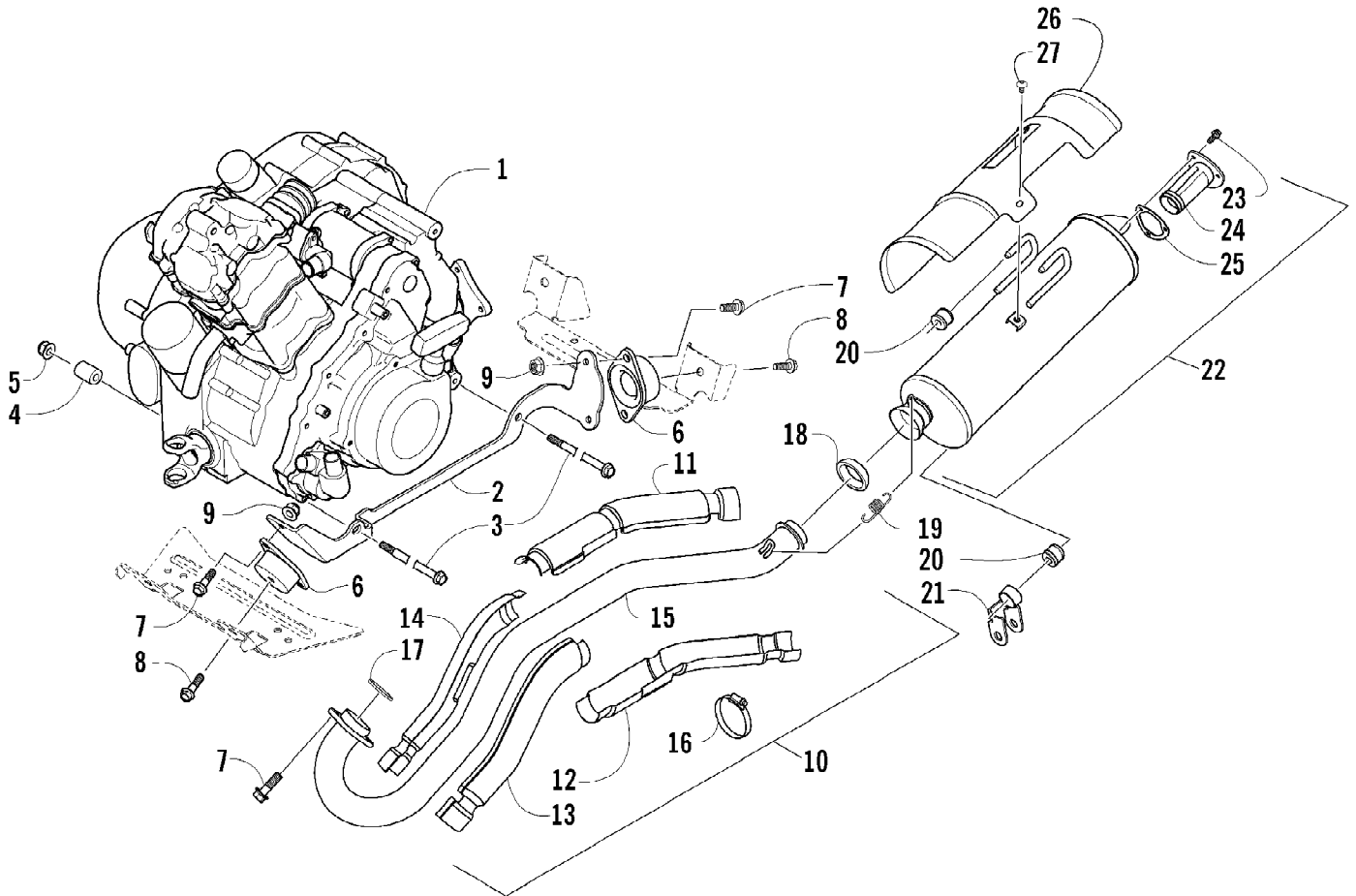
2007 ATV 650 H1 AUTOMATIC TRANSMISSION 4X4 FIS M4 CAMO (A20071B34B39C) of 104
DRIVE TRAIN ASSEMBLY



2007 ATV 650 H1 AUTOMATIC TRANSMISSION 4X4 FIS M4 CAMO (A2007IBSA490) of 104
DRIVE TRAIN ASSEMBLY

Ref #	Part Number	Qty	S/P/F	Description
1	0402-147	2	S	Bladder, Gearcase
2	0423-315	4		Clamp, Fitting
3	8428-002	4		Nut, Lock
4	0423-426	10		Washer
5	0423-404	4		Screw, Cap
6	1502-089	1		Gearcase, Front
7	0402-966	1		Boot, Shaft
8	0502-500	1		Plate, Cable
9	0423-396	2		Screw, Self-Tapping
10	1502-079	1	S	Gearcase, Rear
11	0410-048	AR	S	Hose, Vent
12	0623-101	1		Clip, Routing - Snap-In
13	0470-462	1		Fitting, Vent
14	0423-393	2		Clamp, Boot
15	0402-985	2	/P	Boot
16	0423-411	2		Clamp, Boot
17	0673-618	2	/P	Bumper, Propeller Shaft
18	1402-233	1		Shaft, Propeller
19	8408-820	4	/P	Screw, Cap
20	0402-950	1		Flange, Output
21	1402-026	1		Spring

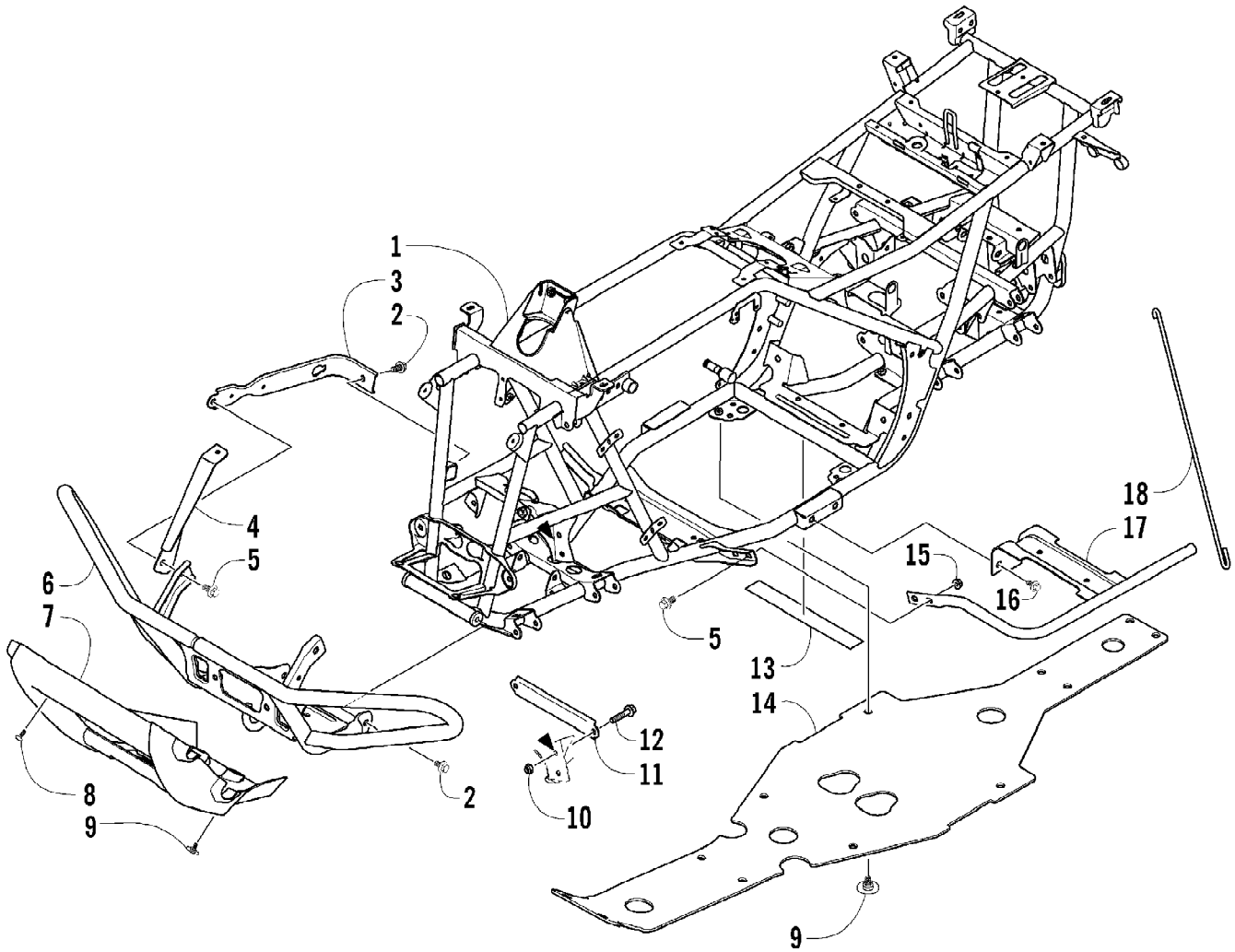
2007 ATV 650 H1 AUTOMATIC TRANSMISSION 4X4 FIS M4 CAMO (A2007IB34B43C) 104
ENGINE AND EXHAUST



2007 ATV 650 H1 AUTOMATIC TRANSMISSION 4X4 FIS M4 CAMO (A2007IB34B42C) of 104
ENGINE AND EXHAUST

Ref #	Part Number	Qty	S/P/F	Description
1	0800-029	1	S	Engine
1	0800-051	1	S/F	Engine w/o Recoil
2	1506-740	1		Bracket, Engine - Right
2	1506-741	1		Bracket, Engine - Left
3	0423-405	2		Screw, Cap
4	0423-042	1	S	Spacer, Engine
5	8428-002	2		Nut, Lock
6	2406-065	4		Mount, Rubber - Engine
7	8408-820	10	/P	Screw, Cap
8	8408-012	4		Screw, Cap
9	8432-802	8		Nut
10	0512-345	1	/P	Pipe, Exhaust - Assembly (inc. 11-16)
11	0412-350	1		Shield, Exhaust Pipe - Outer - Rear
12	0412-339	1		Shield, Exhaust Pipe - Inner - Rear
13	0412-349	1		Shield, Exhaust Pipe - Inner - Front
14	0412-348	1		Shield, Exhaust Pipe - Outer - Front
15	0512-344	1		Pipe, Exhaust
16	0423-317	4	/P	Hose Clamp
17	0412-338	1	/P	Gasket, Exhaust Pipe
18	0412-375	1	/P	Seal, Exhaust
19	0612-668	2	/P	Spring, Extension
20	0412-215	3	S	Bushing, Exhaust Pipe
21	1506-732	1		Channel, Muffler Support
22	0512-355	1	/P	Muffler - Assembly (inc. 23-25)
23	8408-616	3		Screw, Cap
24	0512-219	1	/P	Arrester, Spark - Assembly
25	0412-313	1		Gasket, Spark Arrester
26	0412-373	1	/P	Cover, Muffler
27	8477-610	3		Screw, Machine

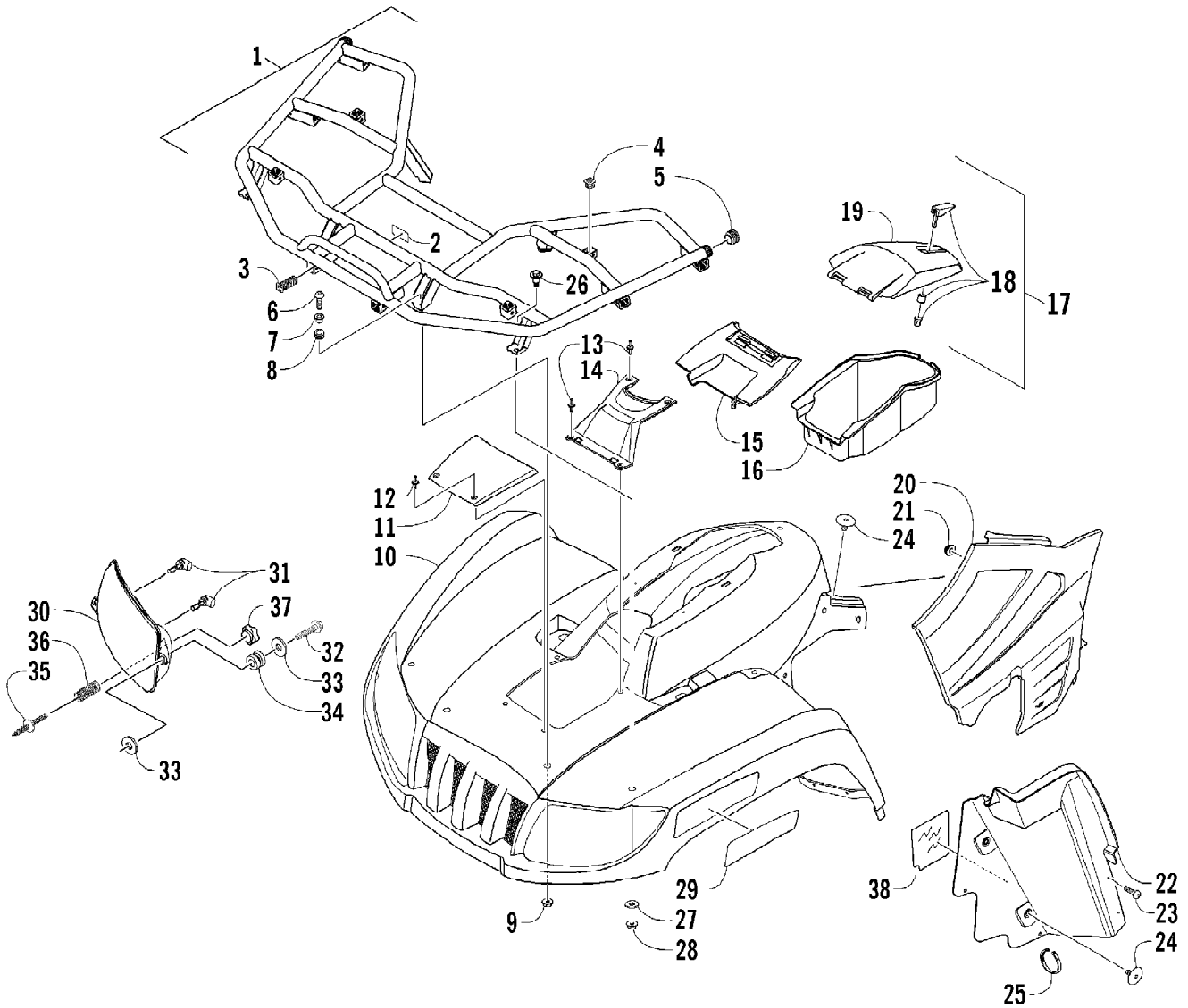
2007 ATV 650 H1 AUTOMATIC TRANSMISSION 4X4 FIS M4 CAMO (A20071B34B43C) 104
FRAME AND RELATED PARTS



2007 ATV 650 H1 AUTOMATIC TRANSMISSION 4X4 FIS M4 CAMO (A2007IBSA43C) of 104
FRAME AND RELATED PARTS

Ref #	Part Number	Qty	S/P/F	Description
1	2506-033	1		Frame, Main
2	8409-020	4	/P	Screw, Cap
3	1506-596	1	/P	Channel, Bumper Mounting - Right
3	0506-653	1	S	Channel, Bumper Mounting - Left
4	1506-562	1		Bracket, Mounting - Bumper - Right
4	1506-563	1		Bracket, Mounting - Bumper - Left
5	8408-816	6		Screw, Cap
6	1506-855	1	/P	Bumper
7	1406-360	1		Grille, Bumper
8	0423-419	2		Screw, Machine
9	0423-101	14		Screw, Body
10	8428-002	2		Nut, Lock
11	1506-429	1	S	Brace, A-Arm
12	8409-025	2		Screw, Cap
13	0406-289	2		Pad, Frame
14	2406-029	1		Panel, Belly
15	8424-802	4		Nut, Flange
16	8409-016	4		Screw, Cap
17	1506-380	1		Footrest - Right
17	1506-379	1		Footrest - Left
18	2406-147	2		Rod, Support

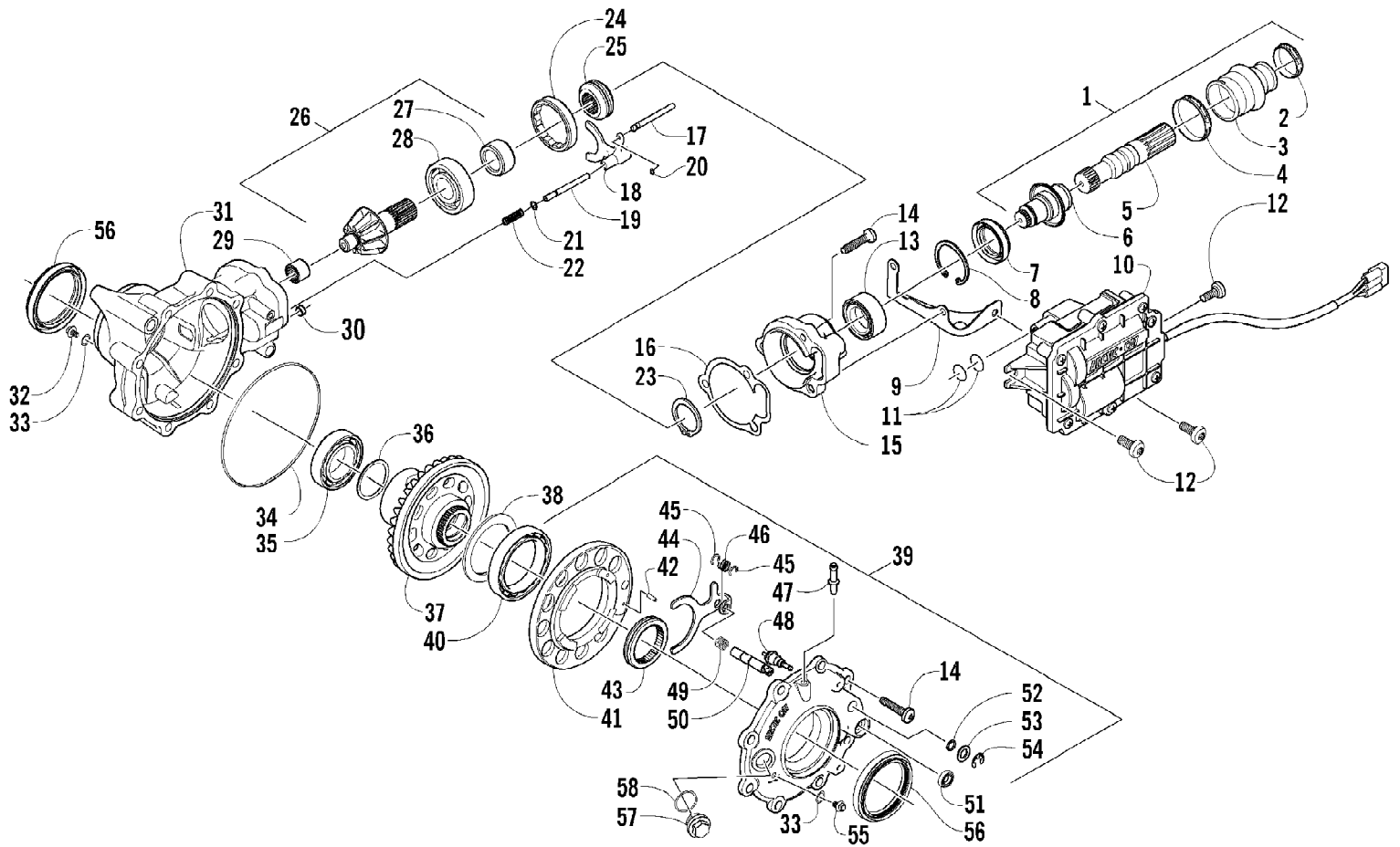
2007 ATV 650 H1 AUTOMATIC TRANSMISSION 4X4 FIS M4 CAMO (A2007IB34B45C) 104
FRONT BODY PANEL ASSEMBLY



2007 ATV 650 H1 AUTOMATIC TRANSMISSION 4X4 FIS M4 CAMO (A2007IB34B45C) of 104
FRONT BODY PANEL ASSEMBLY

Ref #	Part Number	Qty	S/P/F	Description
1	0541-272	1		Rack, Front - Assembly (inc. 2-5)
2	0411-576	1		Decal, Warning - Front Rack Load
3	2406-014	6		Bushing, Rack
4	0441-592	4	/P	Bushing, Rack
5	1441-049	2		Plug, Rack
6	8410-830	4		Screw, Machine
7	0423-669	4		Spacer
8	0423-465	4		Grommet
9	8432-802	4		Nut, Lock
10	2506-316	1	S	Panel, Fender - Front (inc. 29)
11	1406-358	1		Cover, Access
12	0423-535	2		Rivet, Reinstallable
13	0623-362	4		Rivet, Reinstallable
14	1406-484	1		Cover, Steering Post
15	0470-513	1		Cover, Storage Box
16	1406-573	1		Box, Storage
17	2506-234	1		Lid, Storage Box w/Latch (inc. 18-19)
18	1406-599	1		Latch, Storage Box
19	0470-514	1		Lid, Storage Box
20	2406-300	1		Panel, Side - Right
20	2406-419	1		Panel, Side - Left
21	0423-678	8		Grommet
22	1406-354	1		Panel, Splash - Right
22	2506-383	1	/P	Panel, Splash - Left (inc. 38)
23	0423-719	4		Screw, Self-Tapping
24	0423-101	5		Screw, Body
25	0123-788	AR	/P	Cable Tie - 7.5 in.
26	0423-654	2		Screw, Shoulder
27	8050-222	2	/P	Washer
28	0423-540	2		Nut, Lock
29	0411-818	1		Decal, Reflector - Amber - Right
29	0411-819	1		Decal, Reflector - Amber - Left
30	0509-034	1	S	Headlight Assembly - Right (inc. 31)
30	0509-035	1		Headlight Assembly - Left (inc. 31)
31	0409-055	4		Bulb, Headlight
32	0623-785	4		Screw, Self-Tapping
33	8050-217	8	/P	Washer
34	0423-447	4		Grommet
35	0423-514	2		Stud, Adjuster - Headlight
36	0423-522	2		Spring, Adjuster
37	0423-513	2		Knob, Adjuster
38	0412-404	1		Shield, Heat

2007 ATV 650 H1 AUTOMATIC TRANSMISSION 4X4 FIS M4 CAMO (A20071B34B43C) 104 FRONT DRIVE GEARCASE ASSEMBLY



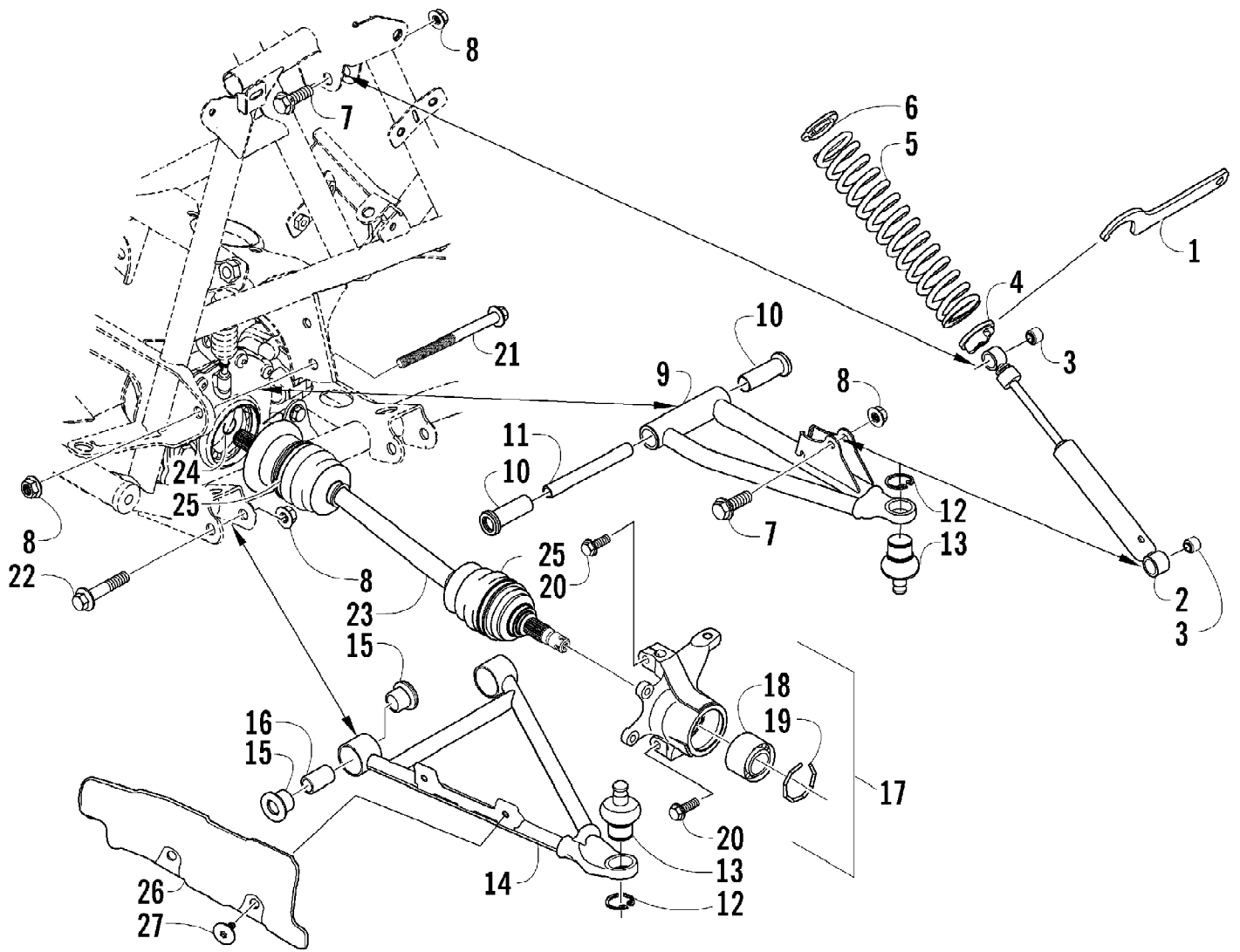
2007 ATV 650 H1 AUTOMATIC TRANSMISSION 4X4 FIS M4 CAMO (A20071B34B48C) of 104
FRONT DRIVE GEARCASE ASSEMBLY

Ref #	Part Number	Qty	S/P/F	Description
	1502-089	1		Complete Front Gearcase Assembly
1	1502-083	1		Shaft, Propeller - Assembly (inc. 2-6)
2	0423-411	1		Clamp, Boot
3	0402-985	1	/P	Boot, Propeller Shaft
4	0423-393	1		Clamp, Boot
5	1402-045	1		Shaft, Output
6	1502-085	1	/P	Shaft, Input
7	1402-011	1		Seal
8	0423-423	1		Ring, Retaining
9	0502-347	1		Bracket, Actuator
10	0502-579	1		Actuator (inc. one No. 11)
11	0423-498	2	S	O-Ring
12	0423-396	3		Screw, Self-Tapping
13	1402-043	1		Bearing
14	0423-118	11		Screw, Self-Tapping
15	0502-528	1	/P	Housing, Pinion
16	0402-947	1		Gasket, Flange
17	0402-997	1		Shaft, Selector
18	0402-998	1		Fork, Selector
19	0402-417	1		Shaft, Shuttle
20	0423-402	1		Ring, Retaining
21	0423-147	1		O-Ring
22	0402-999	1		Spring, Return
23	0423-417	1		Ring, Retaining
24	0402-357	1		Collar, Lock
25	0402-413	1		Coupler, Drive
26	0502-783	1		Gear, Pinion - Assembly - 10T (inc. 27-28)
27	0402-336	1		Collar, Retaining
28	0402-327	1		Bearing
29	0402-328	1		Bearing
30	0402-411	1		Pin, Dowel
31	0502-514	1		Housing, Gearcase
32	1402-210	1	/P	Plug, Magnetic (inc. one No. 33)
33	0423-153	2		O-Ring
34	0423-149	1		O-Ring
35	0402-393	1		Bearing
36	0402-405	AR		Shim
36	0402-406	AR		Shim
36	0402-407	AR		Shim
36	0402-408	AR		Shim
36	0402-409	AR		Shim
37	0502-851	1		Gear, Ring - 36T
38	1402-074	AR		Shim
38	1402-075	AR		Shim
38	1402-076	AR		Shim
38	1402-077	AR		Shim
38	1402-078	AR		Shim
39	1502-097	1		Cover, Gearcase (inc. one No. 33, 40-55, and one No. 56)
40	1402-053	1		Bearing
41	0502-413	1		Flange, Bearing
42	1402-079	1		Pin, Parallel

2007 ATV 650 H1 AUTOMATIC TRANSMISSION 4X4 FIS M4 CAMO (A2007IB34B49C) of 104
 FRONT DRIVE GEARCASE ASSEMBLY

Ref #	Part Number	Qty	S/P/F	Description
43	1402-042	1		Collar, Sliding
44	1402-054	1		Fork
45	1402-058	2		Ring, Retaining
46	1402-057	1		Spring
47	1402-104	1		Fitting
48	0402-419	1		Switch, Indicator
49	1402-063	1		Spring
50	1402-055	1		Shaft, Lock
51	1402-056	1		Seal
52	0423-133	1		O-Ring
53	0423-132	1		Washer
54	0423-424	1		Ring, Retaining
55	1402-211	1		Plug, Oil Level (inc. one No. 33)
56	1402-441	2	S	Seal
57	0402-333	1	/P	Plug, Fill (inc. 58)
58	0423-154	1		O-Ring

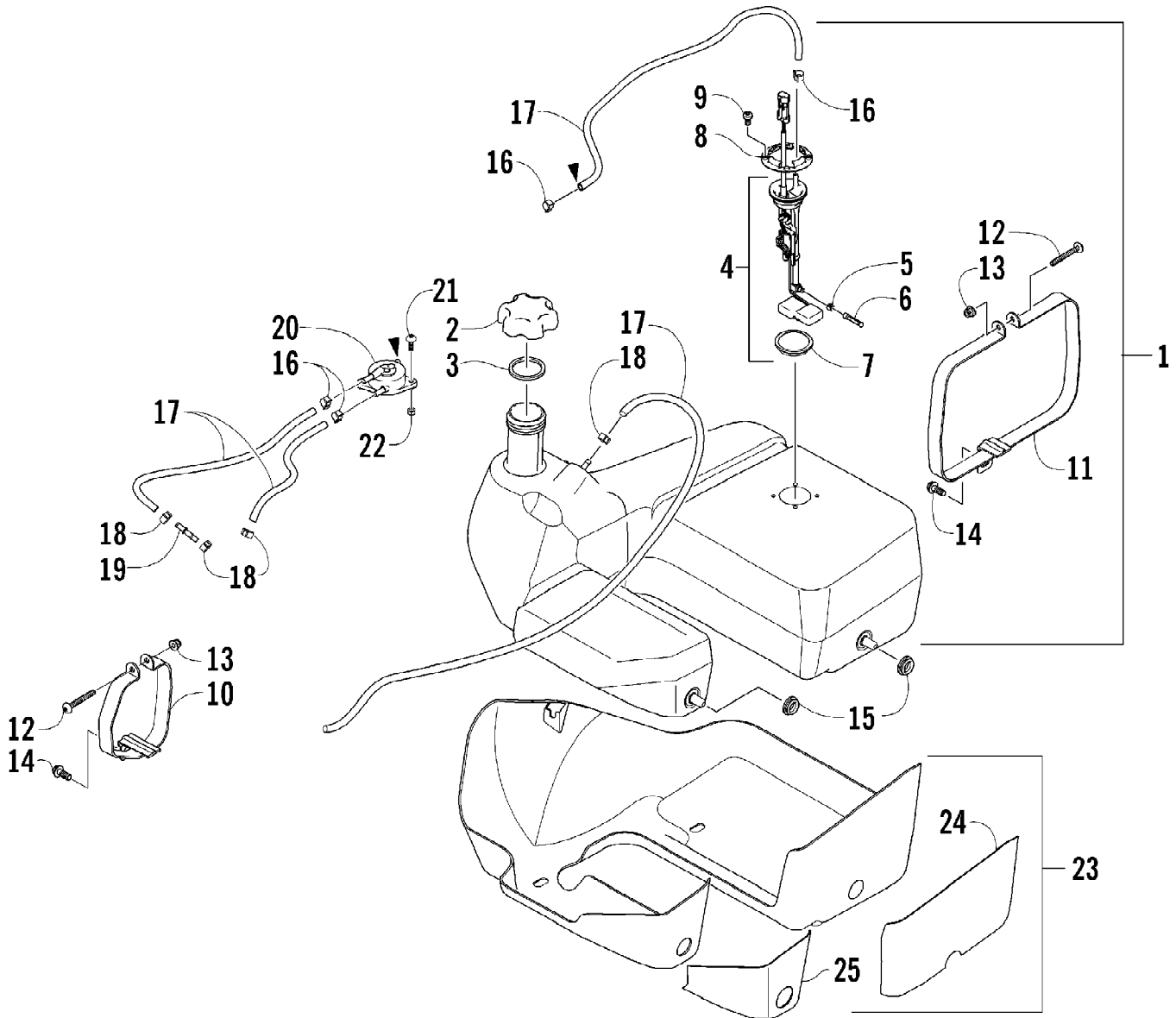
2007 ATV 650 H1 AUTOMATIC TRANSMISSION 4X4 FIS M4 CAMO (A20071B34B59C) 104
FRONT SUSPENSION ASSEMBLY



2007 ATV 650 H1 AUTOMATIC TRANSMISSION 4X4 FIS M4 CAMO (A2007IB94B13G) of 104
FRONT SUSPENSION ASSEMBLY

Ref #	Part Number	Qty	S/P/F	Description
1	0441-587	1		Wrench, Spanner
2	0403-180	2		Shock Absorber - Front (inc. 3)
3	0403-182	4		Bushing, Double-Bonded
4	0403-102	2		Cam, Spring Adjuster
5	0403-177	2		Spring, Shock Absorber
6	1603-889	2	/P	Retainer, Spring
7	8409-040	4		Screw, Cap
8	8428-002	10		Nut, Lock
9	0503-196	1	S	A-Arm, Upper Right (inc. 10-13)
9	0503-197	1		A-Arm, Upper Left (inc. 10-13)
10	0403-081	4	S	Bushing
11	0403-080	2		Collar
12	0423-009	4	/P	Clip, Ball Joint
13	0405-115	4	/P	Ball Joint - Front
14	0503-334	1	S	A-Arm, Lower Right (inc. 12-13 and 15-16)
14	0503-335	1	S	A-Arm, Lower Left (inc. 12-13 and 15-16)
15	0403-115	8	S	Bushing
16	0403-114	4	S	Collar
17	0505-460	1		Knuckle - Assembly - Right (inc. 18-19)
17	0505-461	1	S	Knuckle - Assembly - Left (inc. 18-19)
18	1402-027	2	S/P	Bearing, Wheel Hub
19	0423-423	2		Ring, Retaining
20	8409-030	4		Screw, Cap
21	0423-334	2		Screw, Cap
22	8409-075	4		Screw, Cap
23	0502-812	1	S	Axle, Drive - Front - Right (inc. 24-25)
23	0502-813	1	S	Axle, Drive - Front - Left (inc. 24-25)
24	1441-109	2	S	Clip, Retaining
25	0436-276	2	S	Repair Kit, Boot - Front Axle
26	1406-034	1		Guard, Boot - Axle - Right
26	1406-035	1		Guard, Boot - Axle - Left
27	0423-545	4	/P	Screw, Body

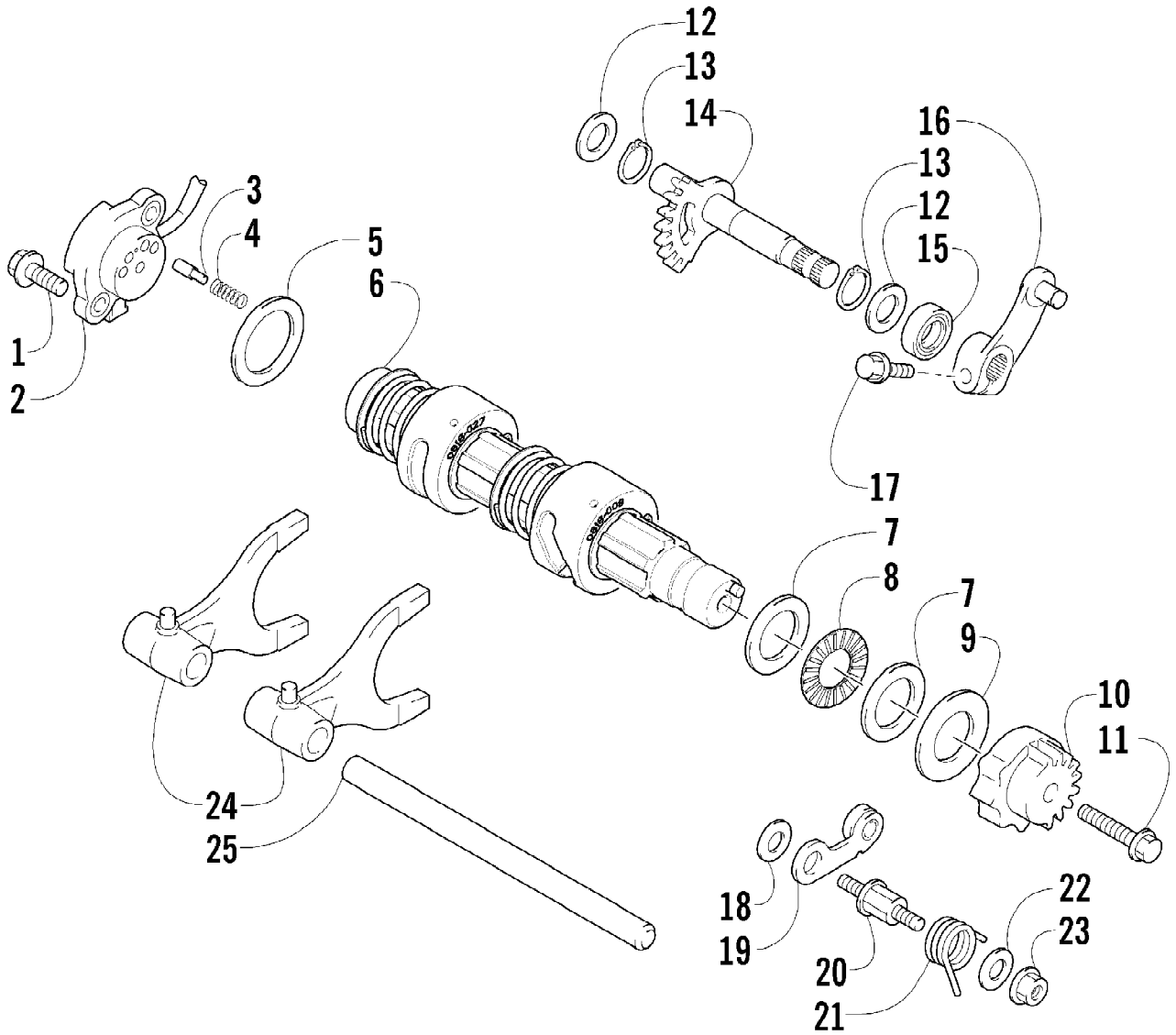
2007 ATV 650 H1 AUTOMATIC TRANSMISSION 4X4 FIS M4 CAMO (A20071B34B52C) of 104
GAS TANK ASSEMBLY



2007 ATV 650 H1 AUTOMATIC TRANSMISSION 4X4 FIS M4 CAMO (A2007IB34B153) of 104
GAS TANK ASSEMBLY

Ref #	Part Number	Qty	S/P/F	Description
1	0570-144	1		Tank, Gas - Assembly w/Straps (inc. 2-13)
2	0470-438	1	/P	Cap, Gas Tank (inc. 3)
3	0109-733	1	/P	Gasket, Gas Tank Cap
4	0570-141	1	S	Sensor, Fuel Level (inc. 5-7)
5	0423-603	1		Clamp, Hose
6	0470-475	1		Filter, Fuel
7	0470-521	1		Seal, Fuel Level Sensor
8	0470-639	1	/P	Plate, Mounting - Fuel Level Sensor
9	1623-158	4		Screw, Plastite
10	0570-166	1		Strap, Mounting - Gas Tank
11	0570-167	1		Strap, Mounting - Gas Tank
12	8476-650	2		Screw, Machine
13	8427-602	2		Nut, Lock
14	8408-816	2		Screw, Cap
15	0423-460	2		Grommet
16	0423-688	4		Clamp, Hose
17	0410-070	AR	/P	Hose, Gasline - 25 ft
18	0423-670	4		Clamp, Hose
19	0470-527	1	S	Fitting, Straight
20	0470-519	1	S	Pump, Fuel
21	8476-620	2		Screw, Machine
22	0623-038	2		Nut, Lock
23	0570-081	1		Shield, Gas Tank - Assembly (inc. 24-25)
24	0470-498	1		Shield, Heat
25	0470-499	1		Shield, Heat

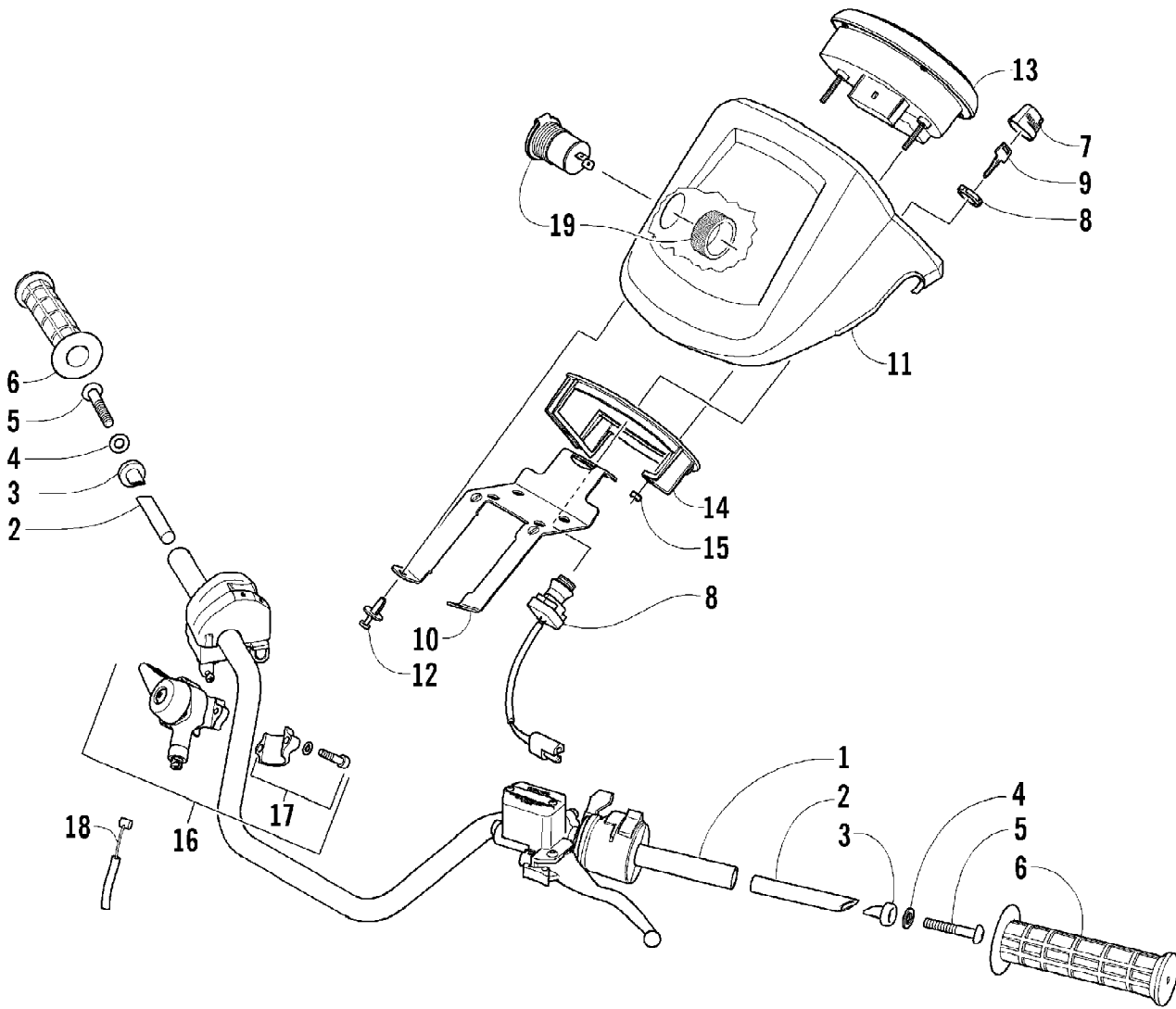
2007 ATV 650 H1 AUTOMATIC TRANSMISSION 4X4 FIS M4 CAMO (A20071B34B53C) of 104
GEAR SHIFTING ASSEMBLY



2007 ATV 650 H1 AUTOMATIC TRANSMISSION 4X4 FIS M4 CAMO (A2007IBSA4USC) of 104
GEAR SHIFTING ASSEMBLY

Ref #	Part Number	Qty	S/P/F	Description
1	8470-520	2		Screw, Machine
2	0818-049	1	S	Base, Gear Shift Position
3	0818-013	2		Contact
4	0818-017	2		Spring
5	0828-040	1		Washer, Shift Shaft
6	0818-046	1		Shaft, Gear Shift - Assembly
7	0828-067	2		Washer, Shift Shaft
8	0832-034	1	S	Bearing
9	0828-037	1		Washer, Gear Shift Cam Plate
10	0818-005	1	S	Plate, Gear Shift Cam
11	0826-006	1		Bolt, Gear Shift Cam Plate
12	0828-036	2		Washer, Sub-Gear Shift Shaft
13	0831-010	2		Circlip, Sub-Gear Shift Shaft
14	0818-007	1	/P	Shaft, Sub-Gear Shift
15	0830-044	1		Seal, Sub-Gear Shift Shaft
16	0818-014	1		Arm, Shift
17	8468-620	1	/P	Screw, Machine
18	0828-038	1		Washer, Cam Stopper
19	0818-002	1		Stopper, Cam
20	0818-004	1		Support, Cam Stopper
21	0818-028	1		Spring, Cam Stopper
22	0828-035	1		Washer, Cam Stopper Spring
23	8424-602	1	/P	Nut, Cam Stopper Spring
24	0818-072	2	/P	Fork, Shift
25	0818-006	1		Shaft, Shift Fork

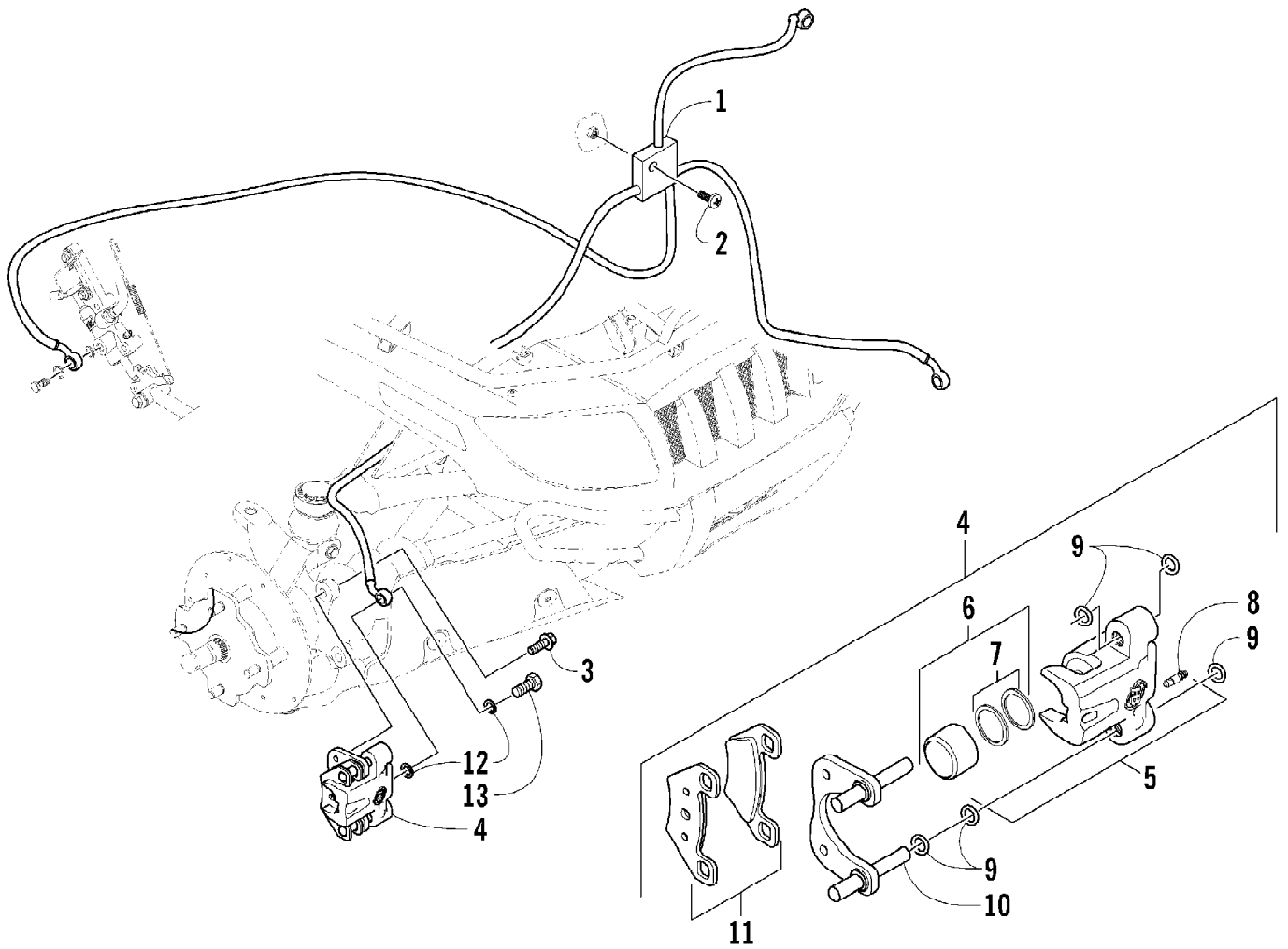
2007 ATV 650 H1 AUTOMATIC TRANSMISSION 4X4 FIS M4 CAMO (A20071B34B56) of 104
HANDLEBAR ASSEMBLY



2007 ATV 650 H1 AUTOMATIC TRANSMISSION 4X4 FIS M4 CAMO (A2007IBSA453C) of 104
HANDLEBAR ASSEMBLY

Ref #	Part Number	Qty	S/P/F	Description
1	0505-476	1		Tube, Handlebar
2	0405-218	2		Plug, Handlebar
3	0405-149	2		End Cap, Handlebar
4	8050-247	2	/P	Washer
5	8477-845	2		Screw, Machine
6	0405-147	2		Grip, Handlebar
7	0409-013	1		Cover, Key
8	0430-036	1		Switch, Ignition - Assembly (inc. 9)
9	3409-007	1	/P	Key, Ignition - Blank (C Series)
9	3409-011	1		Key, Ignition - Blank (D Series)
9	3409-012	1		Key, Ignition - Blank (E Series)
9	3409-013	1		Key, Ignition - Blank (F Series)
10	1506-578	1		Bracket, Mounting - Instrument Pod
11	0405-222	1		Instrument Pod
12	0423-535	2		Rivet, Reinstallable
13	0520-019	1		Gauge, Digital
14	0420-065	1	/P	Clamp
15	0423-493	2		Nut, Hex
16	0502-527	1		Control, Differential Lock (inc. 17)
17	0502-613	1		Clamp, Differential Lock Control - Kit
18	0487-030	1	S	Cable, Differential Lock
19	0641-897	1	/P	Outlet, Accessory - 12V

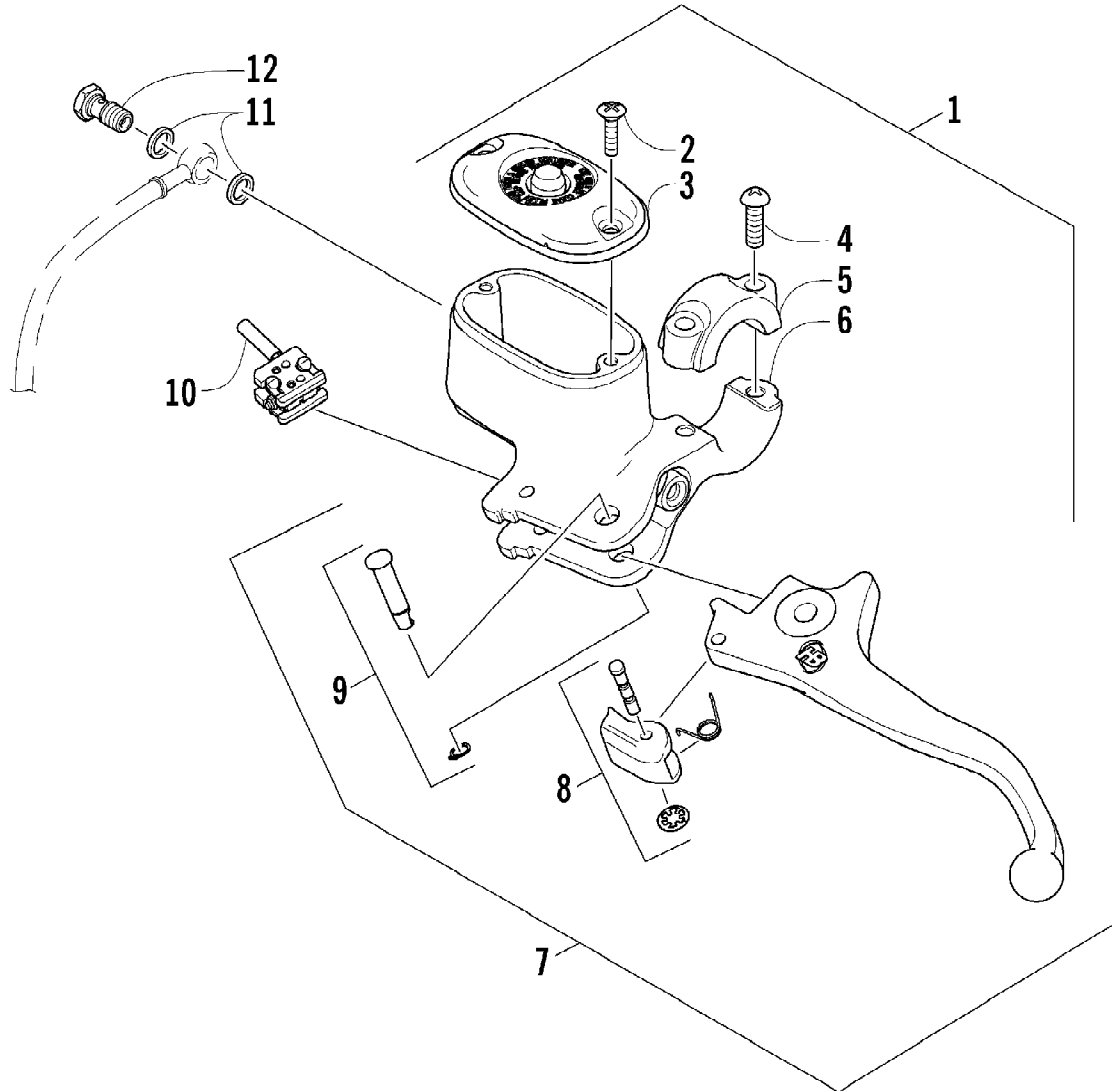
2007 ATV 650 H1 AUTOMATIC TRANSMISSION 4X4 FIS M4 CAMO (A20071B34B58C) of 104
HYDRAULIC BRAKE ASSEMBLY



2007 ATV 650 H1 AUTOMATIC TRANSMISSION 4X4 FIS M4 CAMO (A2007IB34B19C) of 104
HYDRAULIC BRAKE ASSEMBLY

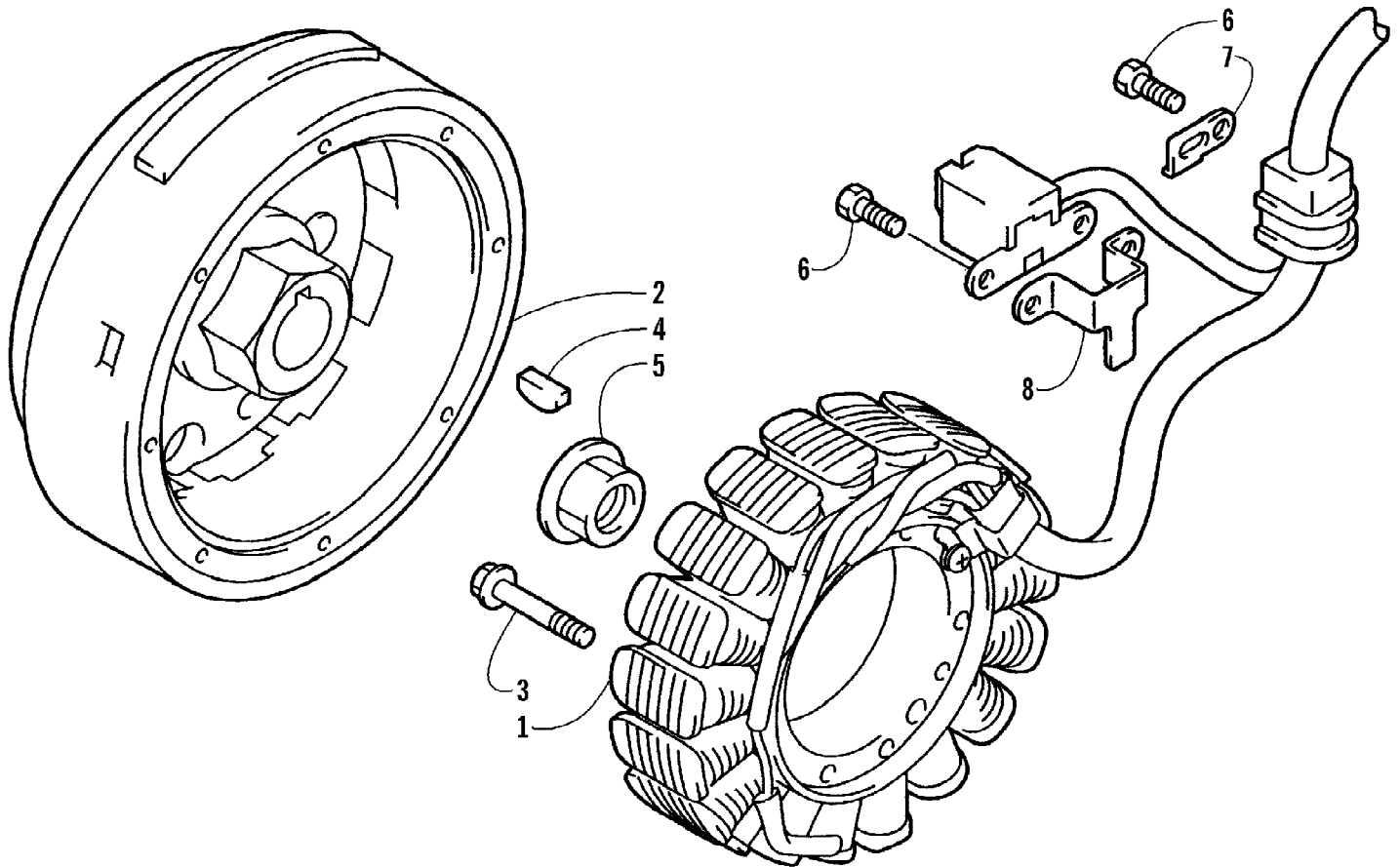
Ref #	Part Number	Qty	S/P/F	Description
1	1502-015	1		Hose, Brake - Assembly
2	8476-625	1		Screw, Cap
3	1623-589	4	S	Screw, Cap
4	0502-878	1	S	Caliper, Brake - Right Front (inc. 5-11)
4	0502-879	1	S	Caliper, Brake - Left Front (inc. 5-11)
5	0502-603	1	S	Housing, Caliper - Assembly - Right Front (inc. 6-8)
5	0502-611	1	S	Housing, Caliper - Assembly - Left Front (inc. 6-8)
6	0502-606	2		Piston/Seal Set (inc. 7)
7	0502-607	2		Seal Set
8	0502-609	2	/P	Valve, Bleed
9	0502-608	2		O-Ring, Guide - Set
10	0502-605	2		Bracket Assembly
11	0502-875	2	S	Pad, Brake - Set
12	0423-178	4		Washer, Crush
13	0423-413	2		Bolt, Banjo-Fitting

2007 ATV 650 H1 AUTOMATIC TRANSMISSION 4X4 FIS M4 CAMO (A20071B34B000) of 104
HYDRAULIC HAND BRAKE ASSEMBLY



2007 ATV 650 H1 AUTOMATIC TRANSMISSION 4X4 FIS M4 CAMO (A2007IB34B13C) of 104
HYDRAULIC HAND BRAKE ASSEMBLY

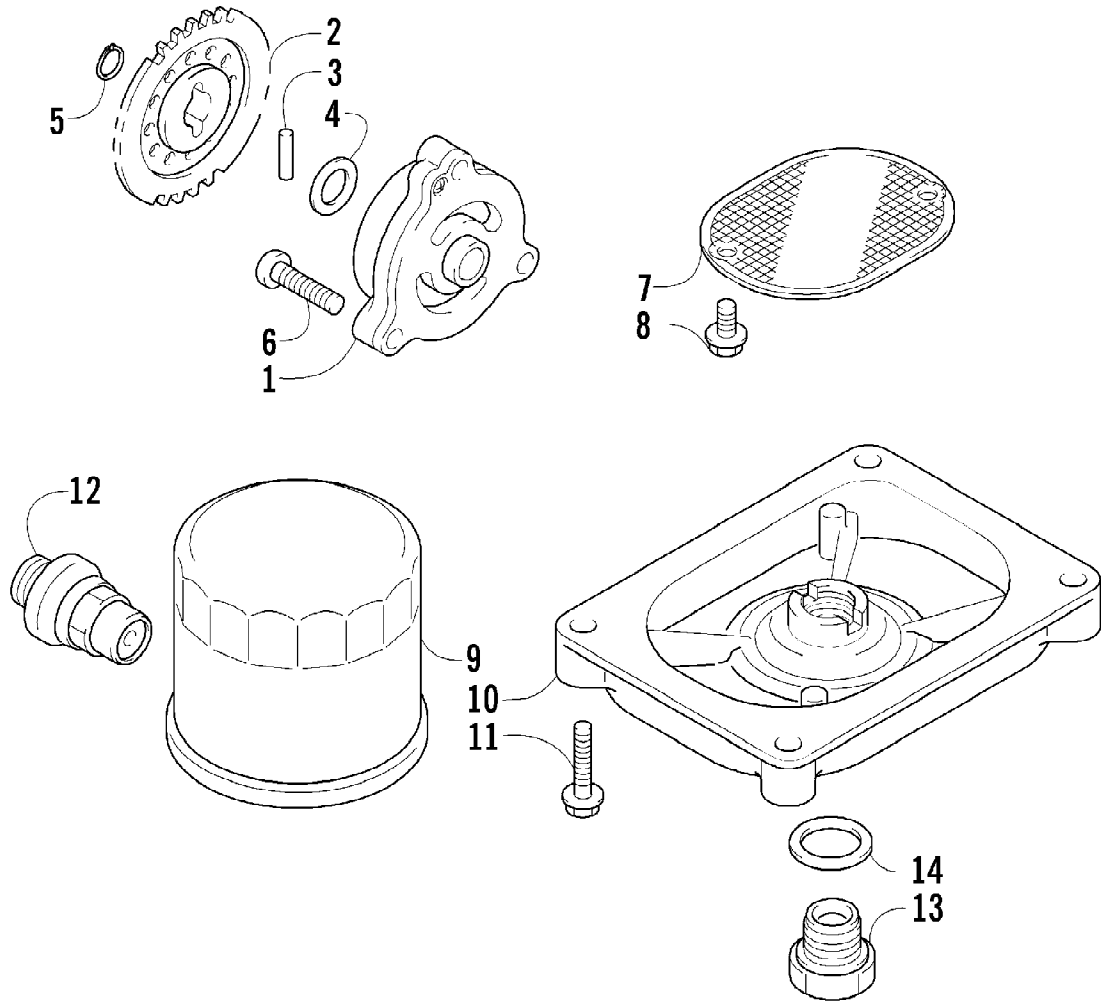
Ref #	Part Number	Qty	S/P/F	Description
1	0502-914	1	S	Brake Assembly (inc. 2-10)
2	0502-566	1		Screw, Reservoir Cover
3	0502-868	1	/P	Cover, Reservoir
4	0502-568	1		Screw, Master Cylinder Clamp
5	0502-869	1		Clamp, Master Cylinder
6	0502-704	1		Master Cylinder Assembly
7	0502-866	1		Lever Assembly (inc. 8-9)
8	0502-867	1	/P	Lock, Brake Lever - Kit
9	0502-580	1		Lever Pin - Kit
10	0502-564	1	/P	Switch, Brake - Kit
11	0423-178	2		Washer, Crush
12	0423-413	1		Bolt, Banjo-Fitting



2007 ATV 650 H1 AUTOMATIC TRANSMISSION 4X4 FIS M4 CAMO (A2007IB34B13C) of 104
 MAGNETO ASSEMBLY

Ref #	Part Number	Qty	S/P/F	Description
1	0802-037	1		Stator - Assembly
2	0802-036	1		Rotor/Flywheel
3	0826-102	3		Screw, Machine
4	0829-012	1		Key
5	0827-014	1		Nut
6	8470-510	3		Screw, Machine
7	0802-015	1		Clamp - No. 1
8	0802-016	1		Clamp - No. 2

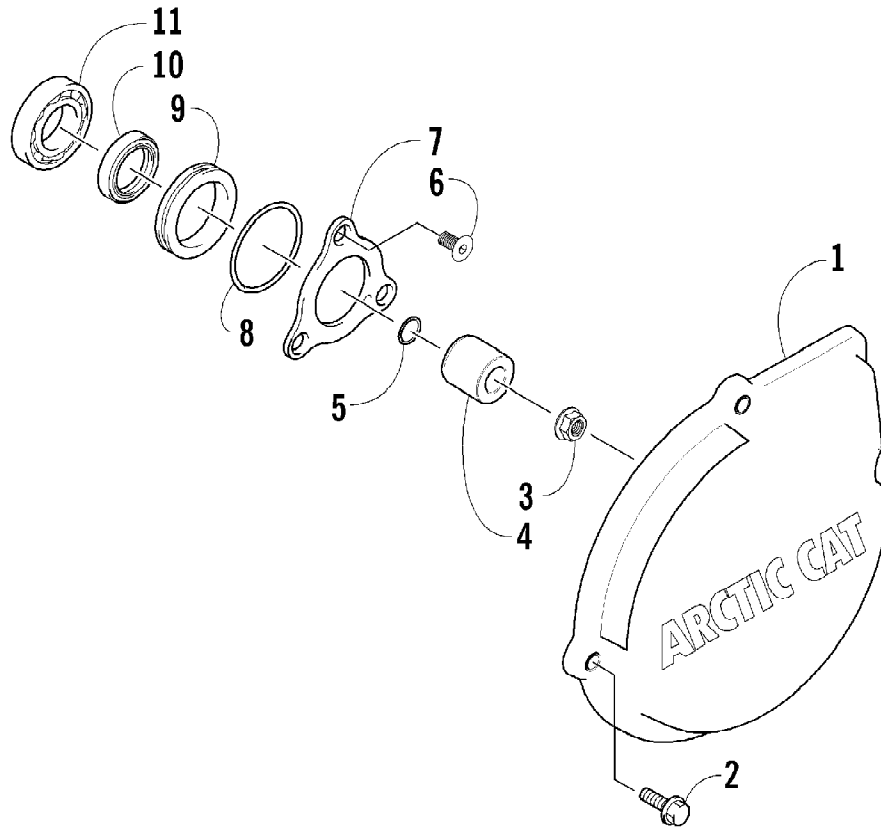
2007 ATV 650 H1 AUTOMATIC TRANSMISSION 4X4 FIS M4 CAMO (A2007IB34B03) of 104
OIL FILTER/PUMP ASSEMBLY



2007 ATV 650 H1 AUTOMATIC TRANSMISSION 4X4 FIS M4 CAMO (A2007IB34B050) of 104
OIL FILTER/PUMP ASSEMBLY

Ref #	Part Number	Qty	S/P/F	Description
1	0812-023	1		Pump, Oil
2	0812-002	1	S	Gear, Driven
3	0829-009	1		Pin
4	0828-007	1	/P	Washer
5	0831-002	1		Circlip
6	0826-039	3		Screw, Cap
7	0812-003	1	S	Strainer, Oil
8	0826-040	2		Screw, Machine
9	0812-029	1	S	Filter, Oil
10	0812-053	1		Cap, Oil Strainer
11	8468-625	4		Screw, Machine
12	0812-007	1		Valve, Oil-Relief - Assembly
13	0812-006	1		Plug, Drain
14	0830-017	1		Gasket, Drain Plug

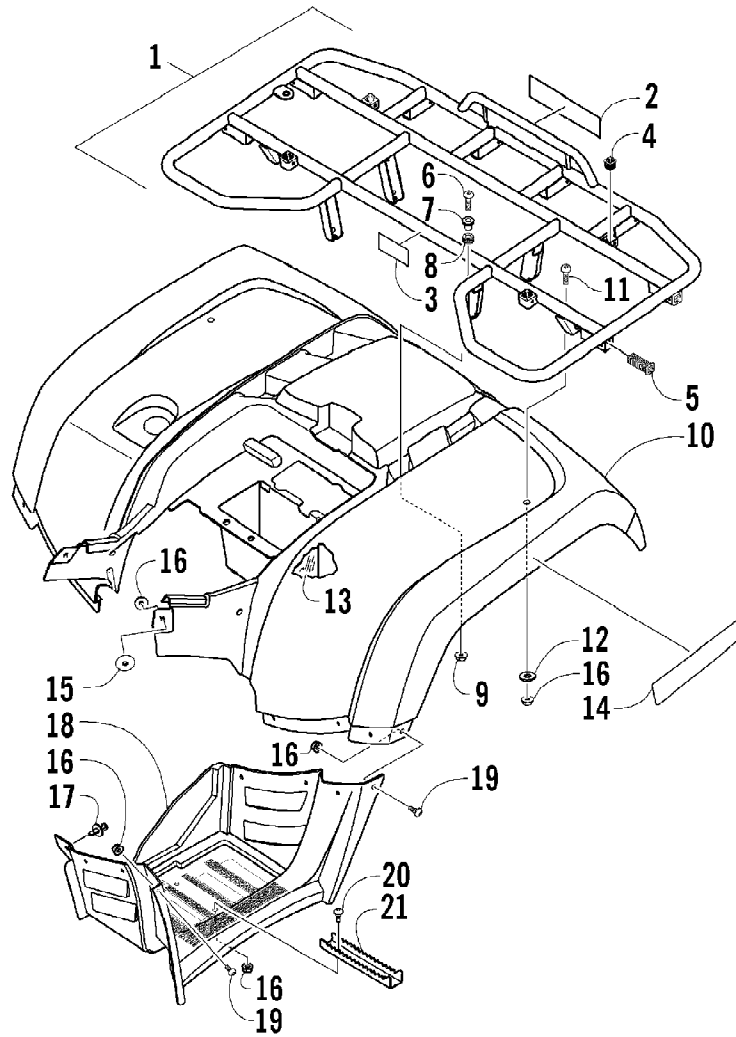
2007 ATV 650 H1 AUTOMATIC TRANSMISSION 4X4 FIS M4 CAMO (A2007IB34B166) of 104
OUTER MAGNETO COVER ASSEMBLY



2007 ATV 650 H1 AUTOMATIC TRANSMISSION 4X4 FIS M4 CAMO (A2007IB34B030) Page 104
 OUTER MAGNETO COVER ASSEMBLY

Ref #	Part Number	Qty	S/P/F	Description
1	0820-062	1		Cover, Magneto - Outer
1	0820-034	1	S	Cover, Magneto - Outer (Optional)
2	0826-038	4		Screw, Machine
3	0827-008	1		Nut
4	0820-061	1		Spacer
5	0830-108	1		O-Ring
6	0826-031	3		Screw
7	0805-008	1		Retainer, Oil Seal
8	0830-021	1	/P	O-Ring
9	0820-007	1		Spacer
10	0830-022	1		Seal, Oil
11	0832-006	1	S	Bearing

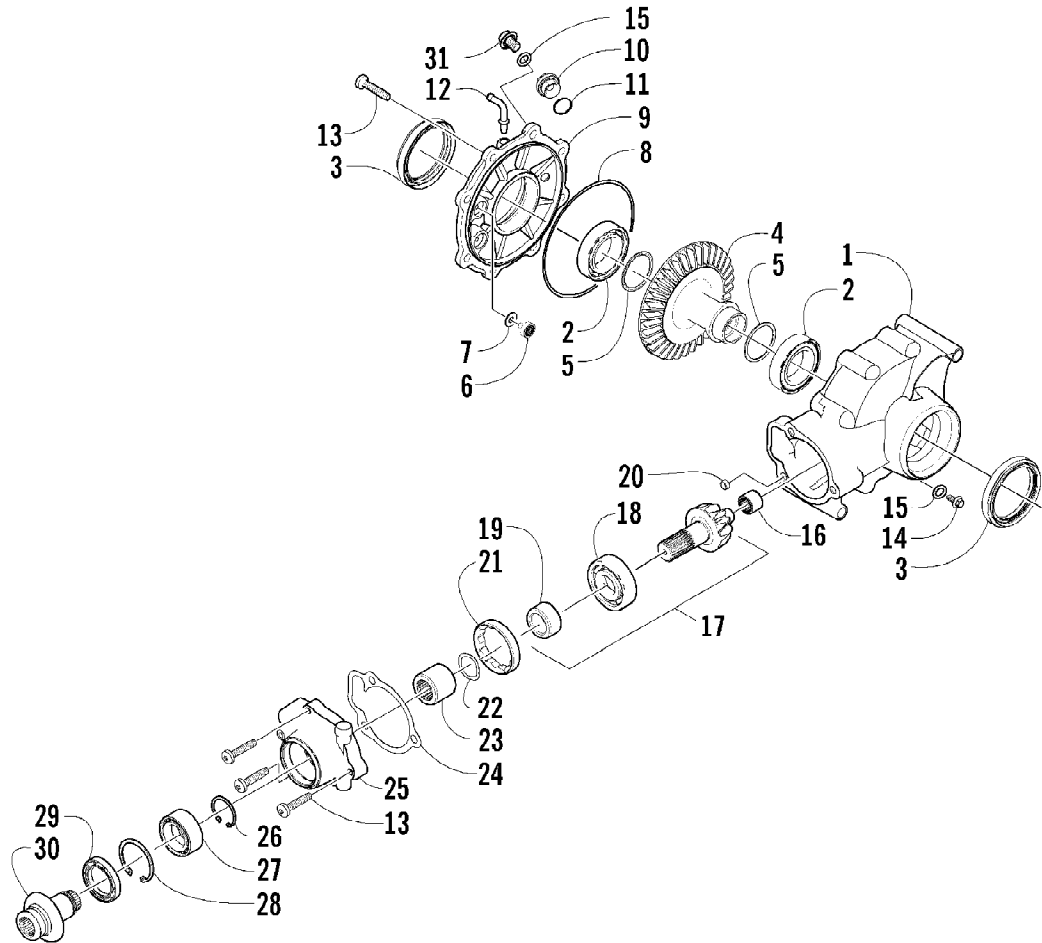
2007 ATV 650 H1 AUTOMATIC TRANSMISSION 4X4 FIS M4 CAMO (A20071B34B080) of 104
REAR BODY PANEL ASSEMBLY



2007 ATV 650 H1 AUTOMATIC TRANSMISSION 4X4 FIS M4 CAMO (A2007IB34B09C) of 104
REAR BODY PANEL ASSEMBLY

Ref #	Part Number	Qty	S/P/F	Description
1	0541-337	1	/P	Rack, Rear - Assembly (inc. 2-5)
2	0411-814	1	/P	Decal, "Arctic Cat"
3	0411-648	1		Decal, Warning - Rear Rack Load
4	0441-592	4	/P	Bushing, Rack
5	2406-014	8		Bushing, Rack
6	8410-830	4		Screw, Machine
7	0423-669	4		Spacer
8	0423-465	4		Grommet
9	8432-802	4		Nut, Lock
10	2506-340	1	S	Panel, Fender - Rear (inc. 13-14)
11	0423-654	2		Screw, Shoulder
12	8050-222	2	/P	Washer
13	0470-658	1		Shield, Heat
14	0411-820	1	S	Decal, Reflector - Rear - Right
14	0411-821	1	S	Decal, Reflector - Rear - Left
15	0423-101	2		Screw, Body
16	0423-540	24		Nut, Lock
17	0623-362	2		Rivet, Reinstallable
18	1406-356	1		Footwell - Right
18	2406-429	1	/P	Footwell - Left
19	0423-419	16		Screw, Machine
20	0423-355	4		Screw, Shoulder
21	1506-125	2	/P	Footpeg

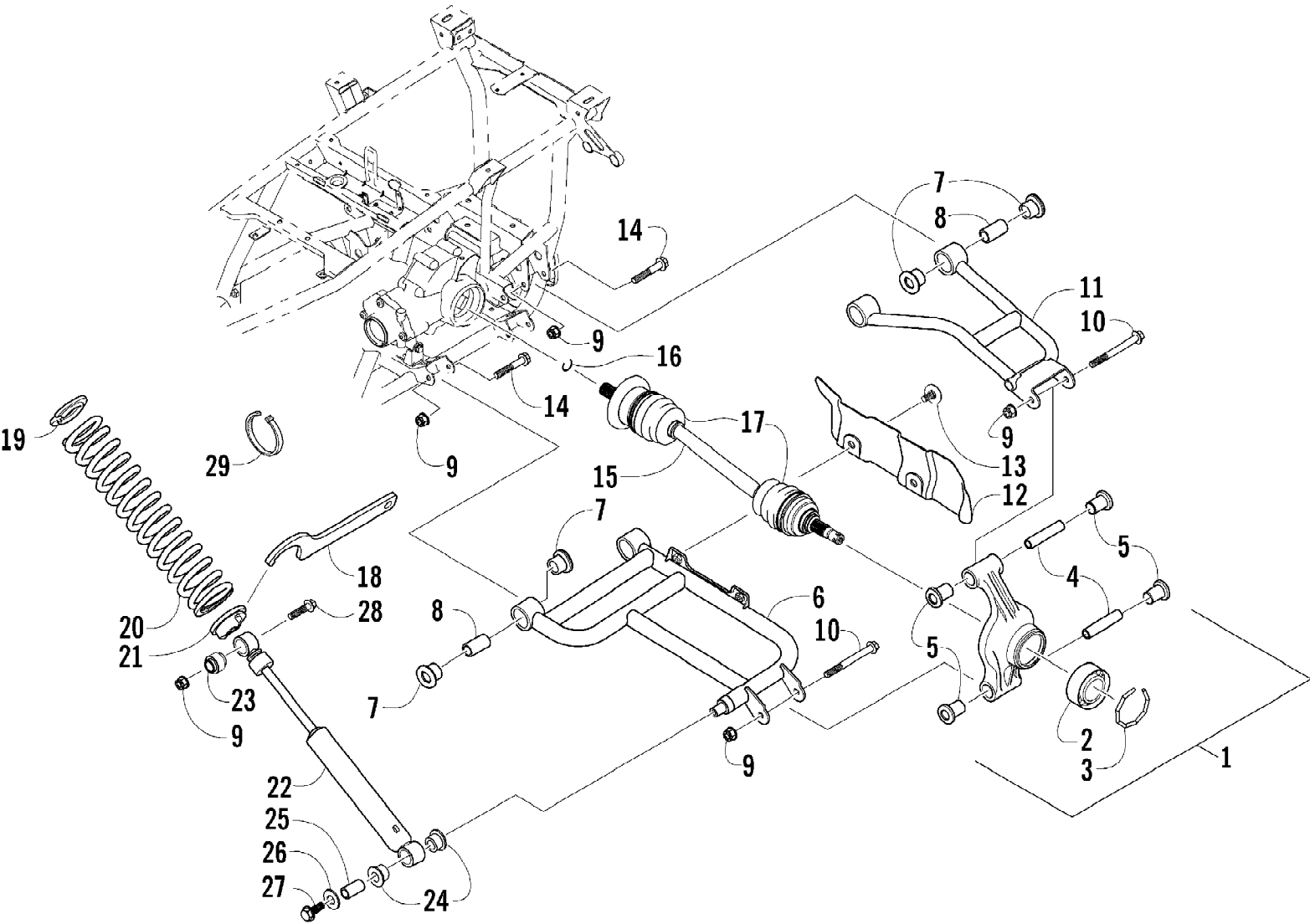
2007 ATV 650 H1 AUTOMATIC TRANSMISSION 4X4 FIS M4 CAMO (A2007IB34B79C) 104
REAR DRIVE GEARCASE ASSEMBLY



2007 ATV 650 H1 AUTOMATIC TRANSMISSION 4X4 FIS M4 CAMO (A2007IB34B73C) of 104
REAR DRIVE GEARCASE ASSEMBLY

Ref #	Part Number	Qty	S/P/F	Description
	1502-079	1	S	Complete Rear Gearcase Assembly
1	0502-622	1		Housing, Gearcase
2	0402-393	2		Bearing
3	1402-441	2	S	Seal
4	1402-032	1		Gear, Ring - 36T
5	0402-405	AR		Shim
5	0402-406	AR		Shim
5	0402-407	AR		Shim
5	0402-408	AR		Shim
5	0402-409	AR		Shim
6	0402-326	1		Button, Thrust
7	0402-429	AR		Shim
7	0402-430	AR		Shim
7	0402-431	AR		Shim
7	0402-432	AR		Shim
7	0402-433	AR		Shim
8	0423-149	1		O-Ring
9	1502-082	1		Cover, Gearcase
10	0402-333	1	/P	Plug, Fill (inc. 11)
11	0423-154	1		O-Ring
12	1402-102	1		Fitting
13	0423-118	11		Screw, Self-Tapping
14	0402-450	1	S	Plug, Magnetic (inc. one No. 15)
15	0423-153	2		O-Ring
16	0402-328	1		Bearing
17	0502-783	1		Gear, Pinion - Assembly - 10T (inc. 18-19)
18	0402-327	1		Bearing
19	0402-336	1		Collar, Retaining
20	0402-411	1		Pin, Dowel
21	0402-331	1		Collar, Lock
22	0402-982	1		Washer, Spring
23	0402-981	1		Collar, Shaft
24	0402-947	1		Gasket, Flange
25	0502-529	1		Housing, Pinion
26	0423-417	1		Ring, Retaining
27	1402-043	1		Bearing
28	0423-423	1		Ring, Retaining
29	1402-011	1		Seal
30	1502-085	1	/P	Shaft, Input
31	1402-211	1		Plug, Oil Level (inc. one No. 15)

2007 ATV 650 H1 AUTOMATIC TRANSMISSION 4X4 FIS M4 CAMO (A20071B34B720) of 104
REAR SUSPENSION ASSEMBLY



2007 ATV 650 H1 AUTOMATIC TRANSMISSION 4X4 FIS M4 CAMO (A2007IB34B73C) 104
REAR SUSPENSION ASSEMBLY

Ref #	Part Number	Qty	S/P/F	Description
1	0504-372	1	S	Knuckle, Right Rear - Assembly (inc. 2-5)
1	0504-373	1	S/P	Knuckle, Left Rear - Assembly (inc. 2-5)
2	1402-027	2	S/P	Bearing, Wheel Hub
3	0423-423	2		Ring, Retaining
4	0403-038	4	S/P	Collar, Suspension Bushing
5	0403-032	8	S	Bushing, Suspension
6	0504-438	1	/P	A-Arm, Rear - Lower Right (inc. 7-8)
6	0504-439	1	S	A-Arm, Rear - Lower Left (inc. 7-8)
7	0403-115	16	S	Bushing
8	0403-114	8	S	Collar
9	8428-002	14		Nut, Lock
10	8409-000	4		Screw, Cap
11	0504-470	1		A-Arm, Rear - Upper Right (inc. 7-8)
11	0504-471	1	S	A-Arm, Rear - Upper Left (inc. 7-8)
12	1406-068	1		Guard, Boot - Right
12	1406-069	1		Guard, Boot - Left
13	0423-545	4	/P	Screw, Body
14	8409-075	8		Screw, Cap
15	0502-811	2	S	Axle, Drive (inc. 16-17)
16	0441-893	2	S	Clip, Retaining
17	0436-276	2	S	Repair Kit, Boot - Rear Axle
18	0441-587	1		Wrench, Spanner
19	1603-889	2	/P	Retainer, Spring
20	0404-112	2		Spring, Suspension
21	0404-057	2		Cam, Spring Adjuster
22	0404-150	2		Shock Absorber - Rear (inc. 23-25)
23	0403-182	2		Bushing, Double-Bonded
24	0603-955	4		Bushing, Shock Absorber
25	1603-219	2	S	Sleeve, Shock Absorber
26	0423-087	2		Washer
27	8408-820	2	/P	Screw, Cap
28	8409-040	1		Screw, Cap - Right
28	8409-050	1		Screw, Cap - Left
29	0123-788	2	/P	Cable Tie

No
Diagram
Available

Parts List
Only

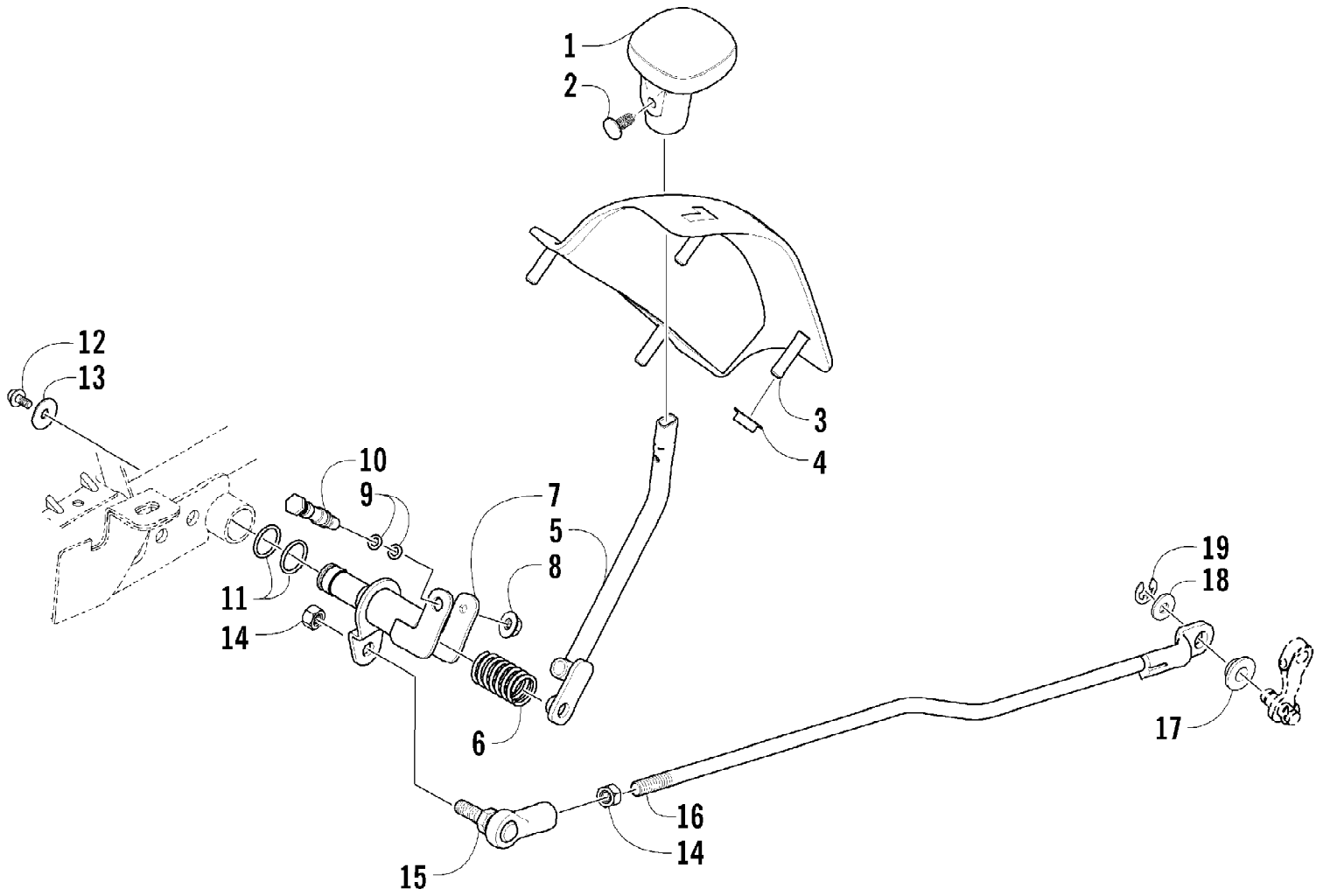
2007 ATV 650 H1 AUTOMATIC TRANSMISSION 4X4 FIS M4 CAMO (A20071B34B) of 104
RELATED ITEMS

Ref #	Part Number	Qty	S/P/F	Description
	0436-479	1		Articulating Spool Mount
	0436-548	1		Articulating Spool Receiver Mount Adapter
	0436-961	1	/P	Bag, Fender - Black
	0436-925	1	S	Bag, Rack, Front - Black
	0436-480	1		Bar, Utility/Gun Rack
	0436-811	1		Basket, Open-End
	0436-462	1		Bucket Holder
	0436-464	1		Camp Stove Cradle
	0436-454	1		Cargo Box
	0436-625	1		Cargo Box Quick-Release Kit
	0436-460	1		Carryall (11 x 17)
	0436-652	1		Carryall (14 x 27)
	0436-476	1		Chain Saw Lock
	0436-477	1		Cord Reel
	0436-777	1	S	Cover, Black and Green
	0436-668	1		Cover, Timber Camo
	0436-005	1	S	Engine Oil - 10W40
	0436-003	1	S	Engine Oil - 5W30
	0436-466	1		Fender Box
	0436-538	1		Gear Cradle
	0436-007	1	S	Gear Lube (Diff) - 80W90
	0436-501	1	S	Grease, High-Performance
	0436-828	1		Gun Rack Mount
	0436-627	1		Gun Scabbard Kit
	0436-706	1	/P	Gun Scabbard Mount
	0436-505	1		Hand Guards - Black
	0436-352	1		Hand/Thumb Warmers
	0436-639	1		Ice Auger Holder
	0436-795	1		King Kong Pack
	0436-793	1		Laydown Blind
	0436-787	1		License Plate Kit
	0436-463	1		Light Bar
	2257-688	1		Manual, Illustrated Parts
	2257-603	1		Manual, Operator's (E)
	2257-604	1		Manuel d'utilisation (F)
	0436-635	1		Plow Attachment Kit
	0436-228	1		Plow Blade, 50 in. - Straight
	0436-287	1		Plow Blade, 50 in. - One-Way
	0436-296	1		Plow Blade, 60 in. - Straight
	0436-360	1		Plow Blade, 60 in. - One-Way
	0436-636	1	/P	Plow, Push Frame
	0436-626	1	S	Rack Basket
	0436-647	1		Rack Extension, 4 in. (Front)
	0436-646	1		Rack Extension, 8 in. (Rear)
	0436-629	1		Rapid Blind (Break-Up)
	0436-630	1		Rapid Blind (Shadow Grass)
	0436-628	1		Rapid Shack (Blue Ice)
	0436-471	1		Speedclamp, Double
	0436-624	1		Sprayer System
	0436-741	1	/P	Sprayer Boom (120 in.)
	0436-744	1		Sway Bar Kit
	1402-028	1		Tire, Titan AT589 (25x8-12, Mud & Snow)
	0402-563	1		Tire, Titan AT589 (25x10-12, Mud & Snow)

2007 ATV 650 H1 AUTOMATIC TRANSMISSION 4X4 FIS M4 CAMO (A2007IB34B750) 104
RELATED ITEMS

Ref #	Part Number	Qty	S/P/F	Description
	0436-297	1		Tool Holder - Double
	0436-263	1	/P	Tool Holder - Single
	0436-792	1	S	Tree Stand/Bow Case Holder
	0436-655	1		Winch, 2500 lb
	0436-623	1		Windshield, Clear w/Black Accent
	0436-470	1		Workbase (8 in.)

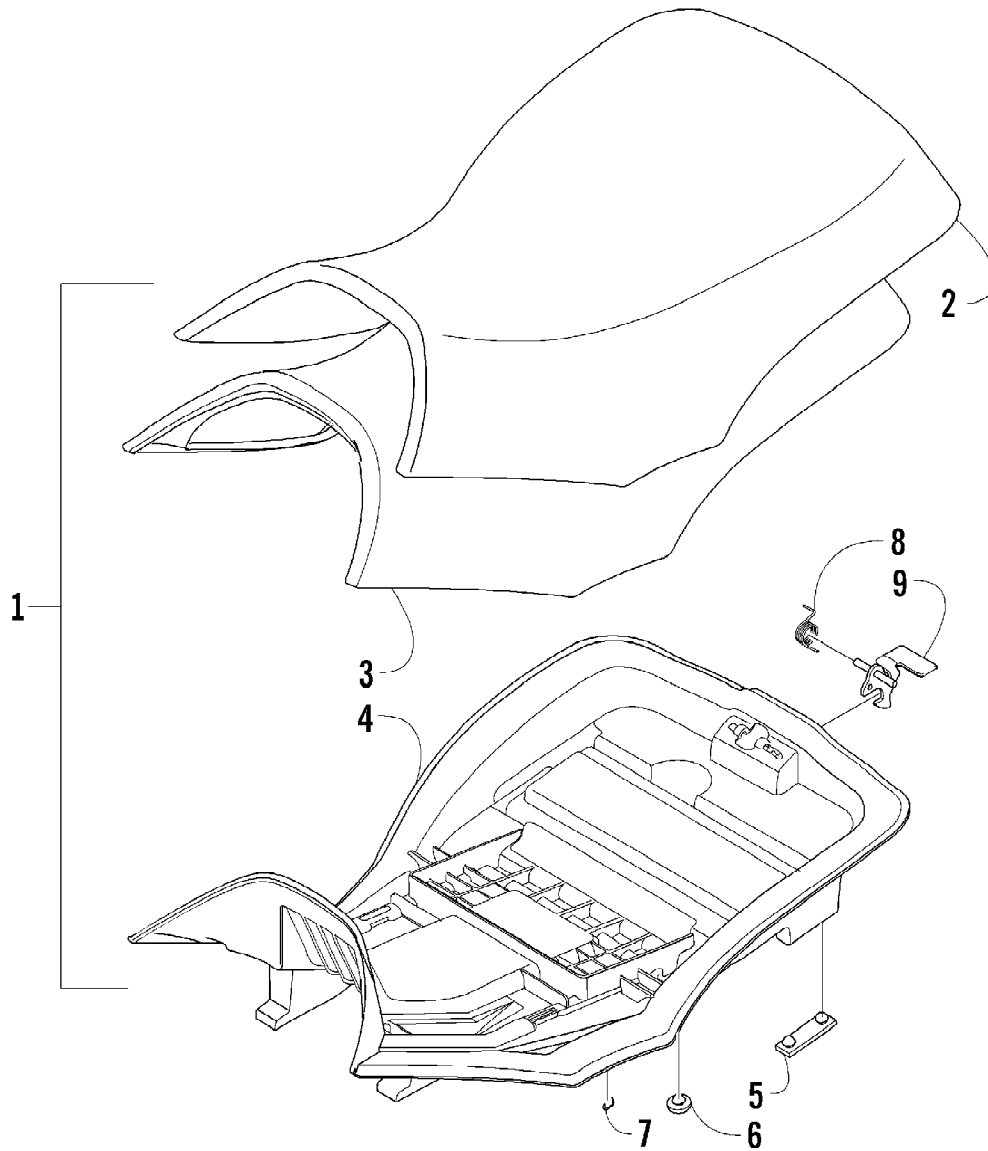
2007 ATV 650 H1 AUTOMATIC TRANSMISSION 4X4 FIS M4 CAMO (A20071B34B730) 104 REVERSE SHIFT LEVER ASSEMBLY



2007 ATV 650 H1 AUTOMATIC TRANSMISSION 4X4 FIS M4 CAMO (A2007IB34B78C) of 104
REVERSE SHIFT LEVER ASSEMBLY

Ref #	Part Number	Qty	S/P/F	Description
1	0402-843	1	/P	Knob, Reverse Shift Lever
2	0423-345	1		Clip, Push
3	1402-576	1		Plate, Shift
4	0423-357	4		Nut, Stamped
5	0502-659	1		Lever, Reverse Shift
6	0502-410	1	S	Spring, Reverse Shift Lever
7	0502-742	1		Axle, Reverse Shift Lever
8	8424-602	1	/P	Nut
9	0423-182	2	/P	O-Ring
10	0402-675	1		Axle, Pivot
11	0423-299	2	/P	O-Ring
12	8408-812	1		Screw, Cap
13	0423-087	1		Washer
14	0623-294	2		Nut
15	1402-270	1		End, Rod
16	0502-989	1	/P	Linkage, Shift
17	0423-091	1		Bushing, Shift Linkage
18	8050-242	1		Washer
19	0423-169	1	/P	E-Ring

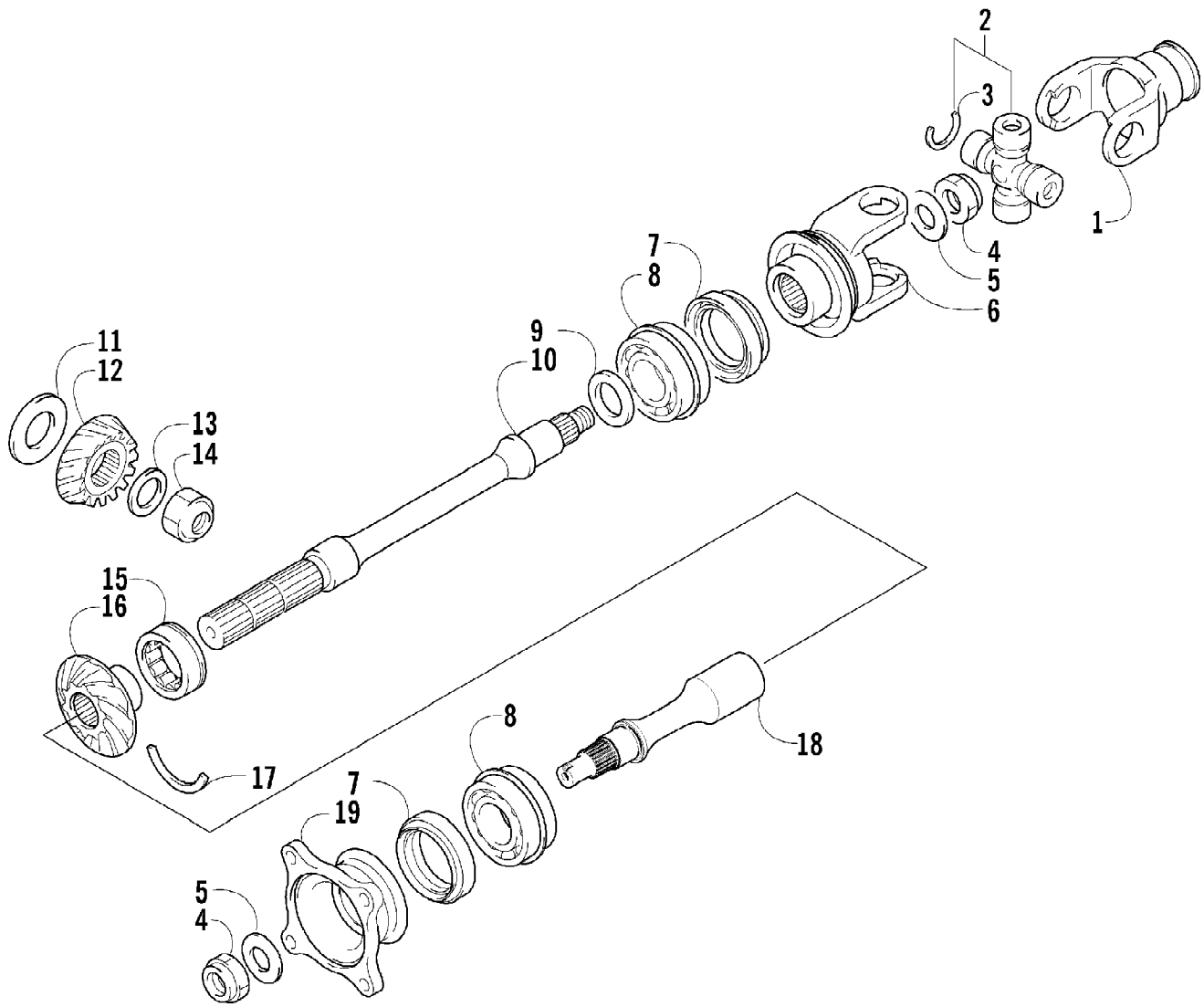
2007 ATV 650 H1 AUTOMATIC TRANSMISSION 4X4 FIS M4 CAMO (A2007IB34B79C) of 104
SEAT ASSEMBLY



2007 ATV 650 H1 AUTOMATIC TRANSMISSION 4X4 FIS M4 CAMO (A2007IB34B180) of 104
 SEAT ASSEMBLY

Ref #	Part Number	Qty	S/P/F	Description
1	1506-937	1	S/P	Seat Assembly (inc. 2-9)
2	1506-209	1		Cover, Seat
3	1506-208	1		Foam, Seat
4	2406-144	1	S/P	Base, Seat - Assembly (inc. 5-6)
5	0406-879	2		Bumper, Seat - Rear
6	0406-877	4	/P	Bumper, Seat - Front
7	0624-263	AR		Staple
8	1406-592	1	/P	Spring, Seat Latch
9	1506-156	1		Latch, Seat

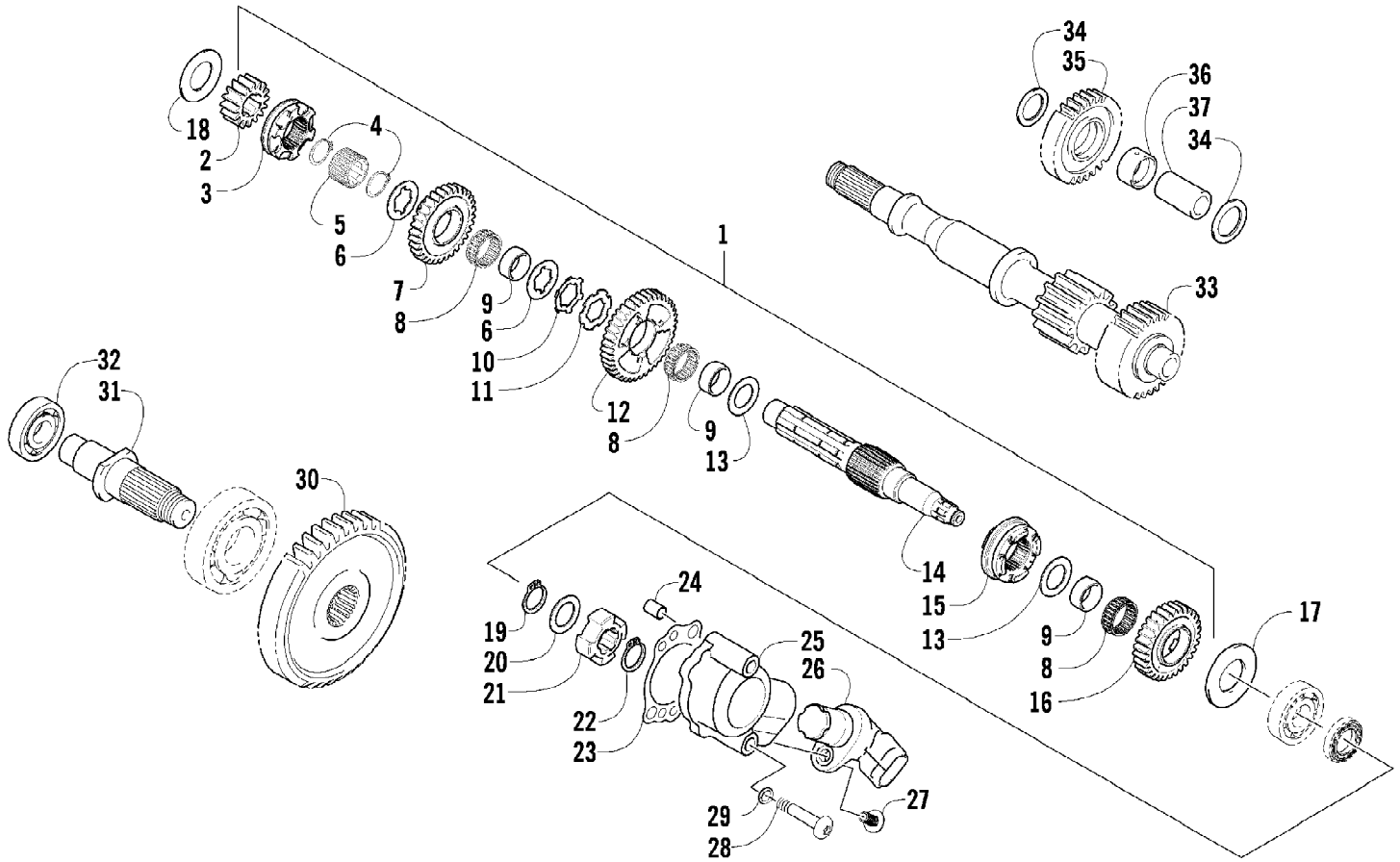
2007 ATV 650 H1 AUTOMATIC TRANSMISSION 4X4 FIS M4 CAMO (A2007IB34B13C) of 104
SECONDARY DRIVE ASSEMBLY



2007 ATV 650 H1 AUTOMATIC TRANSMISSION 4X4 FIS M4 CAMO (A2007IB34B120) of 104
SECONDARY DRIVE ASSEMBLY

Ref #	Part Number	Qty	S/P/F	Description
1	0819-063	1		Yoke, Propeller Shaft Joint
2	1402-463	1	S	Joint, Universal - Set (inc. 3)
3	0423-450	4		Circlip
4	0827-013	2		Nut, Rear Output Joint
5	0828-020	2		Washer, Rear Output Flange
6	0819-061	1		Yoke, Drive Output - Front
7	0830-043	2		Seal, Oil - Driven Shaft
8	0832-017	2		Bearing, Driven Shaft
9	0828-021	AR		Shim, 25 x 34 x 0.25 mm
9	0828-022	AR		Shim, 25 x 34 x 0.30 mm
9	0828-023	AR		Shim, 25 x 34 x 0.70 mm
9	0828-024	AR		Shim, 25 x 34 x 0.90 mm
9	0828-025	AR		Shim, 25 x 34 x 0.95 mm
9	0828-026	AR		Shim, 25 x 34 x 1.00 mm
9	0828-027	AR		Shim, 25 x 34 x 1.05 mm
9	0828-028	AR		Shim, 25 x 34 x 1.10 mm
9	0828-029	AR		Shim, 25 x 34 x 1.15 mm
10	0819-003	1	S	Shaft, Secondary Driven - Front
11	0828-030	AR		Shim, 24 x 48 x 0.25 mm
11	0828-031	AR		Shim, 24 x 48 x 0.30 mm
11	0828-032	AR		Shim, 24 x 48 x 0.35 mm
11	0828-033	AR		Shim, 24 x 48 x 0.90 mm
11	0828-018	AR		Shim, 24 x 48 x 0.95 mm
11	0828-062	AR		Shim, 24 x 48 x 1.00 mm
11	0828-063	AR		Shim, 24 x 48 x 1.05 mm
11	0828-064	AR		Shim, 24 x 48 x 1.10 mm
11	0828-065	AR		Shim, 24 x 48 x 1.15 mm
12	0819-001	1		Gear, Secondary Drive
13	0828-019	1		Washer
14	0827-012	1		Nut
15	0832-016	1		Bearing, Driven Gear
16	0819-002	1		Gear, Secondary Driven
17	0819-011	1		Ring, Driven Bearing
18	0819-053	1		Shaft, Secondary Driven - Rear
19	0819-005	1		Flange, Output Joint - Rear

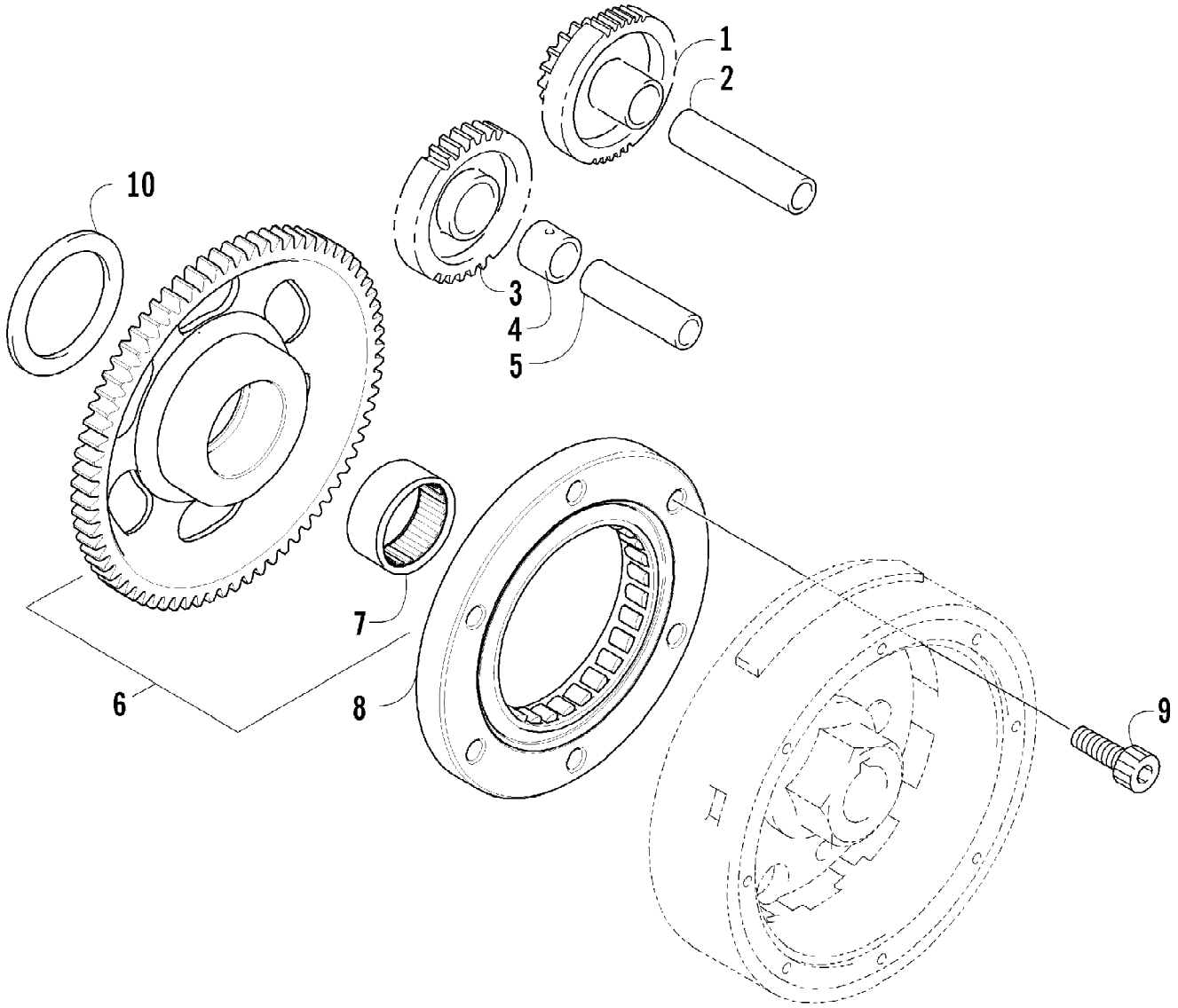
2007 ATV 650 H1 AUTOMATIC TRANSMISSION 4X4 FIS M4 CAMO (A20071B34B) of 104
SECONDARY TRANSMISSION ASSEMBLY



2007 ATV 650 H1 AUTOMATIC TRANSMISSION 4X4 FIS M4 CAMO (A2007IBSA4B33C) of 104
SECONDARY TRANSMISSION ASSEMBLY

Ref #	Part Number	Qty	S/P/F	Description
1	0822-048	1		Countershaft Assembly (inc. 2-16)
2	0822-008	1		Gear, Drive - No. 2
3	0822-014	1		Dog, Reverse Driven Gear
4	0831-011	2		Circlip
5	0822-045	1		Spacer, Reverse Driven Gear
6	0828-008	2		Washer
7	0822-013	1		Gear, Reverse Driven
8	0832-011	3		Bearing
9	0822-005	3		Bushing
10	0828-014	1		Washer, Lock
11	0828-015	1		Washer, Lock
12	0822-004	1		Gear, Driven - Low
13	0822-046	2		Washer, Driven Gear
14	0822-003	1		Countershaft
15	0822-007	1		Dog, Sliding
16	0822-006	1		Gear, Driven - High
17	0828-011	1		Washer, Drive Gear
18	0828-010	1		Washer, Drive Gear
19	0831-040	1		Ring, Retaining
20	0828-069	1		Washer, Thrust
21	0822-050	1		Trigger, Speedometer Sensor
22	0831-039	1		Ring, Retaining
23	0830-129	1		Gasket
24	0829-023	2		Pin, Dowel
25	0822-049	1		Housing, Speedometer Sensor
26	0824-015	1	S	Sensor, Speedometer
27	8468-620	1	/P	Screw, Machine
28	8468-645	2		Screw, Machine
29	0830-107	2		Seal, Fastener
30	0822-009	1		Gear, Driven - No. 2
31	0822-037	1	S	Shaft, Output
32	0832-014	1	S	Bearing
33	0822-001	1		Driveshaft
34	0828-016	2		Washer, Reverse Idle Gear
35	0822-011	1		Gear, Reverse Idle
36	0822-012	1		Bushing, Reverse Idle Gear
37	0822-015	1		Shaft, Reverse Idle

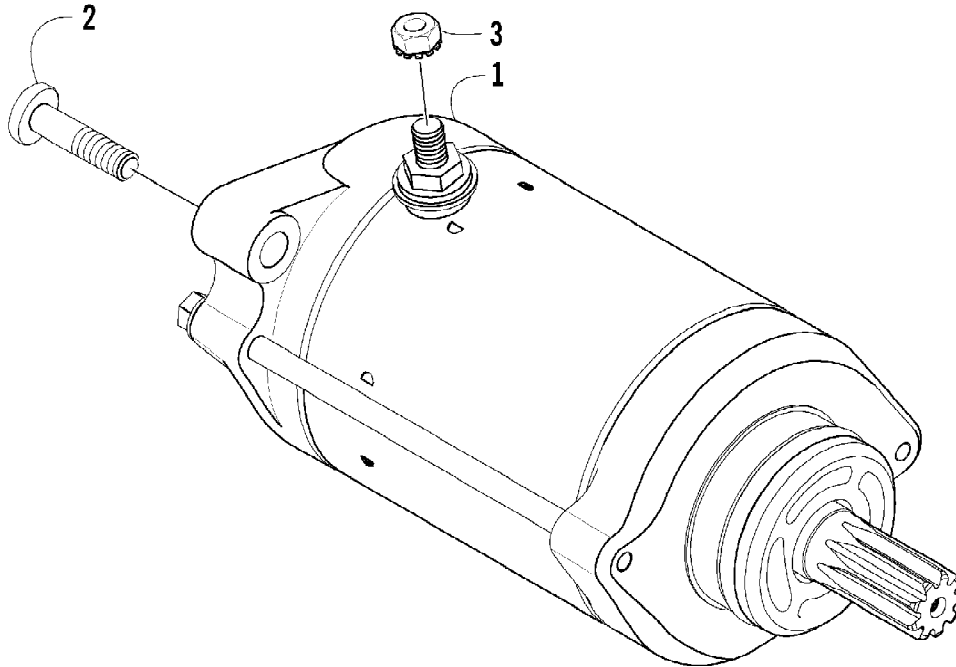
2007 ATV 650 H1 AUTOMATIC TRANSMISSION 4X4 FIS M4 CAMO (A2007IB34B15C) of 104
STARTER CLUTCH ASSEMBLY



2007 ATV 650 H1 AUTOMATIC TRANSMISSION 4X4 FIS M4 CAMO (A2007IB34B156) of 104
 STARTER CLUTCH ASSEMBLY

Ref #	Part Number	Qty	S/P/F	Description
1	0815-001	1		Gear, Starter Idler - No. 1
2	0829-031	1	/P	Shaft, Starter Gear
3	0815-002	1		Gear, Starter Idler - No. 2
4	0815-003	1		Spacer, Starter Idler Gear No. 2
5	0829-032	1	/P	Shaft, Starter Gear
6	0815-004	1		Gear Starter Clutch (inc. 7)
7	0832-004	1	S	Bearing
8	0802-035	1		Clutch, Starter
9	0826-069	6		Screw, Machine
10	0828-094	1		Washer

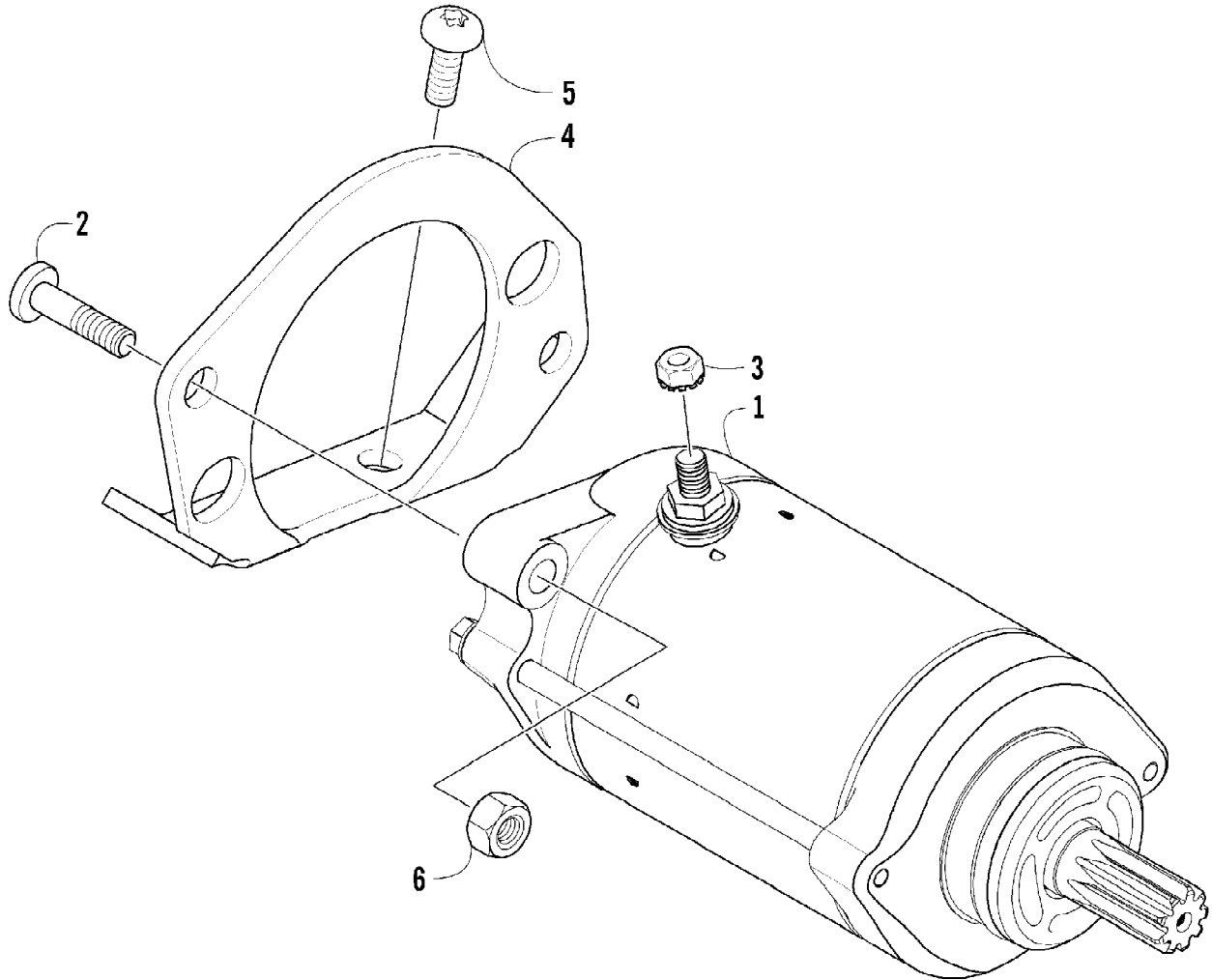
2007 ATV 650 H1 AUTOMATIC TRANSMISSION 4X4 FIS M4 CAMO (A2007IB34B130) of 104
STARTER MOTOR ASSEMBLY (Up to VIN: 4UF07ATV97T270001)



2007 ATV 650 H1 AUTOMATIC TRANSMISSION 4X4 FIS M4 CAMO (A2007IB34E18C) of 104
STARTER MOTOR ASSEMBLY (Up to VIN: 4UF07ATV97T270001)

Ref #	Part Number	Qty	S/P/F	Description
1	0825-012	1	S	Motor, Starter - Assembly
2	8468-630	2		Screw, Machine
3	0623-038	1		Nut w/Washer

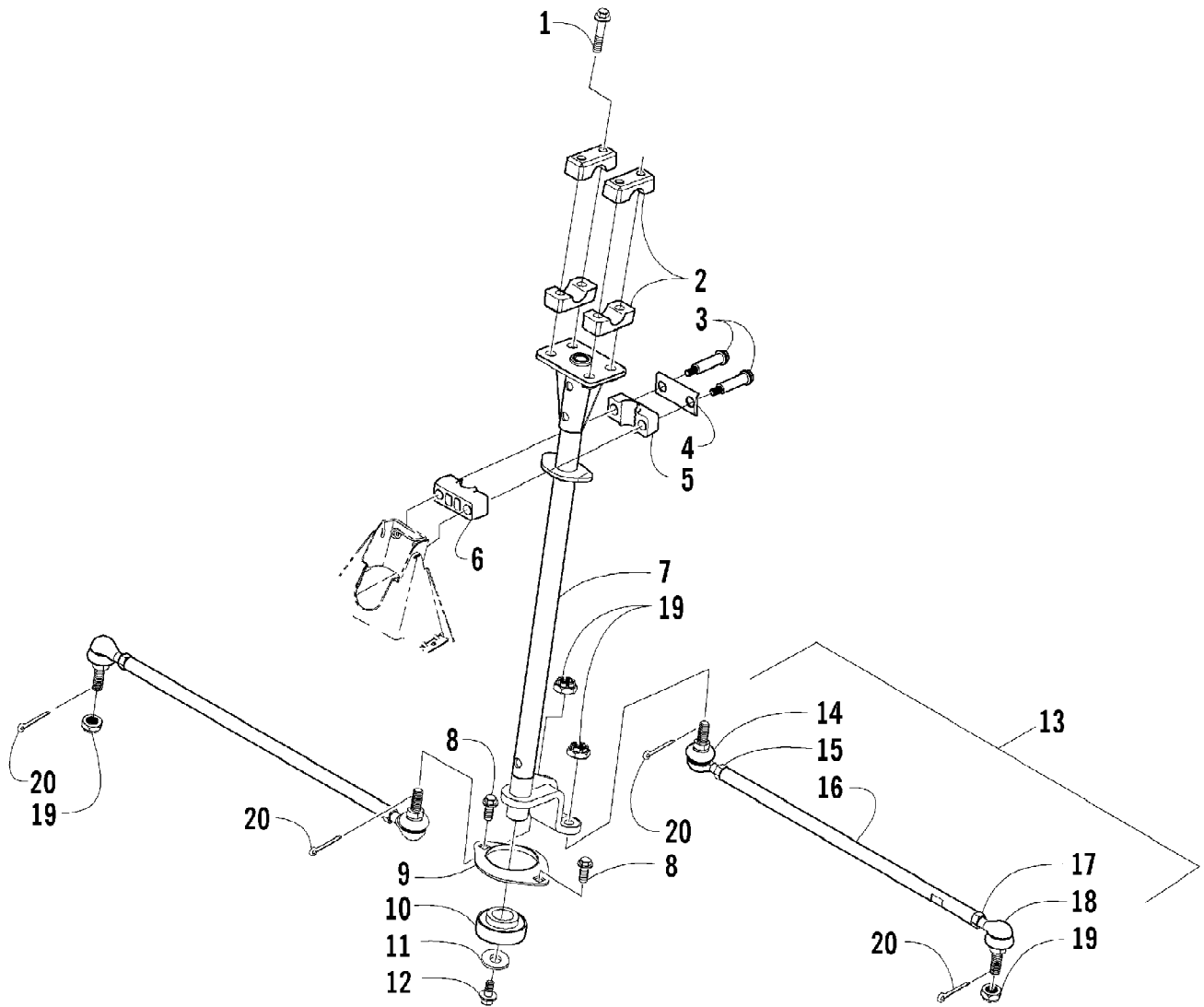
2007 ATV 650 H1 AUTOMATIC TRANSMISSION 4X4 FIS M4 CAMO (A2007IB34B19C) of 104
STARTER MOTOR ASSEMBLY (VIN: 4UF07ATV97T270001 and above)



2007 ATV 650 H1 AUTOMATIC TRANSMISSION 4X4 FIS M4 CAMO (A2007IB34B99C) of 104
STARTER MOTOR ASSEMBLY (VIN: 4UF07ATV97T270001 and above)

Ref #	Part Number	Qty	S/P/F	Description
1	0825-012	1	S	Motor, Starter - Assembly
2	8468-630	2		Screw, Machine
3	0623-038	1		Nut w/Washer
4	0815-018	1		Bracket, Mounting
5	8468-612	2		Screw, Machine
6	8427-602	2		Nut, Lock

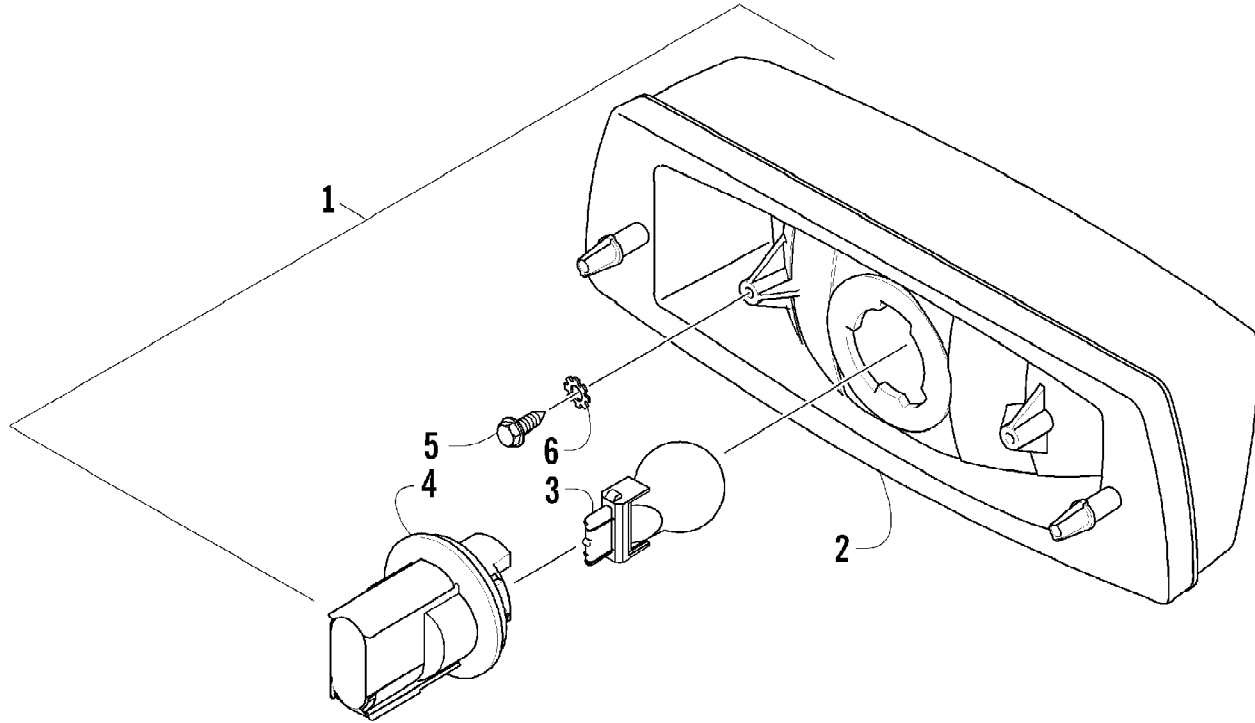
2007 ATV 650 H1 AUTOMATIC TRANSMISSION 4X4 FIS M4 CAMO (A20071B34B) of 104
STEERING POST ASSEMBLY



2007 ATV 650 H1 AUTOMATIC TRANSMISSION 4X4 FIS M4 CAMO (A2007IB34B020) of 104
STEERING POST ASSEMBLY

Ref #	Part Number	Qty	S/P/F	Description
1	8408-860	4		Screw, Cap
2	0405-035	4		Cap, Steering Adjuster
3	0423-505	2		Screw, Shoulder
4	0405-166	1		Cap, Housing
5	0405-138	1		Housing, Lower
6	0405-139	1		Housing, Upper
7	0505-451	1	S	Post, Steering
8	8408-816	2		Screw, Cap
9	0602-233	1		Flange, Bearing
10	0405-052	1		Bearing w/Inverted Oil Seal
11	0423-073	1		Washer
12	8409-020	1	/P	Screw, Cap
13	0505-408	2	S	Tie Rod - Assembly (inc. 14-18)
14	0405-083	2	S	Ball Joint, Tie Rod - Left
15	0423-013	2		Nut - Left
16	0405-107	2	S	Tie Rod
17	8420-002	2	/P	Nut - Right
18	0405-082	2	S	Ball Joint, Tie Rod - Right
19	0423-157	4		Nut, Lock
20	0623-175	4		Pin, Cotter

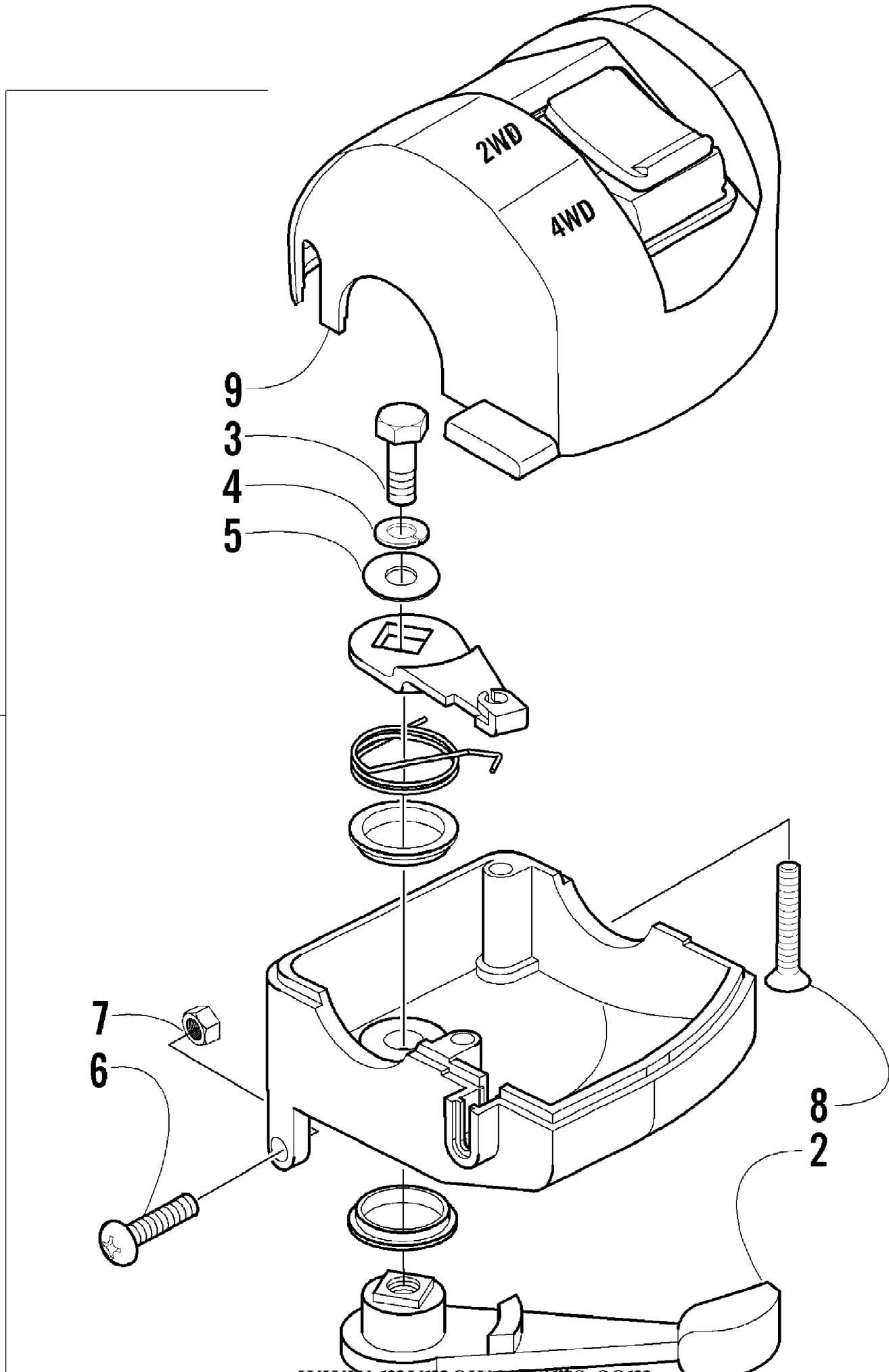
2007 ATV 650 H1 AUTOMATIC TRANSMISSION 4X4 FIS M4 CAMO (A2007IB34B93C) 104
TAILLIGHT ASSEMBLY



2007 ATV 650 H1 AUTOMATIC TRANSMISSION 4X4 FIS M4 CAMO (A2007IB34B93C) 104
 TAILLIGHT ASSEMBLY

Ref #	Part Number	Qty	S/P/F	Description
1	0509-022	1		Taillight Assembly (inc. 2-4)
2	0509-025	1		Housing, Taillight
3	0409-056	1		Bulb, Taillight
4	0409-057	1		Socket, Taillight
5	0623-301	2	/P	Screw, Self-Tapping
6	8053-212	2	/P	Washer, Lock - External Tooth

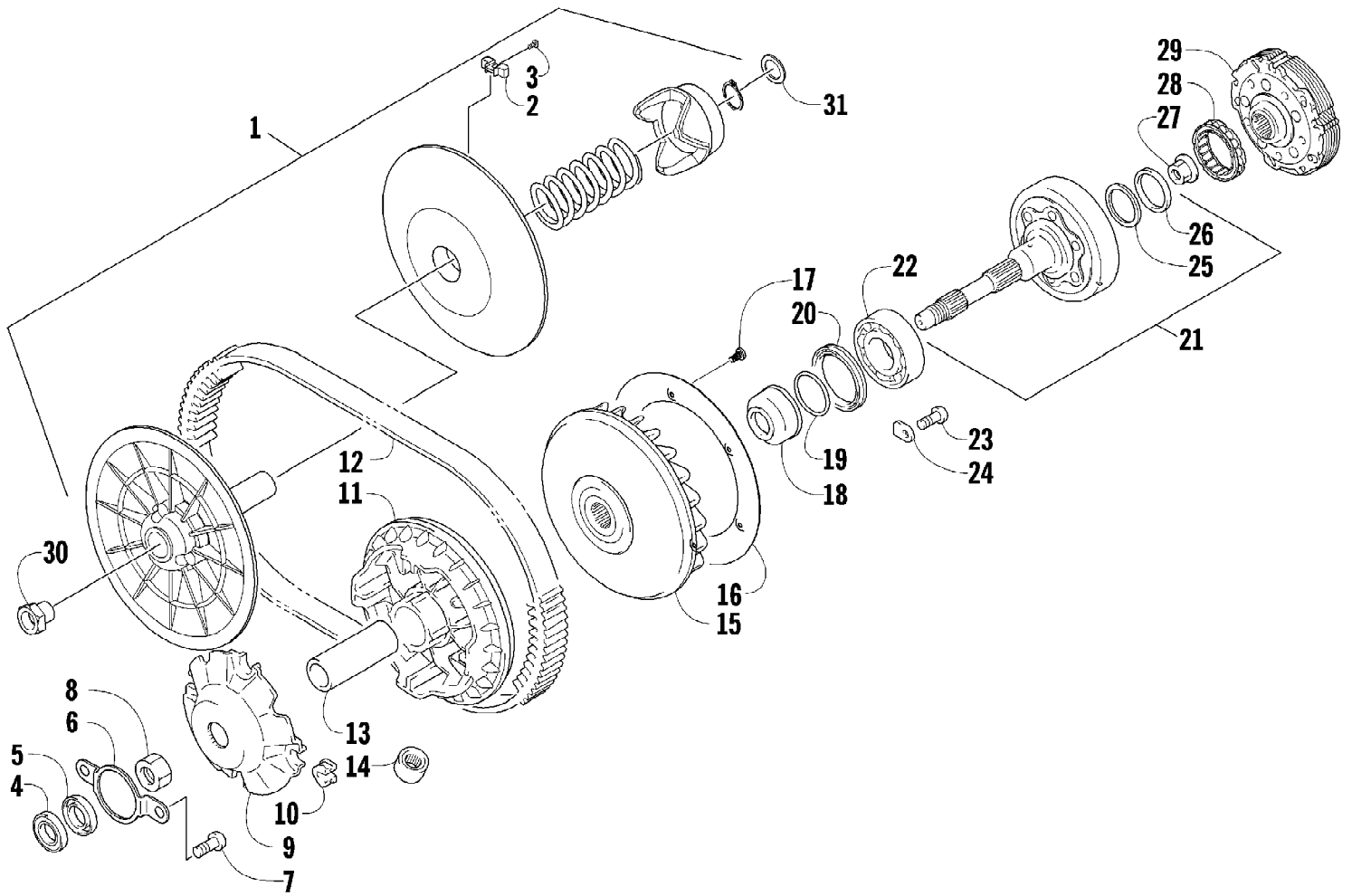
2007 ATV 650 H1 AUTOMATIC TRANSMISSION 4X4 FIS M4 CAMO (A20071B34B95C) of 104
THROTTLE CASE ASSEMBLY



2007 ATV 650 H1 AUTOMATIC TRANSMISSION 4X4 FIS M4 CAMO (A2007IB34B196) Page 104
THROTTLE CASE ASSEMBLY

Ref #	Part Number	Qty	S/P/F	Description
1	0509-012	1		Case, Throttle - Assembly (inc. 2-9)
2	3409-001	1		Lever
3	3004-533	1	S/P	Screw, Cap
4	3004-447	1	/P	Washer, Lock
5	3003-030	1	/P	Washer
6	3423-014	1		Screw
7	3423-327	1		Nut
8	3423-199	2		Screw
9	0409-048	1		Cover, Throttle w/Switch

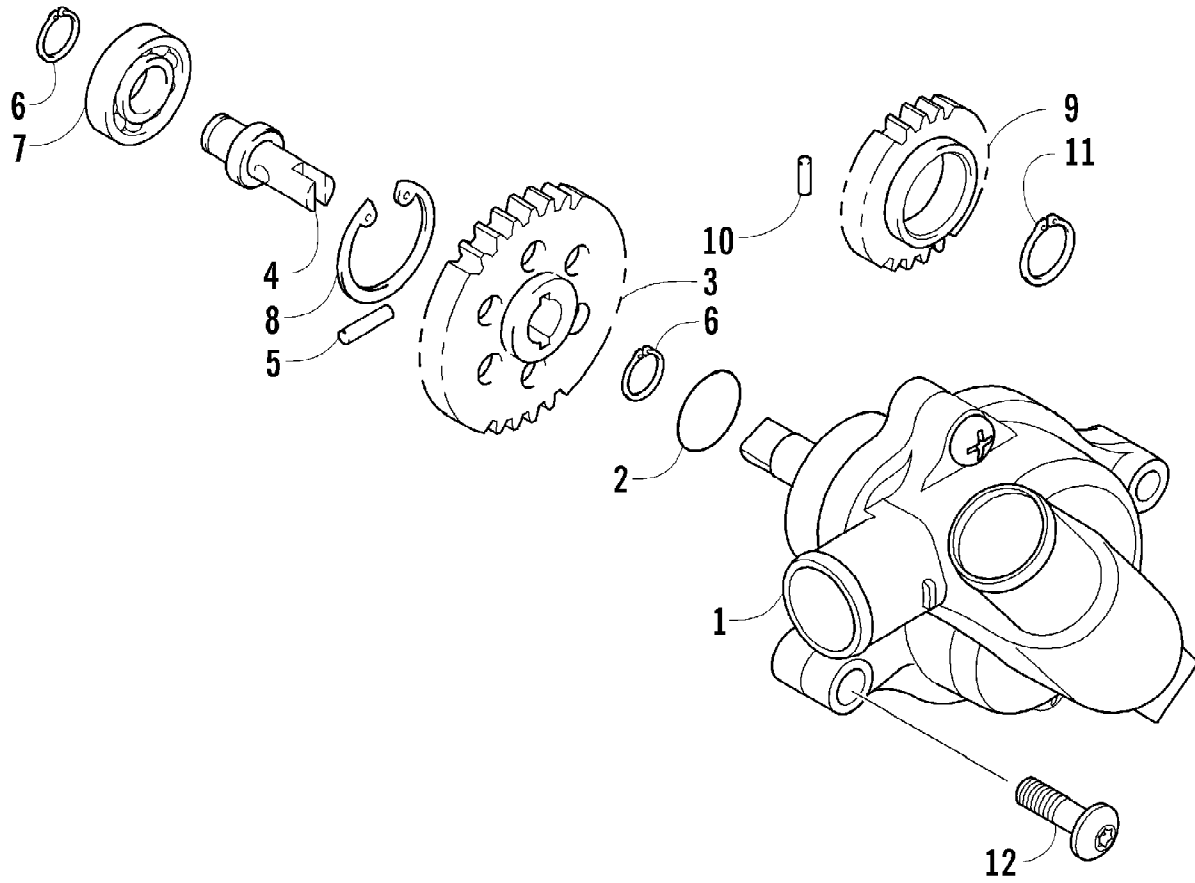
2007 ATV 650 H1 AUTOMATIC TRANSMISSION 4X4 FIS M4 CAMO (A2007IB34BUSA) of 104
TRANSMISSION ASSEMBLY



2007 ATV 650 H1 AUTOMATIC TRANSMISSION 4X4 FIS M4 CAMO (A2007IBSA498C) of 104
TRANSMISSION ASSEMBLY

Ref #	Part Number	Qty	S/P/F	Description
1	0823-157	1	S/P	Pulley, Driven - Assembly (inc. 2-3 and 30)
2	0823-176	3	/P	Shoe, Cam
3	0823-177	3		Screw, Machine
4	0832-010	1		Bearing
5	0823-016	1	S	Seal, Clutch Housing - Right
6	0823-020	1		Retainer, Bearing
7	0826-031	2		Screw
8	0827-010	1		Nut
9	0823-008	1		Plate, Movable Drive Face
10	0823-010	4		Damper, Movable Drive Face
11	0823-159	1		Face, Movable Drive
12	0823-013	1		Belt, Drive
13	0823-149	1		Spacer, Movable Drive Face
14	0823-012	8	S	Roller, Movable Drive Face
15	0823-001	1	S	Face, Fixed Drive
16	0823-131	1		Shroud, Drive Face
17	0623-914	6		Screw, Self-Tapping
18	0823-015	1		Spacer, Fixed Drive Face
19	0470-531	1		O-Ring
20	0830-034	1	S	Seal, Clutch Housing - Right
21	0823-270	1	S	Housing, Clutch - Assembly (inc. 25-26)
22	0832-009	1	/P	Bearing
23	0826-029	2		Screw, Bearing Retainer
24	0822-010	2	/P	Retainer, Bearing
25	0828-075	1		Shim
26	0823-017	1	S	Seal, Clutch Housing - Left
27	0827-011	1		Nut
28	0823-018	1		Clutch, One-Way
29	0823-098	1	S	Clutch, Centrifugal - 6 Plate
30	0823-178	1		Nut, Driven Pulley
31	0828-076	1		Shim

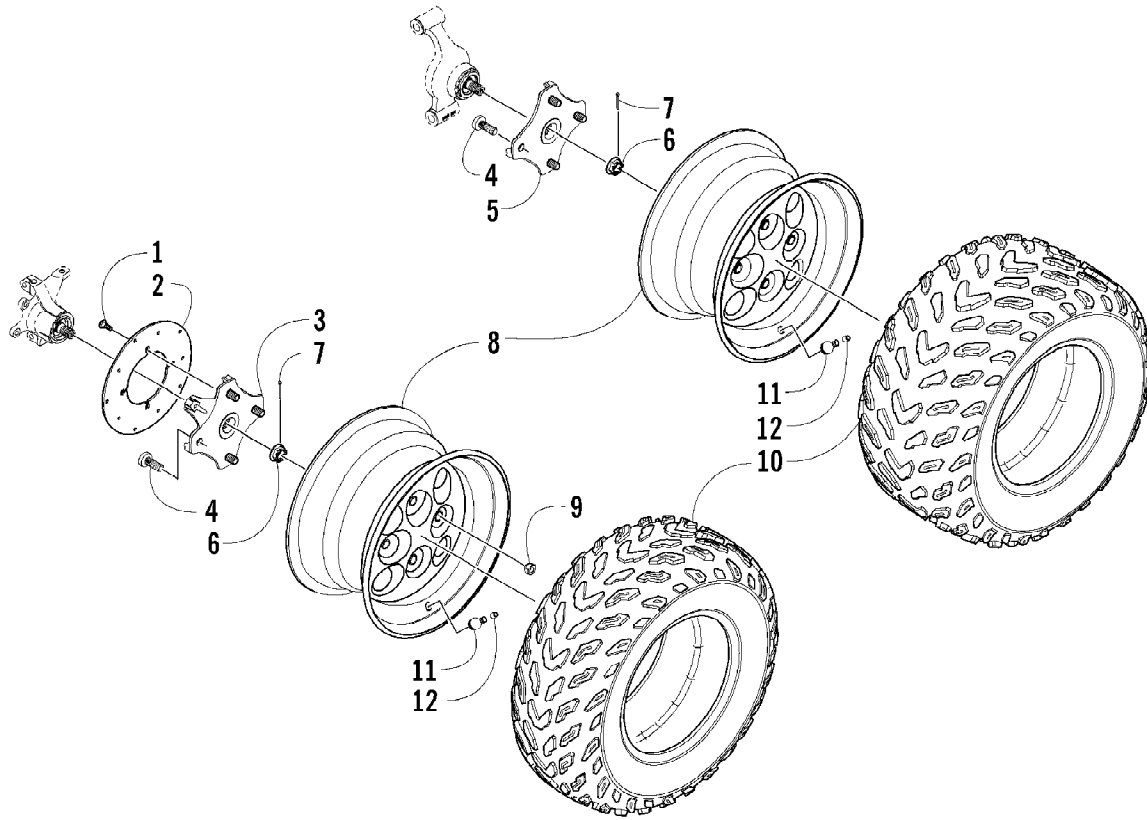
2007 ATV 650 H1 AUTOMATIC TRANSMISSION 4X4 FIS M4 CAMO (A2007IB34B99C) of 104
WATER PUMP ASSEMBLY



2007 ATV 650 H1 AUTOMATIC TRANSMISSION 4X4 FIS M4 CAMO (A2007FIS4B109C) of 104
WATER PUMP ASSEMBLY

Ref #	Part Number	Qty	S/P/F	Description
1	0813-001	1		Pump, Water - Assembly (inc. 2)
2	0830-029	1		O-Ring
3	0813-004	1		Gear, Driven
4	0813-005	1		Shaft, Driven Gear
5	0829-009	1		Pin, Driven Gear
6	0831-002	2		Circlip, Driven Gear
7	0832-008	1	S	Bearing, Shaft
8	0831-004	1		Circlip, Shaft Bearing
9	0811-003	1		Gear, Water Pump Drive
10	0829-007	1		Pin, Drive Gear
11	0831-005	1		Circlip, Drive Gear
12	8468-665	2		Screw, Machine

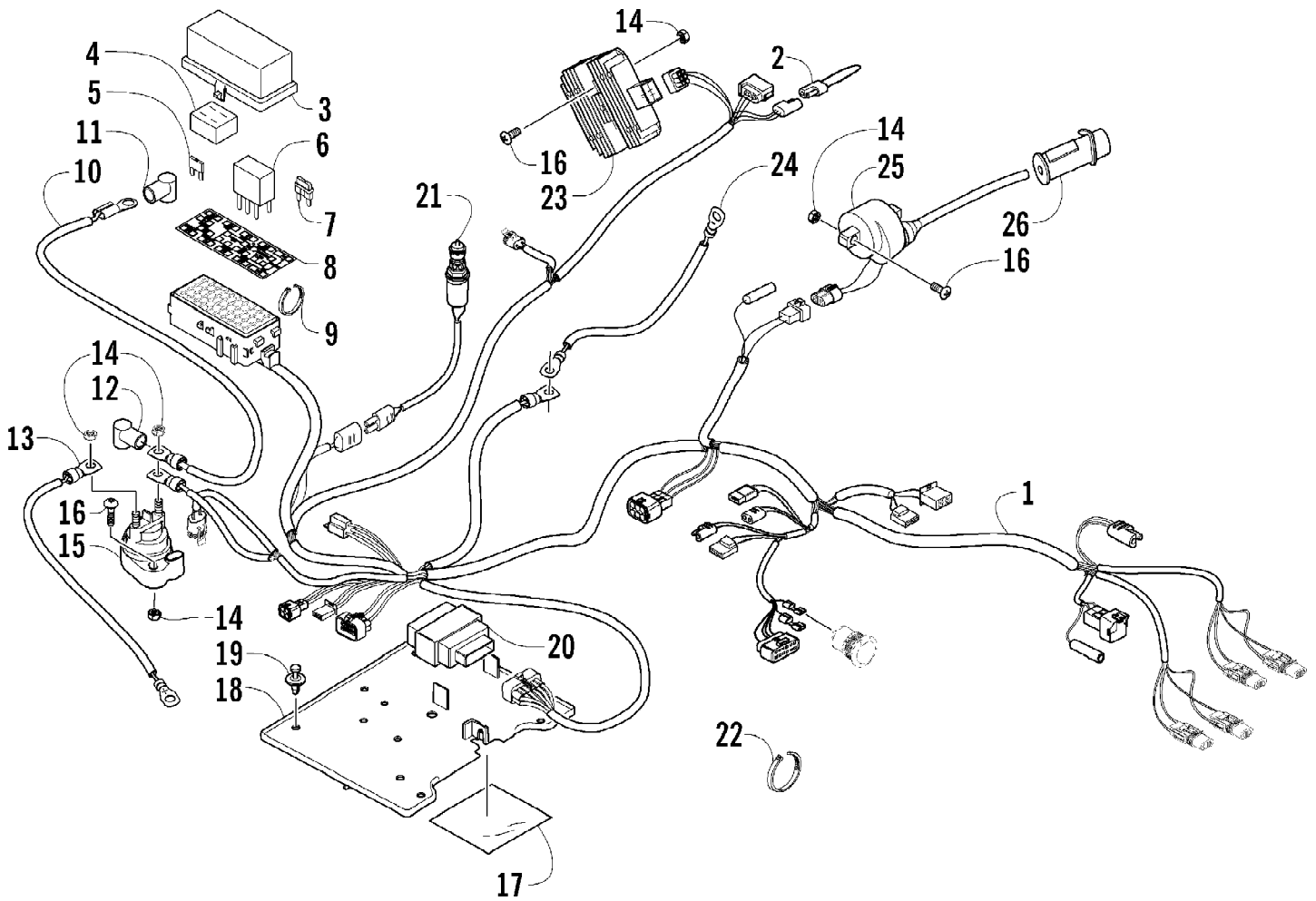
2007 ATV 650 H1 AUTOMATIC TRANSMISSION 4X4 FIS M4 CAMO (A2007FIS4B103) of 104
WHEEL AND TIRE ASSEMBLY



2007 ATV 650 H1 AUTOMATIC TRANSMISSION 4X4 FIS M4 CAMO (A2007P64B102C) of 104
WHEEL AND TIRE ASSEMBLY

Ref #	Part Number	Qty	S/P/F	Description
1	0423-557	12		Screw, Shoulder w/Loctite
2	1402-225	3	S	Disc, Brake
3	0502-599	2	S	Hub, Wheel - Front (inc. 4)
4	0402-974	16	/P	Stud, Wheel Hub
5	0502-601	1	S	Hub, Wheel - Rear - Left (inc. 4)
5	0502-599	1	S	Hub, Wheel - Rear - Right (inc. 4)
6	0423-607	4		Nut, Castle Flange
7	0423-407	4		Pin, Cotter
8	1402-332	2		Wheel - Front
8	1402-333	2		Wheel - Rear
9	0423-408	16	/P	Nut, Mounting - Wheel
10	1402-548	AR	F	Tire - Front Goodyear
10	1402-658	AR	F	Tire - Front Dunlop
10	1402-549	AR	F	Tire - Rear Goodyear
10	1402-659	AR	F	Tire - Rear Dunlop
11	0402-064	4		Stem, Valve (inc. 12)
12	0402-140	4		Cap, Valve Stem

2007 ATV 650 H1 AUTOMATIC TRANSMISSION 4X4 FIS M4 CAMO (A2007FIS4103C) 104
WIRING HARNESS ASSEMBLY



2007 ATV 650 H1 AUTOMATIC TRANSMISSION 4X4 FIS M4 CAMO (A2007F64B103C) of 104
WIRING HARNESS ASSEMBLY

Ref #	Part Number	Qty	S/P/F	Description
1	0486-213	1		Harness, Main (inc. 2-8)
2	0486-164	1		Tether, Accessory Connector
3	0530-008	1		Cover, Fuse Block
4	0430-037	1		Holder, Fuse
5	0430-034	1		Diode
6	0430-033	2		Relay - 20 Amp/5P
6	0430-045	3	/P	Relay - 20 Amp/4P
7	0430-032	4		Fuse - 10 Amp
7	0430-031	3		Fuse - 15 Amp
7	0430-030	2		Fuse - 30 Amp
8	1411-502	1		Decal, Fuse Block
9	0123-788	AR	/P	Cable Tie - 7.5 in.
10	0445-064	1		Cable, Solenoid/Starter (inc. 11)
11	0645-019	1		Boot, Terminal
12	0645-327	1		Boot, Terminal
13	0445-062	1		Cable, Battery/Solenoid
14	0623-038	8		Nut w/Washer
15	0445-058	1	/P	Solenoid
16	8476-625	6		Screw, Machine
17	0412-291	1		Shield, Heat
18	1406-787	1		Tray, Electrical
19	0623-362	4		Rivet, Reinstallable
20	0824-038	1	/P	CDI Unit
21	0409-072	1		Switch, Brake - Assembly
22	0123-903	AR		Cable Tie - 11.5 in.
23	0824-037	1	/P	Regulator, Voltage
24	0445-063	1		Cable, Battery/Ground
25	0824-036	1		Coil, Ignition - Assembly
26	0824-021	1	S	Cap, Spark Plug