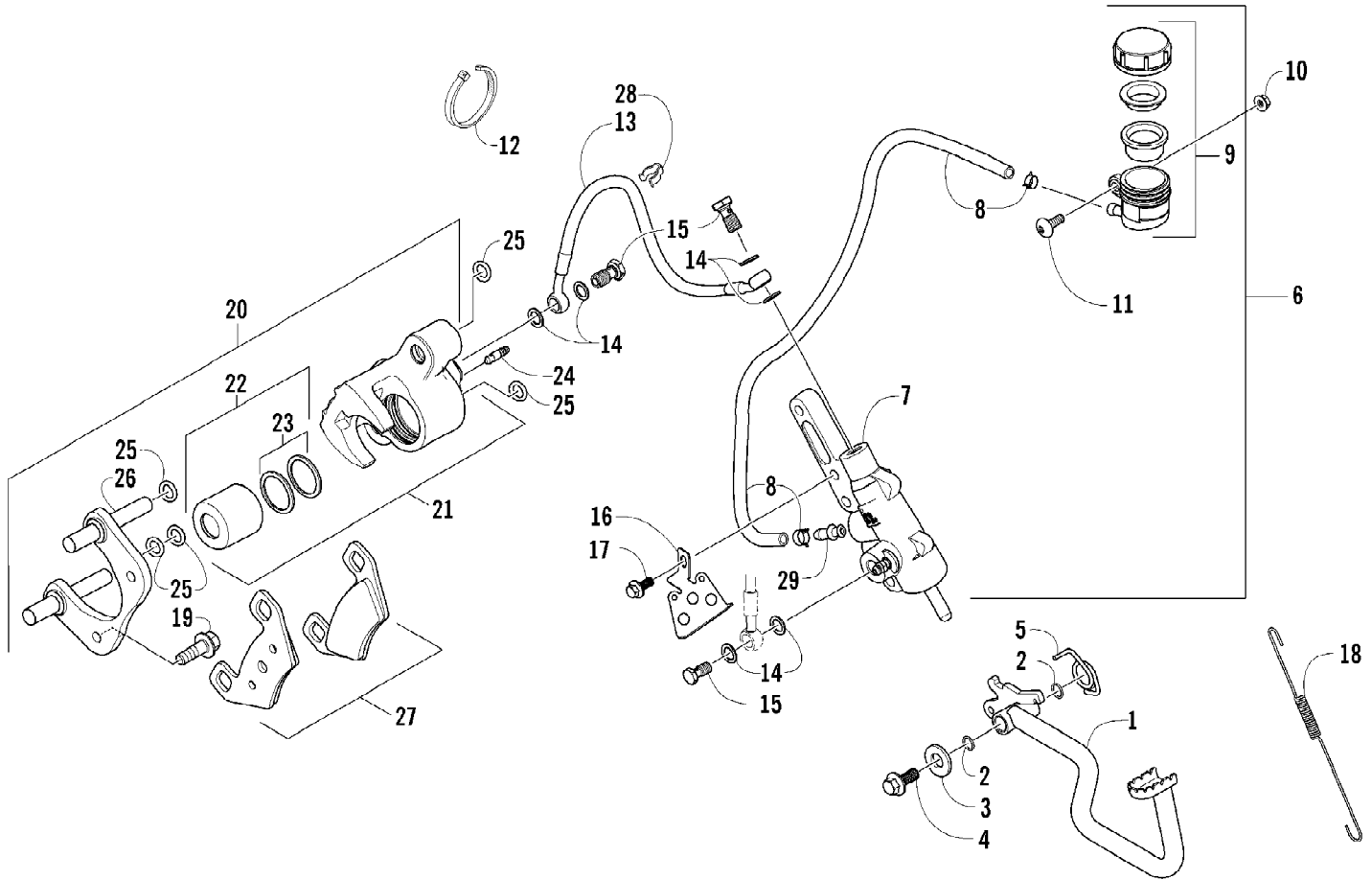


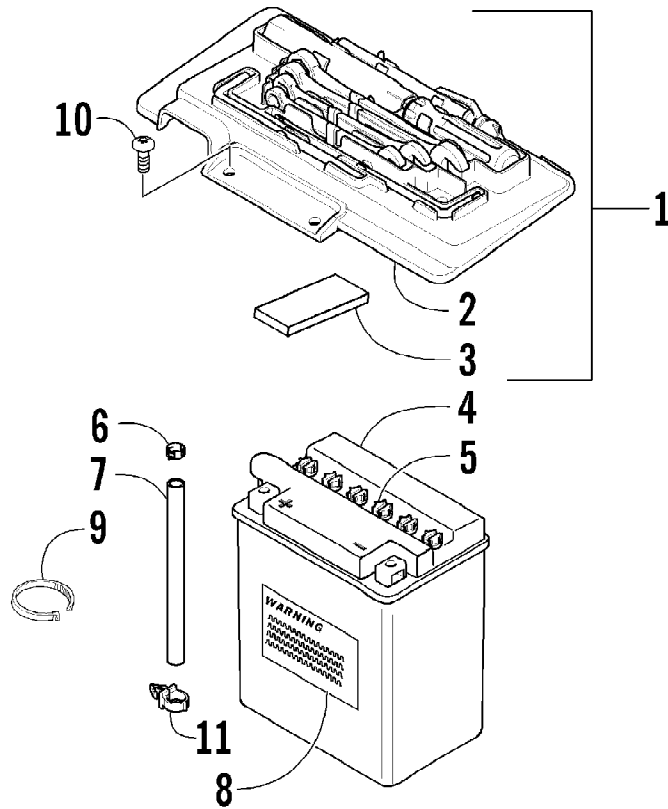
2007 ATV 500 AUTOMATIC TRANSMISSION 4X4 FIS RED (A2007IBM4BUSR) Page 2 of 96
AIR INTAKE ASSEMBLY

Ref #	Part Number	Qty	S/P/F	Description
1	0413-091	1		Diverter, Air - Top
2	0413-093	1		Diverter, Air - Bottom
3	0470-442	2	/P	Valve, Drain
4	0423-551	2		Clamp
5	0470-529	1		Boot, Air Intake
6	1406-747	1		Shroud, Splash
7	0623-362	2		Rivet, Reinstallable
8	0423-342	6	/P	Screw, Self-Tapping
9	0423-454	2		Clip, Mounting - Air Intake
10	0470-515	1	S	Housing, Air Intake
11	0423-455	4		Clip, Spring
12	0470-525	1		Boot, Carburetor
13	0423-554	1		Clamp
14	0470-516	1		Screen, Air Filter
15	0470-663	1	/P	Filter, Air
16	0470-554	1	S	Cover, Air Intake
17	0410-079	1	S	Hose, Vent - Crankcase
18	0423-045	2		Clamp, Hose
19	0423-019	1		Clamp
20	0470-533	1		Carburetor, CVK36-AE
21	0510-592	1		Hose, Drain



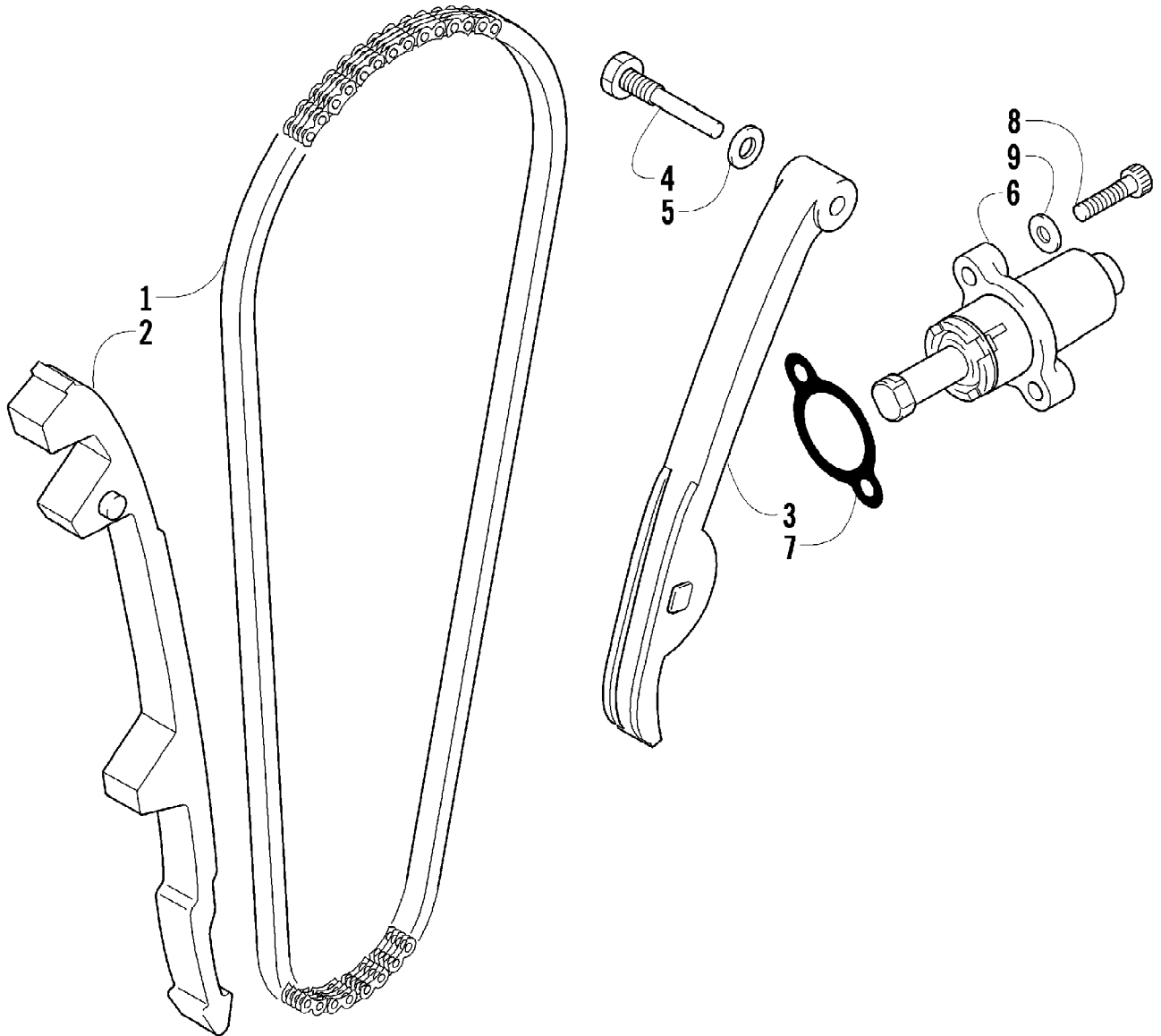
2007 ATV 500 AUTOMATIC TRANSMISSION 4X4 FIS RED (A2007IBM4BUSR) Page 4 of 96
AUXILIARY BRAKE ASSEMBLY

Ref #	Part Number	Qty	S/P/F	Description
	1502-135	1		Fully Bled Master Cylinder Replacement Kit
1	1502-063	1		Lever, Brake
2	1602-213	2	/P	O-Ring
3	8050-252	1		Washer
4	8408-816	1		Screw, Cap
5	0502-807	1		Spring, Brake Lever
6	1502-137	1	S	Brake Assembly (inc. 7-9)
7	0	1	F	Master Cylinder
8	1502-142	1		Hose, Brake Reservoir w/Clamps
9	1502-141	1		Reservoir, Brake
10	0623-038	1		Nut, Flanged
11	8476-616	1		Screw, Machine
12	0123-788	1	/P	Cable Tie - 7.5 in.
13	1502-139	1		Hose, Brake
14	0423-178	6		Washer, Crush
15	0423-413	3		Bolt, Banjo-Fitting
16	1502-179	1		Bracket, Switch
17	8408-625	2		Screw, Cap
18	0502-785	1		Spring, Brake Switch
19	1623-589	2	S	Screw, Cap
20	0502-878	1	S	Caliper, Brake (inc. 21-27)
21	0502-603	1	S	Housing, Caliper - Assembly - Right Rear (inc. 22-24)
22	0502-606	1		Piston/Seal Set (inc. 23)
23	0502-607	1		Seal Set
24	0502-609	1	/P	Valve, Bleed
25	0502-608	1		O-Ring, Guide - Set
26	0502-605	1		Bracket Assembly
27	0502-875	1	S	Pad, Brake - Set
28	1502-115	2		Clip, Brake Hose
29	1502-138	1	S	Adapter, Hose



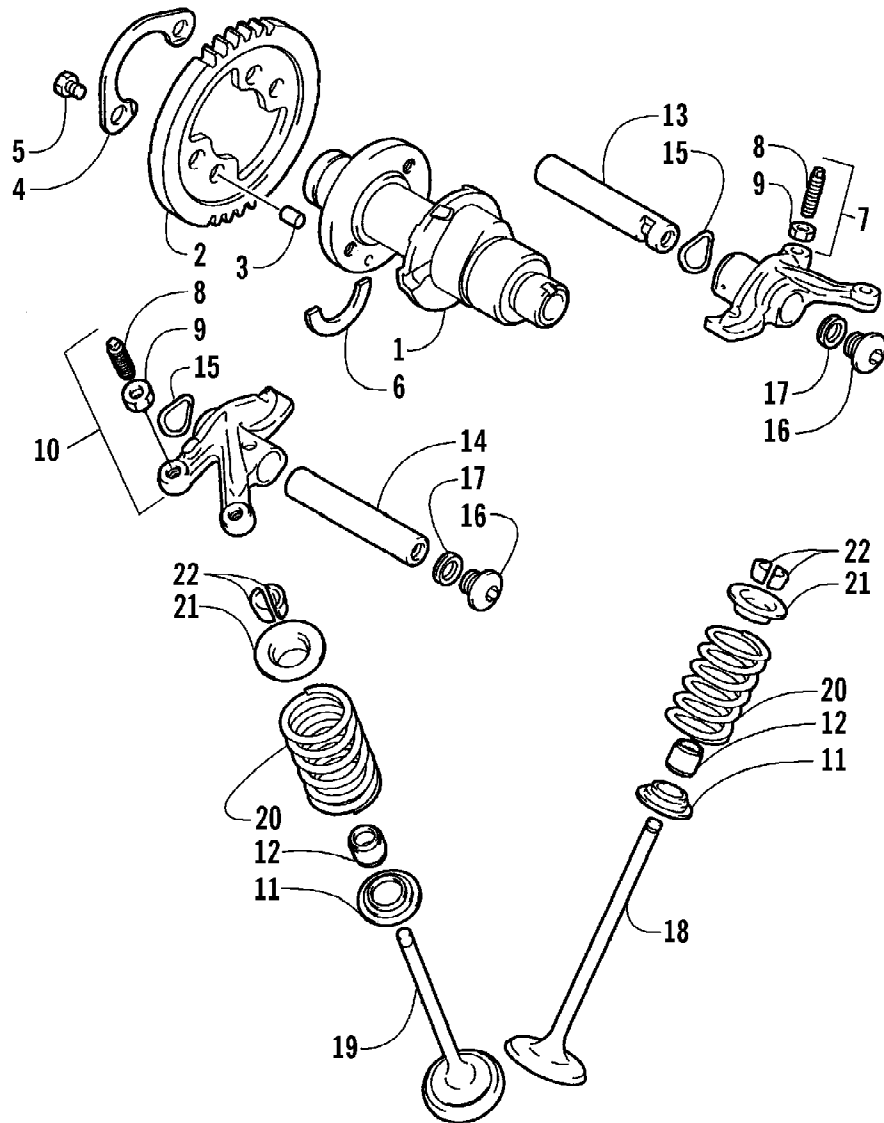
2007 ATV 500 AUTOMATIC TRANSMISSION 4X4 FIS RED (A2007IBM4BUSR) Page 6 of 96
BATTERY ASSEMBLY

Ref #	Part Number	Qty	S/P/F	Description
1	5991-395	1	S	Battery Cover/Tool Tray Assembly (inc. 2-3)
2	2406-815	1	/P	Cover, Battery
3	0406-288	2		Pad, Battery
3	0444-122	1	S/P	Kit, Tool Not Illustrated
4	0745-045	1	/P	Battery Assembly (inc. 5-8)
5	0645-045	6		Cap, Battery
6	0645-152	1		Clamp, Hose
7	0645-263	1	/P	Hose, Vent
8	0645-151	1		Label, Warning - Battery
9	0123-903	4		Cable Tie - 11.5 in.
10	8476-616	2		Screw, Machine
11	0623-101	AR		Clip, Retaining



2007 ATV 500 AUTOMATIC TRANSMISSION 4X4 FIS RED (A2007IBM4BUSR) Page 8 of 96
CAM CHAIN ASSEMBLY

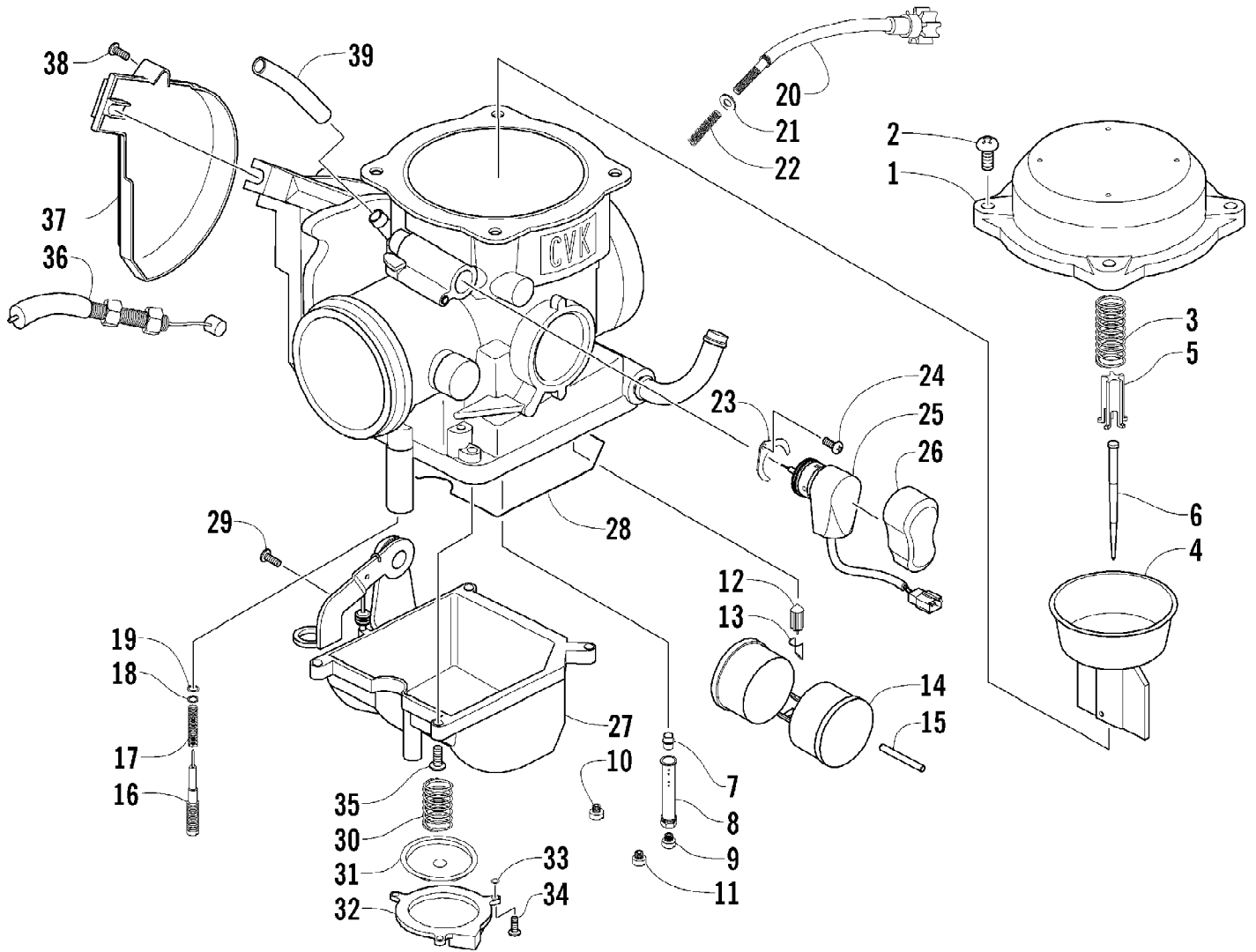
Ref #	Part Number	Qty	S/P/F	Description
1	3402-353	1		Chain, Cam
2	3402-355	1		Guide, Chain
3	3402-356	1		Tensioner, Chain
4	3423-074	1		Bolt
5	3003-188	1	S/P	Washer
6	3402-136	1		Adjuster, Tensioner - Assembly
7	3402-137	1		Gasket
8	3004-475	2	S	Screw, Cap
9	3003-290	2	/P	Gasket



2007 ATV 500 AUTOMATIC TRANSMISSION 4X4 FIS RED (A2007IBM4BUSR)Page 10 of 96
CAMSHAFT/VALVE ASSEMBLY

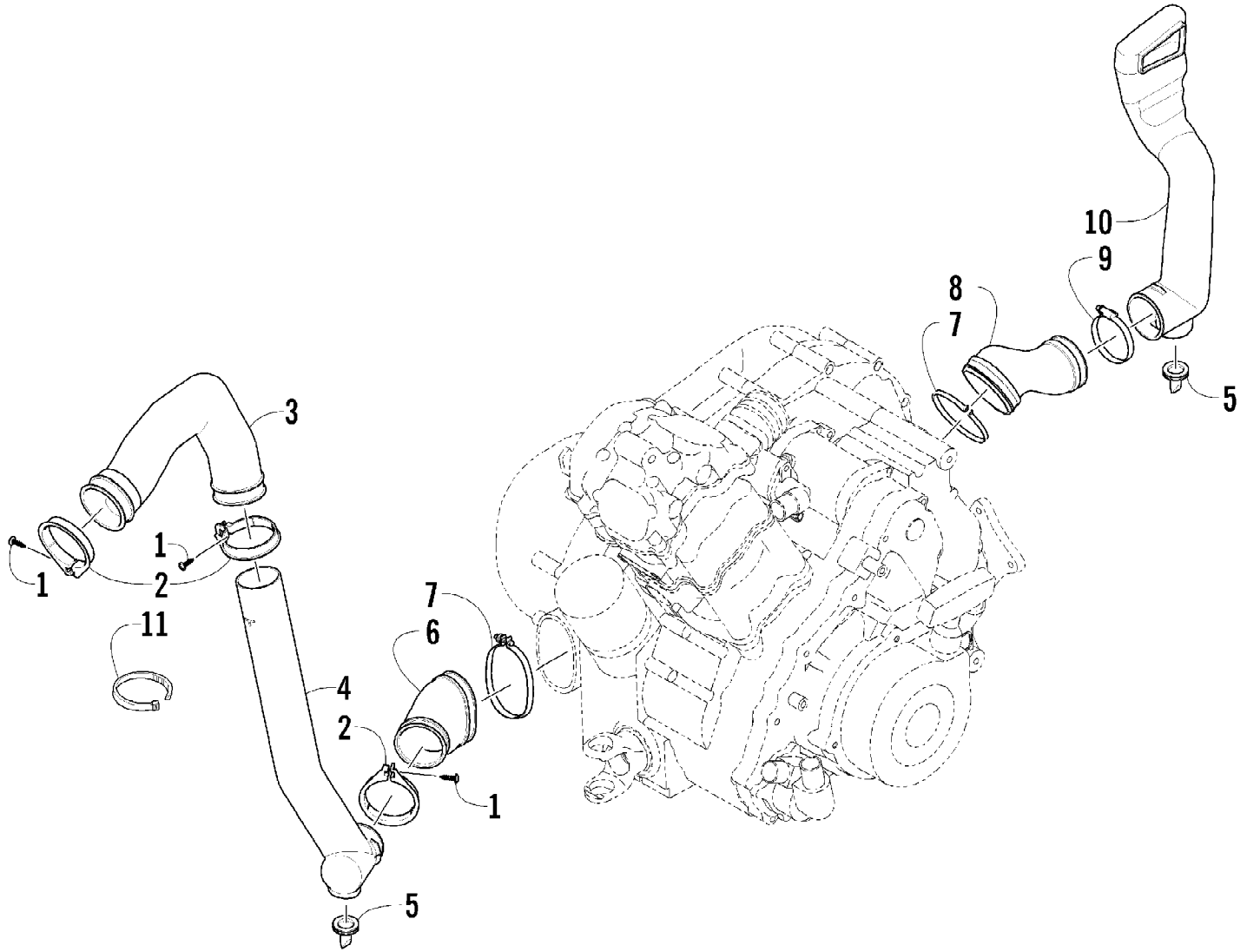
Ref #	Part Number	Qty	S/P/F	Description
1	3402-982	1	/P	Camshaft
2	3402-352	1		Sprocket
3	3423-047	1		Pin
4	3423-073	1		Washer
5	3423-013	2	S	Bolt
6	3423-071	1	/P	C-Ring
7	3402-805	1	/P	Arm, Valve Rocker - Intake (inc. two No. 8-9)
8	3423-075	4		Screw
9	3423-076	4		Nut
10	3402-139	1		Arm, Valve Rocker - Exhaust (inc. two No. 8-9)
11	3402-148	4		Seat, Spring
12	3402-078	4		Seal, Oil
13	3402-140	1		Shaft, Rocker Arm
14	3402-141	1		Shaft, Rocker Arm
15	3423-031	2		Washer
16	3402-040	2	/P	Plug, Shaft
17	3402-012	2		Gasket
18	3402-725	2	/P	Valve, Intake
19	3402-143	2		Valve, Exhaust
20	3402-726	4		Spring, Valve
21	3423-541	4	/P	Retainer, Spring
22	3402-147	8		Cotter, Valve

2007 ATV 500 AUTOMATIC TRANSMISSION 4X4 FIS RED (A2007IBM4BUSR)Page 11 of 96
CARBURETOR



2007 ATV 500 AUTOMATIC TRANSMISSION 4X4 FIS RED (A2007IBM4BUSR)Page 12 of 96
CARBURETOR

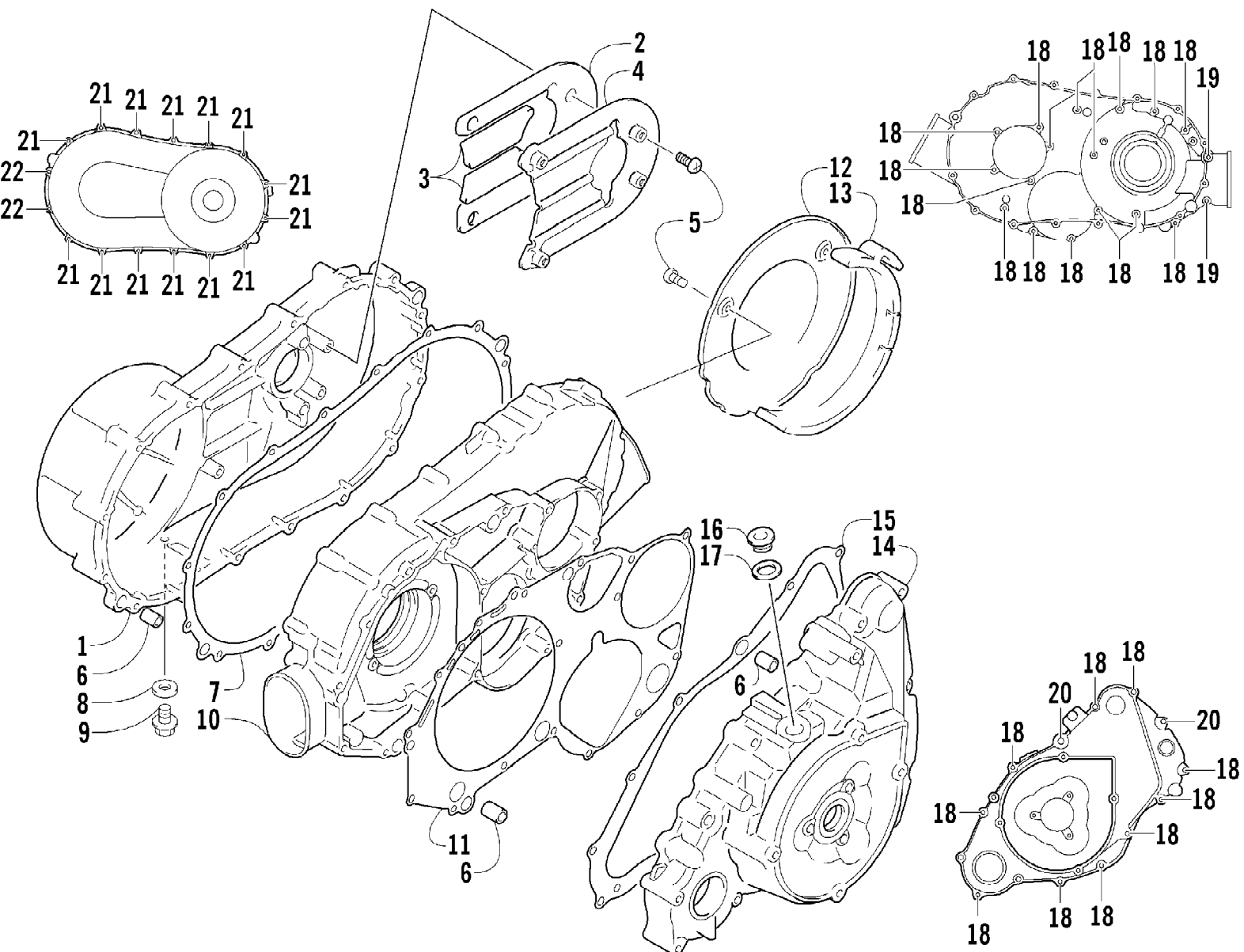
Ref #	Part Number	Qty	S/P/F	Description
	0470-533	1		Complete Carburetor Assembly CVK36-AE
1	5507-001	1		Cover, Top
2	5507-002	4	/P	Screw, Top Cover
3	5507-173	1	S	Spring
4	5507-099	1		Piston, Vacuum
5	5507-005	1		Seat, Spring
6	5507-184	1		Jet Needle
7	5507-007	1		Needle Jet
8	5507-174	1	S	Holder, Needle Jet
9	5507-043	1		Main Jet - 142
9	5507-044	1		Main Jet - 140
9	5507-041	1		Main Jet - 147
9	5507-086	1		Main Jet - 148
9	5507-009	1	/P	Main Jet - 150
10	5507-101	1	S	Slow Jet
11	5507-112	1		Starter Jet - 85
12	5507-183	1		Valve, Float - Set (inc. 13)
13	0	1	F	Clip
14	5507-039	1		Float Set (inc. 15)
15	0	1	F	Pin, Float
16	5507-111	1		Screw, Pilot - Set (inc. 17-19)
17	0	1	F	Spring
18	0	1	F	Washer
19	0	1	F	O-Ring
20	5507-027	1		Screw, Idle Adjust
21	5507-028	1		Washer
22	5507-029	1		Spring
23	5507-115	1		Plate
24	5507-117	1	/P	Screw
25	5507-113	1		Choke, Electric
26	5507-114	1		Cover, Electric Choke
27	5507-181	1		Chamber, Float - Assembly (inc. 28-34)
28	5507-067	1	/P	O-Ring, Float Chamber
29	5507-050	1	/P	Screw, Drain
30	5507-032	1		Spring
31	5507-031	1	S	Diaphragm Assembly
32	0	1	F	Housing, Pump
33	5507-034	1		U-Ring
34	5507-035	3		Screw
35	5507-017	4	/P	Screw
36	0487-021	1	S	Cable, Throttle
37	5507-036	1		Cover
38	5507-037	1	/P	Screw
39	0410-056	1		Hose, Vent



2007 ATV 500 AUTOMATIC TRANSMISSION 4X4 FIS RED (A2007IBM4BUSR)Page 14 of 96
CASE/BELT COOLING ASSEMBLY

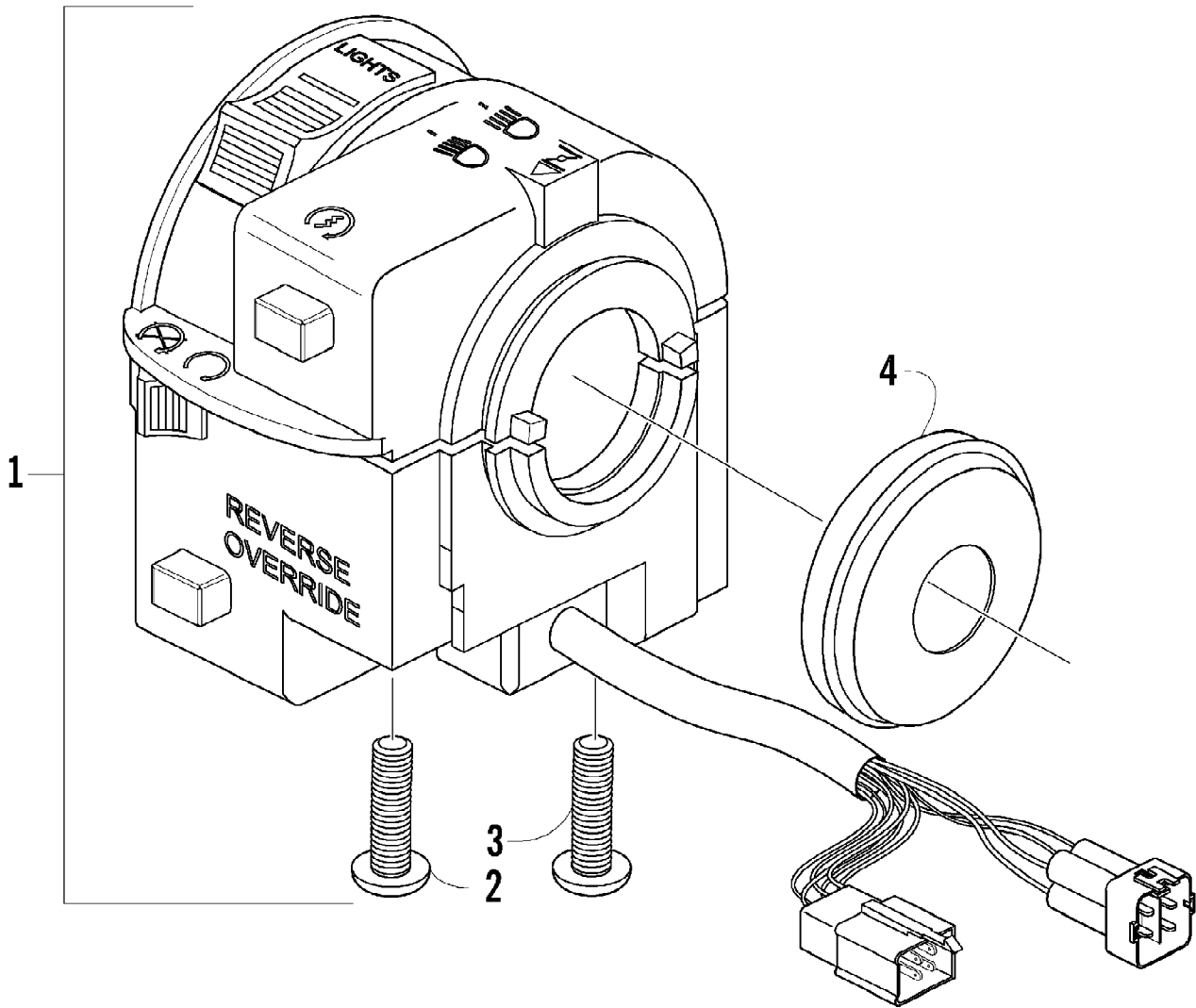
Ref #	Part Number	Qty	S/P/F	Description
1	0423-342	3	/P	Screw, Self-Tapping
2	0423-551	3		Clamp
3	0413-092	1		Boot, Air-In
4	0513-010	1		Duct, Belt Cooling - Front
5	0470-442	2	/P	Valve, Drain
6	0413-113	1	S	Boot, Duct - Front
7	3402-449	2	/P	Clamp
8	0413-055	1		Boot, Duct - Rear
9	0423-380	1	/P	Clamp
10	0413-094	1		Duct, Belt Cooling - Rear
11	0123-903	1		Cable Tie - 11.5 in.

2007 ATV 500 AUTOMATIC TRANSMISSION 4X4 FIS RED (A2007IBM4BUSR)Page 15 of 96
CLUTCH/V-BELT/MAGNETO COVER ASSEMBLY



2007 ATV 500 AUTOMATIC TRANSMISSION 4X4 FIS RED (A2007IBM4BUSR)Page 16 of 96
CLUTCH/V-BELT/MAGNETO COVER ASSEMBLY

Ref #	Part Number	Qty	S/P/F	Description
1	3402-710	1		Cover, V-Belt
2	3402-711	1		Damper, V-Belt Cover
3	3402-712	2		Damper, V-Belt Cover
4	3402-713	1		Plate, V-Belt Cover
5	3423-370	7		Screw
6	3423-088	6		Pin, Dowel
7	3402-443	1		Gasket, V-Belt Cover
8	3402-444	1		Gasket, Drain Plug
9	3004-705	1	S	Plug, Drain
10	3402-709	1	/P	Cover, Clutch
11	3402-441	1		Gasket, Clutch Cover
12	3402-445	1		Plate, Air Intake
13	3402-699	1	/P	Cushion, Air Intake Plate
14	3402-714	1		Cover, Magneto
15	3402-715	1		Gasket, Magneto Cover
16	3402-041	1	S	Plug, Oil Filler
17	3402-013	1	/P	Gasket, Oil Filler Plug
18	3423-098	26	S	Bolt
19	3423-092	2	S	Bolt
20	3004-756	2	S	Bolt
21	3423-091	14	S	Bolt
22	3423-119	2	S	Bolt

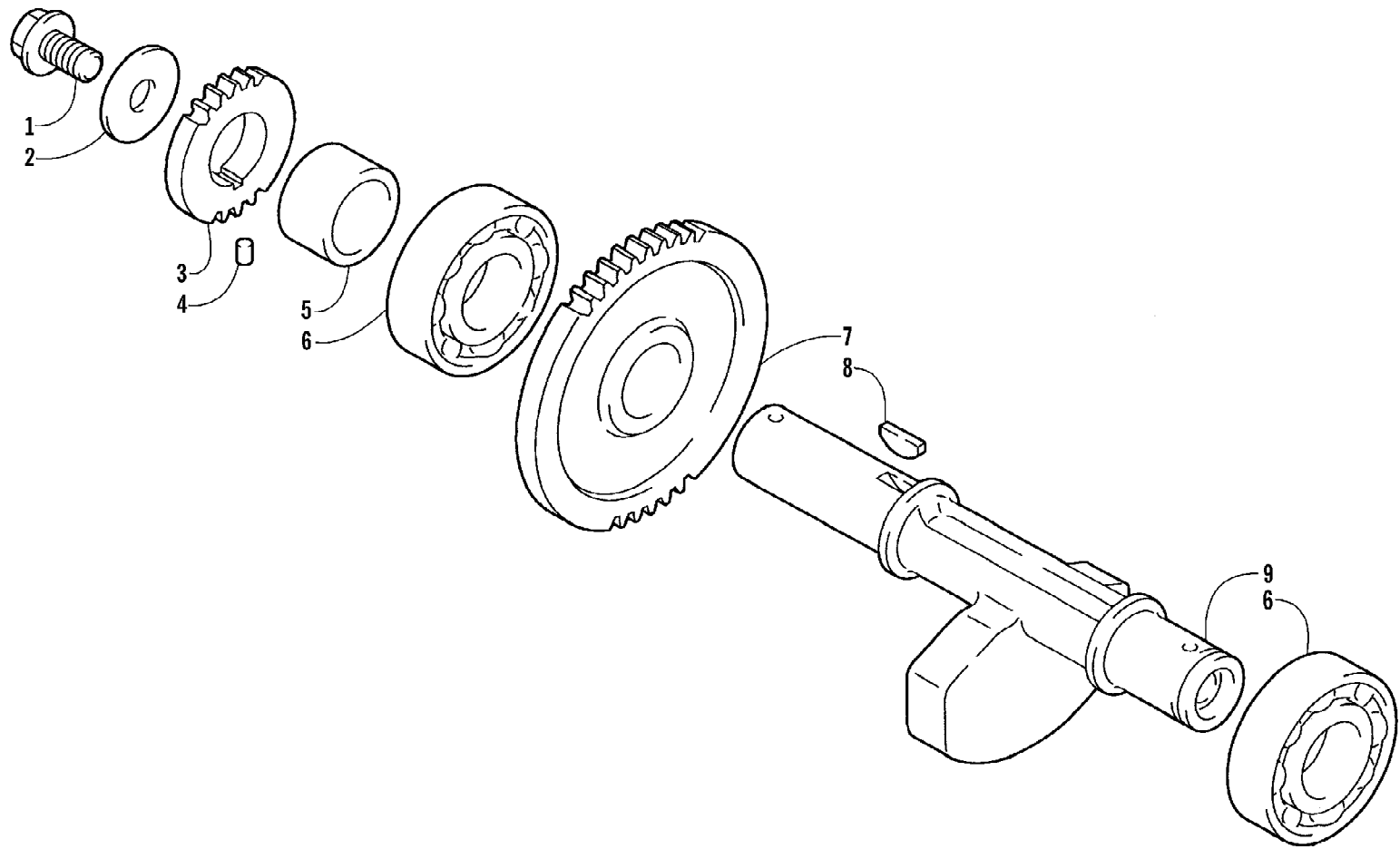


2007 ATV 500 AUTOMATIC TRANSMISSION 4X4 FIS RED (A2007IBM4BUSR)Page 18 of 96
CONTROL SWITCH HOUSING ASSEMBLY

Ref #	Part Number	Qty	S/P/F	Description
1	0509-014	1		Switch, Control - Assembly (inc. 2-4)
2	0409-027	1		Screw, Machine
3	0409-028	1		Screw, Machine
4	3409-019	1		Cover, Switch Housing

2007 ATV 500 AUTOMATIC TRANSMISSION 4X4 FIS RED (A2007IBM4BUSR)Page 20 of 96
COOLING ASSEMBLY

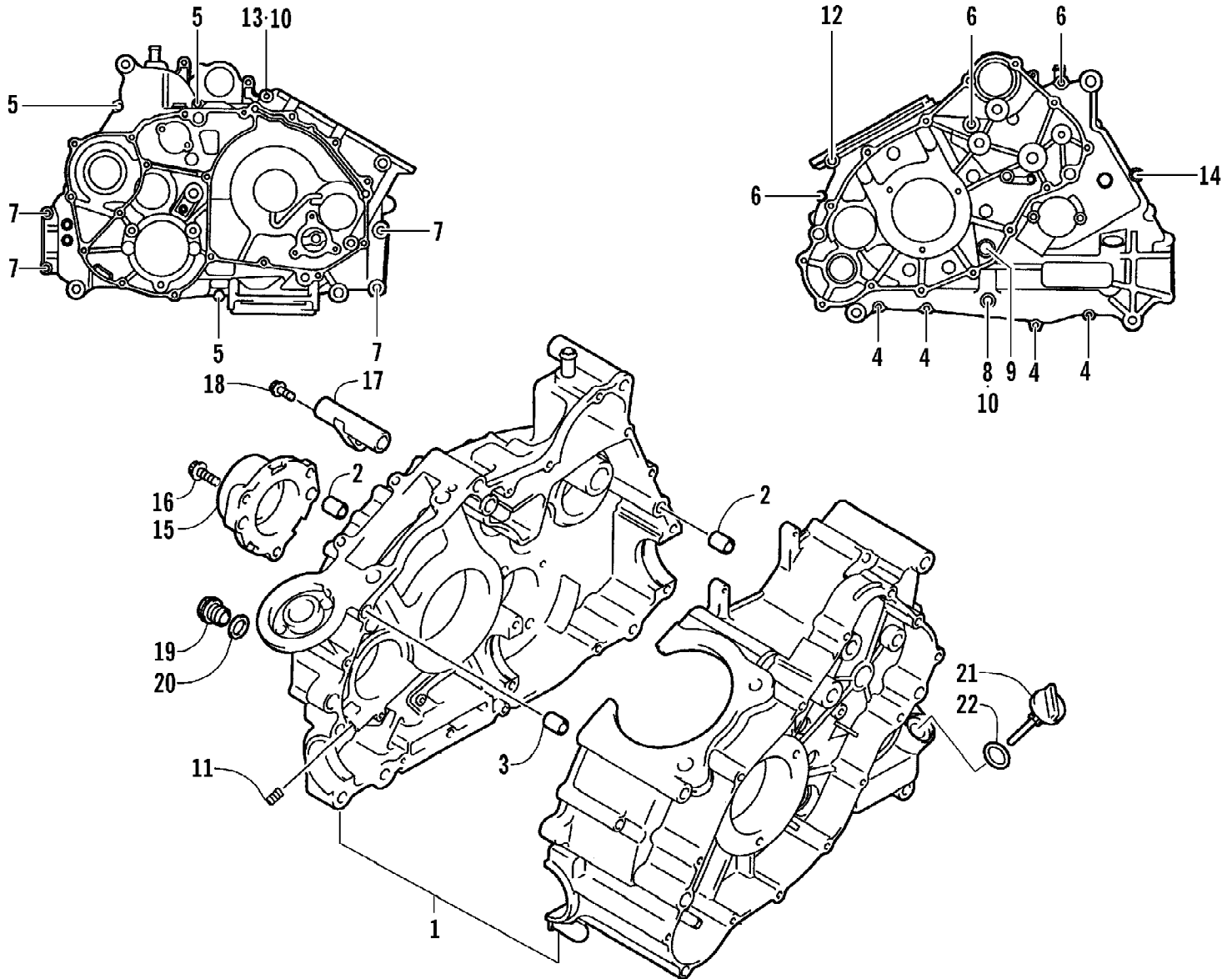
Ref #	Part Number	Qty	S/P/F	Description
1	0413-117	1		Radiator Assembly (inc. 2-13)
2	0413-043	1	S	Radiator
3	0413-007	1		Screen, Radiator
4	0413-002	1	S	Cap, Radiator
5	0423-030	2		Grommet
6	0610-016	AR	/P	Hose - 25 ft
7	0413-046	1		Shroud, Fan
8	0413-044	1	S	Fan, Cooling
9	8475-512	12		Screw, Machine
10	0423-351	1		Clamp, Wire
11	0123-397	1		Clamp, Cable
12	0413-045	1		Sender, Temperature - Coolant
13	0423-390	1	S	O-Ring
14	0423-484	2		Screw, Shoulder
15	0623-038	2		Nut w/Washer
16	0423-028	2		Bushing, Stem
17	0410-002	1		Hose, Coolant - Upper
18	0410-022	1		Hose, Coolant - Crossover
19	0410-041	1		Hose, Coolant - Lower
20	0423-496	6		Clamp, Hose
21	0623-751	1		Cable Tie



2007 ATV 500 AUTOMATIC TRANSMISSION 4X4 FIS RED (A2007IBM4BUSR)Page 22 of 96
CRANK BALANCER ASSEMBLY

Ref #	Part Number	Qty	S/P/F	Description
1	3423-555	1		Bolt
2	3423-401	1		Washer
3	3402-390	1		Gear, Oil Pump Drive
4	3423-110	1		Pin
5	3402-461	1		Spacer
6	3402-050	2		Bearing
7	3402-722	1		Gear, Driven
8	3004-540	1	/P	Key
9	3402-458	1		Balancer, Crank

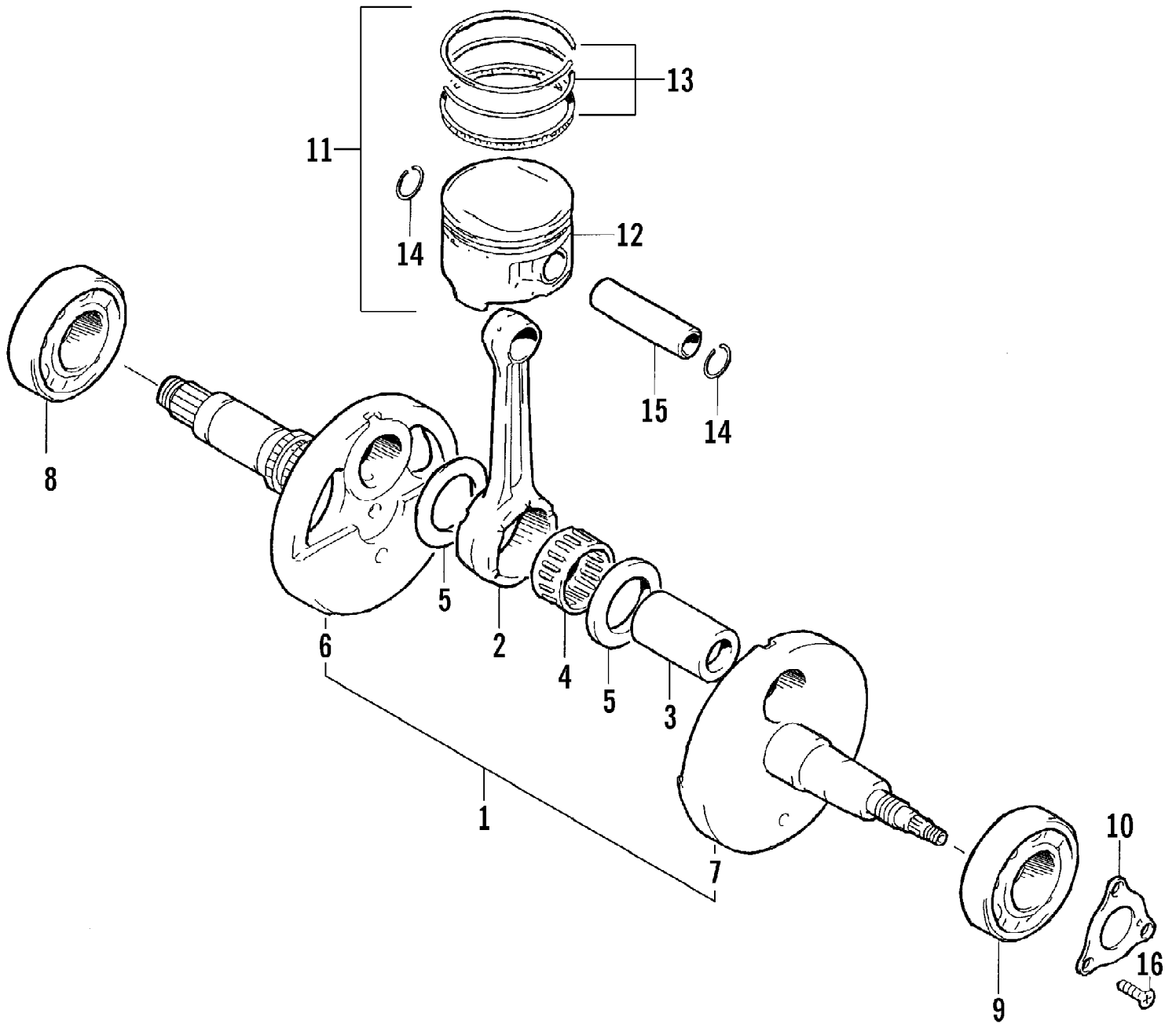
2007 ATV 500 AUTOMATIC TRANSMISSION 4X4 FIS RED (A2007IBM4BUSR)Page 23 of 96
CRANKCASE ASSEMBLY



2007 ATV 500 AUTOMATIC TRANSMISSION 4X4 FIS RED (A2007IBM4BUSR)Page 24 of 96
CRANKCASE ASSEMBLY

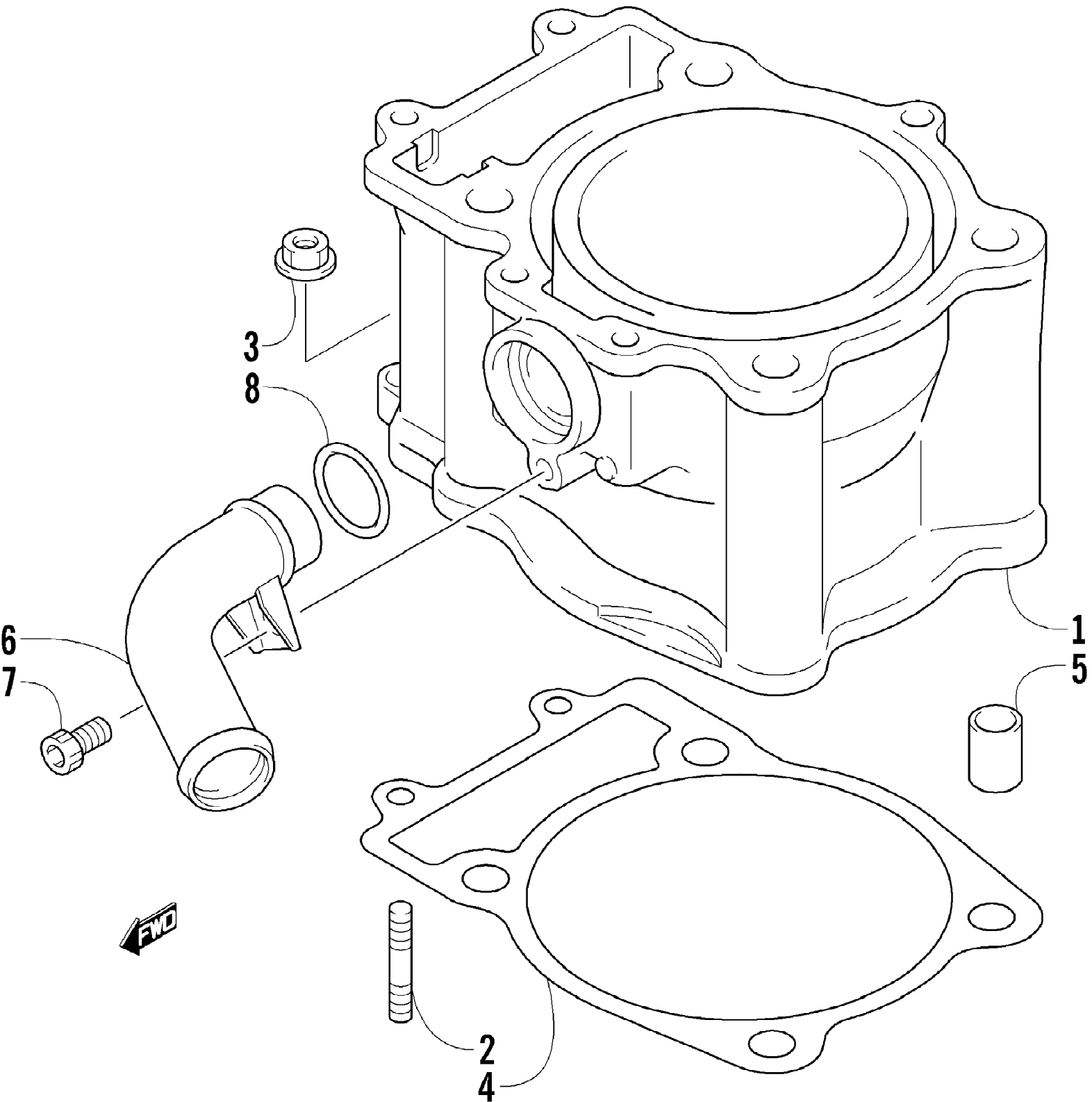
Ref #	Part Number	Qty	S/P/F	Description
1	3402-708	1	/P	Crankcase Assembly (inc. two No. 2 and 3-14)
2	3423-088	4		Pin, Dowel
3	3004-822	1		Pin, Dowel
4	3423-091	4	S	Bolt
5	3423-119	3	S	Bolt
6	3423-092	3	S	Bolt
7	3004-880	4		Bolt
8	3005-332	1		Bolt
9	3423-385	1		Bolt
10	3402-436	2	/P	Gasket
11	3423-386	1		Plug
12	3423-387	1		Bolt
13	3423-388	1		Bolt
14	3423-508	1		Bolt
15	3402-439	1		Housing, Secondary Shaft Bearing
16	3423-506	3	/P	Bolt
17	3402-437	1		Pipe, Breather
18	3423-389	1		Bolt, Breather Pipe
19	3402-214	1		Plug, Oil Pressure
20	3402-012	1		Gasket, Oil Pressure Plug
21	3402-438	1		Stick, Oil Level
22	3423-055	1		O-Ring, Oil Level Stick

2007 ATV 500 AUTOMATIC TRANSMISSION 4X4 FIS RED (A2007IBM4BUSR)Page 25 of 96
CRANKSHAFT ASSEMBLY



2007 ATV 500 AUTOMATIC TRANSMISSION 4X4 FIS RED (A2007IBM4BUSR)Page 26 of 96
CRANKSHAFT ASSEMBLY

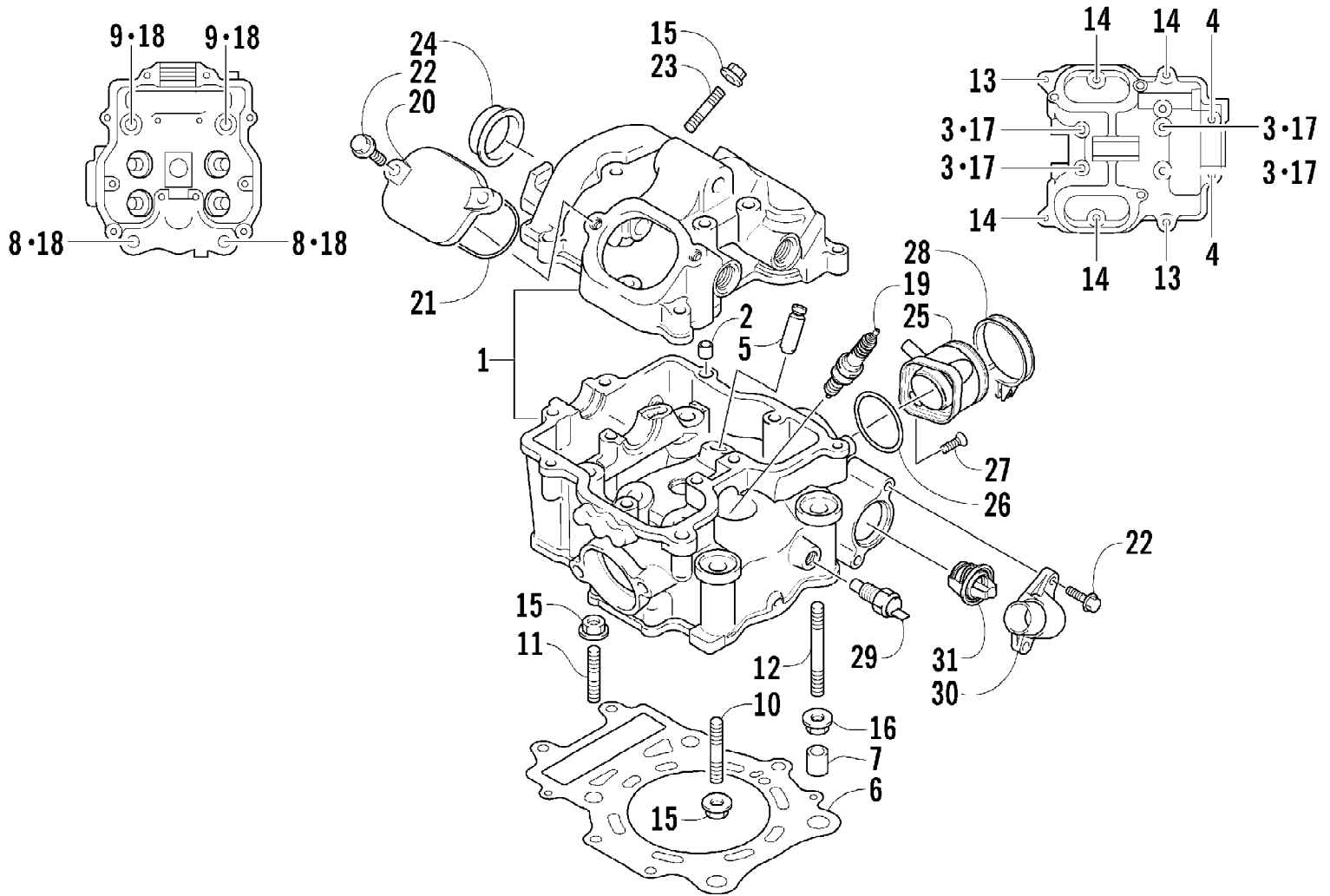
Ref #	Part Number	Qty	S/P/F	Description
1	3403-018	1	/P	Crankshaft Assembly (inc. 2-7)
2	3402-376	1		Rod, Connecting
3	3402-377	1		Pin, Crank
4	3402-717	1	/P	Bearing
5	3423-351	2		Washer
6	3403-025	1		Crankshaft - Right
7	3402-705	1	/P	Crankshaft - Left
8	3402-058	1		Bearing - Right
9	3402-054	1		Bearing - Left
10	3402-188	1	/P	Retainer, Oil Seal - Left
11	3402-788	1		Piston Set (inc. 12-14)
12	3402-719	1		Piston
13	3402-720	1		Ring, Piston - Set
14	3423-344	2		Circlip, Piston Pin
15	3402-375	1		Pin, Piston
16	3423-018	3		Screw



2007 ATV 500 AUTOMATIC TRANSMISSION 4X4 FIS RED (A2007IBM4BUSR)Page 28 of 96
CYLINDER ASSEMBLY

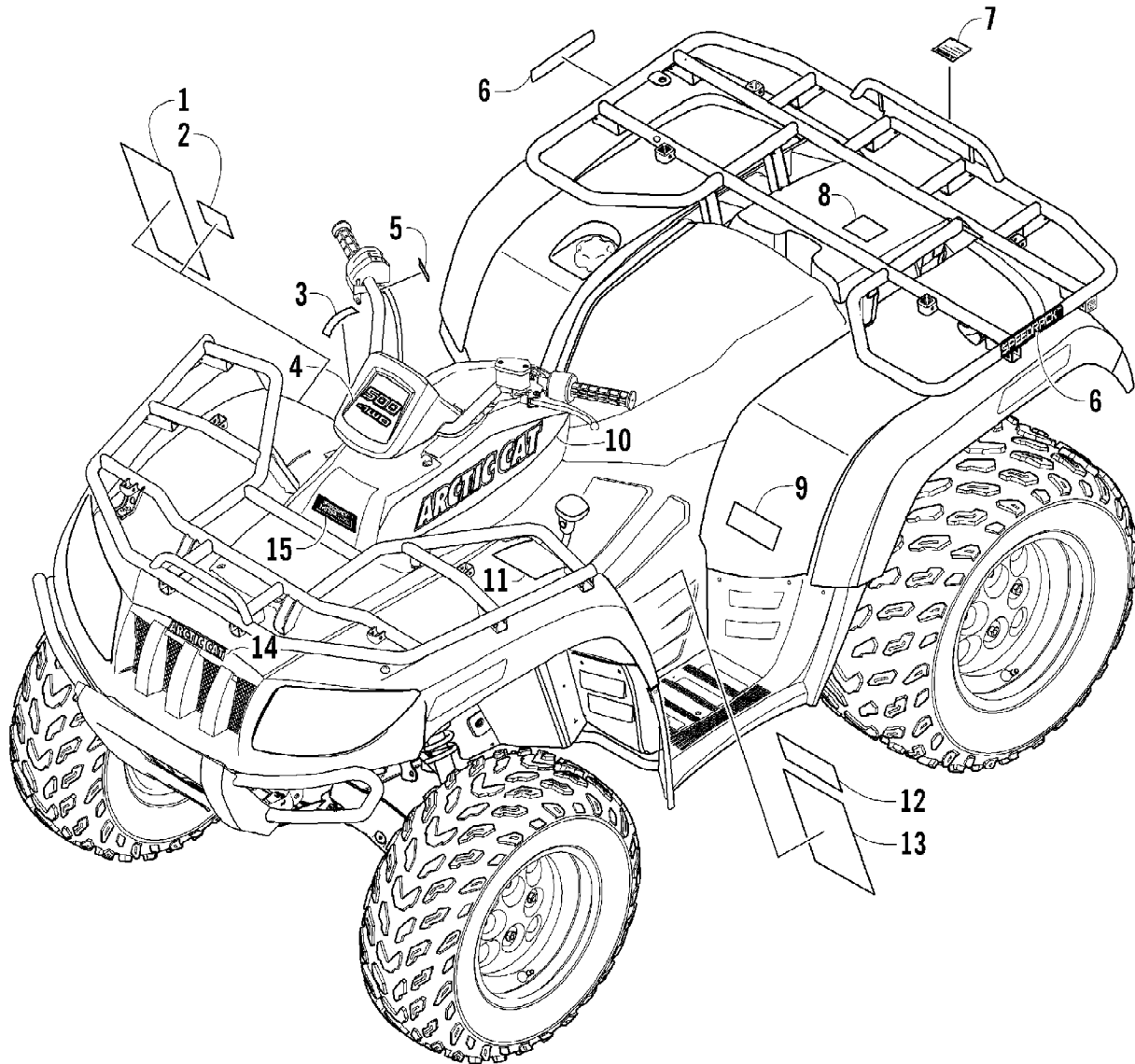
Ref #	Part Number	Qty	S/P/F	Description
1	3402-707	1		Cylinder
2	3423-384	2	S	Bolt, Stud
3	3004-488	2	S/P	Nut
4	3402-365	1	/P	Gasket, Cylinder
5	3423-088	2		Pin, Dowel
6	3413-013	1		Union, Water Hose
7	3423-121	1	S	Screw, Cap
8	3423-058	1		O-Ring

2007 ATV 500 AUTOMATIC TRANSMISSION 4X4 FIS RED (A2007IBM4BUSR)Page 29 of 96
CYLINDER HEAD ASSEMBLY



2007 ATV 500 AUTOMATIC TRANSMISSION 4X4 FIS RED (A2007IBM4BUSR)Page 30 of 96
CYLINDER HEAD ASSEMBLY

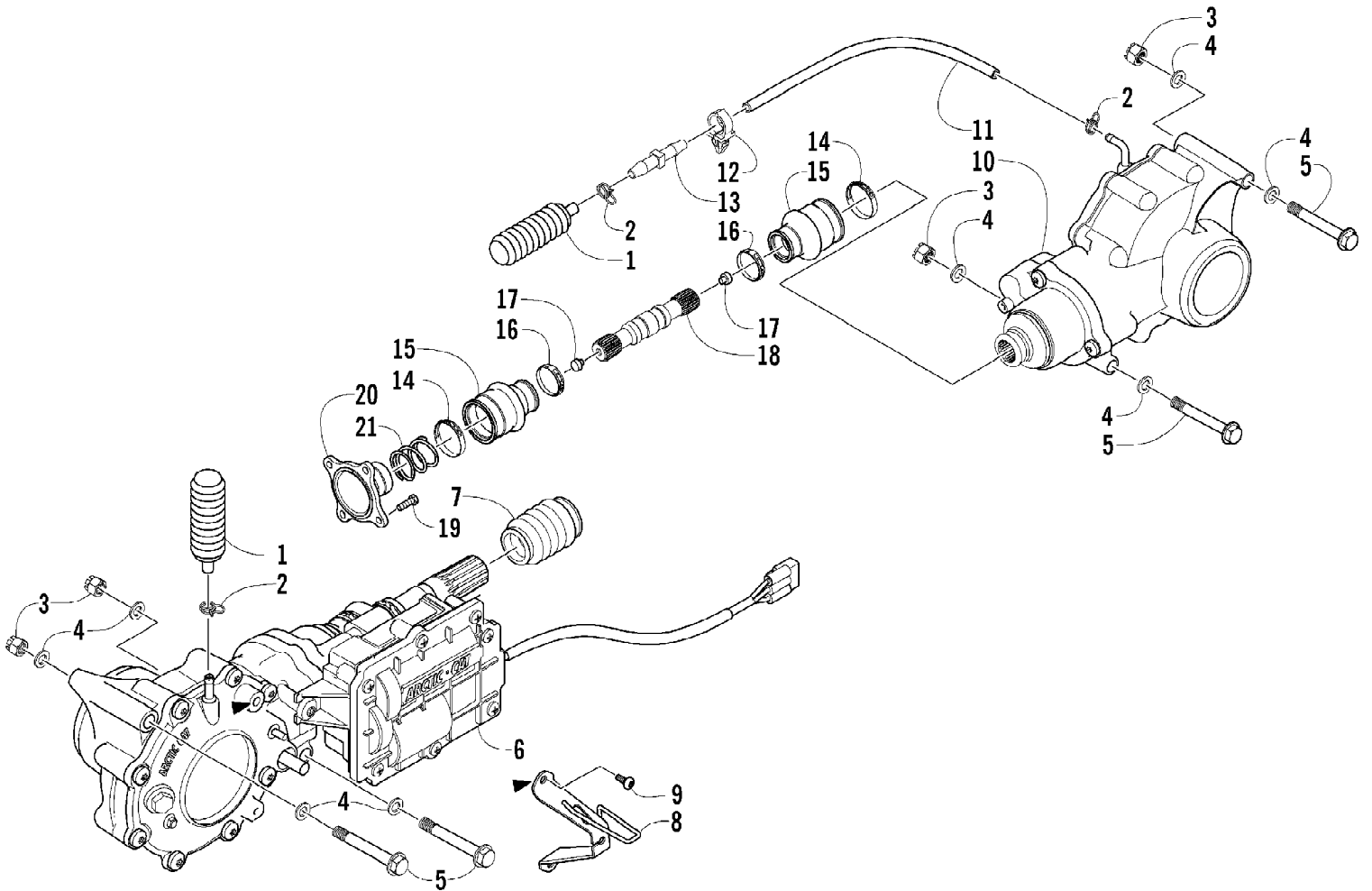
Ref #	Part Number	Qty	S/P/F	Description
1	3402-098	1		Head, Cylinder - Assembly (inc. 2-5)
2	3423-043	2	/P	Pin, Dowel
3	3423-006	4		Screw, Cap
4	3008-376	2	S	Screw, Cap
5	3402-099	4		Guide, Valve
6	3402-362	1		Gasket, Cylinder Head
7	3423-088	2		Pin, Dowel
8	3423-015	2		Screw, Cap
9	3423-016	2		Screw, Cap
10	3423-089	2	S	Bolt, Stud
11	3423-087	2	S	Bolt, Stud
12	3423-203	1	S/P	Bolt, Stud
13	3423-007	2	S	Screw, Cap
14	3004-376	4	S/P	Screw, Cap
15	3004-488	5	S/P	Nut
16	3004-326	1	S/P	Nut
17	3003-290	4	/P	Gasket
18	3402-010	4		Gasket, Head Nut
19	0217-632	1		Spark Plug (NGK CR6E)
20	3402-100	2		Cap, Inspection
21	3402-101	2		O-Ring
22	3004-341	5	S/P	Screw, Cap
23	3423-383	1		Bolt, Stud
24	3402-035	1		Plug, Cylinder Head
25	0570-092	1		Manifold, Intake
26	0470-531	1		O-Ring
27	8476-620	2		Screw, Machine
28	0423-317	1	/P	Clamp
29	3530-038	1	S	Switch, Water Temperature - Assembly
30	3413-004	1		Cover, Thermostat
31	3413-012	1		Thermostat
	3402-048	1	F	Plug, Frost



2007 ATV 500 AUTOMATIC TRANSMISSION 4X4 FIS RED (A2007IBM4BUSR)Page 32 of 96
DECALS

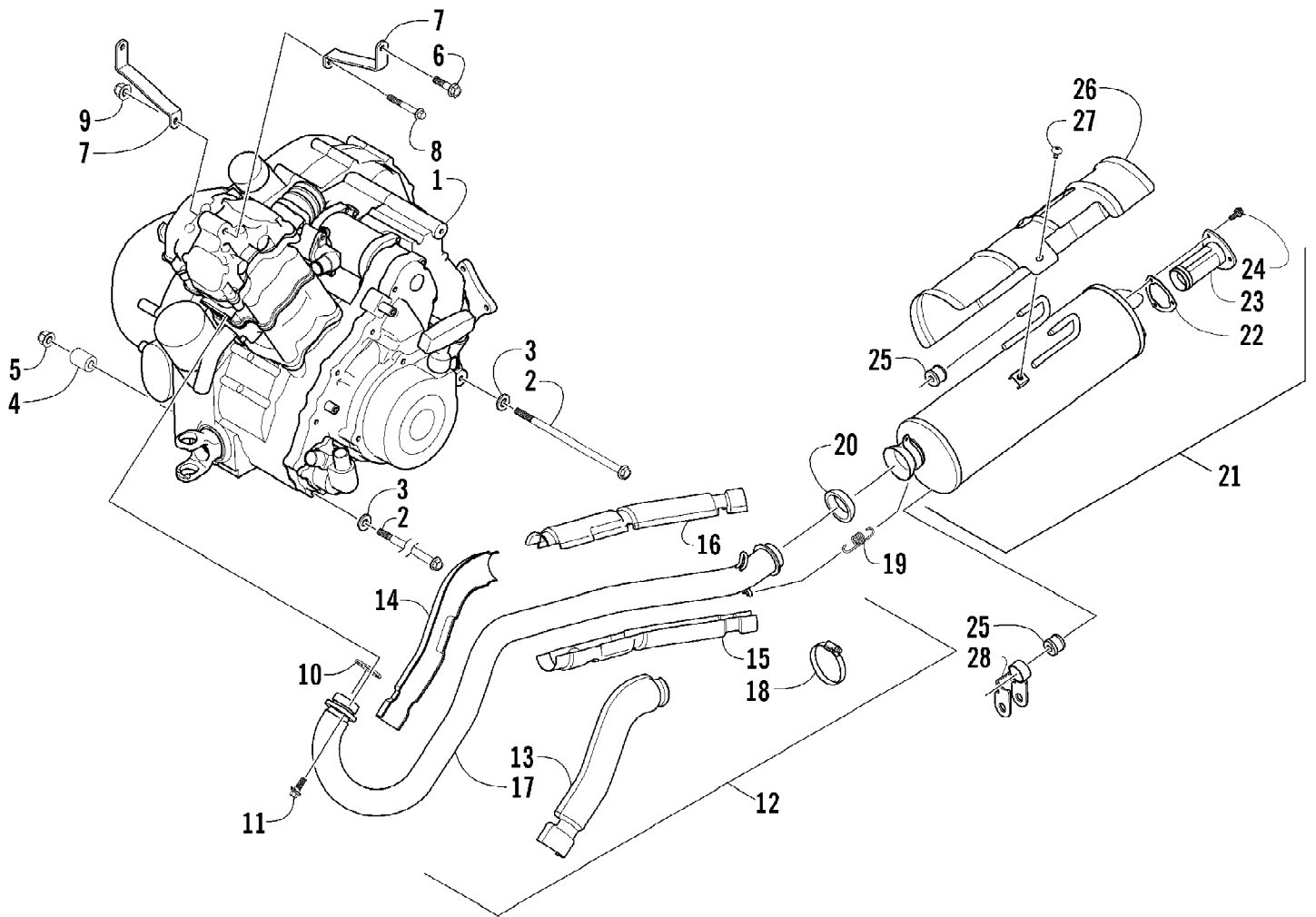
Ref #	Part Number	Qty	S/P/F	Description
1	1411-250	1	F	Decal, Warning - Reverse/Pre-Ride
2	0411-835	1		Decal, Warning - Turn/Hill
3	0411-426	1		Decal, Warning - Clutch Cover
4	1411-351	1		Decal, Instrument Pod
5	0411-966	1		Decal, Warning - Differential Lock
6	0411-965	2		Decal, "Speedrack"
7	1411-077	1		Decal, Warning - Towing
8	0411-435	1		Decal, Passenger
9	0411-430	1		Decal, Warning - Tire Pressure
10	1411-356	1		Decal, Side - Upper Right
10	1411-357	1		Decal, Side - Upper Left
11	0411-401	1	F	Decal, Warning - Age
12	1411-574	1		Decal, Warning - Off-Road Only
13	0411-218	1	F	Decal, Warning - General
14	0411-840	1		Decal, Front
15	1411-050	1	/P	Decal, "Speedrack"

2007 ATV 500 AUTOMATIC TRANSMISSION 4X4 FIS RED (A2007IBM4BUSR) Page 33 of 96
DRIVE TRAIN ASSEMBLY



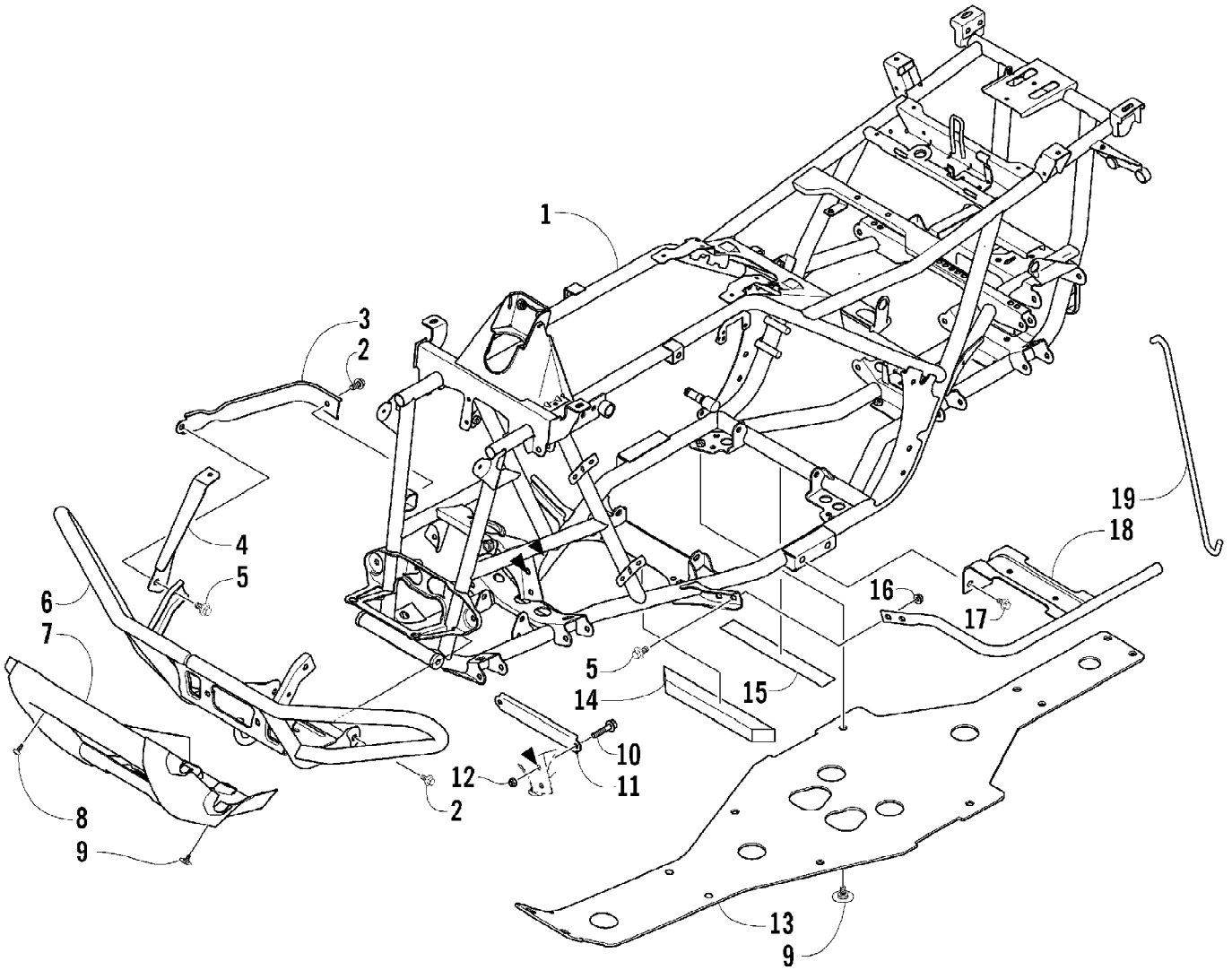
2007 ATV 500 AUTOMATIC TRANSMISSION 4X4 FIS RED (A2007IBM4BUSR)Page 34 of 96
DRIVE TRAIN ASSEMBLY

Ref #	Part Number	Qty	S/P/F	Description
1	0402-147	2	S	Bladder, Gearcase
2	0423-315	4		Clamp, Fitting
3	8428-002	4		Nut, Lock
4	0423-426	10		Washer
5	0423-404	4		Screw, Cap
6	1502-089	1		Gearcase, Front
7	0402-966	1		Boot, Shaft
8	0502-500	1		Plate, Cable
9	0423-396	2		Screw, Self-Tapping
10	1502-079	1	S	Gearcase, Rear
11	0410-048	AR	S	Hose, Vent
12	0623-101	1		Clip, Routing - Snap-In
13	0470-462	1		Fitting, Vent
14	0423-393	2		Clamp, Boot
15	0402-985	2	/P	Boot
16	0423-411	2		Clamp, Boot
17	0673-618	2	/P	Bumper, Propeller Shaft
18	1402-233	1		Shaft, Propeller
19	8408-820	4	/P	Screw, Cap
20	0402-950	1		Flange, Output
21	1402-026	1		Spring



2007 ATV 500 AUTOMATIC TRANSMISSION 4X4 FIS RED (A2007IBM4BUSR)Page 36 of 96
ENGINE AND EXHAUST

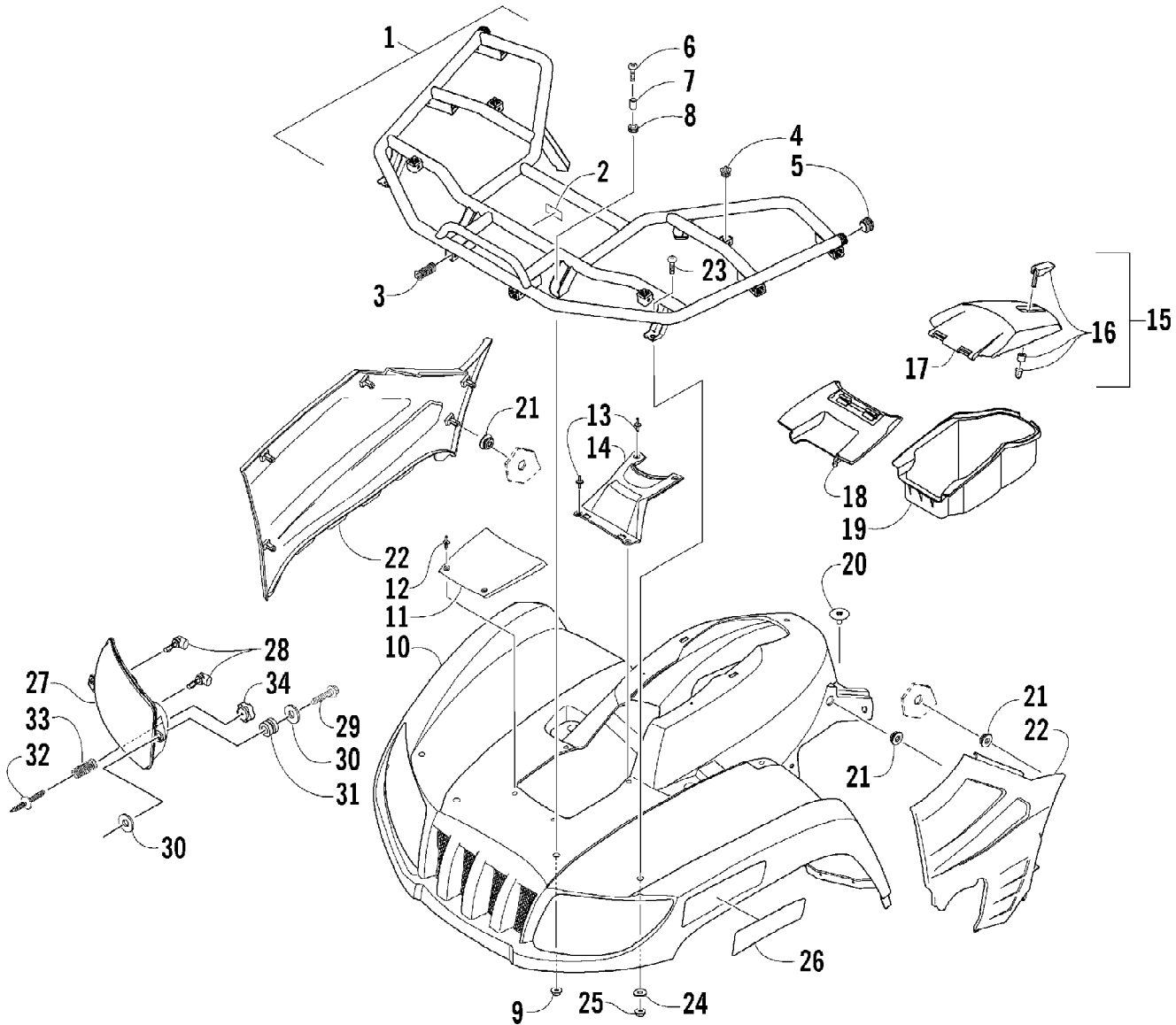
Ref #	Part Number	Qty	S/P/F	Description
1	0462-029	1	/P	Engine
2	0423-405	2		Screw, Cap
3	0423-426	2		Washer, Engine
4	0423-042	2	S	Spacer, Engine
5	8428-002	2		Nut, Lock
6	8408-816	2		Screw, Cap
7	1506-632	1		Bracket, Engine - Right
7	1506-633	1		Bracket, Engine - Left
8	8408-860	1		Screw, Cap
9	8424-802	1		Nut
10	0412-007	1	/P	Seal, Exhaust
11	8408-820	2	/P	Screw, Cap
12	0512-337	1	/P	Pipe, Exhaust - Assembly (inc. 13-18)
13	0412-349	1		Shield, Exhaust Pipe
14	0412-348	1		Shield, Exhaust Pipe
15	0412-339	1		Shield, Exhaust Pipe
16	0412-350	1		Shield, Exhaust Pipe
17	0512-336	1	/P	Pipe, Exhaust
18	0423-317	3	/P	Hose Clamp
19	0612-668	2	/P	Spring, Extension
20	0412-375	1	/P	Seal, Exhaust
21	0512-306	1	/P	Muffler - Assembly (inc. 22-24)
22	0412-313	1		Gasket, Spark Arrester
23	0512-219	1	/P	Spark Arrester Assembly
24	8408-616	3		Screw, Cap
25	0412-215	3	S	Bushing, Exhaust Pipe
26	0412-373	1	/P	Cover, Muffler
27	8477-610	3		Screw, Machine
28	1506-732	1		Channel, Muffler Support



2007 ATV 500 AUTOMATIC TRANSMISSION 4X4 FIS RED (A2007IBM4BUSR)Page 38 of 96
FRAME AND RELATED PARTS

Ref #	Part Number	Qty	S/P/F	Description
1	2506-039	1		Frame, Main
2	8409-020	4	/P	Screw, Cap
3	1506-596	1	/P	Channel, Bumper Mounting - Rightt
3	0506-653	1	S	Channel, Bumper Mounting - Left
4	1506-562	1		Bracket, Mounting - Bumper - Right
4	1506-563	1		Bracket, Mounting - Bumper - Left
5	8408-816	6		Screw, Cap
6	1506-855	1	/P	Bumper
7	1406-360	1		Grille, Bumper
8	0423-419	2		Screw, Machine
9	0423-101	16		Screw, Shoulder
10	8409-025	2		Screw, Cap
11	1506-429	1	S	Brace, A-Arm
12	8428-002	2		Nut, Lock
13	1406-030	1		Panel, Belly
14	1506-067	1		Pad, Foam
15	0406-289	1		Pad, Foam
16	8424-802	4		Nut
17	8409-016	4		Screw, Cap
18	1506-380	1		Footrest - Right
18	1506-379	1		Footrest - Left
19	2406-147	2		Rod, Support

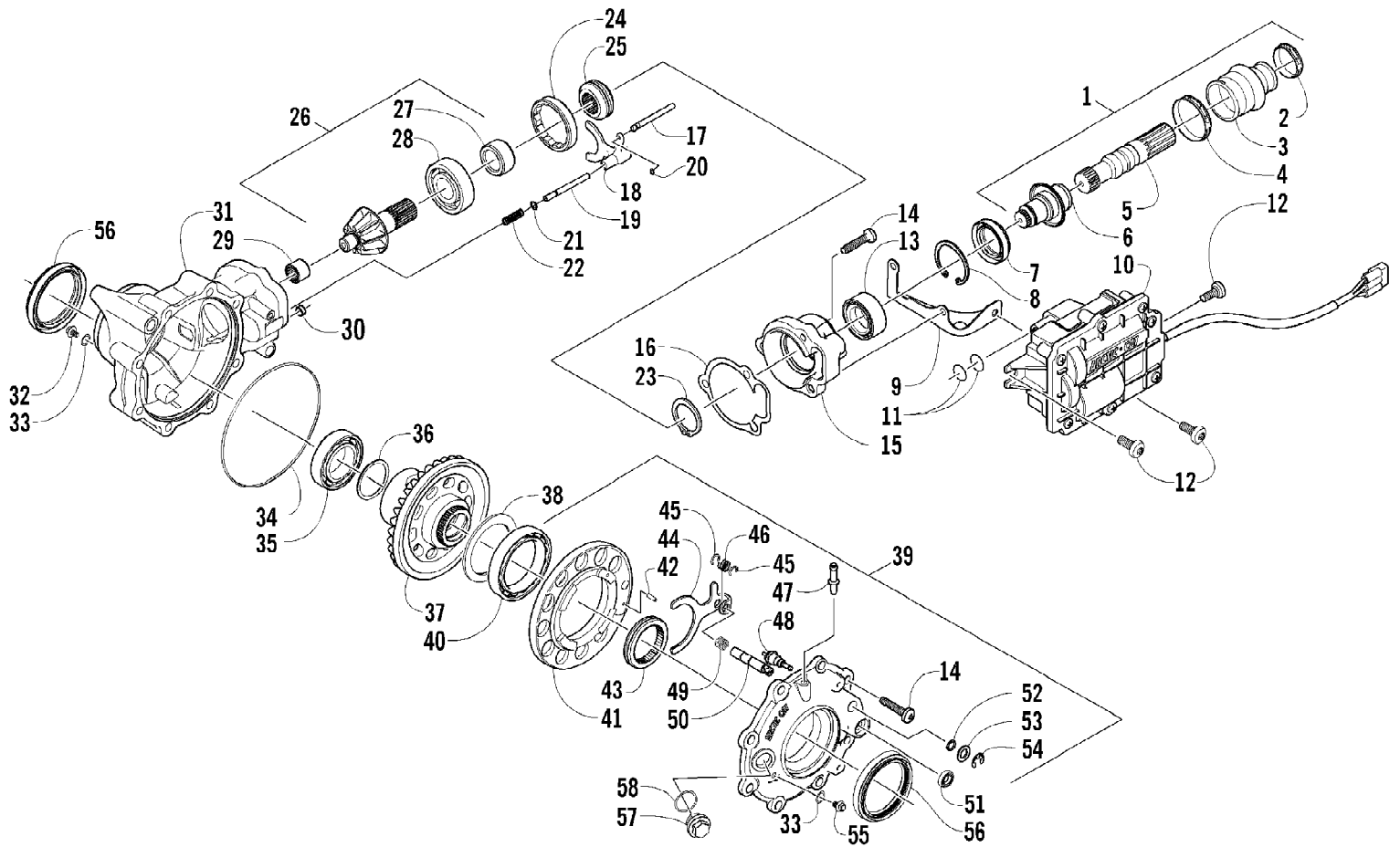
2007 ATV 500 AUTOMATIC TRANSMISSION 4X4 FIS RED (A2007IBM4BUSR)Page 39 of 96
FRONT BODY PANEL ASSEMBLY



2007 ATV 500 AUTOMATIC TRANSMISSION 4X4 FIS RED (A2007IBM4BUSR)Page 40 of 96
FRONT BODY PANEL ASSEMBLY

Ref #	Part Number	Qty	S/P/F	Description
1	0541-272	1		Rack - Front - Assembly (inc. 2-5)
2	0411-576	1		Decal, Warning - Front Rack Load
3	2406-014	6		Bushing, Rack
4	0441-592	4	/P	Bushing, Rack
5	1441-049	2		Plug, Rack
6	8410-830	4		Screw, Machine
7	0423-669	4		Spacer
8	0423-465	4		Grommet
9	8432-802	4		Nut, Lock
10	0518-001	1	S	Panel, Fender - Front (inc. 26)
11	1406-358	1		Cover, Access
12	0423-535	2		Rivet, Reinstallable
13	0623-362	4		Rivet, Reinstallable
14	1406-484	1		Cover, Steering Post
15	2506-234	1		Lid, Storage Box w/Latch (inc. 16-17)
16	1406-599	1		Latch, Storage Box
17	0470-514	1		Lid, Storage Box
18	0470-513	1		Cover, Storage Box
19	1406-573	1		Box, Storage
20	0423-101	2		Screw, Body
21	0423-678	8		Grommet
22	2406-300	1		Panel, Side - Right
22	2406-301	1		Panel, Side - Left
23	0423-654	2		Screw, Shoulder
24	8050-222	2	/P	Washer
25	0423-540	2		Nut, Lock
26	0411-818	1		Decal, Reflector - Front - Right
26	0411-819	1		Decal, Reflector - Front - Left
27	0509-034	1	S	Headlight Assembly - Right (inc. 28)
27	0509-035	1		Headlight Assembly - Left (inc. 28)
28	0409-055	4		Bulb, Headlight
29	0623-785	4		Screw, Self-Tapping
30	8050-217	8	/P	Washer
31	0423-447	4		Grommet
32	0423-514	2		Stud, Adjuster - Headlight
33	0423-522	2		Spring, Adjuster
34	0423-513	2		Knob, Adjuster

2007 ATV 500 AUTOMATIC TRANSMISSION 4X4 FIS RED (A2007IBM4BUSR)Page 41 of 96
FRONT DRIVE GEARCASE ASSEMBLY



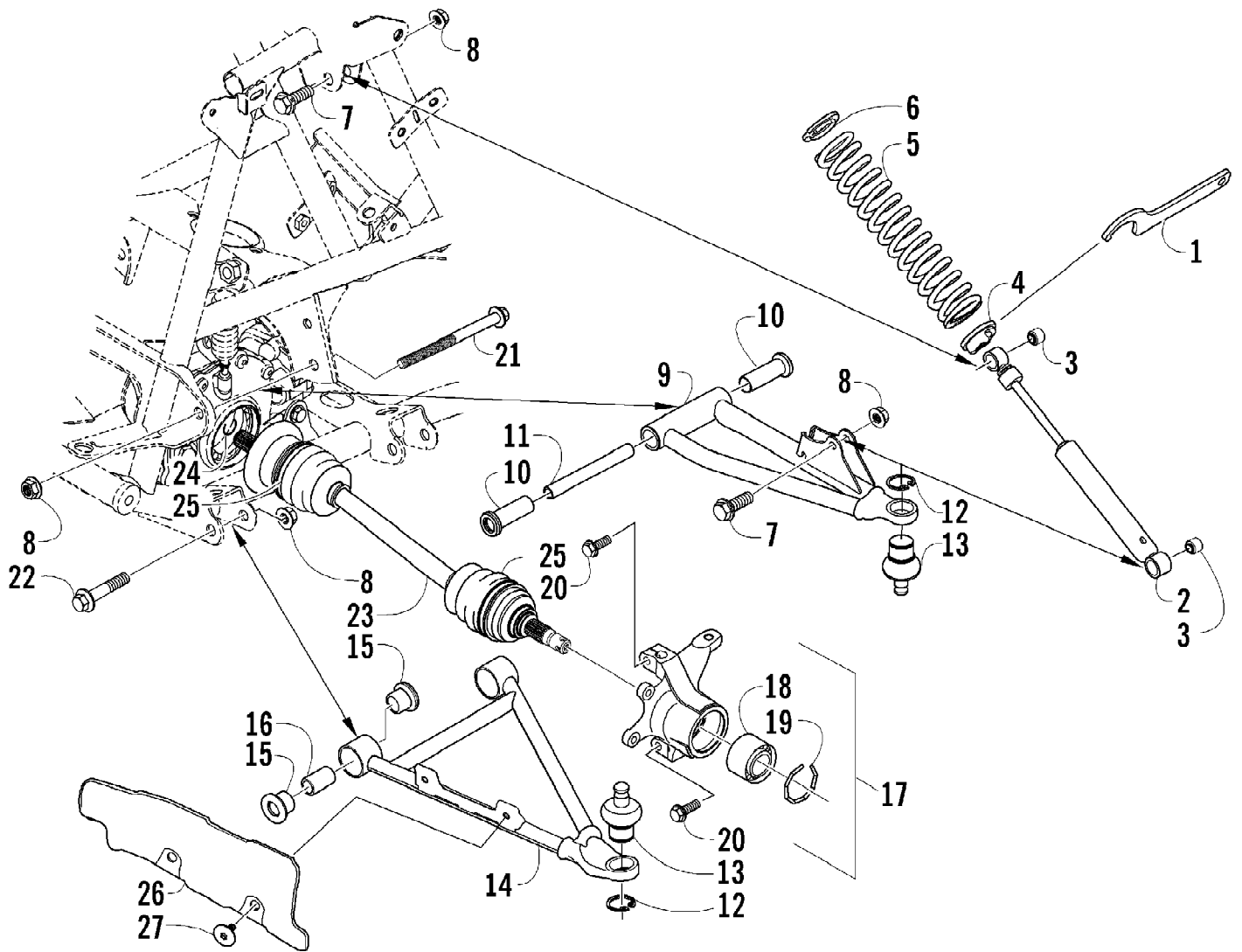
2007 ATV 500 AUTOMATIC TRANSMISSION 4X4 FIS RED (A2007IBM4BUSR)Page 42 of 96
FRONT DRIVE GEARCASE ASSEMBLY

Ref #	Part Number	Qty	S/P/F	Description
	1502-089	1		Complete Front Gearcase Assembly
1	1502-083	1		Shaft, Propeller - Assembly (inc. 2-6)
2	0423-411	1		Clamp, Boot
3	0402-985	1	/P	Boot, Propeller Shaft
4	0423-393	1		Clamp, Boot
5	1402-045	1		Shaft, Output
6	1502-085	1	/P	Shaft, Input
7	1402-011	1		Seal
8	0423-423	1		Ring, Retaining
9	0502-347	1		Bracket, Actuator
10	0502-579	1		Actuator (inc. one No. 11)
11	0423-498	2	S	O-Ring
12	0423-396	3		Screw, Self-Tapping
13	1402-043	1		Bearing
14	0423-118	11		Screw, Self-Tapping
15	0502-528	1	/P	Housing, Pinion
16	0402-947	1		Gasket, Flange
17	0402-997	1		Shaft, Selector
18	0402-998	1		Fork, Selector
19	0402-417	1		Shaft, Shuttle
20	0423-402	1		Ring, Retaining
21	0423-147	1		O-Ring
22	0402-999	1		Spring, Return
23	0423-417	1		Ring, Retaining
24	0402-357	1		Collar, Lock
25	0402-413	1		Coupler, Drive
26	0502-783	1		Gear, Pinion - Assembly - 10T (inc. 27-28)
27	0402-336	1		Collar, Retaining
28	0402-327	1		Bearing
29	0402-328	1		Bearing
30	0402-411	1		Pin, Dowel
31	0502-514	1		Housing, Gearcase
32	1402-210	1	/P	Plug, Magnetic (inc. one No. 33)
33	0423-153	2		O-Ring
34	0423-149	1		O-Ring
35	0402-393	1		Bearing
36	0402-405	AR		Shim
36	0402-406	AR		Shim
36	0402-407	AR		Shim
36	0402-408	AR		Shim
36	0402-409	AR		Shim
37	0502-851	1		Gear, Ring - 36T
38	1402-074	AR		Shim
38	1402-075	AR		Shim
38	1402-076	AR		Shim
38	1402-077	AR		Shim
38	1402-078	AR		Shim
39	1502-097	1		Cover, Gearcase (inc. one No. 33, 40-55, and one No. 56)
40	1402-053	1		Bearing
41	0502-413	1		Flange, Bearing
42	1402-079	1		Pin, Parallel

2007 ATV 500 AUTOMATIC TRANSMISSION 4X4 FIS RED (A2007IBM4BUSR)Page 43 of 96
FRONT DRIVE GEARCASE ASSEMBLY

Ref #	Part Number	Qty	S/P/F	Description
43	1402-042	1		Collar, Sliding
44	1402-054	1		Fork
45	1402-058	2		Ring, Retaining
46	1402-057	1		Spring
47	1402-104	1		Fitting
48	0402-419	1		Switch, Indicator
49	1402-063	1		Spring
50	1402-055	1		Shaft, Lock
51	1402-056	1		Seal
52	0423-133	1		O-Ring
53	0423-132	1		Washer
54	0423-424	1		Ring, Retaining
55	1402-211	1		Plug, Oil Level (inc. one No. 33)
56	1402-441	2	S	Seal
57	0402-333	1	/P	Plug, Fill (inc. 58)
58	0423-154	1		O-Ring

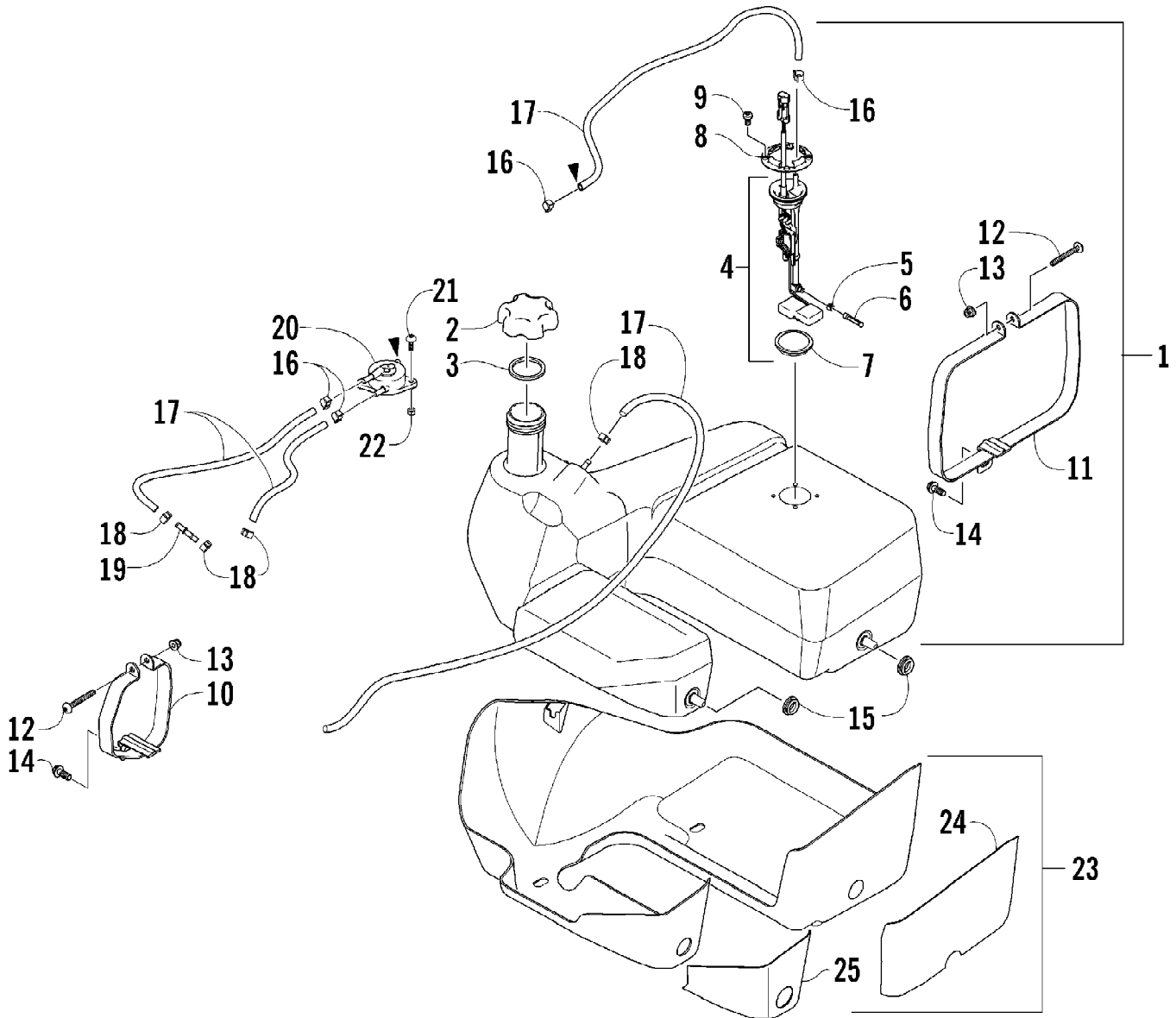
2007 ATV 500 AUTOMATIC TRANSMISSION 4X4 FIS RED (A2007IBM4BUSR)Page 44 of 96
FRONT SUSPENSION ASSEMBLY



2007 ATV 500 AUTOMATIC TRANSMISSION 4X4 FIS RED (A2007IBM4BUSR)Page 45 of 96
FRONT SUSPENSION ASSEMBLY

Ref #	Part Number	Qty	S/P/F	Description
1	0441-587	1		Wrench, Spanner
2	0403-180	2		Shock Absorber - Front (inc. 3)
3	0403-182	4		Bushing, Double-Bonded
4	0403-102	2		Cam, Spring Adjuster
5	0403-178	2		Spring, Shock Absorber
6	1603-889	2	/P	Retainer, Spring
7	8409-040	4		Screw, Cap
8	8428-002	10		Nut, Lock
9	0503-272	1	S	A-Arm, Upper Right (inc. 10-13)
9	0503-273	1	S	A-Arm, Upper Left (inc. 10-13)
10	0403-081	4	S	Bushing
11	0403-080	2		Collar
12	0423-009	4	/P	Clip, Ball Joint
13	0405-115	4	/P	Ball Joint - Front
14	0503-342	1	S	A-Arm, Lower Right (inc. 12-13 and 15-16)
14	0503-343	1	S	A-Arm, Lower Left (inc. 12-13 and 15-16)
15	0403-115	8	S	Bushing
16	0403-114	4	S	Collar
17	0505-460	1		Knuckle, Steering - Assembly - Right Front (inc. 18-19)
17	0505-461	1	S	Knuckle, Steering - Assembly - Left Front (inc. 18-19)
18	1402-027	2	S/P	Bearing, Wheel Hub
19	0423-423	2		Ring, Retaining
20	8409-030	4		Screw, Cap
21	0423-334	2		Screw, Cap
22	8409-075	4		Screw, Cap
23	0502-812	1	S	Axle, Drive - Front - Right (inc. 24-25)
23	0502-813	1	S	Axle, Drive - Front - Left (inc. 24-25)
24	1441-109	2	S	Clip, Retaining
25	0436-276	2	S	Repair Kit, Boot - Front Axle
26	0441-752	1		Guard, Boot - Axle - Right
26	0441-753	1		Guard, Boot - Axle - Left
27	0423-545	4	/P	Screw, Body

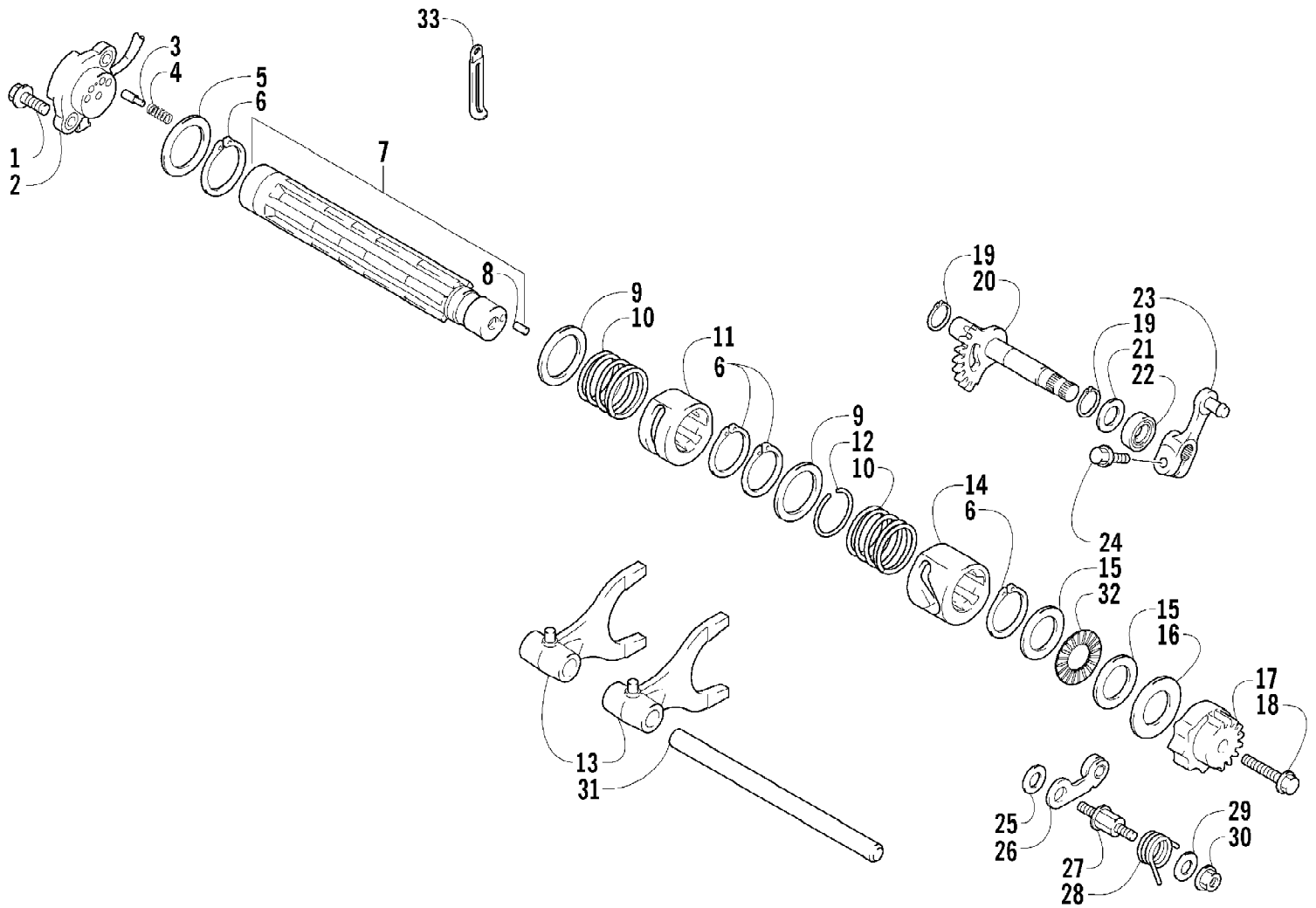
2007 ATV 500 AUTOMATIC TRANSMISSION 4X4 FIS RED (A2007IBM4BUSR) Page 46 of 96
GAS TANK ASSEMBLY



2007 ATV 500 AUTOMATIC TRANSMISSION 4X4 FIS RED (A2007IBM4BUSR)Page 47 of 96
GAS TANK ASSEMBLY

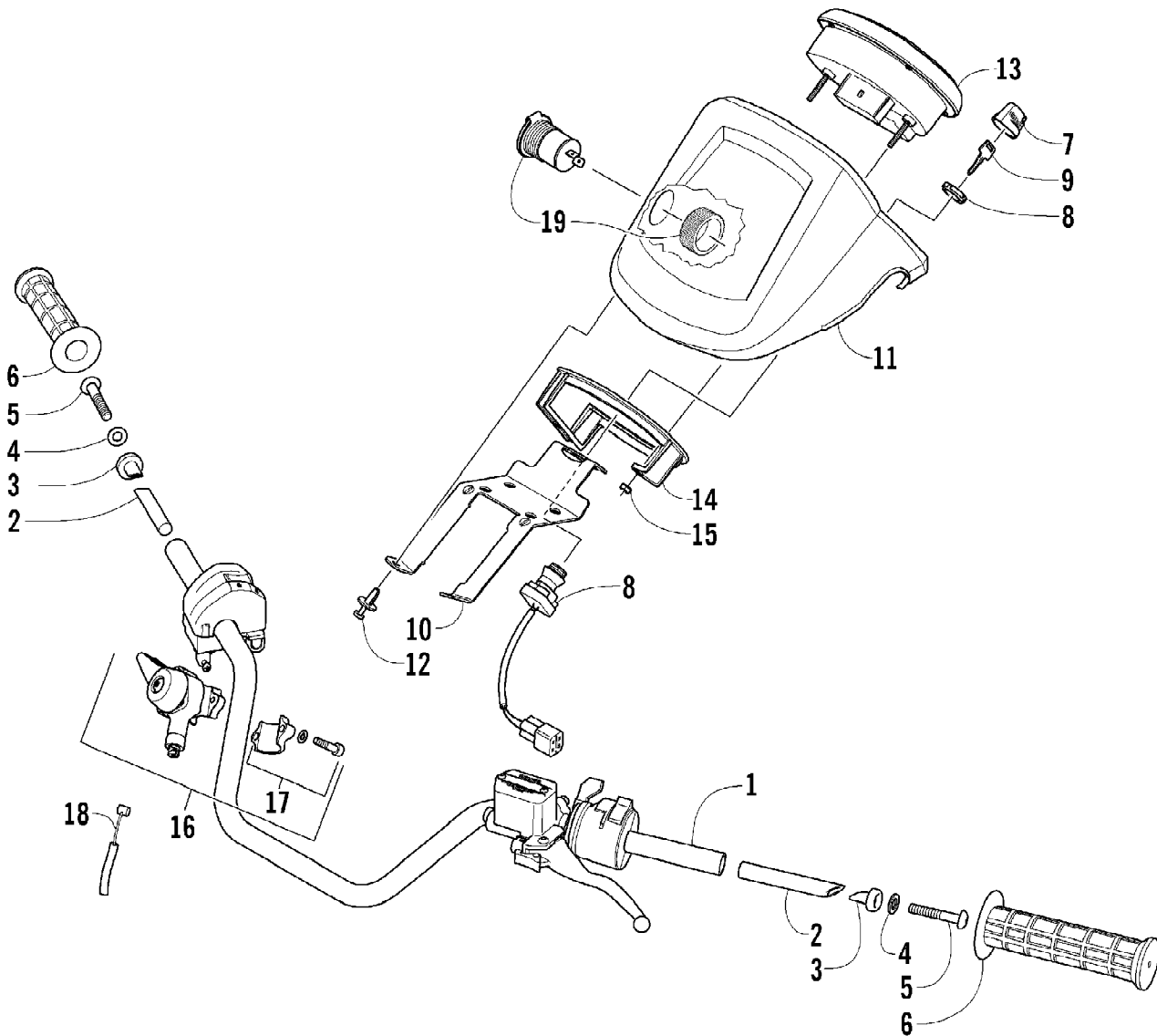
Ref #	Part Number	Qty	S/P/F	Description
1	0570-144	1		Tank, Gas - Assembly w/Straps (inc. 2-13)
2	0470-438	1	/P	Cap, Gas Tank (inc. 3)
3	0109-733	1	/P	Gasket, Gas Tank Cap
4	0570-141	1	S	Sensor, Fuel Level (inc. 5-7)
5	0423-603	1		Clamp, Hose
6	0470-475	1		Filter, Fuel
7	0470-521	1		Seal, Fuel Level Sensor
8	0470-639	1	/P	Plate, Mounting - Fuel Level Sensor
9	1623-158	4		Screw, Plastite
10	0570-166	1		Strap, Mounting - Gas Tank
11	0570-167	1		Strap, Mounting - Gas Tank
12	8476-650	2		Screw, Machine
13	8427-602	2		Nut, Lock
14	8408-816	2		Screw, Cap
15	0423-460	2		Grommet
16	0423-688	4		Clamp, Hose
17	0410-070	AR	/P	Hose, Gasline - 25 ft
18	0423-670	4		Clamp, Hose
19	0470-527	1	S	Fitting, Straight
20	0470-519	1	S	Pump, Fuel
21	8476-620	2		Screw, Machine
22	0623-038	2		Nut, Lock
23	0570-081	1		Shield, Gas Tank - Assembly (inc. 24-25)
24	0470-498	1		Shield, Heat
25	0470-499	1		Shield, Heat

2007 ATV 500 AUTOMATIC TRANSMISSION 4X4 FIS RED (A2007IBM4BUSR) Page 48 of 96
GEAR SHIFTING ASSEMBLY



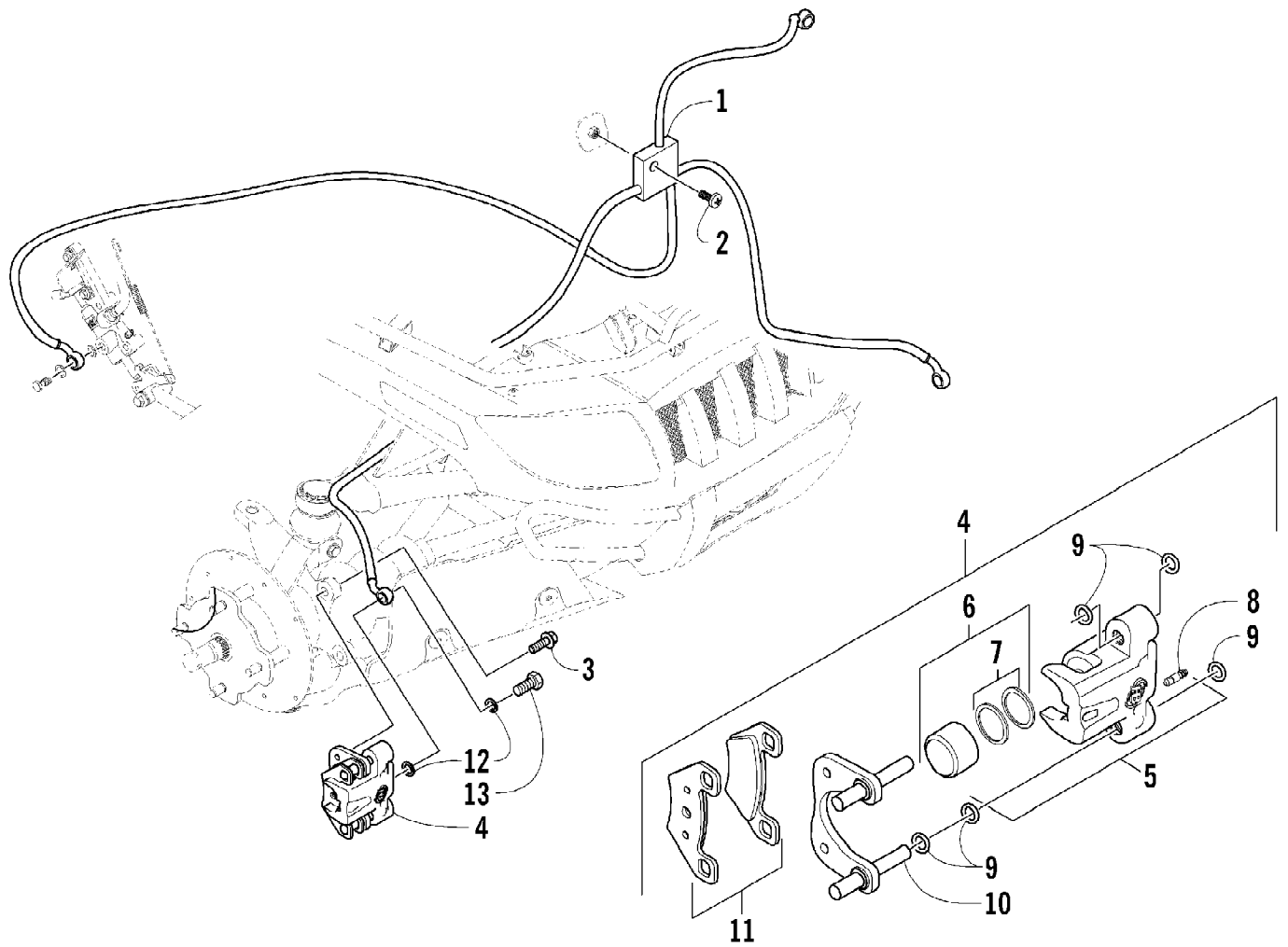
2007 ATV 500 AUTOMATIC TRANSMISSION 4X4 FIS RED (A2007IBM4BUSR)Page 49 of 96
GEAR SHIFTING ASSEMBLY

Ref #	Part Number	Qty	S/P/F	Description
1	3423-418	2		Bolt
2	3530-042	1		Base, Gear Shift - Assembly
3	3423-044	2		Contact
4	3402-087	2		Spring
5	3423-421	1	/P	Washer, Shift Shaft
6	3423-191	4	/P	Circlip, Cam Spring
7	3402-826	1		Shaft, Gear Shift (inc. 8)
8	3423-114	1	/P	Pin
9	3402-382	2		Washer, Cam Spring
10	3446-280	2		Spring, Cam
11	3402-827	1		Cam, Reverse
12	3423-416	1		C-Ring, Cam
13	3446-353	2		Fork, Shift
14	3402-828	1		Cam, Gear Shift
15	3402-381	2	/P	Washer, Shift Shaft
16	3423-446	1		Washer, Gear Shift Cam Plate
17	3402-642	1		Plate, Gear Shift Cam
18	3004-376	1	S/P	Bolt, Gear Shift Cam Plate
19	3423-358	2	S	Circlip, Sub-Gear Shift Shaft
20	3402-747	1		Shaft, Sub-Gear Shift
21	1691-043	2		Washer, Sub-Gear Shift Shaft
22	3402-076	1		Seal, Sub-Gear Shift Shaft
23	3402-434	1	/P	Arm, Select
24	3004-341	1	S/P	Bolt, Select Arm
25	3423-141	1		Washer, Cam Stopper
26	3402-746	2		Stopper, Cam
27	3446-048	1		Support, Cam Stopper
28	3423-511	1		Spring, Cam Stopper
29	3423-438	2		Washer, Cam Stopper Spring
30	3004-488	1	S/P	Nut, Cam Stopper Spring
31	3446-266	1		Shaft, Shift Fork
32	3402-829	1		Bearing
33	3004-787	1		Clamp, Wire



2007 ATV 500 AUTOMATIC TRANSMISSION 4X4 FIS RED (A2007IBM4BUSR)Page 51 of 96
HANDLEBAR ASSEMBLY

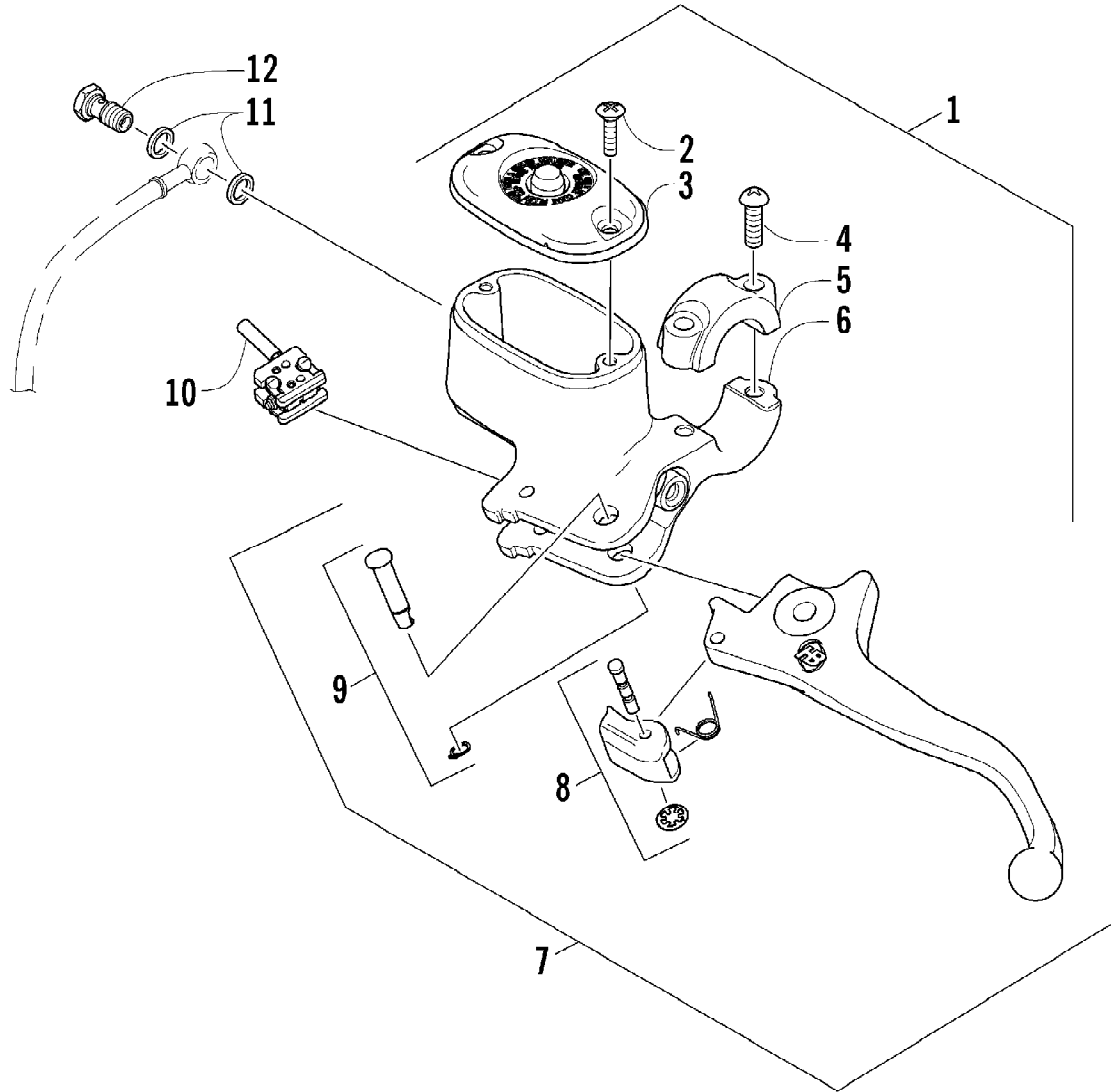
Ref #	Part Number	Qty	S/P/F	Description
1	0505-476	1		Tube, Handlebar
2	0405-218	2		Plug, Handlebar
3	0405-149	2		End Cap, Handlebar
4	8050-247	2	/P	Washer
5	8477-845	2		Screw, Machine
6	0405-147	2		Grip, Handlebar
7	0409-013	1		Cover, Key
8	3430-040	1		Switch, Ignition - Assembly (inc. 9)
9	3409-007	1	/P	Key, Ignition - Blank (C Series)
9	3409-011	1		Key, Ignition - Blank (D Series)
9	3409-012	1		Key, Ignition - Blank (E Series)
9	3409-013	1		Key, Ignition - Blank (F Series)
10	1506-578	1		Bracket, Mounting - Instrument Pod
11	0405-188	1		Instrument Pod
12	0423-535	2		Rivet, Reinstallable
13	0520-019	1		Gauge, LCD
14	0420-065	1	/P	Clamp, Plastic
15	0423-493	2		Nut, Hex
16	0502-527	1		Control, Differential Lock (inc. 17)
17	0502-613	1		Clamp, Differential Lock Control - Kit
18	0487-030	1	S	Cable, Differential Lock
19	0641-897	1	/P	Outlet, Accessory - 12V



2007 ATV 500 AUTOMATIC TRANSMISSION 4X4 FIS RED (A2007IBM4BUSR)Page 53 of 96
HYDRAULIC BRAKE ASSEMBLY

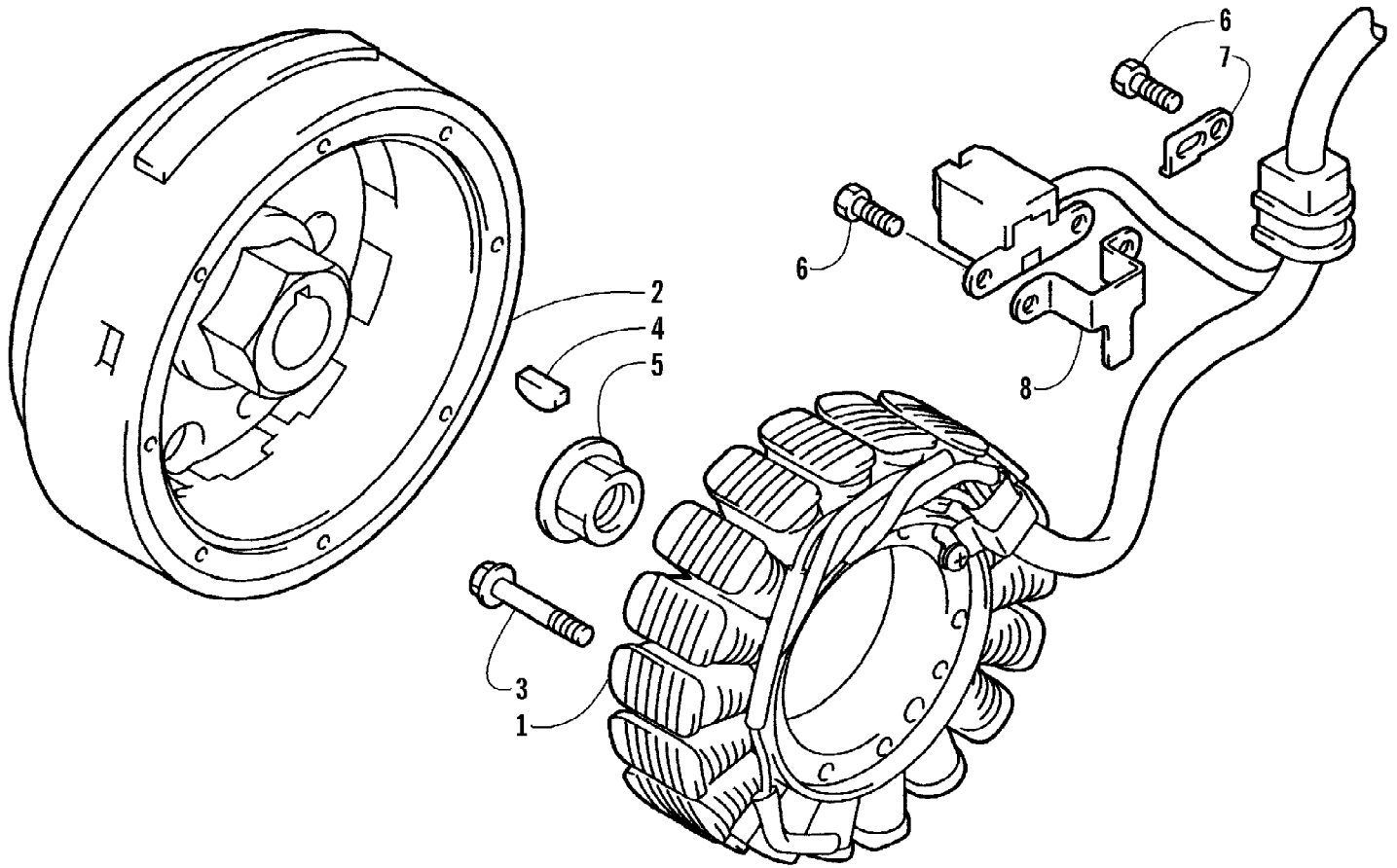
Ref #	Part Number	Qty	S/P/F	Description
1	1502-015	1		Hose, Brake - Assembly
2	8476-625	1		Screw, Cap
3	1623-589	4	S	Screw, Cap
4	0502-878	1	S	Caliper, Brake - Right Front (inc. 5-11)
4	0502-879	1	S	Caliper, Brake - Left Front (inc. 5-11)
5	0502-603	1	S	Housing, Caliper - Assembly - Right Front (inc. 6-8)
5	0502-611	1	S	Housing, Caliper - Assembly - Left Front (inc. 6-8)
6	0502-606	2		Piston/Seal Set (inc. 7)
7	0502-607	2		Seal Set
8	0502-609	2	/P	Valve, Bleed
9	0502-608	2		O-Ring, Guide - Set
10	0502-605	2		Bracket Assembly
11	0502-875	2	S	Pad, Brake - Set
12	0423-178	4		Washer, Crush
13	0423-413	2		Bolt, Banjo-Fitting

2007 ATV 500 AUTOMATIC TRANSMISSION 4X4 FIS RED (A2007IBM4BUSR) Page 54 of 96
HYDRAULIC HAND BRAKE ASSEMBLY



2007 ATV 500 AUTOMATIC TRANSMISSION 4X4 FIS RED (A2007IBM4BUSR)Page 55 of 96
HYDRAULIC HAND BRAKE ASSEMBLY

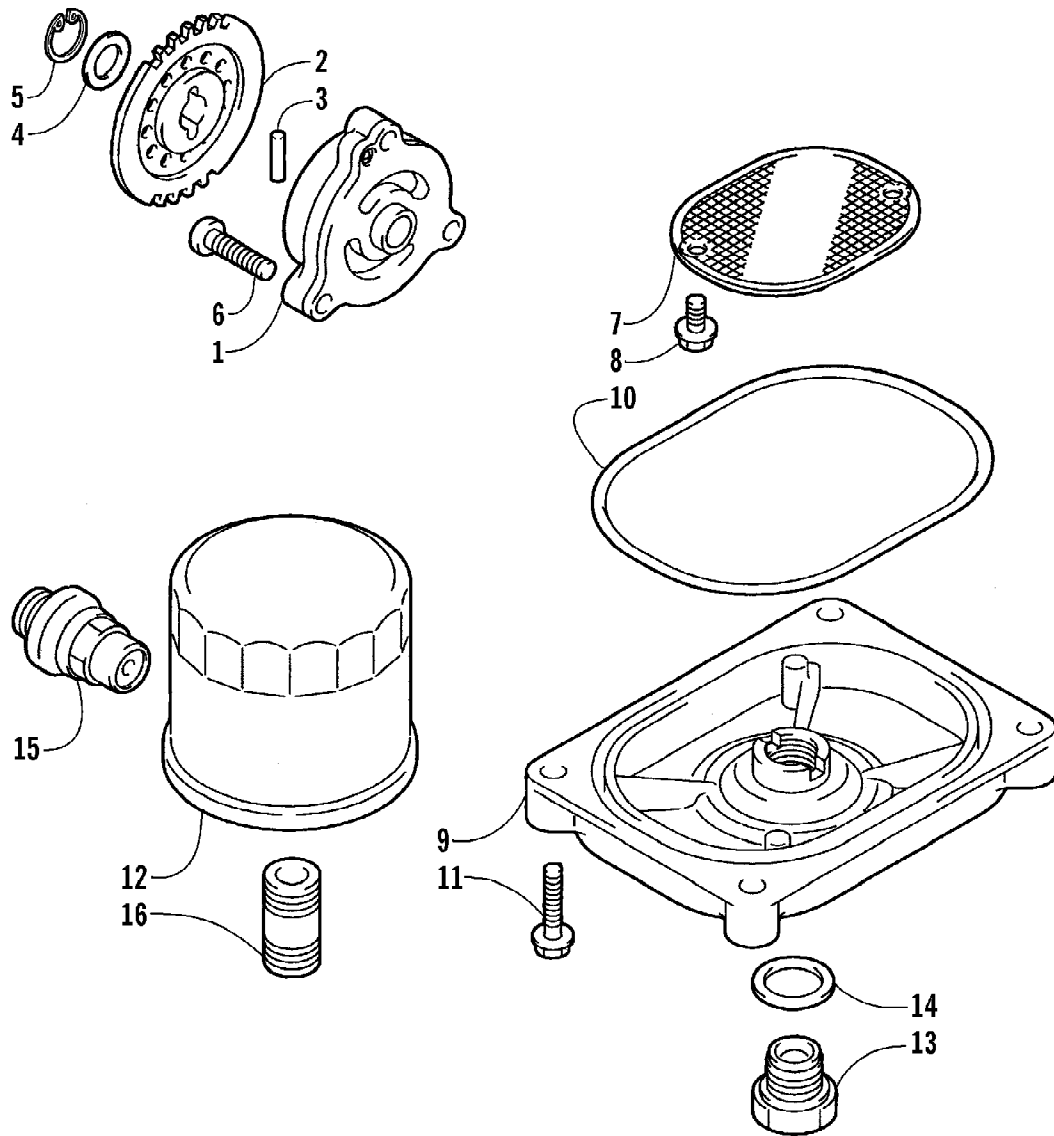
Ref #	Part Number	Qty	S/P/F	Description
1	0502-914	1	S	Brake Assembly (inc. 2-10)
2	0502-566	1		Screw, Reservoir Cover
3	0502-868	1	/P	Cover, Reservoir
4	0502-568	1		Screw, Master Cylinder Clamp
5	0502-869	1		Clamp, Master Cylinder
6	0502-704	1		Master Cylinder Assembly
7	0502-866	1		Lever Assembly (inc. 8-9)
8	0502-867	1	/P	Lock, Brake Lever - Kit
9	0502-580	1		Lever Pin - Kit
10	0502-564	1	/P	Switch, Brake - Kit
11	0423-178	2		Washer, Crush
12	0423-413	1		Bolt, Banjo-Fitting



2007 ATV 500 AUTOMATIC TRANSMISSION 4X4 FIS RED (A2007IBM4BUSR)Page 57 of 96
MAGNETO ASSEMBLY

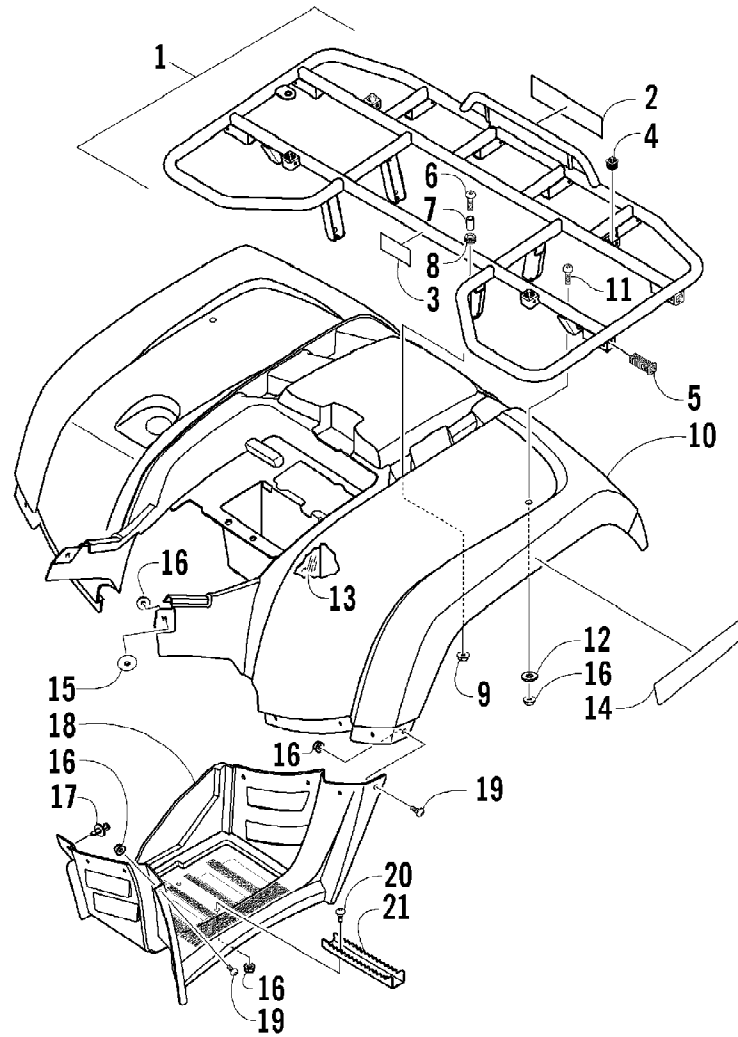
Ref #	Part Number	Qty	S/P/F	Description
1	3430-058	1		Stator Assembly
2	3430-046	1		Rotor/Flywheel
3	3423-162	3	S	Bolt
4	0691-785	1		Key
5	3423-086	1		Nut
6	3423-005	3	/P	Bolt
7	3430-005	1		Clamp (No. 1)
8	3430-006	1		Clamp (No. 2)

2007 ATV 500 AUTOMATIC TRANSMISSION 4X4 FIS RED (A2007IBM4BUSR) Page 58 of 96
OIL FILTER/PUMP ASSEMBLY



2007 ATV 500 AUTOMATIC TRANSMISSION 4X4 FIS RED (A2007IBM4BUSR)Page 59 of 96
OIL FILTER/PUMP ASSEMBLY

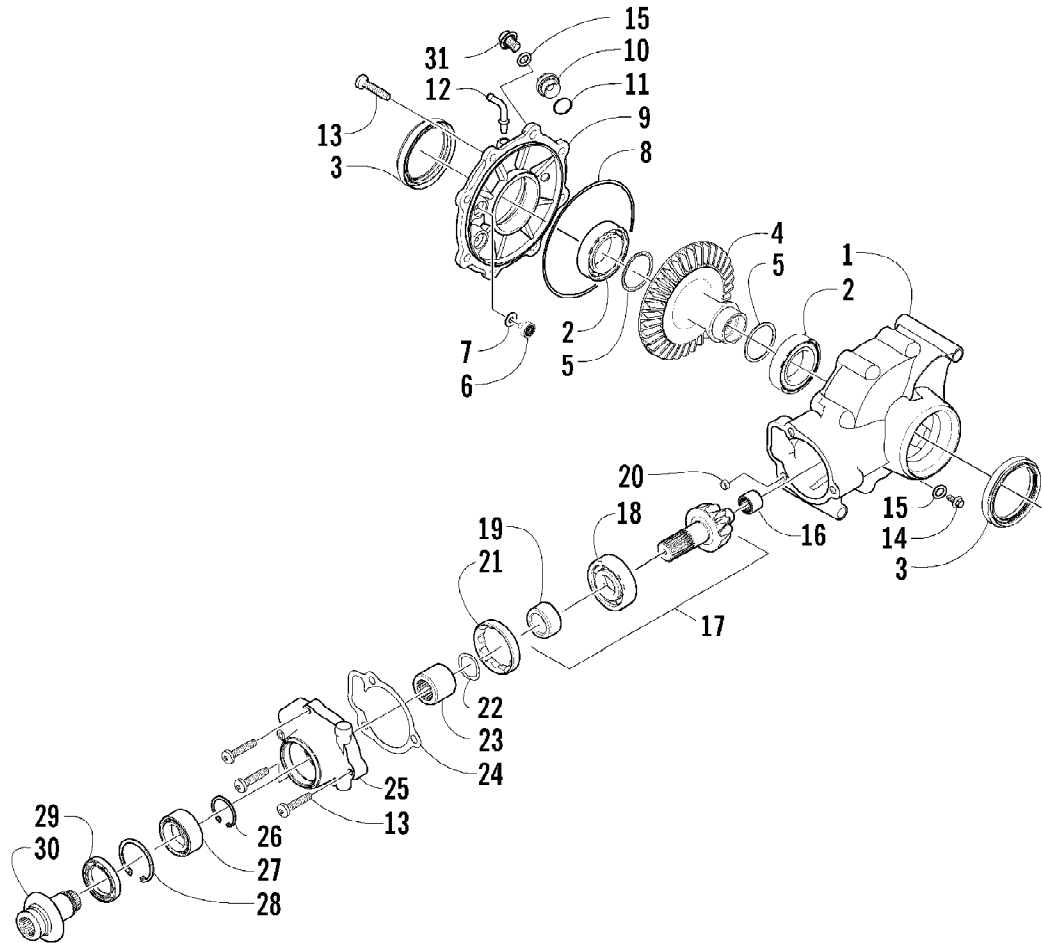
Ref #	Part Number	Qty	S/P/F	Description
1	3402-727	1	/P	Pump, Oil
2	3402-463	1		Gear, Driven
3	3423-046	1		Pin
4	3423-443	1		Washer
5	3423-184	1	S	Circlip
6	3423-510	3		Screw, Cap
7	3402-156	1		Strainer, Oil
8	0693-389	2	S	Screw, Cap
9	3402-157	1		Cap, Oil Strainer
10	3423-077	1		O-Ring
11	3004-756	4	S	Screw, Cap
12	0812-005	1	S	Filter, Oil
13	3402-728	1	S	Plug, Drain
14	3402-012	1		Gasket, Drain Plug
15	3402-154	1		Valve, Oil-Relief - Assembly
16	3402-158	1	S	Union, Oil Filter



2007 ATV 500 AUTOMATIC TRANSMISSION 4X4 FIS RED (A2007IBM4BUSR)Page 61 of 96
REAR BODY PANEL ASSEMBLY

Ref #	Part Number	Qty	S/P/F	Description
1	0541-337	1	/P	Rack - Rear - Assembly (inc. 2-5)
2	0411-814	1	/P	Decal, "Arctic Cat"
3	0411-648	1		Decal, Warning - Rear Rack Load
4	0441-592	4	/P	Bushing, Rack
5	2406-014	8		Bushing, Rack
6	8410-830	4		Screw, Machine
7	0423-669	4		Spacer
8	0423-465	4		Grommet
9	8432-802	4		Nut, Lock
10	2506-335	1	S	Panel, Fender - Rear (inc. 13-14)
11	0423-654	2		Screw, Shoulder
12	8050-222	2	/P	Washer
13	0470-658	1		Shield, Heat
14	0411-820	1	S	Decal, Reflector - Rear - Right
14	0411-821	1	S	Decal, Reflector - Rear - Left
15	0423-101	2		Screw, Body
16	0423-540	24		Nut, Lock
17	0623-362	2		Rivet, Reinstallable
18	1406-356	1		Footwell - Right
18	2406-429	1	/P	Footwell - Left
19	0423-419	16		Screw, Machine
20	0423-355	4		Screw, Shoulder
21	1506-125	2	/P	Footpeg

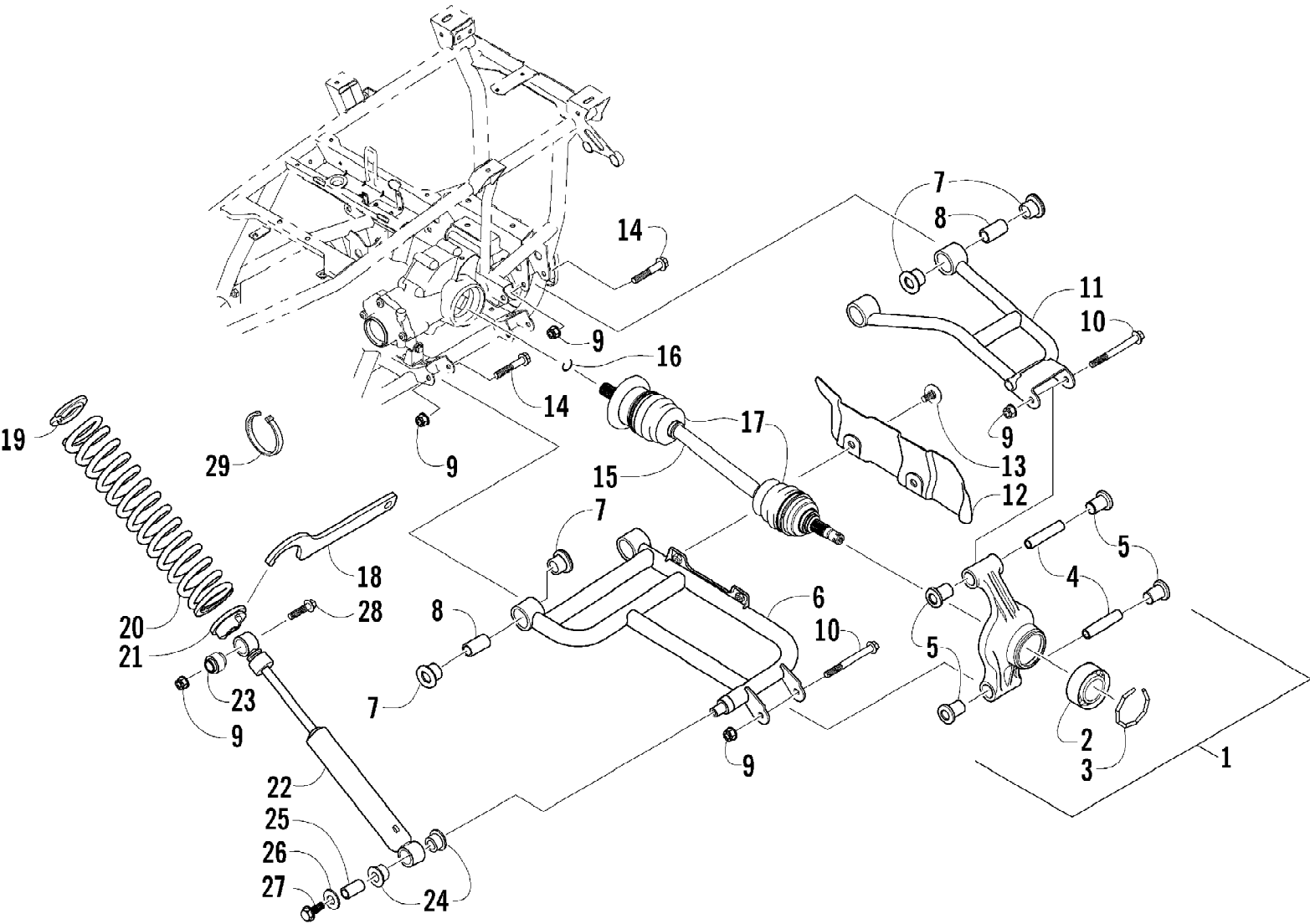
2007 ATV 500 AUTOMATIC TRANSMISSION 4X4 FIS RED (A2007IBM4BUSR) Page 62 of 96
REAR DRIVE GEARCASE ASSEMBLY



2007 ATV 500 AUTOMATIC TRANSMISSION 4X4 FIS RED (A2007IBM4BUSR)Page 63 of 96
REAR DRIVE GEARCASE ASSEMBLY

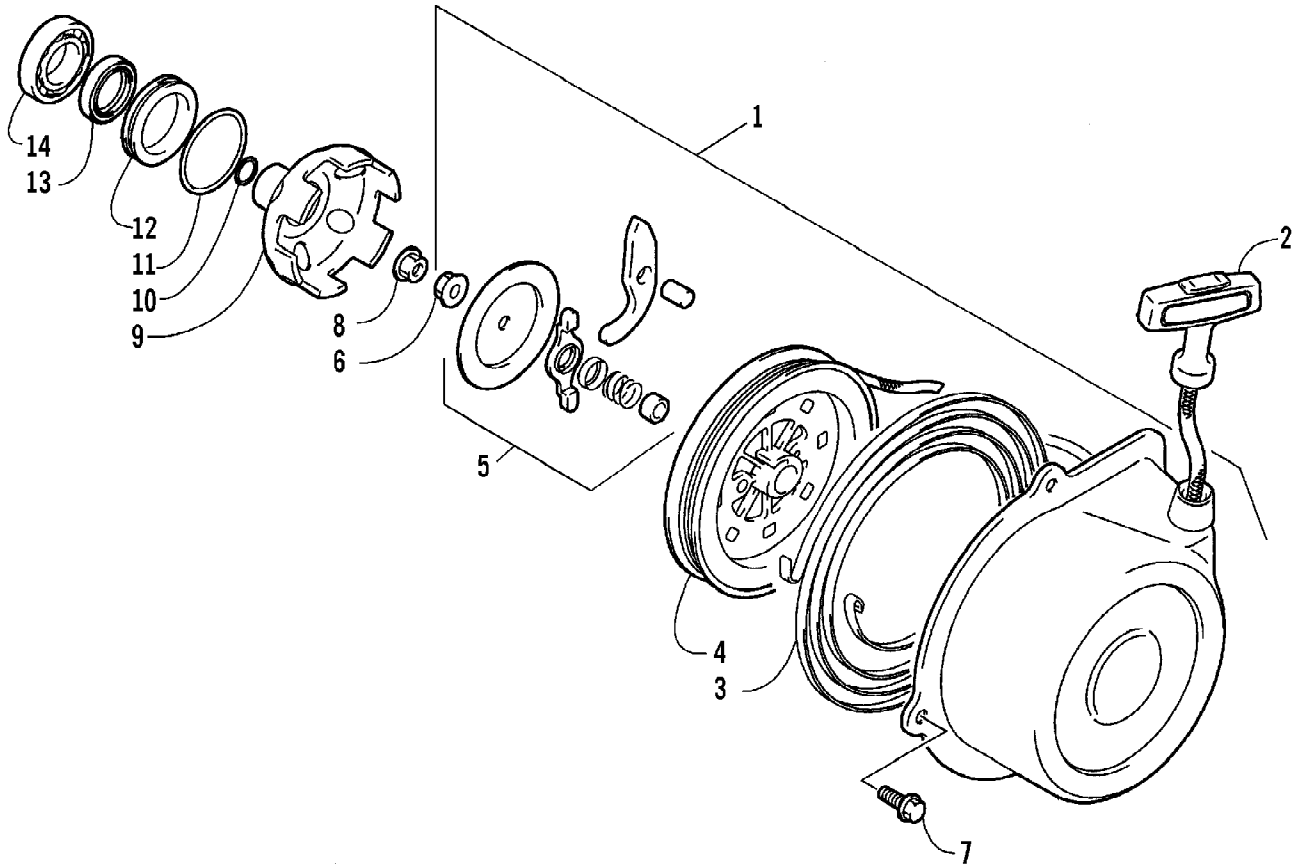
Ref #	Part Number	Qty	S/P/F	Description
	1502-079	1	S	Complete Rear Gearcase Assembly
1	0502-622	1		Housing, Gearcase
2	0402-393	2		Bearing
3	1402-441	2	S	Seal
4	1402-032	1		Gear, Ring - 36T
5	0402-405	AR		Shim
5	0402-406	AR		Shim
5	0402-407	AR		Shim
5	0402-408	AR		Shim
5	0402-409	AR		Shim
6	0402-326	1		Button, Thrust
7	0402-429	AR		Shim
7	0402-430	AR		Shim
7	0402-431	AR		Shim
7	0402-432	AR		Shim
7	0402-433	AR		Shim
8	0423-149	1		O-Ring
9	1502-082	1		Cover, Gearcase
10	0402-333	1	/P	Plug, Fill (inc. 11)
11	0423-154	1		O-Ring
12	1402-102	1		Fitting
13	0423-118	11		Screw, Self-Tapping
14	0402-450	1	S	Plug, Magnetic (inc. one No. 15)
15	0423-153	2		O-Ring
16	0402-328	1		Bearing
17	0502-783	1		Gear, Pinion - Assembly - 10T (inc. 18-19)
18	0402-327	1		Bearing
19	0402-336	1		Collar, Retaining
20	0402-411	1		Pin, Dowel
21	0402-331	1		Collar, Lock
22	0402-982	1		Washer, Spring
23	0402-981	1		Collar, Shaft
24	0402-947	1		Gasket, Flange
25	0502-529	1		Housing, Pinion
26	0423-417	1		Ring, Retaining
27	1402-043	1		Bearing
28	0423-423	1		Ring, Retaining
29	1402-011	1		Seal
30	1502-085	1	/P	Shaft, Input
31	1402-211	1		Plug, Oil Level (inc. one No. 15)

2007 ATV 500 AUTOMATIC TRANSMISSION 4X4 FIS RED (A2007IBM4BUSR)Page 64 of 96
REAR SUSPENSION ASSEMBLY



2007 ATV 500 AUTOMATIC TRANSMISSION 4X4 FIS RED (A2007IBM4BUSR)Page 65 of 96
REAR SUSPENSION ASSEMBLY

Ref #	Part Number	Qty	S/P/F	Description
1	0504-372	1	S	Knuckle, Right Rear - Assembly (inc. 2-5)
1	0504-373	1	S/P	Knuckle, Left Rear - Assembly (inc. 2-5)
2	1402-027	2	S/P	Bearing, Wheel Hub
3	0423-423	2		Ring, Retaining
4	0403-038	4	S/P	Collar, Suspension Bushing
5	0403-032	8	S	Bushing, Suspension
6	0504-440	1	S	A-Arm, Rear - Lower Right (inc. 7-8)
6	0504-441	1	S	A-Arm, Rear - Lower Left (inc. 7-8)
7	0403-115	16	S	Bushing
8	0403-114	8	S	Collar
9	8428-002	14		Nut, Lock
10	8409-000	4		Screw, Cap
11	0504-476	1		A-Arm, Rear - Upper Right (inc. 7-8)
11	0504-477	1		A-Arm, Rear - Upper Left (inc. 7-8)
12	0441-754	1		Guard, Boot - Right
12	0441-755	1		Guard, Boot - Left
13	0423-545	4	/P	Screw, Body
14	8409-075	8		Screw, Cap
15	0502-811	2	S	Axle, Drive (inc. 16-17)
16	0441-893	2	S	Clip, Retaining
17	0436-276	2	S	Repair Kit, Boot - Rear Axle
18	0441-587	1		Wrench, Spanner
19	1603-889	2	/P	Retainer, Spring
20	0404-113	2		Spring, Suspension
21	0404-057	2		Cam, Spring Adjuster
22	0404-150	2		Shock Absorber - Rear (inc. 23-25)
23	0403-182	2		Bushing, Double-Bonded
24	0603-955	4		Bushing, Shock Absorber
25	1603-219	2	S	Sleeve, Shock Absorber
26	0423-087	2		Washer
27	8408-820	2	/P	Screw, Cap
28	8409-040	1		Screw, Cap - Right
28	8409-050	1		Screw, Cap - Left
29	0123-788	2	/P	Cable Tie



2007 ATV 500 AUTOMATIC TRANSMISSION 4X4 FIS RED (A2007IBM4BUSR)Page 67 of 96
RECOIL STARTER ASSEMBLY

Ref #	Part Number	Qty	S/P/F	Description
1	3445-003	1		Starter, Recoil - Assembly (inc. 2-6)
2	3445-011	1		Rope Assembly
3	3445-007	1		Spring, Spiral
4	3445-004	1		Reel
5	3445-016	1		Ratchet Assembly
6	3004-488	1	S/P	Nut
7	3423-428	4		Screw, Cap
8	3004-491	1	S/P	Nut
9	3445-029	1	/P	Cup, Starter
10	3423-053	1	/P	O-Ring
11	3423-063	1		O-Ring
12	3423-542	1	/P	Spacer
13	3402-070	1		Seal, Oil
14	3402-051	1		Bearing

No
Diagram
Available

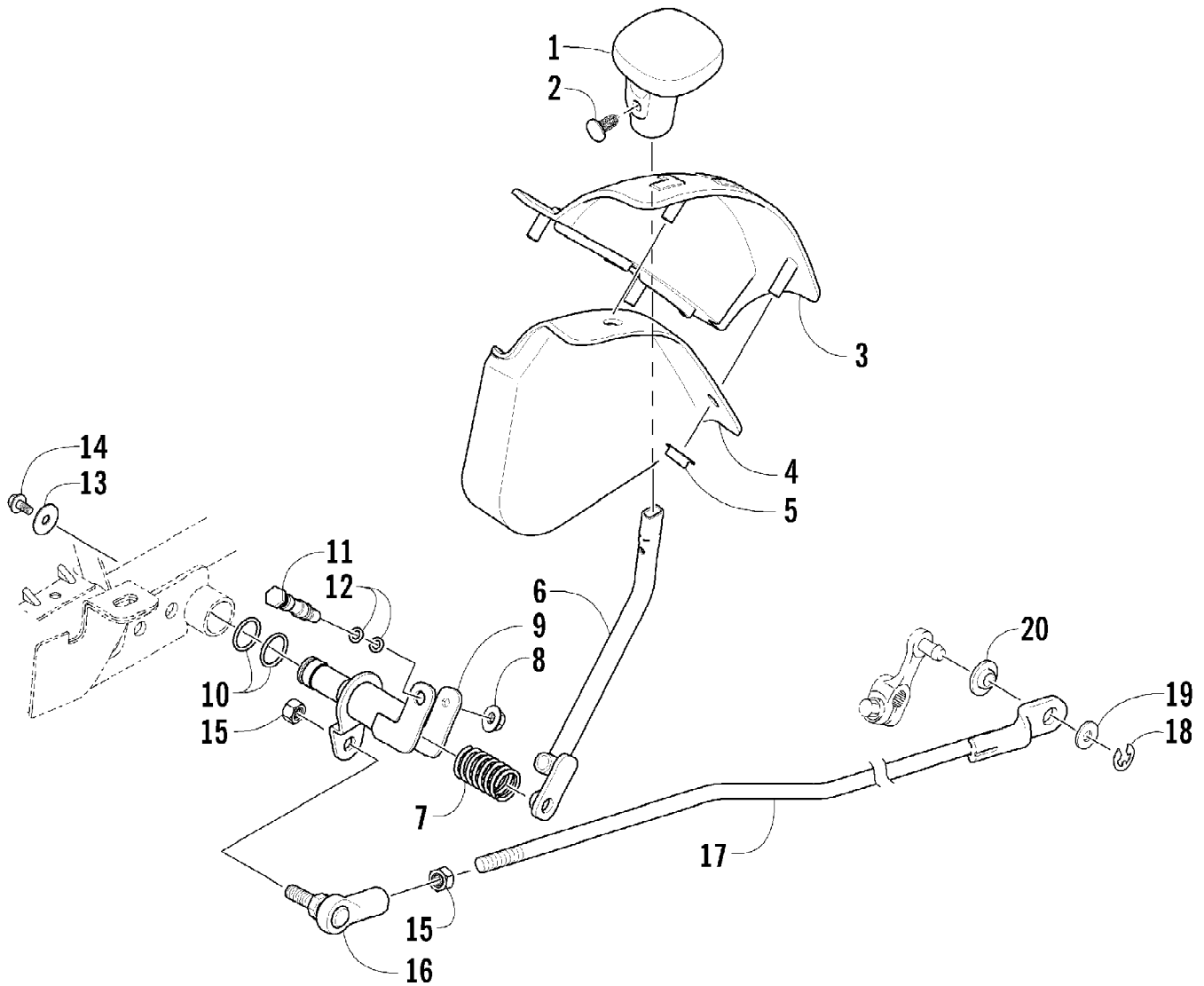
Parts List
Only

2007 ATV 500 AUTOMATIC TRANSMISSION 4X4 FIS RED (A2007IBM4BUSR)Page 69 of 96
RELATED ITEMS

Ref #	Part Number	Qty	S/P/F	Description
	0436-479	1		Articulating Spool Mount
	0436-548	1		Articulating Spool Receiver Mount Adapter
	0436-768	1	S	Backrest
	0436-961	1	/P	Bag, Fender - Black
	0436-925	1	S	Bag, Rack, Front - Black
	0436-924	1		Bag, Rack, Rear - Black
	0436-480	1		Bar, Utility/Gun Rack
	0436-811	1		Basket, Open-End
	0436-619	1		Brush Guard/Bumper
	0436-462	1		Bucket Holder
	0436-620	1		Bumper (Rear)
	0436-464	1		Camp Stove Cradle
	0436-454	1		Cargo Box
	0436-625	1		Cargo Box Quick-Release Kit
	0436-460	1		Carryall (11 x 17)
	0436-652	1		Carryall (14 x 27)
	0436-476	1		Chain Saw Lock
	0436-777	1	S	Cover, Black and Green
	0436-668	1		Cover, Timber Camo
	0436-776	1	S	Cover, Trailerable
	0436-005	1	S	Engine Oil - 10W40
	0436-003	1	S	Engine Oil - 5W30
	0436-466	1		Fender Box
	0436-538	1		Gear Cradle
	0436-007	1	S	Gear Lube (Diff) - 80W90
	0436-501	1	S	Grease, High-Performance
	0436-627	1		Gun Scabbard Kit
	0436-706	1	/P	Gun Scabbard Mount
	0436-505	1		Hand Guards - Black
	0436-352	1		Hand/Thumb Warmers
	0436-639	1		Ice Auger Holder
	0436-787	1		License Plate Kit
	0436-463	1		Light Bar
	2257-685	1		Manual, Illustrated Parts
	2257-603	1		Manual, Operator's (E)
	2257-604	1		Manuel d'utilisation (F)
	0436-635	1		Plow Attachment Kit
	0436-228	1		Plow Blade, 50 in. - Straight
	0436-287	1		Plow Blade, 50 in. - One-Way
	0436-296	1		Plow Blade, 60 in. - Straight
	0436-360	1		Plow Blade, 60 in. - One-Way
	0436-966	1		Plow Blade, Diamond Trend - 60 in. - Straight
	0436-967	1		Plow Blade, Diamond Trend - 60 in. - One-Way
	0436-636	1	/P	Plow, Push Frame
	0436-626	1	S	Rack Basket
	0436-647	1		Rack Extension, 4 in. (Front)
	0436-646	1		Rack Extension, 8 in. (Rear)
	0436-629	1		Rapid Blind (Break-Up)
	0436-630	1		Rapid Blind (Shadow Grass)
	0436-628	1		Rapid Shack (Blue Ice)
	0436-624	1		Sprayer System

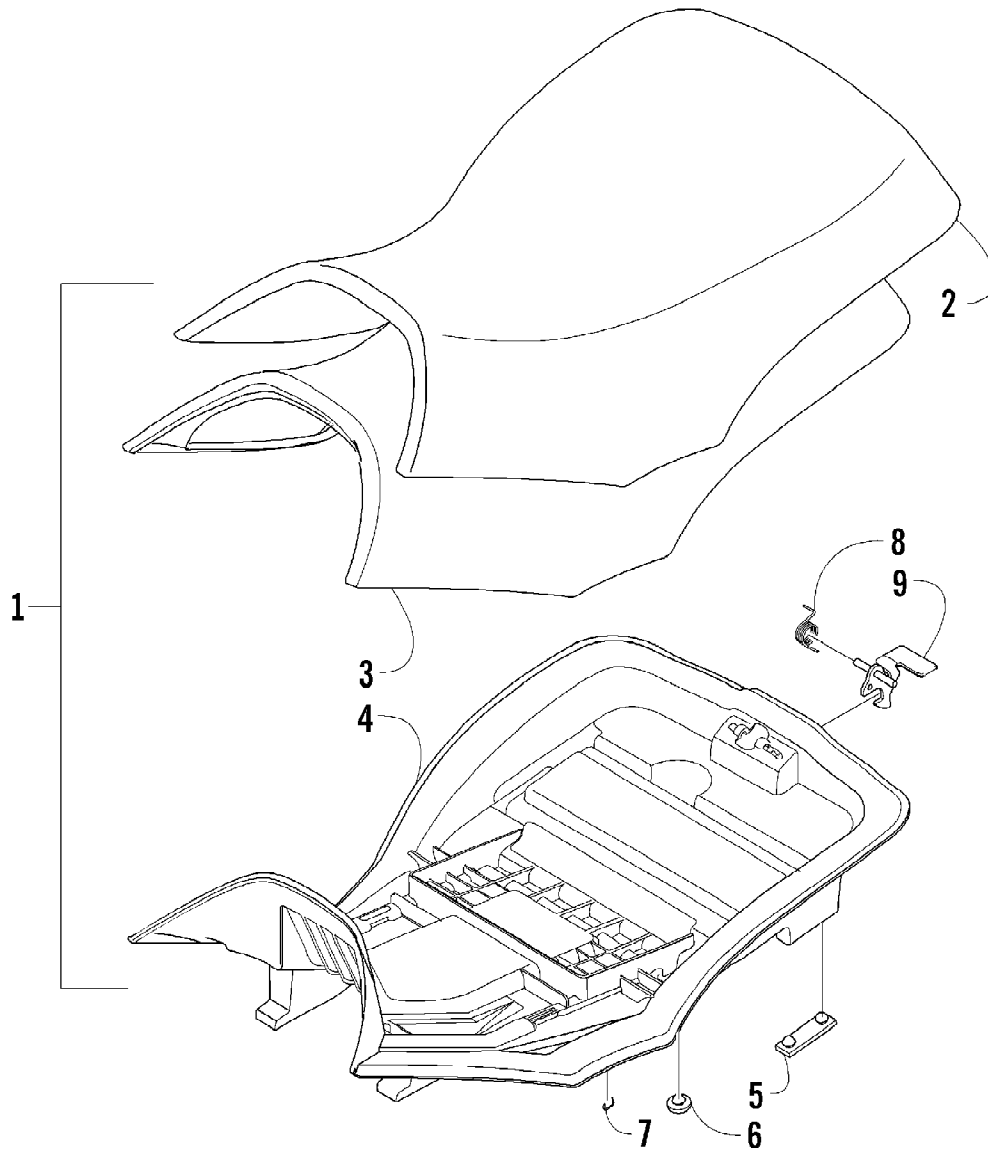
2007 ATV 500 AUTOMATIC TRANSMISSION 4X4 FIS RED (A2007IBM4BUSR)Page 70 of 96
RELATED ITEMS

Ref #	Part Number	Qty	S/P/F	Description
	0436-741	1	/P	Sprayer Boom (120 in.)
	1402-028	1		Tire, Titan AT589 (25x8-12, Mud & Snow)
	0402-563	1		Tire, Titan AT589 (25x10-12, Mud & Snow)
	0436-297	1		Tool Holder - Double
	0436-263	1	/P	Tool Holder - Single
	0436-792	1	S	Tree Stand/Bow Case Holder
	0436-655	1		Winch, 2500 lb
	0436-623	1		Windshield, Clear w/Black Accent
	0436-470	1		Workbase (8 in.)



2007 ATV 500 AUTOMATIC TRANSMISSION 4X4 FIS RED (A2007IBM4BUSR)Page 72 of 96
REVERSE SHIFT LEVER ASSEMBLY

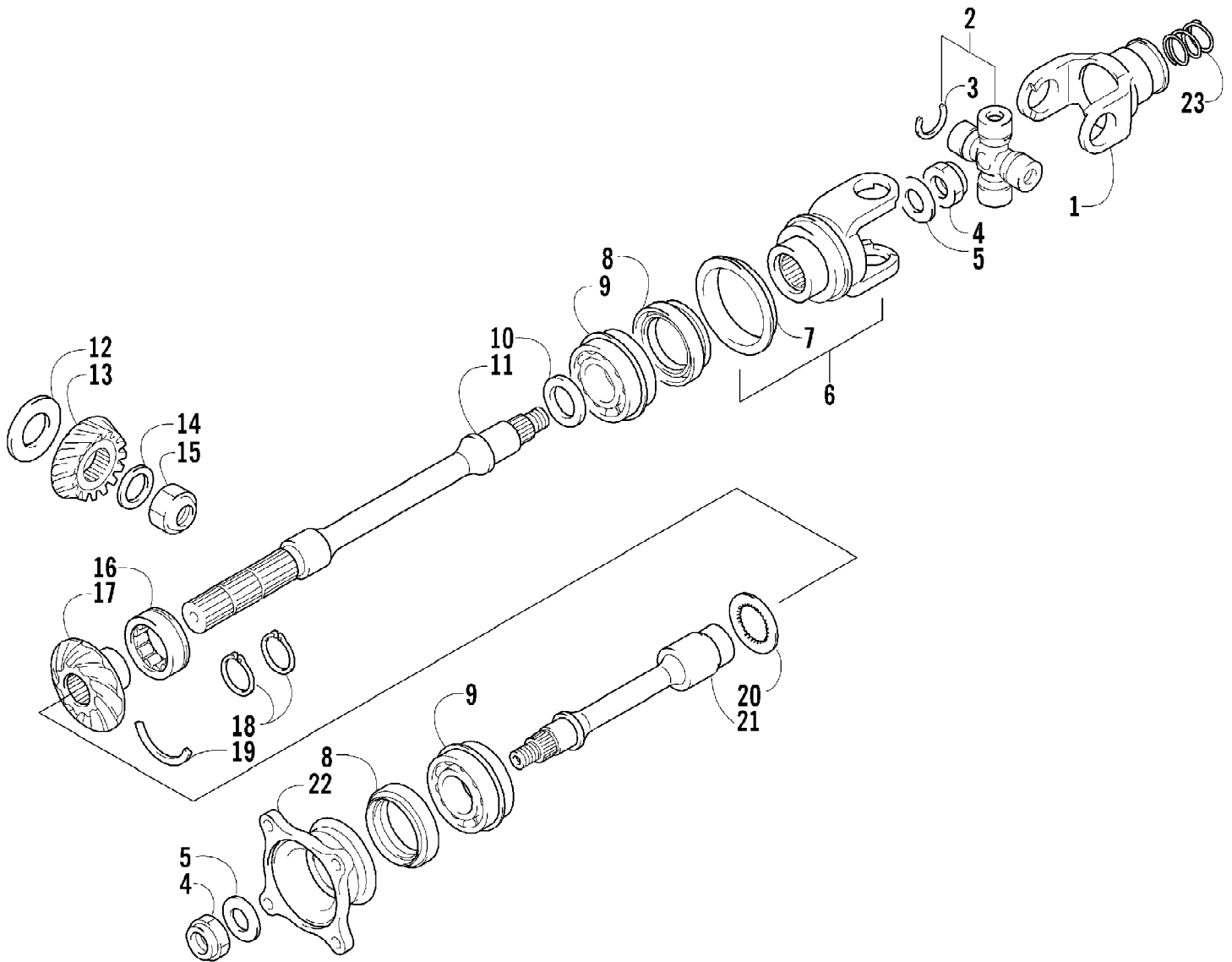
Ref #	Part Number	Qty	S/P/F	Description
1	0402-843	1	/P	Knob, Reverse Shift Lever
2	0423-345	1		Clip, Push
3	1402-576	1		Plate, Shift
4	2406-345	1		Shield, Shift Gate
5	0423-357	4		Nut, Stamped
6	0502-659	1		Lever, Reverse Shift
7	0502-410	1	S	Spring, Reverse Shift Lever
8	8424-602	1	/P	Nut
9	0502-742	1		Axle, Reverse Shift Lever
10	0423-299	2	/P	O-Ring
11	0402-675	1		Axle, Pivot
12	0423-182	2	/P	O-Ring
13	0423-087	1		Washer
14	8408-812	1		Screw, Cap
15	0623-294	2		Nut
16	1402-270	1		End, Rod
17	0502-989	1	/P	Linkage, Shift
18	0423-169	1	/P	E-Ring
19	8050-242	1		Washer
20	0423-091	1		Bushing, Shift Linkage



2007 ATV 500 AUTOMATIC TRANSMISSION 4X4 FIS RED (A2007IBM4BUSR)Page 74 of 96
SEAT ASSEMBLY

Ref #	Part Number	Qty	S/P/F	Description
1	1506-937	1	S/P	Seat Assembly (inc. 2-9)
2	1506-209	1		Cover, Seat
3	1506-208	1		Foam, Seat
4	2406-144	1	S/P	Base, Seat - Assembly (inc. 5-6)
5	0406-879	2		Bumper, Seat - Rear
6	0406-877	4	/P	Bumper, Seat - Front
7	0624-263	AR		Staple
8	1406-592	1	/P	Spring, Seat Latch
9	1506-156	1		Latch, Seat

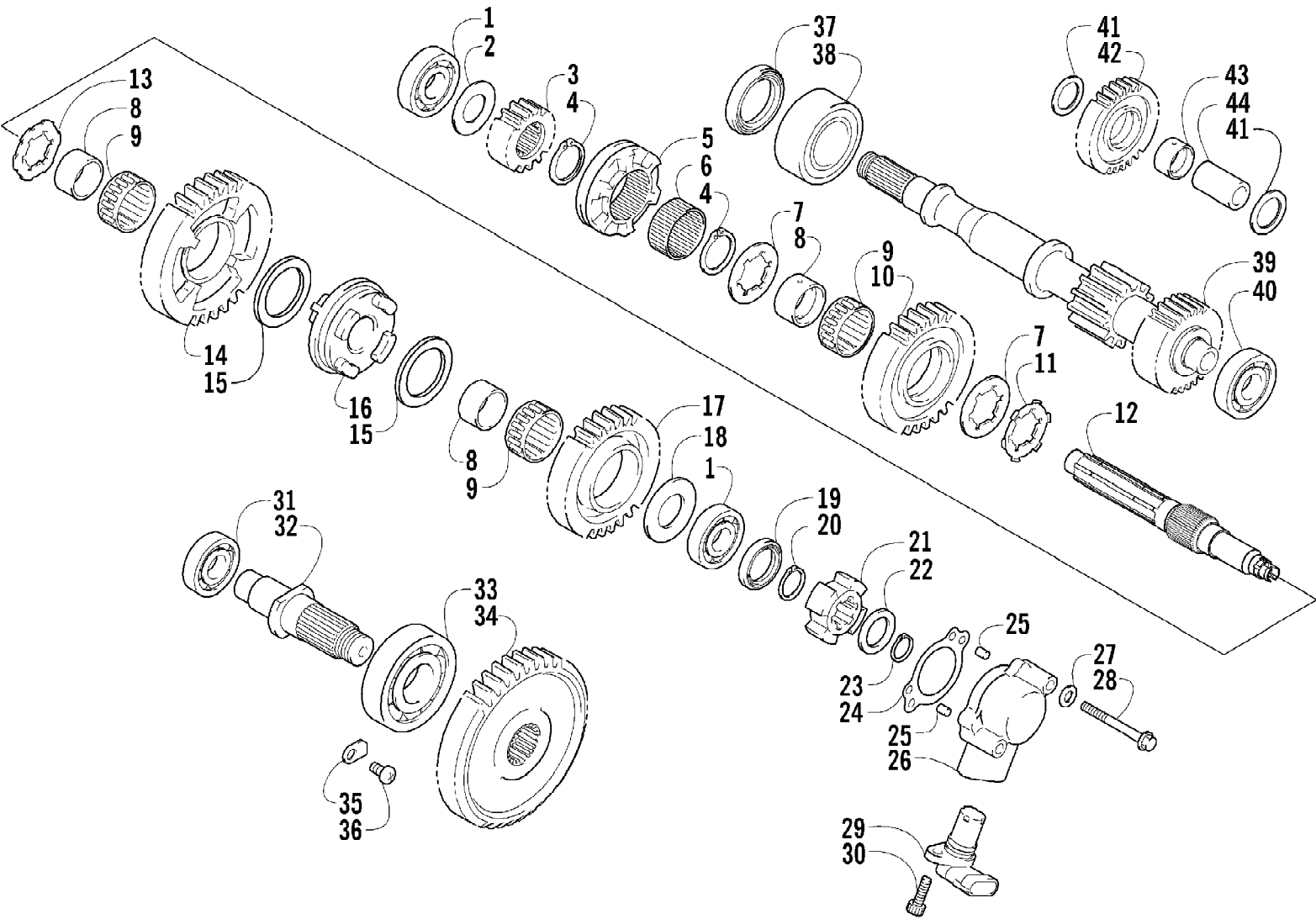
2007 ATV 500 AUTOMATIC TRANSMISSION 4X4 FIS RED (A2007IBM4BUSR) Page 75 of 96
SECONDARY DRIVE ASSEMBLY



2007 ATV 500 AUTOMATIC TRANSMISSION 4X4 FIS RED (A2007IBM4BUSR)Page 76 of 96
SECONDARY DRIVE ASSEMBLY

Ref #	Part Number	Qty	S/P/F	Description
1	3446-327	1	/P	Yoke, Propeller Shaft Joint
2	3402-562	1		Joint, Universal - Set (inc. 3)
3	3423-479	4		Circlip
4	3423-025	2		Nut, Rear Output Joint
5	3423-028	2		Washer, Rear Output Flange
6	3402-742	1		Yoke, Drive Output - Front (inc. 7)
7	3402-743	1		Plate, Output Yoke
8	3402-072	2		Seal, Oil - Driven Shaft
9	3402-067	2	S	Bearing, Driven Shaft
10	3402-017	AR		Shim, 25 x 34 x 0.60 mm
10	3402-018	AR		Shim, 25 x 34 x 0.65 mm
10	3402-019	AR		Shim, 25 x 34 x 0.70 mm
10	3402-020	AR		Shim, 25 x 34 x 0.75 mm
10	3402-021	AR	S	Shim, 25 x 34 x 0.80 mm
10	3402-022	AR		Shim, 25 x 34 x 0.85 mm
10	3402-023	AR		Shim, 25 x 34 x 0.90 mm
10	3402-024	AR		Shim, 25 x 34 x 0.95 mm
10	3402-025	AR	S	Shim, 25 x 34 x 1.00 mm
10	3402-028	AR		Shim, 25 x 34 x 1.05 mm
10	3402-029	AR		Shim, 25 x 34 x 1.10 mm
10	3402-030	AR		Shim, 25 x 34 x 1.15 mm
10	3402-031	AR		Shim, 25 x 34 x 1.20 mm
11	3402-740	1		Shaft, Secondary Driven - Front
12	3446-035	1		Shim, Secondary Drive Gear - Set
13	3402-738	1		Gear, Secondary Drive
14	3005-372	1		Washer
15	3423-023	1		Nut
16	3402-515	1	/P	Bearing, Driven Gear
17	3402-739	1		Gear, Secondary Driven
18	3423-340	2	S	Circlip, Secondary Driven Gear
19	3423-072	1		Ring, Driven Bearing
20	3423-415	1		Washer, Driven Shaft
21	3402-513	1		Shaft, Secondary Driven - Rear
22	3402-514	1	/P	Flange, Output Joint - Rear
23	1402-026	1		Spring

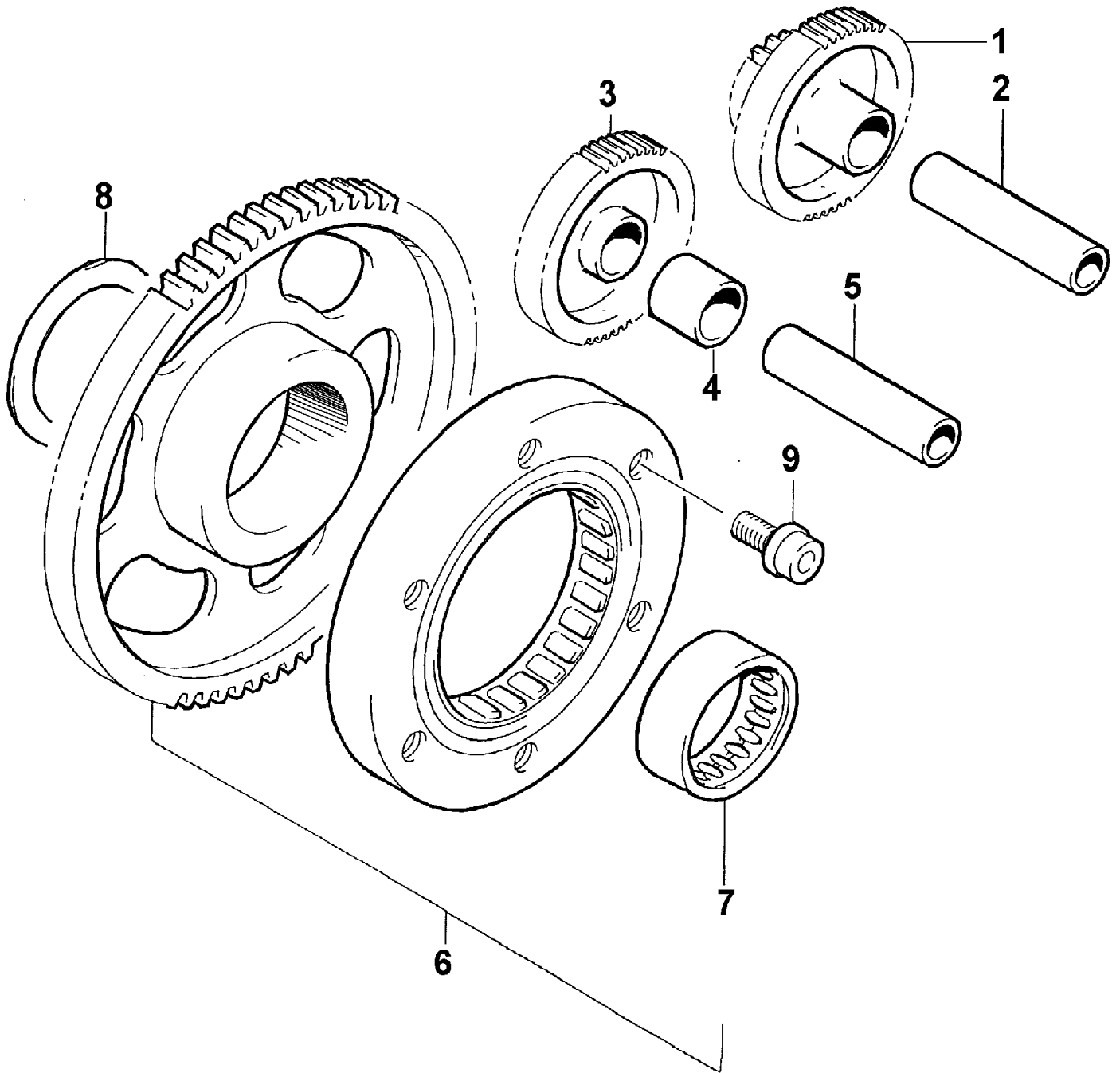
2007 ATV 500 AUTOMATIC TRANSMISSION 4X4 FIS RED (A2007IBM4BUSR) Page 77 of 96
SECONDARY TRANSMISSION ASSEMBLY



2007 ATV 500 AUTOMATIC TRANSMISSION 4X4 FIS RED (A2007IBM4BUSR)Page 78 of 96
SECONDARY TRANSMISSION ASSEMBLY

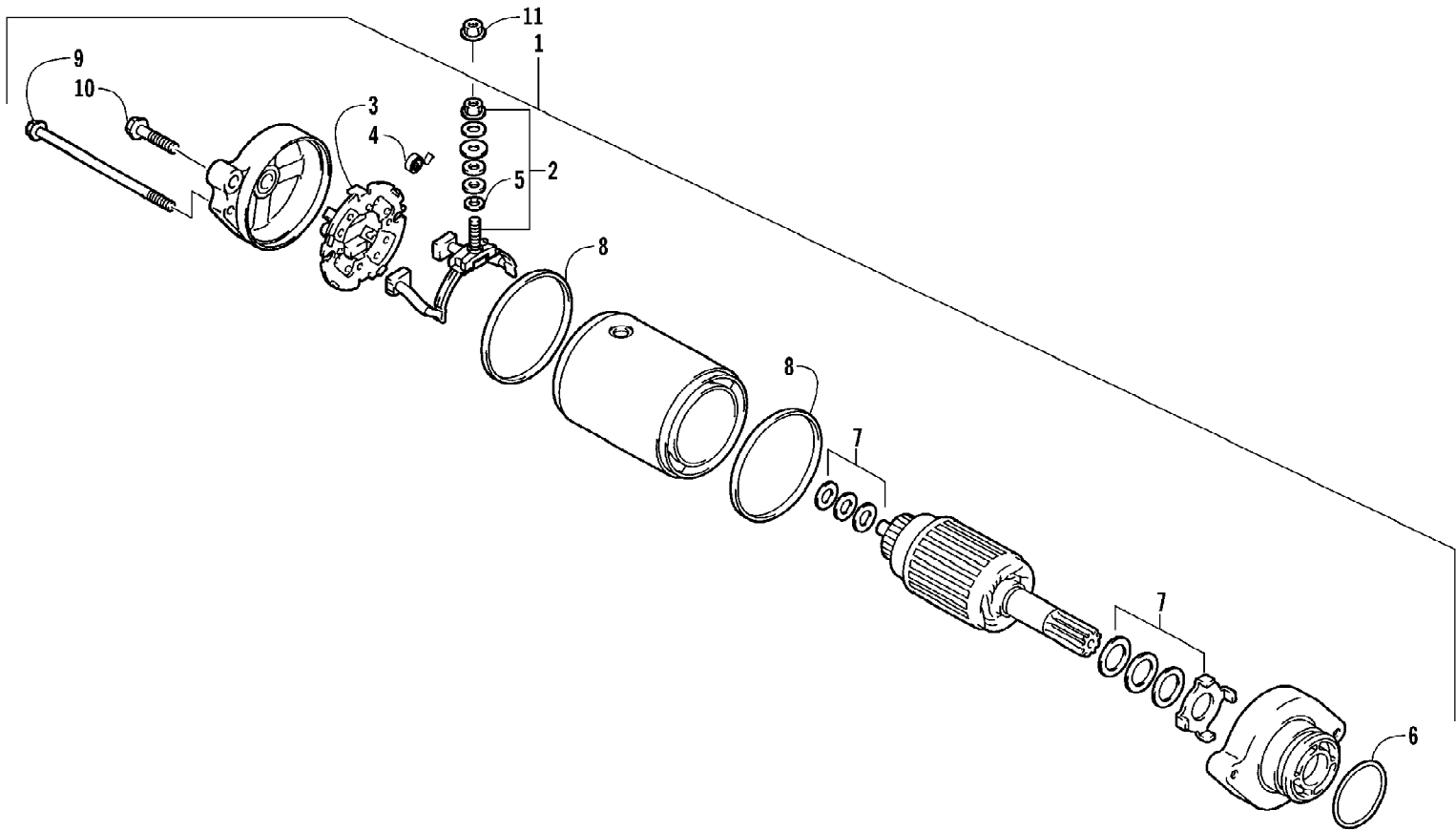
Ref #	Part Number	Qty	S/P/F	Description
1	3402-045	2	/P	Bearing, Shaft
2	3402-381	1	/P	Washer, Drive Gear No. 2 - Right
3	3402-497	1		Gear, Drive - No. 2
4	3423-066	2	/P	Circlip
5	3402-737	1		Dog, Reverse Driven Gear
6	3402-825	1		Spacer, Reverse Driven Gear
7	3423-263	2		Washer
8	3402-494	3		Bushing
9	3402-498	3		Bearing
10	3402-822	1		Gear, Reverse Driven
11	3423-266	1		Washer, Lock
12	3402-820	1		Countershaft
13	3423-262	1		Washer, Lock
14	3402-668	1	/P	Gear, Driven - Low
15	3423-554	2		Washer, Driven Gear
16	3402-824	1		Dog, Sliding
17	3402-733	1		Gear, Driven - High
18	3423-412	1		Washer, Drive Gear - Left
19	3402-836	1		Seal, Countershaft - Left
20	3423-518	1		Circlip
21	3402-837	1		Rotor
22	3423-556	1		Washer
23	3423-557	1		Circlip
24	3446-289	1		Gasket
25	3006-547	2	/P	Pin
26	3446-355	1		Housing, Speedometer Sensor
27	3003-290	2	/P	Gasket
28	3423-091	2	S	Bolt
29	3402-838	1		Sensor, Speedometer
30	3423-226	1		Bolt
31	3402-735	1		Bearing, Shaft
32	3402-491	1		Shaft, Output
33	3402-502	1		Bearing, Output Shaft
34	3402-534	1	/P	Gear, Driven - No. 2
35	3446-031	2	/P	Retainer, Bearing
36	3423-370	2		Screw, Bearing Retainer
37	3402-537	1	/P	Seal, Driveshaft - Left
38	3402-499	1		Bearing, Driveshaft - Right
39	3402-731	1		Driveshaft
40	3003-261	1	/P	Bearing, Driveshaft - Left
41	3402-195	2		Washer, Reverse Idle Gear
42	3402-503	1		Gear, Reverse Idle
43	3446-103	1		Bushing, Reverse Idle Gear
44	3402-507	1		Shaft, Reverse Idle

2007 ATV 500 AUTOMATIC TRANSMISSION 4X4 FIS RED (A2007IBM4BUSR)Page 79 of 96
STARTER CLUTCH ASSEMBLY



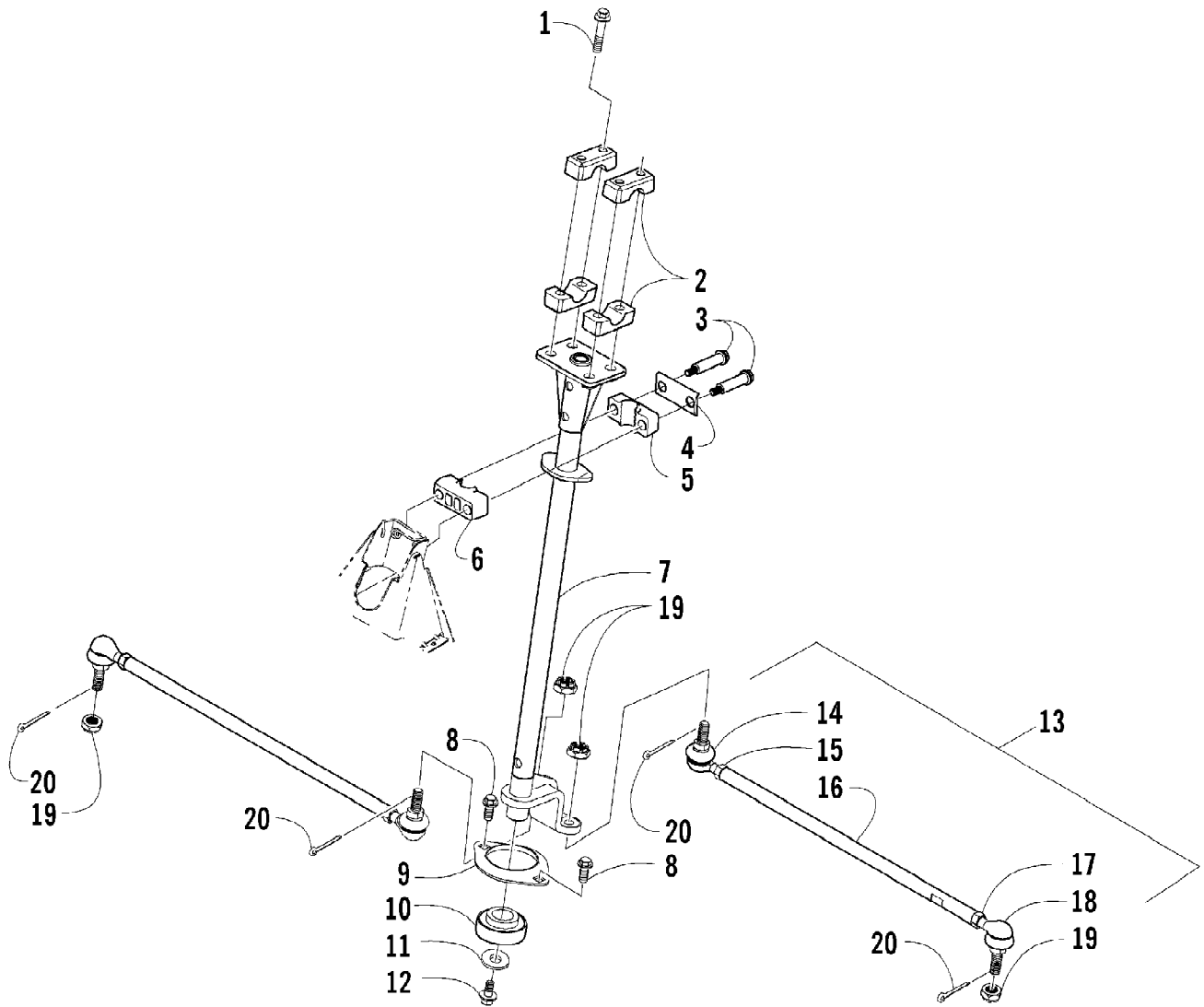
2007 ATV 500 AUTOMATIC TRANSMISSION 4X4 FIS RED (A2007IBM4BUSR)Page 80 of 96
STARTER CLUTCH ASSEMBLY

Ref #	Part Number	Qty	S/P/F	Description
1	3402-813	1	/P	Gear, Starter Idler - No. 1
2	3423-331	1		Pin
3	3402-349	1		Gear, Starter Idler - No. 2
4	3423-396	1		Spacer, Starter Idler Gear No. 2
5	3423-397	1		Pin
6	3402-457	1		Clutch, Starter - Set (inc. 7)
7	3402-063	1		Bearing
8	3423-104	1		Washer
9	3402-509	6		Screw, Cap



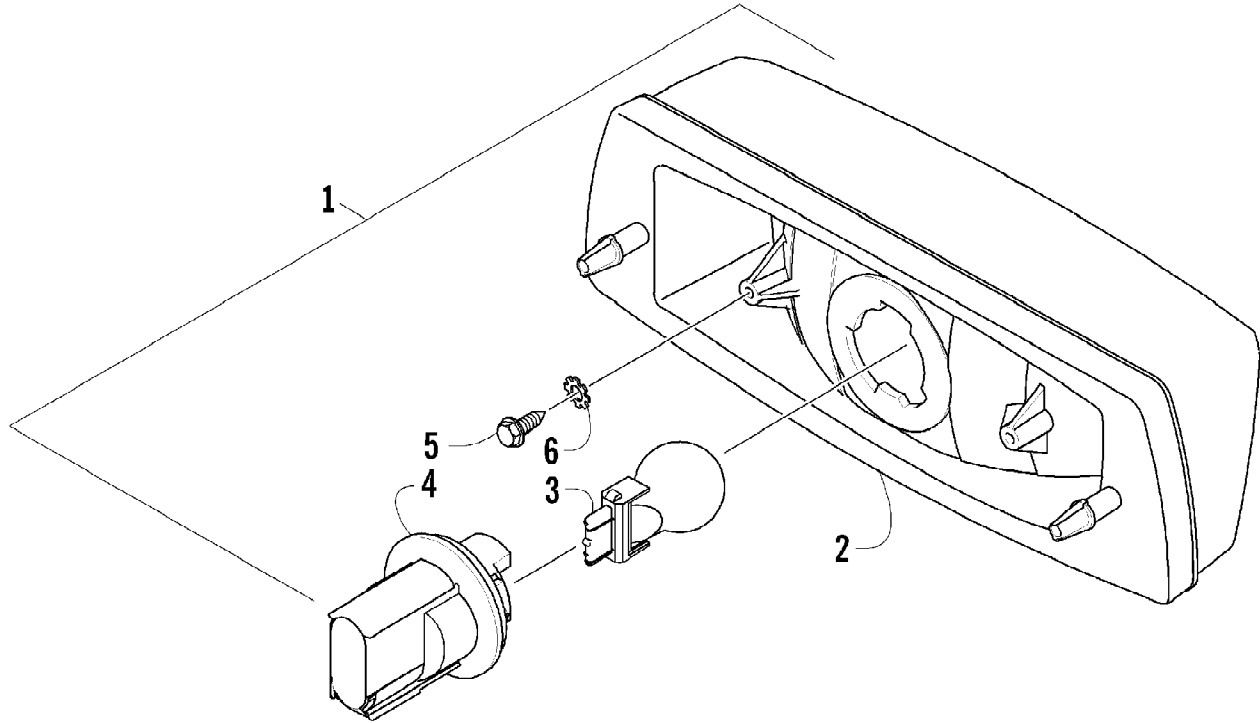
2007 ATV 500 AUTOMATIC TRANSMISSION 4X4 FIS RED (A2007IBM4BUSR)Page 82 of 96
STARTER MOTOR ASSEMBLY

Ref #	Part Number	Qty	S/P/F	Description
1	3545-015	1	S	Motor, Starter Assembly (inc. 2-9)
2	3008-094	1	/P	Terminal Set, Brush
3	3008-095	1	/P	Holder Set, Brush
4	3008-096	4		Spring, Brush
5	3008-164	1		O-Ring
6	3423-084	1		O-Ring
7	3436-001	1		Washer Set
8	3008-553	2	/P	O-Ring
9	3423-085	2		Through-Bolt
10	3423-162	2	S	Screw, Cap
11	3423-195	1	/P	Nut



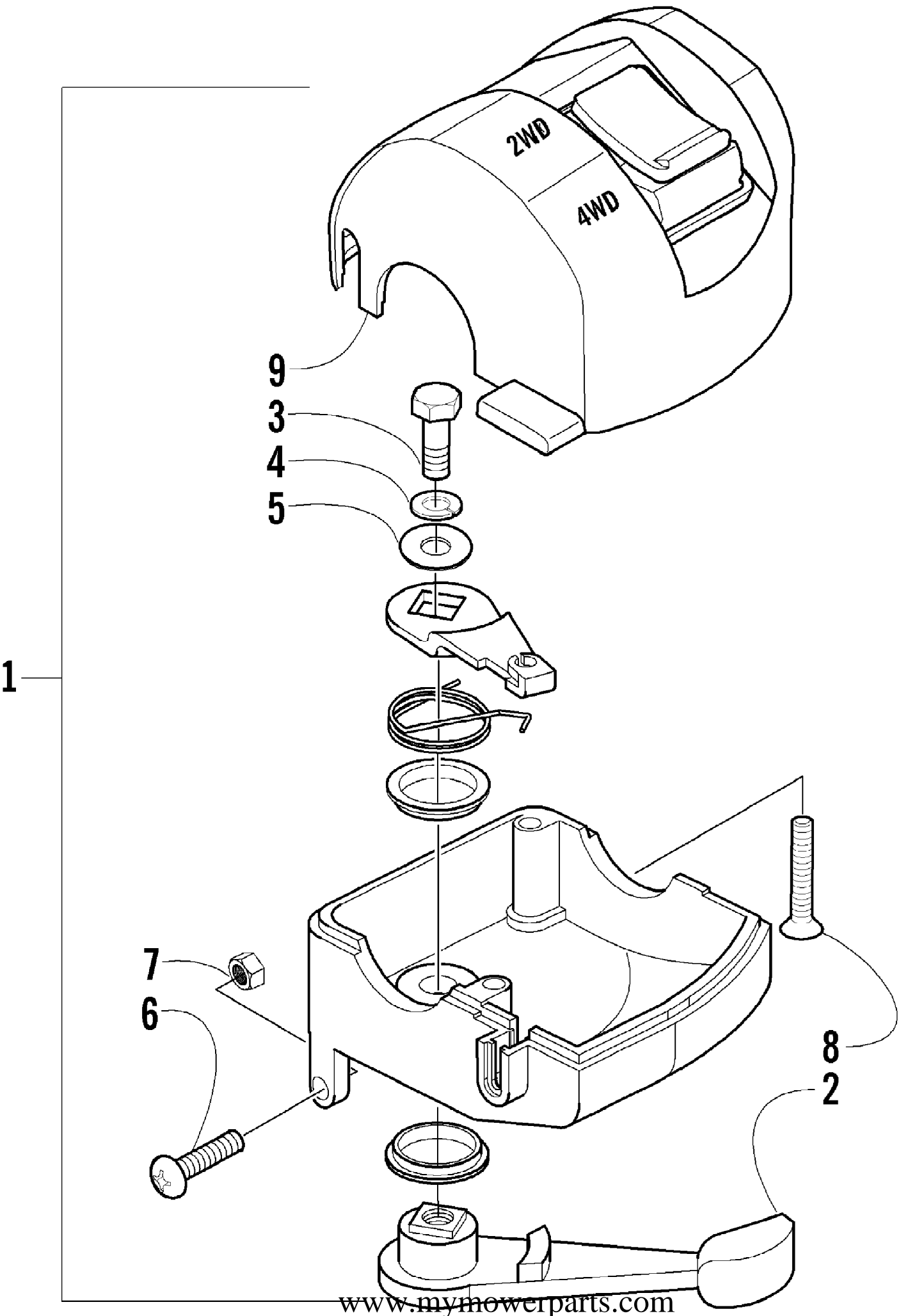
2007 ATV 500 AUTOMATIC TRANSMISSION 4X4 FIS RED (A2007IBM4BUSR)Page 84 of 96
STEERING POST ASSEMBLY

Ref #	Part Number	Qty	S/P/F	Description
1	8408-860	4		Screw, Cap
2	0405-035	4		Cap, Steering Adjuster
3	0423-505	2		Screw, Shoulder
4	0405-166	1		Cap, Housing
5	0405-138	1		Housing, Lower
6	0405-139	1		Housing, Upper
7	0505-451	1	S	Post, Steering
8	8408-816	2		Screw, Cap
9	0602-233	1		Flange, Bearing
10	0405-052	1		Bearing w/Inverted Oil Seal
11	0423-073	1		Washer
12	8409-020	1	/P	Screw, Cap
13	0505-408	2	S	Tie Rod - Assembly (inc. 14-18)
14	0405-083	2	S	Ball Joint, Tie Rod - Left
15	0423-013	2		Nut - Left
16	0405-107	2	S	Tie Rod
17	8420-002	2	/P	Nut - Right
18	0405-082	2	S	Ball Joint, Tie Rod - Right
19	0423-157	4		Nut, Lock
20	0623-175	4		Pin, Cotter



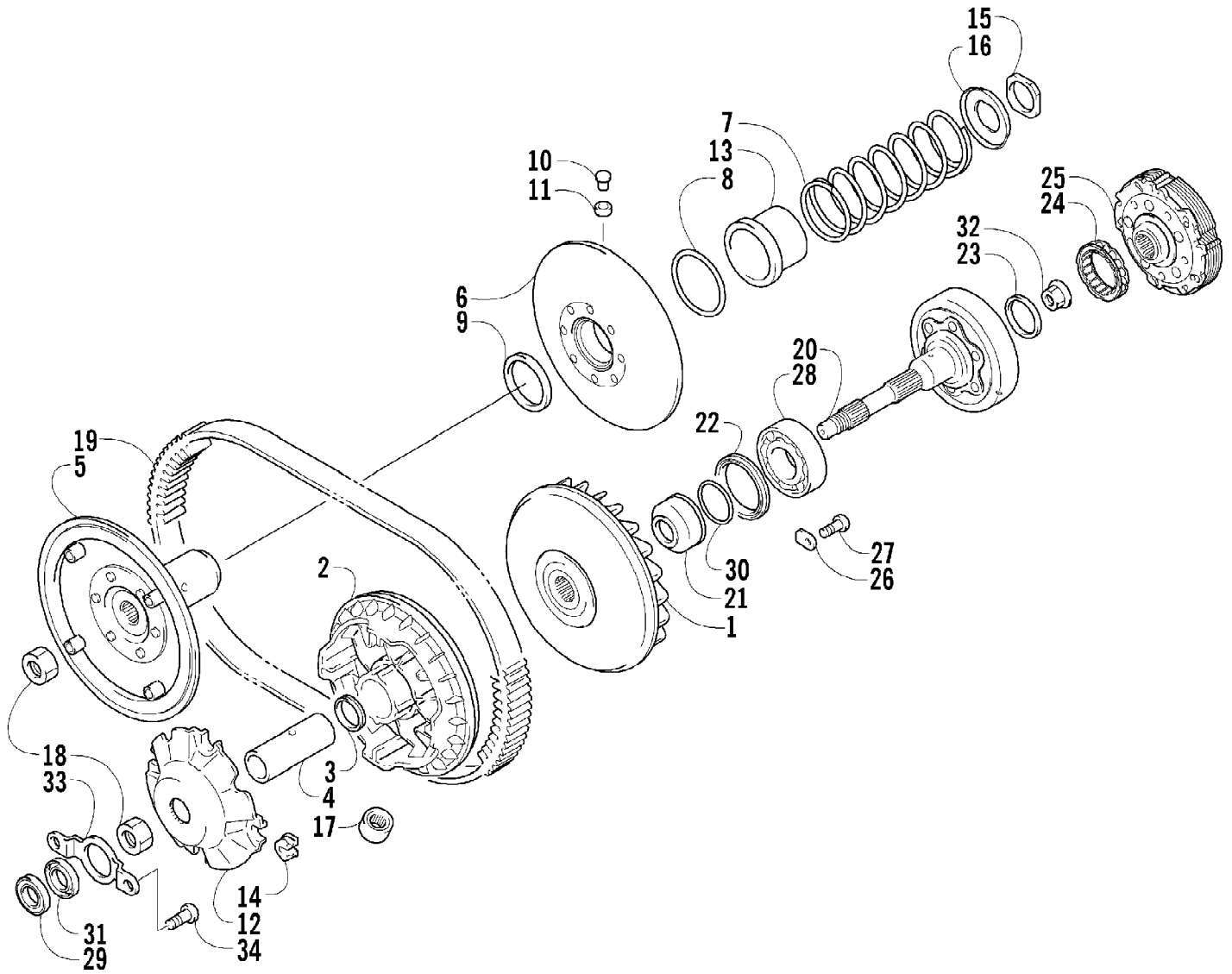
2007 ATV 500 AUTOMATIC TRANSMISSION 4X4 FIS RED (A2007IBM4BUSR)Page 86 of 96
TAILLIGHT ASSEMBLY

Ref #	Part Number	Qty	S/P/F	Description
1	0509-022	1		Taillight Assembly (inc. 2-4)
2	0509-025	1		Housing, Taillight
3	0409-056	1		Bulb, Taillight
4	0409-057	1		Socket, Taillight
5	0623-301	2	/P	Screw, Self-Tapping
6	8053-212	2	/P	Washer, Lock - External Tooth



2007 ATV 500 AUTOMATIC TRANSMISSION 4X4 FIS RED (A2007IBM4BUSR)Page 88 of 96
THROTTLE CASE ASSEMBLY

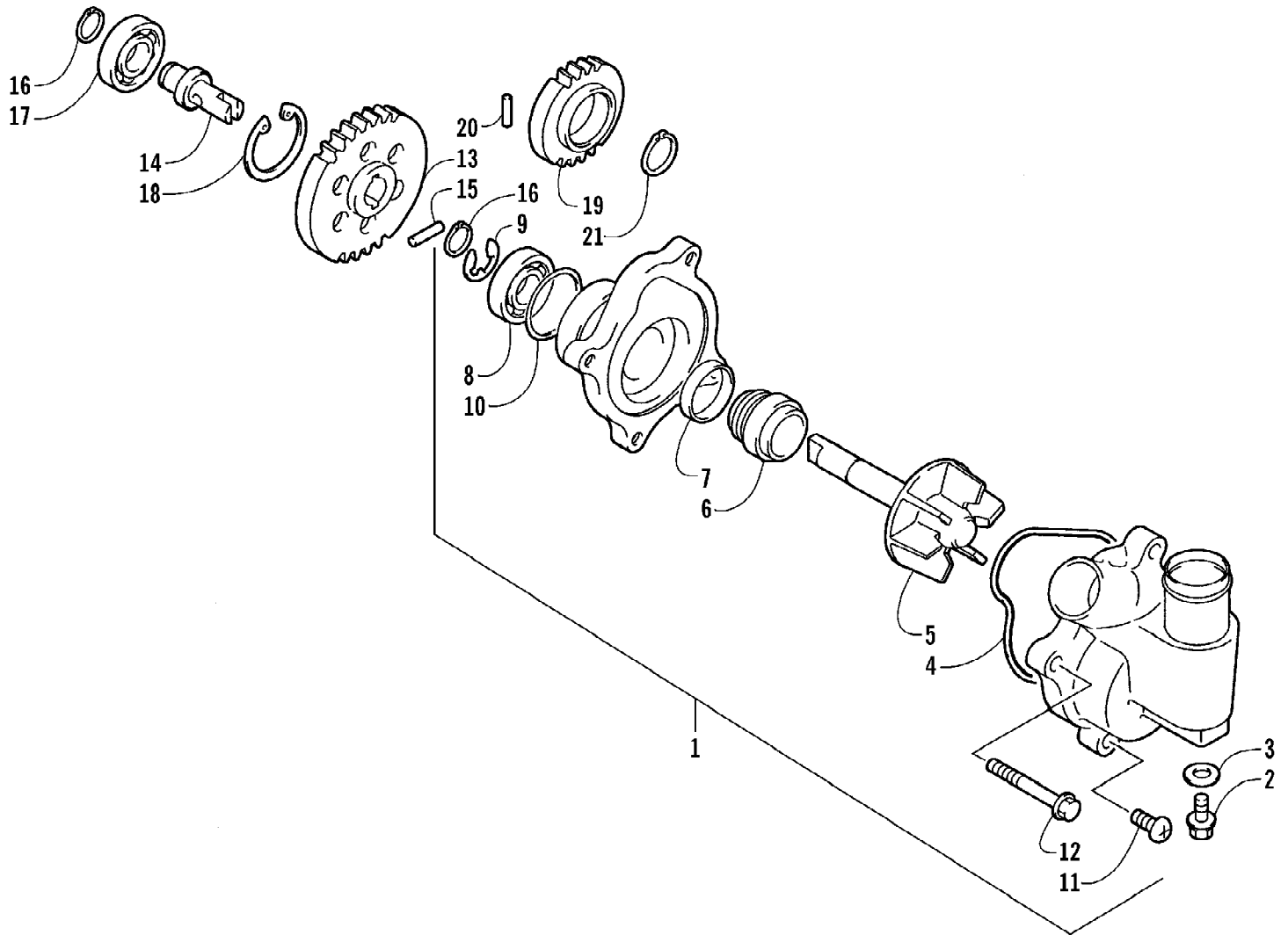
Ref #	Part Number	Qty	S/P/F	Description
1	0509-012	1		Case, Throttle - Assembly (inc. 2-9)
2	3409-001	1		Lever
3	3004-533	1	S/P	Screw, Cap
4	3004-447	1	/P	Washer, Lock
5	3003-030	1	/P	Washer
6	3423-014	1		Screw
7	3423-327	1		Nut
8	3423-199	2		Screw
9	0409-048	1		Cover, Throttle w/Switch



2007 ATV 500 AUTOMATIC TRANSMISSION 4X4 FIS RED (A2007IBM4BUSR)Page 90 of 96
TRANSMISSION ASSEMBLY

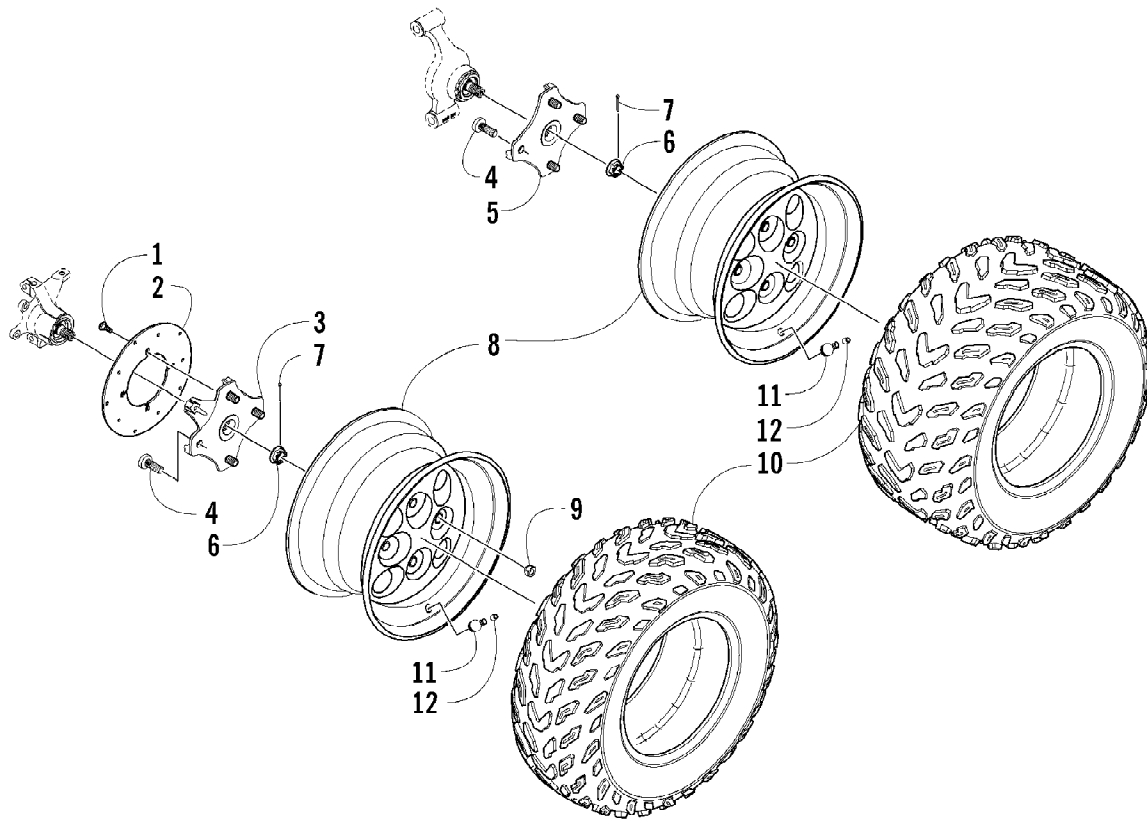
Ref #	Part Number	Qty	S/P/F	Description
1	3402-750	1		Face, Fixed Drive
2	3402-751	1		Face, Movable Drive
3	3402-470	2		Seal, Movable Drive Face
4	3402-471	1		Spacer, Movable Drive Face
5	3402-752	1		Face, Fixed Driven
6	3402-753	1		Face, Movable Driven
7	3402-474	1	/P	Spring, Movable Driven Face
8	3402-475	2		O-Ring, Movable Driven Face
9	3402-476	2		Seal, Movable Driven Face
10	3402-477	4		Pin, Movable Driven Face
11	3402-478	4		Spacer, Movable Driven Face
12	3402-755	1	/P	Plate, Movable Drive Face
13	3402-756	1		Sleeve, Movable Driven Face
14	3402-481	4		Damper, Movable Drive Face
15	3423-406	1		Nut, Driven Pulley
16	3402-482	1		Holder, Movable Driven Face Spring
17	3402-483	8		Roller, Movable Drive Face
18	3423-514	2		Nut
19	3402-757	1		V-Belt
20	3402-758	1	/P	Housing, Clutch
21	3402-544	1	/P	Spacer, Fixed Drive Face
22	3402-977	1	/P	Seal, Clutch Housing - Center
23	3402-488	1		Seal, Clutch Housing - Left
24	3446-003	1		Clutch, One-Way
25	3402-760	1		Shoe, Clutch - Assembly
26	3446-031	2	/P	Retainer, Bearing
27	3423-370	2		Screw, Bearing Retainer
28	3402-567	1		Bearing
29	3402-729	1	/P	Bearing
30	3423-353	1	/P	O-Ring
31	3402-761	2		Seal, Clutch Housing - Right
32	3423-501	1		Nut
33	3402-730	1		Retainer, Bearing
34	3423-018	2		Screw

2007 ATV 500 AUTOMATIC TRANSMISSION 4X4 FIS RED (A2007IBM4BUSR)Page 91 of 96
WATER PUMP ASSEMBLY



2007 ATV 500 AUTOMATIC TRANSMISSION 4X4 FIS RED (A2007IBM4BUSR)Page 92 of 96
WATER PUMP ASSEMBLY

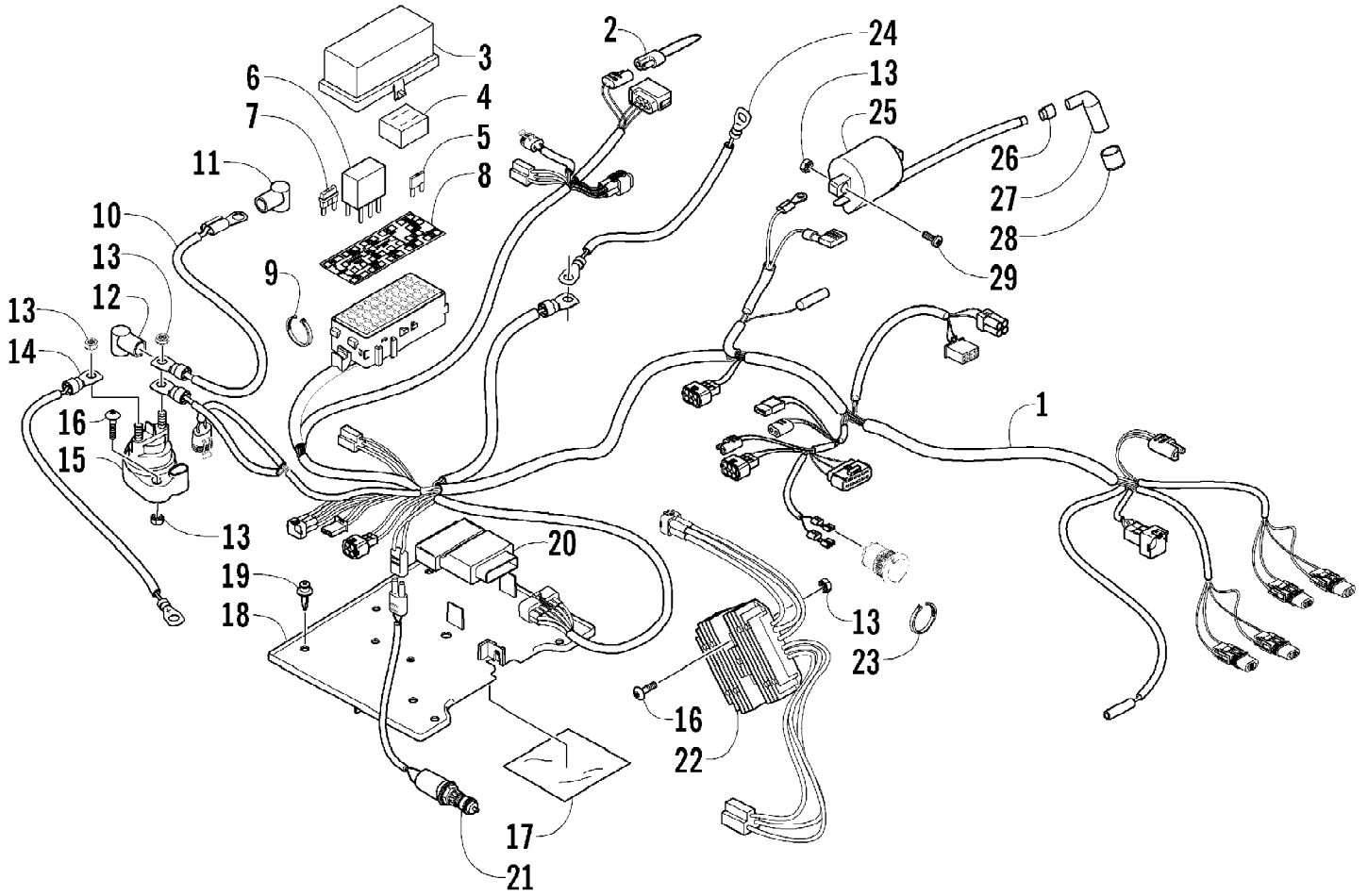
Ref #	Part Number	Qty	S/P/F	Description
1	3402-464	1	/P	Pump, Water - Assembly (inc. 2-11)
2	3423-343	1		Screw, Cap
3	3402-436	1	/P	Gasket
4	3423-402	1		O-Ring
5	3413-014	1		Impeller/Shaft
6	3005-909	1	/P	Seal, Mechanical
7	3402-465	1		Seal, Oil
8	3003-615	1	/P	Bearing
9	3423-403	1	S	E-Ring
10	3423-404	1		O-Ring
11	0693-321	2		Screw
12	3423-308	2	S	Screw, Cap
13	3402-026	1		Gear, Driven
14	3402-466	1		Shaft, Driven Gear
15	3423-046	1		Pin, Driven Gear
16	3423-184	2	S	Circlip, Driven Gear
17	3402-467	1		Bearing, Shaft
18	3423-405	1		Circlip, Shaft Bearing
19	3402-390	1		Gear, Water Pump Drive
20	3423-110	1		Pin, Drive Gear
21	3423-189	1	S	Circlip, Drive Gear



2007 ATV 500 AUTOMATIC TRANSMISSION 4X4 FIS RED (A2007IBM4BUSR)Page 94 of 96
WHEEL AND TIRE ASSEMBLY

Ref #	Part Number	Qty	S/P/F	Description
1	0423-557	12		Screw, Shoulder w/Loctite
2	1402-225	3	S	Disc, Brake
3	0502-599	2	S	Hub, Wheel - Front (inc. 4)
4	0402-974	16	/P	Stud, Wheel Hub
5	0502-601	1	S	Hub, Wheel - Rear - Left (inc. 4)
5	0502-599	1	S	Hub, Wheel - Rear - Right (inc. 4)
6	0423-607	4		Nut, Castle
7	0423-407	4		Pin, Cotter
8	1402-127	2		Wheel - Front
8	1402-115	2		Wheel - Rear
9	0423-408	16	/P	Nut, Lug
10	1402-548	AR	F	Tire - Front Goodyear
10	1402-549	AR	F	Tire - Rear Goodyear
10	1402-658	AR	F	Tire - Front Dunlop
10	1402-659	AR	F	Tire - Rear Dunlop
11	0402-064	4		Stem, Valve (inc. 12)
12	0402-140	4		Cap, Valve Stem

2007 ATV 500 AUTOMATIC TRANSMISSION 4X4 FIS RED (A2007IBM4BUSR) Page 95 of 96
WIRING HARNESS ASSEMBLY



2007 ATV 500 AUTOMATIC TRANSMISSION 4X4 FIS RED (A2007IBM4BUSR)Page 96 of 96
WIRING HARNESS ASSEMBLY

Ref #	Part Number	Qty	S/P/F	Description
1	0486-210	1		Harness, Main (inc. 2-8)
2	0486-164	1		Tether, Accessory Connector
3	0530-008	1		Cover, Fuse Block
4	0430-037	1		Holder, Fuse
5	0430-034	3		Diode
6	0430-033	3	F	Relay
7	0430-032	4		Fuse - 10 Amp
7	0430-031	3		Fuse - 15 Amp
7	0430-030	2		Fuse - 30 Amp
8	0411-828	1		Decal, Fuse Block
9	0123-788	AR	/P	Cable Tie - 7.5 in.
10	0445-053	1	/P	Cable, Solenoid/Starter (inc. 11)
11	0645-019	1		Boot, Terminal
12	0645-327	1		Boot, Terminal
13	0623-038	8		Nut w/Washer
14	0445-055	1	/P	Cable, Battery/Solenoid
15	0445-058	1	/P	Solenoid
16	8476-625	4		Screw, Machine
17	0412-291	1		Shield, Heat
18	1406-600	1		Tray, Electrical
19	0623-362	4		Rivet, Reinstallable
20	3530-039	1		CDI Unit
21	0409-072	1		Switch, Brake - Assembly
22	3530-028	1	S	Regulator, Voltage
23	0123-903	AR		Cable Tie - 11.5 in.
24	0445-054	1	/P	Cable, Battery/Ground
25	3530-027	1		Coil, Ignition - Assembly
26	3430-009	1	/P	Seal, High Tension Wire
27	3430-007	1	/P	Cap, Spark Plug
28	3430-008	1	/P	Seal, Spark Plug
29	8476-620	2		Screw, Machine