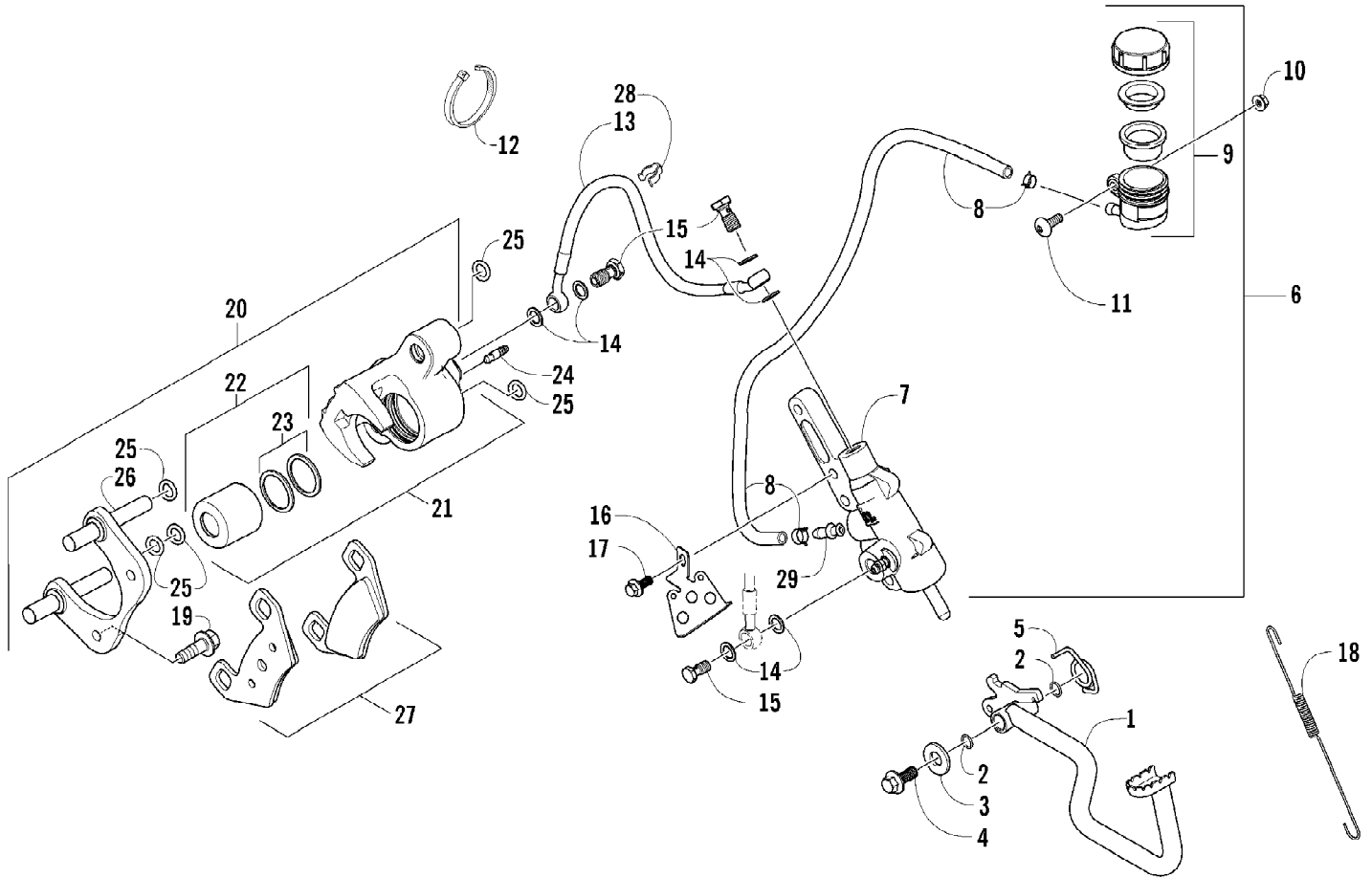


2007 ATV 500 AUTOMATIC TRANSMISSION 4X4 FIS GREEN (A2007IBM4BUS) Page 2 of 96  
 AIR INTAKE ASSEMBLY

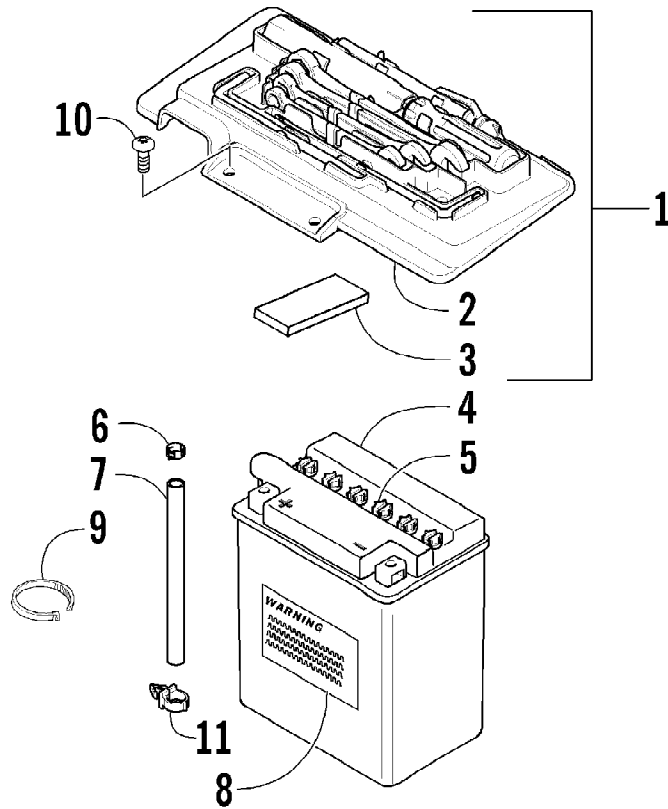
| Ref # | Part Number | Qty | S/P/F | Description                 |
|-------|-------------|-----|-------|-----------------------------|
| 1     | 0413-091    | 1   |       | Diverter, Air - Top         |
| 2     | 0413-093    | 1   |       | Diverter, Air - Bottom      |
| 3     | 0470-442    | 2   | /P    | Valve, Drain                |
| 4     | 0423-551    | 2   |       | Clamp                       |
| 5     | 0470-529    | 1   |       | Boot, Air Intake            |
| 6     | 1406-747    | 1   |       | Shroud, Splash              |
| 7     | 0623-362    | 2   |       | Rivet, Reinstallable        |
| 8     | 0423-342    | 6   | /P    | Screw, Self-Tapping         |
| 9     | 0423-454    | 2   |       | Clip, Mounting - Air Intake |
| 10    | 0470-515    | 1   | S     | Housing, Air Intake         |
| 11    | 0423-455    | 4   |       | Clip, Spring                |
| 12    | 0470-525    | 1   |       | Boot, Carburetor            |
| 13    | 0423-554    | 1   |       | Clamp                       |
| 14    | 0470-516    | 1   |       | Screen, Air Filter          |
| 15    | 0470-663    | 1   | /P    | Filter, Air                 |
| 16    | 0470-554    | 1   | S     | Cover, Air Intake           |
| 17    | 0410-079    | 1   | S     | Hose, Vent - Crankcase      |
| 18    | 0423-045    | 2   |       | Clamp, Hose                 |
| 19    | 0423-019    | 1   |       | Clamp                       |
| 20    | 0470-533    | 1   |       | Carburetor, CVK36-AE        |
| 21    | 0510-592    | 1   |       | Hose, Drain                 |

2007 ATV 500 AUTOMATIC TRANSMISSION 4X4 FIS GREEN (A2007IBM4BUS) Page 3 of 96  
AUXILIARY BRAKE ASSEMBLY



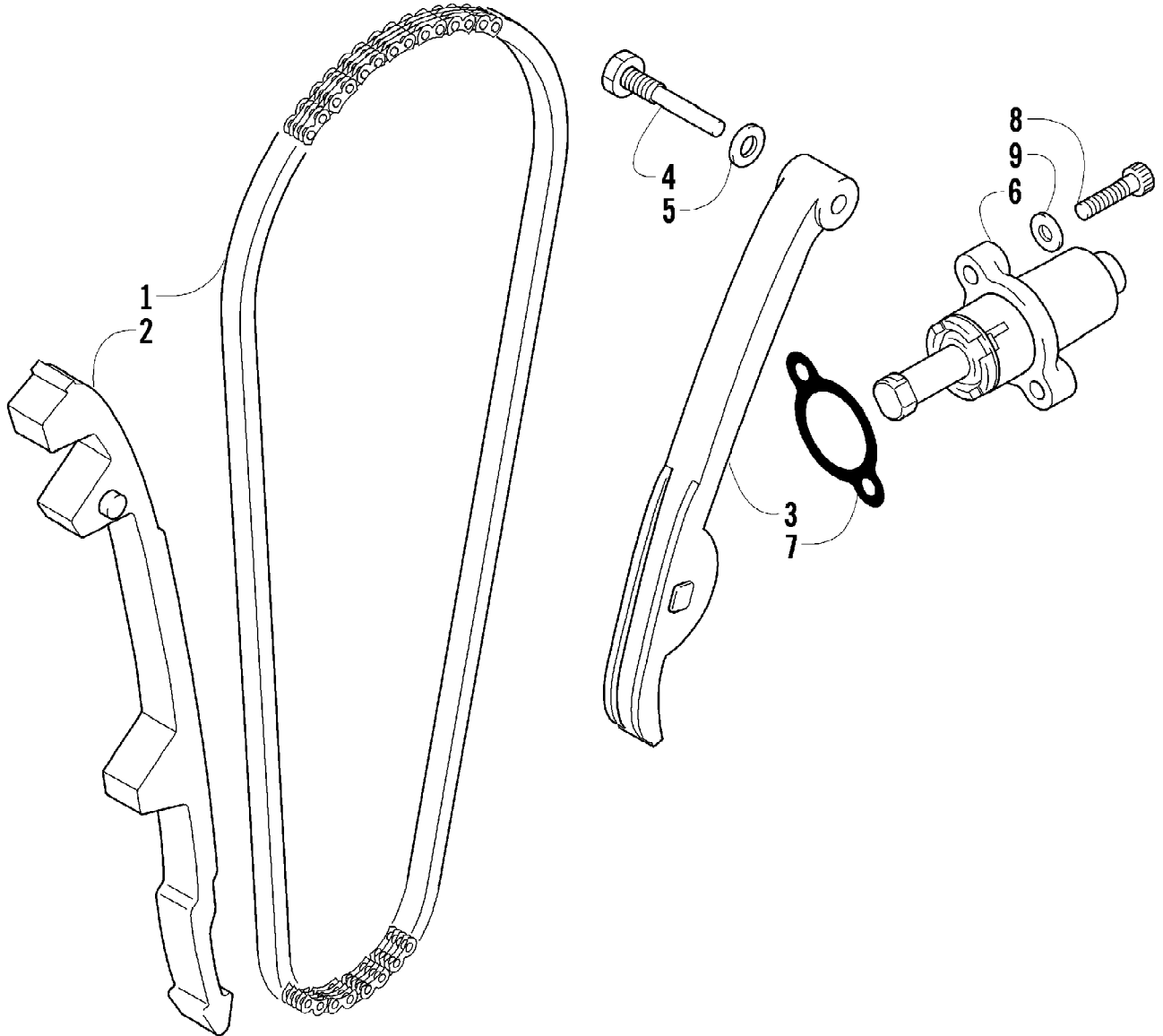
2007 ATV 500 AUTOMATIC TRANSMISSION 4X4 FIS GREEN (A2007IBM4BUSSE) Page 4 of 96  
AUXILIARY BRAKE ASSEMBLY

| Ref # | Part Number | Qty | S/P/F | Description  |
|-------|-------------|-----|-------|--|
|       | 1502-135    | 1   |       | Fully Bled Master Cylinder Replacement Kit               |
| 1     | 1502-063    | 1   |       | Lever, Brake   |
| 2     | 1602-213    | 2   | /P    | O-Ring   |
| 3     | 8050-252    | 1   |       | Washer   |
| 4     | 8408-816    | 1   |       | Screw, Cap   |
| 5     | 0502-807    | 1   |       | Spring, Brake Lever                                      |
| 6     | 1502-137    | 1   | S     | Brake Assembly (inc. 7-9)                                |
| 7     | 0           | 1   | F     | Master Cylinder  |
| 8     | 1502-142    | 1   |       | Hose, Brake Reservoir w/Clamps                           |
| 9     | 1502-141    | 1   |       | Reservoir, Brake   |
| 10    | 0623-038    | 1   |       | Nut, Flanged   |
| 11    | 8476-616    | 1   |       | Screw, Machine   |
| 12    | 0123-788    | 1   | /P    | Cable Tie - 7.5 in.                                      |
| 13    | 1502-139    | 1   |       | Hose, Brake  |
| 14    | 0423-178    | 6   |       | Washer, Crush  |
| 15    | 0423-413    | 3   |       | Bolt, Banjo-Fitting                                      |
| 16    | 1502-179    | 1   |       | Bracket, Switch  |
| 17    | 8408-625    | 2   |       | Screw, Cap   |
| 18    | 0502-785    | 1   |       | Spring, Brake Switch                                     |
| 19    | 1623-589    | 2   | S     | Screw, Cap   |
| 20    | 0502-878    | 1   | S     | Caliper, Brake (inc. 21-27)                              |
| 21    | 0502-603    | 1   | S     | Housing, Caliper - Assembly - Right Rear<br>(inc. 22-24) |
| 22    | 0502-606    | 1   |       | Piston/Seal Set (inc. 23)                                |
| 23    | 0502-607    | 1   |       | Seal Set   |
| 24    | 0502-609    | 1   | /P    | Valve, Bleed   |
| 25    | 0502-608    | 1   |       | O-Ring, Guide - Set                                      |
| 26    | 0502-605    | 1   |       | Bracket Assembly   |
| 27    | 0502-875    | 1   | S     | Pad, Brake - Set   |
| 28    | 1502-115    | 2   |       | Clip, Brake Hose   |
| 29    | 1502-138    | 1   | S     | Adapter, Hose  |



2007 ATV 500 AUTOMATIC TRANSMISSION 4X4 FIS GREEN (A2007IBM4BUS) Page 6 of 96  
BATTERY ASSEMBLY

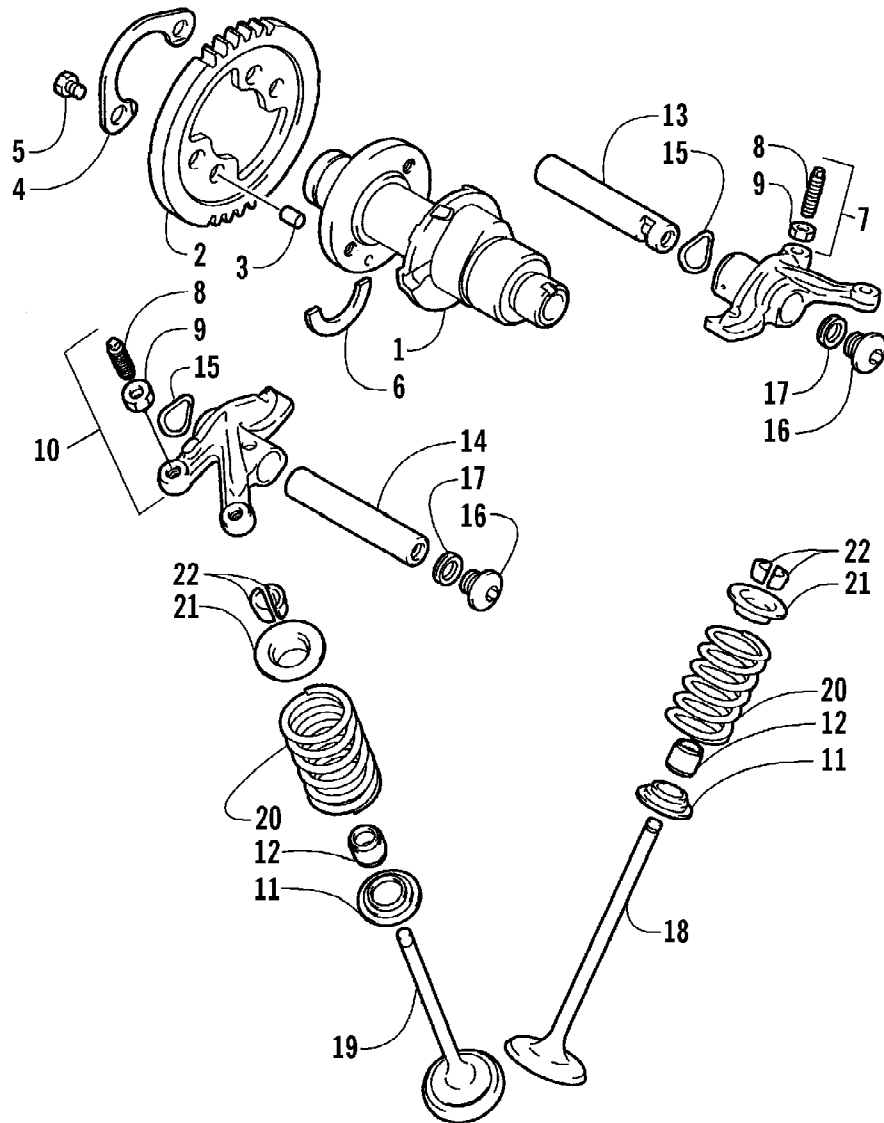
| Ref # | Part Number | Qty | S/P/F | Description                                 |
|-------|-------------|-----|-------|---|
| 1     | 5991-395    | 1   | S     | Battery Cover/Tool Tray Assembly (inc. 2-3) |
| 2     | 2406-815    | 1   | /P    | Cover, Battery                              |
| 3     | 0406-288    | 2   |       | Pad, Battery                                |
| 3     | 0444-122    | 1   | S/P   | Kit, Tool Not Illustrated                   |
| 4     | 0745-045    | 1   | /P    | Battery Assembly (inc. 5-8)                 |
| 5     | 0645-045    | 6   |       | Cap, Battery                                |
| 6     | 0645-152    | 1   |       | Clamp, Hose                                 |
| 7     | 0645-263    | 1   | /P    | Hose, Vent                                  |
| 8     | 0645-151    | 1   |       | Label, Warning - Battery                    |
| 9     | 0123-903    | 4   |       | Cable Tie - 11.5 in.                        |
| 10    | 8476-616    | 2   |       | Screw, Machine                              |
| 11    | 0623-101    | AR  |       | Clip, Retaining                             |



2007 ATV 500 AUTOMATIC TRANSMISSION 4X4 FIS GREEN (A2007IBM4BUSSE)  
CAM CHAIN ASSEMBLY

| Ref # | Part Number | Qty | S/P/F | Description                    |
|-------|-------------|-----|-------|--------------------------------|
| 1     | 3402-353    | 1   |       | Chain, Cam                     |
| 2     | 3402-355    | 1   |       | Guide, Chain                   |
| 3     | 3402-356    | 1   |       | Tensioner, Chain               |
| 4     | 3423-074    | 1   |       | Bolt                           |
| 5     | 3003-188    | 1   | S/P   | Washer                         |
| 6     | 3402-136    | 1   |       | Adjuster, Tensioner - Assembly |
| 7     | 3402-137    | 1   |       | Gasket                         |
| 8     | 3004-475    | 2   | S     | Screw, Cap                     |
| 9     | 3003-290    | 2   | /P    | Gasket                         |

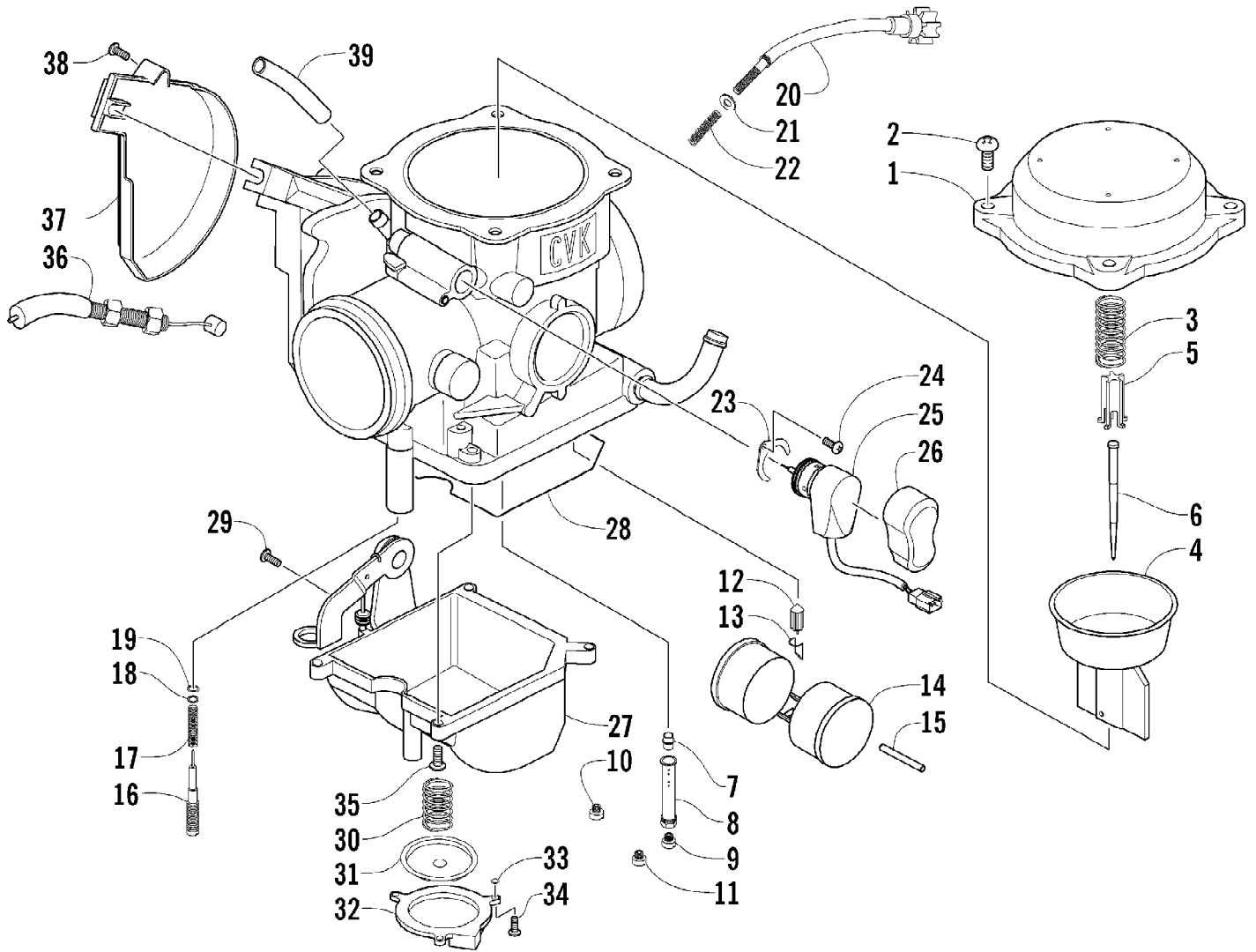




2007 ATV 500 AUTOMATIC TRANSMISSION 4X4 FIS GREEN (A2007IBM4BUB) Page 10 of 96  
CAMSHAFT/VALVE ASSEMBLY

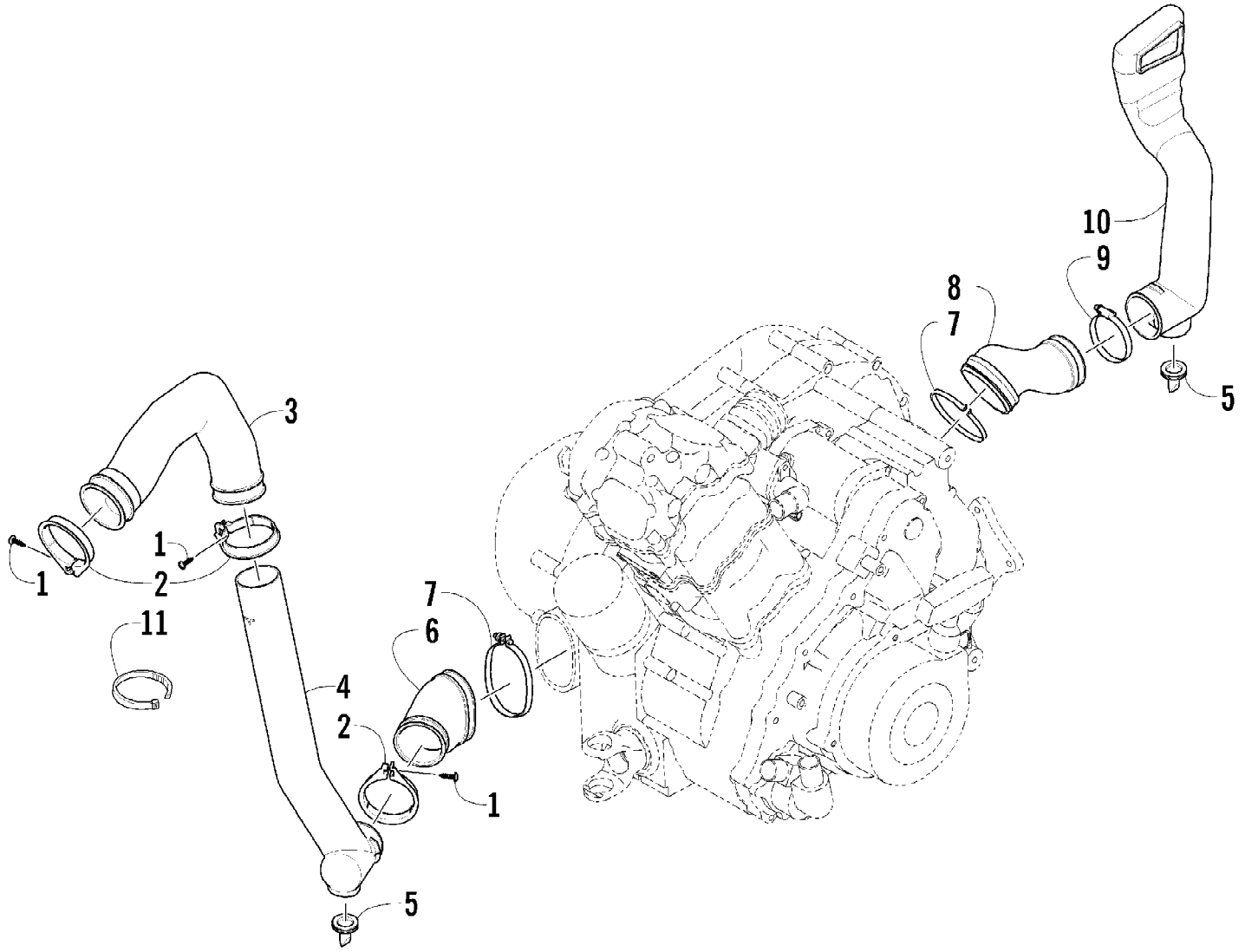
| Ref # | Part Number | Qty | S/P/F | Description                                    |
|-------|-------------|-----|-------|--|
| 1     | 3402-982    | 1   | /P    | Camshaft                                       |
| 2     | 3402-352    | 1   |       | Sprocket                                       |
| 3     | 3423-047    | 1   |       | Pin  |
| 4     | 3423-073    | 1   |       | Washer   |
| 5     | 3423-013    | 2   | S     | Bolt   |
| 6     | 3423-071    | 1   | /P    | C-Ring   |
| 7     | 3402-805    | 1   | /P    | Arm, Valve Rocker - Intake (inc. two No. 8-9)  |
| 8     | 3423-075    | 4   |       | Screw  |
| 9     | 3423-076    | 4   |       | Nut  |
| 10    | 3402-139    | 1   |       | Arm, Valve Rocker - Exhaust (inc. two No. 8-9) |
| 11    | 3402-148    | 4   |       | Seat, Spring                                   |
| 12    | 3402-078    | 4   |       | Seal, Oil                                      |
| 13    | 3402-140    | 1   |       | Shaft, Rocker Arm                              |
| 14    | 3402-141    | 1   |       | Shaft, Rocker Arm                              |
| 15    | 3423-031    | 2   |       | Washer   |
| 16    | 3402-040    | 2   | /P    | Plug, Shaft                                    |
| 17    | 3402-012    | 2   |       | Gasket   |
| 18    | 3402-725    | 2   | /P    | Valve, Intake                                  |
| 19    | 3402-143    | 2   |       | Valve, Exhaust                                 |
| 20    | 3402-726    | 4   |       | Spring, Valve                                  |
| 21    | 3423-541    | 4   | /P    | Retainer, Spring                               |
| 22    | 3402-147    | 8   |       | Cotter, Valve                                  |

2007 ATV 500 AUTOMATIC TRANSMISSION 4X4 FIS GREEN (A2007IBM4BU) Page 11 of 96  
CARBURETOR



2007 ATV 500 AUTOMATIC TRANSMISSION 4X4 FIS GREEN (A2007IBM4BUB) Page 12 of 96  
CARBURETOR

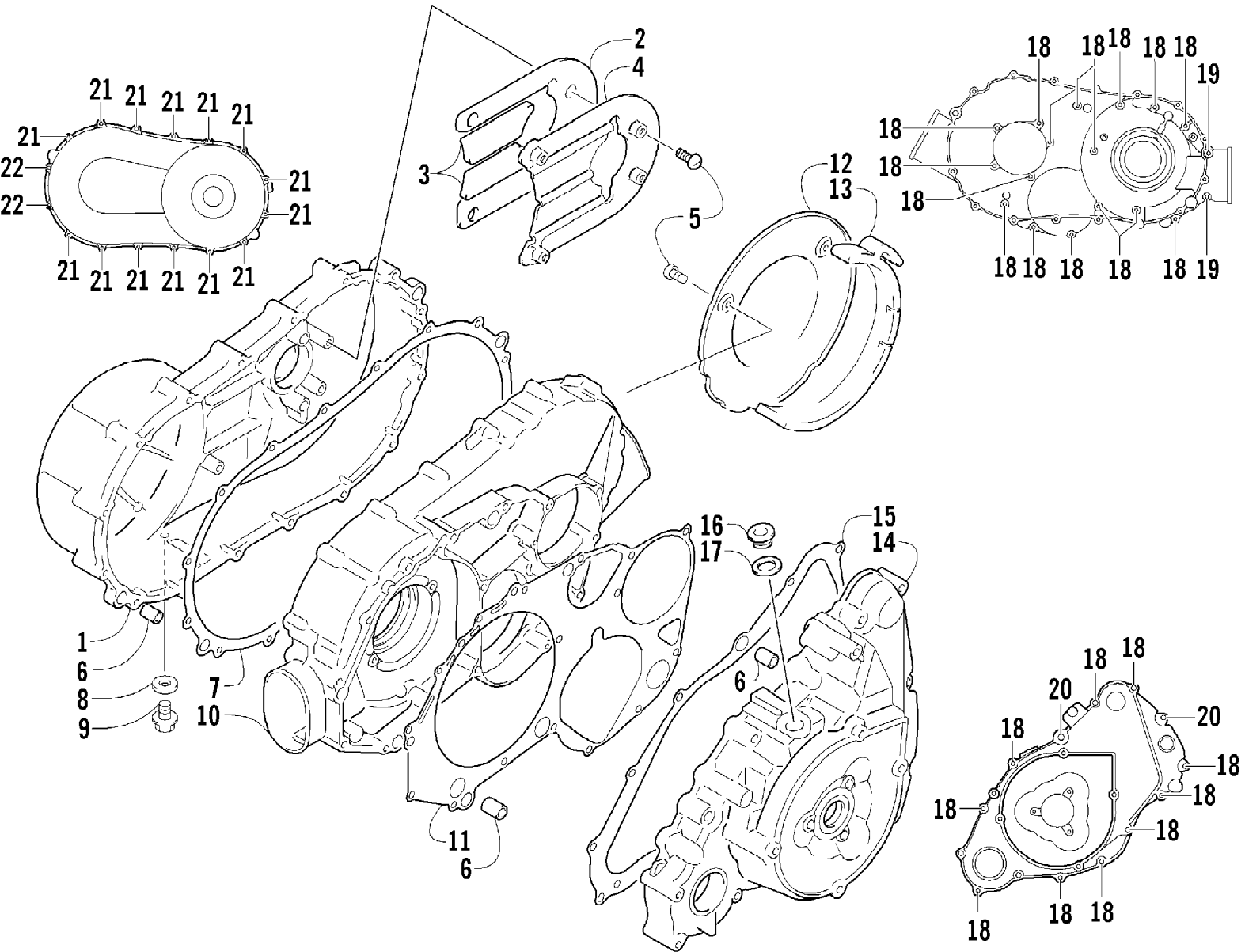
| Ref # | Part Number | Qty | S/P/F | Description                            |
|-------|-------------|-----|-------|--|
|       | 0470-533    | 1   |       | Complete Carburetor Assembly CVK36-AE  |
| 1     | 5507-001    | 1   |       | Cover, Top                             |
| 2     | 5507-002    | 4   | /P    | Screw, Top Cover                       |
| 3     | 5507-173    | 1   | S     | Spring                                 |
| 4     | 5507-099    | 1   |       | Piston, Vacuum                         |
| 5     | 5507-005    | 1   |       | Seat, Spring                           |
| 6     | 5507-184    | 1   |       | Jet Needle                             |
| 7     | 5507-007    | 1   |       | Needle Jet                             |
| 8     | 5507-174    | 1   | S     | Holder, Needle Jet                     |
| 9     | 5507-043    | 1   |       | Main Jet - 142                         |
| 9     | 5507-044    | 1   |       | Main Jet - 140                         |
| 9     | 5507-041    | 1   |       | Main Jet - 147                         |
| 9     | 5507-086    | 1   |       | Main Jet - 148                         |
| 9     | 5507-009    | 1   | /P    | Main Jet - 150                         |
| 10    | 5507-101    | 1   | S     | Slow Jet                               |
| 11    | 5507-112    | 1   |       | Starter Jet - 85                       |
| 12    | 5507-183    | 1   |       | Valve, Float - Set (inc. 13)           |
| 13    | 0           | 1   | F     | Clip                                   |
| 14    | 5507-039    | 1   |       | Float Set (inc. 15)                    |
| 15    | 0           | 1   | F     | Pin, Float                             |
| 16    | 5507-111    | 1   |       | Screw, Pilot - Set (inc. 17-19)        |
| 17    | 0           | 1   | F     | Spring                                 |
| 18    | 0           | 1   | F     | Washer                                 |
| 19    | 0           | 1   | F     | O-Ring                                 |
| 20    | 5507-027    | 1   |       | Screw, Idle Adjust                     |
| 21    | 5507-028    | 1   |       | Washer                                 |
| 22    | 5507-029    | 1   |       | Spring                                 |
| 23    | 5507-115    | 1   |       | Plate                                  |
| 24    | 5507-117    | 1   | /P    | Screw                                  |
| 25    | 5507-113    | 1   |       | Choke, Electric                        |
| 26    | 5507-114    | 1   |       | Cover, Electric Choke                  |
| 27    | 5507-181    | 1   |       | Chamber, Float - Assembly (inc. 28-34) |
| 28    | 5507-067    | 1   | /P    | O-Ring, Float Chamber                  |
| 29    | 5507-050    | 1   | /P    | Screw, Drain                           |
| 30    | 5507-032    | 1   |       | Spring                                 |
| 31    | 5507-031    | 1   | S     | Diaphragm Assembly                     |
| 32    | 0           | 1   | F     | Housing, Pump                          |
| 33    | 5507-034    | 1   |       | U-Ring                                 |
| 34    | 5507-035    | 3   |       | Screw                                  |
| 35    | 5507-017    | 4   | /P    | Screw                                  |
| 36    | 0487-021    | 1   | S     | Cable, Throttle                        |
| 37    | 5507-036    | 1   |       | Cover                                  |
| 38    | 5507-037    | 1   | /P    | Screw                                  |
| 39    | 0410-056    | 1   |       | Hose, Vent                             |



2007 ATV 500 AUTOMATIC TRANSMISSION 4X4 FIS GREEN (A2007IBM4BUB) Page 14 of 96  
CASE/BELT COOLING ASSEMBLY

| Ref # | Part Number | Qty | S/P/F | Description                |
|-------|-------------|-----|-------|----------------------------|
| 1     | 0423-342    | 3   | /P    | Screw, Self-Tapping        |
| 2     | 0423-551    | 3   |       | Clamp                      |
| 3     | 0413-092    | 1   |       | Boot, Air-In               |
| 4     | 0513-010    | 1   |       | Duct, Belt Cooling - Front |
| 5     | 0470-442    | 2   | /P    | Valve, Drain               |
| 6     | 0413-113    | 1   | S     | Boot, Duct - Front         |
| 7     | 3402-449    | 2   | /P    | Clamp                      |
| 8     | 0413-055    | 1   |       | Boot, Duct - Rear          |
| 9     | 0423-380    | 1   | /P    | Clamp                      |
| 10    | 0413-094    | 1   |       | Duct, Belt Cooling - Rear  |
| 11    | 0123-903    | 1   |       | Cable Tie - 11.5 in.       |

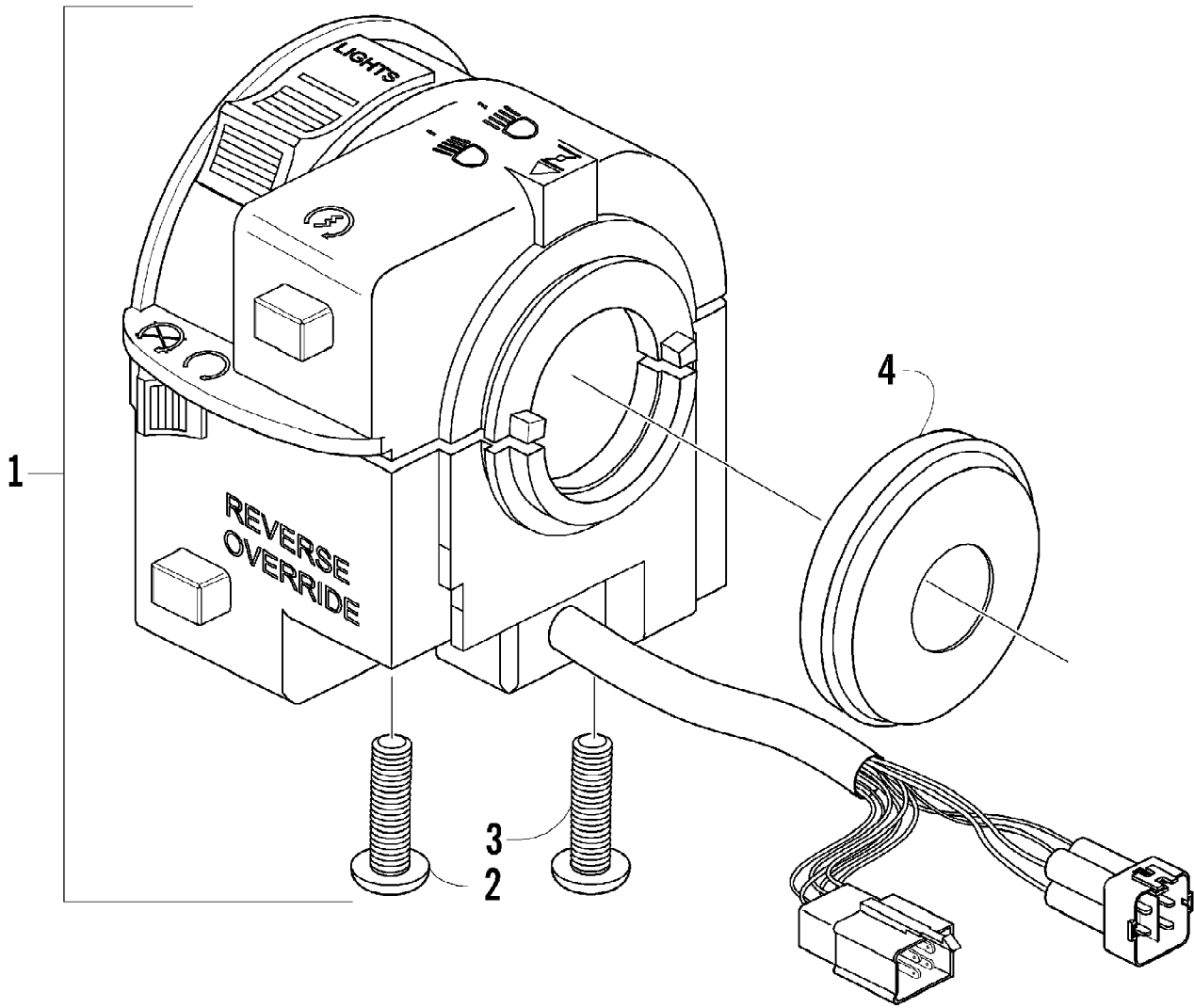
2007 ATV 500 AUTOMATIC TRANSMISSION 4X4 FIS GREEN (A2007IBM4BU) Page 15 of 96  
CLUTCH/V-BELT/MAGNETO COVER ASSEMBLY



2007 ATV 500 AUTOMATIC TRANSMISSION 4X4 FIS GREEN (A2007IBM4BUB) Page 16 of 96  
CLUTCH/V-BELT/MAGNETO COVER ASSEMBLY

| Ref # | Part Number | Qty | S/P/F | Description               |
|-------|-------------|-----|-------|---------------------------|
| 1     | 3402-710    | 1   |       | Cover, V-Belt             |
| 2     | 3402-711    | 1   |       | Damper, V-Belt Cover      |
| 3     | 3402-712    | 2   |       | Damper, V-Belt Cover      |
| 4     | 3402-713    | 1   |       | Plate, V-Belt Cover       |
| 5     | 3423-370    | 7   |       | Screw                     |
| 6     | 3423-088    | 6   |       | Pin, Dowel                |
| 7     | 3402-443    | 1   |       | Gasket, V-Belt Cover      |
| 8     | 3402-444    | 1   |       | Gasket, Drain Plug        |
| 9     | 3004-705    | 1   | S     | Plug, Drain               |
| 10    | 3402-709    | 1   | /P    | Cover, Clutch             |
| 11    | 3402-441    | 1   |       | Gasket, Clutch Cover      |
| 12    | 3402-445    | 1   |       | Plate, Air Intake         |
| 13    | 3402-699    | 1   | /P    | Cushion, Air Intake Plate |
| 14    | 3402-714    | 1   |       | Cover, Magneto            |
| 15    | 3402-715    | 1   |       | Gasket, Magneto Cover     |
| 16    | 3402-041    | 1   | S     | Plug, Oil Filler          |
| 17    | 3402-013    | 1   | /P    | Gasket, Oil Filler Plug   |
| 18    | 3423-098    | 26  | S     | Bolt                      |
| 19    | 3423-092    | 2   | S     | Bolt                      |
| 20    | 3004-756    | 2   | S     | Bolt                      |
| 21    | 3423-091    | 14  | S     | Bolt                      |
| 22    | 3423-119    | 2   | S     | Bolt                      |

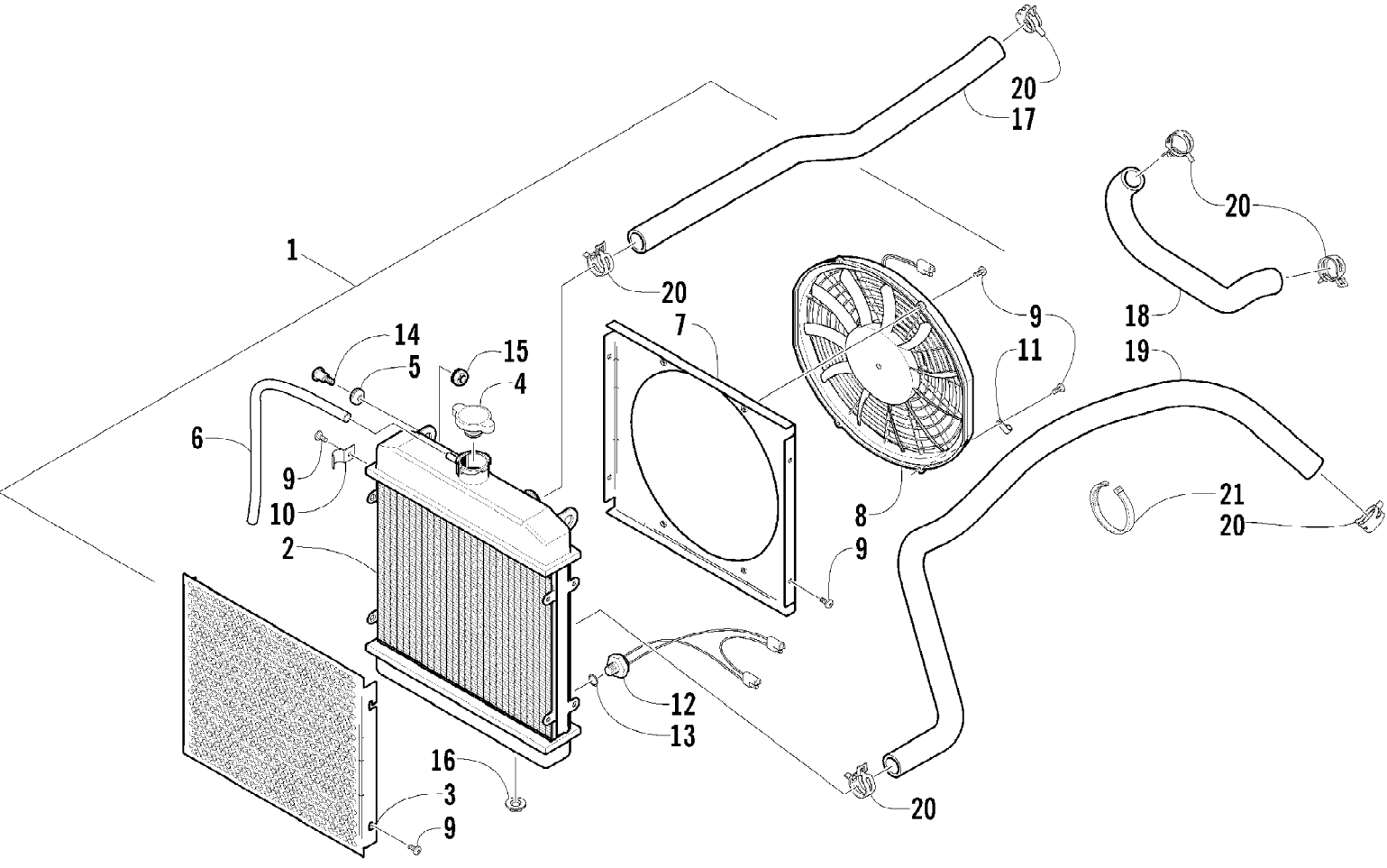




2007 ATV 500 AUTOMATIC TRANSMISSION 4X4 FIS GREEN (A2007IBM4BUB) Page 18 of 96  
CONTROL SWITCH HOUSING ASSEMBLY

| Ref # | Part Number | Qty | S/P/F | Description                           |
|-------|-------------|-----|-------|---------------------------------------|
| 1     | 0509-014    | 1   |       | Switch, Control - Assembly (inc. 2-4) |
| 2     | 0409-027    | 1   |       | Screw, Machine                        |
| 3     | 0409-028    | 1   |       | Screw, Machine                        |
| 4     | 3409-019    | 1   |       | Cover, Switch Housing                 |

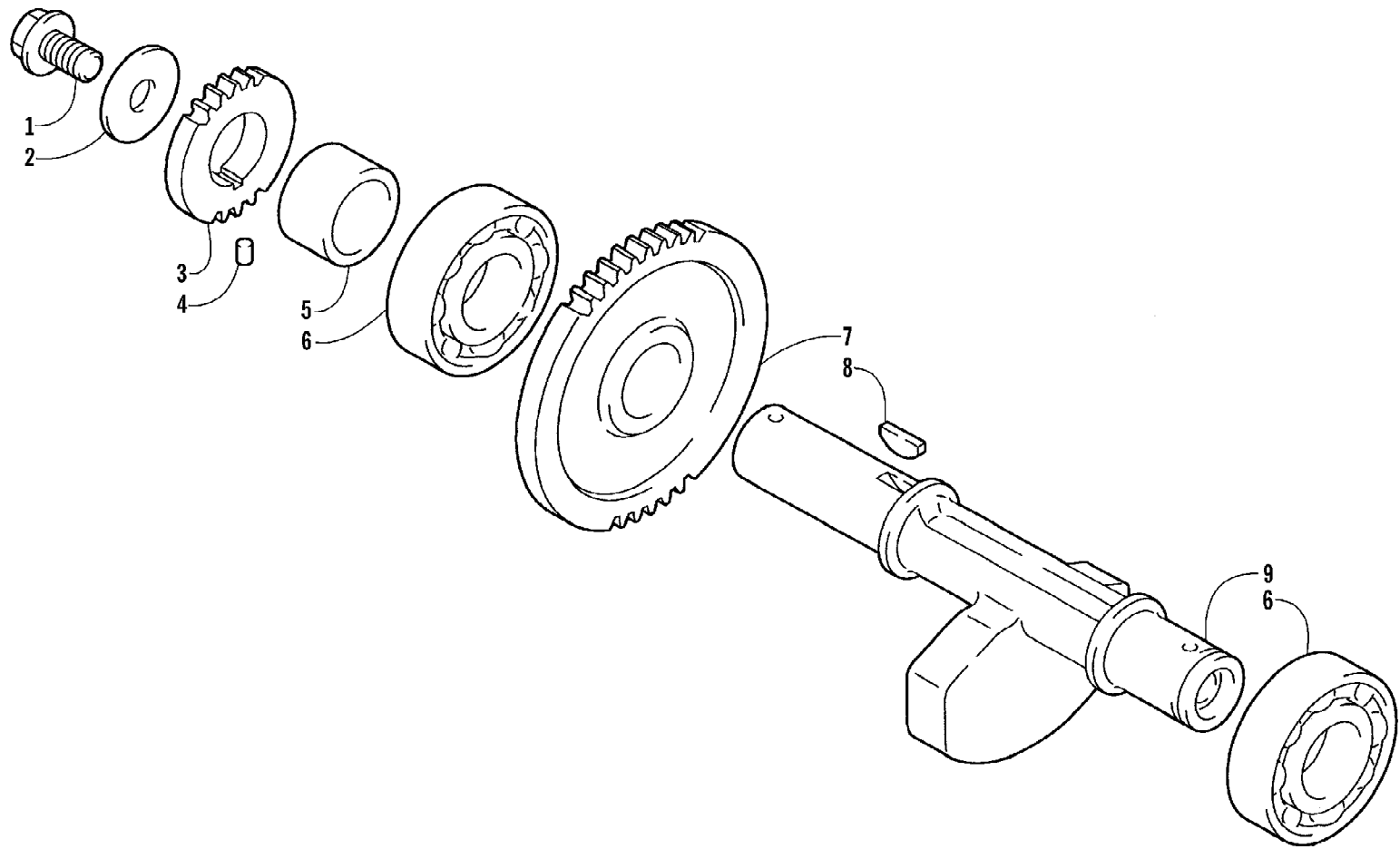
2007 ATV 500 AUTOMATIC TRANSMISSION 4X4 FIS GREEN (A2007IBM4BUB) Page 19 of 96  
COOLING ASSEMBLY



2007 ATV 500 AUTOMATIC TRANSMISSION 4X4 FIS GREEN (A2007IBM4BUB) Page 20 of 96  
COOLING ASSEMBLY

| Ref # | Part Number | Qty | S/P/F | Description                   |
|-------|-------------|-----|-------|-------------------------------|
| 1     | 0413-117    | 1   |       | Radiator Assembly (inc. 2-13) |
| 2     | 0413-043    | 1   | S     | Radiator                      |
| 3     | 0413-007    | 1   |       | Screen, Radiator              |
| 4     | 0413-002    | 1   | S     | Cap, Radiator                 |
| 5     | 0423-030    | 2   |       | Grommet                       |
| 6     | 0610-016    | AR  | /P    | Hose - 25 ft                  |
| 7     | 0413-046    | 1   |       | Shroud, Fan                   |
| 8     | 0413-044    | 1   | S     | Fan, Cooling                  |
| 9     | 8475-512    | 12  |       | Screw, Machine                |
| 10    | 0423-351    | 1   |       | Clamp, Wire                   |
| 11    | 0123-397    | 1   |       | Clamp, Cable                  |
| 12    | 0413-045    | 1   |       | Sender, Temperature - Coolant |
| 13    | 0423-390    | 1   | S     | O-Ring                        |
| 14    | 0423-484    | 2   |       | Screw, Shoulder               |
| 15    | 0623-038    | 2   |       | Nut w/Washer                  |
| 16    | 0423-028    | 2   |       | Bushing, Stem                 |
| 17    | 0410-002    | 1   |       | Hose, Coolant - Upper         |
| 18    | 0410-022    | 1   |       | Hose, Coolant - Crossover     |
| 19    | 0410-041    | 1   |       | Hose, Coolant - Lower         |
| 20    | 0423-496    | 6   |       | Clamp, Hose                   |
| 21    | 0623-751    | 1   |       | Cable Tie                     |

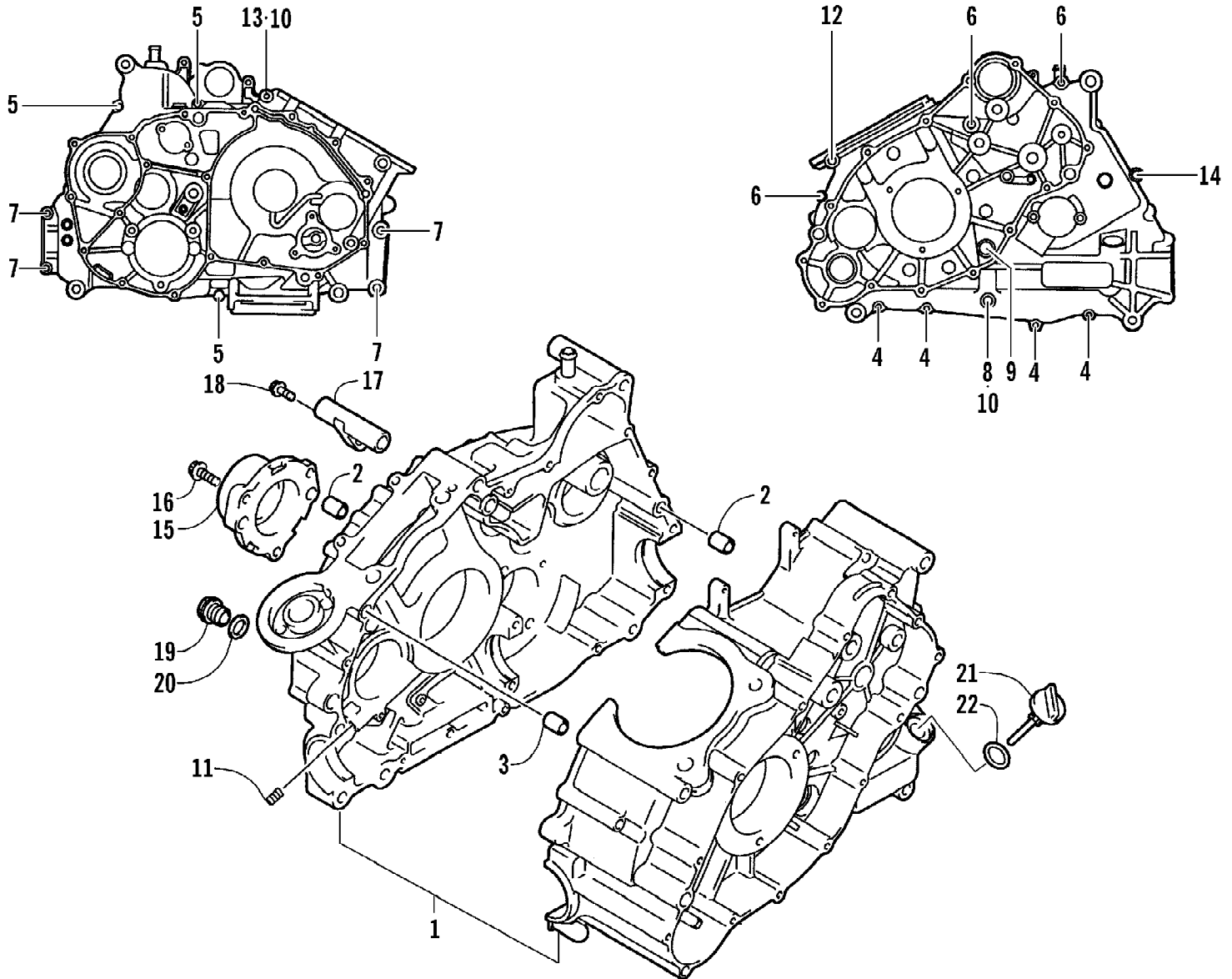
2007 ATV 500 AUTOMATIC TRANSMISSION 4X4 FIS GREEN (A2007IBM4BUB) Page 21 of 96  
CRANK BALANCER ASSEMBLY



2007 ATV 500 AUTOMATIC TRANSMISSION 4X4 FIS GREEN (A2007IBM4BUB) Page 22 of 96  
CRANK BALANCER ASSEMBLY

| Ref # | Part Number | Qty | S/P/F | Description          |
|-------|-------------|-----|-------|----------------------|
| 1     | 3423-555    | 1   |       | Bolt                 |
| 2     | 3423-401    | 1   |       | Washer               |
| 3     | 3402-390    | 1   |       | Gear, Oil Pump Drive |
| 4     | 3423-110    | 1   |       | Pin                  |
| 5     | 3402-461    | 1   |       | Spacer               |
| 6     | 3402-050    | 2   |       | Bearing              |
| 7     | 3402-722    | 1   |       | Gear, Driven         |
| 8     | 3004-540    | 1   | /P    | Key                  |
| 9     | 3402-458    | 1   |       | Balancer, Crank      |

2007 ATV 500 AUTOMATIC TRANSMISSION 4X4 FIS GREEN (A2007IBM4BUB) Page 23 of 96  
CRANKCASE ASSEMBLY

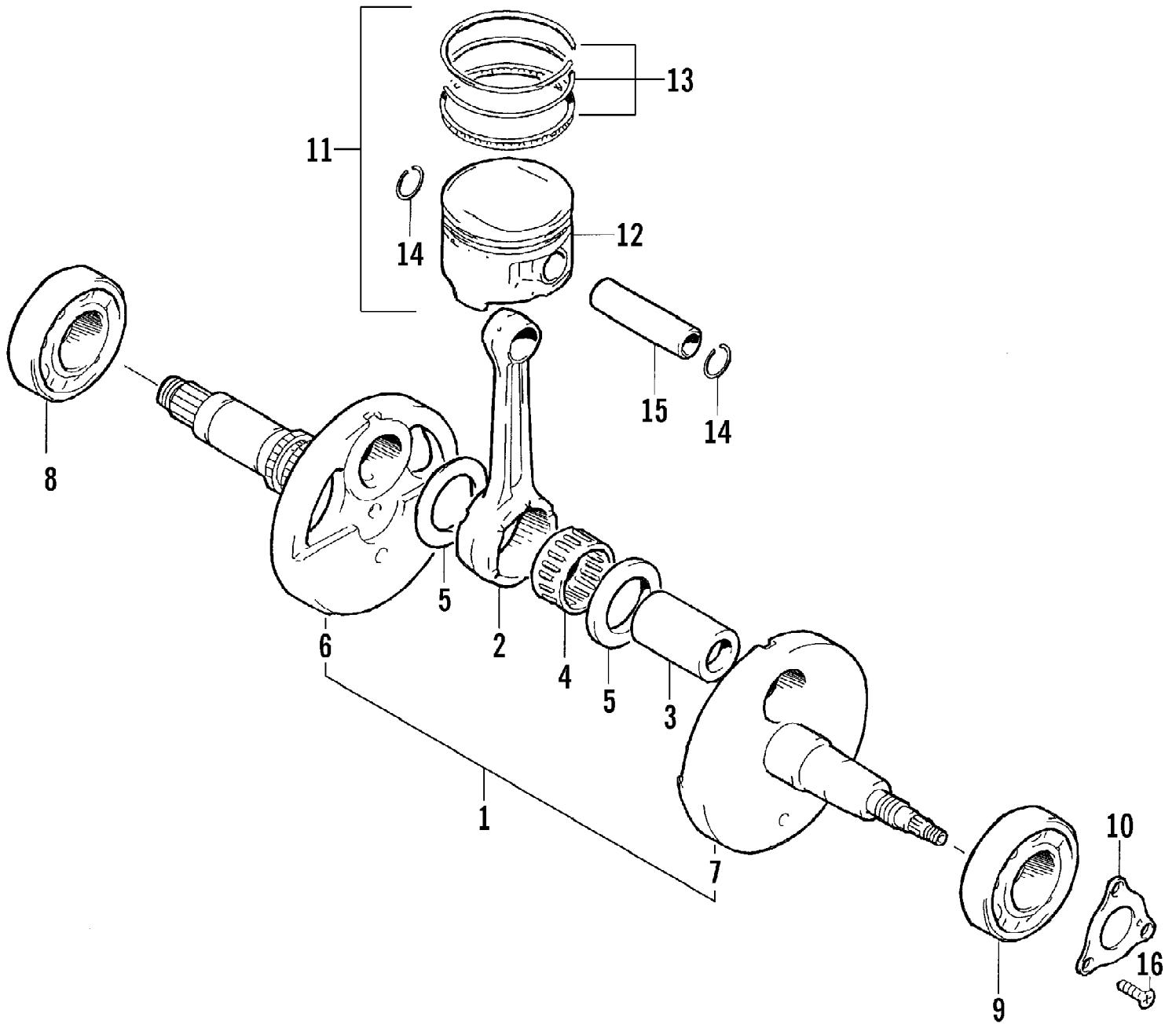


2007 ATV 500 AUTOMATIC TRANSMISSION 4X4 FIS GREEN (A2007IBM4BUB) Page 24 of 96  
CRANKCASE ASSEMBLY

| Ref # | Part Number | Qty | S/P/F | Description                                  |
|-------|-------------|-----|-------|--|
| 1     | 3402-708    | 1   | /P    | Crankcase Assembly (inc. two No. 2 and 3-14) |
| 2     | 3423-088    | 4   |       | Pin, Dowel                                   |
| 3     | 3004-822    | 1   |       | Pin, Dowel                                   |
| 4     | 3423-091    | 4   | S     | Bolt   |
| 5     | 3423-119    | 3   | S     | Bolt   |
| 6     | 3423-092    | 3   | S     | Bolt   |
| 7     | 3004-880    | 4   |       | Bolt   |
| 8     | 3005-332    | 1   |       | Bolt   |
| 9     | 3423-385    | 1   |       | Bolt   |
| 10    | 3402-436    | 2   | /P    | Gasket                                       |
| 11    | 3423-386    | 1   |       | Plug   |
| 12    | 3423-387    | 1   |       | Bolt   |
| 13    | 3423-388    | 1   |       | Bolt   |
| 14    | 3423-508    | 1   |       | Bolt   |
| 15    | 3402-439    | 1   |       | Housing, Secondary Shaft Bearing             |
| 16    | 3423-506    | 3   | /P    | Bolt   |
| 17    | 3402-437    | 1   |       | Pipe, Breather                               |
| 18    | 3423-389    | 1   |       | Bolt, Breather Pipe                          |
| 19    | 3402-214    | 1   |       | Plug, Oil Pressure                           |
| 20    | 3402-012    | 1   |       | Gasket, Oil Pressure Plug                    |
| 21    | 3402-438    | 1   |       | Stick, Oil Level                             |
| 22    | 3423-055    | 1   |       | O-Ring, Oil Level Stick                      |

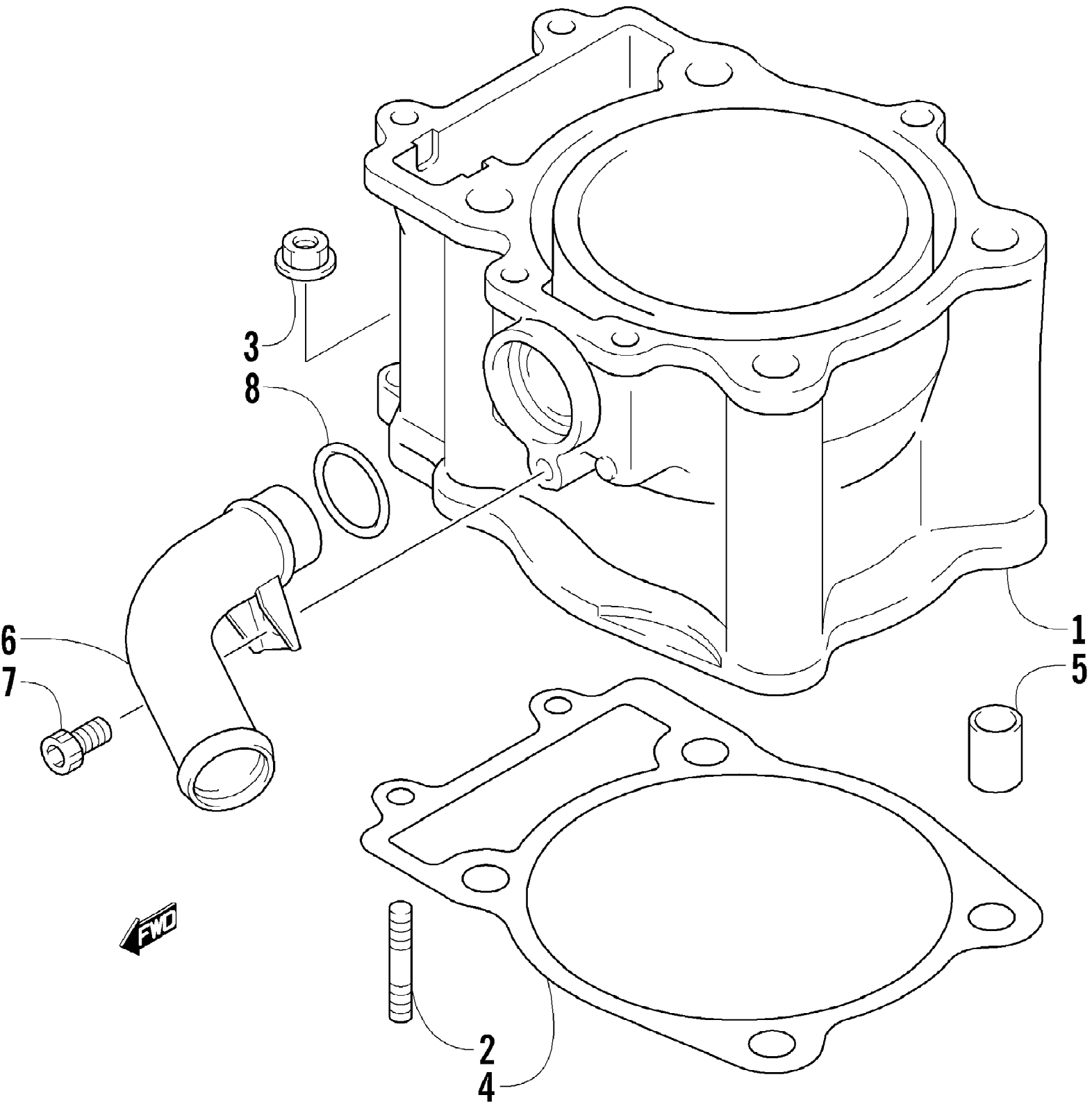


2007 ATV 500 AUTOMATIC TRANSMISSION 4X4 FIS GREEN (A2007IBM4BUB) Page 25 of 96  
CRANKSHAFT ASSEMBLY



2007 ATV 500 AUTOMATIC TRANSMISSION 4X4 FIS GREEN (A2007IBM4BUB) Page 26 of 96  
CRANKSHAFT ASSEMBLY

| Ref # | Part Number | Qty | S/P/F | Description                    |
|-------|-------------|-----|-------|--------------------------------|
| 1     | 3403-018    | 1   | /P    | Crankshaft Assembly (inc. 2-7) |
| 2     | 3402-376    | 1   |       | Rod, Connecting                |
| 3     | 3402-377    | 1   |       | Pin, Crank                     |
| 4     | 3402-717    | 1   | /P    | Bearing                        |
| 5     | 3423-351    | 2   |       | Washer                         |
| 6     | 3403-025    | 1   |       | Crankshaft - Right             |
| 7     | 3402-705    | 1   | /P    | Crankshaft - Left              |
| 8     | 3402-058    | 1   |       | Bearing - Right                |
| 9     | 3402-054    | 1   |       | Bearing - Left                 |
| 10    | 3402-188    | 1   | /P    | Retainer, Oil Seal - Left      |
| 11    | 3402-788    | 1   |       | Piston Set (inc. 12-14)        |
| 12    | 3402-719    | 1   |       | Piston                         |
| 13    | 3402-720    | 1   |       | Ring, Piston - Set             |
| 14    | 3423-344    | 2   |       | Circlip, Piston Pin            |
| 15    | 3402-375    | 1   |       | Pin, Piston                    |
| 16    | 3423-018    | 3   |       | Screw                          |



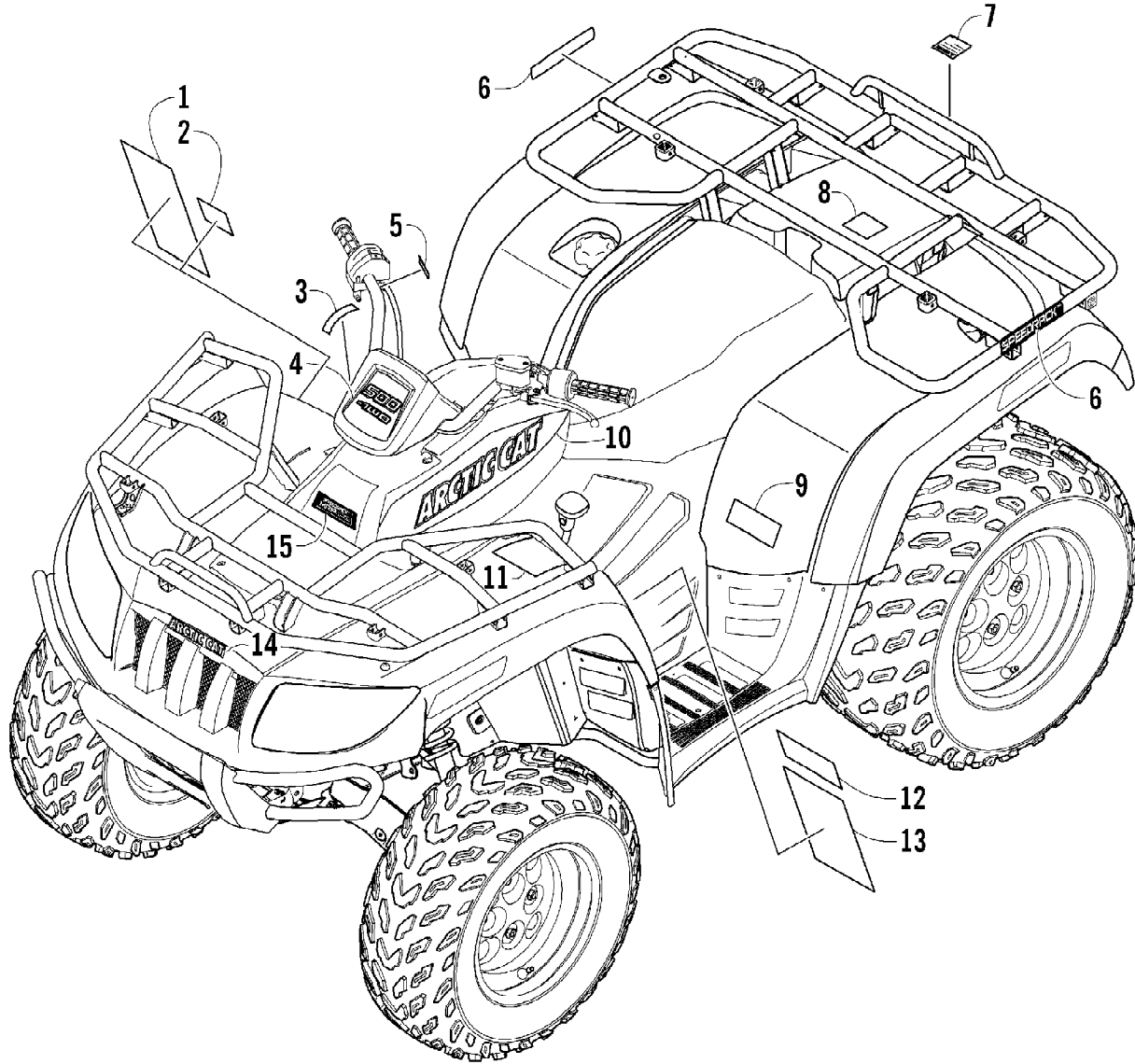
2007 ATV 500 AUTOMATIC TRANSMISSION 4X4 FIS GREEN (A2007IBM4BUB) Page 28 of 96  
CYLINDER ASSEMBLY

| Ref # | Part Number | Qty | S/P/F | Description       |
|-------|-------------|-----|-------|-------------------|
| 1     | 3402-707    | 1   |       | Cylinder          |
| 2     | 3423-384    | 2   | S     | Bolt, Stud        |
| 3     | 3004-488    | 2   | S/P   | Nut               |
| 4     | 3402-365    | 1   | /P    | Gasket, Cylinder  |
| 5     | 3423-088    | 2   |       | Pin, Dowel        |
| 6     | 3413-013    | 1   |       | Union, Water Hose |
| 7     | 3423-121    | 1   | S     | Screw, Cap        |
| 8     | 3423-058    | 1   |       | O-Ring            |



2007 ATV 500 AUTOMATIC TRANSMISSION 4X4 FIS GREEN (A2007IBM4BUB) Page 30 of 96  
CYLINDER HEAD ASSEMBLY

| Ref # | Part Number | Qty | S/P/F | Description                          |
|-------|-------------|-----|-------|--------------------------------------|
| 1     | 3402-098    | 1   |       | Head, Cylinder - Assembly (inc. 2-5) |
| 2     | 3423-043    | 2   | /P    | Pin, Dowel                           |
| 3     | 3423-006    | 4   |       | Screw, Cap                           |
| 4     | 3008-376    | 2   | S     | Screw, Cap                           |
| 5     | 3402-099    | 4   |       | Guide, Valve                         |
| 6     | 3402-362    | 1   |       | Gasket, Cylinder Head                |
| 7     | 3423-088    | 2   |       | Pin, Dowel                           |
| 8     | 3423-015    | 2   |       | Screw, Cap                           |
| 9     | 3423-016    | 2   |       | Screw, Cap                           |
| 10    | 3423-089    | 2   | S     | Bolt, Stud                           |
| 11    | 3423-087    | 2   | S     | Bolt, Stud                           |
| 12    | 3423-203    | 1   | S/P   | Bolt, Stud                           |
| 13    | 3423-007    | 2   | S     | Screw, Cap                           |
| 14    | 3004-376    | 4   | S/P   | Screw, Cap                           |
| 15    | 3004-488    | 5   | S/P   | Nut                                  |
| 16    | 3004-326    | 1   | S/P   | Nut                                  |
| 17    | 3003-290    | 4   | /P    | Gasket                               |
| 18    | 3402-010    | 4   |       | Gasket, Head Nut                     |
| 19    | 0217-632    | 1   |       | Spark Plug (NGK CR6E)                |
| 20    | 3402-100    | 2   |       | Cap, Inspection                      |
| 21    | 3402-101    | 2   |       | O-Ring                               |
| 22    | 3004-341    | 5   | S/P   | Screw, Cap                           |
| 23    | 3423-383    | 1   |       | Bolt, Stud                           |
| 24    | 3402-035    | 1   |       | Plug, Cylinder Head                  |
| 25    | 0570-092    | 1   |       | Manifold, Intake                     |
| 26    | 0470-531    | 1   |       | O-Ring                               |
| 27    | 8476-620    | 2   |       | Screw, Machine                       |
| 28    | 0423-317    | 1   | /P    | Clamp                                |
| 29    | 3530-038    | 1   | S     | Switch, Water Temperature - Assembly |
| 30    | 3413-004    | 1   |       | Cover, Thermostat                    |
| 31    | 3413-012    | 1   |       | Thermostat                           |
|       | 3402-048    | 1   | F     | Plug, Frost                          |

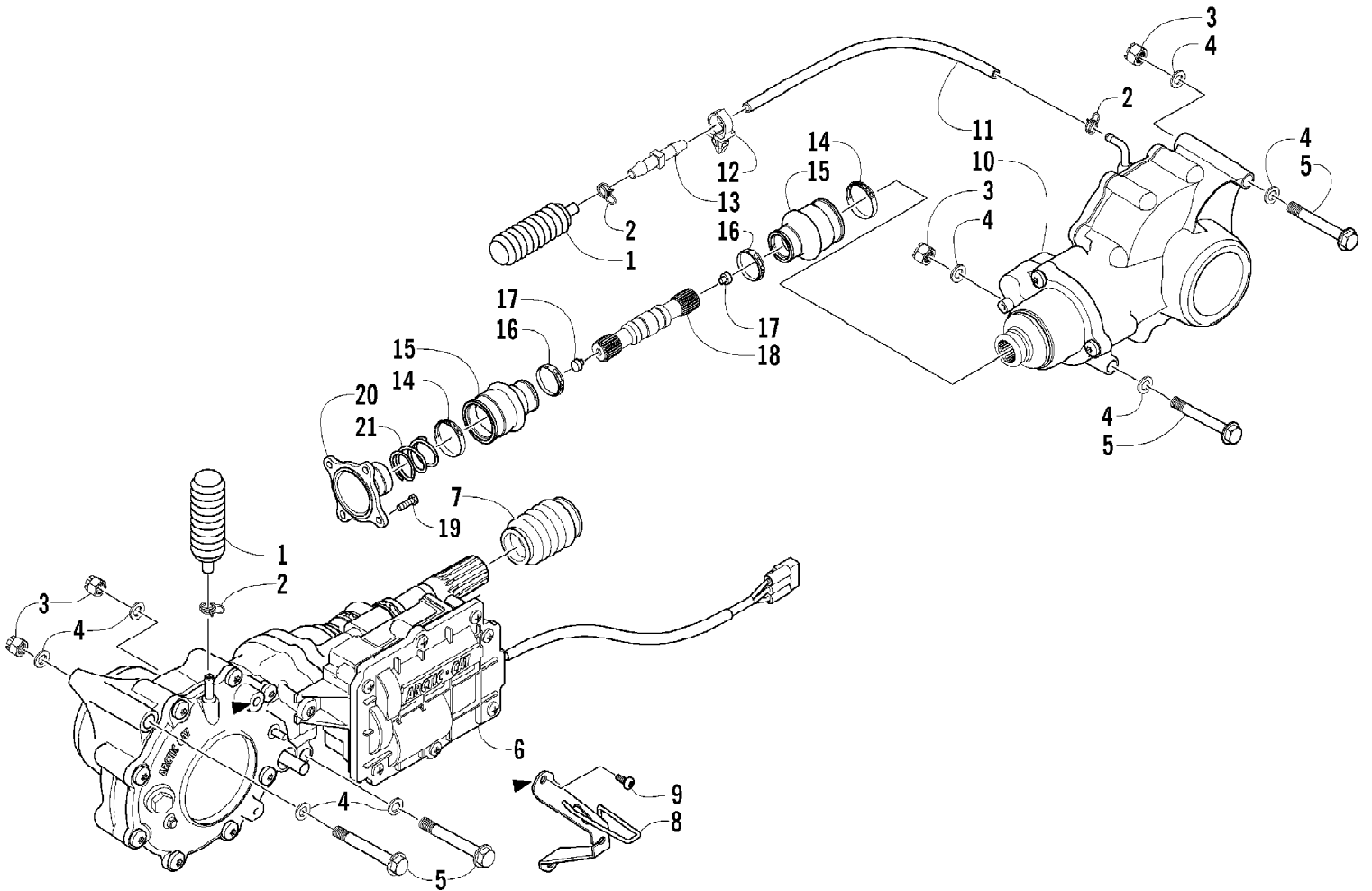


2007 ATV 500 AUTOMATIC TRANSMISSION 4X4 FIS GREEN (A2007IBM4BUB) Page 32 of 96  
DECALS

| Ref # | Part Number | Qty | S/P/F | Description                        |
|-------|-------------|-----|-------|------------------------------------|
| 1     | 1411-250    | 1   | F     | Decal, Warning - Reverse/Pre-Ride  |
| 2     | 0411-835    | 1   |       | Decal, Warning - Turn/Hill         |
| 3     | 0411-426    | 1   |       | Decal, Warning - Clutch Cover      |
| 4     | 1411-352    | 1   |       | Decal, Instrument Pod              |
| 5     | 0411-966    | 1   |       | Decal, Warning - Differential Lock |
| 6     | 0411-965    | 2   |       | Decal, "Speedrack"                 |
| 7     | 1411-077    | 1   |       | Decal, Warning - Towing            |
| 8     | 0411-435    | 1   |       | Decal, Passenger                   |
| 9     | 0411-430    | 1   |       | Decal, Warning - Tire Pressure     |
| 10    | 1411-358    | 1   |       | Decal, Side - Upper Right          |
| 10    | 1411-359    | 1   |       | Decal, Side - Upper Left           |
| 11    | 0411-401    | 1   | F     | Decal, Warning - Age               |
| 12    | 1411-574    | 1   |       | Decal, Warning - Off-Road Only     |
| 13    | 0411-218    | 1   | F     | Decal, Warning - General           |
| 14    | 0411-839    | 1   |       | Decal, Front                       |
| 15    | 1411-050    | 1   | /P    | Decal, "Speedrack"                 |



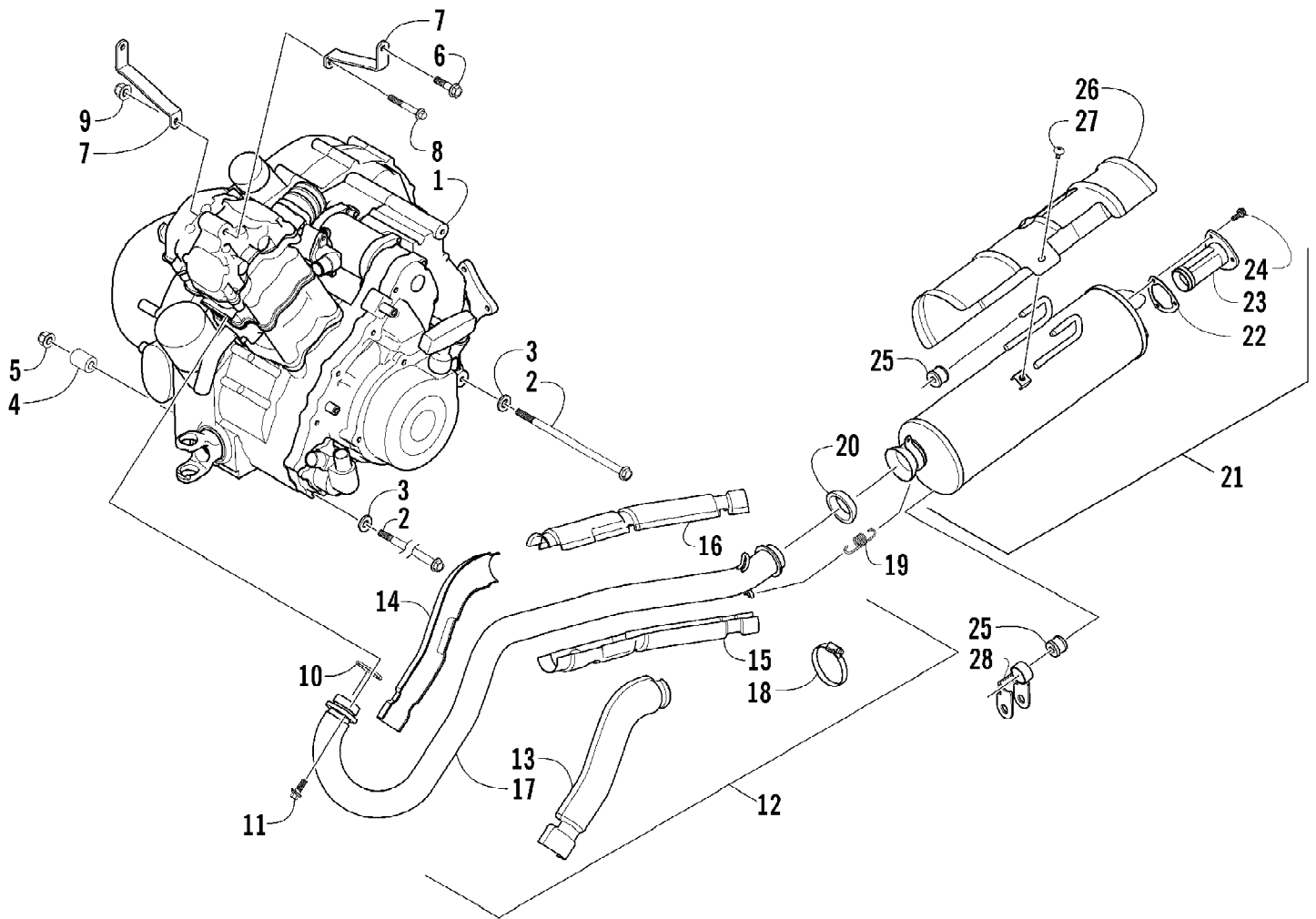
2007 ATV 500 AUTOMATIC TRANSMISSION 4X4 FIS GREEN (A2007IBM4BU) Page 33 of 96  
DRIVE TRAIN ASSEMBLY



2007 ATV 500 AUTOMATIC TRANSMISSION 4X4 FIS GREEN (A2007IBM4BUB) Page 34 of 96  
DRIVE TRAIN ASSEMBLY

| Ref # | Part Number | Qty | S/P/F | Description             |
|-------|-------------|-----|-------|-------------------------|
| 1     | 0402-147    | 2   | S     | Bladder, Gearcase       |
| 2     | 0423-315    | 4   |       | Clamp, Fitting          |
| 3     | 8428-002    | 4   |       | Nut, Lock               |
| 4     | 0423-426    | 10  |       | Washer                  |
| 5     | 0423-404    | 4   |       | Screw, Cap              |
| 6     | 1502-089    | 1   |       | Gearcase, Front         |
| 7     | 0402-966    | 1   |       | Boot, Shaft             |
| 8     | 0502-500    | 1   |       | Plate, Cable            |
| 9     | 0423-396    | 2   |       | Screw, Self-Tapping     |
| 10    | 1502-079    | 1   | S     | Gearcase, Rear          |
| 11    | 0410-048    | AR  | S     | Hose, Vent              |
| 12    | 0623-101    | 1   |       | Clip, Routing - Snap-In |
| 13    | 0470-462    | 1   |       | Fitting, Vent           |
| 14    | 0423-393    | 2   |       | Clamp, Boot             |
| 15    | 0402-985    | 2   | /P    | Boot                    |
| 16    | 0423-411    | 2   |       | Clamp, Boot             |
| 17    | 0673-618    | 2   | /P    | Bumper, Propeller Shaft |
| 18    | 1402-233    | 1   |       | Shaft, Propeller        |
| 19    | 8408-820    | 4   | /P    | Screw, Cap              |
| 20    | 0402-950    | 1   |       | Flange, Output          |
| 21    | 1402-026    | 1   |       | Spring                  |

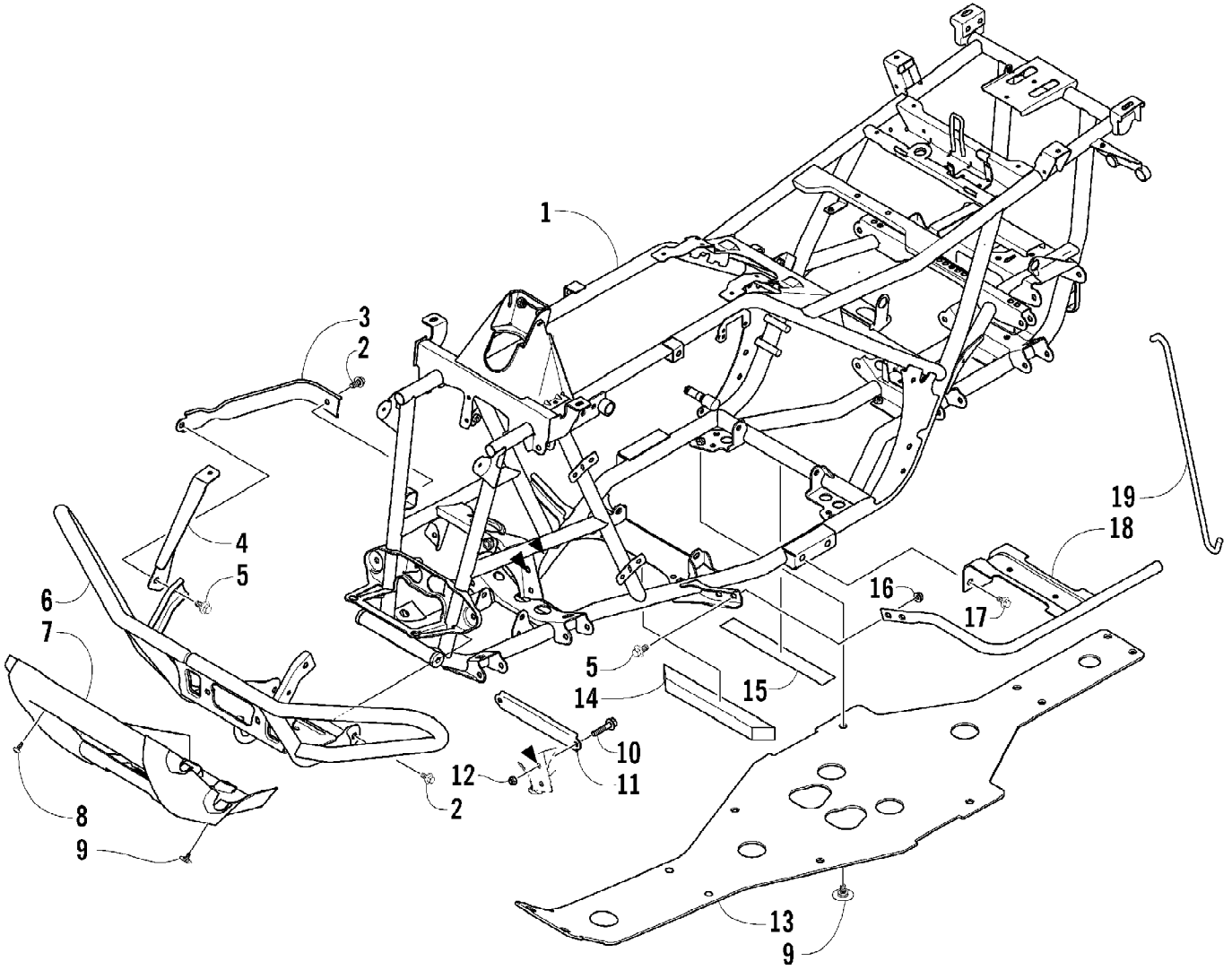
2007 ATV 500 AUTOMATIC TRANSMISSION 4X4 FIS GREEN (A2007IBM4BUB) Page 35 of 96  
ENGINE AND EXHAUST



2007 ATV 500 AUTOMATIC TRANSMISSION 4X4 FIS GREEN (A2007IBM4BUB) Page 36 of 96  
ENGINE AND EXHAUST

| Ref # | Part Number | Qty | S/P/F | Description                           |
|-------|-------------|-----|-------|---------------------------------------|
| 1     | 0462-029    | 1   | /P    | Engine                                |
| 2     | 0423-405    | 2   |       | Screw, Cap                            |
| 3     | 0423-426    | 2   |       | Washer, Engine                        |
| 4     | 0423-042    | 2   | S     | Spacer, Engine                        |
| 5     | 8428-002    | 2   |       | Nut, Lock                             |
| 6     | 8408-816    | 2   |       | Screw, Cap                            |
| 7     | 1506-632    | 1   |       | Bracket, Engine - Right               |
| 7     | 1506-633    | 1   |       | Bracket, Engine - Left                |
| 8     | 8408-860    | 1   |       | Screw, Cap                            |
| 9     | 8424-802    | 1   |       | Nut                                   |
| 10    | 0412-007    | 1   | /P    | Seal, Exhaust                         |
| 11    | 8408-820    | 2   | /P    | Screw, Cap                            |
| 12    | 0512-337    | 1   | /P    | Pipe, Exhaust - Assembly (inc. 13-18) |
| 13    | 0412-349    | 1   |       | Shield, Exhaust Pipe                  |
| 14    | 0412-348    | 1   |       | Shield, Exhaust Pipe                  |
| 15    | 0412-339    | 1   |       | Shield, Exhaust Pipe                  |
| 16    | 0412-350    | 1   |       | Shield, Exhaust Pipe                  |
| 17    | 0512-336    | 1   | /P    | Pipe, Exhaust                         |
| 18    | 0423-317    | 3   | /P    | Hose Clamp                            |
| 19    | 0612-668    | 2   | /P    | Spring, Extension                     |
| 20    | 0412-375    | 1   | /P    | Seal, Exhaust                         |
| 21    | 0512-306    | 1   | /P    | Muffler - Assembly (inc. 22-24)       |
| 22    | 0412-313    | 1   |       | Gasket, Spark Arrester                |
| 23    | 0512-219    | 1   | /P    | Spark Arrester Assembly               |
| 24    | 8408-616    | 3   |       | Screw, Cap                            |
| 25    | 0412-215    | 3   | S     | Bushing, Exhaust Pipe                 |
| 26    | 0412-373    | 1   | /P    | Cover, Muffler                        |
| 27    | 8477-610    | 3   |       | Screw, Machine                        |
| 28    | 1506-732    | 1   |       | Channel, Muffler Support              |

2007 ATV 500 AUTOMATIC TRANSMISSION 4X4 FIS GREEN (A2007IBM4BUB) Page 37 of 96  
FRAME AND RELATED PARTS



2007 ATV 500 AUTOMATIC TRANSMISSION 4X4 FIS GREEN (A2007IBM4BUB) Page 38 of 96  
FRAME AND RELATED PARTS

| Ref # | Part Number | Qty | S/P/F | Description                        |
|-------|-------------|-----|-------|------------------------------------|
| 1     | 2506-039    | 1   |       | Frame, Main                        |
| 2     | 8409-020    | 4   | /P    | Screw, Cap                         |
| 3     | 1506-596    | 1   | /P    | Channel, Bumper Mounting - Right   |
| 3     | 0506-653    | 1   | S     | Channel, Bumper Mounting - Left    |
| 4     | 1506-562    | 1   |       | Bracket, Mounting - Bumper - Right |
| 4     | 1506-563    | 1   |       | Bracket, Mounting - Bumper - Left  |
| 5     | 8408-816    | 6   |       | Screw, Cap                         |
| 6     | 1506-855    | 1   | /P    | Bumper                             |
| 7     | 1406-360    | 1   |       | Grille, Bumper                     |
| 8     | 0423-419    | 2   |       | Screw, Machine                     |
| 9     | 0423-101    | 16  |       | Screw, Shoulder                    |
| 10    | 8409-025    | 2   |       | Screw, Cap                         |
| 11    | 1506-429    | 1   | S     | Brace, A-Arm                       |
| 12    | 8428-002    | 2   |       | Nut, Lock                          |
| 13    | 1406-030    | 1   |       | Panel, Belly                       |
| 14    | 1506-067    | 1   |       | Pad, Foam                          |
| 15    | 0406-289    | 1   |       | Pad, Foam                          |
| 16    | 8424-802    | 4   |       | Nut                                |
| 17    | 8409-016    | 4   |       | Screw, Cap                         |
| 18    | 1506-380    | 1   |       | Footrest - Right                   |
| 18    | 1506-379    | 1   |       | Footrest - Left                    |
| 19    | 2406-147    | 2   |       | Rod, Support                       |

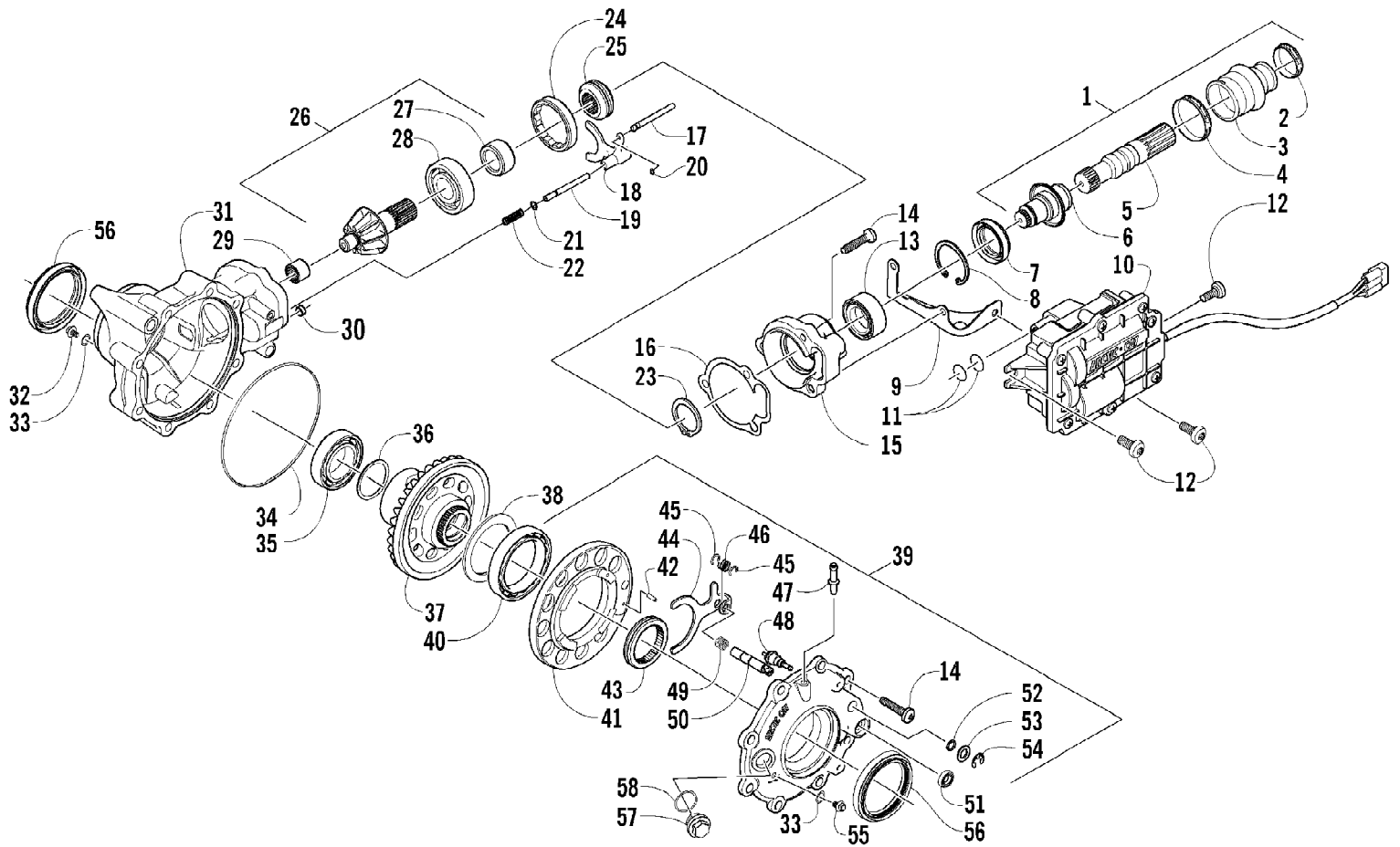


2007 ATV 500 AUTOMATIC TRANSMISSION 4X4 FIS GREEN (A2007IBM4BUB) Page 40 of 96  
FRONT BODY PANEL ASSEMBLY

| Ref # | Part Number | Qty | S/P/F | Description                           |
|-------|-------------|-----|-------|---------------------------------------|
| 1     | 0541-272    | 1   |       | Rack - Front - Assembly (inc. 2-5)    |
| 2     | 0411-576    | 1   |       | Decal, Warning - Front Rack Load      |
| 3     | 2406-014    | 6   |       | Bushing, Rack                         |
| 4     | 0441-592    | 4   | /P    | Bushing, Rack                         |
| 5     | 1441-049    | 2   |       | Plug, Rack                            |
| 6     | 8410-830    | 4   |       | Screw, Machine                        |
| 7     | 0423-669    | 4   |       | Spacer                                |
| 8     | 0423-465    | 4   |       | Grommet                               |
| 9     | 8432-802    | 4   |       | Nut, Lock                             |
| 10    | 0518-003    | 1   | S     | Panel, Fender - Front (inc. 26)       |
| 11    | 1406-358    | 1   |       | Cover, Access                         |
| 12    | 0423-535    | 2   |       | Rivet, Reinstallable                  |
| 13    | 0623-362    | 4   |       | Rivet, Reinstallable                  |
| 14    | 1406-484    | 1   |       | Cover, Steering Post                  |
| 15    | 2506-234    | 1   |       | Lid, Storage Box w/Latch (inc. 16-17) |
| 16    | 1406-599    | 1   |       | Latch, Storage Box                    |
| 17    | 0470-514    | 1   |       | Lid, Storage Box                      |
| 18    | 0470-513    | 1   |       | Cover, Storage Box                    |
| 19    | 1406-573    | 1   |       | Box, Storage                          |
| 20    | 0423-101    | 2   |       | Screw, Body                           |
| 21    | 0423-678    | 8   |       | Grommet                               |
| 22    | 2406-300    | 1   |       | Panel, Side - Right                   |
| 22    | 2406-301    | 1   |       | Panel, Side - Left                    |
| 23    | 0423-654    | 2   |       | Screw, Shoulder                       |
| 24    | 8050-222    | 2   | /P    | Washer                                |
| 25    | 0423-540    | 2   |       | Nut, Lock                             |
| 26    | 0411-818    | 1   |       | Decal, Reflector - Front - Right      |
| 26    | 0411-819    | 1   |       | Decal, Reflector - Front - Left       |
| 27    | 0509-034    | 1   | S     | Headlight Assembly - Right (inc. 28)  |
| 27    | 0509-035    | 1   |       | Headlight Assembly - Left (inc. 28)   |
| 28    | 0409-055    | 4   |       | Bulb, Headlight                       |
| 29    | 0623-785    | 4   |       | Screw, Self-Tapping                   |
| 30    | 8050-217    | 8   | /P    | Washer                                |
| 31    | 0423-447    | 4   |       | Grommet                               |
| 32    | 0423-514    | 2   |       | Stud, Adjuster - Headlight            |
| 33    | 0423-522    | 2   |       | Spring, Adjuster                      |
| 34    | 0423-513    | 2   |       | Knob, Adjuster                        |



2007 ATV 500 AUTOMATIC TRANSMISSION 4X4 FIS GREEN (A2007IBM4BUB) Page 41 of 96  
FRONT DRIVE GEARCASE ASSEMBLY



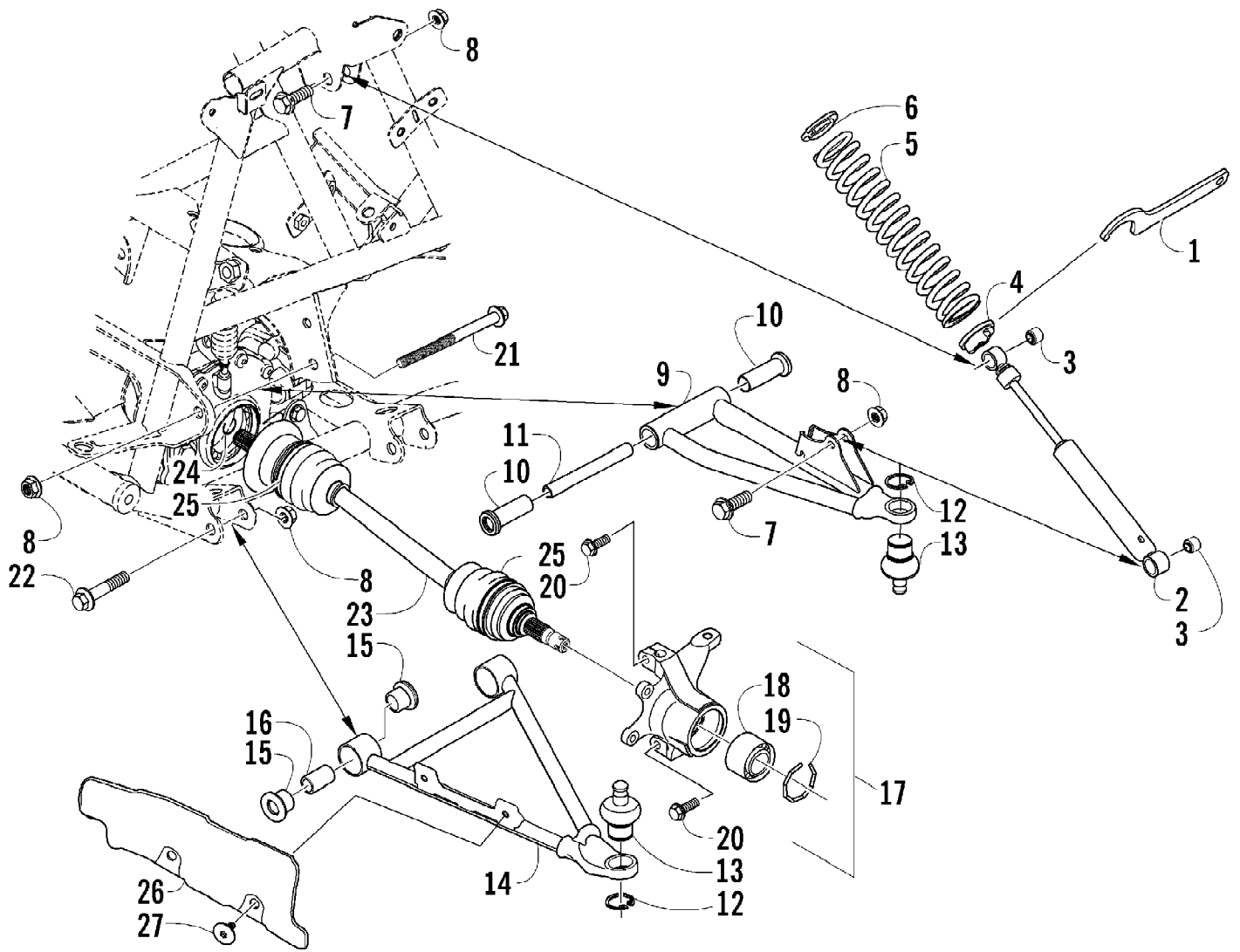
2007 ATV 500 AUTOMATIC TRANSMISSION 4X4 FIS GREEN (A2007IBM4BUB) Page 42 of 96  
FRONT DRIVE GEARCASE ASSEMBLY

| Ref # | Part Number | Qty | S/P/F | Description  |
|-------|-------------|-----|-------|--|
|       | 1502-089    | 1   |       | Complete Front Gearcase Assembly                         |
| 1     | 1502-083    | 1   |       | Shaft, Propeller - Assembly (inc. 2-6)                   |
| 2     | 0423-411    | 1   |       | Clamp, Boot  |
| 3     | 0402-985    | 1   | /P    | Boot, Propeller Shaft                                    |
| 4     | 0423-393    | 1   |       | Clamp, Boot  |
| 5     | 1402-045    | 1   |       | Shaft, Output  |
| 6     | 1502-085    | 1   | /P    | Shaft, Input   |
| 7     | 1402-011    | 1   |       | Seal   |
| 8     | 0423-423    | 1   |       | Ring, Retaining  |
| 9     | 0502-347    | 1   |       | Bracket, Actuator  |
| 10    | 0502-579    | 1   |       | Actuator (inc. one No. 11)                               |
| 11    | 0423-498    | 2   | S     | O-Ring   |
| 12    | 0423-396    | 3   |       | Screw, Self-Tapping                                      |
| 13    | 1402-043    | 1   |       | Bearing  |
| 14    | 0423-118    | 11  |       | Screw, Self-Tapping                                      |
| 15    | 0502-528    | 1   | /P    | Housing, Pinion  |
| 16    | 0402-947    | 1   |       | Gasket, Flange   |
| 17    | 0402-997    | 1   |       | Shaft, Selector  |
| 18    | 0402-998    | 1   |       | Fork, Selector   |
| 19    | 0402-417    | 1   |       | Shaft, Shuttle   |
| 20    | 0423-402    | 1   |       | Ring, Retaining  |
| 21    | 0423-147    | 1   |       | O-Ring   |
| 22    | 0402-999    | 1   |       | Spring, Return   |
| 23    | 0423-417    | 1   |       | Ring, Retaining  |
| 24    | 0402-357    | 1   |       | Collar, Lock   |
| 25    | 0402-413    | 1   |       | Coupler, Drive   |
| 26    | 0502-783    | 1   |       | Gear, Pinion - Assembly - 10T (inc. 27-28)               |
| 27    | 0402-336    | 1   |       | Collar, Retaining  |
| 28    | 0402-327    | 1   |       | Bearing  |
| 29    | 0402-328    | 1   |       | Bearing  |
| 30    | 0402-411    | 1   |       | Pin, Dowel   |
| 31    | 0502-514    | 1   |       | Housing, Gearcase  |
| 32    | 1402-210    | 1   | /P    | Plug, Magnetic (inc. one No. 33)                         |
| 33    | 0423-153    | 2   |       | O-Ring   |
| 34    | 0423-149    | 1   |       | O-Ring   |
| 35    | 0402-393    | 1   |       | Bearing  |
| 36    | 0402-405    | AR  |       | Shim   |
| 36    | 0402-406    | AR  |       | Shim   |
| 36    | 0402-407    | AR  |       | Shim   |
| 36    | 0402-408    | AR  |       | Shim   |
| 36    | 0402-409    | AR  |       | Shim   |
| 37    | 0502-851    | 1   |       | Gear, Ring - 36T   |
| 38    | 1402-074    | AR  |       | Shim   |
| 38    | 1402-075    | AR  |       | Shim   |
| 38    | 1402-076    | AR  |       | Shim   |
| 38    | 1402-077    | AR  |       | Shim   |
| 38    | 1402-078    | AR  |       | Shim   |
| 39    | 1502-097    | 1   |       | Cover, Gearcase (inc. one No. 33, 40-55, and one No. 56) |
| 40    | 1402-053    | 1   |       | Bearing  |
| 41    | 0502-413    | 1   |       | Flange, Bearing  |
| 42    | 1402-079    | 1   |       | Pin, Parallel  |

2007 ATV 500 AUTOMATIC TRANSMISSION 4X4 FIS GREEN (A2007IBM4BUB) Page 43 of 96  
FRONT DRIVE GEARCASE ASSEMBLY

| Ref # | Part Number | Qty | S/P/F | Description                       |
|-------|-------------|-----|-------|-----------------------------------|
| 43    | 1402-042    | 1   |       | Collar, Sliding                   |
| 44    | 1402-054    | 1   |       | Fork                              |
| 45    | 1402-058    | 2   |       | Ring, Retaining                   |
| 46    | 1402-057    | 1   |       | Spring                            |
| 47    | 1402-104    | 1   |       | Fitting                           |
| 48    | 0402-419    | 1   |       | Switch, Indicator                 |
| 49    | 1402-063    | 1   |       | Spring                            |
| 50    | 1402-055    | 1   |       | Shaft, Lock                       |
| 51    | 1402-056    | 1   |       | Seal                              |
| 52    | 0423-133    | 1   |       | O-Ring                            |
| 53    | 0423-132    | 1   |       | Washer                            |
| 54    | 0423-424    | 1   |       | Ring, Retaining                   |
| 55    | 1402-211    | 1   |       | Plug, Oil Level (inc. one No. 33) |
| 56    | 1402-441    | 2   | S     | Seal                              |
| 57    | 0402-333    | 1   | /P    | Plug, Fill (inc. 58)              |
| 58    | 0423-154    | 1   |       | O-Ring                            |

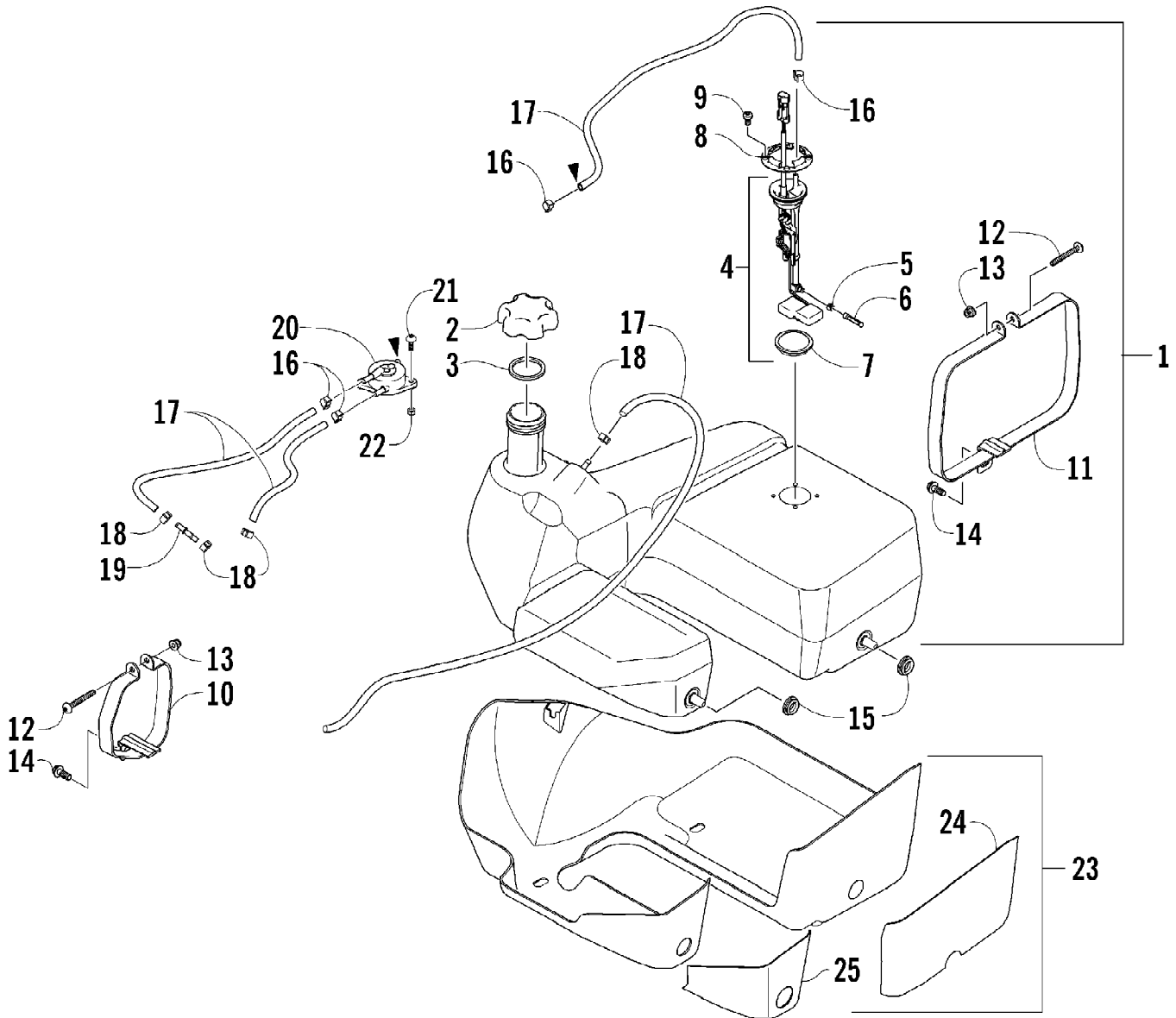
2007 ATV 500 AUTOMATIC TRANSMISSION 4X4 FIS GREEN (A2007IBM4BUB) Page 44 of 96  
FRONT SUSPENSION ASSEMBLY



2007 ATV 500 AUTOMATIC TRANSMISSION 4X4 FIS GREEN (A2007IBM4BUB) Page 45 of 96  
FRONT SUSPENSION ASSEMBLY

| Ref # | Part Number | Qty | S/P/F | Description  |
|-------|-------------|-----|-------|--|
| 1     | 0441-587    | 1   |       | Wrench, Spanner  |
| 2     | 0403-180    | 2   |       | Shock Absorber - Front (inc. 3)                            |
| 3     | 0403-182    | 4   |       | Bushing, Double-Bonded                                     |
| 4     | 0403-102    | 2   |       | Cam, Spring Adjuster                                       |
| 5     | 0403-177    | 2   |       | Spring, Shock Absorber                                     |
| 6     | 1603-889    | 2   | /P    | Retainer, Spring   |
| 7     | 8409-040    | 4   |       | Screw, Cap   |
| 8     | 8428-002    | 10  |       | Nut, Lock  |
| 9     | 0503-196    | 1   | S     | A-Arm, Upper Right (inc. 10-13)                            |
| 9     | 0503-197    | 1   |       | A-Arm, Upper Left (inc. 10-13)                             |
| 10    | 0403-081    | 4   | S     | Bushing  |
| 11    | 0403-080    | 2   |       | Collar   |
| 12    | 0423-009    | 4   | /P    | Clip, Ball Joint   |
| 13    | 0405-115    | 4   | /P    | Ball Joint - Front   |
| 14    | 0503-334    | 1   | S     | A-Arm, Lower Right (inc. 12-13 and 15-16)                  |
| 14    | 0503-335    | 1   | S     | A-Arm, Lower Left (inc. 12-13 and 15-16)                   |
| 15    | 0403-115    | 8   | S     | Bushing  |
| 16    | 0403-114    | 4   | S     | Collar   |
| 17    | 0505-460    | 1   |       | Knuckle, Steering - Assembly - Right Front<br>(inc. 18-19) |
| 17    | 0505-461    | 1   | S     | Knuckle, Steering - Assembly - Left Front<br>(inc. 18-19)  |
| 18    | 1402-027    | 2   | S/P   | Bearing, Wheel Hub   |
| 19    | 0423-423    | 2   |       | Ring, Retaining  |
| 20    | 8409-030    | 4   |       | Screw, Cap   |
| 21    | 0423-334    | 2   |       | Screw, Cap   |
| 22    | 8409-075    | 4   |       | Screw, Cap   |
| 23    | 0502-812    | 1   | S     | Axle, Drive - Front - Right (inc. 24-25)                   |
| 23    | 0502-813    | 1   | S     | Axle, Drive - Front - Left (inc. 24-25)                    |
| 24    | 1441-109    | 2   | S     | Clip, Retaining  |
| 25    | 0436-276    | 2   | S     | Repair Kit, Boot - Front Axle                              |
| 26    | 1441-002    | 1   |       | Guard, Boot - Axle - Right                                 |
| 26    | 1441-003    | 1   |       | Guard, Boot - Axle - Left                                  |
| 27    | 0423-545    | 4   | /P    | Screw, Body  |

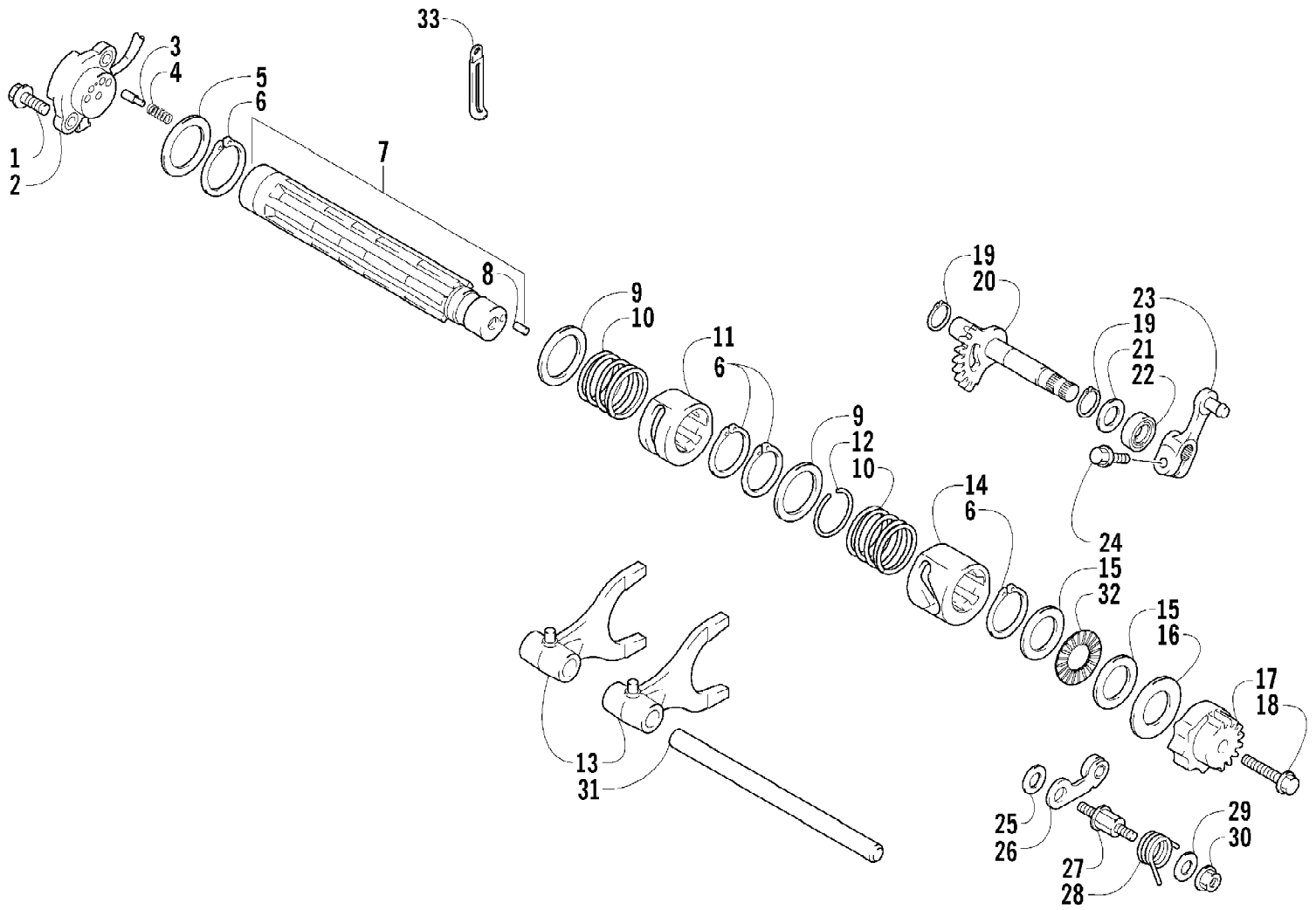
2007 ATV 500 AUTOMATIC TRANSMISSION 4X4 FIS GREEN (A2007IBM4BUB) Page 46 of 96  
GAS TANK ASSEMBLY



2007 ATV 500 AUTOMATIC TRANSMISSION 4X4 FIS GREEN (A2007IBM4BUB) Page 47 of 96  
GAS TANK ASSEMBLY

| Ref # | Part Number | Qty | S/P/F | Description                               |
|-------|-------------|-----|-------|---|
| 1     | 0570-144    | 1   |       | Tank, Gas - Assembly w/Straps (inc. 2-13) |
| 2     | 0470-438    | 1   | /P    | Cap, Gas Tank (inc. 3)                    |
| 3     | 0109-733    | 1   | /P    | Gasket, Gas Tank Cap                      |
| 4     | 0570-141    | 1   | S     | Sensor, Fuel Level (inc. 5-7)             |
| 5     | 0423-603    | 1   |       | Clamp, Hose                               |
| 6     | 0470-475    | 1   |       | Filter, Fuel                              |
| 7     | 0470-521    | 1   |       | Seal, Fuel Level Sensor                   |
| 8     | 0470-639    | 1   | /P    | Plate, Mounting - Fuel Level Sensor       |
| 9     | 1623-158    | 4   |       | Screw, Plastite                           |
| 10    | 0570-166    | 1   |       | Strap, Mounting - Gas Tank                |
| 11    | 0570-167    | 1   |       | Strap, Mounting - Gas Tank                |
| 12    | 8476-650    | 2   |       | Screw, Machine                            |
| 13    | 8427-602    | 2   |       | Nut, Lock                                 |
| 14    | 8408-816    | 2   |       | Screw, Cap                                |
| 15    | 0423-460    | 2   |       | Grommet                                   |
| 16    | 0423-688    | 4   |       | Clamp, Hose                               |
| 17    | 0410-070    | AR  | /P    | Hose, Gasline - 25 ft                     |
| 18    | 0423-670    | 4   |       | Clamp, Hose                               |
| 19    | 0470-527    | 1   | S     | Fitting, Straight                         |
| 20    | 0470-519    | 1   | S     | Pump, Fuel                                |
| 21    | 8476-620    | 2   |       | Screw, Machine                            |
| 22    | 0623-038    | 2   |       | Nut, Lock                                 |
| 23    | 0570-081    | 1   |       | Shield, Gas Tank - Assembly (inc. 24-25)  |
| 24    | 0470-498    | 1   |       | Shield, Heat                              |
| 25    | 0470-499    | 1   |       | Shield, Heat                              |

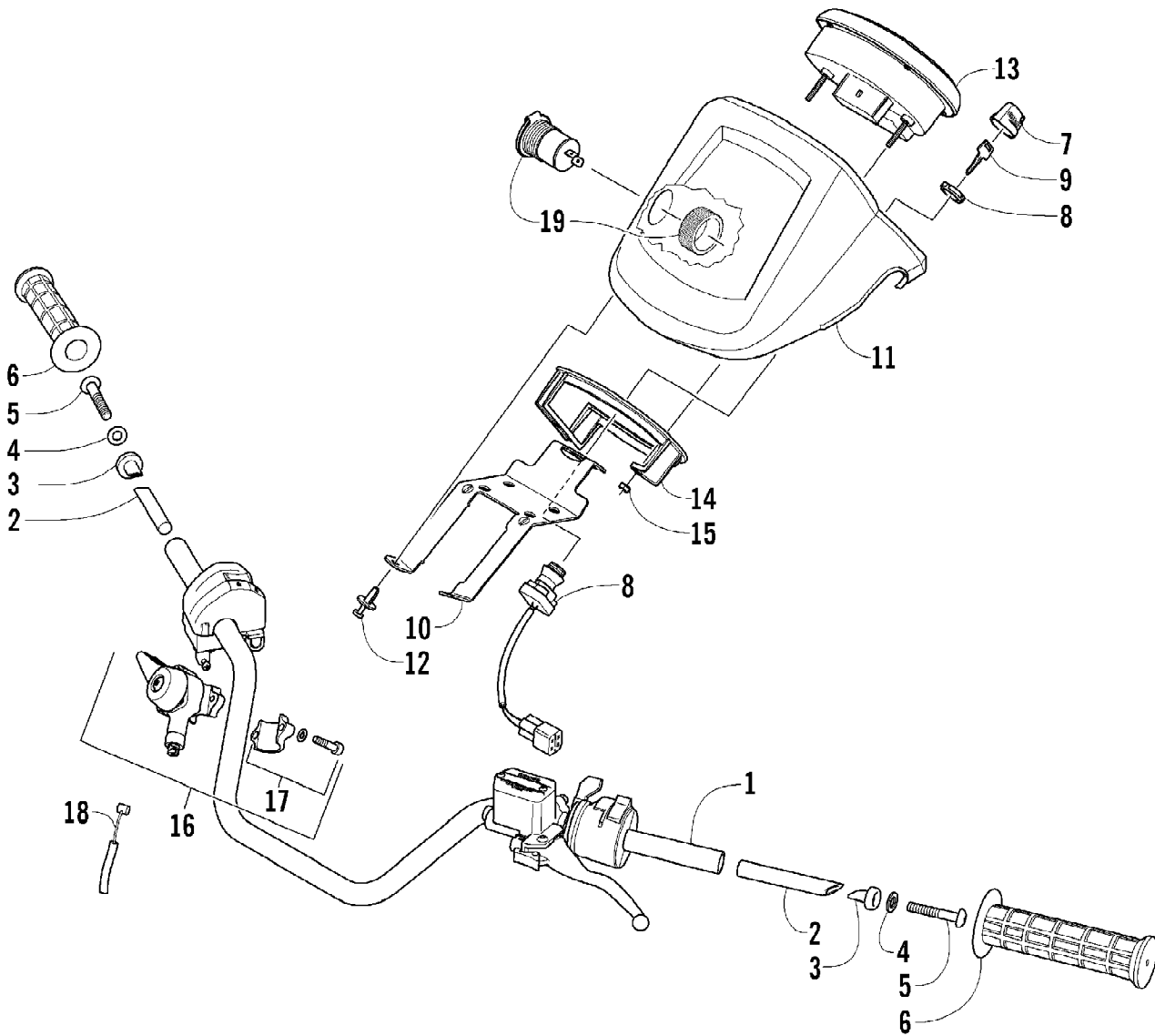
2007 ATV 500 AUTOMATIC TRANSMISSION 4X4 FIS GREEN (A2007IBM4BUB) Page 48 of 96  
GEAR SHIFTING ASSEMBLY





2007 ATV 500 AUTOMATIC TRANSMISSION 4X4 FIS GREEN (A2007IBM4BUB) Page 49 of 96  
GEAR SHIFTING ASSEMBLY

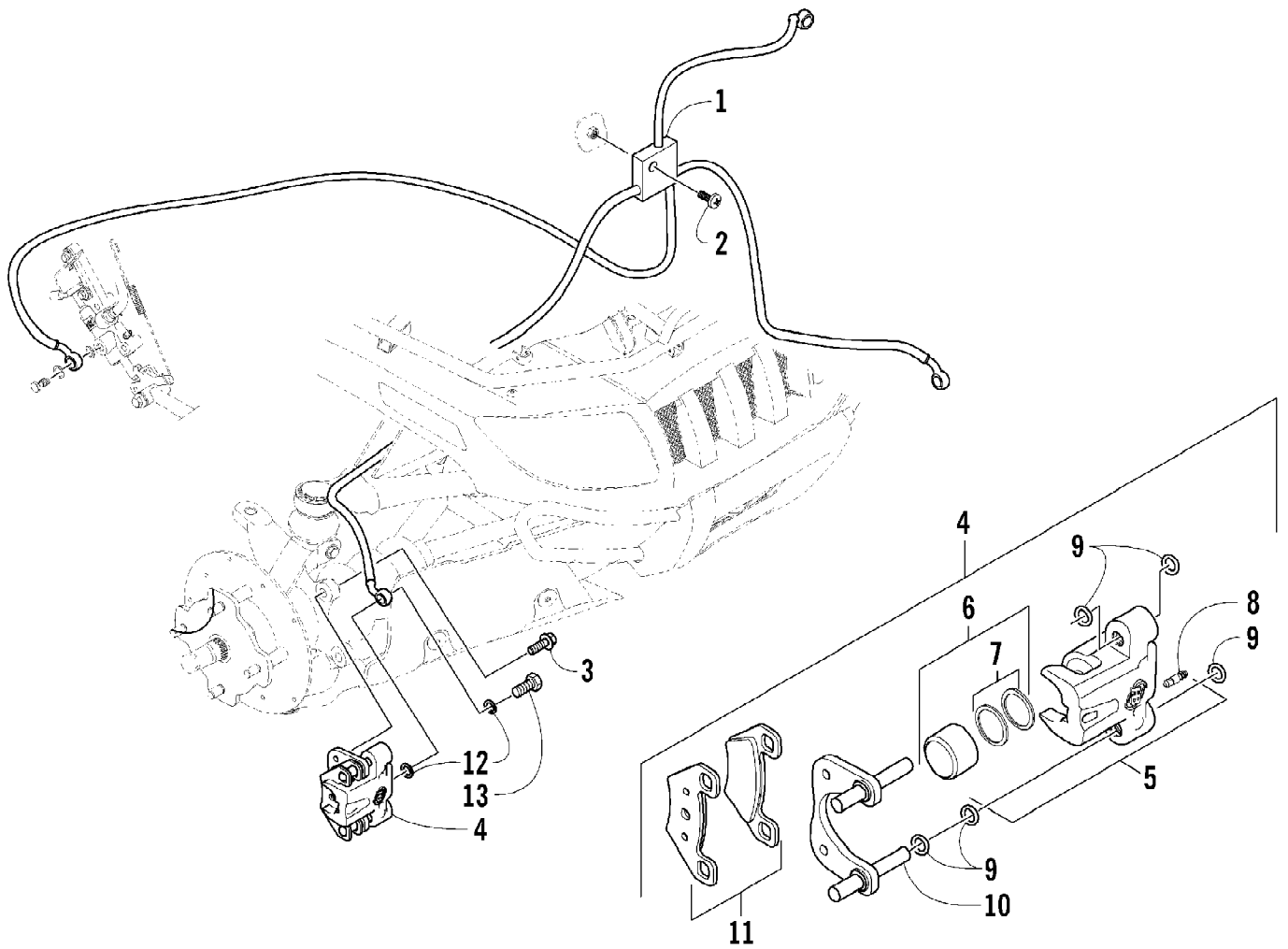
| Ref # | Part Number | Qty | S/P/F | Description                   |
|-------|-------------|-----|-------|-------------------------------|
| 1     | 3423-418    | 2   |       | Bolt                          |
| 2     | 3530-042    | 1   |       | Base, Gear Shift - Assembly   |
| 3     | 3423-044    | 2   |       | Contact                       |
| 4     | 3402-087    | 2   |       | Spring                        |
| 5     | 3423-421    | 1   | /P    | Washer, Shift Shaft           |
| 6     | 3423-191    | 4   | /P    | Circlip, Cam Spring           |
| 7     | 3402-826    | 1   |       | Shaft, Gear Shift (inc. 8)    |
| 8     | 3423-114    | 1   | /P    | Pin                           |
| 9     | 3402-382    | 2   |       | Washer, Cam Spring            |
| 10    | 3446-280    | 2   |       | Spring, Cam                   |
| 11    | 3402-827    | 1   |       | Cam, Reverse                  |
| 12    | 3423-416    | 1   |       | C-Ring, Cam                   |
| 13    | 3446-353    | 2   |       | Fork, Shift                   |
| 14    | 3402-828    | 1   |       | Cam, Gear Shift               |
| 15    | 3402-381    | 2   | /P    | Washer, Shift Shaft           |
| 16    | 3423-446    | 1   |       | Washer, Gear Shift Cam Plate  |
| 17    | 3402-642    | 1   |       | Plate, Gear Shift Cam         |
| 18    | 3004-376    | 1   | S/P   | Bolt, Gear Shift Cam Plate    |
| 19    | 3423-358    | 2   | S     | Circlip, Sub-Gear Shift Shaft |
| 20    | 3402-747    | 1   |       | Shaft, Sub-Gear Shift         |
| 21    | 1691-043    | 2   |       | Washer, Sub-Gear Shift Shaft  |
| 22    | 3402-076    | 1   |       | Seal, Sub-Gear Shift Shaft    |
| 23    | 3402-434    | 1   | /P    | Arm, Select                   |
| 24    | 3004-341    | 1   | S/P   | Bolt, Select Arm              |
| 25    | 3423-141    | 1   |       | Washer, Cam Stopper           |
| 26    | 3402-746    | 2   |       | Stopper, Cam                  |
| 27    | 3446-048    | 1   |       | Support, Cam Stopper          |
| 28    | 3423-511    | 1   |       | Spring, Cam Stopper           |
| 29    | 3423-438    | 2   |       | Washer, Cam Stopper Spring    |
| 30    | 3004-488    | 1   | S/P   | Nut, Cam Stopper Spring       |
| 31    | 3446-266    | 1   |       | Shaft, Shift Fork             |
| 32    | 3402-829    | 1   |       | Bearing                       |
| 33    | 3004-787    | 1   |       | Clamp, Wire                   |



2007 ATV 500 AUTOMATIC TRANSMISSION 4X4 FIS GREEN (A2007IBM4BUB) Page 51 of 96  
HANDLEBAR ASSEMBLY

| Ref # | Part Number | Qty | S/P/F | Description                            |
|-------|-------------|-----|-------|--|
| 1     | 0505-476    | 1   |       | Tube, Handlebar                        |
| 2     | 0405-218    | 2   |       | Plug, Handlebar                        |
| 3     | 0405-149    | 2   |       | End Cap, Handlebar                     |
| 4     | 8050-247    | 2   | /P    | Washer                                 |
| 5     | 8477-845    | 2   |       | Screw, Machine                         |
| 6     | 0405-147    | 2   |       | Grip, Handlebar                        |
| 7     | 0409-013    | 1   |       | Cover, Key                             |
| 8     | 3430-040    | 1   |       | Switch, Ignition - Assembly (inc. 9)   |
| 9     | 3409-007    | 1   | /P    | Key, Ignition - Blank (C Series)       |
| 9     | 3409-011    | 1   |       | Key, Ignition - Blank (D Series)       |
| 9     | 3409-012    | 1   |       | Key, Ignition - Blank (E Series)       |
| 9     | 3409-013    | 1   |       | Key, Ignition - Blank (F Series)       |
| 10    | 1506-578    | 1   |       | Bracket, Mounting - Instrument Pod     |
| 11    | 0405-189    | 1   |       | Instrument Pod                         |
| 12    | 0423-535    | 2   |       | Rivet, Reinstallable                   |
| 13    | 0520-019    | 1   |       | Gauge, LCD                             |
| 14    | 0420-065    | 1   | /P    | Clamp, Plastic                         |
| 15    | 0423-493    | 2   |       | Nut, Hex                               |
| 16    | 0502-527    | 1   |       | Control, Differential Lock (inc. 17)   |
| 17    | 0502-613    | 1   |       | Clamp, Differential Lock Control - Kit |
| 18    | 0487-030    | 1   | S     | Cable, Differential Lock               |
| 19    | 0641-897    | 1   | /P    | Outlet, Accessory - 12V                |

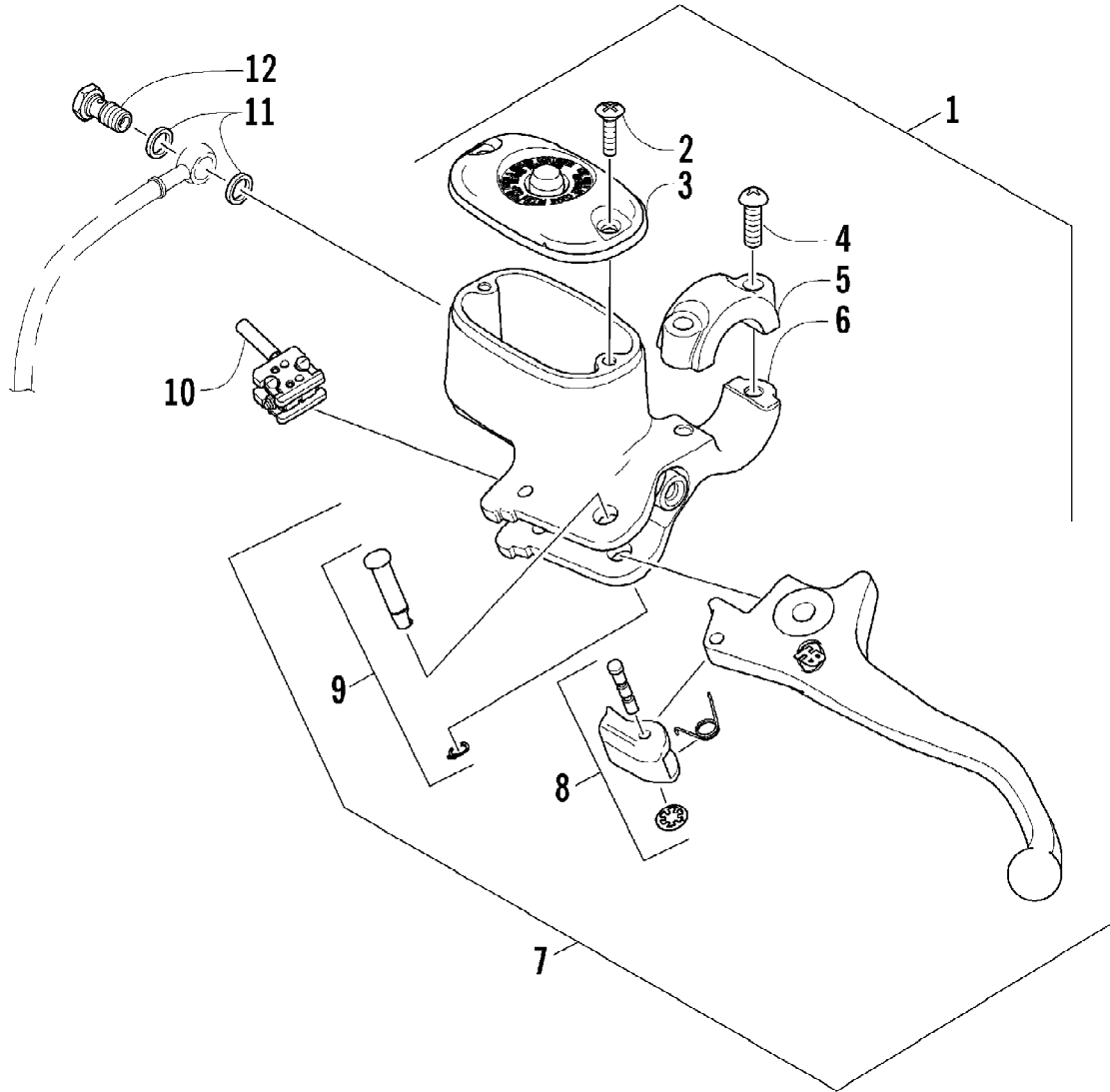
2007 ATV 500 AUTOMATIC TRANSMISSION 4X4 FIS GREEN (A2007IBM4BUB) Page 52 of 96  
HYDRAULIC BRAKE ASSEMBLY



2007 ATV 500 AUTOMATIC TRANSMISSION 4X4 FIS GREEN (A2007IBM4BUB) Page 53 of 96  
HYDRAULIC BRAKE ASSEMBLY

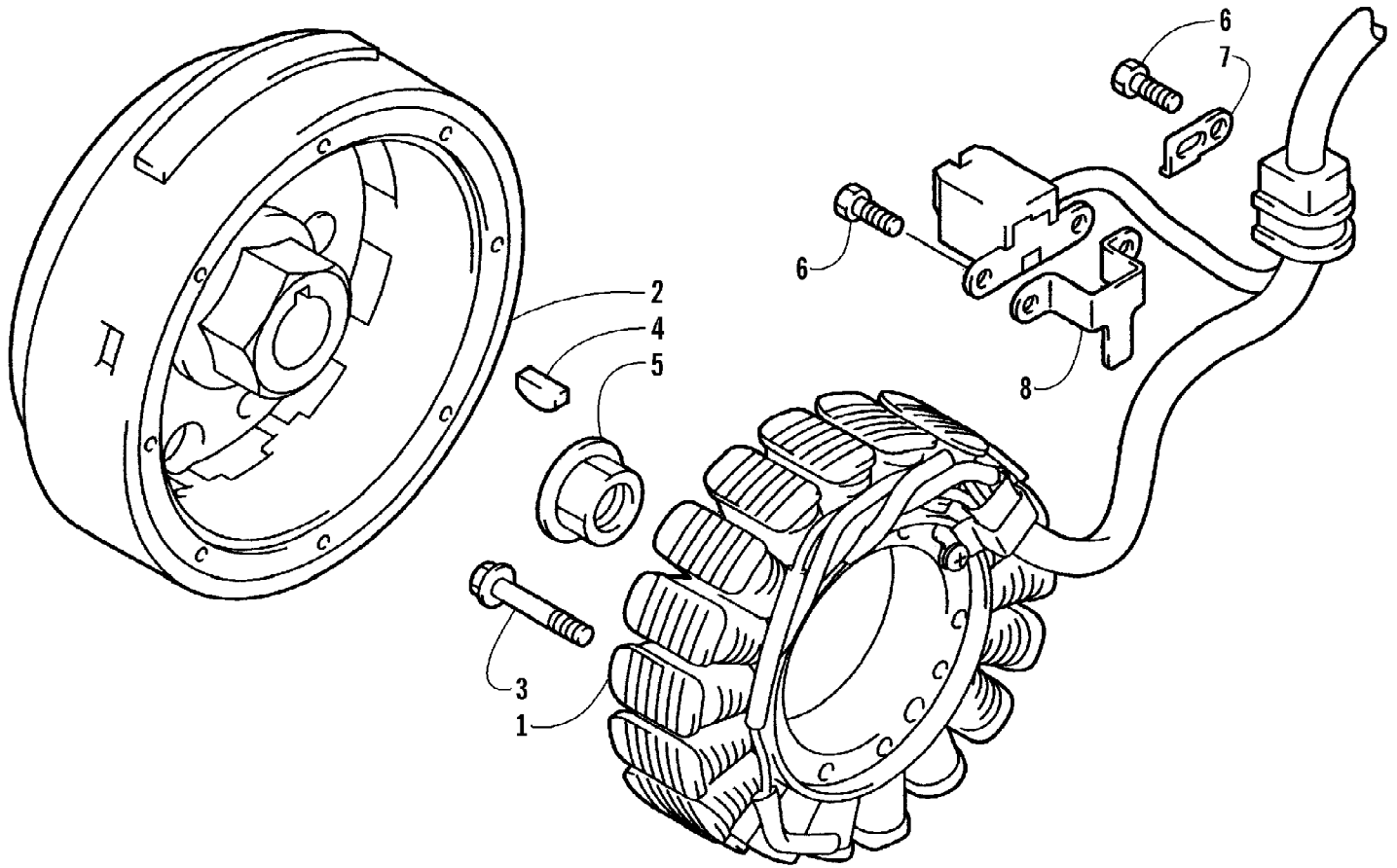
| Ref # | Part Number | Qty | S/P/F | Description  |
|-------|-------------|-----|-------|--|
| 1     | 1502-015    | 1   |       | Hose, Brake - Assembly                               |
| 2     | 8476-625    | 1   |       | Screw, Cap   |
| 3     | 1623-589    | 4   | S     | Screw, Cap   |
| 4     | 0502-878    | 1   | S     | Caliper, Brake - Right Front (inc. 5-11)             |
| 4     | 0502-879    | 1   | S     | Caliper, Brake - Left Front (inc. 5-11)              |
| 5     | 0502-603    | 1   | S     | Housing, Caliper - Assembly - Right Front (inc. 6-8) |
| 5     | 0502-611    | 1   | S     | Housing, Caliper - Assembly - Left Front (inc. 6-8)  |
| 6     | 0502-606    | 2   |       | Piston/Seal Set (inc. 7)                             |
| 7     | 0502-607    | 2   |       | Seal Set   |
| 8     | 0502-609    | 2   | /P    | Valve, Bleed   |
| 9     | 0502-608    | 2   |       | O-Ring, Guide - Set                                  |
| 10    | 0502-605    | 2   |       | Bracket Assembly                                     |
| 11    | 0502-875    | 2   | S     | Pad, Brake - Set                                     |
| 12    | 0423-178    | 4   |       | Washer, Crush  |
| 13    | 0423-413    | 2   |       | Bolt, Banjo-Fitting                                  |

2007 ATV 500 AUTOMATIC TRANSMISSION 4X4 FIS GREEN (A2007IBM4BUB) Page 54 of 96  
HYDRAULIC HAND BRAKE ASSEMBLY



2007 ATV 500 AUTOMATIC TRANSMISSION 4X4 FIS GREEN (A2007IBM4BUB00) Page 55 of 96  
HYDRAULIC HAND BRAKE ASSEMBLY

| Ref # | Part Number | Qty | S/P/F | Description                  |
|-------|-------------|-----|-------|------------------------------|
| 1     | 0502-914    | 1   | S     | Brake Assembly (inc. 2-10)   |
| 2     | 0502-566    | 1   |       | Screw, Reservoir Cover       |
| 3     | 0502-868    | 1   | /P    | Cover, Reservoir             |
| 4     | 0502-568    | 1   |       | Screw, Master Cylinder Clamp |
| 5     | 0502-869    | 1   |       | Clamp, Master Cylinder       |
| 6     | 0502-704    | 1   |       | Master Cylinder Assembly     |
| 7     | 0502-866    | 1   |       | Lever Assembly (inc. 8-9)    |
| 8     | 0502-867    | 1   | /P    | Lock, Brake Lever - Kit      |
| 9     | 0502-580    | 1   |       | Lever Pin - Kit              |
| 10    | 0502-564    | 1   | /P    | Switch, Brake - Kit          |
| 11    | 0423-178    | 2   |       | Washer, Crush                |
| 12    | 0423-413    | 1   |       | Bolt, Banjo-Fitting          |

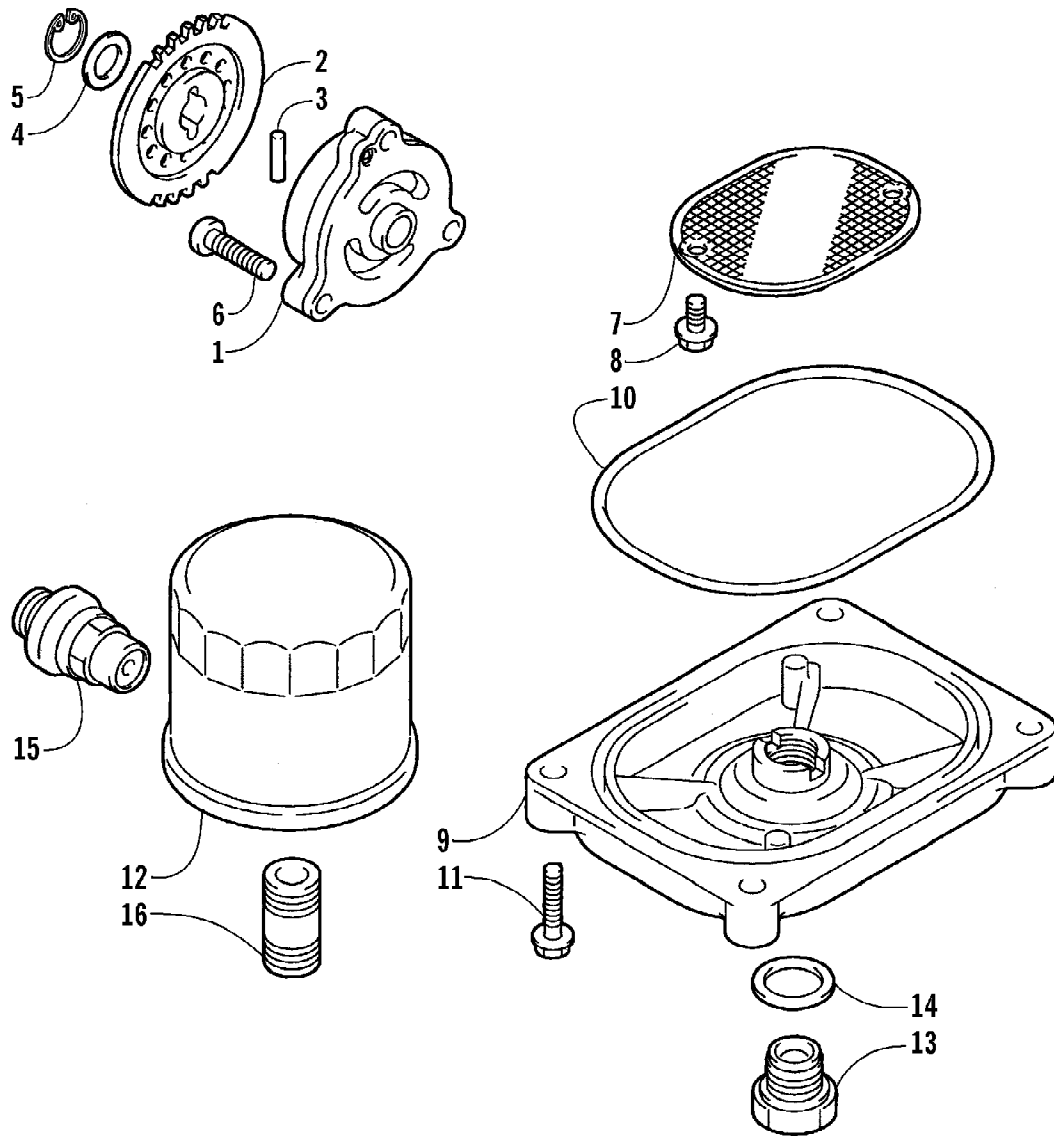




2007 ATV 500 AUTOMATIC TRANSMISSION 4X4 FIS GREEN (A2007IBM4BUB) Page 57 of 96  
MAGNETO ASSEMBLY

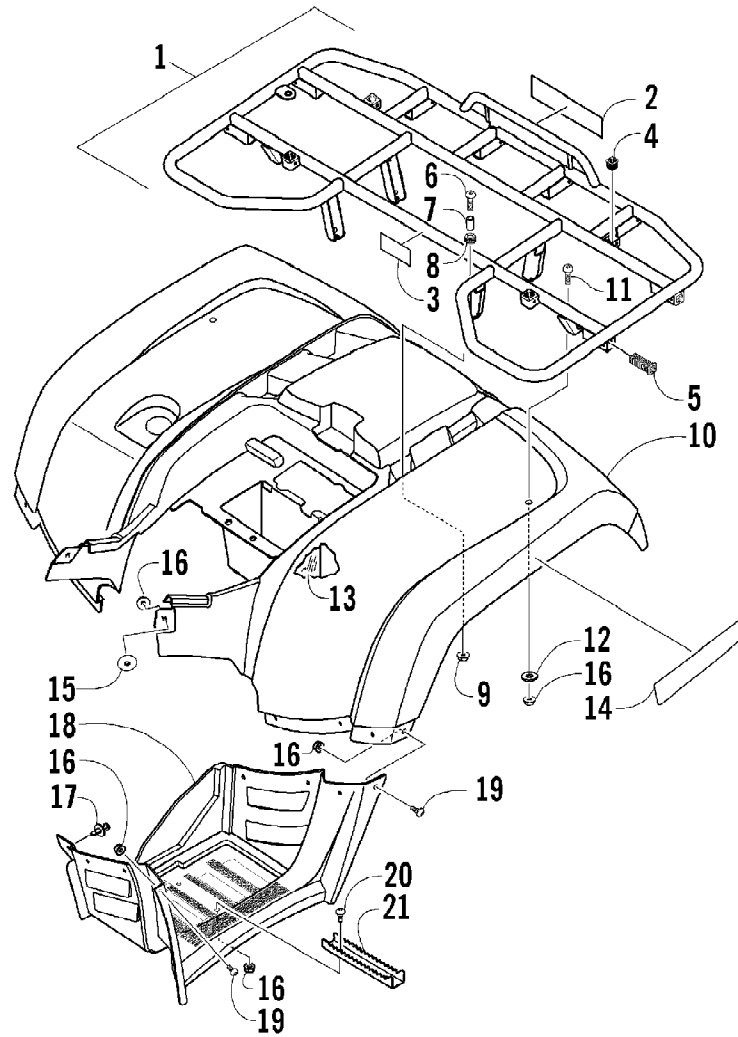
| Ref # | Part Number | Qty | S/P/F | Description     |
|-------|-------------|-----|-------|-----------------|
| 1     | 3430-058    | 1   |       | Stator Assembly |
| 2     | 3430-046    | 1   |       | Rotor/Flywheel  |
| 3     | 3423-162    | 3   | S     | Bolt            |
| 4     | 0691-785    | 1   |       | Key             |
| 5     | 3423-086    | 1   |       | Nut             |
| 6     | 3423-005    | 3   | /P    | Bolt            |
| 7     | 3430-005    | 1   |       | Clamp (No. 1)   |
| 8     | 3430-006    | 1   |       | Clamp (No. 2)   |

2007 ATV 500 AUTOMATIC TRANSMISSION 4X4 FIS GREEN (A2007IBM4BUB) Page 58 of 96  
OIL FILTER/PUMP ASSEMBLY



2007 ATV 500 AUTOMATIC TRANSMISSION 4X4 FIS GREEN (A2007IBM4BUB) Page 59 of 96  
OIL FILTER/PUMP ASSEMBLY

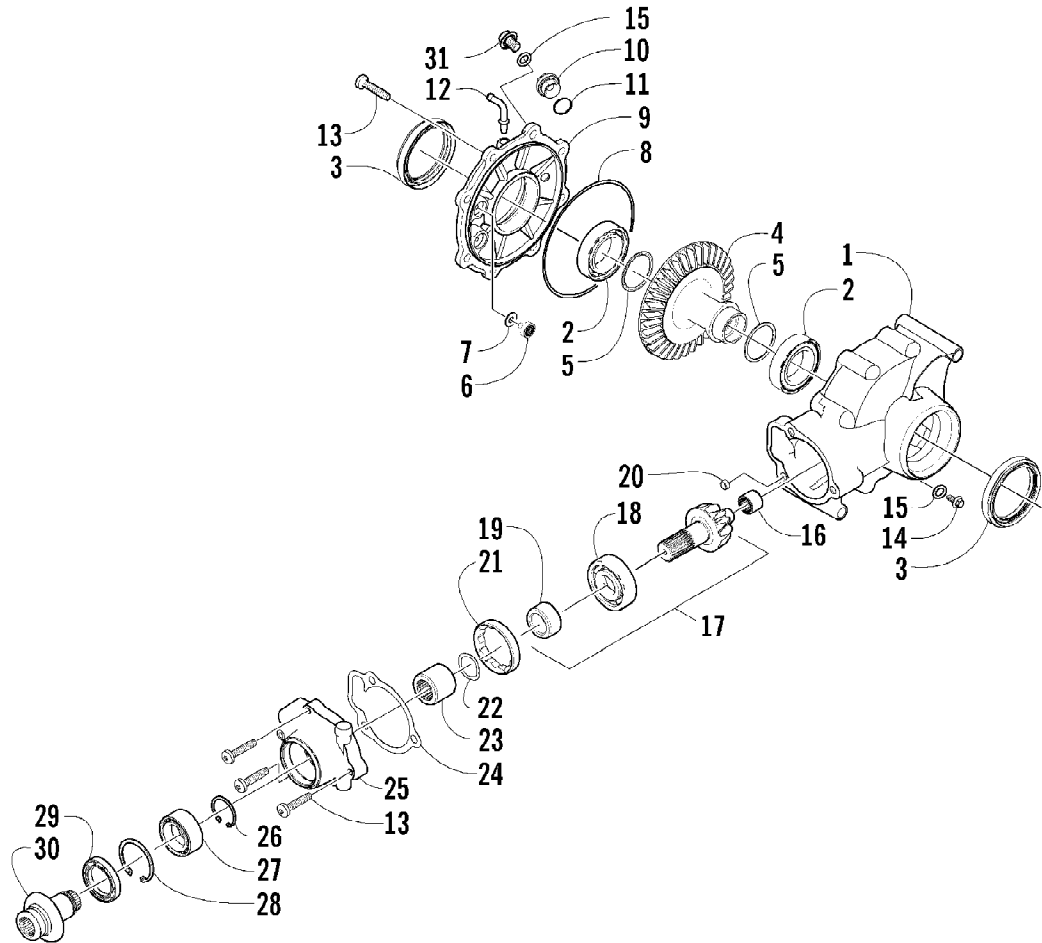
| Ref # | Part Number | Qty | S/P/F | Description                  |
|-------|-------------|-----|-------|------------------------------|
| 1     | 3402-727    | 1   | /P    | Pump, Oil                    |
| 2     | 3402-463    | 1   |       | Gear, Driven                 |
| 3     | 3423-046    | 1   |       | Pin                          |
| 4     | 3423-443    | 1   |       | Washer                       |
| 5     | 3423-184    | 1   | S     | Circlip                      |
| 6     | 3423-510    | 3   |       | Screw, Cap                   |
| 7     | 3402-156    | 1   |       | Strainer, Oil                |
| 8     | 0693-389    | 2   | S     | Screw, Cap                   |
| 9     | 3402-157    | 1   |       | Cap, Oil Strainer            |
| 10    | 3423-077    | 1   |       | O-Ring                       |
| 11    | 3004-756    | 4   | S     | Screw, Cap                   |
| 12    | 0812-005    | 1   | S     | Filter, Oil                  |
| 13    | 3402-728    | 1   | S     | Plug, Drain                  |
| 14    | 3402-012    | 1   |       | Gasket, Drain Plug           |
| 15    | 3402-154    | 1   |       | Valve, Oil-Relief - Assembly |
| 16    | 3402-158    | 1   | S     | Union, Oil Filter            |



2007 ATV 500 AUTOMATIC TRANSMISSION 4X4 FIS GREEN (A2007IBM4BUB) Page 61 of 96  
REAR BODY PANEL ASSEMBLY

| Ref # | Part Number | Qty | S/P/F | Description                       |
|-------|-------------|-----|-------|-----------------------------------|
| 1     | 0541-337    | 1   | /P    | Rack - Rear - Assembly (inc. 2-5) |
| 2     | 0411-814    | 1   | /P    | Decal, "Arctic Cat"               |
| 3     | 0411-648    | 1   |       | Decal, Warning - Rear Rack Load   |
| 4     | 0441-592    | 4   | /P    | Bushing, Rack                     |
| 5     | 2406-014    | 8   |       | Bushing, Rack                     |
| 6     | 8410-830    | 4   |       | Screw, Machine                    |
| 7     | 0423-669    | 4   |       | Spacer                            |
| 8     | 0423-465    | 4   |       | Grommet                           |
| 9     | 8432-802    | 4   |       | Nut, Lock                         |
| 10    | 2506-337    | 1   | S     | Panel, Fender - Rear (inc. 13-14) |
| 11    | 0423-654    | 2   |       | Screw, Shoulder                   |
| 12    | 8050-222    | 2   | /P    | Washer                            |
| 13    | 0470-658    | 1   |       | Shield, Heat                      |
| 14    | 0411-820    | 1   | S     | Decal, Reflector - Rear - Right   |
| 14    | 0411-821    | 1   | S     | Decal, Reflector - Rear - Left    |
| 15    | 0423-101    | 2   |       | Screw, Body                       |
| 16    | 0423-540    | 24  |       | Nut, Lock                         |
| 17    | 0623-362    | 2   |       | Rivet, Reinstallable              |
| 18    | 1406-356    | 1   |       | Footwell - Right                  |
| 18    | 2406-429    | 1   | /P    | Footwell - Left                   |
| 19    | 0423-419    | 16  |       | Screw, Machine                    |
| 20    | 0423-355    | 4   |       | Screw, Shoulder                   |
| 21    | 1506-125    | 2   | /P    | Footpeg                           |

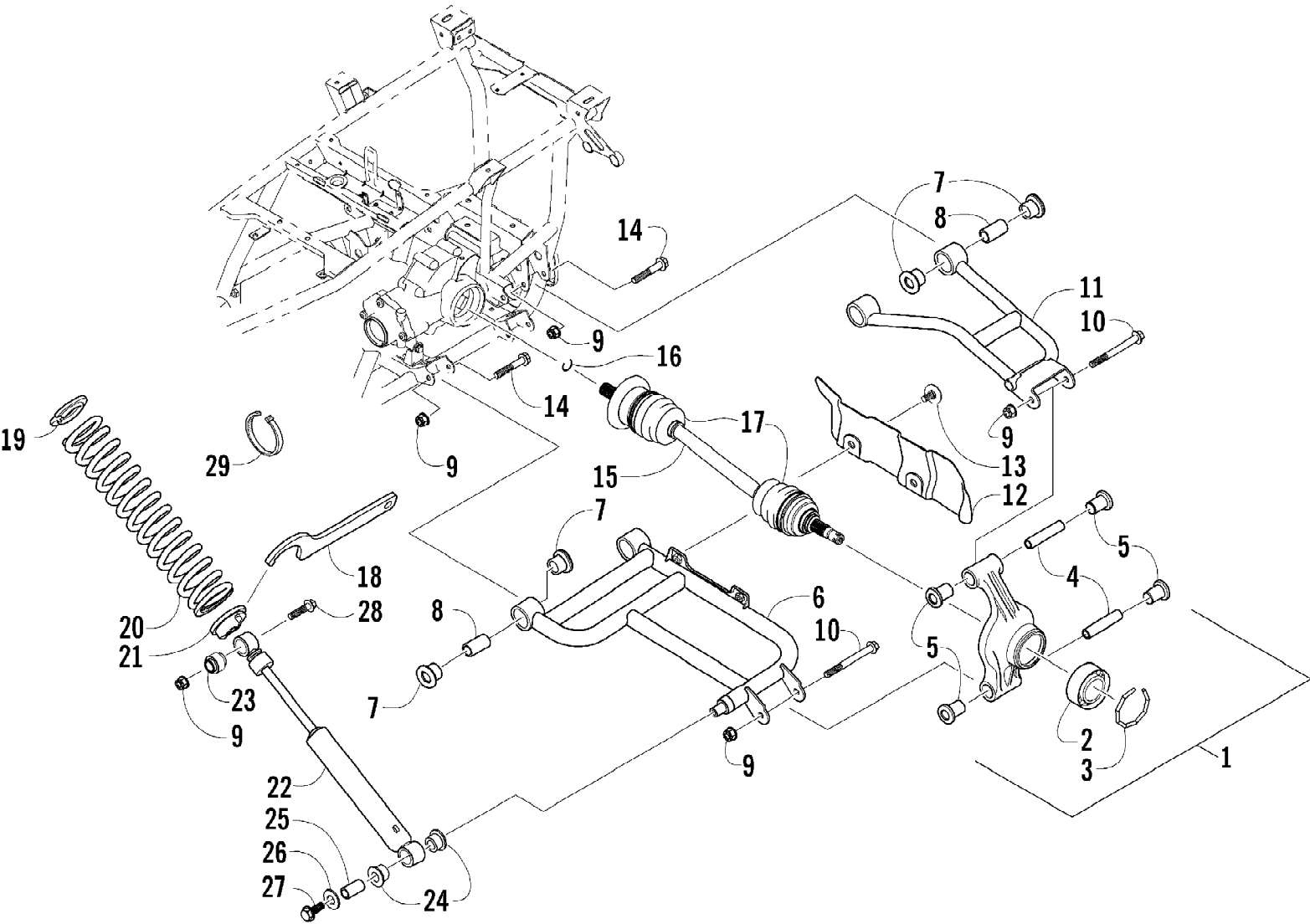
2007 ATV 500 AUTOMATIC TRANSMISSION 4X4 FIS GREEN (A2007IBM4BUB) Page 62 of 96  
REAR DRIVE GEARCASE ASSEMBLY



2007 ATV 500 AUTOMATIC TRANSMISSION 4X4 FIS GREEN (A2007IBM4BUB) Page 63 of 96  
REAR DRIVE GEARCASE ASSEMBLY

| Ref # | Part Number | Qty | S/P/F | Description                                |
|-------|-------------|-----|-------|--|
|       | 1502-079    | 1   | S     | Complete Rear Gearcase Assembly            |
| 1     | 0502-622    | 1   |       | Housing, Gearcase                          |
| 2     | 0402-393    | 2   |       | Bearing                                    |
| 3     | 1402-441    | 2   | S     | Seal                                       |
| 4     | 1402-032    | 1   |       | Gear, Ring - 36T                           |
| 5     | 0402-405    | AR  |       | Shim                                       |
| 5     | 0402-406    | AR  |       | Shim                                       |
| 5     | 0402-407    | AR  |       | Shim                                       |
| 5     | 0402-408    | AR  |       | Shim                                       |
| 5     | 0402-409    | AR  |       | Shim                                       |
| 6     | 0402-326    | 1   |       | Button, Thrust                             |
| 7     | 0402-429    | AR  |       | Shim                                       |
| 7     | 0402-430    | AR  |       | Shim                                       |
| 7     | 0402-431    | AR  |       | Shim                                       |
| 7     | 0402-432    | AR  |       | Shim                                       |
| 7     | 0402-433    | AR  |       | Shim                                       |
| 8     | 0423-149    | 1   |       | O-Ring                                     |
| 9     | 1502-082    | 1   |       | Cover, Gearcase                            |
| 10    | 0402-333    | 1   | /P    | Plug, Fill (inc. 11)                       |
| 11    | 0423-154    | 1   |       | O-Ring                                     |
| 12    | 1402-102    | 1   |       | Fitting                                    |
| 13    | 0423-118    | 11  |       | Screw, Self-Tapping                        |
| 14    | 0402-450    | 1   | S     | Plug, Magnetic (inc. one No. 15)           |
| 15    | 0423-153    | 2   |       | O-Ring                                     |
| 16    | 0402-328    | 1   |       | Bearing                                    |
| 17    | 0502-783    | 1   |       | Gear, Pinion - Assembly - 10T (inc. 18-19) |
| 18    | 0402-327    | 1   |       | Bearing                                    |
| 19    | 0402-336    | 1   |       | Collar, Retaining                          |
| 20    | 0402-411    | 1   |       | Pin, Dowel                                 |
| 21    | 0402-331    | 1   |       | Collar, Lock                               |
| 22    | 0402-982    | 1   |       | Washer, Spring                             |
| 23    | 0402-981    | 1   |       | Collar, Shaft                              |
| 24    | 0402-947    | 1   |       | Gasket, Flange                             |
| 25    | 0502-529    | 1   |       | Housing, Pinion                            |
| 26    | 0423-417    | 1   |       | Ring, Retaining                            |
| 27    | 1402-043    | 1   |       | Bearing                                    |
| 28    | 0423-423    | 1   |       | Ring, Retaining                            |
| 29    | 1402-011    | 1   |       | Seal                                       |
| 30    | 1502-085    | 1   | /P    | Shaft, Input                               |
| 31    | 1402-211    | 1   |       | Plug, Oil Level (inc. one No. 15)          |

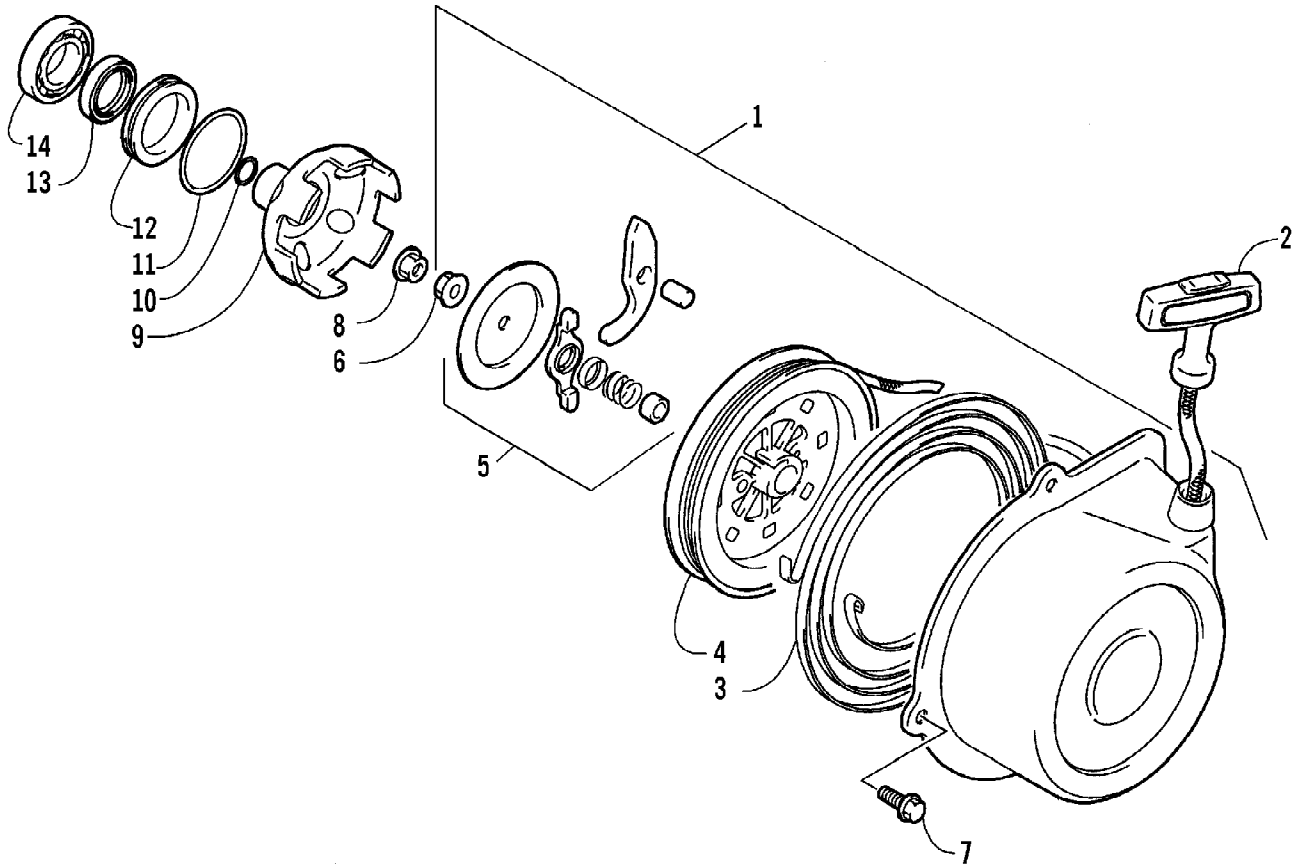
2007 ATV 500 AUTOMATIC TRANSMISSION 4X4 FIS GREEN (A2007IBM4BUB) Page 64 of 96  
REAR SUSPENSION ASSEMBLY





2007 ATV 500 AUTOMATIC TRANSMISSION 4X4 FIS GREEN (A2007IBM4BUB) Page 65 of 96  
REAR SUSPENSION ASSEMBLY

| Ref # | Part Number | Qty | S/P/F | Description                               |
|-------|-------------|-----|-------|---|
| 1     | 0504-372    | 1   | S     | Knuckle, Right Rear - Assembly (inc. 2-5) |
| 1     | 0504-373    | 1   | S/P   | Knuckle, Left Rear - Assembly (inc. 2-5)  |
| 2     | 1402-027    | 2   | S/P   | Bearing, Wheel Hub                        |
| 3     | 0423-423    | 2   |       | Ring, Retaining                           |
| 4     | 0403-038    | 4   | S/P   | Collar, Suspension Bushing                |
| 5     | 0403-032    | 8   | S     | Bushing, Suspension                       |
| 6     | 0504-438    | 1   | /P    | A-Arm, Rear - Lower Right (inc. 7-8)      |
| 6     | 0504-439    | 1   | S     | A-Arm, Rear - Lower Left (inc. 7-8)       |
| 7     | 0403-115    | 16  | S     | Bushing                                   |
| 8     | 0403-114    | 8   | S     | Collar                                    |
| 9     | 8428-002    | 14  |       | Nut, Lock                                 |
| 10    | 8409-000    | 4   |       | Screw, Cap                                |
| 11    | 0504-470    | 1   |       | A-Arm, Rear - Upper Right (inc. 7-8)      |
| 11    | 0504-471    | 1   | S     | A-Arm, Rear - Upper Left (inc. 7-8)       |
| 12    | 1441-004    | 1   |       | Guard, Boot - Right                       |
| 12    | 1441-005    | 1   |       | Guard, Boot - Left                        |
| 13    | 0423-545    | 4   | /P    | Screw, Body                               |
| 14    | 8409-075    | 8   |       | Screw, Cap                                |
| 15    | 0502-811    | 2   | S     | Axle, Drive (inc. 16-17)                  |
| 16    | 0441-893    | 2   | S     | Clip, Retaining                           |
| 17    | 0436-276    | 2   | S     | Repair Kit, Boot - Rear Axle              |
| 18    | 0441-587    | 1   |       | Wrench, Spanner                           |
| 19    | 1603-889    | 2   | /P    | Retainer, Spring                          |
| 20    | 0404-112    | 2   |       | Spring, Suspension                        |
| 21    | 0404-057    | 2   |       | Cam, Spring Adjuster                      |
| 22    | 0404-150    | 2   |       | Shock Absorber - Rear (inc. 23-25)        |
| 23    | 0403-182    | 2   |       | Bushing, Double-Bonded                    |
| 24    | 0603-955    | 4   |       | Bushing, Shock Absorber                   |
| 25    | 1603-219    | 2   | S     | Sleeve, Shock Absorber                    |
| 26    | 0423-087    | 2   |       | Washer                                    |
| 27    | 8408-820    | 2   | /P    | Screw, Cap                                |
| 28    | 8409-040    | 1   |       | Screw, Cap - Right                        |
| 28    | 8409-050    | 1   |       | Screw, Cap - Left                         |
| 29    | 0123-788    | 2   | /P    | Cable Tie                                 |



2007 ATV 500 AUTOMATIC TRANSMISSION 4X4 FIS GREEN (A2007IBM4BUB) Page 67 of 96  
RECOIL STARTER ASSEMBLY

| Ref # | Part Number | Qty | S/P/F | Description                           |
|-------|-------------|-----|-------|---------------------------------------|
| 1     | 3445-003    | 1   |       | Starter, Recoil - Assembly (inc. 2-6) |
| 2     | 3445-011    | 1   |       | Rope Assembly                         |
| 3     | 3445-007    | 1   |       | Spring, Spiral                        |
| 4     | 3445-004    | 1   |       | Reel                                  |
| 5     | 3445-016    | 1   |       | Ratchet Assembly                      |
| 6     | 3004-488    | 1   | S/P   | Nut                                   |
| 7     | 3423-428    | 4   |       | Screw, Cap                            |
| 8     | 3004-491    | 1   | S/P   | Nut                                   |
| 9     | 3445-029    | 1   | /P    | Cup, Starter                          |
| 10    | 3423-053    | 1   | /P    | O-Ring                                |
| 11    | 3423-063    | 1   |       | O-Ring                                |
| 12    | 3423-542    | 1   | /P    | Spacer                                |
| 13    | 3402-070    | 1   |       | Seal, Oil                             |
| 14    | 3402-051    | 1   |       | Bearing                               |

No  
Diagram  
Available  
  
Parts List  
Only

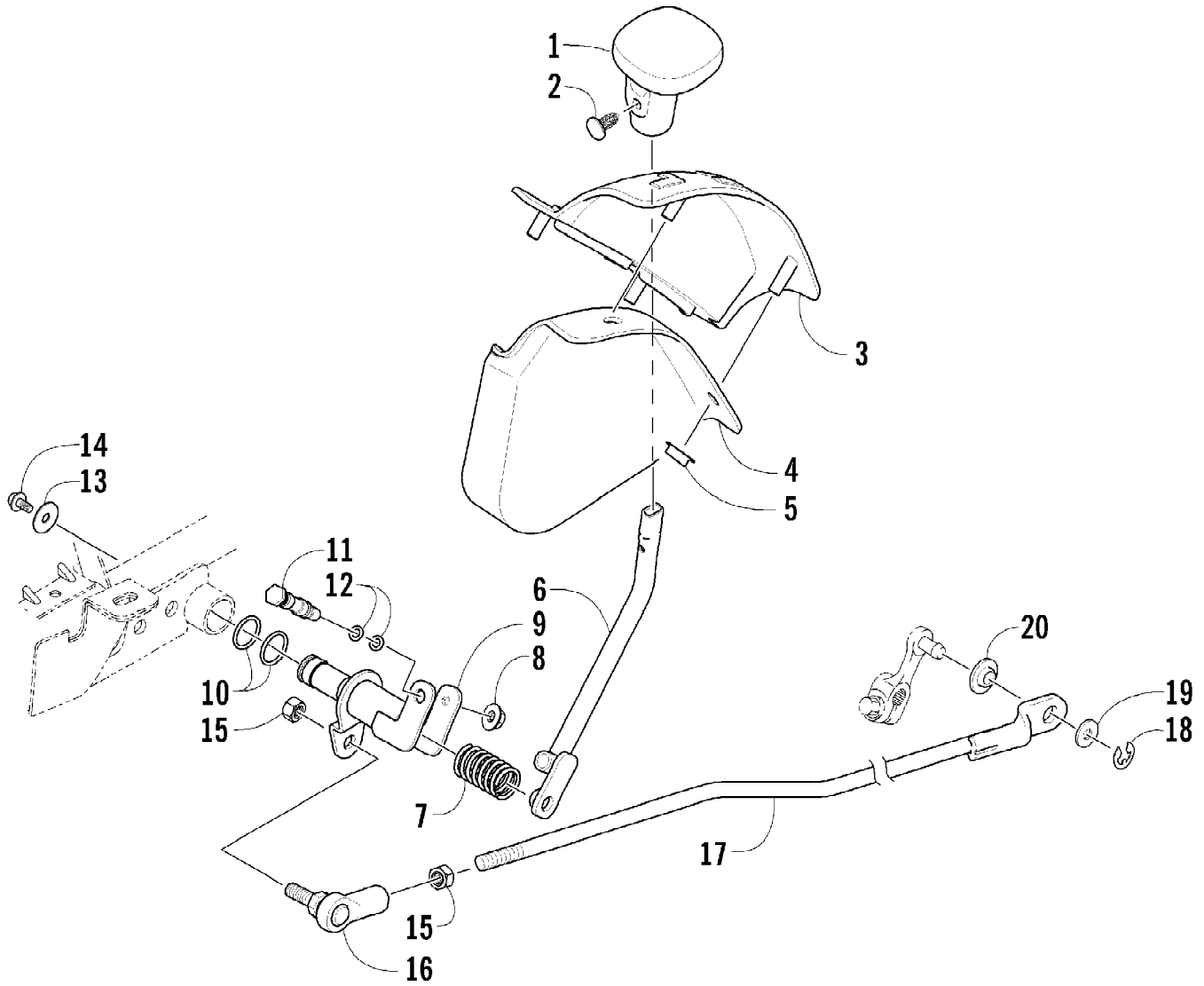
2007 ATV 500 AUTOMATIC TRANSMISSION 4X4 FIS GREEN (A2007IBM4BUB) Page 69 of 96  
RELATED ITEMS

| Ref # | Part Number | Qty | S/P/F | Description                                   |
|-------|-------------|-----|-------|---|
|       | 0436-479    | 1   |       | Articulating Spool Mount                      |
|       | 0436-548    | 1   |       | Articulating Spool Receiver Mount Adapter     |
|       | 0436-768    | 1   | S     | Backrest                                      |
|       | 0436-961    | 1   | /P    | Bag, Fender - Black                           |
|       | 0436-925    | 1   | S     | Bag, Rack, Front - Black                      |
|       | 0436-924    | 1   |       | Bag, Rack, Rear - Black                       |
|       | 0436-480    | 1   |       | Bar, Utility/Gun Rack                         |
|       | 0436-811    | 1   |       | Basket, Open-End                              |
|       | 0436-619    | 1   |       | Brush Guard/Bumper                            |
|       | 0436-462    | 1   |       | Bucket Holder                                 |
|       | 0436-620    | 1   |       | Bumper (Rear)                                 |
|       | 0436-464    | 1   |       | Camp Stove Cradle                             |
|       | 0436-454    | 1   |       | Cargo Box                                     |
|       | 0436-625    | 1   |       | Cargo Box Quick-Release Kit                   |
|       | 0436-460    | 1   |       | Carryall (11 x 17)                            |
|       | 0436-652    | 1   |       | Carryall (14 x 27)                            |
|       | 0436-476    | 1   |       | Chain Saw Lock                                |
|       | 0436-777    | 1   | S     | Cover, Black and Green                        |
|       | 0436-668    | 1   |       | Cover, Timber Camo                            |
|       | 0436-776    | 1   | S     | Cover, Trailerable                            |
|       | 0436-005    | 1   | S     | Engine Oil - 10W40                            |
|       | 0436-003    | 1   | S     | Engine Oil - 5W30                             |
|       | 0436-466    | 1   |       | Fender Box                                    |
|       | 0436-538    | 1   |       | Gear Cradle                                   |
|       | 0436-007    | 1   | S     | Gear Lube (Diff) - 80W90                      |
|       | 0436-501    | 1   | S     | Grease, High-Performance                      |
|       | 0436-627    | 1   |       | Gun Scabbard Kit                              |
|       | 0436-706    | 1   | /P    | Gun Scabbard Mount                            |
|       | 0436-505    | 1   |       | Hand Guards - Black                           |
|       | 0436-352    | 1   |       | Hand/Thumb Warmers                            |
|       | 0436-639    | 1   |       | Ice Auger Holder                              |
|       | 0436-787    | 1   |       | License Plate Kit                             |
|       | 0436-463    | 1   |       | Light Bar                                     |
|       | 2257-685    | 1   |       | Manual, Illustrated Parts                     |
|       | 2257-603    | 1   |       | Manual, Operator's (E)                        |
|       | 2257-604    | 1   |       | Manuel d'utilisation (F)                      |
|       | 0436-635    | 1   |       | Plow Attachment Kit                           |
|       | 0436-228    | 1   |       | Plow Blade, 50 in. - Straight                 |
|       | 0436-287    | 1   |       | Plow Blade, 50 in. - One-Way                  |
|       | 0436-296    | 1   |       | Plow Blade, 60 in. - Straight                 |
|       | 0436-360    | 1   |       | Plow Blade, 60 in. - One-Way                  |
|       | 0436-966    | 1   |       | Plow Blade, Diamond Trend - 60 in. - Straight |
|       | 0436-967    | 1   |       | Plow Blade, Diamond Trend - 60 in. - One-Way  |
|       | 0436-636    | 1   | /P    | Plow, Push Frame                              |
|       | 0436-626    | 1   | S     | Rack Basket                                   |
|       | 0436-647    | 1   |       | Rack Extension, 4 in. (Front)                 |
|       | 0436-646    | 1   |       | Rack Extension, 8 in. (Rear)                  |
|       | 0436-629    | 1   |       | Rapid Blind (Break-Up)                        |
|       | 0436-630    | 1   |       | Rapid Blind (Shadow Grass)                    |
|       | 0436-628    | 1   |       | Rapid Shack (Blue Ice)                        |
|       | 0436-624    | 1   |       | Sprayer System                                |

2007 ATV 500 AUTOMATIC TRANSMISSION 4X4 FIS GREEN (A2007IBM4BUB) Page 70 of 96  
RELATED ITEMS

| Ref # | Part Number | Qty | S/P/F | Description                              |
|-------|-------------|-----|-------|--|
|       | 0436-741    | 1   | /P    | Sprayer Boom (120 in.)                   |
|       | 1402-028    | 1   |       | Tire, Titan AT589 (25x8-12, Mud & Snow)  |
|       | 0402-563    | 1   |       | Tire, Titan AT589 (25x10-12, Mud & Snow) |
|       | 0436-297    | 1   |       | Tool Holder - Double                     |
|       | 0436-263    | 1   | /P    | Tool Holder - Single                     |
|       | 0436-792    | 1   | S     | Tree Stand/Bow Case Holder               |
|       | 0436-655    | 1   |       | Winch, 2500 lb                           |
|       | 0436-623    | 1   |       | Windshield, Clear w/Black Accent         |
|       | 0436-470    | 1   |       | Workbase (8 in.)                         |

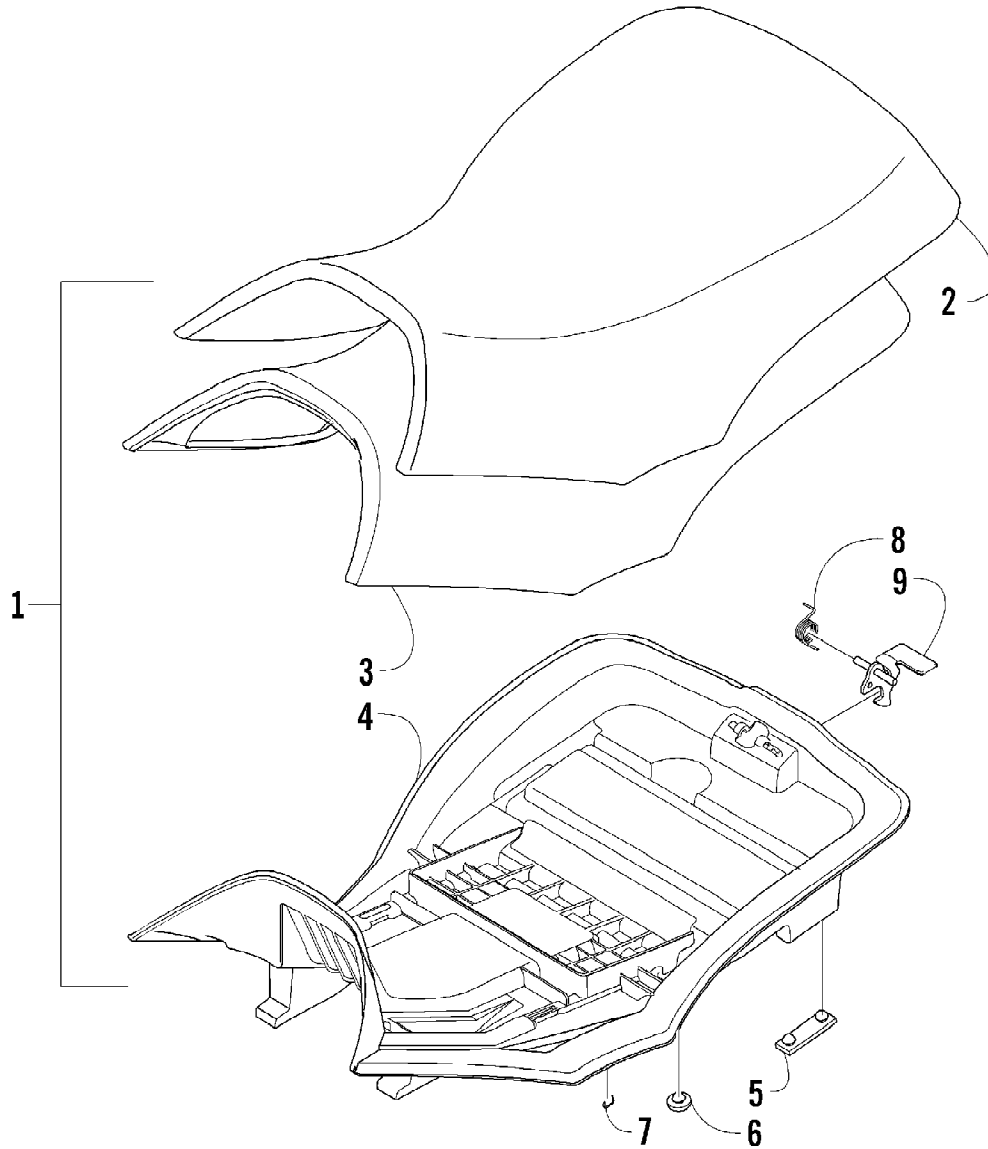
2007 ATV 500 AUTOMATIC TRANSMISSION 4X4 FIS GREEN (A2007IBM4BUB) Page 71 of 96  
REVERSE SHIFT LEVER ASSEMBLY



2007 ATV 500 AUTOMATIC TRANSMISSION 4X4 FIS GREEN (A2007IBM4BUB) Page 72 of 96  
REVERSE SHIFT LEVER ASSEMBLY

| Ref # | Part Number | Qty | S/P/F | Description                 |
|-------|-------------|-----|-------|-----------------------------|
| 1     | 0402-843    | 1   | /P    | Knob, Reverse Shift Lever   |
| 2     | 0423-345    | 1   |       | Clip, Push                  |
| 3     | 1402-576    | 1   |       | Plate, Shift                |
| 4     | 2406-345    | 1   |       | Shield, Shift Gate          |
| 5     | 0423-357    | 4   |       | Nut, Stamped                |
| 6     | 0502-659    | 1   |       | Lever, Reverse Shift        |
| 7     | 0502-410    | 1   | S     | Spring, Reverse Shift Lever |
| 8     | 8424-602    | 1   | /P    | Nut                         |
| 9     | 0502-742    | 1   |       | Axle, Reverse Shift Lever   |
| 10    | 0423-299    | 2   | /P    | O-Ring                      |
| 11    | 0402-675    | 1   |       | Axle, Pivot                 |
| 12    | 0423-182    | 2   | /P    | O-Ring                      |
| 13    | 0423-087    | 1   |       | Washer                      |
| 14    | 8408-812    | 1   |       | Screw, Cap                  |
| 15    | 0623-294    | 2   |       | Nut                         |
| 16    | 1402-270    | 1   |       | End, Rod                    |
| 17    | 0502-989    | 1   | /P    | Linkage, Shift              |
| 18    | 0423-169    | 1   | /P    | E-Ring                      |
| 19    | 8050-242    | 1   |       | Washer                      |
| 20    | 0423-091    | 1   |       | Bushing, Shift Linkage      |

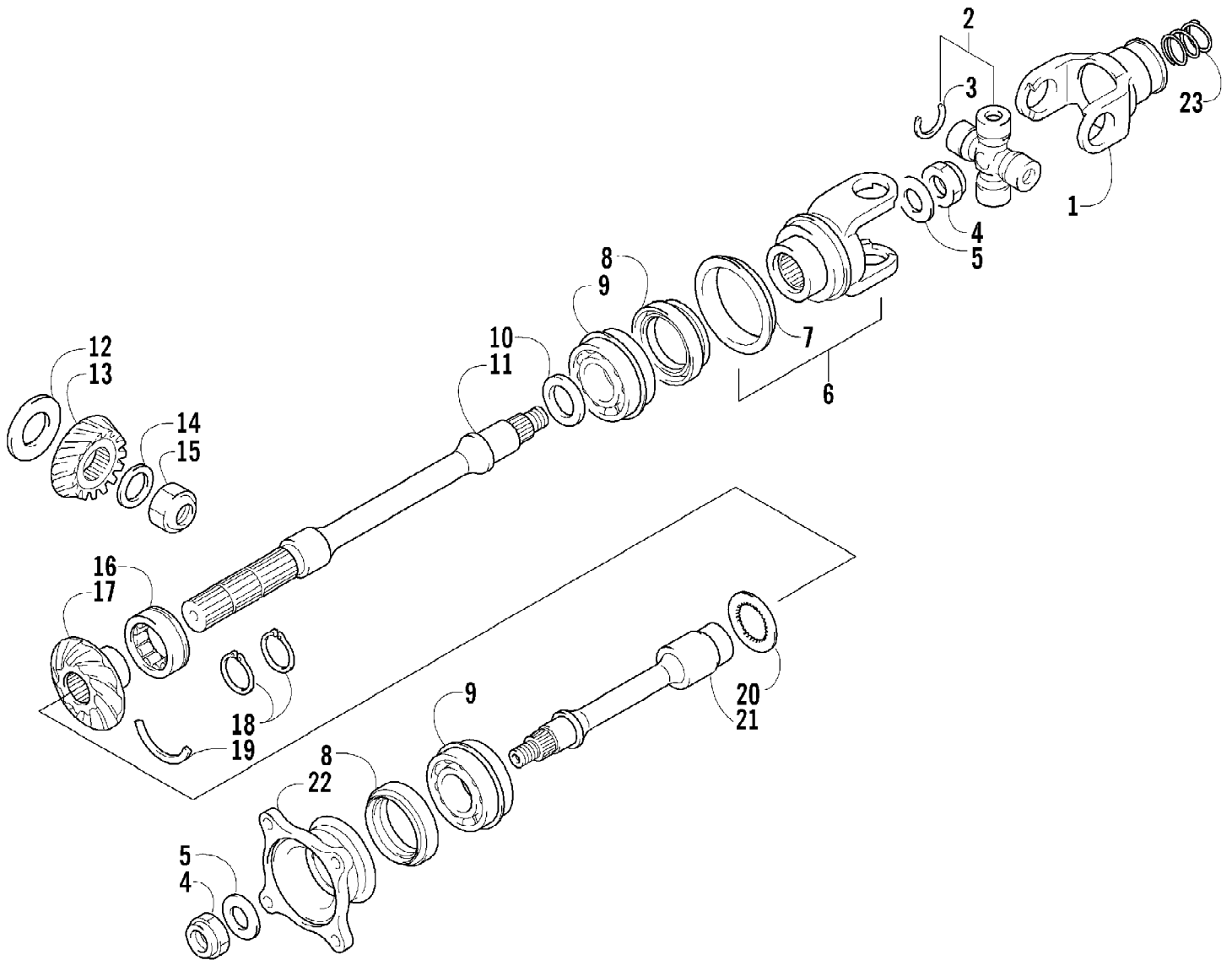




2007 ATV 500 AUTOMATIC TRANSMISSION 4X4 FIS GREEN (A2007IBM4BUB0) Page 74 of 96  
SEAT ASSEMBLY

| Ref # | Part Number | Qty | S/P/F | Description                      |
|-------|-------------|-----|-------|----------------------------------|
| 1     | 1506-937    | 1   | S/P   | Seat Assembly (inc. 2-9)         |
| 2     | 1506-209    | 1   |       | Cover, Seat                      |
| 3     | 1506-208    | 1   |       | Foam, Seat                       |
| 4     | 2406-144    | 1   | S/P   | Base, Seat - Assembly (inc. 5-6) |
| 5     | 0406-879    | 2   |       | Bumper, Seat - Rear              |
| 6     | 0406-877    | 4   | /P    | Bumper, Seat - Front             |
| 7     | 0624-263    | AR  |       | Staple                           |
| 8     | 1406-592    | 1   | /P    | Spring, Seat Latch               |
| 9     | 1506-156    | 1   |       | Latch, Seat                      |

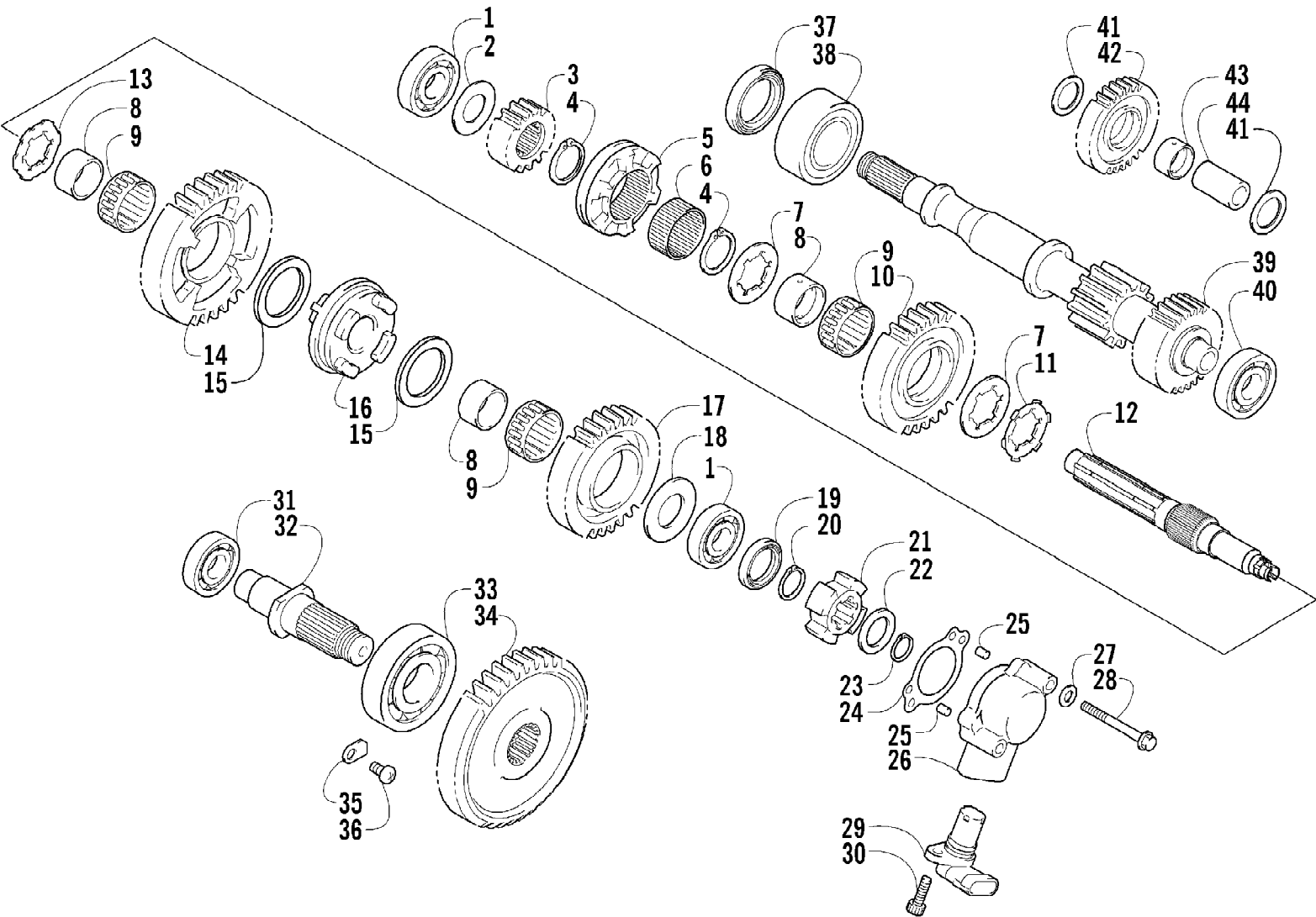
2007 ATV 500 AUTOMATIC TRANSMISSION 4X4 FIS GREEN (A2007IBM4BU) Page 75 of 96  
SECONDARY DRIVE ASSEMBLY



2007 ATV 500 AUTOMATIC TRANSMISSION 4X4 FIS GREEN (A2007IBM4BUB) Page 76 of 96  
SECONDARY DRIVE ASSEMBLY

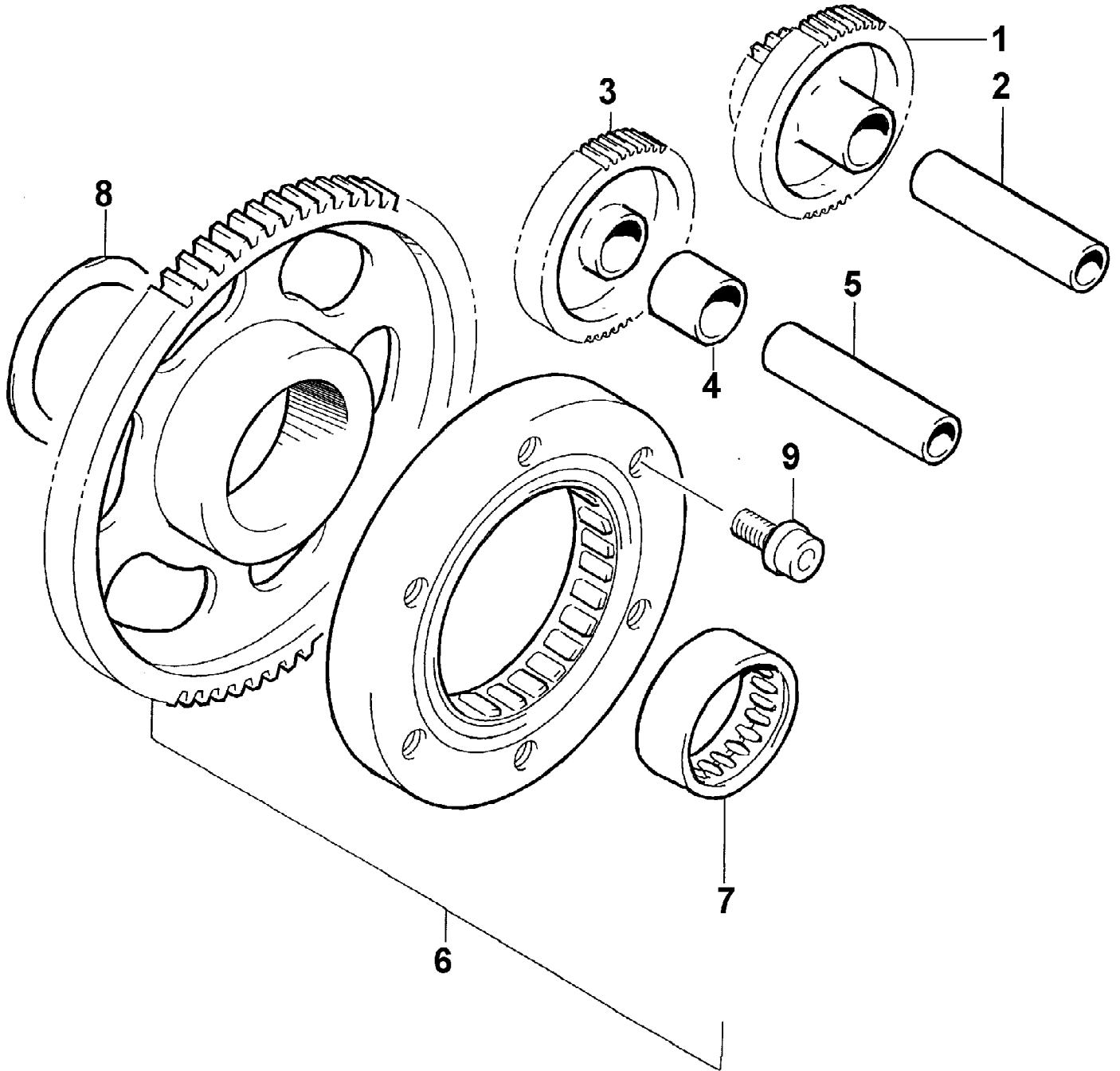
| Ref # | Part Number | Qty | S/P/F | Description                         |
|-------|-------------|-----|-------|-------------------------------------|
| 1     | 3446-327    | 1   | /P    | Yoke, Propeller Shaft Joint         |
| 2     | 3402-562    | 1   |       | Joint, Universal - Set (inc. 3)     |
| 3     | 3423-479    | 4   |       | Circlip                             |
| 4     | 3423-025    | 2   |       | Nut, Rear Output Joint              |
| 5     | 3423-028    | 2   |       | Washer, Rear Output Flange          |
| 6     | 3402-742    | 1   |       | Yoke, Drive Output - Front (inc. 7) |
| 7     | 3402-743    | 1   |       | Plate, Output Yoke                  |
| 8     | 3402-072    | 2   |       | Seal, Oil - Driven Shaft            |
| 9     | 3402-067    | 2   | S     | Bearing, Driven Shaft               |
| 10    | 3402-017    | AR  |       | Shim, 25 x 34 x 0.60 mm             |
| 10    | 3402-018    | AR  |       | Shim, 25 x 34 x 0.65 mm             |
| 10    | 3402-019    | AR  |       | Shim, 25 x 34 x 0.70 mm             |
| 10    | 3402-020    | AR  |       | Shim, 25 x 34 x 0.75 mm             |
| 10    | 3402-021    | AR  | S     | Shim, 25 x 34 x 0.80 mm             |
| 10    | 3402-022    | AR  |       | Shim, 25 x 34 x 0.85 mm             |
| 10    | 3402-023    | AR  |       | Shim, 25 x 34 x 0.90 mm             |
| 10    | 3402-024    | AR  |       | Shim, 25 x 34 x 0.95 mm             |
| 10    | 3402-025    | AR  | S     | Shim, 25 x 34 x 1.00 mm             |
| 10    | 3402-028    | AR  |       | Shim, 25 x 34 x 1.05 mm             |
| 10    | 3402-029    | AR  |       | Shim, 25 x 34 x 1.10 mm             |
| 10    | 3402-030    | AR  |       | Shim, 25 x 34 x 1.15 mm             |
| 10    | 3402-031    | AR  |       | Shim, 25 x 34 x 1.20 mm             |
| 11    | 3402-740    | 1   |       | Shaft, Secondary Driven - Front     |
| 12    | 3446-035    | 1   |       | Shim, Secondary Drive Gear - Set    |
| 13    | 3402-738    | 1   |       | Gear, Secondary Drive               |
| 14    | 3005-372    | 1   |       | Washer                              |
| 15    | 3423-023    | 1   |       | Nut                                 |
| 16    | 3402-515    | 1   | /P    | Bearing, Driven Gear                |
| 17    | 3402-739    | 1   |       | Gear, Secondary Driven              |
| 18    | 3423-340    | 2   | S     | Circlip, Secondary Driven Gear      |
| 19    | 3423-072    | 1   |       | Ring, Driven Bearing                |
| 20    | 3423-415    | 1   |       | Washer, Driven Shaft                |
| 21    | 3402-513    | 1   |       | Shaft, Secondary Driven - Rear      |
| 22    | 3402-514    | 1   | /P    | Flange, Output Joint - Rear         |
| 23    | 1402-026    | 1   |       | Spring                              |

2007 ATV 500 AUTOMATIC TRANSMISSION 4X4 FIS GREEN (A2007IBM4BUB) Page 77 of 96  
SECONDARY TRANSMISSION ASSEMBLY



2007 ATV 500 AUTOMATIC TRANSMISSION 4X4 FIS GREEN (A2007IBM4BUB) Page 78 of 96  
SECONDARY TRANSMISSION ASSEMBLY

| Ref # | Part Number | Qty | S/P/F | Description                      |
|-------|-------------|-----|-------|----------------------------------|
| 1     | 3402-045    | 2   | /P    | Bearing, Shaft                   |
| 2     | 3402-381    | 1   | /P    | Washer, Drive Gear No. 2 - Right |
| 3     | 3402-497    | 1   |       | Gear, Drive - No. 2              |
| 4     | 3423-066    | 2   | /P    | Circlip                          |
| 5     | 3402-737    | 1   |       | Dog, Reverse Driven Gear         |
| 6     | 3402-825    | 1   |       | Spacer, Reverse Driven Gear      |
| 7     | 3423-263    | 2   |       | Washer                           |
| 8     | 3402-494    | 3   |       | Bushing                          |
| 9     | 3402-498    | 3   |       | Bearing                          |
| 10    | 3402-822    | 1   |       | Gear, Reverse Driven             |
| 11    | 3423-266    | 1   |       | Washer, Lock                     |
| 12    | 3402-820    | 1   |       | Countershaft                     |
| 13    | 3423-262    | 1   |       | Washer, Lock                     |
| 14    | 3402-668    | 1   | /P    | Gear, Driven - Low               |
| 15    | 3423-554    | 2   |       | Washer, Driven Gear              |
| 16    | 3402-824    | 1   |       | Dog, Sliding                     |
| 17    | 3402-733    | 1   |       | Gear, Driven - High              |
| 18    | 3423-412    | 1   |       | Washer, Drive Gear - Left        |
| 19    | 3402-836    | 1   |       | Seal, Countershaft - Left        |
| 20    | 3423-518    | 1   |       | Circlip                          |
| 21    | 3402-837    | 1   |       | Rotor                            |
| 22    | 3423-556    | 1   |       | Washer                           |
| 23    | 3423-557    | 1   |       | Circlip                          |
| 24    | 3446-289    | 1   |       | Gasket                           |
| 25    | 3006-547    | 2   | /P    | Pin                              |
| 26    | 3446-355    | 1   |       | Housing, Speedometer Sensor      |
| 27    | 3003-290    | 2   | /P    | Gasket                           |
| 28    | 3423-091    | 2   | S     | Bolt                             |
| 29    | 3402-838    | 1   |       | Sensor, Speedometer              |
| 30    | 3423-226    | 1   |       | Bolt                             |
| 31    | 3402-735    | 1   |       | Bearing, Shaft                   |
| 32    | 3402-491    | 1   |       | Shaft, Output                    |
| 33    | 3402-502    | 1   |       | Bearing, Output Shaft            |
| 34    | 3402-534    | 1   | /P    | Gear, Driven - No. 2             |
| 35    | 3446-031    | 2   | /P    | Retainer, Bearing                |
| 36    | 3423-370    | 2   |       | Screw, Bearing Retainer          |
| 37    | 3402-537    | 1   | /P    | Seal, Driveshaft - Left          |
| 38    | 3402-499    | 1   |       | Bearing, Driveshaft - Right      |
| 39    | 3402-731    | 1   |       | Driveshaft                       |
| 40    | 3003-261    | 1   | /P    | Bearing, Driveshaft - Left       |
| 41    | 3402-195    | 2   |       | Washer, Reverse Idle Gear        |
| 42    | 3402-503    | 1   |       | Gear, Reverse Idle               |
| 43    | 3446-103    | 1   |       | Bushing, Reverse Idle Gear       |
| 44    | 3402-507    | 1   |       | Shaft, Reverse Idle              |

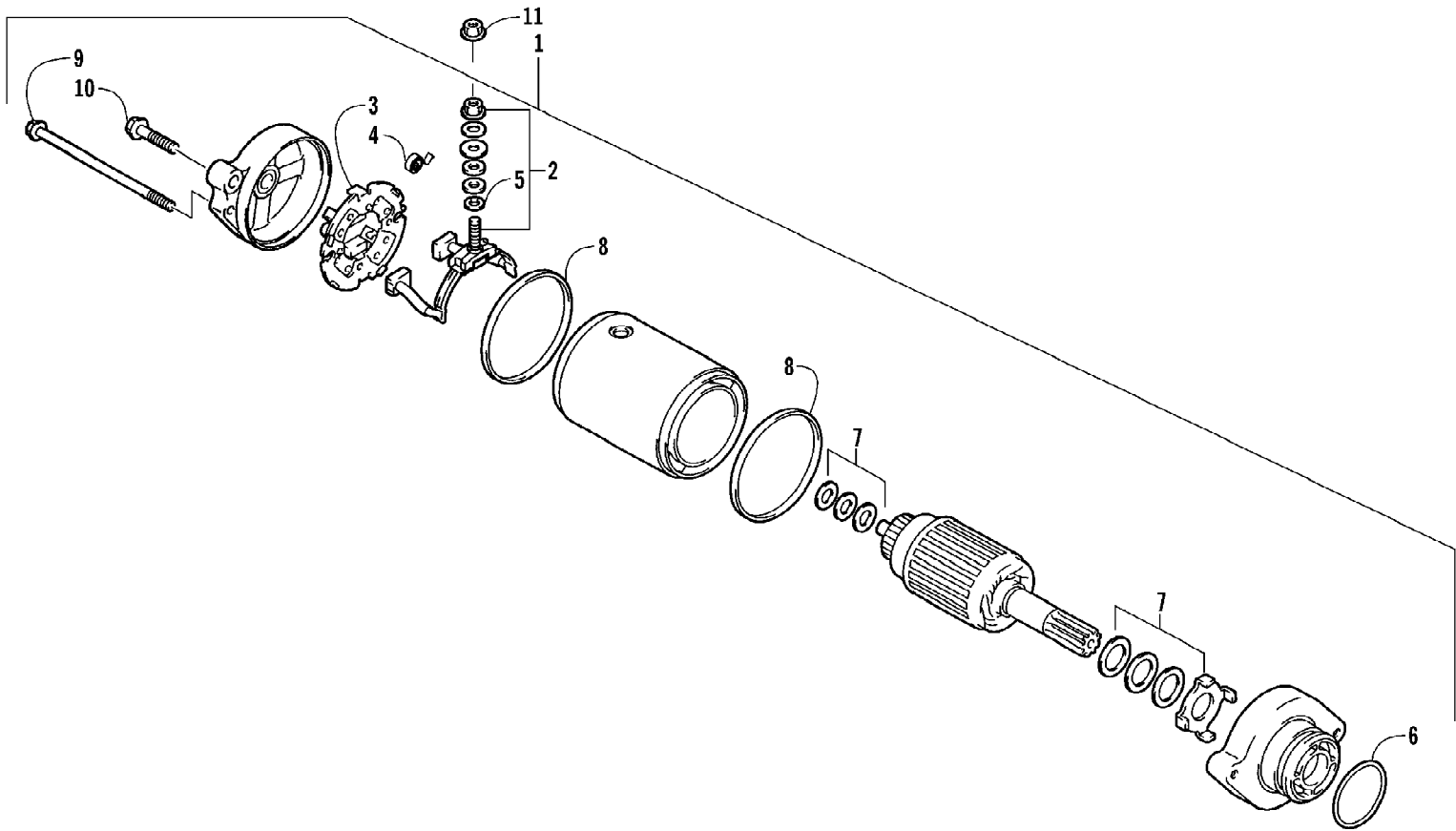


2007 ATV 500 AUTOMATIC TRANSMISSION 4X4 FIS GREEN (A2007IBM4BUB) Page 80 of 96  
STARTER CLUTCH ASSEMBLY

| Ref # | Part Number | Qty | S/P/F | Description                      |
|-------|-------------|-----|-------|----------------------------------|
| 1     | 3402-813    | 1   | /P    | Gear, Starter Idler - No. 1      |
| 2     | 3423-331    | 1   |       | Pin                              |
| 3     | 3402-349    | 1   |       | Gear, Starter Idler - No. 2      |
| 4     | 3423-396    | 1   |       | Spacer, Starter Idler Gear No. 2 |
| 5     | 3423-397    | 1   |       | Pin                              |
| 6     | 3402-457    | 1   |       | Clutch, Starter - Set (inc. 7)   |
| 7     | 3402-063    | 1   |       | Bearing                          |
| 8     | 3423-104    | 1   |       | Washer                           |
| 9     | 3402-509    | 6   |       | Screw, Cap                       |



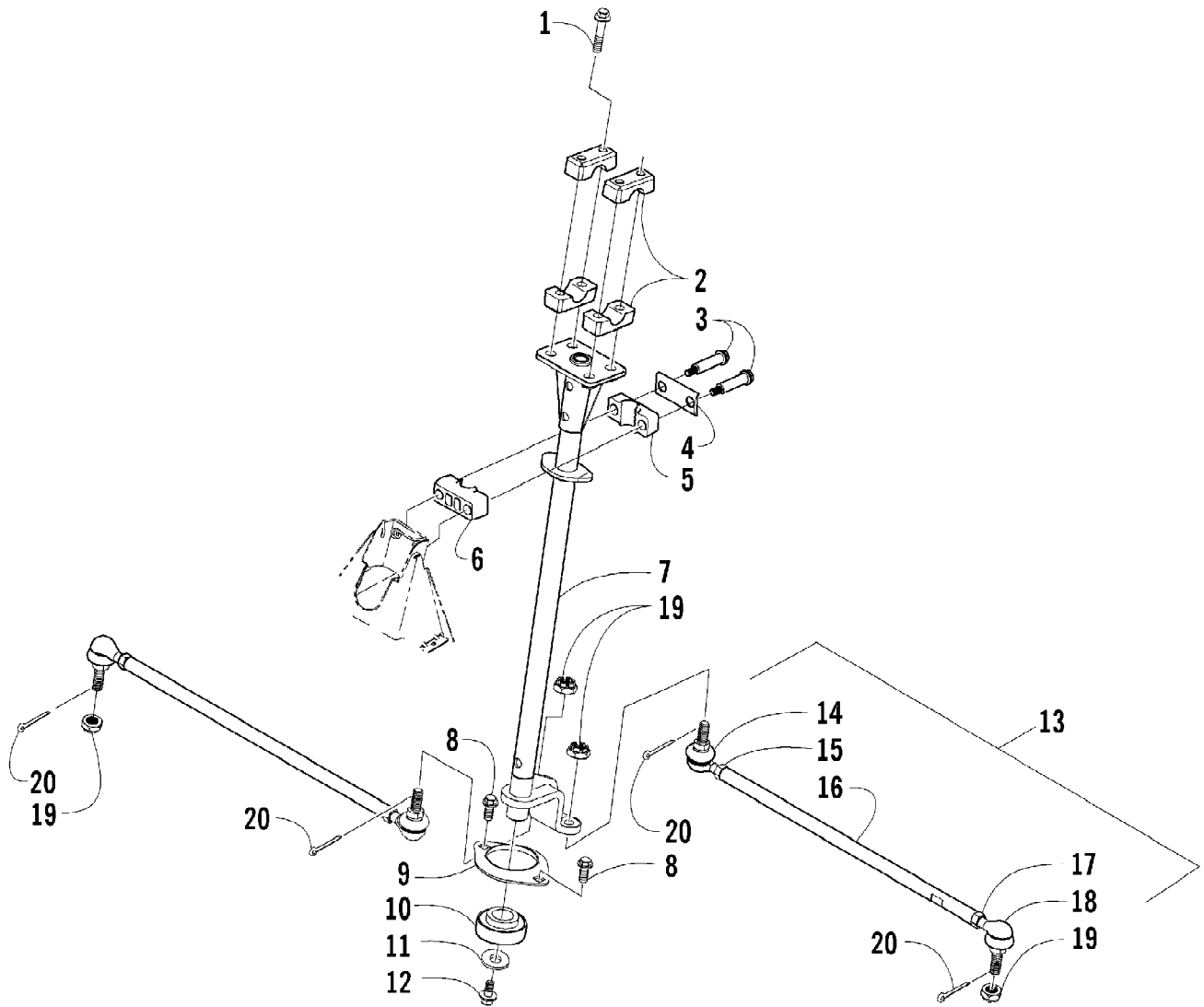
2007 ATV 500 AUTOMATIC TRANSMISSION 4X4 FIS GREEN (A2007IBM4BUB) Page 81 of 96  
STARTER MOTOR ASSEMBLY



2007 ATV 500 AUTOMATIC TRANSMISSION 4X4 FIS GREEN (A2007IBM4BUB) Page 82 of 96  
STARTER MOTOR ASSEMBLY

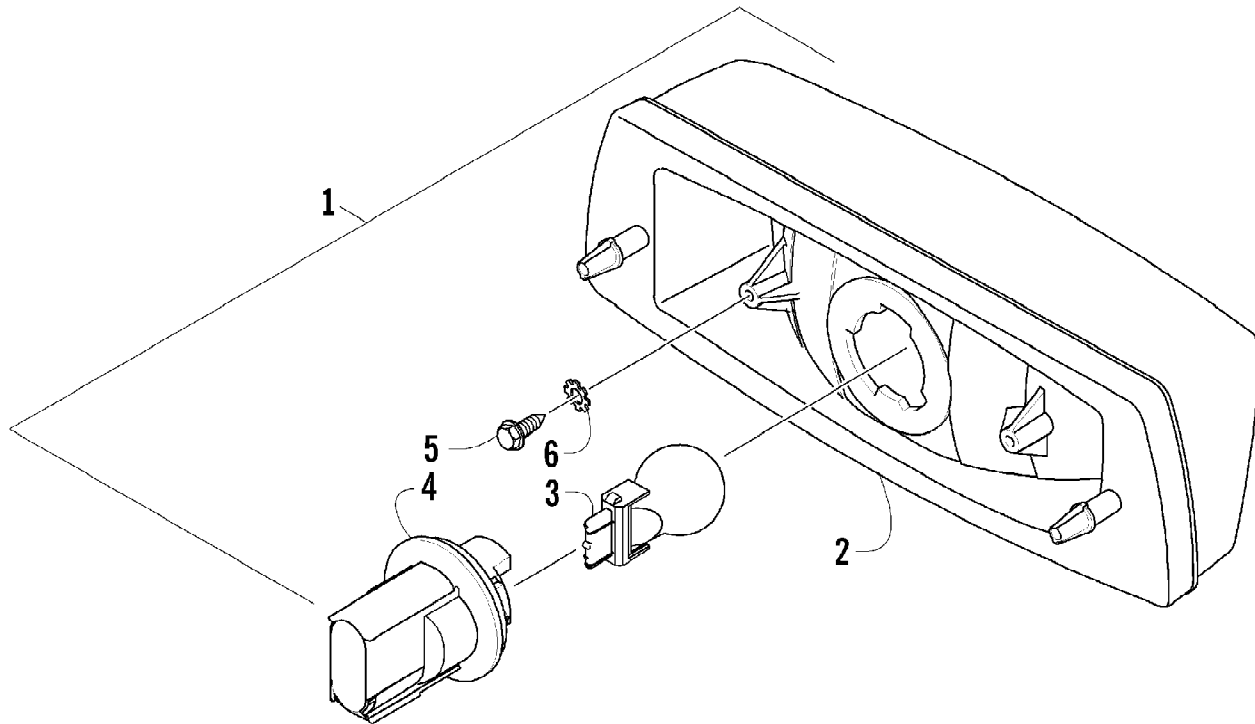
| Ref # | Part Number | Qty | S/P/F | Description                        |
|-------|-------------|-----|-------|------------------------------------|
| 1     | 3545-015    | 1   | S     | Motor, Starter Assembly (inc. 2-9) |
| 2     | 3008-094    | 1   | /P    | Terminal Set, Brush                |
| 3     | 3008-095    | 1   | /P    | Holder Set, Brush                  |
| 4     | 3008-096    | 4   |       | Spring, Brush                      |
| 5     | 3008-164    | 1   |       | O-Ring                             |
| 6     | 3423-084    | 1   |       | O-Ring                             |
| 7     | 3436-001    | 1   |       | Washer Set                         |
| 8     | 3008-553    | 2   | /P    | O-Ring                             |
| 9     | 3423-085    | 2   |       | Through-Bolt                       |
| 10    | 3423-162    | 2   | S     | Screw, Cap                         |
| 11    | 3423-195    | 1   | /P    | Nut                                |

2007 ATV 500 AUTOMATIC TRANSMISSION 4X4 FIS GREEN (A2007IBM4BUB) Page 83 of 96  
STEERING POST ASSEMBLY



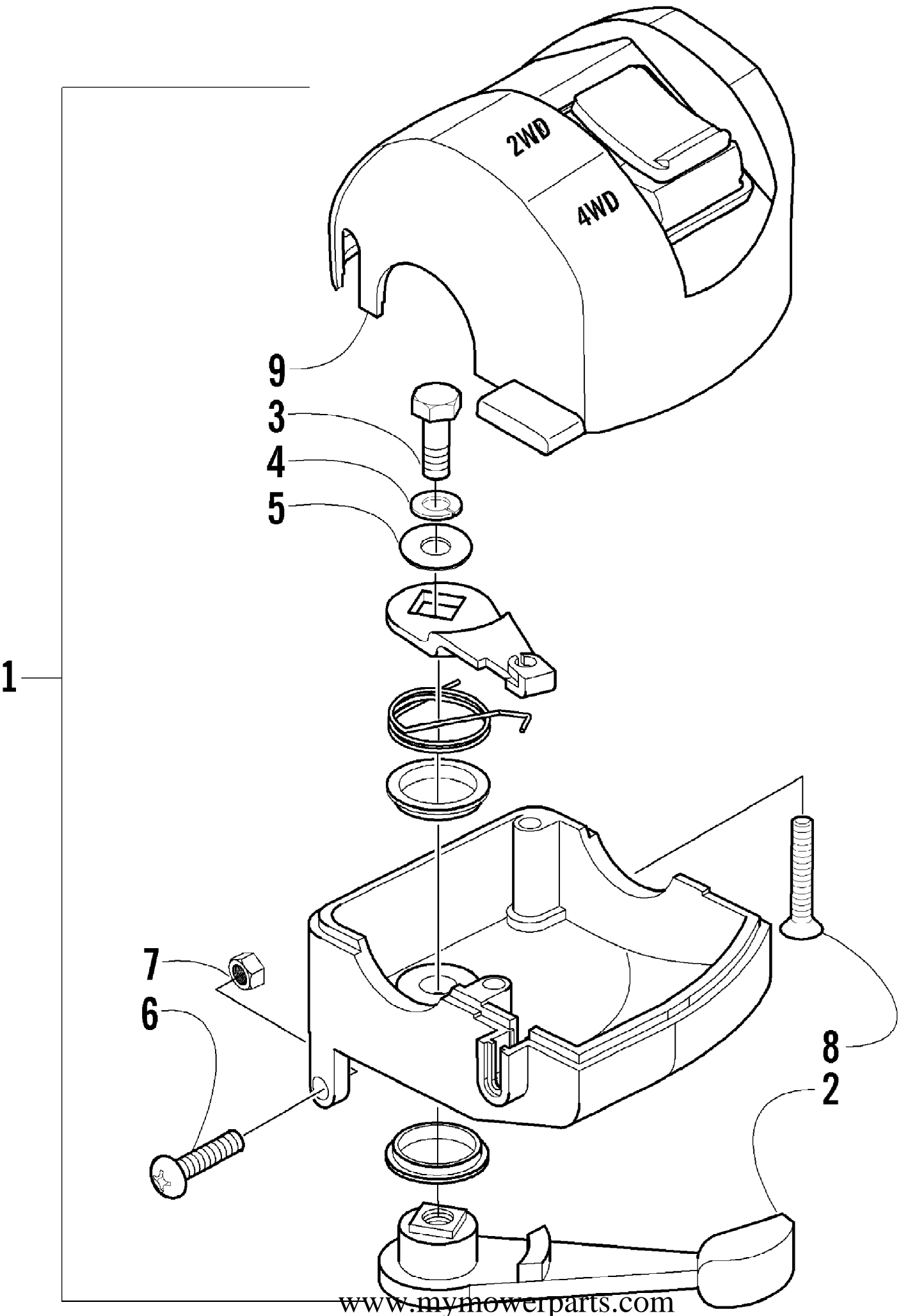
2007 ATV 500 AUTOMATIC TRANSMISSION 4X4 FIS GREEN (A2007IBM4BUB) Page 84 of 96  
STEERING POST ASSEMBLY

| Ref # | Part Number | Qty | S/P/F | Description                     |
|-------|-------------|-----|-------|---------------------------------|
| 1     | 8408-860    | 4   |       | Screw, Cap                      |
| 2     | 0405-035    | 4   |       | Cap, Steering Adjuster          |
| 3     | 0423-505    | 2   |       | Screw, Shoulder                 |
| 4     | 0405-166    | 1   |       | Cap, Housing                    |
| 5     | 0405-138    | 1   |       | Housing, Lower                  |
| 6     | 0405-139    | 1   |       | Housing, Upper                  |
| 7     | 0505-451    | 1   | S     | Post, Steering                  |
| 8     | 8408-816    | 2   |       | Screw, Cap                      |
| 9     | 0602-233    | 1   |       | Flange, Bearing                 |
| 10    | 0405-052    | 1   |       | Bearing w/Inverted Oil Seal     |
| 11    | 0423-073    | 1   |       | Washer                          |
| 12    | 8409-020    | 1   | /P    | Screw, Cap                      |
| 13    | 0505-408    | 2   | S     | Tie Rod - Assembly (inc. 14-18) |
| 14    | 0405-083    | 2   | S     | Ball Joint, Tie Rod - Left      |
| 15    | 0423-013    | 2   |       | Nut - Left                      |
| 16    | 0405-107    | 2   | S     | Tie Rod                         |
| 17    | 8420-002    | 2   | /P    | Nut - Right                     |
| 18    | 0405-082    | 2   | S     | Ball Joint, Tie Rod - Right     |
| 19    | 0423-157    | 4   |       | Nut, Lock                       |
| 20    | 0623-175    | 4   |       | Pin, Cotter                     |



2007 ATV 500 AUTOMATIC TRANSMISSION 4X4 FIS GREEN (A2007IBM4BUB) Page 86 of 96  
TAILLIGHT ASSEMBLY

| Ref # | Part Number | Qty | S/P/F | Description                   |
|-------|-------------|-----|-------|-------------------------------|
| 1     | 0509-022    | 1   |       | Taillight Assembly (inc. 2-4) |
| 2     | 0509-025    | 1   |       | Housing, Taillight            |
| 3     | 0409-056    | 1   |       | Bulb, Taillight               |
| 4     | 0409-057    | 1   |       | Socket, Taillight             |
| 5     | 0623-301    | 2   | /P    | Screw, Self-Tapping           |
| 6     | 8053-212    | 2   | /P    | Washer, Lock - External Tooth |

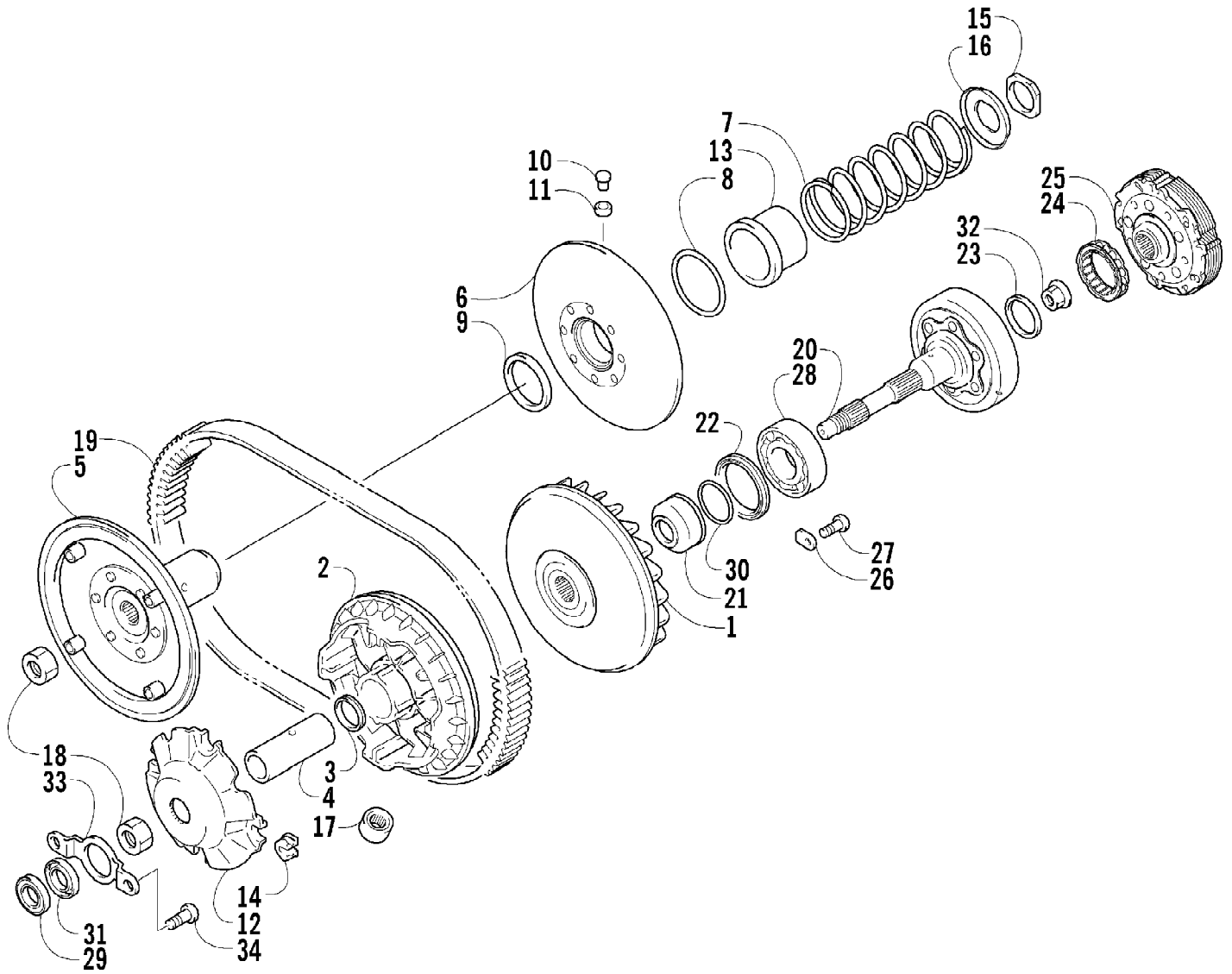


2007 ATV 500 AUTOMATIC TRANSMISSION 4X4 FIS GREEN (A2007IBM4BUB) Page 88 of 96  
THROTTLE CASE ASSEMBLY

| Ref # | Part Number | Qty | S/P/F | Description                          |
|-------|-------------|-----|-------|--------------------------------------|
| 1     | 0509-012    | 1   |       | Case, Throttle - Assembly (inc. 2-9) |
| 2     | 3409-001    | 1   |       | Lever                                |
| 3     | 3004-533    | 1   | S/P   | Screw, Cap                           |
| 4     | 3004-447    | 1   | /P    | Washer, Lock                         |
| 5     | 3003-030    | 1   | /P    | Washer                               |
| 6     | 3423-014    | 1   |       | Screw                                |
| 7     | 3423-327    | 1   |       | Nut                                  |
| 8     | 3423-199    | 2   |       | Screw                                |
| 9     | 0409-048    | 1   |       | Cover, Throttle w/Switch             |



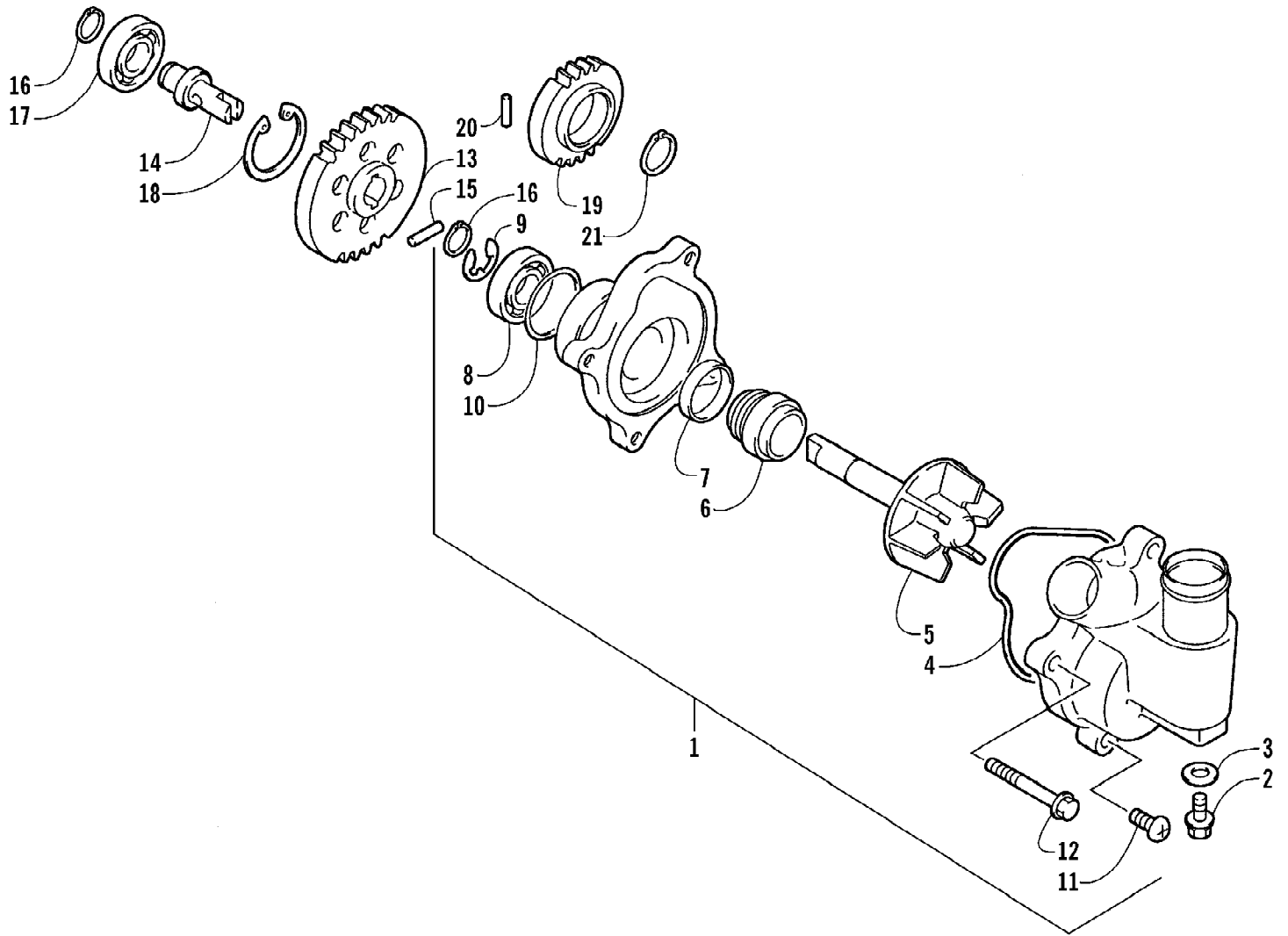
2007 ATV 500 AUTOMATIC TRANSMISSION 4X4 FIS GREEN (A2007IBM4BUB) Page 89 of 96  
TRANSMISSION ASSEMBLY



2007 ATV 500 AUTOMATIC TRANSMISSION 4X4 FIS GREEN (A2007IBM4BUB) Page 90 of 96  
TRANSMISSION ASSEMBLY

| Ref # | Part Number | Qty | S/P/F | Description                        |
|-------|-------------|-----|-------|------------------------------------|
| 1     | 3402-750    | 1   |       | Face, Fixed Drive                  |
| 2     | 3402-751    | 1   |       | Face, Movable Drive                |
| 3     | 3402-470    | 2   |       | Seal, Movable Drive Face           |
| 4     | 3402-471    | 1   |       | Spacer, Movable Drive Face         |
| 5     | 3402-752    | 1   |       | Face, Fixed Driven                 |
| 6     | 3402-753    | 1   |       | Face, Movable Driven               |
| 7     | 3402-474    | 1   | /P    | Spring, Movable Driven Face        |
| 8     | 3402-475    | 2   |       | O-Ring, Movable Driven Face        |
| 9     | 3402-476    | 2   |       | Seal, Movable Driven Face          |
| 10    | 3402-477    | 4   |       | Pin, Movable Driven Face           |
| 11    | 3402-478    | 4   |       | Spacer, Movable Driven Face        |
| 12    | 3402-755    | 1   | /P    | Plate, Movable Drive Face          |
| 13    | 3402-756    | 1   |       | Sleeve, Movable Driven Face        |
| 14    | 3402-481    | 4   |       | Damper, Movable Drive Face         |
| 15    | 3423-406    | 1   |       | Nut, Driven Pulley                 |
| 16    | 3402-482    | 1   |       | Holder, Movable Driven Face Spring |
| 17    | 3402-483    | 8   |       | Roller, Movable Drive Face         |
| 18    | 3423-514    | 2   |       | Nut                                |
| 19    | 3402-757    | 1   |       | V-Belt                             |
| 20    | 3402-758    | 1   | /P    | Housing, Clutch                    |
| 21    | 3402-544    | 1   | /P    | Spacer, Fixed Drive Face           |
| 22    | 3402-977    | 1   | /P    | Seal, Clutch Housing - Center      |
| 23    | 3402-488    | 1   |       | Seal, Clutch Housing - Left        |
| 24    | 3446-003    | 1   |       | Clutch, One-Way                    |
| 25    | 3402-760    | 1   |       | Shoe, Clutch - Assembly            |
| 26    | 3446-031    | 2   | /P    | Retainer, Bearing                  |
| 27    | 3423-370    | 2   |       | Screw, Bearing Retainer            |
| 28    | 3402-567    | 1   |       | Bearing                            |
| 29    | 3402-729    | 1   | /P    | Bearing                            |
| 30    | 3423-353    | 1   | /P    | O-Ring                             |
| 31    | 3402-761    | 2   |       | Seal, Clutch Housing - Right       |
| 32    | 3423-501    | 1   |       | Nut                                |
| 33    | 3402-730    | 1   |       | Retainer, Bearing                  |
| 34    | 3423-018    | 2   |       | Screw                              |

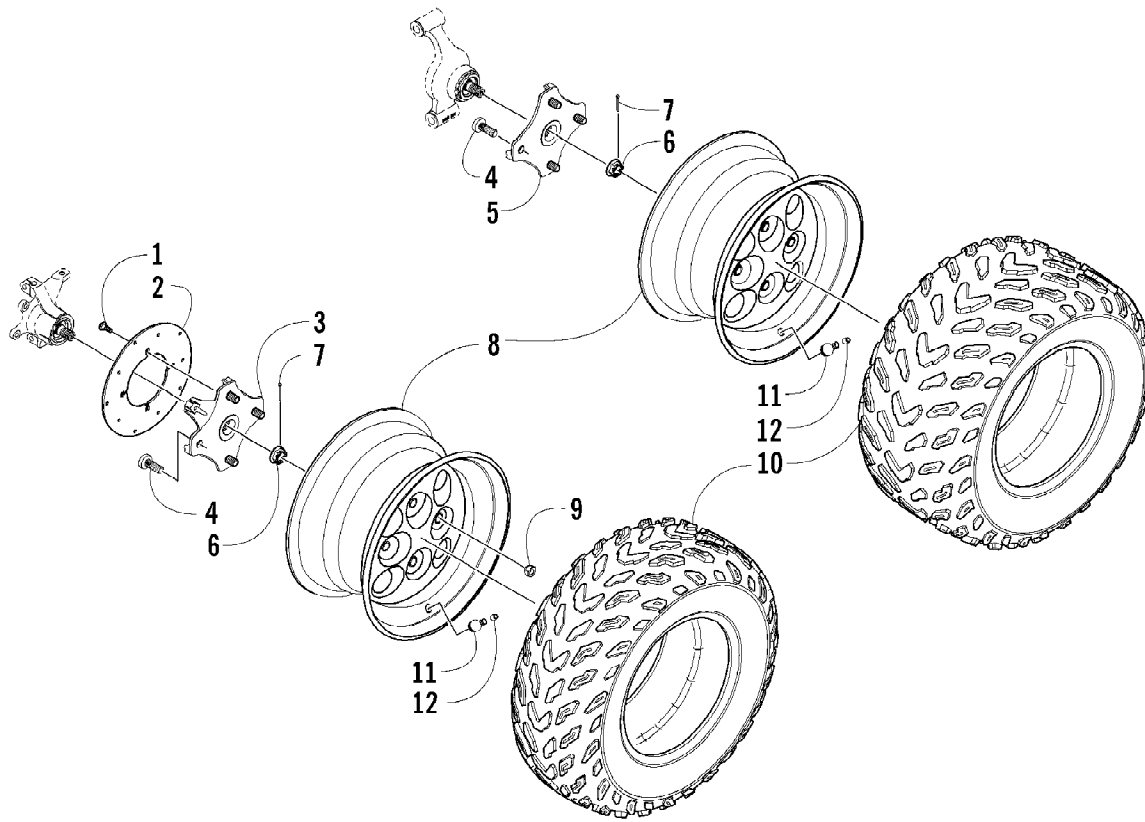
2007 ATV 500 AUTOMATIC TRANSMISSION 4X4 FIS GREEN (A2007IBM4BUB) Page 91 of 96  
WATER PUMP ASSEMBLY



2007 ATV 500 AUTOMATIC TRANSMISSION 4X4 FIS GREEN (A2007IBM4BUB) Page 92 of 96  
WATER PUMP ASSEMBLY

| Ref # | Part Number | Qty | S/P/F | Description                        |
|-------|-------------|-----|-------|------------------------------------|
| 1     | 3402-464    | 1   | /P    | Pump, Water - Assembly (inc. 2-11) |
| 2     | 3423-343    | 1   |       | Screw, Cap                         |
| 3     | 3402-436    | 1   | /P    | Gasket                             |
| 4     | 3423-402    | 1   |       | O-Ring                             |
| 5     | 3413-014    | 1   |       | Impeller/Shaft                     |
| 6     | 3005-909    | 1   | /P    | Seal, Mechanical                   |
| 7     | 3402-465    | 1   |       | Seal, Oil                          |
| 8     | 3003-615    | 1   | /P    | Bearing                            |
| 9     | 3423-403    | 1   | S     | E-Ring                             |
| 10    | 3423-404    | 1   |       | O-Ring                             |
| 11    | 0693-321    | 2   |       | Screw                              |
| 12    | 3423-308    | 2   | S     | Screw, Cap                         |
| 13    | 3402-026    | 1   |       | Gear, Driven                       |
| 14    | 3402-466    | 1   |       | Shaft, Driven Gear                 |
| 15    | 3423-046    | 1   |       | Pin, Driven Gear                   |
| 16    | 3423-184    | 2   | S     | Circlip, Driven Gear               |
| 17    | 3402-467    | 1   |       | Bearing, Shaft                     |
| 18    | 3423-405    | 1   |       | Circlip, Shaft Bearing             |
| 19    | 3402-390    | 1   |       | Gear, Water Pump Drive             |
| 20    | 3423-110    | 1   |       | Pin, Drive Gear                    |
| 21    | 3423-189    | 1   | S     | Circlip, Drive Gear                |

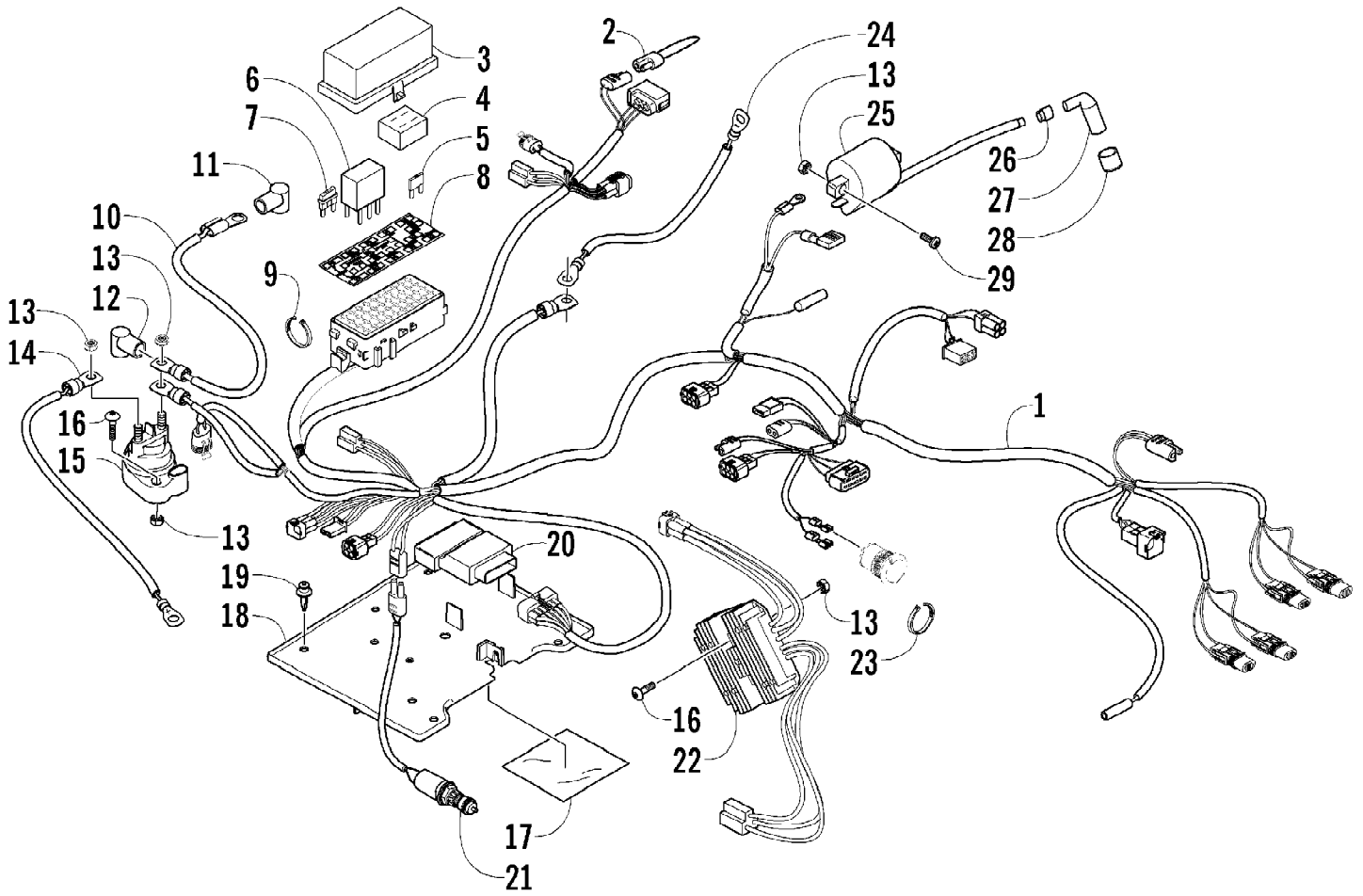
2007 ATV 500 AUTOMATIC TRANSMISSION 4X4 FIS GREEN (A2007IBM4BUB) Page 93 of 96  
WHEEL AND TIRE ASSEMBLY



2007 ATV 500 AUTOMATIC TRANSMISSION 4X4 FIS GREEN (A2007IBM4BUB) Page 94 of 96  
WHEEL AND TIRE ASSEMBLY

| Ref # | Part Number | Qty | S/P/F | Description                        |
|-------|-------------|-----|-------|------------------------------------|
| 1     | 0423-557    | 12  |       | Screw, Shoulder w/Loctite          |
| 2     | 1402-225    | 3   | S     | Disc, Brake                        |
| 3     | 0502-599    | 2   | S     | Hub, Wheel - Front (inc. 4)        |
| 4     | 0402-974    | 16  | /P    | Stud, Wheel Hub                    |
| 5     | 0502-601    | 1   | S     | Hub, Wheel - Rear - Left (inc. 4)  |
| 5     | 0502-599    | 1   | S     | Hub, Wheel - Rear - Right (inc. 4) |
| 6     | 0423-607    | 4   |       | Nut, Castle                        |
| 7     | 0423-407    | 4   |       | Pin, Cotter                        |
| 8     | 0402-856    | 2   |       | Wheel - Front                      |
| 8     | 0402-858    | 2   |       | Wheel - Rear                       |
| 9     | 0423-408    | 16  | /P    | Nut, Lug                           |
| 10    | 1402-548    | AR  | F     | Tire - Front Goodyear              |
| 10    | 1402-549    | AR  | F     | Tire - Rear Goodyear               |
| 10    | 1402-658    | AR  | F     | Tire - Front Dunlop                |
| 10    | 1402-659    | AR  | F     | Tire - Rear Dunlop                 |
| 11    | 0402-064    | 4   |       | Stem, Valve (inc. 12)              |
| 12    | 0402-140    | 4   |       | Cap, Valve Stem                    |

2007 ATV 500 AUTOMATIC TRANSMISSION 4X4 FIS GREEN (A2007IBM4BUB) Page 95 of 96  
WIRING HARNESS ASSEMBLY



2007 ATV 500 AUTOMATIC TRANSMISSION 4X4 FIS GREEN (A2007IBM4BUB) Page 96 of 96  
WIRING HARNESS ASSEMBLY

| Ref # | Part Number | Qty | S/P/F | Description                       |
|-------|-------------|-----|-------|-----------------------------------|
| 1     | 0486-210    | 1   |       | Harness, Main (inc. 2-8)          |
| 2     | 0486-164    | 1   |       | Tether, Accessory Connector       |
| 3     | 0530-008    | 1   |       | Cover, Fuse Block                 |
| 4     | 0430-037    | 1   |       | Holder, Fuse                      |
| 5     | 0430-034    | 3   |       | Diode                             |
| 6     | 0430-033    | 3   | F     | Relay                             |
| 7     | 0430-032    | 4   |       | Fuse - 10 Amp                     |
| 7     | 0430-031    | 3   |       | Fuse - 15 Amp                     |
| 7     | 0430-030    | 2   |       | Fuse - 30 Amp                     |
| 8     | 0411-828    | 1   |       | Decal, Fuse Block                 |
| 9     | 0123-788    | AR  | /P    | Cable Tie - 7.5 in.               |
| 10    | 0445-053    | 1   | /P    | Cable, Solenoid/Starter (inc. 11) |
| 11    | 0645-019    | 1   |       | Boot, Terminal                    |
| 12    | 0645-327    | 1   |       | Boot, Terminal                    |
| 13    | 0623-038    | 8   |       | Nut w/Washer                      |
| 14    | 0445-055    | 1   | /P    | Cable, Battery/Solenoid           |
| 15    | 0445-058    | 1   | /P    | Solenoid                          |
| 16    | 8476-625    | 4   |       | Screw, Machine                    |
| 17    | 0412-291    | 1   |       | Shield, Heat                      |
| 18    | 1406-600    | 1   |       | Tray, Electrical                  |
| 19    | 0623-362    | 4   |       | Rivet, Reinstallable              |
| 20    | 3530-039    | 1   |       | CDI Unit                          |
| 21    | 0409-072    | 1   |       | Switch, Brake - Assembly          |
| 22    | 3530-028    | 1   | S     | Regulator, Voltage                |
| 23    | 0123-903    | AR  |       | Cable Tie - 11.5 in.              |
| 24    | 0445-054    | 1   | /P    | Cable, Battery/Ground             |
| 25    | 3530-027    | 1   |       | Coil, Ignition - Assembly         |
| 26    | 3430-009    | 1   | /P    | Seal, High Tension Wire           |
| 27    | 3430-007    | 1   | /P    | Cap, Spark Plug                   |
| 28    | 3430-008    | 1   | /P    | Seal, Spark Plug                  |
| 29    | 8476-620    | 2   |       | Screw, Machine                    |