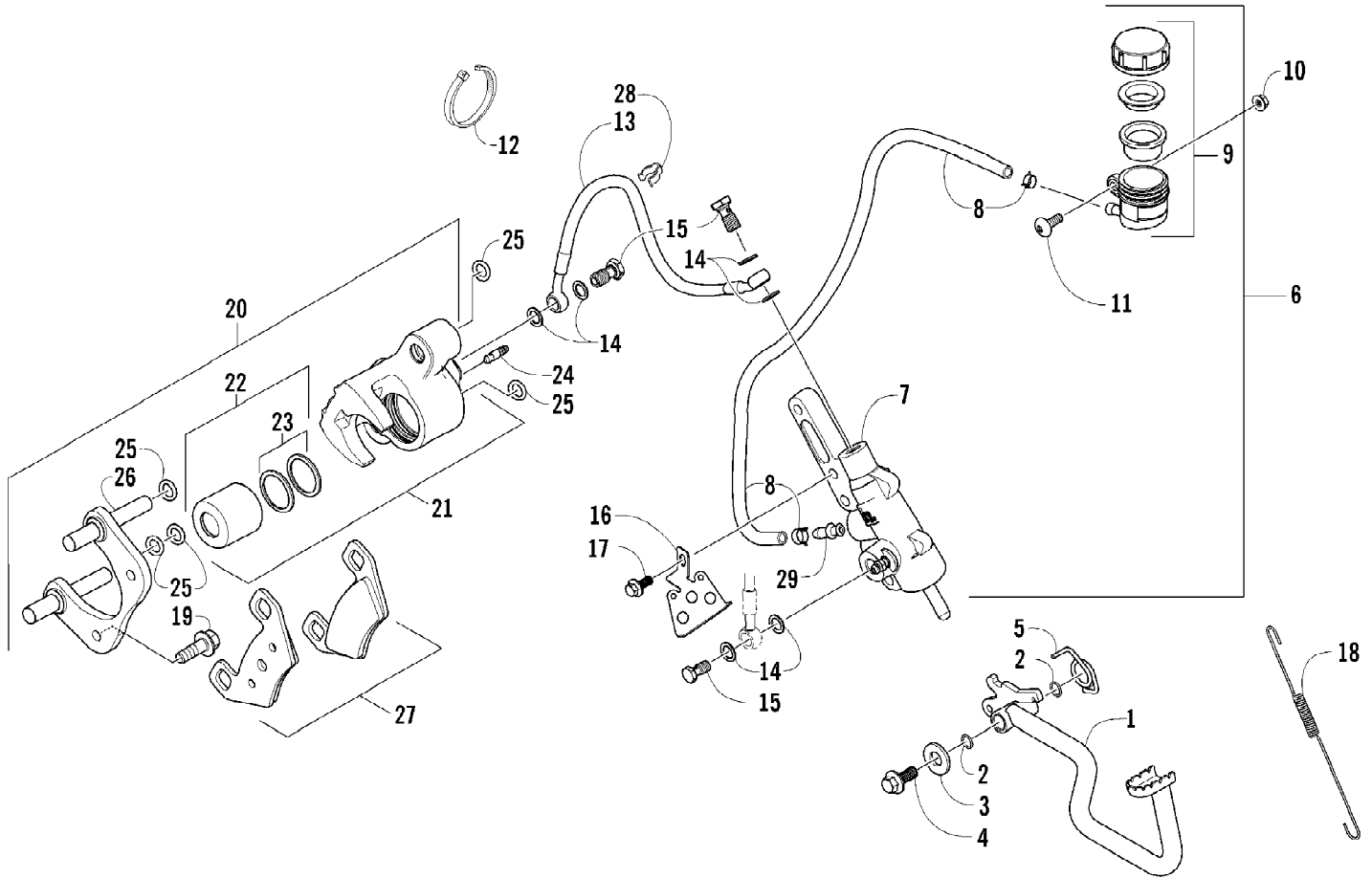
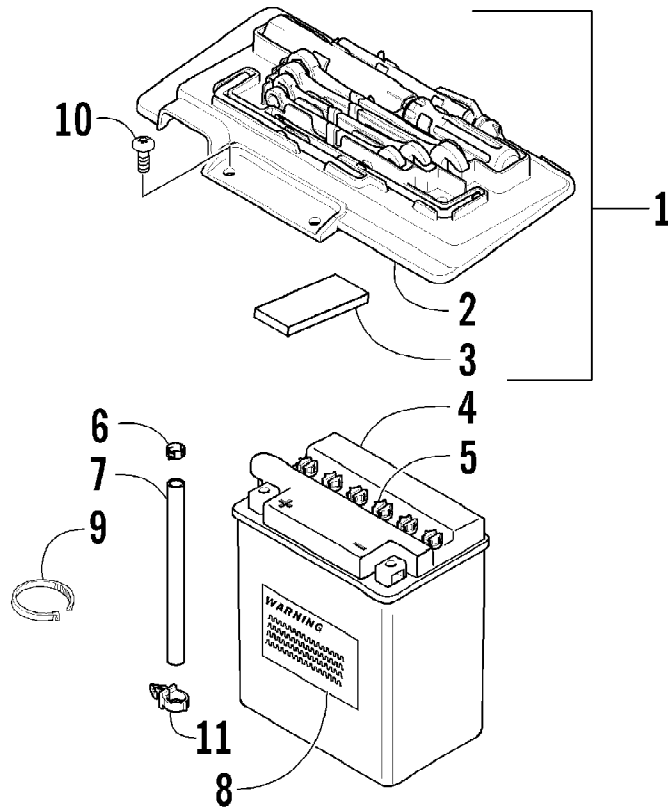


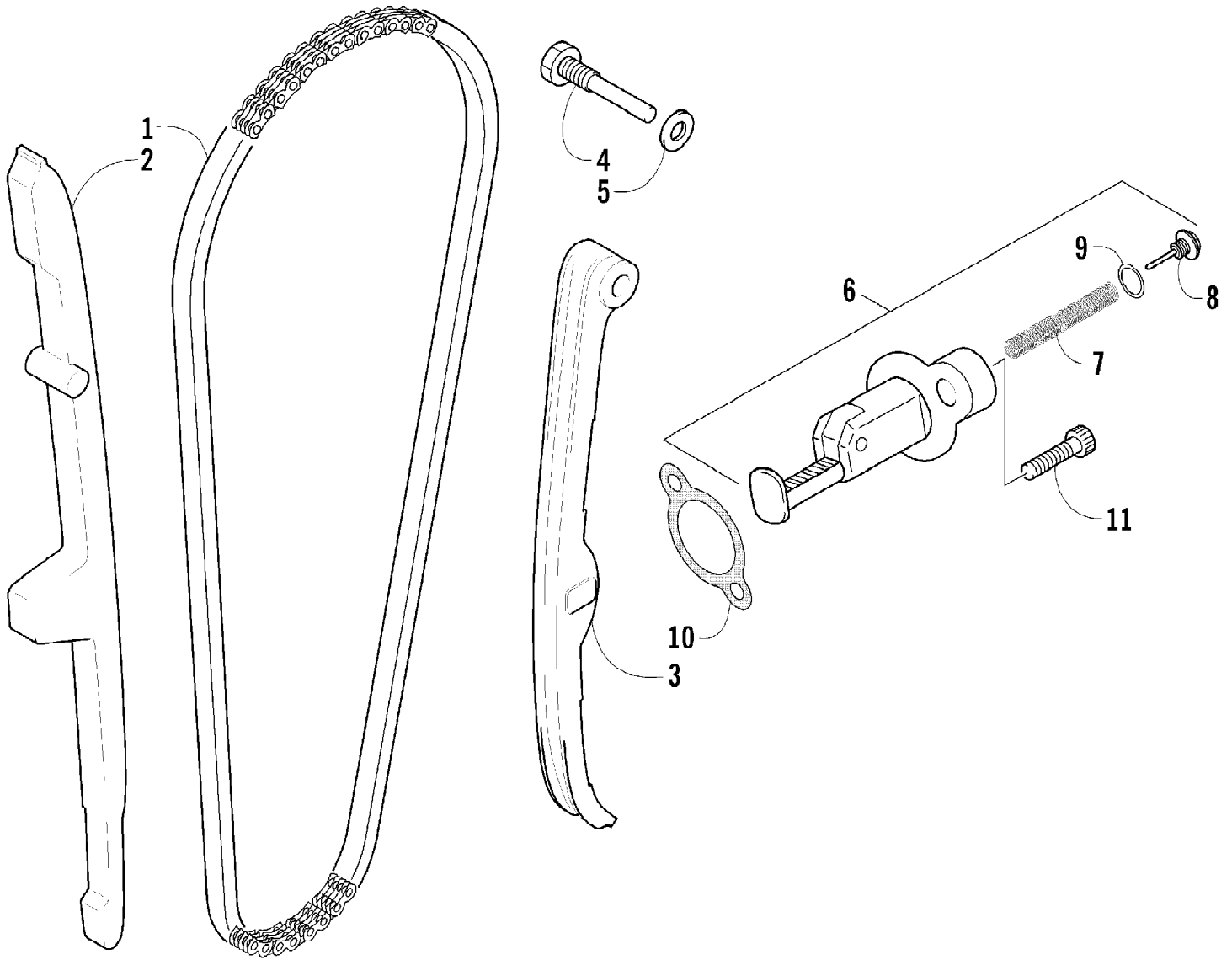
Ref #	Part Number	Qty	S/P/F	Description
1	0413-091	1		Diverter, Air - Top
2	0413-093	1		Diverter, Air - Bottom
3	0470-442	2	/P	Valve, Drain
4	2406-013	1		Shroud, Splash
5	0623-362	2		Rivet, Reinstallable
6	0413-096	1		Cap, Air-In - Belt
7	0423-551	3		Clamp, Boot
8	0423-342	7	/P	Screw, Self-Tapping
9	0470-529	1		Boot, Air Intake
10	0470-540	1	S	Housing, Air Intake
11	0423-454	2		Clip, Mounting - Air Intake
12	0470-516	1		Screen, Air Filter
13	0470-663	1	/P	Filter, Air
14	0470-554	1	S	Cover, Air Intake
15	0423-455	4		Clip, Spring
16	0423-045	2		Clamp, Hose
17	0410-087	1	S	Hose, Vent - Crankcase
18	0423-554	1		Clamp, Boot
19	0470-517	1		Boot, Carburetor
20	0423-019	1		Clamp, Boot
21	0470-667	1	/P	Carburetor, CVK34-AE
22	0510-592	1		Hose, Carburetor Drain



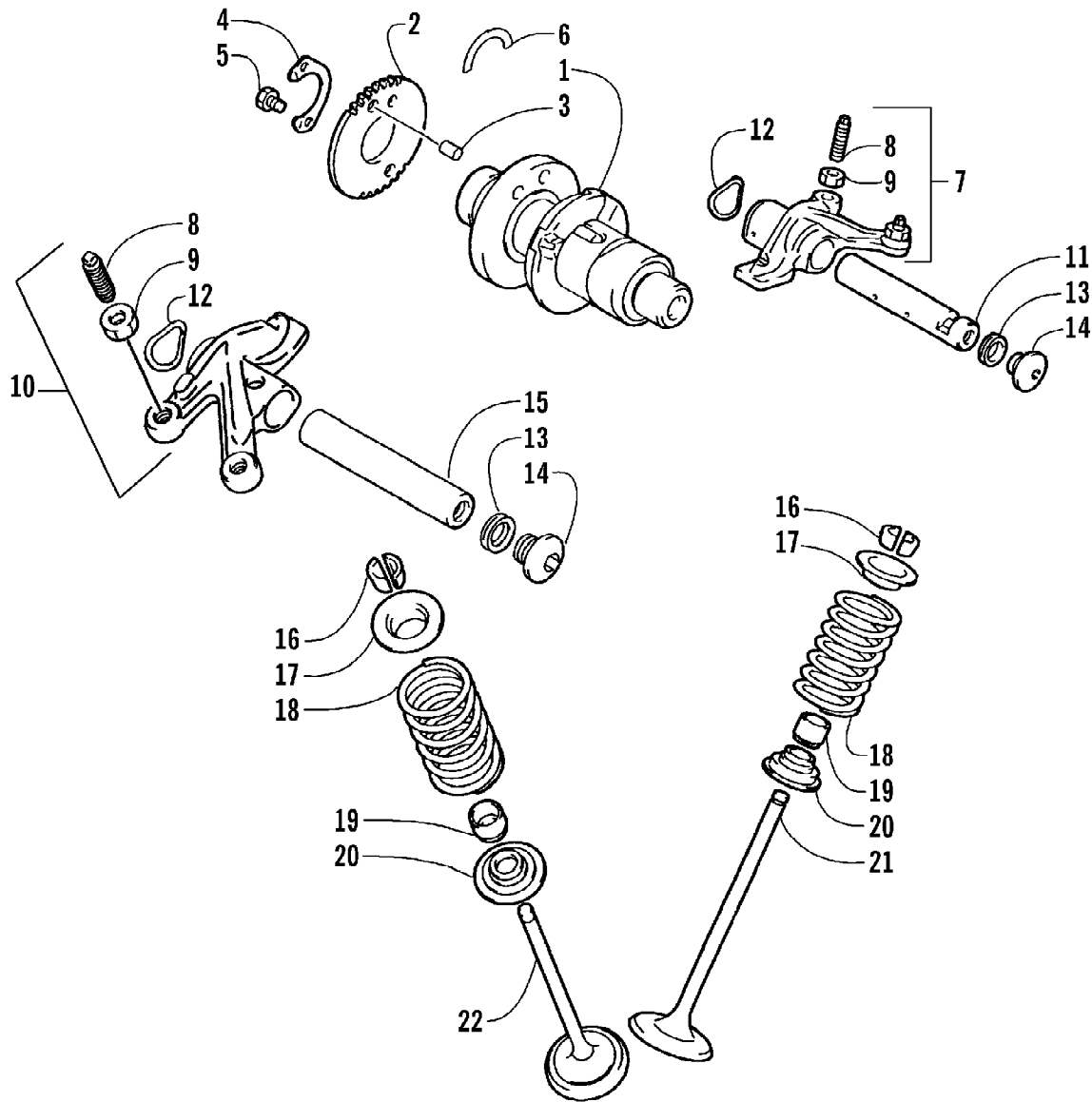
Ref #	Part Number	Qty	S/P/F	Description
	1502-135	1		Fully Bled Master Cylinder Replacement Kit
1	1502-068	1		Lever, Brake
2	1602-213	2	/P	O-Ring
3	8050-252	1		Washer
4	8408-816	1		Screw, Cap
5	0502-807	1		Spring, Brake Lever
6	1502-137	1	S	Brake Assembly (inc. 7-9)
7	0	1	F	Master Cylinder
8	1502-142	1		Hose, Brake Reservoir w/Clamps
9	1502-141	1		Reservoir, Brake
10	0623-038	1		Nut, Flanged
11	8476-616	1		Screw, Machine
12	0123-788	1	/P	Cable Tie - 7.5 in.
13	1502-139	1		Hose, Brake
14	0423-178	6		Washer, Crush
15	0423-413	3		Bolt, Banjo-Fitting
16	1502-179	1		Bracket, Switch
17	8408-625	2		Screw, Cap
18	0502-785	1		Spring, Brake Switch
19	1623-589	2	S	Screw, Cap
20	0502-878	1	S	Caliper, Brake (inc. 21-27)
21	0502-603	1	S	Housing, Caliper - Assembly - Right Rear (inc. 22-24)
22	0502-606	1		Piston/Seal Set (inc. 23)
23	0502-607	1		Seal Set
24	0502-609	1	/P	Valve, Bleed
25	0502-608	1		O-Ring, Guide - Set
26	0502-605	1		Bracket Assembly
27	0502-875	1	S	Pad, Brake - Set
28	1502-115	2		Clip, Brake Hose
29	1502-138	1	S	Adapter, Hose



Ref #	Part Number	Qty	S/P/F	Description
1	5991-395	1	S	Battery Cover/Tool Tray Assembly (inc. 2-3)
2	2406-815	1	/P	Cover, Battery
3	0406-288	2		Pad, Battery
3	0444-122	1	S/P	Kit, Tool Not Illustrated
4	0745-045	1	/P	Battery Assembly (inc. 5-8)
5	0645-045	6		Cap, Battery
6	0645-152	1		Clamp, Hose
7	0645-263	1	/P	Hose, Vent
8	0645-151	1		Label, Warning - Battery
9	0123-903	4		Cable Tie - 11.5 in.
10	8476-616	2		Screw, Machine
11	0623-101	AR		Clip, Retaining

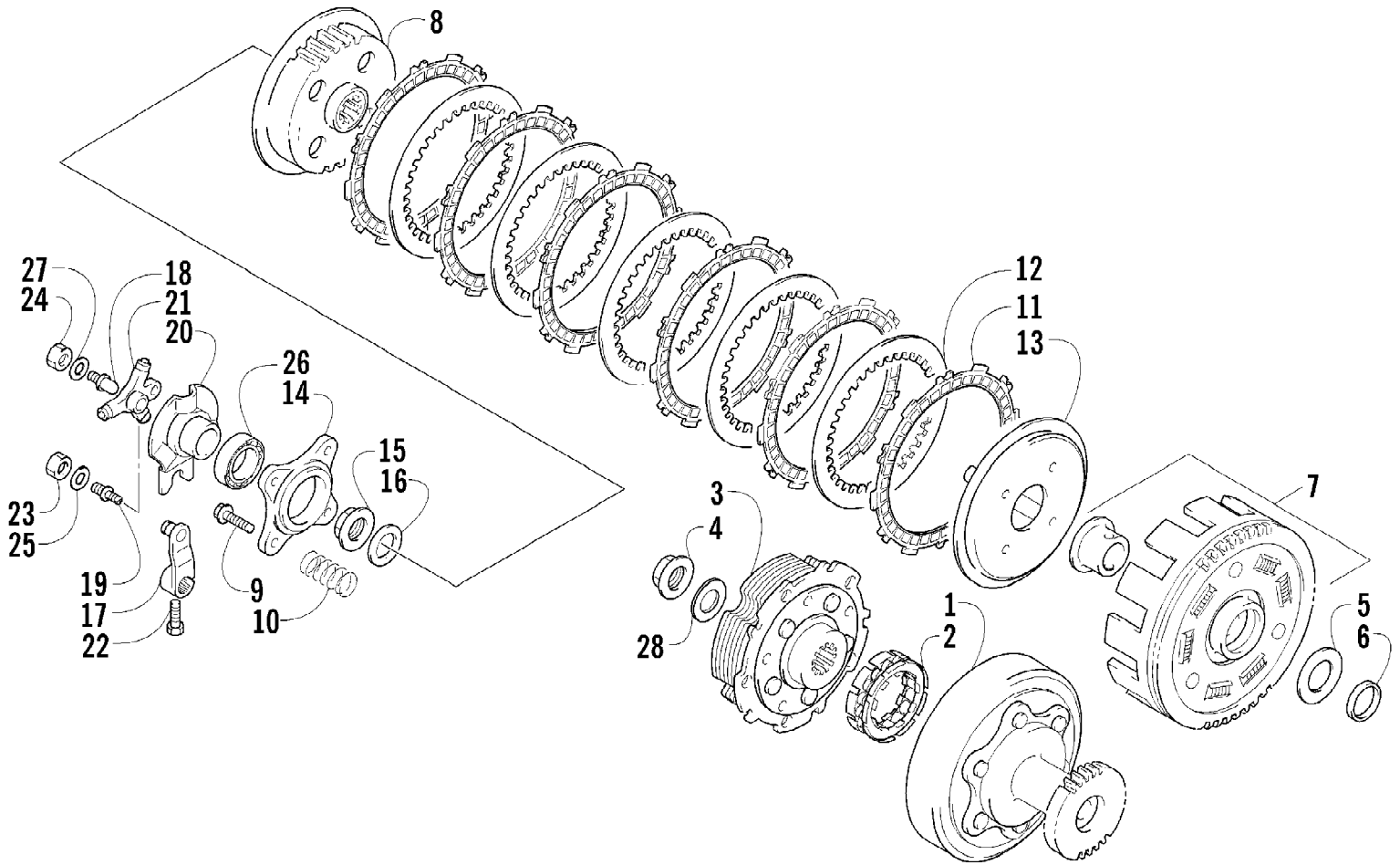


Ref #	Part Number	Qty	S/P/F	Description
1	3402-281	1		Chain, Cam
2	3402-612	1		Guide, Cam Chain
3	3402-613	1		Tensioner, Cam Chain
4	3423-074	1		Bolt
5	3402-436	1	/P	Washer
6	3402-614	1		Adjuster, Tensioner - Assembly (inc. 7-9)
7	3423-484	1		Spring
8	3423-485	1		Plug
9	3423-286	1		O-Ring
10	3403-020	1		Gasket, Adjuster
11	3004-512	2	S	Bolt

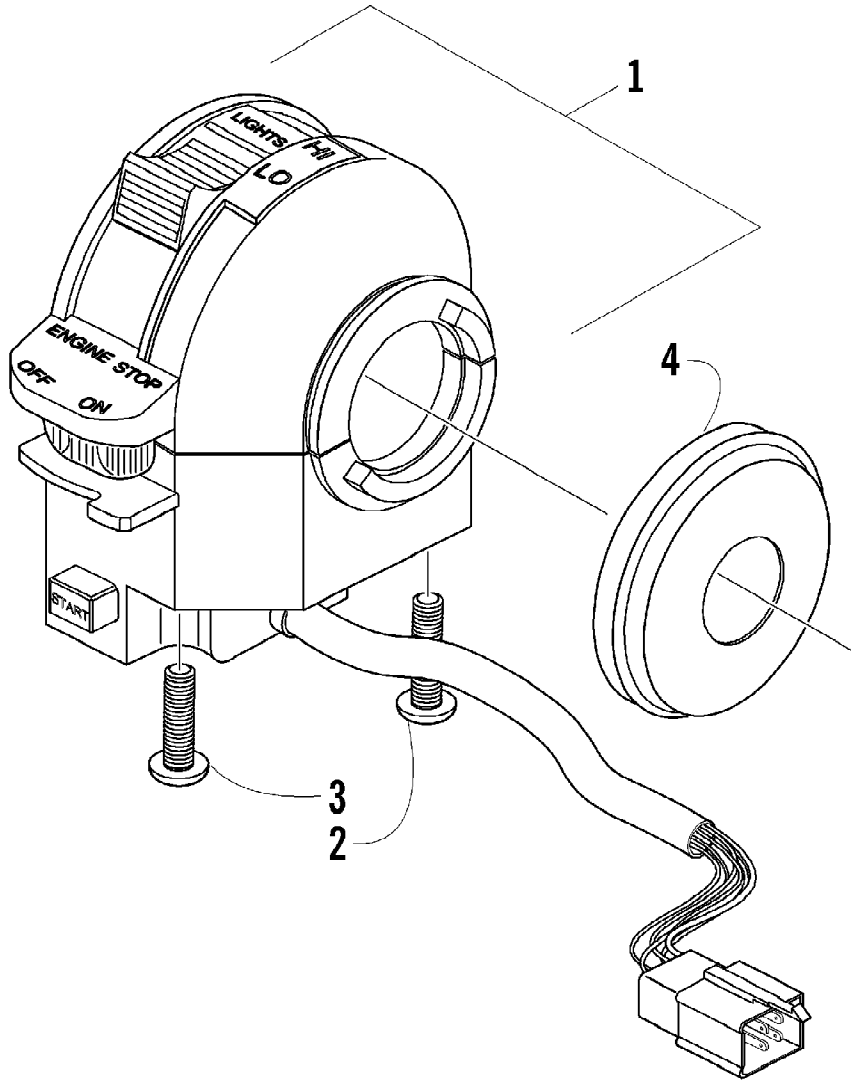


Ref #	Part Number	Qty	S/P/F	Description
1	3402-989	1	S	Camshaft
2	3402-611	1		Sprocket
3	3423-047	1		Pin
4	3423-073	1		Washer
5	3423-013	2	S	Bolt
6	3423-071	1	/P	C-Ring
7	3402-805	1	/P	Arm, Valve Rocker - Intake (inc. two No. 8-9)
8	3423-075	4		Screw
9	3423-076	4		Nut
10	3402-139	1		Arm, Valve Rocker - Exhaust (inc. two No. 8-9)
11	3402-140	1		Shaft, Rocker Arm
12	3423-031	2		Washer
13	3402-012	2		Gasket
14	3402-040	2	/P	Plug, Shaft
15	3402-141	1		Shaft, Rocker Arm
16	3402-147	8		Cotter, Valve
17	3423-541	4	/P	Retainer, Spring
18	3402-726	4		Spring, Valve
19	3402-078	4		Seal, Oil
20	3402-148	4		Seat, Spring
21	3402-725	2	/P	Valve, Intake
22	3402-143	2		Valve, Exhaust

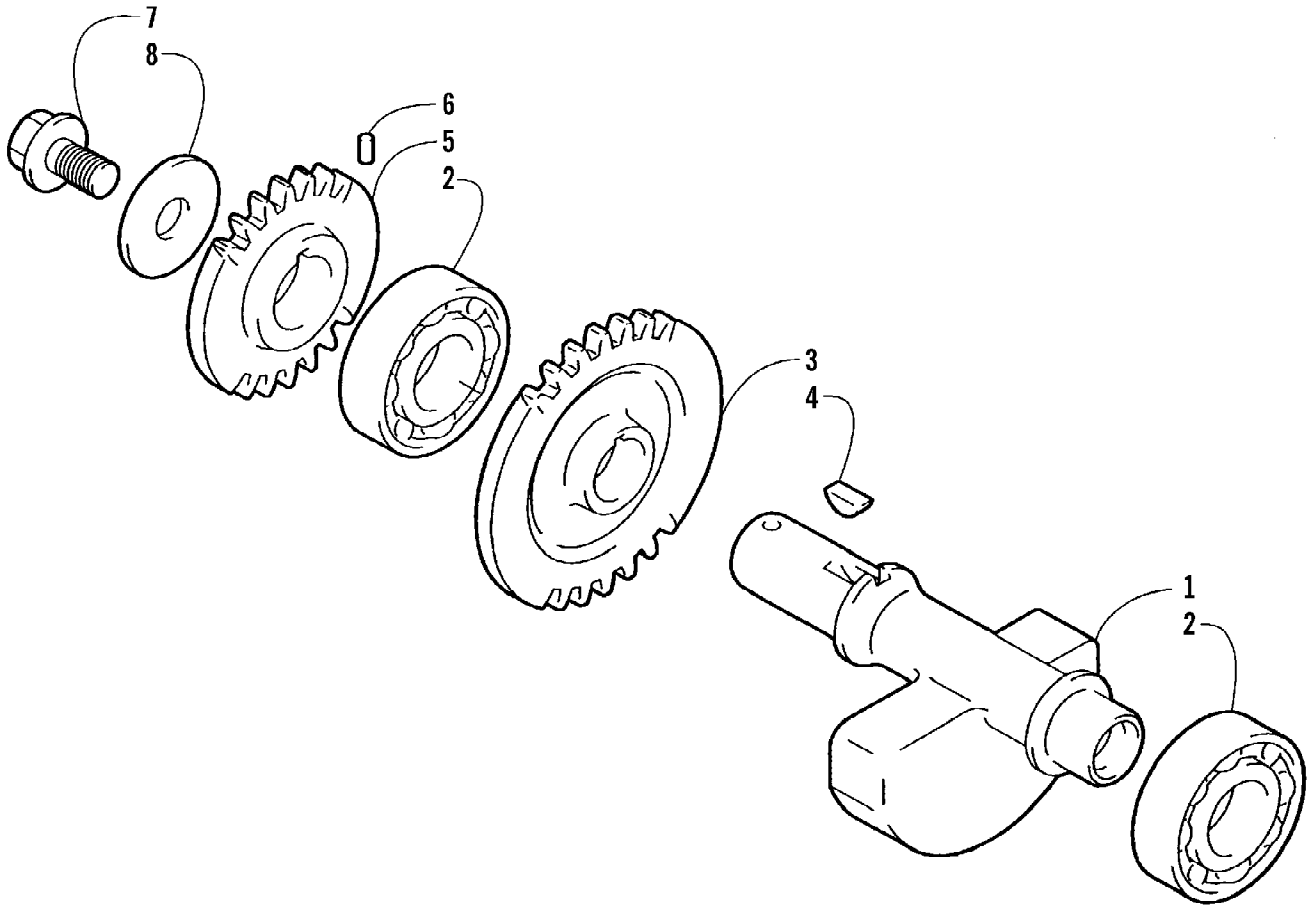
Ref #	Part Number	Qty	S/P/F	Description
	0470-667	1	/P	Carburetor Assembly
1	5507-001	1		Cover, Top
2	5507-002	4	/P	Screw, Top Cover
3	5507-173	1	S	Spring
4	5507-109	1	S	Piston, Vacuum
5	5507-005	1		Seat, Spring
6	5507-110	1		Jet Needle
7	5507-007	1		Needle Jet
8	5507-174	1	S	Holder, Needle Jet
9	5507-057	1	/P	Main Jet - 135
9	5507-009	1	/P/F	Main Jet - 150
9	5507-041	1	F	Main Jet - 147
9	5507-043	1	F	Main Jet - 142
9	5507-044	1	F	Main Jet - 140
10	5507-010	1	S	Slow Jet - 38
11	5507-179	1	S	Starter Jet - 75
12	5507-183	1		Valve, Float - Set (inc. 13)
13	0	1	F	Clip
14	5507-039	1		Float Set (inc. 15)
15	0	1	F	Pin, Float
16	5507-111	1		Screw, Pilot - Set (inc. 17-19)
17	0	1	F	Spring
18	0	1	F	Washer
19	0	1	F	O-Ring
20	5507-027	1		Screw, Idle Adjust
21	5507-028	1		Washer
22	5507-029	1		Spring
23	5507-115	1		Plate
24	5507-117	1	/P	Screw
25	5507-180	1		Choke, Electric
26	5507-114	1		Cover, Electric Choke
27	5507-181	1		Chamber, Float - Assembly (inc. 28-34)
28	5507-207	1	S	O-Ring, Float Chamber
29	5507-050	1	/P	Screw, Drain
30	5507-032	1		Spring
31	5507-182	1	S/P	Diaphragm Assembly
32	0	1	F	Housing, Pump
33	5507-034	1		U-Ring
34	5507-035	3		Screw
35	5507-017	4	/P	Screw
36	0487-021	1	S	Cable, Throttle
37	5507-036	1		Cover
38	5507-037	1	/P	Screw
39	0410-056	1		Hose, Vent



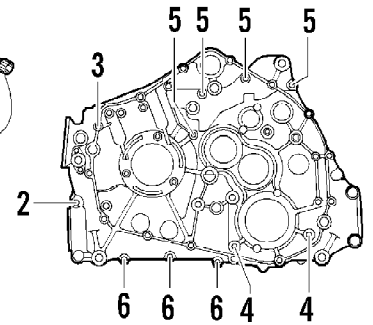
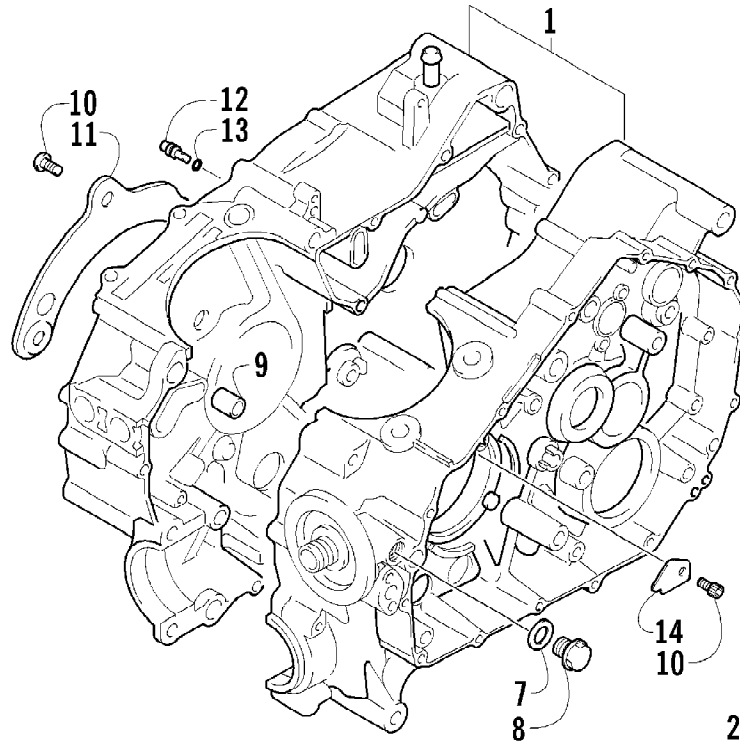
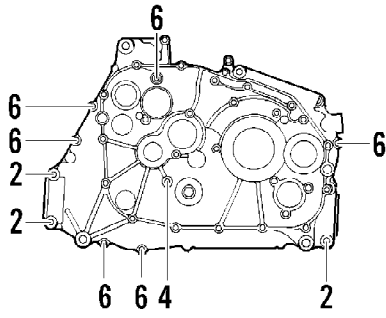
Ref #	Part Number	Qty	S/P/F	Description
1	3446-352	1	/P	Housing, Starter Clutch
2	3446-003	1		Clutch, Primary Drive One-Way
3	3446-290	1		Shoe, Starter Clutch
4	3423-409	1		Nut, Starter Clutch Shoe
5	3423-515	1		Washer, Primary Driven
6	3423-516	1		Washer
7	3446-291	1		Gear, Primary Driven - Assembly
8	3446-004	1		Hub, Clutch Sleeve
9	3423-330	4		Screw, Cap - Clutch Spring
10	3423-517	4		Spring, Clutch
11	3446-006	6		Plate, Clutch Drive
12	3446-007	5		Plate, Clutch Driven
13	3446-008	1		Disc, Clutch Pressure
14	3446-009	1		Plate, Clutch Release
15	3423-080	1		Nut, Clutch Sleeve Hub
16	3423-032	1		Washer, Sleeve Hub
17	3446-292	1		Arm, Clutch Release
18	3423-361	1		Bolt, Clutch Release - No. 1
19	3423-083	1		Bolt, Clutch Release - No. 2
20	3446-293	1		Guide, Release Roller
21	3446-294	1		Roller, Clutch Release - Assembly
22	3423-125	1	S	Bolt, Clutch Release Arm
23	3008-014	1		Nut, Clutch Release - No. 2
24	3423-853	1		Nut, Clutch Release - No. 1
25	3423-027	1		Washer, Clutch Release - No. 2
26	3402-186	1	/P	Bearing, Clutch
27	3423-360	1		Washer, Clutch Release - No. 1
28	3423-260	1	S	Washer



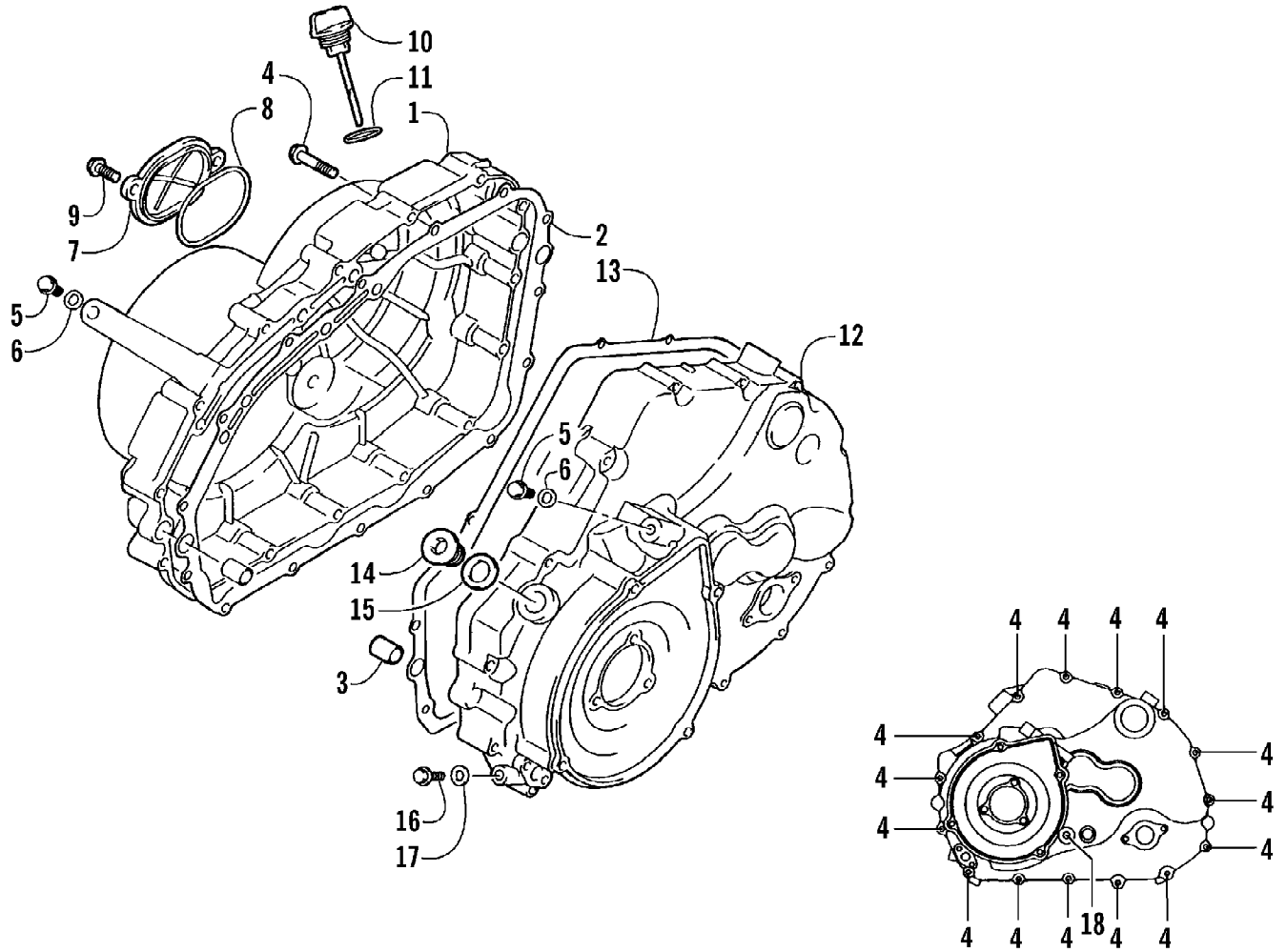
Ref #	Part Number	Qty	S/P/F	Description
1	0509-013	1		Switch, Control - Assembly (inc. 2-3)
2	3423-197	1		Screw, Machine
3	3423-196	1		Screw, Machine
4	3409-019	1		Cover, Switch Housing



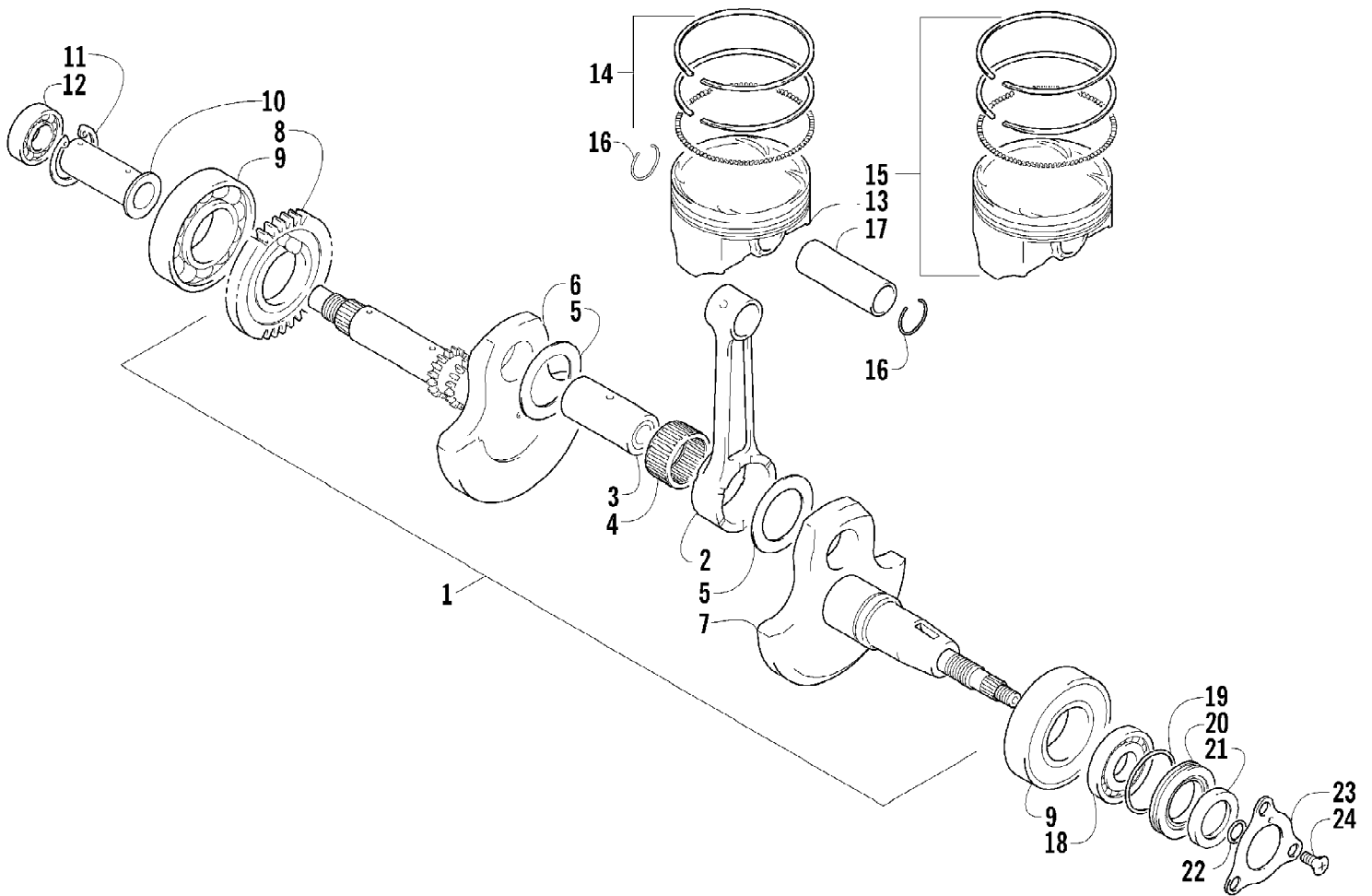
Ref #	Part Number	Qty	S/P/F	Description
1	3402-605	1		Balancer, Crank
2	3402-553	2	/P	Bearing
3	3402-772	1		Gear, Driven - No. 1
4	3004-540	1	/P	Key
5	3402-617	1		Gear, Oil Pump Drive
6	3423-110	1		Pin, Drive Gear
7	3423-555	1		Bolt, Drive Gear
8	3423-401	1		Washer, Drive Gear



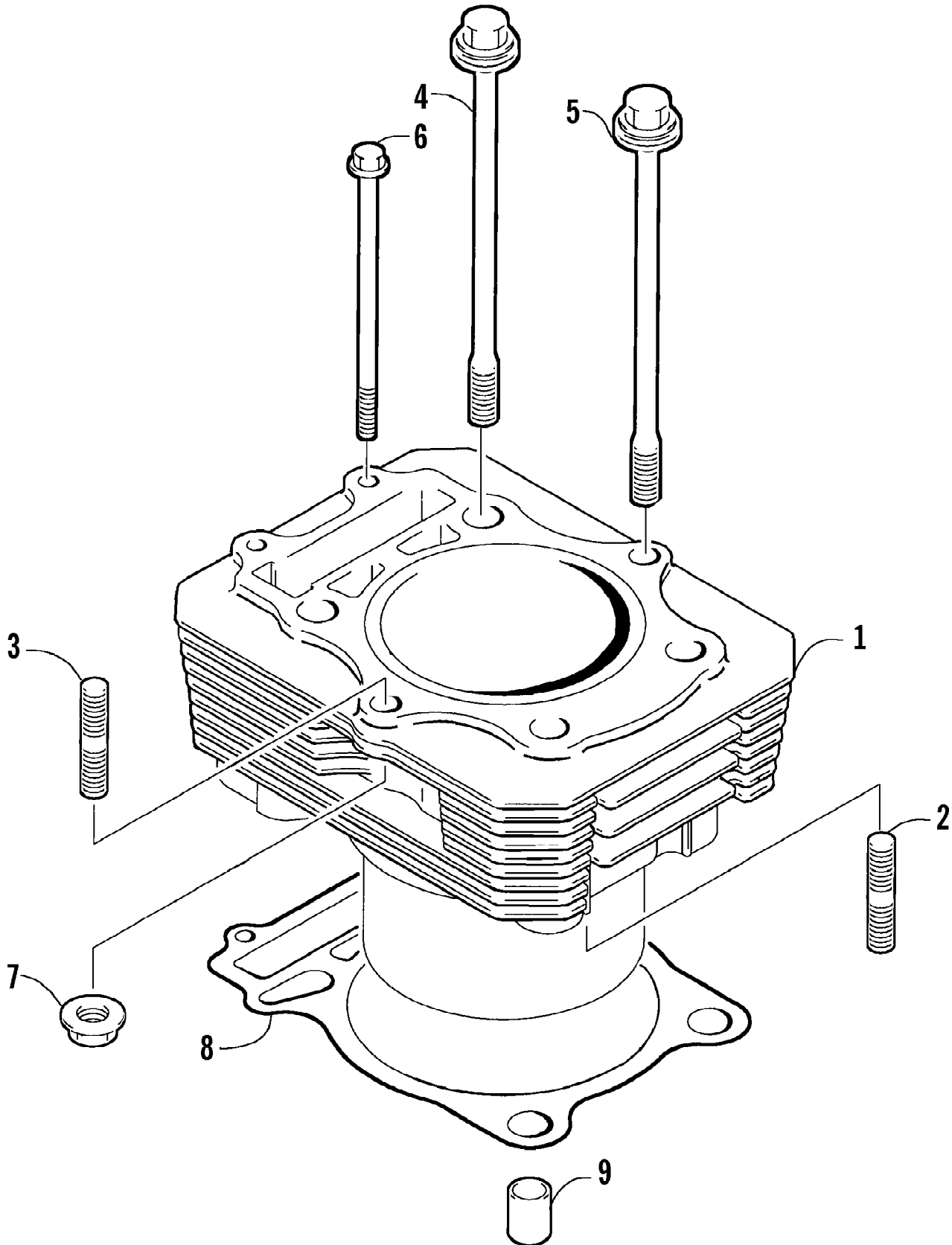
Ref #	Part Number	Qty	S/P/F	Description
1	3402-763	1		Crankcase Assembly (inc. 2-9)
2	3004-880	4		Bolt
3	3423-234	1		Bolt
4	3005-410	3		Bolt
5	3423-097	4		Bolt
6	3423-091	8	S	Bolt
7	3402-012	1		Gasket, Oil Pressure Plug
8	3402-214	1		Plug, Oil Pressure
9	3423-088	2		Pin, Dowel
10	3004-552	4	S	Screw, Oil Guide Plate
11	3402-764	1		Plate, Oil Guide - Right
12	3402-691	1		Jet, Oil Gallery
13	3423-051	1		O-Ring, Oil Gallery Jet
14	3402-582	1		Plate, Oil Guide - Left



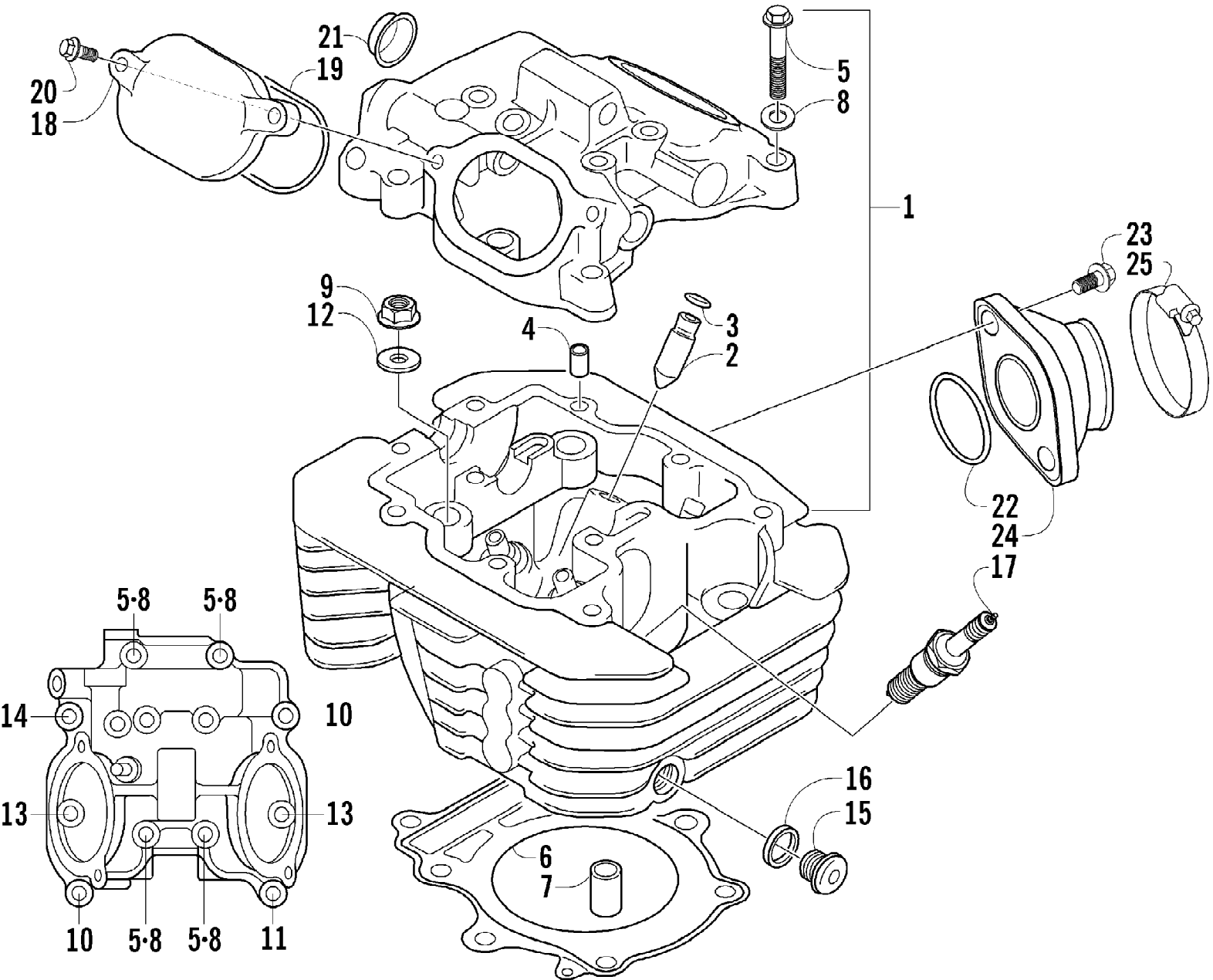
Ref #	Part Number	Qty	S/P/F	Description
1	3402-991	1		Cover, Clutch
2	3402-766	1		Gasket
3	3423-088	4		Pin, Dowel
4	3423-098	30	S	Bolt
5	3004-338	2	S/P	Plug, Oil Gallery
6	3003-290	2	/P	Gasket
7	3402-100	1		Cap, Inspection
8	3402-101	1		O-Ring, Inspection Cap
9	3004-341	2	S/P	Bolt, Inspection Cap
10	3402-593	1		Stick, Oil Level
11	3423-055	1		O-Ring, Oil Level Stick
12	3402-767	1		Cover, Magneto
13	3402-768	1		Gasket, Magneto Cover
14	3423-180	1	S	Plug
15	3402-013	1	/P	Gasket
16	3004-705	1	S	Plug, Drain
17	3402-444	1		Gasket, Drain Plug
18	3423-430	1		Bolt



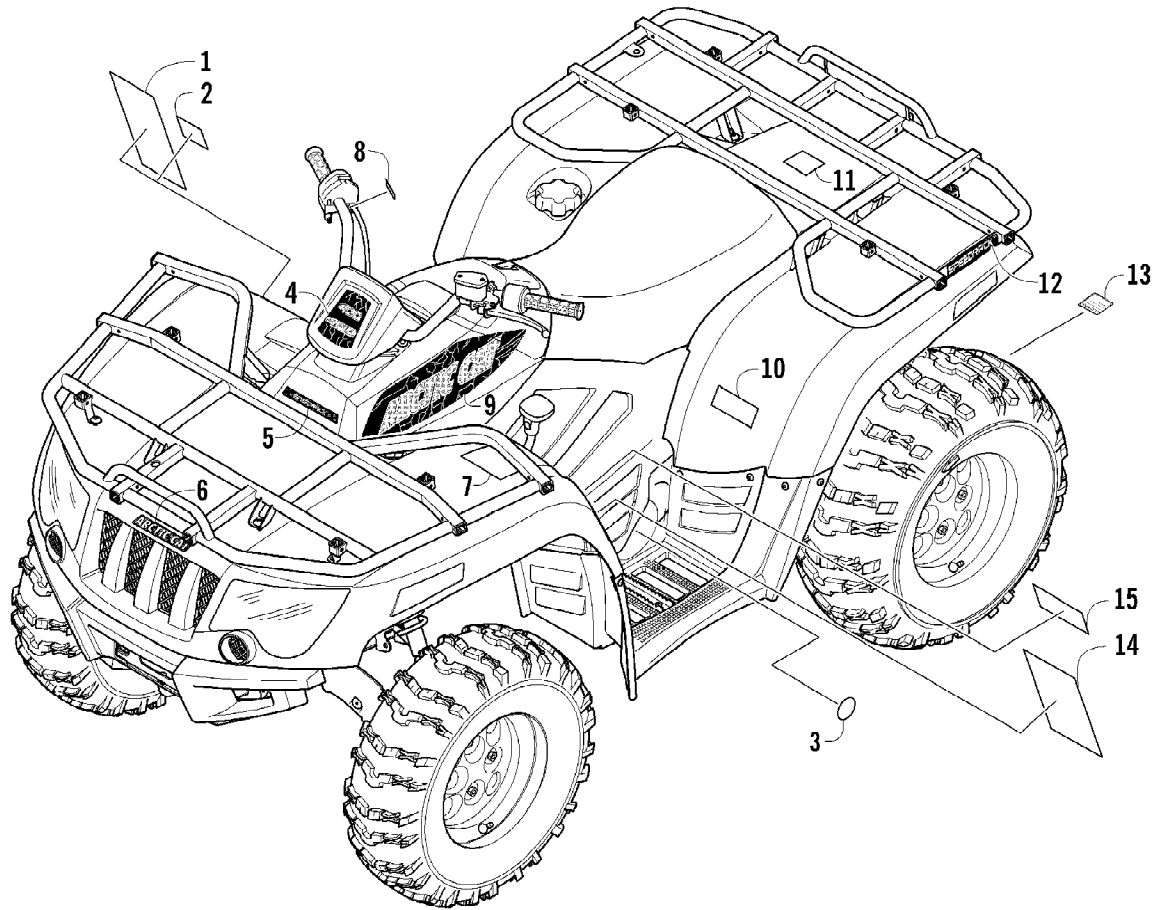
Ref #	Part Number	Qty	S/P/F	Description
1	3402-992	1	/P	Crankshaft Assembly (inc. 2-8)
2	3402-597	1		Rod, Connecting
3	3402-769	1		Pin, Crank
4	3402-571	1		Bearing
5	3423-440	2		Washer
6	3402-993	1	/P	Crankshaft - Right
7	3403-019	1	/P	Crankshaft - Left
8	3402-698	1	/P	Gear, Crank Balancer Drive
9	3402-994	2		Bearing - Middle
10	3423-768	1		Spacer
11	3402-771	1		Circlip
12	3402-216	1		Bearing - Right
13	3402-594	1		Piston
14	3402-595	1		Ring, Piston - Set
15	3436-015	1	F	Piston Set Oversized 0.50 mm
16	3003-439	2	/P	Circlip
17	3402-596	1		Pin, Piston
18	3402-051	1		Bearing
19	3423-063	1		O-Ring
20	3423-542	1	/P	Spacer
21	3402-070	1		Seal, Oil
22	3423-053	1	/P	O-Ring
23	3402-188	1	/P	Retainer, Crankshaft Oil Seal - Left
24	3423-018	3		Screw, Retainer



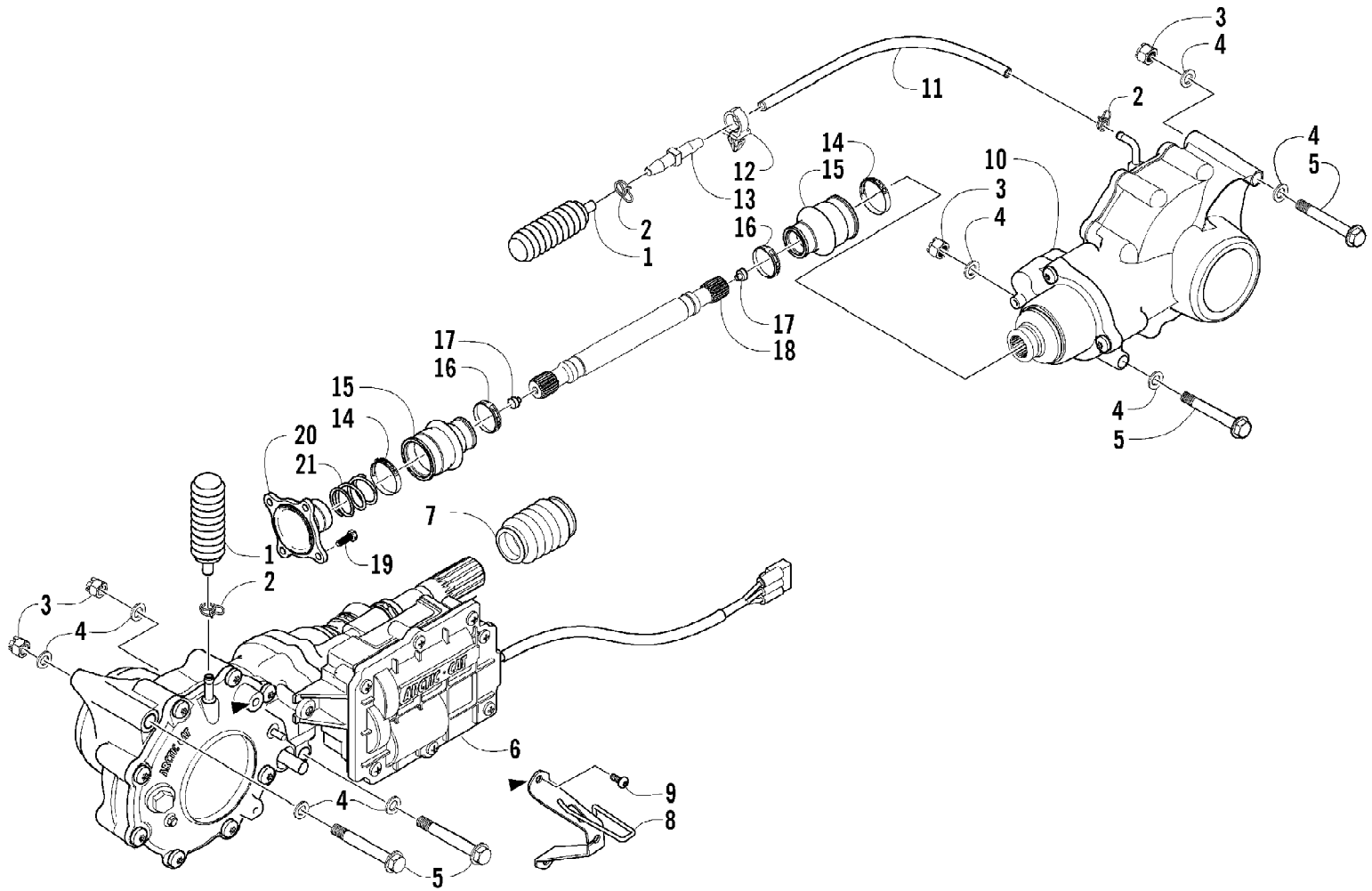
Ref #	Part Number	Qty	S/P/F	Description
1	3402-578	1	S	Cylinder
2	3423-384	2	S	Bolt, Stud
3	3004-778	2	S	Bolt, Stud
4	3423-431	2		Bolt
5	3423-432	2		Bolt
6	3423-427	2		Bolt
7	3004-488	2	S/P	Nut
8	3402-579	1		Gasket, Cylinder
9	3423-088	2		Pin, Dowel



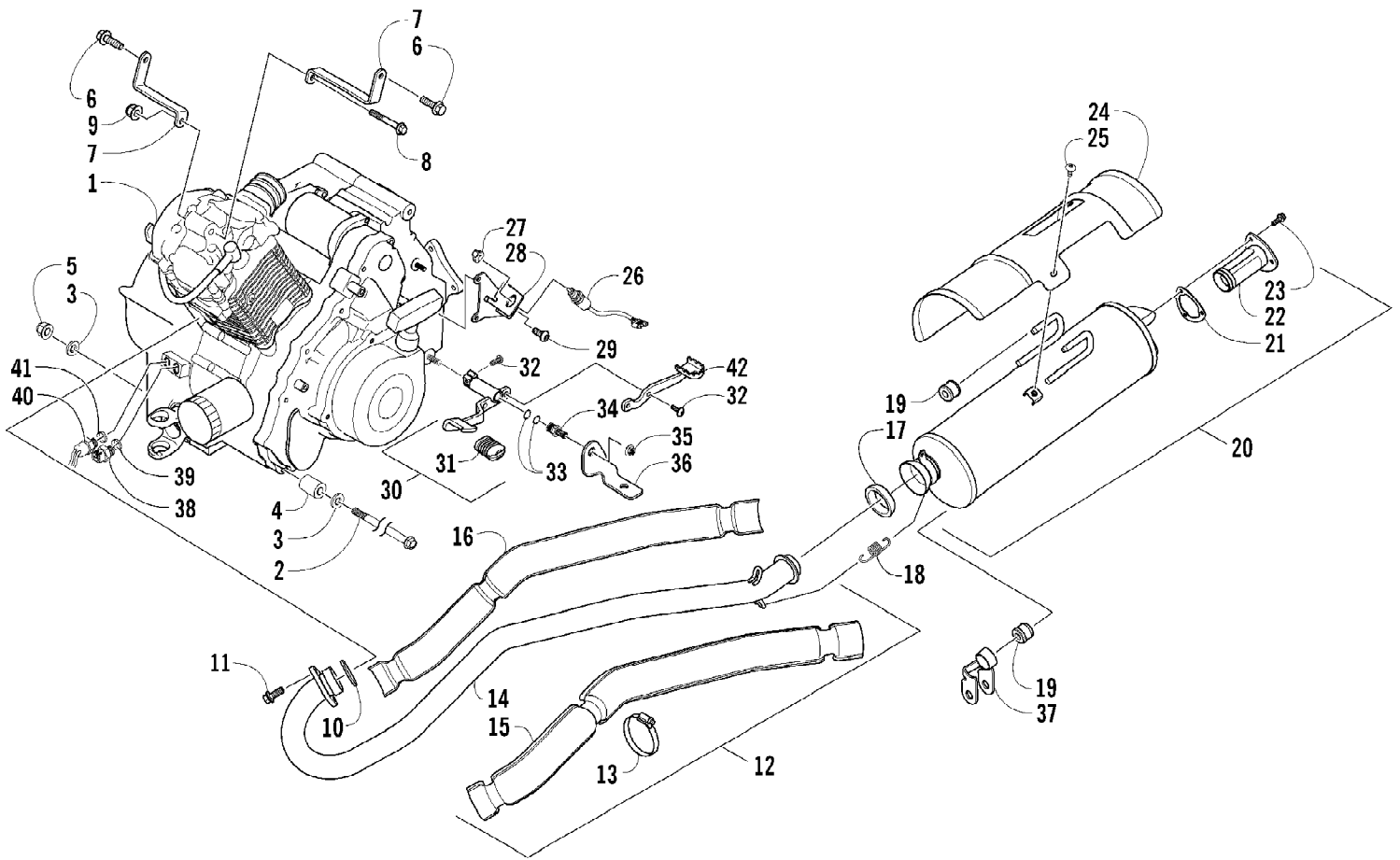
Ref #	Part Number	Qty	S/P/F	Description
1	3402-576	1	S	Head, Cylinder - Assembly (inc. 2-5)
2	3402-099	2		Guide, Valve
3	3423-068	4		Ring, Valve Guide
4	3423-043	2	/P	Pin, Dowel
5	3423-006	4		Bolt
6	3402-577	1		Gasket, Cylinder Head
7	3423-449	2		Pin, Dowel
8	3003-290	4	/P	Gasket
9	3004-326	2	S/P	Nut, Cylinder Head
10	3423-007	2	S	Bolt, Head Cover
11	3423-429	1		Bolt, Head Cover
12	3423-439	4	S	Washer, Cylinder Head Nut
13	3004-376	2	S/P	Bolt, Head Cover
14	3008-376	1	S	Bolt, Head Cover
15	3423-453	1		Plug, Oil Gallery
16	3402-011	1		Gasket, Oil Gallery Plug
17	0217-708	1		Spark Plug (NGK CR7E)
18	3402-100	2		Cap, Inspection
19	3402-101	2		O-Ring
20	3004-341	4	S/P	Bolt, Inspection Cap
21	3402-035	1		Plug, Head
22	0470-531	1		O-Ring
23	8476-620	2		Screw, Machine
24	0570-084	1		Manifold, Intake
25	0423-317	1	/P	Clamp
	3402-048	1	F	Plug, Frost



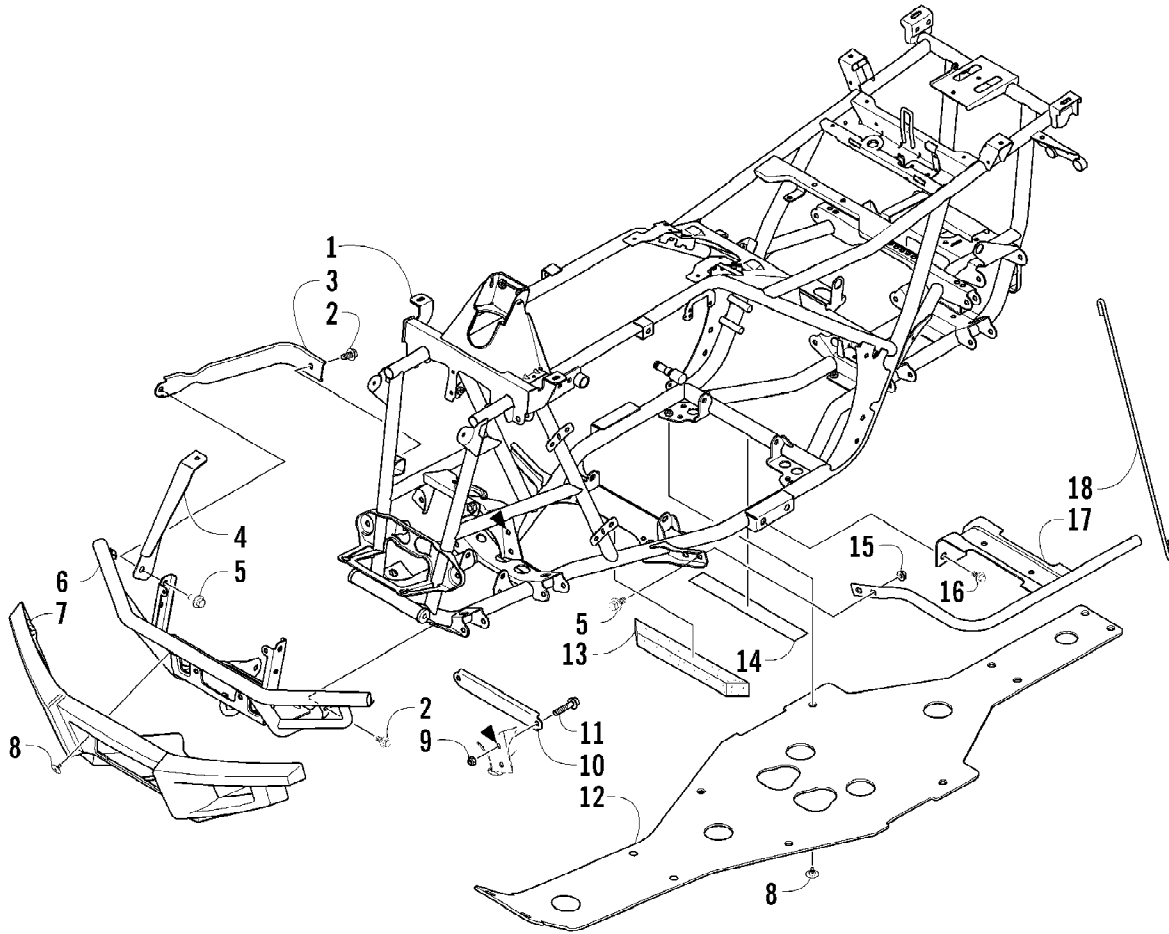
Ref #	Part Number	Qty	S/P/F	Description
1	1411-250	1	F	Decal, Warning - Reverse/Pre-Ride
2	0411-835	1		Decal, Warning - Hill
3	0411-003	1		Decal, Shift Pattern
4	1411-466	1		Decal, Instrument Pod
5	1411-051	1		Decal, "Speedrack"
6	0411-840	1		Decal, Front
7	0411-401	1	F	Decal, Warning - Age
8	0411-966	1		Decal, Warning - Differential Lock
9	1411-470	1		Decal, Side - Upper Right
9	1411-471	1		Decal, Side - Upper Left
10	0411-430	1		Decal, Warning - Tire Pressure
11	0411-435	1		Decal, Warning - Passenger
12	0411-965	2		Decal, "Speedrack"
13	1411-077	1		Decal, Warning - Towing
14	0411-218	1	F	Decal, Warning - General
15	1411-574	1		Decal, Warning - Off-Road Only



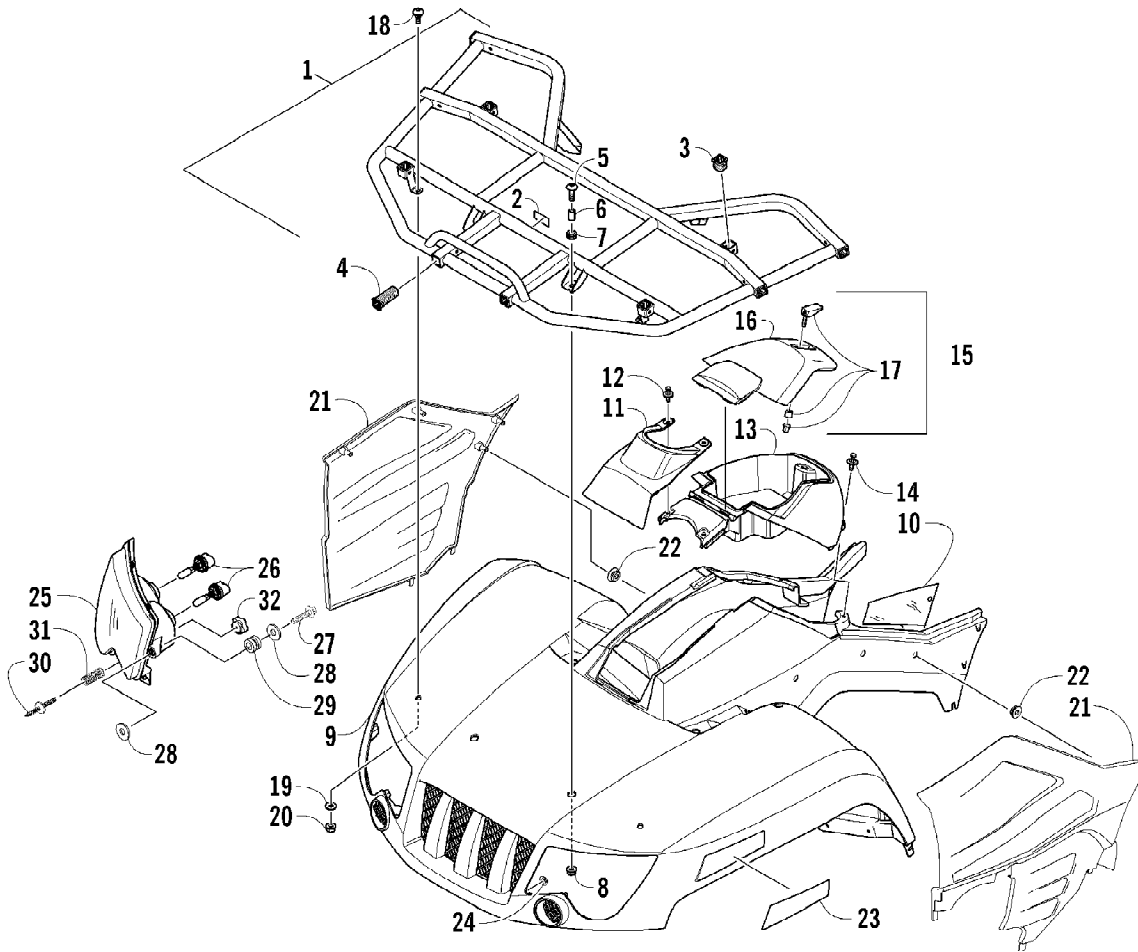
Ref #	Part Number	Qty	S/P/F	Description
1	0402-147	2	S	Bladder, Gearcase
2	0423-315	4		Clamp, Fitting
3	8428-002	4		Nut, Lock
4	0423-426	10		Washer
5	0423-404	4		Screw, Cap
6	1502-088	1		Gearcase, Front
7	0402-966	1		Boot, Shaft
8	0502-500	1		Plate, Cable
9	0423-396	2		Screw, Self-Tapping
10	1502-079	1	S	Gearcase, Rear
11	0410-048	AR	S	Hose, Vent
12	0623-101	1		Clip, Routing - Snap-In
13	0470-462	1		Fitting, Vent
14	0423-393	2		Clamp, Boot
15	0402-985	2	/P	Boot
16	0423-411	2		Clamp, Boot
17	0673-618	2	/P	Bumper, Propeller Shaft
18	1402-233	1		Shaft, Propeller
19	8408-820	4	/P	Screw, Cap
20	0402-950	1		Flange, Output
21	1402-026	1		Spring



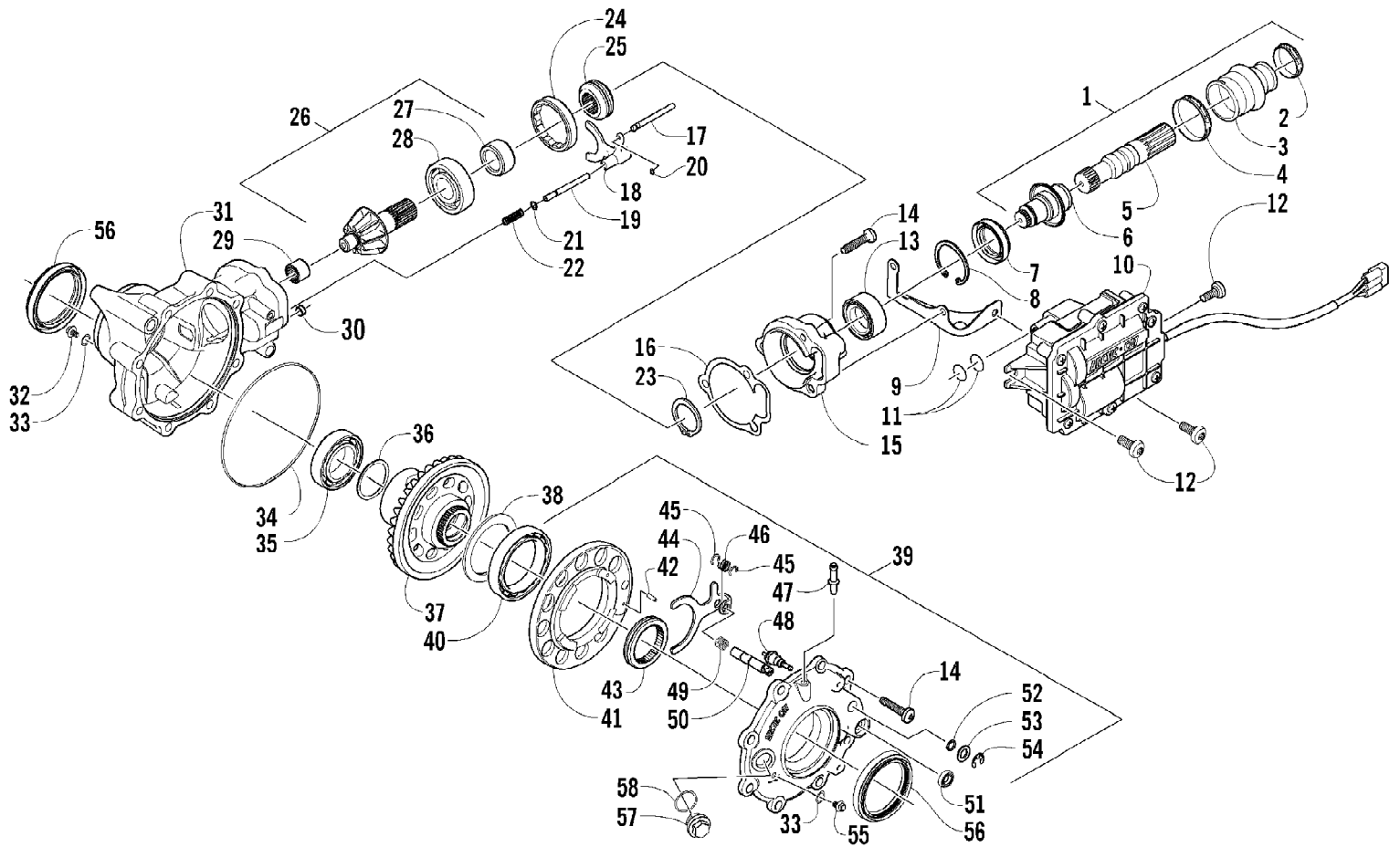
Ref #	Part Number	Qty	S/P/F	Description
1	0462-035	1	/P	Engine
2	0423-405	2		Screw, Cap
3	0423-426	4		Washer
4	0423-042	2	S	Spacer
5	8428-002	2		Nut, Lock
6	8408-816	2		Screw, Cap
7	1506-626	1		Bracket, Engine - Right
7	1506-625	1		Bracket, Engine - Left
8	8408-860	1		Screw, Cap
9	8424-802	1		Nut
10	0412-007	1	/P	Seal, Exhaust
11	8408-820	2	/P	Screw, Cap
12	0512-261	1		Pipe, Exhaust - Assembly (inc. 13-16)
13	0423-317	3	/P	Clamp, Hose
14	0512-242	1		Pipe, Exhaust
15	0412-342	1		Shield, Exhaust Pipe - Outer
16	0412-341	1		Shield, Exhaust Pipe - Inner
17	0612-188	1	/P	Gasket, Exhaust
18	0612-668	2	/P	Spring, Exhaust
19	0412-215	3	S	Bushing, Exhaust
20	0512-306	1	/P	Muffler - Assembly (inc. 21-23)
21	0412-313	1		Gasket, Spark Arrester
22	0512-219	1	/P	Arrester, Spark - Assembly
23	8408-616	3		Screw, Cap
24	0412-373	1	/P	Cover, Muffler
25	8477-610	3		Screw, Machine
26	0409-008	1		Switch, Reverse
27	0402-991	1		Retainer, Reverse Switch
28	1506-449	1		Bracket, Mounting - Reverse Switch (inc. 29)
29	0423-361	1		Screw, Machine
30	0502-871	1		Lever, Toe Shift - Assembly (inc. 31 and one No. 32)
31	1402-284	1		Pad, Toe - Shift Lever
32	8476-620	3		Screw, Machine
33	1602-213	2	/P	O-Ring
34	0402-994	1		Pin, Shift Lever
35	8422-002	1		Nut
36	1506-693	1		Bracket, Shift Lever
37	1506-732	1		Channel, Muffler Support
38	3530-037	1	/P	Switch, Oil Light
39	3402-556	1	/P	Gasket
40	3430-033	1		Switch, Cooling Fan
41	3402-013	1	/P	Gasket
42	0502-693	1		Lever, Heel Shift



Ref #	Part Number	Qty	S/P/F	Description
1	2506-039	1		Frame, Main
2	8409-020	4	/P	Screw, Cap
3	0506-653	1	S	Channel, Bumper Mounting - Right
3	1506-596	1	/P	Channel, Bumper Mounting - Left
4	1506-686	1		Bracket, Mounting - Bumper - Right
4	1506-687	1		Bracket, Mounting - Bumper - Left
5	8408-816	6		Screw, Cap
6	1506-684	1		Bumper
7	1406-868	1		Facia, Bumper - Front
8	0423-101	20		Screw, Body
9	8428-002	2		Nut, Lock
10	1506-429	1	S	Brace, A-Arm
11	8409-025	2		Screw, Cap
12	1406-030	1		Panel, Belly
13	1506-067	1		Foam, Frame
14	0406-289	1		Pad, Frame
15	8424-802	4		Nut, Flange
16	8409-016	4		Screw, Cap
17	1506-659	1		Footrest - Right
17	1506-660	1		Footrest - Left
18	2406-357	2	S	Rod, Support

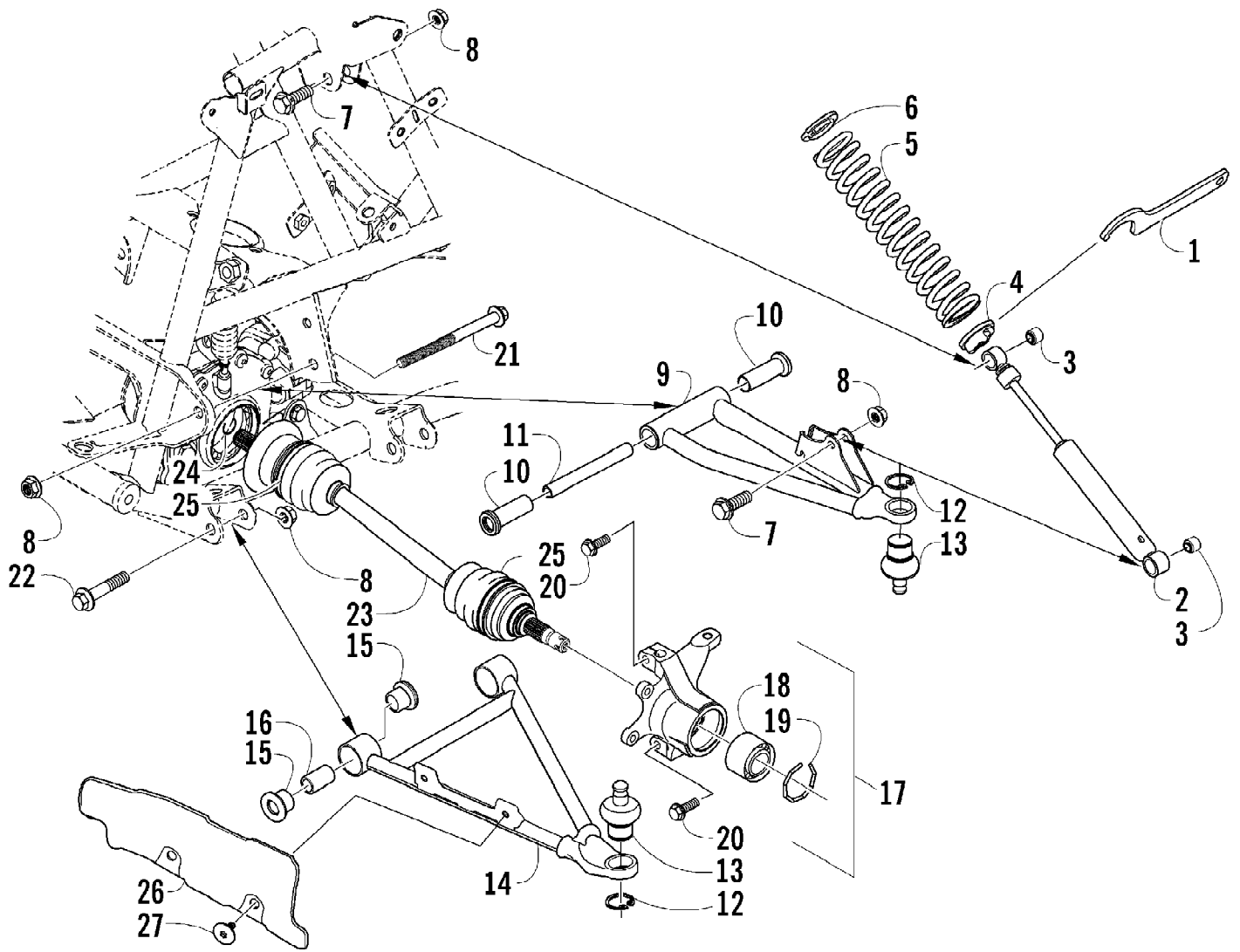


Ref #	Part Number	Qty	S/P/F	Description
1	1506-750	1		Rack - Front - Assembly (inc. 2-4)
2	0411-576	1		Decal, Warning - Front Rack Load
3	0441-592	4	/P	Bushing, Rack
4	2604-014	6		Bushing, Rack
5	8410-830	4		Screw, Machine
6	0423-669	4		Spacer
7	0423-465	4		Grommet
8	8432-802	4		Nut, Lock
9	2506-355	1	S	Panel, Fender - Front (inc. 10 and 23)
10	0412-394	1	/P	Shield, Heat - Fender - Front
11	1406-867	1		Cover, Steering Post
12	0623-362	2		Rivet, Reinstallable
13	1406-866	1		Box, Storage
14	0623-544	2		Plug
15	2506-235	1		Cover, Storage Box w/Latch (inc. 16-17)
16	1406-862	1		Cover, Storage Box
17	1406-599	1		Latch, Storage Box
18	0423-654	2		Screw, Shoulder
19	8050-222	2	/P	Washer
20	0423-540	2		Nut, Lock
21	2406-378	1		Panel, Side - Right
21	2406-379	1		Panel, Side - Left
22	0423-678	8		Grommet
23	1411-078	1		Decal, Reflector - Front - Right
23	1411-079	1		Decal, Reflector - Front - Left
24	0423-357	2		Nut, Stamped
25	0509-027	1	S	Headlight Assembly - Right (inc. 26)
25	0509-028	1	S	Headlight Assembly - Left (inc. 26)
26	0409-073	4		Bulb, Headlight
27	0623-785	4		Screw, Self-Tapping
28	8050-217	8	/P	Washer
29	0423-447	4		Grommet
30	0423-514	2		Stud, Adjuster - Headlight
31	0423-522	2		Spring, Adjuster - Headlight
32	0423-513	2		Knob, Adjuster - Headlight

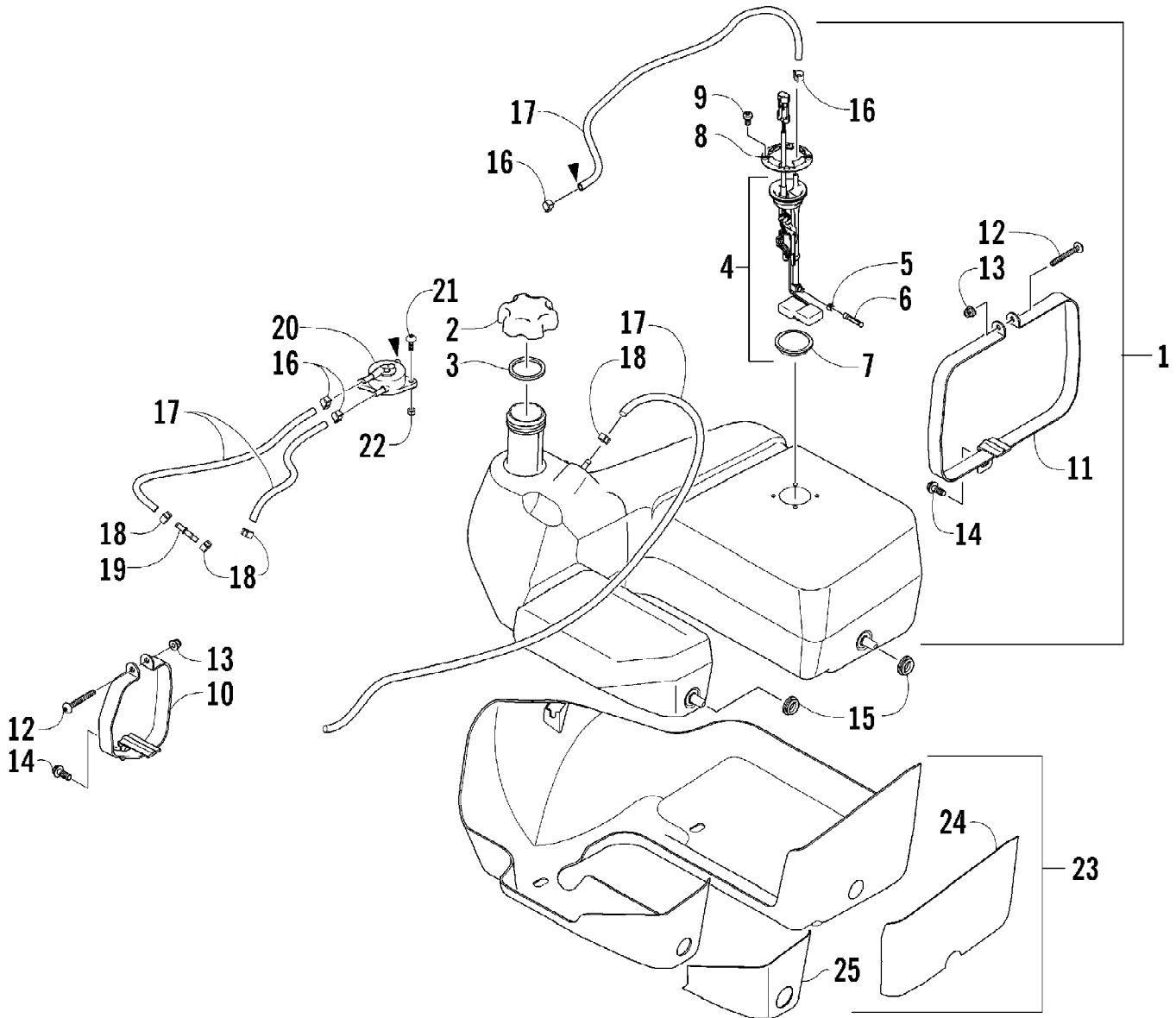


Ref #	Part Number	Qty	S/P/F	Description
	1502-088	1		Complete Front Gearcase Assembly
1	1502-084	1		Shaft, Propeller - Assembly (inc. 2-6)
2	0423-411	1		Clamp, Boot
3	0402-985	1	/P	Boot, Propeller Shaft
4	0423-393	1		Clamp, Boot
5	1402-046	1		Shaft, Output
6	1502-085	1	/P	Shaft, Input
7	1402-011	1		Seal
8	0423-423	1		Ring, Retaining
9	0502-347	1		Bracket, Actuator
10	0502-579	1		Actuator (inc. one No. 11)
11	0423-498	2	S	O-Ring
12	0423-396	3		Screw, Self-Tapping
13	1402-043	1		Bearing
14	0423-118	11		Screw, Self-Tapping
15	0502-528	1	/P	Housing, Pinion
16	0402-947	1		Gasket, Flange
17	0402-997	1		Shaft, Selector
18	0402-998	1		Fork, Selector
19	0402-417	1		Shaft, Shuttle
20	0423-402	1		Ring, Retaining
21	0423-147	1		O-Ring
22	0402-999	1		Spring, Return
23	0423-417	1		Ring, Retaining
24	0402-357	1		Collar, Lock
25	0402-413	1		Coupler, Drive
26	0502-783	1		Gear, Pinion - Assembly - 10T (inc. 27-28)
27	0402-336	1		Collar, Retaining
28	0402-327	1		Bearing
29	0402-328	1		Bearing
30	0402-411	1		Pin, Dowel
31	0502-514	1		Housing, Gearcase
32	1402-210	1	/P	Plug, Magnetic (inc. one No. 33)
33	0423-153	2		O-Ring
34	0423-149	1		O-Ring
35	0402-393	1		Bearing
36	0402-405	AR		Shim
36	0402-406	AR		Shim
36	0402-407	AR		Shim
36	0402-408	AR		Shim
36	0402-409	AR		Shim
37	0502-851	1		Gear, Ring - 36T
38	1402-074	AR		Shim
38	1402-075	AR		Shim
38	1402-076	AR		Shim
38	1402-077	AR		Shim
38	1402-078	AR		Shim
39	1502-097	1		Cover, Gearcase (inc. one No. 33, 40-55, and one No. 56)
40	1402-053	1		Bearing
41	0502-413	1		Flange, Bearing
42	1402-079	1		Pin, Parallel

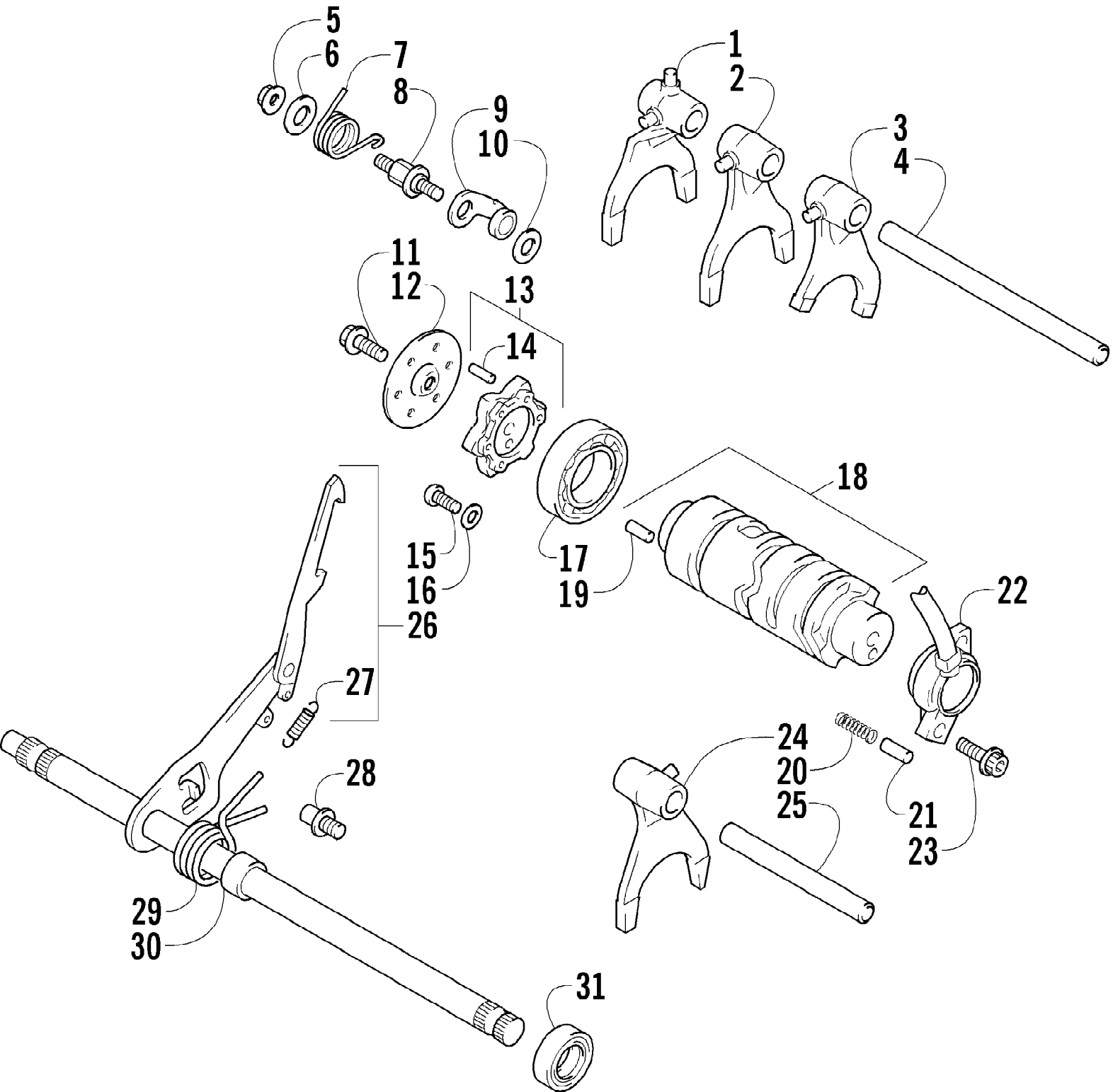
Ref #	Part Number	Qty	S/P/F	Description
43	1402-042	1		Collar, Sliding
44	1402-054	1		Fork
45	1402-058	2		Ring, Retaining
46	1402-057	1		Spring
47	1402-104	1		Fitting
48	0402-419	1		Switch, Indicator
49	1402-063	1		Spring
50	1402-055	1		Shaft, Lock
51	1402-056	1		Seal
52	0423-133	1		O-Ring
53	0423-132	1		Washer
54	0423-424	1		Ring, Retaining
55	1402-211	1		Plug, Oil Level (inc. one No. 33)
56	1402-441	2	S	Seal
57	0402-333	1	/P	Plug, Fill (inc. 58)
58	0423-154	1		O-Ring



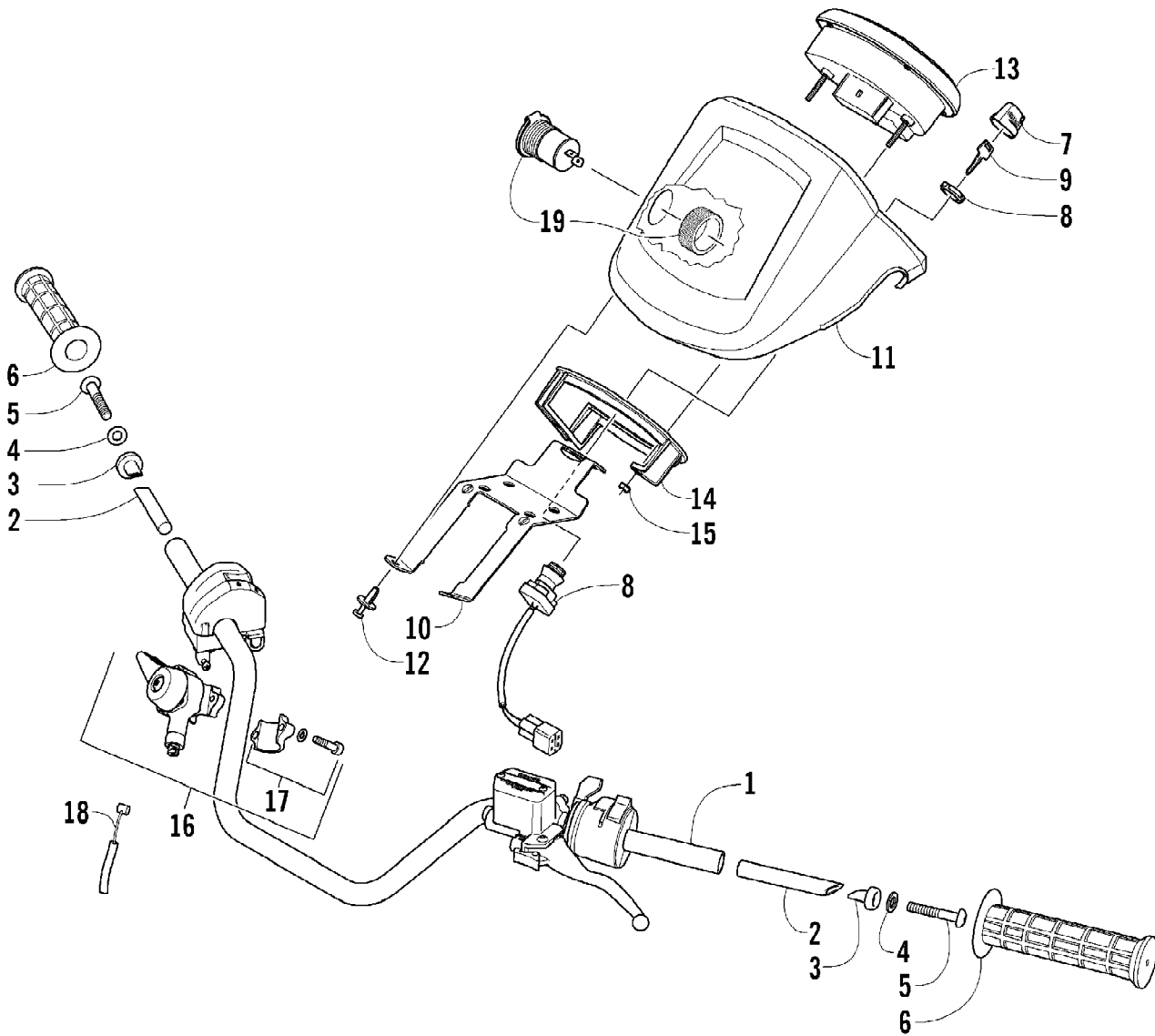
Ref #	Part Number	Qty	S/P/F	Description
1	0441-587	1		Wrench, Spanner
2	0403-172	2		Shock Absorber - Front (inc. 3)
3	0403-182	4		Bushing, Double-Bonded
4	0403-102	2		Cam, Spring Adjuster
5	0403-170	2		Spring, Shock Absorber
6	1603-889	2	/P	Retainer, Spring
7	8409-040	4		Screw, Cap
8	8428-002	10		Nut, Lock
9	0503-272	1	S	A-Arm, Upper Right (inc. 10-13)
9	0503-273	1	S	A-Arm, Upper Left (inc. 10-13)
10	0403-081	4	S	Bushing
11	0403-080	2		Collar
12	0423-009	4	/P	Clip, Ball Joint
13	0405-115	4	/P	Ball Joint - Front
14	0503-342	1	S	A-Arm, Lower Right (inc. 12-13 and 15-16)
14	0503-343	1	S	A-Arm, Lower Left (inc. 12-13 and 15-16)
15	0403-115	8	S	Bushing
16	0403-114	4	S	Collar
17	0505-460	1		Knuckle - Assembly - Right (inc. 18-19)
17	0505-461	1	S	Knuckle - Assembly - Left (inc. 18-19)
18	1402-027	2	S/P	Bearing, Wheel Hub
19	0423-423	2		Ring, Retaining
20	8409-030	4		Screw, Cap
21	0423-334	2		Screw, Cap
22	8409-075	4		Screw, Cap
23	0502-812	1	S	Axle, Drive - Front - Right (inc. 24-25)
23	0502-813	1	S	Axle, Drive - Front - Left (inc. 24-25)
24	1441-109	2	S	Clip, Retaining
25	0436-276	2	S	Repair Kit, Boot - Front Axle
26	0441-752	1		Guard, Boot - Axle - Right
26	0441-753	1		Guard, Boot - Axle - Left
27	0423-545	4	/P	Screw, Body



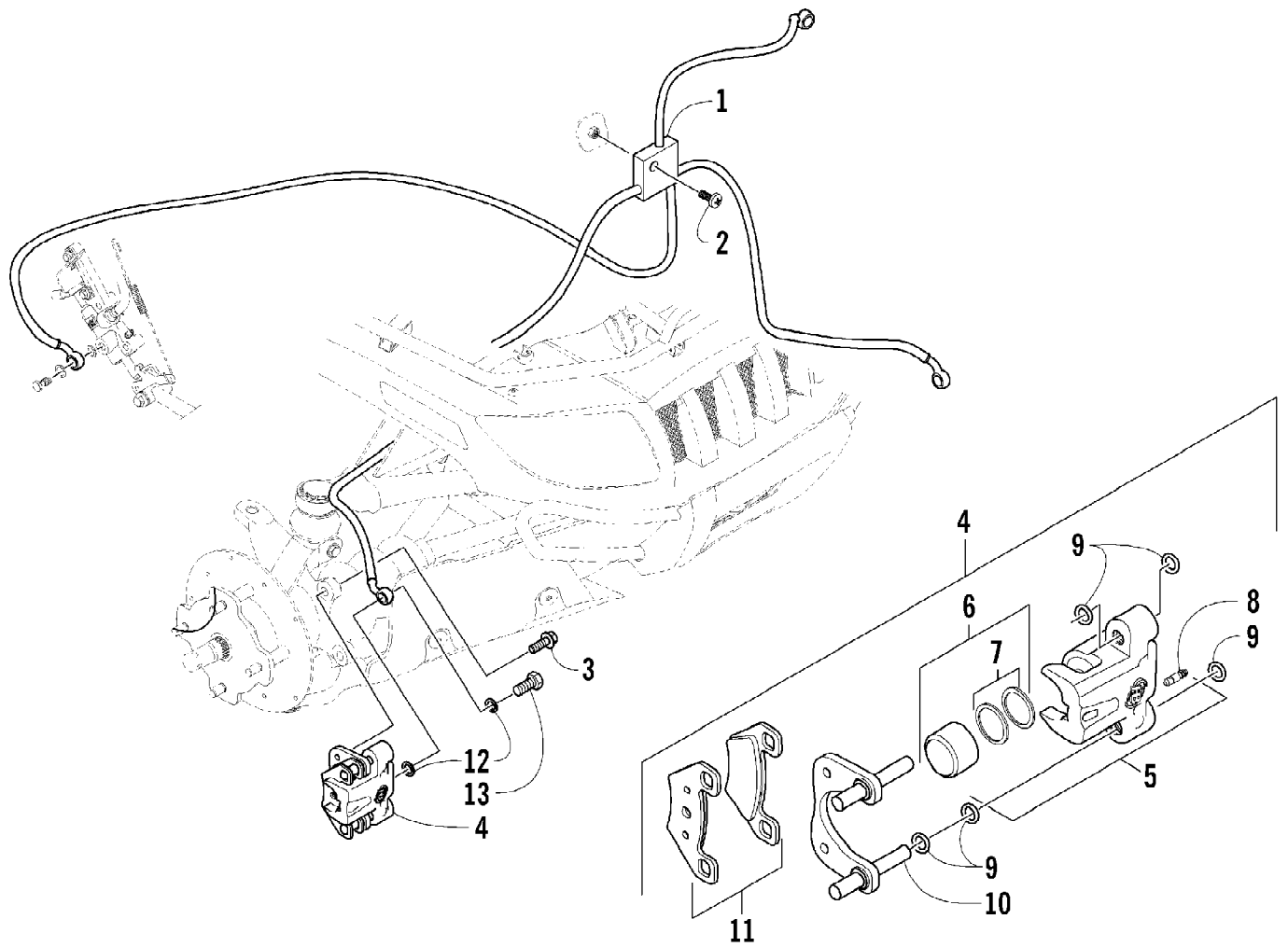
Ref #	Part Number	Qty	S/P/F	Description
1	0570-144	1		Tank, Gas - Assembly w/Straps (inc. 2-13)
2	0470-438	1	/P	Cap, Gas Tank (inc. 3)
3	0109-733	1	/P	Gasket, Gas Tank Cap
4	0570-141	1	S	Sensor, Fuel Level (inc. 5-7)
5	0423-603	1		Clamp, Hose
6	0470-475	1		Filter, Fuel
7	0470-521	1		Seal, Fuel Level Sensor
8	0470-639	1	/P	Plate, Mounting - Fuel Level Sensor
9	1623-158	4		Screw, Plastite
10	0570-166	1		Strap, Mounting - Gas Tank
11	0570-167	1		Strap, Mounting - Gas Tank
12	8476-650	2		Screw, Machine
13	8427-602	2		Nut, Lock
14	8408-816	2		Screw, Cap
15	0423-460	2		Grommet
16	0423-688	4		Clamp, Hose
17	0410-070	AR	/P	Hose, Gasline - 25 ft
18	0423-670	4		Clamp, Hose
19	0470-527	1	S	Fitting, Straight
20	0470-519	1	S	Pump, Fuel
21	8476-620	2		Screw, Machine
22	0623-038	2		Nut, Lock
23	0570-081	1		Shield, Gas Tank - Assembly (inc. 24-25)
24	0470-498	1		Shield, Heat
25	0470-499	1		Shield, Heat



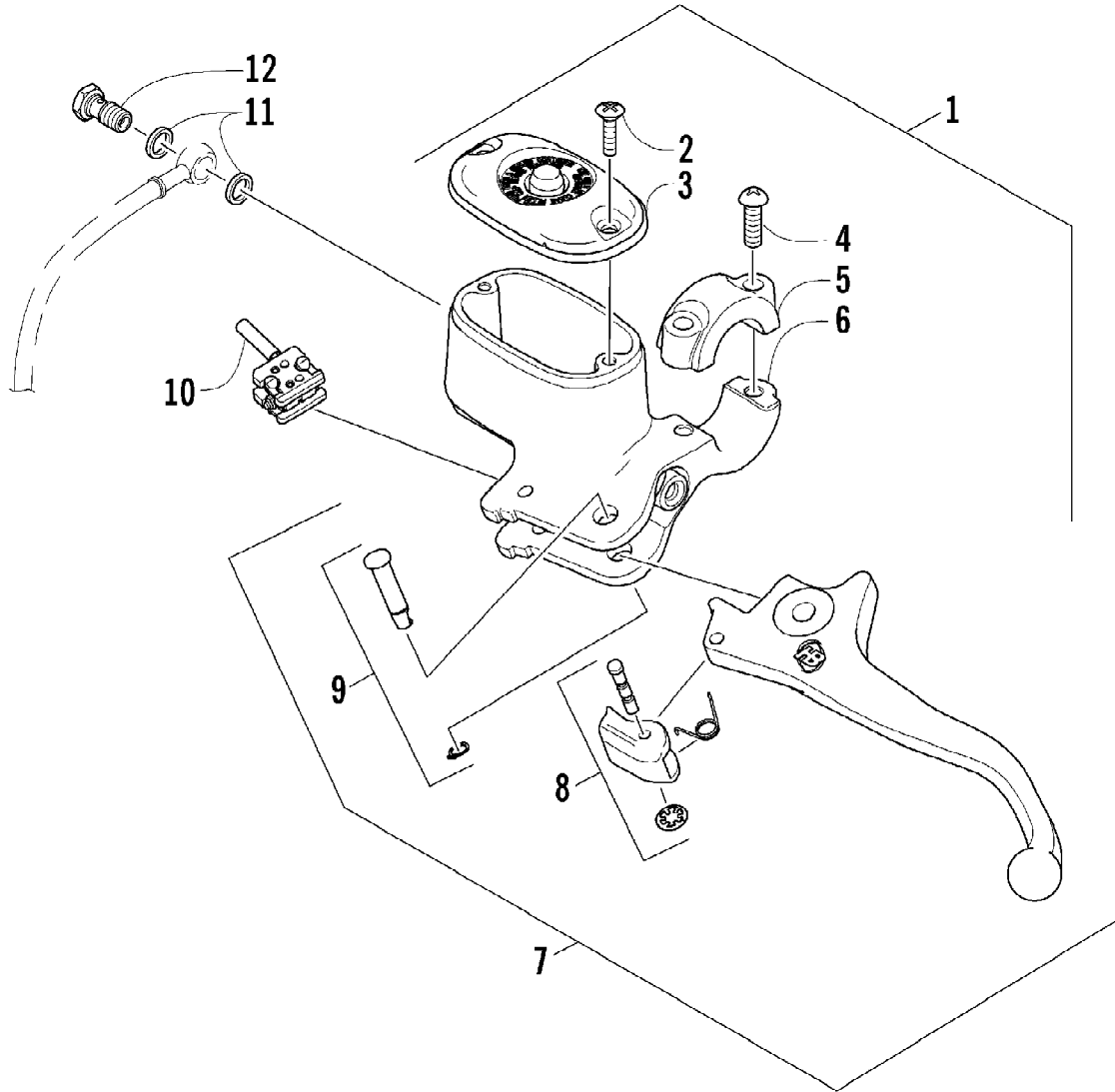
Ref #	Part Number	Qty	S/P/F	Description
1	3446-306	1		Fork, Gear Shift - Reverse
2	3446-155	1		Fork, Gear Shift - No. 1
3	3446-156	1		Fork, Gear Shift - No. 2
4	3402-643	1		Shaft, Gear Shift Fork - No. 2
5	3004-488	1	S/P	Nut
6	3423-142	1		Washer
7	3423-521	1	S	Spring, Gear Shift Cam Stopper
8	3446-048	1		Support, Gear Shift Cam Stopper
9	3402-746	1		Stopper, Gear Shift Cam
10	3423-141	1		Washer
11	3423-125	1	S	Bolt
12	3446-309	1	/P	Guide, Gear Shift
13	3446-049	1		Plate, Gear Shift Cam (inc. 14)
14	3423-045	5		Pin
15	3423-370	2		Screw
16	3423-135	2		Retainer
17	3402-051	1		Bearing, Gear Shift Cam
18	3446-308	1		Cam, Gear Shift (inc. 19)
19	3423-114	1	/P	Pin
20	3402-087	2		Spring
21	3423-044	2		Contact
22	3446-313	1		Base, Neutral Switch
23	3423-418	2		Bolt
24	3446-157	1		Fork, Gear Shift - No. 3
25	3446-307	1		Shaft, Gear Shift Fork - No. 1
26	3446-310	1		Shaft, Gear Shift (inc. 27)
27	3402-093	1		Spring
28	3446-056	1		Stopper, Gear Shift Shaft
29	3402-094	1		Spring, Return
30	3446-054	1		Spacer, Gear Shift Shaft
31	3402-068	1	/P	Seal, Oil



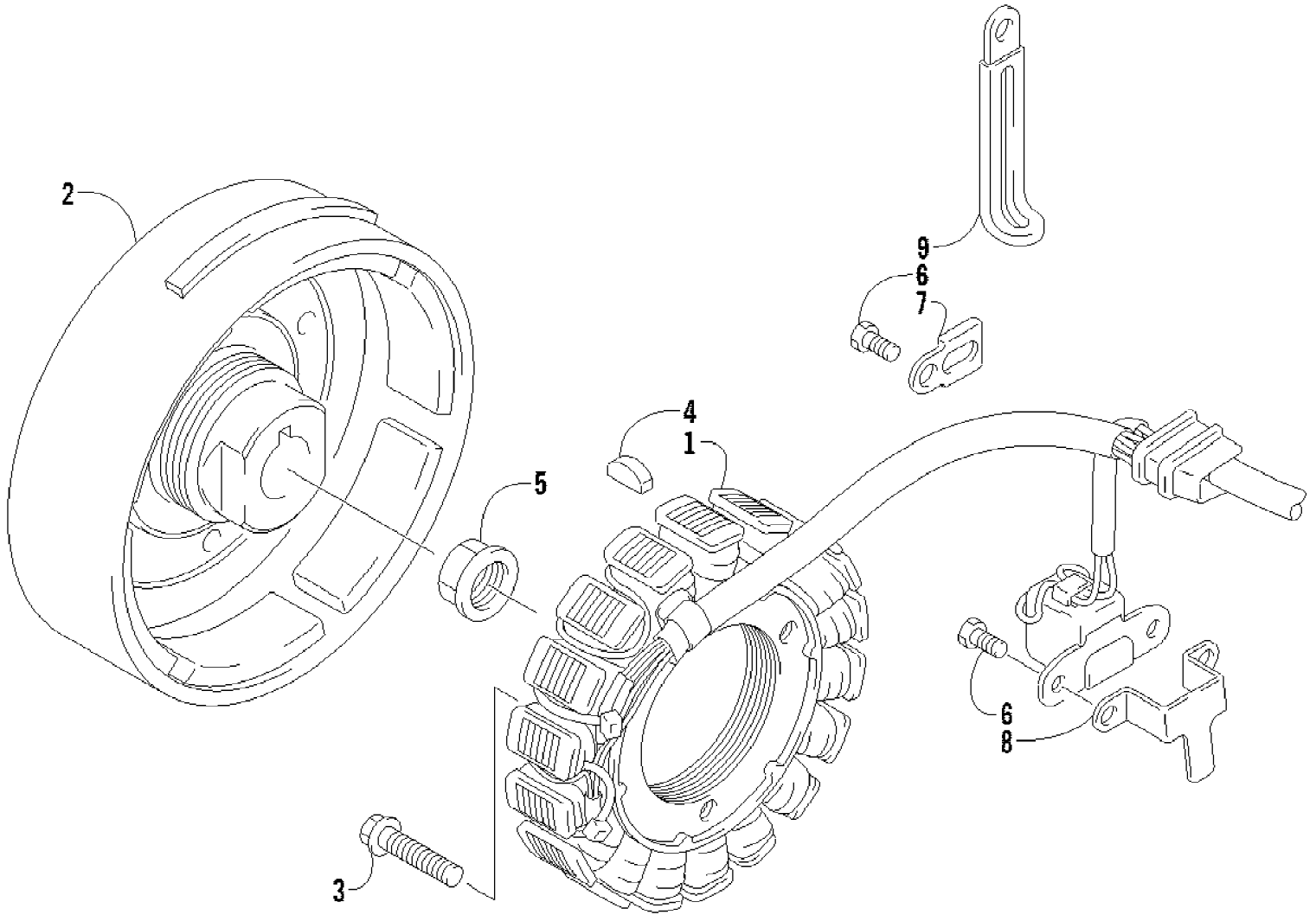
Ref #	Part Number	Qty	S/P/F	Description
1	0505-476	1		Tube, Handlebar
2	0405-218	2		Plug, Handlebar
3	0405-149	2		End Cap, Handlebar
4	8050-247	2	/P	Washer
5	8477-845	2		Screw, Machine
6	0405-147	2		Grip, Handlebar
7	0409-013	1		Cover, Key
8	3430-040	1		Switch, Ignition - Assembly (inc. 9)
9	3409-007	1	/P	Key, Ignition - Blank (C Series)
9	3409-011	1		Key, Ignition - Blank (D Series)
9	3409-012	1		Key, Ignition - Blank (E Series)
9	3409-013	1		Key, Ignition - Blank (F Series)
10	1506-578	1		Bracket, Mounting - Instrument Pod
11	0405-188	1		Instrument Pod
12	0423-535	2		Rivet, Reinstallable
13	0520-017	1		Gauge, Digital
14	0420-065	1	/P	Clamp, Plastic
15	0423-493	2		Nut, Hex
16	0502-527	1		Control, Differential Lock (inc. 17)
17	0502-613	1		Clamp, Differential Lock Control - Kit
18	0487-030	1	S	Cable, Differential Lock
19	0641-897	1	/P	Outlet, Accessory - 12V



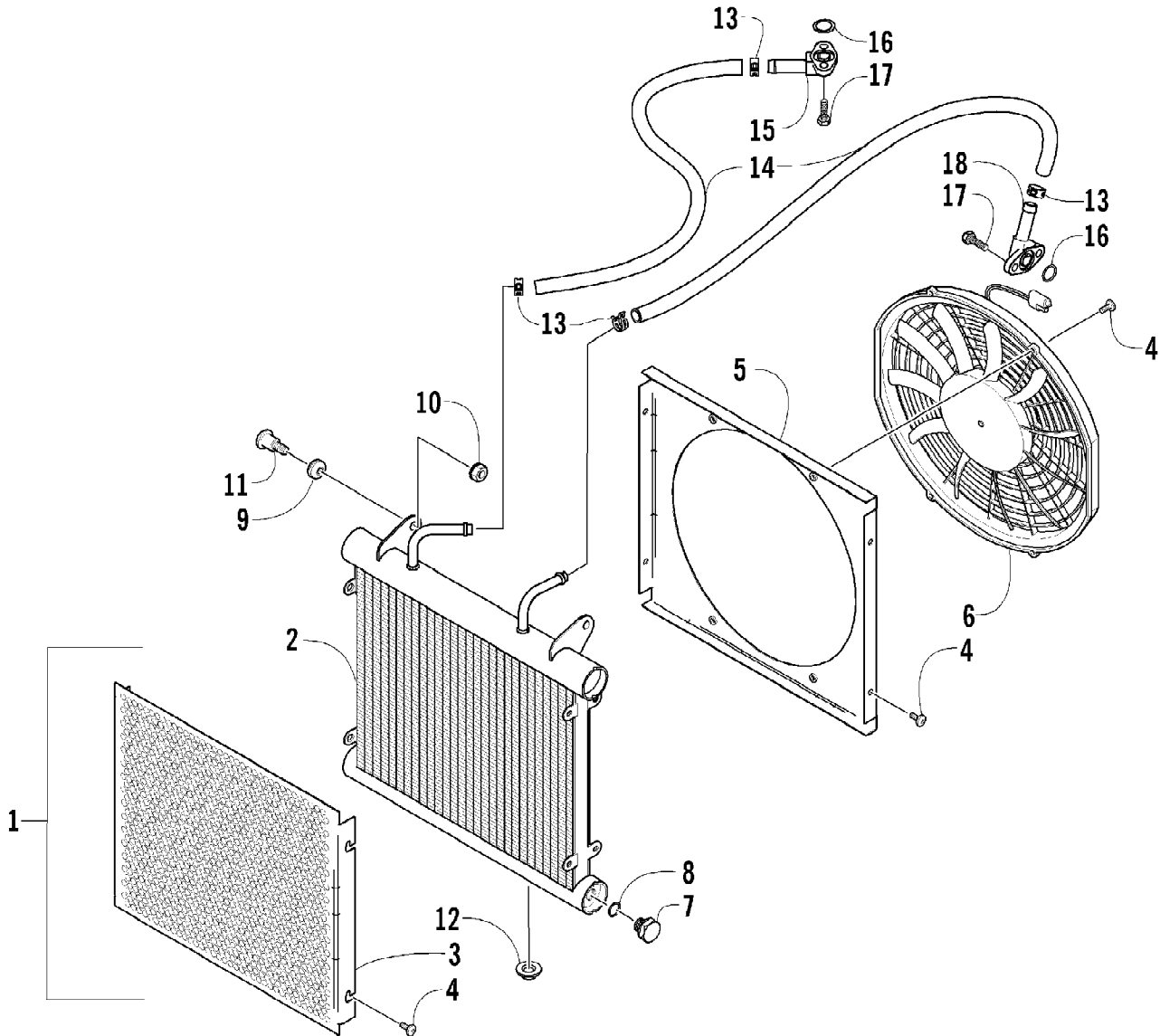
Ref #	Part Number	Qty	S/P/F	Description
1	1502-015	1		Hose, Brake - Assembly
2	8476-625	1		Screw, Cap
3	1623-589	4	S	Screw, Cap
4	0502-878	1	S	Caliper, Brake - Right Front (inc. 5-11)
4	0502-879	1	S	Caliper, Brake - Left Front (inc. 5-11)
5	0502-603	1	S	Housing, Caliper - Assembly - Right Front (inc. 6-8)
5	0502-611	1	S	Housing, Caliper - Assembly - Left Front (inc. 6-8)
6	0502-606	2		Piston/Seal Set (inc. 7)
7	0502-607	2		Seal Set
8	0502-609	2	/P	Valve, Bleed
9	0502-608	2		O-Ring, Guide - Set
10	0502-605	2		Bracket Assembly
11	0502-875	2	S	Pad, Brake - Set
12	0423-178	4		Washer, Crush
13	0423-413	2		Bolt, Banjo-Fitting



Ref #	Part Number	Qty	S/P/F	Description
1	0502-914	1	S	Brake Assembly (inc. 2-10)
2	0502-566	1		Screw, Reservoir Cover
3	0502-868	1	/P	Cover, Reservoir
4	0502-568	1		Screw, Master Cylinder Clamp
5	0502-869	1		Clamp, Master Cylinder
6	0502-704	1		Master Cylinder Assembly
7	0502-866	1		Lever Assembly (inc. 8-9)
8	0502-867	1	/P	Lock, Brake Lever - Kit
9	0502-580	1		Lever Pin - Kit
10	0502-564	1	/P	Switch, Brake - Kit
11	0423-178	2		Washer, Crush
12	0423-413	1		Bolt, Banjo-Fitting

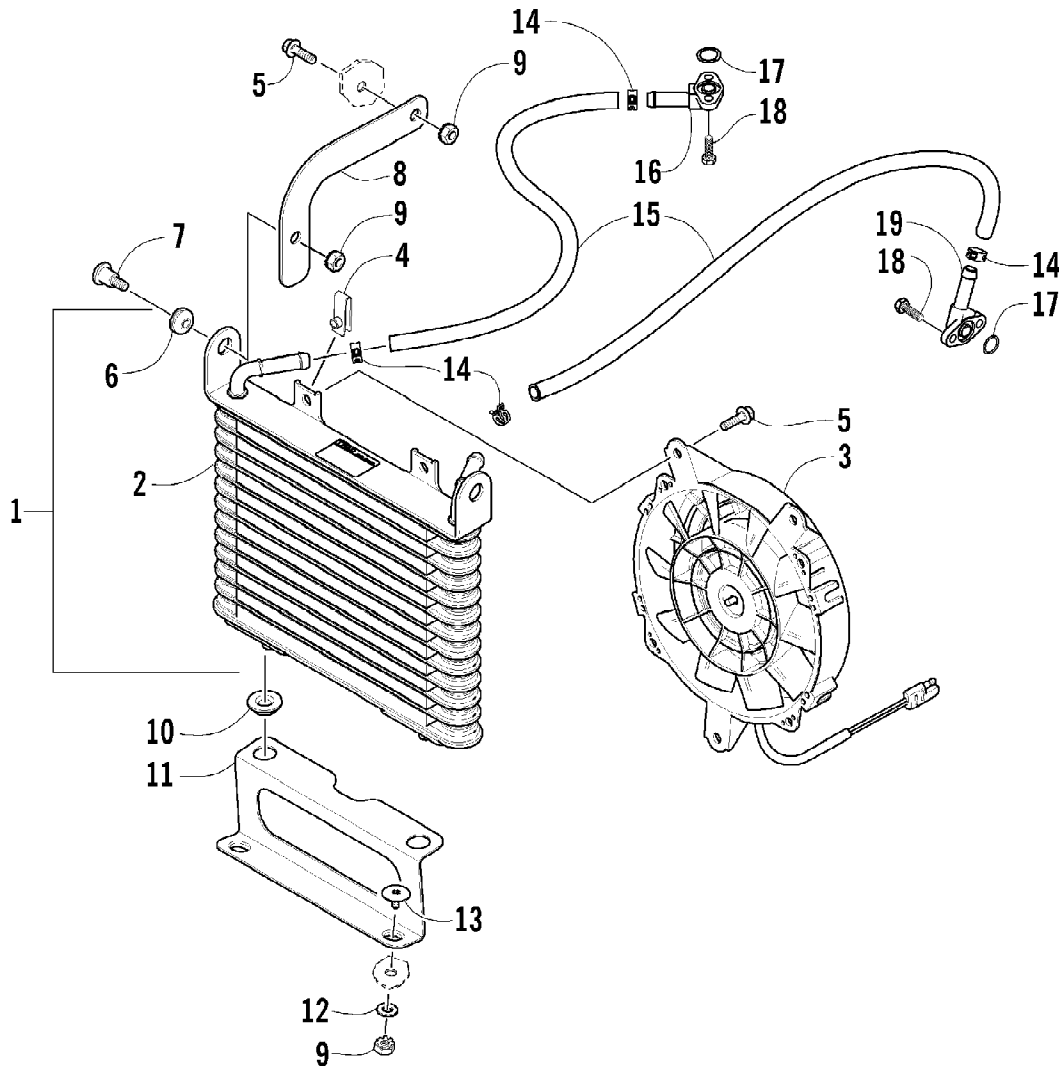


Ref #	Part Number	Qty	S/P/F	Description
1	3430-053	1		Stator Assembly
2	3430-054	1	S	Rotor/Flywheel
3	3004-756	3	S	Bolt
4	0691-785	1		Key
5	3423-086	1		Nut
6	3423-005	3	/P	Bolt
7	3430-005	1		Clamp
8	3430-006	1		Clamp
9	3002-964	1	/P	Clamp, Wire



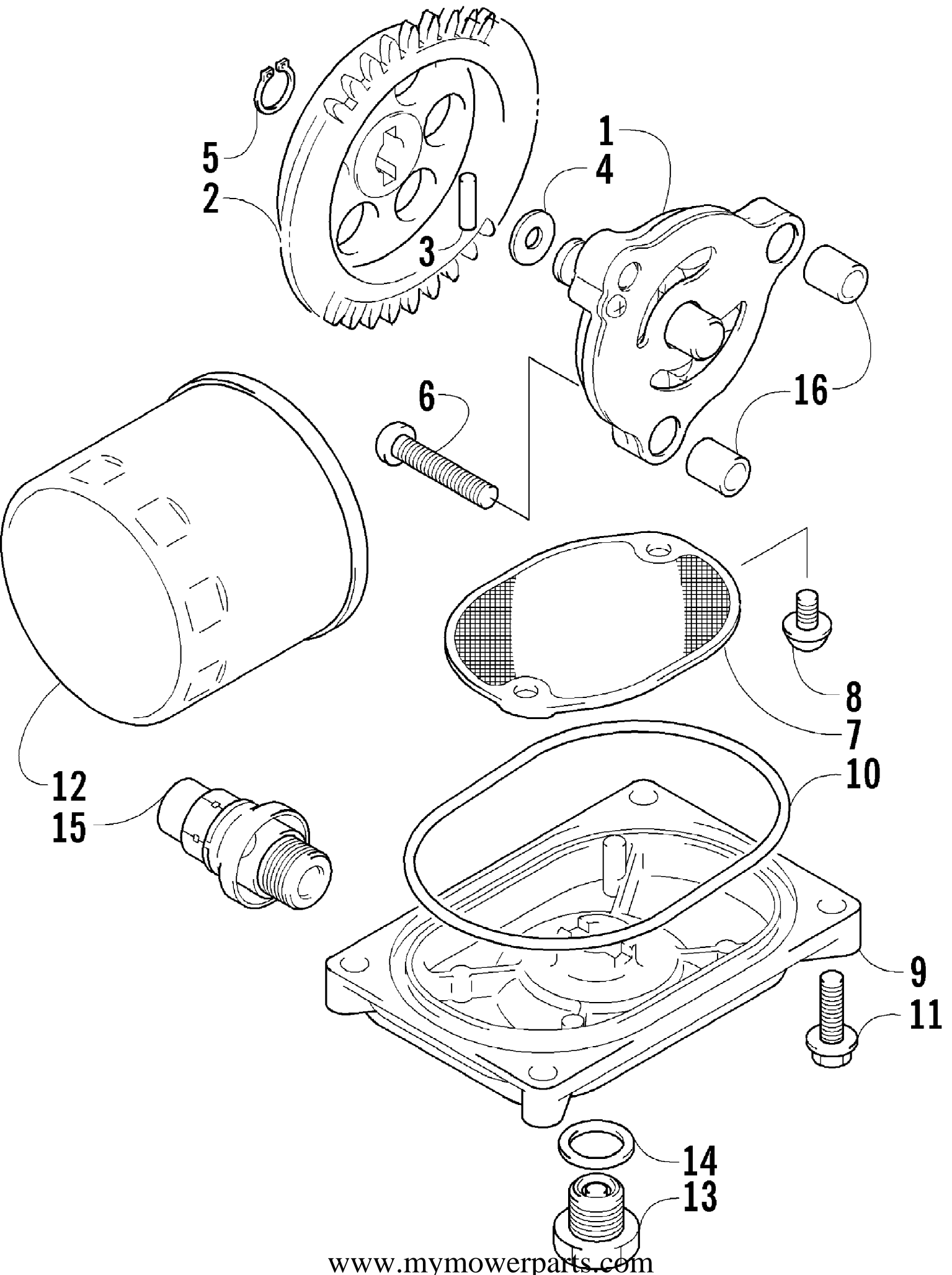
2007 ATV 400 MANUAL TRANSMISSION 4X4 FIS RED (A2007ICH4AUSR) Page 57 of 98
 OIL COOLER ASSEMBLY (VIN: Up to V17T230317)

Ref #	Part Number	Qty	S/P/F	Description
1	0413-118	1		Cooler, Oil - Assembly (inc. 2-9)
2	0413-053	1		Cooler, Oil
3	0413-007	1		Screen, Oil Cooler
4	8475-512	12		Screw, Machine
5	0413-064	1		Shroud, Fan
6	0413-044	1	S	Fan, Cooling
7	0413-058	1		Plug, Drain
8	0413-059	1		O-Ring
9	0423-030	2		Grommet
10	0623-038	2		Nut w/Washer
11	0423-484	2		Screw, Shoulder
12	0423-028	2		Bushing, Stem
13	0423-098	4	/P	Clamp, Hose
14	0410-044	2		Hose, Oil
15	0410-013	1		Fitting, Oil
16	0423-089	2		O-Ring, Oil Fitting
17	8471-616	4		Screw, Cap
18	0410-012	1		Fitting, Oil - Angled

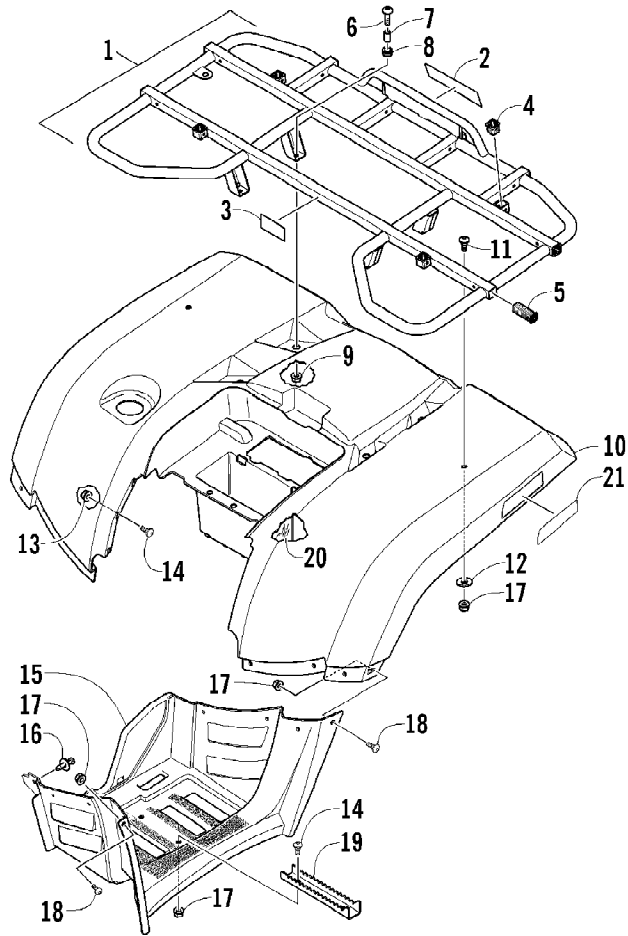


2007 ATV 400 MANUAL TRANSMISSION 4X4 FIS RED (A2007ICH4AUSR) Page 59 of 98
 OIL COOLER ASSEMBLY (VIN: V17T230317 and Above)

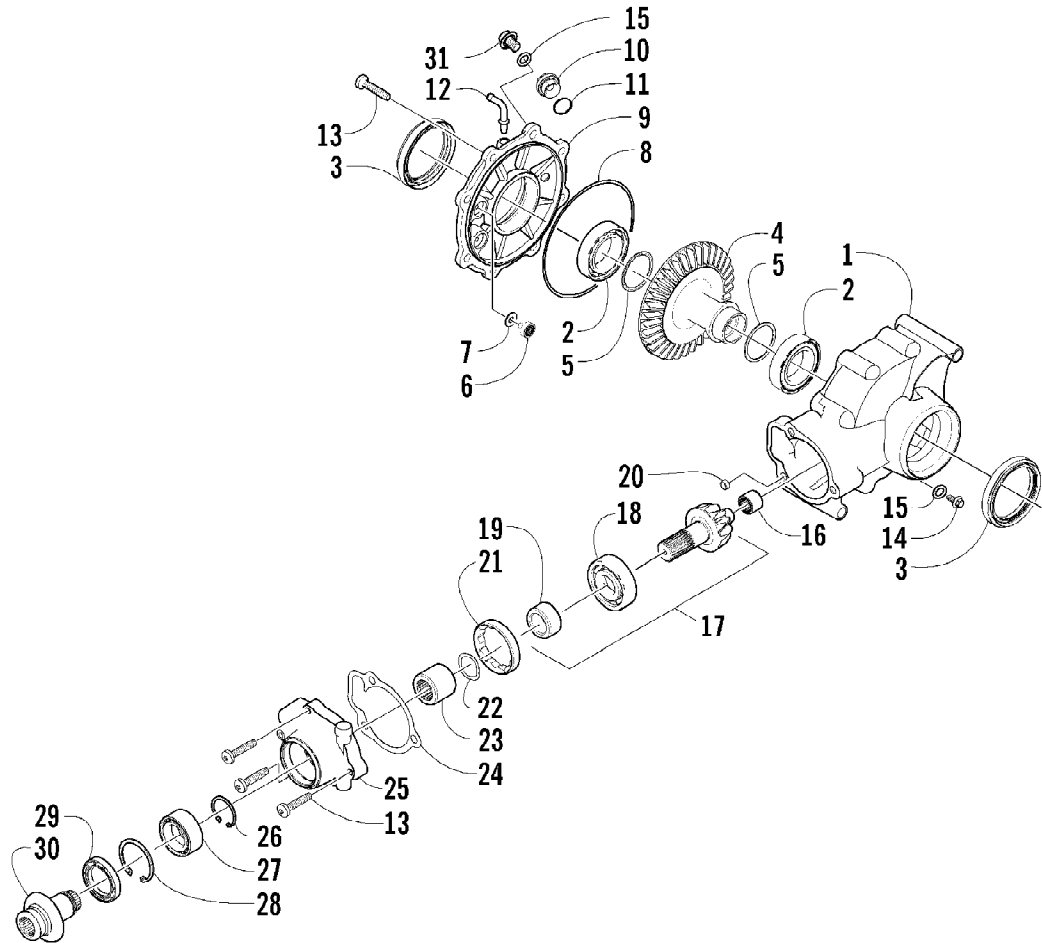
Ref #	Part Number	Qty	S/P/F	Description
1	0413-144	1		Cooler, Oil - Assembly (inc. 2-4, three No. 5, and 6)
2	0413-146	1		Cooler, Oil
3	0413-145	1		Fan, Cooling
4	0423-031	3		Nut, Speed
5	8476-612	5		Screw, Machine
6	0423-030	2		Grommet
7	0423-484	2		Screw, Shoulder
8	0513-020	2		Bracket, Mounting - Oil Cooler - Upper
9	0623-038	6		Nut w/Washer
10	0423-028	2		Bushing, Stem
11	0513-021	1		Bracket, Mounting - Oil Cooler - Lower
12	8050-222	2	/P	Washer
13	0423-101	2		Screw, Body
14	0423-098	4	/P	Clamp, Hose
15	0410-044	2		Hose, Oil
16	0410-013	1		Fitting, Oil
17	0423-089	2		O-Ring, Oil Fitting
18	8471-616	4		Screw, Cap
19	0410-012	1		Fitting, Oil - Angled



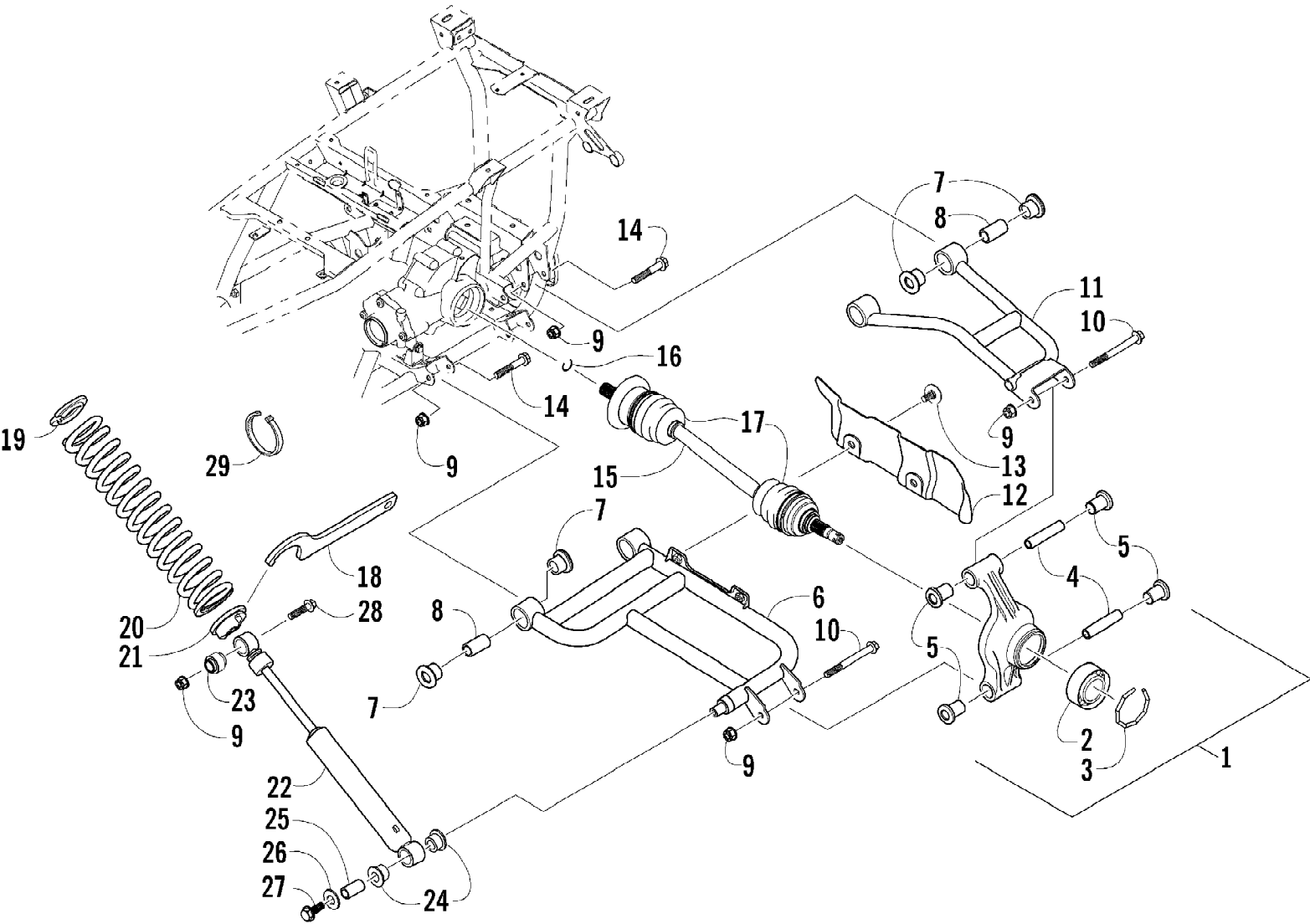
Ref #	Part Number	Qty	S/P/F	Description
1	3402-619	1		Pump, Oil
2	3402-618	1		Gear, Driven
3	3423-046	1		Pin
4	3423-443	1		Washer
5	3423-184	1	S	Circlip
6	3423-113	3	S/P	Screw
7	3402-156	1		Strainer, Oil
8	0693-389	2	S	Screw
9	3402-157	1		Cap, Oil Strainer
10	3423-077	1		O-Ring
11	3004-756	4	S	Screw, Cap
12	0812-005	1	S	Filter, Oil
13	3403-021	1	/P	Plug, Drain
14	3402-012	1		Gasket, Drain Plug
15	3402-773	1		Valve, Oil-Relief - Assembly
16	3005-206	2	/P	Pin, Oil Pump



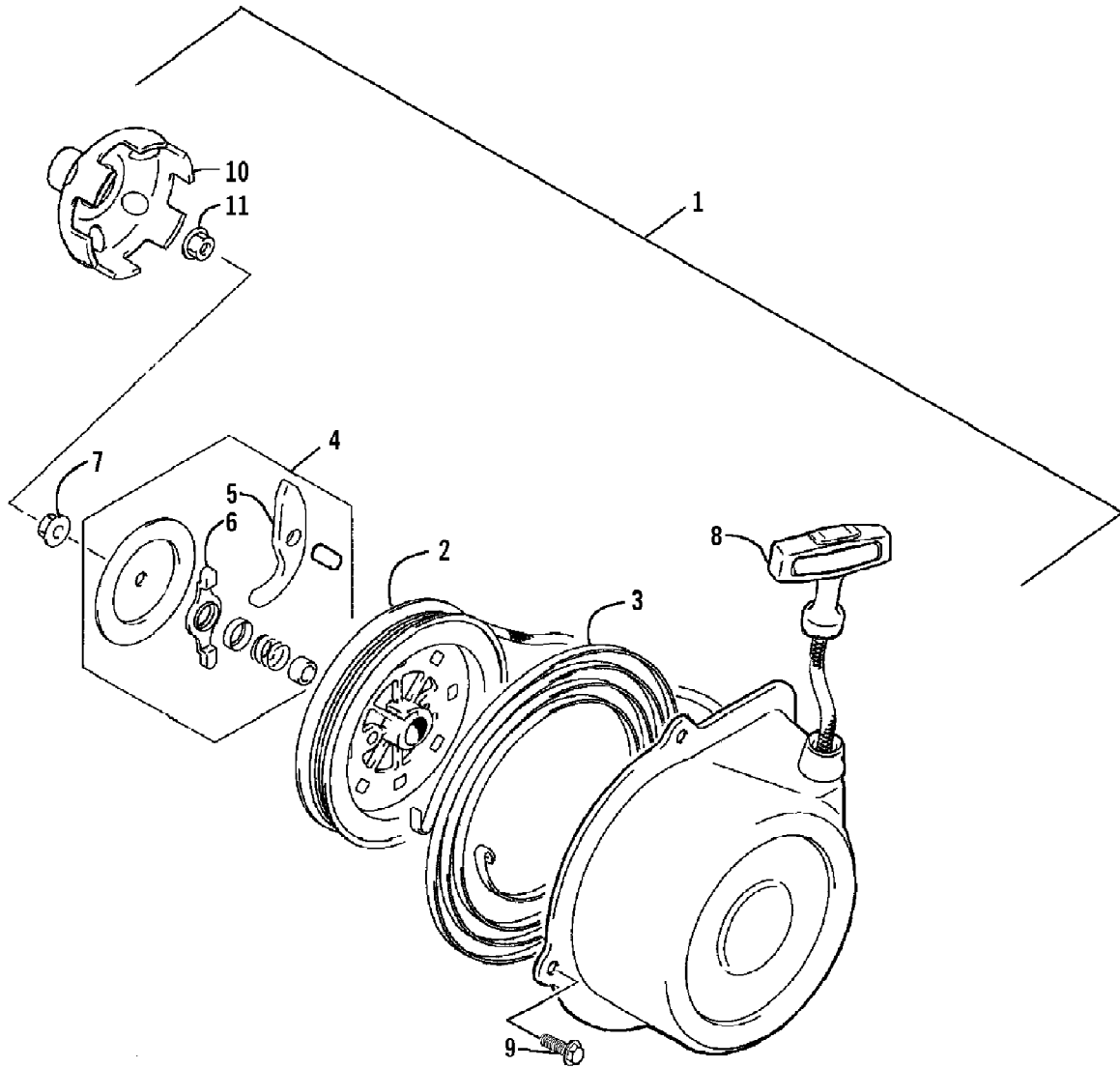
Ref #	Part Number	Qty	S/P/F	Description
1	1506-753	1	/P	Rack - Rear - Assembly (inc. 2-5)
2	0411-814	1	/P	Decal, "Arctic Cat"
3	0411-648	1		Decal, Warning - Rear Rack Load
4	0441-592	4	/P	Bushing, Rack
5	2406-014	8		Bushing, Rack
6	8410-830	4		Screw, Machine
7	0423-669	4		Spacer
8	0423-465	4		Grommet
9	8432-802	4		Nut, Lock
10	2506-373	1	/P	Panel, Fender - Rear
11	0423-654	2		Screw, Shoulder
12	8050-222	2	/P	Washer
13	8424-602	6	/P	Nut, Lock
14	0423-355	10		Screw, Shoulder
15	2406-426	1		Footwell - Right
15	2406-427	1		Footwell - Left
16	0623-362	4		Rivet, Reinstallable
17	0423-540	22		Nut, Lock
18	0423-419	16		Screw, Machine
19	1506-125	2	/P	Footpeg
20	0412-351	1		Shield, Heat
21	1411-080	1		Decal, Reflector - Rear - Right
21	1411-081	1		Decal, Reflector - Rear - Left



Ref #	Part Number	Qty	S/P/F	Description
	1502-079	1	S	Complete Rear Gearcase Assembly
1	0502-622	1		Housing, Gearcase
2	0402-393	2		Bearing
3	1402-441	2	S	Seal
4	1402-032	1		Gear, Ring - 36T
5	0402-405	AR		Shim
5	0402-406	AR		Shim
5	0402-407	AR		Shim
5	0402-408	AR		Shim
5	0402-409	AR		Shim
6	0402-326	1		Button, Thrust
7	0402-429	AR		Shim
7	0402-430	AR		Shim
7	0402-431	AR		Shim
7	0402-432	AR		Shim
7	0402-433	AR		Shim
8	0423-149	1		O-Ring
9	1502-082	1		Cover, Gearcase
10	0402-333	1	/P	Plug, Fill (inc. 11)
11	0423-154	1		O-Ring
12	1402-102	1		Fitting
13	0423-118	11		Screw, Self-Tapping
14	0402-450	1	S	Plug, Magnetic (inc. one No. 15)
15	0423-153	2		O-Ring
16	0402-328	1		Bearing
17	0502-783	1		Gear, Pinion - Assembly - 10T (inc. 18-19)
18	0402-327	1		Bearing
19	0402-336	1		Collar, Retaining
20	0402-411	1		Pin, Dowel
21	0402-331	1		Collar, Lock
22	0402-982	1		Washer, Spring
23	0402-981	1		Collar, Shaft
24	0402-947	1		Gasket, Flange
25	0502-529	1		Housing, Pinion
26	0423-417	1		Ring, Retaining
27	1402-043	1		Bearing
28	0423-423	1		Ring, Retaining
29	1402-011	1		Seal
30	1502-085	1	/P	Shaft, Input
31	1402-211	1		Plug, Oil Level (inc. one No. 15)



Ref #	Part Number	Qty	S/P/F	Description
1	0504-372	1	S	Knuckle, Right Rear - Assembly (inc. 2-5)
1	0504-373	1	S/P	Knuckle, Left Rear - Assembly (inc. 2-5)
2	1402-027	2	S/P	Bearing, Wheel Hub
3	0423-423	2		Ring, Retaining
4	0403-038	4	S/P	Collar, Suspension Bushing
5	0403-032	8	S	Bushing, Suspension
6	0504-440	1	S	A-Arm, Rear - Lower Right (inc. 7-8)
6	0504-441	1	S	A-Arm, Rear - Lower Left (inc. 7-8)
7	0403-115	16	S	Bushing
8	0403-114	8	S	Collar
9	8428-002	14		Nut, Lock
10	8409-000	4		Screw, Cap
11	0504-476	1		A-Arm, Rear - Upper Right (inc. 7-8)
11	0504-477	1		A-Arm, Rear - Upper Left (inc. 7-8)
12	0441-754	1		Guard, Boot - Right
12	0441-755	1		Guard, Boot - Left
13	0423-545	4	/P	Screw, Body
14	8409-075	8		Screw, Cap
15	0502-811	2	S	Axle, Drive (inc. 16-17)
16	0441-893	2	S	Clip, Retaining
17	0436-276	2	S	Repair Kit, Boot - Rear Axle
18	0441-587	1		Wrench, Spanner
19	1603-889	2	/P	Retainer, Spring
20	0404-113	2		Spring, Suspension
21	0404-057	2		Cam, Spring Adjuster
22	0404-150	2		Shock Absorber - Rear (inc. 23-25)
23	0403-182	2		Bushing, Double-Bonded
24	0603-955	4		Bushing, Shock Absorber
25	1603-219	2	S	Sleeve, Shock Absorber
26	0423-087	2		Washer
27	8408-820	2	/P	Screw, Cap
28	8409-040	1		Screw, Cap - Right
28	8409-050	1		Screw, Cap - Left
29	0123-788	2	/P	Cable Tie



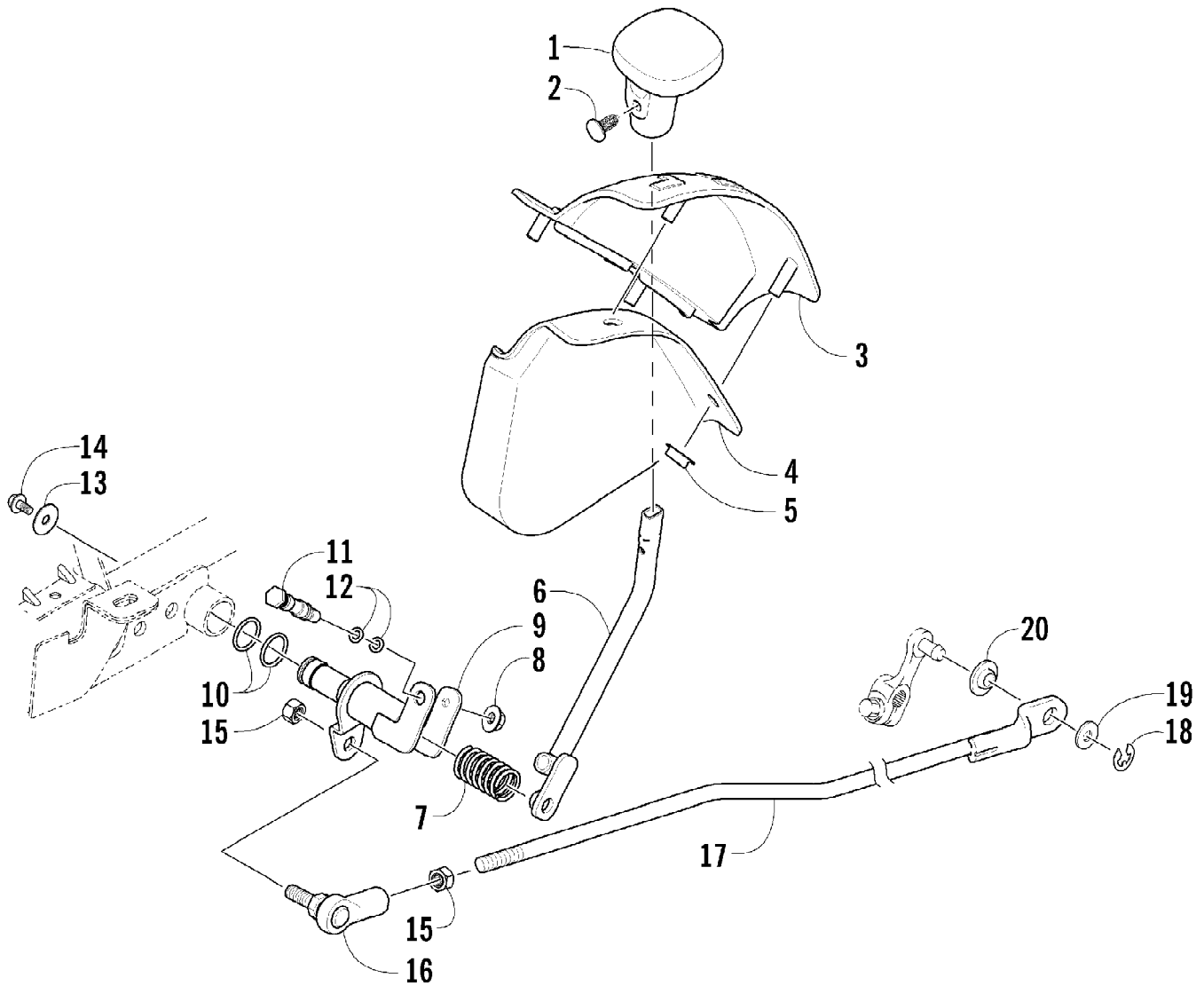
Ref #	Part Number	Qty	S/P/F	Description
1	3445-003	1		Starter, Recoil - Assembly (inc. 2-8)
2	3445-004	1		Reel
3	3445-007	1		Spring, Sprial
4	3445-016	1		Ratchet - Assembly (inc. 5-6)
5	3445-005	1		Ratchet
6	3445-006	1		Guide, Ratchet
7	3004-488	1	S/P	Nut
8	3445-011	1		Rope Assembly
9	3423-428	4		Screw, Cap
10	3445-029	1	/P	Cup, Starter
11	3004-491	1	S/P	Nut

No
Diagram
Available

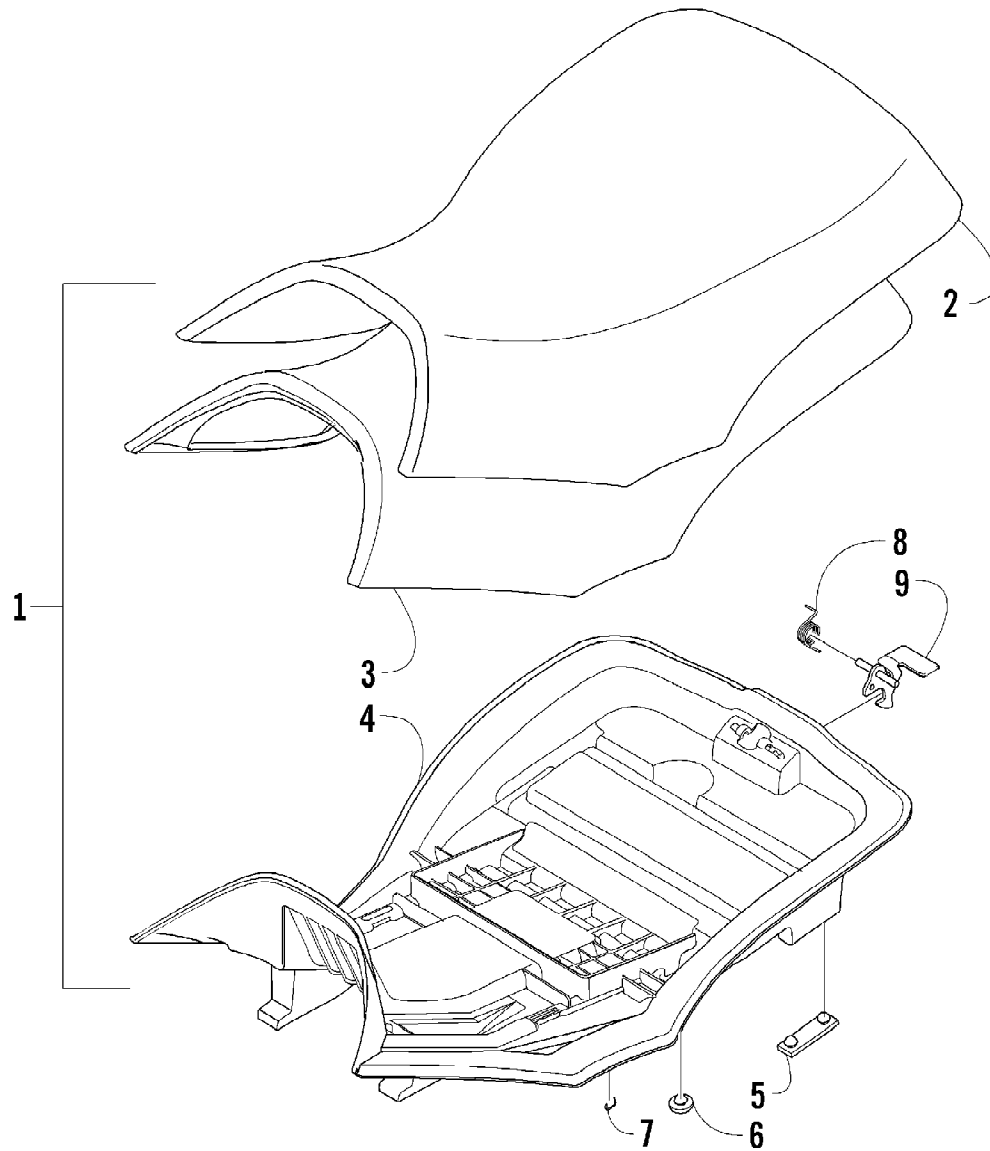
Parts List
Only

Ref #	Part Number	Qty	S/P/F	Description
	0436-479	1		Articulating Spool Mount
	0436-548	1		Articulating Spool Receiver Mount Adapter
	0436-768	1	S	Backrest
	0436-961	1	/P	Bag, Fender - Black
	0436-925	1	S	Bag, Rack, Front - Black
	0436-924	1		Bag, Rack, Rear - Black
	0436-480	1		Bar, Utility/Gun Rack
	0436-811	1		Basket, Open-End
	0436-765	1		Brush Guard/Bumper
	0436-462	1		Bucket Holder
	0436-757	1	/P	Bumper (Rear)
	0436-464	1		Camp Stove Cradle
	0436-454	1		Cargo Box
	0436-625	1		Cargo Box Quick-Release Kit
	0436-460	1		Carryall (11 x 17)
	0436-652	1		Carryall (14 x 27)
	0436-476	1		Chain Saw Lock
	0436-777	1	S	Cover, Black and Green
	0436-668	1		Cover - Timber Camo
	0436-776	1	S	Cover, Trailerable
	0436-005	1	S	Engine Oil - 10W40
	0436-003	1	S	Engine Oil - 5W30
	0436-466	1		Fender Box
	0436-538	1		Gear Cradle
	0436-007	1	S	Gear Lube (Diff) - 80W90
	0436-501	1	S	Grease, High-Performance
	0436-627	1		Gun Scabbard Kit
	0436-706	1	/P	Gun Scabbard Mount
	0436-505	1		Hand Guards - Black
	0436-352	1		Hand/Thumb Warmers
	0436-639	1		Ice Auger Holder
	0436-787	1		License Plate Kit
	0436-463	1		Light Bar
	2257-683	1		Manual, Illustrated Parts
	2257-603	1		Manual, Operator's (E)
	2257-604	1		Manuel d'utilisation (F)
	0436-635	1		Plow Attachment Kit
	0436-228	1		Plow Blade, 50 in. - Straight
	0436-287	1		Plow Blade, 50 in. - One-Way
	0436-296	1		Plow Blade, 60 in. - Straight
	0436-360	1		Plow Blade, 60 in. - One-Way
	0436-966	1		Plow Blade, Diamond Trend - 60 in. - Straight
	0436-967	1		Plow Blade, Diamond Trend - 60 in. - One-Way
	0436-636	1	/P	Plow, Push Frame
	0436-762	1		Rack Basket
	0436-763	1		Rack Extension, 4 in. (Front)
	0436-629	1		Rack Extension, 8 in. (Rear)
	0436-630	1		Rapid Blind (Break-Up)
	0436-628	1		Rapid Blind (Shadow Grass)
	0436-578	1	/P	Rapid Shack (Blue Ice)
	0436-854	1		Sprayer Spacer Kit

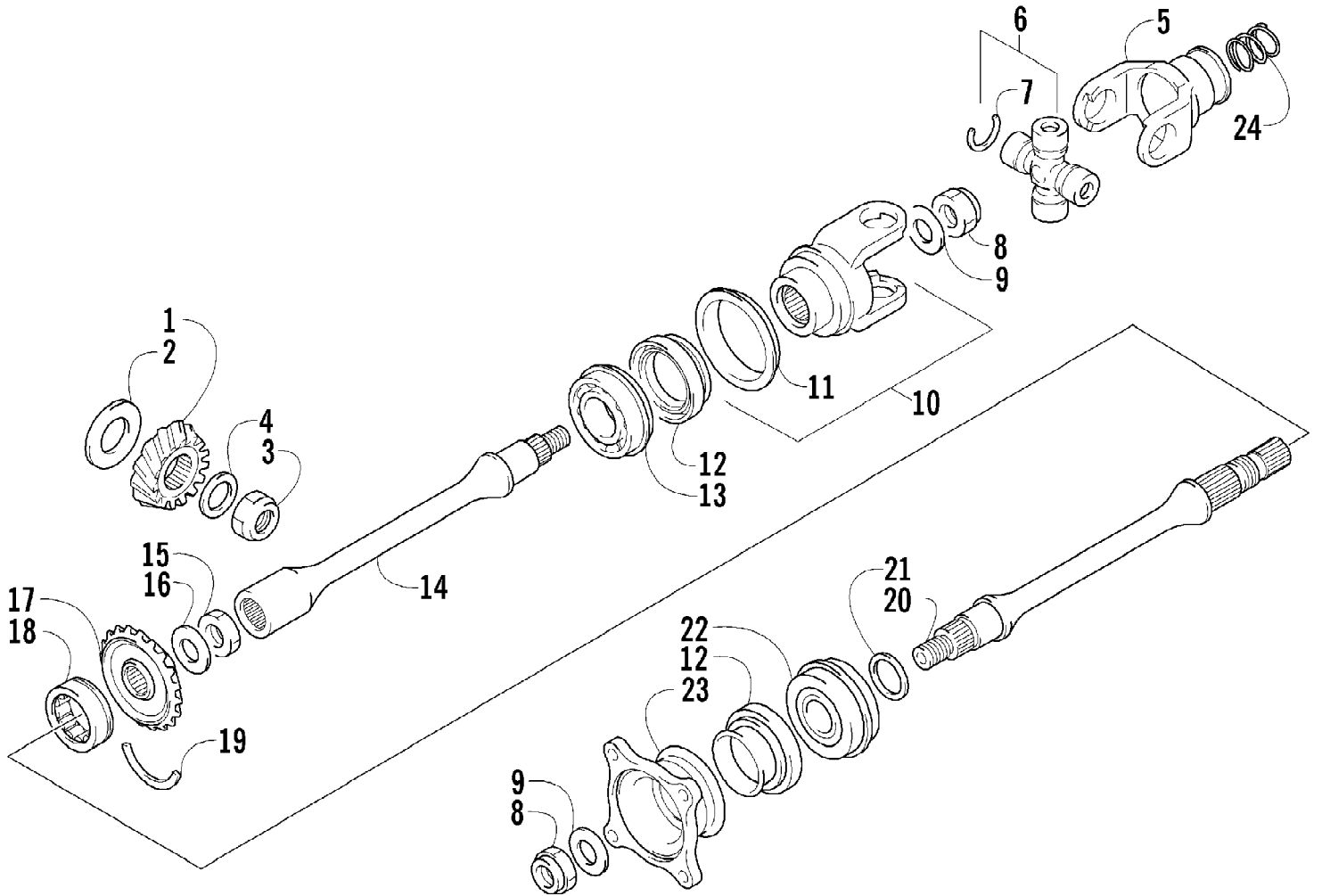
Ref #	Part Number	Qty	S/P/F	Description
	0436-624	1		Sprayer System
	0436-741	1	/P	Sprayer Boom (120 in.)
	1402-028	1		Tire, Titan AT589 (25x8-12, Mud & Snow)
	0402-563	1		Tire, Titan AT589 (25x10-12, Mud & Snow)
	0436-297	1		Tool Holder - Double
	0436-263	1	/P	Tool Holder - Single
	0436-792	1	S	Tree Stand/Bow Case Holder
	0436-655	1		Winch, 2500 lb
	0436-507	1		Windshield, Clear w/Black Accent



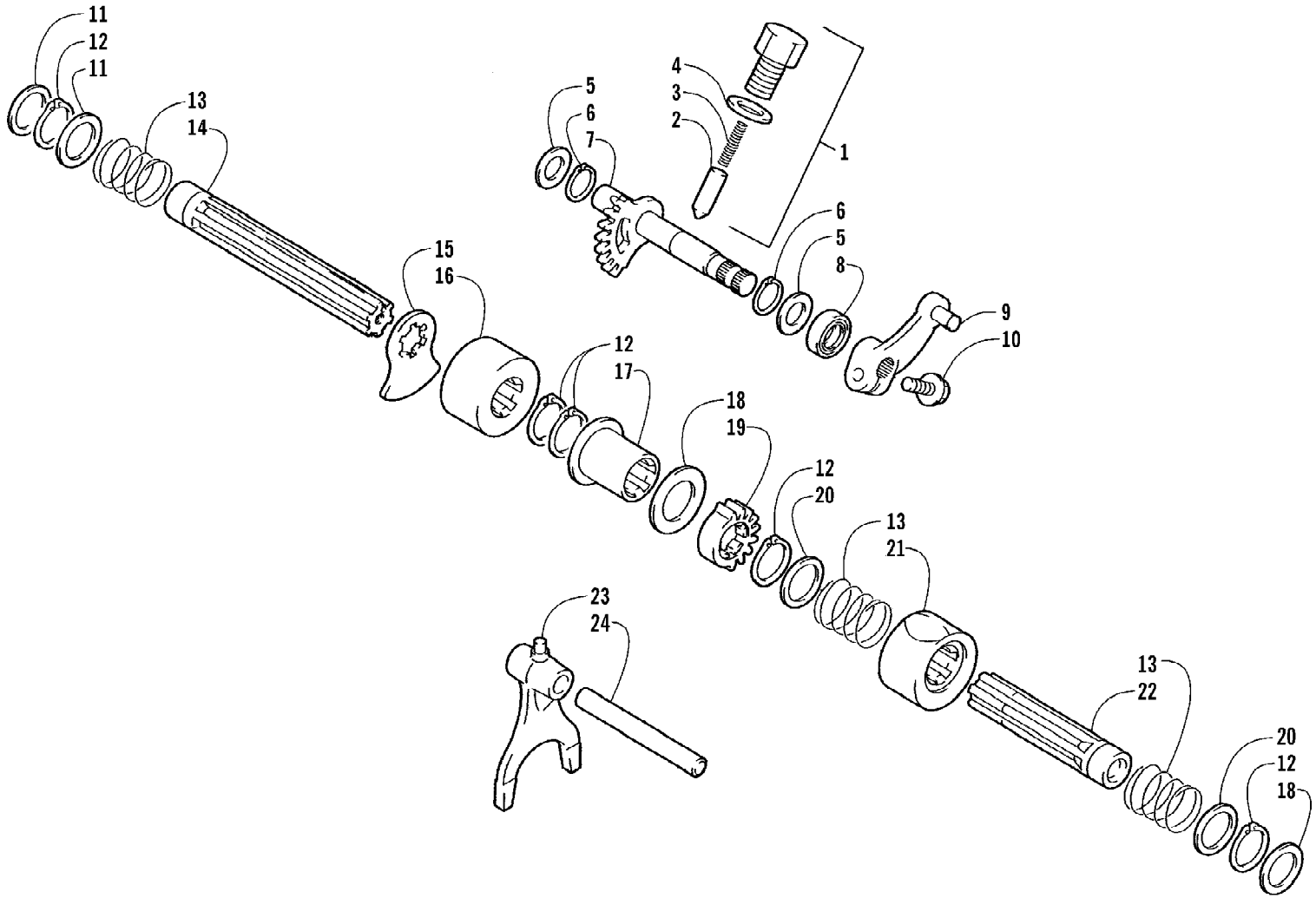
Ref #	Part Number	Qty	S/P/F	Description
1	0402-843	1	/P	Knob, Reverse Shift
2	0423-345	1		Clip, Push
3	1402-563	1	/P	Plate, Shift
4	2406-348	1		Shield, Shift Plate
5	0423-357	4		Nut, Stamped
6	0502-659	1		Lever, Shift
7	0502-410	1	S	Spring, Reverse Shift Lever
8	8424-602	1	/P	Nut
9	0502-760	1		Axle, Reverse Shift Lever
10	0423-299	2	/P	O-Ring
11	0402-675	1		Axle, Pivot
12	0423-182	2	/P	O-Ring
13	0423-087	1		Washer
14	8408-812	1		Screw, Cap
15	0623-294	2		Nut
16	1402-270	1		End, Rod
17	0502-589	1		Linkage, Shift
18	0423-169	1	/P	E-Ring
19	8050-242	1		Washer
20	0423-091	1		Bushing, Shift Linkage



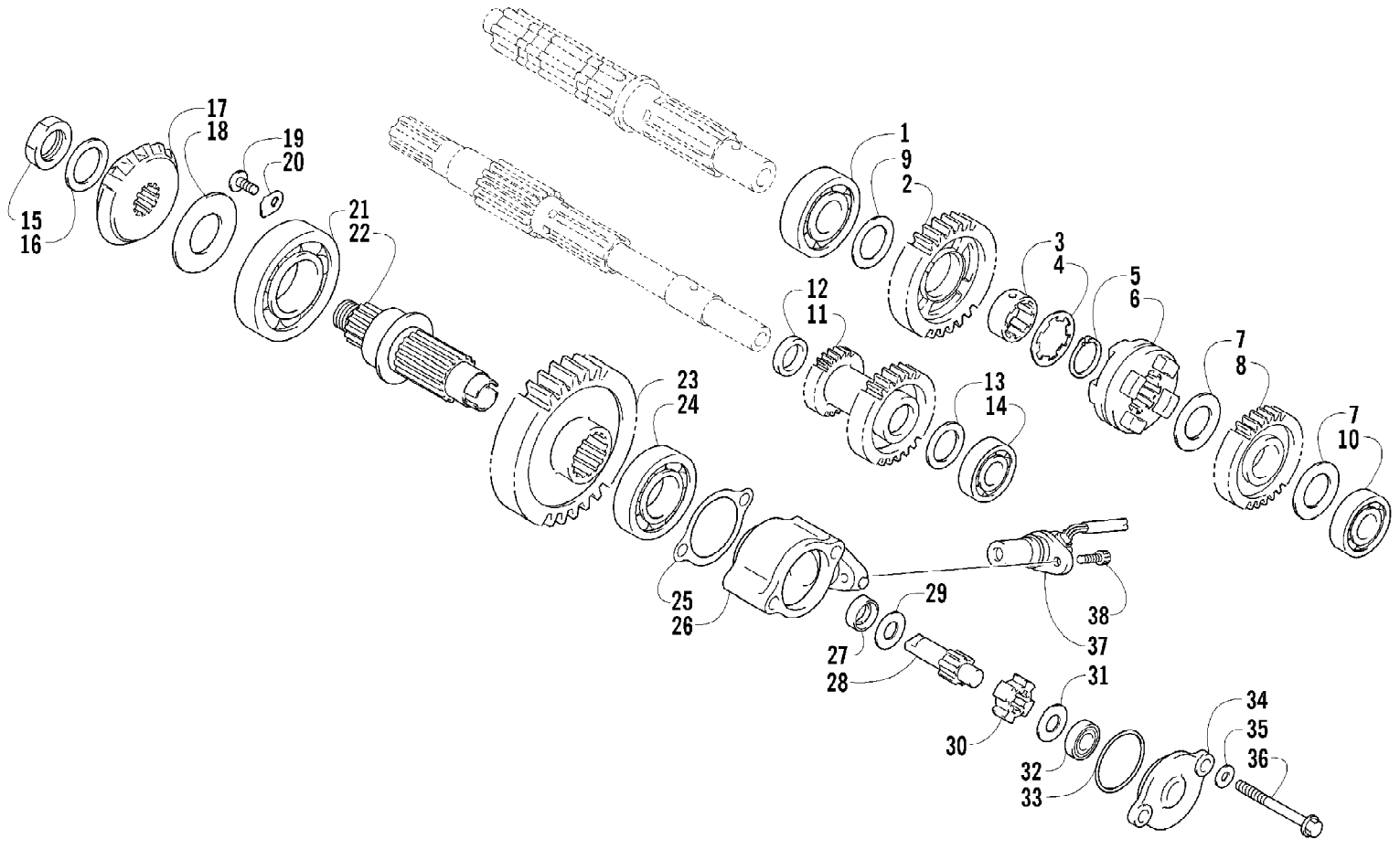
Ref #	Part Number	Qty	S/P/F	Description
1	1506-937	1	S/P	Seat Assembly (inc. 2-9)
2	1506-209	1		Cover, Seat
3	1506-208	1		Foam, Seat
4	2406-144	1	S/P	Base, Seat Assembly (inc. 5-6)
5	0406-879	2		Bumper, Seat - Rear
6	0406-877	4	/P	Bumper, Seat - Front
7	0624-528	AR	/P	Staple
8	1406-592	1	/P	Spring, Seat Latch
9	1506-156	1		Latch, Seat



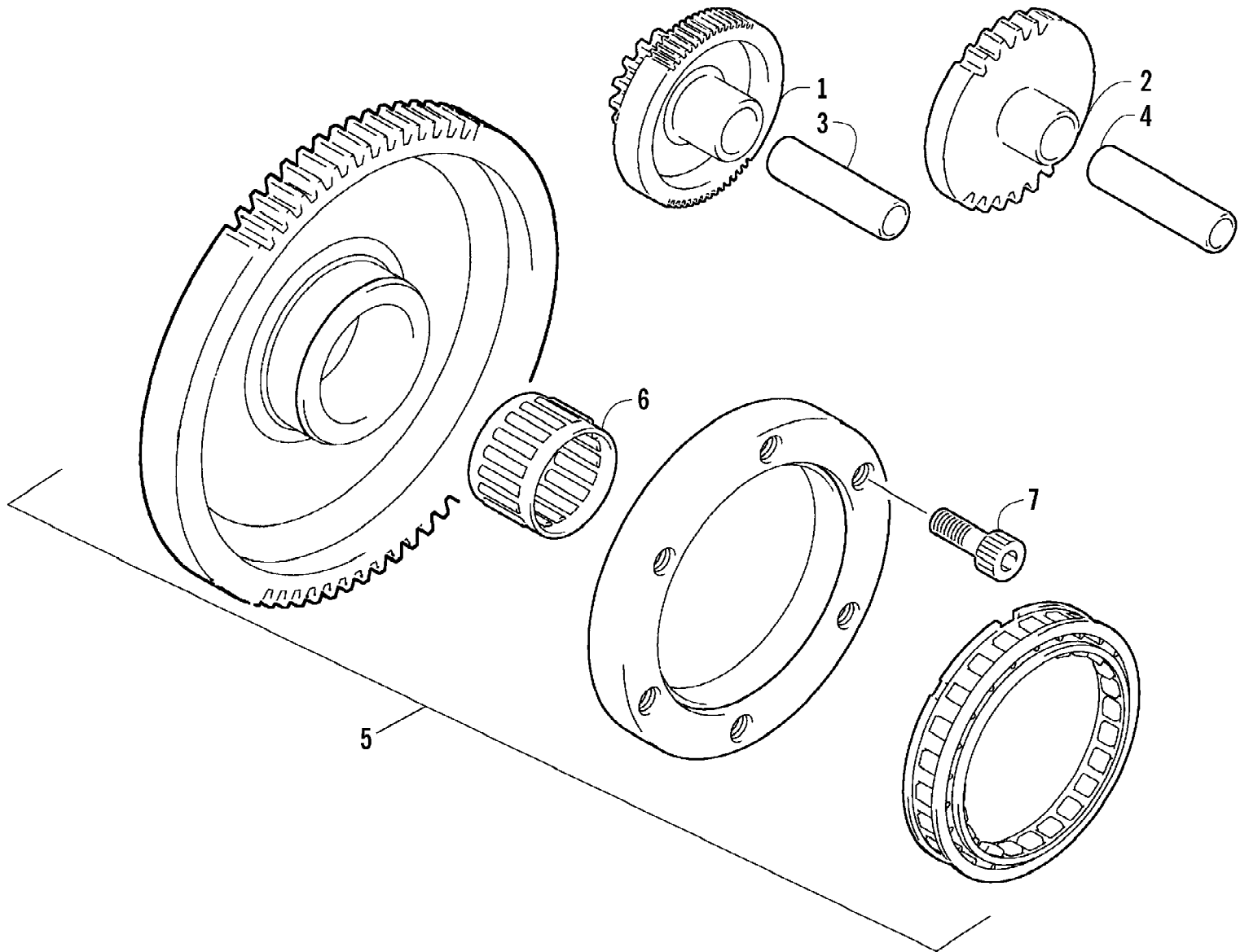
Ref #	Part Number	Qty	S/P/F	Description
1	3446-274	1	/P	Gear, Secondary Drive
2	3423-549	1		Shim, Secondary Drive Gear - Set
3	3423-023	1		Nut
4	3005-372	1		Washer
5	3446-327	1	/P	Yoke, Propeller Shaft
6	3402-562	1		Joint, Universal - Set (inc. 7)
7	3423-479	4		Circlip
8	3423-025	2		Nut
9	3423-028	2		Washer
10	3402-742	1		Yoke, Drive Output - Front (inc. 11)
11	3402-743	1		Plate, Drive Output Yoke
12	3402-072	2		Seal, Oil
13	3402-558	1		Bearing, Front Secondary Driven Shaft
14	3402-559	1		Shaft, Secondary Driven - Front
15	3423-136	1		Nut, Secondary Driven Gear
16	3423-520	1		Washer, Secondary Driven Gear
17	3446-222	1	/P	Gear, Secondary Driven
18	3402-515	1	/P	Bearing, Driven Gear
19	3423-072	1		C-Ring, Driven Bearing
20	3446-305	1		Shaft, Secondary Driven - Rear
21	3402-017	AR		Shim, 25 x 34 x 0.60 mm
21	3402-018	AR		Shim, 25 x 34 x 0.65 mm
21	3402-019	AR		Shim, 25 x 34 x 0.70 mm
21	3402-020	AR		Shim, 25 x 34 x 0.75 mm
21	3402-021	AR	S	Shim, 25 x 34 x 0.80 mm
21	3402-022	AR		Shim, 25 x 34 x 0.85 mm
21	3402-023	AR		Shim, 25 x 34 x 0.90 mm
21	3402-024	AR		Shim, 25 x 34 x 0.95 mm
21	3402-025	AR	S	Shim, 25 x 34 x 1.00 mm
21	3402-028	AR		Shim, 25 x 34 x 1.05 mm
21	3402-029	AR		Shim, 25 x 34 x 1.10 mm
21	3402-030	AR		Shim, 25 x 34 x 1.15 mm
21	3402-031	AR		Shim, 25 x 34 x 1.20 mm
22	3402-067	1	S	Bearing, Rear Secondary Driven Shaft
23	3402-514	1	/P	Flange, Output Joint - Rear
24	1402-026	1		Spring



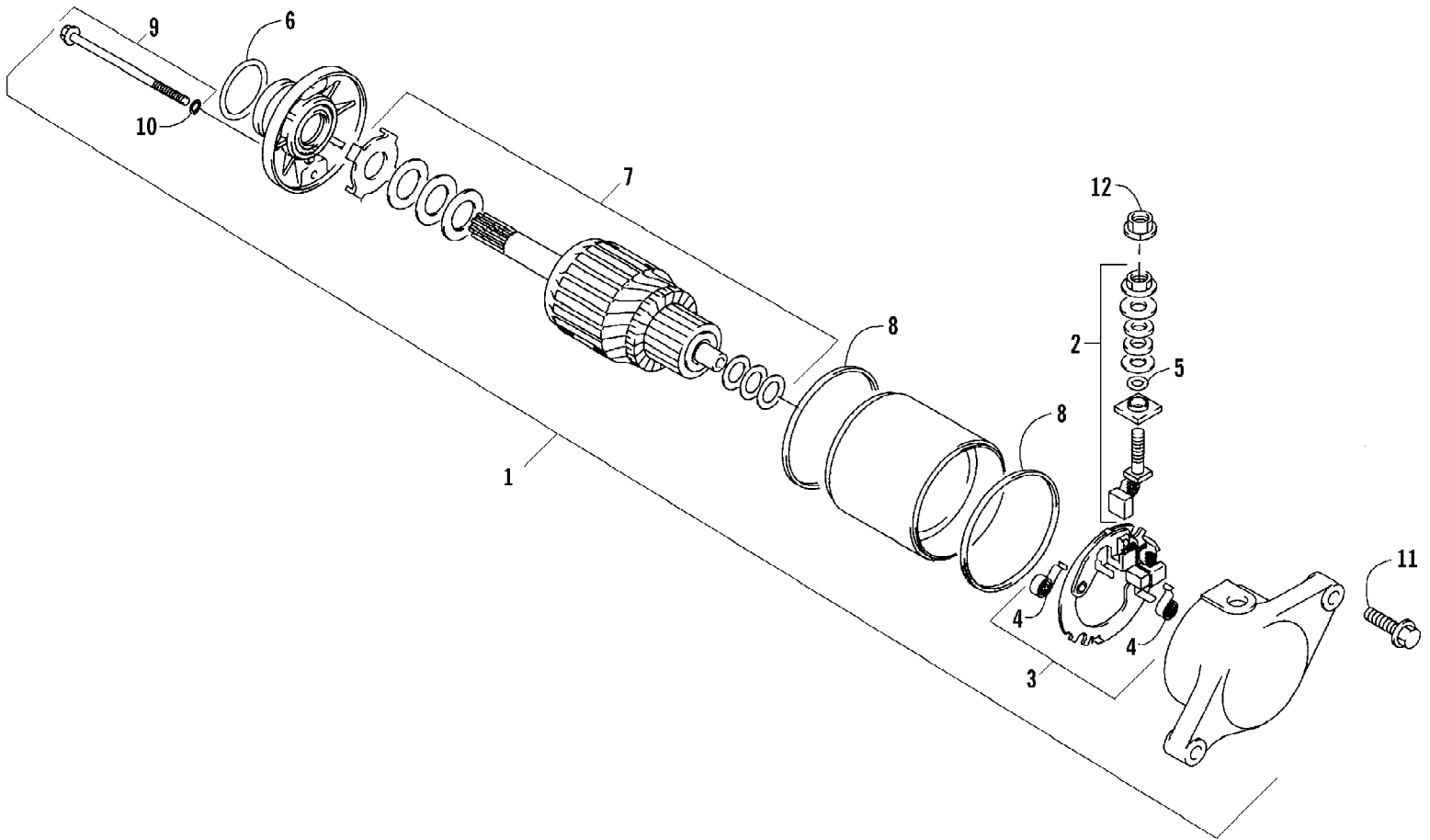
Ref #	Part Number	Qty	S/P/F	Description
1	3446-314	1		Stopper, Gear Shift Cam (inc. 2-3)
2	3446-315	1		Stopper
3	3423-524	1		Spring
4	3402-012	1		Gasket
5	1691-043	2		Washer
6	3423-358	2	S	Circlip
7	3446-322	1		Shaft, Gear Shift
8	3402-076	1		Seal, Oil
9	3402-434	1	/P	Arm, Gear Shift
10	3004-341	1	S/P	Bolt, Gear Shift Arm
11	3423-527	2	/P	Washer
12	3423-190	5	S	Circlip
13	3423-526	3	/P	Spring
14	3446-325	1		Camshaft, Reverse
15	3446-324	1		Plate, Cam Lock
16	3446-323	1		Cam, Reverse
17	3446-321	1		Joint, Camshaft
18	3402-381	2	/P	Washer
19	3446-316	1		Gear, Camshaft
20	3423-533	2		Washer
21	3423-525	1		Cam
22	3446-320	1		Camshaft
23	3446-318	1		Fork, Gear Shift
24	3446-317	1		Shaft, Gear Shift Fork



Ref #	Part Number	Qty	S/P/F	Description
1	3402-776	1		Bearing
2	3446-300	1		Gear, Drive - No. 1
3	3446-301	1		Bushing, Drive Gear No. 1
4	3423-036	1		Washer
5	3423-721	1	S	Circlip
6	3446-249	1		Dog, Sliding
7	3423-126	2	/P	Washer
8	3446-302	1		Gear, Drive - No. 2
9	3423-519	1		Spacer, Drive Gear
10	3402-979	1	/P	Bearing, Driveshaft
11	3446-299	1		Gear, Idle
12	3402-205	1		Spacer, Idle Gear
13	3423-319	1		Washer
14	3402-217	1		Bearing
15	3423-023	1		Nut, Secondary Drive Gear
16	3005-372	1		Washer, Secondary Drive Gear
17	3446-274	1	/P	Gear, Secondary Drive
18	3423-549	1		Shim, Secondary Drive Gear - Set
19	3423-370	2		Screw
20	3446-031	2	/P	Retainer, Output Shaft
21	3402-180	1	S	Bearing
22	3446-403	1	/P	Shaft, Output
23	3446-304	1		Gear, Driven
24	3402-045	1	/P	Bearing
25	3446-244	1	/P	Gasket, Speedometer Housing
26	3446-400	1		Housing, Speedometer Sensor
27	3006-322	1		Seal, Shaft
28	3446-402	1		Shaft, Output
29	3423-617	1		Washer
30	3402-837	1		Rotor
31	3423-767	1		Washer
32	3402-980	1		Bearing
33	3423-766	1		O-Ring
34	3446-401	1		Cover, Speedometer Sensor Housing
35	3003-290	2	/P	Gasket
36	3423-307	2	S	Bolt
37	3402-981	1		Sensor, Speedometer
38	3423-226	1		Bolt

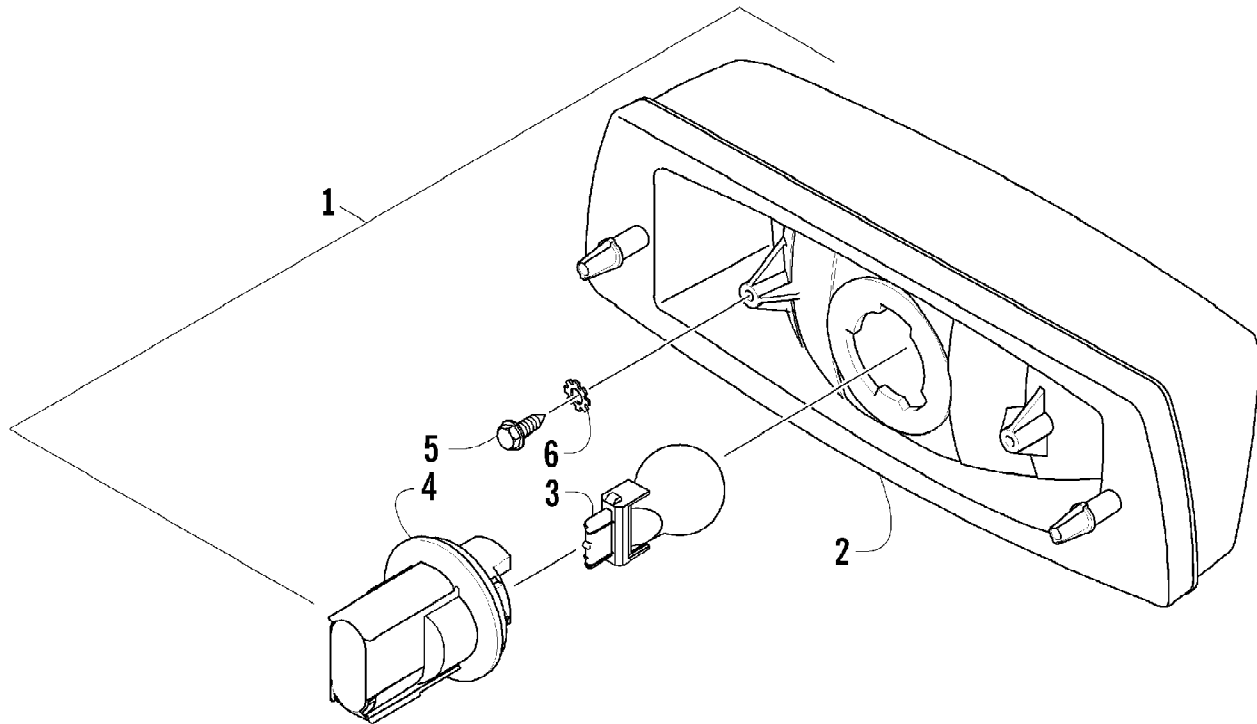


Ref #	Part Number	Qty	S/P/F	Description
1	3402-603	1		Gear, Starter Idler - No. 1
2	3402-124	1		Gear, Starter Idler - No. 2
3	3423-331	1		Pin, Starter Idler Gear No. 1
4	3423-397	1		Pin, Starter Idler Gear No. 2
5	3402-690	1	S	Clutch, Starter - Set (inc. 6)
6	3402-674	1		Bearing
7	3423-102	6	S	Bolt

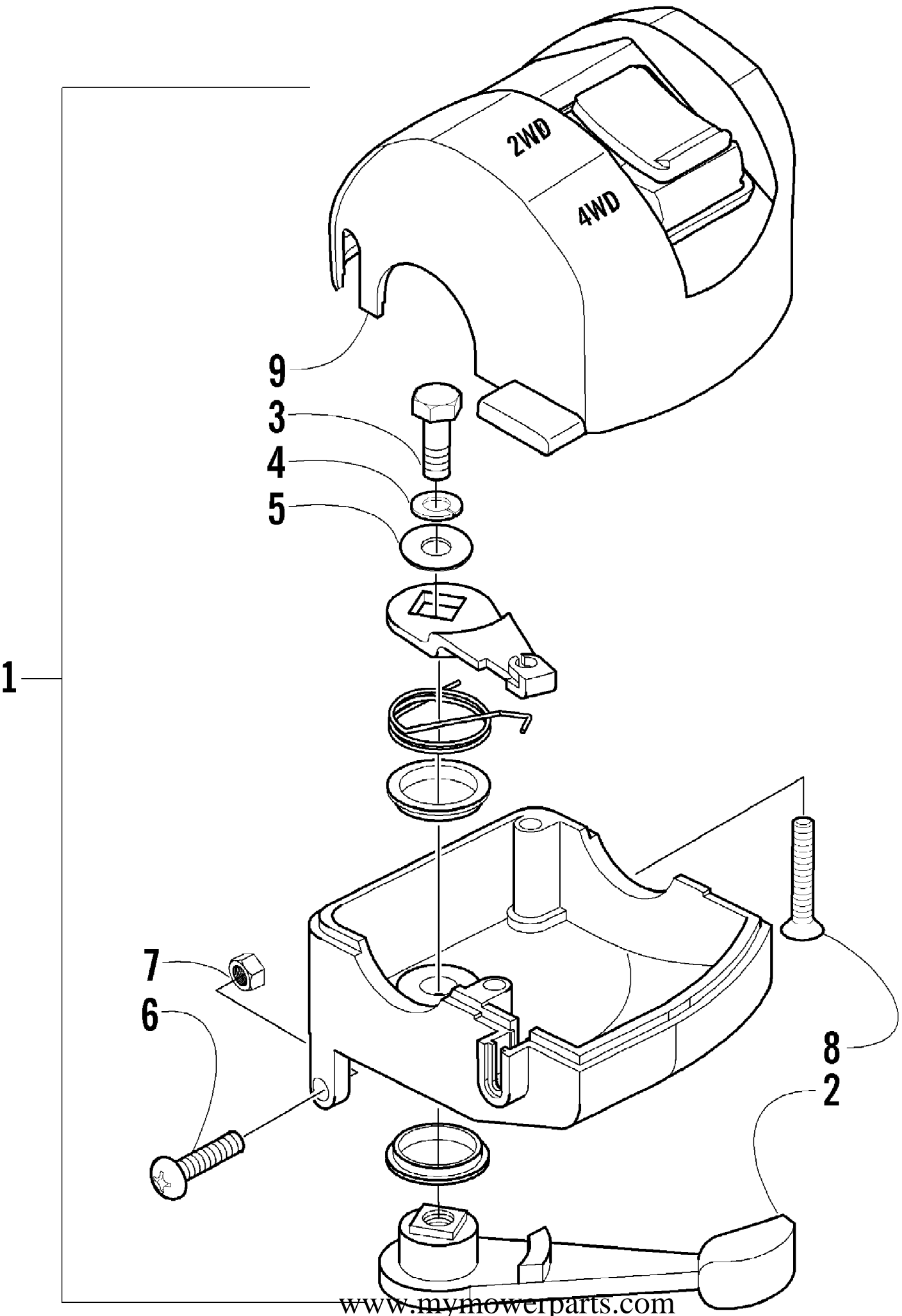


Ref #	Part Number	Qty	S/P/F	Description
1	3545-016	1		Motor, Starter Assembly (inc. 2-10)
2	3402-671	1		Terminal Set, Brush
3	3402-672	1		Holder Set, Brush
4	3008-551	4		Spring, Brush
5	3008-164	1		O-Ring
6	3423-272	1		O-Ring
7	3008-099	1		Washer Set
8	3423-497	2		O-Ring
9	3423-498	2		Through-Bolt (inc. 10)
10	3423-496	2		O-Ring
11	3004-756	2	S	Bolt
12	3423-195	1	/P	Nut

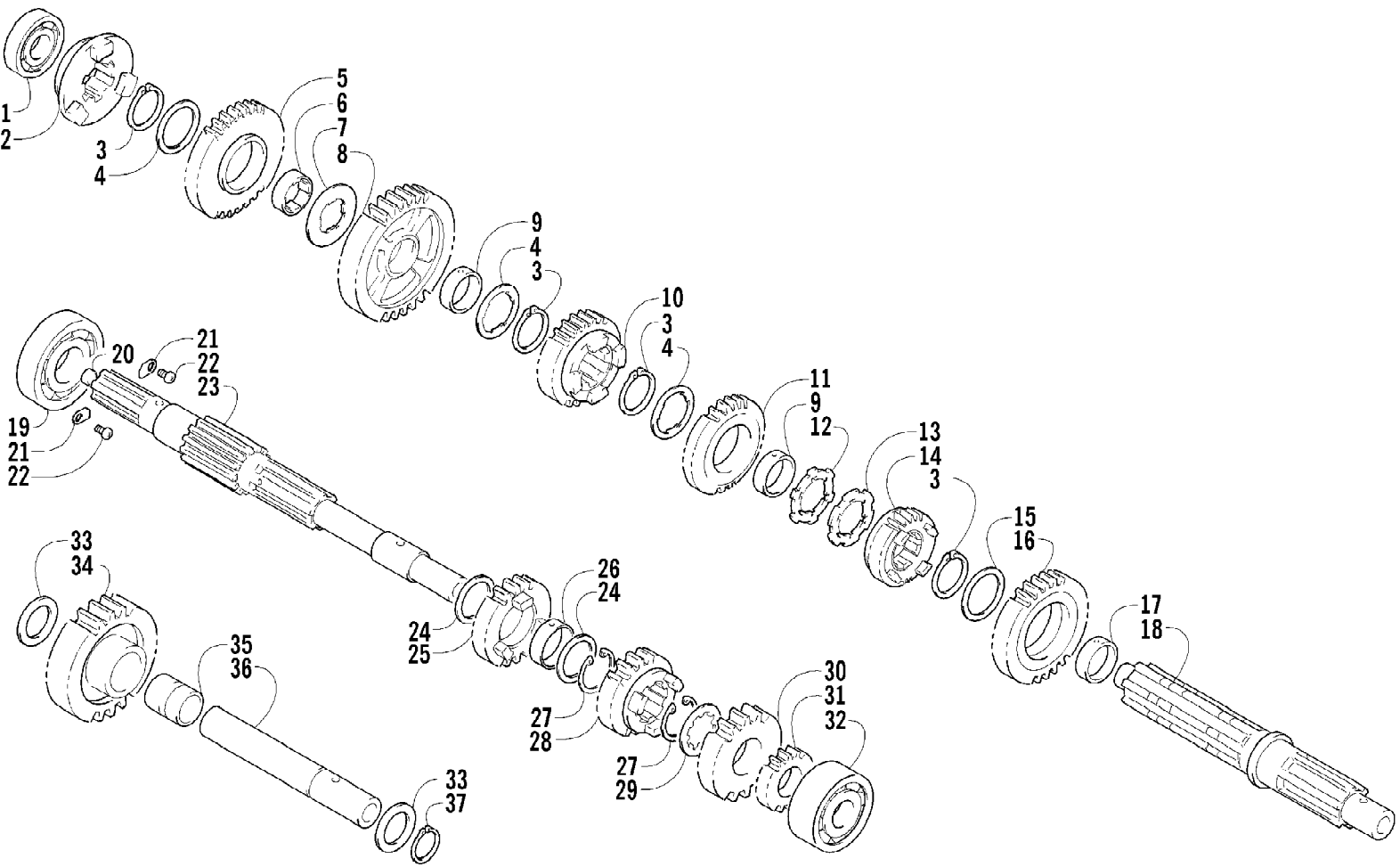
Ref #	Part Number	Qty	S/P/F	Description
1	8408-860	4		Screw, Cap
2	0405-035	4		Cap, Steering Adjuster
3	0423-505	2		Screw, Shoulder
4	0405-166	1		Cap, Housing
5	0405-138	1		Housing, Lower
6	0405-139	1		Housing, Upper
7	0505-451	1	S	Post, Steering
8	8408-816	2		Screw, Cap
9	0602-233	1		Flange, Bearing
10	0405-052	1		Bearing w/Inverted Oil Seal
11	0423-073	1		Washer
12	8409-020	1	/P	Screw, Cap
13	0505-408	2	S	Tie Rod - Assembly (inc. 14-18)
14	0405-083	2	S	Ball Joint, Tie Rod - Left
15	0423-013	2		Nut - Left
16	0405-107	2	S	Tie Rod
17	8420-002	2	/P	Nut - Right
18	0405-082	2	S	Ball Joint, Tie Rod - Right
19	0423-157	4		Nut, Lock
20	0623-175	4		Pin, Cotter



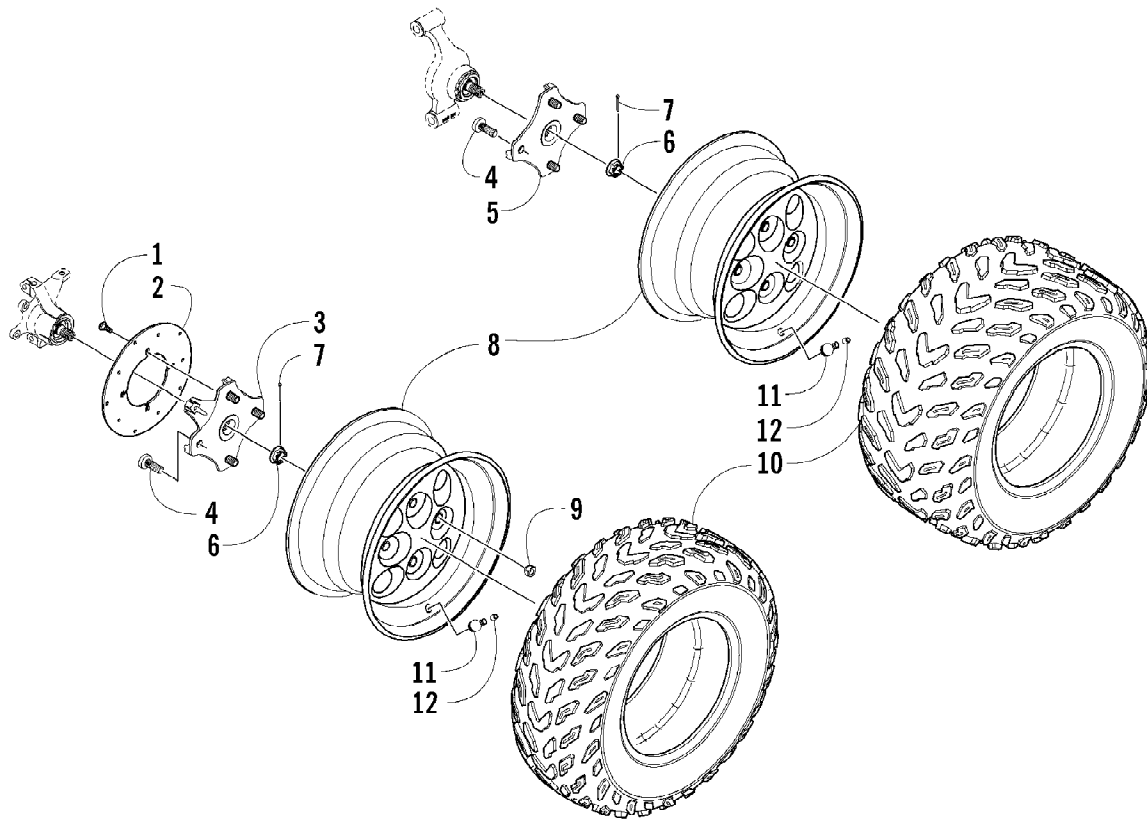
Ref #	Part Number	Qty	S/P/F	Description
1	0509-022	1		Taillight Assembly (inc. 2-4)
2	0509-025	1		Housing, Taillight
3	0409-056	1		Bulb, Taillight
4	0409-057	1		Socket, Taillight
5	0623-301	2	/P	Screw, Self-Tapping
6	8053-212	2	/P	Washer, Lock - External Tooth



Ref #	Part Number	Qty	S/P/F	Description
1	0509-012	1		Case, Throttle - Assembly (inc. 2-9)
2	3409-001	1		Lever
3	3004-533	1	S/P	Screw, Cap
4	3004-447	1	/P	Washer, Lock
5	3003-030	1	/P	Washer
6	3423-014	1		Screw
7	3423-327	1		Nut
8	3423-199	2		Screw
9	0409-048	1		Cover, Throttle w/Switch



Ref #	Part Number	Qty	S/P/F	Description
1	3402-218	1		Bearing
2	3446-297	1		Dog, Reverse
3	3423-066	4	/P	Circlip
4	3423-036	3		Washer, Lock
5	3446-296	1		Gear, Reverse Driven
6	3446-145	1		Bushing
7	3423-263	1		Washer
8	3446-141	1		Gear, 1st Driven
9	3446-273	2	/P	Bushing
10	3446-146	1		Gear, 4th Driven
11	3446-143	1		Gear, 3rd Driven
12	3423-266	1		Washer, Lock
13	3423-262	1		Washer, Lock
14	3446-147	1		Gear, 5th Driven
15	3423-317	1		Washer
16	3446-142	1		Gear, 2nd Driven
17	3402-230	1		Bushing
18	3402-775	1		Driveshaft
19	0691-374	1		Bearing
20	3402-033	1		Plug, Countershaft
21	3446-031	2	/P	Retainer, Bearing
22	3423-370	2		Screw
23	3446-295	1	S	Countershaft
24	3402-210	2		Washer
25	3446-139	1		Gear, 4th Drive
26	3402-229	1		Bushing
27	3423-279	2		Circlip
28	3446-138	1		Gear, 3rd Drive
29	3423-261	1	S	Washer
30	3446-140	1		Gear, 5th Drive
31	3446-137	1		Gear, 2nd Drive
32	3402-224	1		Bearing
33	3402-209	2		Washer
34	3446-149	1		Gear, Reverse Idle
35	3402-228	1		Bushing
36	3446-298	1		Shaft, Reverse Idle
37	3423-518	1		Circlip



Ref #	Part Number	Qty	S/P/F	Description
1	0423-557	12		Screw, Shoulder
2	1402-225	3	S	Disc, Brake
3	0502-599	2	S	Hub, Wheel - Front (inc. 4)
4	0402-974	16	/P	Stud, Wheel Hub
5	0502-601	1	S	Hub, Wheel - Rear - Left (inc. 4)
5	0502-599	1	S	Hub, Wheel - Rear - Right (inc. 4)
6	0423-607	4		Nut, Castle
7	0423-407	4		Pin, Cotter
8	1402-127	2		Wheel - Front
8	1402-115	2		Wheel - Rear
9	0423-408	16	/P	Nut, Lug
10	1402-548	2		Tire - Front Goodyear
10	1402-549	2		Tire - Rear Goodyear
11	0402-064	4		Stem, Valve (inc. 12)
12	0402-140	4		Cap, Valve Stem

Ref #	Part Number	Qty	S/P/F	Description
1	0486-208	1		Harness, Main (inc. 2-7 and two No. 8)
2	0486-164	1		Tether, Accessory Connector
3	0530-008	1		Cover, Fuse Block
4	0430-037	1		Holder, Spare Fuse
5	0430-032	4		Fuse - 10 Amp
5	0430-031	3		Fuse - 15 Amp
5	0430-030	2		Fuse - 30 Amp
6	0411-837	1		Decal, Fuse Block
7	0430-033	3		Relay
8	0123-788	AR	/P	Cable Tie - 7.5 in.
9	0445-053	1	/P	Cable, Solenoid/Starter (inc. 10)
10	0645-019	1		Boot, Terminal
11	0645-327	1		Boot, Terminal
12	0445-055	1	/P	Cable, Battery/Solenoid
13	0623-038	7		Nut, Lock
14	0445-058	1	/P	Solenoid
15	8476-625	4		Screw, Machine
16	0412-291	1		Shield, Heat
17	1406-787	1		Tray, Electrical
18	0623-362	4		Rivet, Reinstallable
19	3402-684	1		Cushion, CDI Unit
20	3402-785	1		CDI Unit
21	3402-682	1		Regulator, Voltage
22	0123-903	AR		Cable Tie - 11.5 in.
23	0409-072	1		Switch, Brake - Assembly
24	0445-054	1	/P	Cable, Battery/Ground
25	3430-055	1		Coil, Ignition - Assembly
26	8476-620	1		Screw, Machine
27	3430-009	1	/P	Seal, High Tension Wire
28	3430-007	1	/P	Cap, Spark Plug
29	3430-008	1	/P	Seal, Spark Plug