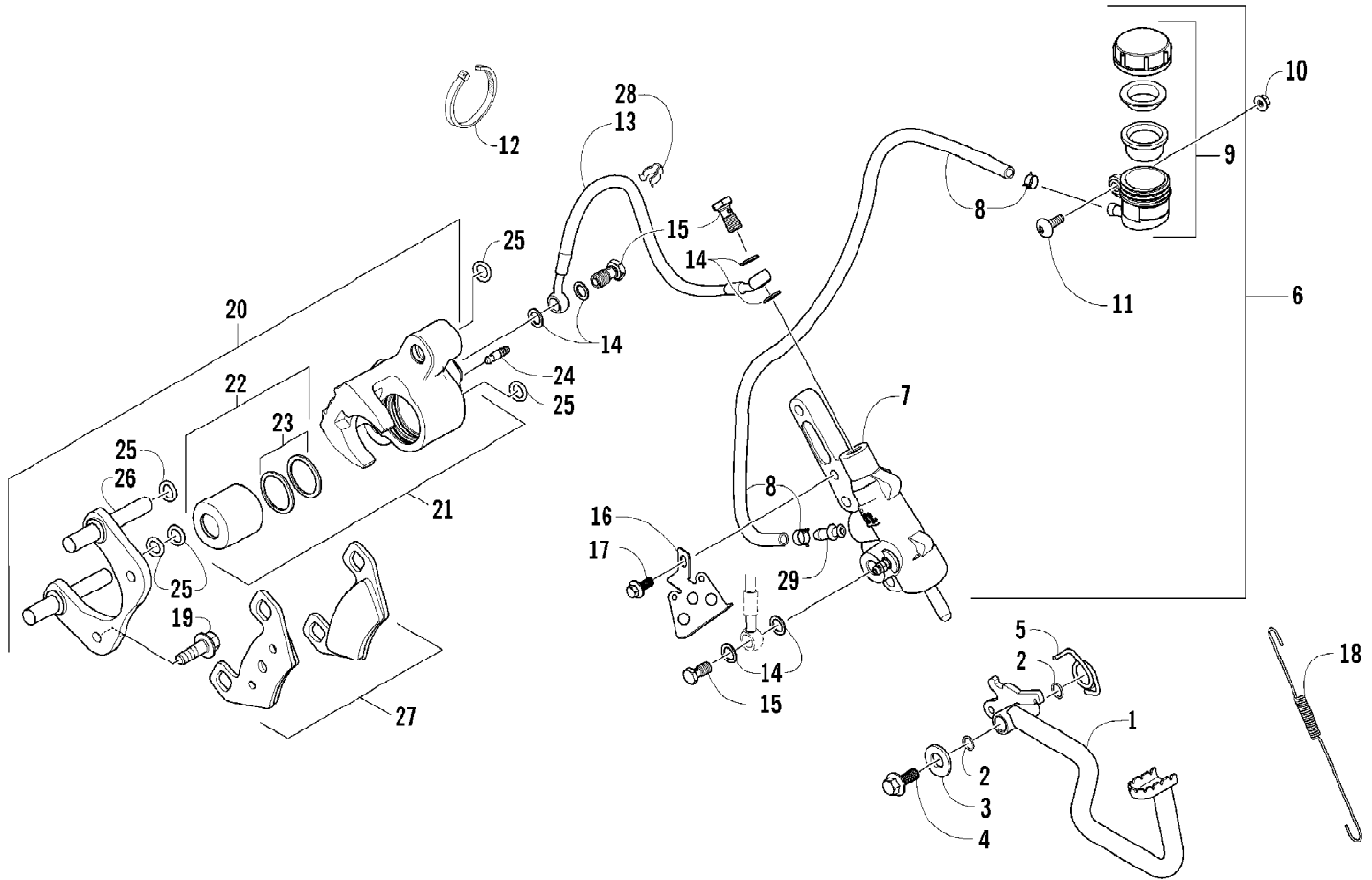


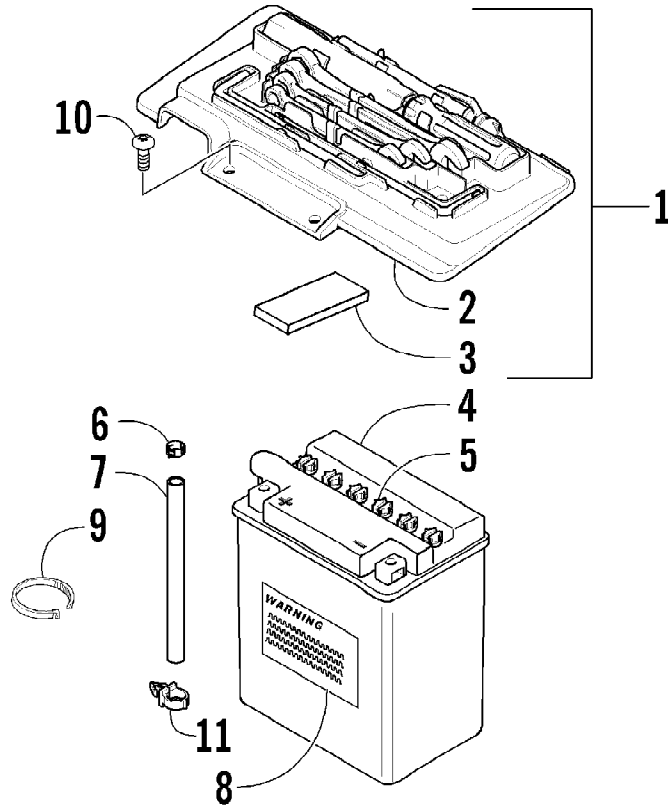
2007 ATV 400 AUTOMATIC TRANSMISSION 4X4 TRV RED (A2007TBH4BUSR) Page 2 of 94
AIR INTAKE ASSEMBLY

Ref #	Part Number	Qty	S/P/F	Description
1	0413-091	1		Diverter, Air - Top
2	0413-093	1		Diverter, Air - Bottom
3	1406-747	1		Shroud, Splash
4	0623-544	2		Plug
5	0623-362	2		Rivet, Reinstallable
6	0470-442	2	/P	Valve, Drain
7	0470-529	1		Boot, Air Intake
8	0423-551	2		Clamp
9	0423-342	7	/P	Screw, Self-Tapping
10	0423-454	2		Clip, Mounting - Air Intake
11	0470-540	1	S	Housing, Air Intake
12	0470-554	1	S	Cover, Air Intake
13	0470-663	1	/P	Filter, Air
14	0470-516	1		Screen, Air Filter
15	0423-455	4		Clip, Spring
16	0423-045	2		Clamp, Hose
17	0410-087	1	S	Hose, Vent - Crankcase
18	0423-554	1		Clamp
19	0470-517	1		Boot, Carburetor
20	0423-019	1		Clamp
21	0470-667	1	/P	Carburetor, CVK34-AE
22	0510-592	1		Hose, Drain



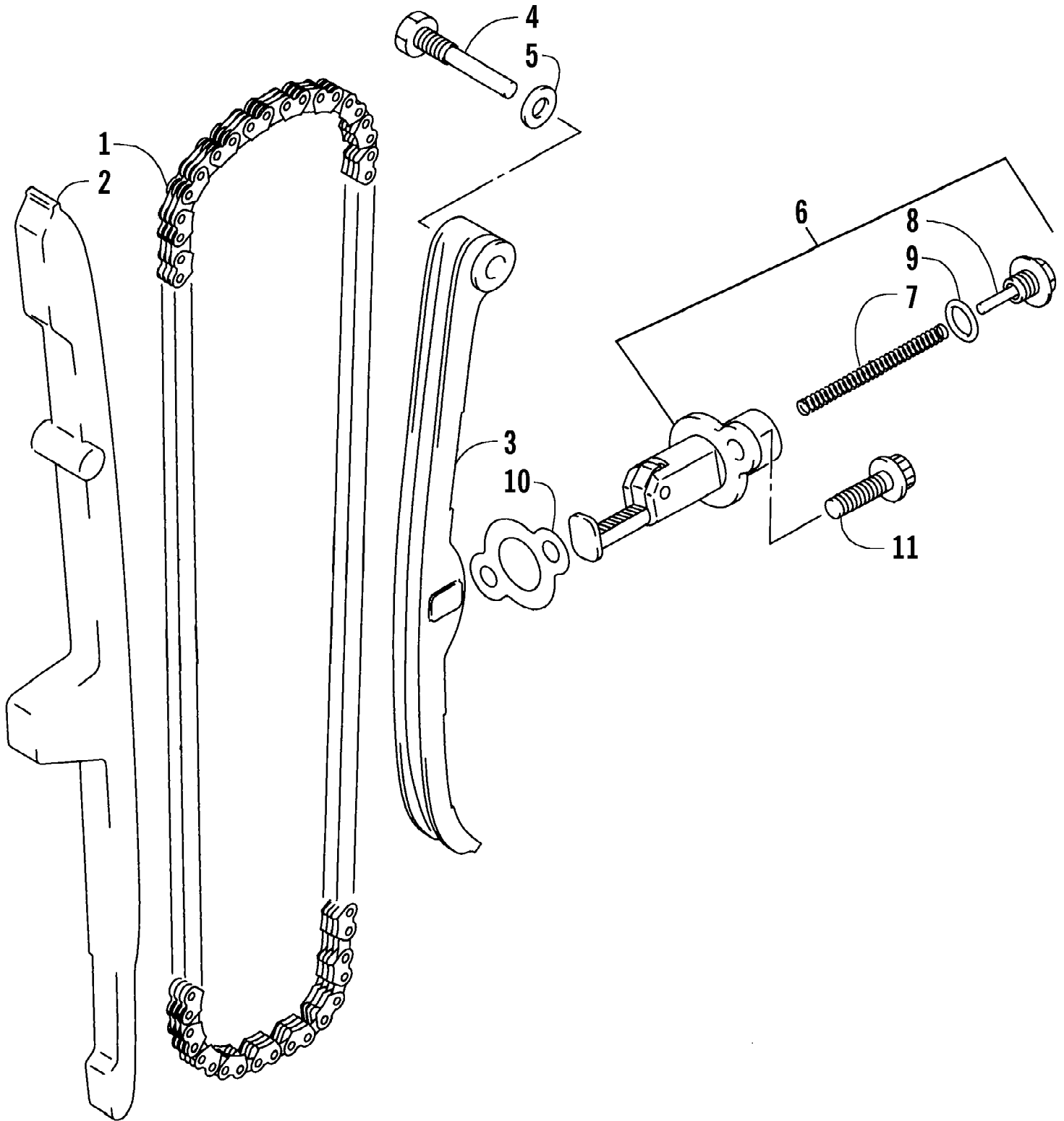
2007 ATV 400 AUTOMATIC TRANSMISSION 4X4 TRV RED (A2007TBH4BUSR) Page 4 of 94
AUXILIARY BRAKE ASSEMBLY

Ref #	Part Number	Qty	S/P/F	Description
	1502-136	1		Fully Bled Master Cylinder Replacement Kit
1	1502-063	1		Lever, Brake
2	1602-213	2	/P	O-Ring
3	8050-252	1		Washer
4	8408-816	1		Screw, Cap
5	0502-807	1		Spring, Brake Lever
6	1502-137	1	S	Brake Assembly (inc. 7-9)
7	0	1	F	Master Cylinder
8	1502-142	1		Hose, Brake Reservoir w/Clamps
9	1502-141	1		Reservoir, Brake
10	0623-038	1		Nut, Flanged
11	8476-616	1		Screw, Machine
12	0123-788	1	/P	Cable Tie - 7.5 in.
13	1502-140	1		Hose, Brake
14	0423-178	6		Washer, Crush
15	0423-413	3		Bolt, Banjo-Fitting
16	1502-179	1		Bracket, Switch
17	8408-625	2		Screw, Cap
18	0502-785	1		Spring, Brake Switch
19	1623-589	2	S	Screw, Cap
20	0502-878	1	S	Caliper, Brake (inc. 21-27)
21	0502-603	1	S	Housing, Caliper - Assembly - Right Rear (inc. 22-24)
22	0502-606	1		Piston/Seal Set (inc. 23)
23	0502-607	1		Seal Set
24	0502-609	1	/P	Valve, Bleed
25	0502-608	1		O-Ring, Guide - Set
26	0502-605	1		Bracket Assembly
27	0502-875	1	S	Pad, Brake - Set
28	1502-115	2		Clip, Brake Hose
29	1502-138	1	S	Adapter, Hose



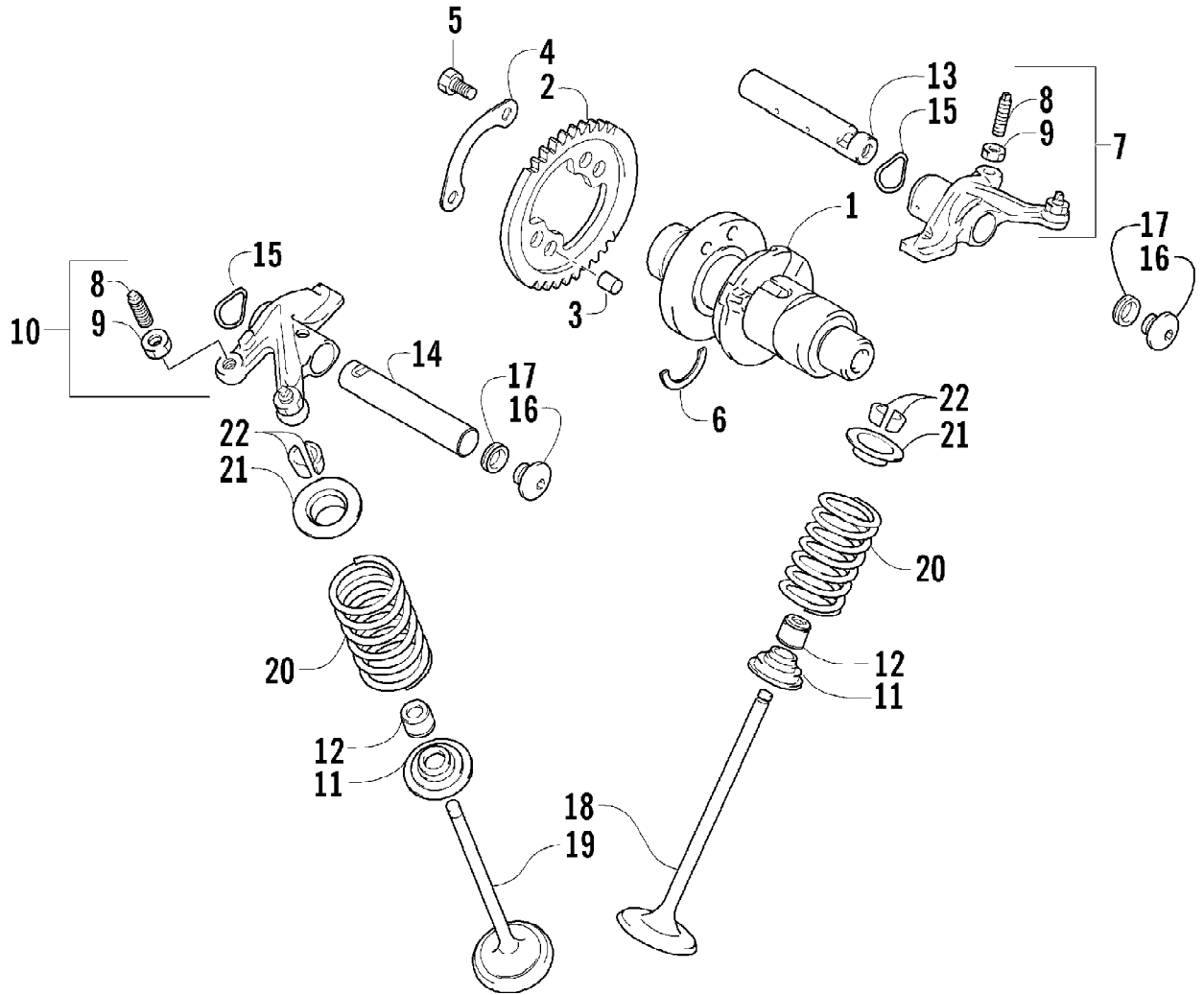
2007 ATV 400 AUTOMATIC TRANSMISSION 4X4 TRV RED (A2007TBH4BUSR) Page 6 of 94
BATTERY ASSEMBLY

Ref #	Part Number	Qty	S/P/F	Description
1	5991-395	1	S	Battery Cover/Tool Tray Assembly (inc. 2-3)
2	2406-815	1	/P	Cover, Battery
3	0406-288	2		Pad, Battery
3	0444-122	1	S/P	Kit, Tool Not Illustrated
4	0745-045	1	/P	Battery Assembly (inc. 5-8)
5	0645-045	6		Cap, Battery
6	0645-152	1		Clamp, Hose
7	0645-263	1	/P	Hose, Vent
8	0645-151	1		Label, Warning - Battery
9	0123-903	4		Cable Tie - 11.5 in.
10	8476-616	2		Screw, Machine
11	0623-101	AR		Clip, Retaining



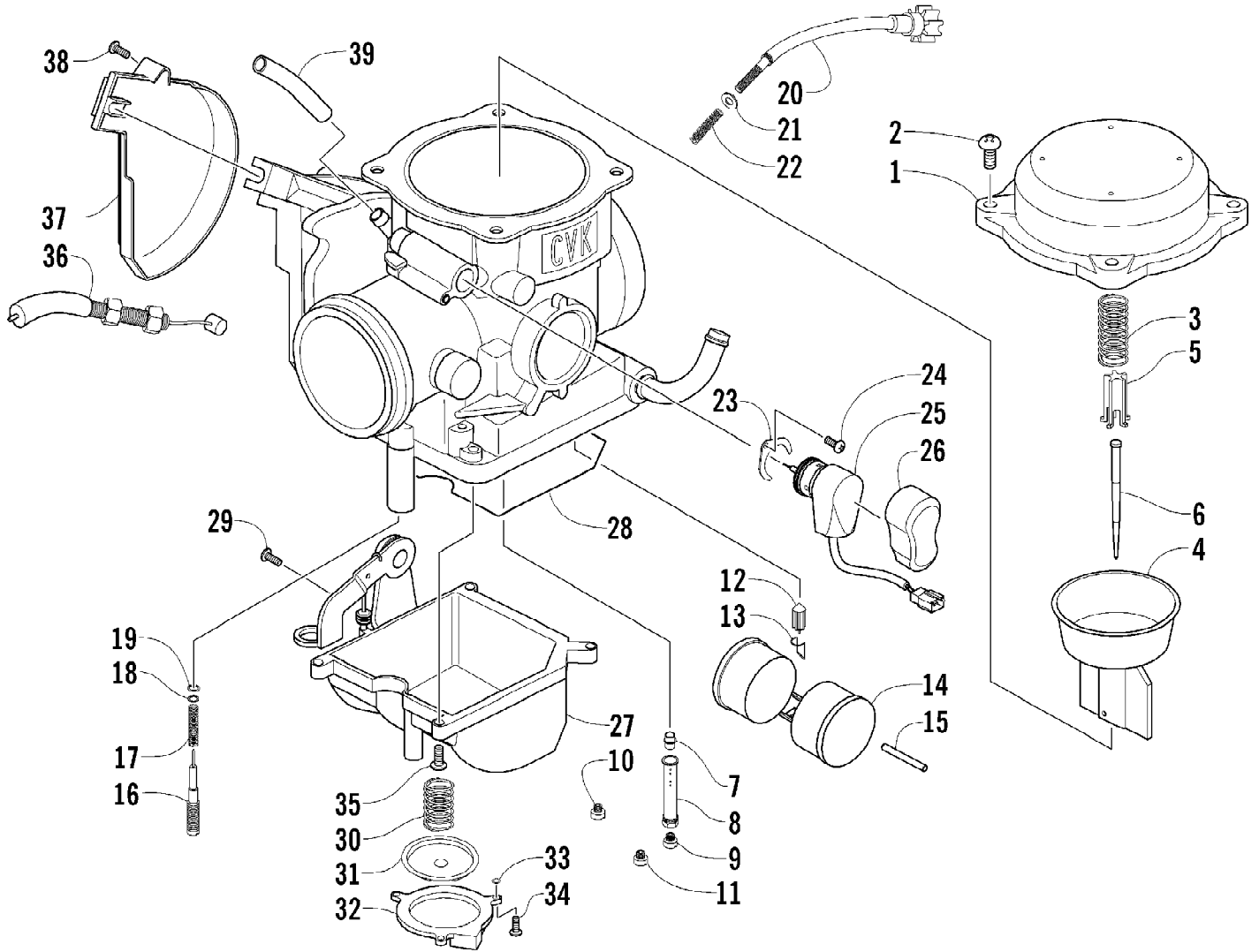
2007 ATV 400 AUTOMATIC TRANSMISSION 4X4 TRV RED (A2007TBH4BUSR) Page 8 of 94
CAM CHAIN ASSEMBLY

Ref #	Part Number	Qty	S/P/F	Description
1	3402-281	1		Chain, Cam
2	3402-612	1		Guide, Cam Chain
3	3402-613	1		Tensioner, Cam Chain
4	3423-074	1		Bolt
5	3402-436	1	/P	Washer
6	3402-614	1		Adjuster, Tensioner - Assembly (inc. 7-9)
7	3423-484	1		Spring
8	3423-485	1		Plug
9	3423-286	1		O-Ring
10	3403-020	1		Gasket, Adjuster
11	3004-512	2	S	Bolt



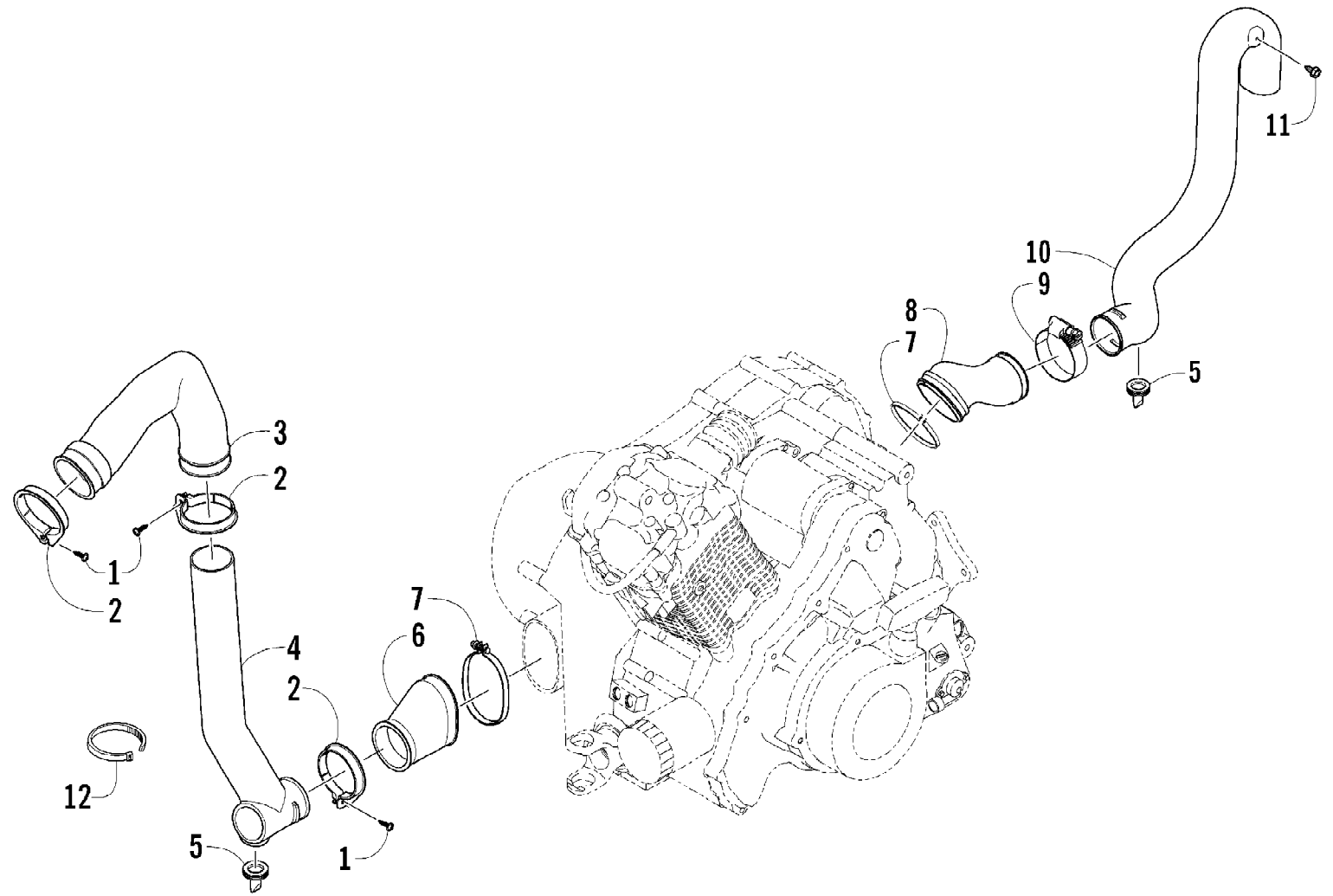
2007 ATV 400 AUTOMATIC TRANSMISSION 4X4 TRV RED (A2007TBH4BUSR) Page 10 of 94
CAMSHAFT/VALVE ASSEMBLY

Ref #	Part Number	Qty	S/P/F	Description
1	3402-989	1	S	Camshaft
2	3402-611	1		Sprocket
3	3423-047	1		Pin
4	3423-073	1		Washer
5	3423-013	2	S	Bolt
6	3423-071	1	/P	C-Ring
7	3402-805	1	/P	Arm, Valve Rocker - Intake (inc. two No. 8-9)
8	3423-075	4		Screw
9	3423-076	4		Nut
10	3402-139	1		Arm, Valve Rocker - Exhaust (inc. two No. 8-9)
11	3402-148	4		Seat, Spring
12	3402-078	4		Seal, Oil
13	3402-140	1		Shaft, Rocker Arm
14	3402-141	1		Shaft, Rocker Arm
15	3423-031	2		Washer
16	3423-111	2	S	Plug, Shaft
17	3402-012	2		Gasket
18	3402-725	2	/P	Valve, Intake
19	3402-143	2		Valve, Exhaust
20	3402-726	4		Spring, Valve
21	3423-541	4	/P	Retainer, Spring
22	3402-147	8		Cotter, Valve



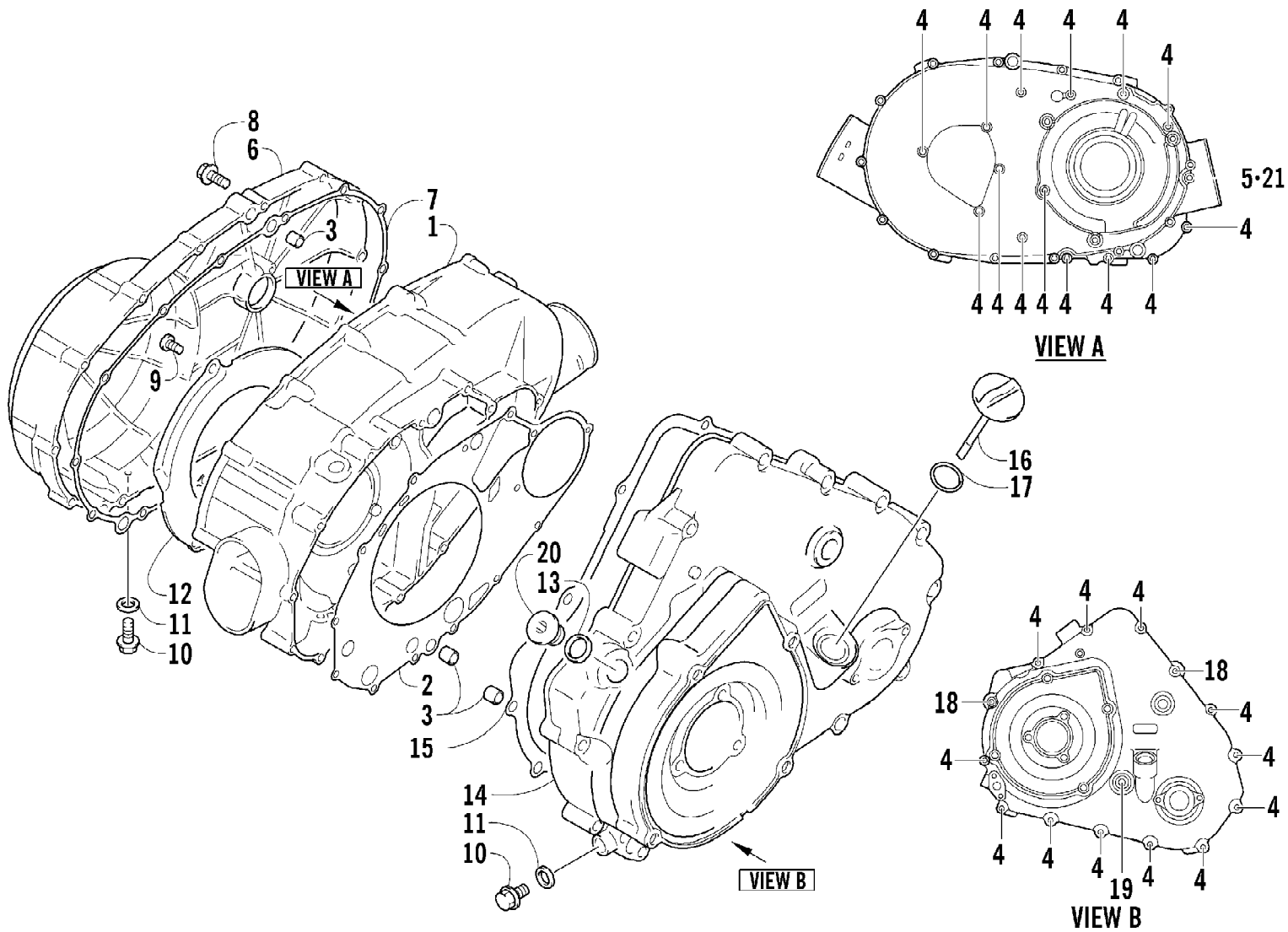
2007 ATV 400 AUTOMATIC TRANSMISSION 4X4 TRV RED (A2007TBH4BUSR) Page 12 of 94
CARBURETOR

Ref #	Part Number	Qty	S/P/F	Description
	0470-667	1	/P	Carburetor Assembly
1	5507-001	1		Cover, Top
2	5507-002	4	/P	Screw, Top Cover
3	5507-173	1	S	Spring
4	5507-109	1	S	Piston, Vacuum
5	5507-005	1		Seat, Spring
6	5507-110	1		Jet Needle
7	5507-007	1		Needle Jet
8	5507-174	1	S	Holder, Needle Jet
9	5507-057	1	/P	Main Jet - 135
9	5507-009	1	/P/F	Main Jet - 150
9	5507-041	1	F	Main Jet - 147
9	5507-043	1	F	Main Jet - 142
9	5507-044	1	F	Main Jet - 140
10	5507-010	1	S	Slow Jet - 38
11	5507-179	1	S	Starter Jet - 75
12	5507-183	1		Valve, Float - Set (inc. 13)
13	0	1	F	Clip
14	5507-039	1		Float Set (inc. 15)
15	0	1	F	Pin, Float
16	5507-111	1		Screw, Pilot - Set (inc. 17-19)
17	0	1	F	Spring
18	0	1	F	Washer
19	0	1	F	O-Ring
20	5507-027	1		Screw, Idle Adjust
21	5507-028	1		Washer
22	5507-029	1		Spring
23	5507-115	1		Plate
24	5507-117	1	/P	Screw
25	5507-180	1		Choke, Electric
26	5507-114	1		Cover, Electric Choke
27	5507-181	1		Chamber, Float - Assembly (inc. 28-34)
28	5507-207	1	S	O-Ring, Float Chamber
29	5507-050	1	/P	Screw, Drain
30	5507-032	1		Spring
31	5507-182	1	S/P	Diaphragm Assembly
32	0	1	F	Housing, Pump
33	5507-034	1		U-Ring
34	5507-035	3		Screw
35	5507-017	4	/P	Screw
36	0487-021	1	S	Cable, Throttle
37	5507-036	1		Cover
38	5507-037	1	/P	Screw
39	0410-056	1		Hose, Vent



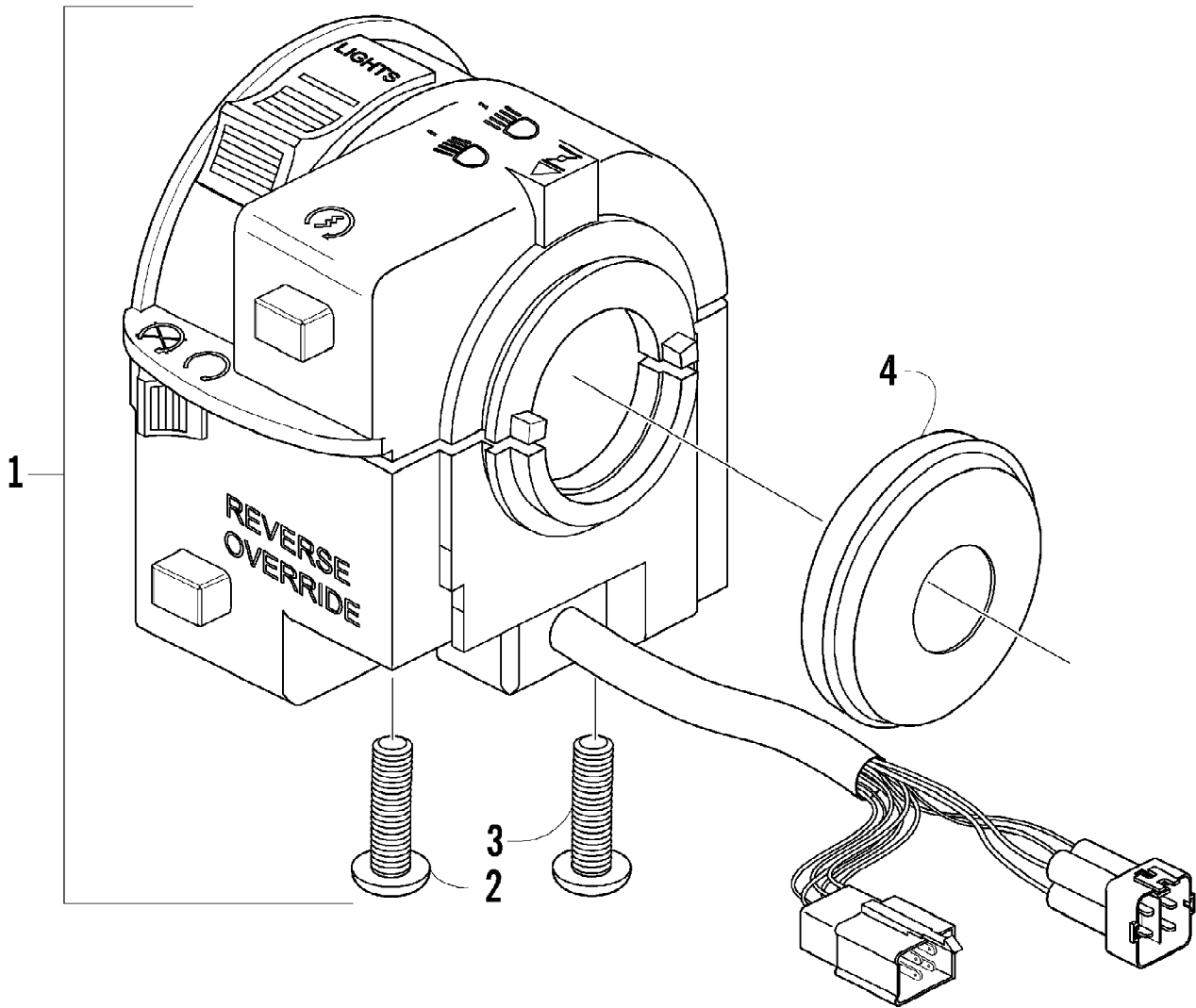
2007 ATV 400 AUTOMATIC TRANSMISSION 4X4 TRV RED (A2007TBH4BUSR) Page 14 of 94
CASE/BELT COOLING ASSEMBLY

Ref #	Part Number	Qty	S/P/F	Description
1	0423-342	3	/P	Screw, Self-Tapping
2	0423-551	3		Clamp, Boot
3	0413-092	1		Boot, Air-In
4	0513-010	1		Duct, Belt Cooling - Front
5	0470-442	2	/P	Valve, Drain
6	0413-048	1		Boot, Duct - Front
7	3402-449	2	/P	Clamp, Boot
8	0413-060	1		Boot, Duct - Rear
9	0423-380	1	/P	Clamp, Duct
10	0413-106	1		Duct, Belt Cooling - Rear
11	0623-301	1	/P	Screw, Self-Tapping
12	0123-903	1		Cable Tie - 11.5 in.



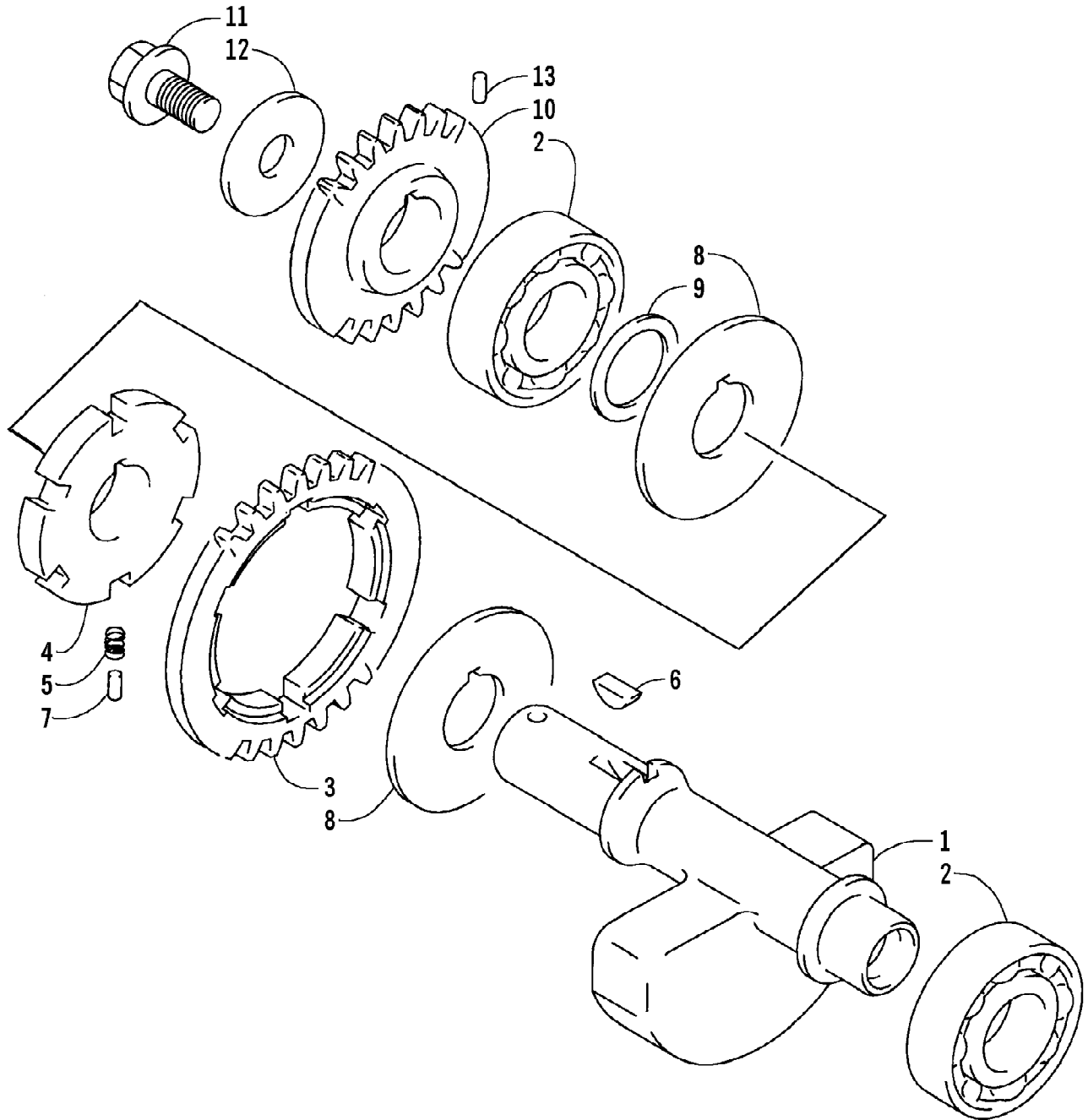
2007 ATV 400 AUTOMATIC TRANSMISSION 4X4 TRV RED (A2007TBH4BUSR) Page 16 of 94
CLUTCH/V-BELT/MAGNETO COVER ASSEMBLY

Ref #	Part Number	Qty	S/P/F	Description
1	3402-583	1		Cover, Clutch
2	3402-589	1		Gasket
3	3423-088	6		Pin, Dowel
4	3423-098	26	S	Bolt
5	3423-392	1		Bolt
6	3402-586	1		Cover, V-Belt
7	3402-591	1		Gasket, V-Belt Cover
8	0693-327	14	S	Bolt
9	3004-552	3	S	Screw
10	3004-705	2	S	Plug, Drain
11	3402-444	2		Gasket, Drain Plug
12	3402-996	1		Plate, Air Intake
13	3402-013	1	/P	Gasket
14	3402-585	1		Cover, Magneto
15	3402-590	1		Gasket, Magneto Cover
16	3402-593	1		Stick, Oil Level
17	3423-055	1		O-Ring, Oil Level Stick
18	3423-307	2	S	Bolt
19	3423-430	1		Bolt
20	3402-041	1	S	Plug
21	3003-290	1	/P	Gasket



2007 ATV 400 AUTOMATIC TRANSMISSION 4X4 TRV RED (A2007TBH4BUSR) Page 18 of 94
CONTROL SWITCH HOUSING ASSEMBLY

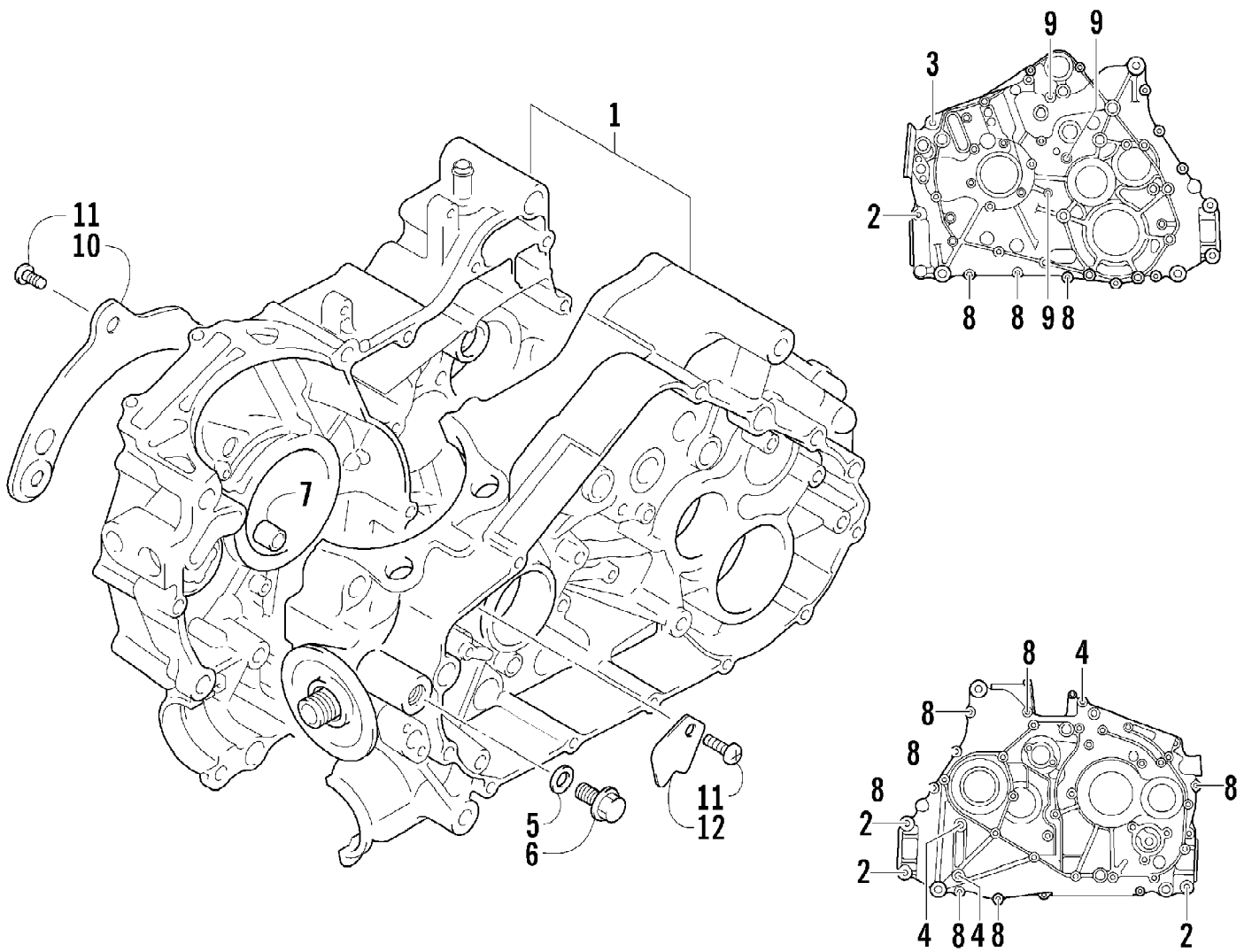
Ref #	Part Number	Qty	S/P/F	Description
1	0509-014	1		Switch, Control - Assembly (inc. 2-4)
2	0409-027	1		Screw, Machine
3	0409-028	1		Screw, Machine
4	3409-019	1		Cover, Switch Housing



2007 ATV 400 AUTOMATIC TRANSMISSION 4X4 TRV RED (A2007TBH4BUSR) Page 20 of 94
CRANK BALANCER ASSEMBLY

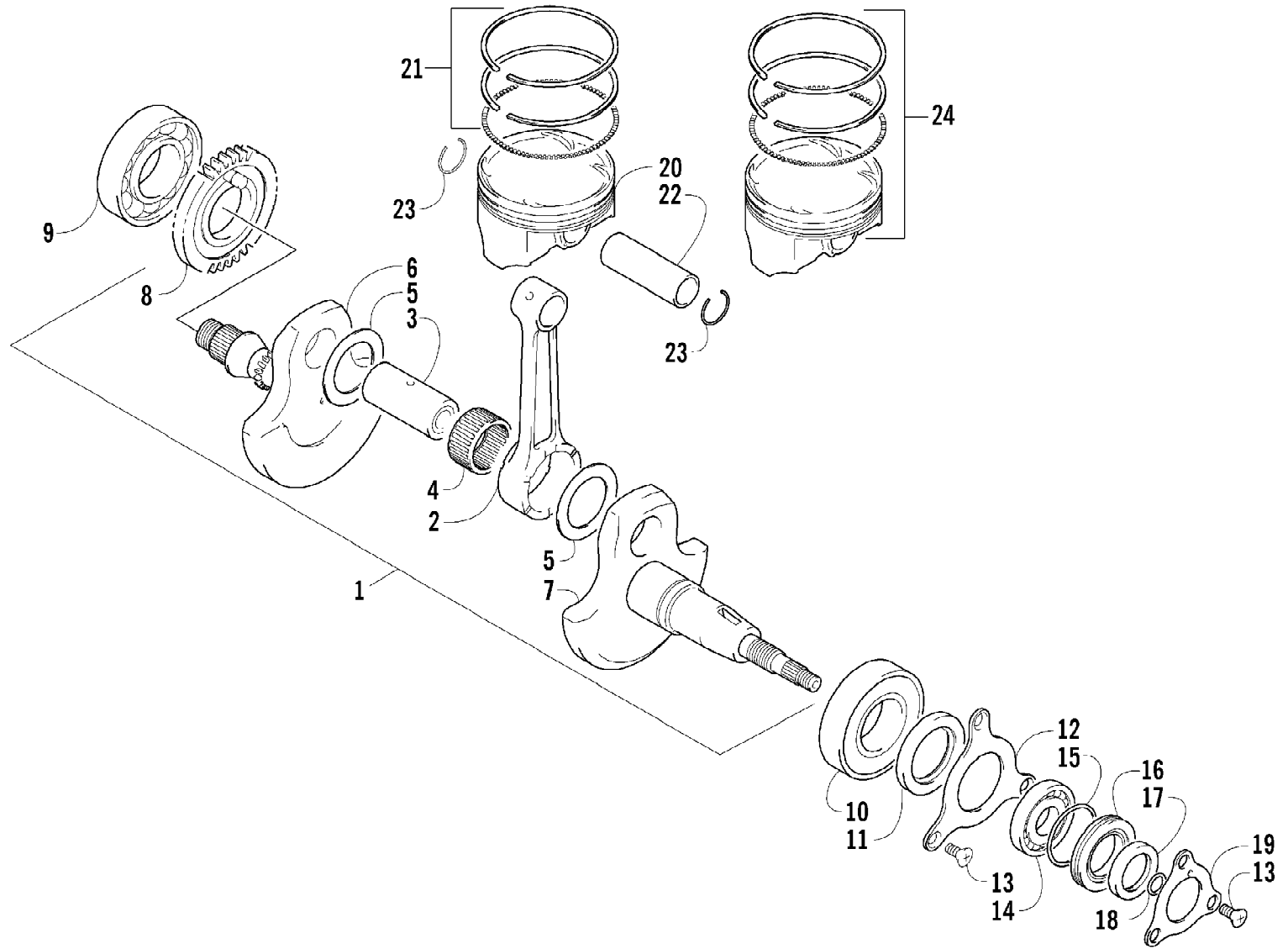
Ref #	Part Number	Qty	S/P/F	Description
1	3402-605	1		Balancer, Crank
2	3402-553	2	/P	Bearing
3	3402-772	1		Gear, Driven
4	3402-608	1		Race, Driven Gear
5	3402-090	2		Spring, Driven Gear
6	3004-540	1	/P	Key
7	3423-106	3	/P	Pin, Driven Gear
8	3423-441	2		Washer, Driven Gear
9	3423-446	1		Washer
10	3402-617	1		Gear, Oil Pump Drive
11	3423-555	1		Bolt, Drive Gear
12	3423-401	1		Washer, Drive Gear
13	3423-110	1		Pin, Drive Gear

2007 ATV 400 AUTOMATIC TRANSMISSION 4X4 TRV RED (A2007TBH4BUSR) Page 21 of 94
CRANKCASE ASSEMBLY



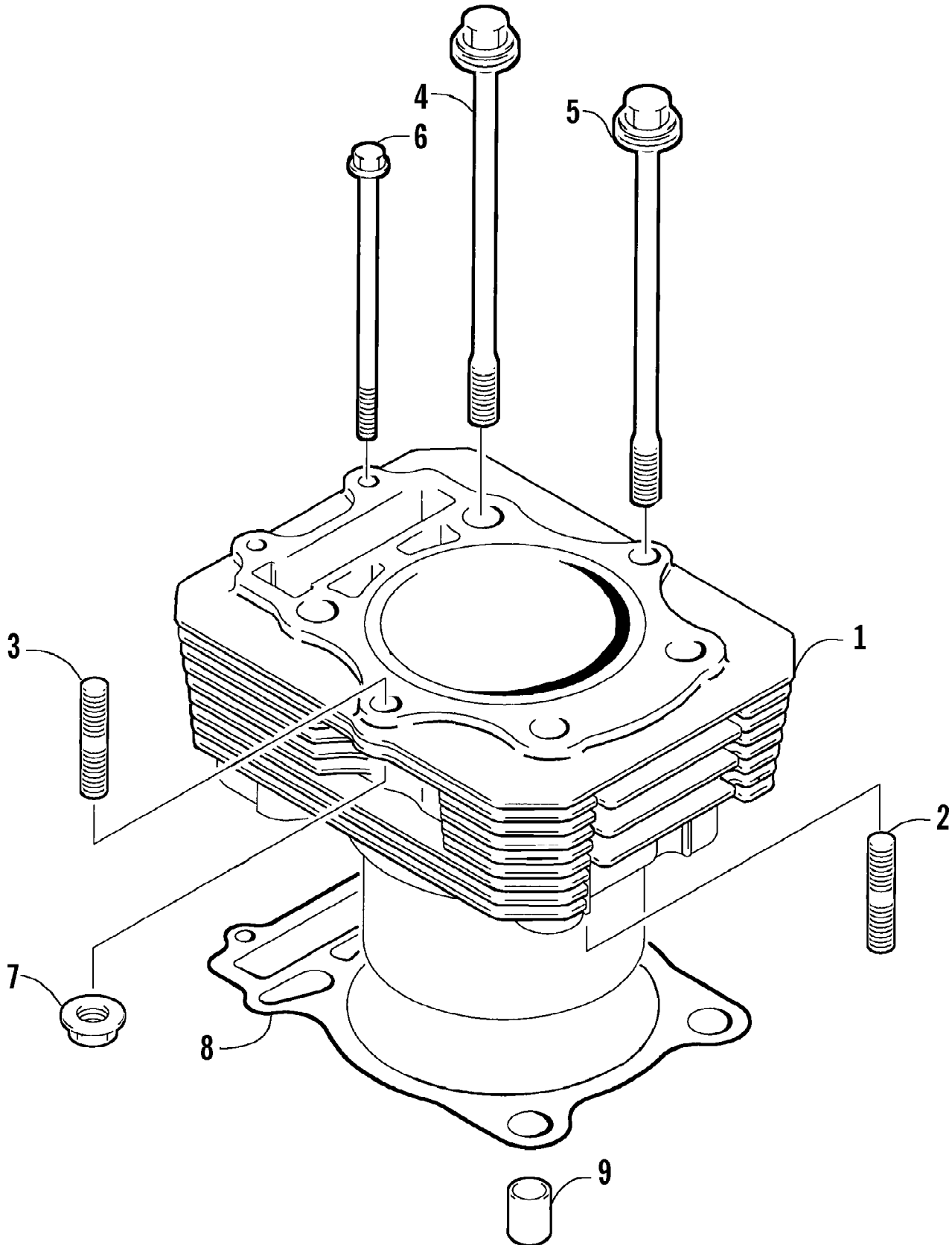
2007 ATV 400 AUTOMATIC TRANSMISSION 4X4 TRV RED (A2007TBH4BUSR) Page 22 of 94
CRANKCASE ASSEMBLY

Ref #	Part Number	Qty	S/P/F	Description
1	3402-580	1		Crankcase Assembly (inc. 2-9)
2	3004-880	4		Bolt
3	3423-234	1		Bolt
4	3005-410	3		Bolt
5	3402-012	1		Gasket, Oil Pressure Plug
6	3402-214	1		Plug, Oil Pressure
7	3423-088	2		Pin, Dowel
8	3423-091	10	S	Bolt
9	3423-097	3		Bolt
10	3042-581	1		Plate, Oil Guide - Right
11	3004-552	4	S	Screw, Oil Guide Plate
12	3402-582	1		Plate, Oil Guide - Left



2007 ATV 400 AUTOMATIC TRANSMISSION 4X4 TRV RED (A2007TBH4BUSR) Page 24 of 94
CRANKSHAFT ASSEMBLY

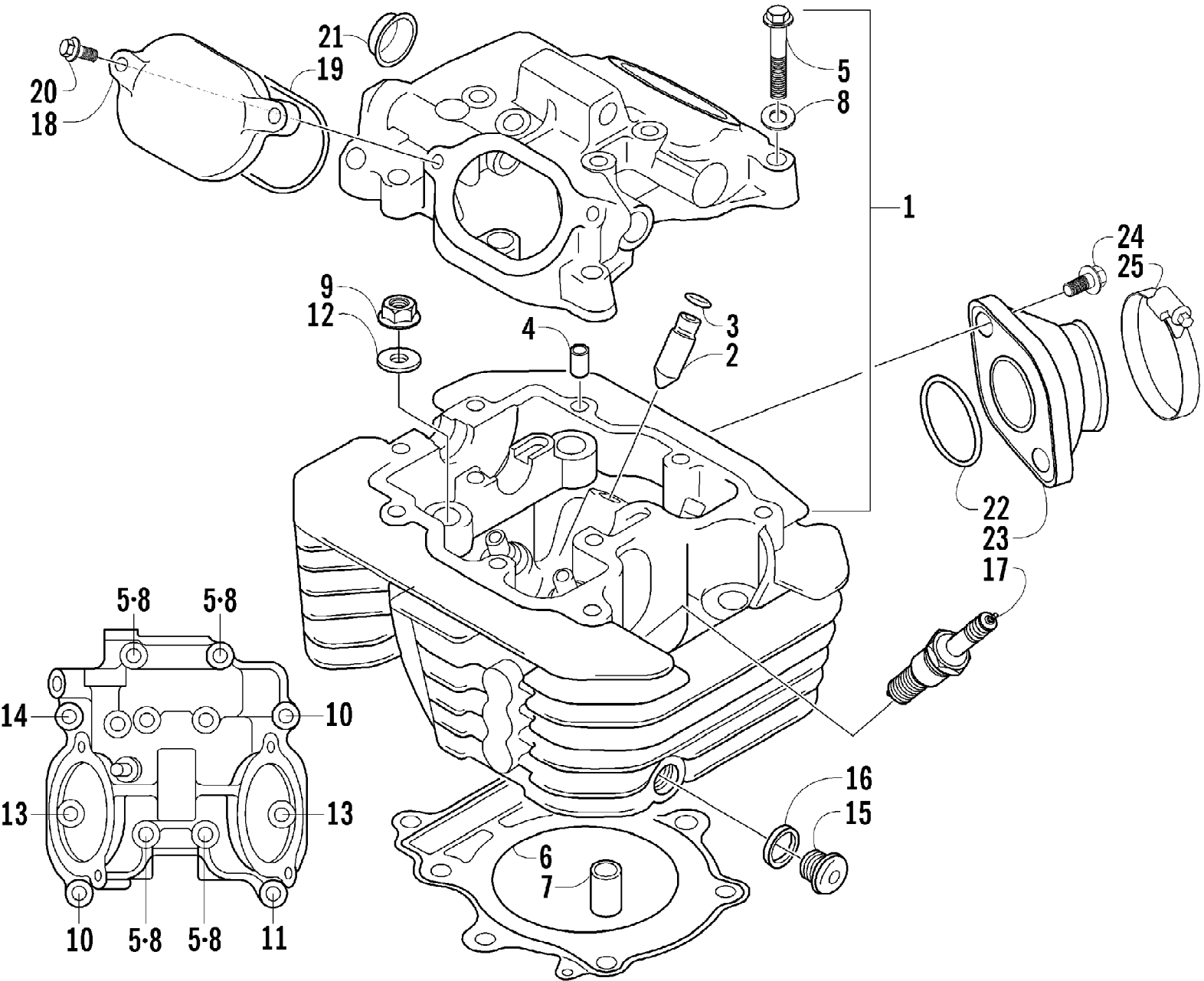
Ref #	Part Number	Qty	S/P/F	Description
1	3403-009	1	/P	Crankshaft Assembly (inc. 2-8)
2	3402-597	1		Rod, Connecting
3	3402-599	1		Pin, Crank
4	3402-571	1		Bearing
5	3423-440	2		Washer
6	3403-014	1	/P	Crankshaft - Right
7	3403-209	1		Crankshaft - Left
8	3402-698	1	/P	Gear, Crank Balancer Drive
9	3402-055	1	/P	Bearing - Right
10	3402-566	1		Bearing - Middle
11	3402-573	1		Seal, Crankshaft Oil
12	3402-602	1		Retainer, Crankshaft Oil Seal - Middle
13	3423-018	6		Screw, Retainer
14	3402-051	1		Bearing
15	3423-063	1		O-Ring
16	3423-542	1	/P	Spacer
17	3402-070	1		Seal, Oil
18	3423-053	1	/P	O-Ring
19	3402-188	1	/P	Retainer, Crankshaft Oil Seal - Left
20	3402-594	1		Piston
21	3402-595	1		Ring, Piston - Set
22	3402-596	1		Pin, Piston
23	3003-439	2	/P	Circlip
24	3436-015	1	F	Piston Set (Oversized 0.50 mm)



2007 ATV 400 AUTOMATIC TRANSMISSION 4X4 TRV RED (A2007TBH4BUSR) Page 26 of 94
CYLINDER ASSEMBLY

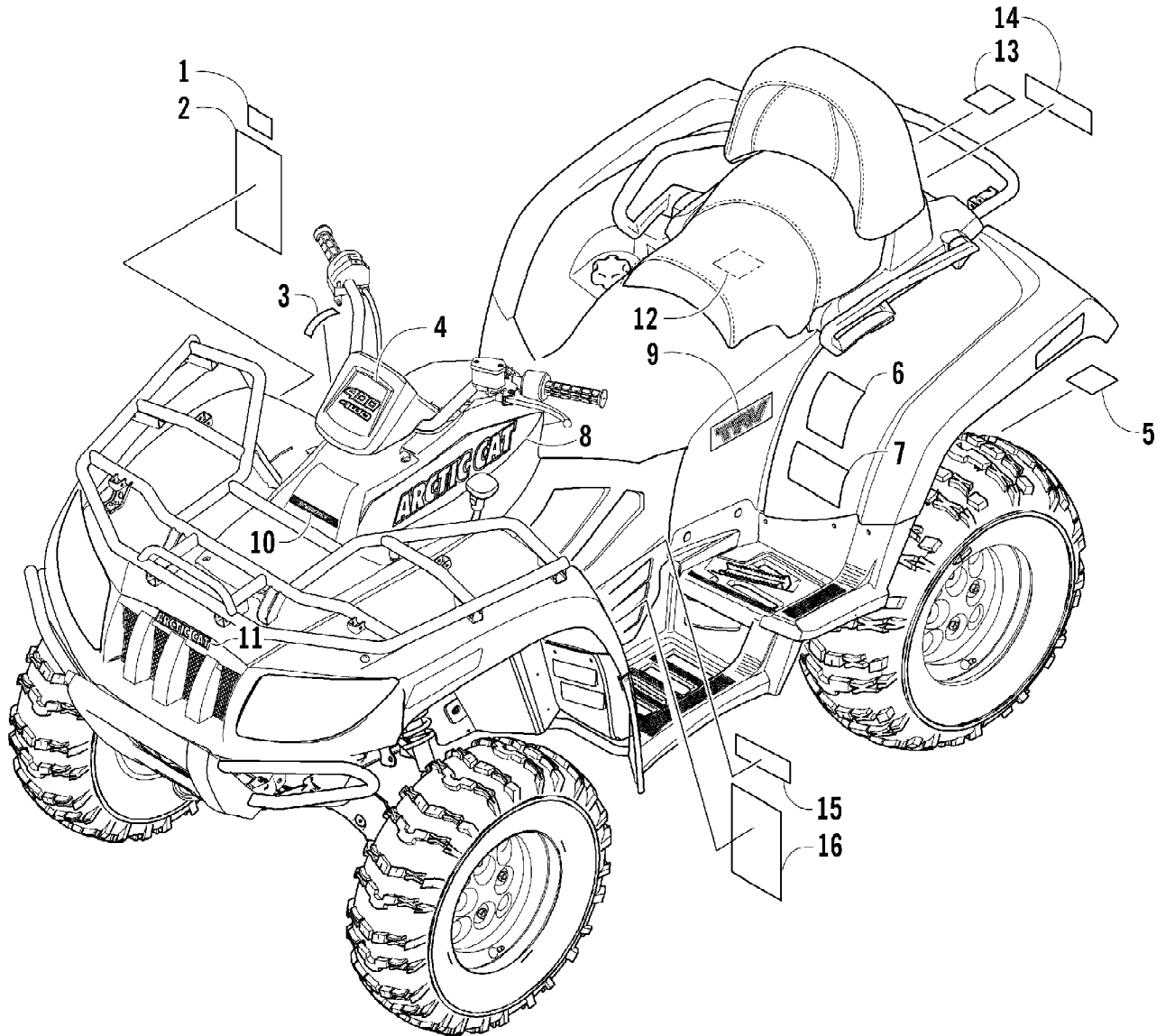
Ref #	Part Number	Qty	S/P/F	Description
1	3402-578	1	S	Cylinder
2	3423-384	2	S	Bolt, Stud
3	3004-778	2	S	Bolt, Stud
4	3423-431	2		Bolt
5	3423-432	2		Bolt
6	3423-427	2		Bolt
7	3004-488	2	S/P	Nut
8	3402-579	1		Gasket, Cylinder
9	3423-088	2		Pin, Dowel

2007 ATV 400 AUTOMATIC TRANSMISSION 4X4 TRV RED (A2007TBH4BUSR) Page 27 of 94
CYLINDER HEAD ASSEMBLY



2007 ATV 400 AUTOMATIC TRANSMISSION 4X4 TRV RED (A2007TBH4BUSR) Page 28 of 94
CYLINDER HEAD ASSEMBLY

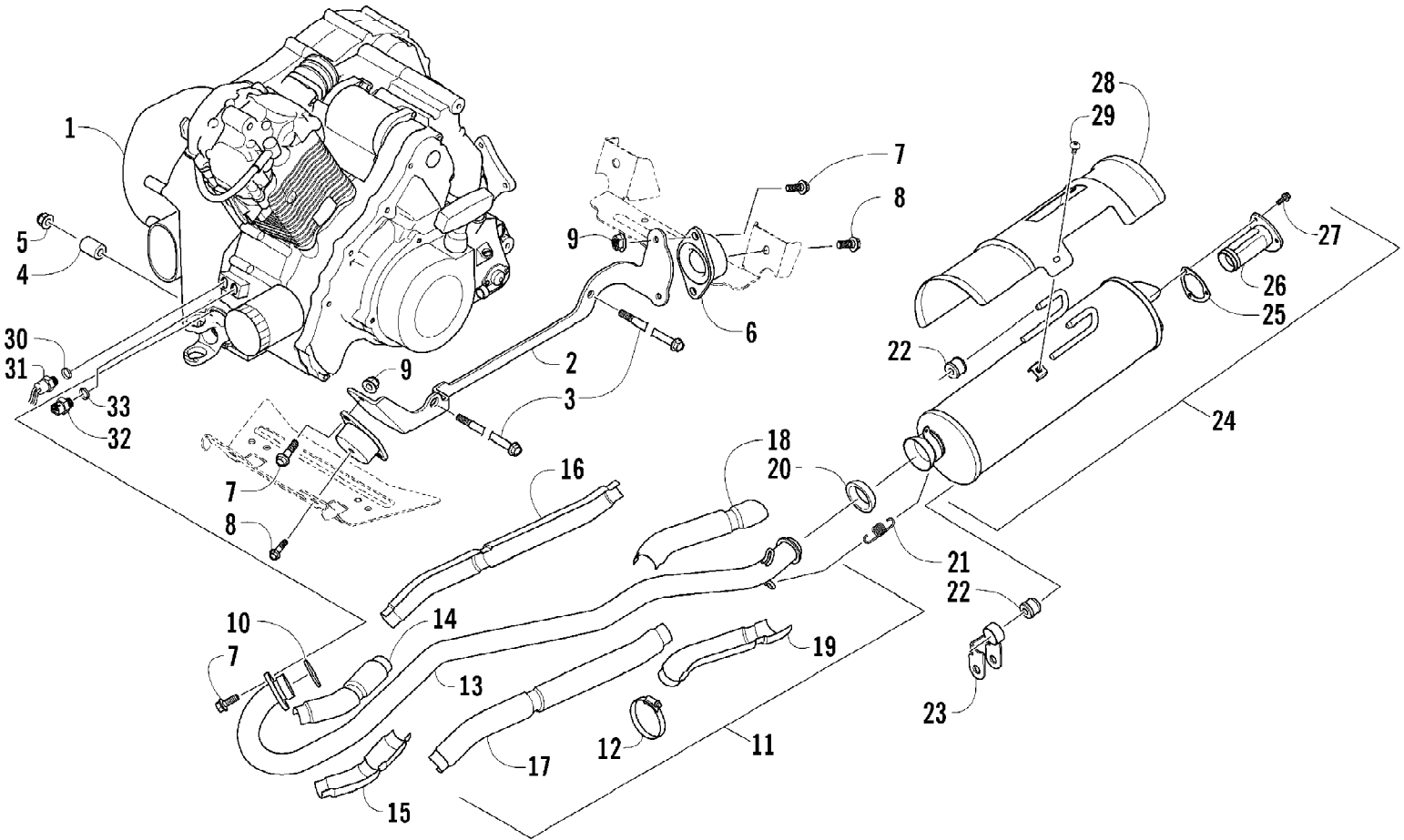
Ref #	Part Number	Qty	S/P/F	Description
1	3402-576	1	S	Head, Cylinder - Assembly (inc. 2-5)
2	3402-099	4		Guide, Valve
3	3423-068	4		Ring, Valve Guide
4	3423-043	2	/P	Pin, Dowel
5	3423-006	4		Bolt
6	3402-577	1		Gasket, Cylinder Head
7	3423-449	2		Pin, Dowel
8	3003-290	4	/P	Gasket
9	3004-326	2	S/P	Nut, Cylinder Head
10	3423-007	2	S	Bolt, Head Cover
11	3423-429	1		Bolt, Head Cover
12	3423-439	4	S	Washer, Cylinder Head Nut
13	3004-376	2	S/P	Bolt, Head Cover
14	3008-376	1	S	Bolt, Head Cover
15	3423-453	1		Plug, Oil Gallery
16	3402-011	1		Gasket, Oil Gallery Plug
17	0217-708	1		Spark Plug (NGK CR7E)
18	3402-100	2		Cap, Inspection
19	3402-101	2		O-Ring
20	3004-341	4	S/P	Bolt, Inspection Cap
21	3402-035	1		Plug, Head
22	0470-531	1		O-Ring
23	0570-084	1		Manifold, Intake
24	8476-620	2		Screw
25	0423-317	1	/P	Clamp
	3402-048	1	F	Plug, Frost



2007 ATV 400 AUTOMATIC TRANSMISSION 4X4 TRV RED (A2007TBH4BUSR) Page 30 of 94
DECALS

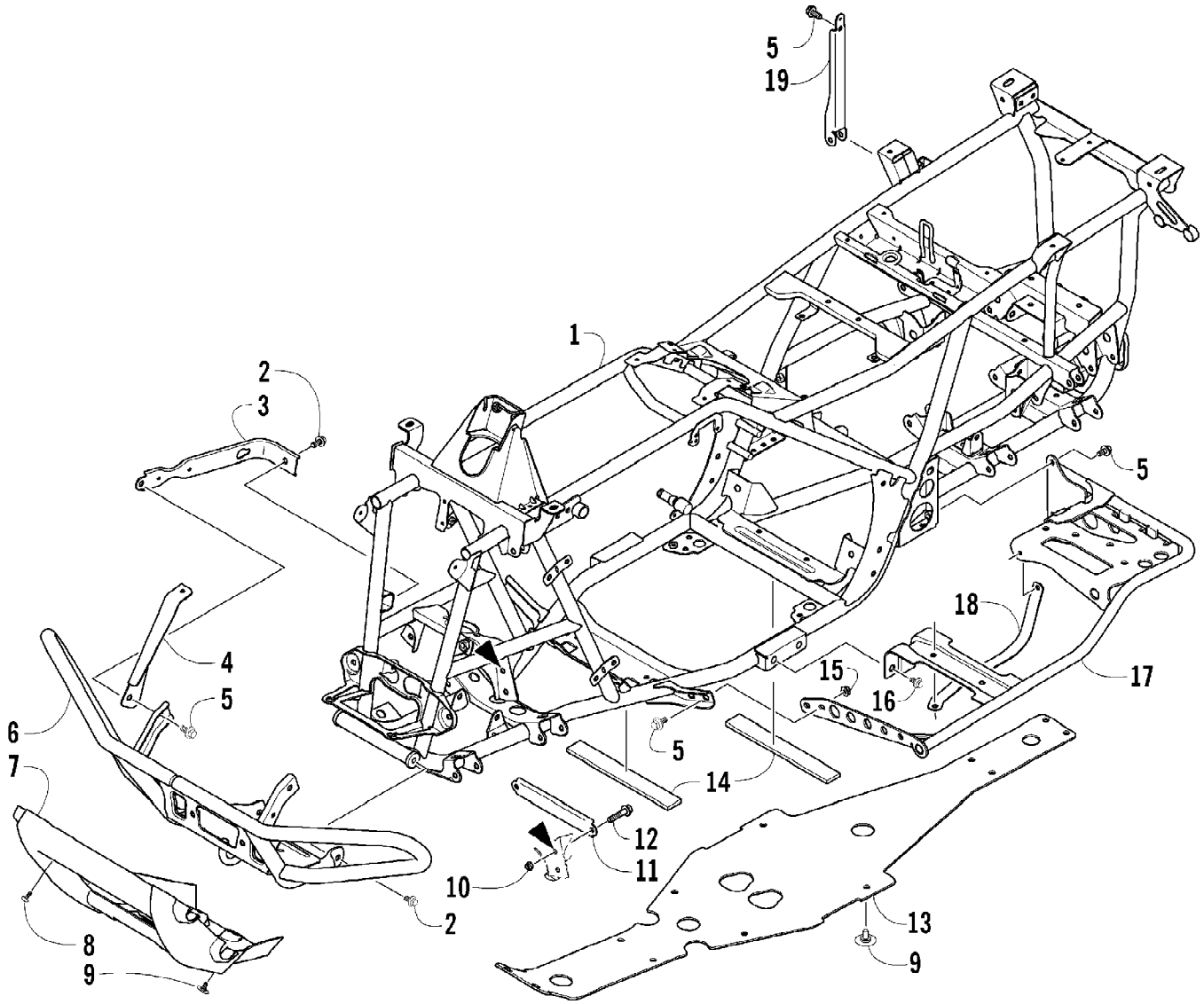
Ref #	Part Number	Qty	S/P/F	Description
1	0411-666	1	F	Decal, Warning - Reverse/Pre-Ride
2	0411-894	1		Decal, Warning - Hill
3	0411-426	1		Decal, Warning - Clutch Cover
4	1411-466	1		Decal, Instrument Pod
5	1411-077	1		Decal, Warning - Towing
6	0411-833	1		Decal, Passenger
7	0411-832	1		Decal, Warning - Tire Pressure
8	1411-356	1		Decal, Side - Upper Right
8	1411-357	1		Decal, Side - Upper Left
9	1411-264	2		Decal, Graphic - TRV
10	1411-050	1	/P	Decal, "Speedrack"
11	0411-840	1		Decal, Front
12	1411-269	1		Decal, Warning - Passenger
13	1411-251	1		Decal, Warning - Seat/Passenger
14	0411-814	1	/P	Decal, "Arctic Cat" - White
15	1411-574	1		Decal, Warning - Off-Road Only
16	0411-753	1	F	Decal, Warning - Age/General

2007 ATV 400 AUTOMATIC TRANSMISSION 4X4 TRV RED (A2007TBH4BUSR) Page 31 of 94
ENGINE AND EXHAUST



2007 ATV 400 AUTOMATIC TRANSMISSION 4X4 TRV RED (A2007TBH4BUSR) Page 32 of 94
ENGINE AND EXHAUST

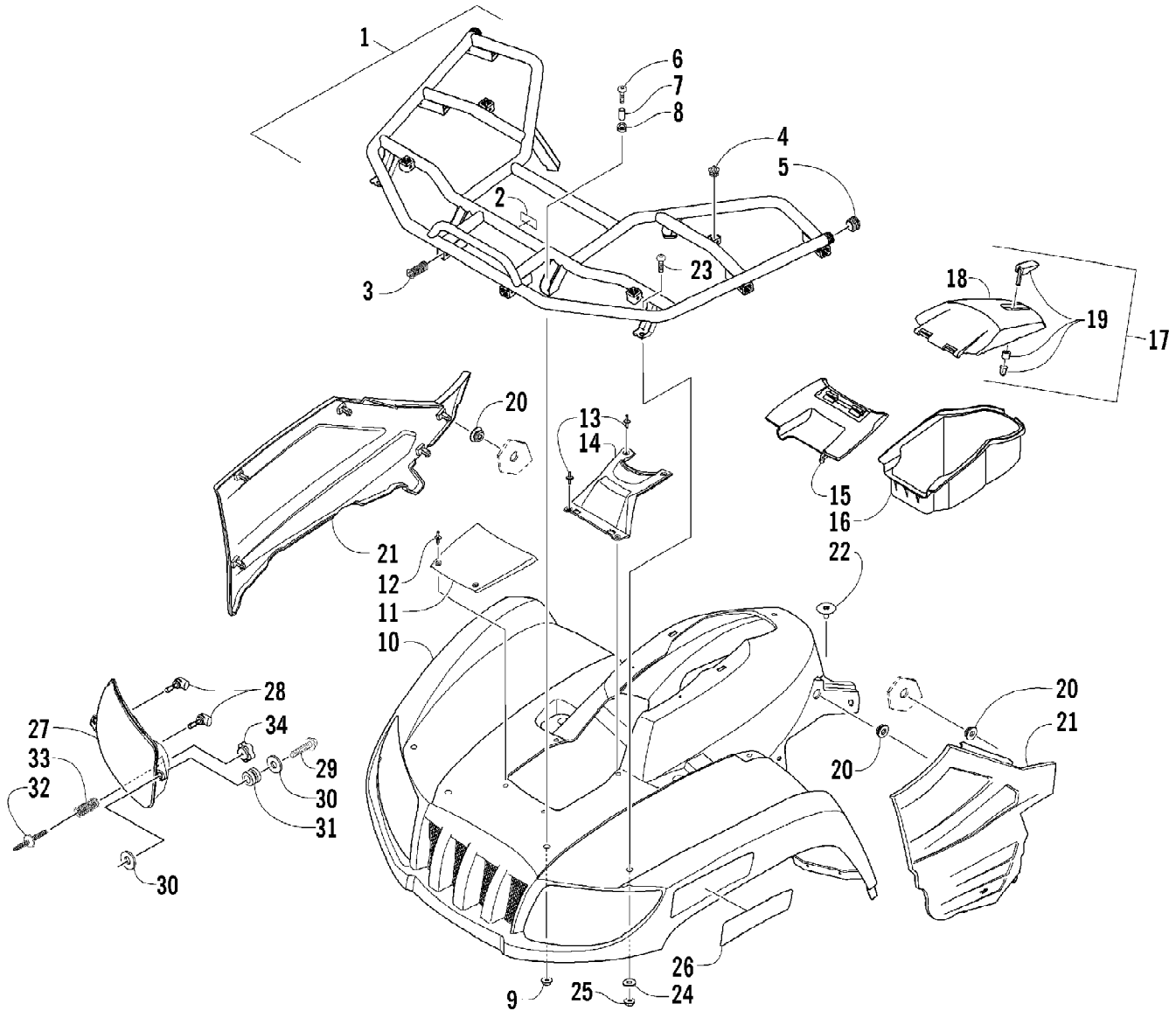
Ref #	Part Number	Qty	S/P/F	Description
1	0462-036	1		Engine
2	1506-740	1		Bracket, Engine Mounting - Right
2	1506-741	1		Bracket, Engine Mounting - Left
3	0423-405	2		Screw, Cap
4	0423-042	2	S	Spacer
5	8428-002	2		Nut, Lock
6	2406-065	4		Mount, Rubber - Engine
7	8408-820	10	/P	Screw, Cap
8	8408-012	4		Screw, Cap
9	8432-802	8		Nut, Lock
10	0412-007	1	/P	Seal, Exhaust Pipe
11	0512-262	1		Pipe, Exhaust - Assembly (inc. 12-19)
12	0423-317	6	/P	Clamp
13	0512-281	1		Pipe, Exhaust
14	0412-292	1		Shield, Exhaust Pipe - Front - Upper
15	0412-293	1		Shield, Exhaust Pipe - Front - Lower
16	0412-294	1		Shield, Exhaust Pipe - Center - Inner
17	0412-295	1		Shield, Exhaust Pipe - Center - Outer
18	0412-282	1		Shield, Exhaust Pipe - Rear - Upper
19	0412-283	1		Shield, Exhaust Pipe - Rear - Lower
20	0612-188	1	/P	Gasket, Exhaust Pipe
21	0612-668	2	/P	Spring, Extension
22	0412-215	3	S	Bushing
23	1506-732	1		Channel, Muffler Support
24	0512-306	1	/P	Muffler - Assembly (inc. 25-27)
25	0412-313	1		Gasket, Spark Arrester
26	0512-219	1	/P	Arrester, Spark - Assembly
27	8408-616	3		Screw, Cap
28	0412-373	1	/P	Cover, Muffler
29	8477-610	3		Screw, Machine
30	3402-013	1	/P	Gasket
31	3430-033	1		Switch, Cooling Fan
32	3530-037	1	/P	Switch, Oil Light
33	3402-556	1	/P	Gasket



2007 ATV 400 AUTOMATIC TRANSMISSION 4X4 TRV RED (A2007TBH4BUSR) Page 34 of 94
FRAME AND RELATED PARTS

Ref #	Part Number	Qty	S/P/F	Description
1	2506-228	1		Frame, Main
2	8409-020	4	/P	Screw, Cap
3	1506-596	1	/P	Channel, Bumper Mounting - Right
3	0506-653	1	S	Channel, Bumper Mounting - Left
4	1506-562	1		Bracket, Mounting - Bumper - Right
4	1506-563	1		Bracket, Mounting - Bumper - Left
5	8408-816	11		Screw, Cap
6	1506-855	1	/P	Bumper
7	1406-360	1		Grille, Bumper
8	0423-419	2		Screw, Machine
9	0423-101	16		Screw, Shoulder
10	8428-002	2		Nut, Lock
11	1506-429	1	S	Brace, A-Arm
12	8409-025	2		Screw, Cap
13	2406-091	1		Panel, Belly
14	0406-289	2		Pad, Foam
15	8424-802	4		Nut
16	8409-016	4		Screw, Cap
17	1506-848	1		Footrest - Right
17	1506-849	1		Footrest - Left
18	2406-216	1		Strap, Footrest - Right
18	2406-217	1		Strap, Footrest - Left
19	1506-548	1		Channel, Shock Support

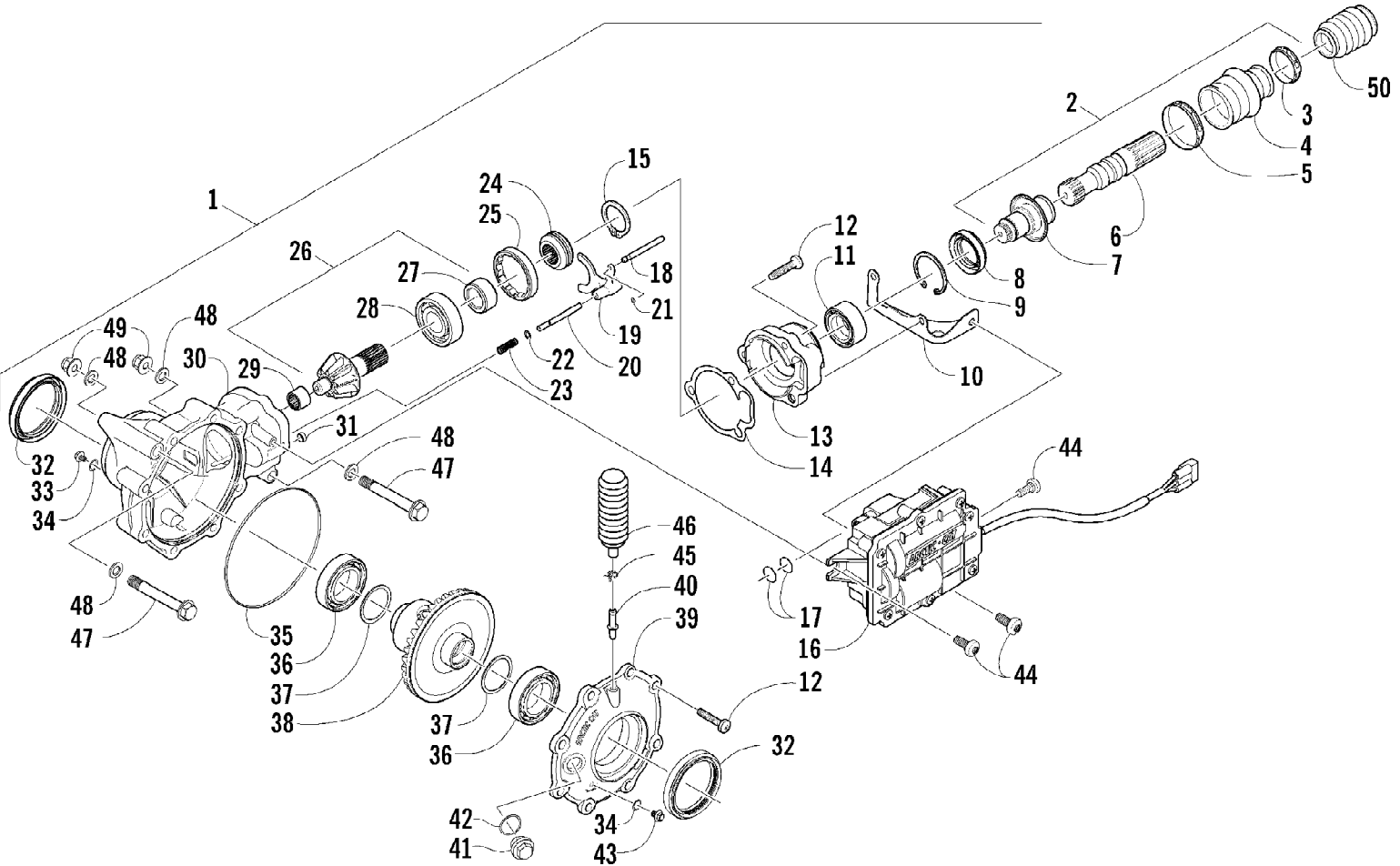
2007 ATV 400 AUTOMATIC TRANSMISSION 4X4 TRV RED (A2007TBH4BUSR) Page 35 of 94
FRONT BODY PANEL ASSEMBLY



2007 ATV 400 AUTOMATIC TRANSMISSION 4X4 TRV RED (A2007TBH4BUSR) Page 36 of 94
FRONT BODY PANEL ASSEMBLY

Ref #	Part Number	Qty	S/P/F	Description
1	0541-272	1		Rack - Front - Assembly (inc. 2-5)
2	0411-576	1		Decal, Warning - Front Rack Load
3	2406-014	6		Bushing, Rack
4	0441-592	4	/P	Bushing, Rack
5	1441-049	2		Plug, Rack
6	8410-830	4		Screw, Machine
7	0423-669	4		Spacer
8	0423-465	4		Grommet
9	8432-802	4		Nut, Lock
10	0518-006	1	S	Panel, Fender - Front (inc. 26)
11	1406-358	1		Cover, Access
12	0423-535	2		Rivet, Reinstallable
13	0623-362	4		Rivet, Reinstallable
14	1406-484	1		Cover, Steering Post
15	0470-513	1		Cover, Storage Box
16	1406-573	1		Box, Storage
17	2506-234	1		Lid, Storage Box w/Latch (inc. 18-19)
18	0470-514	1		Lid, Storage Box
19	1406-599	1		Latch, Storage Box
20	0423-678	8		Grommet
21	2406-326	1		Panel, Side - Lower - Right
21	2406-327	1		Panel, Side - Lower - Left
22	0423-101	2		Screw, Body
23	0423-654	2		Screw, Shoulder
24	8050-222	2	/P	Washer
25	0423-540	2		Nut, Lock
26	0411-818	1		Decal, Reflector - Front - Right
26	0411-819	1		Decal, Reflector - Front - Left
27	0509-034	1	S	Headlight Assembly - Right (inc. 28)
27	0509-035	1		Headlight Assembly - Left (inc. 28)
28	0409-055	4		Bulb, Headlight
29	0623-785	4		Screw, Self-Tapping
30	8050-217	8	/P	Washer
31	0423-447	4		Grommet
32	0423-514	2		Stud, Adjuster - Headlight
33	0423-522	2		Spring, Adjuster
34	0423-513	2		Knob, Adjuster

2007 ATV 400 AUTOMATIC TRANSMISSION 4X4 TRV RED (A2007TBH4BUSR) Page 37 of 94
FRONT DRIVE GEARCASE ASSEMBLY



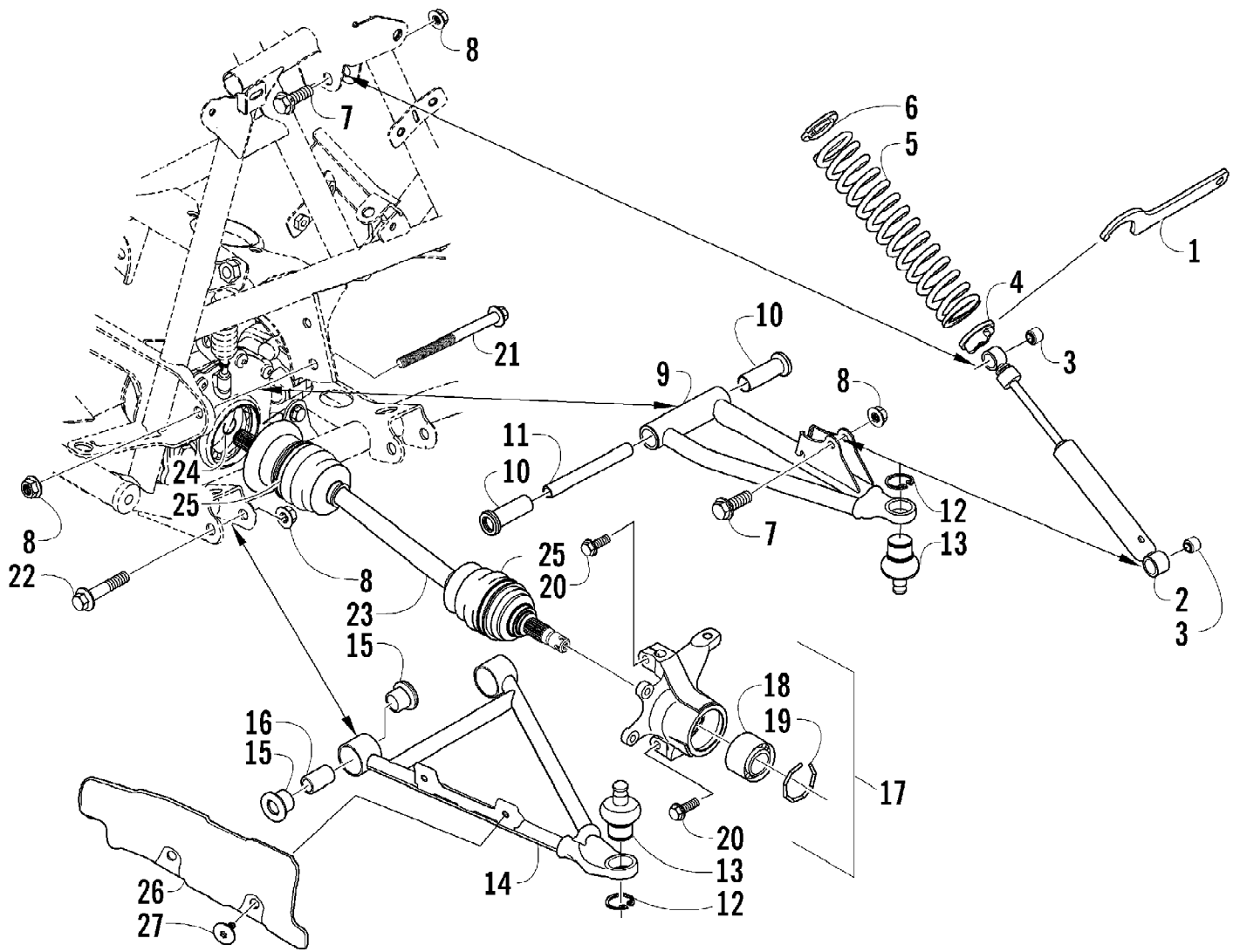
2007 ATV 400 AUTOMATIC TRANSMISSION 4X4 TRV RED (A2007TBH4BUSR) Page 38 of 94
FRONT DRIVE GEARCASE ASSEMBLY

Ref #	Part Number	Qty	S/P/F	Description
1	1502-090	1		Gearcase, Front Drive - Assembly (inc. 2-44)
2	1502-084	1		Shaft, Propeller - Assembly (inc. 3-7)
3	0423-411	1		Clamp, Boot
4	0402-985	1	/P	Boot, Propeller Shaft
5	0423-393	1		Clamp, Boot
6	1402-046	1		Shaft, Output
7	1502-085	1	/P	Shaft, Input
8	1402-011	1		Seal
9	0423-423	1		Ring, Retaining
10	0502-347	1		Bracket, Actuator
11	1402-043	1		Bearing
12	0423-118	11		Screw, Self-Tapping
13	0502-528	1	/P	Housing, Pinion
14	0402-947	1		Gasket, Flange
15	0423-417	1		Ring, Retaining
16	0502-296	1		Actuator (inc. one No. 17)
17	0423-498	2	S	O-Ring
18	0402-997	1		Shaft, Selector
19	0402-998	1		Fork, Selector
20	0402-417	1		Shaft, Shuttle
21	0423-402	1		Ring, Retaining
22	0423-147	1		O-Ring
23	0402-999	1		Spring, Return
24	0402-413	1		Coupler, Drive
25	0402-357	1		Collar, Lock
26	0502-649	1		Gear, Pinion - Assembly - 9T (inc. 27-28)
27	0402-336	1		Collar, Retaining
28	0402-327	1		Bearing
29	0402-328	1		Bearing
30	0502-120	1		Housing, Gearcase
31	0402-411	1		Pin, Dowel
32	1402-441	2	S	Seal
33	0402-450	1	S	Plug, Magnetic (inc. one No. 34)
34	0423-153	2		O-Ring
35	0423-149	1		O-Ring
36	0402-393	2		Bearing
37	0402-405	AR		Shim
37	0402-406	AR		Shim
37	0402-407	AR		Shim
37	0402-408	AR		Shim
37	0402-409	AR		Shim
38	0502-778	1		Gear, Ring - 36T
39	1502-081	1		Cover, Gearcase
40	1402-104	1		Fitting
41	0402-333	1	/P	Plug, Fill (inc. 42)
42	0423-154	1		O-Ring
43	1402-211	1		Plug, Oil Level (inc. one No. 34)
44	0423-396	3		Screw, Self-Tapping
45	0423-315	1		Clamp, Fitting
46	0402-147	1	S	Bladder, Gearcase
47	0423-404	2		Screw, Cap
48	0423-426	4		Washer
49	8428-002	2		Washer

2007 ATV 400 AUTOMATIC TRANSMISSION 4X4 TRV RED (A2007TBH4BUSR) Page 39 of 94
FRONT DRIVE GEARCASE ASSEMBLY

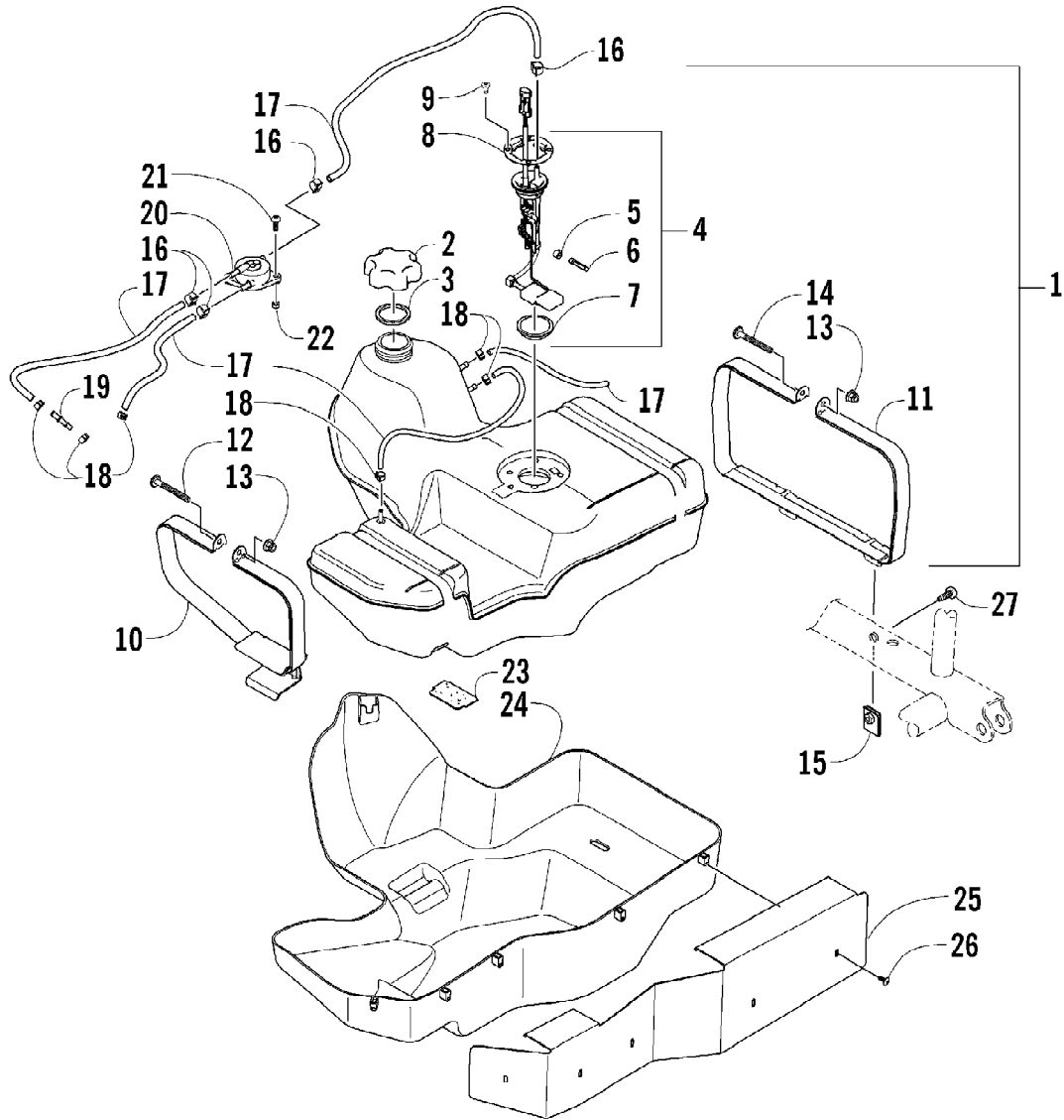
Ref #	Part Number	Qty	S/P/F	Description
50	0402-966	1		Boot, Shaft

2007 ATV 400 AUTOMATIC TRANSMISSION 4X4 TRV RED (A2007TBH4BUSR) Page 40 of 94
FRONT SUSPENSION ASSEMBLY



2007 ATV 400 AUTOMATIC TRANSMISSION 4X4 TRV RED (A2007TBH4BUSR) Page 41 of 94
FRONT SUSPENSION ASSEMBLY

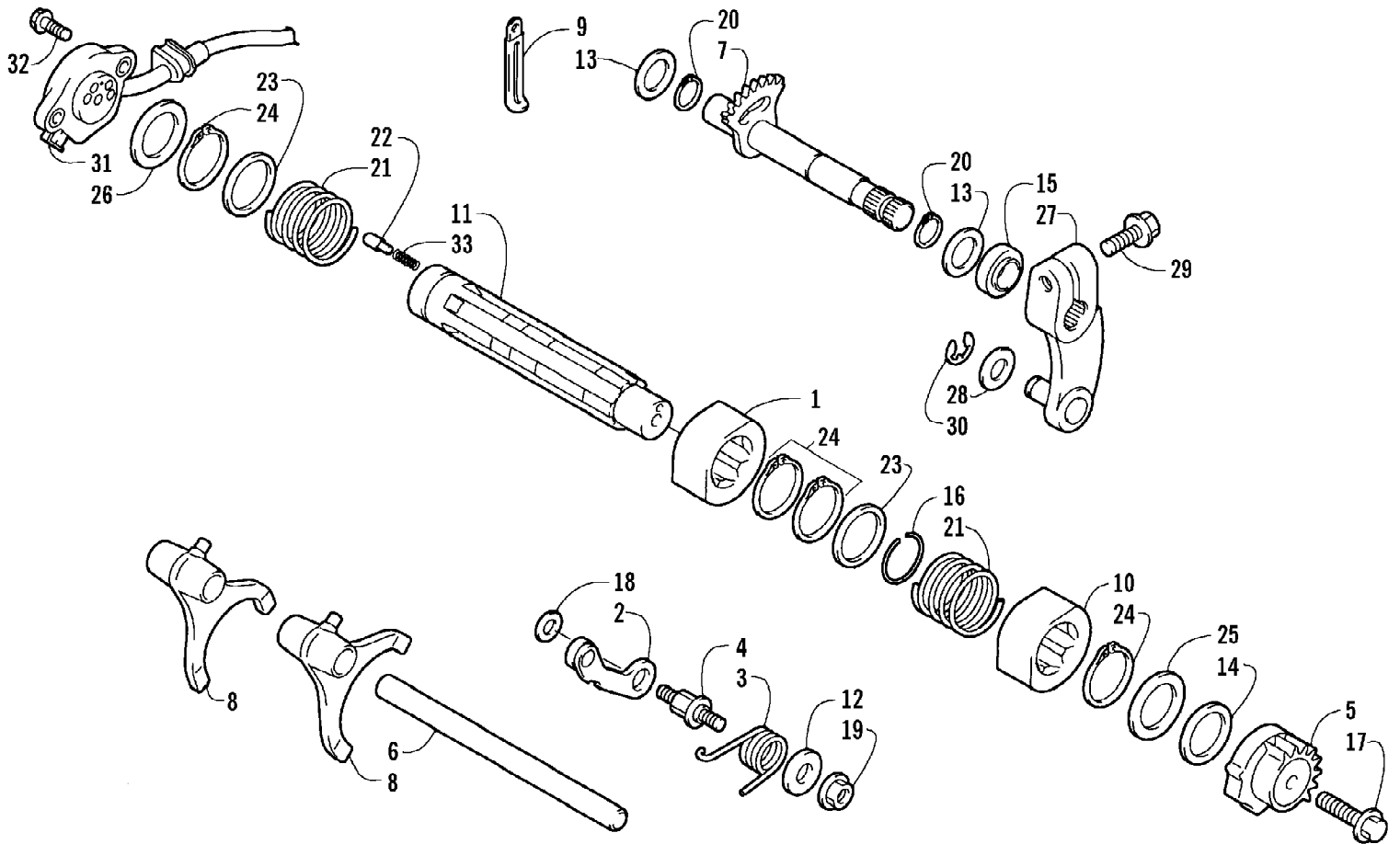
Ref #	Part Number	Qty	S/P/F	Description
1	0441-587	1		Wrench, Spanner
2	0403-176	2		Shock Absorber - Front (inc. 3)
3	0403-182	4		Bushing, Double-Bonded
4	0403-102	2		Cam, Spring Adjuster
5	0403-174	2		Spring, Shock Absorber
6	1603-889	2	/P	Retainer, Spring
7	8409-040	4		Screw, Cap
8	8428-002	10		Nut, Lock
9	0503-272	1	S	A-Arm, Upper Right (inc. 10-13)
9	0503-273	1	S	A-Arm, Upper Left (inc. 10-13)
10	0403-081	4	S	Bushing
11	0403-080	2		Collar
12	0423-009	4	/P	Clip, Ball Joint
13	0405-115	4	/P	Ball Joint - Front
14	0503-342	1	S	A-Arm, Lower Right (inc. 12-13 and 15-16)
14	0503-343	1	S	A-Arm, Lower Left (inc. 12-13 and 15-16)
15	0403-115	8	S	Bushing
16	0403-114	4	S	Collar
17	0505-460	1		Knuckle - Assembly - Right (inc. 18-19)
17	0505-461	1	S	Knuckle - Assembly - Left (inc. 18-19)
18	1402-027	2	S/P	Bearing, Wheel Hub
19	0423-423	2		Ring, Retaining
20	8409-030	4		Screw, Cap
21	0423-334	2		Screw, Cap
22	8409-075	4		Screw, Cap
23	0502-812	2	S	Axle, Drive - Front (inc. 24-25)
24	1441-109	2	S	Clip, Retaining
25	0436-276	2	S	Repair Kit, Boot
26	0441-752	1		Guard, Boot - Right
26	0441-753	1		Guard, Boot - Left
27	0423-545	4	/P	Screw, Body



2007 ATV 400 AUTOMATIC TRANSMISSION 4X4 TRV RED (A2007TBH4BUSR) Page 43 of 94
GAS TANK ASSEMBLY

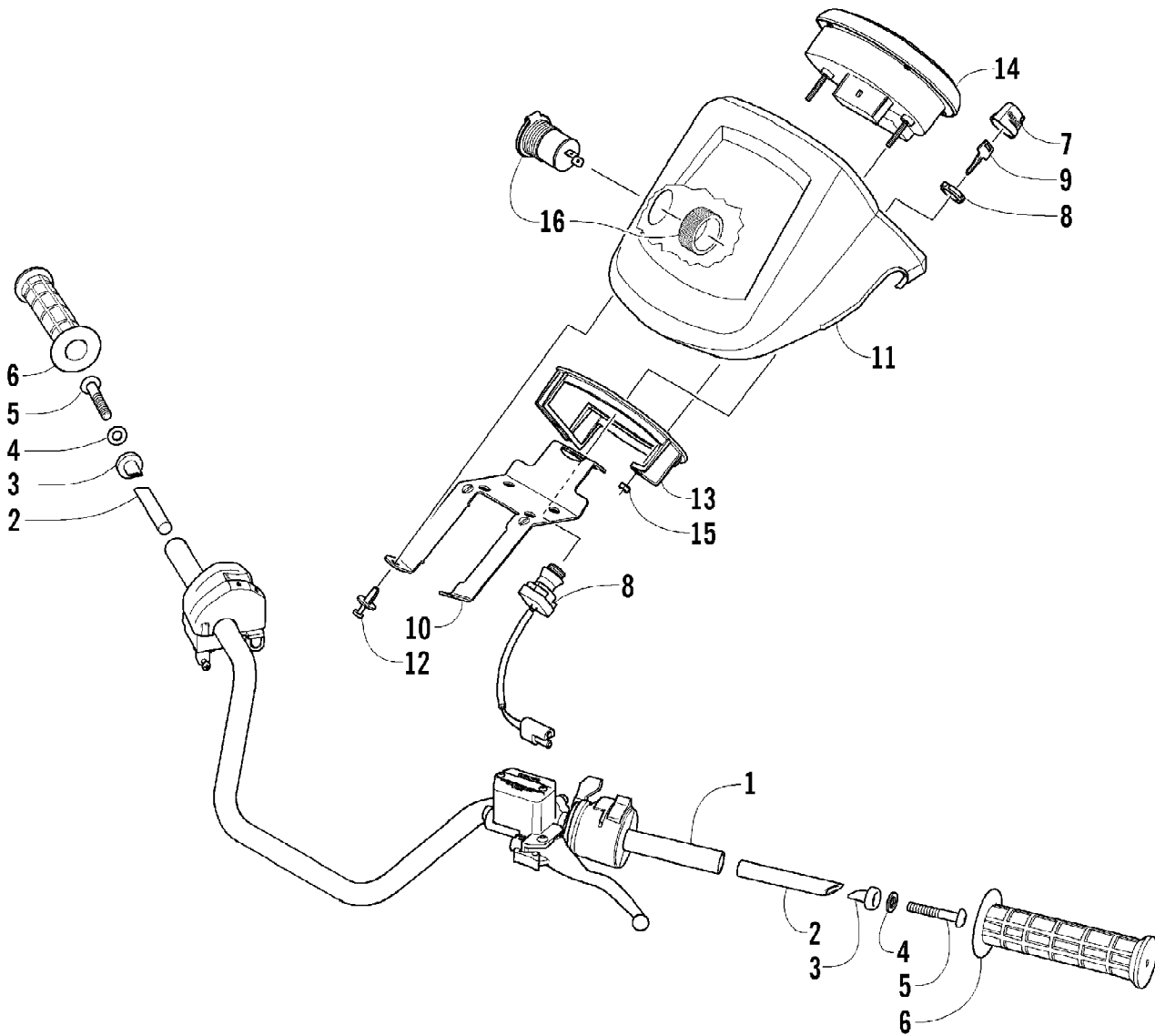
Ref #	Part Number	Qty	S/P/F	Description
1	0570-148	1	S	Tank, Gas - Assembly w/Straps (inc. 2-14)
2	0470-438	1	/P	Cap, Gas Tank (inc. 3)
3	0109-733	1	/P	Gasket, Gas Tank Cap
4	0570-114	1	S/P	Sensor, Fuel Level (inc. 5-7)
5	0423-603	1		Clamp, Hose
6	0470-475	1		Filter, Fuel
7	0470-521	1		Seal, Fuel Level Sensor
8	0470-639	1	/P	Plate, Mounting - Fuel Level Sensor
9	1623-158	4		Screw, Plastite
10	0570-168	1		Strap, Mounting - Gas Tank - Front
11	0570-169	1		Strap, Mounting - Gas Tank - Rear
12	8476-650	1		Screw, Machine
13	8427-602	2		Nut, Lock
14	8476-640	1		Screw, Machine
15	0470-536	2		Clip, Mounting - Gas Tank
16	0423-688	4		Clamp, Hose
17	0410-070	AR	/P	Hose, Gasline - 25 ft
18	0423-670	6		Clamp, Hose
19	0470-527	1	S	Fitting, Straight
20	0470-519	1	S	Pump, Fuel
21	8476-620	2		Screw, Machine
22	0623-038	2		Nut, Lock
23	0470-476	1		Pad, Gas Tank
24	0470-479	1		Shield, Gas Tank
25	0470-474	1		Shield, Heat
26	0623-797	5		Screw, Self-Tapping
27	0423-609	2		Screw, Shoulder

2007 ATV 400 AUTOMATIC TRANSMISSION 4X4 TRV RED (A2007TBH4BUSR) Page 44 of 94
GEAR SHIFTING ASSEMBLY



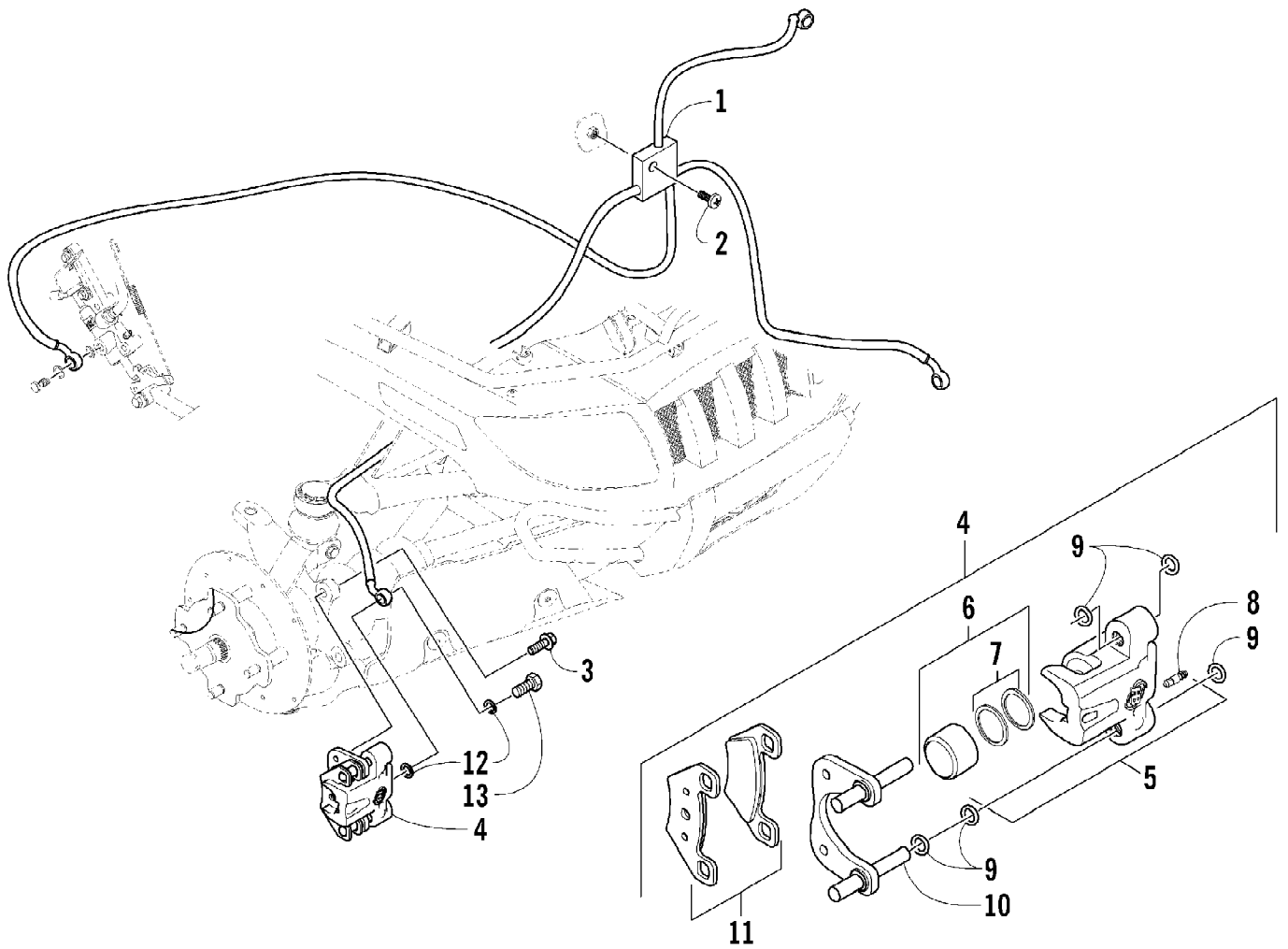
2007 ATV 400 AUTOMATIC TRANSMISSION 4X4 TRV RED (A2007TBH4BUSR) Page 45 of 94
GEAR SHIFTING ASSEMBLY

Ref #	Part Number	Qty	S/P/F	Description
1	3402-640	1		Cam, Reverse
2	3446-043	1		Stopper, Cam
3	3446-283	1		Spring, Cam Stopper
4	3446-048	1		Support, Cam Stopper
5	3402-642	1		Plate, Gear Shift Cam
6	3402-643	1		Shaft, Shift Fork
7	3402-644	1		Shaft, Sub-Gear Shift
8	3446-073	2		Fork, Shift
9	3004-787	1		Clamp, Wire
10	3402-670	1		Cam, Gear Shift
11	3446-281	1		Shaft, Gear Shift
12	3423-438	1		Washer, Cam Stopper Spring
13	1691-043	2		Washer, Sub-Gear Shift Shaft
14	3423-446	1		Washer, Gear Shift Cam Plate
15	3402-076	1		Seal, Sub-Gear Shift Shaft
16	3423-416	1		C-Ring, Cam
17	3004-376	1	S/P	Bolt, Gear Shift Cam Plate
18	3423-141	1		Washer, Cam Stopper
19	3004-488	1	S/P	Nut, Cam Stopper Spring
20	3423-358	2	S	Circlip, Sub-Gear Shift Shaft
21	3446-280	2		Spring, Cam
22	3423-044	2		Contact
23	3402-382	2		Washer, Cam Spring
24	3423-191	4	/P	Circlip, Cam Spring
25	3402-195	1		Washer, Shift Shaft
26	3423-421	1	/P	Washer, Shift Shaft
27	3402-434	1	/P	Arm, Select
28	3423-204	1	/P	Washer, Select Arm
29	3004-341	1	S/P	Bolt, Select Arm
30	3423-153	1		E-Ring
31	3402-997	1		Base, Gear Shift - Assembly
32	3423-418	2		Bolt
33	3402-087	2		Spring



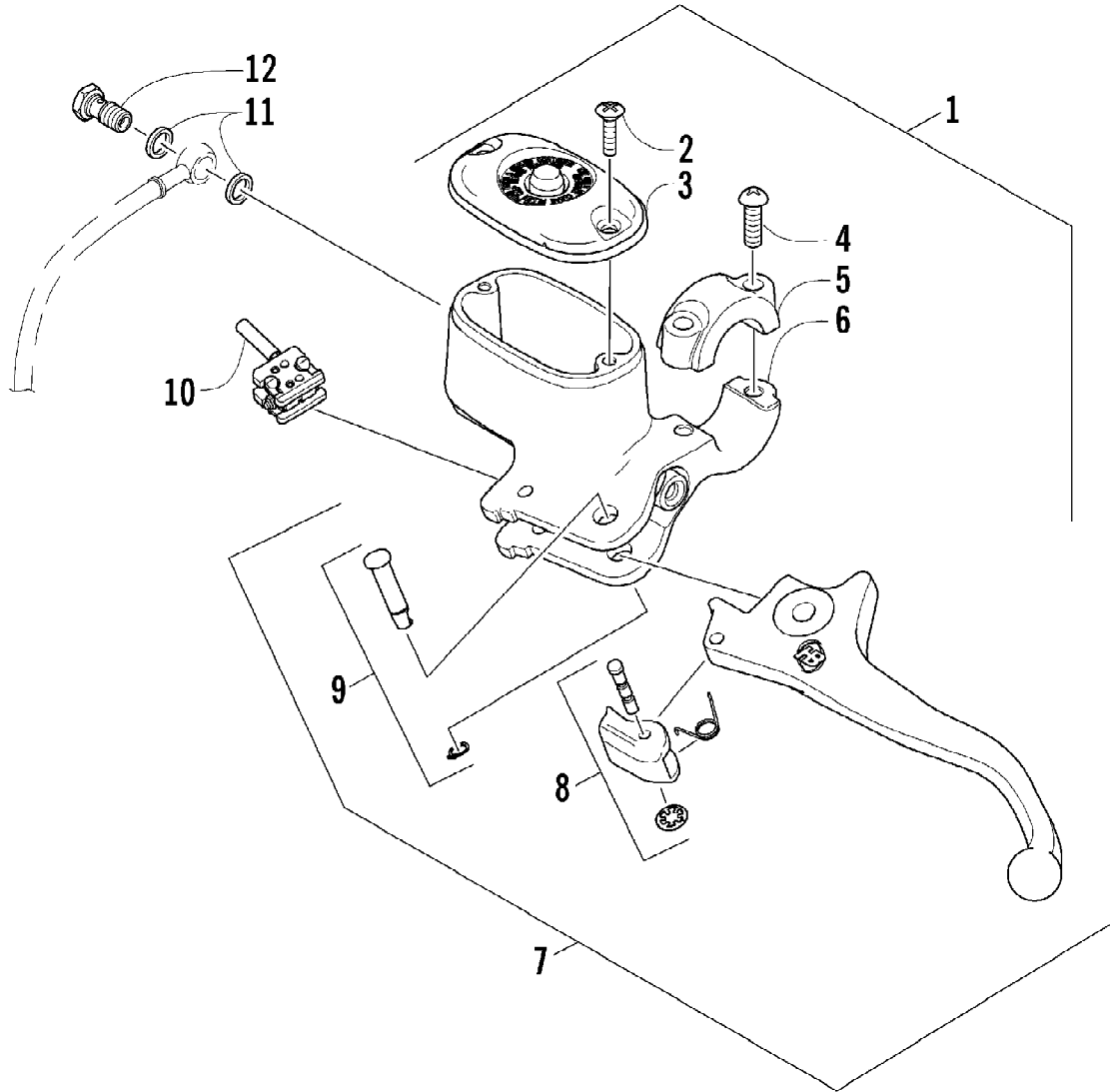
2007 ATV 400 AUTOMATIC TRANSMISSION 4X4 TRV RED (A2007TBH4BUSR) Page 47 of 94
HANDLEBAR ASSEMBLY

Ref #	Part Number	Qty	S/P/F	Description
1	0505-476	1		Tube, Handlebar
2	0405-218	2		Plug, Handlebar
3	0405-149	2		End Cap, Handlebar
4	8050-247	2	/P	Washer
5	8477-845	2		Screw, Machine
6	0405-147	2		Grip, Handlebar
7	0409-013	1		Cover, Key
8	3430-040	1		Switch, Ignition - Assembly (inc. 9)
9	3409-007	1	/P	Key, Ignition - Blank (C Series)
9	3409-011	1		Key, Ignition - Blank (D Series)
9	3409-012	1		Key, Ignition - Blank (E Series)
9	3409-013	1		Key, Ignition - Blank (F Series)
10	1506-578	1		Bracket, Mounting - Instrument Pod
11	0405-188	1		Instrument Pod
12	0423-535	2		Rivet, Reinstallable
13	0420-065	1	/P	Clamp
14	0520-020	1		Gauge, LCD
15	0423-493	2		Nut w/Washer
16	0641-897	1	/P	Outlet, Accessory - 12V



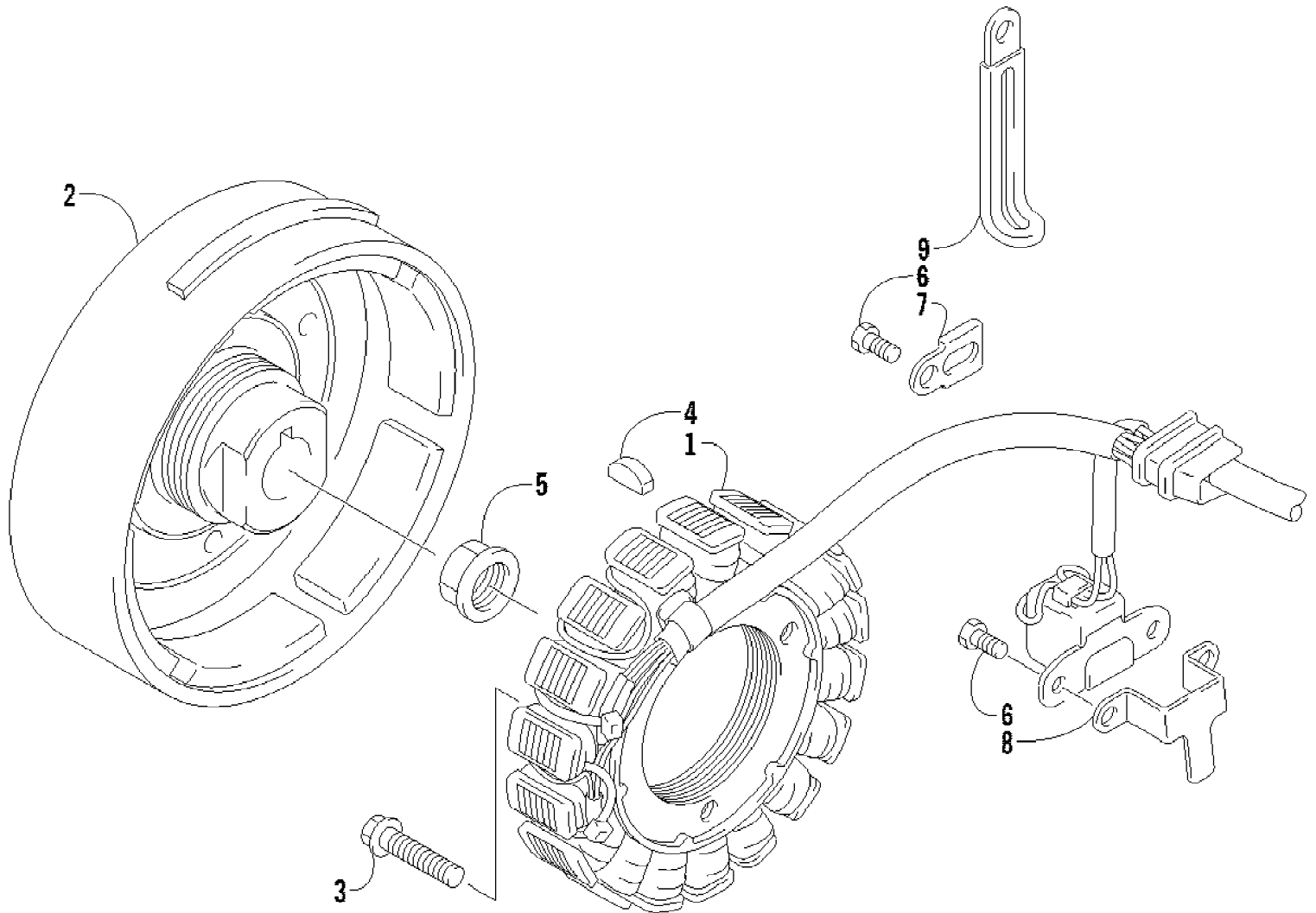
2007 ATV 400 AUTOMATIC TRANSMISSION 4X4 TRV RED (A2007TBH4BUSR) Page 49 of 94
HYDRAULIC BRAKE ASSEMBLY

Ref #	Part Number	Qty	S/P/F	Description
1	1502-015	1		Hose, Brake - Assembly
2	8476-625	1		Screw, Cap
3	1623-589	4	S	Screw, Cap
4	0502-878	1	S	Caliper, Brake - Right Front (inc. 5-11)
4	0502-879	1	S	Caliper, Brake - Left Front (inc. 5-11)
5	0502-603	1	S	Housing, Caliper - Assembly - Right Front (inc. 6-8)
5	0502-611	1	S	Housing, Caliper - Assembly - Left Front (inc. 6-8)
6	0502-606	2		Piston/Seal Set (inc. 7)
7	0502-607	2		Seal Set
8	0502-609	2	/P	Valve, Bleed
9	0502-608	2		O-Ring, Guide - Set
10	0502-605	2		Bracket Assembly
11	0502-875	2	S	Pad, Brake - Set
12	0423-178	4		Washer, Crush
13	0423-413	2		Bolt, Banjo-Fitting



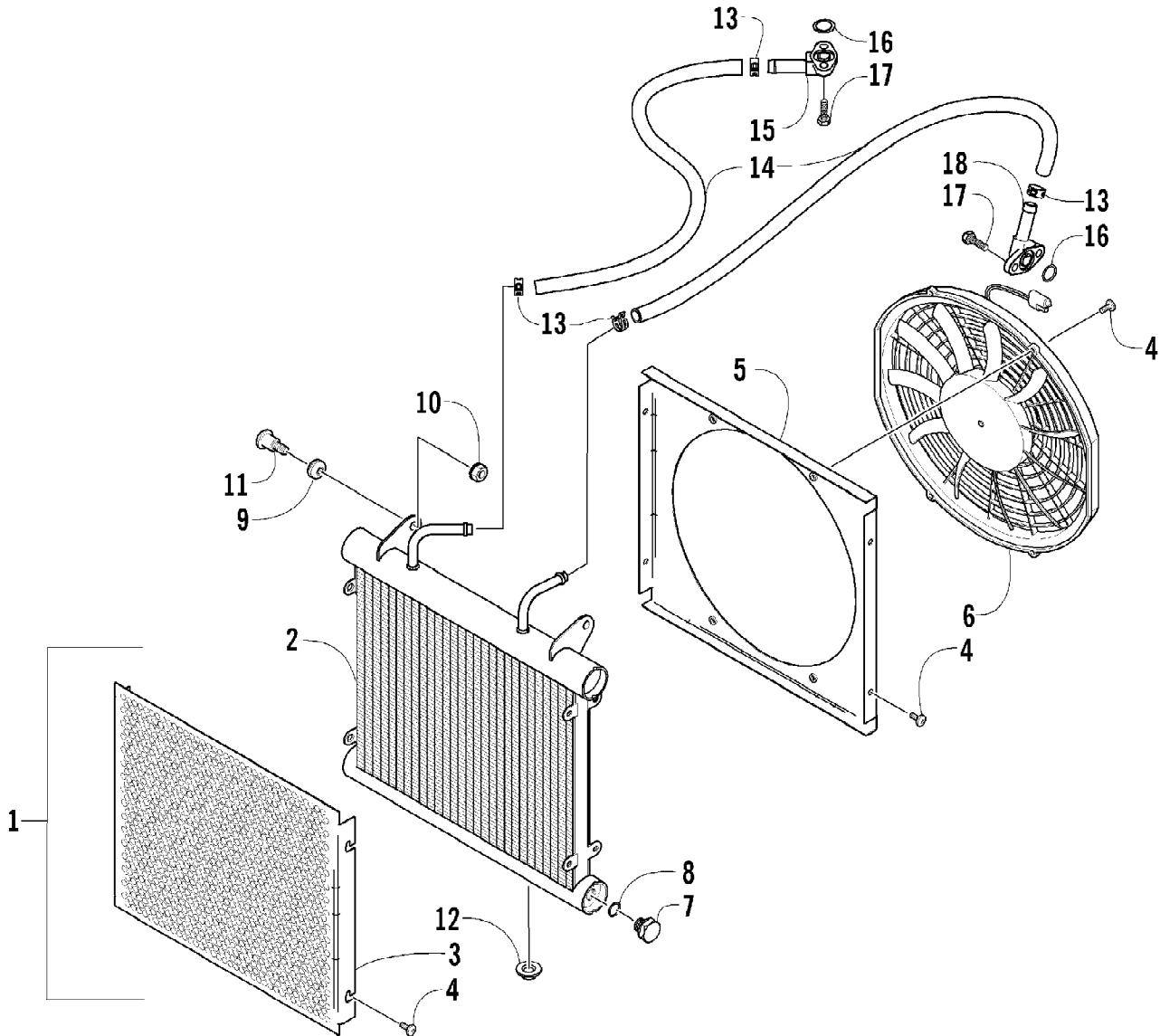
2007 ATV 400 AUTOMATIC TRANSMISSION 4X4 TRV RED (A2007TBH4BUSR) Page 51 of 94
HYDRAULIC HAND BRAKE ASSEMBLY

Ref #	Part Number	Qty	S/P/F	Description
1	0502-914	1	S	Brake Assembly (inc. 2-10)
2	0502-566	1		Screw, Reservoir Cover
3	0502-868	1	/P	Cover, Reservoir
4	0502-568	1		Screw, Master Cylinder Clamp
5	0502-869	1		Clamp, Master Cylinder
6	0502-704	1		Master Cylinder Assembly
7	0502-866	1		Lever Assembly (inc. 8-9)
8	0502-867	1	/P	Lock, Brake Lever - Kit
9	0502-580	1		Lever Pin - Kit
10	0502-564	1	/P	Switch, Brake - Kit
11	0423-178	2		Washer, Crush
12	0423-413	1		Bolt, Banjo-Fitting



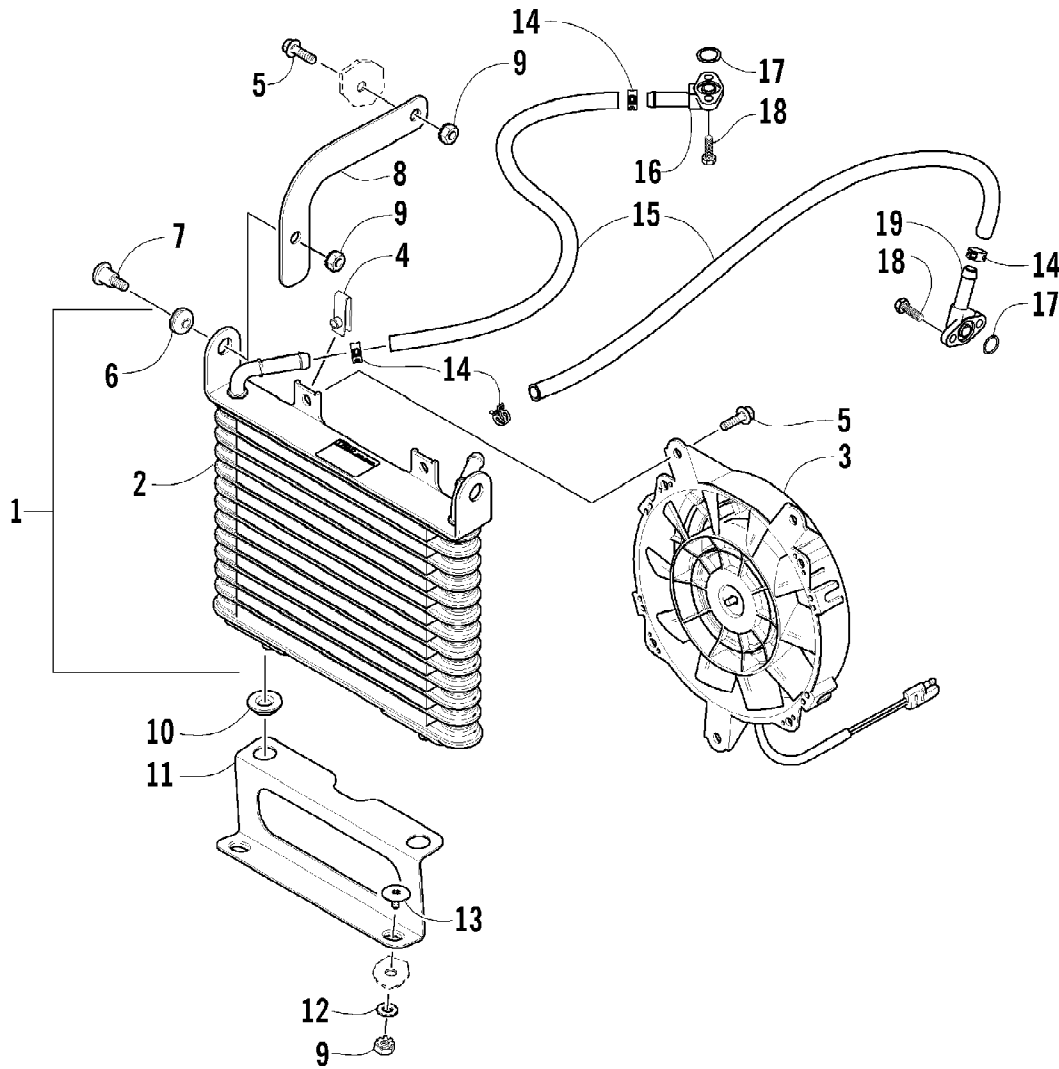
2007 ATV 400 AUTOMATIC TRANSMISSION 4X4 TRV RED (A2007TBH4BUSR) Page 53 of 94
MAGNETO ASSEMBLY

Ref #	Part Number	Qty	S/P/F	Description
1	3430-053	1		Stator Assembly
2	3430-054	1	S	Rotor/Flywheel
3	3004-756	3	S	Bolt
4	0691-785	1		Key
5	3423-086	1		Nut
6	3423-005	3	/P	Bolt
7	3430-005	1		Clamp
8	3430-006	1		Clamp
9	3002-964	1	/P	Clamp, Wire



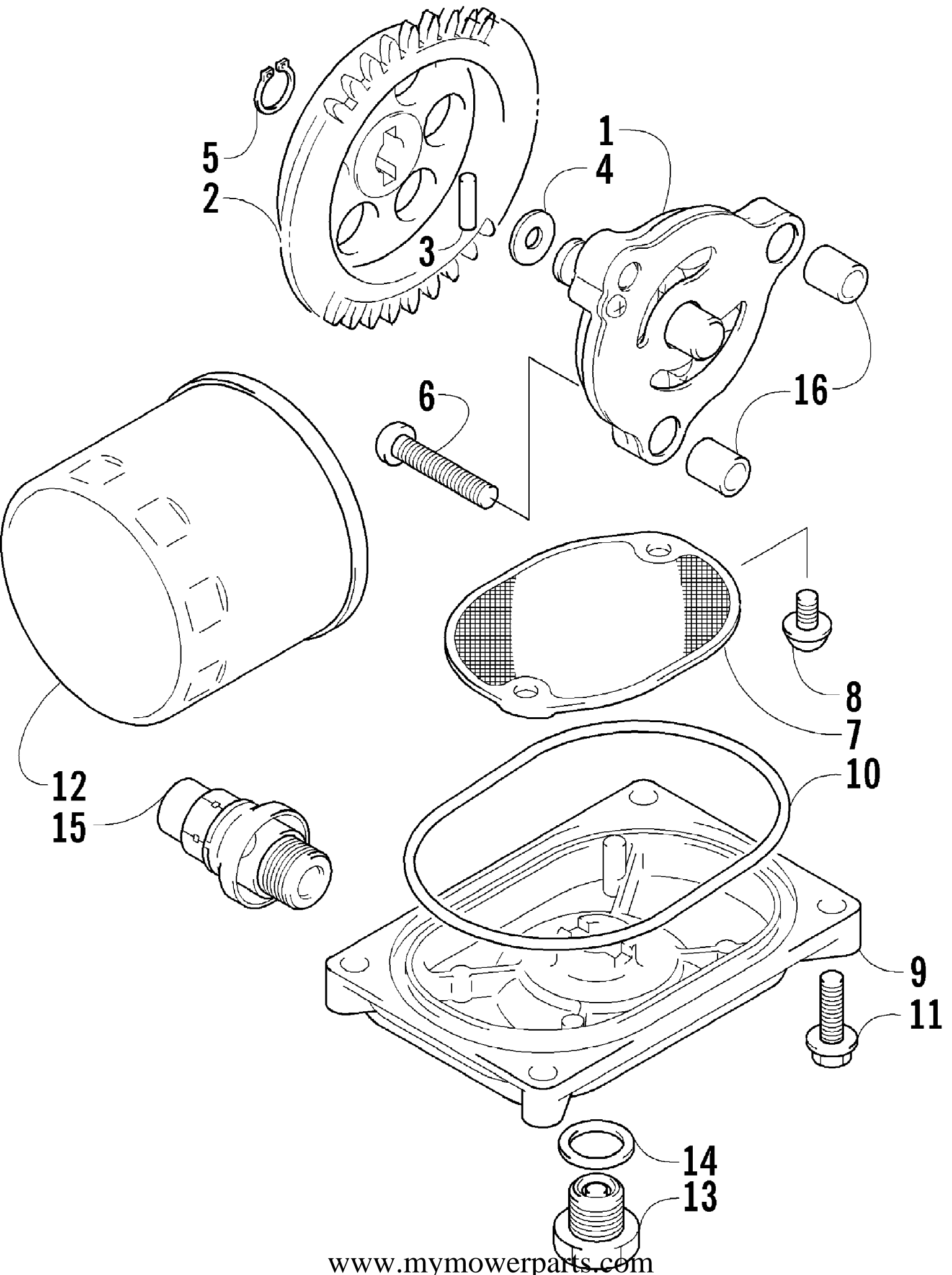
2007 ATV 400 AUTOMATIC TRANSMISSION 4X4 TRV RED (A2007TBH4BUSR) Page 55 of 94
 OIL COOLER ASSEMBLY (VIN: Up to V17T230317)

Ref #	Part Number	Qty	S/P/F	Description
1	0413-118	1		Cooler, Oil - Assembly (inc. 2-9)
2	0413-053	1		Cooler, Oil
3	0413-007	1		Screen, Oil Cooler
4	8475-512	12		Screw, Machine
5	0413-064	1		Shroud, Fan
6	0413-044	1	S	Fan, Cooling
7	0413-058	1		Plug, Drain
8	0413-059	1		O-Ring
9	0423-030	2		Grommet
10	0623-038	2		Nut w/Washer
11	0423-484	2		Screw, Shoulder
12	0423-028	2		Bushing, Stem
13	0423-098	4	/P	Clamp, Hose
14	0410-044	2		Hose, Oil
15	0410-013	1		Fitting, Oil
16	0423-089	2		O-Ring, Oil Fitting
17	8471-616	4		Screw, Cap
18	0410-012	1		Fitting, Oil - Angled



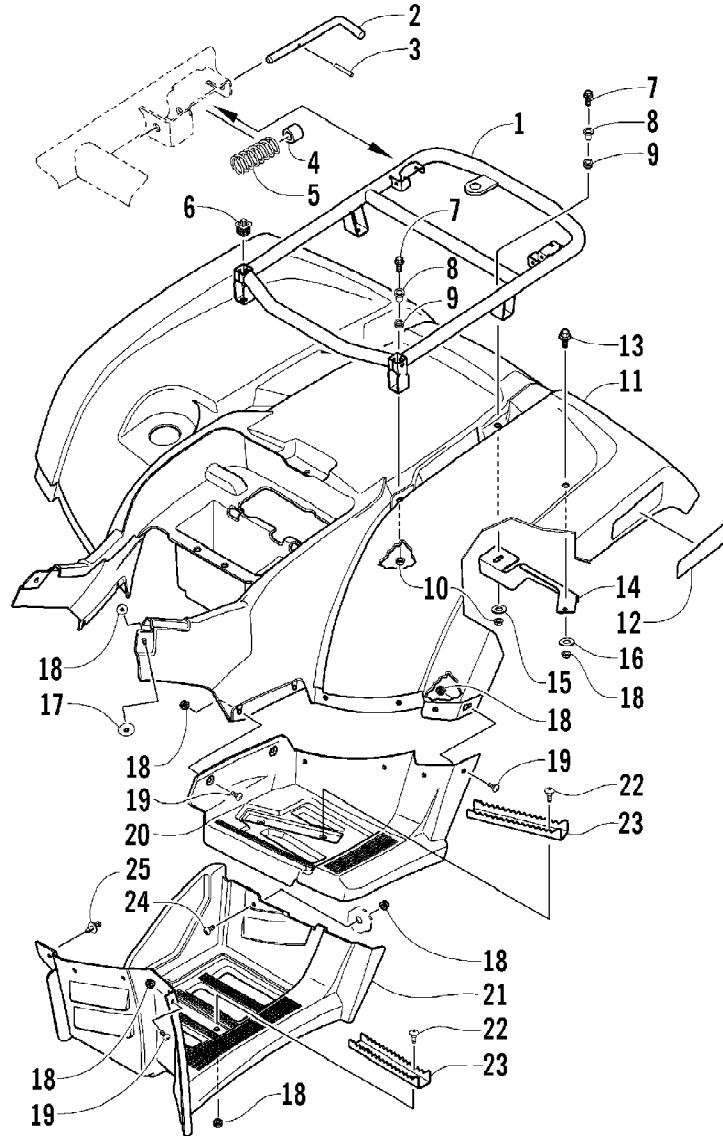
2007 ATV 400 AUTOMATIC TRANSMISSION 4X4 TRV RED (A2007TBH4BUSR) Page 57 of 94
 OIL COOLER ASSEMBLY (VIN: V17T230317 and Above)

Ref #	Part Number	Qty	S/P/F	Description
1	0413-144	1		Cooler, Oil - Assembly (inc. 2-4, three No. 5, and 6)
2	0413-146	1		Cooler, Oil
3	0413-145	1		Fan, Cooling
4	0423-031	3		Nut, Speed
5	8476-612	5		Screw, Machine
6	0423-030	2		Grommet
7	0423-484	2		Screw, Shoulder
8	0513-020	2		Bracket, Mounting - Oil Cooler - Upper
9	0623-038	6		Nut w/Washer
10	0423-028	2		Bushing, Stem
11	0513-021	1		Bracket, Mounting - Oil Cooler - Lower
12	8050-222	2	/P	Washer
13	0423-101	2		Screw, Body
14	0423-098	4	/P	Clamp, Hose
15	0410-044	2		Hose, Oil
16	0410-013	1		Fitting, Oil
17	0423-089	2		O-Ring, Oil Fitting
18	8471-616	4		Screw, Cap
19	0410-012	1		Fitting, Oil - Angled



2007 ATV 400 AUTOMATIC TRANSMISSION 4X4 TRV RED (A2007TBH4BUSR) Page 59 of 94
OIL FILTER/PUMP ASSEMBLY

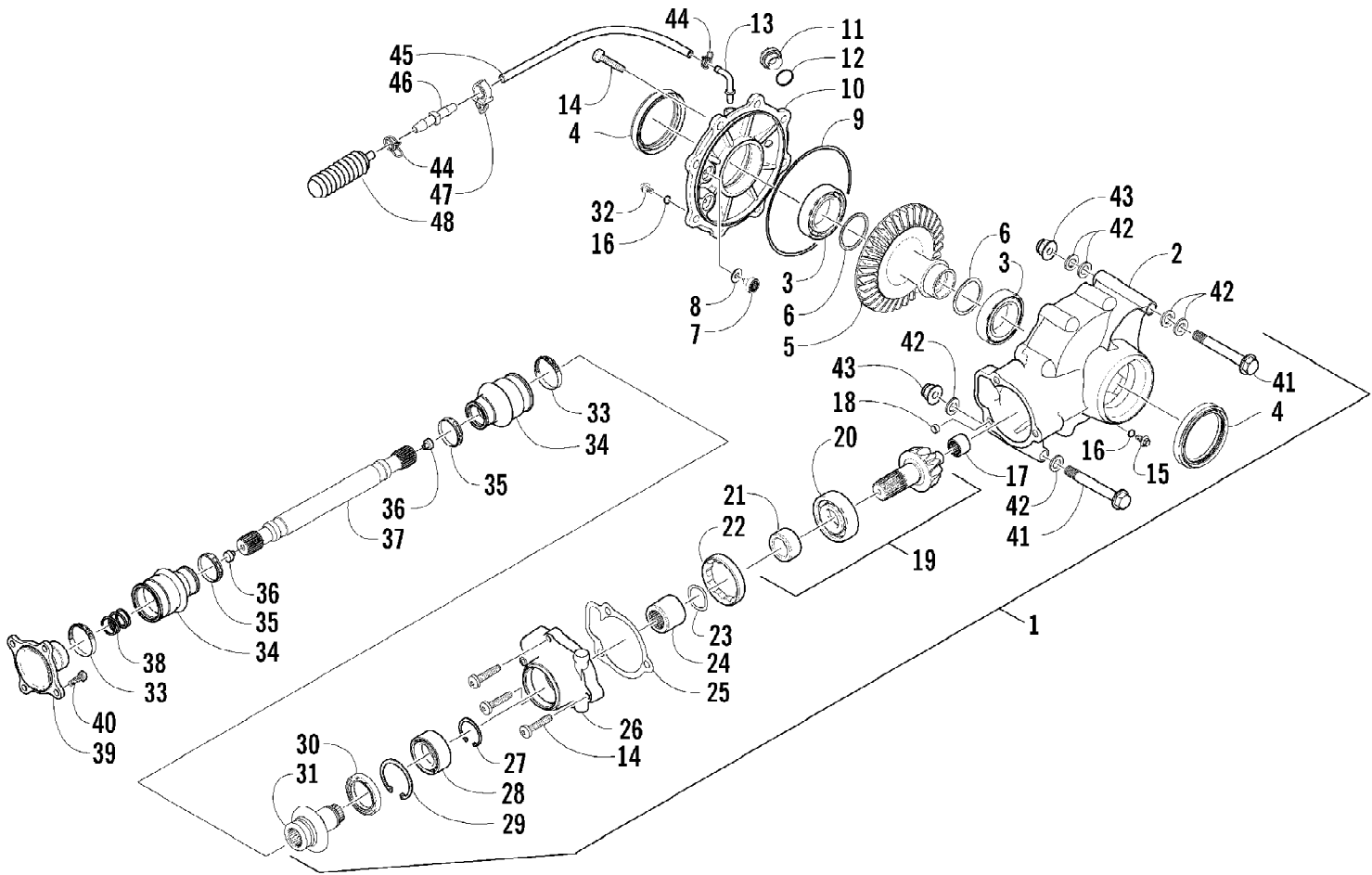
Ref #	Part Number	Qty	S/P/F	Description
1	3402-619	1		Pump, Oil
2	3402-618	1		Gear, Driven
3	3423-046	1		Pin
4	3423-443	1		Washer
5	3423-184	1	S	Circlip
6	3423-113	3	S/P	Screw
7	3402-156	1		Strainer, Oil
8	0693-389	2	S	Screw
9	3402-157	1		Cap, Oil Strainer
10	3423-077	1		O-Ring
11	3004-756	4	S	Screw, Cap
12	0812-005	1	S	Filter, Oil
13	3403-021	1	/P	Plug, Drain
14	3402-012	1		Gasket, Drain Plug
15	3402-773	1		Valve, Oil-Relief - Assembly
16	3005-206	2	/P	Pin, Oil Pump



2007 ATV 400 AUTOMATIC TRANSMISSION 4X4 TRV RED (A2007TBH4BUSR) Page 61 of 94
REAR BODY PANEL ASSEMBLY

Ref #	Part Number	Qty	S/P/F	Description
1	2506-221	1	/P	Rack, Rear - Assembly (inc. 2-6)
2	0541-504	2		Pin - Assembly (inc. 3)
3	0423-635	2		Pin, Roll
4	0423-677	2		Collar
5	0423-636	2		Spring
6	0441-592	4	/P	Bushing, Rack
7	8410-835	4		Screw, Machine
8	0423-669	4		Spacer
9	0423-465	4		Grommet
10	8432-802	4		Nut, Lock
11	2506-348	1	S	Panel, Fender (inc. 12)
12	0411-820	1	S	Decal, Reflector - Right
12	0411-821	1	S	Decal, Reflector - Left
13	0423-654	2		Screw, Shoulder
14	2506-092	1		Bracket, Rear Fender - Right
14	2506-093	1		Bracket, Rear Fender - Left
15	0423-087	2		Washer
16	8050-222	2	/P	Washer
17	0423-101	2		Screw, Body
18	0423-540	36		Nut, Lock
19	0423-419	22		Screw, Machine
20	2406-042	1		Footwell, Rear - Right
20	2406-043	1		Footwell, Rear - Left
21	1506-813	1		Footwell - Right
21	2406-471	1	/P	Footwell - Left
22	0423-355	8		Screw, Shoulder
23	1506-125	4	/P	Footpeg
24	8477-620	2		Screw, Machine
25	0623-362	2		Rivet, Reinstallable

2007 ATV 400 AUTOMATIC TRANSMISSION 4X4 TRV RED (A2007TBH4BUSR) Page 62 of 94
REAR DRIVE GEARCASE ASSEMBLY



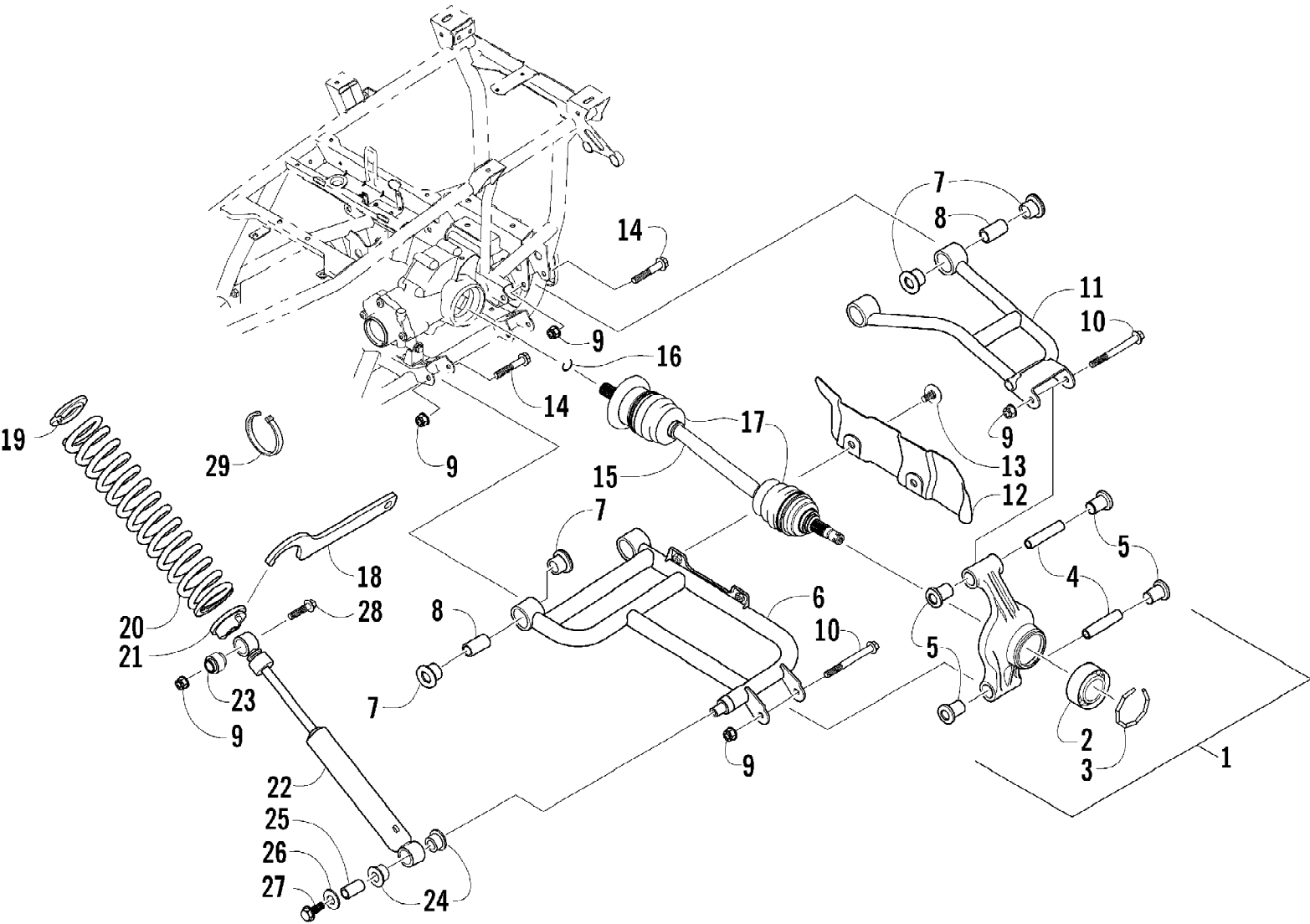
2007 ATV 400 AUTOMATIC TRANSMISSION 4X4 TRV RED (A2007TBH4BUSR) Page 63 of 94
REAR DRIVE GEARCASE ASSEMBLY

Ref #	Part Number	Qty	S/P/F	Description
1	1502-078	1		Gearcase, Rear Drive - Assembly (inc. 2-32)
2	0502-622	1		Housing, Gearcase
3	0402-393	2		Bearing
4	1402-441	2	S	Seal
5	1402-245	1		Gear, Ring - 36T
6	0402-405	AR		Shim
6	0402-406	AR		Shim
6	0402-407	AR		Shim
6	0402-408	AR		Shim
6	0402-409	AR		Shim
7	0402-326	1		Button, Thrust
8	0402-429	AR		Shim
8	0402-430	AR		Shim
8	0402-431	AR		Shim
8	0402-432	AR		Shim
8	0402-433	AR		Shim
9	0423-149	1		O-Ring
10	1502-082	1		Cover, Gearcase
11	0402-333	1	/P	Plug, Fill (inc. 12)
12	0423-154	1		O-Ring
13	1402-102	1		Fitting
14	0423-118	11		Screw, Self-Tapping
15	0402-450	1	S	Plug, Magnetic (inc. one No. 16)
16	0423-153	2		O-Ring
17	0402-328	1		Bearing
18	0402-411	1		Pin, Dowel
19	0502-649	1		Gear, Pinion - Assembly - 9T (inc. 20-21)
20	0402-327	1		Bearing
21	0402-336	1		Collar, Retaining
22	0402-331	1		Collar, Lock
23	0402-982	1		Washer, Wave
24	0402-981	1		Collar, Shaft
25	0402-947	1		Gasket, Flange
26	0502-529	1		Housing, Pinion
27	0423-417	1		Ring, Retaining
28	1402-043	1		Bearing
29	0423-423	1		Ring, Retaining
30	1402-011	1		Seal
31	1502-085	1	/P	Shaft, Input
32	1402-211	1		Plug, Oil Level (inc. one No. 16)
33	0423-393	2		Clamp
34	0402-985	2	/P	Boot
35	0423-411	2		Clamp
36	0673-618	2	/P	Bumper, Propeller Shaft
37	1402-092	1		Shaft, Propeller
38	1402-026	1		Spring
39	0402-950	1		Flange, Output
40	8408-820	4	/P	Screw, Cap
41	0423-404	2		Screw, Cap
42	0423-426	6		Washer
43	8428-002	2		Nut, Lock
44	0423-315	3		Clamp, Hose
45	0410-049	AR		Hot Vent

2007 ATV 400 AUTOMATIC TRANSMISSION 4X4 TRV RED (A2007TBH4BUSR) Page 64 of 94
REAR DRIVE GEARCASE ASSEMBLY

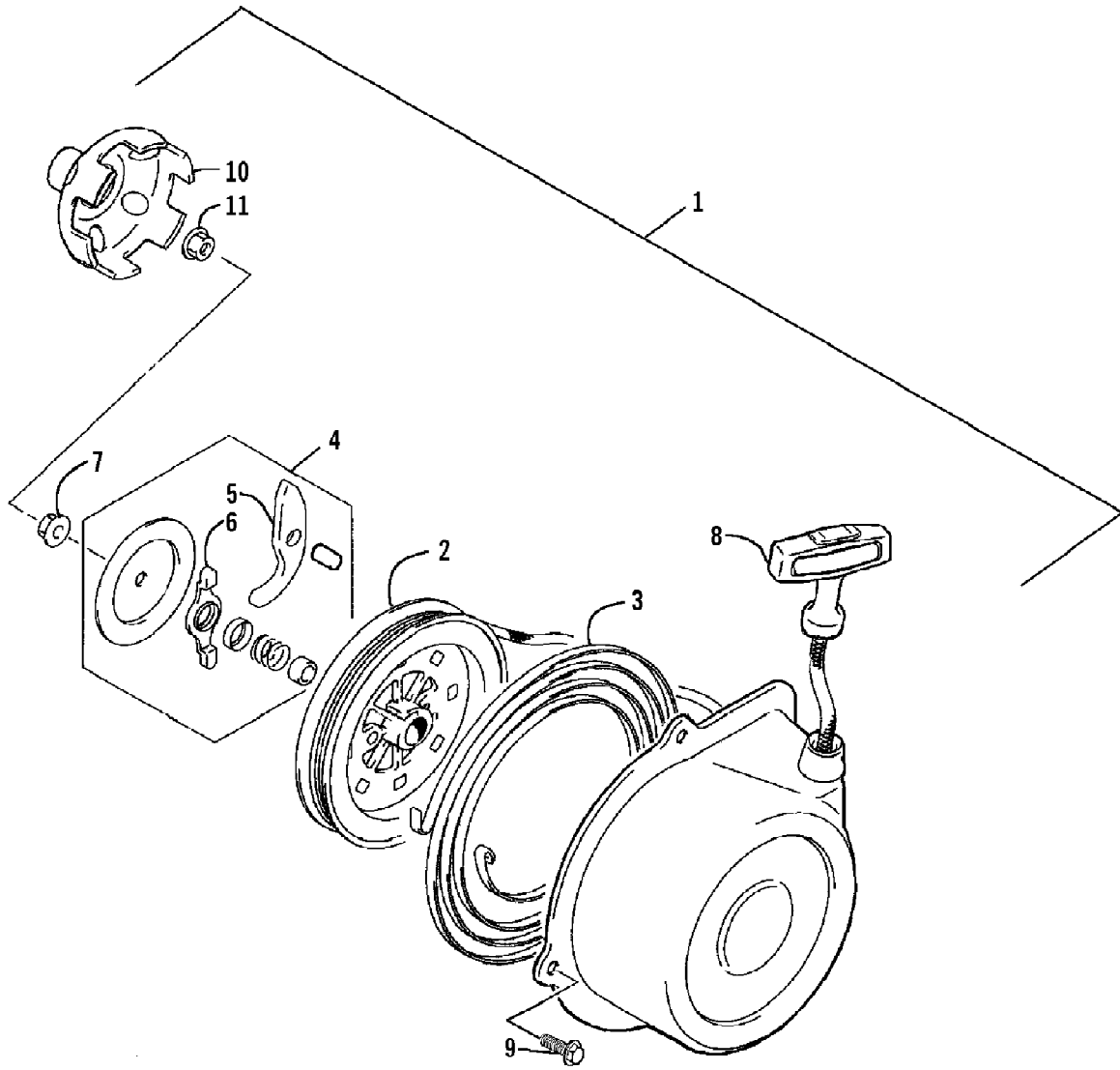
Ref #	Part Number	Qty	S/P/F	Description
46	0470-462	1		Fitting, Vent
47	0623-101	1		Clip, Retaining
48	0402-147	1	S	Bladder, Gearcase

2007 ATV 400 AUTOMATIC TRANSMISSION 4X4 TRV RED (A2007TBH4BUSR) Page 65 of 94
REAR SUSPENSION ASSEMBLY



2007 ATV 400 AUTOMATIC TRANSMISSION 4X4 TRV RED (A2007TBH4BUSR) Page 66 of 94
REAR SUSPENSION ASSEMBLY

Ref #	Part Number	Qty	S/P/F	Description
1	0504-372	1	S	Knuckle, Right Rear - Assembly (inc. 2-5)
1	0504-373	1	S/P	Knuckle, Left Rear - Assembly (inc. 2-5)
2	1402-027	2	S/P	Bearing, Wheel Hub
3	0423-423	2		Ring, Retaining
4	0403-038	4	S/P	Collar, Suspension Bushing
5	0403-032	8	S	Bushing, Suspension
6	0504-440	1	S	A-Arm, Rear - Lower Right (inc. 7-8)
6	0504-441	1	S	A-Arm, Rear - Lower Left (inc. 7-8)
7	0403-115	16	S	Bushing
8	0403-114	8	S	Collar
9	0423-744	14		Nut, Lock
10	8409-000	4		Screw, Cap
11	0504-476	1		A-Arm, Rear - Upper Right (inc. 7-8)
11	0504-477	1		A-Arm, Rear - Upper Left (inc. 7-8)
12	0441-754	1		Guard, Boot - Right
12	0441-755	1		Guard, Boot - Left
13	0423-545	4	/P	Screw, Body
14	8409-075	8		Screw, Cap
15	0502-811	2	S	Axle, Drive - Rear (inc. 16-17)
16	0441-893	2	S	Clip, Retaining
17	0436-276	2	S	Repair Kit, Boot
18	0441-587	1		Wrench, Spanner
19	1603-889	2	/P	Retainer, Spring
20	0404-145	2		Spring, Suspension
21	0404-057	2		Cam, Spring Adjuster
22	0404-147	2		Shock Absorber - Rear (inc. 23-25)
23	0403-182	2		Bushing, Double-Bonded
24	0603-955	4		Bushing, Shock Absorber
25	1603-219	2	S	Sleeve, Shock Absorber
26	0423-087	2		Washer
27	8408-820	2	/P	Screw, Cap
28	8409-050	2		Screw, Cap
29	0123-788	2	/P	Cable Tie



2007 ATV 400 AUTOMATIC TRANSMISSION 4X4 TRV RED (A2007TBH4BUSR) Page 68 of 94
RECOIL STARTER ASSEMBLY

Ref #	Part Number	Qty	S/P/F	Description
1	3445-003	1		Starter, Recoil - Assembly (inc. 2-8)
2	3445-004	1		Reel
3	3445-007	1		Spring, Sprial
4	3445-016	1		Ratchet - Assembly (inc. 5-6)
5	3445-005	1		Ratchet
6	3445-006	1		Guide, Ratchet
7	3004-488	1	S/P	Nut
8	3445-011	1		Rope Assembly
9	3423-428	4		Screw, Cap
10	3445-029	1	/P	Cup, Starter
11	3004-491	1	S/P	Nut

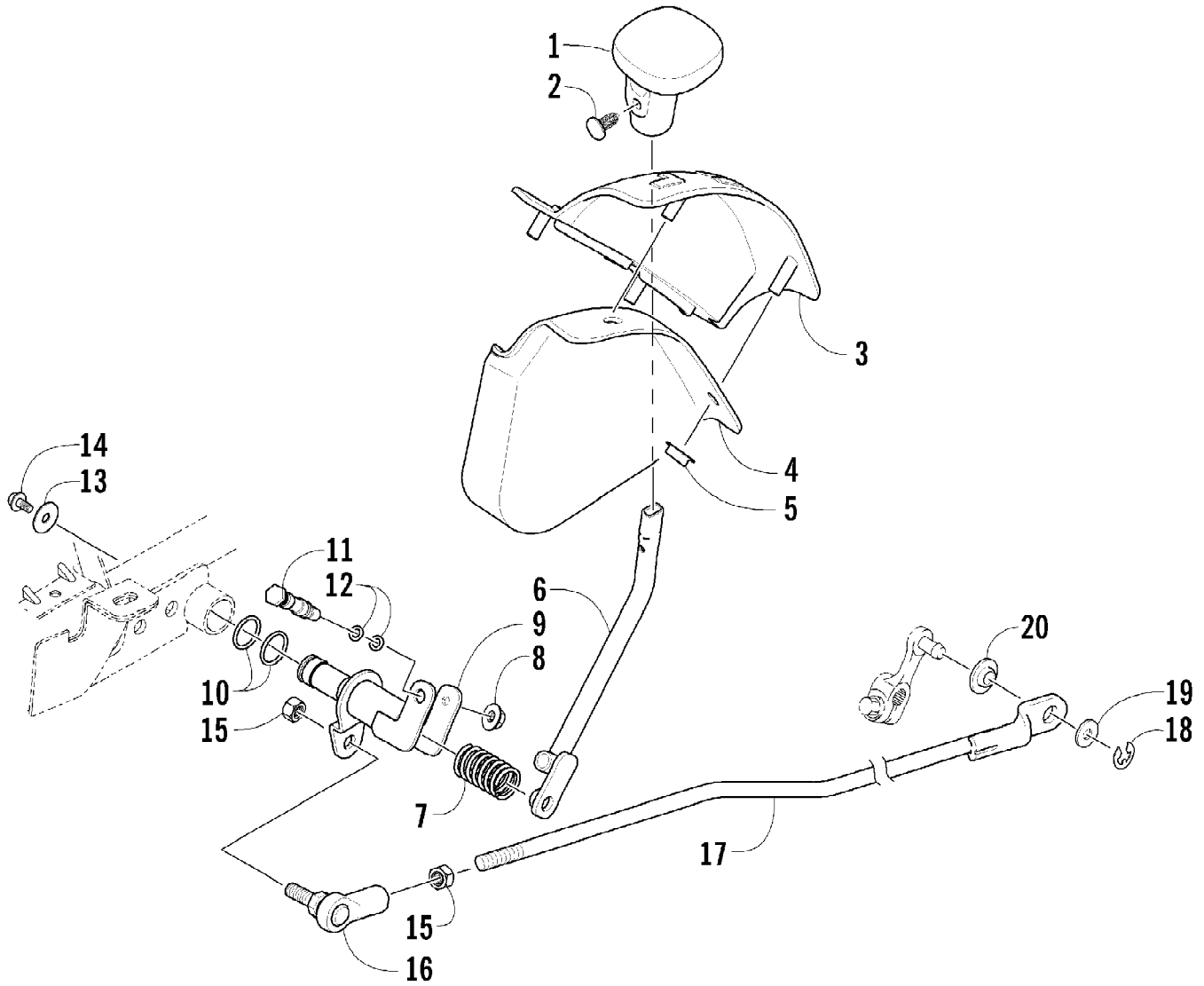
No
Diagram
Available

Parts List
Only

2007 ATV 400 AUTOMATIC TRANSMISSION 4X4 TRV RED (A2007TBH4BUSR) Page 70 of 94
RELATED ITEMS

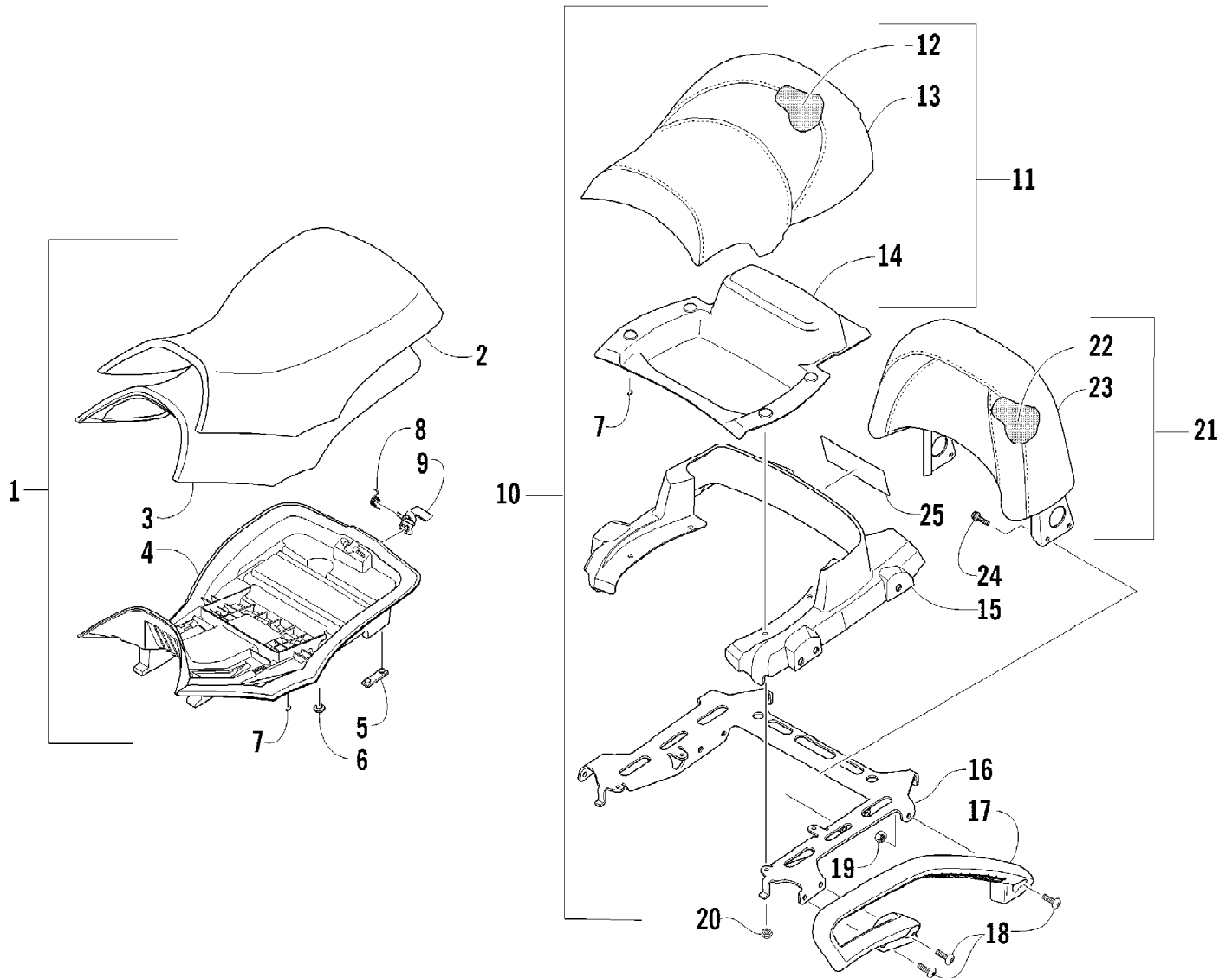
Ref #	Part Number	Qty	S/P/F	Description
	0436-925	1	S	Bag, Rack, Front, Black
	0436-480	1		Bar, Utility
	0436-619	1		Brush Guard/Bumper - Deluxe
	0436-757	1	/P	Bumper - Rear
	0436-827	1		Cargo Box
	0436-460	1		Carryall (11 x 17)
	0436-462	1		Carryall (10 D)
	0436-477	1		Cord Reel
	0436-726	1	S	Cover, Trailerable
	0436-087	1	/P	Electrical Plug
	0436-035	1	S	Engine Block Heater
	0436-466	1		Fender Box
	0436-538	1		Gear Cradle
	0436-501	1	S	Grease, High-Performance
	0436-464	1		Grill Cradle
	0436-828	1		Gun Holder
	0436-352	1		Hand/Thumb Warmers
	0436-463	1		Light Bar
	0436-516	1		Light Mount, Portable - Cargo Box
	0436-040	1	/P	Light, Portable - Spotlight
	0436-039	1	/P	Light, Portable - Work
	0436-774	1	S	Lunch Pack, Black
	2257-684	1		Manual, Illustrated Parts
	2257-613	1		Manual, Operator's (E)
	2257-614	1		Manuel d'utilisation (F)
	0652-024	1		Paint, Metal - Black
	0436-635	1		Plow Attachment Kit
	0436-228	1		Plow Blade, 50 in. - Straight
	0436-287	1		Plow Blade, 50 in. - One-Way
	0436-296	1		Plow Blade, 60 in. - Straight
	0436-360	1		Plow Blade, 60 in. - One-Way
	0436-636	1	/P	Plow, Push Frame
	0436-626	1	S	Rack Basket
	0436-798	1	/P	Rack - Rear
	0436-965	1	S	Saddlebags
	0436-026	1		Tire Chains, Size B (24 in. and 25 in. Tires)
	0436-027	1		Tire Chains, Size C (25 in. and 26 in. Tires)
	1402-028	1		Tire, Titan AT589 (25x8-12, Mud & Snow)
	0402-563	1		Tire, Titan AT589 (25x10-12, Mud & Snow)
	0436-656	1		Winch Accessories Kit
	0436-655	1		Winch Kit, 2500 lb
	0436-703	1		Windshield, Clear
	0436-623	1		Windshield, Clear w/Accent
	0436-470	1		Workbase (8 in.)

2007 ATV 400 AUTOMATIC TRANSMISSION 4X4 TRV RED (A2007TBH4BUSR) Page 71 of 94
REVERSE SHIFT LEVER ASSEMBLY



2007 ATV 400 AUTOMATIC TRANSMISSION 4X4 TRV RED (A2007TBH4BUSR) Page 72 of 94
REVERSE SHIFT LEVER ASSEMBLY

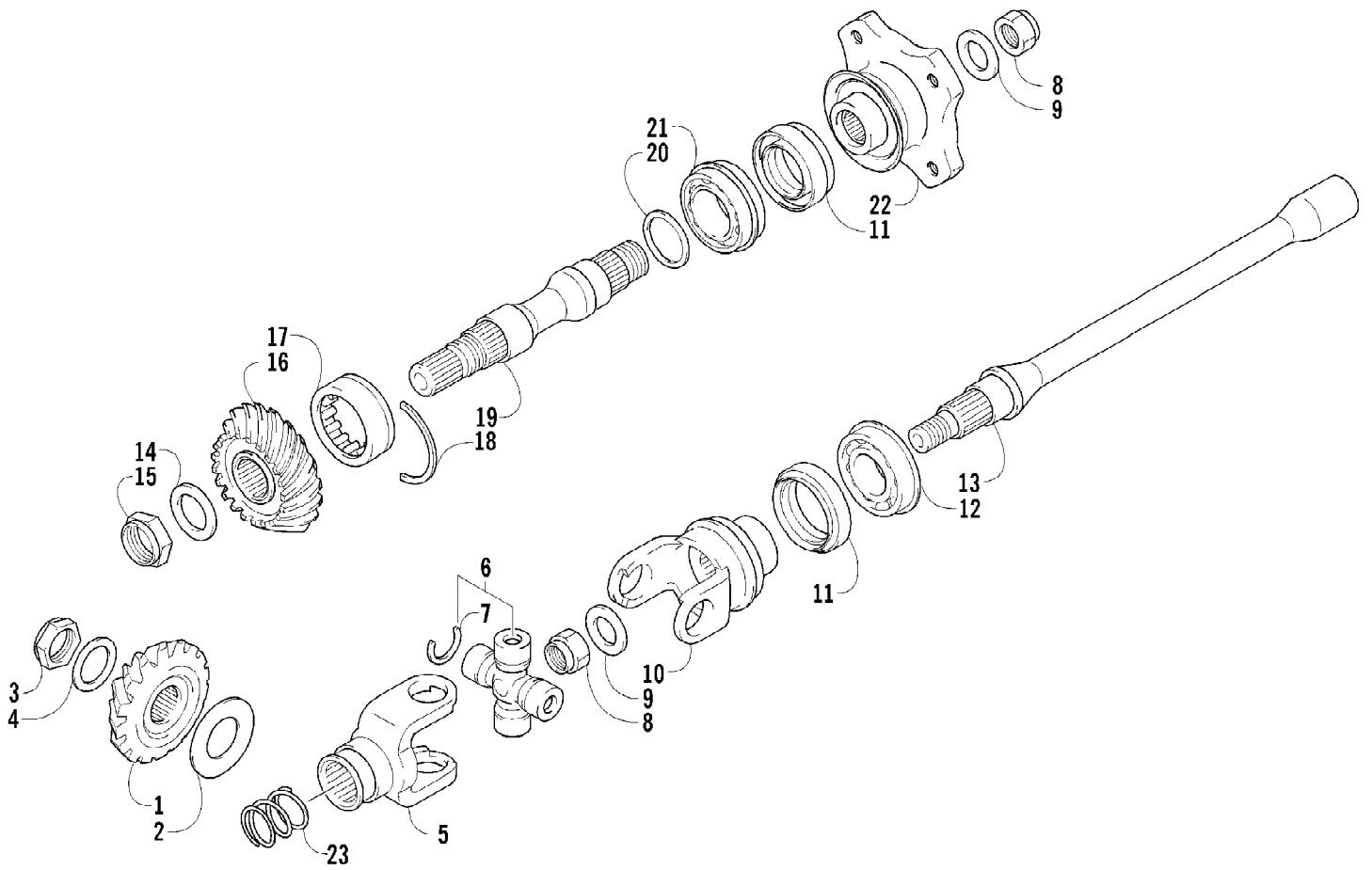
Ref #	Part Number	Qty	S/P/F	Description
1	0402-843	1	/P	Knob, Reverse Shift
2	0423-345	1		Clip, Push
3	1402-576	1		Plate, Shift
4	2406-345	1		Shield, Shift Plate
5	0423-357	4		Nut, Stamped
6	0502-659	1		Lever, Shift
7	0502-410	1	S	Spring, Reverse Shift Lever
8	8424-602	1	/P	Nut
9	0502-742	1		Axle, Reverse Shift Lever
10	0423-299	2	/P	O-Ring
11	0402-675	1		Axle, Pivot
12	0423-182	2	/P	O-Ring
13	0423-087	1		Washer
14	8408-812	1		Screw, Cap
15	0623-294	2		Nut
16	1402-270	1		End, Rod
17	0502-671	1		Linkage, Shift
18	0423-169	1	/P	E-Ring
19	8050-242	1		Washer
20	0423-091	1		Bushing, Shift Linkage



2007 ATV 400 AUTOMATIC TRANSMISSION 4X4 TRV RED (A2007TBH4BUSR) Page 74 of 94
SEAT AND BACKREST ASSEMBLY

Ref #	Part Number	Qty	S/P/F	Description
1	1506-937	1	S/P	Seat Assembly (inc. 2-9)
2	1506-209	1		Cover, Seat
3	1506-208	1		Foam, Seat
4	2406-144	1	S/P	Base, Seat - Assembly (inc. 5-6)
5	0406-879	2		Bumper, Seat - Rear
6	0406-877	4	/P	Bumper, Seat - Front
7	0624-100	AR		Staple
8	1406-592	1	/P	Spring, Seat Latch
9	1506-156	1		Latch, Seat
10	1506-938	1		Seat, Passenger - Assembly (inc. 7, 11-20, and 25)
11	2506-064	1		Seat, Passenger - Sub-Assembly (inc. 7 and 12-14)
12	1506-816	1		Foam, Seat - Passenger
13	1506-815	1		Cover, Seat - Passenger
14	2406-110	1		Base, Seat - Inner
15	2406-044	1		Base, Seat - Passenger
16	1506-932	1		Bracket, Seat Support - Assembly
17	2406-112	1		Handhold, Passenger - Right
17	2406-113	1		Handhold, Passenger - Left
18	0423-362	6		Screw, Machine
19	8432-802	6		Nut, Lock
20	8427-602	4		Nut, Lock
21	1506-939	1		Backrest Assembly (inc. 22-23)
22	1506-818	1		Foam, Backrest
23	1506-817	1		Cover, Backrest
24	8408-816	4		Screw, Cap
25	0411-814	1	/P	Decal, "Arctic Cat"

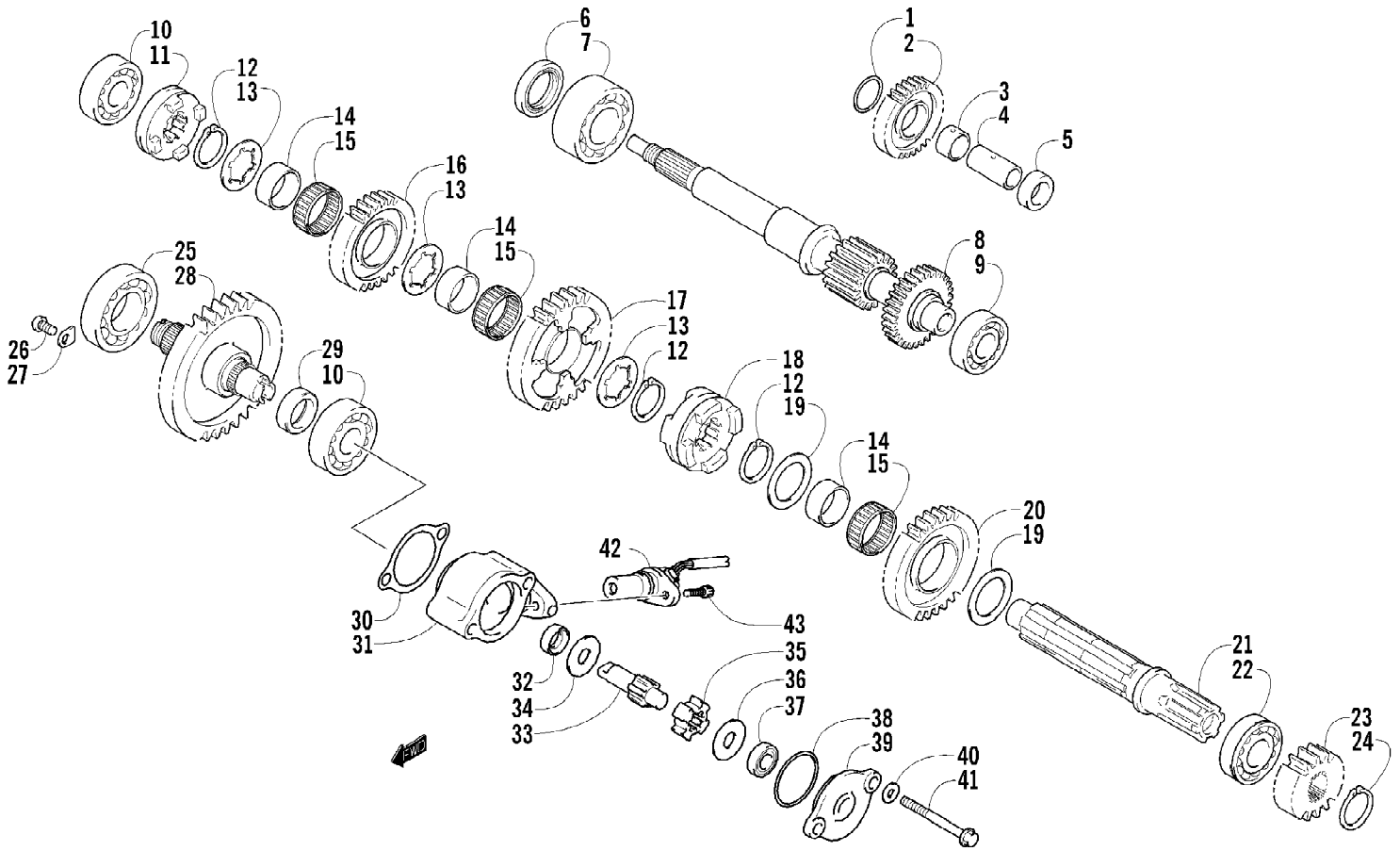
2007 ATV 400 AUTOMATIC TRANSMISSION 4X4 TRV RED (A2007TBH4BUSR) Page 75 of 94
SECONDARY DRIVE ASSEMBLY



2007 ATV 400 AUTOMATIC TRANSMISSION 4X4 TRV RED (A2007TBH4BUSR) Page 76 of 94
SECONDARY DRIVE ASSEMBLY

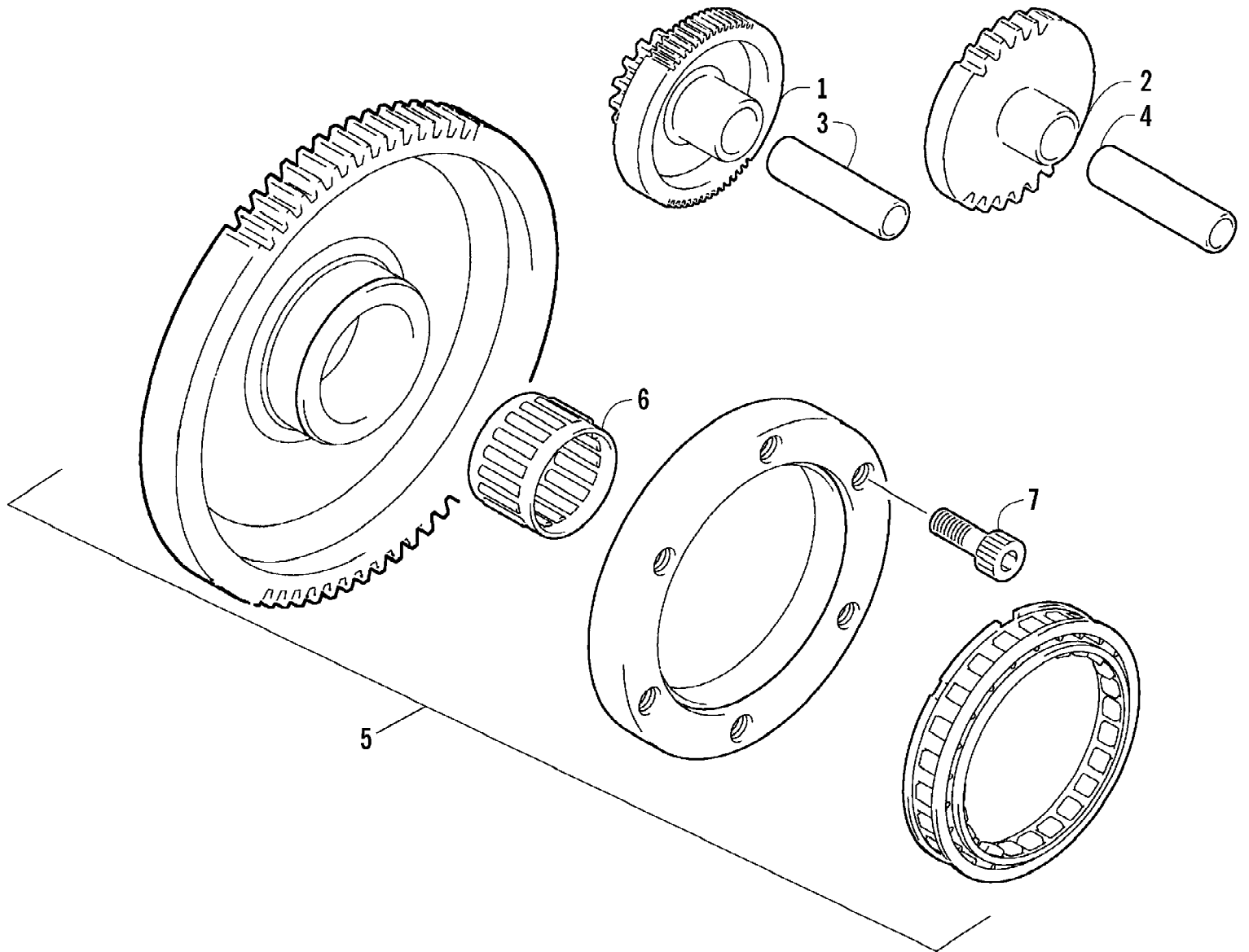
Ref #	Part Number	Qty	S/P/F	Description
1	3402-637	1		Gear, Secondary Drive
2	3446-425	1		Shim, Secondary Drive Gear - Set
3	3423-023	1		Nut
4	3005-372	1		Washer
5	3446-327	1	/P	Yoke, Propeller Shaft
6	3402-562	1		Joint, Universal - Set (inc. 7)
7	3423-479	4		Circlip
8	3423-025	2		Nut
9	3423-028	1		Washer
10	3402-742	1		Yoke, Drive Output - Front
11	3402-072	2		Seal, Oil
12	3402-558	1		Bearing, Front Secondary Driven Shaft
13	3402-694	1		Shaft, Secondary Driven - Front
14	3423-137	1		Washer, Secondary Driven Gear
15	3423-136	1		Nut, Secondary Driven Gear
16	3402-638	1		Gear, Secondary Driven
17	3402-515	1	/P	Bearing, Driven Gear
18	3423-072	1		C-Ring, Driven Bearing
19	3402-639	1		Shaft, Secondary Driven - Rear
20	3402-017	AR		Shim, 25 x 34 x 0.60 mm
20	3402-018	AR		Shim, 25 x 34 x 0.65 mm
20	3402-019	AR		Shim, 25 x 34 x 0.70 mm
20	3402-020	AR		Shim, 25 x 34 x 0.75 mm
20	3402-021	AR	S	Shim, 25 x 34 x 0.80 mm
20	3402-022	AR		Shim, 25 x 34 x 0.85 mm
20	3402-023	AR		Shim, 25 x 34 x 0.90 mm
20	3402-024	AR		Shim, 25 x 34 x 0.95 mm
20	3402-025	AR	S	Shim, 25 x 34 x 1.00 mm
20	3402-028	AR		Shim, 25 x 34 x 1.05 mm
20	3402-029	AR		Shim, 25 x 34 x 1.10 mm
20	3402-030	AR		Shim, 25 x 34 x 1.15 mm
20	3402-031	AR		Shim, 25 x 34 x 1.20 mm
21	3402-067	1	S	Bearing, Rear Secondary Driven Shaft
22	3402-514	1	/P	Flange, Output Joint - Rear
23	1402-026	1		Spring

2007 ATV 400 AUTOMATIC TRANSMISSION 4X4 TRV RED (A2007TBH4BUSR) Page 77 of 94
SECONDARY TRANSMISSION ASSEMBLY



2007 ATV 400 AUTOMATIC TRANSMISSION 4X4 TRV RED (A2007TBH4BUSR) Page 78 of 94
SECONDARY TRANSMISSION ASSEMBLY

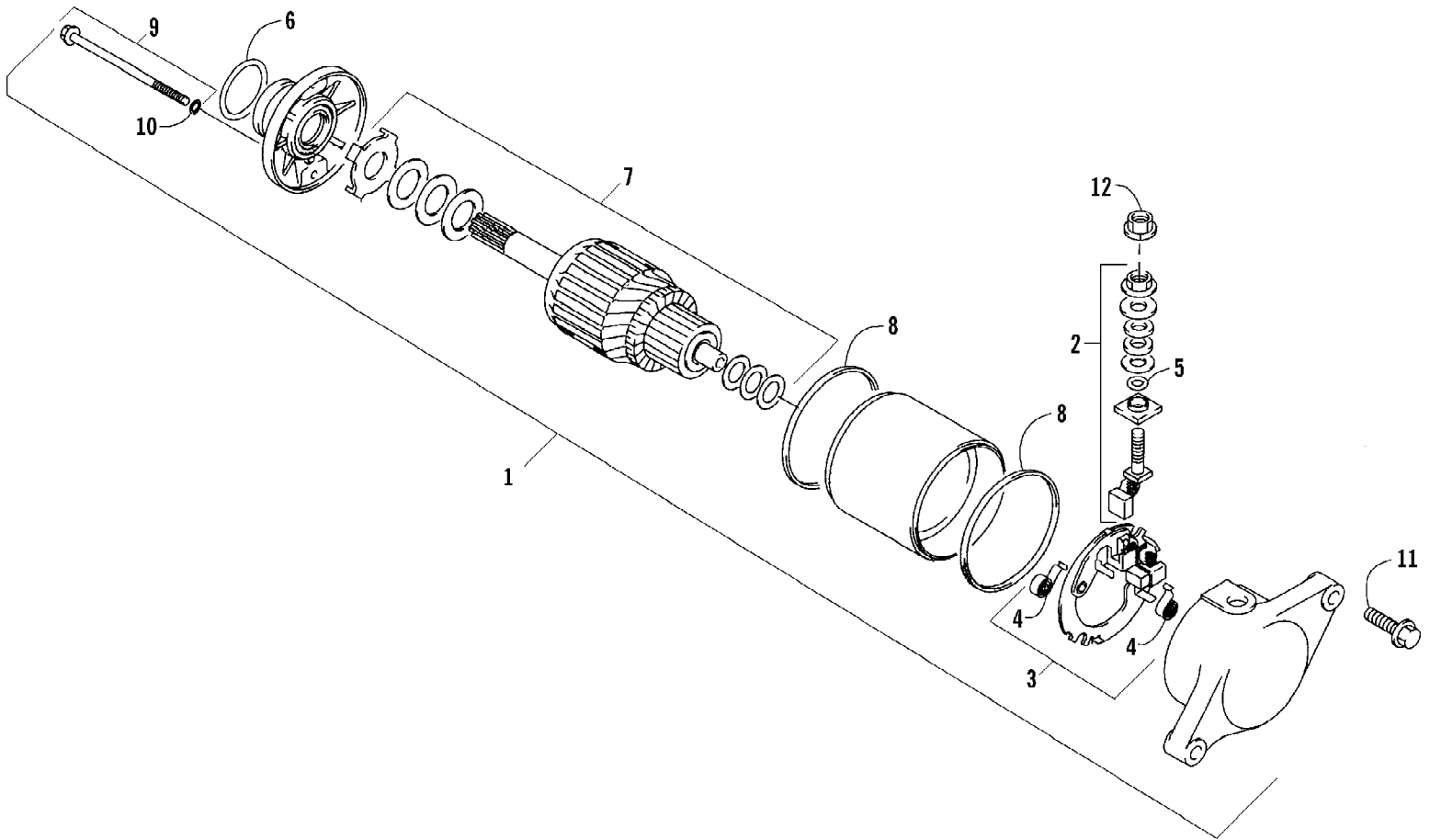
Ref #	Part Number	Qty	S/P/F	Description
1	3402-195	2		Washer, Reverse Idle Gear
2	3402-503	1		Gear, Reverse Idle
3	3446-103	1		Bushing, Reverse Idle Gear
4	3402-634	1		Shaft, Reverse Idle
5	3423-442	1		Spacer, Reverse Idle Gear
6	3402-500	1	S	Seal, Driveshaft
7	3402-499	1		Bearing, Driveshaft
8	3402-665	1		Driveshaft
9	3003-261	1	/P	Bearing, Driveshaft - Left
10	3402-045	2	/P	Bearing, Shaft
11	3402-636	1		Dog, Reverse Driven Gear
12	3423-066	3	/P	Circlip
13	3423-263	3		Washer
14	3402-494	3		Bushing
15	3402-498	3		Bearing
16	3402-635	1		Gear, Reverse Driven
17	3402-668	1	/P	Gear, Driven - Low
18	3402-496	1		Dog, Sliding
19	3423-448	2		Washer
20	3402-495	1		Gear, Driven - High
21	3402-667	1		Countershaft
22	3004-209	1	/P	Bearing, Shaft
23	3402-669	1		Gear, Drive - No. 2
24	3423-191	1	/P	Circlip
25	3402-055	1	/P	Bearing, Output Shaft
26	3423-370	2		Screw, Bearing Retainer
27	3446-031	2	/P	Retainer, Bearing
28	3402-666	1		Shaft, Output
29	3423-494	1		Spacer, Output Shaft
30	3446-244	1	/P	Gasket, Housing
31	3446-400	1		Housing, Speedometer Sensor
32	3006-322	1		Seal, Shaft
33	3446-402	1		Shaft, Output
34	3423-617	1		Washer
35	3402-837	1		Rotor
36	3423-767	1		Washer
37	3402-980	1		Bearing
38	3423-766	1		O-Ring
39	3446-401	1		Cover, Speedometer Sensor Housing
40	3003-290	2	/P	Gasket
41	3423-307	2	S	Bolt
42	3402-981	1		Sensor, Speedometer
43	3423-226	1		Bolt



2007 ATV 400 AUTOMATIC TRANSMISSION 4X4 TRV RED (A2007TBH4BUSR) Page 80 of 94
STARTER CLUTCH ASSEMBLY

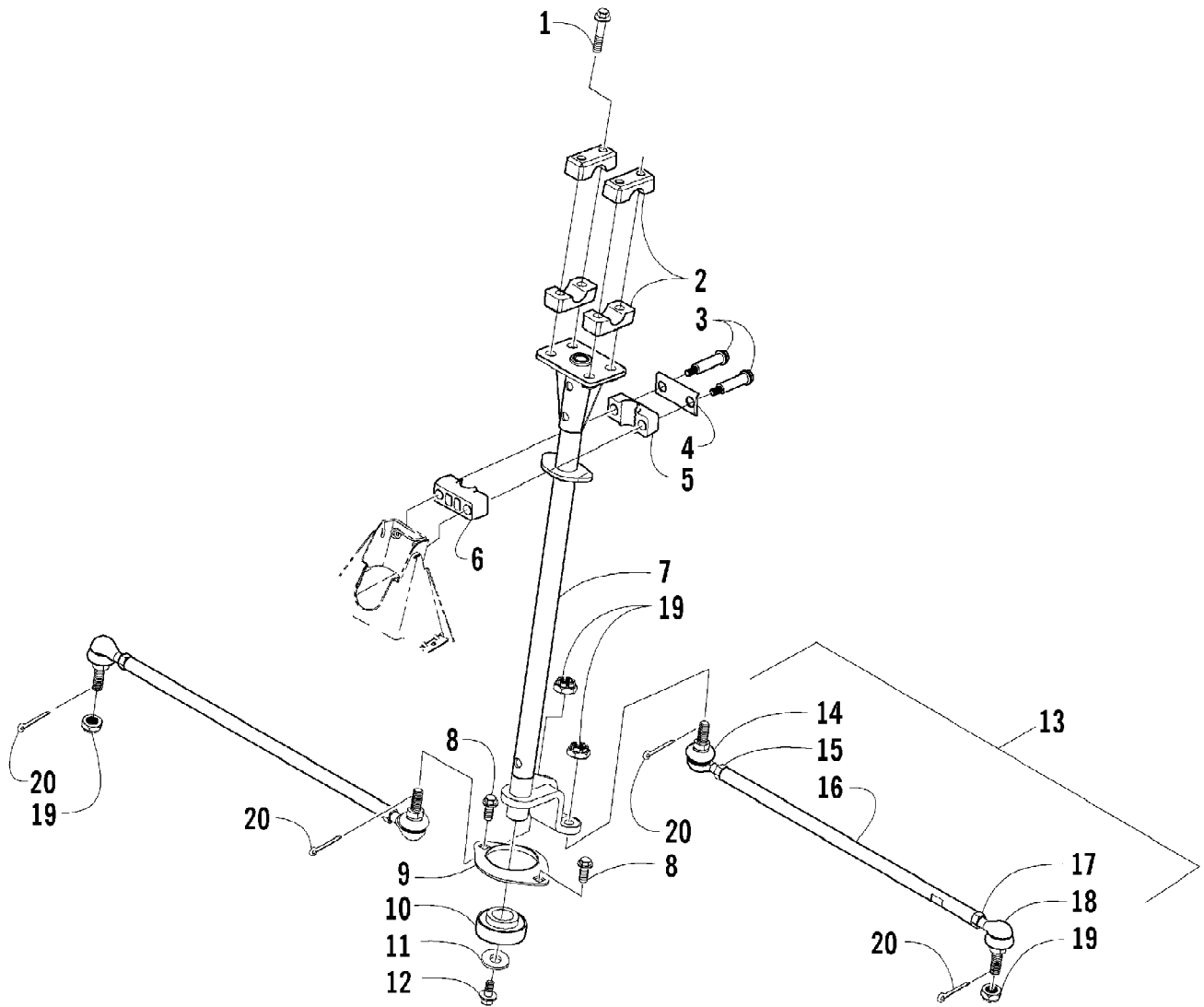
Ref #	Part Number	Qty	S/P/F	Description
1	3402-603	1		Gear, Starter Idler - No. 1
2	3402-124	1		Gear, Starter Idler - No. 2
3	3423-331	1		Pin, Starter Idler Gear No. 1
4	3423-397	1		Pin, Starter Idler Gear No. 2
5	3402-690	1	S	Clutch, Starter - Set (inc. 6)
6	3402-674	1		Bearing
7	3423-102	6	S	Bolt

2007 ATV 400 AUTOMATIC TRANSMISSION 4X4 TRV RED (A2007TBH4BUSR) Page 81 of 94
STARTER MOTOR ASSEMBLY



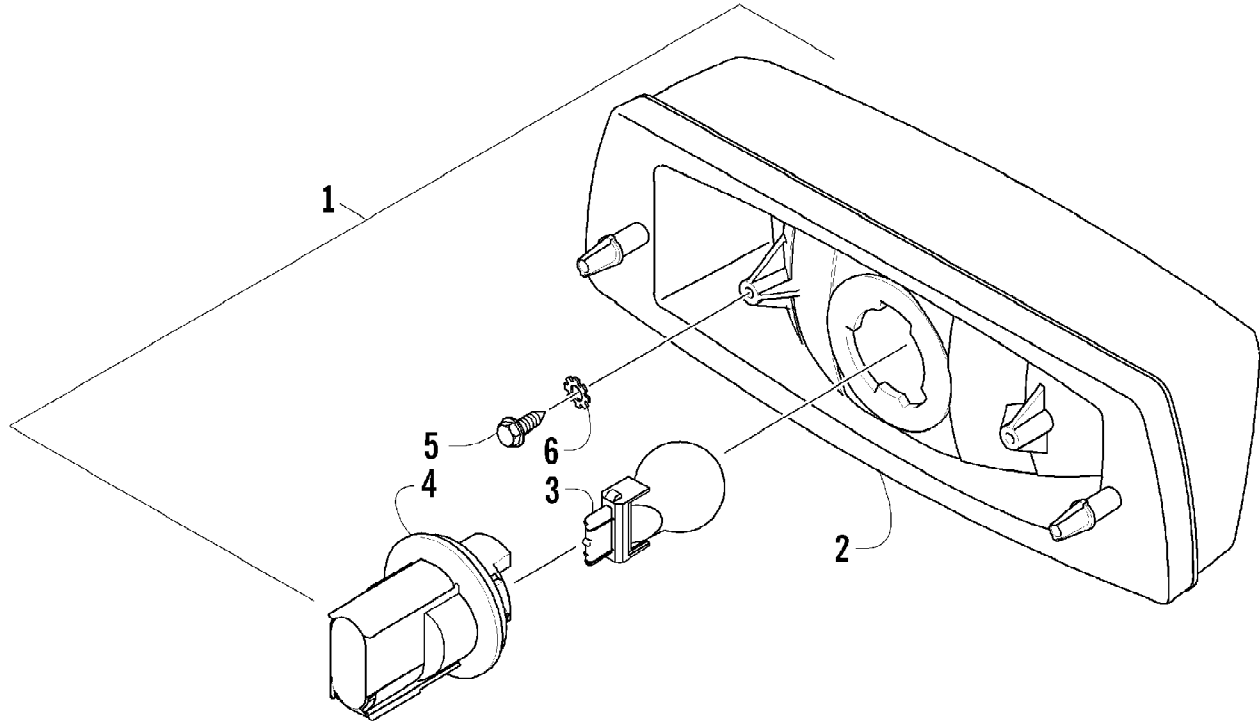
2007 ATV 400 AUTOMATIC TRANSMISSION 4X4 TRV RED (A2007TBH4BUSR) Page 82 of 94
STARTER MOTOR ASSEMBLY

Ref #	Part Number	Qty	S/P/F	Description
1	3545-016	1		Motor, Starter Assembly (inc. 2-10)
2	3402-671	1		Terminal Set, Brush
3	3402-672	1		Holder Set, Brush
4	3008-551	4		Spring, Brush
5	3008-164	1		O-Ring
6	3423-272	1		O-Ring
7	3008-099	1		Washer Set
8	3423-497	2		O-Ring
9	3423-498	2		Through-Bolt (inc. 10)
10	3423-496	2		O-Ring
11	3004-756	2	S	Bolt
12	3423-195	1	/P	Nut



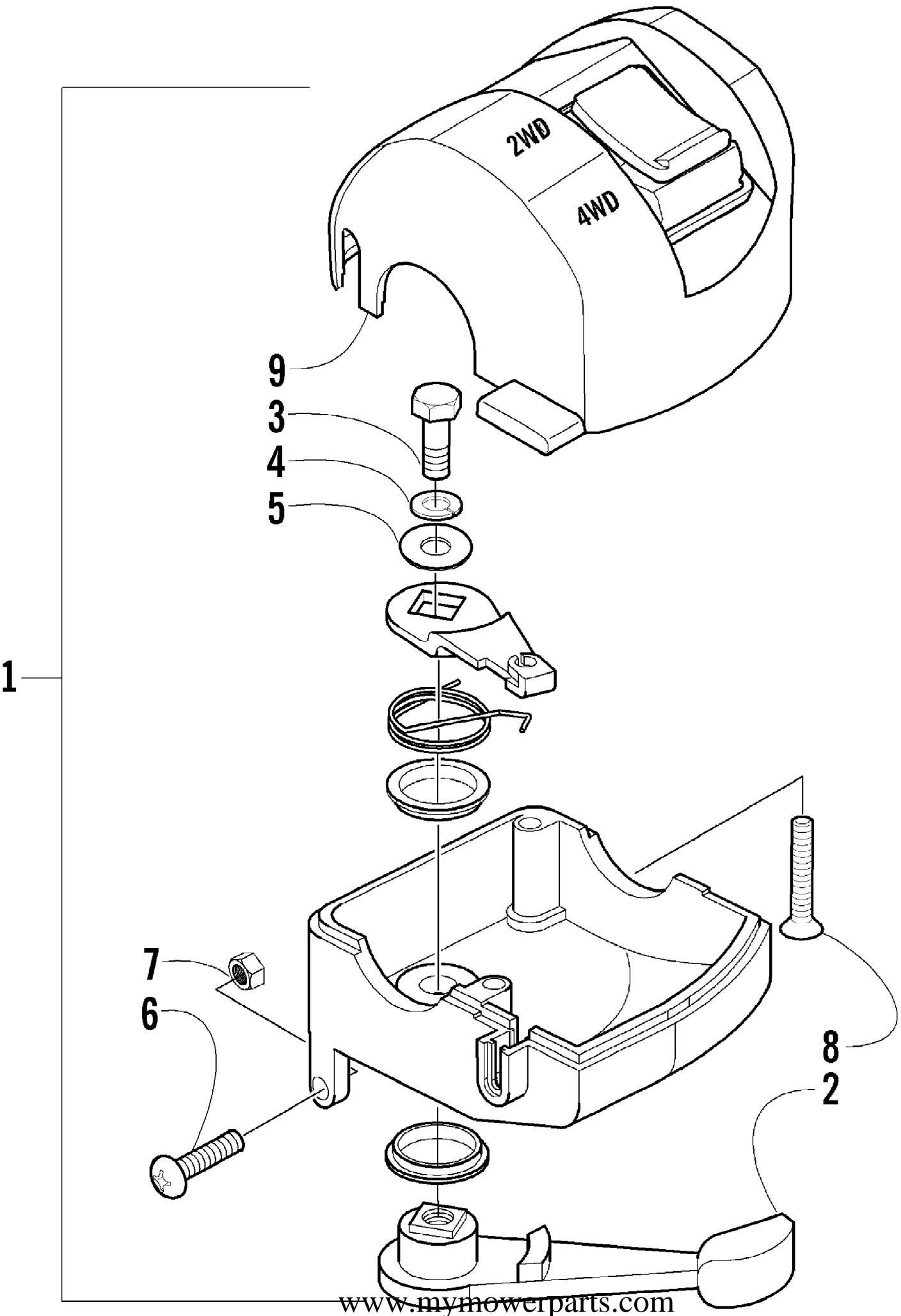
2007 ATV 400 AUTOMATIC TRANSMISSION 4X4 TRV RED (A2007TBH4BUSR) Page 84 of 94
STEERING POST ASSEMBLY

Ref #	Part Number	Qty	S/P/F	Description
1	8408-860	4		Screw, Cap
2	0405-035	4		Cap, Steering Adjuster
3	0423-505	2		Screw, Shoulder
4	0405-166	1		Cap, Housing
5	0405-138	1		Housing, Lower
6	0405-139	1		Housing, Upper
7	0505-451	1	S	Post, Steering
8	8408-816	2		Screw, Cap
9	0602-233	1		Flange, Bearing
10	0405-052	1		Bearing w/Inverted Oil Seal
11	0423-073	1		Washer
12	8409-020	1	/P	Screw, Cap
13	0505-408	2	S	Tie Rod - Assembly (inc. 14-18)
14	0405-083	2	S	Ball Joint, Tie Rod - Left
15	0423-013	2		Nut - Left
16	0405-107	2	S	Tie Rod
17	8420-002	2	/P	Nut - Right
18	0405-082	2	S	Ball Joint, Tie Rod - Right
19	0423-157	4		Nut, Lock
20	0623-175	4		Pin, Cotter



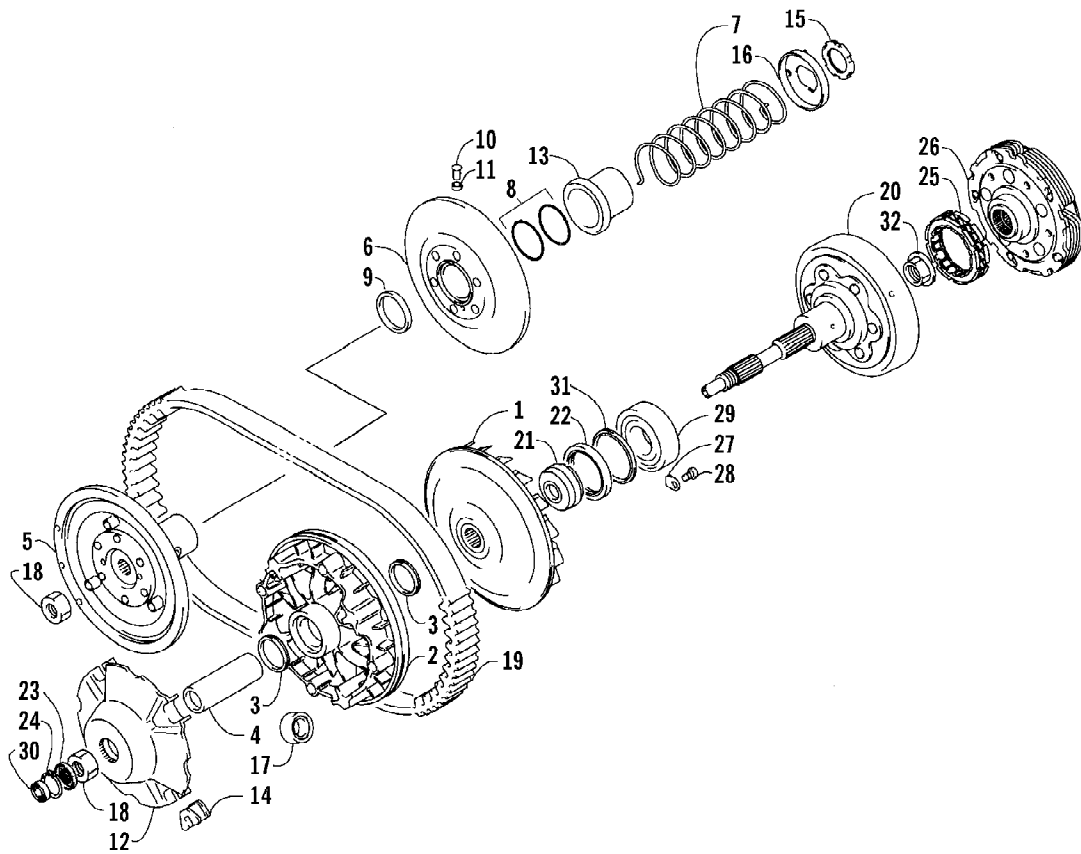
2007 ATV 400 AUTOMATIC TRANSMISSION 4X4 TRV RED (A2007TBH4BUSR) Page 86 of 94
TAILLIGHT ASSEMBLY

Ref #	Part Number	Qty	S/P/F	Description
1	0509-022	1		Taillight Assembly (inc. 2-4)
2	0509-025	1		Housing, Taillight
3	0409-056	1		Bulb, Taillight
4	0409-057	1		Socket, Taillight
5	0623-301	2	/P	Screw, Self-Tapping
6	8053-212	2	/P	Washer, Lock - External Tooth



2007 ATV 400 AUTOMATIC TRANSMISSION 4X4 TRV RED (A2007TBH4BUSR) Page 88 of 94
THROTTLE CASE ASSEMBLY

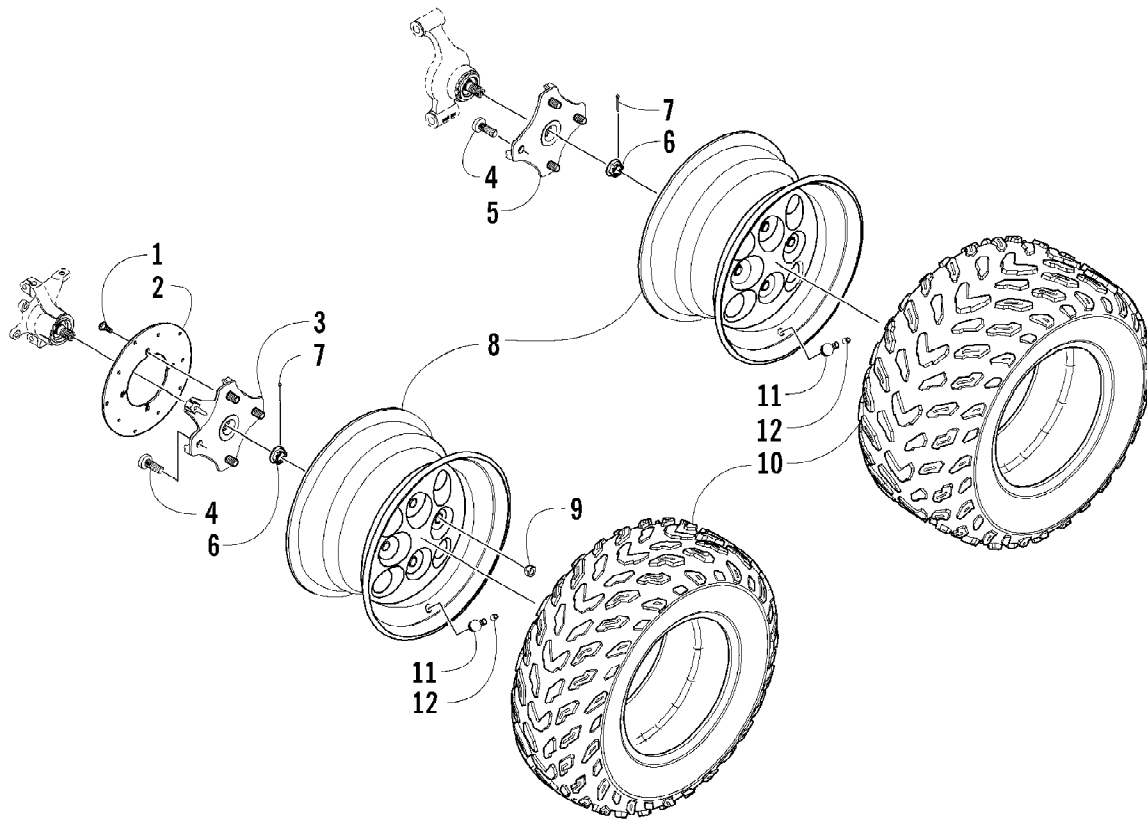
Ref #	Part Number	Qty	S/P/F	Description
1	0509-012	1		Case, Throttle - Assembly (inc. 2-9)
2	3409-001	1		Lever
3	3004-533	1	S/P	Screw, Cap
4	3004-447	1	/P	Washer, Lock
5	3003-030	1	/P	Washer
6	3423-014	1		Screw
7	3423-327	1		Nut
8	3423-199	2		Screw
9	0409-048	1		Cover, Throttle w/Switch



2007 ATV 400 AUTOMATIC TRANSMISSION 4X4 TRV RED (A2007TBH4BUSR) Page 90 of 94
TRANSMISSION ASSEMBLY

Ref #	Part Number	Qty	S/P/F	Description
1	3402-622	1		Face, Fixed Drive
2	3402-623	1		Face, Movable Drive
3	3402-624	2		Seal, Movable Drive Face
4	3402-625	1		Spacer, Movable Drive Face
5	3402-626	1	S	Face, Fixed Driven
6	3402-627	1		Face, Movable Driven
7	3423-486	1		Spring, Movable Driven Face
8	3423-487	2		O-Ring, Movable Driven Face
9	3402-629	2		Seal, Movable Driven Face
10	3402-477	3		Pin, Movable Driven Face
11	3402-478	3		Spacer, Movable Driven Face
12	3402-630	1		Plate, Movable Drive Face
13	3402-631	1		Sleeve, Movable Driven Face
14	3402-481	4		Damper, Movable Drive Face
15	3423-489	1		Nut, Driven Pulley
16	3402-632	1		Holder, Movable Driven Face Spring
17	3402-633	8		Roller, Movable Drive Face
18	3423-437	2		Nut
19	3402-664	1		V-Belt
20	3402-620	1		Housing, Clutch
21	3402-621	1		Spacer, Fixed Drive Face
22	3402-977	1	/P	Seal, Clutch Housing
23	3402-574	1		Seal, Clutch Housing
24	3423-505	1	S	Circlip
25	3446-003	1		Clutch, One-Way
26	3446-354	1	/P	Shoe, Clutch - Assembly
27	3446-031	2	/P	Retainer, Bearing
28	3423-370	2		Screw, Bearing Retainer
29	3402-567	1		Bearing
30	3402-693	1		Bearing
31	3423-353	1	/P	O-Ring
32	3423-501	1		Nut

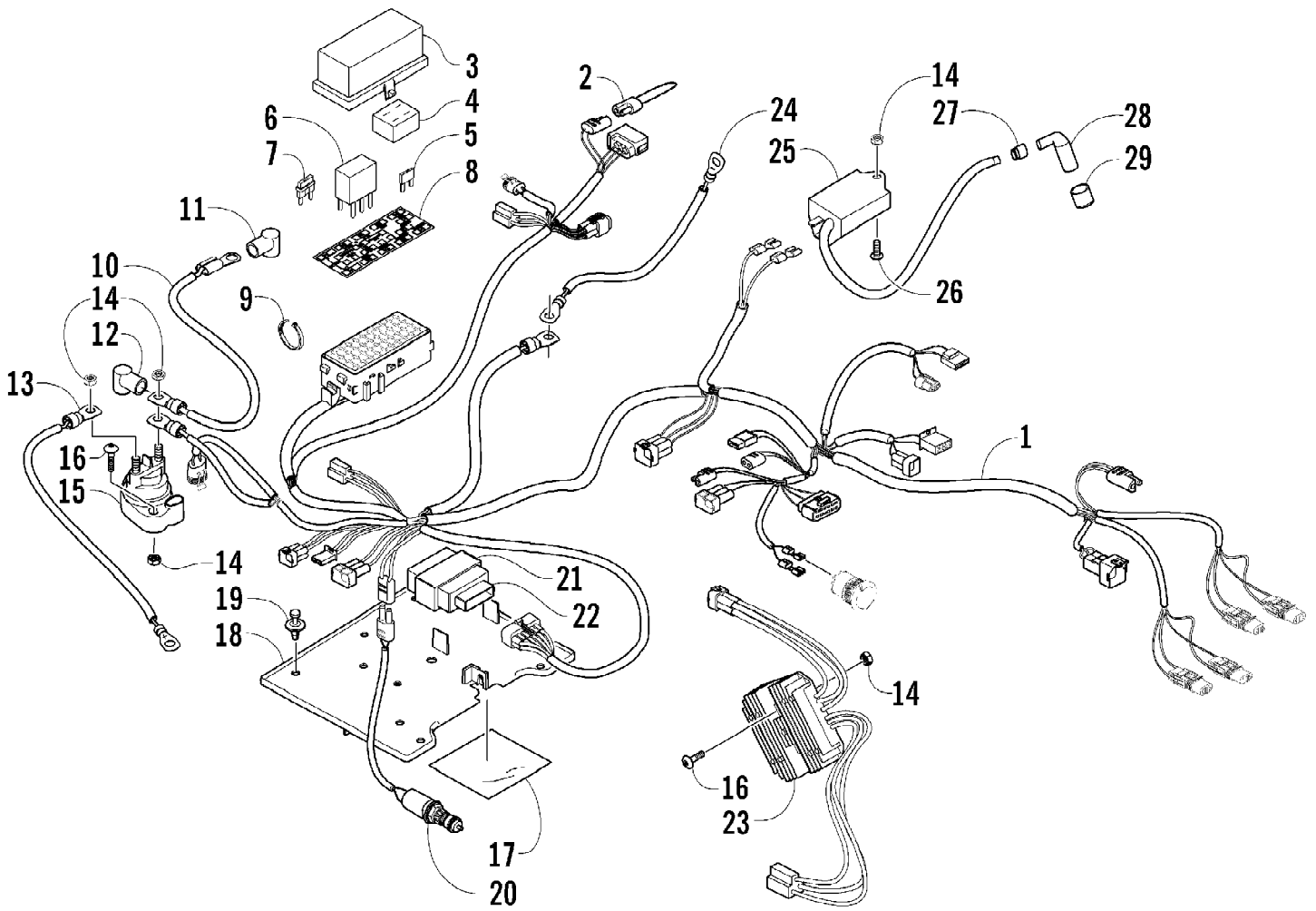
2007 ATV 400 AUTOMATIC TRANSMISSION 4X4 TRV RED (A2007TBH4BUSR) Page 91 of 94
WHEEL AND TIRE ASSEMBLY



2007 ATV 400 AUTOMATIC TRANSMISSION 4X4 TRV RED (A2007TBH4BUSR) Page 92 of 94
WHEEL AND TIRE ASSEMBLY

Ref #	Part Number	Qty	S/P/F	Description
1	0423-557	12		Screw, Shoulder
2	1402-225	3	S	Disc, Brake
3	0502-599	2	S	Hub, Wheel - Front (inc. 4)
4	0402-974	16	/P	Stud, Wheel Hub
5	0502-601	1	S	Hub, Wheel - Rear - Left (inc. 4)
5	0502-599	1	S	Hub, Wheel - Rear - Right (inc. 4)
6	0423-607	4		Nut, Castle
7	0423-407	4		Pin, Cotter
8	1402-127	2		Wheel - Front
8	1402-115	2		Wheel - Rear
9	0423-408	16	/P	Nut, Lug
10	1402-548	2		Tire - Front Goodyear
10	1402-549	2		Tire - Rear Goodyear
11	0402-064	4		Stem, Valve (inc. 12)
12	0402-140	4		Cap, Valve Stem

2007 ATV 400 AUTOMATIC TRANSMISSION 4X4 TRV RED (A2007TBH4BUSR) Page 93 of 94
WIRING HARNESS ASSEMBLY



2007 ATV 400 AUTOMATIC TRANSMISSION 4X4 TRV RED (A2007TBH4BUSR) Page 94 of 94
WIRING HARNESS ASSEMBLY

Ref #	Part Number	Qty	S/P/F	Description
1	0486-207	1		Harness, Main (inc. 2-8)
2	0486-164	1		Tether, Accessory Connector
3	0530-008	1		Cover, Fuse Block
4	0430-037	1		Holder, Fuse
5	0430-034	3		Diode
6	0430-033	3	F	Relay
7	0430-032	4		Fuse - 10 Amp
7	0430-031	3		Fuse - 15 Amp
7	0430-030	2		Fuse - 30 Amp
8	0411-828	1		Decal, Fuse Block
9	0123-788	AR	/P	Cable Tie - 7.5 in.
10	0445-053	1	/P	Cable, Solenoid/Starter (inc. 11)
11	0645-019	1		Boot, Terminal
12	0645-327	1		Boot, Terminal
13	0445-055	1	/P	Cable, Battery/Solenoid
14	0623-038	7		Nut w/Washer
15	0445-058	1	/P	Solenoid
16	8476-625	4		Screw, Machine
17	0412-291	1		Shield, Heat
18	1406-787	1		Tray, Electrical
19	0623-362	4		Rivet, Reinstallable
20	0409-072	1		Switch, Brake - Assembly
21	3402-684	1		Cushion, CDI Unit
22	3402-683	1		CDI Unit
23	3402-682	1		Regulator, Voltage
24	0445-054	1	/P	Cable, Battery/Ground
25	3430-055	1		Coil, Ignition - Assembly
26	8476-620	1		Screw, Machine
27	3430-009	1	/P	Seal, High Tension Wire
28	3430-007	1	/P	Cap, Spark Plug
29	3430-008	1	/P	Seal, Spark Plug