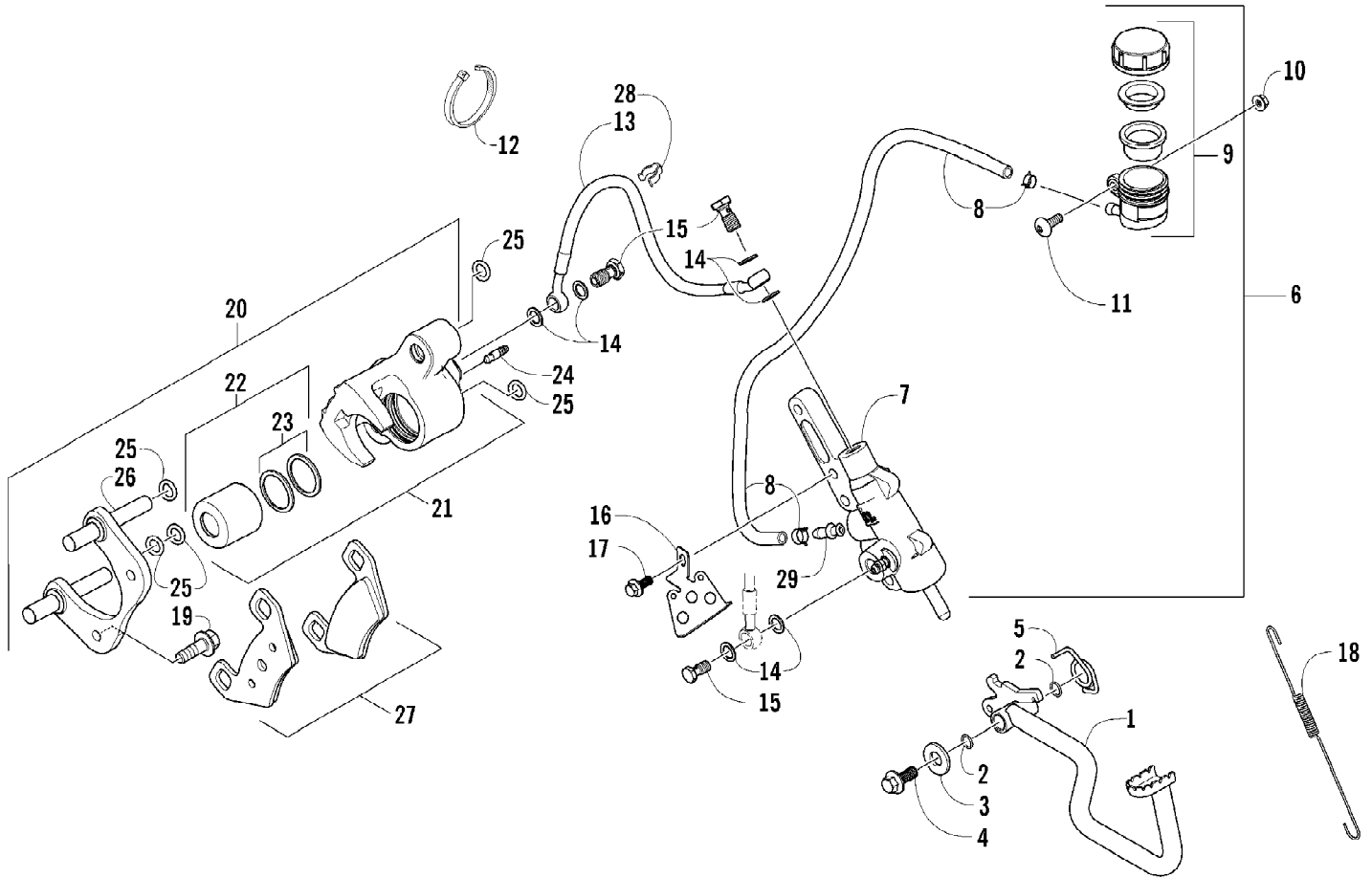


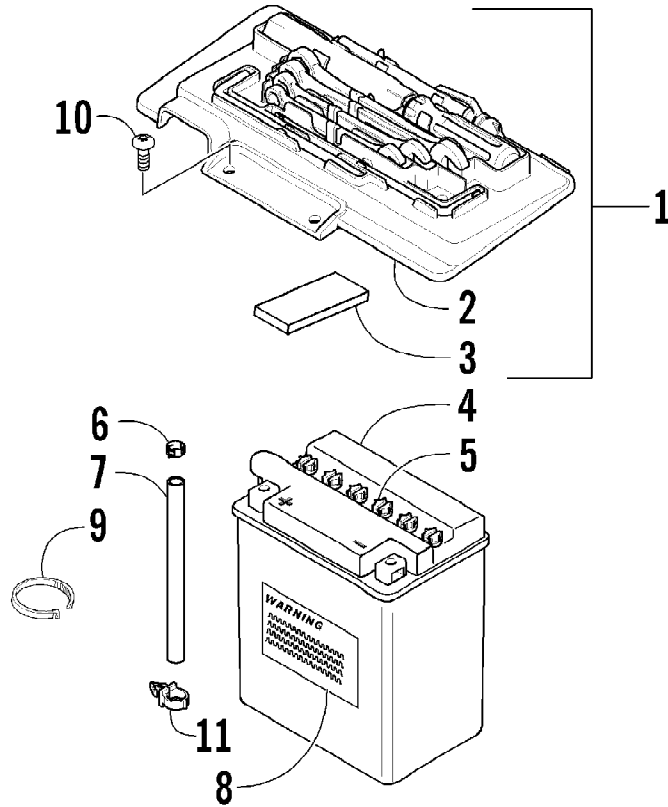
2007 ATV 400 AUTOMATIC TRANSMISSION 4X4 FIS GREEN (A2007ICH4BUS) Page 2 of 96
 AIR INTAKE ASSEMBLY

Ref #	Part Number	Qty	S/P/F	Description
1	0413-091	1		Diverter, Air - Top
2	0413-093	1		Diverter, Air - Bottom
3	0470-442	2	/P	Valve, Drain
4	2406-013	1		Shroud, Splash
5	0623-362	2		Rivet, Reinstallable
6	0423-551	2		Clamp, Boot
7	0423-342	6	/P	Screw, Self-Tapping
8	0470-529	1		Boot, Air Intake
9	0470-540	1	S	Housing, Air Intake
10	0423-454	2		Clip, Mounting - Air Intake
11	0470-516	1		Screen, Air Filter
12	0470-663	1	/P	Filter, Air
13	0470-554	1	S	Cover, Air Intake
14	0423-455	4		Clip, Spring
15	0423-045	2		Clamp, Hose
16	0410-087	1	S	Hose, Vent - Crankcase
17	0423-554	1		Clamp, Boot
18	0470-517	1		Boot, Carburetor
19	0423-019	1		Clamp, Boot
20	0470-667	1	/P	Carburetor, CVK34-AE
21	0510-592	1		Hose, Carburetor Drain



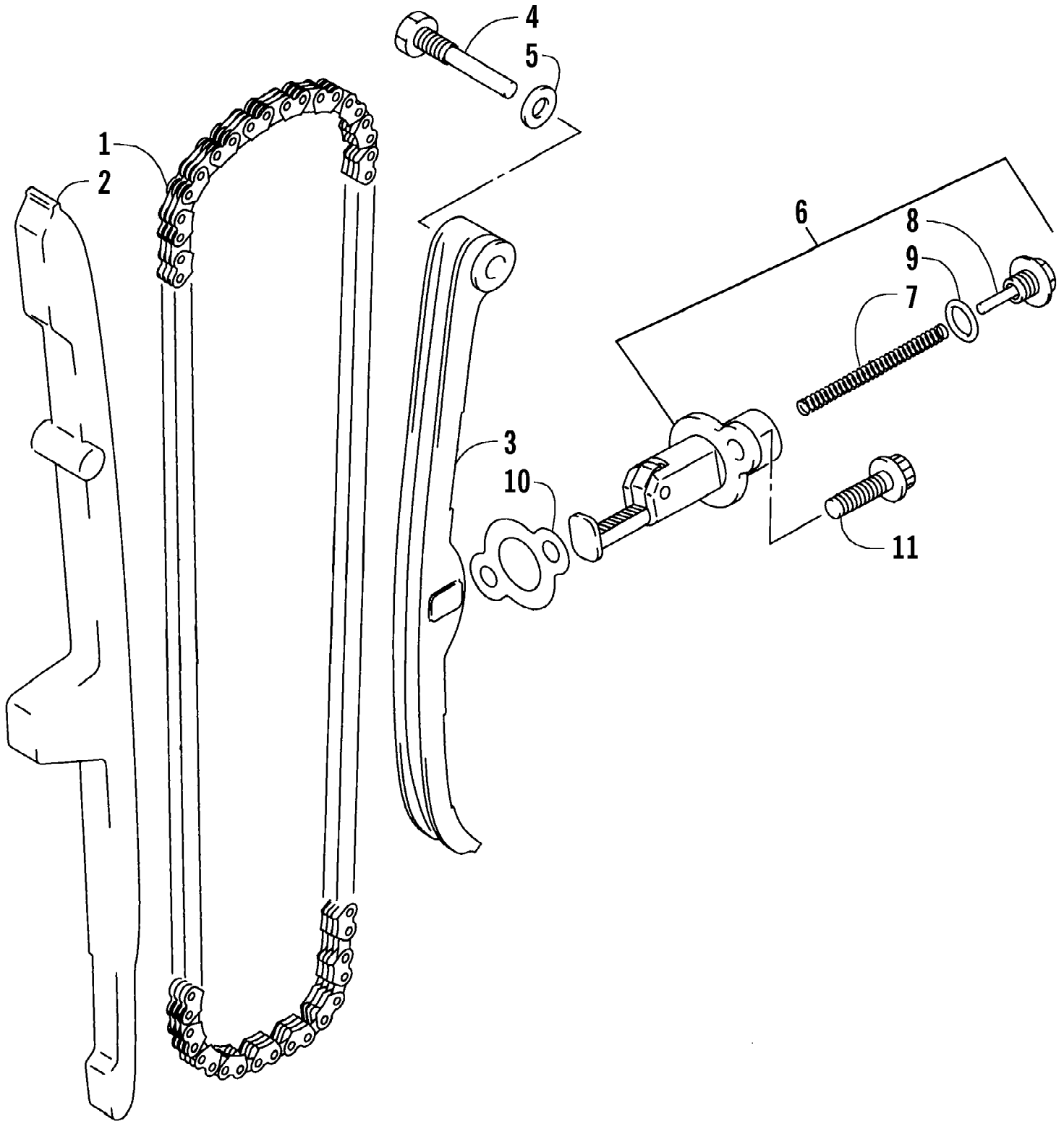
2007 ATV 400 AUTOMATIC TRANSMISSION 4X4 FIS GREEN (A20071CH4BUS) Page 4 of 96
AUXILIARY BRAKE ASSEMBLY

Ref #	Part Number	Qty	S/P/F	Description
	1502-135	1		Fully Bled Master Cylinder Replacement Kit
1	1502-068	1		Lever, Brake
2	1602-213	2	/P	O-Ring
3	8050-252	1		Washer
4	8408-816	1		Screw, Cap
5	0502-807	1		Spring, Brake Lever
6	1502-137	1	S	Brake Assembly (inc. 7-9)
7	0	1	F	Master Cylinder
8	1502-142	1		Hose, Brake Reservoir w/Clamps
9	1502-141	1		Reservoir, Brake
10	0623-038	1		Nut, Flanged
11	8476-616	1		Screw, Machine
12	0123-788	1	/P	Cable Tie - 7.5 in.
13	1502-139	1		Hose, Brake
14	0423-178	6		Washer, Crush
15	0423-413	3		Bolt, Banjo-Fitting
16	1502-179	1		Bracket, Switch
17	8408-625	2		Screw, Cap
18	0502-785	1		Spring, Brake Switch
19	1623-589	2	S	Screw, Cap
20	0502-878	1	S	Caliper, Brake (inc. 21-27)
21	0502-603	1	S	Housing, Caliper - Assembly - Right Rear (inc. 22-24)
22	0502-606	1		Piston/Seal Set (inc. 23)
23	0502-607	1		Seal Set
24	0502-609	1	/P	Valve, Bleed
25	0502-608	1		O-Ring, Guide - Set
26	0502-605	1		Bracket Assembly
27	0502-875	1	S	Pad, Brake - Set
28	1502-115	2		Clip, Brake Hose
29	1502-138	1	S	Adapter, Hose



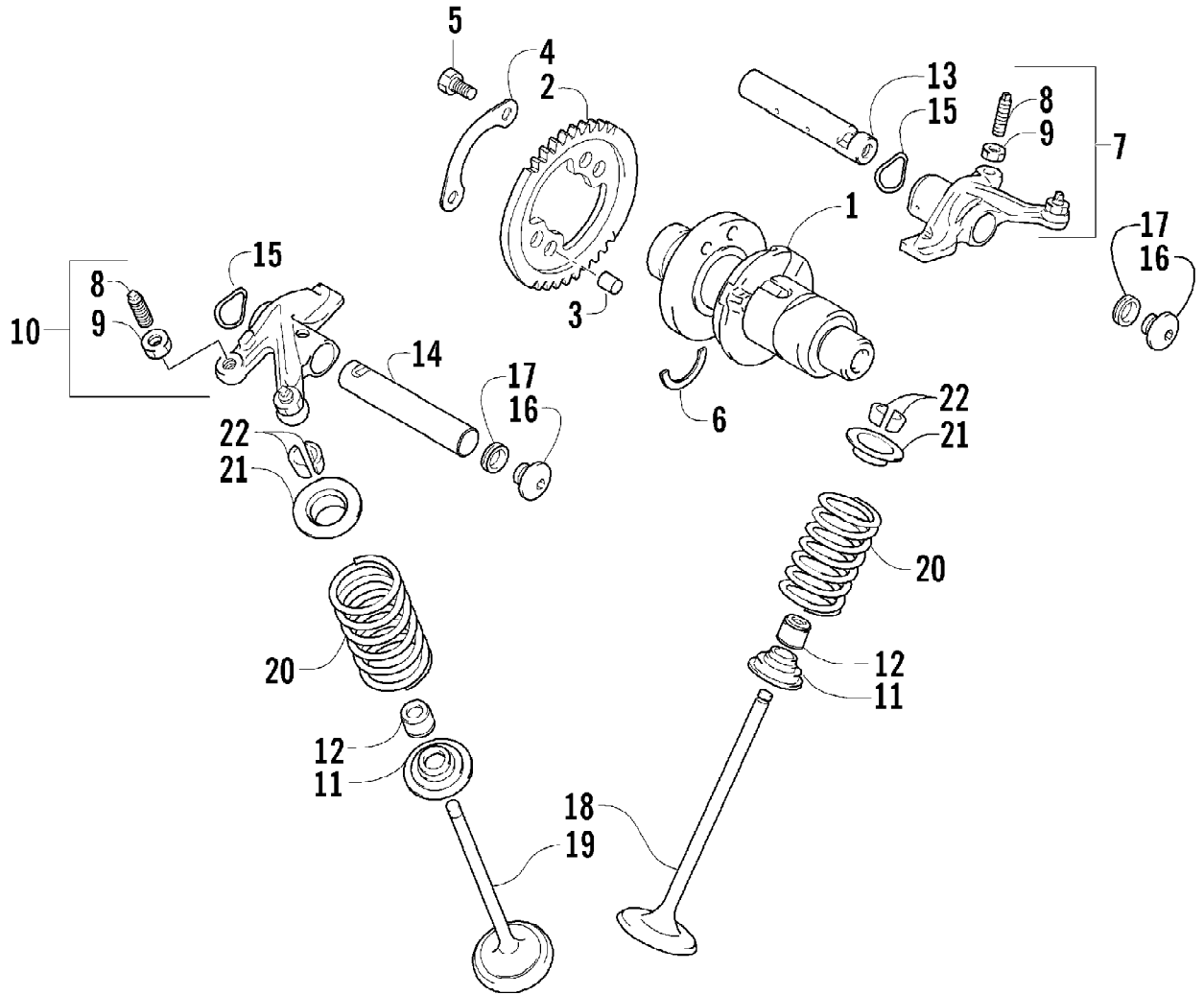
2007 ATV 400 AUTOMATIC TRANSMISSION 4X4 FIS GREEN (A2007ICH4BUS) Page 6 of 96
 BATTERY ASSEMBLY

Ref #	Part Number	Qty	S/P/F	Description
1	5991-395	1	S	Battery Cover/Tool Tray Assembly (inc. 2-3)
2	2406-815	1	/P	Cover, Battery
3	0406-288	2		Pad, Battery
3	0444-122	1	S/P	Kit, Tool Not Illustrated
4	0745-045	1	/P	Battery Assembly (inc. 5-8)
5	0645-045	6		Cap, Battery
6	0645-152	1		Clamp, Hose
7	0645-263	1	/P	Hose, Vent
8	0645-151	1		Label, Warning - Battery
9	0123-903	4		Cable Tie - 11.5 in.
10	8476-616	2		Screw, Machine
11	0623-101	AR		Clip, Retaining



2007 ATV 400 AUTOMATIC TRANSMISSION 4X4 FIS GREEN (A2007ICH4BUS) Page 8 of 96
CAM CHAIN ASSEMBLY

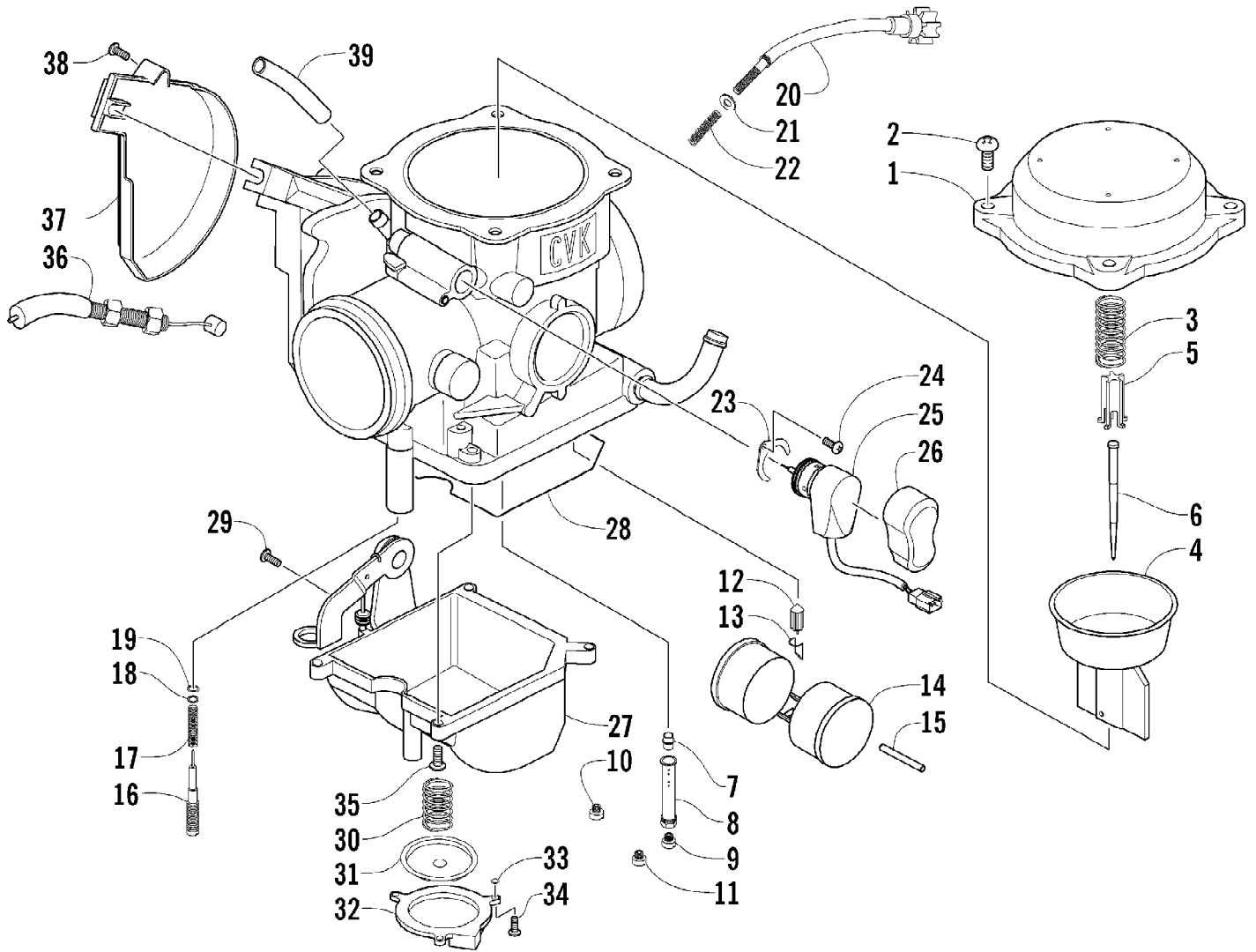
Ref #	Part Number	Qty	S/P/F	Description
1	3402-281	1		Chain, Cam
2	3402-612	1		Guide, Cam Chain
3	3402-613	1		Tensioner, Cam Chain
4	3423-074	1		Bolt
5	3402-436	1	/P	Washer
6	3402-614	1		Adjuster, Tensioner - Assembly (inc. 7-9)
7	3423-484	1		Spring
8	3423-485	1		Plug
9	3423-286	1		O-Ring
10	3403-020	1		Gasket, Adjuster
11	3004-512	2	S	Bolt



2007 ATV 400 AUTOMATIC TRANSMISSION 4X4 FIS GREEN (A2007ICH4BUS) Page 10 of 96
CAMSHAFT/VALVE ASSEMBLY

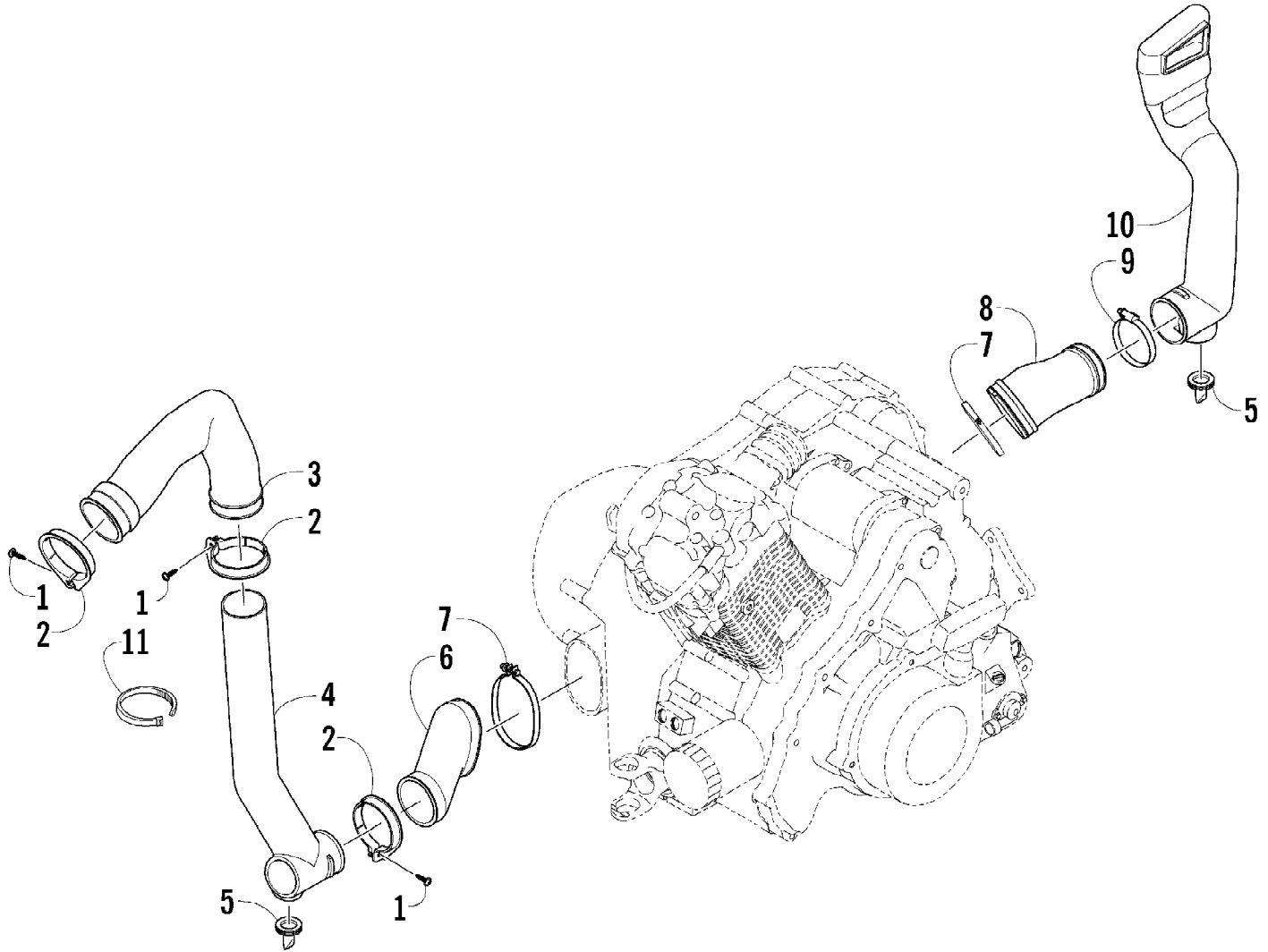
Ref #	Part Number	Qty	S/P/F	Description
1	3402-989	1	S	Camshaft
2	3402-611	1		Sprocket
3	3423-047	1		Pin
4	3423-073	1		Washer
5	3423-013	2	S	Bolt
6	3423-071	1	/P	C-Ring
7	3402-805	1	/P	Arm, Valve Rocker - Intake (inc. two No. 8-9)
8	3423-075	4		Screw
9	3423-076	4		Nut
10	3402-139	1		Arm, Valve Rocker - Exhaust (inc. two No. 8-9)
11	3402-148	4		Seat, Spring
12	3402-078	4		Seal, Oil
13	3402-140	1		Shaft, Rocker Arm
14	3402-141	1		Shaft, Rocker Arm
15	3423-031	2		Washer
16	3423-111	2	S	Plug, Shaft
17	3402-012	2		Gasket
18	3402-725	2	/P	Valve, Intake
19	3402-143	2		Valve, Exhaust
20	3402-726	4		Spring, Valve
21	3423-541	4	/P	Retainer, Spring
22	3402-147	8		Cotter, Valve

2007 ATV 400 AUTOMATIC TRANSMISSION 4X4 FIS GREEN (A20071CH4BU86) Page 11 of 96
CARBURETOR



2007 ATV 400 AUTOMATIC TRANSMISSION 4X4 FIS GREEN (A2007ICH4BUS) Page 12 of 96
CARBURETOR

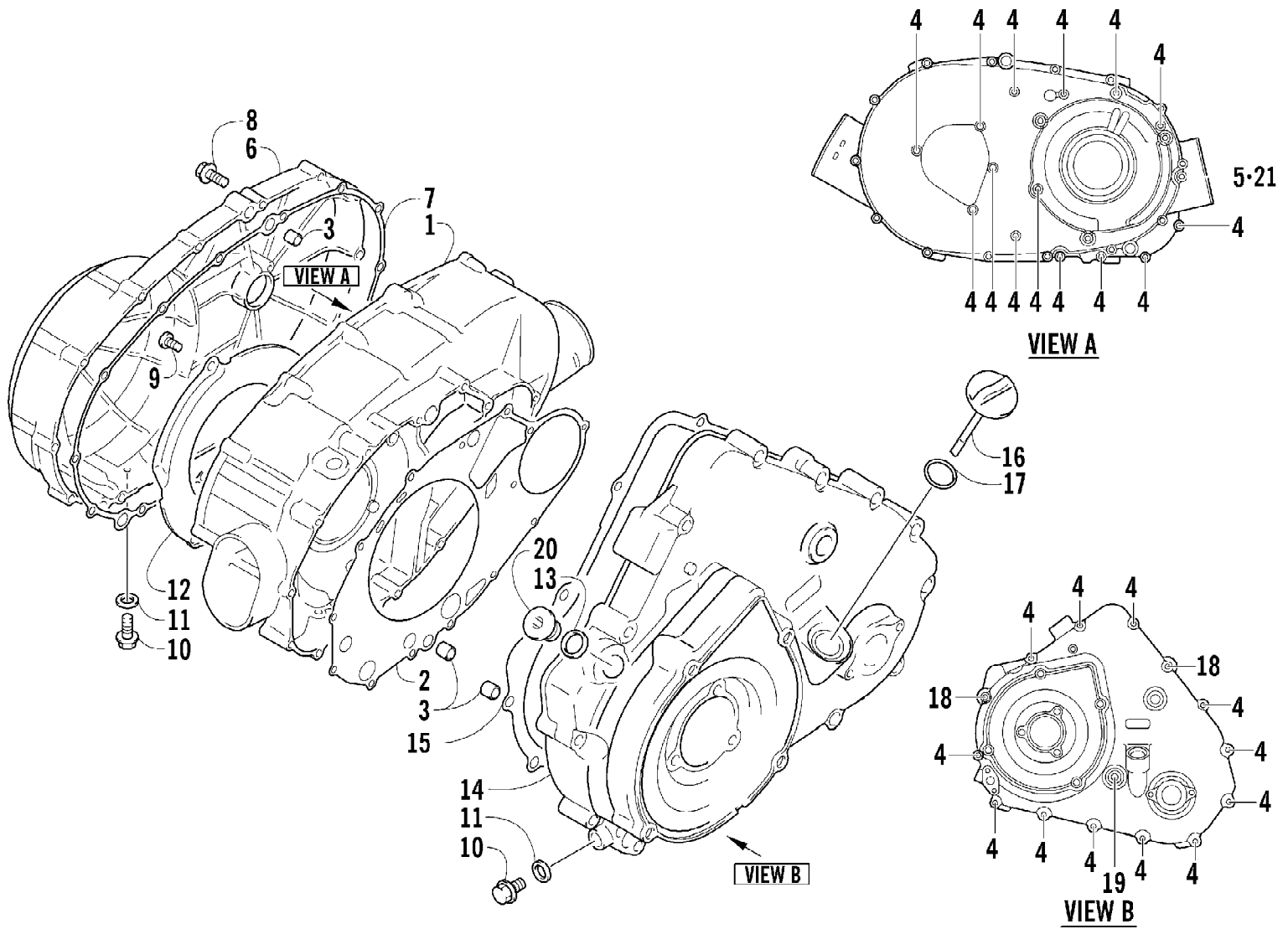
Ref #	Part Number	Qty	S/P/F	Description
	0470-667	1	/P	Carburetor Assembly
1	5507-001	1		Cover, Top
2	5507-002	4	/P	Screw, Top Cover
3	5507-173	1	S	Spring
4	5507-109	1	S	Piston, Vacuum
5	5507-005	1		Seat, Spring
6	5507-110	1		Jet Needle
7	5507-007	1		Needle Jet
8	5507-174	1	S	Holder, Needle Jet
9	5507-057	1	/P	Main Jet - 135
9	5507-009	1	/P/F	Main Jet - 150
9	5507-041	1	F	Main Jet - 147
9	5507-043	1	F	Main Jet - 142
9	5507-044	1	F	Main Jet - 140
10	5507-010	1	S	Slow Jet - 38
11	5507-179	1	S	Starter Jet - 75
12	5507-183	1		Valve, Float - Set (inc. 13)
13	0	1	F	Clip
14	5507-039	1		Float Set (inc. 15)
15	0	1	F	Pin, Float
16	5507-111	1		Screw, Pilot - Set (inc. 17-19)
17	0	1	F	Spring
18	0	1	F	Washer
19	0	1	F	O-Ring
20	5507-027	1		Screw, Idle Adjust
21	5507-028	1		Washer
22	5507-029	1		Spring
23	5507-115	1		Plate
24	5507-117	1	/P	Screw
25	5507-180	1		Choke, Electric
26	5507-114	1		Cover, Electric Choke
27	5507-181	1		Chamber, Float - Assembly (inc. 28-34)
28	5507-207	1	S	O-Ring, Float Chamber
29	5507-050	1	/P	Screw, Drain
30	5507-032	1		Spring
31	5507-182	1	S/P	Diaphragm Assembly
32	0	1	F	Housing, Pump
33	5507-034	1		U-Ring
34	5507-035	3		Screw
35	5507-017	4	/P	Screw
36	0487-021	1	S	Cable, Throttle
37	5507-036	1		Cover
38	5507-037	1	/P	Screw
39	0410-056	1		Hose, Vent



2007 ATV 400 AUTOMATIC TRANSMISSION 4X4 FIS GREEN (A2007ICH4BUS) Page 14 of 96
CASE/BELT COOLING ASSEMBLY

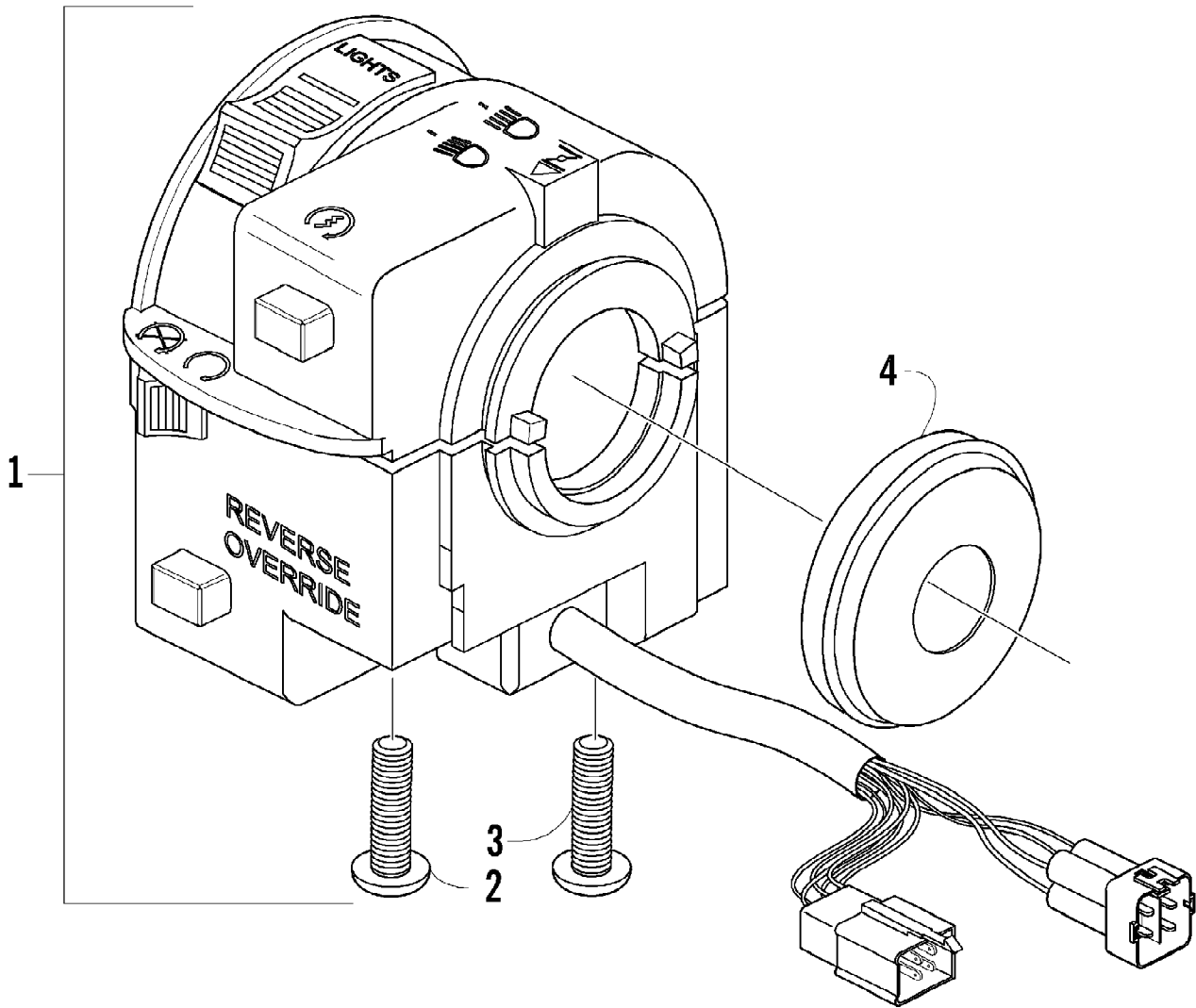
Ref #	Part Number	Qty	S/P/F	Description
1	0423-342	3	/P	Screw, Self-Tapping
2	0423-551	3		Clamp, Boot
3	0413-092	1		Boot, Air-In
4	0513-010	1		Duct, Belt Cooling - Front
5	0470-442	2	/P	Valve, Drain
6	0413-048	1		Boot, Duct - Front
7	3402-449	2	/P	Clamp, Boot
8	0413-060	1		Boot, Duct - Rear
9	0423-380	1	/P	Clamp, Duct
10	0413-094	1		Duct, Belt Cooling - Rear
11	0123-903	1		Cable Tie - 11.5 in.

2007 ATV 400 AUTOMATIC TRANSMISSION 4X4 FIS GREEN (A20071CH4BU86) Page 15 of 96
CLUTCH/V-BELT/MAGNETO COVER ASSEMBLY



2007 ATV 400 AUTOMATIC TRANSMISSION 4X4 FIS GREEN (A2007ICH4BUS) Page 16 of 96
CLUTCH/V-BELT/MAGNETO COVER ASSEMBLY

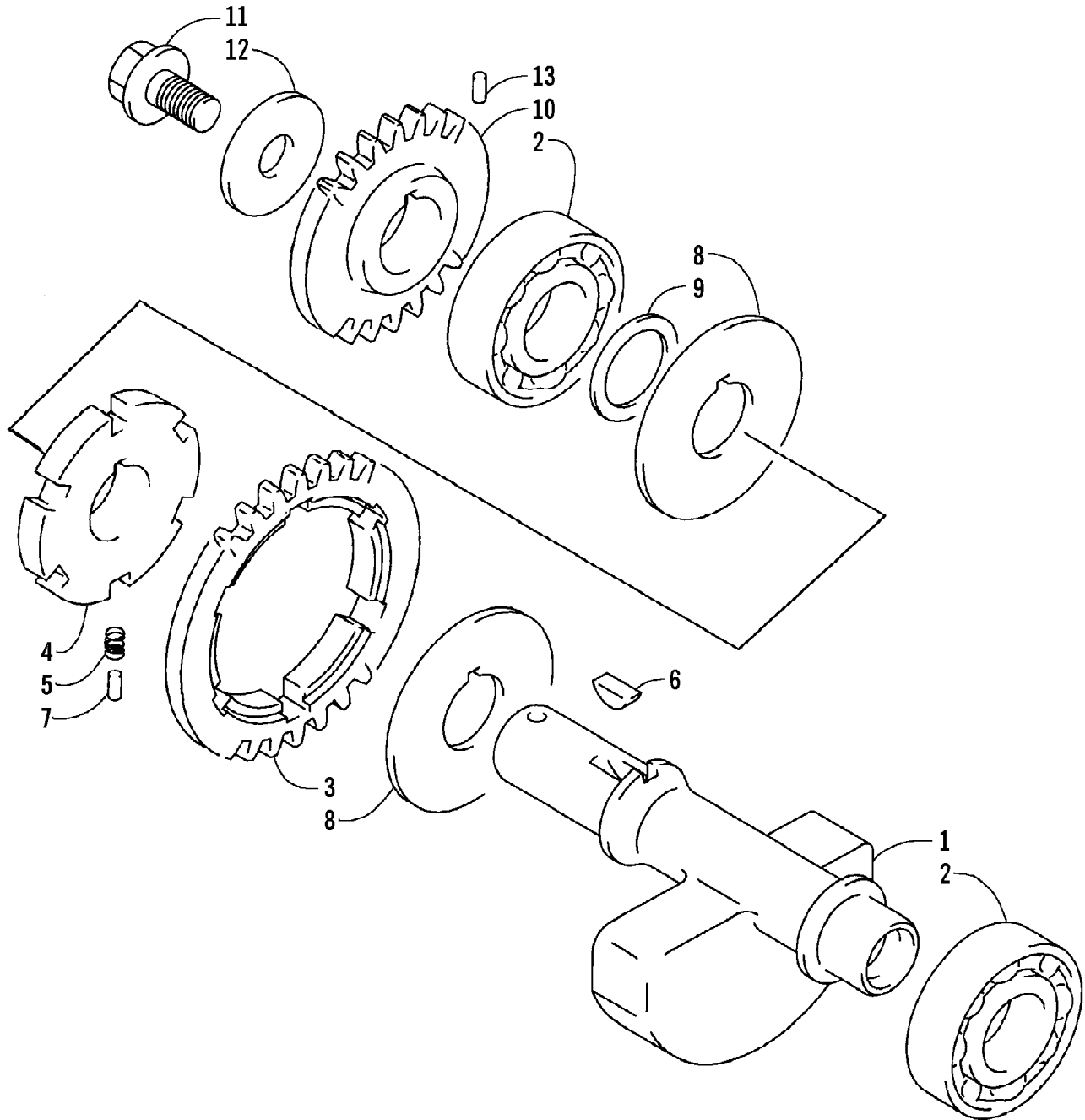
Ref #	Part Number	Qty	S/P/F	Description
1	3402-583	1		Cover, Clutch
2	3402-589	1		Gasket
3	3423-088	6		Pin, Dowel
4	3423-098	26	S	Bolt
5	3423-392	1		Bolt
6	3402-586	1		Cover, V-Belt
7	3402-591	1		Gasket, V-Belt Cover
8	0693-327	14	S	Bolt
9	3004-552	3	S	Screw
10	3004-705	2	S	Plug, Drain
11	3402-444	2		Gasket, Drain Plug
12	3402-996	1		Plate, Air Intake
13	3402-013	1	/P	Gasket
14	3402-585	1		Cover, Magneto
15	3402-590	1		Gasket, Magneto Cover
16	3402-593	1		Stick, Oil Level
17	3423-055	1		O-Ring, Oil Level Stick
18	3423-307	2	S	Bolt
19	3423-430	1		Bolt
20	3402-041	1	S	Plug
21	3003-290	1	/P	Gasket



2007 ATV 400 AUTOMATIC TRANSMISSION 4X4 FIS GREEN (A2007ICH4BUS) Page 18 of 96
CONTROL SWITCH HOUSING ASSEMBLY

Ref #	Part Number	Qty	S/P/F	Description
1	0509-014	1		Switch, Control - Assembly (inc. 2-4)
2	0409-027	1		Screw, Machine
3	0409-028	1		Screw, Machine
4	3409-019	1		Cover, Switch Housing

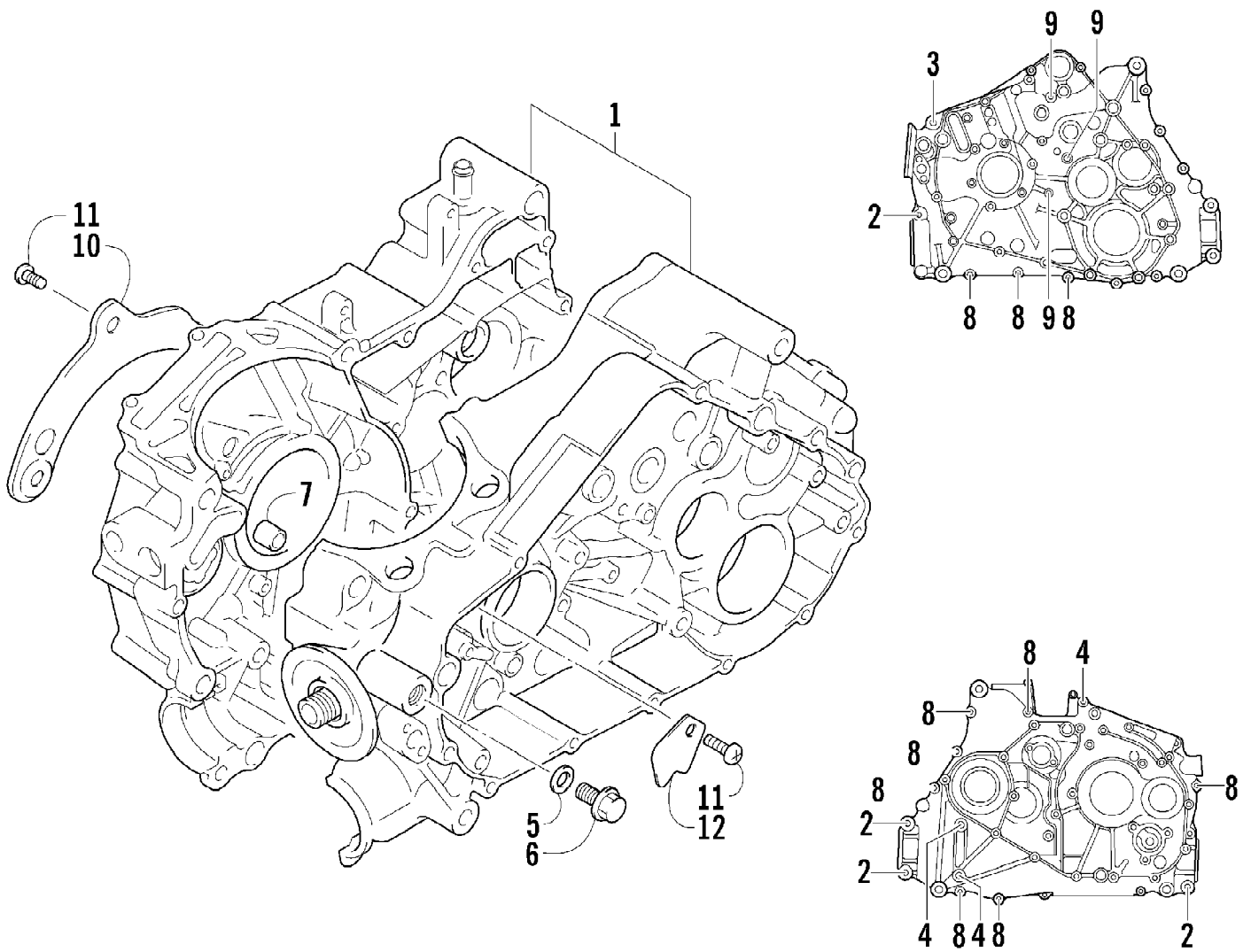
2007 ATV 400 AUTOMATIC TRANSMISSION 4X4 FIS GREEN (A20071CH4BU86) Page 19 of 96
CRANK BALANCER ASSEMBLY



2007 ATV 400 AUTOMATIC TRANSMISSION 4X4 FIS GREEN (A2007ICH4BUS) Page 20 of 96
CRANK BALANCER ASSEMBLY

Ref #	Part Number	Qty	S/P/F	Description
1	3402-605	1		Balancer, Crank
2	3402-553	2	/P	Bearing
3	3402-772	1		Gear, Driven
4	3402-608	1		Race, Driven Gear
5	3402-090	2		Spring, Driven Gear
6	3004-540	1	/P	Key
7	3423-106	3	/P	Pin, Driven Gear
8	3423-441	2		Washer, Driven Gear
9	3423-446	1		Washer
10	3402-617	1		Gear, Oil Pump Drive
11	3423-555	1		Bolt, Drive Gear
12	3423-401	1		Washer, Drive Gear
13	3423-110	1		Pin, Drive Gear

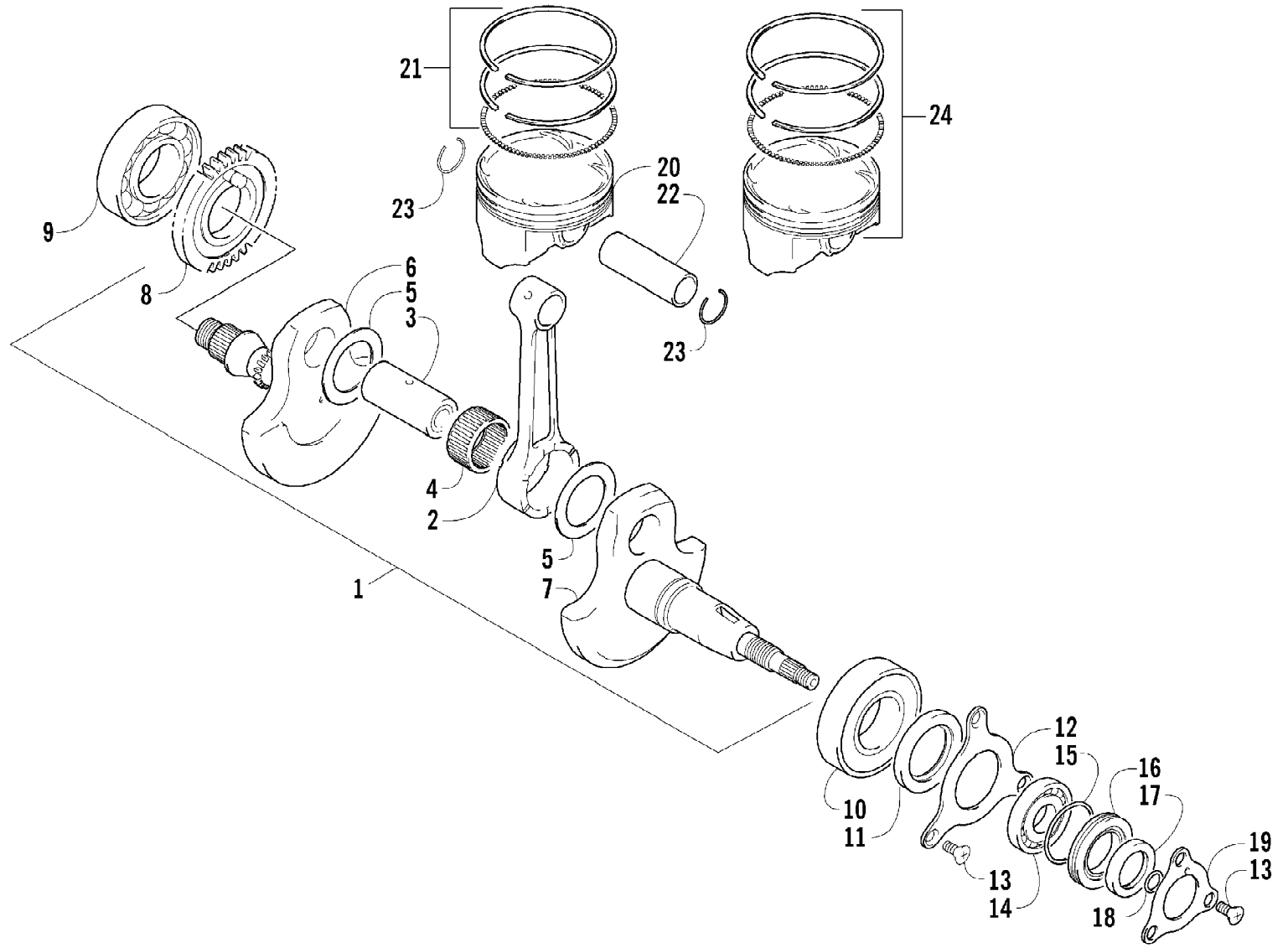
2007 ATV 400 AUTOMATIC TRANSMISSION 4X4 FIS GREEN (A20071CH4BU86) Page 21 of 96
CRANKCASE ASSEMBLY



2007 ATV 400 AUTOMATIC TRANSMISSION 4X4 FIS GREEN (A20071CH4BUS) Page 22 of 96
CRANKCASE ASSEMBLY

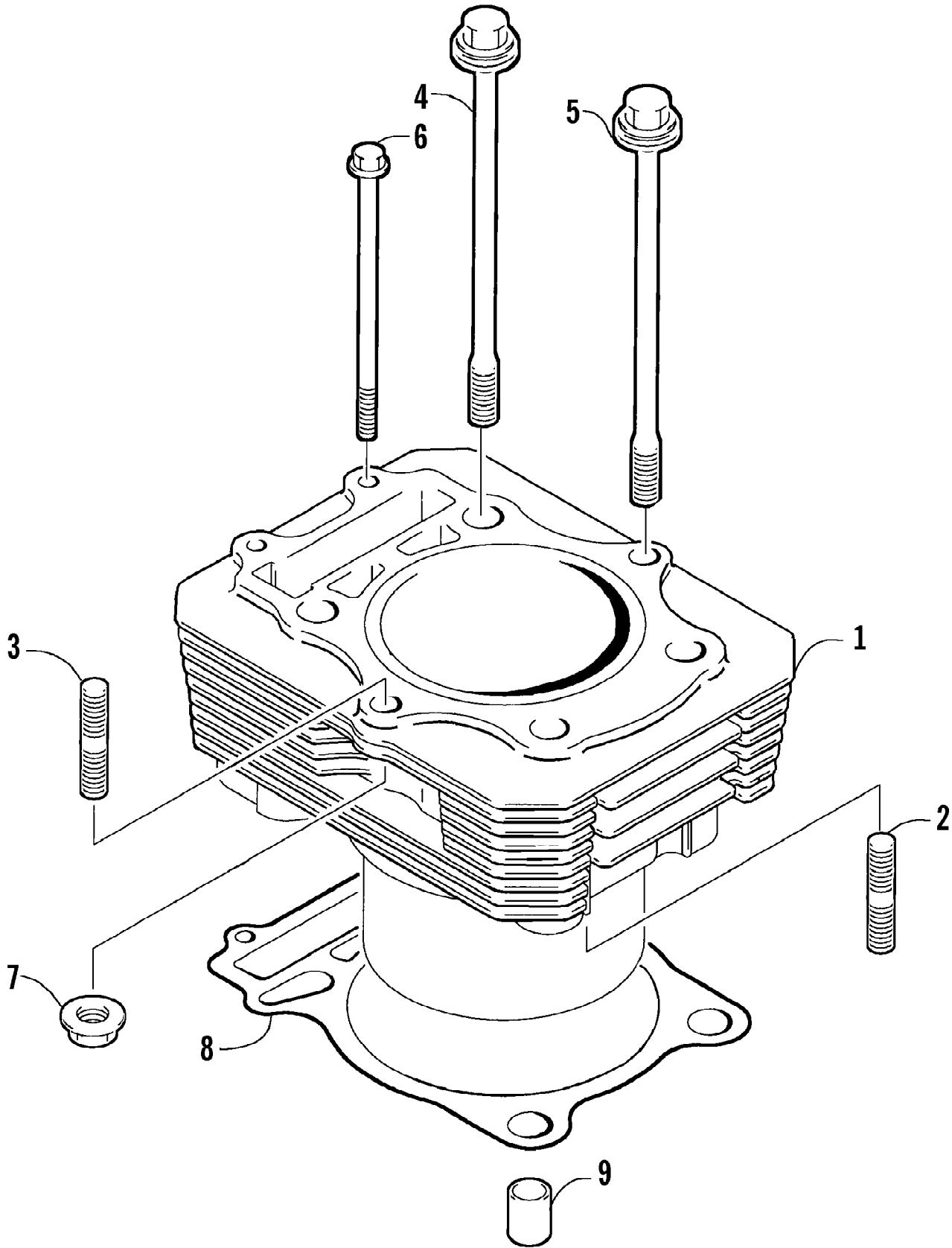
Ref #	Part Number	Qty	S/P/F	Description
1	3402-580	1		Crankcase Assembly (inc. 2-9)
2	3004-880	4		Bolt
3	3423-234	1		Bolt
4	3005-410	3		Bolt
5	3402-012	1		Gasket, Oil Pressure Plug
6	3402-214	1		Plug, Oil Pressure
7	3423-088	2		Pin, Dowel
8	3423-091	10	S	Bolt
9	3423-097	3		Bolt
10	3042-581	1		Plate, Oil Guide - Right
11	3004-552	4	S	Screw, Oil Guide Plate
12	3402-582	1		Plate, Oil Guide - Left

2007 ATV 400 AUTOMATIC TRANSMISSION 4X4 FIS GREEN (A20071CH4BU86) Page 23 of 96
CRANKSHAFT ASSEMBLY



2007 ATV 400 AUTOMATIC TRANSMISSION 4X4 FIS GREEN (A2007ICH4BUS) Page 24 of 96
CRANKSHAFT ASSEMBLY

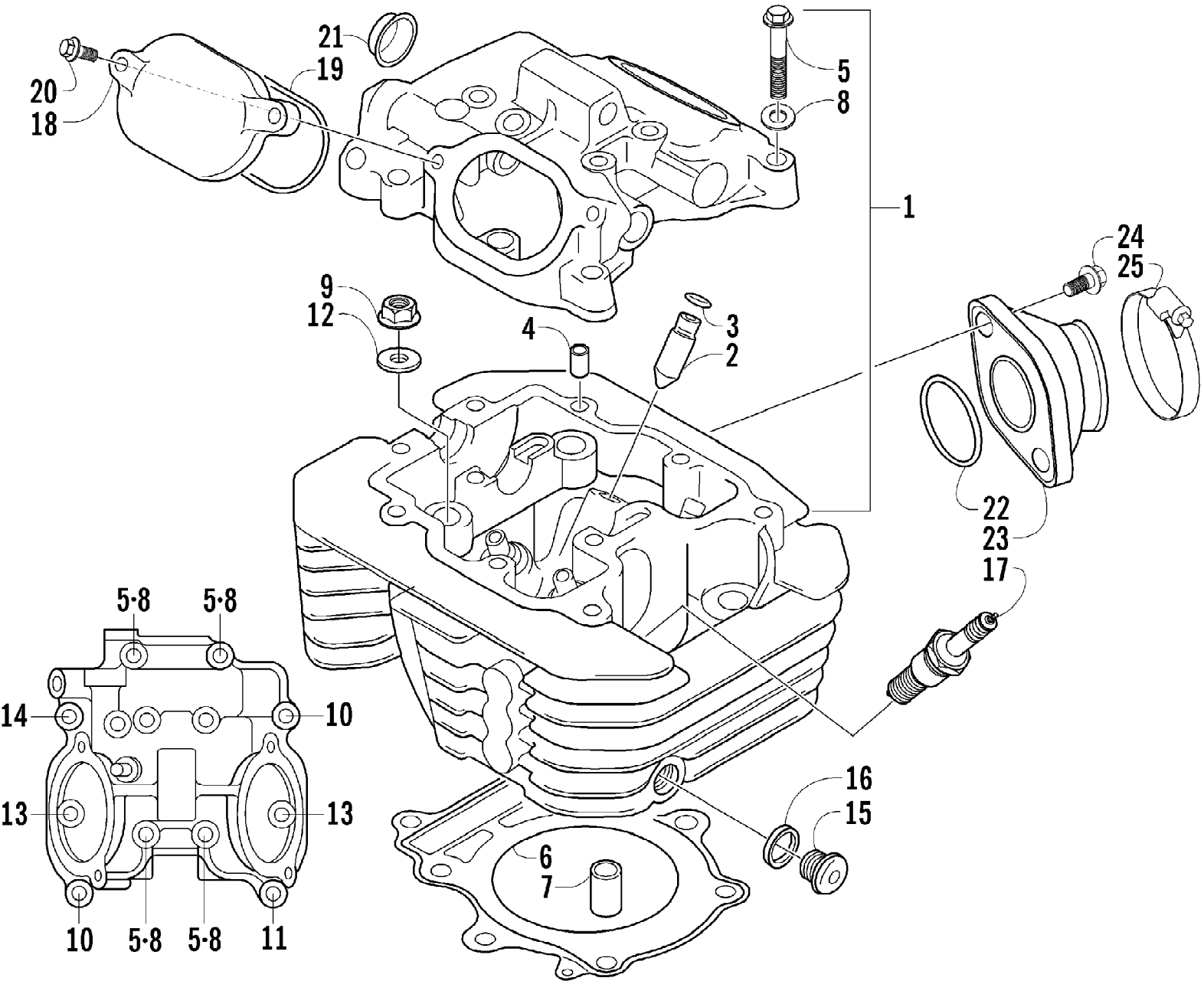
Ref #	Part Number	Qty	S/P/F	Description
1	3403-009	1	/P	Crankshaft Assembly (inc. 2-8)
2	3402-597	1		Rod, Connecting
3	3402-599	1		Pin, Crank
4	3402-571	1		Bearing
5	3423-440	2		Washer
6	3403-014	1	/P	Crankshaft - Right
7	3403-209	1		Crankshaft - Left
8	3402-698	1	/P	Gear, Crank Balancer Drive
9	3402-055	1	/P	Bearing - Right
10	3402-566	1		Bearing - Middle
11	3402-573	1		Seal, Crankshaft Oil
12	3402-602	1		Retainer, Crankshaft Oil Seal - Middle
13	3423-018	6		Screw, Retainer
14	3402-051	1		Bearing
15	3423-063	1		O-Ring
16	3423-542	1	/P	Spacer
17	3402-070	1		Seal, Oil
18	3423-053	1	/P	O-Ring
19	3402-188	1	/P	Retainer, Crankshaft Oil Seal - Left
20	3402-594	1		Piston
21	3402-595	1		Ring, Piston - Set
22	3402-596	1		Pin, Piston
23	3003-439	2	/P	Circlip
24	3436-015	1	F	Piston Set (Oversized 0.50 mm)



2007 ATV 400 AUTOMATIC TRANSMISSION 4X4 FIS GREEN (A2007ICH4BUS) Page 26 of 96
CYLINDER ASSEMBLY

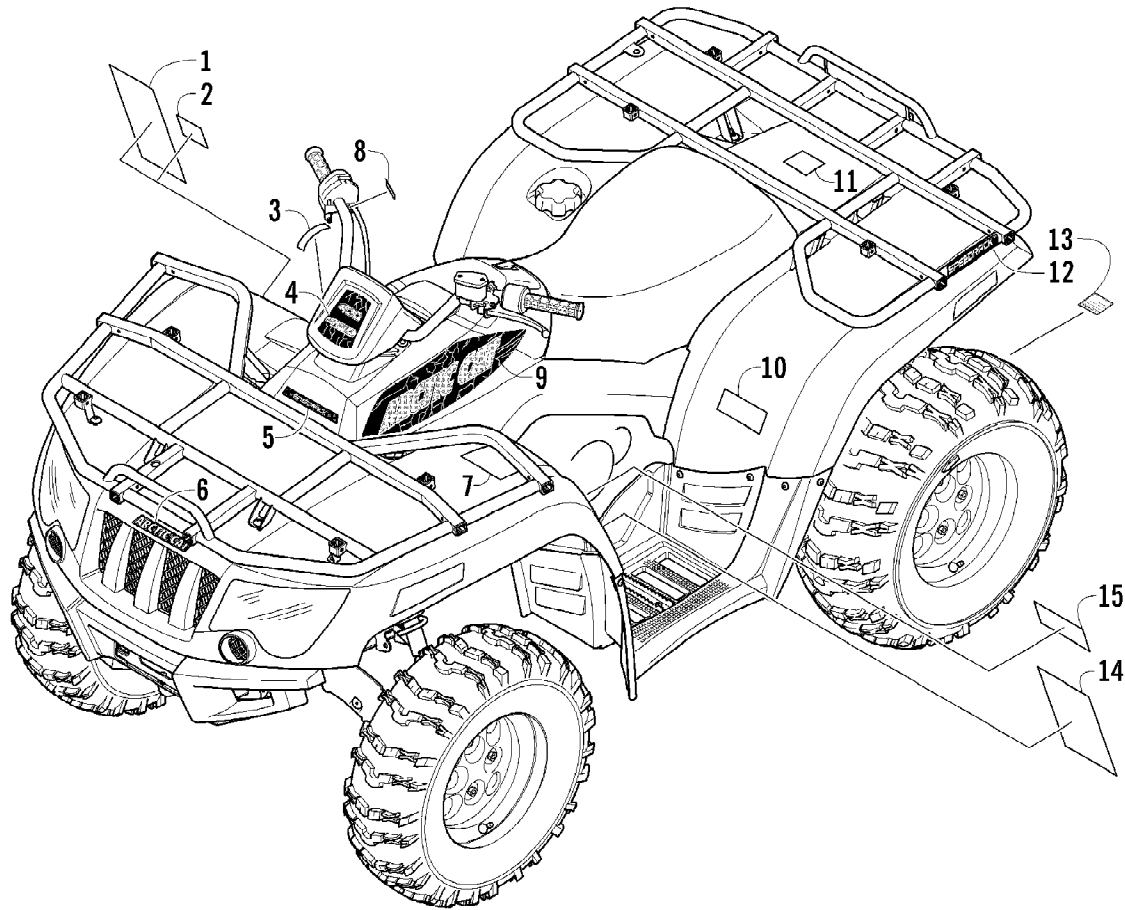
Ref #	Part Number	Qty	S/P/F	Description
1	3402-578	1	S	Cylinder
2	3423-384	2	S	Bolt, Stud
3	3004-778	2	S	Bolt, Stud
4	3423-431	2		Bolt
5	3423-432	2		Bolt
6	3423-427	2		Bolt
7	3004-488	2	S/P	Nut
8	3402-579	1		Gasket, Cylinder
9	3423-088	2		Pin, Dowel

2007 ATV 400 AUTOMATIC TRANSMISSION 4X4 FIS GREEN (A20071CH4BU86) Page 27 of 96
CYLINDER HEAD ASSEMBLY



2007 ATV 400 AUTOMATIC TRANSMISSION 4X4 FIS GREEN (A2007ICH4BUS) Page 28 of 96
CYLINDER HEAD ASSEMBLY

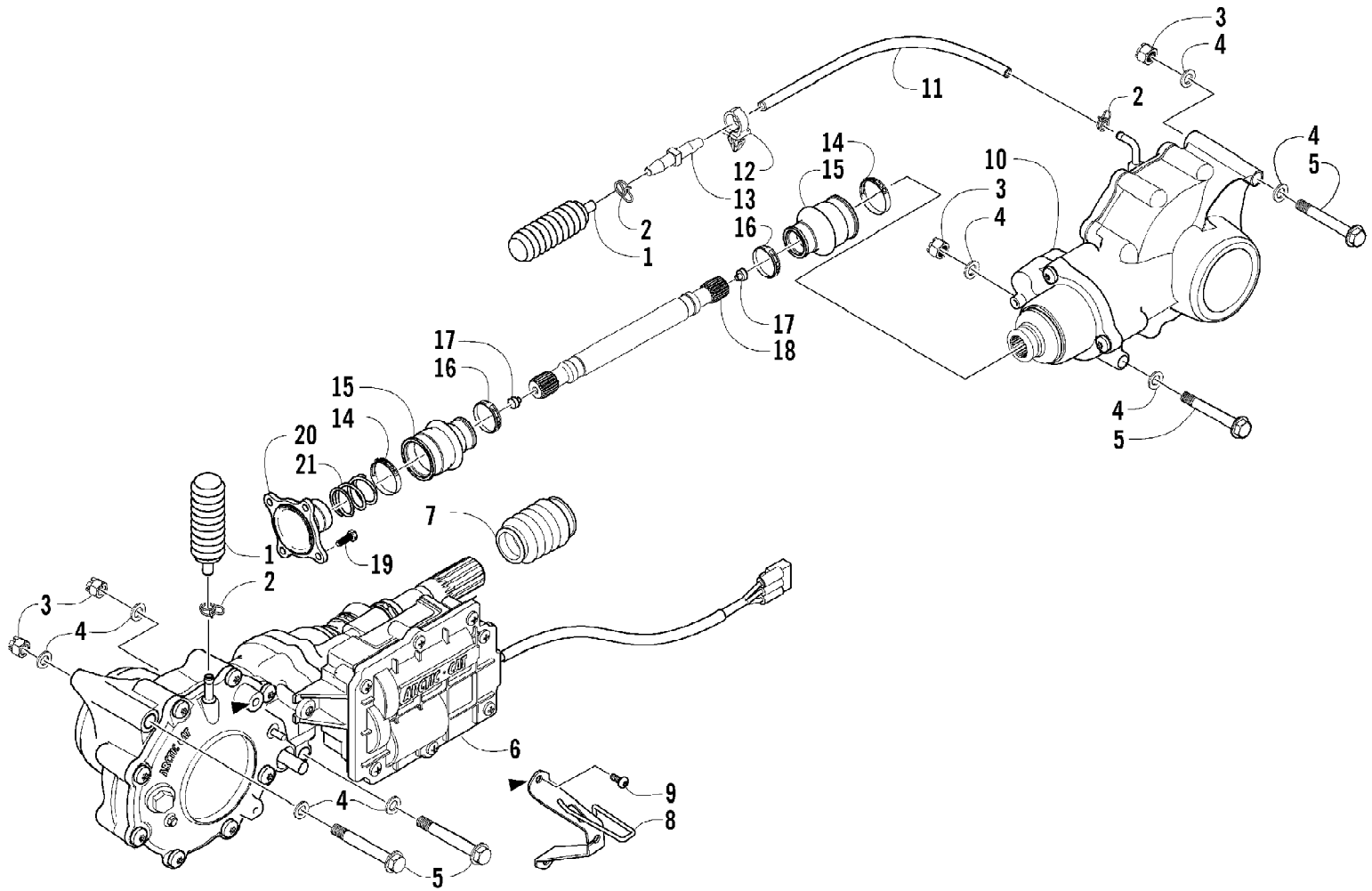
Ref #	Part Number	Qty	S/P/F	Description
1	3402-576	1	S	Head, Cylinder - Assembly (inc. 2-5)
2	3402-099	4		Guide, Valve
3	3423-068	4		Ring, Valve Guide
4	3423-043	2	/P	Pin, Dowel
5	3423-006	4		Bolt
6	3402-577	1		Gasket, Cylinder Head
7	3423-449	2		Pin, Dowel
8	3003-290	4	/P	Gasket
9	3004-326	2	S/P	Nut, Cylinder Head
10	3423-007	2	S	Bolt, Head Cover
11	3423-429	1		Bolt, Head Cover
12	3423-439	4	S	Washer, Cylinder Head Nut
13	3004-376	2	S/P	Bolt, Head Cover
14	3008-376	1	S	Bolt, Head Cover
15	3423-453	1		Plug, Oil Gallery
16	3402-011	1		Gasket, Oil Gallery Plug
17	0217-708	1		Spark Plug (NGK CR7E)
18	3402-100	2		Cap, Inspection
19	3402-101	2		O-Ring
20	3004-341	4	S/P	Bolt, Inspection Cap
21	3402-035	1		Plug, Head
22	0470-531	1		O-Ring
23	0570-084	1		Manifold, Intake
24	8476-620	2		Screw
25	0423-317	1	/P	Clamp
	3402-048	1	F	Plug, Frost



2007 ATV 400 AUTOMATIC TRANSMISSION 4X4 FIS GREEN (A20071CH4BUS) Page 30 of 96
DECALS

Ref #	Part Number	Qty	S/P/F	Description
1	1411-250	1	F	Decal, Warning - Reverse/Pre-Ride
2	0411-835	1		Decal, Warning - Hill
3	0411-426	1		Decal, Warning - Clutch Cover
4	1411-467	1		Decal, Instrument Pod
5	1411-052	1	S	Decal, "Speedrack"
6	0411-839	1		Decal, Front
7	0411-401	1	F	Decal, Warning - Age
8	0411-966	1		Decal, Warning - Differential Lock
9	1411-394	1		Decal, Side - Upper Right
9	1411-395	1		Decal, Side - Upper Left
10	0411-430	1		Decal, Warning - Tire Pressure
11	0411-435	1		Decal, Warning - Passenger
12	0411-965	2		Decal, "Speedrack"
13	1411-077	1		Decal, Warning - Towing
14	0411-218	1	F	Decal, Warning - General
15	1411-574	1		Decal, Warning - Off-Road Only

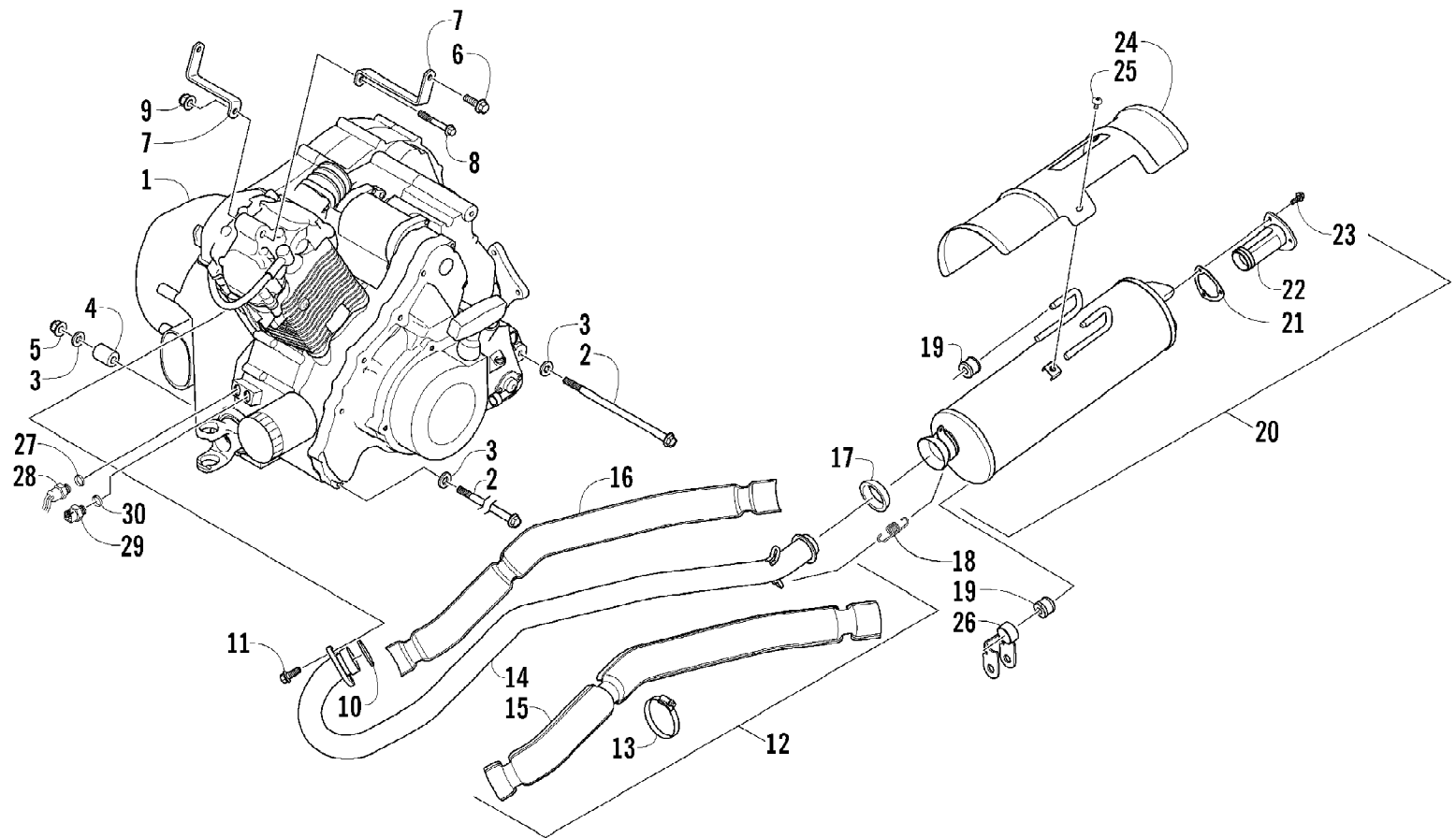
2007 ATV 400 AUTOMATIC TRANSMISSION 4X4 FIS GREEN (A20071CH4BU86) Page 31 of 96
DRIVE TRAIN ASSEMBLY



2007 ATV 400 AUTOMATIC TRANSMISSION 4X4 FIS GREEN (A2007ICH4BUS) Page 32 of 96
DRIVE TRAIN ASSEMBLY

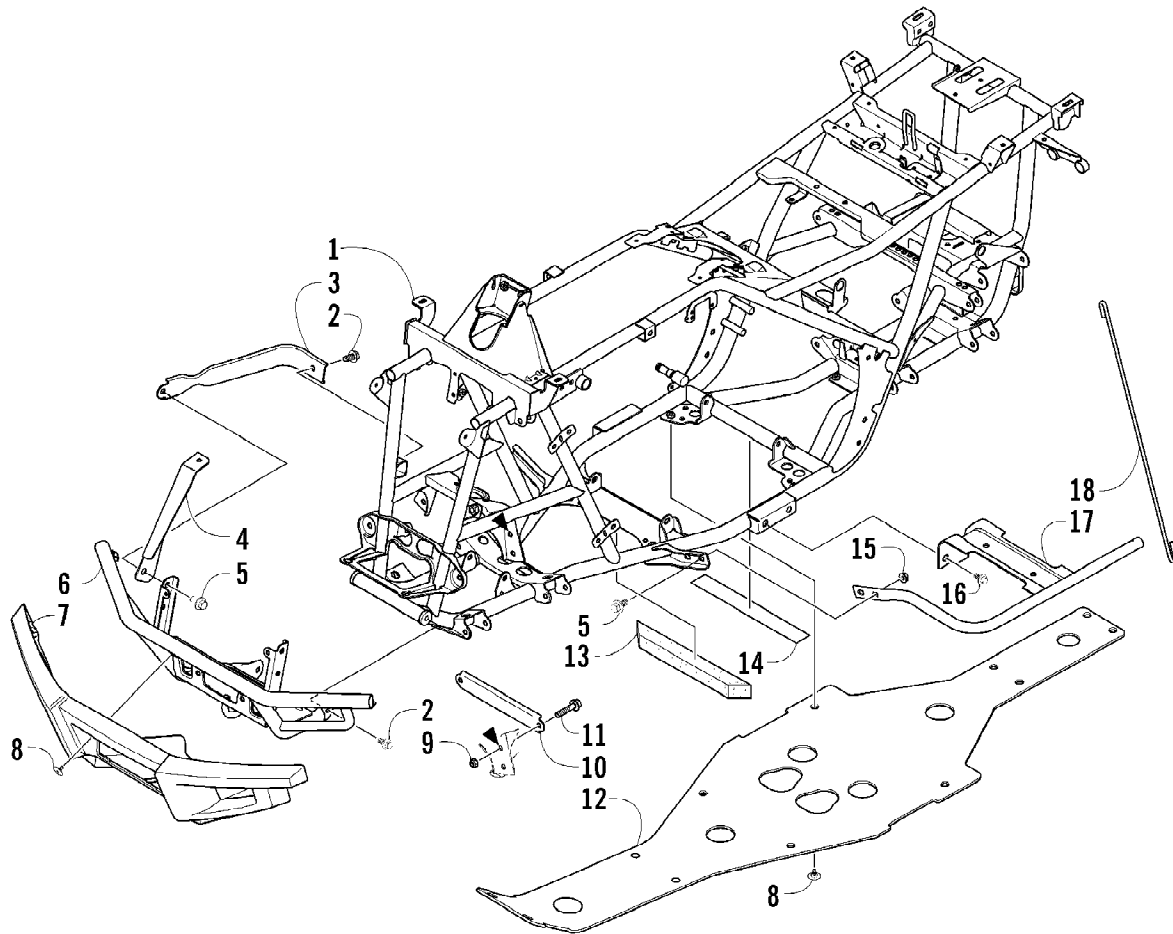
Ref #	Part Number	Qty	S/P/F	Description
1	0402-147	2	S	Bladder, Gearcase
2	0423-315	4		Clamp, Fitting
3	8428-002	4		Nut, Lock
4	0423-426	10		Washer
5	0423-404	4		Screw, Cap
6	1502-086	1		Gearcase, Front
7	0402-966	1		Boot, Shaft
8	0502-500	1		Plate, Cable
9	0423-396	2		Screw, Self-Tapping
10	1502-078	1		Gearcase, Rear
11	0410-048	AR	S	Hose, Vent
12	0623-101	1		Clip, Routing - Snap-In
13	0470-462	1		Fitting, Vent
14	0423-393	2		Clamp, Boot
15	0402-985	2	/P	Boot
16	0423-411	2		Clamp, Boot
17	0673-618	2	/P	Bumper, Propeller Shaft
18	1402-233	1		Shaft, Propeller
19	8408-820	4	/P	Screw, Cap
20	0402-950	1		Flange, Output
21	1402-026	1		Spring

2007 ATV 400 AUTOMATIC TRANSMISSION 4X4 FIS GREEN (A20071CH4BU86) Page 33 of 96
ENGINE AND EXHAUST



2007 ATV 400 AUTOMATIC TRANSMISSION 4X4 FIS GREEN (A2007ICH4BUS) Page 34 of 96
ENGINE AND EXHAUST

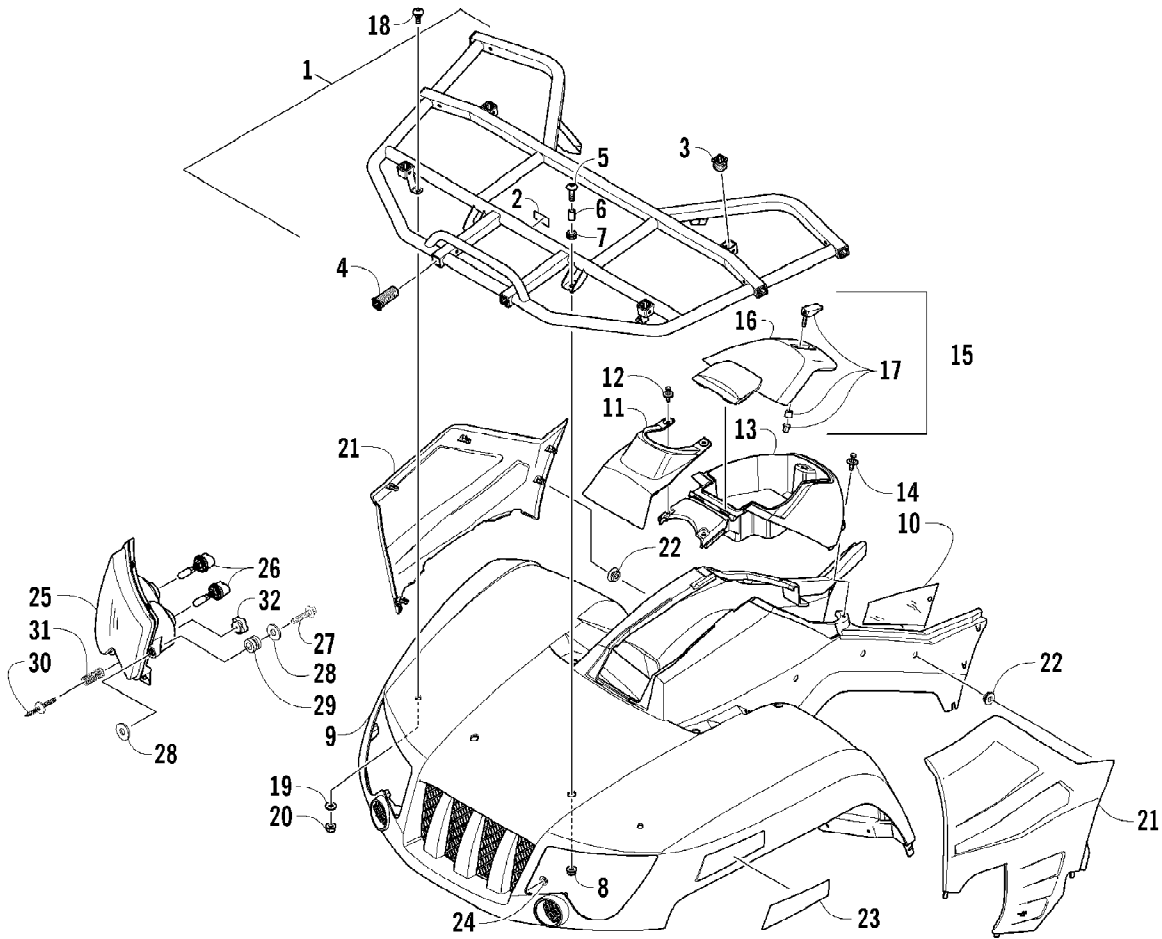
Ref #	Part Number	Qty	S/P/F	Description
1	0462-036	1		Engine
2	0423-405	2		Screw, Cap
3	0423-426	4		Washer, Engine
4	0423-042	2	S	Spacer, Engine
5	8428-002	2		Nut, Lock
6	8408-816	2		Screw, Cap
7	1506-626	1		Bracket, Engine Mount - Right
7	1506-625	1		Bracket, Engine Mount - Left
8	8408-860	1		Screw, Cap
9	8424-802	1		Nut
10	0412-007	1	/P	Seal, Exhaust
11	8408-820	2	/P	Screw, Cap
12	0512-261	1		Pipe, Exhaust - Assembly (inc. 13-16)
13	0423-317	3	/P	Hose Clamp
14	0512-242	1		Pipe, Exhaust
15	0412-342	1		Shield, Exhaust Pipe - Outer
16	0412-341	1		Shield, Exhaust Pipe - Inner
17	0612-188	1	/P	Gasket, Exhaust - Tailpipe
18	0612-668	2	/P	Spring, Extension
19	0412-215	3	S	Bushing, Exhaust Pipe
20	0512-306	1	/P	Muffler - Assembly (inc. 21-23)
21	0412-313	1		Gasket, Spark Arrester
22	0512-219	1	/P	Arrester, Spark - Assembly
23	8408-616	3		Screw, Cap
24	0412-373	1	/P	Cover, Muffler
25	8477-610	3		Screw, Machine
26	1506-732	1		Channel, Muffler Support
27	3402-013	1	/P	Gasket
28	3430-033	1		Switch, Cooling Fan
29	3530-037	1	/P	Switch, Oil Light
30	3402-556	1	/P	Gasket



2007 ATV 400 AUTOMATIC TRANSMISSION 4X4 FIS GREEN (A2007ICH4BUS) Page 36 of 96
FRAME AND RELATED PARTS

Ref #	Part Number	Qty	S/P/F	Description
1	2506-039	1		Frame, Main
2	8409-020	4	/P	Screw, Cap
3	0506-653	1	S	Channel, Bumper Mounting - Right
3	1506-596	1	/P	Channel, Bumper Mounting - Left
4	1506-686	1		Bracket, Mounting - Bumper - Right
4	1506-687	1		Bracket, Mounting - Bumper - Left
5	8408-816	6		Screw, Cap
6	1506-684	1		Bumper
7	1406-868	1		Facia, Bumper - Front
8	0423-101	20		Screw, Body
9	8428-002	2		Nut, Lock
10	1506-429	1	S	Brace, A-Arm
11	8409-025	2		Screw, Cap
12	1406-030	1		Panel, Belly
13	1506-067	1		Foam, Frame
14	0406-289	1		Pad, Frame
15	8424-802	4		Nut, Flange
16	8409-016	4		Screw, Cap
17	1506-659	1		Footrest - Right
17	1506-660	1		Footrest - Left
18	2406-357	2	S	Rod, Support

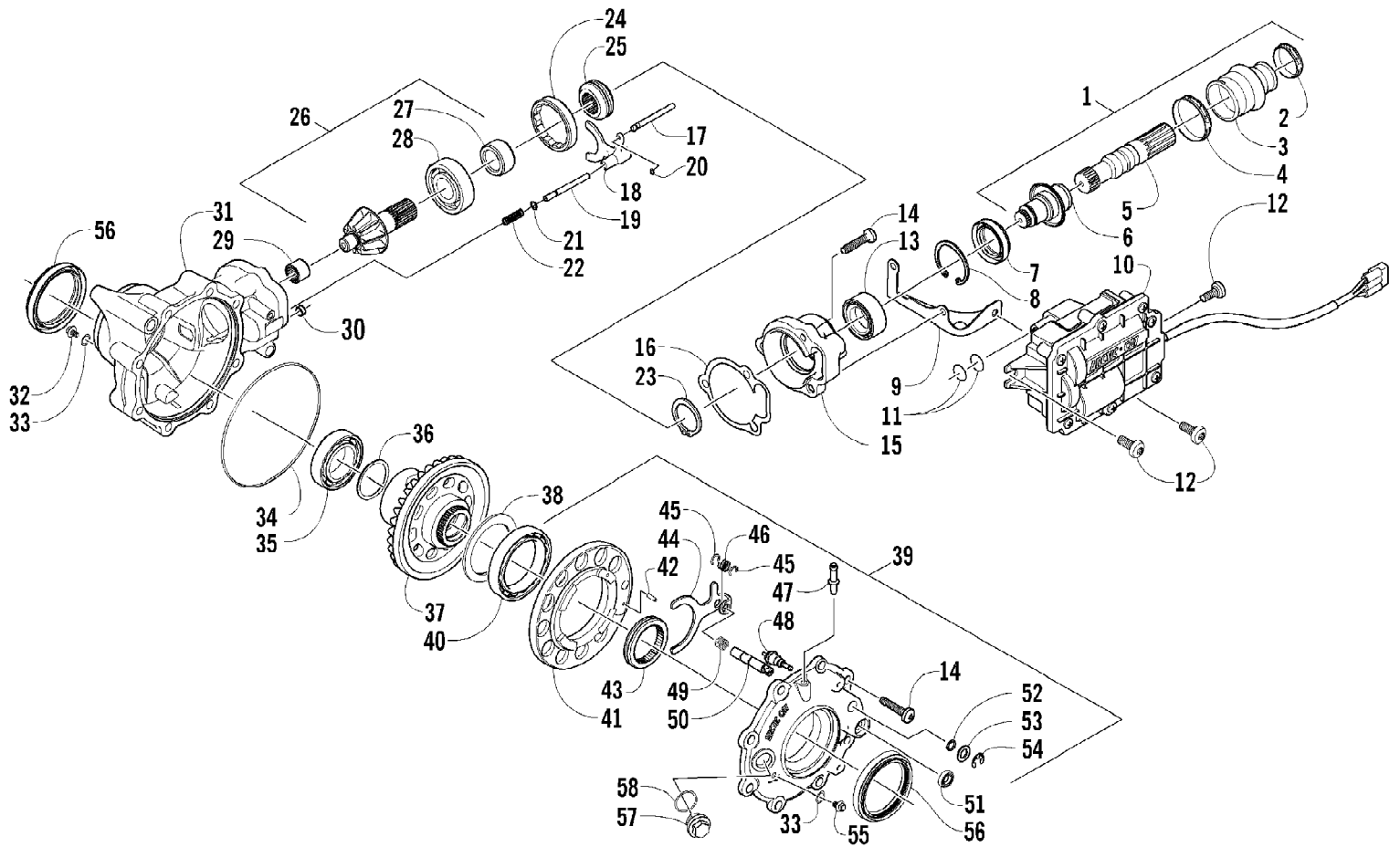
2007 ATV 400 AUTOMATIC TRANSMISSION 4X4 FIS GREEN (A20071CH4BU86) Page 37 of 96
FRONT BODY PANEL ASSEMBLY



2007 ATV 400 AUTOMATIC TRANSMISSION 4X4 FIS GREEN (A2007ICH4BUS) Page 38 of 96
FRONT BODY PANEL ASSEMBLY

Ref #	Part Number	Qty	S/P/F	Description
1	1506-750	1		Rack - Front - Assembly (inc. 2-4)
2	0411-576	1		Decal, Warning - Front Rack Load
3	0441-592	4	/P	Bushing, Rack
4	2604-014	6		Bushing, Rack
5	8410-830	4		Screw, Machine
6	0423-669	4		Spacer
7	0423-465	4		Grommet
8	8432-802	4		Nut, Lock
9	2506-357	1	S	Panel, Fender - Front (inc. 10 and 23)
10	0412-394	1	/P	Shield, Heat - Fender - Front
11	1406-970	1		Cover, Steering Post
12	0623-362	2		Rivet, Reinstallable
13	1406-947	1		Box, Storage
14	0623-544	2		Plug
15	2506-235	1		Cover, Storage Box w/Latch (inc. 16-17)
16	1406-862	1		Cover, Storage Box
17	1406-599	1		Latch, Storage Box
18	0423-654	2		Screw, Shoulder
19	8050-222	2	/P	Washer
20	0423-540	2		Nut, Lock
21	2406-302	1		Panel, Side - Right
21	2406-303	1		Panel, Side - Left
22	0423-678	8		Grommet
23	1411-078	1		Decal, Reflector - Front - Right
23	1411-079	1		Decal, Reflector - Front - Left
24	0423-357	2		Nut, Stamped
25	0509-027	1	S	Headlight Assembly - Right (inc. 26)
25	0509-028	1	S	Headlight Assembly - Left (inc. 26)
26	0409-073	4		Bulb, Headlight
27	0623-785	4		Screw, Self-Tapping
28	8050-217	8	/P	Washer
29	0423-447	4		Grommet
30	0423-514	2		Stud, Adjuster - Headlight
31	0423-522	2		Spring, Adjuster - Headlight
32	0423-513	2		Knob, Adjuster - Headlight

2007 ATV 400 AUTOMATIC TRANSMISSION 4X4 FIS GREEN (A20071CH4BU86) Page 39 of 96
FRONT DRIVE GEARCASE ASSEMBLY



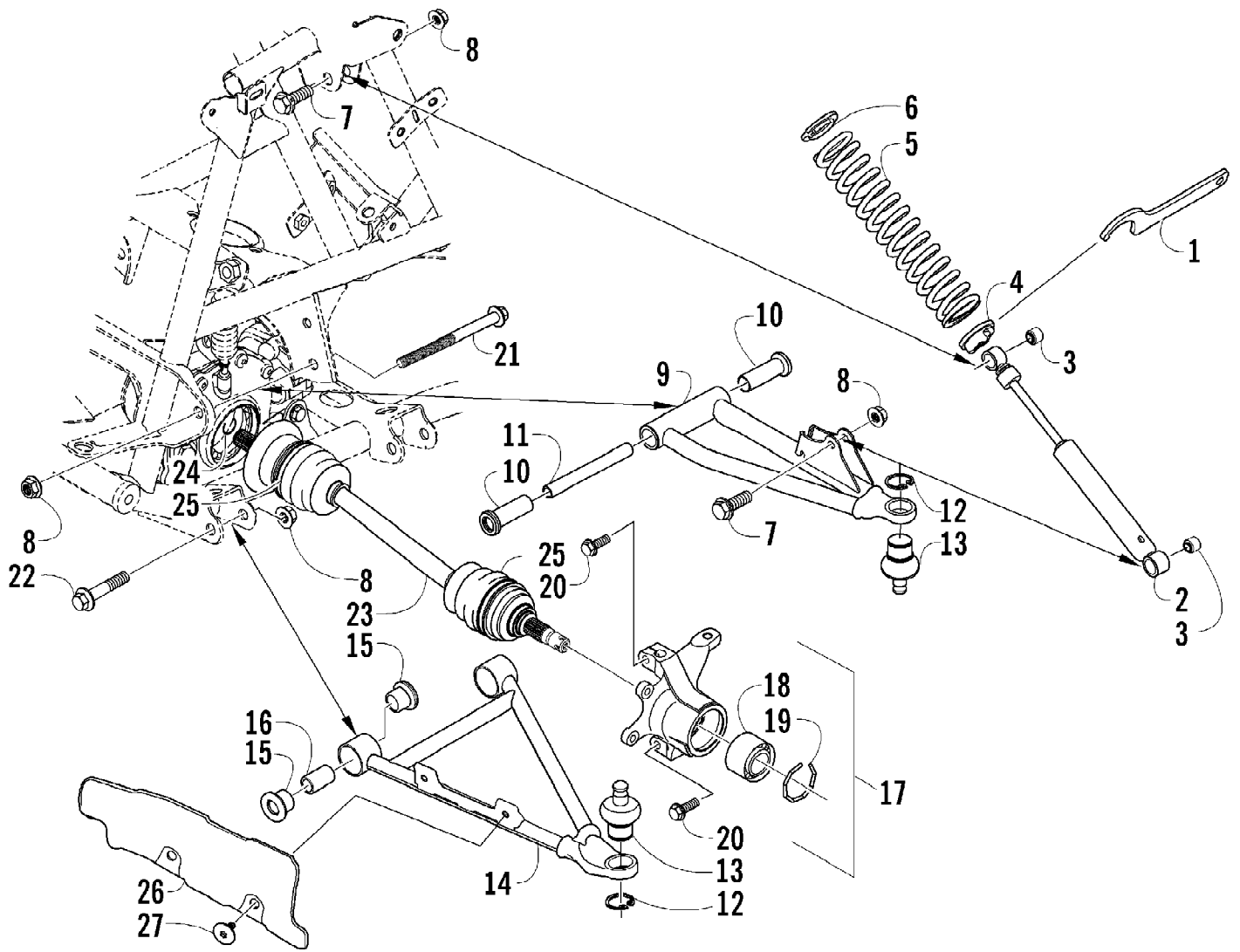
2007 ATV 400 AUTOMATIC TRANSMISSION 4X4 FIS GREEN (A2007ICH4BUS) Page 40 of 96
FRONT DRIVE GEARCASE ASSEMBLY

Ref #	Part Number	Qty	S/P/F	Description
	1502-086	1		Complete Front Gearcase Assembly
1	1502-084	1		Shaft, Propeller - Assembly (inc. 2-6)
2	0423-411	1		Clamp, Boot
3	0402-985	1	/P	Boot, Propeller Shaft
4	0423-393	1		Clamp, Boot
5	1402-046	1		Shaft, Output
6	1502-085	1	/P	Shaft, Input
7	1402-011	1		Seal
8	0423-423	1		Ring, Retaining
9	0502-347	1		Bracket, Actuator
10	0502-579	1		Actuator (inc. one No. 11)
11	0423-498	2	S	O-Ring
12	0423-396	3		Screw, Self-Tapping
13	1402-043	1		Bearing
14	0423-118	11		Screw, Self-Tapping
15	0502-528	1	/P	Housing, Pinion
16	0402-947	1		Gasket, Flange
17	0402-997	1		Shaft, Selector
18	0402-998	1		Fork, Selector
19	0402-417	1		Shaft, Shuttle
20	0423-402	1		Ring, Retaining
21	0423-147	1		O-Ring
22	0402-999	1		Spring, Return
23	0423-417	1		Ring, Retaining
24	0402-357	1		Collar, Lock
25	0402-413	1		Coupler, Drive
26	0502-649	1		Gear, Pinion - Assembly - 9T (inc. 27-28)
27	0402-336	1		Collar, Retaining
28	0402-327	1		Bearing
29	0402-328	1		Bearing
30	0402-411	1		Pin, Dowel
31	0502-514	1		Housing, Gearcase
32	1402-210	1	/P	Plug, Magnetic (inc. one No. 33)
33	0423-153	2		O-Ring
34	0423-149	1		O-Ring
35	0402-393	1		Bearing
36	0402-405	AR		Shim
36	0402-406	AR		Shim
36	0402-407	AR		Shim
36	0402-408	AR		Shim
36	0402-409	AR		Shim
37	0502-850	1	/P	Gear, Ring - 36T
38	1402-074	AR		Shim
38	1402-075	AR		Shim
38	1402-076	AR		Shim
38	1402-077	AR		Shim
38	1402-078	AR		Shim
39	1502-097	1		Cover, Gearcase (inc. one No. 33, 40-55, and one No. 56)
40	1402-053	1		Bearing
41	0502-413	1		Flange, Bearing
42	1402-079	1		Pin, Parallel

2007 ATV 400 AUTOMATIC TRANSMISSION 4X4 FIS GREEN (A2007ICH4BUS) Page 41 of 96
FRONT DRIVE GEARCASE ASSEMBLY

Ref #	Part Number	Qty	S/P/F	Description
43	1402-042	1		Collar, Sliding
44	1402-054	1		Fork
45	1402-058	2		Ring, Retaining
46	1402-057	1		Spring
47	1402-104	1		Fitting
48	0402-419	1		Switch, Indicator
49	1402-063	1		Spring
50	1402-055	1		Shaft, Lock
51	1402-056	1		Seal
52	0423-133	1		O-Ring
53	0423-132	1		Washer
54	0423-424	1		Ring, Retaining
55	1402-211	1		Plug, Oil Level (inc. one No. 33)
56	1402-441	2	S	Seal
57	0402-333	1	/P	Plug, Fill (inc. 58)
58	0423-154	1		O-Ring

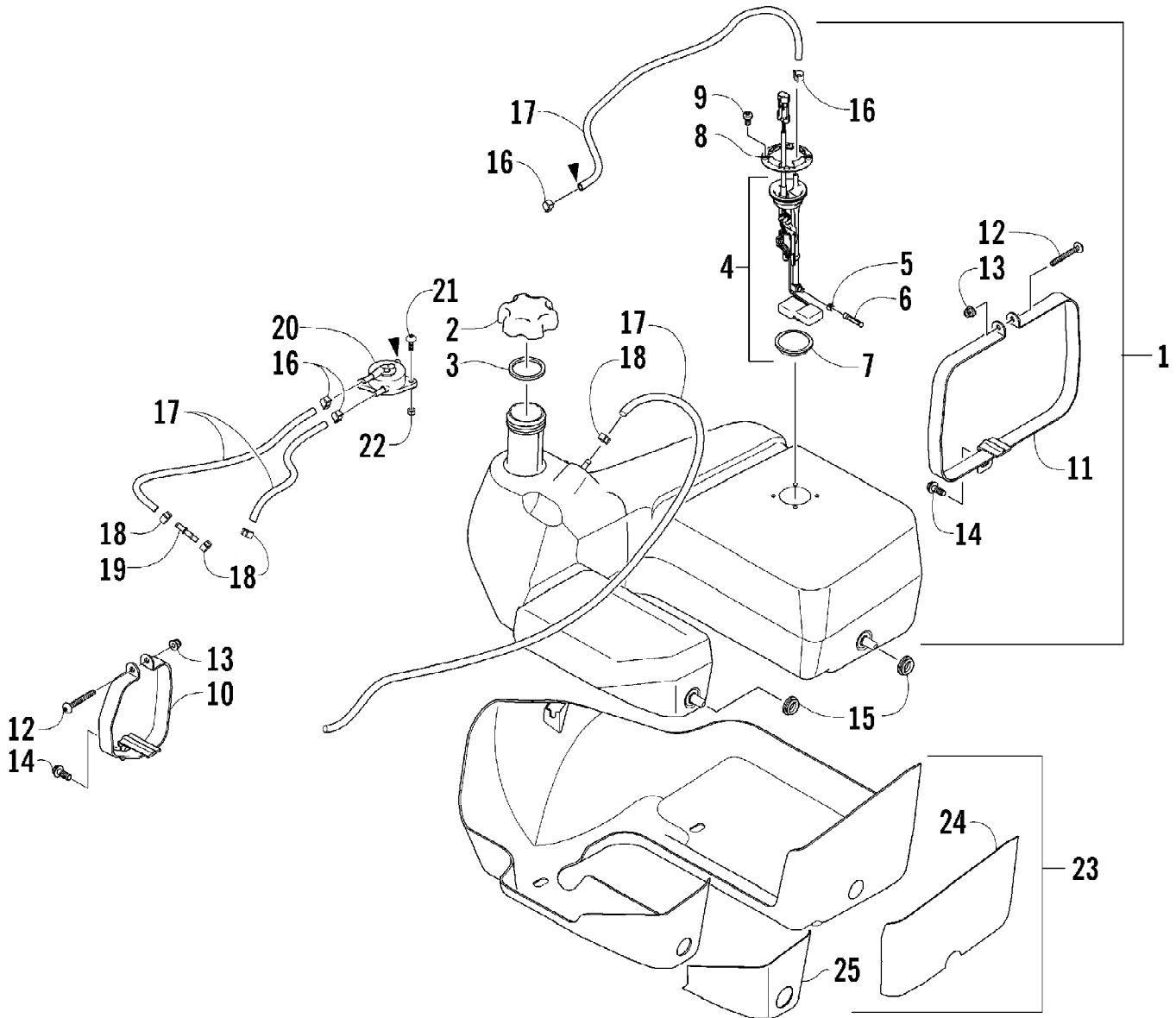
2007 ATV 400 AUTOMATIC TRANSMISSION 4X4 FIS GREEN (A20071CH4BU86) Page 42 of 96
FRONT SUSPENSION ASSEMBLY



2007 ATV 400 AUTOMATIC TRANSMISSION 4X4 FIS GREEN (A2007ICH4BUS) Page 43 of 96
FRONT SUSPENSION ASSEMBLY

Ref #	Part Number	Qty	S/P/F	Description
1	0441-587	1		Wrench, Spanner
2	0403-172	2		Shock Absorber - Front (inc. 3)
3	0403-182	4		Bushing, Double-Bonded
4	0403-102	2		Cam, Spring Adjuster
5	0403-169	2		Spring, Shock Absorber
6	1603-889	2	/P	Retainer, Spring
7	8409-040	4		Screw, Cap
8	8428-002	10		Nut, Lock
9	0503-196	1	S	A-Arm, Upper Right (inc. 10-13)
9	0503-197	1		A-Arm, Upper Left (inc. 10-13)
10	0403-081	4	S	Bushing
11	0403-080	2		Collar
12	0423-009	4	/P	Clip, Ball Joint
13	0405-115	4	/P	Ball Joint - Front
14	0503-334	1	S	A-Arm, Lower Right (inc. 12-13 and 15-16)
14	0503-335	1	S	A-Arm, Lower Left (inc. 12-13 and 15-16)
15	0403-115	8	S	Bushing
16	0403-114	4	S	Collar
17	0505-460	1		Knuckle - Assembly - Right (inc. 18-19)
17	0505-461	1	S	Knuckle - Assembly - Left (inc. 18-19)
18	1402-027	2	S/P	Bearing, Wheel Hub
19	0423-423	2		Ring, Retaining
20	8409-030	4		Screw, Cap
21	0423-334	2		Screw, Cap
22	8409-075	4		Screw, Cap
23	0502-812	1	S	Axle, Drive - Front - Right (inc. 24-25)
23	0502-813	1	S	Axle, Drive - Front - Left (inc. 24-25)
24	1441-109	2	S	Clip, Retaining
25	0436-276	2	S	Repair Kit, Boot - Front Axle
26	1441-002	1		Guard, Boot - Axle - Right
26	1441-003	1		Guard, Boot - Axle - Left
27	0423-545	4	/P	Screw, Body

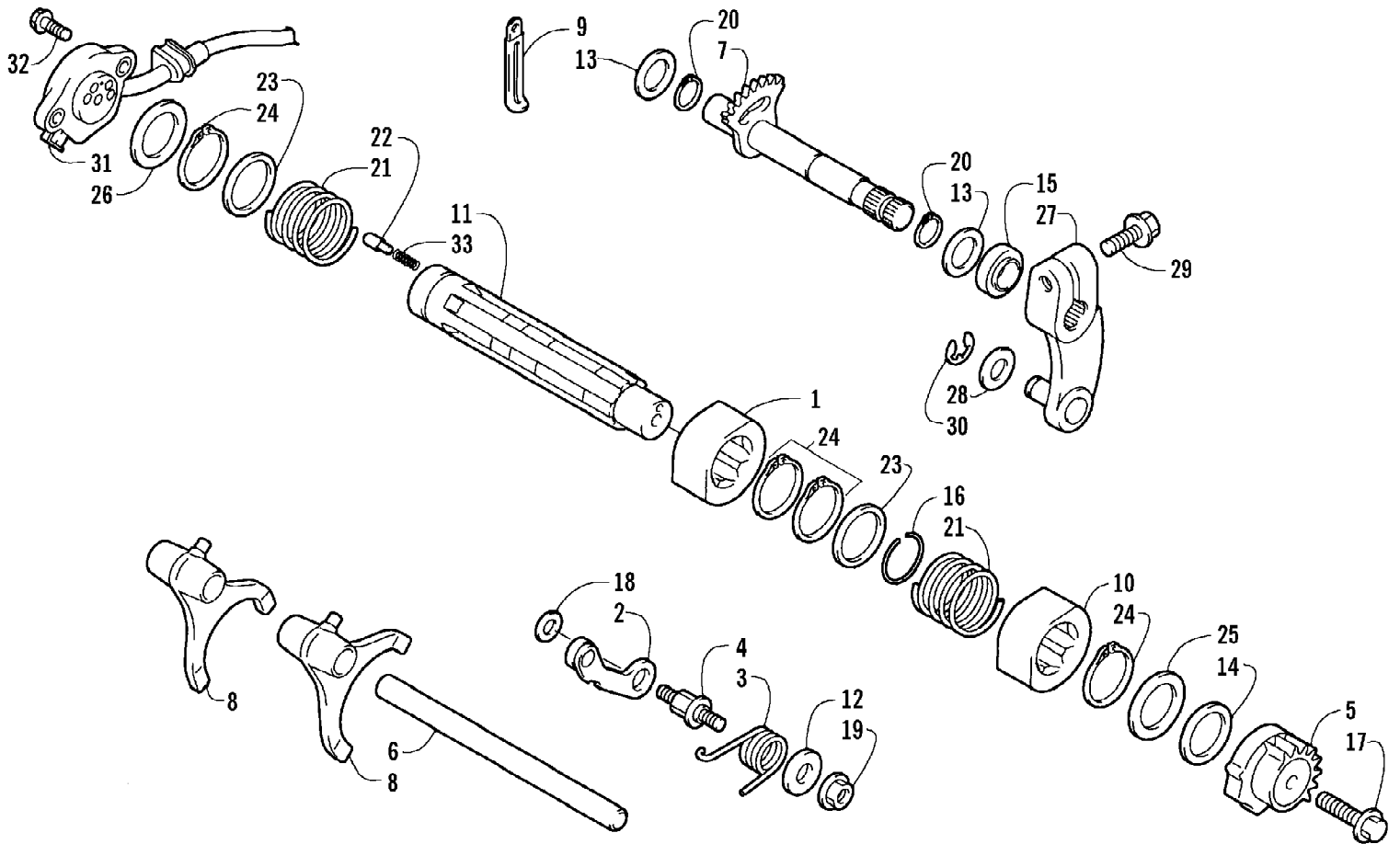
2007 ATV 400 AUTOMATIC TRANSMISSION 4X4 FIS GREEN (A20071CH4BU86) Page 44 of 96
GAS TANK ASSEMBLY



2007 ATV 400 AUTOMATIC TRANSMISSION 4X4 FIS GREEN (A2007ICH4BUS) Page 45 of 96
GAS TANK ASSEMBLY

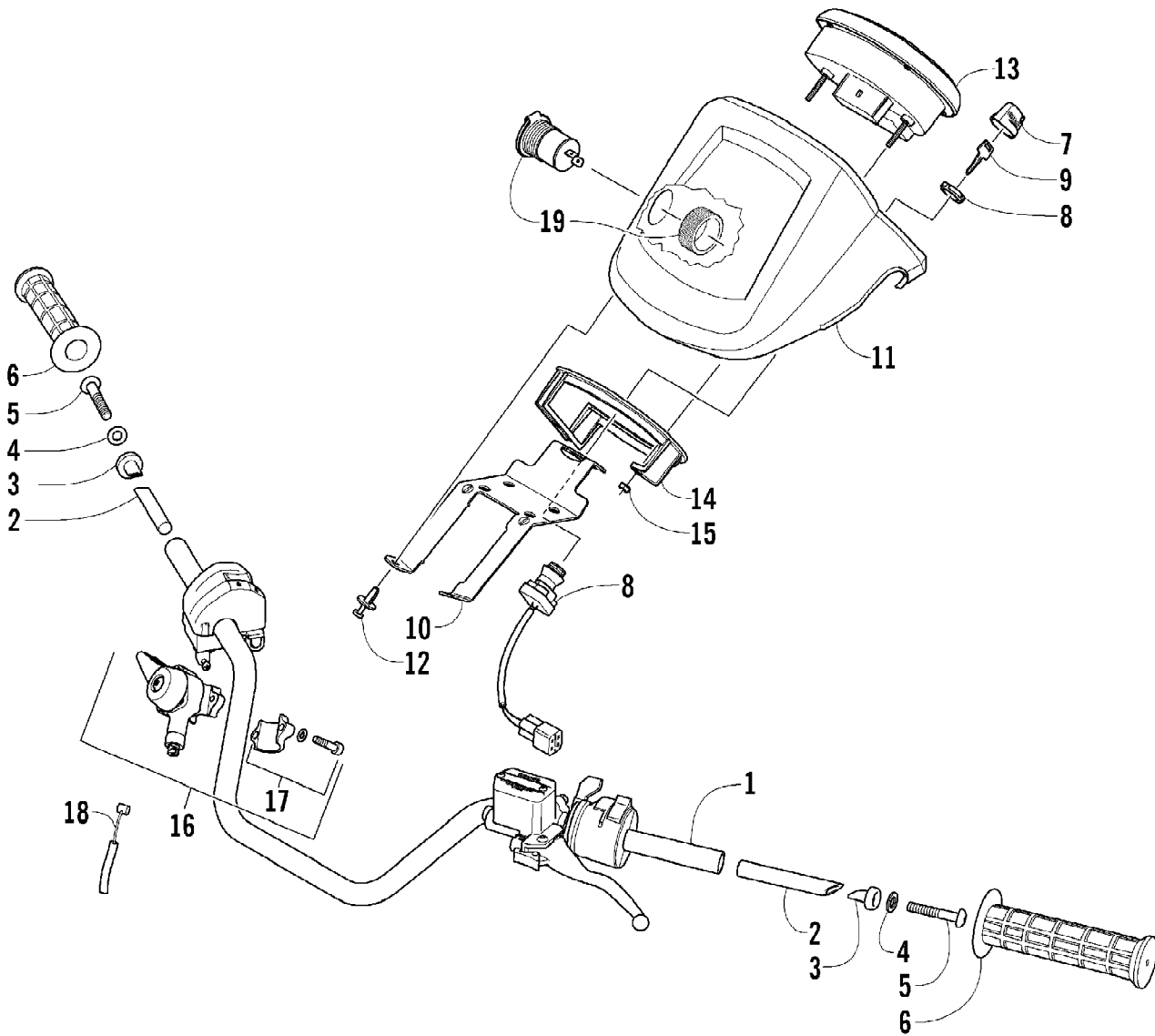
Ref #	Part Number	Qty	S/P/F	Description
1	0570-144	1		Tank, Gas - Assembly w/Straps (inc. 2-13)
2	0470-438	1	/P	Cap, Gas Tank (inc. 3)
3	0109-733	1	/P	Gasket, Gas Tank Cap
4	0570-141	1	S	Sensor, Fuel Level (inc. 5-7)
5	0423-603	1		Clamp, Hose
6	0470-475	1		Filter, Fuel
7	0470-521	1		Seal, Fuel Level Sensor
8	0470-639	1	/P	Plate, Mounting - Fuel Level Sensor
9	1623-158	4		Screw, Plastite
10	0570-166	1		Strap, Mounting - Gas Tank
11	0570-167	1		Strap, Mounting - Gas Tank
12	8476-650	2		Screw, Machine
13	8427-602	2		Nut, Lock
14	8408-816	2		Screw, Cap
15	0423-460	2		Grommet
16	0423-688	4		Clamp, Hose
17	0410-070	AR	/P	Hose, Gasline - 25 ft
18	0423-670	4		Clamp, Hose
19	0470-527	1	S	Fitting, Straight
20	0470-519	1	S	Pump, Fuel
21	8476-620	2		Screw, Machine
22	0623-038	2		Nut, Lock
23	0570-081	1		Shield, Gas Tank - Assembly (inc. 24-25)
24	0470-498	1		Shield, Heat
25	0470-499	1		Shield, Heat

2007 ATV 400 AUTOMATIC TRANSMISSION 4X4 FIS GREEN (A20071CH4BU86) Page 46 of 96
GEAR SHIFTING ASSEMBLY



2007 ATV 400 AUTOMATIC TRANSMISSION 4X4 FIS GREEN (A20071CH4BUS6) Page 47 of 96
GEAR SHIFTING ASSEMBLY

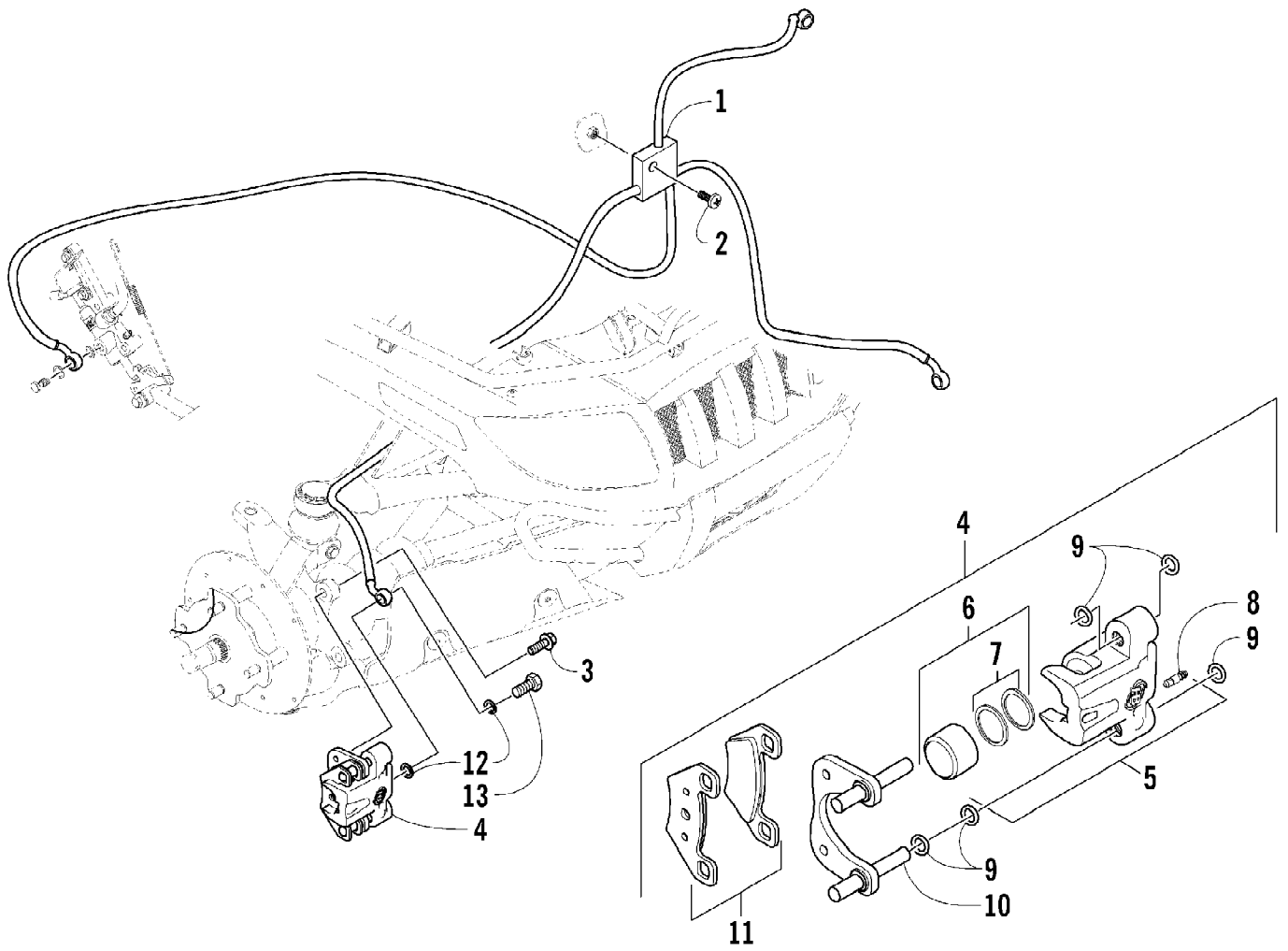
Ref #	Part Number	Qty	S/P/F	Description
1	3402-640	1		Cam, Reverse
2	3446-043	1		Stopper, Cam
3	3446-283	1		Spring, Cam Stopper
4	3446-048	1		Support, Cam Stopper
5	3402-642	1		Plate, Gear Shift Cam
6	3402-643	1		Shaft, Shift Fork
7	3402-644	1		Shaft, Sub-Gear Shift
8	3446-073	2		Fork, Shift
9	3004-787	1		Clamp, Wire
10	3402-670	1		Cam, Gear Shift
11	3446-281	1		Shaft, Gear Shift
12	3423-438	1		Washer, Cam Stopper Spring
13	1691-043	2		Washer, Sub-Gear Shift Shaft
14	3423-446	1		Washer, Gear Shift Cam Plate
15	3402-076	1		Seal, Sub-Gear Shift Shaft
16	3423-416	1		C-Ring, Cam
17	3004-376	1	S/P	Bolt, Gear Shift Cam Plate
18	3423-141	1		Washer, Cam Stopper
19	3004-488	1	S/P	Nut, Cam Stopper Spring
20	3423-358	2	S	Circlip, Sub-Gear Shift Shaft
21	3446-280	2		Spring, Cam
22	3423-044	2		Contact
23	3402-382	2		Washer, Cam Spring
24	3423-191	4	/P	Circlip, Cam Spring
25	3402-195	1		Washer, Shift Shaft
26	3423-421	1	/P	Washer, Shift Shaft
27	3402-434	1	/P	Arm, Select
28	3423-204	1	/P	Washer, Select Arm
29	3004-341	1	S/P	Bolt, Select Arm
30	3423-153	1		E-Ring
31	3402-997	1		Base, Gear Shift - Assembly
32	3423-418	2		Bolt
33	3402-087	2		Spring



2007 ATV 400 AUTOMATIC TRANSMISSION 4X4 FIS GREEN (A2007ICH4BUS) Page 49 of 96
HANDLEBAR ASSEMBLY

Ref #	Part Number	Qty	S/P/F	Description
1	0505-476	1		Tube, Handlebar
2	0405-218	2		Plug, Handlebar
3	0405-149	2		End Cap, Handlebar
4	8050-247	2	/P	Washer
5	8477-845	2		Screw, Machine
6	0405-147	2		Grip, Handlebar
7	0409-013	1		Cover, Key
8	3430-040	1		Switch, Ignition - Assembly (inc. 9)
9	3409-007	1	/P	Key, Ignition - Blank (C Series)
9	3409-011	1		Key, Ignition - Blank (D Series)
9	3409-012	1		Key, Ignition - Blank (E Series)
9	3409-013	1		Key, Ignition - Blank (F Series)
10	1506-578	1		Bracket, Mounting - Instrument Pod
11	0405-189	1		Instrument Pod
12	0423-535	2		Rivet, Reinstallable
13	0420-070	1		Gauge, Digital
14	0420-065	1	/P	Clamp, Plastic
15	0423-493	2		Nut, Hex
16	0502-527	1		Control, Differential Lock (inc. 17)
17	0502-613	1		Clamp, Differential Lock Control - Kit
18	0487-030	1	S	Cable, Differential Lock
19	0641-897	1	/P	Outlet, Accessory - 12V

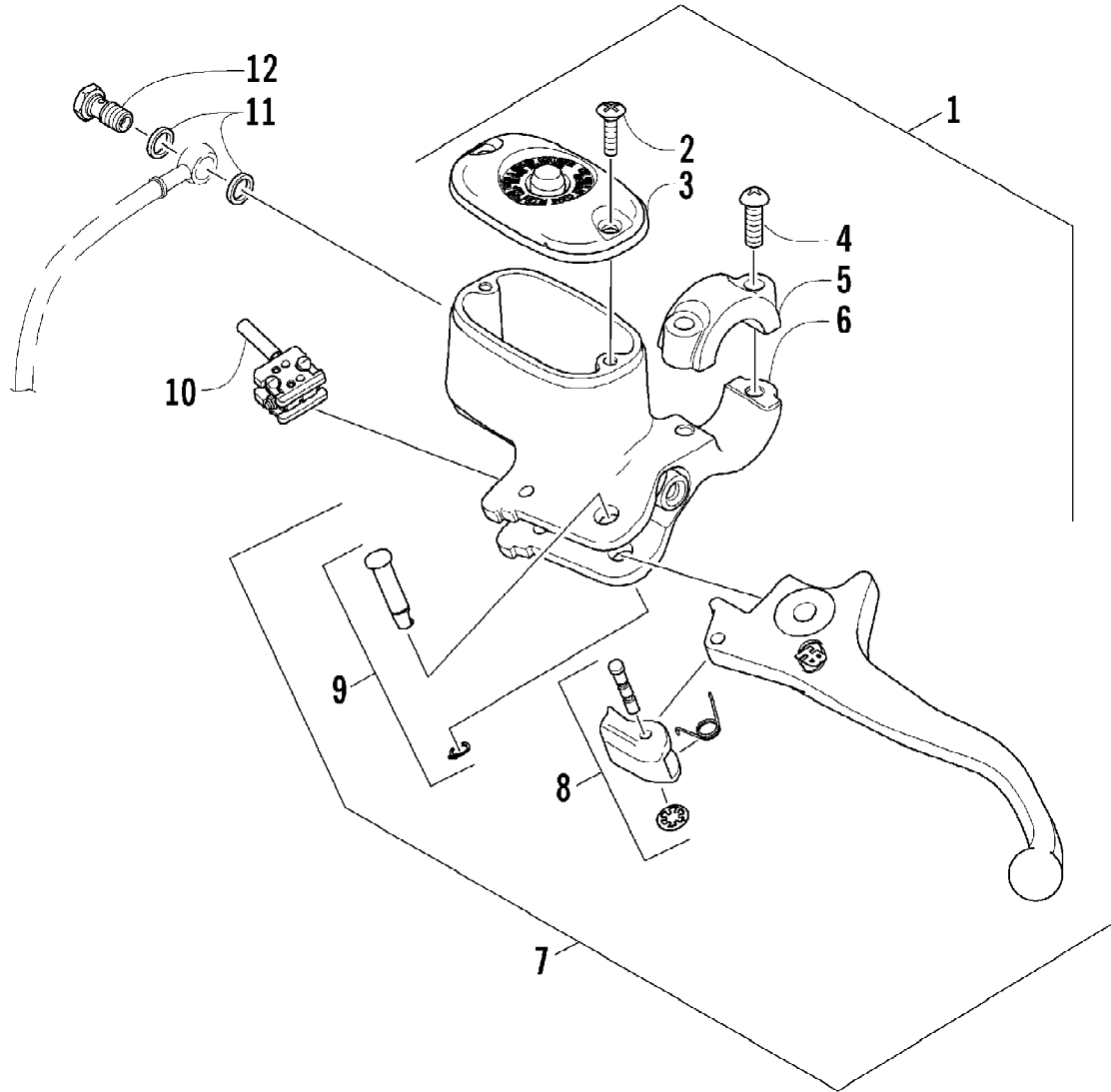
2007 ATV 400 AUTOMATIC TRANSMISSION 4X4 FIS GREEN (A20071CH4BU86) Page 50 of 96
HYDRAULIC BRAKE ASSEMBLY



2007 ATV 400 AUTOMATIC TRANSMISSION 4X4 FIS GREEN (A2007ICH4BUS) Page 51 of 96
HYDRAULIC BRAKE ASSEMBLY

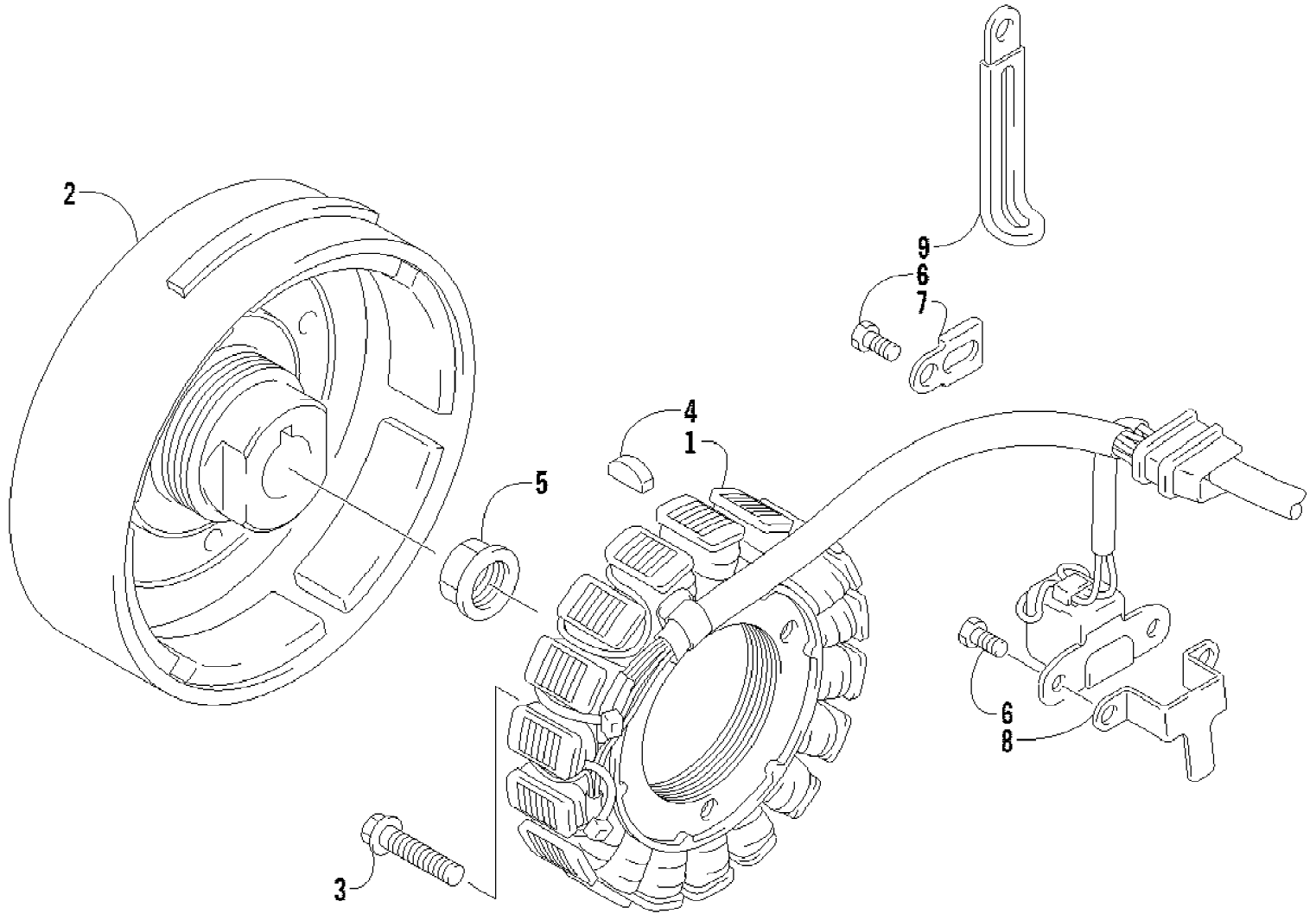
Ref #	Part Number	Qty	S/P/F	Description
1	1502-015	1		Hose, Brake - Assembly
2	8476-625	1		Screw, Cap
3	1623-589	4	S	Screw, Cap
4	0502-878	1	S	Caliper, Brake - Right Front (inc. 5-11)
4	0502-879	1	S	Caliper, Brake - Left Front (inc. 5-11)
5	0502-603	1	S	Housing, Caliper - Assembly - Right Front (inc. 6-8)
5	0502-611	1	S	Housing, Caliper - Assembly - Left Front (inc. 6-8)
6	0502-606	2		Piston/Seal Set (inc. 7)
7	0502-607	2		Seal Set
8	0502-609	2	/P	Valve, Bleed
9	0502-608	2		O-Ring, Guide - Set
10	0502-605	2		Bracket Assembly
11	0502-875	2	S	Pad, Brake - Set
12	0423-178	4		Washer, Crush
13	0423-413	2		Bolt, Banjo-Fitting

2007 ATV 400 AUTOMATIC TRANSMISSION 4X4 FIS GREEN (A20071CH4BU86) Page 52 of 96
HYDRAULIC HAND BRAKE ASSEMBLY



2007 ATV 400 AUTOMATIC TRANSMISSION 4X4 FIS GREEN (A2007ICH4BUS) Page 53 of 96
HYDRAULIC HAND BRAKE ASSEMBLY

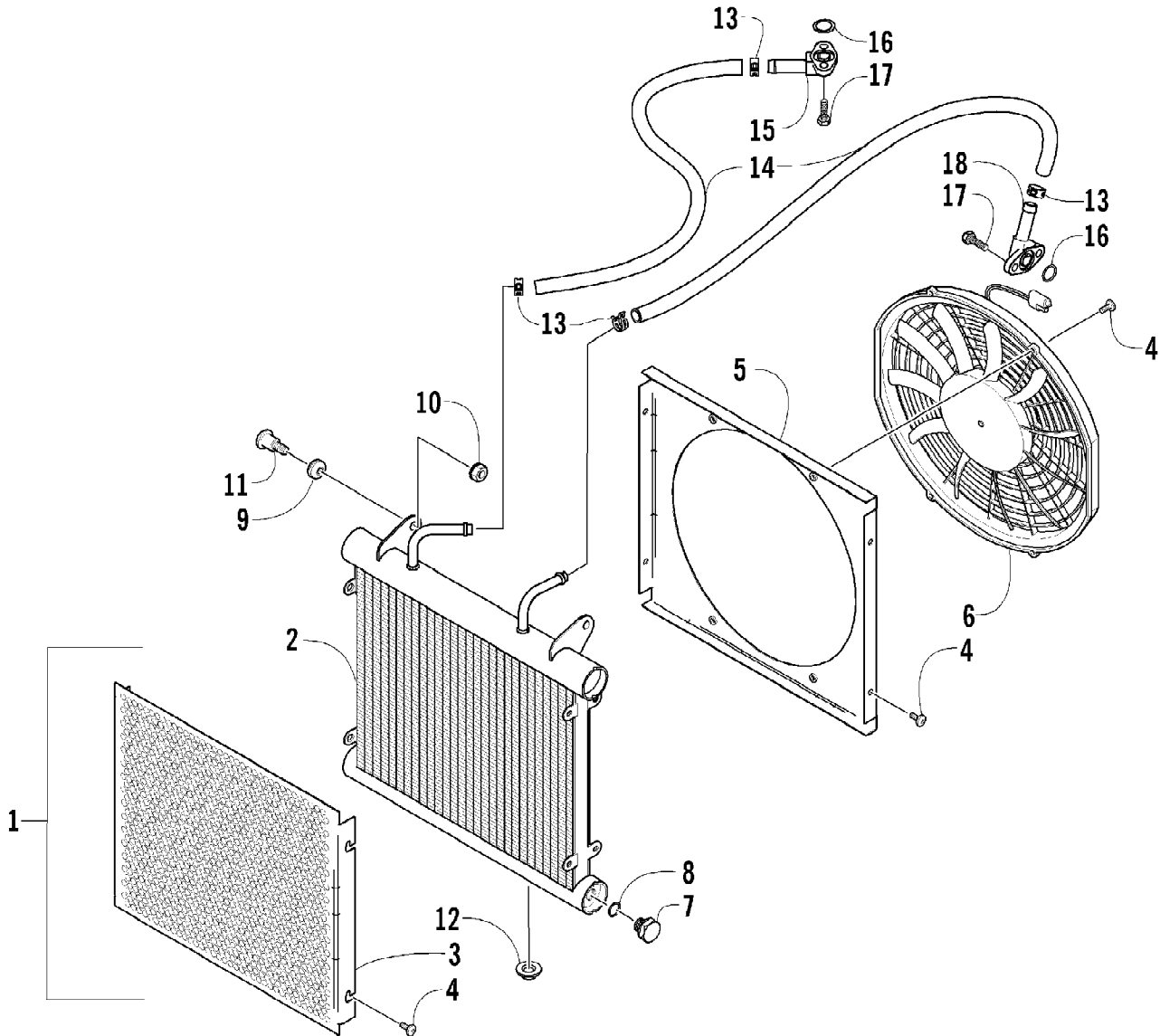
Ref #	Part Number	Qty	S/P/F	Description
1	0502-914	1	S	Brake Assembly (inc. 2-10)
2	0502-566	1		Screw, Reservoir Cover
3	0502-868	1	/P	Cover, Reservoir
4	0502-568	1		Screw, Master Cylinder Clamp
5	0502-869	1		Clamp, Master Cylinder
6	0502-704	1		Master Cylinder Assembly
7	0502-866	1		Lever Assembly (inc. 8-9)
8	0502-867	1	/P	Lock, Brake Lever - Kit
9	0502-580	1		Lever Pin - Kit
10	0502-564	1	/P	Switch, Brake - Kit
11	0423-178	2		Washer, Crush
12	0423-413	1		Bolt, Banjo-Fitting



2007 ATV 400 AUTOMATIC TRANSMISSION 4X4 FIS GREEN (A2007ICH4BUS) Page 55 of 96
MAGNETO ASSEMBLY

Ref #	Part Number	Qty	S/P/F	Description
1	3430-053	1		Stator Assembly
2	3430-054	1	S	Rotor/Flywheel
3	3004-756	3	S	Bolt
4	0691-785	1		Key
5	3423-086	1		Nut
6	3423-005	3	/P	Bolt
7	3430-005	1		Clamp
8	3430-006	1		Clamp
9	3002-964	1	/P	Clamp, Wire

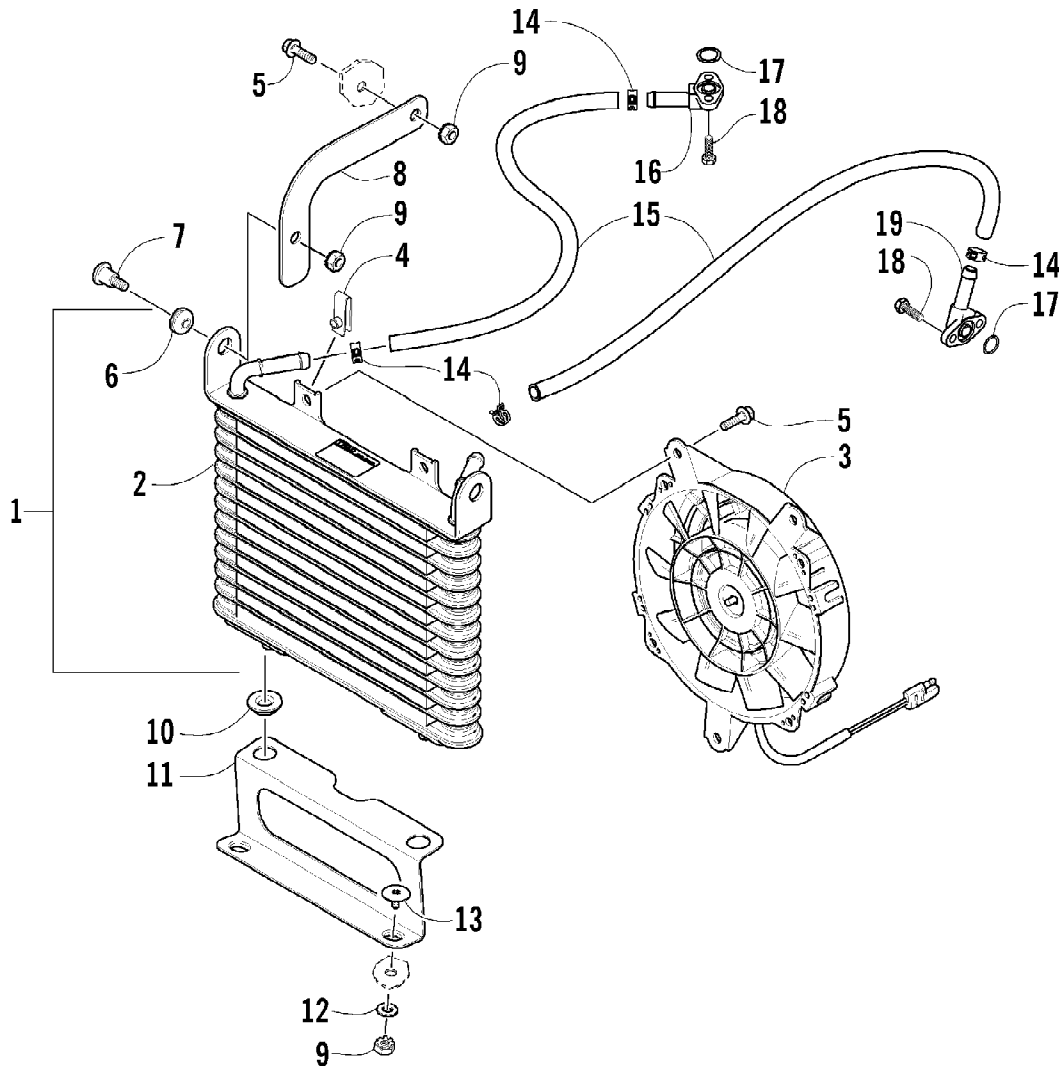
2007 ATV 400 AUTOMATIC TRANSMISSION 4X4 FIS GREEN (A2007ICH4BU86) Page 56 of 96
OIL COOLER ASSEMBLY (VIN: Up to V17T230317)



2007 ATV 400 AUTOMATIC TRANSMISSION 4X4 FIS GREEN (A2007ICH4BUS) Page 57 of 96
 OIL COOLER ASSEMBLY (VIN: Up to V17T230317)

Ref #	Part Number	Qty	S/P/F	Description
1	0413-118	1		Cooler, Oil - Assembly (inc. 2-9)
2	0413-053	1		Cooler, Oil
3	0413-007	1		Screen, Oil Cooler
4	8475-512	12		Screw, Machine
5	0413-064	1		Shroud, Fan
6	0413-044	1	S	Fan, Cooling
7	0413-058	1		Plug, Drain
8	0413-059	1		O-Ring
9	0423-030	2		Grommet
10	0623-038	2		Nut w/Washer
11	0423-484	2		Screw, Shoulder
12	0423-028	2		Bushing, Stem
13	0423-098	4	/P	Clamp, Hose
14	0410-044	2		Hose, Oil
15	0410-013	1		Fitting, Oil
16	0423-089	2		O-Ring, Oil Fitting
17	8471-616	4		Screw, Cap
18	0410-012	1		Fitting, Oil - Angled

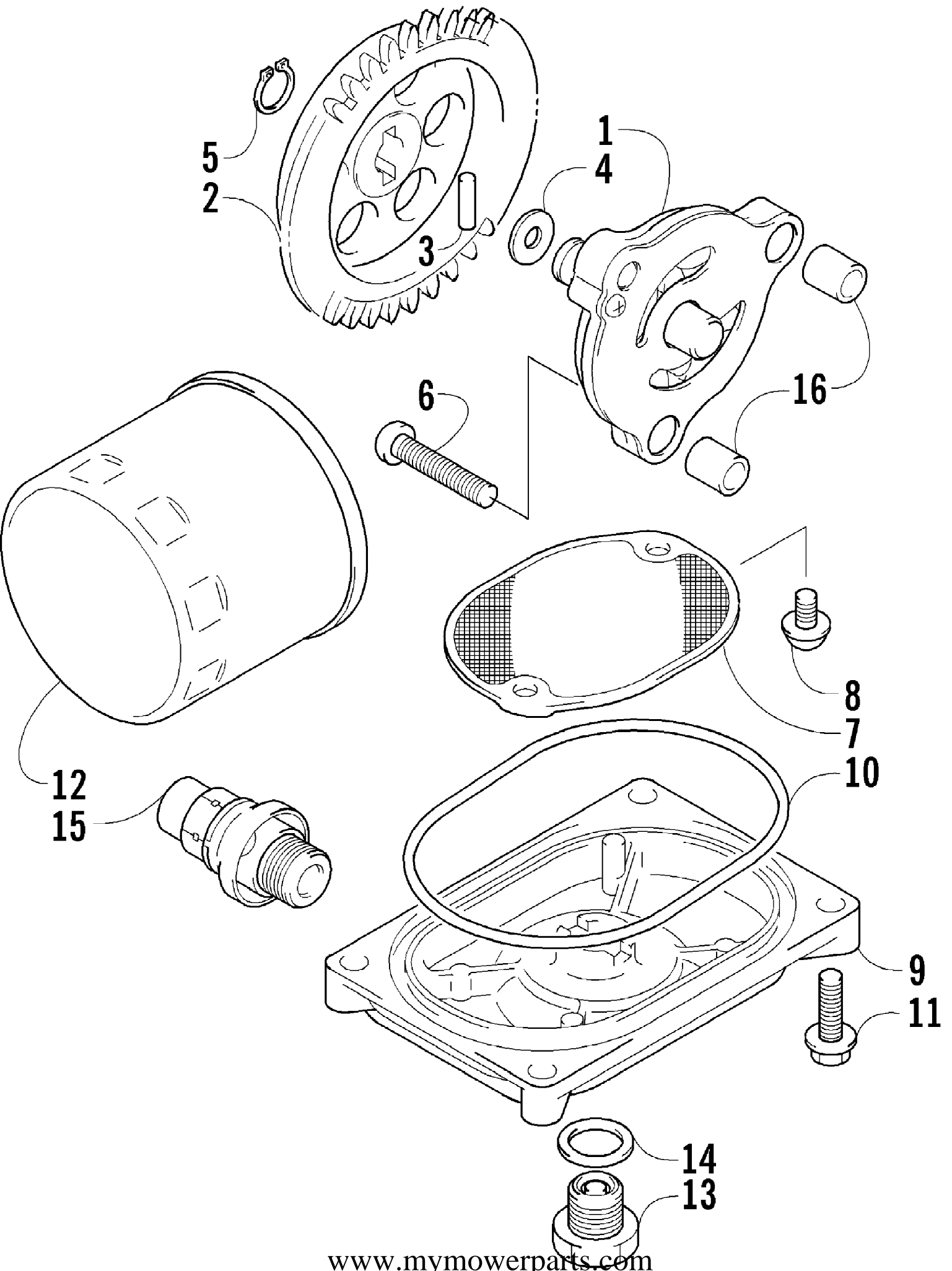
2007 ATV 400 AUTOMATIC TRANSMISSION 4X4 FIS GREEN (A20071CH4BU86) Page 58 of 96
OIL COOLER ASSEMBLY (VIN: V17T230317 and Above)



2007 ATV 400 AUTOMATIC TRANSMISSION 4X4 FIS GREEN (A2007ICH4BUS) Page 59 of 96
 OIL COOLER ASSEMBLY (VIN: V17T230317 and Above)

Ref #	Part Number	Qty	S/P/F	Description
1	0413-144	1		Cooler, Oil - Assembly (inc. 2-4, three No. 5, and 6)
2	0413-146	1		Cooler, Oil
3	0413-145	1		Fan, Cooling
4	0423-031	3		Nut, Speed
5	8476-612	5		Screw, Machine
6	0423-030	2		Grommet
7	0423-484	2		Screw, Shoulder
8	0513-020	2		Bracket, Mounting - Oil Cooler - Upper
9	0623-038	6		Nut w/Washer
10	0423-028	2		Bushing, Stem
11	0513-021	1		Bracket, Mounting - Oil Cooler - Lower
12	8050-222	2	/P	Washer
13	0423-101	2		Screw, Body
14	0423-098	4	/P	Clamp, Hose
15	0410-044	2		Hose, Oil
16	0410-013	1		Fitting, Oil
17	0423-089	2		O-Ring, Oil Fitting
18	8471-616	4		Screw, Cap
19	0410-012	1		Fitting, Oil - Angled

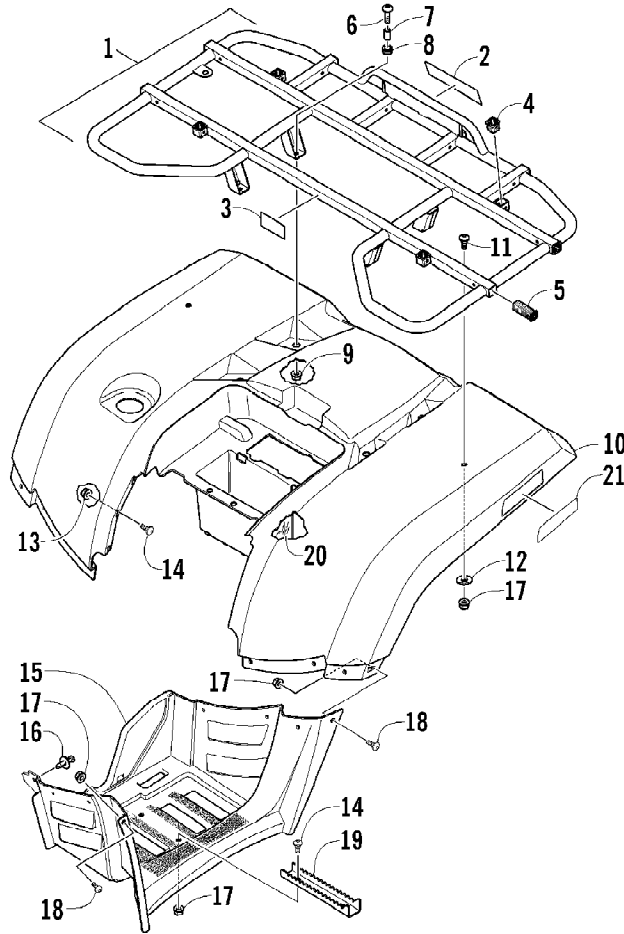
2007 ATV 400 AUTOMATIC TRANSMISSION 4X4 FIS GREEN (A20071CH4BU86) Page 60 of 96
OIL FILTER/PUMP ASSEMBLY



2007 ATV 400 AUTOMATIC TRANSMISSION 4X4 FIS GREEN (A20071CH4BUS) Page 61 of 96
OIL FILTER/PUMP ASSEMBLY

Ref #	Part Number	Qty	S/P/F	Description
1	3402-619	1		Pump, Oil
2	3402-618	1		Gear, Driven
3	3423-046	1		Pin
4	3423-443	1		Washer
5	3423-184	1	S	Circlip
6	3423-113	3	S/P	Screw
7	3402-156	1		Strainer, Oil
8	0693-389	2	S	Screw
9	3402-157	1		Cap, Oil Strainer
10	3423-077	1		O-Ring
11	3004-756	4	S	Screw, Cap
12	0812-005	1	S	Filter, Oil
13	3403-021	1	/P	Plug, Drain
14	3402-012	1		Gasket, Drain Plug
15	3402-773	1		Valve, Oil-Relief - Assembly
16	3005-206	2	/P	Pin, Oil Pump

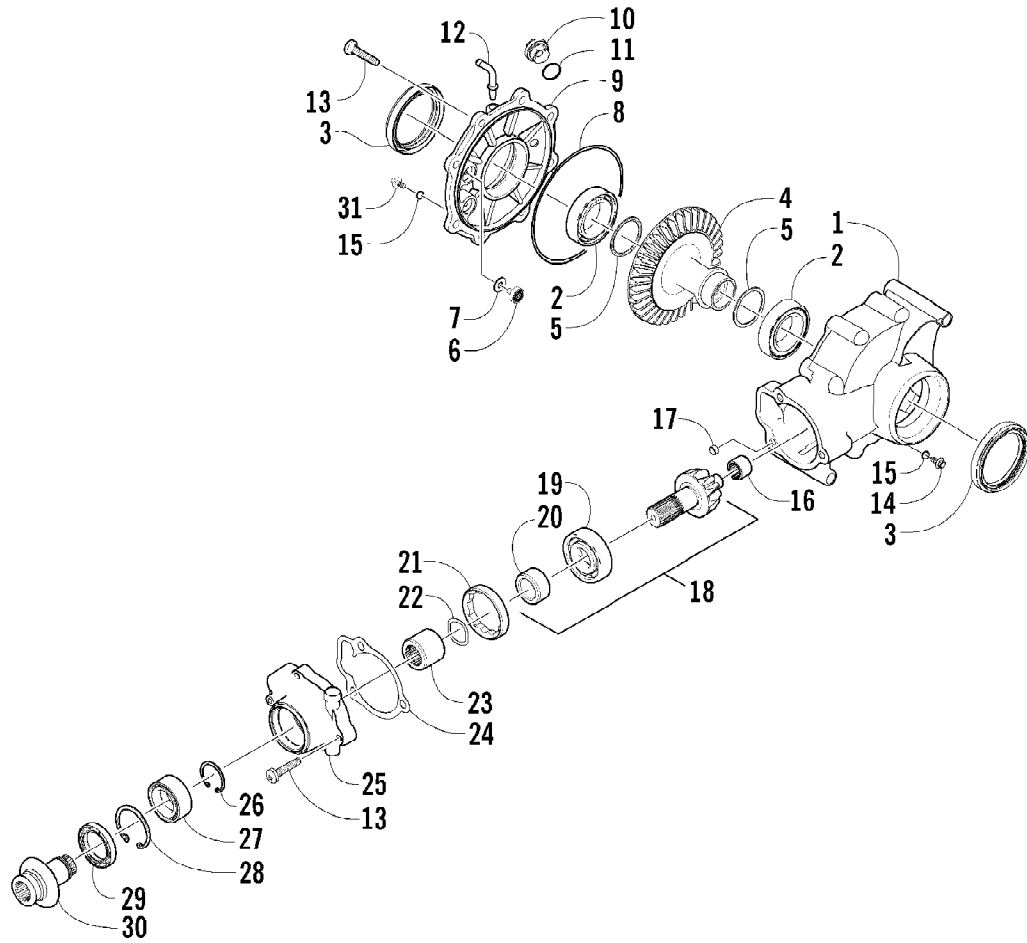
2007 ATV 400 AUTOMATIC TRANSMISSION 4X4 FIS GREEN (A20071CH4BU86) Page 62 of 96
REAR BODY PANEL ASSEMBLY



2007 ATV 400 AUTOMATIC TRANSMISSION 4X4 FIS GREEN (A2007ICH4BUS) Page 63 of 96
REAR BODY PANEL ASSEMBLY

Ref #	Part Number	Qty	S/P/F	Description
1	1506-753	1	/P	Rack - Rear - Assembly (inc. 2-5)
2	0411-814	1	/P	Decal, "Arctic Cat"
3	0411-648	1		Decal, Warning - Rear Rack Load
4	0441-592	4	/P	Bushing, Rack
5	2406-014	8		Bushing, Rack
6	8410-830	4		Screw, Cap
7	0423-669	4		Spacer
8	0423-465	4		Grommet
9	8432-802	4		Nut, Lock
10	2506-375	1	/P	Panel, Fender - Rear (inc. 20-21)
11	0423-654	2		Screw, Shoulder
12	8050-222	2	/P	Washer
13	8424-602	6	/P	Nut, Lock
14	0423-355	10		Screw, Shoulder
15	2406-428	1	/P	Footwell - Right
15	2406-429	1	/P	Footwell - Left
16	0623-362	4		Rivet, Reinstallable
17	0423-540	22		Nut, Lock
18	0423-419	16		Screw, Machine
19	1506-125	2	/P	Footpeg
20	0412-351	1		Shield, Heat
21	1411-598	1		Decal, Reflector - Rear - Right
21	1411-599	1		Decal, Reflector - Rear - Left

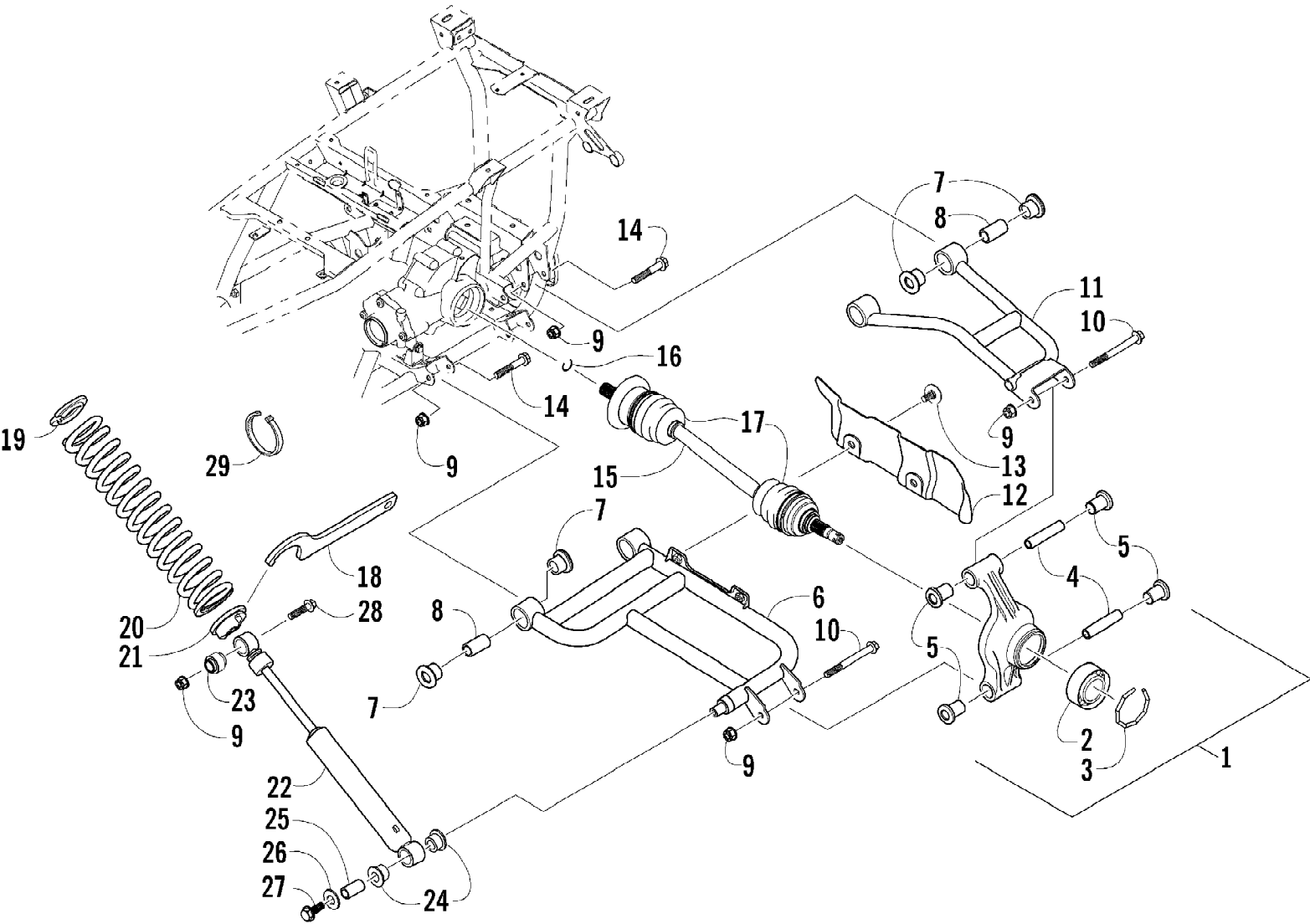
2007 ATV 400 AUTOMATIC TRANSMISSION 4X4 FIS GREEN (A20071CH4BU86) Page 64 of 96
REAR DRIVE GEARCASE ASSEMBLY



2007 ATV 400 AUTOMATIC TRANSMISSION 4X4 FIS GREEN (A20071CH4BUS) Page 65 of 96
REAR DRIVE GEARCASE ASSEMBLY

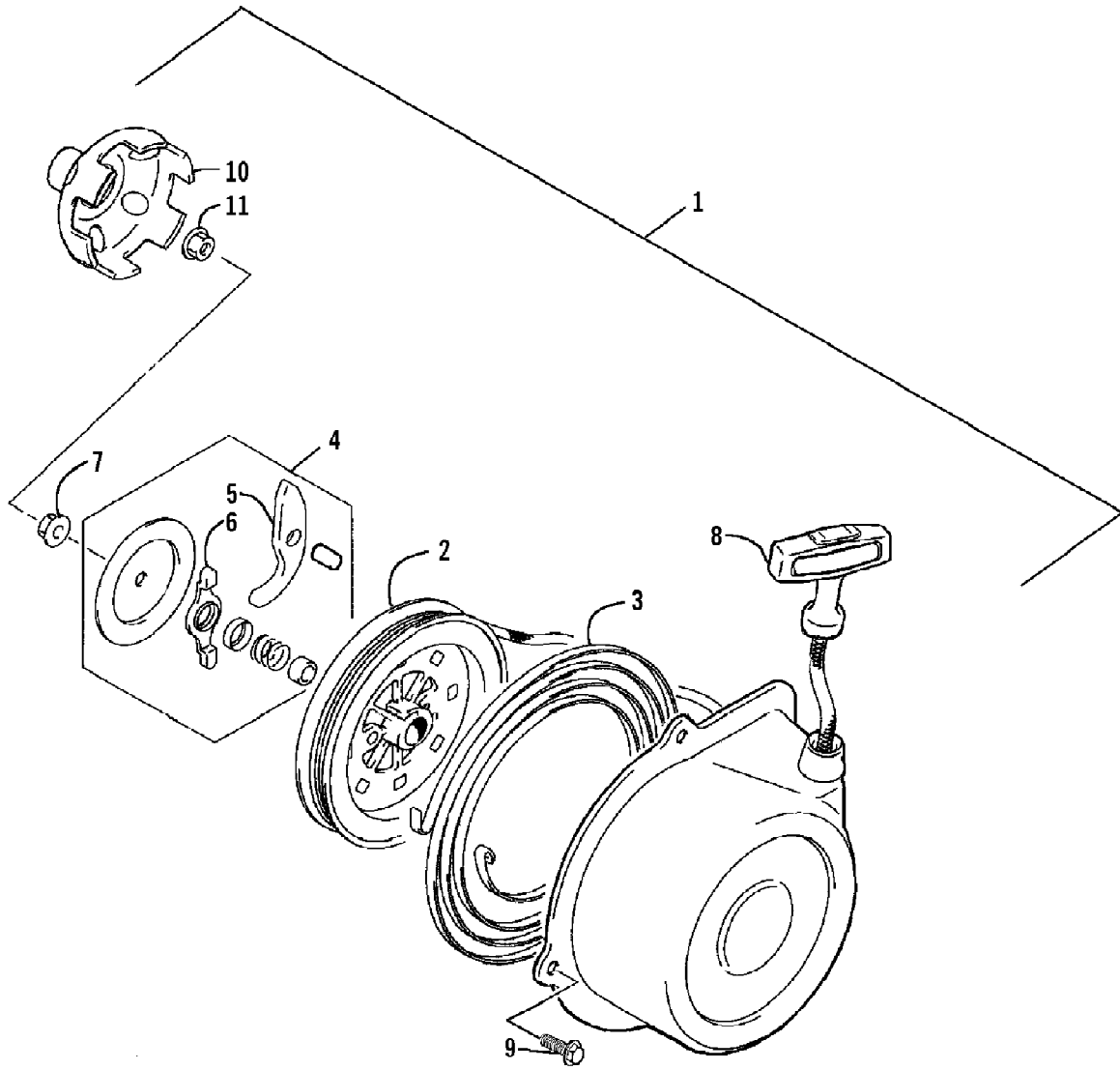
Ref #	Part Number	Qty	S/P/F	Description
	1502-078	1		Complete Rear Gearcase Assembly
1	0502-622	1		Housing, Gearcase
2	0402-393	2		Bearing
3	1402-441	2	S	Seal
4	1402-245	1		Gear, Ring - 36T
5	0402-405	AR		Shim
5	0402-406	AR		Shim
5	0402-407	AR		Shim
5	0402-408	AR		Shim
5	0402-409	AR		Shim
6	0402-326	1		Button, Thrust
7	0402-429	AR		Shim
7	0402-430	AR		Shim
7	0402-431	AR		Shim
7	0402-432	AR		Shim
7	0402-433	AR		Shim
8	0423-149	1		O-Ring
9	1502-082	1		Cover, Gearcase
10	0402-333	1	/P	Plug, Fill (inc. 11)
11	0423-154	1		O-Ring
12	1402-102	1		Fitting
13	0423-118	11		Screw, Self-Tapping
14	0402-450	1	S	Plug, Magnetic (inc. one No. 15)
15	0423-153	2		O-Ring
16	0402-328	1		Bearing
17	0402-411	1		Pin, Dowel
18	0502-649	1		Gear, Pinion - Assembly - 9T (inc. 19-20)
19	0402-327	1		Bearing
20	0402-336	1		Collar, Retaining
21	0402-331	1		Collar, Lock
22	0402-982	1		Washer, Wave
23	0402-981	1		Collar, Shaft
24	0402-947	1		Gasket, Flange
25	0502-529	1		Housing, Pinion
26	0423-417	1		Ring, Retaining
27	1402-043	1		Bearing
28	0423-423	1		Ring, Retaining
29	1402-011	1		Seal
30	1502-085	1	/P	Shaft, Input
31	1402-211	1		Plug, Oil Level (inc. one No. 15)

2007 ATV 400 AUTOMATIC TRANSMISSION 4X4 FIS GREEN (A20071CH4BU86) Page 66 of 96
REAR SUSPENSION ASSEMBLY



2007 ATV 400 AUTOMATIC TRANSMISSION 4X4 FIS GREEN (A2007ICH4BUS) Page 67 of 96
REAR SUSPENSION ASSEMBLY

Ref #	Part Number	Qty	S/P/F	Description
1	0504-372	1	S	Knuckle, Right Rear - Assembly (inc. 2-5)
1	0504-373	1	S/P	Knuckle, Left Rear - Assembly (inc. 2-5)
2	1402-027	2	S/P	Bearing, Wheel Hub
3	0423-423	2		Ring, Retaining
4	0403-038	4	S/P	Collar, Suspension Bushing
5	0403-032	8	S	Bushing, Suspension
6	0504-438	1	/P	A-Arm, Rear - Lower Right (inc. 7-8)
6	0504-439	1	S	A-Arm, Rear - Lower Left (inc. 7-8)
7	0403-115	16	S	Bushing
8	0403-114	8	S	Collar
9	8428-002	14		Nut, Lock
10	8409-000	4		Screw, Cap
11	0504-470	1		A-Arm, Rear - Upper Right (inc. 7-8)
11	0504-471	1	S	A-Arm, Rear - Upper Left (inc. 7-8)
12	1441-004	1		Guard, Boot - Right
12	1441-005	1		Guard, Boot - Left
13	0423-545	4	/P	Screw, Body
14	8409-075	8		Screw, Cap
15	0502-811	2	S	Axle, Drive (inc. 16-17)
16	0441-893	2	S	Clip, Retaining
17	0436-276	2	S	Repair Kit, Boot - Rear Axle
18	0441-587	1		Wrench, Spanner
19	1603-889	2	/P	Retainer, Spring
20	0404-112	2		Spring, Suspension
21	0404-057	2		Cam, Spring Adjuster
22	0404-150	2		Shock Absorber - Rear (inc. 23-25)
23	0403-182	2		Bushing, Double-Bonded
24	0603-955	4		Bushing, Shock Absorber
25	1603-219	2	S	Sleeve, Shock Absorber
26	0423-087	2		Washer
27	8408-820	2	/P	Screw, Cap
28	8409-040	1		Screw, Cap - Right
28	8409-050	1		Screw, Cap - Left
29	0123-788	2	/P	Cable Tie



2007 ATV 400 AUTOMATIC TRANSMISSION 4X4 FIS GREEN (A2007ICH4BUS) Page 69 of 96
RECOIL STARTER ASSEMBLY

Ref #	Part Number	Qty	S/P/F	Description
1	3445-003	1		Starter, Recoil - Assembly (inc. 2-8)
2	3445-004	1		Reel
3	3445-007	1		Spring, Sprial
4	3445-016	1		Ratchet - Assembly (inc. 5-6)
5	3445-005	1		Ratchet
6	3445-006	1		Guide, Ratchet
7	3004-488	1	S/P	Nut
8	3445-011	1		Rope Assembly
9	3423-428	4		Screw, Cap
10	3445-029	1	/P	Cup, Starter
11	3004-491	1	S/P	Nut

No
Diagram
Available

Parts List
Only

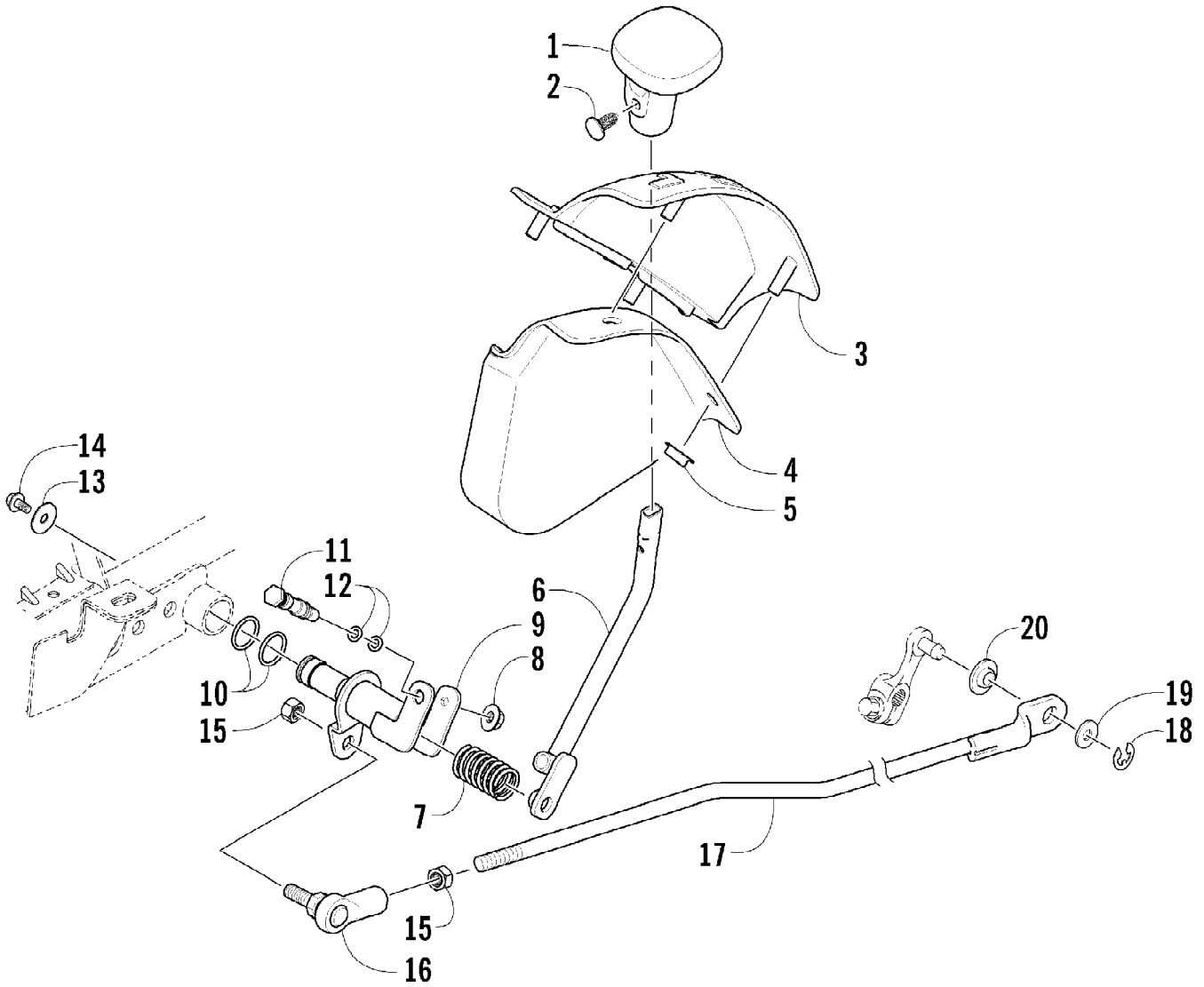
2007 ATV 400 AUTOMATIC TRANSMISSION 4X4 FIS GREEN (A2007ICH4BUS) Page 71 of 96
RELATED ITEMS

Ref #	Part Number	Qty	S/P/F	Description
	0436-479	1		Articulating Spool Mount
	0436-548	1		Articulating Spool Receiver Mount Adapter
	0436-768	1	S	Backrest
	0436-961	1	/P	Bag, Fender - Black
	0436-925	1	S	Bag, Rack, Front - Black
	0436-924	1		Bag, Rack, Rear - Black
	0436-480	1		Bar, Utility/Gun Rack
	0436-811	1		Basket, Open-End
	0436-765	1		Brush Guard/Bumper
	0436-462	1		Bucket Holder
	0436-757	1	/P	Bumper (Rear)
	0436-464	1		Camp Stove Cradle
	0436-454	1		Cargo Box
	0436-625	1		Cargo Box Quick-Release Kit
	0436-460	1		Carryall (11 x 17)
	0436-652	1		Carryall (14 x 27)
	0436-476	1		Chain Saw Lock
	0436-777	1	S	Cover, Black and Green
	0436-668	1		Cover, Timber Camo
	0436-776	1	S	Cover, Trailerable
	0436-005	1	S	Engine Oil - 10W40
	0436-003	1	S	Engine Oil - 5W30
	0436-466	1		Fender Box
	0436-538	1		Gear Cradle
	0436-007	1	S	Gear Lube (Diff) - 80W90
	0436-501	1	S	Grease, High-Performance
	0436-627	1		Gun Scabbard Kit
	0436-706	1	/P	Gun Scabbard Mount
	0436-505	1		Hand Guards - Black
	0436-352	1		Hand/Thumb Warmers
	0436-639	1		Ice Auger Holder
	0436-787	1		License Plate Kit
	0436-463	1		Light Bar
	2257-682	1		Manual, Illustrated Parts
	2257-603	1		Manual, Operator's (E)
	2257-604	1		Manuel d'utilisation (F)
	0436-635	1		Plow Attachment Kit
	0436-228	1		Plow Blade, 50 in. - Straight
	0436-287	1		Plow Blade, 50 in. - One-Way
	0436-296	1		Plow Blade, 60 in. - Straight
	0436-360	1		Plow Blade, 60 in. - One-Way
	0436-966	1		Plow Blade, Diamond Trend - 60 in. - Straight
	0436-967	1		Plow Blade, Diamond Trend - 60 in. - One-Way
	0436-636	1	/P	Plow, Push Frame
	0436-626	1	S	Rack Basket
	0436-762	1		Rack Extension, 4 in. (Front)
	0436-763	1		Rack Extension, 8 in. (Rear)
	0436-629	1		Rapid Blind (Break-Up)
	0436-630	1		Rapid Blind (Shadow Grass)
	0436-628	1		Rapid Shack (Blue Ice)
	0436-854	1		Sprayer Spacer Kit

2007 ATV 400 AUTOMATIC TRANSMISSION 4X4 FIS GREEN (A2007ICH4BUS) Page 72 of 96
RELATED ITEMS

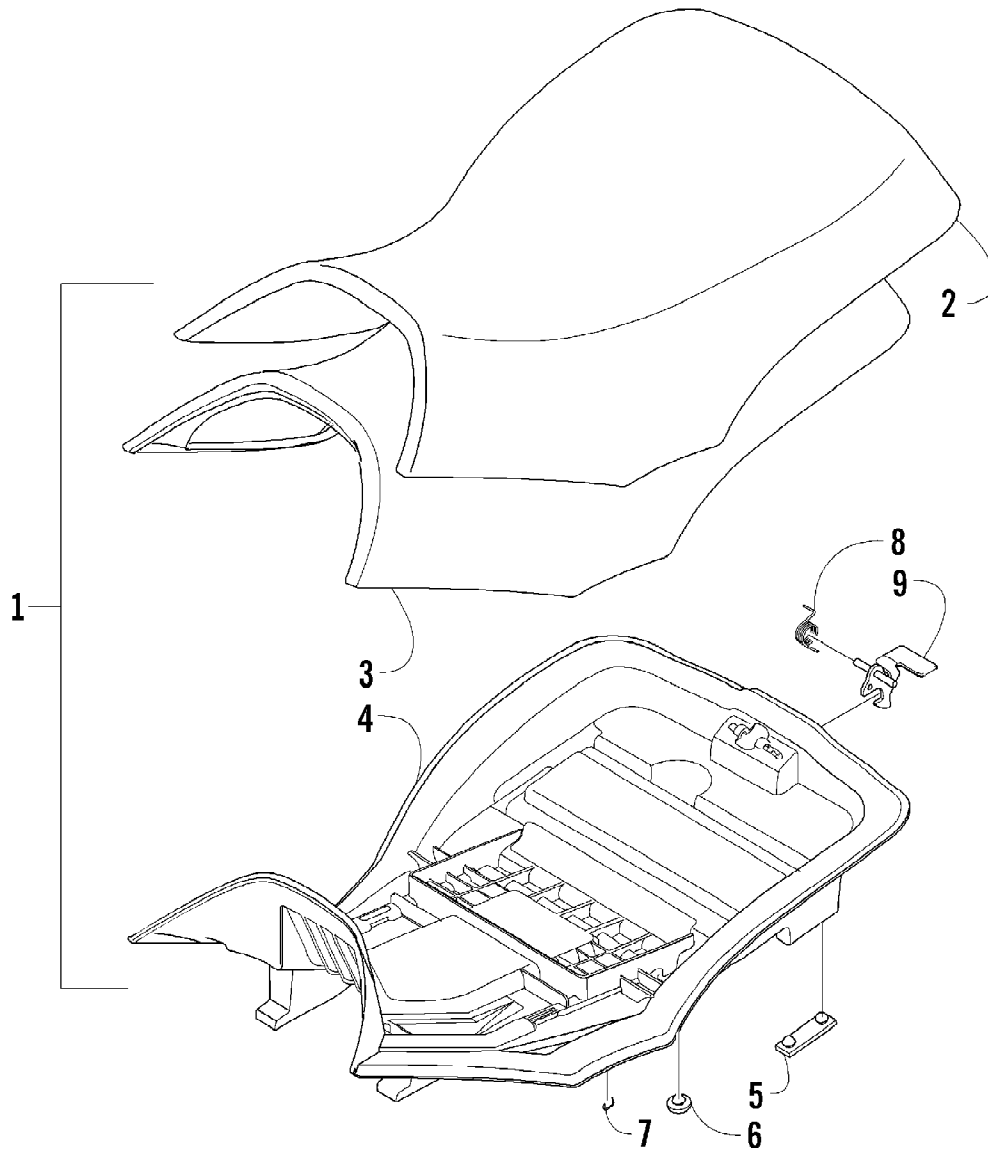
Ref #	Part Number	Qty	S/P/F	Description
	0436-624	1		Sprayer System
	0436-741	1	/P	Sprayer Boom (120 in.)
	1402-028	1		Tire, Titan AT589 (25x8-12, Mud & Snow)
	0402-563	1		Tire, Titan AT589 (25x10-12, Mud & Snow)
	0436-297	1		Tool Holder - Double
	0436-263	1	/P	Tool Holder - Single
	0436-792	1	S	Tree Stand/Bow Case Holder
	0436-655	1		Winch, 2500 lb
	0436-623	1		Windshield, Clear w/Black Accent

2007 ATV 400 AUTOMATIC TRANSMISSION 4X4 FIS GREEN (A20071CH4BU86) Page 73 of 96
REVERSE SHIFT LEVER ASSEMBLY



2007 ATV 400 AUTOMATIC TRANSMISSION 4X4 FIS GREEN (A2007ICH4BUS) Page 74 of 96
REVERSE SHIFT LEVER ASSEMBLY

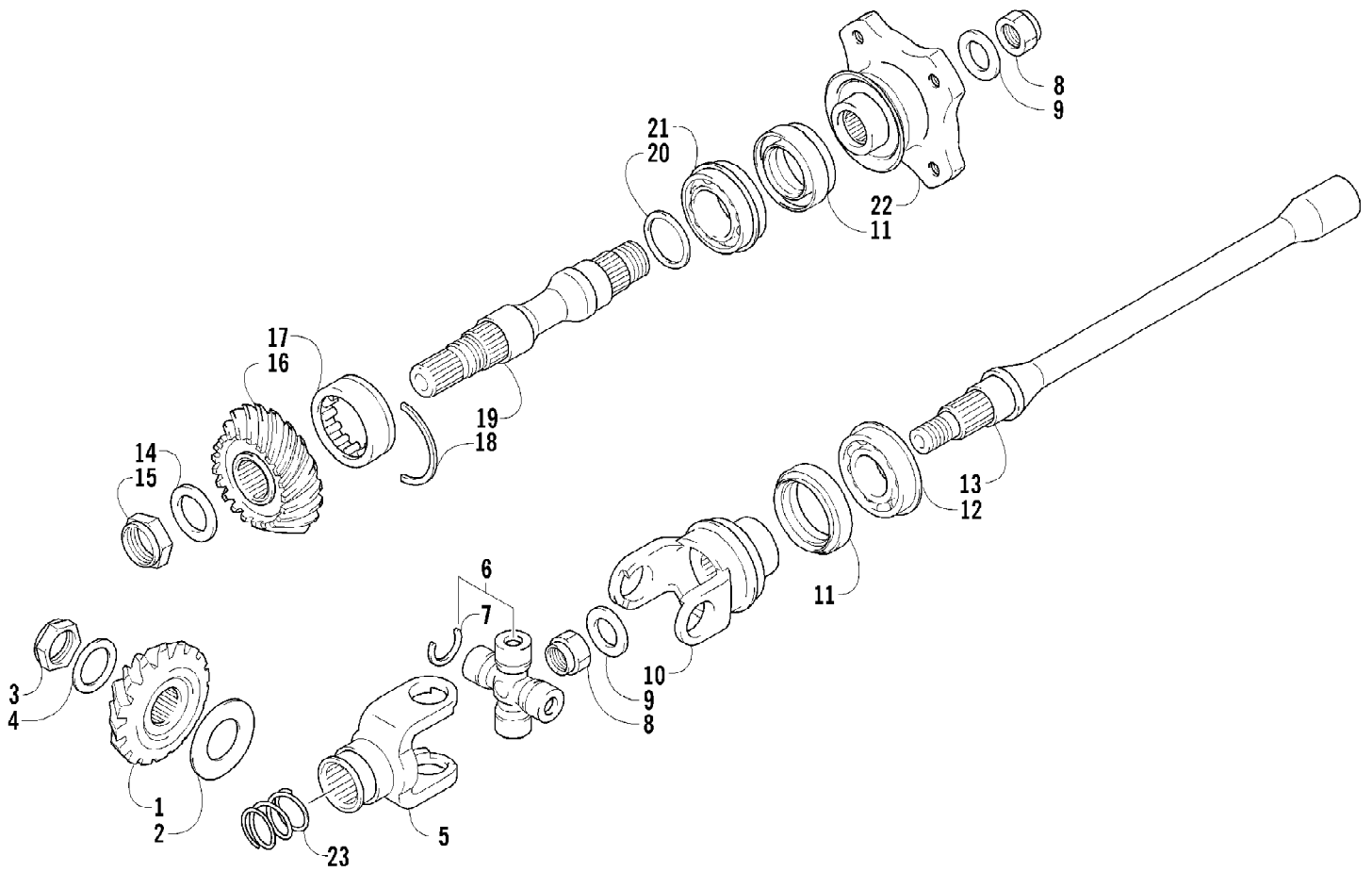
Ref #	Part Number	Qty	S/P/F	Description
1	0402-843	1	/P	Knob, Reverse Shift
2	0423-345	1		Clip, Push
3	1402-562	1	/P	Plate, Shift
4	2406-348	1		Shield, Shift Plate
5	0423-357	4		Nut, Stamped
6	0502-659	1		Lever, Shift
7	0502-410	1	S	Spring, Reverse Shift Lever
8	8424-602	1	/P	Nut
9	0502-742	1		Axle, Reverse Shift Lever
10	0423-299	2	/P	O-Ring
11	0402-675	1		Axle, Pivot
12	0423-182	2	/P	O-Ring
13	0423-087	1		Washer
14	8408-812	1		Screw, Cap
15	0623-294	2		Nut
16	1402-270	1		End, Rod
17	0502-671	1		Linkage, Shift
18	0423-169	1	/P	E-Ring
19	8050-242	1		Washer
20	0423-091	1		Bushing, Shift Linkage



2007 ATV 400 AUTOMATIC TRANSMISSION 4X4 FIS GREEN (A2007ICH4BUS) Page 76 of 96
SEAT ASSEMBLY

Ref #	Part Number	Qty	S/P/F	Description
1	1506-937	1	S/P	Seat Assembly (inc. 2-9)
2	1506-209	1		Cover, Seat
3	1506-208	1		Foam, Seat
4	2406-144	1	S/P	Base, Seat Assembly (inc. 5-6)
5	0406-879	2		Bumper, Seat - Rear
6	0406-877	4	/P	Bumper, Seat - Front
7	0624-528	AR	/P	Staple
8	1406-592	1	/P	Spring, Seat Latch
9	1506-156	1		Latch, Seat

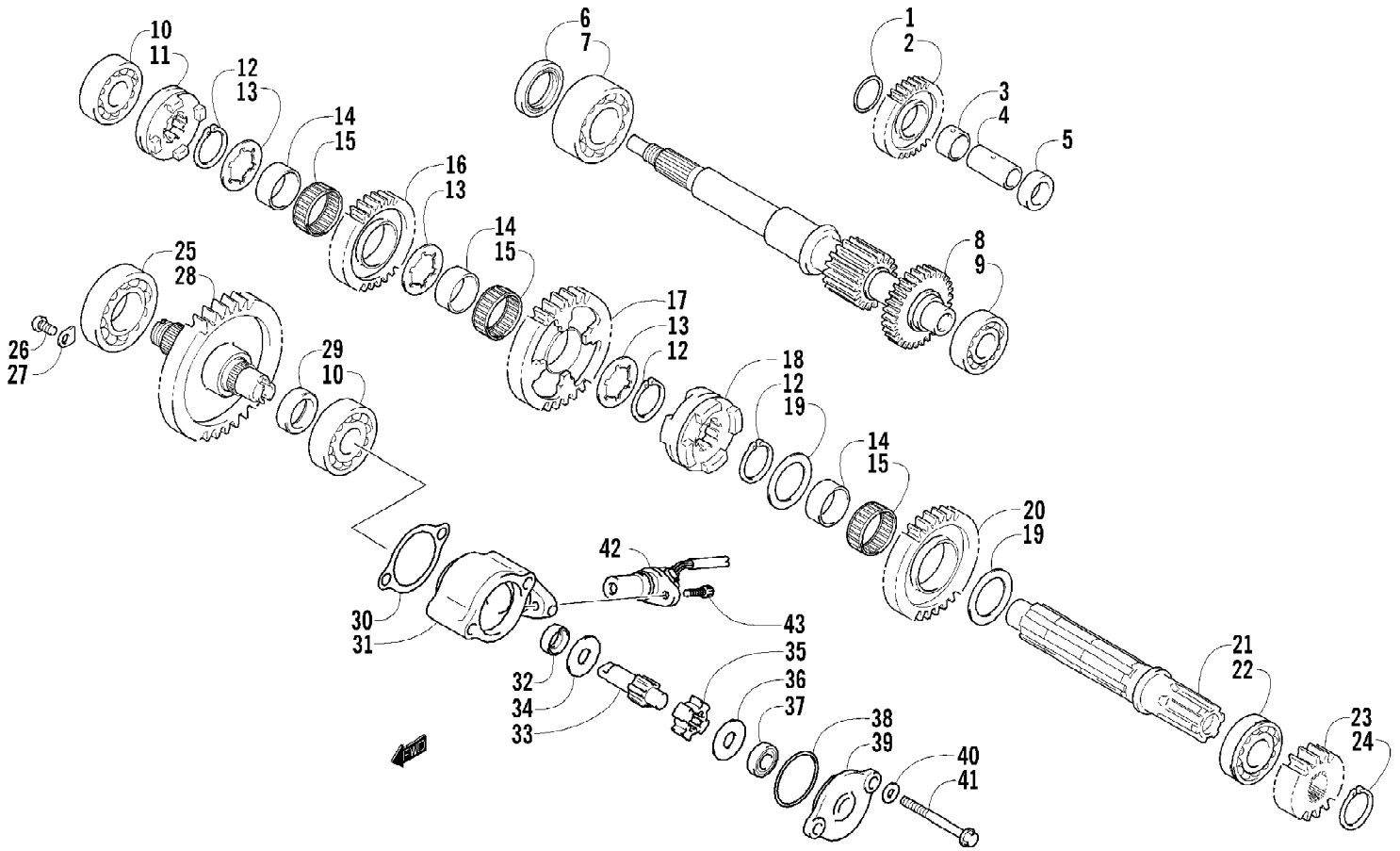
2007 ATV 400 AUTOMATIC TRANSMISSION 4X4 FIS GREEN (A20071CH4BU86) Page 77 of 96
SECONDARY DRIVE ASSEMBLY



2007 ATV 400 AUTOMATIC TRANSMISSION 4X4 FIS GREEN (A2007ICH4BUS) Page 78 of 96
SECONDARY DRIVE ASSEMBLY

Ref #	Part Number	Qty	S/P/F	Description
1	3402-637	1		Gear, Secondary Drive
2	3446-425	1		Shim, Secondary Drive Gear - Set
3	3423-023	1		Nut
4	3005-372	1		Washer
5	3446-327	1	/P	Yoke, Propeller Shaft
6	3402-562	1		Joint, Universal - Set (inc. 7)
7	3423-479	4		Circlip
8	3423-025	2		Nut
9	3423-028	1		Washer
10	3402-742	1		Yoke, Drive Output - Front
11	3402-072	2		Seal, Oil
12	3402-558	1		Bearing, Front Secondary Driven Shaft
13	3402-694	1		Shaft, Secondary Driven - Front
14	3423-137	1		Washer, Secondary Driven Gear
15	3423-136	1		Nut, Secondary Driven Gear
16	3402-638	1		Gear, Secondary Driven
17	3402-515	1	/P	Bearing, Driven Gear
18	3423-072	1		C-Ring, Driven Bearing
19	3402-639	1		Shaft, Secondary Driven - Rear
20	3402-017	AR		Shim, 25 x 34 x 0.60 mm
20	3402-018	AR		Shim, 25 x 34 x 0.65 mm
20	3402-019	AR		Shim, 25 x 34 x 0.70 mm
20	3402-020	AR		Shim, 25 x 34 x 0.75 mm
20	3402-021	AR	S	Shim, 25 x 34 x 0.80 mm
20	3402-022	AR		Shim, 25 x 34 x 0.85 mm
20	3402-023	AR		Shim, 25 x 34 x 0.90 mm
20	3402-024	AR		Shim, 25 x 34 x 0.95 mm
20	3402-025	AR	S	Shim, 25 x 34 x 1.00 mm
20	3402-028	AR		Shim, 25 x 34 x 1.05 mm
20	3402-029	AR		Shim, 25 x 34 x 1.10 mm
20	3402-030	AR		Shim, 25 x 34 x 1.15 mm
20	3402-031	AR		Shim, 25 x 34 x 1.20 mm
21	3402-067	1	S	Bearing, Rear Secondary Driven Shaft
22	3402-514	1	/P	Flange, Output Joint - Rear
23	1402-026	1		Spring

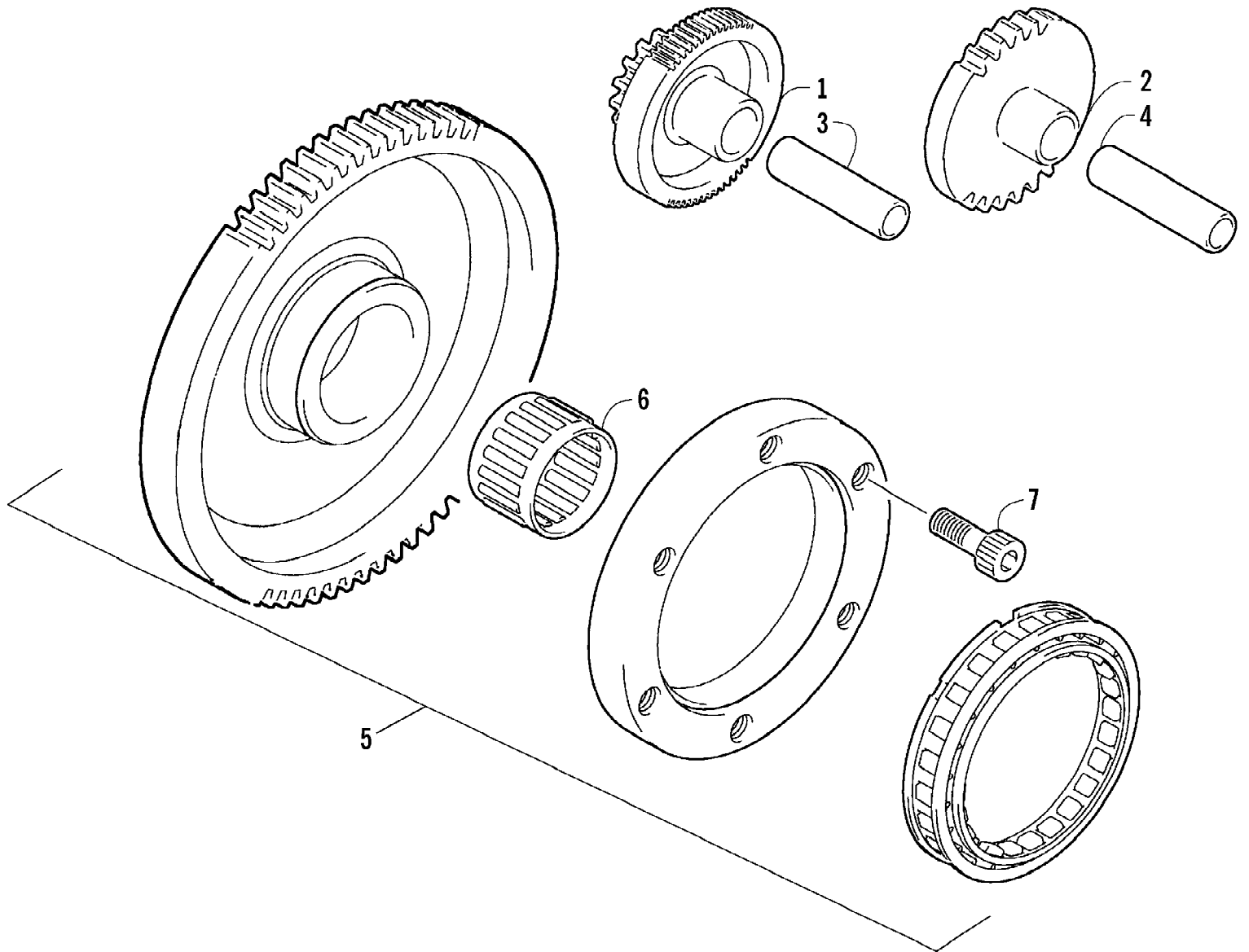
2007 ATV 400 AUTOMATIC TRANSMISSION 4X4 FIS GREEN (A20071CH4BU86) Page 79 of 96
SECONDARY TRANSMISSION ASSEMBLY



2007 ATV 400 AUTOMATIC TRANSMISSION 4X4 FIS GREEN (A20071CH4BUS) Page 80 of 96
SECONDARY TRANSMISSION ASSEMBLY

Ref #	Part Number	Qty	S/P/F	Description
1	3402-195	2		Washer, Reverse Idle Gear
2	3402-503	1		Gear, Reverse Idle
3	3446-103	1		Bushing, Reverse Idle Gear
4	3402-634	1		Shaft, Reverse Idle
5	3423-442	1		Spacer, Reverse Idle Gear
6	3402-500	1	S	Seal, Driveshaft
7	3402-499	1		Bearing, Driveshaft
8	3402-665	1		Driveshaft
9	3003-261	1	/P	Bearing, Driveshaft - Left
10	3402-045	2	/P	Bearing, Shaft
11	3402-636	1		Dog, Reverse Driven Gear
12	3423-066	3	/P	Circlip
13	3423-263	3		Washer
14	3402-494	3		Bushing
15	3402-498	3		Bearing
16	3402-635	1		Gear, Reverse Driven
17	3402-668	1	/P	Gear, Driven - Low
18	3402-496	1		Dog, Sliding
19	3423-448	2		Washer
20	3402-495	1		Gear, Driven - High
21	3402-667	1		Countershaft
22	3004-209	1	/P	Bearing, Shaft
23	3402-669	1		Gear, Drive - No. 2
24	3423-191	1	/P	Circlip
25	3402-055	1	/P	Bearing, Output Shaft
26	3423-370	2		Screw, Bearing Retainer
27	3446-031	2	/P	Retainer, Bearing
28	3402-666	1		Shaft, Output
29	3423-494	1		Spacer, Output Shaft
30	3446-244	1	/P	Gasket, Housing
31	3446-400	1		Housing, Speedometer Sensor
32	3006-322	1		Seal, Shaft
33	3446-402	1		Shaft, Output
34	3423-617	1		Washer
35	3402-837	1		Rotor
36	3423-767	1		Washer
37	3402-980	1		Bearing
38	3423-766	1		O-Ring
39	3446-401	1		Cover, Speedometer Sensor Housing
40	3003-290	2	/P	Gasket
41	3423-307	2	S	Bolt
42	3402-981	1		Sensor, Speedometer
43	3423-226	1		Bolt

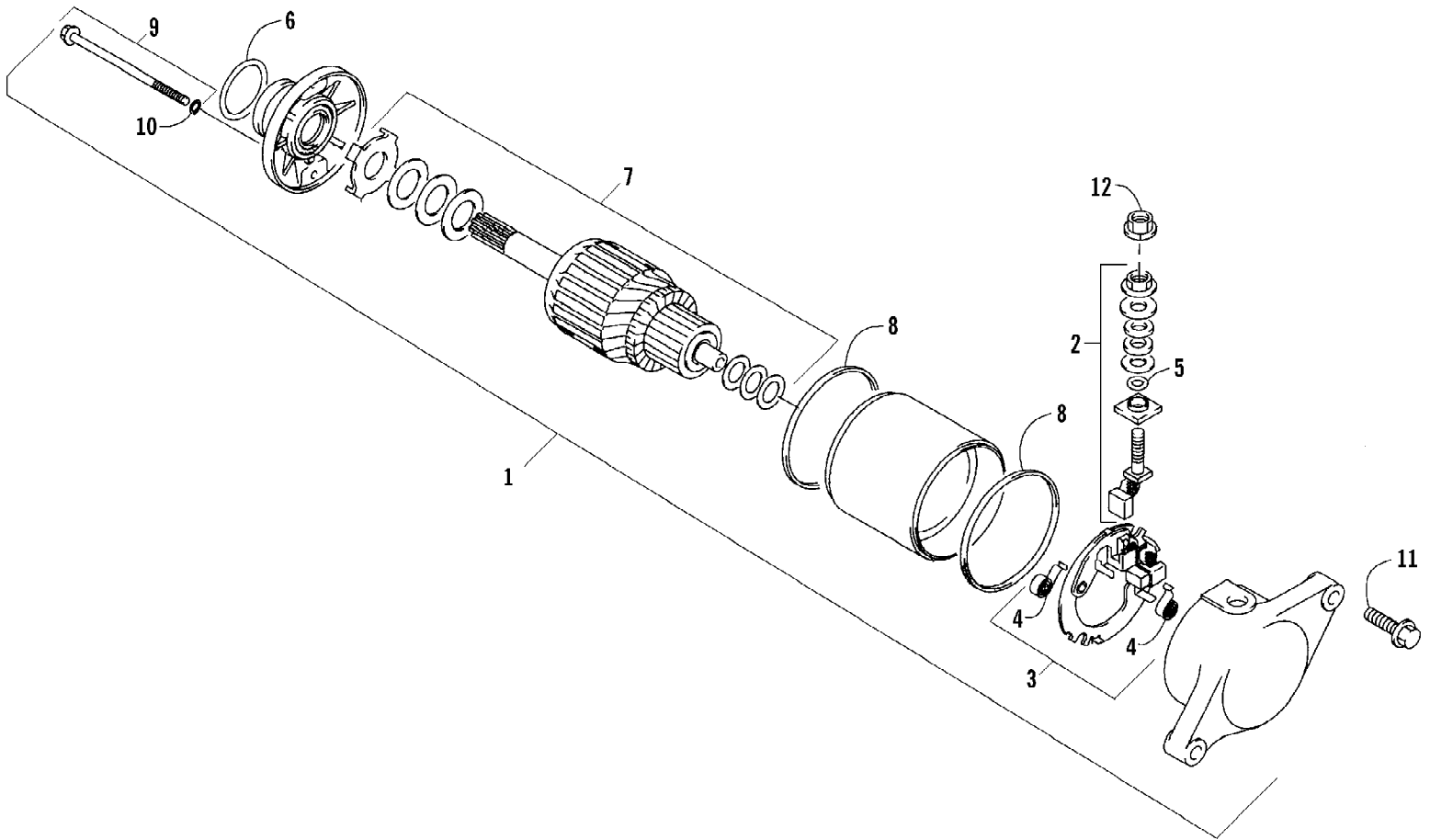
2007 ATV 400 AUTOMATIC TRANSMISSION 4X4 FIS GREEN (A20071CH4BU86) Page 81 of 96
STARTER CLUTCH ASSEMBLY



2007 ATV 400 AUTOMATIC TRANSMISSION 4X4 FIS GREEN (A2007ICH4BUS) Page 82 of 96
STARTER CLUTCH ASSEMBLY

Ref #	Part Number	Qty	S/P/F	Description
1	3402-603	1		Gear, Starter Idler - No. 1
2	3402-124	1		Gear, Starter Idler - No. 2
3	3423-331	1		Pin, Starter Idler Gear No. 1
4	3423-397	1		Pin, Starter Idler Gear No. 2
5	3402-690	1	S	Clutch, Starter - Set (inc. 6)
6	3402-674	1		Bearing
7	3423-102	6	S	Bolt

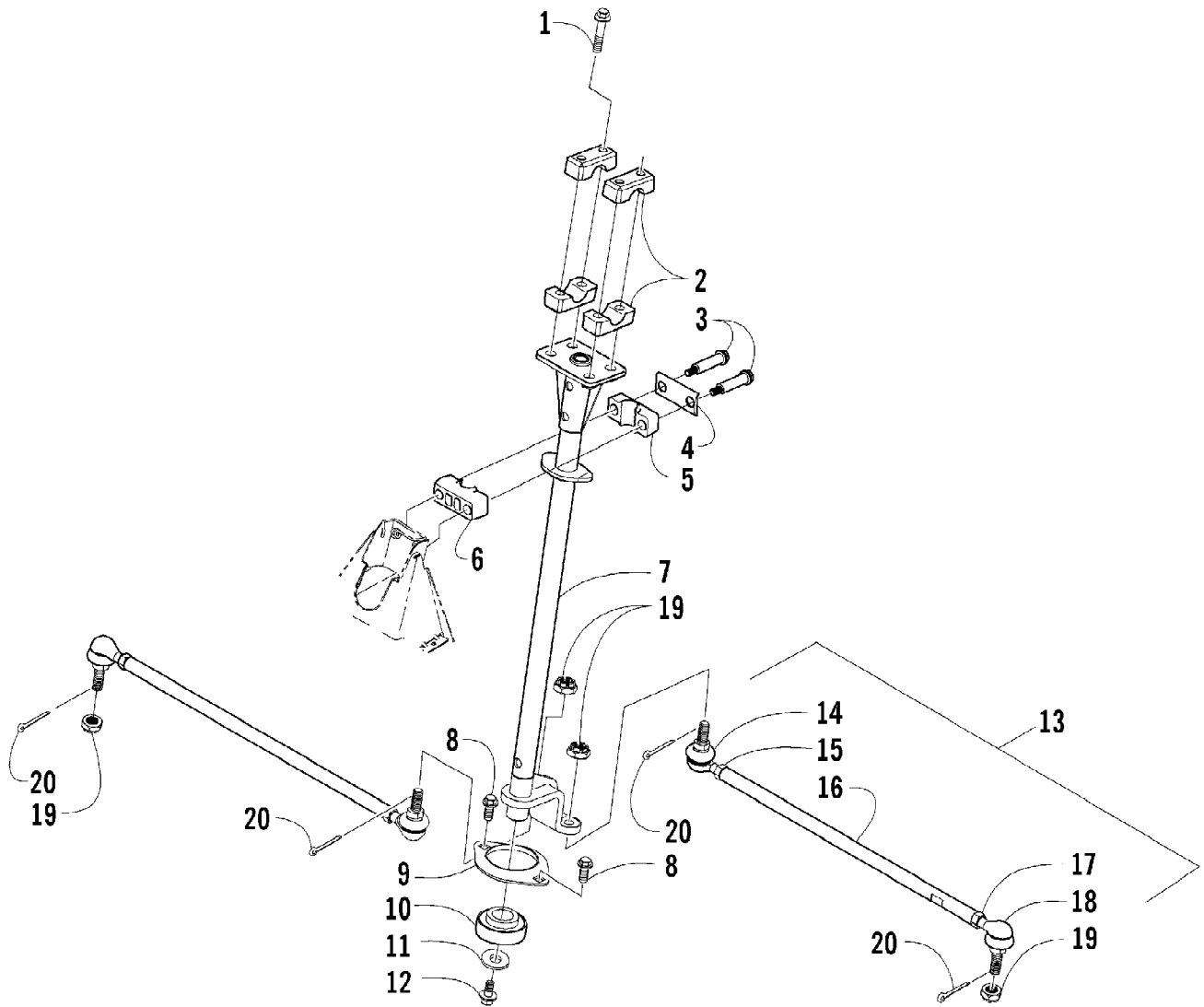
2007 ATV 400 AUTOMATIC TRANSMISSION 4X4 FIS GREEN (A20071CH4BU86) Page 83 of 96
STARTER MOTOR ASSEMBLY



2007 ATV 400 AUTOMATIC TRANSMISSION 4X4 FIS GREEN (A2007ICH4BUS) Page 84 of 96
STARTER MOTOR ASSEMBLY

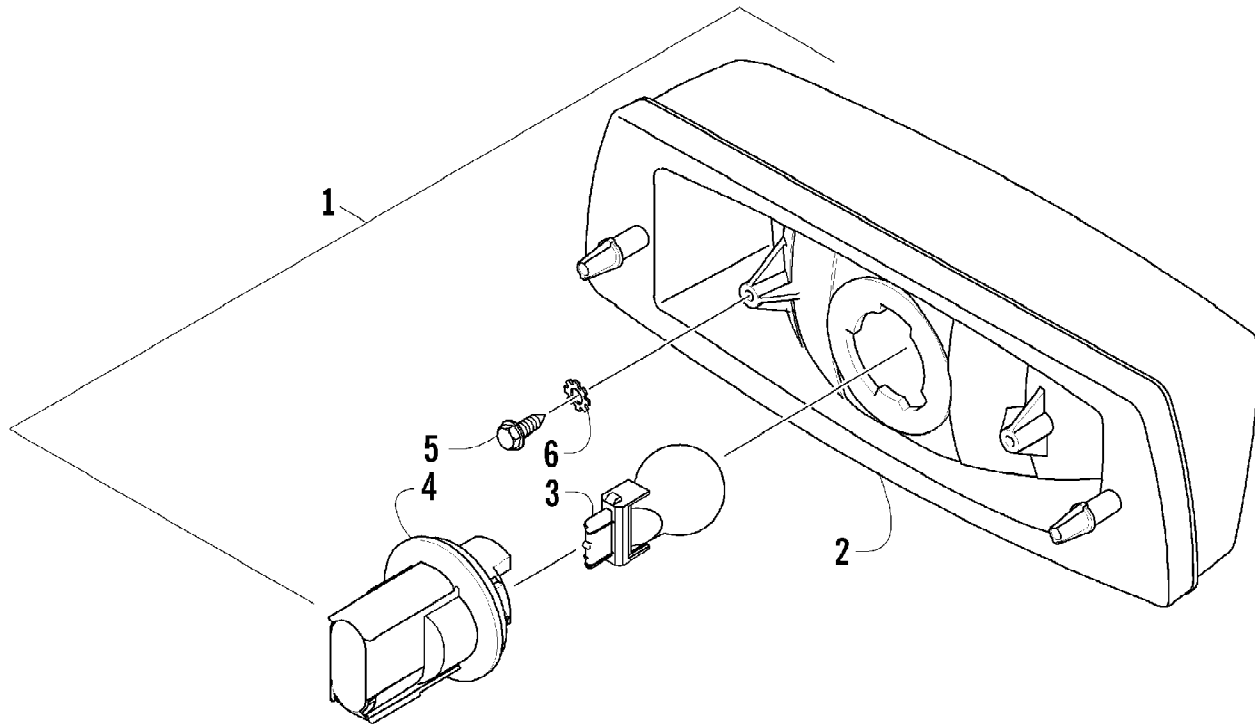
Ref #	Part Number	Qty	S/P/F	Description
1	3545-016	1		Motor, Starter Assembly (inc. 2-10)
2	3402-671	1		Terminal Set, Brush
3	3402-672	1		Holder Set, Brush
4	3008-551	4		Spring, Brush
5	3008-164	1		O-Ring
6	3423-272	1		O-Ring
7	3008-099	1		Washer Set
8	3423-497	2		O-Ring
9	3423-498	2		Through-Bolt (inc. 10)
10	3423-496	2		O-Ring
11	3004-756	2	S	Bolt
12	3423-195	1	/P	Nut

2007 ATV 400 AUTOMATIC TRANSMISSION 4X4 FIS GREEN (A20071CH4BU86) Page 85 of 96
STEERING POST ASSEMBLY



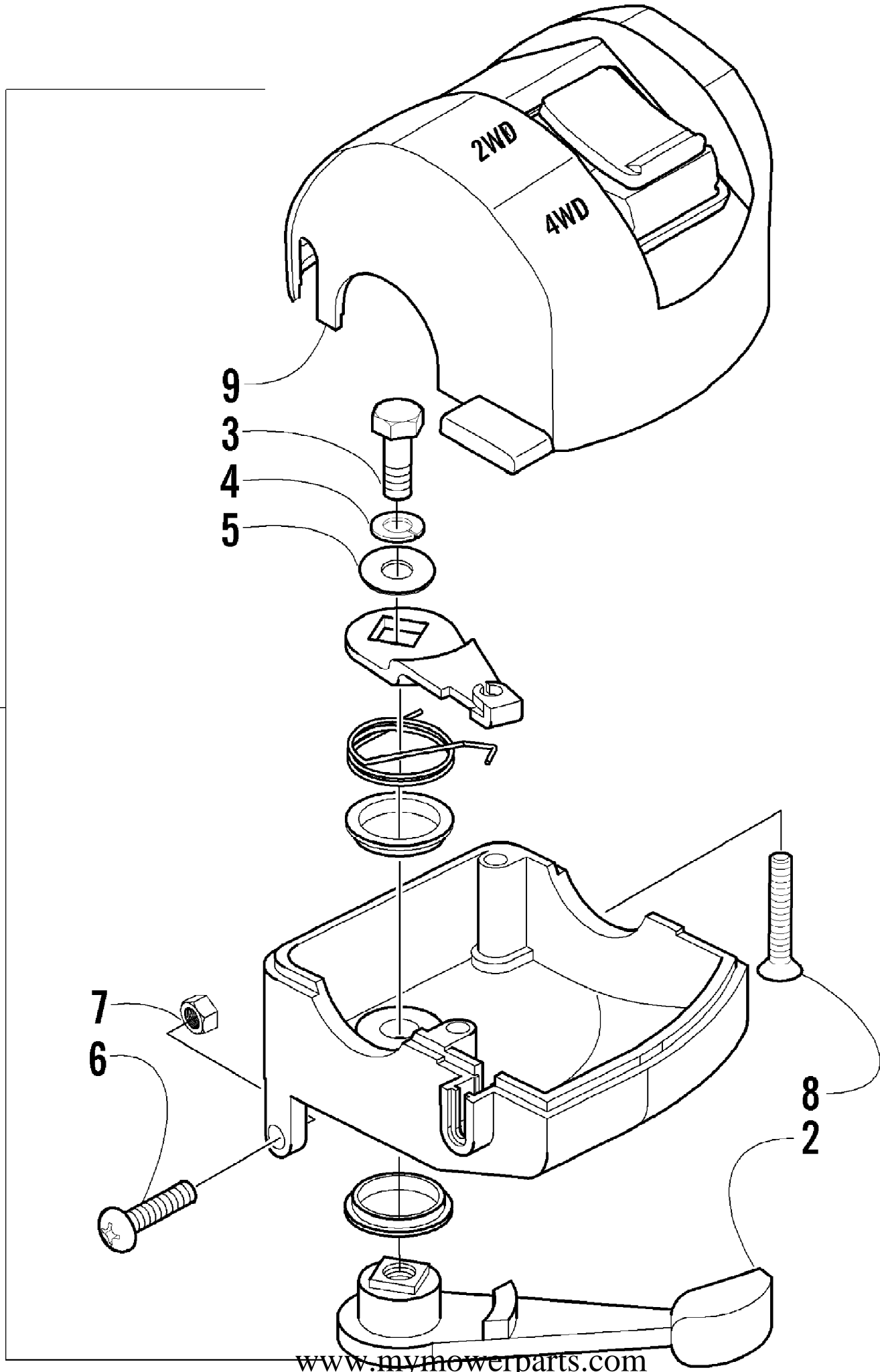
2007 ATV 400 AUTOMATIC TRANSMISSION 4X4 FIS GREEN (A2007ICH4BUS) Page 86 of 96
STEERING POST ASSEMBLY

Ref #	Part Number	Qty	S/P/F	Description
1	8408-860	4		Screw, Cap
2	0405-035	4		Cap, Steering Adjuster
3	0423-505	2		Screw, Shoulder
4	0405-166	1		Cap, Housing
5	0405-138	1		Housing, Lower
6	0405-139	1		Housing, Upper
7	0505-451	1	S	Post, Steering
8	8408-816	2		Screw, Cap
9	0602-233	1		Flange, Bearing
10	0405-052	1		Bearing w/Inverted Oil Seal
11	0423-073	1		Washer
12	8409-020	1	/P	Screw, Cap
13	0505-408	2	S	Tie Rod - Assembly (inc. 14-18)
14	0405-083	2	S	Ball Joint, Tie Rod - Left
15	0423-013	2		Nut - Left
16	0405-107	2	S	Tie Rod
17	8420-002	2	/P	Nut - Right
18	0405-082	2	S	Ball Joint, Tie Rod - Right
19	0423-157	4		Nut, Lock
20	0623-175	4		Pin, Cotter



2007 ATV 400 AUTOMATIC TRANSMISSION 4X4 FIS GREEN (A2007ICH4BUS) Page 88 of 96
TAILLIGHT ASSEMBLY

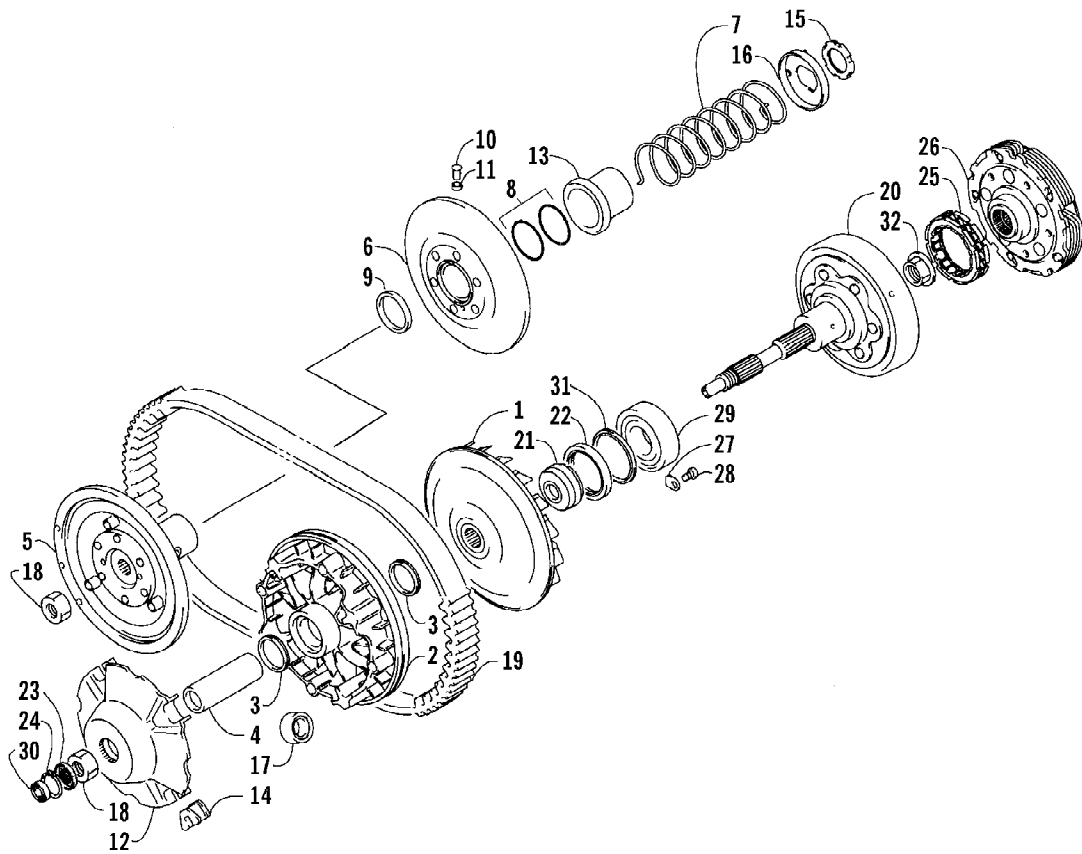
Ref #	Part Number	Qty	S/P/F	Description
1	0509-022	1		Taillight Assembly (inc. 2-4)
2	0509-025	1		Housing, Taillight
3	0409-056	1		Bulb, Taillight
4	0409-057	1		Socket, Taillight
5	0623-301	2	/P	Screw, Self-Tapping
6	8053-212	2	/P	Washer, Lock - External Tooth



2007 ATV 400 AUTOMATIC TRANSMISSION 4X4 FIS GREEN (A2007ICH4BUS) Page 90 of 96
THROTTLE CASE ASSEMBLY

Ref #	Part Number	Qty	S/P/F	Description
1	0509-012	1		Case, Throttle - Assembly (inc. 2-9)
2	3409-001	1		Lever
3	3004-533	1	S/P	Screw, Cap
4	3004-447	1	/P	Washer, Lock
5	3003-030	1	/P	Washer
6	3423-014	1		Screw
7	3423-327	1		Nut
8	3423-199	2		Screw
9	0409-048	1		Cover, Throttle w/Switch

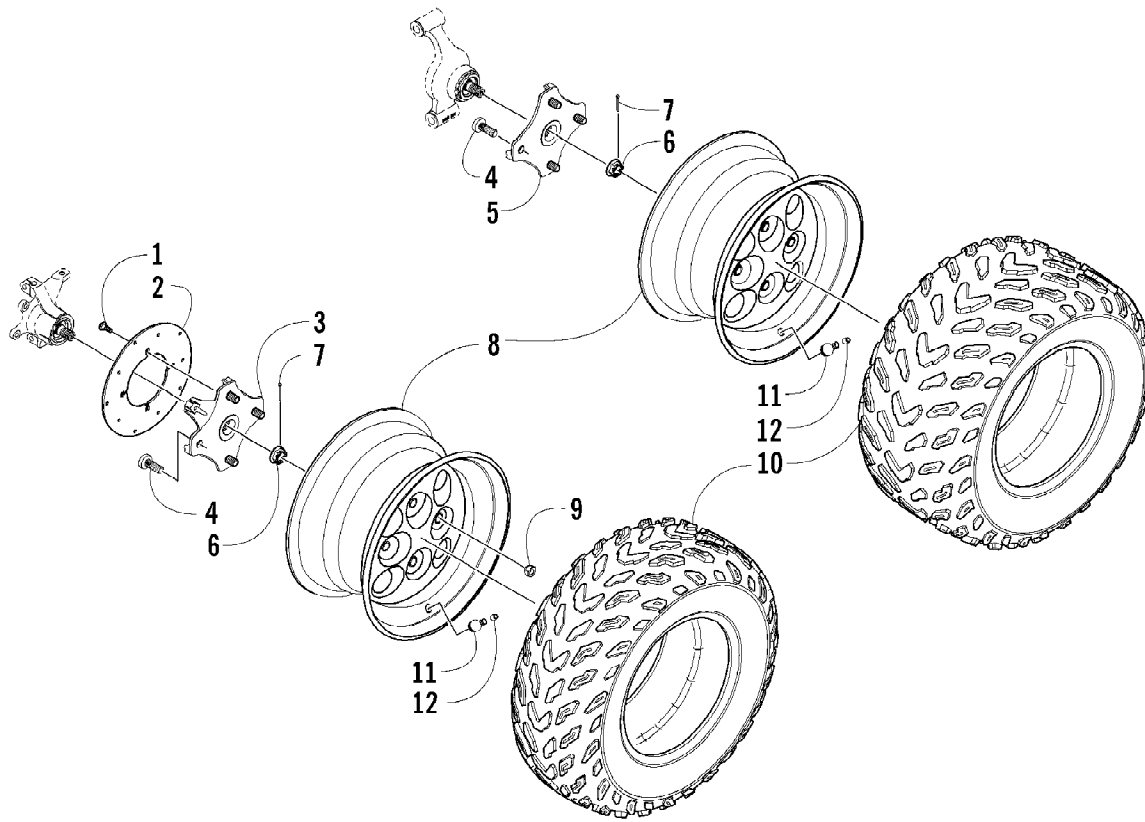
2007 ATV 400 AUTOMATIC TRANSMISSION 4X4 FIS GREEN (A20071CH4BU86) Page 91 of 96
TRANSMISSION ASSEMBLY



2007 ATV 400 AUTOMATIC TRANSMISSION 4X4 FIS GREEN (A20071CH4BUS) Page 92 of 96
TRANSMISSION ASSEMBLY

Ref #	Part Number	Qty	S/P/F	Description
1	3402-622	1		Face, Fixed Drive
2	3402-623	1		Face, Movable Drive
3	3402-624	2		Seal, Movable Drive Face
4	3402-625	1		Spacer, Movable Drive Face
5	3402-626	1	S	Face, Fixed Driven
6	3402-627	1		Face, Movable Driven
7	3423-486	1		Spring, Movable Driven Face
8	3423-487	2		O-Ring, Movable Driven Face
9	3402-629	2		Seal, Movable Driven Face
10	3402-477	3		Pin, Movable Driven Face
11	3402-478	3		Spacer, Movable Driven Face
12	3402-630	1		Plate, Movable Drive Face
13	3402-631	1		Sleeve, Movable Driven Face
14	3402-481	4		Damper, Movable Drive Face
15	3423-489	1		Nut, Driven Pulley
16	3402-632	1		Holder, Movable Driven Face Spring
17	3402-633	8		Roller, Movable Drive Face
18	3423-437	2		Nut
19	3402-664	1		V-Belt
20	3402-620	1		Housing, Clutch
21	3402-621	1		Spacer, Fixed Drive Face
22	3402-977	1	/P	Seal, Clutch Housing
23	3402-574	1		Seal, Clutch Housing
24	3423-505	1	S	Circlip
25	3446-003	1		Clutch, One-Way
26	3446-354	1	/P	Shoe, Clutch - Assembly
27	3446-031	2	/P	Retainer, Bearing
28	3423-370	2		Screw, Bearing Retainer
29	3402-567	1		Bearing
30	3402-693	1		Bearing
31	3423-353	1	/P	O-Ring
32	3423-501	1		Nut

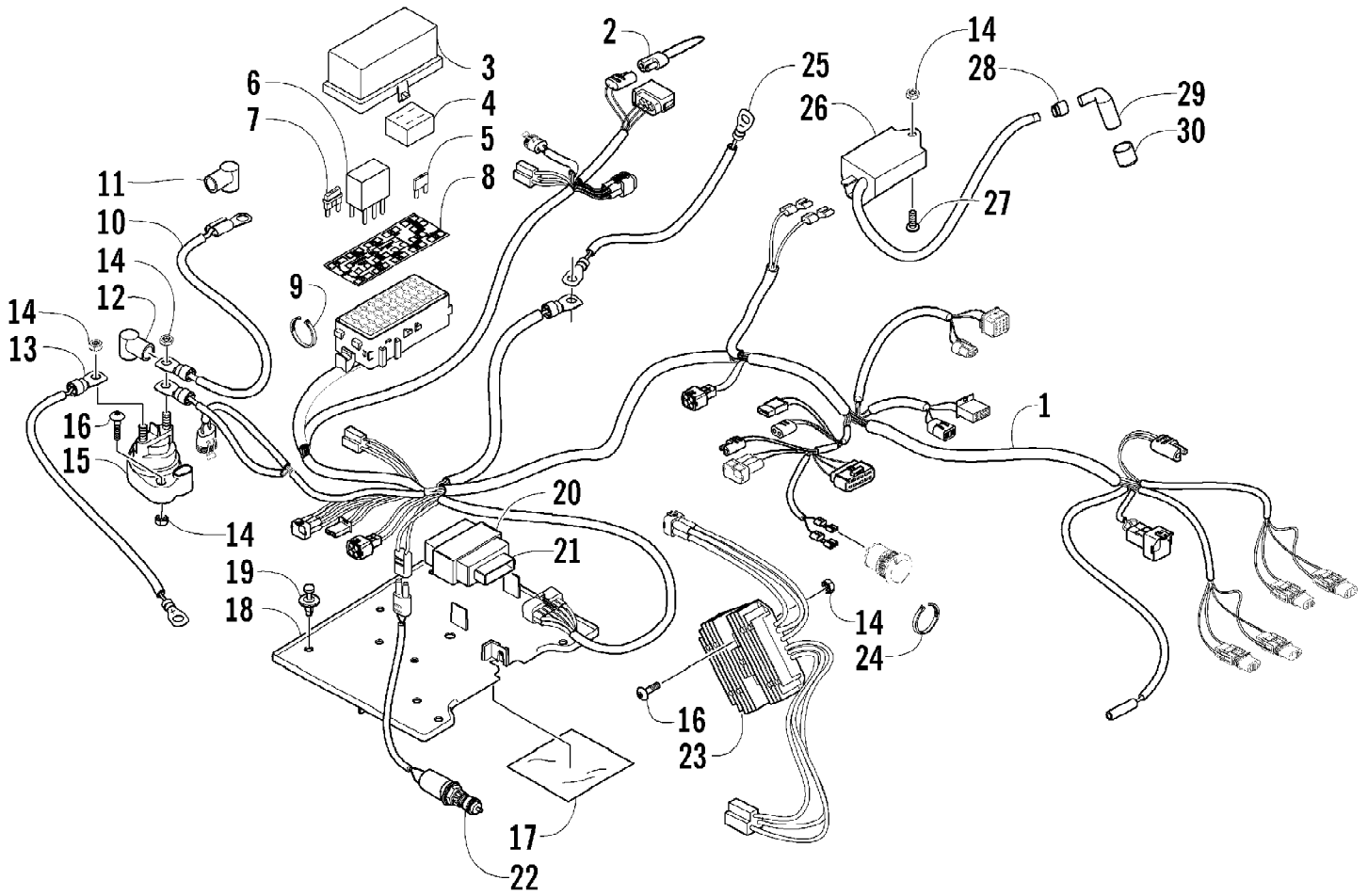
2007 ATV 400 AUTOMATIC TRANSMISSION 4X4 FIS GREEN (A20071CH4BU86) Page 93 of 96
WHEEL AND TIRE ASSEMBLY



2007 ATV 400 AUTOMATIC TRANSMISSION 4X4 FIS GREEN (A20071CH4BUS) Page 94 of 96
WHEEL AND TIRE ASSEMBLY

Ref #	Part Number	Qty	S/P/F	Description
1	0423-557	12		Screw, Shoulder w/Loctite
2	1402-225	3	S	Disc, Brake
3	0502-599	2	S	Hub, Wheel - Front (inc. 4)
4	0402-974	16	/P	Stud, Wheel Hub
5	0502-601	1	S	Hub, Wheel - Rear - Left (inc. 4)
5	0502-599	1	S	Hub, Wheel - Rear - Right (inc. 4)
6	0423-607	4		Nut, Castle
7	0423-407	4		Pin, Cotter
8	0402-856	2		Wheel - Front
8	0402-858	2		Wheel - Rear
9	0423-408	16	/P	Nut, Lug
10	1402-548	AR	F	Tire - Front Goodyear
10	1402-549	AR	F	Tire - Rear Goodyear
10	1402-658	AR	F	Tire - Front Dunlop
10	1402-659	AR	F	Tire - Rear Dunlop
11	0402-064	4		Stem, Valve (inc. 12)
12	0402-140	4		Cap, Valve Stem

2007 ATV 400 AUTOMATIC TRANSMISSION 4X4 FIS GREEN (A20071CH4BU86) Page 95 of 96
WIRING HARNESS ASSEMBLY



2007 ATV 400 AUTOMATIC TRANSMISSION 4X4 FIS GREEN (A2007ICH4BUS) Page 96 of 96
WIRING HARNESS ASSEMBLY

Ref #	Part Number	Qty	S/P/F	Description
1	0486-202	1		Harness, Main (inc. 2-8)
2	0486-164	1		Tether, Accessory Connector
3	0530-008	1		Cover, Fuse Block
4	0430-037	1		Holder, Fuse
5	0430-034	3		Diode
6	0430-033	3		Relay
7	0430-032	4		Fuse - 10 Amp
7	0430-031	3		Fuse - 15 Amp
7	0430-030	2		Fuse - 30 Amp
8	0411-828	1		Decal, Fuse Block
9	0123-788	AR	/P	Cable Tie - 7.5 in.
10	0445-053	1	/P	Cable, Solenoid/Starter (inc. 11)
11	0645-019	1		Boot, Terminal
12	0645-327	1		Boot, Terminal
13	0445-055	1	/P	Cable, Battery/Solenoid
14	0623-038	7		Nut w/Washer
15	0445-058	1	/P	Solenoid
16	8476-625	4		Screw, Machine
17	0412-291	1		Shield, Heat
18	1406-787	1		Tray, Electrical
19	0623-362	4		Rivet, Reinstallable
20	3402-684	1		Cushion, CDI Unit
21	3402-683	1		CDI Unit
22	0409-072	1		Switch, Brake - Assembly
23	3402-682	1		Regulator, Voltage
24	0123-903	AR		Cable Tie - 11.5 in.
25	0445-054	1	/P	Cable, Battery/Ground
26	3430-055	1		Coil, Ignition - Assembly
27	8476-620	1		Screw, Machine
28	3430-009	1	/P	Seal, High Tension Wire
29	3430-007	1	/P	Cap, Spark Plug
30	3430-008	1	/P	Seal, Spark Plug