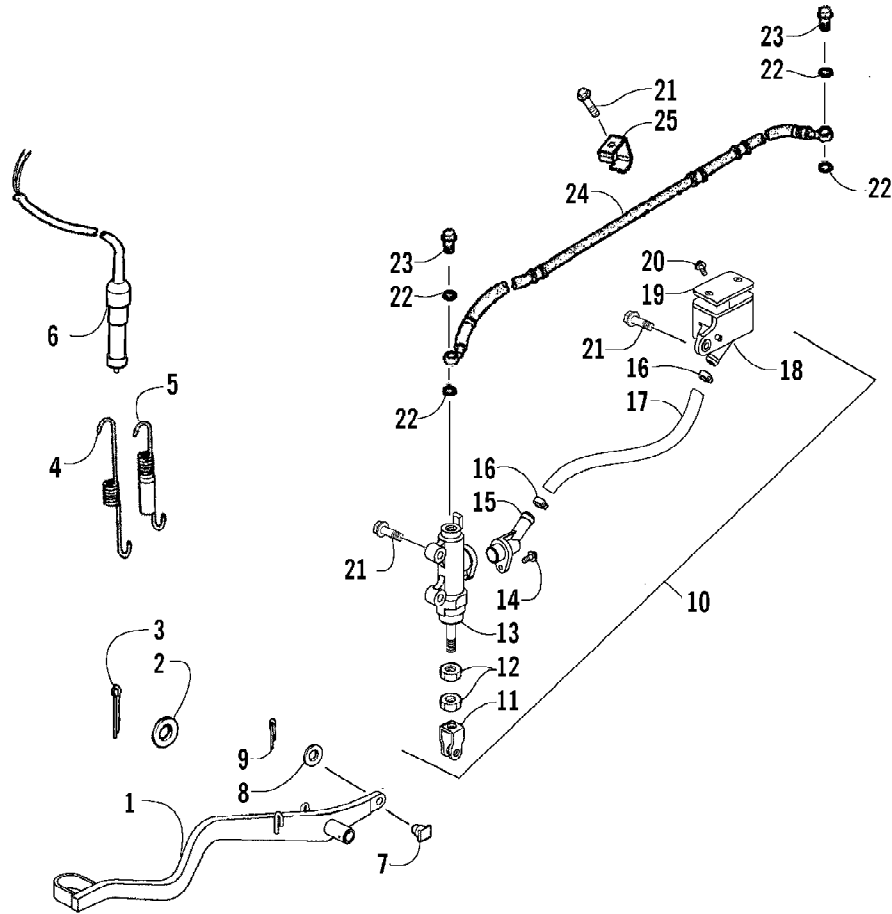


2007 ATV 250 DVX BLACK-RED (A2007KSE2BUSD)  
AIR INTAKE ASSEMBLY

Page 2 of 66

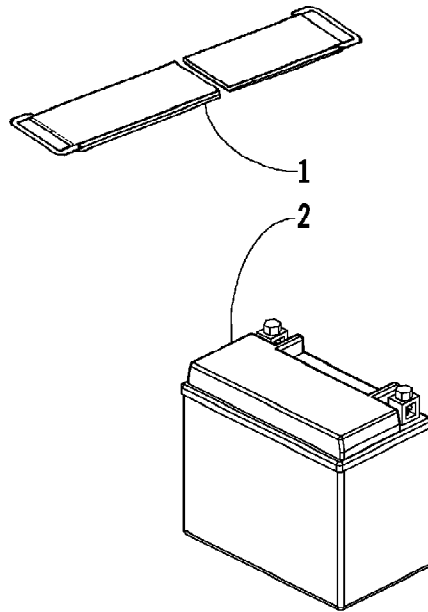
Ref #	Part Number	Qty	S/P/F	Description
1	3303-705	1		Cover, Air Filter Housing
2	3303-708	4		Clip, Spring
3	3303-703	1		Seal, Air Filter Housing Cover
4	3303-704	1		Filter, Air - Assembly (inc. 5)
5	0	1	F	Filter, Foam
6	3304-416	1		Clamp, Hose w/Screw
7	3303-707	1		Body, Air Filter Housing
8	3304-652	2		Screw w/Washer
9	3303-713	1		Clip, Tube
10	3304-168	1	/P	Tube, Drain
11	3303-709	2		Clamp, Hose w/Screw
12	3303-710	1		Duct
13	3304-062	1		Screw, Body
14	3304-433	2		Clip, Tube
15	3303-711	1		Joint, Blow-By
16	3304-117	2		Screw, Pan-Head w/Washer
17	3303-734	1		Tube B - Oil Catch (inc. one No. 18)
18	3303-714	2		Clip, Tube
19	3303-706	1		Catch, Oil
20	3304-553	2		Bolt, Flange
21	3303-735	1		Tube C - Oil Catch (inc. two No. 22)
22	3303-712	3		Clip, Tube
23	3303-733	1		Tube A - Oil Catch (inc. one No. 18)
24	3304-167	1		Clamp



2007 ATV 250 DVX BLACK-RED (A2007KSE2BUSD)  
AUXILIARY BRAKE ASSEMBLY

Page 4 of 66

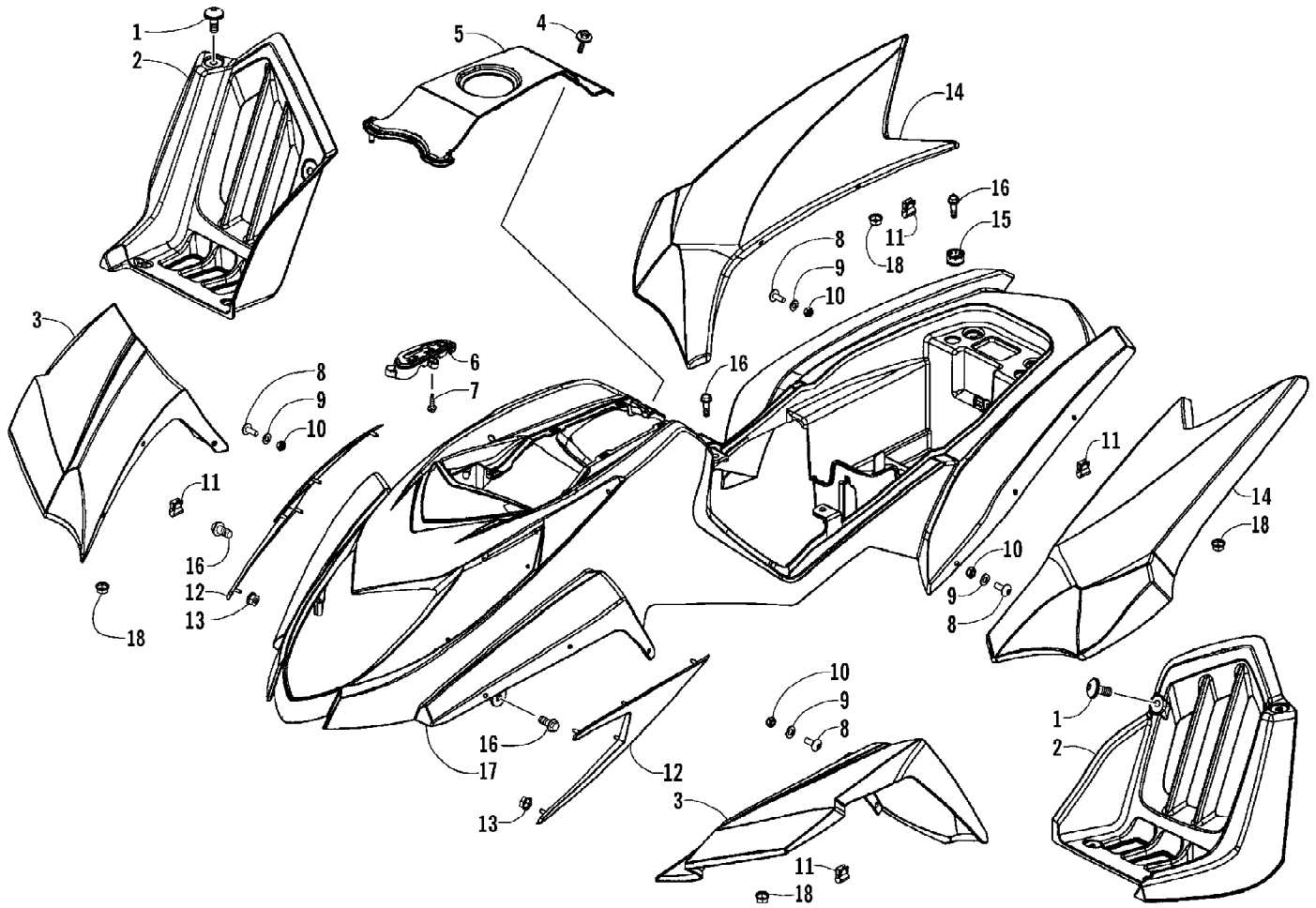
Ref #	Part Number	Qty	S/P/F	Description
1	3304-335	1		Lever, Brake
2	3304-139	2		Washer
3	3304-143	1		Pin
4	3303-855	1		Spring, Stop - Brake Lever
5	3303-929	1		Spring, Set - Brake Lever
6	3304-685	1		Switch, Brake
7	3303-927	1		Pin, Clevis
8	3304-050	1		Washer
9	3304-141	1		Pin, Cotter
10	3304-306	1		Brake Assembly - Rear (inc. 11-20)
11	3303-928	1		Actuator, Push Rod
12	3304-128	2		Nut, Jam
13	0	1	F	Master Cylinder
14	3303-321	1		Screw w/Washer
15	3304-307	1		Connector
16	3303-895	2		Clamp, Brake Hose
17	3304-308	1		Hose, Brake
18	3303-896	1		Reservoir, Brake
19	3304-332	1		Cover, Brake Reservoir
20	3304-119	2		Screw, Flat-Head
21	3304-551	4	/P	Screw, Cap
22	3303-284	4	/P	Washer, Crush
23	3303-257	2	/P	Bolt, Banjo-Fitting
24	3304-299	1		Hose, Brake - Assembly - Rear
25	3303-891	1		Clamp, Brake Hose - Rear



2007 ATV 250 DVX BLACK-RED (A2007KSE2BUSD)  
BATTERY ASSEMBLY

Ref #	Part Number	Qty	S/P/F	Description
1	3304-434	1		Strap, Battery
2	3304-275	1	/P	Battery

2007 ATV 250 DVX BLACK-RED (A2007KSE2BUSD)  
BODY PANEL ASSEMBLY



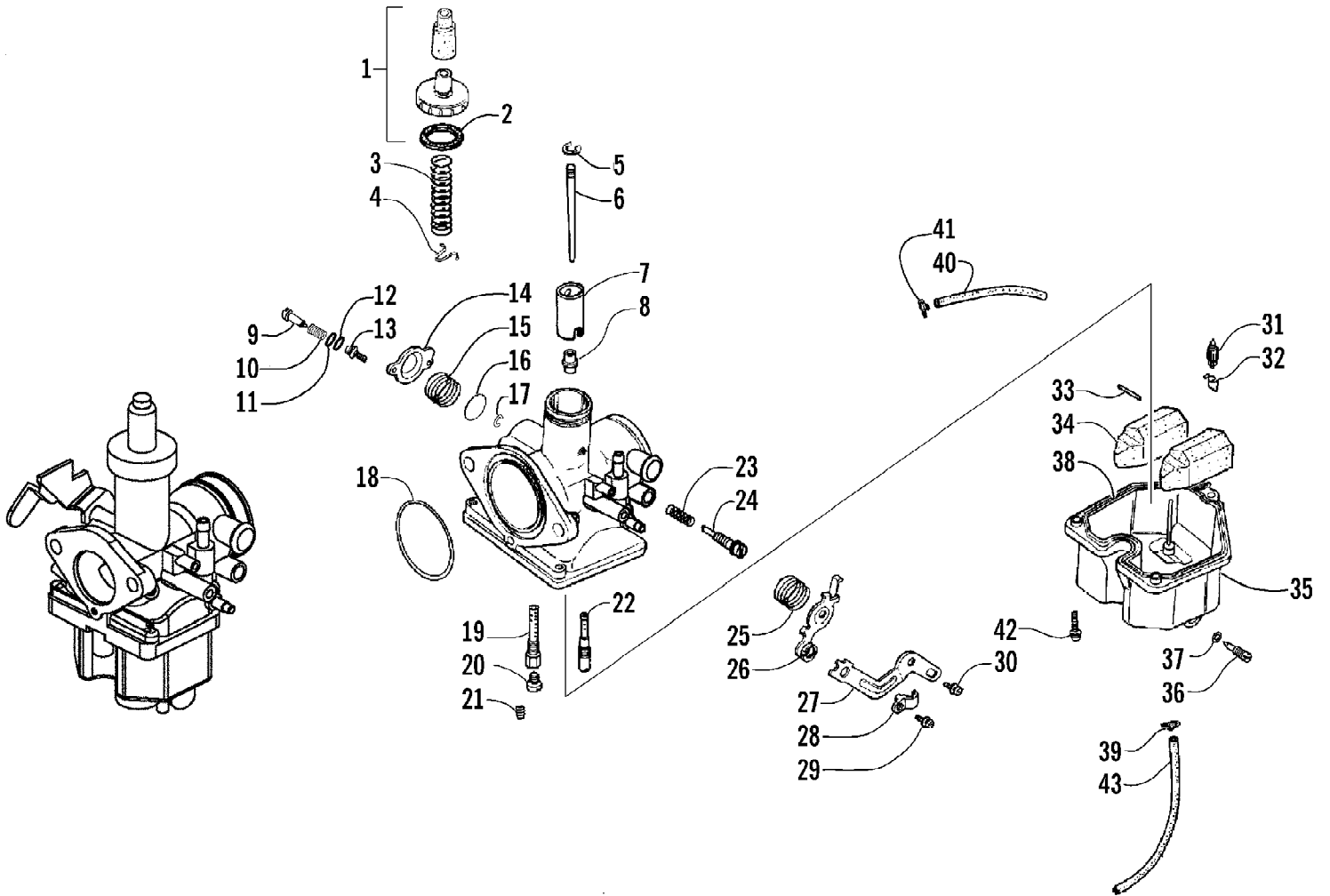
2007 ATV 250 DVX BLACK-RED (A2007KSE2BUSD)  
BODY PANEL ASSEMBLY

Page 8 of 66

Ref #	Part Number	Qty	S/P/F	Description
1	3304-404	8		Bolt
2	3304-395	1	S	Mudguard, Floor - Right
2	3304-396	1		Mudguard, Floor - Left
3	3304-387	1		Fender, Front - Right
3	3304-389	1		Fender, Front - Left
4	3304-029	2	/P	Bolt w/Washer
5	3304-248	1		Cover, Gas Tank
6	3304-381	1		Guide, Shift Handle
7	3304-650	3	/P	Screw, Self-Tapping
8	3304-406	12		Bolt
9	3304-432	12		Washer
10	3304-431	12	/P	Nut, Lock
11	3304-683	4		Clip, Fender
12	3304-382	1		Panel, Trim - Right
12	3304-385	1		Panel, Trim - Left
13	3304-418	10		Nut
14	3304-393	1		Fender, Rear - Right
14	3304-397	1		Fender, Rear - Left
15	3303-232	2		Rubber, Rear Fender
16	3304-587	7	/P	Bolt w/Washer
17	3304-380	1		Body, Main
18	3304-417	4		Nut



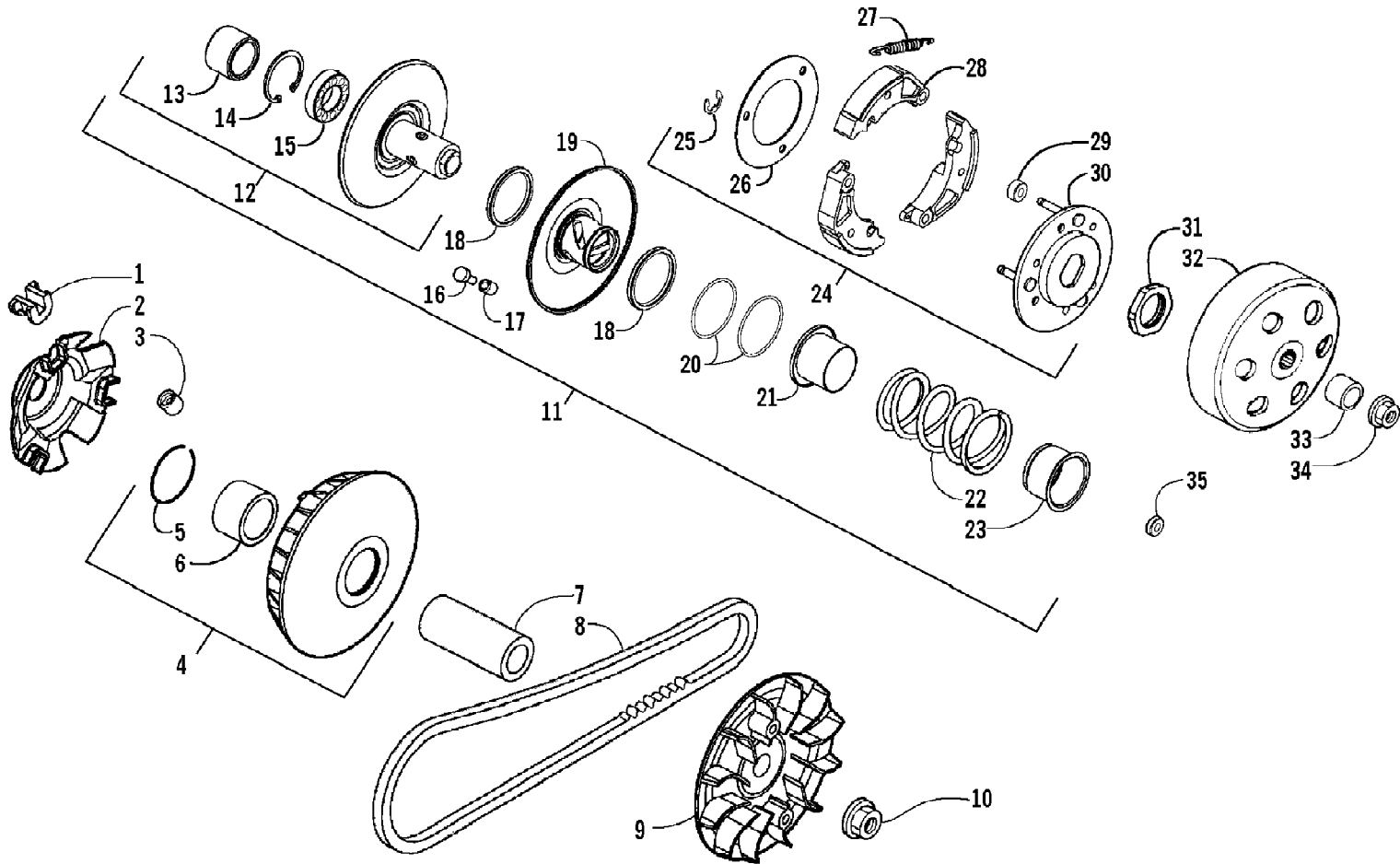
2007 ATV 250 DVX BLACK-RED (A2007KSE2BUSD)  
CARBURETOR ASSEMBLY



2007 ATV 250 DVX BLACK-RED (A2007KSE2BUSD)  
CARBURETOR ASSEMBLY

Page 10 of 66

Ref #	Part Number	Qty	S/P/F	Description
1	3304-218	1		Cover, Top - Assembly (inc. 2)
2	3304-217	1		Gasket, Top
3	3304-230	1		Spring, Compression
4	3304-454	1		Clip, Needle
5	3304-240	1		Clip, E
6	3304-448	1		Needle, Jet
7	3304-216	1		Valve, Throttle
8	3304-456	1		Jet, Needle
9	3304-215	1		Screw, Adjuster
10	3304-232	1		Spring, Compression
11	3304-250	1		Washer
12	3304-237	1		O-Ring
13	3304-427	2		Screw w/Washer
14	3304-229	1		Plate, Cover - Diaphragm
15	3304-449	1		Spring, Compression
16	3304-227	1		Diaphragm
17	3304-450	1		Clip, E
18	3304-238	1		O-Ring
19	3304-447	1		Holder, Needle Jet
20	5507-097	1	/P	Jet, Main
21	3304-214	1		Holder, Main Jet
22	3304-445	1		Jet, Slow
23	3304-231	1		Spring, Compression
24	3304-455	1		Screw, Stop
25	3304-233	1		Spring, Torsion
26	3303-627	1		Lever, Choke
27	3304-443	1		Bracket, Choke Cable
28	3304-241	1		Clamp, C
29	3303-319	1	S	Screw w/Washer
30	3304-429	1		Screw w/Washer
31	3304-242	1		Valve, Float
32	3304-249	1		Clip, Float Valve
33	3304-451	1		Pin, Float Arm
34	3304-444	1		Float, Set
35	3304-220	1		Chamber, Float - Assembly
36	3304-243	1		Screw, Drain
37	3304-239	1		O-Ring
38	3304-219	1		Gasket, Float Chamber
39	3304-452	1		Clip, Tube
40	3304-446	1		Tube, Set
41	3304-453	1		Clip, Tube
42	3304-428	3		Screw w/Washer
43	3305-268	1	S	Tube
43	3303-698	1		Complete Carburetor Assembly

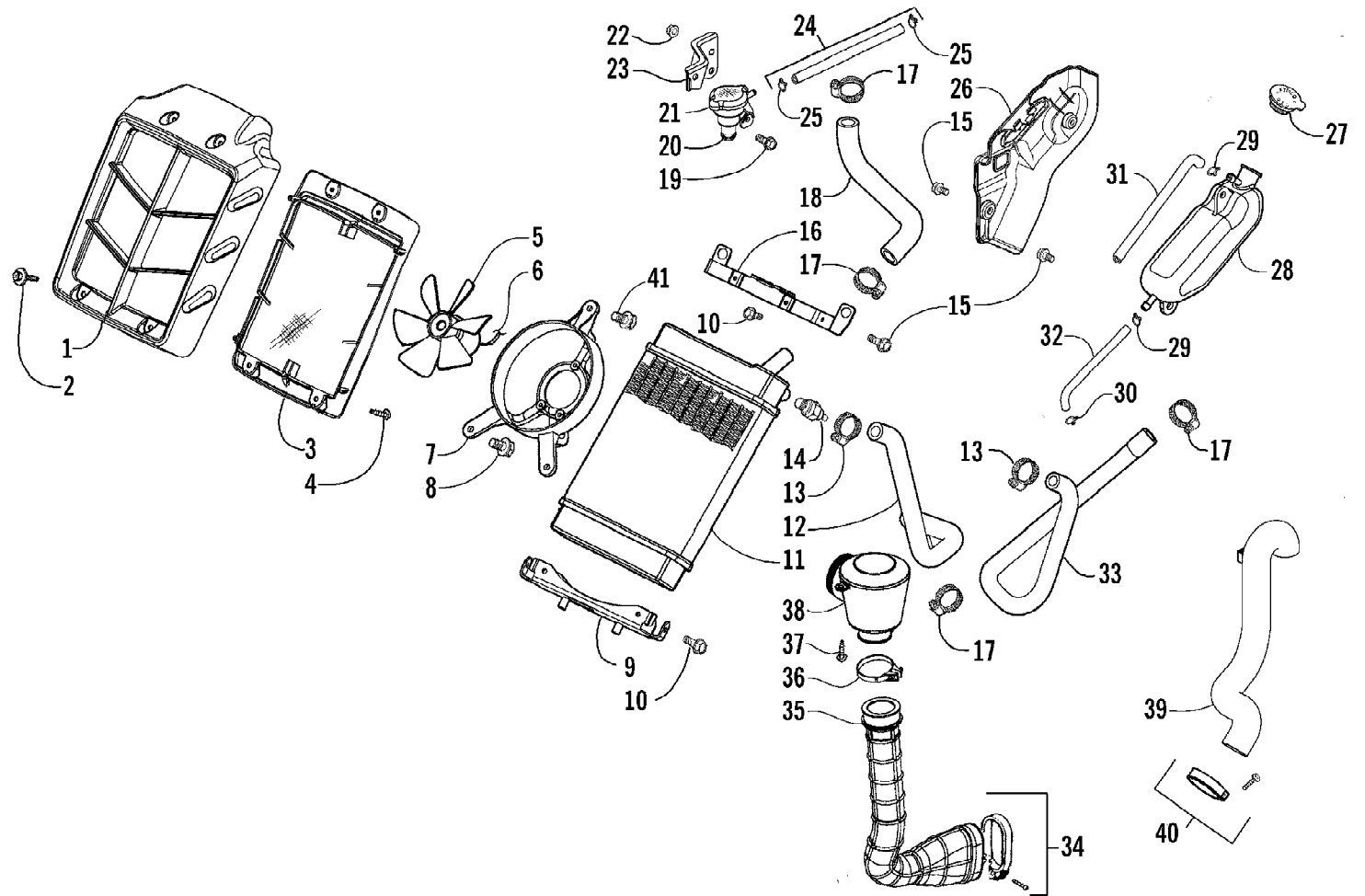


2007 ATV 250 DVX BLACK-RED (A2007KSE2BUSD)  
CLUTCH ASSEMBLY

Page 12 of 66

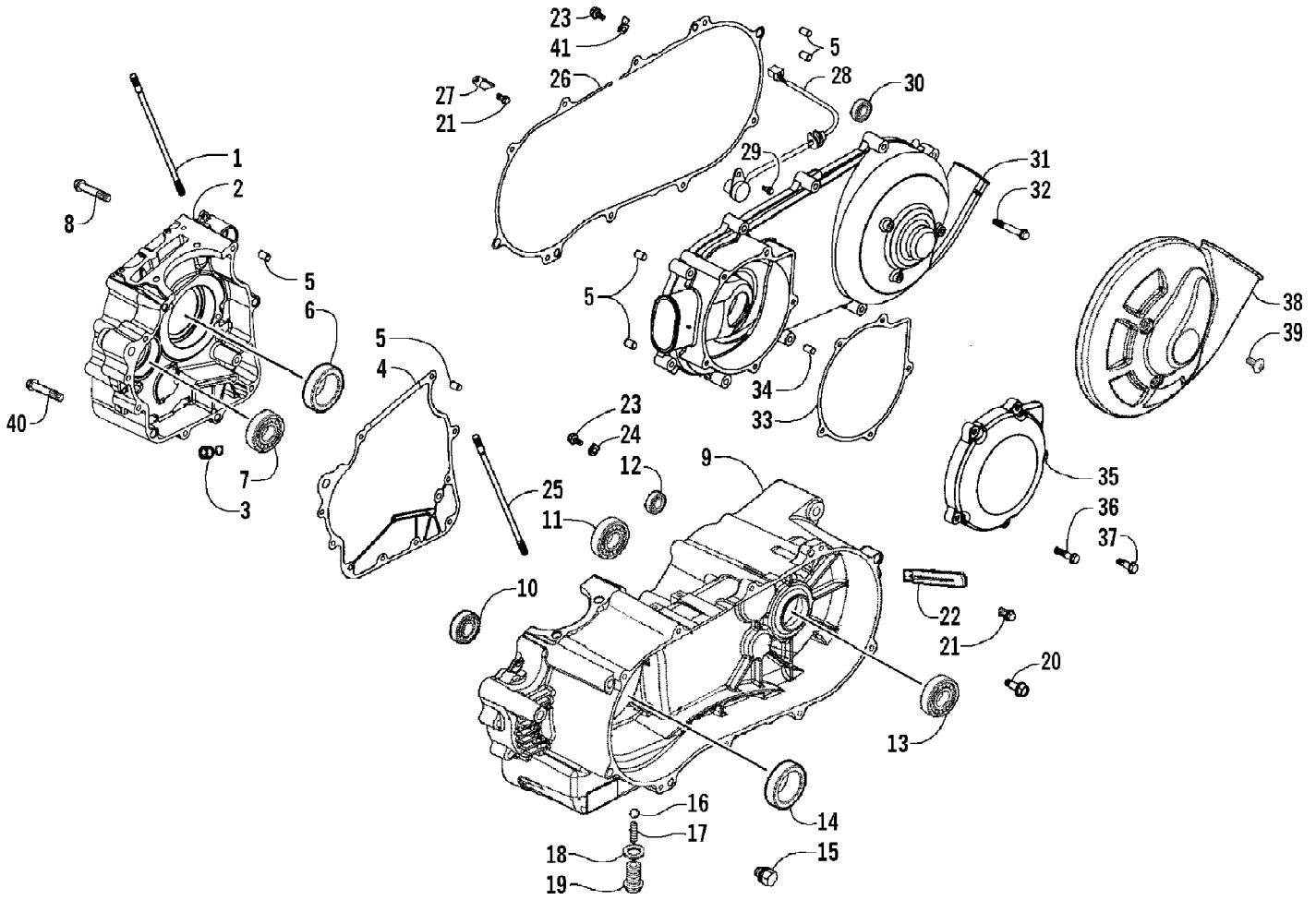
Ref #	Part Number	Qty	S/P/F	Description
1	3303-774	3		Slide
2	3303-773	1		Plate, Ramp
3	3303-772	6		Guide, Roller
4	3303-770	1		Face, Movable Drive - Assembly (inc. 5-6)
5	3304-160	1		Ring, Retaining
6	3303-771	1		Bushing
7	3303-769	1		Sleeve, Drive Face
8	3303-782	1		Belt, Drive
9	3303-768	1		Face, Fixed - Drive
10	3304-024	1		Nut, Jam
11	3303-781	1		Clutch, Driven - Assembly (inc. 12-31)
12	3303-783	1		Face, Fixed - Driven (inc. 13-15)
13	3304-072	1		Bearing
14	3304-149	1		Circlip
15	3304-070	1		Bearing
16	3303-786	4		Pin, Roller Guide
17	3303-787	4		Roller, Guide
18	3304-082	2		Seal, Oil
19	3303-785	1		Face, Movable - Driven
20	3304-107	2		O-Ring
21	3303-789	1		Collar, Seal
22	3303-788	1		Spring, Driven Face
23	3303-790	1		Collar, Spring
24	3303-775	1		Clutch, Centrifugal - Assembly (inc. 25-30)
25	3304-054	3		E-Ring
26	3303-777	1		Plate, Side
27	3303-778	3		Spring, Clutch
28	3303-779	3		Weight, Clutch
29	3303-780	3		Rubber, Clutch Damper
30	3303-776	1		Plate, Drive Clutch
31	3304-025	1	/P	Nut
32	3303-767	1		Clutch, Outer
33	3303-638	1		Sleeve, Driveshaft
34	3304-023	1		Nut, Jam
35	3304-414	1		Washer, Thrust

2007 ATV 250 DVX BLACK-RED (A2007KSE2BUSD)  
COOLING ASSEMBLY



Ref #	Part Number	Qty	S/P/F	Description
1	3303-743	1	/P	Shroud, Radiator
2	3304-653	4	S	Screw w/Washer
3	3303-744	1		Screen, Radiator
4	3304-123	6	/P	Screw w/Washer
5	3303-741	1		Fan, Cooling
6	3303-742	1		Motor, Fan
7	3303-739	1		Shroud, Fan
8	3304-586	3	/P	Bolt
9	3303-984	1		Bracket, Radiator - Lower
10	3304-116	4		Bolt w/Washer
11	3303-737	1		Radiator Assembly
12	3303-759	1		Hose, Cooling - Radiator/Engine
13	3304-164	2		Clamp, Hose
14	3303-862	1		Switch, Temperature
15	3304-587	6	/P	Bolt w/Washer
16	3303-983	1		Bracket, Radiator - Upper
17	3304-165	4	/P	Clamp, Hose
18	3303-761	1		Hose, Cooling - Radiator
19	3304-553	1		Bolt, Flange
20	3303-738	1		Neck, Filler
21	3303-748	1		Cap, Radiator
22	3304-654	2	/P	Nut
23	3303-740	1		Bracket, Mounting - Filler Neck
24	3304-066	1		Tube Assembly - Water Pump (inc. 25)
25	3304-161	2		Clip, Tube
26	3303-993	1		Shield, Master Cylinder
27	3303-749	1		Cap, Reserve Tank
28	3304-692	1		Tank, Reserve
29	3304-163	2		Clip, Tube
30	3303-349	1		Clip, Tube
31	3303-745	1		Hose, Drain - Reserve Tank
32	3304-255	1		Hose, Reserve Tank
33	3303-760	1		Hose, Cooling - Engine/Radiator
34	3303-635	1		Clamp w/Screw
35	3304-224	1		Duct, Cooling - Cover
36	3304-694	1		Clamp w/Screw
37	3304-650	2	/P	Screw, Self-Tapping
38	3304-226	1		Box, Inlet - Cooling
39	3304-223	1		Duct, Cooling - Cover
40	3303-636	1		Clamp w/Screw
41	3303-320	3		Screw w/Washer

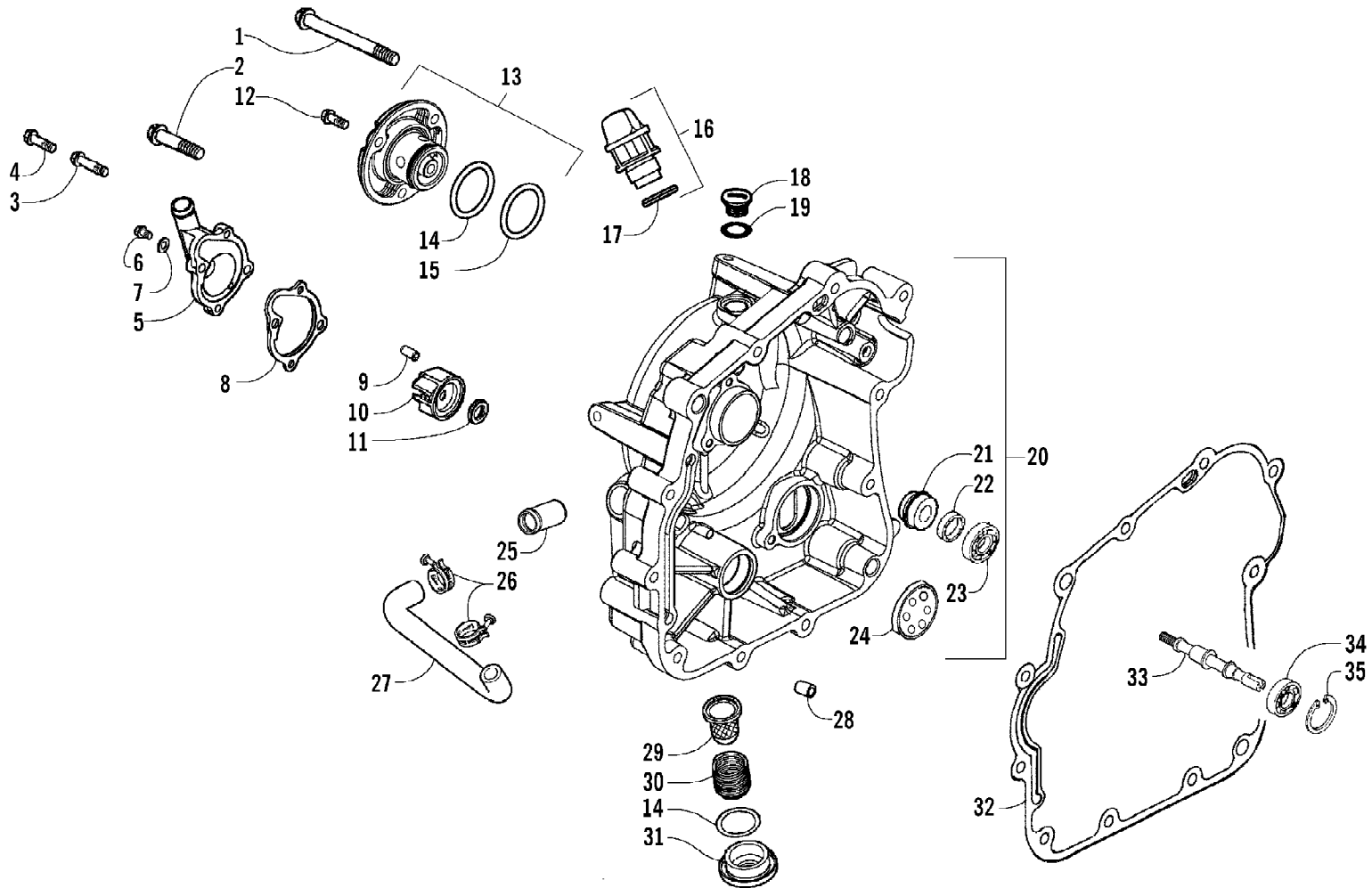
2007 ATV 250 DVX BLACK-RED (A2007KSE2BUSD)  
CRANKCASE ASSEMBLY



Ref #	Part Number	Qty	S/P/F	Description
1	3304-008	2		Bolt, Stud
2	3303-626	1		Crankcase - Right (inc. 3)
3	3304-065	1		Plug, Cone-Type
4	3303-628	1		Gasket, Crankcase
5	3304-342	6		Pin, Dowel
6	3304-091	1		Seal, Oil
7	3304-198	1		Bearing
8	3304-191	4	/P	Screw, Cap
9	3304-221	1		Crankcase - Left
10	3304-195	2		Bearing
11	3304-699	1	/P	Bearing
12	3304-074	1	/P	Bearing
13	3304-067	1		Bearing
14	3304-079	1		Seal, Oil
15	3304-052	1	/P	Plug, Drain
16	3304-205	1		Ball, Steel
17	3304-063	1		Spring, Bolt Seat Inner
18	3304-021	1		Washer, Bolt Seat
19	3304-109	1		Bolt, Seat Ball Stopper
20	3303-365	1		Screw, Cap
21	3303-381	3		Screw, Cap
22	3304-158	1		Clip, Wire
23	3304-005	3		Screw, Cap
24	3304-040	1		Plate, Bearing Holder
25	3304-009	2		Bolt, Stud
26	3303-642	1		Gasket, Crankcase Cover - Left
27	3303-843	2		Clamp, Wire
28	3304-698	1		Cable, Gear Change
29	3304-187	1		Screw, Cap
30	3304-073	1	/P	Bearing
31	3303-632	1		Cover, Crankcase - Left
32	3304-003	8		Screw, Cap
33	3304-101	1		Gasket, Starter Cover
34	3303-341	2		Pin, Dowel
35	3304-225	1		Cover, Recoil Starter
36	3304-190	2		Screw, Cap
37	3303-384	3	/P	Screw, Cap
38	3304-222	1		Cover, Crankcase Cover - Left
39	3304-407	3		Screw, Pan Head
40	3304-004	2		Bolt, Flange
41	3304-039	2		Plate, Bearing Holder



2007 ATV 250 DVX BLACK-RED (A2007KSE2BUSD)  
CRANKCASE COVER ASSEMBLY

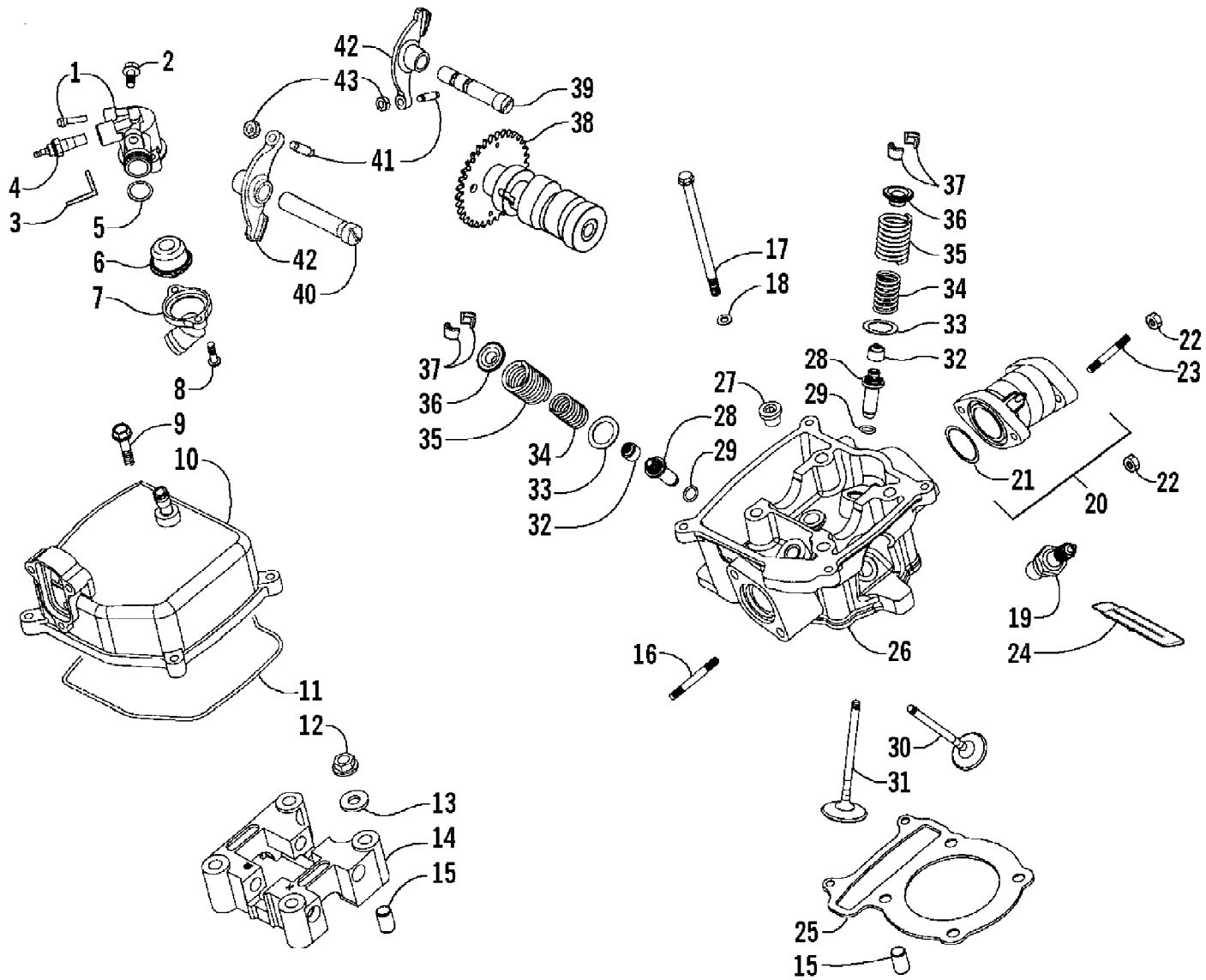


2007 ATV 250 DVX BLACK-RED (A2007KSE2BUSD)  
CRANKCASE COVER ASSEMBLY

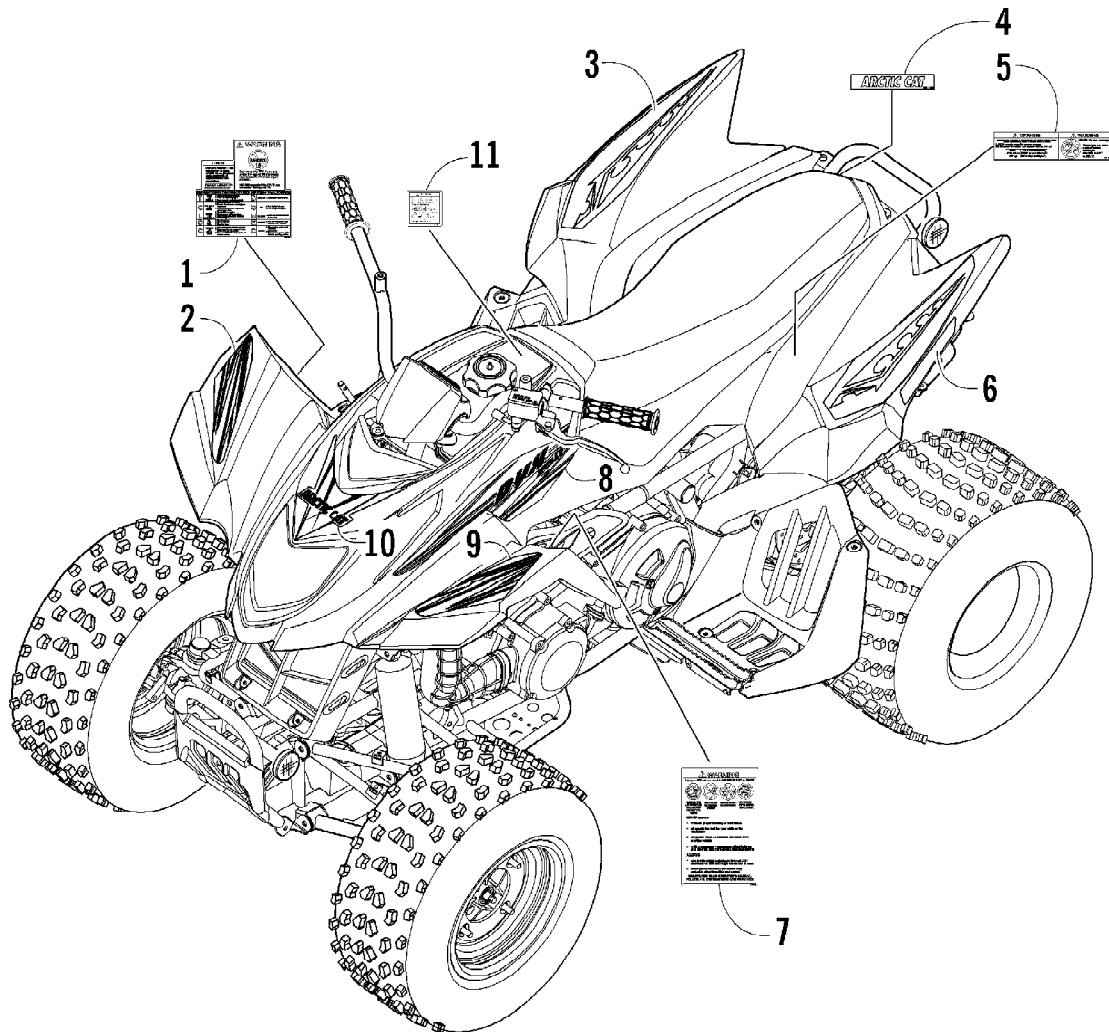
Page 18 of 66

Ref #	Part Number	Qty	S/P/F	Description
1	3304-192	8		Screw, Cap
2	3303-387	4		Screw, Cap
3	3303-385	2		Screw, Cap
4	3303-619	2	/P	Screw, Cap
5	3303-752	1		Cover, Water Pump
6	3304-186	1		Screw, Cap
7	3304-049	1		Washer
8	3303-753	1		Gasket, Water Pump
9	3303-341	2		Pin, Dowel
10	3303-750	1		Impeller, Water Pump
11	3304-038	1		Washer
12	3303-382	3	/P	Screw, Cap
13	3304-013	1		Cap, Crankcase Cover - Assembly (inc. one No. 14 and 15)
14	3304-096	2	/P	O-Ring
15	3304-098	1		O-Ring
16	3303-695	1		Gauge, Oil Level (inc. 17)
17	3304-102	1	/P	O-Ring
18	3304-012	1		Cap
19	3304-099	1		O-Ring
20	3303-631	1		Cover, Crankcase - Assembly (inc. 21-25)
21	3303-751	1		Seal, Mechanical
22	3304-078	1		Seal, Oil
23	3304-068	1		Bearing
24	3303-696	1		Finder, Oil Level
25	0	1	F	Sleeve
26	3304-165	2	/P	Clip, Hose
27	3303-758	1		Hose, Water
28	3303-342	2		Pin, Dowel
29	3303-691	1	/P	Screen, Oil Filter
30	3303-692	1	/P	Spring, Oil Filter
31	3303-021	1		Cap, Oil Filter
32	3303-641	1		Gasket
33	3303-754	1		Shaft, Water Pump
34	3304-193	1		Bearing
35	3304-148	1		Circlip

2007 ATV 250 DVX BLACK-RED (A2007KSE2BUSD)  
CYLINDER HEAD ASSEMBLY



Ref #	Part Number	Qty	S/P/F	Description
	3303-623	1	F	Complete Engine Assembly (AC50DA)
1	3303-756	1		Housing, Thermostat - Upper
2	3303-617	1	/P	Bolt, Flange
3	3303-860	1		Terminal, Ground
4	3303-861	1		Unit, Thermostat
5	3304-094	1		O-Ring
6	3303-755	1		Thermostat
7	3303-757	1		Housing, Thermostat - Lower
8	3304-118	2		Screw, Pan-Head
9	3303-360	4		Screw, Cap
10	3303-660	1		Cover, Cylinder Head
11	3303-661	1		Gasket, Cylinder Head Cover
12	3303-332	4		Nut, Lock
13	3304-048	4	/P	Washer
14	3304-228	1		Holder, Camshaft
15	3303-342	4		Pin, Dowel
16	3303-249	2		Bolt, Stud
17	3303-390	2		Screw, Cap
18	3304-049	2		Washer
19	0217-730	1	/P	Spark Plug
20	3303-702	1		Manifold, Intake (inc. 21)
21	3304-097	1		O-Ring
22	3304-124	4		Nut, Lock
23	3304-114	4		Bolt, Stud
24	3304-157	1		Clip, Wire
25	3303-659	1		Gasket, Head Cylinder
26	3303-655	1		Head, Cylinder (inc. 27-29)
27	3303-656	1		Bolt, Sealing
28	0	2	F	Guide, Valve
29	0	2	F	O-Ring
30	3303-680	1		Valve, Intake
31	3303-681	1		Valve, Exhaust
32	3303-657	2	/P	Seal, Valve Stem
33	3303-043	2		Seat, Valve Spring
34	3303-683	2		Spring, Valve - Inner
35	3303-682	2		Spring, Valve - Outer
36	3303-042	2	/P	Retainer, Valve Spring
37	3303-044	4		Valve, Cotter
38	3304-235	1		Camshaft
39	3303-674	1		Shaft, Rocker Arm - Intake
40	3303-675	1		Shaft, Rocker Arm - Exhaust
41	3304-007	2	/P	Screw, Gap Adjuster
42	3303-673	2		Arm, Rocker
43	3304-026	2	/P	Nut, Gap Adjuster

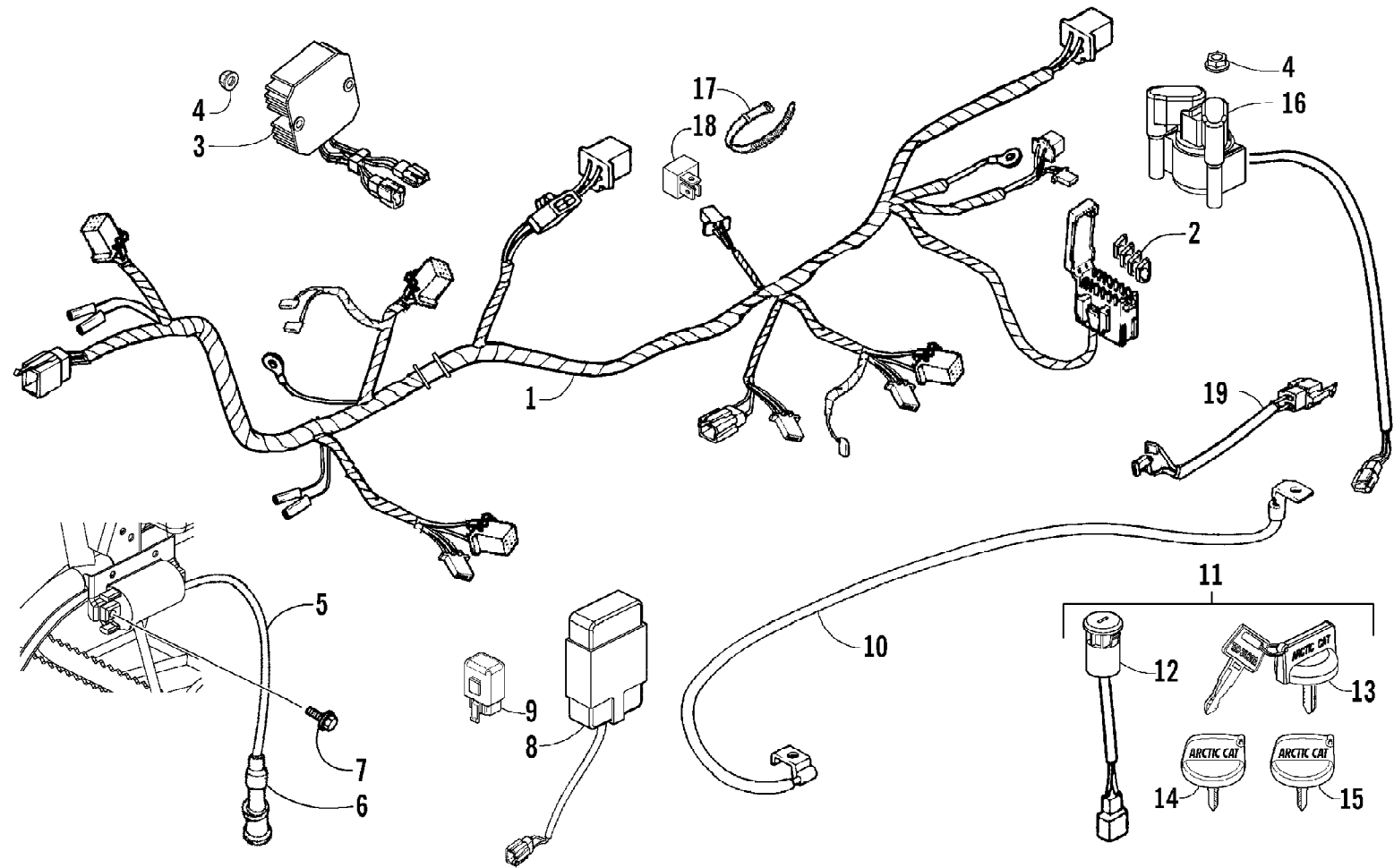


2007 ATV 250 DVX BLACK-RED (A2007KSE2BUSD)  
DECALS

Page 22 of 66

Ref #	Part Number	Qty	S/P/F	Description
1	0411-759	1		Decal, Warning - Pre-Ride
2	1411-338	1		Decal, Fender - Front - Right
2	1411-339	1		Decal, Fender - Front - Left
3	1411-334	1		Decal, Fender - Rear - Right
3	1411-335	1		Decal, Fender - Rear - Left
4	0411-762	1		Decal, "Arctic Cat" - White
5	1411-103	1		Decal, Warning - Passenger/Tire Pressure
6	0411-746	1		Decal, Reflector - Rear - Right
6	0411-747	1		Decal, Reflector - Rear - Left
7	0411-218	1		Decal, Warning - General
8	1411-418	1		Decal, Side - Right
8	1411-419	1		Decal, Side - Left
9	0411-744	1		Decal, Reflector - Front - Right
9	0411-745	1		Decal, Reflector - Front - Left
10	1411-454	1		Decal, Crest
11	1411-109	1		Decal, Warning - Reverse

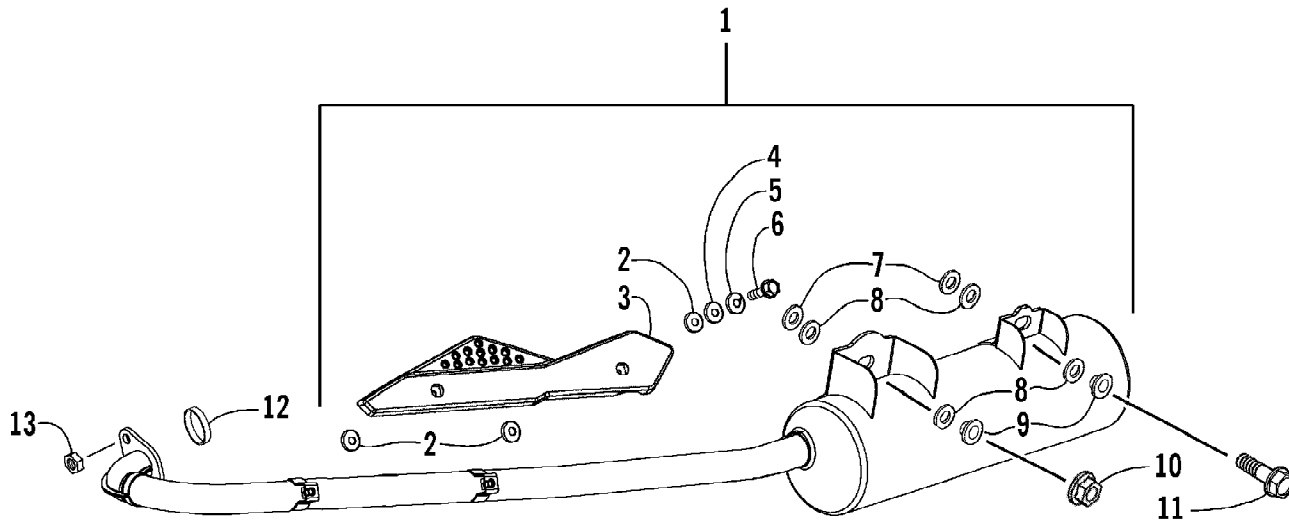
2007 ATV 250 DVX BLACK-RED (A2007KSE2BUSD)  
ELECTRICAL AND WIRING HARNESS ASSEMBLY



2007 ATV 250 DVX BLACK-RED (A2007KSE2BUSD)  
ELECTRICAL AND WIRING HARNESS ASSEMBLY

Ref #	Part Number	Qty	S/P/F	Description
1	3304-276	1		Harness, Main (inc. 2)
2	3304-210	1		Fuse - 10 Amp
2	3304-211	2		Fuse - 15 Amp
2	3304-212	1		Fuse - 30 Amp
3	3304-681	1		Regulator, Voltage
4	3303-331	4	/P	Nut
5	3303-830	1		Coil, Ignition (inc. 6)
6	3303-831	1		Cap, Noise Suppression
7	3303-382	2	/P	Screw, Cap
8	3303-829	1		CDI Unit
9	3303-867	1		Relay, Start-in-Gear
10	3304-278	1		Cable, Battery
11	3303-850	1		Switch, Ignition - Assembly (inc. 12-14)
12	0	1	F	Switch, Ignition
13	3304-520	1		Key, Ignition - Set - Right-Side Cut
13	3304-521	1		Key, Ignition - Set - Left-Side Cut
14	3304-522	1		Cover, Key - "Arctic Cat"
15	3303-134	1	/P	Sub-Cord
16	3303-857	1		Relay, Starter
17	3303-289	2	/P	Cable Tie
18	3303-837	1		Diode, Neutral



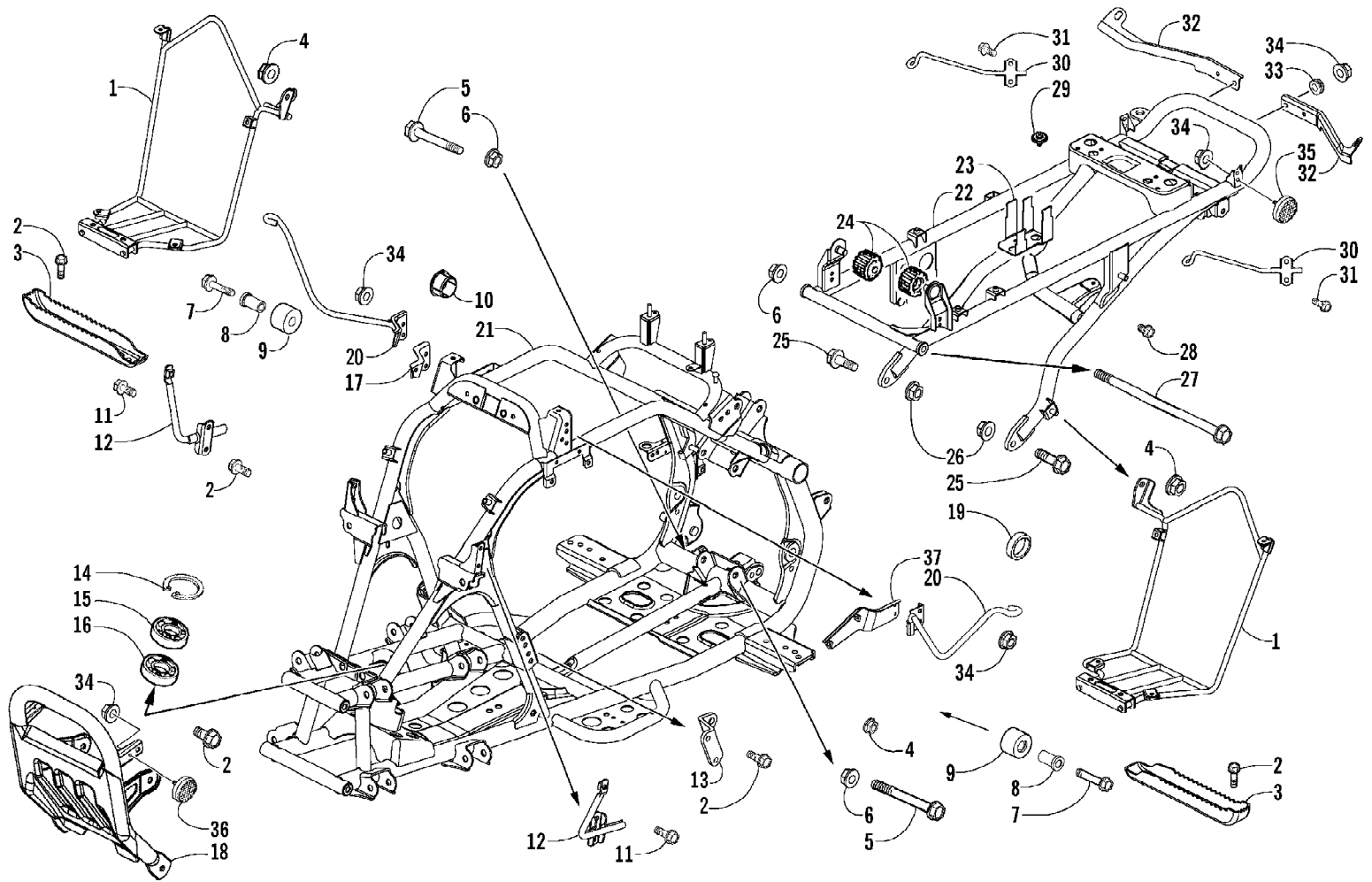


2007 ATV 250 DVX BLACK-RED (A2007KSE2BUSD)  
EXHAUST ASSEMBLY

Page 26 of 66

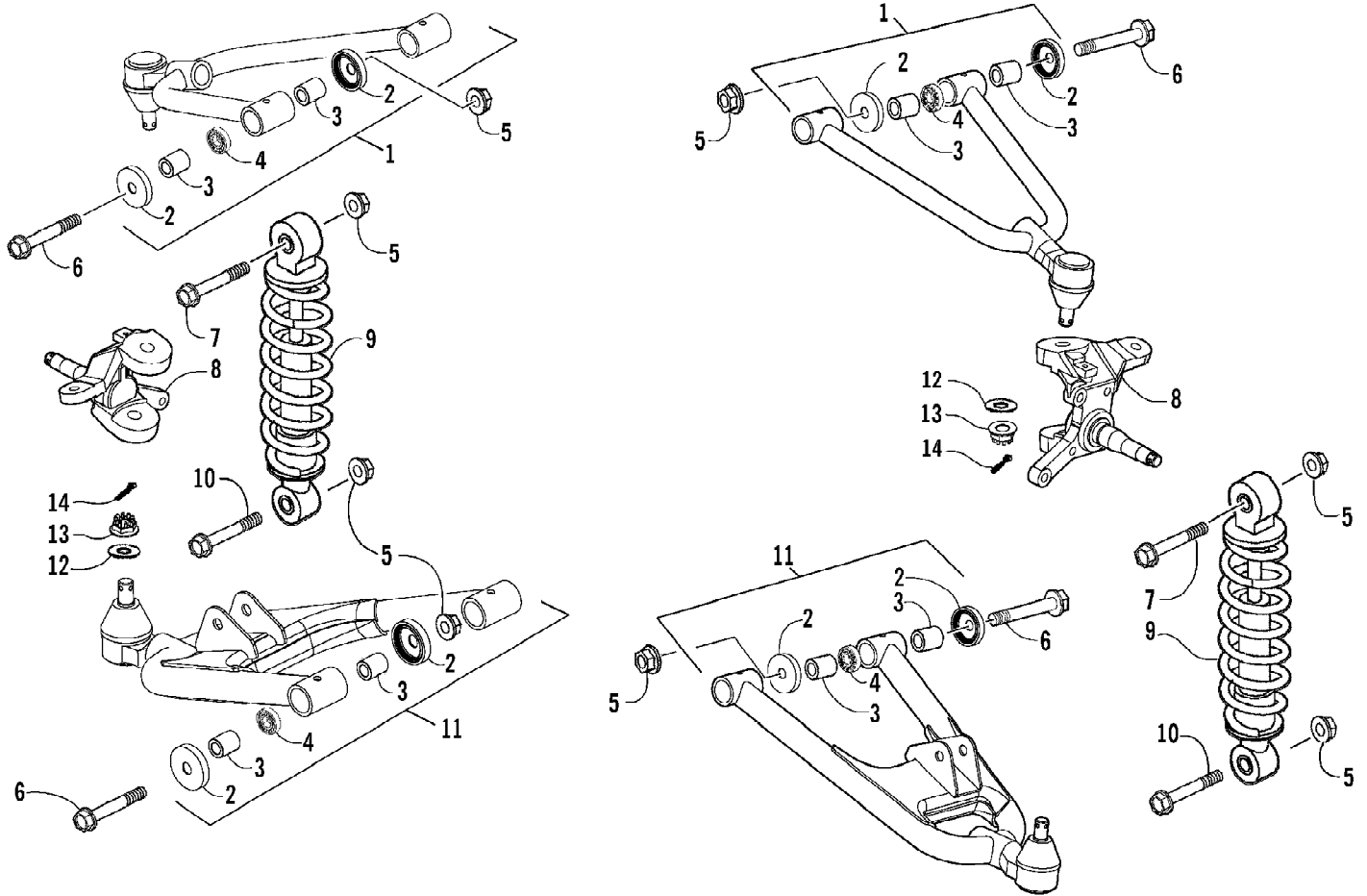
Ref #	Part Number	Qty	S/P/F	Description
1	3304-457	1		Muffler Assembly (inc. 2-9)
2	3303-727	4		Packing, Exhaust Shield
3	3304-251	1		Shield, Exhaust
4	3304-134	2		Washer
5	3304-140	2		Washer, Spring
6	3304-686	2	/P	Bolt, Flange
7	3303-726	2		Bushing, Rubber
8	3303-728	4		Packing, Muffler Assembly
9	3303-731	2		Collar, Muffler Assembly
10	3303-332	1		Nut, Flange
11	3304-175	1		Bolt, Flange
12	3303-725	1		Gasket, Exhaust Pipe
13	3304-125	2		Nut, Hex

2007 ATV 250 DVX BLACK-RED (A2007KSE2BUSD)  
FRAME AND RELATED PARTS ASSEMBLY



Ref #	Part Number	Qty	S/P/F	Description
1	3304-354	1		Bracket, Mounting - Fender - Right
1	3304-356	1	/P	Bracket, Mounting - Fender - Left
2	3304-543	12	/P	Bolt, Flange
3	3304-346	2		Reinforcement, Floor
4	3303-332	3		Nut, Flange
5	3304-183	2	/P	Screw, Cap
6	3304-031	3	/P	Nut
7	3304-408	2		Bolt, Flange
8	3304-701	2		Sleeve, Collar
9	3304-362	2		Grommet, Rubber
10	3304-658	2		Cap, End
11	3304-553	4		Screw, Cap
12	3304-352	1		Bracket, Support - Fender - Front - Right
12	3304-353	1		Bracket, Support - Fender - Front - Left
13	3303-938	2		Bracket, Hanger
14	3304-150	1		Circlip
15	3304-203	1		Bearing
16	3303-298	1		Seal, Oil
17	3303-740	1		Bracket, Mounting - Radiator
18	3305-270	1	/P	Bumper, Front
19	3304-064	1		Seal, Dust
20	3304-350	1		Bracket, Mounting - Fender Support - Left
20	3304-351	1		Bracket, Mounting - Fender Support - Right
21	3304-338	1		Frame, Main - Front
22	3305-271	1		Frame, Main - Rear
23	3304-339	1		Bracket, Mounting - Starter/Magneto Switch
24	3304-245	2		Cushion, Gas Tank
25	3304-181	2		Bolt, Flange
26	3303-333	2	/P	Nut, Flange
27	3304-184	1	/P	Bolt, Flange
28	3304-435	2		Bolt, Flange
29	3304-057	1	/P	Clip, Fender
30	3304-348	1		Bracket, Support - Fender - Rear - Right
30	3304-349	1		Bracket, Support - Fender - Rear - Left
31	3305-344	4	/P	Bolt, Flange
32	3304-344	1		Bracket, Mounting - Fender - Rear - Right
32	3304-345	1		Bracket, Mounting - Fender - Rear - Left
33	3303-239	4		Grommet, Rubber
34	3304-654	12	/P	Nut, Flange
35	3305-273	2		Reflector, Red - Rear
36	3305-272	2		Reflector, Amber - Front
37	3303-935	1	/P	Bracket, Support - Gas Tank

2007 ATV 250 DVX BLACK-RED (A2007KSE2BUSD)  
FRONT SUSPENSION ASSEMBLY

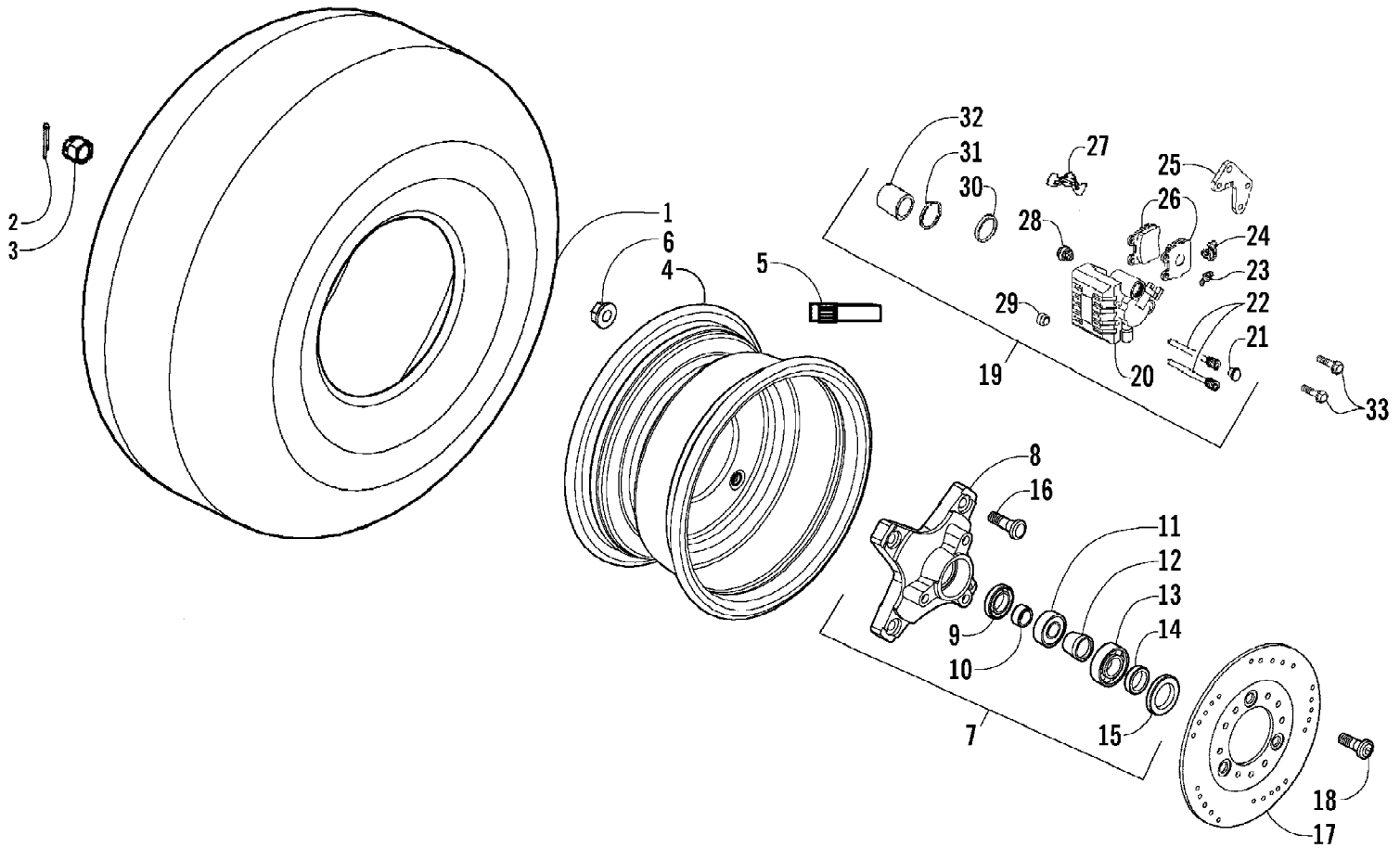


2007 ATV 250 DVX BLACK-RED (A2007KSE2BUSD)  
FRONT SUSPENSION ASSEMBLY

Page 30 of 66

Ref #	Part Number	Qty	S/P/F	Description
1	3304-371	1		A-Arm Assembly - Upper Right (inc. 2-4)
1	3304-374	1		A-Arm Assembly - Upper Left (inc. 2-4)
2	3304-090	16		Seal, Oil
3	3304-689	16	/P	Bushing, Swing Arm
4	3304-199	8		Bearing
5	3304-031	12	/P	Nut
6	3304-182	8	/P	Bolt, Flange
7	3303-376	2	/P	Bolt, Flange
8	3304-336	1		Knuckle - Assembly - Right
8	3304-337	1		Knuckle - Assembly - Left
9	3304-347	2		Cushion, Front- Assembly
10	3304-595	2	/P	Bolt, Flange
11	3304-373	1		A-Arm Assembly - Lower Right (inc. 2-4)
11	3304-375	1		A-Arm Assembly - Lower Left (inc. 2-4)
12	3303-335	4		Washer
13	3303-328	4		Nut, Castle
14	3303-339	4		Pin, Cotter

2007 ATV 250 DVX BLACK-RED (A2007KSE2BUSD)  
FRONT WHEELS AND BRAKE ASSEMBLY

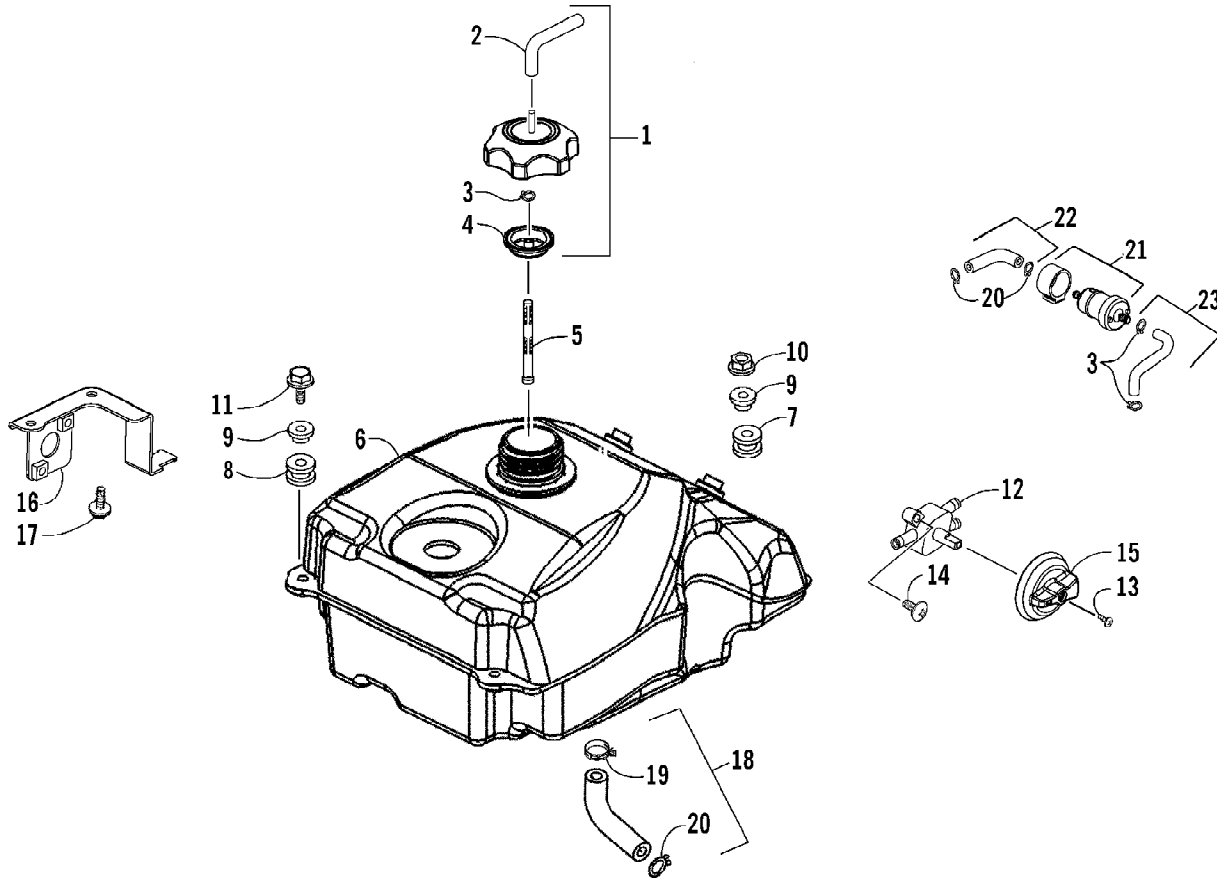


2007 ATV 250 DVX BLACK-RED (A2007KSE2BUSD)  
FRONT WHEELS AND BRAKE ASSEMBLY

Ref #	Part Number	Qty	S/P/F	Description
1	3304-312	2		Tire, Front
2	3303-340	2		Pin, Cotter
3	3303-330	2		Nut
4	3304-310	2		Wheel, Front
5	3304-562	2		Valve, Wheel
6	3304-028	8		Nut, Wheel
7	3304-311	2		Hub, Wheel - Assembly - Front (inc. 8-16)
8	0	2	F	Hub, Wheel - Front
9	3304-089	2		Seal, Oil
10	3303-898	2		Collar, Wheel - Inside
11	3304-200	2		Bearing
12	3303-900	2		Collar, Wheel - Center
13	3304-202	2		Bearing
14	3303-899	2		Collar, Wheel - Outside
15	3304-088	2		Seal, Oil
16	3304-014	8		Bolt, Hub
17	3303-912	1		Disc, Brake - Front - Right
17	3303-918	1		Disc, Brake - Front - Left
18	3304-015	6		Bolt
19	3304-313	1	/P	Caliper Assembly - Front - Right (inc. 20-32)
19	3303-921	1		Caliper Assembly - Front - Left (inc. 20-32)
20	0	1	F	Housing, Caliper - Assembly - Right
20	0	1	F	Housing, Caliper - Assembly - Left
21	3304-334	2		Plug
22	3304-326	4		Pin
23	3304-330	2		Valve, Bleed
24	3304-331	2		Cap, Bleed Valve
25	3304-317	1		Bracket, Right
25	3304-328	1		Bracket, Left
26	3303-908	2		Pad, Brake - Set
27	3304-315	2		Spring, Brake Pad
28	3304-322	2		Boot A
29	3304-329	2		Bushing
30	3303-922	2		Seal, Piston - Inner
31	3303-910	2		Seal, Dust - Outer
32	3303-909	2		Piston
33	3304-174	4		Screw, Cap



2007 ATV 250 DVX BLACK-RED (A2007KSE2BUSD)  
GAS TANK ASSEMBLY

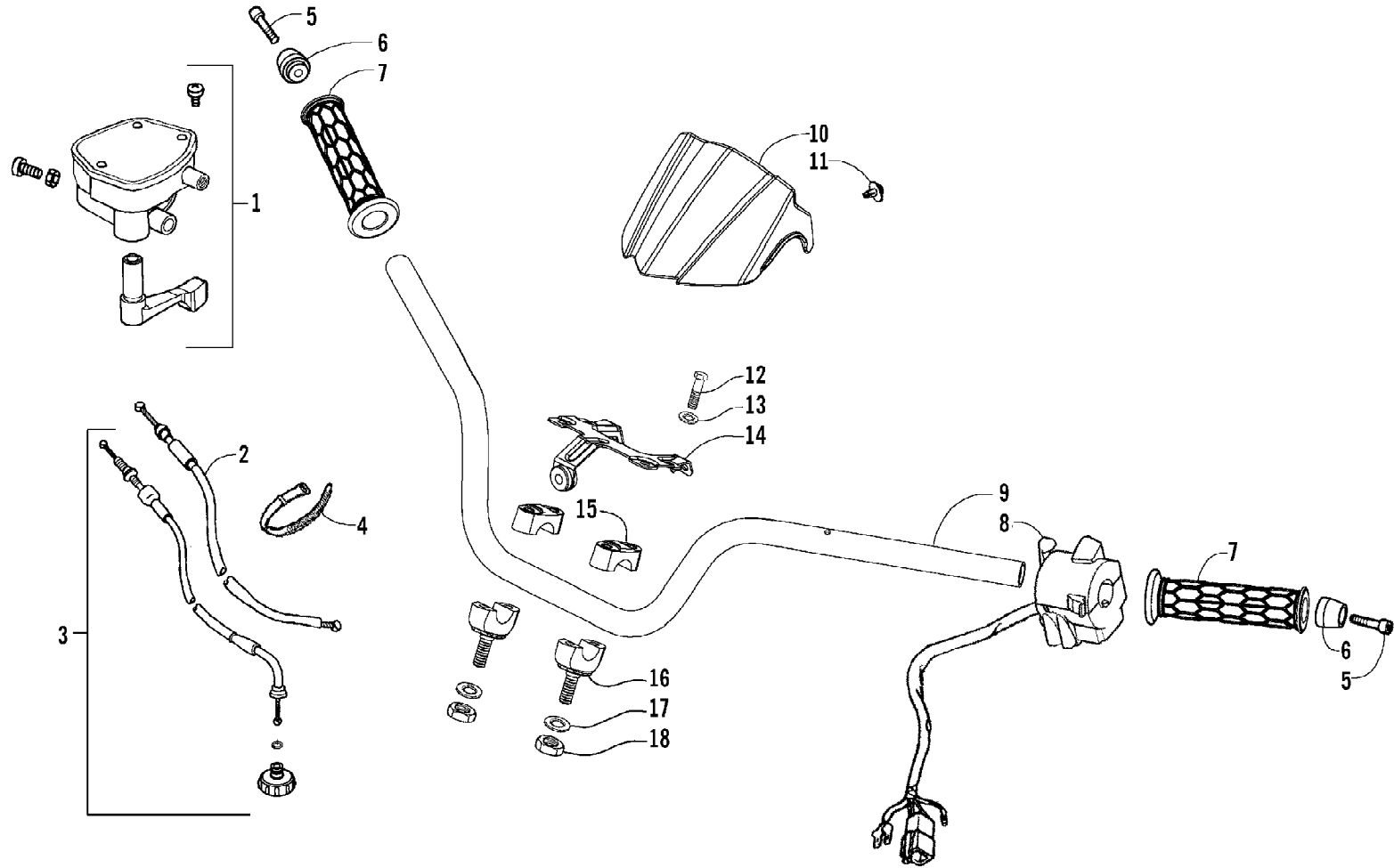


2007 ATV 250 DVX BLACK-RED (A2007KSE2BUSD)  
GAS TANK ASSEMBLY

Page 34 of 66

Ref #	Part Number	Qty	S/P/F	Description
1	3304-246	1	/P	Cap, Gas Tank - Assembly (inc. 2, one No. 3, and 4)
2	3304-169	1		Hose, Vent
3	3303-348	3		Clip, Tube
4	0	1	F	Diaphragm
5	3303-058	1		Screen, Fuel Strainer
6	3304-244	1		Tank Assembly - Gas (inc. 7-8)
7	3304-647	2		Grommet, Rubber
8	3303-406	2		Grommet, Rubber
9	3303-226	4		Collar, Front Fender
10	3303-331	2	/P	Nut
11	3304-551	2	/P	Screw, Cap
12	3303-700	1		Valve, Gas Tank (inc. 13)
13	3304-120	1		Screw
14	3303-316	2		Screw, Pan-Head
15	3303-701	1		Cover, Gas Tank Valve
16	3303-724	1		Bracket, Mounting - Gas Tank Valve
17	3304-409	2	/P	Screw
18	3303-718	2		Tube Assembly - Gas Tank (inc. 19 and two No. 20)
19	3303-351	2		Clamp, Tube
20	3303-349	4		Clip, Tube
21	3303-056	1	S	Strainer, Fuel - Assembly
22	3304-171	1		Tube Assembly - Fuel Strainer (inc. two No. 20)
23	3304-172	1		Tube Assembly - Fuel Strainer (inc. two No. 3)

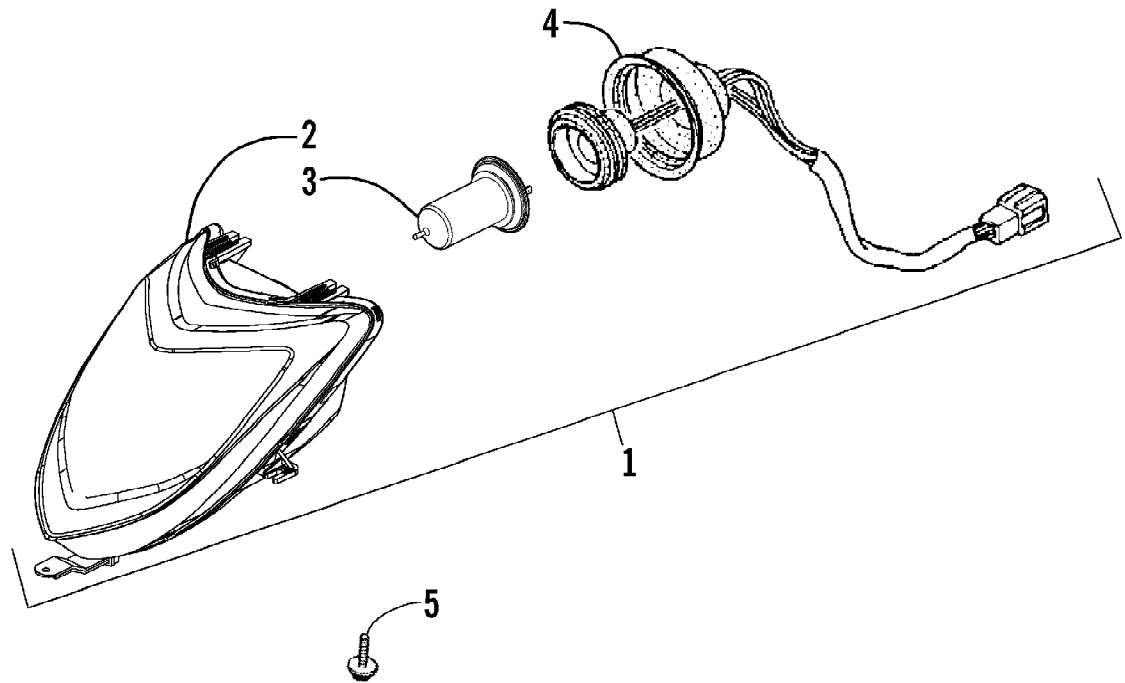
2007 ATV 250 DVX BLACK-RED (A2007KSE2BUSD)  
HANDLEBAR AND CONTROLS ASSEMBLY



2007 ATV 250 DVX BLACK-RED (A2007KSE2BUSD)  
HANDLEBAR AND CONTROLS ASSEMBLY

Page 36 of 66

Ref #	Part Number	Qty	S/P/F	Description
1	3303-953	1		Lever, Throttle - Assembly
2	3303-723	1		Cable, Choke
3	1502-094	1	/P	Cable, Throttle - Kit
4	3303-839	1		Cable Tie
5	3304-016	2		Bolt w/Washer
6	3303-952	2		Cap, End - Handlebar
7	3303-203	2	S	Grip, Handlebar
8	3304-684	1	S	Switch Assembly - Left
9	3304-367	1		Handlebar
10	3303-436	1		Instrument Pod
11	3303-592	2		Clip
12	3304-110	4		Bolt
13	3304-135	4	/P	Washer
14	3304-368	1		Bracket, Instrument Pod
15	3303-954	2		Holder, Handlebar - Upper
16	3303-955	2		Holder, Handlebar - Lower
17	3305-088	2	/P	Washer
18	3303-325	2		Nut

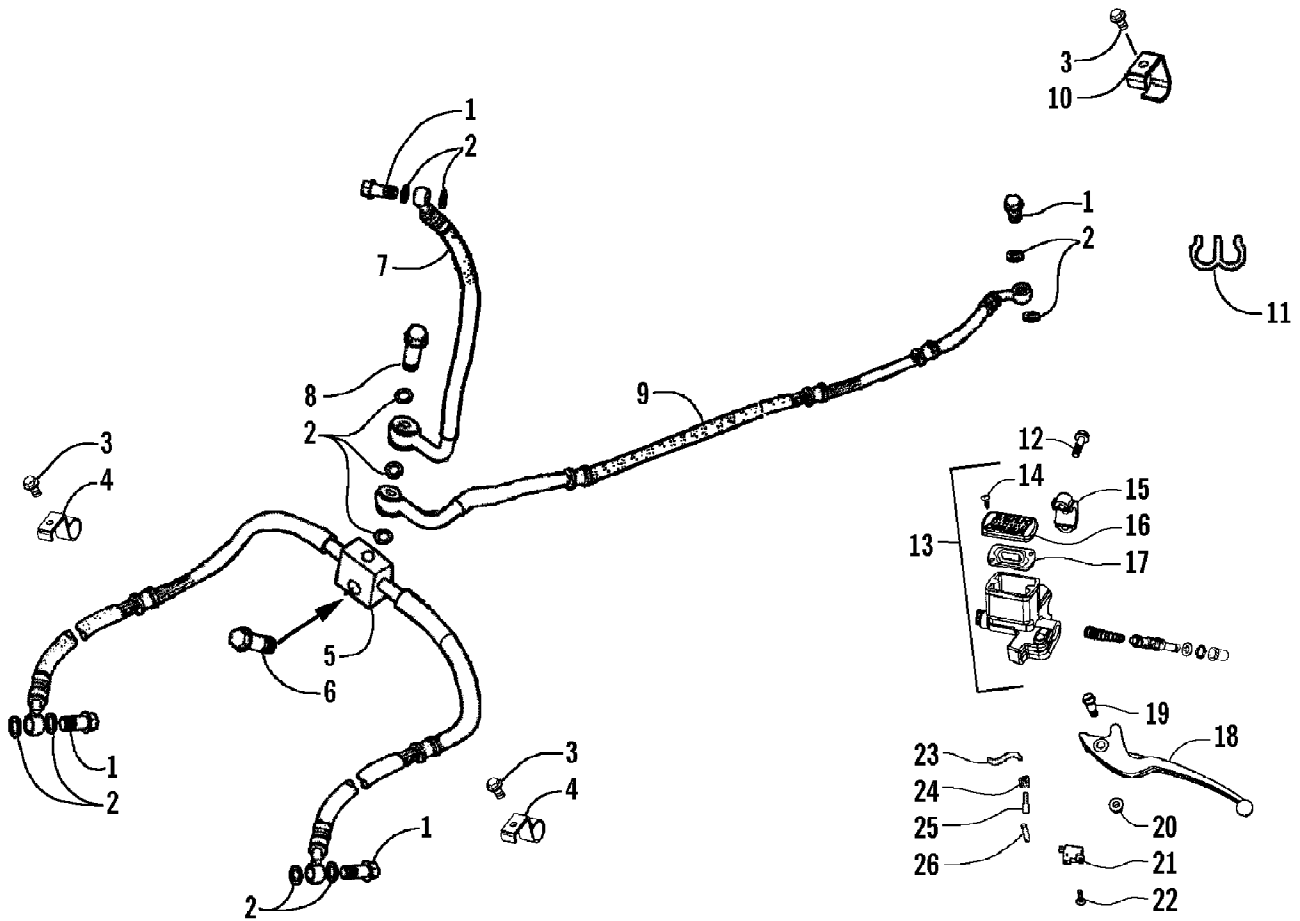


2007 ATV 250 DVX BLACK-RED (A2007KSE2BUSD)  
HEADLIGHT ASSEMBLY

Page 38 of 66

Ref #	Part Number	Qty	S/P/F	Description
1	3304-280	1		Headlight Assembly (inc. 2-4)
2	3304-281	1		Lens, Headlight
3	3303-846	1	/P	Bulb, Headlight
4	3304-282	1		Socket Assembly
5	3304-650	5	/P	Screw, Self-Tapping

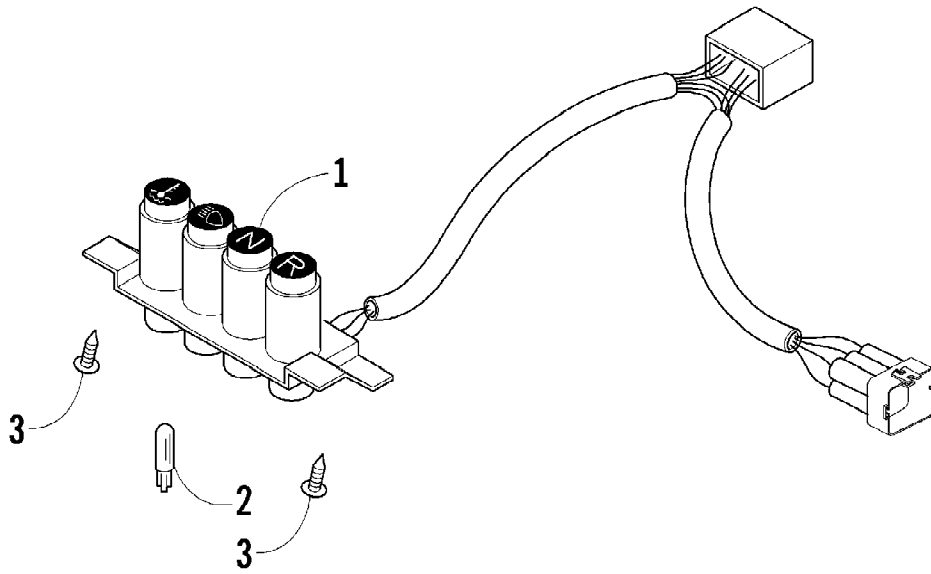
2007 ATV 250 DVX BLACK-RED (A2007KSE2BUSD)  
HYDRAULIC BRAKE HOSE AND HAND BRAKE ASSEMBLY



2007 ATV 250 DVX BLACK-RED (A2007KSE2BUSD)  
HYDRAULIC BRAKE HOSE AND HAND BRAKE ASSEMBLY

Ref #	Part Number	Qty	S/P/F	Description
1	3303-257	4	/P	Bolt, Banjo-Fitting
2	3303-284	11	/P	Washer, Crush
3	3304-553	3		Bolt, Flange
4	3303-919	2		Clamp, Brake Hose - Front
5	3304-320	1		Hose, Brake w/Junction Block - Front
6	3304-176	1		Screw, Cap
7	3304-321	1		Hose, Brake - Assembly - Front
8	3304-674	1	/P	Bolt, Banjo-Fitting - Double
9	3304-319	1		Hose, Brake - Assembly - Rear
10	3303-891	1		Clamp, Brake Hose - Rear
11	3304-675	1		Clip, Hose - Double
12	3304-189	2	/P	Screw, Cap
13	3304-676	1		Master Cylinder - Assembly - Rear Brake (inc. 14-17)
14	3303-318	2		Screw, Flat-Head
15	3303-175	1	/P	Clamp, Master Cylinder
16	3303-923	1		Cover, Master Cylinder
17	3303-925	1		Diaphragm, Master Cylinder
18	3303-956	1	S	Lever, Brake
19	3304-017	1		Bolt, Brake Lever
20	3304-132	1	S	Nut, Flange
21	3303-141	1	/P	Switch, Brake
22	3303-321	1		Screw w/Washer
23	3304-442	1	/P	Lock, Brake Lever
24	3304-678	1		Spring, Return - Brake Lever
25	3304-679	1		Pin - Brake Lever
26	3304-680	1		Clip - Brake Lever



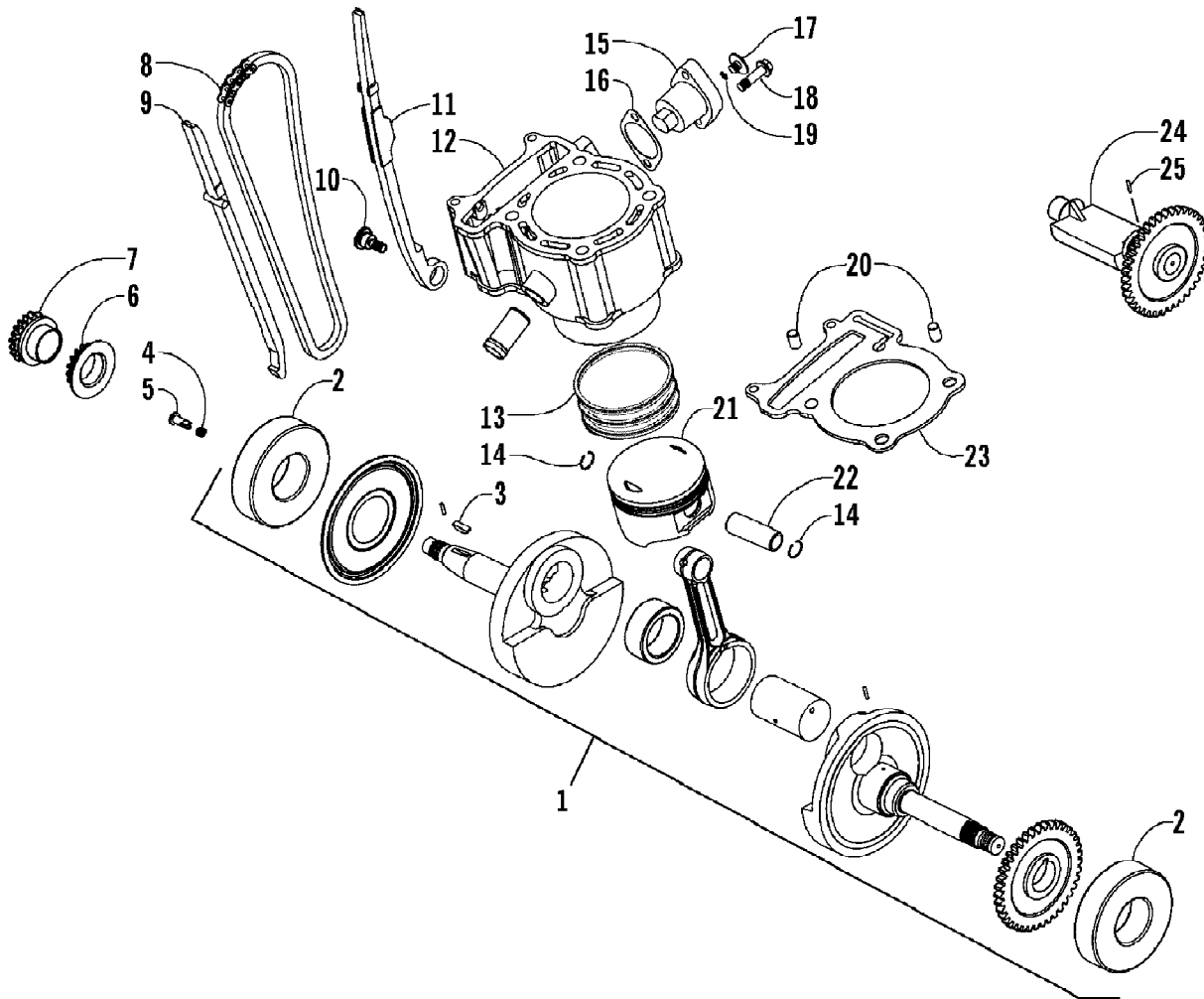


2007 ATV 250 DVX BLACK-RED (A2007KSE2BUSD)  
PILOT LAMP ASSEMBLY

Page 42 of 66

Ref #	Part Number	Qty	S/P/F	Description
1	3304-285	1	/P	Pilot Lamp - Assembly (inc. 2)
2	3304-284	4		Bulb
3	3304-650	2	/P	Screw, Self-Tapping

2007 ATV 250 DVX BLACK-RED (A2007KSE2BUSD)  
PISTON AND CRANKSHAFT ASSEMBLY

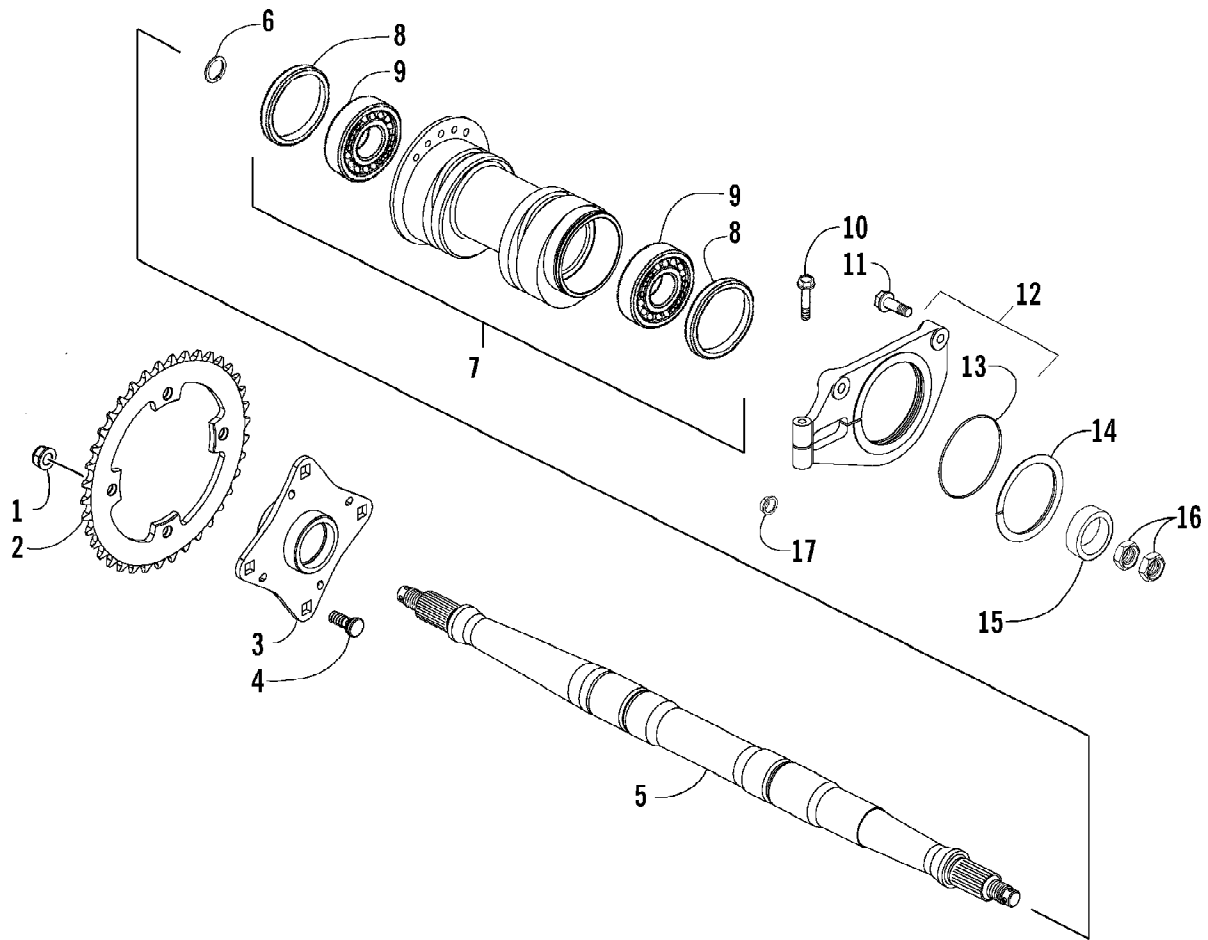


2007 ATV 250 DVX BLACK-RED (A2007KSE2BUSD)  
 PISTON AND CRANKSHAFT ASSEMBLY

Page 44 of 66

Ref #	Part Number	Qty	S/P/F	Description
1	3303-663	1		Crankshaft Assembly (inc. 2)
2	3304-419	2	S	Bearing
3	3304-145	1		Key
4	3303-694	1		Spring, Oil Through
5	3303-693	1		Oil Through
6	3304-236	1		Gear, Timing
7	3303-689	1		Gear, Oil Pump Drive
8	3303-671	1		Chain, Cam
9	3303-679	1		Guide, Cam Chain
11	3303-676	1		Tensioner, Cam Chain
10	3303-678	1		Pivot, Cam Chain Tensioner
12	3303-653	1		Cylinder Assembly
13	3303-664	1	/P	Ring Set, Piston
14	3304-159	2		Circlip
15	3303-677	1		Lifter, Cam Chain Tensioner
16	3303-035	1		Gasket, Cylinder
17	3304-006	2		Screw w/Washer
18	3303-243	2	S	Screw, Cap
19	3303-305	1	S	O-Ring
20	3303-342	2		Pin, Dowel
21	3303-665	1		Piston
22	3303-666	1		Pin, Piston
23	3303-654	1	S	Gasket, Cylinder
24	3303-667	1		Balancer, Crankshaft (inc. 25)
25	3304-439	1		Key

2007 ATV 250 DVX BLACK-RED (A2007KSE2BUSD)  
REAR AXLE ASSEMBLY

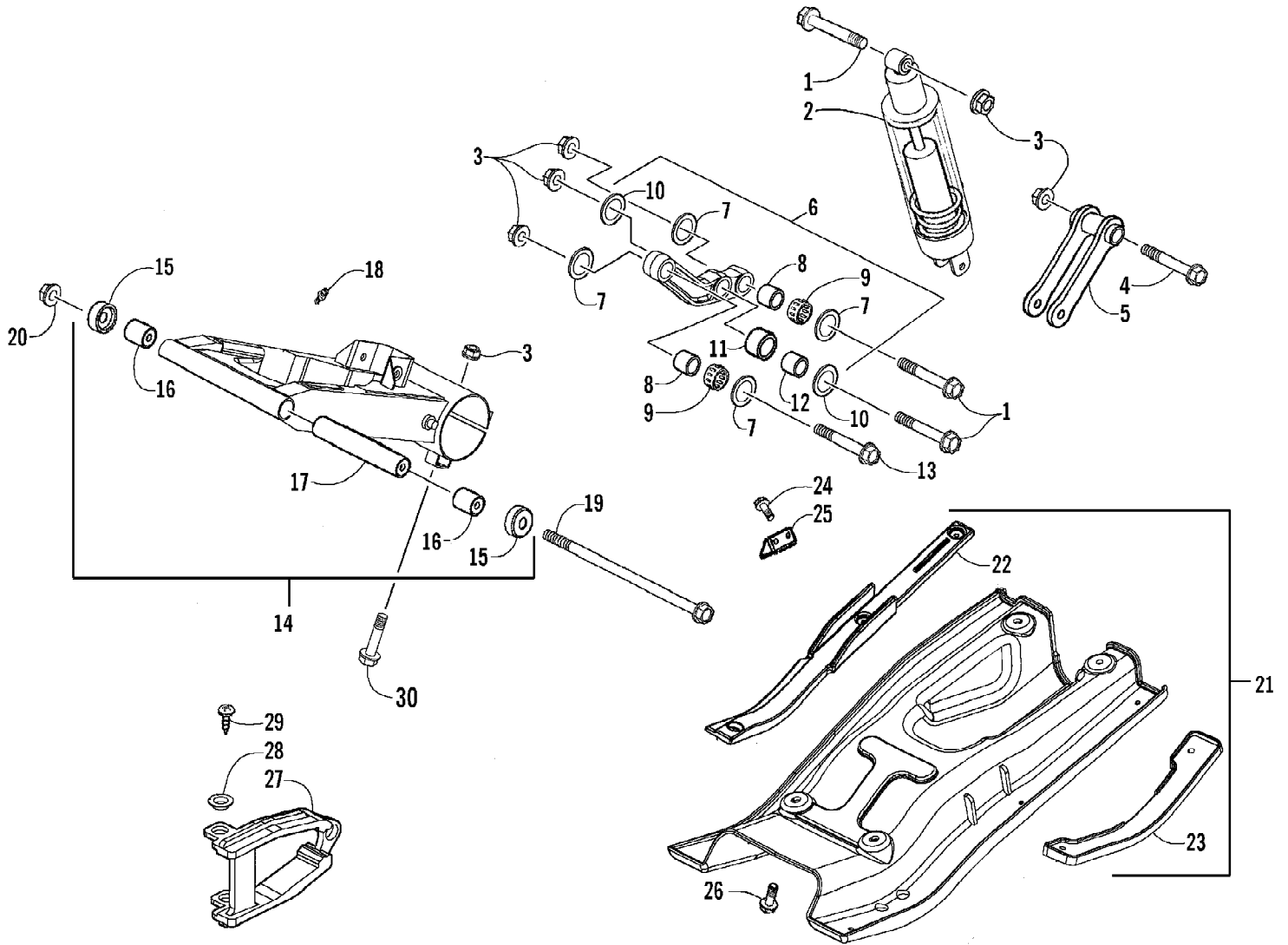


2007 ATV 250 DVX BLACK-RED (A2007KSE2BUSD)  
REAR AXLE ASSEMBLY

Page 46 of 66

Ref #	Part Number	Qty	S/P/F	Description
1	3304-031	4	/P	Nut
2	3304-291	1		Sprocket, Final - Driven
3	3304-292	1		Flange, Final Sprocket
4	3304-403	4		Bolt
5	3304-293	1		Axle, Wheel - Rear
6	3304-415	1		Ring, Snap
7	3304-294	1		Hub, Rear - Assembly (inc. 8-9)
8	3304-424	2		Seal, Oil
9	3304-688	2		Bearing
10	3304-518	1		Bolt
11	3304-687	2		Bolt
12	3304-305	1		Bracket, Caliper - Assembly (inc. 13)
13	3305-259	1		O-Ring
14	3304-519	1		Ring, Retaining
15	3304-343	1		Collar
16	3304-342	2		Nut
17	3304-304	1		Collar

2007 ATV 250 DVX BLACK-RED (A2007KSE2BUSD)  
REAR SUSPENSION ASSEMBLY



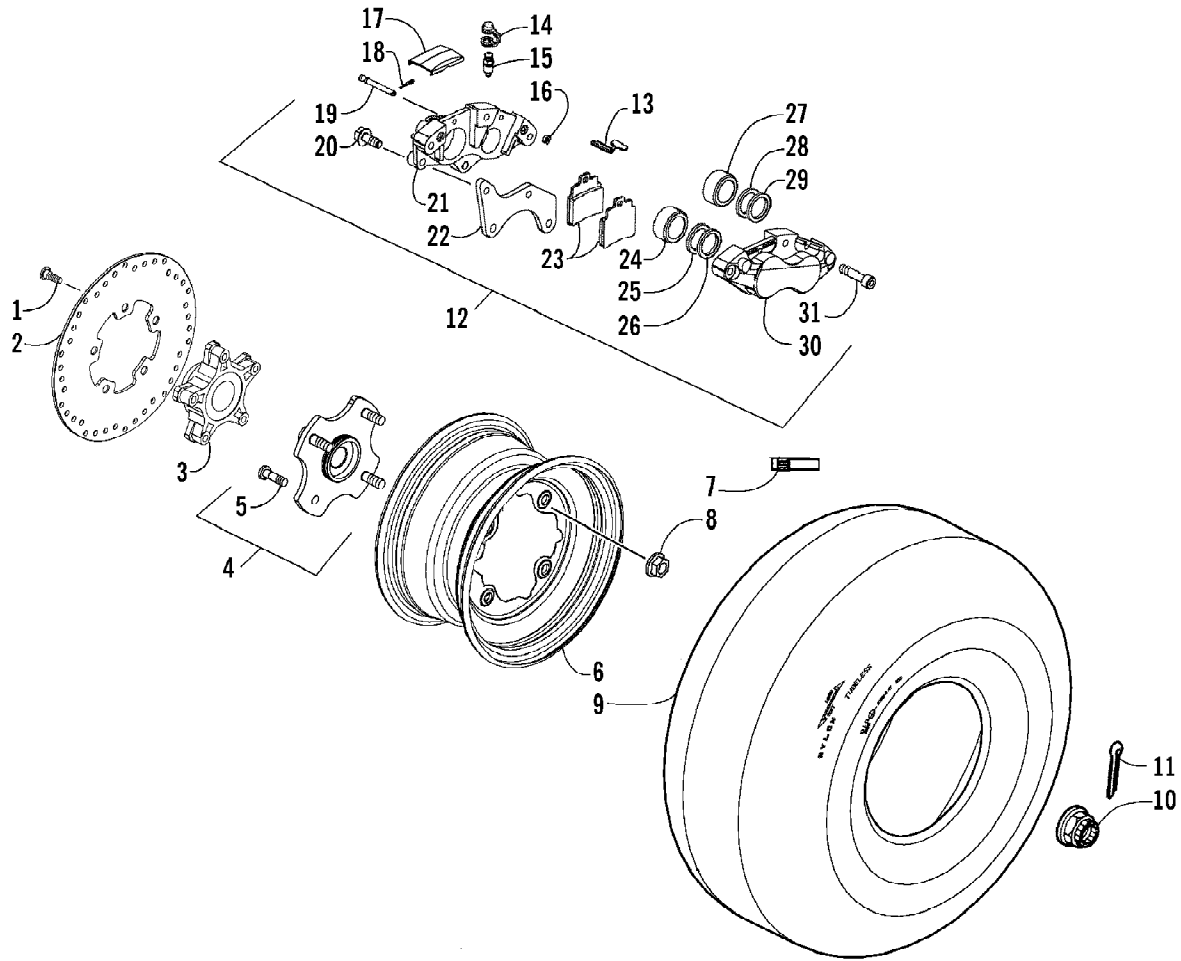
2007 ATV 250 DVX BLACK-RED (A2007KSE2BUSD)  
REAR SUSPENSION ASSEMBLY

Page 48 of 66

Ref #	Part Number	Qty	S/P/F	Description
1	3304-185	3		Bolt, Flange
2	3304-366	1		Cushion, Rear- Assembly
3	3304-031	7	/P	Nut
4	3304-183	1	/P	Bolt, Flange
5	3304-365	1		Link, Cushion Assembly
6	3304-363	1		Arm, Cushion - Assembly (inc. 7-12)
7	3304-459	4		Seal, Oil
8	3304-364	2		Collar
9	3304-421	2		Bearing
10	3304-090	2		Seal, Oil
11	3304-372	1		Sleeve, Axle
12	3304-309	1		Axle
13	3304-436	1		Bolt, Flange
14	3304-357	1		Fork, Rear - Assembly (inc. 15-18)
15	3303-192	2		Seal, Dust
16	3304-359	2		Bushing
17	3304-358	1		Axle, Rear Fork
18	3303-393	1		Fitting, Grease
19	3303-150	1		Bolt, Flange
20	3304-411	1		Nut
21	3304-290	1	S	Plate, Skid - Assembly (inc. 22-23)
22	3304-287	1		Slide, Chain
23	3304-288	1		Protector, Disc
24	3304-405	2		Screw, Cap
25	3304-289	1		Bracket, Chain Slide
26	3304-587	4	/P	Bolt w/Washer
27	3304-361	1		Slide, Chain
28	3304-360	3		Collar
29	3304-690	3		Screw, Self-Tapping
30	3304-437	2		Bolt, Flange



2007 ATV 250 DVX BLACK-RED (A2007KSE2BUSD)  
REAR WHEELS AND BRAKE ASSEMBLY



2007 ATV 250 DVX BLACK-RED (A2007KSE2BUSD)  
 REAR WHEELS AND BRAKE ASSEMBLY

Page 50 of 66

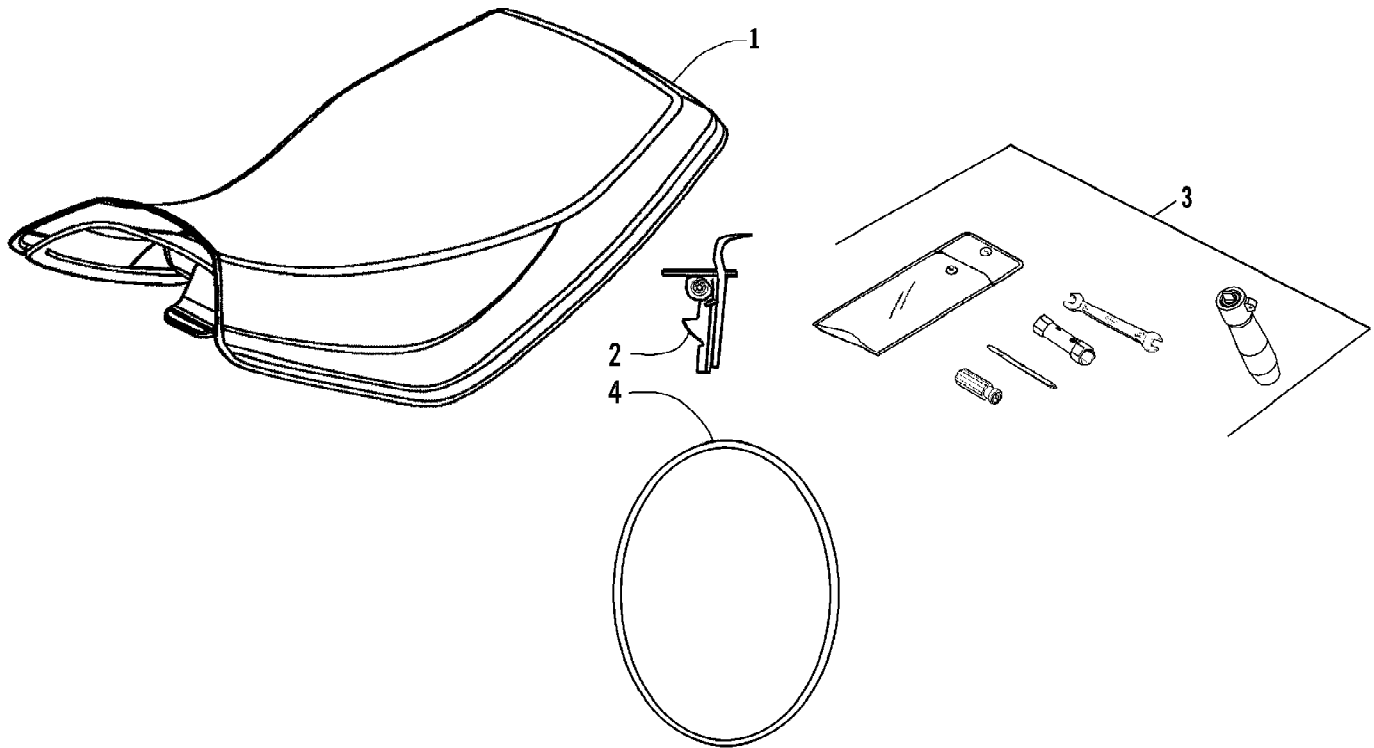
Ref #	Part Number	Qty	S/P/F	Description
1	3304-015	5		Bolt
2	3304-301	1		Disc, Brake - Rear
3	3304-300	1		Hub, Brake Disc
4	3305-266	2		Hub, Wheel - Rear (inc. 5)
5	3304-014	8		Bolt, Hub
6	3304-295	2		Wheel, Rear
7	3304-562	2		Valve, Wheel
8	3304-028	8		Nut, Wheel
9	3304-297	2		Tire, Rear
10	3304-129	2		Nut
11	3303-340	2		Pin, Cotter
12	3304-298	1		Caliper Assembly - Rear (inc. 13-31)
13	3304-696	2		Spring, Brake Pad
14	3304-303	2		Cap, Bleed Valve
15	3304-302	2		Bleed Valve
16	3304-333	2		Plug
17	3304-318	2		Cover, Dust
18	3303-608	2		Pin, Lock
19	3304-325	2		Pin
20	3304-174	2		Screw, Cap
21	0	1	F	Housing, Caliper - Assembly - Right
22	3304-695	2		Bracket
23	3304-697	2		Pad, Brake - Set
24	3305-257	2		Piston
25	3303-922	2		Seal, Dust
26	3303-910	2		Seal, Piston
27	3305-262	2	/P	Piston
28	3304-327	2	S	Seal, Piston - Inner
29	3304-316	2	S	Seal, Dust - Outer
30	0	1	F	Housing, Caliper - Assembly - Left
31	3304-440	3		Bolt, Socket

No  
Diagram  
Available  
  
Parts List  
Only

2007 ATV 250 DVX BLACK-RED (A2007KSE2BUSD)  
RELATED ITEMS

Page 52 of 66

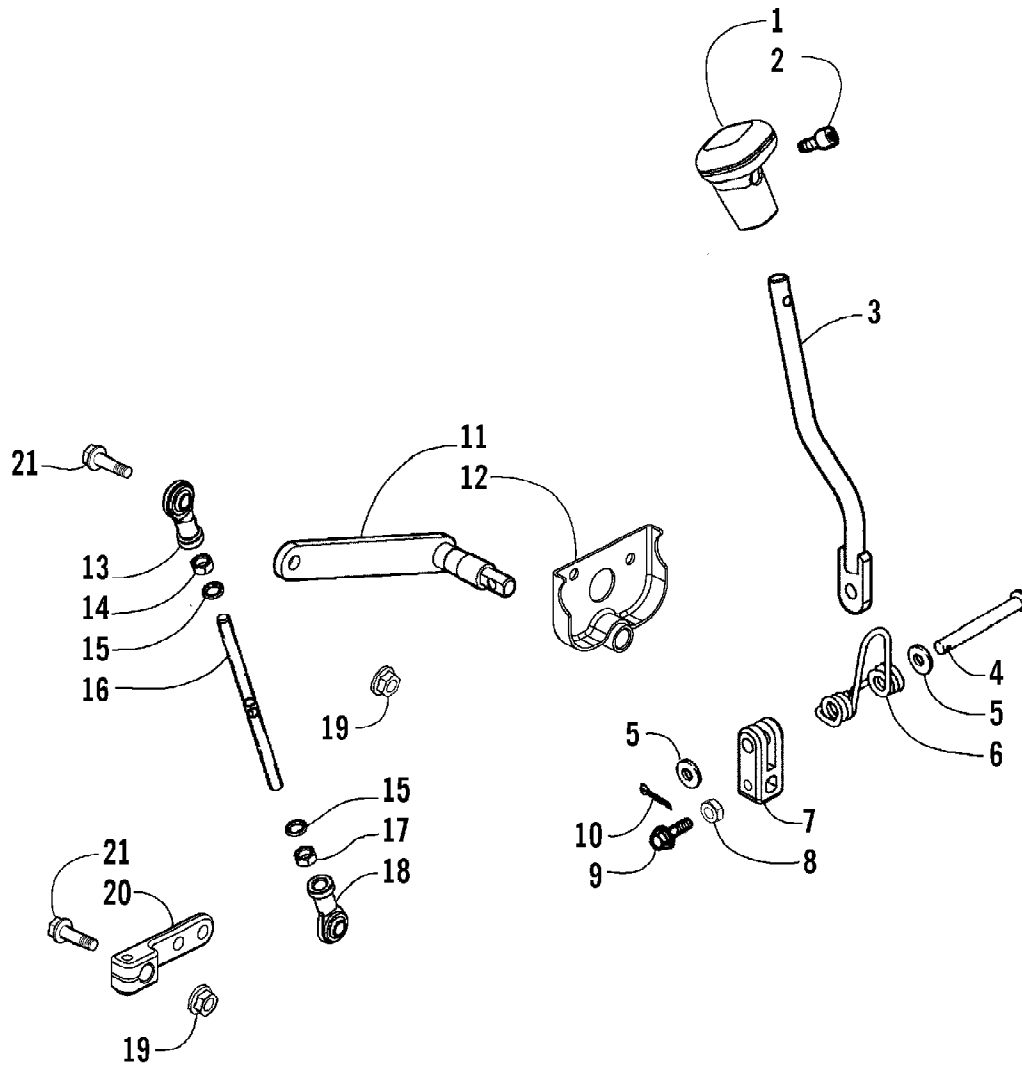
Ref #	Part Number	Qty	S/P/F	Description
	0436-685	1		Cover, Trailerable
	2257-679	1		Manual, Illustrated Parts
	2257-609	1		Manual, Operator's (E)
	2257-610	1		Manuel d'utilisation (F)
	0436-005	1	S	Oil, Engine - 10W40
	0436-003	1	S	Oil, Engine - 5W30
	0436-014	1	/P	Safety Flag



2007 ATV 250 DVX BLACK-RED (A2007KSE2BUSD)  
SEAT AND TOOL KIT ASSEMBLY

Page 54 of 66

Ref #	Part Number	Qty	S/P/F	Description
1	3304-391	1		Seat Assembly (inc. 2)
2	3304-392	1		Latch, Seat - Hook Assembly
3	3304-400	1		Kit, Tool
4	3303-242	1		Band, Tool Kit



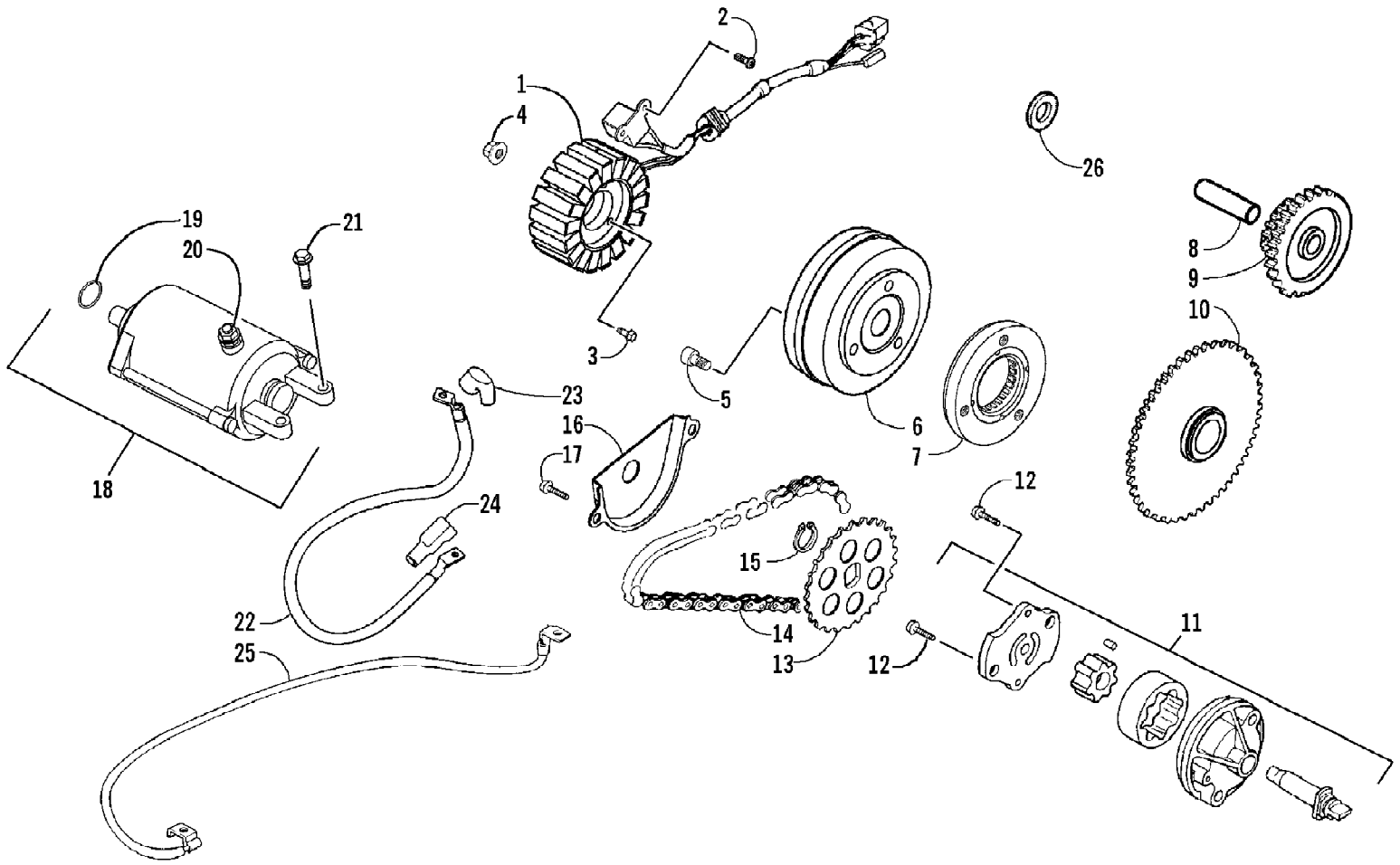
2007 ATV 250 DVX BLACK-RED (A2007KSE2BUSD)  
SHIFT LEVER ASSEMBLY

Page 56 of 66

Ref #	Part Number	Qty	S/P/F	Description
1	3303-823	1		Handle, Gear Shift Rod
2	3304-401	1		Bolt, Socket
3	3304-458	1		Rod, Gear Shift
4	3303-817	1		Pin, Gear Shift
5	3304-138	2		Washer
6	3303-818	1		Spring, Gear Shift
7	3303-819	1		Bracket, Gear Shift
8	3304-127	1	S	Nut, Hex
9	3304-438	1		Bolt, Flange
10	3304-142	1		Pin, Cotter
11	3304-272	1		Lever, Gear Shift
12	3304-271	1		Cover, Gear Shift
13	3304-377	1		Ball Joint, Tie Rod - Right
14	3304-125	1		Nut, Hex
15	3303-607	2	/P	Washer
16	3304-273	1		Tie Rod
17	3304-430	1		Nut, Hex
18	3304-378	1		Ball Joint, Tie Rod - Left
19	3303-332	4		Nut
20	3304-270	1		Link, Gear Shift
21	3304-176	2		Screw, Cap



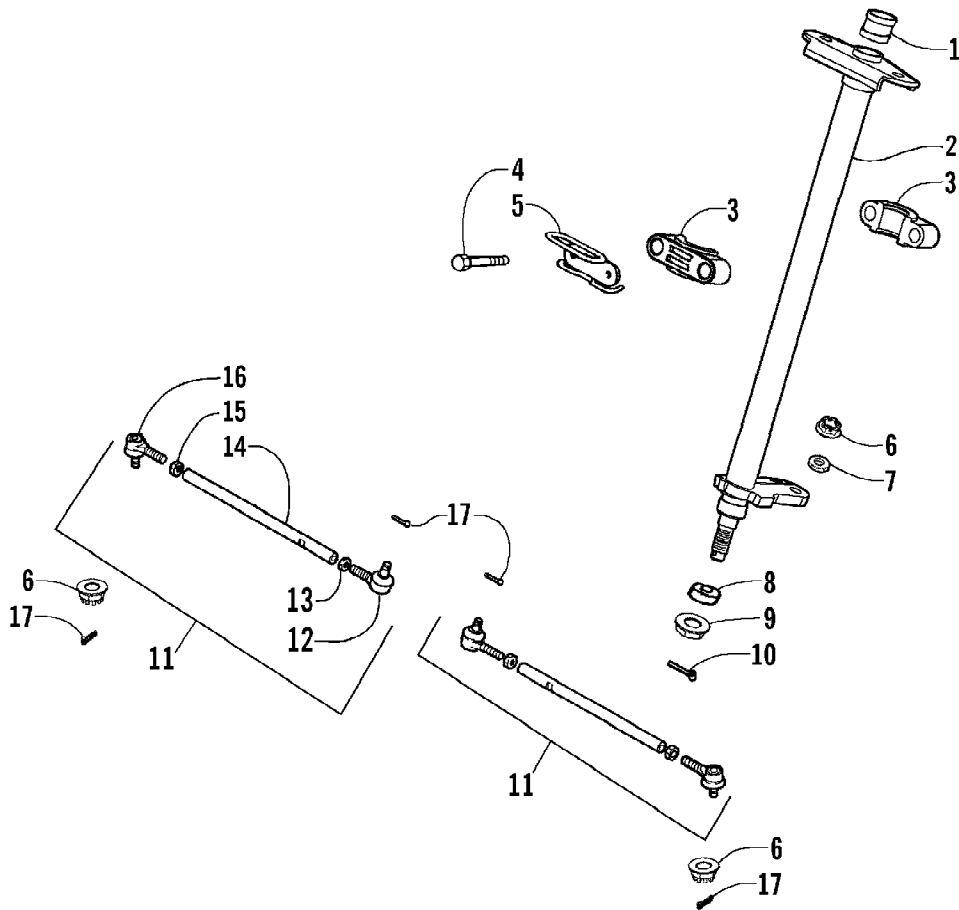
2007 ATV 250 DVX BLACK-RED (A2007KSE2BUSD)  
STARTER MOTOR AND MAGNETO ASSEMBLY



2007 ATV 250 DVX BLACK-RED (A2007KSE2BUSD)  
STARTER MOTOR AND MAGNETO ASSEMBLY

Page 58 of 66

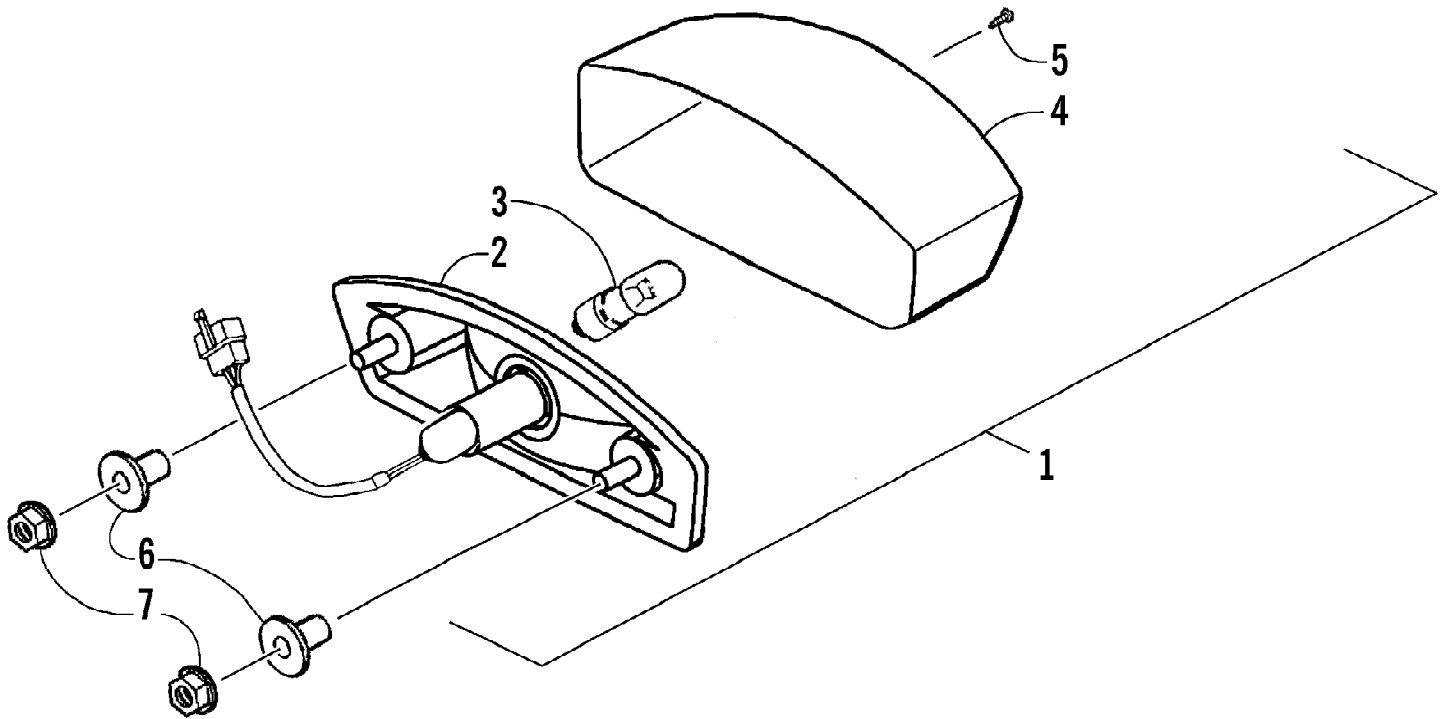
Ref #	Part Number	Qty	S/P/F	Description
1	3304-682	1		Stator
2	3304-118	2		Screw
3	3304-111	3		Bolt, Flange
4	3304-024	1		Nut
5	3304-208	3		Bolt, Socket
6	3303-832	1		Flywheel
7	3303-827	1		Clutch, One-Way
8	3303-825	1		Shaft, Starter Reduction
9	3303-824	1		Gear, Starter Reduction
10	3303-826	1	S	Gear, Starter
11	3303-687	1		Pump, Oil
12	3303-385	2		Screw, Cap
13	3303-688	1		Sprocket, Drive - Oil Pump
14	3303-690	1		Chain, Oil Pump
15	3304-146	1		Circlip
16	3303-697	1		Separator, Oil
17	3303-381	2		Screw, Cap
18	3304-274	1		Motor, Starter (inc. 19-20)
19	3304-104	1		O-Ring
20	3304-011	2		Nut w/Washer
21	3303-243	2	S	Screw, Cap
22	3304-277	1		Cable, Starter Motor (inc. 23-24)
23	3305-251	1		Boot, Starter Motor Terminal
24	3305-252	1		Boot, Starter Solenoid
25	3304-279	1		Cable, Ground
26	3304-036	1		Washer, Thrust



2007 ATV 250 DVX BLACK-RED (A2007KSE2BUSD)  
STEERING POST ASSEMBLY

Page 60 of 66

Ref #	Part Number	Qty	S/P/F	Description
1	3303-963	1	S	Bushing, Sleeve
2	3303-957	1		Post, Steering
3	3303-961	2		Block, Mounting - Steering Post
4	3304-649	2		Screw, Cap
5	3303-962	1		Clamp, Mounting Block
6	3304-130	4		Nut, Castle
7	3304-136	2		Washer
8	3303-960	1		Collar, Steering Post - Lower
9	3304-032	1		Nut, Flange
10	3303-339	1		Pin, Cotter
11	3303-969	2		Tie Rod - Assembly (inc. 12-16)
12	3303-973	2		Ball Joint, Tie Rod - Left
13	3303-327	2		Nut, Hex - Left
14	3304-376	2		Tube, Tie Rod
15	3303-326	2		Nut, Hex - Right
16	3303-971	2		Ball Joint, Tie Rod - Right
17	3304-143	4		Pin, Cotter

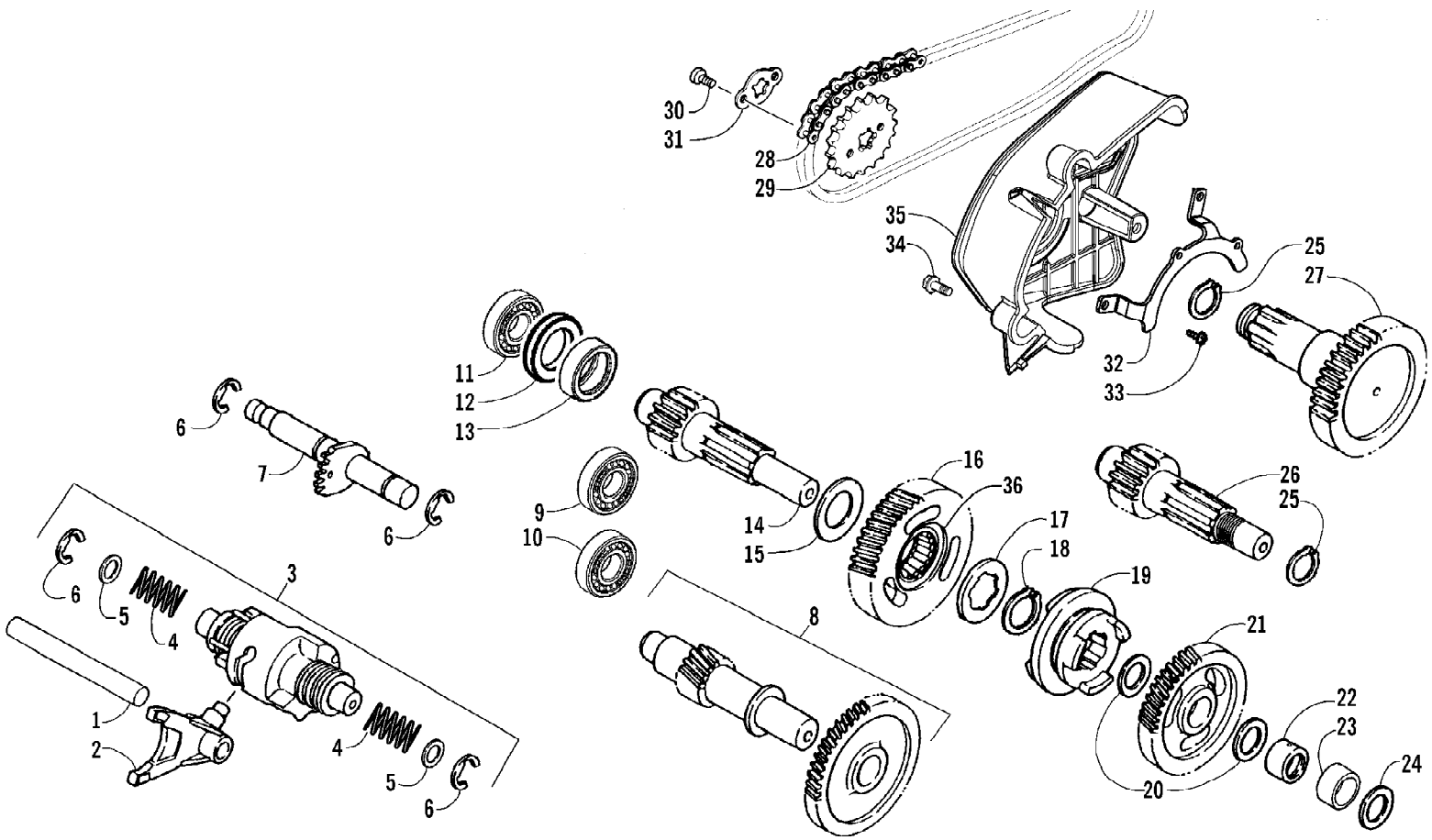


2007 ATV 250 DVX BLACK-RED (A2007KSE2BUSD)  
TAILLIGHT ASSEMBLY

Page 62 of 66

Ref #	Part Number	Qty	S/P/F	Description
1	3303-420	1		Taillight - Assembly (inc. 2-5)
2	3303-422	1		Base, Taillight
3	3303-444	1	S	Bulb, Taillight
4	3304-283	1		Lens, Taillight
5	3304-537	2		Screw
6	3303-226	2		Collar, Front Fender
7	3304-654	2	/P	Nut, Flange

2007 ATV 250 DVX BLACK-RED (A2007KSE2BUSD)  
TRANSMISSION ASSEMBLY

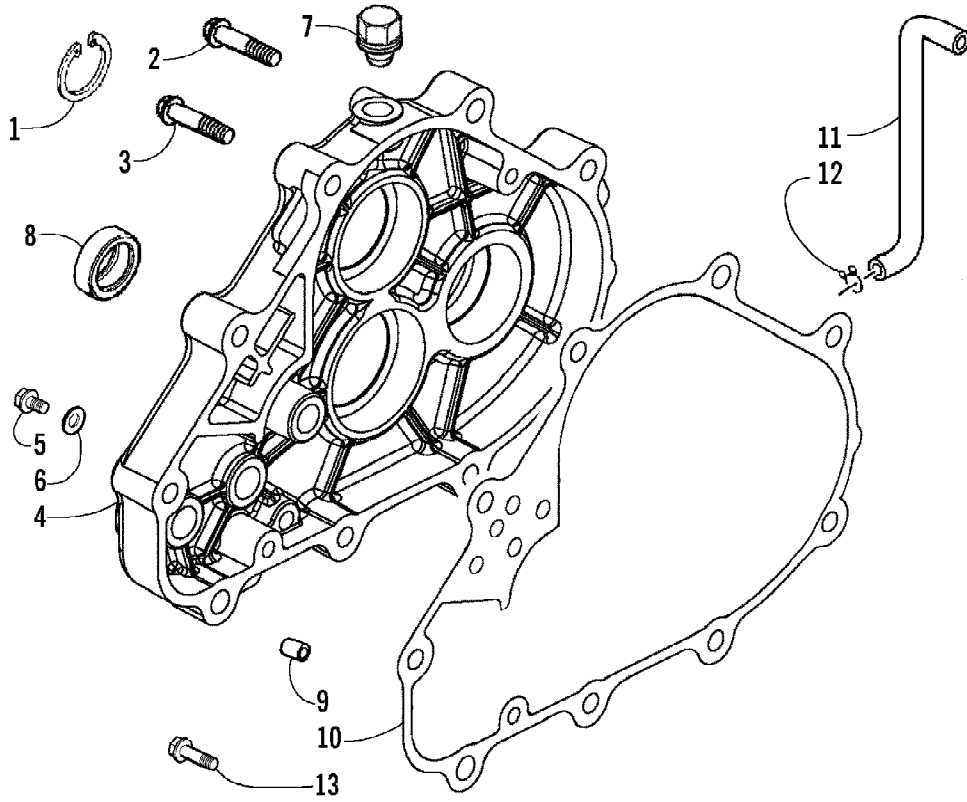


2007 ATV 250 DVX BLACK-RED (A2007KSE2BUSD)  
TRANSMISSION ASSEMBLY

Page 64 of 66

Ref #	Part Number	Qty	S/P/F	Description
1	3304-513	1		Shaft, Gear Shift Fork
2	3304-267	1		Fork, Gear Shift
3	3304-268	1		Cam, Gear Shift - Assembly (inc. 4-5 and two No. 6)
4	3304-700	2		Spring, Cam
5	3304-412	2		Washer, Thrust
6	3304-153	4		E-Ring
7	3304-269	1	/P	Spindle, Gear Shift Cam
8	3304-261	1		Gear, Shift Handle
9	3304-198	1		Bearing
10	3304-699	1	/P	Bearing
11	3304-195	1		Bearing
12	3304-425	1		Seal, Oil
13	3304-422	1		Bearing, Needle
14	3304-259	1	/P	Shaft, Main
15	3304-044	1		Washer, Thrust
16	3304-263	1		Gear, Reverse
17	3304-045	1		Washer, Spline
18	3304-056	1		Circlip
19	3304-264	1		Shift, Main
20	3304-413	2		Washer, Thrust
21	3303-795	1		Gear, Forward
22	3304-509	1		Collar
23	3304-508	1		Collar
24	3304-042	1		Washer, Thrust
25	3304-147	2	/P	Circlip
26	3304-260	1		Driveshaft
27	3304-262	1		Shaft, Final
28	3304-510	1		Chain, Drive
29	3304-265	1		Sprocket, Drive
30	3303-307	2		Bolt, Hex
31	3304-266	1		Plate, Drive Sprocket
32	3304-515	1		Guide, Chain
33	3304-650	2	/P	Screw, Self-Tapping
34	3303-383	3	/P	Bolt, Flange
35	3304-286	1		Cover, Chain
36	3304-423	1		Bearing





2007 ATV 250 DVX BLACK-RED (A2007KSE2BUSD)  
TRANSMISSION CASE ASSEMBLY

Page 66 of 66

Ref #	Part Number	Qty	S/P/F	Description
1	3304-514	1		Circlip
2	3303-615	2		Screw, Cap
3	3303-614	7	S	Screw, Cap
4	3304-257	1		Case, Transmission
5	3303-365	1		Screw, Cap
6	3303-591	1		Washer
7	3304-052	1	/P	Plug, Drain
8	3304-081	1		Seal, Oil
9	3303-342	2		Pin, Dowel
10	3304-258	1		Gasket, Transmission Case
11	3303-630	1		Tube, Breather - Transmission
12	3304-433	1		Clip, Tube
13	3304-112	1		Screw, Cap