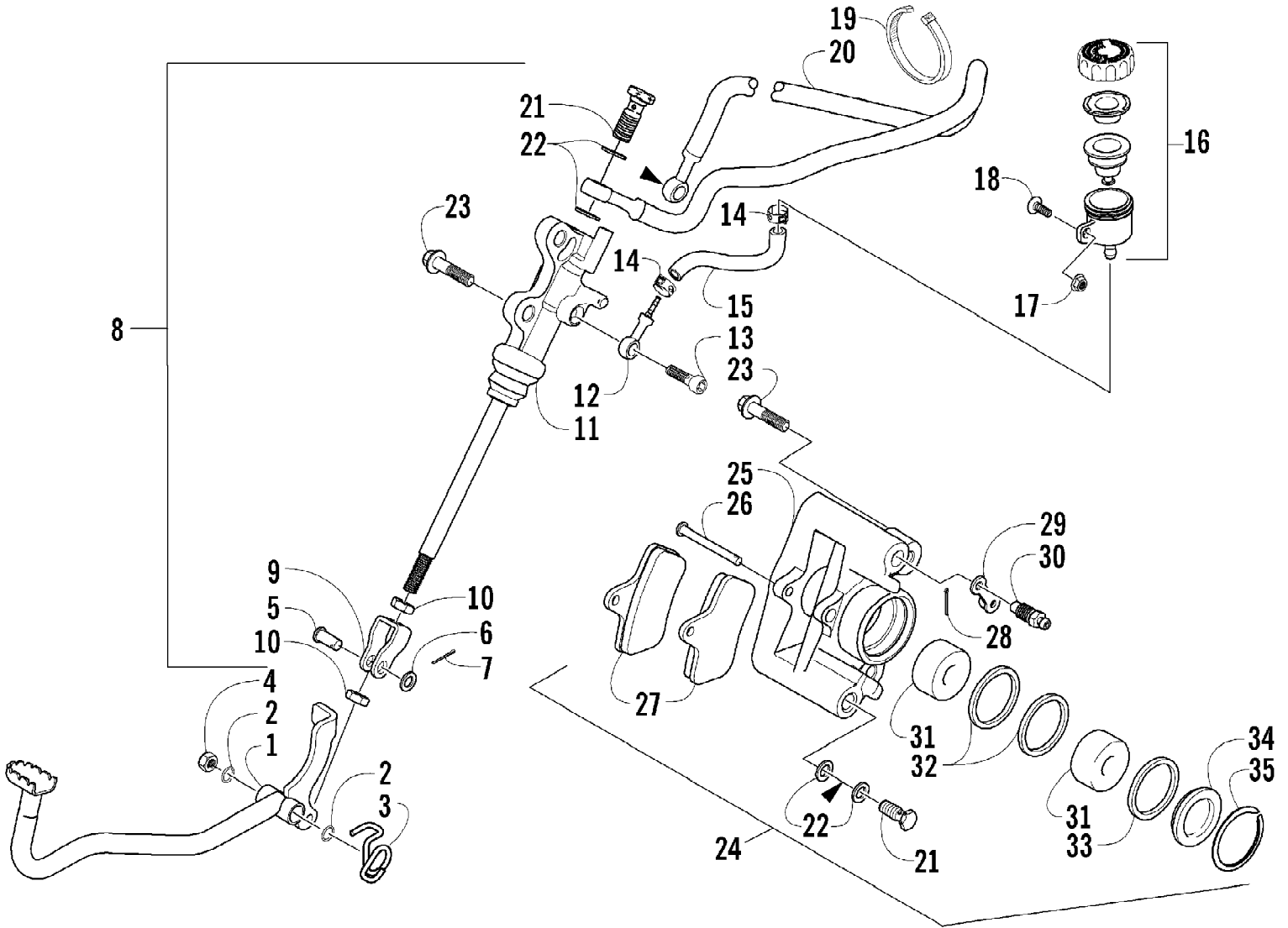


2005 ATV 650 V-2 4X4 FIS RED LE CA (A2005IBR4BCAN)  
AIR INTAKE ASSEMBLY

Page 2 of 97

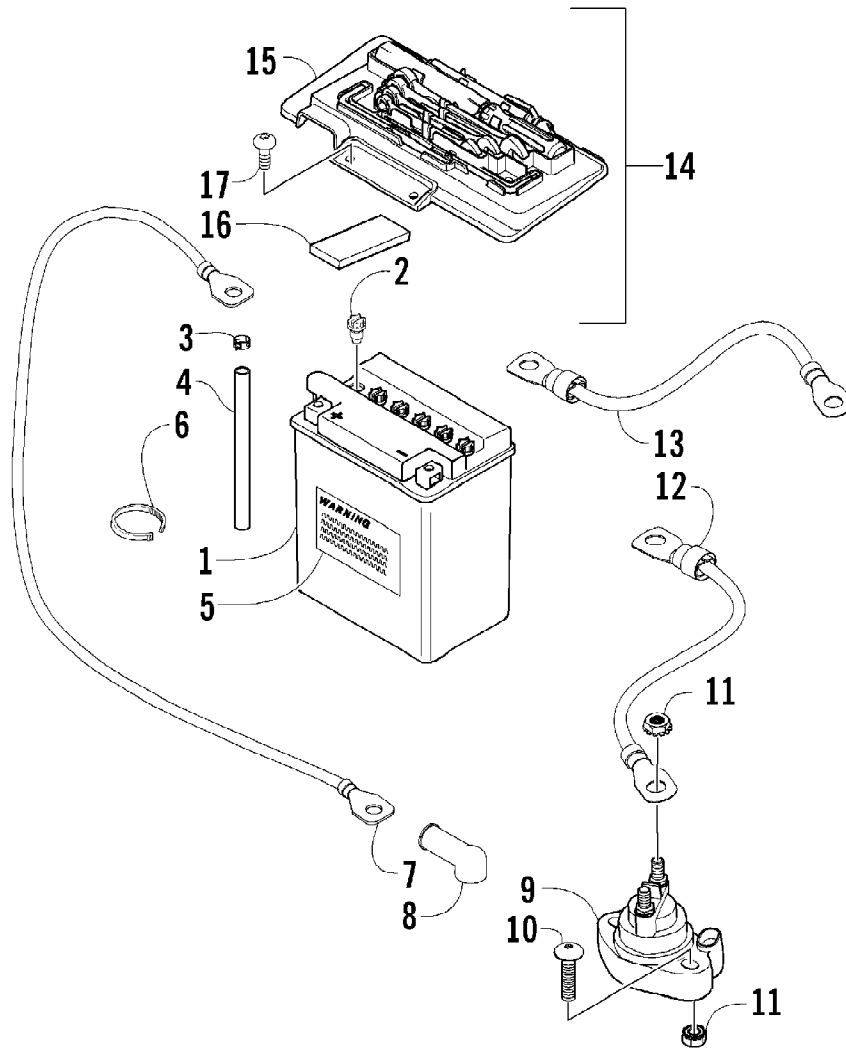
Ref #	Part Number	Qty	S/P/F	Description
1	0470-554	1	S	Cover, Air Intake Housing
2	0470-494	1	S	Filter, Air
3	0470-493	1		Screen, Air Filter
4	0470-485	1		Housing, Air Intake
5	3201-001	2		Duct, Air Funnel
6	3201-002	8		Screw, Cap
7	0423-455	4		Clip, Spring
8	0410-061	1	S	Hose, Crankcase Vent
9	0623-941	2		Clamp, Hose
10	0470-442	2	/P	Valve, Drain
11	0470-528	1		Carburetor
12	0423-380	2	/P	Clamp, Boot
13	0470-529	1		Boot, Air Intake
14	0413-093	1		Diverter, Air - Top
15	0413-091	1		Diverter, Air - Bottom
16	1406-785	1		Shroud, Splash
17	0623-362	2		Rivet, Plastic
18	0510-592	1		Hose, Carburetor Drain



2005 ATV 650 V-2 4X4 FIS RED LE CA (A2005IBR4BCAN)  
 AUXILIARY BRAKE ASSEMBLY

Page 4 of 97

Ref #	Part Number	Qty	S/P/F	Description
1	0502-656	1		Lever, Brake
2	1602-213	2	/P	O-Ring
3	0502-713	1		Spring, Brake Lever
4	8422-002	1		Nut
5	0402-575	1		Pin, Clevis
6	0402-583	1		Washer
7	0402-584	1		Pin, Cotter
8	0502-665	1	S	Brake Assembly (inc. 9-16)
9	0402-580	1		Actuator, Push Rod
10	0402-592	2		Nut, Jam
11	0	1	F	Master Cylinder
12	1402-277	1		Fitting, Banjo
13	1402-278	1		Bolt, Banjo Fitting
14	0423-525	2		Clamp, Hose
15	1402-266	1		Hose, Brake Reservoir
16	1402-257	1		Reservoir, Brake
17	8424-602	1	/P	Nut, Flanged
18	8476-616	1		Screw, Machine
19	0123-788	1	/P	Cable Tie 7.5 in.
20	1402-200	1		Hose, Brake
21	0423-413	2		Bolt, Banjo Fitting
22	0423-178	4		Washer, Crush
23	8408-825	4		Screw, Cap
24	0502-457	1	S	Caliper, Brake (inc. 25-35)
25	0	1	F	Housing, Caliper
26	0402-495	1		Pin, Brake Caliper
27	1402-126	2		Pad, Brake
28	0423-495	1	/P	Pin, Cotter
29	0402-493	1		Cap, Bleed Valve
30	1402-123	1		Valve, Bleed
31	1402-125	2		Piston
32	0402-980	2		O-Ring, Brake Caliper
33	0	1	F	O-Ring
34	0	1	F	Plug
35	0	1	F	Ring, Retaining

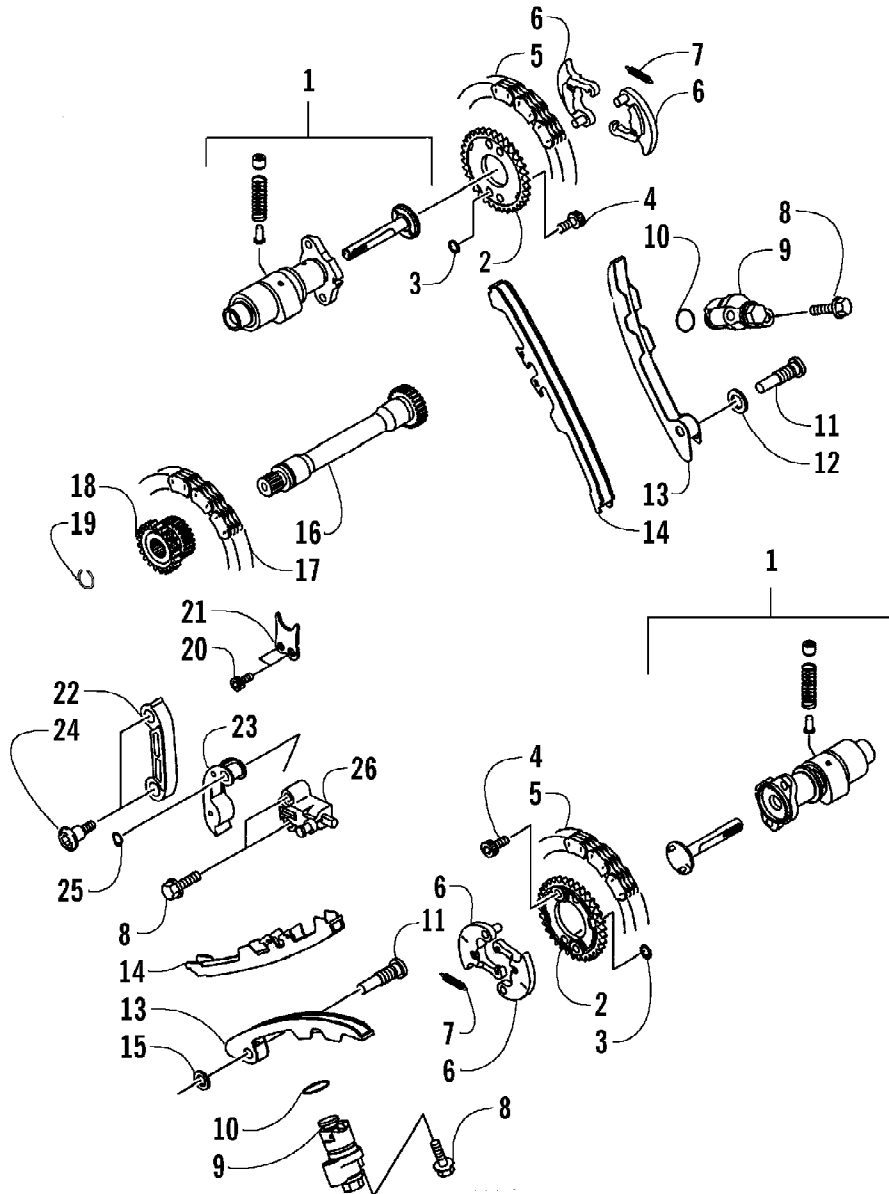


2005 ATV 650 V-2 4X4 FIS RED LE CA (A2005IBR4BCAN)  
 BATTERY AND SOLENOID ASSEMBLY

Page 6 of 97

Ref #	Part Number	Qty	S/P/F	Description
1	0745-045	1	/P	Battery Assembly (inc. 2-5)
2	0645-045	6		Cap, Battery
3	0645-152	1		Clamp, Hose
4	0645-263	1	/P	Hose, Battery Vent
5	0645-151	1		Label, Warning - Battery
6	0123-788	2	/P	Cable Tie - 7.5 in.
7	0445-046	1	S	Cable, Battery/Solenoid
8	0645-327	1		Boot, Terminal
9	0445-036	1	S	Solenoid
10	8476-625	2		Screw, Machine
11	0623-038	4		Nut w/Washer
12	0445-041	1		Cable, Solenoid/Starter
13	0445-047	1	S	Cable, Battery/Ground
14	5990-839	1	S	Battery Cover/Tool Tray Assembly (inc. 15-16)
15	1406-507	1	S	Cover, Battery
16	0406-288	2		Pad, Battery
	0444-122	1	S/P	Kit, Tool
17	8476-616	2		Screw, Machine

2005 ATV 650 V-2 4X4 FIS RED LE CA (A20051BR4BCAN)  
CAMSHAFTS/TENSIONER ASSEMBLY

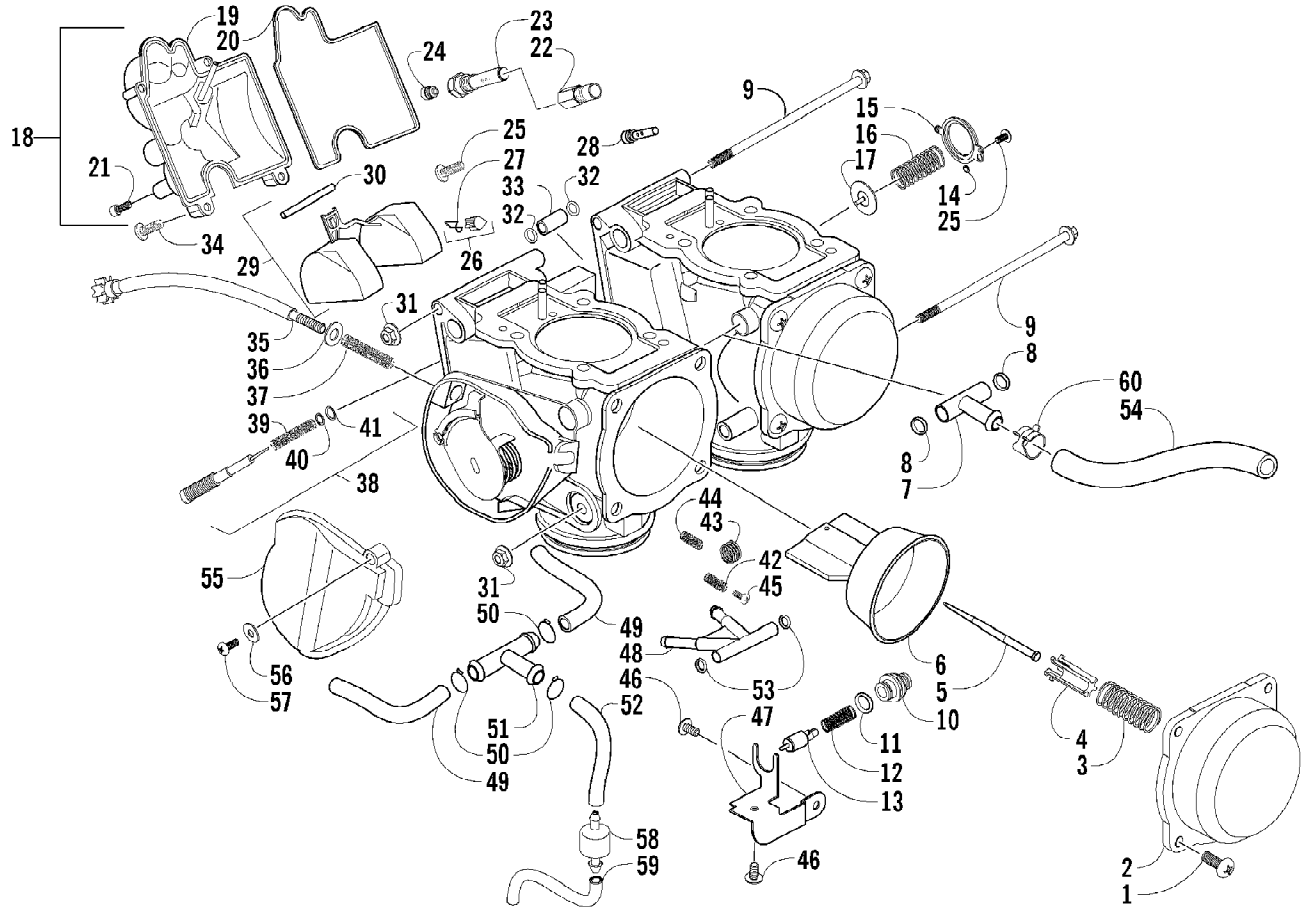


2005 ATV 650 V-2 4X4 FIS RED LE CA (A2005IBR4BCAN)  
CAMSHAFTS/TENSIONER ASSEMBLY

Page 8 of 97

Ref #	Part Number	Qty	S/P/F	Description
1	3201-238	1		Camshaft Assembly - Front
1	3201-239	1		Camshaft Assembly - Rear
2	3201-083	2		Sprocket, Camshaft - 34T
3	3201-214	4		Circlip
4	3201-093	4	S	Bolt
5	3201-415	2	S/P	Chain, Camshaft
6	3201-106	4		Weight
7	3201-364	2		Spring
8	3201-146	6		Screw, Cap
9	3201-085	2		Tensioner, Cam - Assembly
10	3201-331	2		O-Ring
11	3201-116	1		Shaft, Chain Guide - Front
11	3201-117	1		Shaft, Chain Guide - Rear
12	3201-070	1		Gasket
13	3201-089	2		Guide, Chain - Slack
14	3201-088	2		Guide, Chain - Tension
15	3201-209	1		Washer
16	3201-417	1		Shaft, Secondary
17	3201-414	1	S	Chain, Secondary Shaft
18	3201-416	1		Sprocket, Secondary Shaft - 21T and 17T
19	3201-418	1		Circlip
20	3201-098	2		Bolt
21	3201-158	1		Plate, Position - Drive
22	3201-090	1	/P	Guide, Chain - Tension
23	3201-092	1		Guide, Chain - Slack
24	3201-379	2		Bolt
25	3201-298	1		Ring, Snap
26	3201-086	1		Tensioner, Secondary - Assembly





2005 ATV 650 V-2 4X4 FIS RED LE CA (A2005IBR4BCAN)  
CARBURETOR

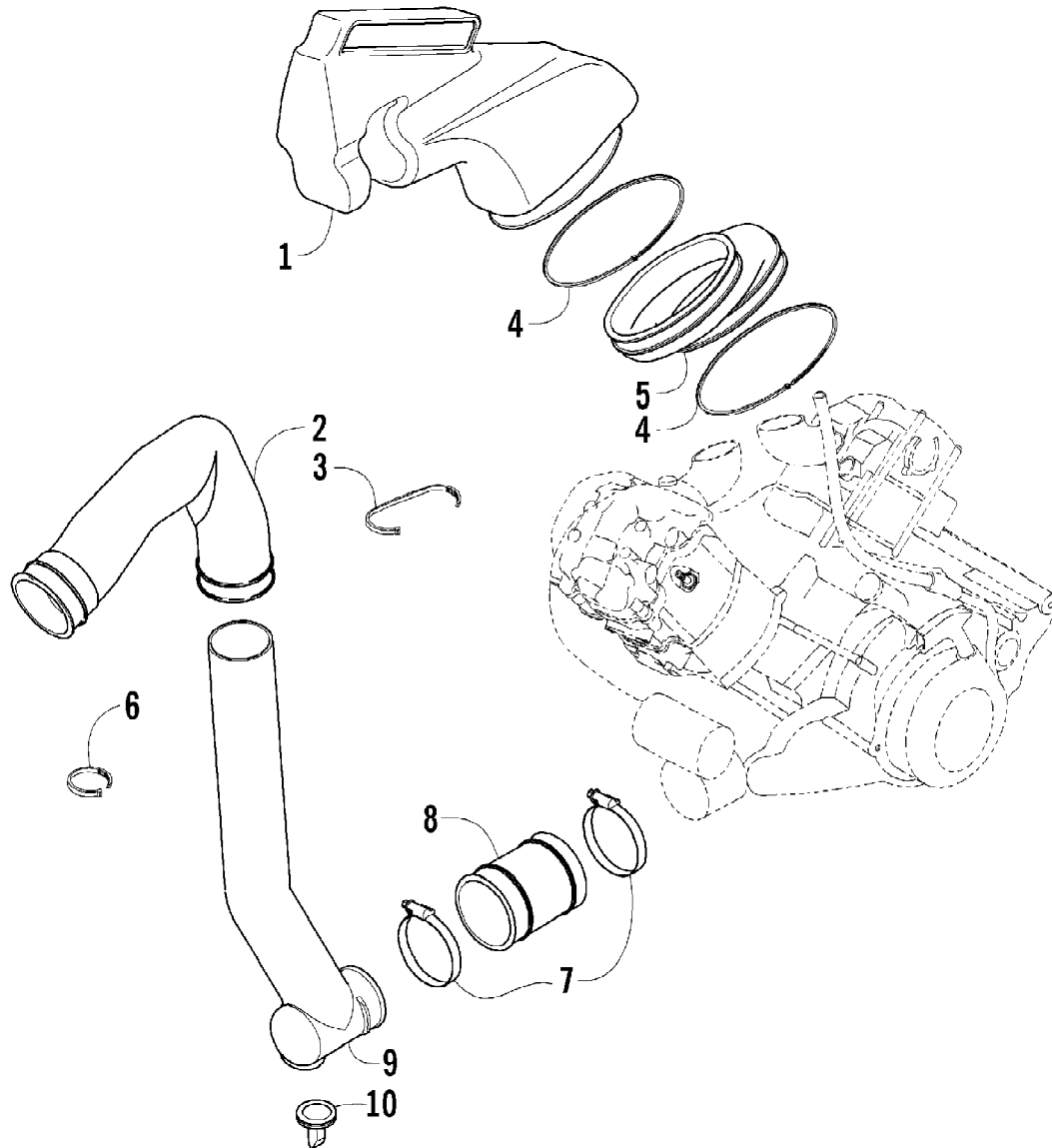
Page 10 of 97

Ref #	Part Number	Qty	S/P/F	Description
	0470-528	1		Carburetor Assembly
1	5507-037	8	/P	Screw, Top Cover
2	5507-118	2		Cover, Top
3	5507-119	2		Spring
4	5507-121	2		Seat, Spring
5	5507-122	2		Jet Needle
6	5507-120	2		Piston, Vacuum
7	5507-153	1		T-Fitting
8	5507-154	2		O-Ring
9	5507-144	2		Bolt
10	5507-136	2		Cap, Starter Valve
11	5507-137	2		O-Ring
12	5507-135	2		Spring
13	5507-134	2		Valve, Starter
14	5507-034	2		O-Ring
15	0	2	F	Housing, Pump
16	5507-139	2		Spring
17	5507-138	2		Diaphragm Assembly
18	5507-165	2		Chamber, Float - Assembly (inc. 19-21)
19	0	2	F	Chamber, Float
20	5507-172	2		O-Ring, Float Chamber
21	5507-133	2		Screw, Drain
22	5507-123	2		Holder, Jet
23	5507-124	2		Needle Jet
24	5507-126	2		Main Jet - 115 - Front/Rear
24	5507-126	1		Main Jet - 115 - Front (4-6,500 ft Alt.)
24	5507-166	1		Main Jet - 110 - Rear (4-6,500 ft Alt.)
24	5507-166	1		Main Jet - 110 - Front (6,500-8,000 ft Alt.)
24	5507-166	1		Main Jet - 110 - Rear (6,500-8,000 ft Alt.)
24	5507-167	1		Main Jet - 105 - Front (Over 8,000 ft Alt.)
24	5507-166	1		Main Jet - 110 - Rear (Over 8,000 ft Alt.)
25	5507-132	6	S	Screw
26	5507-038	2		Valve, Float - Set (inc. 27)
27	0	2	F	Clip
28	5507-127	2		Slow Jet - 40
29	5507-163	2		Float Set (inc. 30)
30	0	2	F	Pin, Float
31	5507-145	2		Nut
32	5507-152	2		O-Ring
33	5507-151	1		Fitting, Straight
34	5507-017	8	/P	Screw
35	5507-141	1		Screw, Idle Adjust
36	5507-142	2		Washer
37	5507-143	1		Spring
38	5507-164	2		Screw, Pilot - Set (inc. 39-41)
39	0	2	F	Spring
40	0	2	F	Washer
41	0	2	F	O-Ring
42	5507-148	1		Spring
43	5507-149	1		Spring
44	5507-147	1		Spring
45	5507-146	1		Screw, Stop
46	5507-106	1		Screw

2005 ATV 650 V-2 4X4 FIS RED LE CA (A2005IBR4BCAN)  
CARBURETOR

Page 11 of 97

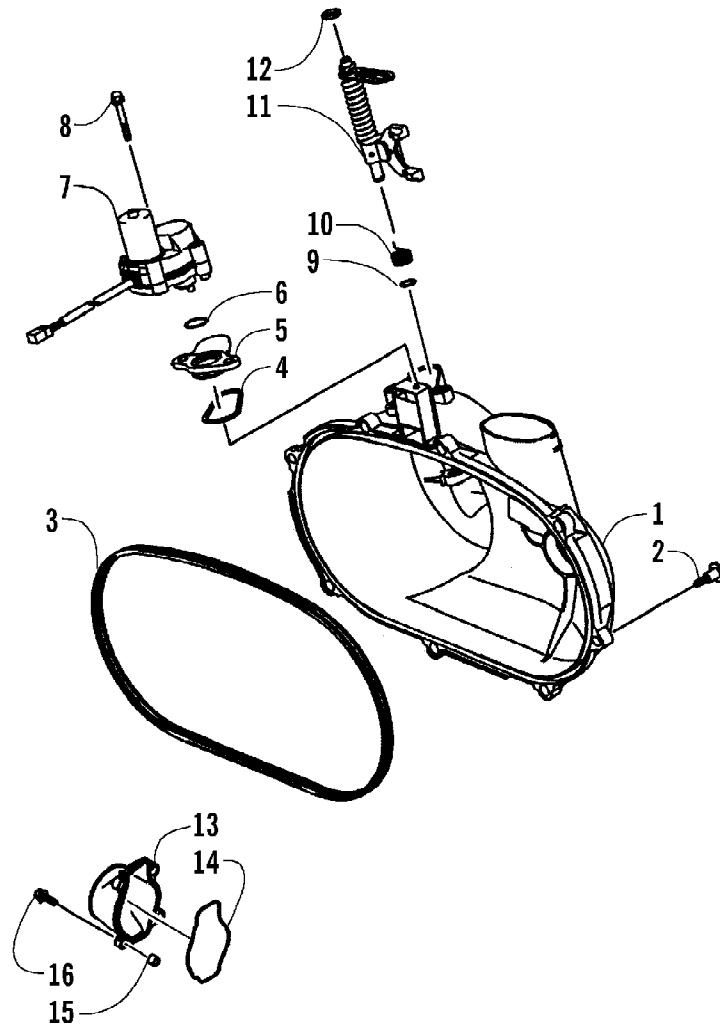
Ref #	Part Number	Qty	S/P/F	Description
47	5507-150	2		Plate, Stay
48	5507-155	1		T-Fitting
49	5507-159	2		Hose
50	5507-161	5		Clamp, Hose
51	5507-158	1		T-Fitting
52	5507-160	1		Hose
53	5507-156	4		O-Ring
54	0410-069	1	S	Hose
55	3201-053	1		Cover, Throttle Cable
56	3201-056	1		Washer
57	3201-054	1		Screw, Machine
58	3201-055	1		Valve, Check
59	3201-057	1		Hose
60	0423-461	1	S	Clamp, Hose



2005 ATV 650 V-2 4X4 FIS RED LE CA (A2005IBR4BCAN)  
CASE/BELT COOLING ASSEMBLY

Page 13 of 97

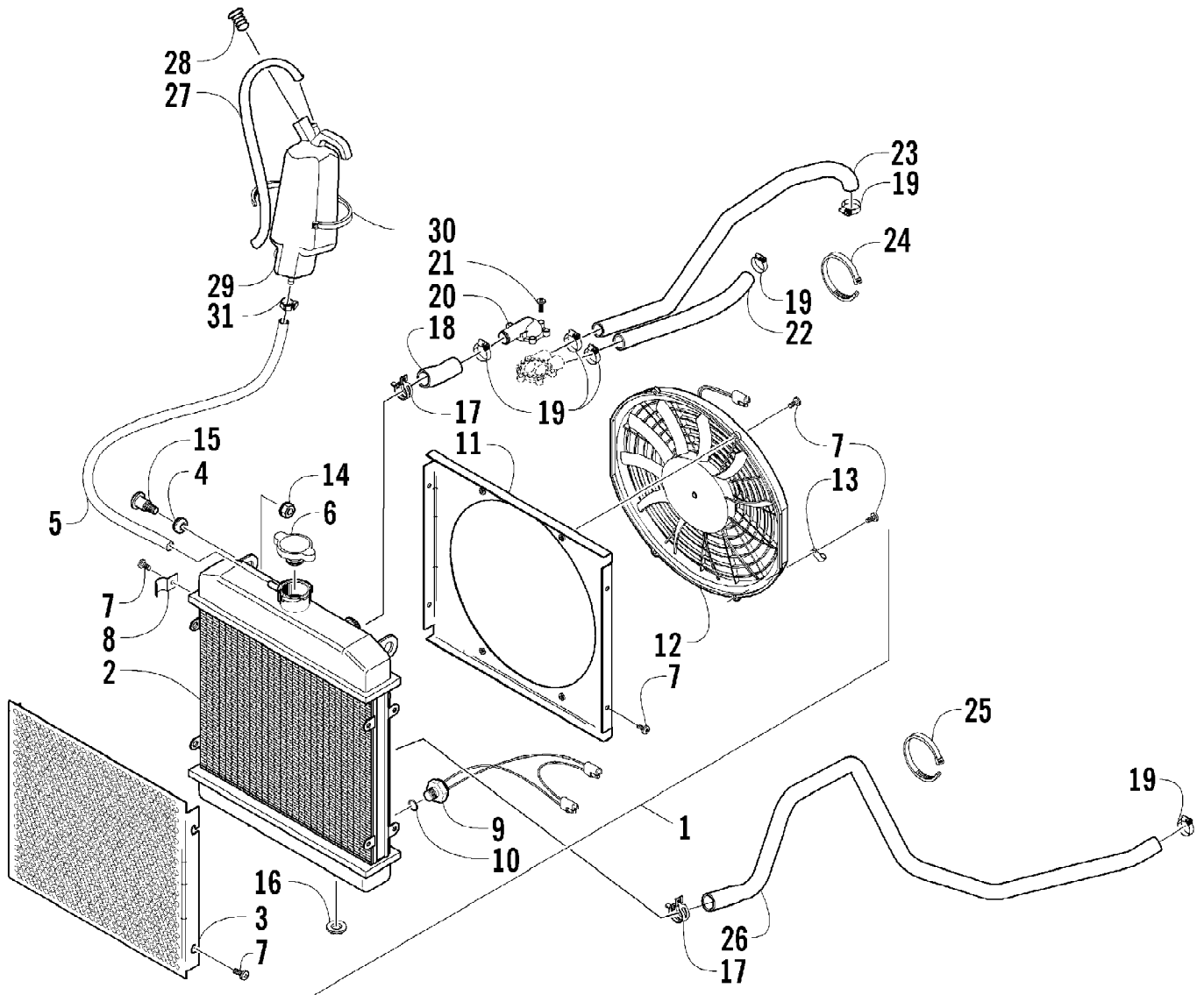
Ref #	Part Number	Qty	S/P/F	Description
1	0413-112	1	/P	Duct, Air-Out
2	0413-092	1		Boot, Air-In
3	0123-903	1		Cable Tie - 11.5 in.
4	3201-038	2		Clamp, Boot
5	0413-083	1		Boot, Air-Out Duct
6	0123-788	2	/P	Cable Tie - 7.5 in.
7	0423-380	4	/P	Clamp, Boot
8	0413-085	1		Boot, Air-In Duct
9	0513-010	1		Duct, Air-In
10	0470-442	1	/P	Valve, Drain



2005 ATV 650 V-2 4X4 FIS RED LE CA (A2005IBR4BCAN)  
CLUTCH COVER

Page 15 of 97

Ref #	Part Number	Qty	S/P/F	Description
1	3201-161	1		Cover, Clutch
2	3201-371	8		Bolt
3	3201-202	1		Trim, Seal
4	3201-357	1		Seal
5	3201-167	1		Cover, Engine Brake
6	3201-259	1		O-Ring
7	3201-430	1	S	Actuator, Engine Brake
8	3201-431	3		Screw, Cap
9	3201-211	1		Circlip
10	3201-366	1		Spring
11	3201-429	1	/P	Lever Assembly - Unpainted
11	3201-427	AR	F	Lever Assembly - Yellow
11	3201-428	AR	F	Lever Assembly - Green
12	3201-280	1		Washer
13	3201-267	1		Fitting
14	3201-340	1		O-Ring
15	3201-378	4		Collar
16	3201-037	4		Screw, Cap



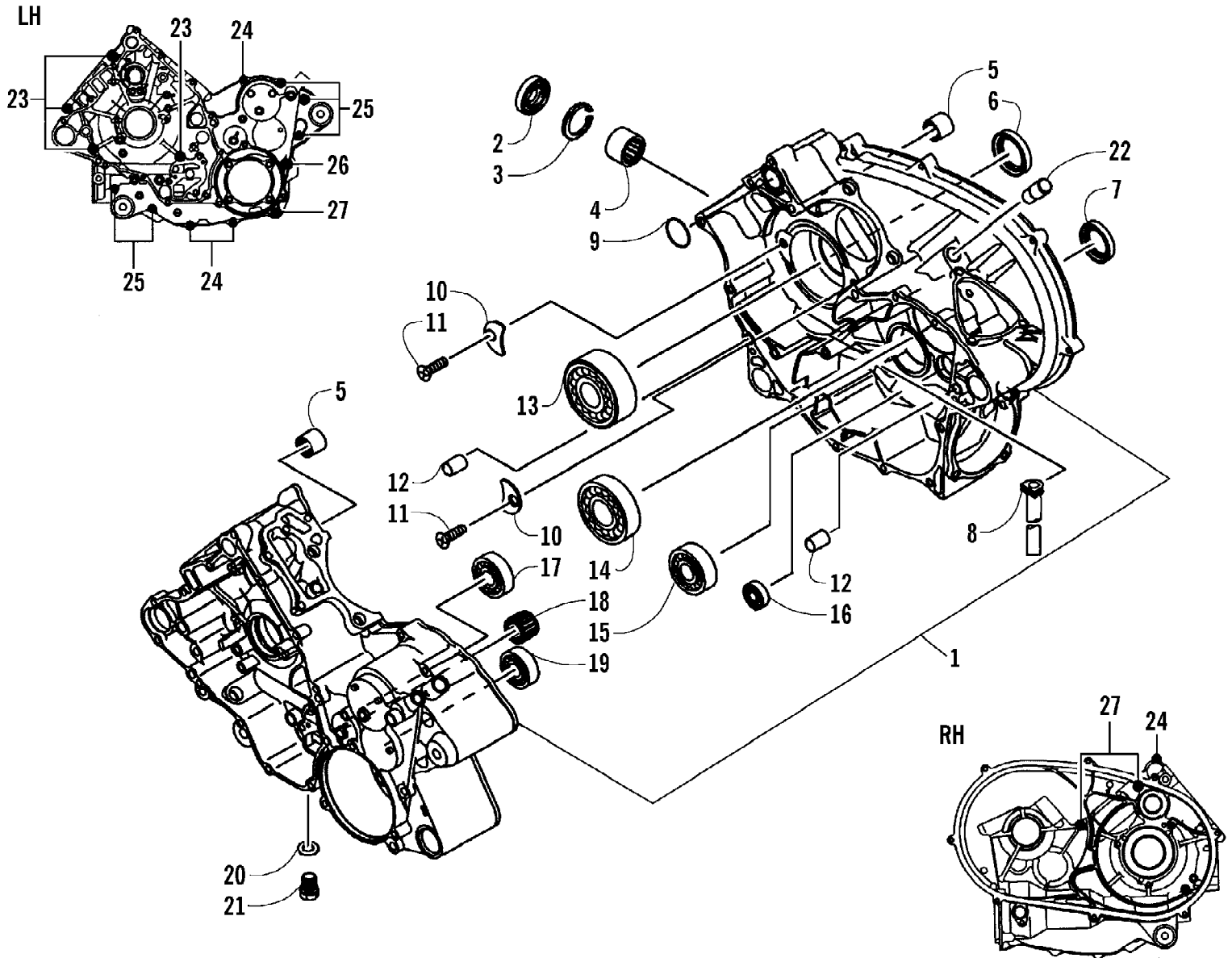


2005 ATV 650 V-2 4X4 FIS RED LE CA (A2005IBR4BCAN)  
COOLING ASSEMBLY

Page 17 of 97

Ref #	Part Number	Qty	S/P/F	Description
1	0413-117	1		Radiator Assembly (inc. 2-13)
2	0413-043	1	S	Radiator
3	0413-007	1		Screen, Radiator
4	0423-030	2		Grommet
5	0610-016	AR	/P	Hose - 25 ft
5	0610-015	AR	/P	Hose - 100 ft
6	0413-002	1	S	Cap, Radiator
7	8475-512	12		Screw, Machine
8	0423-351	1		Clamp, Wire
9	0413-045	1		Sender, Temperature - Coolant
10	0423-390	1	S	O-Ring
11	0413-046	1		Shroud, Fan
12	0413-044	1	S	Fan, Cooling
13	0123-397	1		Clamp, Cable
14	0623-038	2		Nut w/Washer
15	0423-484	2		Screw, Shoulder
16	0423-028	2		Bushing, Stem
17	0423-070	2		Clamp, Hose
18	0410-057	1		Hose, Coolant - Front
19	1623-091	6		Clamp, Hose
20	0413-077	1		Housing, Thermostat
21	3201-036	4		Screw, Cap
22	0410-059	1		Hose, Coolant - Left
23	0410-058	1		Hose, Coolant - Right
24	0123-788	AR	/P	Cable Tie - 7.5 in.
25	0123-903	1		Cable Tie - 11.5 in.
26	0410-060	1		Hose, Coolant - Lower
27	6101-009	AR		Hose, Vent - 50 ft
28	0413-087	1		Stopper, Coolant Bottle
29	0413-086	1		Bottle, Coolant Overflow
30	0623-316	1		Cable Tie
31	0124-045	1	/P	Clamp, Hose

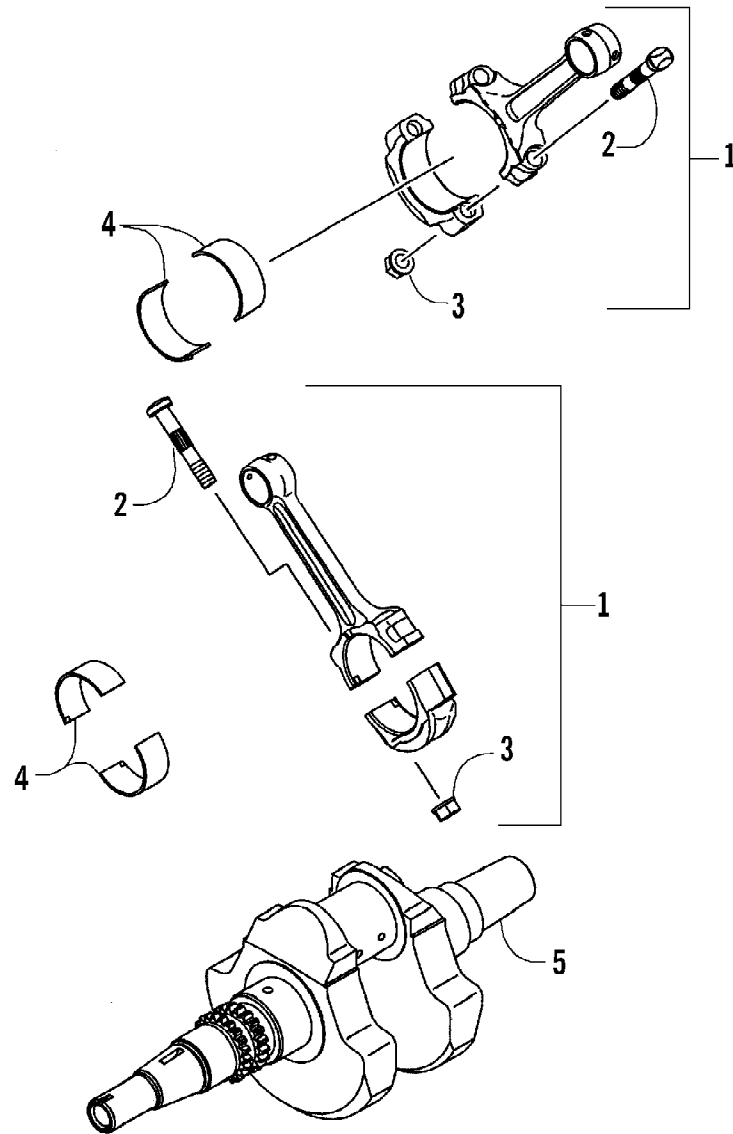
2005 ATV 650 V-2 4X4 FIS RED LE CA (A20051BR4BCAN)  
CRANKCASE ASSEMBLY



2005 ATV 650 V-2 4X4 FIS RED LE CA (A2005IBR4BCAN)  
CRANKCASE ASSEMBLY

Page 19 of 97

Ref #	Part Number	Qty	S/P/F	Description
1	3201-421	1	S	Crankcase
2	3201-327	1		Seal, Oil
3	3201-213	1		Circlip
4	3201-318	1		Bearing
5	3201-315	2		Bearing
6	3201-324	1		Seal, Oil
7	3201-328	1		Seal, Oil
8	3201-422	1		Tube, Oil Return
9	3201-332	1		O-Ring
10	3201-157	2		Plate, Position
11	3201-193	2		Screw
12	3201-305	2		Pin
13	3201-308	1		Bearing
14	3201-309	1		Bearing
15	3201-252	1		Bearing
16	3201-250	1		Bearing
17	3201-312	1		Bearing
18	3201-316	1		Bearing
19	3201-251	1		Bearing
20	3201-349	1		Gasket, Drain Plug
21	3201-352	1		Plug, Drain
22	3201-165	1		Fitting, Breather
23	3201-155	4		Screw, Cap
24	3201-147	4		Screw, Cap
25	3201-149	5		Screw, Cap
26	3201-374	1		Bolt
27	3201-153	3		Screw, Cap

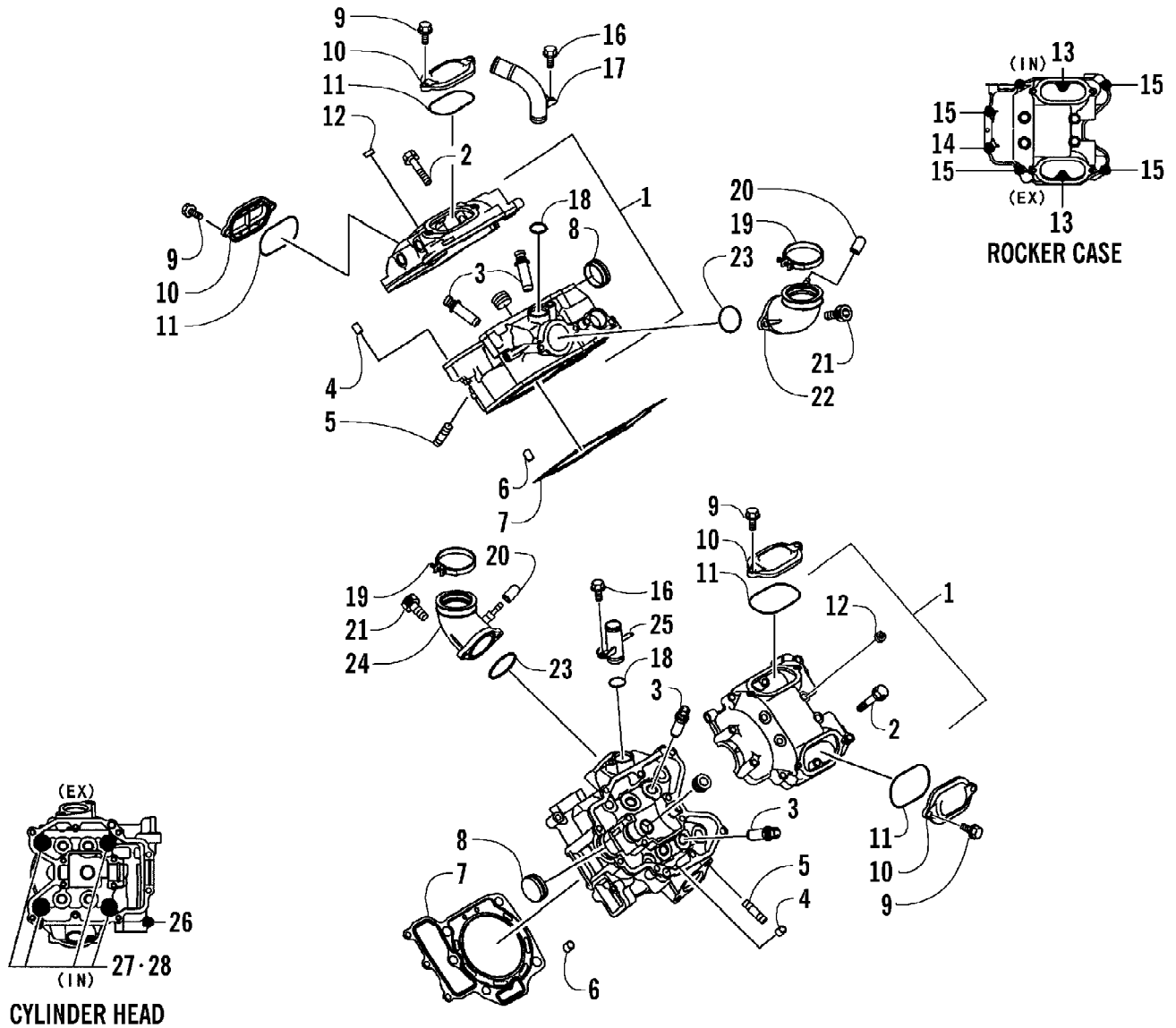


2005 ATV 650 V-2 4X4 FIS RED LE CA (A2005IBR4BCAN)  
CRANKSHAFT ASSEMBLY

Page 21 of 97

Ref #	Part Number	Qty	S/P/F	Description
1	3201-128	2		Rod, Connecting - Assembly (inc 2-3)
2	3201-263	4		Bolt, Connecting Rod
3	3201-271	4		Nut
4	3201-293	AR		Bushing, Connecting Rod
4	3201-294	4		Bushing, Connecting Rod
4	3201-295	AR		Bushing, Connecting Rod
5	3201-105	1	S	Crankshaft Assembly

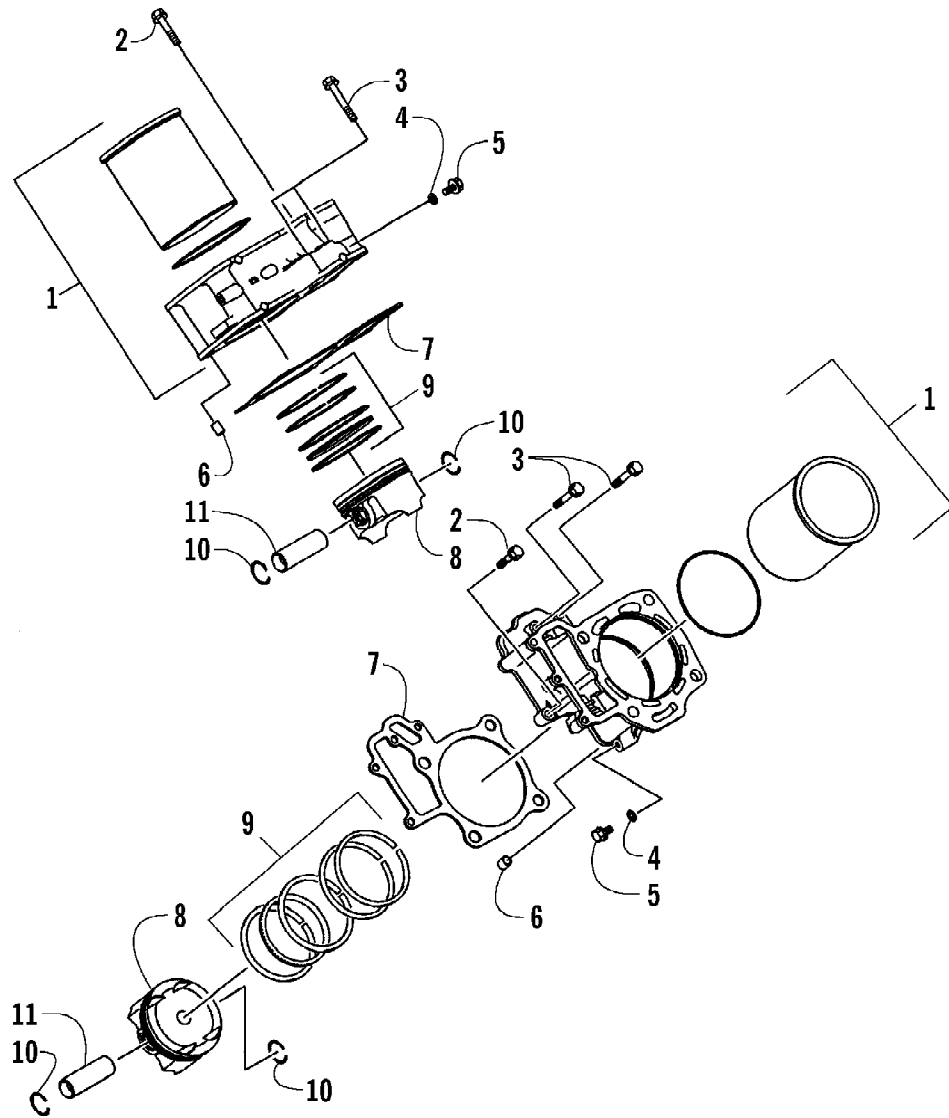
2005 ATV 650 V-2 4X4 FIS RED LE CA (A20051BR4BCAN)  
CYLINDER HEAD ASSEMBLY



2005 ATV 650 V-2 4X4 FIS RED LE CA (A2005IBR4BCAN)  
CYLINDER HEAD ASSEMBLY

Page 23 of 97

Ref #	Part Number	Qty	S/P/F	Description
1	3201-409	1		Head, Cylinder - Front (inc. 2-3)
1	3201-410	1		Head, Cylinder - Rear (inc. 2-3)
2	3201-368	8		Bolt
3	3201-216	AR		Guide, Valve
4	3201-304	4		Pin
5	3201-264	4		Stud
6	3201-307	4		Pin
7	3201-061	2	S	Gasket, Head
8	3201-353	2		Plug
9	3201-036	8		Screw, Cap
10	3201-075	4		Cap, Rocker Case
11	3201-342	4	S	O-Ring
12	3201-071	8		Gasket
13	3201-140	4		Screw, Cap
14	3201-145	4		Screw, Cap
15	3201-146	8		Screw, Cap
16	3201-144	2		Screw, Cap
17	3201-046	1		Pipe, Water
18	3201-048	2		O-Ring
19	3201-049	2		Clamp
20	3201-354	2		Plug
21	3201-099	4		Bolt
22	3201-172	1		Holder, Carburetor - Front
23	3201-337	2		O-Ring
24	3201-173	1		Holder, Carburetor - Rear
25	3201-047	1		Pipe, Water
26	3201-150	2		Screw, Cap
27	3201-377	8		Bolt
28	3201-279	8		Washer

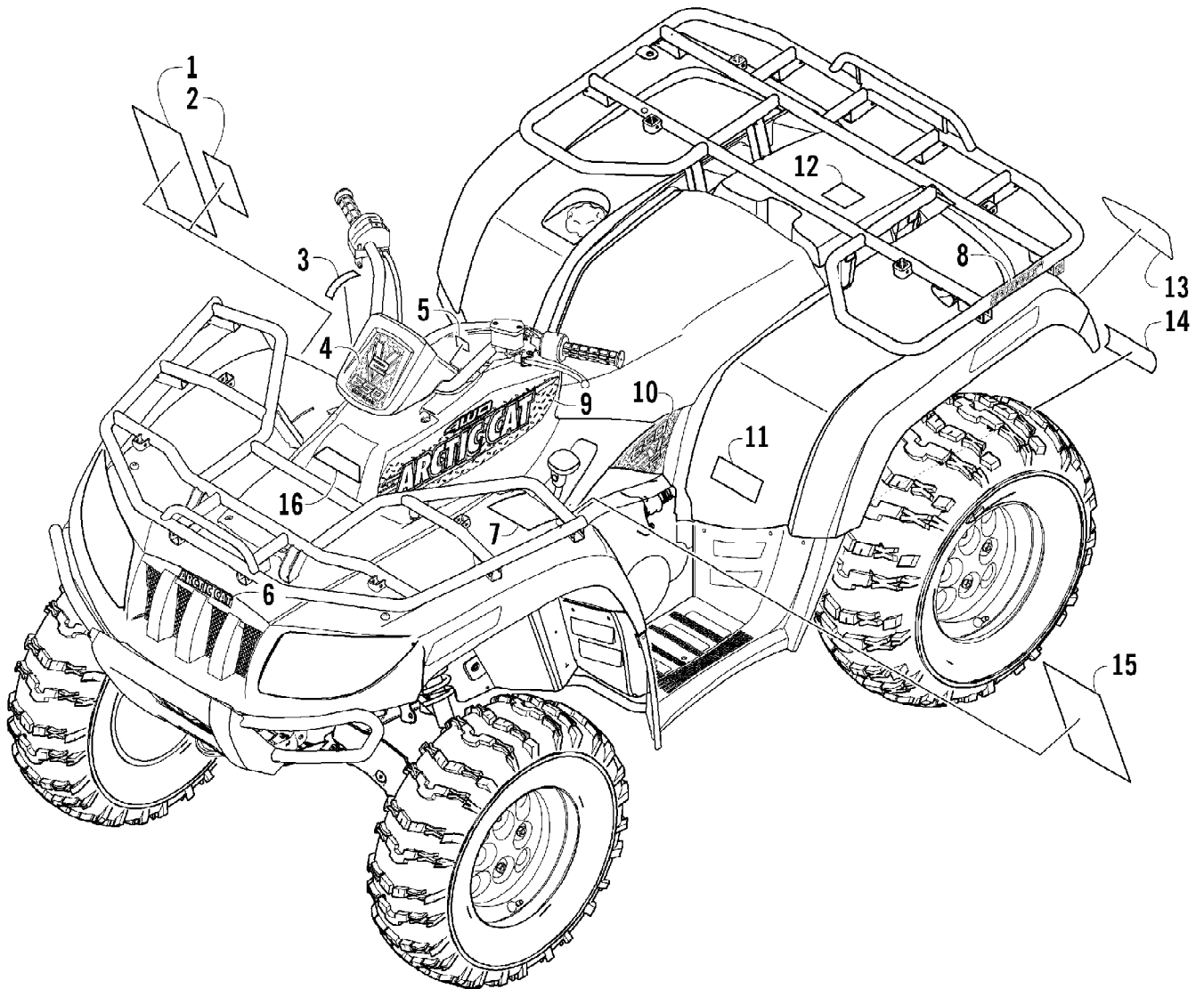




2005 ATV 650 V-2 4X4 FIS RED LE CA (A2005IBR4BCAN)  
CYLINDER/PISTON ASSEMBLY

Page 25 of 97

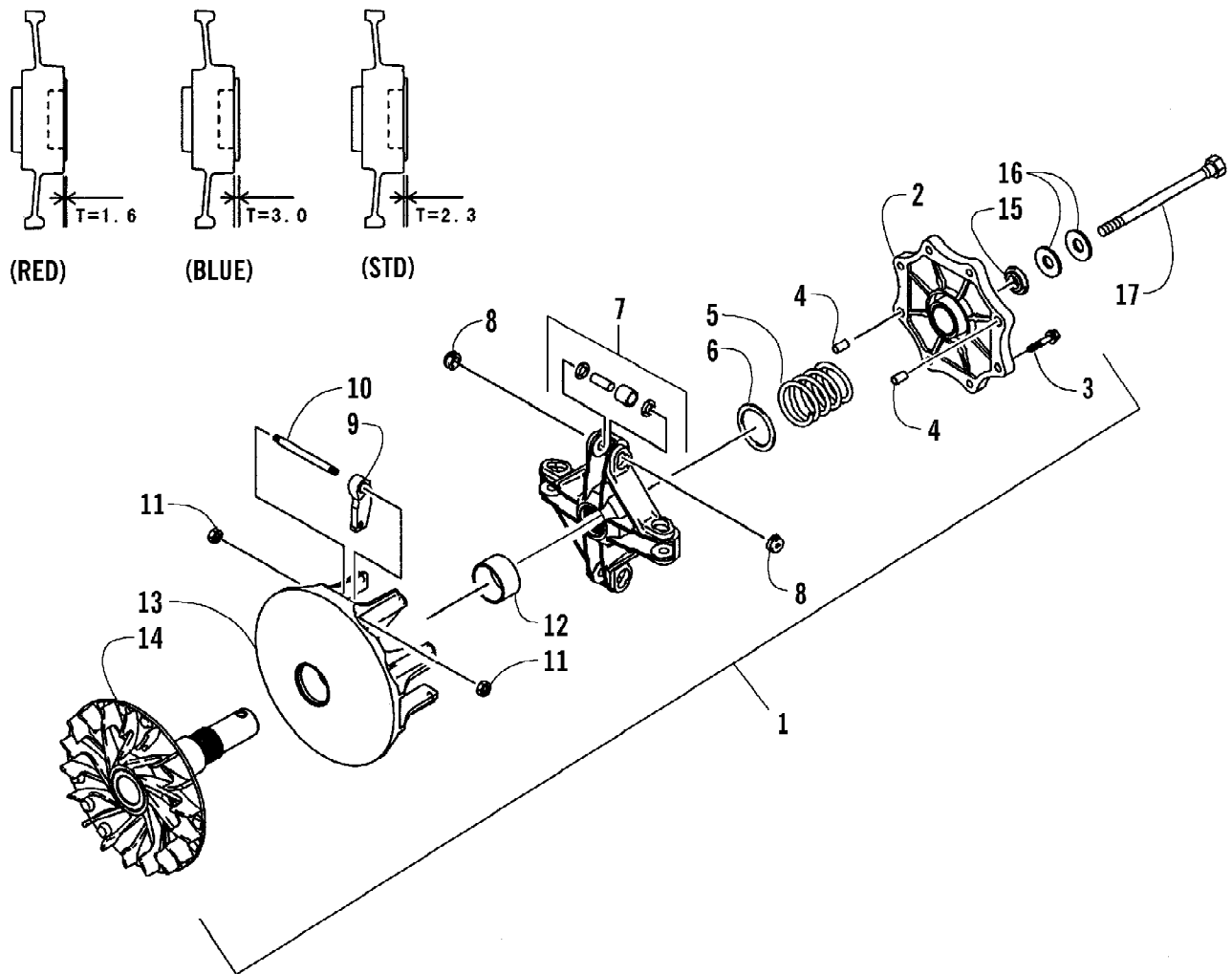
Ref #	Part Number	Qty	S/P/F	Description
1	3201-062	1		Cylinder, Engine - Front
1	3201-063	1		Cylinder, Engine - Rear
2	3201-146	2		Screw, Cap
3	3201-147	4		Screw, Cap
4	3201-281	2		Washer
5	3201-144	2		Screw, Cap
6	3201-307	4		Pin
7	3201-069	2		Gasket, Cylinder Base
8	3201-100	2		Piston, Engine
8	3201-104	AR	F	Piston, Engine (Oversized 0.50 mm)
9	3201-102	2		Ring, Set, Piston
9	3201-103	AR	F	Ring, Set, Piston (Oversized 0.50 mm)
10	3201-299	4		Ring, Snap
11	3201-101	2		Pin, Piston



2005 ATV 650 V-2 4X4 FIS RED LE CA (A2005IBR4BCAN)  
DECALS

Page 27 of 97

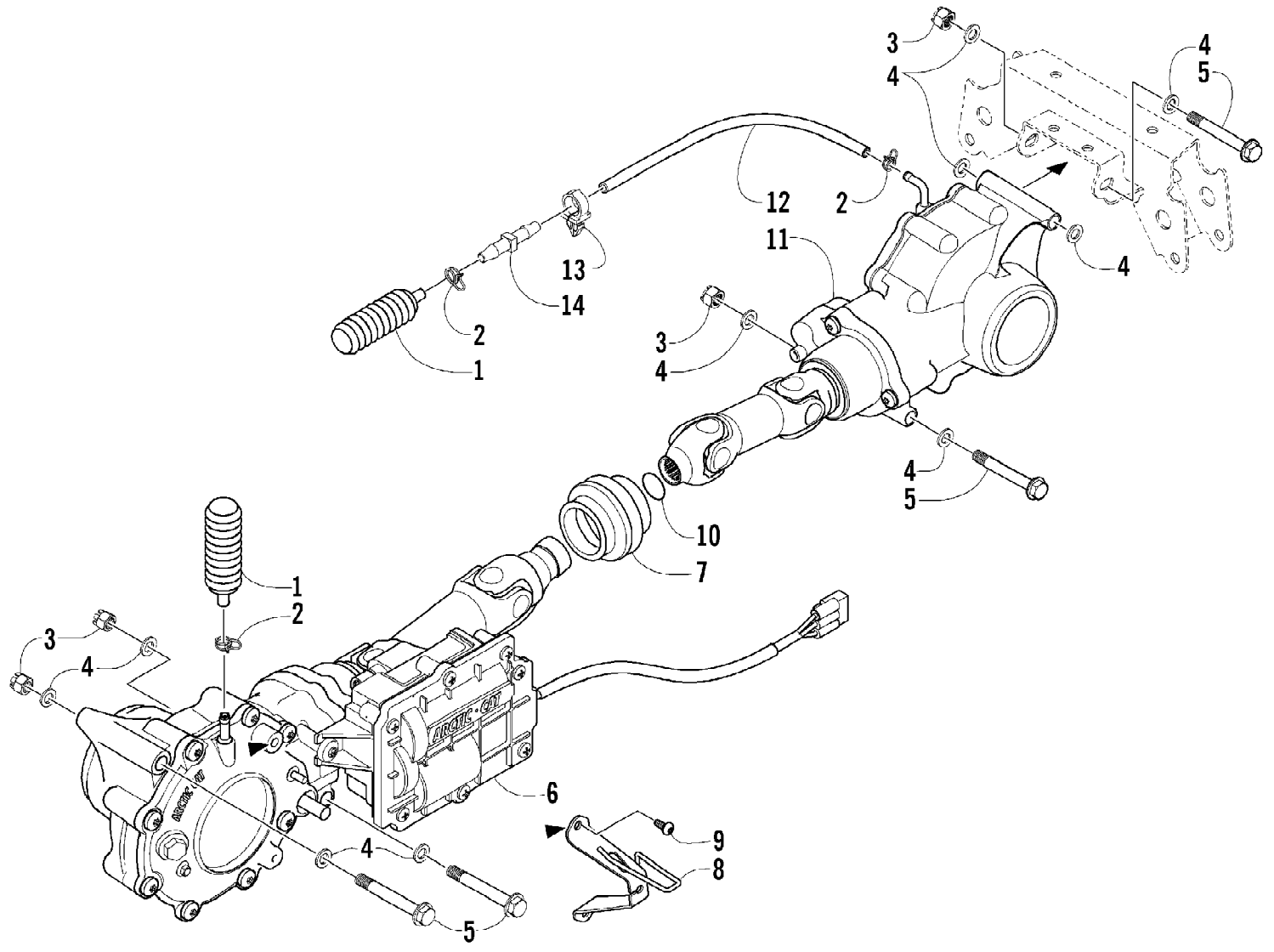
Ref #	Part Number	Qty	S/P/F	Description
1	0411-008	1	/P	Decal, Warning - Reverse/Pre-Ride
2	0411-835	1		Decal, Warning - Turn
3	0411-426	1		Decal, Warning - Clutch Cover
4	0411-850	1		Decal, Instrument Pod
5	0411-966	1		Decal, Warning - Differential Lock
6	0411-840	1		Decal, Front
7	0411-401	1		Decal, Warning - Age
8	0411-965	2		Decal, "SpeedRack"
9	0411-854	1		Decal, Side - Upper Right
9	0411-855	1		Decal, Side - Upper Left
10	0411-884	1		Decal, Side - Lower Right
10	0411-885	1		Decal, Side - Lower Left
11	0411-430	1		Decal, Warning - Tire Pressure
12	0411-435	1		Decal, Passenger
13	0411-890	1		Decal, Rear - Right
13	0411-891	1		Decal, Rear - Left
14	0411-267	1		Decal, Warning - Towing
15	0411-218	1		Decal, Warning - General
16	0411-964	1		Decal, Crest - "SpeedRack"



2005 ATV 650 V-2 4X4 FIS RED LE CA (A2005IBR4BCAN)  
DRIVE CLUTCH

Page 29 of 97

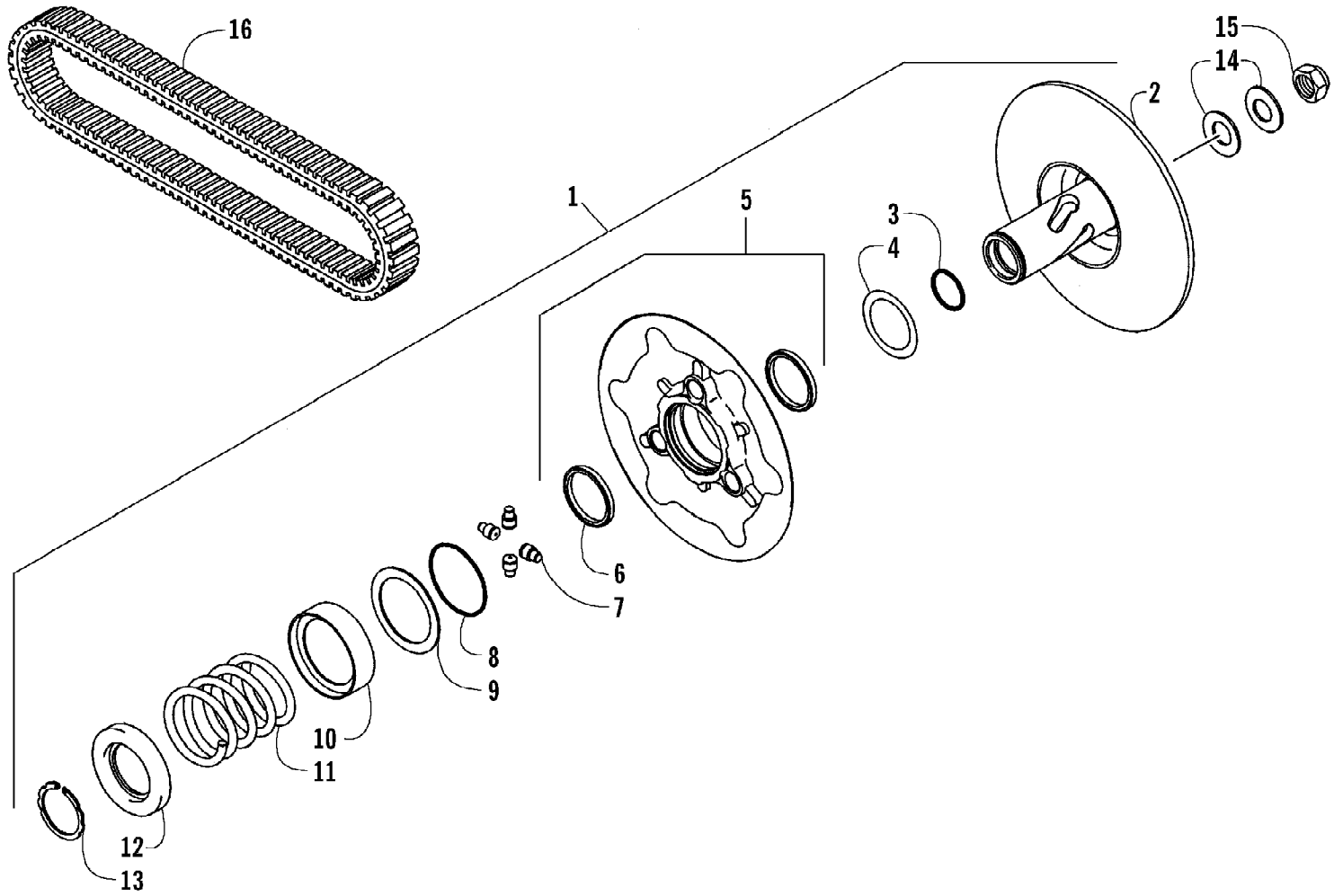
Ref #	Part Number	Qty	S/P/F	Description
1	3201-236	1	S	Clutch, Drive (inc. 2-14)
2	3201-164	AR	S	Cover Assembly - STD
2	3201-162	AR	F	Cover Assembly - Red
2	3201-163	AR	S/F	Cover Assembly - Blue
3	3201-112	8		Screw, Cap
4	3201-304	2		Pin
5	3201-360	1		Spring
6	3201-291	1		Spacer
7	3201-229	1		Spider Assembly
8	3201-222	8		Shoe - 7.4 mm
8	3201-220	AR		Shoe - 7.2 mm
8	3201-221	AR		Shoe - 7.3 mm
8	3201-223	AR		Shoe - 7.5 mm
8	3201-224	AR		Shoe - 7.6 mm
8	3201-225	AR		Shoe - 7.7 mm
8	3201-226	AR		Shoe - 7.8 mm
8	3201-227	AR		Shoe - 7.9 mm
8	3201-228	AR		Shoe - 8.0 mm
9	3201-203	4		Weight, Ramp
10	3201-306	4		Pin
11	3201-276	8		Nut, Lock
12	3201-296	1		Bushing
13	3201-245	1		Sheave, Movable
14	3201-248	1		Sheave, Stationary
15	3201-402	1		Washer
16	3201-399	2		Washer, Spring
17	3201-370	1		Bolt



2005 ATV 650 V-2 4X4 FIS RED LE CA (A2005IBR4BCAN)  
DRIVE TRAIN ASSEMBLY

Page 31 of 97

Ref #	Part Number	Qty	S/P/F	Description
1	0402-147	2	S	Bladder, Gearcase
2	0423-315	4		Clamp, Fitting
3	8428-002	4		Nut, Lock
4	0423-426	10		Washer
5	0423-404	4		Screw, Cap
6	0502-615	1		Gearcase, Front
7	0402-967	1	/P	Boot, Shaft
8	0502-500	1		Plate, Cable
9	0423-396	2		Screw, Self-Tapping
10	1402-203	1		O-Ring
11	0502-616	1		Gearcase, Rear
12	0410-049	AR		Hose, Vent
13	0623-101	1		Clip, Retaining
14	0470-462	1		Fitting, Vent

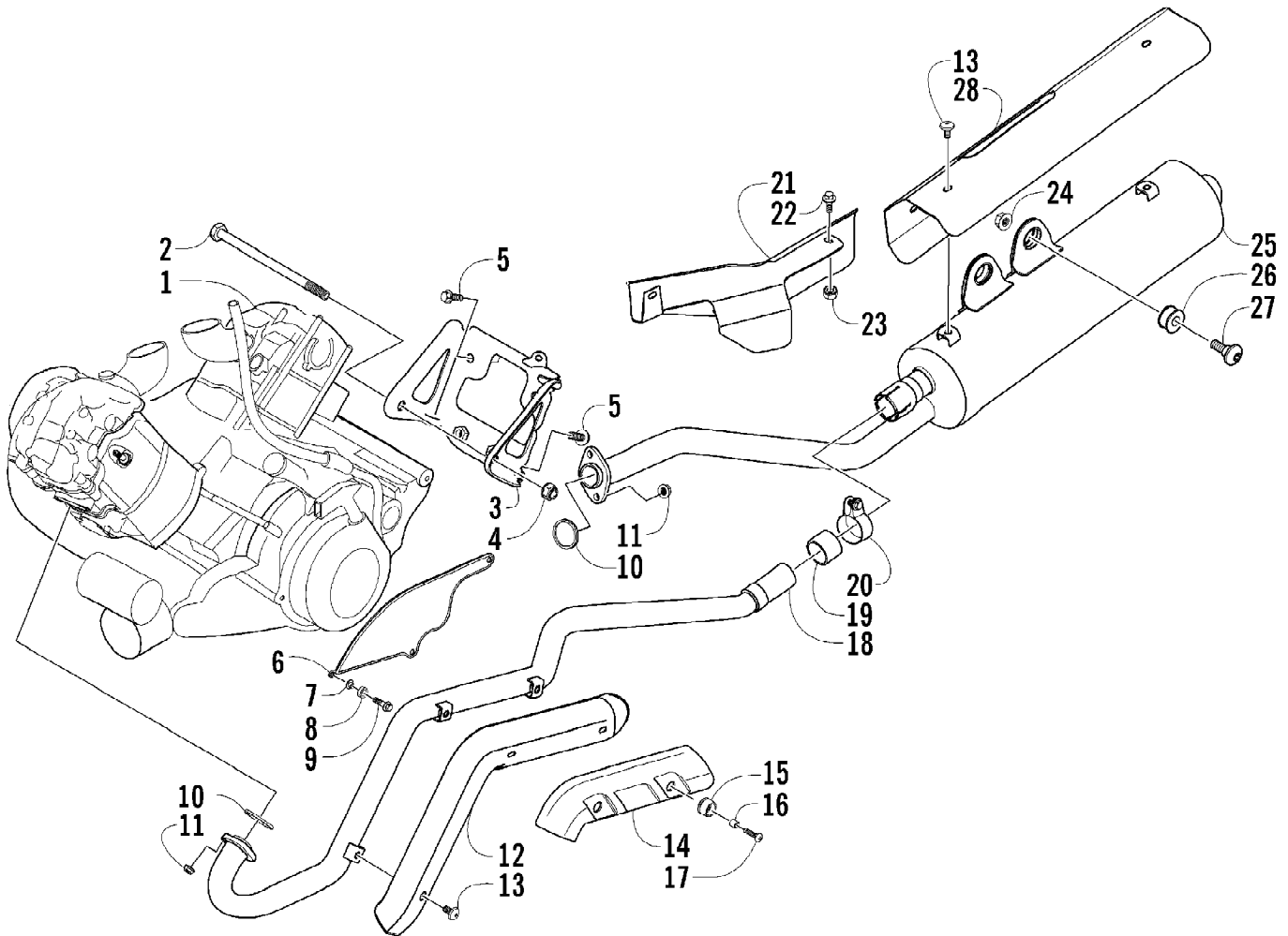




2005 ATV 650 V-2 4X4 FIS RED LE CA (A2005IBR4BCAN)  
DRIVEN CLUTCH

Page 33 of 97

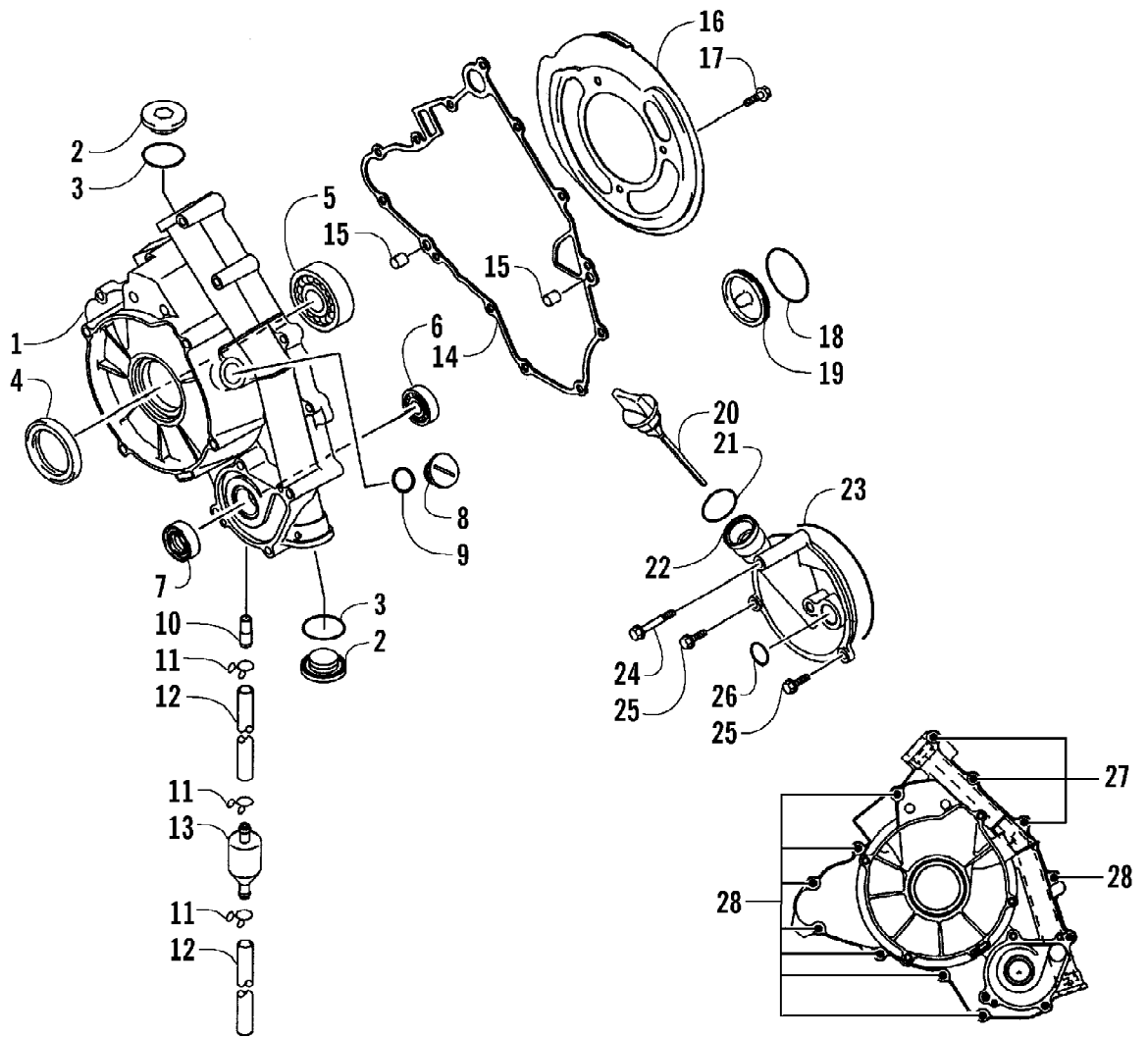
Ref #	Part Number	Qty	S/P/F	Description
1	3201-237	1		Clutch, Driven (inc. 2-13)
2	3201-246	1		Sheave, Stationary
3	3201-260	1		O-Ring
4	3201-284	1		Spacer - 1.00 mm
4	3201-282	AR		Spacer - 0.30 mm
4	3201-286	AR		Spacer - 0.60 mm
4	3201-287	AR		Spacer - 1.40 mm
4	3201-292	AR		Spacer - 0.80 mm
5	3201-247	1		Sheave, Movable (inc. 6)
6	3201-325	2		Seal, Oil
7	3201-358	4		Roller
8	3201-261	1		O-Ring
9	3201-232	1		Plate, Thrust
10	3201-171	1		Seat, Spring - Movable Sheave
11	3201-365	1		Spring - Yellow
12	3201-170	1		Seat, Spring
13	3201-300	1		Ring, Snap
14	3201-400	2		Washer
15	3201-404	1		Nut
16	3201-242	1	S	Belt



2005 ATV 650 V-2 4X4 FIS RED LE CA (A2005IBR4BCAN)  
ENGINE AND EXHAUST

Page 35 of 97

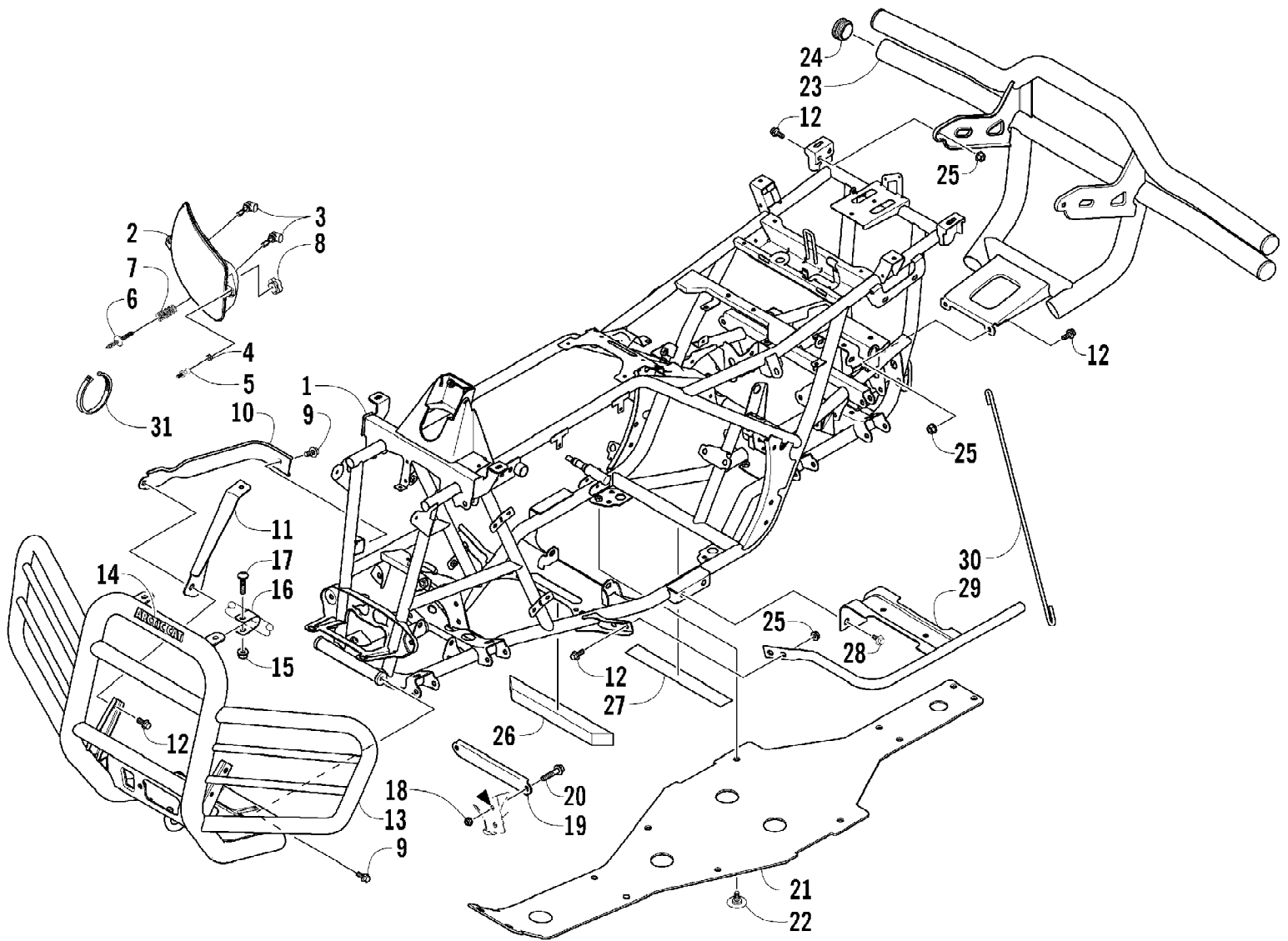
Ref #	Part Number	Qty	S/P/F	Description
1	0462-032	1		Engine
2	0423-479	2		Screw, Cap
3	1506-314	1		Bracket, Engine
4	8424-202	2		Nut
5	8409-020	4	/P	Screw, Cap
6	1506-420	1		Plate, Heat Guard
7	3201-016	3		Collar
8	3201-015	3		Damper
9	3201-017	3		Screw, Cap
10	3201-013	2		Gasket, Exhaust
11	3201-018	4		Nut
12	0412-239	1		Cover, Exhaust - Front
13	8477-610	5		Screw, Machine
14	1406-644	1	/P	Cover, Exhaust Pipe
15	0423-533	2		Grommet
16	0423-036	2		Collar
17	8477-616	2		Screw, Machine
18	0512-152	1		Pipe, Exhaust
19	0412-249	1		Seal, Exhaust
20	3201-043	1		Clamp
21	0412-240	1		Cover Exhaust - Rear
22	8476-616	3		Screw, Cap
23	0623-038	3		Nut w/Washer
24	8424-802	2		Nut, Lock
25	0512-155	1		Muffler
26	0412-253	2		Bushing, Muffler
27	0423-476	2		Screw, Shoulder
28	0412-241	1		Cover, Muffler



2005 ATV 650 V-2 4X4 FIS RED LE CA (A2005IBR4BCAN)  
ENGINE COVERS

Page 37 of 97

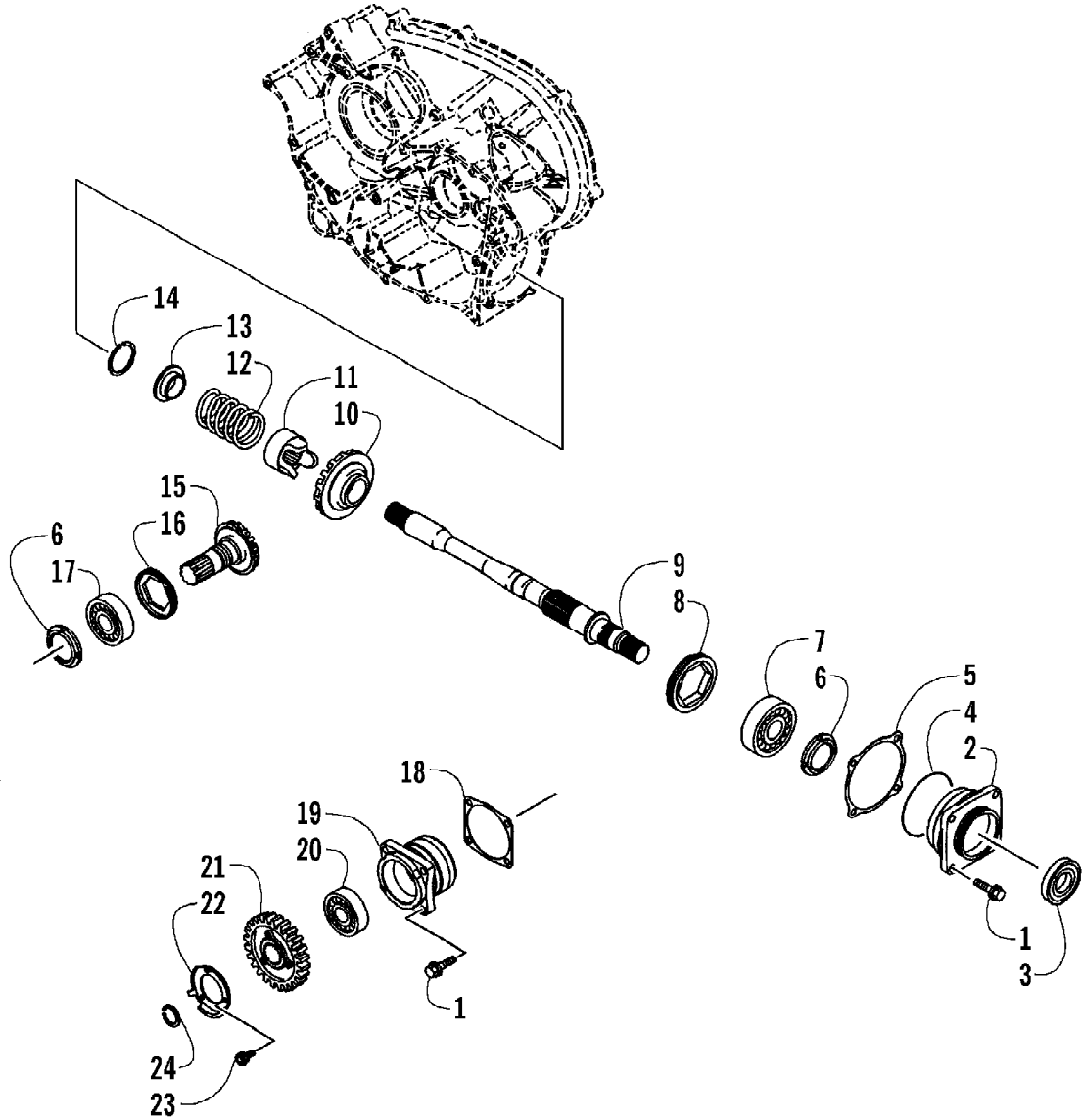
Ref #	Part Number	Qty	S/P/F	Description
1	3201-432	1		Cover, Magneto
2	3201-351	2		Plug
3	3201-332	2		O-Ring
4	3201-329	1		Seal, Oil
5	3201-313	1		Bearing
6	3201-311	1		Bearing
7	3201-323	1		Seal, Oil
8	3201-350	1		Plug, Cover
9	3201-333	1		O-Ring
10	3201-266	1		Fitting
11	3201-052	3		Clamp, Hose
12	3201-051	2		Hose
13	3201-050	1		Breather
14	3201-072	1		Gasket
15	3201-304	2		Pin
16	3201-168	1		Cover, Drive
17	3201-144	3		Screw, Cap
18	3201-028	1	/P	O-Ring
19	3201-074	1		Cap
20	3201-175	1		Cap, Oil Filler
21	3201-344	1		O-Ring
22	3201-166	1		Cover
23	3201-341	1		O-Ring
24	3201-149	1		Screw, Cap
25	3201-036	2		Screw, Cap
26	3201-258	1		O-Ring
27	3201-148	3		Screw, Cap
28	3201-146	8		Screw, Cap



2005 ATV 650 V-2 4X4 FIS RED LE CA (A2005IBR4BCAN)  
FRAME AND RELATED PARTS

Page 39 of 97

Ref #	Part Number	Qty	S/P/F	Description
1	1506-437	1	S	Frame, Main
2	0509-016	1		Headlight Assembly - Right (inc. 3-4)
2	0509-018	1		Headlight Assembly - Left (inc. 3-4)
3	0409-055	4		Bulb, Headlight
4	0423-452	4		Socket, Mounting
5	0423-515	4		Stud, Mounting - Headlight
6	0423-514	2		Stud, Adjuster - Headlight
7	0423-522	2		Spring, Adjuster
8	0423-513	2		Knob, Adjuster
9	8409-020	4	/P	Screw, Cap
10	0506-653	1	S	Channel, Bumper Mounting - Left
10	1506-596	1	/P	Channel, Bumper Mounting - Right
11	1506-562	1		Bracket, Mounting - Bumper - Right
11	1506-563	1		Bracket, Mounting - Bumper - Left
12	8408-816	10		Screw, Cap
13	1506-666	1	S	Bumper (inc. 14)
14	0411-501	1		Decal, "Arctic Cat"
15	8424-805	2		Nut, Lock
16	1506-667	2		Strap, Bumper Support
17	8468-845	2		Screw, Machine
18	8428-002	2		Nut, Lock
19	1506-429	1	S	Brace, A-Arm
20	8409-025	2		Screw, Cap
21	1406-425	1		Panel, Belly
22	0423-101	16		Screw, Body
23	1506-615	1		Bumper, Rear (inc. 24)
24	0406-130	4		Cap, Bumper
25	8424-802	8		Nut, Flange
26	1506-067	1		Foam, Frame
27	0406-289	1		Pad, Frame - Battery Top
28	8409-016	4		Screw, Cap
29	1506-380	1		Footrest - Right
29	1506-379	1		Footrest - Left
30	1406-298	2		Rod, Support
31	0623-751	1		Cable Tie

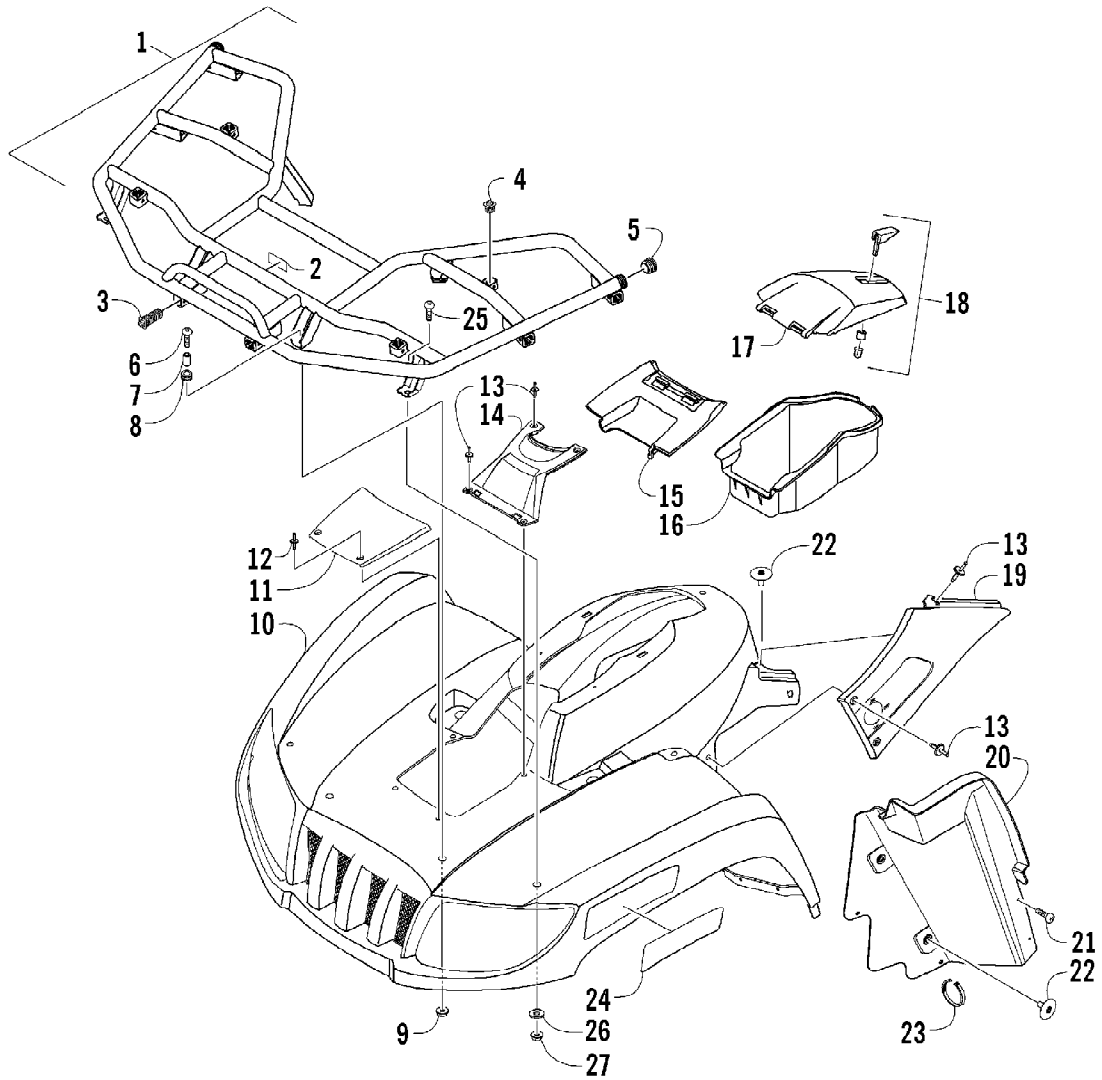




2005 ATV 650 V-2 4X4 FIS RED LE CA (A2005IBR4BCAN)  
FRONT BEVEL GEAR

Page 41 of 97

Ref #	Part Number	Qty	S/P/F	Description
1	3201-373	8		Bolt
2	3201-208	1		Housing, Bearing
3	3201-326	1		Seal, Oil
4	3201-262	1		O-Ring
5	3201-384	1		Shim, Driven - 0.15 mm
5	3201-385	1		Shim, Driven - 0.20 mm
5	3201-386	1		Shim, Driven - 0.50 mm
5	3201-387	1		Shim, Driven - 0.80 mm
5	3201-392	1		Shim, Driven - 1.00 mm
5	3201-393	1		Shim, Driven - 1.20 mm
6	3201-403	2		Nut
7	3201-309	1		Bearing
8	3201-268	1		Screw
9	3201-113	1		Shaft
10	3201-218	1		Gear, Driven Bevel - 20T
11	3201-107	1		Cam, Damper
12	3201-362	1		Spring
13	3201-139	1		Holder
14	3201-301	1		Ring, Snap
15	3201-217	1		Gear, Drive Bevel - 12T
16	3201-269	1		Screw
17	3201-253	1		Bearing,
18	3201-388	1		Shim, Drive - 0.15 mm
18	3201-389	1		Shim, Drive - 0.20 mm
18	3201-390	1		Shim, Drive - 0.50 mm
18	3201-391	1		Shim, Drive - 0.80 mm
18	3201-394	1		Shim, Drive - 1.00 mm
18	3201-395	1		Shim, Drive - 1.20 mm
19	3201-207	1		Housing
20	3201-310	1		Bearing
21	3201-136	1		Gear, Output - 29T
22	3201-184	1		Rotor, Reverse Sensor
23	3201-094	3		Bolt
24	3201-212	1		Circlip

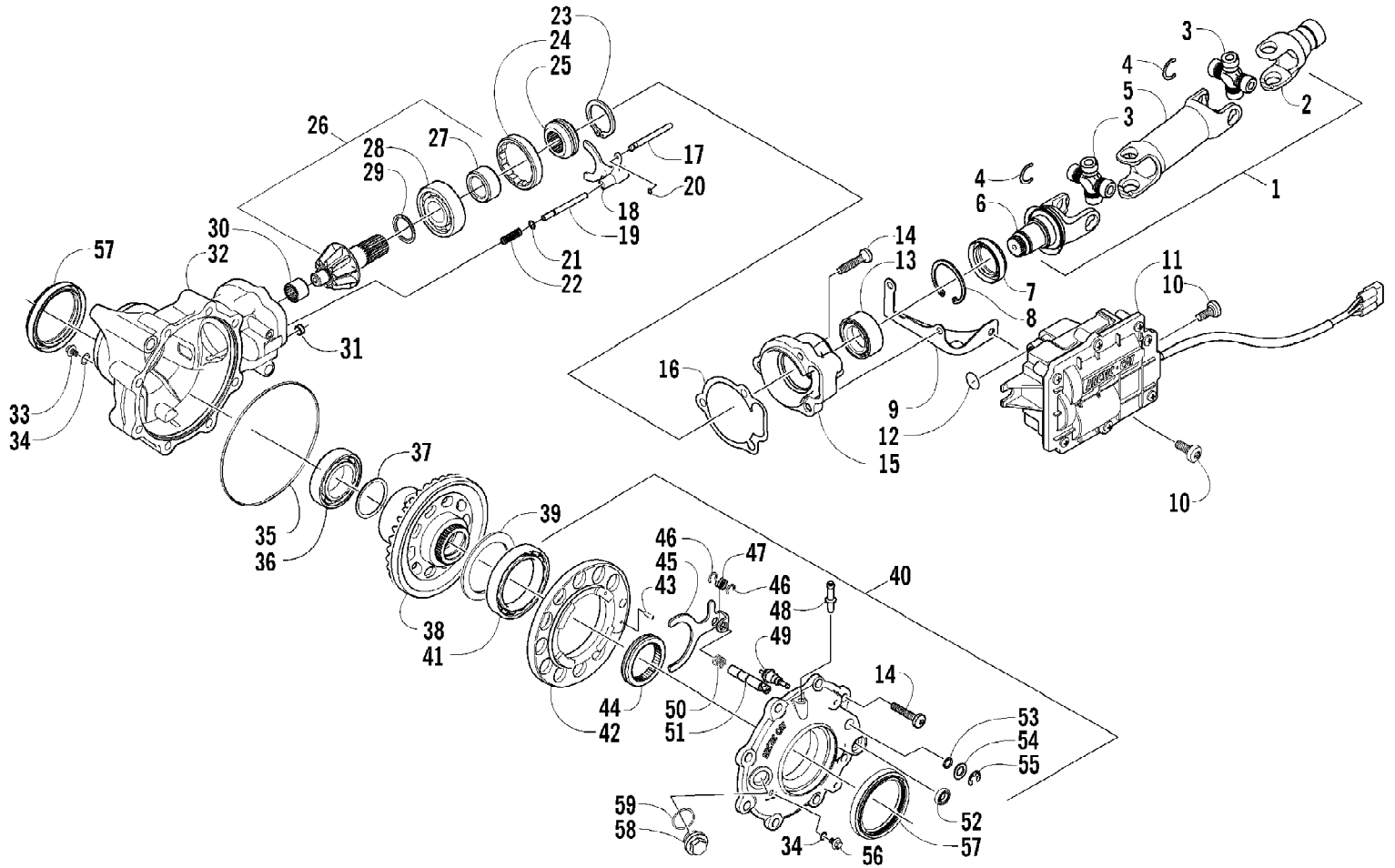


2005 ATV 650 V-2 4X4 FIS RED LE CA (A2005IBR4BCAN)  
FRONT BODY PANEL ASSEMBLY

Page 43 of 97

Ref #	Part Number	Qty	S/P/F	Description
1	0541-272	1		Rack - Front - Assembly (inc. 2-5)
2	0411-576	1		Decal, Warning - Front Rack Load
3	0441-556	6		Bushing, Rack
4	0441-592	4	/P	Bushing, Rack
5	1441-049	2		Plug, Rack
6	0423-362	4		Screw, Machine
7	0423-463	4		Spacer
8	0423-465	4		Grommet
9	8432-802	4		Nut, Lock
10	1406-609	1	S	Panel, Fender - Front
11	1406-358	1		Cover, Access - Radiator
12	0423-535	2		Rivet, Reinstallable
13	0623-362	10		Rivet, Reinstallable
14	1406-484	1		Cover, Steering Post
15	0470-513	1		Cover, Storage Box
16	1406-573	1		Box, Storage
17	0470-514	1		Lid, Storage Box
18	1406-599	1		Latch, Storage Box
19	1406-313	1		Panel, Side - Right
19	1406-314	1		Panel, Side - Left
20	1406-354	1		Panel, Splash - Right
20	1406-355	1	S	Panel, Splash - Left
21	0423-342	4	/P	Screw, Self-Tapping
22	0423-101	5		Screw, Body
23	0123-788	AR	/P	Cable Tie - 7.5 in.
24	0411-818	1		Decal, Reflector - Amber - Right
24	0411-819	1		Decal, Reflector - Amber - Left
25	0423-355	2		Screw, Shoulder
26	8050-222	2	/P	Washer
27	8424-602	2	/P	Nut, Lock

2005 ATV 650 V-2 4X4 FIS RED LE CA (A20051BR4BCAN)  
FRONT DRIVE GEARCASE ASSEMBLY



2005 ATV 650 V-2 4X4 FIS RED LE CA (A2005IBR4BCAN)  
FRONT DRIVE GEARCASE ASSEMBLY

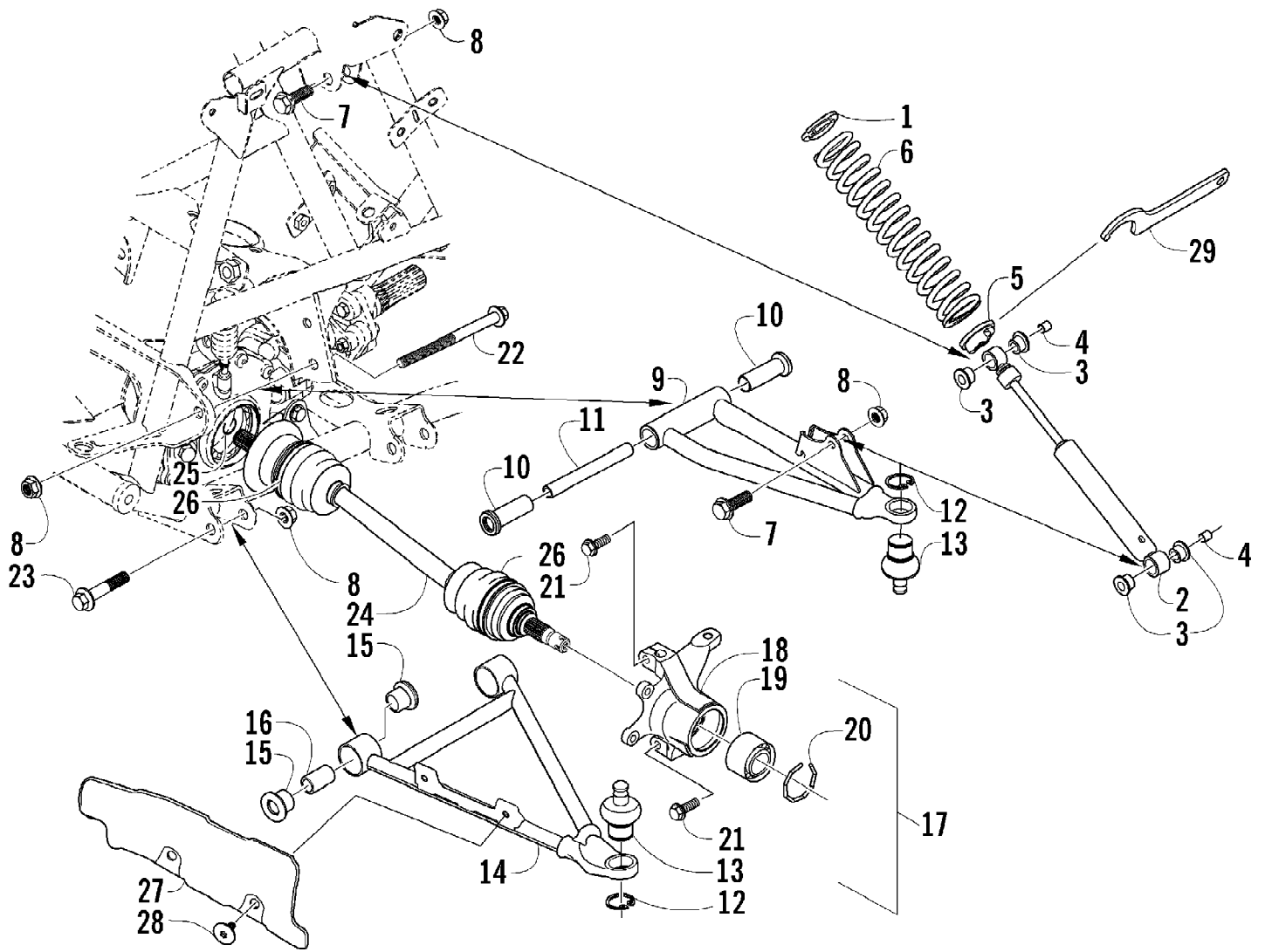
Page 45 of 97

Ref #	Part Number	Qty	S/P/F	Description
	0502-615	1		Gearcase Assembly
1	0502-381	1		Driveshaft Assembly (inc. 2-6)
2	0502-521	1		Yoke, Front
3	1402-164	2	/P	Joint, Universal (inc. 4)
4	0423-450	8		Ring, Retaining
5	0502-524	1		Driveshaft
6	0502-517	1		Yoke, Front Slip
7	1402-011	1		Seal
8	0423-423	1		Ring, Retaining
9	0502-347	1		Bracket, Actuator
10	0423-396	3		Screw, Self-Tapping
11	0502-579	1		Actuator (inc. 12)
12	0423-498	1	S	O-Ring
13	1402-043	1		Bearing
14	0423-118	11		Screw, Self-Tapping
15	0502-528	1	/P	Housing, Pinion
16	0402-947	1		Gasket, Flange
17	0402-997	1		Shaft, Selector
18	0402-998	1		Fork, Selector
19	0402-417	1		Shaft, Shuttle
20	0423-402	1		Ring, Retaining
21	0423-147	1		O-Ring
22	0402-999	1		Spring, Return
23	0423-417	1		Ring, Retaining
24	0402-357	1		Collar, Lock
25	0402-413	1		Coupler, Drive
26	0502-123	1		Gear, Pinion - Assembly - 10T (inc. 27-29)
27	0402-336	1		Collar, Retaining
28	0402-327	1		Bearing
29	0402-424	AR		Shim
29	0402-425	AR		Shim
29	0402-426	AR		Shim
29	0402-427	AR		Shim
29	0402-428	AR		Shim
30	0402-328	1		Bearing
31	0402-411	1		Pin, Dowel
32	0502-514	1		Housing, Gearcase
33	1402-210	1	/P	Plug, Magnetic (inc. one No. 34)
34	0423-153	2		O-Ring
35	0423-149	1		O-Ring
36	0402-393	1		Bearing
37	0402-405	AR		Shim
37	0402-406	AR		Shim
37	0402-407	AR		Shim
37	0402-408	AR		Shim
37	0402-409	AR		Shim
38	0502-411	1		Gear, Ring - 36T
39	1402-074	AR		Shim
39	1402-075	AR		Shim
39	1402-076	AR		Shim
39	1402-077	AR		Shim
39	1402-078	AR		Shim

2005 ATV 650 V-2 4X4 FIS RED LE CA (A2005IBR4BCAN)  
FRONT DRIVE GEARCASE ASSEMBLY

Page 46 of 97

Ref #	Part Number	Qty	S/P/F	Description
40	0502-434	1		Cover, Gearcase (inc. one No. 34, 41-56, and one No. 57)
41	1402-053	1		Bearing
42	0502-413	1		Flange, Bearing
43	1402-079	1		Pin, Parallel
44	1402-042	1		Collar, Sliding
45	1402-054	1		Fork
46	1402-058	2		Ring, Retaining
47	1402-057	1		Spring
48	1402-104	1		Fitting
49	0402-419	1		Switch, Indicator
50	1402-063	1		Spring
51	1402-055	1		Shaft, Lock
52	1402-056	1		Seal
53	0423-133	1		O-Ring
54	0423-132	1		Washer
55	0423-424	1		Ring, Retaining
56	1402-211	1		Plug, Oil Level (inc. one No. 34)
57	0402-394	2	S	Seal
58	0402-333	1	/P	Plug, Fill (inc. 59)
59	0423-154	1		O-Ring

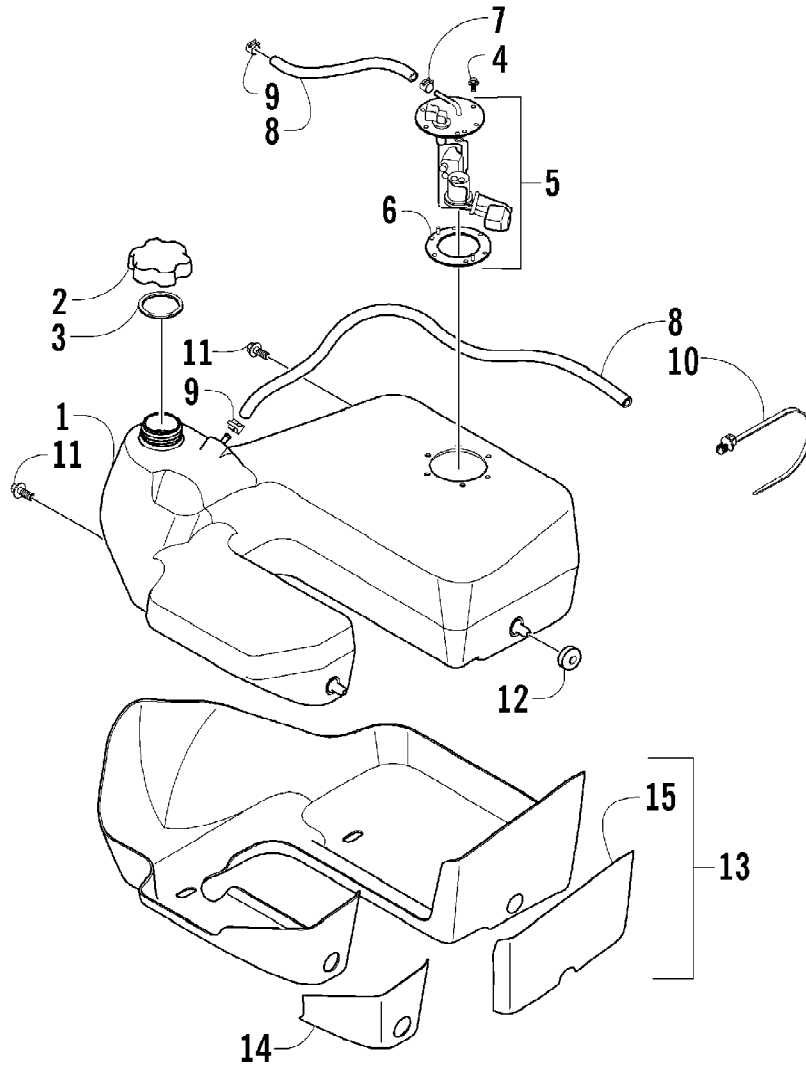


2005 ATV 650 V-2 4X4 FIS RED LE CA (A2005IBR4BCAN)  
FRONT SUSPENSION ASSEMBLY

Page 48 of 97

Ref #	Part Number	Qty	S/P/F	Description
1	1603-889	2	/P	Retainer, Spring
2	0403-127	2		Shock Absorber - Front (inc. 3-4)
3	0604-310	8		Bushing, Shock Absorber
4	0403-028	4		Sleeve, Shock
5	0403-102	2		Cam, Spring Adjuster
6	0403-129	2	S	Spring, Shock Absorber
7	8409-040	4		Screw, Cap
8	8428-002	10		Nut, Lock
9	0503-272	1	S	A-Arm, Upper Right (inc. 10-13)
9	0503-273	1	S	A-Arm, Upper Left (inc. 10-13)
10	0403-081	4	S	Bushing
11	0403-080	2		Collar
12	0423-009	4	/P	Clip, Ball Joint
13	0405-115	4	/P	Ball Joint - Front
14	0503-268	1	/P	A-Arm, Lower Right (inc. 12-13 and 15-16)
14	0503-269	1		A-Arm, Lower Left (inc. 12-13 and 15-16)
15	0403-115	8	S	Bushing
16	0403-114	4	S	Collar
17	0505-446	1	/P	Knuckle - Assembly - Right (inc. 18-20)
17	0505-447	1	/P	Knuckle - Assembly - Left (inc. 18-20)
18	0	1		Knuckle, Steering - Right Not a Service Part
18	0	1		Knuckle, Steering - Left Not a Service Part
19	1402-027	2	S/P	Bearing, Wheel Hub
20	0423-423	2		Ring, Retaining
21	8409-030	4		Screw, Cap
22	0423-334	2		Screw, Cap
23	8409-075	4		Screw, Cap
24	0502-542	1		Axle, Drive - Front - Right (inc. 25-26)
24	0502-547	1		Axle, Drive - Front - Left (inc. 25-26)
25	0441-400	2	S	Clip, Retaining
26	0436-276	2	S	Repair Kit, Boot - Front Axle
27	0441-752	1		Guard, Boot - Axle - Right
27	0441-753	1		Guard, Boot - Axle - Left
28	0423-101	4		Screw, Body
29	0441-587	1		Wrench, Spanner

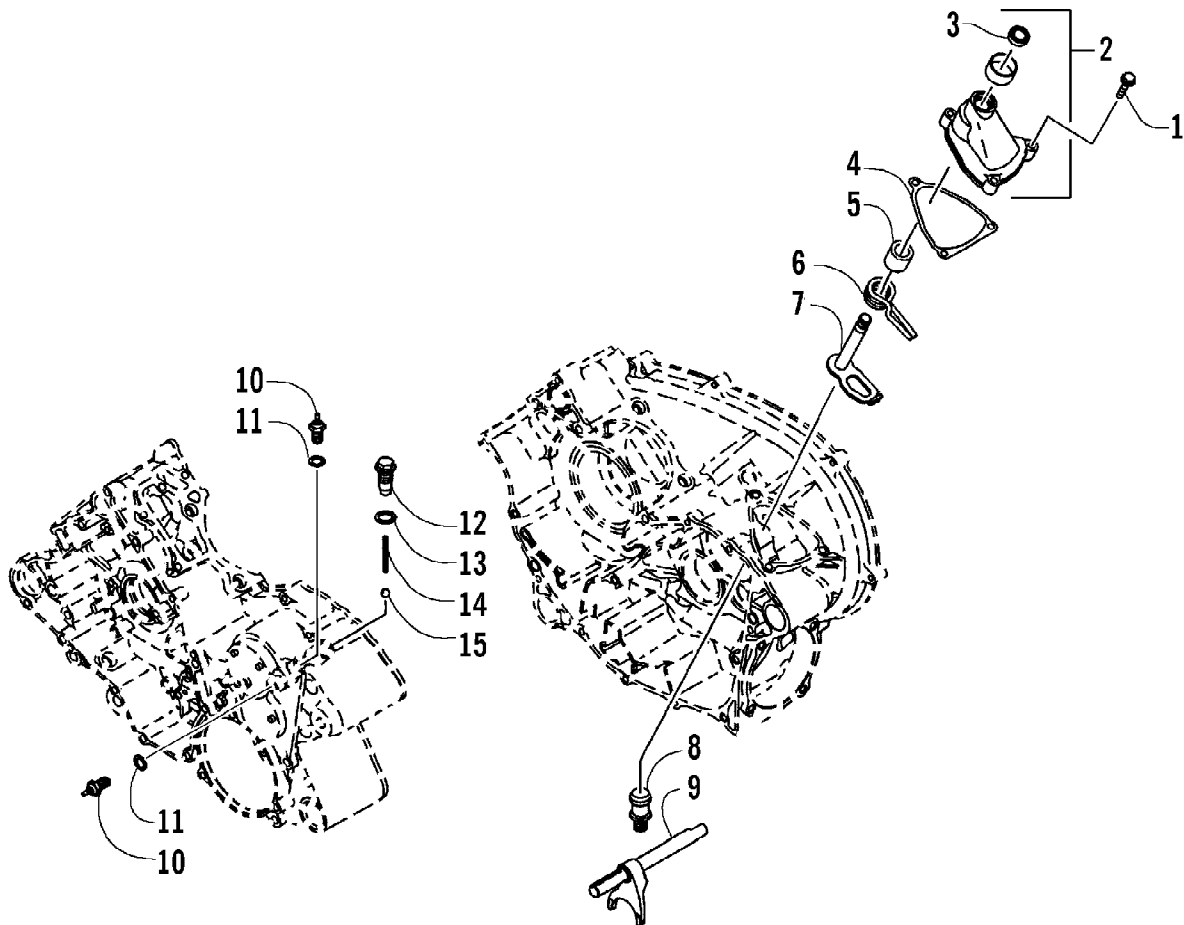




2005 ATV 650 V-2 4X4 FIS RED LE CA (A2005IBR4BCAN)  
 GAS TANK ASSEMBLY

Page 50 of 97

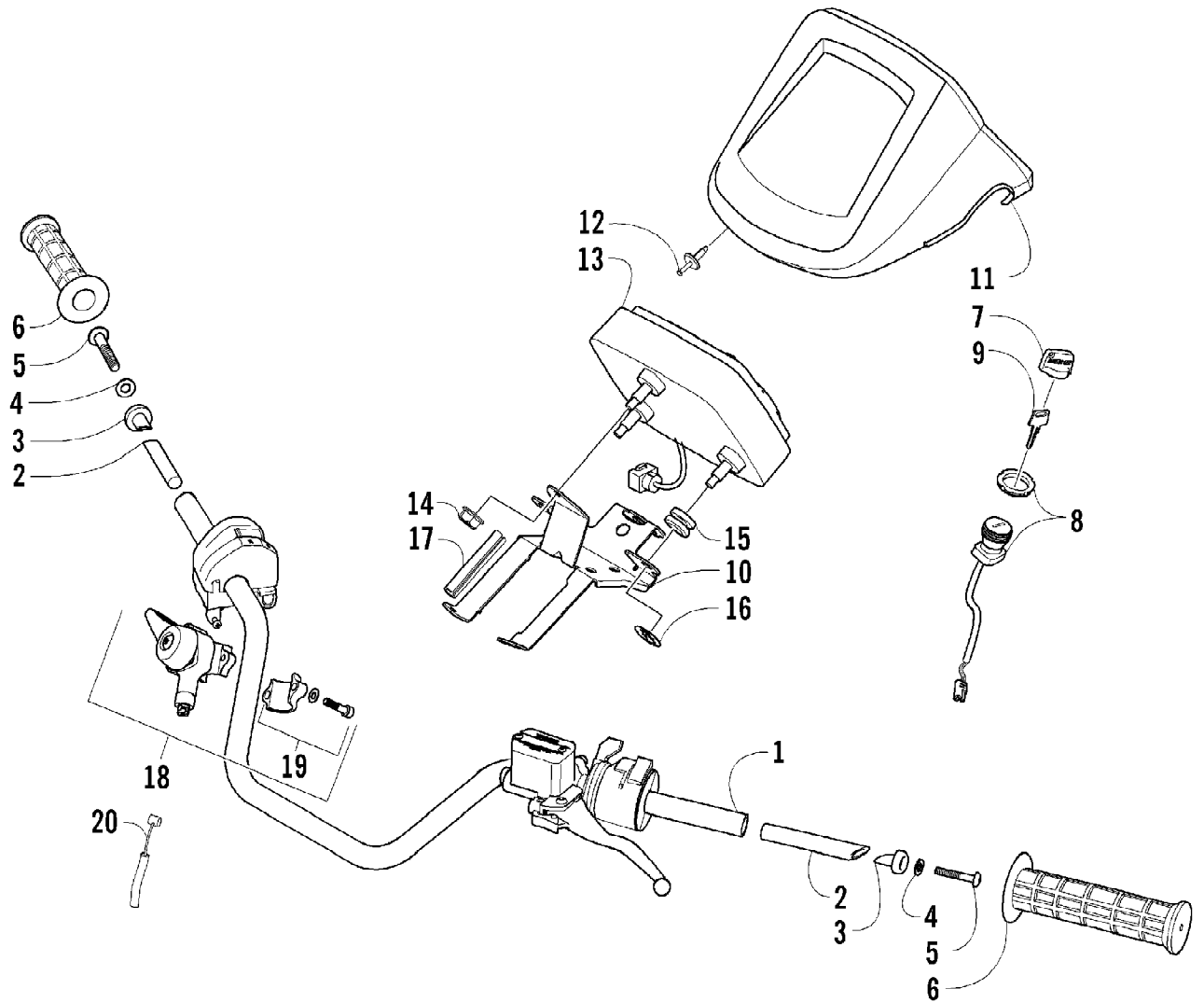
Ref #	Part Number	Qty	S/P/F	Description
1	0570-090	1	S	Tank, Gas - Assembly (inc. 2-4 and 6)
2	0470-438	1	/P	Cap, Gas Tank (inc. 3)
3	0109-733	1	/P	Gasket, Tank Cap
4	3201-008	6		Screw, Cap
5	3201-434	1	/P	Pump, Fuel (inc. 6)
6	3201-009	1		Damper, Fuel Pump
7	1623-233	1		Clamp, Hose
8	0410-070	AR	/P	Hose, Gasline - 25 ft
9	0423-461	2	S	Clamp, Hose
10	0423-075	1		Cable Tie - Push-Mount
11	8408-816	2		Screw, Cap
12	0423-460	2		Grommet
13	0570-081	1		Shield, Gas Tank (inc. 14-15)
14	0470-498	1		Shield, Heat
15	0470-499	1		Shield, Heat



2005 ATV 650 V-2 4X4 FIS RED LE CA (A2005IBR4BCAN)  
GEAR SHIFTING ASSEMBLY

Page 52 of 97

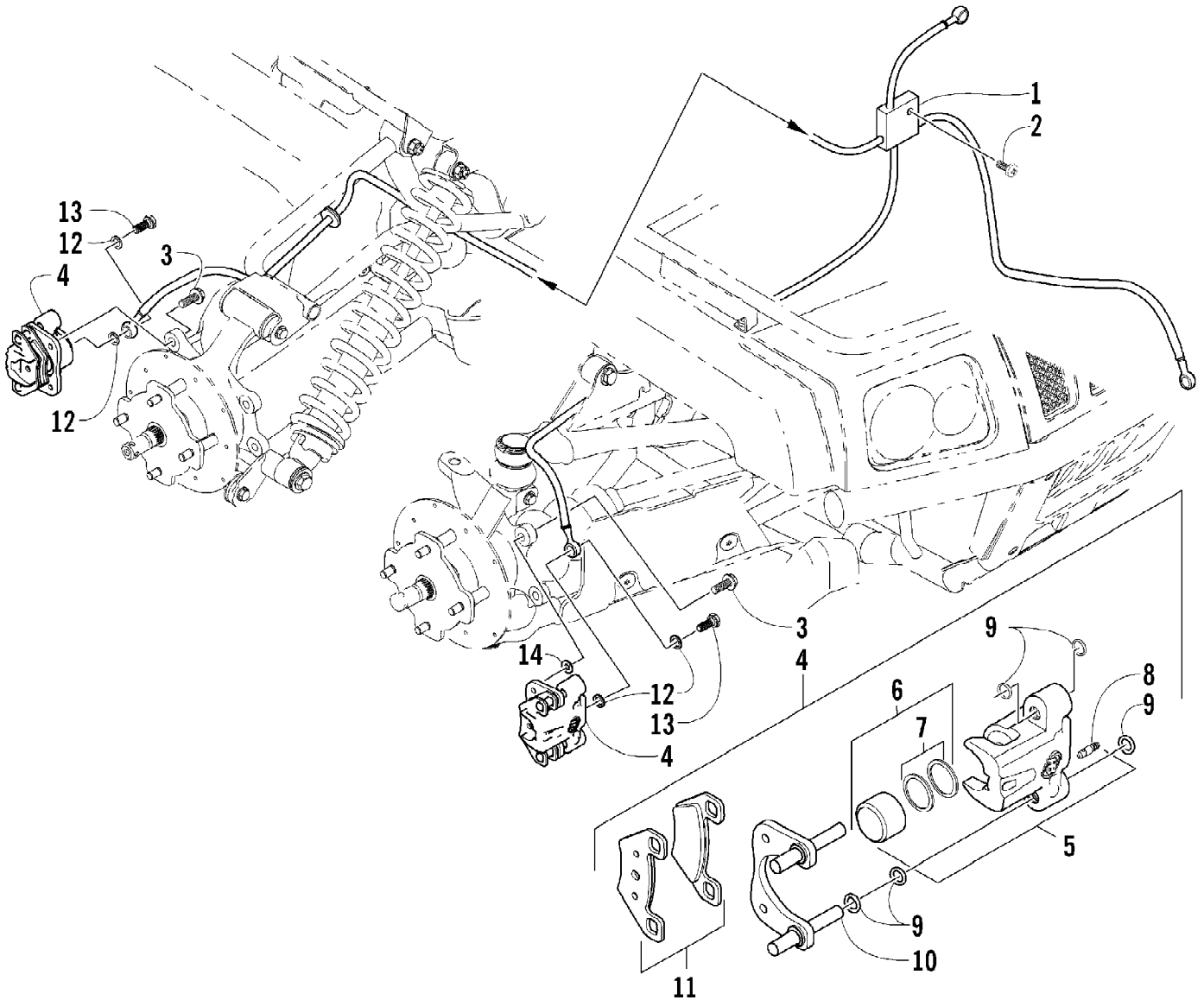
Ref #	Part Number	Qty	S/P/F	Description
1	3201-146	3		Screw, Cap
2	3201-160	1		Cover, Shift Lever - Assembly (inc. 3)
3	3201-447	1		Seal, Oil
4	3201-067	1		Gasket, Shift Lever Cover
5	3201-109	1		Guide
6	3201-363	1		Spring, Shift Lever
7	3201-124	1	S	Lever, Shift
8	3201-375	1		Bolt, Shift Rod
9	3201-219	1		Rod, Shift
10	3201-121	2		Switch, Neutral - Assembly
11	3201-348	2		Gasket
12	3201-372	1		Bolt
13	3201-066	1		Gasket, Rocker Shaft
14	3201-361	1		Spring
15	3201-249	1		Ball, Steel



2005 ATV 650 V-2 4X4 FIS RED LE CA (A2005IBR4BCAN)  
HANDLEBAR ASSEMBLY

Page 54 of 97

Ref #	Part Number	Qty	S/P/F	Description
1	0505-448	1		Tube, Handlebar
2	0405-148	2		Plug, Handlebar
3	0405-149	2		End Cap, Handlebar
4	8050-247	2	/P	Washer
5	8477-845	2		Screw, Machine
6	0405-147	2		Grip, Handlebar
7	0409-013	1		Cover, Key
8	0430-036	1		Switch, Ignition - Assembly (inc. 9)
9	3409-007	1	/P	Key, Ignition - Blank (C Series)
9	3409-011	1		Key, Ignition - Blank (D Series)
9	3409-012	1		Key, Ignition - Blank (E Series)
9	3409-013	1		Key, Ignition - Blank (F Series)
10	1506-428	1		Bracket, Mounting - Instrument Pod
11	0405-142	1		Instrument Pod
12	0623-362	2		Rivet, Reinstallable
13	0420-048	1		Gauge, Digital
14	8424-502	1		Nut, Flange
15	0423-447	3		Grommet
16	0624-466	2		Retainer, Push-On
17	0706-371	AR	/P	Trim
18	0502-527	1		Control, Differential Lock (inc. 19)
19	0502-613	1		Clamp, Differential Lock Control - Kit
20	0487-030	1	S	Cable, Differential Lock

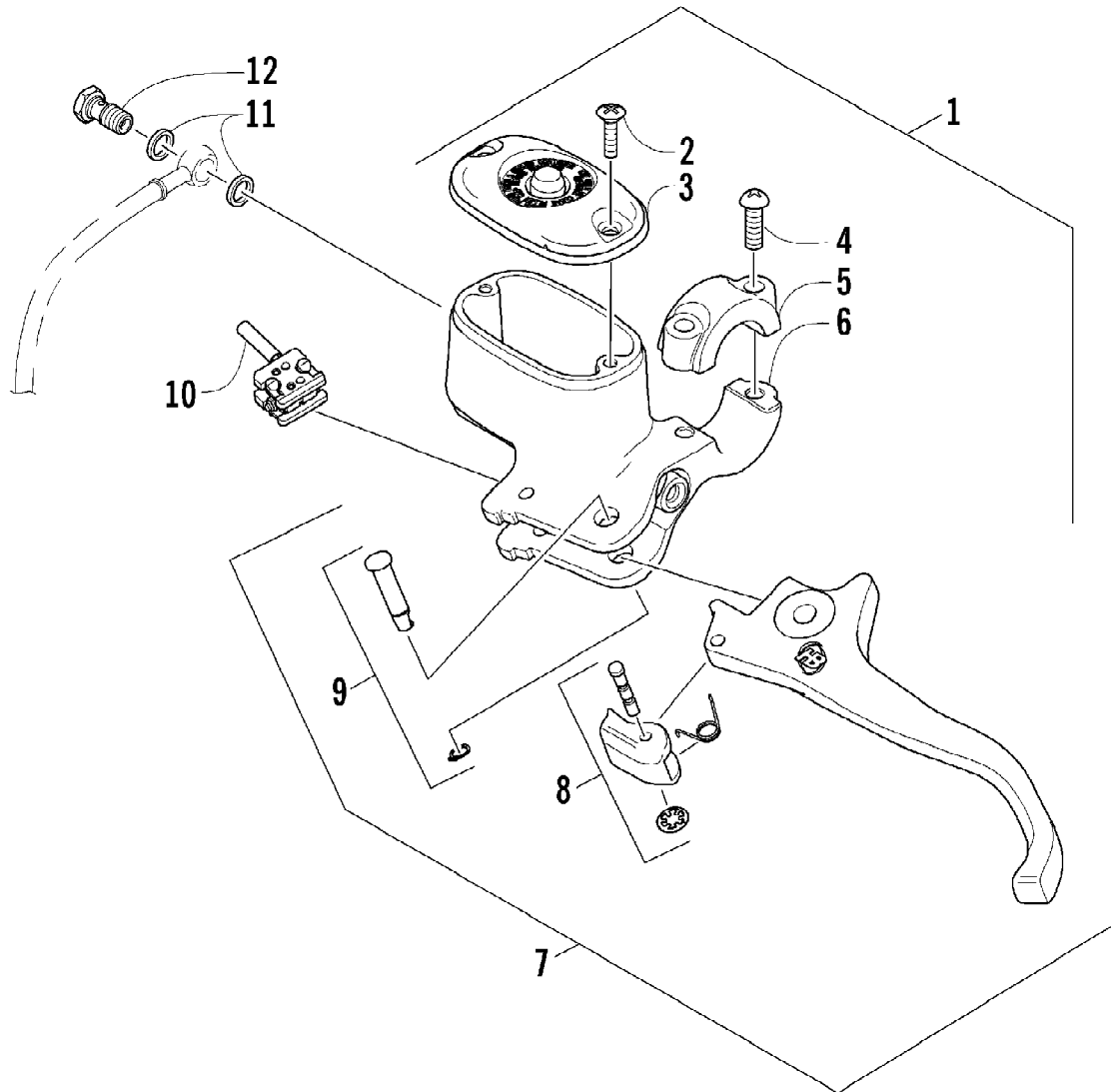


2005 ATV 650 V-2 4X4 FIS RED LE CA (A2005IBR4BCAN)  
HYDRAULIC BRAKE ASSEMBLY

Page 56 of 97

Ref #	Part Number	Qty	S/P/F	Description
1	0502-627	1		Hose, Brake - Assembly
2	8476-625	1		Screw, Cap
3	8408-820	6	/P	Screw, Cap
4	0502-602	1	S	Caliper, Brake - Right Front (inc. 5-11)
4	0502-610	2	S	Caliper, Brake - Left Front and Right Rear (inc. 5-11)
5	0502-603	1	S	Housing, Caliper - Assembly - Right Front (inc. 6-8)
5	0502-611	2	S	Housing, Caliper - Assembly - Left Front and Right Rear (inc. 6-8)
6	0502-606	3		Piston/Seal Set (inc. 7)
7	0502-607	3		Seal Set
8	0502-609	3	/P	Valve, Bleed
9	0502-608	3		O-Ring, Guide - Set
10	0502-605	3		Bracket Assembly
11	0502-604	3	S	Pad, Brake - Set
12	0423-178	6		Washer, Crush
13	0423-413	3		Bolt, Banjo Fitting
14	0423-562	4		Spacer

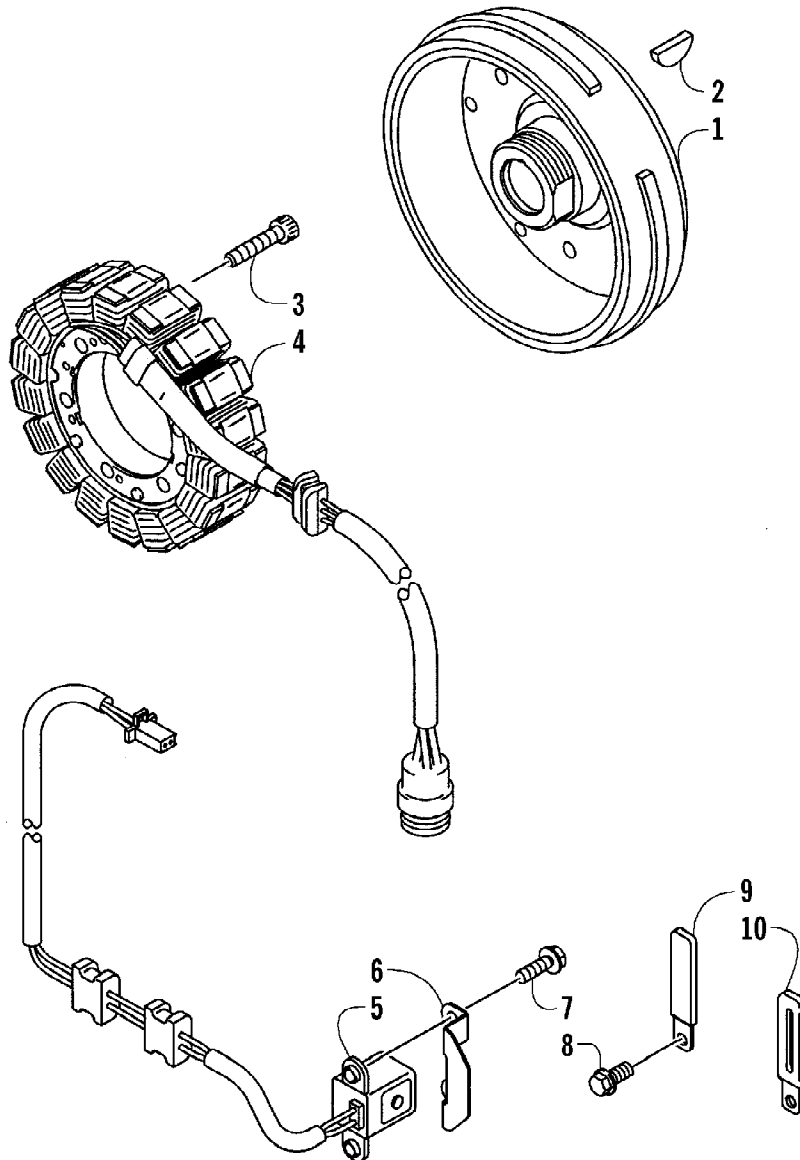




2005 ATV 650 V-2 4X4 FIS RED LE CA (A2005IBR4BCAN)  
HYDRAULIC HAND BRAKE ASSEMBLY

Page 58 of 97

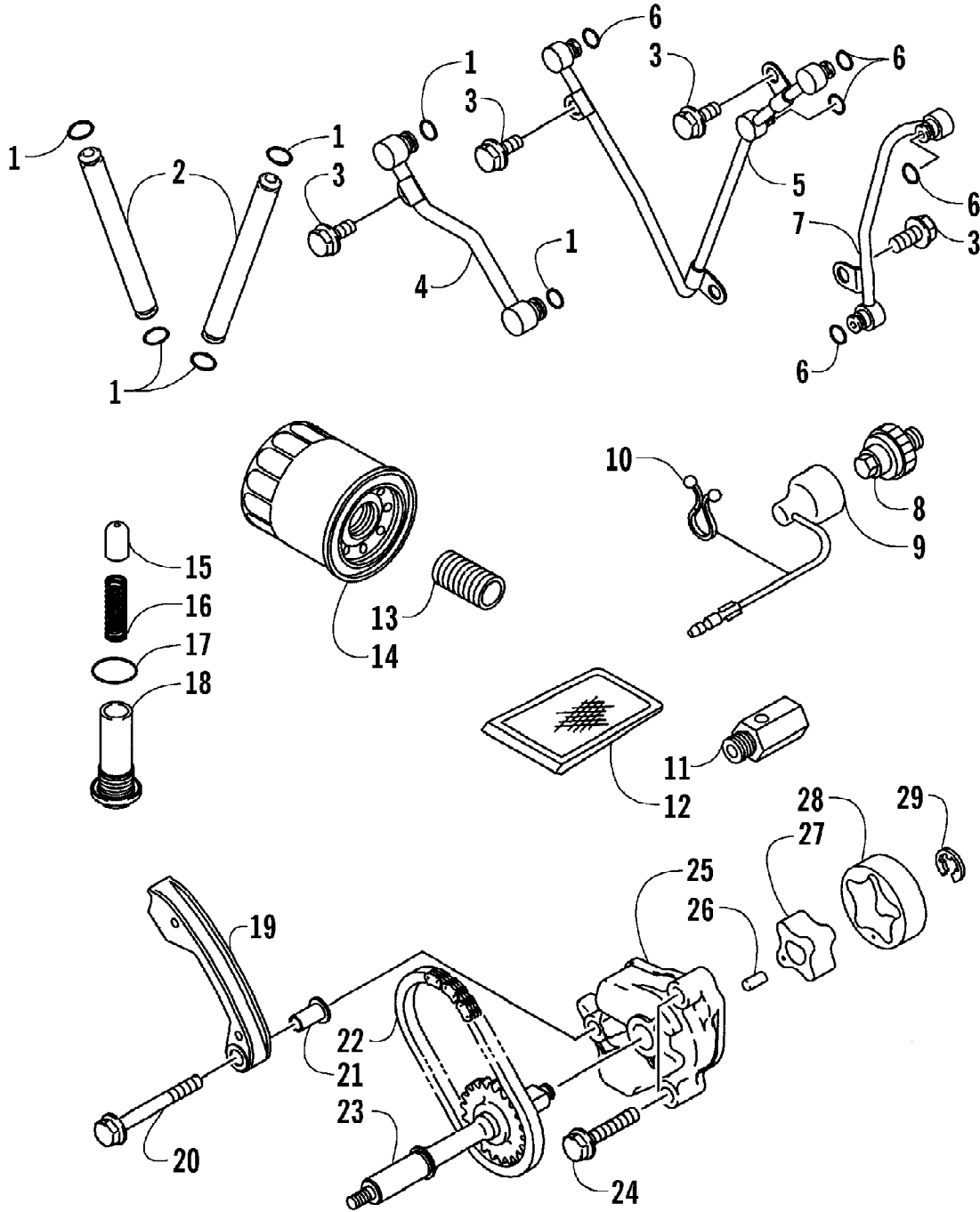
Ref #	Part Number	Qty	S/P/F	Description
1	0502-703	1	S	Brake Assembly (inc. 2-10)
2	0502-566	1		Screw, Reservoir Cover - Kit
3	0502-706	1	S	Cover, Reservoir - Kit
4	0502-568	1		Screw, Master Cylinder Clamp - Kit
5	0502-705	1		Clamp, Master Cylinder - Kit
6	0502-704	1		Master Cylinder Assembly - Kit
7	0502-634	1	/P	Lever Assembly - Kit (inc. 8-9)
8	0502-635	1		Lock, Brake Lever - Kit
9	0502-580	1		Lever Pin - Kit
10	0502-564	1	/P	Switch, Brake - Kit
11	0423-178	2		Washer, Crush
12	0423-413	1		Bolt, Banjo Fitting



2005 ATV 650 V-2 4X4 FIS RED LE CA (A2005IBR4BCAN)  
MAGNETO

Page 60 of 97

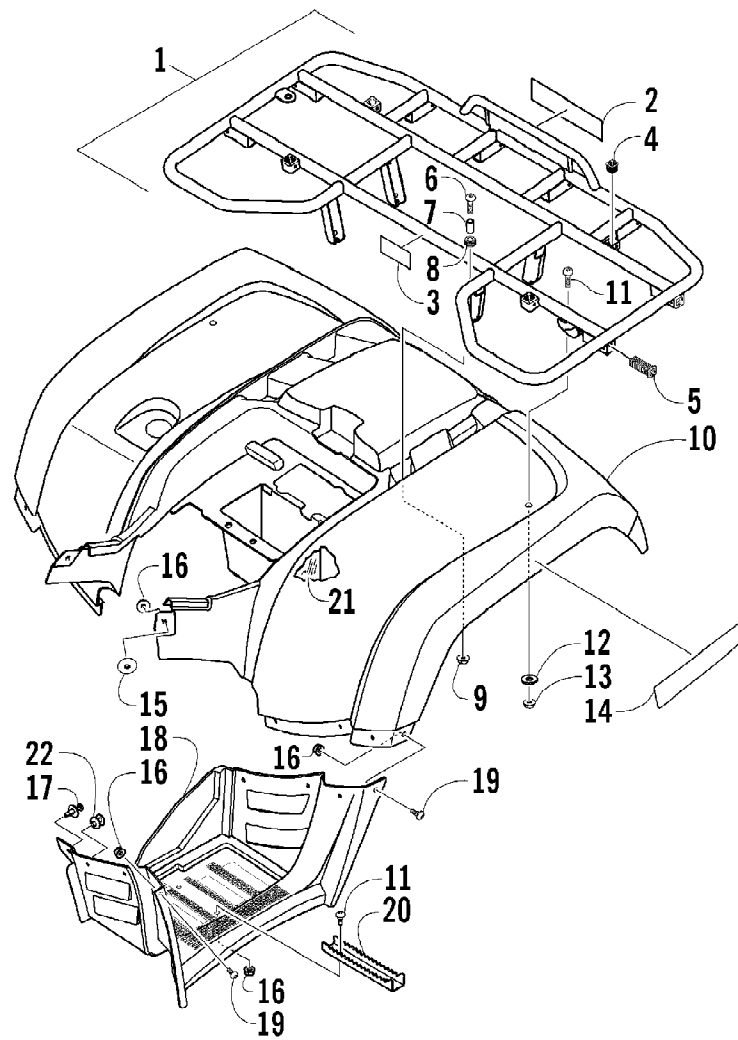
Ref #	Part Number	Qty	S/P/F	Description
1	3201-183	1		Rotor
2	3201-240	1		Key
3	3201-095	3		Bolt
4	3201-182	1		Stator
5	3201-243	1		Coil, Pulsing
6	3201-138	1		Plate
7	3201-111	2		Screw, Cap
8	3201-144	1		Screw, Cap
9	3201-382	1		Clamp
10	3201-033	1		Clamp



2005 ATV 650 V-2 4X4 FIS RED LE CA (A2005IBR4BCAN)  
OIL PUMP ASSEMBLY

Page 62 of 97

Ref #	Part Number	Qty	S/P/F	Description
1	3201-255	6		O-Ring
2	3201-199	2		Pipe
3	3201-144	4		Screw, Cap
4	3201-204	1		Pipe, Oil - Crankshaft
5	3201-205	1		Pipe, Oil - Crankcase - Left
6	3201-254	5		O-Ring
7	3201-206	1		Pipe, Oil - Crankcase - Right
8	3201-196	1		Switch, Oil Pressure
9	3201-194	1		Wire, Lead
10	3201-383	1		Clamp
11	3201-176	1		Valve, Relief - Assembly
12	3201-231	1		Filter, Oil
13	3201-198	1		Pipe, Oil Filter
14	3201-044	1	S	Filter, Oil
15	3201-303	1		Pin
16	3201-356	1		Spring
17	3201-257	1		O-Ring
18	3201-376	1		Bolt
19	3201-087	1		Guide, Chain - Slack
20	3201-142	1		Screw, Cap
21	3201-359	1		Collar
22	3201-423	1	S	Chain
23	3201-123	1		Shaft, Oil Pump
24	3201-146	2		Screw, Cap
25	3201-178	1		Cover, Pump
26	3201-241	2		Pin, Dowel
27	3201-179	1		Rotor, Pump - Inner
28	3201-180	1		Rotor, Pump - Outer
29	3201-215	1		Circlip

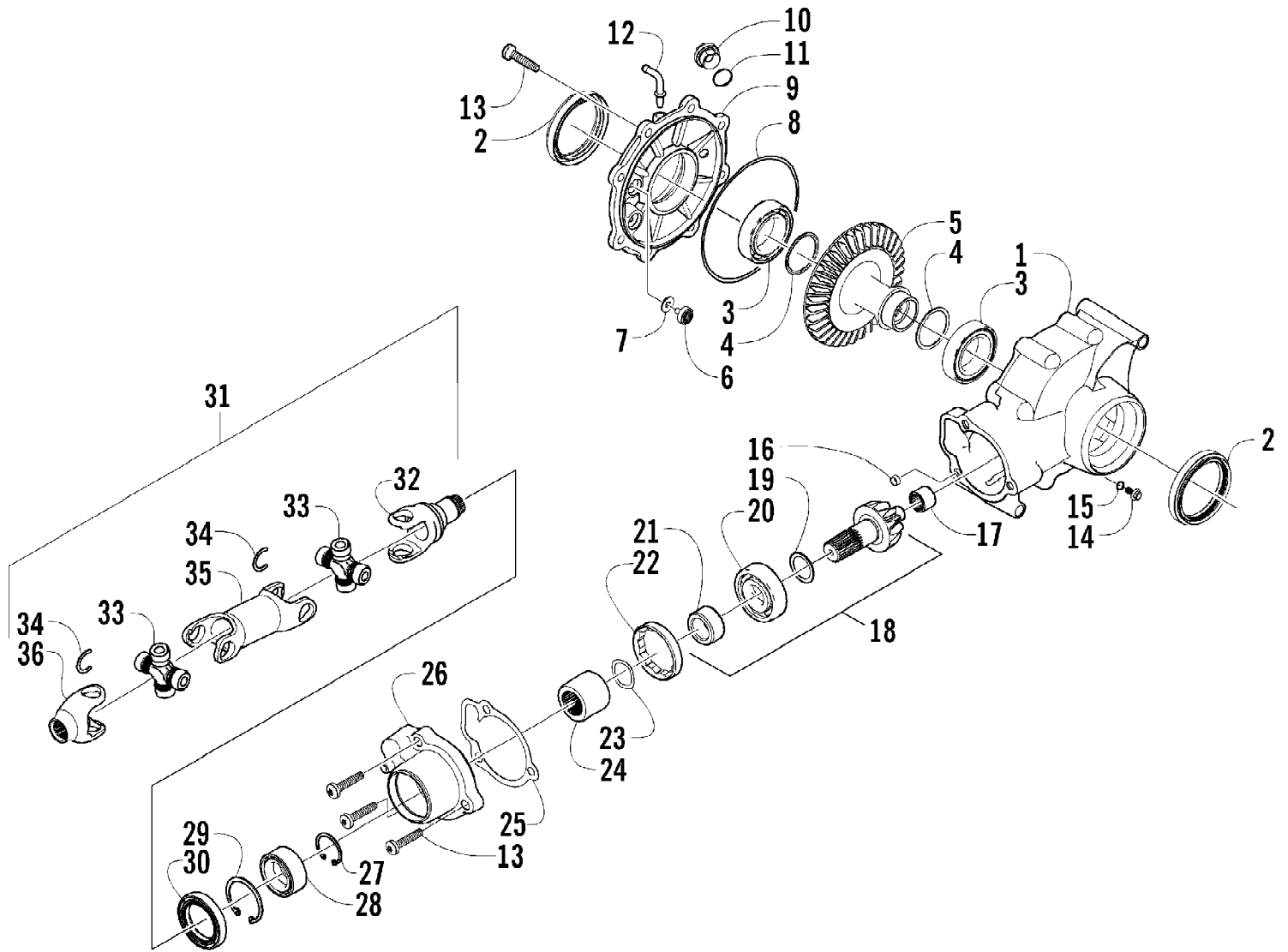


2005 ATV 650 V-2 4X4 FIS RED LE CA (A2005IBR4BCAN)  
 REAR BODY PANEL ASSEMBLY

Page 64 of 97

Ref #	Part Number	Qty	S/P/F	Description
1	0541-285	1	S	Rack - Rear - Assembly (inc. 2-5)
2	0411-947	1	S	Decal, "Arctic Cat"
3	0411-648	1		Decal, Warning - Rear Rack Load
4	0441-592	4	/P	Bushing, Rack
5	0441-556	8		Bushing, Rack
6	0423-362	4		Screw, Machine
7	0423-463	4		Spacer
8	0423-465	4		Grommet
9	8432-802	4		Nut, Lock
10	1406-284	1		Panel, Fender - Rear
11	0423-355	6		Screw, Shoulder
12	8050-222	2	/P	Washer
13	8424-602	2	/P	Nut, Lock
14	0411-820	1	S	Decal, Reflector - Red - Right
14	0411-821	1	S	Decal, Reflector - Red - Left
15	0423-101	2		Screw, Body
16	0423-540	10		Nut, Lock
17	0623-362	2		Rivet, Reinstallable
18	1406-517	1	S	Footwell - Right
18	1406-519	1		Footwell - Left
19	0423-419	4		Screw, Machine
20	1506-125	2	/P	Footpeg
21	0412-296	1		Shield, Heat
22	0423-046	12		Rivet, Plastic

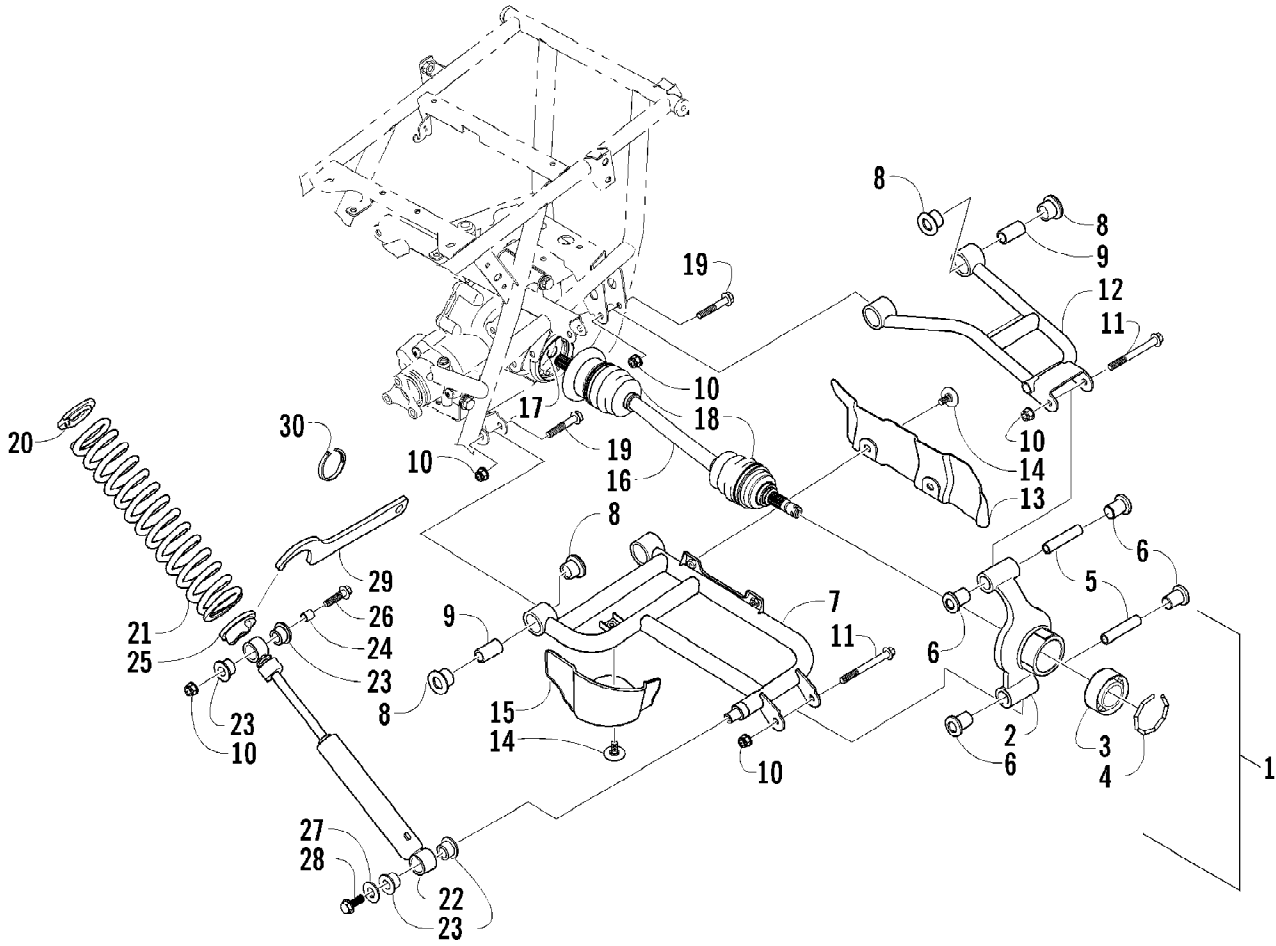




2005 ATV 650 V-2 4X4 FIS RED LE CA (A2005IBR4BCAN)  
 REAR DRIVE GEARCASE ASSEMBLY

Page 66 of 97

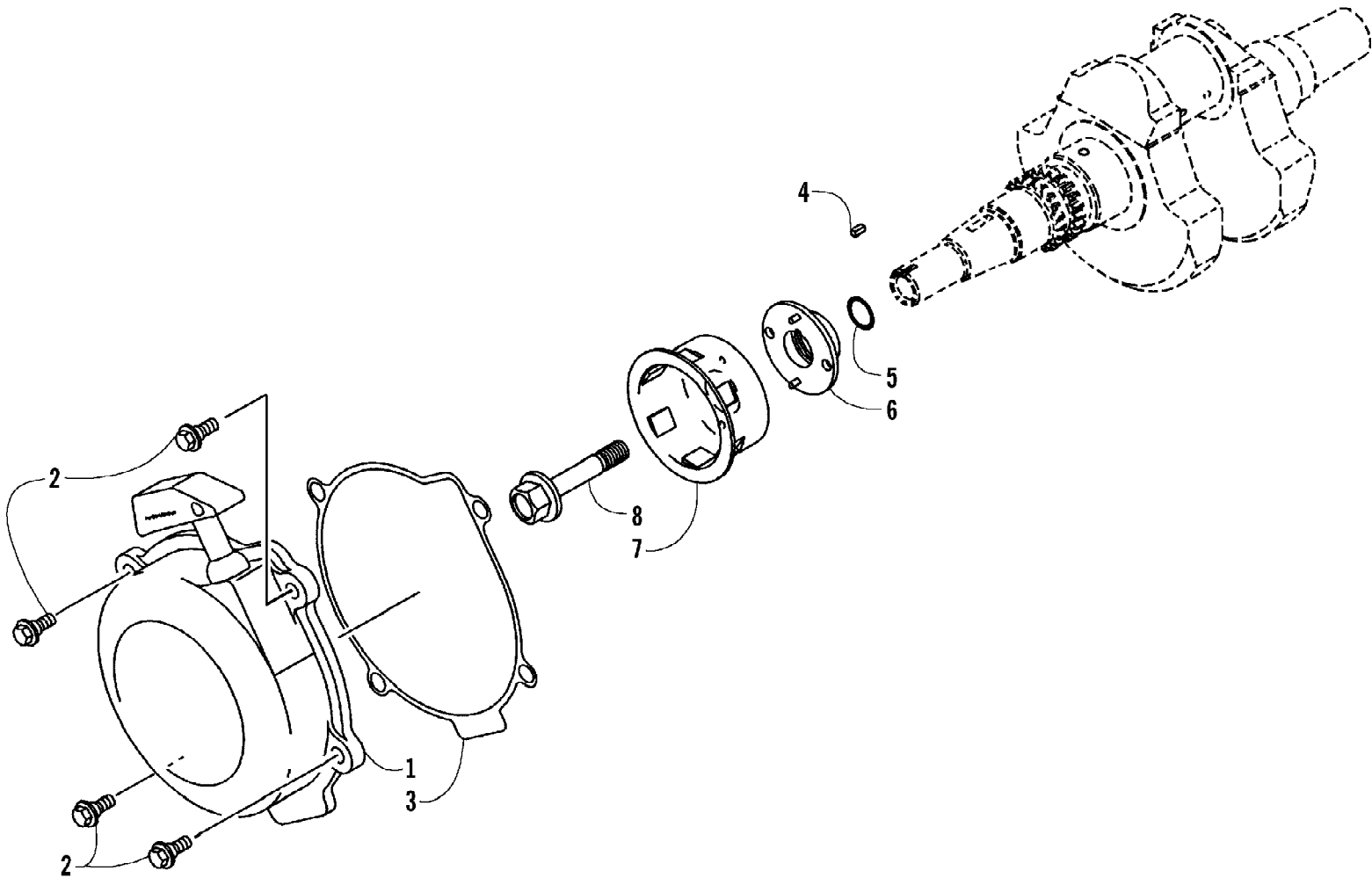
Ref #	Part Number	Qty	S/P/F	Description
	0502-616	1		Gearcase Assembly
1	0502-622	1		Housing, Gearcase
2	0402-394	2	S	Seal
3	0402-393	2		Bearing
4	0402-405	AR		Shim
4	0402-406	AR		Shim
4	0402-407	AR		Shim
4	0402-408	AR		Shim
4	0402-409	AR		Shim
5	1402-032	1		Gear, Ring - 36T
6	0402-326	1		Button, Thrust
7	0402-429	AR		Shim
7	0402-430	AR		Shim
7	0402-431	AR		Shim
7	0402-432	AR		Shim
7	0402-433	AR		Shim
8	0423-149	1		O-Ring
9	0502-346	1		Cover, Gearcase
10	0402-333	1	/P	Plug, Fill (inc. 11)
11	0423-154	1		O-Ring
12	1402-102	1		Fitting
13	0423-118	11		Screw, Self-Tapping
14	1402-210	1	/P	Plug, Magnetic (inc. 15)
15	0423-153	1		O-Ring
16	0402-411	1		Pin, Dowel
17	0402-328	1		Bearing
18	0502-123	1		Gear, Pinion - Assembly - 10T (inc. 19-21)
19	0402-424	AR		Shim
19	0402-425	AR		Shim
19	0402-426	AR		Shim
19	0402-427	AR		Shim
19	0402-428	AR		Shim
20	0402-327	1		Bearing
21	0402-336	1		Collar, Retaining
22	0402-331	1		Collar, Lock
23	0402-982	1		Washer, Wave
24	0402-981	1		Collar, Shaft
25	0402-947	1		Gasket, Flange
26	0502-529	1		Housing, Pinion
27	0423-417	1		Ring, Retaining
28	1402-043	1		Bearing
29	0423-423	1		Ring, Retaining
30	1402-011	1		Seal
31	0502-382	1		Driveshaft Assembly (inc. 32-36)
32	0502-518	1		Yoke, Rear
33	0402-944	2	/P	Joint, Universal (inc. 34)
34	0423-395	8		Ring, Retaining
35	0502-525	1		Driveshaft
36	0502-522	1		Yoke, Rear Slip



2005 ATV 650 V-2 4X4 FIS RED LE CA (A2005IBR4BCAN)  
REAR SUSPENSION ASSEMBLY

Page 68 of 97

Ref #	Part Number	Qty	S/P/F	Description
1	0504-372	1	S	Knuckle, Right Rear - Assembly (inc. 2-6)
1	0504-373	1	S/P	Knuckle, Left Rear - Assembly (inc. 2-6)
2	0	1	F	Knuckle - Right
2	0	1	F	Knuckle - Left
3	1402-027	2	S/P	Bearing, Wheel Hub
4	0423-423	2		Ring, Retaining
5	0403-038	4	S/P	Collar, Suspension Bushing
6	0403-032	8	S	Bushing, Suspension
7	0504-326	1	S	A-Arm, Rear - Lower Right (inc. 8-9)
7	0504-327	1	S/P	A-Arm, Rear - Lower Left (inc. 8-9)
8	0403-115	16	S	Bushing
9	0403-114	8	S	Collar
10	8428-002	14		Nut, Lock
11	8409-000	4		Screw, Cap
12	0504-330	1		A-Arm, Rear - Upper Right (inc. 8-9)
12	0504-331	1	S	A-Arm, Rear - Upper Left (inc. 8-9)
13	0441-754	1		Guard, Boot - Right
13	0441-755	1		Guard, Boot - Left
14	0423-101	6		Screw, Body
15	1406-071	1		Guard, Boot - Right
15	1406-072	1		Guard, Boot - Left
16	0502-596	2	S	Axle, Drive (inc. 17-18)
17	0441-400	2	S	Clip, Retaining
18	0436-276	2	S	Repair Kit, Boot - Rear Axle
19	8409-075	8		Screw, Cap
20	1603-889	2	/P	Retainer, Spring
21	0404-074	2		Spring, Suspension
22	0404-077	2		Shock Absorber - Rear (inc. 23-24)
23	0604-310	8		Bushing, Shock Absorber
24	0403-028	2		Sleeve, Shock Absorber
25	0404-057	2		Cam, Spring Adjuster
26	8409-040	2		Screw, Cap
27	0423-087	2		Washer
28	8408-820	2	/P	Screw, Cap
29	0441-587	1		Wrench, Spanner
30	0123-788	2	/P	Cable Tie



2005 ATV 650 V-2 4X4 FIS RED LE CA (A2005IBR4BCAN)  
RECOIL STARTER

Page 70 of 97

Ref #	Part Number	Qty	S/P/F	Description
1	3201-235	1		Starter, Recoil
2	3201-380	4		Bolt
3	3201-073	1		Gasket, Recoil Starter
4	3201-302	1		Key
5	3201-334	1		O-Ring
6	3201-108	1		Boss
7	3201-234	1		Pulley, Starter
8	3201-369	1		Bolt

No  
Diagram  
Available  
  
Parts List  
Only

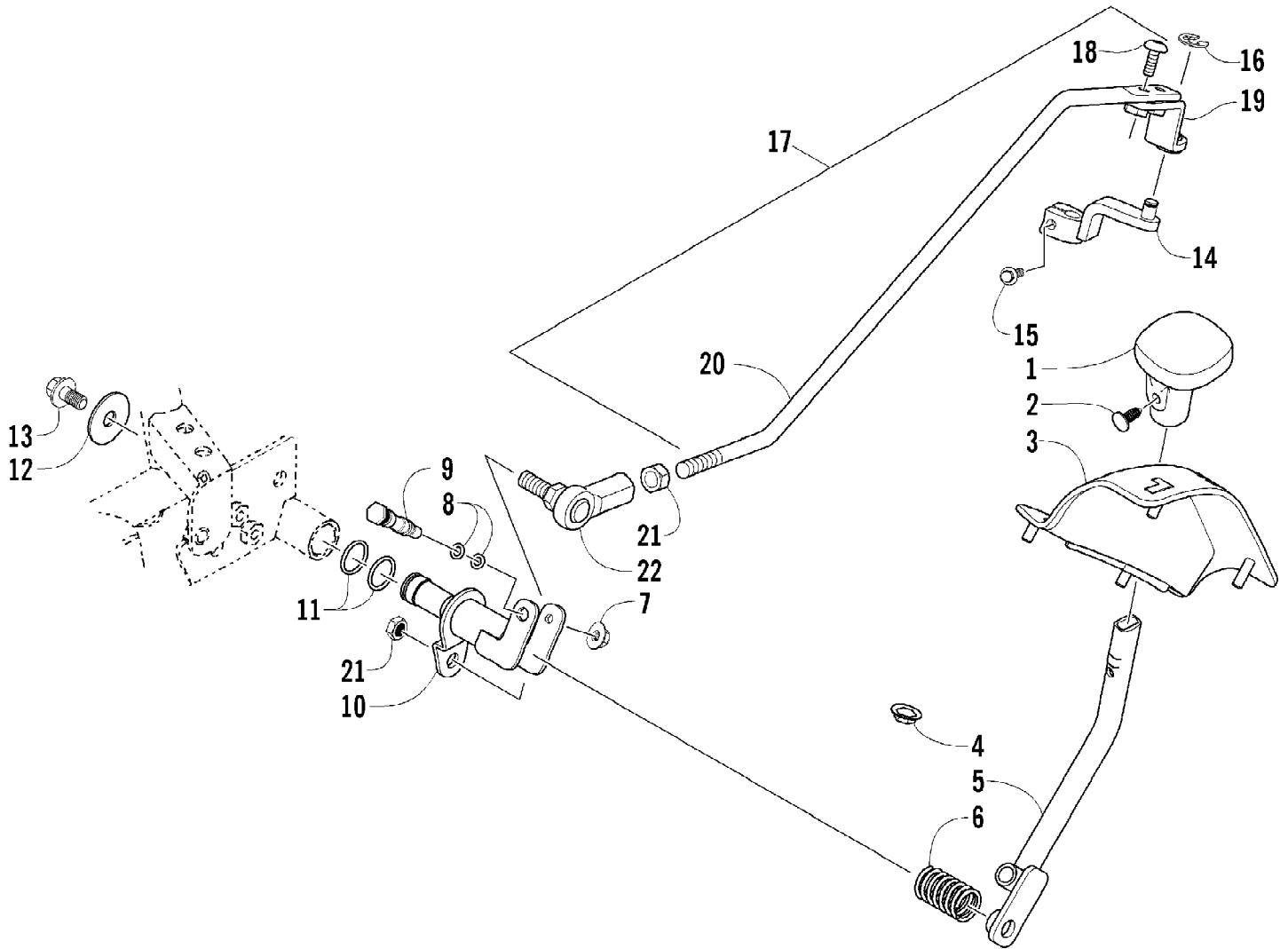
Ref #	Part Number	Qty	S/P/F	Description
	0436-479	1		Articulating Spool Mount
	0436-548	1		Articulating Spool Receiver Mount Adapter
	0436-679	1		Bag, Fender - Black
	0436-660	1	S	Bag, Rack, Front - Black
	0436-480	1		Bar, Utility/Gun Rack
	0436-619	1		Brush Guard/Bumper
	0436-462	1		Bucket Holder
	0436-620	1		Bumper (Rear)
	0436-464	1		Camp Stove Cradle
	0436-454	1		Cargo Box
	0436-625	1		Cargo Box Quick-Release Kit
	0436-459	1	/P	Carryall (9 x 12)
	0436-460	1		Carryall (11 x 17)
	0436-652	1		Carryall (14 x 27)
	0436-476	1		Chain Saw Lock
	0436-477	1		Cord Reel
	0436-664	1		Cover, Black and Green
	0436-668	1		Cover, Timber Camo
	0436-005	1	S	Engine Oil - 10W40
	0436-003	1	S	Engine Oil - 5W30
	0436-466	1		Fender Box
	0436-538	1		Gear Cradle
	0436-007	1	S	Gear Lube (Diff) - 80W90
	0436-501	1	S	Grease, High-Performance
	0436-627	1		Gun Scabbard Kit
	0436-706	1	/P	Gun Scabbard Mount
	0436-505	1		Hand Guards - Black
	0436-352	1		Hand/Thumb Warmers
	0436-639	1		Ice Auger Holder
	0436-463	1		Light Bar
	2257-120	1		Manual, Illustrated Parts
	2257-034	1		Manual, Operator's (E)
	2257-172	1		Manuel d'utilisation (F)
	0436-626	1	S	Rack Basket
	0436-647	1		Rack Extension, 4 in. (Front)
	0436-646	1		Rack Extension, 8 in. (Rear)
	0436-629	1		Rapid Blind (Break-Up)
	0436-630	1		Rapid Blind (Shadow Grass)
	0436-628	1		Rapid Shack (Blue Ice)
	0436-511	1		Rod Holder - Adjustable
	0436-635	1		Snowplow Attachment Kit
	0436-228	1		Snowplow Blade, 50 in. - Straight
	0436-287	1		Snowplow Blade, 50 in. - One-Way
	0436-296	1		Snowplow Blade, 60 in. - Straight
	0436-360	1		Snowplow Blade, 60 in. - One-Way
	0436-636	1	/P	Snowplow, Push Frame
	0436-471	1		Speedclamp, Double
	0436-624	1		Sprayer System
	0436-741	1	/P	Sprayer Boom (120 in.)
	0436-465	1		Table, Expansion
	1402-028	1		Tire, Titan AT589 (25x8-12, Mud - Snow)
	0402-563	1		Tire, Titan AT589 (25x10-12, Mud - Snow)
	0436-478	1		Tool Cradle



2005 ATV 650 V-2 4X4 FIS RED LE CA (A2005IBR4BCAN)  
RELATED ITEMS

Page 73 of 97

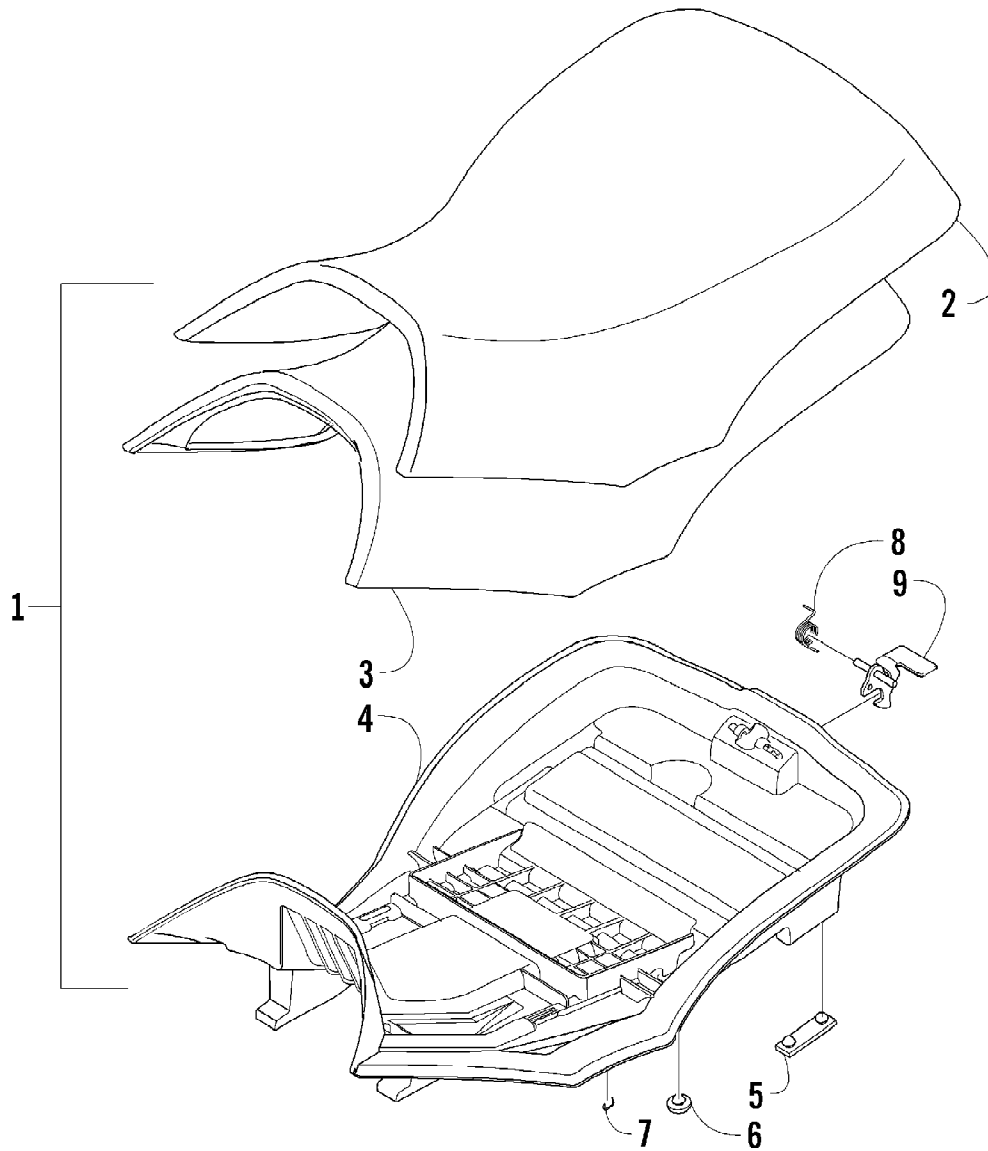
Ref #	Part Number	Qty	S/P/F	Description
	0436-297	1		Tool Holder - Double
	0436-263	1	/P	Tool Holder - Single
	0436-468	1		Tree Stand/Bow Case Holder
	0436-655	1		Winch, 2500 lb
	0436-623	1		Windshield, Clear w/Black Accent
	0436-470	1		Workbase (8 in.)



2005 ATV 650 V-2 4X4 FIS RED LE CA (A2005IBR4BCAN)  
 REVERSE SHIFT LEVER ASSEMBLY

Page 75 of 97

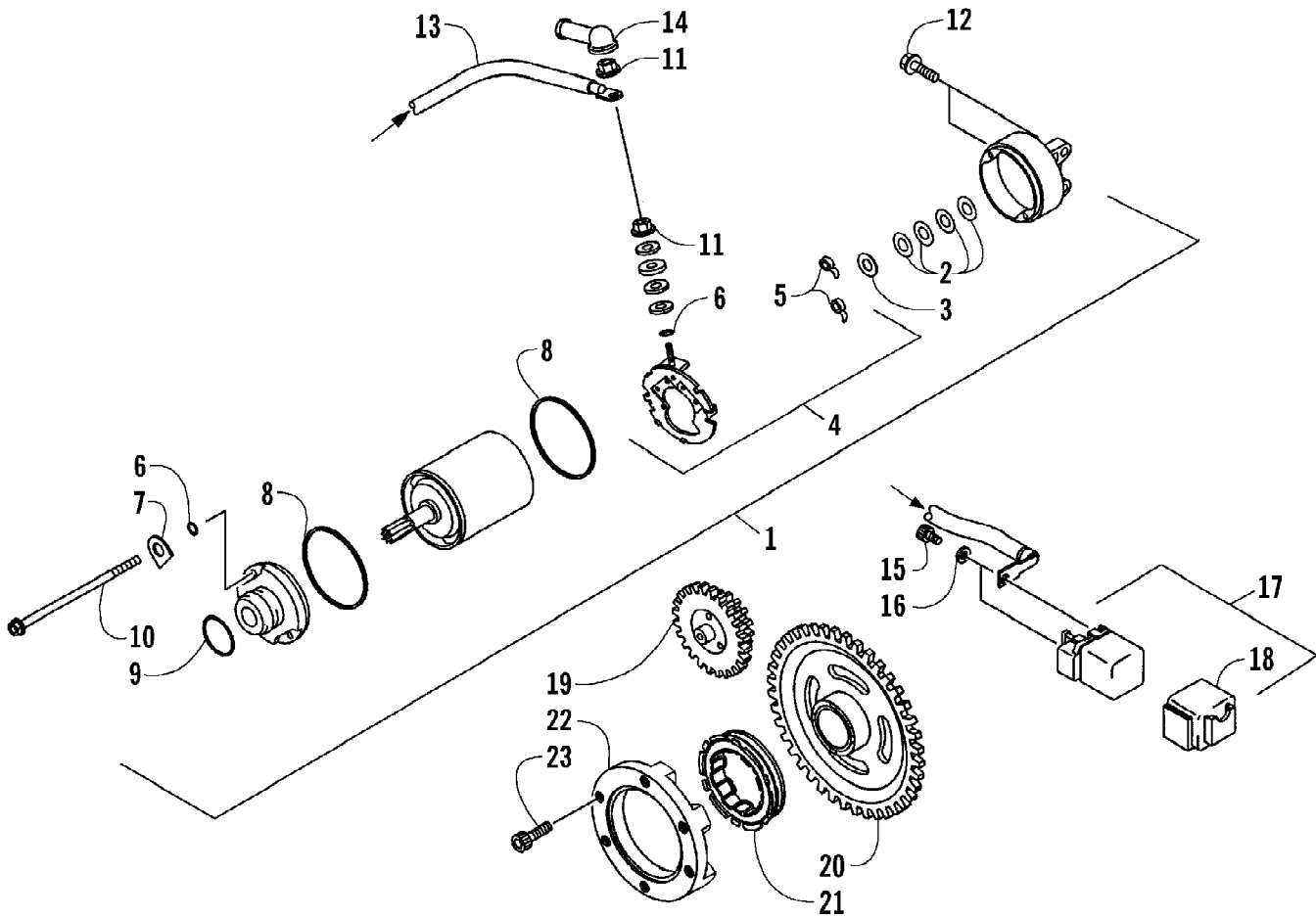
Ref #	Part Number	Qty	S/P/F	Description
1	0402-843	1	/P	Handle, Reverse Shift Lever
2	0423-345	1		Clip, Push
3	1402-110	1		Plate, Shift
4	0423-357	4		Nut, Stamped
5	0502-659	1		Lever, Reverse Shift
6	0502-410	1	S	Spring, Reverse Shift Lever
7	8424-602	1	/P	Nut
8	0423-182	2	/P	O-Ring
9	0402-675	1		Axle, Pivot
10	0502-742	1		Shaft, Shift
11	0423-299	2	/P	O-Ring
12	0423-087	1		Washer
13	8408-812	1		Screw, Cap
14	0502-587	1		Arm, Reverse Shift
15	3201-037	1		Screw, Cap
16	0423-169	1	/P	E-Ring
17	0502-695	1		Linkage, Shift (inc. 18-20)
18	8476-616	2		Screw, Machine
19	0502-636	1		Arm, Shift Linkage
20	1402-260	1		Rod, Shift Linkage
21	0623-294	2		Nut
22	1402-270	1		End, Rod



2005 ATV 650 V-2 4X4 FIS RED LE CA (A2005IBR4BCAN)  
SEAT ASSEMBLY

Page 77 of 97

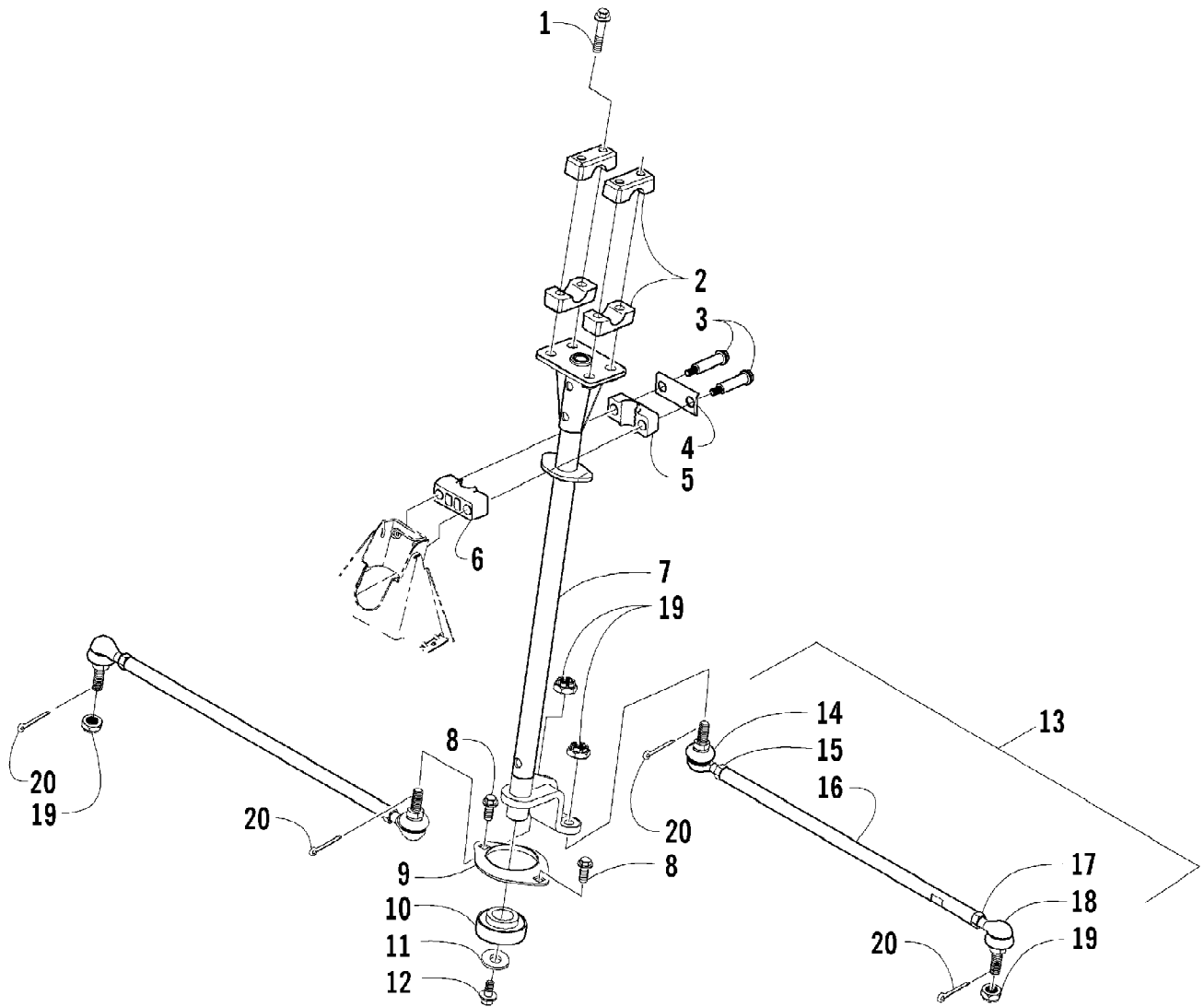
Ref #	Part Number	Qty	S/P/F	Description
1	1506-207	1	S	Seat Assembly (inc. 2-9)
2	1506-209	1		Cover, Seat
3	1506-208	1		Foam, Seat
4	1406-362	1	S	Base, Seat Assembly (inc. 5-6)
5	0406-879	2		Bumper, Seat - Rear
6	0406-877	4	/P	Bumper, Seat - Front
7	0624-528	AR	/P	Staple
8	1406-592	1	/P	Spring, Seat Latch
9	1506-156	1		Latch, Seat



2005 ATV 650 V-2 4X4 FIS RED LE CA (A2005IBR4BCAN)  
STARTER MOTOR

Page 79 of 97

Ref #	Part Number	Qty	S/P/F	Description
1	3201-189	1		Motor, Starter (inc. 2-10 and one No. 11)
2	3201-186	4		Washer
3	3201-277	1		Washer
4	3201-187	1		Brush Set (inc. 5, two No. 6, and one No. 11)
5	3201-188	2		Spring, Brush
6	3201-338	3		O-Ring
7	3201-278	2		Washer, Lock
8	3201-339	2		O-Ring
9	3201-335	1		O-Ring
10	3201-367	2		Bolt
11	3201-274	2		Nut
12	3201-146	2		Screw, Cap
13	3201-195	1		Wire, Lead
14	3201-185	1		Grommet, Starter Terminal
15	3201-097	2		Bolt
16	3201-210	2		Washer, Lock
17	3201-197	1		Switch, Magnetic (inc. 18)
18	3201-110	1		Holder
19	3201-200	1	S	Limiter, Starter
20	3201-174	1		Gear, Starter
21	3201-122	1		Clutch, One-way
22	3201-433	1		Race, One-way Clutch
23	3201-096	6		Bolt

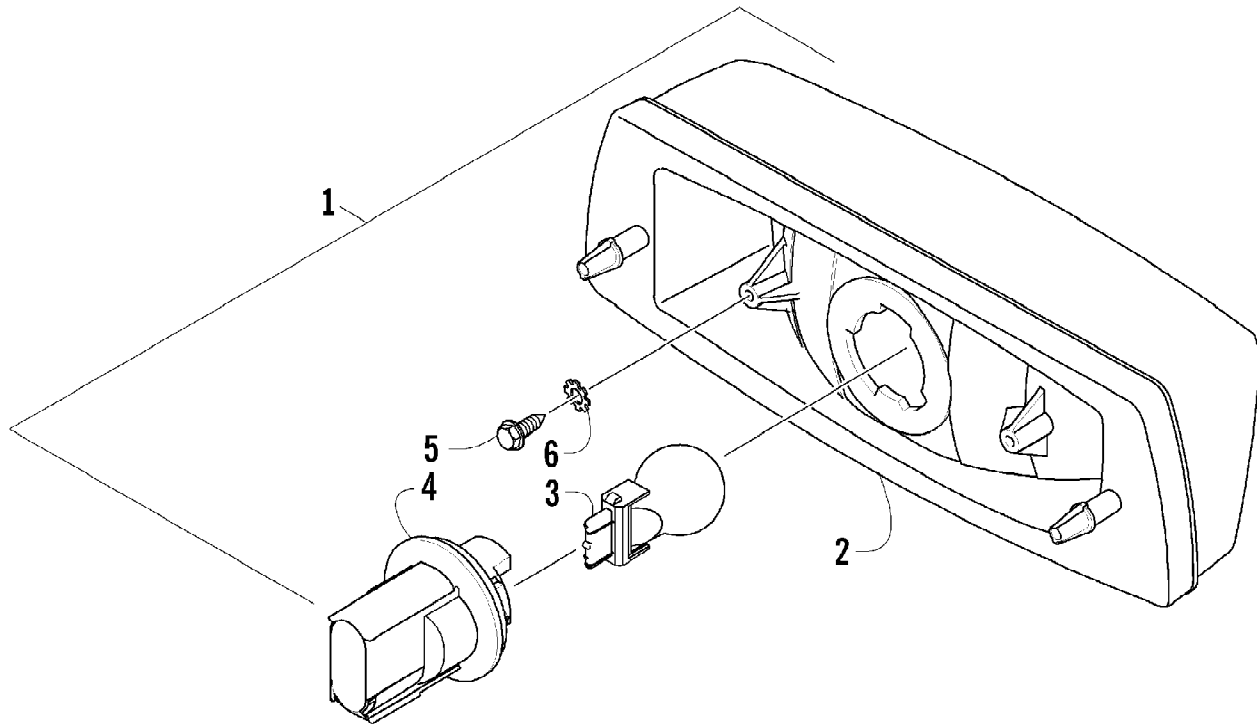




2005 ATV 650 V-2 4X4 FIS RED LE CA (A2005IBR4BCAN)  
STEERING POST ASSEMBLY

Page 81 of 97

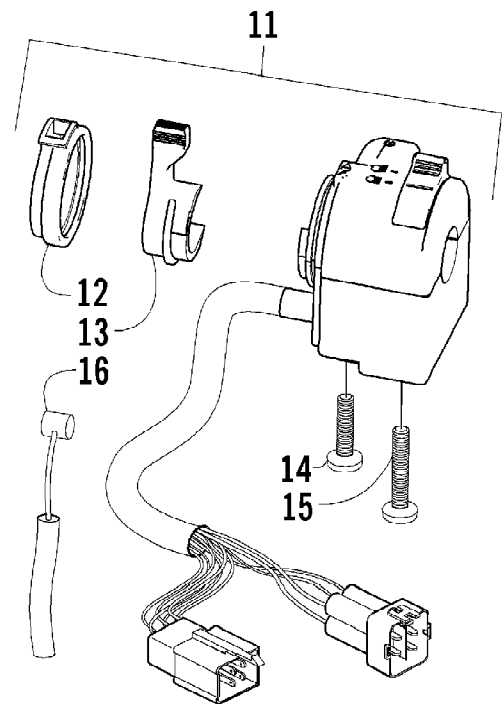
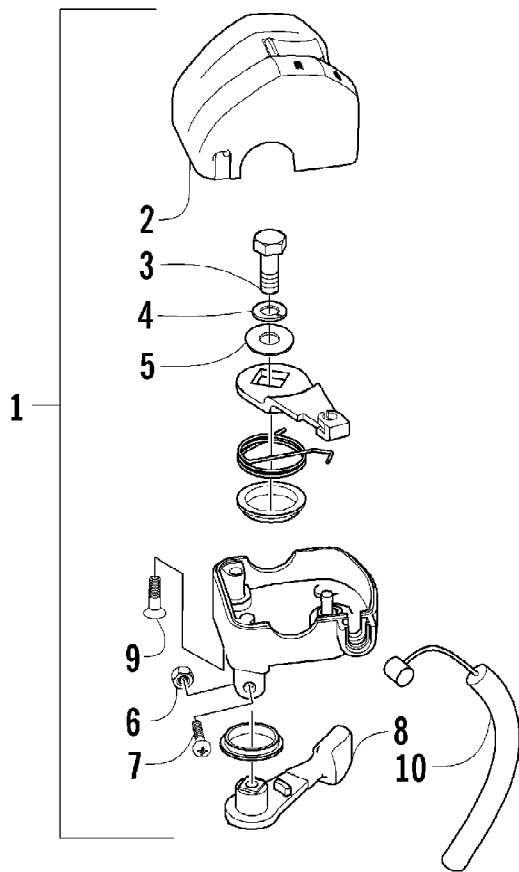
Ref #	Part Number	Qty	S/P/F	Description
1	8408-860	4		Screw, Cap
2	0405-035	4		Cap, Steering Adjuster
3	0423-505	2		Screw, Shoulder
4	0405-166	1		Cap, Housing
5	0405-138	1		Housing, Lower
6	0405-139	1		Housing, Upper
7	0505-451	1	S	Post, Steering
8	8408-816	2		Screw, Cap
9	0602-233	1		Flange, Bearing
10	0405-052	1		Bearing w/Inverted Oil Seal
11	0423-073	1		Washer
12	8409-020	1	/P	Screw, Cap
13	0505-408	2	S	Tie Rod - Assembly (inc. 14-18)
14	0405-083	2	S	Ball Joint, Tie Rod - Left
15	0423-013	2		Nut - Left
16	0405-107	2	S	Tie Rod
17	8420-002	2	/P	Nut - Right
18	0405-082	2	S	Ball Joint, Tie Rod - Right
19	0423-157	4		Nut, Lock
20	0623-175	4		Pin, Cotter



2005 ATV 650 V-2 4X4 FIS RED LE CA (A2005IBR4BCAN)  
TAILLIGHT ASSEMBLY

Page 83 of 97

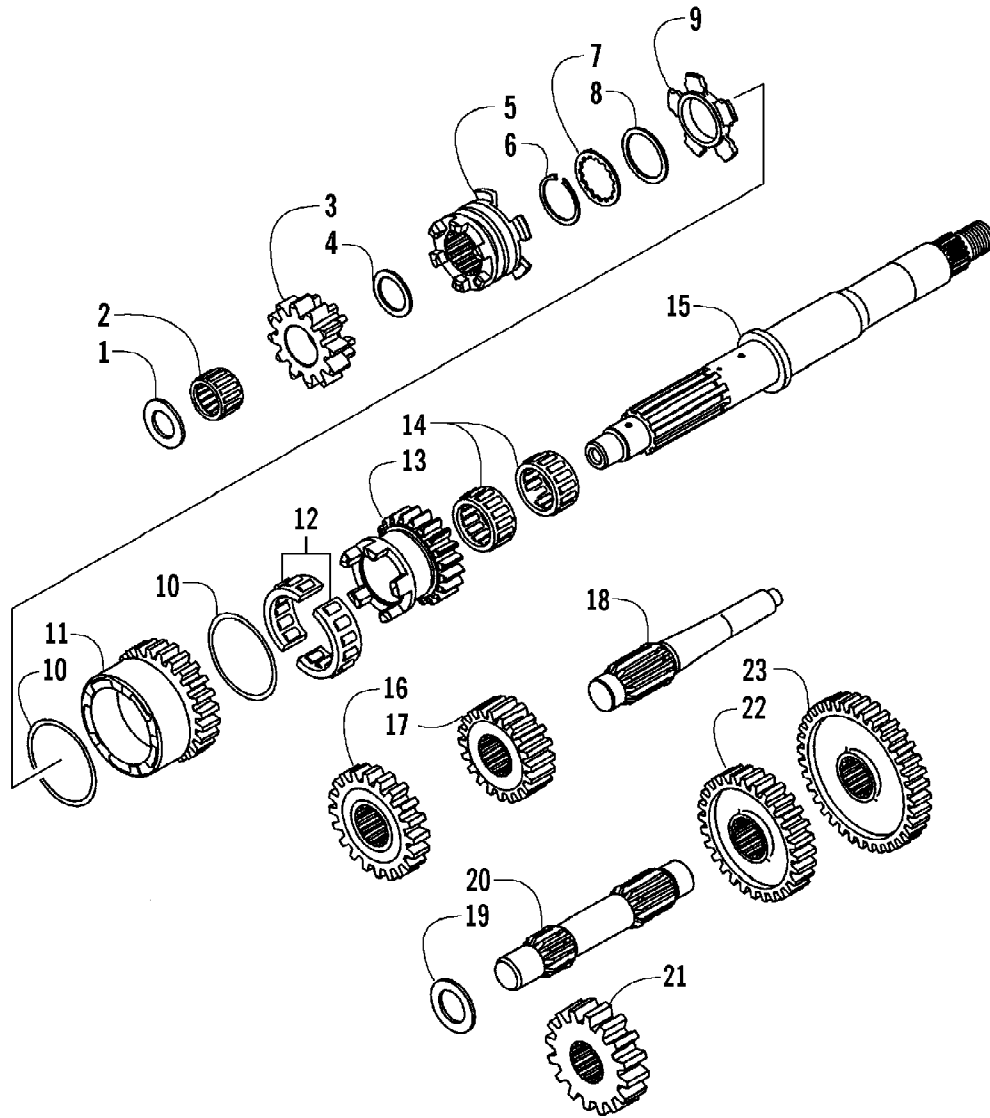
Ref #	Part Number	Qty	S/P/F	Description
1	0509-022	1		Taillight Assembly (inc. 2-4)
2	0509-025	1		Housing, Taillight
3	0409-056	1		Bulb, Taillight
4	0409-057	1		Socket, Taillight
5	0623-301	2	/P	Screw, Self-Tapping
6	8053-212	2	/P	Washer, Lock - External Tooth



2005 ATV 650 V-2 4X4 FIS RED LE CA (A2005IBR4BCAN)  
 THROTTLE CASE AND CONTROL SWITCH ASSEMBLIES

Page 85 of 97

Ref #	Part Number	Qty	S/P/F	Description
1	0509-012	1		Case, Throttle - Assembly (inc. 2-9)
2	0409-048	1		Cover, Throttle Case w/Switch
3	3004-533	1	S/P	Screw, Cap
4	3004-447	1	/P	Washer, Lock
5	3003-030	1	/P	Washer
6	3423-327	1		Nut
7	3423-014	1		Screw
8	3409-001	1		Lever
9	3423-199	2		Screw
10	0487-032	1		Cable, Throttle
11	0409-022	1		Switch, Control - Assembly (inc. 12-15)
12	0409-026	1		Cover, Choke Lever
13	0409-025	1		Lever, Choke
14	0409-028	1		Screw
15	0409-027	1		Screw, Cap
16	0487-033	1		Cable, Choke

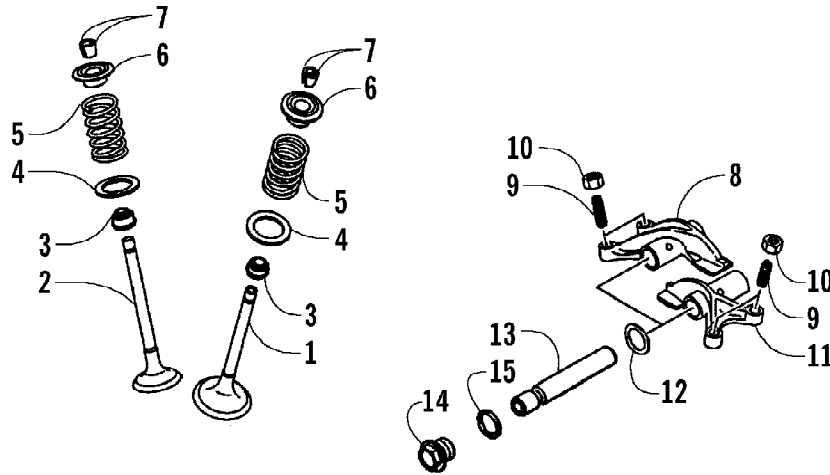


2005 ATV 650 V-2 4X4 FIS RED LE CA (A2005IBR4BCAN)  
TRANSMISSION ASSEMBLY

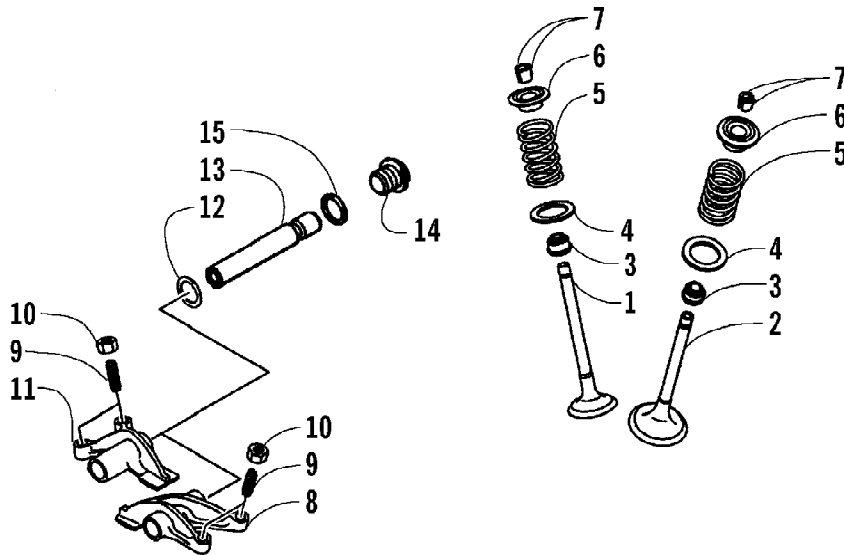
Page 87 of 97

Ref #	Part Number	Qty	S/P/F	Description
1	3201-283	1		Spacer
2	3201-320	1		Bearing, Reverse Input Gear
3	3201-130	1	S	Gear, Input - Reverse - 12T
4	3201-285	1		Spacer
5	3201-120	1	S	Shifter
6	3201-297	1		Ring, Snap
7	3201-397	1		Washer
8	3201-288	1		Spacer
9	3201-290	1		Spacer
10	3201-289	2		Spacer
11	3201-129	1		Gear, Input - High - 26T
12	3201-317	1		Bearing, High Input Gear
13	3201-137	1	S	Gear, Input - Low - 20T
14	3201-319	2		Bearing, Low Input Gear
15	3201-425	1	/P	Shaft, Transmission Input
16	3201-135	1		Gear, Driven - Reverse - 16T
17	3201-134	1		Gear, Output - Reverse - 16T
18	3201-115	1		Shaft, Idle - Reverse
19	3201-398	1		Washer
20	3201-419	1	S	Shaft, Output
21	3201-133	1		Gear, Output - Drive - 18T
22	3201-132	1		Gear, Driven - High - 30T
23	3201-131	1		Gear, Driven - Low - 36T

FR



RR

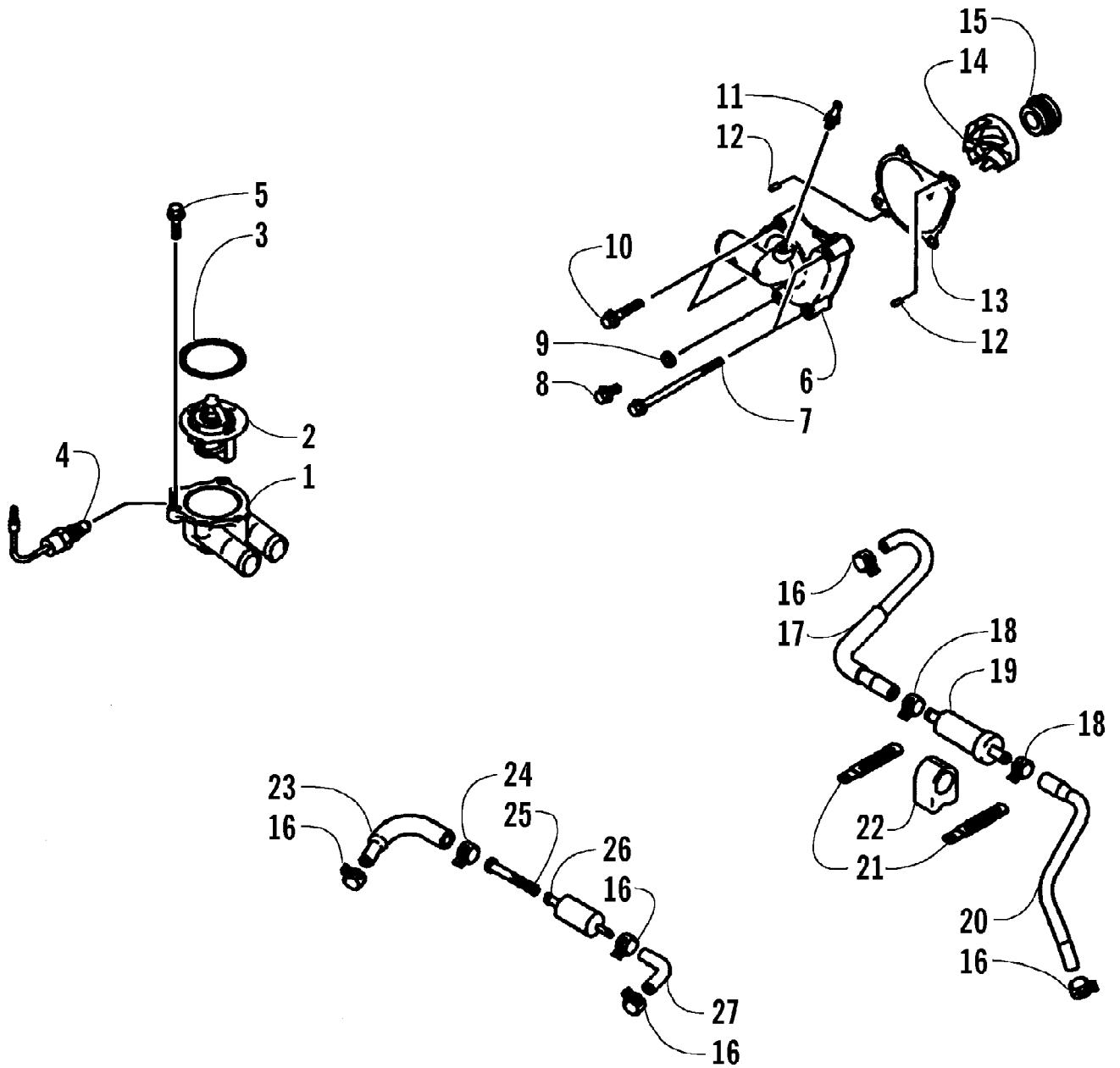




2005 ATV 650 V-2 4X4 FIS RED LE CA (A2005IBR4BCAN)  
VALVE ASSEMBLY

Page 89 of 97

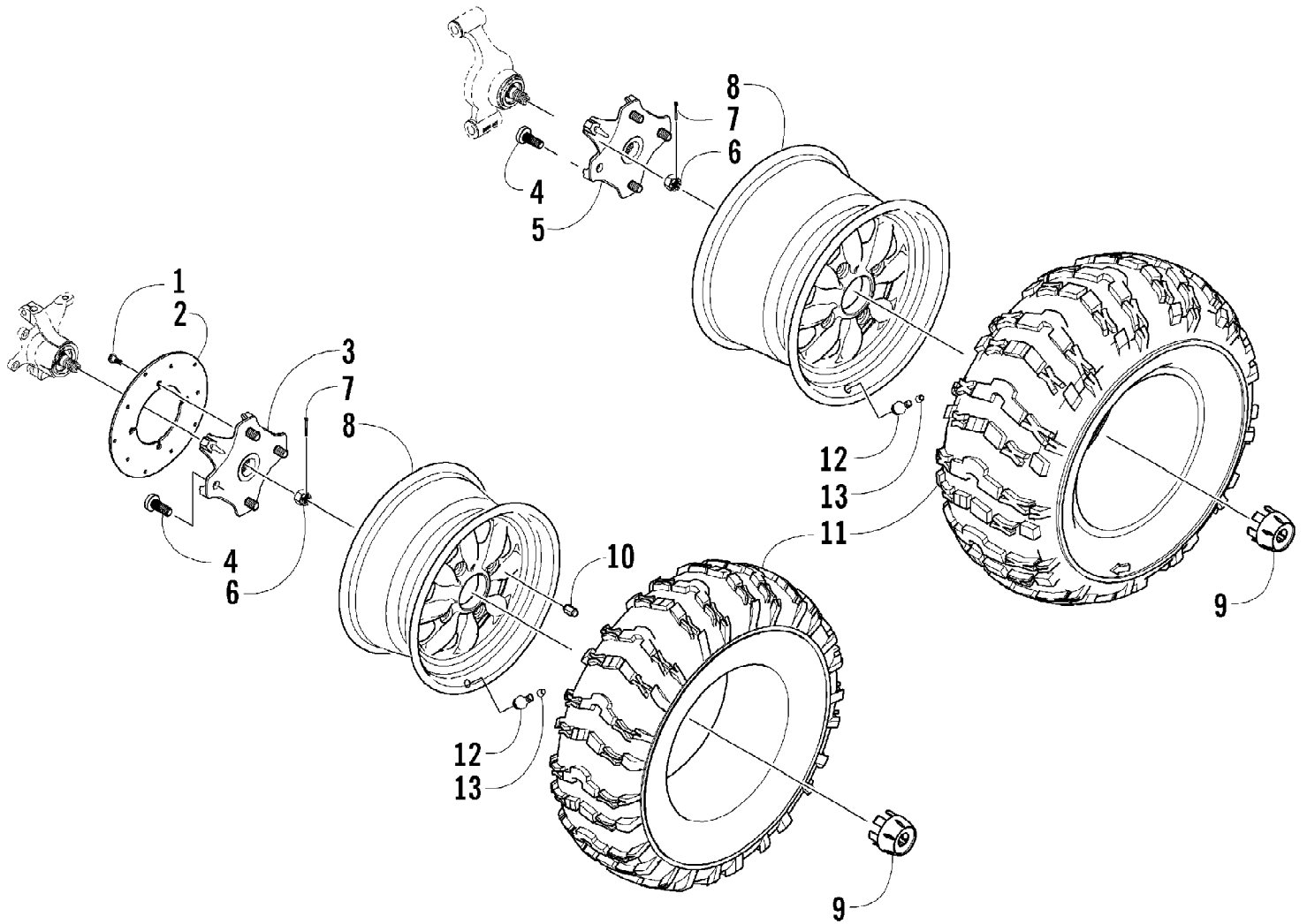
Ref #	Part Number	Qty	S/P/F	Description
1	3201-406	4	/P	Valve, Intake
2	3201-407	4	S	Valve, Exhaust
3	3201-322	8		Seal, Oil
4	3201-169	8		Seat, Spring
5	3201-233	8		Spring, Engine Valve
6	3201-078	8		Retainer, Valve Spring
7	3201-079	16		Collet
8	3201-080	2		Arm, Rocker - Exhaust
9	3201-270	8		Screw
10	3201-275	8		Nut
11	3201-081	2		Arm, Rocker - Intake
12	3201-401	4		Washer, Rocker Arm
13	3201-411	4		Shaft, Rocker
14	3201-413	4		Plug, Drain
15	3201-412	4		Gasket



2005 ATV 650 V-2 4X4 FIS RED LE CA (A2005IBR4BCAN)  
 WATER PUMP/THERMOSTAT ASSEMBLY

Page 91 of 97

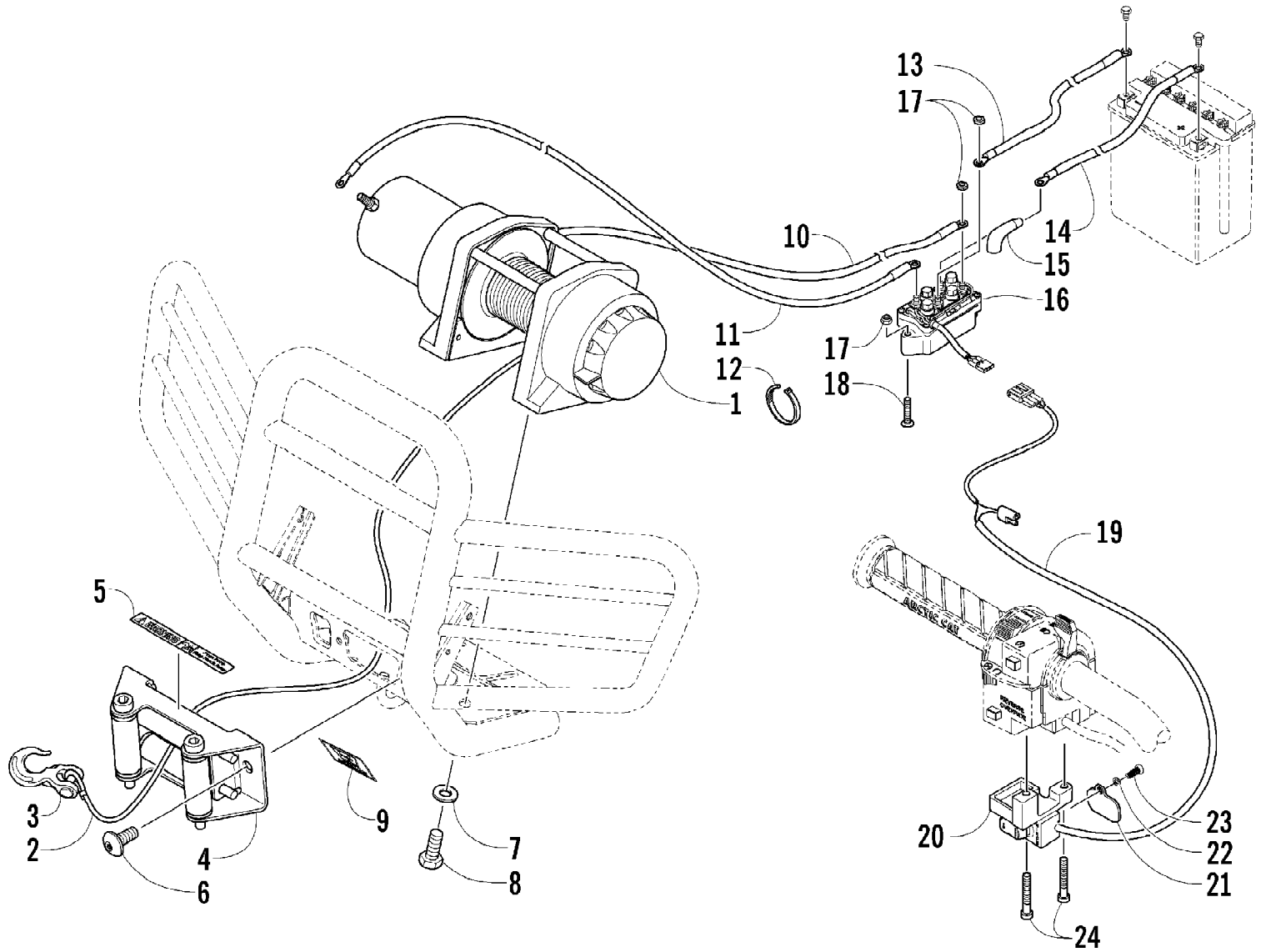
Ref #	Part Number	Qty	S/P/F	Description
1	3201-019	1		Body, Thermostat Lower
2	3201-026	1		Thermostat
3	3201-028	1	/P	O-Ring
4	3201-021	1		Switch, Temperature Sensor
5	3201-036	4		Screw, Cap
6	3201-177	1		Cover, Water Pump
7	3201-143	2		Screw, Cap
8	3201-144	1		Screw, Cap
9	3201-281	1		Washer
10	3201-146	2		Screw, Cap
11	3201-265	1		Fitting
12	3201-241	2		Pin, Dowel
13	3201-068	1		Gasket, Water Pump
14	3201-244	1		Impeller
15	3201-230	1		Seal, Mechanical
16	3201-032	5		Clamp
17	3201-023	1		Hose, Cooling - Carburetor/Valve
18	3201-031	2		Clamp
19	3201-027	1		Valve
20	3201-024	1		Hose, Cooling - Valve/Water Pump
21	3201-033	2		Clamp
22	3201-029	1		Damper, Valve
23	3201-058	1		Hose, Cooling - Water Filter/Carburetor
24	3201-030	1		Clamp
25	3201-025	1		Filter, Water
26	3201-020	1		Body, Water Filter
27	3201-022	1		Hose, Cooling - Cylinder Head/Filter



2005 ATV 650 V-2 4X4 FIS RED LE CA (A2005IBR4BCAN)  
WHEEL AND TIRE ASSEMBLY

Page 93 of 97

Ref #	Part Number	Qty	S/P/F	Description
1	0423-029	12		Screw, Machine
2	1402-225	3	S	Disc, Brake
3	0502-599	2	S	Hub, Wheel - Front (inc. 4)
4	0402-974	16	/P	Stud, Wheel Hub
5	0502-601	1	S	Hub, Wheel - Rear - Left (inc. 4)
5	0502-599	1	S	Hub, Wheel - Rear - Right (inc. 4)
6	0423-394	4		Nut, Castle
7	0423-407	4		Pin, Cotter
8	1402-286	2		Wheel - Front - Spoked (inc. 9)
8	1402-287	2		Wheel - Rear - Spoked (inc. 9)
9	1402-325	4		Cap, Wheel
10	0423-556	16		Nut, Mounting - Wheel
11	1402-201	2		Tire - Front
11	1402-202	2		Tire - Rear
12	0402-064	4		Stem, Valve (inc. 13)
13	0402-140	4		Cap, Valve Stem

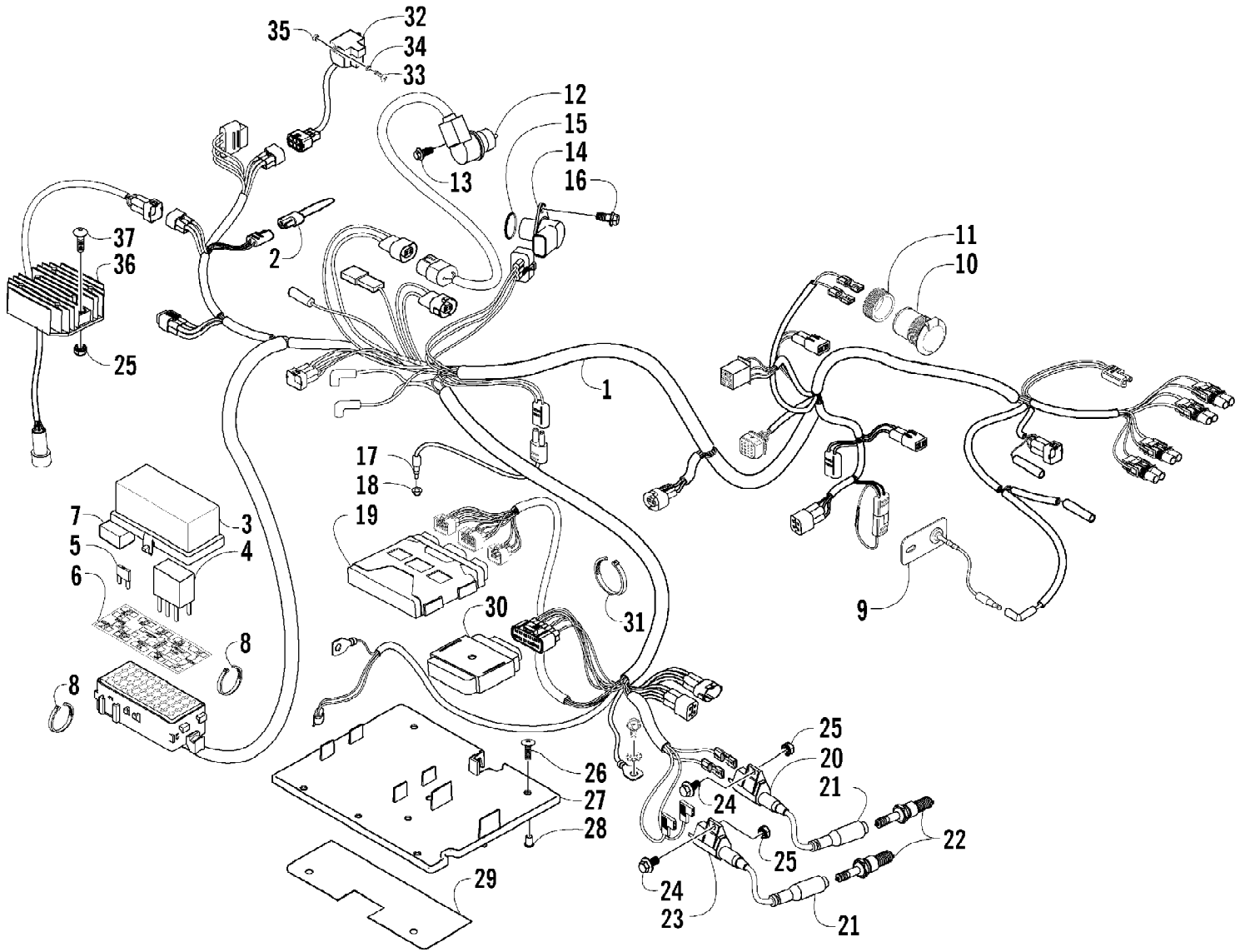


2005 ATV 650 V-2 4X4 FIS RED LE CA (A2005IBR4BCAN)  
WINCH ASSEMBLY

Page 95 of 97

Ref #	Part Number	Qty	S/P/F	Description
1	0441-490	1		Winch (inc. 2-3)
2	0441-061	1		Cable, Winch
3	1441-131	1	/P	Hook, Winch
4	0441-403	1	/P	Roller, Winch (inc. 5)
5	0411-474	1		Decal, Warning - Roller
6	8468-820	2		Screw, Machine
7	8051-246	4		Washer, Lock
8	1623-131	4		Screw, Cap
9	0411-433	1		Decal, Winch
10	1441-111	1		Cable, Winch/Solenoid - Yellow
11	1441-110	1		Cable, Winch/Solenoid - Blue
12	0123-788	AR	/P	Cable Tie - 7.5 in.
13	1441-112	1		Cable, Solenoid/Battery - Black
14	1441-113	1		Cable, Solenoid/Battery - Red
15	0441-060	6		Boot, Terminal
16	0409-066	1	/P	Solenoid (inc. 17-18)
17	0623-038	6		Nut w/Washer
18	8476-625	2		Screw, Machine
19	0409-065	1	S	Switch, Control
20	0409-034	1		Holder, Control Switch
21	0409-040	1	S	Cover, Switch
22	8051-212	1	/P	Washer
23	0423-382	1		Screw, Machine
24	8464-560	2		Screw, Machine

2005 ATV 650 V-2 4X4 FIS RED LE CA (A20051BR4BCAN)  
WIRING HARNESS ASSEMBLY





2005 ATV 650 V-2 4X4 FIS RED LE CA (A2005IBR4BCAN)  
WIRING HARNESS ASSEMBLY

Page 97 of 97

Ref #	Part Number	Qty	S/P/F	Description
1	0486-157	1		Harness, Main (inc. 2-7 and two No. 8)
2	0486-164	1		Tether, Accessory Connector
3	0530-008	1		Cover, Fuse Block
4	0430-033	4		Relay (5-Pin) - 20 Amp
5	0430-032	5		Fuse - 10 Amp
5	0430-031	3		Fuse - 15 Amp
5	0430-030	2		Fuse - 30 Amp
6	0411-903	1		Decal, Fuse Block
7	0430-037	1		Holder, Fuse
8	0123-788	AR	/P	Cable Tie - 7.5 in.
9	0509-011	1	S	Diode Assembly
10	0445-022	1	S	Receptacle, 12V (inc. 11)
11	0445-034	1		Nut, Retainer
12	3201-191	1		Sensor, Reverse
13	3201-141	1		Screw, Cap
14	3201-190	1		Sensor, Speed (inc. 15)
15	3201-343	1		O-Ring
16	3201-036	1		Screw, Cap
17	0409-009	1		Switch, Brake - Assembly
18	0402-991	1		Retainer, Switch
19	3201-039	1		CDI
20	3201-010	1		Coil, Ignition - Front
21	3201-012	2		Cap, Spark Plug
22	0217-708	2		Spark Plug (NGK CR7E)
23	3201-011	1		Coil, Ignition - Rear
24	8476-620	2		Screw, Cap
25	0623-038	4		Nut w/Washer
26	0623-121	4		Screw, Machine
27	1406-697	1		Tray, Electrical
28	0123-010	4	/P	Nut, Expansion
29	0412-290	1		Shield, Heat
30	3201-040	1	S	Controller, Actuator
31	0123-903	4		Cable Tie - 11.5 in.
32	0409-064	1		Switch, Invert Sensor
33	8468-425	2		Screw
34	0123-802	2		Washer, Flat
35	0423-493	2		Nut w/Washer
36	0430-035	1	S	Regulator, Voltage
37	8476-630	2		Screw, Machine