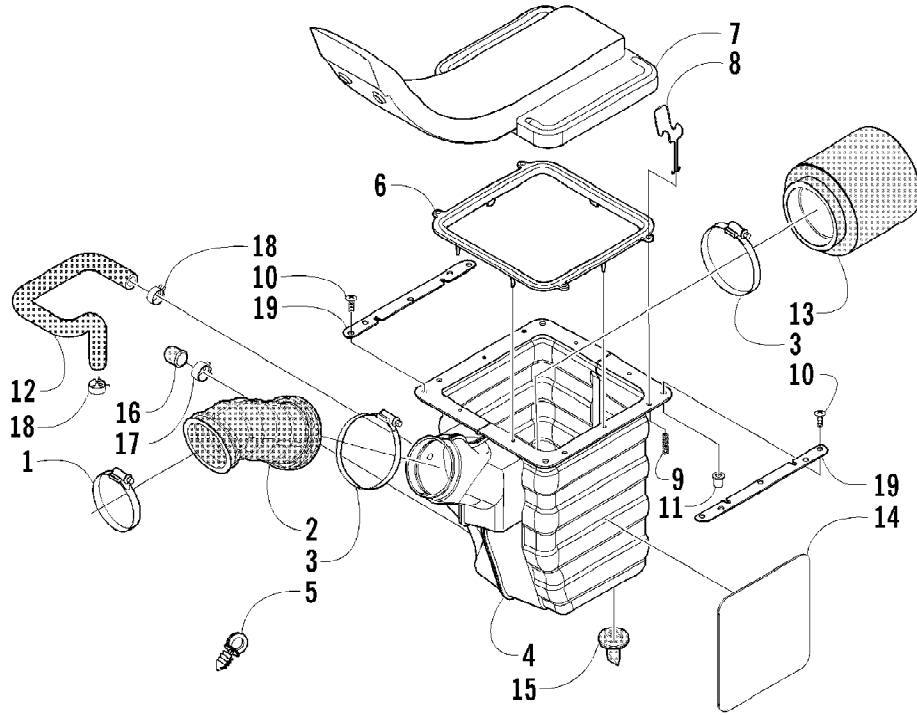


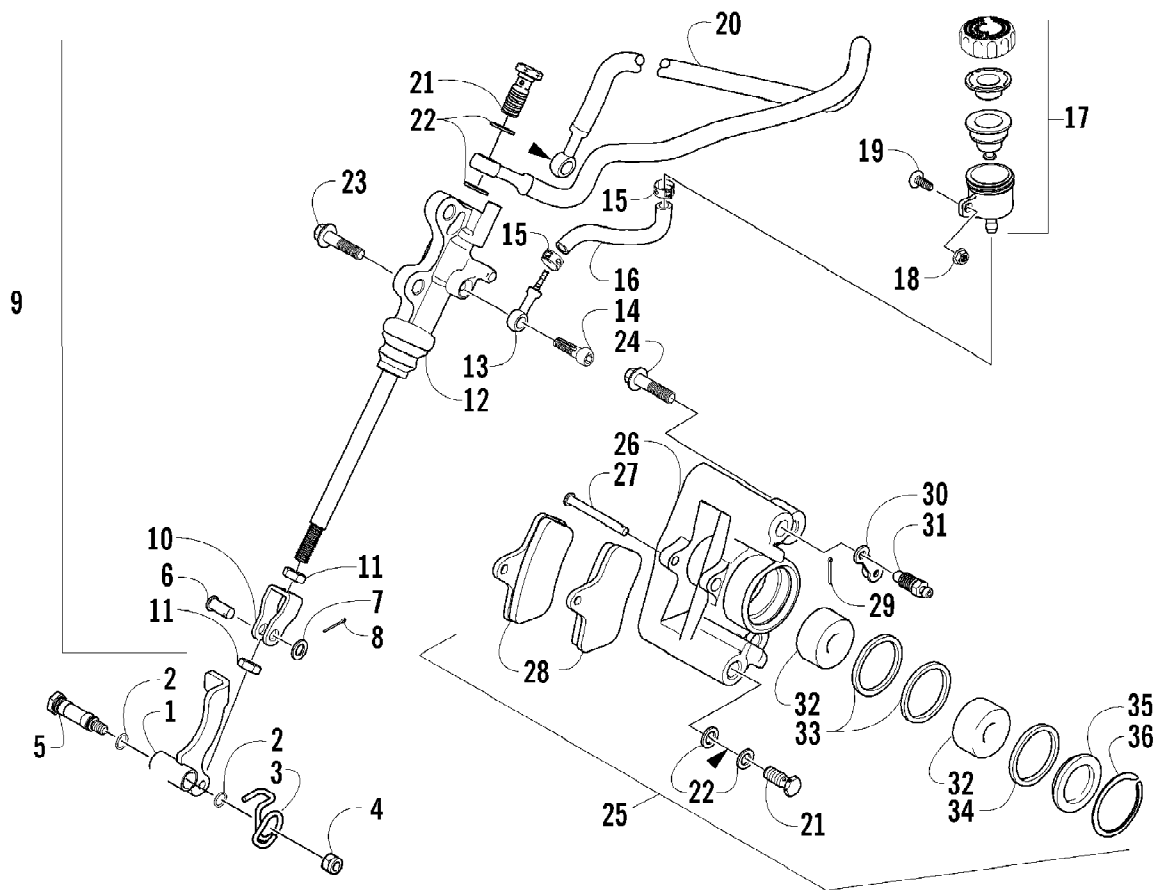
2005 ATV 500 AUTOMATIC TRANSMISSION 4X4 TRV CAT GREEN (A2005TDMA) 94
AIR INTAKE ASSEMBLY



2005 ATV 500 AUTOMATIC TRANSMISSION 4X4 TRV CAT GREEN (A2005TDMA) 94
AIR INTAKE ASSEMBLY

Ref #	Part Number	Qty	S/P/F	Description
1	0423-019	1		Clamp
2	0470-455	1		Boot, Air Intake
3	0423-018	2		Clamp
4	0470-446	1	/P	Housing, Air Intake
5	0623-101	1		Clip, Retaining
6	0470-343	1		Gasket
7	0470-459	1		Snorkel
8	0470-307	4		Clamp
9	0423-037	4		Spring
10	0623-121	4		Screw, Machine
11	0123-010	4	/P	Nut, Expansion
12	0410-045	1		Hose, Crankcase Vent
13	0470-460	1		Filter, Air
14	0412-141	1		Shield, Heat
15	0470-442	1	/P	Valve, Drain
16	1673-272	1	/P	Cap, Drain Tube
17	0423-047	1		Clamp, Hose
18	0423-045	2		Clamp, Hose
19	0470-351	2		Support, Air Intake Flange

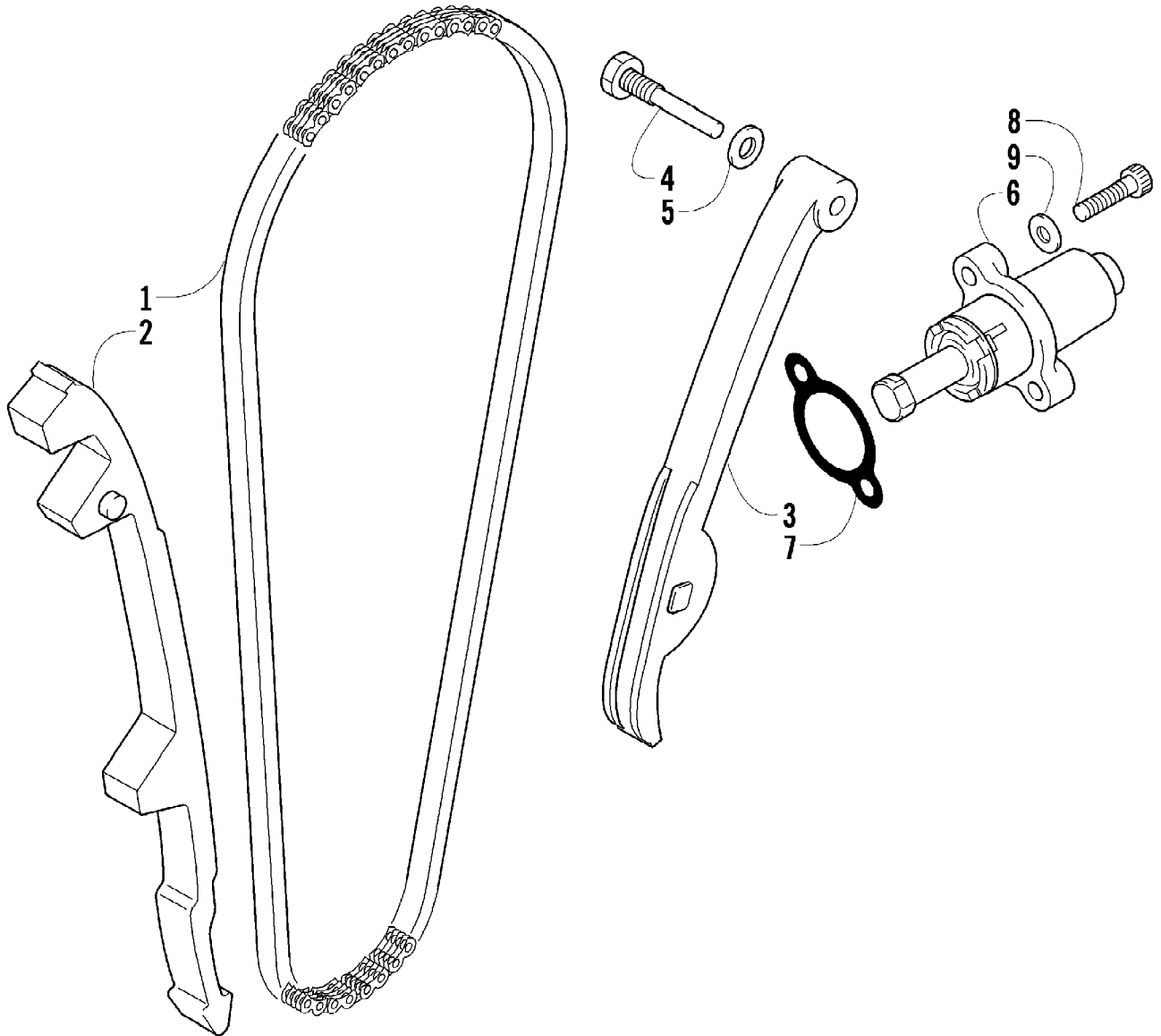
2005 ATV 500 AUTOMATIC TRANSMISSION 4X4 TRV CAT GREEN (A2005TDM14B) SZ of 94
AUXILIARY BRAKE ASSEMBLY



2005 ATV 500 AUTOMATIC TRANSMISSION 4X4 TRV CAT GREEN (A2005TDM146) of 94
AUXILIARY BRAKE ASSEMBLY

Ref #	Part Number	Qty	S/P/F	Description
1	0502-645	1		Lever, Brake
2	1602-213	2	/P	O-Ring
3	0502-651	1		Spring, Brake Lever
4	8422-002	1		Nut
5	0402-872	1		Axle, Brake Lever
6	0402-575	1		Pin, Clevis
7	0402-583	1		Washer
8	0402-584	1		Pin, Cotter
9	0502-666	1	S	Brake Assembly (inc. 10-17)
10	0402-580	1		Actuator, Push Rod
11	0402-592	2		Nut, Jam
12	0	1	F	Master Cylinder
13	1402-277	1		Fitting, Banjo
14	1402-278	1		Bolt, Banjo Fitting
15	0423-525	2		Clamp, Hose
16	1402-267	1		Hose, Brake Reservoir
17	1402-257	1		Reservoir, Brake
18	8424-502	1		Nut, Flanged
19	0623-121	1		Screw, Machine
20	1402-268	1		Hose, Brake
21	0423-413	2		Bolt, Banjo Fitting
22	0423-178	4		Washer, Crush
23	8408-825	2		Screw, Cap
24	8408-820	2	/P	Screw, Cap
25	0502-457	1	S	Caliper, Brake (inc. 26-36)
26	0	1	F	Housing, Caliper
27	0402-495	1		Pin, Brake Caliper
28	1402-126	2		Pad, Brake
29	0423-495	1	/P	Pin, Cotter
30	0402-493	1		Cap, Bleed Valve
31	1402-123	1		Valve, Bleed
32	1402-125	2		Piston
33	0402-980	2		O-Ring, Brake Caliper
34	0	1	F	O-Ring
35	0	1	F	Plug
36	0	1	F	Ring, Retaining

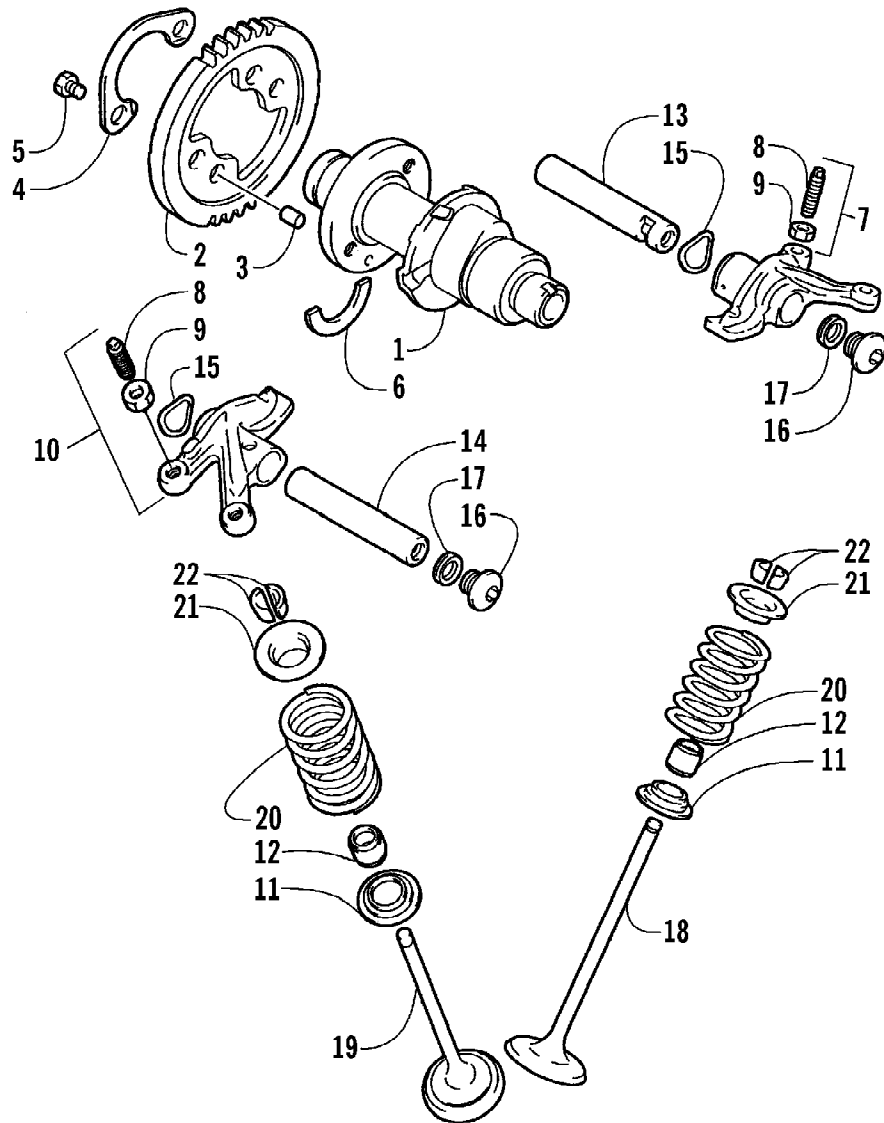
2005 ATV 500 AUTOMATIC TRANSMISSION 4X4 TRV CAT GREEN (A2005TD17415) of 94
CAM CHAIN ASSEMBLY



2005 ATV 500 AUTOMATIC TRANSMISSION 4X4 TRV CAT GREEN (A2005TD174) 67 of 94
 CAM CHAIN ASSEMBLY

Ref #	Part Number	Qty	S/P/F	Description
1	3402-353	1		Chain, Cam
2	3402-355	1		Guide, Chain
3	3402-356	1		Tensioner, Chain
4	3423-074	1		Bolt
5	3003-188	1	S/P	Washer
6	3402-136	1		Adjuster, Tensioner - Assembly
7	3402-137	1		Gasket
8	3004-475	2	S	Screw, Cap
9	3003-290	2	/P	Gasket

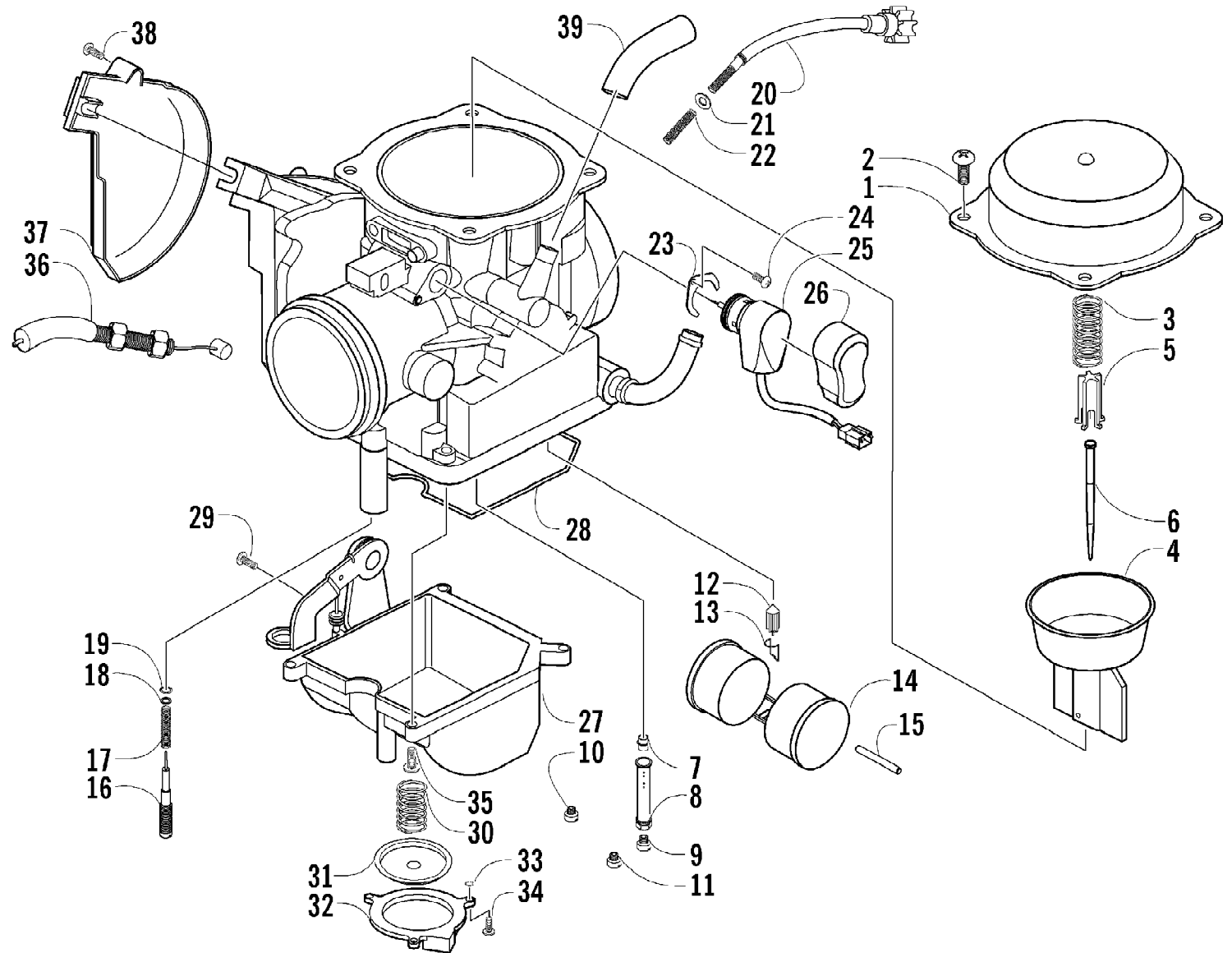
2005 ATV 500 AUTOMATIC TRANSMISSION 4X4 TRV CAT GREEN (A2005TD1745) 94
CAMSHAFT/VALVE ASSEMBLY



2005 ATV 500 AUTOMATIC TRANSMISSION 4X4 TRV CAT GREEN (A2005TDMA15U8Z) of 94
CAMSHAFT/VALVE ASSEMBLY

Ref #	Part Number	Qty	S/P/F	Description
1	3402-723	1	S	Camshaft
2	3402-352	1		Sprocket
3	3423-047	1		Pin
4	3423-073	1		Washer
5	3423-013	2	S	Bolt
6	3423-071	1	/P	C-Ring
7	3402-805	1	/P	Arm, Valve Rocker - Intake (inc. two No. 8-9)
8	3423-075	4		Screw
9	3423-076	4		Nut
10	3402-139	1		Arm, Valve Rocker - Exhaust (inc. two No. 8-9)
11	3402-148	4		Seat, Spring
12	3402-078	4		Seal, Oil
13	3402-140	1		Shaft, Rocker Arm
14	3402-141	1		Shaft, Rocker Arm
15	3423-031	2		Washer
16	3402-040	2	/P	Plug, Shaft
17	3402-012	2		Gasket
18	3402-725	2	/P	Valve, Intake
19	3402-143	2		Valve, Exhaust
20	3402-726	4		Spring, Valve
21	3423-541	4	/P	Retainer, Spring
22	3402-147	8		Cotter, Valve

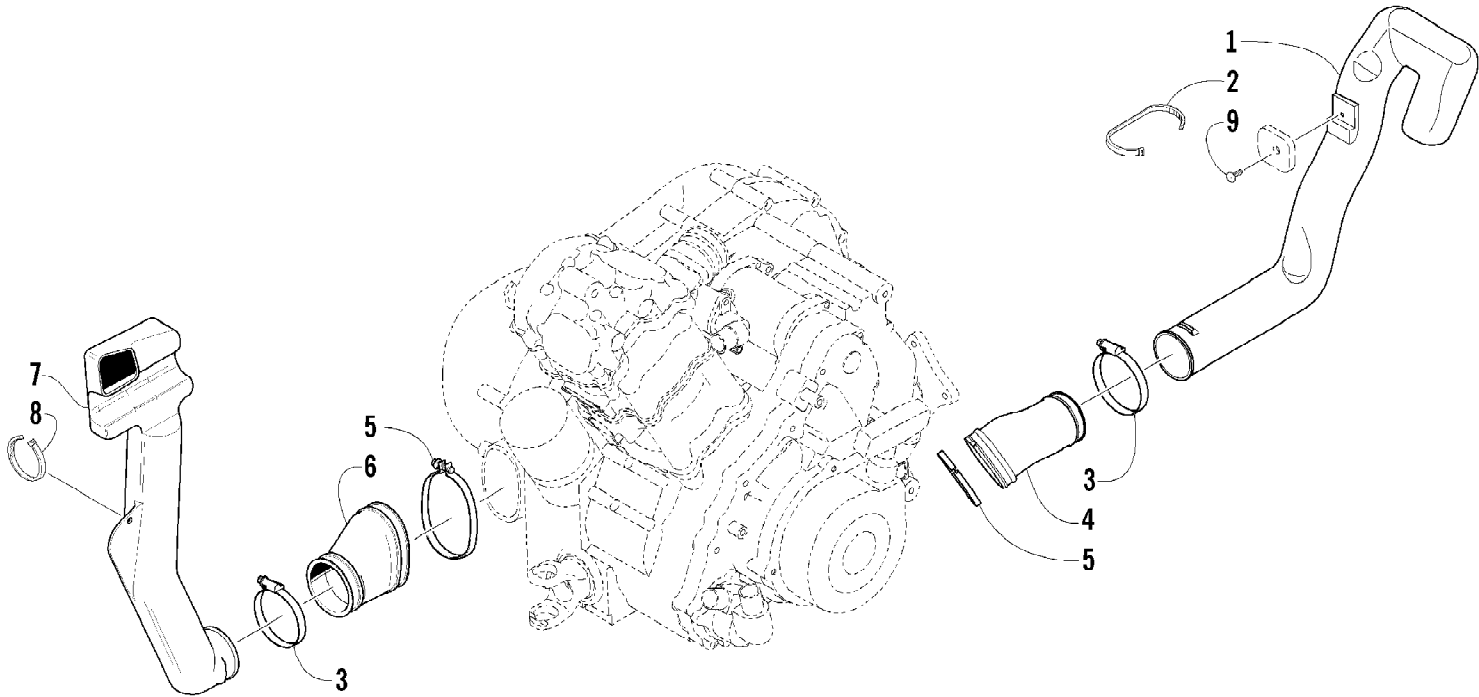
2005 ATV 500 AUTOMATIC TRANSMISSION 4X4 TRV CAT GREEN (A2005TD1711B) 94 CARBURETOR



2005 ATV 500 AUTOMATIC TRANSMISSION 4X4 TRV CAT GREEN (A2005TD14B15Z) of 94
CARBURETOR

Ref #	Part Number	Qty	S/P/F	Description
	0470-532	1		Carburetor Assembly
1	5507-001	1		Cover, Top
2	5507-002	4	/P	Screw, Top Cover
3	5507-085	1	S	Spring
4	5507-099	1		Piston, Vacuum
5	5507-005	1		Seat, Spring
6	5507-100	1		Jet Needle
7	5507-007	1		Needle Jet
8	5507-047	1	/P	Holder, Needle Jet
9	5507-086	1		Main Jet - 148
9	5507-009	1	/P/F	Main Jet - 150
9	5507-043	1	F	Main Jet - 142
9	5507-044	1	F	Main Jet - 140
10	5507-101	1	S	Slow Jet - 40
11	5507-112	1		Starter Jet - 85
12	5507-107	1		Valve, Float - Set (inc. 13)
13	0	1	F	Clip
14	5507-039	1		Float Set (inc. 15)
15	0	1	F	Pin, Float
16	5507-111	1		Screw, Pilot Air - Set (inc. 17-19)
17	0	1	F	Spring
18	0	1	F	Washer
19	0	1	F	O-Ring
20	5507-027	1		Screw, Idle Adjust
21	5507-028	1		Washer
22	5507-029	1		Spring
23	5507-115	1		Plate
24	5507-117	1	/P	Screw
25	5507-113	1		Choke, Electric
26	5507-114	1		Cover, Electric Choke
27	5507-065	1		Chamber, Float - Assembly (inc. 28-34)
28	5507-067	1	/P	O-Ring, Float Chamber
29	5507-050	1	/P	Screw, Drain
30	5507-032	1		Spring
31	5507-031	1	S	Diaphragm Assembly
32	0	1	F	Housing, Pump
33	5507-034	1		U-Ring
34	5507-035	3		Screw
35	5507-017	4	/P	Screw
36	0487-021	1	S	Cable, Throttle
37	5507-036	1		Cover
38	5507-037	1	/P	Screw
39	0410-056	1		Hose, Vent

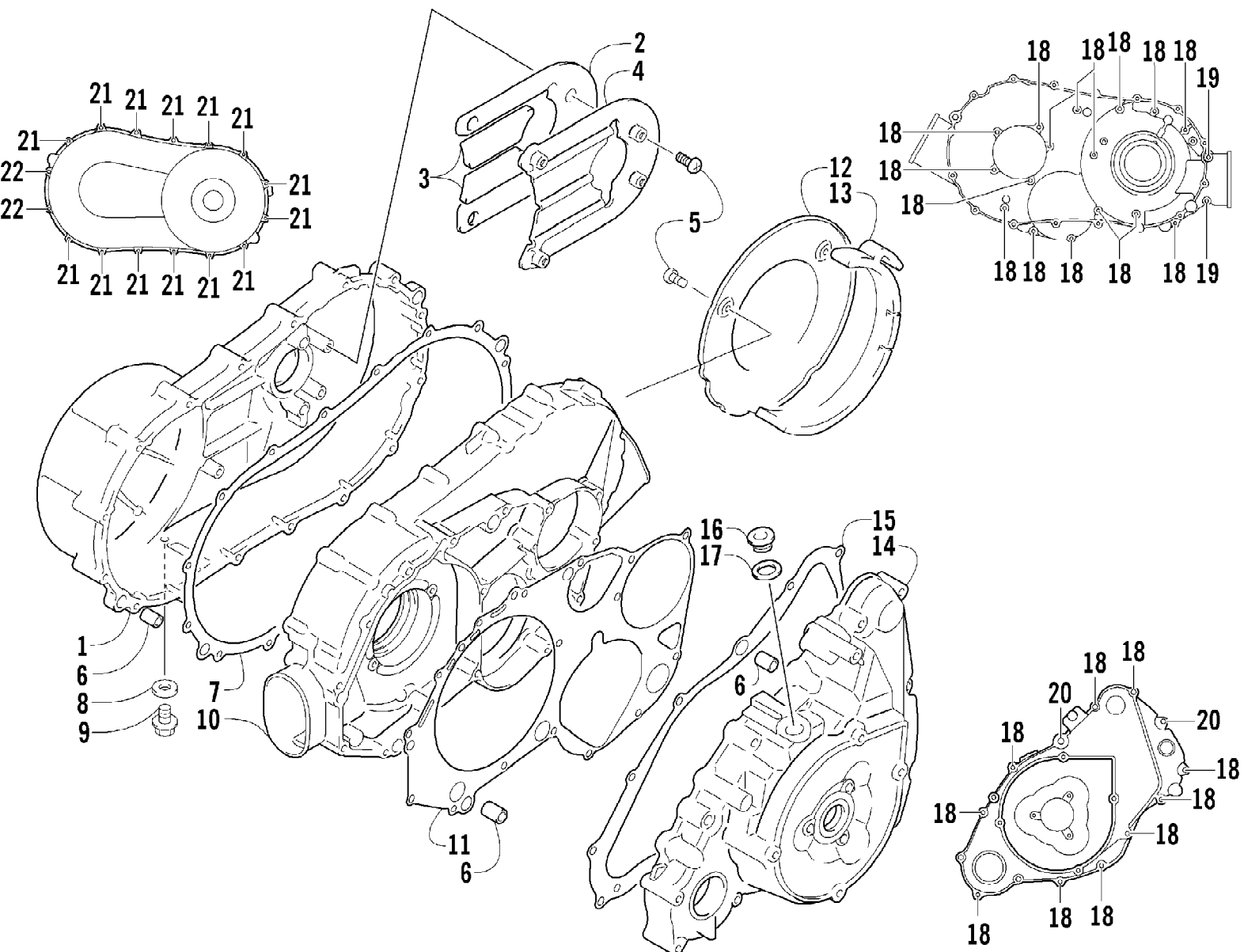
2005 ATV 500 AUTOMATIC TRANSMISSION 4X4 TRV CAT GREEN (A2005TD14B1SZ) 94
CASE/BELT COOLING ASSEMBLY



2005 ATV 500 AUTOMATIC TRANSMISSION 4X4 TRV CAT GREEN (A2005TD14B12Z) 94
CASE/BELT COOLING ASSEMBLY

Ref #	Part Number	Qty	S/P/F	Description
1	0413-062	1		Duct, Belt Cooling - Rear
2	0123-903	1		Cable Tie - 11.5 in.
3	0423-380	2	/P	Clamp, Boot
4	0413-055	1		Boot, Duct - Rear
5	3402-449	2	/P	Clamp, Boot
6	0413-049	1		Boot, Duct - Front
7	0413-042	1		Duct, Belt Cooling - Front
8	0123-788	1	/P	Cable Tie - 7.5 in.
9	0623-301	1	/P	Screw, Self-Tapping

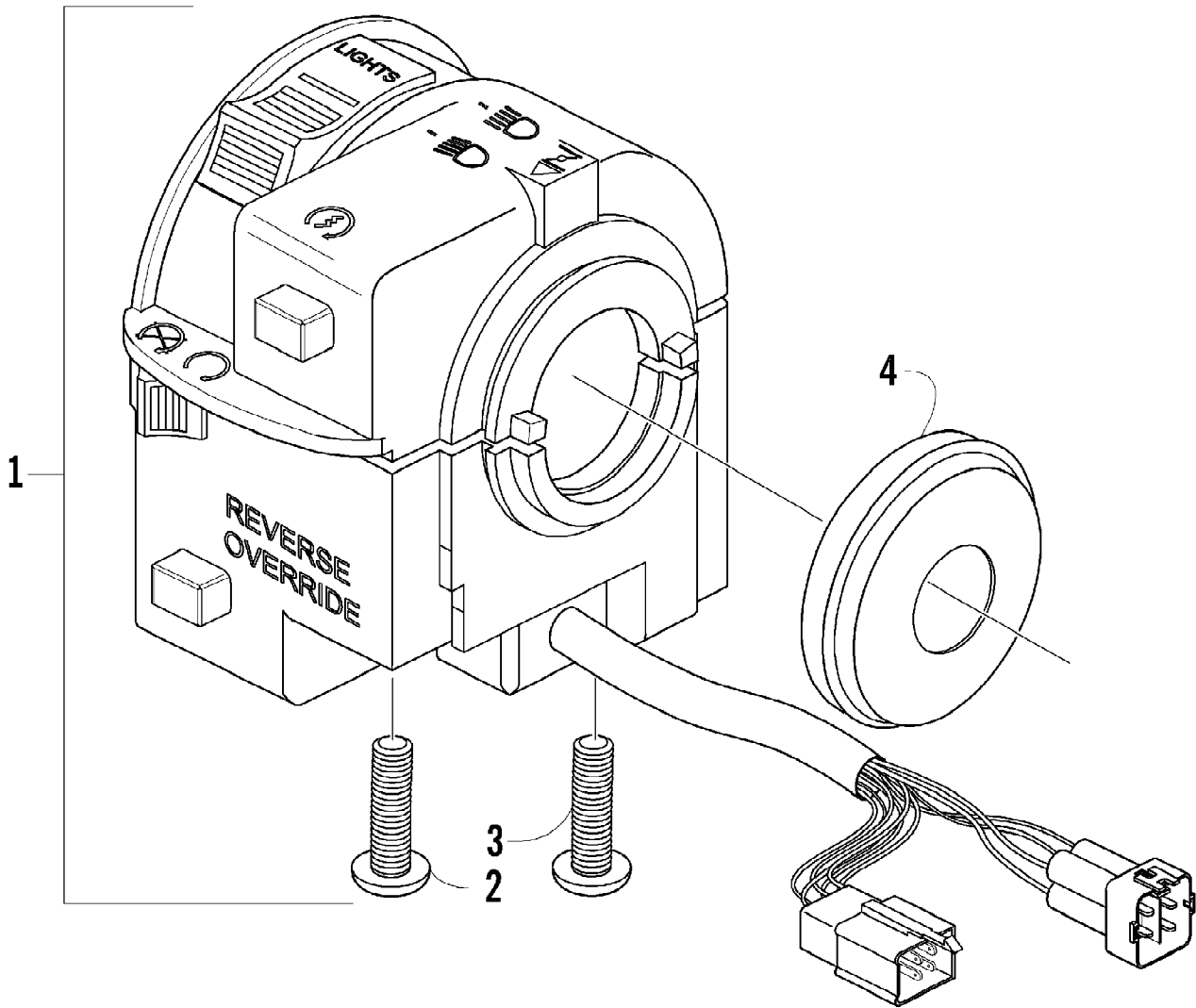
2005 ATV 500 AUTOMATIC TRANSMISSION 4X4 TRV CAT GREEN (A2005TD14B13Z) 94
CLUTCH/V-BELT/MAGNETO COVER ASSEMBLY



2005 ATV 500 AUTOMATIC TRANSMISSION 4X4 TRV CAT GREEN (A2005TD14B18Z) 94
 CLUTCH/V-BELT/MAGNETO COVER ASSEMBLY

Ref #	Part Number	Qty	S/P/F	Description
1	3402-710	1		Cover, V-Belt
2	3402-711	1		Damper, V-Belt Cover
3	3402-712	2		Damper, V-Belt Cover
4	3402-713	1		Plate, V-Belt Cover
5	3423-435	7		Screw
6	3423-088	6		Pin, Dowel
7	3402-443	1		Gasket, V-Belt Cover
8	3402-444	1		Gasket, Drain Plug
9	3004-705	1	S	Plug, Drain
10	3402-709	1	/P	Cover, Clutch
11	3402-441	1		Gasket, Clutch Cover
12	3402-445	1		Plate, Air Intake
13	3402-699	1	/P	Cushion, Air Intake Plate
14	3402-714	1		Cover, Magneto
15	3402-715	1		Gasket, Magneto Cover
16	3402-041	1	S	Plug, Oil Filler
17	3402-013	1	/P	Gasket, Oil Filler Plug
18	3423-098	26	S	Bolt
19	3423-092	2	S	Bolt
20	3004-756	2	S	Bolt
21	3423-091	14	S	Bolt
22	3423-119	2	S	Bolt

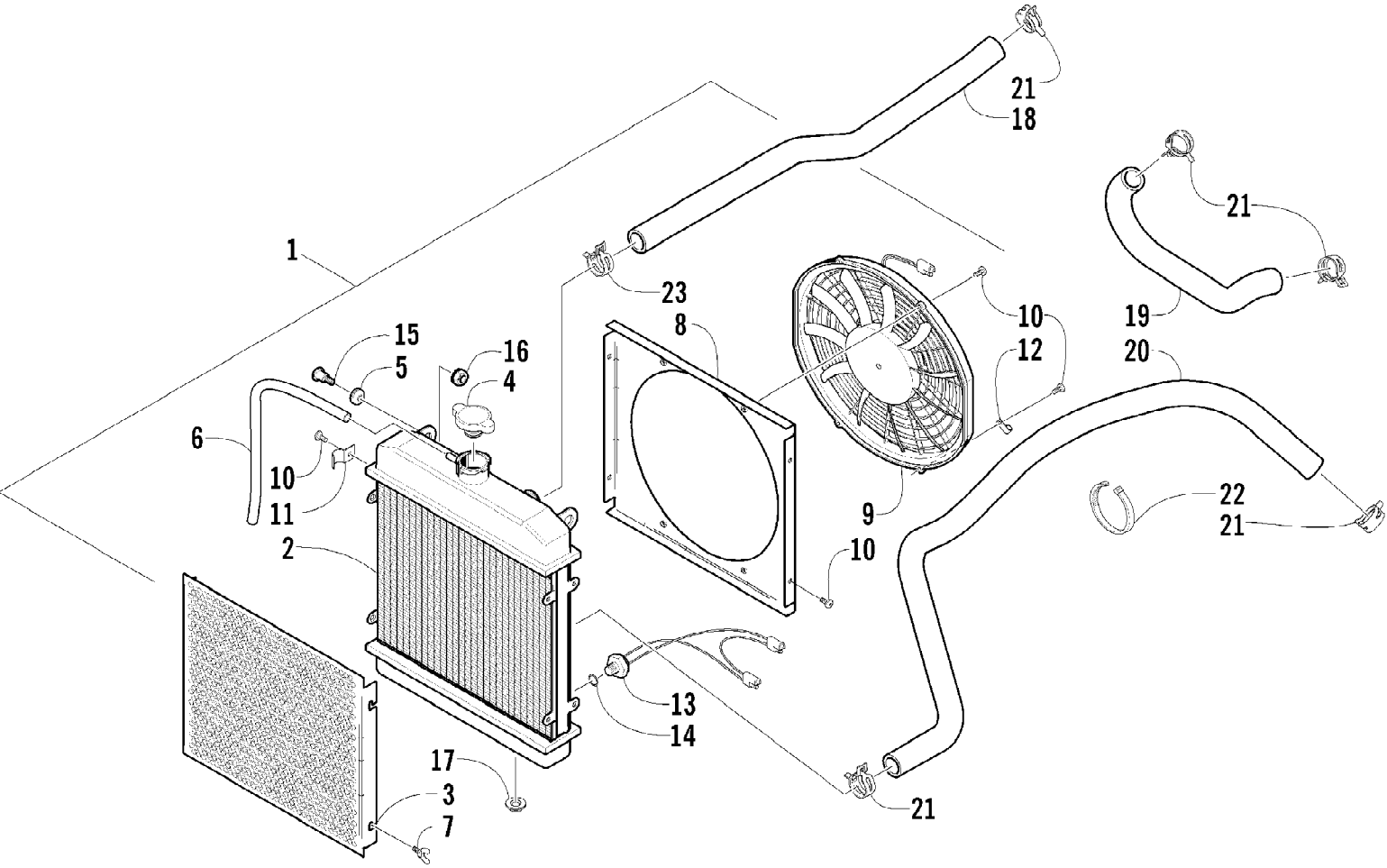
2005 ATV 500 AUTOMATIC TRANSMISSION 4X4 TRV CAT GREEN (A2005TD14B15Z) 94
CONTROL SWITCH HOUSING ASSEMBLY



2005 ATV 500 AUTOMATIC TRANSMISSION 4X4 TRV CAT GREEN (A2005TD14B16Z) 94
CONTROL SWITCH HOUSING ASSEMBLY

Ref #	Part Number	Qty	S/P/F	Description
1	0509-014	1		Switch, Control - Assembly (inc. 2-4)
2	0409-027	1		Screw, Machine
3	0409-028	1		Screw, Machine
4	3409-019	1		Cover, Switch Housing

2005 ATV 500 AUTOMATIC TRANSMISSION 4X4 TRV CAT GREEN (A2005TD14B13Z) 94
COOLING ASSEMBLY

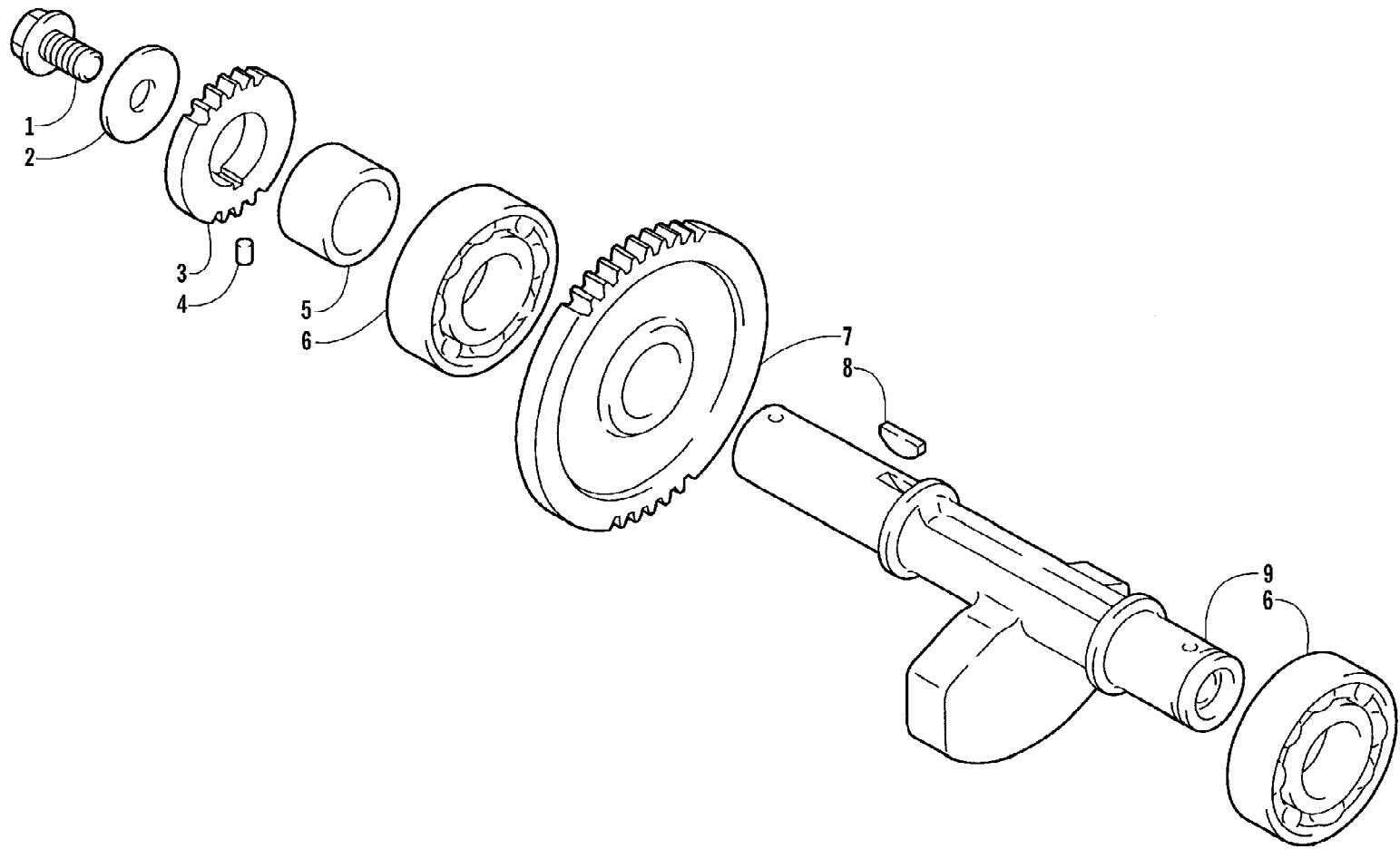


2005 ATV 500 AUTOMATIC TRANSMISSION 4X4 TRV CAT GREEN (A2005TD14B18Z) 94
COOLING ASSEMBLY

Ref #	Part Number	Qty	S/P/F	Description
1	0413-038	1		Radiator Assembly (inc. 2-14)
2	0413-043	1	S	Radiator
3	0413-007	1		Screen, Radiator
4	0413-002	1	S	Cap, Radiator
5	0423-030	2		Grommet
6	0610-016	AR	/P	Hose - 25 ft
7	0413-009	4		Screw, Thumb
8	0413-046	2		Shroud, Fan
9	0413-044	1	S	Fan, Cooling
10	8475-512	8		Screw, Machine
11	0423-351	1		Clamp, Wire
12	0123-397	1		Clamp, Cable
13	0413-045	1		Sender, Temperature - Coolant
14	0423-390	1	S	O-Ring
15	0423-484	2		Screw, Shoulder
16	0623-038	2		Nut w/Washer
17	0423-028	2		Bushing, Stem
18	0410-002	1		Hose, Coolant - Upper
19	0410-022	1		Hose, Coolant - Crossover
20	0410-041	1		Hose, Coolant - Lower
21	0423-496	6		Clamp, Hose
22	0623-751	1		Cable Tie

For Arctic Cat Discount Parts Call 606-678-9623 or 606-561-4983

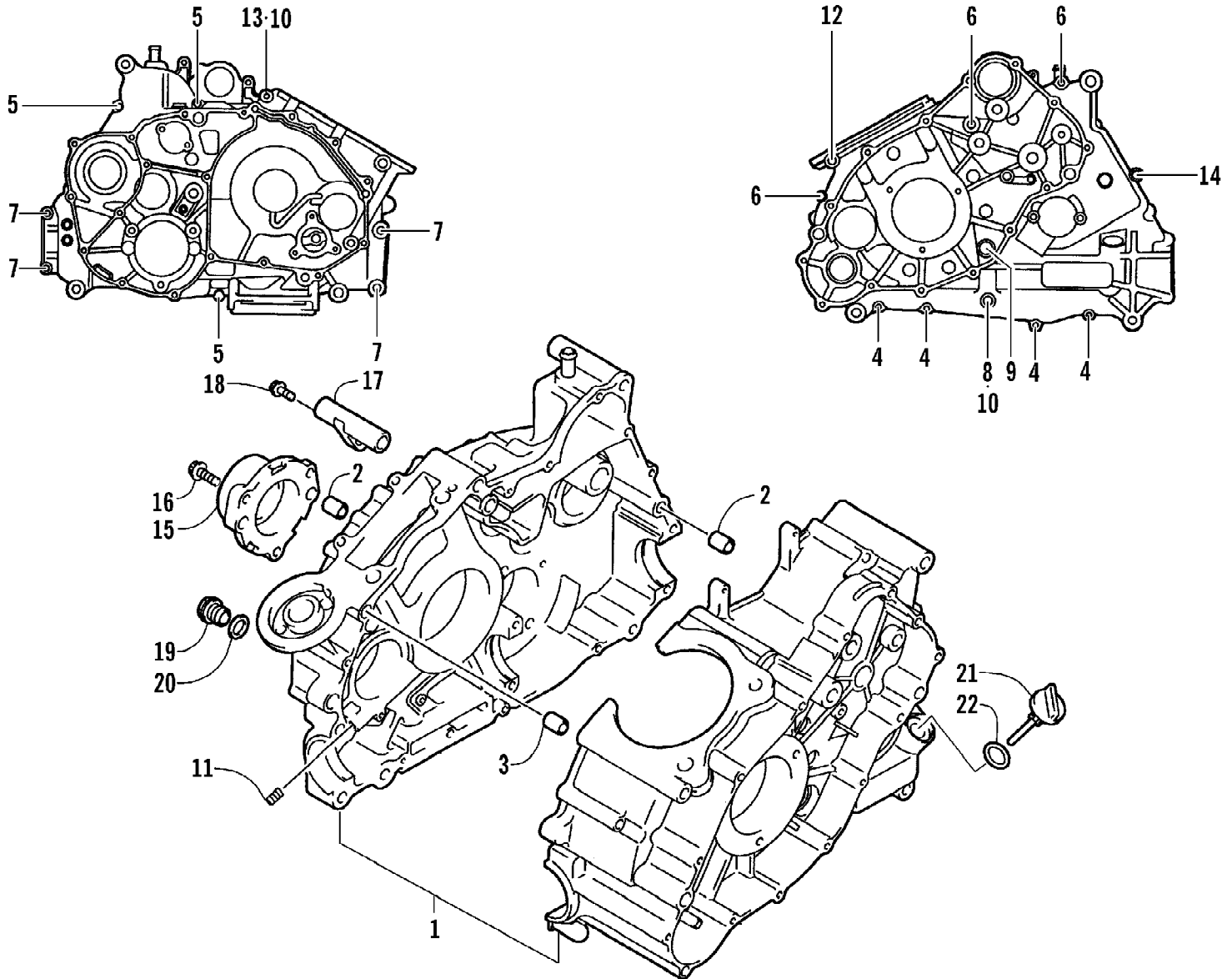
2005 ATV 500 AUTOMATIC TRANSMISSION 4X4 TRV CAT GREEN (A2005TD14B19Z) 94
CRANK BALANCER ASSEMBLY



2005 ATV 500 AUTOMATIC TRANSMISSION 4X4 TRV CAT GREEN (A2005TD14B26Z) 94
 CRANK BALANCER ASSEMBLY

Ref #	Part Number	Qty	S/P/F	Description
1	3423-555	1		Bolt
2	3423-401	1		Washer
3	3402-390	1		Gear, Oil Pump Drive
4	3423-110	1		Pin
5	3402-461	1		Spacer
6	3402-050	2		Bearing
7	3402-722	1		Gear, Driven
8	3004-540	1	/P	Key
9	3402-458	1		Balancer, Crank

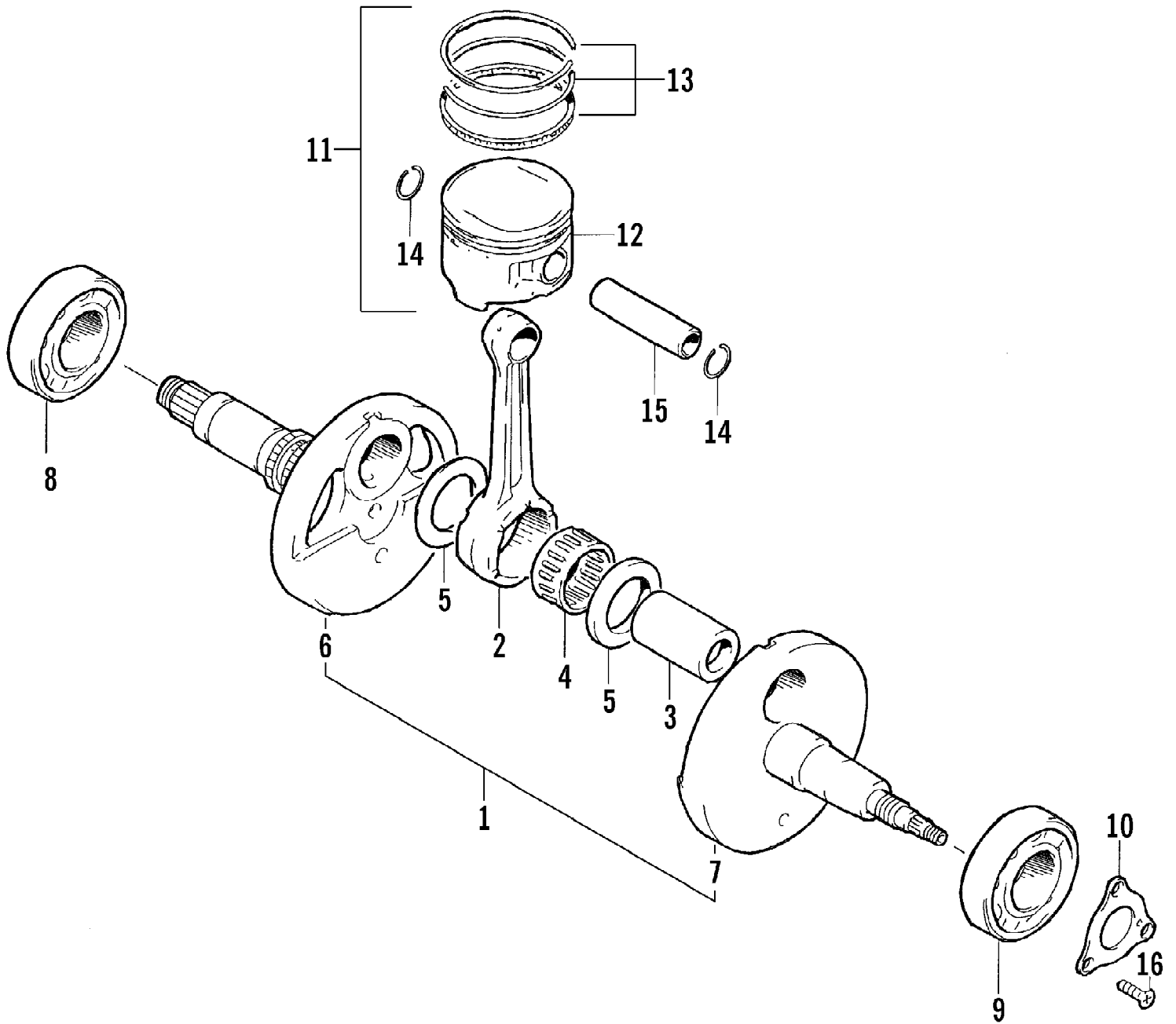
2005 ATV 500 AUTOMATIC TRANSMISSION 4X4 TRV CAT GREEN (A2005TD14BUSA) 94
CRANKCASE ASSEMBLY



2005 ATV 500 AUTOMATIC TRANSMISSION 4X4 TRV CAT GREEN (A2005TD14B22Z) 94
CRANKCASE ASSEMBLY

Ref #	Part Number	Qty	S/P/F	Description
1	3402-708	1	/P	Crankcase Assembly (inc. two No. 2 and 3-14)
2	3423-088	4		Pin, Dowel
3	3004-822	1		Pin, Dowel
4	3423-091	4	S	Bolt
5	3423-119	3	S	Bolt
6	3423-092	3	S	Bolt
7	3004-880	4		Bolt
8	3005-332	1		Bolt
9	3423-385	1		Bolt
10	3402-436	2	/P	Gasket
11	3423-386	1		Plug
12	3423-387	1		Bolt
13	3423-388	1		Bolt
14	3423-508	1		Bolt
15	3402-439	1		Housing, Secondary Shaft Bearing
16	3423-506	3	/P	Bolt
17	3402-437	1		Pipe, Breather
18	3423-389	1		Bolt, Breather Pipe
19	3402-214	1		Plug, Oil Pressure
20	3402-012	1		Gasket, Oil Pressure Plug
21	3402-438	1		Stick, Oil Level
22	3423-055	1		O-Ring, Oil Level Stick

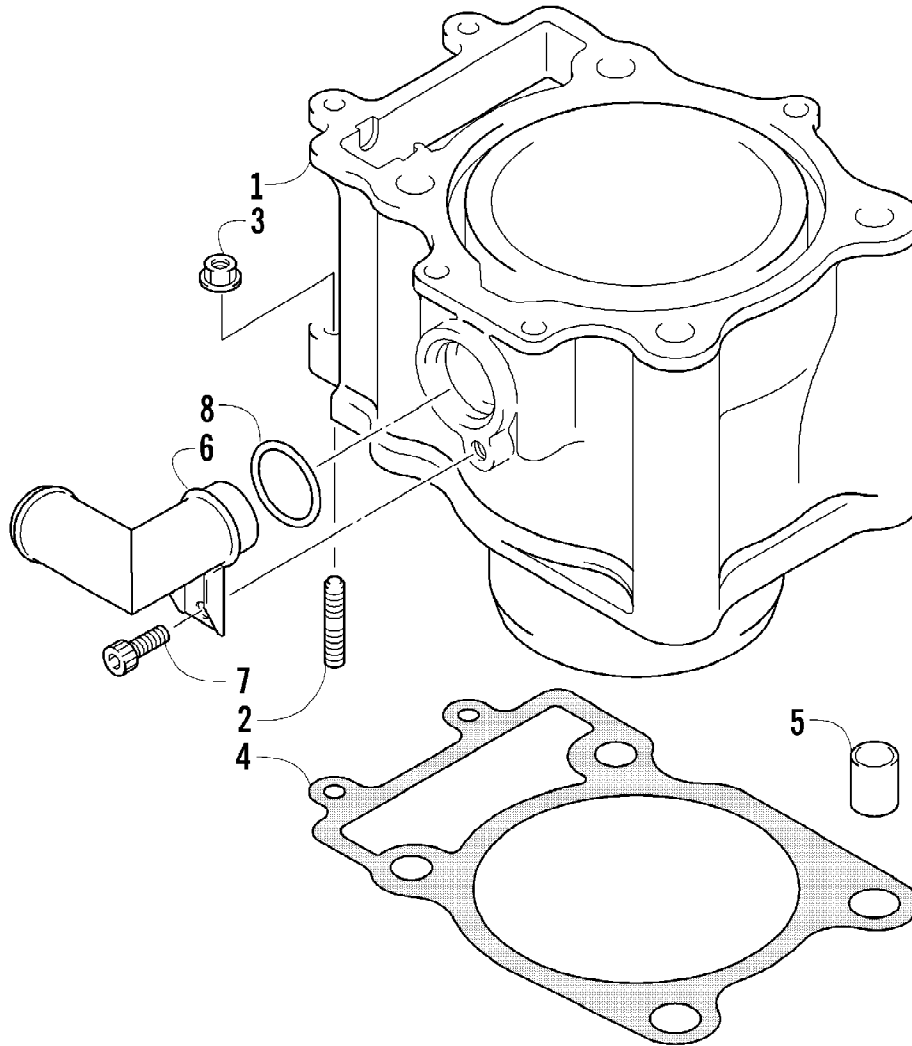
2005 ATV 500 AUTOMATIC TRANSMISSION 4X4 TRV CAT GREEN (A2005TD14B23Z) 94
CRANKSHAFT ASSEMBLY



2005 ATV 500 AUTOMATIC TRANSMISSION 4X4 TRV CAT GREEN (A2005TD14B28Z) 94
 CRANKSHAFT ASSEMBLY

Ref #	Part Number	Qty	S/P/F	Description
1	3403-018	1	/P	Crankshaft Assembly (inc. 2-7)
2	3402-376	1		Rod, Connecting
3	3402-377	1		Pin, Crank
4	3402-717	1	/P	Bearing
5	3423-351	2		Washer
6	3403-025	1		Crankshaft - Right
7	3402-705	1	/P	Crankshaft - Left
8	3402-058	1		Bearing - Right
9	3402-054	1		Bearing - Left
10	3402-188	1	/P	Retainer, Oil Seal - Left
11	3402-788	1		Piston Set (inc. 12-14)
12	3402-719	1		Piston
13	3402-720	1		Ring, Piston - Set
14	3423-344	2		Circlip, Piston Pin
15	3402-375	1		Pin, Piston
16	3423-018	3		Screw

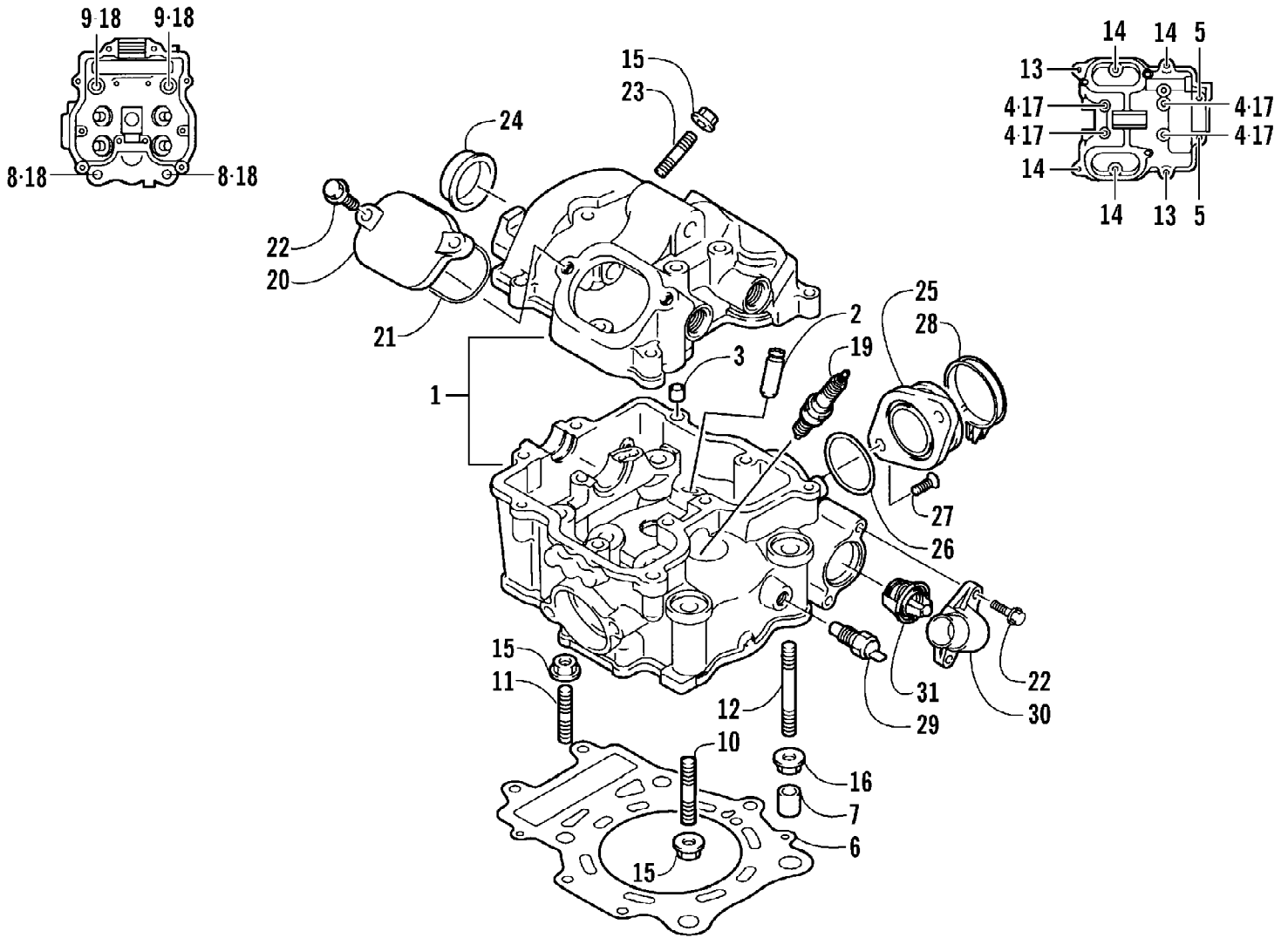
2005 ATV 500 AUTOMATIC TRANSMISSION 4X4 TRV CAT GREEN (A2005TD14B25Z) 94
CYLINDER ASSEMBLY



2005 ATV 500 AUTOMATIC TRANSMISSION 4X4 TRV CAT GREEN (A2005TD14BU26Z) 94
CYLINDER ASSEMBLY

Ref #	Part Number	Qty	S/P/F	Description
1	3402-707	1		Cylinder
2	3423-384	2	S	Bolt, Stud
3	3004-488	2	S/P	Nut
4	3402-365	1	/P	Gasket, Cylinder
5	3423-088	2		Pin, Dowel
6	3413-013	1		Union, Water Hose
7	3423-121	1	S	Screw, Cap
8	3423-058	1		O-Ring

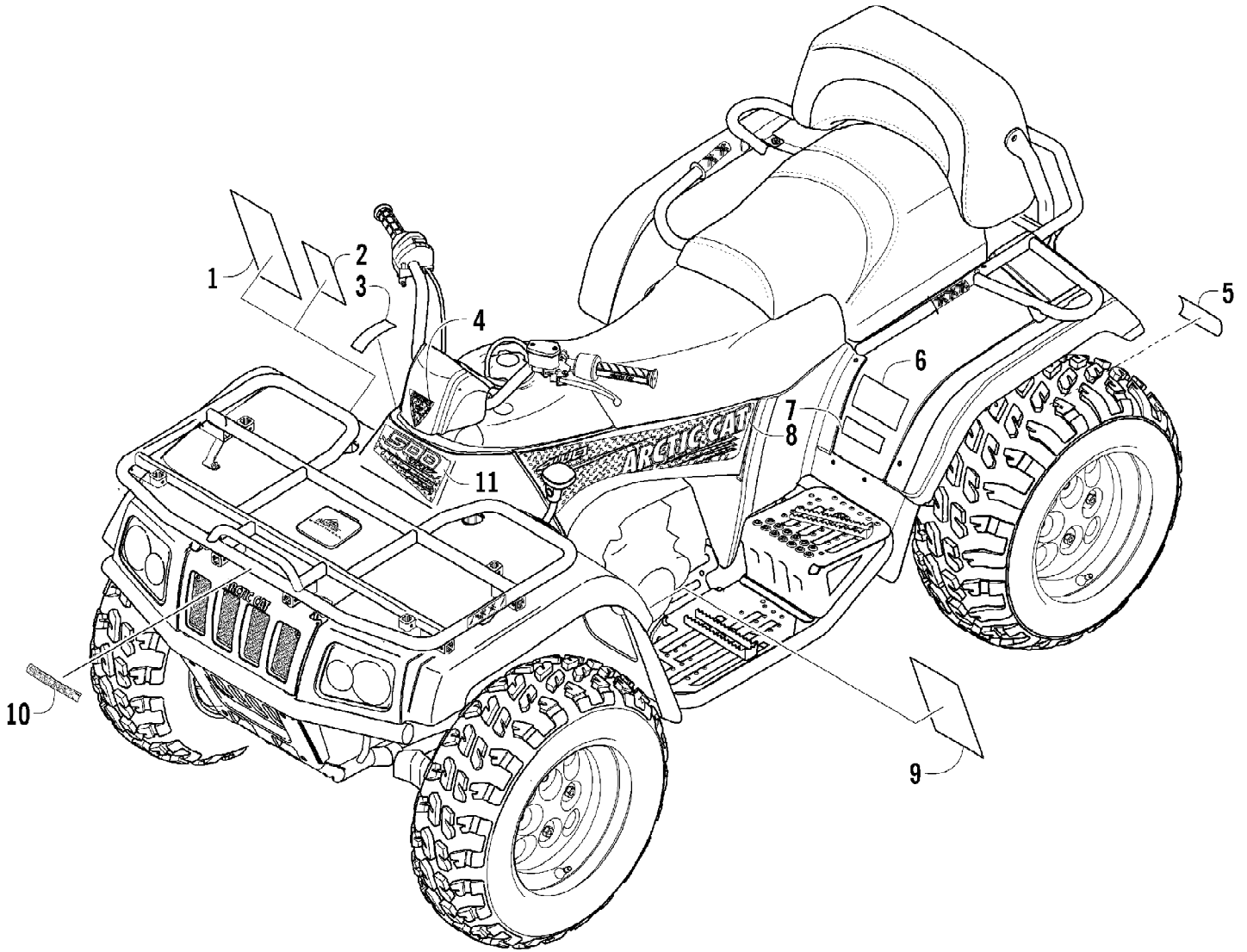
2005 ATV 500 AUTOMATIC TRANSMISSION 4X4 TRV CAT GREEN (A2005TD14BU23Z) 94
CYLINDER HEAD ASSEMBLY



2005 ATV 500 AUTOMATIC TRANSMISSION 4X4 TRV CAT GREEN (A2005TD14BU28Z) 94
CYLINDER HEAD ASSEMBLY

Ref #	Part Number	Qty	S/P/F	Description
1	3402-098	1		Head, Cylinder - Assembly (inc. 2-5)
2	3402-099	4		Guide, Valve
3	3423-043	2	/P	Pin, Dowel
4	3423-006	4		Screw, Cap
5	3008-376	2	S	Screw, Cap
6	3402-362	1		Gasket, Cylinder Head
7	3423-088	2		Pin, Dowel
8	3423-015	2		Screw, Cap
9	3423-016	2		Screw, Cap
10	3423-089	2	S	Bolt, Stud
11	3423-087	2	S	Bolt, Stud
12	3423-203	1	S/P	Bolt, Stud
13	3423-007	2	S	Screw, Cap
14	3004-376	4	S/P	Screw, Cap
15	3004-488	5	S/P	Nut
16	3004-326	1	S/P	Nut
17	3003-290	4	/P	Gasket
18	3402-010	4		Gasket, Head Nut
19	0217-632	1		Spark Plug (NGK CR6E)
20	3402-100	2		Cap, Inspection
21	3402-101	2		O-Ring
22	3004-341	5	S/P	Screw, Cap
23	3423-383	1		Bolt, Stud
24	3402-035	1		Plug, Cylinder Head
25	3402-706	1		Pipe, Intake - Assembly (inc. 26)
26	3423-353	1	/P	O-Ring
27	3423-347	2		Screw, Cap
28	0423-317	1	/P	Clamp
29	3530-038	1	S	Switch, Water Temperature - Assembly
30	3413-004	1		Cover, Thermostat
31	3413-012	1		Thermostat
	3402-048	1	F	Plug, Frost

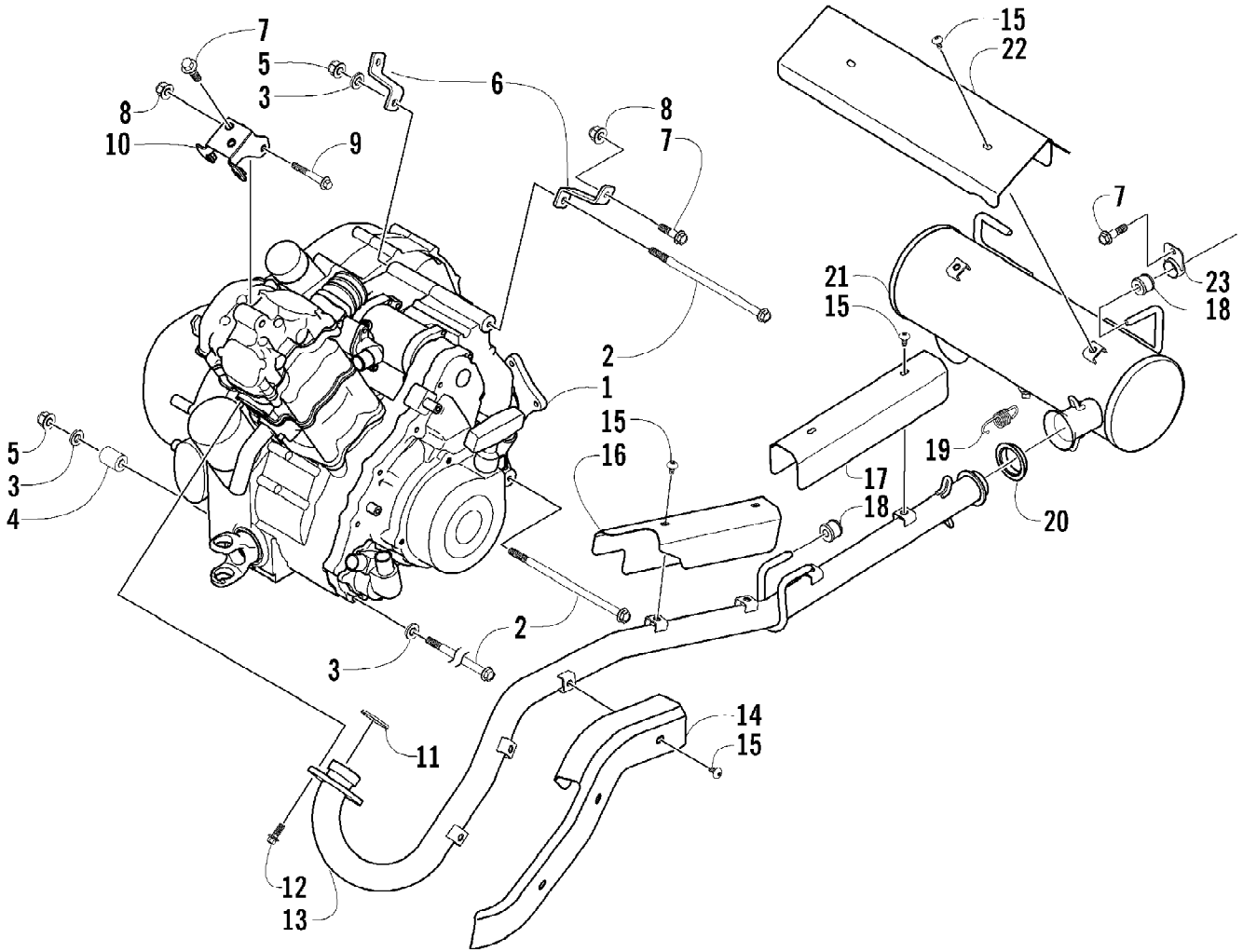
2005 ATV 500 AUTOMATIC TRANSMISSION 4X4 TRV CAT GREEN (A2005TD14BU29Z) 94
DECALS



2005 ATV 500 AUTOMATIC TRANSMISSION 4X4 TRV CAT GREEN (A2005TD14B33Z) 94
 DECALS

Ref #	Part Number	Qty	S/P/F	Description
1	1411-250	1		Decal, Warning - Reverse/Pre-Ride
2	0411-894	1		Decal, Warning - Turn
3	0411-426	1		Decal, Warning - Clutch Cover
4	0411-782	1		Decal, Crest
5	0411-267	1		Decal, Warning - Towing
6	0411-833	1		Decal, Warning - Passengers
7	0411-832	1		Decal, Warning - Tire Pressure
8	0411-778	1		Decal, Side - Right
8	0411-779	1		Decal, Side - Left
9	0411-753	1		Decal, Warning - General/Age
10	0411-965	1		Decal, "Speedrack"
11	0411-831	1		Decal, Front

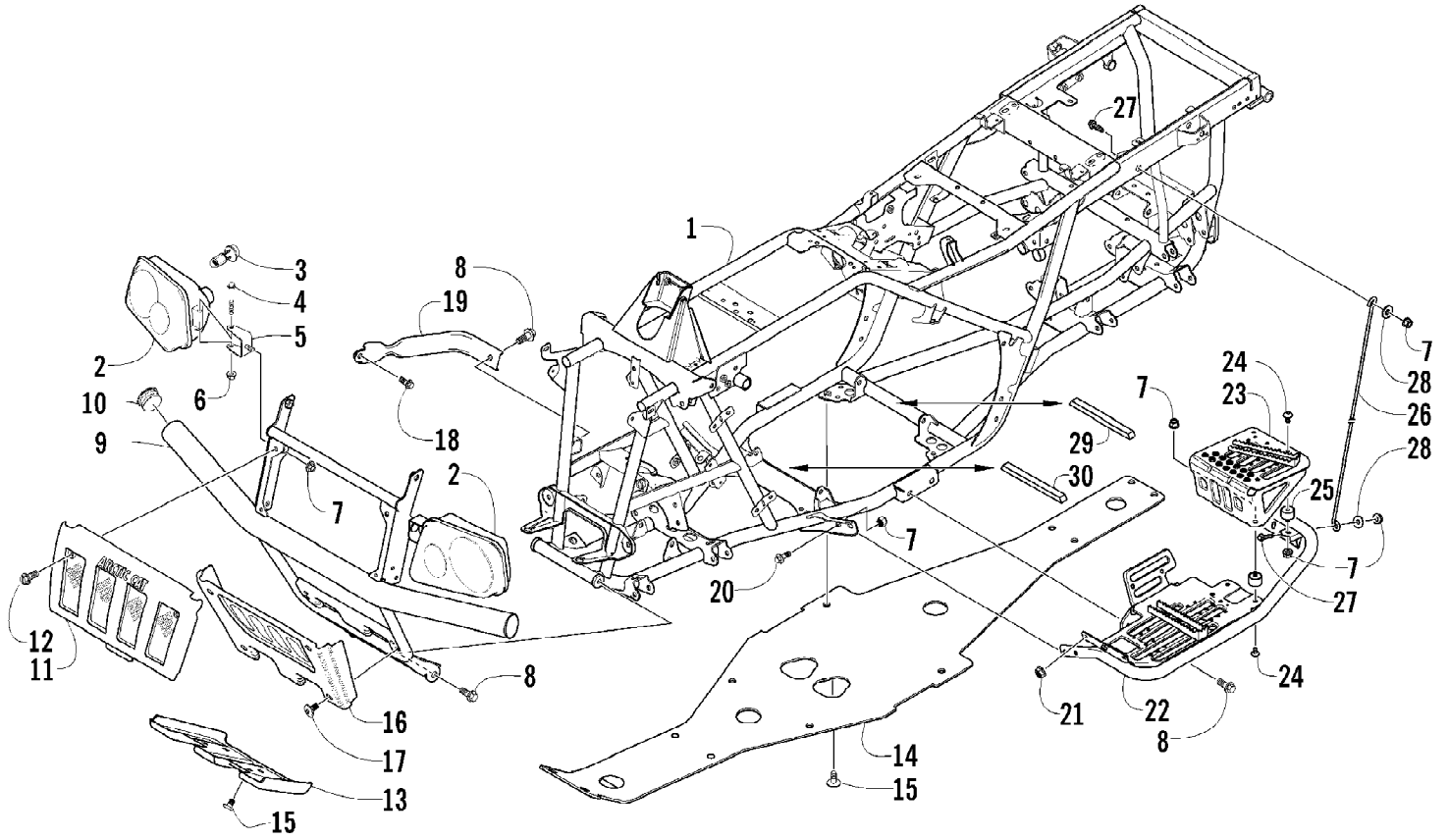
2005 ATV 500 AUTOMATIC TRANSMISSION 4X4 TRV CAT GREEN (A2005TDMA1035Z) 94 ENGINE AND EXHAUST



2005 ATV 500 AUTOMATIC TRANSMISSION 4X4 TRV CAT GREEN (A2005TD14B32Z) 94
ENGINE AND EXHAUST

Ref #	Part Number	Qty	S/P/F	Description
1	0462-029	1	/P	Engine
2	0423-405	3		Screw, Cap
3	0423-426	4		Washer
4	0423-042	2	S	Spacer
5	8428-002	3		Nut, Lock
6	1506-203	1		Bracket, Engine - Right
6	1506-204	1		Bracket, Engine - Left
7	8408-816	4		Screw, Cap
8	8424-802	3		Nut
9	8408-860	1		Screw, Cap
10	0506-546	1		Bracket, Engine - Upper
11	0412-007	1	/P	Seal, Exhaust
12	8408-820	2	/P	Screw, Cap
13	0512-143	1		Pipe, Exhaust
14	0412-227	1		Cover, Exhaust - Front
15	8477-610	11		Screw, Machine
16	0412-224	1		Cover, Exhaust - Middle
17	0412-225	1		Cover, Exhaust - Rear
18	0412-215	4	S	Bushing, Exhaust
19	0612-668	2	/P	Spring, Exhaust
20	0612-188	1	/P	Gasket, Exhaust
21	0512-141	1		Muffler
22	0412-229	1		Cover, Muffler
23	1506-184	1		Bracket, Exhaust

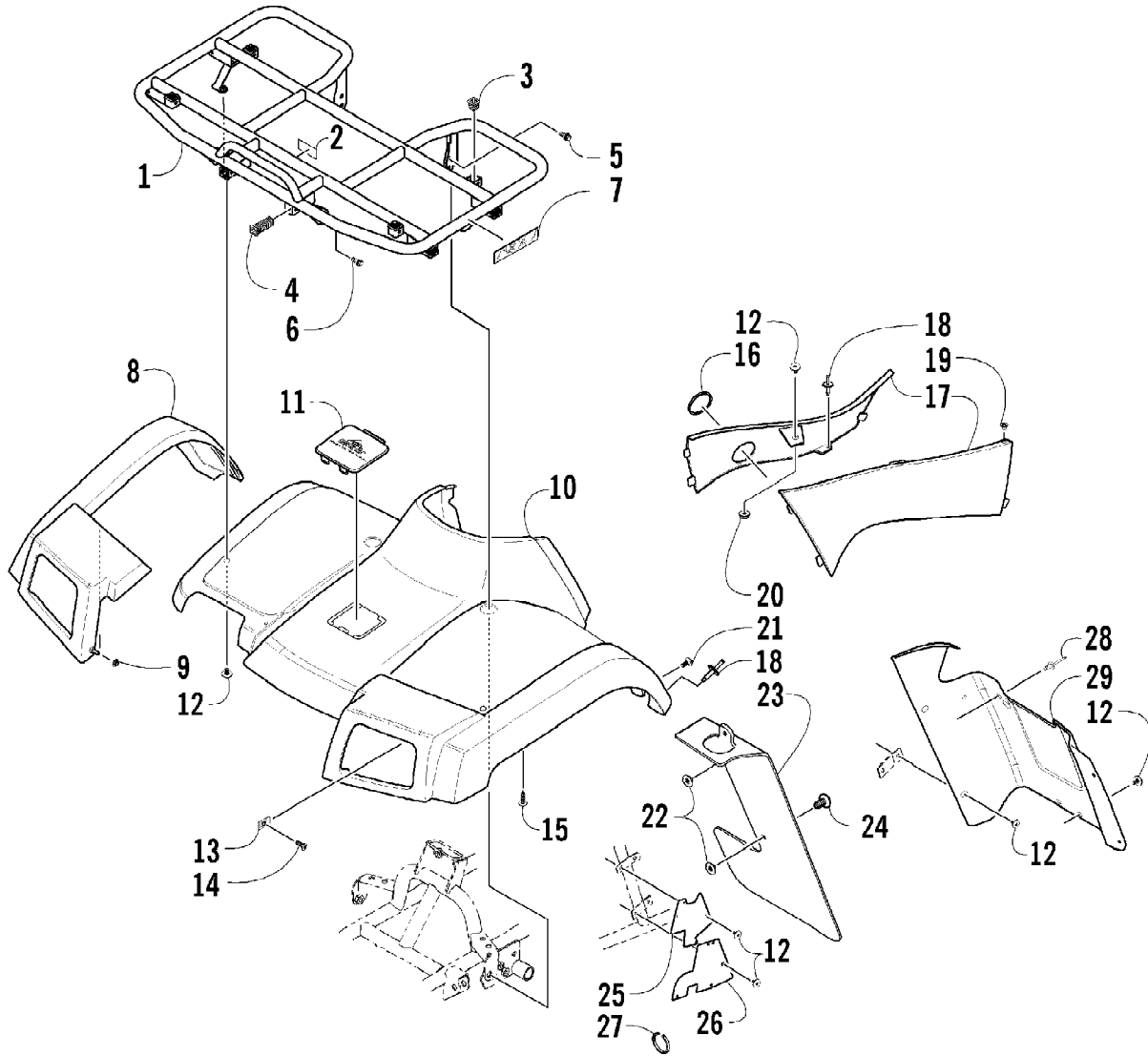
2005 ATV 500 AUTOMATIC TRANSMISSION 4X4 TRV CAT GREEN (A2005TD14B3SZ) 94
FRAME AND RELATED PARTS



2005 ATV 500 AUTOMATIC TRANSMISSION 4X4 TRV CAT GREEN (A2005TD14B38Z) 94
FRAME AND RELATED PARTS

Ref #	Part Number	Qty	S/P/F	Description
1	1506-460	1		Frame, Main
2	0409-032	1		Headlight Assembly - Right (inc. 3-6)
2	0409-031	1		Headlight Assembly - Left (inc. 3-6)
3	0409-045	4		Bulb, Headlight
4	8410-860	2		Screw, Cap
5	0406-945	2		Bracket, Headlight Mounting
6	0423-375	2		Nut, Flange
7	8424-802	18		Nut, Flange
8	8409-020	8	/P	Screw, Cap
9	0506-544	1		Bumper
10	0406-130	2		Cap, Bumper
11	0406-832	1		Grille, Upper
12	0423-361	2		Screw, Machine
13	1441-007	1		Plate, Skid
14	1406-176	1		Panel, Belly
15	0423-101	AR		Screw, Body
16	1406-420	1	/P	Grille, Bumper - Lower
17	8468-830	4		Screw, Machine
18	8408-812	2		Screw, Cap
19	0506-653	2	S	Channel, Bumper Mounting
20	8408-816	8		Screw, Cap
21	8424-602	2	/P	Nut, Flange
22	1506-506	1		Footrest - Right
22	1506-507	1		Footrest - Left
23	1506-508	1		Footrest, Passenger - Right
23	1506-509	1		Footrest, Passenger - Left
24	0423-412	8		Screw, Machine
25	1406-643	8		Mount, Rubber
26	1406-641	1		Rod, Support - Right
26	1406-642	1		Rod, Support - Left
27	8408-825	2		Screw, Cap
28	8050-282	2	/P	Washer
29	0406-289	1		Pad, Frame - Rear
30	1506-067	1		Foam, Frame

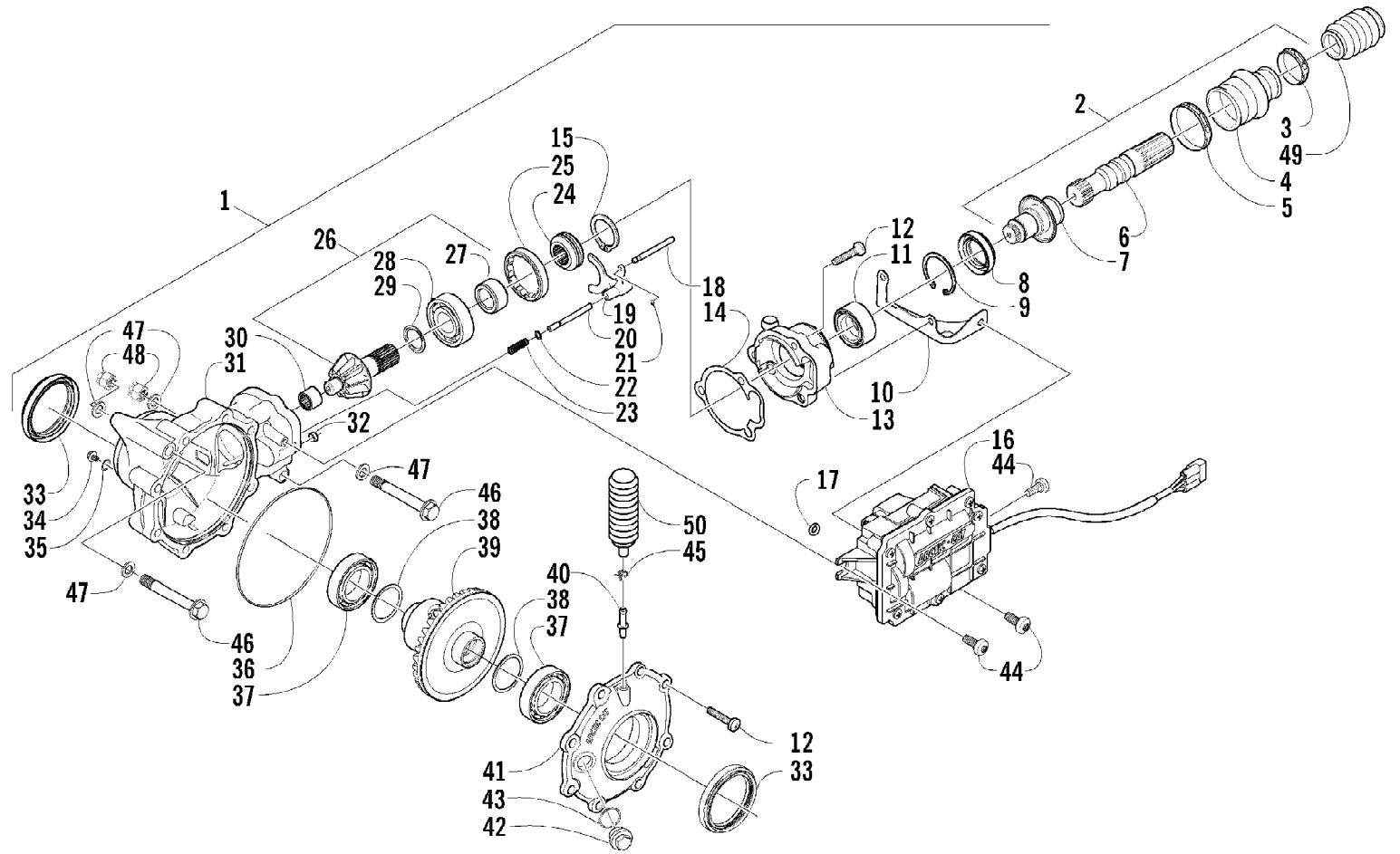
2005 ATV 500 AUTOMATIC TRANSMISSION 4X4 TRV CAT GREEN (A2005TD14B35Z) 94
FRONT BODY PANEL ASSEMBLY



2005 ATV 500 AUTOMATIC TRANSMISSION 4X4 TRV CAT GREEN (A2005TD14B36Z) 94
FRONT BODY PANEL ASSEMBLY

Ref #	Part Number	Qty	S/P/F	Description
1	0541-267	1		Rack - Front - Assembly (inc. 2-4)
2	0411-576	1		Decal, Warning - Front Rack Load
3	0441-592	4	/P	Bushing, Rack
4	0441-556	6		Bushing, Rack
5	0423-360	2		Screw, Cap
6	8408-816	2		Screw, Cap
7	0411-646	2		Decal, Reflector - Amber
8	1506-158	1		Flare - Front - Right
8	1506-159	1		Flare - Front - Left
9	0423-357	2		Nut, Stamped
10	1506-478	1		Panel, Fender - Front (inc. 11)
11	1406-041	1		Cover, Access
12	0423-101	AR		Screw, Body
13	0423-031	2		Nut, Speed
14	8477-616	2		Screw, Machine
15	0423-342	6	/P	Screw, Self-Tapping
16	0470-404	1		Grommet, Fuel Shut-Off Valve
17	0506-722	1		Panel, Side - Right
17	0506-723	1		Panel, Side - Left
18	0623-362	4		Rivet, Reinstallable
19	0623-309	2		Screw, Self-Tapping
20	8424-602	2	/P	Nut, Flange
21	0423-356	2		Screw, Shoulder
22	0423-077	6	/P	T-Nut w/Teeth
23	1506-194	2		Extension, Flare - Front
24	0423-361	4		Screw, Machine
25	1406-063	1		Panel, Fender - Inner Right
25	1406-064	1		Panel, Fender - Inner Left
26	1406-006	2		Panel, Fender - Inner
27	0123-788	AR	/P	Cable Tie - 7.5 in.
28	0423-046	4		Rivet, Plastic
29	1506-199	1	S	Panel, Kick - Right
29	1506-200	1		Panel, Kick - Left

2005 ATV 500 AUTOMATIC TRANSMISSION 4X4 TRV CAT GREEN (A2005TD14B33Z) 94
FRONT DRIVE GEARCASE ASSEMBLY



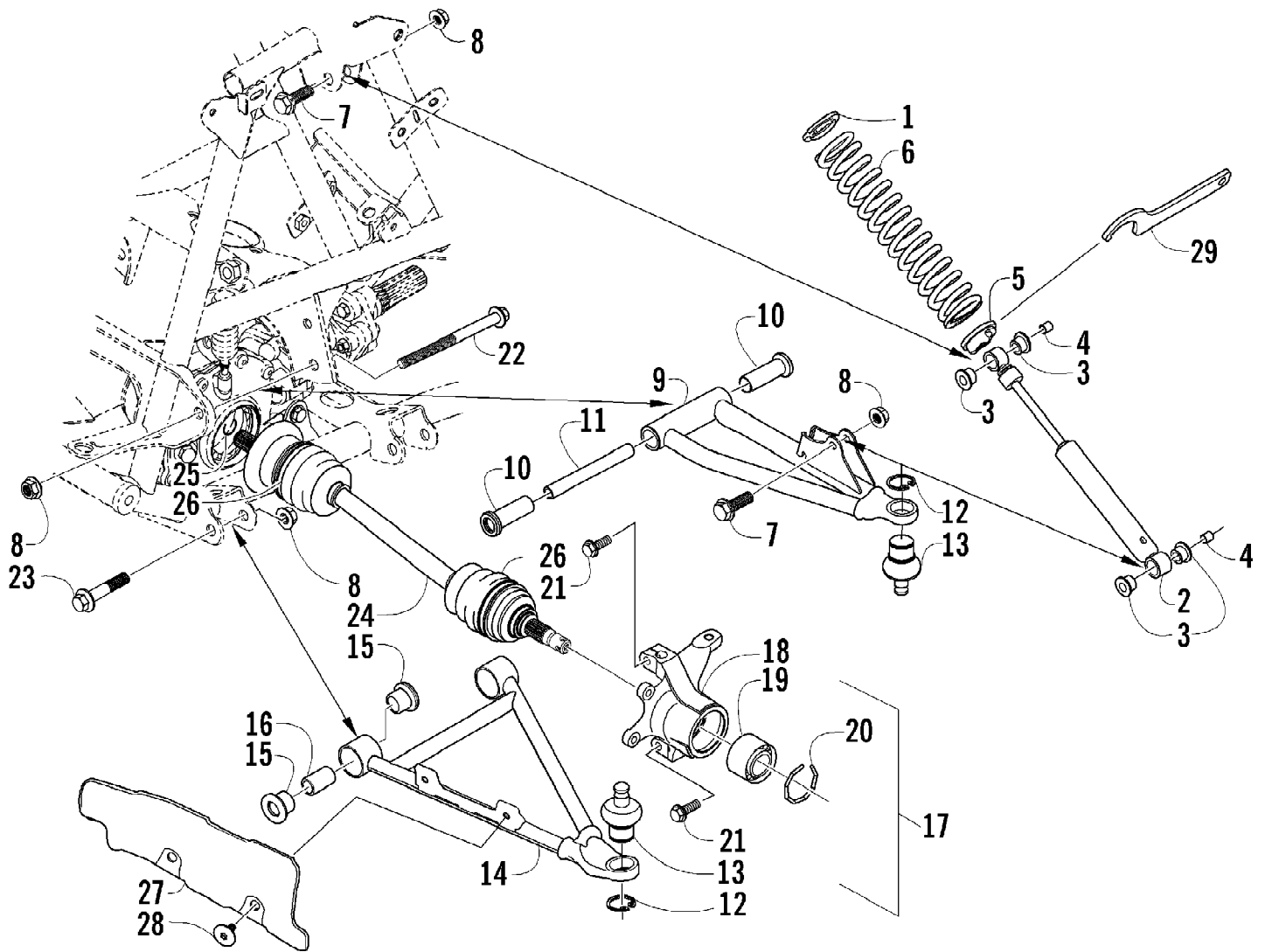
2005 ATV 500 AUTOMATIC TRANSMISSION 4X4 TRV CAT GREEN (A2005TD14B38Z) of 94
FRONT DRIVE GEARCASE ASSEMBLY

Ref #	Part Number	Qty	S/P/F	Description
1	0502-474	1		Gearcase, Front Drive - Assembly (inc. 2-44)
2	0502-385	1		Shaft, Propeller - Assembly (inc. 3-7)
3	0423-411	1		Clamp, Boot
4	0402-985	1	/P	Boot, Propeller Shaft
5	0423-393	1		Clamp, Boot
6	1402-045	1		Shaft, Output
7	1502-085	1	/P	Shaft, Input
8	1402-011	1		Seal
9	0423-423	1		Ring, Retaining
10	0502-347	1		Bracket, Actuator
11	1402-043	1		Bearing
12	0423-118	11		Screw, Self-Tapping
13	0502-406	1		Housing, Pinion
14	0402-947	1		Gasket, Flange
15	0423-417	1		Ring, Retaining
16	0502-296	1		Actuator (inc. one No. 17)
17	0423-498	2	S	O-Ring
18	0402-997	1		Shaft, Selector
19	0402-998	1		Fork, Selector
20	0402-417	1		Shaft, Shuttle
21	0423-402	1		Ring, Retaining
22	0423-147	1		O-Ring
23	0402-999	1		Spring, Return
24	0402-413	1		Coupler, Drive
25	0402-357	1		Collar, Lock
26	0502-123	1		Gear, Pinion - Assembly - 10T (inc. 27-29)
27	0402-336	1		Collar, Retaining
28	0402-327	1		Bearing
29	0402-424	AR		Shim
29	0402-425	AR		Shim
29	0402-426	AR		Shim
29	0402-427	AR		Shim
29	0402-428	AR		Shim
30	0402-328	1		Bearing
31	0502-120	1		Housing, Gearcase
32	0402-411	1		Pin, Dowel
33	0402-394	2	S	Seal
34	0402-450	1	S	Plug, Magnetic (inc. 35)
35	0423-153	1		O-Ring
36	0423-149	1		O-Ring
37	0402-393	2		Bearing
38	0402-405	AR		Shim
38	0402-406	AR		Shim
38	0402-407	AR		Shim
38	0402-408	AR		Shim
38	0402-409	AR		Shim
39	0502-124	1		Gear, Ring - 36T
40	1402-104	1		Fitting
41	0502-121	1		Cover, Gearcase
42	0402-333	1	/P	Plug, Fill (inc. 43)
43	0423-154	1		O-Ring
44	0423-396	3		Screw, Self-Tapping
45	0423-315	1		Clamp Fitting

2005 ATV 500 AUTOMATIC TRANSMISSION 4X4 TRV CAT GREEN (A2005TD14B39Z) 94
FRONT DRIVE GEARCASE ASSEMBLY

Ref #	Part Number	Qty	S/P/F	Description
46	0423-404	2		Screw, Cap
47	0423-426	4		Washer
48	8428-002	2		Nut, Lock
49	0402-966	1		Boot, Shaft
50	0402-147	1	S	Bladder, Gearcase

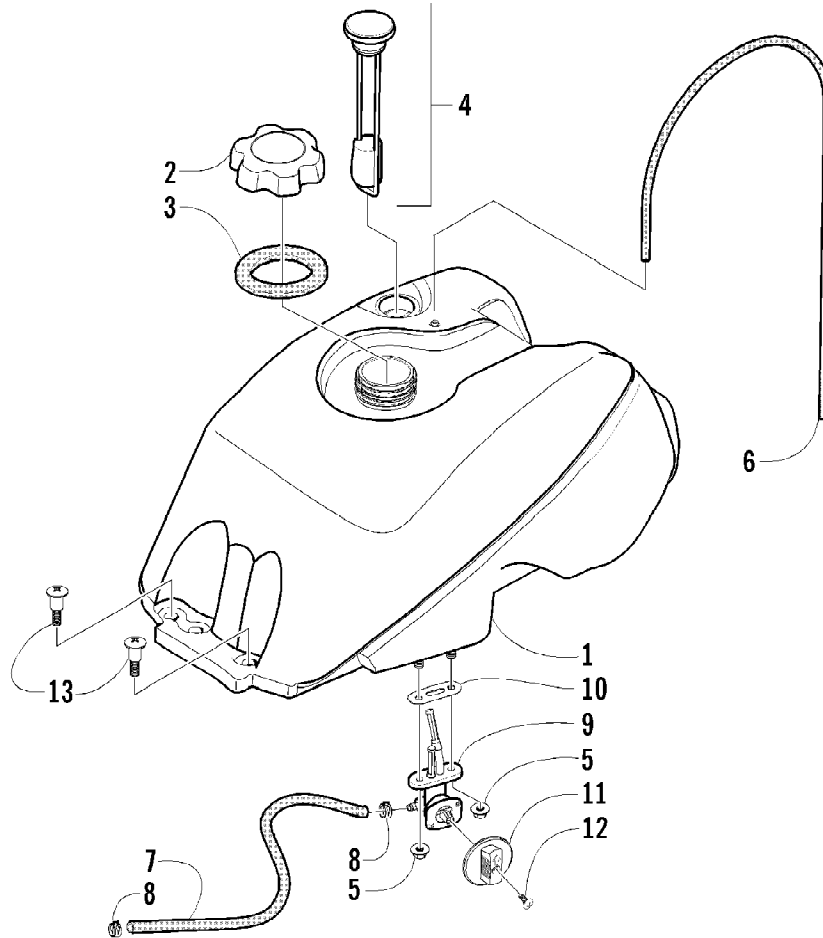
2005 ATV 500 AUTOMATIC TRANSMISSION 4X4 TRV CAT GREEN (A2005TD14BU4SZ) 94
FRONT SUSPENSION ASSEMBLY



2005 ATV 500 AUTOMATIC TRANSMISSION 4X4 TRV CAT GREEN (A2005TD14B4S7) 94
FRONT SUSPENSION ASSEMBLY

Ref #	Part Number	Qty	S/P/F	Description
1	1603-889	2	/P	Retainer, Spring
2	0403-135	2	S	Shock Absorber - Front (inc. 3-4)
3	0604-310	8		Bushing, Shock Absorber
4	0403-028	4		Sleeve, Shock
5	0403-102	2		Cam, Spring Adjuster
6	0503-280	2		Spring, Shock Absorber
7	8409-040	4		Screw, Cap
8	8428-002	10		Nut, Lock
9	0503-196	1	S	A-Arm, Upper Right (inc. 10-13)
9	0503-197	1		A-Arm, Upper Left (inc. 10-13)
10	0403-081	4	S	Bushing
11	0403-080	2		Collar
12	0423-009	4	/P	Clip, Ball Joint
13	0405-115	4	/P	Ball Joint - Front
14	0503-220	1		A-Arm, Lower Right (inc. 12-13 and 15-16)
14	0503-221	1		A-Arm, Lower Left (inc. 12-13 and 15-16)
15	0403-115	8	S	Bushing
16	0403-114	4	S	Collar
17	0505-446	1	/P	Knuckle - Assembly - Right (inc. 18-20)
17	0505-447	1	/P	Knuckle - Assembly - Left (inc. 18-20)
18	0	1		Knuckle, Steering - Right Not a Service Part
18	0	1		Knuckle, Steering - Left Not a Service Part
19	1402-027	2	S/P	Bearing, Wheel Hub
20	0423-423	2		Ring, Retaining
21	8409-030	4		Screw, Cap
22	0423-334	2		Screw, Cap
23	8409-075	4		Screw, Cap
24	0502-542	2		Axle, Drive - Front (inc. 25-26)
25	0441-400	2	S	Clip, Retaining
26	0436-276	2	S	Repair Kit, Boot - Front Axle
27	0441-756	1		Guard, Boot - Axle - Right
27	0441-757	1		Guard, Boot - Axle - Left
28	0423-101	4		Screw, Body
29	0441-587	1		Wrench, Spanner

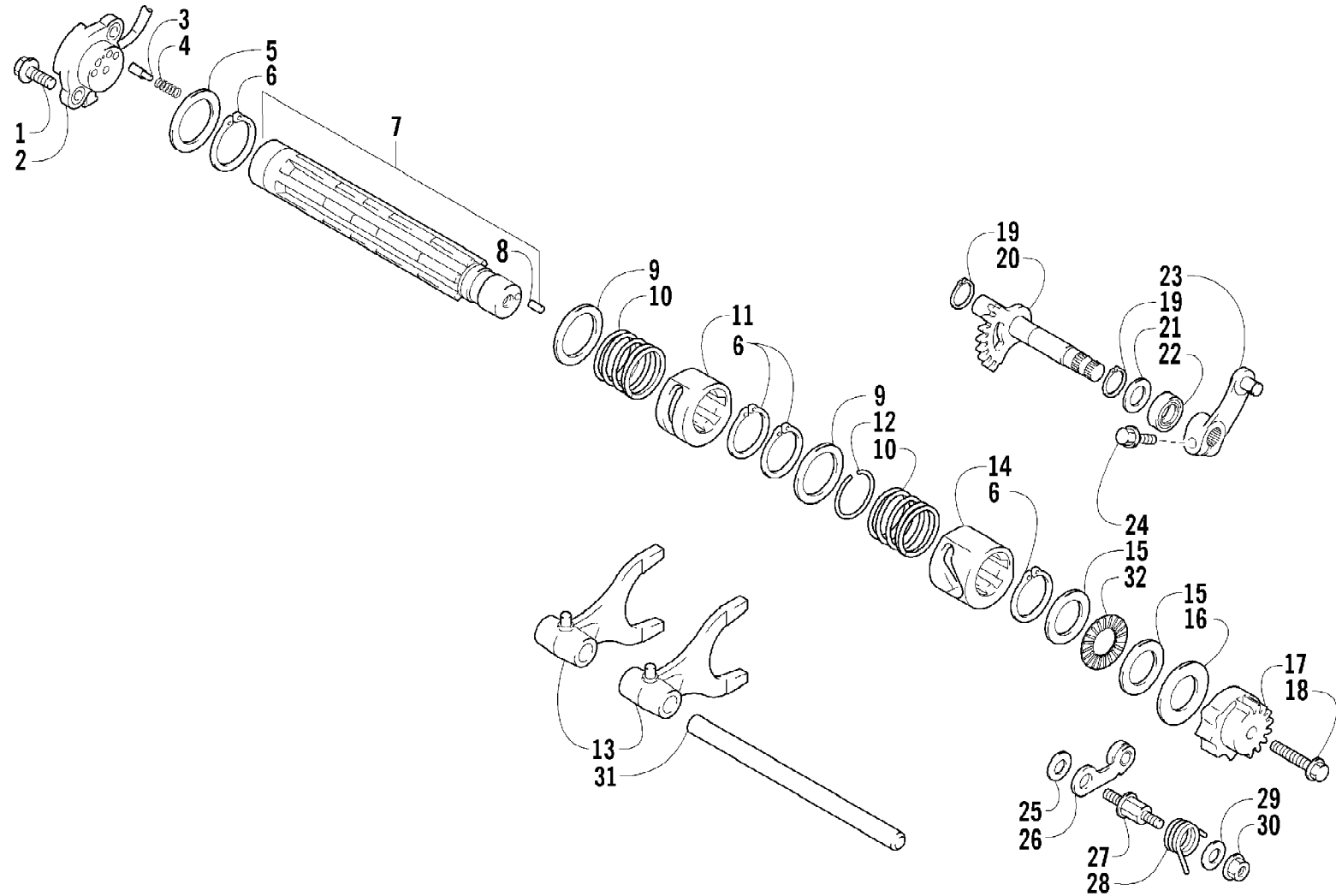
2005 ATV 500 AUTOMATIC TRANSMISSION 4X4 TRV CAT GREEN (A2005TD14B42Z) 94
GAS TANK ASSEMBLY



2005 ATV 500 AUTOMATIC TRANSMISSION 4X4 TRV CAT GREEN (A2005TD14B4SZ) 94
 GAS TANK ASSEMBLY

Ref #	Part Number	Qty	S/P/F	Description
1	0570-066	1	/P	Tank, Gas - Assembly (inc. 2-10)
2	0470-438	1	/P	Cap, Gas Tank (inc. 3)
3	0109-733	1	/P	Gasket, Tank Cap
4	0570-086	1	/P	Gauge, Fuel w/Gasket (Press-Fit)
5	0423-398	2		Nut, Lock
6	0470-416	1	/P	Hose, Vent
7	0610-007	AR	/P	Hose, Gasline - 25 ft
8	0423-152	2		Clamp, Hose
9	0470-445	1	/P	Valve, Fuel Shut-Off (inc. 10)
10	0470-364	1		Gasket, Fuel Shut-Off Valve
11	0470-408	1		Knob, Fuel Shut-Off Valve
12	0423-146	1		Screw, Machine
13	0423-130	2		Screw, Shoulder

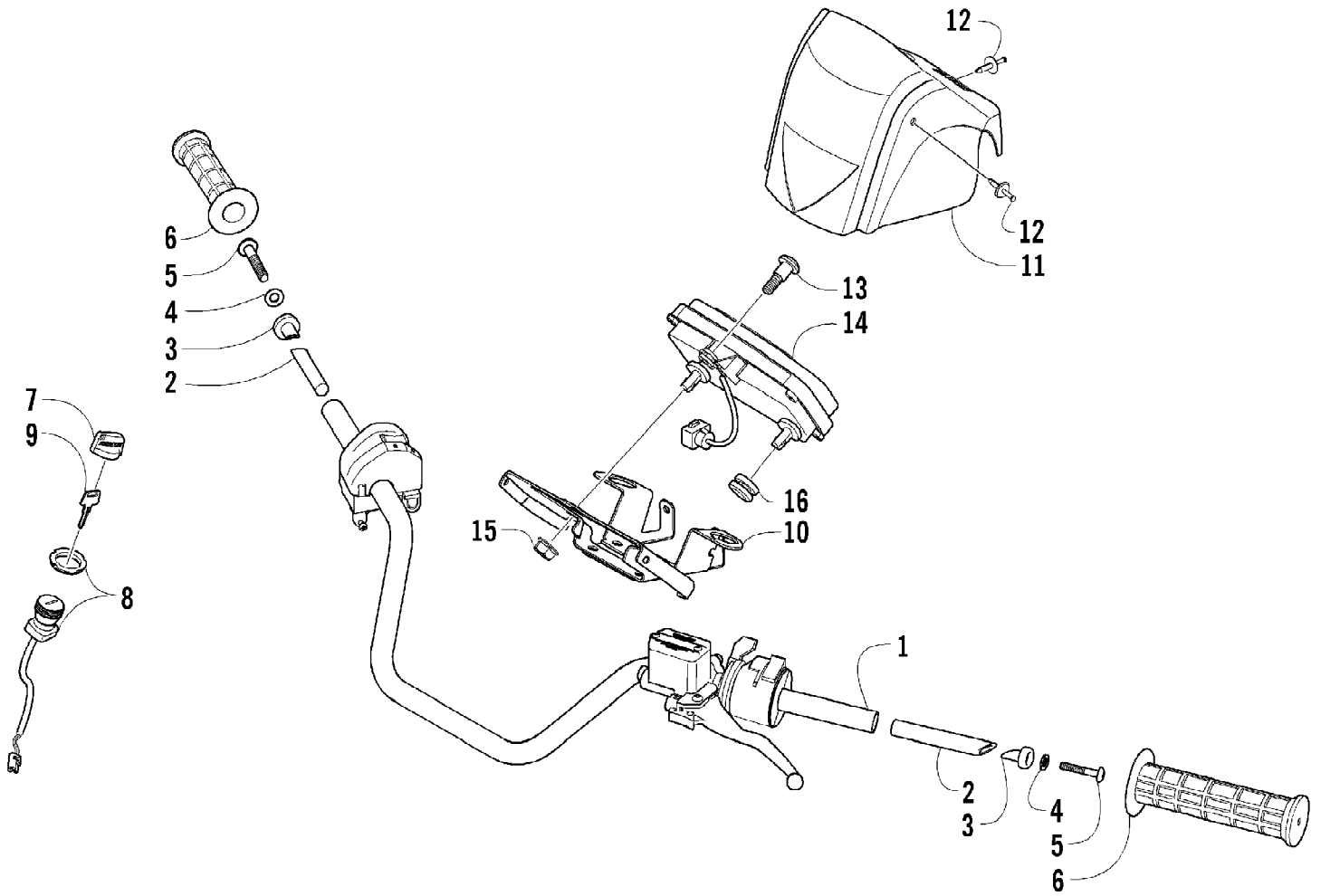
2005 ATV 500 AUTOMATIC TRANSMISSION 4X4 TRV CAT GREEN (A2005TD14B43Z) 94
GEAR SHIFTING ASSEMBLY



2005 ATV 500 AUTOMATIC TRANSMISSION 4X4 TRV CAT GREEN (A2005TD14B45Z) 94
GEAR SHIFTING ASSEMBLY

Ref #	Part Number	Qty	S/P/F	Description
1	3423-418	2		Bolt
2	3530-042	1		Base, Gear Shift - Assembly
3	3423-044	2		Contact
4	3402-087	2		Spring
5	3423-421	1	/P	Washer, Shift Shaft
6	3423-191	4	/P	Circlip, Cam Spring
7	3402-826	1		Shaft, Gear Shift (inc. 8)
8	3423-114	1	/P	Pin
9	3402-382	2		Washer, Cam Spring
10	3446-280	2		Spring, Cam
11	3402-827	1		Cam, Reverse
12	3423-116	1	S	C-Ring, Cam
13	3446-353	2		Fork, Shift
14	3402-828	1		Cam, Gear Shift
15	3402-381	2	/P	Washer, Shift Shaft
16	3423-446	1		Washer, Gear Shift Cam Plate
17	3402-642	1		Plate, Gear Shift Cam
18	3004-376	1	S/P	Bolt, Gear Shift Cam Plate
19	3423-358	2	S	Circlip, Sub-Gear Shift Shaft
20	3402-747	1		Shaft, Sub-Gear Shift
21	1691-043	2		Washer, Sub-Gear Shift Shaft
22	3402-076	1		Seal, Sub-Gear Shift Shaft
23	3402-434	1	/P	Arm, Select
24	3004-341	1	S/P	Bolt, Select Arm
25	3423-141	1		Washer, Cam Stopper
26	3402-746	2		Stopper, Cam
27	3446-048	1		Support, Cam Stopper
28	3423-511	1		Spring, Cam Stopper
29	3423-438	2		Washer, Cam Stopper Spring
30	3004-488	1	S/P	Nut, Cam Stopper Spring
31	3446-266	1		Shaft, Shift Fork
32	3402-829	1		Bearing

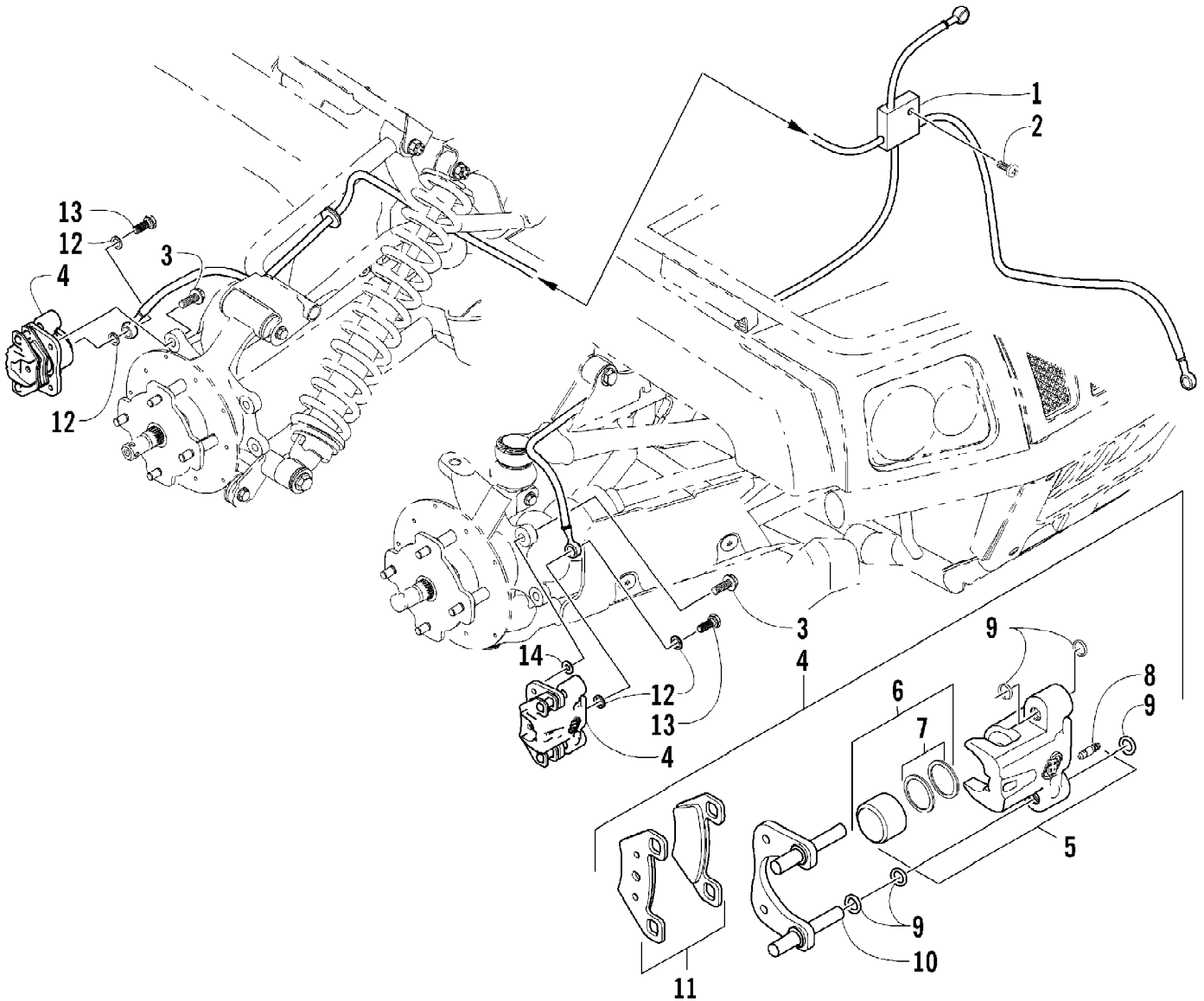
2005 ATV 500 AUTOMATIC TRANSMISSION 4X4 TRV CAT GREEN (A2005TD14B46Z) 94
HANDLEBAR ASSEMBLY



2005 ATV 500 AUTOMATIC TRANSMISSION 4X4 TRV CAT GREEN (A2005TD14B43Z) 94
 HANDLEBAR ASSEMBLY

Ref #	Part Number	Qty	S/P/F	Description
1	0505-418	1	/P	Tube, Handlebar
2	0405-148	2		Plug, Handlebar
3	0405-149	2		End Cap, Handlebar
4	8050-247	2	/P	Washer
5	8477-845	2		Screw, Machine
6	0405-147	2		Grip, Handlebar
7	0409-013	1		Cover, Key
8	3430-040	1		Switch, Ignition - Assembly (inc. 9)
9	3409-007	1	/P	Key, Ignition - Blank (C Series)
9	3409-011	1		Key, Ignition - Blank (D Series)
9	3409-012	1		Key, Ignition - Blank (E Series)
9	3409-013	1		Key, Ignition - Blank (F Series)
10	1506-423	1		Bracket, Mounting - Instrument Pod
11	0405-134	1		Instrument Pod
12	0623-362	4		Rivet, Reinstallable
13	0423-356	1		Screw, Shoulder
14	0420-045	1		Gauge, Digital
15	8424-602	1	/P	Nut, Flange
16	0423-448	2		Grommet

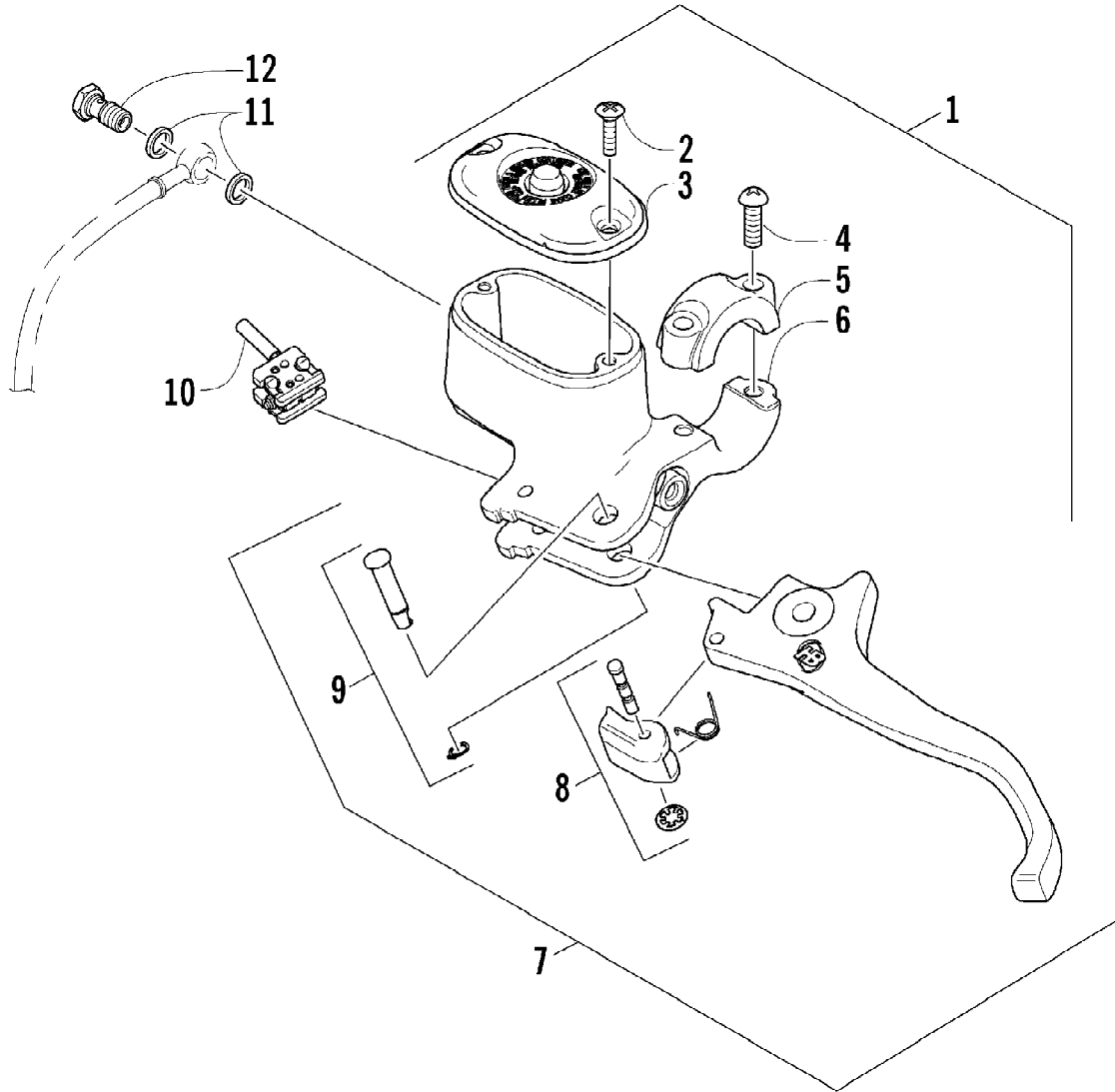
2005 ATV 500 AUTOMATIC TRANSMISSION 4X4 TRV CAT GREEN (A2005TD14B48Z) 94
HYDRAULIC BRAKE ASSEMBLY



2005 ATV 500 AUTOMATIC TRANSMISSION 4X4 TRV CAT GREEN (A2005TD14B49Z) 94
HYDRAULIC BRAKE ASSEMBLY

Ref #	Part Number	Qty	S/P/F	Description
1	0502-628	1		Hose, Brake - Assembly
2	8476-625	1		Screw, Cap
3	8408-820	6	/P	Screw, Cap
4	0502-602	1	S	Caliper, Brake - Right Front (inc. 5-11)
4	0502-610	2	S	Caliper, Brake - Left Front and Right Rear (inc. 5-11)
5	0502-603	1	S	Housing, Caliper - Assembly - Right Front (inc. 6-8)
5	0502-611	2	S	Housing, Caliper - Assembly - Left Front and Right Rear (inc. 6-8)
6	0502-606	3		Piston/Seal Set (inc. 7)
7	0502-607	3		Seal Set
8	0502-609	3	/P	Valve, Bleed
9	0502-608	3		O-Ring, Guide - Set
10	0502-605	3		Bracket Assembly
11	0502-604	3	S	Pad, Brake - Set
12	0423-178	6		Washer, Crush
13	0423-413	3		Bolt, Banjo Fitting
14	0423-562	4		Spacer

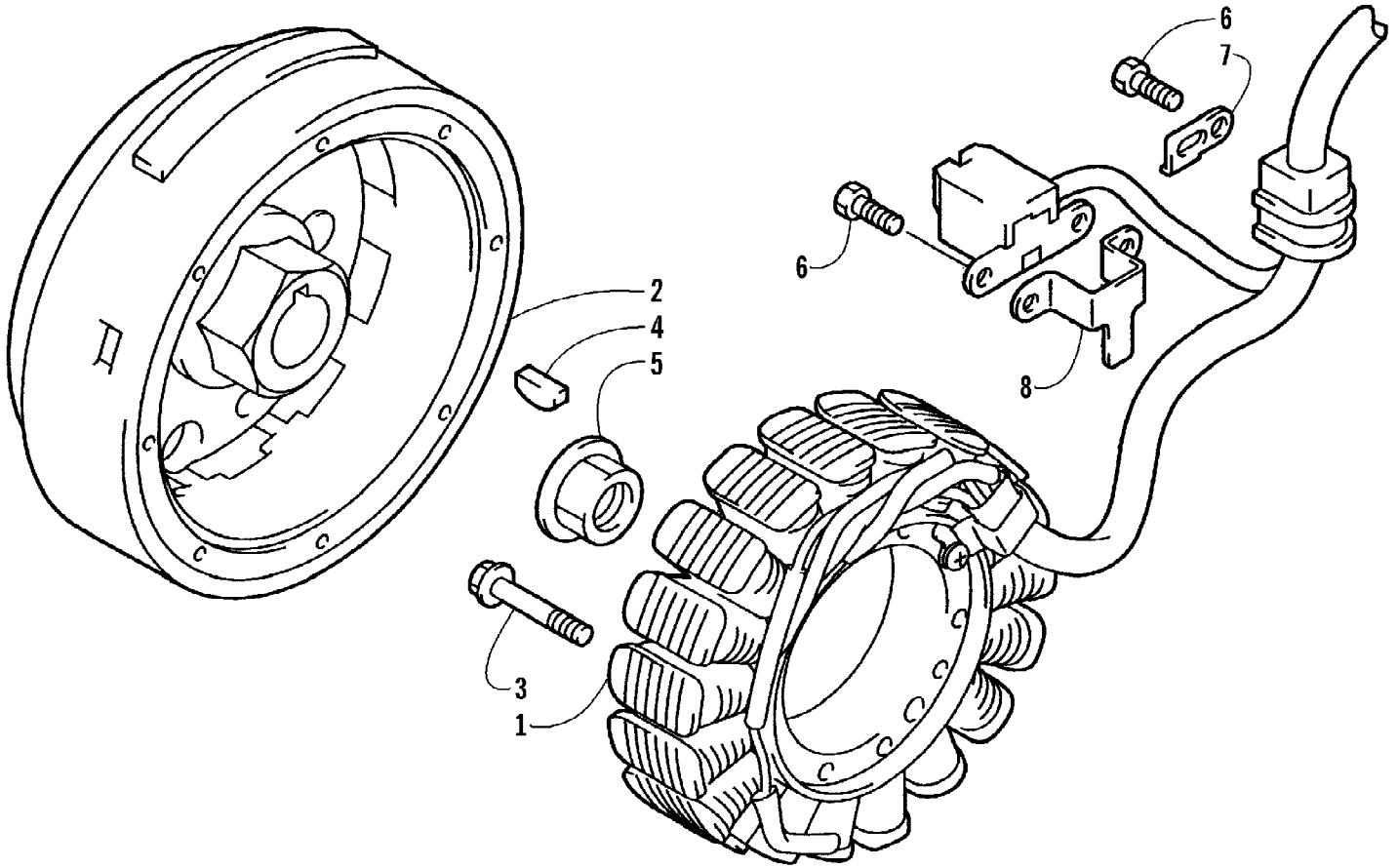
2005 ATV 500 AUTOMATIC TRANSMISSION 4X4 TRV CAT GREEN (A2005TD14B56Z) 94
HYDRAULIC HAND BRAKE ASSEMBLY



2005 ATV 500 AUTOMATIC TRANSMISSION 4X4 TRV CAT GREEN (A2005TD14BUSZ) of 94
 HYDRAULIC HAND BRAKE ASSEMBLY

Ref #	Part Number	Qty	S/P/F	Description
1	0502-632	1		Brake Assembly (inc. 2-10)
2	0502-566	1		Screw, Reservoir Cover - Kit
3	0502-565	1		Cover, Reservoir - Kit
4	0502-568	1		Screw, Master Cylinder Clamp - Kit
5	0502-567	1		Clamp, Master Cylinder - Kit
6	0502-633	1		Master Cylinder Assembly - Kit
7	0502-634	1	/P	Lever Assembly - Kit (inc. 8-9)
8	0502-635	1		Lock, Brake Lever - Kit
9	0502-580	1		Lever Pin - Kit
10	0502-564	1	/P	Switch, Brake - Kit
11	0423-178	2		Washer, Crush
12	0423-413	1		Bolt, Banjo Fitting

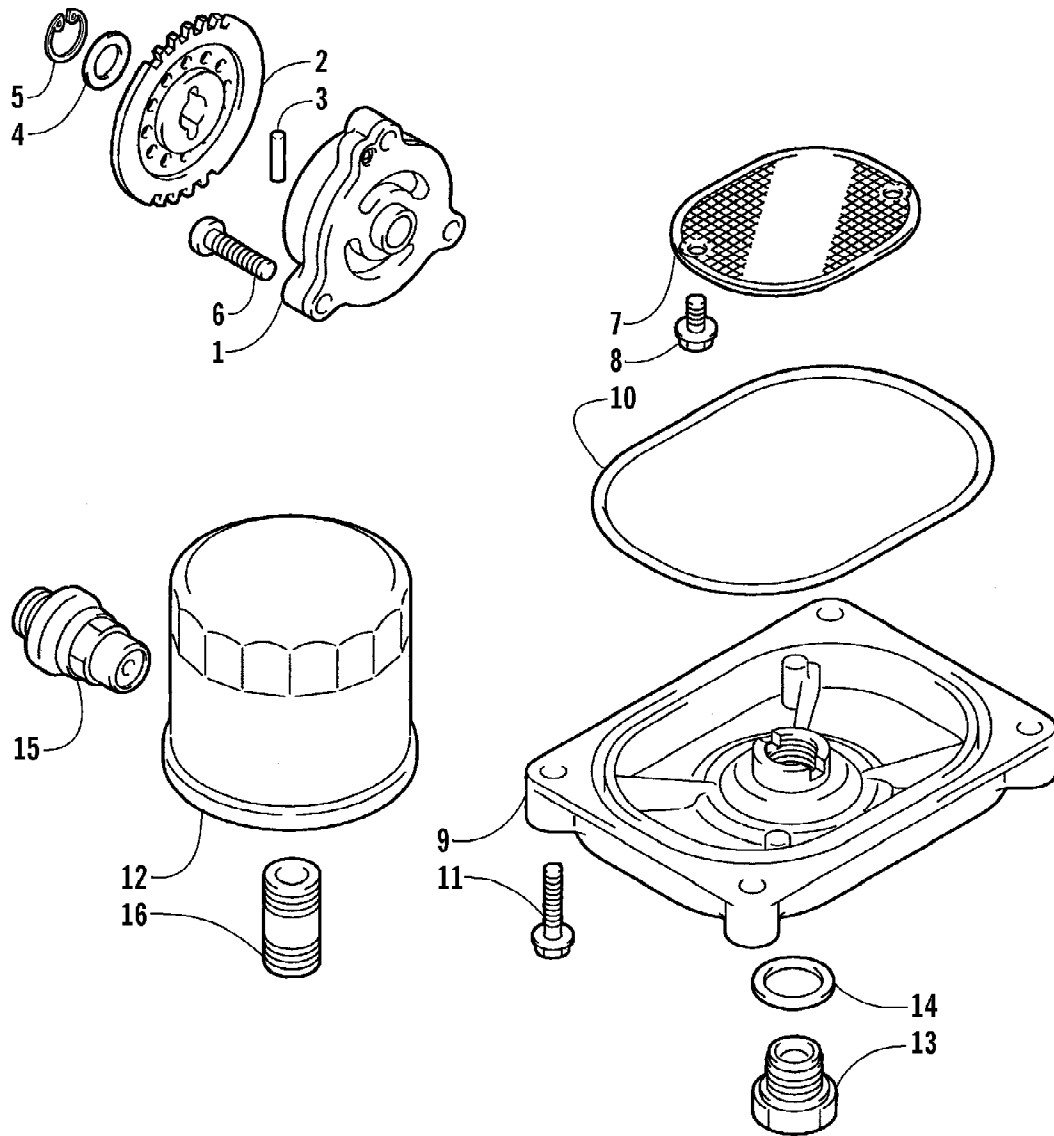
2005 ATV 500 AUTOMATIC TRANSMISSION 4X4 TRV CAT GREEN (A2005TD14BUSAZ) 94
MAGNETO ASSEMBLY



2005 ATV 500 AUTOMATIC TRANSMISSION 4X4 TRV CAT GREEN (A2005TD14B5SZ) 94
 MAGNETO ASSEMBLY

Ref #	Part Number	Qty	S/P/F	Description
1	3430-058	1		Stator Assembly
2	3430-046	1		Rotor/Flywheel
3	3423-162	3	S	Bolt
4	0691-785	1		Key
5	3423-086	1		Nut
6	3423-005	3	/P	Bolt
7	3430-005	1		Clamp (No. 1)
8	3430-006	1		Clamp (No. 2)

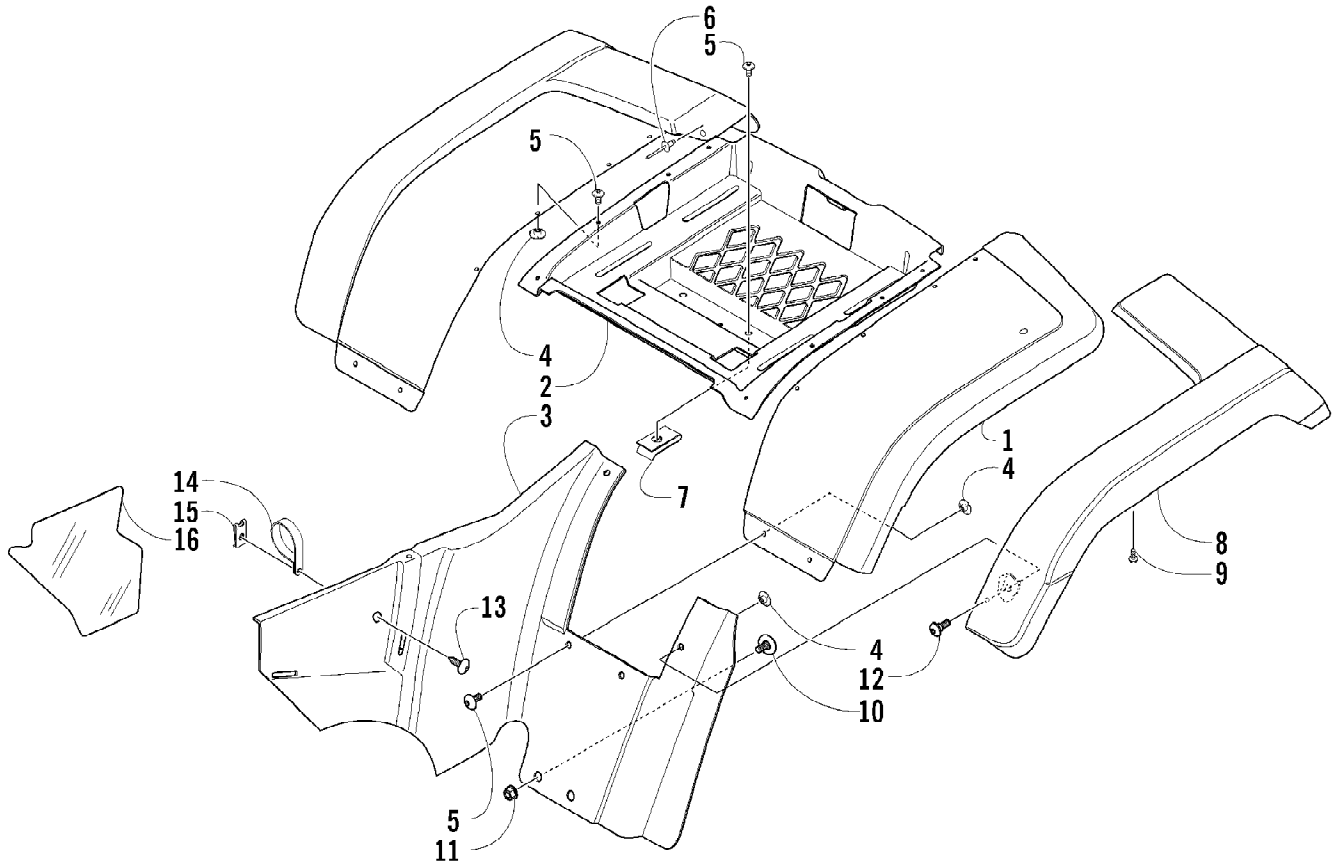
2005 ATV 500 AUTOMATIC TRANSMISSION 4X4 TRV CAT GREEN (A2005TD14B53Z) 94
OIL FILTER/PUMP ASSEMBLY



2005 ATV 500 AUTOMATIC TRANSMISSION 4X4 TRV CAT GREEN (A2005TD14B55Z) 94
 OIL FILTER/PUMP ASSEMBLY

Ref #	Part Number	Qty	S/P/F	Description
1	3402-727	1	/P	Pump, Oil
2	3402-463	1		Gear, Driven
3	3423-046	1		Pin
4	3423-115	1		Washer
5	3423-184	1	S	Circlip
6	3423-510	3		Screw, Cap
7	3402-156	1		Strainer, Oil
8	0693-389	2	S	Screw, Cap
9	3402-157	1		Cap, Oil Strainer
10	3423-077	1		O-Ring
11	3004-756	4	S	Screw, Cap
12	0436-146	1	S	Filter, Oil
13	3402-036	1	S	Plug, Drain
14	3402-012	1		Gasket, Drain Plug
15	3402-154	1		Valve, Oil Relief - Assembly
16	3402-158	1	S	Union, Oil Filter

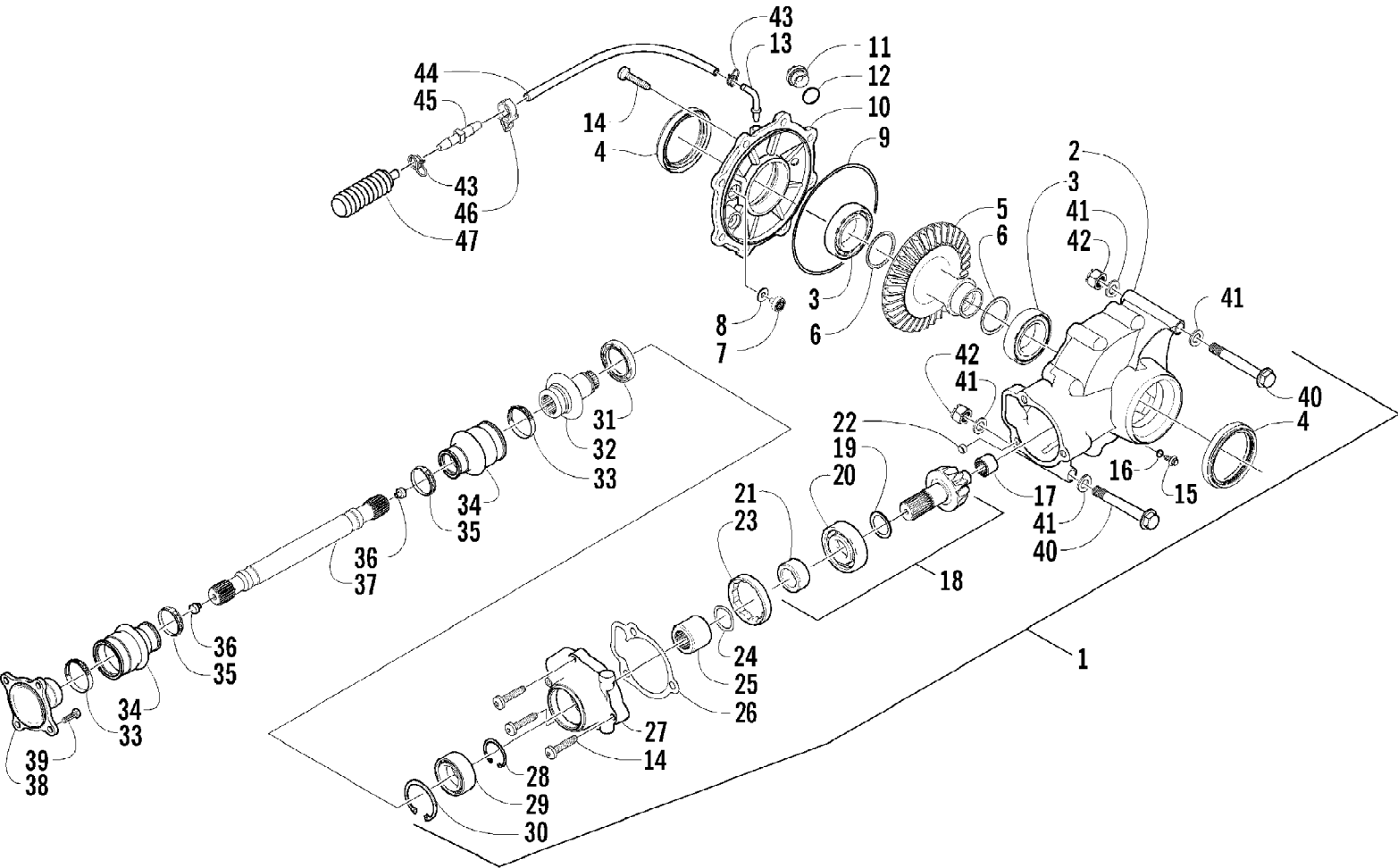
2005 ATV 500 AUTOMATIC TRANSMISSION 4X4 TRV CAT GREEN (A2005TD14BU56Z) 94
REAR BODY PANEL ASSEMBLY



2005 ATV 500 AUTOMATIC TRANSMISSION 4X4 TRV CAT GREEN (A2005TD14B53Z) 94
 REAR BODY PANEL ASSEMBLY

Ref #	Part Number	Qty	S/P/F	Description
1	1506-228	1		Panel, Fender - Rear - Right
1	1506-230	1		Panel, Fender - Rear - Left
2	0506-935	1		Tray, Storage
3	0506-923	1		Extension, Fender - Rear - Right
3	0506-924	1		Extension, Fender - Rear - Left
4	0423-077	14	/P	T-Nut w/Teeth
5	8468-616	14		Screw, Machine
6	0423-046	2		Rivet, Plastic
7	0423-031	2		Nut, Speed
8	0506-552	1		Flare, Rear - Right
8	0506-553	1		Flare, Rear - Left
9	0423-342	6	/P	Screw, Self-Tapping
10	0423-101	2		Screw, Body
11	8424-602	2	/P	Nut, Flange
12	0423-355	2		Screw, Shoulder
13	0623-784	2		Screw, Self-Tapping
14	0423-044	2		Clamp, Tube
15	0423-466	2		Clip, Tinerman
16	1406-262	1		Shield, Heat

2005 ATV 500 AUTOMATIC TRANSMISSION 4X4 TRV CAT GREEN (A2005TD14B58Z) 94
REAR DRIVE GEARCASE ASSEMBLY



2005 ATV 500 AUTOMATIC TRANSMISSION 4X4 TRV CAT GREEN (A2005TD14B59Z) 94
REAR DRIVE GEARCASE ASSEMBLY

Ref #	Part Number	Qty	S/P/F	Description
1	0502-642	1	S	Gearcase, Rear Drive - Assembly (inc. 2-32)
2	0502-352	1		Housing, Gearcase
3	0402-393	2		Bearing
4	0402-394	2	S	Seal
5	1402-032	1		Gear, Ring - 36T
6	0402-405	AR		Shim
6	0402-406	AR		Shim
6	0402-407	AR		Shim
6	0402-408	AR		Shim
6	0402-409	AR		Shim
7	0402-326	1		Button, Thrust
8	0402-429	AR		Shim
8	0402-430	AR		Shim
8	0402-431	AR		Shim
8	0402-432	AR		Shim
8	0402-433	AR		Shim
9	0423-149	1		O-Ring
10	0502-346	1		Cover, Gearcase
11	0402-333	1	/P	Plug, Fill (inc. 12)
12	0423-154	1		O-Ring
13	1402-102	1		Fitting
14	0423-118	11		Screw, Self-Tapping
15	0402-450	1	S	Plug, Magnetic (inc. 16)
16	0423-153	1		O-Ring
17	0402-328	1		Bearing
18	0502-123	1		Gear, Pinion - Assembly - 10T (inc. 19-21)
19	0402-424	AR		Shim
19	0402-425	AR		Shim
19	0402-426	AR		Shim
19	0402-427	AR		Shim
19	0402-428	AR		Shim
20	0402-327	1		Bearing
21	0402-336	1		Collar, Retaining
22	0402-411	1		Pin, Dowel
23	0402-331	1		Collar, Lock
24	0402-982	1		Washer, Wave
25	0402-981	1		Collar, Shaft
26	0402-947	1		Gasket, Flange
27	0502-529	1		Housing, Pinion
28	0423-417	1		Ring, Retaining
29	1402-043	1		Bearing
30	0423-423	1		Ring, Retaining
31	1402-011	1		Seal
32	0502-407	1	S	Shaft, Input
33	0423-393	2		Clamp, Boot
34	0402-985	2	/P	Boot
35	0423-411	2		Clamp, Boot
36	0673-618	2	/P	Bumper, Propeller Shaft
37	1402-092	1		Shaft, Propeller
38	0402-950	1		Flange, Output
39	8408-820	4	/P	Screw, Cap
40	0423-404	2		Screw, Cap
41	0423-426	1		Washer

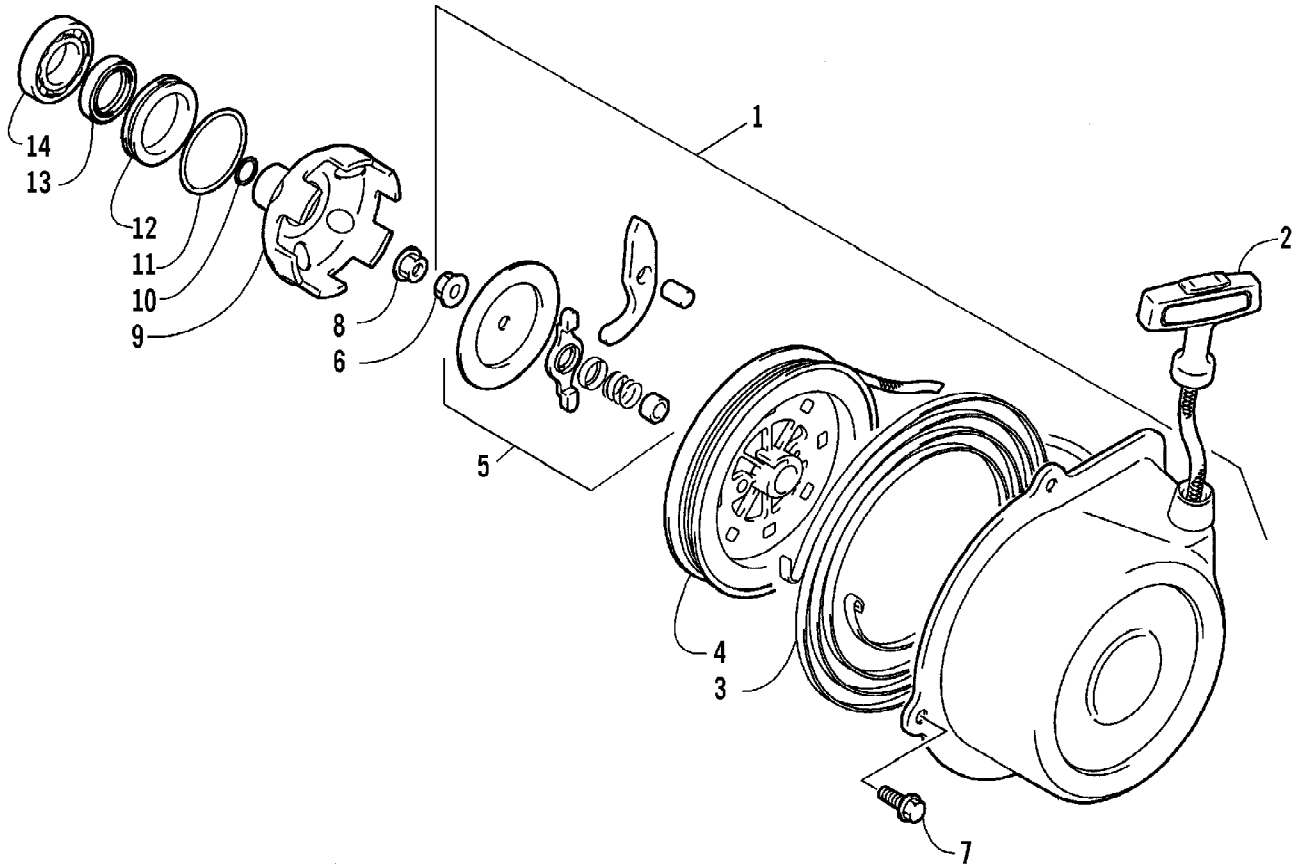
2005 ATV 500 AUTOMATIC TRANSMISSION 4X4 TRV CAT GREEN (A2005TD14B06Z) 94
 REAR DRIVE GEARCASE ASSEMBLY

Ref #	Part Number	Qty	S/P/F	Description
42	8428-002	2		Nut, Lock
43	0423-315	3		Clamp, Fitting
44	0410-049	AR		Hose, Vent
45	0470-462	1		Fitting, Vent
46	0623-101	1		Clip, Routing - Snap-In
47	0402-147	1	S	Bladder, Gearcase

2005 ATV 500 AUTOMATIC TRANSMISSION 4X4 TRV CAT GREEN (A2005TD14B02Z) 94
REAR SUSPENSION ASSEMBLY

Ref #	Part Number	Qty	S/P/F	Description
1	0504-312	1	S	Knuckle, Right Rear - Assembly (inc. 2-6)
1	0504-313	1	S	Knuckle, Left Rear - Assembly (inc. 2-6)
2	0	1		Knuckle - Right Not a Service Part
2	0	1		Knuckle - Left Not a Service Part
3	1402-027	2	S/P	Bearing, Wheel Hub
4	0423-423	2		Ring, Retaining
5	0403-038	4	S/P	Collar, Suspension Bushing
6	0403-032	8	S	Bushing, Suspension
7	0504-320	1	S	A-Arm, Rear - Lower Right (inc. 8-9)
7	0504-321	1	S	A-Arm, Rear - Lower Left (inc. 8-9)
8	0403-115	16	S	Bushing
9	0403-114	8	S	Collar
10	8428-002	14		Nut, Lock
11	8409-000	4		Screw, Cap
12	0504-318	1		A-Arm, Rear - Upper Right (inc. 8-9)
12	0504-319	1		A-Arm, Rear - Upper Left (inc. 8-9)
13	0441-758	1		Guard, Boot - Right
13	0441-759	1		Guard, Boot - Left
14	0423-101	6		Screw, Body
15	1406-071	1		Guard, Boot - Right
15	1406-072	1		Guard, Boot - Left
16	0502-596	2	S	Axle, Drive (inc. 17-18)
17	0441-400	2	S	Clip, Retaining
18	0436-276	2	S	Repair Kit, Boot - Rear Axle
19	8409-075	8		Screw, Cap
20	1603-889	2	/P	Retainer, Spring
21	0504-337	2		Spring, Suspension
22	0404-078	2	S	Shock Absorber - Rear (inc. 23-24)
23	0604-310	8		Bushing, Shock Absorber
24	0403-028	2		Sleeve, Shock Absorber
25	0404-057	2		Cam, Spring Adjuster
26	8409-040	2		Screw, Cap
27	0423-087	2		Washer
28	8408-820	2	/P	Screw, Cap
29	0441-587	1		Wrench, Spanner

2005 ATV 500 AUTOMATIC TRANSMISSION 4X4 TRV CAT GREEN (A2005TD14B03Z) 94
RECOIL STARTER ASSEMBLY



2005 ATV 500 AUTOMATIC TRANSMISSION 4X4 TRV CAT GREEN (A2005TD14B03Z) 94
 RECOIL STARTER ASSEMBLY

Ref #	Part Number	Qty	S/P/F	Description
1	3445-003	1		Starter, Recoil - Assembly (inc. 2-6)
2	3445-011	1		Rope Assembly
3	3445-007	1		Spring, Spiral
4	3445-004	1		Reel
5	3445-016	1		Ratchet Assembly
6	3004-488	1	S/P	Nut
7	3423-428	4		Screw, Cap
8	3004-491	1	S/P	Nut
9	3445-029	1	/P	Cup, Starter
10	3423-053	1	/P	O-Ring
11	3423-063	1		O-Ring
12	3402-119	1	S	Spacer
13	3402-070	1		Seal, Oil
14	3402-051	1		Bearing

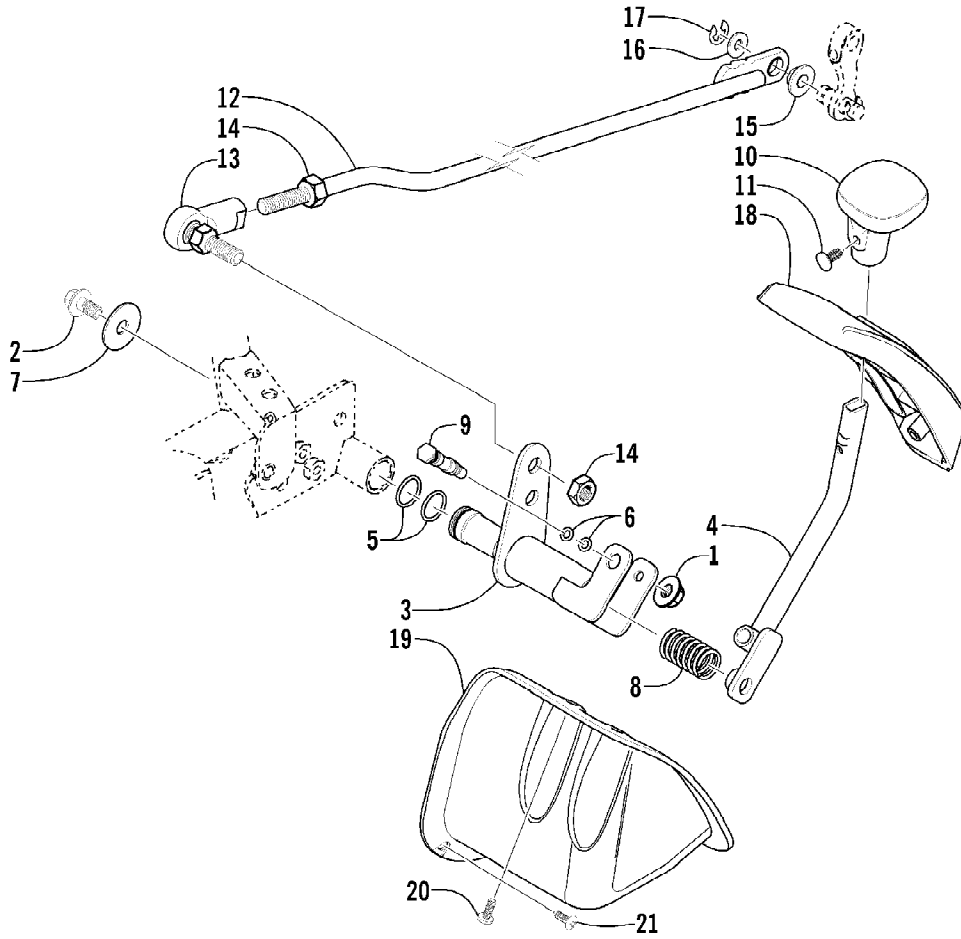
No
Diagram
Available

Parts List
Only

2005 ATV 500 AUTOMATIC TRANSMISSION 4X4 TRV CAT GREEN (A2005TD14B06Z) 94
RELATED ITEMS

Ref #	Part Number	Qty	S/P/F	Description
	0436-336	1		Bag, Rack, Front, Black
	0436-185	1		Bag, Tank, Black
	0436-480	1		Bar, Utility
	0436-640	1	/P	Brush Guard/Bumper - Deluxe
	0436-454	1		Cargo Box
	0436-625	1		Cargo Box Quick-Release Kit
	0436-459	1	/P	Carryall (9 x 12)
	0436-460	1		Carryall (11 x 17)
	0436-462	1		Carryall (10 D)
	0436-477	1		Cord Reel
	0436-429	1	S	Cover, Black and Green
	0436-087	1	/P	Electrical Plug
	0436-035	1	S	Engine Block Heater
	0436-466	1		Fender Box
	0436-538	1		Gear Cradle
	0436-501	1	S	Grease, High-Performance
	0436-464	1		Grill Cradle
	0441-281	1		Gun Scabbard
	0436-705	1		Gun Scabbard Mount
	0436-352	1		Hand/Thumb Warmers
	0436-103	1		Hourmeter
	0436-463	1		Light Bar
	0436-516	1		Light Mount, Portable - Cargo Box
	0436-040	1	/P	Light, Portable - Spotlight
	0436-039	1	/P	Light, Portable - Work
	0436-122	1	S	Lunch Pack, Black
	2257-179	1		Manual, Illustrated Parts
	2257-170	1		Manual, Operator's (E)
	2257-171	1		Manuel d'utilisation (F)
	0652-024	1		Paint, Metal - Black
	0436-626	1	S	Rack Basket
	0436-014	1	/P	Safety Flag
	0436-386	1		Snowplow Attachment Kit
	0436-228	1		Snowplow Blade, 50 in. - Straight
	0436-287	1		Snowplow Blade, 50 in. - One-Way
	0436-296	1		Snowplow Blade, 60 in. - Straight
	0436-360	1		Snowplow Blade, 60 in. - One-Way
	0436-356	1	S	Snowplow, Push Frame
	0436-026	1		Tire Chains, Size B (24 in. and 25 in. Tires)
	0436-027	1		Tire Chains, Size C (25 in. and 26 in. Tires)
	1402-028	1		Tire, Titan AT589 (25x8-12, Mud & Snow)
	0402-563	1		Tire, Titan AT589 (25x10-12, Mud & Snow)
	0436-656	1		Winch Accessories Kit
	0436-699	1		Winch Kit, 2500 lb
	0436-361	1		Winch Mounting Kit
	0436-704	1		Windshield, Clear
	0436-507	1		Windshield, Clear w/Accent
	0436-470	1		Workbase (8 in.)

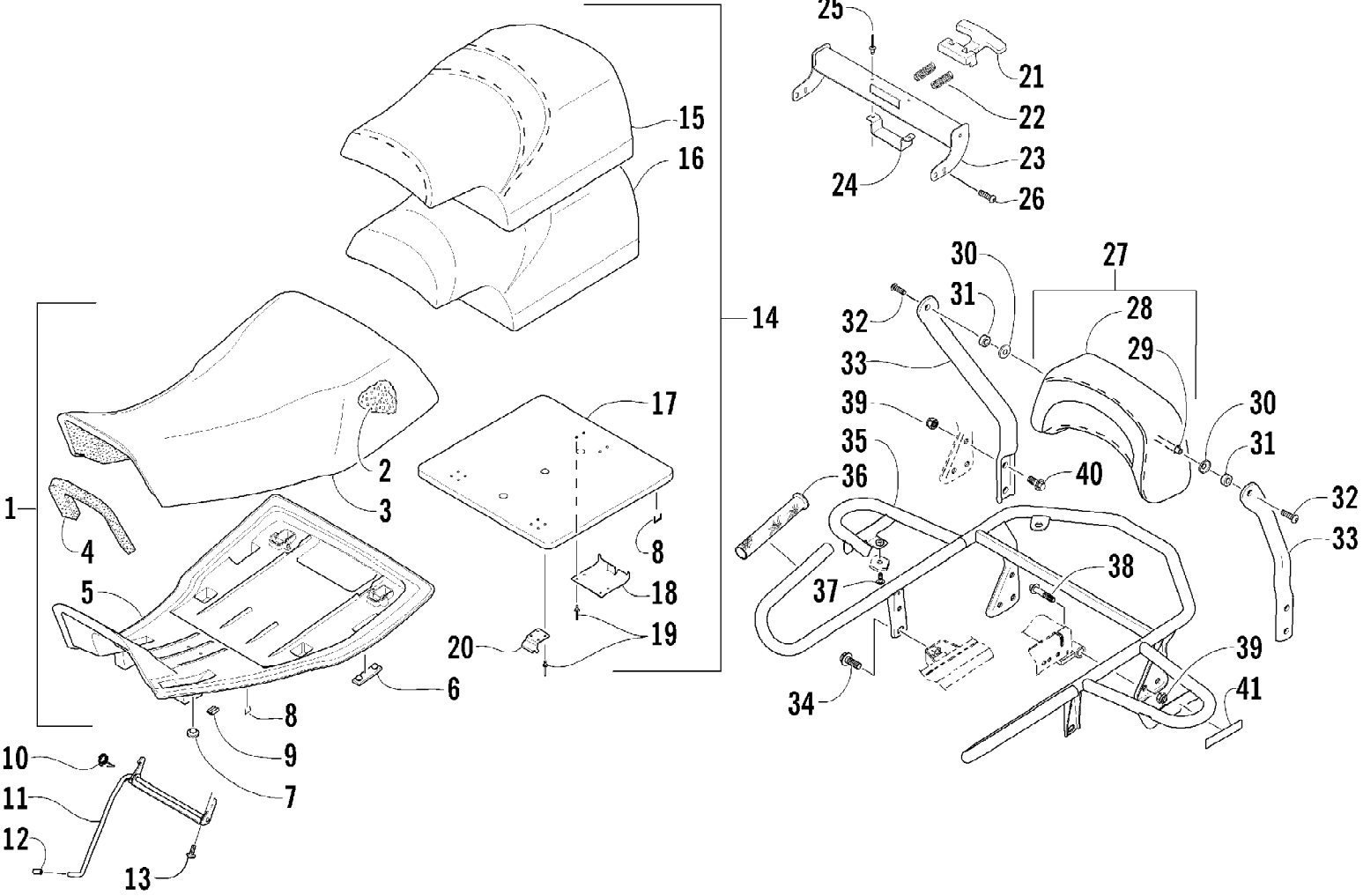
2005 ATV 500 AUTOMATIC TRANSMISSION 4X4 TRV CAT GREEN (A2005TD14B03Z) 94
REVERSE SHIFT LEVER ASSEMBLY



2005 ATV 500 AUTOMATIC TRANSMISSION 4X4 TRV CAT GREEN (A2005TD14B08Z) 94
 REVERSE SHIFT LEVER ASSEMBLY

Ref #	Part Number	Qty	S/P/F	Description
1	8424-602	1	/P	Nut
2	8408-812	1		Screw, Cap
3	0502-187	1		Axle, Reverse Shift Lever
4	0502-185	1		Lever, Reverse Shift
5	0423-299	2	/P	O-Ring
6	0423-182	2	/P	O-Ring
7	0423-087	1		Washer
8	0502-410	1	S	Spring
9	0402-675	1		Axle, Pivot
10	0402-843	1	/P	Handle, Reverse Shift Lever
11	0423-345	1		Clip, Push
12	0502-146	1		Linkage, Shift
13	1402-270	1		End, Rod
14	0623-294	2		Nut
15	0423-091	1		Bushing
16	8050-242	1		Washer
17	0423-169	1	/P	E-Ring
18	0402-685	1		Plate, Shift
19	0406-943	1		Shield, Linkage
20	0423-371	3		Screw, Machine
21	0623-309	1		Screw, Self-Tapping

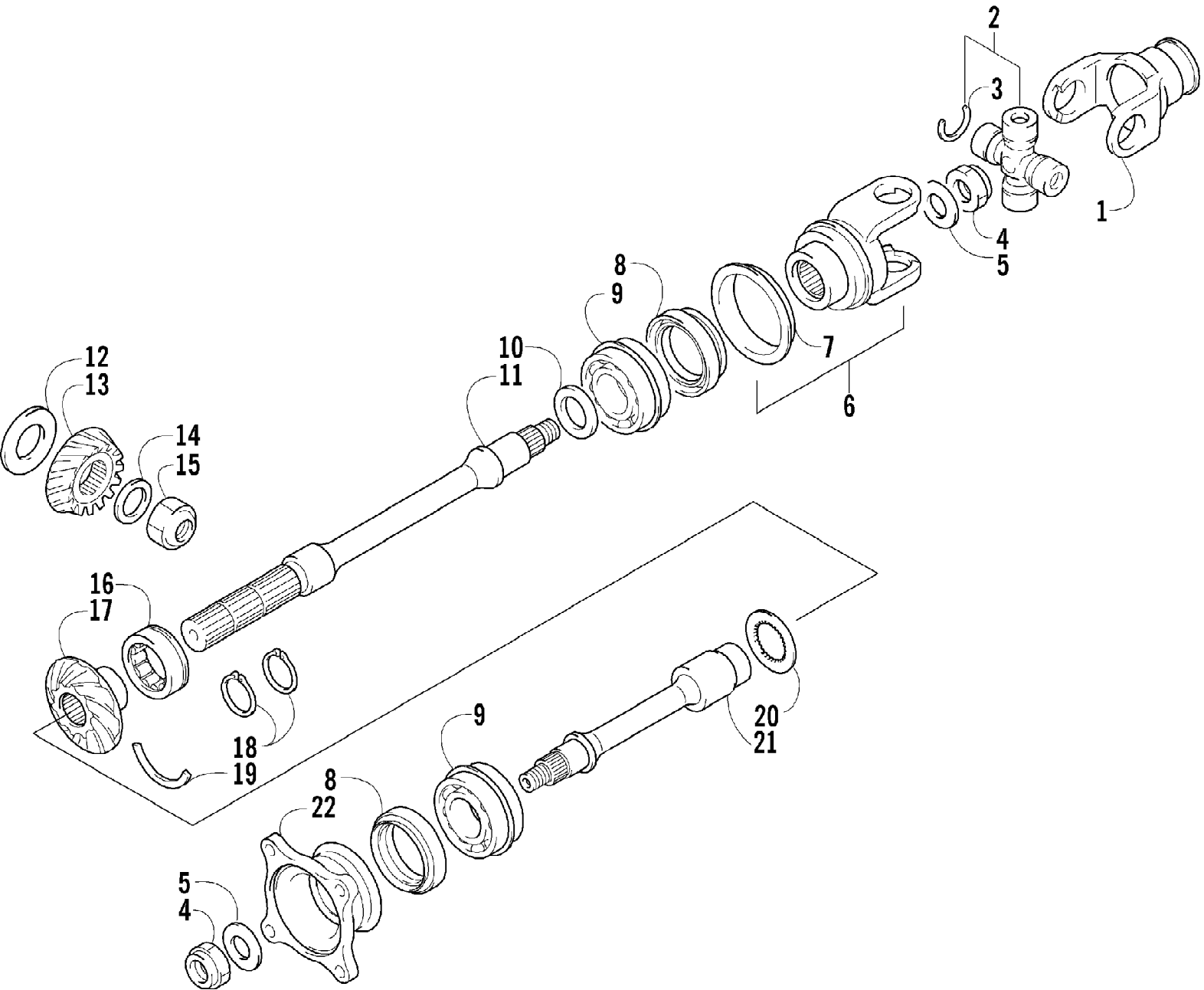
2005 ATV 500 AUTOMATIC TRANSMISSION 4X4 TRV CAT GREEN (A2005TD14B09Z) 94 SEAT ASSEMBLY



2005 ATV 500 AUTOMATIC TRANSMISSION 4X4 TRV CAT GREEN (A2005TD14B76Z) of 94
SEAT ASSEMBLY

Ref #	Part Number	Qty	S/P/F	Description
1	0506-613	1		Seat Assembly - Front (inc. 2-9)
2	0506-555	1		Foam, Seat
3	0506-556	1		Cover, Seat
4	1406-060	1		Foam, Sound
5	0406-925	1		Base, Seat Assembly (inc. 6-7)
6	0406-879	2		Bumper, Seat - Rear
7	0406-877	2	/P	Bumper, Seat - Front
8	0624-528	AR	/P	Staple
9	0406-930	2		Plate, Strike - Front Seat Latch
10	1406-112	1		Spring, Front Seat Latch
11	1406-185	1		Latch, Seat - Front
12	0623-404	1		Cap, Protector
13	8477-616	2		Screw, Machine
14	1506-137	1		Seat Assembly - Passenger (inc. 8 and 15-20)
15	1506-138	1		Cover, Seat
16	1506-139	1		Foam, Seat
17	1406-194	1		Base, Seat
18	2606-161	1		Plate, Strike - Passenger Seat Latch
19	0423-425	12		Rivet
20	1406-203	2		Bracket, Seat
21	2606-159	1		Latch, Seat - Passenger
22	2606-154	2		Spring, Passenger Seat Latch
23	0506-940	1		Channel, Passenger Seat Latch
24	2706-130	1	/P	Bracket, Retainer - Passenger Seat Latch
25	8060-706	2	/P	Rivet
26	8477-610	4		Screw, Machine
27	1506-641	1		Backrest Assembly (inc. 28-29)
28	1506-640	1		Cover, Backrest w/Graphic
29	0114-163	1		Axle, Backrest
30	0723-003	2	/P	Washer, Cup
31	0616-547	2		Block, Tension - Backrest
32	0623-566	2		Screw, Machine
33	0506-965	1		Support, Backrest - Right
33	0506-966	1		Support, Backrest - Left
34	8409-020	2	/P	Screw, Cap
35	1506-141	1		Handhold, Passenger
36	1606-442	2		Grip, Passenger Handhold
37	0423-101	2		Screw, Body
38	0423-420	2		Screw, Shoulder
39	8428-002	6		Nut, Lock
40	8409-025	4		Screw, Cap
41	0411-652	2		Decal, Reflector - Red

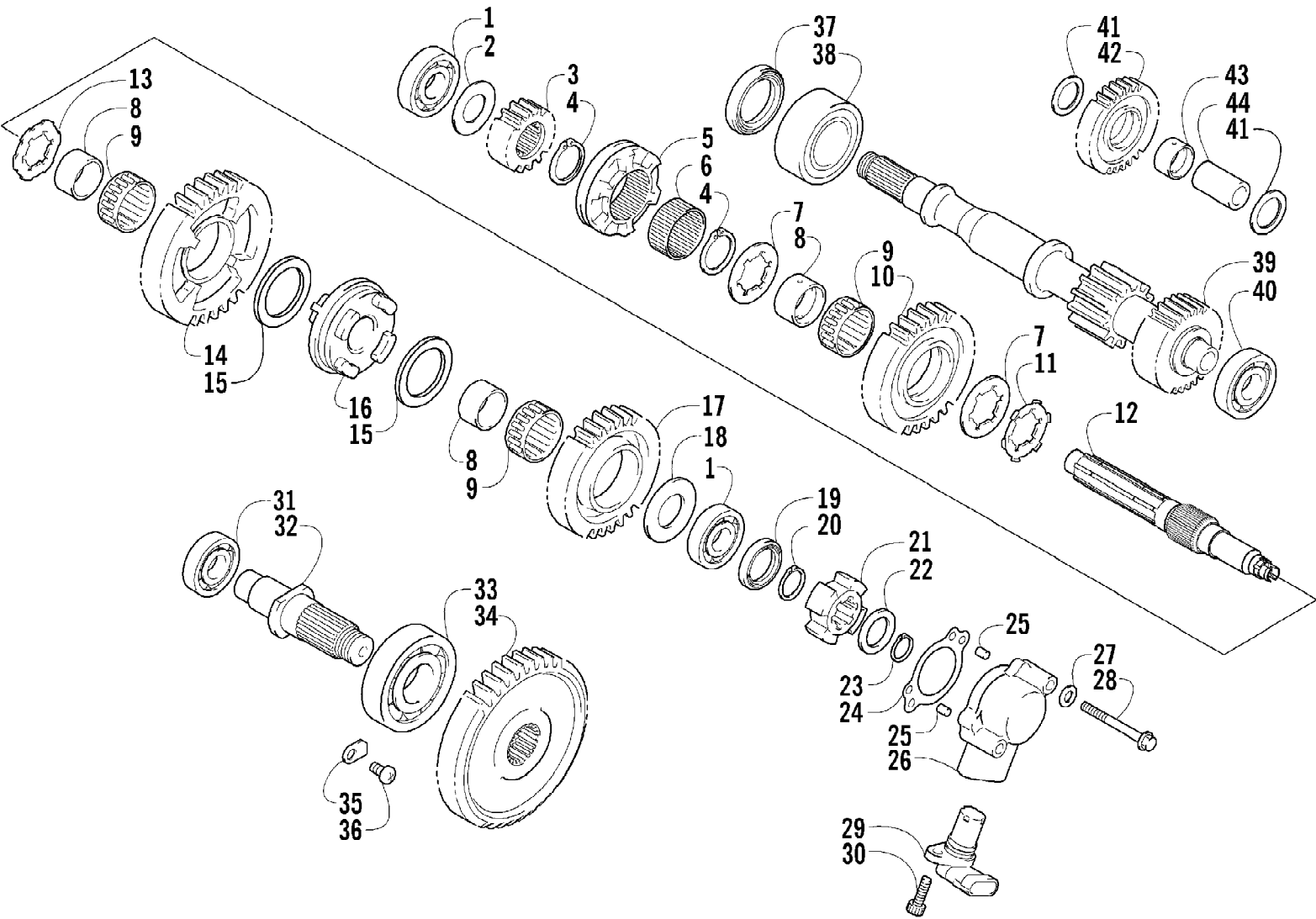
2005 ATV 500 AUTOMATIC TRANSMISSION 4X4 TRV CAT GREEN (A2005TD14BUSA) 94
SECONDARY DRIVE ASSEMBLY



2005 ATV 500 AUTOMATIC TRANSMISSION 4X4 TRV CAT GREEN (A2005TD14B1727) of 94
SECONDARY DRIVE ASSEMBLY

Ref #	Part Number	Qty	S/P/F	Description
1	3402-744	1	S	Yoke, Propeller Shaft Joint
2	3402-562	1		Joint, Universal - Set (inc. 4)
3	3423-479	4		Circlip
4	3423-025	2		Nut, Rear Output Joint
5	3423-028	2		Washer, Rear Output Flange
6	3402-742	1		Yoke, Drive Output - Front (inc. 8)
7	3402-743	1		Plate, Output Yoke
8	3402-072	2		Seal, Oil - Driven Shaft
9	3402-067	2	S	Bearing, Driven Shaft
10	3402-017	AR		Shim, 25 x 34 x 0.60 mm
10	3402-018	AR		Shim, 25 x 34 x 0.65 mm
10	3402-019	AR		Shim, 25 x 34 x 0.70 mm
10	3402-020	AR		Shim, 25 x 34 x 0.75 mm
10	3402-021	AR	S	Shim, 25 x 34 x 0.80 mm
10	3402-022	AR		Shim, 25 x 34 x 0.85 mm
10	3402-023	AR		Shim, 25 x 34 x 0.90 mm
10	3402-024	AR		Shim, 25 x 34 x 0.95 mm
10	3402-025	AR	S	Shim, 25 x 34 x 1.00 mm
10	3402-028	AR		Shim, 25 x 34 x 1.05 mm
10	3402-029	AR		Shim, 25 x 34 x 1.10 mm
10	3402-030	AR		Shim, 25 x 34 x 1.15 mm
10	3402-031	AR		Shim, 25 x 34 x 1.20 mm
11	3402-740	1		Shaft, Secondary Driven - Front
12	3446-035	1		Shim, Secondary Drive Gear - Set
13	3402-738	1		Gear, Secondary Drive
14	3005-372	1		Washer
15	3423-023	1		Nut
16	3402-515	1	/P	Bearing, Driven Gear
17	3402-739	1		Gear, Secondary Driven
18	3423-340	2	S	Circlip, Secondary Driven Gear
19	3423-072	1		Ring, Driven Bearing
20	3423-415	1		Washer, Driven Shaft
21	3402-513	1		Shaft, Secondary Driven - Rear
22	3402-514	1	/P	Flange, Output Joint - Rear

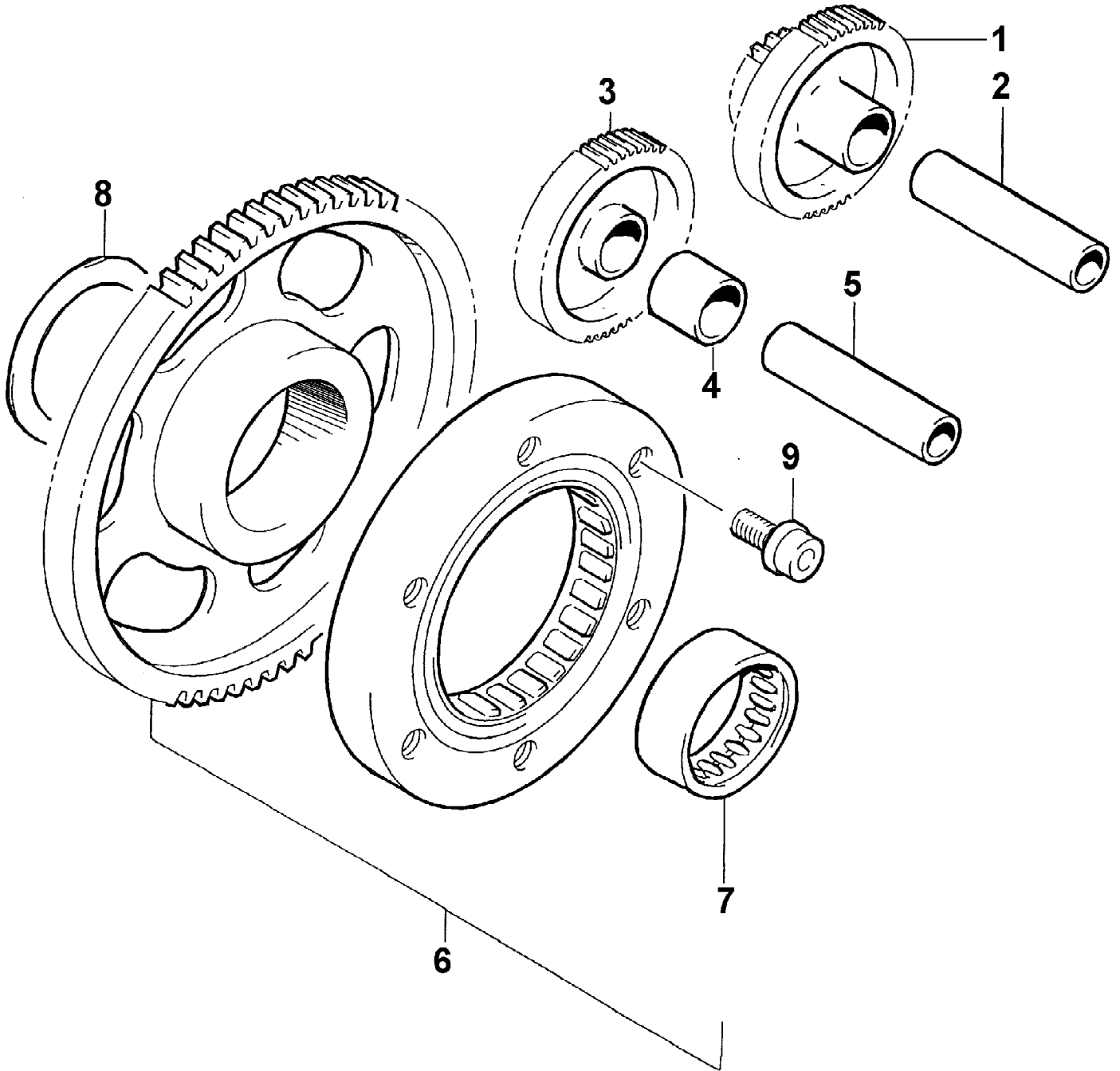
2005 ATV 500 AUTOMATIC TRANSMISSION 4X4 TRV CAT GREEN (A2005TD14B7SZ) 94
SECONDARY TRANSMISSION ASSEMBLY



2005 ATV 500 AUTOMATIC TRANSMISSION 4X4 TRV CAT GREEN (A2005TD14B78Z) of 94
SECONDARY TRANSMISSION ASSEMBLY

Ref #	Part Number	Qty	S/P/F	Description
1	3402-045	2	/P	Bearing, Shaft
2	3402-381	1	/P	Washer, Drive Gear No. 2 - Right
3	3402-497	1		Gear, Drive - No. 2
4	3423-066	2	/P	Circlip
5	3402-821	1		Dog, Reverse Driven Gear
6	3402-825	1		Spacer, Reverse Driven Gear
7	3423-263	2		Washer
8	3402-494	3		Bushing
9	3402-498	3		Bearing
10	3402-822	1		Gear, Reverse Driven
11	3423-266	1		Washer, Lock
12	3402-820	1		Countershaft
13	3423-262	1		Washer, Lock
14	3402-668	1	/P	Gear, Driven - Low
15	3423-554	2		Washer, Driven Gear
16	3402-824	1		Dog, Sliding
17	3402-733	1		Gear, Driven - High
18	3423-412	1		Washer, Drive Gear - Left
19	3402-836	1		Seal, Countershaft - Left
20	3423-518	1		Circlip
21	3402-837	1		Rotor
22	3423-556	1		Washer
23	3423-557	1		Circlip
24	3446-289	1		Gasket
25	3006-547	2	/P	Pin
26	3446-355	1		Housing, Speedometer Sensor
27	3003-290	2	/P	Gasket
28	3423-091	2	S	Bolt
29	3402-838	1		Sensor, Speedometer
30	3423-226	1		Bolt
31	3402-735	1		Bearing, Shaft
32	3402-835	1		Shaft, Output
33	3402-502	1		Bearing, Output Shaft
34	3402-534	1	/P	Gear, Driven - No. 2
35	3446-031	2	/P	Retainer, Bearing
36	3423-435	2		Screw, Bearing Retainer
37	3402-537	1	/P	Seal, Driveshaft - Left
38	3402-499	1		Bearing, Driveshaft - Right
39	3402-731	1		Driveshaft
40	3003-261	1	/P	Bearing, Driveshaft - Left
41	3402-195	2		Washer, Reverse Idle Gear
42	3402-503	1		Gear, Reverse Idle
43	3446-103	1		Bushing, Reverse Idle Gear
44	3402-507	1		Shaft, Reverse Idle

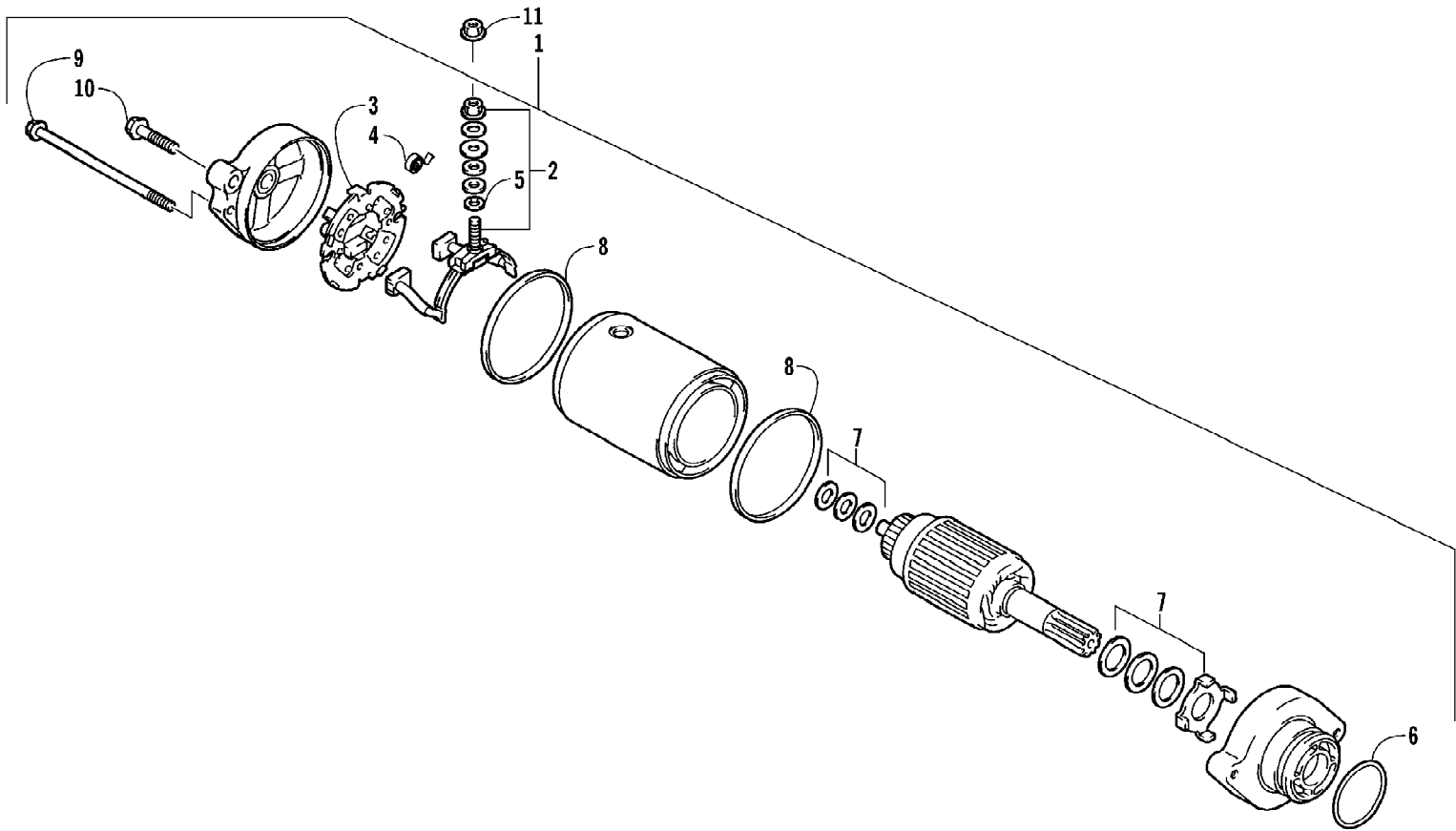
2005 ATV 500 AUTOMATIC TRANSMISSION 4X4 TRV CAT GREEN (A2005TD14B75Z) 94
STARTER CLUTCH ASSEMBLY



2005 ATV 500 AUTOMATIC TRANSMISSION 4X4 TRV CAT GREEN (A2005TD14B76Z) of 94
 STARTER CLUTCH ASSEMBLY

Ref #	Part Number	Qty	S/P/F	Description
1	3402-813	1	/P	Gear, Starter Idler - No. 1
2	3423-331	1		Pin
3	3402-349	1		Gear, Starter Idler - No. 2
4	3423-396	1		Spacer, Starter Idler Gear No. 2
5	3423-397	1		Pin
6	3402-457	1		Clutch, Starter - Set (inc. 7)
7	3402-063	1		Bearing
8	3423-104	1		Washer
9	3402-509	6		Screw, Cap

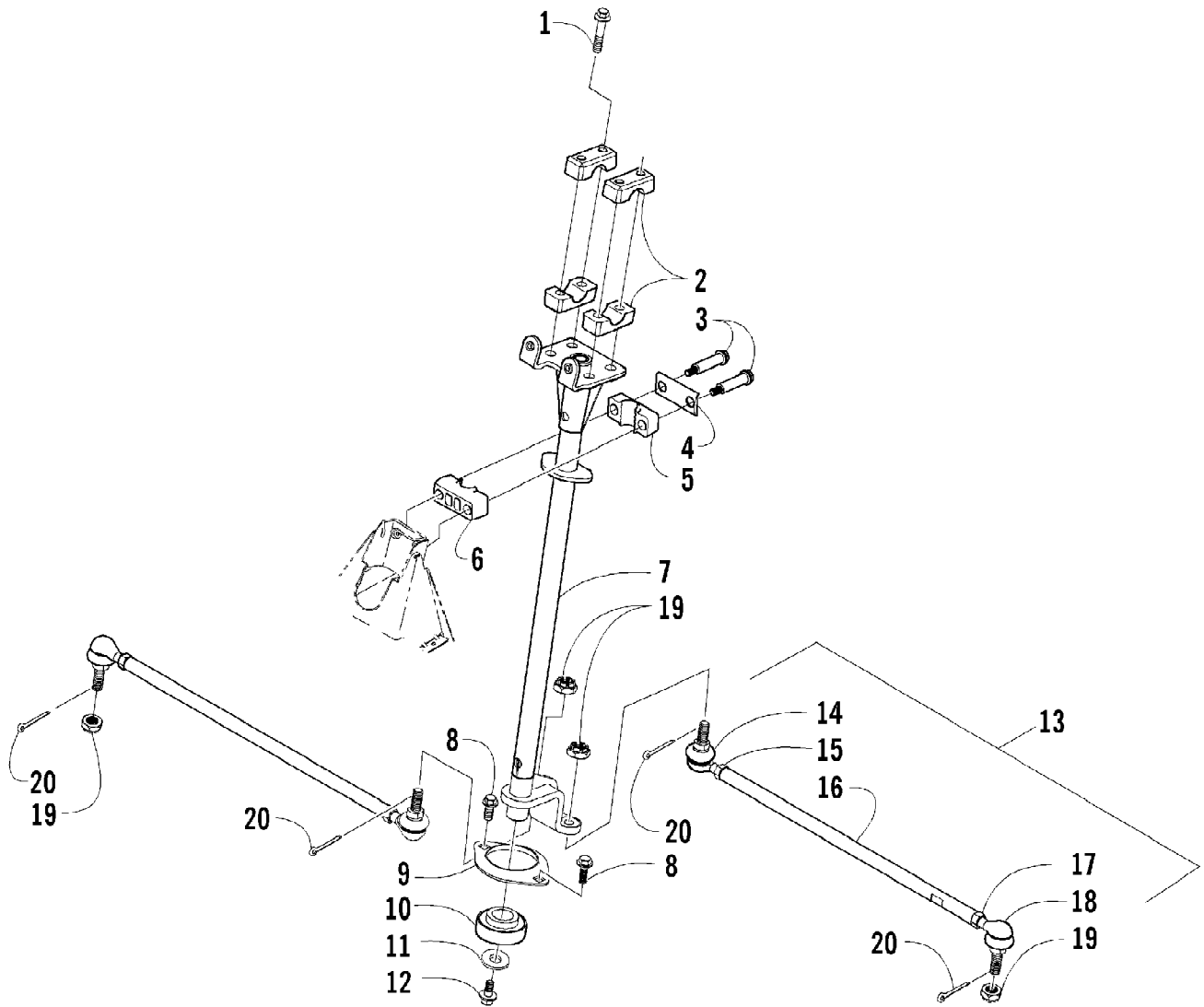
2005 ATV 500 AUTOMATIC TRANSMISSION 4X4 TRV CAT GREEN (A2005TD14B7SZ) 94
STARTER MOTOR ASSEMBLY



2005 ATV 500 AUTOMATIC TRANSMISSION 4X4 TRV CAT GREEN (A2005TD14B78Z) of 94
 STARTER MOTOR ASSEMBLY

Ref #	Part Number	Qty	S/P/F	Description
1	3545-015	1	S	Motor, Starter Assembly (inc. 2-9)
2	3008-094	1	/P	Terminal Set, Brush
3	3008-095	1	/P	Holder Set, Brush
4	3008-096	4		Spring, Brush
5	3008-164	1		O-Ring
6	3423-084	1		O-Ring
7	3436-001	1		Washer Set
8	3008-553	2	/P	O-Ring
9	3423-085	2		Through-Bolt
10	3423-162	2	S	Screw, Cap
11	3423-195	1	/P	Nut

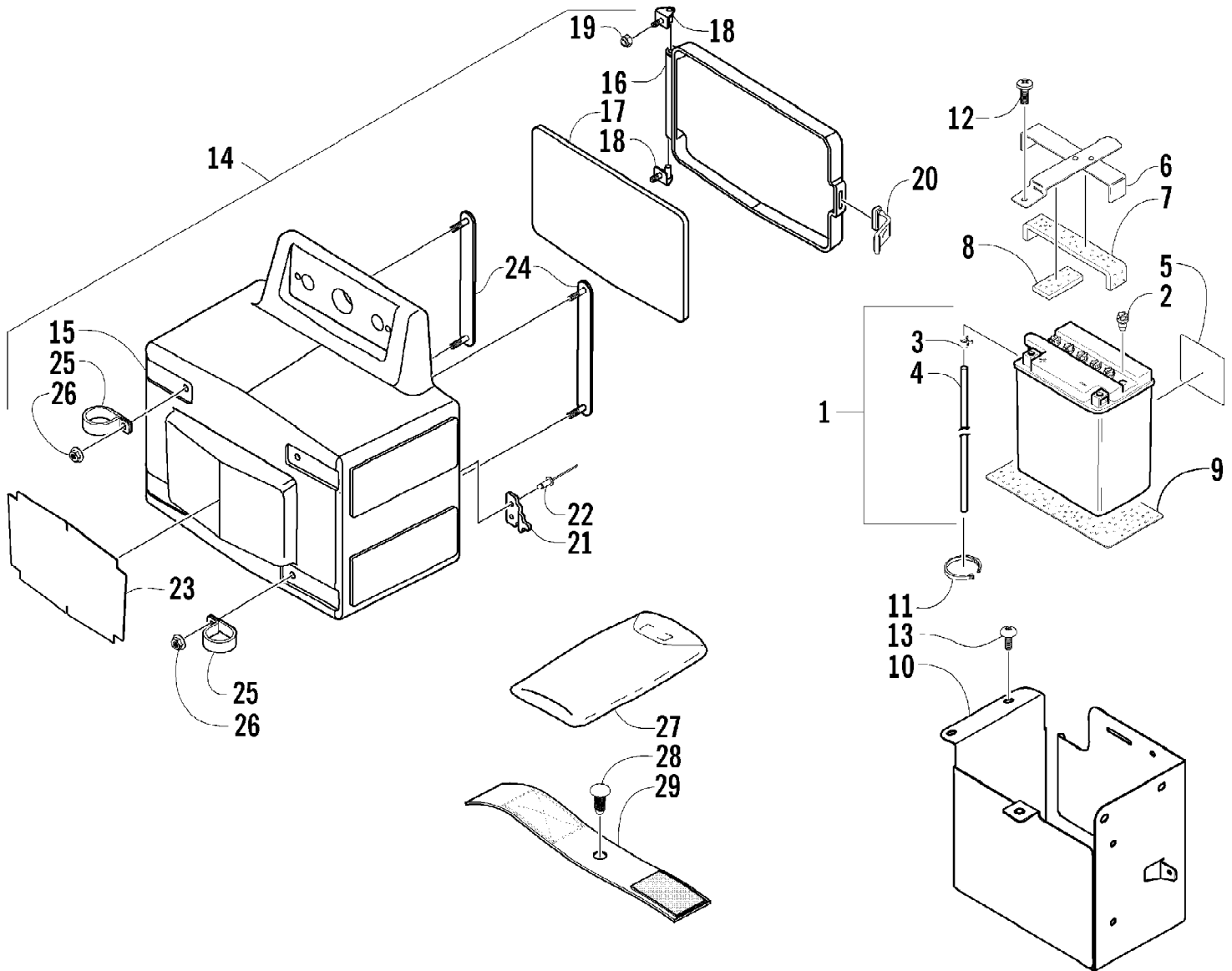
2005 ATV 500 AUTOMATIC TRANSMISSION 4X4 TRV CAT GREEN (A2005TD14B79Z) 94
STEERING POST ASSEMBLY



2005 ATV 500 AUTOMATIC TRANSMISSION 4X4 TRV CAT GREEN (A2005TD14B18Z) 94
STEERING POST ASSEMBLY

Ref #	Part Number	Qty	S/P/F	Description
1	8408-860	4		Screw, Cap
2	0405-035	4		Cap, Steering Adjuster
3	0423-505	2		Screw, Shoulder
4	0405-166	1		Cap, Housing
5	0405-138	1		Housing, Lower
6	0405-139	1		Housing, Upper
7	0505-431	1	/P	Post, Steering
8	8408-816	2		Screw, Cap
9	0602-233	1		Flange, Bearing
10	0405-052	1		Bearing w/Inverted Oil Seal
11	0423-073	1		Washer
12	8409-020	1	/P	Screw, Cap
13	0505-408	2	S	Tie Rod - Assembly (inc. 14-18)
14	0405-083	2	S	Ball Joint, Tie Rod - Left
15	0423-013	2		Nut - Left
16	0405-107	2	S	Tie Rod
17	8420-002	2	/P	Nut - Right
18	0405-082	2	S	Ball Joint, Tie Rod - Right
19	0423-157	4		Nut, Lock
20	0623-175	4		Pin, Cotter

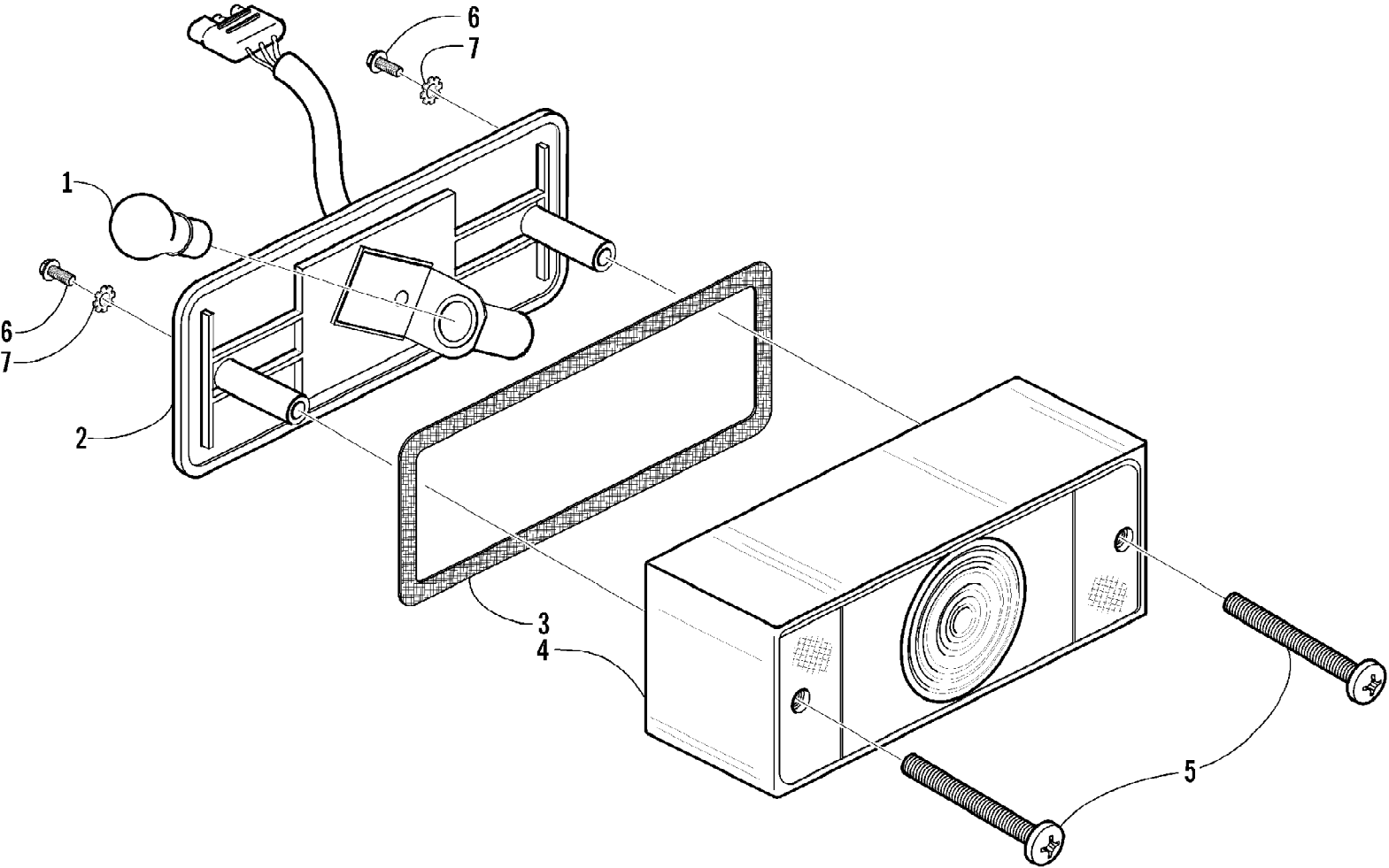
2005 ATV 500 AUTOMATIC TRANSMISSION 4X4 TRV CAT GREEN (A2005TD1418SZ) 94
STORAGE BOX AND BATTERY ASSEMBLY



2005 ATV 500 AUTOMATIC TRANSMISSION 4X4 TRV CAT GREEN (A2005TD14B182Z) 94
STORAGE BOX AND BATTERY ASSEMBLY

Ref #	Part Number	Qty	S/P/F	Description
1	0745-045	1	/P	Battery Assembly (inc. 2-5)
2	0645-045	6		Cap, Battery
3	0645-152	1		Clamp, Hose
4	0645-263	1	/P	Hose, Battery Vent
5	0645-151	1		Label, Warning - Battery
6	0506-877	1		Strap, Battery w/Pads (inc. 7-8)
7	1406-266	1		Pad, Battery - Upper Rear
8	1406-265	1		Pad, Battery - Upper Front
9	1406-219	1		Pad, Battery - Lower
10	1506-365	1	/P	Box, Battery
11	0123-903	1		Cable Tie - 11.5 in.
12	8477-610	1		Screw, Machine
13	8477-616	5		Screw, Machine
14	0506-943	1		Box, Storage - Assembly (inc. 15-22)
15	1406-209	1		Box, Storage
16	1406-218	1		Cover, Storage Box
17	1406-211	1		Seal, Storage Box Cover
18	0506-674	2		Hinge
19	8424-502	2		Nut, Lock
20	1406-134	1		Strap, Storage Box Cover
21	1406-210	1		Bracket, Latch
22	0623-685	2		Rivet
23	0506-944	2		Bracket, Mounting - Storage Box
24	0423-403	4		Clamp, Tube
25	8424-602	4	/P	Nut, Flange
26	1406-260	1		Shield, Heat
27	0444-122	1	S/P	Kit, Tool
28	0423-478	1		Clip, Retaining
29	0406-379	1	/P	Strap, Tool

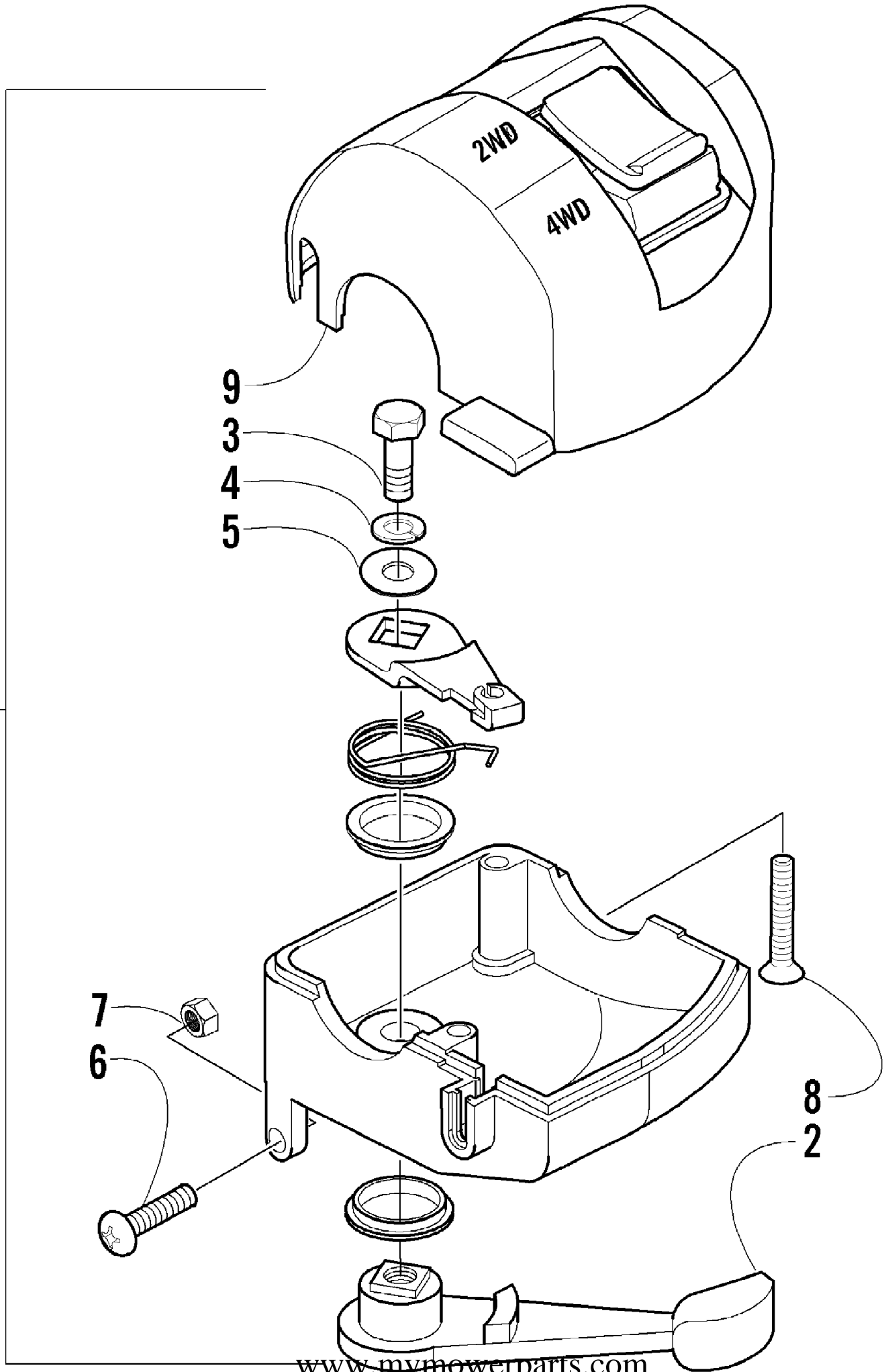
2005 ATV 500 AUTOMATIC TRANSMISSION 4X4 TRV CAT GREEN (A2005TD14B18SZ) 94
TAILLIGHT ASSEMBLY



2005 ATV 500 AUTOMATIC TRANSMISSION 4X4 TRV CAT GREEN (A2005TD14B18Z) 94
 TAILLIGHT ASSEMBLY

Ref #	Part Number	Qty	S/P/F	Description
	0409-002	1		Complete Taillight Assembly
1	0109-460	1	/P	Bulb, Stop/Taillight
2	0409-058	1		Taillight w/Socket Assembly
3	0409-012	1		Gasket, Taillight Lens
4	0409-007	1		Lens, Taillight
5	0409-010	2		Screw, Machine
6	0623-301	2	/P	Screw, Self-Tapping
7	8053-212	2	/P	Washer, Lock - External Tooth

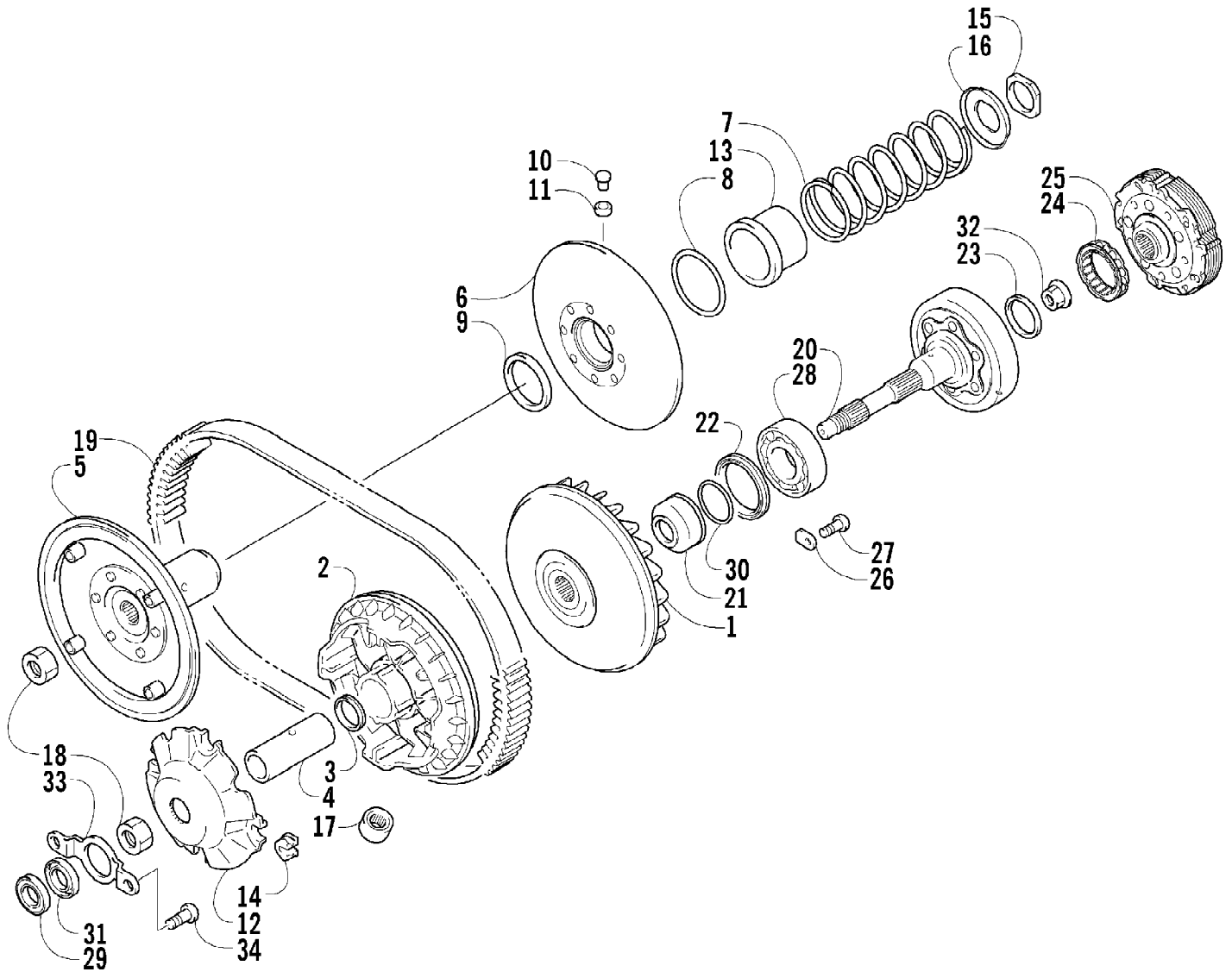
2005 ATV 500 AUTOMATIC TRANSMISSION 4X4 TRV CAT GREEN (A2005TD14B185Z) 94 THROTTLE CASE ASSEMBLY



2005 ATV 500 AUTOMATIC TRANSMISSION 4X4 TRV CAT GREEN (A2005TD14B186Z) 94
 THROTTLE CASE ASSEMBLY

Ref #	Part Number	Qty	S/P/F	Description
1	0509-012	1		Case, Throttle - Assembly (inc. 2-9)
2	3409-001	1		Lever
3	3004-533	1	S/P	Screw, Cap
4	3004-447	1	/P	Washer, Lock
5	3003-030	1	/P	Washer
6	3423-014	1		Screw
7	3423-327	1		Nut
8	3423-199	2		Screw
9	0409-048	1		Cover, Throttle w/Switch

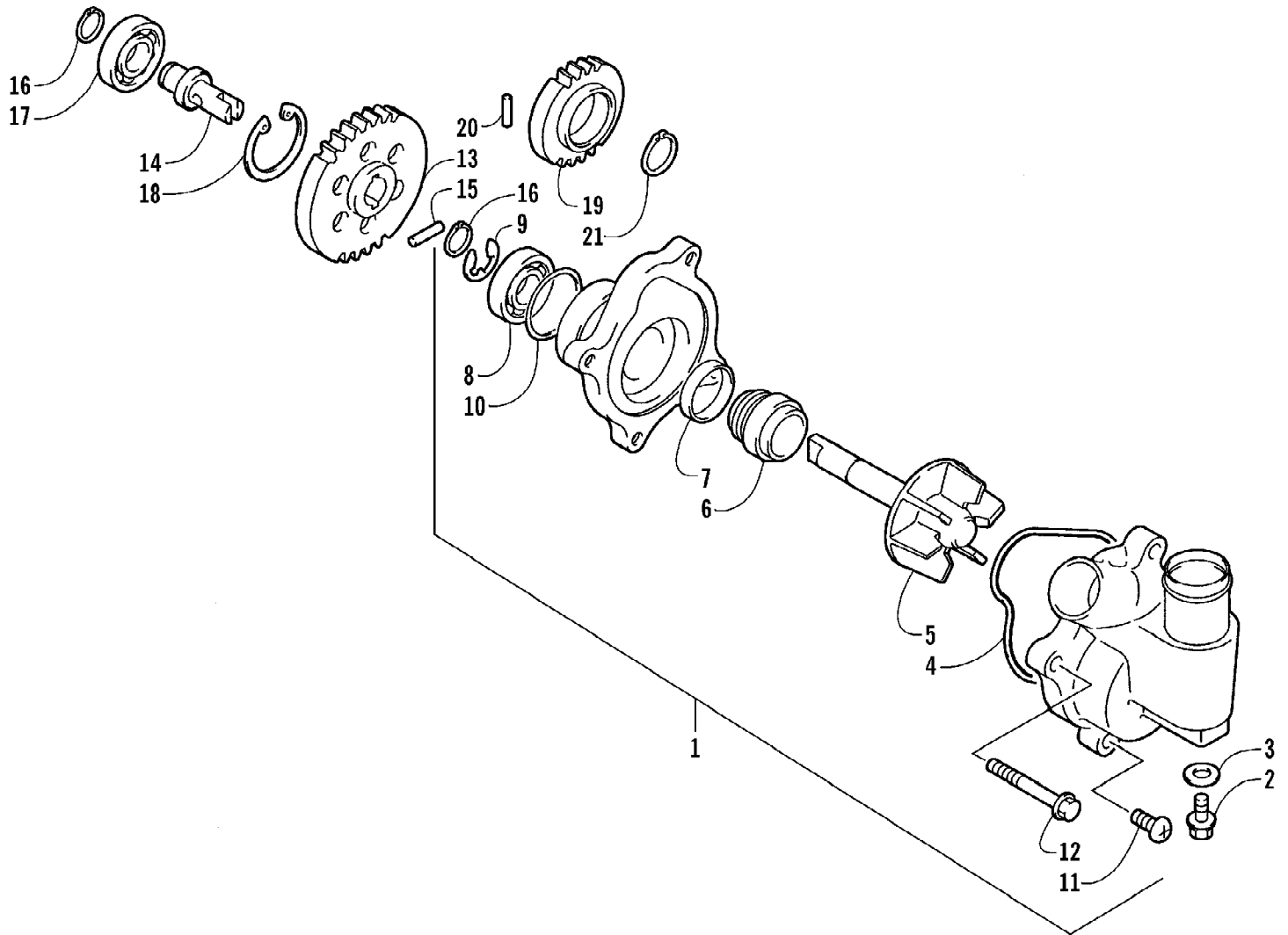
2005 ATV 500 AUTOMATIC TRANSMISSION 4X4 TRV CAT GREEN (A2005TD14B183Z) 94
TRANSMISSION ASSEMBLY



2005 ATV 500 AUTOMATIC TRANSMISSION 4X4 TRV CAT GREEN (A2005TD141B18Z) 94
TRANSMISSION ASSEMBLY

Ref #	Part Number	Qty	S/P/F	Description
1	3402-750	1		Face, Fixed Drive
2	3402-751	1		Face, Movable Drive
3	3402-470	2		Seal, Movable Drive Face
4	3402-471	1		Spacer, Movable Drive Face
5	3402-752	1		Face, Fixed Driven
6	3402-753	1		Face, Movable Driven
7	3402-754	1	S	Spring, Movable Driven Face
8	3402-475	2		O-Ring, Movable Driven Face
9	3402-476	2		Seal, Movable Driven Face
10	3402-477	4		Pin, Movable Driven Face
11	3402-478	4		Spacer, Movable Driven Face
12	3402-755	1	/P	Plate, Movable Drive Face
13	3402-756	1		Sleeve, Movable Driven Face
14	3402-481	4		Damper, Movable Drive Face
15	3423-406	1		Nut, Driven Pulley
16	3402-482	1		Holder, Movable Driven Face Spring
17	3402-483	8		Roller, Movable Drive Face
18	3423-514	2		Nut
19	3402-757	1		V-Belt
20	3402-758	1	/P	Housing, Clutch
21	3402-544	1	/P	Spacer, Fixed Drive Face
22	3402-695	1	S	Seal, Clutch Housing - Center
23	3402-488	1		Seal, Clutch Housing - Left
24	3446-003	1		Clutch, One-Way
25	3402-760	1		Shoe, Clutch - Assembly
26	3446-031	2	/P	Retainer, Bearing
27	3423-435	2		Screw, Bearing Retainer
28	3402-567	1		Bearing
29	3402-759	1	S	Bearing
30	3423-353	1	/P	O-Ring
31	3402-761	2		Seal, Clutch Housing - Right
32	3423-501	1		Nut
33	3402-730	1		Retainer, Bearing
34	3423-018	2		Screw

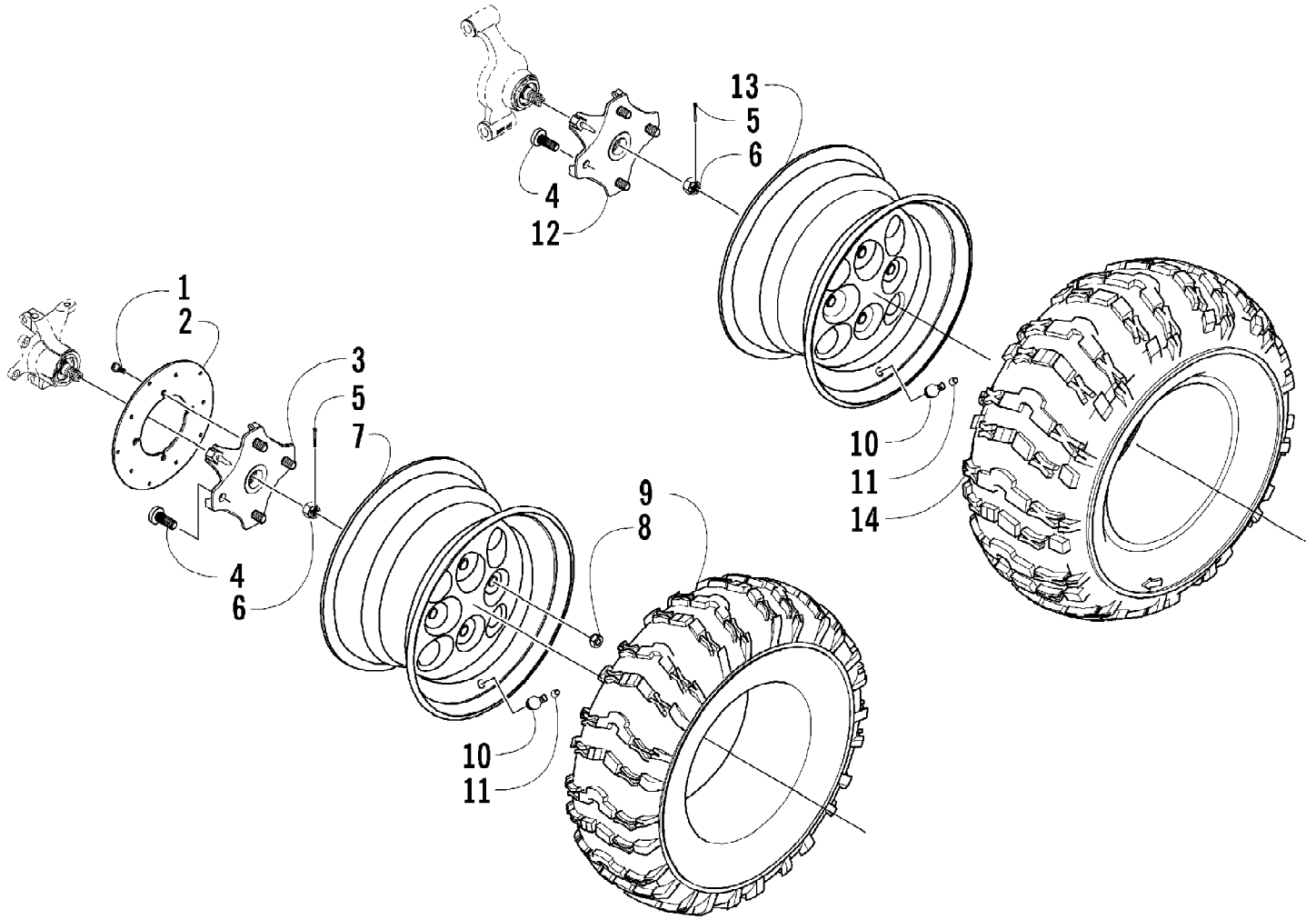
2005 ATV 500 AUTOMATIC TRANSMISSION 4X4 TRV CAT GREEN (A2005TD14B189Z) 94
WATER PUMP ASSEMBLY



2005 ATV 500 AUTOMATIC TRANSMISSION 4X4 TRV CAT GREEN (A2005TD14B96Z) 94
WATER PUMP ASSEMBLY

Ref #	Part Number	Qty	S/P/F	Description
1	3402-464	1	/P	Pump, Water - Assembly (inc. 2-11)
2	3423-343	1		Screw, Cap
3	3003-188	1	S/P	Gasket
4	3423-402	1		O-Ring
5	3413-014	1		Impeller/Shaft
6	3005-909	1	/P	Seal, Mechanical
7	3402-465	1		Seal, Oil
8	3003-615	1	/P	Bearing
9	3423-403	1	S	E-Ring
10	3423-404	1		O-Ring
11	3003-484	2	S/P	Screw
12	3423-308	2	S	Screw, Cap
13	3402-026	1		Gear, Driven
14	3402-466	1		Shaft, Driven Gear
15	3423-046	1		Pin, Driven Gear
16	3423-184	2	S	Circlip, Driven Gear
17	3402-467	1		Bearing, Shaft
18	3423-405	1		Circlip, Shaft Bearing
19	3402-390	1		Gear, Water Pump Drive
20	3423-110	1		Pin, Drive Gear
21	3423-189	1	S	Circlip, Drive Gear

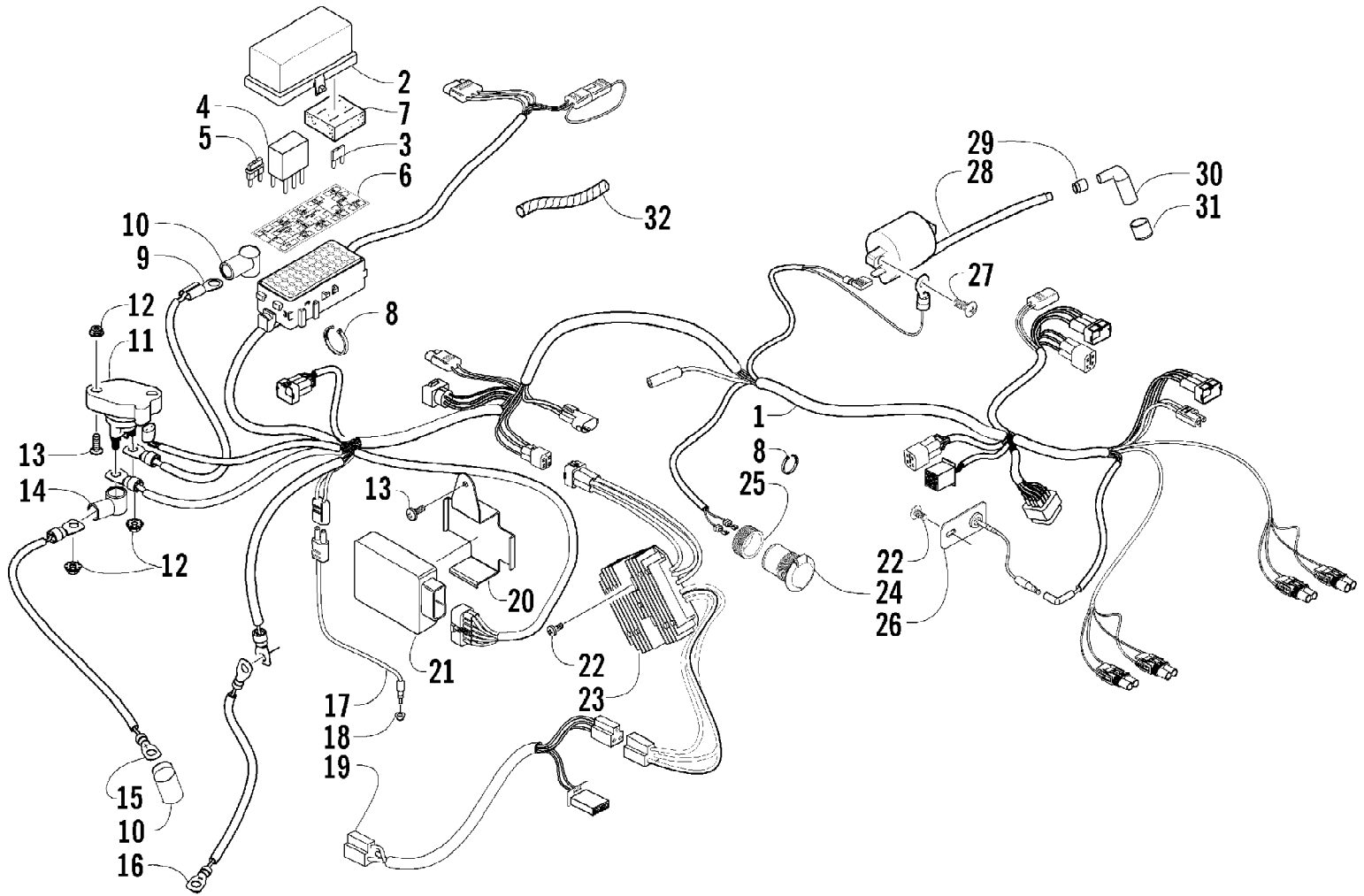
2005 ATV 500 AUTOMATIC TRANSMISSION 4X4 TRV CAT GREEN (A2005TD14BUSZ) 94
WHEEL AND TIRE ASSEMBLY



2005 ATV 500 AUTOMATIC TRANSMISSION 4X4 TRV CAT GREEN (A2005TD14B92Z) 94
WHEEL AND TIRE ASSEMBLY

Ref #	Part Number	Qty	S/P/F	Description
1	0423-557	12		Screw, Machine
2	1402-225	3	S	Disc, Brake
3	0502-599	2	S	Hub, Wheel - Front (inc. 4)
4	0402-974	16	/P	Stud, Wheel Hub
5	0423-407	4		Pin, Cotter
6	0423-394	4		Nut, Castle
7	1402-127	2		Wheel - Front
8	0423-408	16	/P	Nut, Lug
9	1402-100	2		Tire - Front
10	0402-064	4		Stem, Valve (inc. 11)
11	0402-140	4		Cap, Valve Stem
12	0502-601	1	S	Hub, Wheel - Rear - Left (inc. 4)
12	0502-599	1	S	Hub, Wheel - Rear - Right (inc. 4)
13	1402-115	2		Wheel - Rear
14	1402-137	2		Tire - Rear

2005 ATV 500 AUTOMATIC TRANSMISSION 4X4 TRV CAT GREEN (A2005TD14B9SZ) 94 WIRING HARNESS ASSEMBLY



2005 ATV 500 AUTOMATIC TRANSMISSION 4X4 TRV CAT GREEN (A2005TD14B98Z) 94
WIRING HARNESS ASSEMBLY

Ref #	Part Number	Qty	S/P/F	Description
1	0486-156	1		Harness, Main (inc. 2-7 and two No. 8)
2	0530-008	1		Cover, Fuse Block
3	0430-034	3		Diode
4	0430-033	2	F	Relay
5	0430-032	4		Fuse - 10 Amp
5	0430-031	3		Fuse - 15 Amp
5	0430-030	2		Fuse - 30 Amp
6	0411-838	1		Decal, Fuse Block
7	0430-037	1		Holder, Fuse
8	0123-788	AR	/P	Cable Tie - 7.5 in.
9	0445-042	1		Cable, Solenoid/Starter (inc. one No. 10)
10	0645-019	2		Boot, Terminal
11	0445-036	1	S	Solenoid
12	0623-038	4		Nut w/Washer
13	8476-616	3		Screw, Machine
14	0645-327	1		Boot, Terminal
15	0445-038	1	S	Cable, Battery/Solenoid (inc. one No. 10)
16	0445-037	1		Cable, Battery/Ground
17	0409-009	1		Switch, Brake - Assembly
18	0402-991	1		Retainer, Switch
19	0486-148	1		Harness, Adapter - Electric Choke
20	0506-987	1	/P	Bracket, CDI
21	3530-039	1		CDI Unit
22	8476-625	3		Screw, Machine
23	3530-028	1	S	Regulator, Voltage
24	0445-022	1	S	Receptacle, 12V (inc. 25)
25	0445-034	1		Nut, Retainer
26	0509-011	1	S	Diode Assembly
27	8476-620	1		Screw, Machine
28	3530-027	1		Coil, Ignition - Assembly
29	3430-009	1	/P	Seal, High Tension Wire
30	3430-007	1	/P	Cap, Spark Plug
31	3430-008	1	/P	Seal, Spark Plug
32	0716-507	AR		Loom, Protective