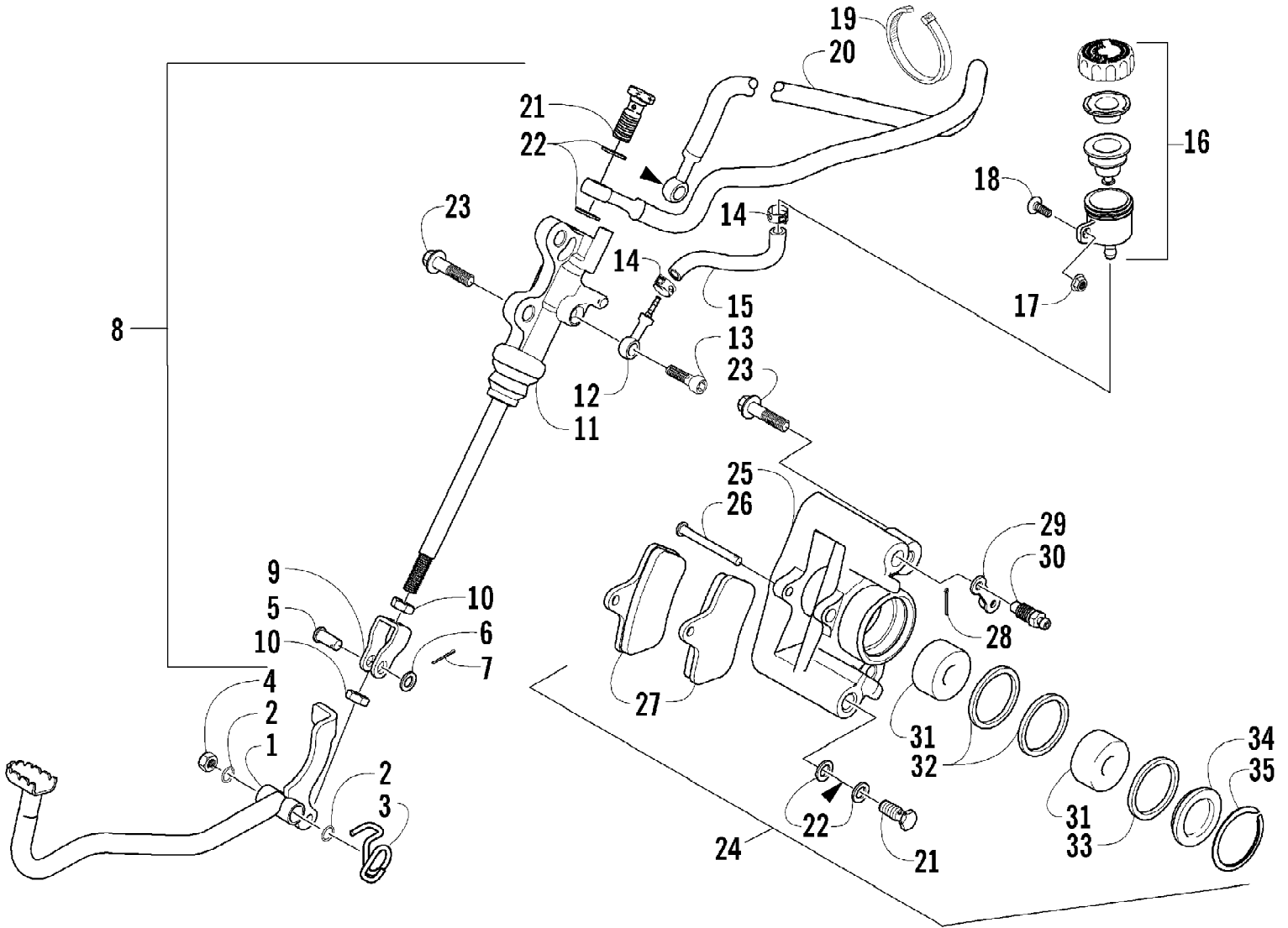


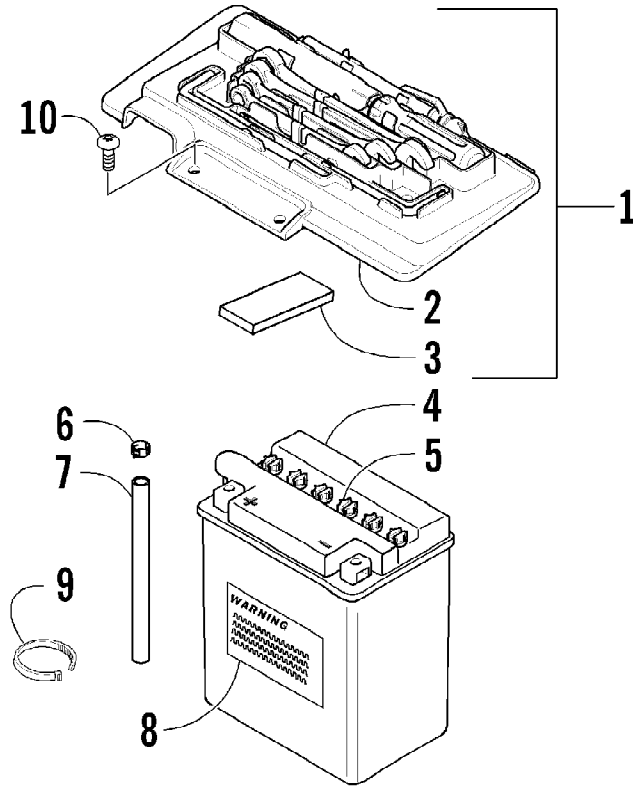
2005 ATV 500 AUTOMATIC TRANSMISSION 4X4 FIS LE RED (A2005IBM4BUS) Page 2 of 98
 AIR INTAKE ASSEMBLY

Ref #	Part Number	Qty	S/P/F	Description
1	0413-093	1		Diverter, Air - Bottom
2	0413-091	1		Diverter, Air - Top
3	0470-442	6	/P	Valve, Drain
4	0423-380	2	/P	Clamp
5	0470-529	1		Boot, Air Intake
6	1406-747	1		Shroud, Splash
7	0623-362	2		Rivet, Reinstallable
8	0423-342	4	/P	Screw, Self-Tapping
9	0423-454	2		Clip, Mounting - Air Intake
10	0470-515	1	S	Housing, Air Intake
11	0423-455	4		Clip, Spring
12	0470-525	1		Boot, Carburetor
13	0423-554	1		Clamp
14	0470-516	1		Screen, Air Filter
15	0470-494	1	S	Filter, Air
16	0470-495	1	S	Seal, Air Intake Cover
17	0470-530	1	S	Cover, Air Intake
18	0410-079	1	S	Hose, Vent - Crankcase
19	0423-045	2		Clamp, Hose
20	0423-019	1		Clamp
21	0470-533	1		Carburetor
22	0510-592	1		Hose, Drain



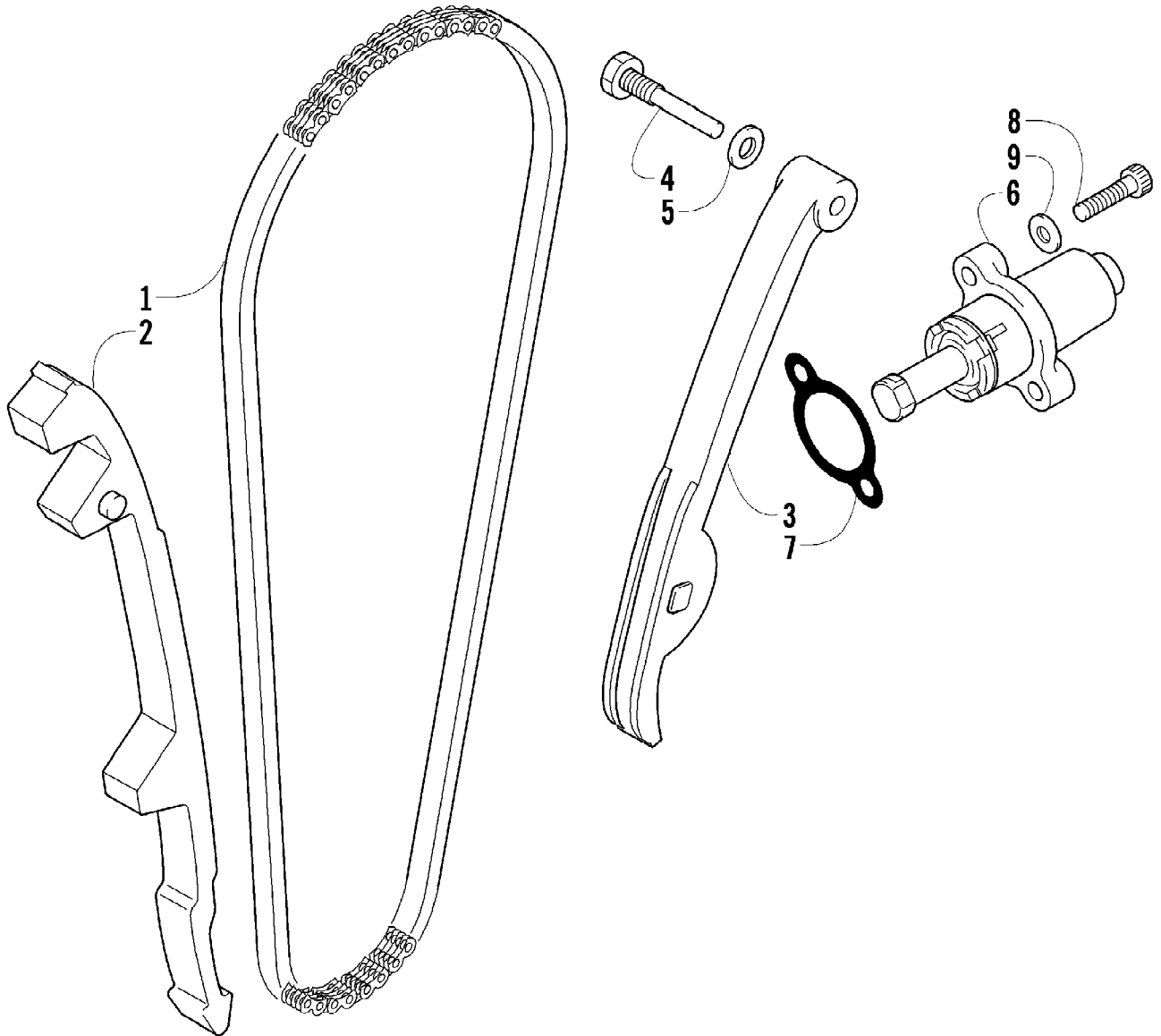
2005 ATV 500 AUTOMATIC TRANSMISSION 4X4 FIS LE RED (A2005IBM4BUS) Page 4 of 98
AUXILIARY BRAKE ASSEMBLY

Ref #	Part Number	Qty	S/P/F	Description
1	0502-656	1		Lever, Brake
2	1602-213	2	/P	O-Ring
3	0502-713	1		Spring, Brake Lever
4	8422-002	1		Nut
5	0402-575	1		Pin, Clevis
6	0402-583	1		Washer
7	0402-584	1		Pin, Cotter
8	0502-665	1	S	Brake Assembly (inc. 9-16)
9	0402-580	1		Actuator, Push Rod
10	0402-592	2		Nut, Jam
11	0	1	F	Master Cylinder
12	1402-277	1		Fitting, Banjo
13	1402-278	1		Bolt, Banjo Fitting
14	0423-525	2		Clamp, Hose
15	1402-266	1		Hose, Brake Reservoir
16	1402-257	1		Reservoir, Brake
17	8424-602	1	/P	Nut, Flanged
18	8476-616	1		Screw, Machine
19	0123-788	1	/P	Cable Tie 7.5 in.
20	1402-200	1		Hose, Brake
21	0423-413	2		Bolt, Banjo Fitting
22	0423-178	4		Washer, Crush
23	8408-825	4		Screw, Cap
24	0502-457	1	S	Caliper, Brake (inc. 25-35)
25	0	1	F	Housing, Caliper
26	0402-495	1		Pin, Brake Caliper
27	1402-126	2		Pad, Brake
28	0423-495	1	/P	Pin, Cotter
29	0402-493	1		Cap, Bleed Valve
30	1402-123	1		Valve, Bleed
31	1402-125	2		Piston
32	0402-980	2		O-Ring, Brake Caliper
33	0	1	F	O-Ring
34	0	1	F	Plug
35	0	1	F	Ring, Retaining



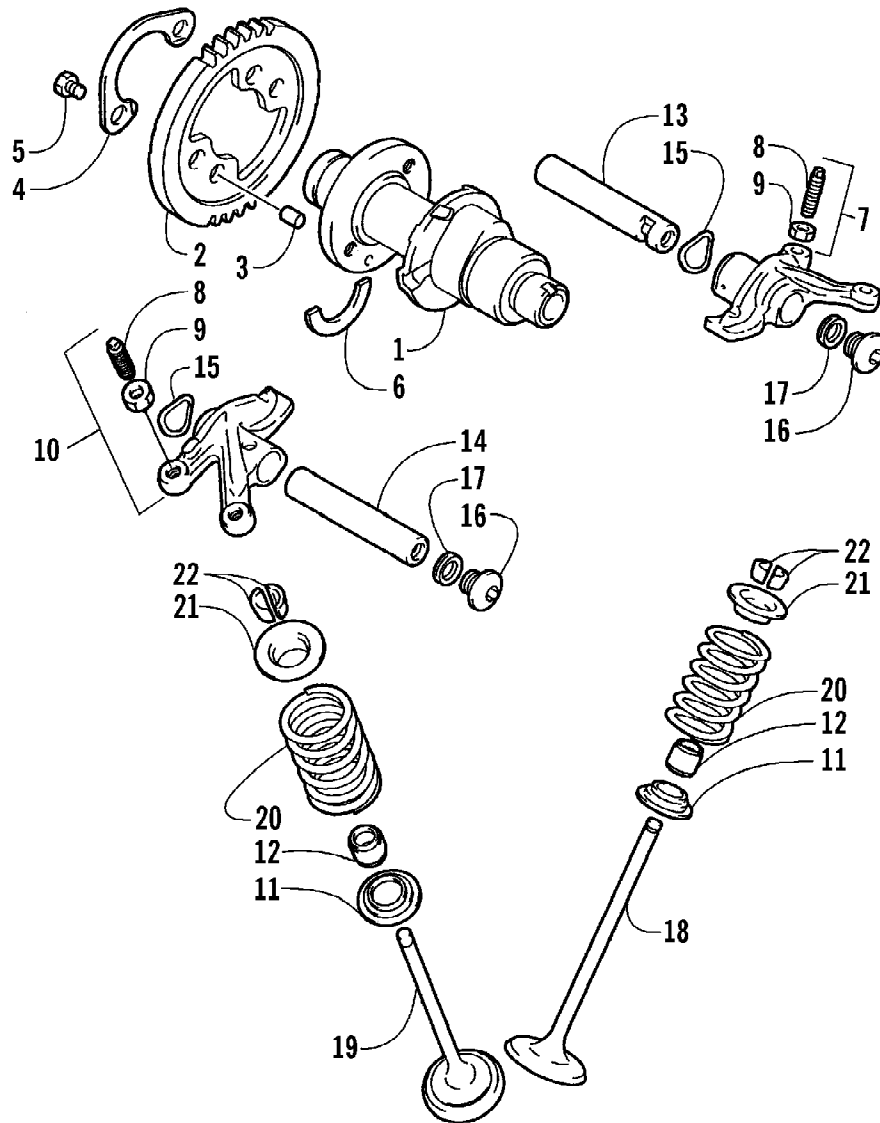
2005 ATV 500 AUTOMATIC TRANSMISSION 4X4 FIS LE RED (A2005IBM4BUS) Page 6 of 98
BATTERY ASSEMBLY

Ref #	Part Number	Qty	S/P/F	Description
1	5990-839	1	S	Battery Cover/Tool Tray Assembly (inc. 2-3)
2	1406-507	1	S	Cover, Battery
3	0406-288	2		Pad, Battery
	0444-122	1	S/P	Kit, Tool
4	0745-045	1	/P	Battery Assembly (inc. 5-8)
5	0645-045	6		Cap, Battery
6	0645-152	1		Clamp, Hose
7	0645-263	1	/P	Hose, Vent
8	0645-151	1		Label, Warning - Battery
9	0123-903	4		Cable Tie - 11.5 in.
10	8476-616	2		Screw, Machine



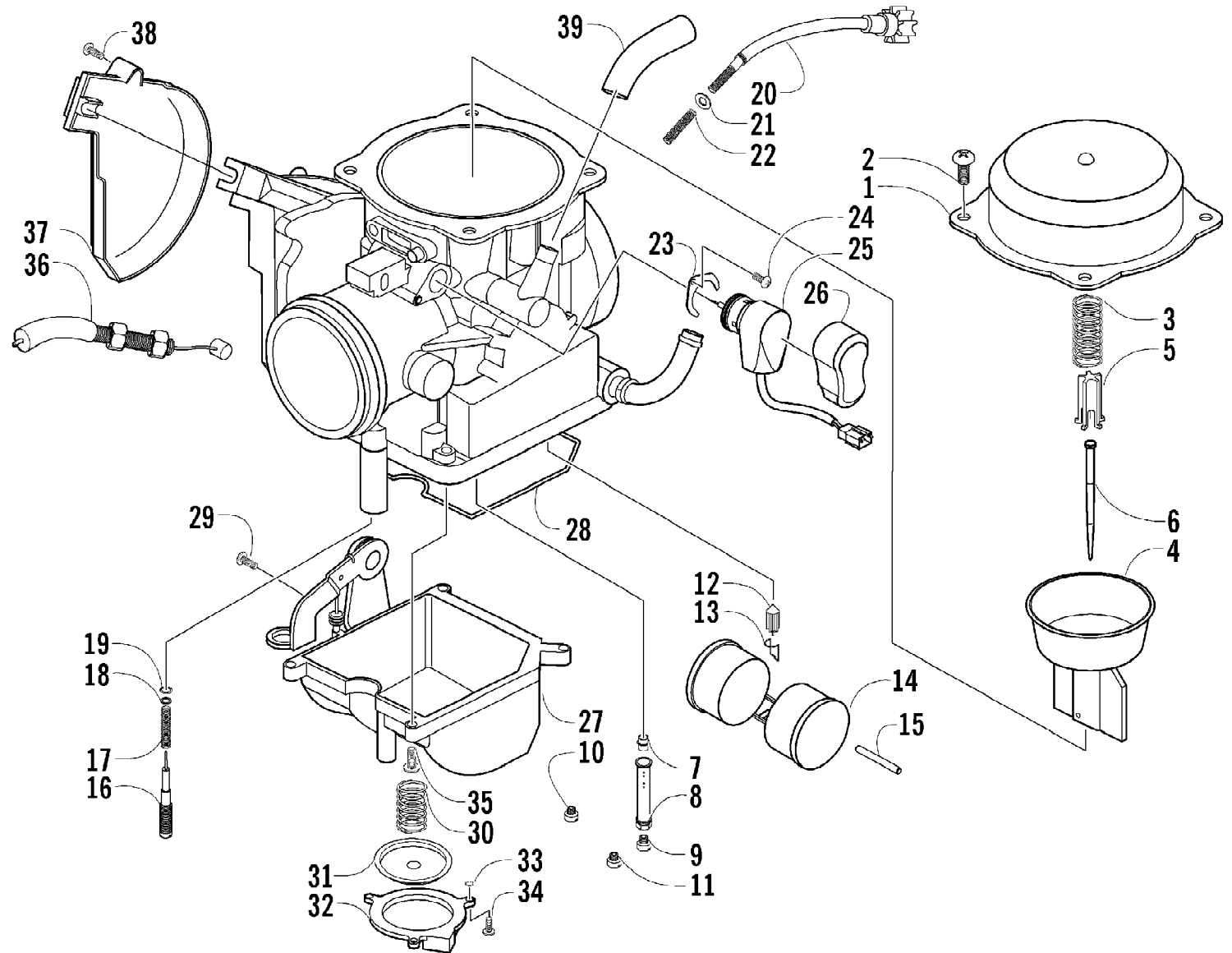
2005 ATV 500 AUTOMATIC TRANSMISSION 4X4 FIS LE RED (A2005IBM4BUSP) Page 8 of 98
CAM CHAIN ASSEMBLY

Ref #	Part Number	Qty	S/P/F	Description
1	3402-353	1		Chain, Cam
2	3402-355	1		Guide, Chain
3	3402-356	1		Tensioner, Chain
4	3423-074	1		Bolt
5	3003-188	1	S/P	Washer
6	3402-136	1		Adjuster, Tensioner - Assembly
7	3402-137	1		Gasket
8	3004-475	2	S	Screw, Cap
9	3003-290	2	/P	Gasket



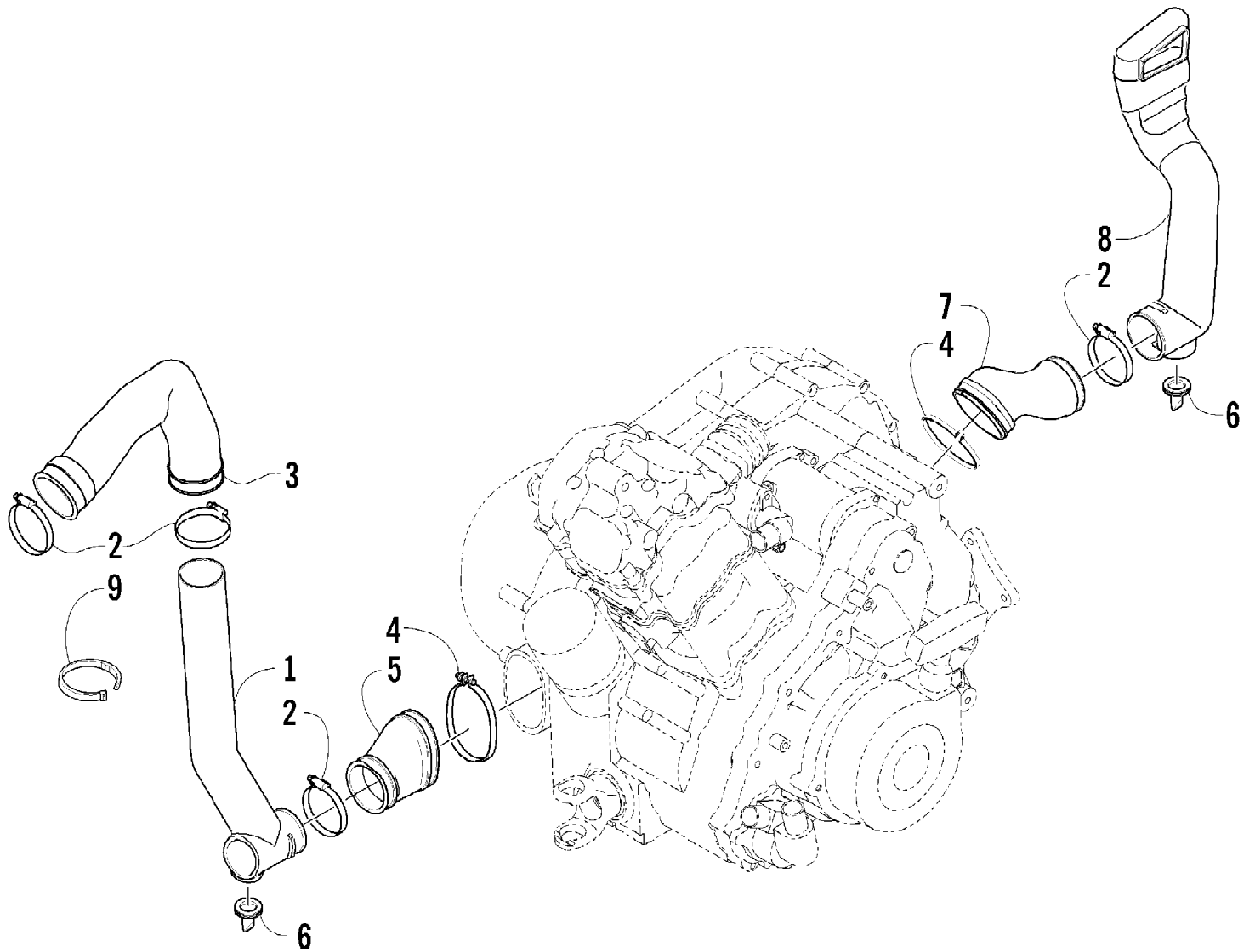
2005 ATV 500 AUTOMATIC TRANSMISSION 4X4 FIS LE RED (A2005IBM4BUS) Page 10 of 98
CAMSHAFT/VALVE ASSEMBLY

Ref #	Part Number	Qty	S/P/F	Description
1	3402-723	1	S	Camshaft
2	3402-352	1		Sprocket
3	3423-047	1		Pin
4	3423-073	1		Washer
5	3423-013	2	S	Bolt
6	3423-071	1	/P	C-Ring
7	3402-805	1	/P	Arm, Valve Rocker - Intake (inc. two No. 8-9)
8	3423-075	4		Screw
9	3423-076	4		Nut
10	3402-139	1		Arm, Valve Rocker - Exhaust (inc. two No. 8-9)
11	3402-148	4		Seat, Spring
12	3402-078	4		Seal, Oil
13	3402-140	1		Shaft, Rocker Arm
14	3402-141	1		Shaft, Rocker Arm
15	3423-031	2		Washer
16	3402-040	2	/P	Plug, Shaft
17	3402-012	2		Gasket
18	3402-725	2	/P	Valve, Intake
19	3402-143	2		Valve, Exhaust
20	3402-726	4		Spring, Valve
21	3423-541	4	/P	Retainer, Spring
22	3402-147	8		Cotter, Valve



2005 ATV 500 AUTOMATIC TRANSMISSION 4X4 FIS LE RED (A2005IBM4BUS) Page 12 of 98
CARBURETOR

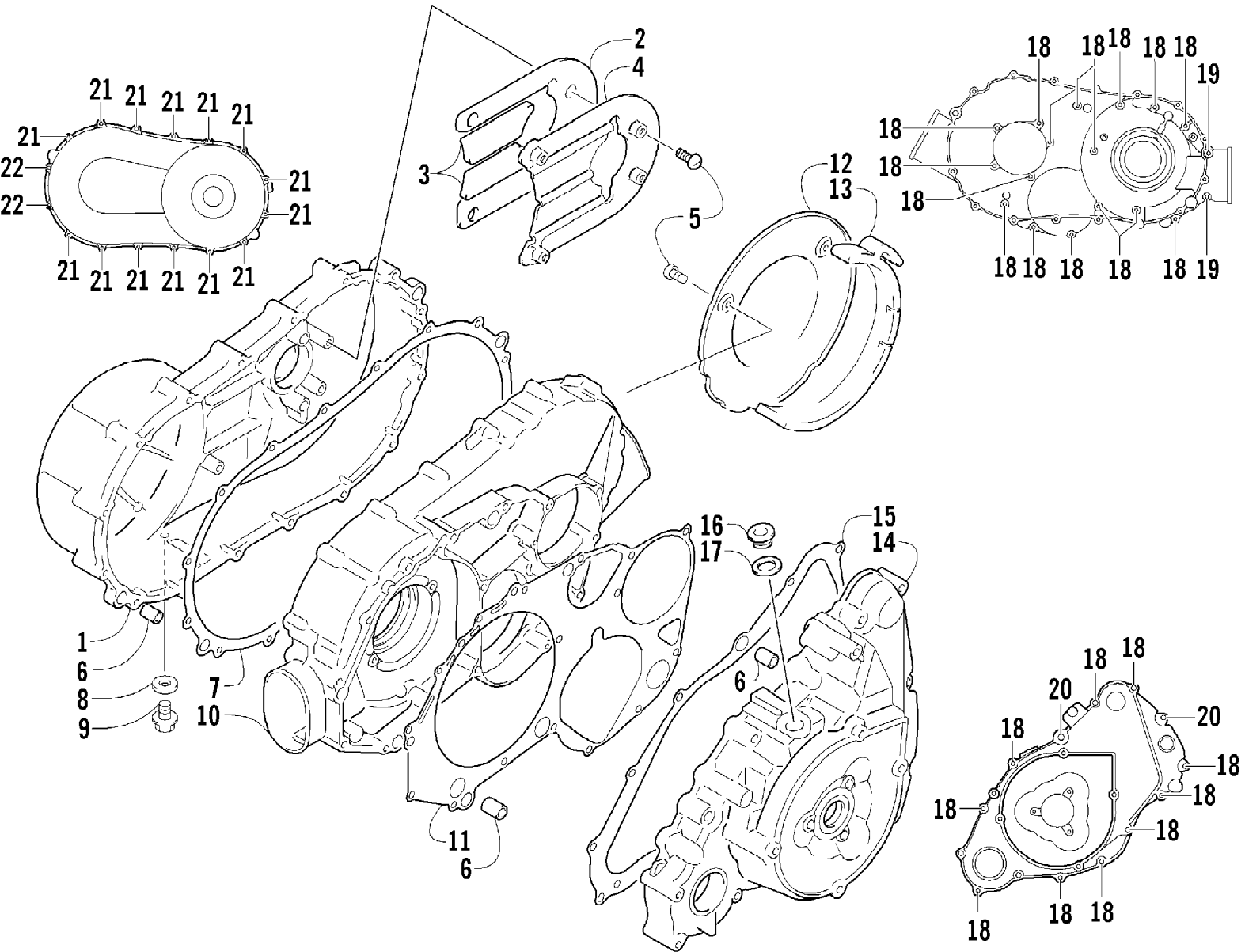
Ref #	Part Number	Qty	S/P/F	Description
	0470-533	1		Carburetor Assembly
1	5507-001	1		Cover, Top
2	5507-002	4	/P	Screw, Top Cover
3	5507-085	1	S	Spring
4	5507-099	1		Piston, Vacuum
5	5507-005	1		Seat, Spring
6	5507-184	1		Jet Needle
7	5507-007	1		Needle Jet
8	5507-047	1	/P	Holder, Needle Jet
9	5507-043	1		Main Jet - 142
9	5507-044	1	F	Main Jet - 140
9	5507-041	1	F	Main Jet - 147
9	5507-086	1	F	Main Jet - 148
9	5507-009	1	/P/F	Main Jet - 150
10	5507-101	1	S	Slow Jet
11	5507-112	1		Starter Jet - 85
12	5507-183	1		Valve, Float - Set (inc. 13)
13	0	1	F	Clip
14	5507-039	1		Float Set (inc. 15)
15	0	1	F	Pin, Float
16	5507-111	1		Screw, Pilot Air - Set (inc. 17-19)
17	0	1	F	Spring
18	0	1	F	Washer
19	0	1	F	O-Ring
20	5507-027	1		Screw, Idle Adjust
21	5507-028	1		Washer
22	5507-029	1		Spring
23	5507-115	1		Plate
24	5507-117	1	/P	Screw
25	5507-113	1		Choke, Electric
26	5507-114	1		Cover, Electric Choke
27	0	1	F	Chamber, Float - Assembly (inc. 28-34)
28	5507-067	1	/P	O-Ring, Float Chamber
29	5507-050	1	/P	Screw, Drain
30	5507-032	1		Spring
31	5507-031	1	S	Diaphragm Assembly
32	0	1	F	Housing, Pump
33	5507-034	1		U-Ring
34	5507-035	3		Screw
35	5507-017	4	/P	Screw
36	0487-021	1	S	Cable, Throttle
37	5507-036	1		Cover
38	5507-037	1	/P	Screw
39	0410-056	1		Hose, Vent



2005 ATV 500 AUTOMATIC TRANSMISSION 4X4 FIS LE RED (A2005IBM4BUS) Page 14 of 98
CASE/BELT COOLING ASSEMBLY

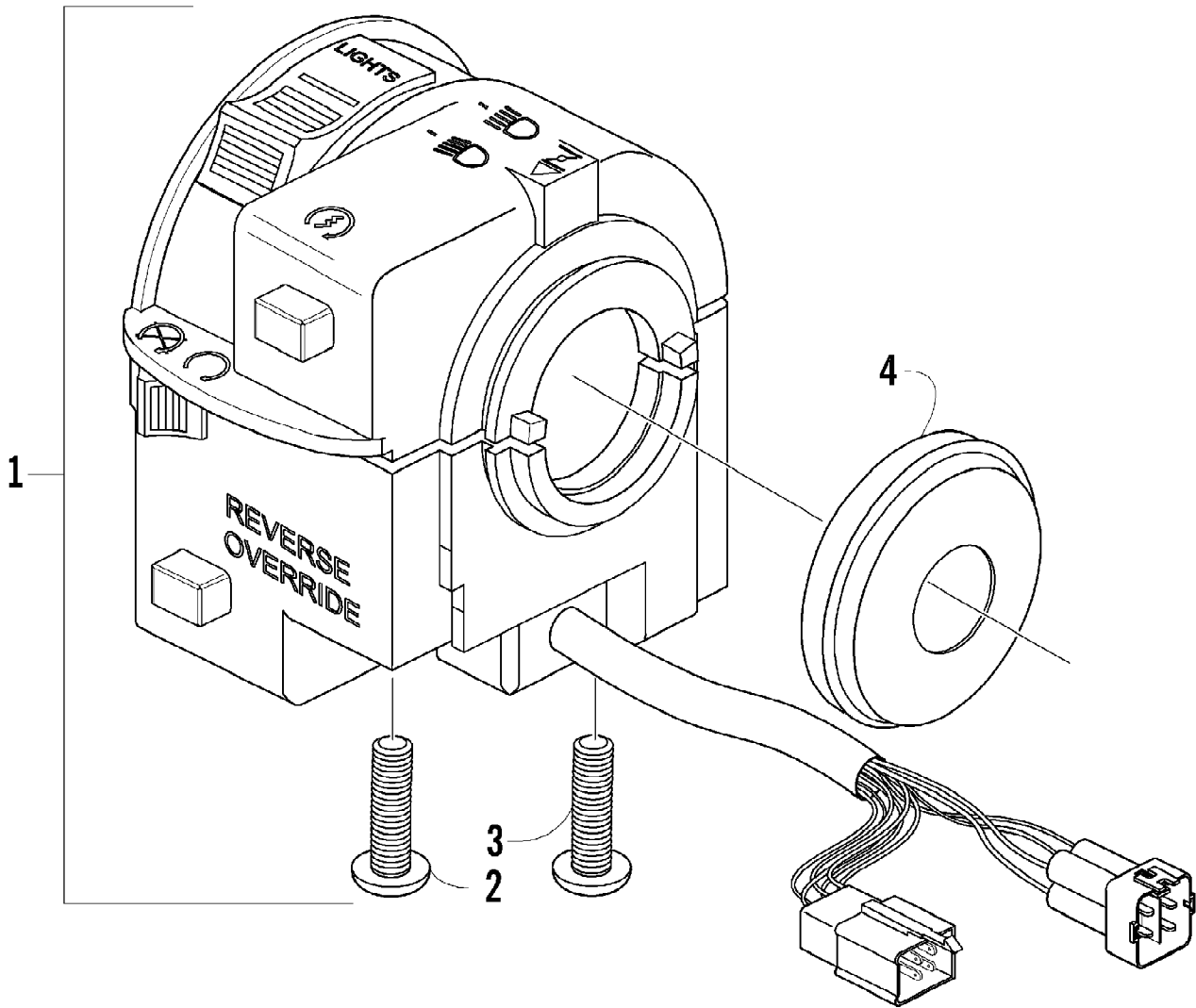
Ref #	Part Number	Qty	S/P/F	Description
1	0513-010	1		Duct, Belt Cooling - Front
2	0423-380	4	/P	Clamp, Duct
3	0413-092	1		Boot, Air-In
4	3402-449	2	/P	Clamp, Boot
5	0413-113	1	S	Boot, Duct - Front
6	0470-442	2	/P	Valve, Drain
7	0413-055	1		Boot, Duct - Rear
8	0413-094	1		Duct, Belt Cooling - Rear
9	0123-903	1		Cable Tie - 11.5 in.

2005 ATV 500 AUTOMATIC TRANSMISSION 4X4 FIS LE RED (A20051BM4BU) Page 15 of 98
CLUTCH/V-BELT/MAGNETO COVER ASSEMBLY



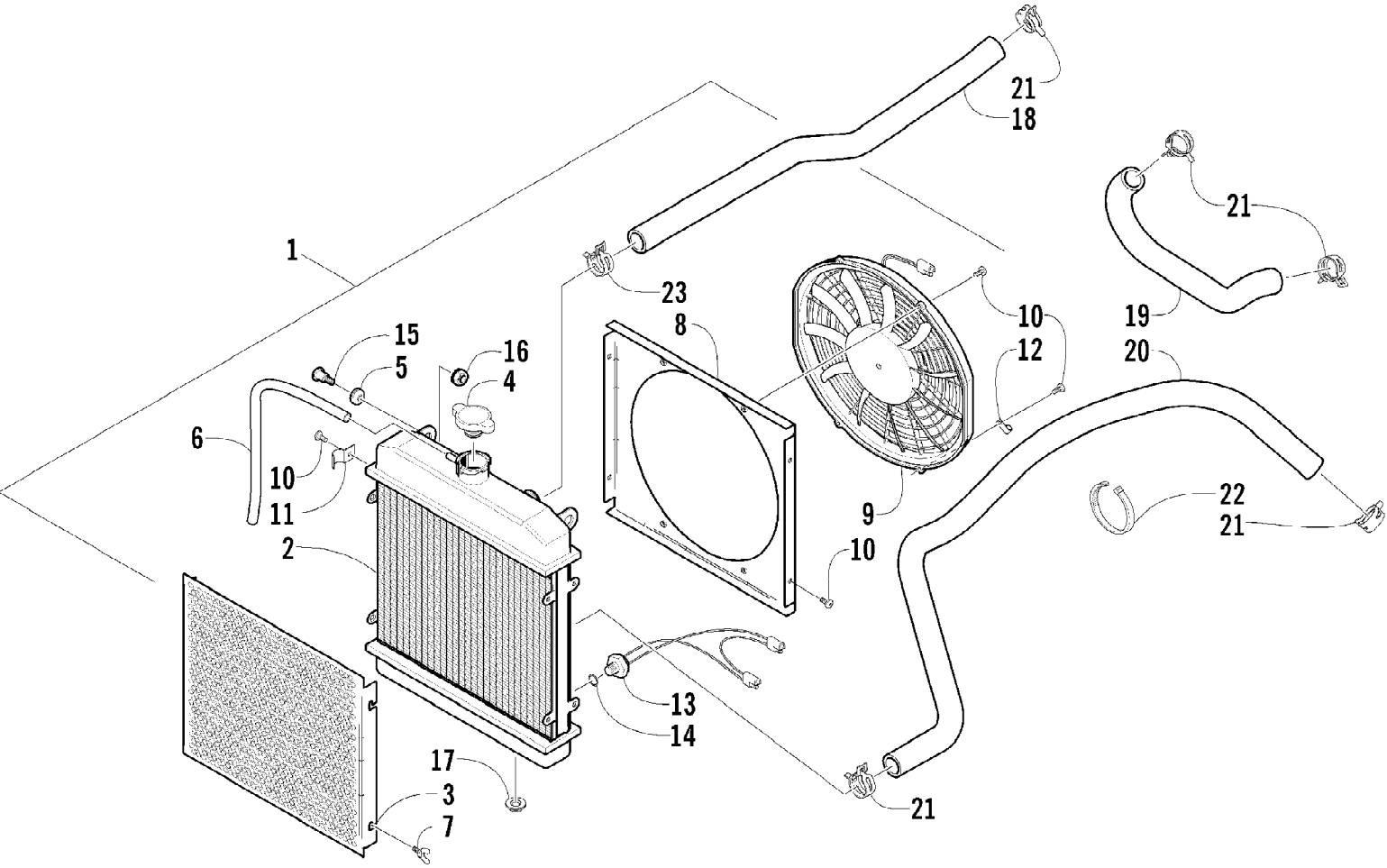
2005 ATV 500 AUTOMATIC TRANSMISSION 4X4 FIS LE RED (A2005IBM4BUS) Page 16 of 98
CLUTCH/V-BELT/MAGNETO COVER ASSEMBLY

Ref #	Part Number	Qty	S/P/F	Description
1	3402-710	1		Cover, V-Belt
2	3402-711	1		Damper, V-Belt Cover
3	3402-712	2		Damper, V-Belt Cover
4	3402-713	1		Plate, V-Belt Cover
5	3423-435	7		Screw
6	3423-088	6		Pin, Dowel
7	3402-443	1		Gasket, V-Belt Cover
8	3402-444	1		Gasket, Drain Plug
9	3004-705	1	S	Plug, Drain
10	3402-709	1	/P	Cover, Clutch
11	3402-441	1		Gasket, Clutch Cover
12	3402-445	1		Plate, Air Intake
13	3402-699	1	/P	Cushion, Air Intake Plate
14	3402-714	1		Cover, Magneto
15	3402-715	1		Gasket, Magneto Cover
16	3402-041	1	S	Plug, Oil Filler
17	3402-013	1	/P	Gasket, Oil Filler Plug
18	3423-098	26	S	Bolt
19	3423-092	2	S	Bolt
20	3004-756	2	S	Bolt
21	3423-091	14	S	Bolt
22	3423-119	2	S	Bolt



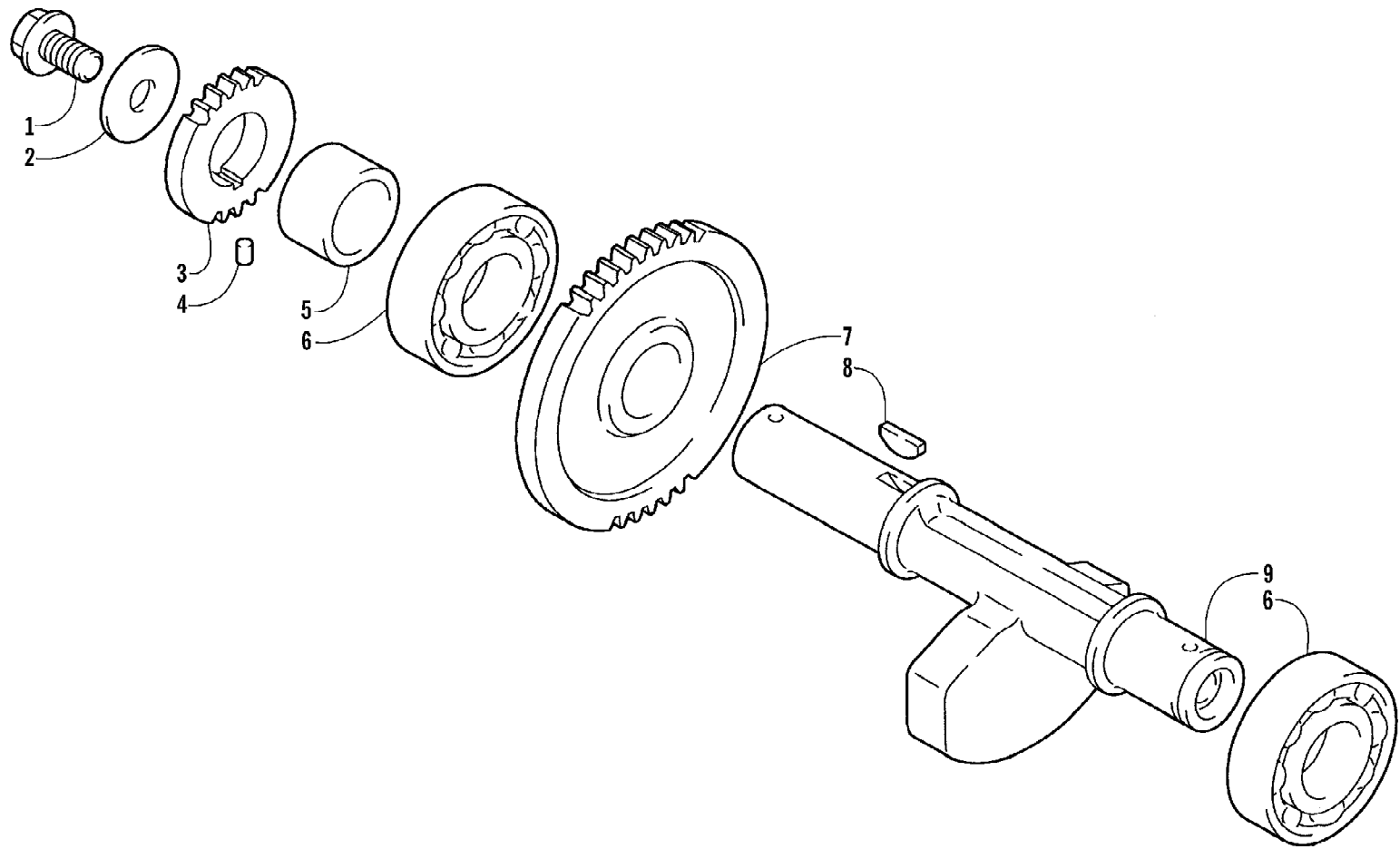
2005 ATV 500 AUTOMATIC TRANSMISSION 4X4 FIS LE RED (A2005IBM4BUS) Page 18 of 98
CONTROL SWITCH HOUSING ASSEMBLY

Ref #	Part Number	Qty	S/P/F	Description
1	0509-014	1		Switch, Control - Assembly (inc. 2-4)
2	0409-027	1		Screw, Machine
3	0409-028	1		Screw, Machine
4	3409-019	1		Cover, Switch Housing



2005 ATV 500 AUTOMATIC TRANSMISSION 4X4 FIS LE RED (A2005IBM4BUS) Page 20 of 98
COOLING ASSEMBLY

Ref #	Part Number	Qty	S/P/F	Description
1	0413-038	1		Radiator Assembly (inc. 2-14)
2	0413-043	1	S	Radiator
3	0413-007	1		Screen, Radiator
4	0413-002	1	S	Cap, Radiator
5	0423-030	2		Grommet
6	0610-016	AR	/P	Hose - 25 ft
7	0413-009	4		Screw, Thumb
8	0413-046	2		Shroud, Fan
9	0413-044	1	S	Fan, Cooling
10	8475-512	8		Screw, Machine
11	0423-351	1		Clamp, Wire
12	0123-397	1		Clamp, Cable
13	0413-045	1		Sender, Temperature - Coolant
14	0423-390	1	S	O-Ring
15	0423-484	2		Screw, Shoulder
16	0623-038	2		Nut w/Washer
17	0423-028	2		Bushing, Stem
18	0410-002	1		Hose, Coolant - Upper
19	0410-022	1		Hose, Coolant - Crossover
20	0410-041	1		Hose, Coolant - Lower
21	0423-496	6		Clamp, Hose
22	0623-751	1		Cable Tie



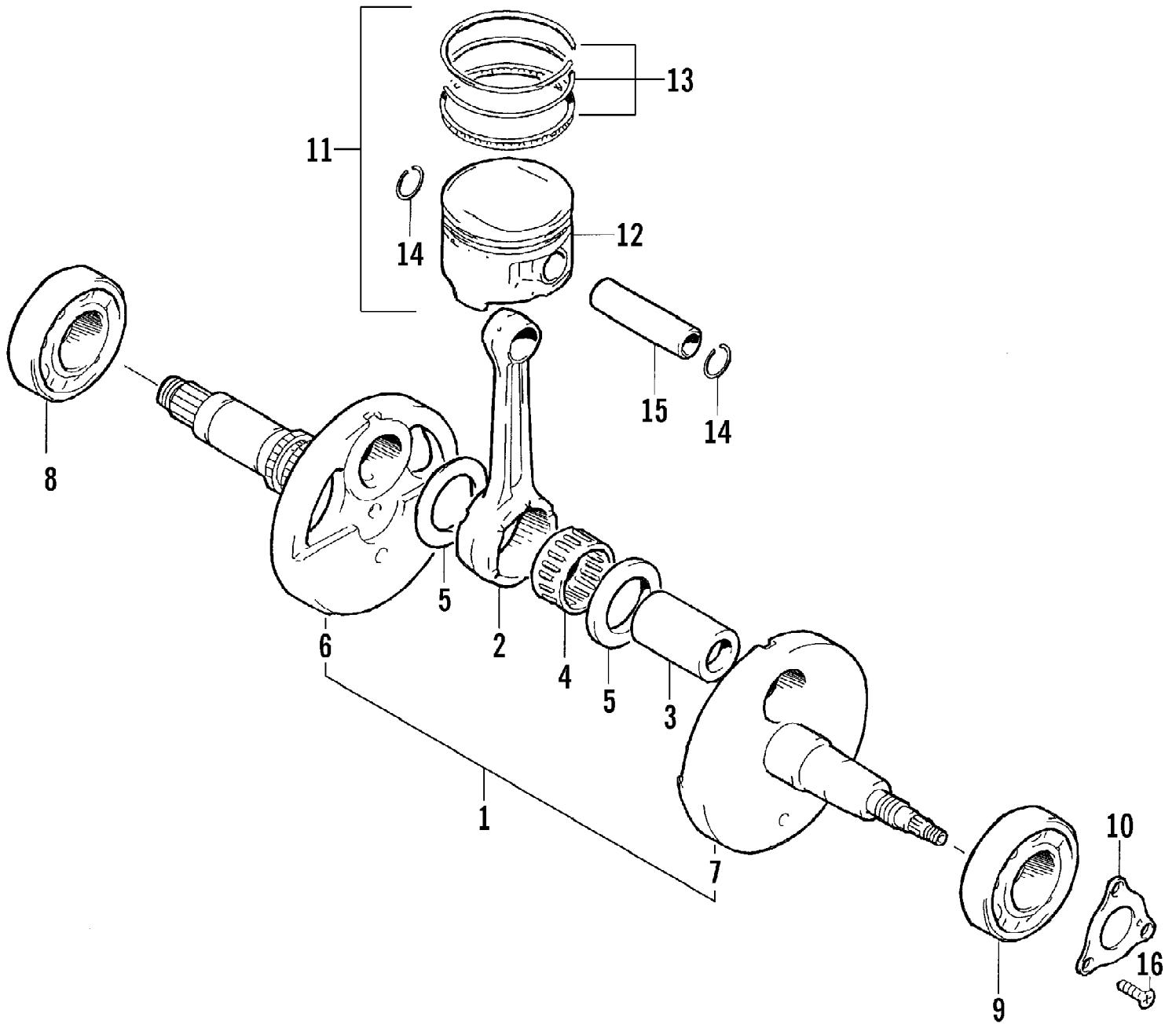
2005 ATV 500 AUTOMATIC TRANSMISSION 4X4 FIS LE RED (A2005IBM4BUS) Page 22 of 98
CRANK BALANCER ASSEMBLY

Ref #	Part Number	Qty	S/P/F	Description
1	3423-555	1		Bolt
2	3423-401	1		Washer
3	3402-390	1		Gear, Oil Pump Drive
4	3423-110	1		Pin
5	3402-461	1		Spacer
6	3402-050	2		Bearing
7	3402-722	1		Gear, Driven
8	3004-540	1	/P	Key
9	3402-458	1		Balancer, Crank

2005 ATV 500 AUTOMATIC TRANSMISSION 4X4 FIS LE RED (A2005IBM4BUS) Page 24 of 98
CRANKCASE ASSEMBLY

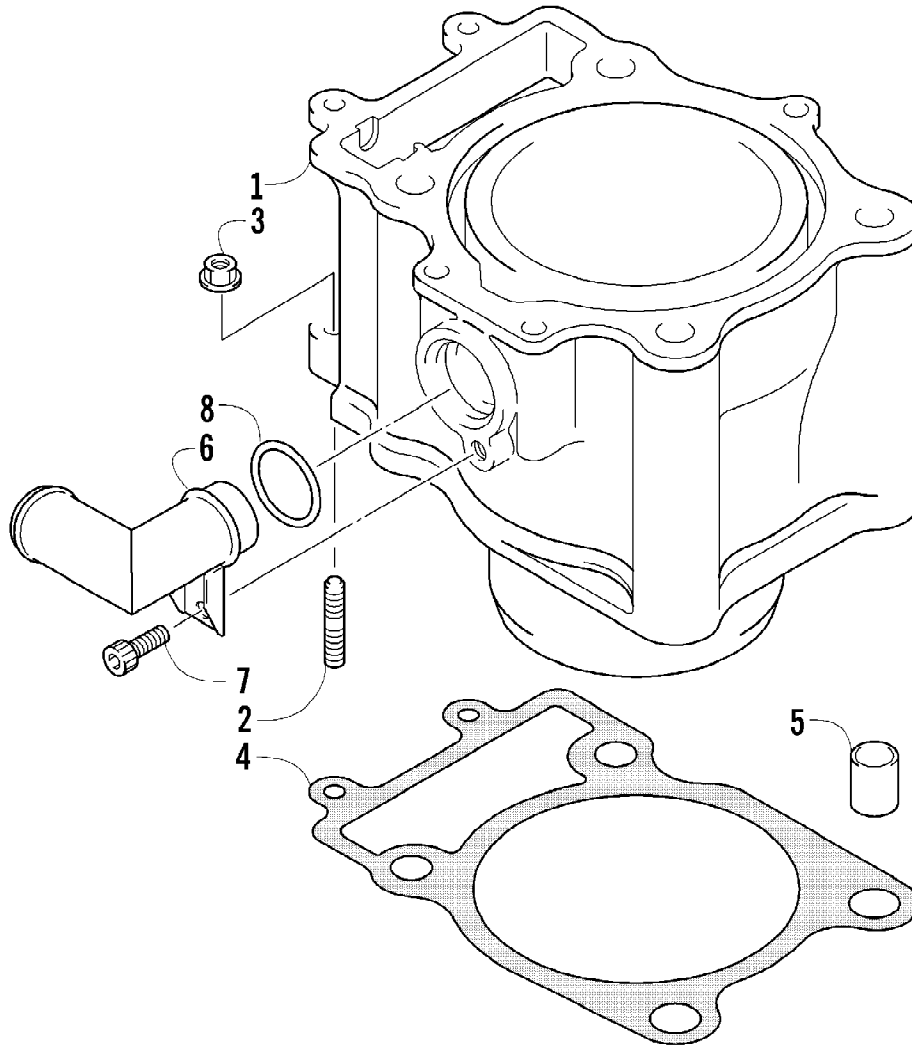
Ref #	Part Number	Qty	S/P/F	Description
1	3402-708	1	/P	Crankcase Assembly (inc. two No. 2 and 3-14)
2	3423-088	4		Pin, Dowel
3	3004-822	1		Pin, Dowel
4	3423-091	4	S	Bolt
5	3423-119	3	S	Bolt
6	3423-092	3	S	Bolt
7	3004-880	4		Bolt
8	3005-332	1		Bolt
9	3423-385	1		Bolt
10	3402-436	2	/P	Gasket
11	3423-386	1		Plug
12	3423-387	1		Bolt
13	3423-388	1		Bolt
14	3423-508	1		Bolt
15	3402-439	1		Housing, Secondary Shaft Bearing
16	3423-506	3	/P	Bolt
17	3402-437	1		Pipe, Breather
18	3423-389	1		Bolt, Breather Pipe
19	3402-214	1		Plug, Oil Pressure
20	3402-012	1		Gasket, Oil Pressure Plug
21	3402-438	1		Stick, Oil Level
22	3423-055	1		O-Ring, Oil Level Stick

2005 ATV 500 AUTOMATIC TRANSMISSION 4X4 FIS LE RED (A20051BM4BU) Page 25 of 98
CRANKSHAFT ASSEMBLY



2005 ATV 500 AUTOMATIC TRANSMISSION 4X4 FIS LE RED (A2005IBM4BUS) Page 26 of 98
CRANKSHAFT ASSEMBLY

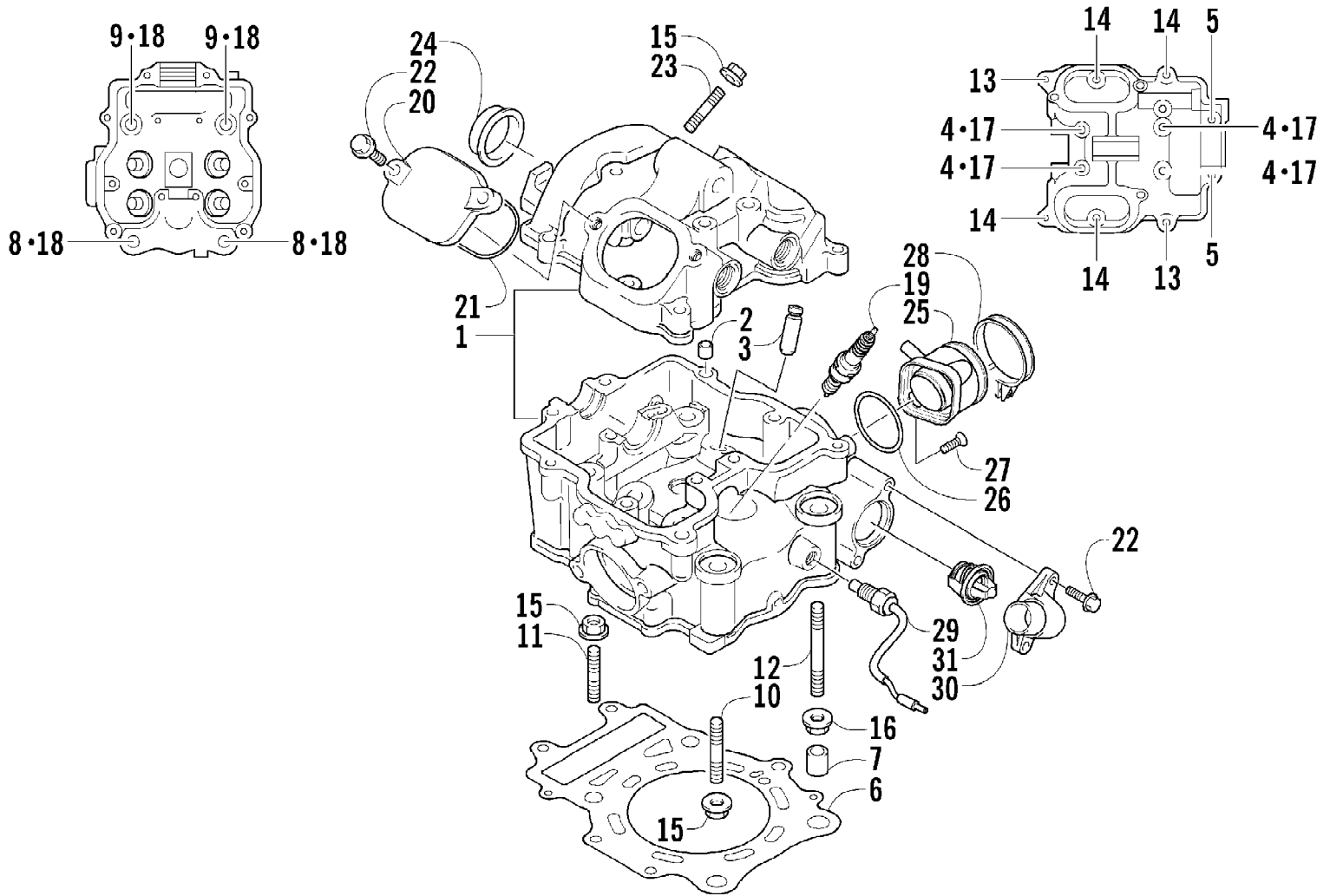
Ref #	Part Number	Qty	S/P/F	Description
1	3403-018	1	/P	Crankshaft Assembly (inc. 2-7)
2	3402-376	1		Rod, Connecting
3	3402-377	1		Pin, Crank
4	3402-717	1	/P	Bearing
5	3423-351	2		Washer
6	3403-025	1		Crankshaft - Right
7	3402-705	1	/P	Crankshaft - Left
8	3402-058	1		Bearing - Right
9	3402-054	1		Bearing - Left
10	3402-188	1	/P	Retainer, Oil Seal - Left
11	3402-788	1		Piston Set (inc. 12-14)
12	3402-719	1		Piston
13	3402-720	1		Ring, Piston - Set
14	3423-344	2		Circlip, Piston Pin
15	3402-375	1		Pin, Piston
16	3423-018	3		Screw



2005 ATV 500 AUTOMATIC TRANSMISSION 4X4 FIS LE RED (A2005IBM4BUS) Page 28 of 98
CYLINDER ASSEMBLY

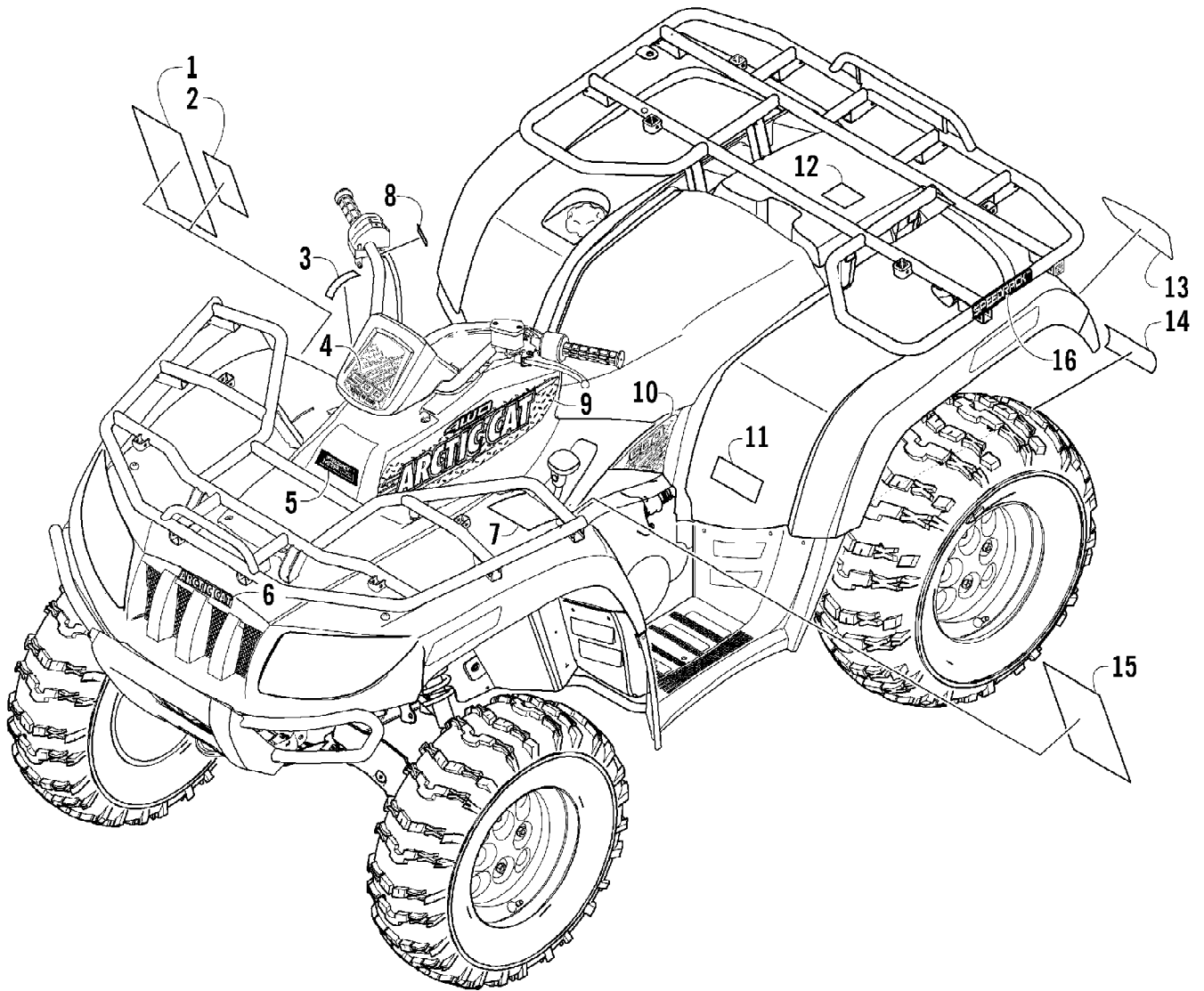
Ref #	Part Number	Qty	S/P/F	Description
1	3402-707	1		Cylinder
2	3423-384	2	S	Bolt, Stud
3	3004-488	2	S/P	Nut
4	3402-365	1	/P	Gasket, Cylinder
5	3423-088	2		Pin, Dowel
6	3413-013	1		Union, Water Hose
7	3423-121	1	S	Screw, Cap
8	3423-058	1		O-Ring

2005 ATV 500 AUTOMATIC TRANSMISSION 4X4 FIS LE RED (A20051BM4BU) Page 29 of 98
CYLINDER HEAD ASSEMBLY



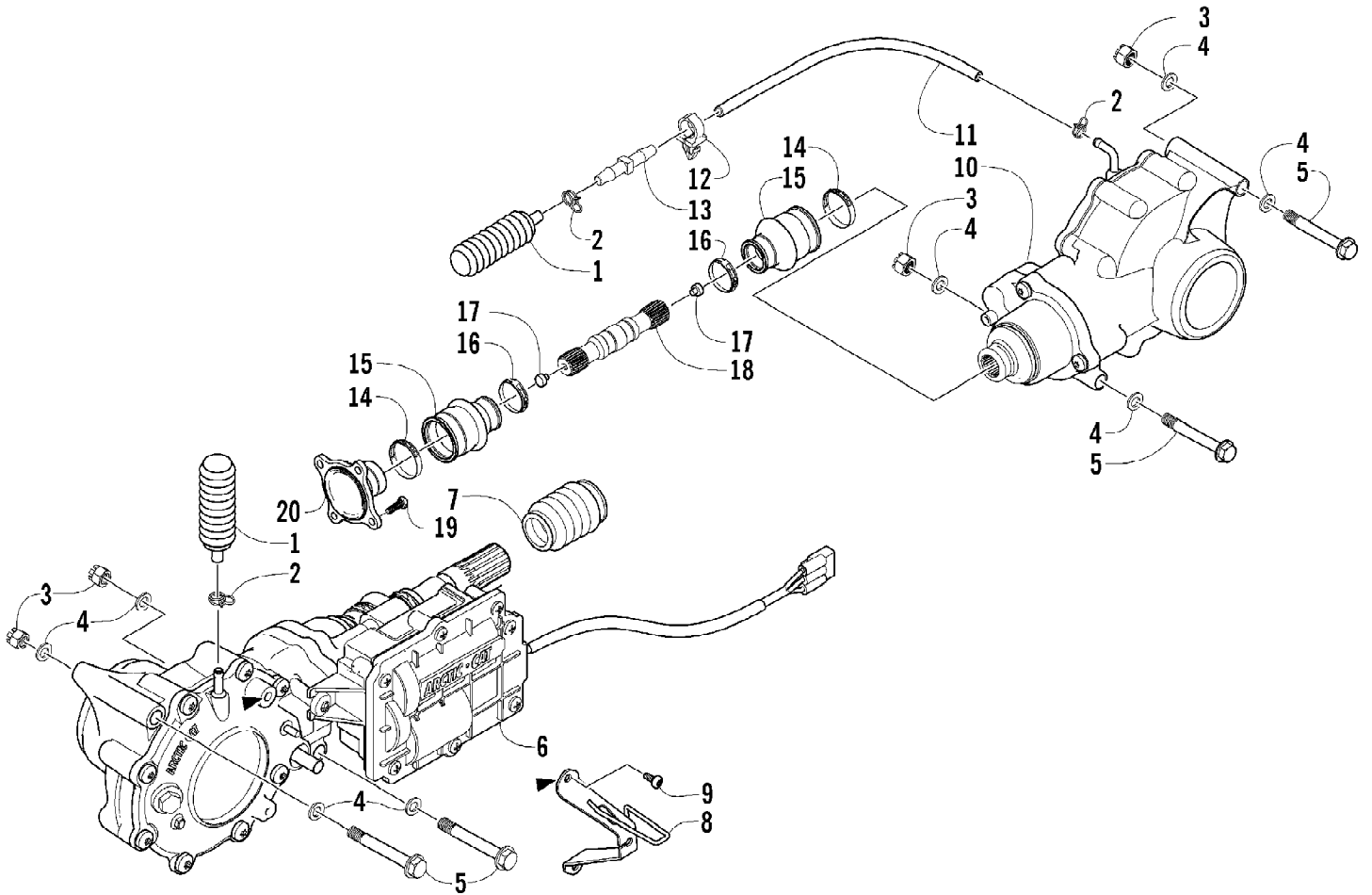
2005 ATV 500 AUTOMATIC TRANSMISSION 4X4 FIS LE RED (A2005IBM4BUS) Page 30 of 98
CYLINDER HEAD ASSEMBLY

Ref #	Part Number	Qty	S/P/F	Description
1	3402-098	1		Head, Cylinder - Assembly (inc. 2-5)
2	3423-043	2	/P	Pin, Dowel
3	3402-099	4		Guide, Valve
4	3423-006	4		Screw, Cap
5	3008-376	2	S	Screw, Cap
6	3402-362	1		Gasket, Cylinder Head
7	3423-088	2		Pin, Dowel
8	3423-015	2		Screw, Cap
9	3423-016	2		Screw, Cap
10	3423-089	2	S	Bolt, Stud
11	3423-087	2	S	Bolt, Stud
12	3423-203	1	S/P	Bolt, Stud
13	3423-007	2	S	Screw, Cap
14	3004-376	4	S/P	Screw, Cap
15	3004-488	5	S/P	Nut
16	3004-326	1	S/P	Nut
17	3003-290	4	/P	Gasket
18	3402-010	4		Gasket, Head Nut
19	0217-632	1		Spark Plug (NGK CR6E)
20	3402-100	2		Cap, Inspection
21	3402-101	2		O-Ring
22	3004-341	5	S/P	Screw, Cap
23	3423-383	1		Bolt, Stud
24	3402-035	1		Plug, Cylinder Head
25	0570-092	1		Manifold, Intake
26	0470-531	1		O-Ring
27	8476-620	2		Screw, Machine
28	0423-317	1	/P	Clamp
29	3530-038	1	S	Switch, Water Temperature - Assembly
30	3413-004	1		Cover, Thermostat
31	3413-012	1		Thermostat
	3402-048	1		Plug, Frost Not Illustrated



2005 ATV 500 AUTOMATIC TRANSMISSION 4X4 FIS LE RED (A2005IBM4BUS) Page 32 of 98
DECALS

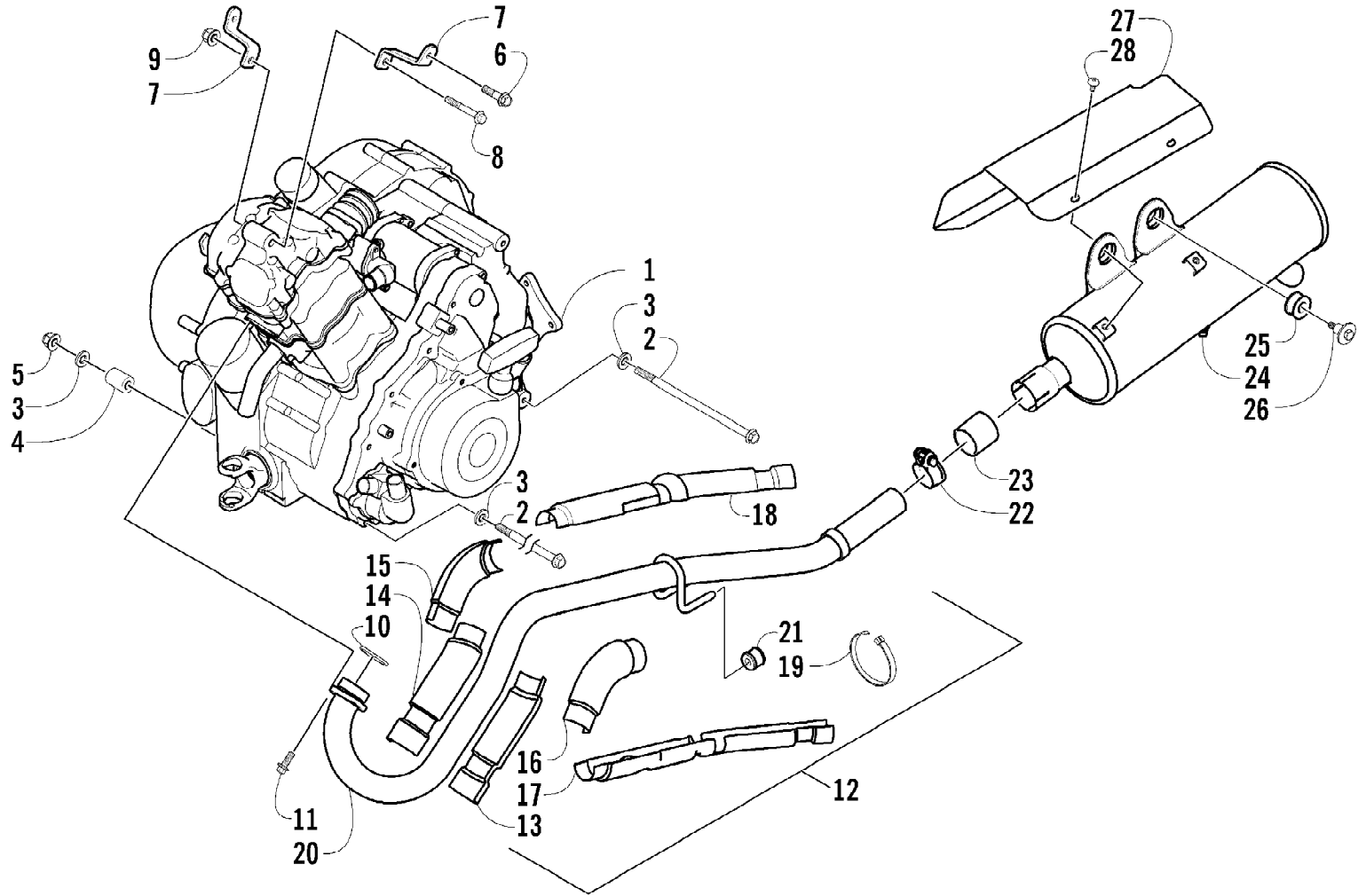
Ref #	Part Number	Qty	S/P/F	Description
1	1411-250	1		Decal, Warning - Reverse/Pre-Ride
2	0411-835	1		Decal, Warning - Turn/Hill
3	0411-426	1		Decal, Warning - Clutch Cover
4	0411-844	1		Decal, Instrument Pod
5	0411-964	1		Decal, Crest
6	0411-840	1		Decal, Front
7	0411-401	1		Decal, Warning - Age
8	0411-966	1		Decal, Warning - Differential Lock
9	0411-854	1		Decal, Side - Upper Right
9	0411-855	1		Decal, Side - Upper Left
10	0411-872	1		Decal, Side - Lower Right
10	0411-873	1		Decal, Side - Lower Left
11	0411-430	1		Decal, Warning - Tire Pressure
12	0411-435	1		Decal, Passenger
13	0411-890	1		Decal, Rear - Right
13	0411-891	1		Decal, Rear - Left
14	0411-267	1		Decal, Warning - Towing
15	0411-218	1		Decal, Warning - General
16	0411-965	1		Decal, "Speedrack"



2005 ATV 500 AUTOMATIC TRANSMISSION 4X4 FIS LE RED (A2005IBM4BUS) Page 34 of 98
DRIVE TRAIN ASSEMBLY

Ref #	Part Number	Qty	S/P/F	Description
1	0402-147	2	S	Bladder, Gearcase
2	0423-315	4		Clamp, Fitting
3	8428-002	4		Nut, Lock
4	0423-426	8		Washer
5	0423-404	4		Screw, Cap
6	0502-444	1		Gearcase, Front
7	0402-966	1		Boot, Shaft
8	0502-500	1		Plate, Cable
9	0423-396	3		Screw, Self-Tapping
10	0502-642	1	S	Gearcase, Rear
11	0410-049	AR		Hose, Vent
12	0623-101	1		Clip, Routing - Snap-In
13	0470-462	1		Fitting, Vent
14	0423-393	2		Clamp, Boot
15	0402-985	2	/P	Boot
16	0423-411	2		Clamp, Boot
17	0673-618	2	/P	Bumper, Propeller Shaft
18	1402-233	1		Shaft, Propeller
19	8408-820	4	/P	Screw, Cap
20	0402-950	1		Flange, Output

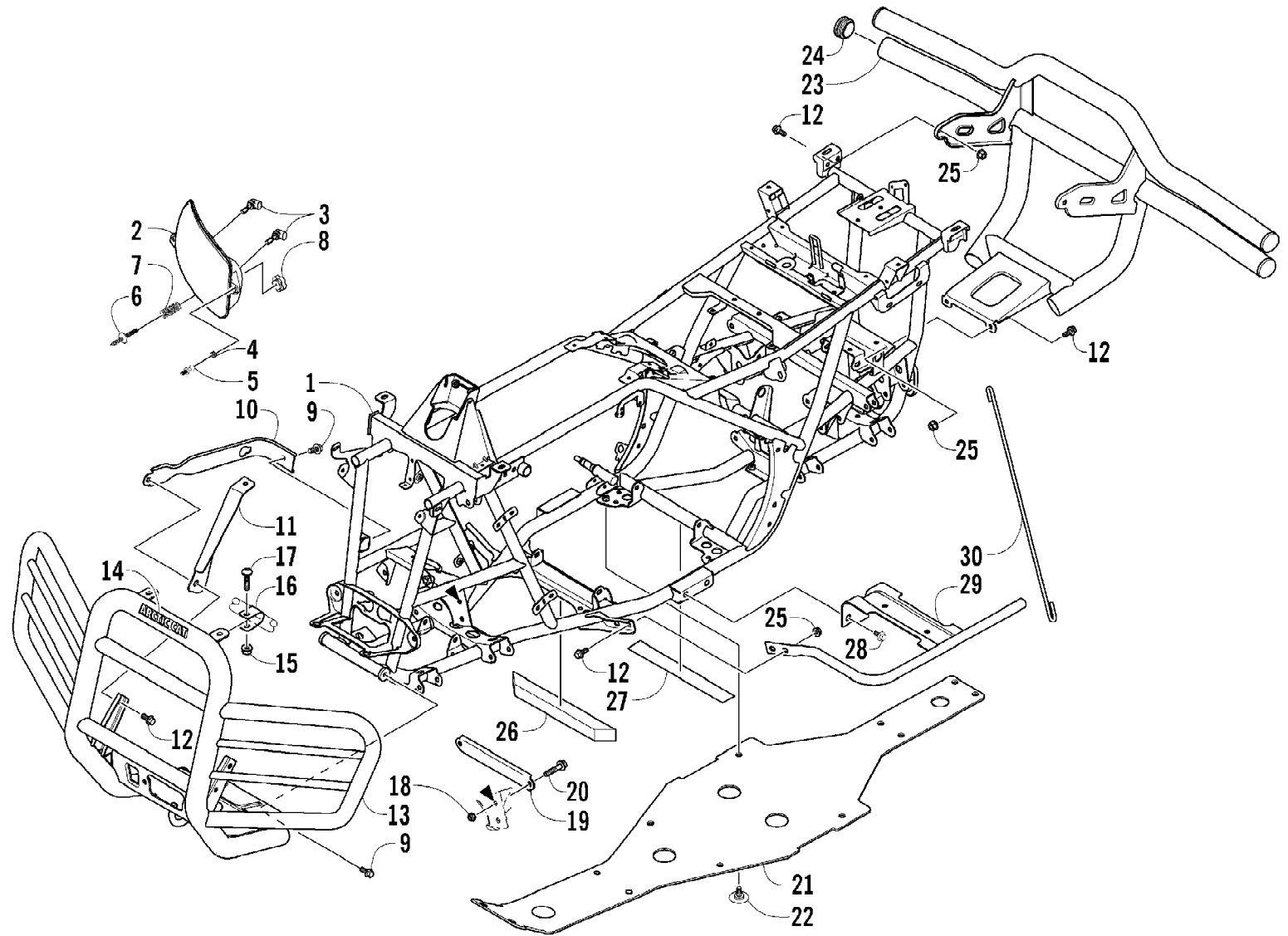
2005 ATV 500 AUTOMATIC TRANSMISSION 4X4 FIS LE RED (A20051BM4BU) Page 35 of 98
ENGINE AND EXHAUST



2005 ATV 500 AUTOMATIC TRANSMISSION 4X4 FIS LE RED (A2005IBM4BUS) Page 36 of 98
ENGINE AND EXHAUST

Ref #	Part Number	Qty	S/P/F	Description
1	0462-029	1	/P	Engine
2	0423-405	2		Screw, Cap
3	0423-426	4		Washer
4	0423-042	2	S	Spacer
5	8428-002	2		Nut, Lock
6	8408-816	2		Screw, Cap
7	1506-632	1		Bracket, Engine - Right
7	1506-633	1		Bracket, Engine - Left
8	8408-860	1		Screw, Cap
9	8424-802	3		Nut
10	0412-007	1	/P	Seal, Exhaust
11	8408-820	2	/P	Screw, Cap
12	0512-214	1	S	Pipe, Exhaust - Assembly (inc. 13-20)
13	0412-260	1		Shield, Exhaust Pipe - Outer - Front
14	0412-259	1		Shield, Exhaust Pipe - Inner - Front
15	0412-261	1		Shield, Exhaust Pipe - Inner - Middle
16	0412-262	1		Shield, Exhaust Pipe - Outer - Middle
17	0412-264	1		Shield, Exhaust Pipe - Outer - Rear
18	0412-263	1		Shield, Exhaust Pipe - Inner - Rear
19	0423-317	5	/P	Clamp, Hose
20	0512-181	1	S	Pipe, Exhaust
21	0412-215	2	S	Bushing, Exhaust Pipe
22	0512-209	1		Clamp, Muffler
23	0412-183	1		Seal, Muffler
24	0512-180	1		Muffler
25	0412-253	2		Bushing, Muffler
26	0423-476	2		Screw, Shoulder
27	0412-242	1		Cover, Muffler
28	8477-610	4		Screw, Machine

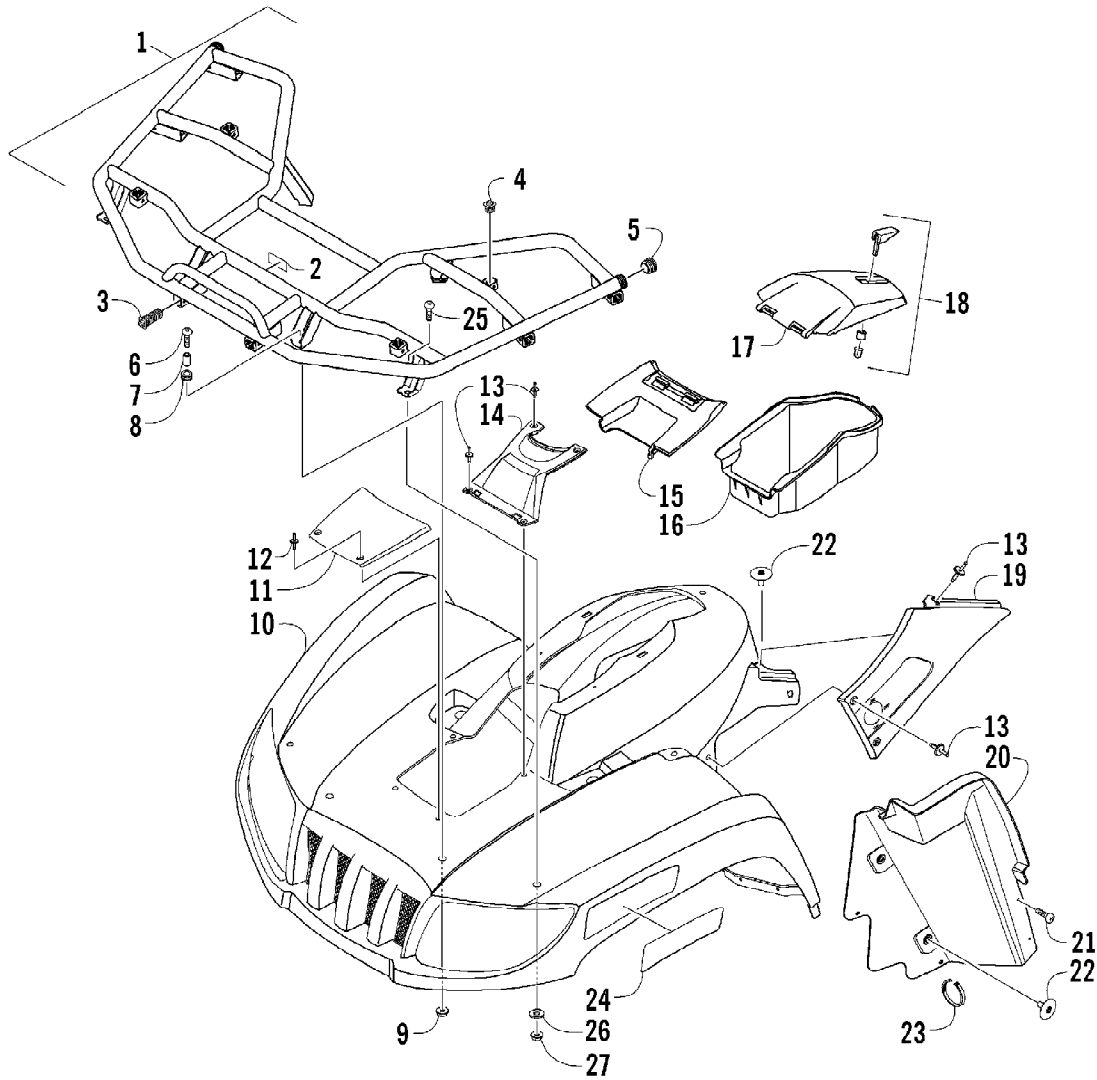
2005 ATV 500 AUTOMATIC TRANSMISSION 4X4 FIS LE RED (A20051BM4BU) Page 37 of 98
FRAME AND RELATED PARTS



2005 ATV 500 AUTOMATIC TRANSMISSION 4X4 FIS LE RED (A2005IBM4BUS) Page 38 of 98
FRAME AND RELATED PARTS

Ref #	Part Number	Qty	S/P/F	Description
1	1506-512	1	S	Frame, Main
2	0509-016	1		Headlight Assembly - Right (inc. 3-4)
2	0509-018	1		Headlight Assembly - Left (inc. 3-4)
3	0409-055	4		Bulb, Headlight
4	0423-452	4		Socket, Mounting
5	0423-515	4		Stud, Mounting - Headlight
6	0423-514	2		Stud, Adjuster - Headlight
7	0423-522	2		Spring, Adjuster
8	0423-513	2		Knob, Adjuster
9	8409-020	4	/P	Screw, Cap
10	0506-653	1	S	Channel, Bumper Mounting - Right
10	1506-596	1	/P	Channel, Bumper Mounting - Left
11	1506-562	1		Bracket, Mounting - Bumper - Right
11	1506-563	1		Bracket, Mounting - Bumper - Left
12	8408-816	10		Screw, Cap
13	1506-666	1	S	Bumper (inc. 14)
14	0411-814	1	/P	Decal, "Arctic Cat"
15	8424-805	2		Nut, Lock
16	1506-667	2		Strap, Bumper Support
17	8468-845	2		Screw, Machine
18	8428-002	2		Nut, Lock
19	1506-429	1	S	Brace, A-Arm
20	8409-025	2		Screw, Cap
21	1406-425	1		Panel, Belly
22	0423-101	14		Screw, Shoulder
23	1506-615	1		Bumper, Rear (inc. 24)
24	0406-130	4		Cap, Bumper
25	8424-802	8		Nut
26	1506-067	1		Pad, Foam
27	0406-289	1		Pad, Foam
28	8409-016	4		Screw, Cap
29	1506-380	1		Footrest - Right
29	1506-379	1		Footrest - Left
30	1406-298	2		Rod, Support

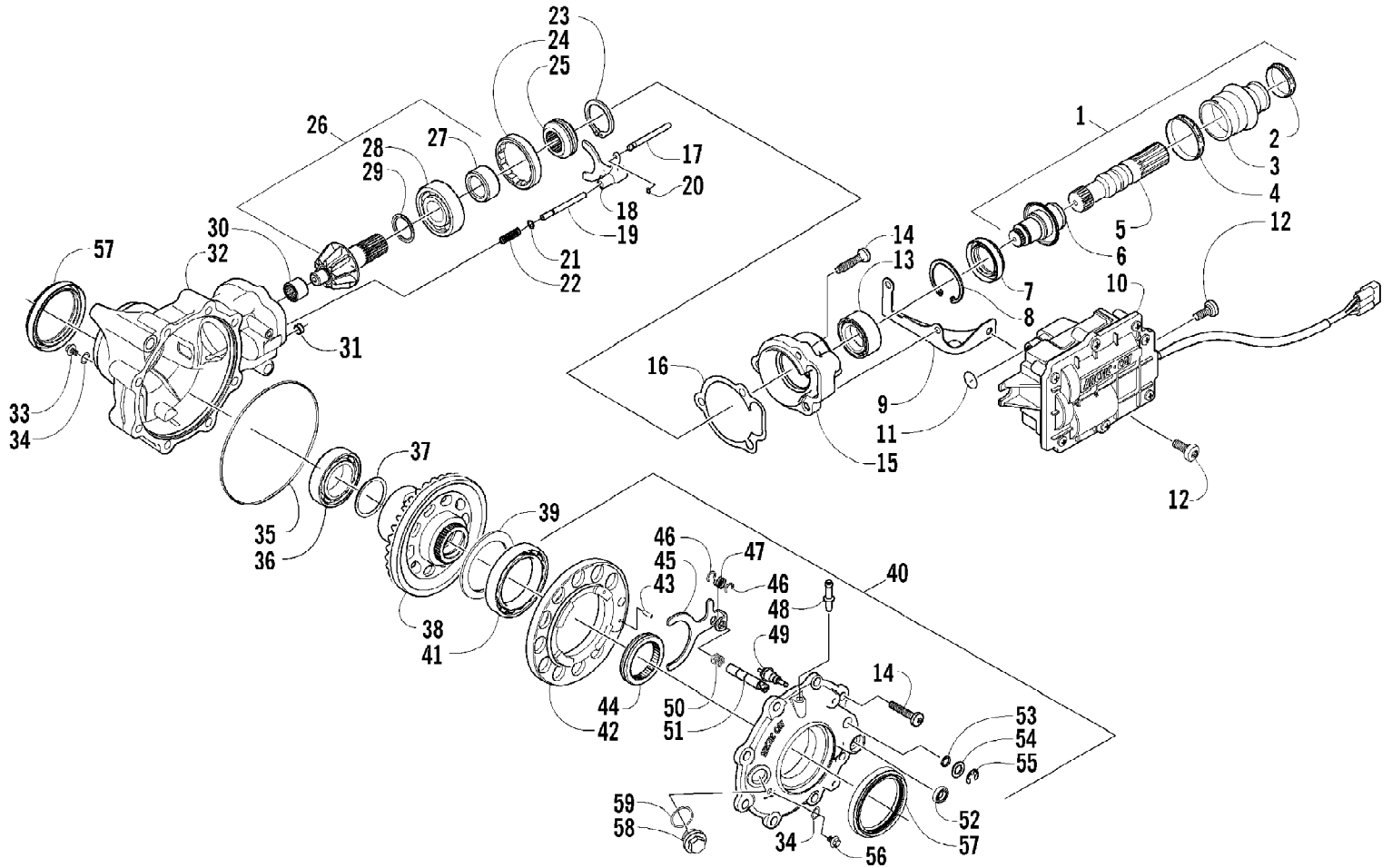
2005 ATV 500 AUTOMATIC TRANSMISSION 4X4 FIS LE RED (A2005IBM4BUS) Page 39 of 98
FRONT BODY PANEL ASSEMBLY



2005 ATV 500 AUTOMATIC TRANSMISSION 4X4 FIS LE RED (A20051BM4BUS) Page 40 of 98
FRONT BODY PANEL ASSEMBLY

Ref #	Part Number	Qty	S/P/F	Description
1	0541-272	1		Rack - Front - Assembly (inc. 2-5)
2	0411-576	1		Decal, Warning - Front Rack Load
3	0441-556	6		Bushing, Rack
4	0441-592	4	/P	Bushing, Rack
5	1441-049	2		Plug, Rack
6	8468-830	4		Screw, Machine
7	0423-463	4		Spacer
8	0423-465	4		Grommet
9	8432-802	4		Nut, Lock
10	1406-606	1	S	Panel, Fender - Front
11	1406-358	1		Cover, Access
12	0423-535	2		Rivet, Reinstallable
13	0623-362	10		Rivet, Reinstallable
14	1406-484	1		Cover, Steering Post
15	0470-513	1		Cover, Storage Box
16	1406-573	1		Box, Storage
17	0470-514	1		Lid, Storage Box
18	1406-599	1		Latch, Storage Box
19	1406-313	1		Panel, Side - Right
19	1406-314	1		Panel, Side - Left
20	1406-354	1		Panel, Splash - Right
20	1406-355	1	S	Panel, Splash - Left
21	0423-342	4	/P	Screw, Self-Tapping
22	0423-101	5		Screw, Body
23	0123-788	AR	/P	Cable Tie - 7.5 in.
24	0411-818	1		Decal, Reflector - Amber - Right
24	0411-819	1		Decal, Reflector - Amber - Left
25	0423-355	2		Screw, Shoulder
26	8050-222	2	/P	Washer
27	8424-602	2	/P	Nut, Lock

2005 ATV 500 AUTOMATIC TRANSMISSION 4X4 FIS LE RED (A20051BM4BU) Page 41 of 98
FRONT DRIVE GEARCASE ASSEMBLY



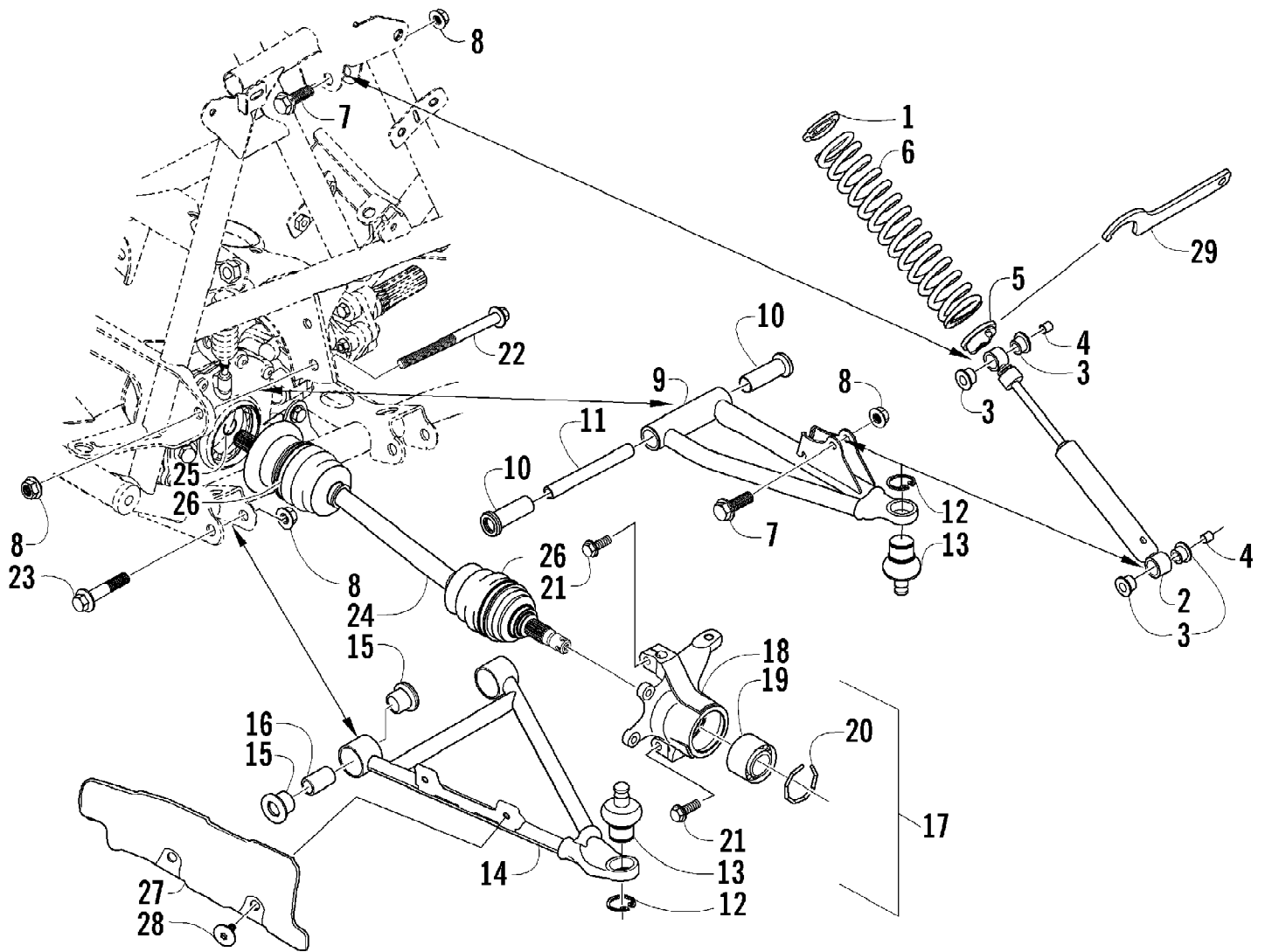
2005 ATV 500 AUTOMATIC TRANSMISSION 4X4 FIS LE RED (A2005IBM4BUS) Page 42 of 98
FRONT DRIVE GEARCASE ASSEMBLY

Ref #	Part Number	Qty	S/P/F	Description
	0502-444	1		Front Gearcase Assembly
1	0502-385	1		Shaft, Propeller - Assembly (inc. 2-6)
2	0423-411	1		Clamp, Boot
3	0402-985	1	/P	Boot, Propeller Shaft
4	0423-393	1		Clamp, Boot
5	1402-045	1		Shaft, Output
6	0502-407	1	S	Shaft, Input
7	1402-011	1		Seal
8	0423-423	1		Ring, Retaining
9	0502-347	1		Bracket, Actuator
10	0502-579	1		Actuator (inc. one No. 11)
11	0423-498	2	S	O-Ring
12	0423-396	3		Screw, Self-Tapping
13	1402-043	1		Bearing
14	0423-118	11		Screw, Self-Tapping
15	0502-528	1	/P	Housing, Pinion
16	0402-947	1		Gasket, Flange
17	0402-997	1		Shaft, Selector
18	0402-998	1		Fork, Selector
19	0402-417	1		Shaft, Shuttle
20	0423-402	1		Ring, Retaining
21	0423-147	1		O-Ring
22	0402-999	1		Spring, Return
23	0423-417	1		Ring, Retaining
24	0402-357	1		Collar, Lock
25	0402-413	1		Coupler, Drive
26	0502-123	1		Gear, Pinion - Assembly - 10T (inc. 27-29)
27	0402-336	1		Collar, Retaining
28	0402-327	1		Bearing
29	0402-424	AR		Shim
29	0402-425	AR		Shim
29	0402-426	AR		Shim
29	0402-427	AR		Shim
29	0402-428	AR		Shim
30	0402-328	1		Bearing
31	0402-411	1		Pin, Dowel
32	0502-514	1		Housing, Gearcase
33	1402-210	1	/P	Plug, Magnetic (inc. one No. 34)
34	0423-153	2		O-Ring
35	0423-149	1		O-Ring
36	0402-393	1		Bearing
37	0402-405	AR		Shim
37	0402-406	AR		Shim
37	0402-407	AR		Shim
37	0402-408	AR		Shim
37	0402-409	AR		Shim
38	0502-411	1		Gear, Ring - 36T
39	1402-074	AR		Shim
39	1402-075	AR		Shim
39	1402-076	AR		Shim
39	1402-077	AR		Shim
39	1402-078	AR		Shim

2005 ATV 500 AUTOMATIC TRANSMISSION 4X4 FIS LE RED (A2005IBM4BUS) Page 43 of 98
FRONT DRIVE GEARCASE ASSEMBLY

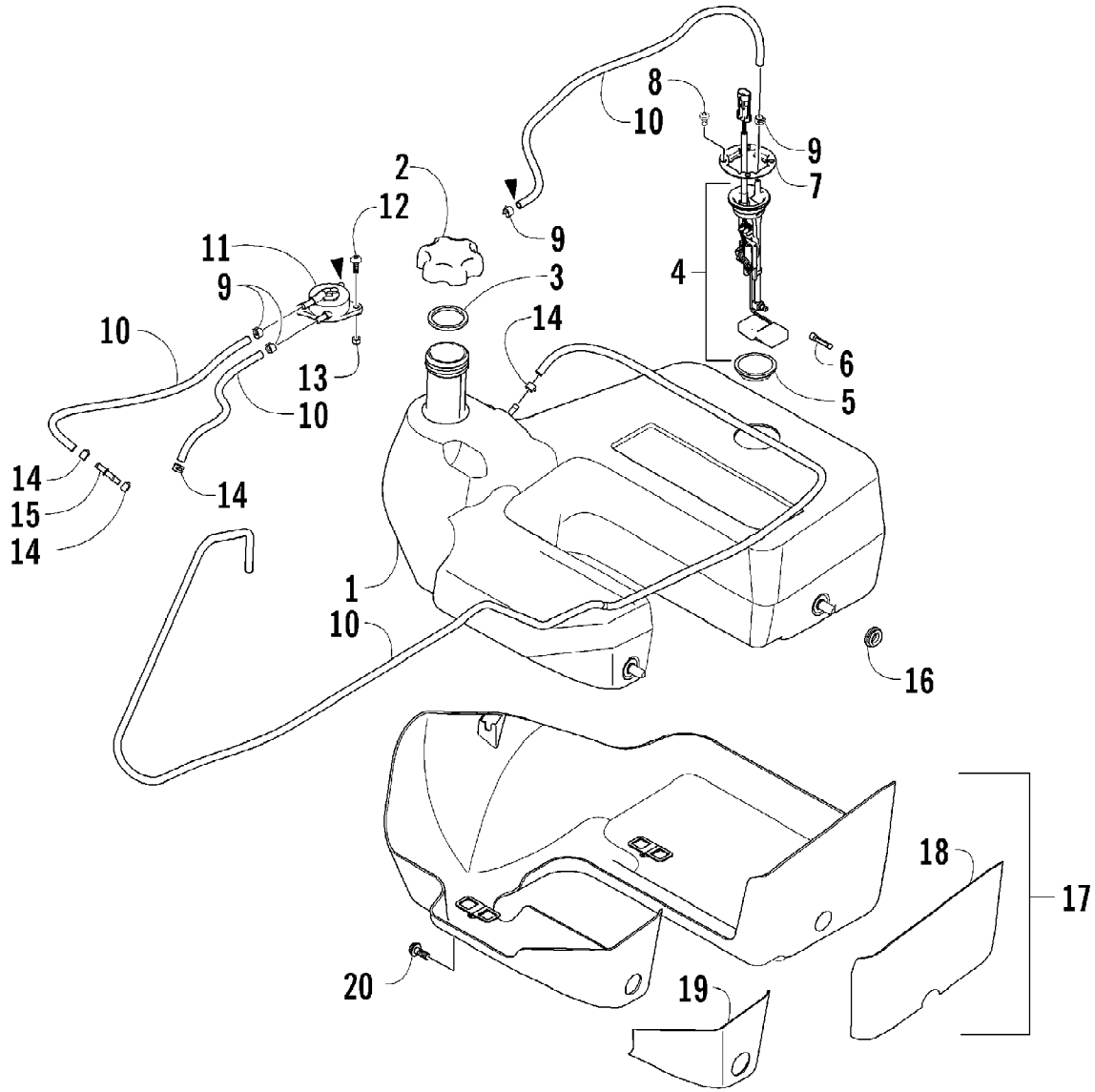
Ref #	Part Number	Qty	S/P/F	Description
40	0502-434	1		Cover, Gearcase (inc. one No. 34, 41-56, and one No. 57)
41	1402-053	1		Bearing
42	0502-413	1		Flange, Bearing
43	1402-079	1		Pin, Parallel
44	1402-042	1		Collar, Sliding
45	1402-054	1		Fork
46	1402-058	2		Ring, Retaining
47	1402-057	1		Spring
48	1402-104	1		Fitting
49	0402-419	1		Switch, Indicator
50	1402-063	1		Spring
51	1402-055	1		Shaft, Lock
52	1402-056	1		Seal
53	0423-133	1		O-Ring
54	0423-132	1		Washer
55	0423-424	1		Ring, Retaining
56	1402-211	1		Plug, Oil Level (inc. one No. 34)
57	0402-394	2	S	Seal
58	0402-333	1	/P	Plug, Fill (inc. 59)
59	0423-154	1		O-Ring

2005 ATV 500 AUTOMATIC TRANSMISSION 4X4 FIS LE RED (A2005IBM4BU) Page 44 of 98
FRONT SUSPENSION ASSEMBLY



2005 ATV 500 AUTOMATIC TRANSMISSION 4X4 FIS LE RED (A20051BM4BUS) Page 45 of 98
FRONT SUSPENSION ASSEMBLY

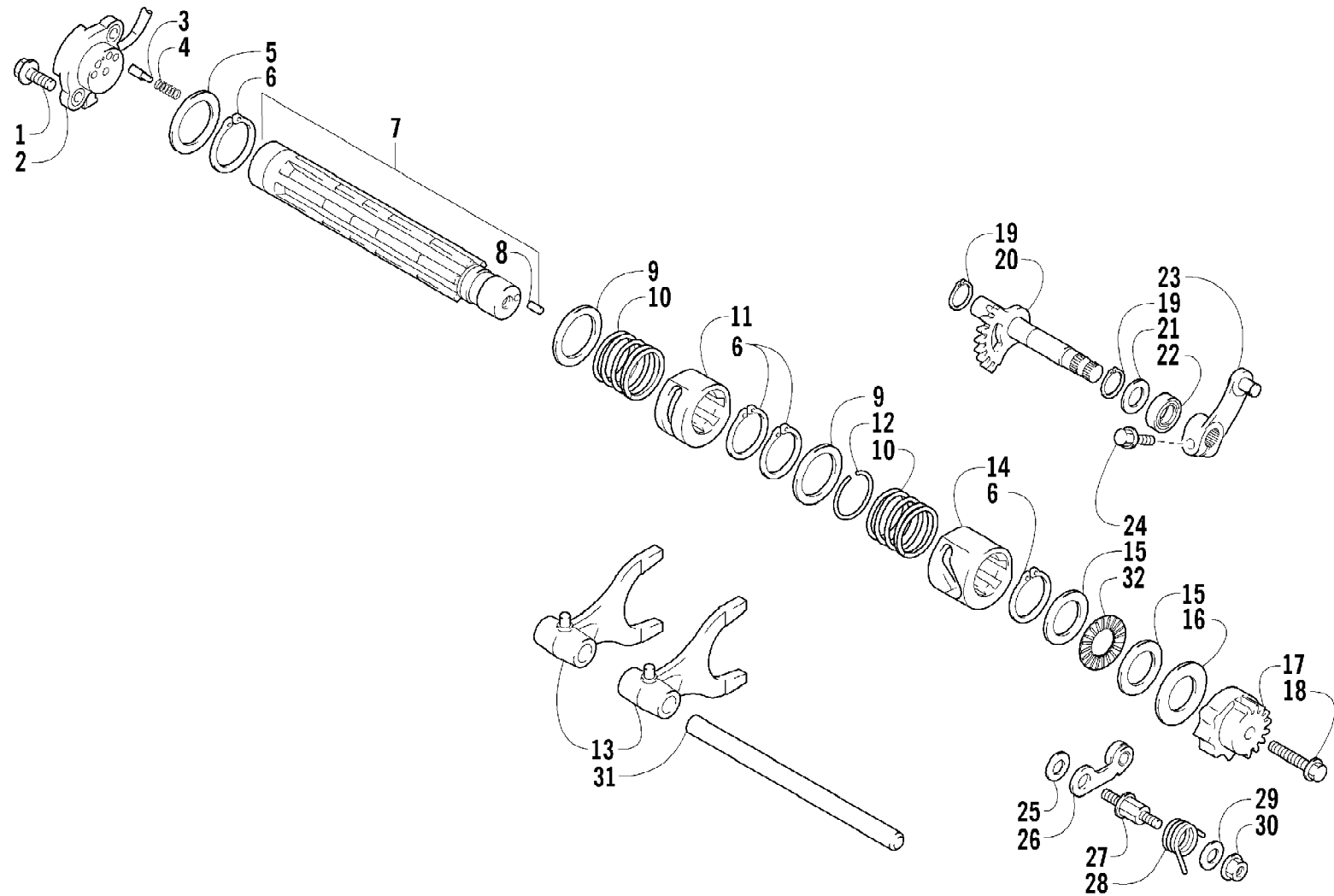
Ref #	Part Number	Qty	S/P/F	Description
1	1603-889	2	/P	Retainer, Spring
2	0403-127	2		Shock Absorber - Front (inc. 3-4)
3	0604-310	8		Bushing, Shock Absorber
4	0403-028	4		Sleeve, Shock
5	0403-102	2		Cam, Spring Adjuster
6	0403-129	2	S	Spring, Shock Absorber
7	8409-040	4		Screw, Cap
8	8428-002	10		Nut, Lock
9	0503-272	1	S	A-Arm, Upper Right (inc. 10-13)
9	0503-273	1	S	A-Arm, Upper Left (inc. 10-13)
10	0403-081	4	S	Bushing
11	0403-080	2		Collar
12	0423-009	4	/P	Clip, Ball Joint
13	0405-115	4	/P	Ball Joint - Front
14	0503-268	1	/P	A-Arm, Lower Right (inc. 12-13 and 15-16)
14	0503-269	1		A-Arm, Lower Left (inc. 12-13 and 15-16)
15	0403-115	8	S	Bushing
16	0403-114	4	S	Collar
17	0505-446	1	/P	Knuckle - Assembly - Right (inc. 18-20)
17	0505-447	1	/P	Knuckle - Assembly - Left (inc. 18-20)
18	0	1		Knuckle, Steering - Right Not a Service Part
18	0	1		Knuckle, Steering - Left Not a Service Part
19	1402-027	2	S/P	Bearing, Wheel Hub
20	0423-423	2		Ring, Retaining
21	8409-030	4		Screw, Cap
22	0423-334	2		Screw, Cap
23	8409-075	4		Screw, Cap
24	0502-542	1		Axle, Drive - Front - Right (inc. 25-26)
24	0502-547	1		Axle, Drive - Front - Left (inc. 25-26)
25	0441-400	2	S	Clip, Retaining
26	0436-276	2	S	Repair Kit, Boot - Front Axle
27	0441-752	1		Guard, Boot - Axle - Right
27	0441-753	1		Guard, Boot - Axle - Left
28	0423-101	4		Screw, Body
29	0441-587	1		Wrench, Spanner



2005 ATV 500 AUTOMATIC TRANSMISSION 4X4 FIS LE RED (A20051BM4BUS) Page 47 of 98
GAS TANK ASSEMBLY

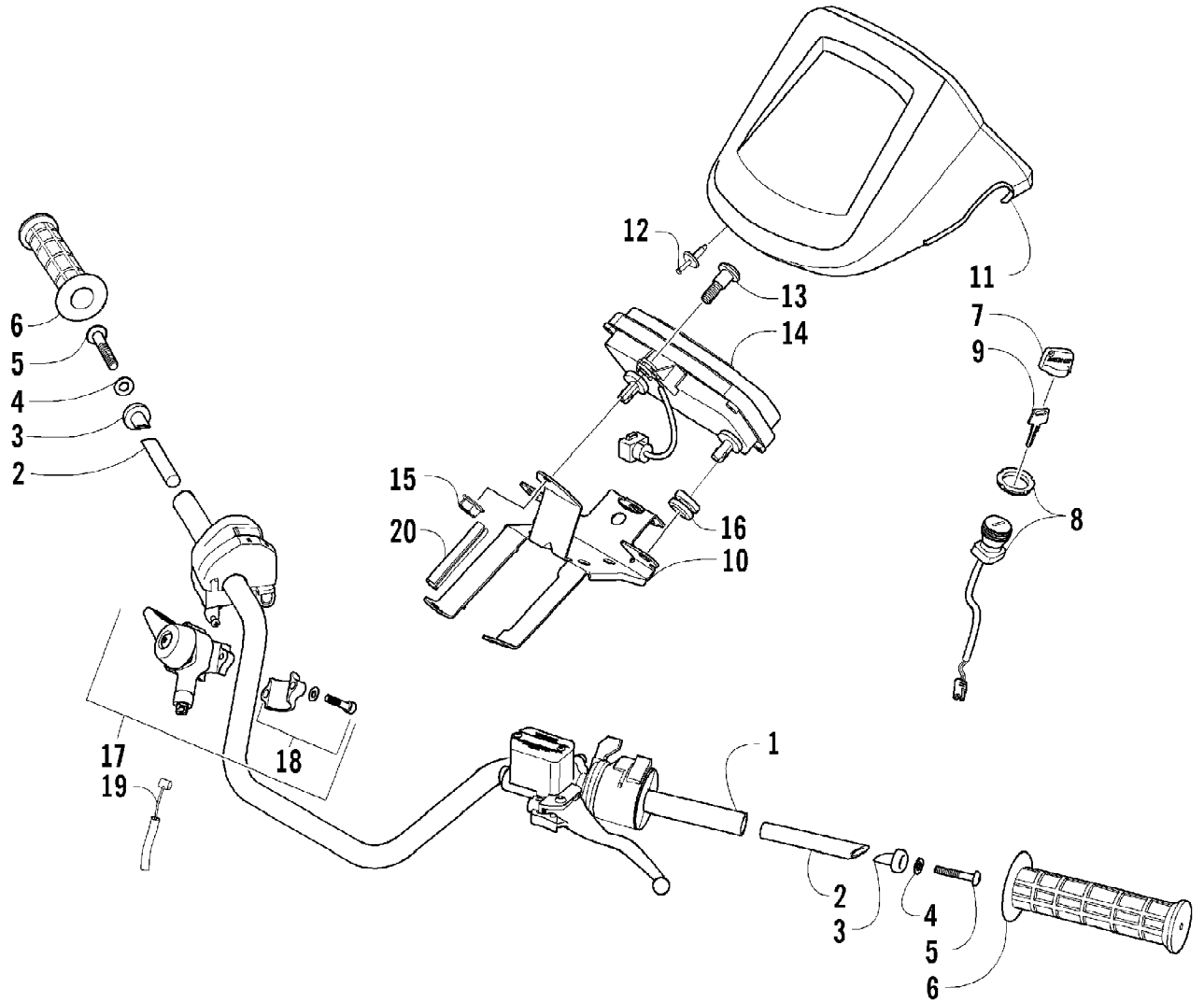
Ref #	Part Number	Qty	S/P/F	Description
1	0570-096	1	S	Tank, Gas - Assembly (inc. 2-8)
2	0470-438	1	/P	Cap, Gas Tank (inc. 3)
3	0109-733	1	/P	Gasket, Tank Cap
4	0570-098	1	S	Sensor, Fuel Level (inc. 5-6)
5	0470-521	1		Seal, Fuel Level Sensor
6	0470-475	1		Filter, Fuel
7	0470-546	1	S	Plate, Mounting - Fuel Level Sensor
8	1623-158	4		Screw, Self-Tapping
9	0423-461	4	S	Clamp, Hose
10	0410-070	AR	/P	Hose, Gasline - 25 ft
11	0470-519	1	S	Pump, Fuel
12	8476-620	2		Screw, Machine
13	0623-038	2		Nut, Lock
14	1623-233	4		Clamp, Hose
15	0470-527	1	S	Fitting, Straight
16	0423-460	2		Grommet
17	0570-081	1		Shield, Gas Tank - Assembly (inc. 18-19)
18	0470-499	1		Shield, Heat
19	0470-498	1		Shield, Heat
20	8408-816	2		Screw, Cap

2005 ATV 500 AUTOMATIC TRANSMISSION 4X4 FIS LE RED (A20051BM4BUS) Page 48 of 98
GEAR SHIFTING ASSEMBLY



2005 ATV 500 AUTOMATIC TRANSMISSION 4X4 FIS LE RED (A20051BM4BUS) Page 49 of 98
GEAR SHIFTING ASSEMBLY

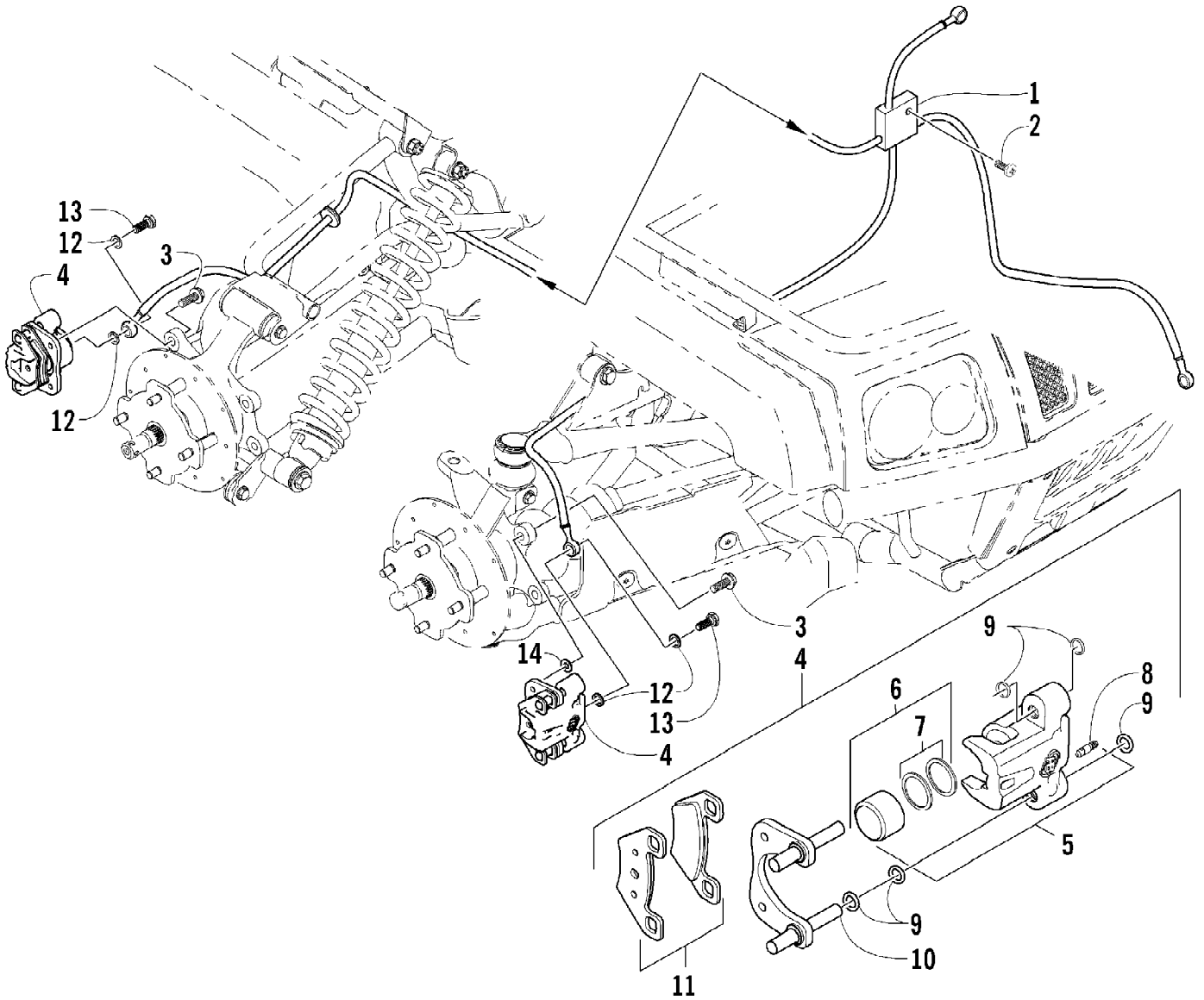
Ref #	Part Number	Qty	S/P/F	Description
1	3423-418	2		Bolt
2	3530-042	1		Base, Gear Shift - Assembly
3	3423-044	2		Contact
4	3402-087	2		Spring
5	3423-421	1	/P	Washer, Shift Shaft
6	3423-191	4	/P	Circlip, Cam Spring
7	3402-826	1		Shaft, Gear Shift (inc. 8)
8	3423-114	1	/P	Pin
9	3402-382	2		Washer, Cam Spring
10	3446-280	2		Spring, Cam
11	3402-827	1		Cam, Reverse
12	3423-116	1	S	C-Ring, Cam
13	3446-353	2		Fork, Shift
14	3402-828	1		Cam, Gear Shift
15	3402-381	2	/P	Washer, Shift Shaft
16	3423-446	1		Washer, Gear Shift Cam Plate
17	3402-642	1		Plate, Gear Shift Cam
18	3004-376	1	S/P	Bolt, Gear Shift Cam Plate
19	3423-358	2	S	Circlip, Sub-Gear Shift Shaft
20	3402-747	1		Shaft, Sub-Gear Shift
21	1691-043	2		Washer, Sub-Gear Shift Shaft
22	3402-076	1		Seal, Sub-Gear Shift Shaft
23	3402-434	1	/P	Arm, Select
24	3004-341	1	S/P	Bolt, Select Arm
25	3423-141	1		Washer, Cam Stopper
26	3402-746	2		Stopper, Cam
27	3446-048	1		Support, Cam Stopper
28	3423-511	1		Spring, Cam Stopper
29	3423-438	2		Washer, Cam Stopper Spring
30	3004-488	1	S/P	Nut, Cam Stopper Spring
31	3446-266	1		Shaft, Shift Fork
32	3402-829	1		Bearing



2005 ATV 500 AUTOMATIC TRANSMISSION 4X4 FIS LE RED (A2005IBM4BUS) Page 51 of 98
HANDLEBAR ASSEMBLY

Ref #	Part Number	Qty	S/P/F	Description
1	0505-448	1		Tube, Handlebar
2	0405-148	2		Plug, Handlebar
3	0405-149	2		End Cap, Handlebar
4	8050-247	2	/P	Washer
5	8477-845	2		Screw, Machine
6	0405-147	2		Grip, Handlebar
7	0409-013	1		Cover, Key
8	3430-040	1		Switch, Ignition - Assembly (inc. 9)
9	3409-007	1	/P	Key, Ignition - Blank (C Series)
9	3409-011	1		Key, Ignition - Blank (D Series)
9	3409-012	1		Key, Ignition - Blank (E Series)
9	3409-013	1		Key, Ignition - Blank (F Series)
10	1506-592	1		Bracket, Mounting - Instrument Pod
11	0405-171	1		Instrument Pod
12	0623-362	2		Rivet, Reinstallable
13	0423-356	1		Screw, Shoulder
14	0420-054	1		Gauge, Digital
15	8424-602	1	/P	Nut, Flange
16	0423-448	2		Grommet
17	0502-527	1		Control, Differential Lock (inc. 18)
18	0502-613	1		Clamp, Differential Lock Control - Kit
19	0487-030	1	S	Cable, Differential Lock
20	0706-371	AR	/P	Trim

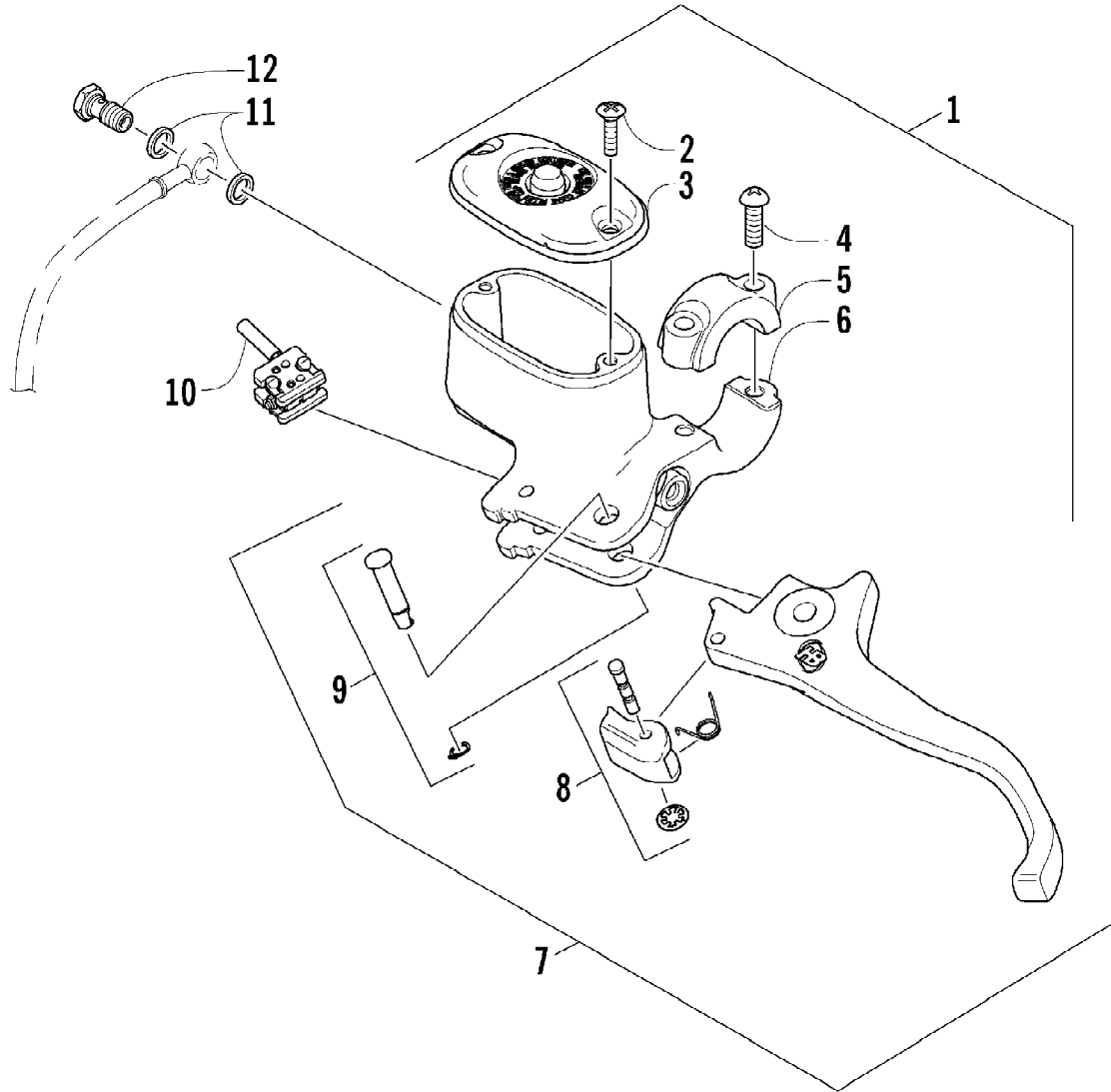
2005 ATV 500 AUTOMATIC TRANSMISSION 4X4 FIS LE RED (A2005IBM4BU) Page 52 of 98
HYDRAULIC BRAKE ASSEMBLY



2005 ATV 500 AUTOMATIC TRANSMISSION 4X4 FIS LE RED (A2005IBM4BUS) Page 53 of 98
HYDRAULIC BRAKE ASSEMBLY

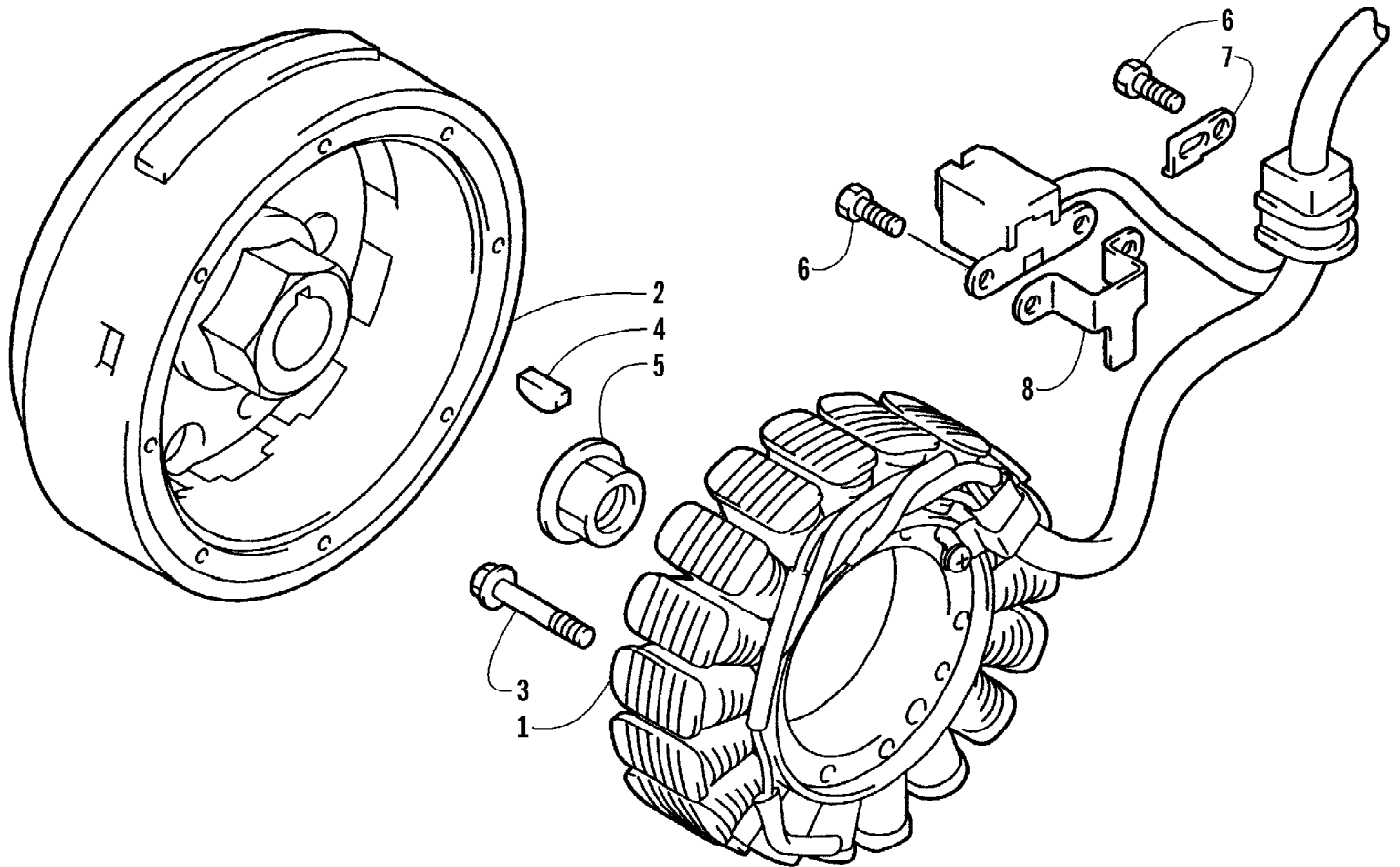
Ref #	Part Number	Qty	S/P/F	Description
1	0502-627	1		Hose, Brake - Assembly
2	8476-625	1		Screw, Cap
3	8408-820	6	/P	Screw, Cap
4	0502-602	1	S	Caliper, Brake - Right Front (inc. 5-11)
4	0502-610	2	S	Caliper, Brake - Left Front and Right Rear (inc. 5-11)
5	0502-603	1	S	Housing, Caliper - Assembly - Right Front (inc. 6-8)
5	0502-611	2	S	Housing, Caliper - Assembly - Left Front and Right Rear (inc. 6-8)
6	0502-606	3		Piston/Seal Set (inc. 7)
7	0502-607	3		Seal Set
8	0502-609	3	/P	Valve, Bleed
9	0502-608	3		O-Ring, Guide - Set
10	0502-605	3		Bracket Assembly
11	0502-604	3	S	Pad, Brake - Set
12	0423-178	6		Washer, Crush
13	0423-413	3		Bolt, Banjo Fitting
14	0423-562	4		Spacer

2005 ATV 500 AUTOMATIC TRANSMISSION 4X4 FIS LE RED (A20051BM4BU) Page 54 of 98
HYDRAULIC HAND BRAKE ASSEMBLY



2005 ATV 500 AUTOMATIC TRANSMISSION 4X4 FIS LE RED (A2005IBM4BUS) Page 55 of 98
HYDRAULIC HAND BRAKE ASSEMBLY

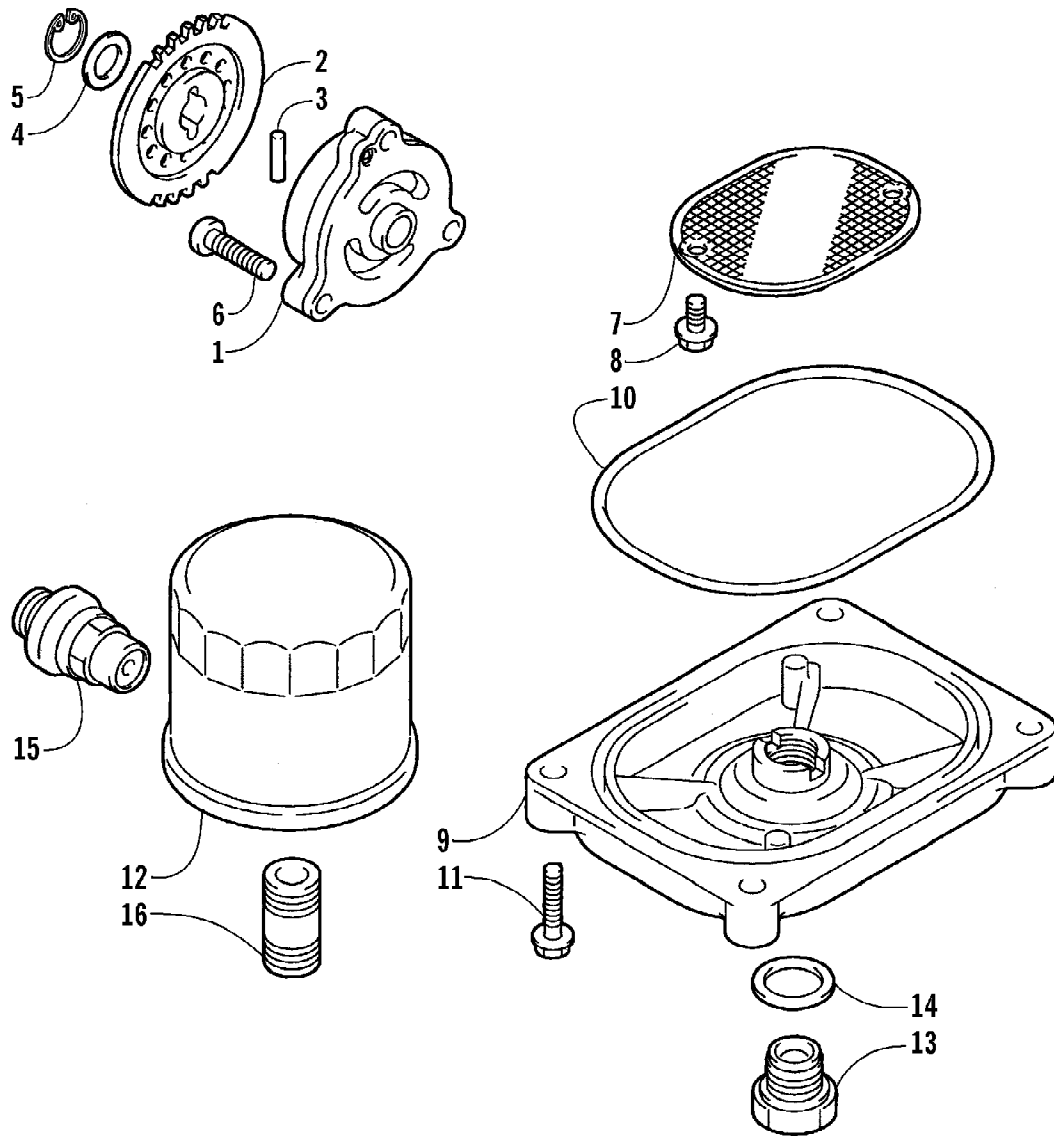
Ref #	Part Number	Qty	S/P/F	Description
1	0502-703	1	S	Brake Assembly (inc. 2-10)
2	0502-566	1		Screw, Reservoir Cover - Kit
3	0502-706	1	S	Cover, Reservoir - Kit
4	0502-568	1		Screw, Master Cylinder Clamp - Kit
5	0502-705	1		Clamp, Master Cylinder - Kit
6	0502-704	1		Master Cylinder Assembly - Kit
7	0502-634	1	/P	Lever Assembly - Kit (inc. 8-9)
8	0502-635	1		Lock, Brake Lever - Kit
9	0502-580	1		Lever Pin - Kit
10	0502-564	1	/P	Switch, Brake - Kit
11	0423-178	2		Washer, Crush
12	0423-413	1		Bolt, Banjo Fitting



2005 ATV 500 AUTOMATIC TRANSMISSION 4X4 FIS LE RED (A2005IBM4BUS) Page 57 of 98
MAGNETO ASSEMBLY

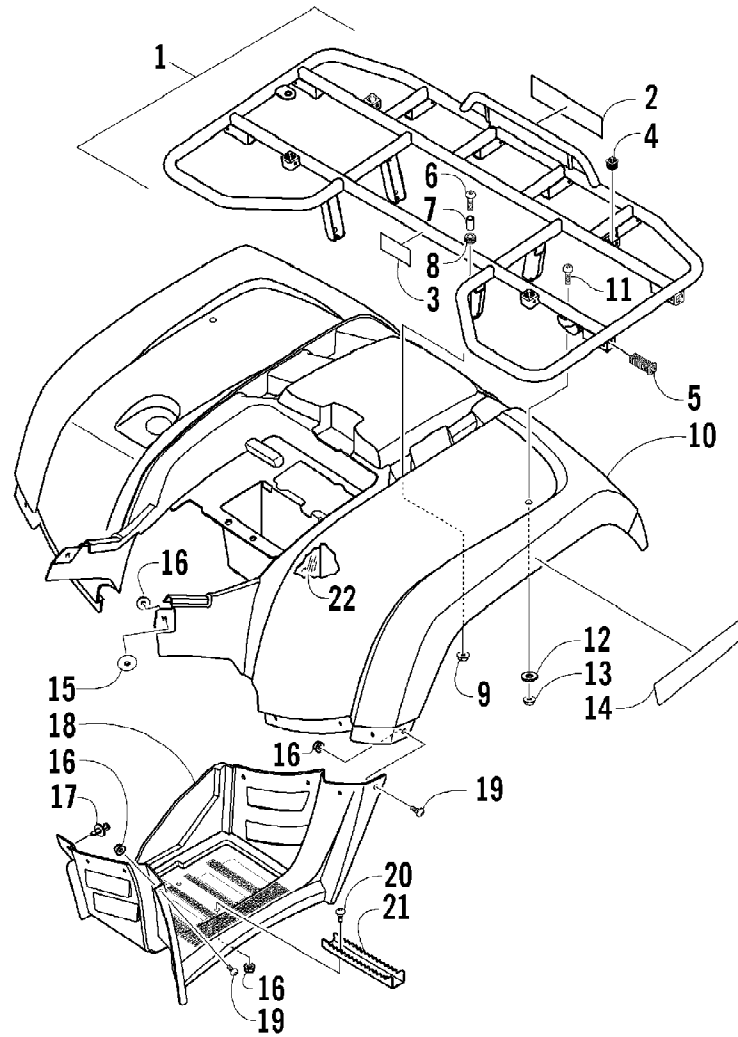
Ref #	Part Number	Qty	S/P/F	Description
1	3430-058	1		Stator Assembly
2	3430-046	1		Rotor/Flywheel
3	3423-162	3	S	Bolt
4	0691-785	1		Key
5	3423-086	1		Nut
6	3423-005	3	/P	Bolt
7	3430-005	1		Clamp (No. 1)
8	3430-006	1		Clamp (No. 2)

2005 ATV 500 AUTOMATIC TRANSMISSION 4X4 FIS LE RED (A20051BM4BU) Page 58 of 98
OIL FILTER/PUMP ASSEMBLY



2005 ATV 500 AUTOMATIC TRANSMISSION 4X4 FIS LE RED (A2005IBM4BUS) Page 59 of 98
OIL FILTER/PUMP ASSEMBLY

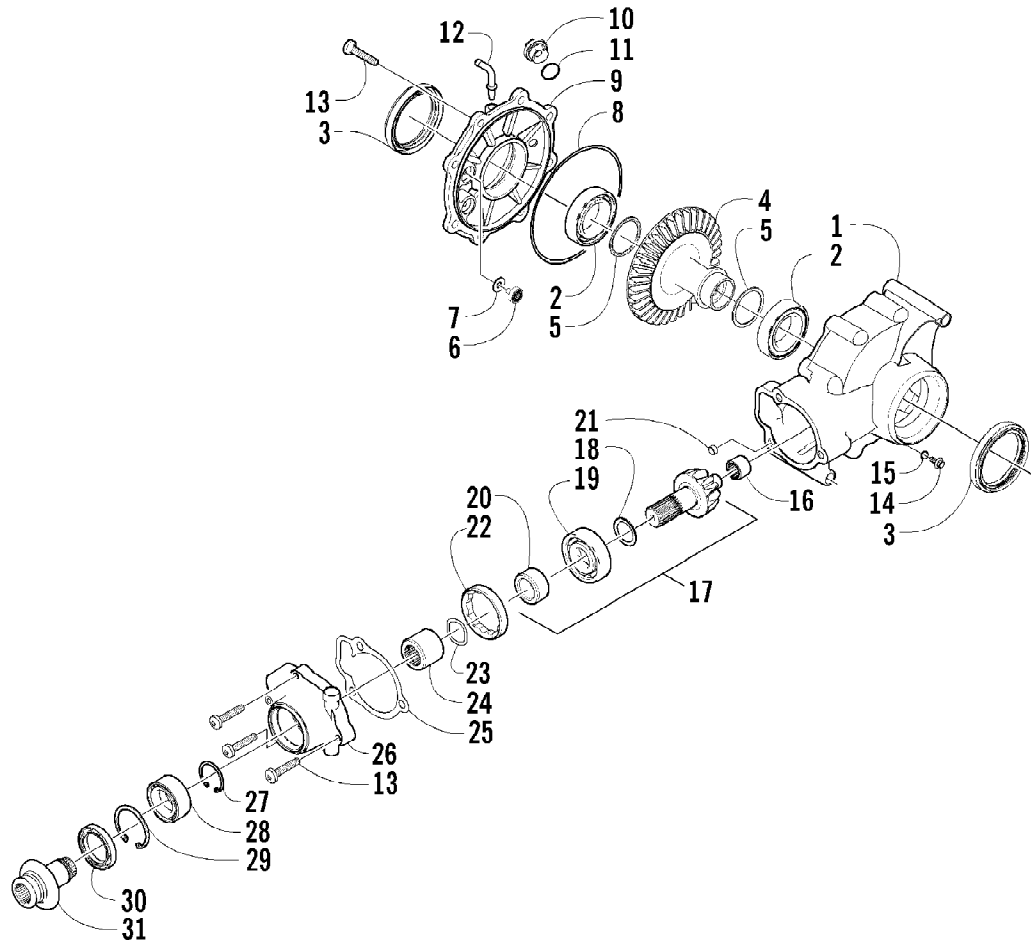
Ref #	Part Number	Qty	S/P/F	Description
1	3402-727	1	/P	Pump, Oil
2	3402-463	1		Gear, Driven
3	3423-046	1		Pin
4	3423-115	1		Washer
5	3423-184	1	S	Circlip
6	3423-510	3		Screw, Cap
7	3402-156	1		Strainer, Oil
8	0693-389	2	S	Screw, Cap
9	3402-157	1		Cap, Oil Strainer
10	3423-077	1		O-Ring
11	3004-756	4	S	Screw, Cap
12	0436-146	1	S	Filter, Oil
13	3402-036	1	S	Plug, Drain
14	3402-012	1		Gasket, Drain Plug
15	3402-154	1		Valve, Oil Relief - Assembly
16	3402-158	1	S	Union, Oil Filter



2005 ATV 500 AUTOMATIC TRANSMISSION 4X4 FIS LE RED (A2005IBM4BUS) Page 61 of 98
REAR BODY PANEL ASSEMBLY

Ref #	Part Number	Qty	S/P/F	Description
1	0541-285	1	S	Rack - Rear - Assembly (inc. 2-5)
2	0411-947	1	S	Decal, "Arctic Cat"
3	0411-648	1		Decal, Warning - Rear Rack Load
4	0441-592	4	/P	Bushing, Rack
5	0441-556	8		Bushing, Rack
6	8468-830	4		Screw, Machine
7	0423-463	4		Spacer
8	0423-465	4		Grommet
9	8432-802	4		Nut, Lock
10	1406-284	1		Panel, Fender - Rear
11	0423-355	2		Screw, Shoulder
12	8050-222	2	/P	Washer
13	8424-602	2	/P	Nut, Lock
14	0411-820	1	S	Decal, Reflector - Red - Right
14	0411-821	1	S	Decal, Reflector - Red - Left
15	0423-101	2		Screw, Body
16	0423-540	22		Nut, Lock
17	0623-362	2		Rivet, Reinstallable
18	1406-356	1		Footwell - Right
18	1406-357	1	S	Footwell - Left
19	8468-616	16		Screw, Machine
20	0423-355	6		Screw, Shoulder
21	1506-125	2	/P	Footpeg
22	0412-296	1		Shield, Heat

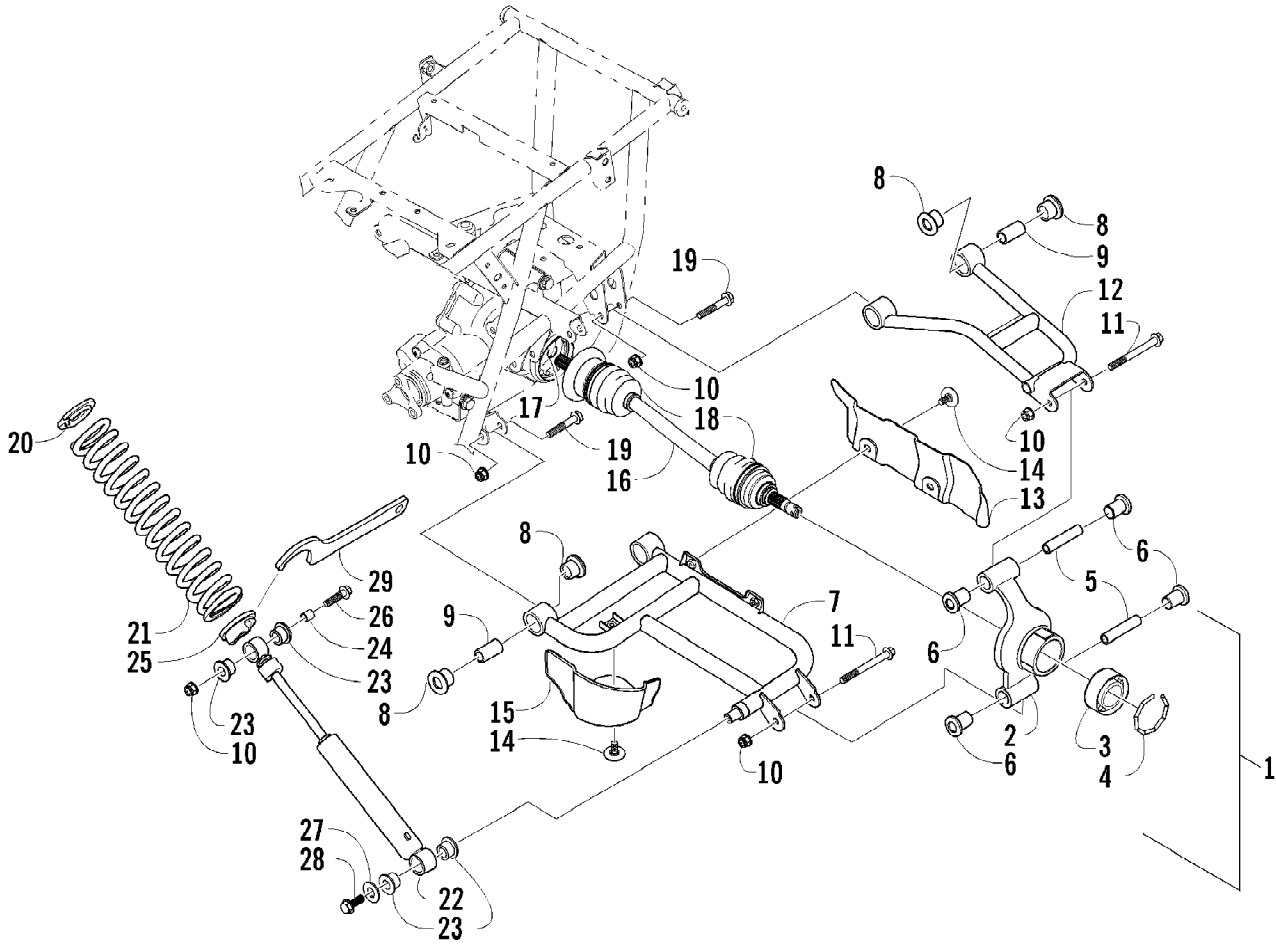
2005 ATV 500 AUTOMATIC TRANSMISSION 4X4 FIS LE RED (A2005IBM4BU) Page 62 of 98
REAR DRIVE GEARCASE ASSEMBLY



2005 ATV 500 AUTOMATIC TRANSMISSION 4X4 FIS LE RED (A2005IBM4BUS) Page 63 of 98
REAR DRIVE GEARCASE ASSEMBLY

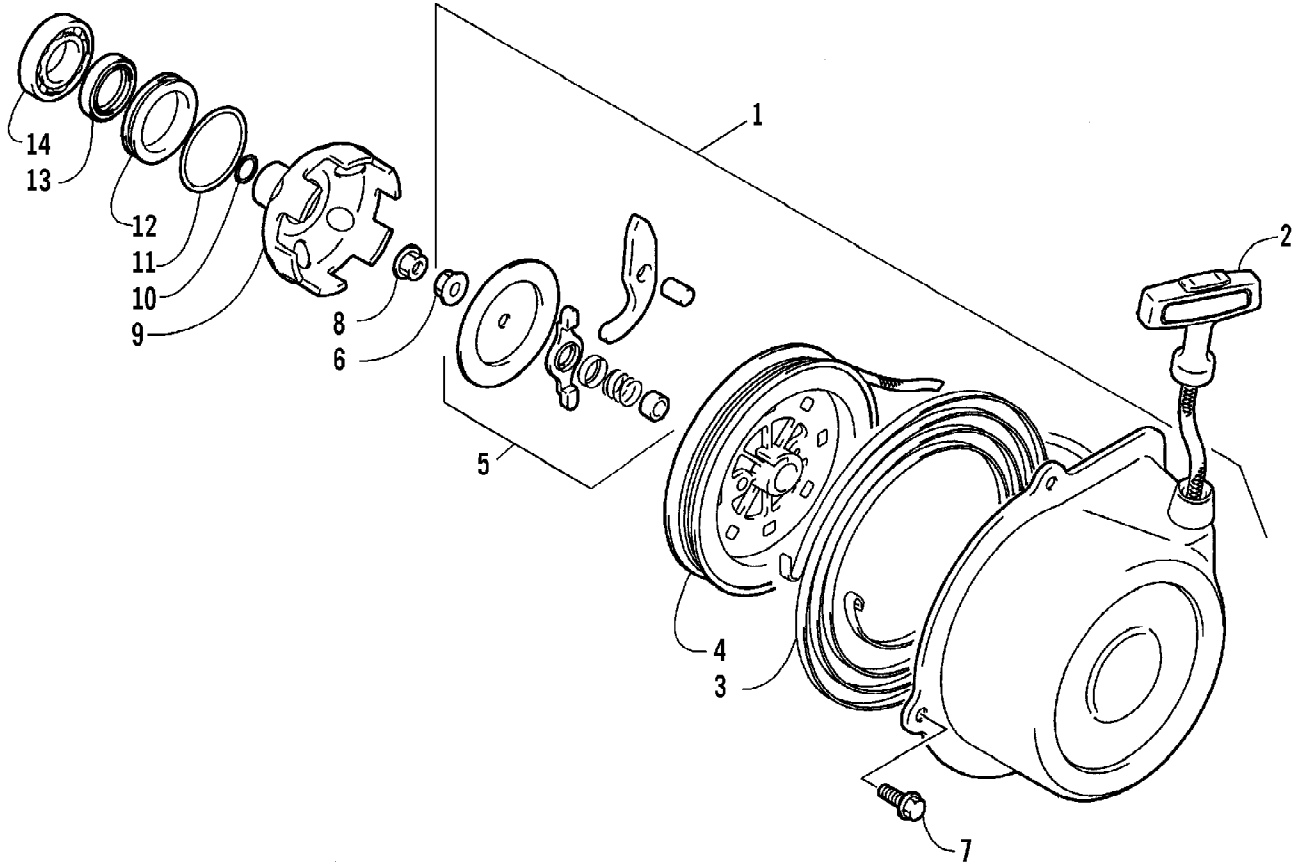
Ref #	Part Number	Qty	S/P/F	Description
	0502-642	1	S	Rear Drive Gearcase Assembly
1	0502-352	1		Housing, Gearcase
2	0402-393	2		Bearing
3	0402-394	2	S	Seal
4	1402-032	1		Gear, Ring - 36T
5	0402-405	AR		Shim
5	0402-406	AR		Shim
5	0402-407	AR		Shim
5	0402-408	AR		Shim
5	0402-409	AR		Shim
6	0402-326	1		Button, Thrust
7	0402-429	AR		Shim
7	0402-430	AR		Shim
7	0402-431	AR		Shim
7	0402-432	AR		Shim
7	0402-433	AR		Shim
8	0423-149	1		O-Ring
9	0502-346	1		Cover, Gearcase
10	0402-333	1	/P	Plug, Fill (inc. 11)
11	0423-154	1		O-Ring
12	1402-102	1		Fitting
13	0423-118	11		Screw, Self-Tapping
14	0402-450	1	S	Plug, Magnetic (inc. 15)
15	0423-153	1		O-Ring
16	0402-328	1		Bearing
17	0502-123	1		Gear, Pinion - Assembly - 10T (inc. 18-20)
18	0402-424	AR		Shim
18	0402-425	AR		Shim
18	0402-426	AR		Shim
18	0402-427	AR		Shim
18	0402-428	AR		Shim
19	0402-327	1		Bearing
20	0402-336	1		Collar, Retaining
21	0402-411	1		Pin, Dowel
22	0402-331	1		Collar, Lock
23	0402-982	1		Washer, Wave
24	0402-981	1		Collar, Shaft
25	0402-947	1		Gasket, Flange
26	0502-529	1		Housing, Pinion
27	0423-417	1		Ring, Retaining
28	1402-043	1		Bearing
29	0423-423	1		Ring, Retaining
30	1402-011	1		Seal
31	0502-407	1	S	Shaft, Input

2005 ATV 500 AUTOMATIC TRANSMISSION 4X4 FIS LE RED (A2005IBM4BU) Page 64 of 98
REAR SUSPENSION ASSEMBLY



2005 ATV 500 AUTOMATIC TRANSMISSION 4X4 FIS LE RED (A2005IBM4BUS) Page 65 of 98
REAR SUSPENSION ASSEMBLY

Ref #	Part Number	Qty	S/P/F	Description
1	0504-312	1	S	Knuckle, Right Rear - Assembly (inc. 2-6)
1	0504-313	1	S	Knuckle, Left Rear - Assembly (inc. 2-6)
2	0	1		Knuckle - Right Not a Service Part
2	0	1		Knuckle - Left Not a Service Part
3	1402-027	2	S/P	Bearing, Wheel Hub
4	0423-423	2		Ring, Retaining
5	0403-038	4	S/P	Collar, Suspension Bushing
6	0403-032	8	S	Bushing, Suspension
7	0504-326	1	S	A-Arm, Rear - Lower Right (inc. 8-9)
7	0504-327	1	S/P	A-Arm, Rear - Lower Left (inc. 8-9)
8	0403-115	16	S	Bushing
9	0403-114	8	S	Collar
10	8428-002	14		Nut, Lock
11	8409-000	4		Screw, Cap
12	0504-330	1		A-Arm, Rear - Upper Right (inc. 8-9)
12	0504-331	1	S	A-Arm, Rear - Upper Left (inc. 8-9)
13	0441-754	1		Guard, Boot - Right
13	0441-755	1		Guard, Boot - Left
14	0423-101	6		Screw, Body
15	1406-071	1		Guard, Boot - Right
15	1406-072	1		Guard, Boot - Left
16	0502-596	2	S	Axle, Drive (inc. 17-18)
17	0441-400	2	S	Clip, Retaining
18	0436-276	2	S	Repair Kit, Boot - Rear Axle
19	8409-075	8		Screw, Cap
20	1603-889	2	/P	Retainer, Spring
21	0404-074	2		Spring, Suspension
22	0404-085	2		Shock Absorber - Rear (inc. 23-24)
23	0604-310	8		Bushing, Shock Absorber
24	0403-028	2		Sleeve, Shock Absorber
25	0404-057	2		Cam, Spring Adjuster
26	8409-040	2		Screw, Cap
27	0423-087	2		Washer
28	8408-820	2	/P	Screw, Cap
29	0441-587	1		Wrench, Spanner



2005 ATV 500 AUTOMATIC TRANSMISSION 4X4 FIS LE RED (A2005IBM4BUS) Page 67 of 98
RECOIL STARTER ASSEMBLY

Ref #	Part Number	Qty	S/P/F	Description
1	3445-003	1		Starter, Recoil - Assembly (inc. 2-6)
2	3445-011	1		Rope Assembly
3	3445-007	1		Spring, Spiral
4	3445-004	1		Reel
5	3445-016	1		Ratchet Assembly
6	3004-488	1	S/P	Nut
7	3423-428	4		Screw, Cap
8	3004-491	1	S/P	Nut
9	3445-029	1	/P	Cup, Starter
10	3423-053	1	/P	O-Ring
11	3423-063	1		O-Ring
12	3402-119	1	S	Spacer
13	3402-070	1		Seal, Oil
14	3402-051	1		Bearing

No
Diagram
Available

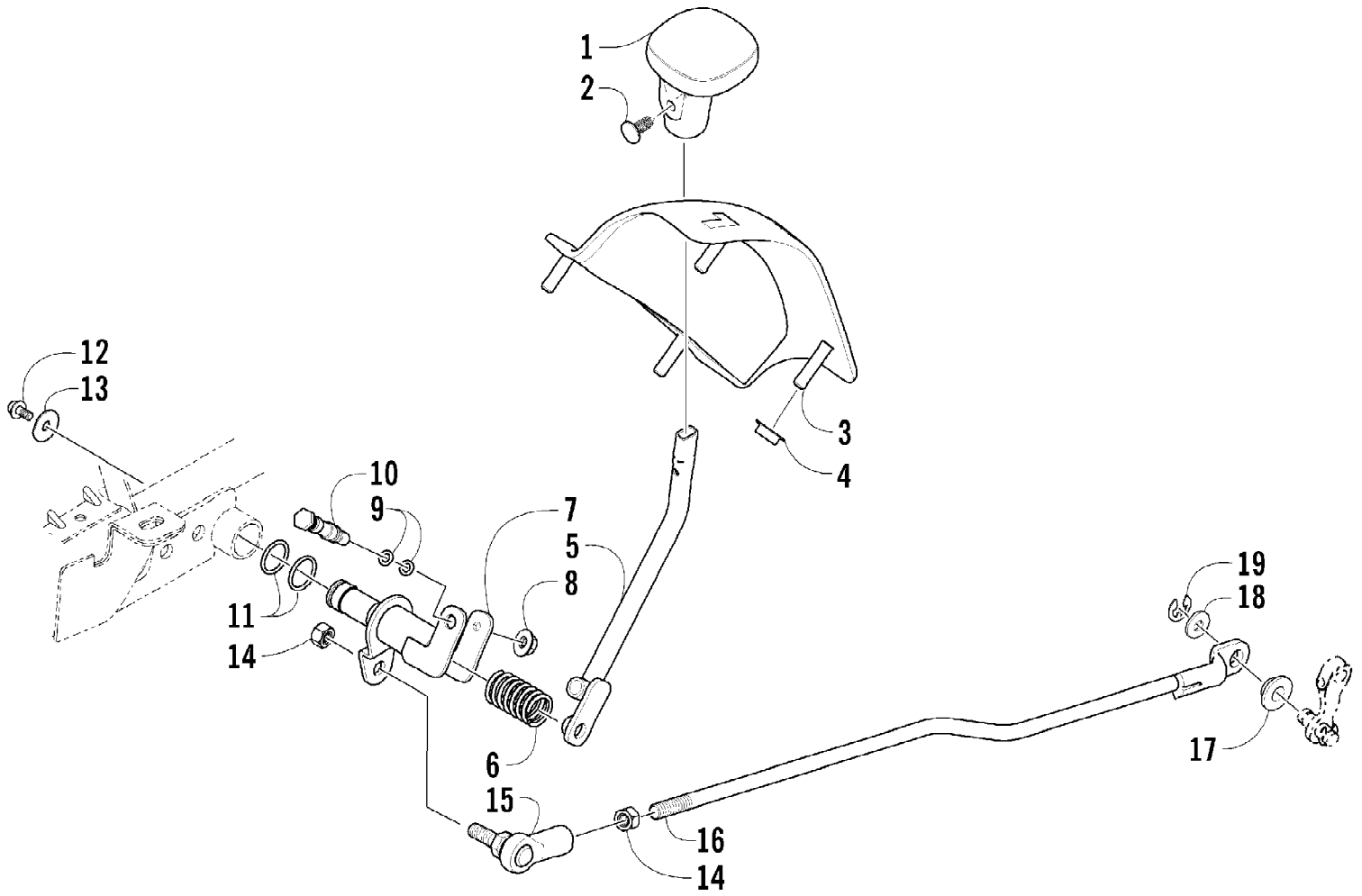
Parts List
Only

2005 ATV 500 AUTOMATIC TRANSMISSION 4X4 FIS LE RED (A2005IBM4BUS) Page 69 of 98
RELATED ITEMS

Ref #	Part Number	Qty	S/P/F	Description
	0436-479	1		Articulating Spool Mount
	0436-548	1		Articulating Spool Receiver Mount Adapter
	0436-679	1		Bag, Fender - Black
	0436-660	1	S	Bag, Rack, Front - Black
	0436-480	1		Bar, Utility/Gun Rack
	0436-619	1		Brush Guard/Bumper
	0436-462	1		Bucket Holder
	0436-620	1		Bumper (Rear)
	0436-464	1		Camp Stove Cradle
	0436-454	1		Cargo Box
	0436-625	1		Cargo Box Quick-Release Kit
	0436-459	1	/P	Carryall (9 x 12)
	0436-460	1		Carryall (11 x 17)
	0436-652	1		Carryall (14 x 27)
	0436-476	1		Chain Saw Lock
	0436-477	1		Cord Reel
	0436-664	1		Cover, Black and Green
	0436-668	1		Cover, Timber Camo
	0436-005	1	S	Engine Oil - 10W40
	0436-003	1	S	Engine Oil - 5W30
	0436-466	1		Fender Box
	0436-538	1		Gear Cradle
	0436-007	1	S	Gear Lube (Diff) - 80W90
	0436-501	1	S	Grease, High-Performance
	0436-627	1		Gun Scabbard Kit
	0436-706	1	/P	Gun Scabbard Mount
	0436-505	1		Hand Guards - Black
	0436-352	1		Hand/Thumb Warmers
	0436-639	1		Ice Auger Holder
	0436-463	1		Light Bar
	2257-180	1		Manual, Illustrated Parts
	2257-034	1		Manual, Operator's (E)
	2257-172	1		Manuel d'utilisation (F)
	0436-626	1	S	Rack Basket
	0436-647	1		Rack Extension, 4 in. (Front)
	0436-646	1		Rack Extension, 8 in. (Rear)
	0436-629	1		Rapid Blind (Break-Up)
	0436-630	1		Rapid Blind (Shadow Grass)
	0436-628	1		Rapid Shack (Blue Ice)
	0436-511	1		Rod Holder - Adjustable
	0436-635	1		Snowplow Attachment Kit
	0436-228	1		Snowplow Blade, 50 in. - Straight
	0436-287	1		Snowplow Blade, 50 in. - One-Way
	0436-296	1		Snowplow Blade, 60 in. - Straight
	0436-360	1		Snowplow Blade, 60 in. - One-Way
	0436-636	1	/P	Snowplow, Push Frame
	0436-471	1		Speedclamp, Double
	0436-624	1		Sprayer System
	0436-508	1	S	Sprayer Boom (120 in.)
	0436-465	1		Table, Expansion
	1402-028	1		Tire, Titan AT589 (25x8-12, Mud & Snow)
	0402-563	1		Tire, Titan AT589 (25x10-12, Mud & Snow)
	0436-478	1		Tool Cradle

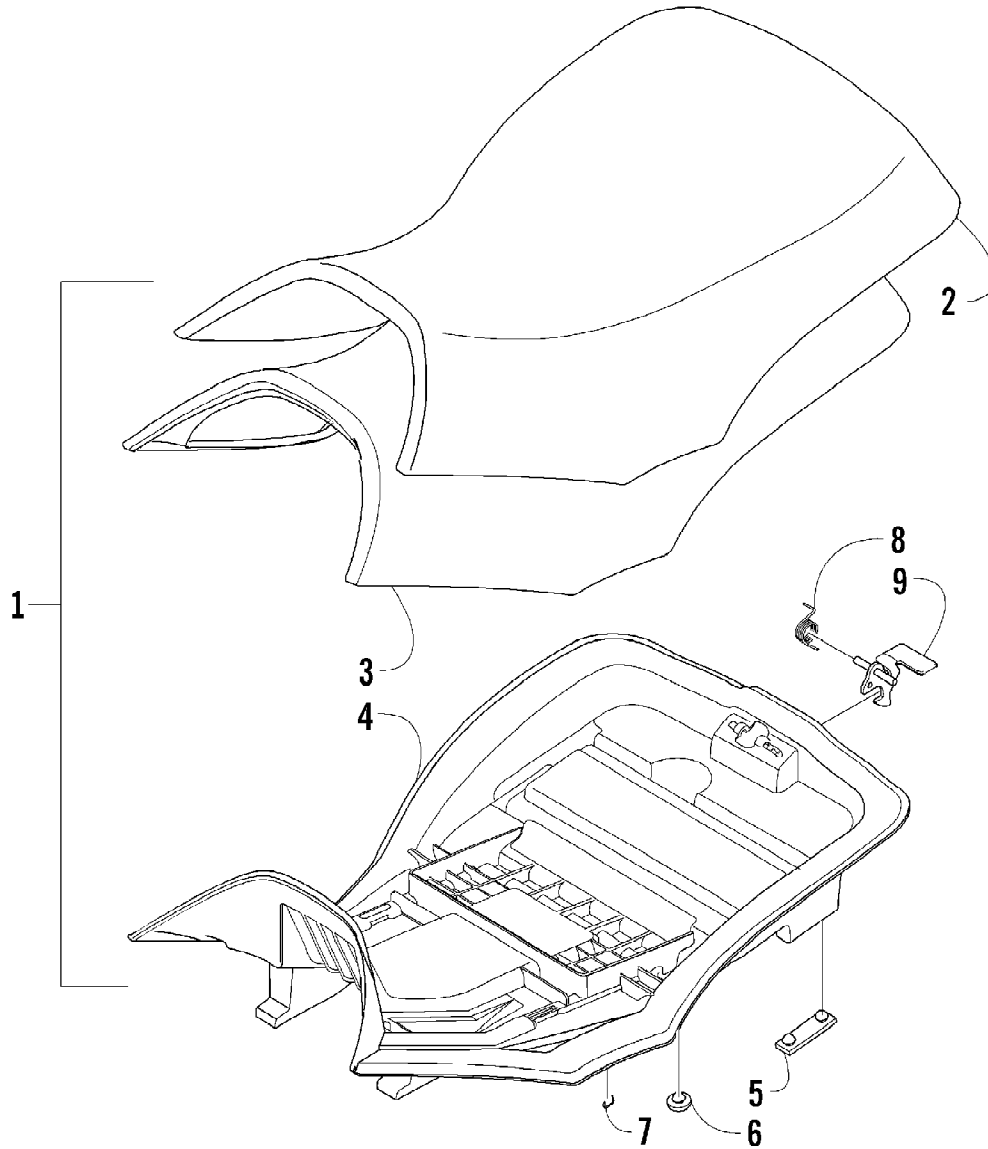
2005 ATV 500 AUTOMATIC TRANSMISSION 4X4 FIS LE RED (A2005IBM4BUS) Page 70 of 98
RELATED ITEMS

Ref #	Part Number	Qty	S/P/F	Description
	0436-297	1		Tool Holder - Double
	0436-263	1	/P	Tool Holder - Single
	0436-468	1		Tree Stand/Bow Case Holder
	0436-655	1		Winch, 2500 lb
	0436-623	1		Windshield, Clear w/Black Accent
	0436-470	1		Workbase (8 in.)



2005 ATV 500 AUTOMATIC TRANSMISSION 4X4 FIS LE RED (A2005IBM4BUS) Page 72 of 98
REVERSE SHIFT LEVER ASSEMBLY

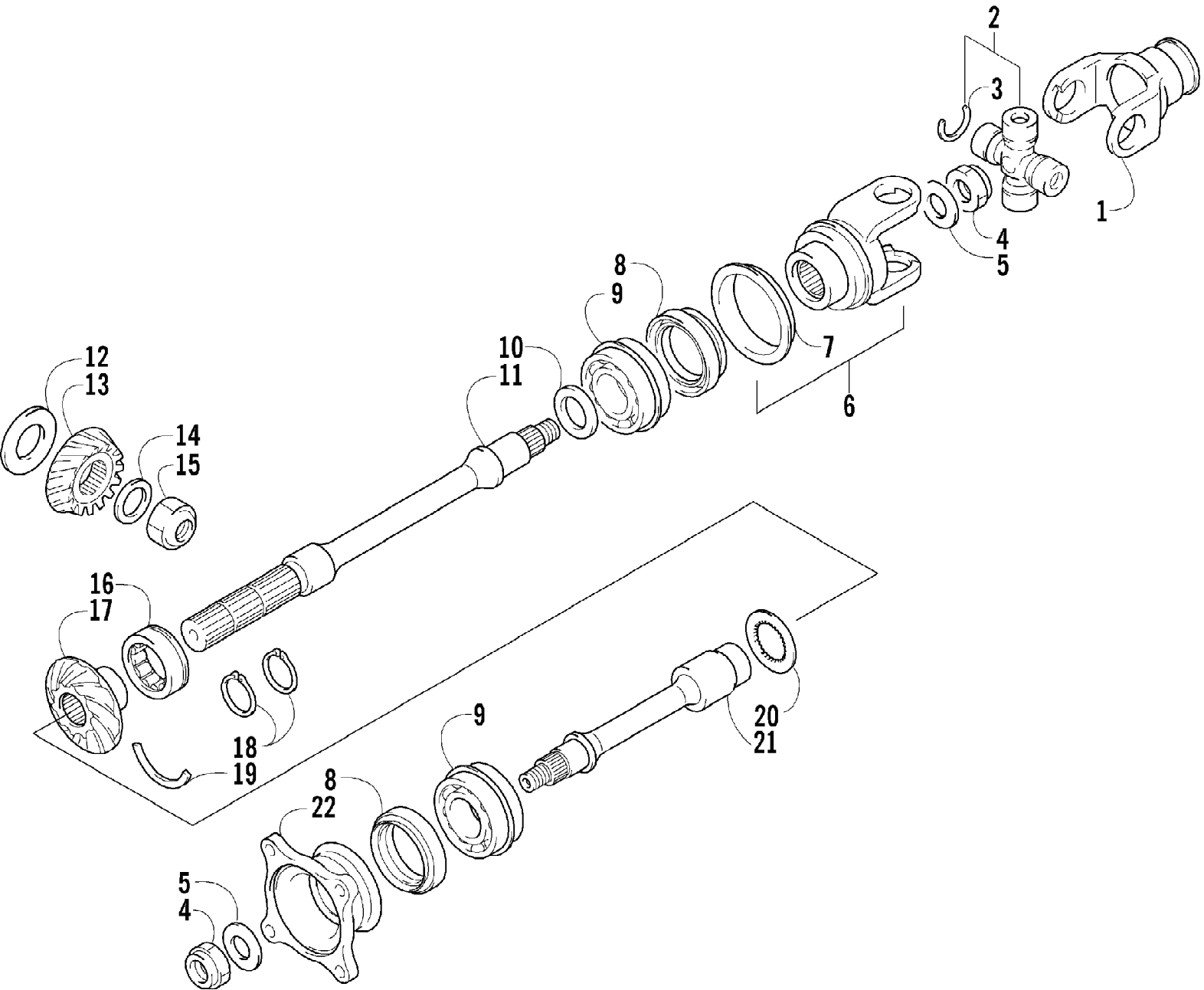
Ref #	Part Number	Qty	S/P/F	Description
1	0402-843	1	/P	Handle, Reverse Shift Lever
2	0423-345	1		Clip, Push
3	1402-110	1		Plate, Shift
4	0423-357	4		Nut, Stamped
5	0502-659	1		Lever, Reverse Shift
6	0502-410	1	S	Spring
7	0502-742	1		Axle, Reverse Shift Lever
8	8424-602	1	/P	Nut
9	0423-182	2	/P	O-Ring
10	0402-675	1		Axle, Pivot
11	0423-299	2	/P	O-Ring
12	8408-812	1		Screw, Cap
13	0423-087	1		Washer
14	0623-294	2		Nut
15	1402-270	1		End, Rod
16	0502-669	1	S	Linkage, Shift
17	0423-091	1		Bushing
18	0623-094	1		Washer
19	0423-169	1	/P	E-Ring



2005 ATV 500 AUTOMATIC TRANSMISSION 4X4 FIS LE RED (A2005IBM4BUS) Page 74 of 98
SEAT ASSEMBLY

Ref #	Part Number	Qty	S/P/F	Description
1	1506-207	1	S	Seat Assembly (inc. 2-9)
2	1506-209	1		Cover, Seat
3	1506-208	1		Foam, Seat
4	1406-362	1	S	Base, Seat Assembly (inc. 5-6)
5	0406-879	2		Bumper, Seat - Rear
6	0406-877	4	/P	Bumper, Seat - Front
7	0624-528	AR	/P	Staple
8	1406-592	1	/P	Spring, Seat Latch
9	1506-156	1		Latch, Seat

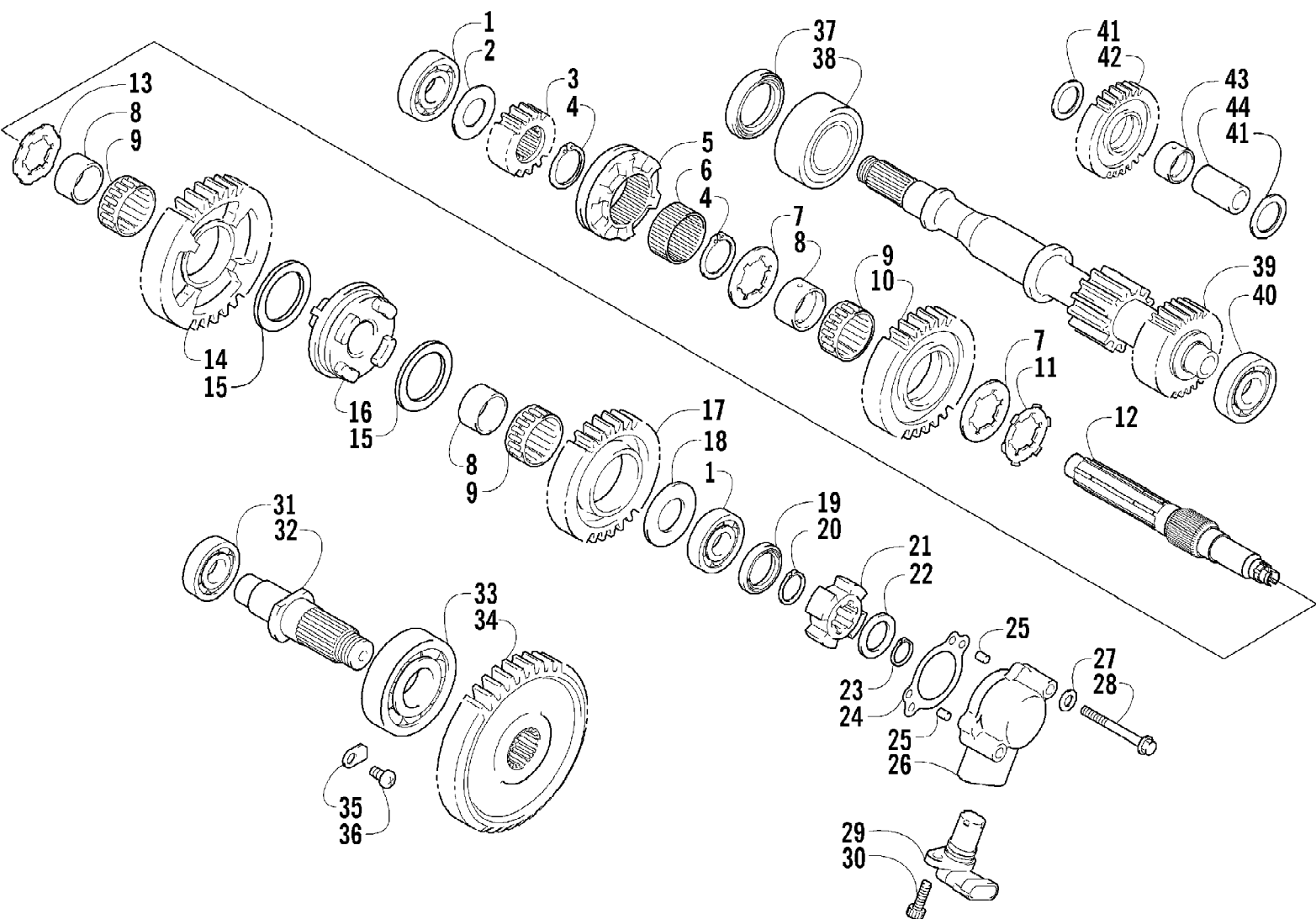
2005 ATV 500 AUTOMATIC TRANSMISSION 4X4 FIS LE RED (A2005IBM4BU) Page 75 of 98
SECONDARY DRIVE ASSEMBLY



2005 ATV 500 AUTOMATIC TRANSMISSION 4X4 FIS LE RED (A2005IBM4BUS) Page 76 of 98
SECONDARY DRIVE ASSEMBLY

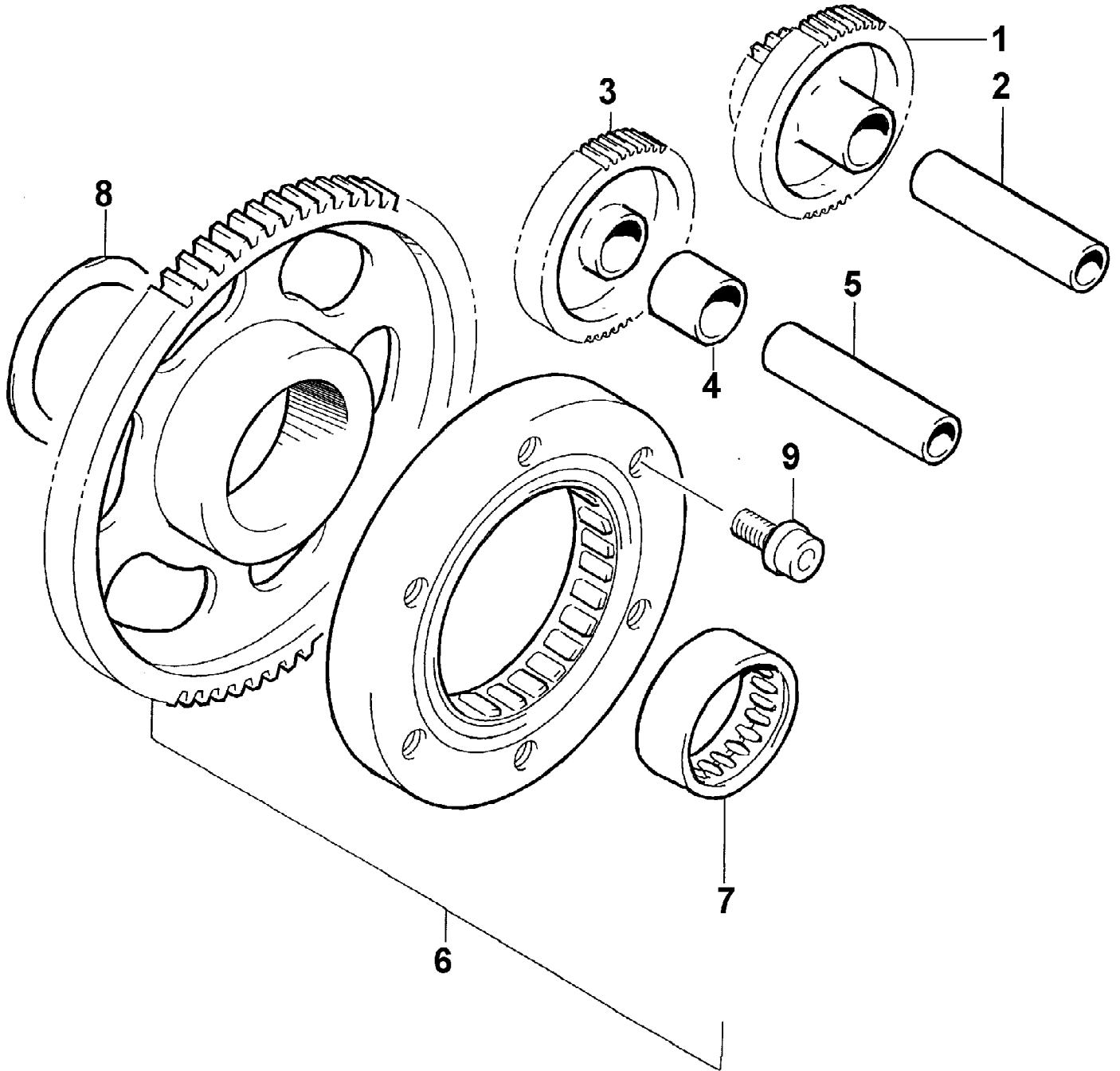
Ref #	Part Number	Qty	S/P/F	Description
1	3402-744	1	S	Yoke, Propeller Shaft Joint
2	3402-562	1		Joint, Universal - Set (inc. 4)
3	3423-479	4		Circlip
4	3423-025	2		Nut, Rear Output Joint
5	3423-028	2		Washer, Rear Output Flange
6	3402-742	1		Yoke, Drive Output - Front (inc. 8)
7	3402-743	1		Plate, Output Yoke
8	3402-072	2		Seal, Oil - Driven Shaft
9	3402-067	2	S	Bearing, Driven Shaft
10	3402-017	AR		Shim, 25 x 34 x 0.60 mm
10	3402-018	AR		Shim, 25 x 34 x 0.65 mm
10	3402-019	AR		Shim, 25 x 34 x 0.70 mm
10	3402-020	AR		Shim, 25 x 34 x 0.75 mm
10	3402-021	AR	S	Shim, 25 x 34 x 0.80 mm
10	3402-022	AR		Shim, 25 x 34 x 0.85 mm
10	3402-023	AR		Shim, 25 x 34 x 0.90 mm
10	3402-024	AR		Shim, 25 x 34 x 0.95 mm
10	3402-025	AR	S	Shim, 25 x 34 x 1.00 mm
10	3402-028	AR		Shim, 25 x 34 x 1.05 mm
10	3402-029	AR		Shim, 25 x 34 x 1.10 mm
10	3402-030	AR		Shim, 25 x 34 x 1.15 mm
10	3402-031	AR		Shim, 25 x 34 x 1.20 mm
11	3402-740	1		Shaft, Secondary Driven - Front
12	3446-035	1		Shim, Secondary Drive Gear - Set
13	3402-738	1		Gear, Secondary Drive
14	3005-372	1		Washer
15	3423-023	1		Nut
16	3402-515	1	/P	Bearing, Driven Gear
17	3402-739	1		Gear, Secondary Driven
18	3423-340	2	S	Circlip, Secondary Driven Gear
19	3423-072	1		Ring, Driven Bearing
20	3423-415	1		Washer, Driven Shaft
21	3402-513	1		Shaft, Secondary Driven - Rear
22	3402-514	1	/P	Flange, Output Joint - Rear

2005 ATV 500 AUTOMATIC TRANSMISSION 4X4 FIS LE RED (A20051BM4BU) Page 77 of 98
SECONDARY TRANSMISSION ASSEMBLY



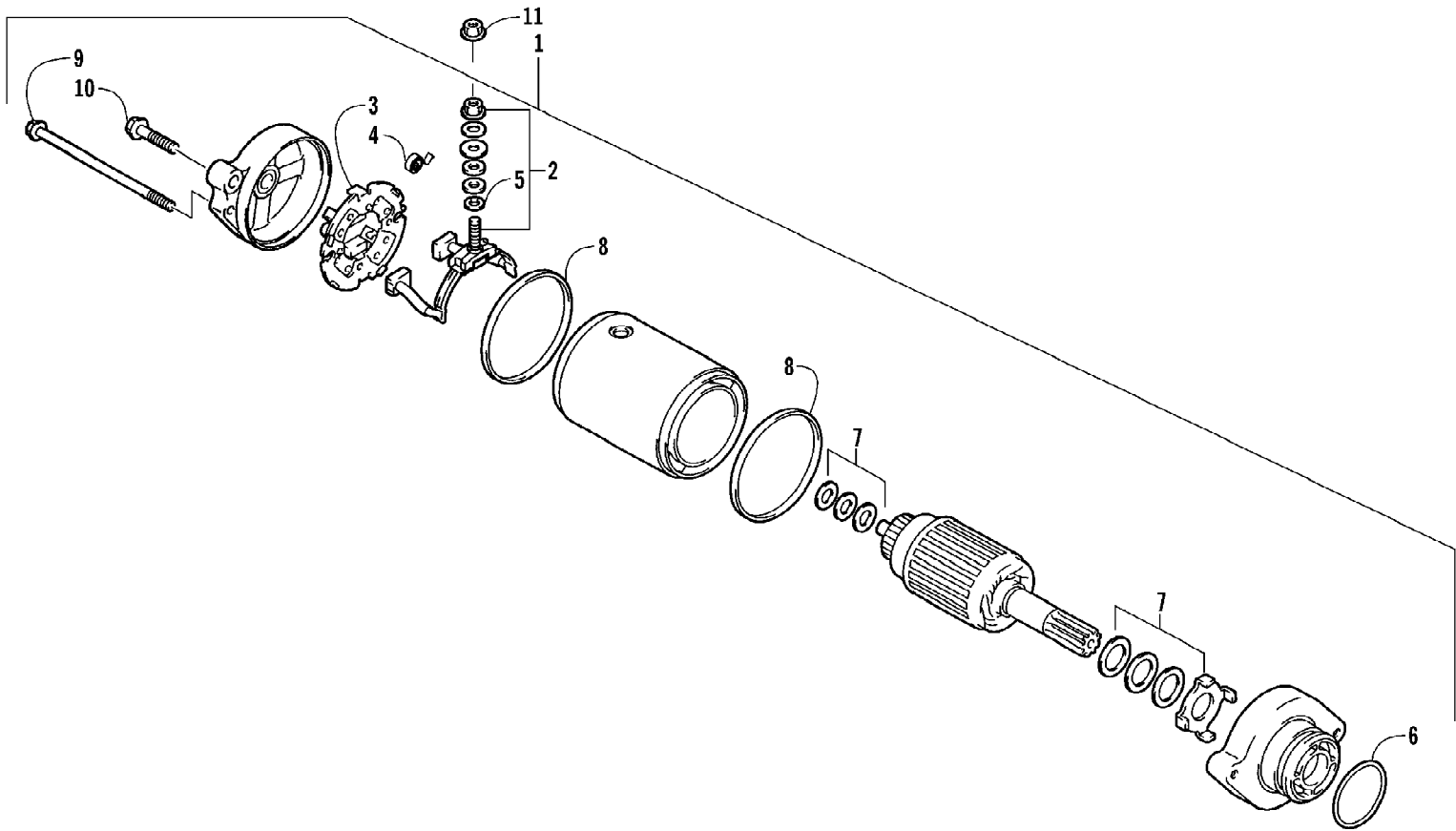
2005 ATV 500 AUTOMATIC TRANSMISSION 4X4 FIS LE RED (A20051BM4BUS) Page 78 of 98
SECONDARY TRANSMISSION ASSEMBLY

Ref #	Part Number	Qty	S/P/F	Description
1	3402-045	2	/P	Bearing, Shaft
2	3402-381	1	/P	Washer, Drive Gear No. 2 - Right
3	3402-497	1		Gear, Drive - No. 2
4	3423-066	2	/P	Circlip
5	3402-821	1		Dog, Reverse Driven Gear
6	3402-825	1		Spacer, Reverse Driven Gear
7	3423-263	2		Washer
8	3402-494	3		Bushing
9	3402-498	3		Bearing
10	3402-822	1		Gear, Reverse Driven
11	3423-266	1		Washer, Lock
12	3402-820	1		Countershaft
13	3423-262	1		Washer, Lock
14	3402-668	1	/P	Gear, Driven - Low
15	3423-554	2		Washer, Driven Gear
16	3402-824	1		Dog, Sliding
17	3402-733	1		Gear, Driven - High
18	3423-412	1		Washer, Drive Gear - Left
19	3402-836	1		Seal, Countershaft - Left
20	3423-518	1		Circlip
21	3402-837	1		Rotor
22	3423-556	1		Washer
23	3423-557	1		Circlip
24	3446-289	1		Gasket
25	3006-547	2	/P	Pin
26	3446-355	1		Housing, Speedometer Sensor
27	3003-290	2	/P	Gasket
28	3423-091	2	S	Bolt
29	3402-838	1		Sensor, Speedometer
30	3423-226	1		Bolt
31	3402-735	1		Bearing, Shaft
32	3402-835	1		Shaft, Output
33	3402-502	1		Bearing, Output Shaft
34	3402-534	1	/P	Gear, Driven - No. 2
35	3446-031	2	/P	Retainer, Bearing
36	3423-435	2		Screw, Bearing Retainer
37	3402-537	1	/P	Seal, Driveshaft - Left
38	3402-499	1		Bearing, Driveshaft - Right
39	3402-731	1		Driveshaft
40	3003-261	1	/P	Bearing, Driveshaft - Left
41	3402-195	2		Washer, Reverse Idle Gear
42	3402-503	1		Gear, Reverse Idle
43	3446-103	1		Bushing, Reverse Idle Gear
44	3402-507	1		Shaft, Reverse Idle



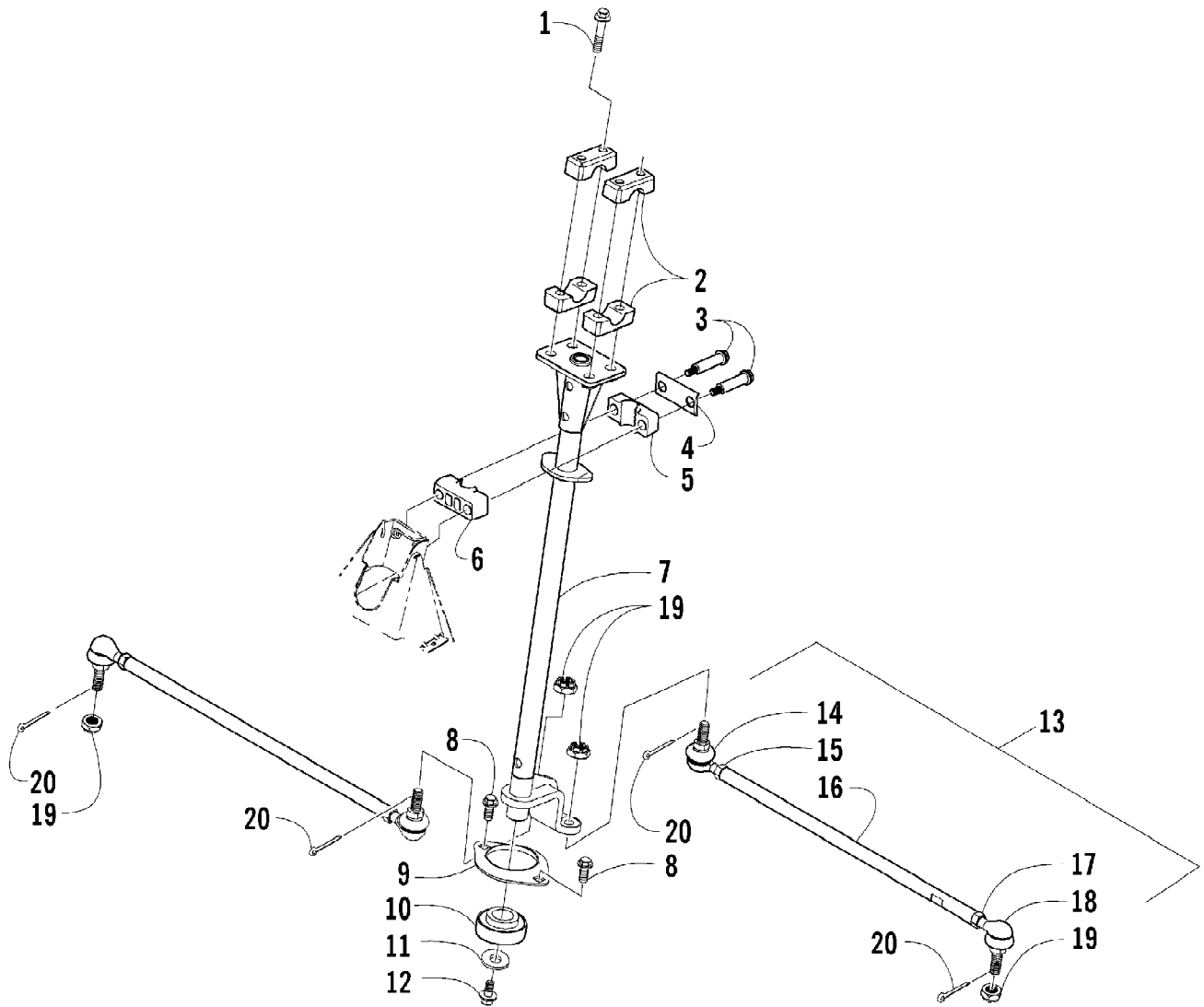
2005 ATV 500 AUTOMATIC TRANSMISSION 4X4 FIS LE RED (A2005IBM4BUS) Page 80 of 98
STARTER CLUTCH ASSEMBLY

Ref #	Part Number	Qty	S/P/F	Description
1	3402-813	1	/P	Gear, Starter Idler - No. 1
2	3423-331	1		Pin
3	3402-349	1		Gear, Starter Idler - No. 2
4	3423-396	1		Spacer, Starter Idler Gear No. 2
5	3423-397	1		Pin
6	3402-457	1		Clutch, Starter - Set (inc. 7)
7	3402-063	1		Bearing
8	3423-104	1		Washer
9	3402-509	6		Screw, Cap



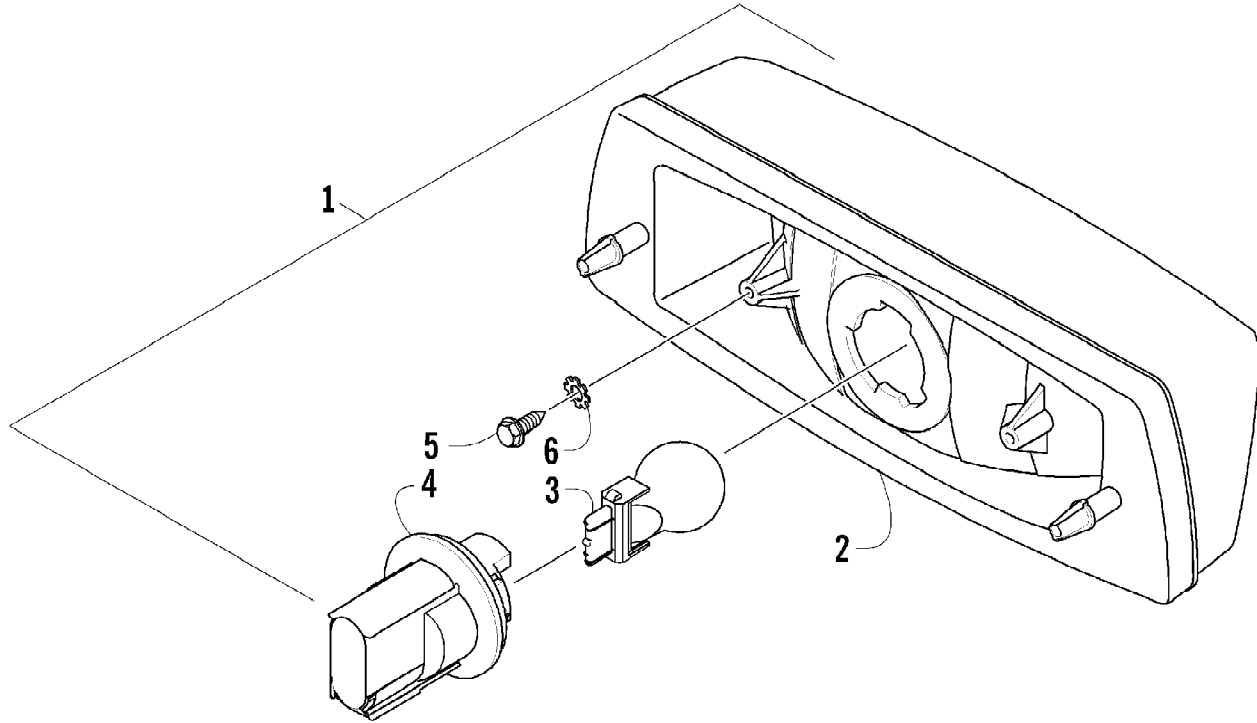
2005 ATV 500 AUTOMATIC TRANSMISSION 4X4 FIS LE RED (A2005IBM4BUS) Page 82 of 98
STARTER MOTOR ASSEMBLY

Ref #	Part Number	Qty	S/P/F	Description
1	3545-015	1	S	Motor, Starter Assembly (inc. 2-9)
2	3008-094	1	/P	Terminal Set, Brush
3	3008-095	1	/P	Holder Set, Brush
4	3008-096	4		Spring, Brush
5	3008-164	1		O-Ring
6	3423-084	1		O-Ring
7	3436-001	1		Washer Set
8	3008-553	2	/P	O-Ring
9	3423-085	2		Through-Bolt
10	3423-162	2	S	Screw, Cap
11	3423-195	1	/P	Nut



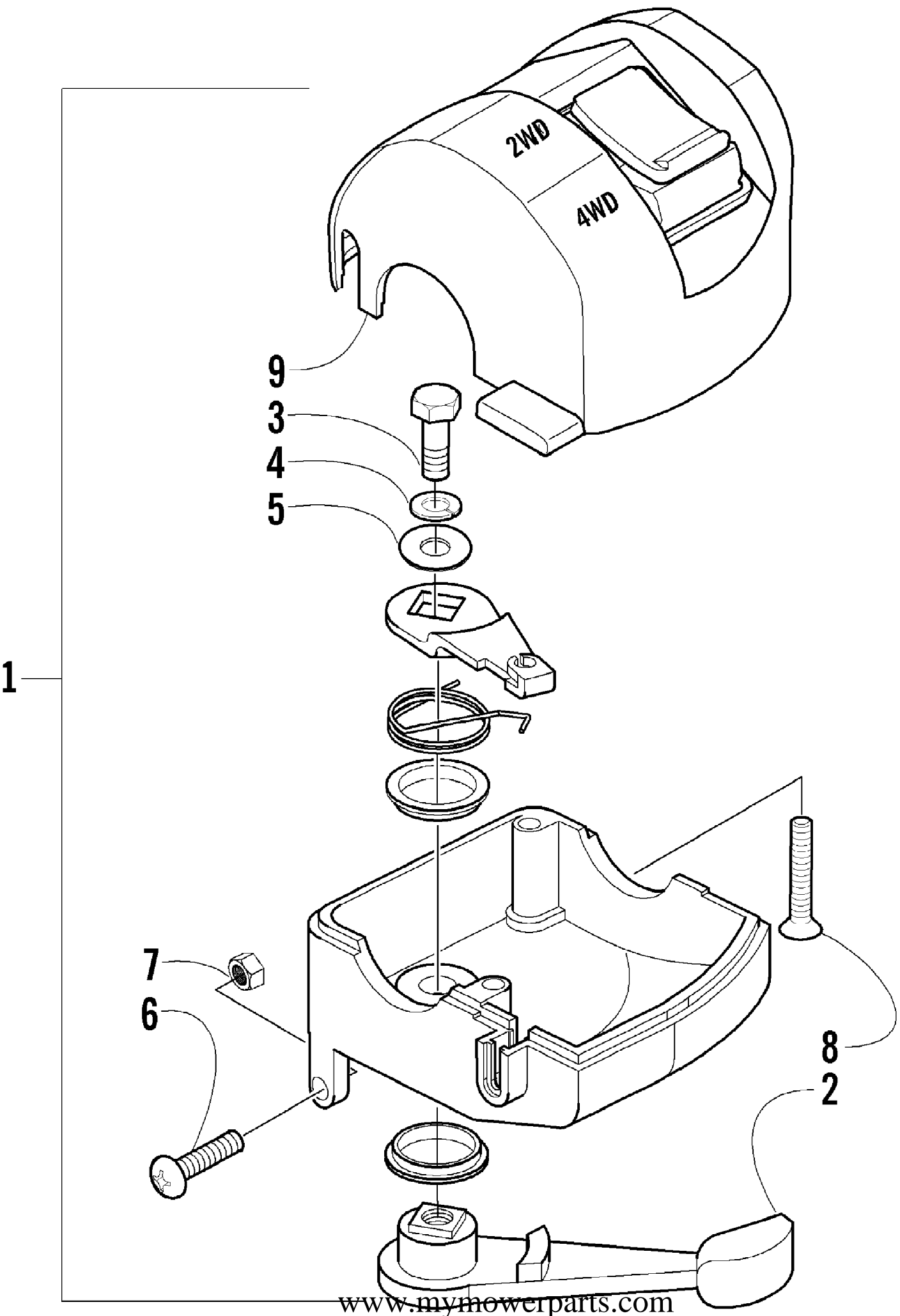
2005 ATV 500 AUTOMATIC TRANSMISSION 4X4 FIS LE RED (A2005IBM4BUS) Page 84 of 98
STEERING POST ASSEMBLY

Ref #	Part Number	Qty	S/P/F	Description
1	8408-860	4		Screw, Cap
2	0405-035	4		Cap, Steering Adjuster
3	0423-505	2		Screw, Shoulder
4	0405-166	1		Cap, Housing
5	0405-138	1		Housing, Lower
6	0405-139	1		Housing, Upper
7	0505-451	1	S	Post, Steering
8	8408-816	2		Screw, Cap
9	0602-233	1		Flange, Bearing
10	0405-052	1		Bearing w/Inverted Oil Seal
11	0423-073	1		Washer
12	8409-020	1	/P	Screw, Cap
13	0505-408	2	S	Tie Rod - Assembly (inc. 14-18)
14	0405-083	2	S	Ball Joint, Tie Rod - Left
15	0423-013	2		Nut - Left
16	0405-107	2	S	Tie Rod
17	8420-002	2	/P	Nut - Right
18	0405-082	2	S	Ball Joint, Tie Rod - Right
19	0423-157	4		Nut, Lock
20	0623-175	4		Pin, Cotter



2005 ATV 500 AUTOMATIC TRANSMISSION 4X4 FIS LE RED (A2005IBM4BUS) Page 86 of 98
TAILLIGHT ASSEMBLY

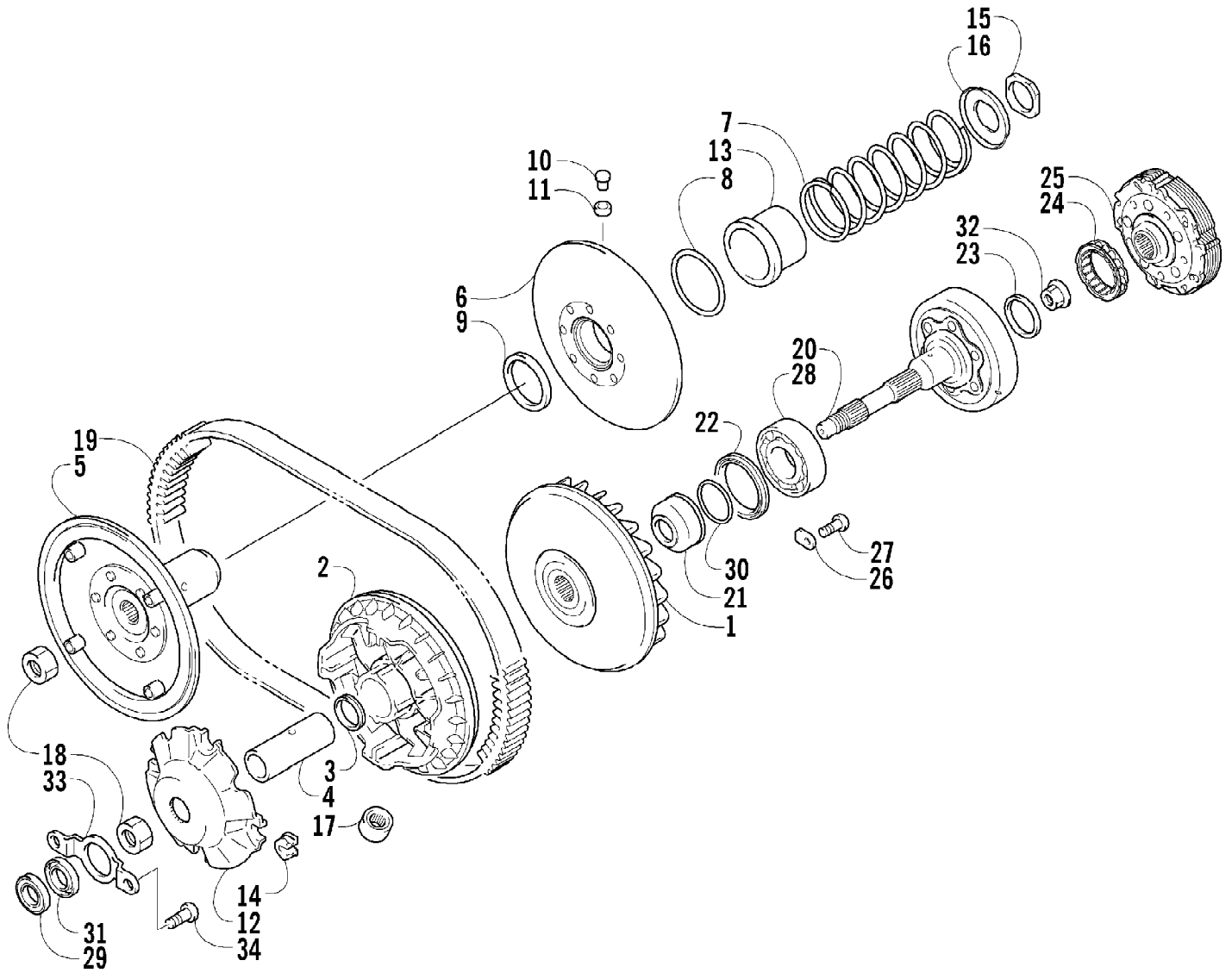
Ref #	Part Number	Qty	S/P/F	Description
1	0509-022	1		Taillight Assembly (inc. 2-4)
2	0509-025	1		Housing, Taillight
3	0409-056	1		Bulb, Taillight
4	0409-057	1		Socket, Taillight
5	0623-301	2	/P	Screw, Self-Tapping
6	8053-212	2	/P	Washer, Lock - External Tooth



2005 ATV 500 AUTOMATIC TRANSMISSION 4X4 FIS LE RED (A2005IBM4BUS) Page 88 of 98
THROTTLE CASE ASSEMBLY

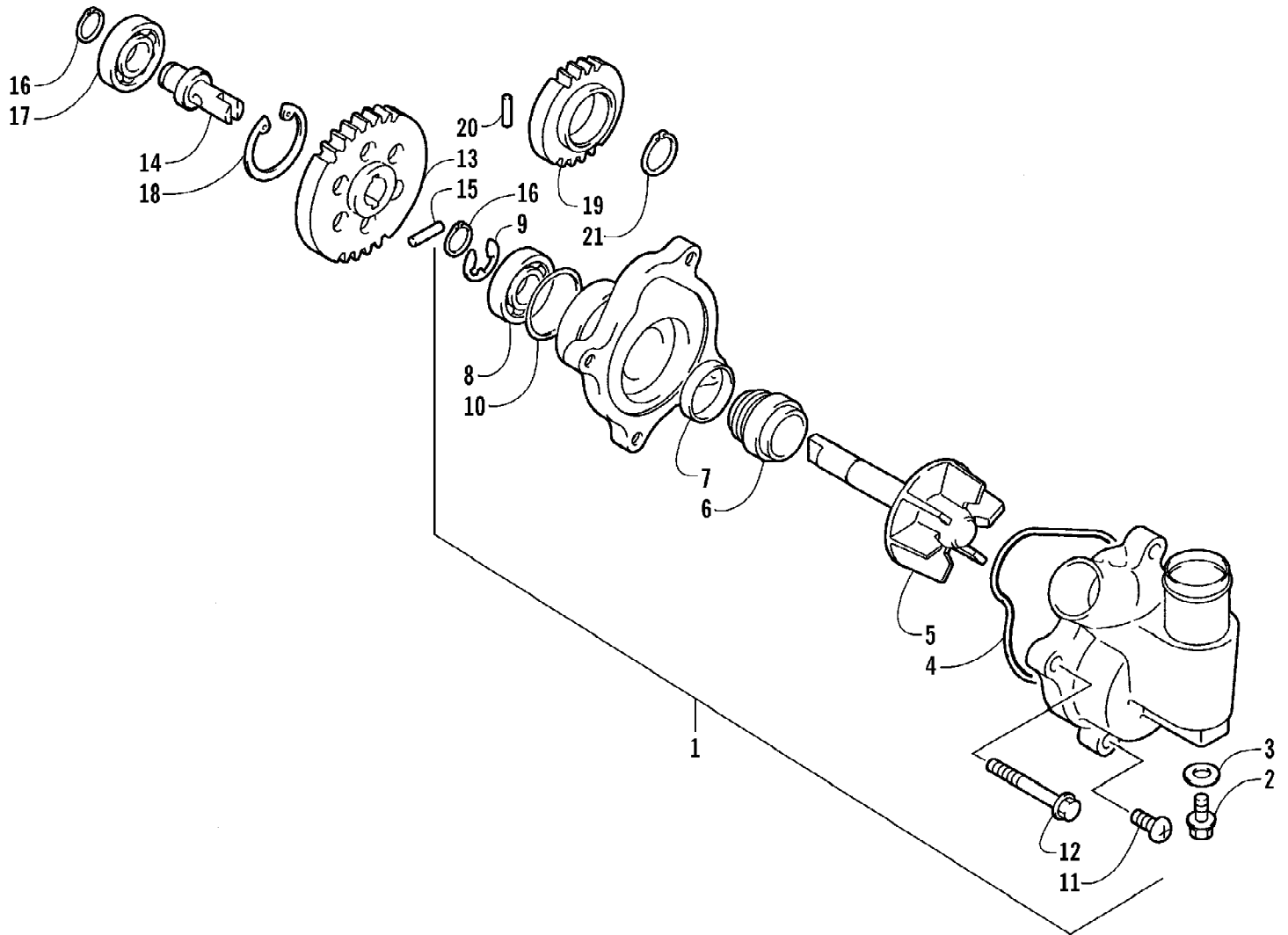
Ref #	Part Number	Qty	S/P/F	Description
1	0509-012	1		Case, Throttle - Assembly (inc. 2-9)
2	3409-001	1		Lever
3	3004-533	1	S/P	Screw, Cap
4	3004-447	1	/P	Washer, Lock
5	3003-030	1	/P	Washer
6	3423-014	1		Screw
7	3423-327	1		Nut
8	3423-199	2		Screw
9	0409-048	1		Cover, Throttle w/Switch

2005 ATV 500 AUTOMATIC TRANSMISSION 4X4 FIS LE RED (A2005IBM4BU) Page 89 of 98
TRANSMISSION ASSEMBLY



2005 ATV 500 AUTOMATIC TRANSMISSION 4X4 FIS LE RED (A20051BM4BUS) Page 90 of 98
TRANSMISSION ASSEMBLY

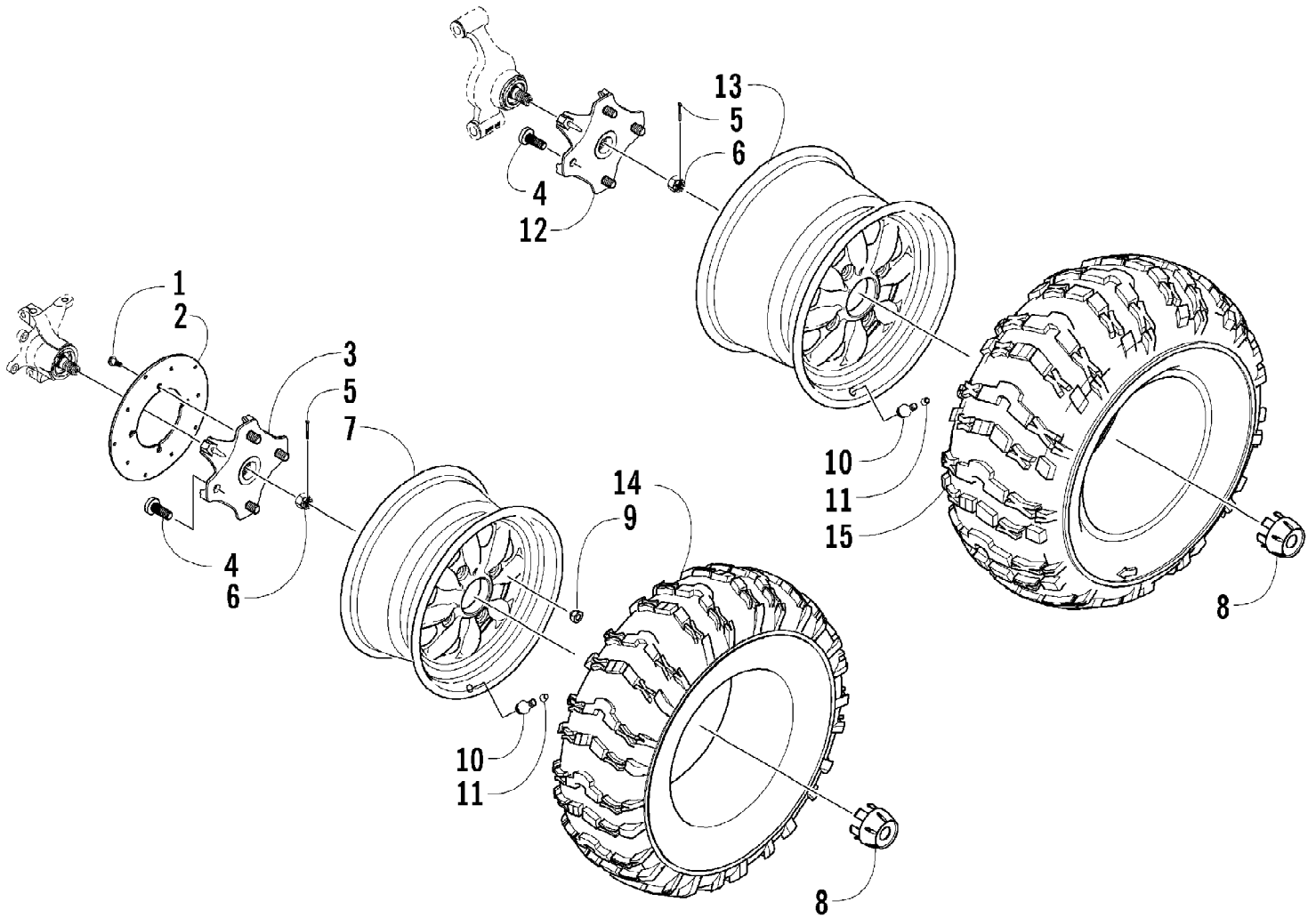
Ref #	Part Number	Qty	S/P/F	Description
1	3402-750	1		Face, Fixed Drive
2	3402-751	1		Face, Movable Drive
3	3402-470	2		Seal, Movable Drive Face
4	3402-471	1		Spacer, Movable Drive Face
5	3402-752	1		Face, Fixed Driven
6	3402-753	1		Face, Movable Driven
7	3402-754	1	S	Spring, Movable Driven Face
8	3402-475	2		O-Ring, Movable Driven Face
9	3402-476	2		Seal, Movable Driven Face
10	3402-477	4		Pin, Movable Driven Face
11	3402-478	4		Spacer, Movable Driven Face
12	3402-755	1	/P	Plate, Movable Drive Face
13	3402-756	1		Sleeve, Movable Driven Face
14	3402-481	4		Damper, Movable Drive Face
15	3423-406	1		Nut, Driven Pulley
16	3402-482	1		Holder, Movable Driven Face Spring
17	3402-483	8		Roller, Movable Drive Face
18	3423-514	2		Nut
19	3402-757	1		V-Belt
20	3402-758	1	/P	Housing, Clutch
21	3402-544	1	/P	Spacer, Fixed Drive Face
22	3402-695	1	S	Seal, Clutch Housing - Center
23	3402-488	1		Seal, Clutch Housing - Left
24	3446-003	1		Clutch, One-Way
25	3402-760	1		Shoe, Clutch - Assembly
26	3446-031	2	/P	Retainer, Bearing
27	3423-435	2		Screw, Bearing Retainer
28	3402-567	1		Bearing
29	3402-759	1	S	Bearing
30	3423-353	1	/P	O-Ring
31	3402-761	2		Seal, Clutch Housing - Right
32	3423-501	1		Nut
33	3402-730	1		Retainer, Bearing
34	3423-018	2		Screw



2005 ATV 500 AUTOMATIC TRANSMISSION 4X4 FIS LE RED (A2005IBM4BUS) Page 92 of 98
WATER PUMP ASSEMBLY

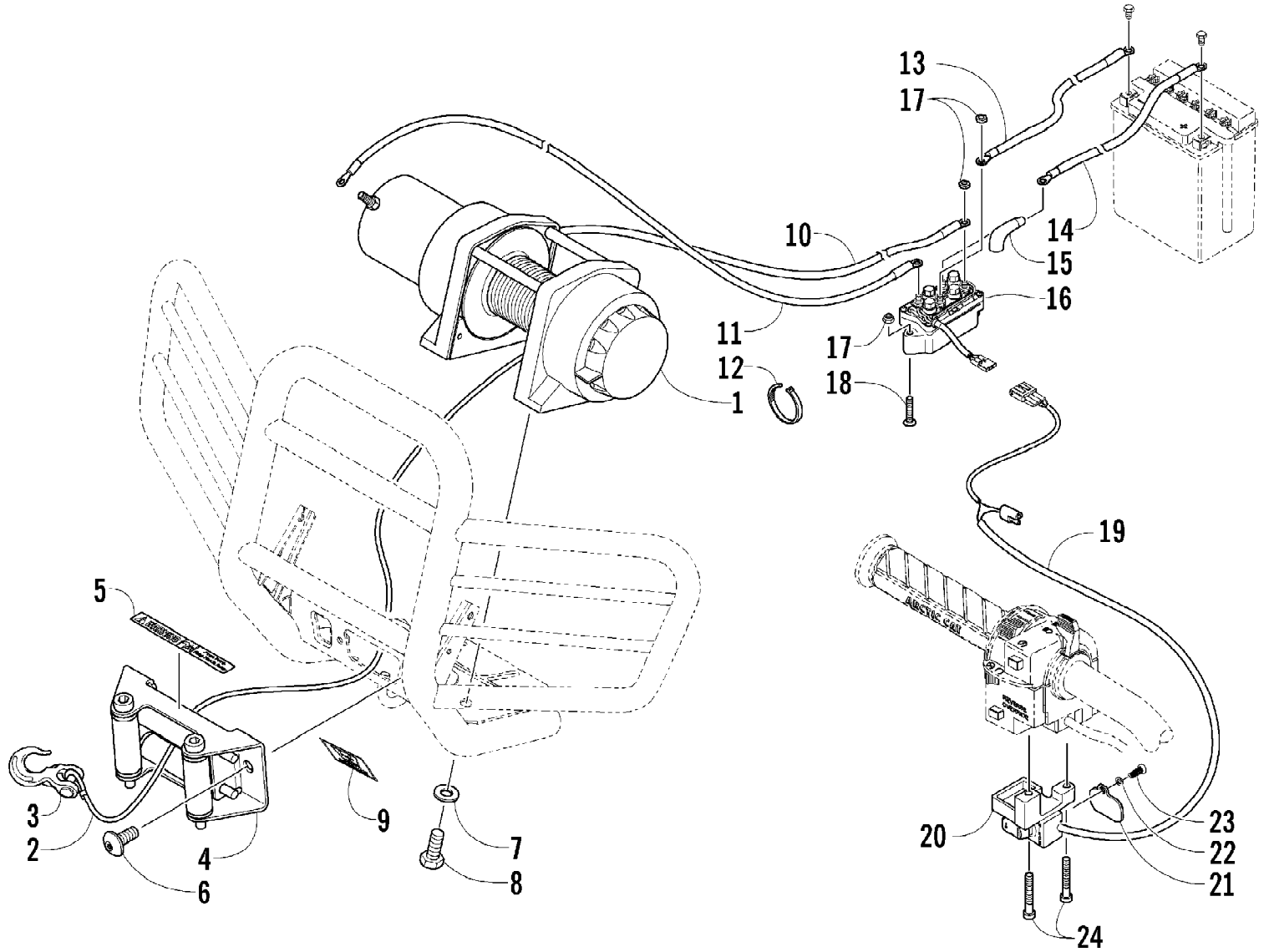
Ref #	Part Number	Qty	S/P/F	Description
1	3402-464	1	/P	Pump, Water - Assembly (inc. 2-11)
2	3423-343	1		Screw, Cap
3	3003-188	1	S/P	Gasket
4	3423-402	1		O-Ring
5	3413-014	1		Impeller/Shaft
6	3005-909	1	/P	Seal, Mechanical
7	3402-465	1		Seal, Oil
8	3003-615	1	/P	Bearing
9	3423-403	1	S	E-Ring
10	3423-404	1		O-Ring
11	3003-484	2	S/P	Screw
12	3423-308	2	S	Screw, Cap
13	3402-026	1		Gear, Driven
14	3402-466	1		Shaft, Driven Gear
15	3423-046	1		Pin, Driven Gear
16	3423-184	2	S	Circlip, Driven Gear
17	3402-467	1		Bearing, Shaft
18	3423-405	1		Circlip, Shaft Bearing
19	3402-390	1		Gear, Water Pump Drive
20	3423-110	1		Pin, Drive Gear
21	3423-189	1	S	Circlip, Drive Gear

2005 ATV 500 AUTOMATIC TRANSMISSION 4X4 FIS LE RED (A20051BM4BU) Page 93 of 98
WHEEL AND TIRE ASSEMBLY



2005 ATV 500 AUTOMATIC TRANSMISSION 4X4 FIS LE RED (A2005IBM4BUS) Page 94 of 98
WHEEL AND TIRE ASSEMBLY

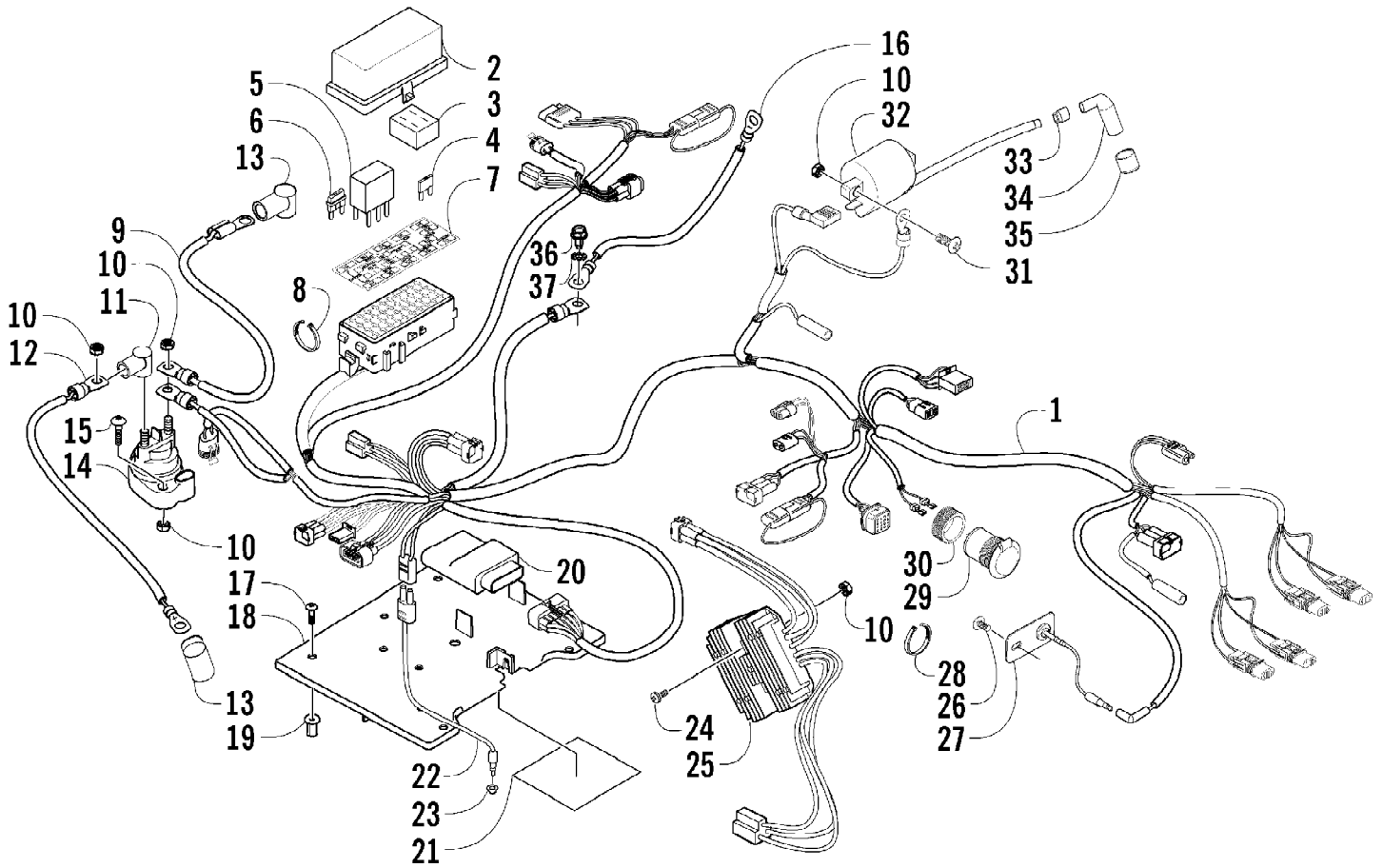
Ref #	Part Number	Qty	S/P/F	Description
1	0423-029	12		Screw, Machine
2	1402-225	3	S	Disc, Brake
3	0502-599	2	S	Hub, Wheel - Front (inc. 4)
4	0402-974	16	/P	Stud, Wheel Hub
5	0423-407	4		Pin, Cotter
6	0423-394	4		Nut, Castle
7	1402-286	2		Wheel - Front - Spoked (inc. two No. 8)
8	1402-325	4		Cap, Wheel
9	0423-556	16		Nut, Lug
10	0402-064	4		Stem, Valve (inc. 11)
11	0402-140	4		Cap, Valve Stem
12	0502-601	1	S	Hub, Wheel - Rear - Left (inc. 4)
12	0502-599	1	S	Hub, Wheel - Rear - Right (inc. 4)
13	1402-287	2		Wheel - Rear - Spoked (inc. two No. 8)
14	1402-100	2		Tire - Front
15	1402-137	2		Tire - Rear



2005 ATV 500 AUTOMATIC TRANSMISSION 4X4 FIS LE RED (A20051BM4BUS) Page 96 of 98
WINCH ASSEMBLY

Ref #	Part Number	Qty	S/P/F	Description
1	0441-490	1		Winch (inc. 2-3)
2	0441-061	1		Cable, Winch
3	1441-131	1	/P	Hook, Winch
4	0441-403	1	/P	Roller, Winch (inc. 5)
5	0411-474	1		Decal, Warning - Roller
6	8468-820	2		Screw, Machine
7	8051-246	4		Washer, Lock
8	1623-131	4		Screw, Cap
9	0411-433	1		Decal, Winch
10	1441-111	1		Cable, Winch/Solenoid - Yellow
11	1441-110	1		Cable, Winch/Solenoid - Blue
12	0123-788	AR	/P	Cable Tie - 7.5 in.
13	1441-112	1		Cable, Solenoid/Battery - Black
14	1441-113	1		Cable, Solenoid/Battery - Red
15	0441-060	6		Boot, Terminal
16	0409-066	1	/P	Solenoid (inc. 17-18)
17	0623-038	6		Nut w/Washer
18	8476-625	2		Screw, Machine
19	0409-065	1	S	Switch, Control
20	0409-034	1		Holder, Control Switch
21	0409-040	1	S	Cover, Switch
22	8051-212	1	/P	Washer
23	0423-382	1		Screw, Machine
24	8464-560	2		Screw, Machine

2005 ATV 500 AUTOMATIC TRANSMISSION 4X4 FIS LE RED (A2005IBM4BUS) Page 97 of 98
WIRING HARNESS ASSEMBLY



2005 ATV 500 AUTOMATIC TRANSMISSION 4X4 FIS LE RED (A2005IBM4BUS) Page 98 of 98
WIRING HARNESS ASSEMBLY

Ref #	Part Number	Qty	S/P/F	Description
1	0486-158	1		Harness, Main (inc. 2-7 and two No. 8)
2	0530-008	1		Cover, Fuse Block
3	0430-037	1		Holder, Fuse
4	0430-034	3		Diode
5	0430-033	3	F	Relay
6	0430-032	4		Fuse - 10 Amp
6	0430-031	3		Fuse - 15 Amp
6	0430-030	2		Fuse - 30 Amp
7	0411-828	1		Decal, Fuse Block
8	0123-788	AR	/P	Cable Tie - 7.5 in.
9	0445-044	1	S	Cable, Solenoid/Starter
10	0623-038	7		Nut w/Washer
11	0645-327	1		Boot, Terminal
12	0445-046	1	S	Cable, Battery/Solenoid (inc. one No. 13)
13	0645-019	2		Boot, Terminal
14	0445-036	1	S	Solenoid
15	8476-625	2		Screw, Machine
16	0445-045	1	S	Cable, Battery/Ground
17	0623-121	4		Screw, Machine
18	1406-600	1		Tray, Electrical
19	0123-010	4	/P	Nut, Expansion
20	3530-039	1		CDI Unit
21	0412-291	1		Shield, Heat
22	0409-009	1		Switch, Brake - Assembly
23	0402-991	1		Retainer, Switch
24	8476-630	2		Screw, Machine
25	3530-028	1	S	Regulator, Voltage
26	8476-616	1		Screw, Machine
27	0509-011	1	S	Diode Assembly
28	0123-903	AR		Cable Tie - 11.5 in.
29	0445-022	1	S	Receptacle, 12V (inc. 30)
30	0445-034	1		Nut, Retainer
31	8476-620	1		Screw, Machine
32	3530-027	1		Coil, Ignition - Assembly
33	3430-009	1	/P	Seal, High Tension Wire
34	3430-007	1	/P	Cap, Spark Plug
35	3430-008	1	/P	Seal, Spark Plug
36	0623-966	1		Screw, Self-Tapping
37	8053-212	1	/P	Washer, Lock - External Tooth