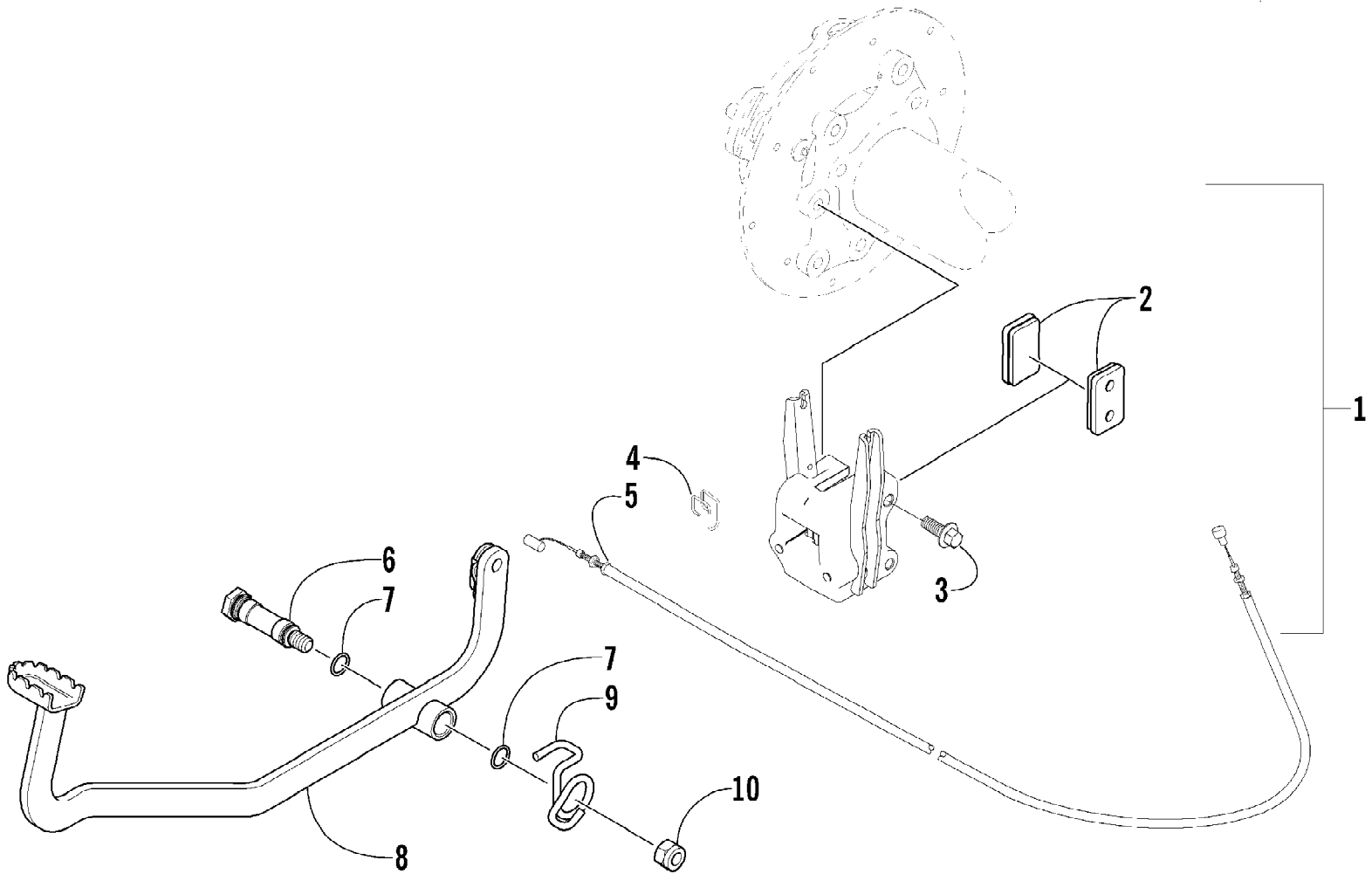
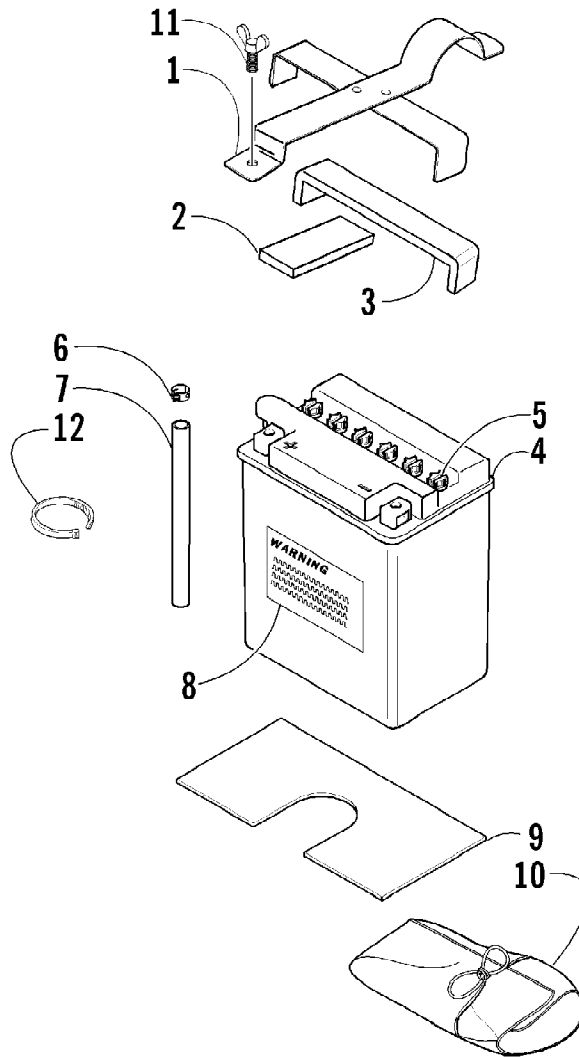


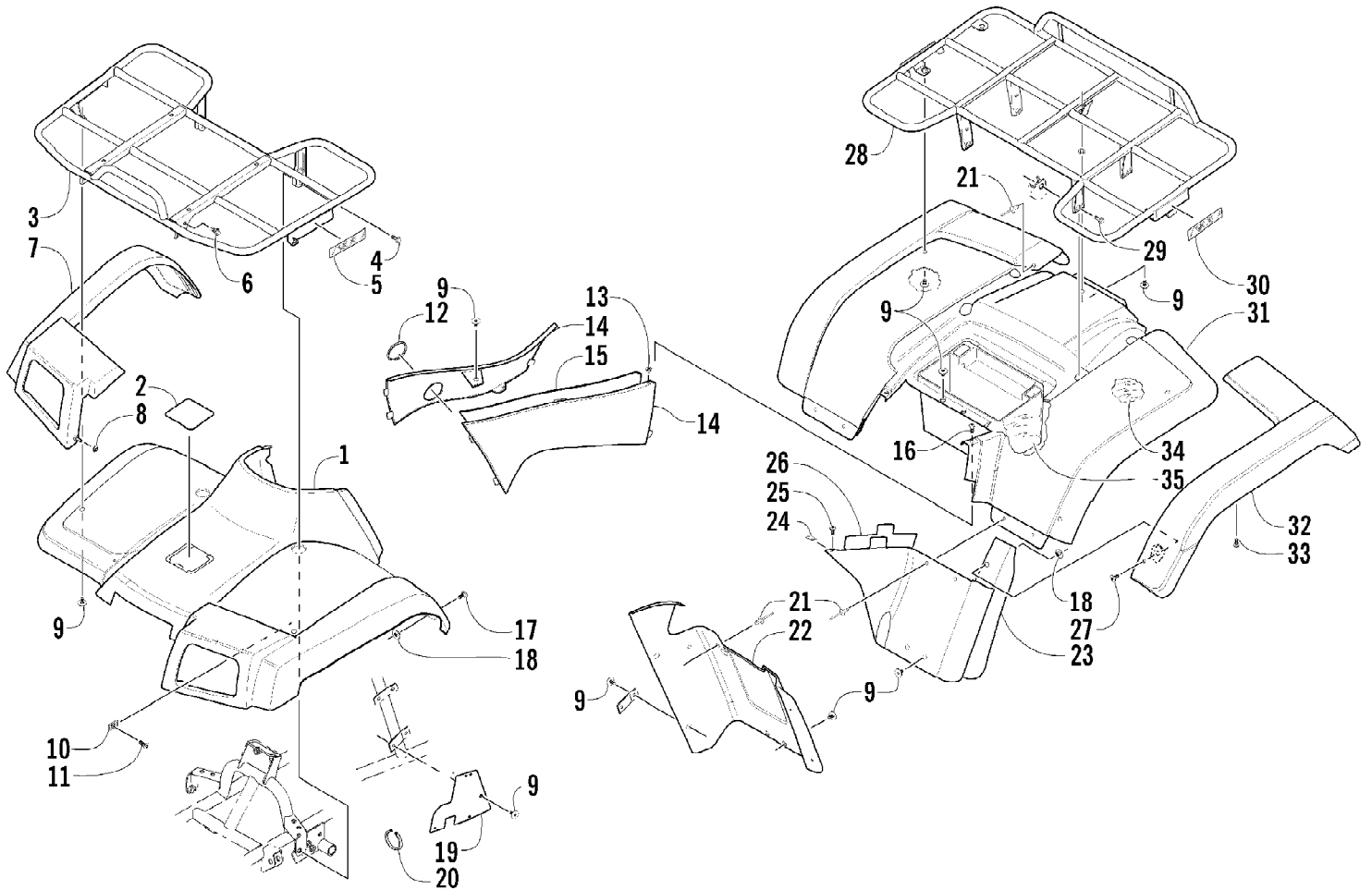
| Ref # | Part Number | Qty | S/P/F | Description                |
|-------|-------------|-----|-------|----------------------------|
| 1     | 0423-019    | 2   |       | Clamp                      |
| 2     | 0470-467    | 1   |       | Boot, Air Intake           |
| 3     | 0423-018    | 1   |       | Clamp                      |
| 4     | 0470-446    | 1   | /P    | Housing, Air Intake        |
| 5     | 0470-391    | 1   | /P    | Filter, Air                |
| 6     | 0470-343    | 1   |       | Gasket                     |
| 7     | 0470-383    | 1   | /P    | Snorkel                    |
| 8     | 0470-307    | 4   |       | Clamp                      |
| 9     | 0423-037    | 4   |       | Spring                     |
| 10    | 0623-121    | 4   |       | Screw, Machine             |
| 11    | 0123-010    | 4   | /P    | Nut, Expansion             |
| 12    | 0470-351    | 2   |       | Support, Air Intake Flange |
| 13    | 0412-141    | 1   |       | Shield, Heat               |
| 14    | 0470-442    | 1   | /P    | Valve, Drain               |
| 15    | 0623-101    | 1   |       | Clip, Retaining            |
| 16    | 1673-272    | 1   | /P    | Cap, Drain Tube            |
| 17    | 0423-047    | 1   |       | Clamp, Hose                |
| 18    | 0423-045    | 2   |       | Clamp, Hose                |
| 19    | 0410-045    | 1   |       | Hose, Crankcase Vent       |



| Ref # | Part Number | Qty | S/P/F | Description                       |
|-------|-------------|-----|-------|-----------------------------------|
| 1     | 0502-372    | 1   | /P    | Auxiliary Brake Assembly (inc. 2) |
| 2     | 0402-958    | 2   | /P    | Pad, Brake                        |
| 3     | 8408-820    | 2   | /P    | Screw, Cap                        |
| 4     | 0402-379    | 1   |       | Wire Form, Cable                  |
| 5     | 0487-006    | 1   |       | Cable, Brake - Rear               |
| 6     | 0402-872    | 1   |       | Axle, Brake Lever                 |
| 7     | 0423-096    | 2   |       | O-Ring                            |
| 8     | 0502-252    | 1   |       | Lever, Brake                      |
| 9     | 0502-395    | 1   | /P    | Spring, Brake Lever               |
| 10    | 8422-002    | 1   |       | Nut                               |

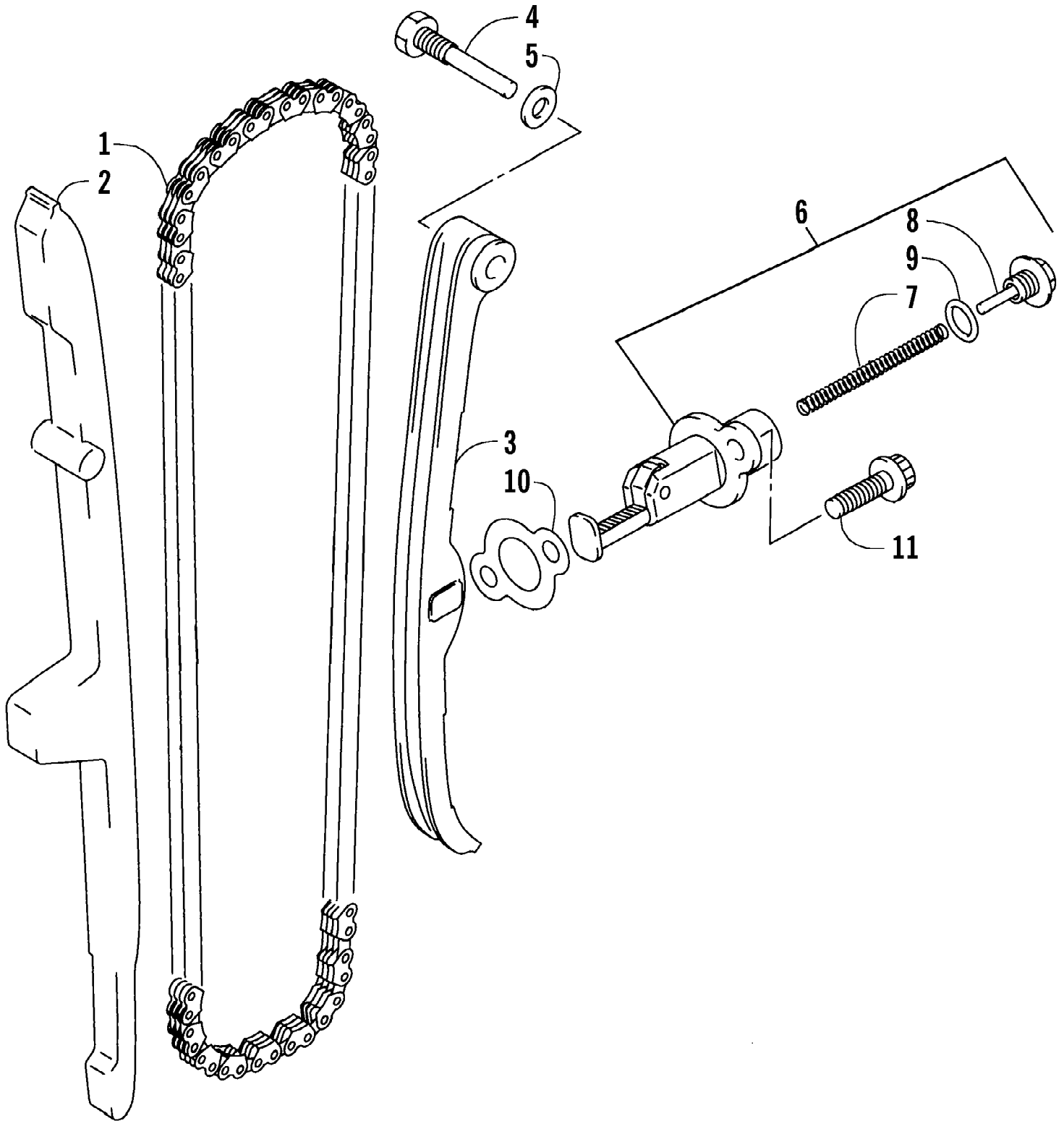


| Ref # | Part Number | Qty | S/P/F | Description                      |
|-------|-------------|-----|-------|----------------------------------|
| 1     | 0506-178    | 1   |       | Strap, Battery w/Pads (inc. 2-3) |
| 2     | 0406-288    | 1   |       | Pad, Battery - Upper Front       |
| 3     | 0406-289    | 1   |       | Pad, Battery - Upper Rear        |
| 4     | 0745-045    | 1   | /P    | Battery Assembly (inc. 5-8)      |
| 5     | 0645-045    | 6   |       | Cap, Battery                     |
| 6     | 0645-152    | 1   |       | Clamp, Hose                      |
| 7     | 0645-263    | 1   | /P    | Hose, Battery Vent               |
| 8     | 0645-151    | 1   |       | Label, Warning - Battery         |
| 9     | 0406-227    | 1   |       | Pad, Battery - Lower             |
| 10    | 0444-122    | 1   | S/P   | Kit, Tool                        |
| 11    | 0423-456    | 1   | /P    | Screw, Thumb                     |
| 12    | 0123-903    | 2   |       | Cable Tie - 11.5 in.             |

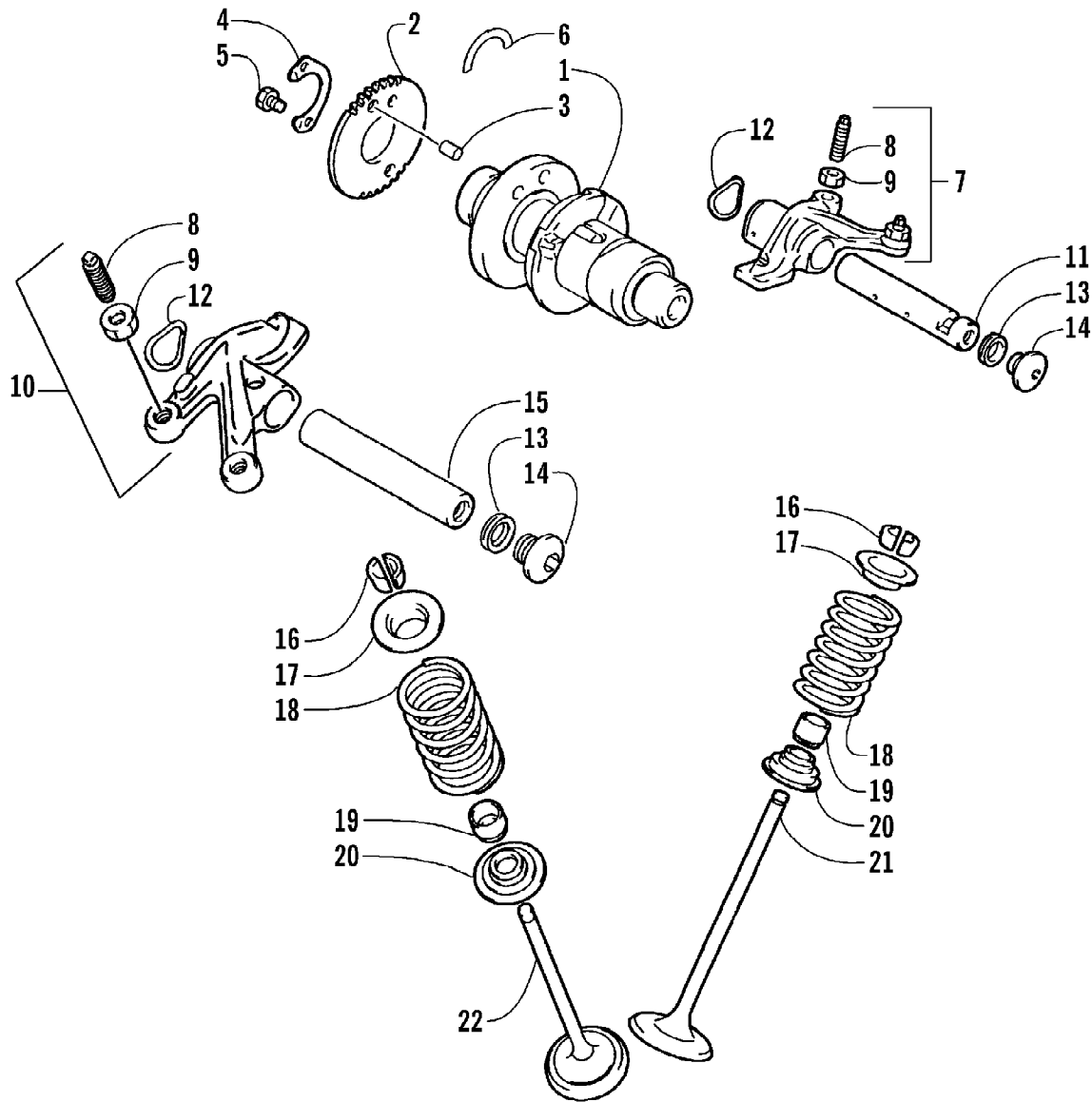


| Ref # | Part Number | Qty | S/P/F | Description                     |
|-------|-------------|-----|-------|---------------------------------|
| 1     | 0506-616    | 1   |       | Panel, Fender - Front (inc. 2)  |
| 2     | 1406-142    | 1   | /P    | Cover, Access                   |
| 3     | 0506-547    | 1   |       | Rack - Front                    |
| 4     | 8408-816    | 2   |       | Screw, Cap                      |
| 5     | 0411-646    | 2   |       | Decal, Reflector - Yellow       |
| 6     | 0423-360    | 2   |       | Screw, Cap                      |
| 7     | 0506-550    | 1   |       | Flare - Front - Right           |
| 7     | 0506-551    | 1   |       | Flare - Front - Left            |
| 8     | 0423-357    | 2   |       | Nut, Stamped                    |
| 9     | 0423-101    | AR  |       | Screw, Body                     |
| 10    | 0423-031    | 2   |       | Nut, Speed                      |
| 11    | 8477-616    | 2   |       | Screw, Machine                  |
| 12    | 0470-404    | 1   |       | Grommet, Fuel Shut-Off Valve    |
| 13    | 0123-010    | 2   | /P    | Nut, Expansion                  |
| 14    | 0506-548    | 1   |       | Panel, Side - Right             |
| 14    | 0506-243    | 1   |       | Panel, Side - Left              |
| 15    | 0412-142    | 1   |       | Shield, Heat                    |
| 16    | 0423-068    | 2   |       | Screw, Machine                  |
| 17    | 0423-356    | 2   |       | Screw, Shoulder                 |
| 18    | 0423-438    | 4   |       | T-Nut w/Teeth                   |
| 19    | 1406-006    | 2   |       | Panel, Fender - Inner           |
| 20    | 0123-788    | AR  | /P    | Cable Tie - 7.5 in.             |
| 21    | 0423-046    | 10  |       | Rivet, Plastic                  |
| 22    | 0406-939    | 1   | /P    | Panel, Kick - Right             |
| 22    | 0506-626    | 1   |       | Panel, Kick - Left              |
| 23    | 1506-350    | 1   |       | Fender Extension - Rear - Right |
| 23    | 0406-085    | 1   |       | Fender Extension - Rear - Left  |
| 24    | 0423-060    | 2   |       | Clip, Tinerman                  |
| 25    | 0623-309    | 2   |       | Screw, Self-Tapping             |
| 26    | 0412-140    | 1   |       | Shield, Heat                    |
| 27    | 0423-355    | 2   |       | Screw, Shoulder                 |
| 28    | 0506-821    | 1   | /P    | Rack - Rear                     |
| 29    | 8409-020    | 4   | /P    | Screw, Cap                      |
| 30    | 0411-647    | 2   |       | Decal, Reflector - Red          |
| 31    | 1506-520    | 1   | /P    | Panel, Fender - Rear            |
| 32    | 0506-552    | 1   |       | Flare, Rear - Right             |
| 32    | 0506-553    | 1   |       | Flare, Rear - Left              |
| 33    | 0423-342    | 12  | /P    | Screw, Self-Tapping             |
| 34    | 0412-124    | 1   |       | Shield, Heat                    |
| 35    | 0412-147    | 1   |       | Shield, Heat                    |

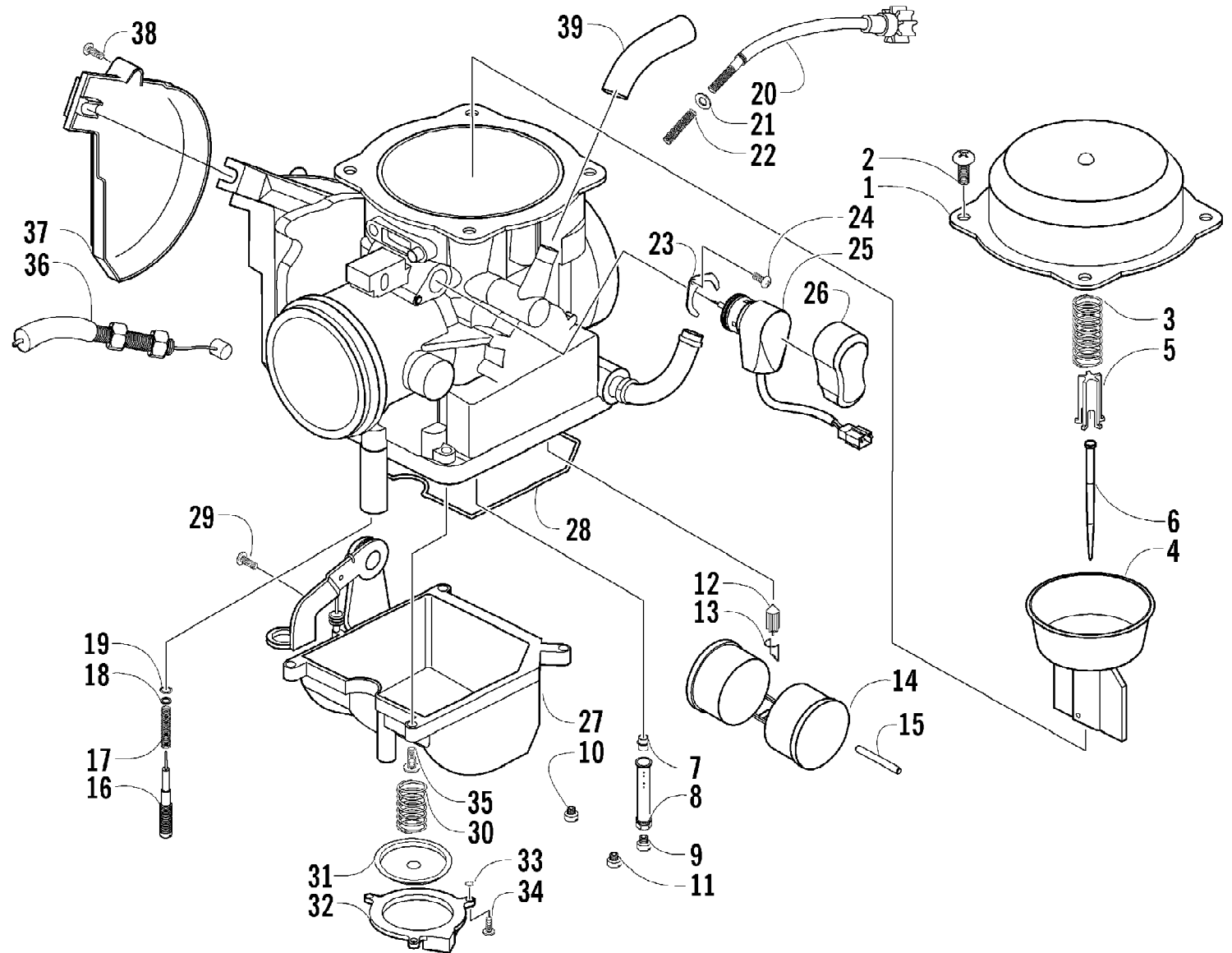




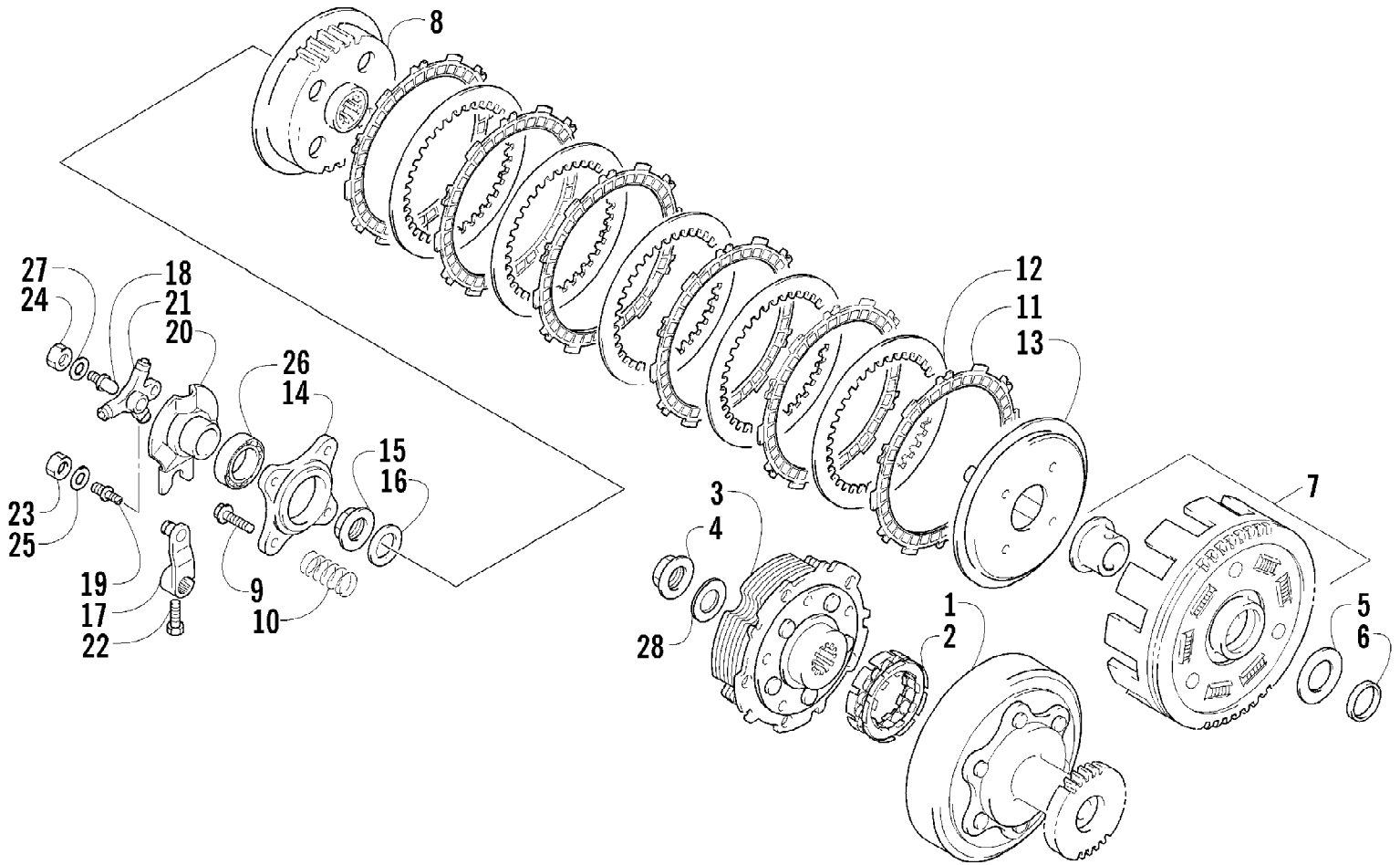
| Ref # | Part Number | Qty | S/P/F | Description                               |
|-------|-------------|-----|-------|---|
| 1     | 3402-281    | 1   |       | Chain, Cam                                |
| 2     | 3402-612    | 1   |       | Guide, Cam Chain                          |
| 3     | 3402-613    | 1   |       | Tensioner, Cam Chain                      |
| 4     | 3423-074    | 1   |       | Bolt                                      |
| 5     | 3402-436    | 1   | /P    | Washer                                    |
| 6     | 3402-614    | 1   |       | Adjuster, Tensioner - Assembly (inc. 7-9) |
| 7     | 3423-484    | 1   |       | Spring                                    |
| 8     | 3423-485    | 1   |       | Plug                                      |
| 9     | 3423-286    | 1   |       | O-Ring                                    |
| 10    | 3403-020    | 1   |       | Gasket, Adjuster                          |
| 11    | 3004-512    | 2   | S     | Bolt                                      |



| Ref # | Part Number | Qty | S/P/F | Description                                    |
|-------|-------------|-----|-------|--|
| 1     | 3402-989    | 1   | S     | Camshaft                                       |
| 2     | 3402-611    | 1   |       | Sprocket                                       |
| 3     | 3423-047    | 1   |       | Pin  |
| 4     | 3423-073    | 1   |       | Washer   |
| 5     | 3423-013    | 2   | S     | Bolt   |
| 6     | 3423-071    | 1   | /P    | C-Ring   |
| 7     | 3402-805    | 1   | /P    | Arm, Valve Rocker - Intake (inc. two No. 8-9)  |
| 8     | 3423-075    | 4   |       | Screw  |
| 9     | 3423-076    | 4   |       | Nut  |
| 10    | 3402-139    | 1   |       | Arm, Valve Rocker - Exhaust (inc. two No. 8-9) |
| 11    | 3402-140    | 1   |       | Shaft, Rocker Arm                              |
| 12    | 3423-031    | 2   |       | Washer   |
| 13    | 3402-012    | 2   |       | Gasket   |
| 14    | 3402-040    | 2   | /P    | Plug, Shaft                                    |
| 15    | 3402-141    | 1   |       | Shaft, Rocker Arm                              |
| 16    | 3402-147    | 8   |       | Cotter, Valve                                  |
| 17    | 3423-541    | 4   | /P    | Retainer, Spring                               |
| 18    | 3402-726    | 4   |       | Spring, Valve                                  |
| 19    | 3402-078    | 4   |       | Seal, Oil                                      |
| 20    | 3402-148    | 4   |       | Seat, Spring                                   |
| 21    | 3402-725    | 2   | /P    | Valve, Intake                                  |
| 22    | 3402-143    | 2   |       | Valve, Exhaust                                 |

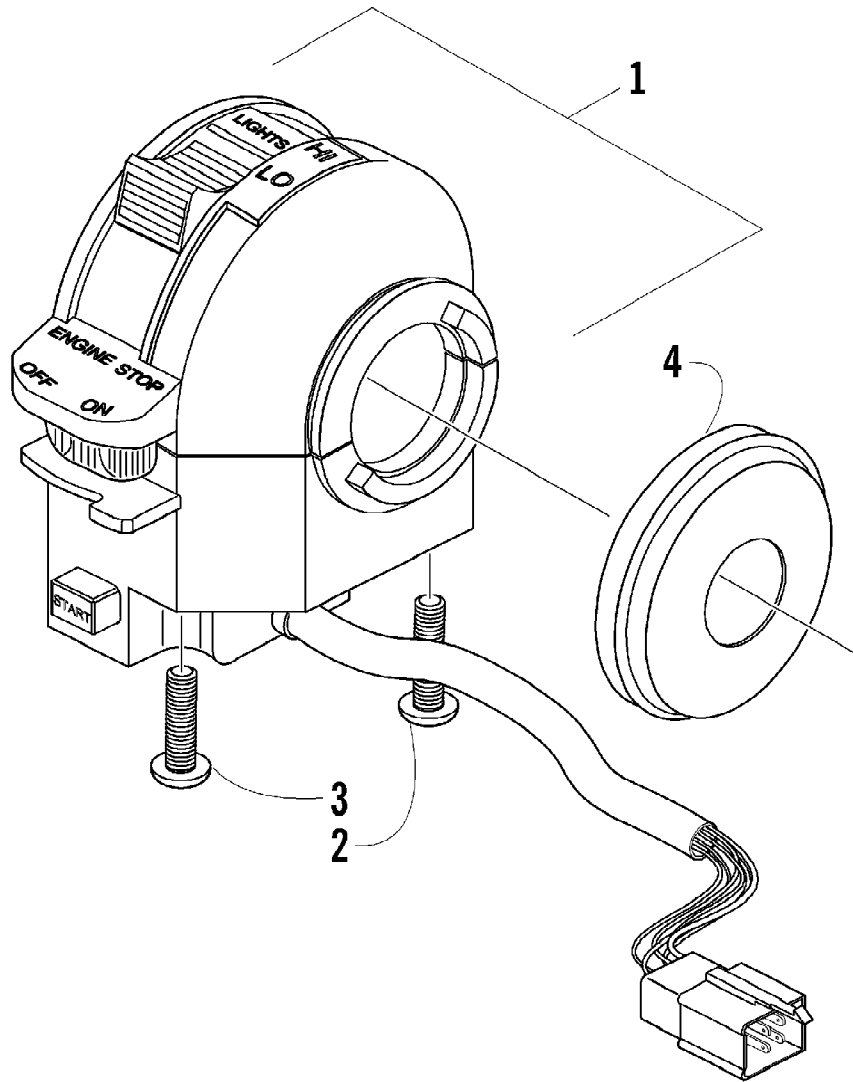


| Ref # | Part Number | Qty | S/P/F | Description                            |
|-------|-------------|-----|-------|--|
|       | 0470-470    | 1   |       | Carburetor Assembly                    |
| 1     | 5507-001    | 1   |       | Cover, Top                             |
| 2     | 5507-002    | 4   | /P    | Screw, Top Cover                       |
| 3     | 5507-085    | 1   | S     | Spring                                 |
| 4     | 5507-109    | 1   | S     | Piston, Vacuum                         |
| 5     | 5507-005    | 1   |       | Seat, Spring                           |
| 6     | 5507-110    | 1   |       | Jet Needle                             |
| 7     | 5507-007    | 1   |       | Needle Jet                             |
| 8     | 5507-047    | 1   | /P    | Holder, Needle Jet                     |
| 9     | 5507-043    | 1   |       | Main Jet - 142                         |
| 9     | 5507-009    | 1   | /P/F  | Main Jet - 150                         |
| 9     | 5507-041    | 1   | F     | Main Jet - 147                         |
| 9     | 5507-042    | 1   | /P/F  | Main Jet - 145                         |
| 9     | 5507-044    | 1   | F     | Main Jet - 140                         |
| 10    | 5507-010    | 1   | S     | Slow Jet - 38                          |
| 11    | 5507-097    | 1   | /P    | Starter Jet - 75                       |
| 12    | 5507-107    | 1   |       | Valve, Float - Set (inc. 13)           |
| 13    | 0           | 1   | F     | Clip                                   |
| 14    | 5507-039    | 1   |       | Float Set (inc. 15)                    |
| 15    | 0           | 1   | F     | Pin, Float                             |
| 16    | 5507-111    | 1   |       | Screw, Pilot Air - Set (inc. 17-19)    |
| 17    | 0           | 1   | F     | Spring                                 |
| 18    | 0           | 1   | F     | Washer                                 |
| 19    | 0           | 1   | F     | O-Ring                                 |
| 20    | 5507-027    | 1   |       | Screw, Idle Adjust                     |
| 21    | 5507-028    | 1   |       | Washer                                 |
| 22    | 5507-029    | 1   |       | Spring                                 |
| 23    | 5507-115    | 1   |       | Plate                                  |
| 24    | 5507-117    | 1   | /P    | Screw                                  |
| 25    | 5507-180    | 1   |       | Choke, Electric                        |
| 26    | 5507-114    | 1   |       | Cover, Electric Choke                  |
| 27    | 0           | 1   | F     | Chamber, Float - Assembly (inc. 28-34) |
| 28    | 5507-067    | 1   | /P    | O-Ring, Float Chamber                  |
| 29    | 5507-050    | 1   | /P    | Screw, Drain                           |
| 30    | 5507-032    | 1   |       | Spring                                 |
| 31    | 5507-031    | 1   | S     | Diaphragm Assembly                     |
| 32    | 0           | 1   | F     | Housing, Pump                          |
| 33    | 5507-034    | 1   |       | U-Ring                                 |
| 34    | 5507-035    | 3   |       | Screw                                  |
| 35    | 5507-017    | 4   | /P    | Screw                                  |
| 36    | 0487-021    | 1   | S     | Cable, Throttle                        |
| 37    | 5507-036    | 1   |       | Cover                                  |
| 38    | 5507-037    | 1   | /P    | Screw                                  |
| 39    | 0410-056    | 1   |       | Hose, Vent                             |

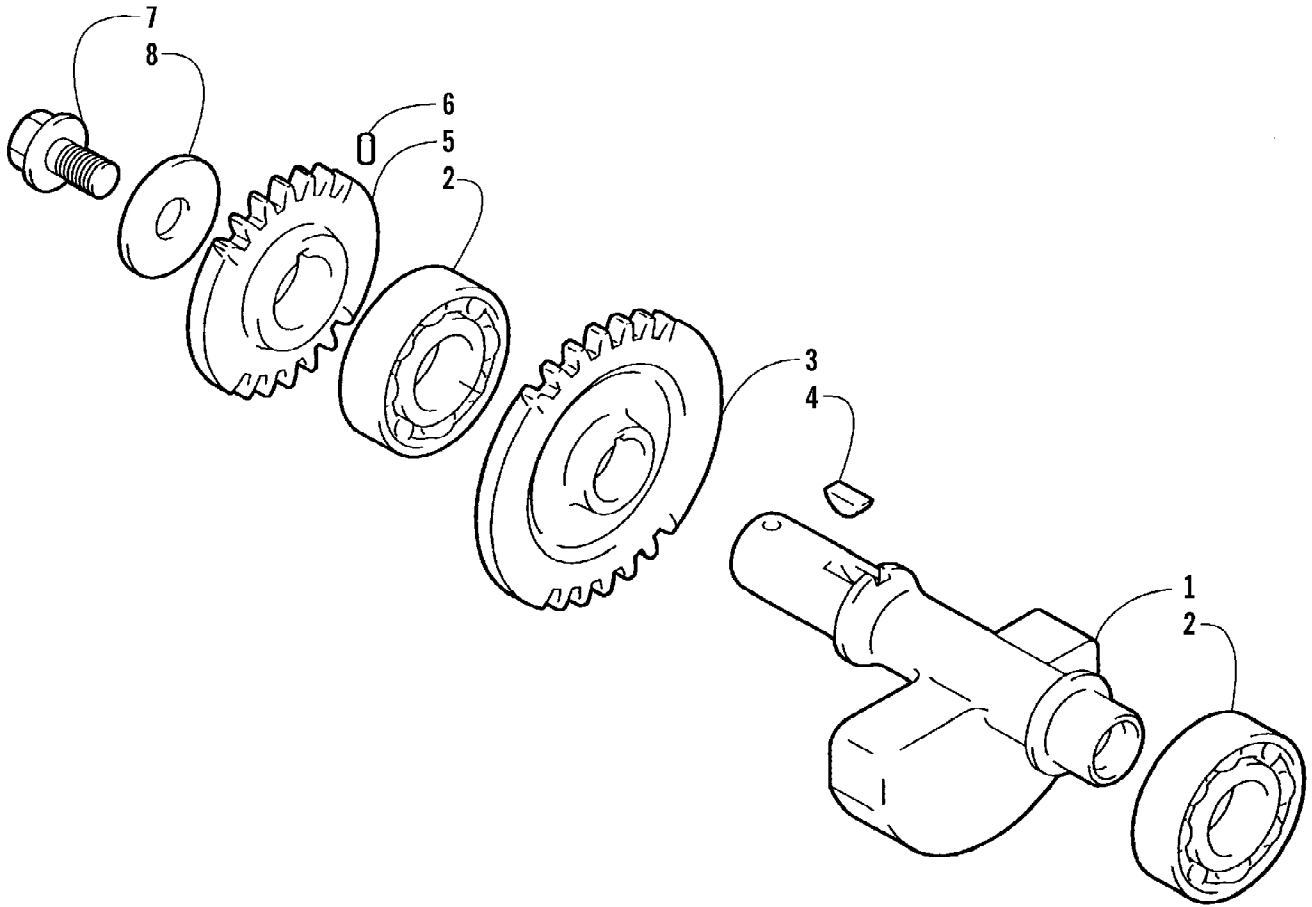


| Ref # | Part Number | Qty | S/P/F | Description                       |
|-------|-------------|-----|-------|-----------------------------------|
| 1     | 3446-352    | 1   | /P    | Housing, Starter Clutch           |
| 2     | 3446-003    | 1   |       | Clutch, Primary Drive One Way     |
| 3     | 3446-290    | 1   |       | Shoe, Starter Clutch              |
| 4     | 3423-409    | 1   |       | Nut, Starter Clutch Shoe          |
| 5     | 3423-515    | 1   |       | Washer, Primary Driven            |
| 6     | 3423-516    | 1   |       | Washer                            |
| 7     | 3446-291    | 1   |       | Gear, Primary Driven - Assembly   |
| 8     | 3446-004    | 1   |       | Hub, Clutch Sleeve                |
| 9     | 3423-330    | 4   |       | Screw, Cap - Clutch Spring        |
| 10    | 3423-517    | 4   |       | Spring, Clutch                    |
| 11    | 3446-006    | 6   |       | Plate, Clutch Drive               |
| 12    | 3446-007    | 5   |       | Plate, Clutch Driven              |
| 13    | 3446-008    | 1   |       | Disc, Clutch Pressure             |
| 14    | 3446-009    | 1   |       | Plate, Clutch Release             |
| 15    | 3423-080    | 1   |       | Nut, Clutch Sleeve Hub            |
| 16    | 3423-032    | 1   |       | Washer, Sleeve Hub                |
| 17    | 3446-292    | 1   |       | Arm, Clutch Release               |
| 18    | 3423-361    | 1   |       | Bolt, Clutch Release - No. 1      |
| 19    | 3423-083    | 1   |       | Bolt, Clutch Release - No. 2      |
| 20    | 3446-293    | 1   |       | Guide, Release Roller             |
| 21    | 3446-294    | 1   |       | Roller, Clutch Release - Assembly |
| 22    | 3423-125    | 1   | S     | Bolt, Clutch Release Arm          |
| 23    | 3008-014    | 1   |       | Nut, Clutch Release - No. 2       |
| 24    | 3423-359    | 1   |       | Nut, Clutch Release - No. 1       |
| 25    | 3423-027    | 1   |       | Washer, Clutch Release - No. 2    |
| 26    | 3402-186    | 1   | /P    | Bearing, Clutch                   |
| 27    | 3423-360    | 1   |       | Washer, Clutch Release - No. 1    |

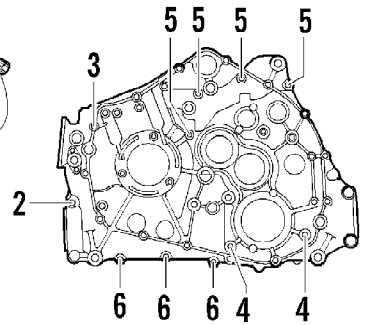
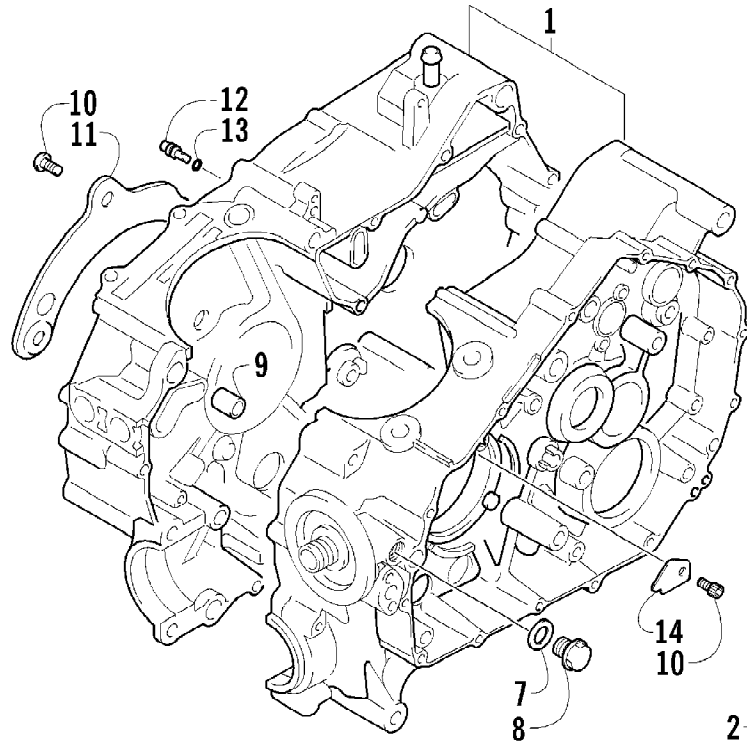
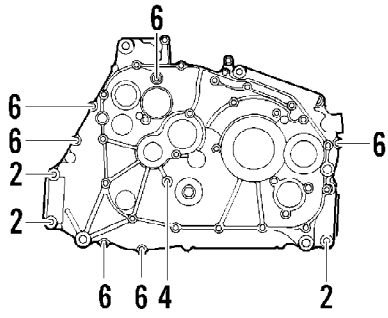




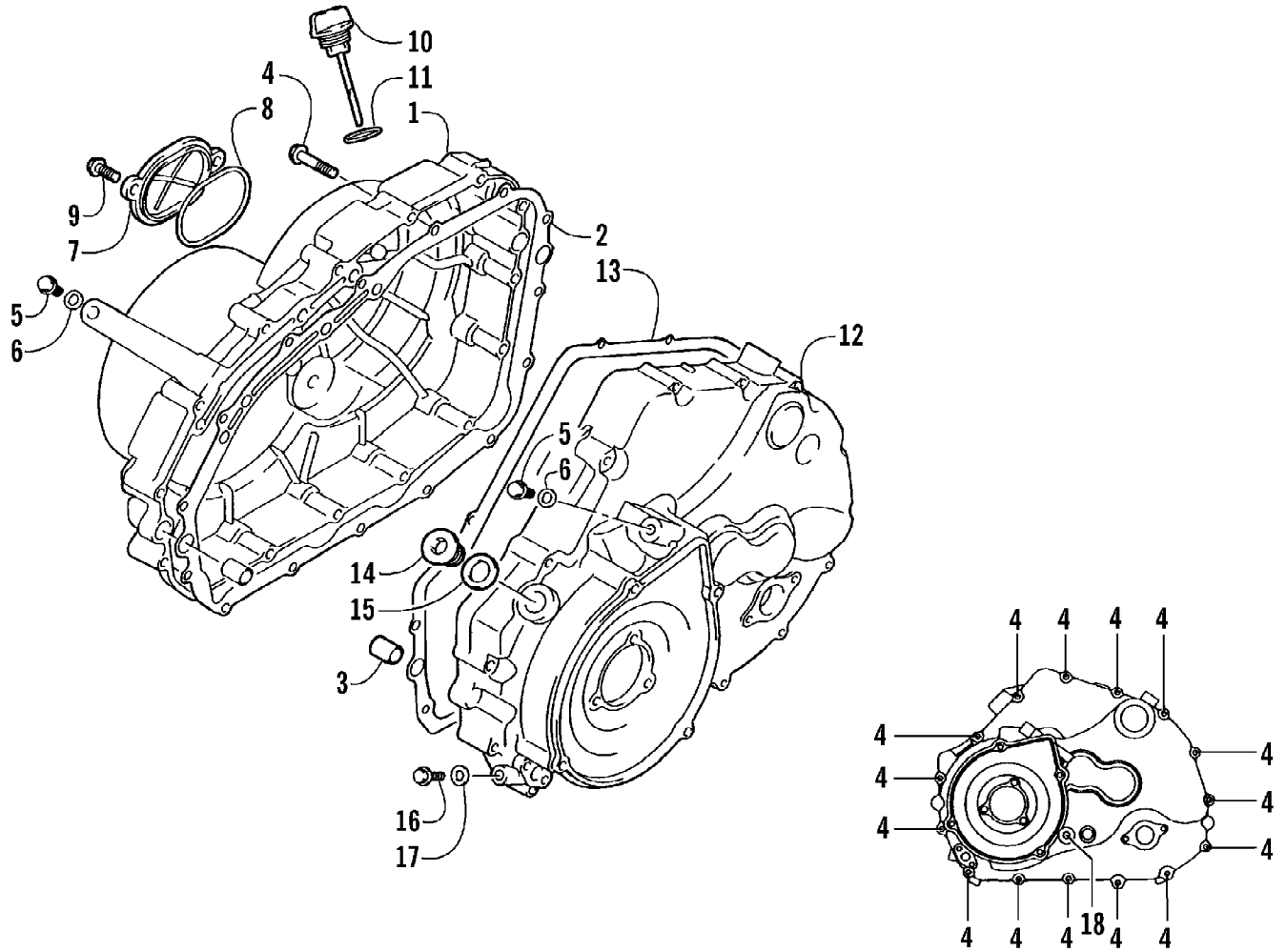
| Ref # | Part Number | Qty | S/P/F | Description                           |
|-------|-------------|-----|-------|---------------------------------------|
| 1     | 0509-013    | 1   |       | Switch, Control - Assembly (inc. 2-3) |
| 2     | 3423-197    | 1   |       | Screw, Machine                        |
| 3     | 3423-196    | 1   |       | Screw, Machine                        |
| 4     | 3409-019    | 1   |       | Cover, Switch Housing                 |



| Ref # | Part Number | Qty | S/P/F | Description          |
|-------|-------------|-----|-------|----------------------|
| 1     | 3402-605    | 1   |       | Balancer, Crank      |
| 2     | 3402-553    | 2   | /P    | Bearing              |
| 3     | 3402-772    | 1   |       | Gear, Driven - No. 1 |
| 4     | 3004-540    | 1   | /P    | Key                  |
| 5     | 3402-617    | 1   |       | Gear, Oil Pump Drive |
| 6     | 3423-110    | 1   |       | Pin, Drive Gear      |
| 7     | 3423-555    | 1   |       | Bolt, Drive Gear     |
| 8     | 3423-401    | 1   |       | Washer, Drive Gear   |

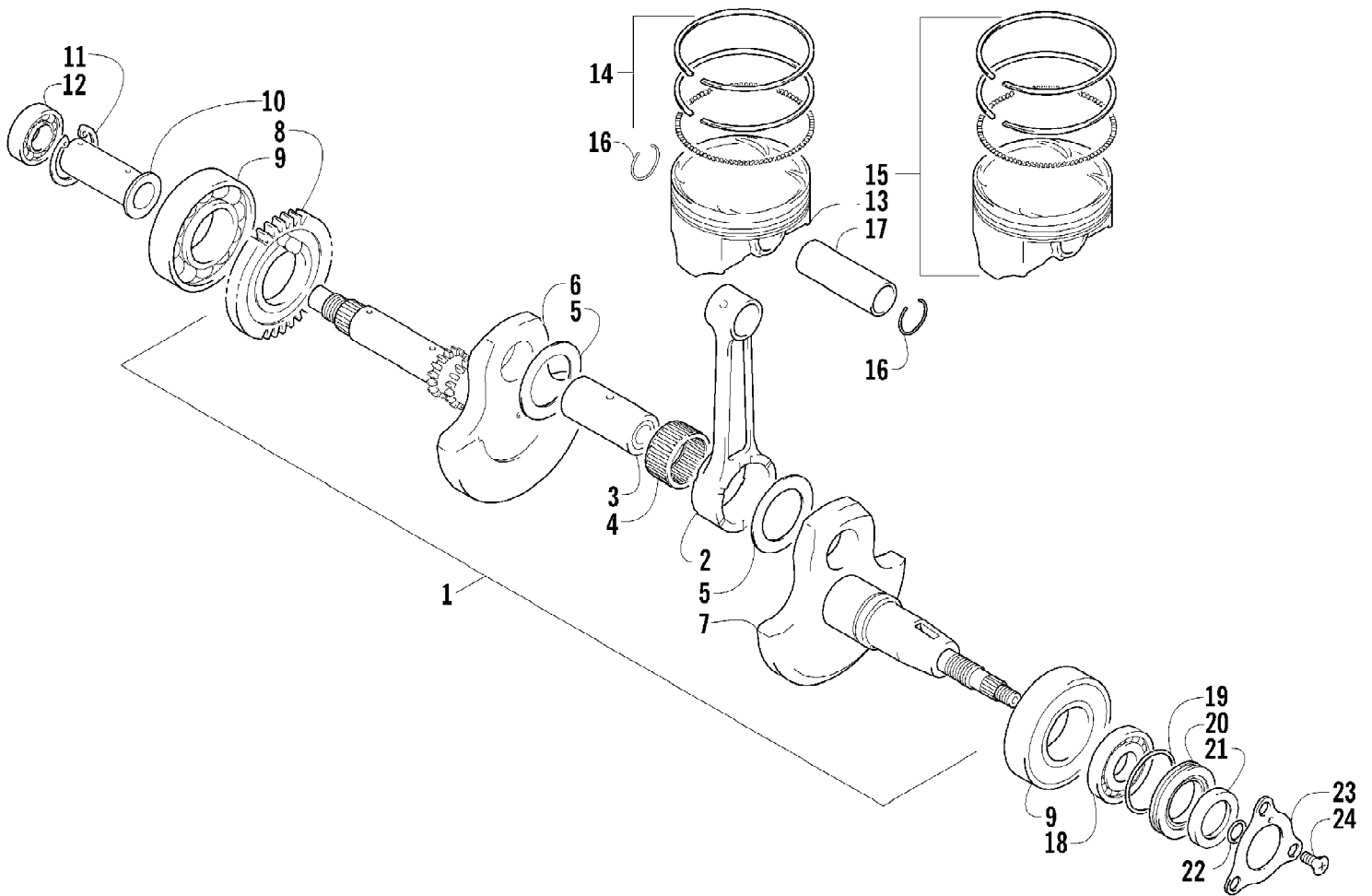


| Ref # | Part Number | Qty | S/P/F | Description                    |
|-------|-------------|-----|-------|--------------------------------|
| 1     | 3402-763    | 1   |       | Crankcase Assembly (inc. 2-9)  |
| 2     | 3004-880    | 4   |       | Bolt                           |
| 3     | 3005-332    | 1   |       | Bolt                           |
| 4     | 3005-410    | 3   |       | Bolt                           |
| 5     | 3423-097    | 4   |       | Bolt                           |
| 6     | 3423-091    | 8   | S     | Bolt                           |
| 7     | 3402-012    | 1   |       | Gasket, Oil Pressure Plug      |
| 8     | 3402-214    | 1   |       | Plug, Oil Pressure             |
| 9     | 3423-088    | 2   |       | Pin, Dowel                     |
| 10    | 3004-552    | 4   | S     | Screw, Oil Guide Plate - Right |
| 11    | 3402-764    | 1   |       | Plate, Oil Guide - Right       |
| 12    | 3402-691    | 1   |       | Jet, Oil Gallery               |
| 13    | 3423-051    | 1   |       | O-Ring, Oil Gallery Jet        |
| 14    | 3402-582    | 1   |       | Plate, Oil Guide - Left        |

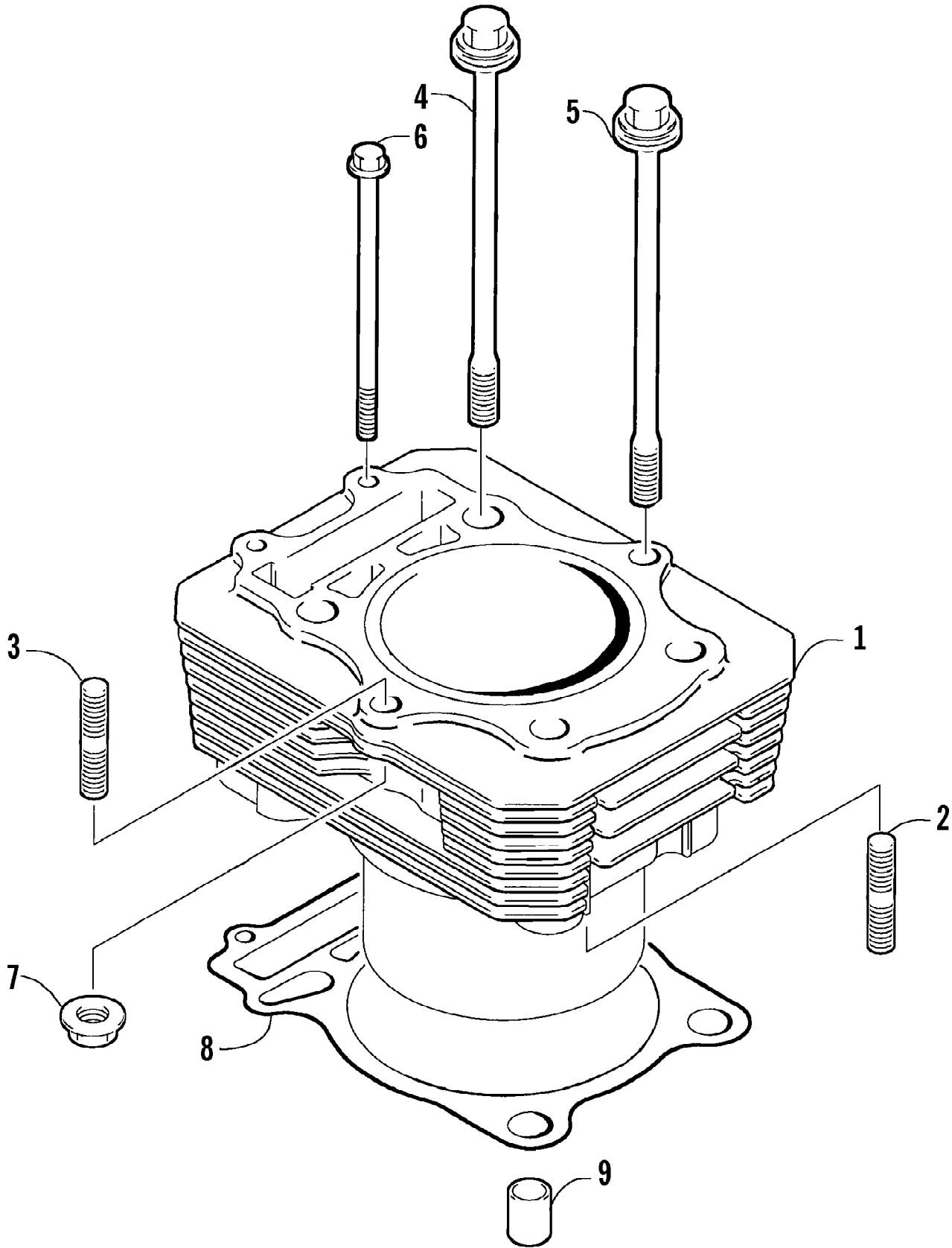


| Ref # | Part Number | Qty | S/P/F | Description             |
|-------|-------------|-----|-------|-------------------------|
| 1     | 3402-991    | 1   |       | Cover, Clutch           |
| 2     | 3402-766    | 1   |       | Gasket                  |
| 3     | 3423-088    | 4   |       | Pin, Dowel              |
| 4     | 3423-098    | 30  | S     | Bolt                    |
| 5     | 3004-338    | 2   | S/P   | Plug, Oil Gallery       |
| 6     | 3003-290    | 2   | /P    | Gasket                  |
| 7     | 3402-100    | 1   |       | Cap, Inspection         |
| 8     | 3402-101    | 1   |       | O-Ring, Inspection Cap  |
| 9     | 3004-341    | 2   | S/P   | Bolt, Inspection Cap    |
| 10    | 3402-593    | 1   |       | Stick, Oil Level        |
| 11    | 3423-055    | 1   |       | O-Ring, Oil Level Stick |
| 12    | 3402-767    | 1   |       | Cover, Magneto          |
| 13    | 3402-768    | 1   |       | Gasket, Magneto Cover   |
| 14    | 3423-180    | 1   | S     | Plug                    |
| 15    | 3402-013    | 1   | /P    | Gasket                  |
| 16    | 3004-705    | 1   | S     | Plug, Drain             |
| 17    | 3402-444    | 1   |       | Gasket, Drain Plug      |
| 18    | 3423-430    | 1   |       | Bolt                    |





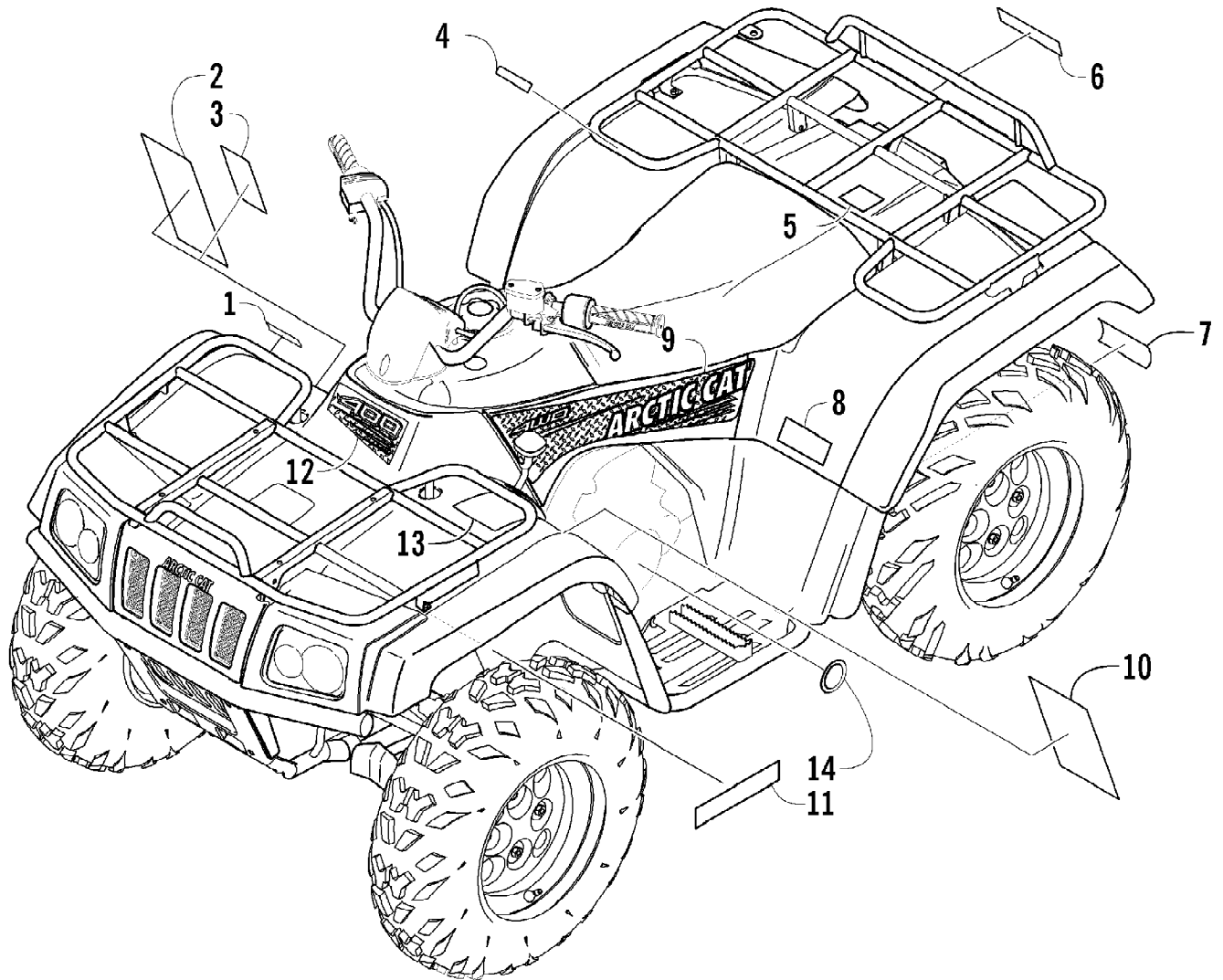
| Ref # | Part Number | Qty | S/P/F | Description                          |
|-------|-------------|-----|-------|--------------------------------------|
| 1     | 3402-992    | 1   | /P    | Crankshaft Assembly (inc. 2-8)       |
| 2     | 3402-597    | 1   |       | Rod, Connecting                      |
| 3     | 3402-769    | 1   |       | Pin, Crank                           |
| 4     | 3402-571    | 1   |       | Bearing                              |
| 5     | 3423-440    | 2   |       | Washer                               |
| 6     | 3402-993    | 1   | /P    | Crankshaft - Right                   |
| 7     | 3403-019    | 1   | /P    | Crankshaft - Left                    |
| 8     | 3402-698    | 1   | /P    | Gear, Crank Balancer Drive           |
| 9     | 3402-994    | 2   |       | Bearing - Middle                     |
| 10    | 3423-768    | 1   |       | Spacer                               |
| 11    | 3402-771    | 1   |       | Circlip                              |
| 12    | 3402-216    | 1   |       | Bearing - Right                      |
| 13    | 3402-594    | 1   |       | Piston                               |
| 14    | 3402-595    | 1   |       | Ring, Piston - Set                   |
| 15    | 3436-015    | 1   | F     | Piston Set (Oversized 0.50 mm)       |
| 16    | 3003-439    | 2   | /P    | Circlip                              |
| 17    | 3402-596    | 1   |       | Pin, Piston                          |
| 18    | 3402-051    | 1   |       | Bearing                              |
| 19    | 3423-063    | 1   |       | O-Ring                               |
| 20    | 3402-119    | 1   | S     | Spacer                               |
| 21    | 3402-070    | 1   |       | Seal, Oil                            |
| 22    | 3423-053    | 1   | /P    | O-Ring                               |
| 23    | 3402-188    | 1   | /P    | Retainer, Crankshaft Oil Seal - Left |
| 24    | 3423-018    | 3   |       | Screw, Retainer                      |



| Ref # | Part Number | Qty | S/P/F | Description      |
|-------|-------------|-----|-------|------------------|
| 1     | 3402-578    | 1   | S     | Cylinder         |
| 2     | 3423-384    | 2   | S     | Bolt, Stud       |
| 3     | 3004-778    | 2   | S     | Bolt, Stud       |
| 4     | 3423-431    | 2   |       | Bolt             |
| 5     | 3423-432    | 2   |       | Bolt             |
| 6     | 3423-427    | 2   |       | Bolt             |
| 7     | 3004-488    | 2   | S/P   | Nut              |
| 8     | 3402-579    | 1   |       | Gasket, Cylinder |
| 9     | 3423-088    | 2   |       | Pin, Dowel       |

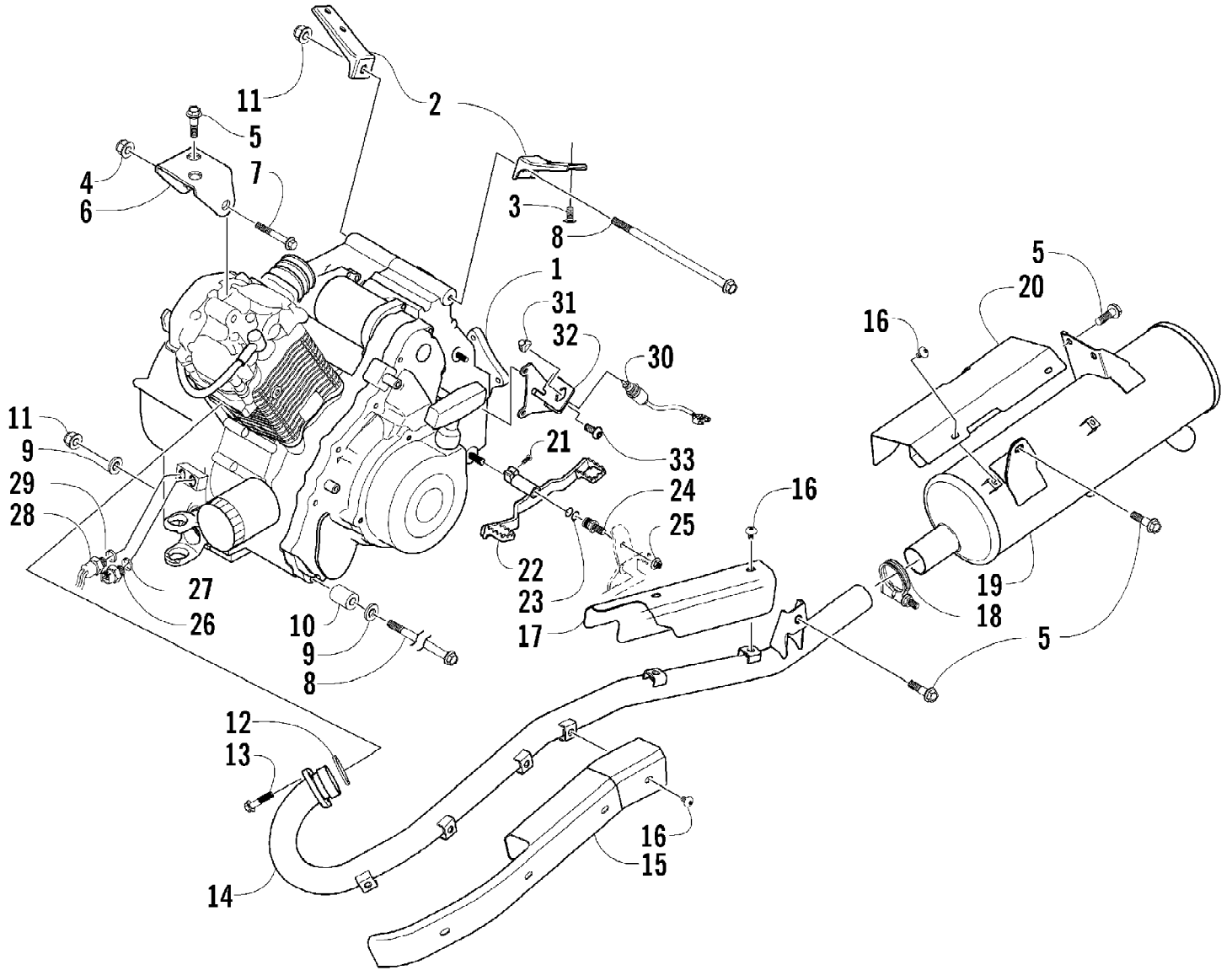


| Ref # | Part Number | Qty | S/P/F | Description                          |
|-------|-------------|-----|-------|--------------------------------------|
| 1     | 3402-576    | 1   | S     | Head, Cylinder - Assembly (inc. 2-5) |
| 2     | 3402-099    | 2   |       | Guide, Valve                         |
| 3     | 3423-068    | 4   |       | Ring, Valve Guide                    |
| 4     | 3423-043    | 2   | /P    | Pin, Dowel                           |
| 5     | 3423-006    | 4   |       | Bolt                                 |
| 6     | 3402-577    | 1   |       | Gasket, Cylinder Head                |
| 7     | 3423-449    | 2   |       | Pin, Dowel                           |
| 8     | 3003-290    | 4   | /P    | Gasket                               |
| 9     | 3004-326    | 2   | S/P   | Nut, Cylinder Head                   |
| 10    | 3423-007    | 2   | S     | Bolt, Head Cover                     |
| 11    | 3423-429    | 1   |       | Bolt, Head Cover                     |
| 12    | 3423-439    | 4   | S     | Washer, Cylinder Head Nut            |
| 13    | 3004-376    | 2   | S/P   | Bolt, Head Cover                     |
| 14    | 3008-376    | 1   | S     | Bolt, Head Cover                     |
| 15    | 3423-453    | 1   |       | Plug, Oil Gallery                    |
| 16    | 3402-011    | 1   |       | Gasket, Oil Gallery Plug             |
| 17    | 0217-708    | 1   |       | Spark Plug (NGK CR7E)                |
| 18    | 3402-100    | 2   |       | Cap, Inspection                      |
| 19    | 3402-101    | 2   |       | O-Ring                               |
| 20    | 3004-341    | 4   | S/P   | Bolt, Inspection Cap                 |
| 21    | 3402-035    | 1   |       | Plug, Head                           |
| 22    | 3423-353    | 1   | /P    | O-Ring                               |
| 23    | 8476-620    | 2   |       | Screw                                |
| 24    | 0570-076    | 1   |       | Manifold, Intake                     |
| 25    | 0423-317    | 1   | /P    | Clamp                                |
|       | 3402-048    | 1   |       | Plug, Frost                          |

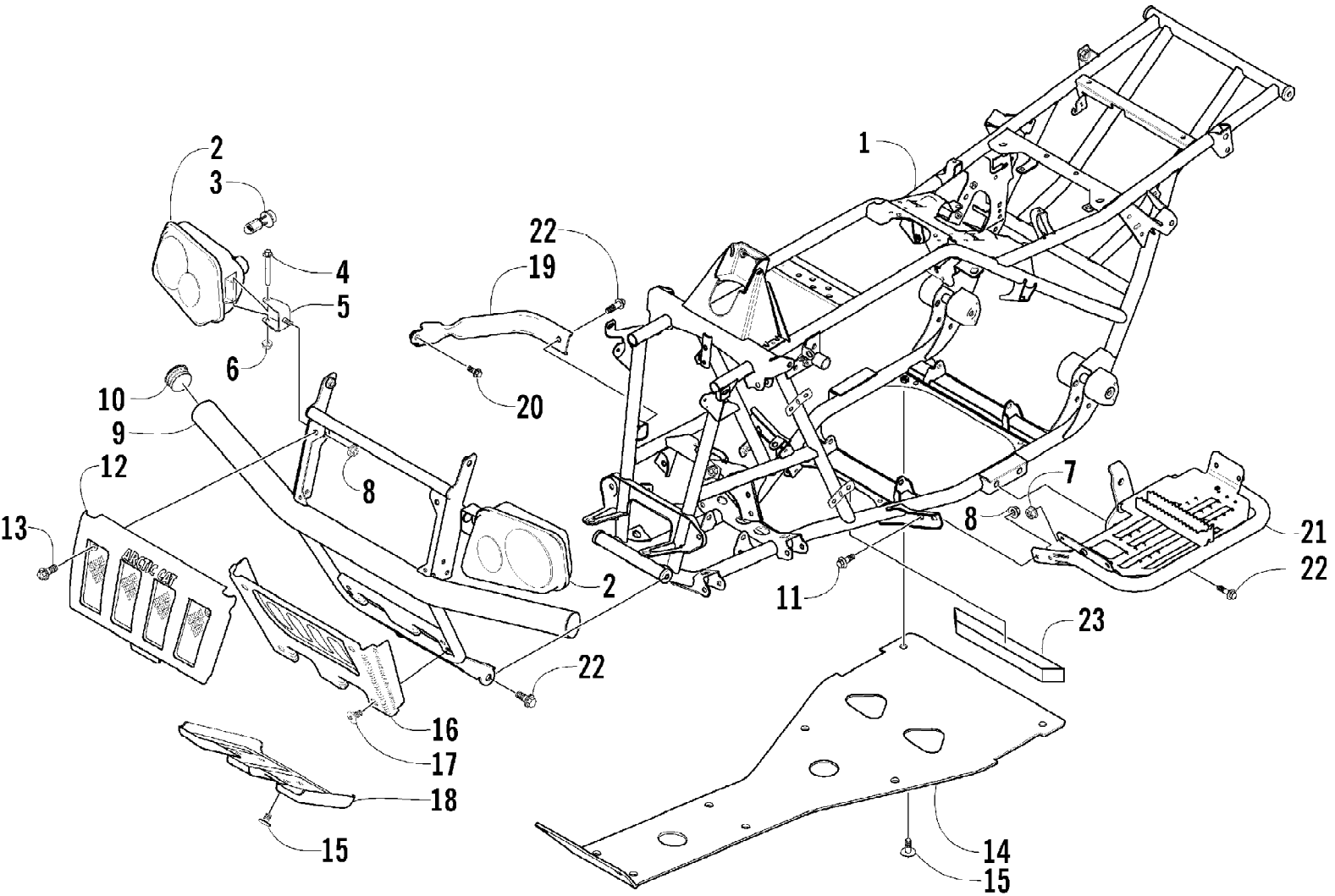


| Ref # | Part Number | Qty | S/P/F | Description                       |
|-------|-------------|-----|-------|-----------------------------------|
| 1     | 0411-576    | 1   |       | Decal, Warning - Front Rack Load  |
| 2     | 1411-250    | 1   |       | Decal, Warning - Reverse/Pre-Ride |
| 3     | 0411-835    | 1   |       | Decal, Warning - Hill             |
| 4     | 0411-648    | 1   |       | Decal, Warning - Rear Rack Load   |
| 5     | 0411-435    | 1   |       | Decal, Warning - Passenger        |
| 6     | 0411-501    | 1   |       | Decal, "Arctic Cat"               |
| 7     | 0411-267    | 1   |       | Decal, Warning - Towing           |
| 8     | 0411-430    | 1   |       | Decal, Warning - Tire Pressure    |
| 9     | 0411-774    | 1   |       | Decal, Side - Right               |
| 9     | 0411-775    | 1   |       | Decal, Side - Left                |
| 10    | 0411-218    | 1   |       | Decal, Warning - General          |
| 11    | 0411-798    | 1   |       | Decal, CA Emissions               |
| 12    | 0411-771    | 1   |       | Decal, Front                      |
| 13    | 0411-401    | 1   |       | Decal, Warning - Age              |
| 14    | 0411-003    | 1   |       | Decal, Shift Pattern              |

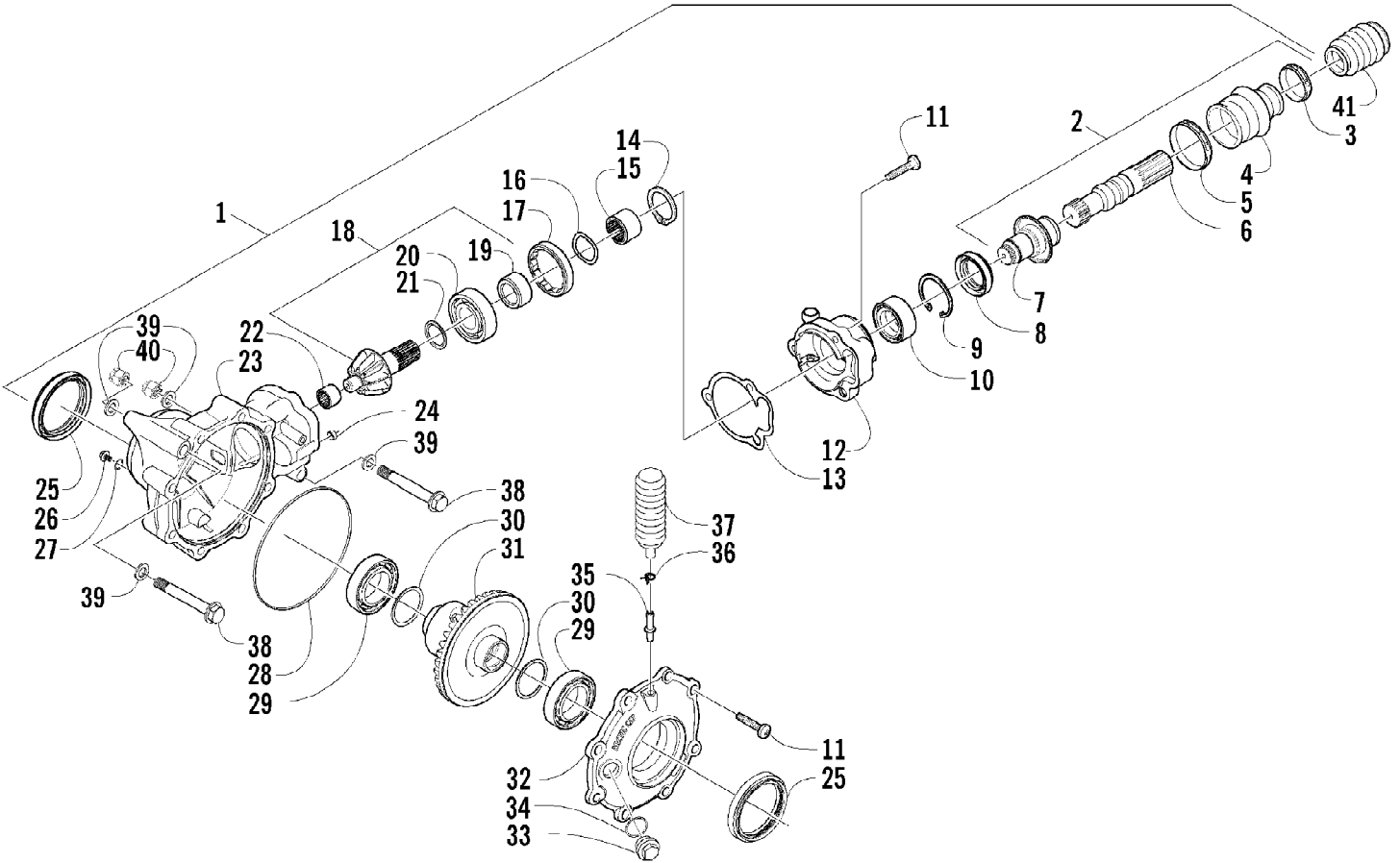




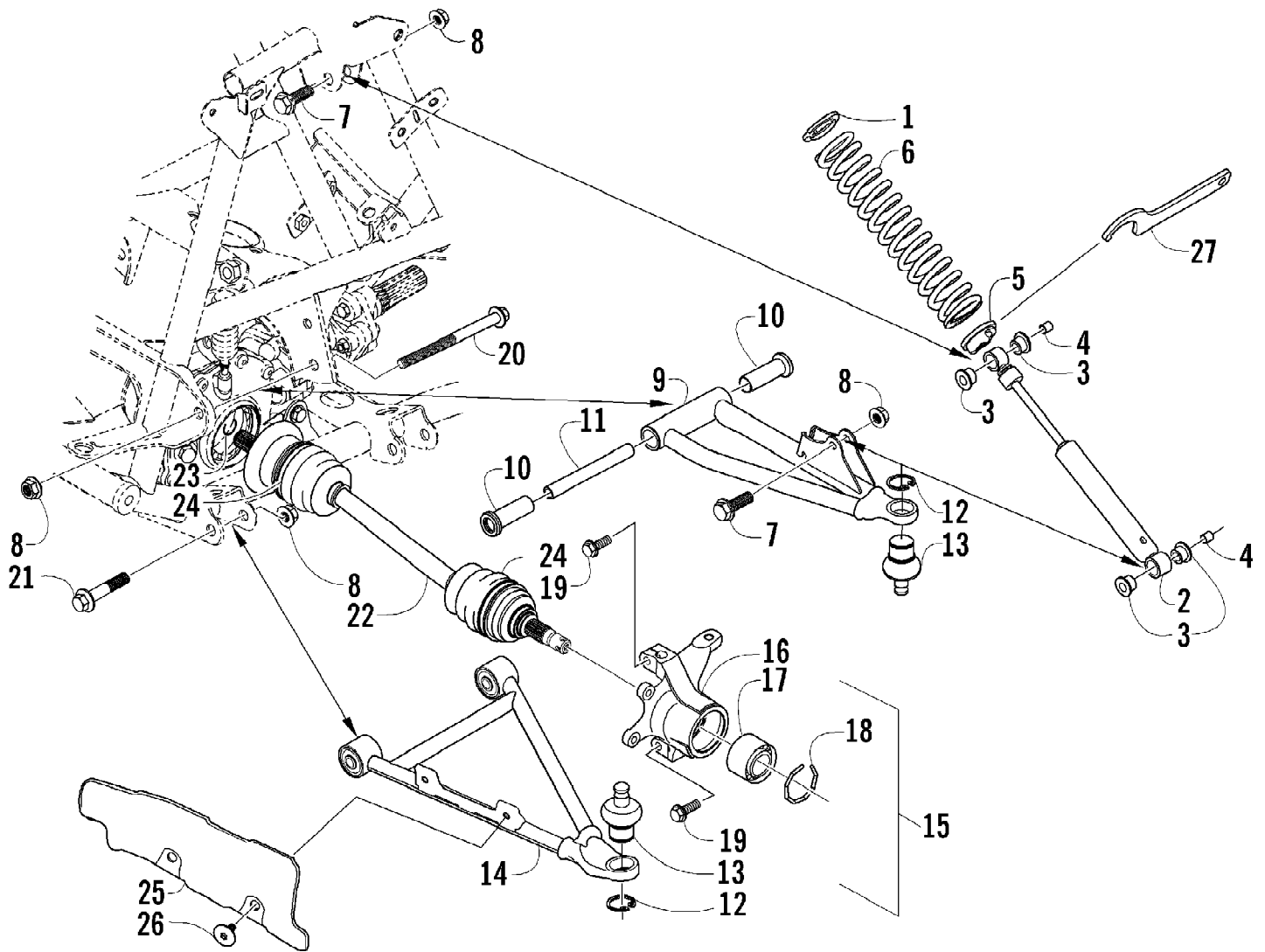
| Ref # | Part Number | Qty | S/P/F | Description                                  |
|-------|-------------|-----|-------|--|
| 1     | 0462-037    | 1   |       | Engine                                       |
| 2     | 0506-983    | 1   | /P    | Bracket, Engine - Right                      |
| 2     | 0506-984    | 1   | /P    | Bracket, Engine - Left                       |
| 3     | 8408-616    | 4   |       | Screw, Cap                                   |
| 4     | 8424-802    | 1   |       | Nut  |
| 5     | 8408-816    | 6   |       | Screw, Cap                                   |
| 6     | 0506-631    | 1   |       | Bracket, Engine - Upper                      |
| 7     | 8408-860    | 1   |       | Screw, Cap                                   |
| 8     | 0423-405    | 3   |       | Screw, Cap                                   |
| 9     | 0423-426    | 4   |       | Washer, Engine                               |
| 10    | 0423-042    | 2   | S     | Spacer, Engine                               |
| 11    | 8428-002    | 3   |       | Nut, Lock                                    |
| 12    | 0412-007    | 1   | /P    | Seal, Exhaust                                |
| 13    | 8408-820    | 2   | /P    | Screw, Cap                                   |
| 14    | 0512-212    | 1   |       | Pipe, Exhaust                                |
| 15    | 0412-220    | 1   |       | Cover, Exhaust Pipe - Front                  |
| 16    | 8477-610    | 11  |       | Screw, Machine                               |
| 17    | 0412-224    | 1   |       | Cover, Exhaust Pipe - Rear                   |
| 18    | 0423-150    | 1   |       | Clamp, Exhaust                               |
| 19    | 0412-182    | 1   |       | Muffler                                      |
| 20    | 1406-023    | 1   |       | Cover, Muffler                               |
| 21    | 8476-620    | 1   |       | Screw, Machine                               |
| 22    | 0502-354    | 1   |       | Lever, Shift                                 |
| 23    | 1602-213    | 2   | /P    | O-Ring                                       |
| 24    | 0402-994    | 1   |       | Pin, Shift Lever                             |
| 25    | 8422-002    | 1   |       | Nut  |
| 26    | 3530-037    | 1   | /P    | Switch, Oil Light                            |
| 27    | 3402-556    | 1   | /P    | Gasket                                       |
| 28    | 3430-033    | 1   |       | Switch, Cooling Fan                          |
| 29    | 3402-013    | 1   | /P    | Gasket                                       |
| 30    | 0409-008    | 1   |       | Switch, Reverse                              |
| 31    | 0402-991    | 1   |       | Retainer, Reverse Switch                     |
| 32    | 1506-449    | 1   |       | Bracket, Mounting - Reverse Switch (inc. 33) |
| 33    | 0423-361    | 1   |       | Screw, Machine                               |



| Ref # | Part Number | Qty | S/P/F | Description                           |
|-------|-------------|-----|-------|---------------------------------------|
| 1     | 0506-816    | 1   |       | Frame, Main                           |
| 2     | 0409-032    | 1   |       | Headlight Assembly - Right (inc. 3-6) |
| 2     | 0409-031    | 1   |       | Headlight Assembly - Left (inc. 3-6)  |
| 3     | 0409-045    | 2   |       | Bulb, Headlight                       |
| 4     | 8410-860    | 2   |       | Screw, Cap                            |
| 5     | 0406-945    | 2   |       | Bracket, Headlight Mounting           |
| 6     | 0423-375    | 2   |       | Nut, Flange                           |
| 7     | 8424-602    | 2   | /P    | Nut, Flange                           |
| 8     | 8424-802    | 6   |       | Nut                                   |
| 9     | 0506-544    | 1   |       | Bumper                                |
| 10    | 0406-130    | 2   |       | Cap, Bumper                           |
| 11    | 8408-816    | 4   |       | Screw, Cap                            |
| 12    | 0406-832    | 1   |       | Grille, Upper                         |
| 13    | 0423-361    | 2   |       | Screw, Machine                        |
| 14    | 0406-864    | 1   |       | Panel, Belly                          |
| 15    | 0423-101    | AR  |       | Screw, Body                           |
| 16    | 1406-420    | 1   | /P    | Grille, Lower                         |
| 17    | 0423-362    | 4   |       | Screw, Machine                        |
| 18    | 0406-834    | 1   |       | Plate, Skid                           |
| 19    | 0506-653    | 2   | S     | Channel, Bumper Mounting              |
| 20    | 8408-812    | 2   |       | Screw, Cap                            |
| 21    | 0506-534    | 1   |       | Footrest - Right                      |
| 21    | 0506-827    | 1   |       | Footrest - Left                       |
| 22    | 8409-020    | 8   | /P    | Screw, Cap                            |
| 23    | 1506-067    | 1   |       | Foam, Frame                           |

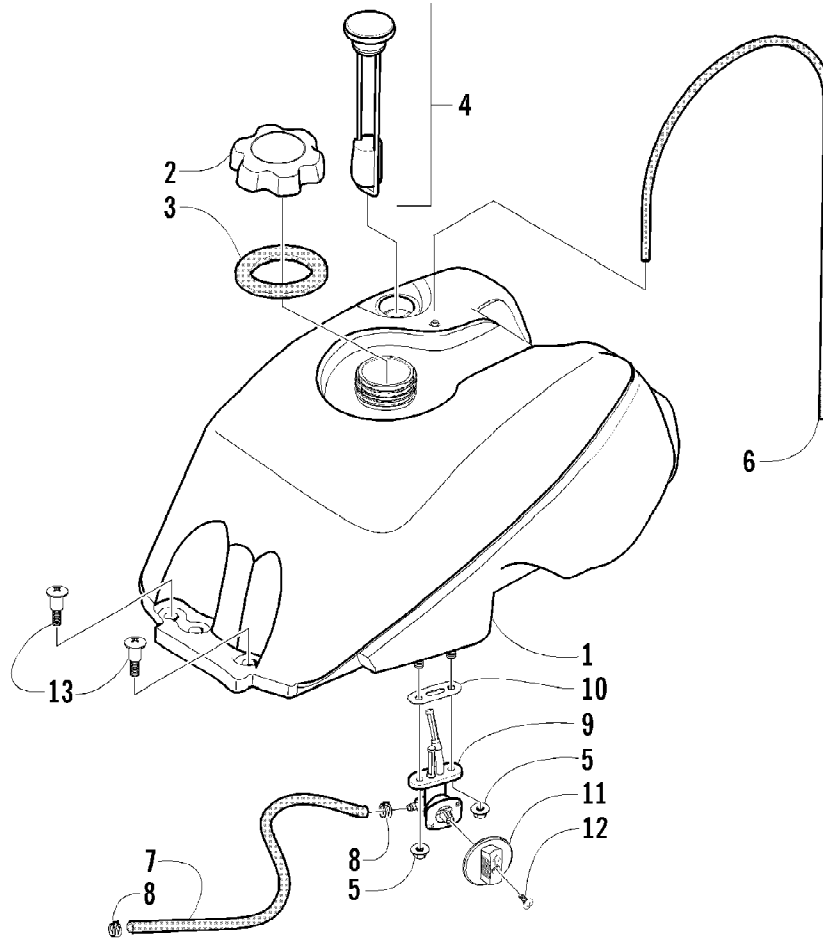


| Ref # | Part Number | Qty | S/P/F | Description                                  |
|-------|-------------|-----|-------|--|
| 1     | 0502-676    | 1   |       | Gearcase, Front Drive - Assembly (inc. 2-35) |
| 2     | 0502-386    | 1   |       | Shaft, Propeller - Assembly (inc. 3-7)       |
| 3     | 0423-411    | 1   |       | Clamp, Boot                                  |
| 4     | 0402-985    | 1   | /P    | Boot, Propeller Shaft                        |
| 5     | 0423-393    | 1   |       | Clamp, Boot                                  |
| 6     | 1402-046    | 1   |       | Shaft, Output                                |
| 7     | 0502-407    | 1   | S     | Shaft, Input                                 |
| 8     | 1402-011    | 1   |       | Seal   |
| 9     | 0423-423    | 1   |       | Ring, Retaining                              |
| 10    | 1402-043    | 1   |       | Bearing                                      |
| 11    | 0423-118    | 11  |       | Screw, Self-Tapping                          |
| 12    | 0502-529    | 1   |       | Housing, Pinion                              |
| 13    | 0402-947    | 1   |       | Gasket, Flange                               |
| 14    | 0423-417    | 1   |       | Ring, Retaining                              |
| 15    | 0402-981    | 1   |       | Collar, Shaft                                |
| 16    | 0402-982    | 1   |       | Washer, Wave Spring                          |
| 17    | 0402-357    | 1   |       | Collar, Lock                                 |
| 18    | 0502-123    | 1   |       | Gear, Pinion - Assembly - 10T (inc. 19-21)   |
| 19    | 0402-336    | 1   |       | Collar, Retaining                            |
| 20    | 0402-327    | 1   |       | Bearing                                      |
| 21    | 0402-424    | AR  |       | Shim   |
| 21    | 0402-425    | AR  |       | Shim   |
| 21    | 0402-426    | AR  |       | Shim   |
| 21    | 0402-427    | AR  |       | Shim   |
| 21    | 0402-428    | AR  |       | Shim   |
| 22    | 0402-328    | 1   |       | Bearing                                      |
| 23    | 0502-120    | 1   |       | Housing, Gearcase                            |
| 24    | 0402-411    | 1   |       | Pin, Dowel                                   |
| 25    | 0402-394    | 2   | S     | Seal   |
| 26    | 0402-450    | 1   | S     | Plug, Magnetic (inc. 27)                     |
| 27    | 0423-153    | 1   |       | O-Ring                                       |
| 28    | 0423-149    | 1   |       | O-Ring                                       |
| 29    | 0402-393    | 2   |       | Bearing                                      |
| 30    | 0402-405    | AR  |       | Shim   |
| 30    | 0402-406    | AR  |       | Shim   |
| 30    | 0402-407    | AR  |       | Shim   |
| 30    | 0402-408    | AR  |       | Shim   |
| 30    | 0402-409    | AR  |       | Shim   |
| 31    | 0502-124    | 1   |       | Gear, Ring - 36T                             |
| 32    | 0502-121    | 1   |       | Cover, Gearcase                              |
| 33    | 0402-333    | 1   | /P    | Plug, Fill (inc. 34)                         |
| 34    | 0423-154    | 1   |       | O-Ring                                       |
| 35    | 1402-104    | 1   |       | Fitting                                      |
| 36    | 0423-315    | 1   |       | Clamp, Fitting                               |
| 37    | 0402-147    | 1   | S     | Bladder, Gearcase                            |
| 38    | 0423-404    | 2   |       | Screw, Cap                                   |
| 39    | 0423-426    | 4   |       | Washer                                       |
| 40    | 8428-002    | 2   |       | Nut, Lock                                    |
| 41    | 0402-966    | 1   |       | Boot, Shaft                                  |

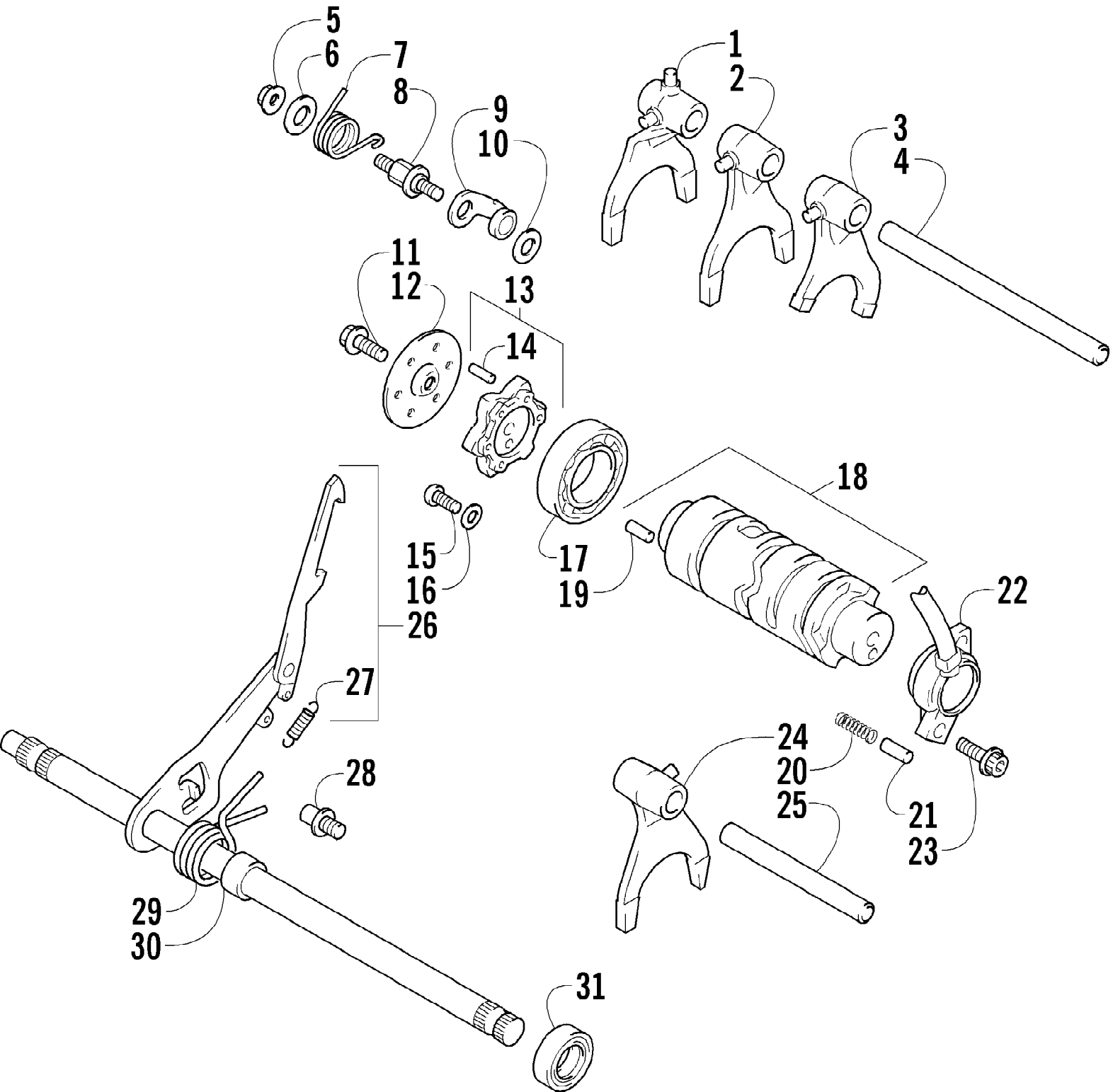


| Ref # | Part Number | Qty | S/P/F | Description                                  |
|-------|-------------|-----|-------|--|
| 1     | 1603-889    | 2   | /P    | Retainer, Spring                             |
| 2     | 0403-101    | 2   |       | Shock Absorber - Front (inc. 3-4)            |
| 3     | 0604-310    | 8   |       | Bushing, Shock Absorber                      |
| 4     | 0403-028    | 4   |       | Sleeve, Shock                                |
| 5     | 0403-102    | 2   |       | Cam, Spring Adjuster                         |
| 6     | 0403-103    | 2   |       | Spring, Shock Absorber                       |
| 7     | 8409-040    | 4   |       | Screw, Cap                                   |
| 8     | 8428-002    | 10  |       | Nut, Lock                                    |
| 9     | 0503-192    | 1   | /P    | A-Arm, Upper Right (inc. 10-13)              |
| 9     | 0503-193    | 1   | /P    | A-Arm, Upper Left (inc. 10-13)               |
| 10    | 0403-081    | 4   | S     | Bushing                                      |
| 11    | 0403-080    | 2   |       | Collar                                       |
| 12    | 0423-009    | 4   | /P    | Clip, Ball Joint                             |
| 13    | 0405-115    | 4   | /P    | Ball Joint - Front                           |
| 14    | 0503-190    | 1   | /P    | A-Arm, Lower Right (inc. two No. 12-13)      |
| 14    | 0503-191    | 1   | /P    | A-Arm, Lower Left (inc. two No. 12-13)       |
| 15    | 0505-446    | 1   | /P    | Knuckle - Assembly - Right (inc. 16-18)      |
| 15    | 0505-447    | 1   | /P    | Knuckle - Assembly - Left (inc. 16-18)       |
| 16    | 0           | 1   |       | Knuckle, Steering - Right Not a Service Part |
| 16    | 0           | 1   |       | Knuckle, Steering - Left Not a Service Part  |
| 17    | 1402-027    | 2   | S/P   | Bearing, Wheel Hub                           |
| 18    | 0423-423    | 2   |       | Ring, Retaining                              |
| 19    | 8409-030    | 4   |       | Screw, Cap                                   |
| 20    | 0423-334    | 2   |       | Screw, Cap                                   |
| 21    | 8409-060    | 4   |       | Screw, Cap                                   |
| 22    | 0502-539    | 2   |       | Axle, Drive - Front (inc. 23-24)             |
| 23    | 0441-400    | 4   | S     | Clip, Retaining                              |
| 24    | 0436-276    | 2   | S     | Repair Kit, Boot - Front Axle                |
| 25    | 0406-944    | 1   |       | Guard, Boot - Axle - Right                   |
| 25    | 0406-927    | 1   |       | Guard, Boot - Axle - Left                    |
| 26    | 0423-101    | 4   |       | Screw, Body                                  |
| 27    | 0441-587    | 1   |       | Wrench, Spanner                              |

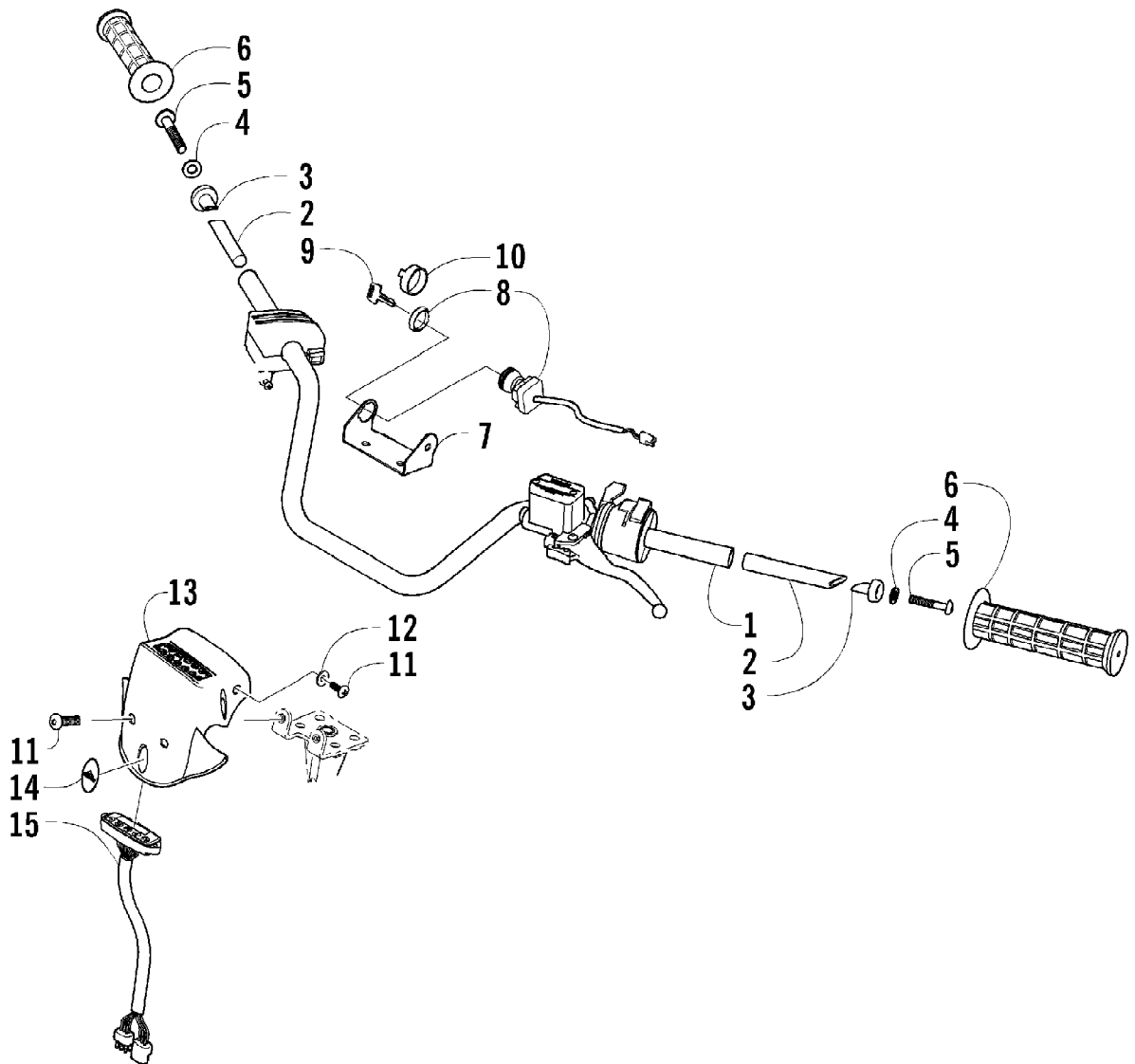




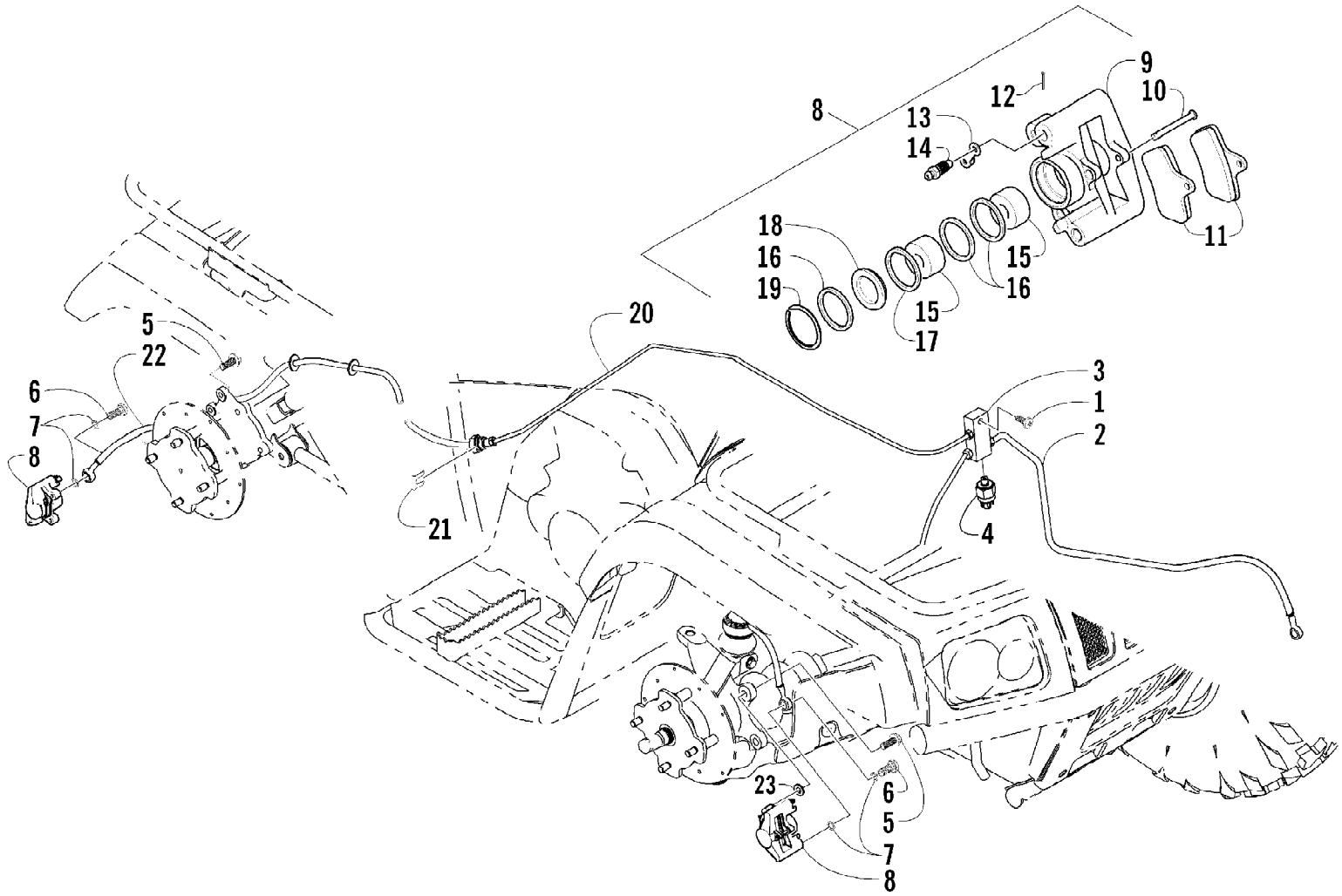
| Ref # | Part Number | Qty | S/P/F | Description                      |
|-------|-------------|-----|-------|----------------------------------|
| 1     | 0570-066    | 1   | /P    | Tank, Gas - Assembly (inc. 2-10) |
| 2     | 0470-438    | 1   | /P    | Cap, Gas Tank (inc. 3)           |
| 3     | 0109-733    | 1   | /P    | Gasket, Tank Cap                 |
| 4     | 0570-086    | 1   | /P    | Gauge, Fuel w/Gasket (Press-Fit) |
| 5     | 0423-398    | 2   |       | Nut, Lock                        |
| 6     | 0470-416    | 1   | /P    | Hose, Vent                       |
| 7     | 0610-007    | AR  | /P    | Hose, Gasline - 25 ft            |
| 8     | 0423-152    | 2   |       | Clamp, Hose                      |
| 9     | 0470-445    | 1   | /P    | Valve, Fuel Shut-Off (inc. 10)   |
| 10    | 0470-364    | 1   |       | Gasket, Fuel Shut-Off Valve      |
| 11    | 0470-408    | 1   |       | Knob, Fuel Shut-Off Valve        |
| 12    | 0423-146    | 1   |       | Screw, Machine                   |
| 13    | 0423-130    | 2   |       | Screw, Shoulder                  |



| Ref # | Part Number | Qty | S/P/F | Description                     |
|-------|-------------|-----|-------|---------------------------------|
| 1     | 3446-306    | 1   |       | Fork, Gear Shift - Reverse      |
| 2     | 3446-155    | 1   |       | Fork, Gear Shift - No. 1        |
| 3     | 3446-156    | 1   |       | Fork, Gear Shift - No. 2        |
| 4     | 3402-643    | 1   |       | Shaft, Gear Shift Fork - No. 2  |
| 5     | 3004-488    | 1   | S/P   | Nut                             |
| 6     | 3423-142    | 1   |       | Washer                          |
| 7     | 3423-521    | 1   | S     | Spring, Gear Shift Cam Stopper  |
| 8     | 3446-048    | 1   |       | Support, Gear Shift Cam Stopper |
| 9     | 3402-746    | 1   |       | Stopper, Gear Shift Cam         |
| 10    | 3423-141    | 1   |       | Washer                          |
| 11    | 3423-125    | 1   | S     | Bolt                            |
| 12    | 3446-309    | 1   | /P    | Guide, Gear Shift               |
| 13    | 3446-049    | 1   |       | Plate, Gear Shift Cam (inc. 14) |
| 14    | 3423-045    | 5   |       | Pin                             |
| 15    | 3423-370    | 2   |       | Screw                           |
| 16    | 3423-135    | 2   |       | Retainer                        |
| 17    | 3402-051    | 1   |       | Bearing, Gear Shift Cam         |
| 18    | 3446-308    | 1   |       | Cam, Gear Shift (inc. 19)       |
| 19    | 3423-114    | 1   | /P    | Pin                             |
| 20    | 3402-087    | 2   |       | Spring                          |
| 21    | 3423-044    | 2   |       | Contact                         |
| 22    | 3446-313    | 1   |       | Base, Neutral Switch            |
| 23    | 3423-418    | 2   |       | Bolt                            |
| 24    | 3446-157    | 1   |       | Fork, Gear Shift - No. 3        |
| 25    | 3446-307    | 1   |       | Shaft, Gear Shift Fork - No. 1  |
| 26    | 3446-310    | 1   |       | Shaft, Gear Shift (inc. 27)     |
| 27    | 3402-093    | 1   |       | Spring                          |
| 28    | 3446-056    | 1   |       | Stopper, Gear Shift Shaft       |
| 29    | 3402-094    | 1   |       | Spring, Return                  |
| 30    | 3446-054    | 1   |       | Spacer, Gear Shift Shaft        |
| 31    | 3402-068    | 1   | /P    | Seal, Oil                       |

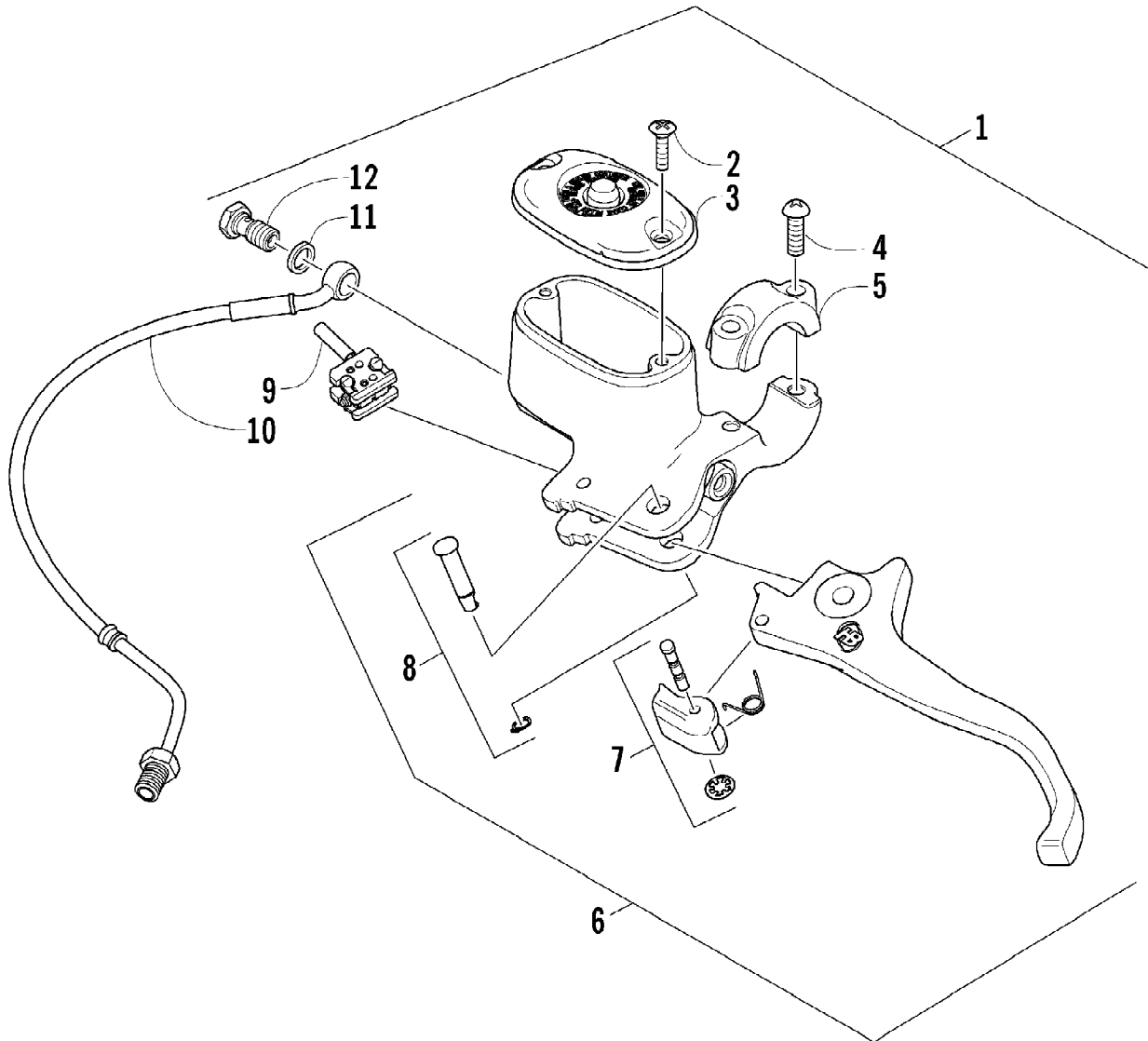


| Ref # | Part Number | Qty | S/P/F | Description                          |
|-------|-------------|-----|-------|--------------------------------------|
| 1     | 0505-418    | 1   | /P    | Tube, Handlebar                      |
| 2     | 0405-148    | 2   |       | Plug, Handlebar                      |
| 3     | 0405-149    | 2   |       | End Cap, Handlebar                   |
| 4     | 8050-247    | 2   | /P    | Washer                               |
| 5     | 8477-845    | 2   |       | Screw, Machine                       |
| 6     | 0405-147    | 2   |       | Grip, Handlebar                      |
| 7     | 0506-348    | 1   | /P    | Bracket, Key Switch                  |
| 8     | 3430-040    | 1   |       | Switch, Ignition - Assembly (inc. 9) |
| 9     | 3409-007    | 1   | /P    | Key, Ignition - Blank (C Series)     |
| 9     | 3409-011    | 1   |       | Key, Ignition - Blank (D Series)     |
| 9     | 3409-012    | 1   |       | Key, Ignition - Blank (E Series)     |
| 9     | 3409-013    | 1   |       | Key, Ignition - Blank (F Series)     |
| 10    | 0409-013    | 1   |       | Cover, Key                           |
| 11    | 8477-616    | 3   |       | Screw, Machine                       |
| 12    | 0423-052    | 1   |       | Collar, Body                         |
| 13    | 0405-063    | 1   |       | Instrument Pod                       |
| 14    | 0405-042    | 1   |       | Plug, Instrument Pod                 |
| 15    | 0420-035    | 1   | /P    | Panel, LED                           |

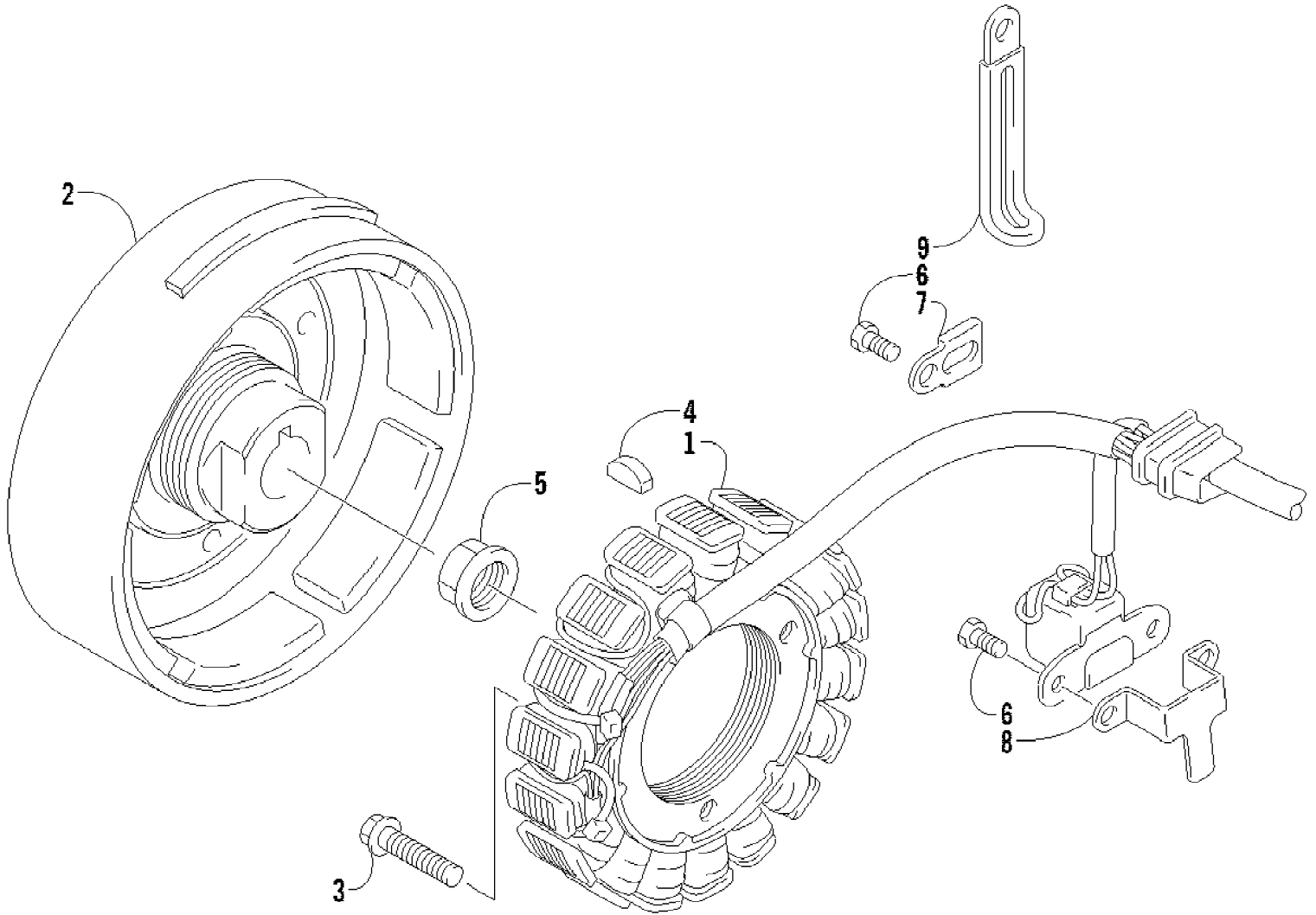


| Ref # | Part Number | Qty | S/P/F | Description  |
|-------|-------------|-----|-------|--|
| 1     | 8476-625    | 1   |       | Screw, Cap   |
| 2     | 1402-310    | 2   |       | Hose, Brake - Front - Right/Left                       |
| 3     | 1402-086    | 1   |       | Block, Junction  |
| 4     | 0402-306    | 1   | /P    | Switch, Brake Pressure                                 |
| 5     | 8408-825    | 6   |       | Screw, Cap   |
| 6     | 0423-413    | 3   |       | Bolt, Banjo Fitting                                    |
| 7     | 0423-178    | 6   |       | Washer, Crush  |
| 8     | 0502-457    | 1   | S     | Caliper, Brake - Right Front (inc. 9-19)               |
| 8     | 0502-456    | 2   | S     | Caliper, Brake - Left Front and Right Rear (inc. 9-19) |
| 9     | 0           | 3   | F     | Housing, Caliper                                       |
| 10    | 0402-495    | 3   |       | Pin, Brake Caliper                                     |
| 11    | 1402-126    | 6   |       | Pad, Brake   |
| 12    | 0423-495    | 3   | /P    | Pin, Cotter  |
| 13    | 0402-493    | 3   |       | Cap, Bleed Valve                                       |
| 14    | 1402-123    | 3   |       | Valve, Bleed   |
| 15    | 1402-125    | 6   |       | Piston   |
| 16    | 0402-980    | 9   |       | O-Ring, Brake Caliper                                  |
| 17    | 0           | 3   | F     | O-Ring   |
| 18    | 0           | 3   | F     | Plug   |
| 19    | 0           | 3   | F     | Ring, Retaining  |
| 20    | 0402-932    | 1   |       | Tube, Brake Line - Rear                                |
| 21    | 0402-597    | 1   | /P    | Clip, Brake Line                                       |
| 22    | 0402-990    | 1   |       | Hose, Brake - Rear                                     |
| 23    | 0423-562    | 4   |       | Spacer   |

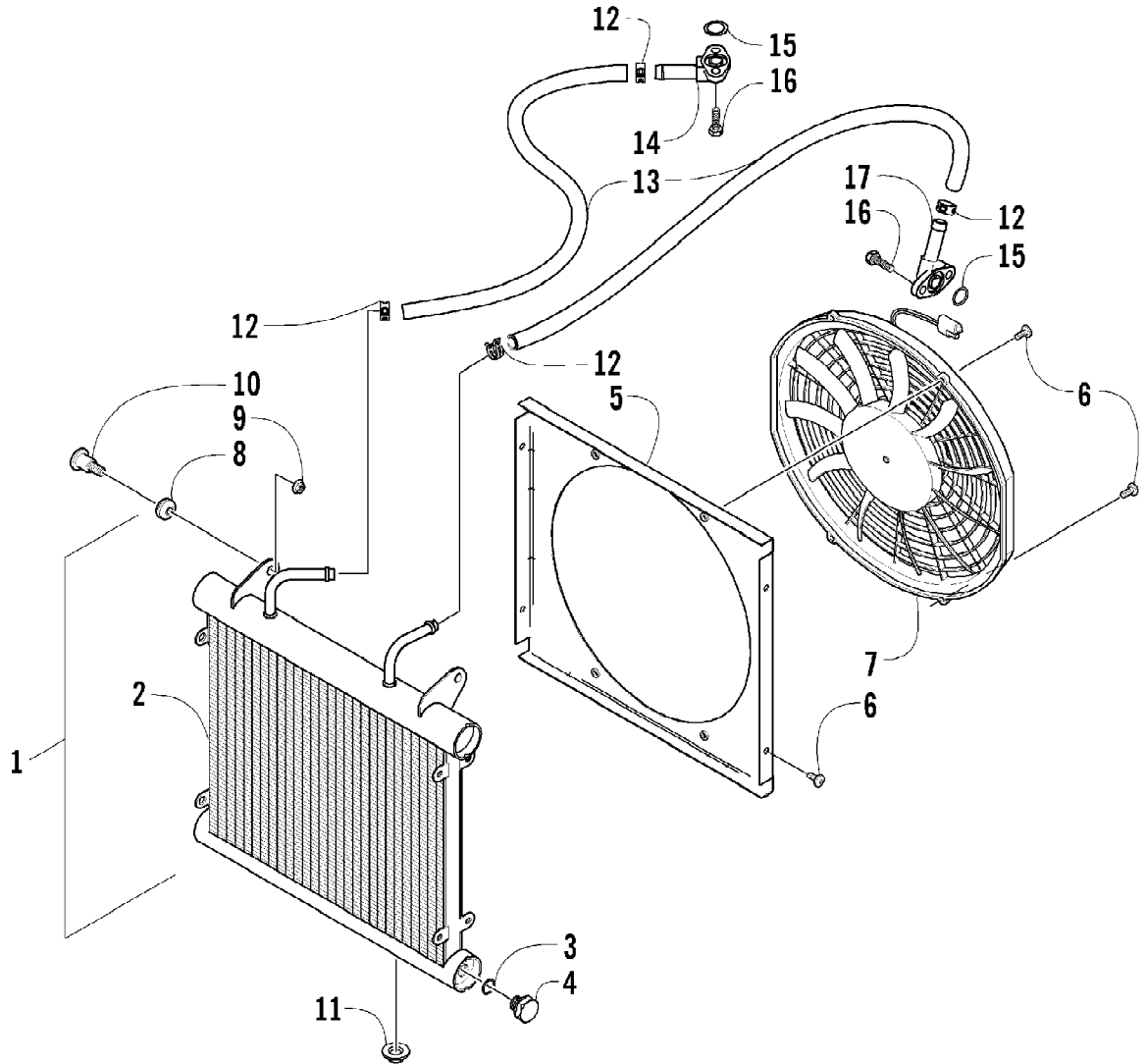




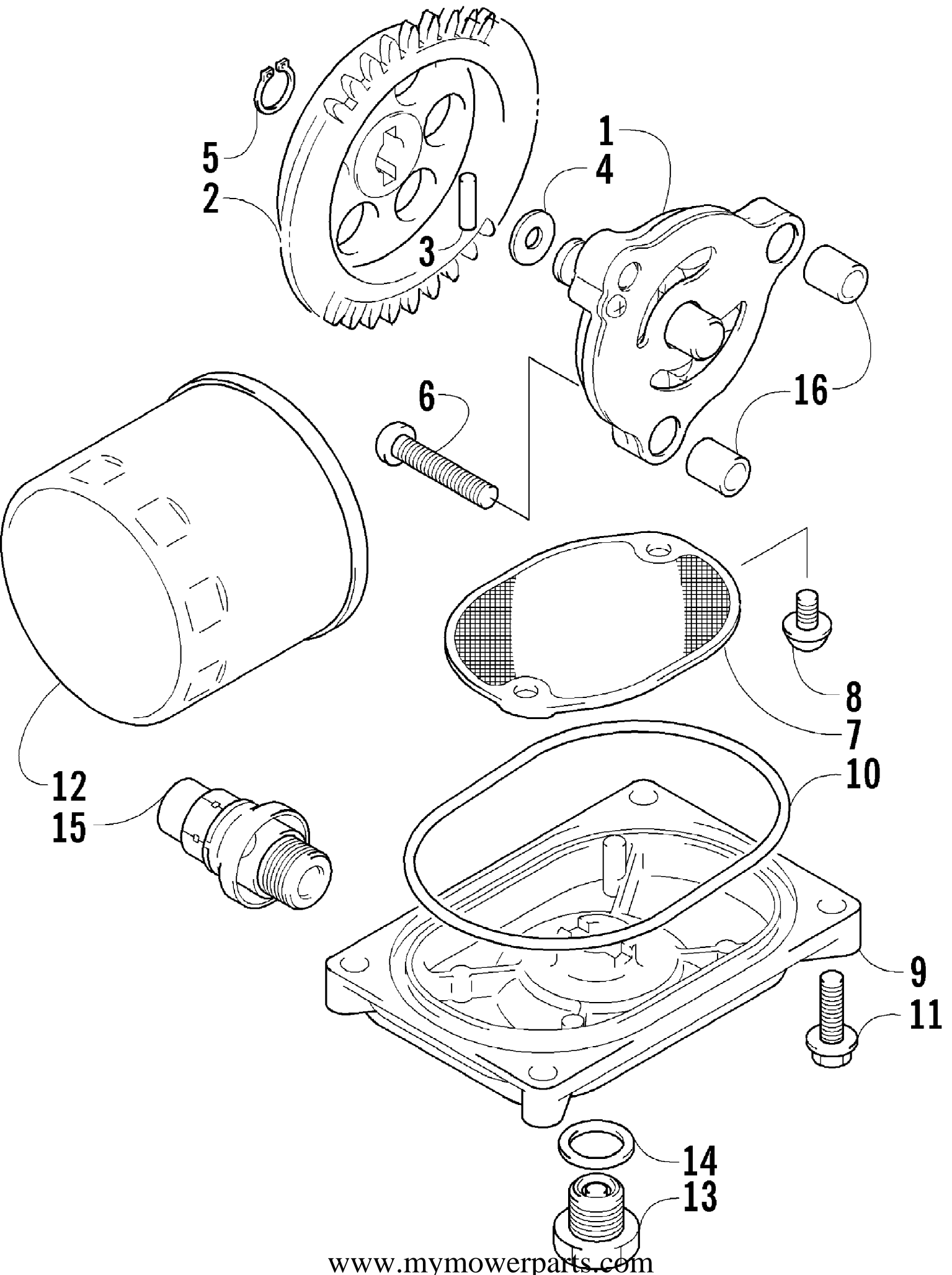
| Ref # | Part Number | Qty | S/P/F | Description                        |
|-------|-------------|-----|-------|------------------------------------|
|       | 0502-704    | 1   |       | Master Cylinder Rebuild Kit        |
| 1     | 0502-703    | 1   | S     | Brake Assembly (inc. 2?9)          |
| 2     | 0502-566    | 1   |       | Screw, Reservoir Cover - Kit       |
| 3     | 0502-706    | 1   | S     | Cover, Reservoir - Kit             |
| 4     | 0502-568    | 1   |       | Screw, Master Cylinder Clamp - Kit |
| 5     | 0502-705    | 1   |       | Clamp, Master Cylinder - Kit       |
| 6     | 0502-634    | 1   | /P    | Lever Assembly - Kit (inc. 7-8)    |
| 7     | 0502-635    | 1   |       | Lock, Brake Lever - Kit            |
| 8     | 0502-580    | 1   |       | Lever Pin - Kit                    |
| 9     | 0502-564    | 1   | /P    | Switch, Brake - Kit                |
| 10    | 1402-344    | 1   |       | Brakeline, Hydraulic               |
| 11    | 0423-178    | 2   |       | Washer, Crush                      |
| 12    | 0423-413    | 1   |       | Bolt, Banjo Fitting                |



| Ref # | Part Number | Qty | S/P/F | Description     |
|-------|-------------|-----|-------|-----------------|
| 1     | 3430-053    | 1   |       | Stator Assembly |
| 2     | 3430-054    | 1   | S     | Rotor/Flywheel  |
| 3     | 3004-756    | 3   | S     | Bolt            |
| 4     | 0691-785    | 1   |       | Key             |
| 5     | 3423-086    | 1   |       | Nut             |
| 6     | 3423-005    | 3   | /P    | Bolt            |
| 7     | 3430-005    | 1   |       | Clamp           |
| 8     | 3430-006    | 1   |       | Clamp           |
| 9     | 3002-964    | 1   | /P    | Clamp, Wire     |

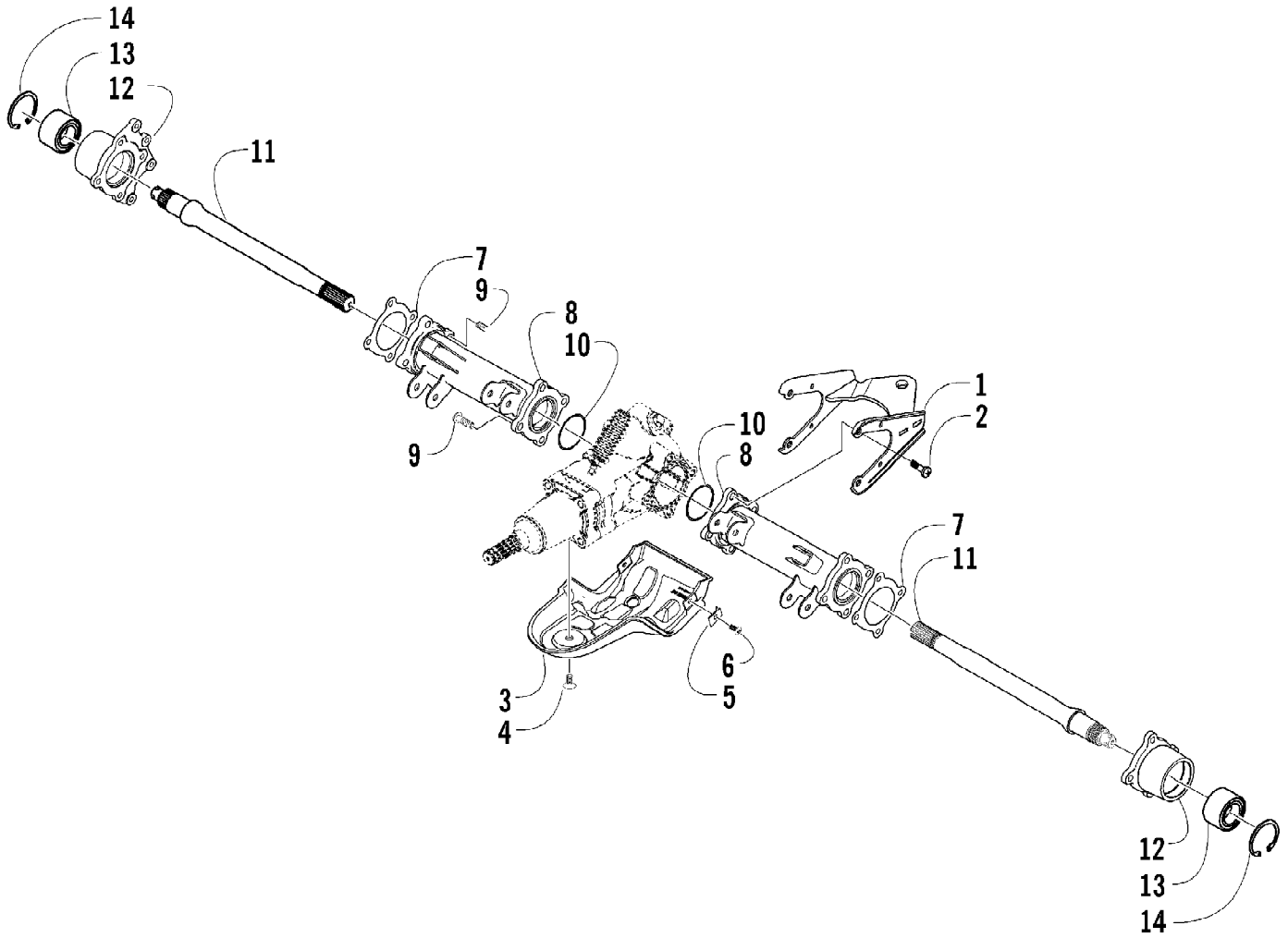


| Ref # | Part Number | Qty | S/P/F | Description                       |
|-------|-------------|-----|-------|-----------------------------------|
| 1     | 0413-103    | 1   |       | Cooler, Oil - Assembly (inc. 2-8) |
| 2     | 0413-053    | 1   |       | Cooler, Oil                       |
| 3     | 0413-059    | 1   |       | O-Ring                            |
| 4     | 0413-058    | 1   |       | Plug, Drain                       |
| 5     | 0413-064    | 1   |       | Shroud, Fan                       |
| 6     | 8475-512    | 8   |       | Screw, Machine                    |
| 7     | 0413-044    | 1   | S     | Fan, Cooling                      |
| 8     | 0423-030    | 2   |       | Grommet                           |
| 9     | 0623-038    | 2   |       | Nut w/Washer                      |
| 10    | 0423-484    | 2   |       | Screw, Shoulder                   |
| 11    | 0423-028    | 2   |       | Bushing, Stem                     |
| 12    | 0423-098    | 4   | /P    | Clamp, Hose                       |
| 13    | 0410-044    | 2   |       | Hose, Oil                         |
| 14    | 0410-013    | 1   |       | Fitting, Oil                      |
| 15    | 0423-089    | 2   |       | O-Ring, Oil Fitting               |
| 16    | 8471-616    | 4   |       | Screw, Cap                        |
| 17    | 0410-012    | 1   |       | Fitting, Oil - Angled             |

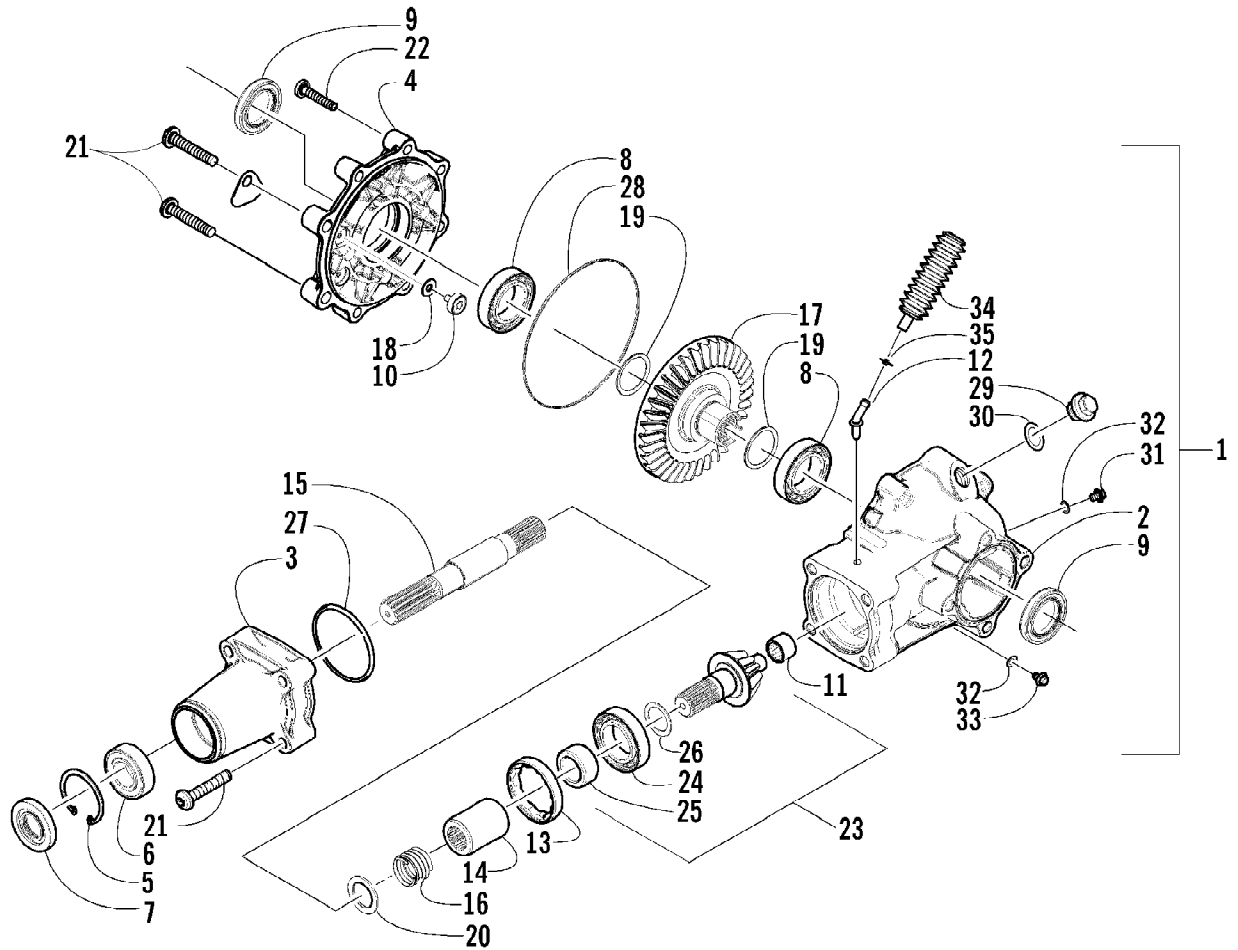


| Ref # | Part Number | Qty | S/P/F | Description                  |
|-------|-------------|-----|-------|------------------------------|
| 1     | 3402-619    | 1   |       | Pump, Oil                    |
| 2     | 3402-618    | 1   |       | Gear, Driven                 |
| 3     | 3423-046    | 1   |       | Pin                          |
| 4     | 3423-443    | 1   |       | Washer                       |
| 5     | 3423-184    | 1   | S     | Circlip                      |
| 6     | 3423-113    | 3   | S/P   | Screw                        |
| 7     | 3402-156    | 1   |       | Strainer, Oil                |
| 8     | 0693-389    | 2   | S     | Screw                        |
| 9     | 3402-157    | 1   |       | Cap, Oil Strainer            |
| 10    | 3423-077    | 1   |       | O-Ring                       |
| 11    | 3004-756    | 4   | S     | Screw, Cap                   |
| 12    | 0436-146    | 1   | S     | Filter, Oil                  |
| 13    | 3403-021    | 1   | /P    | Plug, Drain                  |
| 14    | 3402-012    | 1   |       | Gasket, Drain Plug           |
| 15    | 3402-773    | 1   |       | Valve, Assembly - Oil Relief |
| 16    | 3005-206    | 2   | /P    | Pin, Oil Pump                |

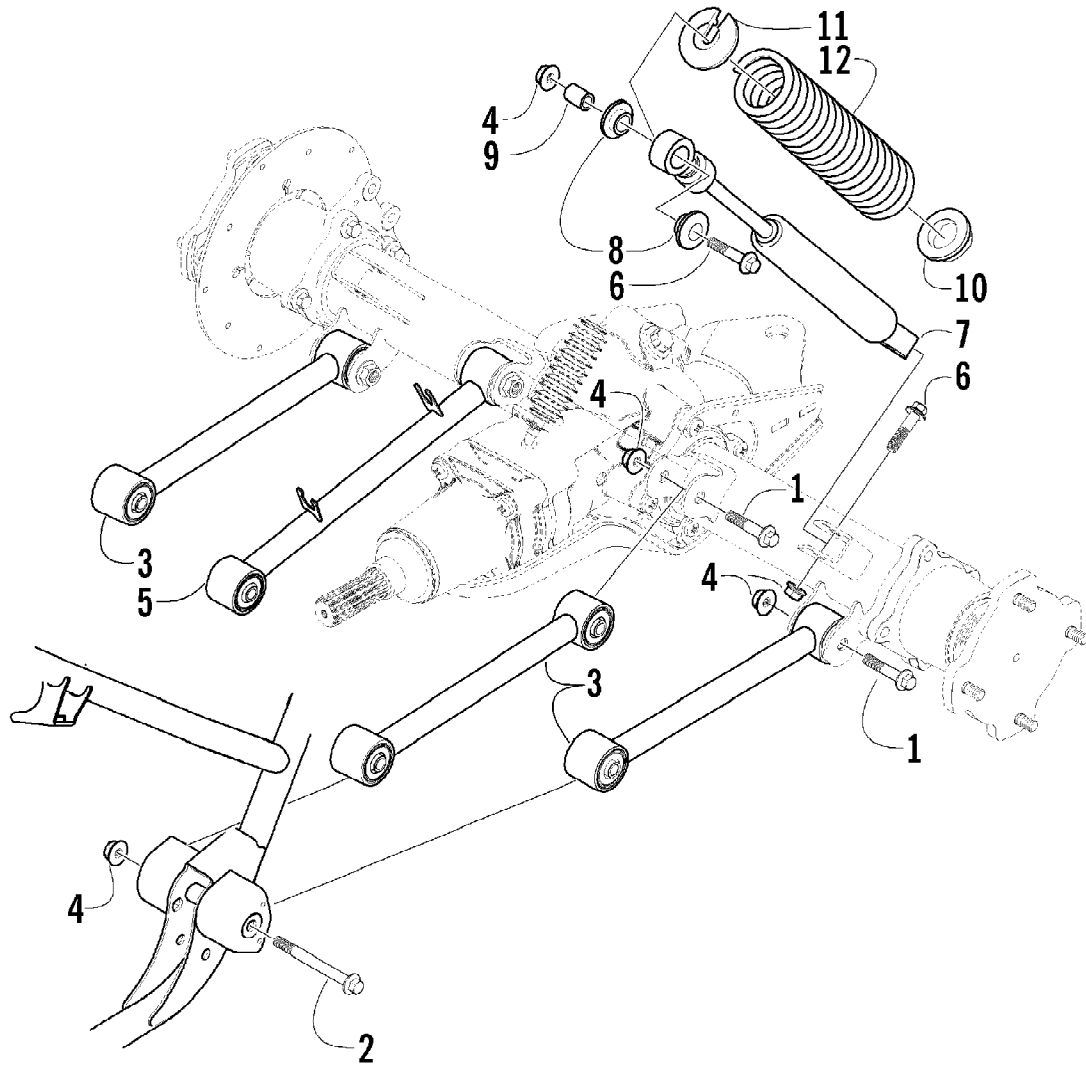




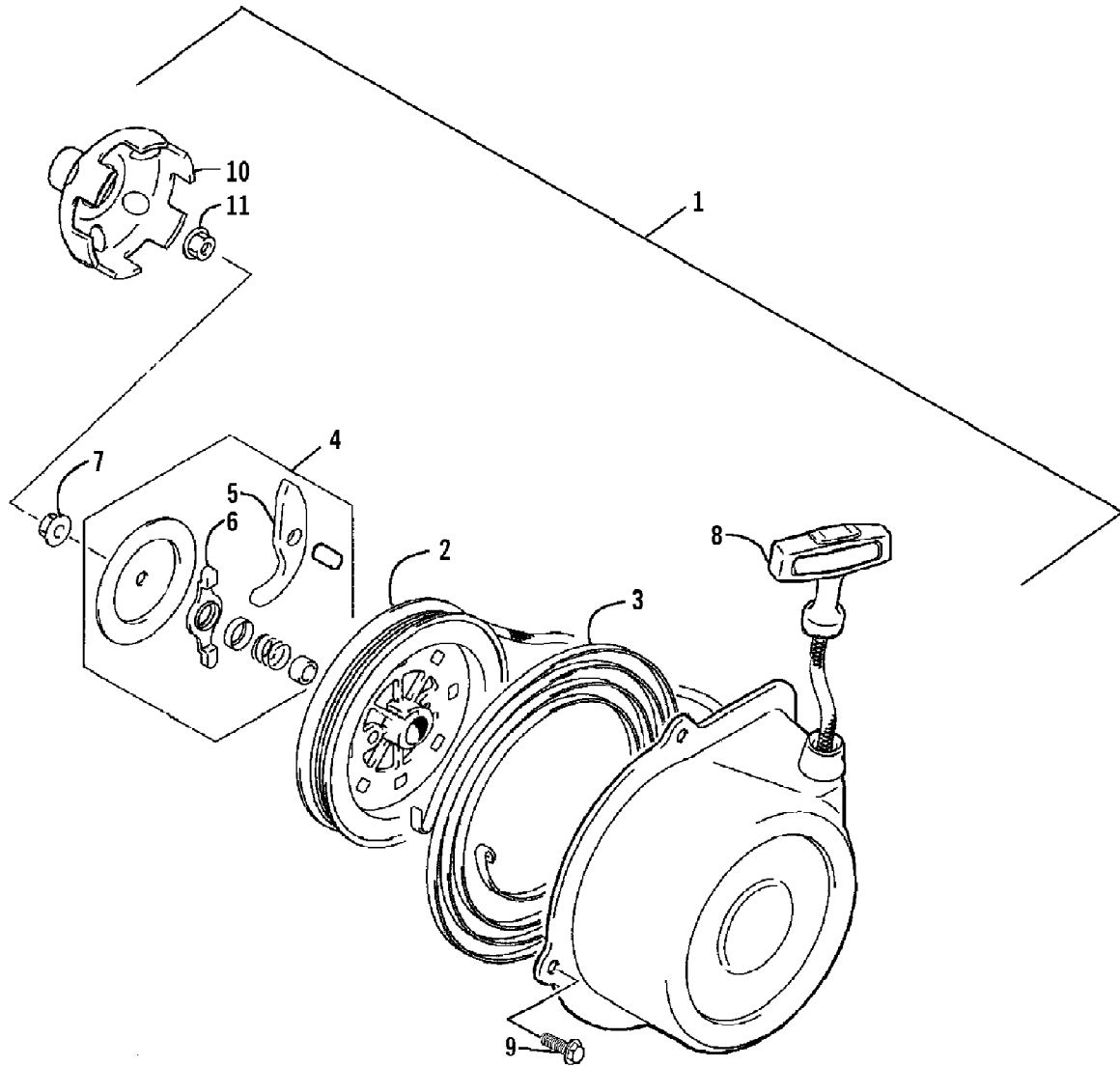
| Ref # | Part Number | Qty | S/P/F | Description              |
|-------|-------------|-----|-------|--------------------------|
| 1     | 0506-675    | 1   |       | Hitch, Trailer           |
| 2     | 0423-116    | 4   |       | Screw, Self-Tapping      |
| 3     | 0406-415    | 1   |       | Panel, Gearcase          |
| 4     | 0423-101    | 1   |       | Screw, Body              |
| 5     | 0423-031    | 2   |       | Nut, Speed               |
| 6     | 8477-616    | 2   |       | Screw, Machine           |
| 7     | 0402-374    | 2   |       | Gasket, Axle Housing     |
| 8     | 0502-090    | 1   |       | Housing, Axle - Right    |
| 8     | 0502-091    | 1   |       | Housing, Axle - Left     |
| 9     | 0423-117    | 12  |       | Screw, Self-Tapping      |
| 10    | 0423-119    | 2   |       | O-Ring                   |
| 11    | 1402-239    | 1   |       | Axle - Right             |
| 11    | 1402-240    | 1   |       | Axle - Left              |
| 12    | 0502-680    | 1   |       | Housing, Bearing - Right |
| 12    | 0502-681    | 1   |       | Housing, Bearing - Left  |
| 13    | 1402-027    | 2   | S/P   | Bearing                  |
| 14    | 0423-423    | 2   |       | Ring, Retaining          |



| Ref # | Part Number | Qty | S/P/F | Description                                 |
|-------|-------------|-----|-------|---|
| 1     | 0502-292    | 1   |       | Gearcase, Rear Drive - Assembly (inc. 2-33) |
| 2     | 0502-088    | 1   |       | Housing, Gearcase                           |
| 3     | 0502-239    | 1   |       | Housing, Pinion                             |
| 4     | 0502-089    | 1   |       | Cover, Gearcase                             |
| 5     | 0402-321    | 1   |       | Ring, Retaining                             |
| 6     | 0402-322    | 1   |       | Bearing                                     |
| 7     | 0402-323    | 1   |       | Seal  |
| 8     | 0402-324    | 2   |       | Bearing                                     |
| 9     | 0402-325    | 2   |       | Seal  |
| 10    | 0402-326    | 1   |       | Button, Thrust                              |
| 11    | 0402-328    | 1   |       | Bearing, Needle                             |
| 12    | 0402-330    | 1   |       | Fitting                                     |
| 13    | 0402-331    | 1   |       | Collar, Lock                                |
| 14    | 0402-335    | 1   |       | Collar, Shaft                               |
| 15    | 0402-851    | 1   |       | Shaft, Thrust                               |
| 16    | 0402-338    | 1   |       | Spring, Compression                         |
| 17    | 0402-381    | 1   |       | Gear, Ring - 36T                            |
| 18    | 0402-429    | AR  |       | Shim  |
| 18    | 0402-430    | AR  |       | Shim  |
| 18    | 0402-431    | AR  |       | Shim  |
| 18    | 0402-432    | AR  |       | Shim  |
| 18    | 0402-433    | AR  |       | Shim  |
| 19    | 0402-434    | AR  |       | Shim  |
| 19    | 0402-435    | AR  |       | Shim  |
| 19    | 0402-436    | AR  |       | Shim  |
| 19    | 0402-437    | AR  |       | Shim  |
| 19    | 0402-438    | AR  |       | Shim  |
| 20    | 0423-111    | 1   |       | Washer                                      |
| 21    | 0423-115    | 6   |       | Screw, Self-Tapping                         |
| 22    | 0423-118    | 6   |       | Screw, Self-Tapping                         |
| 23    | 0502-123    | 1   |       | Gear, Pinion - Assembly - 10T (inc. 24-26)  |
| 24    | 0402-327    | 1   |       | Bearing                                     |
| 25    | 0402-336    | 1   |       | Collar, Retaining                           |
| 26    | 0402-424    | AR  |       | Shim  |
| 26    | 0402-425    | AR  |       | Shim  |
| 26    | 0402-426    | AR  |       | Shim  |
| 26    | 0402-427    | AR  |       | Shim  |
| 26    | 0402-428    | AR  |       | Shim  |
| 27    | 0423-148    | 1   |       | O-Ring                                      |
| 28    | 0423-149    | 1   |       | O-Ring                                      |
| 29    | 0402-333    | 1   | /P    | Plug, Fill (inc. 30)                        |
| 30    | 0423-154    | 1   |       | O-Ring, Fill Plug                           |
| 31    | 0402-334    | 1   |       | Plug, Drain (inc. one No. 32)               |
| 32    | 0423-153    | 2   |       | O-Ring, Drain Plug                          |
| 33    | 0402-450    | 1   | S     | Plug, Drain - Magnetic (inc. one No. 32)    |
| 34    | 0402-147    | 1   | S     | Bladder, Gearcase                           |
| 35    | 0423-315    | 1   |       | Clamp, Fitting                              |



| Ref # | Part Number | Qty | S/P/F | Description                      |
|-------|-------------|-----|-------|----------------------------------|
| 1     | 8409-060    | 4   |       | Screw, Cap                       |
| 2     | 0423-335    | 2   |       | Screw, Cap                       |
| 3     | 0504-218    | 3   |       | Arm, Swing                       |
| 4     | 8428-002    | 10  |       | Nut, Lock                        |
| 5     | 0504-246    | 1   |       | Arm, Swing                       |
| 6     | 8409-040    | 4   |       | Screw, Cap                       |
| 7     | 0404-056    | 2   |       | Shock Absorber - Rear (inc. 8-9) |
| 8     | 0604-310    | 8   |       | Bushing, Shock Absorber          |
| 9     | 0403-028    | 4   |       | Sleeve, Shock Absorber           |
| 10    | 0403-102    | 2   |       | Cam, Spring Adjuster             |
| 11    | 1603-889    | 2   | /P    | Retainer, Spring - Upper         |
| 12    | 0404-058    | 2   |       | Spring, Shock Absorber           |



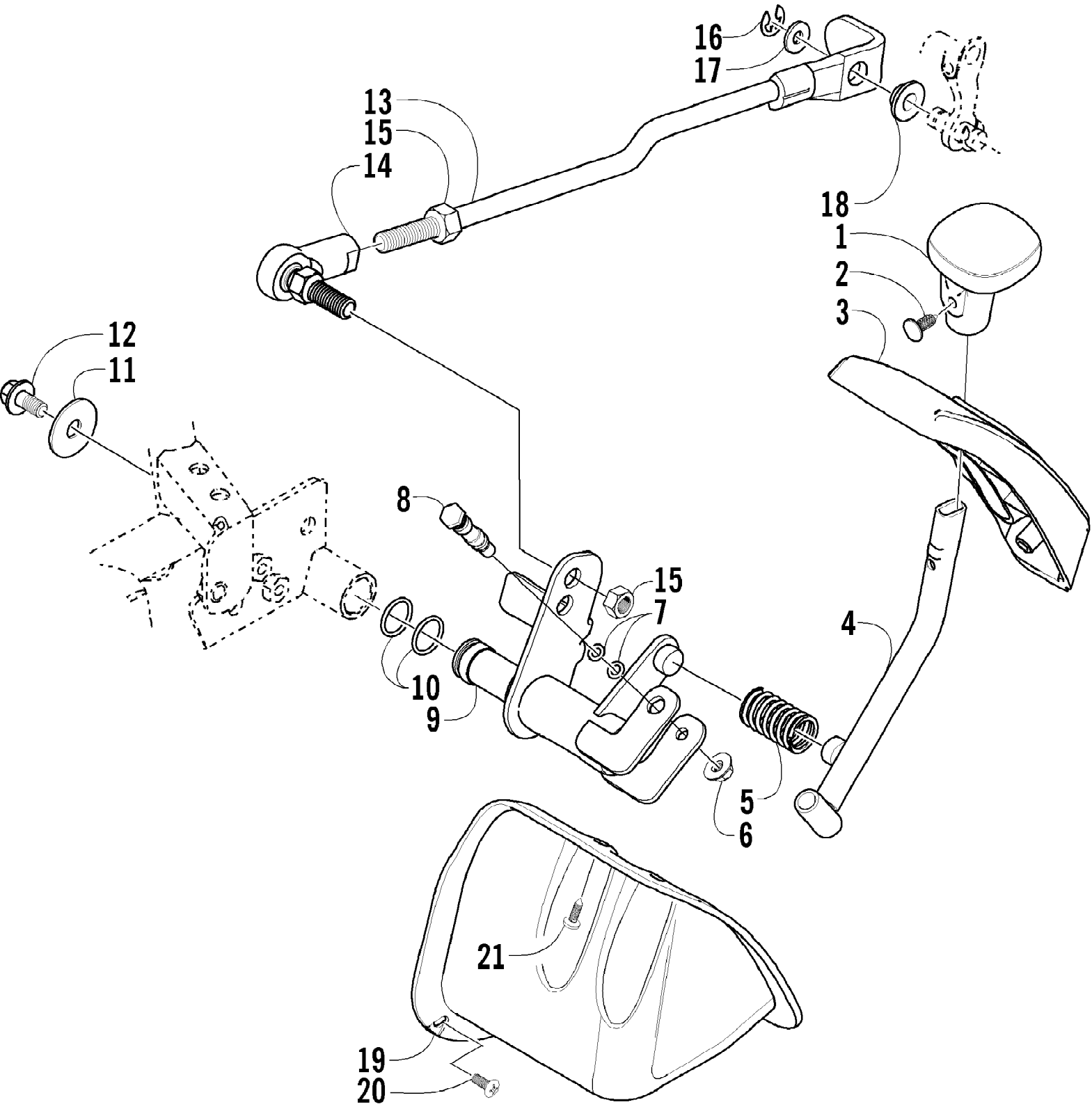
2005 ATV 400 MANUAL TRANSMISSION 4X4 VP RED (A2005ATH4AUSR) Page 64 of 92  
RECOIL STARTER ASSEMBLY

| Ref # | Part Number | Qty | S/P/F | Description                           |
|-------|-------------|-----|-------|---------------------------------------|
| 1     | 3445-003    | 1   |       | Starter, Recoil - Assembly (inc. 2-8) |
| 2     | 3445-004    | 1   |       | Reel                                  |
| 3     | 3445-007    | 1   |       | Spring, Sprial                        |
| 4     | 3445-016    | 1   |       | Ratchet - Assembly (inc. 5-6)         |
| 5     | 3445-005    | 1   |       | Ratchet                               |
| 6     | 3445-006    | 1   |       | Guide, Ratchet                        |
| 7     | 3004-488    | 1   | S/P   | Nut                                   |
| 8     | 3445-011    | 1   |       | Rope Assembly                         |
| 9     | 3423-428    | 4   |       | Screw, Cap                            |
| 10    | 3445-029    | 1   | /P    | Cup, Starter                          |
| 11    | 3004-491    | 1   | S/P   | Nut                                   |

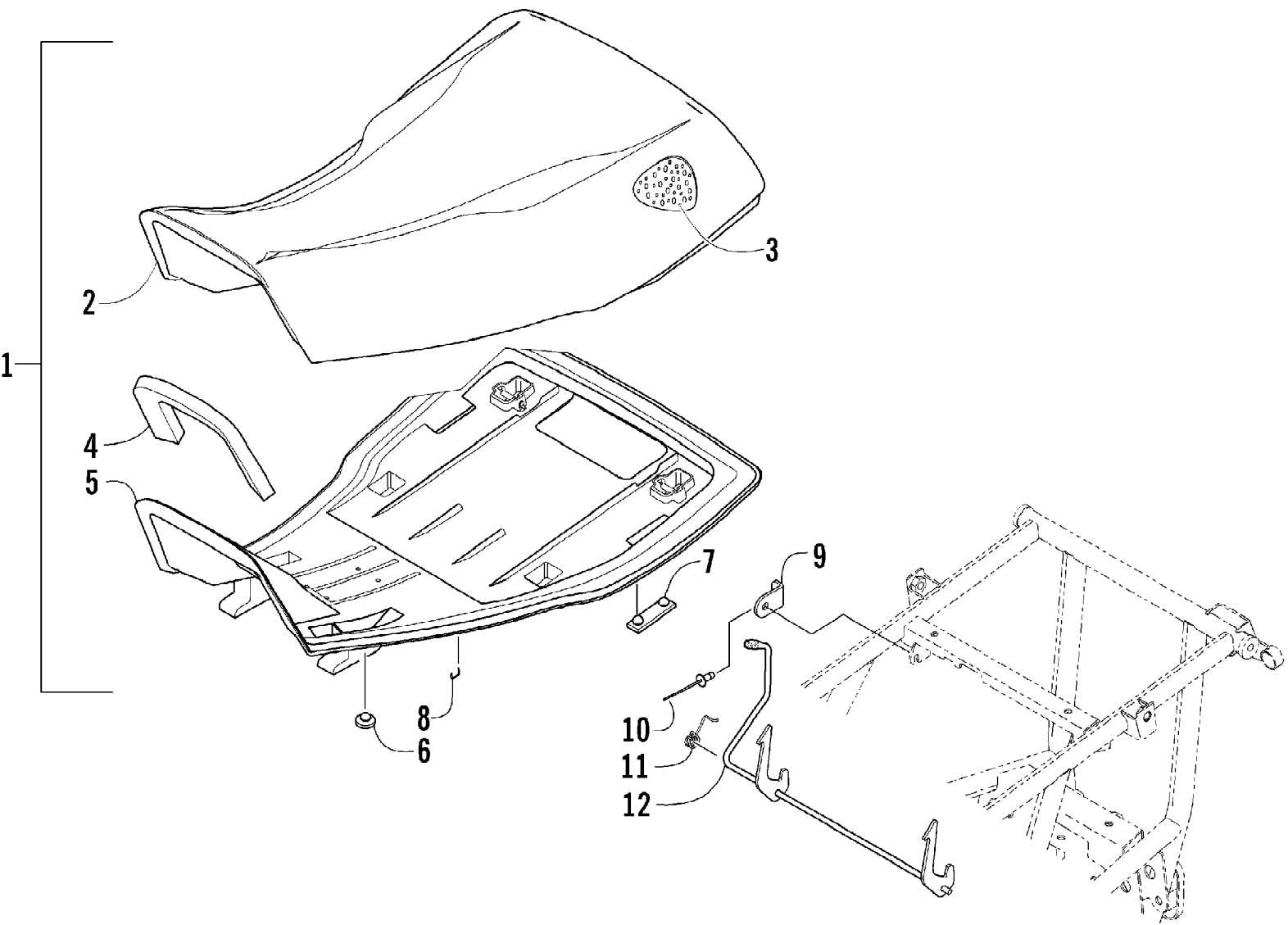


No  
Diagram  
Available  
  
Parts List  
Only

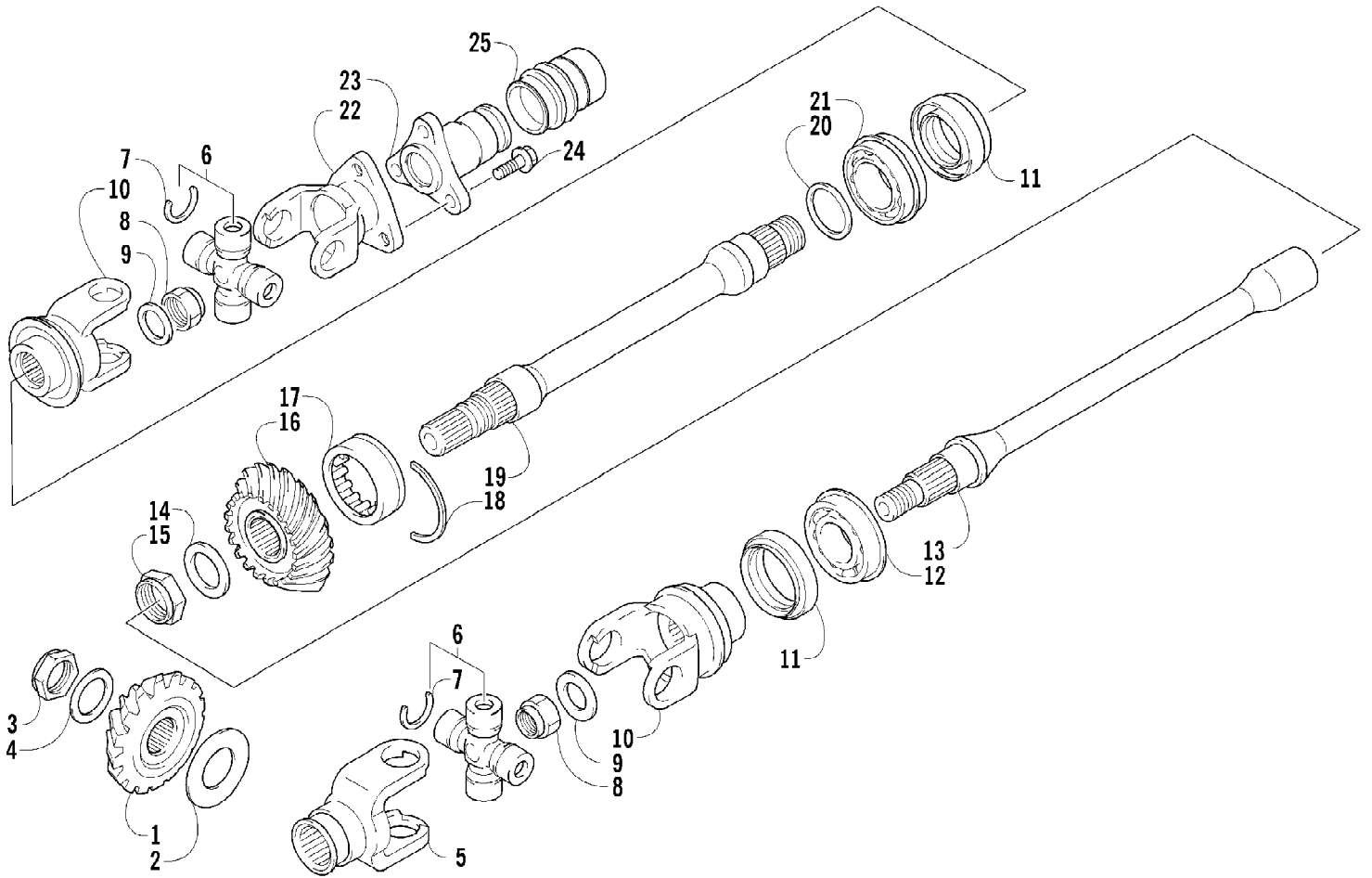
| Ref # | Part Number | Qty | S/P/F | Description                             |
|-------|-------------|-----|-------|---|
|       | 0436-679    | 1   |       | Bag, Fender - Black                     |
|       | 0436-337    | 1   |       | Bag, Rack, Front - Black                |
|       | 0436-336    | 1   |       | Bag, Rack, Rear - Black                 |
|       | 0436-432    | 1   | S     | Brush Guard/Bumper, Front               |
|       | 0436-525    | 1   |       | Bumper (Rear)                           |
|       | 0436-454    | 1   |       | Cargo Box                               |
|       | 0436-381    | 1   |       | Cover, Black and Green                  |
|       | 0436-668    | 1   |       | Cover, Timber Camo                      |
|       | 0436-005    | 1   | S     | Engine Oil - 10W40                      |
|       | 0436-003    | 1   | S     | Engine Oil - 5W30                       |
|       | 0436-450    | 1   | S     | Engine Oil - Synthetic 0W40             |
|       | 0436-007    | 1   | S     | Gear Lube (Diff) - 80W90                |
|       | 0441-281    | 1   |       | Gun Scabbard                            |
|       | 0436-200    | 1   |       | Gun Scabbard Mount                      |
|       | 0436-505    | 1   |       | Hand Guards - Black                     |
|       | 0436-352    | 1   |       | Hand/Thumb Warmers                      |
|       | 2257-185    | 1   |       | Illustrated Parts Manual                |
|       | 2257-172    | 1   |       | Manuel d'utilisation (F)                |
|       | 2257-034    | 1   |       | Operator's Manual (E)                   |
|       | 0436-351    | 1   |       | Rack Basket (Front)                     |
|       | 0436-350    | 1   |       | Rack Basket (Rear)                      |
|       | 0436-349    | 1   |       | Rack Extension, 4 in. (Front)           |
|       | 0436-225    | 1   |       | Rack Extension, 4 in. (Rear)            |
|       | 0436-226    | 1   |       | Rack Extension, 8 in. (Rear)            |
|       | 0436-386    | 1   |       | Snowplow Attachment Kit                 |
|       | 0436-228    | 1   |       | Snowplow Blade, 50 in. - Straight       |
|       | 0436-287    | 1   |       | Snowplow Blade, 50 in. - One-Way        |
|       | 0436-296    | 1   |       | Snowplow Blade, 60 in. - Straight       |
|       | 0436-360    | 1   |       | Snowplow Blade, 60 in. - One-Way        |
|       | 0436-356    | 1   | S     | Snowplow, Push Frame                    |
|       | 1402-028    | 1   |       | Tire, Titan AT589 (25x8-12,Mud & Snow)  |
|       | 0402-563    | 1   |       | Tire, Titan AT589 (25x10-12,Mud & Snow) |
|       | 0436-297    | 1   |       | Tool Holder - Double                    |
|       | 0436-263    | 1   | /P    | Tool Holder - Single                    |
|       | 0436-382    | 1   |       | Torch Light                             |
|       | 0436-699    | 1   |       | Winch, 2500 lb                          |
|       | 0436-361    | 1   |       | Winch Mounting Kit                      |
|       | 0436-507    | 1   |       | Windshield, Clear w/Black Accent        |



| Ref # | Part Number | Qty | S/P/F | Description                 |
|-------|-------------|-----|-------|-----------------------------|
| 1     | 0402-843    | 1   | /P    | Handle, Reverse Shift Lever |
| 2     | 0423-345    | 1   |       | Clip, Push                  |
| 3     | 0402-983    | 1   |       | Plate, Shift                |
| 4     | 0502-417    | 1   |       | Lever, Shift                |
| 5     | 0502-410    | 1   | S     | Spring                      |
| 6     | 8424-602    | 1   | /P    | Nut                         |
| 7     | 0423-182    | 2   | /P    | O-Ring                      |
| 8     | 0402-675    | 1   |       | Axle, Pivot                 |
| 9     | 0502-419    | 1   |       | Axle, Reverse Shift Lever   |
| 10    | 0423-299    | 2   | /P    | O-Ring                      |
| 11    | 0423-087    | 1   |       | Washer                      |
| 12    | 8408-812    | 1   |       | Screw, Cap                  |
| 13    | 0502-589    | 1   |       | Linkage, Shift              |
| 14    | 1402-270    | 1   |       | End, Rod                    |
| 15    | 0623-294    | 2   |       | Nut                         |
| 16    | 0423-169    | 1   | /P    | E-Ring                      |
| 17    | 3423-204    | 1   | /P    | Washer                      |
| 18    | 0423-091    | 1   |       | Bushing                     |
| 19    | 0406-943    | 1   |       | Shield, Linkage             |
| 20    | 0423-371    | 3   |       | Screw, Machine              |
| 21    | 0623-309    | 1   |       | Screw, Self-Tapping         |

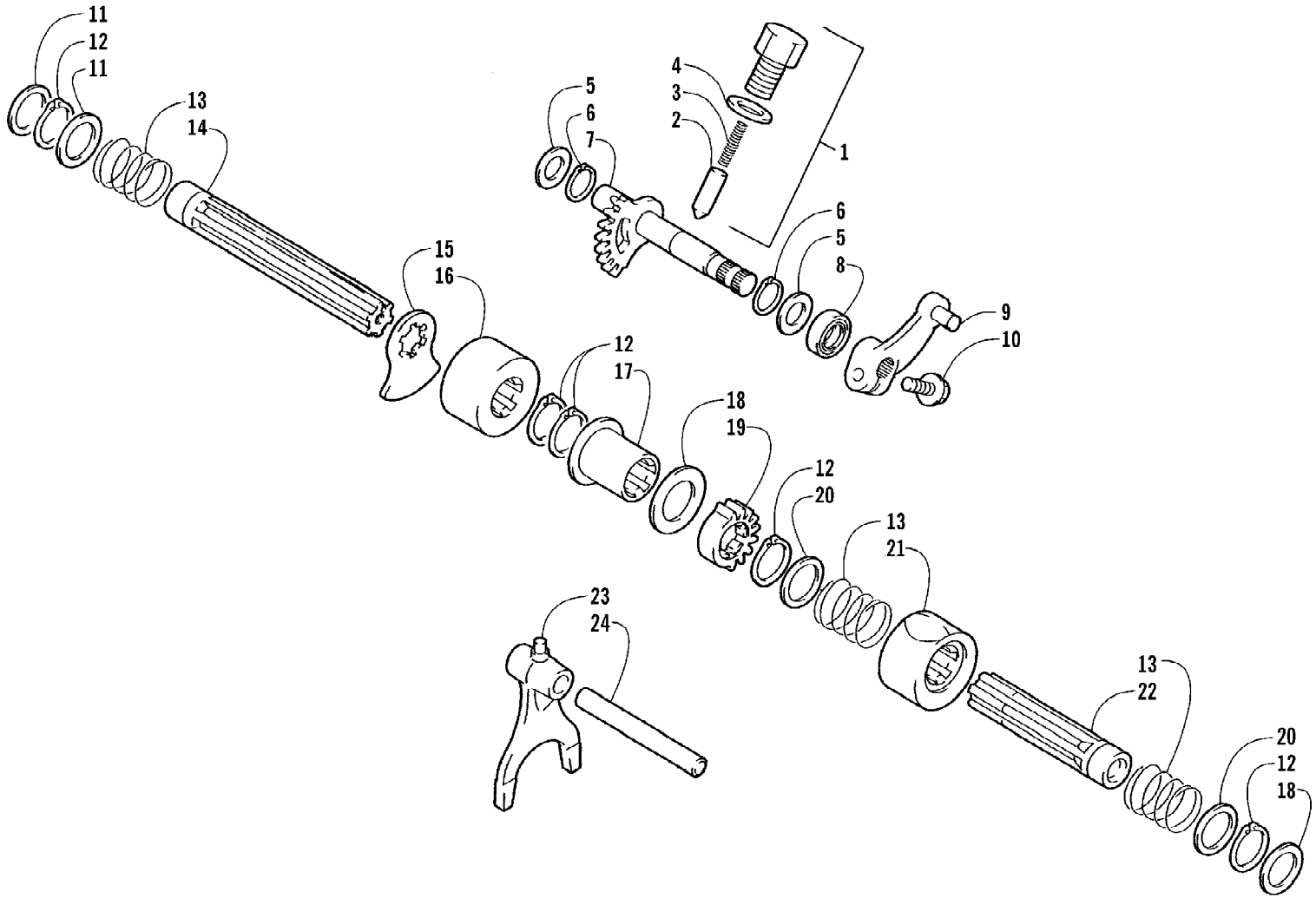


| Ref # | Part Number | Qty | S/P/F | Description                    |
|-------|-------------|-----|-------|--------------------------------|
| 1     | 0506-558    | 1   |       | Seat Assembly (inc. 2-8)       |
| 2     | 0506-556    | 1   |       | Cover, Seat                    |
| 3     | 0506-555    | 1   |       | Foam, Seat                     |
| 4     | 1406-060    | 1   |       | Foam, Sound                    |
| 5     | 0406-878    | 1   |       | Base, Seat Assembly (inc. 6-7) |
| 6     | 0406-877    | 2   | /P    | Bumper, Seat - Front           |
| 7     | 0406-879    | 2   |       | Bumper, Seat - Rear            |
| 8     | 0624-528    | AR  | /P    | Staple                         |
| 9     | 1406-087    | 1   |       | Plate, Retainer                |
| 10    | 8060-284    | 1   |       | Rivet                          |
| 11    | 1406-371    | 1   |       | Spring, Seat Latch             |
| 12    | 1506-217    | 1   |       | Latch, Seat                    |

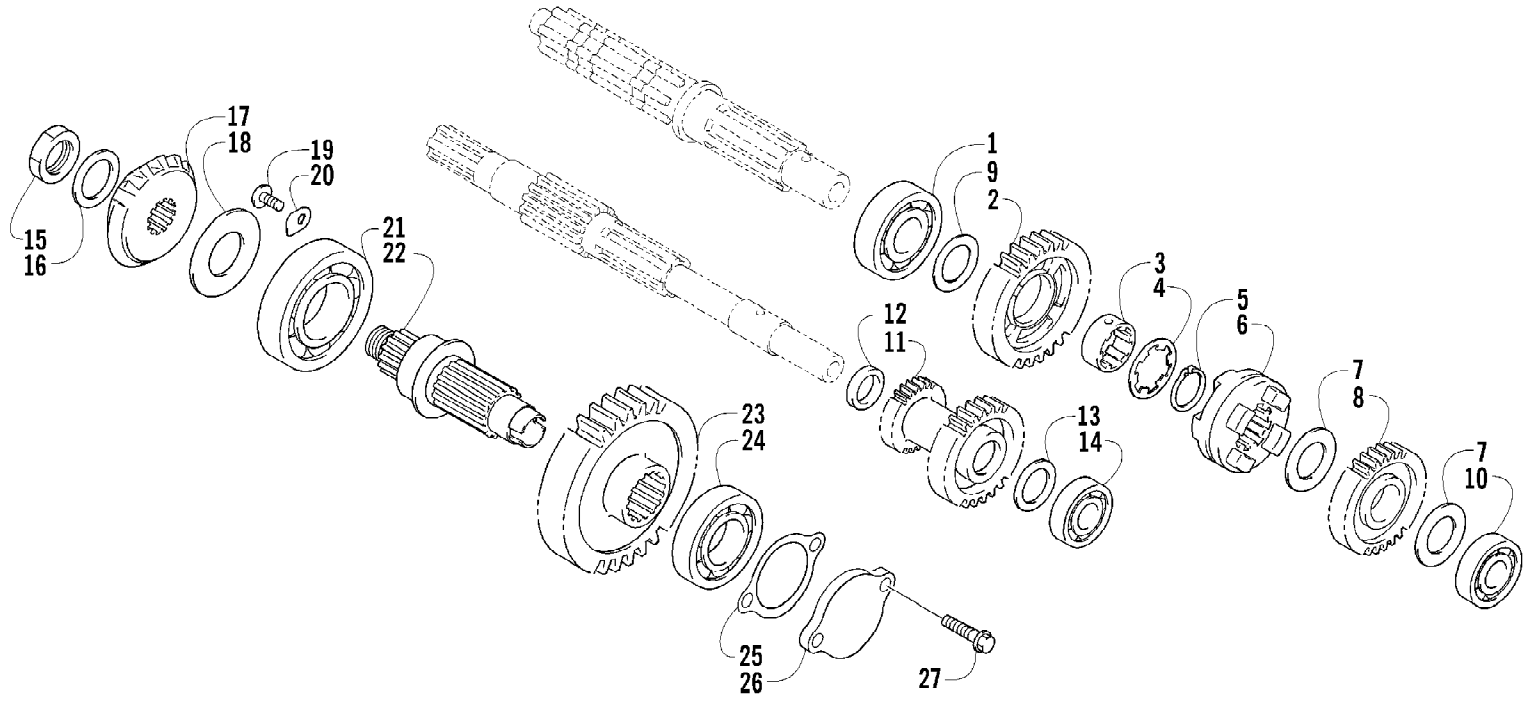


| Ref # | Part Number | Qty | S/P/F | Description                           |
|-------|-------------|-----|-------|---------------------------------------|
| 1     | 3402-637    | 1   |       | Gear, Secondary Drive                 |
| 2     | 3446-035    | 1   |       | Shim, Secondary Drive Gear - Set      |
| 3     | 3423-023    | 1   |       | Nut                                   |
| 4     | 3005-372    | 1   |       | Washer                                |
| 5     | 3446-327    | 1   | /P    | Yoke, Propeller Shaft - Front         |
| 6     | 3402-562    | 2   |       | Joint, Universal - Set (inc. 7)       |
| 7     | 3423-479    | 8   |       | Circlip                               |
| 8     | 3423-025    | 2   |       | Nut                                   |
| 9     | 3423-028    | 2   |       | Washer                                |
| 10    | 3402-742    | 2   |       | Yoke, Drive Output                    |
| 11    | 3402-072    | 2   |       | Seal, Oil                             |
| 12    | 3402-558    | 1   |       | Bearing, Front Secondary Driven Shaft |
| 13    | 3402-694    | 1   |       | Shaft, Secondary Driven - Front       |
| 14    | 3423-137    | 1   |       | Washer, Secondary Driven Gear         |
| 15    | 3423-136    | 1   |       | Nut, Secondary Driven Gear            |
| 16    | 3402-638    | 1   |       | Gear, Secondary Driven                |
| 17    | 3402-515    | 1   | /P    | Bearing, Driven Gear                  |
| 18    | 3423-072    | 1   |       | C-Ring, Driven Bearing                |
| 19    | 3446-305    | 1   |       | Shaft, Secondary Driven - Rear        |
| 20    | 3402-017    | AR  |       | Shim, 25 x 34 x 0.60 mm               |
| 20    | 3402-018    | AR  |       | Shim, 25 x 34 x 0.65 mm               |
| 20    | 3402-019    | AR  |       | Shim, 25 x 34 x 0.70 mm               |
| 20    | 3402-020    | AR  |       | Shim, 25 x 34 x 0.75 mm               |
| 20    | 3402-021    | AR  | S     | Shim, 25 x 34 x 0.80 mm               |
| 20    | 3402-022    | AR  |       | Shim, 25 x 34 x 0.85 mm               |
| 20    | 3402-023    | AR  |       | Shim, 25 x 34 x 0.90 mm               |
| 20    | 3402-024    | AR  |       | Shim, 25 x 34 x 0.95 mm               |
| 20    | 3402-025    | AR  | S     | Shim, 25 x 34 x 1.00 mm               |
| 20    | 3402-028    | AR  |       | Shim, 25 x 34 x 1.05 mm               |
| 20    | 3402-029    | AR  |       | Shim, 25 x 34 x 1.10 mm               |
| 20    | 3402-030    | AR  |       | Shim, 25 x 34 x 1.15 mm               |
| 20    | 3402-031    | AR  |       | Shim, 25 x 34 x 1.20 mm               |
| 21    | 3402-067    | 1   | S     | Bearing, Rear Secondary Driven Shaft  |
| 22    | 3446-405    | 1   |       | Yoke, Propeller Shaft                 |
| 23    | 3403-015    | 1   |       | Shaft, Propeller                      |
| 24    | 3423-414    | 3   | S     | Bolt, Propeller Shaft                 |
| 25    | 3435-051    | 1   |       | Boot, Propeller Shaft                 |

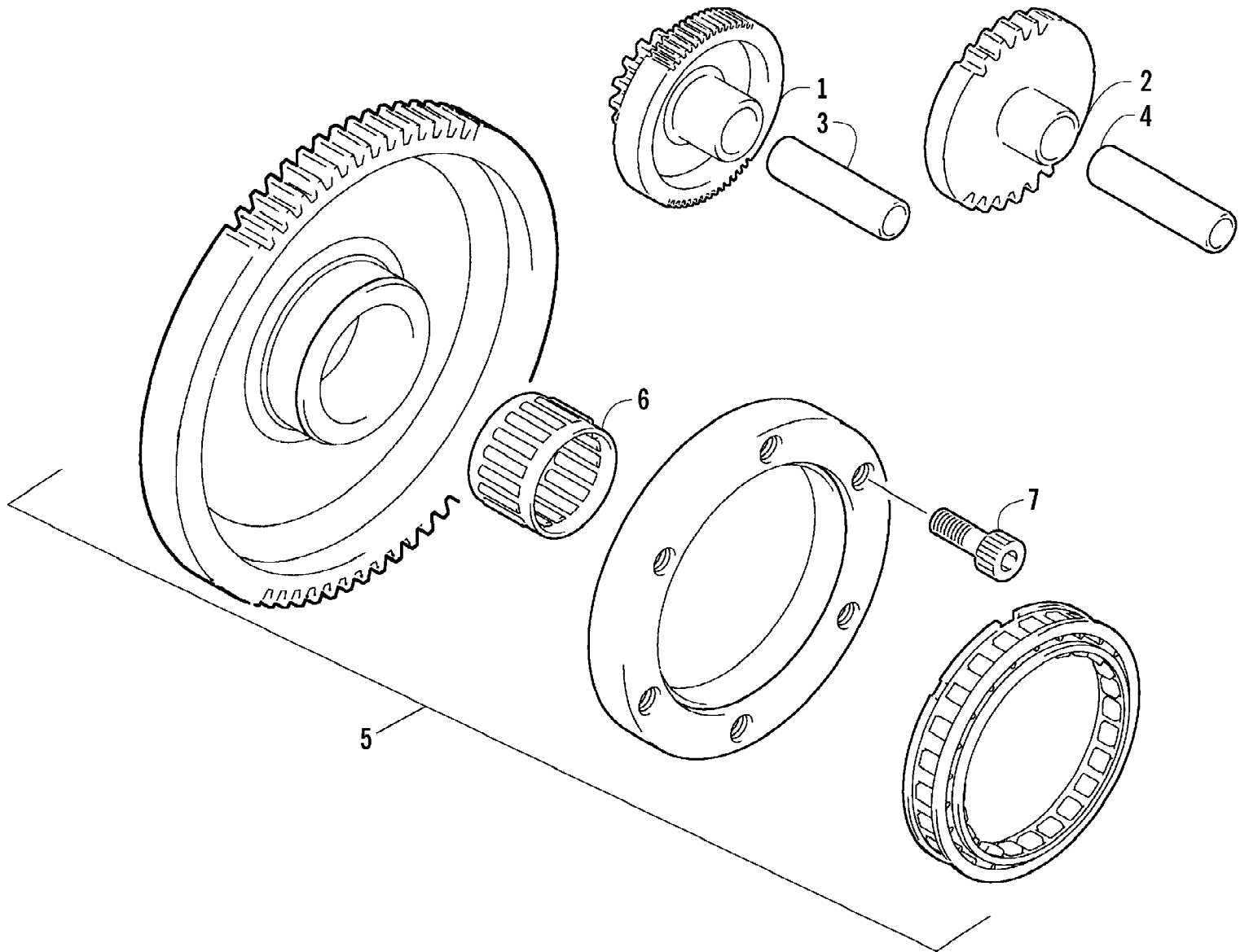




| Ref # | Part Number | Qty | S/P/F | Description                        |
|-------|-------------|-----|-------|------------------------------------|
| 1     | 3446-314    | 1   |       | Stopper, Gear Shift Cam (inc. 2-3) |
| 2     | 3446-315    | 1   |       | Stopper                            |
| 3     | 3423-524    | 1   |       | Spring                             |
| 4     | 3402-012    | 1   |       | Gasket                             |
| 5     | 1691-043    | 2   |       | Washer                             |
| 6     | 3423-358    | 2   | S     | Circlip                            |
| 7     | 3446-322    | 1   |       | Shaft, Gear Shift                  |
| 8     | 3402-076    | 1   |       | Seal, Oil                          |
| 9     | 3402-434    | 1   | /P    | Arm, Gear Shift                    |
| 10    | 3004-341    | 1   | S/P   | Bolt, Gear Shift Arm               |
| 11    | 3423-527    | 2   | /P    | Washer                             |
| 12    | 3423-190    | 5   | S     | Circlip                            |
| 13    | 3423-526    | 3   | /P    | Spring                             |
| 14    | 3446-325    | 1   |       | Camshaft, Reverse                  |
| 15    | 3446-324    | 1   |       | Plate, Cam Lock                    |
| 16    | 3446-323    | 1   |       | Cam, Reverse                       |
| 17    | 3446-321    | 1   |       | Joint, Camshaft                    |
| 18    | 3402-381    | 2   | /P    | Washer                             |
| 19    | 3446-316    | 1   |       | Gear, Camshaft                     |
| 20    | 3423-533    | 2   |       | Washer                             |
| 21    | 3423-525    | 1   |       | Cam                                |
| 22    | 3446-320    | 1   |       | Camshaft                           |
| 23    | 3446-318    | 1   |       | Fork, Gear Shift                   |
| 24    | 3446-317    | 1   |       | Shaft, Gear Shift Fork             |

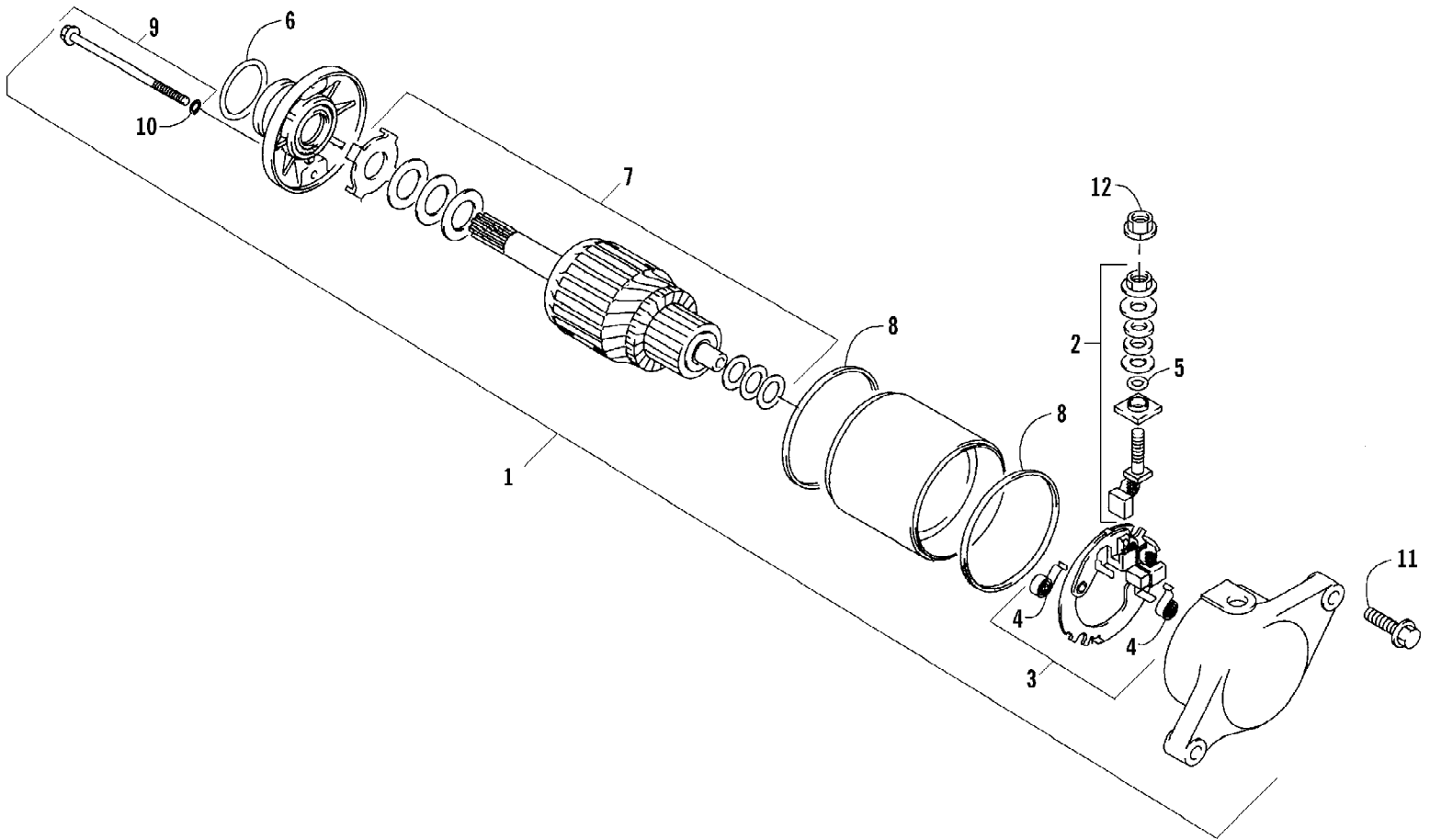


| Ref # | Part Number | Qty | S/P/F | Description                      |
|-------|-------------|-----|-------|----------------------------------|
| 1     | 3402-776    | 1   |       | Bearing                          |
| 2     | 3446-300    | 1   |       | Gear, Drive - No. 1              |
| 3     | 3446-301    | 1   |       | Bushing, Drive Gear No. 1        |
| 4     | 3423-036    | 1   |       | Washer                           |
| 5     | 3423-066    | 1   | /P    | Circlip                          |
| 6     | 3446-249    | 1   |       | Dog, Sliding                     |
| 7     | 3423-126    | 2   | /P    | Washer                           |
| 8     | 3446-302    | 1   |       | Gear, Drive - No. 2              |
| 9     | 3423-519    | 1   |       | Spacer, Drive Gear               |
| 10    | 3402-979    | 1   | /P    | Bearing, Driveshaft              |
| 11    | 3446-299    | 1   |       | Gear, Idle                       |
| 12    | 3402-205    | 1   |       | Spacer, Idle Gear                |
| 13    | 3423-319    | 1   |       | Washer                           |
| 14    | 3402-217    | 1   |       | Bearing                          |
| 15    | 3423-023    | 1   |       | Nut, Secondary Drive Gear        |
| 16    | 3005-372    | 1   |       | Washer, Secondary Drive Gear     |
| 17    | 3446-274    | 1   | /P    | Gear, Secondary Drive            |
| 18    | 3446-035    | 1   |       | Shim, Secondary Drive Gear - Set |
| 19    | 3423-370    | 2   |       | Screw                            |
| 20    | 3446-031    | 2   | /P    | Retainer, Output Shaft           |
| 21    | 3402-180    | 1   | S     | Bearing                          |
| 22    | 3446-404    | 1   | S     | Shaft, Output                    |
| 23    | 3446-304    | 1   |       | Gear, Driven                     |
| 24    | 3402-045    | 1   | /P    | Bearing                          |
| 25    | 3446-244    | 1   | /P    | Gasket, Speedometer Housing      |
| 26    | 3446-260    | 1   |       | Retainer, Cover Plug             |
| 27    | 3423-363    | 2   |       | Bolt, Retainer                   |



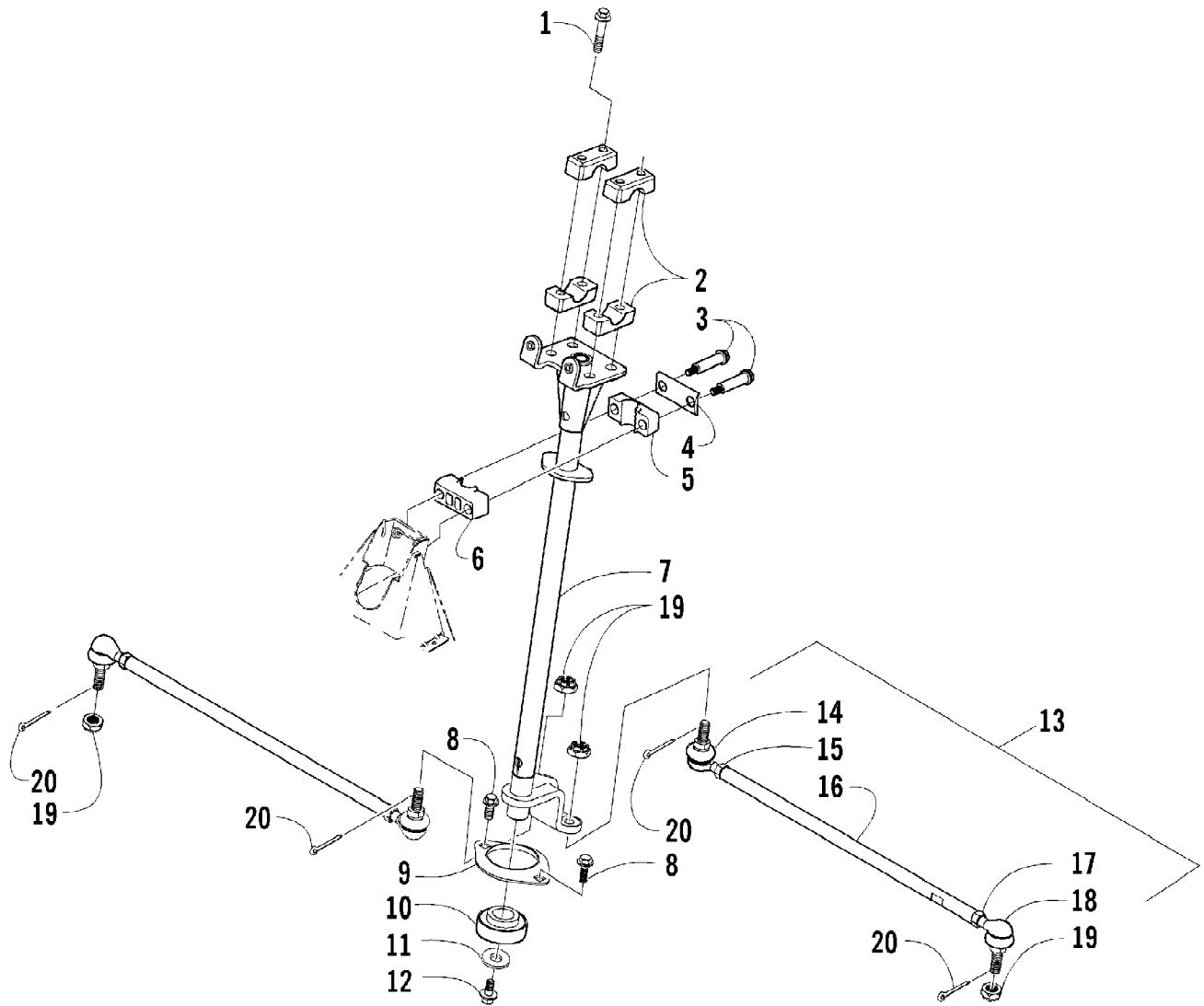
2005 ATV 400 MANUAL TRANSMISSION 4X4 VP RED (A2005ATH4AUSR) Page 78 of 92  
STARTER CLUTCH ASSEMBLY

| Ref # | Part Number | Qty | S/P/F | Description                    |
|-------|-------------|-----|-------|--------------------------------|
| 1     | 3402-603    | 1   |       | Gear, Starter Idler - No. 1    |
| 2     | 3402-124    | 1   |       | Gear, Starter Idler - No. 2    |
| 3     | 3423-331    | 1   |       | Pin, Starter Idler Gear No. 1  |
| 4     | 3423-397    | 1   |       | Pin, Starter Idler Gear No. 2  |
| 5     | 3402-690    | 1   | S     | Clutch, Starter - Set (inc. 6) |
| 6     | 3402-674    | 1   |       | Bearing                        |
| 7     | 3423-102    | 6   | S     | Bolt                           |

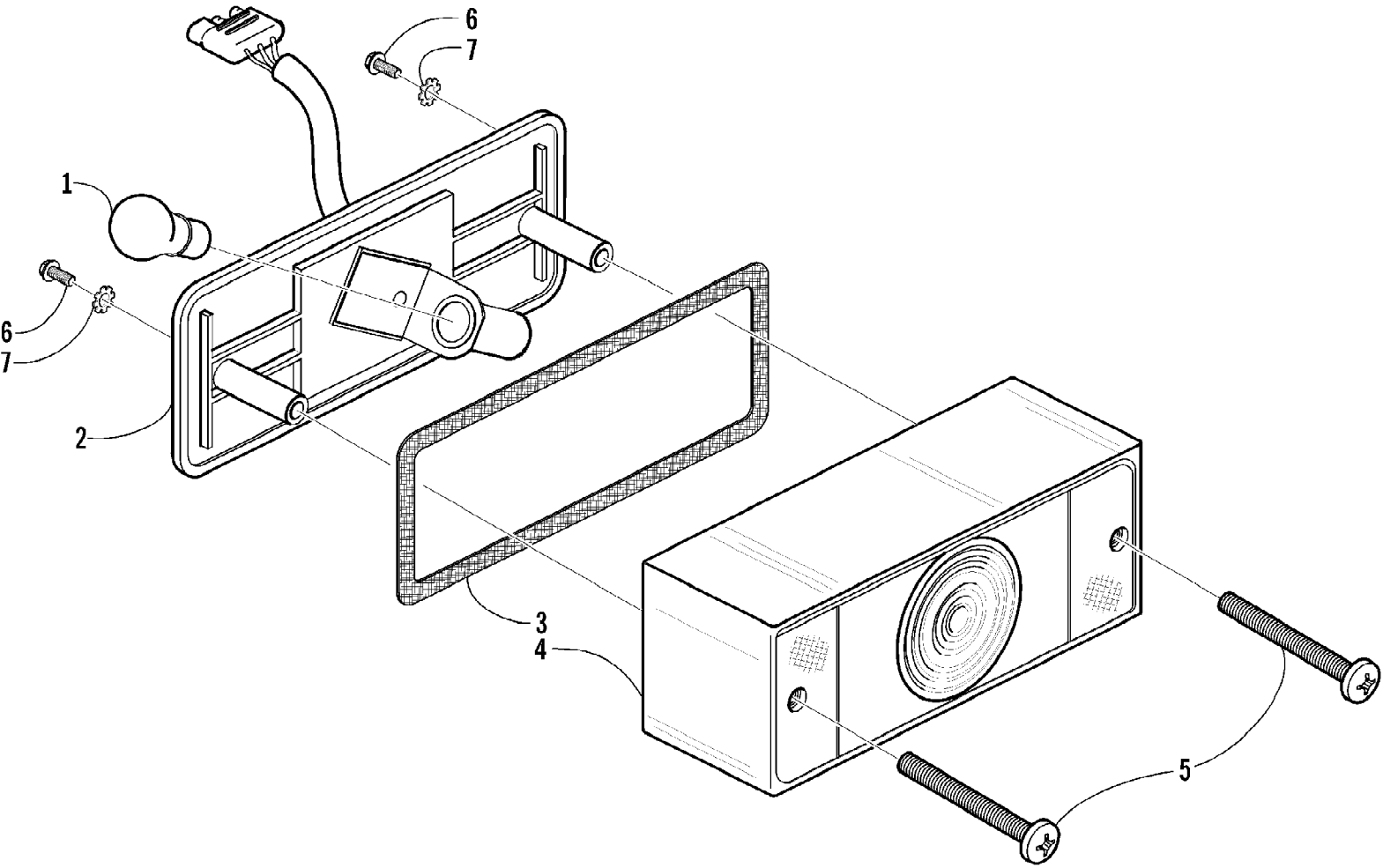


| Ref # | Part Number | Qty | S/P/F | Description                         |
|-------|-------------|-----|-------|-------------------------------------|
| 1     | 3545-016    | 1   |       | Motor, Starter Assembly (inc. 2-10) |
| 2     | 3402-671    | 1   |       | Terminal Set, Brush                 |
| 3     | 3402-672    | 1   |       | Holder Set, Brush                   |
| 4     | 3008-551    | 4   |       | Spring, Brush                       |
| 5     | 3008-164    | 1   |       | O-Ring                              |
| 6     | 3423-272    | 1   |       | O-Ring                              |
| 7     | 3008-099    | 1   |       | Washer Set                          |
| 8     | 3423-497    | 2   |       | O-Ring                              |
| 9     | 3423-498    | 2   |       | Through-Bolt (inc. 10)              |
| 10    | 3423-496    | 2   |       | O-Ring                              |
| 11    | 3004-756    | 2   | S     | Bolt                                |
| 12    | 3423-195    | 1   | /P    | Nut                                 |

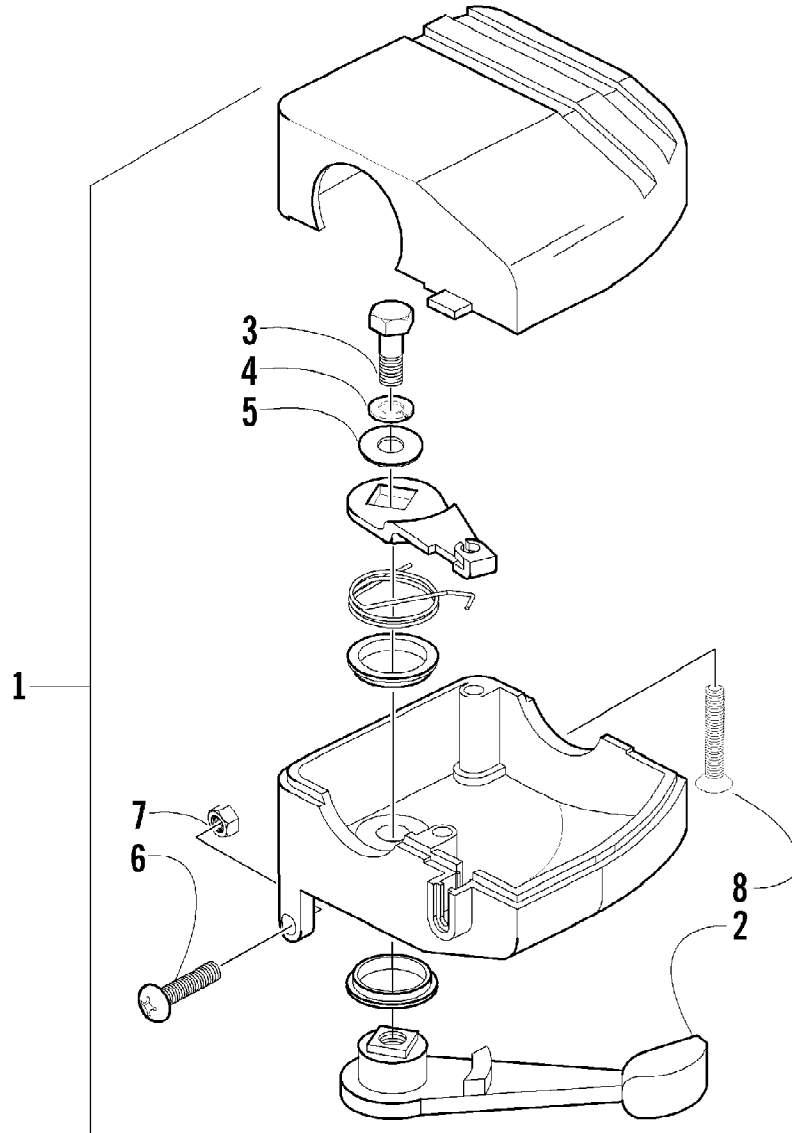




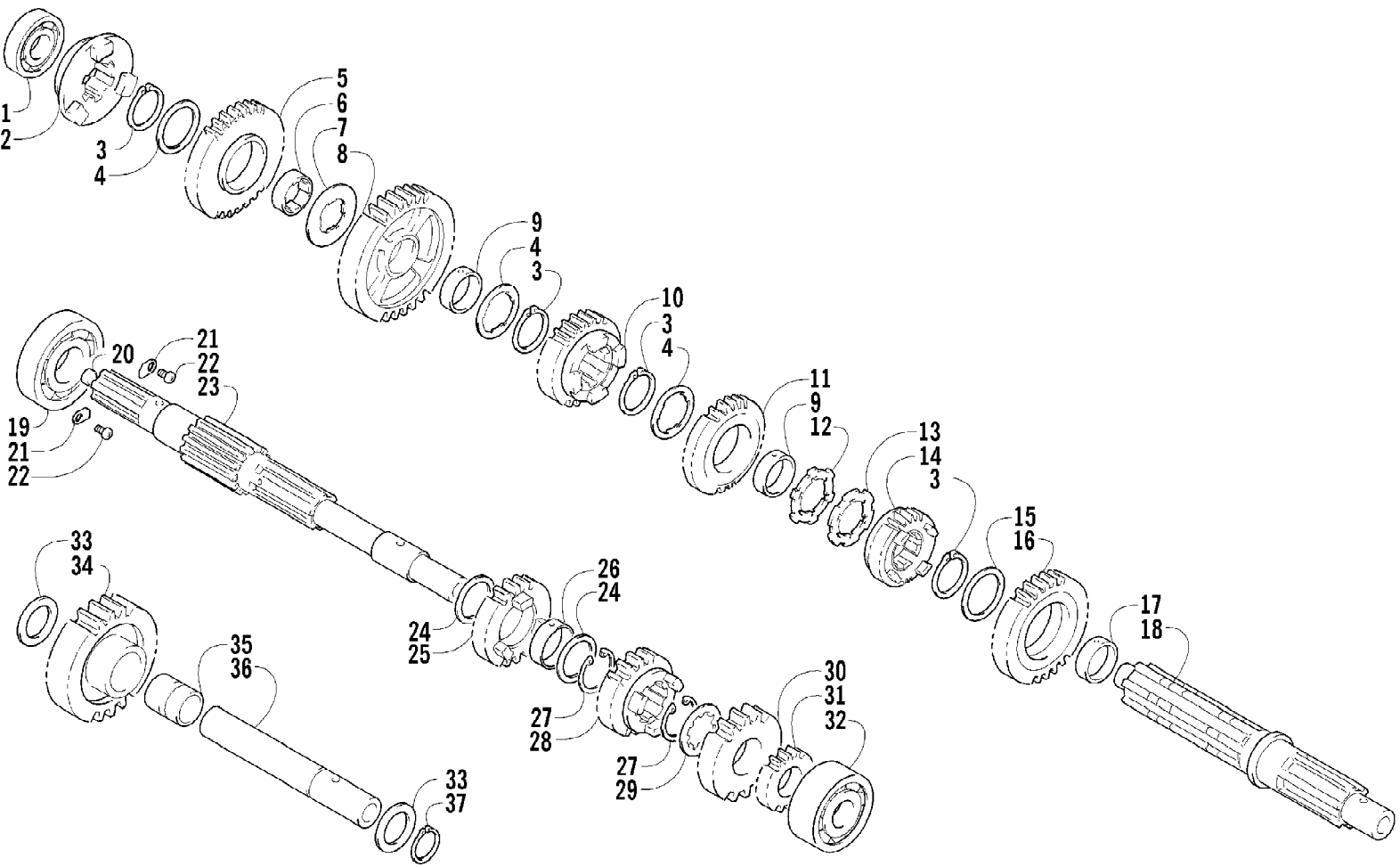
| Ref # | Part Number | Qty | S/P/F | Description                     |
|-------|-------------|-----|-------|---------------------------------|
| 1     | 8408-860    | 4   |       | Screw, Cap                      |
| 2     | 0405-035    | 4   |       | Cap, Steering Adjuster          |
| 3     | 0423-505    | 2   |       | Screw, Shoulder                 |
| 4     | 0405-166    | 1   |       | Cap, Housing                    |
| 5     | 0405-138    | 1   |       | Housing, Lower                  |
| 6     | 0405-139    | 1   |       | Housing, Upper                  |
| 7     | 0505-431    | 1   | /P    | Post, Steering                  |
| 8     | 8408-816    | 2   |       | Screw, Cap                      |
| 9     | 0602-233    | 1   |       | Flange, Bearing                 |
| 10    | 0405-052    | 1   |       | Bearing w/Inverted Oil Seal     |
| 11    | 0423-073    | 1   |       | Washer                          |
| 12    | 8409-020    | 1   | /P    | Screw, Cap                      |
| 13    | 0505-072    | 2   | /P    | Tie Rod - Assembly (inc. 14-18) |
| 14    | 0405-083    | 2   | S     | Ball Joint, Tie Rod - Left      |
| 15    | 0423-013    | 2   |       | Nut - Left                      |
| 16    | 0405-032    | 2   |       | Tie Rod                         |
| 17    | 8420-002    | 2   | /P    | Nut - Right                     |
| 18    | 0405-082    | 2   | S     | Ball Joint, Tie Rod - Right     |
| 19    | 0423-157    | 4   |       | Nut, Top Lock                   |
| 20    | 0623-175    | 4   |       | Pin, Cotter                     |



| Ref # | Part Number | Qty | S/P/F | Description                   |
|-------|-------------|-----|-------|-------------------------------|
|       | 0409-002    | 1   |       | Complete Taillight Assembly   |
| 1     | 0109-460    | 1   | /P    | Bulb, Stop/Taillight          |
| 2     | 0409-058    | 1   |       | Taillight w/Socket Assembly   |
| 3     | 0409-012    | 1   |       | Gasket, Taillight Lens        |
| 4     | 0409-007    | 1   |       | Lens, Taillight               |
| 5     | 0409-010    | 2   |       | Screw, Machine                |
| 6     | 0623-301    | 2   | /P    | Screw, Self-Tapping           |
| 7     | 8053-212    | 2   | /P    | Washer, Lock - External Tooth |

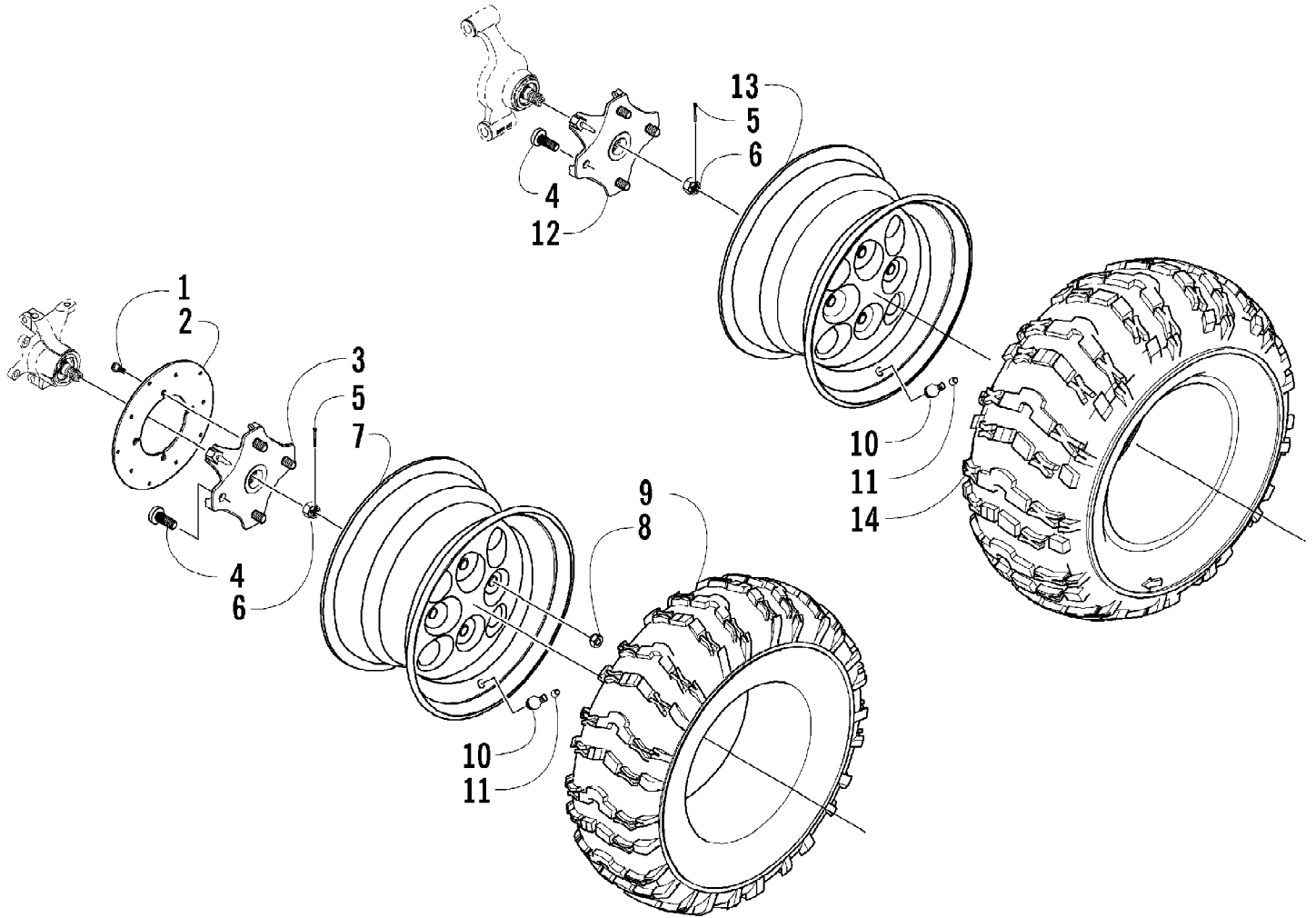


| Ref # | Part Number | Qty | S/P/F | Description                          |
|-------|-------------|-----|-------|--------------------------------------|
| 1     | 3509-003    | 1   | /P    | Case, Throttle - Assembly (inc. 2-8) |
| 2     | 3409-001    | 1   |       | Lever                                |
| 3     | 3004-533    | 1   | S/P   | Screw, Cap                           |
| 4     | 3004-447    | 1   | /P    | Washer, Lock                         |
| 5     | 3003-030    | 1   | /P    | Washer                               |
| 6     | 3423-014    | 1   |       | Screw                                |
| 7     | 3423-327    | 1   |       | Nut                                  |
| 8     | 3423-199    | 2   |       | Screw                                |

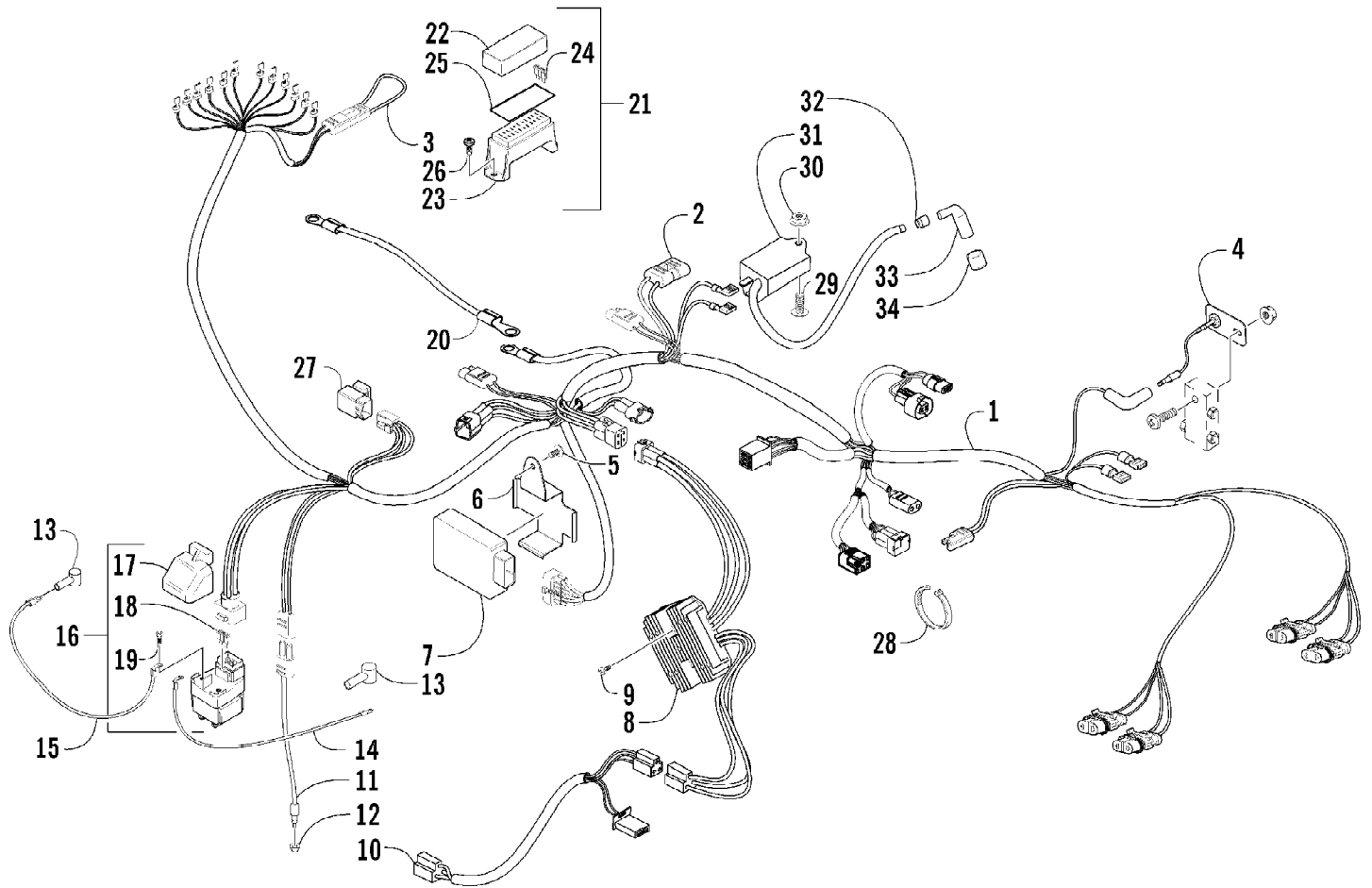


| Ref # | Part Number | Qty | S/P/F | Description          |
|-------|-------------|-----|-------|----------------------|
| 1     | 3402-218    | 1   |       | Bearing              |
| 2     | 3446-297    | 1   |       | Dog, Reverse         |
| 3     | 3423-066    | 4   | /P    | Circlip              |
| 4     | 3423-036    | 3   |       | Washer, Lock         |
| 5     | 3446-296    | 1   |       | Gear, Reverse Driven |
| 6     | 3446-145    | 1   |       | Bushing              |
| 7     | 3423-263    | 1   |       | Washer               |
| 8     | 3446-141    | 1   |       | Gear, 1st Driven     |
| 9     | 3446-273    | 2   | /P    | Bushing              |
| 10    | 3446-146    | 1   |       | Gear, 4th Driven     |
| 11    | 3446-143    | 1   |       | Gear, 3rd Driven     |
| 12    | 3423-266    | 1   |       | Washer, Lock         |
| 13    | 3423-262    | 1   |       | Washer, Lock         |
| 14    | 3446-147    | 1   |       | Gear, 5th Driven     |
| 15    | 3423-317    | 1   |       | Washer               |
| 16    | 3446-142    | 1   |       | Gear, 2nd Driven     |
| 17    | 3402-230    | 1   |       | Bushing              |
| 18    | 3402-775    | 1   |       | Driveshaft           |
| 19    | 0691-374    | 1   |       | Bearing              |
| 20    | 3402-033    | 1   |       | Plug, Countershaft   |
| 21    | 3446-031    | 2   | /P    | Retainer, Bearing    |
| 22    | 3423-370    | 2   |       | Screw                |
| 23    | 3446-295    | 1   | S     | Countershaft         |
| 24    | 3402-210    | 2   |       | Washer               |
| 25    | 3446-139    | 1   |       | Gear, 4th Drive      |
| 26    | 3402-229    | 1   |       | Bushing              |
| 27    | 3423-279    | 2   |       | Circlip              |
| 28    | 3446-138    | 1   |       | Gear, 3rd Drive      |
| 29    | 3423-261    | 1   | S     | Washer               |
| 30    | 3446-140    | 1   |       | Gear, 5th Drive      |
| 31    | 3446-137    | 1   |       | Gear, 2nd Drive      |
| 32    | 3402-224    | 1   |       | Bearing              |
| 33    | 3402-209    | 2   |       | Washer               |
| 34    | 3446-149    | 1   |       | Gear, Reverse Idle   |
| 35    | 3402-228    | 1   |       | Bushing              |
| 36    | 3446-298    | 1   |       | Shaft, Reverse Idle  |
| 37    | 3423-518    | 1   |       | Circlip              |





| Ref # | Part Number | Qty | S/P/F | Description                        |
|-------|-------------|-----|-------|------------------------------------|
| 1     | 0423-029    | 12  |       | Screw, Machine                     |
| 2     | 1402-225    | 3   | S     | Disc, Brake                        |
| 3     | 0502-599    | 2   | S     | Hub, Wheel - Front (inc. 4)        |
| 4     | 0402-974    | 16  | /P    | Stud, Wheel Hub                    |
| 5     | 0423-407    | 4   |       | Pin, Cotter                        |
| 6     | 0423-394    | 4   |       | Nut, Castle                        |
| 7     | 0402-856    | 2   |       | Wheel - Front                      |
| 8     | 0423-408    | 16  | /P    | Nut, Mounting - Wheel              |
| 9     | 1402-254    | 2   |       | Tire - Front                       |
| 10    | 0402-064    | 4   |       | Stem, Valve (inc. 11)              |
| 11    | 0402-140    | 4   |       | Cap, Valve Stem                    |
| 12    | 0502-601    | 1   | S     | Hub, Wheel - Rear - Left (inc. 4)  |
| 12    | 0502-599    | 1   | S     | Hub, Wheel - Rear - Right (inc. 4) |
| 13    | 0402-989    | 2   |       | Wheel - Rear                       |
| 14    | 1402-255    | 2   |       | Tire - Rear                        |



| Ref # | Part Number | Qty | S/P/F | Description                                  |
|-------|-------------|-----|-------|--|
| 1     | 0486-169    | 1   |       | Harness, Main (inc. 2-3)                     |
| 2     | 0486-029    | 1   |       | Diode (Start In Gear)                        |
| 3     | 0486-164    | 1   |       | Tether, Accessory Connector                  |
| 4     | 0509-011    | 1   | S     | Diode Assembly                               |
| 5     | 8476-616    | 1   |       | Screw, Machine                               |
| 6     | 0506-982    | 1   | /P    | Bracket, CDI Unit                            |
| 7     | 3402-785    | 1   |       | CDI Unit                                     |
| 8     | 3402-682    | 1   |       | Regulator, Voltage                           |
| 9     | 8476-625    | 2   |       | Screw, Machine                               |
| 10    | 0486-148    | 1   |       | Harness, Adapter - Electric Choke            |
| 11    | 0409-009    | 1   |       | Switch, Brake - Assembly                     |
| 12    | 0402-991    | 1   |       | Retainer, Brake Switch                       |
| 13    | 0645-019    | 2   |       | Boot, Terminal                               |
| 14    | 0445-003    | 1   | /P    | Cable, Battery/Electric Start Relay          |
| 15    | 0445-019    | 1   |       | Cable, Electric Start Relay/Starter          |
| 16    | 3530-001    | 1   | /P    | Relay, Starter Motor - Assembly (inc. 17-18) |
| 17    | 3530-010    | 1   |       | Cover, Starter Motor Relay                   |
| 18    | 0630-098    | 1   |       | Fuse, 30 Amp                                 |
| 19    | 8477-610    | 2   |       | Screw, Cap                                   |
| 20    | 0445-037    | 1   |       | Cable, Battery/Ground                        |
| 21    | 0530-001    | 1   |       | Block, Fuse - Assembly (inc. 22-23)          |
| 22    | 0           | 1   | F     | Cover, Fuse Block                            |
| 23    | 0           | 1   | F     | Block, Fuse                                  |
| 24    | 0630-057    | 4   |       | Fuse - 10 Amp                                |
| 24    | 0630-058    | 2   |       | Fuse - 15 Amp                                |
| 25    | 0411-271    | 1   |       | Decal, Fuse Block                            |
| 26    | 0623-361    | 2   |       | Screw, Self-Tapping                          |
| 27    | 3530-026    | 1   | /P    | Relay, Neutral Start - Assembly              |
| 28    | 0123-788    | AR  | /P    | Cable Tie                                    |
| 29    | 8476-620    | 1   |       | Screw, Machine                               |
| 30    | 8424-602    | 1   | /P    | Nut, Flange                                  |
| 31    | 3430-055    | 1   |       | Coil, Ignition - Assembly                    |
| 32    | 3430-009    | 1   | /P    | Seal, High Tension Wire                      |
| 33    | 3430-007    | 1   | /P    | Cap, Spark Plug                              |
| 34    | 3430-008    | 1   | /P    | Seal, Spark Plug Cap                         |