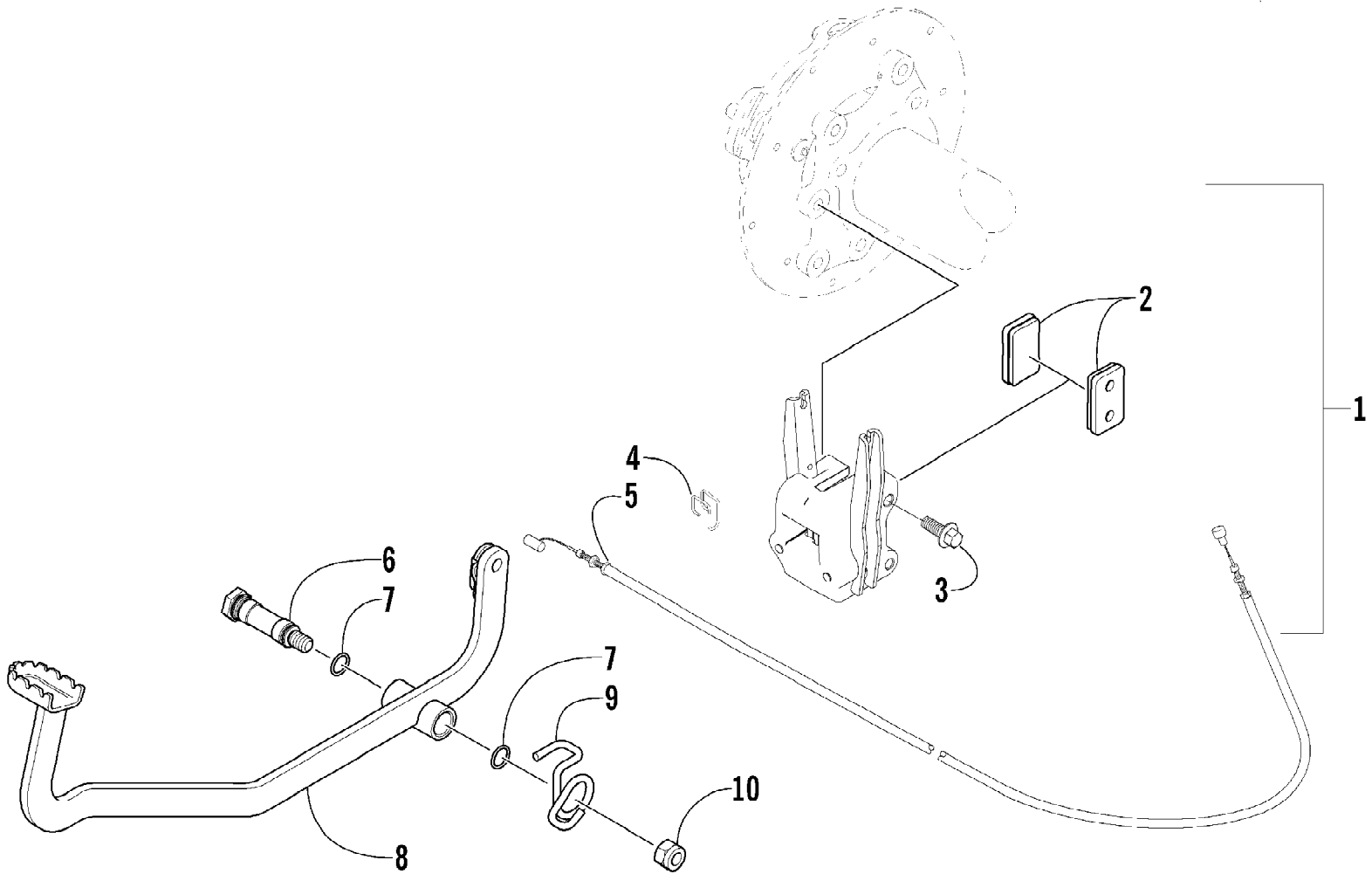


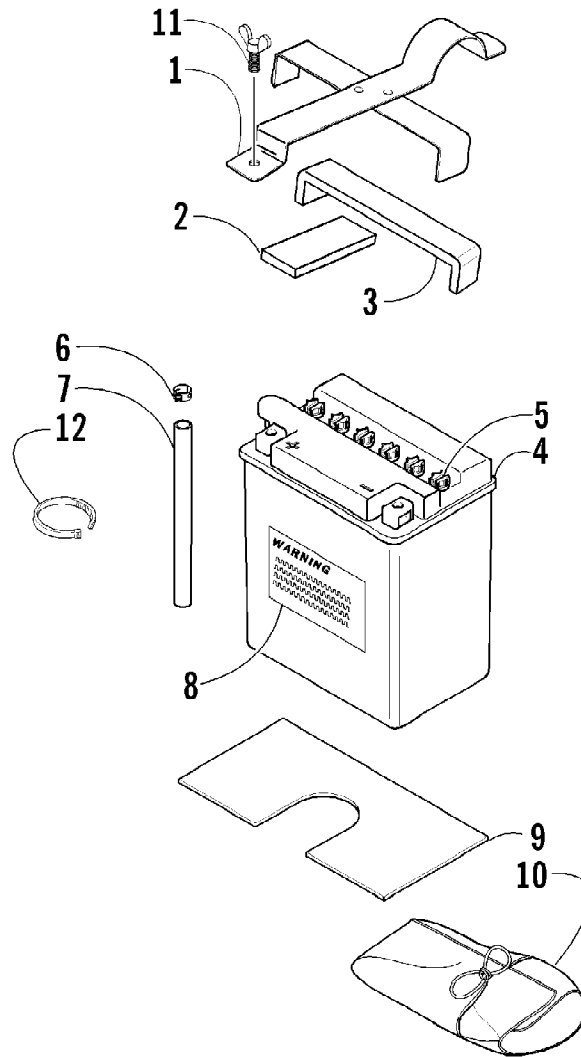
2005 ATV 400 MANUAL TRANSMISSION 4X4 VP GREEN (A2005ATH4AUSG) Page 2 of 88
AIR INTAKE ASSEMBLY

Ref #	Part Number	Qty	S/P/F	Description
1	0423-019	2		Clamp
2	0470-467	1		Boot, Air Intake
3	0423-018	1		Clamp
4	0470-446	1	/P	Housing, Air Intake
5	0470-391	1	/P	Filter, Air
6	0470-343	1		Gasket
7	0470-383	1	/P	Snorkel
8	0470-307	4		Clamp
9	0423-037	4		Spring
10	0623-121	4		Screw, Machine
11	0123-010	4	/P	Nut, Expansion
12	0470-351	2		Support, Air Intake Flange
13	0412-141	1		Shield, Heat
14	0470-442	1	/P	Valve, Drain
15	0623-101	1		Clip, Retaining
16	1673-272	1	/P	Cap, Drain Tube
17	0423-047	1		Clamp, Hose
18	0423-045	2		Clamp, Hose
19	0410-045	1		Hose, Crankcase Vent



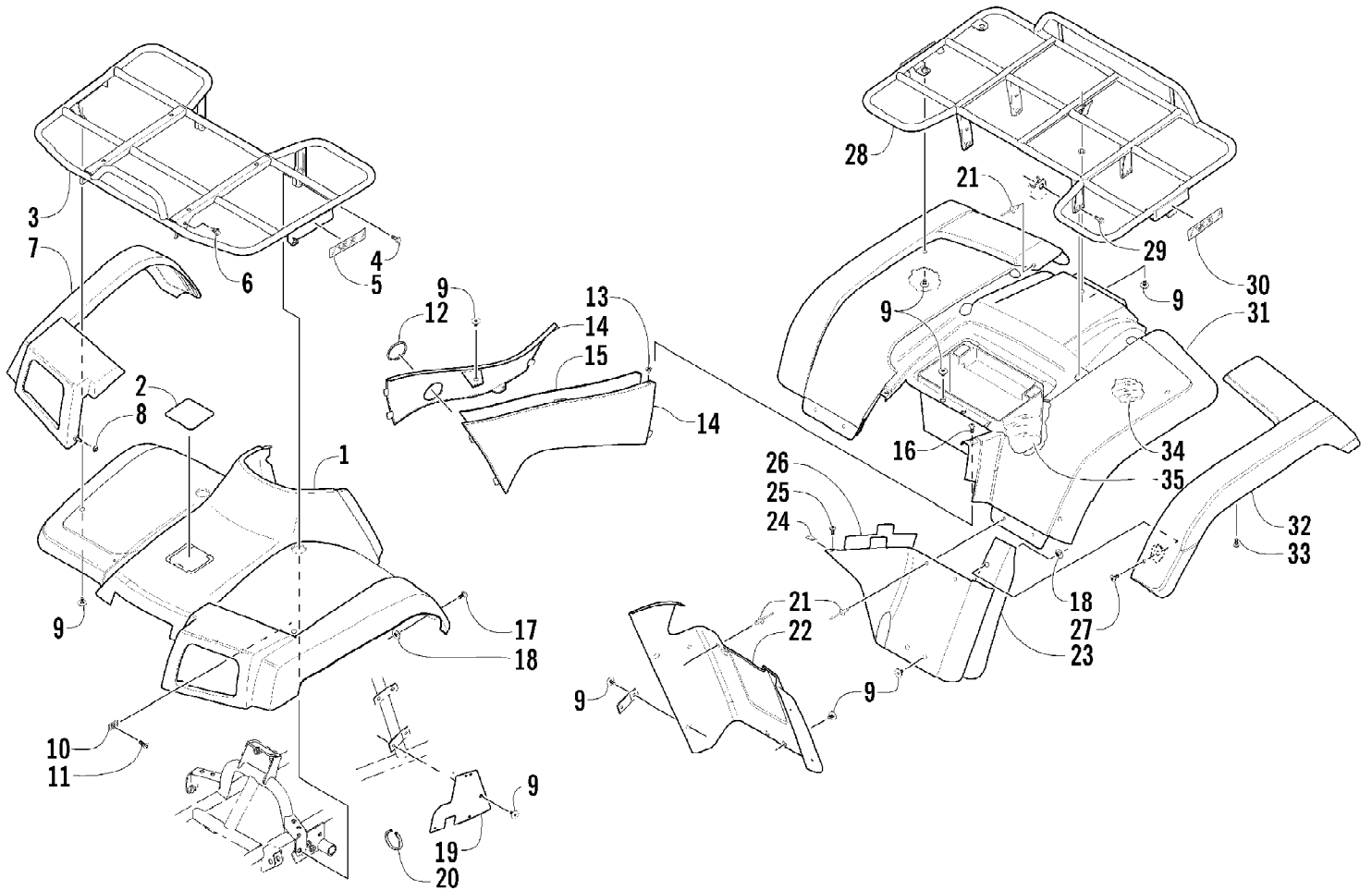
2005 ATV 400 MANUAL TRANSMISSION 4X4 VP GREEN (A2005ATH4AUSG) Page 4 of 88
AUXILIARY BRAKE ASSEMBLY

Ref #	Part Number	Qty	S/P/F	Description
1	0502-372	1	/P	Auxiliary Brake Assembly (inc. 2)
2	0402-958	2	/P	Pad, Brake
3	8408-820	2	/P	Screw, Cap
4	0402-379	1		Wire Form, Cable
5	0487-006	1		Cable, Brake - Rear
6	0402-872	1		Axle, Brake Lever
7	0423-096	2		O-Ring
8	0502-252	1		Lever, Brake
9	0502-395	1	/P	Spring, Brake Lever
10	8422-002	1		Nut



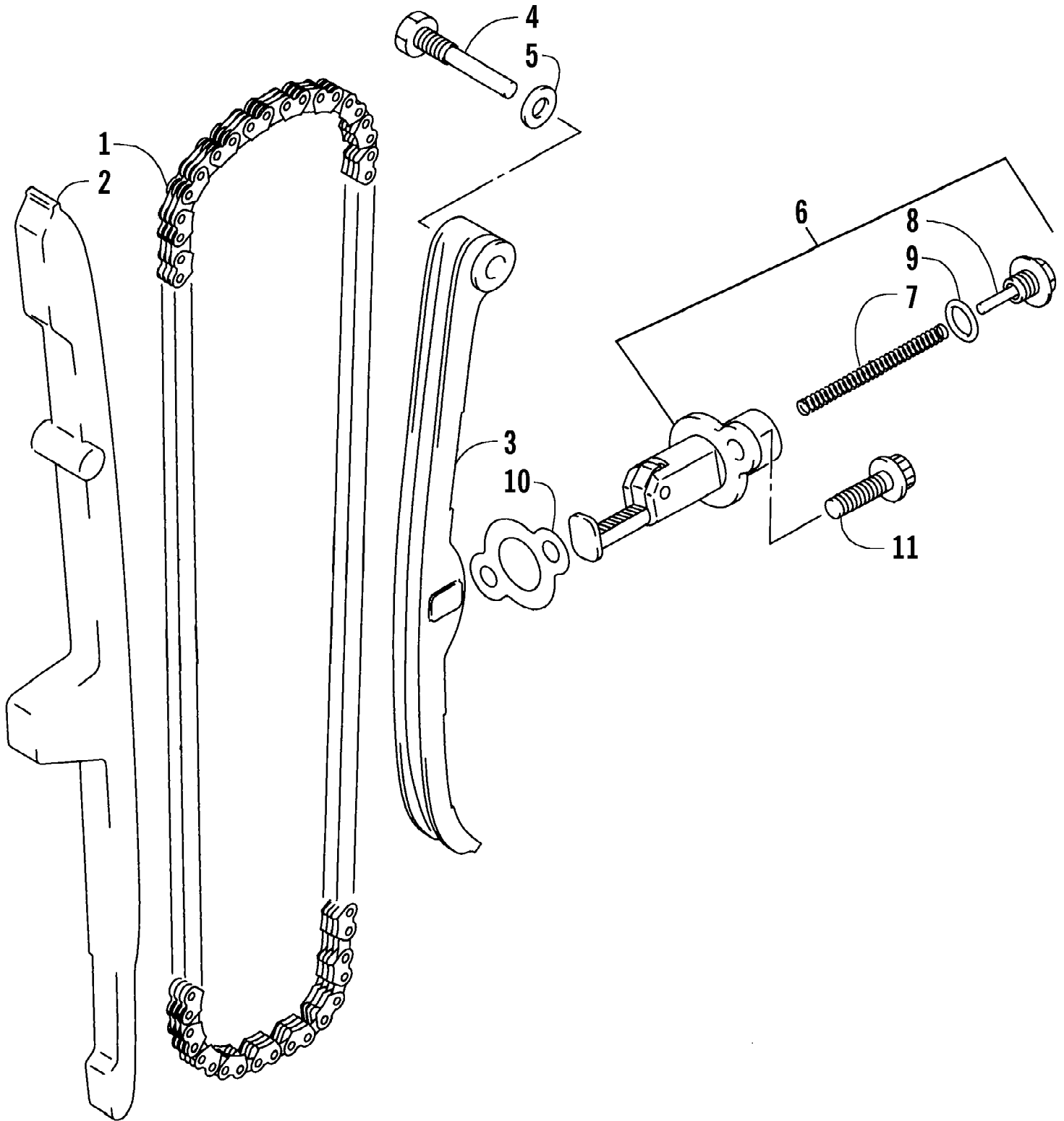
2005 ATV 400 MANUAL TRANSMISSION 4X4 VP GREEN (A2005ATH4AUSG) Page 6 of 88
BATTERY ASSEMBLY

Ref #	Part Number	Qty	S/P/F	Description
1	0506-178	1		Strap, Battery w/Pads (inc. 2-3)
2	0406-288	1		Pad, Battery - Upper Front
3	0406-289	1		Pad, Battery - Upper Rear
4	0745-045	1	/P	Battery Assembly (inc. 5-8)
5	0645-045	6		Cap, Battery
6	0645-152	1		Clamp, Hose
7	0645-263	1	/P	Hose, Battery Vent
8	0645-151	1		Label, Warning - Battery
9	0406-227	1		Pad, Battery - Lower
10	0444-122	1	S/P	Kit, Tool
11	0423-456	1	/P	Screw, Thumb
12	0123-903	2		Cable Tie - 11.5 in.



2005 ATV 400 MANUAL TRANSMISSION 4X4 VP GREEN (A2005ATH4AUSG) Page 8 of 88
BODY PANEL ASSEMBLY

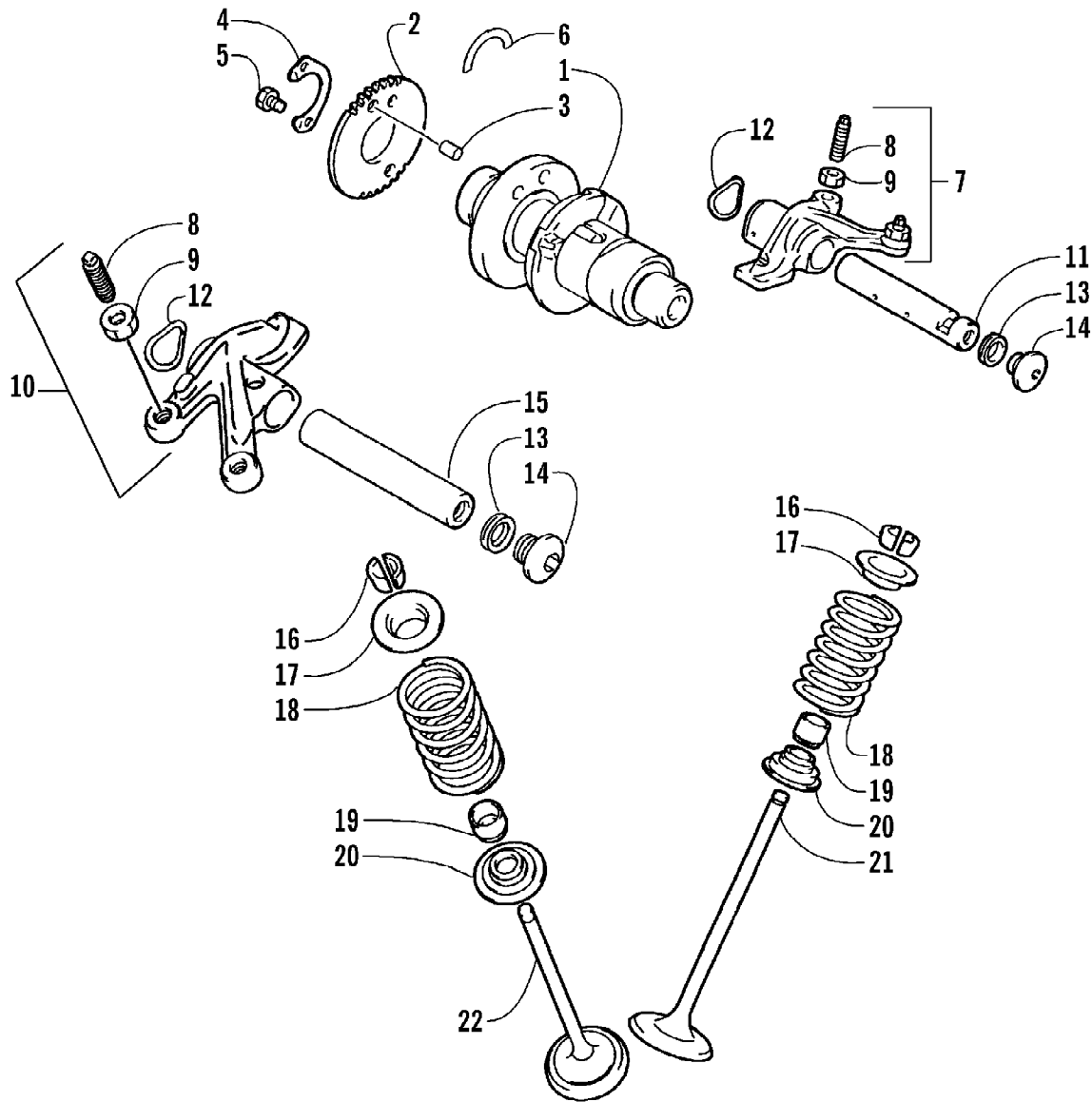
Ref #	Part Number	Qty	S/P/F	Description
1	0506-584	1		Panel, Fender - Front (inc. 2)
2	1406-141	1	/P	Cover, Access
3	0506-547	1		Rack - Front
4	8408-816	2		Screw, Cap
5	0411-646	2		Decal, Reflector - Yellow
6	0423-360	2		Screw, Cap
7	0506-550	1		Flare - Front - Right
7	0506-551	1		Flare - Front - Left
8	0423-357	2		Nut, Stamped
9	0423-101	AR		Screw, Body
10	0423-031	2		Nut, Speed
11	8477-616	2		Screw, Machine
12	0470-404	1		Grommet, Fuel Shut-Off Valve
13	0123-010	2	/P	Nut, Expansion
14	0506-549	1		Panel, Side - Right
14	0506-673	1		Panel, Side - Left
15	0412-142	1		Shield, Heat
16	0423-068	2		Screw, Machine
17	0423-356	2		Screw, Shoulder
18	0423-438	4		T-Nut w/Teeth
19	1406-006	2		Panel, Fender - Inner
20	0123-788	AR	/P	Cable Tie - 7.5 in.
21	0423-046	10		Rivet, Plastic
22	0406-939	1	/P	Panel, Kick - Right
22	0506-626	1		Panel, Kick - Left
23	1506-350	1		Fender Extension - Rear - Right
23	0406-085	1		Fender Extension - Rear - Left
24	0423-060	2		Clip, Tinnerman
25	0623-309	2		Screw, Self-Tapping
26	0412-140	1		Shield, Heat
27	0423-355	2		Screw, Shoulder
28	0506-821	1	/P	Rack - Rear
29	8409-020	4	/P	Screw, Cap
30	0411-647	2		Decal, Reflector - Red
31	1506-519	1		Panel, Fender - Rear
32	0506-552	1		Flare, Rear - Right
32	0506-553	1		Flare, Rear - Left
33	0423-342	12	/P	Screw, Self-Tapping
34	0412-124	1		Shield, Heat
35	0412-147	1		Shield, Heat



2005 ATV 400 MANUAL TRANSMISSION 4X4 VP GREEN (A2005ATH4AUSG)Page 10 of 88
CAM CHAIN ASSEMBLY

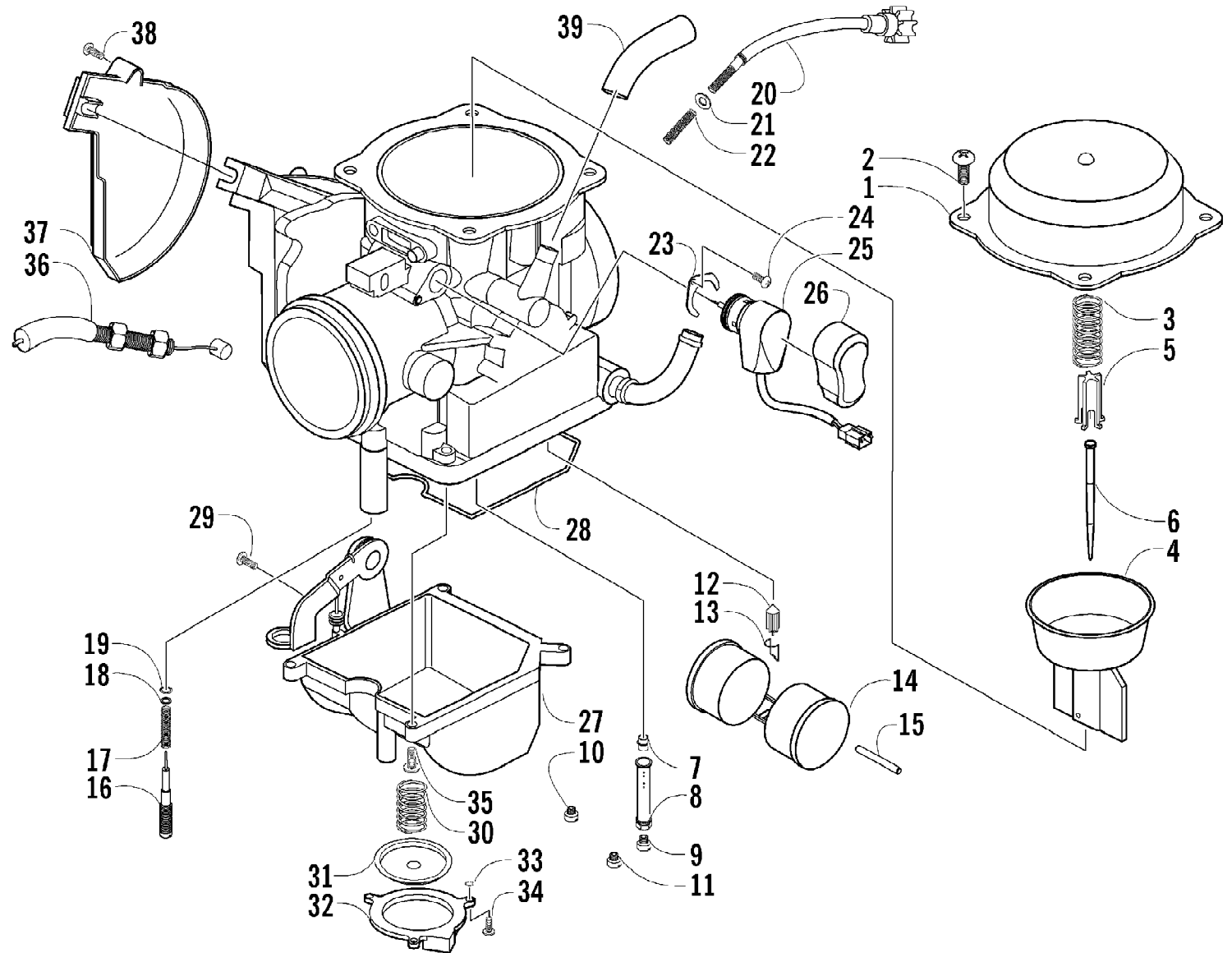
Ref #	Part Number	Qty	S/P/F	Description
1	3402-281	1		Chain, Cam
2	3402-612	1		Guide, Cam Chain
3	3402-613	1		Tensioner, Cam Chain
4	3423-074	1		Bolt
5	3402-436	1	/P	Washer
6	3402-614	1		Adjuster, Tensioner - Assembly (inc. 7-9)
7	3423-484	1		Spring
8	3423-485	1		Plug
9	3423-286	1		O-Ring
10	3403-020	1		Gasket, Adjuster
11	3004-512	2	S	Bolt

2005 ATV 400 MANUAL TRANSMISSION 4X4 VP GREEN (A2005ATH4AUSG)Page 11 of 88
CAMSHAFT/VALVE ASSEMBLY



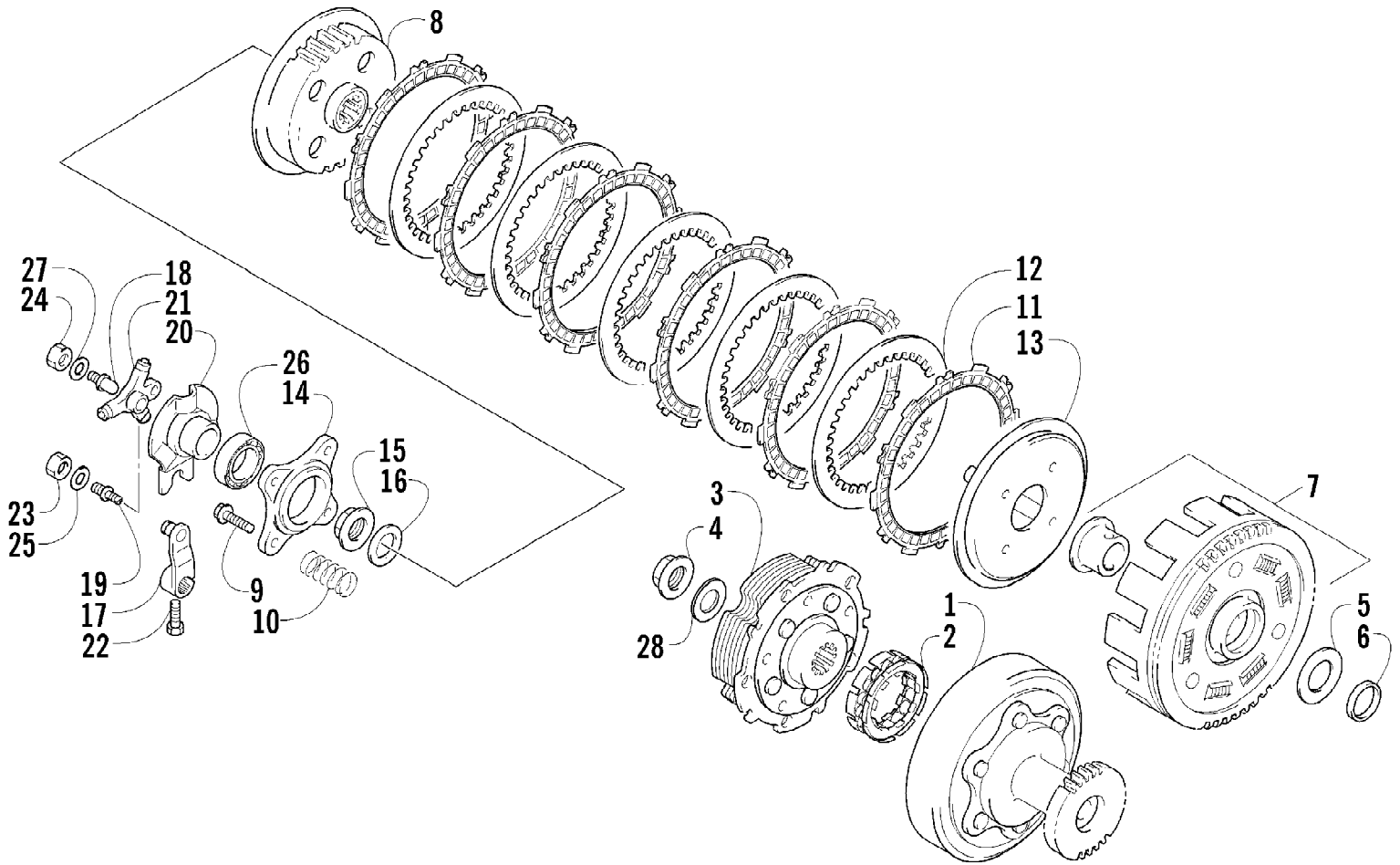
2005 ATV 400 MANUAL TRANSMISSION 4X4 VP GREEN (A2005ATH4AUSG)Page 12 of 88
CAMSHAFT/VALVE ASSEMBLY

Ref #	Part Number	Qty	S/P/F	Description
1	3402-989	1	S	Camshaft
2	3402-611	1		Sprocket
3	3423-047	1		Pin
4	3423-073	1		Washer
5	3423-013	2	S	Bolt
6	3423-071	1	/P	C-Ring
7	3402-805	1	/P	Arm, Valve Rocker - Intake (inc. two No. 8-9)
8	3423-075	4		Screw
9	3423-076	4		Nut
10	3402-139	1		Arm, Valve Rocker - Exhaust (inc. two No. 8-9)
11	3402-140	1		Shaft, Rocker Arm
12	3423-031	2		Washer
13	3402-012	2		Gasket
14	3402-040	2	/P	Plug, Shaft
15	3402-141	1		Shaft, Rocker Arm
16	3402-147	8		Cotter, Valve
17	3423-541	4	/P	Retainer, Spring
18	3402-726	4		Spring, Valve
19	3402-078	4		Seal, Oil
20	3402-148	4		Seat, Spring
21	3402-725	2	/P	Valve, Intake
22	3402-143	2		Valve, Exhaust



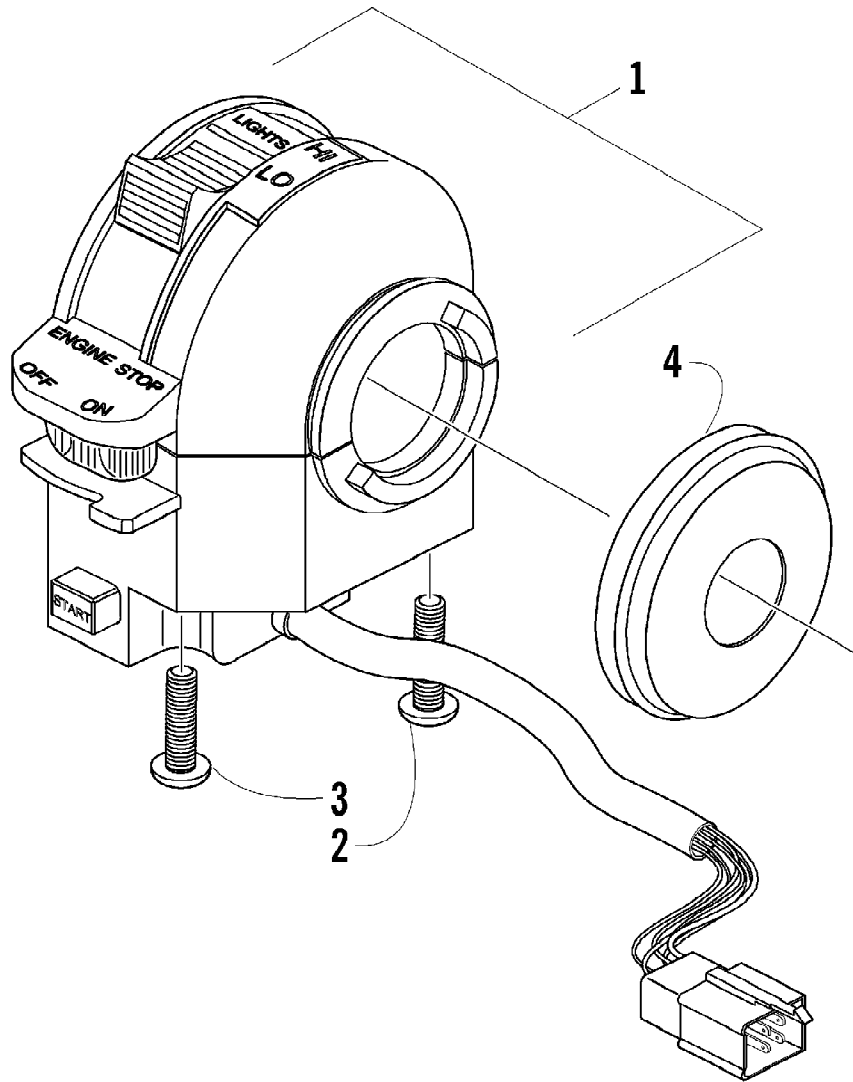
2005 ATV 400 MANUAL TRANSMISSION 4X4 VP GREEN (A2005ATH4AUSG)Page 14 of 88
CARBURETOR

Ref #	Part Number	Qty	S/P/F	Description
	0470-470	1		Carburetor Assembly
1	5507-001	1		Cover, Top
2	5507-002	4	/P	Screw, Top Cover
3	5507-085	1	S	Spring
4	5507-109	1	S	Piston, Vacuum
5	5507-005	1		Seat, Spring
6	5507-110	1		Jet Needle
7	5507-007	1		Needle Jet
8	5507-047	1	/P	Holder, Needle Jet
9	5507-043	1		Main Jet - 142
9	5507-009	1	/P/F	Main Jet - 150
9	5507-041	1	F	Main Jet - 147
9	5507-042	1	/P/F	Main Jet - 145
9	5507-044	1	F	Main Jet - 140
10	5507-010	1	S	Slow Jet - 38
11	5507-097	1	/P	Starter Jet - 75
12	5507-107	1		Valve, Float - Set (inc. 13)
13	0	1	F	Clip
14	5507-039	1		Float Set (inc. 15)
15	0	1	F	Pin, Float
16	5507-111	1		Screw, Pilot Air - Set (inc. 17-19)
17	0	1	F	Spring
18	0	1	F	Washer
19	0	1	F	O-Ring
20	5507-027	1		Screw, Idle Adjust
21	5507-028	1		Washer
22	5507-029	1		Spring
23	5507-115	1		Plate
24	5507-117	1	/P	Screw
25	5507-180	1		Choke, Electric
26	5507-114	1		Cover, Electric Choke
27	0	1	F	Chamber, Float - Assembly (inc. 28-34)
28	5507-067	1	/P	O-Ring, Float Chamber
29	5507-050	1	/P	Screw, Drain
30	5507-032	1		Spring
31	5507-031	1	S	Diaphragm Assembly
32	0	1	F	Housing, Pump
33	5507-034	1		U-Ring
34	5507-035	3		Screw
35	5507-017	4	/P	Screw
36	0487-021	1	S	Cable, Throttle
37	5507-036	1		Cover
38	5507-037	1	/P	Screw
39	0410-056	1		Hose, Vent

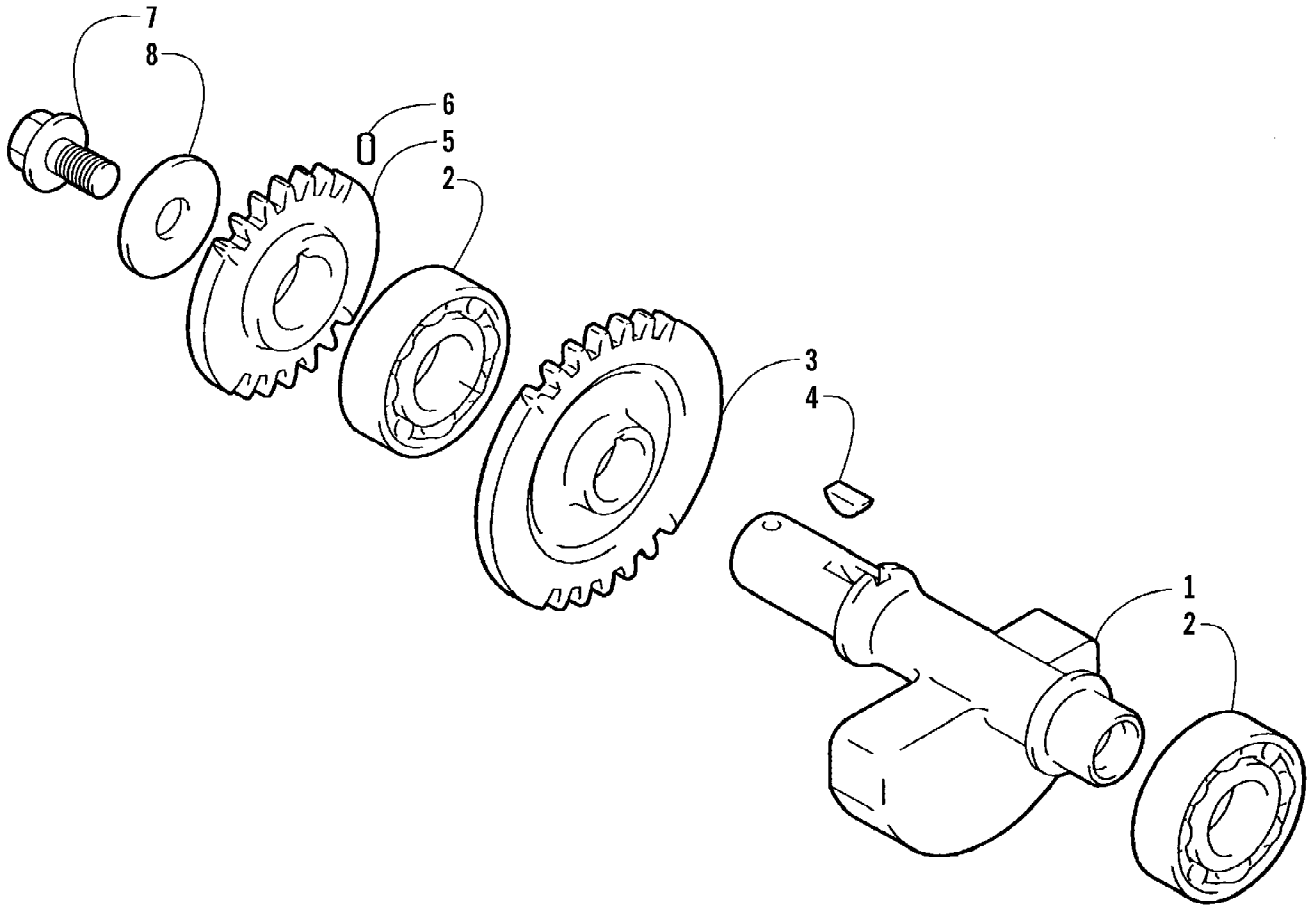


2005 ATV 400 MANUAL TRANSMISSION 4X4 VP GREEN (A2005ATH4AUSG)Page 16 of 88
CLUTCH ASSEMBLY

Ref #	Part Number	Qty	S/P/F	Description
1	3446-352	1	/P	Housing, Starter Clutch
2	3446-003	1		Clutch, Primary Drive One Way
3	3446-290	1		Shoe, Starter Clutch
4	3423-409	1		Nut, Starter Clutch Shoe
5	3423-515	1		Washer, Primary Driven
6	3423-516	1		Washer
7	3446-291	1		Gear, Primary Driven - Assembly
8	3446-004	1		Hub, Clutch Sleeve
9	3423-330	4		Screw, Cap - Clutch Spring
10	3423-517	4		Spring, Clutch
11	3446-006	6		Plate, Clutch Drive
12	3446-007	5		Plate, Clutch Driven
13	3446-008	1		Disc, Clutch Pressure
14	3446-009	1		Plate, Clutch Release
15	3423-080	1		Nut, Clutch Sleeve Hub
16	3423-032	1		Washer, Sleeve Hub
17	3446-292	1		Arm, Clutch Release
18	3423-361	1		Bolt, Clutch Release - No. 1
19	3423-083	1		Bolt, Clutch Release - No. 2
20	3446-293	1		Guide, Release Roller
21	3446-294	1		Roller, Clutch Release - Assembly
22	3423-125	1	S	Bolt, Clutch Release Arm
23	3008-014	1		Nut, Clutch Release - No. 2
24	3423-359	1		Nut, Clutch Release - No. 1
25	3423-027	1		Washer, Clutch Release - No. 2
26	3402-186	1	/P	Bearing, Clutch
27	3423-360	1		Washer, Clutch Release - No. 1

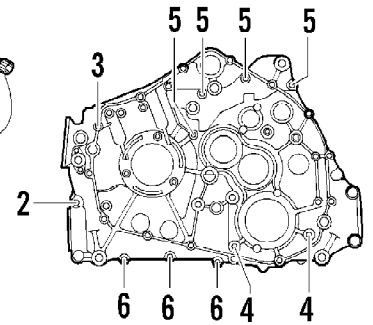
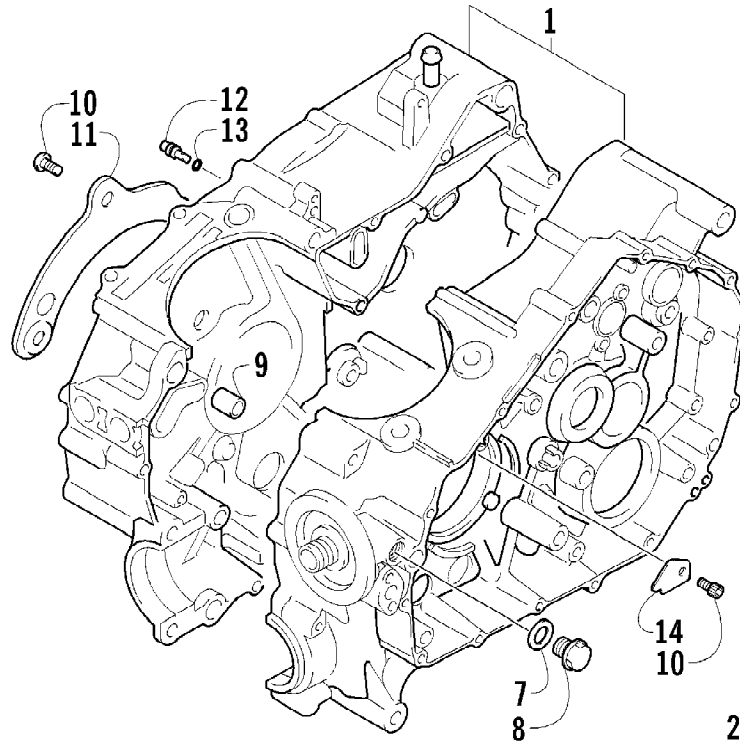
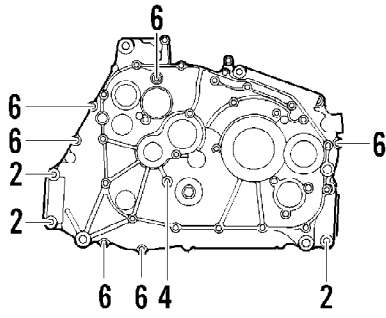


Ref #	Part Number	Qty	S/P/F	Description
1	0509-013	1		Switch, Control - Assembly (inc. 2-3)
2	3423-197	1		Screw, Machine
3	3423-196	1		Screw, Machine
4	3409-019	1		Cover, Switch Housing



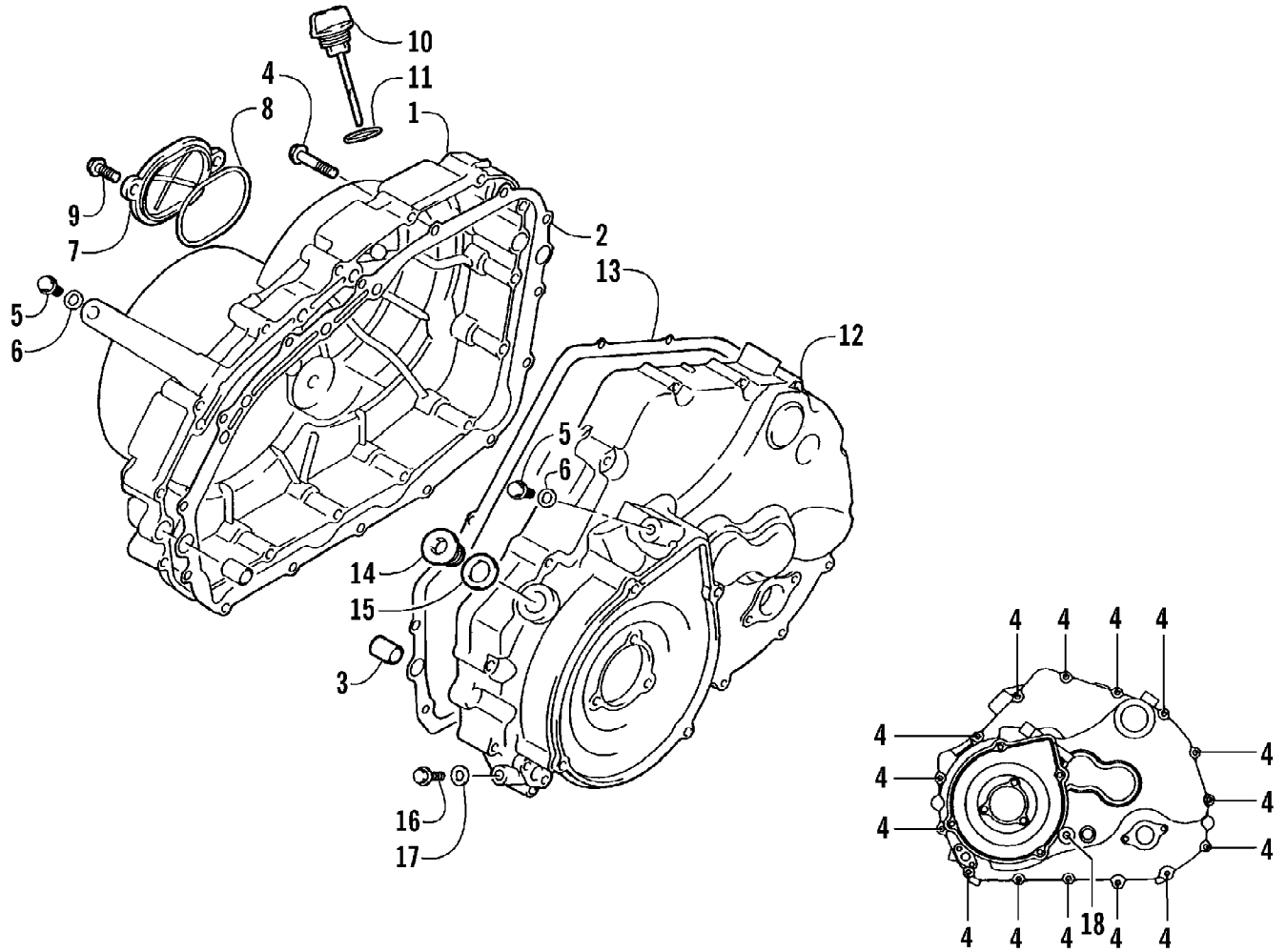
2005 ATV 400 MANUAL TRANSMISSION 4X4 VP GREEN (A2005ATH4AUSG)Page 20 of 88
CRANK BALANCER ASSEMBLY

Ref #	Part Number	Qty	S/P/F	Description
1	3402-605	1		Balancer, Crank
2	3402-553	2	/P	Bearing
3	3402-772	1		Gear, Driven - No. 1
4	3004-540	1	/P	Key
5	3402-617	1		Gear, Oil Pump Drive
6	3423-110	1		Pin, Drive Gear
7	3423-555	1		Bolt, Drive Gear
8	3423-401	1		Washer, Drive Gear



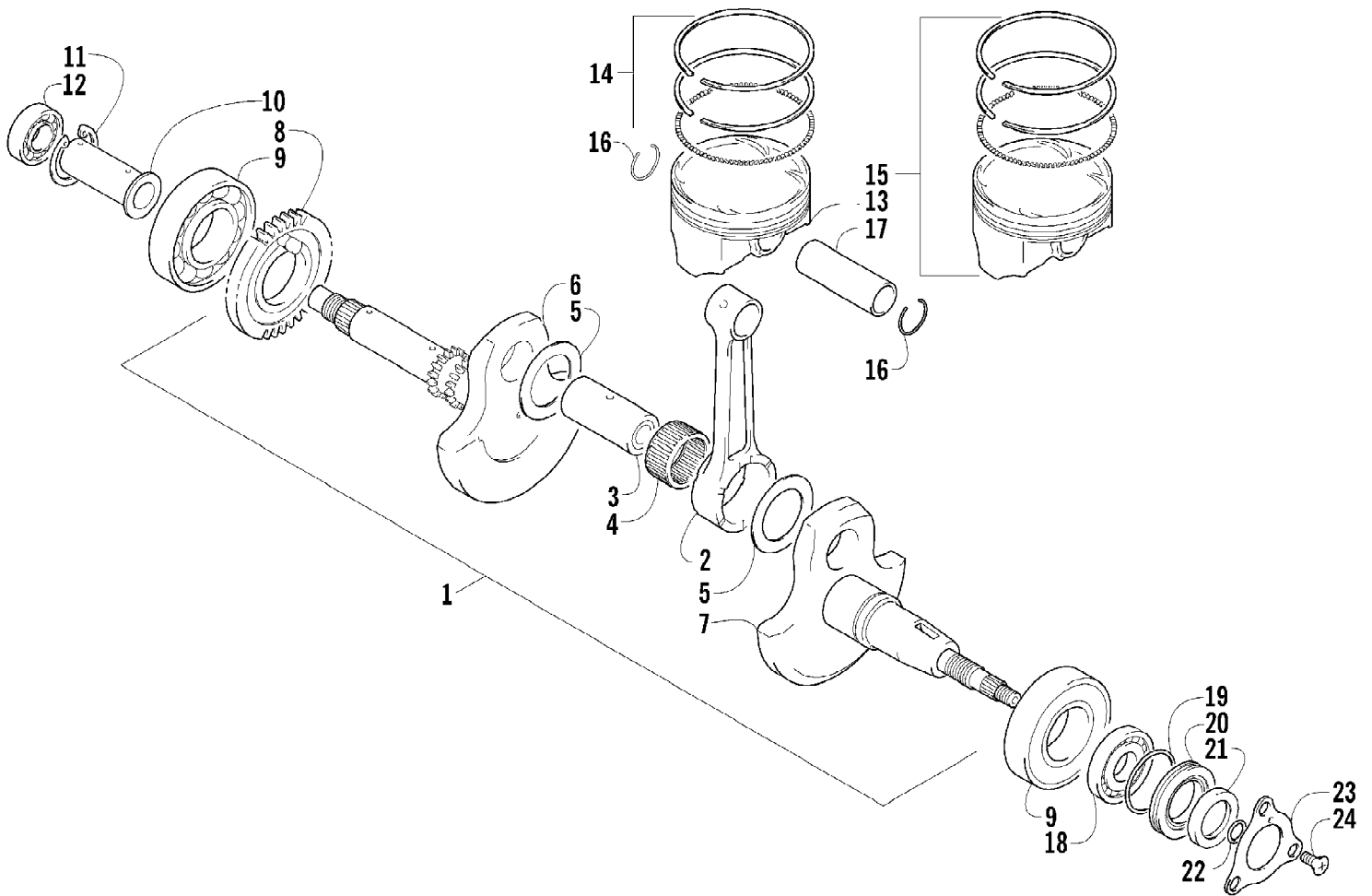
2005 ATV 400 MANUAL TRANSMISSION 4X4 VP GREEN (A2005ATH4AUSG)Page 22 of 88
CRANKCASE ASSEMBLY

Ref #	Part Number	Qty	S/P/F	Description
1	3402-763	1		Crankcase Assembly (inc. 2-9)
2	3004-880	4		Bolt
3	3005-332	1		Bolt
4	3005-410	3		Bolt
5	3423-097	4		Bolt
6	3423-091	8	S	Bolt
7	3402-012	1		Gasket, Oil Pressure Plug
8	3402-214	1		Plug, Oil Pressure
9	3423-088	2		Pin, Dowel
10	3004-552	4	S	Screw, Oil Guide Plate - Right
11	3402-764	1		Plate, Oil Guide - Right
12	3402-691	1		Jet, Oil Gallery
13	3423-051	1		O-Ring, Oil Gallery Jet
14	3402-582	1		Plate, Oil Guide - Left



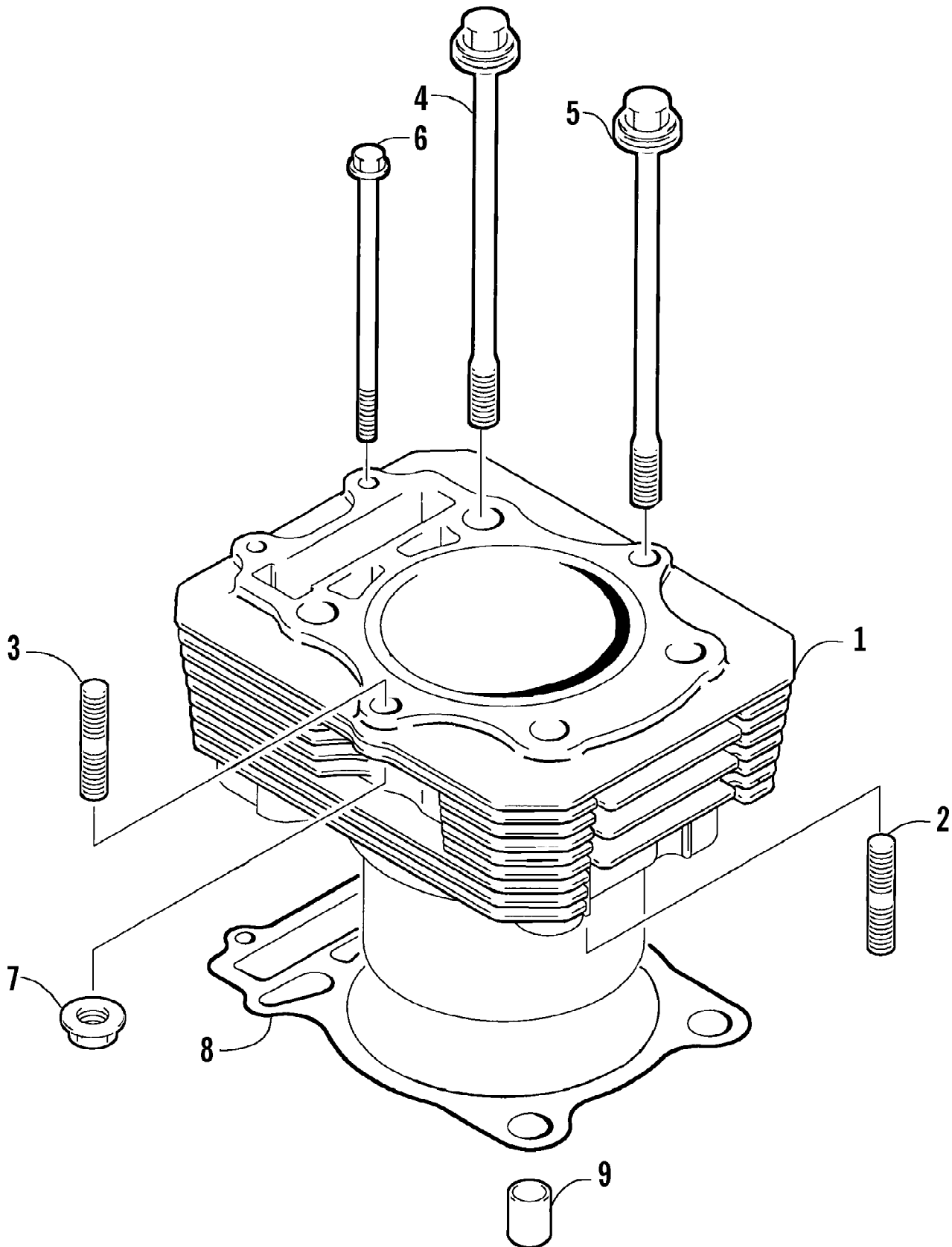
2005 ATV 400 MANUAL TRANSMISSION 4X4 VP GREEN (A2005ATH4AUSG)Page 24 of 88
CRANKCASE COVER ASSEMBLY

Ref #	Part Number	Qty	S/P/F	Description
1	3402-991	1		Cover, Clutch
2	3402-766	1		Gasket
3	3423-088	4		Pin, Dowel
4	3423-098	30	S	Bolt
5	3004-338	2	S/P	Plug, Oil Gallery
6	3003-290	2	/P	Gasket
7	3402-100	1		Cap, Inspection
8	3402-101	1		O-Ring, Inspection Cap
9	3004-341	2	S/P	Bolt, Inspection Cap
10	3402-593	1		Stick, Oil Level
11	3423-055	1		O-Ring, Oil Level Stick
12	3402-767	1		Cover, Magneto
13	3402-768	1		Gasket, Magneto Cover
14	3423-180	1	S	Plug
15	3402-013	1	/P	Gasket
16	3004-705	1	S	Plug, Drain
17	3402-444	1		Gasket, Drain Plug
18	3423-430	1		Bolt



2005 ATV 400 MANUAL TRANSMISSION 4X4 VP GREEN (A2005ATH4AUSG)Page 26 of 88
CRANKSHAFT ASSEMBLY

Ref #	Part Number	Qty	S/P/F	Description
1	3402-992	1	/P	Crankshaft Assembly (inc. 2-8)
2	3402-597	1		Rod, Connecting
3	3402-769	1		Pin, Crank
4	3402-571	1		Bearing
5	3423-440	2		Washer
6	3402-993	1	/P	Crankshaft - Right
7	3403-019	1	/P	Crankshaft - Left
8	3402-698	1	/P	Gear, Crank Balancer Drive
9	3402-994	2		Bearing - Middle
10	3423-768	1		Spacer
11	3402-771	1		Circlip
12	3402-216	1		Bearing - Right
13	3402-594	1		Piston
14	3402-595	1		Ring, Piston - Set
15	3436-015	1	F	Piston Set (Oversized 0.50 mm)
16	3003-439	2	/P	Circlip
17	3402-596	1		Pin, Piston
18	3402-051	1		Bearing
19	3423-063	1		O-Ring
20	3402-119	1	S	Spacer
21	3402-070	1		Seal, Oil
22	3423-053	1	/P	O-Ring
23	3402-188	1	/P	Retainer, Crankshaft Oil Seal - Left
24	3423-018	3		Screw, Retainer

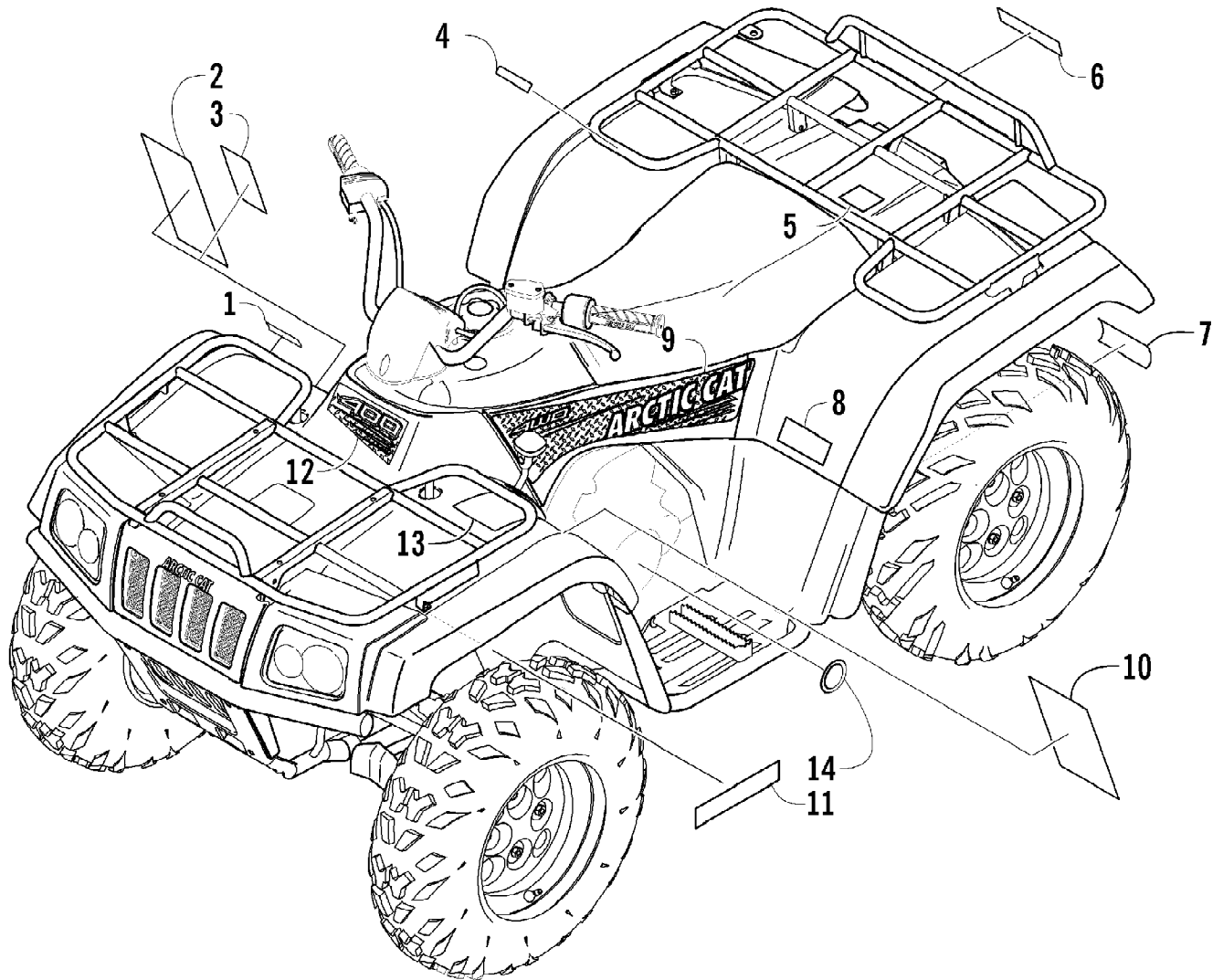


2005 ATV 400 MANUAL TRANSMISSION 4X4 VP GREEN (A2005ATH4AUSG)Page 28 of 88
CYLINDER ASSEMBLY

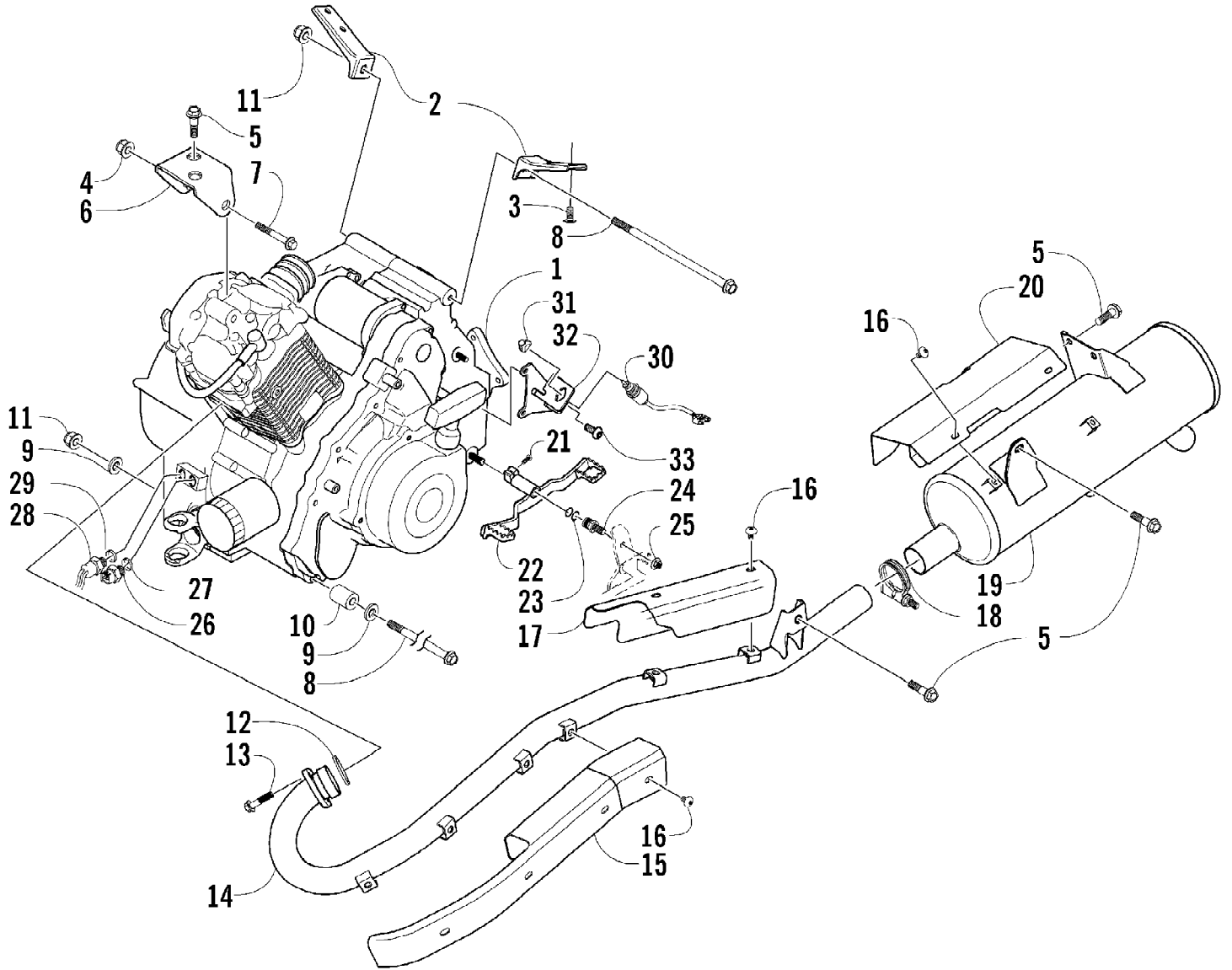
Ref #	Part Number	Qty	S/P/F	Description
1	3402-578	1	S	Cylinder
2	3423-384	2	S	Bolt, Stud
3	3004-778	2	S	Bolt, Stud
4	3423-431	2		Bolt
5	3423-432	2		Bolt
6	3423-427	2		Bolt
7	3004-488	2	S/P	Nut
8	3402-579	1		Gasket, Cylinder
9	3423-088	2		Pin, Dowel

2005 ATV 400 MANUAL TRANSMISSION 4X4 VP GREEN (A2005ATH4AUSG)Page 30 of 88
CYLINDER HEAD ASSEMBLY

Ref #	Part Number	Qty	S/P/F	Description
1	3402-576	1	S	Head, Cylinder - Assembly (inc. 2-5)
2	3402-099	2		Guide, Valve
3	3423-068	4		Ring, Valve Guide
4	3423-043	2	/P	Pin, Dowel
5	3423-006	4		Bolt
6	3402-577	1		Gasket, Cylinder Head
7	3423-449	2		Pin, Dowel
8	3003-290	4	/P	Gasket
9	3004-326	2	S/P	Nut, Cylinder Head
10	3423-007	2	S	Bolt, Head Cover
11	3423-429	1		Bolt, Head Cover
12	3423-439	4	S	Washer, Cylinder Head Nut
13	3004-376	2	S/P	Bolt, Head Cover
14	3008-376	1	S	Bolt, Head Cover
15	3423-453	1		Plug, Oil Gallery
16	3402-011	1		Gasket, Oil Gallery Plug
17	0217-708	1		Spark Plug (NGK CR7E)
18	3402-100	2		Cap, Inspection
19	3402-101	2		O-Ring
20	3004-341	4	S/P	Bolt, Inspection Cap
21	3402-035	1		Plug, Head
22	3423-353	1	/P	O-Ring
23	8476-620	2		Screw
24	0570-076	1		Manifold, Intake
25	0423-317	1	/P	Clamp
	3402-048	1		Plug, Frost

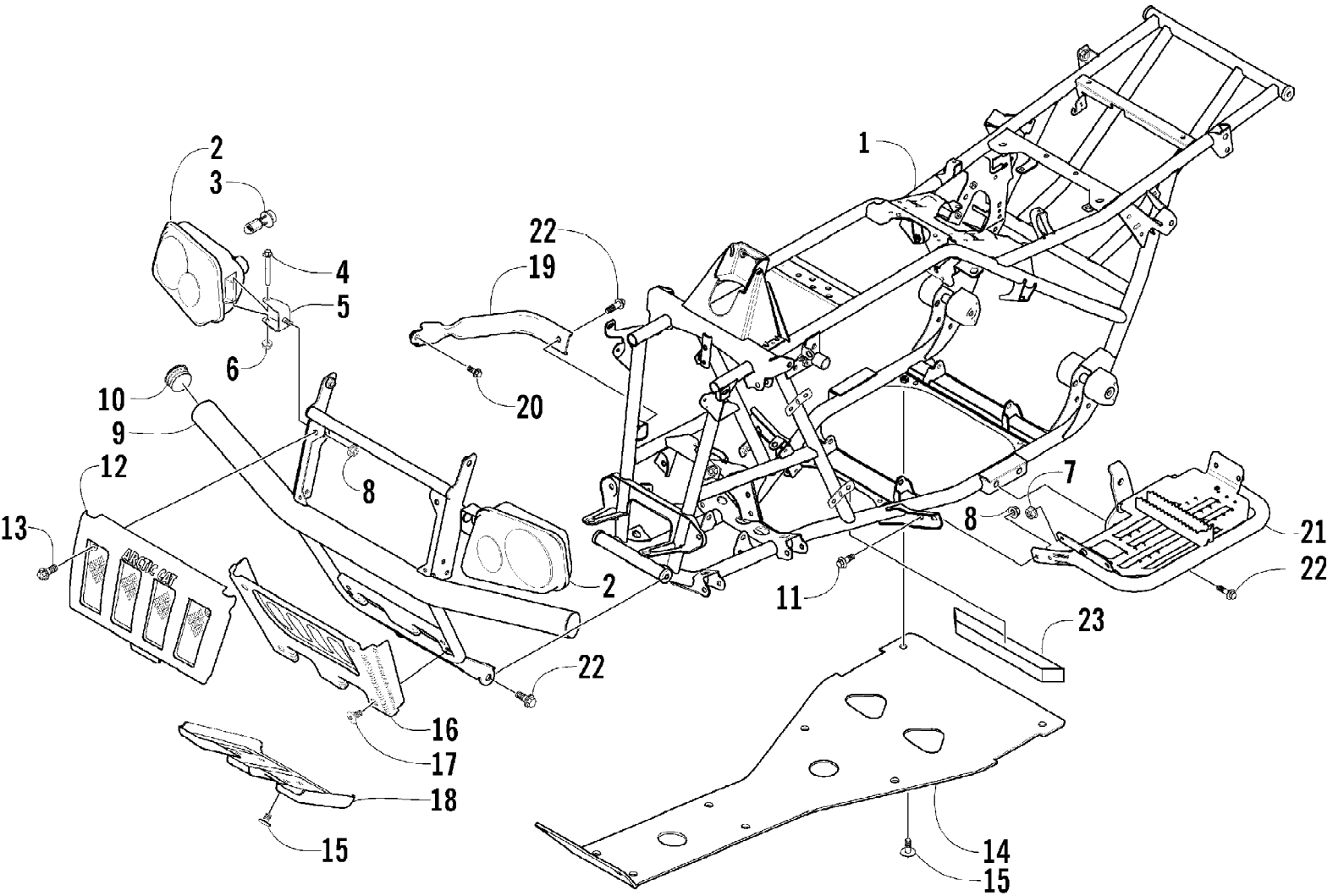


Ref #	Part Number	Qty	S/P/F	Description
1	0411-576	1		Decal, Warning - Front Rack Load
2	1411-250	1		Decal, Warning - Reverse/Pre-Ride
3	0411-835	1		Decal, Warning - Hill
4	0411-648	1		Decal, Warning - Rear Rack Load
5	0411-435	1		Decal, Warning - Passenger
6	0411-501	1		Decal, "Arctic Cat"
7	0411-267	1		Decal, Warning - Towing
8	0411-430	1		Decal, Warning - Tire Pressure
9	0411-776	1		Decal, Side - Right
9	0411-777	1		Decal, Side - Left
10	0411-218	1		Decal, Warning - General
11	0411-798	1		Decal, CA Emissions
12	0411-773	1		Decal, Front
13	0411-401	1		Decal, Warning - Age
14	0411-003	1		Decal, Shift Pattern



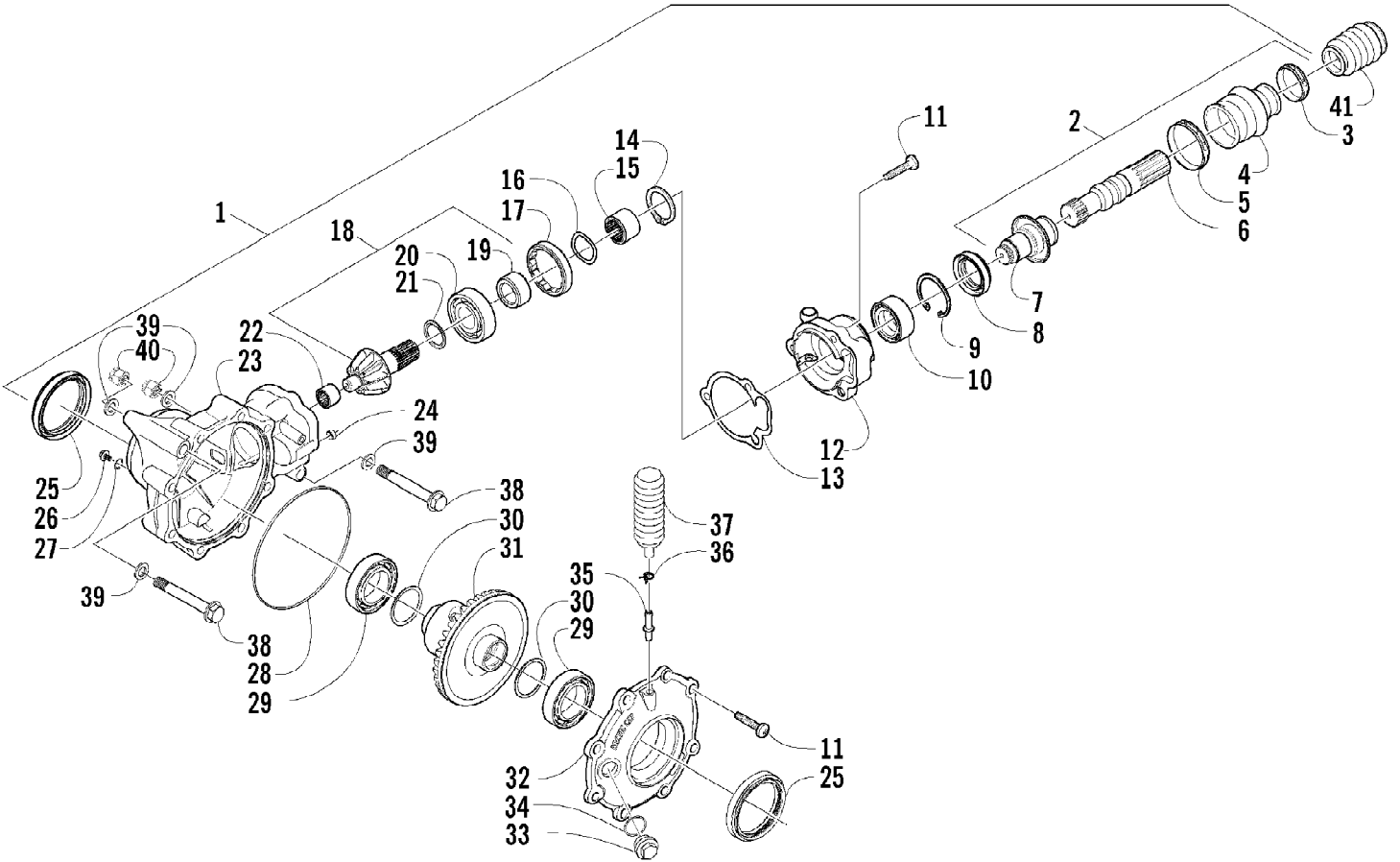
2005 ATV 400 MANUAL TRANSMISSION 4X4 VP GREEN (A2005ATH4AUSG)Page 34 of 88
ENGINE AND EXHAUST

Ref #	Part Number	Qty	S/P/F	Description
1	0462-037	1		Engine
2	0506-983	1	/P	Bracket, Engine - Right
2	0506-984	1	/P	Bracket, Engine - Left
3	8408-616	4		Screw, Cap
4	8424-802	1		Nut
5	8408-816	6		Screw, Cap
6	0506-631	1		Bracket, Engine - Upper
7	8408-860	1		Screw, Cap
8	0423-405	3		Screw, Cap
9	0423-426	4		Washer, Engine
10	0423-042	2	S	Spacer, Engine
11	8428-002	3		Nut, Lock
12	0412-007	1	/P	Seal, Exhaust
13	8408-820	2	/P	Screw, Cap
14	0512-212	1		Pipe, Exhaust
15	0412-220	1		Cover, Exhaust Pipe - Front
16	8477-610	11		Screw, Machine
17	0412-224	1		Cover, Exhaust Pipe - Rear
18	0423-150	1		Clamp, Exhaust
19	0412-182	1		Muffler
20	1406-023	1		Cover, Muffler
21	8476-620	1		Screw, Machine
22	0502-354	1		Lever, Shift
23	1602-213	2	/P	O-Ring
24	0402-994	1		Pin, Shift Lever
25	8422-002	1		Nut
26	3530-037	1	/P	Switch, Oil Light
27	3402-556	1	/P	Gasket
28	3430-033	1		Switch, Cooling Fan
29	3402-013	1	/P	Gasket
30	0409-008	1		Switch, Reverse
31	0402-991	1		Retainer, Reverse Switch
32	1506-449	1		Bracket, Mounting - Reverse Switch (inc. 33)
33	0423-361	1		Screw, Machine



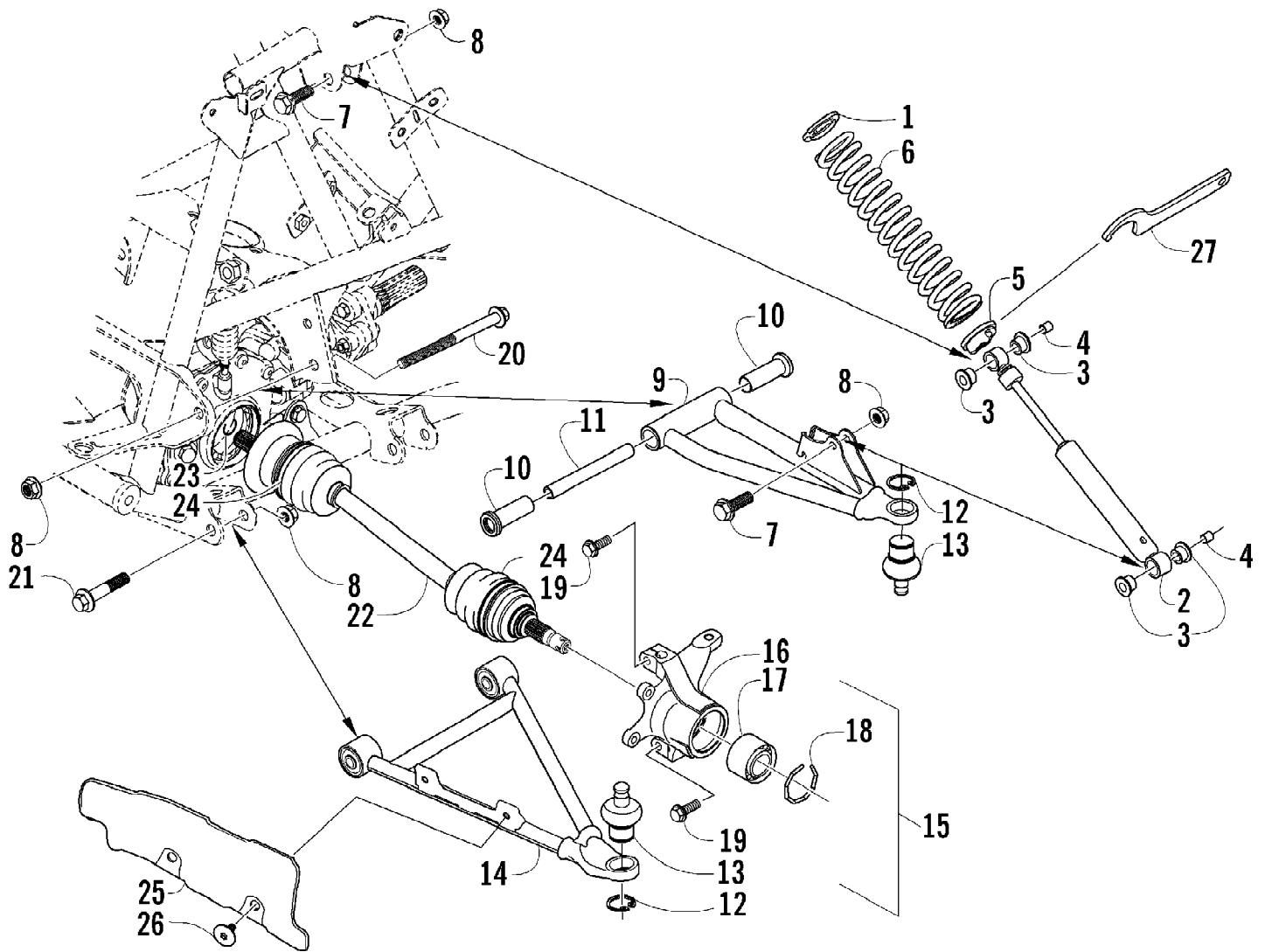
2005 ATV 400 MANUAL TRANSMISSION 4X4 VP GREEN (A2005ATH4AUSG)Page 36 of 88
FRAME AND RELATED PARTS

Ref #	Part Number	Qty	S/P/F	Description
1	0506-816	1		Frame, Main
2	0409-032	1		Headlight Assembly - Right (inc. 3-6)
2	0409-031	1		Headlight Assembly - Left (inc. 3-6)
3	0409-045	2		Bulb, Headlight
4	8410-860	2		Screw, Cap
5	0406-945	2		Bracket, Headlight Mounting
6	0423-375	2		Nut, Flange
7	8424-602	2	/P	Nut, Flange
8	8424-802	6		Nut
9	0506-544	1		Bumper
10	0406-130	2		Cap, Bumper
11	8408-816	4		Screw, Cap
12	0406-832	1		Grille, Upper
13	0423-361	2		Screw, Machine
14	0406-864	1		Panel, Belly
15	0423-101	AR		Screw, Body
16	1406-420	1	/P	Grille, Lower
17	0423-362	4		Screw, Machine
18	0406-834	1		Plate, Skid
19	0506-653	2	S	Channel, Bumper Mounting
20	8408-812	2		Screw, Cap
21	0506-534	1		Footrest - Right
21	0506-827	1		Footrest - Left
22	8409-020	8	/P	Screw, Cap
23	1506-067	1		Foam, Frame



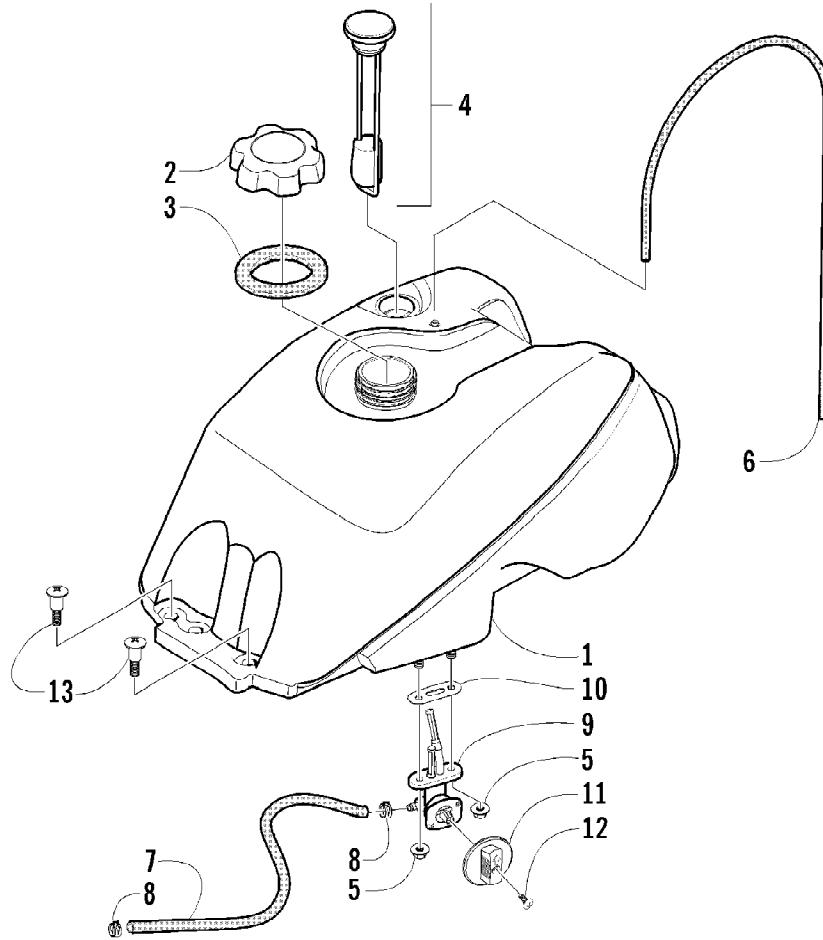
2005 ATV 400 MANUAL TRANSMISSION 4X4 VP GREEN (A2005ATH4AUSG)Page 38 of 88
FRONT DRIVE GEARCASE ASSEMBLY

Ref #	Part Number	Qty	S/P/F	Description
1	0502-676	1		Gearcase, Front Drive - Assembly (inc. 2-35)
2	0502-386	1		Shaft, Propeller - Assembly (inc. 3-7)
3	0423-411	1		Clamp, Boot
4	0402-985	1	/P	Boot, Propeller Shaft
5	0423-393	1		Clamp, Boot
6	1402-046	1		Shaft, Output
7	0502-407	1	S	Shaft, Input
8	1402-011	1		Seal
9	0423-423	1		Ring, Retaining
10	1402-043	1		Bearing
11	0423-118	11		Screw, Self-Tapping
12	0502-529	1		Housing, Pinion
13	0402-947	1		Gasket, Flange
14	0423-417	1		Ring, Retaining
15	0402-981	1		Collar, Shaft
16	0402-982	1		Washer, Wave Spring
17	0402-357	1		Collar, Lock
18	0502-123	1		Gear, Pinion - Assembly - 10T (inc. 19-21)
19	0402-336	1		Collar, Retaining
20	0402-327	1		Bearing
21	0402-424	AR		Shim
21	0402-425	AR		Shim
21	0402-426	AR		Shim
21	0402-427	AR		Shim
21	0402-428	AR		Shim
22	0402-328	1		Bearing
23	0502-120	1		Housing, Gearcase
24	0402-411	1		Pin, Dowel
25	0402-394	2	S	Seal
26	0402-450	1	S	Plug, Magnetic (inc. 27)
27	0423-153	1		O-Ring
28	0423-149	1		O-Ring
29	0402-393	2		Bearing
30	0402-405	AR		Shim
30	0402-406	AR		Shim
30	0402-407	AR		Shim
30	0402-408	AR		Shim
30	0402-409	AR		Shim
31	0502-124	1		Gear, Ring - 36T
32	0502-121	1		Cover, Gearcase
33	0402-333	1	/P	Plug, Fill (inc. 34)
34	0423-154	1		O-Ring
35	1402-104	1		Fitting
36	0423-315	1		Clamp, Fitting
37	0402-147	1	S	Bladder, Gearcase
38	0423-404	2		Screw, Cap
39	0423-426	4		Washer
40	8428-002	2		Nut, Lock
41	0402-966	1		Boot, Shaft



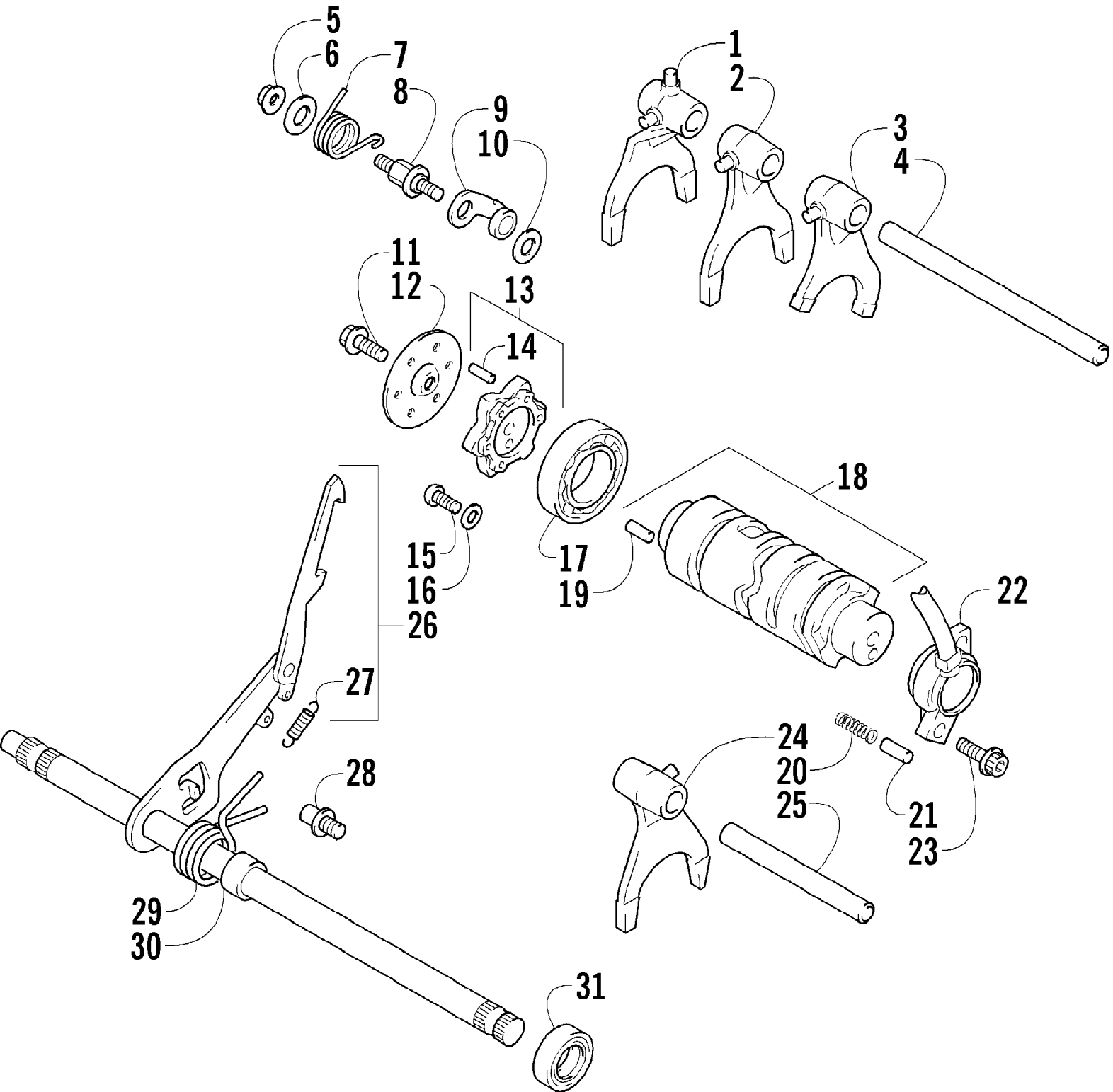
2005 ATV 400 MANUAL TRANSMISSION 4X4 VP GREEN (A2005ATH4AUSG)Page 40 of 88
FRONT SUSPENSION ASSEMBLY

Ref #	Part Number	Qty	S/P/F	Description
1	1603-889	2	/P	Retainer, Spring
2	0403-101	2		Shock Absorber - Front (inc. 3-4)
3	0604-310	8		Bushing, Shock Absorber
4	0403-028	4		Sleeve, Shock
5	0403-102	2		Cam, Spring Adjuster
6	0403-103	2		Spring, Shock Absorber
7	8409-040	4		Screw, Cap
8	8428-002	10		Nut, Lock
9	0503-192	1	/P	A-Arm, Upper Right (inc. 10-13)
9	0503-193	1	/P	A-Arm, Upper Left (inc. 10-13)
10	0403-081	4	S	Bushing
11	0403-080	2		Collar
12	0423-009	4	/P	Clip, Ball Joint
13	0405-115	4	/P	Ball Joint - Front
14	0503-190	1	/P	A-Arm, Lower Right (inc. two No. 12-13)
14	0503-191	1	/P	A-Arm, Lower Left (inc. two No. 12-13)
15	0505-446	1	/P	Knuckle - Assembly - Right (inc. 16-18)
15	0505-447	1	/P	Knuckle - Assembly - Left (inc. 16-18)
16	0	1		Knuckle, Steering - Right Not a Service Part
16	0	1		Knuckle, Steering - Left Not a Service Part
17	1402-027	2	S/P	Bearing, Wheel Hub
18	0423-423	2		Ring, Retaining
19	8409-030	4		Screw, Cap
20	0423-334	2		Screw, Cap
21	8409-060	4		Screw, Cap
22	0502-539	2		Axle, Drive - Front (inc. 23-24)
23	0441-400	4	S	Clip, Retaining
24	0436-276	2	S	Repair Kit, Boot - Front Axle
25	0406-944	1		Guard, Boot - Axle - Right
25	0406-927	1		Guard, Boot - Axle - Left
26	0423-101	4		Screw, Body
27	0441-587	1		Wrench, Spanner



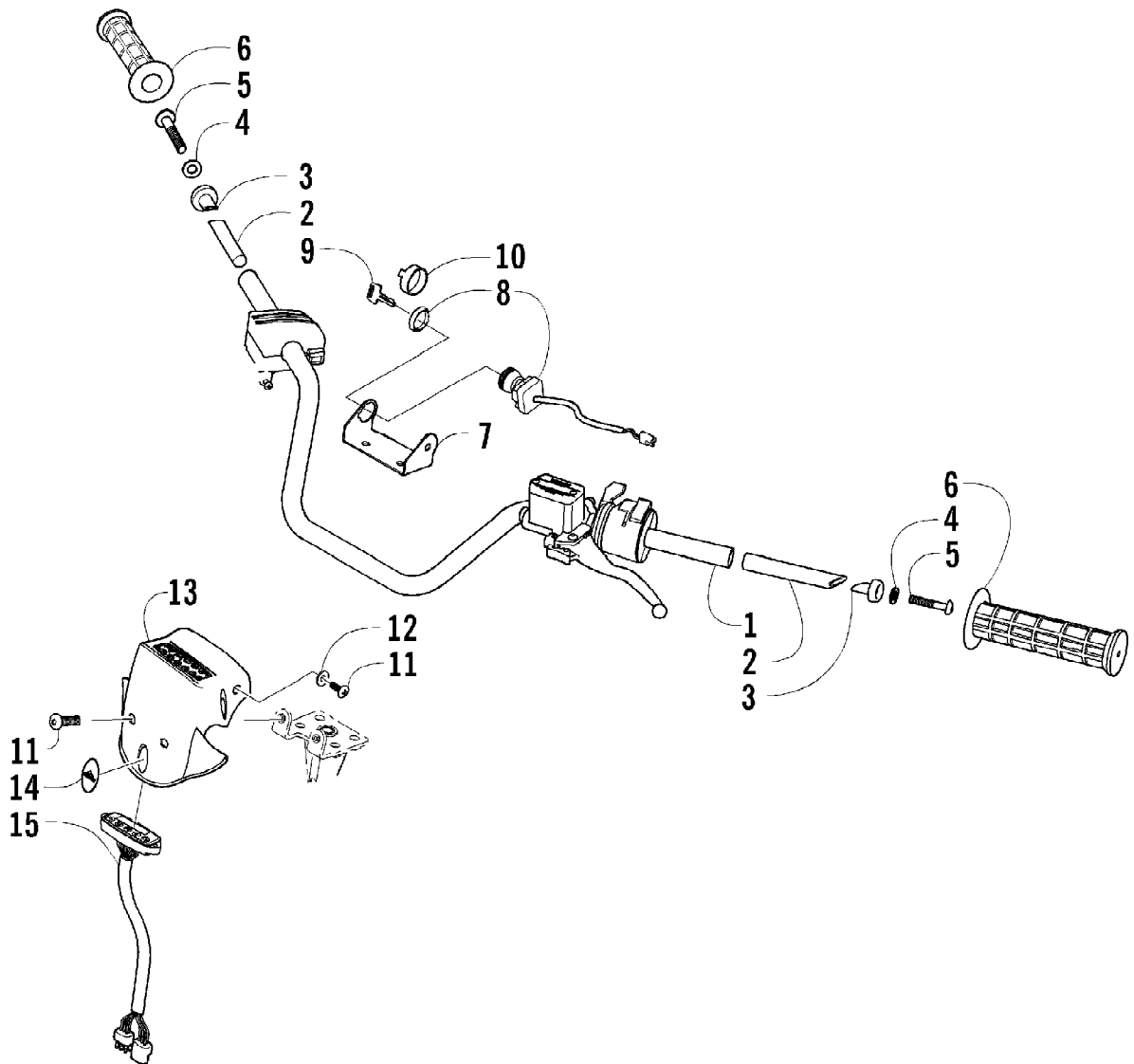
2005 ATV 400 MANUAL TRANSMISSION 4X4 VP GREEN (A2005ATH4AUSG)Page 42 of 88
GAS TANK ASSEMBLY

Ref #	Part Number	Qty	S/P/F	Description
1	0570-066	1	/P	Tank, Gas - Assembly (inc. 2-10)
2	0470-438	1	/P	Cap, Gas Tank (inc. 3)
3	0109-733	1	/P	Gasket, Tank Cap
4	0570-086	1	/P	Gauge, Fuel w/Gasket (Press-Fit)
5	0423-398	2		Nut, Lock
6	0470-416	1	/P	Hose, Vent
7	0610-007	AR	/P	Hose, Gasline - 25 ft
8	0423-152	2		Clamp, Hose
9	0470-445	1	/P	Valve, Fuel Shut-Off (inc. 10)
10	0470-364	1		Gasket, Fuel Shut-Off Valve
11	0470-408	1		Knob, Fuel Shut-Off Valve
12	0423-146	1		Screw, Machine
13	0423-130	2		Screw, Shoulder



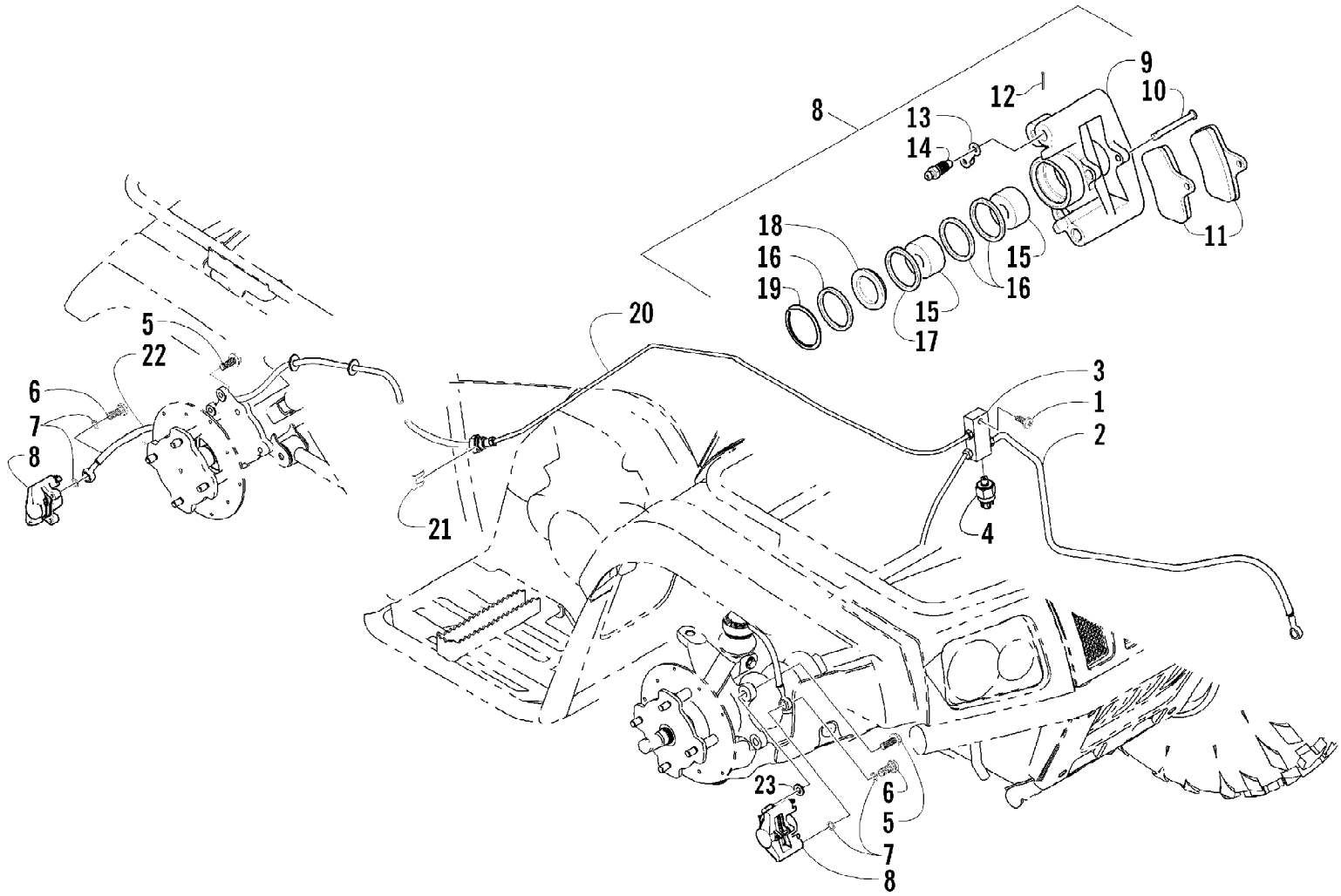
2005 ATV 400 MANUAL TRANSMISSION 4X4 VP GREEN (A2005ATH4AUSG)Page 44 of 88
GEAR SHIFTING ASSEMBLY

Ref #	Part Number	Qty	S/P/F	Description
1	3446-306	1		Fork, Gear Shift - Reverse
2	3446-155	1		Fork, Gear Shift - No. 1
3	3446-156	1		Fork, Gear Shift - No. 2
4	3402-643	1		Shaft, Gear Shift Fork - No. 2
5	3004-488	1	S/P	Nut
6	3423-142	1		Washer
7	3423-521	1	S	Spring, Gear Shift Cam Stopper
8	3446-048	1		Support, Gear Shift Cam Stopper
9	3402-746	1		Stopper, Gear Shift Cam
10	3423-141	1		Washer
11	3423-125	1	S	Bolt
12	3446-309	1	/P	Guide, Gear Shift
13	3446-049	1		Plate, Gear Shift Cam (inc. 14)
14	3423-045	5		Pin
15	3423-370	2		Screw
16	3423-135	2		Retainer
17	3402-051	1		Bearing, Gear Shift Cam
18	3446-308	1		Cam, Gear Shift (inc. 19)
19	3423-114	1	/P	Pin
20	3402-087	2		Spring
21	3423-044	2		Contact
22	3446-313	1		Base, Neutral Switch
23	3423-418	2		Bolt
24	3446-157	1		Fork, Gear Shift - No. 3
25	3446-307	1		Shaft, Gear Shift Fork - No. 1
26	3446-310	1		Shaft, Gear Shift (inc. 27)
27	3402-093	1		Spring
28	3446-056	1		Stopper, Gear Shift Shaft
29	3402-094	1		Spring, Return
30	3446-054	1		Spacer, Gear Shift Shaft
31	3402-068	1	/P	Seal, Oil



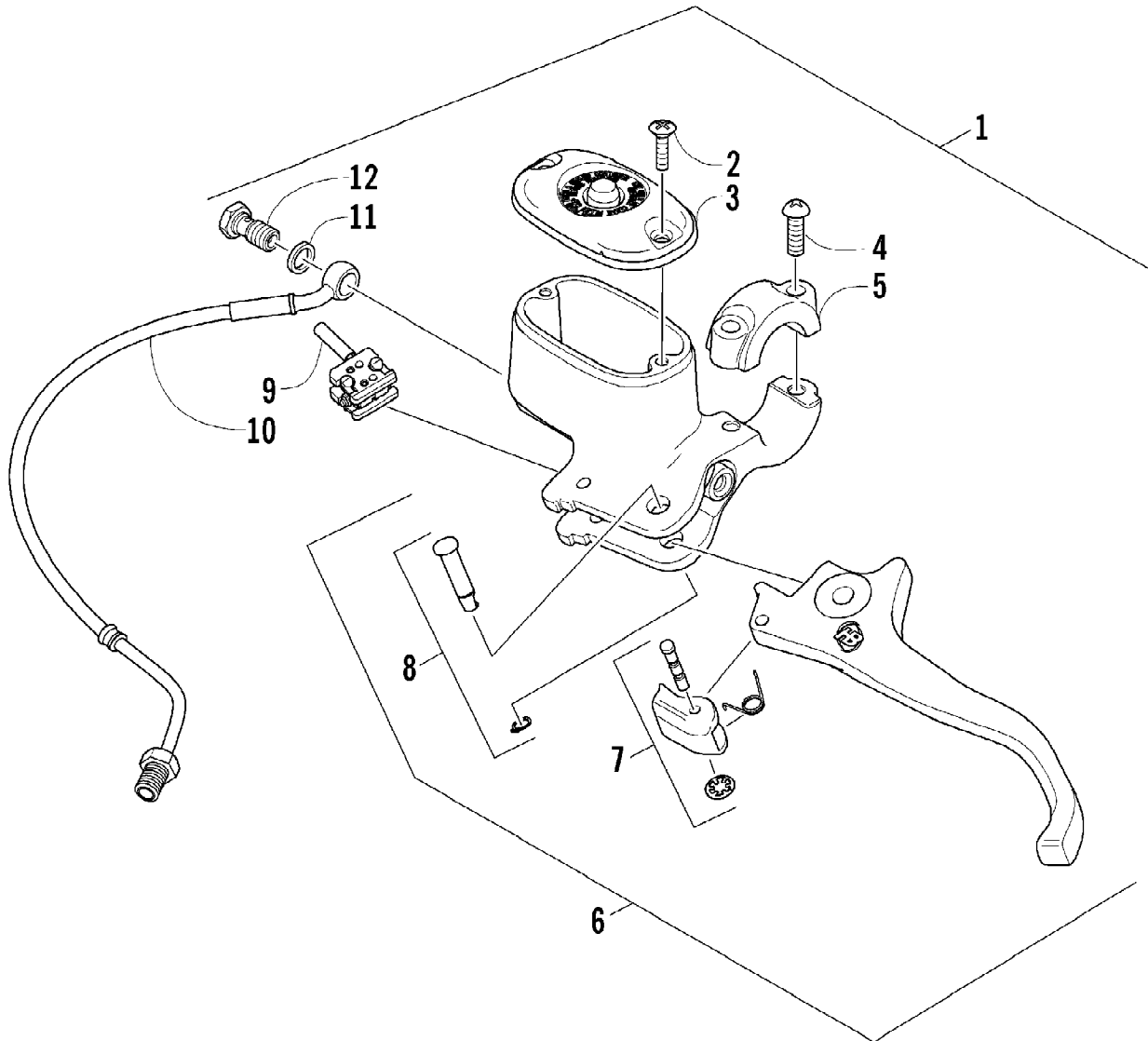
2005 ATV 400 MANUAL TRANSMISSION 4X4 VP GREEN (A2005ATH4AUSG)Page 46 of 88
HANDLEBAR ASSEMBLY

Ref #	Part Number	Qty	S/P/F	Description
1	0505-418	1	/P	Tube, Handlebar
2	0405-148	2		Plug, Handlebar
3	0405-149	2		End Cap, Handlebar
4	8050-247	2	/P	Washer
5	8477-845	2		Screw, Machine
6	0405-147	2		Grip, Handlebar
7	0506-348	1	/P	Bracket, Key Switch
8	3430-040	1		Switch, Ignition - Assembly (inc. 9)
9	3409-007	1	/P	Key, Ignition - Blank (C Series)
9	3409-011	1		Key, Ignition - Blank (D Series)
9	3409-012	1		Key, Ignition - Blank (E Series)
9	3409-013	1		Key, Ignition - Blank (F Series)
10	0409-013	1		Cover, Key
11	8477-616	3		Screw, Machine
12	0423-052	1		Collar, Body
13	0405-063	1		Instrument Pod
14	0405-042	1		Plug, Instrument Pod
15	0420-035	1	/P	Panel, LED



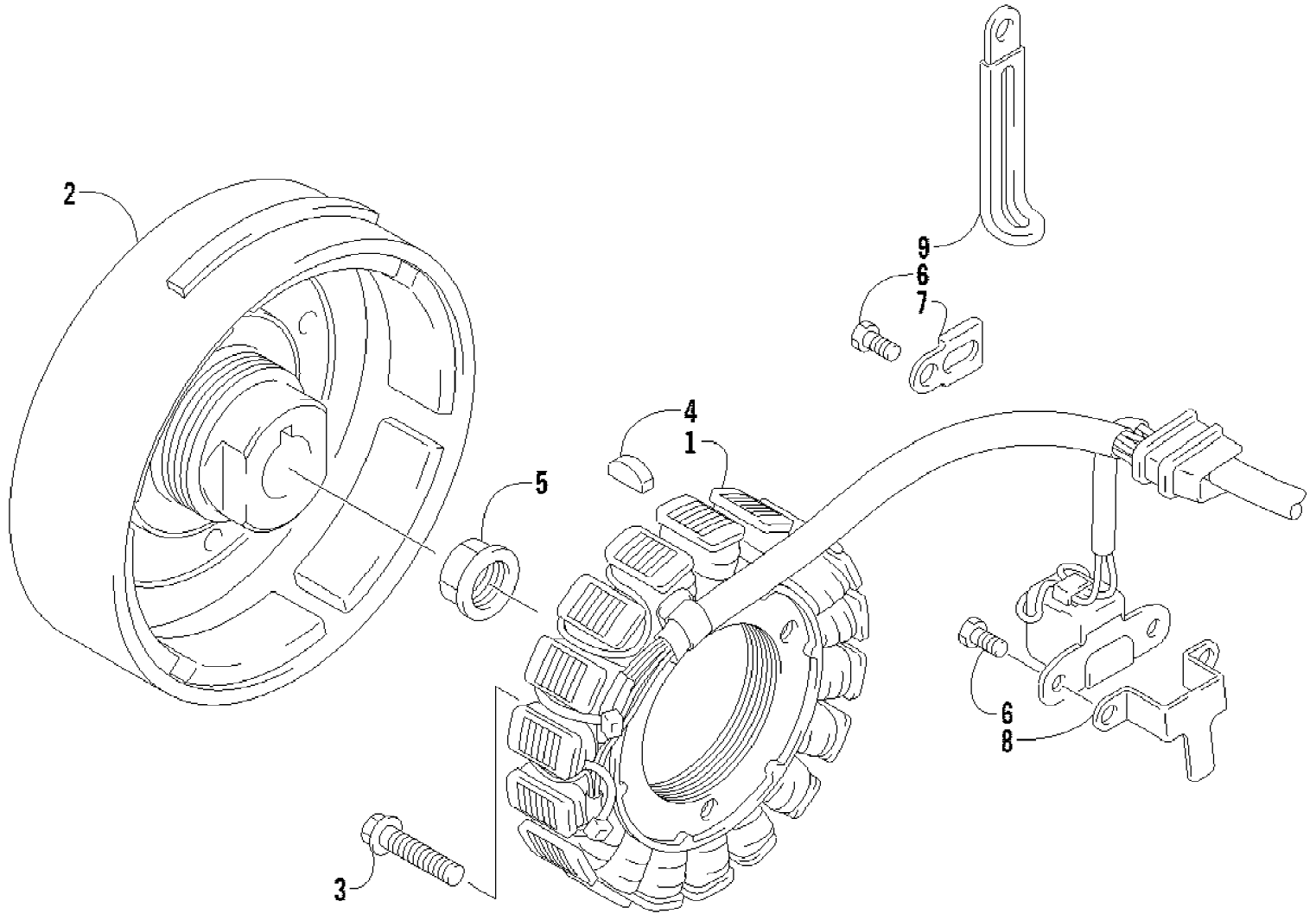
2005 ATV 400 MANUAL TRANSMISSION 4X4 VP GREEN (A2005ATH4AUSG)Page 48 of 88
HYDRAULIC BRAKE ASSEMBLY

Ref #	Part Number	Qty	S/P/F	Description
1	8476-625	1		Screw, Cap
2	1402-310	2		Hose, Brake - Front - Right/Left
3	1402-086	1		Block, Junction
4	0402-306	1	/P	Switch, Brake Pressure
5	8408-825	6		Screw, Cap
6	0423-413	3		Bolt, Banjo Fitting
7	0423-178	6		Washer, Crush
8	0502-457	1	S	Caliper, Brake - Right Front (inc. 9-19)
8	0502-456	2	S	Caliper, Brake - Left Front and Right Rear (inc. 9-19)
9	0	3	F	Housing, Caliper
10	0402-495	3		Pin, Brake Caliper
11	1402-126	6		Pad, Brake
12	0423-495	3	/P	Pin, Cotter
13	0402-493	3		Cap, Bleed Valve
14	1402-123	3		Valve, Bleed
15	1402-125	6		Piston
16	0402-980	9		O-Ring, Brake Caliper
17	0	3	F	O-Ring
18	0	3	F	Plug
19	0	3	F	Ring, Retaining
20	0402-932	1		Tube, Brake Line - Rear
21	0402-597	1	/P	Clip, Brake Line
22	0402-990	1		Hose, Brake - Rear
23	0423-562	4		Spacer

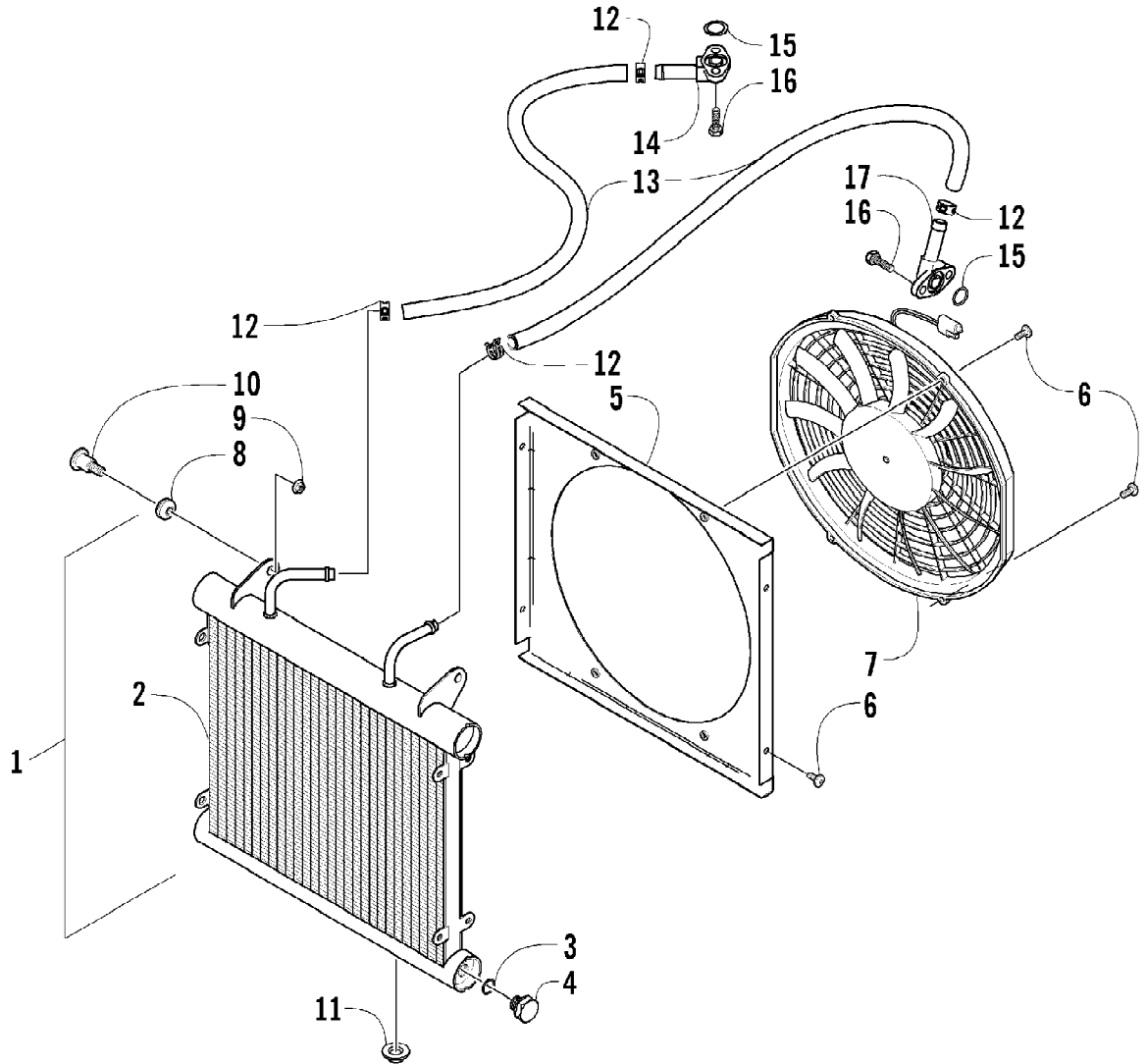


2005 ATV 400 MANUAL TRANSMISSION 4X4 VP GREEN (A2005ATH4AUSG)Page 50 of 88
HYDRAULIC HAND BRAKE ASSEMBLY

Ref #	Part Number	Qty	S/P/F	Description
	0502-704	1		Master Cylinder Rebuild Kit
1	0502-703	1	S	Brake Assembly (inc. 2?9)
2	0502-566	1		Screw, Reservoir Cover - Kit
3	0502-706	1	S	Cover, Reservoir - Kit
4	0502-568	1		Screw, Master Cylinder Clamp - Kit
5	0502-705	1		Clamp, Master Cylinder - Kit
6	0502-634	1	/P	Lever Assembly - Kit (inc. 7-8)
7	0502-635	1		Lock, Brake Lever - Kit
8	0502-580	1		Lever Pin - Kit
9	0502-564	1	/P	Switch, Brake - Kit
10	1402-344	1		Brakeline, Hydraulic
11	0423-178	2		Washer, Crush
12	0423-413	1		Bolt, Banjo Fitting

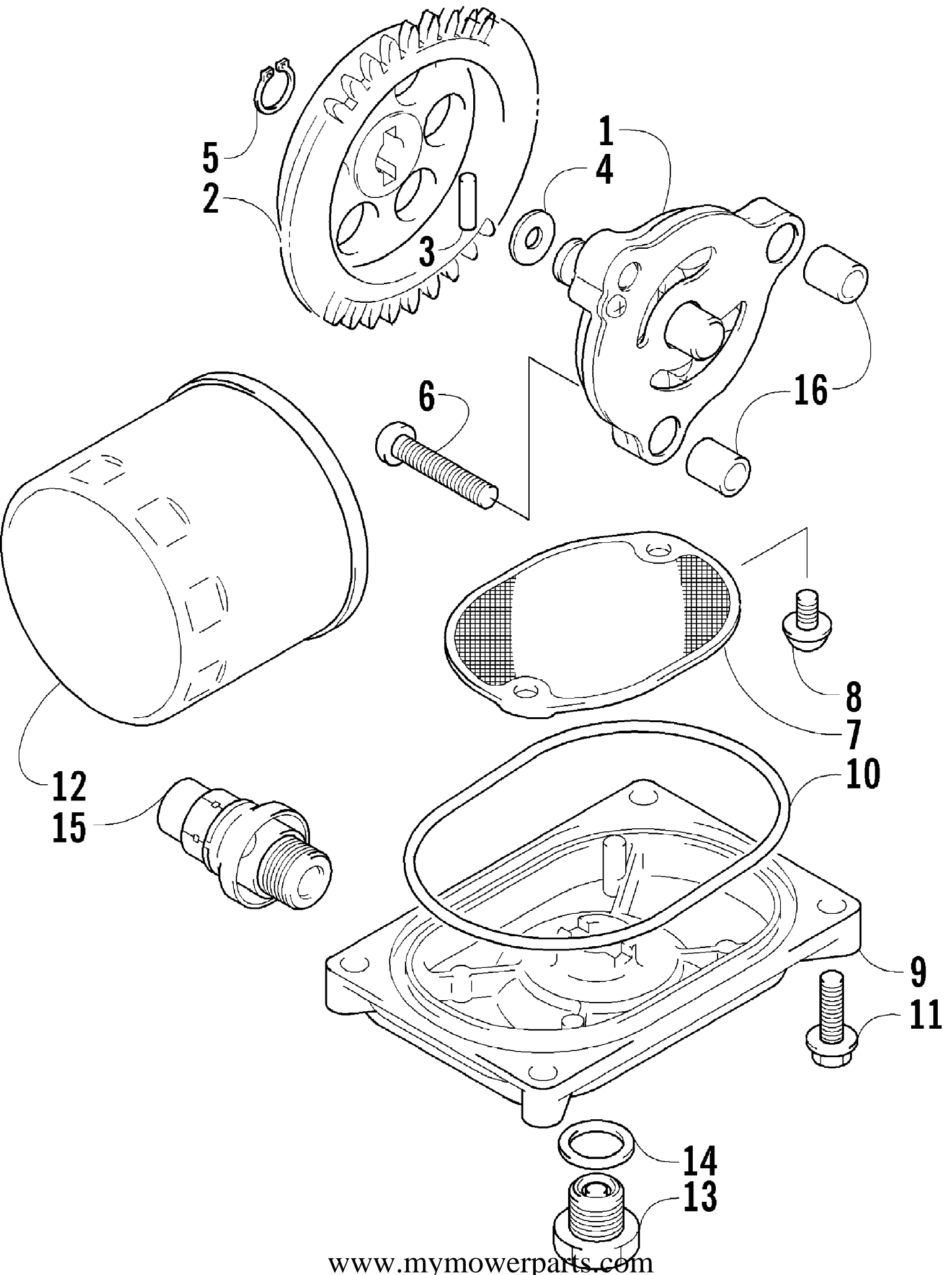


Ref #	Part Number	Qty	S/P/F	Description
1	3430-053	1		Stator Assembly
2	3430-054	1	S	Rotor/Flywheel
3	3004-756	3	S	Bolt
4	0691-785	1		Key
5	3423-086	1		Nut
6	3423-005	3	/P	Bolt
7	3430-005	1		Clamp
8	3430-006	1		Clamp
9	3002-964	1	/P	Clamp, Wire



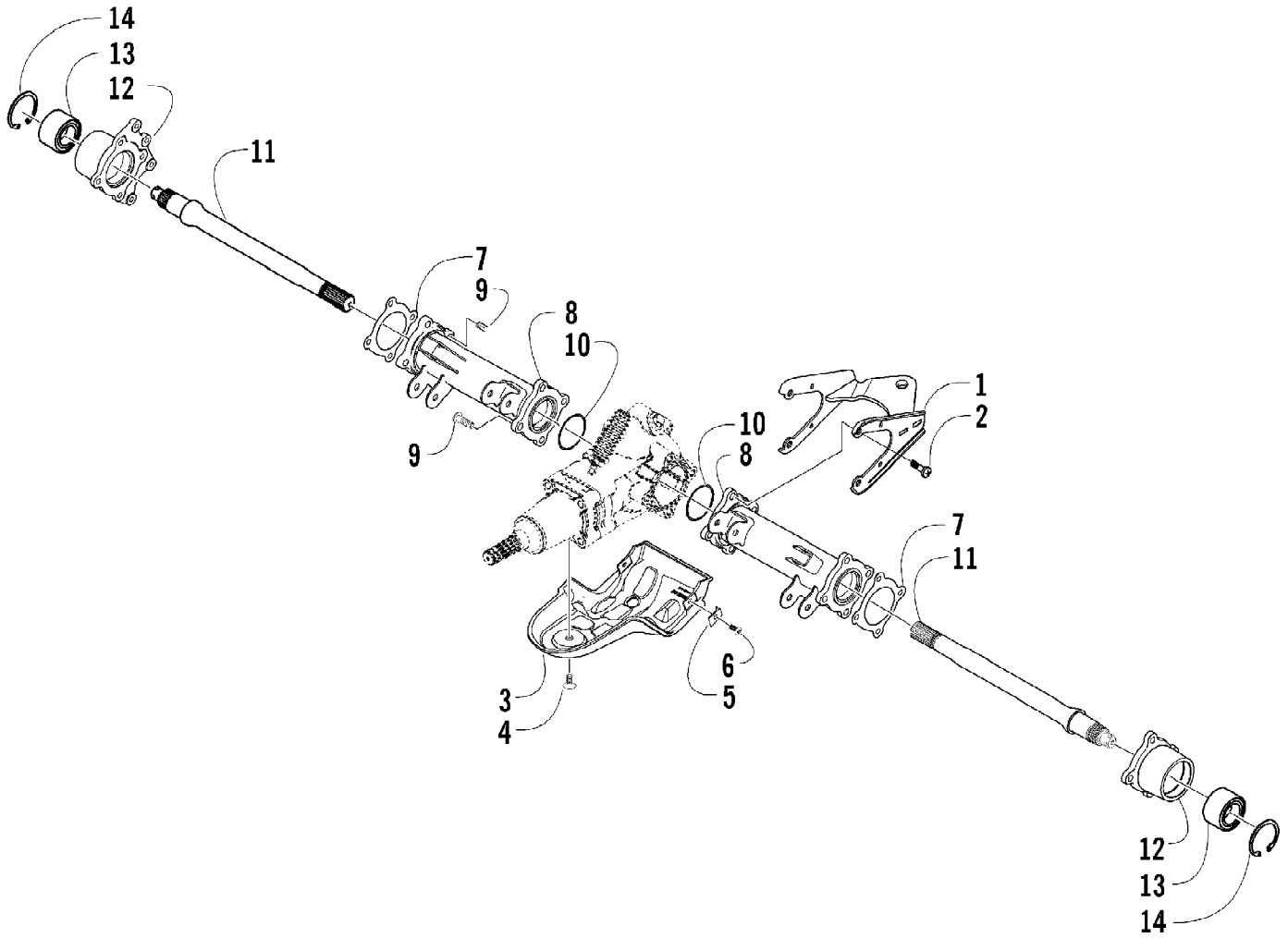
2005 ATV 400 MANUAL TRANSMISSION 4X4 VP GREEN (A2005ATH4AUSG)Page 54 of 88
OIL COOLER ASSEMBLY

Ref #	Part Number	Qty	S/P/F	Description
1	0413-103	1		Cooler, Oil - Assembly (inc. 2-8)
2	0413-053	1		Cooler, Oil
3	0413-059	1		O-Ring
4	0413-058	1		Plug, Drain
5	0413-064	1		Shroud, Fan
6	8475-512	8		Screw, Machine
7	0413-044	1	S	Fan, Cooling
8	0423-030	2		Grommet
9	0623-038	2		Nut w/Washer
10	0423-484	2		Screw, Shoulder
11	0423-028	2		Bushing, Stem
12	0423-098	4	/P	Clamp, Hose
13	0410-044	2		Hose, Oil
14	0410-013	1		Fitting, Oil
15	0423-089	2		O-Ring, Oil Fitting
16	8471-616	4		Screw, Cap
17	0410-012	1		Fitting, Oil - Angled



2005 ATV 400 MANUAL TRANSMISSION 4X4 VP GREEN (A2005ATH4AUSG)Page 56 of 88
OIL FILTER/PUMP ASSEMBLY

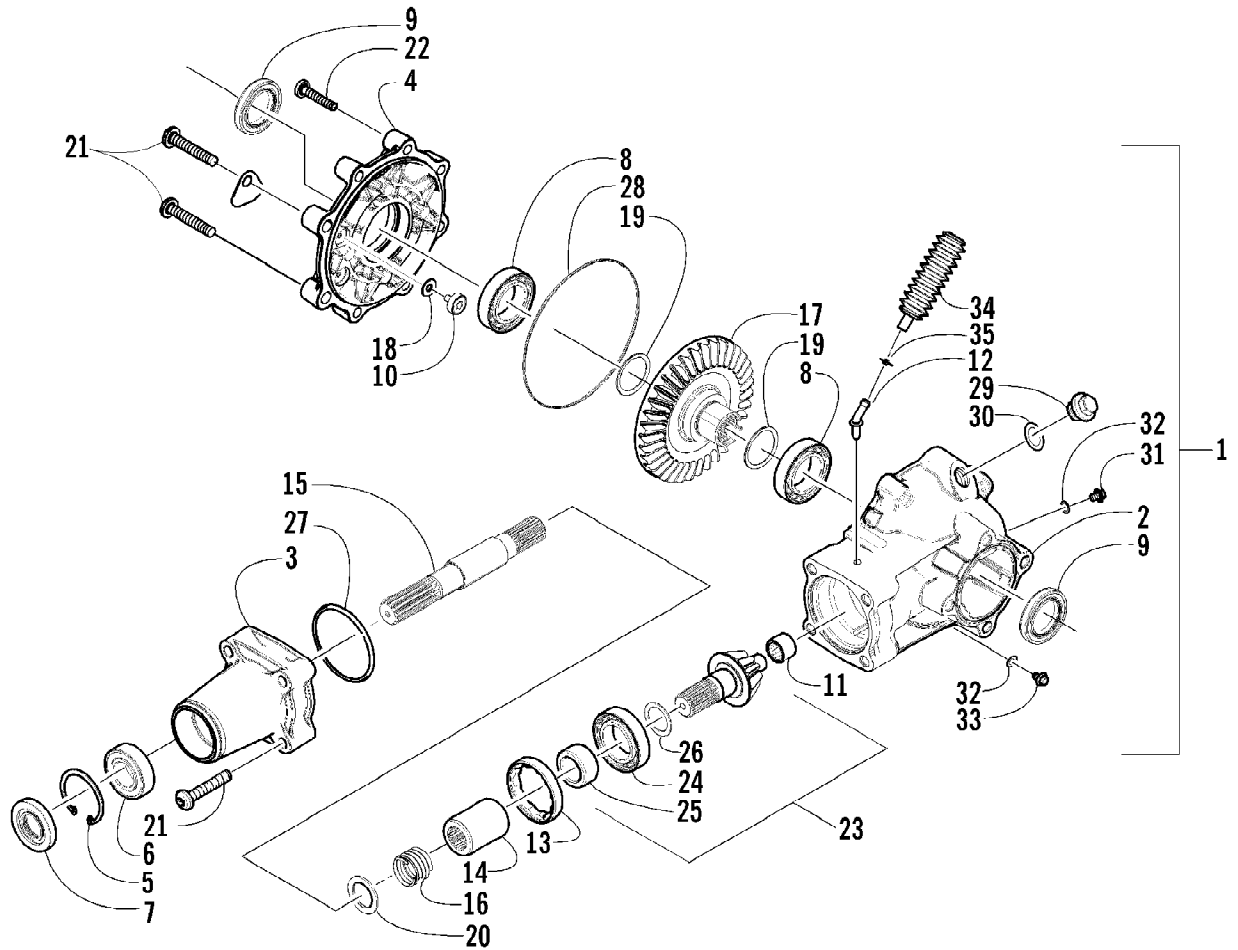
Ref #	Part Number	Qty	S/P/F	Description
1	3402-619	1		Pump, Oil
2	3402-618	1		Gear, Driven
3	3423-046	1		Pin
4	3423-443	1		Washer
5	3423-184	1	S	Circlip
6	3423-113	3	S/P	Screw
7	3402-156	1		Strainer, Oil
8	0693-389	2	S	Screw
9	3402-157	1		Cap, Oil Strainer
10	3423-077	1		O-Ring
11	3004-756	4	S	Screw, Cap
12	0436-146	1	S	Filter, Oil
13	3403-021	1	/P	Plug, Drain
14	3402-012	1		Gasket, Drain Plug
15	3402-773	1		Valve, Assembly - Oil Relief
16	3005-206	2	/P	Pin, Oil Pump



2005 ATV 400 MANUAL TRANSMISSION 4X4 VP GREEN (A2005ATH4AUSG)Page 58 of 88
REAR AXLE ASSEMBLY

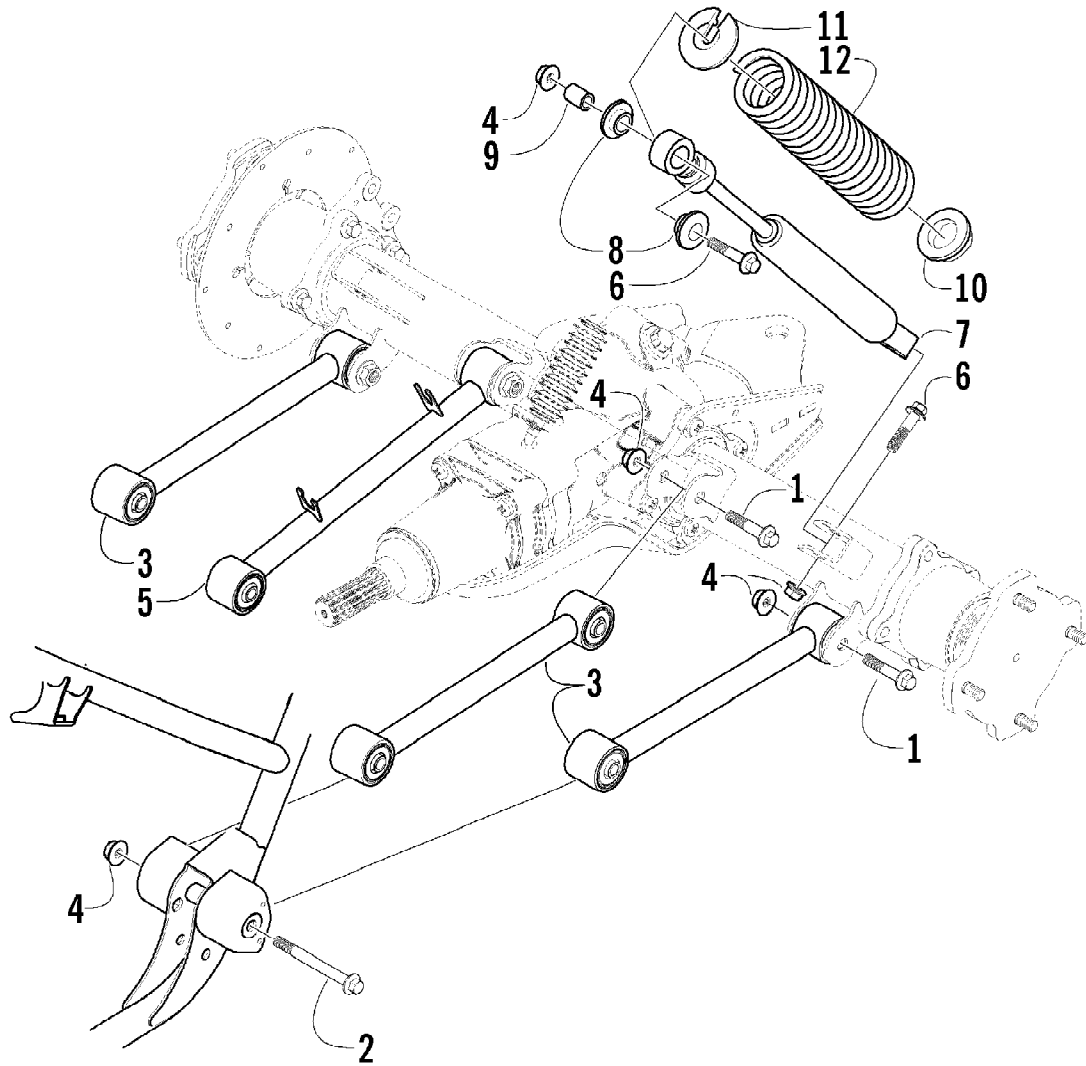
Ref #	Part Number	Qty	S/P/F	Description
1	0506-675	1		Hitch, Trailer
2	0423-116	4		Screw, Self-Tapping
3	0406-415	1		Panel, Gearcase
4	0423-101	1		Screw, Body
5	0423-031	2		Nut, Speed
6	8477-616	2		Screw, Machine
7	0402-374	2		Gasket, Axle Housing
8	0502-090	1		Housing, Axle - Right
8	0502-091	1		Housing, Axle - Left
9	0423-117	12		Screw, Self-Tapping
10	0423-119	2		O-Ring
11	1402-239	1		Axle - Right
11	1402-240	1		Axle - Left
12	0502-680	1		Housing, Bearing - Right
12	0502-681	1		Housing, Bearing - Left
13	1402-027	2	S/P	Bearing
14	0423-423	2		Ring, Retaining

2005 ATV 400 MANUAL TRANSMISSION 4X4 VP GREEN (A2005ATH4AUSG)Page 59 of 88
REAR DRIVE GEARCASE ASSEMBLY



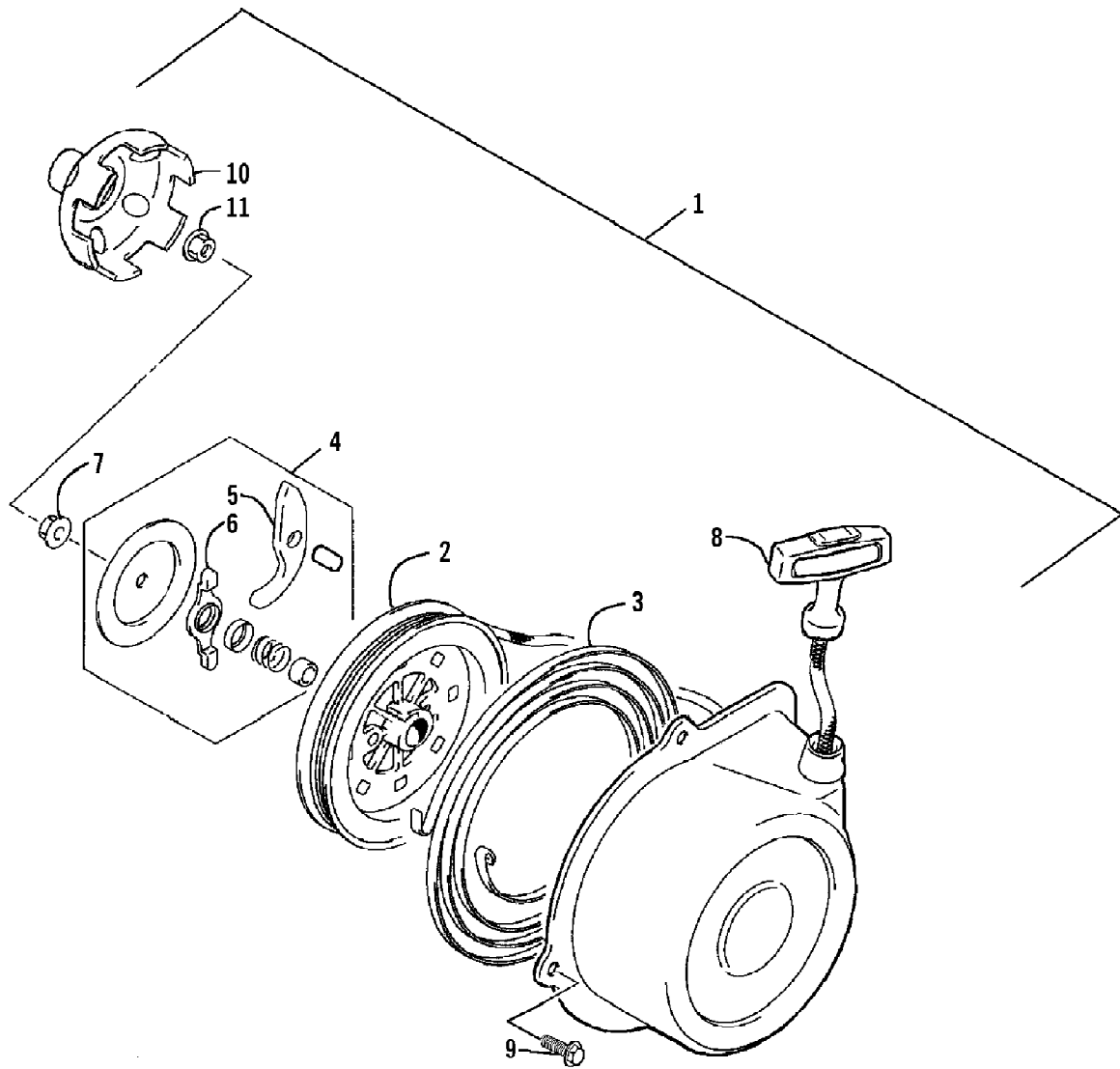
2005 ATV 400 MANUAL TRANSMISSION 4X4 VP GREEN (A2005ATH4AUSG)Page 60 of 88
REAR DRIVE GEARCASE ASSEMBLY

Ref #	Part Number	Qty	S/P/F	Description
1	0502-292	1		Gearcase, Rear Drive - Assembly (inc. 2-33)
2	0502-088	1		Housing, Gearcase
3	0502-239	1		Housing, Pinion
4	0502-089	1		Cover, Gearcase
5	0402-321	1		Ring, Retaining
6	0402-322	1		Bearing
7	0402-323	1		Seal
8	0402-324	2		Bearing
9	0402-325	2		Seal
10	0402-326	1		Button, Thrust
11	0402-328	1		Bearing, Needle
12	0402-330	1		Fitting
13	0402-331	1		Collar, Lock
14	0402-335	1		Collar, Shaft
15	0402-851	1		Shaft, Thrust
16	0402-338	1		Spring, Compression
17	0402-381	1		Gear, Ring - 36T
18	0402-429	AR		Shim
18	0402-430	AR		Shim
18	0402-431	AR		Shim
18	0402-432	AR		Shim
18	0402-433	AR		Shim
19	0402-434	AR		Shim
19	0402-435	AR		Shim
19	0402-436	AR		Shim
19	0402-437	AR		Shim
19	0402-438	AR		Shim
20	0423-111	1		Washer
21	0423-115	6		Screw, Self-Tapping
22	0423-118	6		Screw, Self-Tapping
23	0502-123	1		Gear, Pinion - Assembly - 10T (inc. 24-26)
24	0402-327	1		Bearing
25	0402-336	1		Collar, Retaining
26	0402-424	AR		Shim
26	0402-425	AR		Shim
26	0402-426	AR		Shim
26	0402-427	AR		Shim
26	0402-428	AR		Shim
27	0423-148	1		O-Ring
28	0423-149	1		O-Ring
29	0402-333	1	/P	Plug, Fill (inc. 30)
30	0423-154	1		O-Ring, Fill Plug
31	0402-334	1		Plug, Drain (inc. one No. 32)
32	0423-153	2		O-Ring, Drain Plug
33	0402-450	1	S	Plug, Drain - Magnetic (inc. one No. 32)
34	0402-147	1	S	Bladder, Gearcase
35	0423-315	1		Clamp, Fitting



2005 ATV 400 MANUAL TRANSMISSION 4X4 VP GREEN (A2005ATH4AUSG)Page 62 of 88
REAR SUSPENSION ASSEMBLY

Ref #	Part Number	Qty	S/P/F	Description
1	8409-060	4		Screw, Cap
2	0423-335	2		Screw, Cap
3	0504-218	3		Arm, Swing
4	8428-002	10		Nut, Lock
5	0504-246	1		Arm, Swing
6	8409-040	4		Screw, Cap
7	0404-056	2		Shock Absorber - Rear (inc. 8-9)
8	0604-310	8		Bushing, Shock Absorber
9	0403-028	4		Sleeve, Shock Absorber
10	0403-102	2		Cam, Spring Adjuster
11	1603-889	2	/P	Retainer, Spring - Upper
12	0404-058	2		Spring, Shock Absorber



2005 ATV 400 MANUAL TRANSMISSION 4X4 VP GREEN (A2005ATH4AUSG)Page 64 of 88
RECOIL STARTER ASSEMBLY

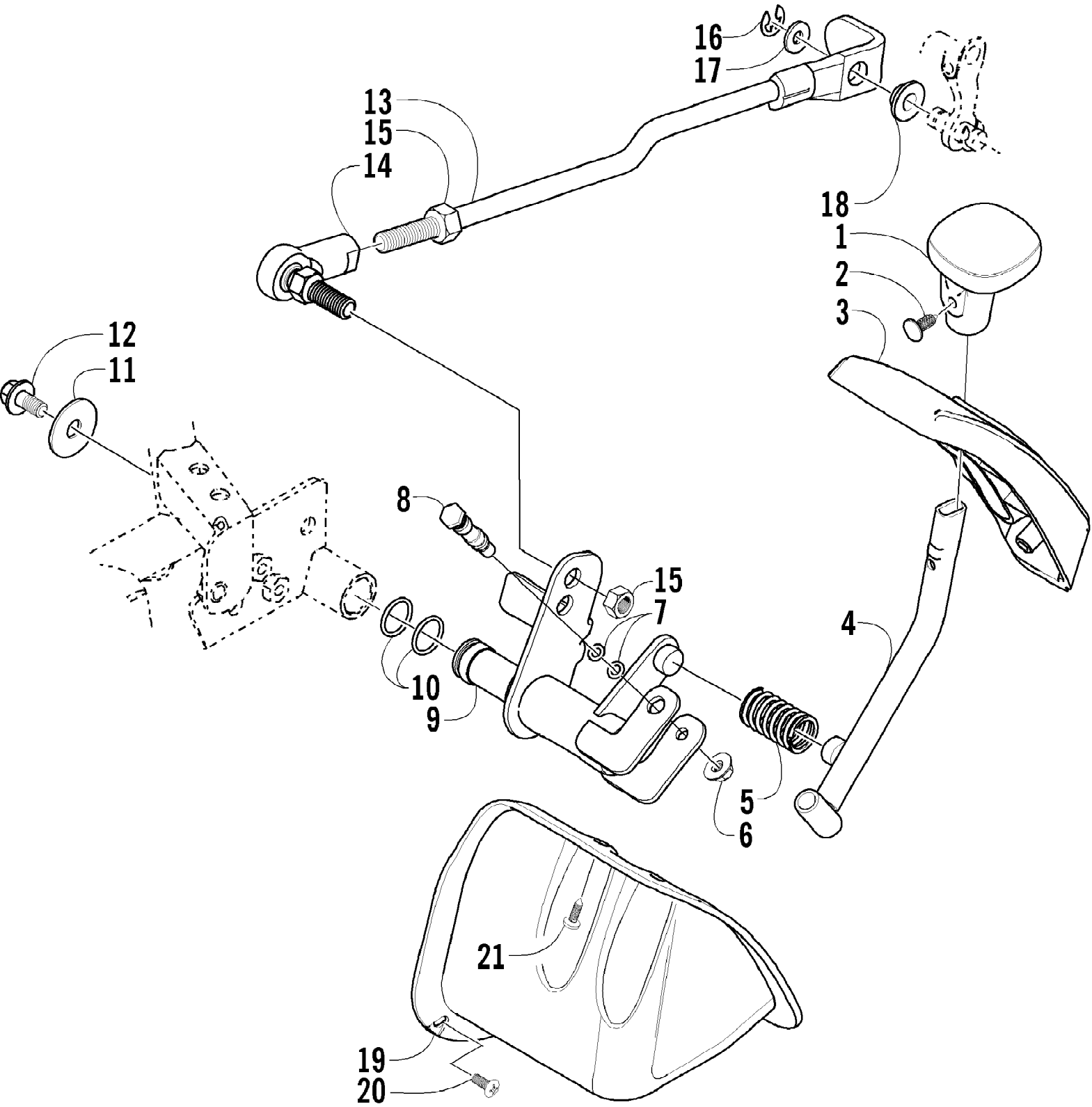
Ref #	Part Number	Qty	S/P/F	Description
1	3445-003	1		Starter, Recoil - Assembly (inc. 2-8)
2	3445-004	1		Reel
3	3445-007	1		Spring, Sprial
4	3445-016	1		Ratchet - Assembly (inc. 5-6)
5	3445-005	1		Ratchet
6	3445-006	1		Guide, Ratchet
7	3004-488	1	S/P	Nut
8	3445-011	1		Rope Assembly
9	3423-428	4		Screw, Cap
10	3445-029	1	/P	Cup, Starter
11	3004-491	1	S/P	Nut

No
Diagram
Available

Parts List
Only

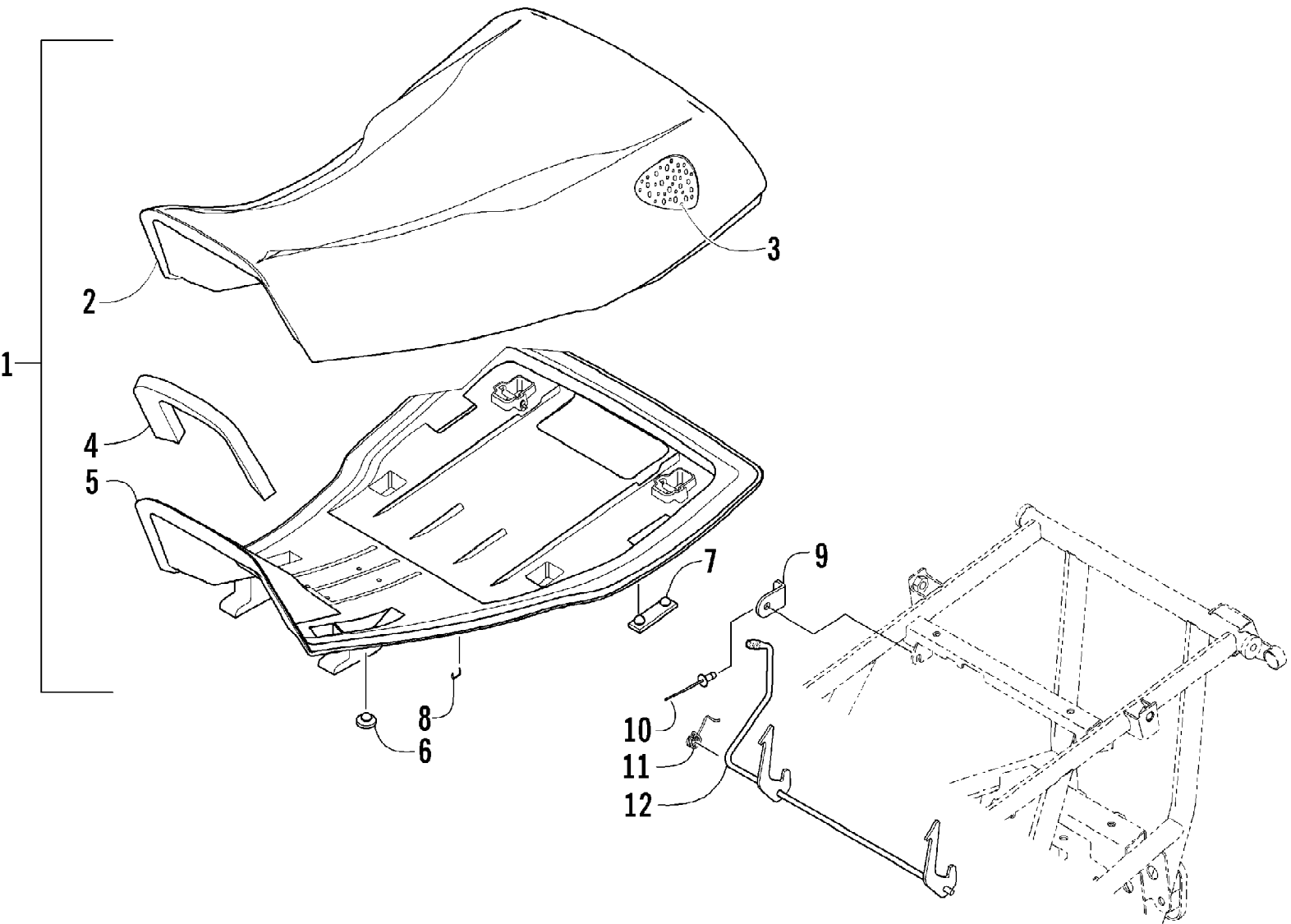
2005 ATV 400 MANUAL TRANSMISSION 4X4 VP GREEN (A2005ATH4AUSG)Page 66 of 88
RELATED ITEMS

Ref #	Part Number	Qty	S/P/F	Description
	0436-679	1		Bag, Fender - Black
	0436-337	1		Bag, Rack, Front - Black
	0436-336	1		Bag, Rack, Rear - Black
	0436-432	1	S	Brush Guard/Bumper, Front
	0436-525	1		Bumper (Rear)
	0436-454	1		Cargo Box
	0436-381	1		Cover, Black and Green
	0436-668	1		Cover, Timber Camo
	0436-005	1	S	Engine Oil - 10W40
	0436-003	1	S	Engine Oil - 5W30
	0436-450	1	S	Engine Oil - Synthetic 0W40
	0436-007	1	S	Gear Lube (Diff) - 80W90
	0441-281	1		Gun Scabbard
	0436-200	1		Gun Scabbard Mount
	0436-505	1		Hand Guards - Black
	0436-352	1		Hand/Thumb Warmers
	2257-185	1		Illustrated Parts Manual
	2257-172	1		Manuel d'utilisation (F)
	2257-034	1		Operator's Manual (E)
	0436-351	1		Rack Basket (Front)
	0436-350	1		Rack Basket (Rear)
	0436-349	1		Rack Extension, 4 in. (Front)
	0436-225	1		Rack Extension, 4 in. (Rear)
	0436-226	1		Rack Extension, 8 in. (Rear)
	0436-386	1		Snowplow Attachment Kit
	0436-228	1		Snowplow Blade, 50 in. - Straight
	0436-287	1		Snowplow Blade, 50 in. - One-Way
	0436-296	1		Snowplow Blade, 60 in. - Straight
	0436-360	1		Snowplow Blade, 60 in. - One-Way
	0436-356	1	S	Snowplow, Push Frame
	1402-028	1		Tire, Titan AT589 (25x8-12,Mud & Snow)
	0402-563	1		Tire, Titan AT589 (25x10-12,Mud & Snow)
	0436-297	1		Tool Holder - Double
	0436-263	1	/P	Tool Holder - Single
	0436-382	1		Torch Light
	0436-699	1		Winch, 2500 lb
	0436-361	1		Winch Mounting Kit
	0436-507	1		Windshield, Clear w/Black Accent



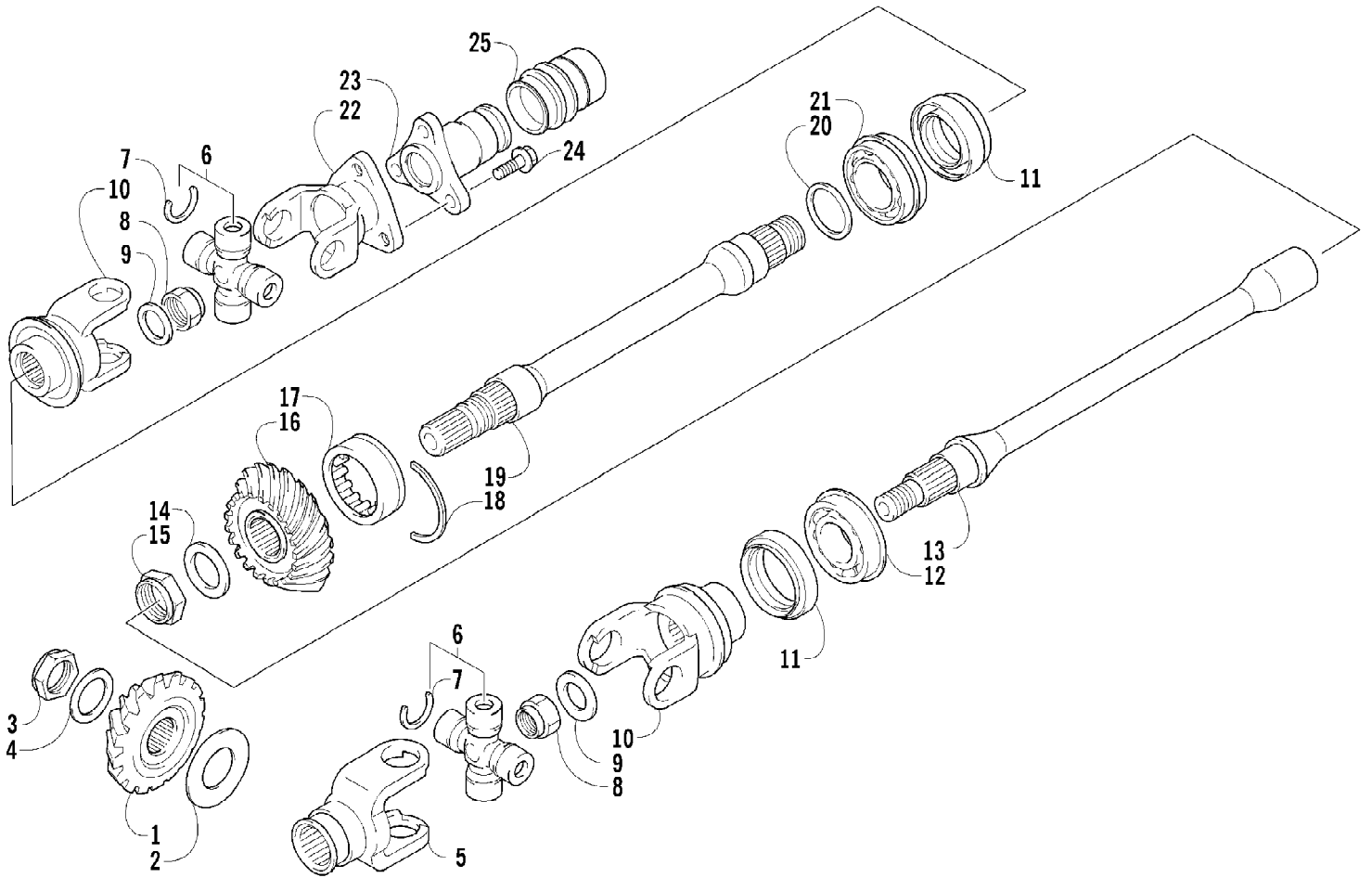
2005 ATV 400 MANUAL TRANSMISSION 4X4 VP GREEN (A2005ATH4AUSG)Page 68 of 88
REVERSE SHIFT LEVER ASSEMBLY

Ref #	Part Number	Qty	S/P/F	Description
1	0402-843	1	/P	Handle, Reverse Shift Lever
2	0423-345	1		Clip, Push
3	0402-983	1		Plate, Shift
4	0502-417	1		Lever, Shift
5	0502-410	1	S	Spring
6	8424-602	1	/P	Nut
7	0423-182	2	/P	O-Ring
8	0402-675	1		Axle, Pivot
9	0502-419	1		Axle, Reverse Shift Lever
10	0423-299	2	/P	O-Ring
11	0423-087	1		Washer
12	8408-812	1		Screw, Cap
13	0502-589	1		Linkage, Shift
14	1402-270	1		End, Rod
15	0623-294	2		Nut
16	0423-169	1	/P	E-Ring
17	3423-204	1	/P	Washer
18	0423-091	1		Bushing
19	0406-943	1		Shield, Linkage
20	0423-371	3		Screw, Machine
21	0623-309	1		Screw, Self-Tapping



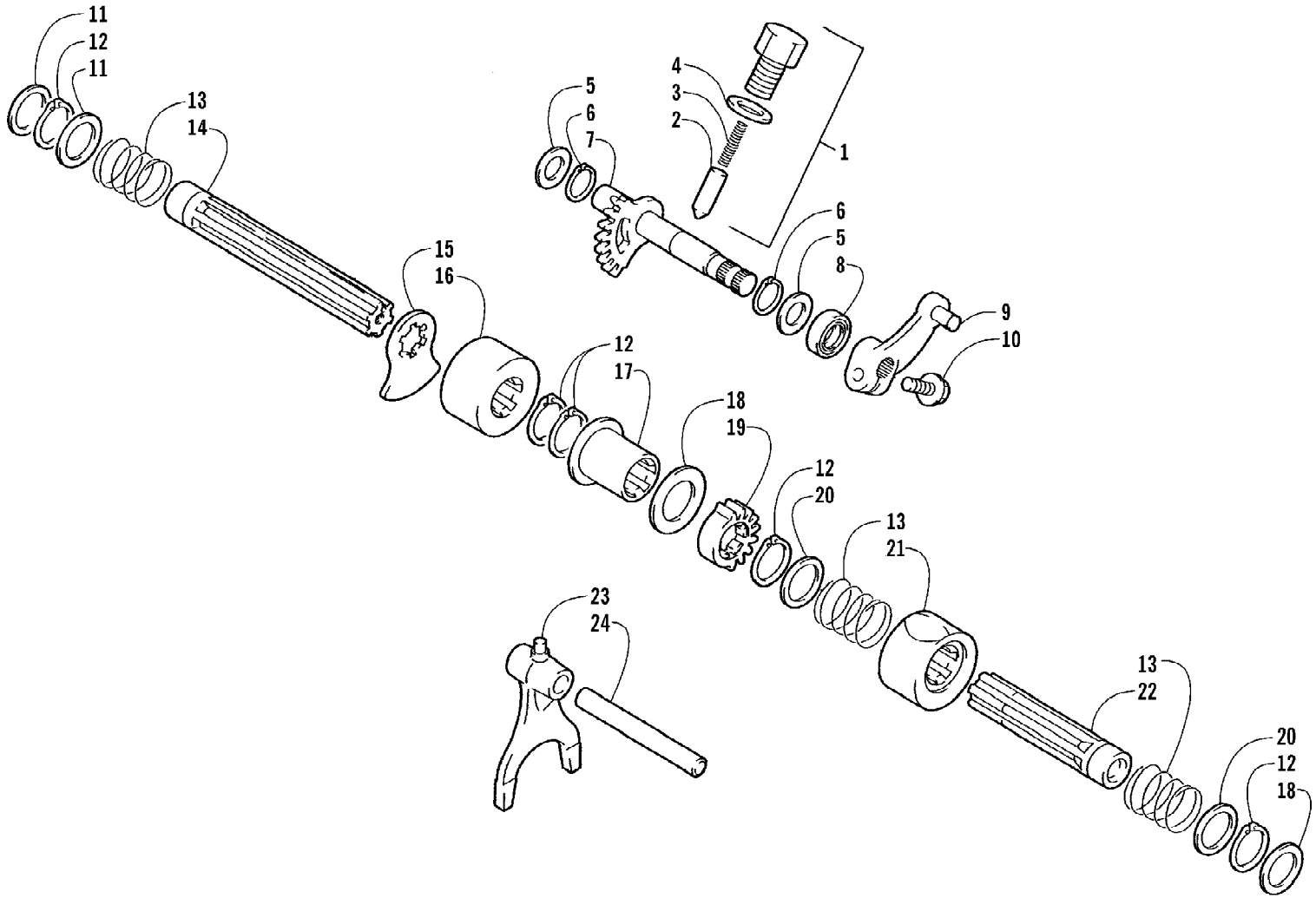
2005 ATV 400 MANUAL TRANSMISSION 4X4 VP GREEN (A2005ATH4AUSG)Page 70 of 88
SEAT ASSEMBLY

Ref #	Part Number	Qty	S/P/F	Description
1	0506-558	1		Seat Assembly (inc. 2-8)
2	0506-556	1		Cover, Seat
3	0506-555	1		Foam, Seat
4	1406-060	1		Foam, Sound
5	0406-878	1		Base, Seat Assembly (inc. 6-7)
6	0406-877	2	/P	Bumper, Seat - Front
7	0406-879	2		Bumper, Seat - Rear
8	0624-528	AR	/P	Staple
9	1406-087	1		Plate, Retainer
10	8060-284	1		Rivet
11	1406-371	1		Spring, Seat Latch
12	1506-217	1		Latch, Seat



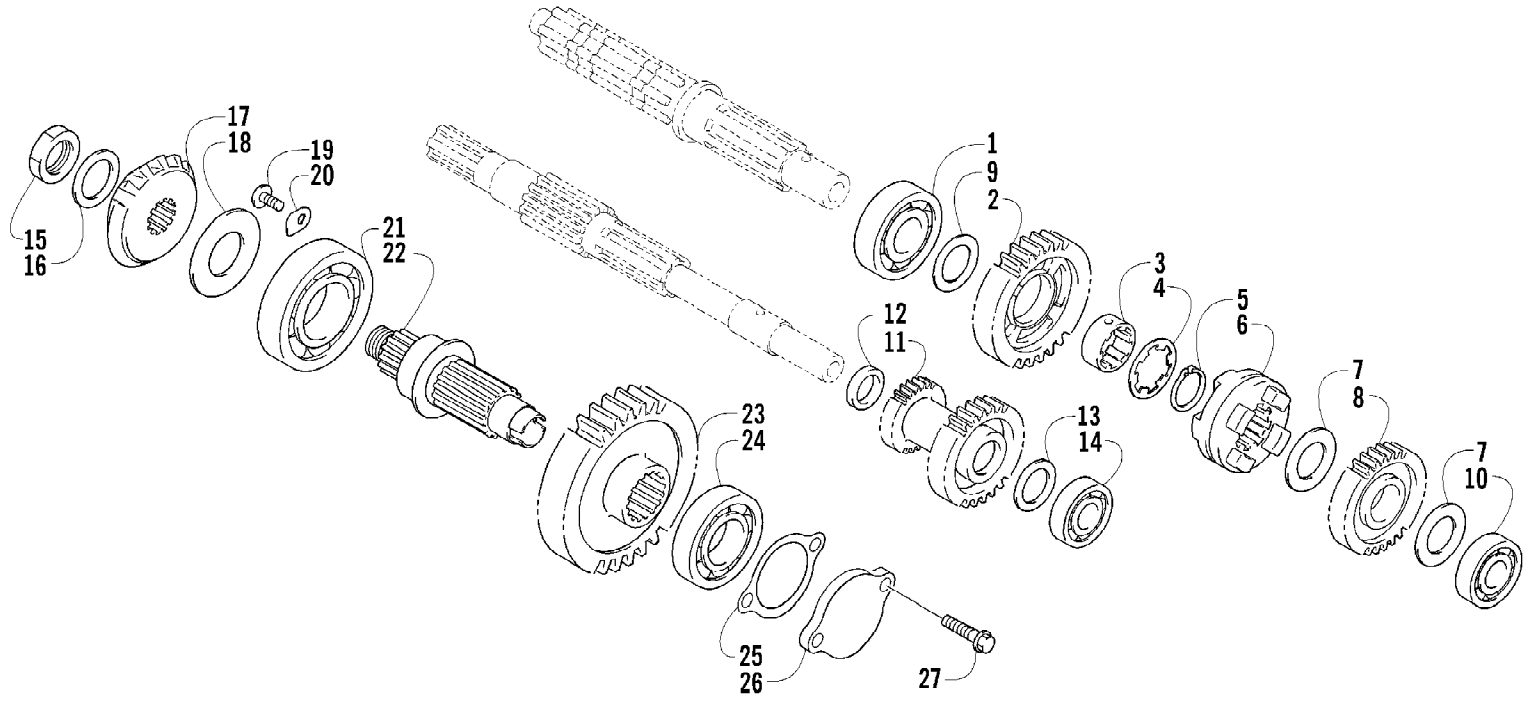
2005 ATV 400 MANUAL TRANSMISSION 4X4 VP GREEN (A2005ATH4AUSG)Page 72 of 88
SECONDARY DRIVE ASSEMBLY

Ref #	Part Number	Qty	S/P/F	Description
1	3402-637	1		Gear, Secondary Drive
2	3446-035	1		Shim, Secondary Drive Gear - Set
3	3423-023	1		Nut
4	3005-372	1		Washer
5	3446-327	1	/P	Yoke, Propeller Shaft - Front
6	3402-562	2		Joint, Universal - Set (inc. 7)
7	3423-479	8		Circlip
8	3423-025	2		Nut
9	3423-028	2		Washer
10	3402-742	2		Yoke, Drive Output
11	3402-072	2		Seal, Oil
12	3402-558	1		Bearing, Front Secondary Driven Shaft
13	3402-694	1		Shaft, Secondary Driven - Front
14	3423-137	1		Washer, Secondary Driven Gear
15	3423-136	1		Nut, Secondary Driven Gear
16	3402-638	1		Gear, Secondary Driven
17	3402-515	1	/P	Bearing, Driven Gear
18	3423-072	1		C-Ring, Driven Bearing
19	3446-305	1		Shaft, Secondary Driven - Rear
20	3402-017	AR		Shim, 25 x 34 x 0.60 mm
20	3402-018	AR		Shim, 25 x 34 x 0.65 mm
20	3402-019	AR		Shim, 25 x 34 x 0.70 mm
20	3402-020	AR		Shim, 25 x 34 x 0.75 mm
20	3402-021	AR	S	Shim, 25 x 34 x 0.80 mm
20	3402-022	AR		Shim, 25 x 34 x 0.85 mm
20	3402-023	AR		Shim, 25 x 34 x 0.90 mm
20	3402-024	AR		Shim, 25 x 34 x 0.95 mm
20	3402-025	AR	S	Shim, 25 x 34 x 1.00 mm
20	3402-028	AR		Shim, 25 x 34 x 1.05 mm
20	3402-029	AR		Shim, 25 x 34 x 1.10 mm
20	3402-030	AR		Shim, 25 x 34 x 1.15 mm
20	3402-031	AR		Shim, 25 x 34 x 1.20 mm
21	3402-067	1	S	Bearing, Rear Secondary Driven Shaft
22	3446-405	1		Yoke, Propeller Shaft
23	3403-015	1		Shaft, Propeller
24	3423-414	3	S	Bolt, Propeller Shaft
25	3435-051	1		Boot, Propeller Shaft



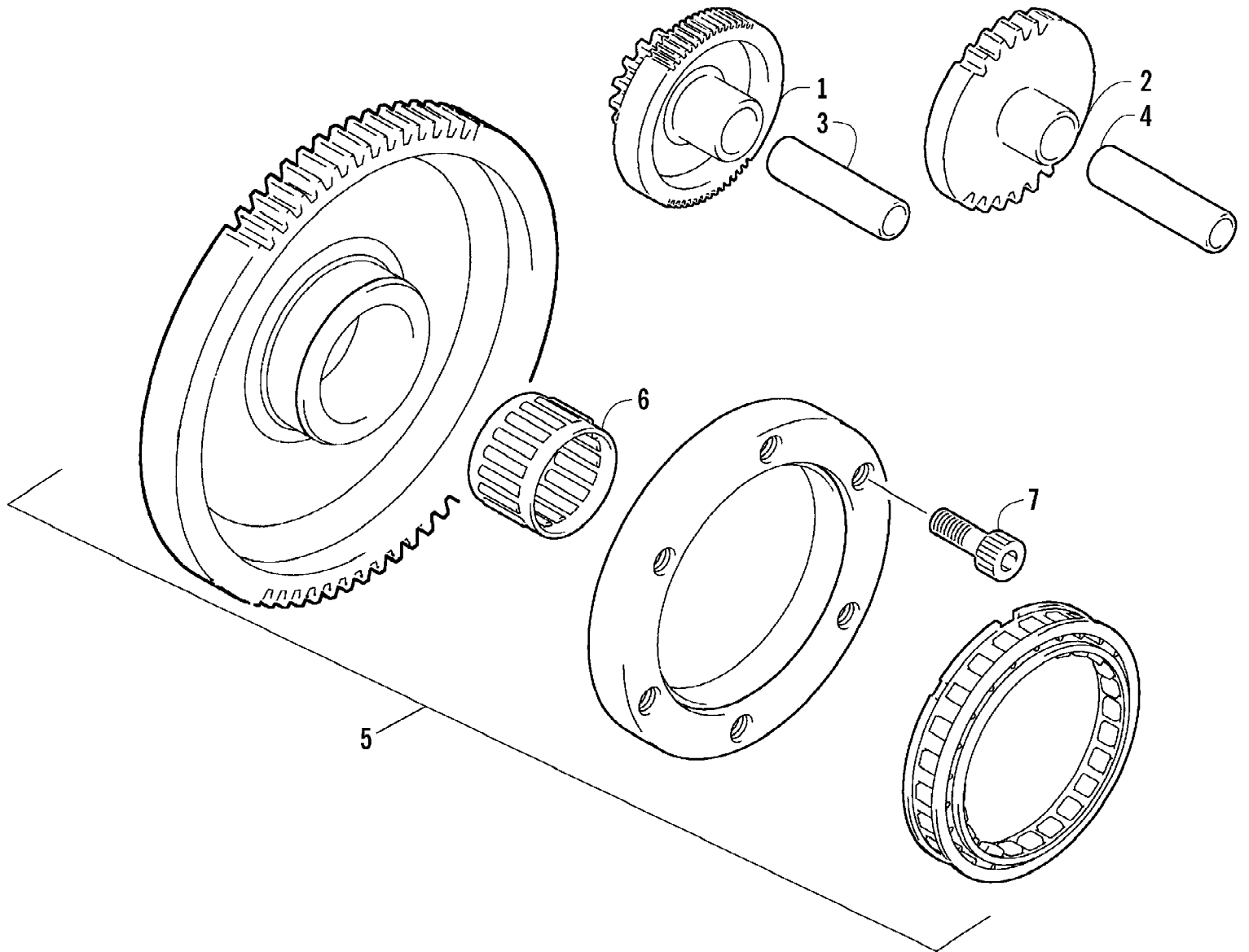
2005 ATV 400 MANUAL TRANSMISSION 4X4 VP GREEN (A2005ATH4AUSG)Page 74 of 88
SECONDARY SHIFTING ASSEMBLY

Ref #	Part Number	Qty	S/P/F	Description
1	3446-314	1		Stopper, Gear Shift Cam (inc. 2-3)
2	3446-315	1		Stopper
3	3423-524	1		Spring
4	3402-012	1		Gasket
5	1691-043	2		Washer
6	3423-358	2	S	Circlip
7	3446-322	1		Shaft, Gear Shift
8	3402-076	1		Seal, Oil
9	3402-434	1	/P	Arm, Gear Shift
10	3004-341	1	S/P	Bolt, Gear Shift Arm
11	3423-527	2	/P	Washer
12	3423-190	5	S	Circlip
13	3423-526	3	/P	Spring
14	3446-325	1		Camshaft, Reverse
15	3446-324	1		Plate, Cam Lock
16	3446-323	1		Cam, Reverse
17	3446-321	1		Joint, Camshaft
18	3402-381	2	/P	Washer
19	3446-316	1		Gear, Camshaft
20	3423-533	2		Washer
21	3423-525	1		Cam
22	3446-320	1		Camshaft
23	3446-318	1		Fork, Gear Shift
24	3446-317	1		Shaft, Gear Shift Fork



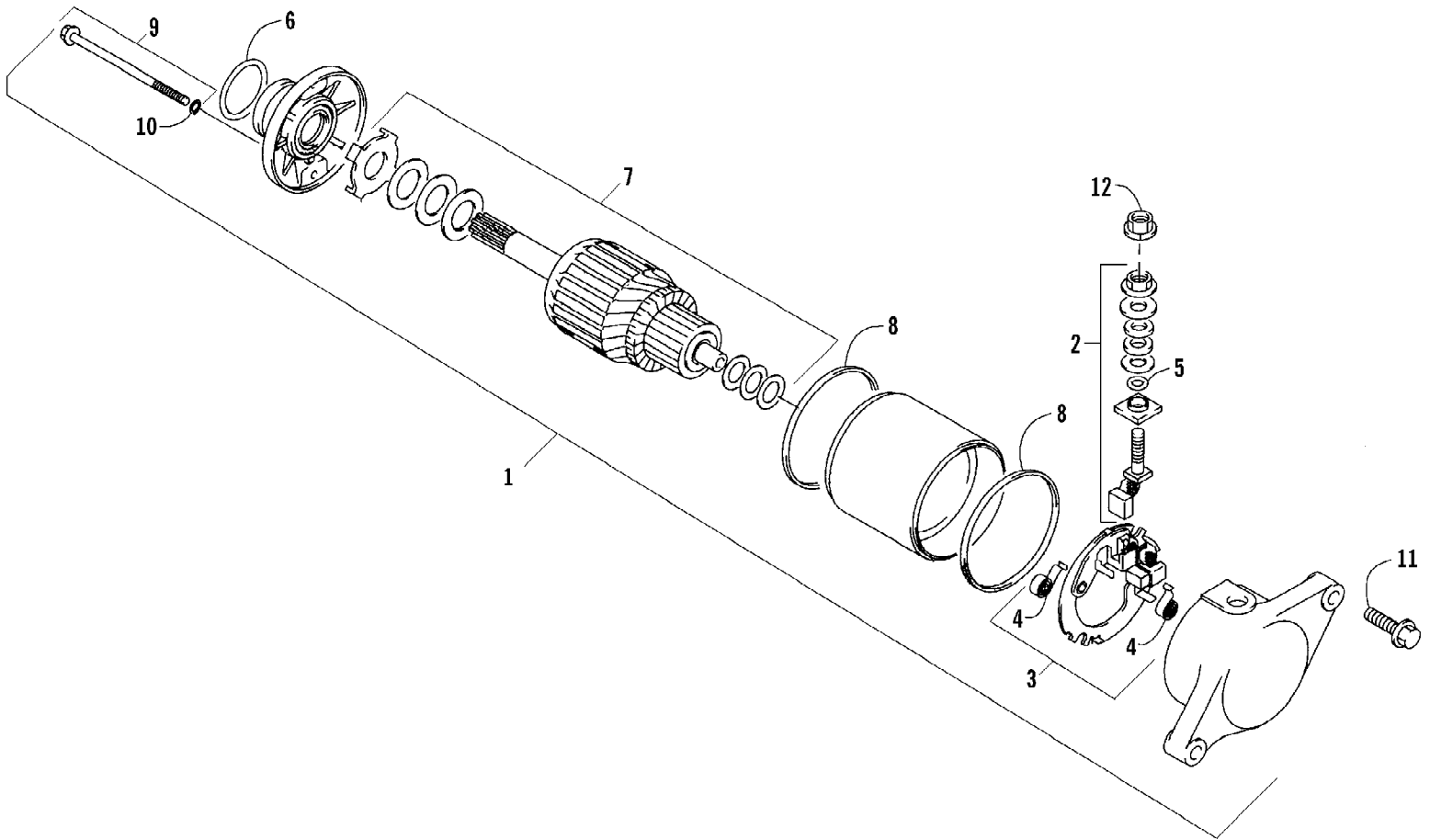
2005 ATV 400 MANUAL TRANSMISSION 4X4 VP GREEN (A2005ATH4AUSG)Page 76 of 88
SECONDARY TRANSMISSION ASSEMBLY

Ref #	Part Number	Qty	S/P/F	Description
1	3402-776	1		Bearing
2	3446-300	1		Gear, Drive - No. 1
3	3446-301	1		Bushing, Drive Gear No. 1
4	3423-036	1		Washer
5	3423-066	1	/P	Circlip
6	3446-249	1		Dog, Sliding
7	3423-126	2	/P	Washer
8	3446-302	1		Gear, Drive - No. 2
9	3423-519	1		Spacer, Drive Gear
10	3402-979	1	/P	Bearing, Driveshaft
11	3446-299	1		Gear, Idle
12	3402-205	1		Spacer, Idle Gear
13	3423-319	1		Washer
14	3402-217	1		Bearing
15	3423-023	1		Nut, Secondary Drive Gear
16	3005-372	1		Washer, Secondary Drive Gear
17	3446-274	1	/P	Gear, Secondary Drive
18	3446-035	1		Shim, Secondary Drive Gear - Set
19	3423-370	2		Screw
20	3446-031	2	/P	Retainer, Output Shaft
21	3402-180	1	S	Bearing
22	3446-404	1	S	Shaft, Output
23	3446-304	1		Gear, Driven
24	3402-045	1	/P	Bearing
25	3446-244	1	/P	Gasket, Speedometer Housing
26	3446-260	1		Retainer, Cover Plug
27	3423-363	2		Bolt, Retainer



2005 ATV 400 MANUAL TRANSMISSION 4X4 VP GREEN (A2005ATH4AUSG)Page 78 of 88
STARTER CLUTCH ASSEMBLY

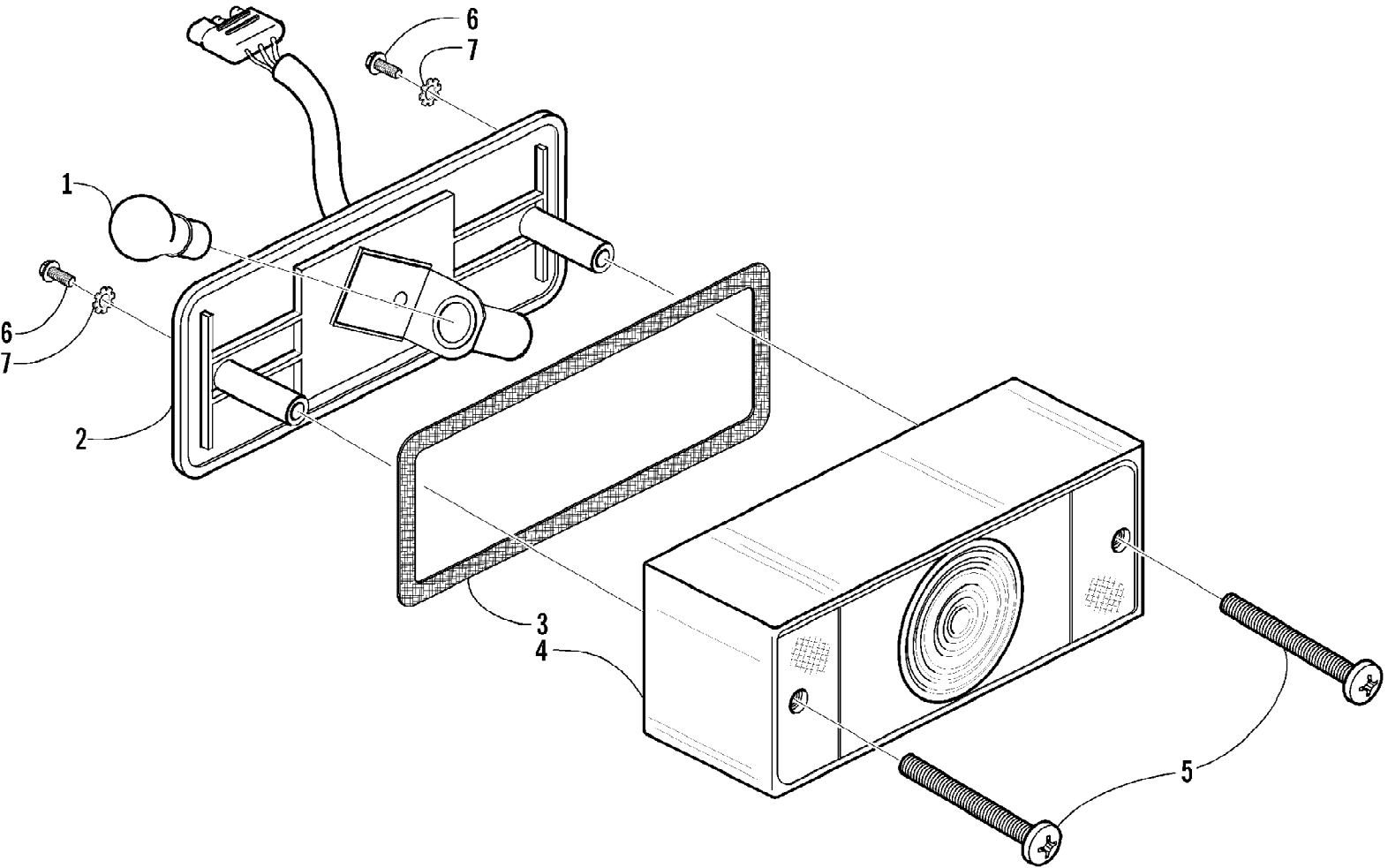
Ref #	Part Number	Qty	S/P/F	Description
1	3402-603	1		Gear, Starter Idler - No. 1
2	3402-124	1		Gear, Starter Idler - No. 2
3	3423-331	1		Pin, Starter Idler Gear No. 1
4	3423-397	1		Pin, Starter Idler Gear No. 2
5	3402-690	1	S	Clutch, Starter - Set (inc. 6)
6	3402-674	1		Bearing
7	3423-102	6	S	Bolt



2005 ATV 400 MANUAL TRANSMISSION 4X4 VP GREEN (A2005ATH4AUSG)Page 80 of 88
STARTER MOTOR ASSEMBLY

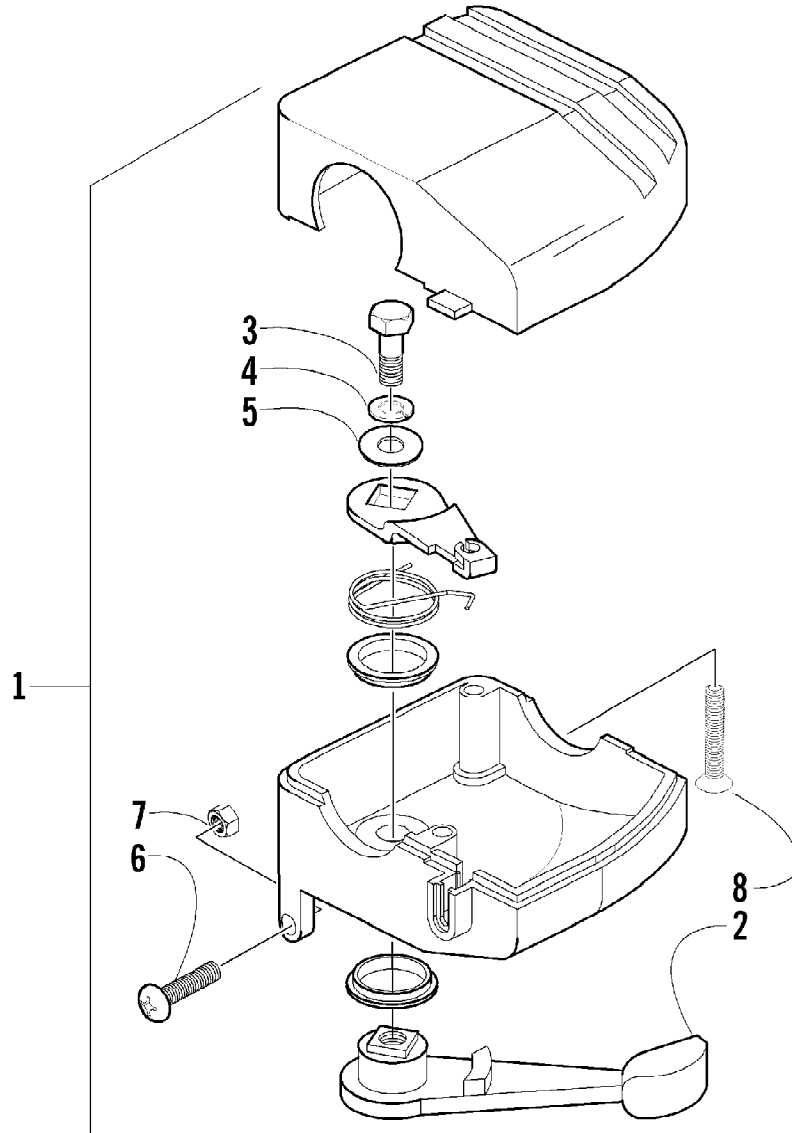
Ref #	Part Number	Qty	S/P/F	Description
1	3545-016	1		Motor, Starter Assembly (inc. 2-10)
2	3402-671	1		Terminal Set, Brush
3	3402-672	1		Holder Set, Brush
4	3008-551	4		Spring, Brush
5	3008-164	1		O-Ring
6	3423-272	1		O-Ring
7	3008-099	1		Washer Set
8	3423-497	2		O-Ring
9	3423-498	2		Through-Bolt (inc. 10)
10	3423-496	2		O-Ring
11	3004-756	2	S	Bolt
12	3423-195	1	/P	Nut

2005 ATV 400 MANUAL TRANSMISSION 4X4 VP GREEN (A2005ATH4AUSG)Page 81 of 88
TAILLIGHT ASSEMBLY



2005 ATV 400 MANUAL TRANSMISSION 4X4 VP GREEN (A2005ATH4AUSG)Page 82 of 88
TAILLIGHT ASSEMBLY

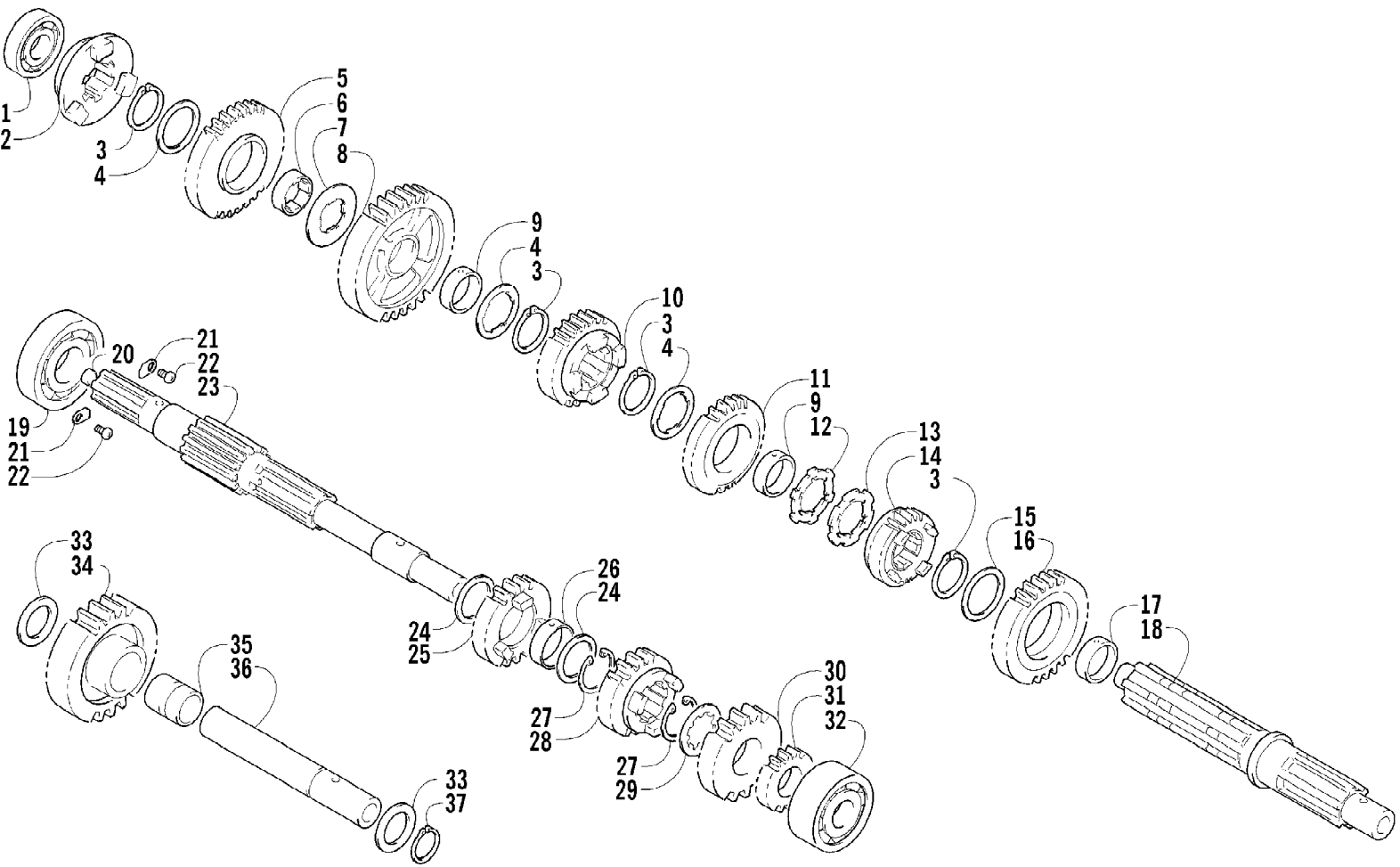
Ref #	Part Number	Qty	S/P/F	Description
	0409-002	1		Complete Taillight Assembly
1	0109-460	1	/P	Bulb, Stop/Taillight
2	0409-058	1		Taillight w/Socket Assembly
3	0409-012	1		Gasket, Taillight Lens
4	0409-007	1		Lens, Taillight
5	0409-010	2		Screw, Machine
6	0623-301	2	/P	Screw, Self-Tapping
7	8053-212	2	/P	Washer, Lock - External Tooth



2005 ATV 400 MANUAL TRANSMISSION 4X4 VP GREEN (A2005ATH4AUSG)Page 84 of 88
THROTTLE CASE ASSEMBLY

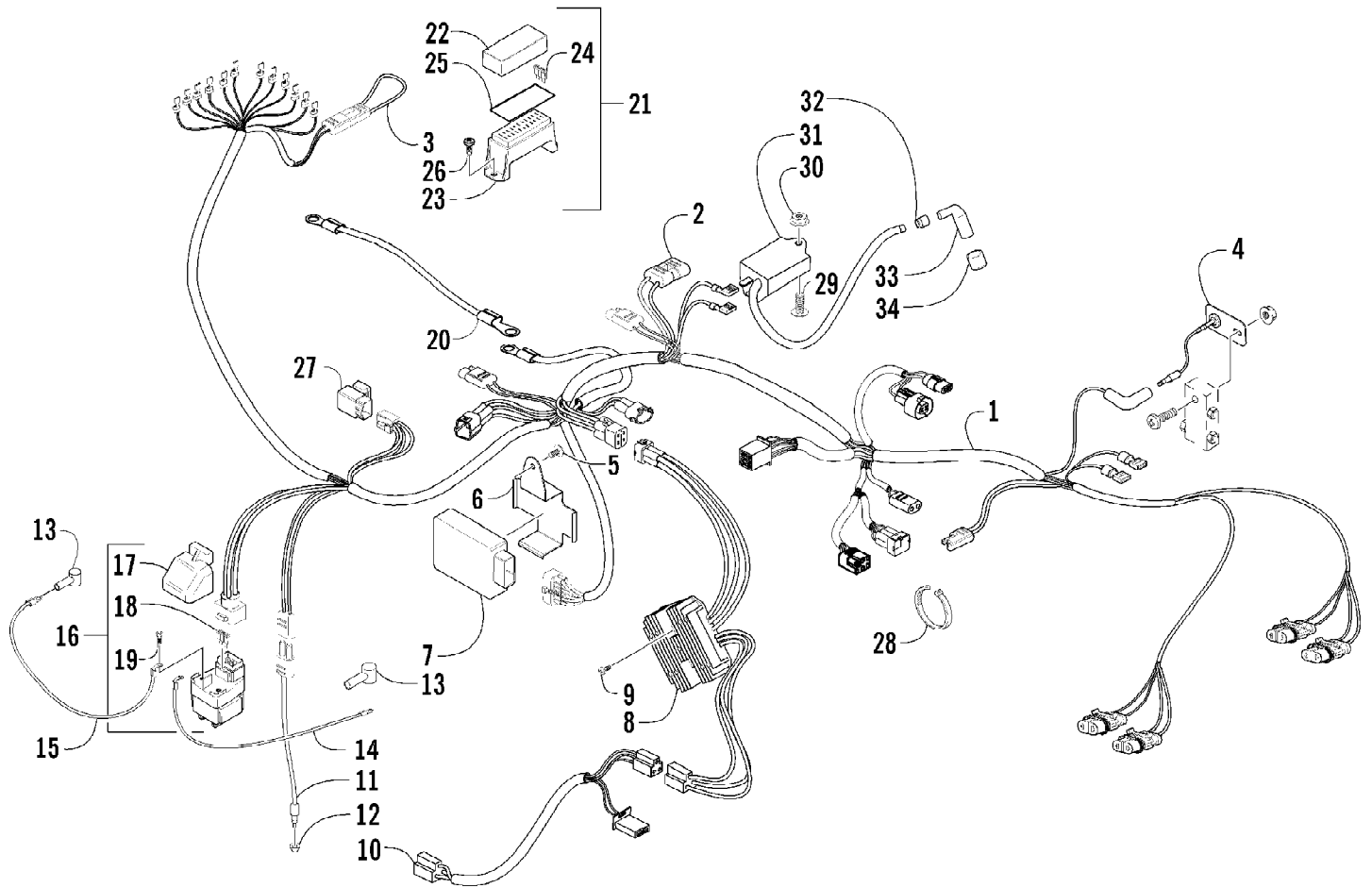
Ref #	Part Number	Qty	S/P/F	Description
1	3509-003	1	/P	Case, Throttle - Assembly (inc. 2-8)
2	3409-001	1		Lever
3	3004-533	1	S/P	Screw, Cap
4	3004-447	1	/P	Washer, Lock
5	3003-030	1	/P	Washer
6	3423-014	1		Screw
7	3423-327	1		Nut
8	3423-199	2		Screw

2005 ATV 400 MANUAL TRANSMISSION 4X4 VP GREEN (A2005ATH4AUSG)Page 85 of 88
TRANSMISSION ASSEMBLY



2005 ATV 400 MANUAL TRANSMISSION 4X4 VP GREEN (A2005ATH4AUSG)Page 86 of 88
TRANSMISSION ASSEMBLY

Ref #	Part Number	Qty	S/P/F	Description
1	3402-218	1		Bearing
2	3446-297	1		Dog, Reverse
3	3423-066	4	/P	Circlip
4	3423-036	3		Washer, Lock
5	3446-296	1		Gear, Reverse Driven
6	3446-145	1		Bushing
7	3423-263	1		Washer
8	3446-141	1		Gear, 1st Driven
9	3446-273	2	/P	Bushing
10	3446-146	1		Gear, 4th Driven
11	3446-143	1		Gear, 3rd Driven
12	3423-266	1		Washer, Lock
13	3423-262	1		Washer, Lock
14	3446-147	1		Gear, 5th Driven
15	3423-317	1		Washer
16	3446-142	1		Gear, 2nd Driven
17	3402-230	1		Bushing
18	3402-775	1		Driveshaft
19	0691-374	1		Bearing
20	3402-033	1		Plug, Countershaft
21	3446-031	2	/P	Retainer, Bearing
22	3423-370	2		Screw
23	3446-295	1	S	Countershaft
24	3402-210	2		Washer
25	3446-139	1		Gear, 4th Drive
26	3402-229	1		Bushing
27	3423-279	2		Circlip
28	3446-138	1		Gear, 3rd Drive
29	3423-261	1	S	Washer
30	3446-140	1		Gear, 5th Drive
31	3446-137	1		Gear, 2nd Drive
32	3402-224	1		Bearing
33	3402-209	2		Washer
34	3446-149	1		Gear, Reverse Idle
35	3402-228	1		Bushing
36	3446-298	1		Shaft, Reverse Idle
37	3423-518	1		Circlip



2005 ATV 400 MANUAL TRANSMISSION 4X4 VP GREEN (A2005ATH4AUSG)Page 88 of 88
WIRING HARNESS ASSEMBLY

Ref #	Part Number	Qty	S/P/F	Description
1	0486-169	1		Harness, Main (inc. 2-3)
2	0486-029	1		Diode (Start In Gear)
3	0486-164	1		Tether, Accessory Connector
4	0509-011	1	S	Diode Assembly
5	8476-616	1		Screw, Machine
6	0506-982	1	/P	Bracket, CDI Unit
7	3402-785	1		CDI Unit
8	3402-682	1		Regulator, Voltage
9	8476-625	2		Screw, Machine
10	0486-148	1		Harness, Adapter - Electric Choke
11	0409-009	1		Switch, Brake - Assembly
12	0402-991	1		Retainer, Brake Switch
13	0645-019	2		Boot, Terminal
14	0445-003	1	/P	Cable, Battery/Electric Start Relay
15	0445-019	1		Cable, Electric Start Relay/Starter
16	3530-001	1	/P	Relay, Starter Motor - Assembly (inc. 17-18)
17	3530-010	1		Cover, Starter Motor Relay
18	0630-098	1		Fuse, 30 Amp
19	8477-610	2		Screw, Cap
20	0445-037	1		Cable, Battery/Ground
21	0530-001	1		Block, Fuse - Assembly (inc. 22-23)
22	0	1	F	Cover, Fuse Block
23	0	1	F	Block, Fuse
24	0630-057	4		Fuse - 10 Amp
24	0630-058	2		Fuse - 15 Amp
25	0411-271	1		Decal, Fuse Block
26	0623-361	2		Screw, Self-Tapping
27	3530-026	1	/P	Relay, Neutral Start - Assembly
28	0123-788	AR	/P	Cable Tie
29	8476-620	1		Screw, Machine
30	8424-602	1	/P	Nut, Flange
31	3430-055	1		Coil, Ignition - Assembly
32	3430-009	1	/P	Seal, High Tension Wire
33	3430-007	1	/P	Cap, Spark Plug
34	3430-008	1	/P	Seal, Spark Plug Cap