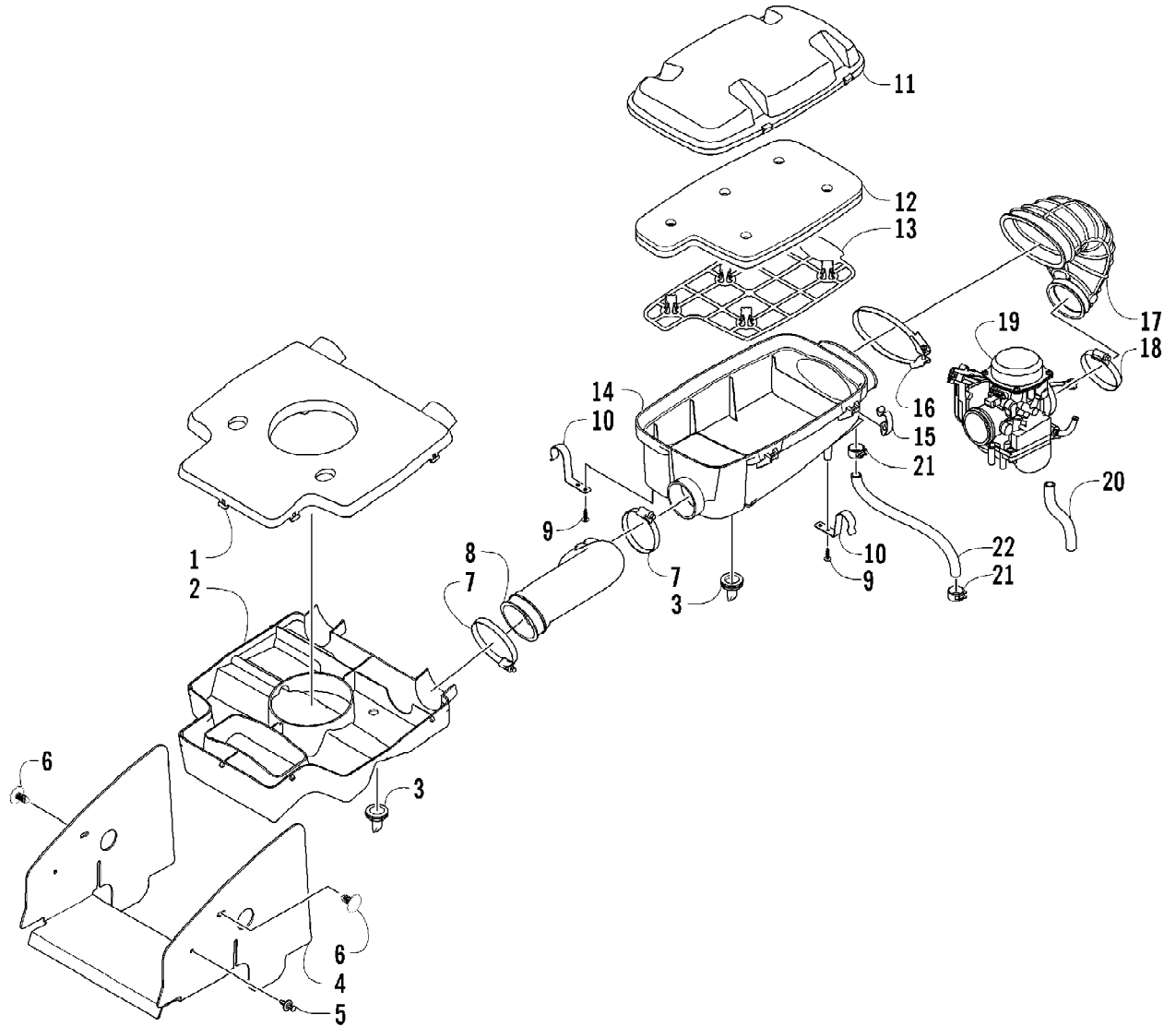


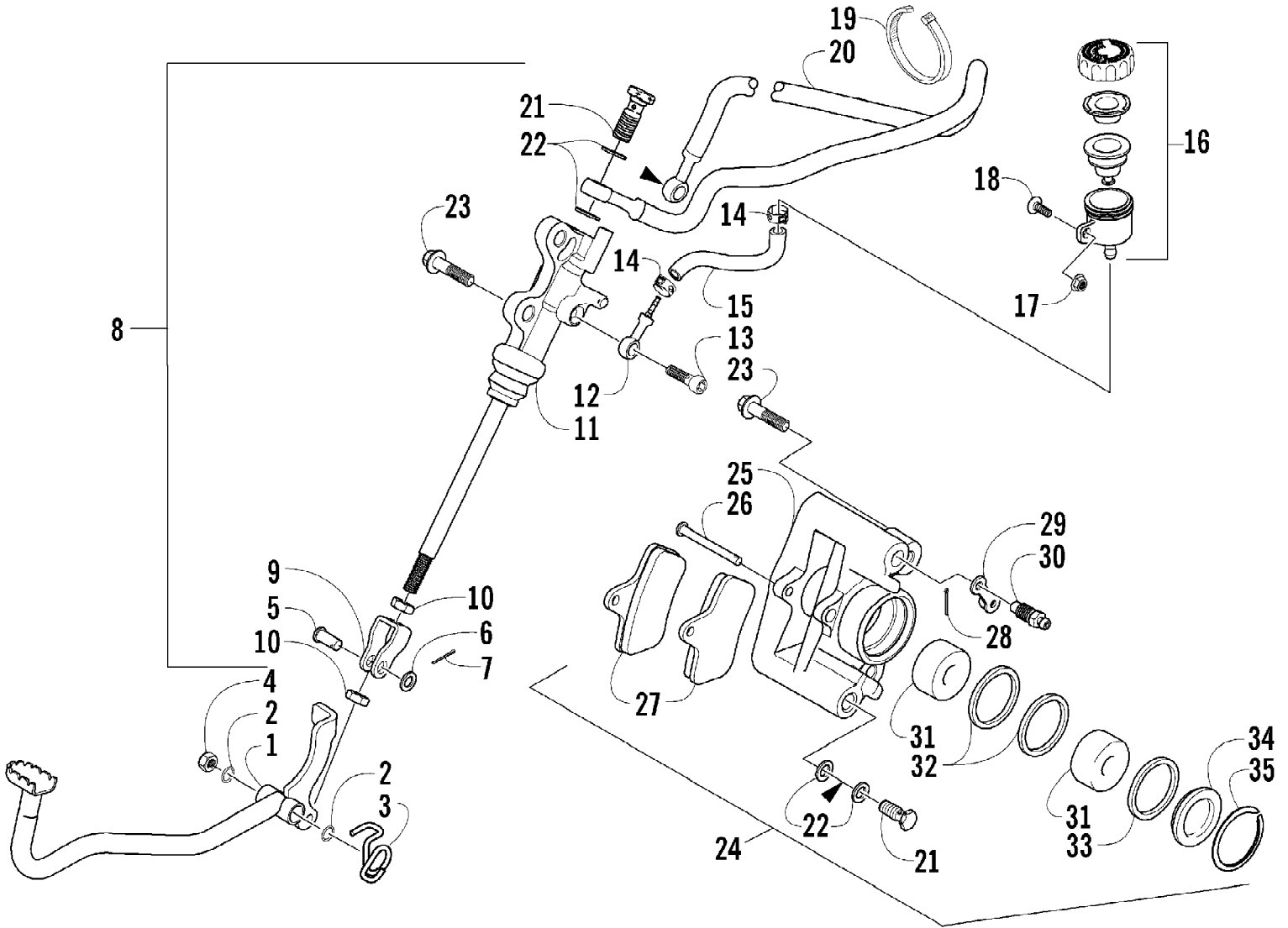
2005 ATV 400 AUTOMATIC TRANSMISSION 4X4 TBX GREEN (A2005BBH4BUS) Page 1 of 96  
AIR INTAKE ASSEMBLY



2005 ATV 400 AUTOMATIC TRANSMISSION 4X4 TBX GREEN (A2005BBH4BUS) Page 2 of 96  
AIR INTAKE ASSEMBLY

Ref #	Part Number	Qty	S/P/F	Description
1	0413-091	1		Diverter, Air - Top
2	0413-111	1		Diverter, Air - Bottom
3	0470-442	2	/P	Valve, Drain
4	1406-747	1		Shroud, Splash
5	0623-362	2		Rivet, Reinstallable
6	0623-544	2		Plug
7	0423-380	2	/P	Clamp
8	0470-529	1		Boot, Air Intake
9	0423-342	4	/P	Screw, Self-Tapping
10	0423-454	2		Clip, Mounting - Air Intake
11	0470-554	1	S	Cover, Air Intake
12	0470-494	1	S	Filter, Air
13	0470-516	1		Screen, Air Filter
14	0470-540	1	S	Housing, Air Intake
15	0423-455	4		Clip, Spring
16	0423-554	1		Clamp
17	0470-517	1		Boot, Carburetor
18	0423-019	1		Clamp
19	0470-537	1	S	Carburetor, CVK34-AE
20	0510-592	1		Hose, Drain
21	0423-045	2		Clamp, Hose
22	0410-087	1	S	Hose, Vent - Crankcase

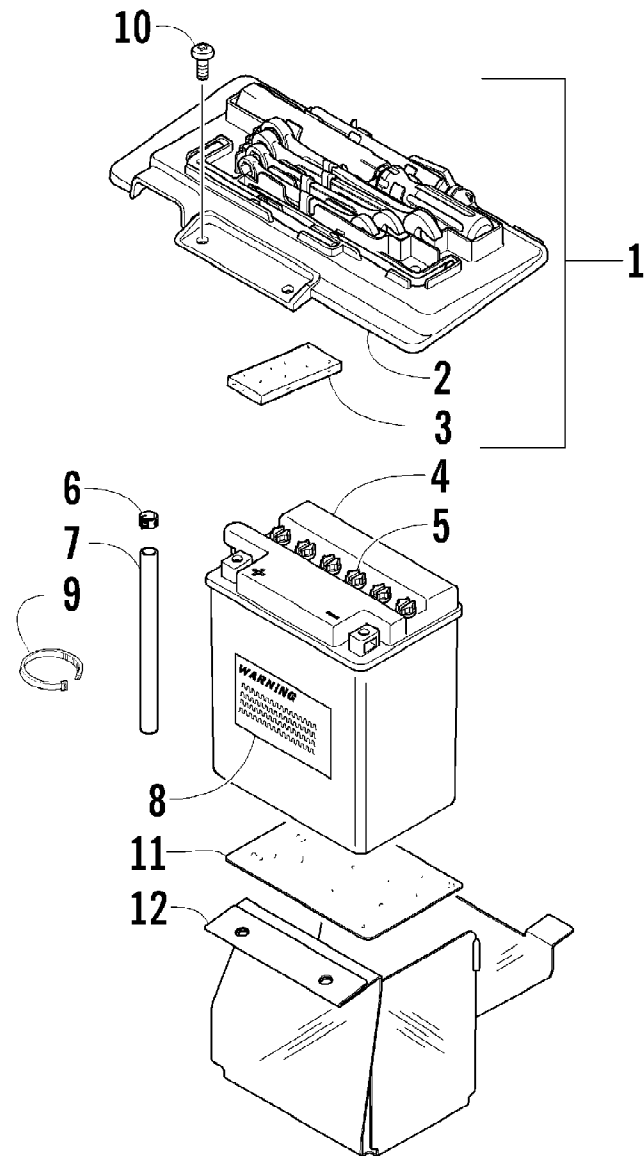
2005 ATV 400 AUTOMATIC TRANSMISSION 4X4 TBX GREEN (A2005BBH4BU) Page 3 of 96  
AUXILIARY BRAKE ASSEMBLY



2005 ATV 400 AUTOMATIC TRANSMISSION 4X4 TBX GREEN (A2005BBH4BUS) Page 4 of 96  
AUXILIARY BRAKE ASSEMBLY

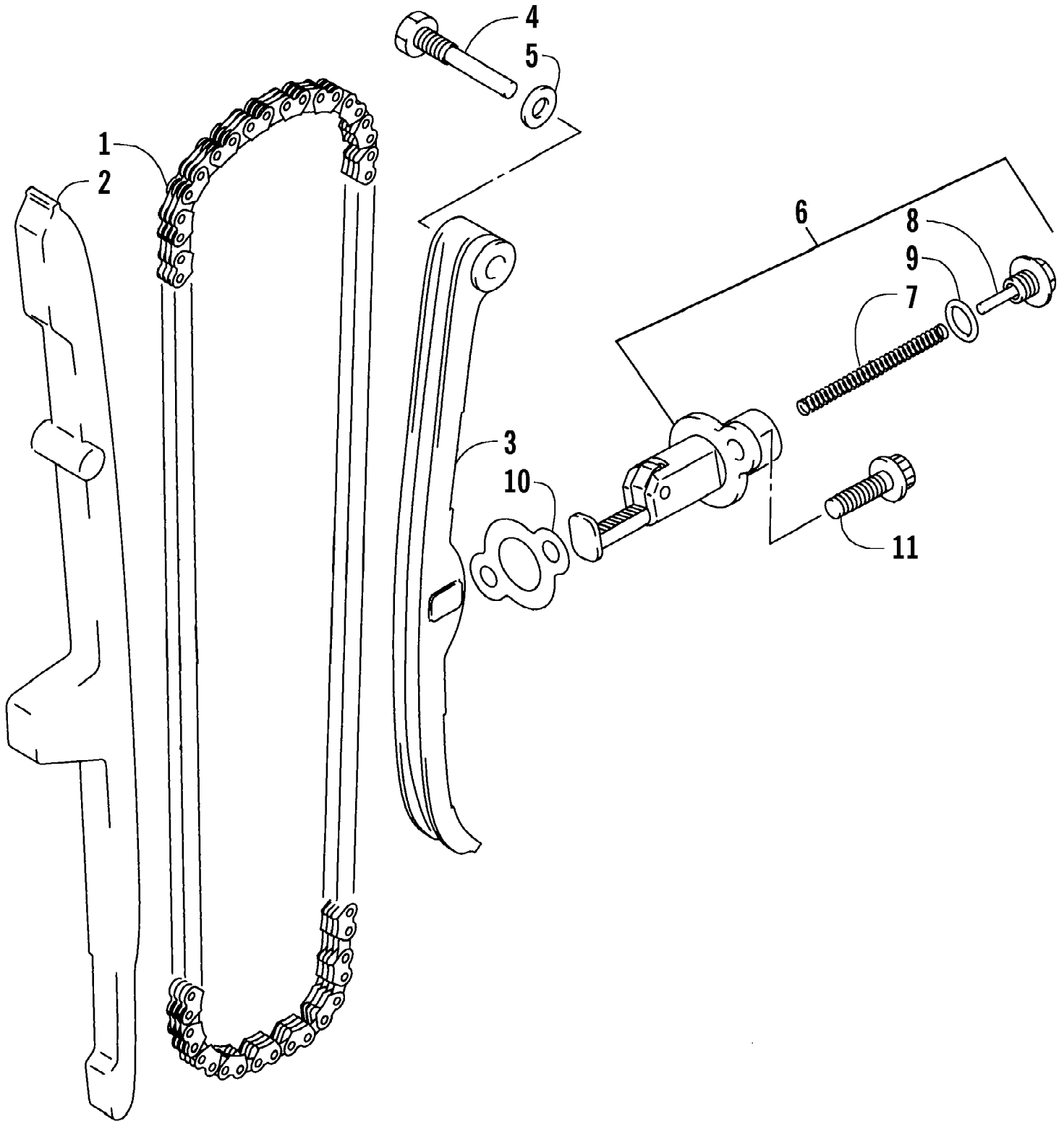
Ref #	Part Number	Qty	S/P/F	Description
1	0502-656	1		Lever, Brake
2	1602-213	2	/P	O-Ring
3	0502-713	1		Spring, Brake Lever
4	8422-002	1		Nut
5	0402-575	1		Pin, Clevis
6	0402-583	1		Washer
7	0402-584	1		Pin, Cotter
8	0502-687	1		Brake Assembly (inc. 9-16)
9	0402-580	1		Actuator, Push Rod
10	0402-592	2		Nut, Jam
11	0	1	F	Master Cylinder
12	1402-277	1		Fitting, Banjo
13	1402-278	1		Bolt, Banjo Fitting
14	0423-525	2		Clamp, Hose
15	1402-267	1		Hose, Brake Reservoir
16	1402-257	1		Reservoir, Brake
17	8424-602	1	/P	Nut, Flanged
18	8476-616	1		Screw, Machine
19	0123-788	1	/P	Cable Tie - 7.5 in.
20	1402-268	1		Hose, Brake - Rear
21	0423-413	2		Bolt, Banjo Fitting
22	0423-178	4		Washer, Crush
23	8408-825	4		Screw, Cap
24	0502-457	1	S	Caliper, Brake (inc. 25-35)
25	0	1	F	Housing, Caliper
26	1402-121	1		Pin, Brake Caliper
27	1402-126	2		Pad, Brake
28	0423-495	1	/P	Pin, Cotter
29	0402-493	1		Cap, Bleed Valve
30	1402-123	1		Valve, Bleed
31	1402-125	2		Piston
32	0402-980	2		O-Ring, Brake Caliper
33	0	1	F	O-Ring
34	0	1	F	Plug
35	0	1	F	Ring, Retaining





2005 ATV 400 AUTOMATIC TRANSMISSION 4X4 TBX GREEN (A2005BBH4BUS) Page 6 of 96  
BATTERY ASSEMBLY

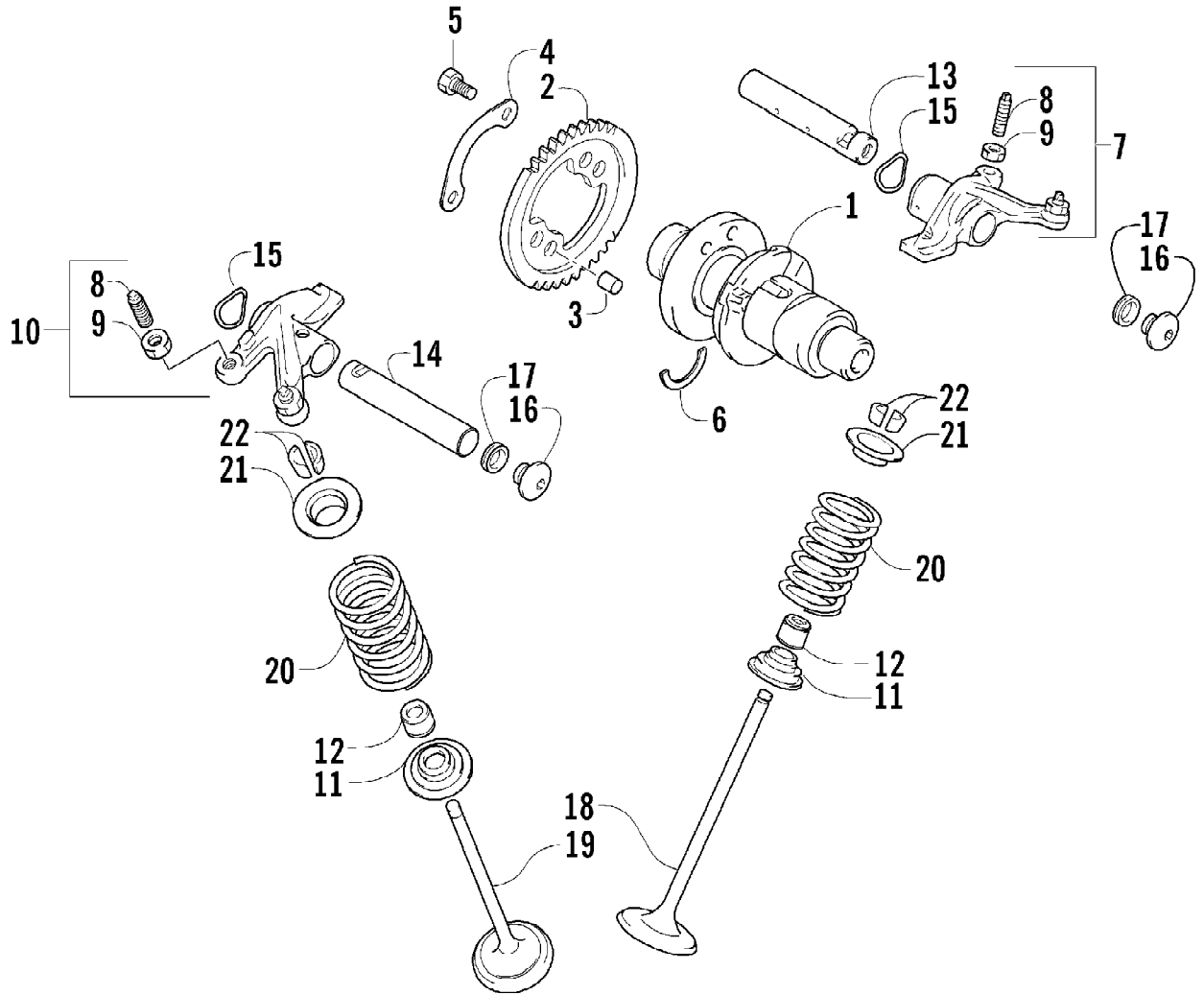
Ref #	Part Number	Qty	S/P/F	Description
	0444-122	1	S/P	Kit, Tool Not Illustrated
1	5990-839	1	S	Battery Cover/Tool Tray Assembly (inc. 2-3)
2	1406-507	1	S	Cover, Battery
3	0406-288	2		Pad, Battery
4	0745-045	1	/P	Battery Assembly (inc. 5-8)
5	0645-045	6		Cap, Battery
6	0645-152	1		Clamp, Hose
7	0645-263	1	/P	Hose, Battery Vent
8	0645-151	1		Label, Warning - Battery
9	0123-903	4		Cable Tie - 11.5 in.
10	8476-616	2		Screw, Machine
11	0406-380	1		Pad, Battery
12	1506-587	1		Box, Battery



2005 ATV 400 AUTOMATIC TRANSMISSION 4X4 TBX GREEN (A2005BBH4BUS) Page 8 of 96  
CAM CHAIN ASSEMBLY

Ref #	Part Number	Qty	S/P/F	Description
1	3402-281	1		Chain, Cam
2	3402-612	1		Guide, Cam Chain
3	3402-613	1		Tensioner, Cam Chain
4	3423-074	1		Bolt
5	3402-436	1	/P	Washer
6	3402-614	1		Adjuster, Tensioner - Assembly (inc. 7-9)
7	3423-484	1		Spring
8	3423-485	1		Plug
9	3423-286	1		O-Ring
10	3403-020	1		Gasket, Adjuster
11	3004-512	2	S	Bolt

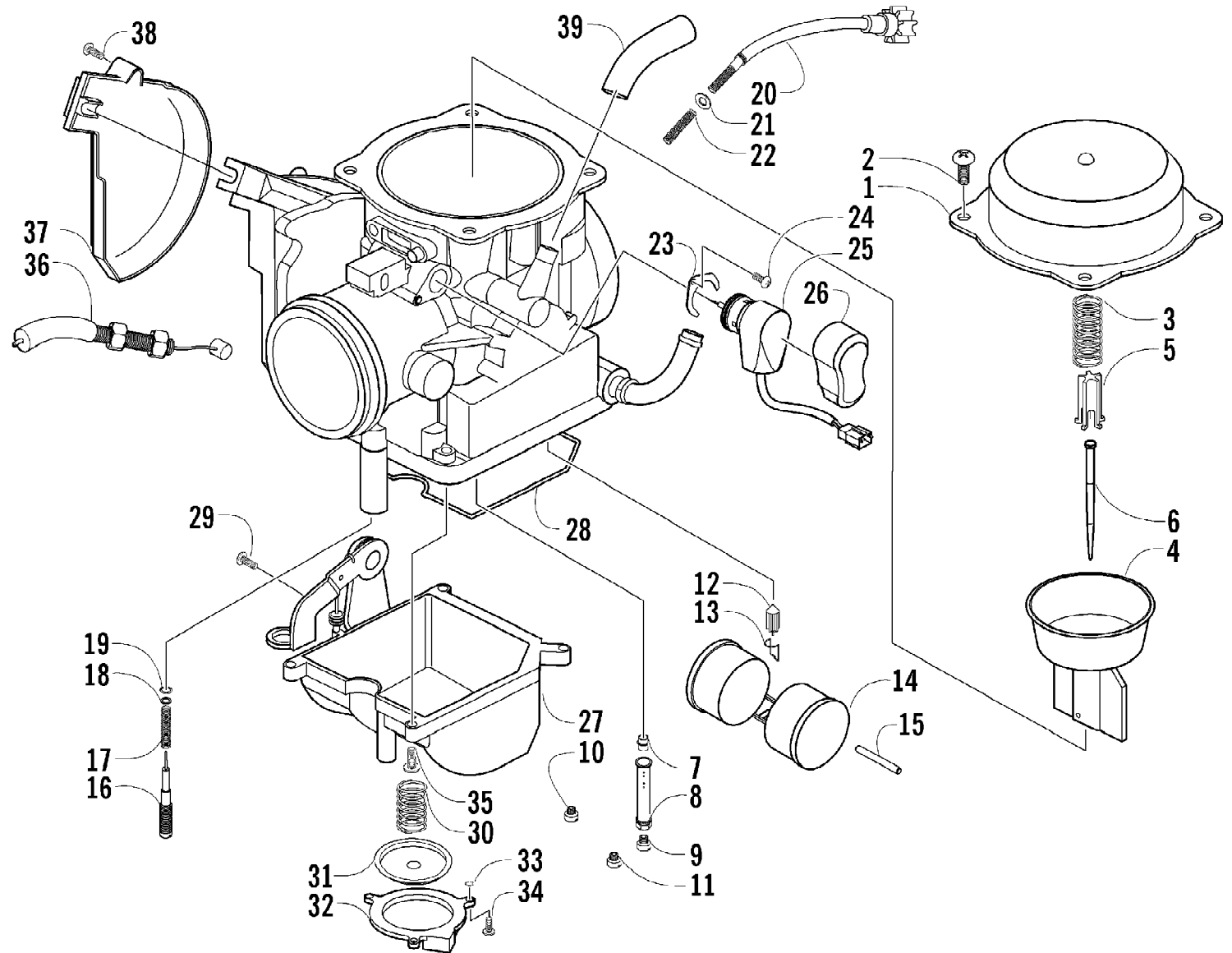
2005 ATV 400 AUTOMATIC TRANSMISSION 4X4 TBX GREEN (A2005BBH4BU) Page 9 of 96  
CAMSHAFT/VALVE ASSEMBLY



2005 ATV 400 AUTOMATIC TRANSMISSION 4X4 TBX GREEN (A2005BBH4B) Page 10 of 96  
CAMSHAFT/VALVE ASSEMBLY

Ref #	Part Number	Qty	S/P/F	Description
1	3402-989	1	S	Camshaft
2	3402-611	1		Sprocket
3	3423-047	1		Pin
4	3423-073	1		Washer
5	3423-013	2	S	Bolt
6	3423-071	1	/P	C-Ring
7	3402-805	1	/P	Arm, Valve Rocker - Intake (inc. two No. 8-9)
8	3423-075	4		Screw
9	3423-076	4		Nut
10	3402-139	1		Arm, Valve Rocker - Exhaust (inc. two No. 8-9)
11	3402-148	4		Seat, Spring
12	3402-078	4		Seal, Oil
13	3402-140	1		Shaft, Rocker Arm
14	3402-141	1		Shaft, Rocker Arm
15	3423-031	2		Washer
16	3423-111	2	S	Plug, Shaft
17	3402-012	2		Gasket
18	3402-725	2	/P	Valve, Intake
19	3402-143	2		Valve, Exhaust
20	3402-726	4		Spring, Valve
21	3423-541	4	/P	Retainer, Spring
22	3402-147	8		Cotter, Valve

2005 ATV 400 AUTOMATIC TRANSMISSION 4X4 TBX GREEN (A2005BBH4B) 11 of 96  
CARBURETOR

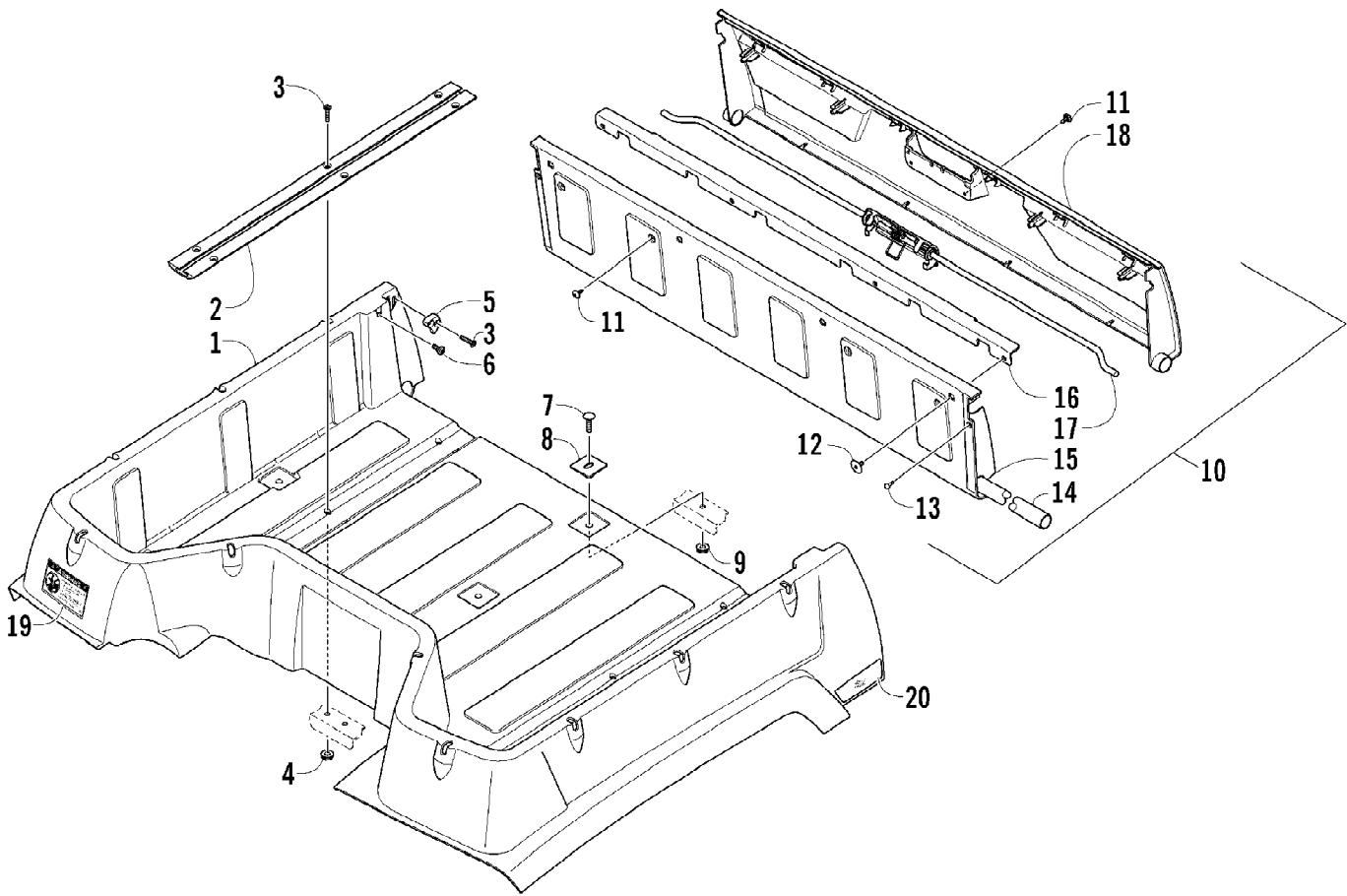


2005 ATV 400 AUTOMATIC TRANSMISSION 4X4 TBX GREEN (A2005BBH4B) (Page 12 of 96)  
CARBURETOR

Ref #	Part Number	Qty	S/P/F	Description
	0470-537	1	S	Carburetor, CVK34-AE
1	5507-001	1		Cover, Top
2	5507-002	4	/P	Screw, Top Cover
3	5507-173	1	S	Spring
4	5507-109	1	S	Piston, Vacuum
5	5507-005	1		Seat, Spring
6	5507-110	1		Jet Needle
7	5507-007	1		Needle Jet
8	5507-174	1	S	Holder, Needle Jet
9	5507-043	1		Main Jet - 142
9	5507-009	1	/P/F	Main Jet - 150
9	5507-041	1	F	Main Jet - 147
9	5507-042	1	/P/F	Main Jet - 145
9	5507-044	1	F	Main Jet - 140
10	5507-010	1	S	Slow Jet - 38
11	5507-179	1	S	Starter Jet - 75
12	5507-183	1		Valve, Float - Set (inc. 13)
13	0	1	F	Clip
14	5507-039	1		Float Set (inc. 15)
15	0	1	F	Pin, Float
16	5507-111	1		Screw, Pilot Air - Set (inc. 17-19)
17	0	1	F	Spring
18	0	1	F	Washer
19	0	1	F	O-Ring
20	5507-027	1		Screw, Idle Adjust
21	5507-028	1		Washer
22	5507-029	1		Spring
23	5507-115	1		Plate
24	5507-117	1	/P	Screw
25	5507-180	1		Choke, Electric
26	5507-114	1		Cover, Electric Choke
27	0	1	F	Chamber, Float - Assembly (inc. 28-34)
28	0	1	F	O-Ring, Float Chamber
29	5507-050	1	/P	Screw, Drain
30	5507-032	1		Spring
31	5507-182	1	S/P	Diaphragm Assembly
32	0	1	F	Housing, Pump
33	5507-034	1		U-Ring
34	5507-035	3		Screw
35	5507-017	4	/P	Screw
36	0487-021	1	S	Cable, Throttle
37	5507-036	1		Cover
38	5507-037	1	/P	Screw
39	0410-056	1		Hose, Vent



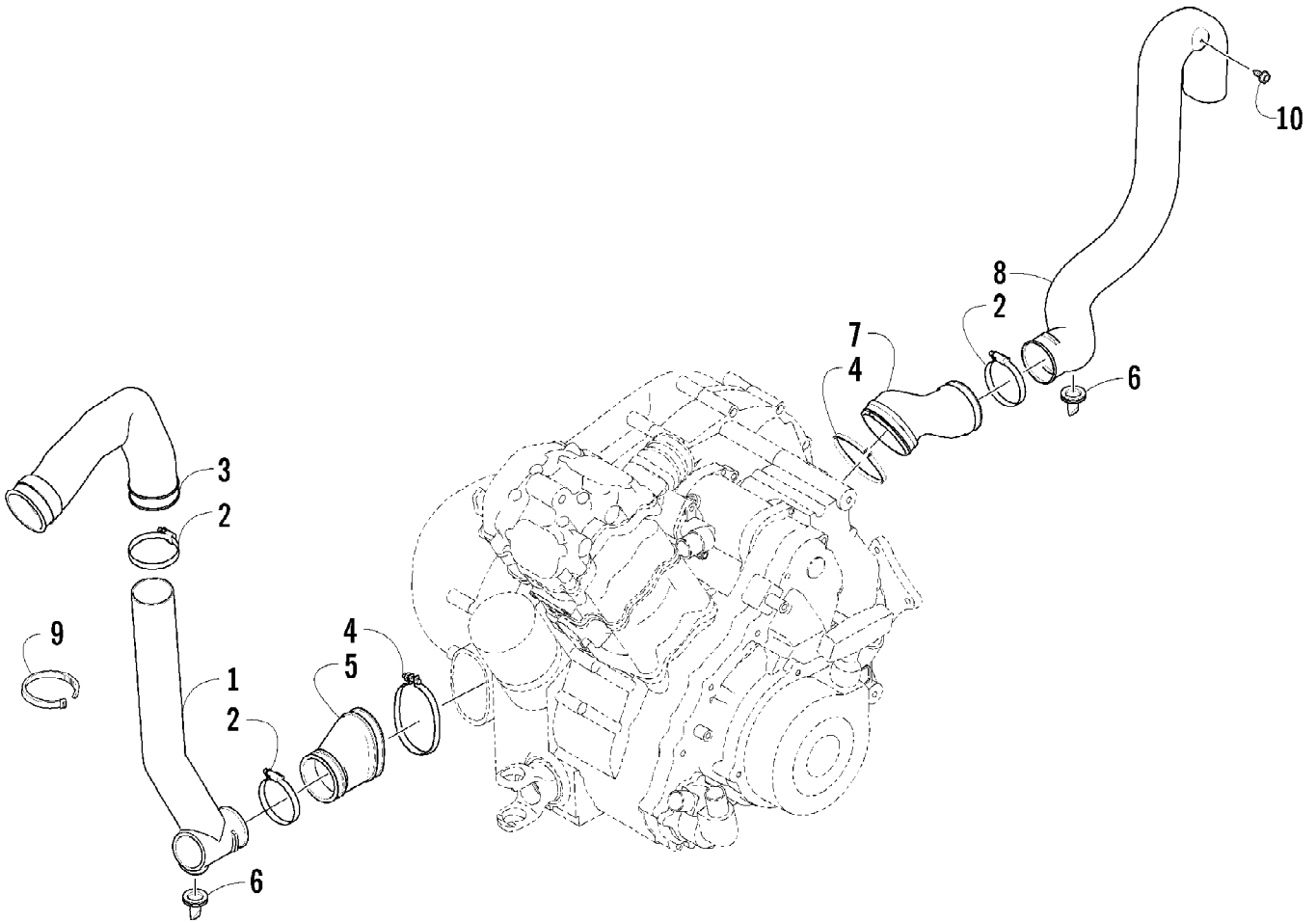
2005 ATV 400 AUTOMATIC TRANSMISSION 4X4 TBX GREEN (A2005BBH4B150) 13 of 96  
CARGO BOX ASSEMBLY



2005 ATV 400 AUTOMATIC TRANSMISSION 4X4 TBX GREEN (A2005BBH4B) (Page 14 of 96)  
CARGO BOX ASSEMBLY

Ref #	Part Number	Qty	S/P/F	Description
1	2506-767	1	/P	Box, Cargo (inc. 19-20)
2	0541-277	2	S	Rail, Cargo Box
3	8474-630	16		Screw, Machine
4	8424-602	12	/P	Nut
5	1406-707	1		Hook, Tailgate - Right
5	1406-708	1		Hook, Tailgate - Left
6	0423-538	2		Screw, Self-Tapping
7	0423-341	7		Bolt, Carriage
8	1506-675	7		Plate, Retainer
9	8424-802	7		Nut
10	1506-568	1		Tailgate Assembly (inc. 11-18)
11	0623-784	10		Screw, Self-Tapping
12	0423-101	4		Screw, Shoulder
13	1406-755	2		Bumper, Tailgate
14	1406-711	1		Shaft, Pivot
15	1406-709	1		Panel, Tailgate - Front
16	1506-567	1		Brace, Tailgate
17	1506-561	1		Latch, Tailgate
18	1406-710	1		Panel, Tailgate - Rear
19	0411-975	1		Decal, Warning - No Passenger/Weight Limit
20	0411-980	1		Decal, Reflector - Right
20	0411-979	1		Decal, Reflector - Left

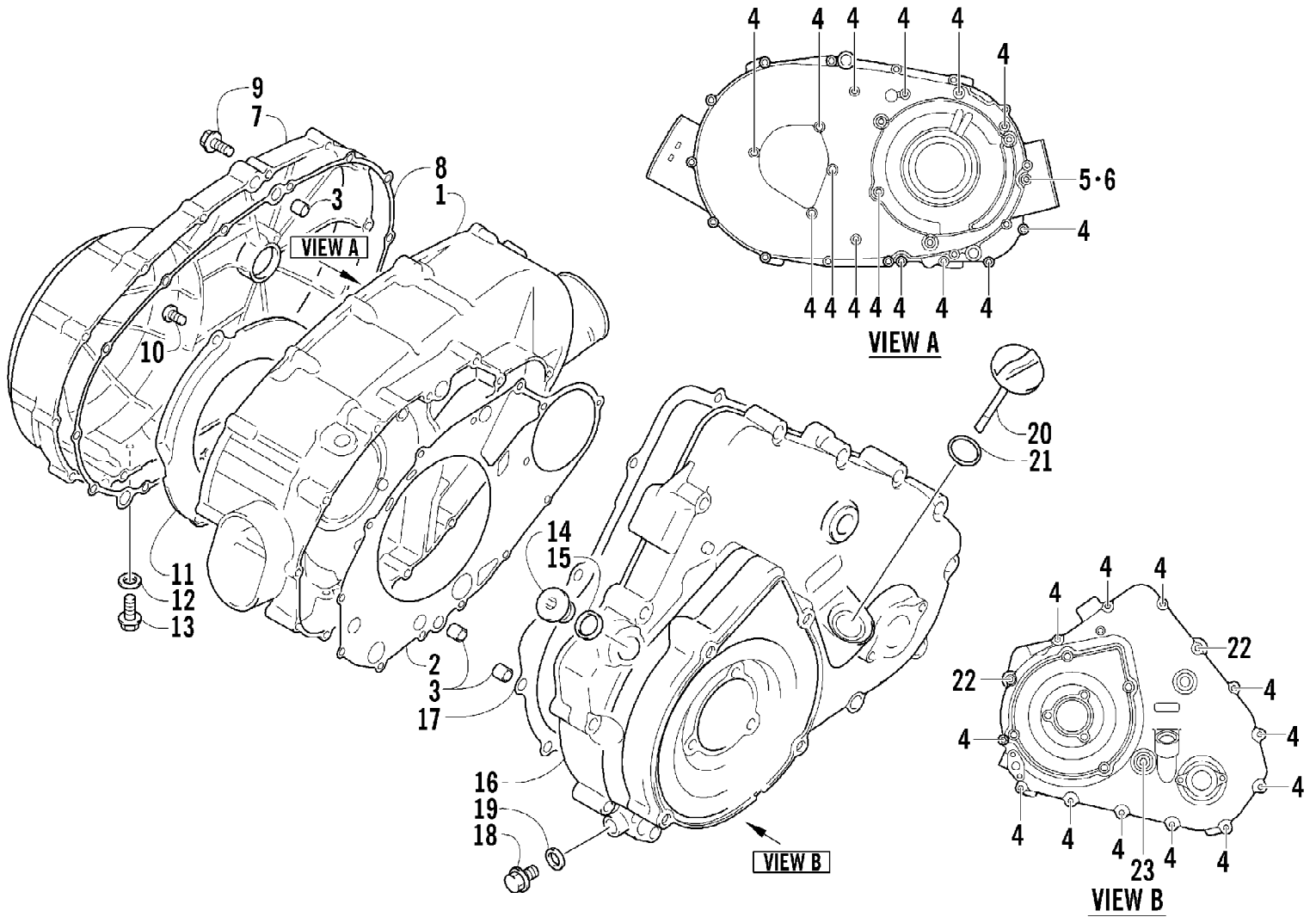
2005 ATV 400 AUTOMATIC TRANSMISSION 4X4 TBX GREEN (A2005BBH4B) (15 of 96)  
CASE/BELT COOLING ASSEMBLY



2005 ATV 400 AUTOMATIC TRANSMISSION 4X4 TBX GREEN (A2005BBH4B) (Page 16 of 96)  
CASE/BELT COOLING ASSEMBLY

Ref #	Part Number	Qty	S/P/F	Description
1	0513-010	1		Duct, Belt Cooling - Front
2	0423-380	4	/P	Clamp, Duct
3	0413-092	1		Boot, Air-In
4	3402-449	2	/P	Clamp, Boot
5	0413-048	1		Boot, Duct - Front
6	0470-442	2	/P	Valve, Drain
7	0413-060	1		Boot, Duct - Rear
8	0413-106	1		Duct, Belt Cooling - Rear
9	0123-903	1		Cable Tie - 11.5 in.
10	0623-301	1	/P	Screw, Self-Tapping

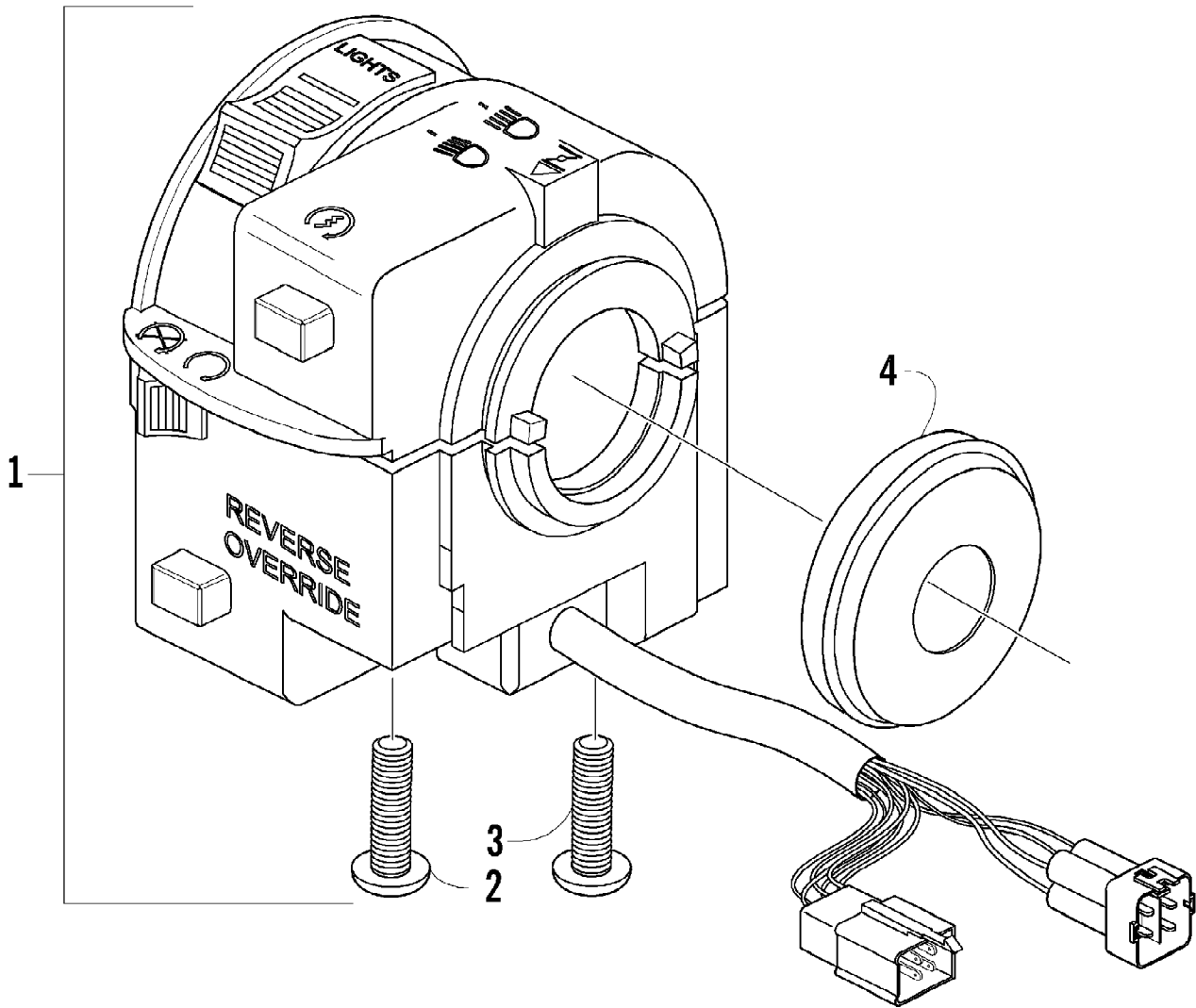
2005 ATV 400 AUTOMATIC TRANSMISSION 4X4 TBX GREEN (A2005BBH4B) 17 of 96  
CLUTCH/V-BELT/MAGNETO COVER ASSEMBLY



2005 ATV 400 AUTOMATIC TRANSMISSION 4X4 TBX GREEN (A2005BBH4B050) 18 of 96  
CLUTCH/V-BELT/MAGNETO COVER ASSEMBLY

Ref #	Part Number	Qty	S/P/F	Description
1	3402-583	1		Cover, Clutch
2	3402-589	1		Gasket
3	3423-088	6		Pin, Dowel
4	3423-098	26	S	Bolt
5	3423-392	1		Bolt
6	3003-290	1	/P	Gasket
7	3402-586	1		Cover, V-Belt
8	3402-591	1		Gasket, V-Belt Cover
9	0693-327	14	S	Bolt
10	3004-552	3	S	Screw
11	3402-996	1		Plate, Air Intake
12	3402-444	1		Gasket, Drain Plug
13	3004-705	1	S	Plug, Drain
14	3402-041	1	S	Plug
15	3402-013	1	/P	Gasket
16	3402-585	1		Cover, Magneto
17	3402-590	1		Gasket, Magneto Cover
18	3004-705	1	S	Plug, Oil Gallery
19	3402-444	1		Gasket
20	3402-593	1		Stick, Oil Level
21	3423-055	1		O-Ring, Oil Level Stick
22	3423-307	2	S	Bolt
23	3423-430	1		Bolt

2005 ATV 400 AUTOMATIC TRANSMISSION 4X4 TBX GREEN (A2005BBH4B) 19 of 96  
CONTROL SWITCH HOUSING ASSEMBLY

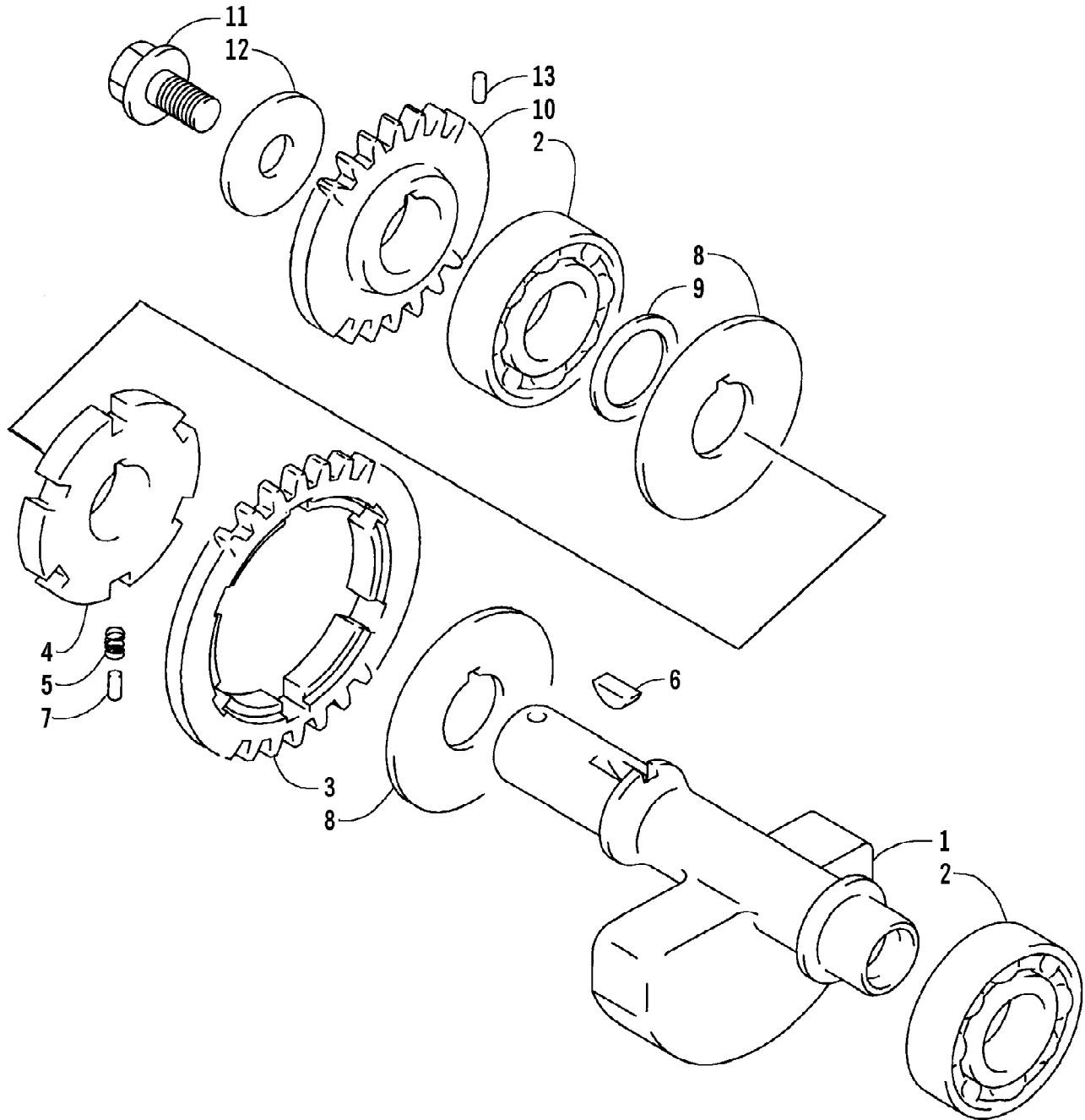


2005 ATV 400 AUTOMATIC TRANSMISSION 4X4 TBX GREEN (A2005BBH4B15G) 20 of 96  
CONTROL SWITCH HOUSING ASSEMBLY

Ref #	Part Number	Qty	S/P/F	Description
1	0509-014	1		Switch, Control - Assembly (inc. 2-4)
2	0409-027	1		Screw, Machine
3	0409-028	1		Screw, Machine
4	3409-019	1		Cover, Switch Housing



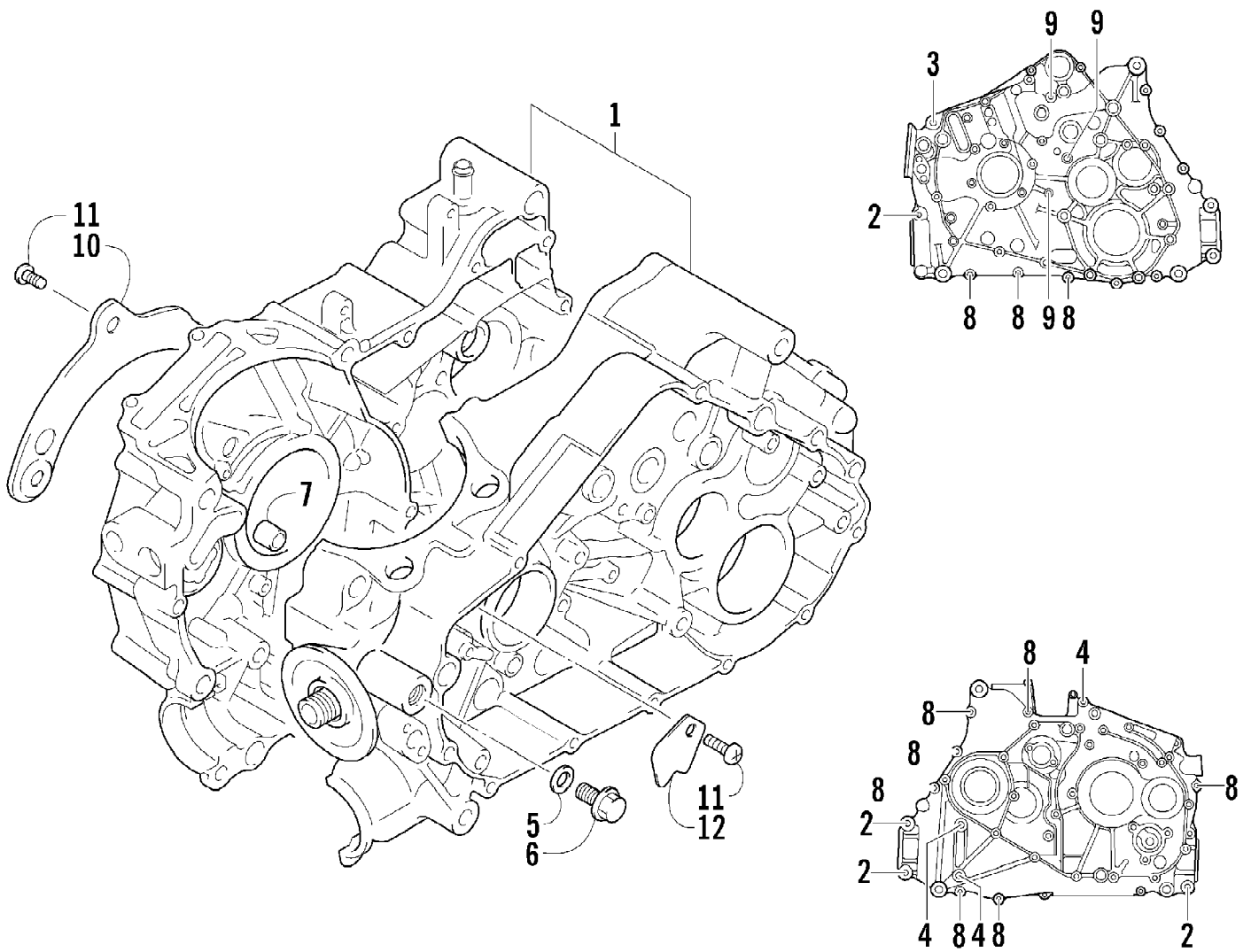
2005 ATV 400 AUTOMATIC TRANSMISSION 4X4 TBX GREEN (A2005BBH4B) 21 of 96  
CRANK BALANCER ASSEMBLY



2005 ATV 400 AUTOMATIC TRANSMISSION 4X4 TBX GREEN (A2005BBH4B050) 22 of 96  
CRANK BALANCER ASSEMBLY

Ref #	Part Number	Qty	S/P/F	Description
1	3402-605	1		Balancer, Crank
2	3402-553	2	/P	Bearing
3	3402-772	1		Gear, Driven
4	3402-608	1		Race, Driven Gear
5	3402-090	2		Spring, Driven Gear
6	3004-540	1	/P	Key
7	3423-106	3	/P	Pin, Driven Gear
8	3423-441	2		Washer, Driven Gear
9	3423-446	1		Washer
10	3402-617	1		Gear, Oil Pump Drive
11	3423-555	1		Bolt, Drive Gear
12	3423-401	1		Washer, Drive Gear
13	3423-110	1		Pin, Drive Gear

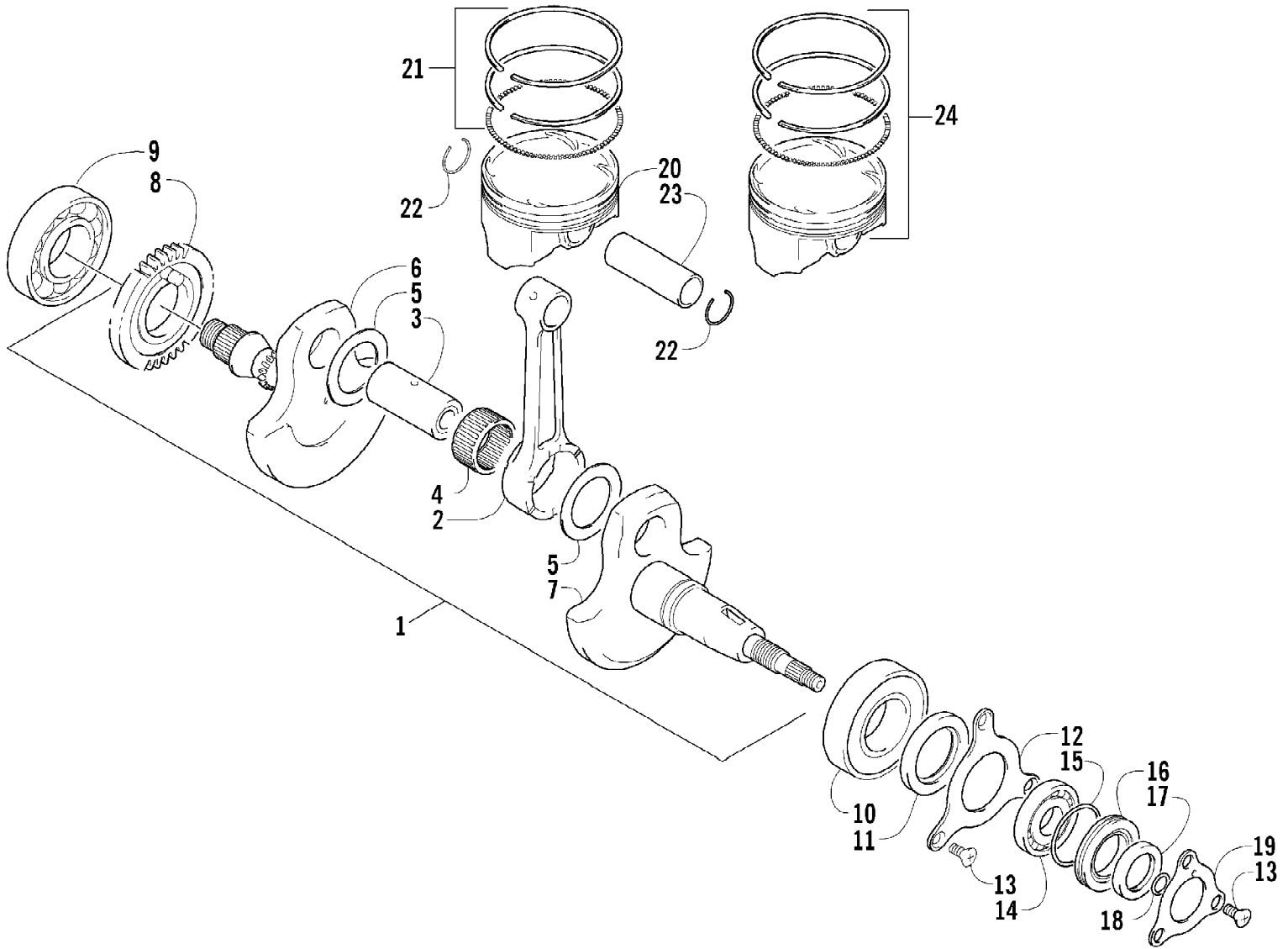
2005 ATV 400 AUTOMATIC TRANSMISSION 4X4 TBX GREEN (A2005BBH4B) (P. 23 of 96)  
CRANKCASE ASSEMBLY



2005 ATV 400 AUTOMATIC TRANSMISSION 4X4 TBX GREEN (A2005BBH4B) (Page 24 of 96)  
CRANKCASE ASSEMBLY

Ref #	Part Number	Qty	S/P/F	Description
1	3402-580	1		Crankcase Assembly (inc. 2-9)
2	3004-880	4		Bolt
3	3005-332	1		Bolt
4	3005-410	3		Bolt
5	3402-012	1		Gasket, Oil Pressure Plug
6	3402-214	1		Plug, Oil Pressure
7	3423-088	2		Pin, Dowel
8	3423-091	10	S	Bolt
9	3423-097	3		Bolt
10	3402-581	1		Plate, Oil Guide - Right
11	3004-552	4	S	Screw, Oil Guide Plate
12	3402-582	1		Plate, Oil Guide - Left

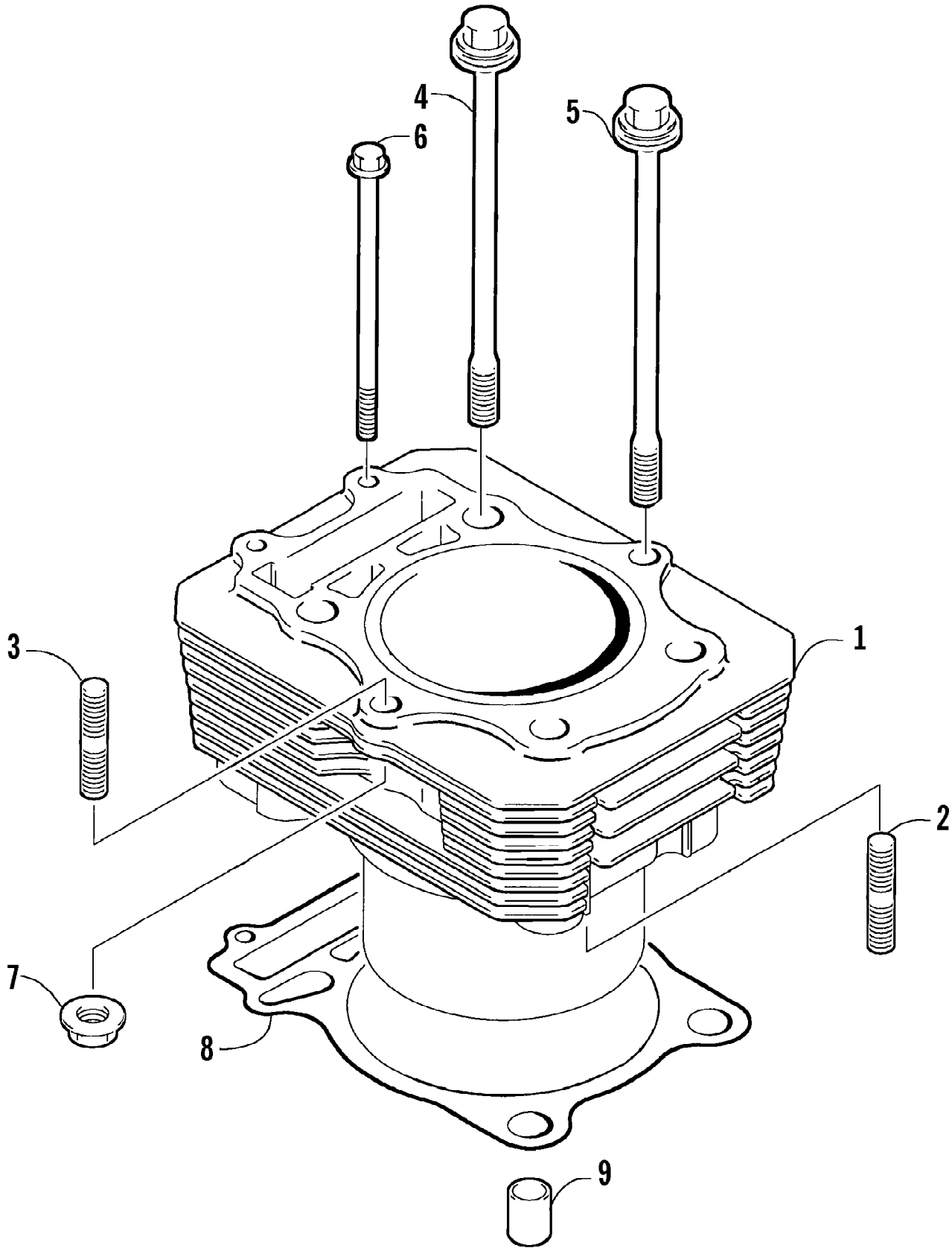
2005 ATV 400 AUTOMATIC TRANSMISSION 4X4 TBX GREEN (A2005BBH4B) 25 of 96  
CRANKSHAFT ASSEMBLY



2005 ATV 400 AUTOMATIC TRANSMISSION 4X4 TBX GREEN (A2005BBH4B) (Page 26 of 96)  
CRANKSHAFT ASSEMBLY

Ref #	Part Number	Qty	S/P/F	Description
1	3402-978	1	S	Crankshaft Assembly (inc. 2-8)
2	3402-597	1		Rod, Connecting
3	3402-599	1		Pin, Crank
4	3402-571	1		Bearing
5	3423-440	2		Washer
6	3402-600	1	S	Crankshaft - Right
7	3402-601	1		Crankshaft - Left
8	3402-698	1	/P	Gear, Crank Balancer Drive
9	3402-055	1	/P	Bearing - Right
10	3402-566	1		Bearing - Middle
11	3402-573	1		Seal, Crankshaft Oil
12	3402-602	1		Retainer, Crankshaft Oil Seal - Middle
13	3423-018	6		Screw, Retainer
14	3402-051	1		Bearing
15	3423-063	1		O-Ring
16	3402-119	1	S	Spacer
17	3402-070	1		Seal, Oil
18	3423-053	1	/P	O-Ring
19	3402-188	1	/P	Retainer, Crankshaft Oil Seal - Left
20	3402-594	1		Piston
21	3402-595	1		Ring, Piston - Set
22	3003-439	2	/P	Circlip
23	3402-596	1		Pin, Piston
24	3436-015	1	F	Piston Set (Oversized 0.50 mm)

2005 ATV 400 AUTOMATIC TRANSMISSION 4X4 TBX GREEN (A2005BBH4B) 27 of 96  
CYLINDER ASSEMBLY

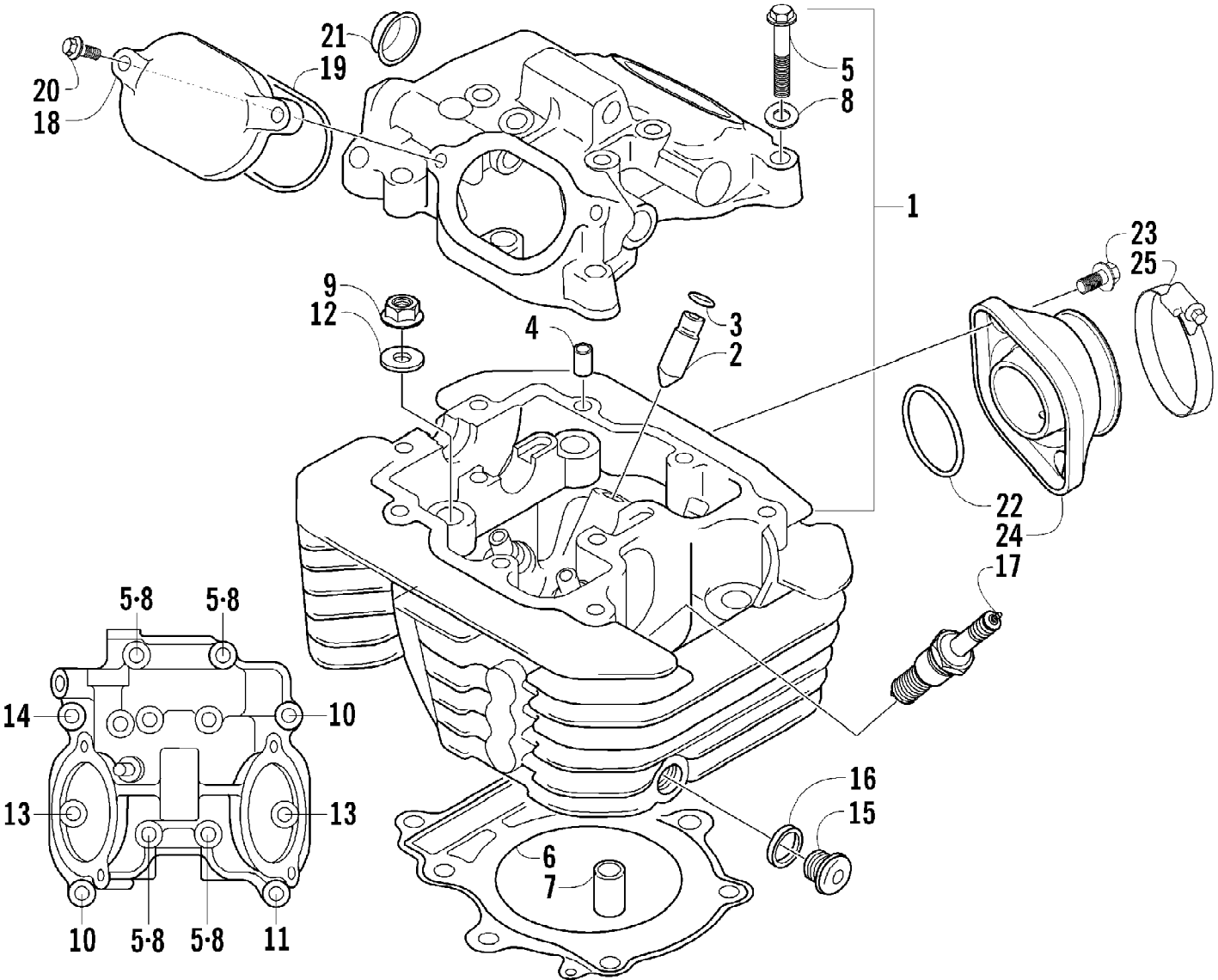


2005 ATV 400 AUTOMATIC TRANSMISSION 4X4 TBX GREEN (A2005BBH4B15G) 28 of 96  
 CYLINDER ASSEMBLY

Ref #	Part Number	Qty	S/P/F	Description
1	3402-578	1	S	Cylinder
2	3423-384	2	S	Bolt, Stud
3	3004-778	2	S	Bolt, Stud
4	3423-431	2		Bolt
5	3423-432	2		Bolt
6	3423-427	2		Bolt
7	3004-488	2	S/P	Nut
8	3402-579	1		Gasket, Cylinder
9	3423-088	2		Pin, Dowel

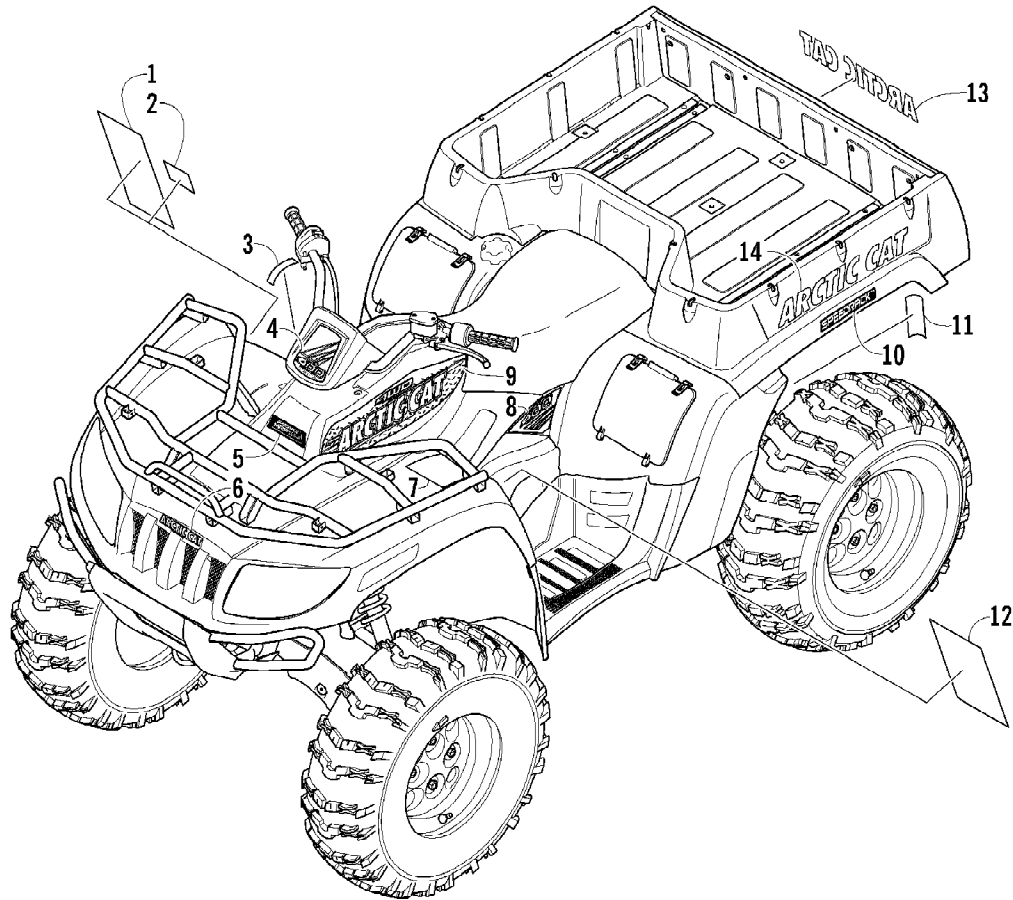


2005 ATV 400 AUTOMATIC TRANSMISSION 4X4 TBX GREEN (A2005BBH4B) 29 of 96  
CYLINDER HEAD ASSEMBLY



2005 ATV 400 AUTOMATIC TRANSMISSION 4X4 TBX GREEN (A2005BBH4B) (Page 30 of 96)  
CYLINDER HEAD ASSEMBLY

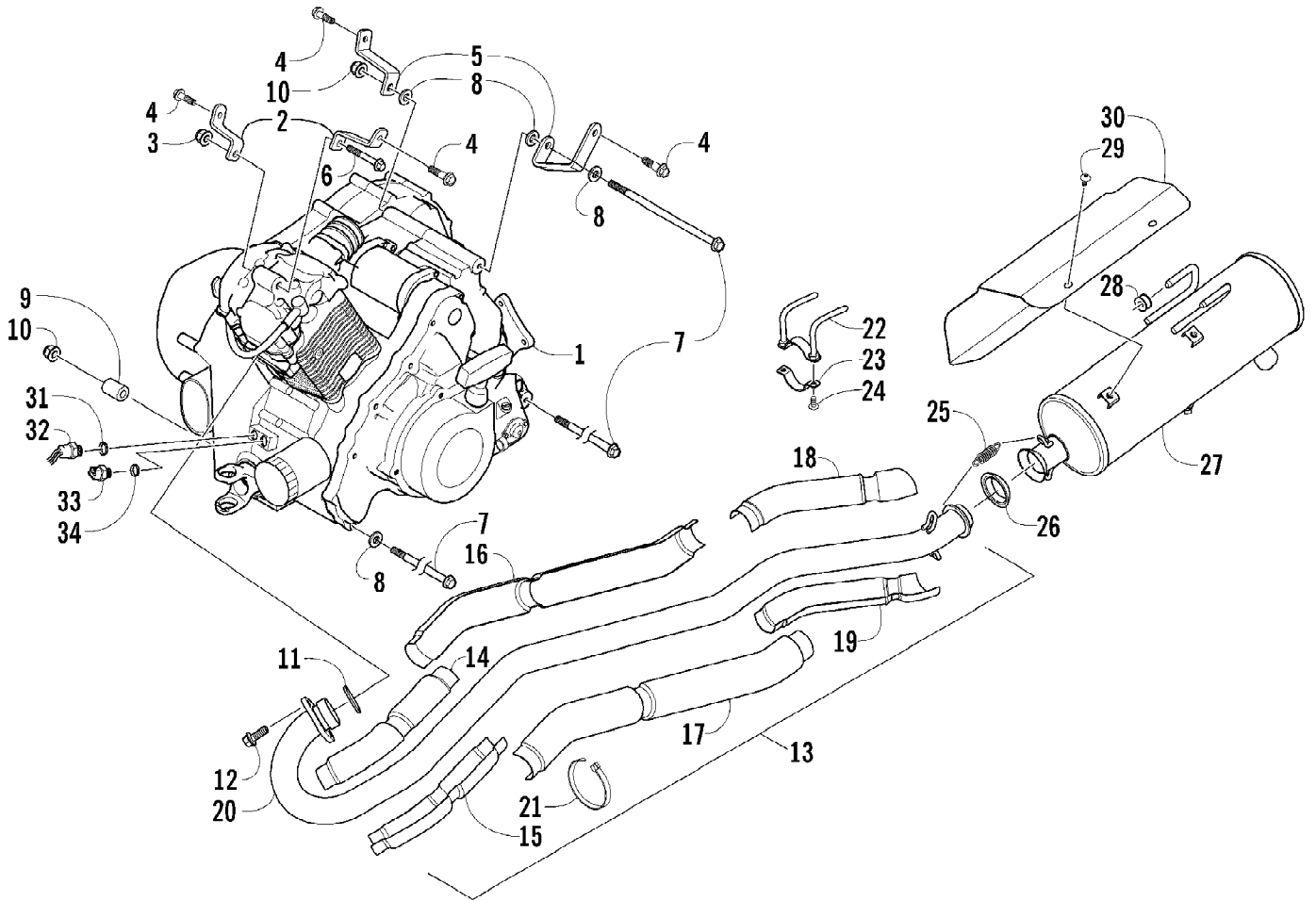
Ref #	Part Number	Qty	S/P/F	Description
1	3402-576	1	S	Head, Cylinder - Assembly (inc. 2-5)
2	3402-099	2		Guide, Valve
3	3423-068	4		Ring, Valve Guide
4	3423-043	2	/P	Pin, Dowel
5	3423-006	4		Bolt
6	3402-577	1		Gasket, Cylinder Head
7	3423-449	2		Pin, Dowel
8	3003-290	4	/P	Gasket
9	3004-326	2	S/P	Nut, Cylinder Head
10	3423-007	2	S	Bolt, Head Cover
11	3423-429	1		Bolt, Head Cover
12	3423-439	4	S	Washer, Cylinder Head Nut
13	3004-376	2	S/P	Bolt, Head Cover
14	3008-376	1	S	Bolt, Head Cover
15	3423-453	1		Plug, Oil Gallery
16	3402-011	1		Gasket, Oil Gallery Plug
17	0217-708	1		Spark Plug (NGK CR7E)
18	3402-100	2		Cap, Inspection
19	3402-101	2		O-Ring
20	3004-341	4	S/P	Bolt, Inspection Cap
21	3402-035	1		Plug, Head
22	0470-531	1		O-Ring
23	8476-620	2		Screw, Machine
24	0570-084	1		Manifold, Intake
25	0423-066	1		Clamp
	3402-048	1		Plug, Frost



2005 ATV 400 AUTOMATIC TRANSMISSION 4X4 TBX GREEN (A2005BBH4B15G) 32 of 96  
DECALS

Ref #	Part Number	Qty	S/P/F	Description
1	0411-250	1		Decal, Warning - Reverse/Pre-Ride
2	0411-835	1		Decal, Warning - Hill
3	0411-426	1		Decal, Warning - Clutch Cover
4	0411-860	1		Decal, Instrument Pod
5	0411-964	1		Decal, Crest - "Speedrack"
6	0411-839	1		Decal, Front
7	0411-401	1		Decal, Warning - Age
8	0411-864	1		Decal, Side - Lower Right
8	0411-865	1		Decal, Side - Lower Left
9	0411-852	1		Decal, Side - Upper Right
9	0411-853	1		Decal, Side - Upper Left
10	0411-965	2		Decal, "Speedrack"
11	0411-267	1		Decal, Warning - Towing
12	0411-218	1		Decal, Warning - General
13	0411-858	1		Decal, Tailgate
14	0411-868	2		Decal, Cargo Box

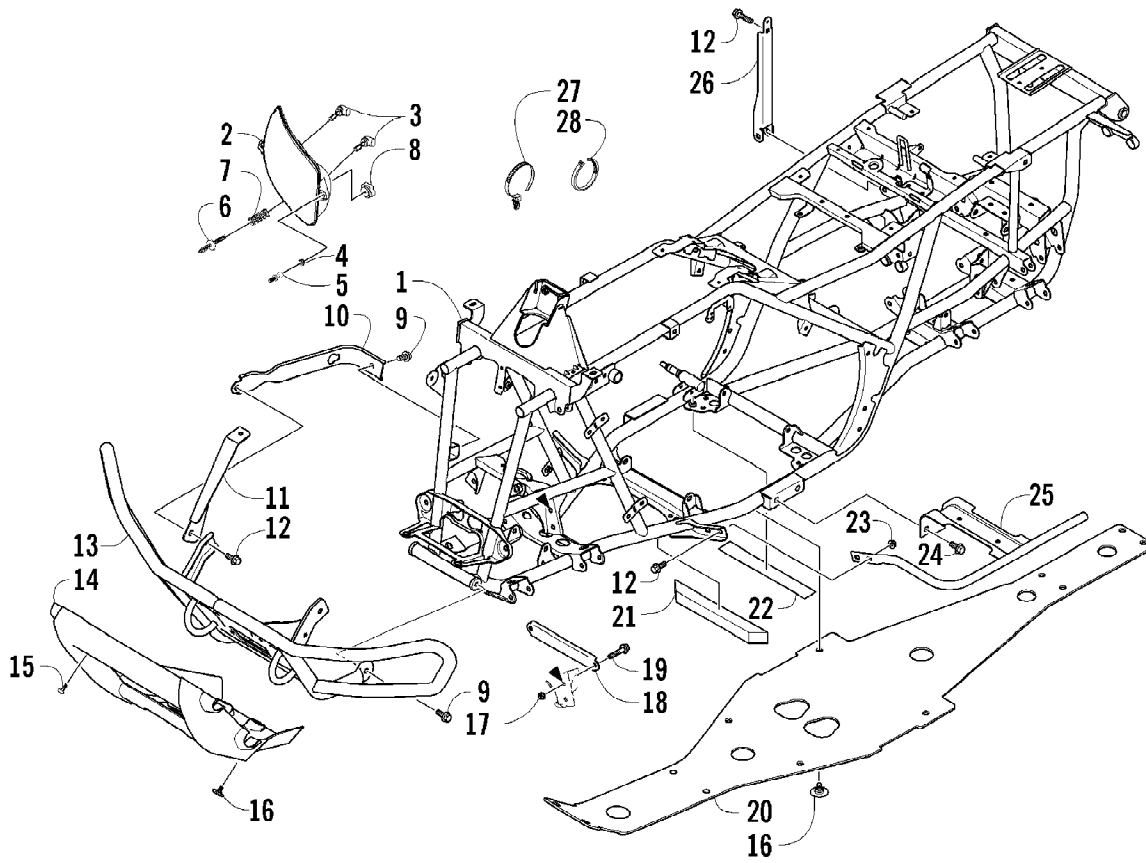
2005 ATV 400 AUTOMATIC TRANSMISSION 4X4 TBX GREEN (A2005BBH4B) 33 of 96  
ENGINE AND EXHAUST



2005 ATV 400 AUTOMATIC TRANSMISSION 4X4 TBX GREEN (A2005BBH4B) (Page 34 of 96)  
ENGINE AND EXHAUST

Ref #	Part Number	Qty	S/P/F	Description
1	0462-040	1		Engine
2	1506-201	1		Bracket, Engine Mount - Right
2	1506-625	1		Bracket, Engine Mount - Left
3	8424-802	3		Nut
4	8408-816	4		Screw, Cap
5	1506-586	1		Bracket, Engine Mount
5	1506-625	1		Bracket, Engine Mount
6	8408-860	1		Screw, Cap
7	0423-405	3		Screw, Cap
8	0423-426	4		Washer
9	0423-042	2	S	Spacer
10	8428-002	3		Nut, Lock
11	0412-007	1	/P	Seal, Exhaust
12	8408-820	2	/P	Screw, Cap
13	0512-244	1		Pipe, Exhaust - Assembly (inc. 14-24)
14	0412-292	1		Shield, Exhaust - Upper
15	0412-293	1		Shield, Exhaust - Lower
16	0412-294	1		Shield, Exhaust - Inner
17	0412-295	1		Shield, Exhaust - Outer
18	0412-282	1		Shield, Exhaust
19	0412-283	1		Shield, Exhaust
20	0512-206	1		Pipe, Exhaust
21	0423-317	5	/P	Clamp
22	0512-200	1		Hangar, Pipe - Exhaust
23	0412-288	1		Bracket, Pipe
24	8477-620	2		Screw, Machine
25	0612-668	2	/P	Spring, Exhaust
26	0612-188	1	/P	Gasket, Exhaust
27	0512-195	1		Muffler
28	0412-215	4	S	Bushing, Exhaust
29	8477-610	4		Screw, Machine
30	0412-218	1		Cover, Muffler
31	3402-013	1	/P	Gasket, Switch
32	3430-033	1		Switch, Cooling Fan
33	3530-037	1	/P	Switch, Oil Light
34	3402-556	1	/P	Gasket, Switch

2005 ATV 400 AUTOMATIC TRANSMISSION 4X4 TBX GREEN (A2005BBH4B) 35 of 96  
FRAME AND RELATED PARTS

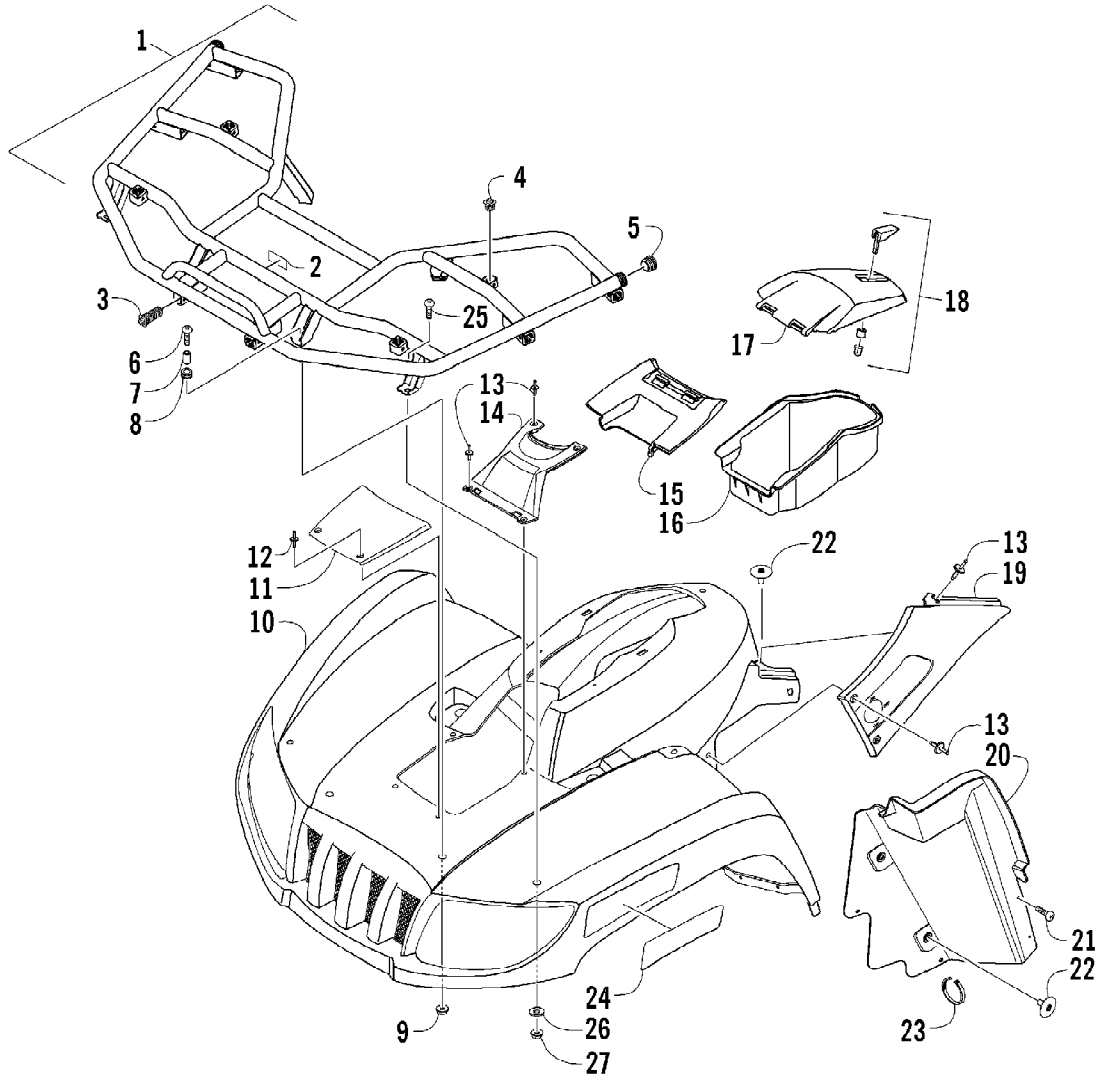


2005 ATV 400 AUTOMATIC TRANSMISSION 4X4 TBX GREEN (A2005BBH4B) (Page 36 of 96)  
FRAME AND RELATED PARTS

Ref #	Part Number	Qty	S/P/F	Description
1	1506-474	1		Frame, Main
2	0509-016	1		Headlight Assembly - Right (inc. 3-4)
2	0509-018	1		Headlight Assembly - Left (inc. 3-4)
3	0409-055	4		Bulb, Headlight
4	0423-452	4		Socket, Mounting
5	0423-515	4		Stud, Mounting - Headlight
6	0423-514	2		Stud, Adjuster - Headlight
7	0423-522	2		Spring, Adjuster
8	0423-513	2		Knob, Adjuster
9	8409-020	4	/P	Screw, Cap
10	1506-596	1	/P	Channel, Bumper Mounting - Right
10	0506-653	1	S	Channel, Bumper Mounting - Left
11	1506-562	1		Bracket, Mounting - Bumper - Right
11	1506-563	1		Bracket, Mounting - Bumper - Left
12	8408-816	7		Screw, Cap
13	1506-195	1	S	Bumper
14	1406-360	1		Grille, Bumper
15	8477-616	2		Screw, Machine
16	0423-101	14		Screw, Shoulder
17	8428-002	2		Nut, Lock
18	1506-429	1	S	Brace, A-Arm
19	8409-025	2		Screw, Cap
20	1406-176	1		Panel, Belly
21	1506-067	1		Pad, Foam
22	0406-289	1		Pad, Foam
23	8424-802	4		Nut
24	8409-016	4		Screw, Cap
25	1506-590	1		Footrest - Right
25	1506-591	1		Footrest - Left
26	1506-548	1		Channel, Support
27	0423-075	2		Cable Tie - Push-Mount
28	0623-751	1		Cable Tie - 11.75 in.



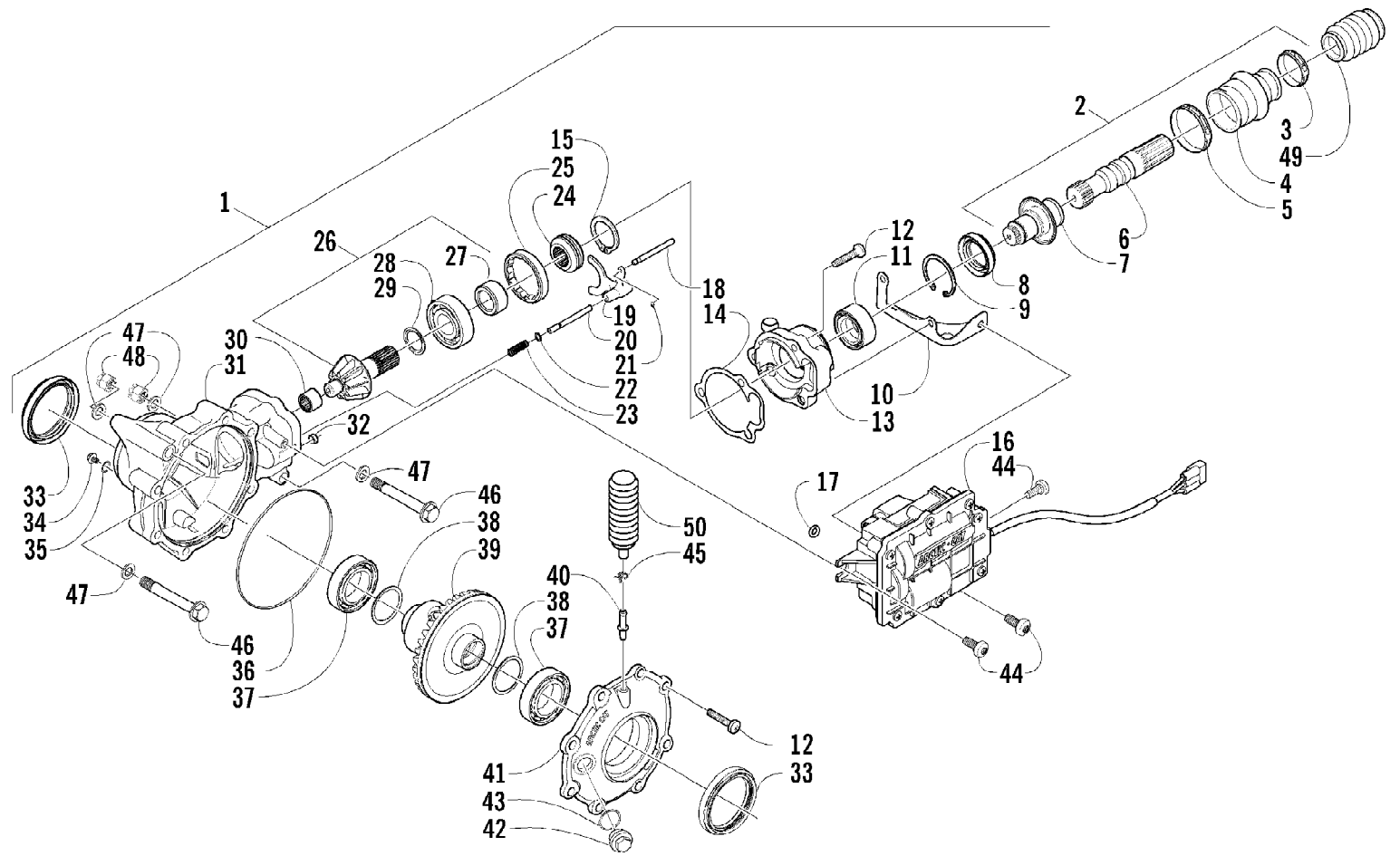
2005 ATV 400 AUTOMATIC TRANSMISSION 4X4 TBX GREEN (A2005BBH4B) 37 of 96  
FRONT BODY PANEL ASSEMBLY



2005 ATV 400 AUTOMATIC TRANSMISSION 4X4 TBX GREEN (A2005BBH4B) (USA) 38 of 96  
FRONT BODY PANEL ASSEMBLY

Ref #	Part Number	Qty	S/P/F	Description
1	0541-272	1		Rack - Front - Assembly (inc. 2-5)
2	0411-576	1		Decal, Warning - Front Rack Load
3	0441-556	6		Bushing, Rack
4	0441-592	4	/P	Bushing, Rack
5	1441-049	2		Plug, Rack
6	8468-830	4		Screw, Machine
7	0423-463	4		Spacer
8	0423-465	4		Grommet
9	8432-802	4		Nut, Lock
10	1406-605	1	S	Panel, Fender - Front
11	1406-358	1		Cover, Access
12	0423-535	2		Rivet, Reinstallable
13	0623-362	10		Rivet, Reinstallable
14	1406-484	1		Cover, Steering Post
15	0470-513	1		Cover, Storage Box
16	1406-573	1		Box, Storage
17	0470-514	1		Lid, Storage Box
18	1406-599	1		Latch, Storage Box
19	1406-313	1		Panel, Side - Right
19	1406-314	1		Panel, Side - Left
20	1406-354	1		Panel, Splash - Right
20	1406-355	1	S	Panel, Splash - Left
21	0423-342	4	/P	Screw, Self-Tapping
22	0423-101	5		Screw, Body
23	0123-788	AR	/P	Cable Tie - 7.5 in.
24	0411-818	1		Decal, Reflector - Amber - Right
24	0411-819	1		Decal, Reflector - Amber - Left
25	0423-355	2		Screw, Shoulder
26	8050-222	2	/P	Washer
27	8424-602	2	/P	Nut, Lock

2005 ATV 400 AUTOMATIC TRANSMISSION 4X4 TBX GREEN (A2005BBH4B) 39 of 96  
FRONT DRIVE GEARCASE ASSEMBLY



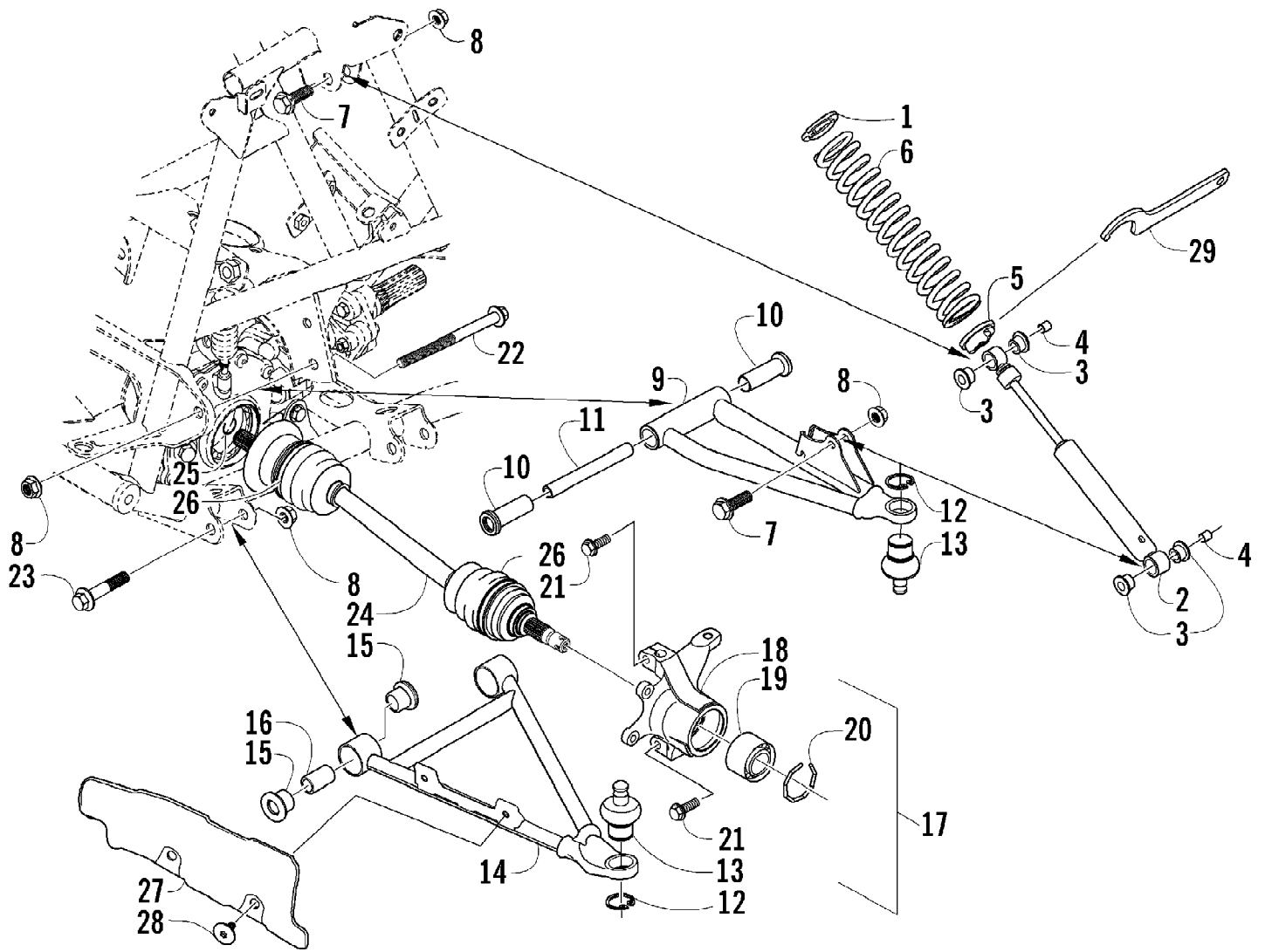
2005 ATV 400 AUTOMATIC TRANSMISSION 4X4 TBX GREEN (A2005BBH4B) (Page 40 of 96)  
FRONT DRIVE GEARCASE ASSEMBLY

Ref #	Part Number	Qty	S/P/F	Description
1	0502-472	1		Gearcase, Front Drive - Assembly (inc. 2-44)
2	0502-386	1		Shaft, Propeller - Assembly (inc. 3-7)
3	0423-411	1		Clamp, Boot
4	0402-985	1	/P	Boot, Propeller Shaft
5	0423-393	1		Clamp, Boot
6	1402-046	1		Shaft, Output
7	1502-085	1	/P	Shaft, Input
8	1402-011	1		Seal
9	0423-423	1		Ring, Retaining
10	0502-347	1		Bracket, Actuator
11	1402-043	1		Bearing
12	0423-118	11		Screw, Self-Tapping
13	0502-406	1		Housing, Pinion
14	0402-947	1		Gasket, Flange
15	0423-417	1		Ring, Retaining
16	0502-296	1		Actuator (inc. one No. 17)
17	0423-498	2	S	O-Ring
18	0402-997	1		Shaft, Selector
19	0402-998	1		Fork, Selector
20	0402-417	1		Shaft, Shuttle
21	0423-402	1		Ring, Retaining
22	0423-147	1		O-Ring
23	0402-999	1		Spring, Return
24	0402-413	1		Coupler, Drive
25	0402-357	1		Collar, Lock
26	0502-123	1		Gear, Pinion - Assembly - 10T (inc. 27-29)
27	0402-336	1		Collar, Retaining
28	0402-327	1		Bearing
29	0402-424	AR		Shim
29	0402-425	AR		Shim
29	0402-426	AR		Shim
29	0402-427	AR		Shim
29	0402-428	AR		Shim
30	0402-328	1		Bearing
31	0502-120	1		Housing, Gearcase
32	0402-411	1		Pin, Dowel
33	0402-394	2	S	Seal
34	0402-450	1	S	Plug, Magnetic (inc. 35)
35	0423-153	1		O-Ring
36	0423-149	1		O-Ring
37	0402-393	2		Bearing
38	0402-405	AR		Shim
38	0402-406	AR		Shim
38	0402-407	AR		Shim
38	0402-408	AR		Shim
38	0402-409	AR		Shim
39	0502-124	1		Gear, Ring - 36T
40	1402-104	1		Fitting
41	0502-121	1		Cover, Gearcase
42	0402-333	1	/P	Plug, Fill (inc. 43)
43	0423-154	1		O-Ring
44	0423-396	3		Screw, Self-Tapping
45	0423-315	1		Clamp Fitting

2005 ATV 400 AUTOMATIC TRANSMISSION 4X4 TBX GREEN (A2005BBH4B1SG) 41 of 96  
FRONT DRIVE GEARCASE ASSEMBLY

Ref #	Part Number	Qty	S/P/F	Description
46	0423-404	2		Screw, Cap
47	0423-426	4		Washer
48	8428-002	2		Nut, Lock
49	0402-966	1		Boot, Shaft
50	0402-147	1	S	Bladder, Gearcase

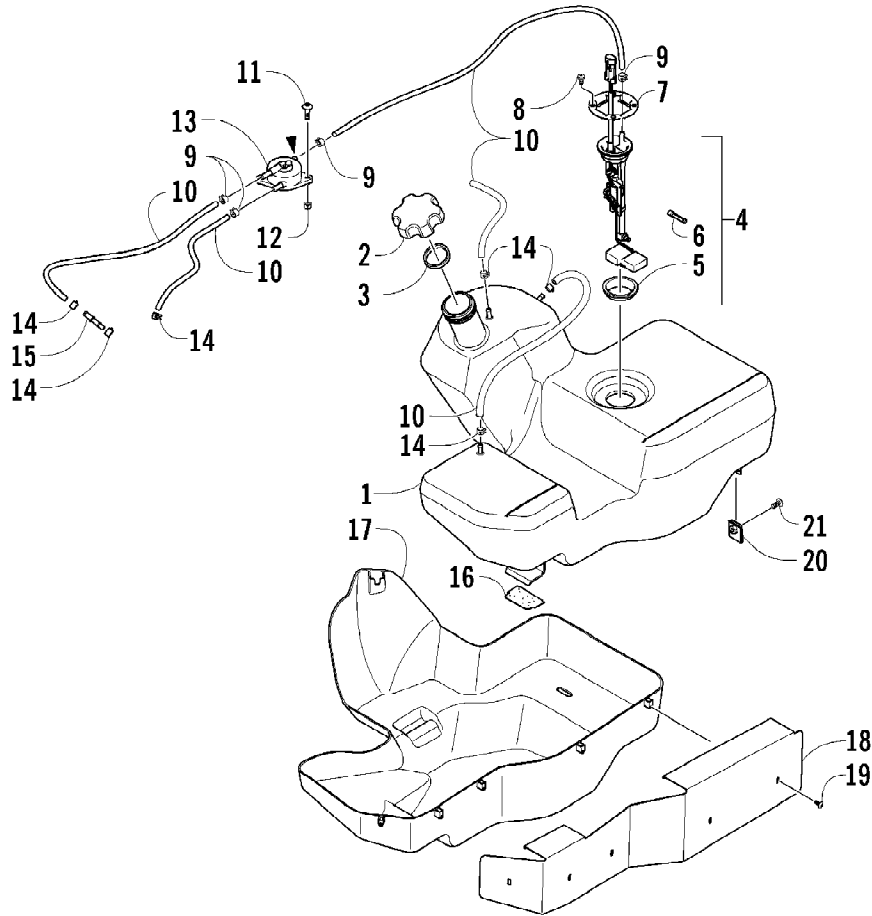
2005 ATV 400 AUTOMATIC TRANSMISSION 4X4 TBX GREEN (A2005BBH4B) (A2005BBH4B) 42 of 96  
FRONT SUSPENSION ASSEMBLY



2005 ATV 400 AUTOMATIC TRANSMISSION 4X4 TBX GREEN (A2005BBH4B) 43 of 96  
FRONT SUSPENSION ASSEMBLY

Ref #	Part Number	Qty	S/P/F	Description
1	1603-889	2	/P	Retainer, Spring
2	0403-127	2		Shock Absorber - Front (inc. 3-4)
3	0604-310	8		Bushing, Shock Absorber
4	0403-028	4		Sleeve, Shock
5	0403-102	2		Cam, Spring Adjuster
6	0403-128	2	S	Spring, Shock Absorber
7	8409-040	4		Screw, Cap
8	8428-002	10		Nut, Lock
9	0503-196	1	S	A-Arm, Upper Right (inc. 10-13)
9	0503-197	1		A-Arm, Upper Left (inc. 10-13)
10	0403-081	4	S	Bushing
11	0403-080	2		Collar
12	0423-009	4	/P	Clip, Ball Joint
13	0405-115	4	/P	Ball Joint - Front
14	0503-220	1		A-Arm, Lower Right (inc. 12-13 and 15-16)
14	0503-221	1		A-Arm, Lower Left (inc. 12-13 and 15-16)
15	0403-115	8	S	Bushing
16	0403-114	4	S	Collar
17	0505-446	1	/P	Knuckle - Assembly - Right (inc. 18-20)
17	0505-447	1	/P	Knuckle - Assembly - Left (inc. 18-20)
18	0	1	F	Knuckle, Steering - Right
18	0	1	F	Knuckle, Steering - Left
19	1402-027	2	S/P	Bearing, Wheel Hub
20	0423-423	2		Ring, Retaining
21	8409-030	4		Screw, Cap
22	0423-334	2		Screw, Cap
23	8409-075	4		Screw, Cap
24	0502-542	2		Axle, Drive - Front (inc. 25-26)
25	0441-400	2	S	Clip, Retaining
26	0436-276	2	S	Repair Kit, Boot - Front Axle
27	1441-002	1		Guard, Boot - Axle - Right
27	1441-003	1		Guard, Boot - Axle - Left
28	0423-101	4		Screw, Body
29	0441-587	1		Wrench, Spanner

2005 ATV 400 AUTOMATIC TRANSMISSION 4X4 TBX GREEN (A2005BBH4B) (P. 44 of 96)  
GAS TANK ASSEMBLY

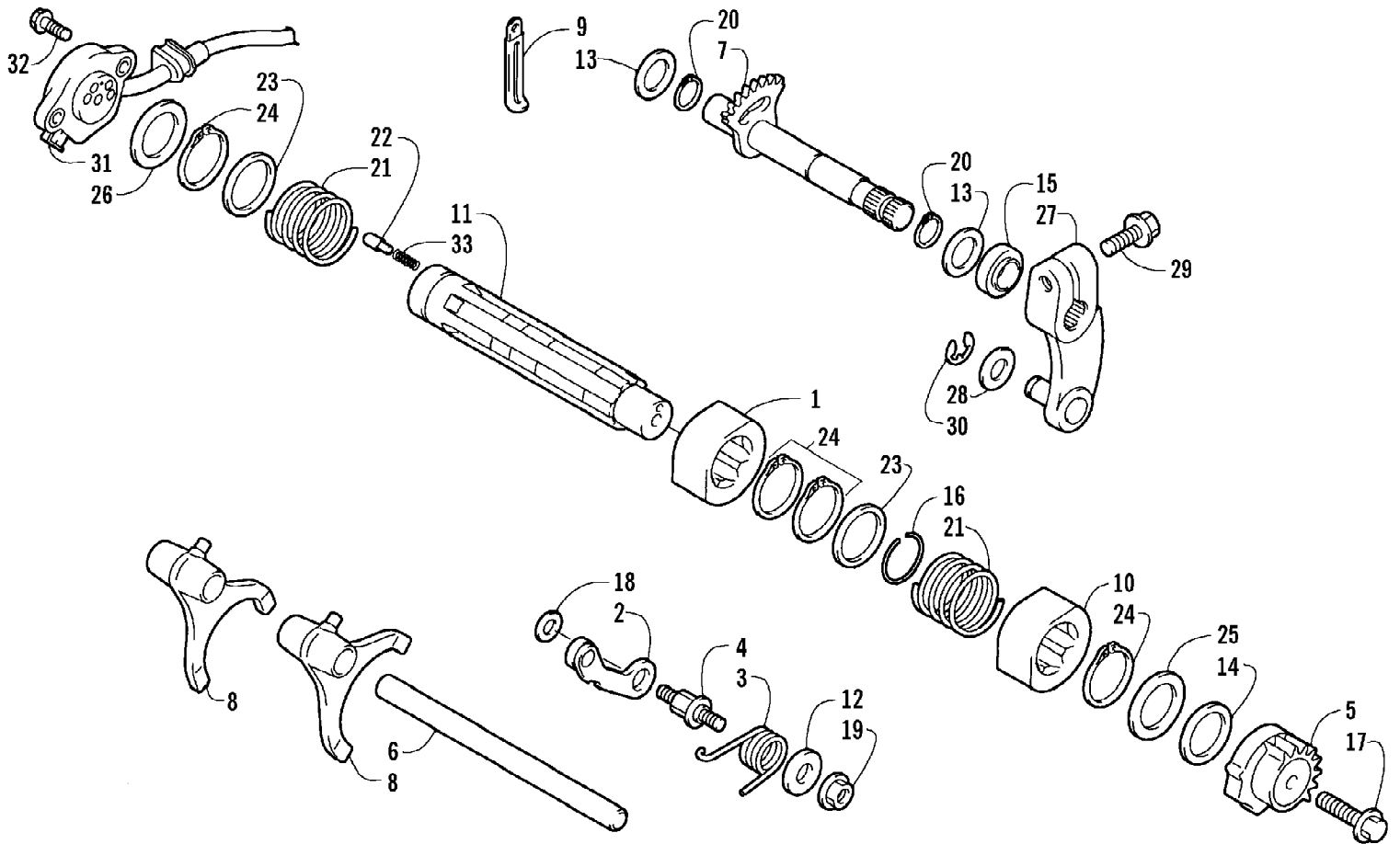




2005 ATV 400 AUTOMATIC TRANSMISSION 4X4 TBX GREEN (A2005BBH4B) (Page 45 of 96)  
GAS TANK ASSEMBLY

Ref #	Part Number	Qty	S/P/F	Description
1	0570-103	1	S	Tank, Gas - Assembly (inc. 2-8)
2	0470-438	1	/P	Cap, Gas Tank (inc. 3)
3	0109-733	1	/P	Gasket, Tank Cap
4	0570-113	1	S	Sensor, Fuel Level (inc. 5-6)
5	0470-521	1		Seal, Fuel Level Sensor
6	0470-475	1		Filter, Fuel
7	0470-546	1	S	Plate, Mounting - Fuel Level Sensor
8	1623-158	4		Screw, Self-Tapping
9	0423-461	4	S	Clamp, Hose
10	0410-070	AR	/P	Hose, Gasline - 25 ft
11	8476-620	2		Screw, Machine
12	0623-038	2		Nut w/Washer
13	0470-519	1	S	Pump, Fuel
14	1623-233	6		Clamp, Hose
15	0470-527	1	S	Fitting, Straight
16	0470-476	1		Pad, Gas Tank
17	0470-479	1		Shield, Gas Tank
18	0470-474	1		Shield, Heat
19	0623-797	5		Screw, Self-Tapping
20	0470-536	2		Clip, U-Nut
21	0423-609	2		Screw, Shoulder

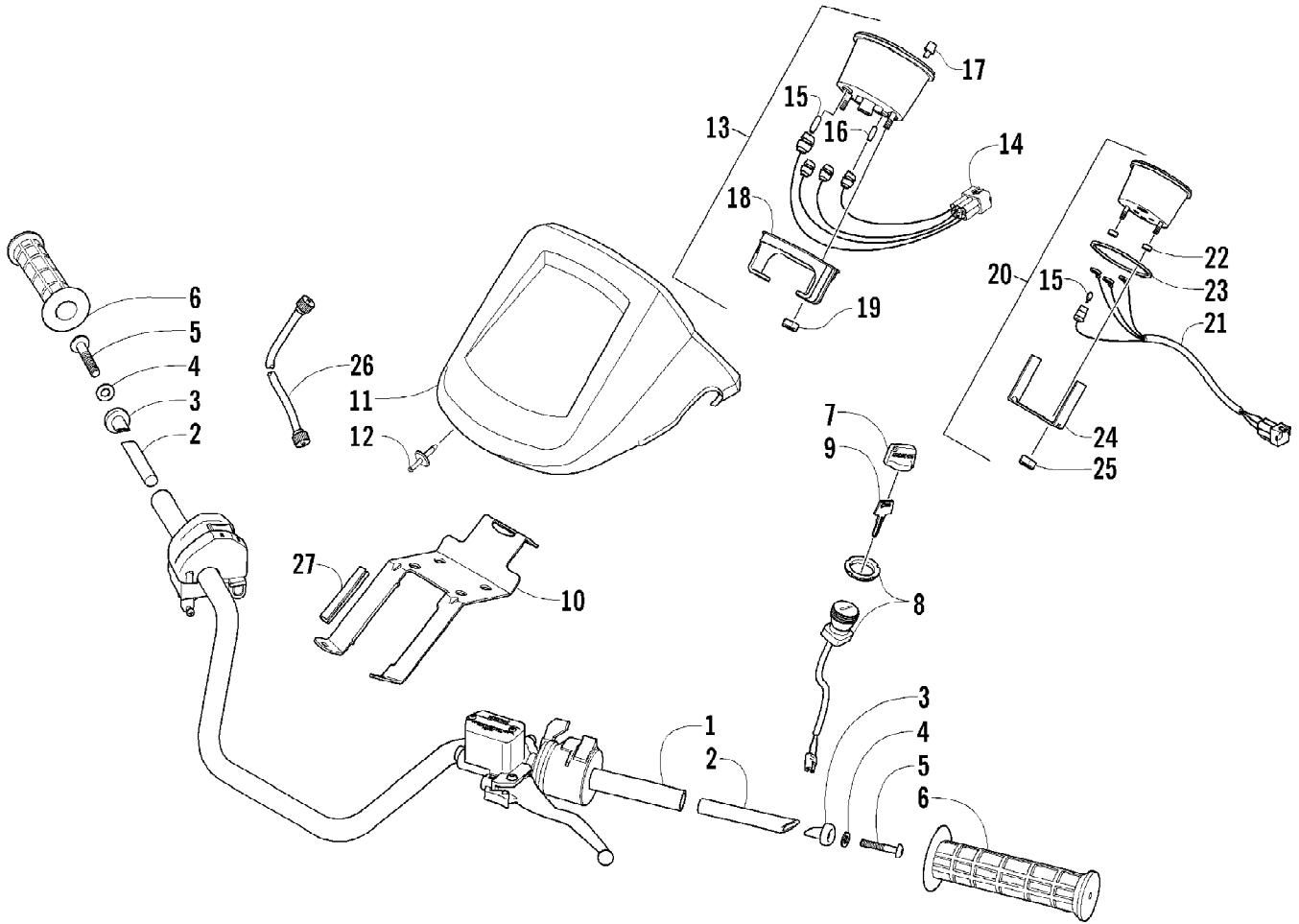
2005 ATV 400 AUTOMATIC TRANSMISSION 4X4 TBX GREEN (A2005BBH4B) 46 of 96  
GEAR SHIFTING ASSEMBLY



2005 ATV 400 AUTOMATIC TRANSMISSION 4X4 TBX GREEN (A2005BBH4B) (Page 47 of 96)  
GEAR SHIFTING ASSEMBLY

Ref #	Part Number	Qty	S/P/F	Description
1	3402-640	1		Cam, Reverse
2	3446-043	1		Stopper, Cam
3	3446-283	1		Spring, Cam Stopper
4	3446-048	1		Support, Cam Stopper
5	3402-642	1		Plate, Gear Shift Cam
6	3402-643	1		Shaft, Shift Fork
7	3402-644	1		Shaft, Sub-Gear Shift
8	3446-073	2		Fork, Shift
9	3004-787	1		Clamp, Wire
10	3402-670	1		Cam, Gear Shift
11	3446-281	1		Shaft, Gear Shift
12	3423-438	1		Washer, Cam Stopper Spring
13	1691-043	2		Washer, Sub-Gear Shift Shaft
14	3423-446	1		Washer, Gear Shift Cam Plate
15	3402-076	1		Seal, Sub-Gear Shift Shaft
16	3423-416	1		C-Ring, Cam
17	3004-376	1	S/P	Bolt, Gear Shift Cam Plate
18	3423-141	1		Washer, Cam Stopper
19	3004-488	1	S/P	Nut, Cam Stopper Spring
20	3423-358	2	S	Circlip, Sub-Gear Shift Shaft
21	3446-280	2		Spring, Cam
22	3423-044	2		Contact
23	3402-382	2		Washer, Cam Spring
24	3423-191	4	/P	Circlip, Cam Spring
25	3402-195	1		Washer, Shift Shaft
26	3423-421	1	/P	Washer, Shift Shaft
27	3402-434	1	/P	Arm, Select
28	3423-204	1	/P	Washer, Select Arm
29	3004-341	1	S/P	Bolt, Select Arm
30	3423-153	1		E-Ring
31	3402-997	1		Base, Gear Shift - Assembly
32	3423-418	2		Bolt
33	3402-087	2		Spring

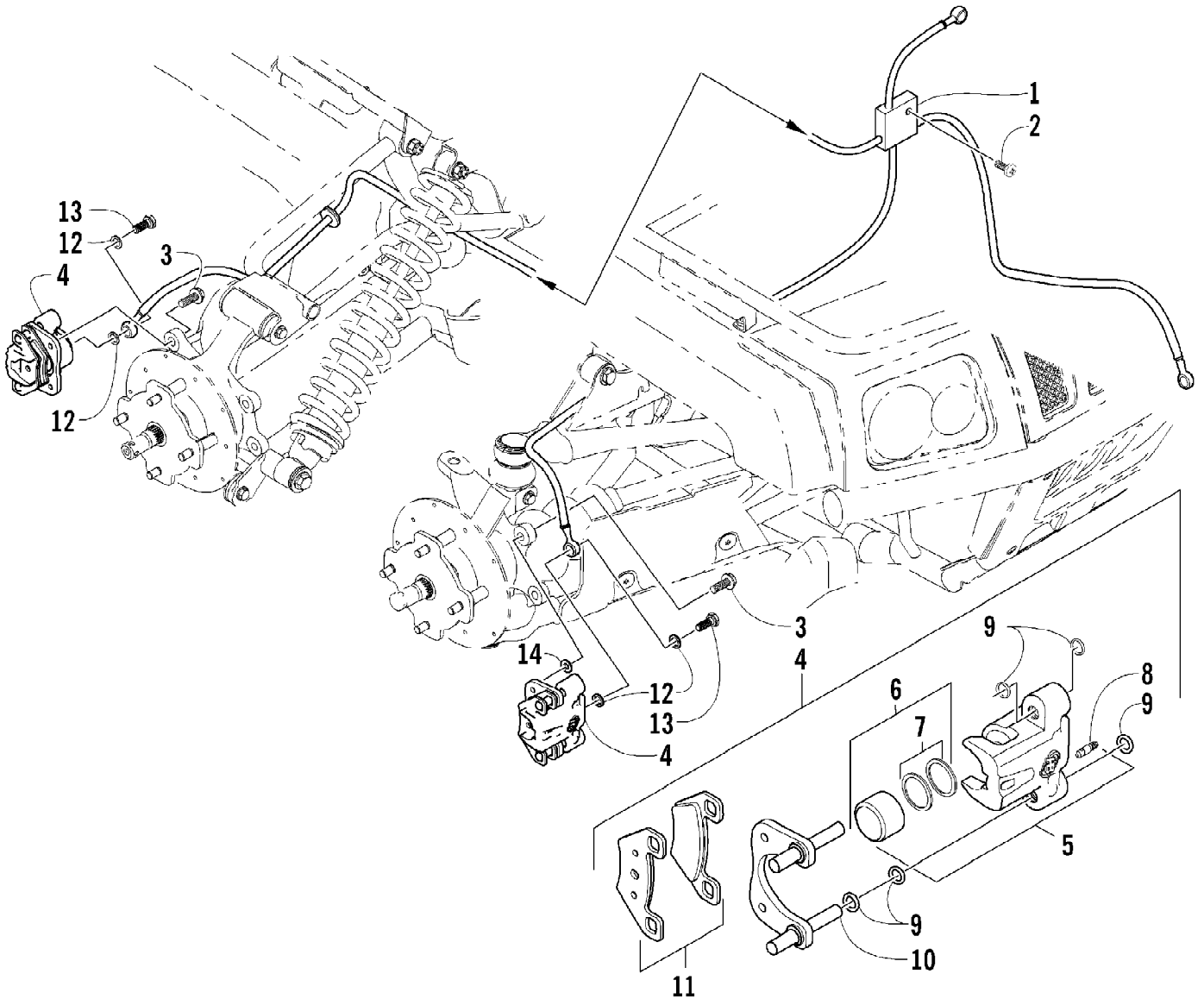
2005 ATV 400 AUTOMATIC TRANSMISSION 4X4 TBX GREEN (A2005BBH4B) (PSC) 48 of 96  
HANDLEBAR ASSEMBLY



2005 ATV 400 AUTOMATIC TRANSMISSION 4X4 TBX GREEN (A2005BBH4B) (USA) 49 of 96  
HANDLEBAR ASSEMBLY

Ref #	Part Number	Qty	S/P/F	Description
1	0505-418	1	/P	Tube, Handlebar
2	0405-148	2		Plug, Handlebar
3	0405-149	2		End Cap, Handlebar
4	8050-247	2	/P	Washer
5	8477-845	2		Screw, Machine
6	0405-147	2		Grip, Handlebar
7	0409-013	1		Cover, Key
8	3430-040	1		Switch, Ignition - Assembly (inc. 9)
9	3409-007	1	/P	Key, Ignition - Blank (C Series)
9	3409-011	1		Key, Ignition - Blank (D Series)
9	3409-012	1		Key, Ignition - Blank (E Series)
9	3409-013	1		Key, Ignition - Blank (F Series)
10	1506-578	1		Bracket, Mounting - Instrument Pod
11	0405-169	1		Instrument Pod
12	0623-362	2		Rivet, Reinstallable
13	0420-050	1		Speedometer, Round - 4 in. (inc. 14-17)
14	0509-031	1		Harness, Speedometer
15	0409-062	2		Bulb, Instrument - T-10
16	0609-078	3		Bulb, Indicator
17	0409-063	1		Knob, Tripmeter
18	1506-577	1		Bracket, Retaining - Speedometer
19	0623-038	2		Nut
20	0420-064	1	/P	Gauge, Fuel - 2 in. (inc. 21 and one No. 15)
21	0420-069	1		Harness, Fuel Gauge - 2 in. - 4P
22	0423-544	2		Spacer
23	0620-139	1		Ring, Rubber Cushion - Fuel Gauge
24	0420-060	1		Bracket, 2 in. - Gauge
25	0423-493	2		Nut, Hex
26	0487-026	1		Cable, Speedometer
27	0706-371	AR	/P	Trim

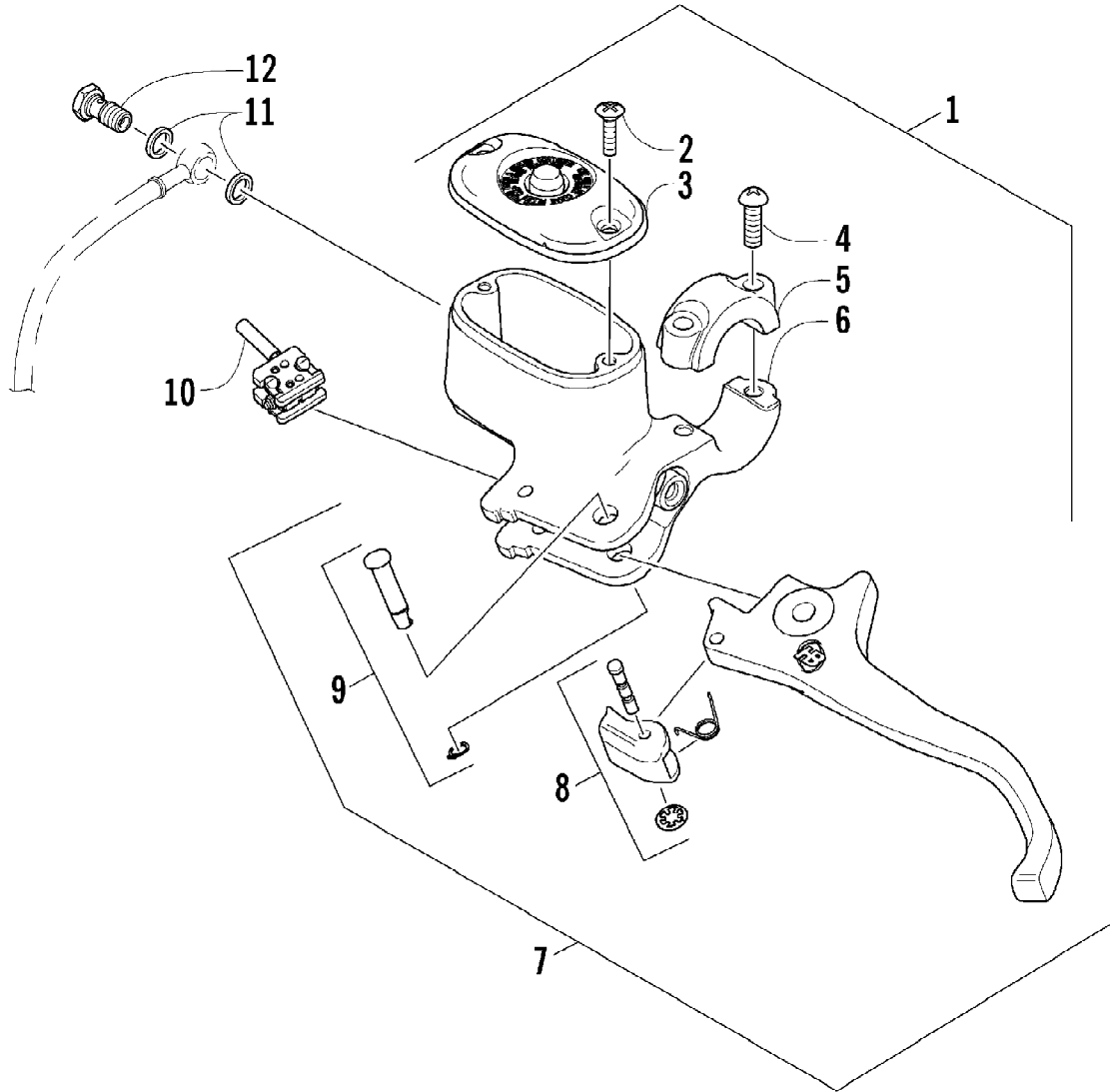
2005 ATV 400 AUTOMATIC TRANSMISSION 4X4 TBX GREEN (A2005BBH4B) 50 of 96  
HYDRAULIC BRAKE ASSEMBLY



2005 ATV 400 AUTOMATIC TRANSMISSION 4X4 TBX GREEN (A2005BBH4B) (Page 51 of 96)  
HYDRAULIC BRAKE ASSEMBLY

Ref #	Part Number	Qty	S/P/F	Description
1	0502-628	1		Hose, Brake - Assembly
2	8476-625	1		Screw, Cap
3	8408-820	6	/P	Screw, Cap
4	0502-602	1	S	Caliper, Brake - Right Front (inc. 5-11)
4	0502-610	2	S	Caliper, Brake - Left Front and Right Rear (inc. 5-11)
5	0502-603	1	S	Housing, Caliper - Assembly - Right Front (inc. 6-8)
5	0502-611	2	S	Housing, Caliper - Assembly - Left Front and Right Rear (inc. 6-8)
6	0502-606	3		Piston/Seal Set (inc. 7)
7	0502-607	3		Seal Set
8	0502-609	3	/P	Valve, Bleed
9	0502-608	3		O-Ring, Guide - Set
10	0502-605	3		Bracket Assembly
11	0502-604	3	S	Pad, Brake - Set
12	0423-178	8		Washer, Crush
13	0423-413	4		Bolt, Banjo Fitting
14	0423-562	4		Washer

2005 ATV 400 AUTOMATIC TRANSMISSION 4X4 TBX GREEN (A2005BBH4B) 52 of 96  
HYDRAULIC HAND BRAKE ASSEMBLY





2005 ATV 400 AUTOMATIC TRANSMISSION 4X4 TBX GREEN (A2005BBH4B) (USA) 53 of 96  
 HYDRAULIC HAND BRAKE ASSEMBLY

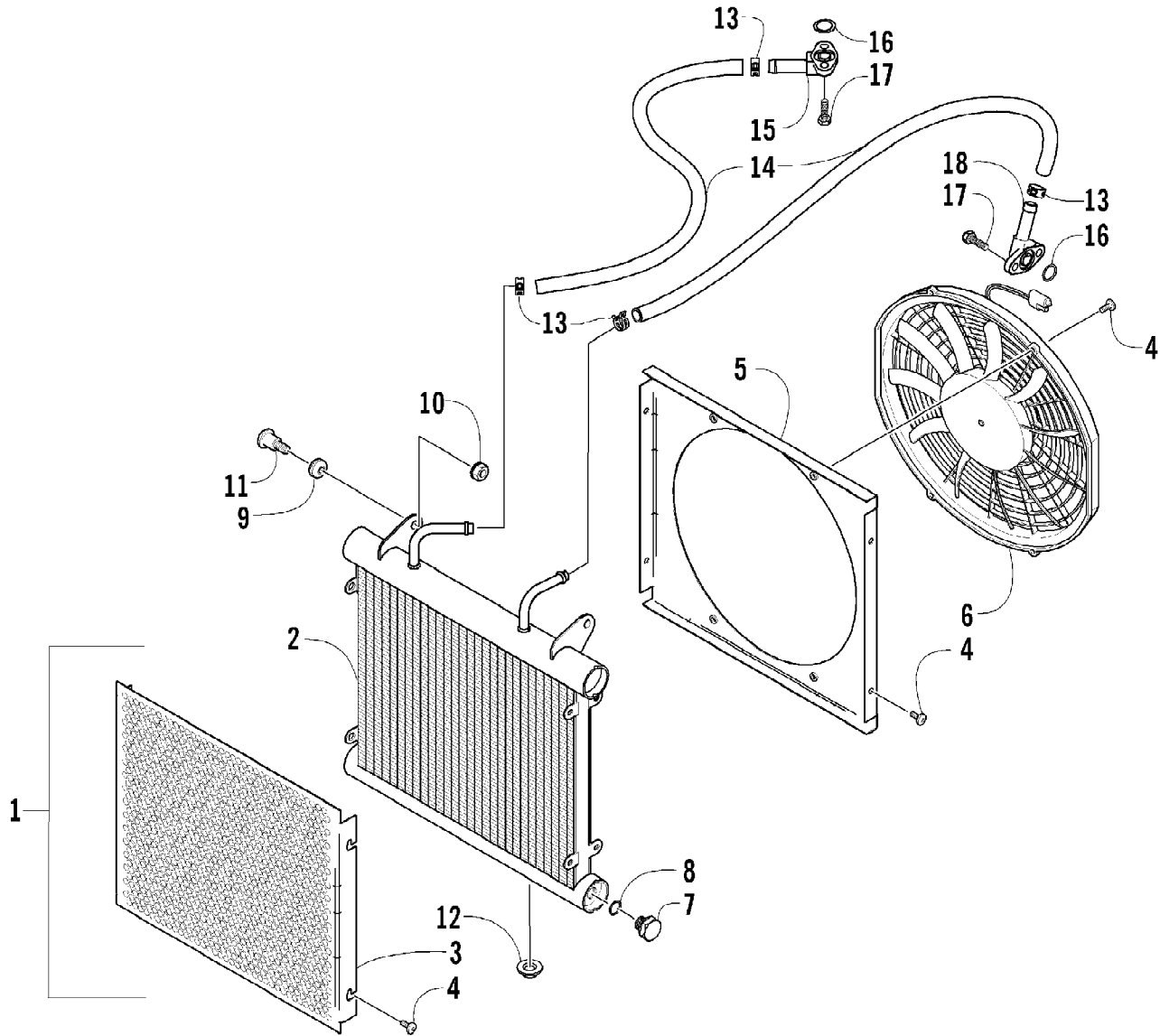
Ref #	Part Number	Qty	S/P/F	Description
1	0502-703	1	S	Brake Assembly (inc. 2-10)
2	0502-566	1		Screw, Reservoir Cover - Kit
3	0502-706	1	S	Cover, Reservoir - Kit
4	0502-568	1		Screw, Master Cylinder Clamp - Kit
5	0502-705	1		Clamp, Master Cylinder - Kit
6	0502-704	1		Master Cylinder Assembly - Kit
7	0502-634	1	/P	Lever Assembly - Kit (inc. 8-9)
8	0502-635	1		Lock, Brake Lever - Kit
9	0502-580	1		Lever Pin - Kit
10	0502-564	1	/P	Switch, Brake - Kit
11	0423-178	2		Washer, Crush
12	0423-413	1		Bolt, Banjo Fitting



2005 ATV 400 AUTOMATIC TRANSMISSION 4X4 TBX GREEN (A2005BBH4B05G) 55 of 96  
 MAGNETO ASSEMBLY

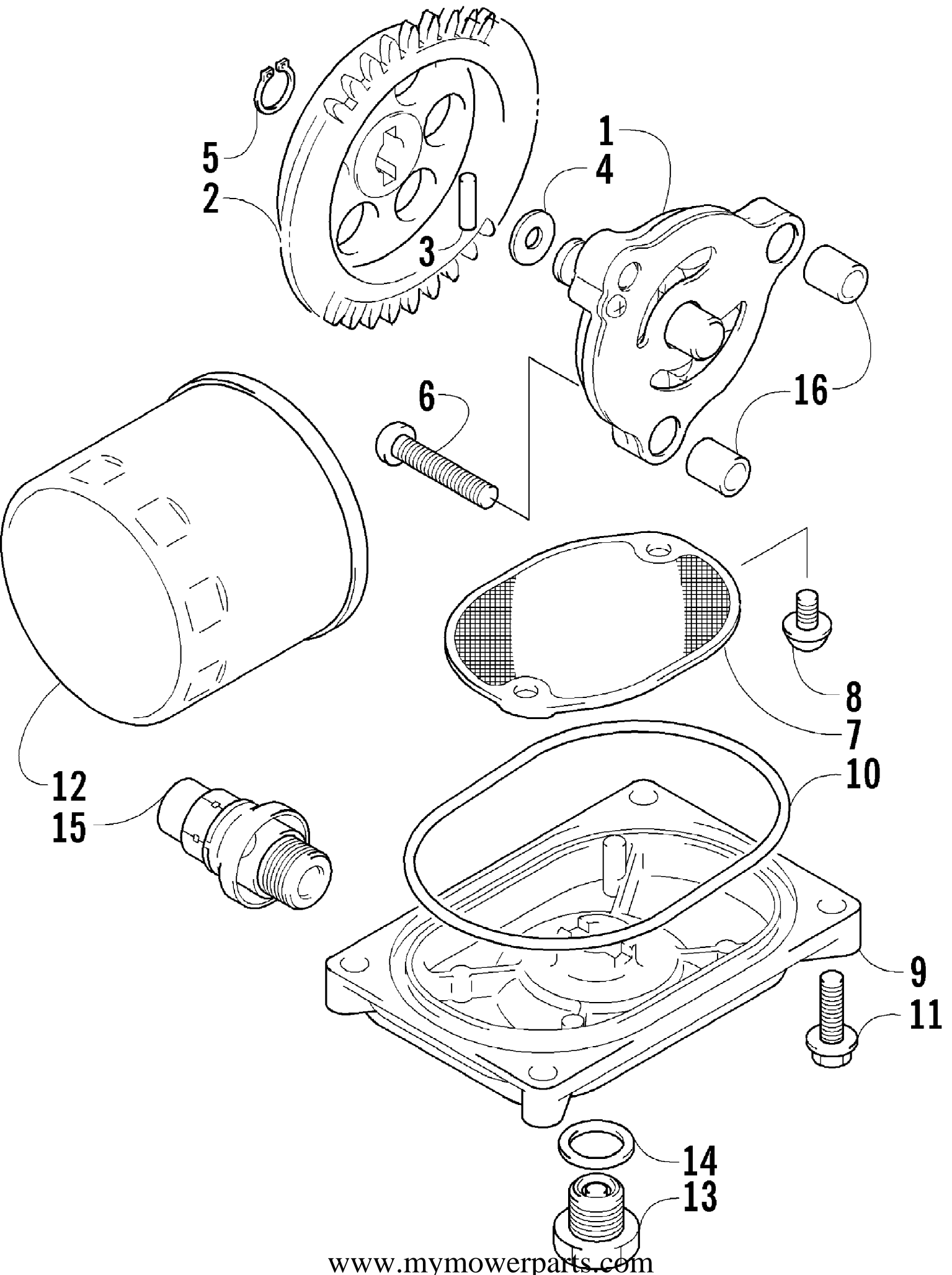
Ref #	Part Number	Qty	S/P/F	Description
1	3430-053	1		Stator Assembly
2	3430-054	1	S	Rotor/Flywheel
3	3004-756	3	S	Bolt
4	0691-785	1		Key
5	3423-086	1		Nut
6	3423-005	3	/P	Bolt
7	3430-005	1		Clamp
8	3430-006	1		Clamp
9	3002-964	1	/P	Clamp, Wire

2005 ATV 400 AUTOMATIC TRANSMISSION 4X4 TBX GREEN (A2005BBH4B) 56 of 96  
OIL COOLER ASSEMBLY



2005 ATV 400 AUTOMATIC TRANSMISSION 4X4 TBX GREEN (A2005BBH4B) (Page 57 of 96)  
OIL COOLER ASSEMBLY

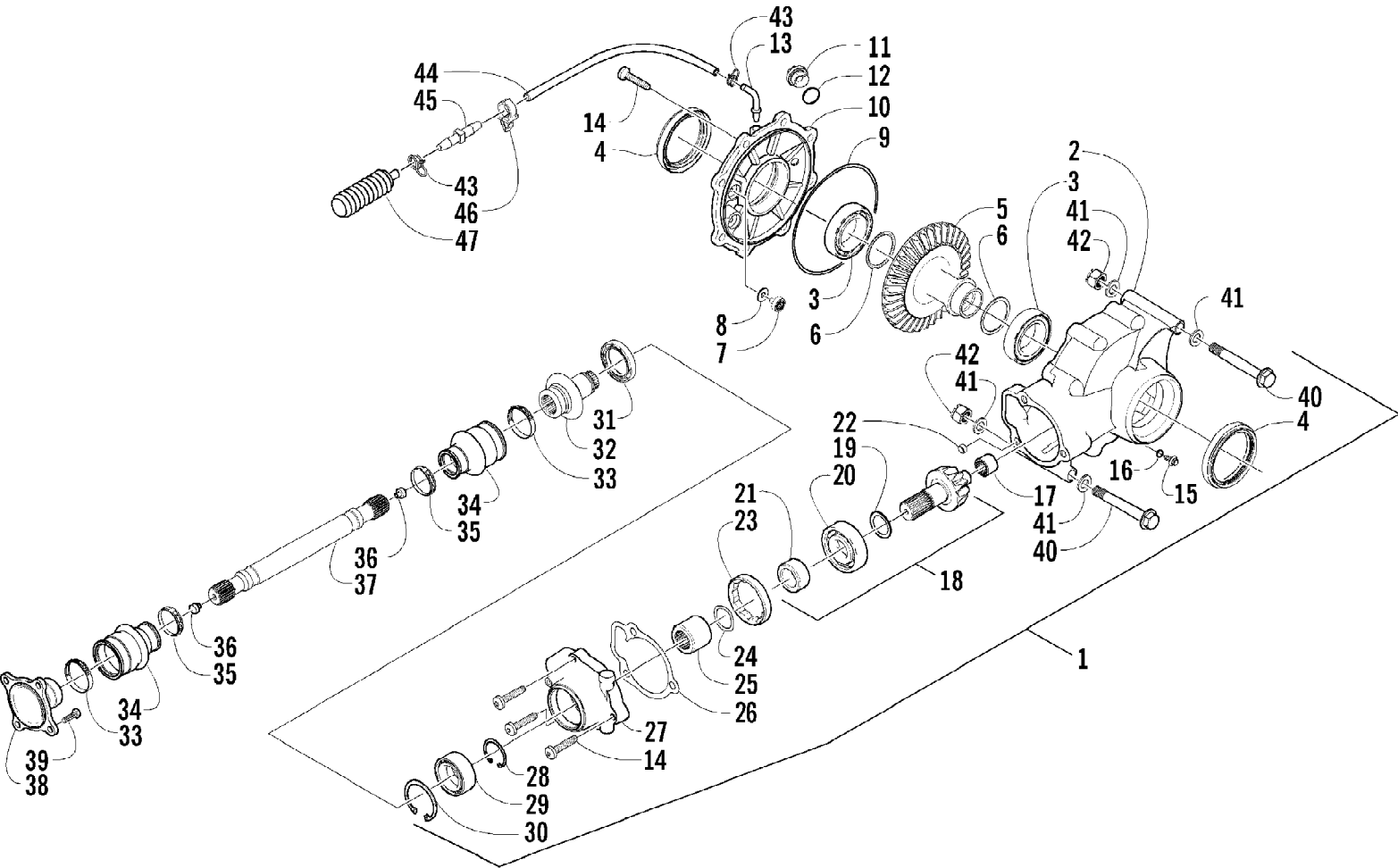
Ref #	Part Number	Qty	S/P/F	Description
1	0413-118	1		Cooler, Oil - Assembly (inc. 2-9)
2	0413-053	1		Cooler, Oil
3	0413-007	1		Screen, Oil Cooler
4	8475-512	12		Screw, Machine
5	0413-064	1		Shroud, Fan
6	0413-044	1	S	Fan, Cooling
7	0413-058	1		Plug, Drain
8	0413-059	1		O-Ring
9	0423-030	2		Grommet
10	0623-038	2		Nut w/Washer
11	0423-484	2		Screw, Shoulder
12	0423-028	2		Bushing, Stem
13	0423-098	4	/P	Clamp, Hose
14	0410-044	2		Hose, Oil
15	0410-013	1		Fitting, Oil
16	0423-089	2		O-Ring, Oil Fitting
17	8471-616	4		Screw, Cap
18	0410-012	1		Fitting, Oil - Angled



2005 ATV 400 AUTOMATIC TRANSMISSION 4X4 TBX GREEN (A2005BBH4B) (Page 59 of 96)  
 OIL FILTER/PUMP ASSEMBLY

Ref #	Part Number	Qty	S/P/F	Description
1	3402-619	1		Pump, Oil
2	3402-618	1		Gear, Driven
3	3423-046	1		Pin
4	3423-443	1		Washer
5	3423-184	1	S	Circlip
6	3423-113	3	S/P	Screw
7	3402-156	1		Strainer, Oil
8	0693-389	2	S	Screw
9	3402-157	1		Cap, Oil Strainer
10	3423-077	1		O-Ring
11	3004-756	4	S	Screw, Cap
12	0436-146	1	S	Filter, Oil
13	3403-021	1	/P	Plug, Drain
14	3402-012	1		Gasket, Drain Plug
15	3402-773	1		Valve, Assembly - Oil Relief
16	3005-206	2	/P	Pin, Oil Pump

2005 ATV 400 AUTOMATIC TRANSMISSION 4X4 TBX GREEN (A2005BBH4B) 60 of 96  
REAR DRIVE GEARCASE ASSEMBLY





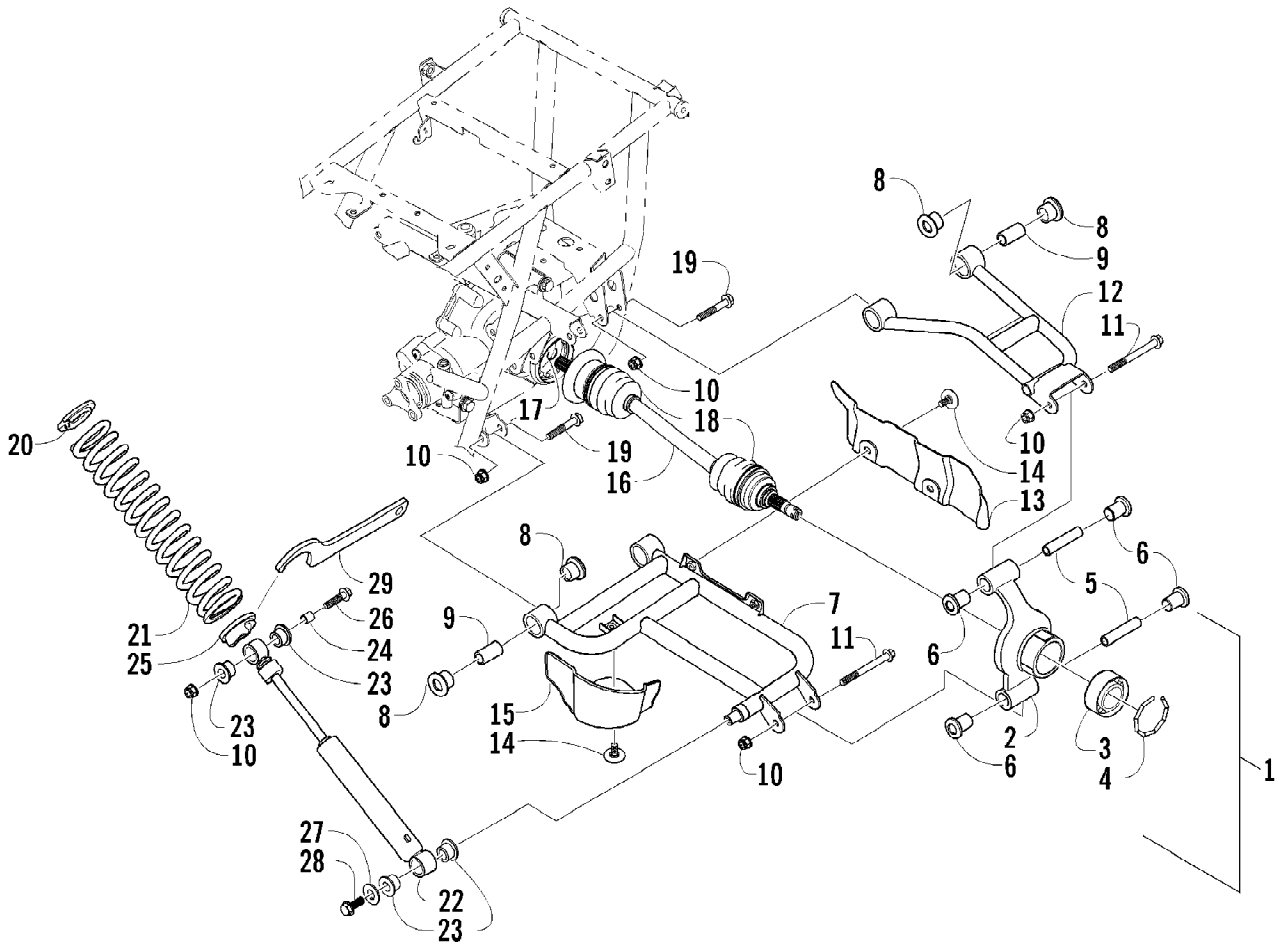
2005 ATV 400 AUTOMATIC TRANSMISSION 4X4 TBX GREEN (A2005BBH4B) (Page 61 of 96)  
REAR DRIVE GEARCASE ASSEMBLY

Ref #	Part Number	Qty	S/P/F	Description
1	0502-642	1	S	Gearcase, Rear Drive - Assembly (inc. 2-32)
2	0502-352	1		Housing, Gearcase
3	0402-393	2		Bearing
4	0402-394	2	S	Seal
5	1402-032	1		Gear, Ring - 36T
6	0402-405	AR		Shim
6	0402-406	AR		Shim
6	0402-407	AR		Shim
6	0402-408	AR		Shim
6	0402-409	AR		Shim
7	0402-326	1		Button, Thrust
8	0402-429	AR		Shim
8	0402-430	AR		Shim
8	0402-431	AR		Shim
8	0402-432	AR		Shim
8	0402-433	AR		Shim
9	0423-149	1		O-Ring
10	0502-346	1		Cover, Gearcase
11	0402-333	1	/P	Plug, Fill (inc. 12)
12	0423-154	1		O-Ring
13	1402-102	1		Fitting
14	0423-118	11		Screw, Self-Tapping
15	0402-450	1	S	Plug, Magnetic (inc. 16)
16	0423-153	1		O-Ring
17	0402-328	1		Bearing
18	0502-123	1		Gear, Pinion - Assembly - 10T (inc. 19-21)
19	0402-424	AR		Shim
19	0402-425	AR		Shim
19	0402-426	AR		Shim
19	0402-427	AR		Shim
19	0402-428	AR		Shim
20	0402-327	1		Bearing
21	0402-336	1		Collar, Retaining
22	0402-411	1		Pin, Dowel
23	0402-331	1		Collar, Lock
24	0402-982	1		Washer, Wave
25	0402-981	1		Collar, Shaft
26	0402-947	1		Gasket, Flange
27	0502-529	1		Housing, Pinion
28	0423-417	1		Ring, Retaining
29	1402-043	1		Bearing
30	0423-423	1		Ring, Retaining
31	1402-011	1		Seal
32	0502-407	1	S	Shaft, Input
33	0423-393	2		Clamp, Boot
34	0402-985	2	/P	Boot
35	0423-411	2		Clamp, Boot
36	0673-618	2	/P	Bumper, Propeller Shaft
37	1402-092	1		Shaft, Propeller
38	0402-950	1		Flange, Output
39	8408-820	4	/P	Screw, Cap
40	0423-404	2		Screw, Cap
41	0423-426	1		Washer

2005 ATV 400 AUTOMATIC TRANSMISSION 4X4 TBX GREEN (A2005BBH4B) Page 62 of 96  
REAR DRIVE GEARCASE ASSEMBLY

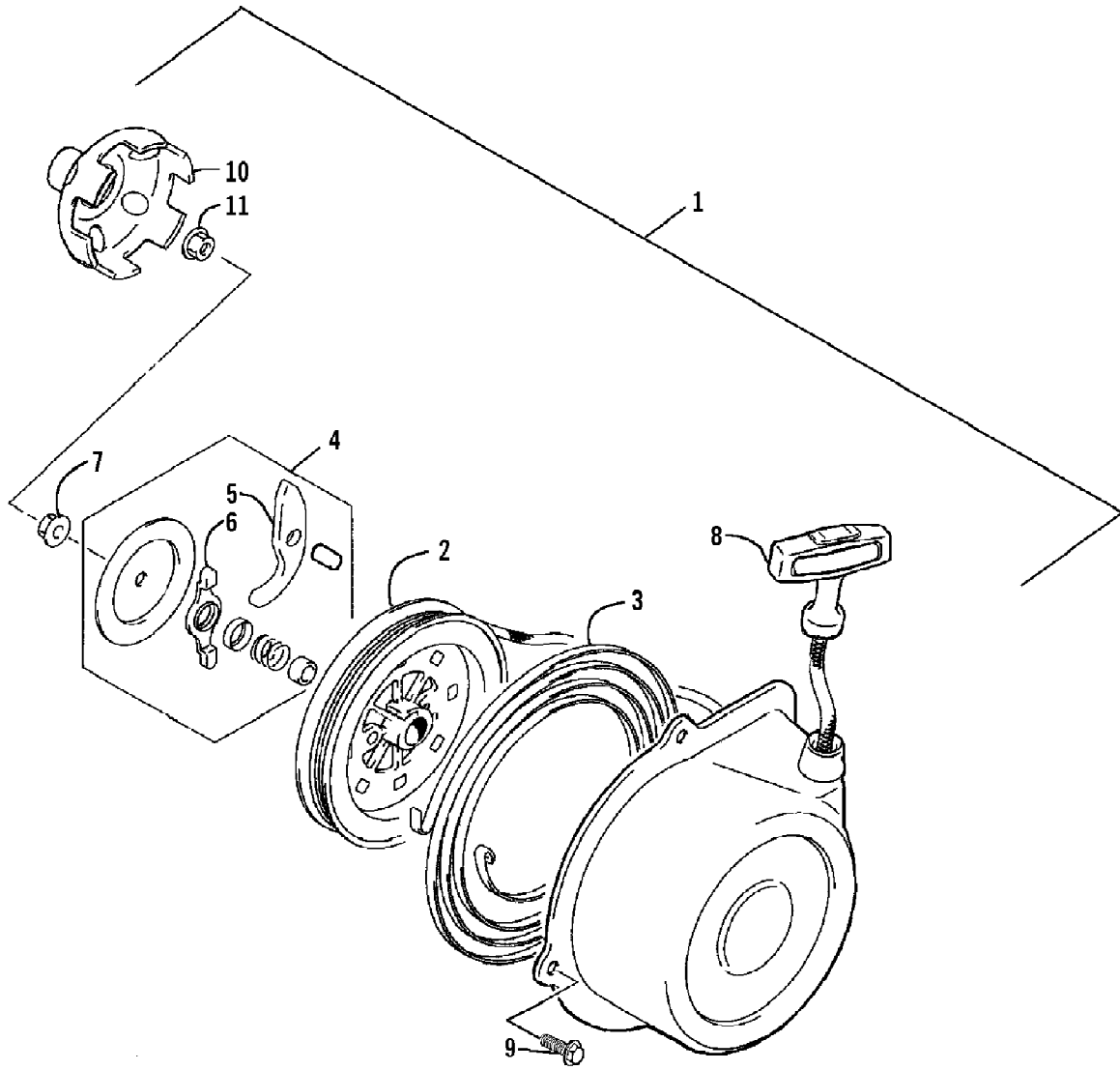
Ref #	Part Number	Qty	S/P/F	Description
42	8428-002	2		Nut, Lock
43	0423-315	3		Clamp, Fitting
44	0410-049	AR		Hose, Vent
45	0470-462	1		Fitting, Vent
46	0623-101	1		Clip, Routing - Snap-In
47	0402-147	1	S	Bladder, Gearcase

2005 ATV 400 AUTOMATIC TRANSMISSION 4X4 TBX GREEN (A2005BBH4B) 63 of 96  
REAR SUSPENSION ASSEMBLY



2005 ATV 400 AUTOMATIC TRANSMISSION 4X4 TBX GREEN (A2005BBH4B) (Page 64 of 96)  
REAR SUSPENSION ASSEMBLY

Ref #	Part Number	Qty	S/P/F	Description
1	0504-372	1	S	Knuckle, Right Rear - Assembly (inc. 2-6)
1	0504-373	1	S/P	Knuckle, Left Rear - Assembly (inc. 2-6)
2	0	1	F	Knuckle - Right
2	0	1	F	Knuckle - Left
3	1402-027	2	S/P	Bearing, Wheel Hub
4	0423-423	2		Ring, Retaining
5	0403-038	4	S/P	Collar, Suspension Bushing
6	0403-032	8	S	Bushing, Suspension
7	0504-320	1	S	A-Arm, Rear - Lower Right (inc. 8-9)
7	0504-321	1	S	A-Arm, Rear - Lower Left (inc. 8-9)
8	0403-115	16	S	Bushing
9	0403-114	8	S	Collar
10	8428-002	14		Nut, Lock
11	8409-000	4		Screw, Cap
12	0504-318	1		A-Arm, Rear - Upper Right (inc. 8-9)
12	0504-319	1		A-Arm, Rear - Upper Left (inc. 8-9)
13	1441-004	1		Guard, Boot - Right
13	1441-005	1		Guard, Boot - Left
14	0423-101	6		Screw, Body
15	1406-071	1		Guard, Boot - Right
15	1406-072	1		Guard, Boot - Left
16	0502-596	2	S	Axle, Drive (inc. 17-18)
17	0441-400	2	S	Clip, Retaining
18	0436-276	2	S	Repair Kit, Boot - Rear Axle
19	8409-075	8		Screw, Cap
20	1603-889	2	/P	Retainer, Spring
21	0404-088	2		Spring, Suspension
22	0404-077	2		Shock Absorber - Rear (inc. 23-24)
23	0604-310	8		Bushing, Shock Absorber
24	0403-028	2		Sleeve, Shock Absorber
25	0404-057	2		Cam, Spring Adjuster
26	8409-050	1		Screw, Cap - Right
26	8409-040	1		Screw, Cap - Left
27	0423-087	2		Washer
28	8408-820	2	/P	Screw, Cap
29	0441-587	1		Wrench, Spanner



2005 ATV 400 AUTOMATIC TRANSMISSION 4X4 TBX GREEN (A2005BBH4B) (Page 66 of 96)  
RECOIL STARTER ASSEMBLY

Ref #	Part Number	Qty	S/P/F	Description
1	3445-003	1		Starter, Recoil - Assembly (inc. 2-8)
2	3445-004	1		Reel
3	3445-007	1		Spring, Sprial
4	3445-016	1		Ratchet - Assembly (inc. 5-6)
5	3445-005	1		Ratchet
6	3445-006	1		Guide, Ratchet
7	3004-488	1	S/P	Nut
8	3445-011	1		Rope Assembly
9	3423-428	4		Screw, Cap
10	3445-029	1	/P	Cup, Starter
11	3004-491	1	S/P	Nut

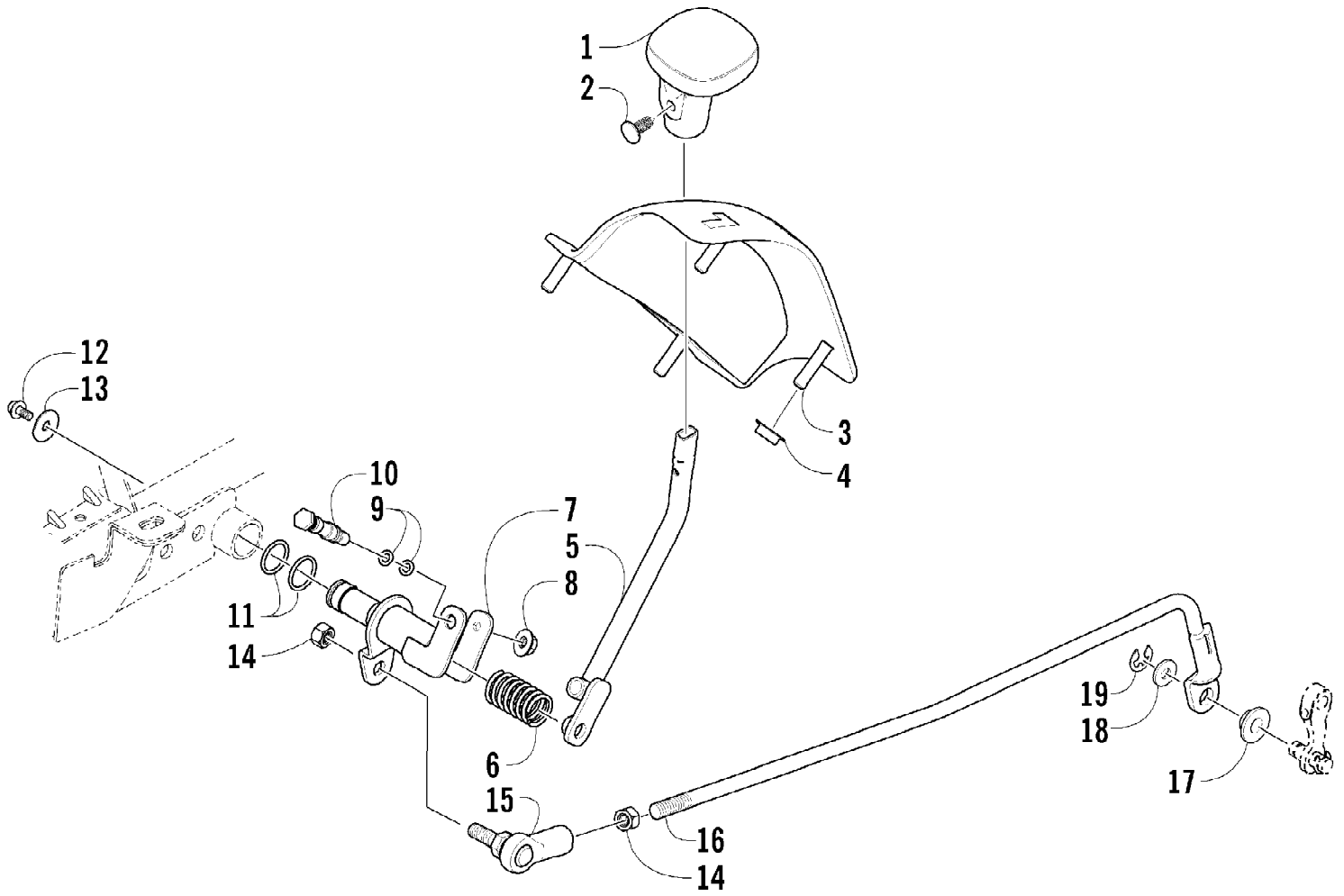
No  
Diagram  
Available  
  
Parts List  
Only

2005 ATV 400 AUTOMATIC TRANSMISSION 4X4 TBX GREEN (A2005BBH4B) (Page 68 of 96)  
RELATED ITEMS

Ref #	Part Number	Qty	S/P/F	Description
	0436-435	1	/P	Accessory Plug - 12V
	0436-660	1	S	Bag, Rack, Front, Black
	0436-183	1	/P	Battery, Heavy Duty
	0436-619	1		Brush Guard/Bumper, Deluxe
	0436-454	1		Cargo Box
	0436-516	1		Cargo Box Portable Light Mount
	0436-625	1		Cargo Box Quick-Release Kit
	0436-459	1	/P	Carryall (9x12)
	0436-460	1		Carryall (11x17)
	0436-462	1		Carryall (10 D)
	0436-466	1		Fender Box
	0436-467	1		Gear Cradle
	0436-464	1		Grill Cradle
	0436-281	1		Gun Scabbard
	0436-637	1		Gun Scabbard Mount (Only)
	0436-352	1		Hand/Thumb Warmer Kit
	0436-103	1		Hourmeter
	2257-177	1		Illustrated Parts Manual
	0436-463	1		Light Bar
	0436-122	1	S	Lunch Pack, Black
	2257-172	1		Manuel d'utilisation (F)
	2257-034	1		Operator's Manual (E)
	0652-024	1		Paint, Metal - Black
	0436-626	1	S	Rack Basket (Front)
	0436-014	1	/P	Safety Flag
	0436-635	1		Snowplow Attachment Kit
	0436-228	1		Snowplow Blade, 50 in. - Straight
	0436-287	1		Snowplow Blade, 50 in. - One-Way
	0436-296	1		Snowplow Blade, 60 in. - Straight
	0436-360	1		Snowplow Blade, 60 in. - One-Way
	0436-636	1	/P	Snowplow, Push Frame
	0436-040	1	/P	Spotlight, Portable
	0436-027	1		Tire Chains, Size C
	1402-028	1		Tire, Titan AT589 (25x8-12, Mud - Snow)
	0402-563	1		Tire, Titan AT589 (25x10-12, Mud - Snow)
	0436-480	1		Utility Bar/Gun Rack
	0436-656	1		Winch Accessories Kit
	0436-655	1		Winch Kit, 2500 lb
	0436-703	1		Windshield, Clear
	0436-623	1		Windshield, Clear w/Black Accent
	0436-470	1		Workbase (8 in.)
	0436-039	1	/P	Worklight, Portable

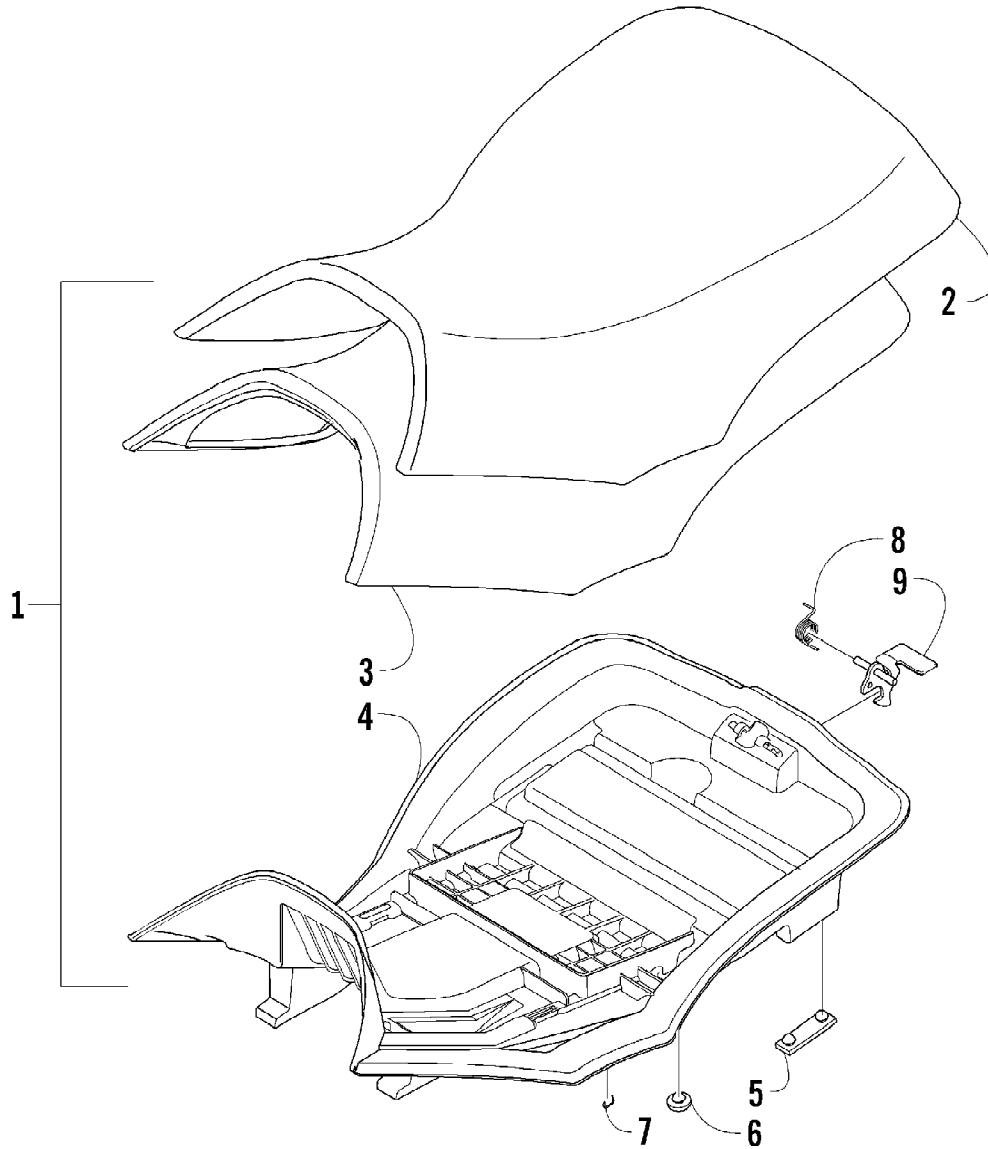


2005 ATV 400 AUTOMATIC TRANSMISSION 4X4 TBX GREEN (A2005BBH4B) 69 of 96  
REVERSE SHIFT LEVER ASSEMBLY



2005 ATV 400 AUTOMATIC TRANSMISSION 4X4 TBX GREEN (A2005BBH4B) (Page 70 of 96)  
REVERSE SHIFT LEVER ASSEMBLY

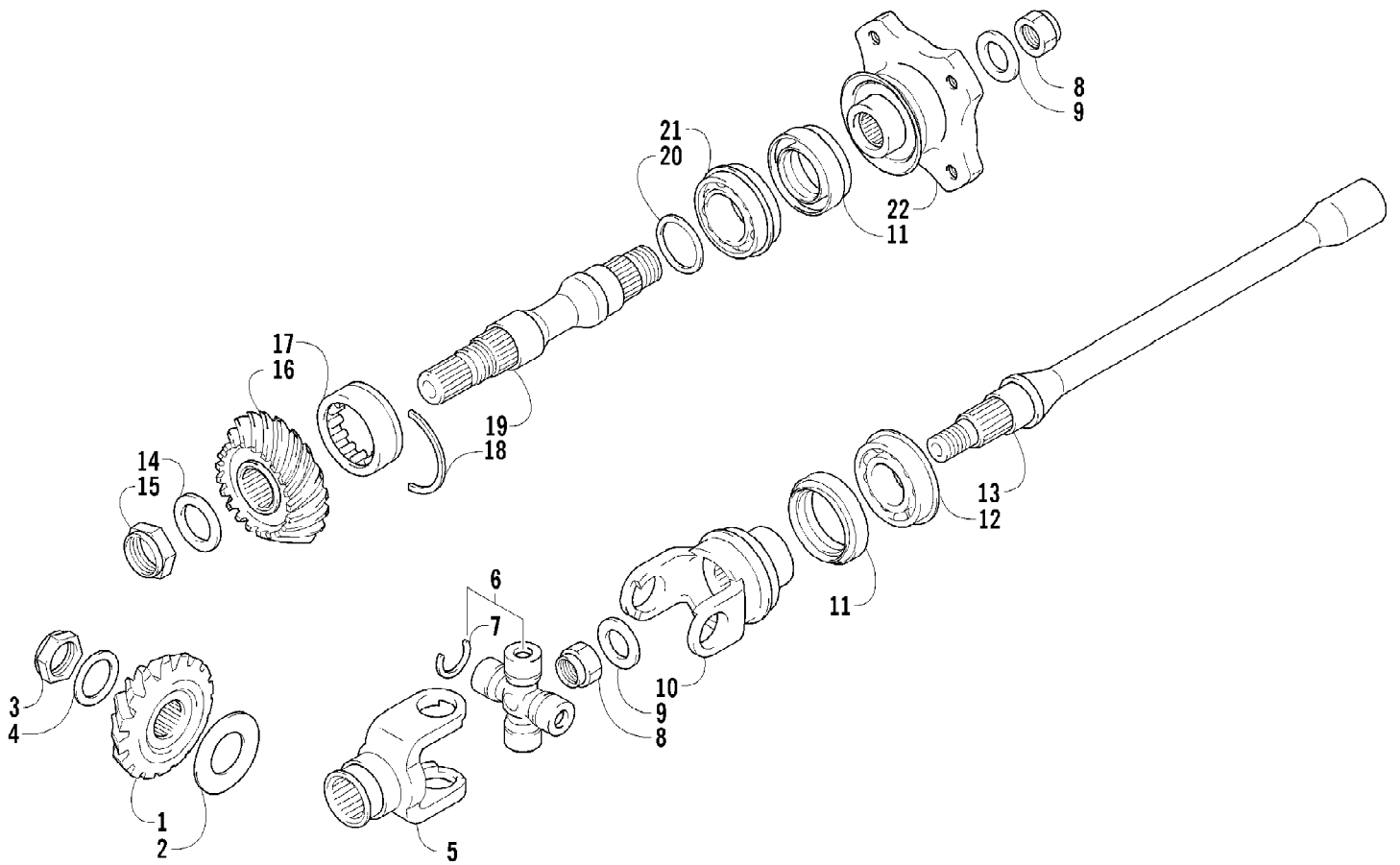
Ref #	Part Number	Qty	S/P/F	Description
1	0402-843	1	/P	Handle, Reverse Shift Lever
2	0423-345	1		Clip, Push
3	1402-110	1		Plate, Shift
4	0423-357	4		Nut, Stamped
5	0502-659	1		Lever, Reverse Shift
6	0502-410	1	S	Spring
7	0502-742	1		Axle, Reverse Shift Lever
8	8424-602	1	/P	Nut
9	0423-182	2	/P	O-Ring
10	0402-675	1		Axle, Pivot
11	0423-299	2	/P	O-Ring
12	8408-812	1		Screw, Cap
13	0423-087	1		Washer
14	0623-294	2		Nut
15	1402-270	1		End, Rod
16	0502-671	1		Linkage, Shift
17	0423-091	1		Bushing
18	3423-204	1	/P	Washer
19	0423-169	1	/P	E-Ring



2005 ATV 400 AUTOMATIC TRANSMISSION 4X4 TBX GREEN (A2005BBH4B15G) 72 of 96  
SEAT ASSEMBLY

Ref #	Part Number	Qty	S/P/F	Description
1	1506-207	1	S	Seat Assembly (inc. 2-9)
2	1506-209	1		Cover, Seat
3	1506-208	1		Foam, Seat
4	1406-362	1	S	Base, Seat Assembly (inc. 5-6)
5	0406-879	2		Bumper, Seat - Rear
6	0406-877	4	/P	Bumper, Seat - Front
7	0624-528	AR	/P	Staple
8	1406-592	1	/P	Spring, Seat Latch
9	1506-156	1		Latch, Seat

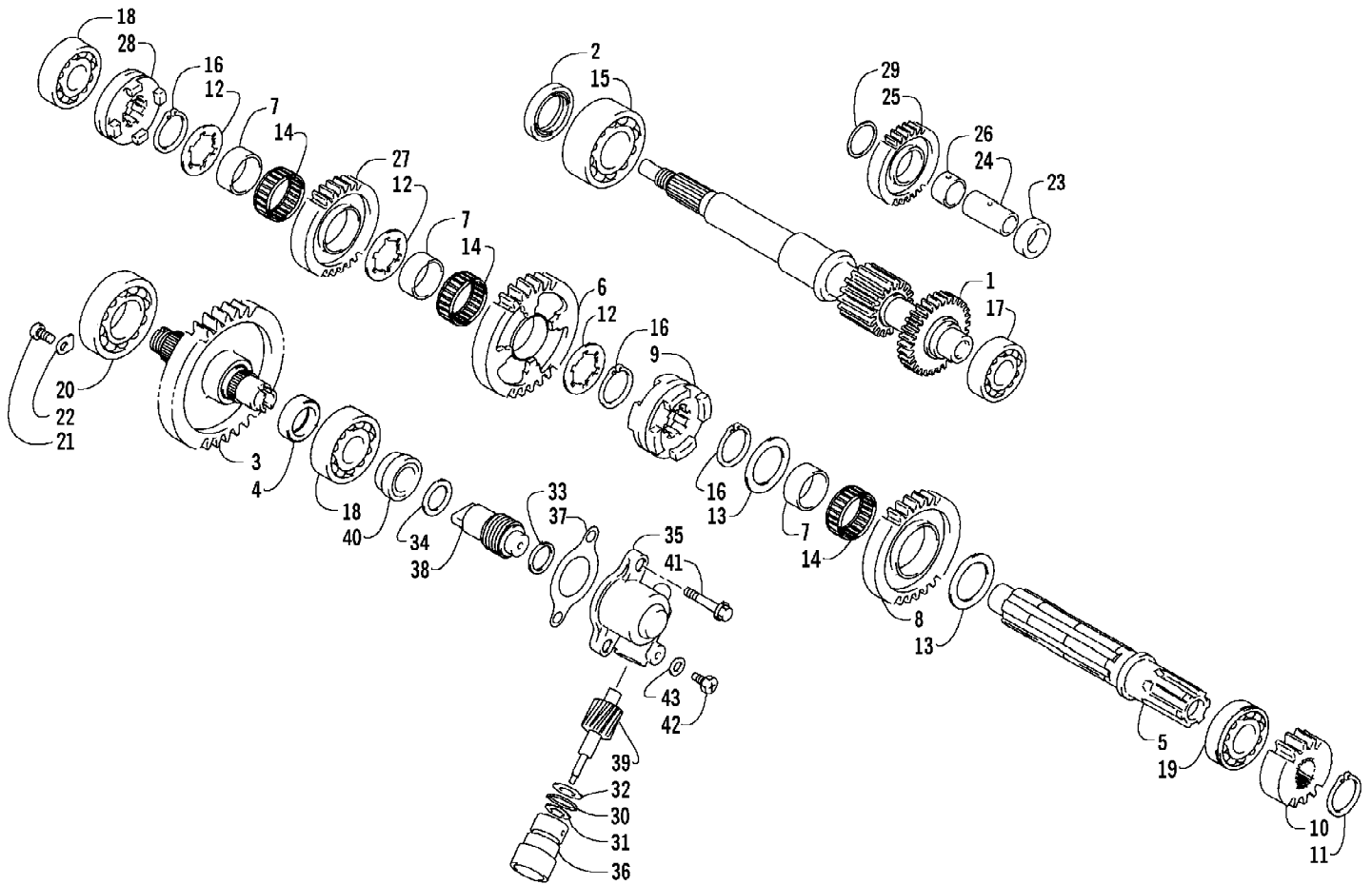
2005 ATV 400 AUTOMATIC TRANSMISSION 4X4 TBX GREEN (A2005BBH4B) 73 of 96  
SECONDARY DRIVE ASSEMBLY



2005 ATV 400 AUTOMATIC TRANSMISSION 4X4 TBX GREEN (A2005BBH4B) (Page 74 of 96)  
SECONDARY DRIVE ASSEMBLY

Ref #	Part Number	Qty	S/P/F	Description
1	3402-637	1		Gear, Secondary Drive
2	3446-035	1		Shim, Secondary Drive Gear - Set
3	3423-023	1		Nut
4	3005-372	1		Washer
5	3446-327	1	/P	Yoke, Propeller Shaft
6	3402-562	1		Joint, Universal - Set (inc. 7)
7	3423-479	4		Circlip
8	3423-025	2		Nut
9	3423-028	1		Washer
10	3402-742	1		Yoke, Drive Output - Front
11	3402-072	2		Seal, Oil
12	3402-558	1		Bearing, Front Secondary Driven Shaft
13	3402-694	1		Shaft, Secondary Driven - Front
14	3423-137	1		Washer, Secondary Driven Gear
15	3423-136	1		Nut, Secondary Driven Gear
16	3402-638	1		Gear, Secondary Driven
17	3402-515	1	/P	Bearing, Driven Gear
18	3423-072	1		C-Ring, Driven Bearing
19	3402-639	1		Shaft, Secondary Driven - Rear
20	3402-017	AR		Shim, 25 x 34 x 0.60 mm
20	3402-018	AR		Shim, 25 x 34 x 0.65 mm
20	3402-019	AR		Shim, 25 x 34 x 0.70 mm
20	3402-020	AR		Shim, 25 x 34 x 0.75 mm
20	3402-021	AR	S	Shim, 25 x 34 x 0.80 mm
20	3402-022	AR		Shim, 25 x 34 x 0.85 mm
20	3402-023	AR		Shim, 25 x 34 x 0.90 mm
20	3402-024	AR		Shim, 25 x 34 x 0.95 mm
20	3402-025	AR	S	Shim, 25 x 34 x 1.00 mm
20	3402-028	AR		Shim, 25 x 34 x 1.05 mm
20	3402-029	AR		Shim, 25 x 34 x 1.10 mm
20	3402-030	AR		Shim, 25 x 34 x 1.15 mm
20	3402-031	AR		Shim, 25 x 34 x 1.20 mm
21	3402-067	1	S	Bearing, Rear Secondary Driven Shaft
22	3402-514	1	/P	Flange, Output Joint - Rear

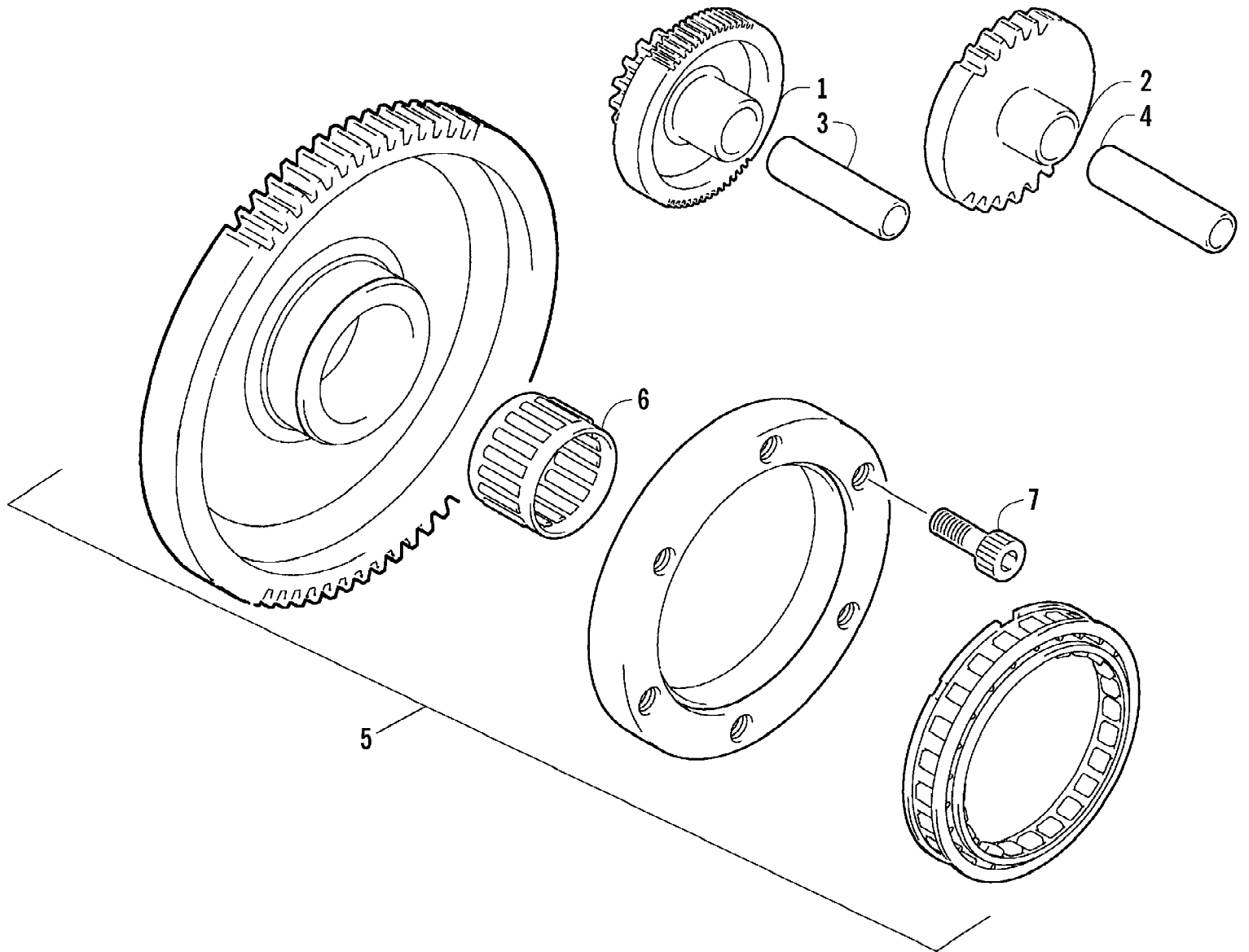
2005 ATV 400 AUTOMATIC TRANSMISSION 4X4 TBX GREEN (A2005BBH4B) (150) 75 of 96  
SECONDARY TRANSMISSION ASSEMBLY



2005 ATV 400 AUTOMATIC TRANSMISSION 4X4 TBX GREEN (A2005BBH4B) (Page 76 of 96)  
SECONDARY TRANSMISSION ASSEMBLY

Ref #	Part Number	Qty	S/P/F	Description
1	3402-665	1		Driveshaft
2	3402-537	1	/P	Seal, Driveshaft
3	3402-666	1		Shaft, Output
4	3423-494	1		Spacer, Output Shaft
5	3402-667	1		Countershaft
6	3402-668	1	/P	Gear, Driven - Low
7	3402-494	3		Bushing
8	3402-495	1		Gear, Driven - High
9	3402-496	1		Dog, Sliding
10	3402-669	1		Gear, Drive - No. 2
11	3423-191	1	/P	Circlip
12	3423-263	3		Washer
13	3423-448	2		Washer
14	3402-498	3		Bearing
15	3402-499	1		Bearing, Driveshaft
16	3423-066	3	/P	Circlip
17	3003-261	1	/P	Bearing, Driveshaft - Left
18	3402-045	2	/P	Bearing, Shaft
19	3004-209	1	/P	Bearing, Shaft
20	3402-055	1	/P	Bearing, Output Shaft
21	3423-370	2		Screw, Bearing Retainer
22	3446-031	2	/P	Retainer, Bearing
23	3423-442	1		Spacer, Reverse Idle Gear
24	3402-634	1		Shaft, Reverse Idle
25	3402-503	1		Gear, Reverse Idle
26	3446-103	1		Bushing, Reverse Idle Gear
27	3402-635	1		Gear, Reverse Driven
28	3402-636	1		Dog, Reverse Driven Gear
29	3402-195	2		Washer, Reverse Idle Gear
30	3423-056	1		O-Ring
31	3402-077	1		Seal, Driven Gear
32	3423-144	1		Washer, Driven Gear
33	3423-336	1		Washer
34	3423-502	1	/P	Washer
35	3446-057	1		Housing, Speedometer Gear
36	3446-058	1		Sleeve
37	3446-244	1	/P	Gasket, Housing
38	3446-284	1		Gear, Drive
39	3446-285	1		Gear, Driven
40	3446-114	1	/P	Spacer, Driven Gear
41	3423-346	2	S	Bolt, Housing
42	3423-143	1	S	Bolt, Driven Gear
43	3402-009	1	/P	Washer, Driven Gear

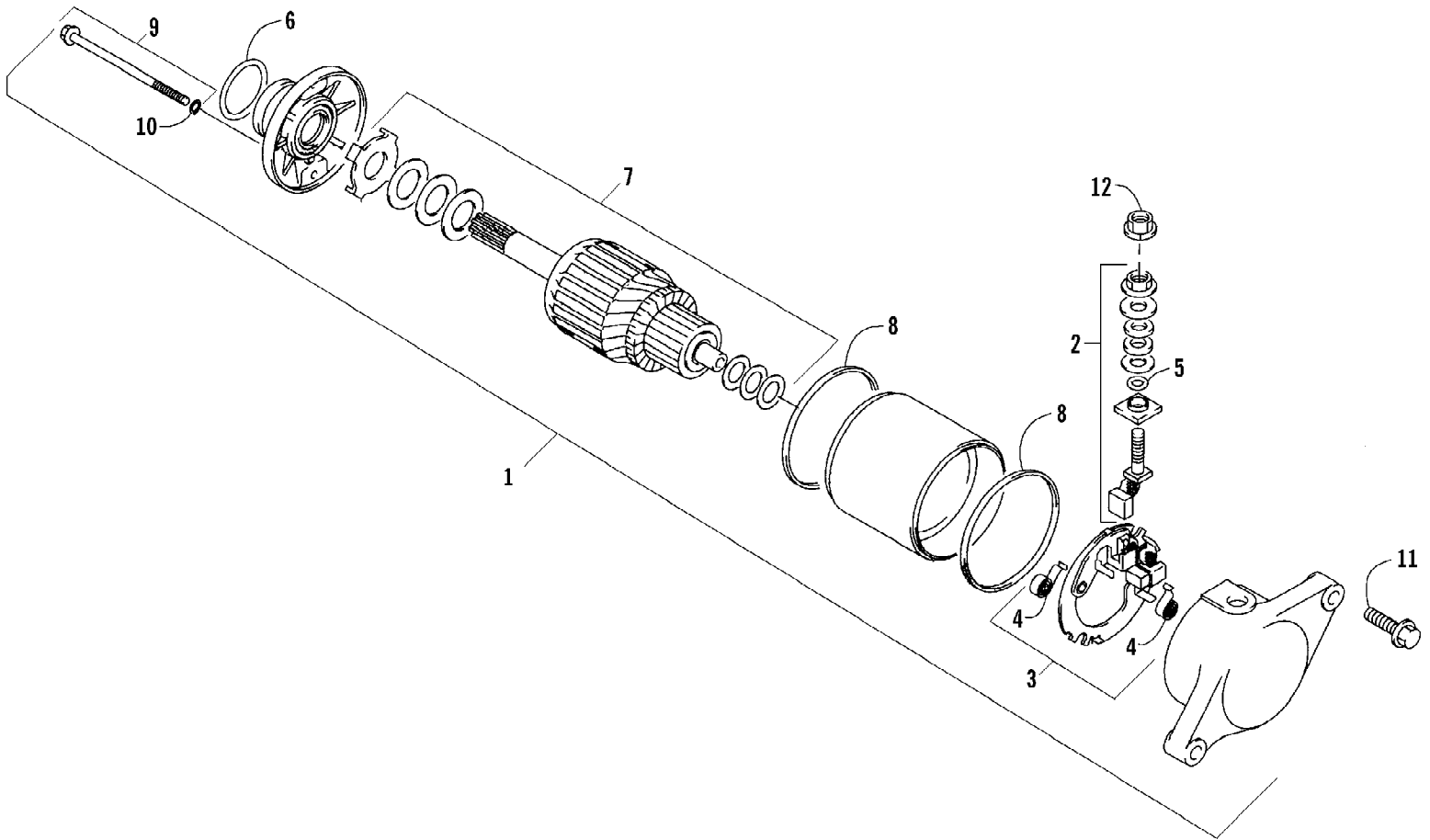




2005 ATV 400 AUTOMATIC TRANSMISSION 4X4 TBX GREEN (A2005BBH4BUSA) Page 78 of 96  
 STARTER CLUTCH ASSEMBLY

Ref #	Part Number	Qty	S/P/F	Description
1	3402-603	1		Gear, Starter Idler - No. 1
2	3402-124	1		Gear, Starter Idler - No. 2
3	3423-331	1		Pin, Starter Idler Gear No. 1
4	3423-397	1		Pin, Starter Idler Gear No. 2
5	3402-690	1	S	Clutch, Starter - Set (inc. 6)
6	3402-674	1		Bearing
7	3423-102	6	S	Bolt

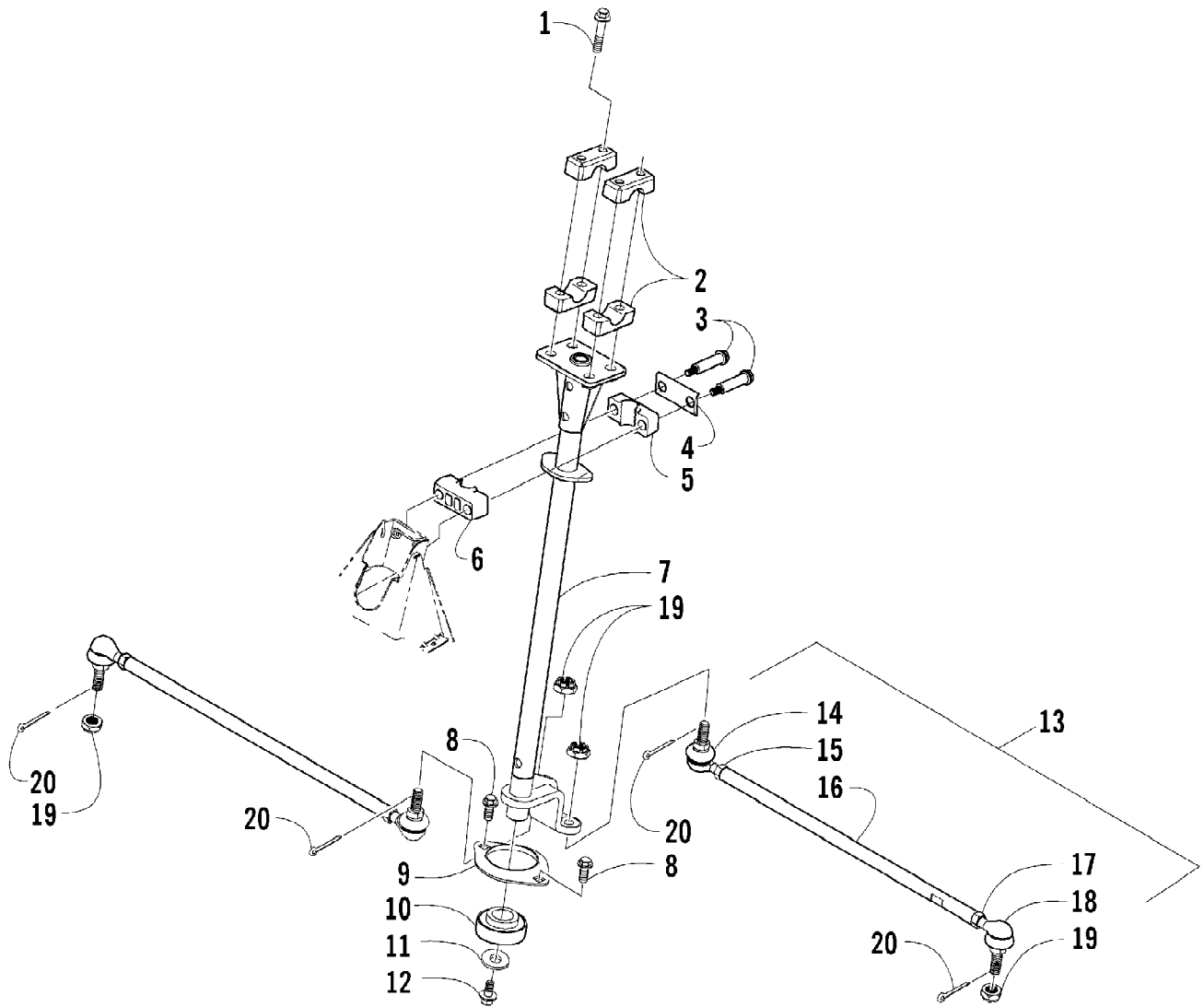
2005 ATV 400 AUTOMATIC TRANSMISSION 4X4 TBX GREEN (A2005BBH4B) (150) 79 of 96  
STARTER MOTOR ASSEMBLY



2005 ATV 400 AUTOMATIC TRANSMISSION 4X4 TBX GREEN (A2005BBH4B) (Page 80 of 96)  
STARTER MOTOR ASSEMBLY

Ref #	Part Number	Qty	S/P/F	Description
1	3545-016	1		Motor, Starter Assembly (inc. 2-10)
2	3402-671	1		Terminal Set, Brush
3	3402-672	1		Holder Set, Brush
4	3008-551	4		Spring, Brush
5	3008-164	1		O-Ring
6	3423-272	1		O-Ring
7	3008-099	1		Washer Set
8	3423-497	2		O-Ring
9	3423-498	2		Through-Bolt (inc. 10)
10	3423-496	2		O-Ring
11	3004-756	2	S	Bolt
12	3423-195	1	/P	Nut

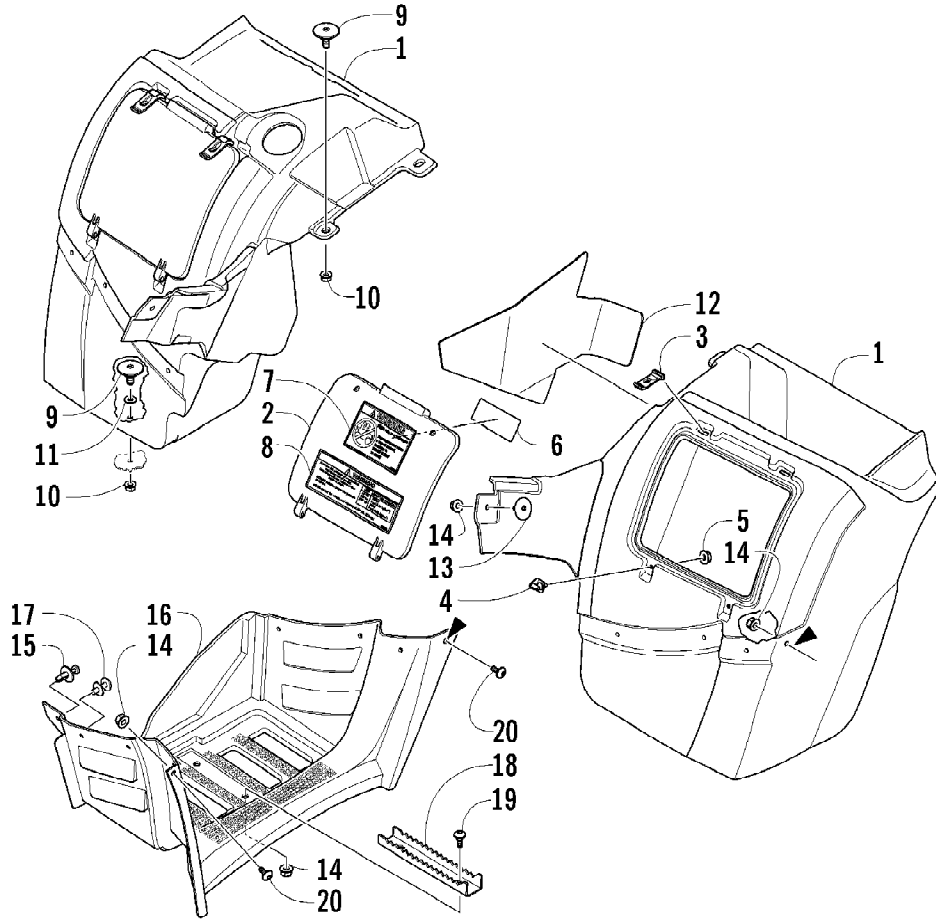
2005 ATV 400 AUTOMATIC TRANSMISSION 4X4 TBX GREEN (A2005BBH4B) 81 of 96  
STEERING POST ASSEMBLY



2005 ATV 400 AUTOMATIC TRANSMISSION 4X4 TBX GREEN (A2005BBH4B) (Page 82 of 96)  
STEERING POST ASSEMBLY

Ref #	Part Number	Qty	S/P/F	Description
1	8408-860	4		Screw, Cap
2	0405-035	4		Cap, Steering Adjuster
3	0423-505	2		Screw, Shoulder
4	0405-166	1		Cap, Housing
5	0405-138	1		Housing, Lower
6	0405-139	1		Housing, Upper
7	0505-451	1	S	Post, Steering
8	8408-816	2		Screw, Cap
9	0602-233	1		Flange, Bearing
10	0405-052	1		Bearing w/Inverted Oil Seal
11	0423-073	1		Washer
12	8409-020	1	/P	Screw, Cap
13	0505-408	2	S	Tie Rod - Assembly (inc. 14-18)
14	0405-083	2	S	Ball Joint, Tie Rod - Left
15	0423-013	2		Nut - Left
16	0405-107	2	S	Tie Rod
17	8420-002	2	/P	Nut - Right
18	0405-082	2	S	Ball Joint, Tie Rod - Right
19	0423-157	4		Nut, Lock
20	0623-175	4		Pin, Cotter

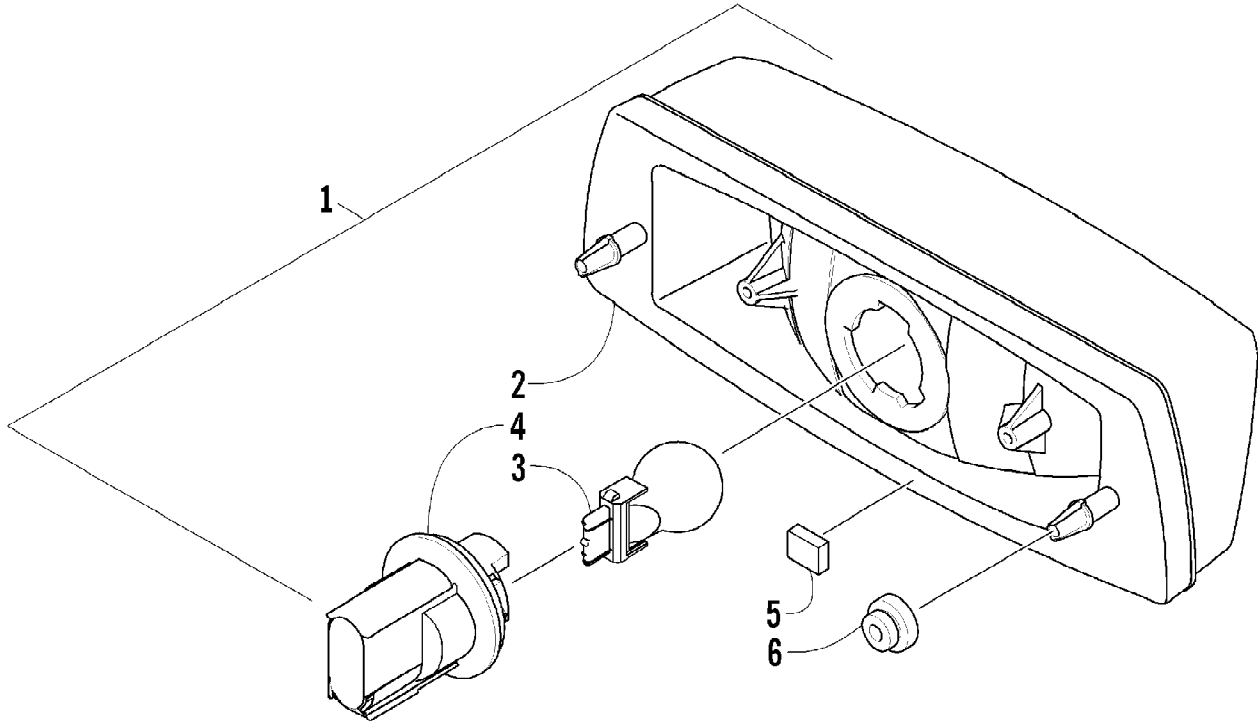
2005 ATV 400 AUTOMATIC TRANSMISSION 4X4 TBX GREEN (A2005BBH4B) 83 of 96  
STORAGE BOX ASSEMBLY



2005 ATV 400 AUTOMATIC TRANSMISSION 4X4 TBX GREEN (A2005BBH4B) (USA) 84 of 96  
STORAGE BOX ASSEMBLY

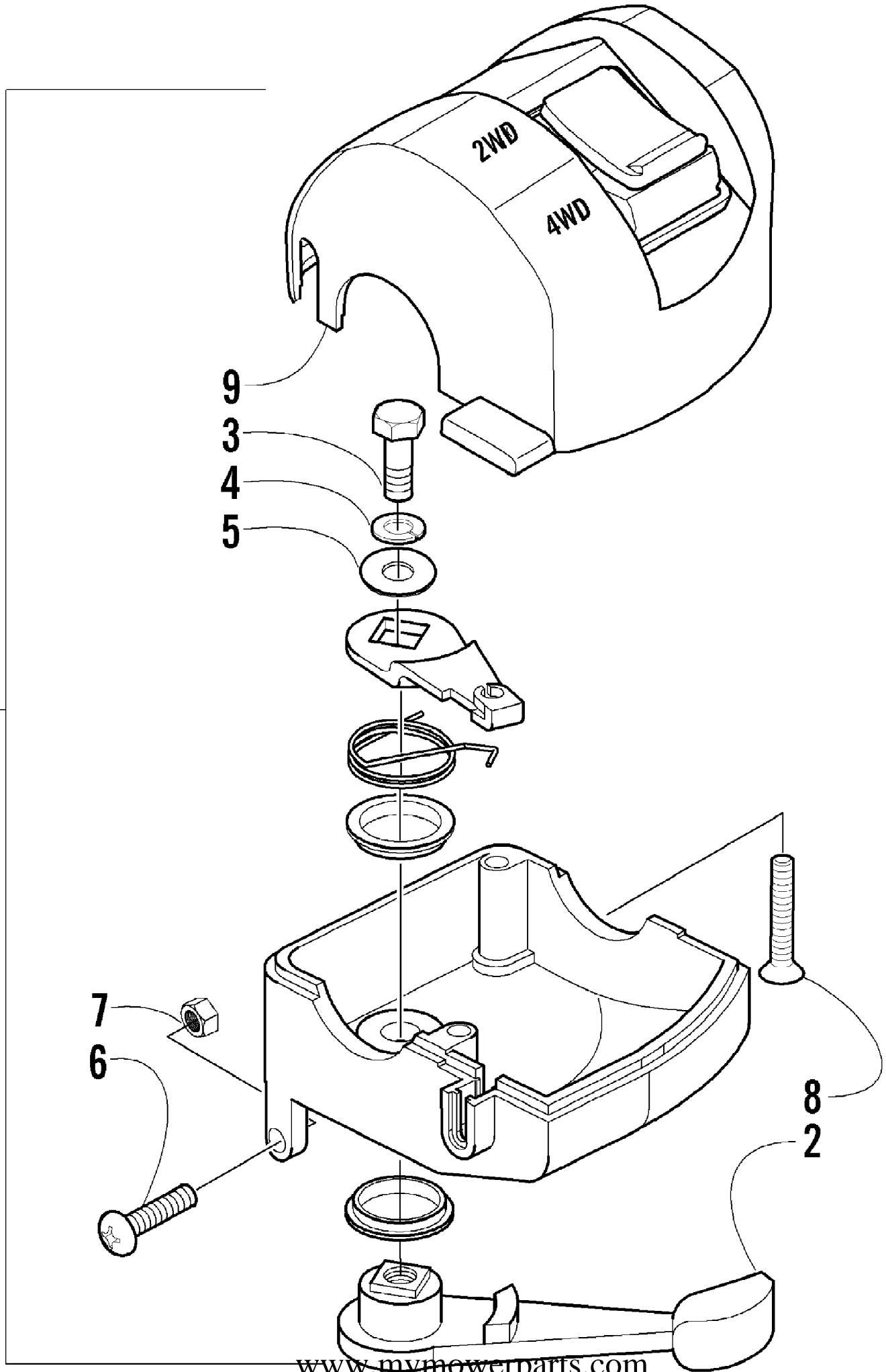
Ref #	Part Number	Qty	S/P/F	Description
1	1506-513	1		Box, Storage - Right (inc. 2-6)
1	1506-514	1		Box, Storage - Left (inc. 2-8)
2	1506-020	2		Hatch
3	1406-134	4		Strap, Hatch
4	0506-674	4		Hinge
5	8424-502	4		Nut
6	0411-487	2		Decal, Caution - Capacity
7	0411-435	1		Decal, Warning - Passenger
8	0411-589	1		Decal, Warning - Tire Pressure
9	0423-130	8		Screw, Shoulder
10	8424-602	8	/P	Nut
11	0673-349	4		Gasket
12	0412-316	1	/P	Shield, Heat
13	0423-101	2		Screw, Shoulder
14	0423-540	12		Nut, Lock
15	0623-362	2		Rivet, Reinstallable
16	1406-356	1		Footwell - Right
16	1406-518	1	S	Footwell - Left
17	0423-046	6		Rivet, Reinstallable
18	1506-125	2	/P	Footpeg
19	0423-355	4		Screw, Shoulder
20	0423-419	8		Screw, Machine





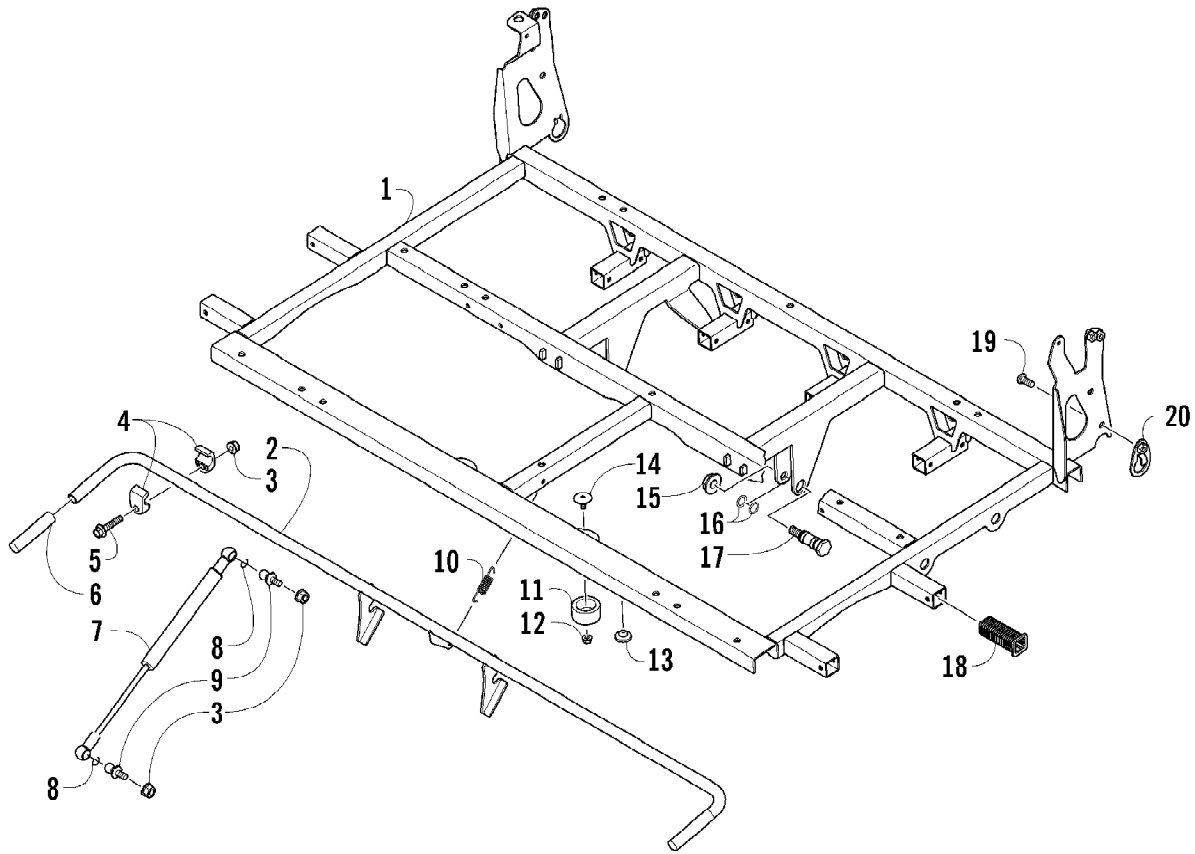
2005 ATV 400 AUTOMATIC TRANSMISSION 4X4 TBX GREEN (A2005BBH4B15G) 86 of 96  
TAILLIGHT ASSEMBLY

Ref #	Part Number	Qty	S/P/F	Description
1	0509-022	1		Taillight Assembly (inc. 2-4)
2	0509-025	1		Housing, Taillight
3	0409-056	1		Bulb, Taillight
4	0409-057	1		Socket, Taillight
5	1406-790	4		Pad, Taillight
6	0423-534	2		Grommet



2005 ATV 400 AUTOMATIC TRANSMISSION 4X4 TBX GREEN (A2005BBH4B15G) 88 of 96  
 THROTTLE CASE ASSEMBLY

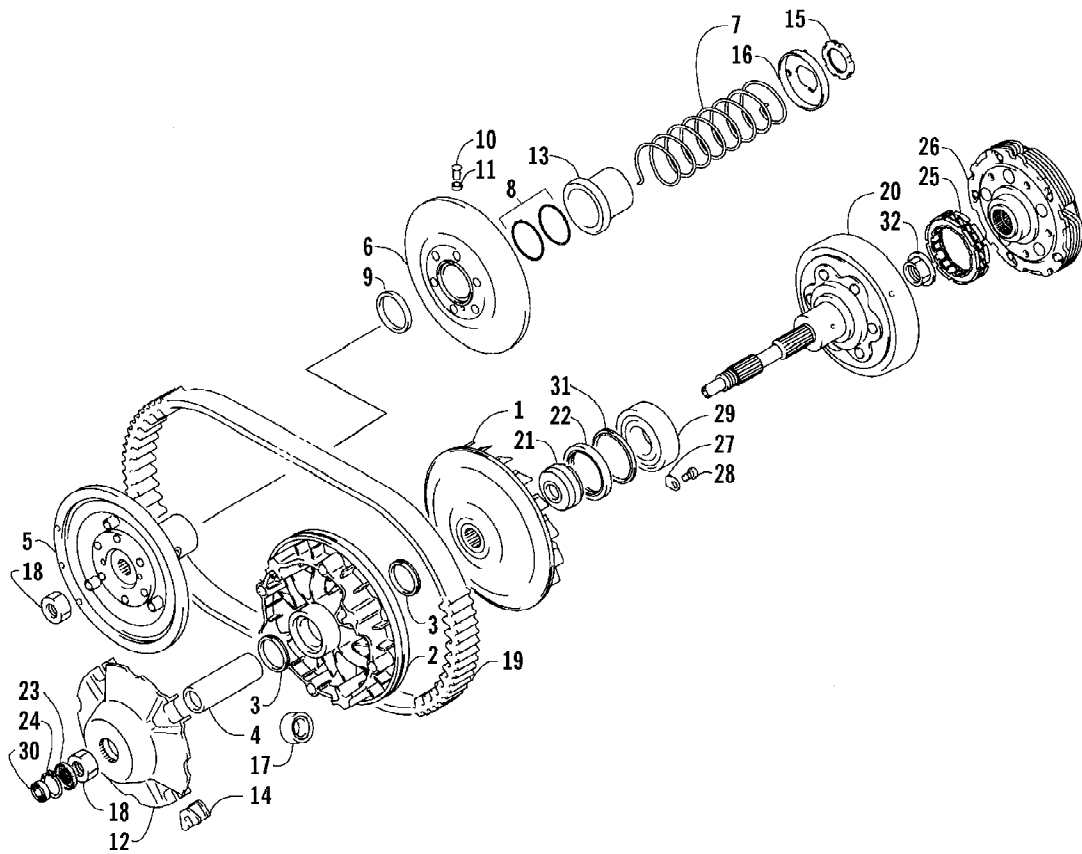
Ref #	Part Number	Qty	S/P/F	Description
1	0509-012	1		Case, Throttle - Assembly (inc. 2-9)
2	3409-001	1		Lever
3	3004-533	1	S/P	Screw, Cap
4	3004-447	1	/P	Washer, Lock
5	3003-030	1	/P	Washer
6	3423-014	1		Screw
7	3423-327	1		Nut
8	3423-199	2		Screw
9	0409-048	1		Cover, Throttle w/Switch



2005 ATV 400 AUTOMATIC TRANSMISSION 4X4 TBX GREEN (A2005BBH4B) 90 of 96  
 TILT FRAME ASSEMBLY

Ref #	Part Number	Qty	S/P/F	Description
1	1506-526	1		Frame, Tilt
2	1506-528	1		Latch, Tilt Frame
3	8424-802	6		Nut, Flange
4	1406-674	8		Bushing, Pivot
5	8408-840	4		Screw, Cap
6	1406-736	2		Grip, Latch
7	0506-822	1		Support, Lift
8	0423-414	2		Ring, Retaining
9	0423-401	2		Stud, Lift Support
10	0423-569	1		Spring, Extension
11	1506-593	2		Bumper, Tilt Frame
12	8424-602	2	/P	Nut, Flange
13	0406-877	2	/P	Bumper
14	0423-130	2		Screw, Shoulder
15	0423-388	2		Nut, Flange
16	1602-213	4	/P	O-Ring
17	0423-433	2		Pin, Pivot - Cargo Box
18	0441-556	8		Bushing
19	0423-396	1		Screw, Machine
20	1506-539	1		Bracket, Mounting - Tailgate

2005 ATV 400 AUTOMATIC TRANSMISSION 4X4 TBX GREEN (A2005BBH4B) (USA) 91 of 96  
TRANSMISSION ASSEMBLY

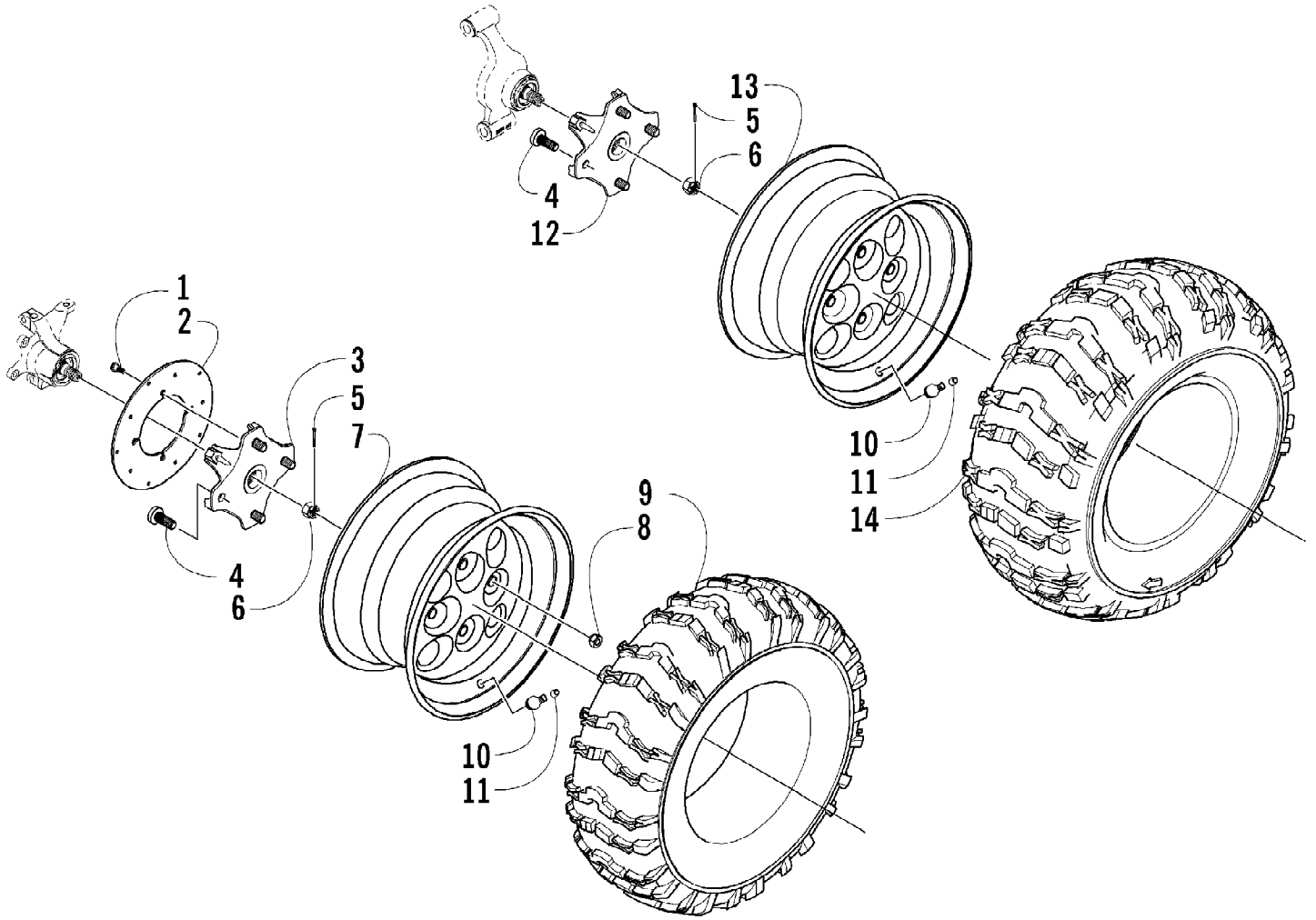


2005 ATV 400 AUTOMATIC TRANSMISSION 4X4 TBX GREEN (A2005BBH4B) (Page 92 of 96)  
TRANSMISSION ASSEMBLY

Ref #	Part Number	Qty	S/P/F	Description
1	3402-622	1		Face, Fixed Drive
2	3402-623	1		Face, Movable Drive
3	3402-624	2		Seal, Movable Drive Face
4	3402-625	1		Spacer, Movable Drive Face
5	3402-626	1	S	Face, Fixed Driven
6	3402-627	1		Face, Movable Driven
7	3423-486	1		Spring, Movable Driven Face
8	3423-487	2		O-Ring, Movable Driven Face
9	3402-629	2		Seal, Movable Driven Face
10	3402-477	3		Pin, Movable Driven Face
11	3402-478	3		Spacer, Movable Driven Face
12	3402-630	1		Plate, Movable Drive Face
13	3402-631	1		Sleeve, Movable Driven Face
14	3402-481	4		Damper, Movable Drive Face
15	3423-489	1		Nut, Driven Pulley
16	3402-632	1		Holder, Movable Driven Face Spring
17	3402-633	8		Roller, Movable Drive Face
18	3423-437	2		Nut
19	3402-664	1		V-Belt
20	3402-620	1		Housing, Clutch
21	3402-621	1		Spacer, Fixed Drive Face
22	3402-977	1	/P	Seal, Clutch Housing
23	3402-574	1		Seal, Clutch Housing
24	3423-505	1	S	Circlip
25	3446-003	1		Clutch, One-Way
26	3446-278	1	S	Shoe, Clutch - Assembly
27	3446-031	2	/P	Retainer, Bearing
28	3423-435	2		Screw, Bearing Retainer
29	3402-567	1		Bearing
30	3402-693	1		Bearing
31	3423-353	1	/P	O-Ring
32	3423-501	1		Nut



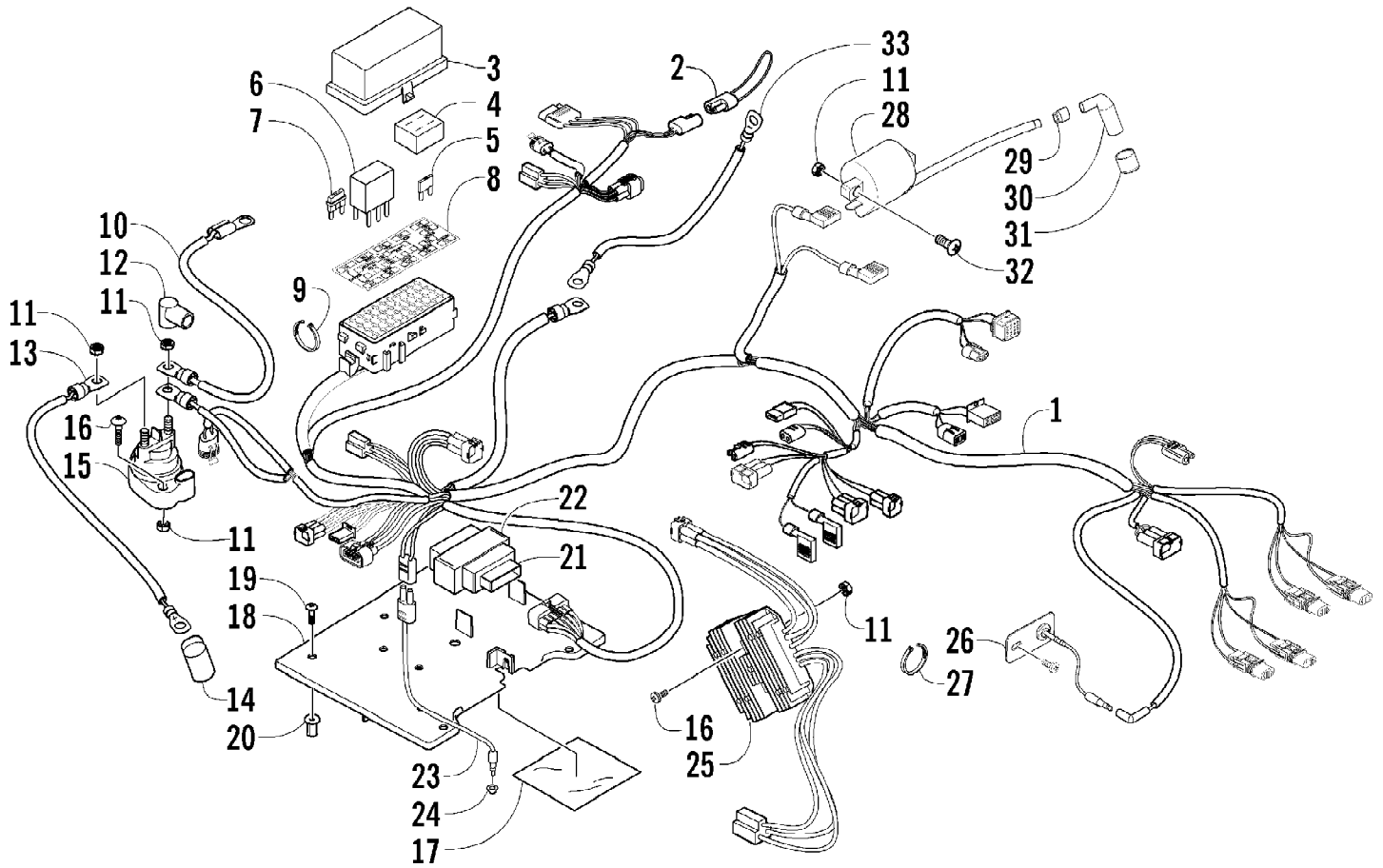
2005 ATV 400 AUTOMATIC TRANSMISSION 4X4 TBX GREEN (A2005BBH4B) 93 of 96  
WHEEL AND TIRE ASSEMBLY



2005 ATV 400 AUTOMATIC TRANSMISSION 4X4 TBX GREEN (A2005BBH4B) (USA) 94 of 96  
WHEEL AND TIRE ASSEMBLY

Ref #	Part Number	Qty	S/P/F	Description
1	0423-557	12		Screw, Shoulder
2	1402-225	3	S	Disc, Brake
3	0502-599	2	S	Hub, Wheel - Front (inc. 4)
4	0402-974	16	/P	Stud, Wheel Hub
5	0423-407	4		Pin, Cotter
6	0423-394	4		Nut, Castle
7	0402-856	2		Wheel - Front
8	0423-408	16	/P	Nut, Lug
9	1402-100	2		Tire - Front
10	0402-064	4		Stem, Valve (inc. 11)
11	0402-140	4		Cap, Valve Stem
12	0502-599	1	S	Hub, Wheel - Rear - Right (inc. 4)
12	0502-601	1	S	Hub, Wheel - Rear - Left (inc. 4)
13	0402-858	2		Wheel - Rear
14	1402-101	2		Tire - Rear

2005 ATV 400 AUTOMATIC TRANSMISSION 4X4 TBX GREEN (A2005BBH4B) 95 of 96  
WIRING HARNESS ASSEMBLY



2005 ATV 400 AUTOMATIC TRANSMISSION 4X4 TBX GREEN (A2005BBH4B) (Page 96 of 96)  
WIRING HARNESS ASSEMBLY

Ref #	Part Number	Qty	S/P/F	Description
1	0486-166	1		Harness, Main (inc. 2-8 and two No. 9)
2	0486-164	1		Tether, Accessory Connector
3	0530-008	1		Cover, Fuse Block
4	0430-037	1		Holder, Fuse
5	0430-034	3		Diode
6	0430-033	3	F	Relay
7	0430-032	4		Fuse - 10 Amp
7	0430-031	3		Fuse - 15 Amp
7	0430-030	2		Fuse - 30 Amp
8	0411-838	1		Decal, Fuse Block
9	0123-788	AR	/P	Cable Tie - 7.5 in.
10	0445-044	1	S	Cable, Solenoid/Starter
11	0623-038	7		Nut w/Washer
12	0645-327	1		Boot, Terminal
13	0445-046	1	S	Cable, Battery/Solenoid (inc. 14)
14	0645-019	1		Boot, Terminal
15	0445-036	1	S	Solenoid
16	8476-625	4		Screw, Machine
17	0412-291	1		Shield, Heat
18	1406-787	1		Tray, Electrical
19	0623-121	4		Screw, Machine
20	0123-010	4	/P	Nut, Expansion
21	3402-683	1		CDI Unit
22	3402-684	1		Cushion, CDI Unit
23	0409-009	1		Switch, Brake - Assembly
24	0402-991	1		Retainer, Brake Switch
25	3530-028	1	S	Regulator, Voltage
26	0509-011	1	S	Diode - Assembly
27	0123-903	AR		Cable Tie - 11.5 in.
28	3430-055	1		Coil, Ignition - Assembly
29	3430-009	1	/P	Seal, High Tension Wire
30	3430-007	1	/P	Cap, Spark Plug
31	3430-008	1	/P	Seal, Spark Plug
32	8476-620	2		Screw, Machine
33	0445-045	1	S	Cable, Battery/Ground