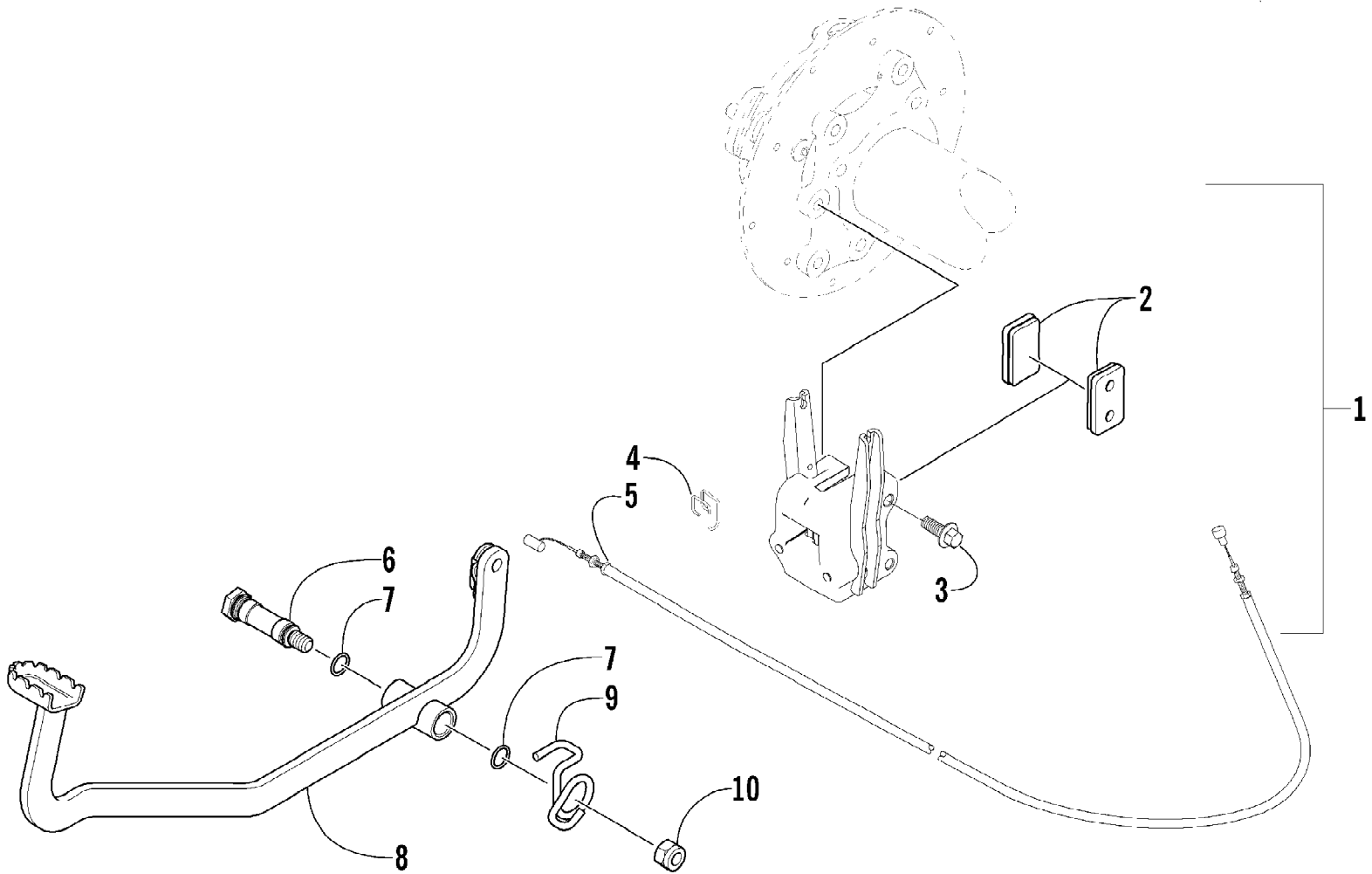


2005 ATV 400 AUTOMATIC TRANSMISSION 4X4 RED (A2005ATH4BUSR)  
AIR INTAKE ASSEMBLY

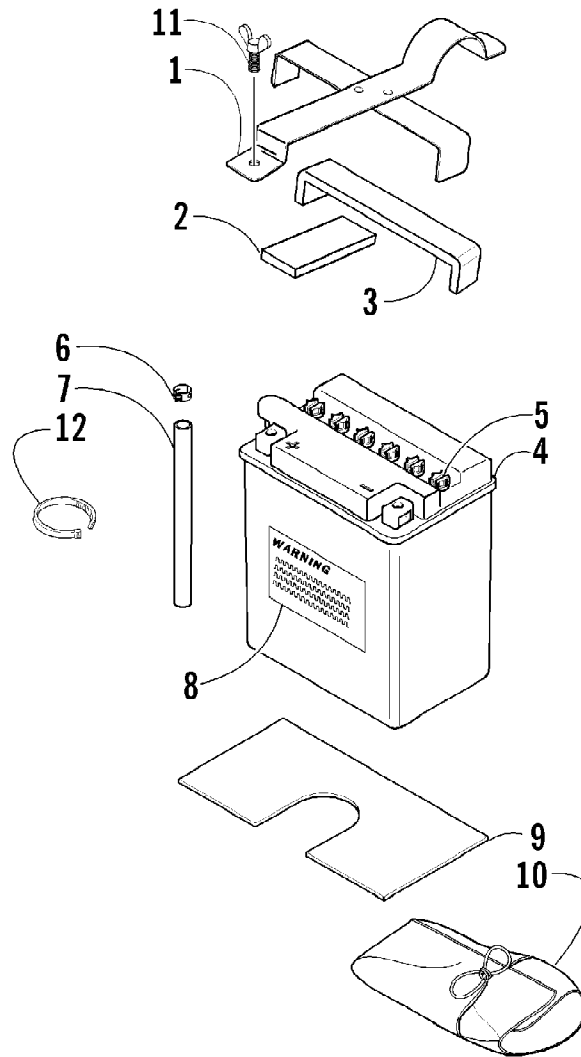
Page 2 of 90

Ref #	Part Number	Qty	S/P/F	Description
1	0423-019	1		Clamp
2	0470-467	1		Boot, Air Intake
3	0423-018	2		Clamp
4	0470-446	1	/P	Housing, Air Intake
5	0470-391	1	/P	Filter, Air
6	0470-343	1		Gasket
7	0470-383	1	/P	Snorkel
8	0470-307	4		Clamp
9	0423-037	4		Spring
10	0623-121	4		Screw, Machine
11	0123-010	4	/P	Nut, Expansion
12	0470-351	2		Support, Air Intake Flange
13	0412-141	1		Shield, Heat
14	0470-442	1	/P	Valve, Drain
15	0623-101	1		Clip, Retaining
16	1673-272	1	/P	Cap, Drain Tube
17	0423-047	1		Clamp, Hose
18	0423-045	2		Clamp, Hose
19	0410-045	1		Hose, Crankcase Vent
20	0470-470	1		Carburetor
21	0510-592	1		Hose, Carburetor Drain

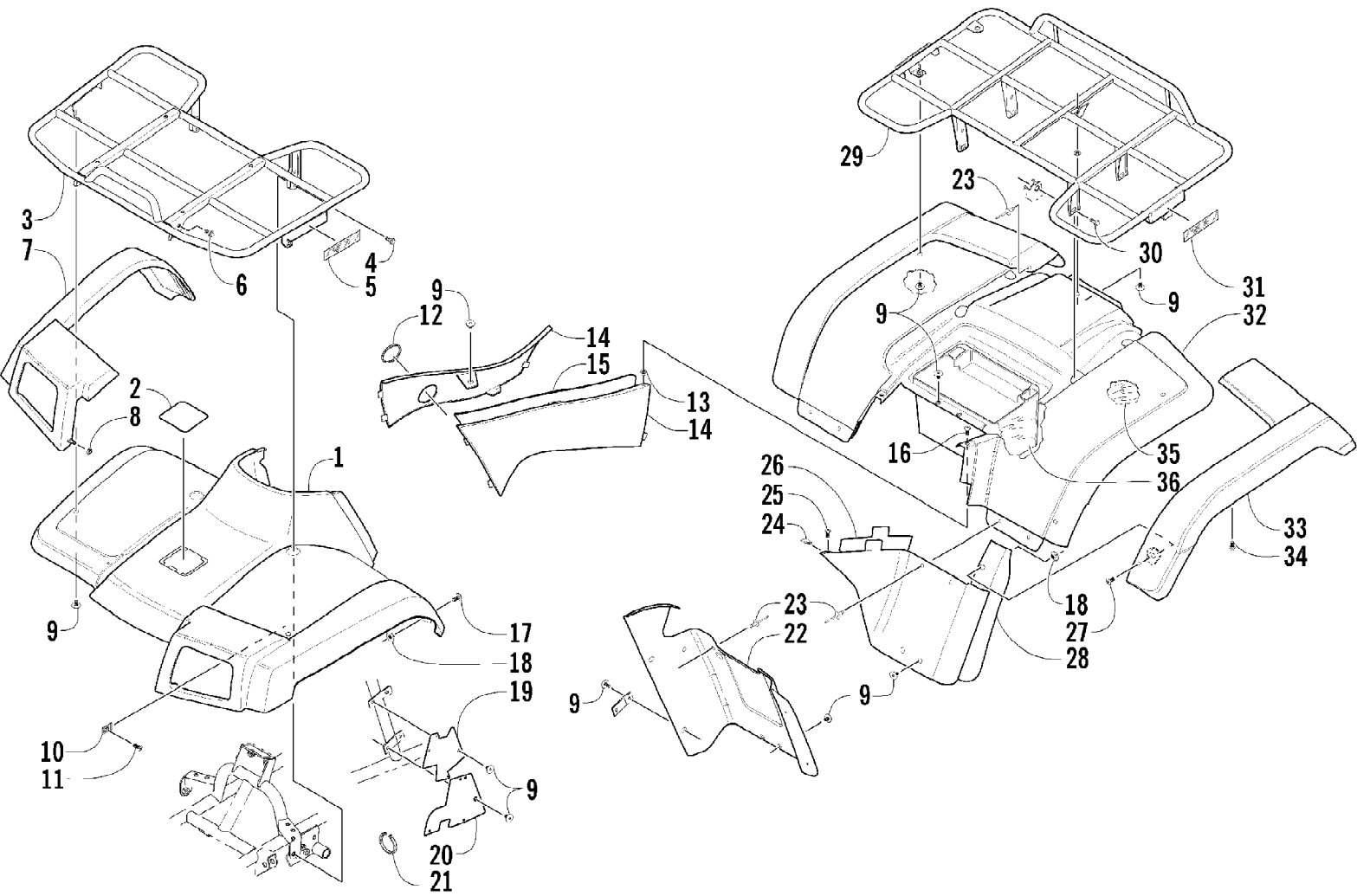


2005 ATV 400 AUTOMATIC TRANSMISSION 4X4 RED (A2005ATH4BUSR) Page 4 of 90  
AUXILIARY BRAKE ASSEMBLY

Ref #	Part Number	Qty	S/P/F	Description
1	0502-372	1	/P	Auxiliary Brake Assembly (inc. 2)
2	0402-958	2	/P	Pad, Brake
3	8408-820	2	/P	Screw, Cap
4	0402-379	1		Wire Form, Cable
5	0487-006	1		Cable, Brake - Rear
6	0402-872	1		Axle, Brake Lever
7	0423-096	2		O-Ring
8	0502-252	1		Lever, Brake
9	0502-395	1	/P	Spring, Brake Lever
10	8422-002	1		Nut

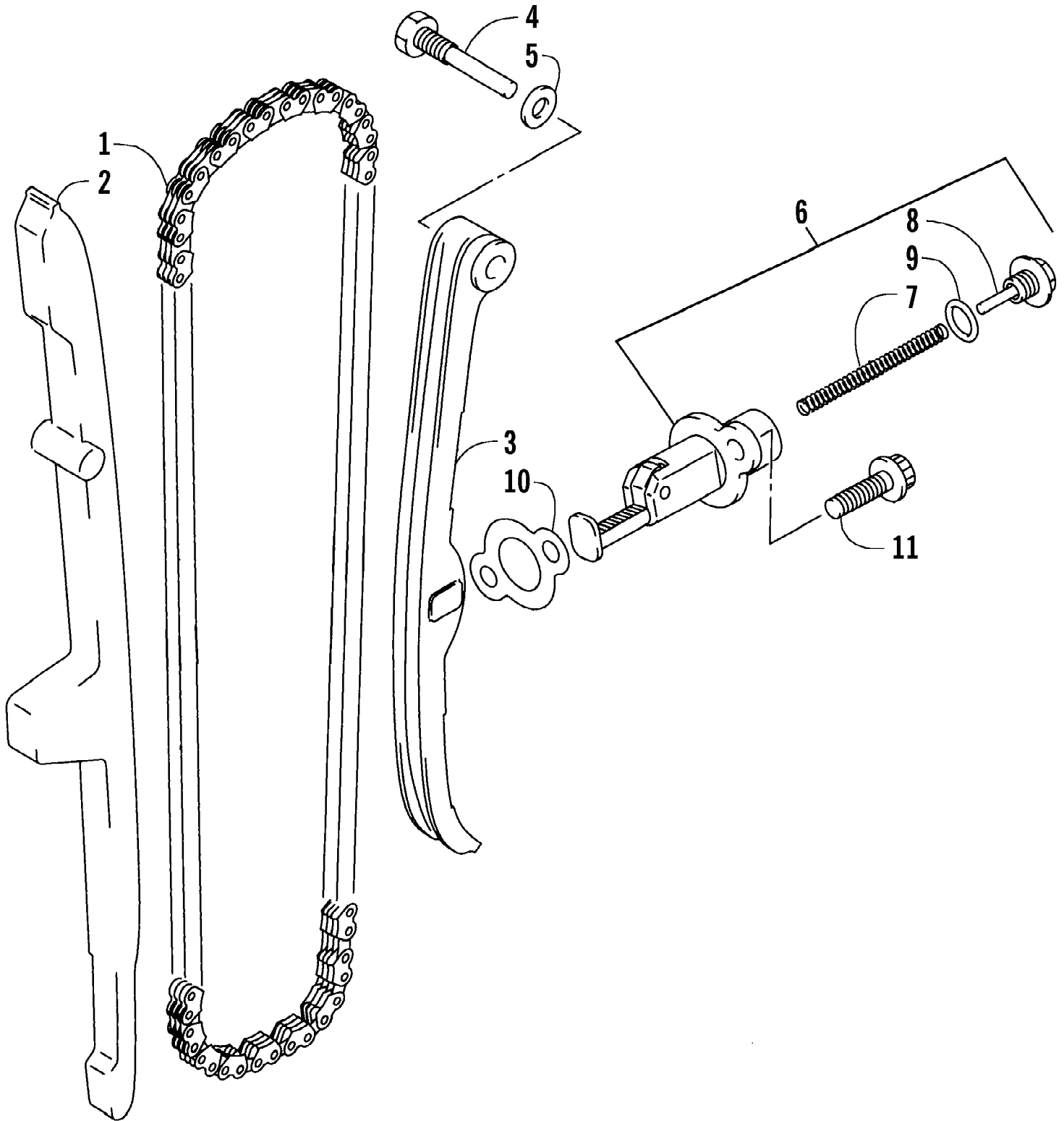


Ref #	Part Number	Qty	S/P/F	Description
1	0506-178	1		Strap, Battery w/Pads (inc. 2-3)
2	0406-288	1		Pad, Battery - Upper Front
3	0406-289	1		Pad, Battery - Upper Rear
4	0745-045	1	/P	Battery Assembly (inc. 5-8)
5	0645-045	6		Cap, Battery
6	0645-152	1		Clamp, Hose
7	0645-263	1	/P	Hose, Battery Vent
8	0645-151	1		Label, Warning - Battery
9	0406-227	1		Pad, Battery - Lower
10	0444-122	1	S/P	Kit, Tool
11	0423-456	1	/P	Screw, Thumb
12	0123-903	2		Cable Tie - 11.5 in.



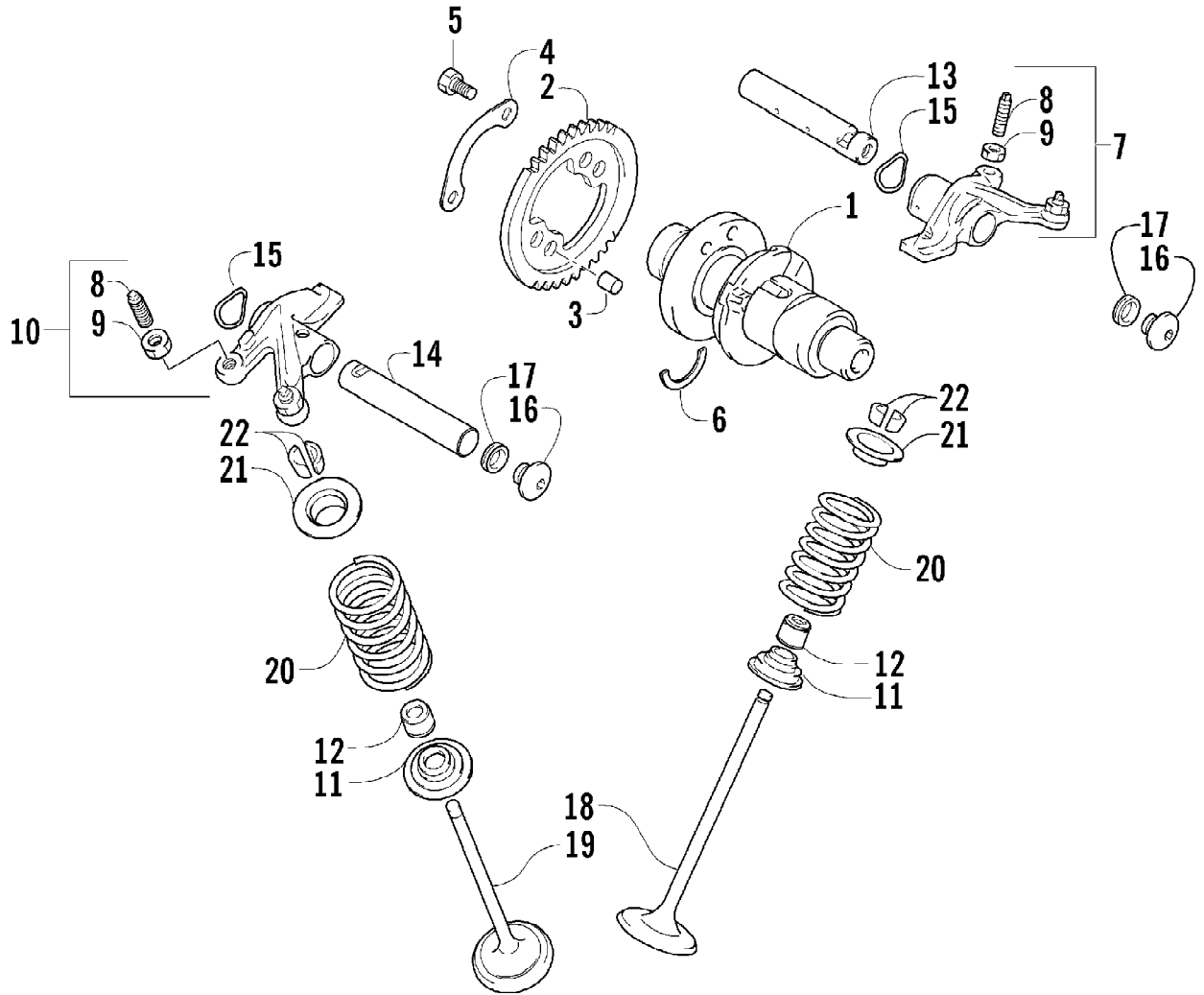
Ref #	Part Number	Qty	S/P/F	Description
1	0506-616	1		Panel, Fender - Front (inc. 2)
2	1406-142	1	/P	Cover, Access
3	0506-547	1		Rack - Front
4	8408-816	2		Screw, Cap
5	0411-646	2		Decal, Reflector - Amber
6	0423-360	2		Screw, Cap
7	0506-550	1		Flare - Front - Right
7	0506-551	1		Flare - Front - Left
8	0423-357	2		Nut, Stamped
9	0423-101	AR		Screw, Body
10	0423-031	2		Nut, Speed
11	8477-616	2		Screw, Machine
12	0470-404	1		Grommet, Fuel Shut-Off Valve
13	0123-010	2	/P	Nut, Expansion
14	0506-548	1		Panel, Side - Right
14	0506-243	1		Panel, Side - Left
15	0412-142	1		Shield, Heat
16	0423-068	2		Screw, Machine
17	0423-356	2		Screw, Shoulder
18	0423-438	4		T-Nut w/Teeth
19	1406-063	1		Panel, Fender - Inner - Right
19	1406-064	1		Panel, Fender - Inner - Left
20	1406-006	2		Panel, Fender - Inner - Lower
21	0123-788	AR	/P	Cable Tie - 7.5 in.
22	0406-941	1	/P	Panel, Kick - Right
22	0506-626	1		Panel, Kick - Left
23	0423-046	AR		Rivet, Plastic
24	0423-060	2		Clip, Tinerman
25	0623-309	2		Screw, Self-Tapping
26	0412-140	1		Shield, Heat
27	0423-355	2		Screw, Shoulder
28	1506-042	1	/P	Fender Extension - Rear - Right
28	0406-085	1		Fender Extension - Rear - Left
29	0506-821	1	/P	Rack - Rear
30	8409-020	4	/P	Screw, Cap
31	0411-647	2		Decal, Reflector - Red
32	0506-620	1	S	Panel, Fender - Rear
33	0506-552	1		Flare, Rear - Right
33	0506-553	1		Flare, Rear - Left
34	0423-342	12	/P	Screw, Self-Tapping
35	0412-124	1		Shield, Heat
36	0412-147	1		Shield, Heat



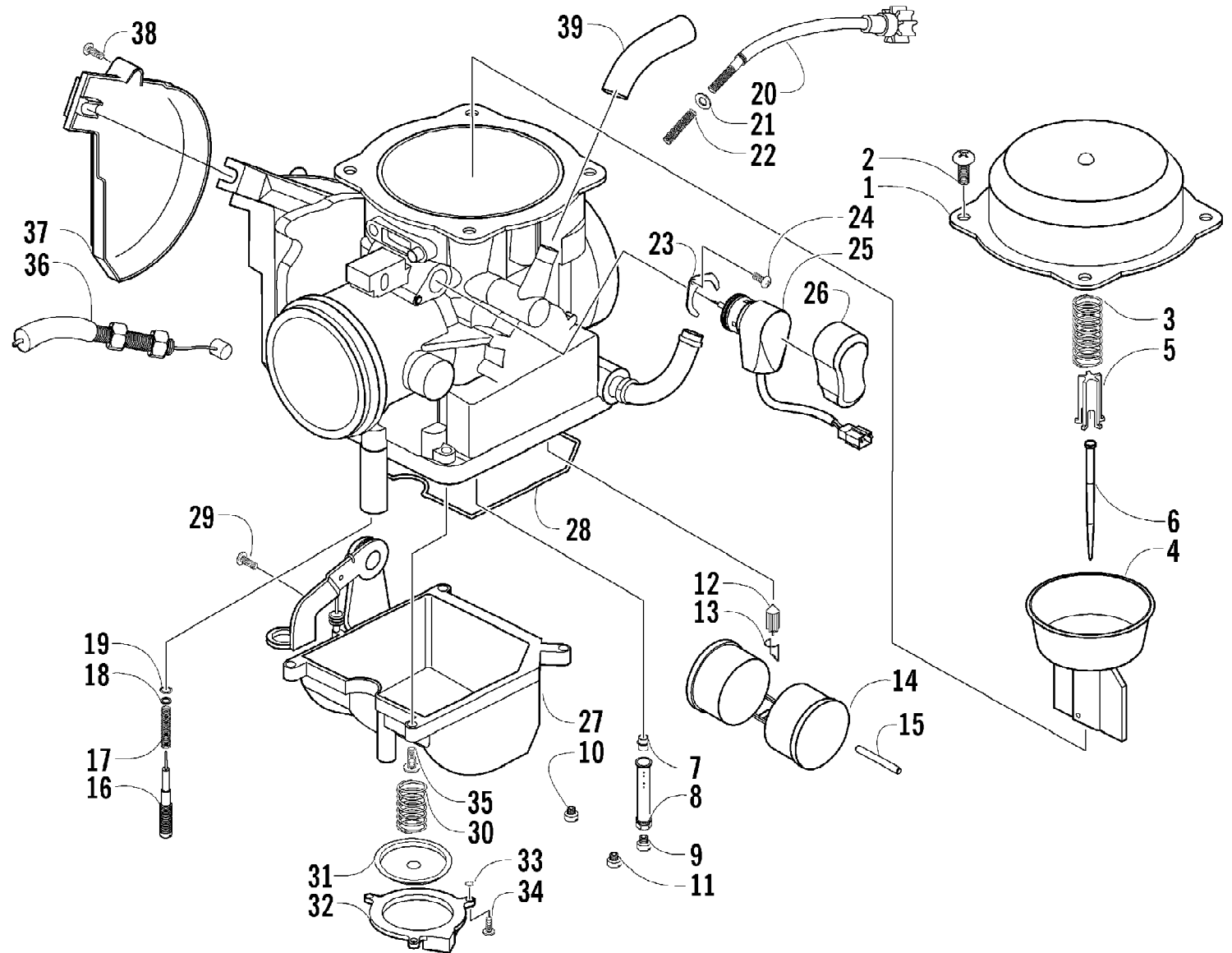


2005 ATV 400 AUTOMATIC TRANSMISSION 4X4 RED (A2005ATH4BUSR) Page 10 of 90  
CAM CHAIN ASSEMBLY

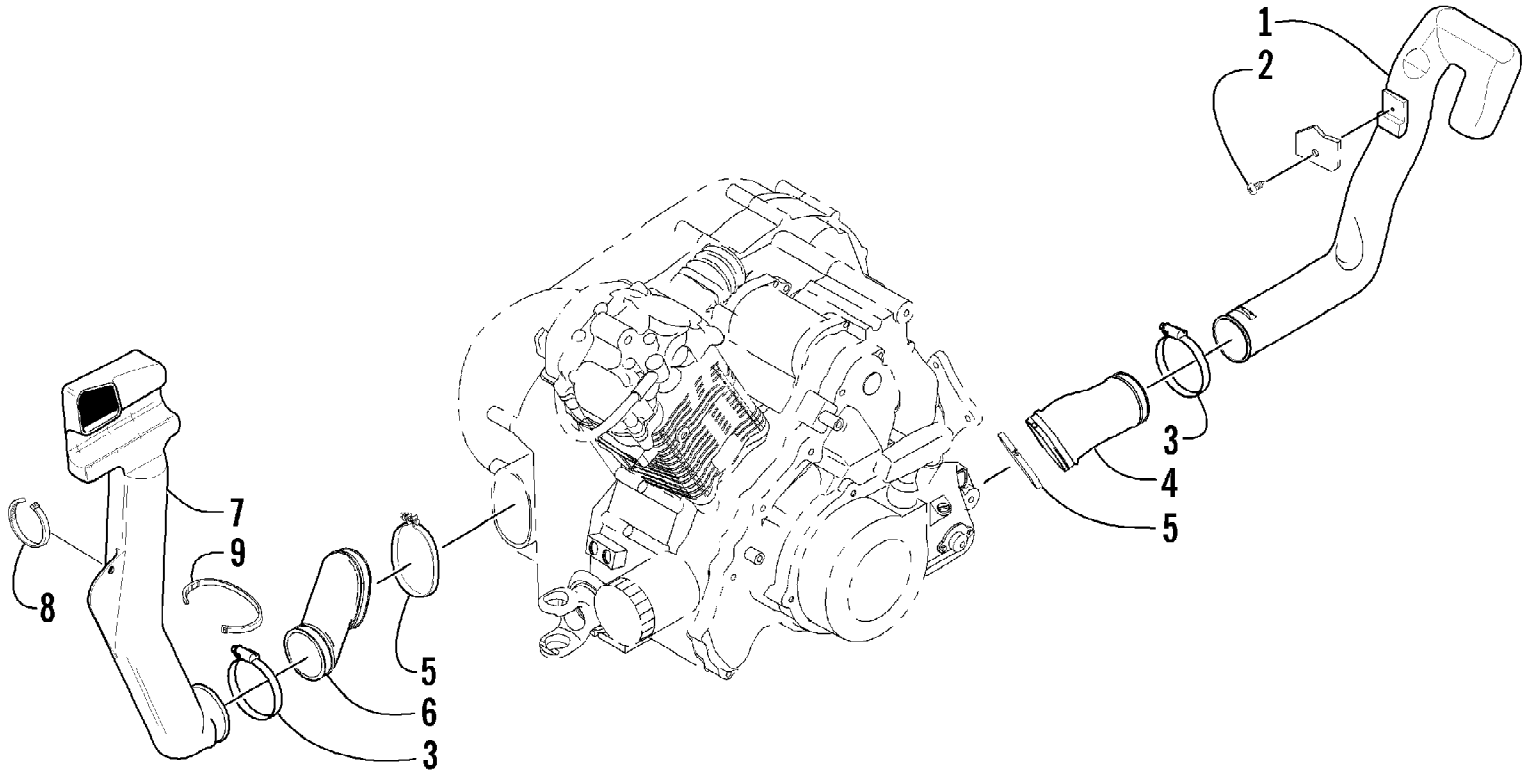
Ref #	Part Number	Qty	S/P/F	Description
1	3402-281	1		Chain, Cam
2	3402-612	1		Guide, Cam Chain
3	3402-613	1		Tensioner, Cam Chain
4	3423-074	1		Bolt
5	3402-436	1	/P	Washer
6	3402-614	1		Adjuster, Tensioner - Assembly (inc. 7-9)
7	3423-484	1		Spring
8	3423-485	1		Plug
9	3423-286	1		O-Ring
10	3403-020	1		Gasket, Adjuster
11	3004-512	2	S	Bolt



Ref #	Part Number	Qty	S/P/F	Description
1	3402-989	1	S	Camshaft
2	3402-611	1		Sprocket
3	3423-047	1		Pin
4	3423-073	1		Washer
5	3423-013	2	S	Bolt
6	3423-071	1	/P	C-Ring
7	3402-805	1	/P	Arm, Valve Rocker - Intake (inc. two No. 8-9)
8	3423-075	4		Screw
9	3423-076	4		Nut
10	3402-139	1		Arm, Valve Rocker - Exhaust (inc. two No. 8-9)
11	3402-148	4		Seat, Spring
12	3402-078	4		Seal, Oil
13	3402-140	1		Shaft, Rocker Arm
14	3402-141	1		Shaft, Rocker Arm
15	3423-031	2		Washer
16	3423-111	2	S	Plug, Shaft
17	3402-012	2		Gasket
18	3402-725	2	/P	Valve, Intake
19	3402-143	2		Valve, Exhaust
20	3402-726	4		Spring, Valve
21	3423-541	4	/P	Retainer, Spring
22	3402-147	8		Cotter, Valve



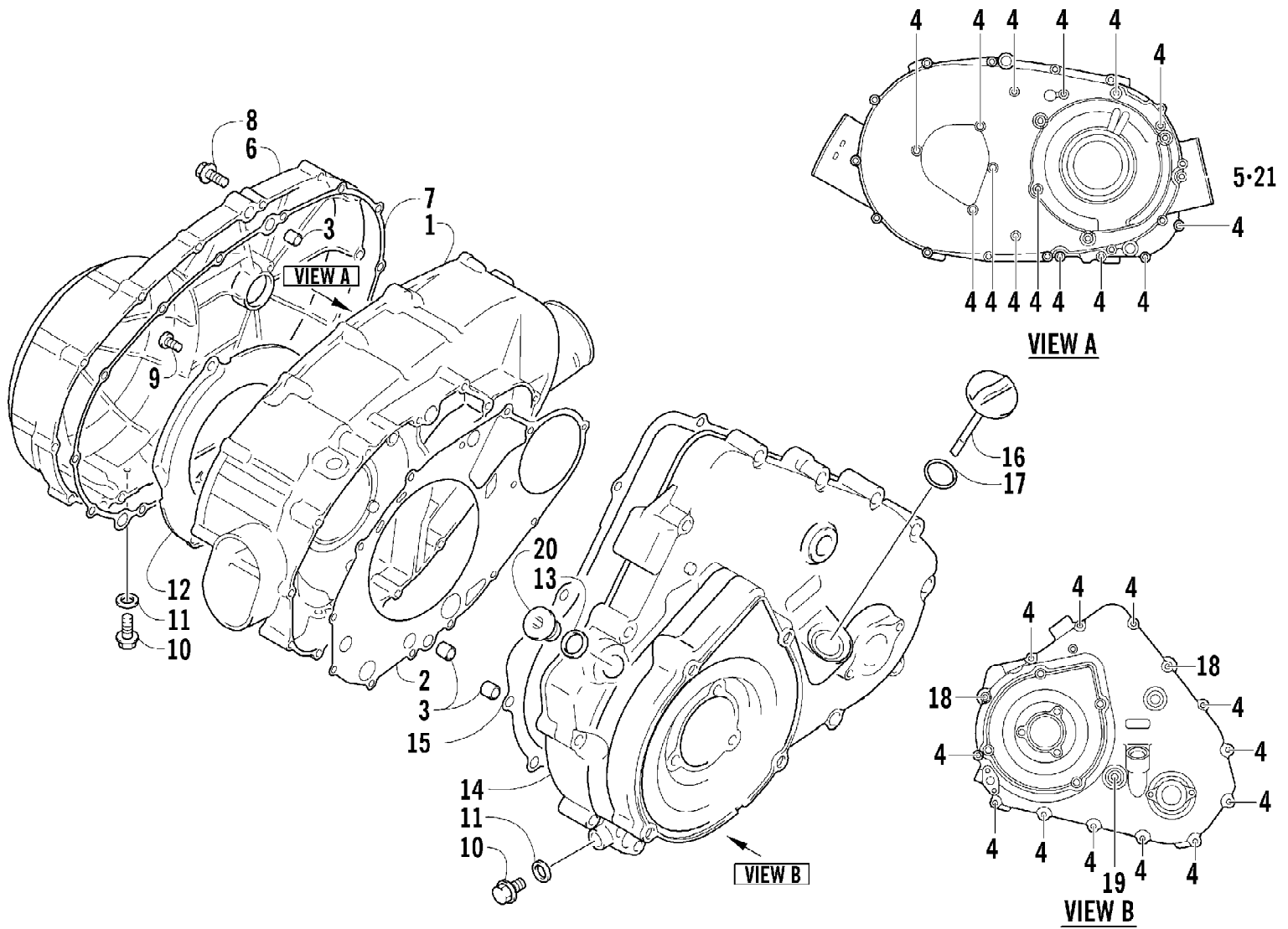
Ref #	Part Number	Qty	S/P/F	Description
	0470-470	1		Carburetor Assembly
1	5507-001	1		Cover, Top
2	5507-002	4	/P	Screw, Top Cover
3	5507-085	1	S	Spring
4	5507-109	1	S	Piston, Vacuum
5	5507-005	1		Seat, Spring
6	5507-110	1		Jet Needle
7	5507-007	1		Needle Jet
8	5507-047	1	/P	Holder, Needle Jet
9	5507-043	1		Main Jet - 142
9	5507-009	1	/P/F	Main Jet - 150
9	5507-041	1	F	Main Jet - 147
9	5507-042	1	/P/F	Main Jet - 145
9	5507-044	1	F	Main Jet - 140
10	5507-010	1	S	Slow Jet - 38
11	5507-097	1	/P	Starter Jet - 75
12	5507-107	1		Valve, Float - Set (inc. 13)
13	0	1	F	Clip
14	5507-039	1		Float Set (inc. 15)
15	0	1	F	Pin, Float
16	5507-111	1		Screw, Pilot Air - Set (inc. 17-19)
17	0	1	F	Spring
18	0	1	F	Washer
19	0	1	F	O-Ring
20	5507-027	1		Screw, Idle Adjust
21	5507-028	1		Washer
22	5507-029	1		Spring
23	5507-115	1		Plate
24	5507-117	1	/P	Screw
25	5507-180	1		Choke, Electric
26	5507-114	1		Cover, Electric Choke
27	0	1	F	Chamber, Float - Assembly (inc. 28-34)
28	5507-067	1	/P	O-Ring, Float Chamber
29	5507-050	1	/P	Screw, Drain
30	5507-032	1		Spring
31	5507-031	1	S	Diaphragm Assembly
32	0	1	F	Housing, Pump
33	5507-034	1		U-Ring
34	5507-035	3		Screw
35	5507-017	4	/P	Screw
36	0487-021	1	S	Cable, Throttle
37	5507-036	1		Cover
38	5507-037	1	/P	Screw
39	0410-056	1		Hose, Vent



2005 ATV 400 AUTOMATIC TRANSMISSION 4X4 RED (A2005ATH4BUSR) Page 16 of 90  
CASE/BELT COOLING ASSEMBLY

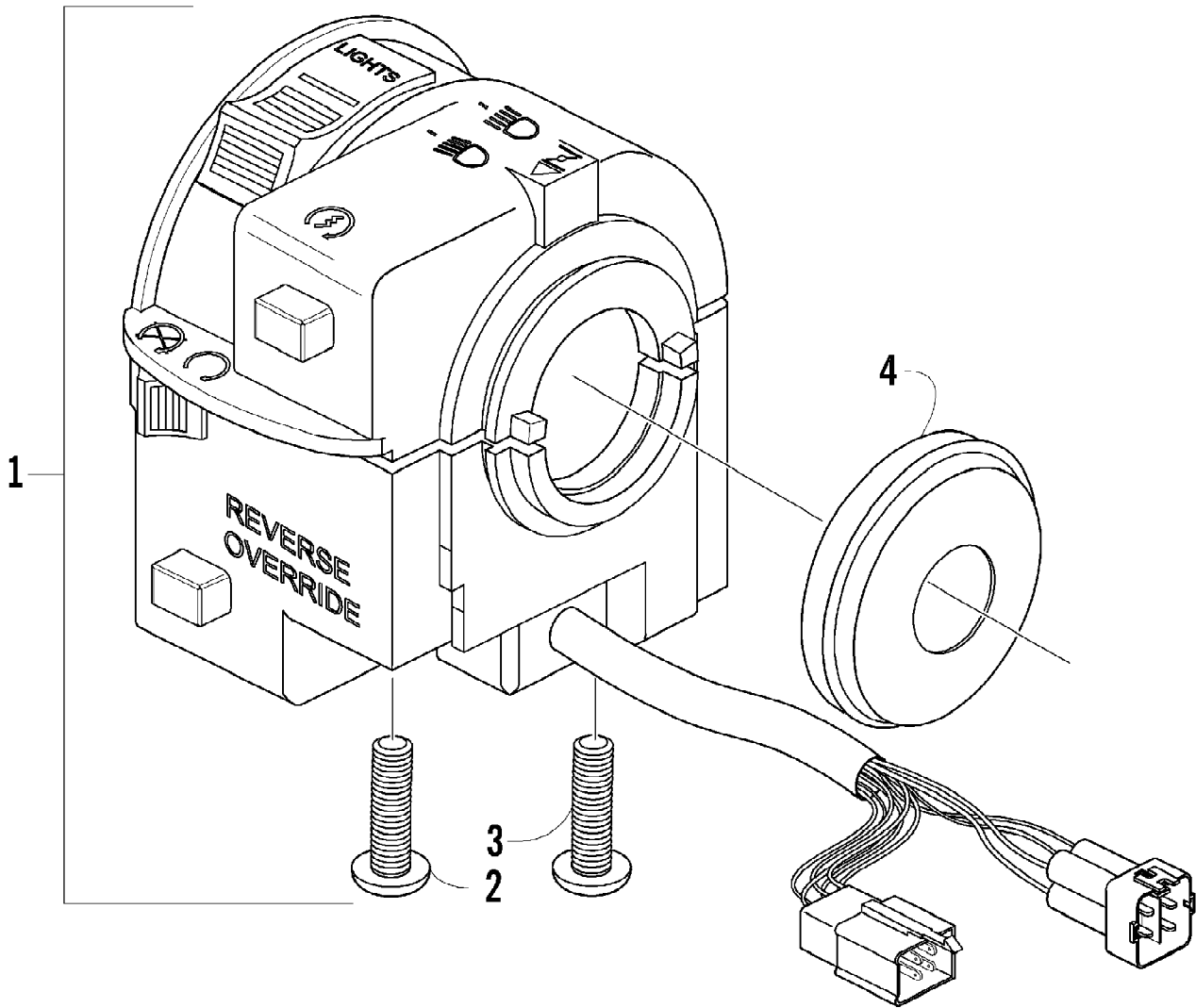
Ref #	Part Number	Qty	S/P/F	Description
1	0413-061	1	/P	Duct, Belt Cooling - Rear
2	0623-301	1	/P	Screw, Self-Tapping
3	0423-380	2	/P	Clamp, Boot
4	0413-060	1		Boot, Duct - Rear
5	3402-449	2	/P	Clamp, Duct
6	0413-048	1		Boot, Duct - Front
7	0413-042	1		Duct, Belt Cooling - Front
8	0123-788	1	/P	Cable Tie - 7.5 in.
9	0123-903	1		Cable Tie - 11.5 in.



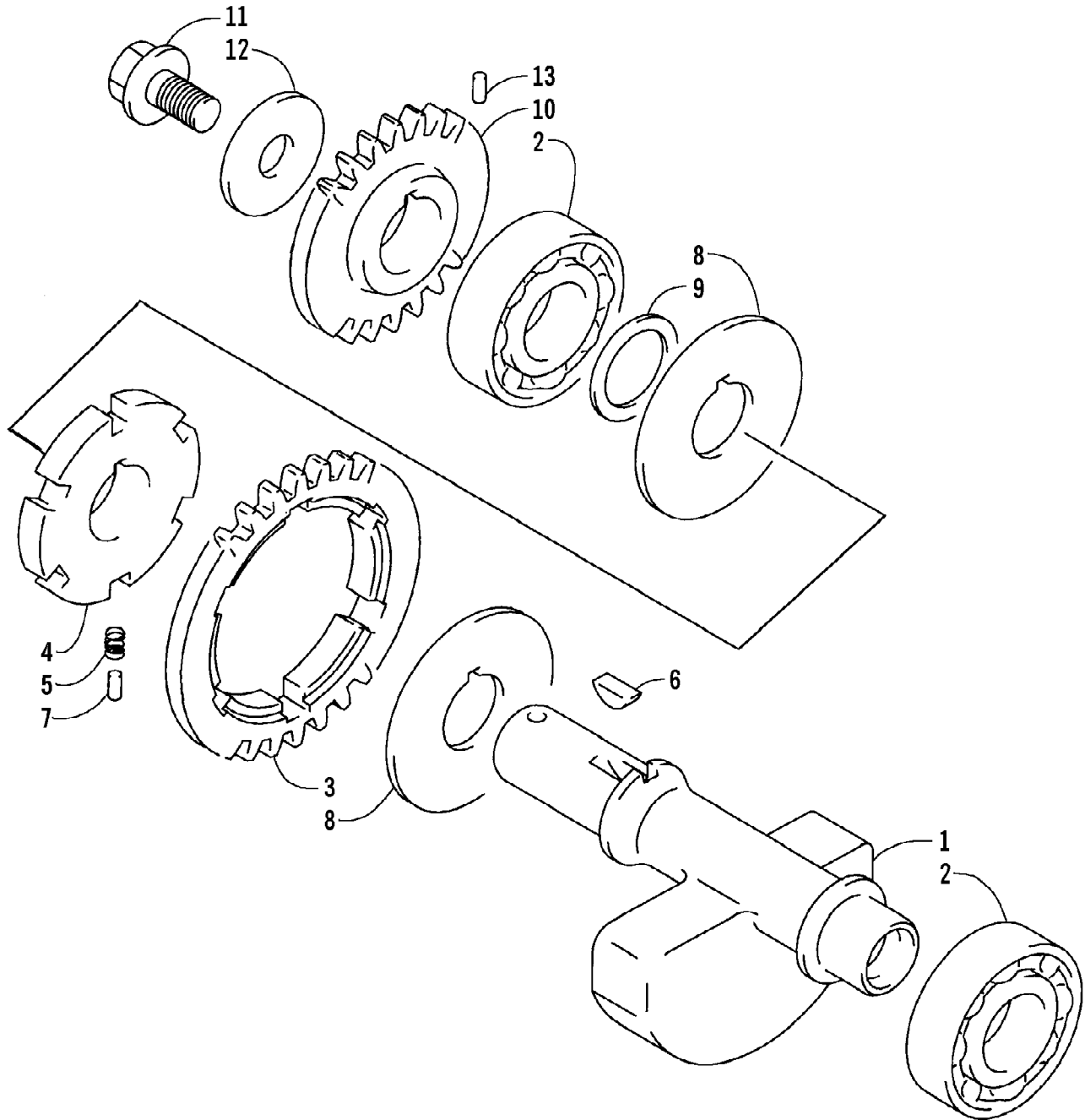


2005 ATV 400 AUTOMATIC TRANSMISSION 4X4 RED (A2005ATH4BUSR) Page 18 of 90  
 CLUTCH/V-BELT/MAGNETO COVER ASSEMBLY

Ref #	Part Number	Qty	S/P/F	Description
1	3402-583	1		Cover, Clutch
2	3402-589	1		Gasket
3	3423-088	6		Pin, Dowel
4	3423-098	26	S	Bolt
5	3423-392	1		Bolt
6	3402-586	1		Cover, V-Belt
7	3402-591	1		Gasket, V-Belt Cover
8	0693-327	14	S	Bolt
9	3004-552	3	S	Screw
10	3004-705	2	S	Plug, Drain
11	3402-444	2		Gasket, Drain Plug
12	3402-996	1		Plate, Air Intake
13	3402-013	1	/P	Gasket
14	3402-585	1		Cover, Magneto
15	3402-590	1		Gasket, Magneto Cover
16	3402-593	1		Stick, Oil Level
17	3423-055	1		O-Ring, Oil Level Stick
18	3423-307	2	S	Bolt
19	3423-430	1		Bolt
20	3402-041	1	S	Plug
21	3003-290	1	/P	Gasket

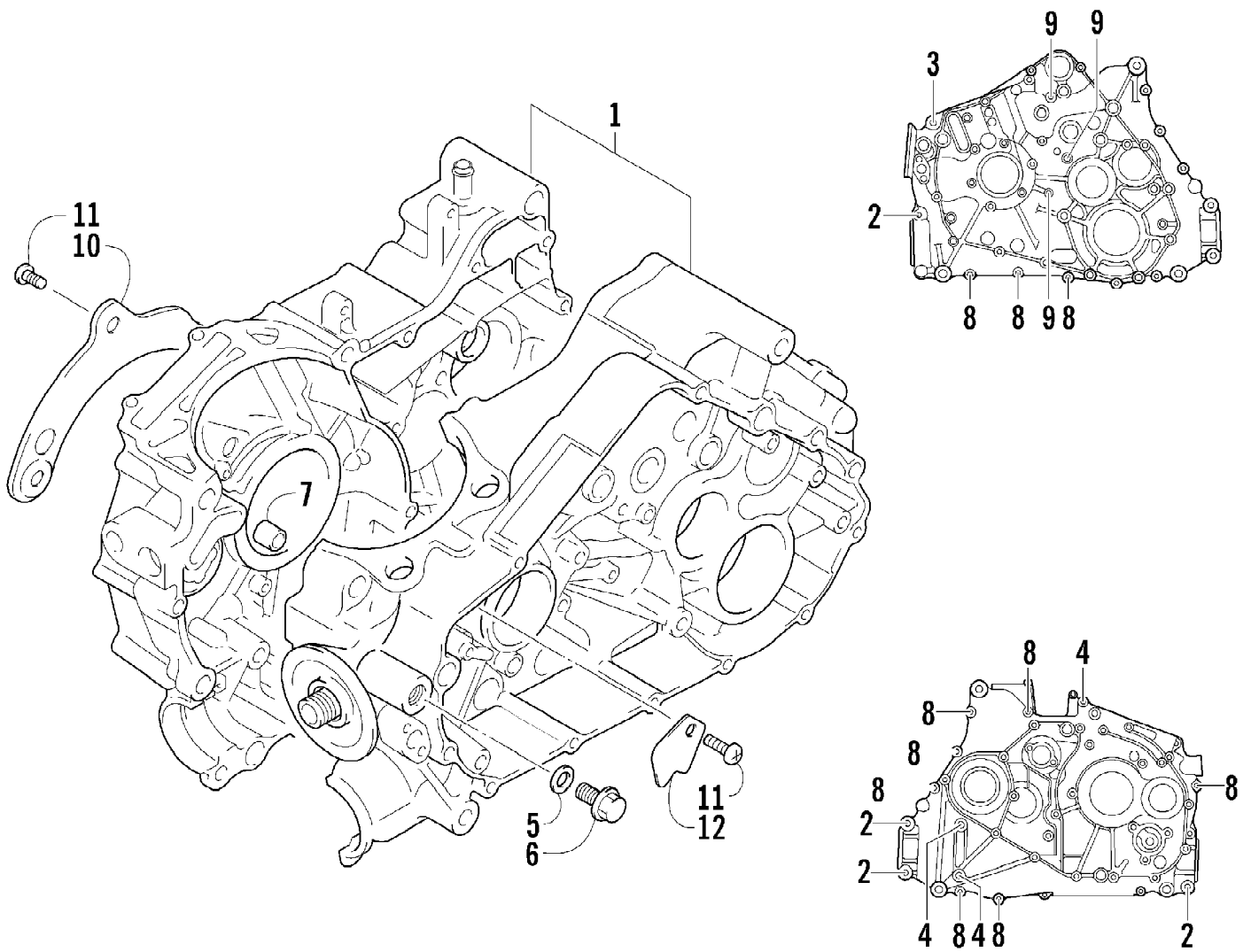


Ref #	Part Number	Qty	S/P/F	Description
1	0509-014	1		Switch, Control - Assembly (inc. 2-4)
2	0409-027	1		Screw, Machine
3	0409-028	1		Screw, Machine
4	3409-019	1		Cover, Switch Housing



2005 ATV 400 AUTOMATIC TRANSMISSION 4X4 RED (A2005ATH4BUSR) Page 22 of 90  
CRANK BALANCER ASSEMBLY

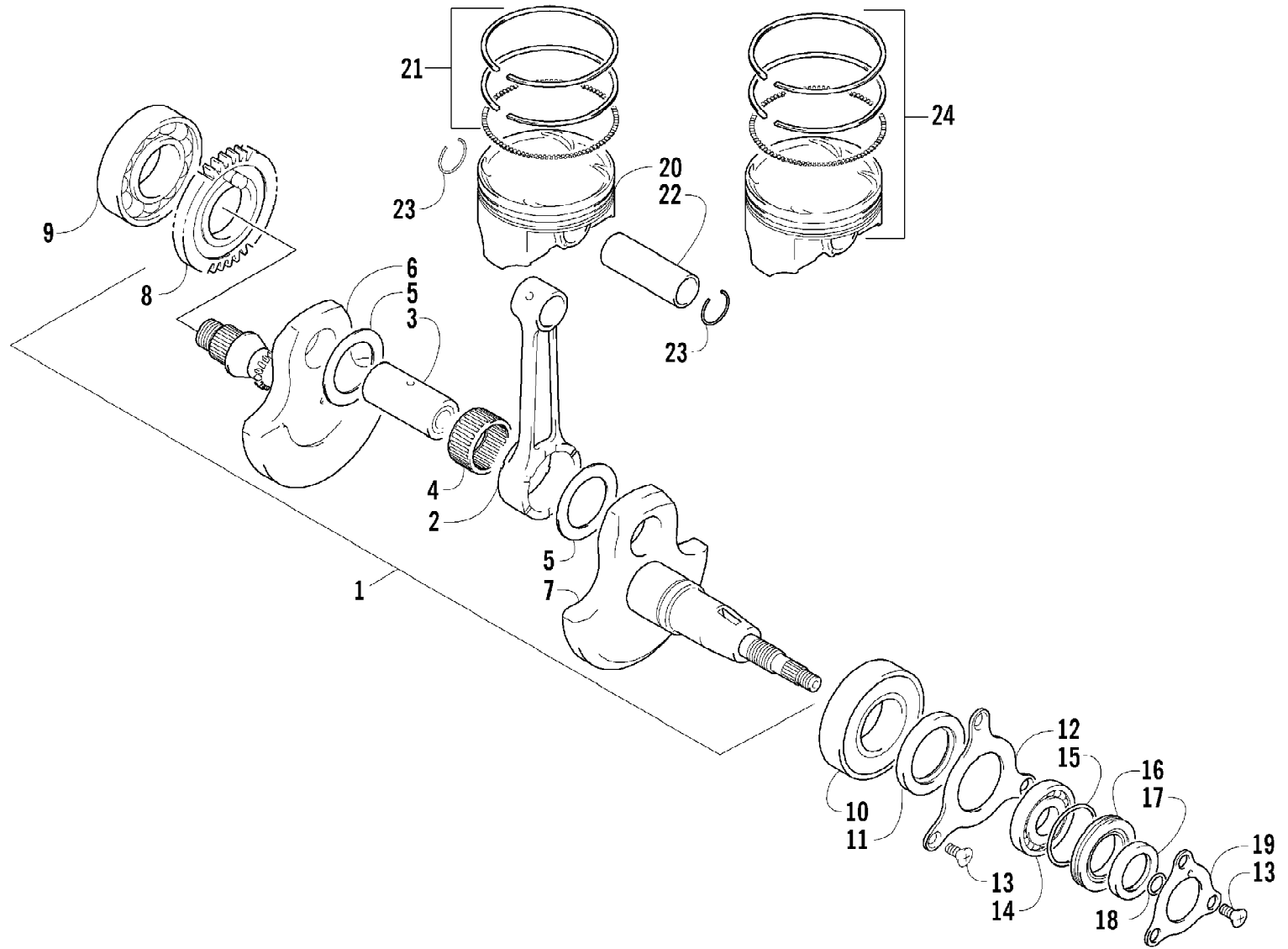
Ref #	Part Number	Qty	S/P/F	Description
1	3402-605	1		Balancer, Crank
2	3402-553	2	/P	Bearing
3	3402-772	1		Gear, Driven
4	3402-608	1		Race, Driven Gear
5	3402-090	2		Spring, Driven Gear
6	3004-540	1	/P	Key
7	3423-106	3	/P	Pin, Driven Gear
8	3423-441	2		Washer, Driven Gear
9	3423-446	1		Washer
10	3402-617	1		Gear, Oil Pump Drive
11	3423-555	1		Bolt, Drive Gear
12	3423-401	1		Washer, Drive Gear
13	3423-110	1		Pin, Drive Gear



2005 ATV 400 AUTOMATIC TRANSMISSION 4X4 RED (A2005ATH4BUSR) Page 24 of 90  
CRANKCASE ASSEMBLY

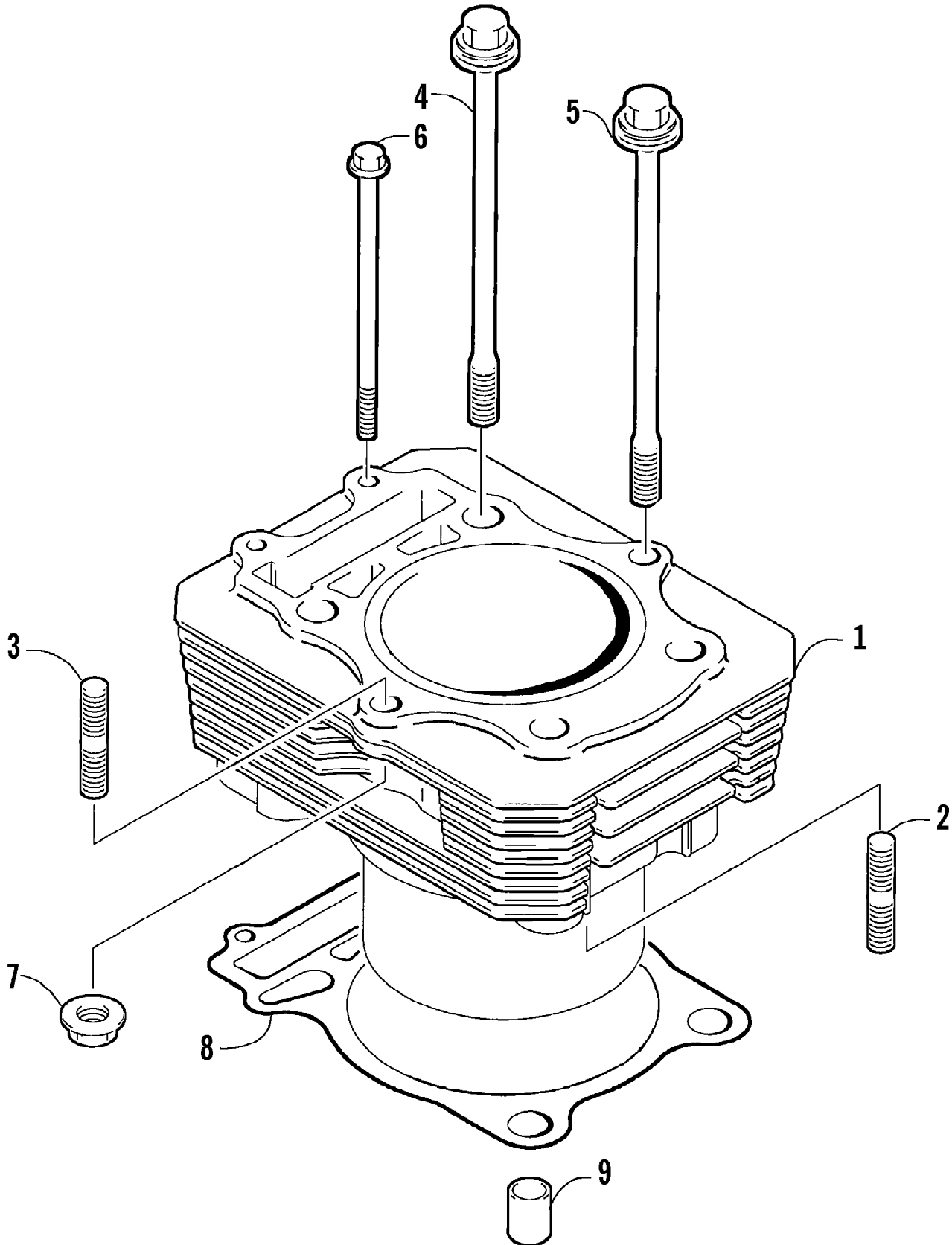
Ref #	Part Number	Qty	S/P/F	Description
1	3402-580	1		Crankcase Assembly (inc. 2-9)
2	3004-880	4		Bolt
3	3005-332	1		Bolt
4	3005-410	3		Bolt
5	3402-012	1		Gasket, Oil Pressure Plug
6	3402-214	1		Plug, Oil Pressure
7	3423-088	2		Pin, Dowel
8	3423-091	10	S	Bolt
9	3423-097	3		Bolt
10	3402-581	1		Plate, Oil Guide - Right
11	3004-552	4	S	Screw, Oil Guide Plate
12	3402-582	1		Plate, Oil Guide - Left



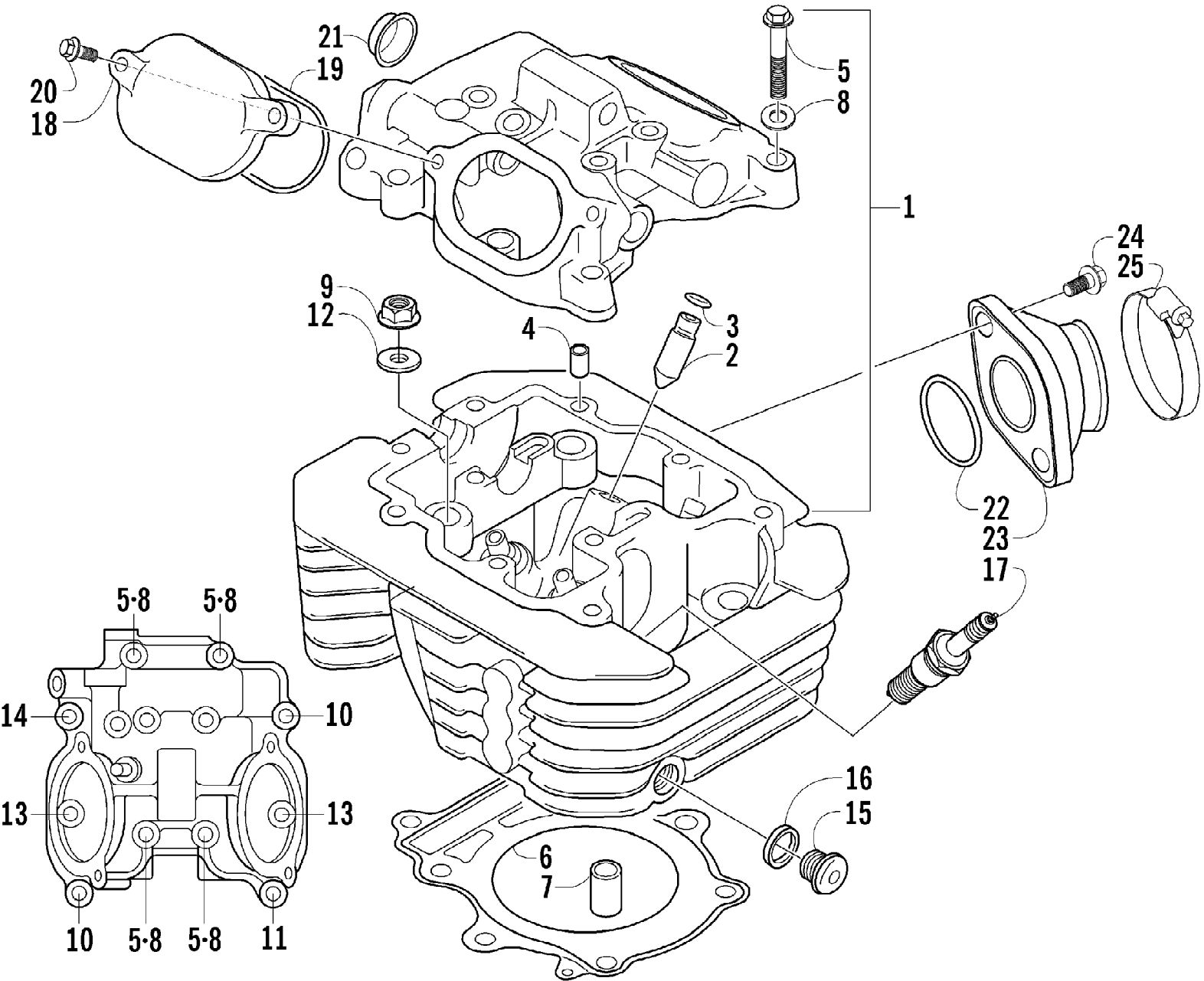


2005 ATV 400 AUTOMATIC TRANSMISSION 4X4 RED (A2005ATH4BUSR) Page 26 of 90  
CRANKSHAFT ASSEMBLY

Ref #	Part Number	Qty	S/P/F	Description
1	3402-978	1	S	Crankshaft Assembly (inc. 2-8)
2	3402-597	1		Rod, Connecting
3	3402-599	1		Pin, Crank
4	3402-571	1		Bearing
5	3423-440	2		Washer
6	3402-600	1	S	Crankshaft - Right
7	3402-601	1		Crankshaft - Left
8	3402-698	1	/P	Gear, Crank Balancer Drive
9	3402-055	1	/P	Bearing - Right
10	3402-566	1		Bearing - Middle
11	3402-573	1		Seal, Crankshaft Oil
12	3402-602	1		Retainer, Crankshaft Oil Seal - Middle
13	3423-018	6		Screw, Retainer
14	3402-051	1		Bearing
15	3423-063	1		O-Ring
16	3423-542	1	/P	Spacer
17	3402-070	1		Seal, Oil
18	3423-053	1	/P	O-Ring
19	3402-188	1	/P	Retainer, Crankshaft Oil Seal - Left
20	3402-594	1		Piston
21	3402-595	1		Ring, Piston - Set
22	3402-596	1		Pin, Piston
23	3003-439	2	/P	Circlip
24	3436-015	1	F	Piston Set (Oversized 0.50 mm)

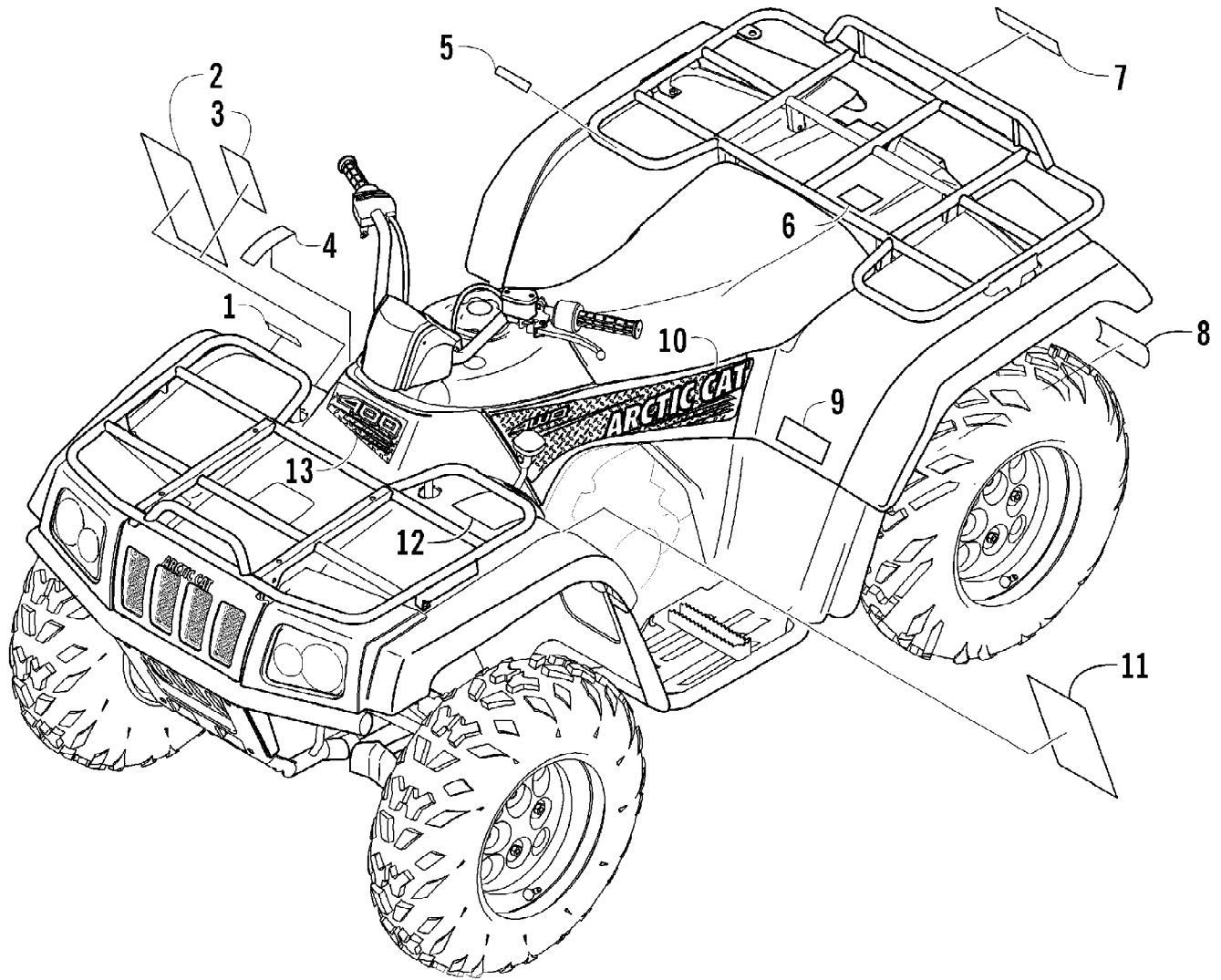


Ref #	Part Number	Qty	S/P/F	Description
1	3402-578	1	S	Cylinder
2	3423-384	2	S	Bolt, Stud
3	3004-778	2	S	Bolt, Stud
4	3423-431	2		Bolt
5	3423-432	2		Bolt
6	3423-427	2		Bolt
7	3004-488	2	S/P	Nut
8	3402-579	1		Gasket, Cylinder
9	3423-088	2		Pin, Dowel



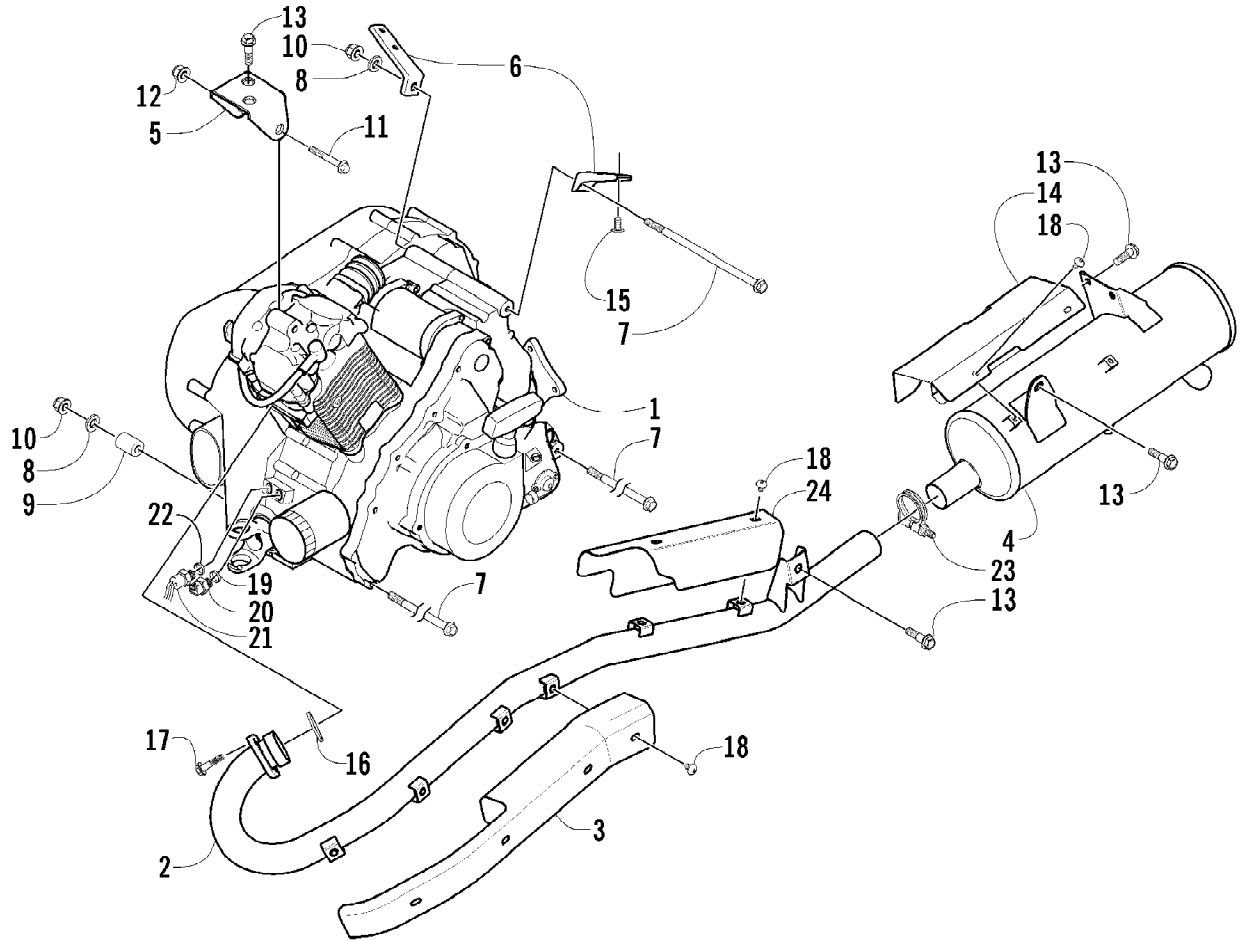
2005 ATV 400 AUTOMATIC TRANSMISSION 4X4 RED (A2005ATH4BUSR) Page 30 of 90  
CYLINDER HEAD ASSEMBLY

Ref #	Part Number	Qty	S/P/F	Description
1	3402-576	1	S	Head, Cylinder - Assembly (inc. 2-5)
2	3402-099	4		Guide, Valve
3	3423-068	4		Ring, Valve Guide
4	3423-043	2	/P	Pin, Dowel
5	3423-006	4		Bolt
6	3402-577	1		Gasket, Cylinder Head
7	3423-449	2		Pin, Dowel
8	3003-290	4	/P	Gasket
9	3004-326	2	S/P	Nut, Cylinder Head
10	3423-007	2	S	Bolt, Head Cover
11	3423-429	1		Bolt, Head Cover
12	3423-439	4	S	Washer, Cylinder Head Nut
13	3004-376	2	S/P	Bolt, Head Cover
14	3008-376	1	S	Bolt, Head Cover
15	3423-453	1		Plug, Oil Gallery
16	3402-011	1		Gasket, Oil Gallery Plug
17	0217-708	1		Spark Plug (NGK CR7E)
18	3402-100	2		Cap, Inspection
19	3402-101	2		O-Ring
20	3004-341	4	S/P	Bolt, Inspection Cap
21	3402-035	1		Plug, Head
22	3423-353	1	/P	O-Ring
23	0570-076	1		Manifold, Intake
24	3004-893	2		Screw
25	0423-317	1	/P	Clamp
	3402-048	1		Plug, Frost

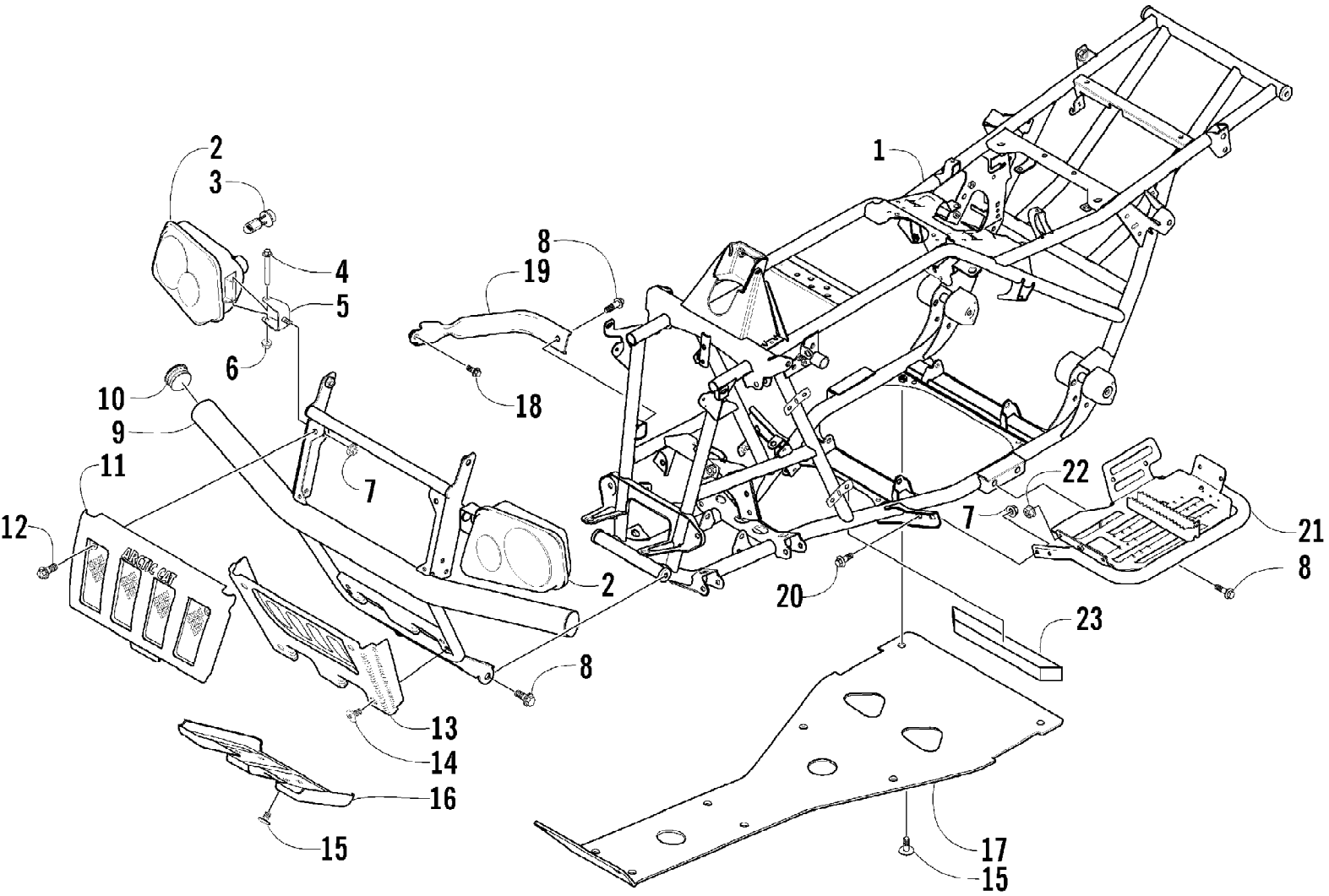


Ref #	Part Number	Qty	S/P/F	Description
1	0411-576	1		Decal, Warning - Front Rack Load
2	1411-250	1		Decal, Warning - Reverse/Pre-Ride
3	0411-835	1		Decal, Warning - Hill
4	0411-426	1		Decal, Warning - Clutch Cover
5	0411-648	1		Decal, Warning - Rear Rack Load
6	0411-435	1		Decal, Warning - Passenger
7	0411-501	1		Decal, "Arctic Cat"
8	0411-267	1		Decal, Warning - Towing
9	0411-430	1		Decal, Warning - Tire Pressure
10	0411-774	1		Decal, Side - Right
10	0411-775	1		Decal, Side - Left
11	0411-218	1		Decal, Warning - General
12	0411-401	1		Decal, Warning - Age
13	0411-771	1		Decal, Front



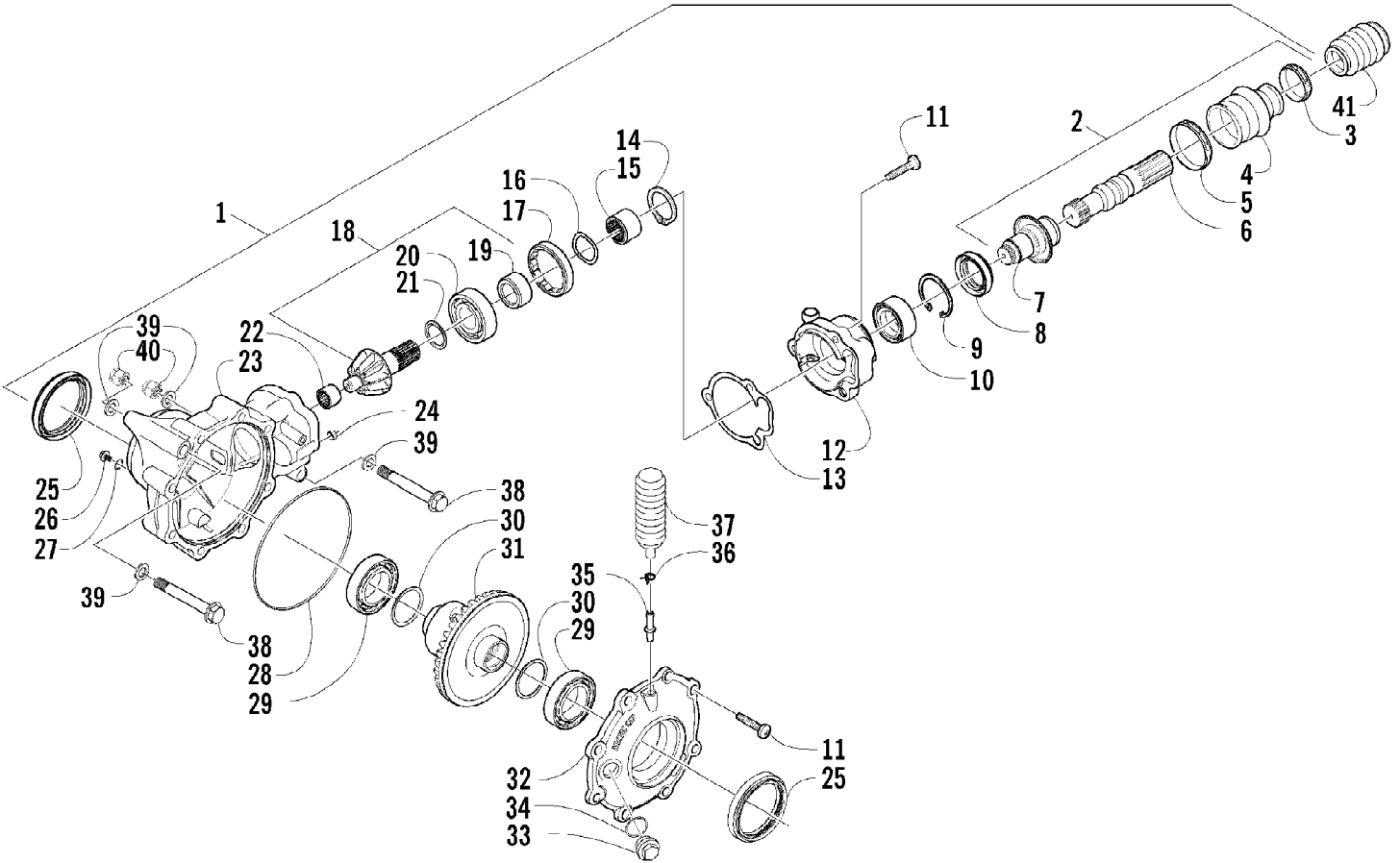


Ref #	Part Number	Qty	S/P/F	Description
1	0462-038	1		Engine
2	0512-212	1		Pipe, Exhaust
3	0412-220	1		Shield, Exhaust
4	0412-182	1		Muffler
5	0506-631	1		Bracket, Engine - Upper
6	0506-983	1	/P	Bracket, Engine - Right
6	0506-984	1	/P	Bracket, Engine - Left
7	0423-405	3		Screw, Cap
8	0423-426	4		Washer, Engine
9	0423-042	2	S	Spacer, Engine
10	8428-002	3		Nut, Lock
11	8408-860	1		Screw, Cap
12	8424-802	1		Nut
13	8408-816	6		Screw, Cap
14	1406-023	1		Cover, Muffler
15	8408-616	4		Screw, Cap
16	0412-007	1	/P	Seal, Exhaust
17	8408-820	2	/P	Screw, Cap
18	8477-610	11		Screw, Machine
19	3402-556	1	/P	Gasket, Switch
20	3530-037	1	/P	Switch, Oil Light
21	3430-033	1		Switch, Cooling Fan
22	3402-013	1	/P	Gasket, Switch
23	0423-150	1		Clamp, Exhaust
24	0412-224	1		Cover, Exhaust

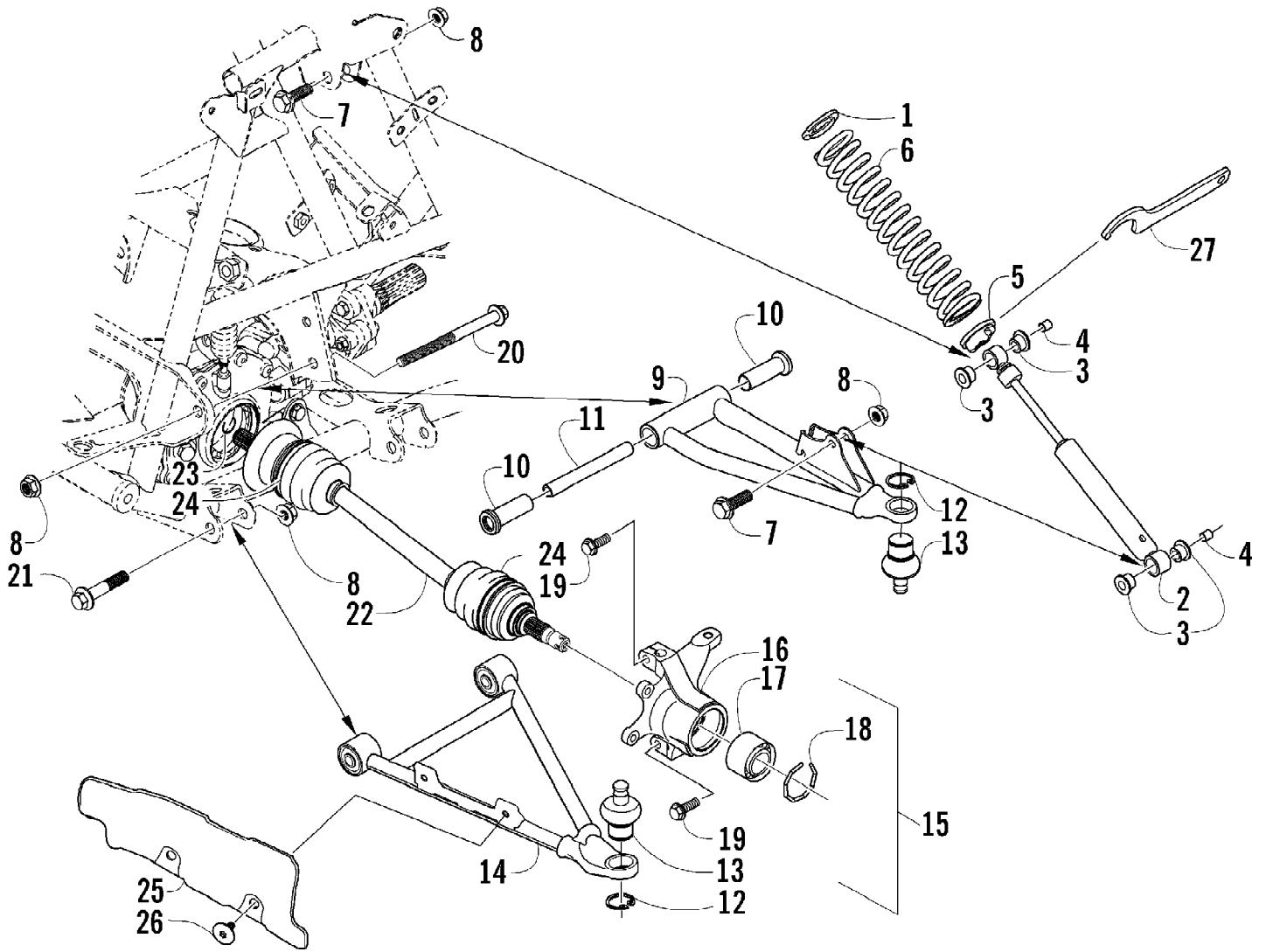


2005 ATV 400 AUTOMATIC TRANSMISSION 4X4 RED (A2005ATH4BUSR) Page 36 of 90  
FRAME AND RELATED PARTS

Ref #	Part Number	Qty	S/P/F	Description
1	0506-816	1		Frame, Main
2	0409-032	1		Headlight Assembly - Right (inc. 3-6)
2	0409-031	1		Headlight Assembly - Left (inc. 3-6)
3	0409-045	2		Bulb, Headlight
4	8410-860	2		Screw, Cap
5	0406-945	2		Bracket, Headlight Mounting
6	0423-375	2		Nut, Flange
7	8424-802	6		Nut
8	8409-020	8	/P	Screw, Cap
9	0506-544	1		Bumper
10	0406-130	2		Cap, Bumper
11	0406-832	1		Grille, Upper
12	0423-361	2		Screw, Machine
13	1406-420	1	/P	Grille, Lower
14	0423-362	4		Screw, Machine
15	0423-101	AR		Screw, Body
16	0406-834	1		Plate, Skid
17	0406-864	1		Panel, Belly
18	8408-812	2		Screw, Cap
19	0506-653	2	S	Channel, Bumper Mounting
20	8408-816	4		Screw, Cap
21	0506-534	1		Footrest - Right
21	0506-728	1		Footrest - Left
22	8424-602	2	/P	Nut, Flange
23	1506-067	1		Foam, Frame



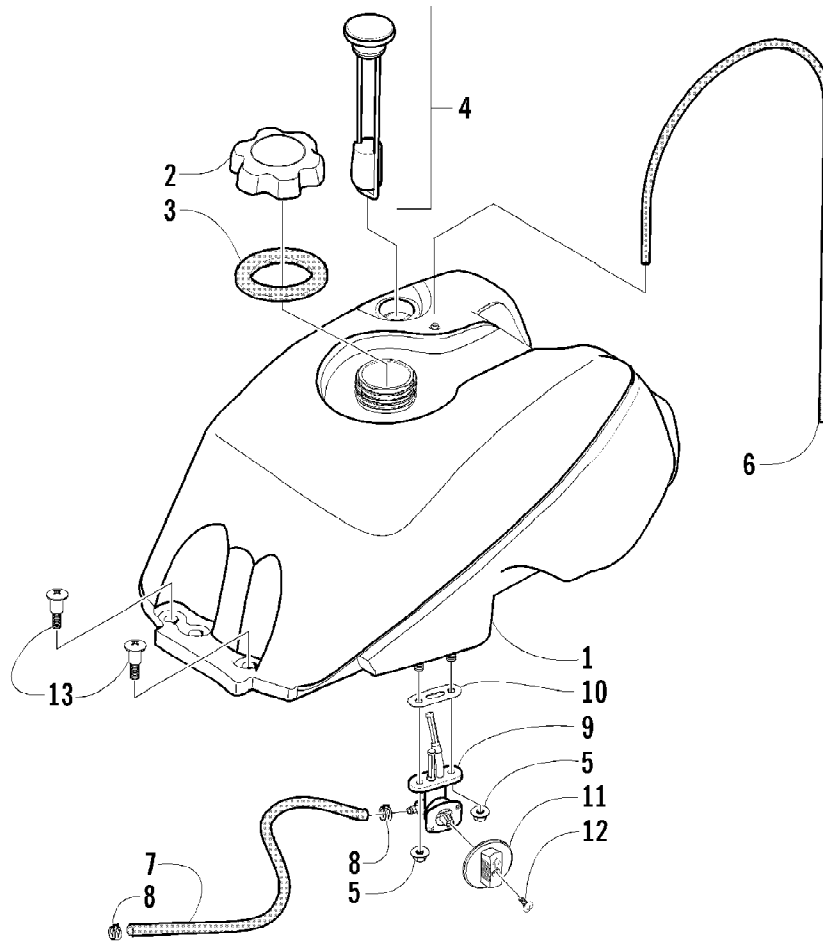
Ref #	Part Number	Qty	S/P/F	Description
1	0502-676	1		Gearcase, Front Drive - Assembly (inc. 2-35)
2	0502-386	1		Shaft, Propeller - Assembly (inc. 3-7)
3	0423-411	1		Clamp, Boot
4	0402-985	1	/P	Boot, Propeller Shaft
5	0423-393	1		Clamp, Boot
6	1402-046	1		Shaft, Output
7	0502-407	1	S	Shaft, Input
8	1402-011	1		Seal
9	0423-423	1		Ring, Retaining
10	1402-043	1		Bearing
11	0423-118	11		Screw, Self-Tapping
12	0502-529	1		Housing, Pinion
13	0402-947	1		Gasket, Flange
14	0423-417	1		Ring, Retaining
15	0402-981	1		Collar, Shaft
16	0402-982	1		Washer, Wave Spring
17	0402-357	1		Collar, Lock
18	0502-123	1		Gear, Pinion - Assembly - 10T (inc. 19-21)
19	0402-336	1		Collar, Retaining
20	0402-327	1		Bearing
21	0402-424	AR		Shim
21	0402-425	AR		Shim
21	0402-426	AR		Shim
21	0402-427	AR		Shim
21	0402-428	AR		Shim
22	0402-328	1		Bearing
23	0502-120	1		Housing, Gearcase
24	0402-411	1		Pin, Dowel
25	0402-394	2	S	Seal
26	0402-450	1	S	Plug, Magnetic (inc. 27)
27	0423-153	1		O-Ring
28	0423-149	1		O-Ring
29	0402-393	2		Bearing
30	0402-405	AR		Shim
30	0402-406	AR		Shim
30	0402-407	AR		Shim
30	0402-408	AR		Shim
30	0402-409	AR		Shim
31	0502-124	1		Gear, Ring - 36T
32	0502-121	1		Cover, Gearcase
33	0402-333	1	/P	Plug, Fill (inc. 34)
34	0423-154	1		O-Ring
35	1402-104	1		Fitting
36	0423-315	1		Clamp, Fitting
37	0402-147	1	S	Bladder, Gearcase
38	0423-404	2		Screw, Cap
39	0423-426	4		Washer
40	8428-002	2		Nut, Lock
41	0402-966	1		Boot, Shaft



2005 ATV 400 AUTOMATIC TRANSMISSION 4X4 RED (A2005ATH4BUSR) Page 40 of 90  
FRONT SUSPENSION ASSEMBLY

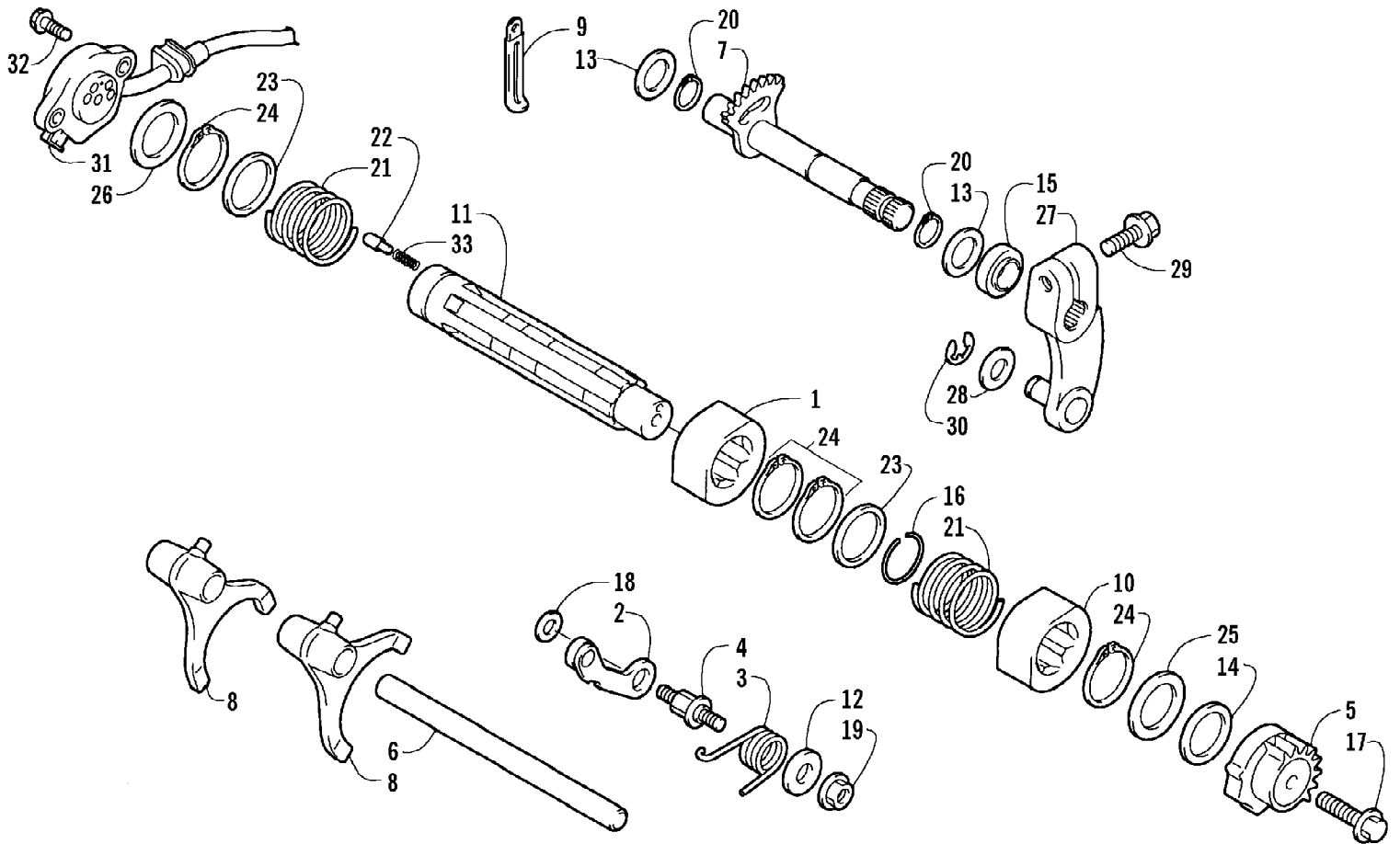
Ref #	Part Number	Qty	S/P/F	Description
1	1603-889	2	/P	Retainer, Spring
2	0403-101	2		Shock Absorber - Front (inc. 3-4)
3	0604-310	8		Bushing, Shock Absorber
4	0403-028	4		Sleeve, Shock
5	0403-102	2		Cam, Spring Adjuster
6	0403-103	2		Spring, Shock Absorber
7	8409-040	4		Screw, Cap
8	8428-002	10		Nut, Lock
9	0503-192	1	/P	A-Arm, Upper Right (inc. 10-13)
9	0503-193	1	/P	A-Arm, Upper Left (inc. 10-13)
10	0403-081	4	S	Bushing
11	0403-080	2		Collar
12	0423-009	4	/P	Clip, Ball Joint
13	0405-115	4	/P	Ball Joint - Front
14	0503-190	1	/P	A-Arm, Lower Right (inc. two No. 12-13)
14	0503-191	1	/P	A-Arm, Lower Left (inc. two No. 12-13)
15	0505-446	1	/P	Knuckle - Assembly - Right (inc. 16-18)
15	0505-447	1	/P	Knuckle - Assembly - Left (inc. 16-18)
16	0	1		Knuckle, Steering - Right Not a Service Part
16	0	1		Knuckle, Steering - Left Not a Service Part
17	1402-027	2	S/P	Bearing, Wheel Hub
18	0423-423	2		Ring, Retaining
19	8409-030	4		Screw, Cap
20	0423-334	2		Screw, Cap
21	8409-060	4		Screw, Cap
22	0502-539	2		Axle, Drive - Front (inc. 23-24)
23	0441-400	4	S	Clip, Retaining
24	0436-276	2	S	Repair Kit, Boot - Front Axle
25	0406-944	1		Guard, Boot - Axle - Right
25	0406-927	1		Guard, Boot - Axle - Left
26	0423-101	4		Screw, Body
27	0441-587	1		Wrench, Spanner





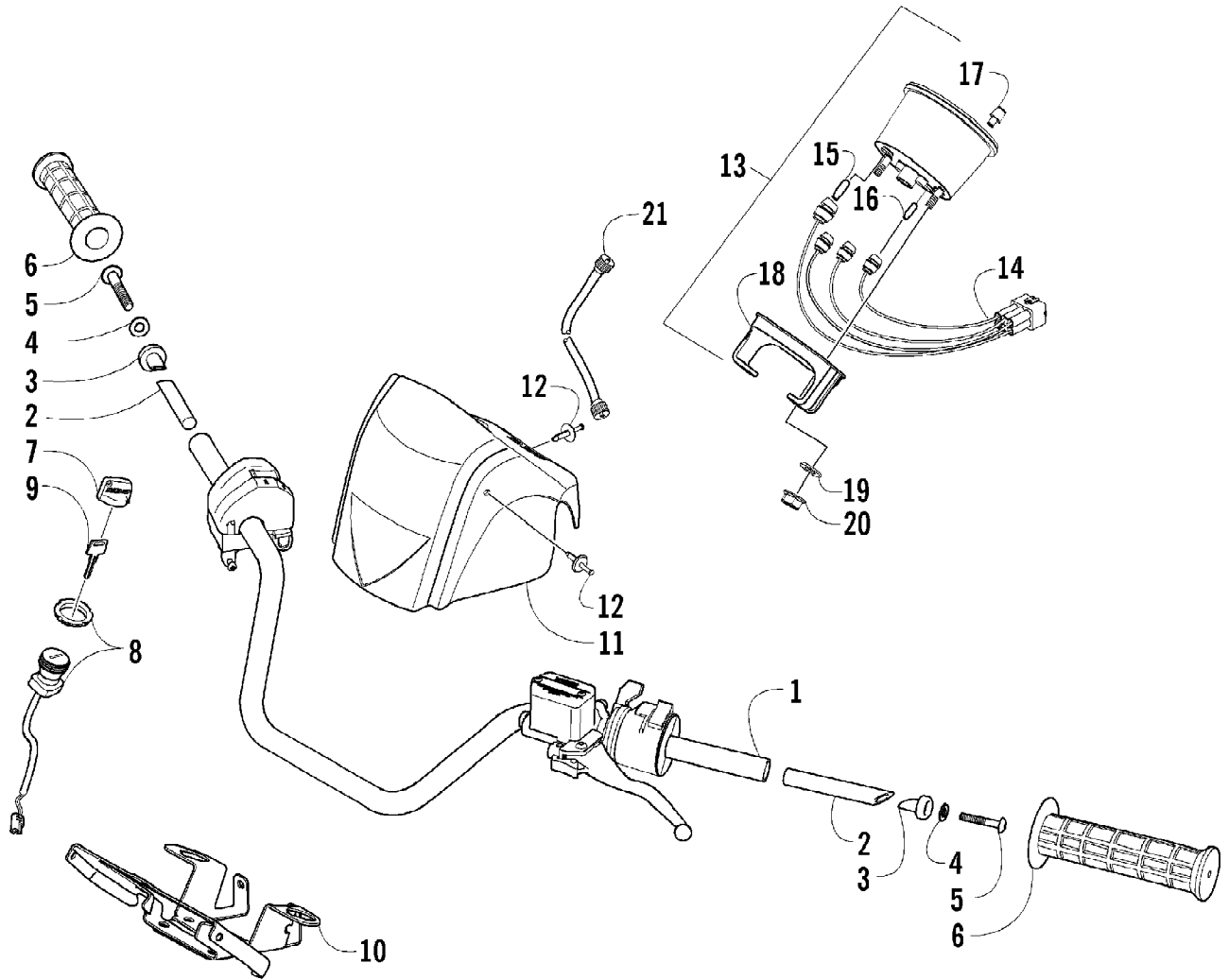
2005 ATV 400 AUTOMATIC TRANSMISSION 4X4 RED (A2005ATH4BUSR) Page 42 of 90  
 GAS TANK ASSEMBLY

Ref #	Part Number	Qty	S/P/F	Description
1	0570-066	1	/P	Tank, Gas - Assembly (inc. 2-10)
2	0470-438	1	/P	Cap, Gas Tank (inc. 3)
3	0109-733	1	/P	Gasket, Tank Cap
4	0570-086	1	/P	Gauge, Fuel w/Gasket (Press-Fit)
5	0423-398	2		Nut, Lock
6	0470-416	1	/P	Hose, Vent
7	0610-007	AR	/P	Hose, Gasline - 25 ft
8	0423-152	2		Clamp, Hose
9	0470-445	1	/P	Valve, Fuel Shut-Off (inc. 10)
10	0470-364	1		Gasket, Fuel Shut-Off Valve
11	0470-408	1		Knob, Fuel Shut-Off Valve
12	0423-146	1		Screw, Machine
13	0423-130	2		Screw, Shoulder

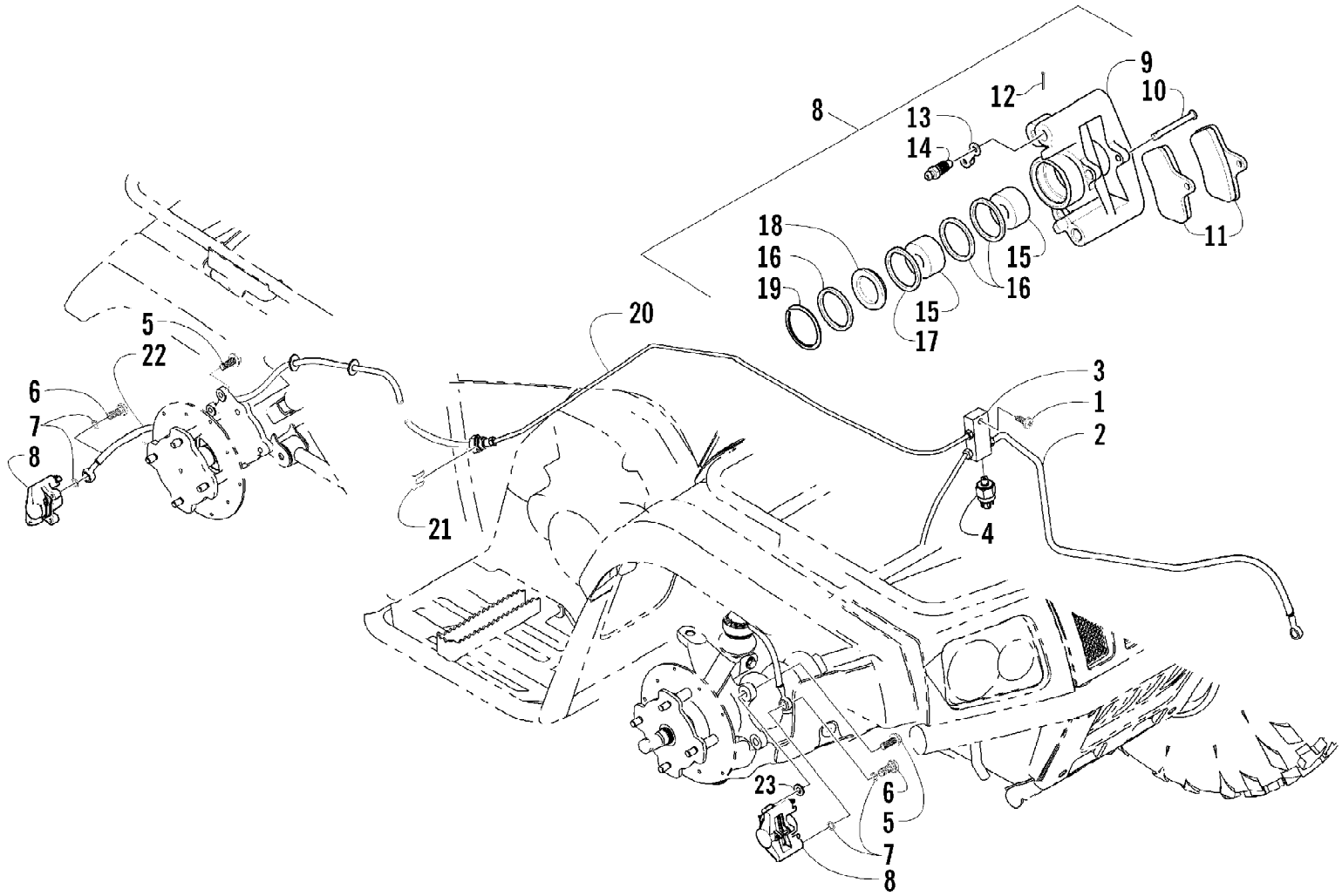


2005 ATV 400 AUTOMATIC TRANSMISSION 4X4 RED (A2005ATH4BUSR) Page 44 of 90  
GEAR SHIFTING ASSEMBLY

Ref #	Part Number	Qty	S/P/F	Description
1	3402-640	1		Cam, Reverse
2	3446-043	1		Stopper, Cam
3	3446-283	1		Spring, Cam Stopper
4	3446-048	1		Support, Cam Stopper
5	3402-642	1		Plate, Gear Shift Cam
6	3402-643	1		Shaft, Shift Fork
7	3402-644	1		Shaft, Sub-Gear Shift
8	3446-073	2		Fork, Shift
9	3004-787	1		Clamp, Wire
10	3402-670	1		Cam, Gear Shift
11	3446-281	1		Shaft, Gear Shift
12	3423-438	1		Washer, Cam Stopper Spring
13	1691-043	2		Washer, Sub-Gear Shift Shaft
14	3423-446	1		Washer, Gear Shift Cam Plate
15	3402-076	1		Seal, Sub-Gear Shift Shaft
16	3423-416	1		C-Ring, Cam
17	3004-376	1	S/P	Bolt, Gear Shift Cam Plate
18	3423-141	1		Washer, Cam Stopper
19	3004-488	1	S/P	Nut, Cam Stopper Spring
20	3423-358	2	S	Circlip, Sub-Gear Shift Shaft
21	3446-280	2		Spring, Cam
22	3423-044	2		Contact
23	3402-382	2		Washer, Cam Spring
24	3423-191	4	/P	Circlip, Cam Spring
25	3402-195	1		Washer, Shift Shaft
26	3423-421	1	/P	Washer, Shift Shaft
27	3402-434	1	/P	Arm, Select
28	3423-204	1	/P	Washer, Select Arm
29	3004-341	1	S/P	Bolt, Select Arm
30	3423-153	1		E-Ring
31	3402-997	1		Base, Gear Shift - Assembly
32	3423-418	2		Bolt
33	3402-087	2		Spring



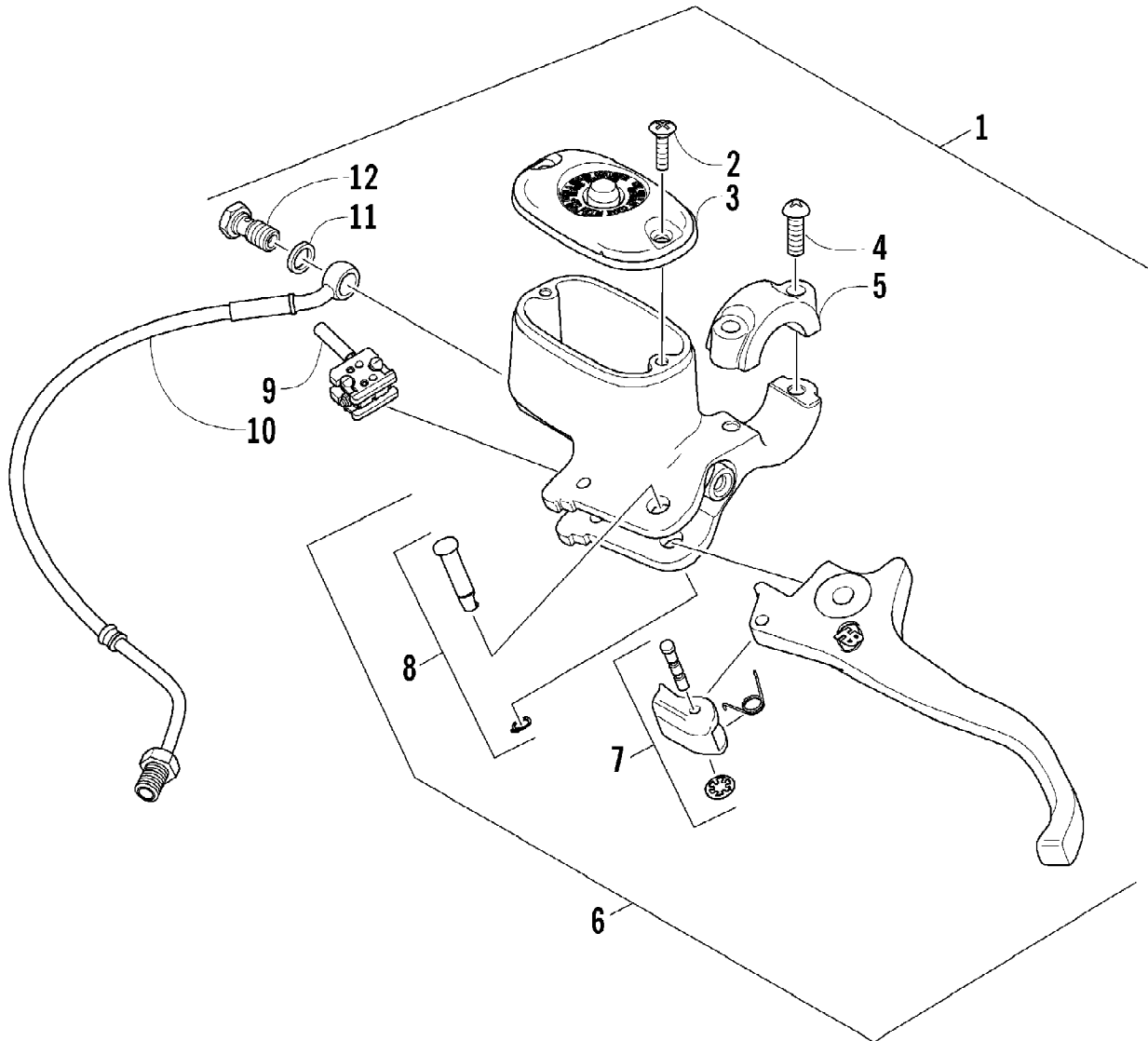
Ref #	Part Number	Qty	S/P/F	Description
1	0505-418	1	/P	Tube, Handlebar
2	0405-148	2		Plug, Handlebar
3	0405-149	2		End Cap, Handlebar
4	8050-247	2	/P	Washer
5	8477-845	2		Screw, Machine
6	0405-147	2		Grip, Handlebar
7	0409-013	1		Cover, Key
8	3430-040	1		Switch, Ignition - Assembly (inc. 9)
9	3409-007	1	/P	Key, Ignition - Blank (C Series)
9	3409-011	1		Key, Ignition - Blank (D Series)
9	3409-012	1		Key, Ignition - Blank (E Series)
9	3409-013	1		Key, Ignition - Blank (F Series)
10	1506-434	1		Bracket, Mounting - Instrument Pod
11	0405-144	1		Instrument Pod
12	0423-535	4		Rivet, Reinstallable
13	0420-050	1		Speedometer (inc. 14-17)
14	0509-031	1		Harness, Speedometer (inc. 15-16)
15	0409-062	1		Bulb, Instrument
16	0609-078	3		Bulb, Indicator
17	0409-063	1		Knob, Tripmeter
18	1506-577	1		Bracket, Retaining
19	8050-217	2	/P	Washer
20	0623-038	2		Nut
21	0487-026	1		Cable, Speedometer



2005 ATV 400 AUTOMATIC TRANSMISSION 4X4 RED (A2005ATH4BUSR) Page 48 of 90  
 HYDRAULIC BRAKE ASSEMBLY

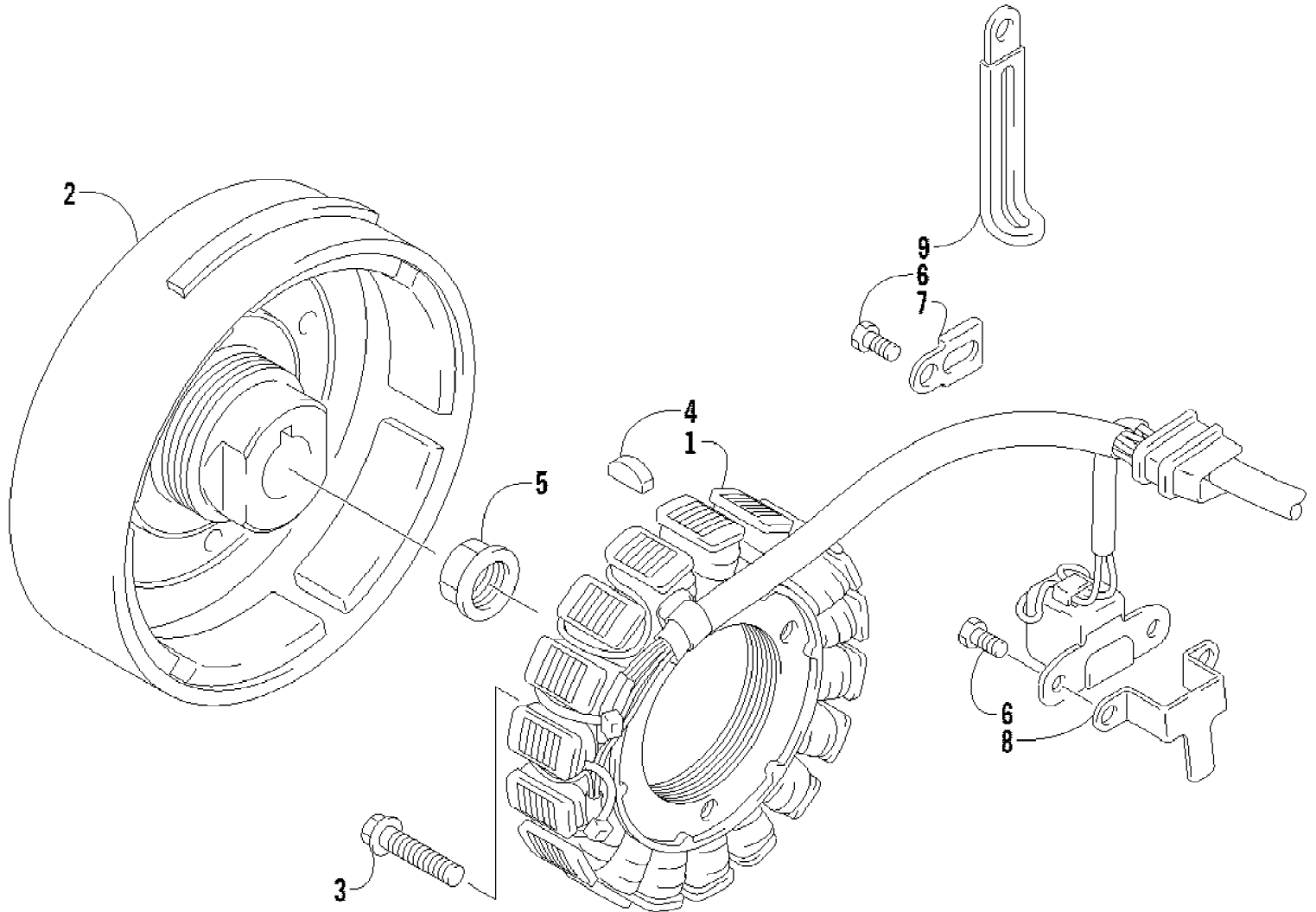
Ref #	Part Number	Qty	S/P/F	Description
1	8476-625	1		Screw, Cap
2	1402-310	2		Hose, Brake - Front - Right/Left
3	1402-086	1		Block, Junction
4	0402-306	1	/P	Switch, Brake Pressure
5	8408-825	6		Screw, Cap
6	0423-413	3		Bolt, Banjo Fitting
7	0423-178	6		Washer, Crush
8	0502-457	1	S	Caliper, Brake - Right Front (inc. 9-19)
8	0502-456	2	S	Caliper, Brake - Left Front and Right Rear (inc. 9-19)
9	0	3	F	Housing, Caliper
10	0402-495	3		Pin, Brake Caliper
11	1402-126	6		Pad, Brake
12	0423-495	3	/P	Pin, Cotter
13	0402-493	3		Cap, Bleed Valve
14	1402-123	3		Valve, Bleed
15	1402-125	6		Piston
16	0402-980	9		O-Ring, Brake Caliper
17	0	3	F	O-Ring
18	0	3	F	Plug
19	0	3	F	Ring, Retaining
20	0402-932	1		Tube, Brake Line - Rear
21	0402-597	1	/P	Clip, Brake Line
22	0402-990	1		Hose, Brake - Rear
23	0423-562	4		Spacer





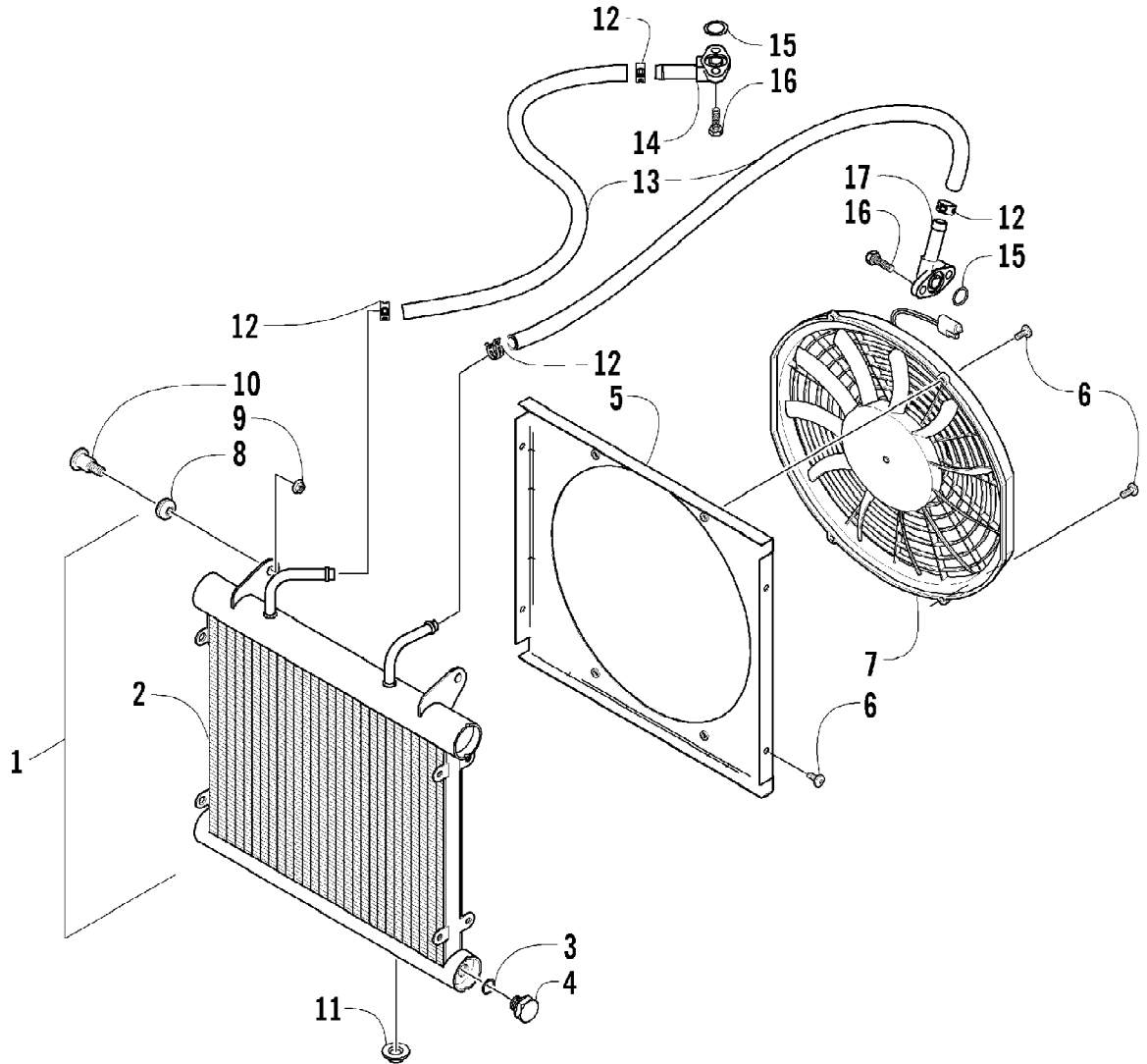
2005 ATV 400 AUTOMATIC TRANSMISSION 4X4 RED (A2005ATH4BUSR) Page 50 of 90  
HYDRAULIC HAND BRAKE ASSEMBLY

Ref #	Part Number	Qty	S/P/F	Description
	0502-704	1		Master Cylinder Rebuild Kit
1	0502-703	1	S	Brake Assembly (inc. 2?9)
2	0502-566	1		Screw, Reservoir Cover - Kit
3	0502-706	1	S	Cover, Reservoir - Kit
4	0502-568	1		Screw, Master Cylinder Clamp - Kit
5	0502-705	1		Clamp, Master Cylinder - Kit
6	0502-634	1	/P	Lever Assembly - Kit (inc. 7-8)
7	0502-635	1		Lock, Brake Lever - Kit
8	0502-580	1		Lever Pin - Kit
9	0502-564	1	/P	Switch, Brake - Kit
10	1402-344	1		Brakeline, Hydraulic
11	0423-178	2		Washer, Crush
12	0423-413	1		Bolt, Banjo Fitting



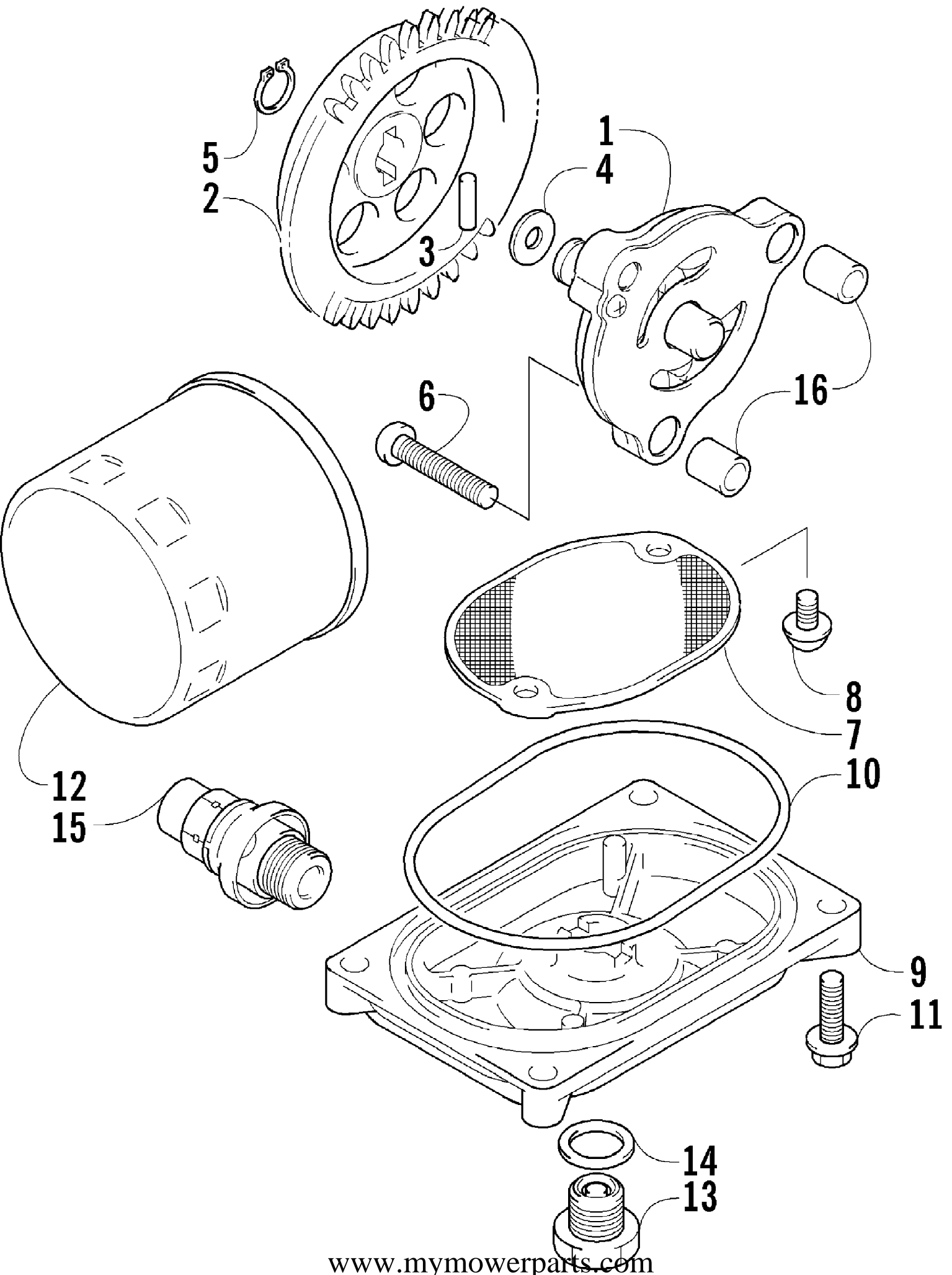
2005 ATV 400 AUTOMATIC TRANSMISSION 4X4 RED (A2005ATH4BUSR) Page 52 of 90  
MAGNETO ASSEMBLY

Ref #	Part Number	Qty	S/P/F	Description
1	3430-053	1		Stator Assembly
2	3430-054	1	S	Rotor/Flywheel
3	3004-756	3	S	Bolt
4	0691-785	1		Key
5	3423-086	1		Nut
6	3423-005	3	/P	Bolt
7	3430-005	1		Clamp
8	3430-006	1		Clamp
9	3002-964	1	/P	Clamp, Wire



2005 ATV 400 AUTOMATIC TRANSMISSION 4X4 RED (A2005ATH4BUSR) Page 54 of 90  
 OIL COOLER ASSEMBLY

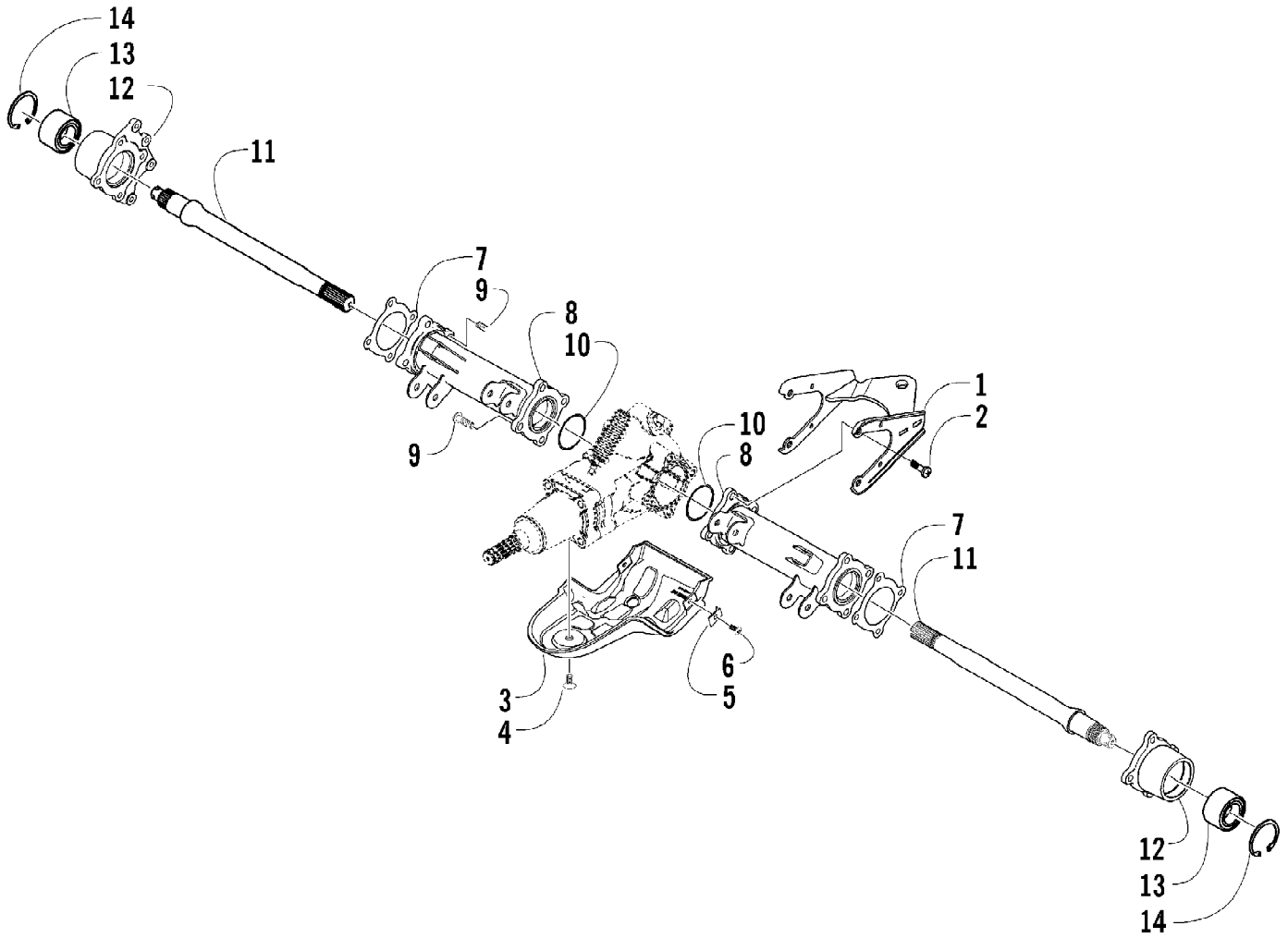
Ref #	Part Number	Qty	S/P/F	Description
1	0413-103	1		Cooler, Oil - Assembly (inc. 2-8)
2	0413-053	1		Cooler, Oil
3	0413-059	1		O-Ring
4	0413-058	1		Plug, Drain
5	0413-064	1		Shroud, Fan
6	8475-512	8		Screw, Machine
7	0413-044	1	S	Fan, Cooling
8	0423-030	2		Grommet
9	0623-038	2		Nut w/Washer
10	0423-484	2		Screw, Shoulder
11	0423-028	2		Bushing, Stem
12	0423-098	4	/P	Clamp, Hose
13	0410-044	2		Hose, Oil
14	0410-013	1		Fitting, Oil
15	0423-089	2		O-Ring, Oil Fitting
16	8471-616	4		Screw, Cap
17	0410-012	1		Fitting, Oil - Angled



2005 ATV 400 AUTOMATIC TRANSMISSION 4X4 RED (A2005ATH4BUSR) Page 56 of 90  
 OIL FILTER/PUMP ASSEMBLY

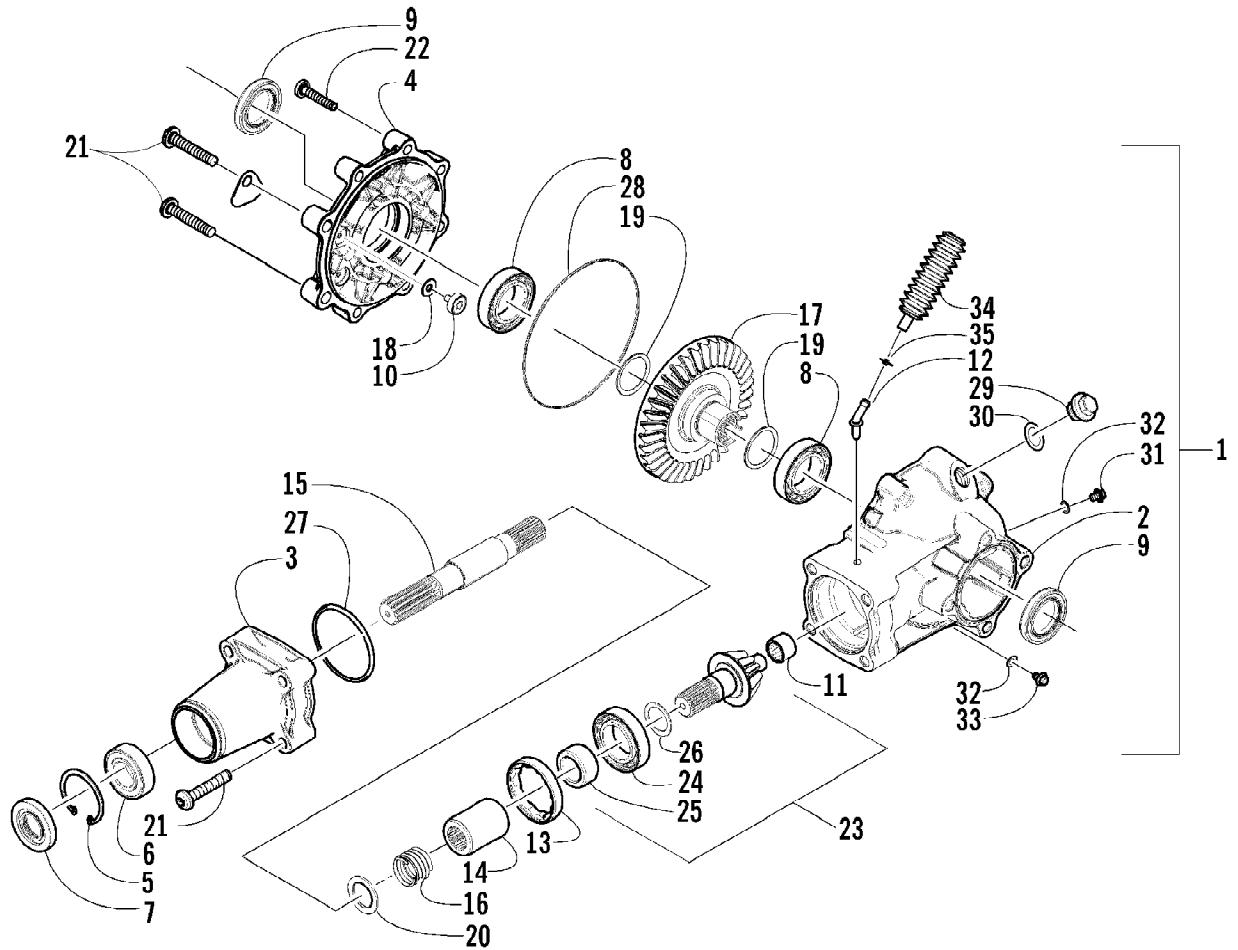
Ref #	Part Number	Qty	S/P/F	Description
1	3402-619	1		Pump, Oil
2	3402-618	1		Gear, Driven
3	3423-046	1		Pin
4	3423-443	1		Washer
5	3423-184	1	S	Circlip
6	3423-113	3	S/P	Screw
7	3402-156	1		Strainer, Oil
8	0693-389	2	S	Screw
9	3402-157	1		Cap, Oil Strainer
10	3423-077	1		O-Ring
11	3004-756	4	S	Screw, Cap
12	0436-146	1	S	Filter, Oil
13	3403-021	1	/P	Plug, Drain
14	3402-012	1		Gasket, Drain Plug
15	3402-773	1		Valve, Assembly - Oil Relief
16	3005-206	2	/P	Pin, Oil Pump



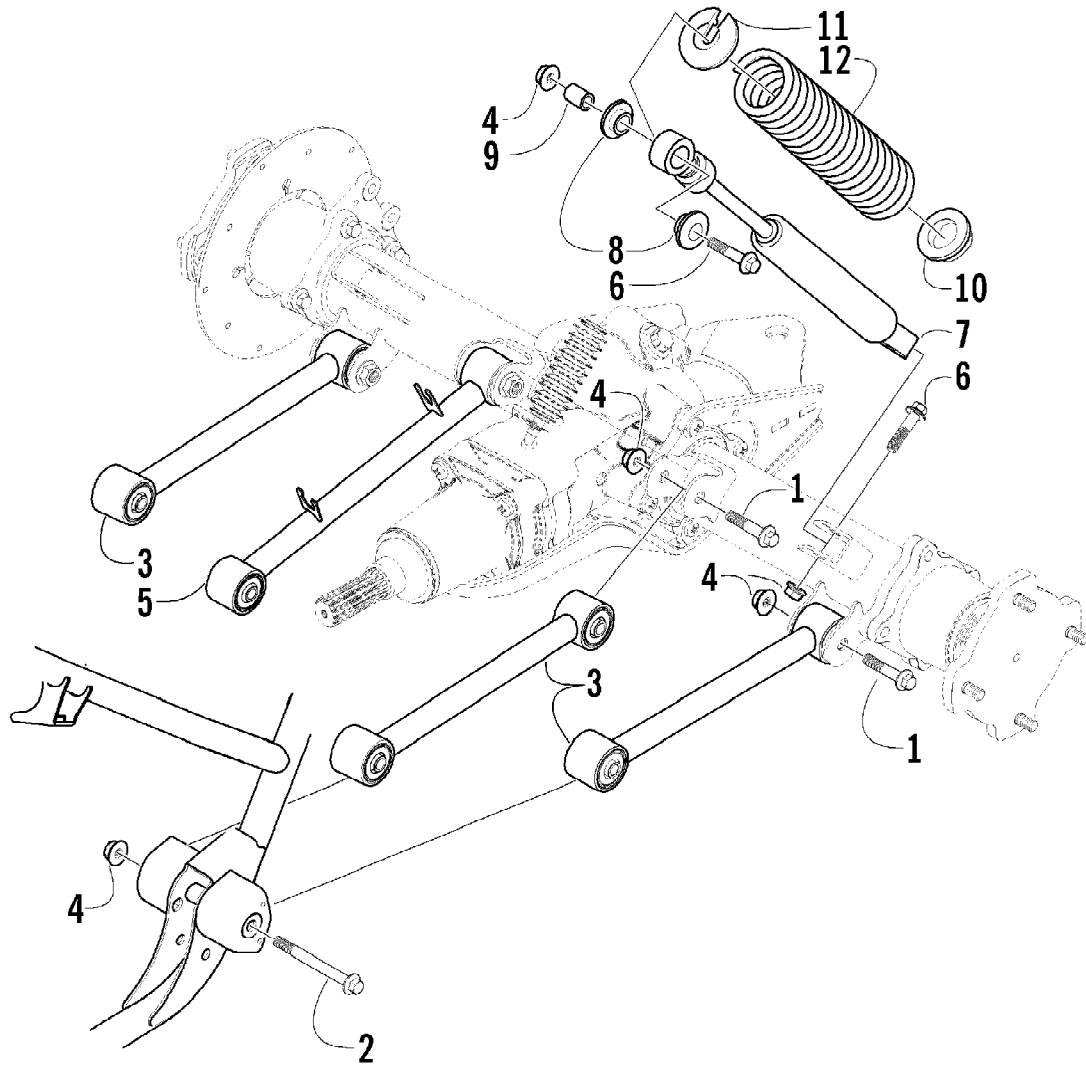


2005 ATV 400 AUTOMATIC TRANSMISSION 4X4 RED (A2005ATH4BUSR) Page 58 of 90  
 REAR AXLE ASSEMBLY

Ref #	Part Number	Qty	S/P/F	Description
1	0506-675	1		Hitch, Trailer
2	0423-116	4		Screw, Self-Tapping
3	0406-415	1		Panel, Gearcase
4	0423-101	1		Screw, Body
5	0423-031	2		Nut, Speed
6	8477-616	2		Screw, Machine
7	0402-374	2		Gasket, Axle Housing
8	0502-090	1		Housing, Axle - Right
8	0502-091	1		Housing, Axle - Left
9	0423-117	12		Screw, Self-Tapping
10	0423-119	2		O-Ring
11	1402-239	1		Axle - Right
11	1402-240	1		Axle - Left
12	0502-680	1		Housing, Bearing - Right
12	0502-681	1		Housing, Bearing - Left
13	1402-027	2	S/P	Bearing
14	0423-423	2		Ring, Retaining

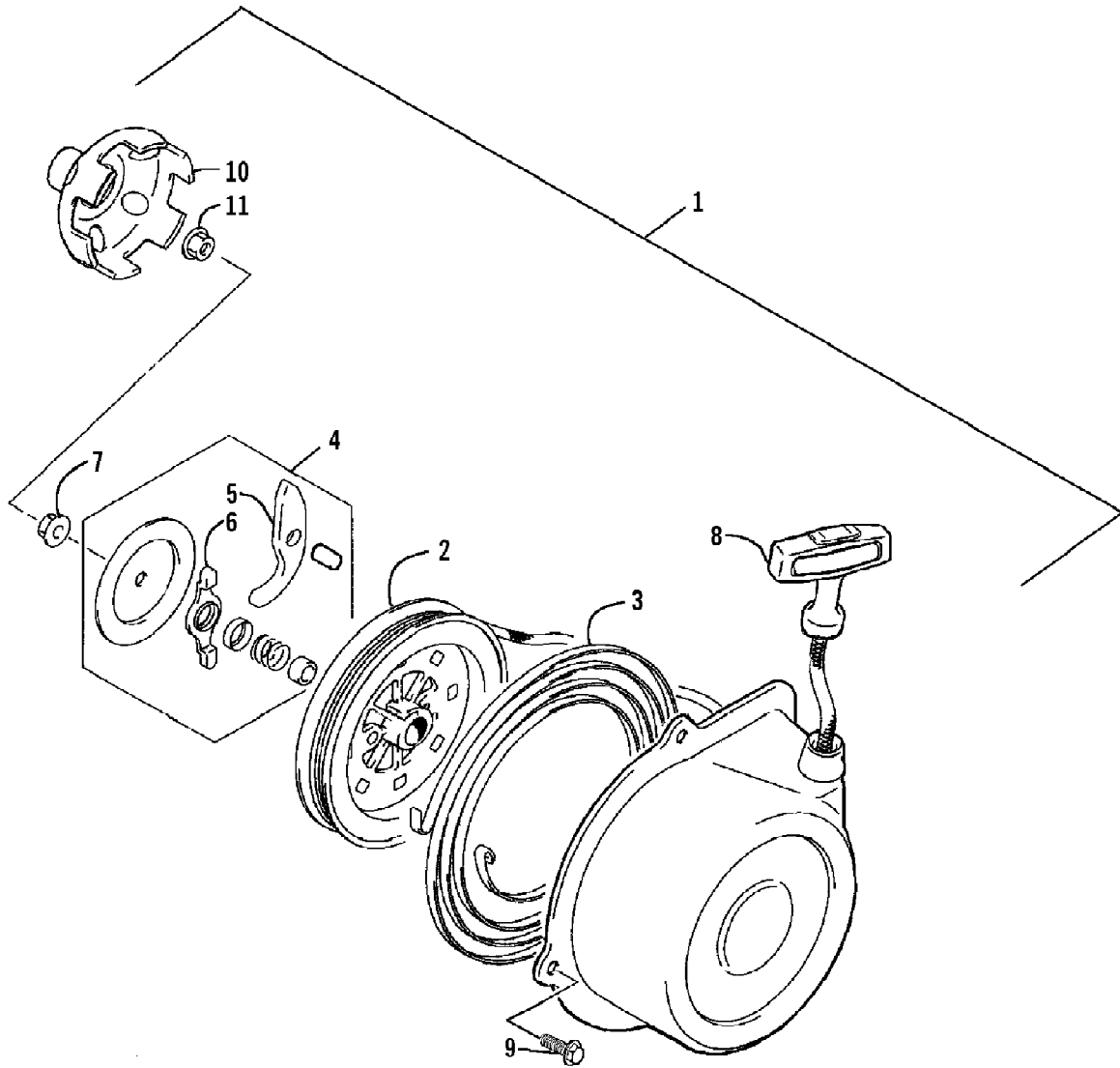


Ref #	Part Number	Qty	S/P/F	Description
1	0502-292	1		Gearcase, Rear Drive - Assembly (inc. 2-33)
2	0502-088	1		Housing, Gearcase
3	0502-239	1		Housing, Pinion
4	0502-089	1		Cover, Gearcase
5	0402-321	1		Ring, Retaining
6	0402-322	1		Bearing
7	0402-323	1		Seal
8	0402-324	2		Bearing
9	0402-325	2		Seal
10	0402-326	1		Button, Thrust
11	0402-328	1		Bearing, Needle
12	0402-330	1		Fitting
13	0402-331	1		Collar, Lock
14	0402-335	1		Collar, Shaft
15	0402-851	1		Shaft, Thrust
16	0402-338	1		Spring, Compression
17	0402-381	1		Gear, Ring - 36T
18	0402-429	AR		Shim
18	0402-430	AR		Shim
18	0402-431	AR		Shim
18	0402-432	AR		Shim
18	0402-433	AR		Shim
19	0402-434	AR		Shim
19	0402-435	AR		Shim
19	0402-436	AR		Shim
19	0402-437	AR		Shim
19	0402-438	AR		Shim
20	0423-111	1		Washer
21	0423-115	6		Screw, Self-Tapping
22	0423-118	6		Screw, Self-Tapping
23	0502-123	1		Gear, Pinion - Assembly - 10T (inc. 24-26)
24	0402-327	1		Bearing
25	0402-336	1		Collar, Retaining
26	0402-424	AR		Shim
26	0402-425	AR		Shim
26	0402-426	AR		Shim
26	0402-427	AR		Shim
26	0402-428	AR		Shim
27	0423-148	1		O-Ring
28	0423-149	1		O-Ring
29	0402-333	1	/P	Plug, Fill (inc. 30)
30	0423-154	1		O-Ring, Fill Plug
31	0402-334	1		Plug, Drain (inc. one No. 32)
32	0423-153	2		O-Ring, Drain Plug
33	0402-450	1	S	Plug, Drain - Magnetic (inc. one No. 32)
34	0402-147	1	S	Bladder, Gearcase
35	0423-315	1		Clamp, Fitting



2005 ATV 400 AUTOMATIC TRANSMISSION 4X4 RED (A2005ATH4BUSR) Page 62 of 90  
REAR SUSPENSION ASSEMBLY

Ref #	Part Number	Qty	S/P/F	Description
1	8409-060	4		Screw, Cap
2	0423-335	2		Screw, Cap
3	0504-218	3		Arm, Swing
4	8428-002	10		Nut, Lock
5	0504-246	1		Arm, Swing
6	8409-040	4		Screw, Cap
7	0404-056	2		Shock Absorber - Rear (inc. 8-9)
8	0604-310	8		Bushing, Shock Absorber
9	0403-028	4		Sleeve, Shock Absorber
10	0403-102	2		Cam, Spring Adjuster
11	1603-889	2	/P	Retainer, Spring - Upper
12	0404-058	2		Spring, Shock Absorber



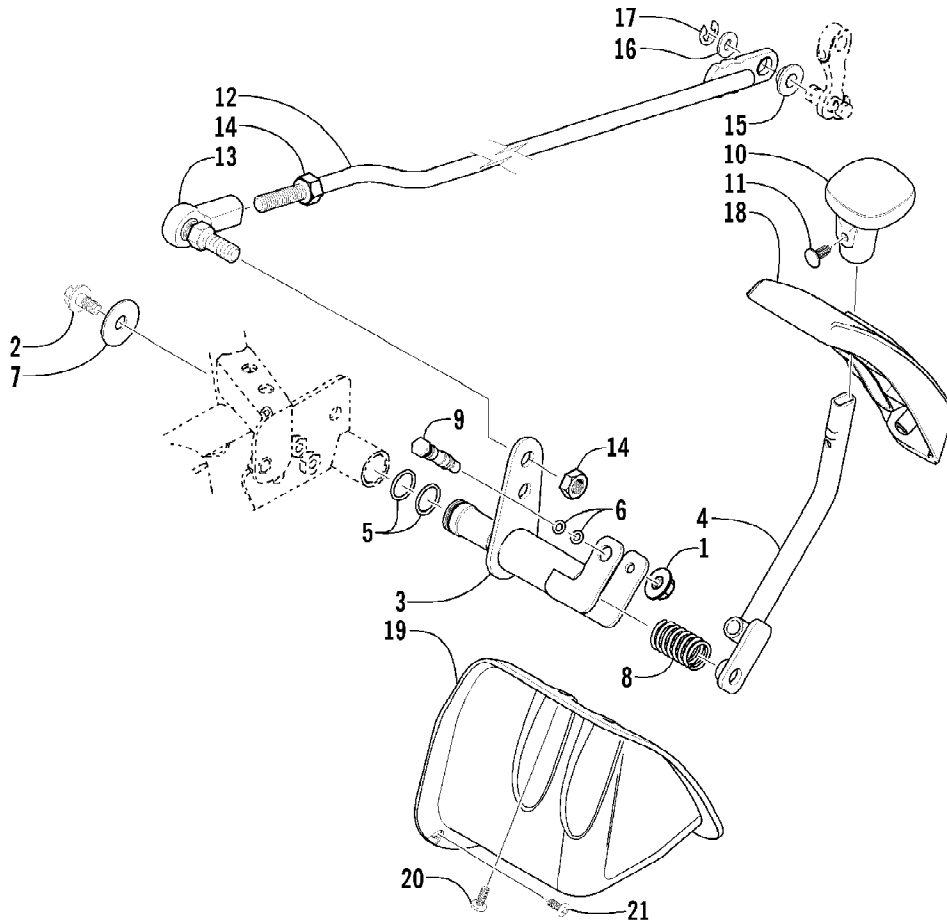
2005 ATV 400 AUTOMATIC TRANSMISSION 4X4 RED (A2005ATH4BUSR) Page 64 of 90  
RECOIL STARTER ASSEMBLY

Ref #	Part Number	Qty	S/P/F	Description
1	3445-003	1		Starter, Recoil - Assembly (inc. 2-8)
2	3445-004	1		Reel
3	3445-007	1		Spring, Sprial
4	3445-016	1		Ratchet - Assembly (inc. 5-6)
5	3445-005	1		Ratchet
6	3445-006	1		Guide, Ratchet
7	3004-488	1	S/P	Nut
8	3445-011	1		Rope Assembly
9	3423-428	4		Screw, Cap
10	3445-027	1	S	Cup, Starter
11	3004-491	1	S/P	Nut



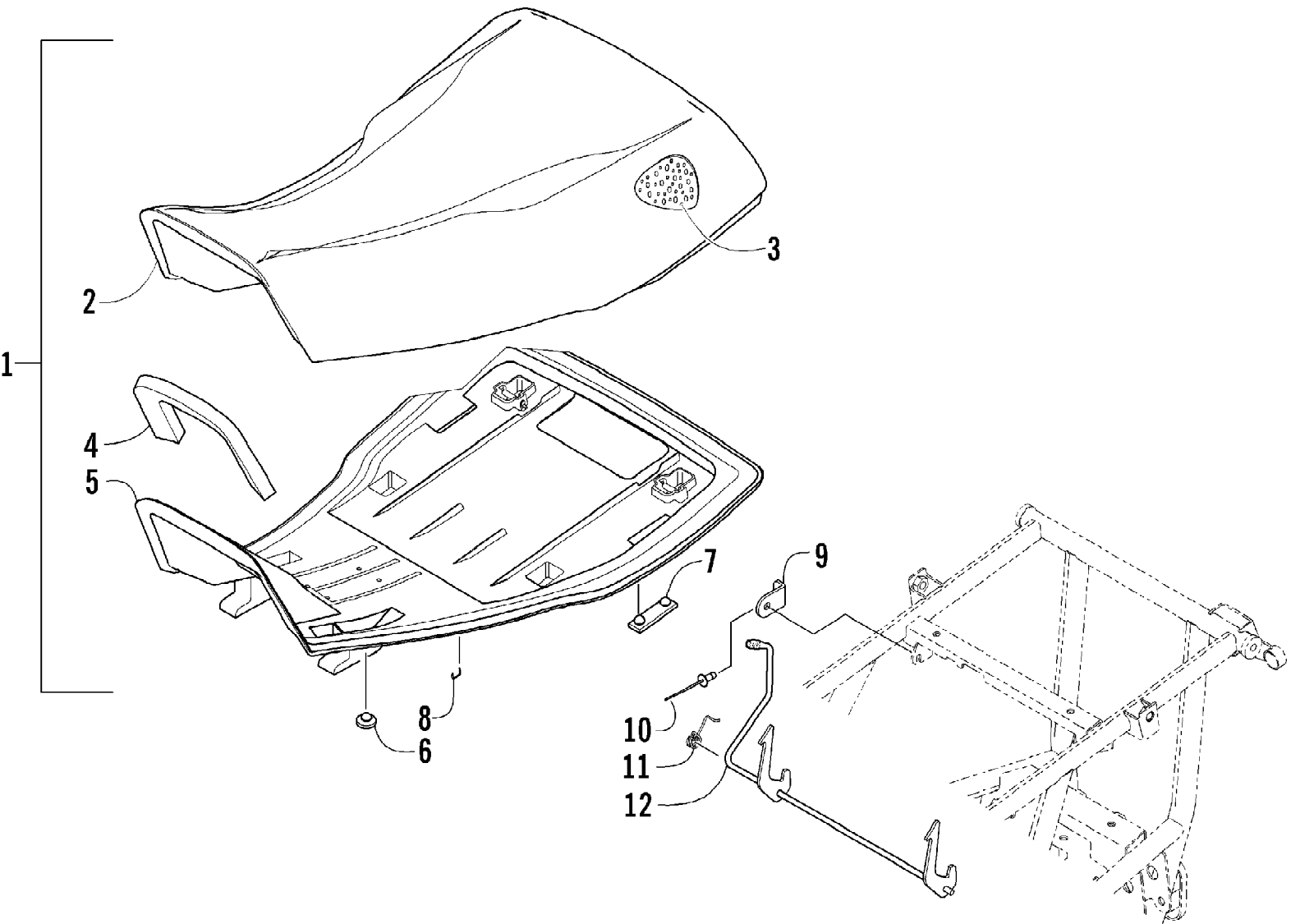
No  
Diagram  
Available  
  
Parts List  
Only

Ref #	Part Number	Qty	S/P/F	Description
	0436-679	1		Bag, Fender - Black
	0436-337	1		Bag, Rack, Front - Black
	0436-336	1		Bag, Rack, Rear - Black
	0436-432	1	S	Brush Guard/Bumper, Front
	0436-525	1		Bumper (Rear)
	0436-454	1		Cargo Box
	0436-485	1		Cargo Box Solid Mount Kit
	0436-381	1		Cover, Black and Green
	0436-668	1		Cover, Timber Camo
	0436-005	1	S	Engine Oil - 10W40
	0436-003	1	S	Engine Oil - 5W30
	0436-450	1	S	Engine Oil - Synthetic 0W40
	0436-007	1	S	Gear Lube (Diff) - 80W90
	0441-281	1		Gun Scabbard
	0436-200	1		Gun Scabbard Mount
	0436-505	1		Hand Guards - Black
	0436-352	1		Hand/Thumb Warmers
	2257-186	1		Illustrated Parts Manual
	2257-172	1		Manuel d'utilisation (F)
	2257-034	1		Operator's Manual (E)
	0436-351	1		Rack Basket (Front)
	0436-350	1		Rack Basket (Rear)
	0436-349	1		Rack Extension, 4 in. (Front)
	0436-225	1		Rack Extension, 4 in. (Rear)
	0436-226	1		Rack Extension, 8 in. (Rear)
	0436-386	1		Snowplow Attachment Kit
	0436-228	1		Snowplow Blade, 50 in. - Straight
	0436-287	1		Snowplow Blade, 50 in. - One-Way
	0436-296	1		Snowplow Blade, 60 in. - Straight
	0436-360	1		Snowplow Blade, 60 in. - One-Way
	0436-356	1	S	Snowplow, Push Frame
	1402-028	1		Tire, Titan AT589 (25x8-12,Mud & Snow)
	0402-563	1		Tire, Titan AT589 (25x10-12,Mud & Snow)
	0436-297	1		Tool Holder - Double
	0436-263	1	/P	Tool Holder - Single
	0436-382	1		Torch Light
	0436-699	1		Winch, 2500 lb
	0436-361	1		Winch Mounting Kit
	0436-507	1		Windshield, Clear w/Black Accent



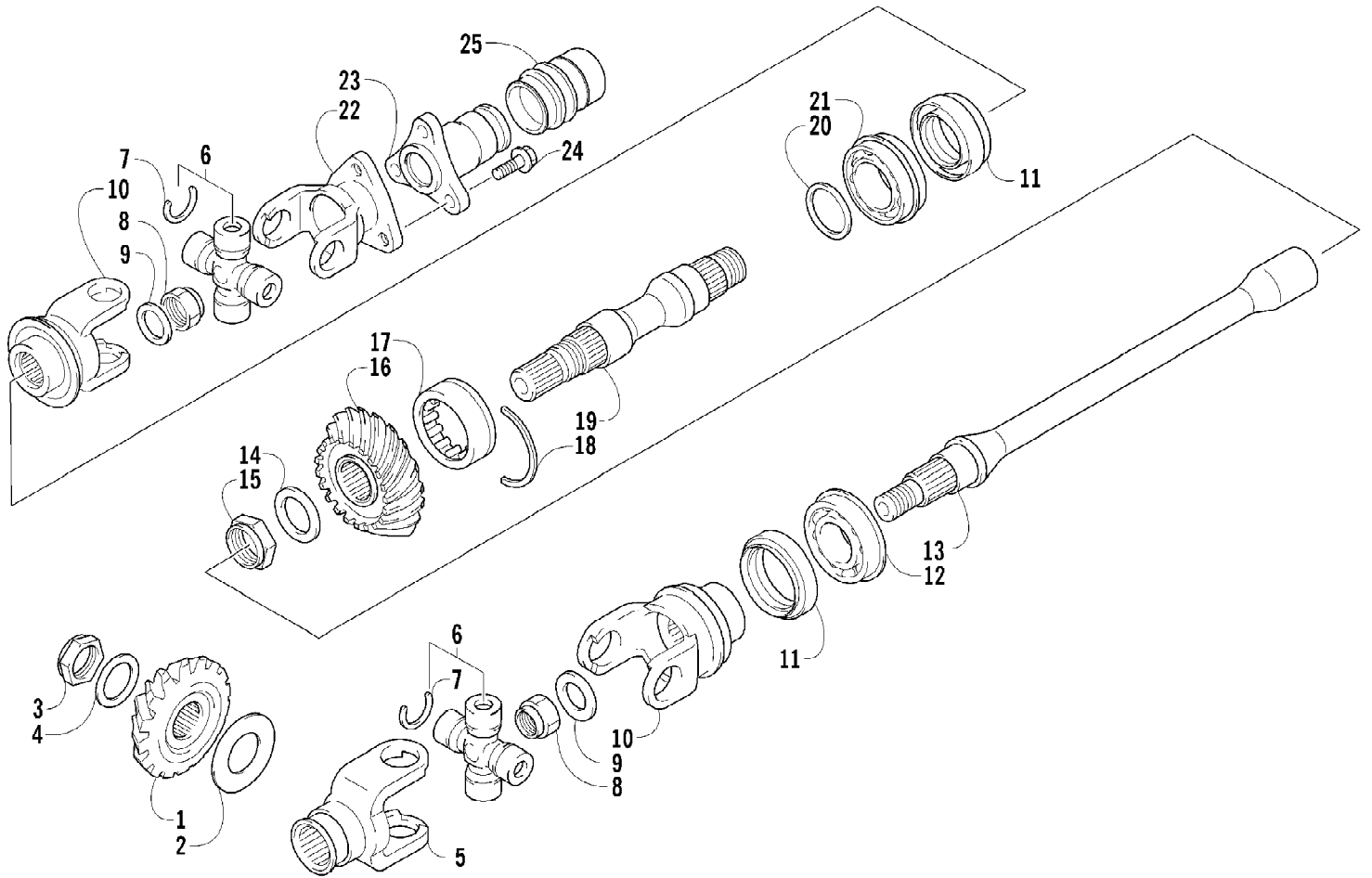
2005 ATV 400 AUTOMATIC TRANSMISSION 4X4 RED (A2005ATH4BUSR) Page 68 of 90  
REVERSE SHIFT LEVER ASSEMBLY

Ref #	Part Number	Qty	S/P/F	Description
1	8424-602	1	/P	Nut
2	8408-812	1		Screw, Cap
3	0502-187	1		Axle, Reverse Shift Lever
4	0502-185	1		Lever, Reverse Shift
5	0423-299	2	/P	O-Ring
6	0423-182	2	/P	O-Ring
7	0423-087	1		Washer
8	0502-410	1	S	Spring
9	0402-675	1		Axle, Pivot
10	0402-843	1	/P	Handle, Reverse Shift Lever
11	0423-345	1		Clip, Push
12	0502-311	1	S	Linkage, Shift
13	1402-270	1		End, Rod
14	0623-294	2		Nut
15	0423-091	1		Bushing
16	3423-204	1	/P	Washer
17	0423-169	1	/P	E-Ring
18	0402-685	1		Plate, Shift
19	0406-943	1		Shield, Linkage
20	0423-371	3		Screw, Machine
21	0623-309	1		Screw, Self-Tapping



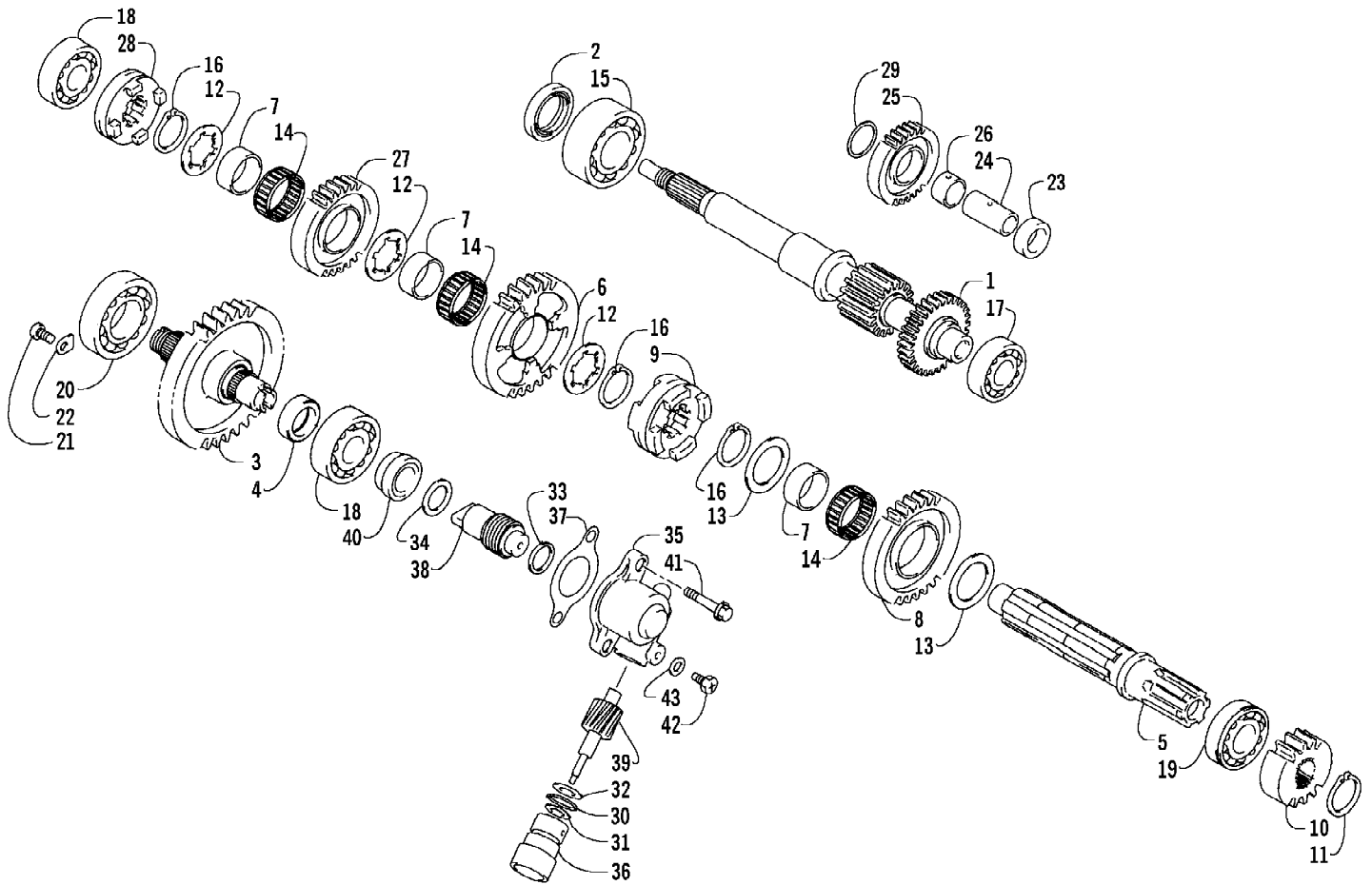
2005 ATV 400 AUTOMATIC TRANSMISSION 4X4 RED (A2005ATH4BUSR) Page 70 of 90  
SEAT ASSEMBLY

Ref #	Part Number	Qty	S/P/F	Description
1	0506-558	1		Seat Assembly (inc. 2-8)
2	0506-556	1		Cover, Seat
3	0506-555	1		Foam, Seat
4	1406-060	1		Foam, Sound
5	0406-878	1		Base, Seat Assembly (inc. 6-7)
6	0406-877	2	/P	Bumper, Seat - Front
7	0406-879	2		Bumper, Seat - Rear
8	0624-528	AR	/P	Staple
9	1406-087	1		Plate, Retainer
10	8060-284	1		Rivet
11	1406-371	1		Spring, Seat Latch
12	1506-217	1		Latch, Seat



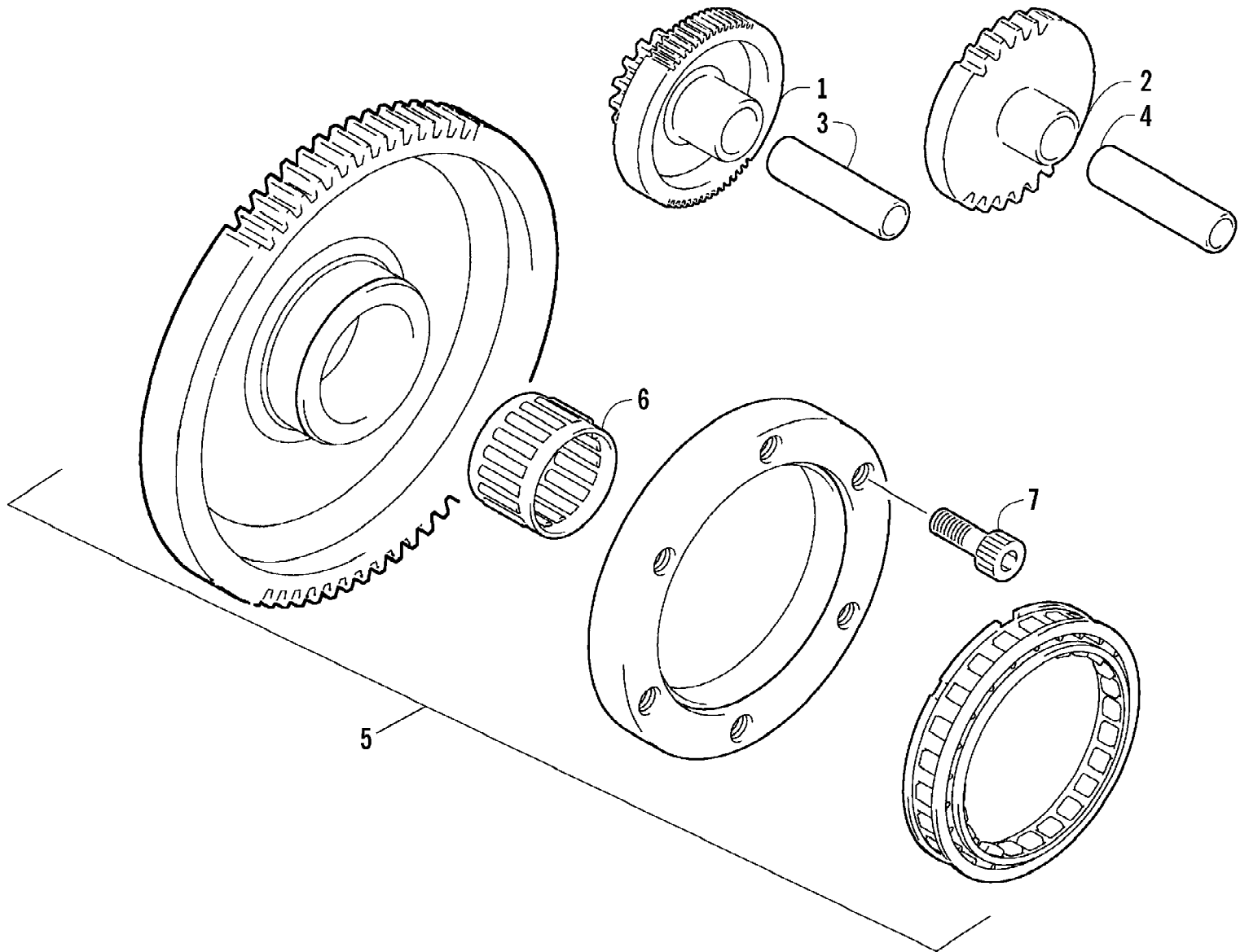
Ref #	Part Number	Qty	S/P/F	Description
1	3402-637	1		Gear, Secondary Drive
2	3446-035	1		Shim, Secondary Drive Gear - Set
3	3423-023	1		Nut
4	3005-372	1		Washer
5	3446-327	1	/P	Yoke, Propeller Shaft - Front
6	3402-562	2		Joint, Universal - Set (inc. 7)
7	3423-479	8		Circlip
8	3423-025	2		Nut
9	3423-028	2		Washer
10	3402-742	2		Yoke, Drive Output
11	3402-072	2		Seal, Oil
12	3402-558	1		Bearing, Front Secondary Driven Shaft
13	3402-694	1		Shaft, Secondary Driven - Front
14	3423-137	1		Washer, Secondary Driven Gear
15	3423-136	1		Nut, Secondary Driven Gear
16	3402-638	1		Gear, Secondary Driven
17	3402-515	1	/P	Bearing, Driven Gear
18	3423-072	1		C-Ring, Driven Bearing
19	3402-639	1		Shaft, Secondary Driven - Rear
20	3402-017	AR		Shim, 25 x 34 x 0.60 mm
20	3402-018	AR		Shim, 25 x 34 x 0.65 mm
20	3402-019	AR		Shim, 25 x 34 x 0.70 mm
20	3402-020	AR		Shim, 25 x 34 x 0.75 mm
20	3402-021	AR	S	Shim, 25 x 34 x 0.80 mm
20	3402-022	AR		Shim, 25 x 34 x 0.85 mm
20	3402-023	AR		Shim, 25 x 34 x 0.90 mm
20	3402-024	AR		Shim, 25 x 34 x 0.95 mm
20	3402-025	AR	S	Shim, 25 x 34 x 1.00 mm
20	3402-028	AR		Shim, 25 x 34 x 1.05 mm
20	3402-029	AR		Shim, 25 x 34 x 1.10 mm
20	3402-030	AR		Shim, 25 x 34 x 1.15 mm
20	3402-031	AR		Shim, 25 x 34 x 1.20 mm
21	3402-067	1	S	Bearing, Rear Secondary Driven Shaft
22	3446-405	1		Yoke, Propeller Shaft
23	3403-015	1		Shaft, Propeller
24	3423-414	3	S	Bolt, Propeller Shaft
25	3435-051	1		Boot, Propeller Shaft





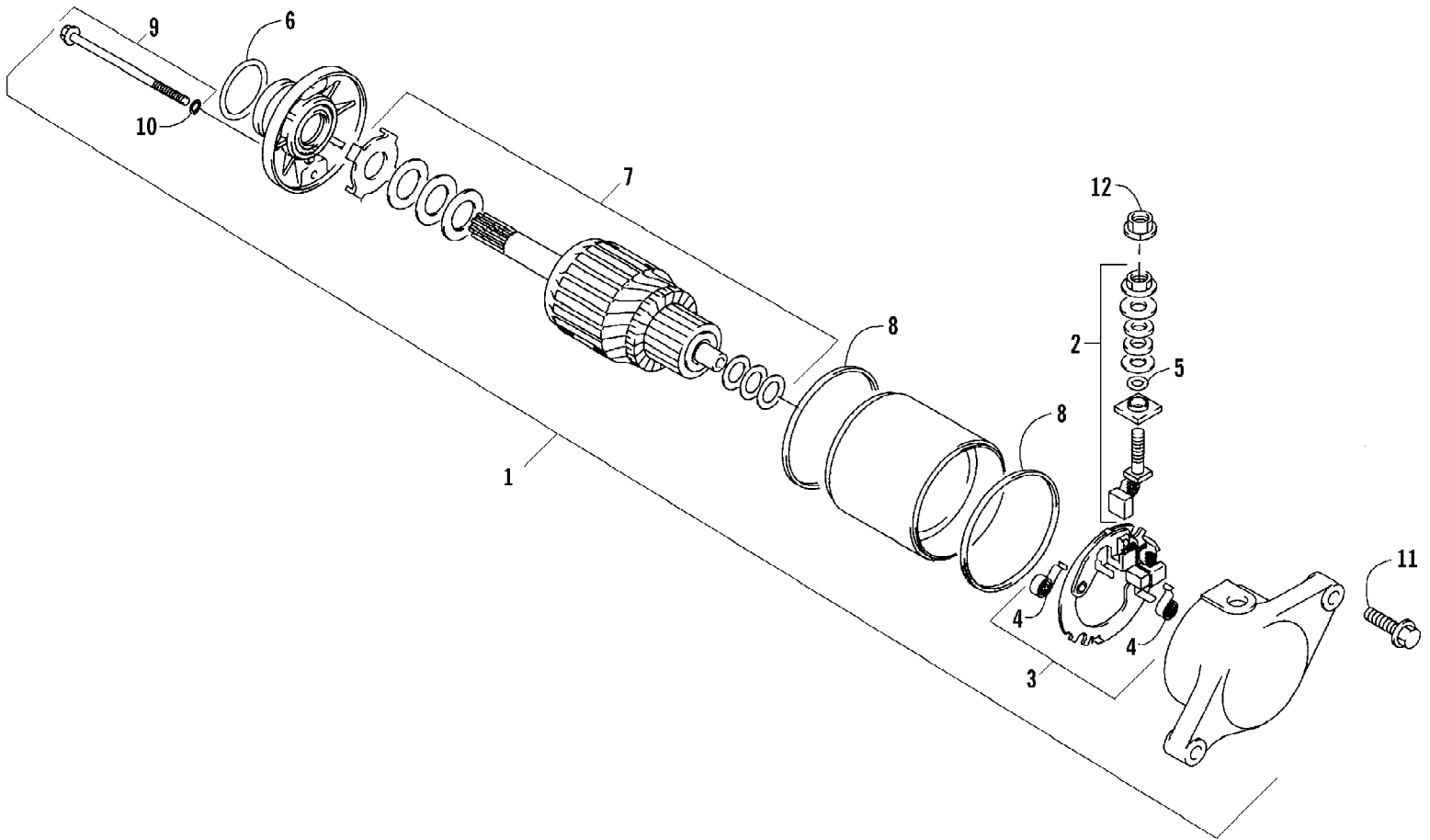
2005 ATV 400 AUTOMATIC TRANSMISSION 4X4 RED (A2005ATH4BUSR) Page 74 of 90  
SECONDARY TRANSMISSION ASSEMBLY

Ref #	Part Number	Qty	S/P/F	Description
1	3402-665	1		Driveshaft
2	3402-537	1	/P	Seal, Driveshaft
3	3402-666	1		Shaft, Output
4	3423-494	1		Spacer, Output Shaft
5	3402-667	1		Countershaft
6	3402-668	1	/P	Gear, Driven - Low
7	3402-494	3		Bushing
8	3402-495	1		Gear, Driven - High
9	3402-496	1		Dog, Sliding
10	3402-669	1		Gear, Drive - No. 2
11	3423-191	1	/P	Circlip
12	3423-263	3		Washer
13	3423-448	2		Washer
14	3402-498	3		Bearing
15	3402-499	1		Bearing, Driveshaft
16	3423-066	3	/P	Circlip
17	3003-261	1	/P	Bearing, Driveshaft - Left
18	3402-045	2	/P	Bearing, Shaft
19	3004-209	1	/P	Bearing, Shaft
20	3402-055	1	/P	Bearing, Output Shaft
21	3423-370	2		Screw, Bearing Retainer
22	3446-031	2	/P	Retainer, Bearing
23	3423-442	1		Spacer, Reverse Idle Gear
24	3402-634	1		Shaft, Reverse Idle
25	3402-503	1		Gear, Reverse Idle
26	3446-103	1		Bushing, Reverse Idle Gear
27	3402-635	1		Gear, Reverse Driven
28	3402-636	1		Dog, Reverse Driven Gear
29	3402-195	2		Washer, Reverse Idle Gear
30	3423-056	1		O-Ring
31	3402-077	1		Seal, Driven Gear
32	3423-144	1		Washer, Driven Gear
33	3423-336	1		Washer
34	3423-502	1	/P	Washer
35	3446-057	1		Housing, Speedometer Gear
36	3446-058	1		Sleeve
37	3446-244	1	/P	Gasket, Housing
38	3446-284	1		Gear, Drive
39	3446-285	1		Gear, Driven
40	3446-114	1	/P	Spacer, Driven Gear
41	3423-346	2	S	Bolt, Housing
42	3423-143	1	S	Bolt, Driven Gear
43	3402-009	1	/P	Washer, Driven Gear



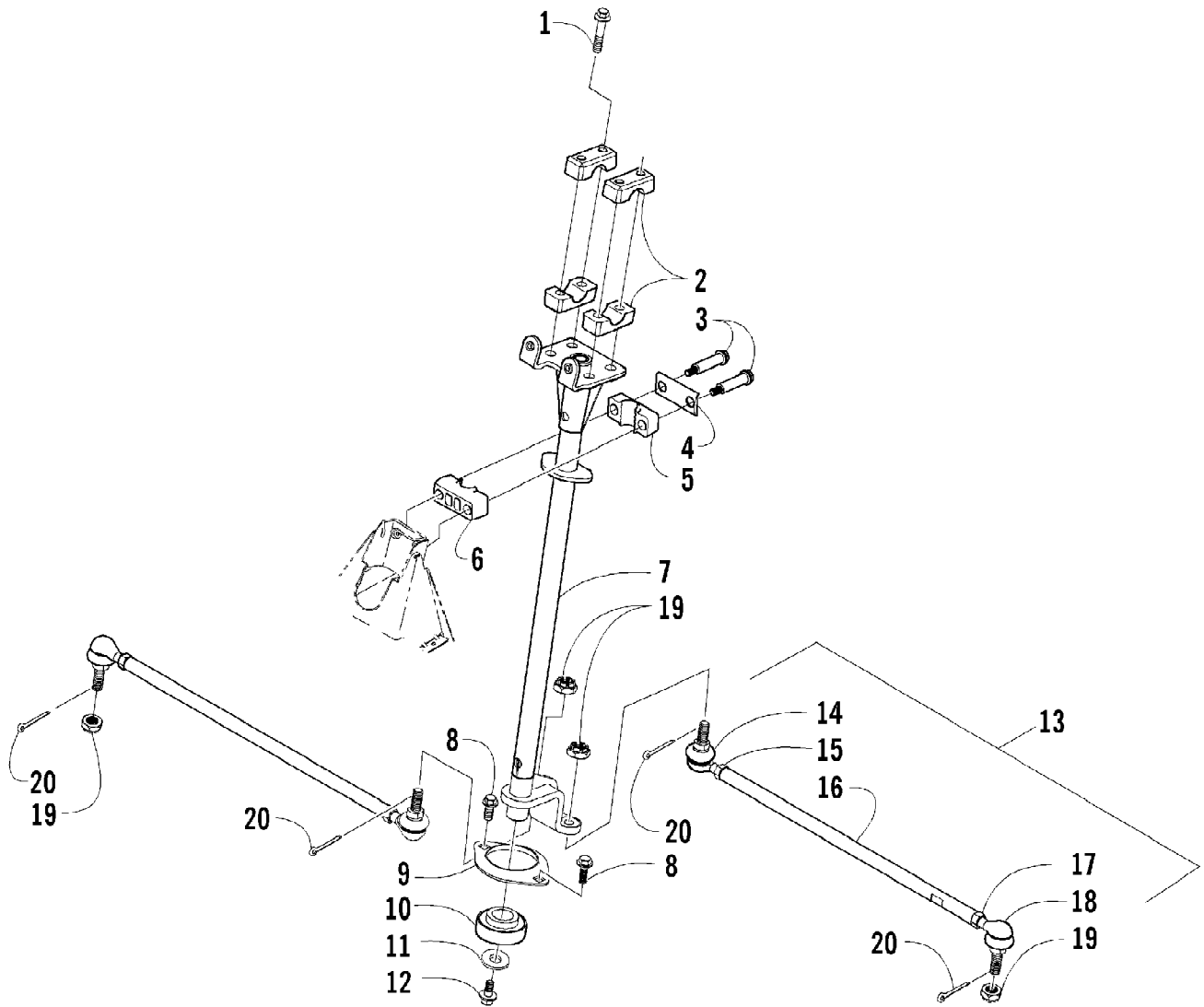
2005 ATV 400 AUTOMATIC TRANSMISSION 4X4 RED (A2005ATH4BUSR) Page 76 of 90  
STARTER CLUTCH ASSEMBLY

Ref #	Part Number	Qty	S/P/F	Description
1	3402-603	1		Gear, Starter Idler - No. 1
2	3402-124	1		Gear, Starter Idler - No. 2
3	3423-331	1		Pin, Starter Idler Gear No. 1
4	3423-397	1		Pin, Starter Idler Gear No. 2
5	3402-690	1	S	Clutch, Starter - Set (inc. 6)
6	3402-674	1		Bearing
7	3423-102	6	S	Bolt



2005 ATV 400 AUTOMATIC TRANSMISSION 4X4 RED (A2005ATH4BUSR) Page 78 of 90  
STARTER MOTOR ASSEMBLY

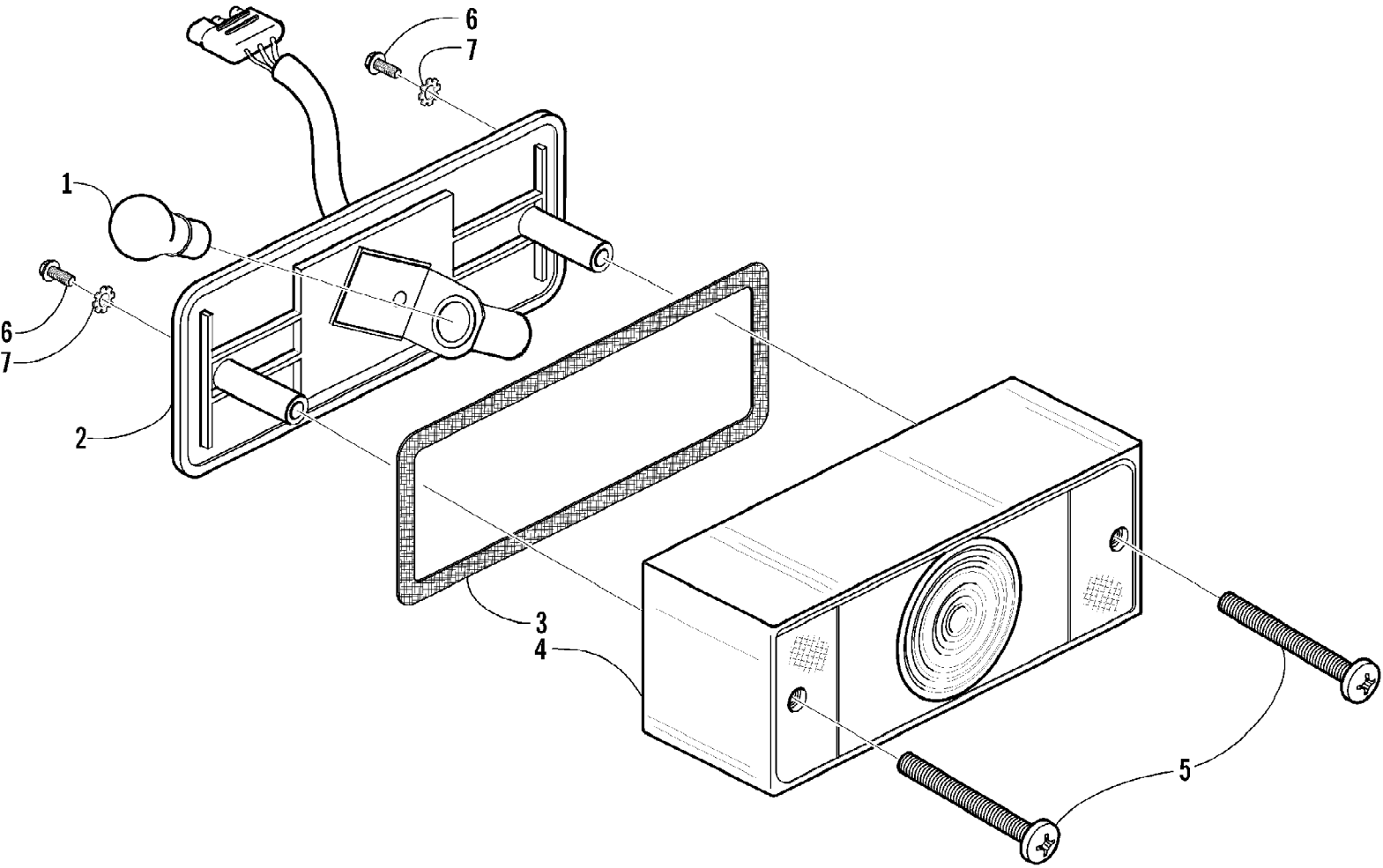
Ref #	Part Number	Qty	S/P/F	Description
1	3545-016	1		Motor, Starter Assembly (inc. 2-10)
2	3402-671	1		Terminal Set, Brush
3	3402-672	1		Holder Set, Brush
4	3008-551	4		Spring, Brush
5	3008-164	1		O-Ring
6	3423-272	1		O-Ring
7	3008-099	1		Washer Set
8	3423-497	2		O-Ring
9	3423-498	2		Through-Bolt (inc. 10)
10	3423-496	2		O-Ring
11	3004-756	2	S	Bolt
12	3423-195	1	/P	Nut



2005 ATV 400 AUTOMATIC TRANSMISSION 4X4 RED (A2005ATH4BUSR) Page 80 of 90  
STEERING POST ASSEMBLY

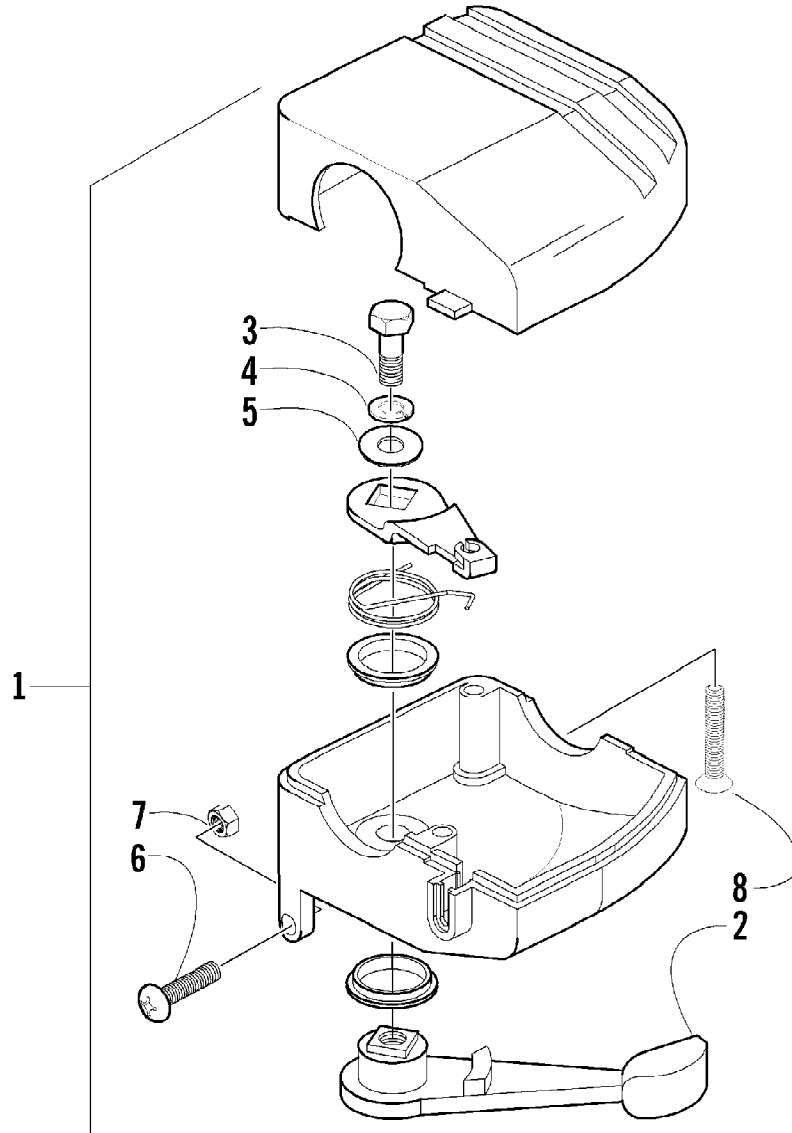
Ref #	Part Number	Qty	S/P/F	Description
1	8408-860	4		Screw, Cap
2	0405-035	4		Cap, Steering Adjuster
3	0423-505	2		Screw, Shoulder
4	0405-166	1		Cap, Housing
5	0405-138	1		Housing, Lower
6	0405-139	1		Housing, Upper
7	0505-431	1	/P	Post, Steering
8	8408-816	2		Screw, Cap
9	0602-233	1		Flange, Bearing
10	0405-052	1		Bearing w/Inverted Oil Seal
11	0423-073	1		Washer
12	8409-020	1	/P	Screw, Cap
13	0505-072	2	/P	Tie Rod - Assembly (inc. 14-18)
14	0405-083	2	S	Ball Joint, Tie Rod - Left
15	0423-013	2		Nut - Left
16	0405-032	2		Tie Rod
17	8420-002	2	/P	Nut - Right
18	0405-082	2	S	Ball Joint, Tie Rod - Right
19	0423-157	4		Nut, Top Lock
20	0623-175	4		Pin, Cotter





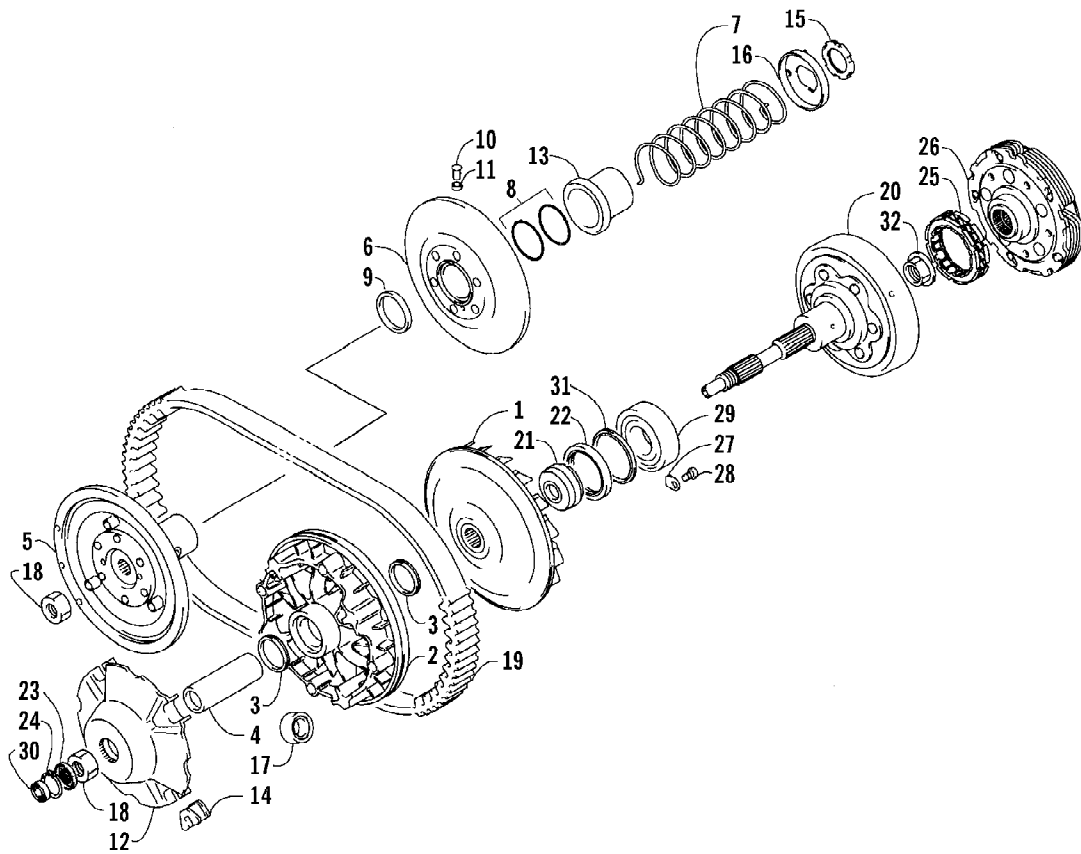
2005 ATV 400 AUTOMATIC TRANSMISSION 4X4 RED (A2005ATH4BUSR) Page 82 of 90  
TAILLIGHT ASSEMBLY

Ref #	Part Number	Qty	S/P/F	Description
	0409-002	1		Complete Taillight Assembly
1	0109-460	1	/P	Bulb, Stop/Taillight
2	0409-058	1		Taillight w/Socket Assembly
3	0409-012	1		Gasket, Taillight Lens
4	0409-007	1		Lens, Taillight
5	0409-010	2		Screw, Machine
6	0623-301	2	/P	Screw, Self-Tapping
7	8053-212	2	/P	Washer, Lock - External Tooth

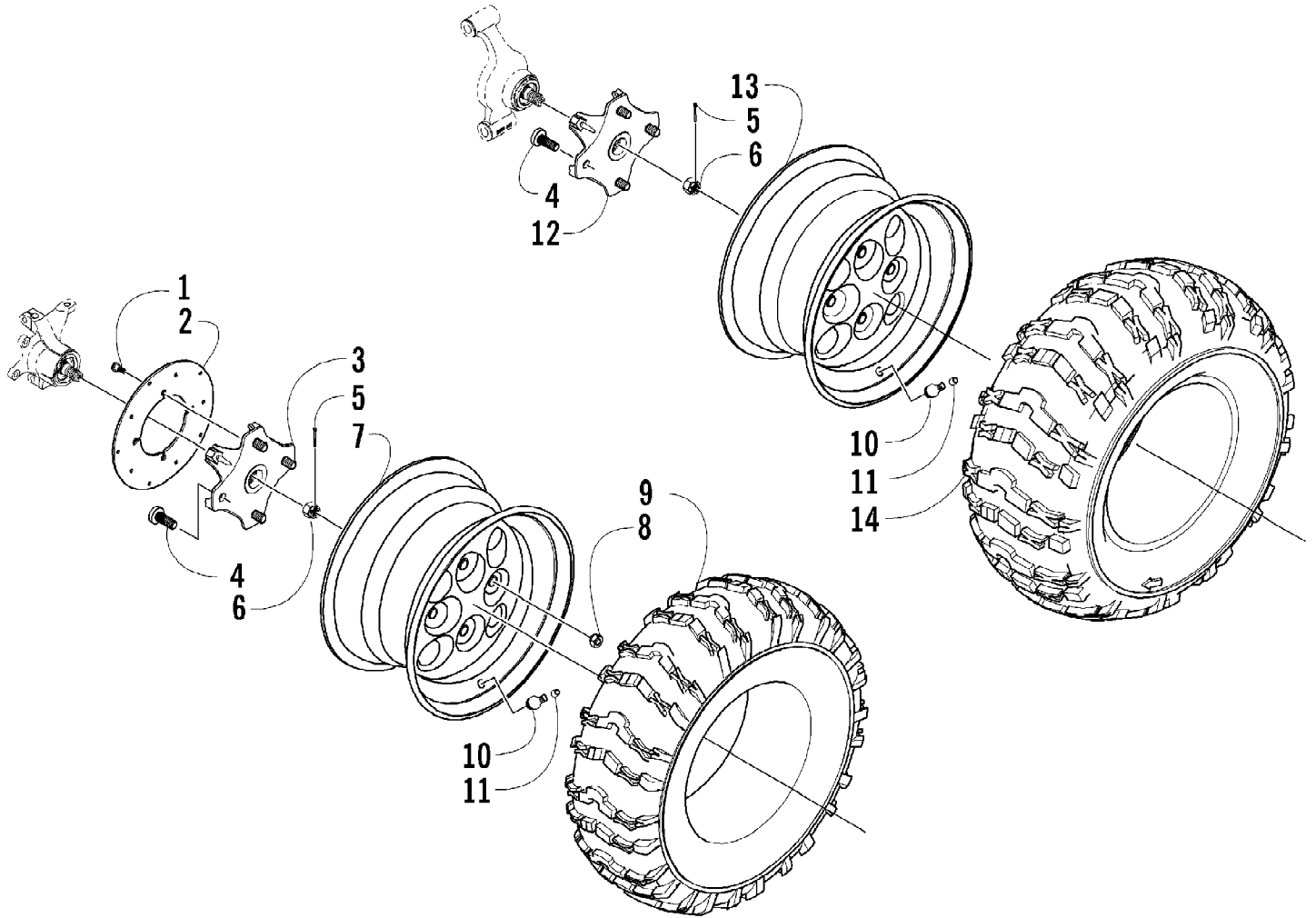


2005 ATV 400 AUTOMATIC TRANSMISSION 4X4 RED (A2005ATH4BUSR) Page 84 of 90  
THROTTLE CASE ASSEMBLY

Ref #	Part Number	Qty	S/P/F	Description
1	3509-003	1	/P	Case, Throttle - Assembly (inc. 2-8)
2	3409-001	1		Lever
3	3004-533	1	S/P	Screw, Cap
4	3004-447	1	/P	Washer, Lock
5	3003-030	1	/P	Washer
6	3423-014	1		Screw
7	3423-327	1		Nut
8	3423-199	2		Screw



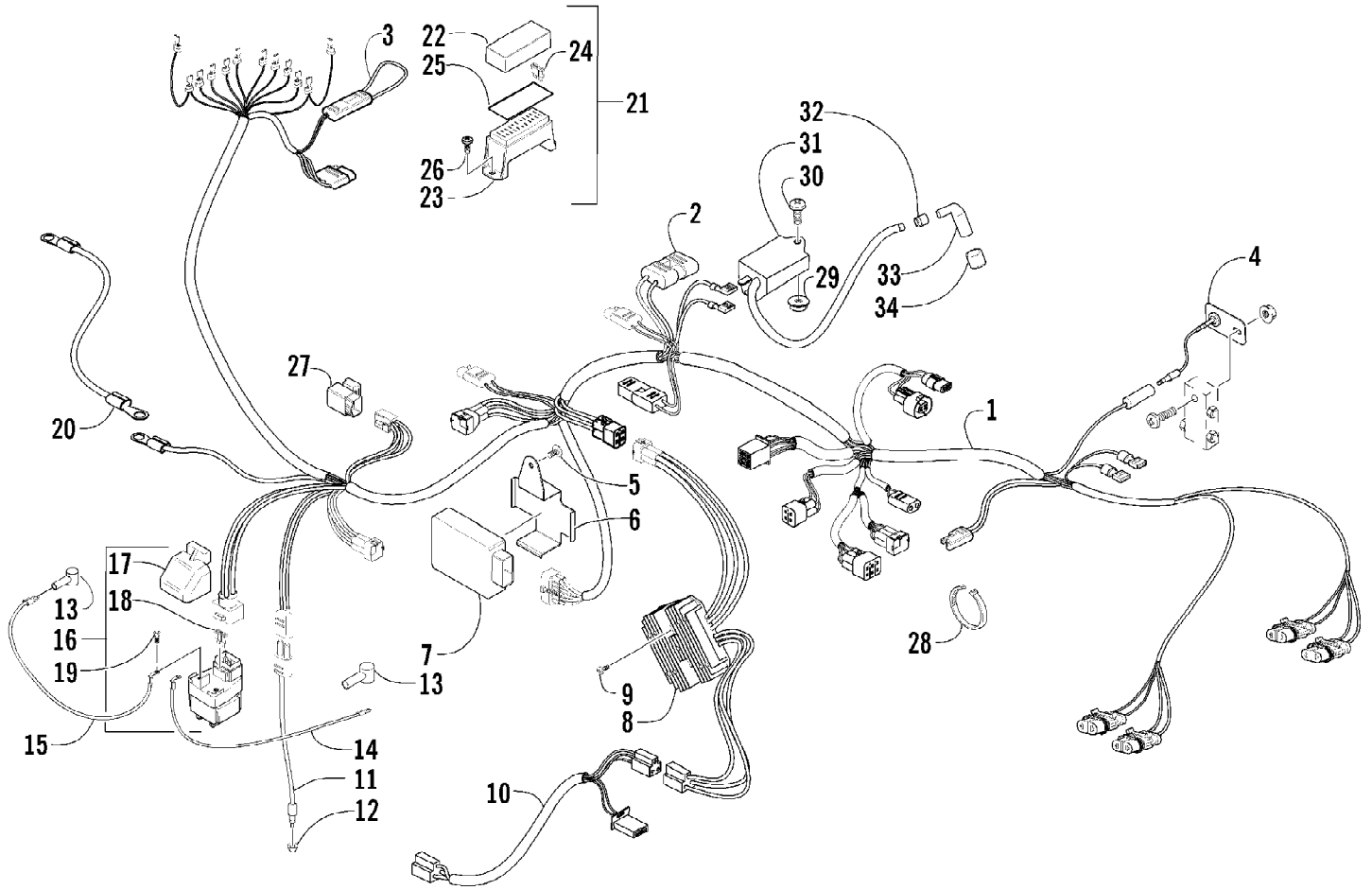
Ref #	Part Number	Qty	S/P/F	Description
1	3402-622	1		Face, Fixed Drive
2	3402-623	1		Face, Movable Drive
3	3402-624	2		Seal, Movable Drive Face
4	3402-625	1		Spacer, Movable Drive Face
5	3402-626	1	S	Face, Fixed Driven
6	3402-627	1		Face, Movable Driven
7	3423-486	1		Spring, Movable Driven Face
8	3423-487	2		O-Ring, Movable Driven Face
9	3402-629	2		Seal, Movable Driven Face
10	3402-477	3		Pin, Movable Driven Face
11	3402-478	3		Spacer, Movable Driven Face
12	3402-630	1		Plate, Movable Drive Face
13	3402-631	1		Sleeve, Movable Driven Face
14	3402-481	4		Damper, Movable Drive Face
15	3423-489	1		Nut, Driven Pulley
16	3402-632	1		Holder, Movable Driven Face Spring
17	3402-633	8		Roller, Movable Drive Face
18	3423-437	2		Nut
19	3402-664	1		V-Belt
20	3402-620	1		Housing, Clutch
21	3402-621	1		Spacer, Fixed Drive Face
22	3402-977	1	/P	Seal, Clutch Housing
23	3402-574	1		Seal, Clutch Housing
24	3423-505	1	S	Circlip
25	3446-003	1		Clutch, One-Way
26	3446-278	1	S	Shoe, Clutch - Assembly
27	3446-031	2	/P	Retainer, Bearing
28	3423-435	2		Screw, Bearing Retainer
29	3402-567	1		Bearing
30	3402-693	1		Bearing
31	3423-353	1	/P	O-Ring
32	3423-501	1		Nut



2005 ATV 400 AUTOMATIC TRANSMISSION 4X4 RED (A2005ATH4BUSR) Page 88 of 90  
WHEEL AND TIRE ASSEMBLY

Ref #	Part Number	Qty	S/P/F	Description
1	0423-029	12		Screw, Machine
2	1402-225	3	S	Disc, Brake
3	0502-599	2	S	Hub, Wheel - Front (inc. 4)
4	0402-974	16	/P	Stud, Wheel Hub
5	0423-407	4		Pin, Cotter
6	0423-394	4		Nut, Castle
7	0402-856	2		Wheel - Front
8	0423-408	16	/P	Nut, Mounting - Wheel
9	1402-254	2		Tire - Front
10	0402-064	4		Stem, Valve (inc. 11)
11	0402-140	4		Cap, Valve Stem
12	0502-601	1	S	Hub, Wheel - Rear - Left (inc. 4)
12	0502-599	1	S	Hub, Wheel - Rear - Right (inc. 4)
13	0402-989	2		Wheel - Rear
14	1402-255	2		Tire - Rear





Ref #	Part Number	Qty	S/P/F	Description
1	0486-165	1		Harness, Main (inc. 2-3)
2	0486-029	1		Diode (Start In Gear)
3	0486-164	1		Tether, Accessory Connector
4	0509-011	1	S	Diode Assembly
5	8476-616	1		Screw, Machine
6	0506-982	1	/P	Bracket, CDI Unit
7	3402-683	1		CDI Unit
8	3402-682	1		Regulator, Voltage
9	8476-625	2		Screw, Machine
10	0486-148	1		Harness, Adapter - Electric Choke
11	0409-009	1		Switch, Brake - Assembly
12	0402-991	1		Retainer, Brake Switch
13	0645-019	2		Boot, Terminal
14	0445-019	1		Cable, Electric Start Relay/Starter
15	0445-003	1	/P	Cable, Battery/Electric Start Relay
16	3530-001	1	/P	Relay, Starter Motor - Assembly (inc. 17-18)
17	3530-010	1		Cover, Starter Motor Relay
18	0630-098	1		Fuse, 30 Amp
19	8477-610	2		Screw, Cap
20	0445-037	1		Cable, Battery/Ground
21	0530-001	1		Block, Fuse - Assembly (inc. 22-23)
22	0	1	F	Cover, Fuse Block
23	0	1	F	Block, Fuse
24	0630-057	4		Fuse - 10 Amp
24	0630-058	2		Fuse - 15 Amp
25	0411-271	1		Decal, Fuse Block
26	0623-361	2		Screw, Self-Tapping
27	3530-026	1	/P	Relay, Neutral Start - Assembly
28	0123-788	AR	/P	Cable Tie
29	8424-602	1	/P	Nut, Flange
30	8476-620	1		Screw, Machine
31	3430-055	1		Coil, Ignition - Assembly
32	3430-009	1	/P	Seal, High Tension Wire
33	3430-007	1	/P	Cap, Spark Plug
34	3430-008	1	/P	Seal, Spark Plug Cap