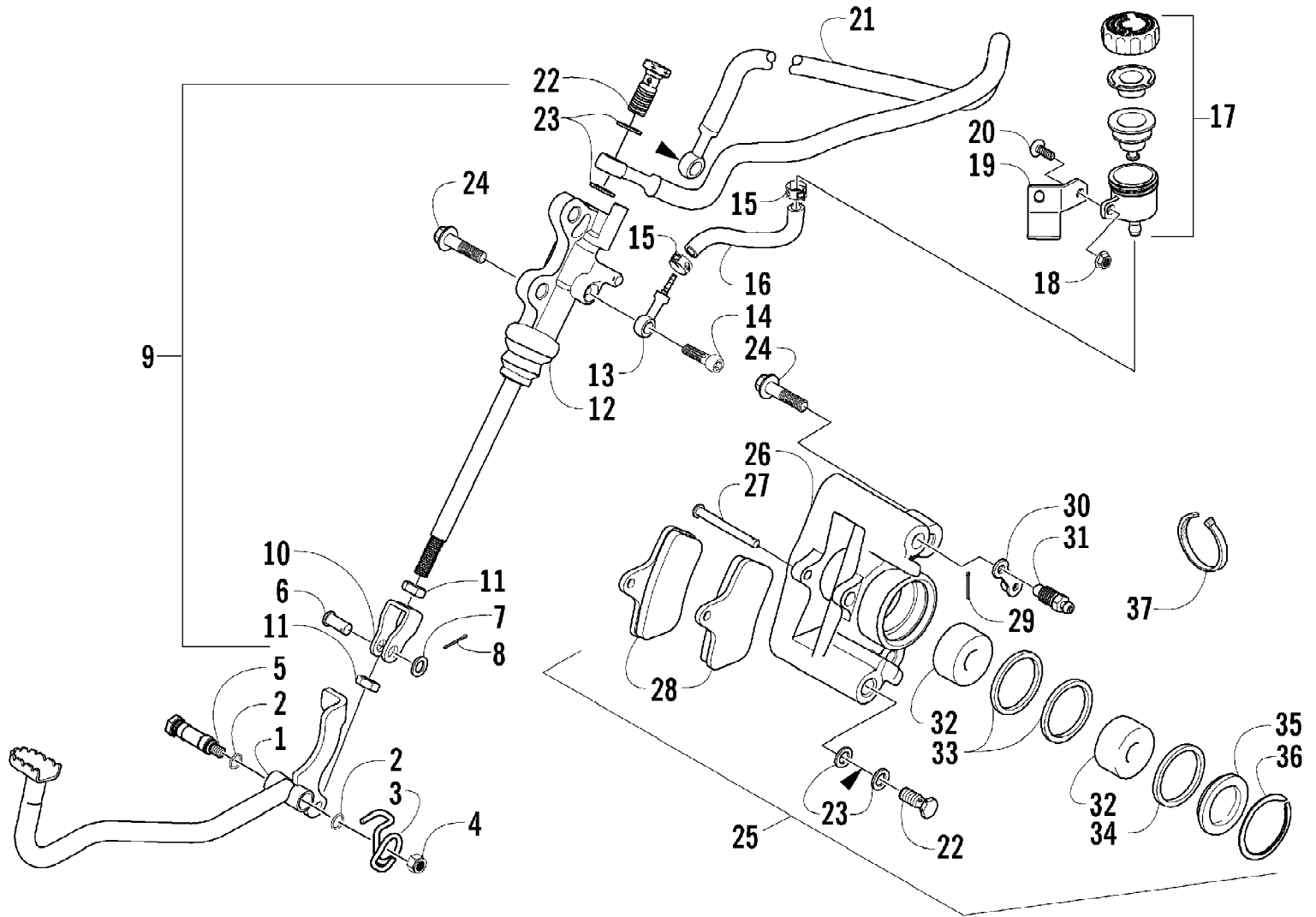


2005 ATV 400 AUTOMATIC TRANSMISSION 4X4 FIS LE GREEN (A2005ISH4B) 2 of 96
 AIR INTAKE ASSEMBLY

Page 2 of 96

| Ref # | Part Number | Qty | S/P/F | Description |
|-------|-------------|-----|-------|----------------------------|
| 1 | 0423-019 | 1 | | Clamp |
| 2 | 0470-467 | 1 | | Boot, Air Intake |
| 3 | 0423-018 | 2 | | Clamp |
| 4 | 0470-446 | 1 | /P | Housing, Air Intake |
| 5 | 0470-391 | 1 | /P | Filter, Air |
| 6 | 0470-343 | 1 | | Gasket |
| 7 | 0470-383 | 1 | /P | Snorkel |
| 8 | 0470-307 | 4 | | Clamp |
| 9 | 0423-037 | 4 | | Spring |
| 10 | 0623-121 | 4 | | Screw, Machine |
| 11 | 0123-010 | 4 | /P | Nut, Expansion |
| 12 | 0470-351 | 2 | | Support, Air Intake Flange |
| 13 | 0412-141 | 1 | | Shield, Heat |
| 14 | 0470-442 | 1 | /P | Valve, Drain |
| 15 | 0623-101 | 1 | | Clip, Retaining |
| 16 | 1673-272 | 1 | /P | Cap, Drain Tube |
| 17 | 0423-047 | 1 | | Clamp, Hose |
| 18 | 0423-045 | 2 | | Clamp, Hose |
| 19 | 0410-045 | 1 | | Hose, Crankcase Vent |

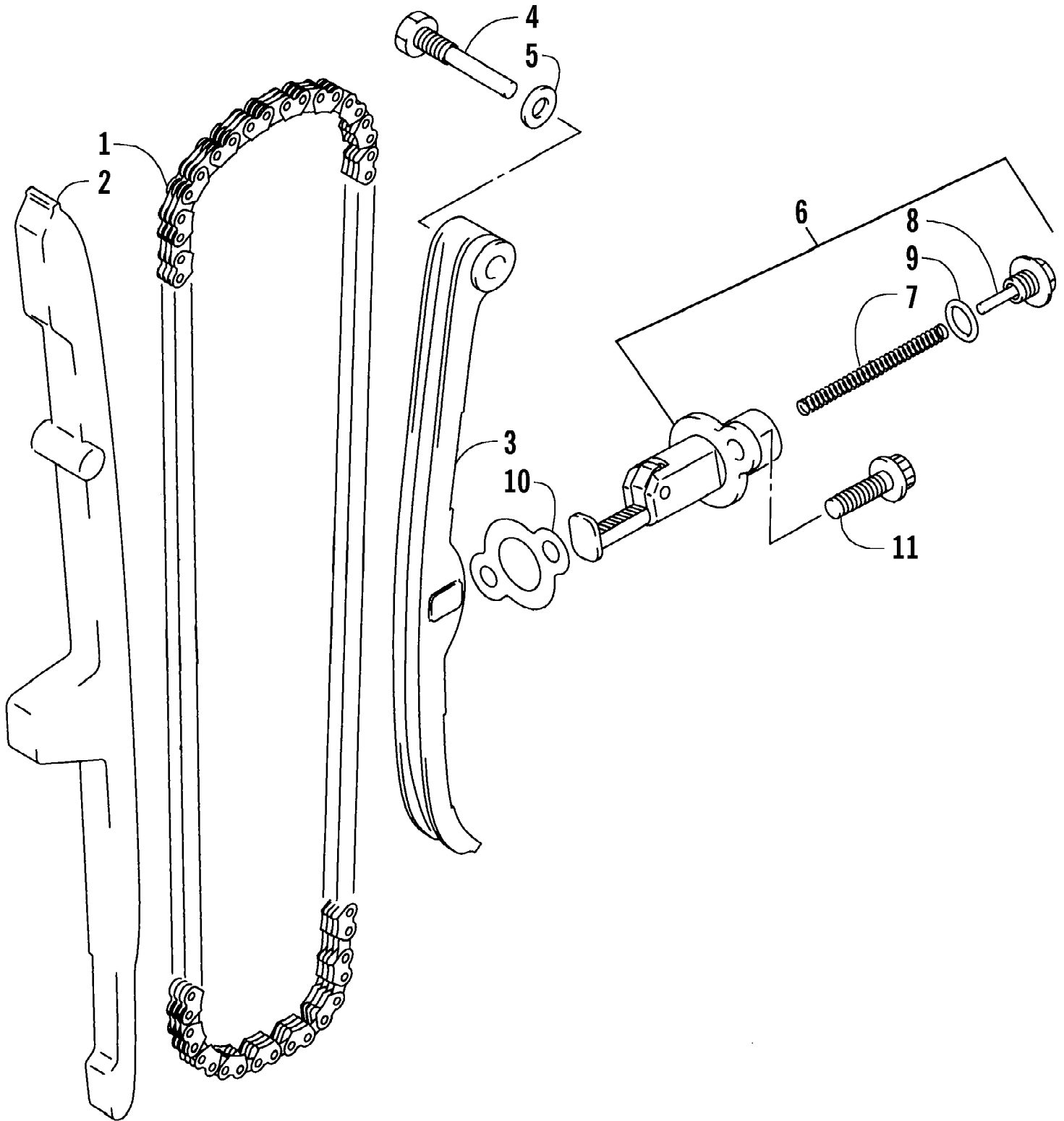
2005 ATV 400 AUTOMATIC TRANSMISSION 4X4 FIS LE GREEN (A2005ISH4B) 13 of 96
AUXILIARY BRAKE ASSEMBLY



2005 ATV 400 AUTOMATIC TRANSMISSION 4X4 FIS LE GREEN (A2005ISH4B) Page 4 of 96
AUXILIARY BRAKE ASSEMBLY

| Ref # | Part Number | Qty | S/P/F | Description |
|-------|-------------|-----|-------|-------------------------------|
| 1 | 0502-645 | 1 | | Lever, Brake |
| 2 | 1602-213 | 2 | /P | O-Ring |
| 3 | 0502-651 | 1 | | Spring, Brake Lever |
| 4 | 8422-002 | 1 | | Nut |
| 5 | 0402-872 | 1 | | Axle, Brake Lever |
| 6 | 0402-575 | 1 | | Pin, Clevis |
| 7 | 0402-583 | 1 | | Washer |
| 8 | 0402-584 | 1 | | Pin, Cotter |
| 9 | 0502-665 | 1 | S | Brake Assembly (inc. 10-17) |
| 10 | 0402-580 | 1 | | Actuator, Push Rod |
| 11 | 0402-592 | 2 | | Nut, Jam |
| 12 | 0 | 1 | F | Master Cylinder |
| 13 | 1402-277 | 1 | | Fitting, Banjo |
| 14 | 1402-278 | 1 | | Bolt, Banjo Fitting |
| 15 | 0423-525 | 2 | | Clamp, Hose |
| 16 | 1402-266 | 1 | | Hose, Brake Reservoir |
| 17 | 1402-257 | 1 | | Reservoir, Brake |
| 18 | 8424-602 | 2 | /P | Nut, Flanged |
| 19 | 1506-521 | 1 | | Bracket, Mounting - Reservoir |
| 20 | 8476-616 | 2 | | Screw, Machine |
| 21 | 1402-200 | 1 | | Hose, Brake |
| 22 | 0423-413 | 2 | | Bolt, Banjo Fitting |
| 23 | 0423-178 | 4 | | Washer, Crush |
| 24 | 8408-825 | 4 | | Screw, Cap |
| 25 | 0502-457 | 1 | S | Caliper, Brake (inc. 26-36) |
| 26 | 0 | 1 | F | Housing, Caliper |
| 27 | 0402-495 | 1 | | Pin, Brake Caliper |
| 28 | 1402-126 | 2 | | Pad, Brake |
| 29 | 0423-495 | 1 | /P | Pin, Cotter |
| 30 | 0402-493 | 1 | | Cap, Bleed Valve |
| 31 | 1402-123 | 1 | | Valve, Bleed |
| 32 | 1402-125 | 2 | | Piston |
| 33 | 0402-980 | 2 | | O-Ring, Brake Caliper |
| 34 | 0 | 1 | F | O-Ring |
| 35 | 0 | 1 | F | Plug |
| 36 | 0 | 1 | F | Ring, Retaining |
| 37 | 0123-788 | AR | /P | Cable Tie - 7.5 in. |

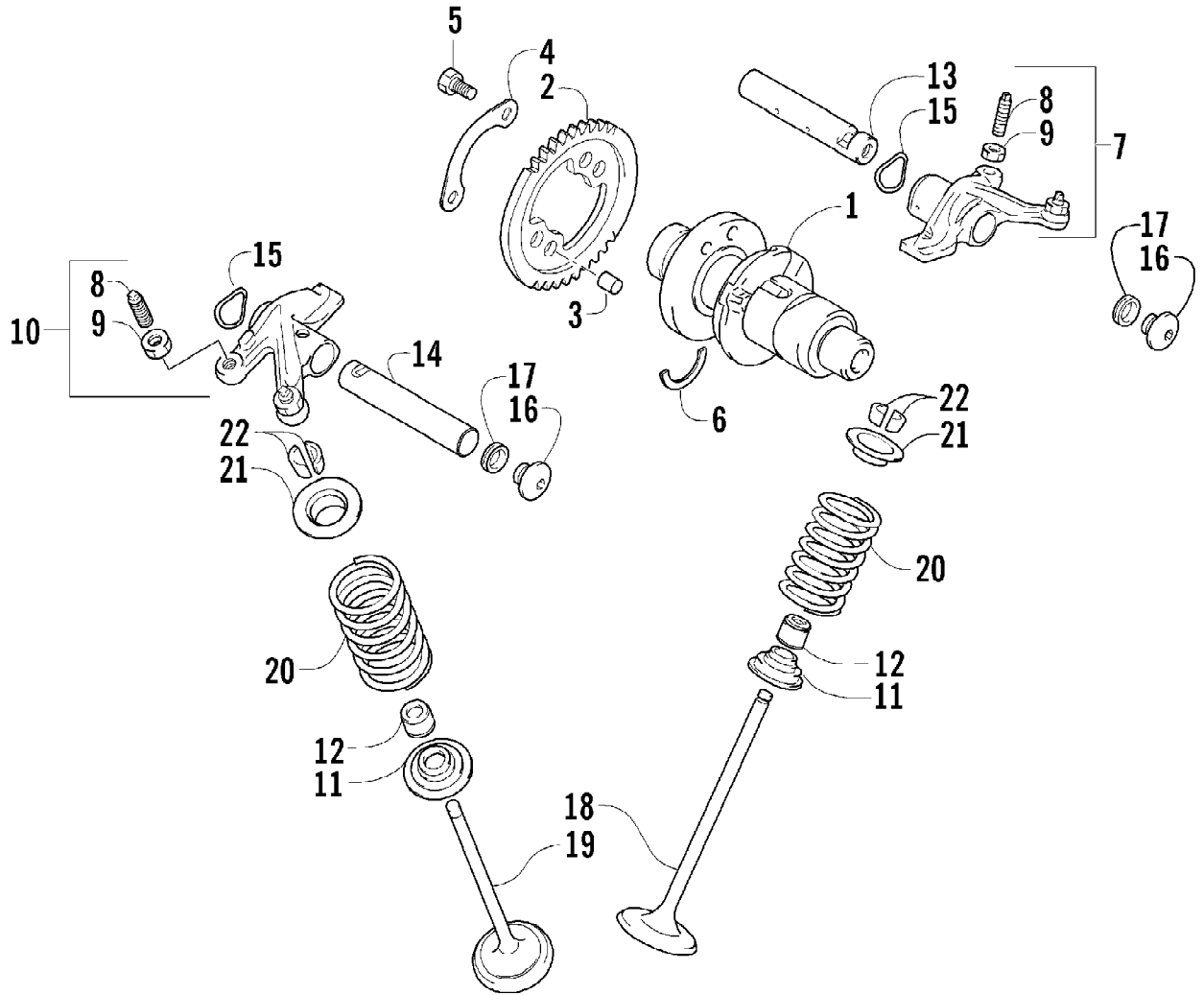
2005 ATV 400 AUTOMATIC TRANSMISSION 4X4 FIS LE GREEN (A2005ISH4B) 15 of 96
CAM CHAIN ASSEMBLY



2005 ATV 400 AUTOMATIC TRANSMISSION 4X4 FIS LE GREEN (A2005ISH4B) 6 of 96
CAM CHAIN ASSEMBLY

| Ref # | Part Number | Qty | S/P/F | Description |
|-------|-------------|-----|-------|---|
| 1 | 3402-281 | 1 | | Chain, Cam |
| 2 | 3402-612 | 1 | | Guide, Cam Chain |
| 3 | 3402-613 | 1 | | Tensioner, Cam Chain |
| 4 | 3423-074 | 1 | | Bolt |
| 5 | 3402-436 | 1 | /P | Washer |
| 6 | 3402-614 | 1 | | Adjuster, Tensioner - Assembly (inc. 7-9) |
| 7 | 3423-484 | 1 | | Spring |
| 8 | 3423-485 | 1 | | Plug |
| 9 | 3423-286 | 1 | | O-Ring |
| 10 | 3403-020 | 1 | | Gasket, Adjuster |
| 11 | 3004-512 | 2 | S | Bolt |

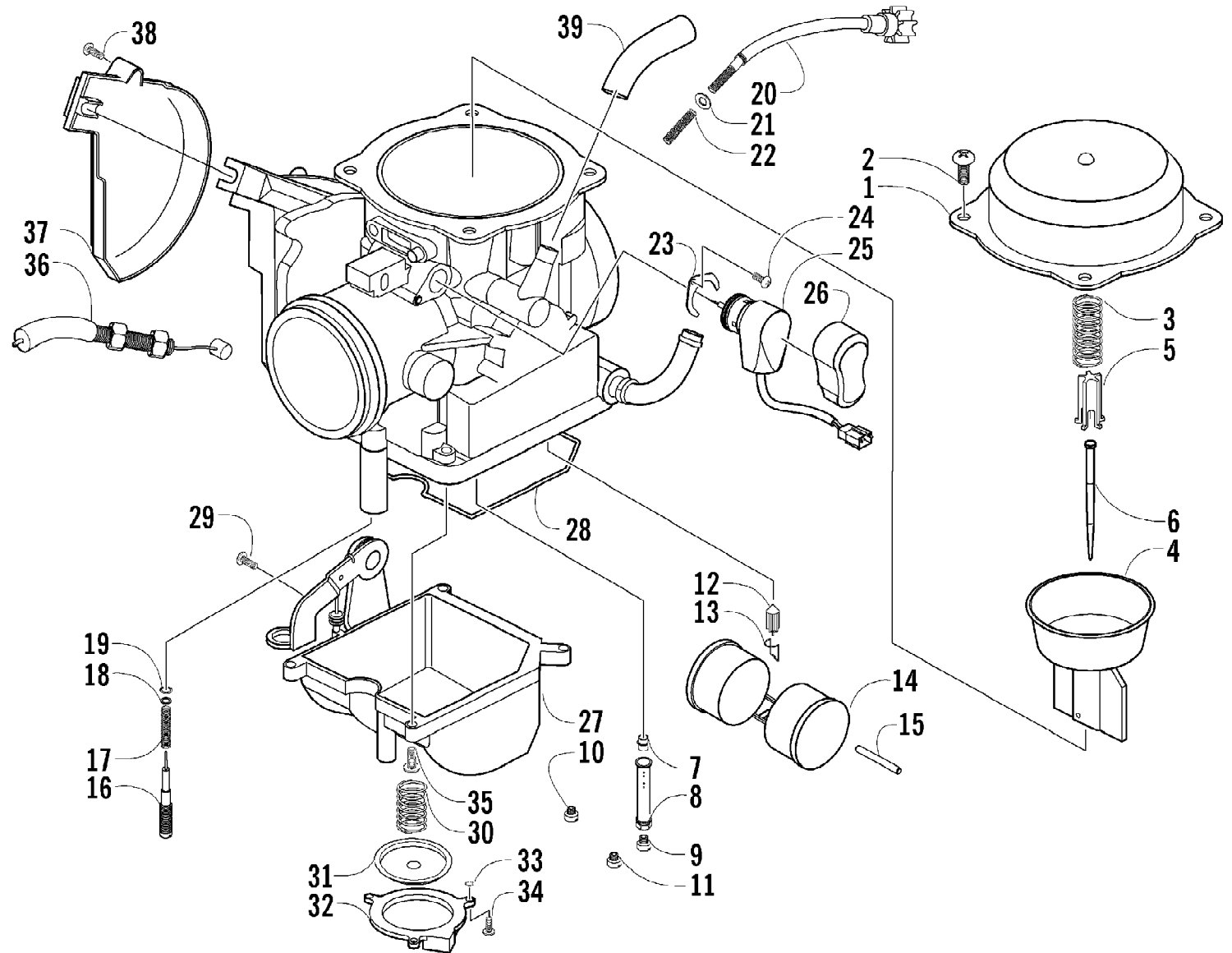
2005 ATV 400 AUTOMATIC TRANSMISSION 4X4 FIS LE GREEN (A2005ISH4B) 17 of 96
CAMSHAFT/VALVE ASSEMBLY



2005 ATV 400 AUTOMATIC TRANSMISSION 4X4 FIS LE GREEN (A2005ISH4B) 8 of 96
CAMSHAFT/VALVE ASSEMBLY

| Ref # | Part Number | Qty | S/P/F | Description |
|-------|-------------|-----|-------|--|
| 1 | 3402-989 | 1 | S | Camshaft |
| 2 | 3402-611 | 1 | | Sprocket |
| 3 | 3423-047 | 1 | | Pin |
| 4 | 3423-073 | 1 | | Washer |
| 5 | 3423-013 | 2 | S | Bolt |
| 6 | 3423-071 | 1 | /P | C-Ring |
| 7 | 3402-805 | 1 | /P | Arm, Valve Rocker - Intake (inc. two No. 8-9) |
| 8 | 3423-075 | 4 | | Screw |
| 9 | 3423-076 | 4 | | Nut |
| 10 | 3402-139 | 1 | | Arm, Valve Rocker - Exhaust (inc. two No. 8-9) |
| 11 | 3402-148 | 4 | | Seat, Spring |
| 12 | 3402-078 | 4 | | Seal, Oil |
| 13 | 3402-140 | 1 | | Shaft, Rocker Arm |
| 14 | 3402-141 | 1 | | Shaft, Rocker Arm |
| 15 | 3423-031 | 2 | | Washer |
| 16 | 3423-111 | 2 | S | Plug, Shaft |
| 17 | 3402-012 | 2 | | Gasket |
| 18 | 3402-725 | 2 | /P | Valve, Intake |
| 19 | 3402-143 | 2 | | Valve, Exhaust |
| 20 | 3402-726 | 4 | | Spring, Valve |
| 21 | 3423-541 | 4 | /P | Retainer, Spring |
| 22 | 3402-147 | 8 | | Cotter, Valve |

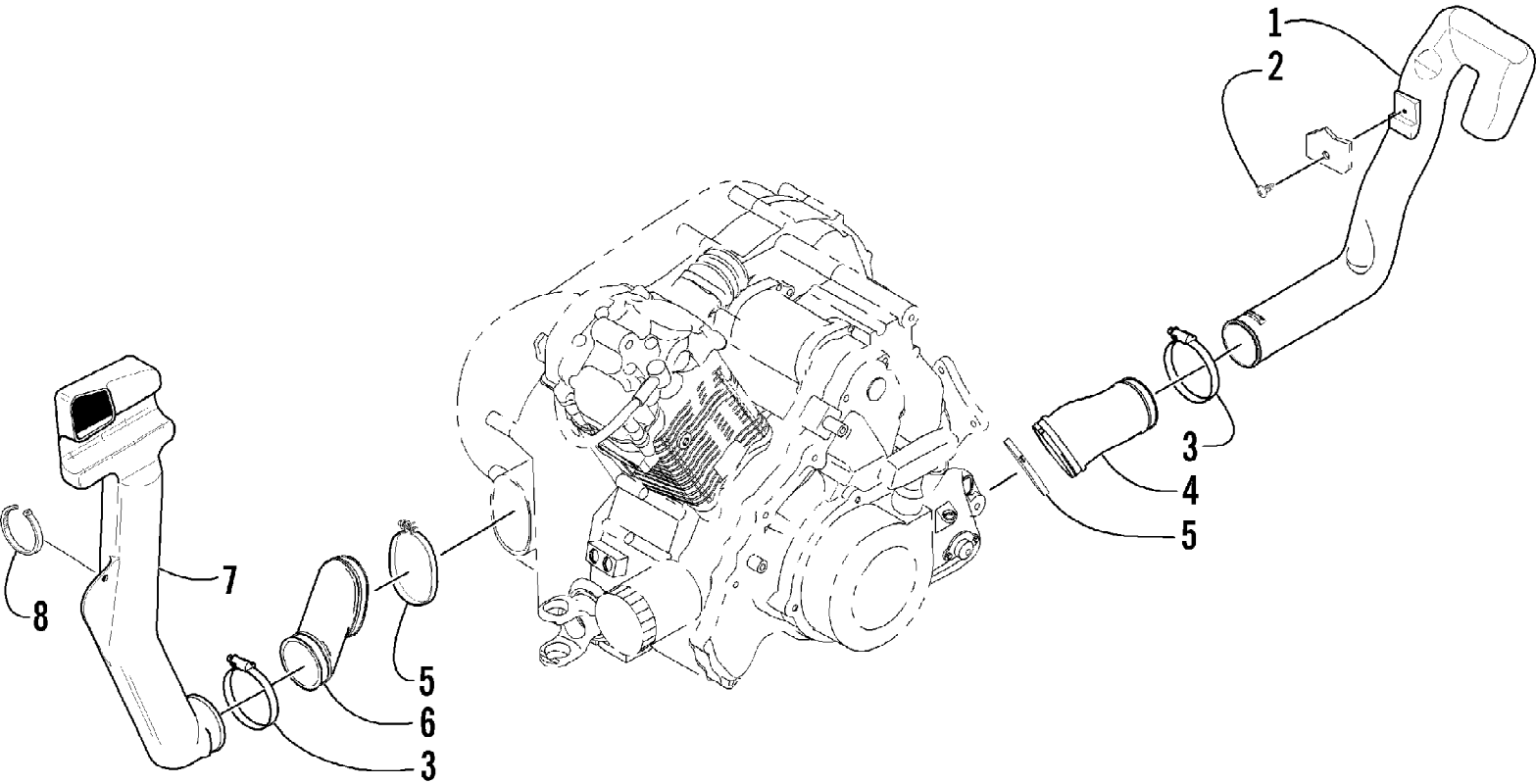
2005 ATV 400 AUTOMATIC TRANSMISSION 4X4 FIS LE GREEN (A2005ISH4B) 19 of 96
CARBURETOR



2005 ATV 400 AUTOMATIC TRANSMISSION 4X4 FIS LE GREEN (A2005ISH4B) Page 10 of 96
CARBURETOR

| Ref # | Part Number | Qty | S/P/F | Description |
|-------|-------------|-----|-------|--|
| | 0470-470 | 1 | | Carburetor Assembly |
| 1 | 5507-001 | 1 | | Cover, Top |
| 2 | 5507-002 | 4 | /P | Screw, Top Cover |
| 3 | 5507-085 | 1 | S | Spring |
| 4 | 5507-109 | 1 | S | Piston, Vacuum |
| 5 | 5507-005 | 1 | | Seat, Spring |
| 6 | 5507-110 | 1 | | Jet Needle |
| 7 | 5507-007 | 1 | | Needle Jet |
| 8 | 5507-047 | 1 | /P | Holder, Needle Jet |
| 9 | 5507-043 | 1 | | Main Jet - 142 |
| 9 | 5507-009 | 1 | /P/F | Main Jet - 150 |
| 9 | 5507-041 | 1 | F | Main Jet - 147 |
| 9 | 5507-042 | 1 | /P/F | Main Jet - 145 |
| 9 | 5507-044 | 1 | F | Main Jet - 140 |
| 10 | 5507-010 | 1 | S | Slow Jet - 38 |
| 11 | 5507-097 | 1 | /P | Starter Jet - 75 |
| 12 | 5507-107 | 1 | | Valve, Float - Set (inc. 13) |
| 13 | 0 | 1 | F | Clip |
| 14 | 5507-039 | 1 | | Float Set (inc. 15) |
| 15 | 0 | 1 | F | Pin, Float |
| 16 | 5507-111 | 1 | | Screw, Pilot Air - Set (inc. 17-19) |
| 17 | 0 | 1 | F | Spring |
| 18 | 0 | 1 | F | Washer |
| 19 | 0 | 1 | F | O-Ring |
| 20 | 5507-027 | 1 | | Screw, Idle Adjust |
| 21 | 5507-028 | 1 | | Washer |
| 22 | 5507-029 | 1 | | Spring |
| 23 | 5507-115 | 1 | | Plate |
| 24 | 5507-117 | 1 | /P | Screw |
| 25 | 5507-180 | 1 | | Choke, Electric |
| 26 | 5507-114 | 1 | | Cover, Electric Choke |
| 27 | 0 | 1 | F | Chamber, Float - Assembly (inc. 28-34) |
| 28 | 5507-067 | 1 | /P | O-Ring, Float Chamber |
| 29 | 5507-050 | 1 | /P | Screw, Drain |
| 30 | 5507-032 | 1 | | Spring |
| 31 | 5507-031 | 1 | S | Diaphragm Assembly |
| 32 | 0 | 1 | F | Housing, Pump |
| 33 | 5507-034 | 1 | | U-Ring |
| 34 | 5507-035 | 3 | | Screw |
| 35 | 5507-017 | 4 | /P | Screw |
| 36 | 0487-021 | 1 | S | Cable, Throttle |
| 37 | 5507-036 | 1 | | Cover |
| 38 | 5507-037 | 1 | /P | Screw |
| 39 | 0410-056 | 1 | | Hose, Vent |

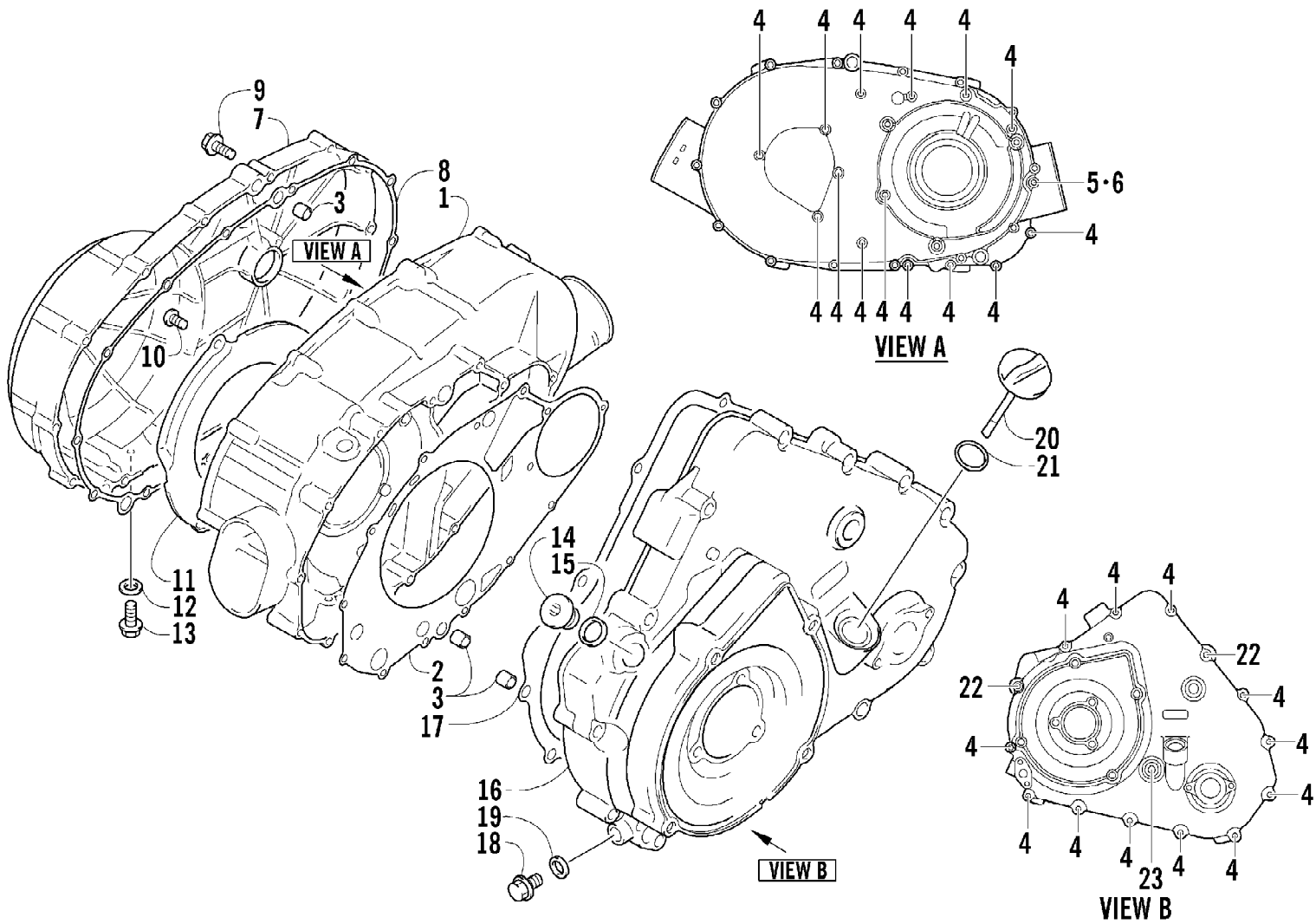
2005 ATV 400 AUTOMATIC TRANSMISSION 4X4 FIS LE GREEN (A2005ISH4B) 1 of 96
CASE/BELT COOLING ASSEMBLY



2005 ATV 400 AUTOMATIC TRANSMISSION 4X4 FIS LE GREEN (A2005ISH4B16M) Page 12 of 96
CASE/BELT COOLING ASSEMBLY

| Ref # | Part Number | Qty | S/P/F | Description |
|-------|-------------|-----|-------|----------------------------|
| 1 | 0413-107 | 1 | S | Duct, Belt Cooling - Rear |
| 2 | 0623-301 | 1 | /P | Screw, Self-Tapping |
| 3 | 0423-380 | 2 | /P | Clamp, Boot |
| 4 | 0413-060 | 1 | | Boot, Duct - Rear |
| 5 | 3402-449 | 2 | /P | Clamp, Duct |
| 6 | 0413-048 | 1 | | Boot, Duct - Front |
| 7 | 0413-042 | 1 | | Duct, Belt Cooling - Front |
| 8 | 0123-788 | 2 | /P | Cable Tie - 7.5 in. |

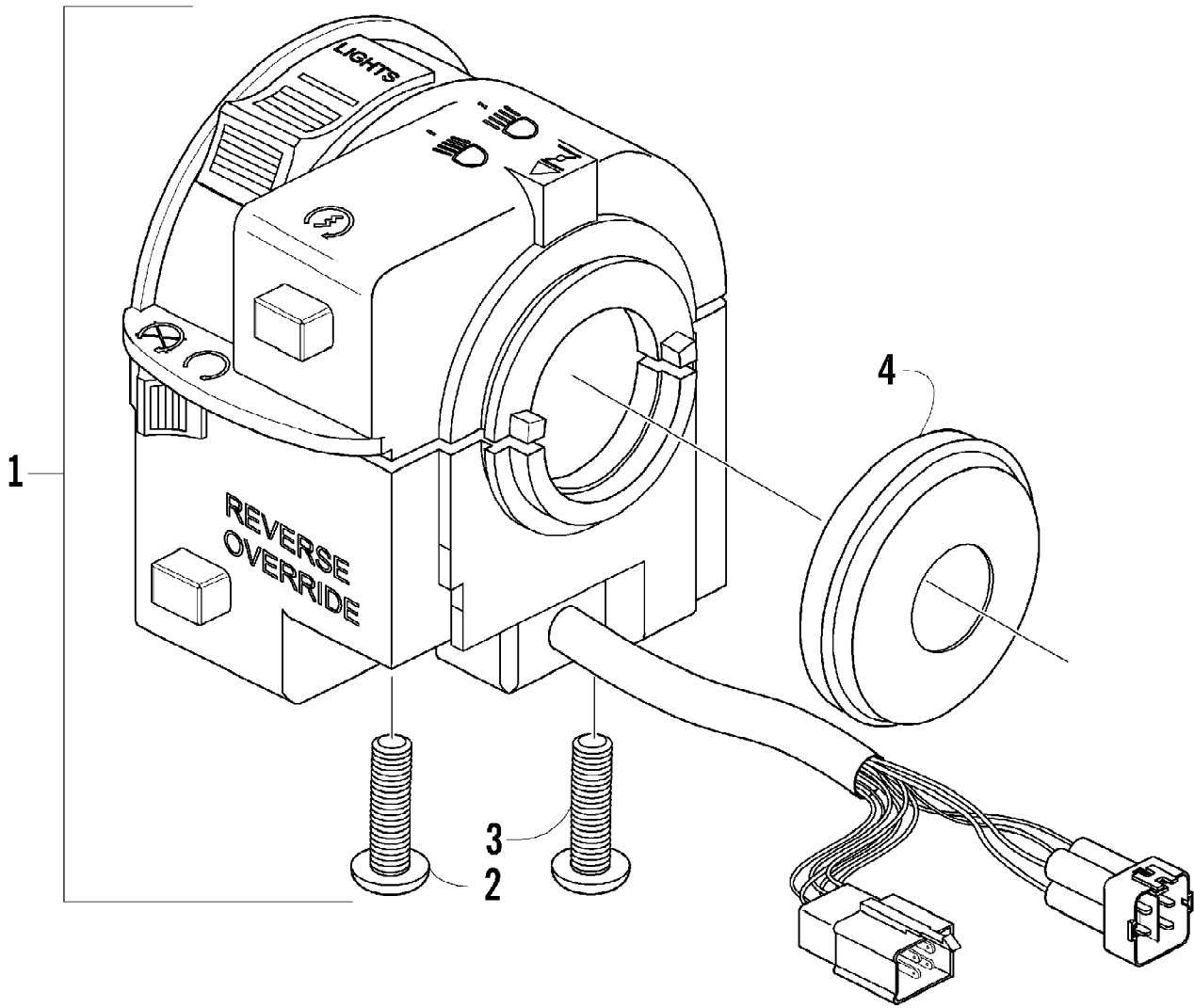
2005 ATV 400 AUTOMATIC TRANSMISSION 4X4 FIS LE GREEN (A2005ISH4B) 3 of 96
CLUTCH/V-BELT/MAGNETO COVER ASSEMBLY



2005 ATV 400 AUTOMATIC TRANSMISSION 4X4 FIS LE GREEN (A2005ISH4BLSM) 4 of 96
CLUTCH/V-BELT/MAGNETO COVER ASSEMBLY

| Ref # | Part Number | Qty | S/P/F | Description |
|-------|-------------|-----|-------|-------------------------|
| 1 | 3402-583 | 1 | | Cover, Clutch |
| 2 | 3402-589 | 1 | | Gasket |
| 3 | 3423-088 | 6 | | Pin, Dowel |
| 4 | 3423-098 | 26 | S | Bolt |
| 5 | 3423-392 | 1 | | Bolt |
| 6 | 3003-290 | 1 | /P | Gasket |
| 7 | 3402-586 | 1 | | Cover, V-Belt |
| 8 | 3402-591 | 1 | | Gasket, V-Belt Cover |
| 9 | 0693-327 | 14 | S | Bolt |
| 10 | 3004-552 | 3 | S | Screw |
| 11 | 3402-996 | 1 | | Plate, Air Intake |
| 12 | 3402-444 | 1 | | Gasket, Drain Plug |
| 13 | 3004-705 | 1 | S | Plug, Drain |
| 14 | 3402-041 | 1 | S | Plug |
| 15 | 3402-013 | 1 | /P | Gasket |
| 16 | 3402-585 | 1 | | Cover, Magneto |
| 17 | 3402-590 | 1 | | Gasket, Magneto Cover |
| 18 | 3004-705 | 1 | S | Plug, Oil Gallery |
| 19 | 3402-444 | 1 | | Gasket |
| 20 | 3402-593 | 1 | | Stick, Oil Level |
| 21 | 3423-055 | 1 | | O-Ring, Oil Level Stick |
| 22 | 3423-307 | 2 | S | Bolt |
| 23 | 3423-430 | 1 | | Bolt |

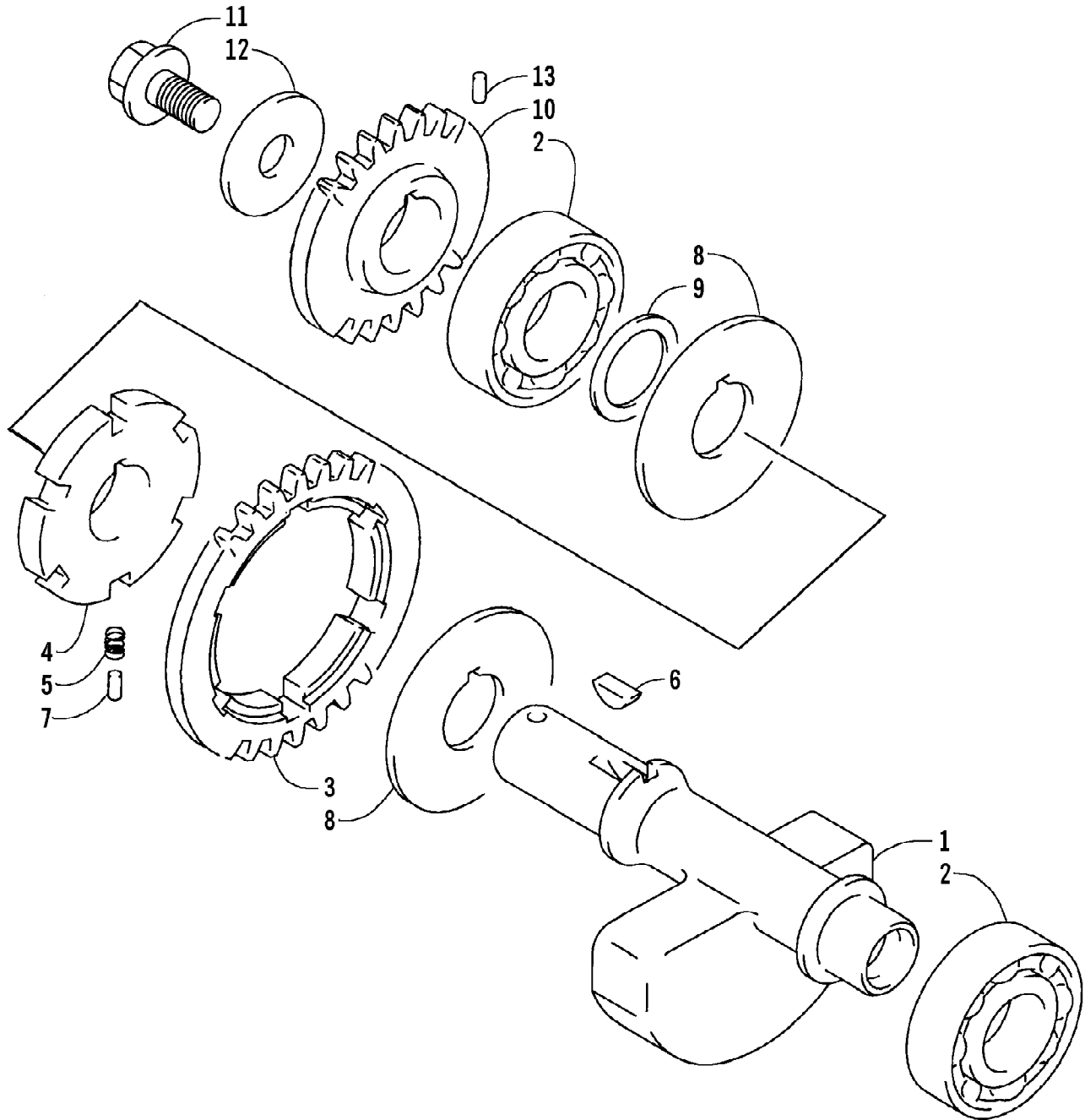
2005 ATV 400 AUTOMATIC TRANSMISSION 4X4 FIS LE GREEN (A2005ISH4B) Page 15 of 96
CONTROL SWITCH HOUSING ASSEMBLY



2005 ATV 400 AUTOMATIC TRANSMISSION 4X4 FIS LE GREEN (A2005ISH4B16M) Page 16 of 96
CONTROL SWITCH HOUSING ASSEMBLY

| Ref # | Part Number | Qty | S/P/F | Description |
|-------|-------------|-----|-------|---------------------------------------|
| 1 | 0509-014 | 1 | | Switch, Control - Assembly (inc. 2-4) |
| 2 | 0409-027 | 1 | | Screw, Machine |
| 3 | 0409-028 | 1 | | Screw, Machine |
| 4 | 3409-019 | 1 | | Cover, Switch Housing |

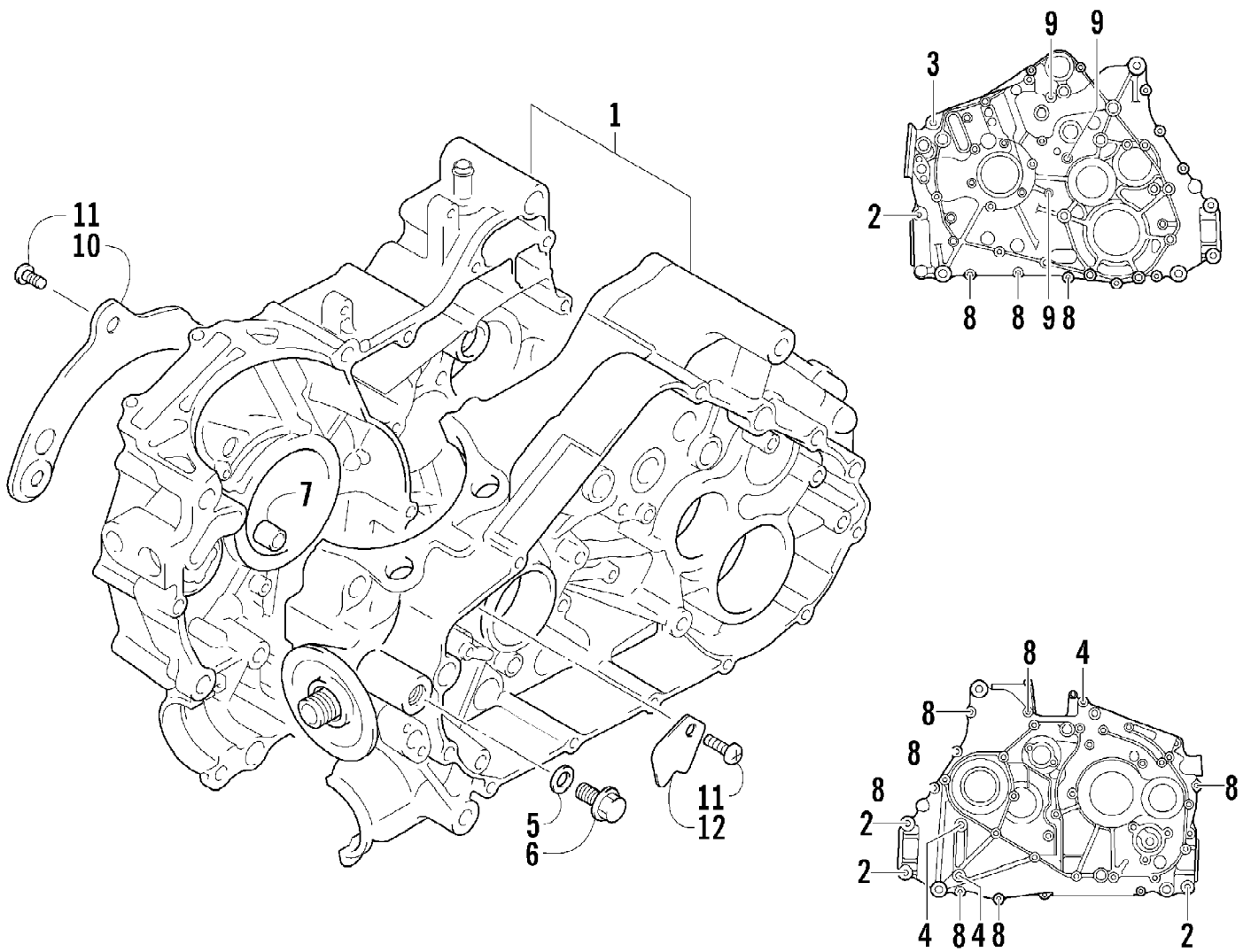
2005 ATV 400 AUTOMATIC TRANSMISSION 4X4 FIS LE GREEN (A2005ISH4B) Page 17 of 96
CRANK BALANCER ASSEMBLY



2005 ATV 400 AUTOMATIC TRANSMISSION 4X4 FIS LE GREEN (A2005ISH4B16M) 8 of 96
CRANK BALANCER ASSEMBLY

| Ref # | Part Number | Qty | S/P/F | Description |
|-------|-------------|-----|-------|----------------------|
| 1 | 3402-605 | 1 | | Balancer, Crank |
| 2 | 3402-553 | 2 | /P | Bearing |
| 3 | 3402-772 | 1 | | Gear, Driven |
| 4 | 3402-608 | 1 | | Race, Driven Gear |
| 5 | 3402-090 | 2 | | Spring, Driven Gear |
| 6 | 3004-540 | 1 | /P | Key |
| 7 | 3423-106 | 3 | /P | Pin, Driven Gear |
| 8 | 3423-441 | 2 | | Washer, Driven Gear |
| 9 | 3423-446 | 1 | | Washer |
| 10 | 3402-617 | 1 | | Gear, Oil Pump Drive |
| 11 | 3423-555 | 1 | | Bolt, Drive Gear |
| 12 | 3423-401 | 1 | | Washer, Drive Gear |
| 13 | 3423-110 | 1 | | Pin, Drive Gear |

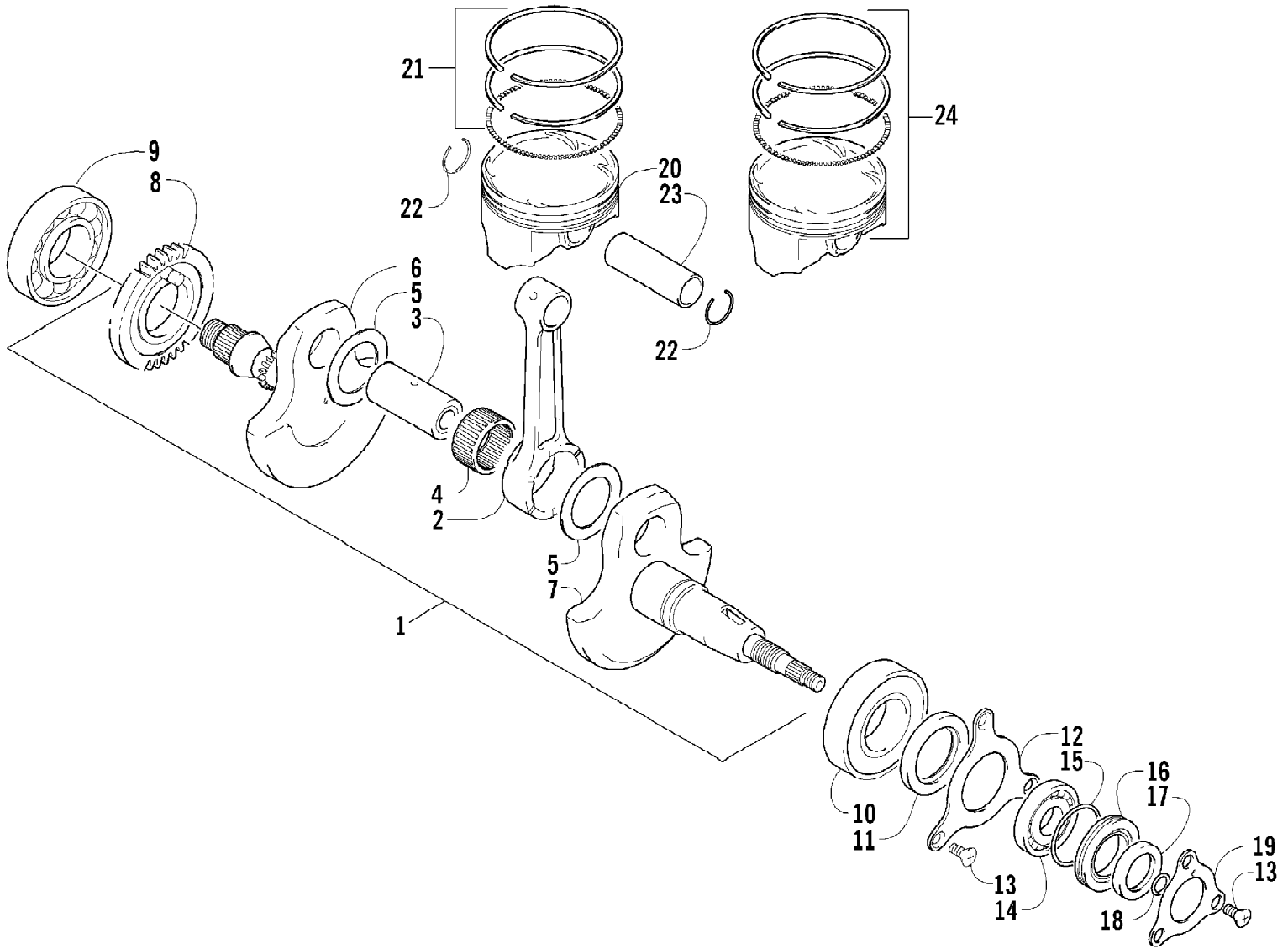
2005 ATV 400 AUTOMATIC TRANSMISSION 4X4 FIS LE GREEN (A2005ISH4B16M) 9 of 96
CRANKCASE ASSEMBLY



2005 ATV 400 AUTOMATIC TRANSMISSION 4X4 FIS LE GREEN (A2005ISH4B) Page 20 of 96
CRANKCASE ASSEMBLY

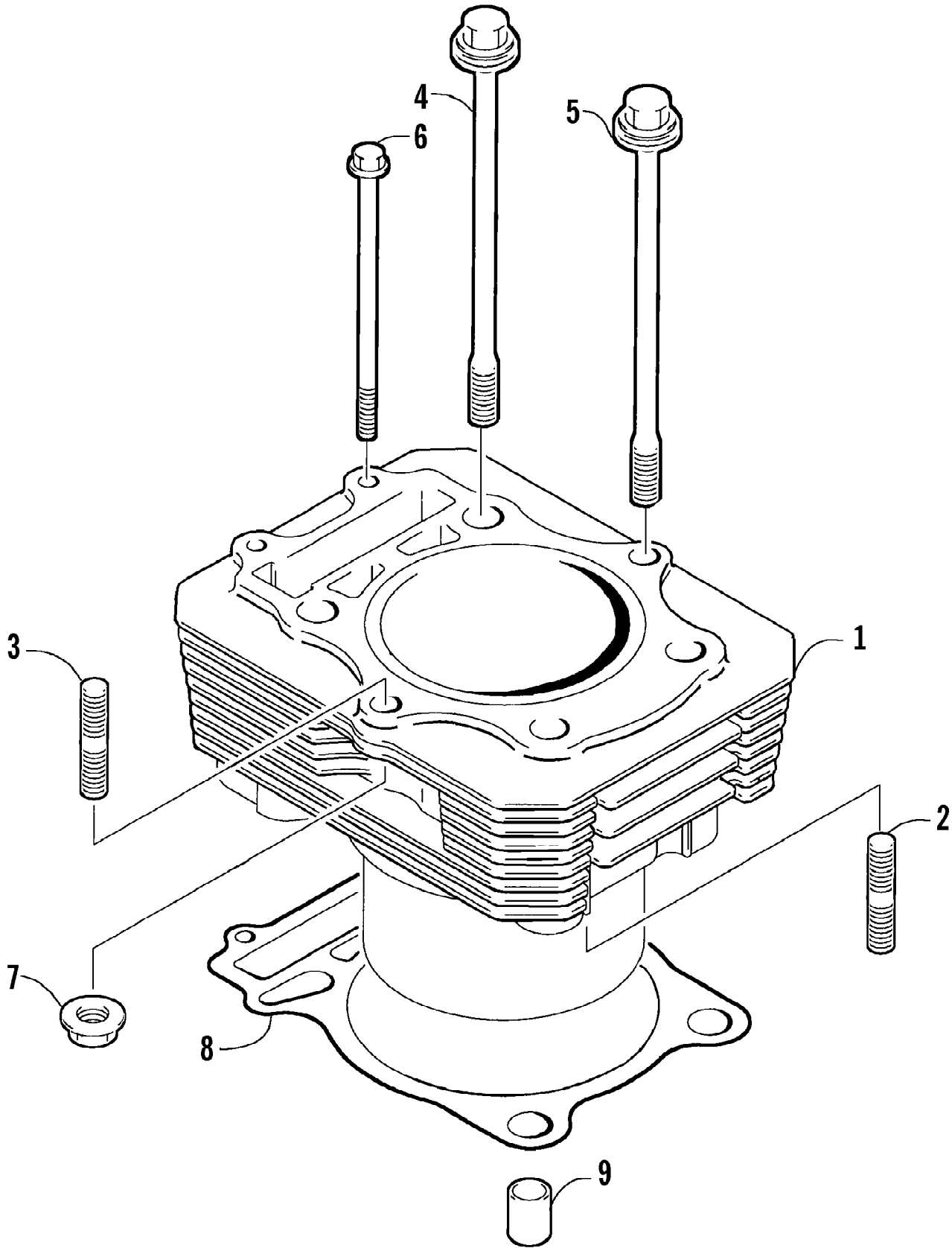
| Ref # | Part Number | Qty | S/P/F | Description |
|-------|-------------|-----|-------|-------------------------------|
| 1 | 3402-580 | 1 | | Crankcase Assembly (inc. 2-9) |
| 2 | 3004-880 | 4 | | Bolt |
| 3 | 3005-332 | 1 | | Bolt |
| 4 | 3005-410 | 3 | | Bolt |
| 5 | 3402-012 | 1 | | Gasket, Oil Pressure Plug |
| 6 | 3402-214 | 1 | | Plug, Oil Pressure |
| 7 | 3423-088 | 2 | | Pin, Dowel |
| 8 | 3423-091 | 10 | S | Bolt |
| 9 | 3423-097 | 3 | | Bolt |
| 10 | 3402-581 | 1 | | Plate, Oil Guide - Right |
| 11 | 3004-552 | 4 | S | Screw, Oil Guide Plate |
| 12 | 3402-582 | 1 | | Plate, Oil Guide - Left |

2005 ATV 400 AUTOMATIC TRANSMISSION 4X4 FIS LE GREEN (A2005ISH4B) Page 21 of 96
CRANKSHAFT ASSEMBLY



2005 ATV 400 AUTOMATIC TRANSMISSION 4X4 FIS LE GREEN (A2005ISH4B) Page 2 of 96
CRANKSHAFT ASSEMBLY

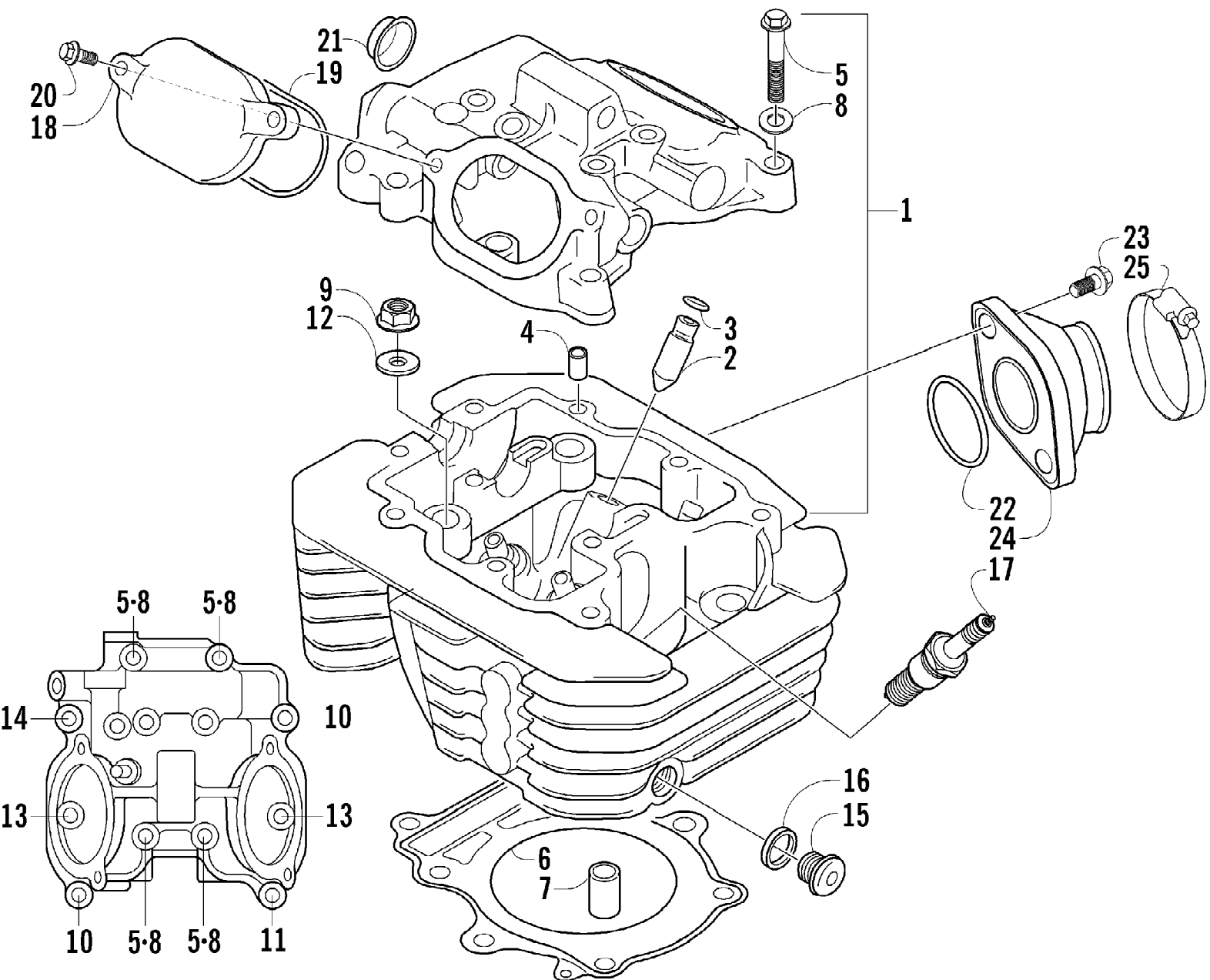
| Ref # | Part Number | Qty | S/P/F | Description |
|-------|-------------|-----|-------|--|
| 1 | 3402-978 | 1 | S | Crankshaft Assembly (inc. 2-8) |
| 2 | 3402-597 | 1 | | Rod, Connecting |
| 3 | 3402-599 | 1 | | Pin, Crank |
| 4 | 3402-571 | 1 | | Bearing |
| 5 | 3423-440 | 2 | | Washer |
| 6 | 3402-600 | 1 | S | Crankshaft - Right |
| 7 | 3402-601 | 1 | | Crankshaft - Left |
| 8 | 3402-698 | 1 | /P | Gear, Crank Balancer Drive |
| 9 | 3402-055 | 1 | /P | Bearing - Right |
| 10 | 3402-566 | 1 | | Bearing - Middle |
| 11 | 3402-573 | 1 | | Seal, Crankshaft Oil |
| 12 | 3402-602 | 1 | | Retainer, Crankshaft Oil Seal - Middle |
| 13 | 3423-018 | 6 | | Screw, Retainer |
| 14 | 3402-051 | 1 | | Bearing |
| 15 | 3423-063 | 1 | | O-Ring |
| 16 | 3402-119 | 1 | S | Spacer |
| 17 | 3402-070 | 1 | | Seal, Oil |
| 18 | 3423-053 | 1 | /P | O-Ring |
| 19 | 3402-188 | 1 | /P | Retainer, Crankshaft Oil Seal - Left |
| 20 | 3402-594 | 1 | | Piston |
| 21 | 3402-595 | 1 | | Ring, Piston - Set |
| 22 | 3003-439 | 2 | /P | Circlip |
| 23 | 3402-596 | 1 | | Pin, Piston |
| 24 | 3436-015 | 1 | F | Piston Set (Oversized 0.50 mm) |



2005 ATV 400 AUTOMATIC TRANSMISSION 4X4 FIS LE GREEN (A2005ISH4B) Page 24 of 96
CYLINDER ASSEMBLY

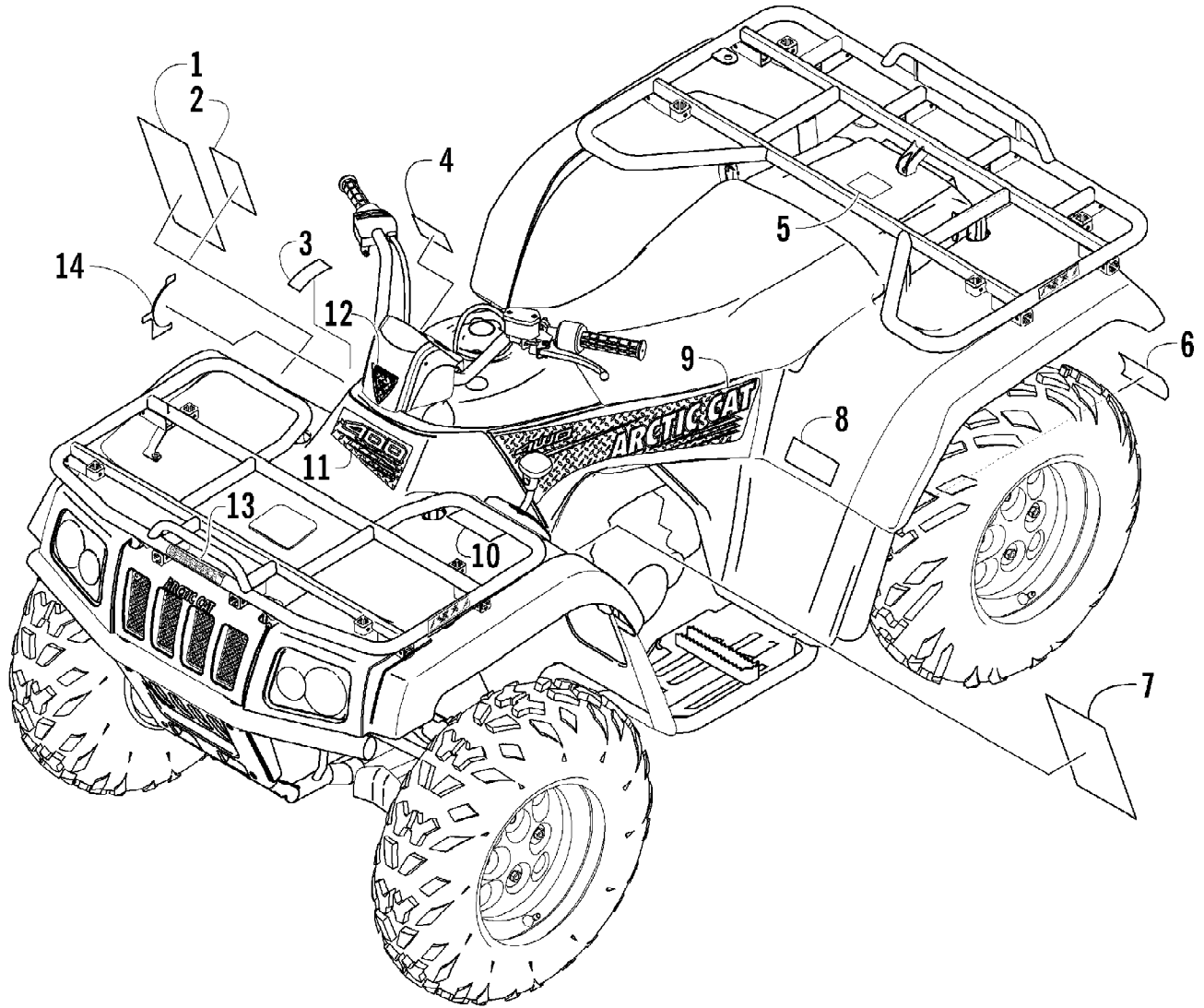
| Ref # | Part Number | Qty | S/P/F | Description |
|-------|-------------|-----|-------|------------------|
| 1 | 3402-578 | 1 | S | Cylinder |
| 2 | 3423-384 | 2 | S | Bolt, Stud |
| 3 | 3004-778 | 2 | S | Bolt, Stud |
| 4 | 3423-431 | 2 | | Bolt |
| 5 | 3423-432 | 2 | | Bolt |
| 6 | 3423-427 | 2 | | Bolt |
| 7 | 3004-488 | 2 | S/P | Nut |
| 8 | 3402-579 | 1 | | Gasket, Cylinder |
| 9 | 3423-088 | 2 | | Pin, Dowel |

2005 ATV 400 AUTOMATIC TRANSMISSION 4X4 FIS LE GREEN (A2005ISH4B) Page 25 of 96
CYLINDER HEAD ASSEMBLY



2005 ATV 400 AUTOMATIC TRANSMISSION 4X4 FIS LE GREEN (A2005ISH4B) Page 26 of 96
CYLINDER HEAD ASSEMBLY

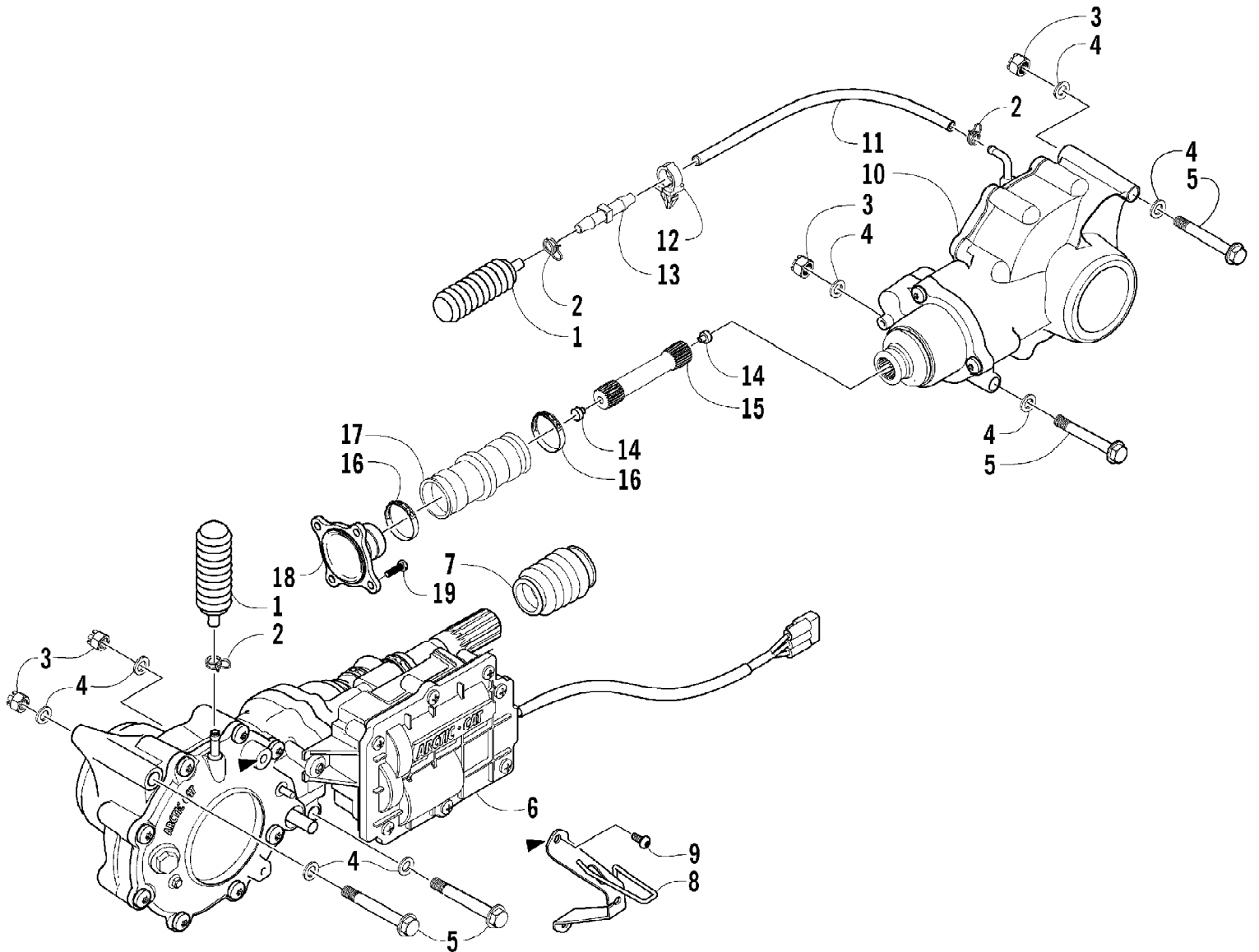
| Ref # | Part Number | Qty | S/P/F | Description |
|-------|-------------|-----|-------|--------------------------------------|
| 1 | 3402-576 | 1 | S | Head, Cylinder - Assembly (inc. 2-5) |
| 2 | 3402-099 | 2 | | Guide, Valve |
| 3 | 3423-068 | 4 | | Ring, Valve Guide |
| 4 | 3423-043 | 2 | /P | Pin, Dowel |
| 5 | 3423-006 | 4 | | Bolt |
| 6 | 3402-577 | 1 | | Gasket, Cylinder Head |
| 7 | 3423-449 | 2 | | Pin, Dowel |
| 8 | 3003-290 | 4 | /P | Gasket |
| 9 | 3004-326 | 2 | S/P | Nut, Cylinder Head |
| 10 | 3423-007 | 2 | S | Bolt, Head Cover |
| 11 | 3423-429 | 1 | | Bolt, Head Cover |
| 12 | 3423-439 | 4 | S | Washer, Cylinder Head Nut |
| 13 | 3004-376 | 2 | S/P | Bolt, Head Cover |
| 14 | 3008-376 | 1 | S | Bolt, Head Cover |
| 15 | 3423-453 | 1 | | Plug, Oil Gallery |
| 16 | 3402-011 | 1 | | Gasket, Oil Gallery Plug |
| 17 | 0217-708 | 1 | | Spark Plug (NGK CR7E) |
| 18 | 3402-100 | 2 | | Cap, Inspection |
| 19 | 3402-101 | 2 | | O-Ring |
| 20 | 3004-341 | 4 | S/P | Bolt, Inspection Cap |
| 21 | 3402-035 | 1 | | Plug, Head |
| 22 | 3423-353 | 1 | /P | O-Ring |
| 23 | 8476-620 | 2 | | Screw |
| 24 | 0570-076 | 1 | | Manifold, Intake |
| 25 | 0423-317 | 1 | /P | Clamp |
| | 3402-048 | 1 | | Plug, Frost |



2005 ATV 400 AUTOMATIC TRANSMISSION 4X4 FIS LE GREEN (A2005ISH4B16M) Page 28 of 96
 DECALS

| Ref # | Part Number | Qty | S/P/F | Description |
|-------|-------------|-----|-------|------------------------------------|
| 1 | 0411-008 | 1 | /P | Decal, Warning - Reverse/Pre-Ride |
| 2 | 0411-835 | 1 | | Decal, Warning - Turn |
| 3 | 0411-426 | 1 | | Decal, Warning - Clutch Cover |
| 4 | 0411-763 | 1 | | Decal, Warning - Differential Lock |
| 5 | 0411-435 | 1 | | Decal, Passenger |
| 6 | 0411-267 | 1 | | Decal, Warning - Towing |
| 7 | 0411-218 | 1 | | Decal, Warning - General |
| 8 | 0411-430 | 1 | | Decal, Warning - Tire Pressure |
| 9 | 0411-776 | 1 | | Decal, Side - Right |
| 9 | 0411-777 | 1 | | Decal, Side - Left |
| 10 | 0411-401 | 1 | | Decal, Warning - Age |
| 11 | 0411-773 | 1 | | Decal, Front |
| 12 | 0411-781 | 1 | | Decal, Crest |
| 13 | 0411-965 | 1 | | Decal, "Speedrack" |
| 14 | 0 | 0 | F | Decal, Fuel - On/Off/Reserve |

2005 ATV 400 AUTOMATIC TRANSMISSION 4X4 FIS LE GREEN (A2005ISH4B) Page 29 of 96
DRIVE TRAIN ASSEMBLY



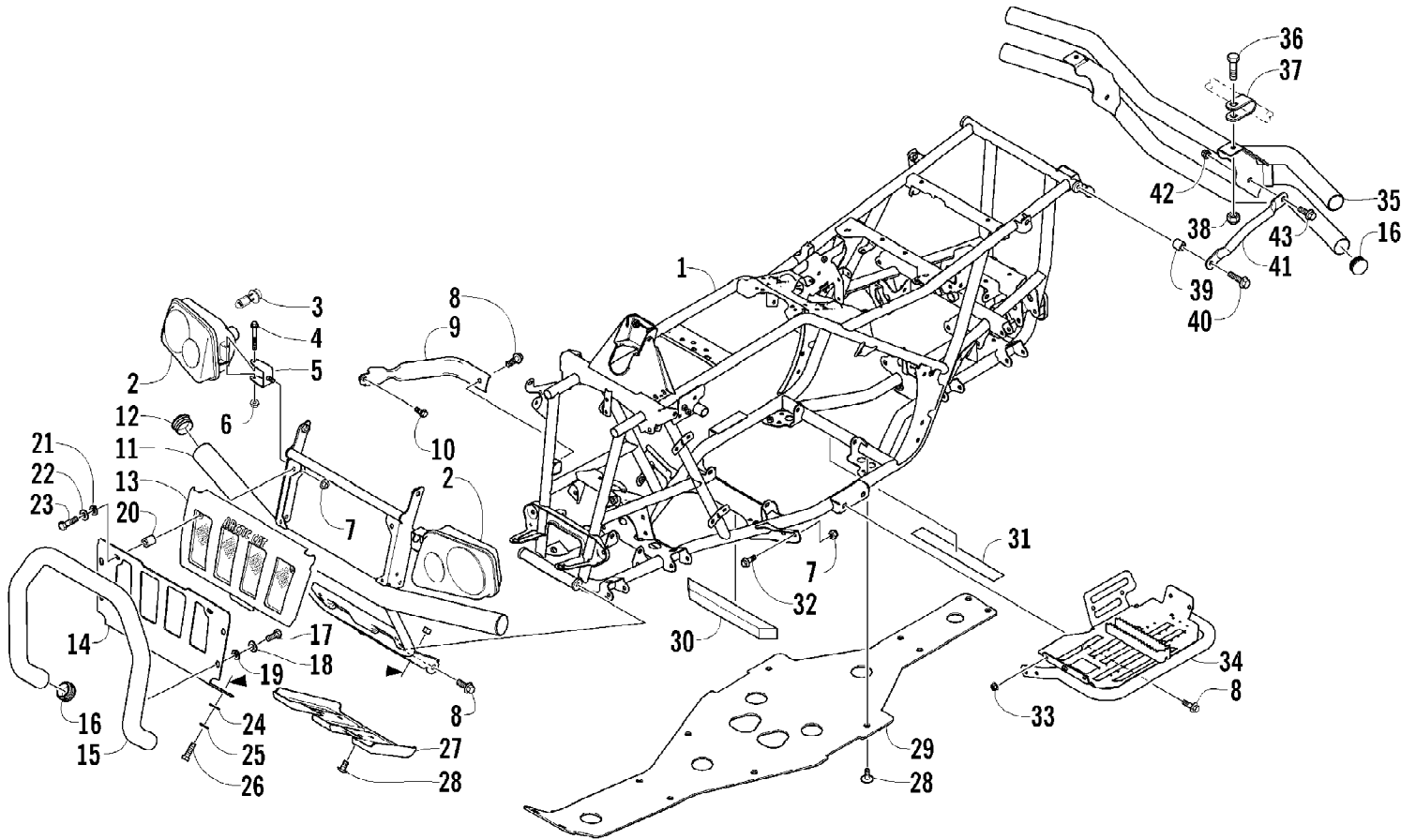
2005 ATV 400 AUTOMATIC TRANSMISSION 4X4 FIS LE GREEN (A2005ISH4BLSM) of 96
DRIVE TRAIN ASSEMBLY

| Ref # | Part Number | Qty | S/P/F | Description |
|-------|-------------|-----|-------|-------------------------|
| 1 | 0402-147 | 2 | S | Bladder, Gearcase |
| 2 | 0423-315 | 4 | | Clamp, Fitting |
| 3 | 8428-002 | 4 | | Nut, Lock |
| 4 | 0423-426 | 8 | | Washer |
| 5 | 0423-404 | 4 | | Screw, Cap |
| 6 | 0502-442 | 1 | | Gearcase, Front |
| 7 | 0402-966 | 1 | | Boot, Shaft |
| 8 | 0502-500 | 1 | | Plate, Cable |
| 9 | 0423-396 | 3 | | Screw, Self-Tapping |
| 10 | 0502-642 | 1 | S | Gearcase, Rear |
| 11 | 0410-049 | AR | | Hose, Vent |
| 12 | 0623-101 | 1 | | Clip, Routing - Snap-In |
| 13 | 0470-462 | 1 | | Fitting, Vent |
| 14 | 0673-618 | 2 | /P | Bumper, Propeller Shaft |
| 15 | 0402-963 | 1 | | Shaft, Propeller |
| 16 | 0423-393 | 2 | | Clamp, Boot |
| 17 | 0402-954 | 1 | | Boot |
| 18 | 0402-950 | 1 | | Flange, Output |
| 19 | 8408-820 | 4 | /P | Screw, Cap |

2005 ATV 400 AUTOMATIC TRANSMISSION 4X4 FIS LE GREEN (A2005ISH4B) Page 2 of 96
ENGINE AND EXHAUST

| Ref # | Part Number | Qty | S/P/F | Description |
|-------|-------------|-----|-------|-----------------------------|
| 1 | 0462-036 | 1 | | Engine |
| 2 | 1506-201 | 1 | | Bracket, Engine - Right |
| 2 | 1506-202 | 1 | | Bracket, Engine - Left |
| 3 | 8424-802 | 3 | | Nut |
| 4 | 8408-816 | 4 | | Screw, Cap |
| 5 | 0506-892 | 1 | /P | Bracket, Engine - Upper |
| 6 | 8408-860 | 1 | | Screw, Cap |
| 7 | 0423-405 | 3 | | Screw, Cap |
| 8 | 0423-426 | 4 | | Washer, Engine |
| 9 | 0423-042 | 2 | S | Spacer, Engine |
| 10 | 8428-002 | 3 | | Nut, Lock |
| 11 | 0412-007 | 1 | /P | Seal, Exhaust |
| 12 | 8408-820 | 2 | /P | Screw, Cap |
| 13 | 0512-178 | 1 | /P | Pipe, Exhaust |
| 14 | 0412-220 | 1 | | Cover, Exhaust Pipe - Front |
| 15 | 8477-610 | 8 | | Screw, Machine |
| 16 | 0412-215 | 4 | S | Bushing, Exhaust |
| 17 | 0612-188 | 1 | /P | Gasket, Exhaust |
| 18 | 0612-668 | 2 | /P | Spring, Exhaust |
| 19 | 0512-139 | 1 | | Muffler |
| 20 | 0412-218 | 1 | | Cover, Muffler |
| 21 | 3402-013 | 1 | /P | Gasket, Switch |
| 22 | 3430-033 | 1 | | Switch, Cooling Fan |
| 23 | 3530-037 | 1 | /P | Switch, Oil Light |
| 24 | 3402-556 | 1 | /P | Gasket, Switch |
| 25 | 0412-224 | 1 | | Cover, Exhaust Pipe - Rear |

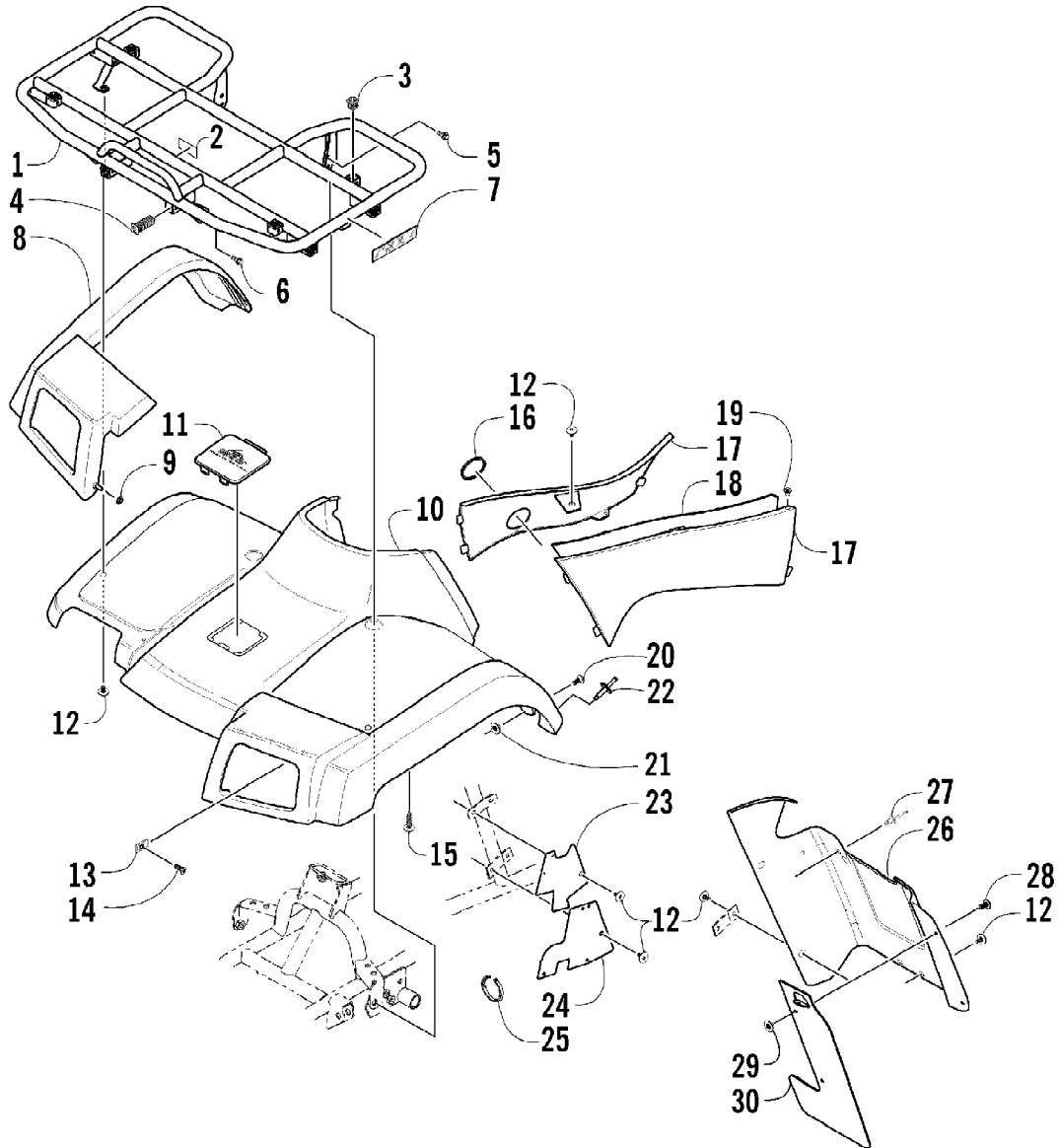
2005 ATV 400 AUTOMATIC TRANSMISSION 4X4 FIS LE GREEN (A2005ISH4B) Page 3 of 96
FRAME AND RELATED PARTS



2005 ATV 400 AUTOMATIC TRANSMISSION 4X4 FIS LE GREEN (A2005ISH4B) Page 14 of 96
FRAME AND RELATED PARTS

| Ref # | Part Number | Qty | S/P/F | Description |
|-------|-------------|-----|-------|---------------------------------------|
| 1 | 1506-465 | 1 | /P | Frame, Main |
| 2 | 0409-032 | 1 | | Headlight Assembly - Right (inc. 3-6) |
| 2 | 0409-031 | 1 | | Headlight Assembly - Left (inc. 3-6) |
| 3 | 0409-045 | 2 | | Bulb, Headlight |
| 4 | 8410-860 | 2 | | Screw, Cap |
| 5 | 0406-945 | 2 | | Bracket, Headlight Mounting |
| 6 | 0423-375 | 2 | | Nut, Lock |
| 7 | 8424-802 | 6 | | Nut, Flange |
| 8 | 8409-020 | 8 | /P | Screw, Cap |
| 9 | 0506-653 | 2 | S | Channel, Bumper Mounting |
| 10 | 8408-812 | 2 | | Screw, Cap |
| 11 | 0506-544 | 1 | | Bumper |
| 12 | 0406-130 | 2 | | Cap, Bumper |
| 13 | 0406-832 | 1 | | Grille, Upper |
| 14 | 0541-290 | 1 | | Plate, Bumper Tube |
| 15 | 0541-291 | 1 | | Tube, Bumper |
| 16 | 0441-517 | 6 | | Cap, Bumper |
| 17 | 8402-816 | 6 | | Screw, Cap |
| 18 | 8451-152 | 6 | | Washer, Lock |
| 19 | 8450-127 | 6 | | Washer |
| 20 | 1441-132 | 4 | | Spacer |
| 21 | 8450-108 | 2 | | Washer |
| 22 | 8451-121 | 2 | | Washer, Lock |
| 23 | 8400-650 | 2 | | Screw, Cap |
| 24 | 8450-126 | 2 | | Washer |
| 25 | 8451-151 | 2 | | Washer, Lock |
| 26 | 8400-860 | 2 | | Screw, Cap |
| 27 | 1441-008 | 1 | | Plate, Skid |
| 28 | 0423-101 | AR | | Screw, Body |
| 29 | 1406-030 | 1 | | Panel, Belly |
| 30 | 1506-067 | 1 | | Foam, Frame |
| 31 | 0406-289 | 1 | | Pad, Frame |
| 32 | 8408-816 | 4 | | Screw, Cap |
| 33 | 8424-602 | 2 | /P | Nut, Flange |
| 34 | 0506-534 | 1 | | Footrest - Right |
| 34 | 0506-728 | 1 | | Footrest - Left |
| 35 | 0541-288 | 1 | | Bumper, Rear |
| 36 | 8475-850 | 2 | | Screw, Machine |
| 37 | 0541-313 | 2 | | Bracket, Clamp |
| 38 | 8422-801 | 2 | | Nut, Lock |
| 39 | 1441-134 | 2 | | Spacer |
| 40 | 8406-020 | 2 | | Screw, Cap |
| 41 | 0441-486 | 2 | | Support, Rear Bumper |
| 42 | 8422-001 | 2 | | Nut, Lock |
| 43 | 8406-040 | 2 | | Screw, Cap |

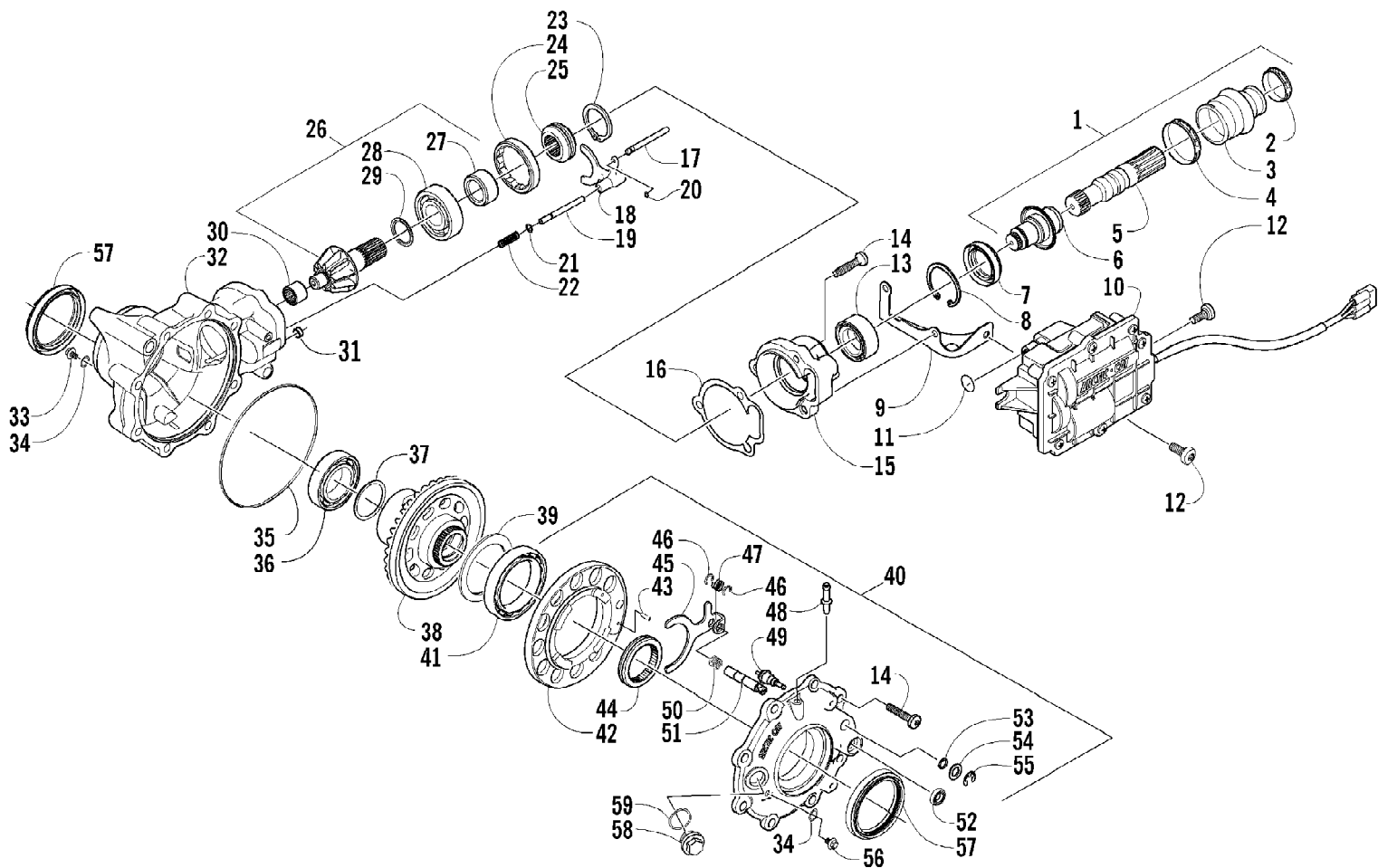
2005 ATV 400 AUTOMATIC TRANSMISSION 4X4 FIS LE GREEN (A2005ISH4B) Page 15 of 96
FRONT BODY PANEL ASSEMBLY



2005 ATV 400 AUTOMATIC TRANSMISSION 4X4 FIS LE GREEN (A2005ISH4B) Page 16 of 96
FRONT BODY PANEL ASSEMBLY

| Ref # | Part Number | Qty | S/P/F | Description |
|-------|-------------|-----|-------|------------------------------------|
| 1 | 0541-267 | 1 | | Rack - Front - Assembly (inc. 2-4) |
| 2 | 0411-576 | 1 | | Decal, Warning - Front Rack Load |
| 3 | 0441-592 | 4 | /P | Bushing, Rack |
| 4 | 0441-556 | 6 | | Bushing, Rack |
| 5 | 8408-816 | 2 | | Screw, Cap |
| 6 | 0423-360 | 2 | | Screw, Cap |
| 7 | 0411-646 | 2 | | Decal, Reflector - Amber |
| 8 | 1506-158 | 1 | | Flare - Front - Right |
| 8 | 1506-159 | 1 | | Flare - Front - Left |
| 9 | 0423-357 | 2 | | Nut, Stamped |
| 10 | 1506-476 | 1 | | Panel, Fender - Front (inc. 11) |
| 11 | 1406-141 | 1 | /P | Cover, Access |
| 12 | 0423-101 | AR | | Screw, Body |
| 13 | 0423-031 | 2 | | Nut, Speed |
| 14 | 8477-616 | 2 | | Screw, Machine |
| 15 | 0423-342 | 6 | /P | Screw, Self-Tapping |
| 16 | 0470-404 | 1 | | Grommet, Fuel Shut-Off Valve |
| 17 | 0506-549 | 1 | | Panel, Side - Right |
| 17 | 0506-673 | 1 | | Panel, Side - Left |
| 18 | 0412-142 | 1 | | Shield, Heat |
| 19 | 0123-010 | 2 | /P | Nut, Expansion |
| 20 | 0423-356 | 2 | | Screw, Shoulder |
| 21 | 0423-438 | 2 | | T-Nut w/Teeth |
| 22 | 0623-362 | 2 | | Rivet, Reinstallable |
| 23 | 1406-063 | 2 | | Panel, Fender - Inner - Upper |
| 24 | 1406-481 | 2 | | Panel, Fender - Inner - Lower |
| 25 | 0123-788 | AR | /P | Cable Tie - 7.5 in. |
| 26 | 1506-199 | 1 | S | Panel, Kick - Right |
| 26 | 1506-193 | 1 | | Panel, Kick - Left |
| 27 | 0423-046 | AR | | Rivet, Plastic |
| 28 | 0423-361 | 4 | | Screw, Machine |
| 29 | 0423-077 | 4 | /P | T-Nut w/Teeth |
| 30 | 1506-194 | 2 | | Extension, Flare |

2005 ATV 400 AUTOMATIC TRANSMISSION 4X4 FIS LE GREEN (A2005ISH4B) Page 17 of 96
FRONT DRIVE GEARCASE ASSEMBLY



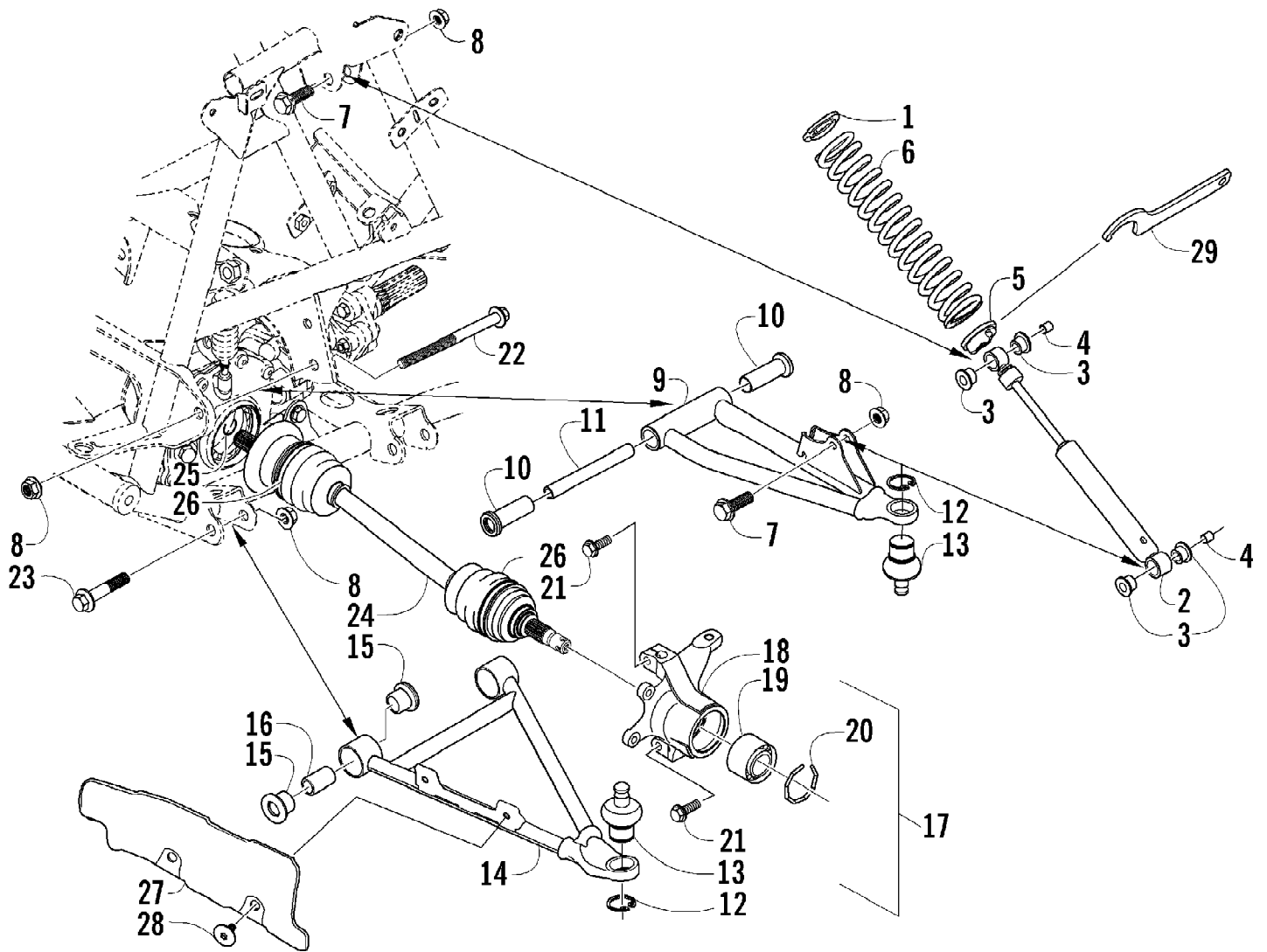
2005 ATV 400 AUTOMATIC TRANSMISSION 4X4 FIS LE GREEN (A2005ISH4B) Page 8 of 96
FRONT DRIVE GEARCASE ASSEMBLY

| Ref # | Part Number | Qty | S/P/F | Description |
|-------|-------------|-----|-------|--|
| | 0502-442 | 1 | | Front Grive Gearcase Assembly |
| 1 | 0502-386 | 1 | | Shaft, Propeller - Assembly (inc. 2-6) |
| 2 | 0423-411 | 1 | | Clamp, Boot |
| 3 | 0402-985 | 1 | /P | Boot, Propeller Shaft |
| 4 | 0423-393 | 1 | | Clamp, Boot |
| 5 | 1402-046 | 1 | | Shaft, Output |
| 6 | 0502-407 | 1 | S | Shaft, Input |
| 7 | 1402-011 | 1 | | Seal |
| 8 | 0423-423 | 1 | | Ring, Retaining |
| 9 | 0502-347 | 1 | | Bracket, Actuator |
| 10 | 0502-579 | 1 | | Actuator (inc. one No. 11) |
| 11 | 0423-498 | 1 | S | O-Ring |
| 12 | 0423-396 | 3 | | Screw, Self-Tapping |
| 13 | 1402-043 | 1 | | Bearing |
| 14 | 0423-118 | 11 | | Screw, Self-Tapping |
| 15 | 0502-528 | 1 | /P | Housing, Pinion |
| 16 | 0402-947 | 1 | | Gasket, Flange |
| 17 | 0402-997 | 1 | | Shaft, Selector |
| 18 | 0402-998 | 1 | | Fork, Selector |
| 19 | 0402-417 | 1 | | Shaft, Shuttle |
| 20 | 0423-402 | 1 | | Ring, Retaining |
| 21 | 0423-147 | 1 | | O-Ring |
| 22 | 0402-999 | 1 | | Spring, Return |
| 23 | 0423-417 | 1 | | Ring, Retaining |
| 24 | 0402-357 | 1 | | Collar, Lock |
| 25 | 0402-413 | 1 | | Coupler, Drive |
| 26 | 0502-123 | 1 | | Gear, Pinion - Assembly - 10T (inc. 27-29) |
| 27 | 0402-336 | 1 | | Collar, Retaining |
| 28 | 0402-327 | 1 | | Bearing |
| 29 | 0402-424 | AR | | Shim |
| 29 | 0402-425 | AR | | Shim |
| 29 | 0402-426 | AR | | Shim |
| 29 | 0402-427 | AR | | Shim |
| 29 | 0402-428 | AR | | Shim |
| 30 | 0402-328 | 1 | | Bearing |
| 31 | 0402-411 | 1 | | Pin, Dowel |
| 32 | 0502-514 | 1 | | Housing, Gearcase |
| 33 | 1402-210 | 1 | /P | Plug, Magnetic (inc. one No. 34) |
| 34 | 0423-153 | 2 | | O-Ring |
| 35 | 0423-149 | 1 | | O-Ring |
| 36 | 0402-393 | 1 | | Bearing |
| 37 | 0402-405 | AR | | Shim |
| 37 | 0402-406 | AR | | Shim |
| 37 | 0402-407 | AR | | Shim |
| 37 | 0402-408 | AR | | Shim |
| 37 | 0402-409 | AR | | Shim |
| 38 | 0502-411 | 1 | | Gear, Ring - 36T |
| 39 | 1402-074 | AR | | Shim |
| 39 | 1402-075 | AR | | Shim |
| 39 | 1402-076 | AR | | Shim |
| 39 | 1402-077 | AR | | Shim |
| 39 | 1402-078 | AR | | Shim |

2005 ATV 400 AUTOMATIC TRANSMISSION 4X4 FIS LE GREEN (A2005ISH4B) Page 19 of 96
FRONT DRIVE GEARCASE ASSEMBLY

| Ref # | Part Number | Qty | S/P/F | Description |
|-------|-------------|-----|-------|--|
| 40 | 0502-434 | 1 | | Cover, Gearcase (inc. one No. 34, 41-56, and one No. 57) |
| 41 | 1402-053 | 1 | | Bearing |
| 42 | 0502-413 | 1 | | Flange, Bearing |
| 43 | 1402-079 | 1 | | Pin, Parallel |
| 44 | 1402-042 | 1 | | Collar, Sliding |
| 45 | 1402-054 | 1 | | Fork |
| 46 | 1402-058 | 2 | | Ring, Retaining |
| 47 | 1402-057 | 1 | | Spring |
| 48 | 1402-104 | 1 | | Fitting |
| 49 | 0402-419 | 1 | | Switch, Indicator |
| 50 | 1402-063 | 1 | | Spring |
| 51 | 1402-055 | 1 | | Shaft, Lock |
| 52 | 1402-056 | 1 | | Seal |
| 53 | 0423-133 | 1 | | O-Ring |
| 54 | 0423-132 | 1 | | Washer |
| 55 | 0423-424 | 1 | | Ring, Retaining |
| 56 | 1402-211 | 1 | | Plug, Oil Level (inc. one No. 34) |
| 57 | 0402-394 | 2 | S | Seal |
| 58 | 0402-333 | 1 | /P | Plug, Fill (inc. 59) |
| 59 | 0423-154 | 1 | | O-Ring |

2005 ATV 400 AUTOMATIC TRANSMISSION 4X4 FIS LE GREEN (A2005ISH4B) Page 10 of 96
FRONT SUSPENSION ASSEMBLY



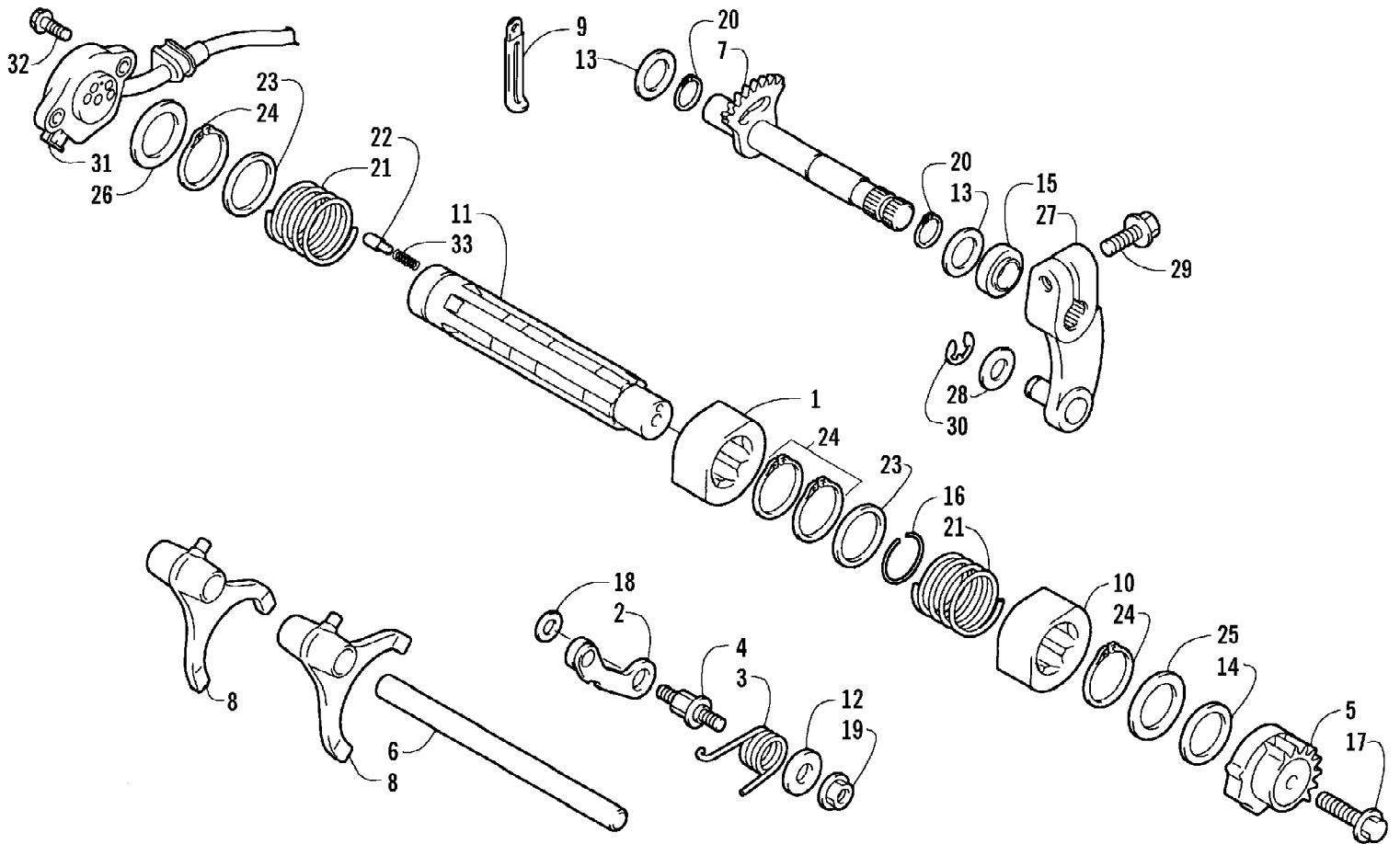
2005 ATV 400 AUTOMATIC TRANSMISSION 4X4 FIS LE GREEN (A2005ISH4B16M) Page 11 of 96
FRONT SUSPENSION ASSEMBLY

| Ref # | Part Number | Qty | S/P/F | Description |
|-------|-------------|-----|-------|--|
| 1 | 1603-889 | 2 | /P | Retainer, Spring |
| 2 | 0403-127 | 2 | | Shock Absorber - Front (inc. 3-4) |
| 3 | 0604-310 | 8 | | Bushing, Shock Absorber |
| 4 | 0403-028 | 4 | | Sleeve, Shock |
| 5 | 0403-102 | 2 | | Cam, Spring Adjuster |
| 6 | 0403-128 | 2 | S | Spring, Shock Absorber |
| 7 | 8409-040 | 4 | | Screw, Cap |
| 8 | 8428-002 | 10 | | Nut, Lock |
| 9 | 0503-196 | 1 | S | A-Arm, Upper Right (inc. 10-13) |
| 9 | 0503-197 | 1 | | A-Arm, Upper Left (inc. 10-13) |
| 10 | 0403-081 | 4 | S | Bushing |
| 11 | 0403-080 | 2 | | Collar |
| 12 | 0423-009 | 4 | /P | Clip, Ball Joint |
| 13 | 0405-115 | 4 | /P | Ball Joint - Front |
| 14 | 0503-220 | 1 | | A-Arm, Lower Right (inc. 12-13 and 15-16) |
| 14 | 0503-221 | 1 | | A-Arm, Lower Left (inc. 12-13 and 15-16) |
| 15 | 0403-115 | 8 | S | Bushing |
| 16 | 0403-114 | 4 | S | Collar |
| 17 | 0505-446 | 1 | /P | Knuckle - Assembly - Right (inc. 18-20) |
| 17 | 0505-447 | 1 | /P | Knuckle - Assembly - Left (inc. 18-20) |
| 18 | 0 | 1 | | Knuckle, Steering - Right Not a Service Part |
| 18 | 0 | 1 | | Knuckle, Steering - Left Not a Service Part |
| 19 | 1402-027 | 2 | S/P | Bearing, Wheel Hub |
| 20 | 0423-423 | 2 | | Ring, Retaining |
| 21 | 8409-030 | 4 | | Screw, Cap |
| 22 | 0423-334 | 2 | | Screw, Cap |
| 23 | 8409-075 | 4 | | Screw, Cap |
| 24 | 0502-542 | 1 | | Axle, Drive - Front - Right (inc. 25-26) |
| 24 | 0502-547 | 1 | | Axle, Drive - Front - Left (inc. 25-26) |
| 25 | 0441-400 | 2 | S | Clip, Retaining |
| 26 | 0436-276 | 2 | S | Repair Kit, Boot - Front Axle |
| 27 | 1441-002 | 1 | | Guard, Boot - Axle - Right |
| 27 | 1441-003 | 1 | | Guard, Boot - Axle - Left |
| 28 | 0423-101 | 4 | | Screw, Body |
| 29 | 0441-587 | 1 | | Wrench, Spanner |

2005 ATV 400 AUTOMATIC TRANSMISSION 4X4 FIS LE GREEN (A2005ISH4B16M) Page 13 of 96
 GAS TANK ASSEMBLY

| Ref # | Part Number | Qty | S/P/F | Description |
|-------|-------------|-----|-------|----------------------------------|
| 1 | 0570-066 | 1 | /P | Tank, Gas - Assembly (inc. 2-10) |
| 2 | 0470-438 | 1 | /P | Cap, Gas Tank (inc. 3) |
| 3 | 0109-733 | 1 | /P | Gasket, Tank Cap |
| 4 | 0570-086 | 1 | /P | Gauge, Fuel w/Gasket (Press-Fit) |
| 5 | 0423-398 | 2 | | Nut, Lock |
| 6 | 0470-416 | 1 | /P | Hose, Vent |
| 7 | 0610-007 | AR | /P | Hose, Gasline - 25 ft |
| 8 | 0423-152 | 2 | | Clamp, Hose |
| 9 | 0470-445 | 1 | /P | Valve, Fuel Shut-Off (inc. 10) |
| 10 | 0470-364 | 1 | | Gasket, Fuel Shut-Off Valve |
| 11 | 0470-408 | 1 | | Knob, Fuel Shut-Off Valve |
| 12 | 0423-146 | 1 | | Screw, Machine |
| 13 | 0423-130 | 2 | | Screw, Shoulder |

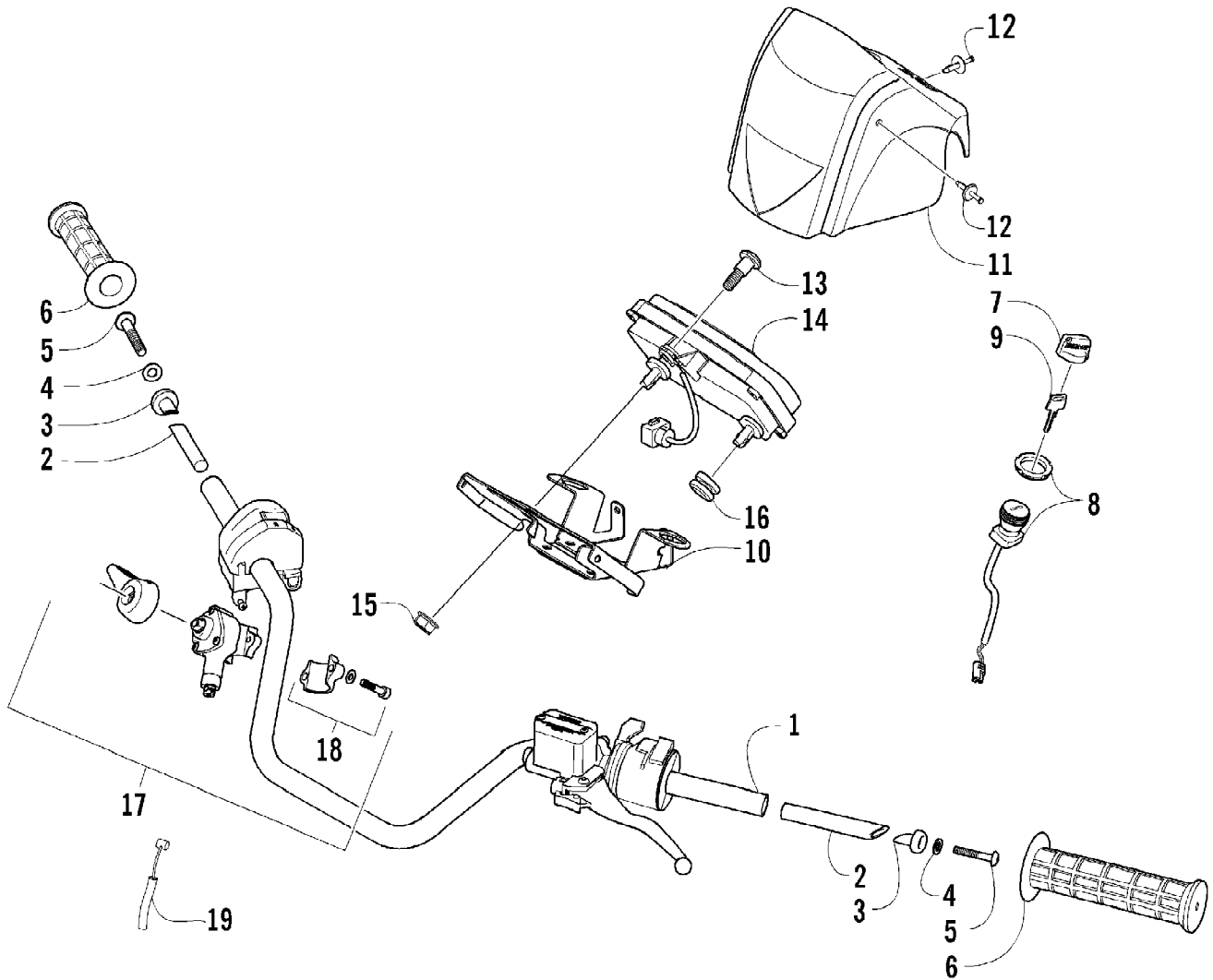
2005 ATV 400 AUTOMATIC TRANSMISSION 4X4 FIS LE GREEN (A2005ISH4B) Page 14 of 96
GEAR SHIFTING ASSEMBLY



2005 ATV 400 AUTOMATIC TRANSMISSION 4X4 FIS LE GREEN (A2005ISH4B) Page 15 of 96
GEAR SHIFTING ASSEMBLY

| Ref # | Part Number | Qty | S/P/F | Description |
|-------|-------------|-----|-------|-------------------------------|
| 1 | 3402-640 | 1 | | Cam, Reverse |
| 2 | 3446-043 | 1 | | Stopper, Cam |
| 3 | 3446-283 | 1 | | Spring, Cam Stopper |
| 4 | 3446-048 | 1 | | Support, Cam Stopper |
| 5 | 3402-642 | 1 | | Plate, Gear Shift Cam |
| 6 | 3402-643 | 1 | | Shaft, Shift Fork |
| 7 | 3402-644 | 1 | | Shaft, Sub-Gear Shift |
| 8 | 3446-073 | 2 | | Fork, Shift |
| 9 | 3004-787 | 1 | | Clamp, Wire |
| 10 | 3402-670 | 1 | | Cam, Gear Shift |
| 11 | 3446-281 | 1 | | Shaft, Gear Shift |
| 12 | 3423-438 | 1 | | Washer, Cam Stopper Spring |
| 13 | 1691-043 | 2 | | Washer, Sub-Gear Shift Shaft |
| 14 | 3423-446 | 1 | | Washer, Gear Shift Cam Plate |
| 15 | 3402-076 | 1 | | Seal, Sub-Gear Shift Shaft |
| 16 | 3423-416 | 1 | | C-Ring, Cam |
| 17 | 3004-376 | 1 | S/P | Bolt, Gear Shift Cam Plate |
| 18 | 3423-141 | 1 | | Washer, Cam Stopper |
| 19 | 3004-488 | 1 | S/P | Nut, Cam Stopper Spring |
| 20 | 3423-358 | 2 | S | Circlip, Sub-Gear Shift Shaft |
| 21 | 3446-280 | 2 | | Spring, Cam |
| 22 | 3423-044 | 2 | | Contact |
| 23 | 3402-382 | 2 | | Washer, Cam Spring |
| 24 | 3423-191 | 4 | /P | Circlip, Cam Spring |
| 25 | 3402-195 | 1 | | Washer, Shift Shaft |
| 26 | 3423-421 | 1 | /P | Washer, Shift Shaft |
| 27 | 3402-434 | 1 | /P | Arm, Select |
| 28 | 3423-204 | 1 | /P | Washer, Select Arm |
| 29 | 3004-341 | 1 | S/P | Bolt, Select Arm |
| 30 | 3423-153 | 1 | | E-Ring |
| 31 | 3402-997 | 1 | | Base, Gear Shift - Assembly |
| 32 | 3423-418 | 2 | | Bolt |
| 33 | 3402-087 | 2 | | Spring |

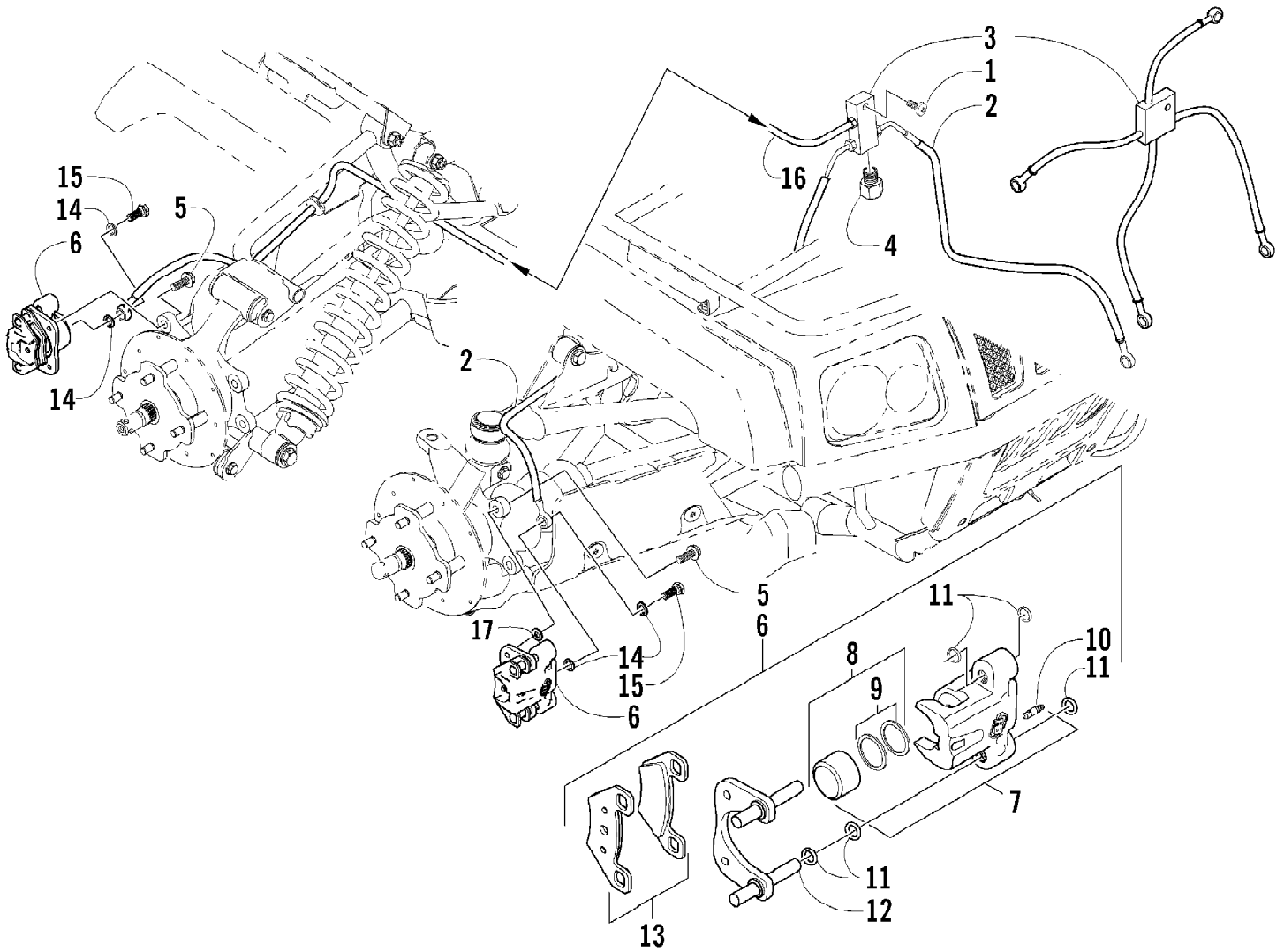
2005 ATV 400 AUTOMATIC TRANSMISSION 4X4 FIS LE GREEN (A2005ISH4B) Page 46 of 96
HANDLEBAR ASSEMBLY



2005 ATV 400 AUTOMATIC TRANSMISSION 4X4 FIS LE GREEN (A2005ISH4BLSM) Page 17 of 96
HANDLEBAR ASSEMBLY

| Ref # | Part Number | Qty | S/P/F | Description |
|-------|-------------|-----|-------|--|
| 1 | 0505-448 | 1 | | Tube, Handlebar |
| 2 | 0405-148 | 2 | | Plug, Handlebar |
| 3 | 0405-149 | 2 | | End Cap, Handlebar |
| 4 | 8050-247 | 2 | /P | Washer |
| 5 | 8477-845 | 2 | | Screw, Machine |
| 6 | 0405-147 | 2 | | Grip, Handlebar |
| 7 | 0409-013 | 1 | | Cover, Key |
| 8 | 3430-040 | 1 | | Switch, Ignition - Assembly (inc. 9) |
| 9 | 3409-007 | 1 | /P | Key, Ignition - Blank (C Series) |
| 9 | 3409-011 | 1 | | Key, Ignition - Blank (D Series) |
| 9 | 3409-012 | 1 | | Key, Ignition - Blank (E Series) |
| 9 | 3409-013 | 1 | | Key, Ignition - Blank (F Series) |
| 10 | 1506-423 | 1 | | Bracket, Mounting - Instrument Pod |
| 11 | 0405-132 | 1 | | Instrument Pod |
| 12 | 0423-535 | 4 | | Rivet, Reinstallable |
| 13 | 0423-356 | 1 | | Screw, Shoulder |
| 14 | 0420-052 | 1 | | Gauge, Digital |
| 15 | 8424-602 | 1 | /P | Nut, Flange |
| 16 | 0423-448 | 2 | | Grommet |
| 17 | 0502-527 | 1 | | Control, Differential Lock (inc. 18) |
| 18 | 0502-613 | 1 | | Clamp, Differential Lock Control - Kit |
| 19 | 0487-030 | 1 | S | Cable, Differential Lock |

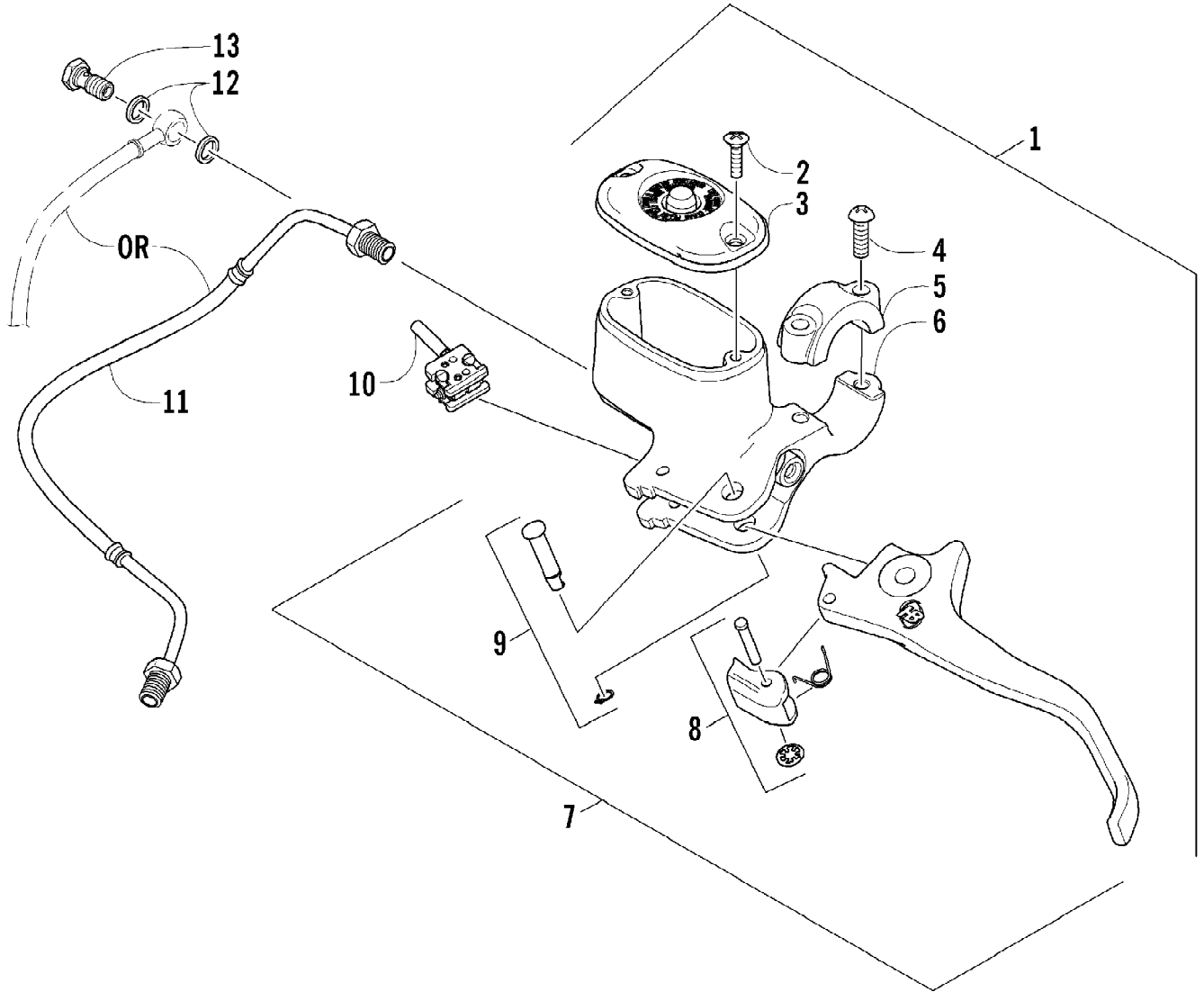
2005 ATV 400 AUTOMATIC TRANSMISSION 4X4 FIS LE GREEN (A2005ISH4B) 18 of 96
HYDRAULIC BRAKE ASSEMBLY



2005 ATV 400 AUTOMATIC TRANSMISSION 4X4 FIS LE GREEN (A2005ISH4B) Page 19 of 96
HYDRAULIC BRAKE ASSEMBLY

| Ref # | Part Number | Qty | S/P/F | Description |
|-------|-------------|-----|-------|--|
| 1 | 8476-625 | 1 | | Screw, Cap |
| 2 | 1402-231 | 1 | | Hose, Brake - Front - Right Used in conjunction with Brake Assembly (p/n 0502-620) and Hydraulic Brakeline (p/n 1402-212) |
| 2 | 1402-232 | 1 | | Hose, Brake - Front - Left Used in conjunction with Brake Assembly (p/n 0502-620) and Hydraulic Brakeline (p/n 1402-212) |
| 3 | 1402-086 | 1 | | Hose, Brake - Assembly - Rectangular Used in conjunction with Brake Assembly (p/n 0502-620) and Hydraulic Brakeline (p/n 1402-212) |
| 3 | 0502-627 | 1 | | Hose, Brake - Assembly - Square Used in conjunction with Brake Assembly (p/n 0502-703) |
| 4 | 1402-031 | 1 | | Plug Used in conjunction with Brake Assembly (p/n 0502-620) and Hydraulic Brakeline (p/n 1402-212) |
| 5 | 8408-820 | 6 | /P | Screw, Cap |
| 6 | 0502-602 | 1 | S | Caliper, Brake - Right Front (inc. 5-11) |
| 6 | 0502-610 | 2 | S | Caliper, Brake - Left Front and Right Rear (inc. 5-11) |
| 7 | 0502-603 | 1 | S | Housing, Caliper - Assembly - Right Front (inc. 6-8) |
| 7 | 0502-611 | 2 | S | Housing, Caliper - Assembly - Left Front and Right Rear (inc. 6-8) |
| 8 | 0502-606 | 3 | | Piston/Seal Set (inc. 7) |
| 9 | 0502-607 | 3 | | Seal Set |
| 10 | 0502-609 | 3 | /P | Valve, Bleed |
| 11 | 0502-608 | 3 | | O-Ring, Guide - Set |
| 12 | 0502-605 | 3 | | Bracket Assembly |
| 13 | 0502-604 | 3 | S | Pad, Brake - Set |
| 14 | 0423-178 | 6 | | Washer, Crush |
| 15 | 0423-413 | 3 | | Bolt, Banjo Fitting |
| 16 | 1402-204 | 1 | | Hose, Brake - Rear Used in conjunction with Brake Assembly (p/n 0502-620) and Hydraulic Brakeline (p/n 1402-212) |
| 17 | 0423-562 | 4 | | Spacer |

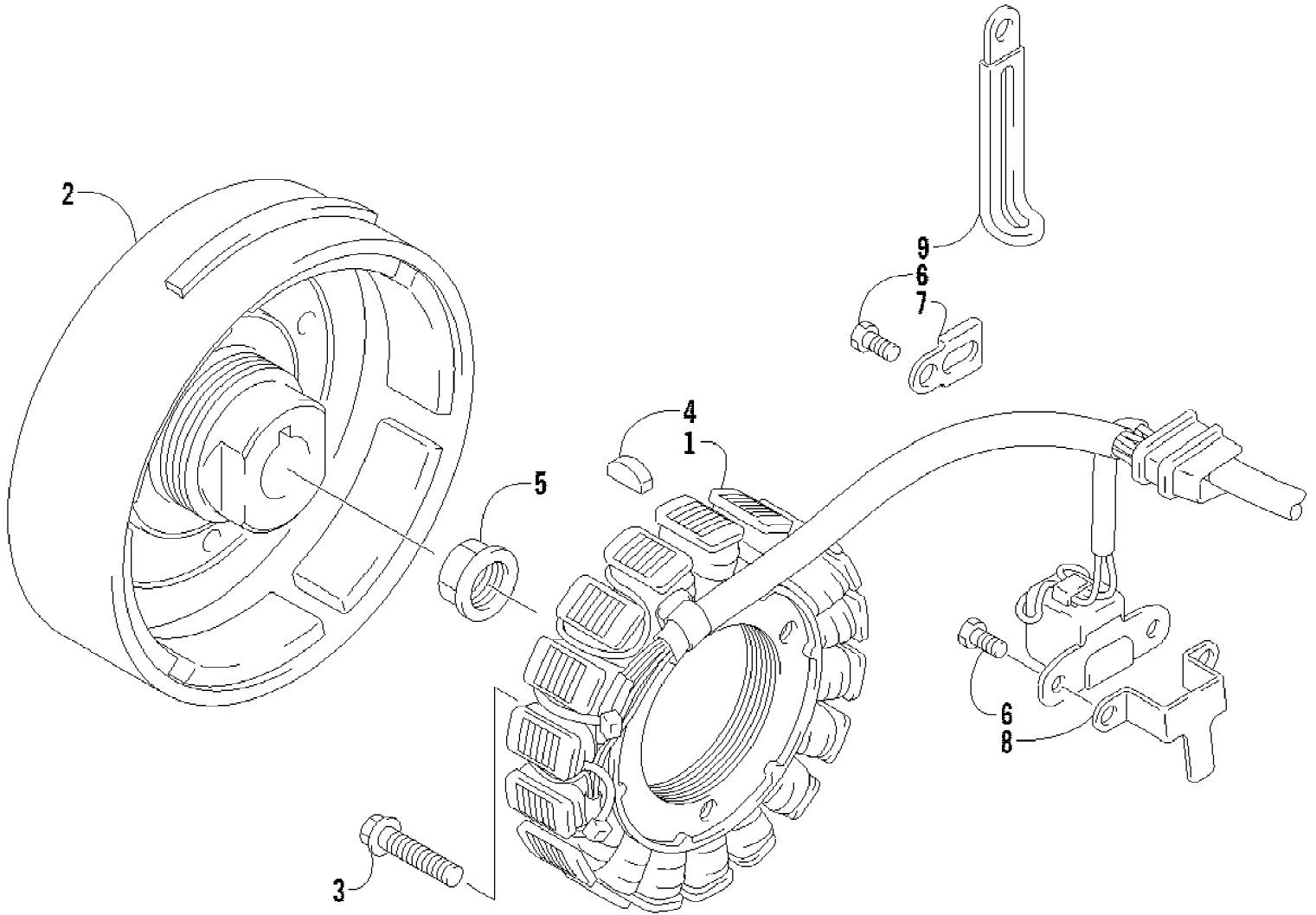
2005 ATV 400 AUTOMATIC TRANSMISSION 4X4 FIS LE GREEN (A2005ISH4B) Page 10 of 96
HYDRAULIC HAND BRAKE ASSEMBLY



2005 ATV 400 AUTOMATIC TRANSMISSION 4X4 FIS LE GREEN (A2005ISH4B) Page 1 of 96
HYDRAULIC HAND BRAKE ASSEMBLY

| Ref # | Part Number | Qty | S/P/F | Description |
|-------|-------------|-----|-------|------------------------------------|
| 1 | 0502-620 | 1 | S/P/F | Brake Assembly (inc. 2-10) |
| 1 | 0502-703 | 1 | S/F | Brake Assembly |
| 2 | 0502-566 | 1 | | Screw, Reservoir Cover - Kit |
| 3 | 0502-565 | 1 | F | Cover, Reservoir - Kit |
| 3 | 0502-706 | 1 | S/F | Cover, Reservoir - Kit |
| 4 | 0502-568 | 1 | | Screw, Master Cylinder Clamp - Kit |
| 5 | 0502-567 | 1 | F | Clamp, Master Cylinder - Kit |
| 5 | 0502-705 | 1 | F | Clamp, Master Cylinder - Kit |
| 6 | 0502-633 | 1 | F | Master Cylinder Assembly - Kit |
| 6 | 0502-704 | 1 | F | Master Cylinder Assembly - Kit |
| 7 | 0502-634 | 1 | /P | Lever Assembly - Kit (inc. 8-9) |
| 8 | 0502-635 | 1 | | Lock, Brake Lever - Kit |
| 9 | 0502-580 | 1 | | Lever Pin - Kit |
| 10 | 0502-564 | 1 | /P | Switch, Brake - Kit |
| 11 | 1402-212 | 1 | F | Brakeline, Hydraulic |
| 12 | 0423-178 | 2 | F | Washer, Crush |
| 13 | 0423-413 | 1 | F | Bolt, Banjo Fitting |

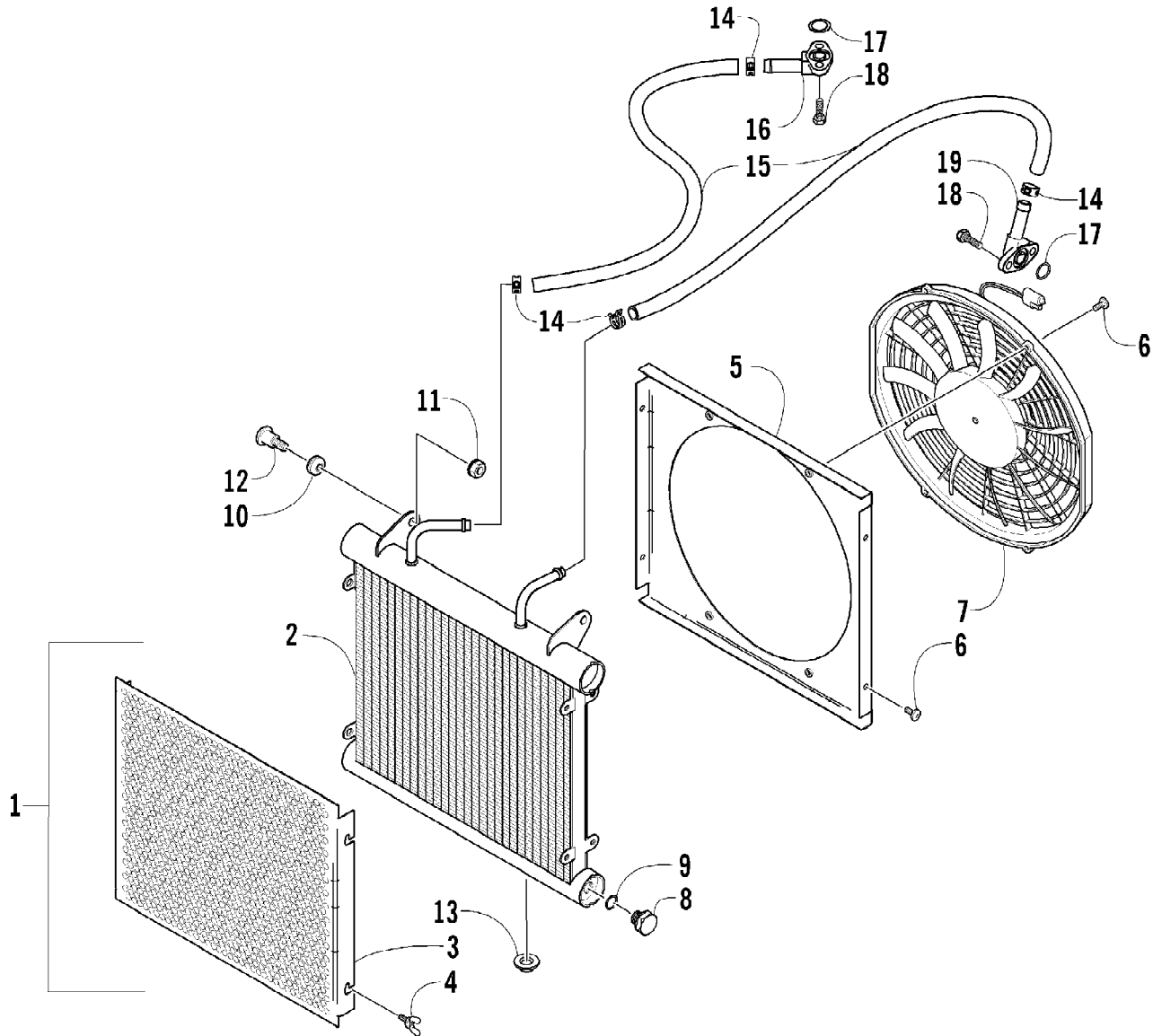
2005 ATV 400 AUTOMATIC TRANSMISSION 4X4 FIS LE GREEN (A2005ISH4B) Page 2 of 96
MAGNETO ASSEMBLY



2005 ATV 400 AUTOMATIC TRANSMISSION 4X4 FIS LE GREEN (A2005ISH4B16M) Page 3 of 96
 MAGNETO ASSEMBLY

| Ref # | Part Number | Qty | S/P/F | Description |
|-------|-------------|-----|-------|-----------------|
| 1 | 3430-053 | 1 | | Stator Assembly |
| 2 | 3430-054 | 1 | S | Rotor/Flywheel |
| 3 | 3004-756 | 3 | S | Bolt |
| 4 | 0691-785 | 1 | | Key |
| 5 | 3423-086 | 1 | | Nut |
| 6 | 3423-005 | 3 | /P | Bolt |
| 7 | 3430-005 | 1 | | Clamp |
| 8 | 3430-006 | 1 | | Clamp |
| 9 | 3002-964 | 1 | /P | Clamp, Wire |

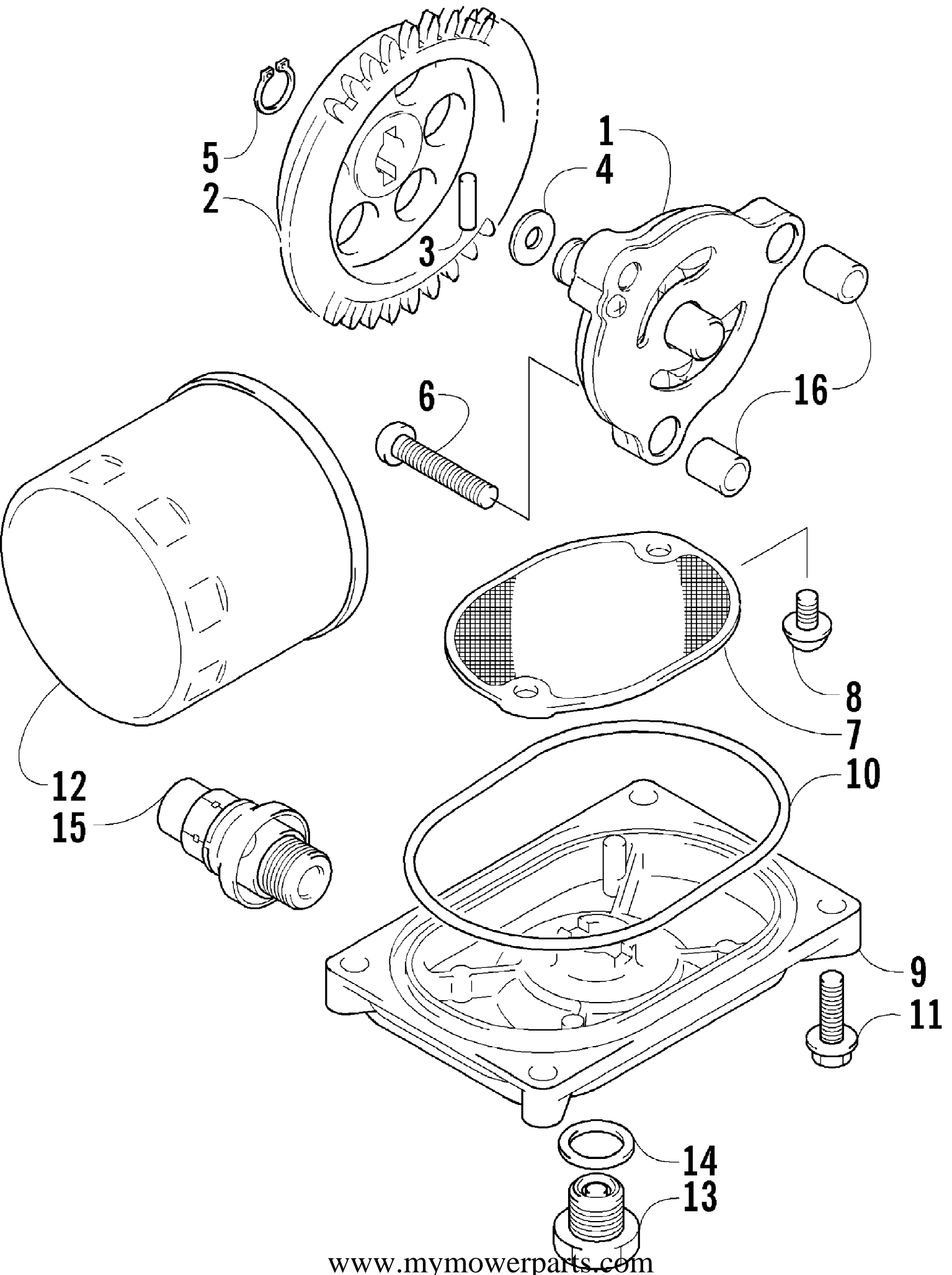
2005 ATV 400 AUTOMATIC TRANSMISSION 4X4 FIS LE GREEN (A2005ISH4B) Page 4 of 96
OIL COOLER ASSEMBLY



2005 ATV 400 AUTOMATIC TRANSMISSION 4X4 FIS LE GREEN (A2005ISH4B) Page 15 of 96
OIL COOLER ASSEMBLY

| Ref # | Part Number | Qty | S/P/F | Description |
|-------|-------------|-----|-------|------------------------------------|
| 1 | 0413-118 | 1 | | Cooler, Oil - Assembly (inc. 2-10) |
| 2 | 0413-053 | 1 | | Cooler, Oil |
| 3 | 0413-007 | 1 | | Screen, Oil Cooler |
| 4 | 0413-009 | 4 | | Screw, Thumb |
| 5 | 0413-064 | 1 | | Shroud, Fan |
| 6 | 8475-512 | 8 | | Screw, Machine |
| 7 | 0413-123 | 1 | /P | Fan, Cooling |
| 8 | 0413-058 | 1 | | Plug, Drain |
| 9 | 0413-059 | 1 | | O-Ring |
| 10 | 0423-030 | 2 | | Grommet |
| 11 | 0623-038 | 2 | | Nut w/Washer |
| 12 | 0423-484 | 2 | | Screw, Shoulder |
| 13 | 0423-028 | 2 | | Bushing, Stem |
| 14 | 0423-098 | 4 | /P | Clamp, Hose |
| 15 | 0410-044 | 2 | | Hose, Oil |
| 16 | 0410-013 | 1 | | Fitting, Oil |
| 17 | 0423-089 | 2 | | O-Ring, Oil Fitting |
| 18 | 8471-616 | 4 | | Screw, Cap |
| 19 | 0410-012 | 1 | | Fitting, Oil - Angled |

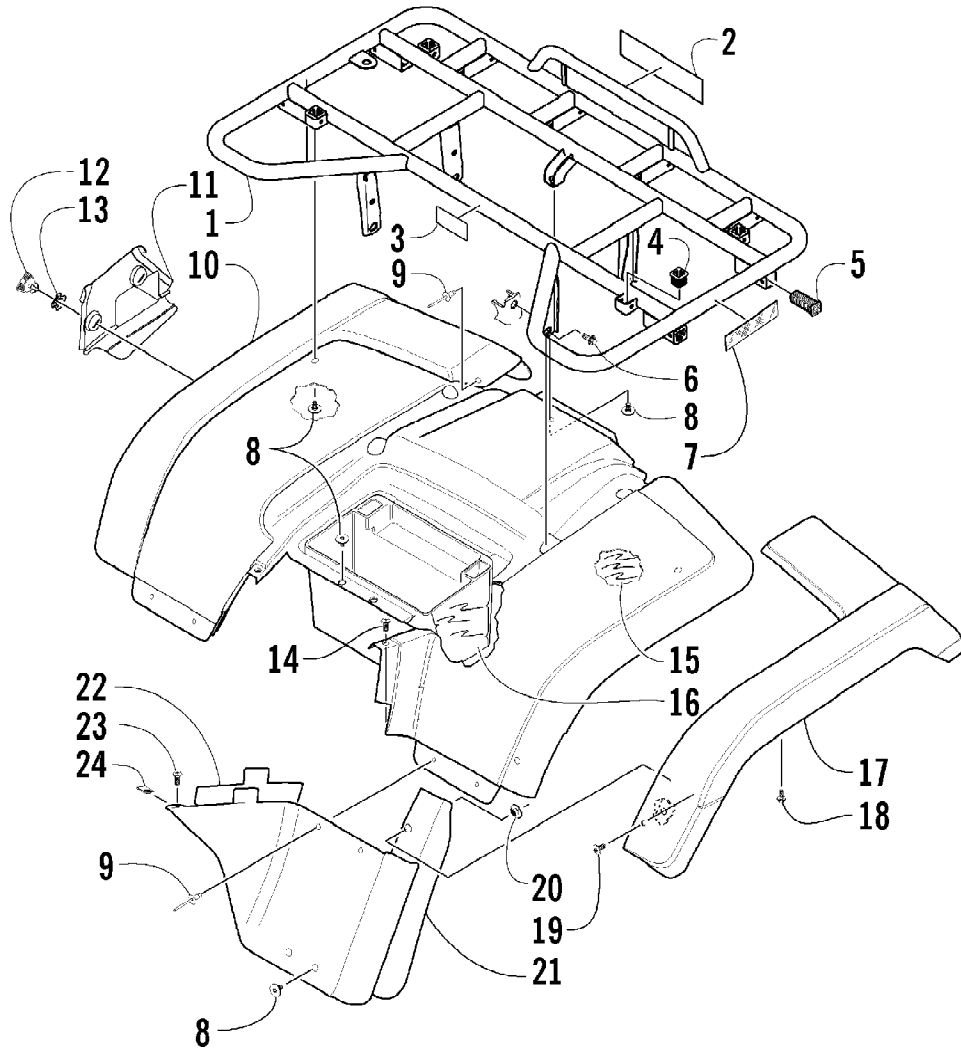
2005 ATV 400 AUTOMATIC TRANSMISSION 4X4 FIS LE GREEN (A2005ISH4B) 16 of 96
OIL FILTER/PUMP ASSEMBLY



2005 ATV 400 AUTOMATIC TRANSMISSION 4X4 FIS LE GREEN (A2005ISH4B) Page 17 of 96
OIL FILTER/PUMP ASSEMBLY

| Ref # | Part Number | Qty | S/P/F | Description |
|-------|-------------|-----|-------|------------------------------|
| 1 | 3402-619 | 1 | | Pump, Oil |
| 2 | 3402-618 | 1 | | Gear, Driven |
| 3 | 3423-046 | 1 | | Pin |
| 4 | 3423-443 | 1 | | Washer |
| 5 | 3423-184 | 1 | S | Circlip |
| 6 | 3423-113 | 3 | S/P | Screw |
| 7 | 3402-156 | 1 | | Strainer, Oil |
| 8 | 0693-389 | 2 | S | Screw |
| 9 | 3402-157 | 1 | | Cap, Oil Strainer |
| 10 | 3423-077 | 1 | | O-Ring |
| 11 | 3004-756 | 4 | S | Screw, Cap |
| 12 | 0436-146 | 1 | S | Filter, Oil |
| 13 | 3403-021 | 1 | /P | Plug, Drain |
| 14 | 3402-012 | 1 | | Gasket, Drain Plug |
| 15 | 3402-773 | 1 | | Valve, Assembly - Oil Relief |
| 16 | 3005-206 | 2 | /P | Pin, Oil Pump |

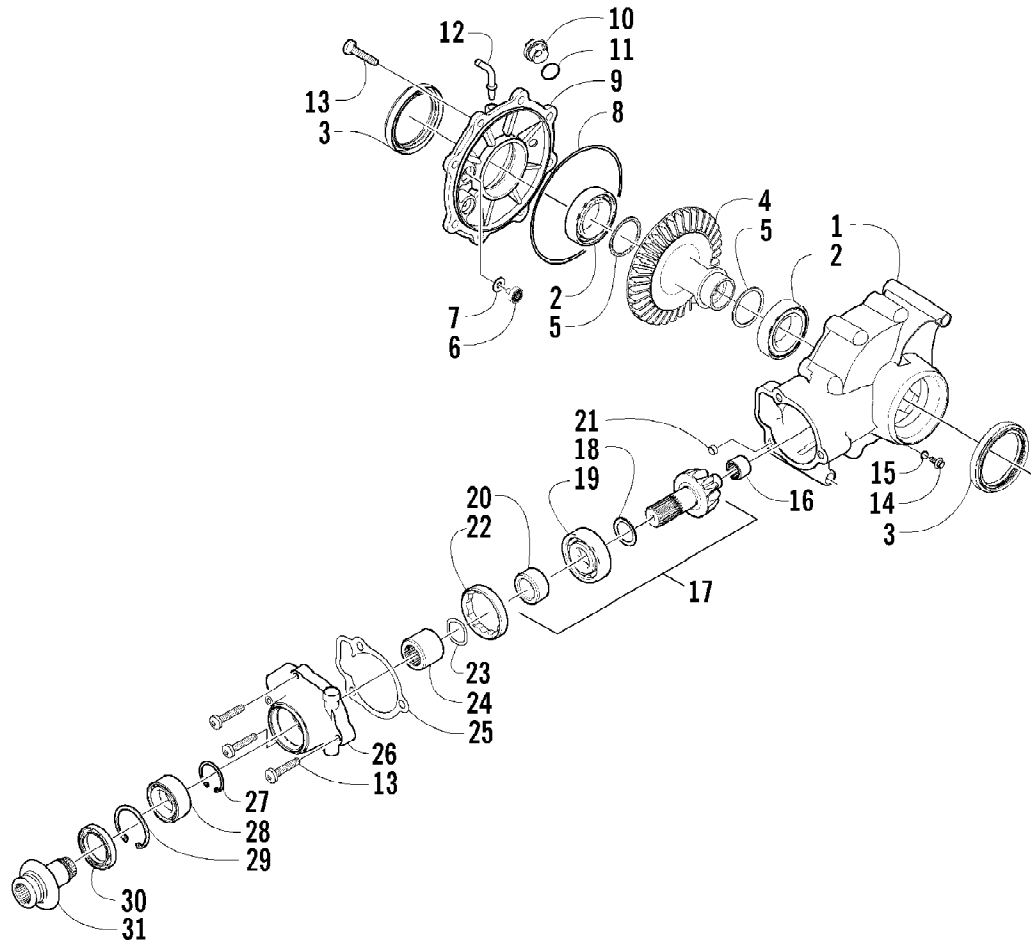
2005 ATV 400 AUTOMATIC TRANSMISSION 4X4 FIS LE GREEN (A2005ISH4B) Page 18 of 96
REAR BODY PANEL ASSEMBLY



2005 ATV 400 AUTOMATIC TRANSMISSION 4X4 FIS LE GREEN (A2005ISH4B) Page 19 of 96
REAR BODY PANEL ASSEMBLY

| Ref # | Part Number | Qty | S/P/F | Description |
|-------|-------------|-----|-------|-----------------------------------|
| 1 | 0541-293 | 1 | | Rack - Rear - Assembly (inc. 2-5) |
| 2 | 0411-947 | 1 | S | Decal, "Arctic Cat" |
| 3 | 0411-648 | 1 | | Decal, Warning - Rear Rack Load |
| 4 | 0441-592 | 4 | /P | Bushing, Rack |
| 5 | 0441-556 | 8 | | Bushing, Rack |
| 6 | 8409-020 | 4 | /P | Screw, Cap |
| 7 | 0411-647 | 2 | | Decal, Reflector - Red |
| 8 | 0423-101 | AR | | Screw, Body |
| 9 | 0423-046 | AR | | Rivet, Plastic |
| 10 | 1506-519 | 1 | | Panel, Fender - Rear |
| 11 | 1406-408 | 1 | | Shield, Fuse Block |
| 12 | 1406-409 | 2 | | Key, Fuse Block Shield |
| 13 | 1406-410 | 2 | S | Spring, Fuse Block Shield |
| 14 | 0423-068 | 2 | | Screw, Machine |
| 15 | 0412-124 | 1 | | Shield, Heat |
| 16 | 0412-147 | 1 | | Shield, Heat |
| 17 | 0506-552 | 1 | | Flare, Rear - Right |
| 17 | 0506-553 | 1 | | Flare, Rear - Left |
| 18 | 0423-342 | 6 | /P | Screw, Self-Tapping |
| 19 | 0423-355 | 2 | | Screw, Shoulder |
| 20 | 0423-438 | 2 | | T-Nut w/Teeth |
| 21 | 1506-042 | 1 | /P | Fender Extension - Rear - Right |
| 21 | 0406-085 | 1 | | Fender Extension - Rear - Left |
| 22 | 0412-140 | 1 | | Shield, Heat |
| 23 | 0623-309 | 2 | | Screw, Self-Tapping |
| 24 | 0423-060 | 2 | | Clip, Tinerman |

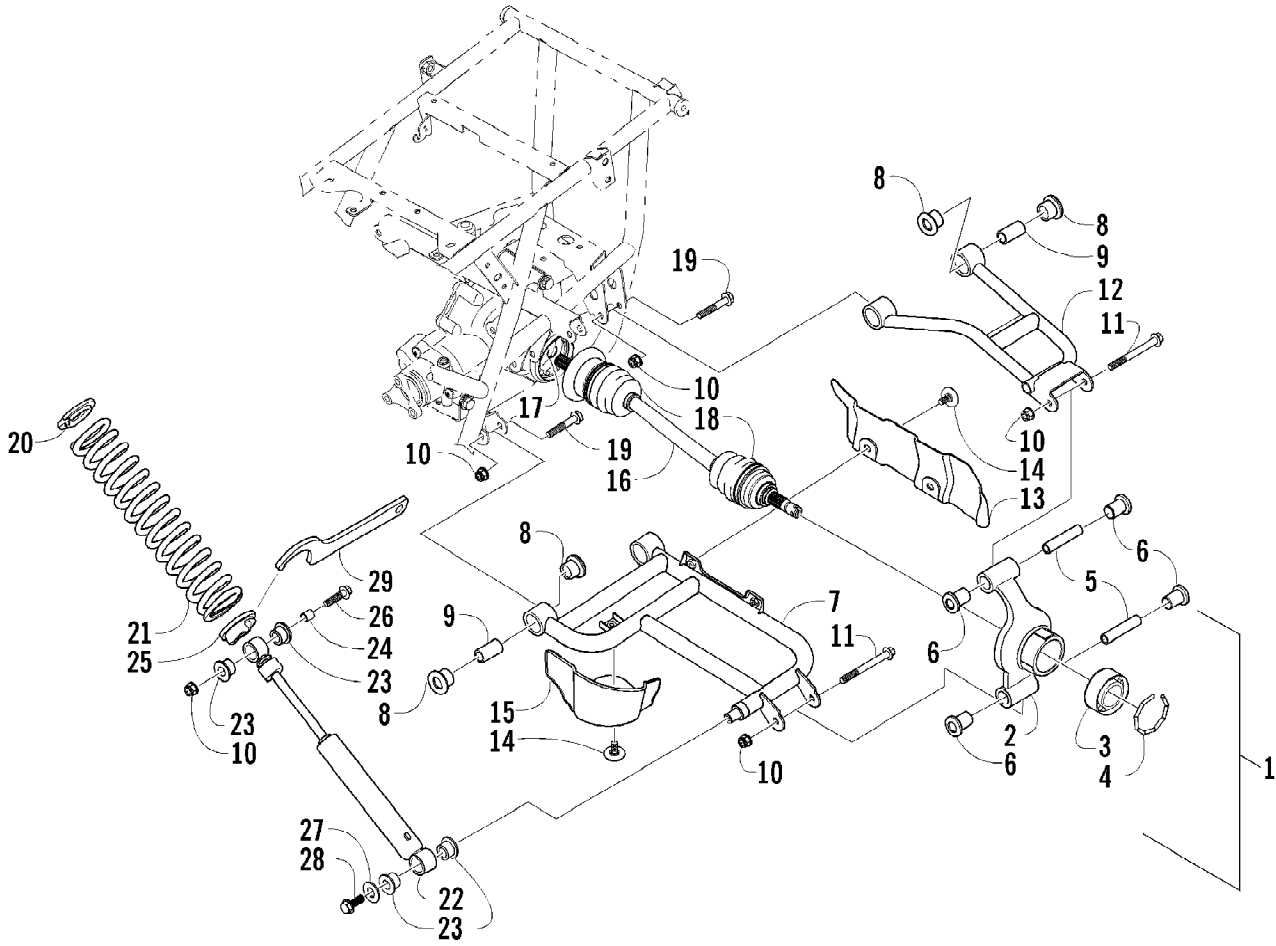
2005 ATV 400 AUTOMATIC TRANSMISSION 4X4 FIS LE GREEN (A2005ISH4B) of 96
REAR DRIVE GEARCASE ASSEMBLY



2005 ATV 400 AUTOMATIC TRANSMISSION 4X4 FIS LE GREEN (A2005ISH4B) Page 1 of 96
REAR DRIVE GEARCASE ASSEMBLY

| Ref # | Part Number | Qty | S/P/F | Description |
|-------|-------------|-----|-------|--|
| | 0502-642 | 1 | S | Rear Drive Gearcase Assembly |
| 1 | 0502-352 | 1 | | Housing, Gearcase |
| 2 | 0402-393 | 2 | | Bearing |
| 3 | 0402-394 | 2 | S | Seal |
| 4 | 1402-032 | 1 | | Gear, Ring - 36T |
| 5 | 0402-405 | AR | | Shim |
| 5 | 0402-406 | AR | | Shim |
| 5 | 0402-407 | AR | | Shim |
| 5 | 0402-408 | AR | | Shim |
| 5 | 0402-409 | AR | | Shim |
| 6 | 0402-326 | 1 | | Button, Thrust |
| 7 | 0402-429 | AR | | Shim |
| 7 | 0402-430 | AR | | Shim |
| 7 | 0402-431 | AR | | Shim |
| 7 | 0402-432 | AR | | Shim |
| 7 | 0402-433 | AR | | Shim |
| 8 | 0423-149 | 1 | | O-Ring |
| 9 | 0502-346 | 1 | | Cover, Gearcase |
| 10 | 0402-333 | 1 | /P | Plug, Fill (inc. 11) |
| 11 | 0423-154 | 1 | | O-Ring |
| 12 | 1402-102 | 1 | | Fitting |
| 13 | 0423-118 | 11 | | Screw, Self-Tapping |
| 14 | 0402-450 | 1 | S | Plug, Magnetic (inc. 15) |
| 15 | 0423-153 | 1 | | O-Ring |
| 16 | 0402-328 | 1 | | Bearing |
| 17 | 0502-123 | 1 | | Gear, Pinion - Assembly - 10T (inc. 18-20) |
| 18 | 0402-424 | AR | | Shim |
| 18 | 0402-425 | AR | | Shim |
| 18 | 0402-426 | AR | | Shim |
| 18 | 0402-427 | AR | | Shim |
| 18 | 0402-428 | AR | | Shim |
| 19 | 0402-327 | 1 | | Bearing |
| 20 | 0402-336 | 1 | | Collar, Retaining |
| 21 | 0402-411 | 1 | | Pin, Dowel |
| 22 | 0402-331 | 1 | | Collar, Lock |
| 23 | 0402-982 | 1 | | Washer, Wave |
| 24 | 0402-981 | 1 | | Collar, Shaft |
| 25 | 0402-947 | 1 | | Gasket, Flange |
| 26 | 0502-529 | 1 | | Housing, Pinion |
| 27 | 0423-417 | 1 | | Ring, Retaining |
| 28 | 1402-043 | 1 | | Bearing |
| 29 | 0423-423 | 1 | | Ring, Retaining |
| 30 | 1402-011 | 1 | | Seal |
| 31 | 0502-407 | 1 | S | Shaft, Input |

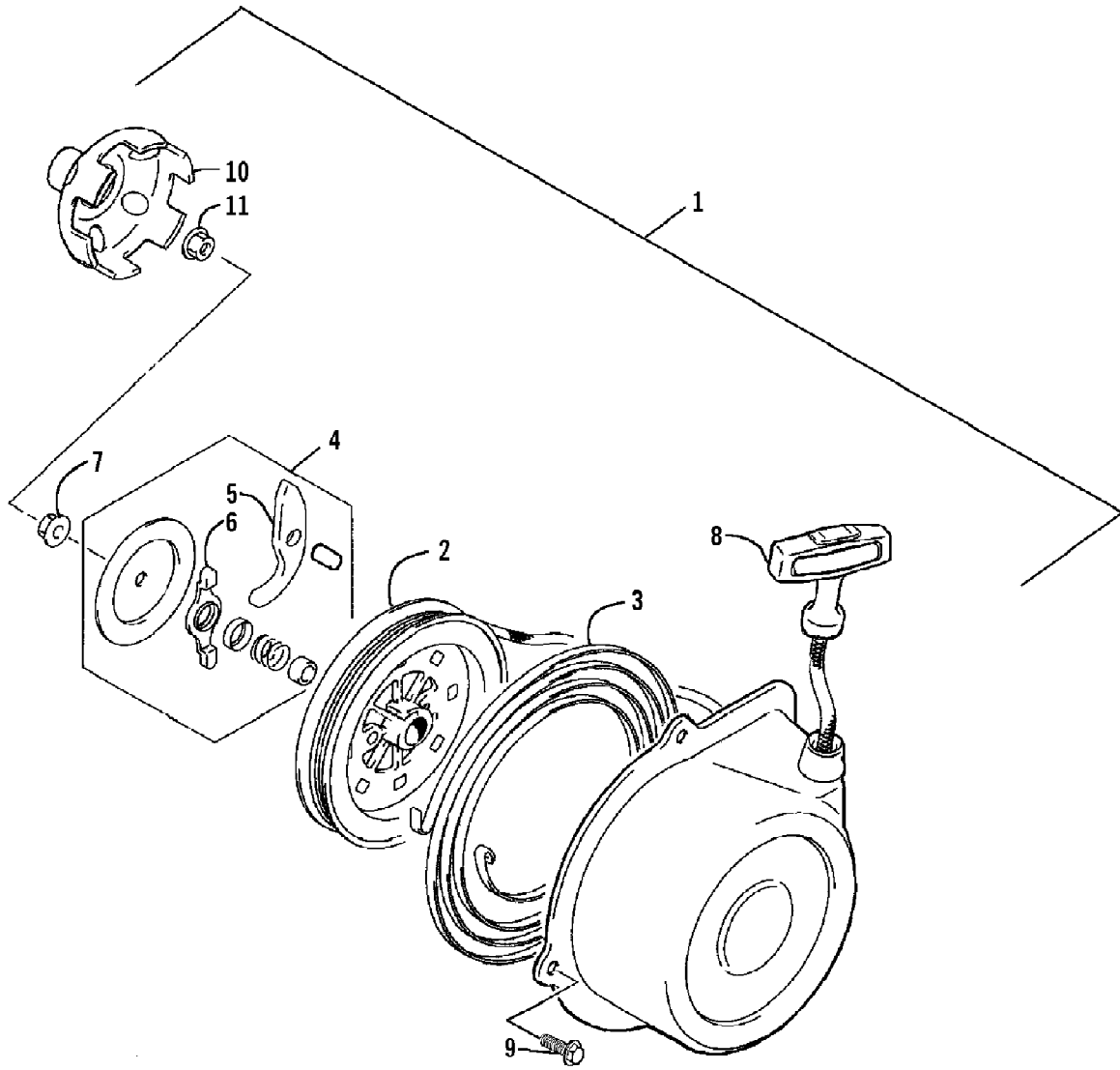
2005 ATV 400 AUTOMATIC TRANSMISSION 4X4 FIS LE GREEN (A2005ISH4B) Page 2 of 96
REAR SUSPENSION ASSEMBLY



2005 ATV 400 AUTOMATIC TRANSMISSION 4X4 FIS LE GREEN (A2005ISH4B) Page 13 of 96
REAR SUSPENSION ASSEMBLY

| Ref # | Part Number | Qty | S/P/F | Description |
|-------|-------------|-----|-------|---|
| 1 | 0504-312 | 1 | S | Knuckle, Right Rear - Assembly (inc. 2-6) |
| 1 | 0504-313 | 1 | S | Knuckle, Left Rear - Assembly (inc. 2-6) |
| 2 | 0504-311 | 1 | S | Knuckle - Right |
| 2 | 0504-310 | 1 | S | Knuckle - Left |
| 3 | 1402-027 | 2 | S/P | Bearing, Wheel Hub |
| 4 | 0423-423 | 2 | | Ring, Retaining |
| 5 | 0403-038 | 4 | S/P | Collar, Suspension Bushing |
| 6 | 0403-032 | 8 | S | Bushing, Suspension |
| 7 | 0504-320 | 1 | S | A-Arm, Rear - Lower Right (inc. 8-9) |
| 7 | 0504-321 | 1 | S | A-Arm, Rear - Lower Left (inc. 8-9) |
| 8 | 0403-115 | 16 | S | Bushing |
| 9 | 0403-114 | 8 | S | Collar |
| 10 | 8428-002 | 14 | | Nut, Lock |
| 11 | 8409-000 | 4 | | Screw, Cap |
| 12 | 0504-318 | 1 | | A-Arm, Rear - Upper Right (inc. 8-9) |
| 12 | 0504-319 | 1 | | A-Arm, Rear - Upper Left (inc. 8-9) |
| 13 | 1441-004 | 1 | | Guard, Boot - Right |
| 13 | 1441-005 | 1 | | Guard, Boot - Left |
| 14 | 0423-101 | 6 | | Screw, Body |
| 15 | 1406-071 | 1 | | Guard, Boot - Right |
| 15 | 1406-072 | 1 | | Guard, Boot - Left |
| 16 | 0502-596 | 2 | S | Axle, Drive (inc. 17-18) |
| 17 | 0441-400 | 2 | S | Clip, Retaining |
| 18 | 0436-276 | 2 | S | Repair Kit, Boot - Rear Axle |
| 19 | 8409-075 | 8 | | Screw, Cap |
| 20 | 1603-889 | 2 | /P | Retainer, Spring |
| 21 | 0404-065 | 2 | | Spring, Suspension |
| 22 | 0404-072 | 2 | | Shock Absorber - Rear (inc. 23-24) |
| 23 | 0604-310 | 8 | | Bushing, Shock Absorber |
| 24 | 0403-028 | 2 | | Sleeve, Shock Absorber |
| 25 | 0404-057 | 2 | | Cam, Spring Adjuster |
| 26 | 8409-040 | 2 | | Screw, Cap |
| 27 | 0423-087 | 2 | | Washer |
| 28 | 8408-820 | 2 | /P | Screw, Cap |
| 29 | 0441-587 | 1 | | Wrench, Spanner |

2005 ATV 400 AUTOMATIC TRANSMISSION 4X4 FIS LE GREEN (A2005ISH4B) Page 14 of 96
RECOIL STARTER ASSEMBLY



2005 ATV 400 AUTOMATIC TRANSMISSION 4X4 FIS LE GREEN (A2005ISH4B) Page 15 of 96
RECOIL STARTER ASSEMBLY

| Ref # | Part Number | Qty | S/P/F | Description |
|-------|-------------|-----|-------|---------------------------------------|
| 1 | 3445-003 | 1 | | Starter, Recoil - Assembly (inc. 2-8) |
| 2 | 3445-004 | 1 | | Reel |
| 3 | 3445-007 | 1 | | Spring, Sprial |
| 4 | 3445-016 | 1 | | Ratchet - Assembly (inc. 5-6) |
| 5 | 3445-005 | 1 | | Ratchet |
| 6 | 3445-006 | 1 | | Guide, Ratchet |
| 7 | 3004-488 | 1 | S/P | Nut |
| 8 | 3445-011 | 1 | | Rope Assembly |
| 9 | 3423-428 | 4 | | Screw, Cap |
| 10 | 3445-029 | 1 | /P | Cup, Starter |
| 11 | 3004-491 | 1 | S/P | Nut |

No
Diagram
Available

Parts List
Only

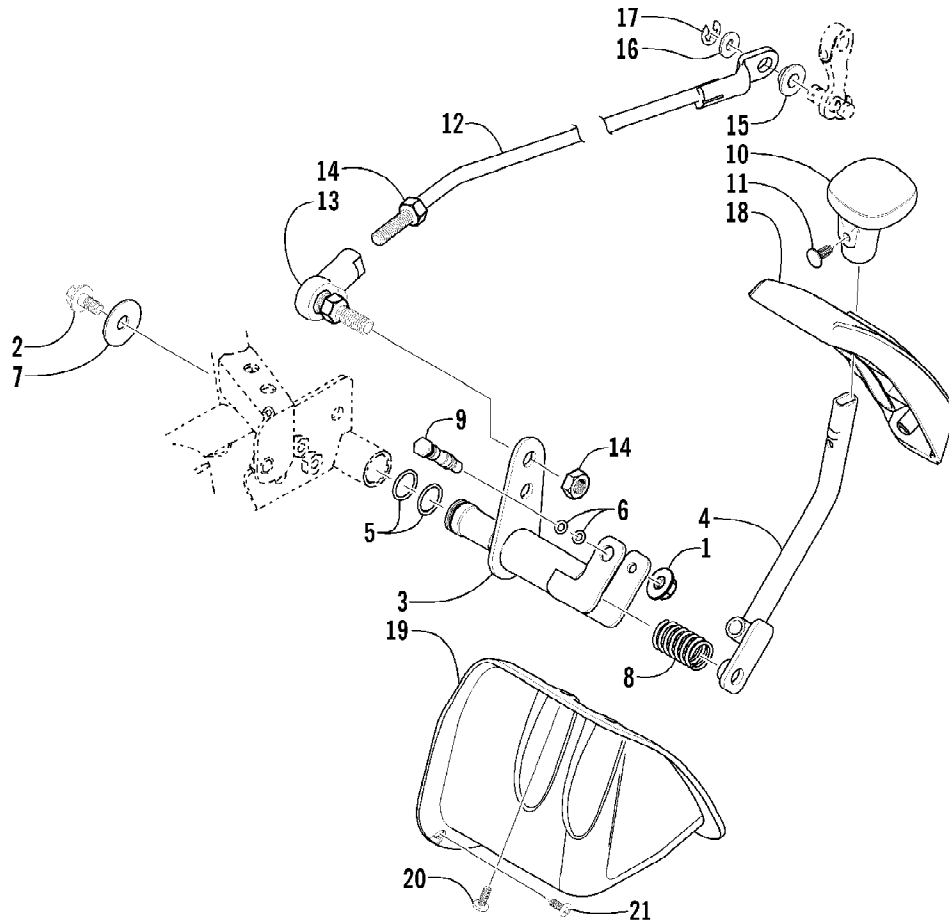
2005 ATV 400 AUTOMATIC TRANSMISSION 4X4 FIS LE GREEN (A2005ISH4B) Page 17 of 96
RELATED ITEMS

| Ref # | Part Number | Qty | S/P/F | Description |
|-------|-------------|-----|-------|---|
| | 0436-479 | 1 | | Articulating Spool Mount |
| | 0436-548 | 1 | | Articulating Spool Receiver Mount Adapter |
| | 0436-679 | 1 | | Bag, Fender - Black |
| | 0436-336 | 1 | | Bag, Rack, Front - Black |
| | 0436-480 | 1 | | Bar, Utility/Gun Rack |
| | 0436-640 | 1 | /P | Brush Guard/Bumper |
| | 0436-462 | 1 | | Bucket Holder |
| | 0436-616 | 1 | | Bumper (Rear) |
| | 0436-464 | 1 | | Camp Stove Cradle |
| | 0436-454 | 1 | | Cargo Box |
| | 0436-625 | 1 | | Cargo Box Quick-Release Kit |
| | 0436-459 | 1 | /P | Carryall (9 x 12) |
| | 0436-460 | 1 | | Carryall (11 x 17) |
| | 0436-652 | 1 | | Carryall (14 x 27) |
| | 0436-476 | 1 | | Chain Saw Lock |
| | 0436-477 | 1 | | Cord Reel |
| | 0436-381 | 1 | | Cover, Black and Green |
| | 0436-339 | 1 | | Cover, Timber Camo |
| | 0436-005 | 1 | S | Engine Oil - 10W40 |
| | 0436-003 | 1 | S | Engine Oil - 5W30 |
| | 0436-466 | 1 | | Fender Box |
| | 0436-538 | 1 | | Gear Cradle |
| | 0436-007 | 1 | S | Gear Lube (Diff) - 80W90 |
| | 0436-501 | 1 | S | Grease, High-Performance |
| | 0436-627 | 1 | | Gun Scabbard Kit |
| | 0436-706 | 1 | /P | Gun Scabbard Mount |
| | 0436-505 | 1 | | Hand Guards - Black |
| | 0436-352 | 1 | | Hand/Thumb Warmers |
| | 0436-639 | 1 | | Ice Auger Holder |
| | 0436-463 | 1 | | Light Bar |
| | 2257-176 | 1 | | Manual, Illustrated Parts |
| | 2257-034 | 1 | | Manual, Operator's (E) |
| | 2257-172 | 1 | | Manuel d'utilisation (F) |
| | 0436-626 | 1 | S | Rack Basket |
| | 0436-649 | 1 | | Rack Extension, 4 in. (Front) |
| | 0436-648 | 1 | | Rack Extension, 8 in. (Rear) |
| | 0436-579 | 1 | | Rapid Blind (Break-Up) |
| | 0436-580 | 1 | | Rapid Blind (Shadow Grass) |
| | 0436-578 | 1 | /P | Rapid Shack (Blue Ice) |
| | 0436-511 | 1 | | Rod Holder - Adjustable |
| | 0436-386 | 1 | | Snowplow Attachment Kit |
| | 0436-228 | 1 | | Snowplow Blade, 50 in. - Straight |
| | 0436-287 | 1 | | Snowplow Blade, 50 in. - One-Way |
| | 0436-296 | 1 | | Snowplow Blade, 60 in. - Straight |
| | 0436-360 | 1 | | Snowplow Blade, 60 in. - One-Way |
| | 0436-356 | 1 | S | Snowplow, Push Frame |
| | 0436-471 | 1 | | Speedclamp, Double |
| | 0436-624 | 1 | | Sprayer System |
| | 0436-508 | 1 | S | Sprayer Boom (120 in.) |
| | 0436-465 | 1 | | Table, Expansion |
| | 1402-028 | 1 | | Tire, Titan AT589 (25x8-12, Mud & Snow) |
| | 0402-563 | 1 | | Tire, Titan AT589 (25x10-12, Mud & Snow) |
| | 0436-478 | 1 | | Tool Cradle |

2005 ATV 400 AUTOMATIC TRANSMISSION 4X4 FIS LE GREEN (A2005ISH4B16M) Page 18 of 96
 RELATED ITEMS

| Ref # | Part Number | Qty | S/P/F | Description |
|-------|-------------|-----|-------|----------------------------------|
| | 0436-297 | 1 | | Tool Holder - Double |
| | 0436-263 | 1 | /P | Tool Holder - Single |
| | 0436-468 | 1 | | Tree Stand/Bow Case Holder |
| | 0436-699 | 1 | | Winch, 2500 lb |
| | 0436-361 | 1 | | Winch Mounting Kit |
| | 0436-507 | 1 | | Windshield, Clear w/Black Accent |
| | 0436-470 | 1 | | Workbase (8 in.) |

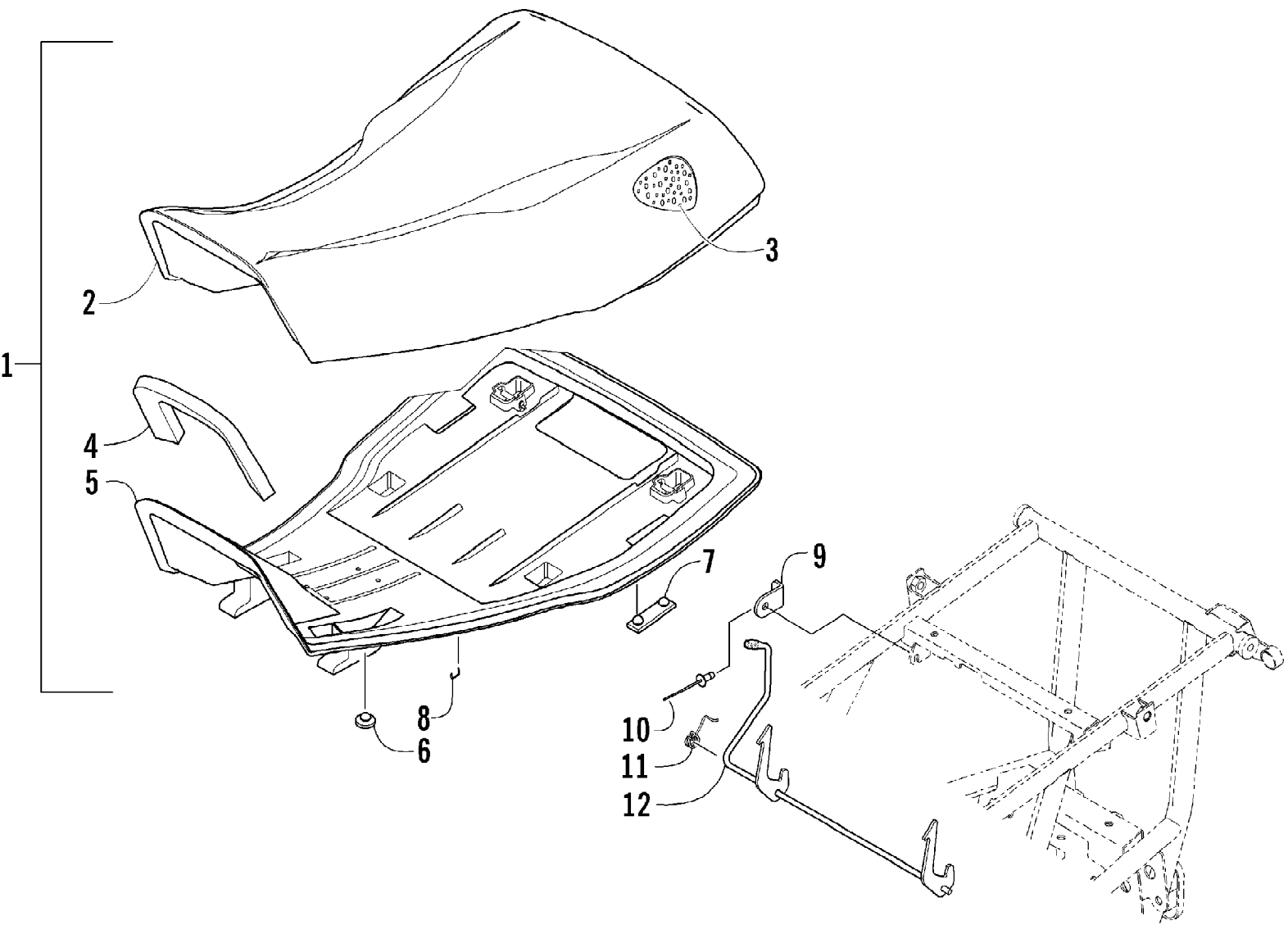
2005 ATV 400 AUTOMATIC TRANSMISSION 4X4 FIS LE GREEN (A2005ISH4B) of 96
REVERSE SHIFT LEVER ASSEMBLY



2005 ATV 400 AUTOMATIC TRANSMISSION 4X4 FIS LE GREEN (A2005ISH4B) Page 10 of 96
REVERSE SHIFT LEVER ASSEMBLY

| Ref # | Part Number | Qty | S/P/F | Description |
|-------|-------------|-----|-------|-----------------------------|
| 1 | 8424-602 | 1 | /P | Nut |
| 2 | 8408-812 | 1 | | Screw, Cap |
| 3 | 0502-187 | 1 | | Axle, Reverse Shift Lever |
| 4 | 0502-185 | 1 | | Lever, Reverse Shift |
| 5 | 0423-299 | 2 | /P | O-Ring |
| 6 | 0423-182 | 2 | /P | O-Ring |
| 7 | 0423-087 | 1 | | Washer |
| 8 | 0502-410 | 1 | S | Spring |
| 9 | 0402-675 | 1 | | Axle, Pivot |
| 10 | 0402-843 | 1 | /P | Handle, Reverse Shift Lever |
| 11 | 0423-345 | 1 | | Clip, Push |
| 12 | 0502-668 | 1 | | Linkage, Shift |
| 13 | 1402-270 | 1 | | End, Rod |
| 14 | 0623-294 | 2 | | Nut |
| 15 | 0423-091 | 1 | | Bushing |
| 16 | 3423-204 | 1 | /P | Washer |
| 17 | 0423-169 | 1 | /P | E-Ring |
| 18 | 0402-685 | 1 | | Plate, Shift |
| 19 | 0406-943 | 1 | | Shield, Linkage |
| 20 | 0423-371 | 3 | | Screw, Machine |
| 21 | 0623-309 | 1 | | Screw, Self-Tapping |

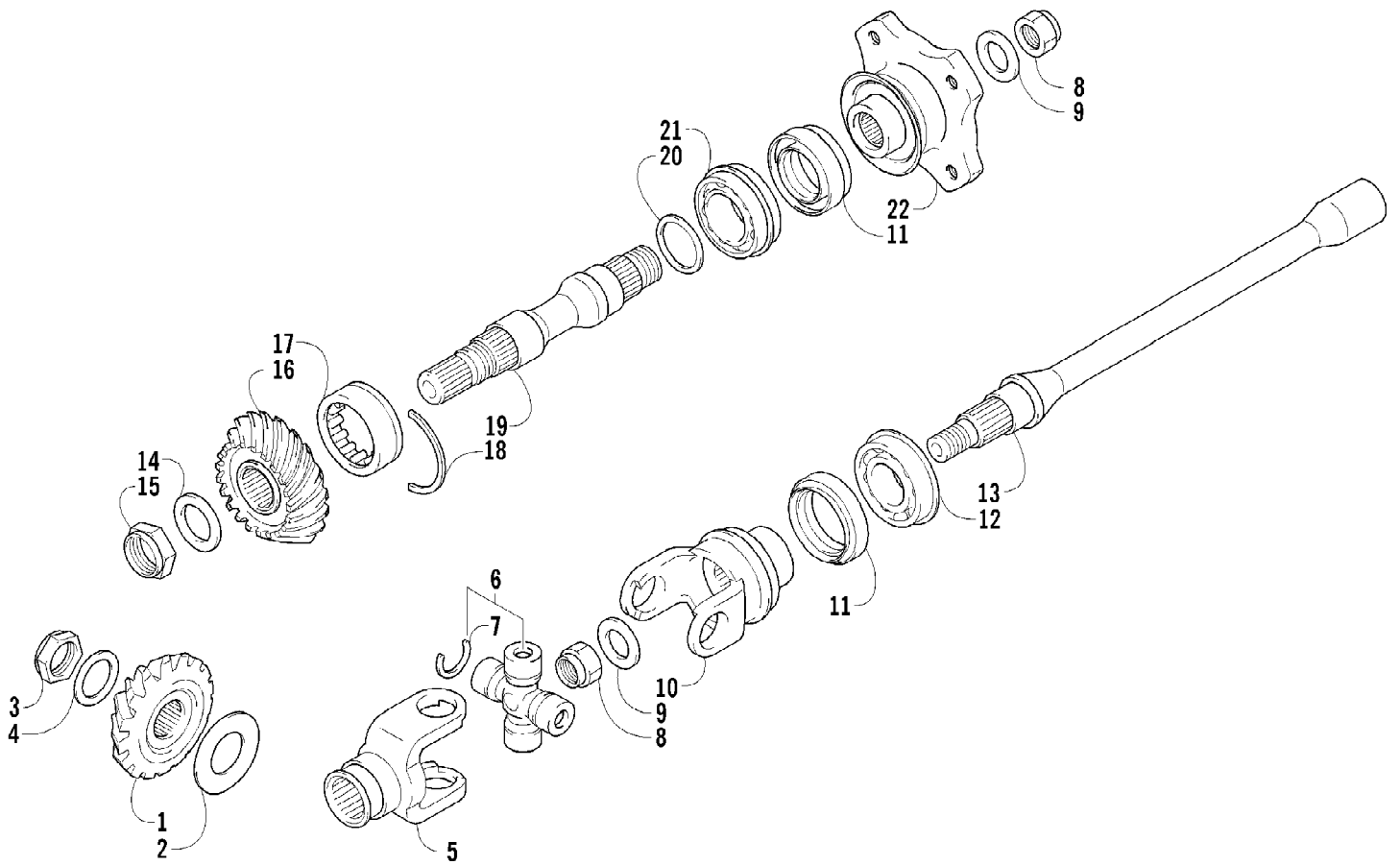
2005 ATV 400 AUTOMATIC TRANSMISSION 4X4 FIS LE GREEN (A2005ISH4B) Page 1 of 96
SEAT ASSEMBLY



2005 ATV 400 AUTOMATIC TRANSMISSION 4X4 FIS LE GREEN (A2005ISH4B16M) Page 12 of 96
SEAT ASSEMBLY

| Ref # | Part Number | Qty | S/P/F | Description |
|-------|-------------|-----|-------|--------------------------------|
| 1 | 0506-558 | 1 | | Seat Assembly (inc. 2-8) |
| 2 | 0506-556 | 1 | | Cover, Seat |
| 3 | 0506-555 | 1 | | Foam, Seat |
| 4 | 1406-060 | 1 | | Foam, Sound |
| 5 | 0406-878 | 1 | | Base, Seat Assembly (inc. 6-7) |
| 6 | 0406-877 | 2 | /P | Bumper, Seat - Front |
| 7 | 0406-879 | 2 | | Bumper, Seat - Rear |
| 8 | 0624-528 | AR | /P | Staple |
| 9 | 1406-087 | 1 | | Plate, Retainer |
| 10 | 8060-284 | 1 | | Rivet |
| 11 | 1406-371 | 1 | | Spring, Seat Latch |
| 12 | 1506-217 | 1 | | Latch, Seat |

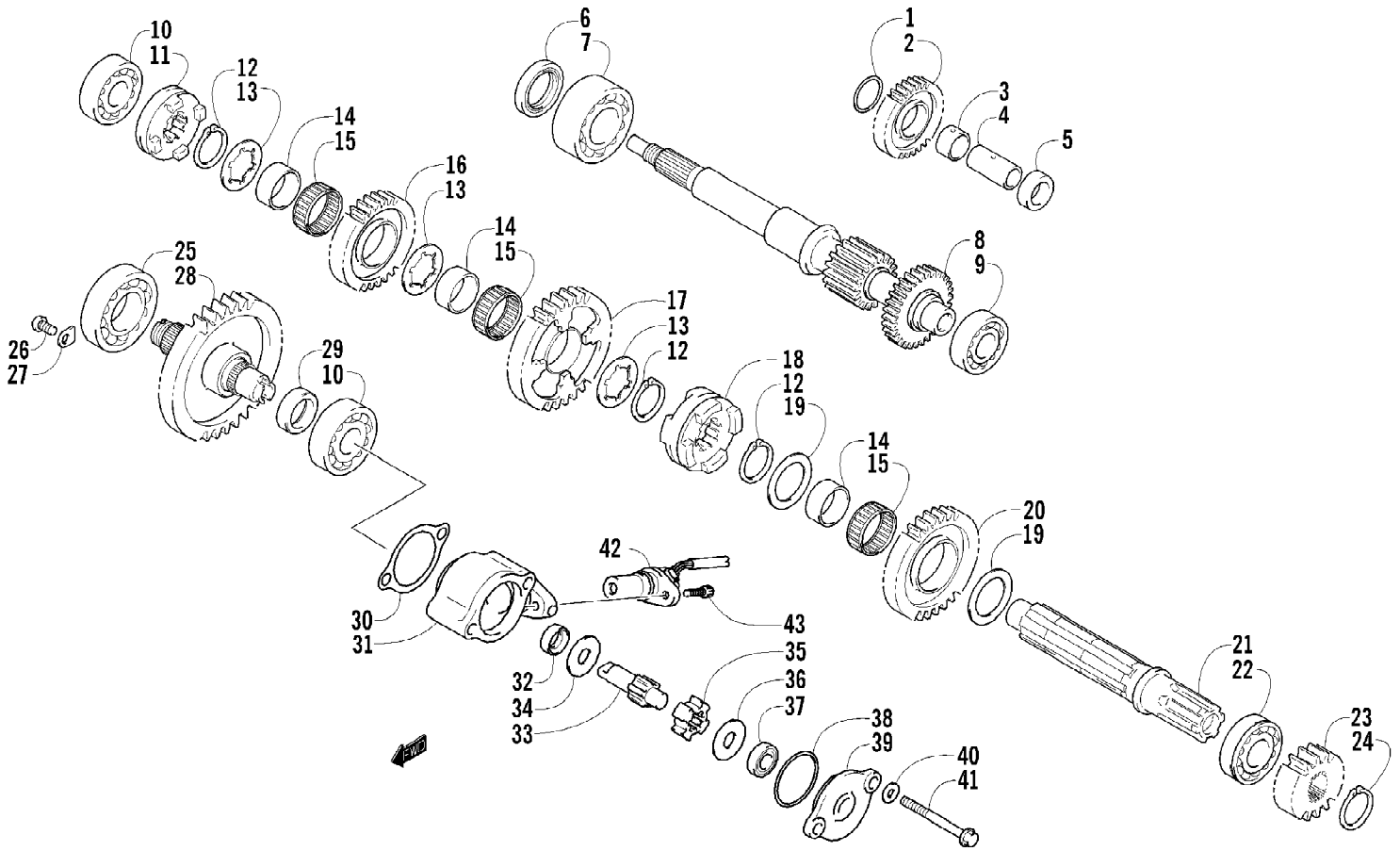
2005 ATV 400 AUTOMATIC TRANSMISSION 4X4 FIS LE GREEN (A2005ISH4B) Page 13 of 96
SECONDARY DRIVE ASSEMBLY



2005 ATV 400 AUTOMATIC TRANSMISSION 4X4 FIS LE GREEN (A2005ISH4B) Page 14 of 96
SECONDARY DRIVE ASSEMBLY

| Ref # | Part Number | Qty | S/P/F | Description |
|-------|-------------|-----|-------|---------------------------------------|
| 1 | 3402-637 | 1 | | Gear, Secondary Drive |
| 2 | 3446-035 | 1 | | Shim, Secondary Drive Gear - Set |
| 3 | 3423-023 | 1 | | Nut |
| 4 | 3005-372 | 1 | | Washer |
| 5 | 3446-327 | 1 | /P | Yoke, Propeller Shaft |
| 6 | 3402-562 | 1 | | Joint, Universal - Set (inc. 7) |
| 7 | 3423-479 | 4 | | Circlip |
| 8 | 3423-025 | 2 | | Nut |
| 9 | 3423-028 | 1 | | Washer |
| 10 | 3402-742 | 1 | | Yoke, Drive Output - Front |
| 11 | 3402-072 | 2 | | Seal, Oil |
| 12 | 3402-558 | 1 | | Bearing, Front Secondary Driven Shaft |
| 13 | 3402-694 | 1 | | Shaft, Secondary Driven - Front |
| 14 | 3423-137 | 1 | | Washer, Secondary Driven Gear |
| 15 | 3423-136 | 1 | | Nut, Secondary Driven Gear |
| 16 | 3402-638 | 1 | | Gear, Secondary Driven |
| 17 | 3402-515 | 1 | /P | Bearing, Driven Gear |
| 18 | 3423-072 | 1 | | C-Ring, Driven Bearing |
| 19 | 3402-639 | 1 | | Shaft, Secondary Driven - Rear |
| 20 | 3402-017 | AR | | Shim, 25 x 34 x 0.60 mm |
| 20 | 3402-018 | AR | | Shim, 25 x 34 x 0.65 mm |
| 20 | 3402-019 | AR | | Shim, 25 x 34 x 0.70 mm |
| 20 | 3402-020 | AR | | Shim, 25 x 34 x 0.75 mm |
| 20 | 3402-021 | AR | S | Shim, 25 x 34 x 0.80 mm |
| 20 | 3402-022 | AR | | Shim, 25 x 34 x 0.85 mm |
| 20 | 3402-023 | AR | | Shim, 25 x 34 x 0.90 mm |
| 20 | 3402-024 | AR | | Shim, 25 x 34 x 0.95 mm |
| 20 | 3402-025 | AR | S | Shim, 25 x 34 x 1.00 mm |
| 20 | 3402-028 | AR | | Shim, 25 x 34 x 1.05 mm |
| 20 | 3402-029 | AR | | Shim, 25 x 34 x 1.10 mm |
| 20 | 3402-030 | AR | | Shim, 25 x 34 x 1.15 mm |
| 20 | 3402-031 | AR | | Shim, 25 x 34 x 1.20 mm |
| 21 | 3402-067 | 1 | S | Bearing, Rear Secondary Driven Shaft |
| 22 | 3402-514 | 1 | /P | Flange, Output Joint - Rear |

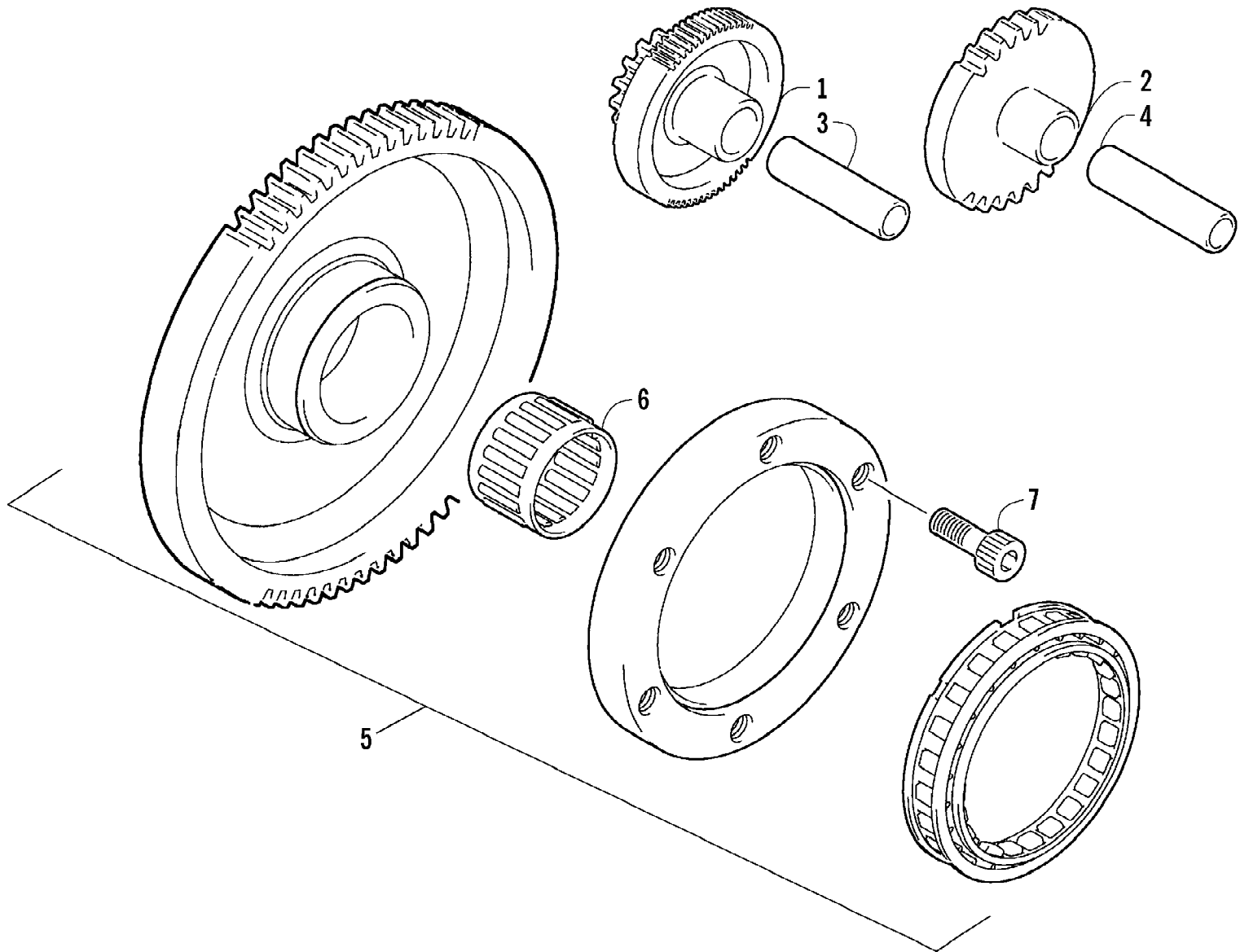
2005 ATV 400 AUTOMATIC TRANSMISSION 4X4 FIS LE GREEN (A2005ISH4B) Page 15 of 96
SECONDARY TRANSMISSION ASSEMBLY



2005 ATV 400 AUTOMATIC TRANSMISSION 4X4 FIS LE GREEN (A2005ISH4B) Page 16 of 96
SECONDARY TRANSMISSION ASSEMBLY

| Ref # | Part Number | Qty | S/P/F | Description |
|-------|-------------|-----|-------|-----------------------------------|
| 1 | 3402-195 | 2 | | Washer, Reverse Idle Gear |
| 2 | 3402-503 | 1 | | Gear, Reverse Idle |
| 3 | 3446-103 | 1 | | Bushing, Reverse Idle Gear |
| 4 | 3402-634 | 1 | | Shaft, Reverse Idle |
| 5 | 3423-442 | 1 | | Spacer, Reverse Idle Gear |
| 6 | 3402-500 | 1 | S | Seal, Driveshaft |
| 7 | 3402-499 | 1 | | Bearing, Driveshaft |
| 8 | 3402-665 | 1 | | Driveshaft |
| 9 | 3003-261 | 1 | /P | Bearing, Driveshaft - Left |
| 10 | 3402-045 | 2 | /P | Bearing, Shaft |
| 11 | 3402-636 | 1 | | Dog, Reverse Driven Gear |
| 12 | 3423-066 | 3 | /P | Circlip |
| 13 | 3423-263 | 3 | | Washer |
| 14 | 3402-494 | 3 | | Bushing |
| 15 | 3402-498 | 3 | | Bearing |
| 16 | 3402-635 | 1 | | Gear, Reverse Driven |
| 17 | 3402-668 | 1 | /P | Gear, Driven - Low |
| 18 | 3402-496 | 1 | | Dog, Sliding |
| 19 | 3423-448 | 2 | | Washer |
| 20 | 3402-495 | 1 | | Gear, Driven - High |
| 21 | 3402-667 | 1 | | Countershaft |
| 22 | 3004-209 | 1 | /P | Bearing, Shaft |
| 23 | 3402-669 | 1 | | Gear, Drive - No. 2 |
| 24 | 3423-191 | 1 | /P | Circlip |
| 25 | 3402-055 | 1 | /P | Bearing, Output Shaft |
| 26 | 3423-370 | 2 | | Screw, Bearing Retainer |
| 27 | 3446-031 | 2 | /P | Retainer, Bearing |
| 28 | 3402-666 | 1 | | Shaft, Output |
| 29 | 3423-494 | 1 | | Spacer, Output Shaft |
| 30 | 3446-244 | 1 | /P | Gasket, Housing |
| 31 | 3446-400 | 1 | | Housing, Speedometer Sensor |
| 32 | 3006-322 | 1 | | Seal, Shaft |
| 33 | 3446-402 | 1 | | Shaft, Output |
| 34 | 3423-617 | 1 | | Washer |
| 35 | 3402-837 | 1 | | Rotor |
| 36 | 3423-767 | 1 | | Washer |
| 37 | 3402-980 | 1 | | Bearing |
| 38 | 3423-766 | 1 | | O-Ring |
| 39 | 3446-401 | 1 | | Cover, Speedometer Sensor Housing |
| 40 | 3003-290 | 2 | /P | Gasket |
| 41 | 3423-307 | 2 | S | Bolt |
| 42 | 3402-981 | 1 | | Sensor, Speedometer |
| 43 | 3423-226 | 1 | | Bolt |

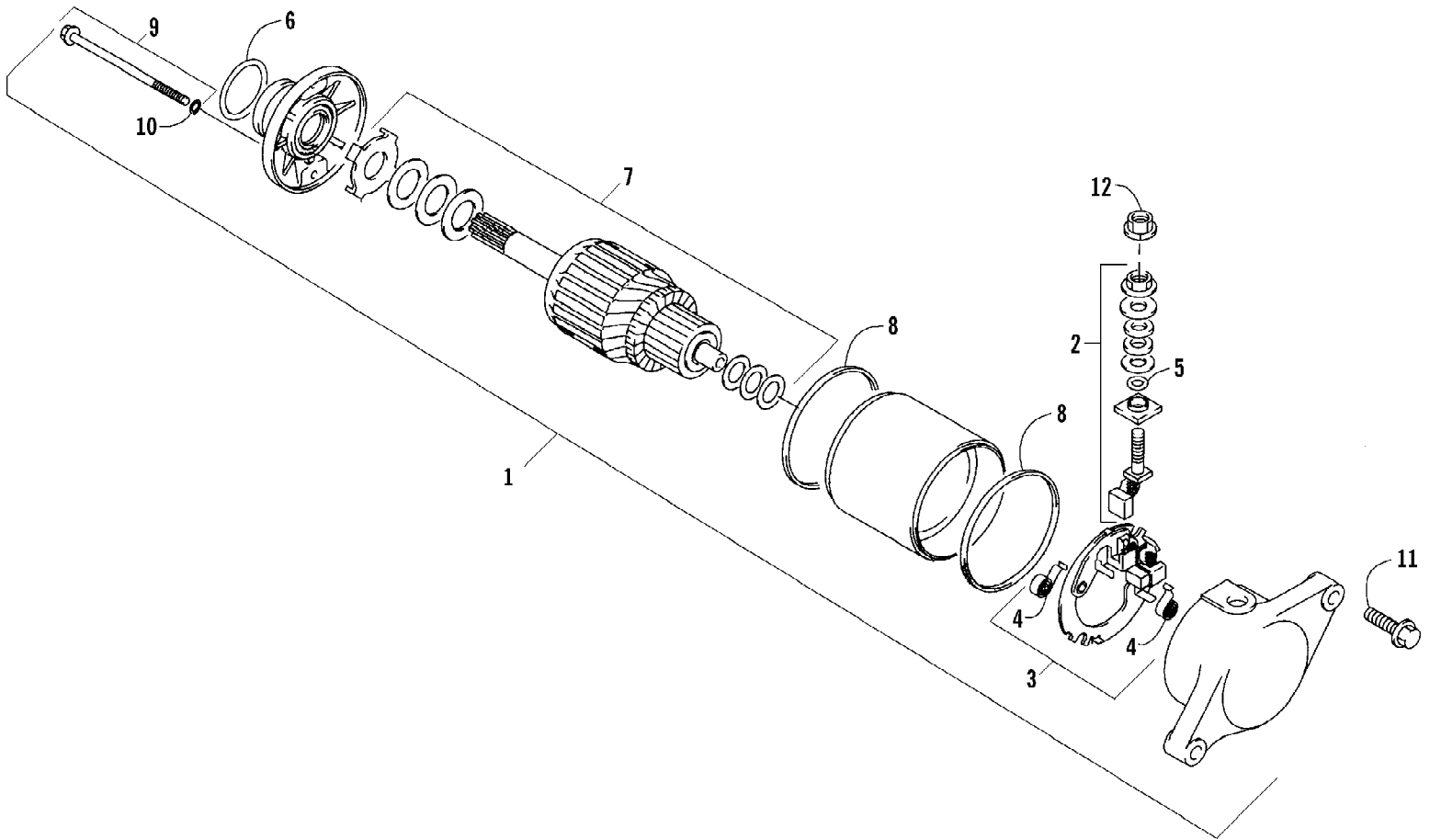
2005 ATV 400 AUTOMATIC TRANSMISSION 4X4 FIS LE GREEN (A2005ISH4B) Page 17 of 96
STARTER CLUTCH ASSEMBLY



2005 ATV 400 AUTOMATIC TRANSMISSION 4X4 FIS LE GREEN (A2005ISH4B16M) Page 18 of 96
STARTER CLUTCH ASSEMBLY

| Ref # | Part Number | Qty | S/P/F | Description |
|-------|-------------|-----|-------|--------------------------------|
| 1 | 3402-603 | 1 | | Gear, Starter Idler - No. 1 |
| 2 | 3402-124 | 1 | | Gear, Starter Idler - No. 2 |
| 3 | 3423-331 | 1 | | Pin, Starter Idler Gear No. 1 |
| 4 | 3423-397 | 1 | | Pin, Starter Idler Gear No. 2 |
| 5 | 3402-690 | 1 | S | Clutch, Starter - Set (inc. 6) |
| 6 | 3402-674 | 1 | | Bearing |
| 7 | 3423-102 | 6 | S | Bolt |

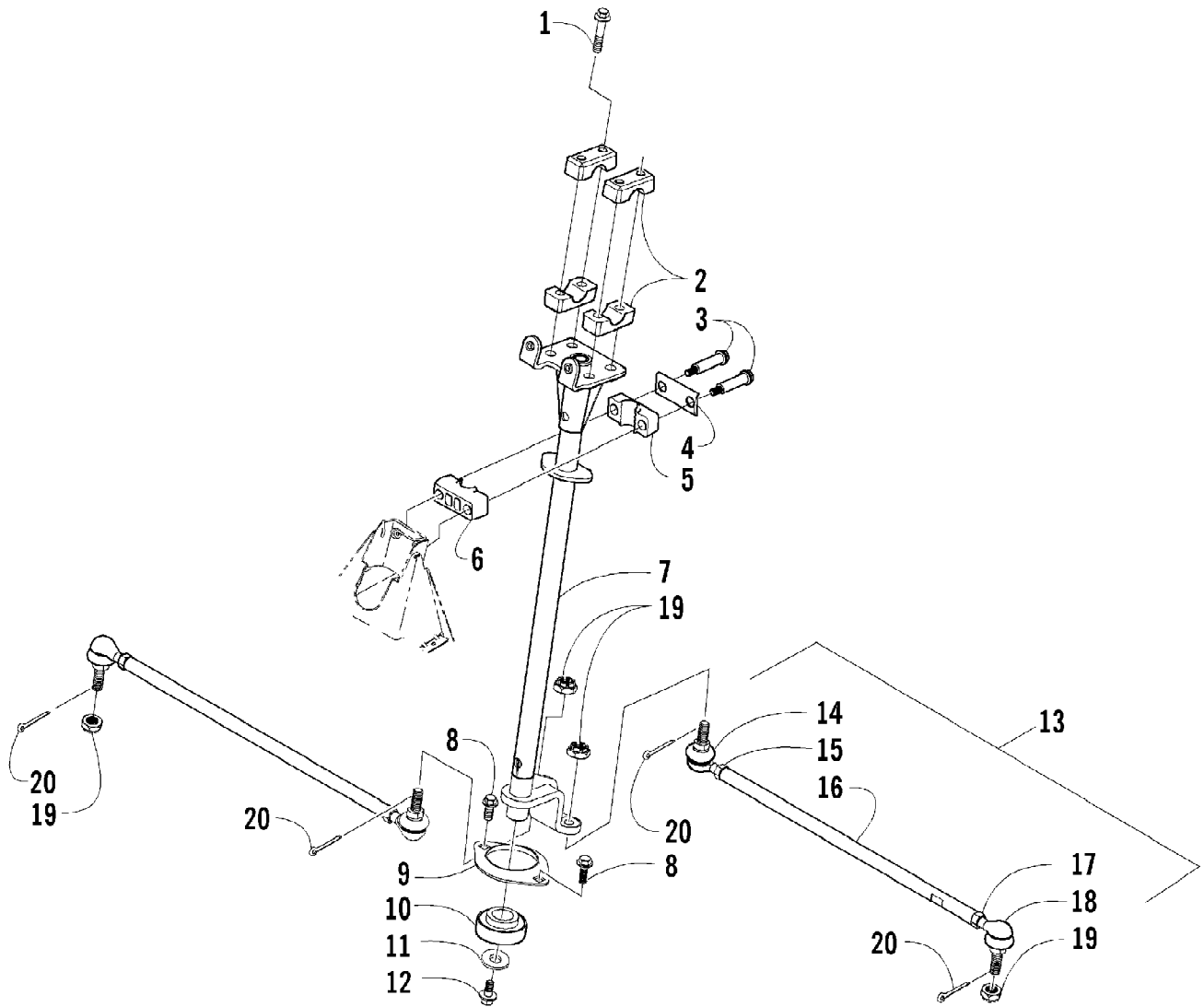
2005 ATV 400 AUTOMATIC TRANSMISSION 4X4 FIS LE GREEN (A2005ISH4B) Page 19 of 96
STARTER MOTOR ASSEMBLY



2005 ATV 400 AUTOMATIC TRANSMISSION 4X4 FIS LE GREEN (A2005ISH4BLSM) Page 10 of 96
STARTER MOTOR ASSEMBLY

| Ref # | Part Number | Qty | S/P/F | Description |
|-------|-------------|-----|-------|-------------------------------------|
| 1 | 3545-016 | 1 | | Motor, Starter Assembly (inc. 2-10) |
| 2 | 3402-671 | 1 | | Terminal Set, Brush |
| 3 | 3402-672 | 1 | | Holder Set, Brush |
| 4 | 3008-551 | 4 | | Spring, Brush |
| 5 | 3008-164 | 1 | | O-Ring |
| 6 | 3423-272 | 1 | | O-Ring |
| 7 | 3008-099 | 1 | | Washer Set |
| 8 | 3423-497 | 2 | | O-Ring |
| 9 | 3423-498 | 2 | | Through-Bolt (inc. 10) |
| 10 | 3423-496 | 2 | | O-Ring |
| 11 | 3004-756 | 2 | S | Bolt |
| 12 | 3423-195 | 1 | /P | Nut |

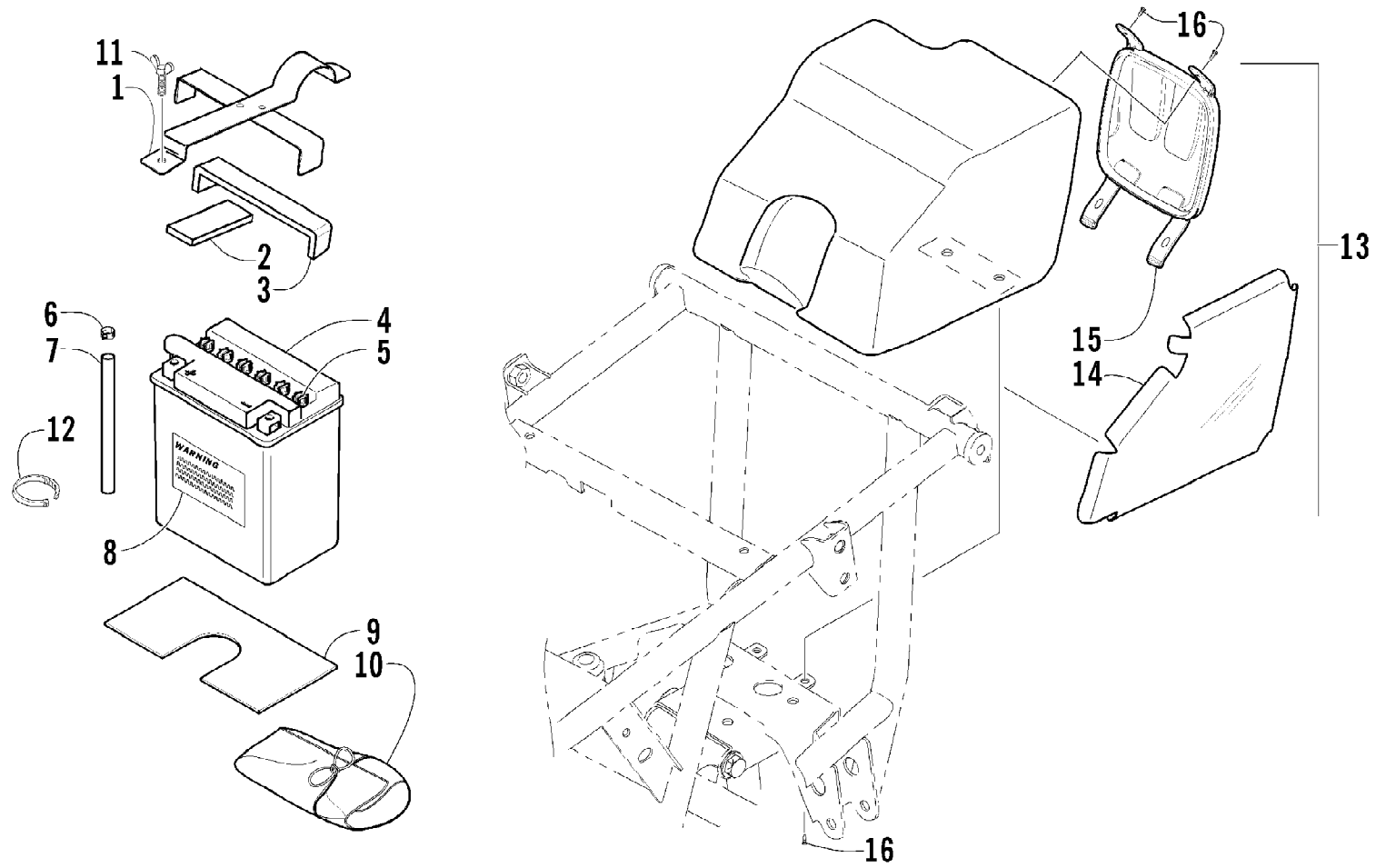
2005 ATV 400 AUTOMATIC TRANSMISSION 4X4 FIS LE GREEN (A2005ISH4B) Page 1 of 96
STEERING POST ASSEMBLY



2005 ATV 400 AUTOMATIC TRANSMISSION 4X4 FIS LE GREEN (A2005ISH4B) Page 2 of 96
STEERING POST ASSEMBLY

| Ref # | Part Number | Qty | S/P/F | Description |
|-------|-------------|-----|-------|---------------------------------|
| 1 | 8408-860 | 4 | | Screw, Cap |
| 2 | 0405-035 | 4 | | Cap, Steering Adjuster |
| 3 | 0423-505 | 2 | | Screw, Shoulder |
| 4 | 0405-166 | 1 | | Cap, Housing |
| 5 | 0405-138 | 1 | | Housing, Lower |
| 6 | 0405-139 | 1 | | Housing, Upper |
| 7 | 0505-431 | 1 | /P | Post, Steering |
| 8 | 8408-816 | 2 | | Screw, Cap |
| 9 | 0602-233 | 1 | | Flange, Bearing |
| 10 | 0405-052 | 1 | | Bearing w/Inverted Oil Seal |
| 11 | 0423-073 | 1 | | Washer |
| 12 | 8409-020 | 1 | /P | Screw, Cap |
| 13 | 0505-408 | 2 | S | Tie Rod - Assembly (inc. 14-18) |
| 14 | 0405-083 | 2 | S | Ball Joint, Tie Rod - Left |
| 15 | 0423-013 | 2 | | Nut - Left |
| 16 | 0405-107 | 2 | S | Tie Rod |
| 17 | 8420-002 | 2 | /P | Nut - Right |
| 18 | 0405-082 | 2 | S | Ball Joint, Tie Rod - Right |
| 19 | 0423-157 | 4 | | Nut, Lock |
| 20 | 0623-175 | 4 | | Pin, Cotter |

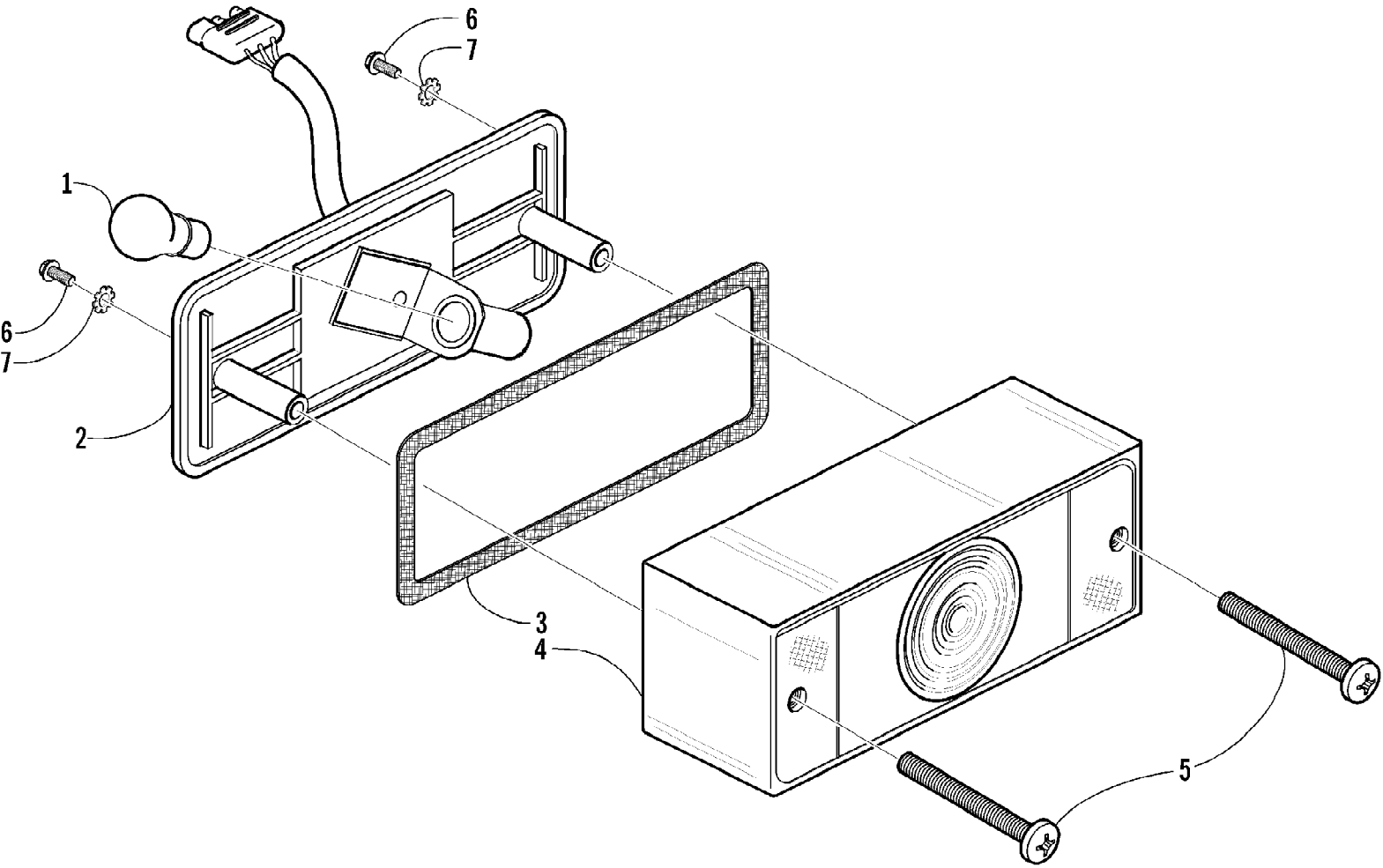
2005 ATV 400 AUTOMATIC TRANSMISSION 4X4 FIS LE GREEN (A2005ISH4B) Page 3 of 96
STORAGE BOX AND BATTERY ASSEMBLY



2005 ATV 400 AUTOMATIC TRANSMISSION 4X4 FIS LE GREEN (A2005ISH4B) Page 14 of 96
STORAGE BOX AND BATTERY ASSEMBLY

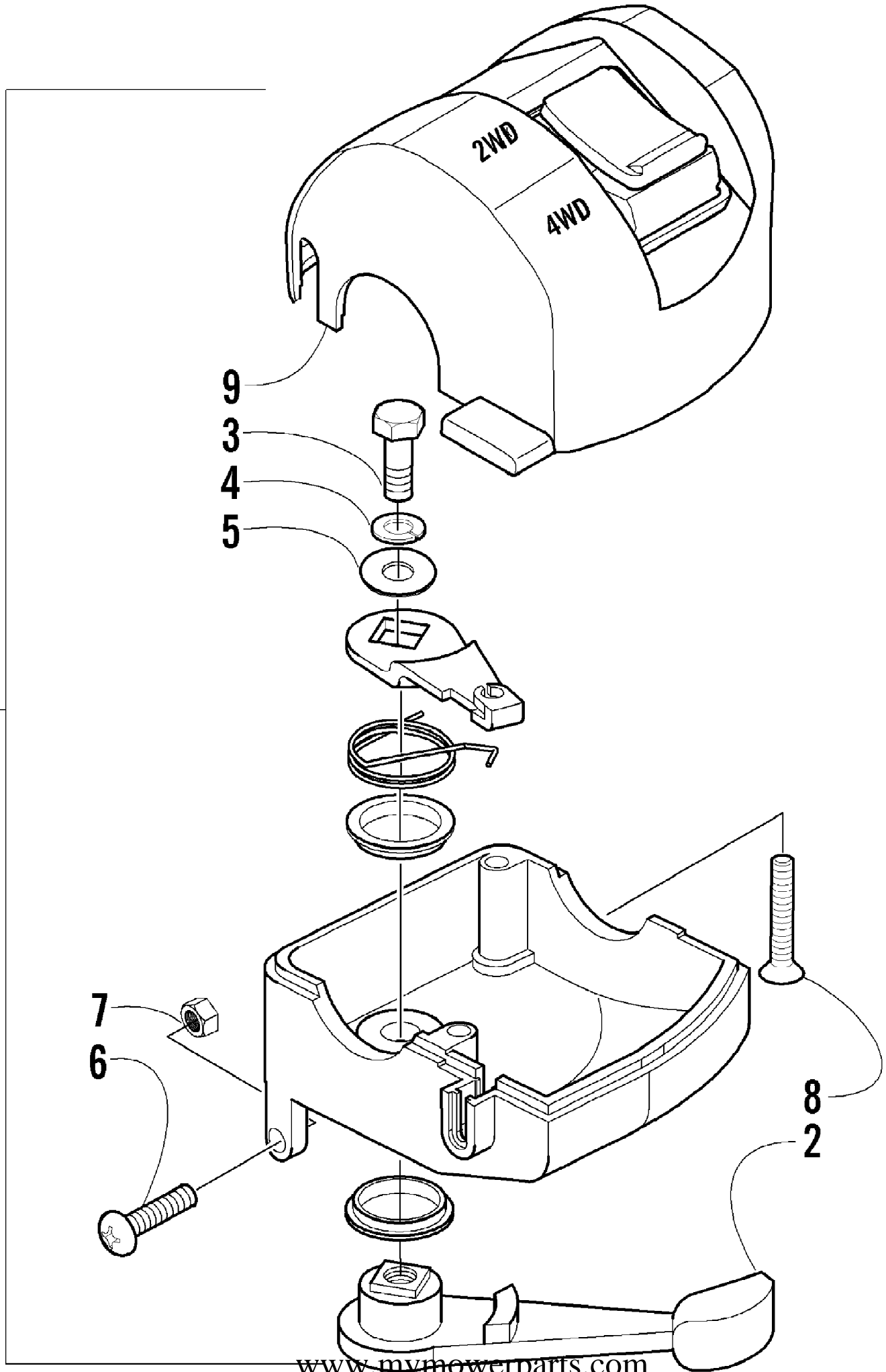
| Ref # | Part Number | Qty | S/P/F | Description |
|-------|-------------|-----|-------|----------------------------------|
| 1 | 0506-178 | 1 | | Strap, Battery w/Pads (inc. 2-3) |
| 2 | 0406-288 | 1 | | Pad, Battery - Upper Front |
| 3 | 0406-289 | 1 | | Pad, Battery - Upper Rear |
| 4 | 0745-045 | 1 | /P | Battery Assembly (inc. 5-8) |
| 5 | 0645-045 | 6 | | Cap, Battery |
| 6 | 0645-152 | 1 | | Clamp, Hose |
| 7 | 0645-263 | 1 | /P | Hose, Battery Vent |
| 8 | 0645-151 | 1 | | Label, Warning - Battery |
| 9 | 0406-227 | 1 | | Pad, Battery - Lower |
| 10 | 0444-122 | 1 | S/P | Kit, Tool |
| 11 | 0423-456 | 1 | /P | Screw, Thumb |
| 12 | 0123-903 | 2 | | Cable Tie - 11.5 in. |
| 13 | 0506-797 | 1 | | Storage Box - Assembly (inc. 14) |
| 14 | 1406-140 | 1 | | Shield, Heat |
| 15 | 1406-078 | 1 | | Cover, Storage Box |
| 16 | 0623-797 | 4 | | Screw, Self-Tapping |

2005 ATV 400 AUTOMATIC TRANSMISSION 4X4 FIS LE GREEN (A2005ISH4B) Page 15 of 96
TAILLIGHT ASSEMBLY



2005 ATV 400 AUTOMATIC TRANSMISSION 4X4 FIS LE GREEN (A2005ISH4BLSM) Page 6 of 96
TAILLIGHT ASSEMBLY

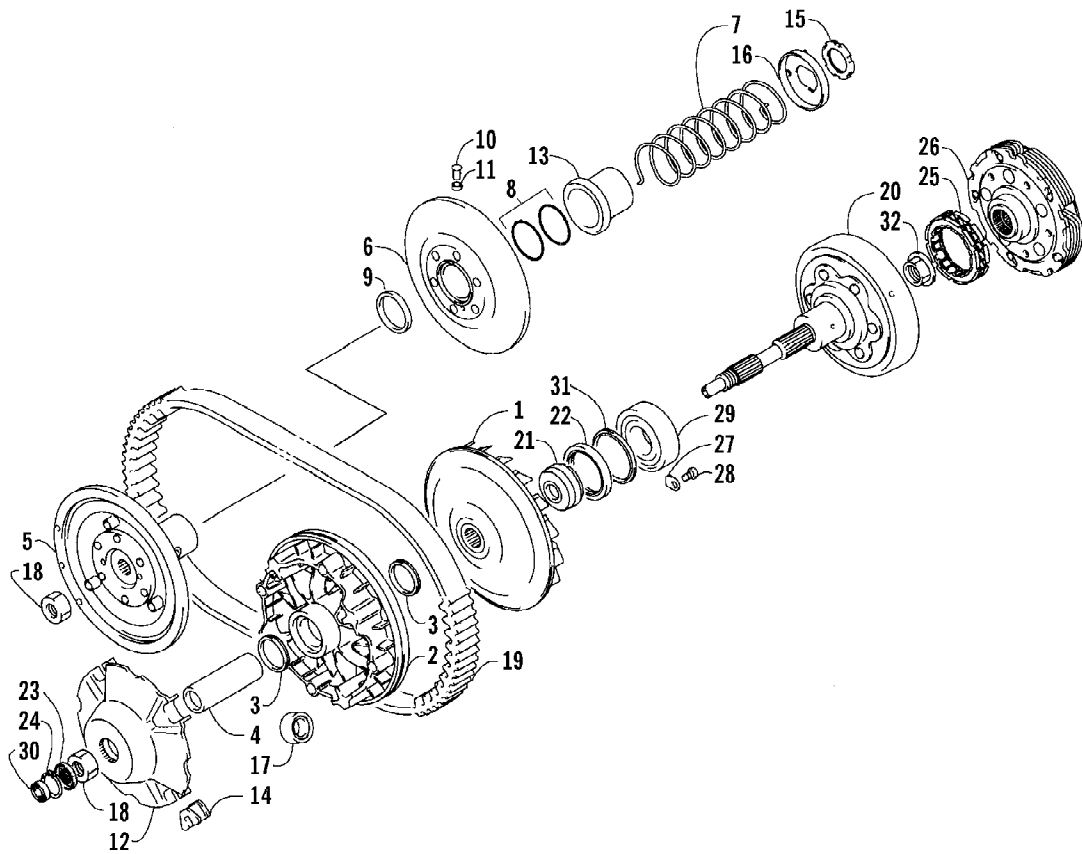
| Ref # | Part Number | Qty | S/P/F | Description |
|-------|-------------|-----|-------|-------------------------------|
| | 0409-002 | 1 | | Complete Taillight Assembly |
| 1 | 0109-460 | 1 | /P | Bulb, Stop/Taillight |
| 2 | 0409-058 | 1 | | Taillight w/Socket Assembly |
| 3 | 0409-012 | 1 | | Gasket, Taillight Lens |
| 4 | 0409-007 | 1 | | Lens, Taillight |
| 5 | 0409-010 | 2 | | Screw, Machine |
| 6 | 0623-301 | 2 | /P | Screw, Self-Tapping |
| 7 | 8053-212 | 2 | /P | Washer, Lock - External Tooth |



2005 ATV 400 AUTOMATIC TRANSMISSION 4X4 FIS LE GREEN (A2005ISH4B16M) Page 8 of 96
THROTTLE CASE ASSEMBLY

| Ref # | Part Number | Qty | S/P/F | Description |
|-------|-------------|-----|-------|--------------------------------------|
| 1 | 0509-012 | 1 | | Case, Throttle - Assembly (inc. 2-9) |
| 2 | 3409-001 | 1 | | Lever |
| 3 | 3004-533 | 1 | S/P | Screw, Cap |
| 4 | 3004-447 | 1 | /P | Washer, Lock |
| 5 | 3003-030 | 1 | /P | Washer |
| 6 | 3423-014 | 1 | | Screw |
| 7 | 3423-327 | 1 | | Nut |
| 8 | 3423-199 | 2 | | Screw |
| 9 | 0409-048 | 1 | | Cover, Throttle w/Switch |

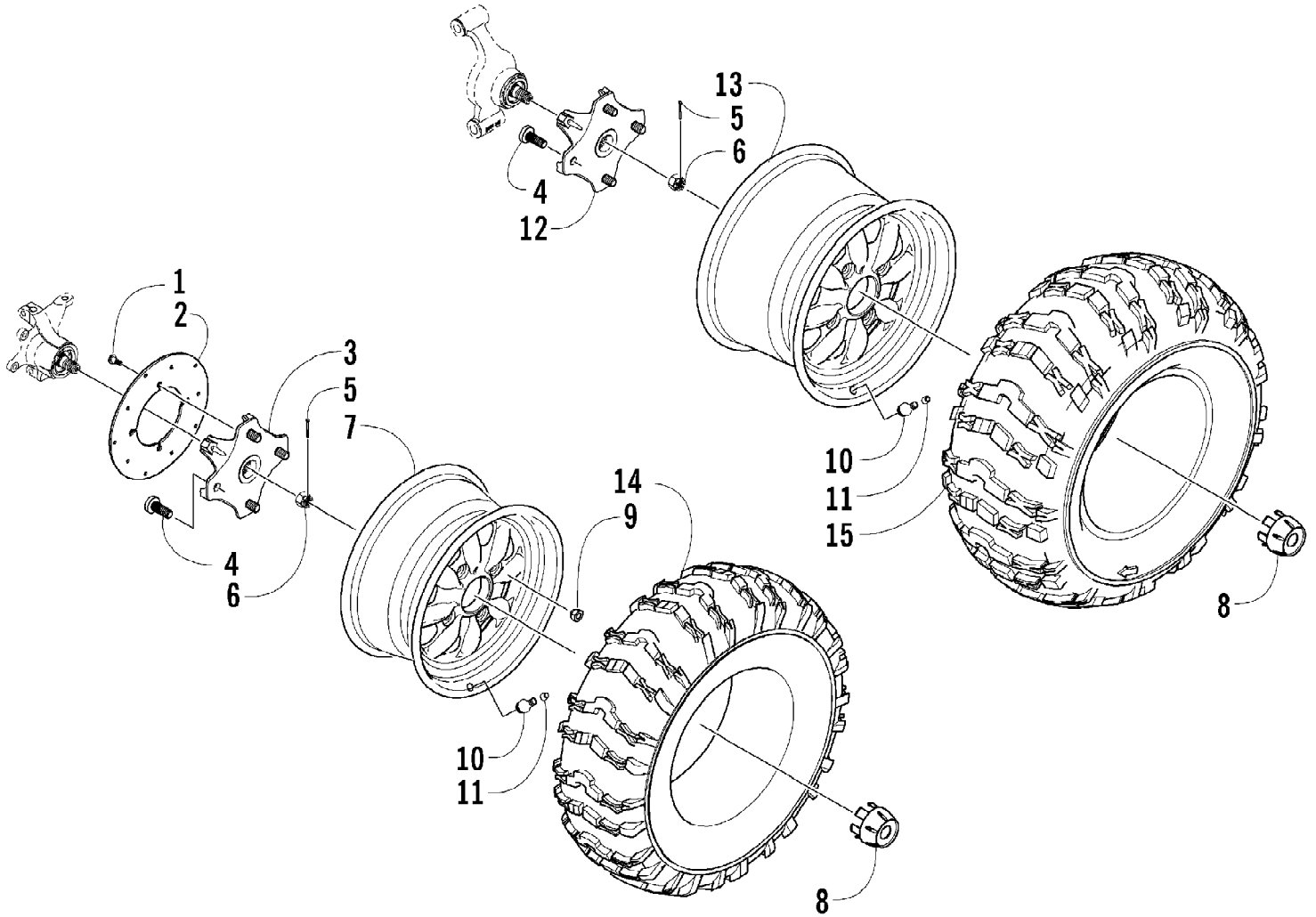
2005 ATV 400 AUTOMATIC TRANSMISSION 4X4 FIS LE GREEN (A2005ISH4B) Page 9 of 96
TRANSMISSION ASSEMBLY



2005 ATV 400 AUTOMATIC TRANSMISSION 4X4 FIS LE GREEN (A2005ISH4B) Page 10 of 96
TRANSMISSION ASSEMBLY

| Ref # | Part Number | Qty | S/P/F | Description |
|-------|-------------|-----|-------|------------------------------------|
| 1 | 3402-622 | 1 | | Face, Fixed Drive |
| 2 | 3402-623 | 1 | | Face, Movable Drive |
| 3 | 3402-624 | 2 | | Seal, Movable Drive Face |
| 4 | 3402-625 | 1 | | Spacer, Movable Drive Face |
| 5 | 3402-626 | 1 | S | Face, Fixed Driven |
| 6 | 3402-627 | 1 | | Face, Movable Driven |
| 7 | 3423-486 | 1 | | Spring, Movable Driven Face |
| 8 | 3423-487 | 2 | | O-Ring, Movable Driven Face |
| 9 | 3402-629 | 2 | | Seal, Movable Driven Face |
| 10 | 3402-477 | 3 | | Pin, Movable Driven Face |
| 11 | 3402-478 | 3 | | Spacer, Movable Driven Face |
| 12 | 3402-630 | 1 | | Plate, Movable Drive Face |
| 13 | 3402-631 | 1 | | Sleeve, Movable Driven Face |
| 14 | 3402-481 | 4 | | Damper, Movable Drive Face |
| 15 | 3423-489 | 1 | | Nut, Driven Pulley |
| 16 | 3402-632 | 1 | | Holder, Movable Driven Face Spring |
| 17 | 3402-633 | 8 | | Roller, Movable Drive Face |
| 18 | 3423-437 | 2 | | Nut |
| 19 | 3402-664 | 1 | | V-Belt |
| 20 | 3402-620 | 1 | | Housing, Clutch |
| 21 | 3402-621 | 1 | | Spacer, Fixed Drive Face |
| 22 | 3402-977 | 1 | /P | Seal, Clutch Housing |
| 23 | 3402-574 | 1 | | Seal, Clutch Housing |
| 24 | 3423-505 | 1 | S | Circlip |
| 25 | 3446-003 | 1 | | Clutch, One-Way |
| 26 | 3446-278 | 1 | S | Shoe, Clutch - Assembly |
| 27 | 3446-031 | 2 | /P | Retainer, Bearing |
| 28 | 3423-435 | 2 | | Screw, Bearing Retainer |
| 29 | 3402-567 | 1 | | Bearing |
| 30 | 3402-693 | 1 | | Bearing |
| 31 | 3423-353 | 1 | /P | O-Ring |
| 32 | 3423-501 | 1 | | Nut |

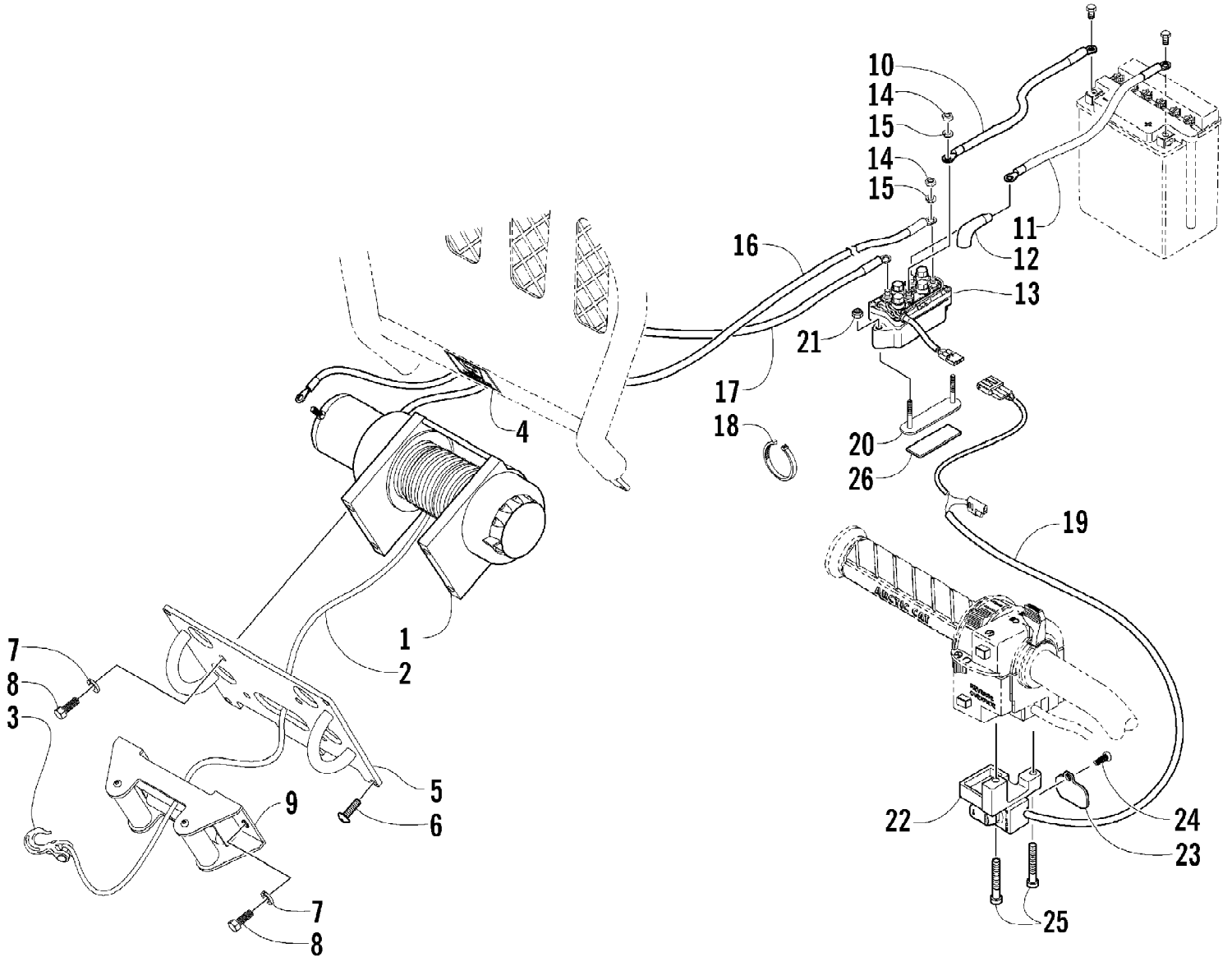
2005 ATV 400 AUTOMATIC TRANSMISSION 4X4 FIS LE GREEN (A2005ISH4B) Page 1 of 96
WHEEL AND TIRE ASSEMBLY



2005 ATV 400 AUTOMATIC TRANSMISSION 4X4 FIS LE GREEN (A2005ISH4B) Page 2 of 96
WHEEL AND TIRE ASSEMBLY

| Ref # | Part Number | Qty | S/P/F | Description |
|-------|-------------|-----|-------|---|
| 1 | 0423-029 | 12 | | Screw, Machine |
| 2 | 1402-225 | 3 | S | Disc, Brake |
| 3 | 0502-599 | 2 | S | Hub, Wheel - Front (inc. 4) |
| 4 | 0402-974 | 16 | /P | Stud, Wheel Hub |
| 5 | 0423-407 | 4 | | Pin, Cotter |
| 6 | 0423-394 | 4 | | Nut, Castle |
| 7 | 1402-286 | 2 | | Wheel - Front - Spoked (inc. two No. 8) |
| 8 | 1402-325 | 4 | | Cap, Wheel |
| 9 | 0423-556 | 16 | | Nut, Mounting - Wheel |
| 10 | 0402-064 | 4 | | Stem, Valve (inc. 11) |
| 11 | 0402-140 | 4 | | Cap, Valve Stem |
| 12 | 0502-601 | 1 | S | Hub, Wheel - Rear - Left (inc. 4) |
| 12 | 0502-599 | 1 | S | Hub, Wheel - Rear - Right (inc. 4) |
| 13 | 1402-287 | 2 | | Wheel - Rear - Spoked (inc. two No. 8) |
| 14 | 1402-100 | 2 | | Tire - Front |
| 15 | 1402-101 | 2 | | Tire - Rear |

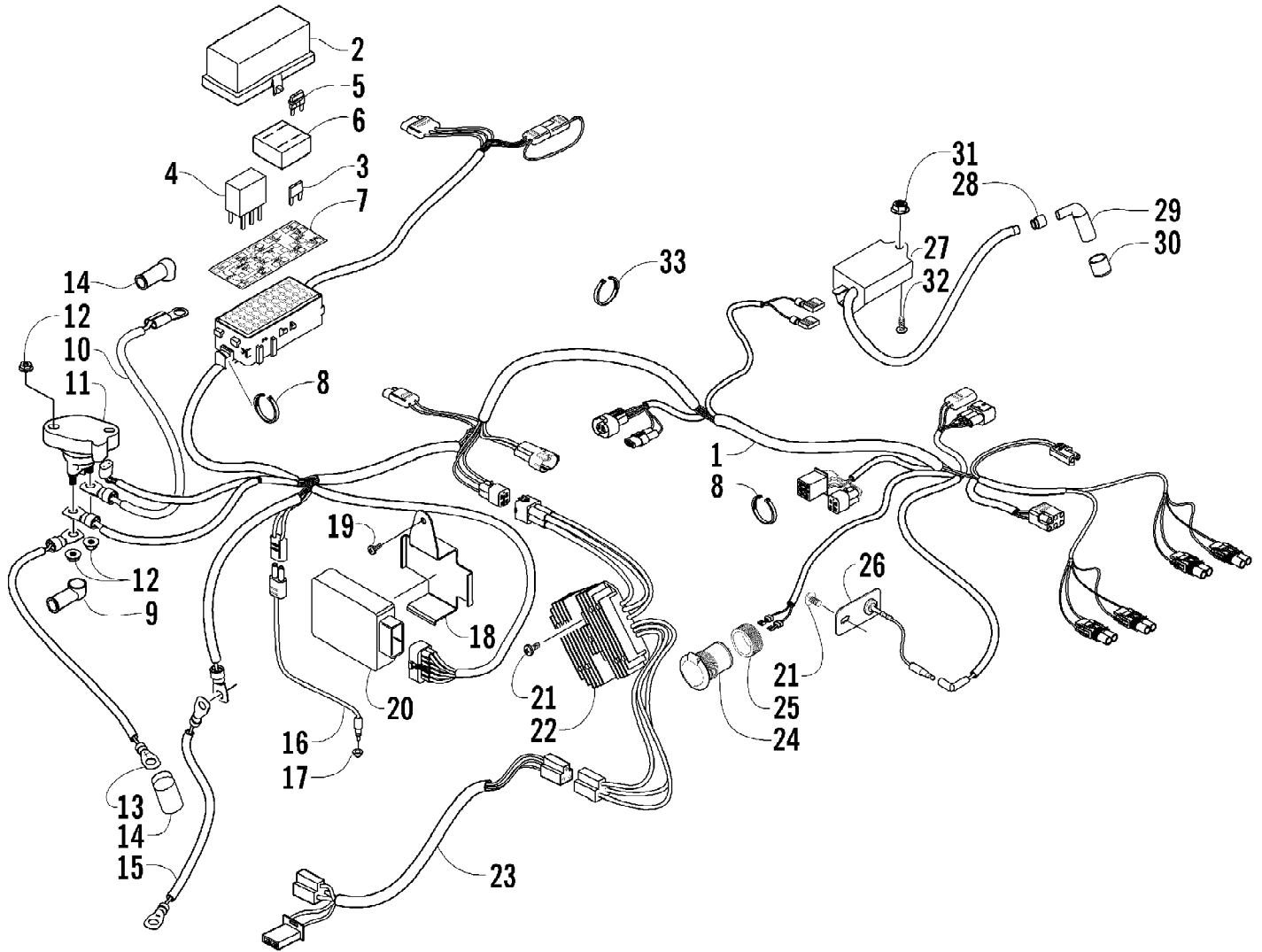
2005 ATV 400 AUTOMATIC TRANSMISSION 4X4 FIS LE GREEN (A2005ISH4B) Page 13 of 96
WINCH ASSEMBLY



2005 ATV 400 AUTOMATIC TRANSMISSION 4X4 FIS LE GREEN (A2005ISH4B) Page 14 of 96
WINCH ASSEMBLY

| Ref # | Part Number | Qty | S/P/F | Description |
|-------|-------------|-----|-------|---------------------------------|
| 1 | 0441-490 | 1 | | Winch (inc. 2-3) |
| 2 | 0441-061 | 1 | | Cable, Winch |
| 3 | 0441-426 | 1 | /P | Hook, Winch |
| 4 | 0411-433 | 1 | | Decal, Winch |
| 5 | 0441-465 | 1 | | Plate, Winch |
| 6 | 8468-830 | 2 | | Screw, Machine |
| 7 | 8051-246 | 4 | | Washer, Lock |
| 8 | 8002-102 | 4 | | Screw, Cap |
| 9 | 0441-403 | 1 | /P | Roller, Winch |
| 10 | 0441-477 | 1 | | Cable, Solenoid/Battery - Black |
| 11 | 0441-478 | 1 | | Cable, Solenoid/Battery - Red |
| 12 | 0441-060 | 6 | | Boot, Terminal |
| 13 | 0409-066 | 1 | /P | Solenoid (inc. 14-15) |
| 14 | 8420-602 | 4 | | Nut |
| 15 | 8451-122 | 4 | | Washer, Lock |
| 16 | 0441-476 | 1 | | Cable, Winch/Solenoid - Yellow |
| 17 | 0441-475 | 1 | | Cable, Winch/Solenoid - Blue |
| 18 | 0123-788 | AR | /P | Cable Tie - 7.5 in. |
| 19 | 0409-044 | 1 | | Switch, Control |
| 20 | 0509-010 | 1 | | Bracket, Mounting - Solenoid |
| 21 | 0624-250 | 2 | | Nut, Lock |
| 22 | 0409-034 | 1 | | Holder, Control Switch |
| 23 | 0409-040 | 1 | S | Cover, Switch |
| 24 | 0423-382 | 1 | | Screw, Self-Tapping |
| 25 | 0623-204 | 2 | | Screw, Machine |
| 26 | 0417-001 | 1 | | Pad |

2005 ATV 400 AUTOMATIC TRANSMISSION 4X4 FIS LE GREEN (A2005ISH4B) Page 15 of 96
WIRING HARNESS ASSEMBLY



2005 ATV 400 AUTOMATIC TRANSMISSION 4X4 FIS LE GREEN (A2005ISH4B) Page 6 of 96
WIRING HARNESS ASSEMBLY

| Ref # | Part Number | Qty | S/P/F | Description |
|-------|-------------|-----|-------|---|
| 1 | 0486-155 | 1 | | Harness, Main (inc. 2-7 and two No. 8) |
| 2 | 0530-008 | 1 | | Cover, Fuse Block |
| 3 | 0430-032 | 4 | | Fuse - 10 Amp |
| 3 | 0430-031 | 3 | | Fuse - 15 Amp |
| 3 | 0430-030 | 2 | | Fuse - 30 Amp |
| 4 | 0430-033 | 3 | | Relay |
| 5 | 0430-034 | 3 | | Diode |
| 6 | 0430-037 | 1 | | Holder, Fuse |
| 7 | 0411-828 | 1 | | Decal, Fuse Block |
| 8 | 0123-788 | AR | /P | Cable Tie - 7.5 in. |
| 9 | 0645-327 | 1 | | Boot, Terminal |
| 10 | 0445-042 | 1 | | Cable, Solenoid/Starter |
| 11 | 0445-036 | 1 | S | Solenoid |
| 12 | 0623-038 | 4 | | Nut w/Washer |
| 13 | 0445-038 | 1 | S | Cable, Battery/Solenoid (inc. one No. 14) |
| 14 | 0645-019 | 2 | | Boot, Terminal |
| 15 | 0445-037 | 1 | | Cable, Battery/Ground |
| 16 | 0409-009 | 1 | | Switch, Brake - Assembly |
| 17 | 0402-991 | 1 | | Retainer, Switch |
| 18 | 0506-985 | 1 | /P | Bracket, CDI |
| 19 | 8476-616 | 1 | | Screw, Machine |
| 20 | 3402-683 | 1 | | CDI Unit |
| 21 | 8476-625 | 3 | | Screw, Machine |
| 22 | 3402-682 | 1 | | Regulator, Voltage |
| 23 | 0486-148 | 1 | | Harness, Adapter - Electric Choke |
| 24 | 0445-022 | 1 | S | Receptacle, 12V (inc. 25) |
| 25 | 0445-034 | 1 | | Nut, Retainer |
| 26 | 0509-011 | 1 | S | Diode Assembly |
| 27 | 3430-055 | 1 | | Coil, Ignition - Assembly |
| 28 | 3430-009 | 1 | /P | Seal, High Tension Wire |
| 29 | 3430-007 | 1 | /P | Cap, Spark Plug |
| 30 | 3430-008 | 1 | /P | Seal, Spark Plug |
| 31 | 8424-602 | 1 | /P | Nut, Flange |
| 32 | 8476-620 | 1 | | Screw, Machine |
| 33 | 0123-903 | AR | | Cable Tie - 11.5 in. |