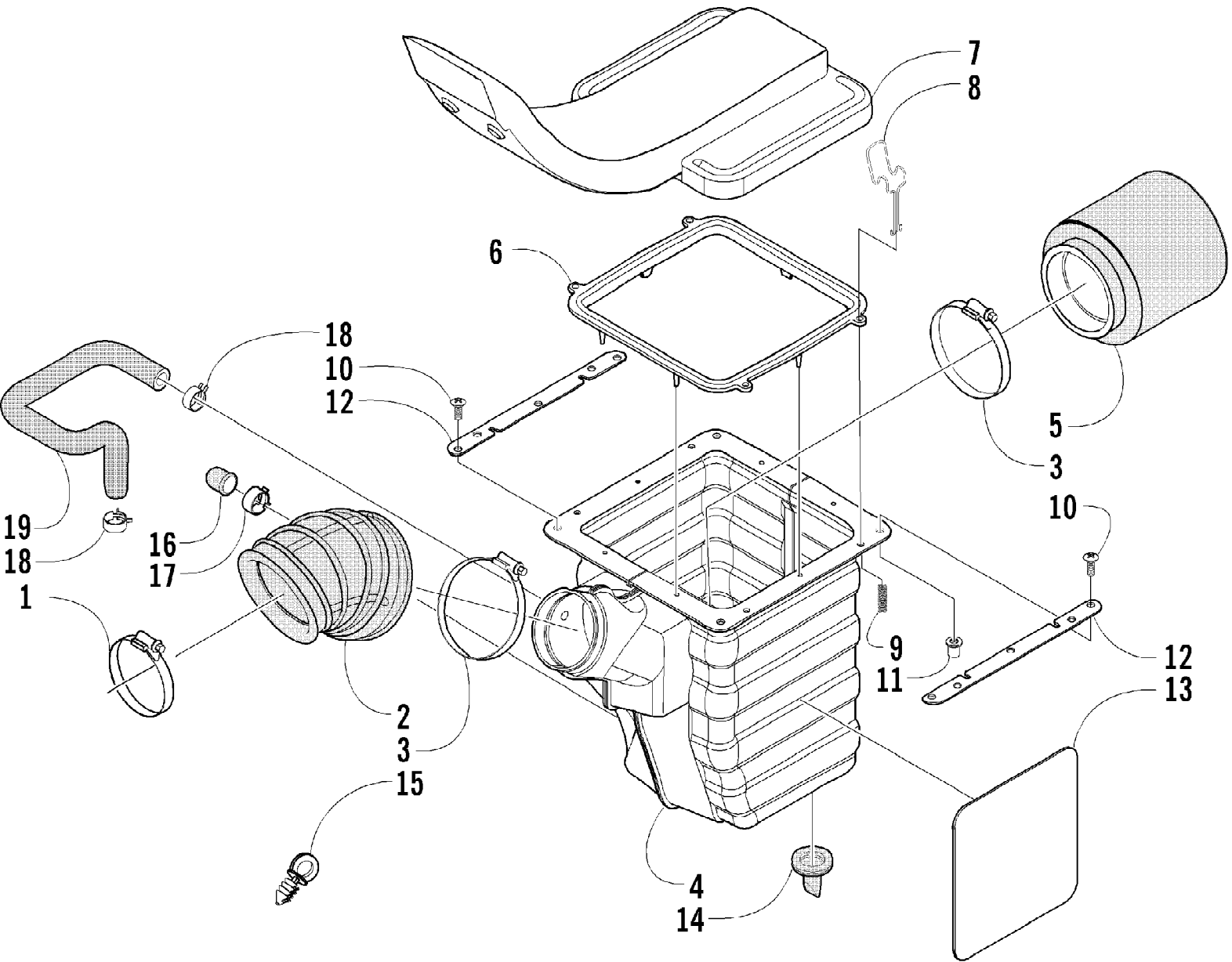


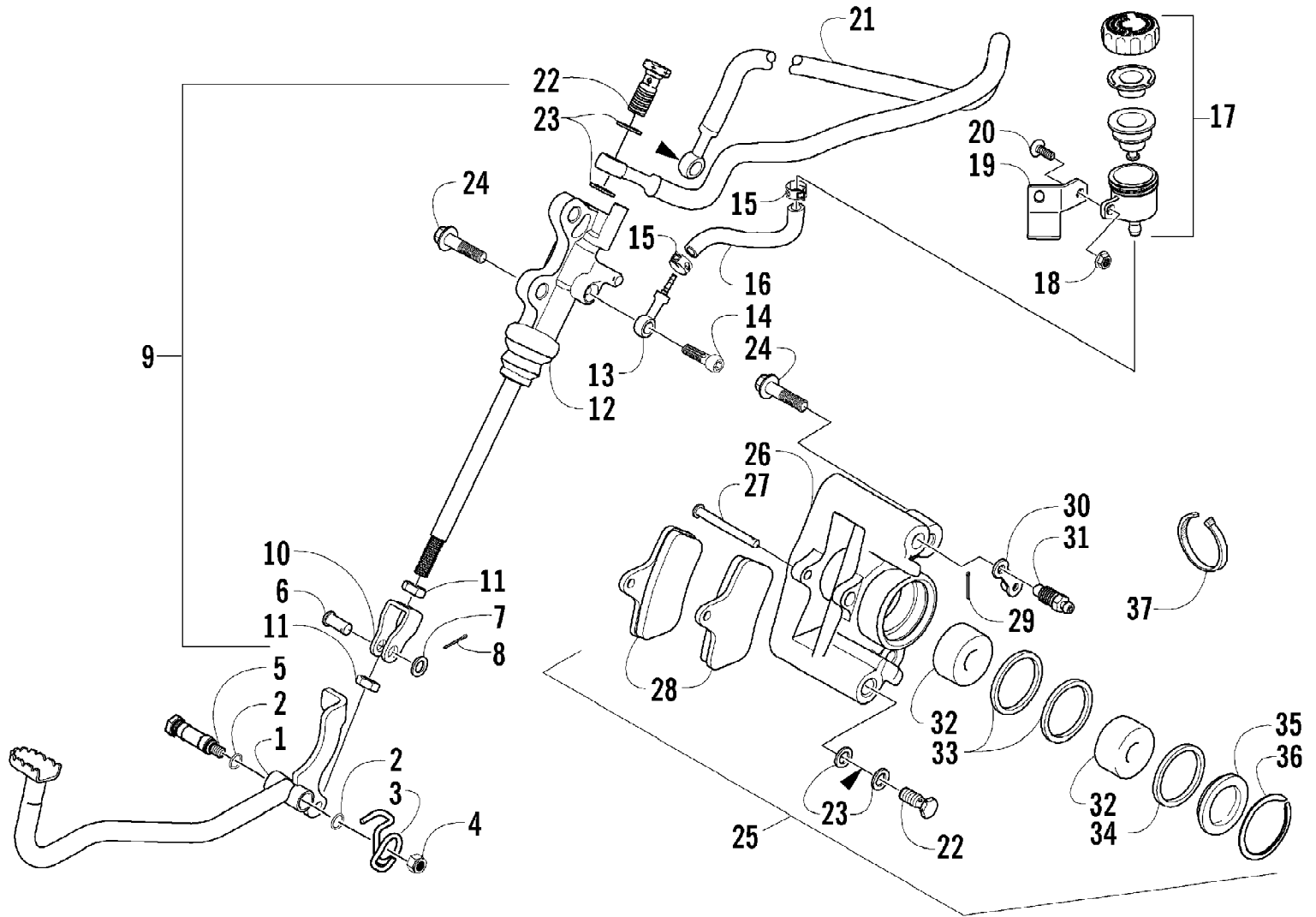
2005 ATV 400 AUTOMATIC TRANSMISSION 4X4 FIS LE CAT GREEN (A20051514BUSA)96  
AIR INTAKE ASSEMBLY



2005 ATV 400 AUTOMATIC TRANSMISSION 4X4 FIS LE CAT GREEN (A20051546125A)96  
AIR INTAKE ASSEMBLY

Ref #	Part Number	Qty	S/P/F	Description
1	0423-019	1		Clamp
2	0470-467	1		Boot, Air Intake
3	0423-018	2		Clamp
4	0470-446	1	/P	Housing, Air Intake
5	0470-391	1	/P	Filter, Air
6	0470-343	1		Gasket
7	0470-383	1	/P	Snorkel
8	0470-307	4		Clamp
9	0423-037	4		Spring
10	0623-121	4		Screw, Machine
11	0123-010	4	/P	Nut, Expansion
12	0470-351	2		Support, Air Intake Flange
13	0412-141	1		Shield, Heat
14	0470-442	1	/P	Valve, Drain
15	0623-101	1		Clip, Retaining
16	1673-272	1	/P	Cap, Drain Tube
17	0423-047	1		Clamp, Hose
18	0423-045	2		Clamp, Hose
19	0410-045	1		Hose, Crankcase Vent

2005 ATV 400 AUTOMATIC TRANSMISSION 4X4 FIS LE CAT GREEN (A20051514BUSA) 96  
AUXILIARY BRAKE ASSEMBLY

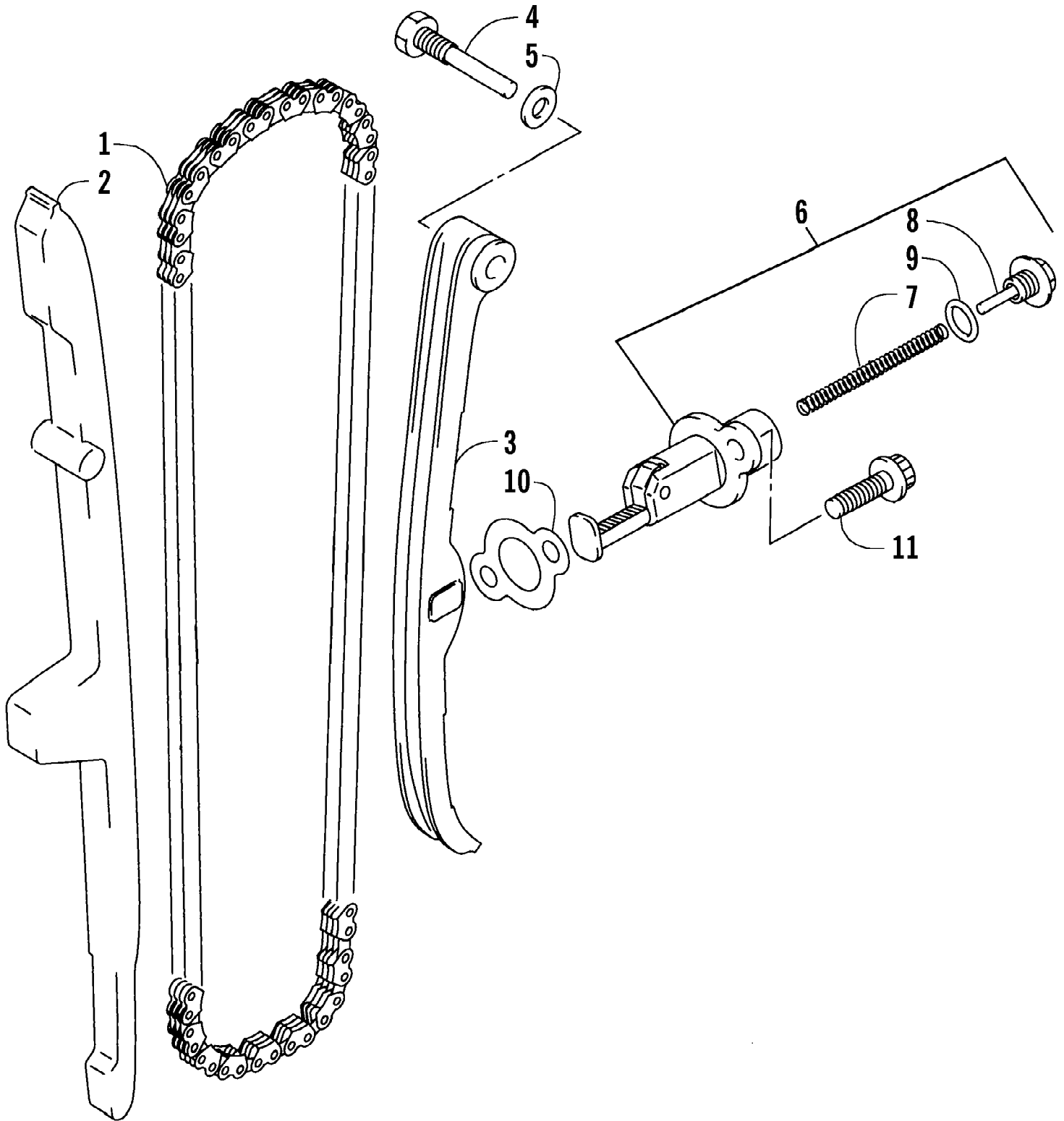


2005 ATV 400 AUTOMATIC TRANSMISSION 4X4 FIS LE CAT GREEN (A20051514) USA 96  
AUXILIARY BRAKE ASSEMBLY

Ref #	Part Number	Qty	S/P/F	Description
1	0502-645	1		Lever, Brake
2	1602-213	2	/P	O-Ring
3	0502-651	1		Spring, Brake Lever
4	8422-002	1		Nut
5	0402-872	1		Axle, Brake Lever
6	0402-575	1		Pin, Clevis
7	0402-583	1		Washer
8	0402-584	1		Pin, Cotter
9	0502-665	1	S	Brake Assembly (inc. 10-17)
10	0402-580	1		Actuator, Push Rod
11	0402-592	2		Nut, Jam
12	0	1	F	Master Cylinder
13	1402-277	1		Fitting, Banjo
14	1402-278	1		Bolt, Banjo Fitting
15	0423-525	2		Clamp, Hose
16	1402-266	1		Hose, Brake Reservoir
17	1402-257	1		Reservoir, Brake
18	8424-602	2	/P	Nut, Flanged
19	1506-521	1		Bracket, Mounting - Reservoir
20	8476-616	2		Screw, Machine
21	1402-200	1		Hose, Brake
22	0423-413	2		Bolt, Banjo Fitting
23	0423-178	4		Washer, Crush
24	8408-825	4		Screw, Cap
25	0502-457	1	S	Caliper, Brake (inc. 26-36)
26	0	1	F	Housing, Caliper
27	0402-495	1		Pin, Brake Caliper
28	1402-126	2		Pad, Brake
29	0423-495	1	/P	Pin, Cotter
30	0402-493	1		Cap, Bleed Valve
31	1402-123	1		Valve, Bleed
32	1402-125	2		Piston
33	0402-980	2		O-Ring, Brake Caliper
34	0	1	F	O-Ring
35	0	1	F	Plug
36	0	1	F	Ring, Retaining
37	0123-788	AR	/P	Cable Tie - 7.5 in.



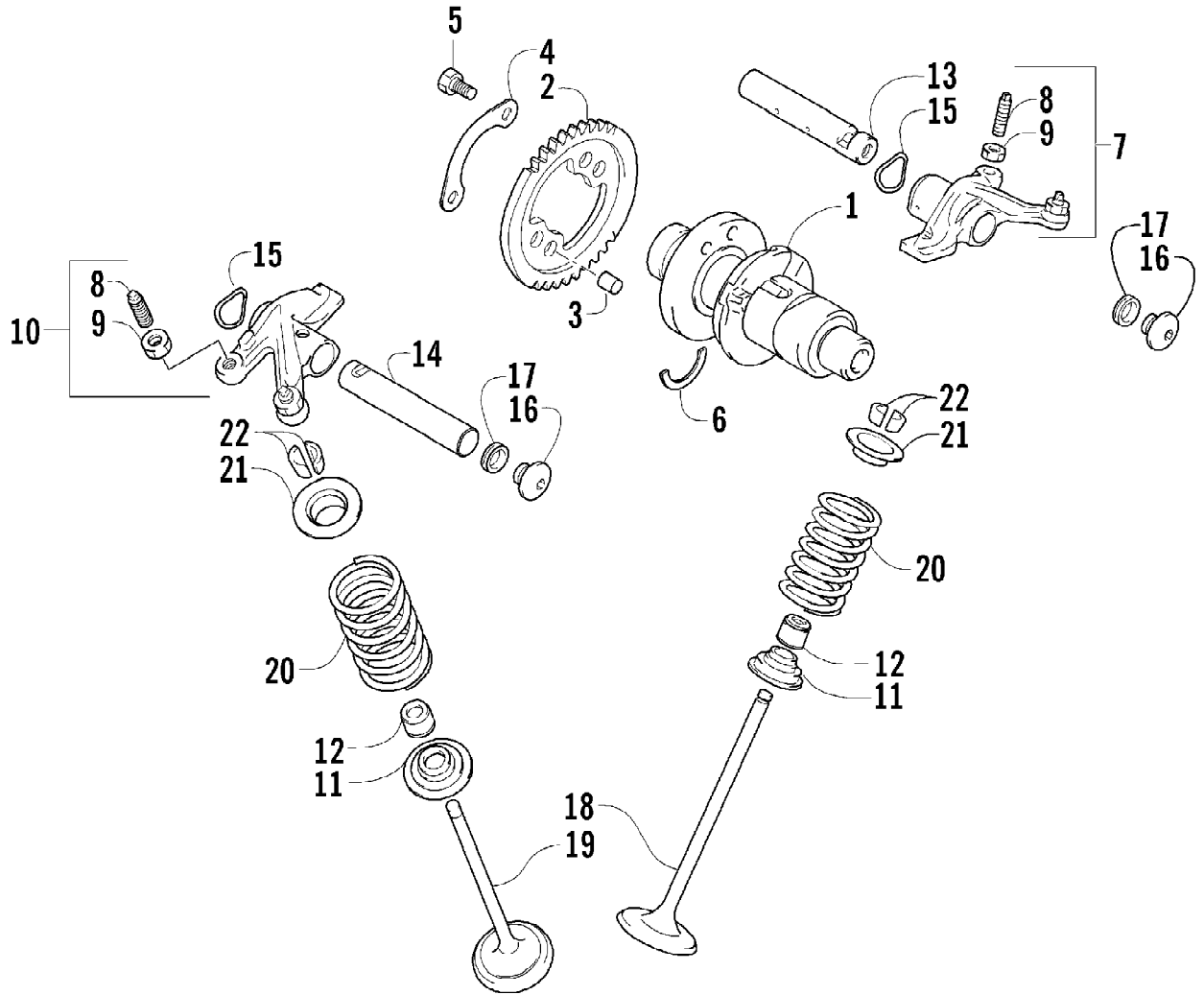
2005 ATV 400 AUTOMATIC TRANSMISSION 4X4 FIS LE CAT GREEN (A2005194) USA 96  
CAM CHAIN ASSEMBLY



2005 ATV 400 AUTOMATIC TRANSMISSION 4X4 FIS LE CAT GREEN (A20051514163A)96  
CAM CHAIN ASSEMBLY

Ref #	Part Number	Qty	S/P/F	Description
1	3402-281	1		Chain, Cam
2	3402-612	1		Guide, Cam Chain
3	3402-613	1		Tensioner, Cam Chain
4	3423-074	1		Bolt
5	3402-436	1	/P	Washer
6	3402-614	1		Adjuster, Tensioner - Assembly (inc. 7-9)
7	3423-484	1		Spring
8	3423-485	1		Plug
9	3423-286	1		O-Ring
10	3403-020	1		Gasket, Adjuster
11	3004-512	2	S	Bolt

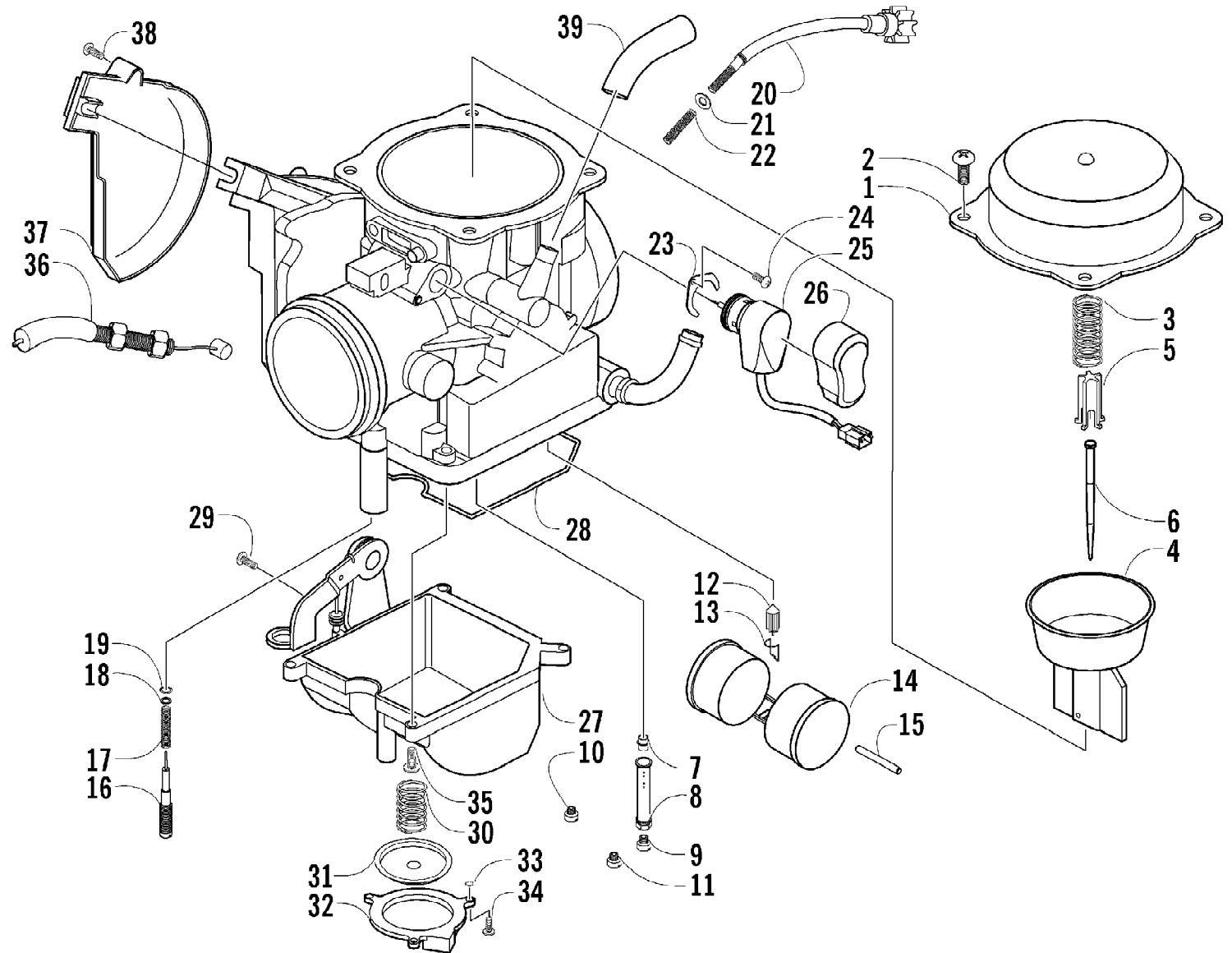
2005 ATV 400 AUTOMATIC TRANSMISSION 4X4 FIS LE CAT GREEN (A20051514) USA 96  
CAMSHAFT/VALVE ASSEMBLY



2005 ATV 400 AUTOMATIC TRANSMISSION 4X4 FIS LE CAT GREEN (A20051514) USA 96  
CAMSHAFT/VALVE ASSEMBLY

Ref #	Part Number	Qty	S/P/F	Description
1	3402-989	1	S	Camshaft
2	3402-611	1		Sprocket
3	3423-047	1		Pin
4	3423-073	1		Washer
5	3423-013	2	S	Bolt
6	3423-071	1	/P	C-Ring
7	3402-805	1	/P	Arm, Valve Rocker - Intake (inc. two No. 8-9)
8	3423-075	4		Screw
9	3423-076	4		Nut
10	3402-139	1		Arm, Valve Rocker - Exhaust (inc. two No. 8-9)
11	3402-148	4		Seat, Spring
12	3402-078	4		Seal, Oil
13	3402-140	1		Shaft, Rocker Arm
14	3402-141	1		Shaft, Rocker Arm
15	3423-031	2		Washer
16	3423-111	2	S	Plug, Shaft
17	3402-012	2		Gasket
18	3402-725	2	/P	Valve, Intake
19	3402-143	2		Valve, Exhaust
20	3402-726	4		Spring, Valve
21	3423-541	4	/P	Retainer, Spring
22	3402-147	8		Cotter, Valve

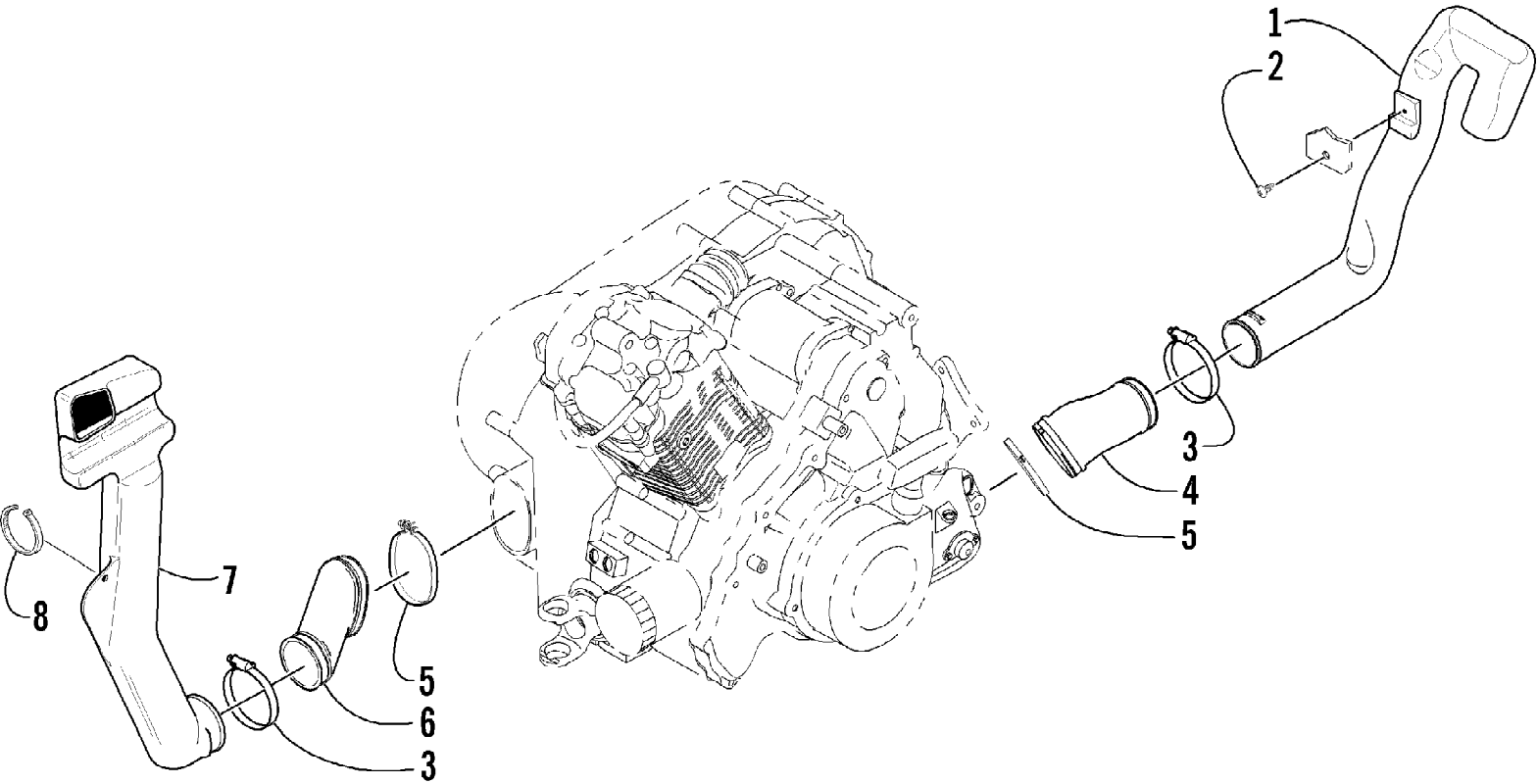
2005 ATV 400 AUTOMATIC TRANSMISSION 4X4 FIS LE CAT GREEN (A20051514) USA 96  
CARBURETOR



2005 ATV 400 AUTOMATIC TRANSMISSION 4X4 FIS LE CAT GREEN (A2005FIS4E103A) 96  
CARBURETOR

Ref #	Part Number	Qty	S/P/F	Description
	0470-470	1		Carburetor Assembly
1	5507-001	1		Cover, Top
2	5507-002	4	/P	Screw, Top Cover
3	5507-085	1	S	Spring
4	5507-109	1	S	Piston, Vacuum
5	5507-005	1		Seat, Spring
6	5507-110	1		Jet Needle
7	5507-007	1		Needle Jet
8	5507-047	1	/P	Holder, Needle Jet
9	5507-043	1		Main Jet - 142
9	5507-009	1	/P/F	Main Jet - 150
9	5507-041	1	F	Main Jet - 147
9	5507-042	1	/P/F	Main Jet - 145
9	5507-044	1	F	Main Jet - 140
10	5507-010	1	S	Slow Jet - 38
11	5507-097	1	/P	Starter Jet - 75
12	5507-107	1		Valve, Float - Set (inc. 13)
13	0	1	F	Clip
14	5507-039	1		Float Set (inc. 15)
15	0	1	F	Pin, Float
16	5507-111	1		Screw, Pilot Air - Set (inc. 17-19)
17	0	1	F	Spring
18	0	1	F	Washer
19	0	1	F	O-Ring
20	5507-027	1		Screw, Idle Adjust
21	5507-028	1		Washer
22	5507-029	1		Spring
23	5507-115	1		Plate
24	5507-117	1	/P	Screw
25	5507-180	1		Choke, Electric
26	5507-114	1		Cover, Electric Choke
27	0	1	F	Chamber, Float - Assembly (inc. 28-34)
28	5507-067	1	/P	O-Ring, Float Chamber
29	5507-050	1	/P	Screw, Drain
30	5507-032	1		Spring
31	5507-031	1	S	Diaphragm Assembly
32	0	1	F	Housing, Pump
33	5507-034	1		U-Ring
34	5507-035	3		Screw
35	5507-017	4	/P	Screw
36	0487-021	1	S	Cable, Throttle
37	5507-036	1		Cover
38	5507-037	1	/P	Screw
39	0410-056	1		Hose, Vent

2005 ATV 400 AUTOMATIC TRANSMISSION 4X4 FIS LE CAT GREEN (A2005FIS400USA) 96  
CASE/BELT COOLING ASSEMBLY

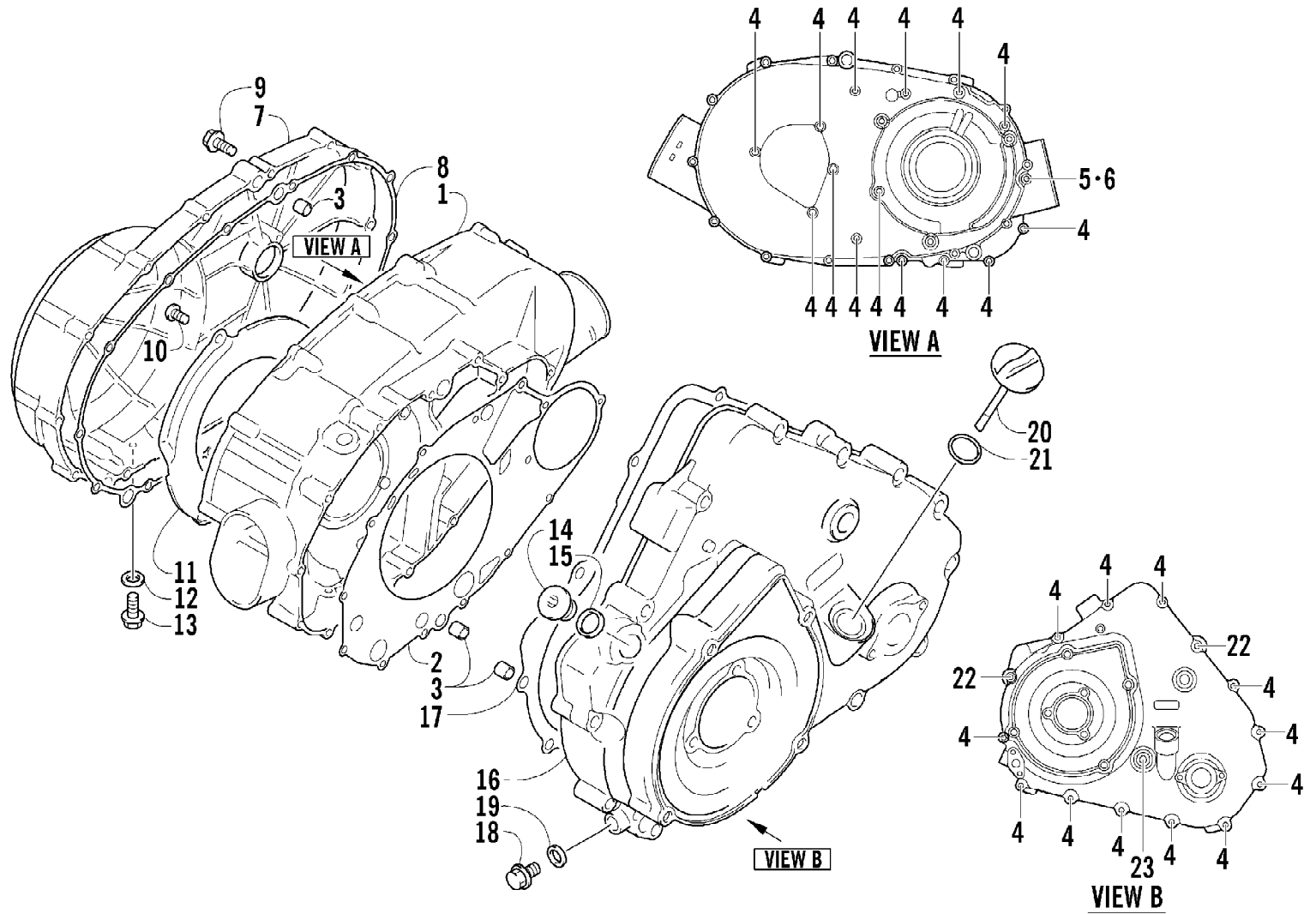


2005 ATV 400 AUTOMATIC TRANSMISSION 4X4 FIS LE CAT GREEN (A2005P4123A) 96  
CASE/BELT COOLING ASSEMBLY

Ref #	Part Number	Qty	S/P/F	Description
1	0413-107	1	S	Duct, Belt Cooling - Rear
2	0623-301	1	/P	Screw, Self-Tapping
3	0423-380	2	/P	Clamp, Boot
4	0413-060	1		Boot, Duct - Rear
5	3402-449	2	/P	Clamp, Duct
6	0413-048	1		Boot, Duct - Front
7	0413-042	1		Duct, Belt Cooling - Front
8	0123-788	2	/P	Cable Tie - 7.5 in.



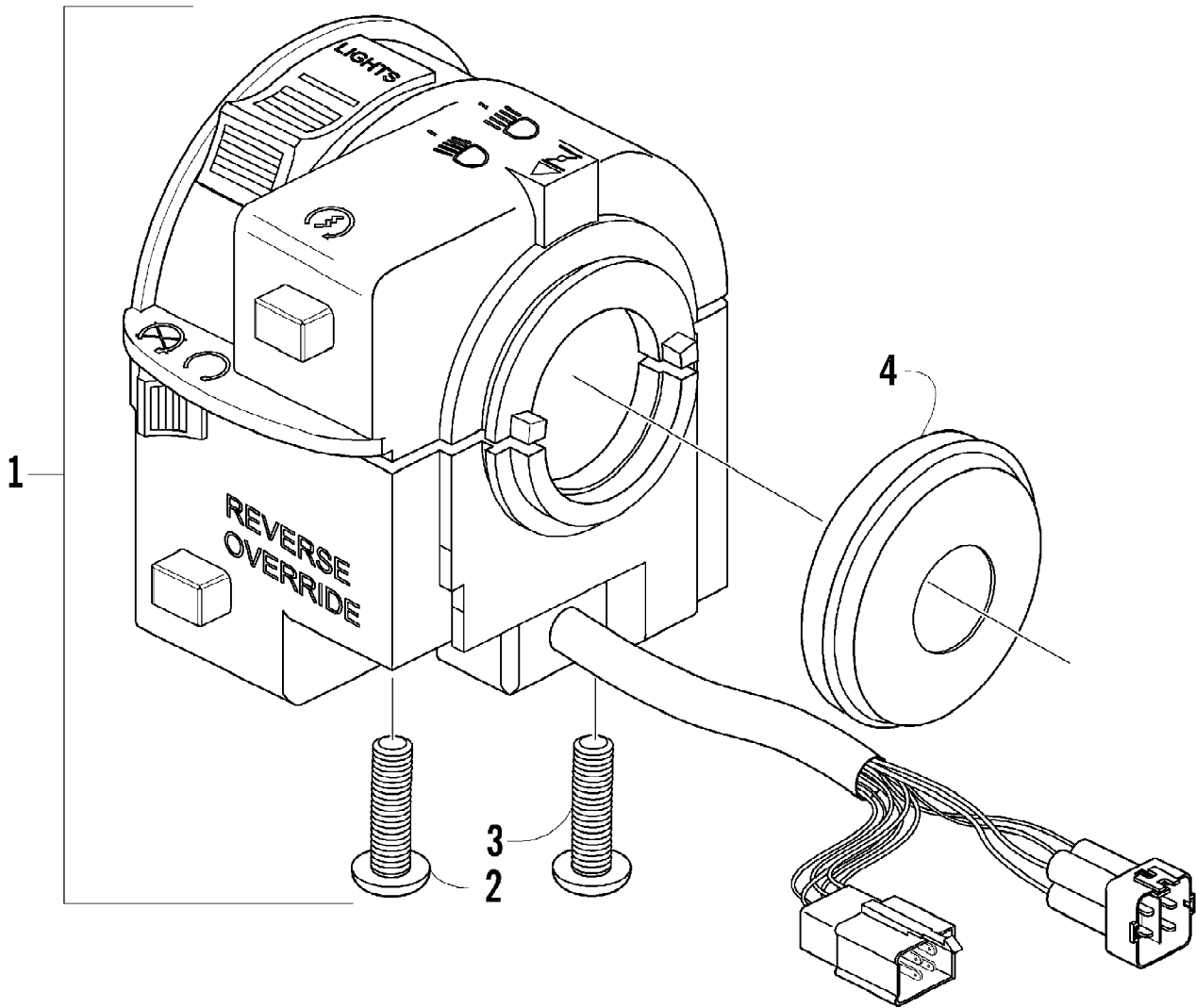
2005 ATV 400 AUTOMATIC TRANSMISSION 4X4 FIS LE CAT GREEN (A2005FIS400USA) 96  
CLUTCH/V-BELT/MAGNETO COVER ASSEMBLY



2005 ATV 400 AUTOMATIC TRANSMISSION 4X4 FIS LE CAT GREEN (A2005FIS400USA)96  
CLUTCH/V-BELT/MAGNETO COVER ASSEMBLY

Ref #	Part Number	Qty	S/P/F	Description
1	3402-583	1		Cover, Clutch
2	3402-589	1		Gasket
3	3423-088	6		Pin, Dowel
4	3423-098	26	S	Bolt
5	3423-392	1		Bolt
6	3003-290	1	/P	Gasket
7	3402-586	1		Cover, V-Belt
8	3402-591	1		Gasket, V-Belt Cover
9	0693-327	14	S	Bolt
10	3004-552	3	S	Screw
11	3402-996	1		Plate, Air Intake
12	3402-444	1		Gasket, Drain Plug
13	3004-705	1	S	Plug, Drain
14	3402-041	1	S	Plug
15	3402-013	1	/P	Gasket
16	3402-585	1		Cover, Magneto
17	3402-590	1		Gasket, Magneto Cover
18	3004-705	1	S	Plug, Oil Gallery
19	3402-444	1		Gasket
20	3402-593	1		Stick, Oil Level
21	3423-055	1		O-Ring, Oil Level Stick
22	3423-307	2	S	Bolt
23	3423-430	1		Bolt

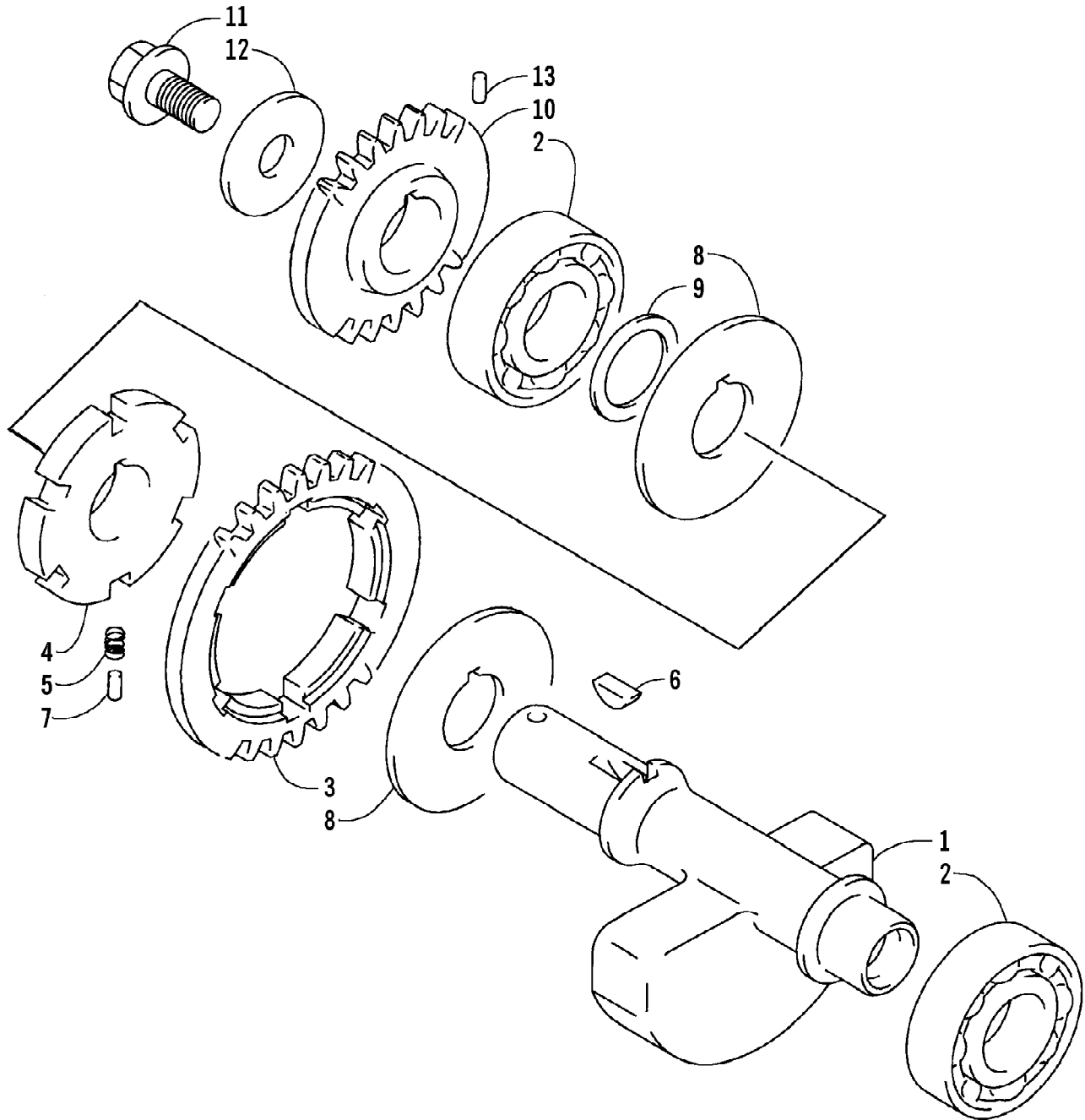
2005 ATV 400 AUTOMATIC TRANSMISSION 4X4 FIS LE CAT GREEN (A2005FIS400A) 96  
CONTROL SWITCH HOUSING ASSEMBLY



2005 ATV 400 AUTOMATIC TRANSMISSION 4X4 FIS LE CAT GREEN (A2005FIS416SA) 96  
CONTROL SWITCH HOUSING ASSEMBLY

Ref #	Part Number	Qty	S/P/F	Description
1	0509-014	1		Switch, Control - Assembly (inc. 2-4)
2	0409-027	1		Screw, Machine
3	0409-028	1		Screw, Machine
4	3409-019	1		Cover, Switch Housing

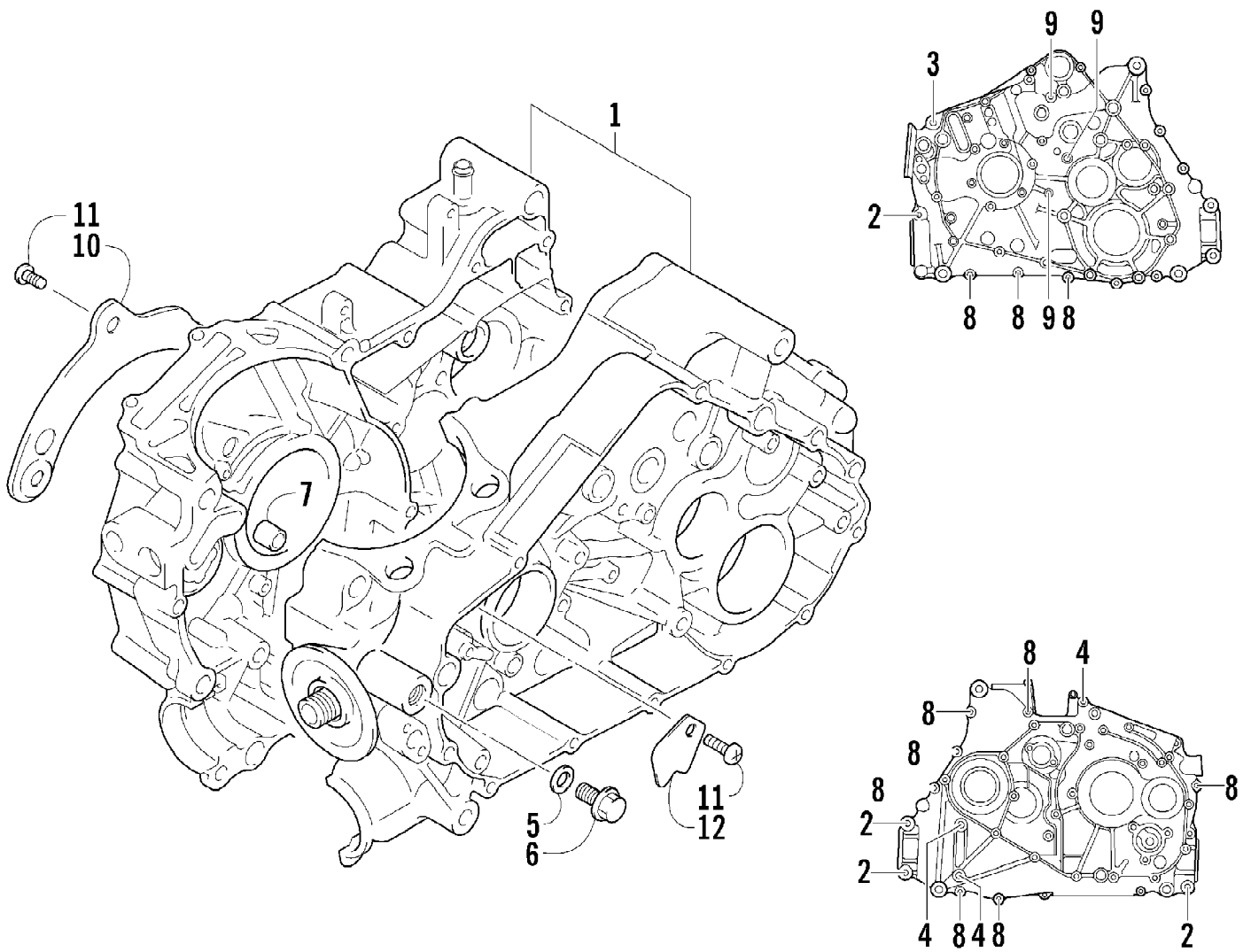
2005 ATV 400 AUTOMATIC TRANSMISSION 4X4 FIS LE CAT GREEN (A2005FIS400USA) 96  
CRANK BALANCER ASSEMBLY



2005 ATV 400 AUTOMATIC TRANSMISSION 4X4 FIS LE CAT GREEN (A2005FIS418SA)96  
CRANK BALANCER ASSEMBLY

Ref #	Part Number	Qty	S/P/F	Description
1	3402-605	1		Balancer, Crank
2	3402-553	2	/P	Bearing
3	3402-772	1		Gear, Driven
4	3402-608	1		Race, Driven Gear
5	3402-090	2		Spring, Driven Gear
6	3004-540	1	/P	Key
7	3423-106	3	/P	Pin, Driven Gear
8	3423-441	2		Washer, Driven Gear
9	3423-446	1		Washer
10	3402-617	1		Gear, Oil Pump Drive
11	3423-555	1		Bolt, Drive Gear
12	3423-401	1		Washer, Drive Gear
13	3423-110	1		Pin, Drive Gear

2005 ATV 400 AUTOMATIC TRANSMISSION 4X4 FIS LE CAT GREEN (A2005FIS4E193A) 96  
CRANKCASE ASSEMBLY

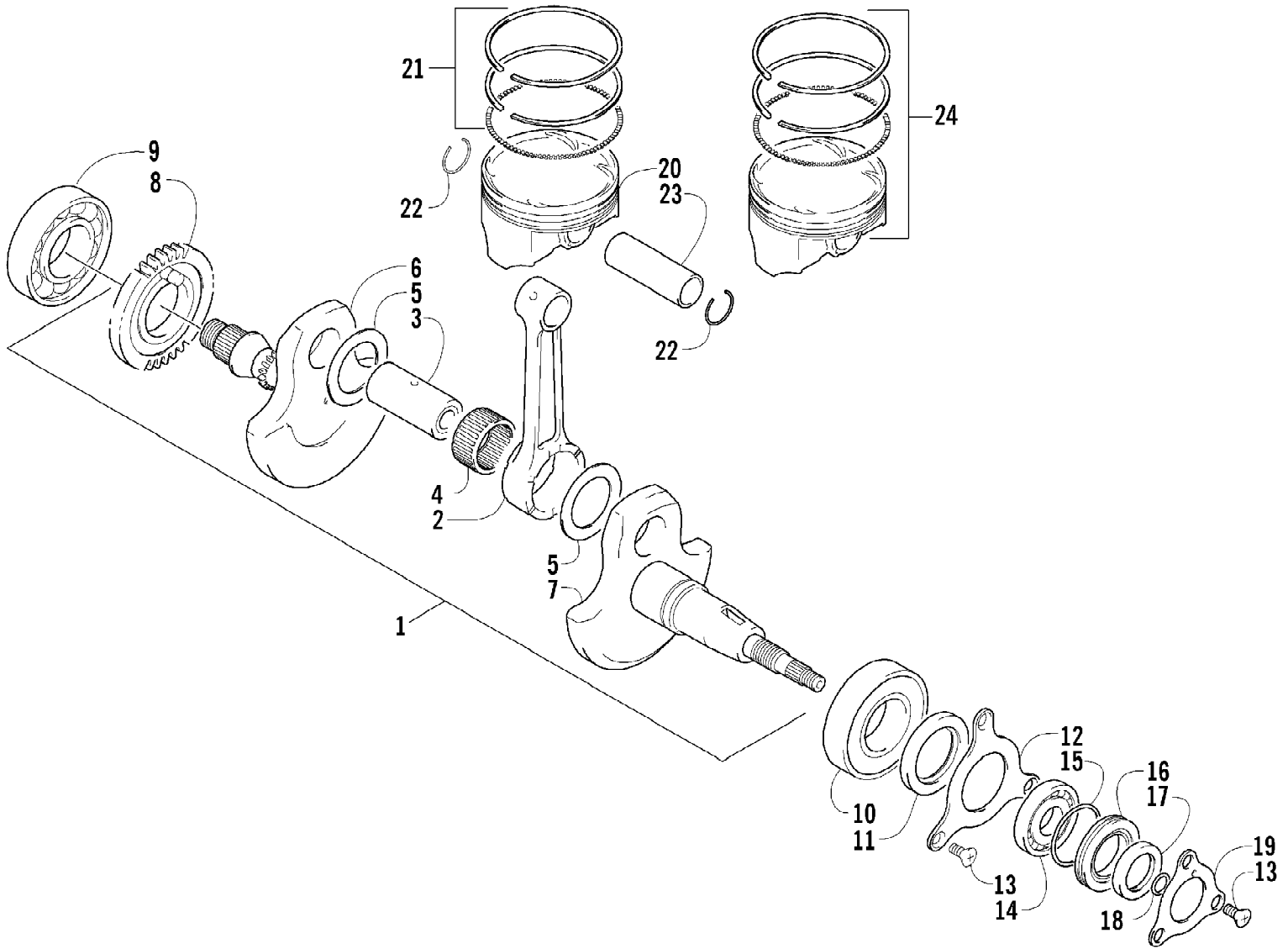


2005 ATV 400 AUTOMATIC TRANSMISSION 4X4 FIS LE CAT GREEN (A2005FIS420SA) 96  
CRANKCASE ASSEMBLY

Ref #	Part Number	Qty	S/P/F	Description
1	3402-580	1		Crankcase Assembly (inc. 2-9)
2	3004-880	4		Bolt
3	3005-332	1		Bolt
4	3005-410	3		Bolt
5	3402-012	1		Gasket, Oil Pressure Plug
6	3402-214	1		Plug, Oil Pressure
7	3423-088	2		Pin, Dowel
8	3423-091	10	S	Bolt
9	3423-097	3		Bolt
10	3402-581	1		Plate, Oil Guide - Right
11	3004-552	4	S	Screw, Oil Guide Plate
12	3402-582	1		Plate, Oil Guide - Left



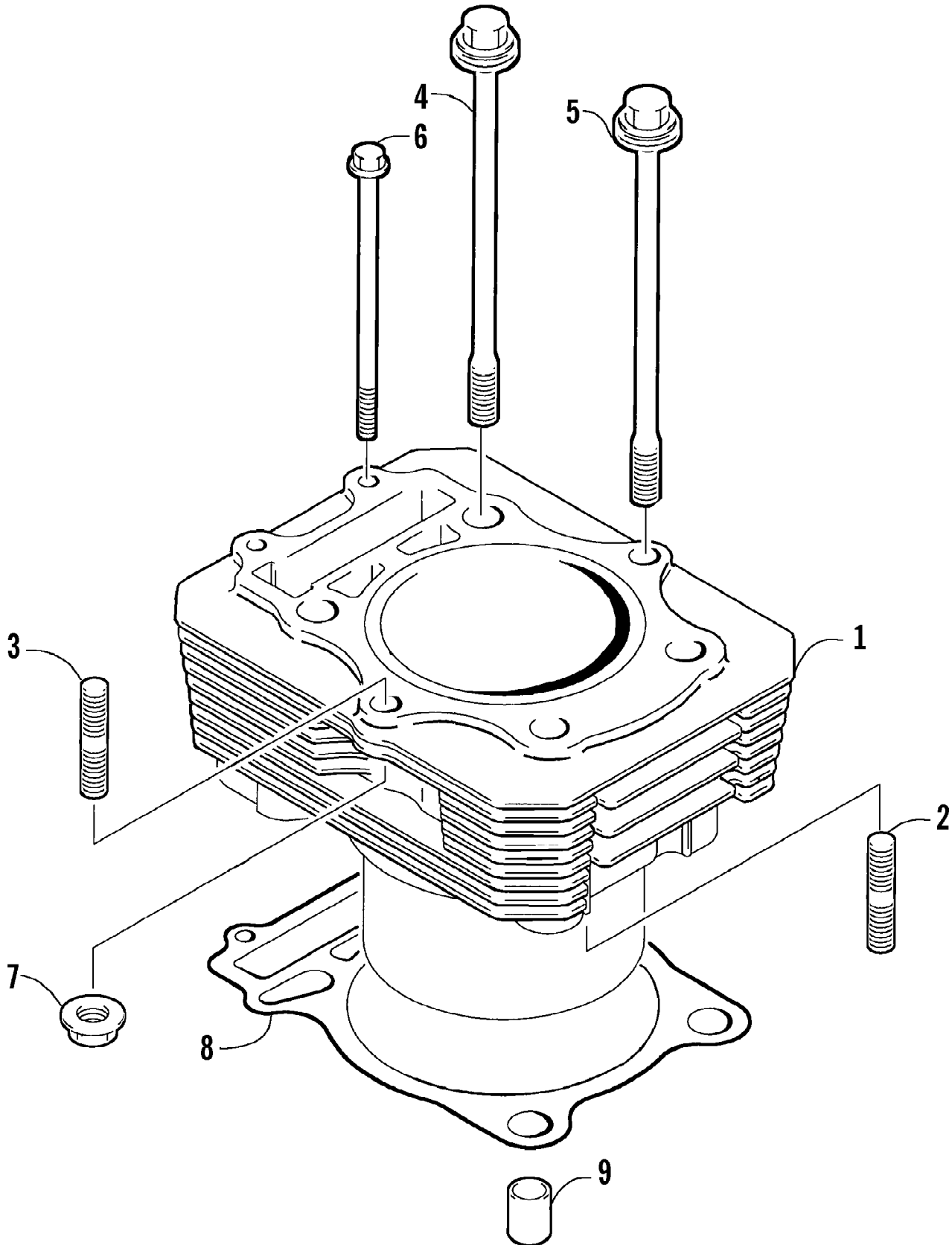
2005 ATV 400 AUTOMATIC TRANSMISSION 4X4 FIS LE CAT GREEN (A2005FIS4E213A) 96  
CRANKSHAFT ASSEMBLY



2005 ATV 400 AUTOMATIC TRANSMISSION 4X4 FIS LE CAT GREEN (A2005P421SA) 96  
CRANKSHAFT ASSEMBLY

Ref #	Part Number	Qty	S/P/F	Description
1	3402-978	1	S	Crankshaft Assembly (inc. 2-8)
2	3402-597	1		Rod, Connecting
3	3402-599	1		Pin, Crank
4	3402-571	1		Bearing
5	3423-440	2		Washer
6	3402-600	1	S	Crankshaft - Right
7	3402-601	1		Crankshaft - Left
8	3402-698	1	/P	Gear, Crank Balancer Drive
9	3402-055	1	/P	Bearing - Right
10	3402-566	1		Bearing - Middle
11	3402-573	1		Seal, Crankshaft Oil
12	3402-602	1		Retainer, Crankshaft Oil Seal - Middle
13	3423-018	6		Screw, Retainer
14	3402-051	1		Bearing
15	3423-063	1		O-Ring
16	3402-119	1	S	Spacer
17	3402-070	1		Seal, Oil
18	3423-053	1	/P	O-Ring
19	3402-188	1	/P	Retainer, Crankshaft Oil Seal - Left
20	3402-594	1		Piston
21	3402-595	1		Ring, Piston - Set
22	3003-439	2	/P	Circlip
23	3402-596	1		Pin, Piston
24	3436-015	1	F	Piston Set (Oversized 0.50 mm)

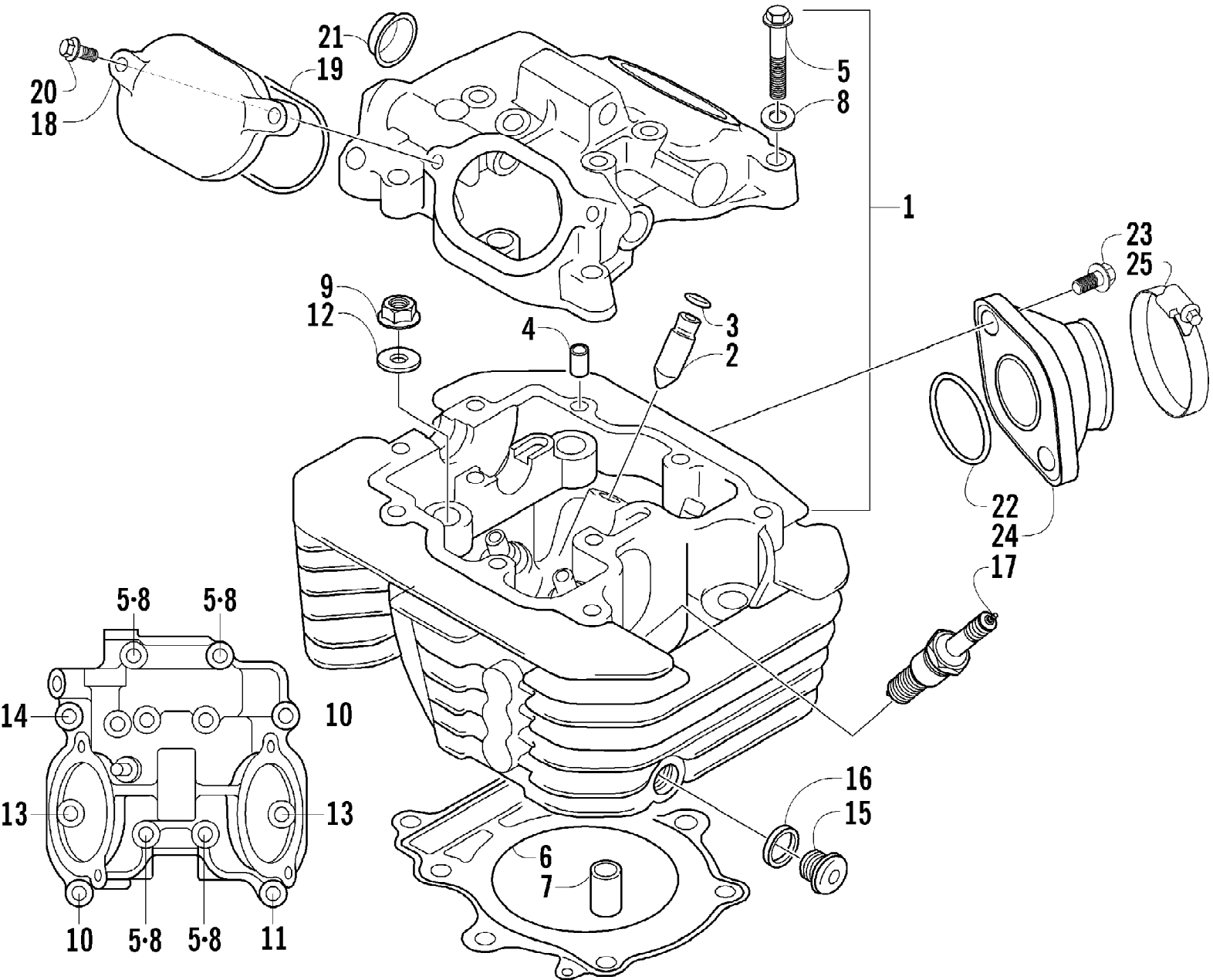
2005 ATV 400 AUTOMATIC TRANSMISSION 4X4 FIS LE CAT GREEN (A2005FIS423SA) 96  
CYLINDER ASSEMBLY



2005 ATV 400 AUTOMATIC TRANSMISSION 4X4 FIS LE CAT GREEN (A2005P4424SA) 96  
 CYLINDER ASSEMBLY

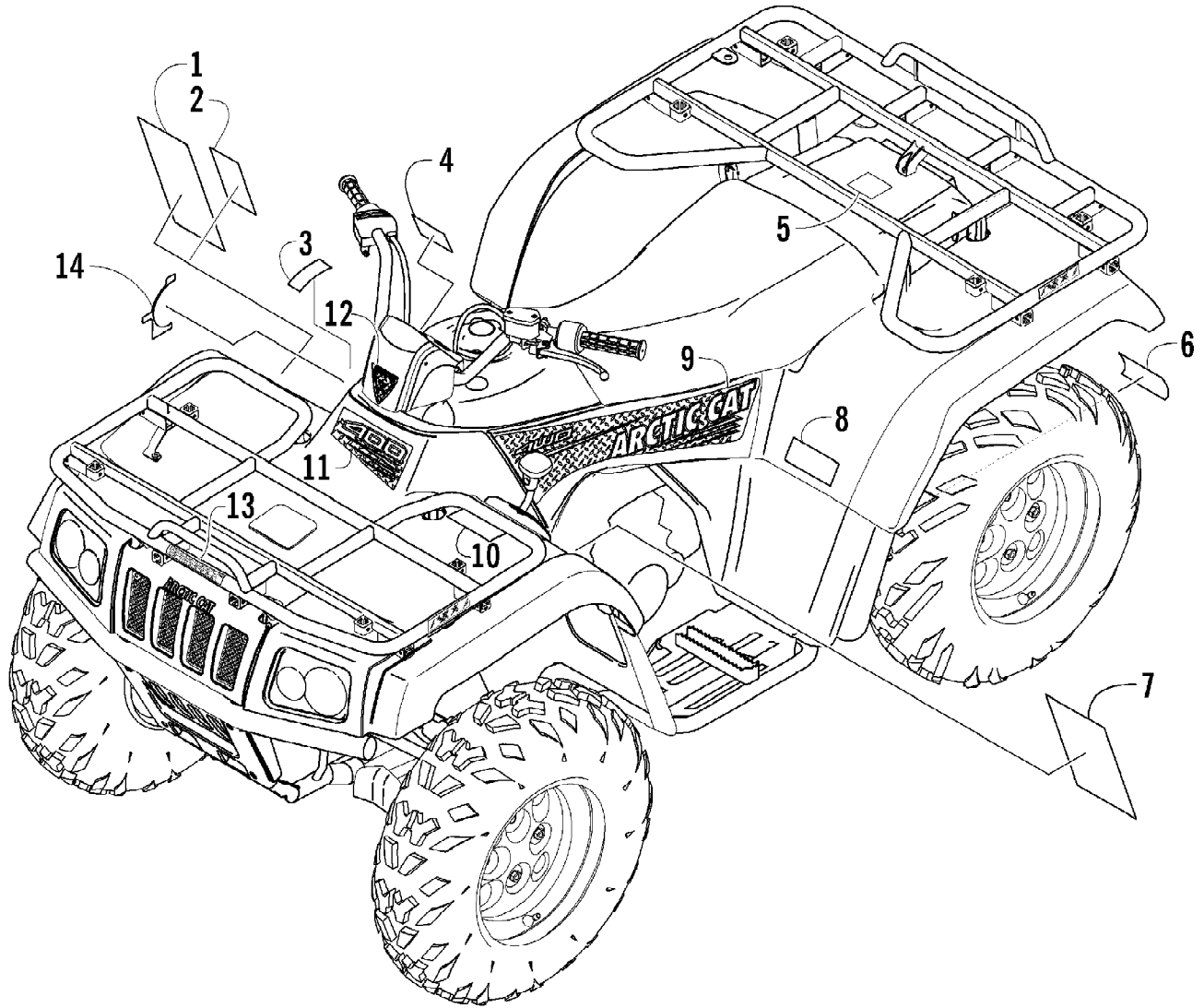
Ref #	Part Number	Qty	S/P/F	Description
1	3402-578	1	S	Cylinder
2	3423-384	2	S	Bolt, Stud
3	3004-778	2	S	Bolt, Stud
4	3423-431	2		Bolt
5	3423-432	2		Bolt
6	3423-427	2		Bolt
7	3004-488	2	S/P	Nut
8	3402-579	1		Gasket, Cylinder
9	3423-088	2		Pin, Dowel

2005 ATV 400 AUTOMATIC TRANSMISSION 4X4 FIS LE CAT GREEN (A2005P44253A) 96  
CYLINDER HEAD ASSEMBLY



2005 ATV 400 AUTOMATIC TRANSMISSION 4X4 FIS LE CAT GREEN (A2005FIS426SA) 96  
CYLINDER HEAD ASSEMBLY

Ref #	Part Number	Qty	S/P/F	Description
1	3402-576	1	S	Head, Cylinder - Assembly (inc. 2-5)
2	3402-099	2		Guide, Valve
3	3423-068	4		Ring, Valve Guide
4	3423-043	2	/P	Pin, Dowel
5	3423-006	4		Bolt
6	3402-577	1		Gasket, Cylinder Head
7	3423-449	2		Pin, Dowel
8	3003-290	4	/P	Gasket
9	3004-326	2	S/P	Nut, Cylinder Head
10	3423-007	2	S	Bolt, Head Cover
11	3423-429	1		Bolt, Head Cover
12	3423-439	4	S	Washer, Cylinder Head Nut
13	3004-376	2	S/P	Bolt, Head Cover
14	3008-376	1	S	Bolt, Head Cover
15	3423-453	1		Plug, Oil Gallery
16	3402-011	1		Gasket, Oil Gallery Plug
17	0217-708	1		Spark Plug (NGK CR7E)
18	3402-100	2		Cap, Inspection
19	3402-101	2		O-Ring
20	3004-341	4	S/P	Bolt, Inspection Cap
21	3402-035	1		Plug, Head
22	3423-353	1	/P	O-Ring
23	8476-620	2		Screw
24	0570-076	1		Manifold, Intake
25	0423-317	1	/P	Clamp
	3402-048	1		Plug, Frost

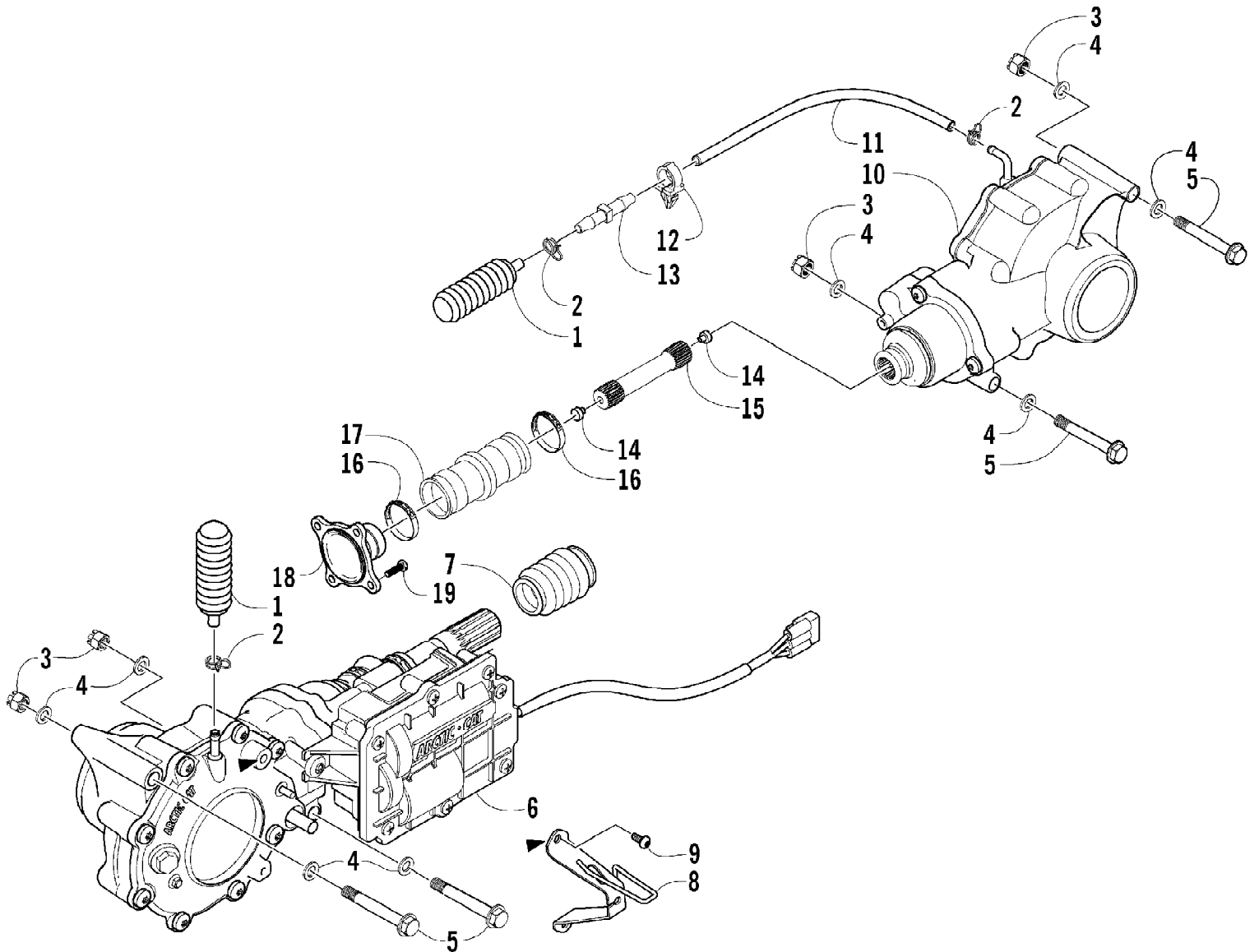


2005 ATV 400 AUTOMATIC TRANSMISSION 4X4 FIS LE CAT GREEN (A2005FIS428SA) 96  
DECALS

Ref #	Part Number	Qty	S/P/F	Description
1	1411-250	1		Decal, Warning - Reverse/Pre-Ride
2	0411-835	1		Decal, Warning - Turn
3	0411-426	1		Decal, Warning - Clutch Cover
4	0411-763	1		Decal, Warning - Differential Lock
5	0411-435	1		Decal, Passenger
6	0411-267	1		Decal, Warning - Towing
7	0411-218	1		Decal, Warning - General
8	0411-430	1		Decal, Warning - Tire Pressure
9	0411-778	1		Decal, Side - Right
9	0411-779	1		Decal, Side - Left
10	0411-401	1		Decal, Warning - Age
11	0411-772	1		Decal, Front
12	0411-782	1		Decal, Crest
13	0411-965	1		Decal, "Speedrack"
14	0	0	F	Decal, Fuel - On/Off/Reserve



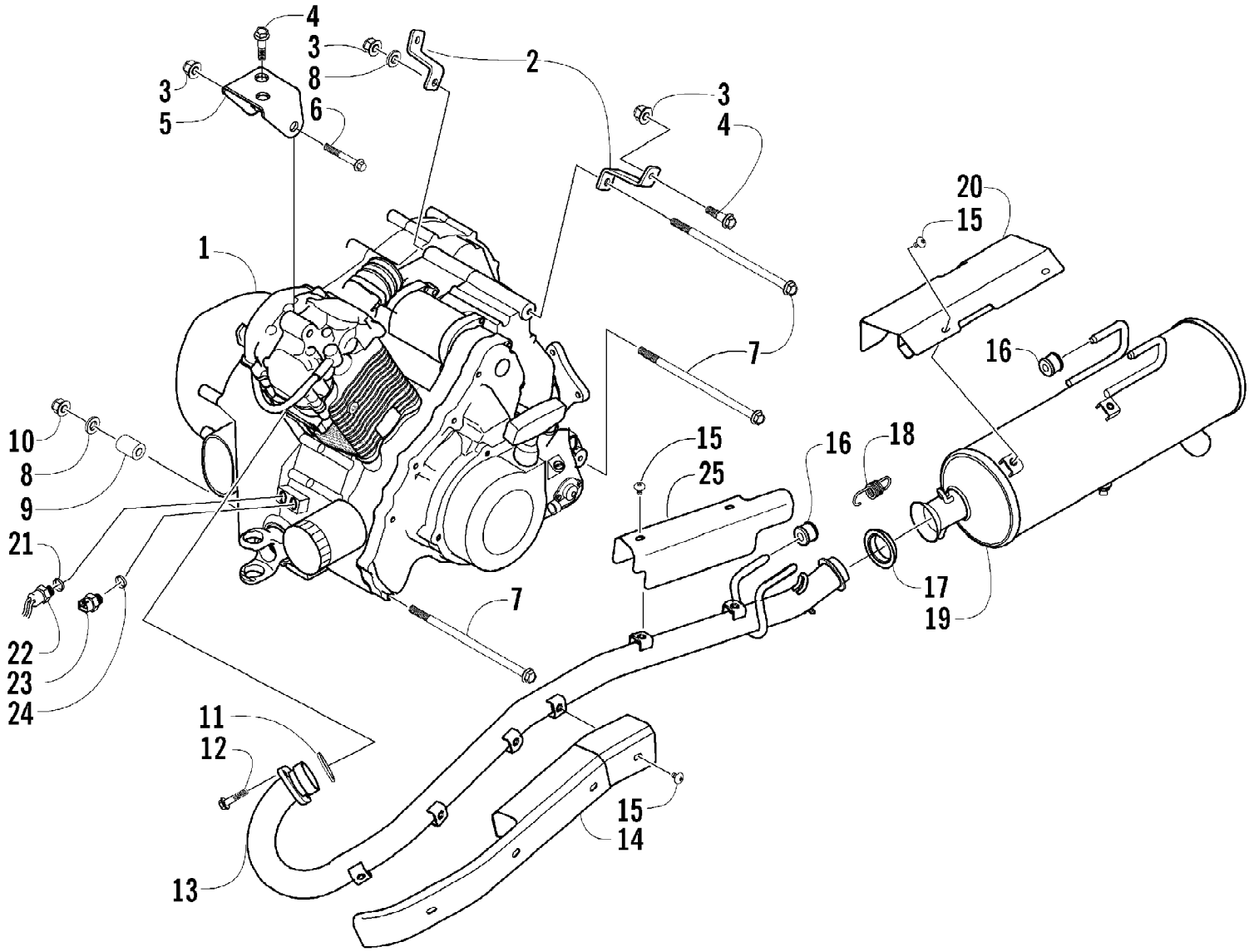
2005 ATV 400 AUTOMATIC TRANSMISSION 4X4 FIS LE CAT GREEN (A2005FIS429SA) 96  
DRIVE TRAIN ASSEMBLY



2005 ATV 400 AUTOMATIC TRANSMISSION 4X4 FIS LE CAT GREEN (A2005FIS430SA)96  
DRIVE TRAIN ASSEMBLY

Ref #	Part Number	Qty	S/P/F	Description
1	0402-147	2	S	Bladder, Gearcase
2	0423-315	4		Clamp, Fitting
3	8428-002	4		Nut, Lock
4	0423-426	8		Washer
5	0423-404	4		Screw, Cap
6	0502-442	1		Gearcase, Front
7	0402-966	1		Boot, Shaft
8	0502-500	1		Plate, Cable
9	0423-396	3		Screw, Self-Tapping
10	0502-642	1	S	Gearcase, Rear
11	0410-049	AR		Hose, Vent
12	0623-101	1		Clip, Routing - Snap-In
13	0470-462	1		Fitting, Vent
14	0673-618	2	/P	Bumper, Propeller Shaft
15	0402-963	1		Shaft, Propeller
16	0423-393	2		Clamp, Boot
17	0402-954	1		Boot
18	0402-950	1		Flange, Output
19	8408-820	4	/P	Screw, Cap

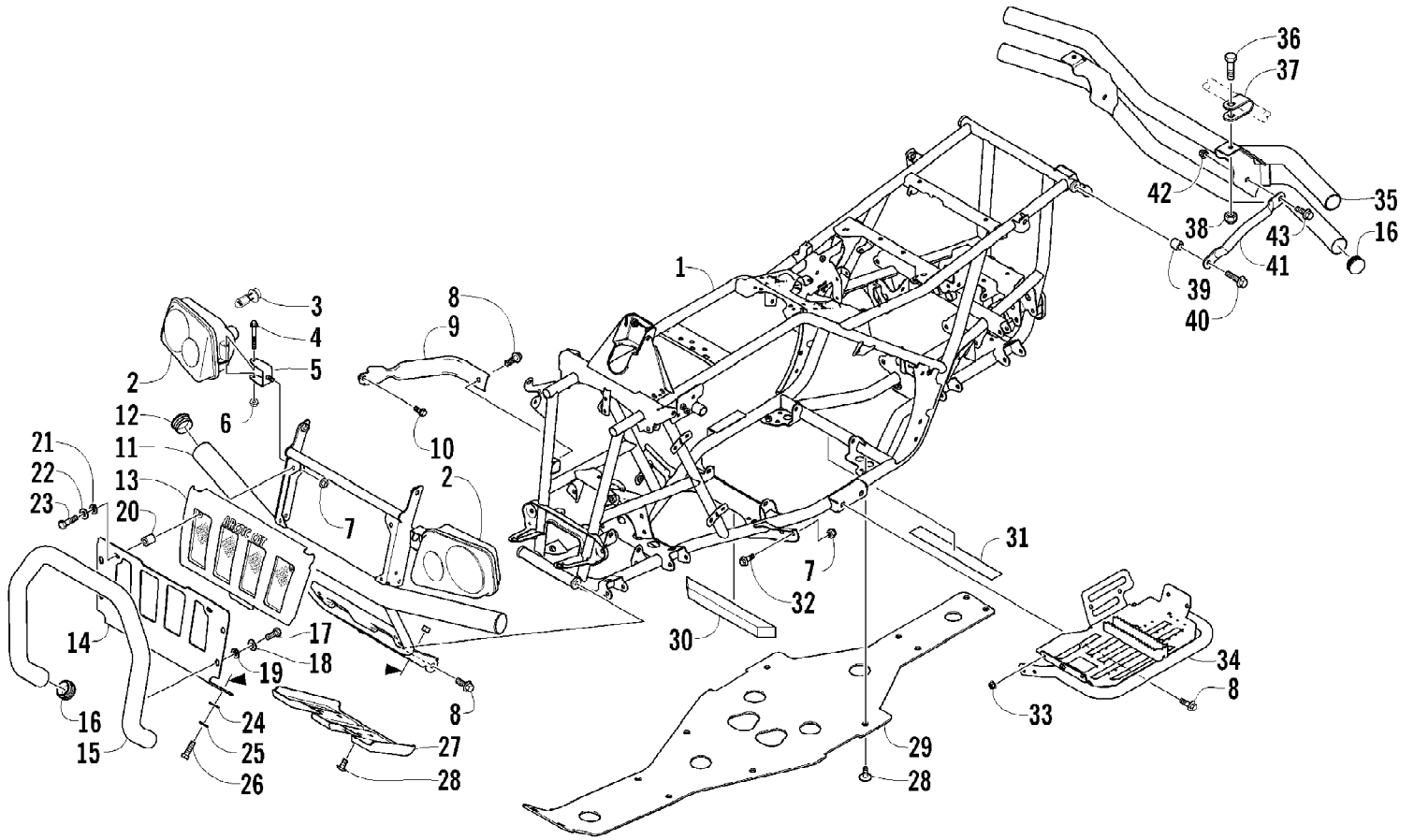
2005 ATV 400 AUTOMATIC TRANSMISSION 4X4 FIS LE CAT GREEN (A2005FIS400A) 96  
ENGINE AND EXHAUST



2005 ATV 400 AUTOMATIC TRANSMISSION 4X4 FIS LE CAT GREEN (A2005FIS4B2SA) 96  
ENGINE AND EXHAUST

Ref #	Part Number	Qty	S/P/F	Description
1	0462-036	1		Engine
2	1506-201	1		Bracket, Engine - Right
2	1506-202	1		Bracket, Engine - Left
3	8424-802	3		Nut
4	8408-816	4		Screw, Cap
5	0506-892	1	/P	Bracket, Engine - Upper
6	8408-860	1		Screw, Cap
7	0423-405	3		Screw, Cap
8	0423-426	4		Washer, Engine
9	0423-042	2	S	Spacer, Engine
10	8428-002	3		Nut, Lock
11	0412-007	1	/P	Seal, Exhaust
12	8408-820	2	/P	Screw, Cap
13	0512-178	1	/P	Pipe, Exhaust
14	0412-220	1		Cover, Exhaust Pipe - Front
15	8477-610	8		Screw, Machine
16	0412-215	4	S	Bushing, Exhaust
17	0612-188	1	/P	Gasket, Exhaust
18	0612-668	2	/P	Spring, Exhaust
19	0512-139	1		Muffler
20	0412-218	1		Cover, Muffler
21	3402-013	1	/P	Gasket, Switch
22	3430-033	1		Switch, Cooling Fan
23	3530-037	1	/P	Switch, Oil Light
24	3402-556	1	/P	Gasket, Switch
25	0412-224	1		Cover, Exhaust Pipe - Rear

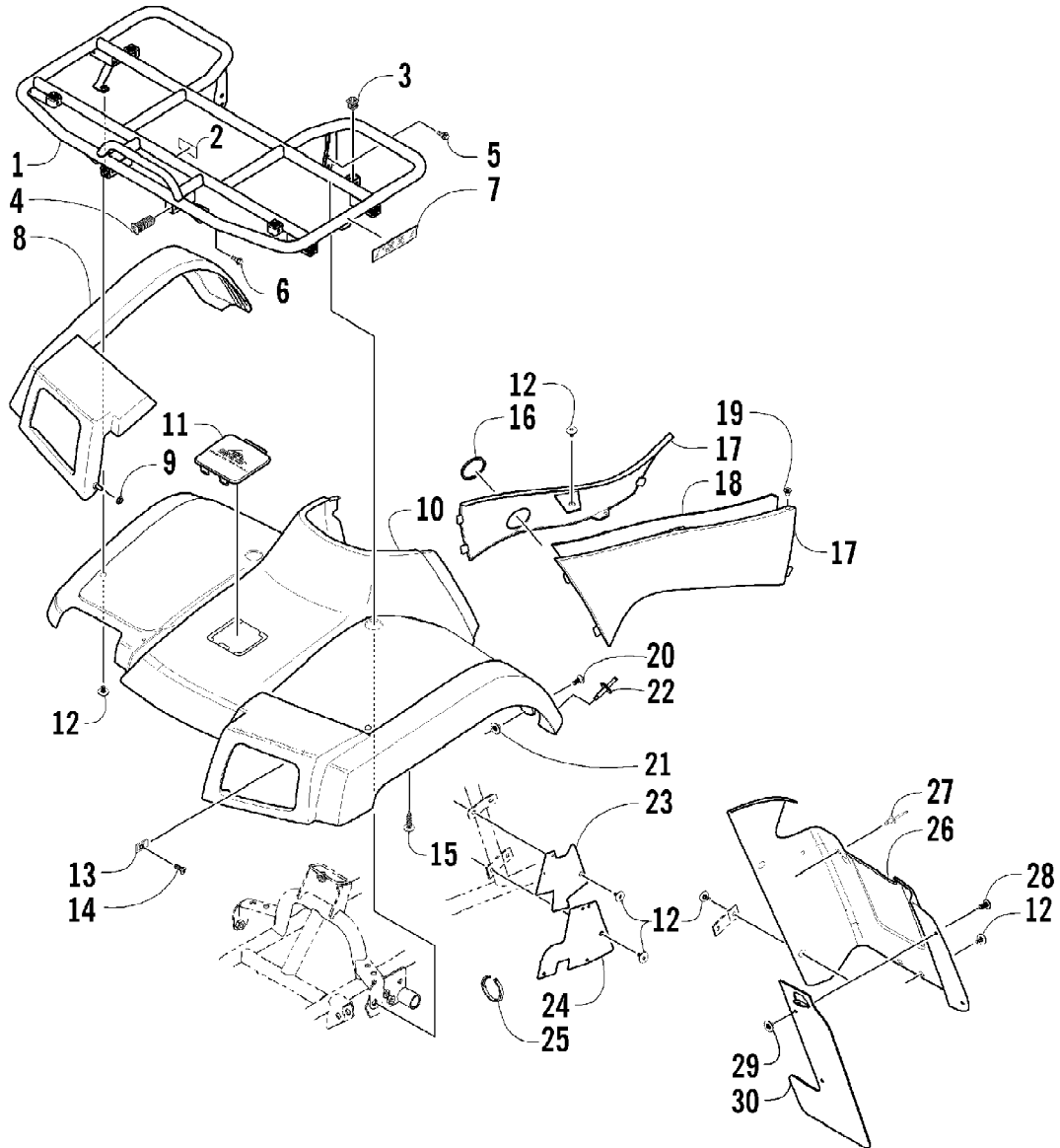
2005 ATV 400 AUTOMATIC TRANSMISSION 4X4 FIS LE CAT GREEN (A2005P4433A) 96  
FRAME AND RELATED PARTS



2005 ATV 400 AUTOMATIC TRANSMISSION 4X4 FIS LE CAT GREEN (A2005FIS400SA) 96  
FRAME AND RELATED PARTS

Ref #	Part Number	Qty	S/P/F	Description
1	1506-465	1	/P	Frame, Main
2	0409-032	1		Headlight Assembly - Right (inc. 3-6)
2	0409-031	1		Headlight Assembly - Left (inc. 3-6)
3	0409-045	2		Bulb, Headlight
4	8410-860	2		Screw, Cap
5	0406-945	2		Bracket, Headlight Mounting
6	0423-375	2		Nut, Lock
7	8424-802	6		Nut, Flange
8	8409-020	8	/P	Screw, Cap
9	0506-653	2	S	Channel, Bumper Mounting
10	8408-812	2		Screw, Cap
11	0506-544	1		Bumper
12	0406-130	2		Cap, Bumper
13	0406-832	1		Grille, Upper
14	0541-290	1		Plate, Bumper Tube
15	0541-291	1		Tube, Bumper
16	0441-517	6		Cap, Bumper
17	8402-816	6		Screw, Cap
18	8451-152	6		Washer, Lock
19	8450-127	6		Washer
20	1441-132	4		Spacer
21	8450-108	2		Washer
22	8451-121	2		Washer, Lock
23	8400-650	2		Screw, Cap
24	8450-126	2		Washer
25	8451-151	2		Washer, Lock
26	8400-860	2		Screw, Cap
27	1441-007	1		Plate, Skid
28	0423-101	AR		Screw, Body
29	1406-030	1		Panel, Belly
30	1506-067	1		Foam, Frame
31	0406-289	1		Pad, Frame
32	8408-816	4		Screw, Cap
33	8424-602	2	/P	Nut, Flange
34	0506-534	1		Footrest - Right
34	0506-728	1		Footrest - Left
35	0541-288	1		Bumper, Rear
36	8475-850	2		Screw, Machine
37	0541-313	2		Bracket, Clamp
38	8422-801	2		Nut, Lock
39	1441-134	2		Spacer
40	8406-020	2		Screw, Cap
41	0441-486	2		Support, Rear Bumper
42	8422-001	2		Nut, Lock
43	8406-040	2		Screw, Cap

2005 ATV 400 AUTOMATIC TRANSMISSION 4X4 FIS LE CAT GREEN (A2005FIS435SA) 96  
FRONT BODY PANEL ASSEMBLY

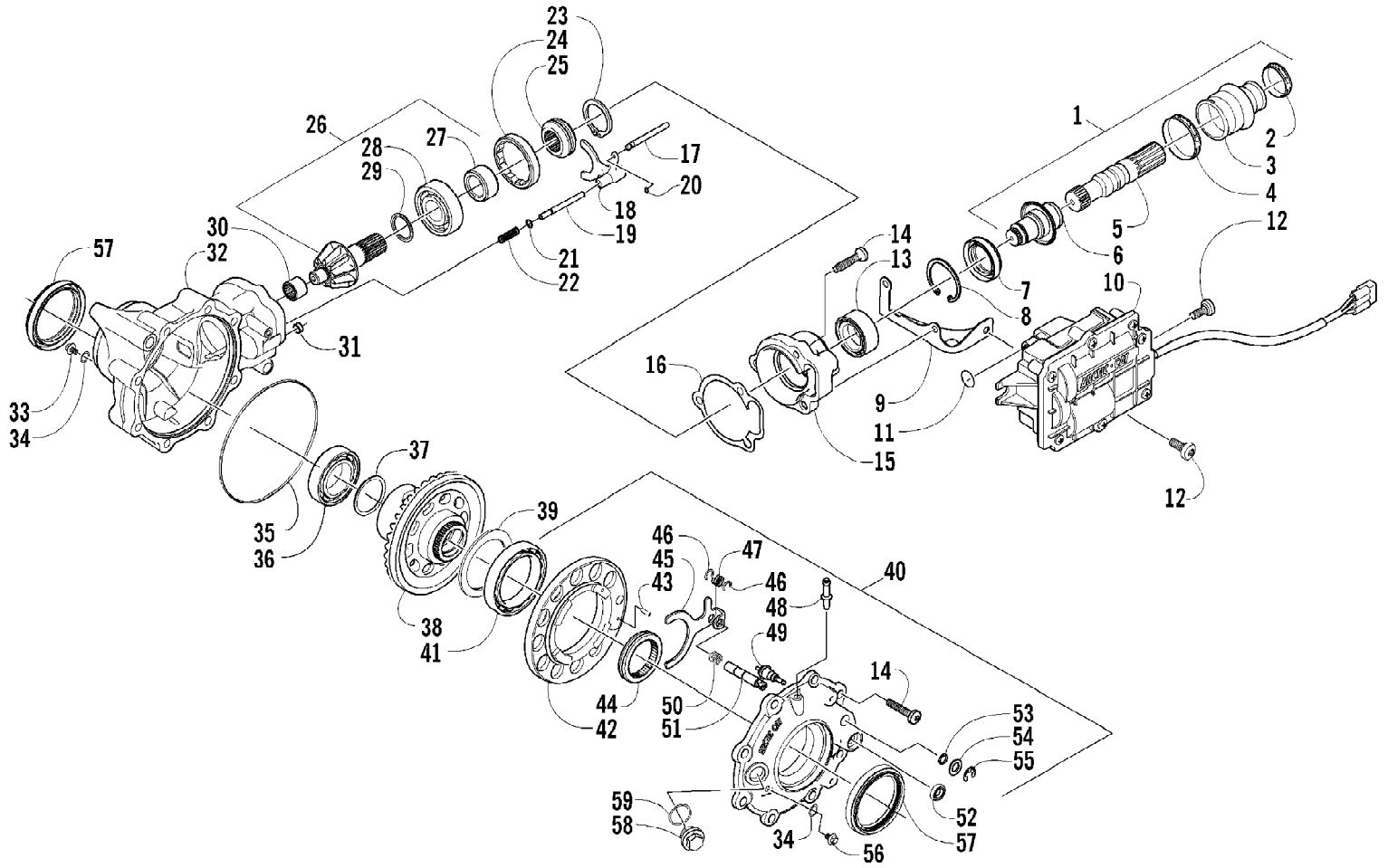


2005 ATV 400 AUTOMATIC TRANSMISSION 4X4 FIS LE CAT GREEN (A2005FIS436SA) 96  
FRONT BODY PANEL ASSEMBLY

Ref #	Part Number	Qty	S/P/F	Description
1	0541-267	1		Rack - Front - Assembly (inc. 2-4)
2	0411-576	1		Decal, Warning - Front Rack Load
3	0441-592	4	/P	Bushing, Rack
4	0441-556	6		Bushing, Rack
5	8408-816	2		Screw, Cap
6	0423-360	2		Screw, Cap
7	0411-646	2		Decal, Reflector - Amber
8	1506-158	1		Flare - Front - Right
8	1506-159	1		Flare - Front - Left
9	0423-357	2		Nut, Stamped
10	1506-478	1		Panel, Fender - Front (inc. 11)
11	1406-041	1		Cover, Access
12	0423-101	AR		Screw, Body
13	0423-031	2		Nut, Speed
14	8477-616	2		Screw, Machine
15	0423-342	6	/P	Screw, Self-Tapping
16	0470-404	1		Grommet, Fuel Shut-Off Valve
17	0506-722	1		Panel, Side - Right
17	0506-723	1		Panel, Side - Left
18	0412-142	1		Shield, Heat
19	0123-010	2	/P	Nut, Expansion
20	0423-356	2		Screw, Shoulder
21	0423-438	2		T-Nut w/Teeth
22	0623-362	2		Rivet, Reinstallable
23	1406-063	2		Panel, Fender - Inner - Upper
24	1406-481	2		Panel, Fender - Inner - Lower
25	0123-788	AR	/P	Cable Tie - 7.5 in.
26	1506-199	1	S	Panel, Kick - Right
26	1506-193	1		Panel, Kick - Left
27	0423-046	AR		Rivet, Plastic
28	0423-361	4		Screw, Machine
29	0423-077	4	/P	T-Nut w/Teeth
30	1506-194	2		Extension, Flare



2005 ATV 400 AUTOMATIC TRANSMISSION 4X4 FIS LE CAT GREEN (A2005FIS437SA) 96  
FRONT DRIVE GEARCASE ASSEMBLY



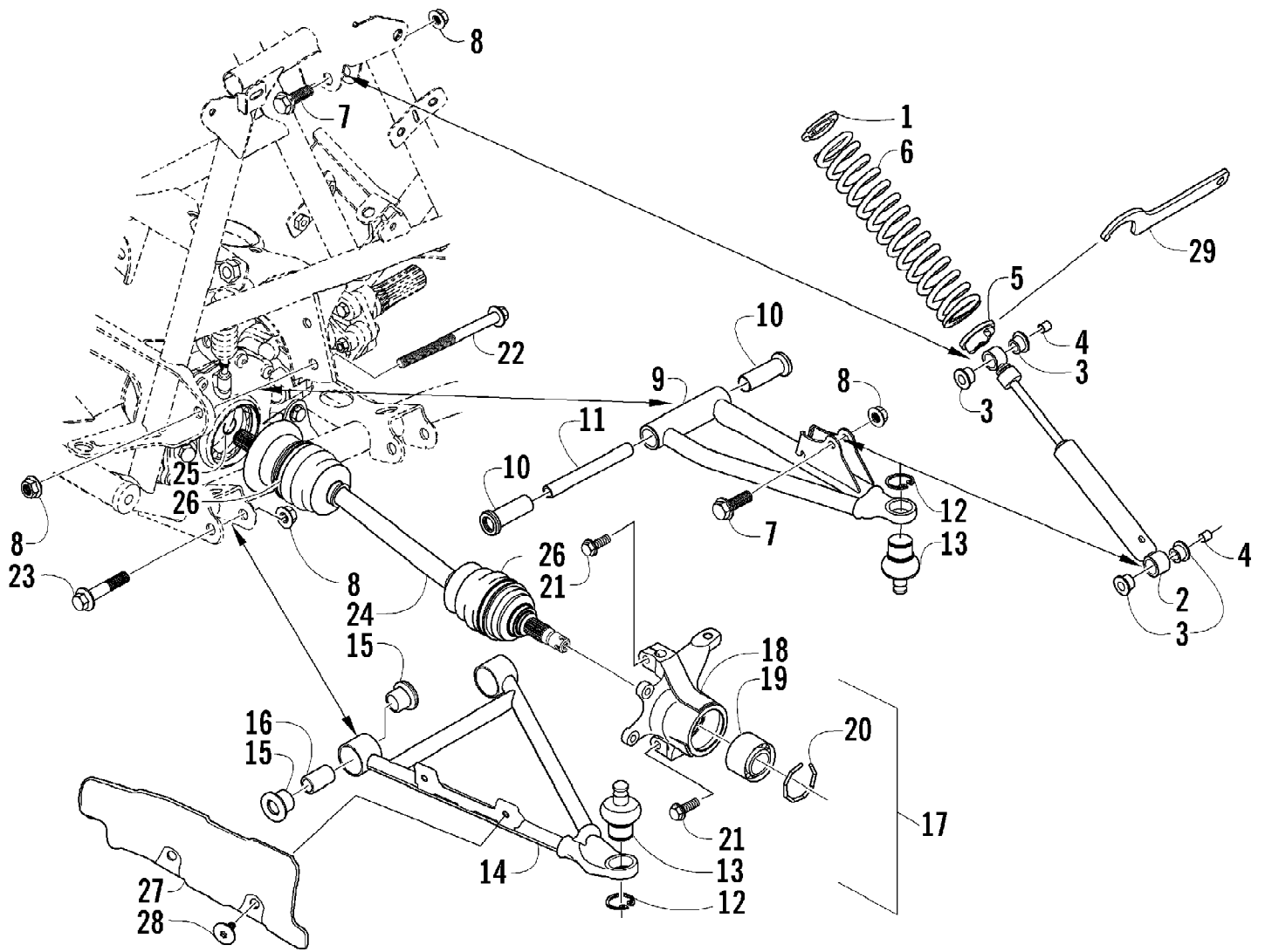
2005 ATV 400 AUTOMATIC TRANSMISSION 4X4 FIS LE CAT GREEN (A2005FIS438SA)96  
FRONT DRIVE GEARCASE ASSEMBLY

Ref #	Part Number	Qty	S/P/F	Description
	0502-442	1		Front Grive Gearcase Assembly
1	0502-386	1		Shaft, Propeller - Assembly (inc. 2-6)
2	0423-411	1		Clamp, Boot
3	0402-985	1	/P	Boot, Propeller Shaft
4	0423-393	1		Clamp, Boot
5	1402-046	1		Shaft, Output
6	0502-407	1	S	Shaft, Input
7	1402-011	1		Seal
8	0423-423	1		Ring, Retaining
9	0502-347	1		Bracket, Actuator
10	0502-579	1		Actuator (inc. one No. 11)
11	0423-498	1	S	O-Ring
12	0423-396	3		Screw, Self-Tapping
13	1402-043	1		Bearing
14	0423-118	11		Screw, Self-Tapping
15	0502-528	1	/P	Housing, Pinion
16	0402-947	1		Gasket, Flange
17	0402-997	1		Shaft, Selector
18	0402-998	1		Fork, Selector
19	0402-417	1		Shaft, Shuttle
20	0423-402	1		Ring, Retaining
21	0423-147	1		O-Ring
22	0402-999	1		Spring, Return
23	0423-417	1		Ring, Retaining
24	0402-357	1		Collar, Lock
25	0402-413	1		Coupler, Drive
26	0502-123	1		Gear, Pinion - Assembly - 10T (inc. 27-29)
27	0402-336	1		Collar, Retaining
28	0402-327	1		Bearing
29	0402-424	AR		Shim
29	0402-425	AR		Shim
29	0402-426	AR		Shim
29	0402-427	AR		Shim
29	0402-428	AR		Shim
30	0402-328	1		Bearing
31	0402-411	1		Pin, Dowel
32	0502-514	1		Housing, Gearcase
33	1402-210	1	/P	Plug, Magnetic (inc. one No. 34)
34	0423-153	2		O-Ring
35	0423-149	1		O-Ring
36	0402-393	1		Bearing
37	0402-405	AR		Shim
37	0402-406	AR		Shim
37	0402-407	AR		Shim
37	0402-408	AR		Shim
37	0402-409	AR		Shim
38	0502-411	1		Gear, Ring - 36T
39	1402-074	AR		Shim
39	1402-075	AR		Shim
39	1402-076	AR		Shim
39	1402-077	AR		Shim
39	1402-078	AR		Shim

2005 ATV 400 AUTOMATIC TRANSMISSION 4X4 FIS LE CAT GREEN (A2005P4439SA) 96  
FRONT DRIVE GEARCASE ASSEMBLY

Ref #	Part Number	Qty	S/P/F	Description
40	0502-434	1		Cover, Gearcase (inc. one No. 34, 41-56, and one No. 57)
41	1402-053	1		Bearing
42	0502-413	1		Flange, Bearing
43	1402-079	1		Pin, Parallel
44	1402-042	1		Collar, Sliding
45	1402-054	1		Fork
46	1402-058	2		Ring, Retaining
47	1402-057	1		Spring
48	1402-104	1		Fitting
49	0402-419	1		Switch, Indicator
50	1402-063	1		Spring
51	1402-055	1		Shaft, Lock
52	1402-056	1		Seal
53	0423-133	1		O-Ring
54	0423-132	1		Washer
55	0423-424	1		Ring, Retaining
56	1402-211	1		Plug, Oil Level (inc. one No. 34)
57	0402-394	2	S	Seal
58	0402-333	1	/P	Plug, Fill (inc. 59)
59	0423-154	1		O-Ring

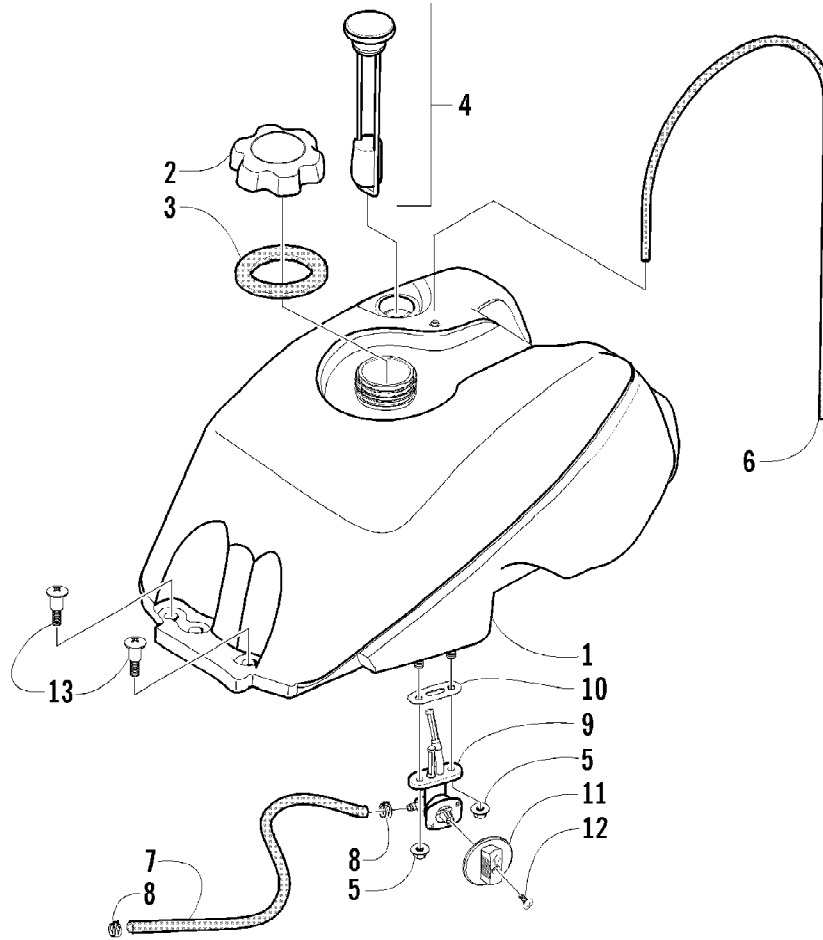
2005 ATV 400 AUTOMATIC TRANSMISSION 4X4 FIS LE CAT GREEN (A2005FIS4BUSA) 96  
FRONT SUSPENSION ASSEMBLY



2005 ATV 400 AUTOMATIC TRANSMISSION 4X4 FIS LE CAT GREEN (A2005FIS4BUSA)96  
FRONT SUSPENSION ASSEMBLY

Ref #	Part Number	Qty	S/P/F	Description
1	1603-889	2	/P	Retainer, Spring
2	0403-127	2		Shock Absorber - Front (inc. 3-4)
3	0604-310	8		Bushing, Shock Absorber
4	0403-028	4		Sleeve, Shock
5	0403-102	2		Cam, Spring Adjuster
6	0403-129	2	S	Spring, Shock Absorber
7	8409-040	4		Screw, Cap
8	8428-002	10		Nut, Lock
9	0503-272	1	S	A-Arm, Upper Right (inc. 10-13)
9	0503-273	1	S	A-Arm, Upper Left (inc. 10-13)
10	0403-081	4	S	Bushing
11	0403-080	2		Collar
12	0423-009	4	/P	Clip, Ball Joint
13	0405-115	4	/P	Ball Joint - Front
14	0503-268	1	/P	A-Arm, Lower Right (inc. 12-13 and 15-16)
14	0503-269	1		A-Arm, Lower Left (inc. 12-13 and 15-16)
15	0403-115	8	S	Bushing
16	0403-114	4	S	Collar
17	0505-446	1	/P	Knuckle - Assembly - Right (inc. 18-20)
17	0505-447	1	/P	Knuckle - Assembly - Left (inc. 18-20)
18	0	1		Knuckle, Steering - Right Not a Service Part
18	0	1		Knuckle, Steering - Left Not a Service Part
19	1402-027	2	S/P	Bearing, Wheel Hub
20	0423-423	2		Ring, Retaining
21	8409-030	4		Screw, Cap
22	0423-334	2		Screw, Cap
23	8409-075	4		Screw, Cap
24	0502-542	1		Axle, Drive - Front - Right (inc. 25-26)
24	0502-547	1		Axle, Drive - Front - Left (inc. 25-26)
25	0441-400	2	S	Clip, Retaining
26	0436-276	2	S	Repair Kit, Boot - Front Axle
27	0441-756	1		Guard, Boot - Axle - Right
27	0441-757	1		Guard, Boot - Axle - Left
28	0423-101	4		Screw, Body
29	0441-587	1		Wrench, Spanner

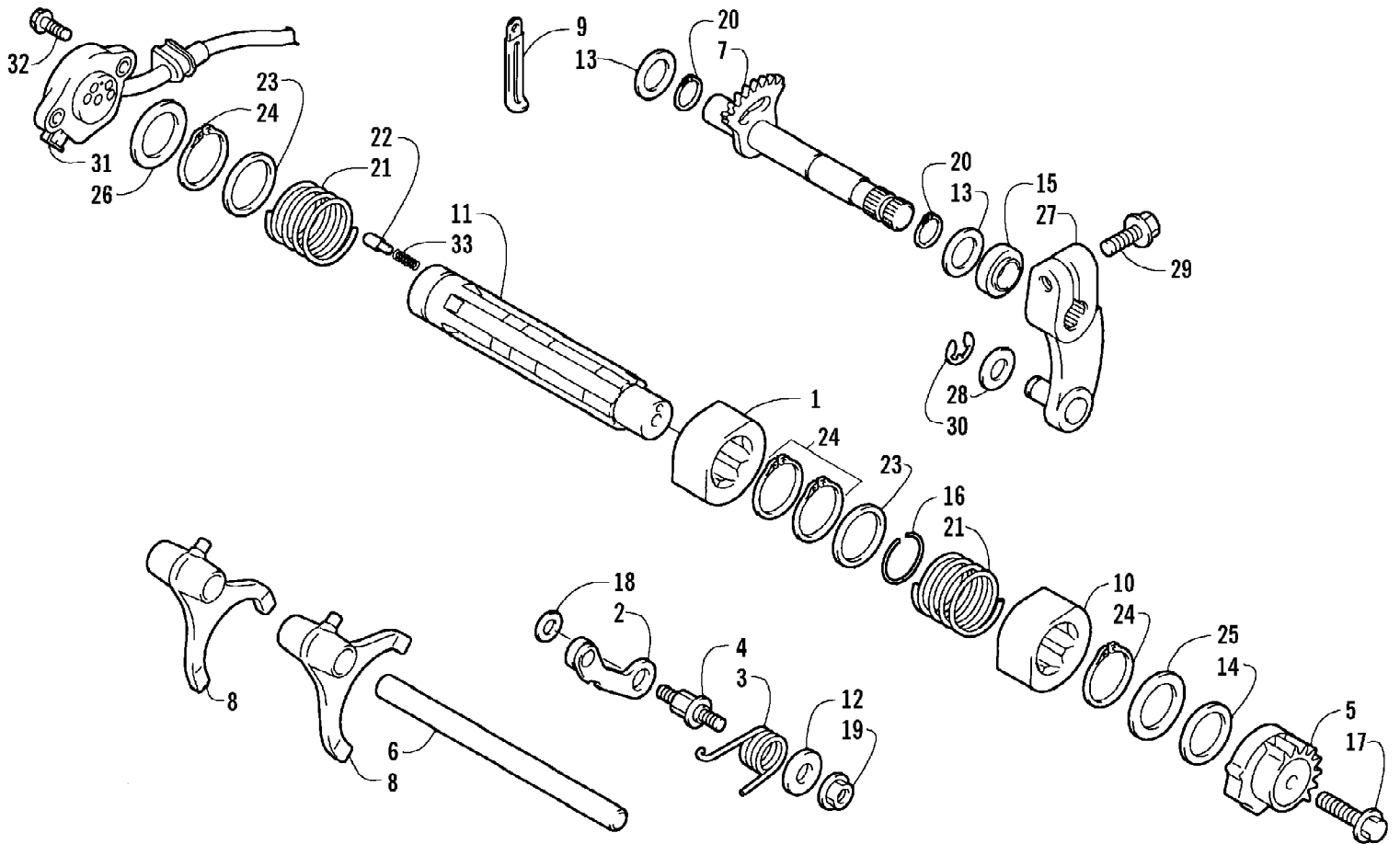
2005 ATV 400 AUTOMATIC TRANSMISSION 4X4 FIS LE CAT GREEN (A2005FIS400A) 96  
GAS TANK ASSEMBLY



2005 ATV 400 AUTOMATIC TRANSMISSION 4X4 FIS LE CAT GREEN (A2005FIS4BUSA) 96  
GAS TANK ASSEMBLY

Ref #	Part Number	Qty	S/P/F	Description
1	0570-066	1	/P	Tank, Gas - Assembly (inc. 2-10)
2	0470-438	1	/P	Cap, Gas Tank (inc. 3)
3	0109-733	1	/P	Gasket, Tank Cap
4	0570-086	1	/P	Gauge, Fuel w/Gasket (Press-Fit)
5	0423-398	2		Nut, Lock
6	0470-416	1	/P	Hose, Vent
7	0610-007	AR	/P	Hose, Gasline - 25 ft
8	0423-152	2		Clamp, Hose
9	0470-445	1	/P	Valve, Fuel Shut-Off (inc. 10)
10	0470-364	1		Gasket, Fuel Shut-Off Valve
11	0470-408	1		Knob, Fuel Shut-Off Valve
12	0423-146	1		Screw, Machine
13	0423-130	2		Screw, Shoulder

2005 ATV 400 AUTOMATIC TRANSMISSION 4X4 FIS LE CAT GREEN (A2005FIS400USA) 96  
GEAR SHIFTING ASSEMBLY

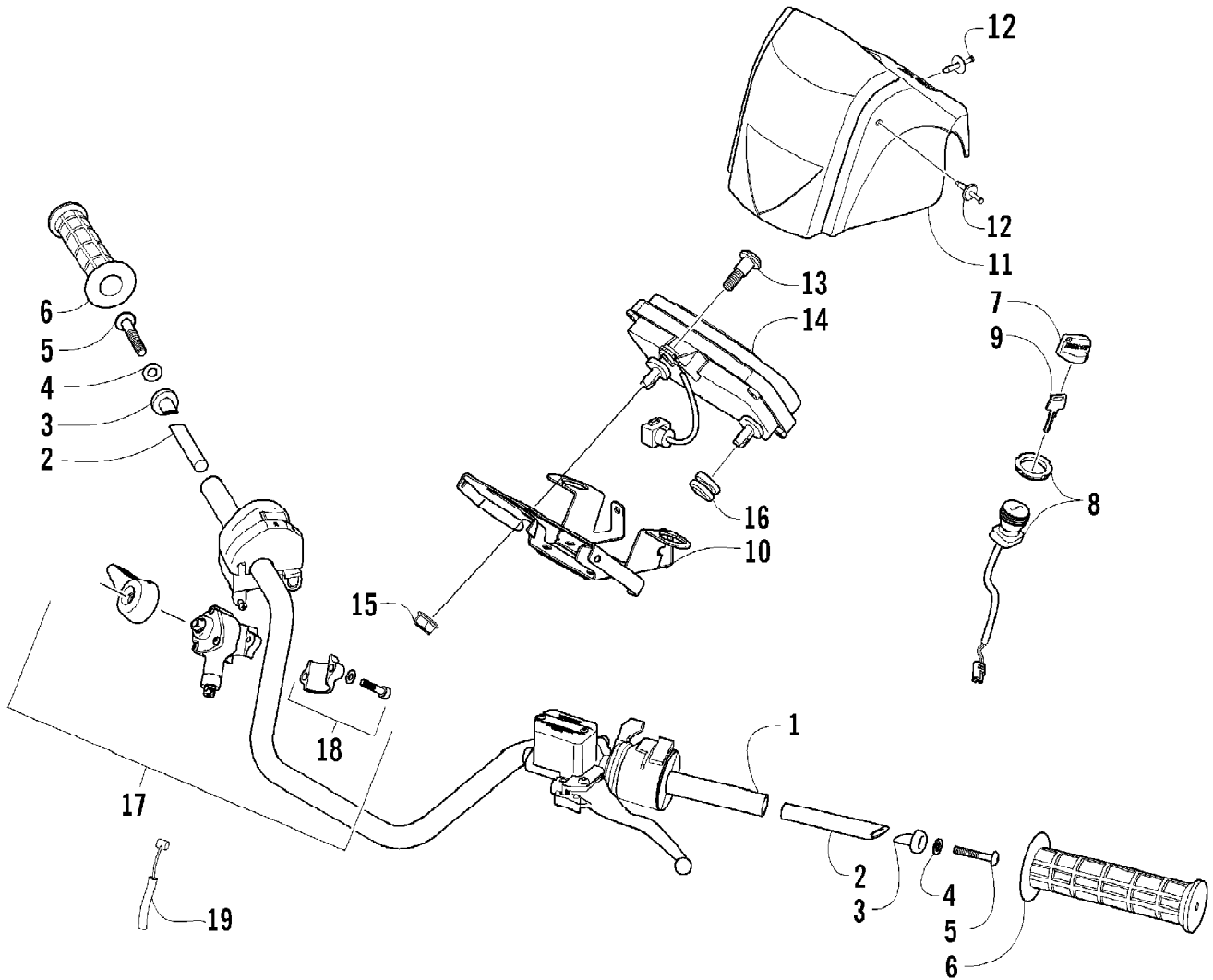




2005 ATV 400 AUTOMATIC TRANSMISSION 4X4 FIS LE CAT GREEN (A2005FIS4BUSA) 96  
GEAR SHIFTING ASSEMBLY

Ref #	Part Number	Qty	S/P/F	Description
1	3402-640	1		Cam, Reverse
2	3446-043	1		Stopper, Cam
3	3446-283	1		Spring, Cam Stopper
4	3446-048	1		Support, Cam Stopper
5	3402-642	1		Plate, Gear Shift Cam
6	3402-643	1		Shaft, Shift Fork
7	3402-644	1		Shaft, Sub-Gear Shift
8	3446-073	2		Fork, Shift
9	3004-787	1		Clamp, Wire
10	3402-670	1		Cam, Gear Shift
11	3446-281	1		Shaft, Gear Shift
12	3423-438	1		Washer, Cam Stopper Spring
13	1691-043	2		Washer, Sub-Gear Shift Shaft
14	3423-446	1		Washer, Gear Shift Cam Plate
15	3402-076	1		Seal, Sub-Gear Shift Shaft
16	3423-416	1		C-Ring, Cam
17	3004-376	1	S/P	Bolt, Gear Shift Cam Plate
18	3423-141	1		Washer, Cam Stopper
19	3004-488	1	S/P	Nut, Cam Stopper Spring
20	3423-358	2	S	Circlip, Sub-Gear Shift Shaft
21	3446-280	2		Spring, Cam
22	3423-044	2		Contact
23	3402-382	2		Washer, Cam Spring
24	3423-191	4	/P	Circlip, Cam Spring
25	3402-195	1		Washer, Shift Shaft
26	3423-421	1	/P	Washer, Shift Shaft
27	3402-434	1	/P	Arm, Select
28	3423-204	1	/P	Washer, Select Arm
29	3004-341	1	S/P	Bolt, Select Arm
30	3423-153	1		E-Ring
31	3402-997	1		Base, Gear Shift - Assembly
32	3423-418	2		Bolt
33	3402-087	2		Spring

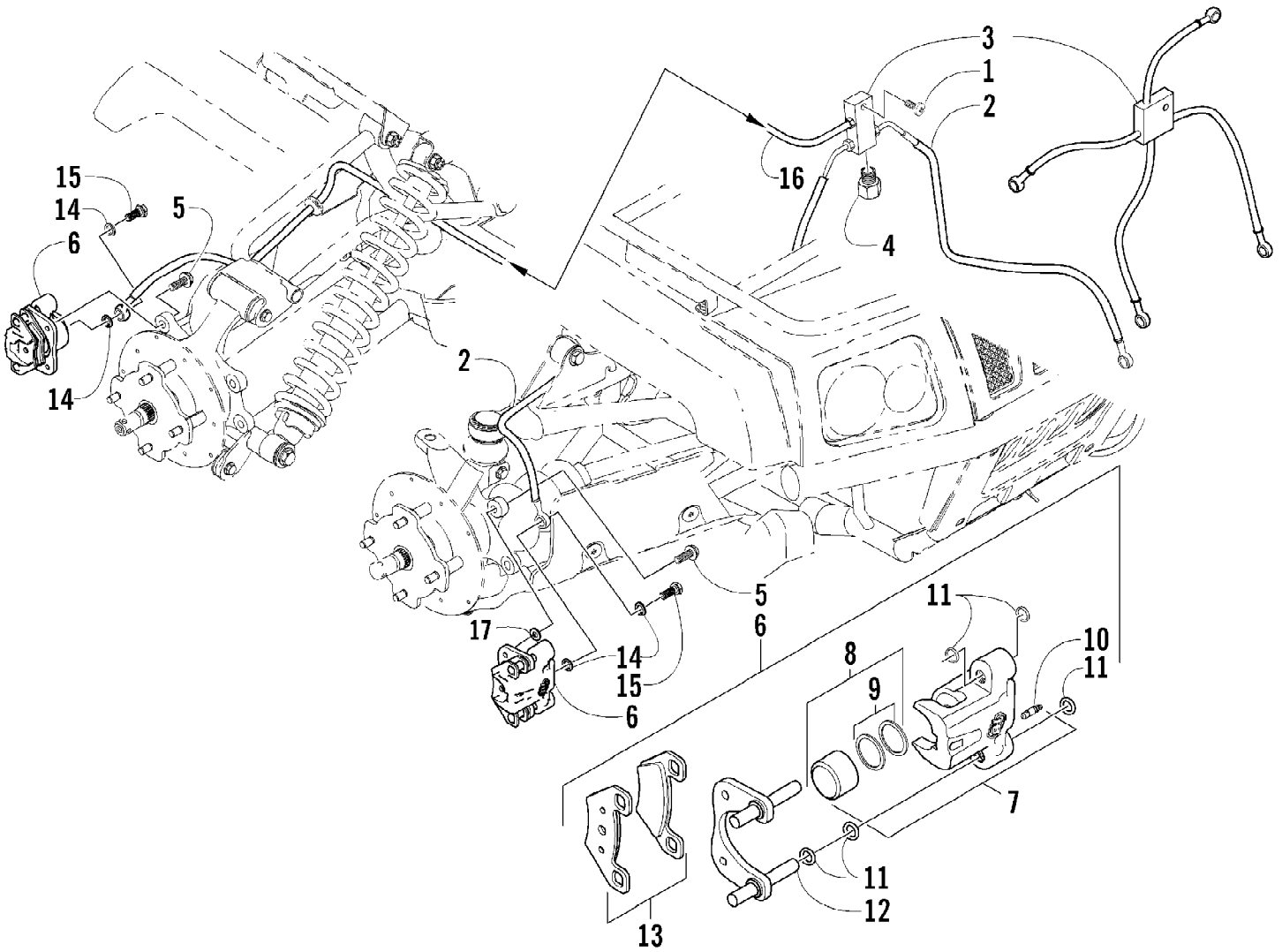
2005 ATV 400 AUTOMATIC TRANSMISSION 4X4 FIS LE CAT GREEN (A2005FIS4B16SA) 96  
HANDLEBAR ASSEMBLY



2005 ATV 400 AUTOMATIC TRANSMISSION 4X4 FIS LE CAT GREEN (A2005FIS4BUSA) 96  
HANDLEBAR ASSEMBLY

Ref #	Part Number	Qty	S/P/F	Description
1	0505-448	1		Tube, Handlebar
2	0405-148	2		Plug, Handlebar
3	0405-149	2		End Cap, Handlebar
4	8050-247	2	/P	Washer
5	8477-845	2		Screw, Machine
6	0405-147	2		Grip, Handlebar
7	0409-013	1		Cover, Key
8	3430-040	1		Switch, Ignition - Assembly (inc. 9)
9	3409-007	1	/P	Key, Ignition - Blank (C Series)
9	3409-011	1		Key, Ignition - Blank (D Series)
9	3409-012	1		Key, Ignition - Blank (E Series)
9	3409-013	1		Key, Ignition - Blank (F Series)
10	1506-423	1		Bracket, Mounting - Instrument Pod
11	0405-134	1		Instrument Pod
12	0423-535	4		Rivet, Reinstallable
13	0423-356	1		Screw, Shoulder
14	0420-052	1		Gauge, Digital
15	8424-602	1	/P	Nut, Flange
16	0423-448	2		Grommet
17	0502-527	1		Control, Differential Lock (inc. 18)
18	0502-613	1		Clamp, Differential Lock Control - Kit
19	0487-030	1	S	Cable, Differential Lock

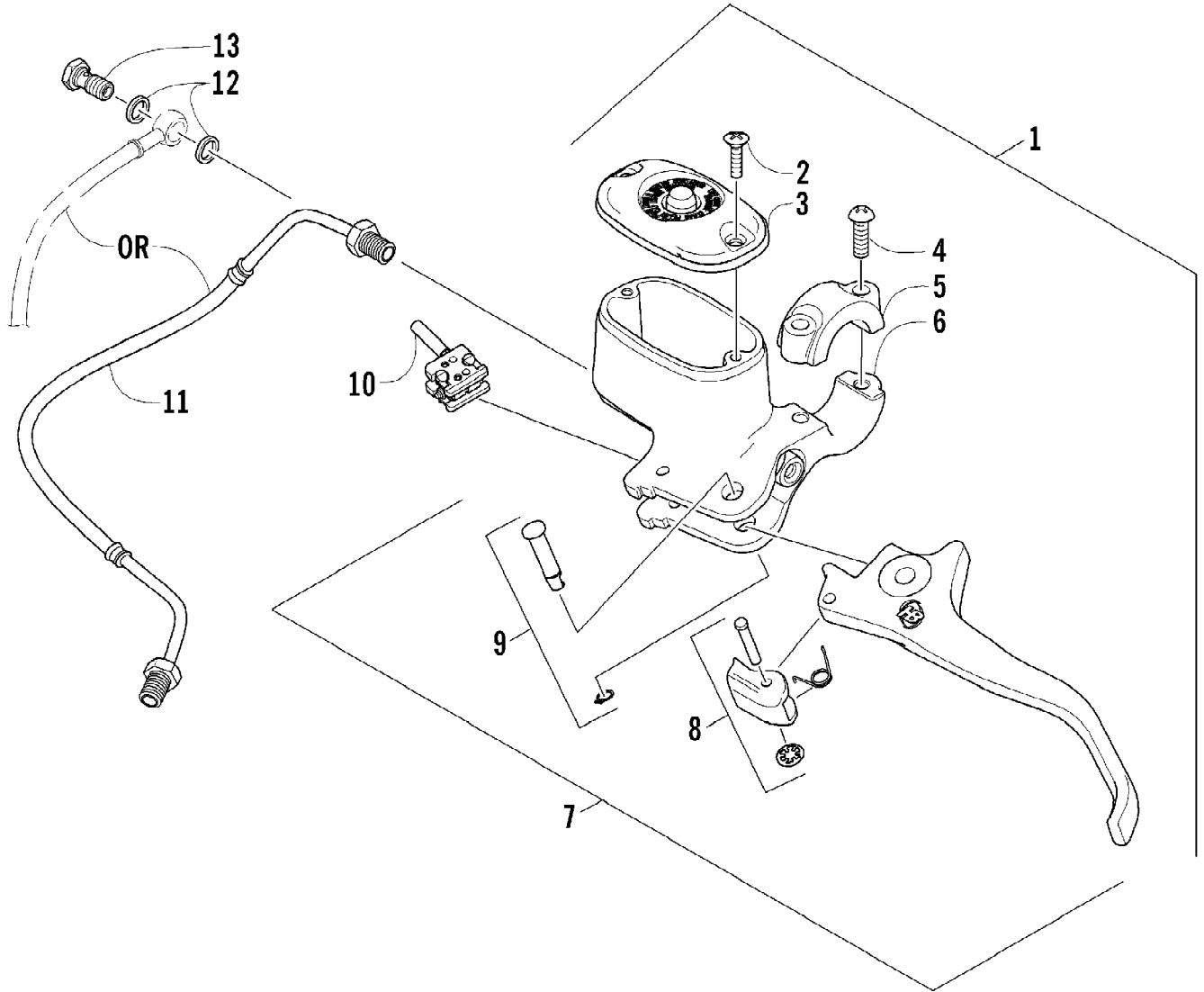
2005 ATV 400 AUTOMATIC TRANSMISSION 4X4 FIS LE CAT GREEN (A2005FIS4B183A) 96  
HYDRAULIC BRAKE ASSEMBLY



2005 ATV 400 AUTOMATIC TRANSMISSION 4X4 FIS LE CAT GREEN (A2005FIS4BUSA) 96  
HYDRAULIC BRAKE ASSEMBLY

Ref #	Part Number	Qty	S/P/F	Description
1	8476-625	1		Screw, Cap
2	1402-231	1		Hose, Brake - Front - Right Used in conjunction with Brake Assembly (p/n 0502-620) and Hydraulic Brakeline (p/n 1402-212)
2	1402-232	1		Hose, Brake - Front - Left Used in conjunction with Brake Assembly (p/n 0502-620) and Hydraulic Brakeline (p/n 1402-212)
3	1402-086	1		Hose, Brake - Assembly - Rectangular Used in conjunction with Brake Assembly (p/n 0502-620) and Hydraulic Brakeline (p/n 1402-212)
3	0502-627	1		Hose, Brake - Assembly - Square Used in conjunction with Brake Assembly (p/n 0502-703)
4	1402-031	1		Plug Used in conjunction with Brake Assembly (p/n 0502-620) and Hydraulic Brakeline (p/n 1402-212)
5	8408-820	6	/P	Screw, Cap
6	0502-602	1	S	Caliper, Brake - Right Front (inc. 5-11)
6	0502-610	2	S	Caliper, Brake - Left Front and Right Rear (inc. 5-11)
7	0502-603	1	S	Housing, Caliper - Assembly - Right Front (inc. 6-8)
7	0502-611	2	S	Housing, Caliper - Assembly - Left Front and Right Rear (inc. 6-8)
8	0502-606	3		Piston/Seal Set (inc. 7)
9	0502-607	3		Seal Set
10	0502-609	3	/P	Valve, Bleed
11	0502-608	3		O-Ring, Guide - Set
12	0502-605	3		Bracket Assembly
13	0502-604	3	S	Pad, Brake - Set
14	0423-178	6		Washer, Crush
15	0423-413	3		Bolt, Banjo Fitting
16	1402-204	1		Hose, Brake - Rear Used in conjunction with Brake Assembly (p/n 0502-620) and Hydraulic Brakeline (p/n 1402-212)
17	0423-562	4		Spacer

2005 ATV 400 AUTOMATIC TRANSMISSION 4X4 FIS LE CAT GREEN (A2005FIS450SA) 96  
HYDRAULIC HAND BRAKE ASSEMBLY

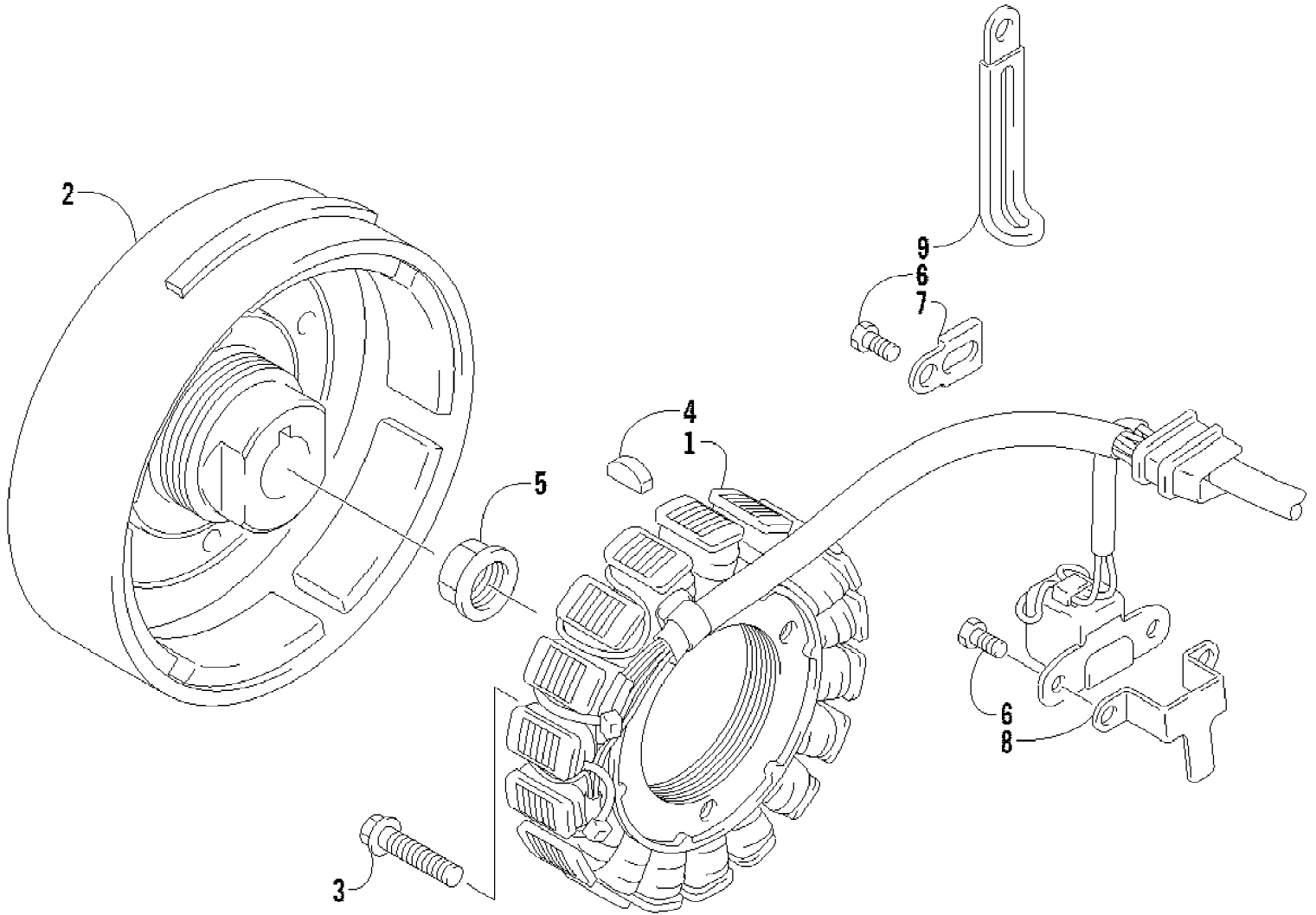


2005 ATV 400 AUTOMATIC TRANSMISSION 4X4 FIS LE CAT GREEN (A2005FIS4EUSA)96  
HYDRAULIC HAND BRAKE ASSEMBLY

Page 5 of 13

Ref #	Part Number	Qty	S/P/F	Description
1	0502-620	1	S/P/F	Brake Assembly (inc. 2-10)
1	0502-703	1	S/F	Brake Assembly
2	0502-566	1		Screw, Reservoir Cover - Kit
3	0502-565	1	F	Cover, Reservoir - Kit
3	0502-706	1	S/F	Cover, Reservoir - Kit
4	0502-568	1		Screw, Master Cylinder Clamp - Kit
5	0502-567	1	F	Clamp, Master Cylinder - Kit
5	0502-705	1	F	Clamp, Master Cylinder - Kit
6	0502-633	1	F	Master Cylinder Assembly - Kit
6	0502-704	1	F	Master Cylinder Assembly - Kit
7	0502-634	1	/P	Lever Assembly - Kit (inc. 8-9)
8	0502-635	1		Lock, Brake Lever - Kit
9	0502-580	1		Lever Pin - Kit
10	0502-564	1	/P	Switch, Brake - Kit
11	1402-212	1	F	Brakeline, Hydraulic
12	0423-178	2	F	Washer, Crush
13	0423-413	1	F	Bolt, Banjo Fitting

2005 ATV 400 AUTOMATIC TRANSMISSION 4X4 FIS LE CAT GREEN (A2005FIS4523A) 96  
MAGNETO ASSEMBLY

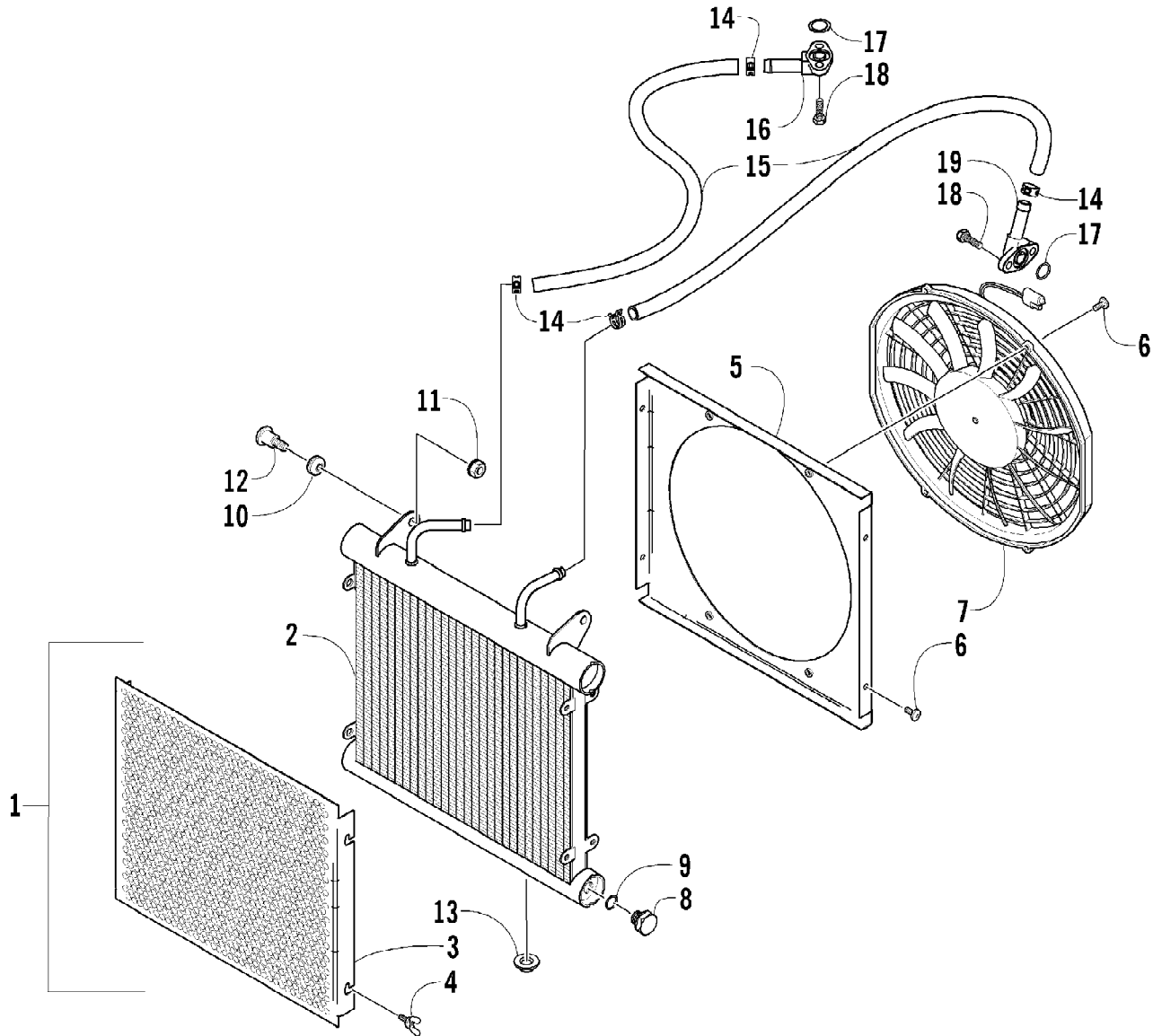




2005 ATV 400 AUTOMATIC TRANSMISSION 4X4 FIS LE CAT GREEN (A2005P4453SA) 96  
 MAGNETO ASSEMBLY

Ref #	Part Number	Qty	S/P/F	Description
1	3430-053	1		Stator Assembly
2	3430-054	1	S	Rotor/Flywheel
3	3004-756	3	S	Bolt
4	0691-785	1		Key
5	3423-086	1		Nut
6	3423-005	3	/P	Bolt
7	3430-005	1		Clamp
8	3430-006	1		Clamp
9	3002-964	1	/P	Clamp, Wire

2005 ATV 400 AUTOMATIC TRANSMISSION 4X4 FIS LE CAT GREEN (A2005P445A) 96  
OIL COOLER ASSEMBLY

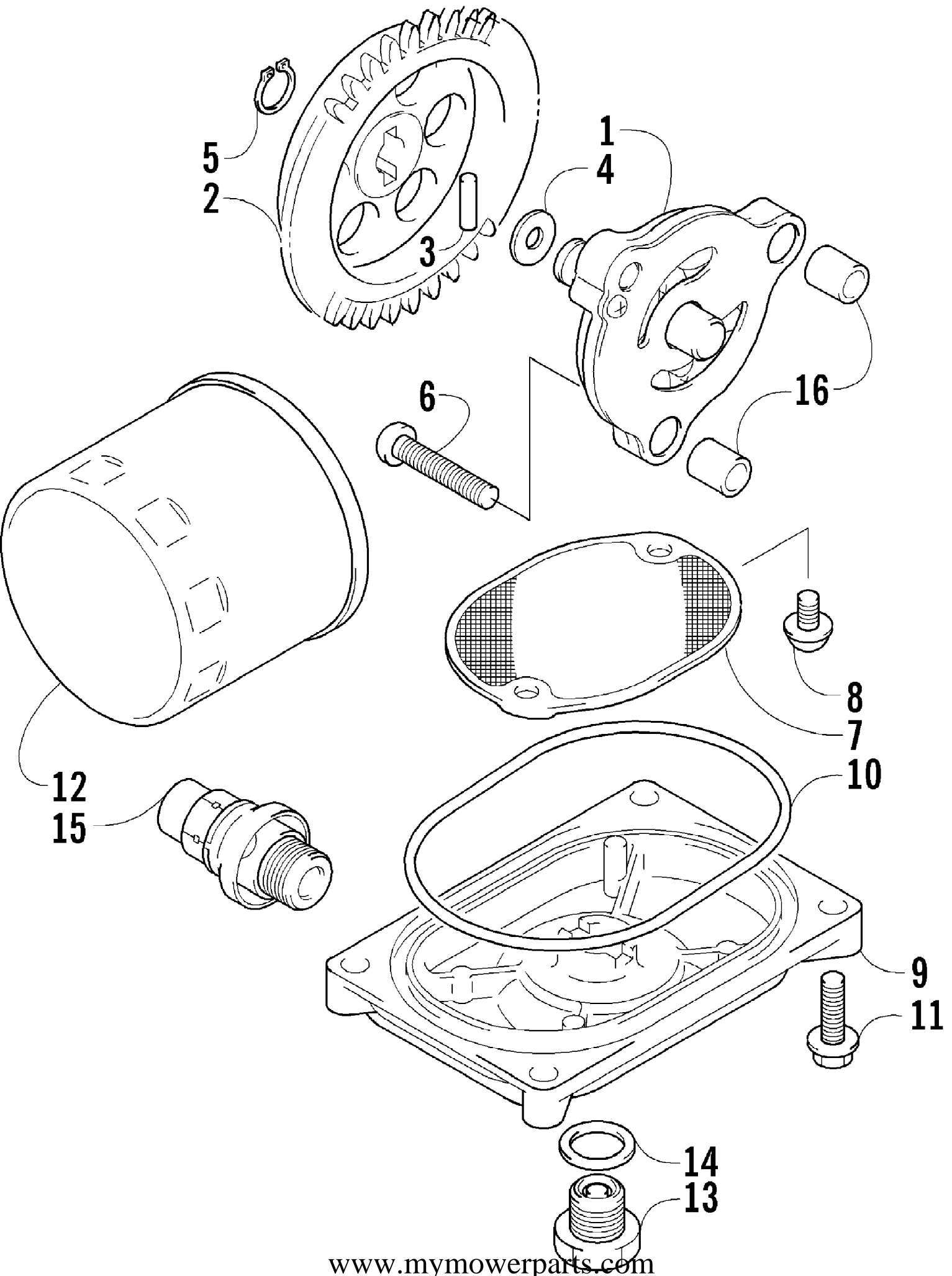


2005 ATV 400 AUTOMATIC TRANSMISSION 4X4 FIS LE CAT GREEN (A2005FIS453A)96  
OIL COOLER ASSEMBLY

Page 5 of 5

Ref #	Part Number	Qty	S/P/F	Description
1	0413-118	1		Cooler, Oil - Assembly (inc. 2-10)
2	0413-053	1		Cooler, Oil
3	0413-007	1		Screen, Oil Cooler
4	0413-009	4		Screw, Thumb
5	0413-064	1		Shroud, Fan
6	8475-512	8		Screw, Machine
7	0413-123	1	/P	Fan, Cooling
8	0413-058	1		Plug, Drain
9	0413-059	1		O-Ring
10	0423-030	2		Grommet
11	0623-038	2		Nut w/Washer
12	0423-484	2		Screw, Shoulder
13	0423-028	2		Bushing, Stem
14	0423-098	4	/P	Clamp, Hose
15	0410-044	2		Hose, Oil
16	0410-013	1		Fitting, Oil
17	0423-089	2		O-Ring, Oil Fitting
18	8471-616	4		Screw, Cap
19	0410-012	1		Fitting, Oil - Angled

2005 ATV 400 AUTOMATIC TRANSMISSION 4X4 FIS LE CAT GREEN (A2005FIS4563A) 96  
OIL FILTER/PUMP ASSEMBLY

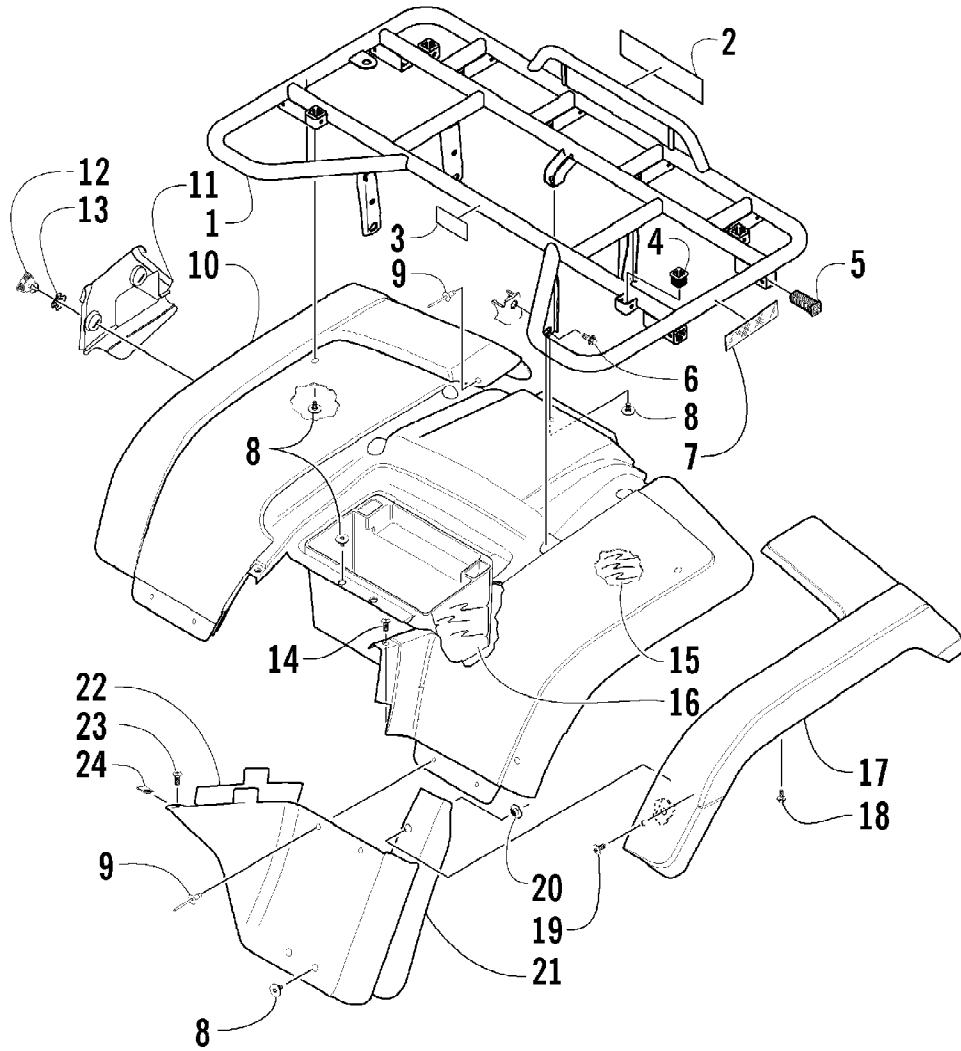


2005 ATV 400 AUTOMATIC TRANSMISSION 4X4 FIS LE CAT GREEN (A2005P457SA) 96  
OIL FILTER/PUMP ASSEMBLY

Page 5 of 5

Ref #	Part Number	Qty	S/P/F	Description
1	3402-619	1		Pump, Oil
2	3402-618	1		Gear, Driven
3	3423-046	1		Pin
4	3423-443	1		Washer
5	3423-184	1	S	Circlip
6	3423-113	3	S/P	Screw
7	3402-156	1		Strainer, Oil
8	0693-389	2	S	Screw
9	3402-157	1		Cap, Oil Strainer
10	3423-077	1		O-Ring
11	3004-756	4	S	Screw, Cap
12	0436-146	1	S	Filter, Oil
13	3403-021	1	/P	Plug, Drain
14	3402-012	1		Gasket, Drain Plug
15	3402-773	1		Valve, Assembly - Oil Relief
16	3005-206	2	/P	Pin, Oil Pump

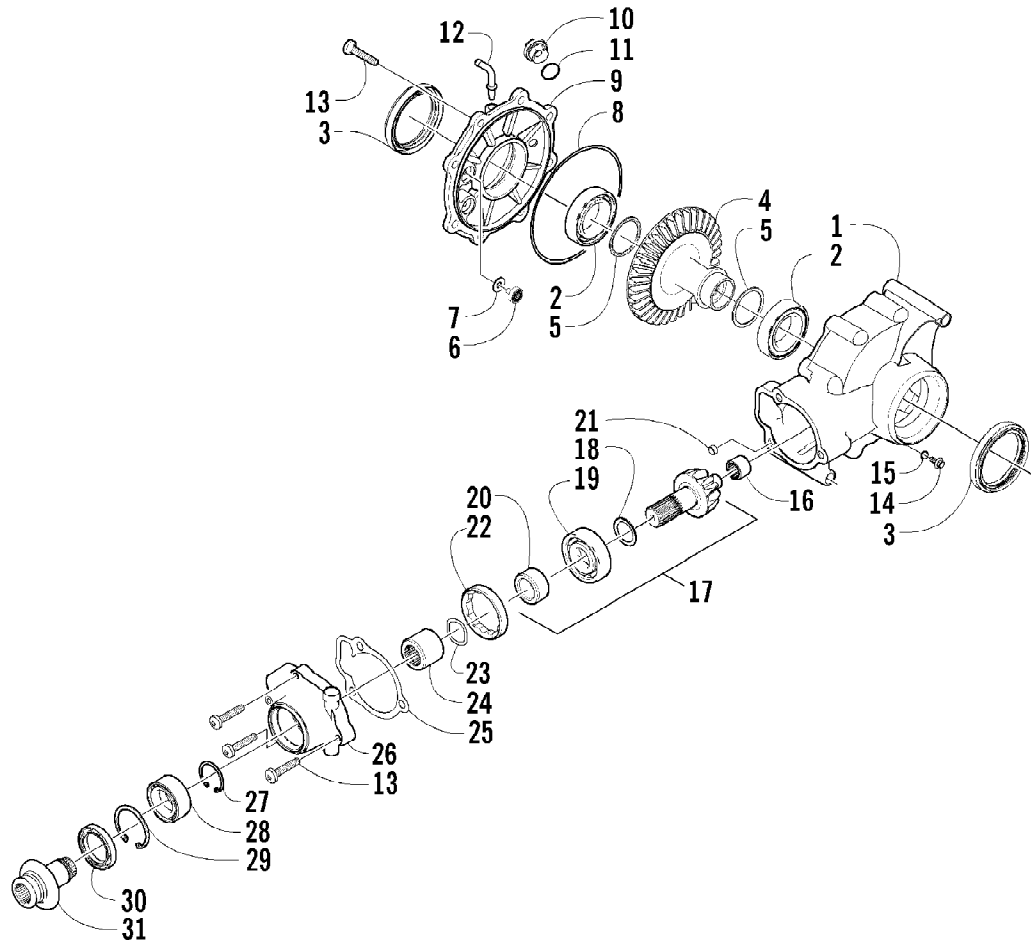
2005 ATV 400 AUTOMATIC TRANSMISSION 4X4 FIS LE CAT GREEN (A2005FIS453A) 96  
REAR BODY PANEL ASSEMBLY



2005 ATV 400 AUTOMATIC TRANSMISSION 4X4 FIS LE CAT GREEN (A2005FIS459SA) 96  
REAR BODY PANEL ASSEMBLY

Ref #	Part Number	Qty	S/P/F	Description
1	0541-293	1		Rack - Rear - Assembly (inc. 2-5)
2	0411-947	1	S	Decal, "Arctic Cat"
3	0411-648	1		Decal, Warning - Rear Rack Load
4	0441-592	4	/P	Bushing, Rack
5	0441-556	8		Bushing, Rack
6	8409-020	4	/P	Screw, Cap
7	0411-647	2		Decal, Reflector - Red
8	0423-101	AR		Screw, Body
9	0423-046	AR		Rivet, Plastic
10	1506-518	1		Panel, Fender - Rear
11	1406-408	1		Shield, Fuse Block
12	1406-409	2		Key, Fuse Block Shield
13	1406-410	2	S	Spring, Fuse Block Shield
14	0423-068	2		Screw, Machine
15	0412-124	1		Shield, Heat
16	0412-147	1		Shield, Heat
17	0506-552	1		Flare, Rear - Right
17	0506-553	1		Flare, Rear - Left
18	0423-342	6	/P	Screw, Self-Tapping
19	0423-355	2		Screw, Shoulder
20	0423-438	2		T-Nut w/Teeth
21	1506-042	1	/P	Fender Extension - Rear - Right
21	0406-085	1		Fender Extension - Rear - Left
22	0412-140	1		Shield, Heat
23	0623-309	2		Screw, Self-Tapping
24	0423-060	2		Clip, Tinerman

2005 ATV 400 AUTOMATIC TRANSMISSION 4X4 FIS LE CAT GREEN (A2005FIS400SA) 96  
REAR DRIVE GEARCASE ASSEMBLY

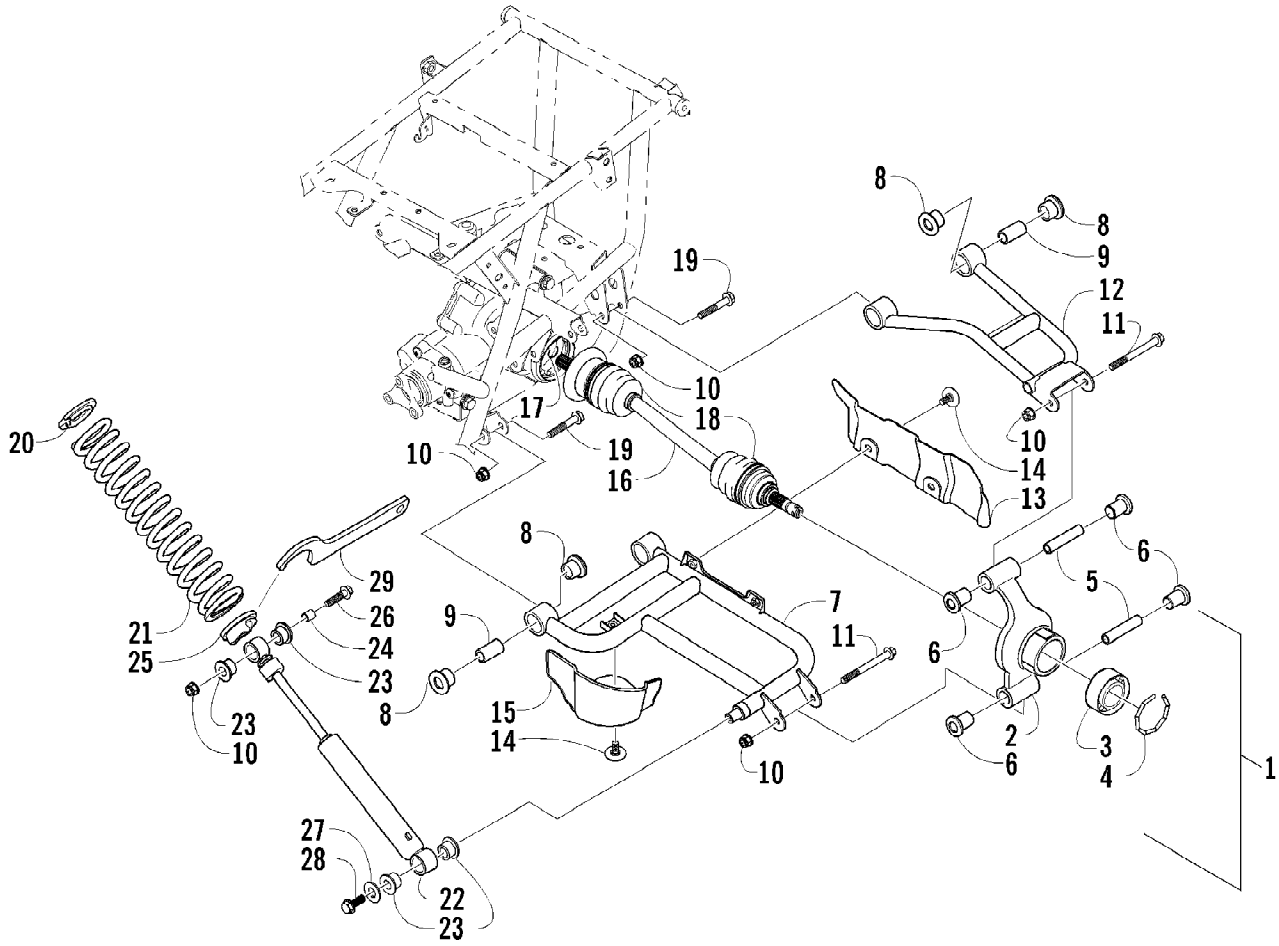




2005 ATV 400 AUTOMATIC TRANSMISSION 4X4 FIS LE CAT GREEN (A2005FIS4EUSA) 96  
REAR DRIVE GEARCASE ASSEMBLY

Ref #	Part Number	Qty	S/P/F	Description
	0502-642	1	S	Rear Drive Gearcase Assembly
1	0502-352	1		Housing, Gearcase
2	0402-393	2		Bearing
3	0402-394	2	S	Seal
4	1402-032	1		Gear, Ring - 36T
5	0402-405	AR		Shim
5	0402-406	AR		Shim
5	0402-407	AR		Shim
5	0402-408	AR		Shim
5	0402-409	AR		Shim
6	0402-326	1		Button, Thrust
7	0402-429	AR		Shim
7	0402-430	AR		Shim
7	0402-431	AR		Shim
7	0402-432	AR		Shim
7	0402-433	AR		Shim
8	0423-149	1		O-Ring
9	0502-346	1		Cover, Gearcase
10	0402-333	1	/P	Plug, Fill (inc. 11)
11	0423-154	1		O-Ring
12	1402-102	1		Fitting
13	0423-118	11		Screw, Self-Tapping
14	0402-450	1	S	Plug, Magnetic (inc. 15)
15	0423-153	1		O-Ring
16	0402-328	1		Bearing
17	0502-123	1		Gear, Pinion - Assembly - 10T (inc. 18-20)
18	0402-424	AR		Shim
18	0402-425	AR		Shim
18	0402-426	AR		Shim
18	0402-427	AR		Shim
18	0402-428	AR		Shim
19	0402-327	1		Bearing
20	0402-336	1		Collar, Retaining
21	0402-411	1		Pin, Dowel
22	0402-331	1		Collar, Lock
23	0402-982	1		Washer, Wave
24	0402-981	1		Collar, Shaft
25	0402-947	1		Gasket, Flange
26	0502-529	1		Housing, Pinion
27	0423-417	1		Ring, Retaining
28	1402-043	1		Bearing
29	0423-423	1		Ring, Retaining
30	1402-011	1		Seal
31	0502-407	1	S	Shaft, Input

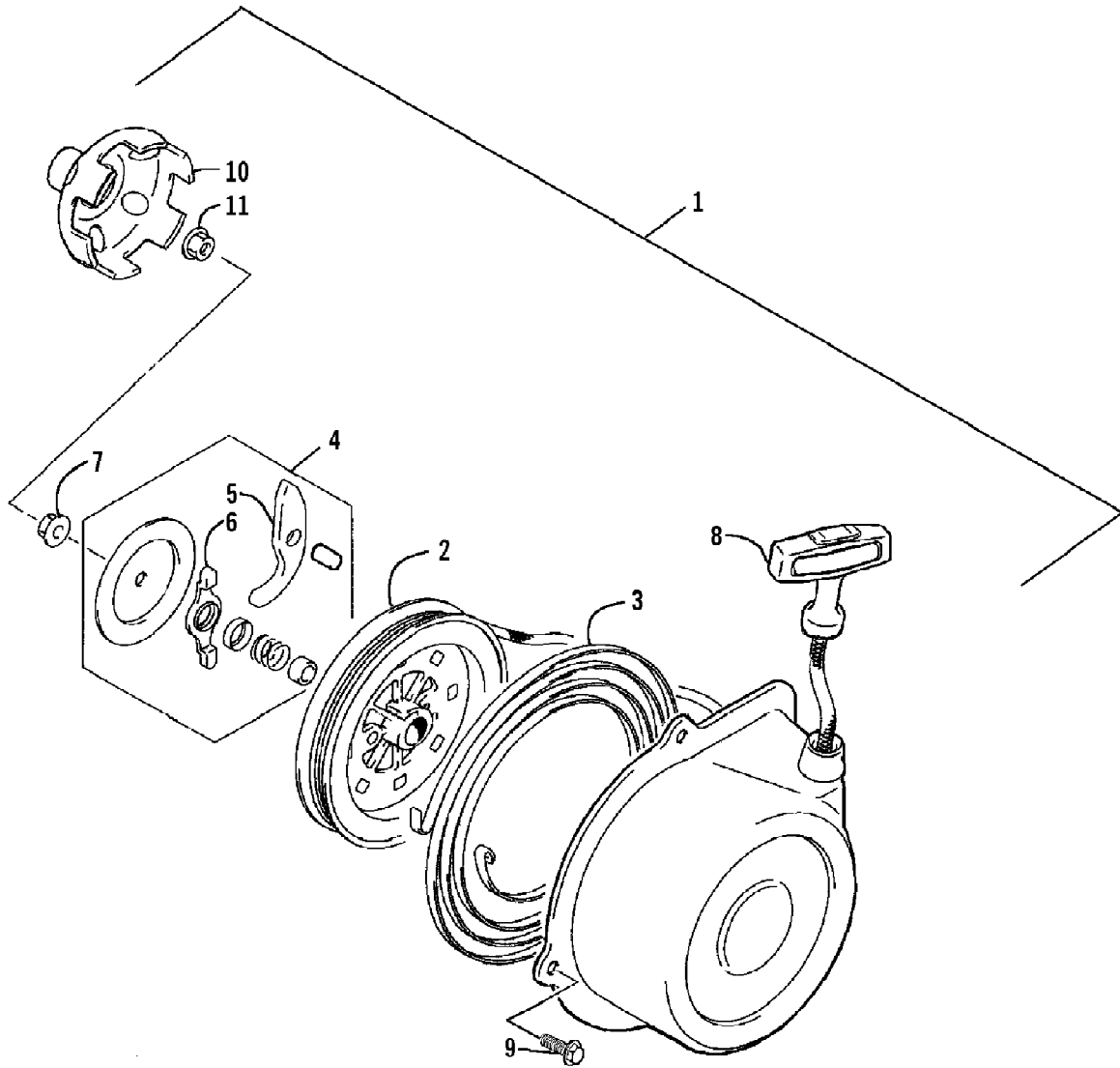
2005 ATV 400 AUTOMATIC TRANSMISSION 4X4 FIS LE CAT GREEN (A2005FIS400A) 96  
REAR SUSPENSION ASSEMBLY



2005 ATV 400 AUTOMATIC TRANSMISSION 4X4 FIS LE CAT GREEN (A2005FIS400SA) 96  
REAR SUSPENSION ASSEMBLY

Ref #	Part Number	Qty	S/P/F	Description
1	0504-312	1	S	Knuckle, Right Rear - Assembly (inc. 2-6)
1	0504-313	1	S	Knuckle, Left Rear - Assembly (inc. 2-6)
2	0	1		Knuckle - Right Not a Service Part
2	0	1		Knuckle - Left Not a Service Part
3	1402-027	2	S/P	Bearing, Wheel Hub
4	0423-423	2		Ring, Retaining
5	0403-038	4	S/P	Collar, Suspension Bushing
6	0403-032	8	S	Bushing, Suspension
7	0504-326	1	S	A-Arm, Rear - Lower Right (inc. 8-9)
7	0504-327	1	S/P	A-Arm, Rear - Lower Left (inc. 8-9)
8	0403-115	16	S	Bushing
9	0403-114	8	S	Collar
10	8428-002	14		Nut, Lock
11	8409-000	4		Screw, Cap
12	0504-330	1		A-Arm, Rear - Upper Right (inc. 8-9)
12	0504-331	1	S	A-Arm, Rear - Upper Left (inc. 8-9)
13	0441-758	1		Guard, Boot - Right
13	0441-759	1		Guard, Boot - Left
14	0423-101	6		Screw, Body
15	1406-071	1		Guard, Boot - Right
15	1406-072	1		Guard, Boot - Left
16	0502-596	2	S	Axle, Drive (inc. 17-18)
17	0441-400	2	S	Clip, Retaining
18	0436-276	2	S	Repair Kit, Boot - Rear Axle
19	8409-075	8		Screw, Cap
20	1603-889	2	/P	Retainer, Spring
21	0404-074	2		Spring, Suspension
22	0404-072	2		Shock Absorber - Rear (inc. 23-24)
23	0604-310	8		Bushing, Shock Absorber
24	0403-028	2		Sleeve, Shock Absorber
25	0404-057	2		Cam, Spring Adjuster
26	8409-040	2		Screw, Cap
27	0423-087	2		Washer
28	8408-820	2	/P	Screw, Cap
29	0441-587	1		Wrench, Spanner

2005 ATV 400 AUTOMATIC TRANSMISSION 4X4 FIS LE CAT GREEN (A2005FIS400SA) 96  
RECOIL STARTER ASSEMBLY



2005 ATV 400 AUTOMATIC TRANSMISSION 4X4 FIS LE CAT GREEN (A2005P405SA) 96  
 RECOIL STARTER ASSEMBLY

Ref #	Part Number	Qty	S/P/F	Description
1	3445-003	1		Starter, Recoil - Assembly (inc. 2-8)
2	3445-004	1		Reel
3	3445-007	1		Spring, Sprial
4	3445-016	1		Ratchet - Assembly (inc. 5-6)
5	3445-005	1		Ratchet
6	3445-006	1		Guide, Ratchet
7	3004-488	1	S/P	Nut
8	3445-011	1		Rope Assembly
9	3423-428	4		Screw, Cap
10	3445-029	1	/P	Cup, Starter
11	3004-491	1	S/P	Nut

No  
Diagram  
Available  
  
Parts List  
Only

2005 ATV 400 AUTOMATIC TRANSMISSION 4X4 FIS LE CAT GREEN (A2005FIS400SA)96  
RELATED ITEMS

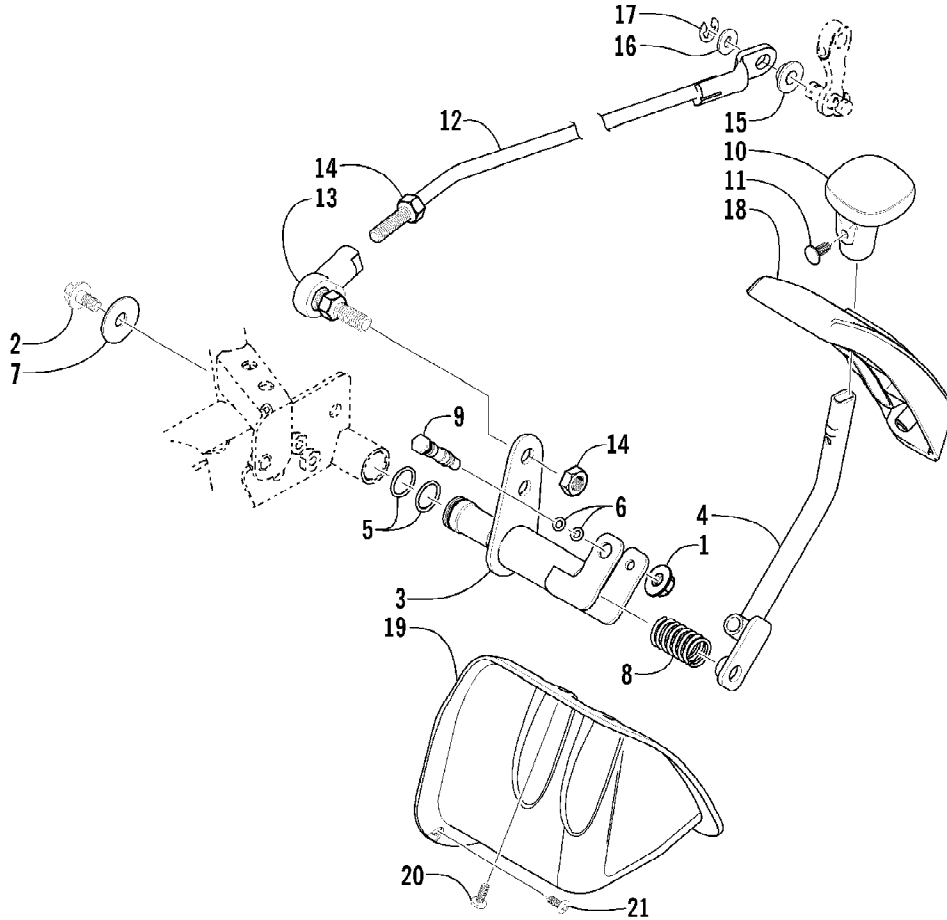
Ref #	Part Number	Qty	S/P/F	Description
	0436-479	1		Articulating Spool Mount
	0436-548	1		Articulating Spool Receiver Mount Adapter
	0436-679	1		Bag, Fender - Black
	0436-336	1		Bag, Rack, Front - Black
	0436-480	1		Bar, Utility/Gun Rack
	0436-640	1	/P	Brush Guard/Bumper
	0436-462	1		Bucket Holder
	0436-616	1		Bumper (Rear)
	0436-464	1		Camp Stove Cradle
	0436-454	1		Cargo Box
	0436-625	1		Cargo Box Quick-Release Kit
	0436-459	1	/P	Carryall (9 x 12)
	0436-460	1		Carryall (11 x 17)
	0436-652	1		Carryall (14 x 27)
	0436-476	1		Chain Saw Lock
	0436-477	1		Cord Reel
	0436-381	1		Cover, Black and Green
	0436-339	1		Cover, Timber Camo
	0436-005	1	S	Engine Oil - 10W40
	0436-003	1	S	Engine Oil - 5W30
	0436-466	1		Fender Box
	0436-538	1		Gear Cradle
	0436-007	1	S	Gear Lube (Diff) - 80W90
	0436-501	1	S	Grease, High-Performance
	0436-627	1		Gun Scabbard Kit
	0436-706	1	/P	Gun Scabbard Mount
	0436-505	1		Hand Guards - Black
	0436-352	1		Hand/Thumb Warmers
	0436-639	1		Ice Auger Holder
	0436-463	1		Light Bar
	2257-176	1		Manual, Illustrated Parts
	2257-034	1		Manual, Operator's (E)
	2257-172	1		Manuel d'utilisation (F)
	0436-626	1	S	Rack Basket
	0436-649	1		Rack Extension, 4 in. (Front)
	0436-648	1		Rack Extension, 8 in. (Rear)
	0436-579	1		Rapid Blind (Break-Up)
	0436-580	1		Rapid Blind (Shadow Grass)
	0436-578	1	/P	Rapid Shack (Blue Ice)
	0436-511	1		Rod Holder - Adjustable
	0436-386	1		Snowplow Attachment Kit
	0436-228	1		Snowplow Blade, 50 in. - Straight
	0436-287	1		Snowplow Blade, 50 in. - One-Way
	0436-296	1		Snowplow Blade, 60 in. - Straight
	0436-360	1		Snowplow Blade, 60 in. - One-Way
	0436-356	1	S	Snowplow, Push Frame
	0436-471	1		Speedclamp, Double
	0436-624	1		Sprayer System
	0436-508	1	S	Sprayer Boom (120 in.)
	0436-465	1		Table, Expansion
	1402-028	1		Tire, Titan AT589 (25x8-12, Mud & Snow)
	0402-563	1		Tire, Titan AT589 (25x10-12, Mud & Snow)
	0436-478	1		Tool Cradle

2005 ATV 400 AUTOMATIC TRANSMISSION 4X4 FIS LE CAT GREEN (A2005P4483A) 96  
 RELATED ITEMS

Ref #	Part Number	Qty	S/P/F	Description
	0436-297	1		Tool Holder - Double
	0436-263	1	/P	Tool Holder - Single
	0436-468	1		Tree Stand/Bow Case Holder
	0436-699	1		Winch, 2500 lb
	0436-361	1		Winch Mounting Kit
	0436-507	1		Windshield, Clear w/Black Accent
	0436-470	1		Workbase (8 in.)



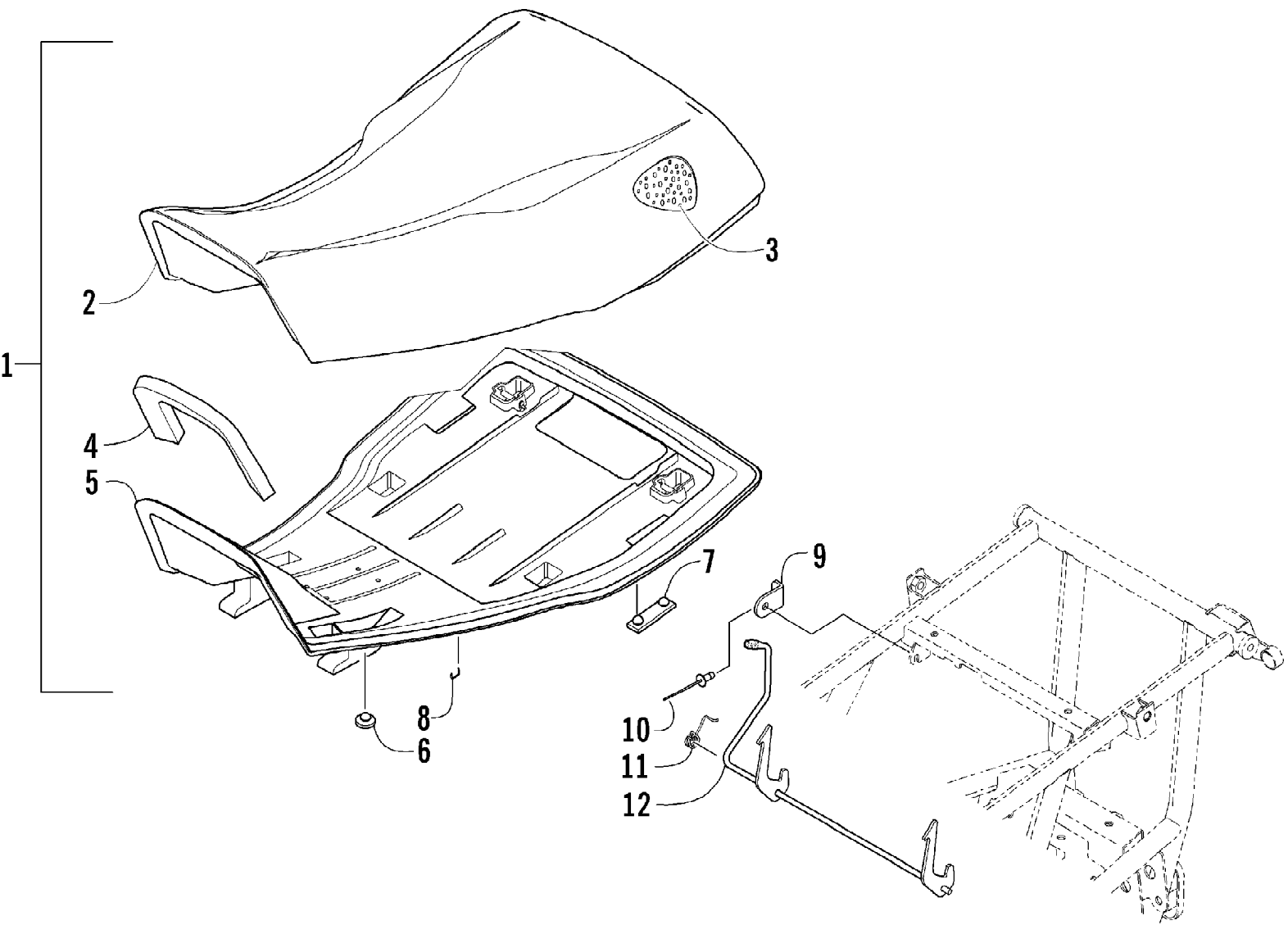
2005 ATV 400 AUTOMATIC TRANSMISSION 4X4 FIS LE CAT GREEN (A2005FIS400SA) 96  
REVERSE SHIFT LEVER ASSEMBLY



2005 ATV 400 AUTOMATIC TRANSMISSION 4X4 FIS LE CAT GREEN (A2005FIS470SA) 96  
REVERSE SHIFT LEVER ASSEMBLY

Ref #	Part Number	Qty	S/P/F	Description
1	8424-602	1	/P	Nut
2	8408-812	1		Screw, Cap
3	0502-187	1		Axle, Reverse Shift Lever
4	0502-185	1		Lever, Reverse Shift
5	0423-299	2	/P	O-Ring
6	0423-182	2	/P	O-Ring
7	0423-087	1		Washer
8	0502-410	1	S	Spring
9	0402-675	1		Axle, Pivot
10	0402-843	1	/P	Handle, Reverse Shift Lever
11	0423-345	1		Clip, Push
12	0502-668	1		Linkage, Shift
13	1402-270	1		End, Rod
14	0623-294	2		Nut
15	0423-091	1		Bushing
16	3423-204	1	/P	Washer
17	0423-169	1	/P	E-Ring
18	0402-685	1		Plate, Shift
19	0406-943	1		Shield, Linkage
20	0423-371	3		Screw, Machine
21	0623-309	1		Screw, Self-Tapping

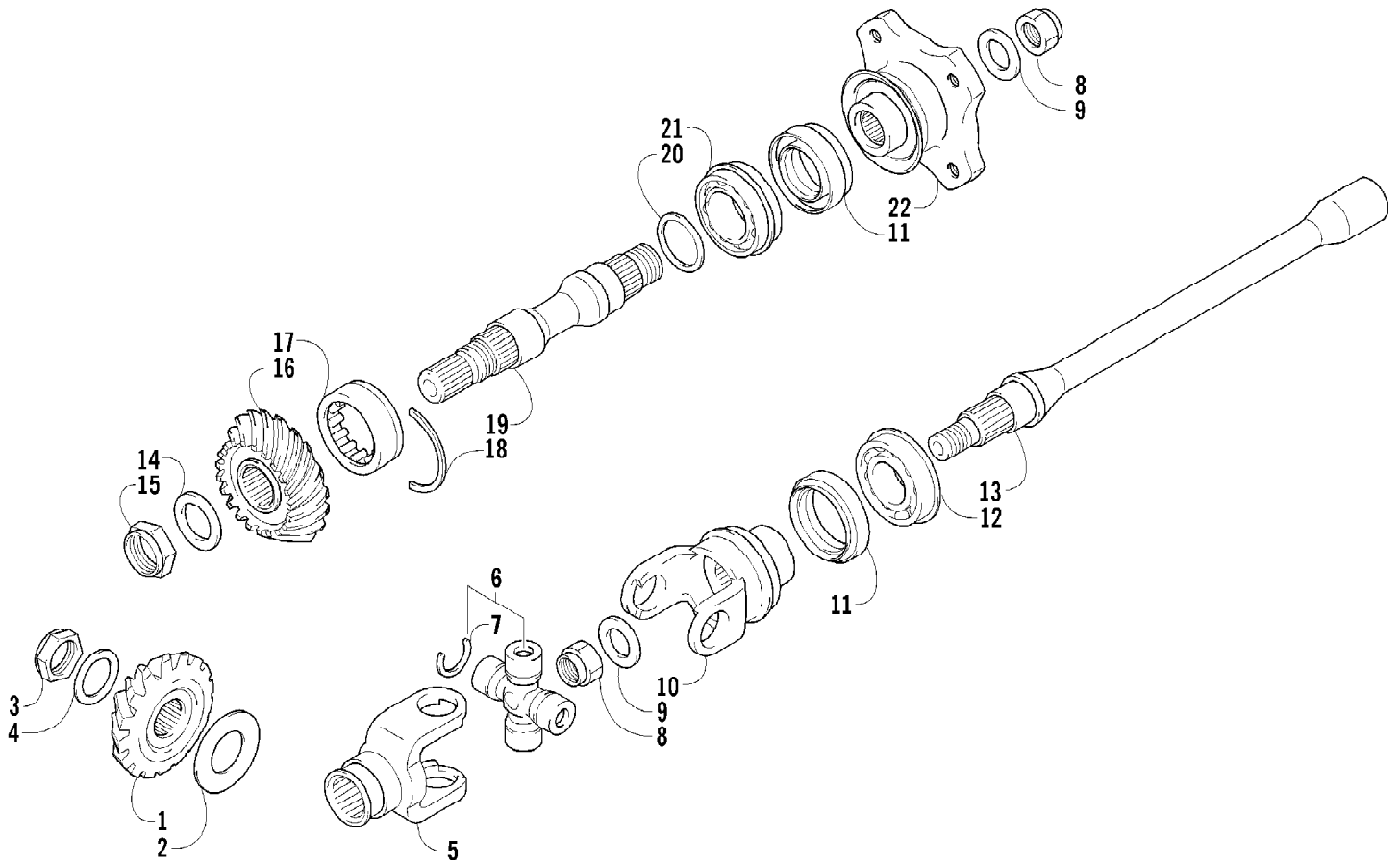
2005 ATV 400 AUTOMATIC TRANSMISSION 4X4 FIS LE CAT GREEN (A2005FIS4E713A) 96  
SEAT ASSEMBLY



2005 ATV 400 AUTOMATIC TRANSMISSION 4X4 FIS LE CAT GREEN (A2005PS1472SA) 96  
SEAT ASSEMBLY

Ref #	Part Number	Qty	S/P/F	Description
1	0506-558	1		Seat Assembly (inc. 2-8)
2	0506-556	1		Cover, Seat
3	0506-555	1		Foam, Seat
4	1406-060	1		Foam, Sound
5	0406-878	1		Base, Seat Assembly (inc. 6-7)
6	0406-877	2	/P	Bumper, Seat - Front
7	0406-879	2		Bumper, Seat - Rear
8	0624-528	AR	/P	Staple
9	1406-087	1		Plate, Retainer
10	8060-284	1		Rivet
11	1406-371	1		Spring, Seat Latch
12	1506-217	1		Latch, Seat

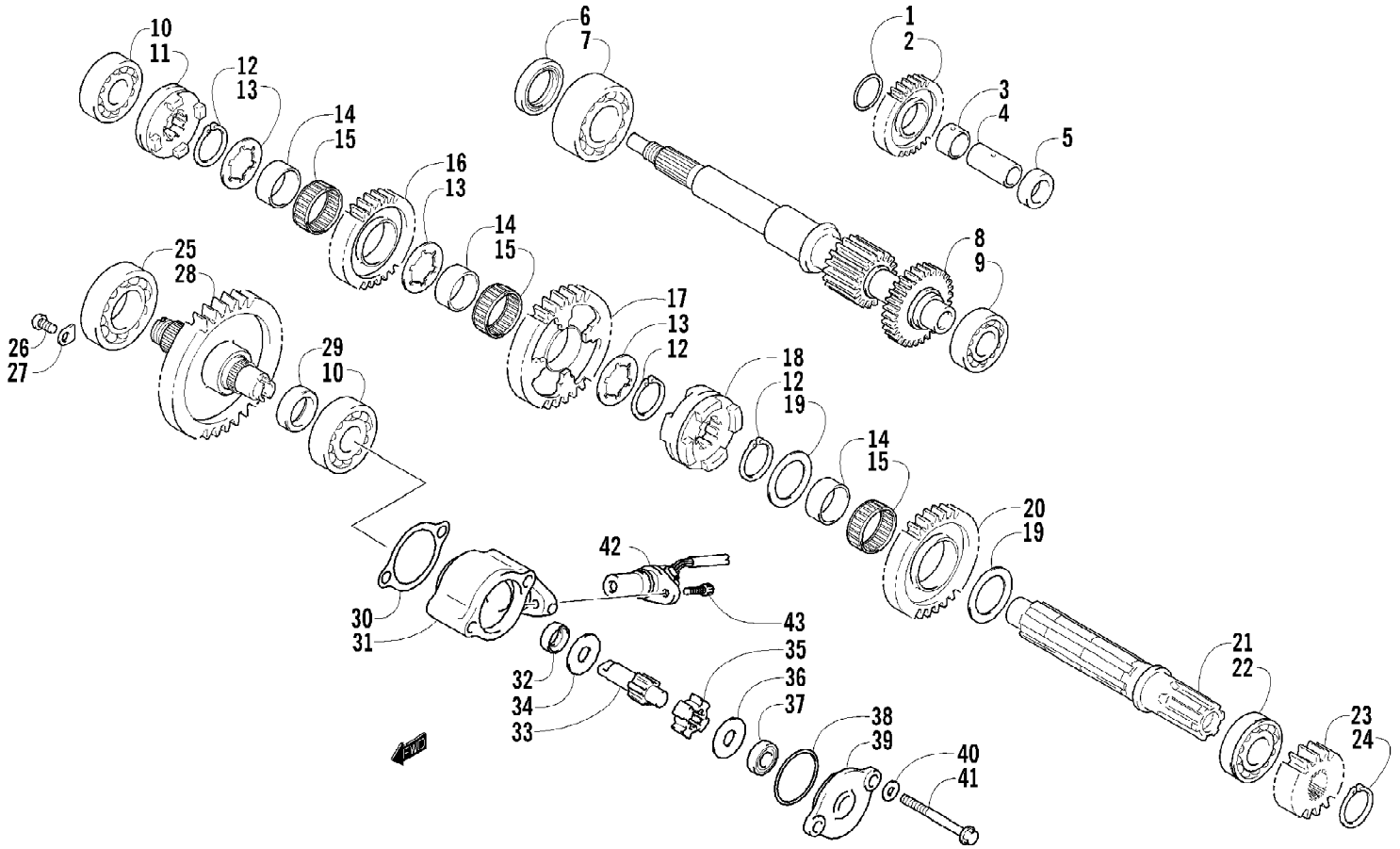
2005 ATV 400 AUTOMATIC TRANSMISSION 4X4 FIS LE CAT GREEN (A2005FIS473SA) 96  
SECONDARY DRIVE ASSEMBLY



2005 ATV 400 AUTOMATIC TRANSMISSION 4X4 FIS LE CAT GREEN (A2005PS1474SA)96  
SECONDARY DRIVE ASSEMBLY

Ref #	Part Number	Qty	S/P/F	Description
1	3402-637	1		Gear, Secondary Drive
2	3446-035	1		Shim, Secondary Drive Gear - Set
3	3423-023	1		Nut
4	3005-372	1		Washer
5	3446-327	1	/P	Yoke, Propeller Shaft
6	3402-562	1		Joint, Universal - Set (inc. 7)
7	3423-479	4		Circlip
8	3423-025	2		Nut
9	3423-028	1		Washer
10	3402-742	1		Yoke, Drive Output - Front
11	3402-072	2		Seal, Oil
12	3402-558	1		Bearing, Front Secondary Driven Shaft
13	3402-694	1		Shaft, Secondary Driven - Front
14	3423-137	1		Washer, Secondary Driven Gear
15	3423-136	1		Nut, Secondary Driven Gear
16	3402-638	1		Gear, Secondary Driven
17	3402-515	1	/P	Bearing, Driven Gear
18	3423-072	1		C-Ring, Driven Bearing
19	3402-639	1		Shaft, Secondary Driven - Rear
20	3402-017	AR		Shim, 25 x 34 x 0.60 mm
20	3402-018	AR		Shim, 25 x 34 x 0.65 mm
20	3402-019	AR		Shim, 25 x 34 x 0.70 mm
20	3402-020	AR		Shim, 25 x 34 x 0.75 mm
20	3402-021	AR	S	Shim, 25 x 34 x 0.80 mm
20	3402-022	AR		Shim, 25 x 34 x 0.85 mm
20	3402-023	AR		Shim, 25 x 34 x 0.90 mm
20	3402-024	AR		Shim, 25 x 34 x 0.95 mm
20	3402-025	AR	S	Shim, 25 x 34 x 1.00 mm
20	3402-028	AR		Shim, 25 x 34 x 1.05 mm
20	3402-029	AR		Shim, 25 x 34 x 1.10 mm
20	3402-030	AR		Shim, 25 x 34 x 1.15 mm
20	3402-031	AR		Shim, 25 x 34 x 1.20 mm
21	3402-067	1	S	Bearing, Rear Secondary Driven Shaft
22	3402-514	1	/P	Flange, Output Joint - Rear

2005 ATV 400 AUTOMATIC TRANSMISSION 4X4 FIS LE CAT GREEN (A2005FIS4753A) 96  
SECONDARY TRANSMISSION ASSEMBLY

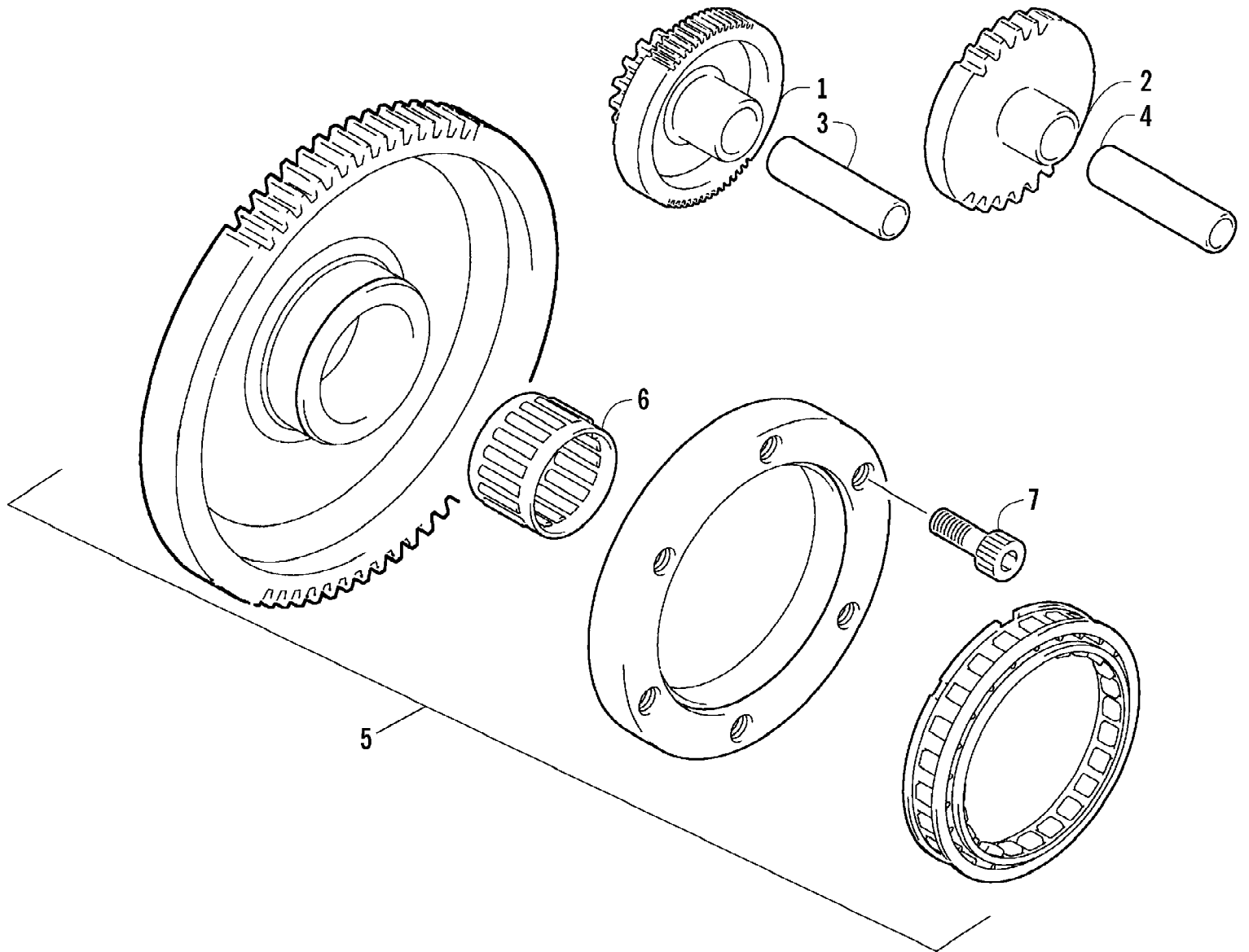


2005 ATV 400 AUTOMATIC TRANSMISSION 4X4 FIS LE CAT GREEN (A2005FIS476SA)96  
SECONDARY TRANSMISSION ASSEMBLY

Ref #	Part Number	Qty	S/P/F	Description
1	3402-195	2		Washer, Reverse Idle Gear
2	3402-503	1		Gear, Reverse Idle
3	3446-103	1		Bushing, Reverse Idle Gear
4	3402-634	1		Shaft, Reverse Idle
5	3423-442	1		Spacer, Reverse Idle Gear
6	3402-500	1	S	Seal, Driveshaft
7	3402-499	1		Bearing, Driveshaft
8	3402-665	1		Driveshaft
9	3003-261	1	/P	Bearing, Driveshaft - Left
10	3402-045	2	/P	Bearing, Shaft
11	3402-636	1		Dog, Reverse Driven Gear
12	3423-066	3	/P	Circlip
13	3423-263	3		Washer
14	3402-494	3		Bushing
15	3402-498	3		Bearing
16	3402-635	1		Gear, Reverse Driven
17	3402-668	1	/P	Gear, Driven - Low
18	3402-496	1		Dog, Sliding
19	3423-448	2		Washer
20	3402-495	1		Gear, Driven - High
21	3402-667	1		Countershaft
22	3004-209	1	/P	Bearing, Shaft
23	3402-669	1		Gear, Drive - No. 2
24	3423-191	1	/P	Circlip
25	3402-055	1	/P	Bearing, Output Shaft
26	3423-370	2		Screw, Bearing Retainer
27	3446-031	2	/P	Retainer, Bearing
28	3402-666	1		Shaft, Output
29	3423-494	1		Spacer, Output Shaft
30	3446-244	1	/P	Gasket, Housing
31	3446-400	1		Housing, Speedometer Sensor
32	3006-322	1		Seal, Shaft
33	3446-402	1		Shaft, Output
34	3423-617	1		Washer
35	3402-837	1		Rotor
36	3423-767	1		Washer
37	3402-980	1		Bearing
38	3423-766	1		O-Ring
39	3446-401	1		Cover, Speedometer Sensor Housing
40	3003-290	2	/P	Gasket
41	3423-307	2	S	Bolt
42	3402-981	1		Sensor, Speedometer
43	3423-226	1		Bolt



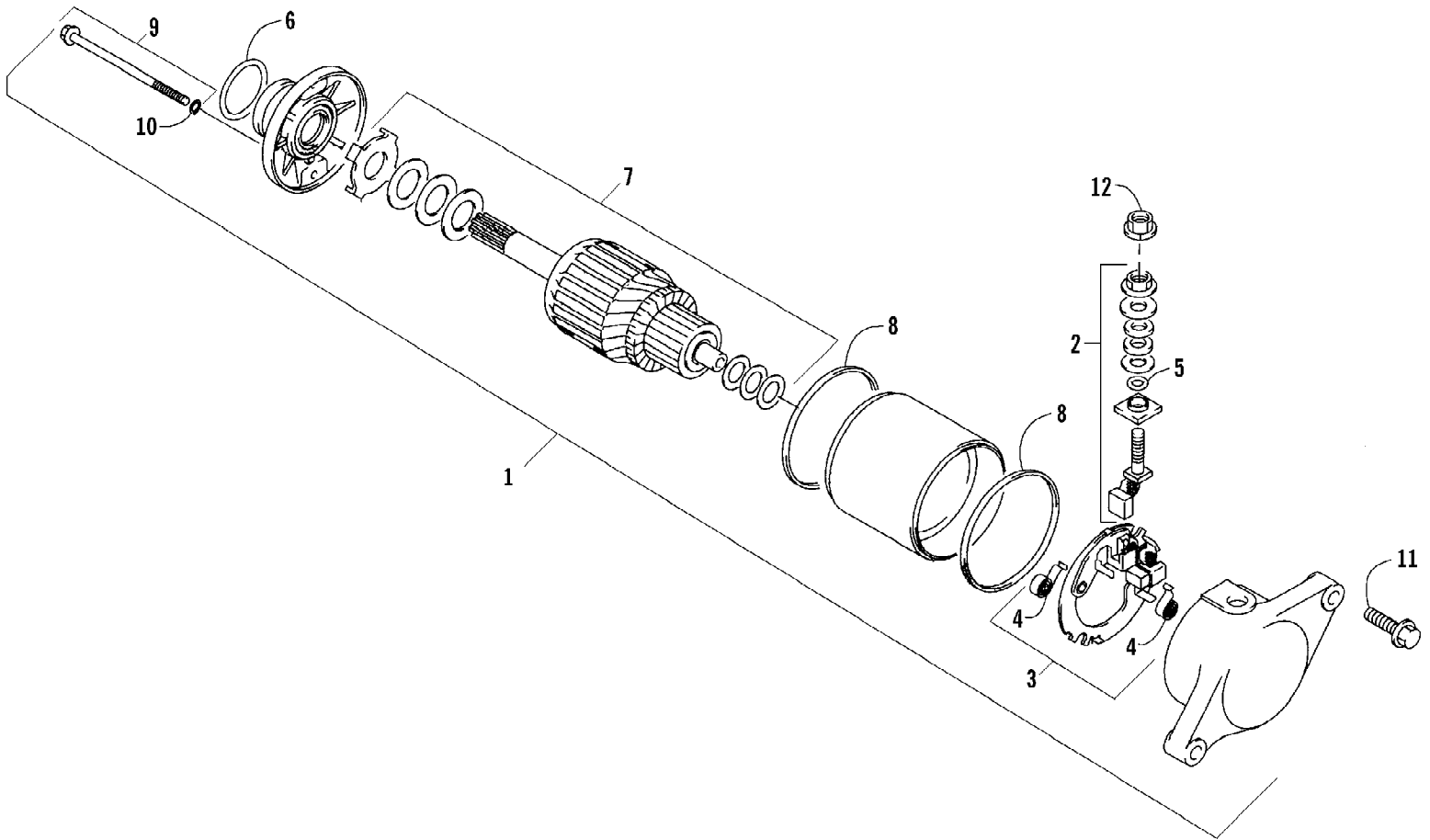
2005 ATV 400 AUTOMATIC TRANSMISSION 4X4 FIS LE CAT GREEN (A2005P4073A) 96  
STARTER CLUTCH ASSEMBLY



2005 ATV 400 AUTOMATIC TRANSMISSION 4X4 FIS LE CAT GREEN (A2005P478SA) 96  
 STARTER CLUTCH ASSEMBLY

Ref #	Part Number	Qty	S/P/F	Description
1	3402-603	1		Gear, Starter Idler - No. 1
2	3402-124	1		Gear, Starter Idler - No. 2
3	3423-331	1		Pin, Starter Idler Gear No. 1
4	3423-397	1		Pin, Starter Idler Gear No. 2
5	3402-690	1	S	Clutch, Starter - Set (inc. 6)
6	3402-674	1		Bearing
7	3423-102	6	S	Bolt

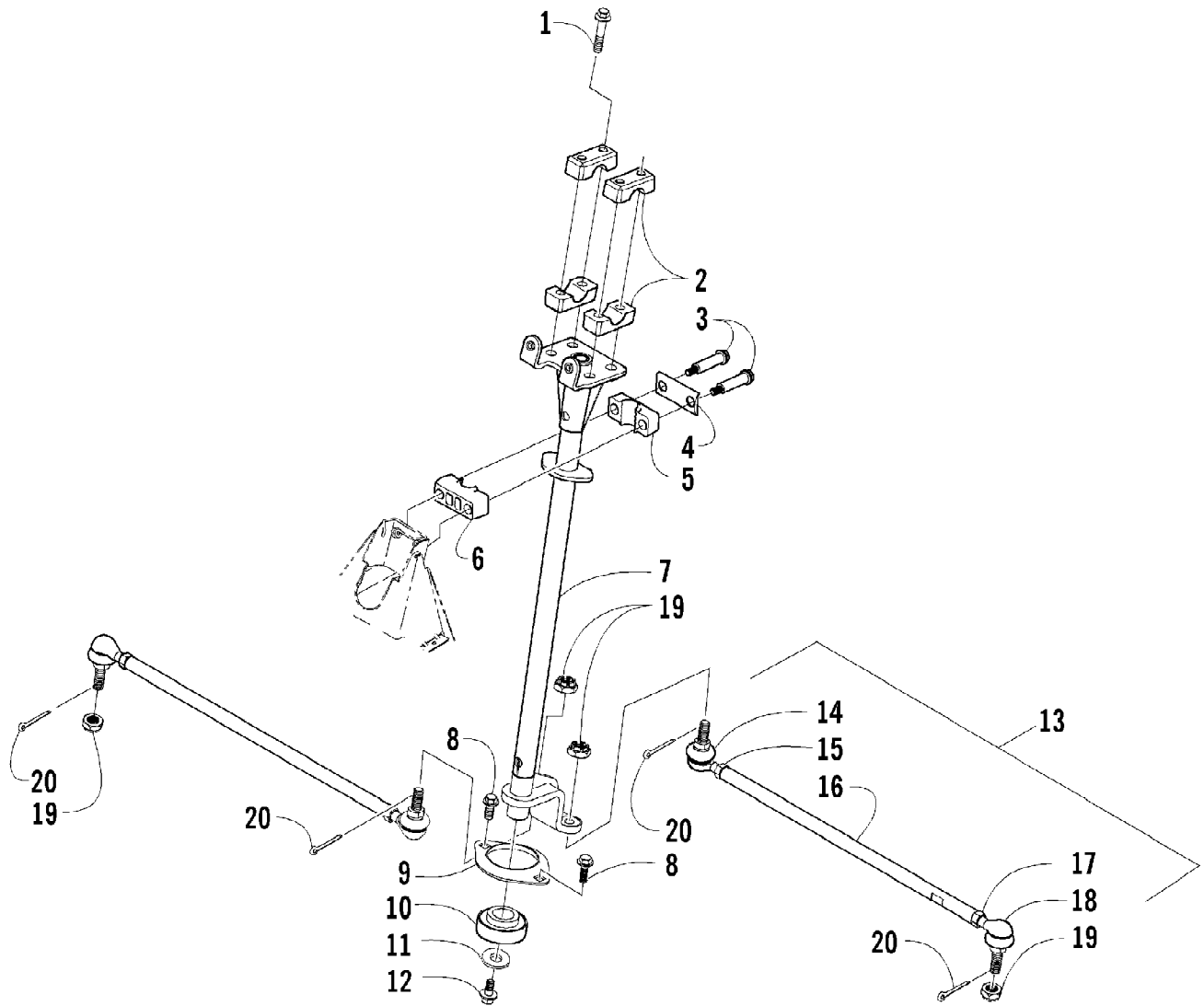
2005 ATV 400 AUTOMATIC TRANSMISSION 4X4 FIS LE CAT GREEN (A2005FIS4793A) 96  
STARTER MOTOR ASSEMBLY



2005 ATV 400 AUTOMATIC TRANSMISSION 4X4 FIS LE CAT GREEN (A2005FIS4B0SA)96  
STARTER MOTOR ASSEMBLY

Ref #	Part Number	Qty	S/P/F	Description
1	3545-016	1		Motor, Starter Assembly (inc. 2-10)
2	3402-671	1		Terminal Set, Brush
3	3402-672	1		Holder Set, Brush
4	3008-551	4		Spring, Brush
5	3008-164	1		O-Ring
6	3423-272	1		O-Ring
7	3008-099	1		Washer Set
8	3423-497	2		O-Ring
9	3423-498	2		Through-Bolt (inc. 10)
10	3423-496	2		O-Ring
11	3004-756	2	S	Bolt
12	3423-195	1	/P	Nut

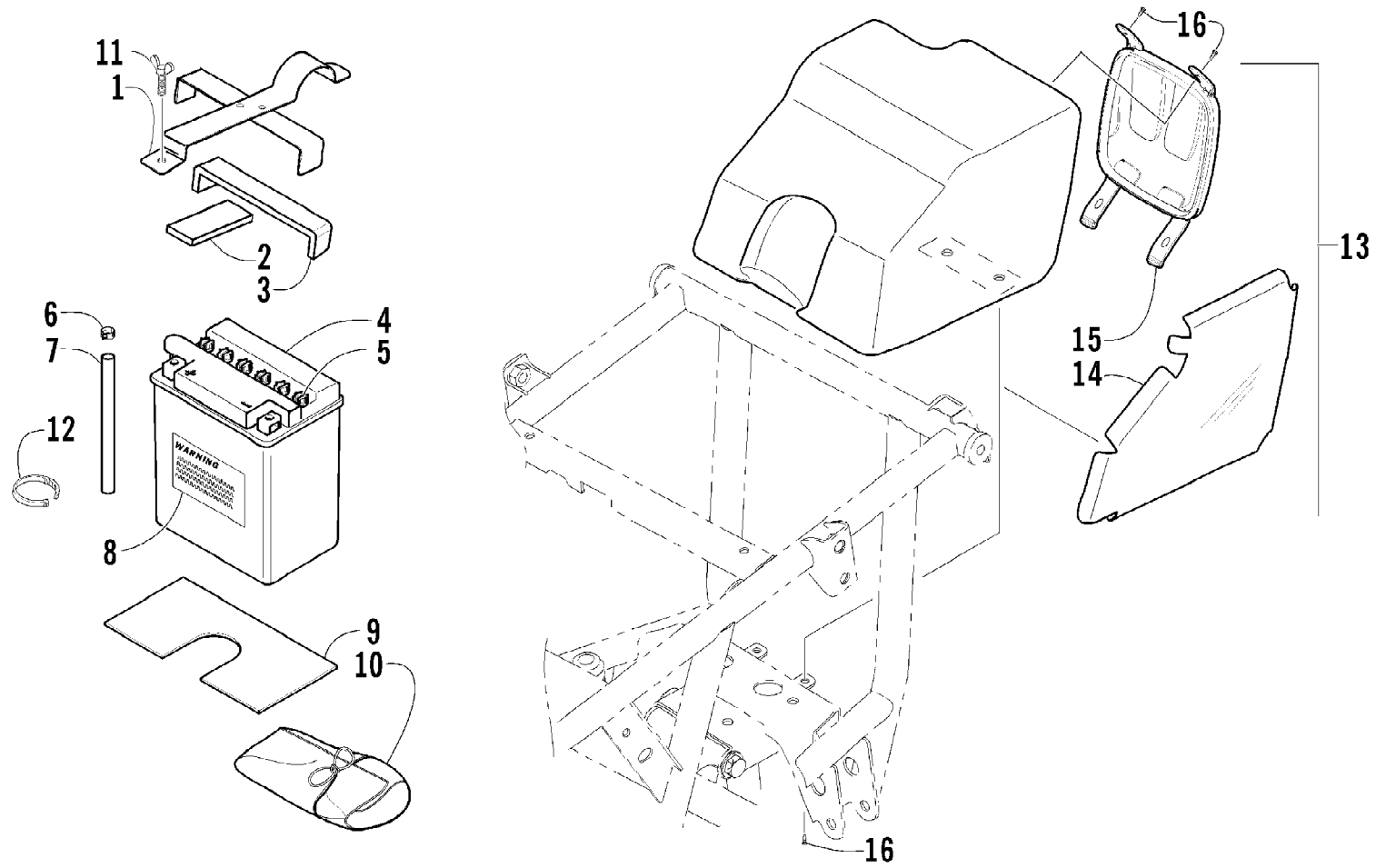
2005 ATV 400 AUTOMATIC TRANSMISSION 4X4 FIS LE CAT GREEN (A2005FIS4BUSA) 96  
STEERING POST ASSEMBLY



2005 ATV 400 AUTOMATIC TRANSMISSION 4X4 FIS LE CAT GREEN (A2005FIS4B2SA) 96  
STEERING POST ASSEMBLY

Ref #	Part Number	Qty	S/P/F	Description
1	8408-860	4		Screw, Cap
2	0405-035	4		Cap, Steering Adjuster
3	0423-505	2		Screw, Shoulder
4	0405-166	1		Cap, Housing
5	0405-138	1		Housing, Lower
6	0405-139	1		Housing, Upper
7	0505-431	1	/P	Post, Steering
8	8408-816	2		Screw, Cap
9	0602-233	1		Flange, Bearing
10	0405-052	1		Bearing w/Inverted Oil Seal
11	0423-073	1		Washer
12	8409-020	1	/P	Screw, Cap
13	0505-408	2	S	Tie Rod - Assembly (inc. 14-18)
14	0405-083	2	S	Ball Joint, Tie Rod - Left
15	0423-013	2		Nut - Left
16	0405-107	2	S	Tie Rod
17	8420-002	2	/P	Nut - Right
18	0405-082	2	S	Ball Joint, Tie Rod - Right
19	0423-157	4		Nut, Lock
20	0623-175	4		Pin, Cotter

2005 ATV 400 AUTOMATIC TRANSMISSION 4X4 FIS LE CAT GREEN (A2005P40B33A) 96  
STORAGE BOX AND BATTERY ASSEMBLY

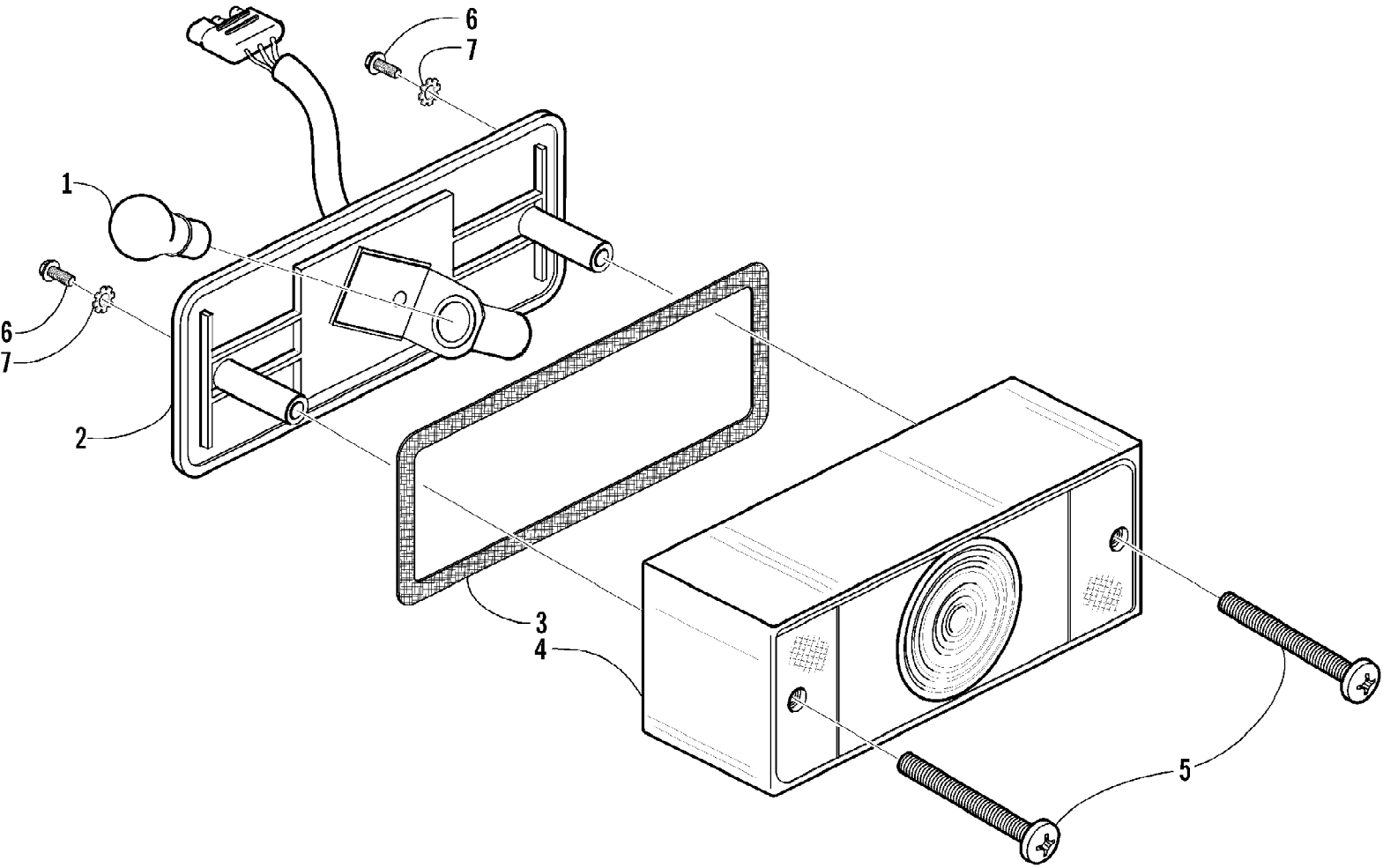


2005 ATV 400 AUTOMATIC TRANSMISSION 4X4 FIS LE CAT GREEN (A2005FIS4B4SA)96  
STORAGE BOX AND BATTERY ASSEMBLY

Ref #	Part Number	Qty	S/P/F	Description
1	0506-178	1		Strap, Battery w/Pads (inc. 2-3)
2	0406-288	1		Pad, Battery - Upper Front
3	0406-289	1		Pad, Battery - Upper Rear
4	0745-045	1	/P	Battery Assembly (inc. 5-8)
5	0645-045	6		Cap, Battery
6	0645-152	1		Clamp, Hose
7	0645-263	1	/P	Hose, Battery Vent
8	0645-151	1		Label, Warning - Battery
9	0406-227	1		Pad, Battery - Lower
10	0444-122	1	S/P	Kit, Tool
11	0423-456	1	/P	Screw, Thumb
12	0123-903	2		Cable Tie - 11.5 in.
13	0506-797	1		Storage Box - Assembly (inc. 14)
14	1406-140	1		Shield, Heat
15	1406-078	1		Cover, Storage Box
16	0623-797	4		Screw, Self-Tapping



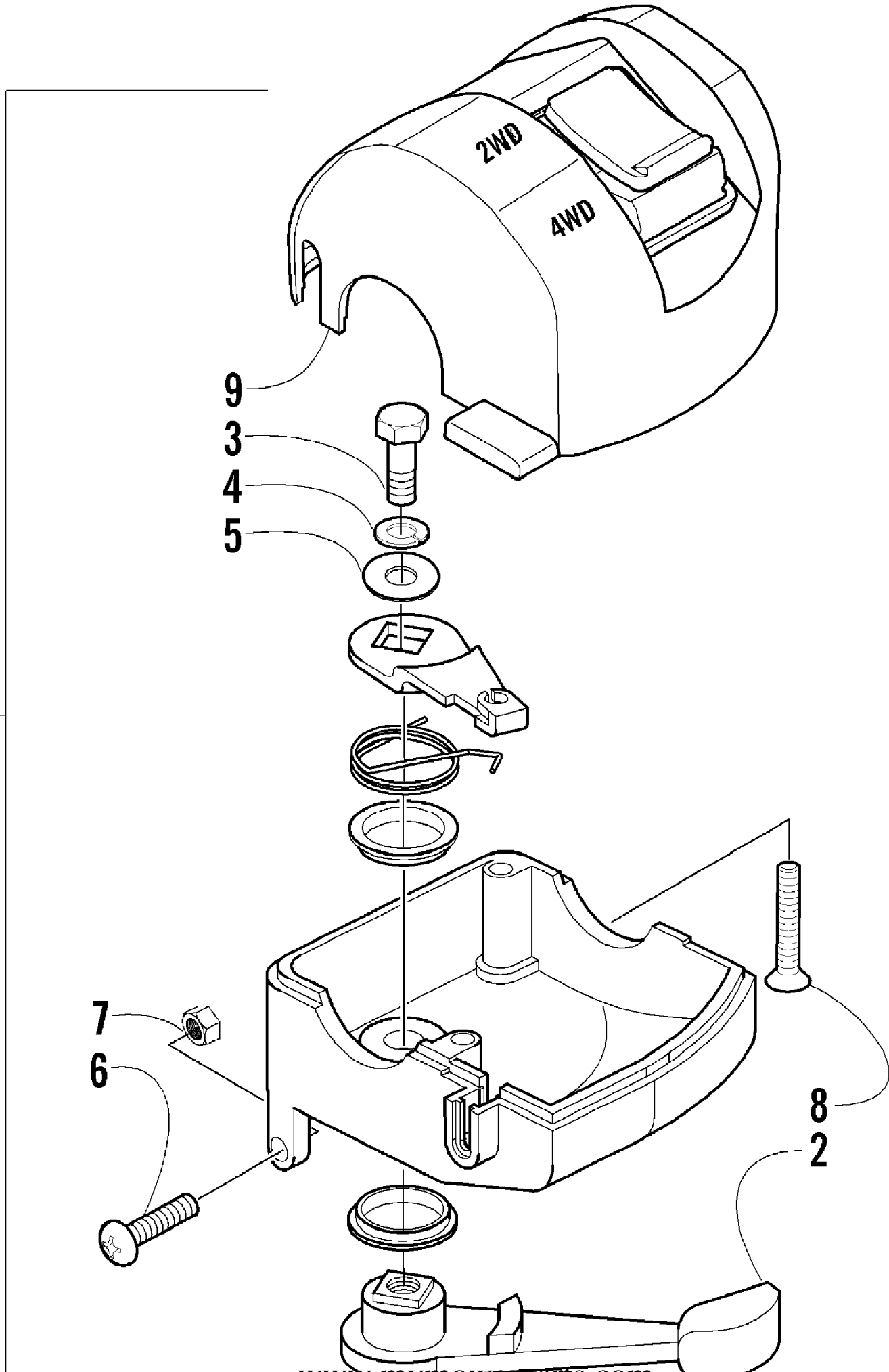
2005 ATV 400 AUTOMATIC TRANSMISSION 4X4 FIS LE CAT GREEN (A2005P44B53A) 96  
TAILLIGHT ASSEMBLY



2005 ATV 400 AUTOMATIC TRANSMISSION 4X4 FIS LE CAT GREEN (A2005FIS400SA)96  
 TAILLIGHT ASSEMBLY

Ref #	Part Number	Qty	S/P/F	Description
	0409-002	1		Complete Taillight Assembly
1	0109-460	1	/P	Bulb, Stop/Taillight
2	0409-058	1		Taillight w/Socket Assembly
3	0409-012	1		Gasket, Taillight Lens
4	0409-007	1		Lens, Taillight
5	0409-010	2		Screw, Machine
6	0623-301	2	/P	Screw, Self-Tapping
7	8053-212	2	/P	Washer, Lock - External Tooth

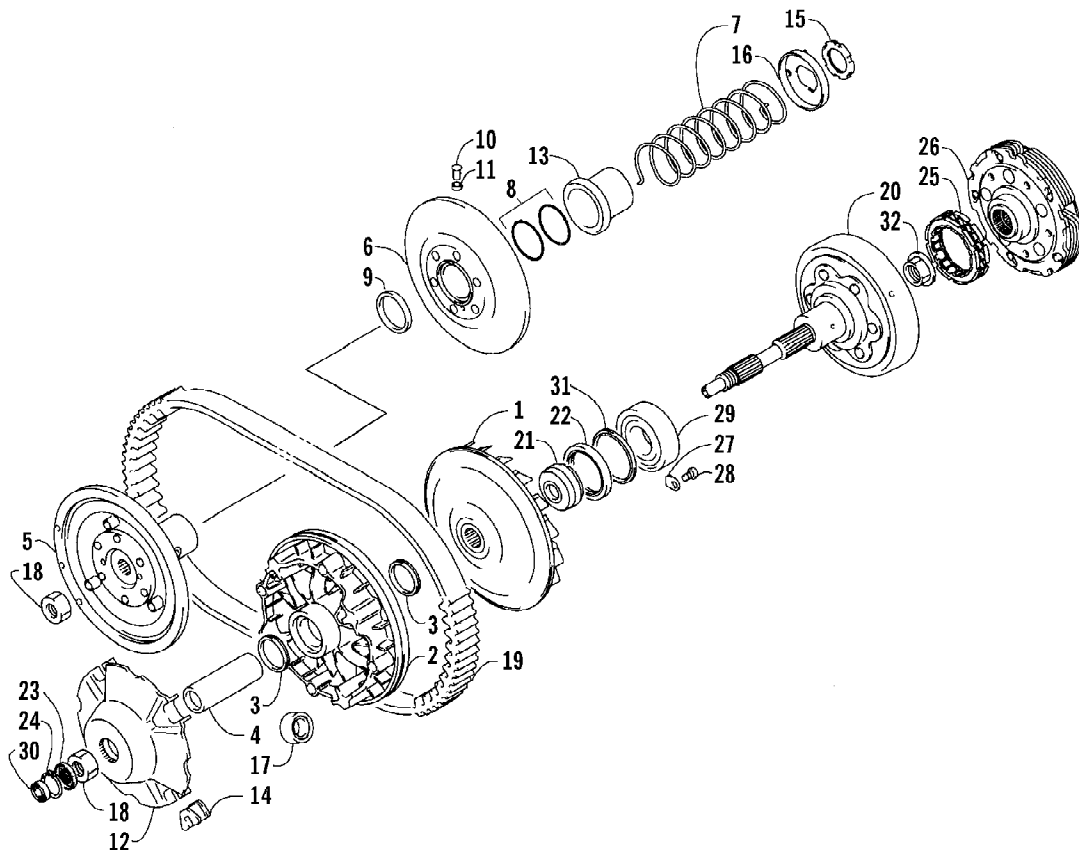
2005 ATV 400 AUTOMATIC TRANSMISSION 4X4 FIS LE CAT GREEN (A2005FIS4B7SA)96  
THROTTLE CASE ASSEMBLY



2005 ATV 400 AUTOMATIC TRANSMISSION 4X4 FIS LE CAT GREEN (A2005FIS4B3A)96  
THROTTLE CASE ASSEMBLY

Ref #	Part Number	Qty	S/P/F	Description
1	0509-012	1		Case, Throttle - Assembly (inc. 2-9)
2	3409-001	1		Lever
3	3004-533	1	S/P	Screw, Cap
4	3004-447	1	/P	Washer, Lock
5	3003-030	1	/P	Washer
6	3423-014	1		Screw
7	3423-327	1		Nut
8	3423-199	2		Screw
9	0409-048	1		Cover, Throttle w/Switch

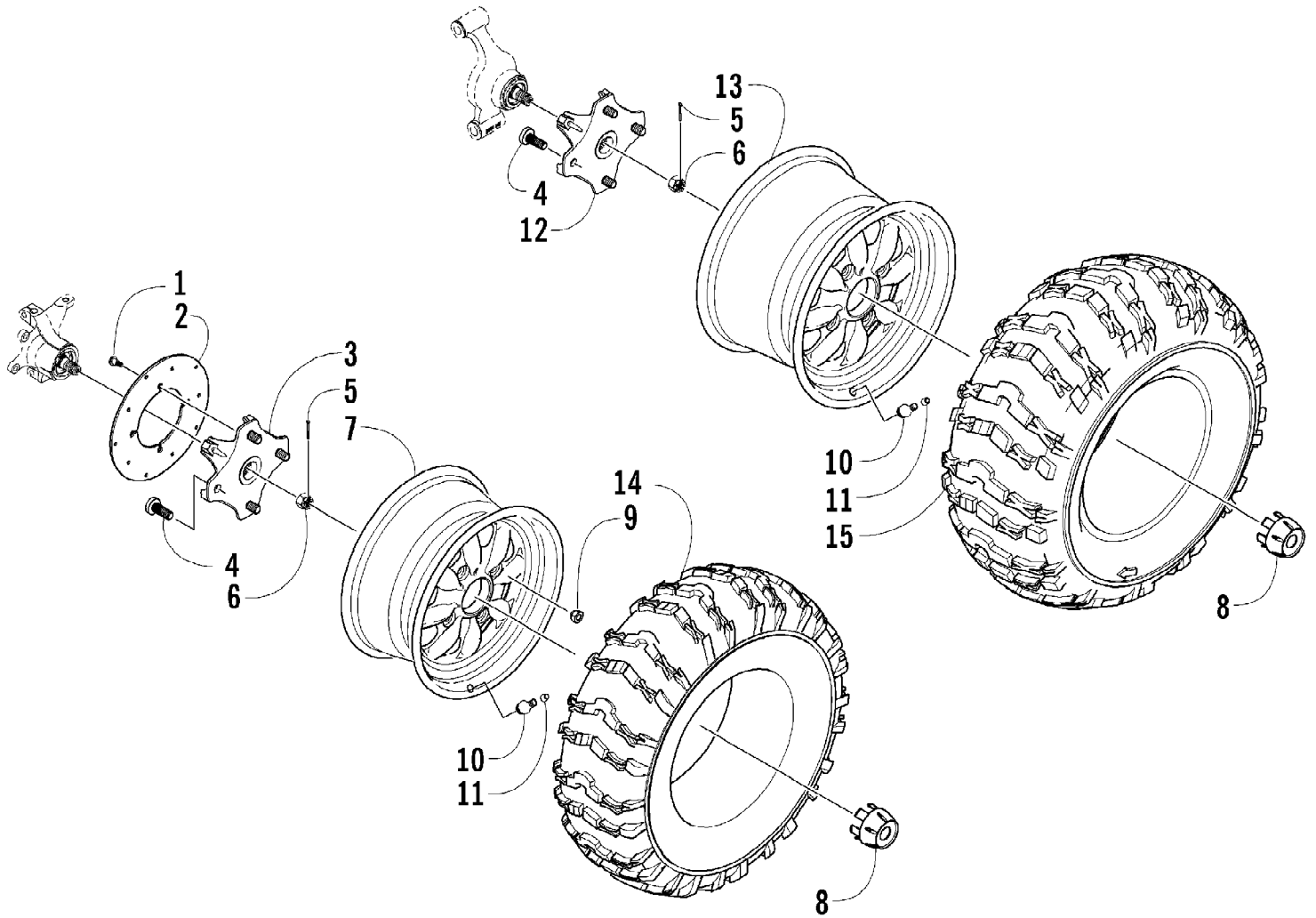
2005 ATV 400 AUTOMATIC TRANSMISSION 4X4 FIS LE CAT GREEN (A2005FIS400A) 96  
TRANSMISSION ASSEMBLY



2005 ATV 400 AUTOMATIC TRANSMISSION 4X4 FIS LE CAT GREEN (A2005FIS4EUSA) 96  
TRANSMISSION ASSEMBLY

Ref #	Part Number	Qty	S/P/F	Description
1	3402-622	1		Face, Fixed Drive
2	3402-623	1		Face, Movable Drive
3	3402-624	2		Seal, Movable Drive Face
4	3402-625	1		Spacer, Movable Drive Face
5	3402-626	1	S	Face, Fixed Driven
6	3402-627	1		Face, Movable Driven
7	3423-486	1		Spring, Movable Driven Face
8	3423-487	2		O-Ring, Movable Driven Face
9	3402-629	2		Seal, Movable Driven Face
10	3402-477	3		Pin, Movable Driven Face
11	3402-478	3		Spacer, Movable Driven Face
12	3402-630	1		Plate, Movable Drive Face
13	3402-631	1		Sleeve, Movable Driven Face
14	3402-481	4		Damper, Movable Drive Face
15	3423-489	1		Nut, Driven Pulley
16	3402-632	1		Holder, Movable Driven Face Spring
17	3402-633	8		Roller, Movable Drive Face
18	3423-437	2		Nut
19	3402-664	1		V-Belt
20	3402-620	1		Housing, Clutch
21	3402-621	1		Spacer, Fixed Drive Face
22	3402-977	1	/P	Seal, Clutch Housing
23	3402-574	1		Seal, Clutch Housing
24	3423-505	1	S	Circlip
25	3446-003	1		Clutch, One-Way
26	3446-278	1	S	Shoe, Clutch - Assembly
27	3446-031	2	/P	Retainer, Bearing
28	3423-435	2		Screw, Bearing Retainer
29	3402-567	1		Bearing
30	3402-693	1		Bearing
31	3423-353	1	/P	O-Ring
32	3423-501	1		Nut

2005 ATV 400 AUTOMATIC TRANSMISSION 4X4 FIS LE CAT GREEN (A2005FIS400A) 96  
WHEEL AND TIRE ASSEMBLY

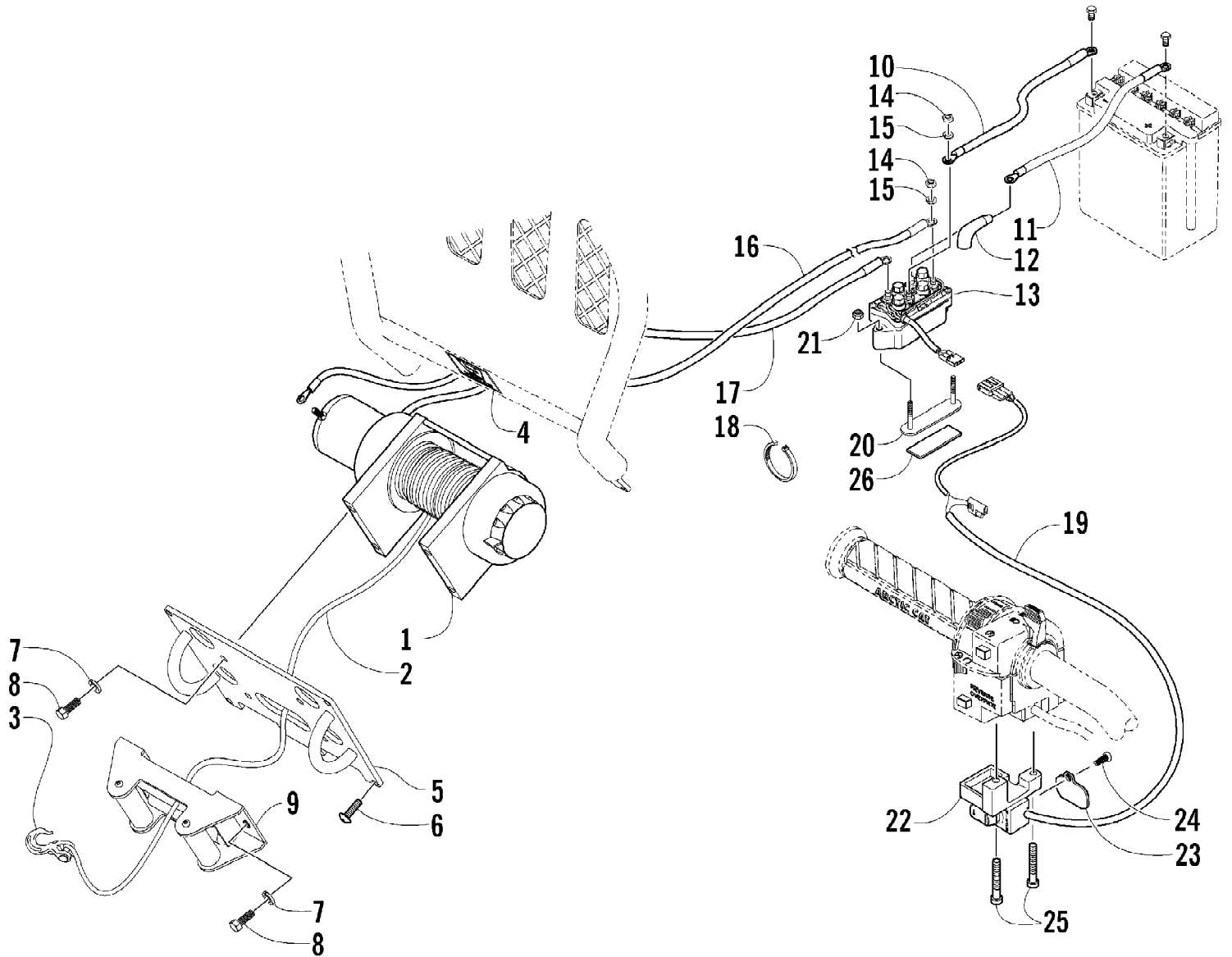


2005 ATV 400 AUTOMATIC TRANSMISSION 4X4 FIS LE CAT GREEN (A2005PS14B2SA) 96  
WHEEL AND TIRE ASSEMBLY

Ref #	Part Number	Qty	S/P/F	Description
1	0423-029	12		Screw, Machine
2	1402-225	3	S	Disc, Brake
3	0502-599	2	S	Hub, Wheel - Front (inc. 4)
4	0402-974	16	/P	Stud, Wheel Hub
5	0423-407	4		Pin, Cotter
6	0423-394	4		Nut, Castle
7	1402-286	2		Wheel - Front - Spoked (inc. two No. 8)
8	1402-325	4		Cap, Wheel
9	0423-556	16		Nut, Mounting - Wheel
10	0402-064	4		Stem, Valve (inc. 11)
11	0402-140	4		Cap, Valve Stem
12	0502-601	1	S	Hub, Wheel - Rear - Left (inc. 4)
12	0502-599	1	S	Hub, Wheel - Rear - Right (inc. 4)
13	1402-287	2		Wheel - Rear - Spoked (inc. two No. 8)
14	1402-100	2		Tire - Front
15	1402-101	2		Tire - Rear



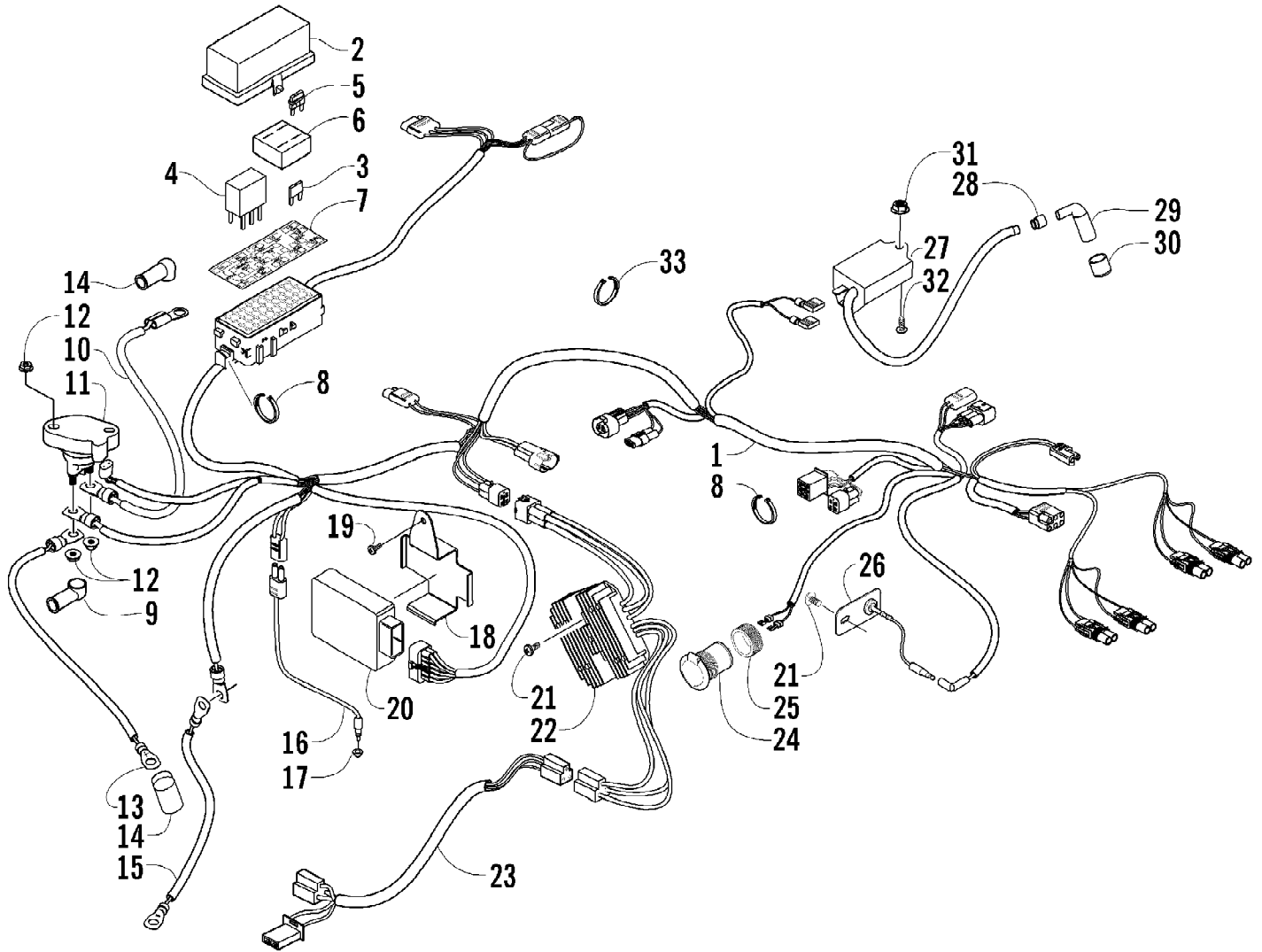
2005 ATV 400 AUTOMATIC TRANSMISSION 4X4 FIS LE CAT GREEN (A2005P400SA) 96  
WINCH ASSEMBLY



2005 ATV 400 AUTOMATIC TRANSMISSION 4X4 FIS LE CAT GREEN (A2005FIS400SA) 96  
WINCH ASSEMBLY

Ref #	Part Number	Qty	S/P/F	Description
1	0441-490	1		Winch (inc. 2-3)
2	0441-061	1		Cable, Winch
3	0441-426	1	/P	Hook, Winch
4	0411-433	1		Decal, Winch
5	0441-465	1		Plate, Winch
6	8468-830	2		Screw, Machine
7	8051-246	4		Washer, Lock
8	8002-102	4		Screw, Cap
9	0441-403	1	/P	Roller, Winch
10	0441-477	1		Cable, Solenoid/Battery - Black
11	0441-478	1		Cable, Solenoid/Battery - Red
12	0441-060	6		Boot, Terminal
13	0409-066	1	/P	Solenoid (inc. 14-15)
14	8420-602	4		Nut
15	8451-122	4		Washer, Lock
16	0441-476	1		Cable, Winch/Solenoid - Yellow
17	0441-475	1		Cable, Winch/Solenoid - Blue
18	0123-788	AR	/P	Cable Tie - 7.5 in.
19	0409-044	1		Switch, Control
20	0509-010	1		Bracket, Mounting - Solenoid
21	0624-250	2		Nut, Lock
22	0409-034	1		Holder, Control Switch
23	0409-040	1	S	Cover, Switch
24	0423-382	1		Screw, Self-Tapping
25	0623-204	2		Screw, Machine
26	0417-001	1		Pad

2005 ATV 400 AUTOMATIC TRANSMISSION 4X4 FIS LE CAT GREEN (A2005FIS400SA)96  
WIRING HARNESS ASSEMBLY



2005 ATV 400 AUTOMATIC TRANSMISSION 4X4 FIS LE CAT GREEN (A2005FIS400SA) 96  
WIRING HARNESS ASSEMBLY

Ref #	Part Number	Qty	S/P/F	Description
1	0486-155	1		Harness, Main (inc. 2-7 and two No. 8)
2	0530-008	1		Cover, Fuse Block
3	0430-032	4		Fuse - 10 Amp
3	0430-031	3		Fuse - 15 Amp
3	0430-030	2		Fuse - 30 Amp
4	0430-033	3		Relay
5	0430-034	3		Diode
6	0430-037	1		Holder, Fuse
7	0411-828	1		Decal, Fuse Block
8	0123-788	AR	/P	Cable Tie - 7.5 in.
9	0645-327	1		Boot, Terminal
10	0445-042	1		Cable, Solenoid/Starter
11	0445-036	1	S	Solenoid
12	0623-038	4		Nut w/Washer
13	0445-038	1	S	Cable, Battery/Solenoid (inc. one No. 14)
14	0645-019	2		Boot, Terminal
15	0445-037	1		Cable, Battery/Ground
16	0409-009	1		Switch, Brake - Assembly
17	0402-991	1		Retainer, Switch
18	0506-985	1	/P	Bracket, CDI
19	8476-616	1		Screw, Machine
20	3402-683	1		CDI Unit
21	8476-625	3		Screw, Machine
22	3402-682	1		Regulator, Voltage
23	0486-148	1		Harness, Adapter - Electric Choke
24	0445-022	1	S	Receptacle, 12V (inc. 25)
25	0445-034	1		Nut, Retainer
26	0509-011	1	S	Diode Assembly
27	3430-055	1		Coil, Ignition - Assembly
28	3430-009	1	/P	Seal, High Tension Wire
29	3430-007	1	/P	Cap, Spark Plug
30	3430-008	1	/P	Seal, Spark Plug
31	8424-602	1	/P	Nut, Flange
32	8476-620	1		Screw, Machine
33	0123-903	AR		Cable Tie - 11.5 in.