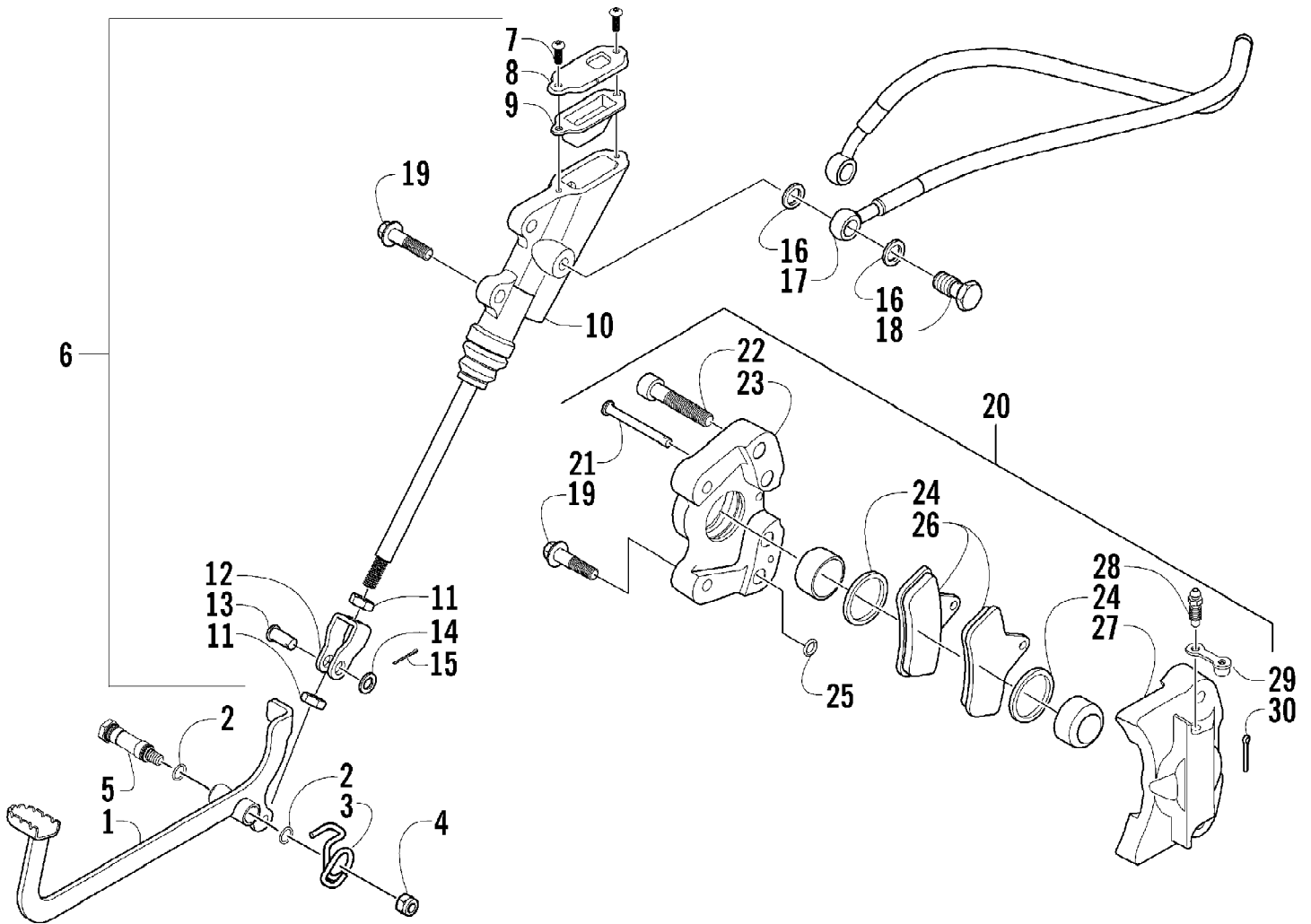


2004 ATV 500 MANUAL TRANSMISSION 4X4 FIS RED MRP (A2004ISM4AUST)  
AIR INTAKE ASSEMBLY Page 2 of 95

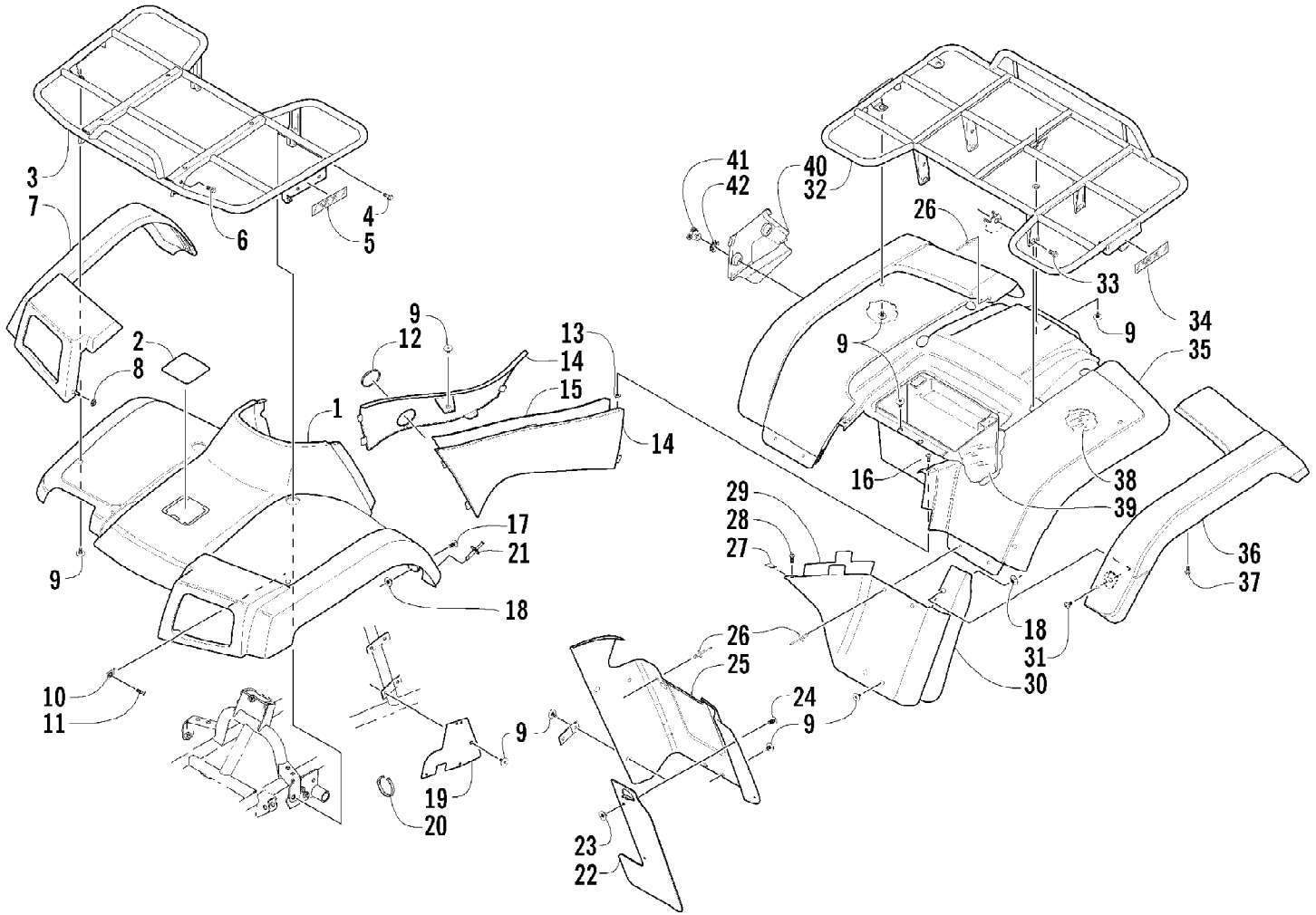
Ref #	Part Number	Qty	S/P/F	Description
1	0423-019	1		Clamp
2	0470-432	1		Boot, Air Intake
3	0423-018	2		Clamp
4	0470-446	1	/P	Housing, Air Intake
5	0470-460	1		Filter, Air
6	0470-343	1		Gasket
7	0470-459	1		Snorkel
8	0470-307	4		Clamp
9	0423-037	4		Spring
10	0623-121	4		Screw, Machine
11	0123-010	4	/P	Nut, Expansion
12	0470-351	2		Support, Air Intake Flange
13	0412-141	1		Shield, Heat
14	0470-442	1	/P	Valve, Drain
15	0623-101	1		Clip, Retaining
16	1673-272	1	/P	Cap, Drain Tube
17	0423-047	1		Clamp, Hose
18	0423-045	2		Clamp, Hose
19	0410-045	1		Hose, Crankcase Vent



2004 ATV 500 MANUAL TRANSMISSION 4X4 FIS RED MRP (A2004ISM4AUST)  
AUXILIARY BRAKE ASSEMBLY

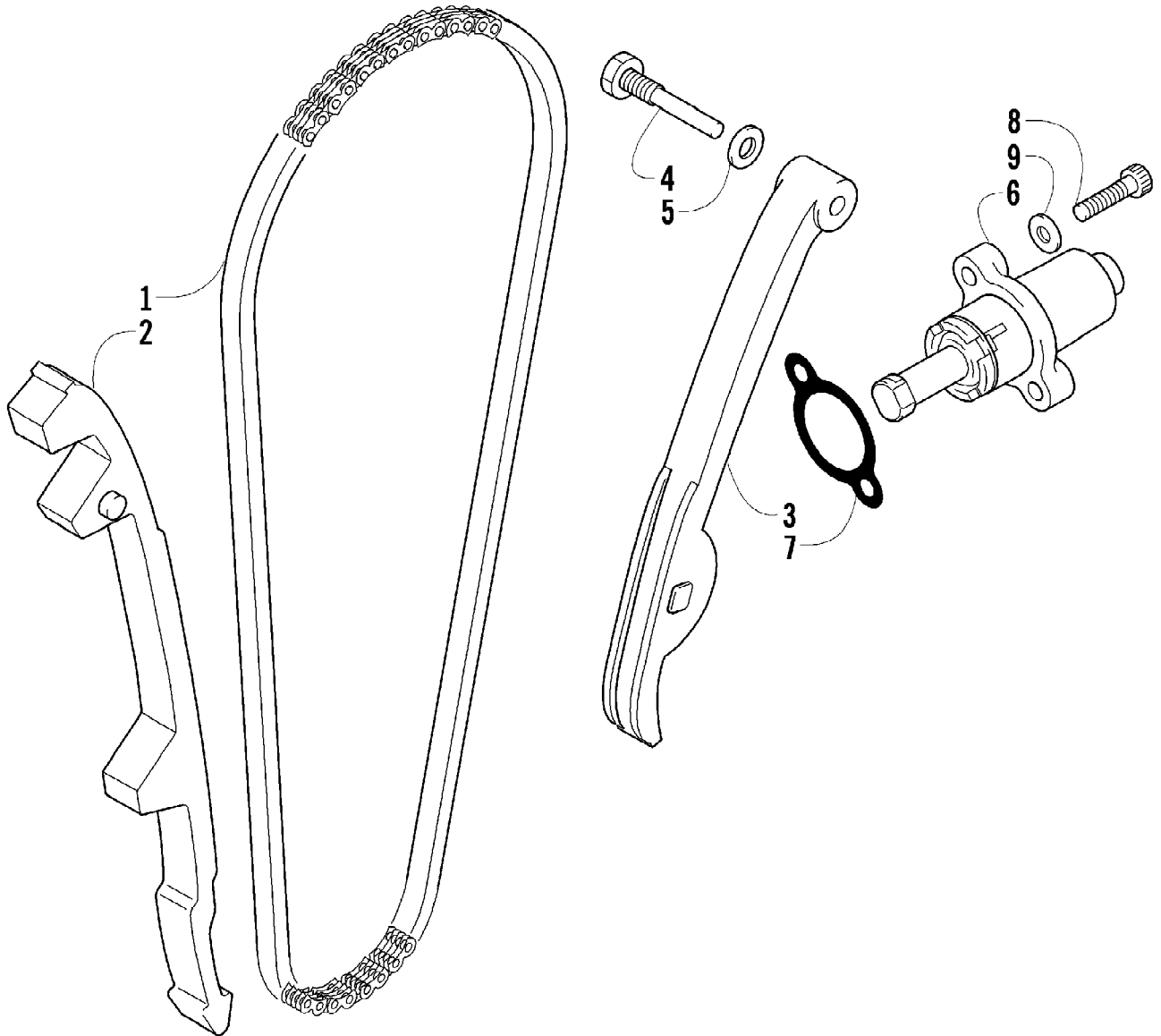
Ref #	Part Number	Qty	S/P/F	Description
1	0502-449	1		Lever, Brake
2	1602-213	2	/P	O-Ring
3	0502-395	1	/P	Spring, Brake Lever
4	8422-002	1		Nut
5	0402-872	1		Axle, Brake Lever
6	0502-452	1	S	Brake Assembly (inc. 7-15)
7	0402-545	2		Screw, Machine
8	0402-588	1		Cover, Reservoir
9	0402-591	1		Bladder, Reservoir
10	0	1	F	Master Cylinder
11	0402-592	2		Nut, Jam
12	0402-580	1		Actuator, Push Rod
13	0402-575	1		Pin, Clevis
14	0402-583	1		Washer
15	0402-584	1		Pin, Cotter
16	0423-178	4		Washer, Crush
17	1402-200	1		Hose, Brake
18	0423-413	2		Bolt, Banjo Fitting
19	8408-825	4		Screw, Cap
20	0502-335	1	S	Caliper, Brake (inc. 21-30)
21	0402-495	1		Pin, Brake Caliper
22	0402-492	4		Screw, Cap
23	0	1	F	Housing, Caliper
24	0402-980	2		O-Ring, Brake Caliper
25	0402-490	1		O-Ring
26	0402-882	2	/P	Pad, Brake
27	0	1	F	Housing, Caliper
28	0402-491	1	S	Valve, Bleed
29	0402-493	1		Cap, Bleed Valve
30	0423-495	1	/P	Pin, Cotter





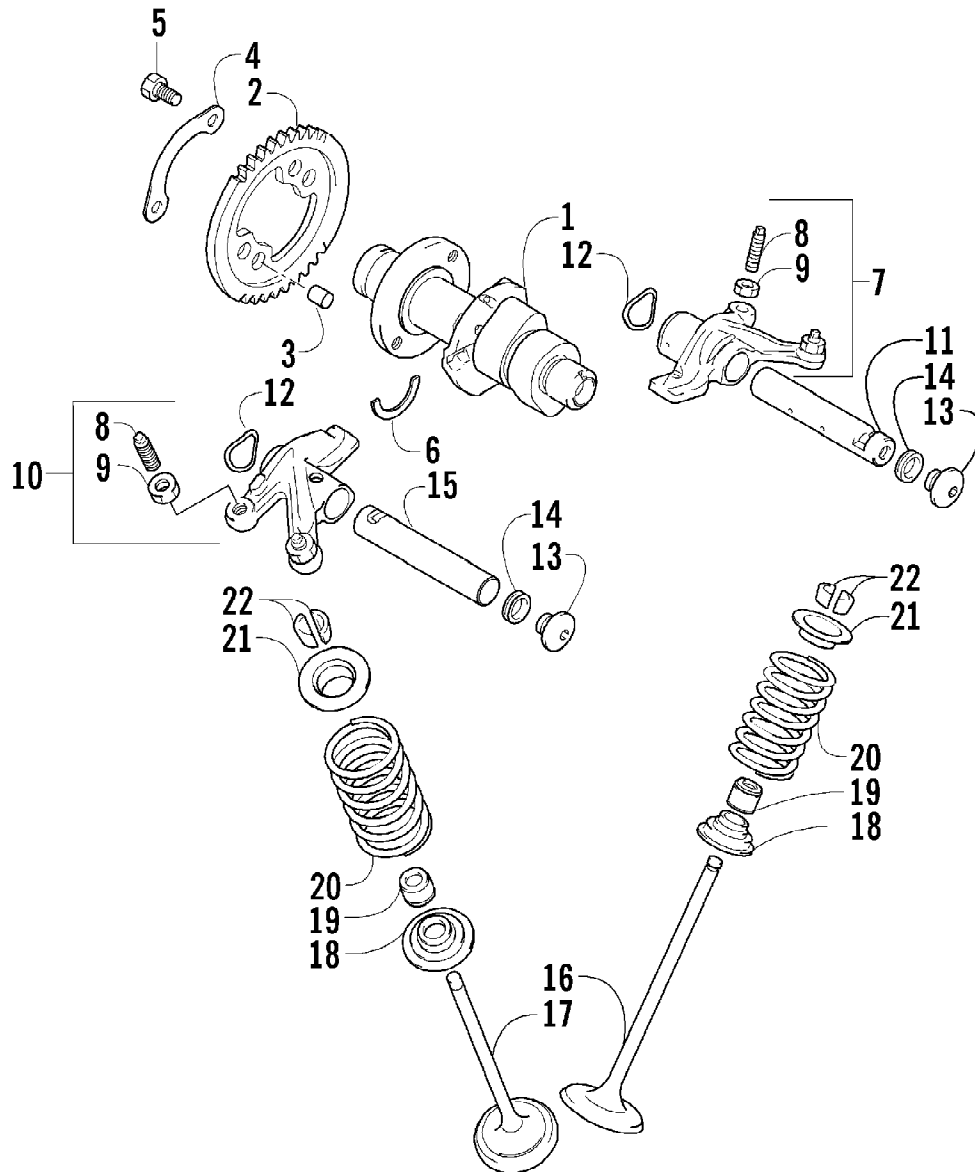
2004 ATV 500 MANUAL TRANSMISSION 4X4 FIS RED MRP (A2004ISM4AUST) Page 6 of 95  
BODY PANEL ASSEMBLY

Ref #	Part Number	Qty	S/P/F	Description
1	0506-616	1		Panel, Fender - Front (inc. 2)
2	1406-142	1	/P	Cover, Access
3	0	1	F	Rack - Front
4	8408-816	2		Screw, Cap
5	0411-646	2		Decal, Reflector - Amber
6	0423-360	2		Screw, Cap
7	1506-158	1		Flare - Front - Right
7	1506-159	1		Flare - Front - Left
8	0423-357	2		Nut, Stamped
9	0423-101	AR		Screw, Body
10	0423-031	2		Nut, Speed
11	8477-616	2		Screw, Machine
12	0470-404	1		Grommet, Fuel Shut-Off Valve
13	0123-010	2	/P	Nut, Expansion
14	0506-548	1		Panel, Side - Right
14	0506-243	1		Panel, Side - Left
15	0412-142	1		Shield, Heat
16	0423-068	2		Screw, Machine
17	0423-356	2		Screw, Shoulder
18	0423-438	4		T-Nut w/Teeth
19	1406-481	2		Panel, Fender - Inner
20	0123-788	AR	/P	Cable Tie - 7.5 in.
21	0623-362	2		Rivet, Reinstallable
22	1506-194	2		Extension, Flare
23	0423-077	4	/P	T-Nut w/Teeth
24	0423-361	4		Screw, Machine
25	1506-199	1	S	Panel, Kick - Right
25	1506-193	1		Panel, Kick - Left
26	0423-046	AR		Rivet, Plastic
27	0423-060	2		Clip, Tinerman
28	0623-309	2		Screw, Self-Tapping
29	0412-140	1		Shield, Heat
30	1506-350	1		Fender Extension - Rear - Right
30	0406-085	1		Fender Extension - Rear - Left
31	0423-355	2		Screw, Shoulder
32	0	1	F	Rack - Rear
33	8409-020	4	/P	Screw, Cap
34	0411-647	2		Decal, Reflector - Red
35	0506-620	1	S	Panel, Fender - Rear
36	0506-552	1		Flare, Rear - Right
36	0506-553	1		Flare, Rear - Left
37	0423-342	12	/P	Screw, Self-Tapping
38	0412-124	1		Shield, Heat
39	0412-147	1		Shield, Heat
40	1406-408	1		Shield, Fuse Block
41	1406-409	2		Key, Fuse Block Shield
42	1406-410	2	S	Spring, Fuse Block Shield



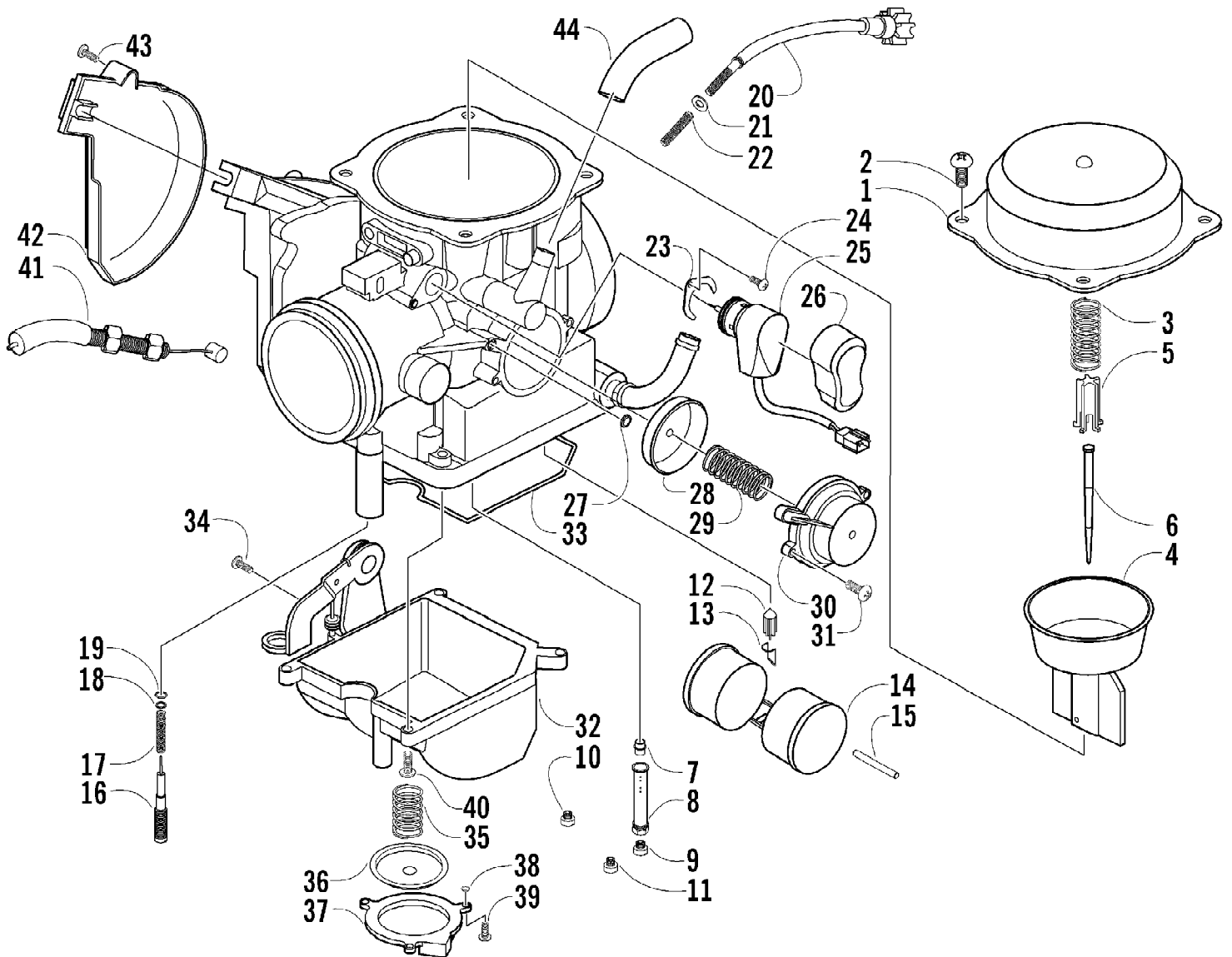
2004 ATV 500 MANUAL TRANSMISSION 4X4 FIS RED MRP (A2004ISM4AUST)  
CAM CHAIN ASSEMBLY

Ref #	Part Number	Qty	S/P/F	Description
1	3402-353	1		Chain, Cam
2	3402-355	1		Guide, Chain
3	3402-356	1		Tensioner, Chain
4	3423-074	1		Bolt
5	3402-436	1	/P	Washer
6	3402-136	1		Adjuster, Tensioner - Assembly
7	3402-137	1		Gasket
8	3004-475	2	S	Bolt
9	3003-290	2	/P	Gasket



2004 ATV 500 MANUAL TRANSMISSION 4X4 FIS RED MRP (A2004ISM4AUSTP) Page 10 of 95  
CAMSHAFT/VALVE ASSEMBLY

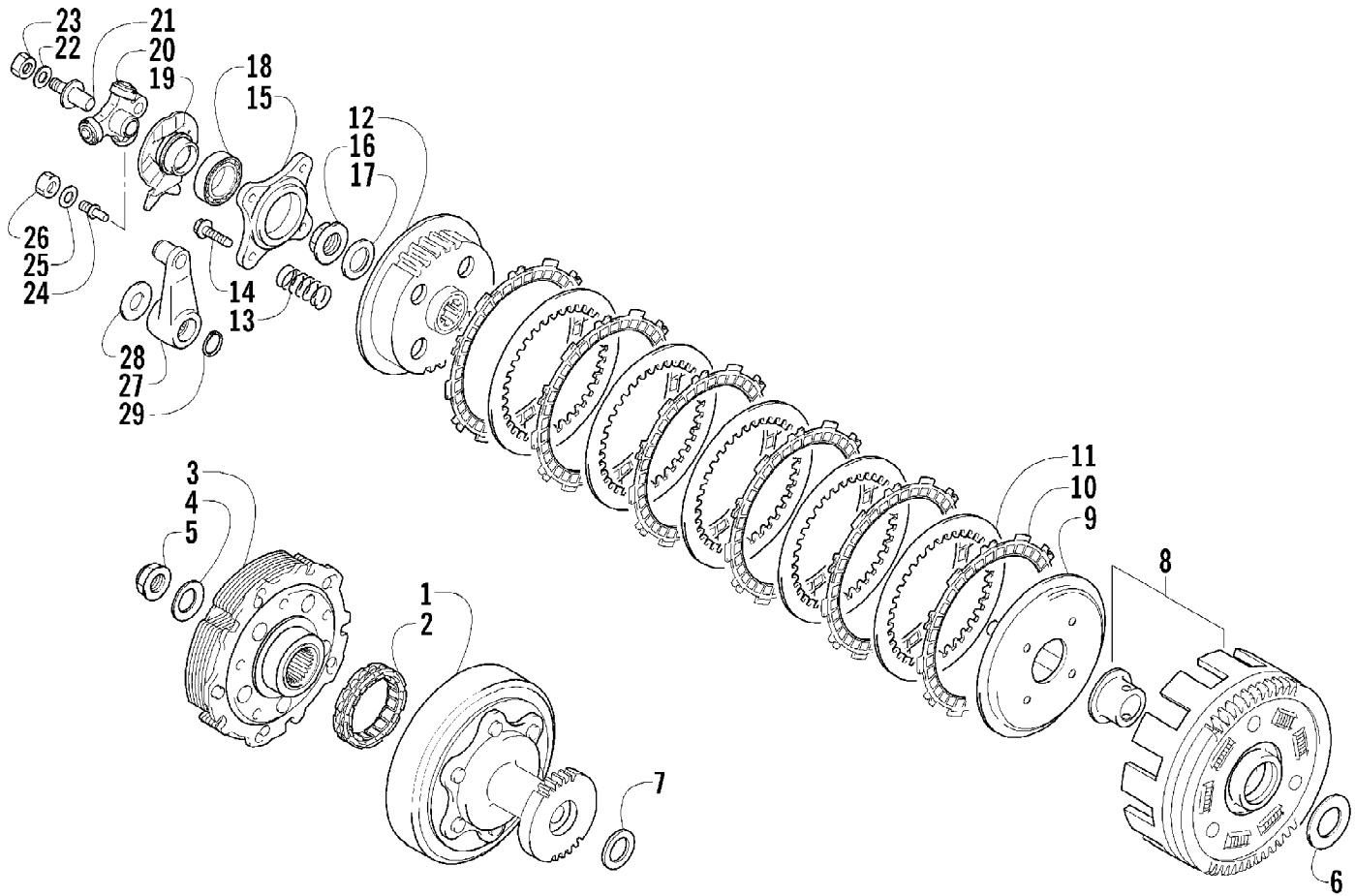
Ref #	Part Number	Qty	S/P/F	Description
1	3402-982	1	/P	Camshaft
2	3402-352	1		Sprocket
3	3423-047	1		Pin
4	3423-073	1		Washer
5	3423-013	2	S	Screw, Cap
6	3423-071	1	/P	C-Ring
7	3402-805	1	/P	Arm, Valve Rocker - Intake (inc. two No. 8-9)
8	3423-075	4		Screw
9	3423-076	4		Nut
10	3402-139	1		Arm, Valve Rocker - Exhaust (inc. two No. 8-9)
11	3402-140	1		Shaft, Rocker Arm - Intake
12	3423-031	2		Washer
13	3423-111	2	S	Plug, Shaft
14	3402-012	2		Gasket
15	3402-141	1		Shaft, Rocker Arm - Exhaust
16	3402-725	2	/P	Valve, Intake
17	3402-143	2		Valve, Exhaust
18	3402-148	4		Seat, Spring
19	3402-078	4		Seal, Oil
20	3402-726	4		Spring, Valve
21	3423-541	4	/P	Retainer, Spring
22	3402-147	8		Cotter, Valve



2004 ATV 500 MANUAL TRANSMISSION 4X4 FIS RED MRP (A2004ISM4AUSTP) Page 12 of 95  
CARBURETOR

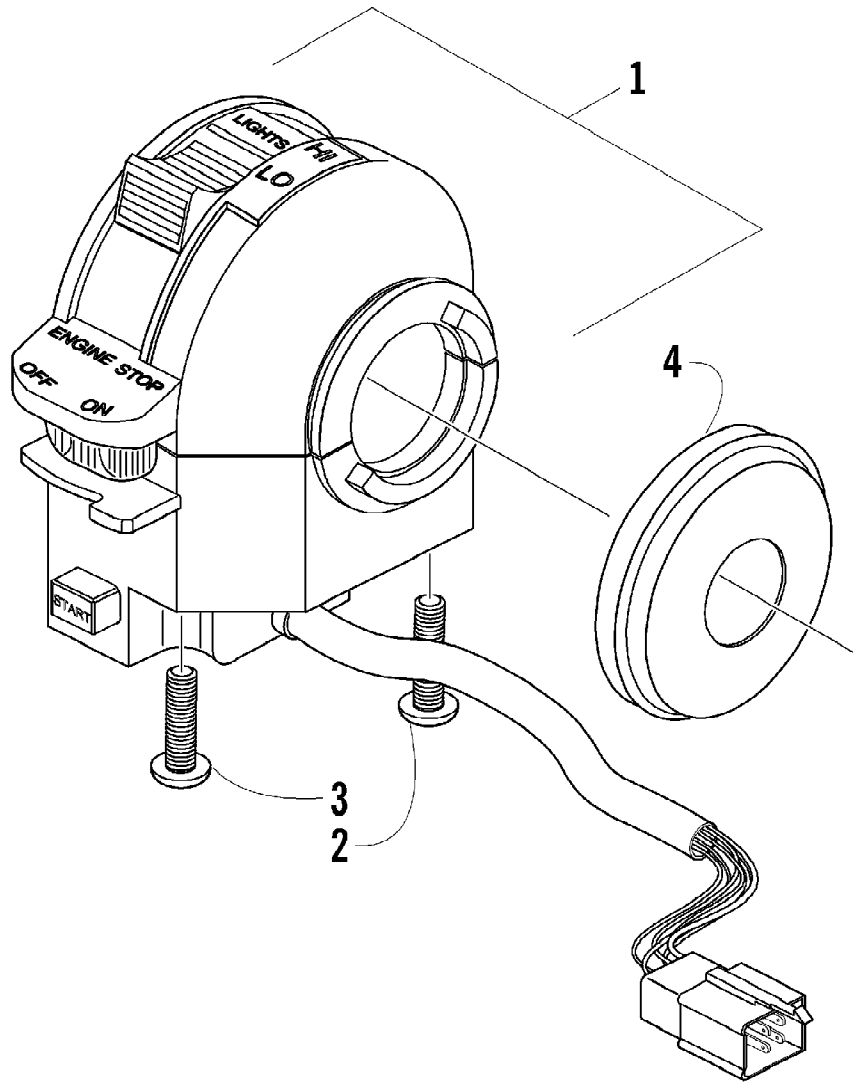
Ref #	Part Number	Qty	S/P/F	Description
	0470-471	1		Complete Carburetor Assembly
1	5507-001	1		Cover, Top
2	5507-002	4	/P	Screw, Top Cover
3	5507-085	1	S	Spring
4	5507-099	1		Piston, Vacuum
5	5507-005	1		Seat, Spring
6	5507-100	1		Jet Needle
7	5507-007	1		Needle Jet
8	5507-047	1	/P	Holder, Needle Jet
9	5507-041	1		Main Jet - 147
9	5507-086	1		Main Jet - 148
9	5507-009	1	/P	Main Jet - 150
9	5507-043	1		Main Jet - 142
9	5507-044	1		Main Jet - 140
10	5507-101	1	S	Slow Jet
11	5507-112	1		Starter Jet - 85
12	5507-107	1		Valve, Float - Set (inc. 13)
13	0	1		Clip
14	5507-039	1		Float Set (inc. 15)
15	0	1		Pin, Float
16	5507-111	1		Screw, Pilot Air - Set (inc. 17-19)
17	0	1		Spring
18	0	1		Washer
19	0	1		O-Ring
20	5507-027	1		Screw, Idle Adjust
21	5507-028	1		Washer
22	5507-029	1		Spring
23	5507-115	1		Plate
24	5507-117	1	/P	Screw
25	5507-113	1		Choke, Electric
26	5507-114	1		Cover, Electric Choke
27	5507-102	1		U-Ring
28	5507-116	1		Diaphragm Assembly
29	5507-104	1		Spring
30	5507-105	1		Cover
31	5507-106	2		Screw
32	5507-065	1		Chamber, Float - Assembly (inc. 33-39)
33	5507-067	1	/P	O-Ring, Float Chamber
34	5507-050	1	/P	Screw, Drain
35	5507-032	1		Spring
36	5507-031	1	S	Diaphragm Assembly
37	0	1		Housing, Pump
38	5507-034	1		U-Ring
39	5507-035	3		Screw
40	5507-017	4	/P	Screw
41	0487-021	1	S	Cable, Throttle
42	5507-036	1		Cover
43	5507-037	1	/P	Screw
44	0410-056	1		Hose, Vent





2004 ATV 500 MANUAL TRANSMISSION 4X4 FIS RED MRP (A2004ISM4AUSTP) Page 14 of 95  
CLUTCH ASSEMBLY

Ref #	Part Number	Qty	S/P/F	Description
1	3446-329	1		Housing, Starter Clutch
2	3446-003	1		Clutch, Primary Drive One Way
3	3446-330	1		Shoe, Starter Clutch
4	3423-032	1		Washer, Starter Clutch Shoe
5	3423-081	1		Nut, Starter Clutch Shoe
6	3423-122	1		Washer, Primary Driven
7	3423-350	1		Washer, Primary Driven
8	3446-331	1		Gear, Primary Driven - Assembly
9	3446-008	1		Disc, Clutch Pressure
10	3446-332	6		Plate, Clutch Drive
11	3446-007	5		Plate, Clutch Driven
12	3446-004	1		Hub, Clutch Sleeve
13	3423-544	4		Spring, Clutch
14	3423-330	4		Screw, Cap
15	3446-009	1		Plate, Clutch Release
16	3423-080	1		Nut, Clutch Sleeve Hub
17	3423-032	1		Washer, Clutch Sleeve Hub
18	3402-186	1	/P	Bearing, Clutch Release Plate
19	3446-334	1		Guide, Clutch Release Roller
20	3446-335	1		Roller Assembly, Clutch Release
21	3423-361	1		Bolt, Clutch Release - No. 1
22	3423-360	1		Washer, Clutch Release - No. 1
23	3423-359	1		Nut, Clutch Release - No. 1
24	3423-083	1		Bolt, Clutch Release - No. 2
25	3423-027	1		Washer, Clutch Release - No. 2
26	3008-014	1		Nut, Clutch Release - No. 2
27	3446-333	1		Arm, Clutch Release
28	3423-545	1		Washer, Clutch Release Arm
29	3423-546	1		Circlip, Clutch Release Arm



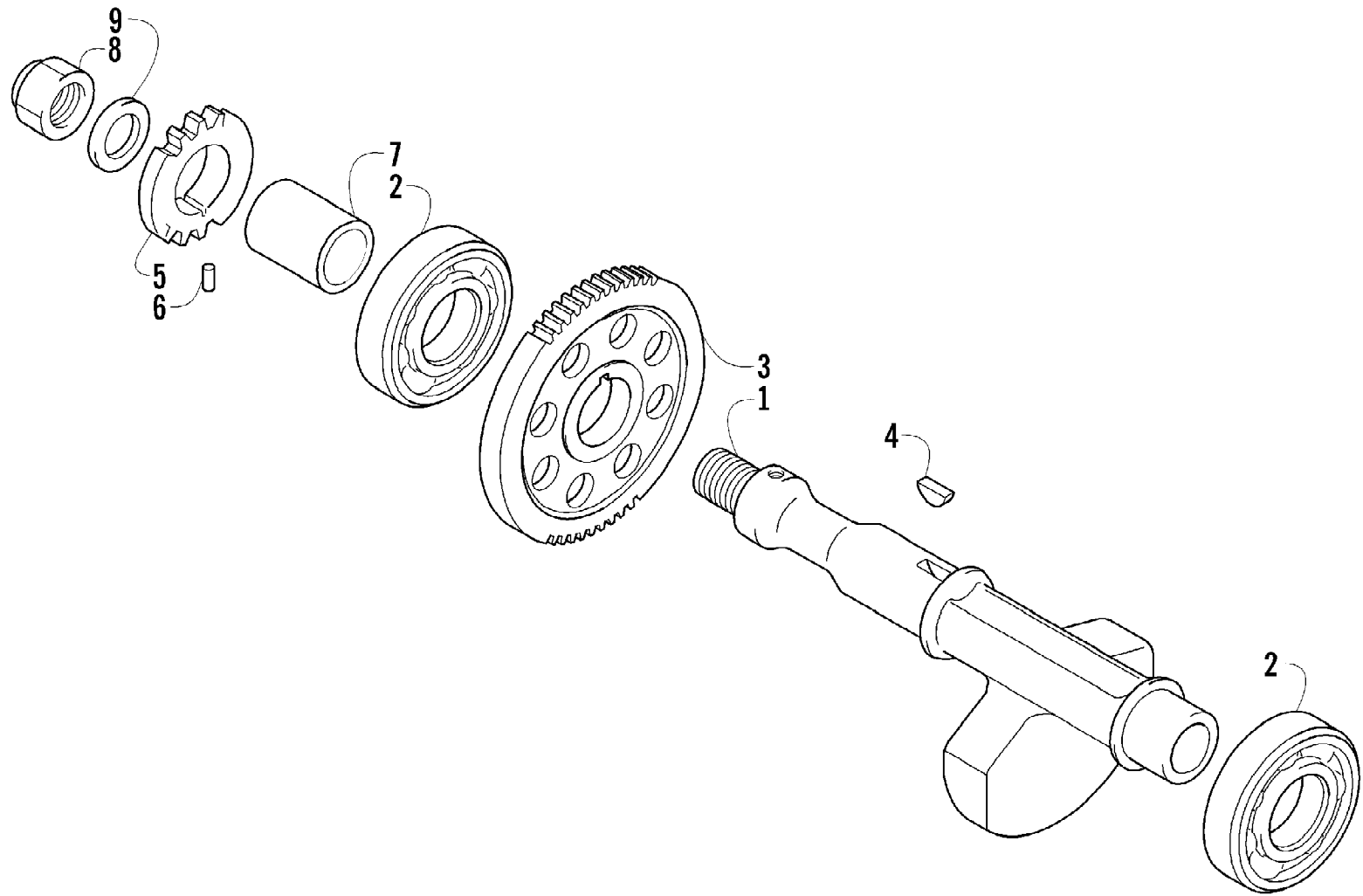
2004 ATV 500 MANUAL TRANSMISSION 4X4 FIS RED MRP (A2004ISM4AUSTP) Page 16 of 95  
CONTROL SWITCH HOUSING ASSEMBLY

Ref #	Part Number	Qty	S/P/F	Description
1	0509-013	1		Switch, Control - Assembly (inc. 2-3)
2	3423-197	1		Screw, Machine
3	3423-196	1		Screw, Machine
4	3409-019	1		Cover, Switch Housing



2004 ATV 500 MANUAL TRANSMISSION 4X4 FIS RED MRP (A2004ISM4AUSTP) Page 18 of 95  
COOLING ASSEMBLY

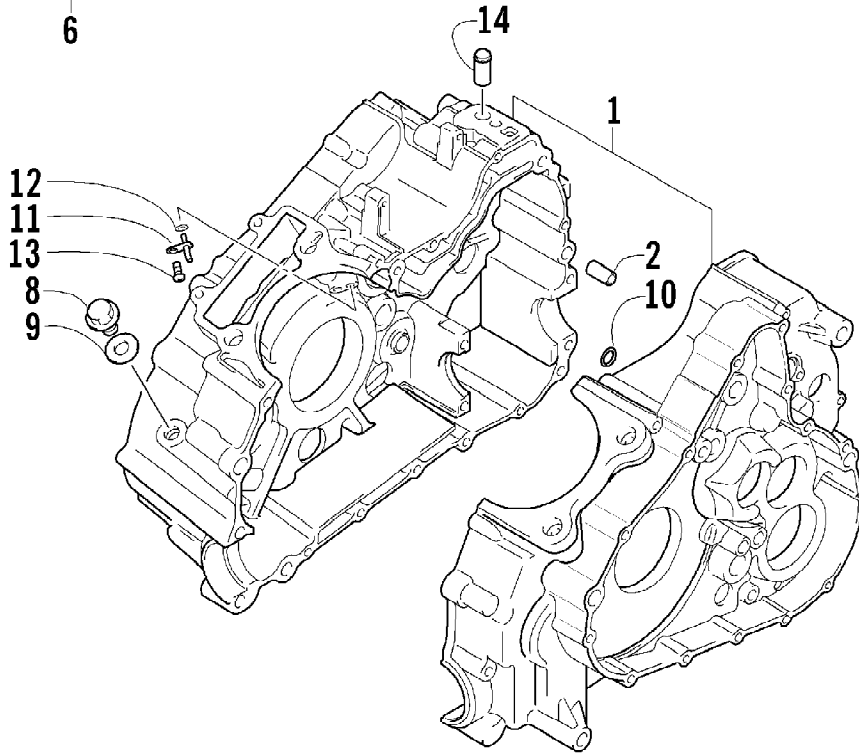
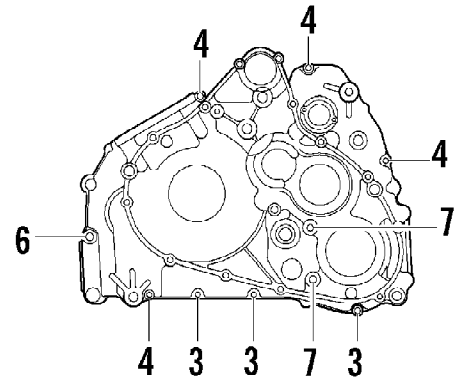
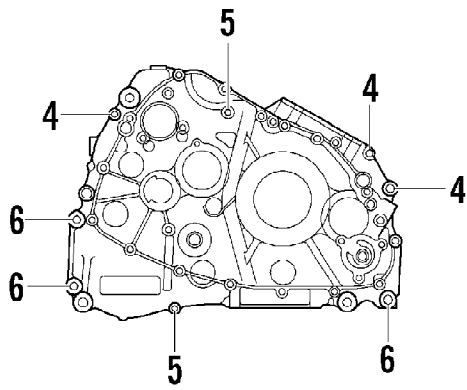
Ref #	Part Number	Qty	S/P/F	Description
1	0413-038	1		Radiator Assembly (inc. 2-15)
2	0413-043	1	S	Radiator
3	0413-007	1		Screen, Radiator
4	0413-002	1	S	Cap, Radiator
5	0423-030	2		Grommet
6	0610-016	AR	/P	Hose - 25 ft
7	0413-009	4		Screw, Thumb
8	0413-046	1		Shroud, Fan
9	0413-044	1	S	Fan, Cooling
10	8475-512	8		Screw, Machine
11	0423-351	1		Clamp, Wire
12	0123-397	1		Clamp, Cable
13	0413-045	1		Sender, Temperature - Coolant
14	0423-390	1	S	O-Ring
15	0423-036	2		Collar
16	0623-184	2		Washer
17	8476-625	2		Screw, Cap
18	0623-038	2		Nut w/Washer
19	0423-028	2		Bushing, Stem
20	0410-050	1		Hose, Coolant - Upper
21	0410-003	1		Hose, Coolant - Crossover
22	0410-042	1		Hose, Coolant - Lower
23	0423-490	3		Clamp, Hose
24	0123-788	AR	/P	Cable Tie - 7.5 in.
25	0423-496	3		Clamp, Hose



2004 ATV 500 MANUAL TRANSMISSION 4X4 FIS RED MRP (A2004ISM4AUSTP) Page 20 of 95  
CRANK BALANCER ASSEMBLY

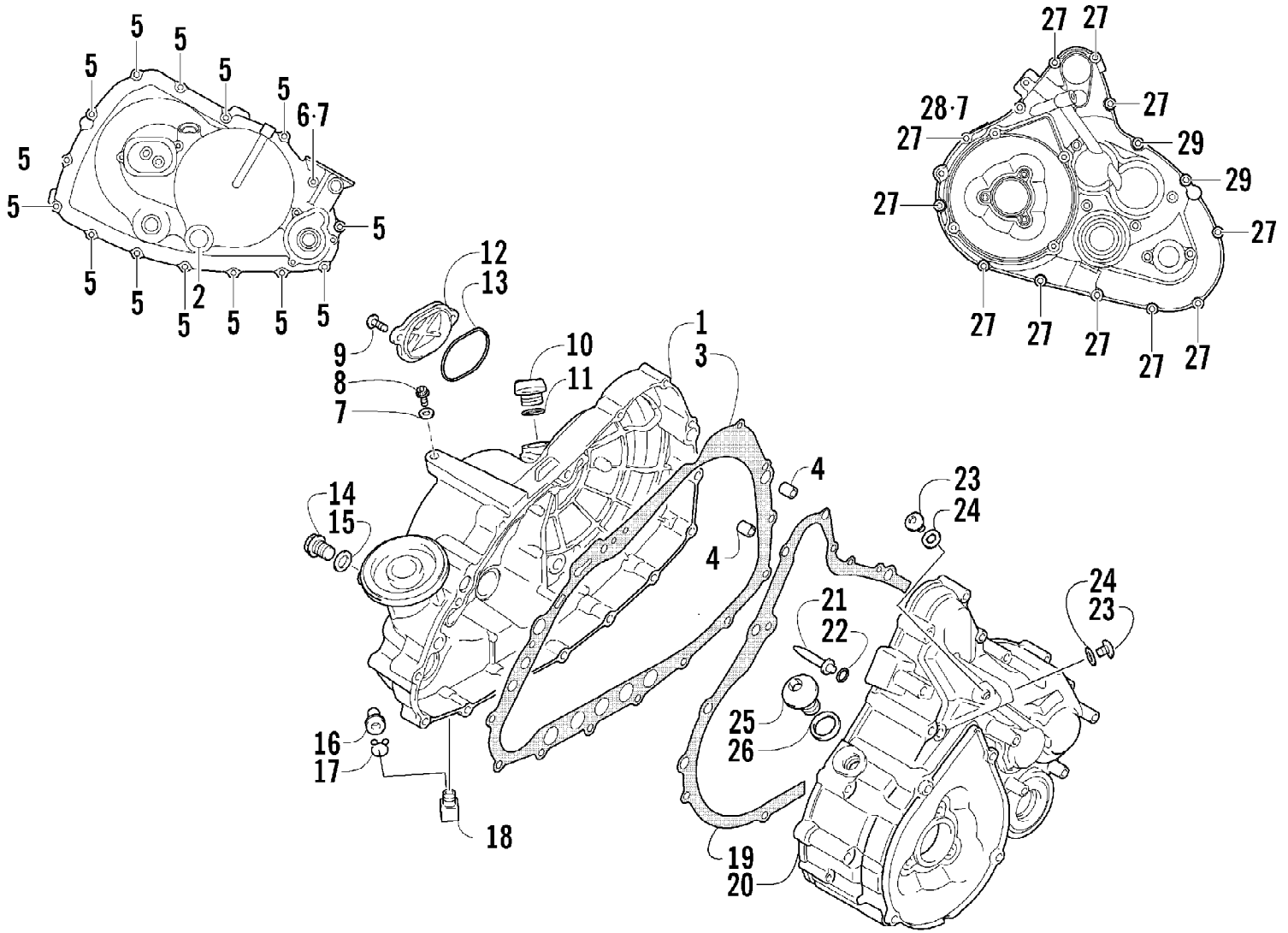
Ref #	Part Number	Qty	S/P/F	Description
1	3402-350	1		Balancer, Crank
2	3402-050	2		Bearing
3	3402-814	1		Gear, Driven
4	3004-540	1	/P	Key
5	3402-390	1		Gear, Oil Pump Drive
6	3423-114	1	/P	Pin, Drive Gear
7	3402-151	1		Spacer, Drive Gear
8	3423-025	1		Nut, Lock
9	3423-029	1		Washer, Drive Gear





2004 ATV 500 MANUAL TRANSMISSION 4X4 FIS RED MRP (A2004ISM4AUSTP) Page 22 of 95  
CRANKCASE ASSEMBLY

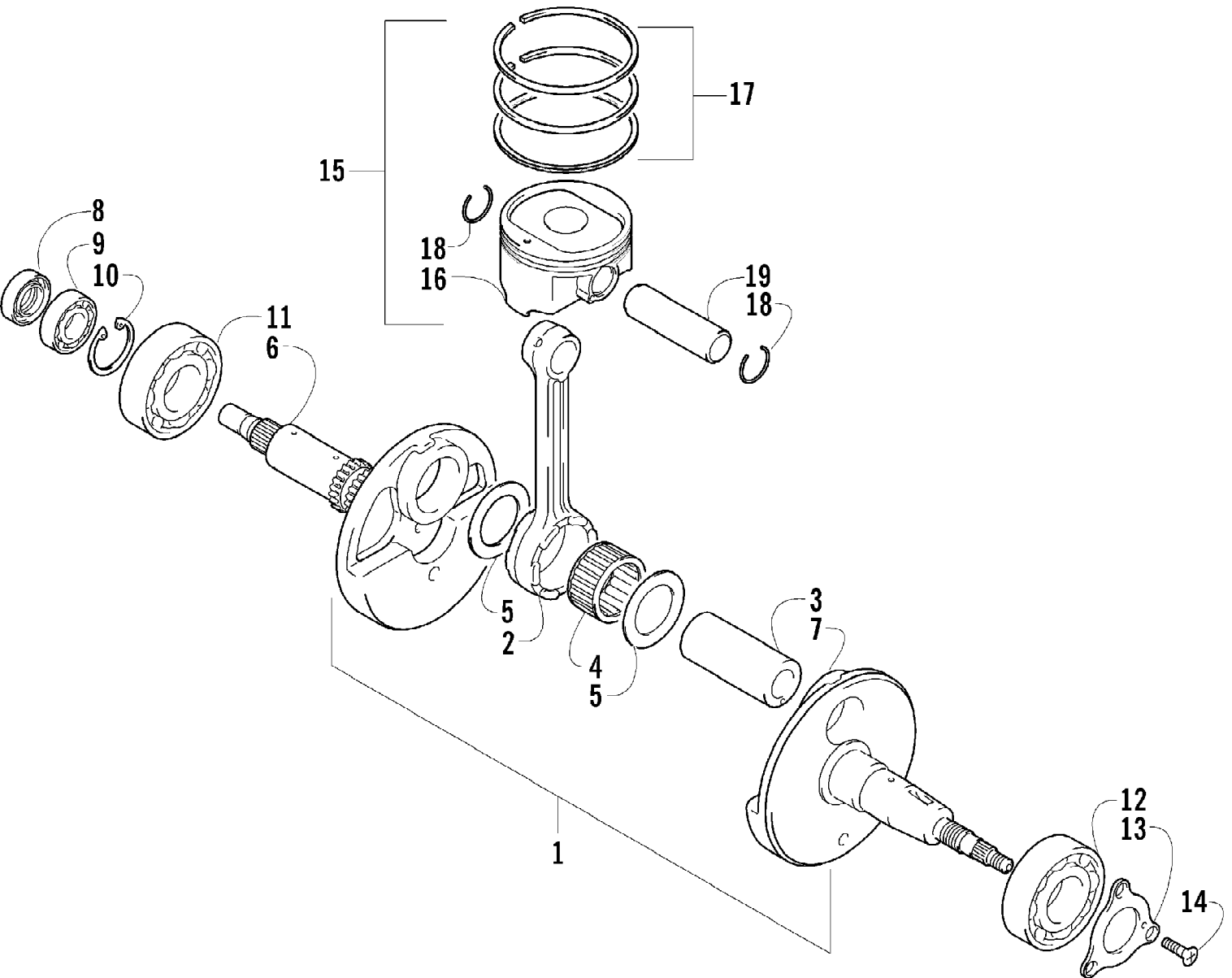
Ref #	Part Number	Qty	S/P/F	Description
1	3402-809	1	S	Crankcase Assembly (inc. 2-13)
2	3423-088	2		Pin, Dowel
3	3423-091	3	S	Bolt
4	3423-092	7	S	Bolt
5	3423-094	2		Bolt
6	0693-303	4	S	Bolt
7	3423-093	2		Bolt
8	3423-095	1		Plug, Oil Gallery
9	3402-011	1		Gasket
10	3423-052	1		O-Ring
11	3402-369	1		Jet, Piston Cooling
12	3423-051	1		O-Ring
13	3423-370	1		Screw
14	3423-538	1		Union, Breather Hose



2004 ATV 500 MANUAL TRANSMISSION 4X4 FIS RED MRP (A2004ISM4AUSTP) Page 24 of 95  
CRANKCASE COVER ASSEMBLY

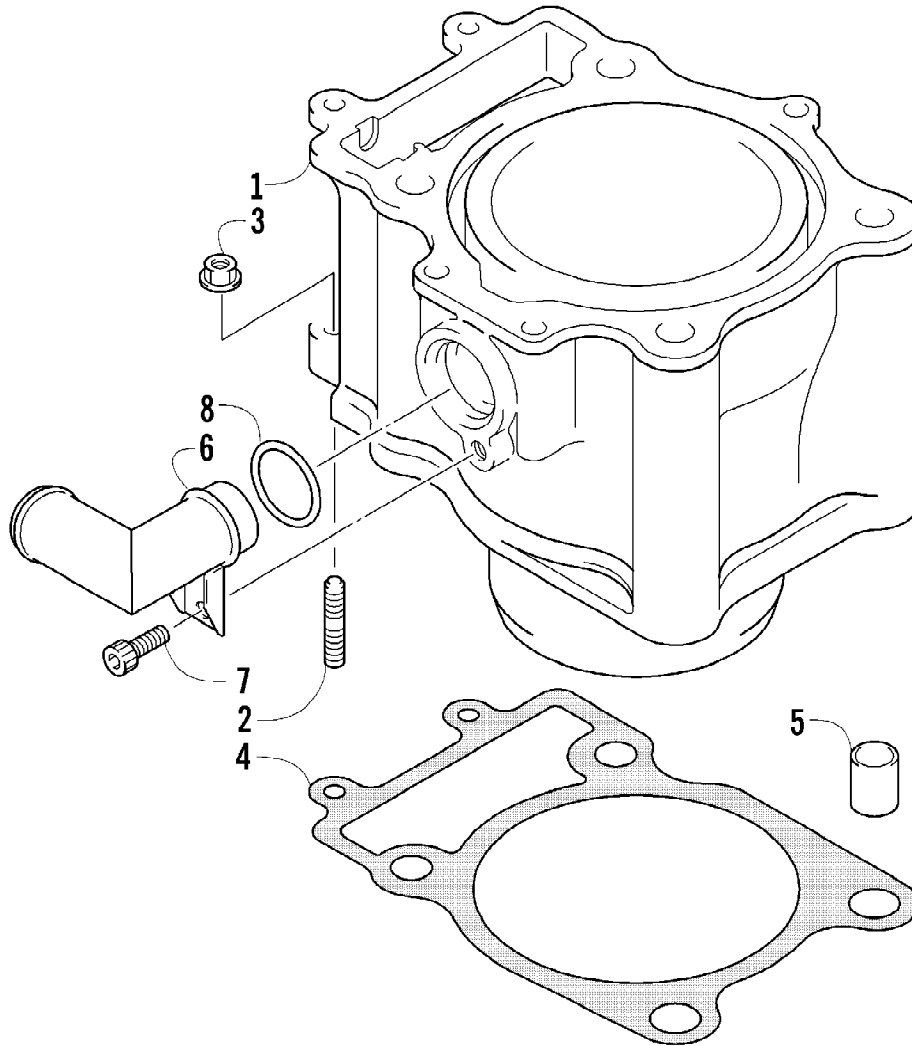
Ref #	Part Number	Qty	S/P/F	Description
1	3402-810	1		Cover, Clutch (inc. 2)
2	3402-112	1	/P	Lens, Oil Inspection
3	3402-108	1		Gasket
4	3423-088	4		Pin, Dowel
5	0693-327	14	S	Screw, Cap
6	3423-097	1		Screw, Cap
7	3003-290	3	/P	Gasket
8	3423-539	1		Plug, Oil Gallery
9	3423-096	2	S	Screw, Cap
10	3402-042	1		Cap, Engine Oil Filler
11	3423-055	1		O-Ring
12	3402-363	1		Cap, Inspection
13	3402-101	1		O-Ring
14	3402-214	1		Plug, Oil Pressure
15	3402-012	1		Gasket
16	3413-008	1		Hose
17	3423-120	1		Clip
18	3413-009	1		Union, Water Drain
19	3402-538	1	/P	Gasket, Transfer Cover
20	3402-368	1		Cover, Transfer (inc. 21-22)
21	3402-097	1		Jet, Oil Mission
22	3423-051	1		O-Ring
23	3423-540	2		Plug, Oil Gallery
24	3005-242	2		Gasket
25	3402-041	1	S	Plug
26	3402-013	1	/P	Gasket
27	3423-098	11	S	Screw, Cap
28	3423-092	1	S	Screw, Cap
29	3007-505	2	/P	Screw, Cap

2004 ATV 500 MANUAL TRANSMISSION 4X4 FIS RED MRP (A2004ISM4AUSTP) Page 25 of 95  
CRANKSHAFT ASSEMBLY



2004 ATV 500 MANUAL TRANSMISSION 4X4 FIS RED MRP (A2004ISM4AUSTP) Page 26 of 95  
CRANKSHAFT ASSEMBLY

Ref #	Part Number	Qty	S/P/F	Description
1	3402-811	1		Crankshaft Assembly (inc. 2-7)
2	3402-376	1		Rod, Connecting
3	3402-377	1		Pin, Crank
4	3402-717	1	/P	Bearing
5	3423-351	2		Washer
6	3402-812	1		Crankshaft - Right
7	3402-705	1	/P	Crankshaft - Left
8	3402-387	1		Seal, Oil
9	3402-384	1		Bearing - Right
10	3423-355	1		Circlip
11	3402-058	1		Bearing - Middle
12	3402-054	1		Bearing - Left
13	3402-188	1	/P	Retainer, Oil Seal - Left
14	3423-018	3		Screw
15	3402-788	1		Piston Set (inc. 16-18)
16	3402-719	1		Piston
17	3402-720	1		Ring Set, Piston
18	3423-344	2		Circlip
19	3402-375	1		Pin

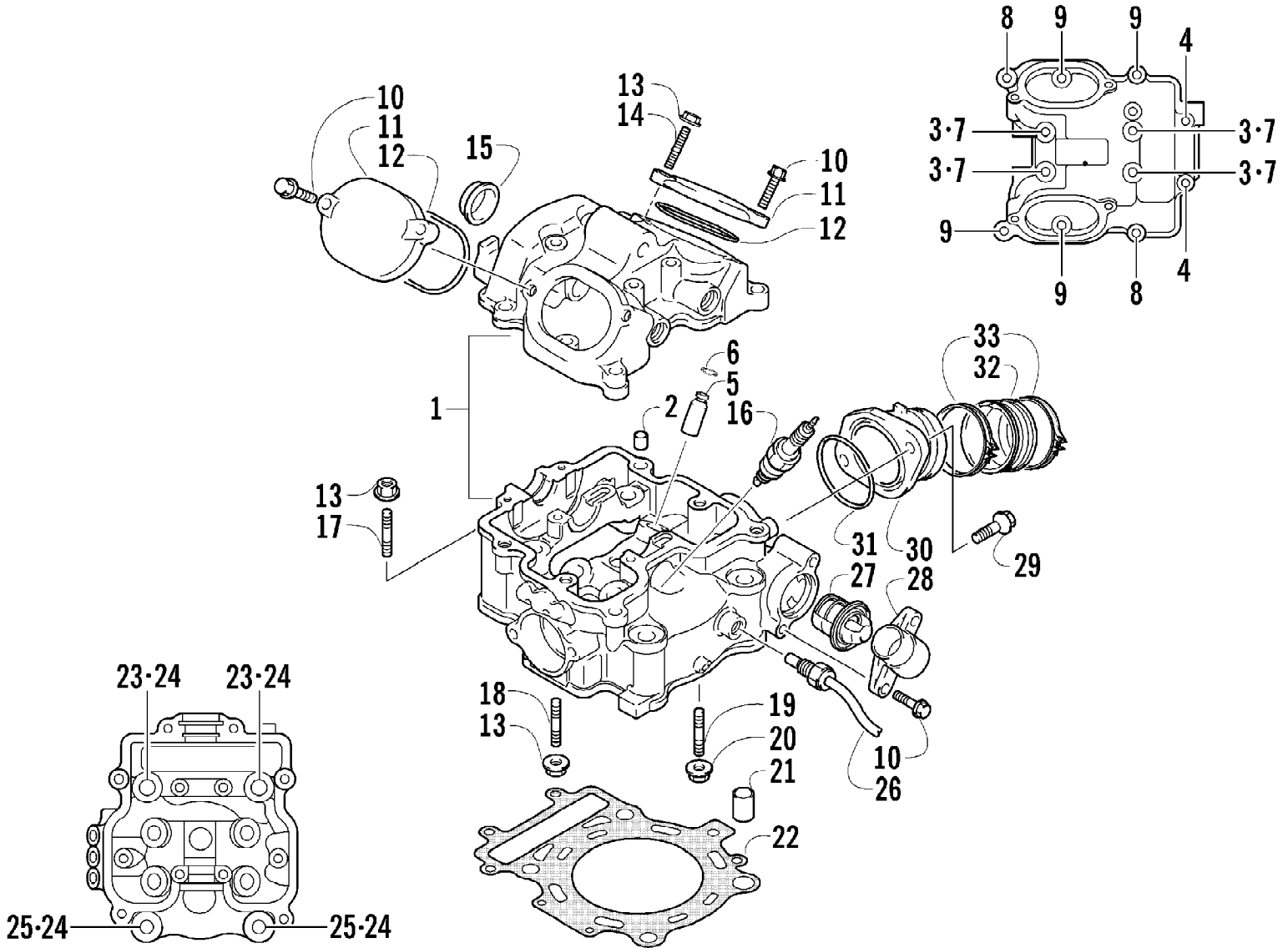


2004 ATV 500 MANUAL TRANSMISSION 4X4 FIS RED MRP (A2004ISM4AUSTP) Page 28 of 95  
CYLINDER ASSEMBLY

Ref #	Part Number	Qty	S/P/F	Description
1	3402-707	1		Cylinder
2	3423-384	2	S	Bolt, Stud
3	3004-488	2	S/P	Nut
4	3402-365	1	/P	Gasket, Cylinder
5	3423-088	2		Pin, Dowel
6	3413-006	1		Union, Water Hose
7	3423-121	1	S	Screw, Cap
8	3423-058	1		O-Ring

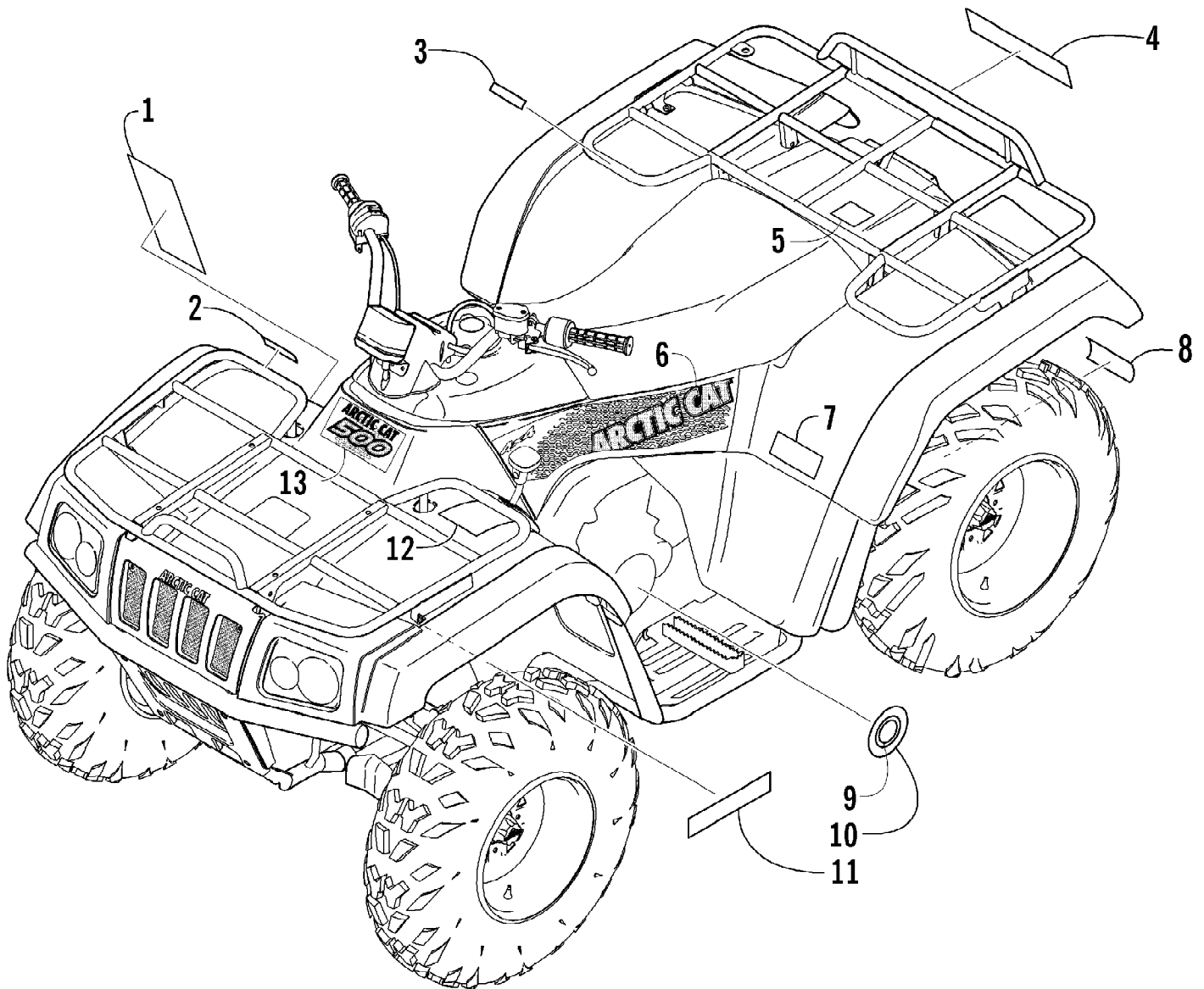


2004 ATV 500 MANUAL TRANSMISSION 4X4 FIS RED MRP (A2004ISM4AUST) Page 29 of 95  
CYLINDER HEAD ASSEMBLY

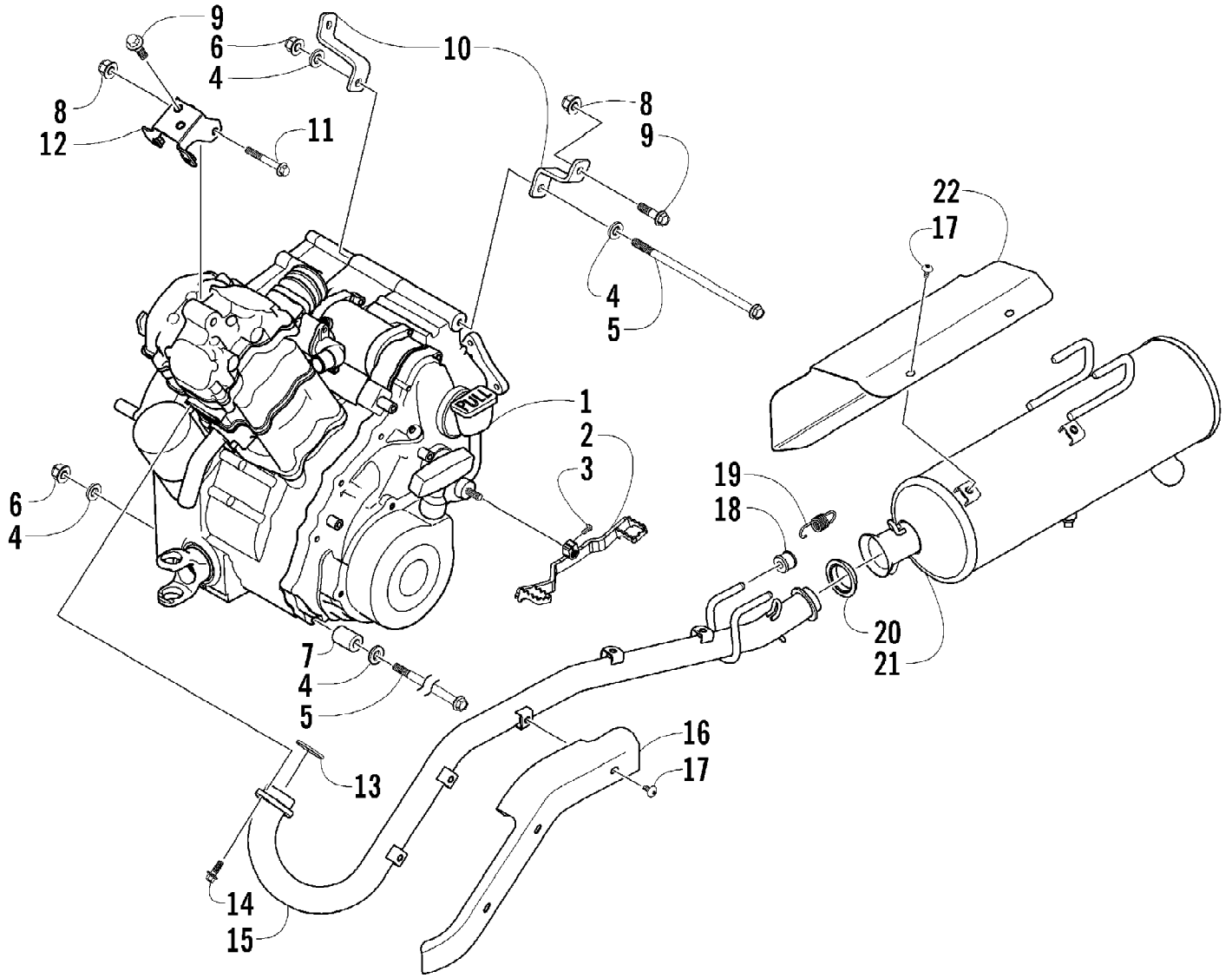


2004 ATV 500 MANUAL TRANSMISSION 4X4 FIS RED MRP (A2004ISM4AUSTP) Page 30 of 95  
CYLINDER HEAD ASSEMBLY

Ref #	Part Number	Qty	S/P/F	Description
1	3402-098	1		Head, Cylinder - Assembly (inc. 2-6)
2	3423-043	2	/P	Pin, Dowel
3	3423-006	4		Bolt
4	3008-376	2	S	Bolt
5	3402-099	4		Guide, Valve
6	3423-068	4		Circlip
7	3003-290	4	/P	Washer
8	3423-007	2	S	Bolt
9	3004-376	4	S/P	Bolt
10	3004-341	5	S/P	Bolt
11	3402-100	2		Cap, Inspection
12	3402-101	2		O-Ring
13	3004-488	5	S/P	Nut
14	3423-383	1		Bolt, Stud
15	3402-035	1		Plug, Head
16	0217-632	1		Spark Plug (NGK CR6E)
16	0217-708	1	F	Spark Plug (NGK CR7E)
16	0217-705	1	/P/F	Spark Plug (NGK CR8E)
17	3423-087	2	S	Bolt, Stud
18	3423-089	2	S	Bolt, Stud
19	3423-203	1	S/P	Bolt, Stud
20	3004-326	1	S/P	Nut
21	3423-088	2		Pin, Dowel
22	3402-362	1		Gasket, Cylinder Head
23	3423-016	2		Bolt
24	3402-010	4		Gasket
25	3423-015	2		Bolt
26	3530-038	1	S	Switch, Water Temperature
27	3413-012	1		Thermostat
28	3413-004	1		Cover, Thermostat
29	3423-347	2		Screw
30	3402-357	1		Pipe, Intake
31	3423-353	1	/P	O-Ring
32	0470-472	1		Tube, Intake
33	0423-317	2	/P	Clamp

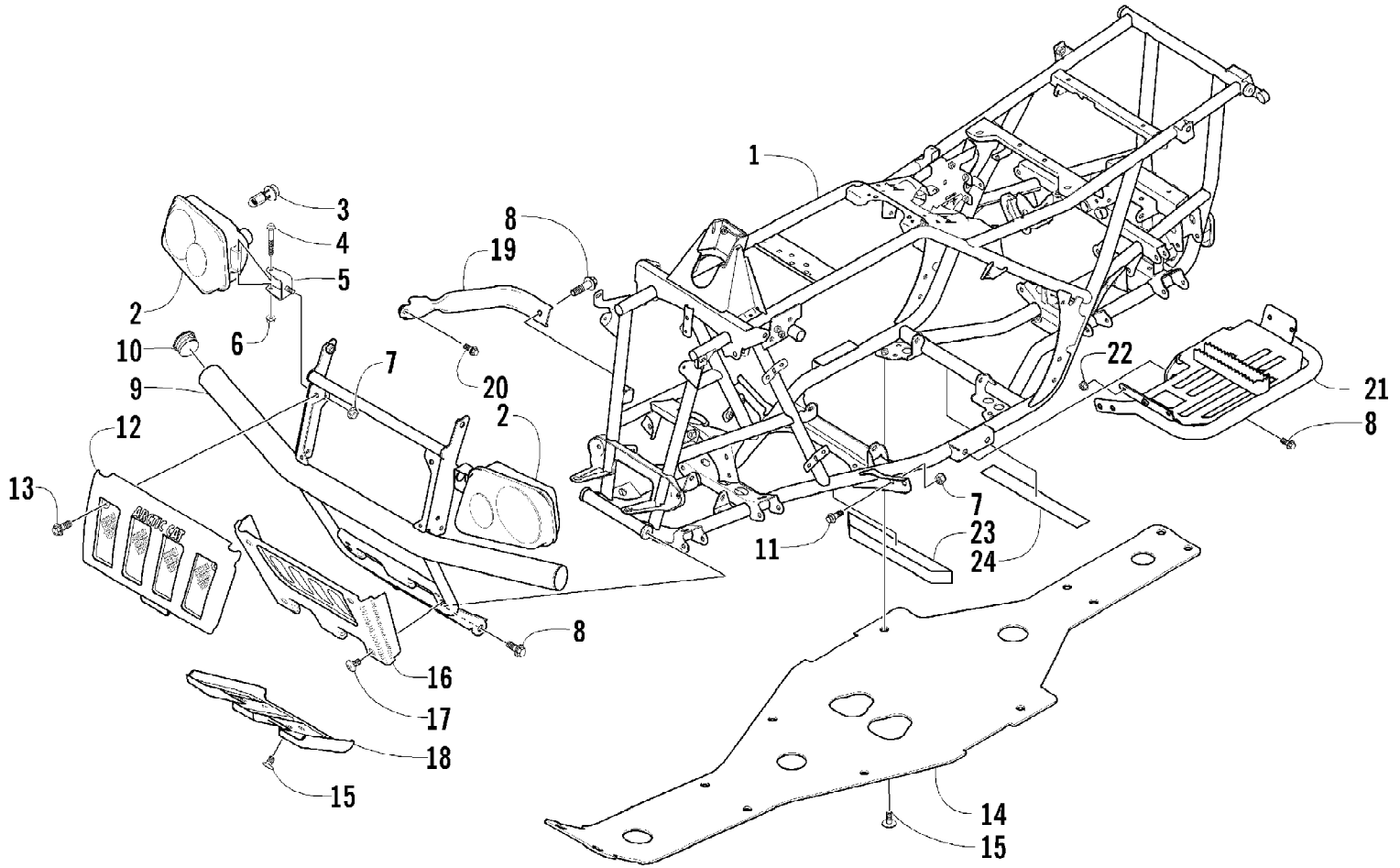


Ref #	Part Number	Qty	S/P/F	Description
1	0411-666	1		Decal, Warning - Reverse/Pre-Ride
2	0411-576	1		Decal, Warning - Front Rack Load
3	0411-648	1		Decal, Warning - Rear Rack Load
4	0411-501	1		Decal, "Arctic Cat"
5	0411-435	1		Decal, Passenger
6	0411-636	1		Decal, Side - Right
6	0411-637	1		Decal, Side - Left
7	0411-430	1		Decal, Warning - Tire Pressure
8	0411-267	1		Decal, Warning - Towing
9	0411-003	1		Decal, Shift Pattern
10	0411-009	1		Decal, High-Low
11	0411-643	1		Decal, CA Emissions
12	0411-218	1		Decal, Warning - General
13	0411-622	1		Decal, Front



2004 ATV 500 MANUAL TRANSMISSION 4X4 FIS RED MRP (A2004ISM4AUSTP) Page 34 of 95  
ENGINE AND EXHAUST

Ref #	Part Number	Qty	S/P/F	Description
1	0462-031	1		Engine
2	0502-436	1		Lever, Shift
3	8476-620	1		Screw, Machine
4	0423-426	4		Washer
5	0423-405	3		Screw, Cap
6	8428-002	3		Nut, Lock
7	0423-042	1	S	Spacer
8	8424-802	3		Nut
9	8408-816	4		Screw, Cap
10	1506-205	1		Bracket, Engine - Right
10	1506-206	1		Bracket, Engine - Left
11	8408-860	1		Screw, Cap
12	0506-546	1		Bracket, Engine - Upper
13	0412-007	1	/P	Seal, Exhaust
14	8408-820	2	/P	Screw, Cap
15	0512-179	1	/P	Pipe, Exhaust
16	0412-228	1		Cover, Exhaust Pipe
17	8477-610	8		Screw, Machine
18	0412-215	4	S	Bushing, Muffler
19	0612-668	2	/P	Spring, Exhaust
20	0612-188	1	/P	Gasket, Exhaust
21	0512-139	1		Muffler
22	0412-218	1		Cover, Muffler

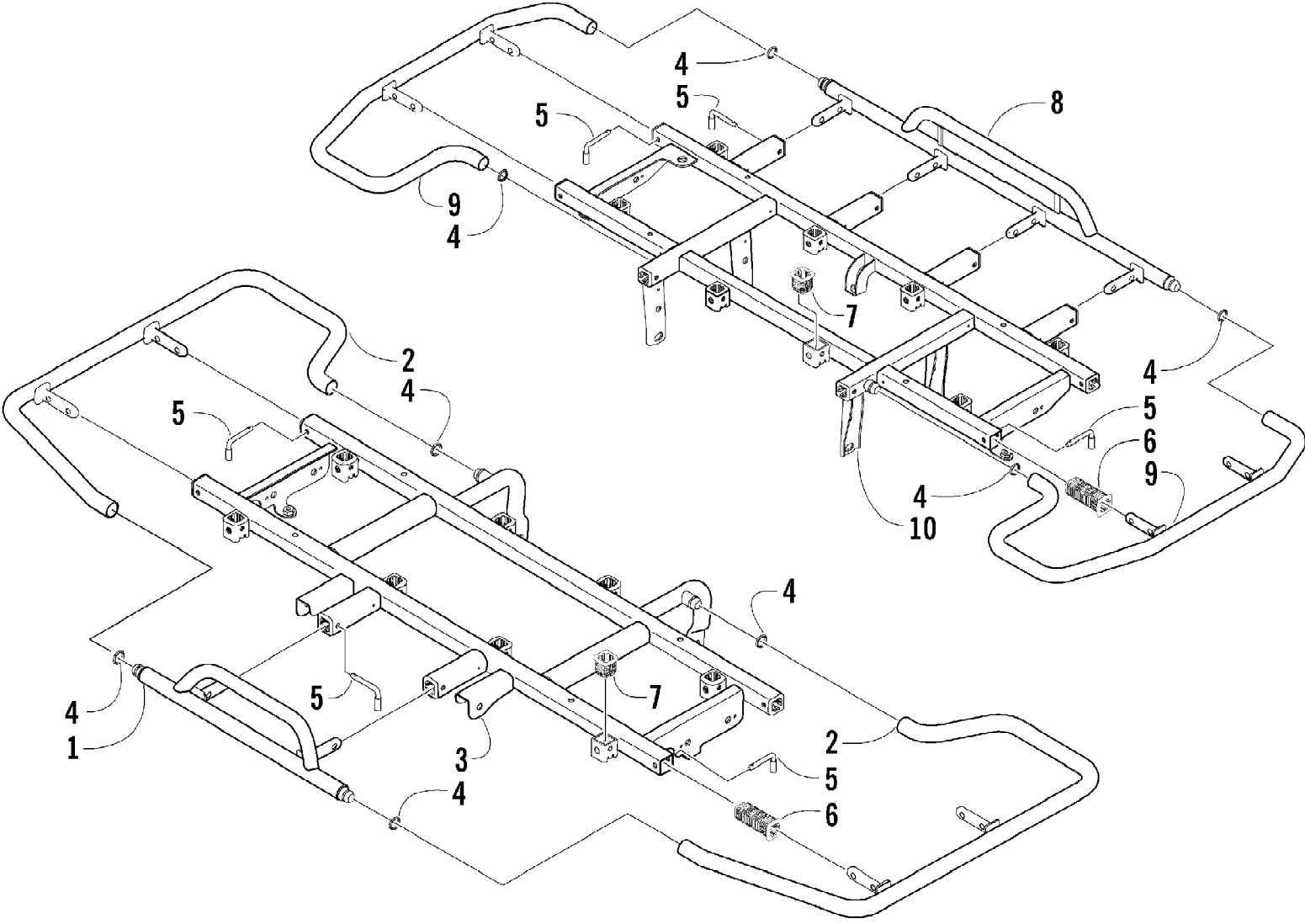


2004 ATV 500 MANUAL TRANSMISSION 4X4 FIS RED MRP (A2004ISM4AUSTP) Page 36 of 95  
FRAME AND RELATED PARTS

Ref #	Part Number	Qty	S/P/F	Description
1	1506-282	1	S	Frame, Main
2	0409-032	1		Headlight Assembly - Right (inc. 3-6)
2	0409-031	1		Headlight Assembly - Left (inc. 3-6)
3	0409-045	4		Bulb, Headlight
4	8410-860	2		Screw, Cap
5	0406-945	2		Bracket, Headlight Mounting
6	0423-375	2		Nut, Flange
7	8424-802	6		Nut
8	8409-020	8	/P	Screw, Cap
9	0506-544	1		Bumper
10	0406-130	2		Cap, Bumper
11	8408-816	4		Screw, Cap
12	0406-832	1		Grille, Upper
13	0423-361	2		Screw, Machine
14	1406-030	1		Panel, Belly
15	0423-101	AR		Screw, Shoulder
16	1406-420	1	/P	Grille, Bumper - Lower
17	0423-362	4		Screw, Machine
18	0406-834	1		Plate, Skid
19	0506-653	2	S	Channel, Bumper Mounting
20	8408-812	2		Screw, Cap
21	0506-534	1		Footrest - Right
21	0506-535	1		Footrest - Left
22	8424-602	2	/P	Nut
23	1506-067	1		Pad, Foam
24	0406-289	1		Pad, Foam



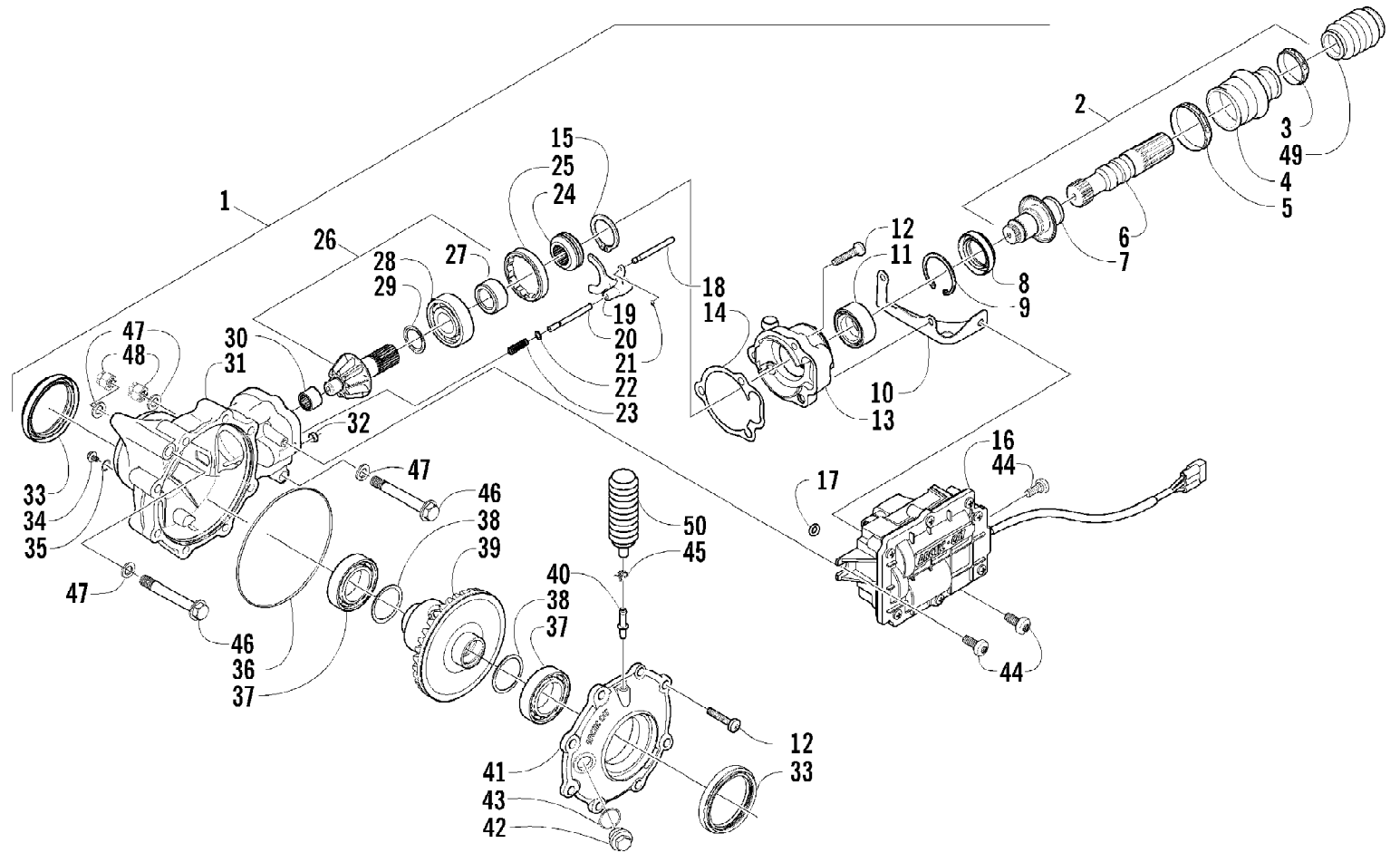
2004 ATV 500 MANUAL TRANSMISSION 4X4 FIS RED MRP (A2004ISM4AUST) Page 37 of 95  
FRONT AND REAR RACK ASSEMBLIES



2004 ATV 500 MANUAL TRANSMISSION 4X4 FIS RED MRP (A2004ISM4AUSTP) Page 38 of 95  
FRONT AND REAR RACK ASSEMBLIES

Ref #	Part Number	Qty	S/P/F	Description
1	0541-133	1		Center, Rack - Front
2	0541-134	2		Side, Rack - Front
3	0541-135	1		Frame, Rack - Front
4	0623-903	8		O-Ring
5	0541-189	14	S	Pin
6	0441-556	16		Bushing, Rack
7	0441-592	16	/P	Bushing, Rack
8	0541-130	1		Center, Rack - Rear
9	0541-131	2		Side, Rack - Rear
10	0541-132	1		Frame, Rack - Rear

2004 ATV 500 MANUAL TRANSMISSION 4X4 FIS RED MRP (A2004ISM4AUSTP) Page 39 of 95  
FRONT DRIVE GEARCASE ASSEMBLY



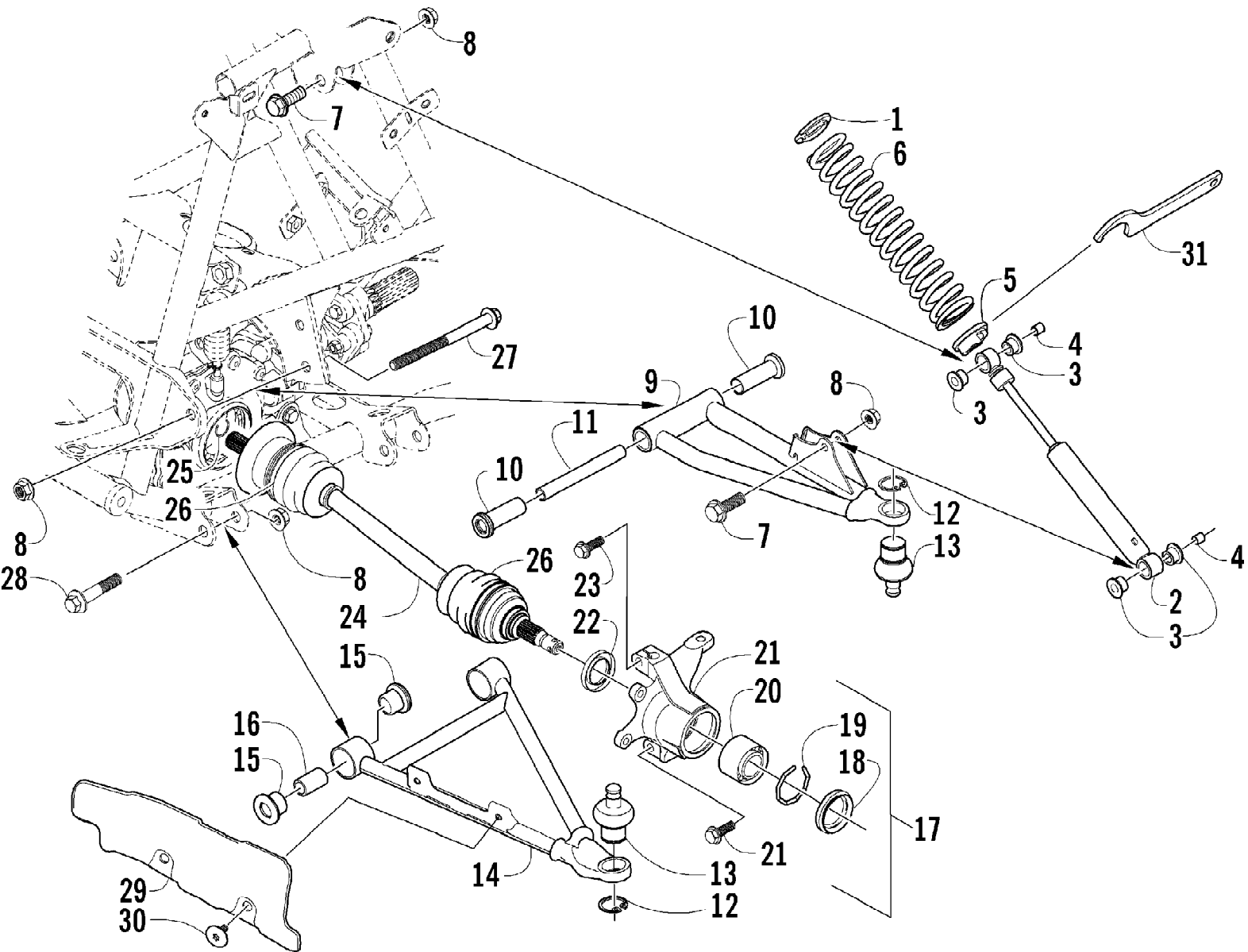
2004 ATV 500 MANUAL TRANSMISSION 4X4 FIS RED MRP (A2004ISM4AUST) Page 40 of 95  
FRONT DRIVE GEARCASE ASSEMBLY

Ref #	Part Number	Qty	S/P/F	Description
1	0502-474	1		Gearcase, Front Drive - Assembly (inc. 2-44)
2	0502-385	1		Shaft, Propeller - Assembly (inc. 3-7)
3	0423-411	1		Clamp, Boot
4	0402-985	1	/P	Boot, Propeller Shaft
5	0423-393	1		Clamp, Boot
6	1402-045	1		Shaft, Output
7	1502-085	1	/P	Shaft, Input
8	1402-011	1		Seal
9	0423-423	1		Ring, Retaining
10	0502-347	1		Bracket, Actuator
11	1402-043	1		Bearing
12	0423-118	11		Screw, Self-Tapping
13	0502-406	1		Housing, Pinion
14	0402-947	1		Gasket, Flange
15	0423-417	1		Ring, Retaining
16	0502-296	1		Actuator (inc. one No. 17)
17	0423-498	2	S	O-Ring
18	0402-997	1		Shaft, Selector
19	0402-998	1		Fork, Selector
20	0402-417	1		Shaft, Shuttle
21	0423-402	1		Ring, Retaining
22	0423-147	1		O-Ring
23	0402-999	1		Spring, Return
24	0402-413	1		Coupler, Drive
25	0402-357	1		Collar, Lock
26	0502-123	1		Gear, Pinion - Assembly - 10T (inc. 27-29)
27	0402-336	1		Collar, Retaining
28	0402-327	1		Bearing
29	0402-424	AR		Shim
29	0402-425	AR		Shim
29	0402-426	AR		Shim
29	0402-427	AR		Shim
29	0402-428	AR		Shim
30	0402-328	1		Bearing
31	0502-120	1		Housing, Gearcase
32	0402-411	1		Pin, Dowel
33	0402-394	2	S	Seal
34	0402-450	1	S	Plug, Magnetic (inc. 35)
35	0423-153	1		O-Ring
36	0423-149	1		O-Ring
37	0402-393	2		Bearing
38	0402-405	AR		Shim
38	0402-406	AR		Shim
38	0402-407	AR		Shim
38	0402-408	AR		Shim
38	0402-409	AR		Shim
39	0502-124	1		Gear, Ring - 36T
40	1402-104	1		Fitting
41	0502-121	1		Cover, Gearcase
42	0402-333	1	/P	Plug, Fill (inc. 43)
43	0423-154	1		O-Ring
44	0423-396	3		Screw, Self-Tapping
45	0423-315	1		Clamp Fitting

2004 ATV 500 MANUAL TRANSMISSION 4X4 FIS RED MRP (A2004ISM4AUSTP) Page 41 of 95  
FRONT DRIVE GEARCASE ASSEMBLY

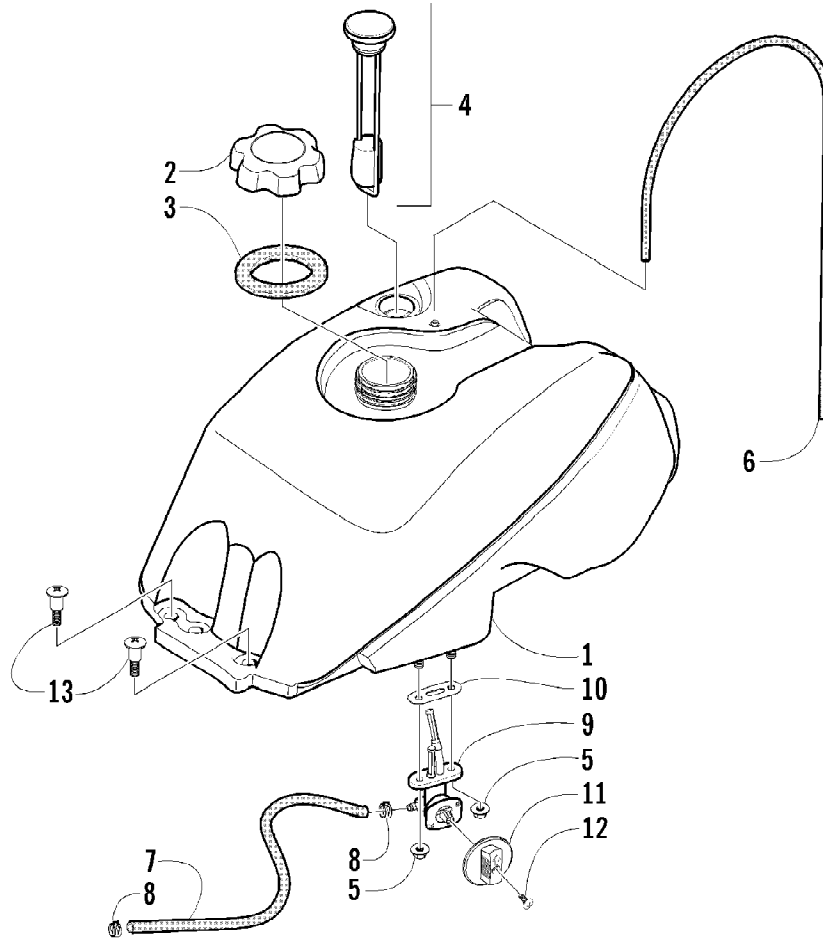
Ref #	Part Number	Qty	S/P/F	Description
46	0423-404	2		Screw, Cap
47	0423-426	4		Washer
48	8428-002	2		Nut, Lock
49	0402-966	1		Boot, Shaft
50	0402-147	1	S	Bladder, Gearcase

2004 ATV 500 MANUAL TRANSMISSION 4X4 FIS RED MRP (A2004ISM4AUST) Page 42 of 95  
FRONT SUSPENSION ASSEMBLY



2004 ATV 500 MANUAL TRANSMISSION 4X4 FIS RED MRP (A2004ISM4AUSTP) Page 43 of 95  
FRONT SUSPENSION ASSEMBLY

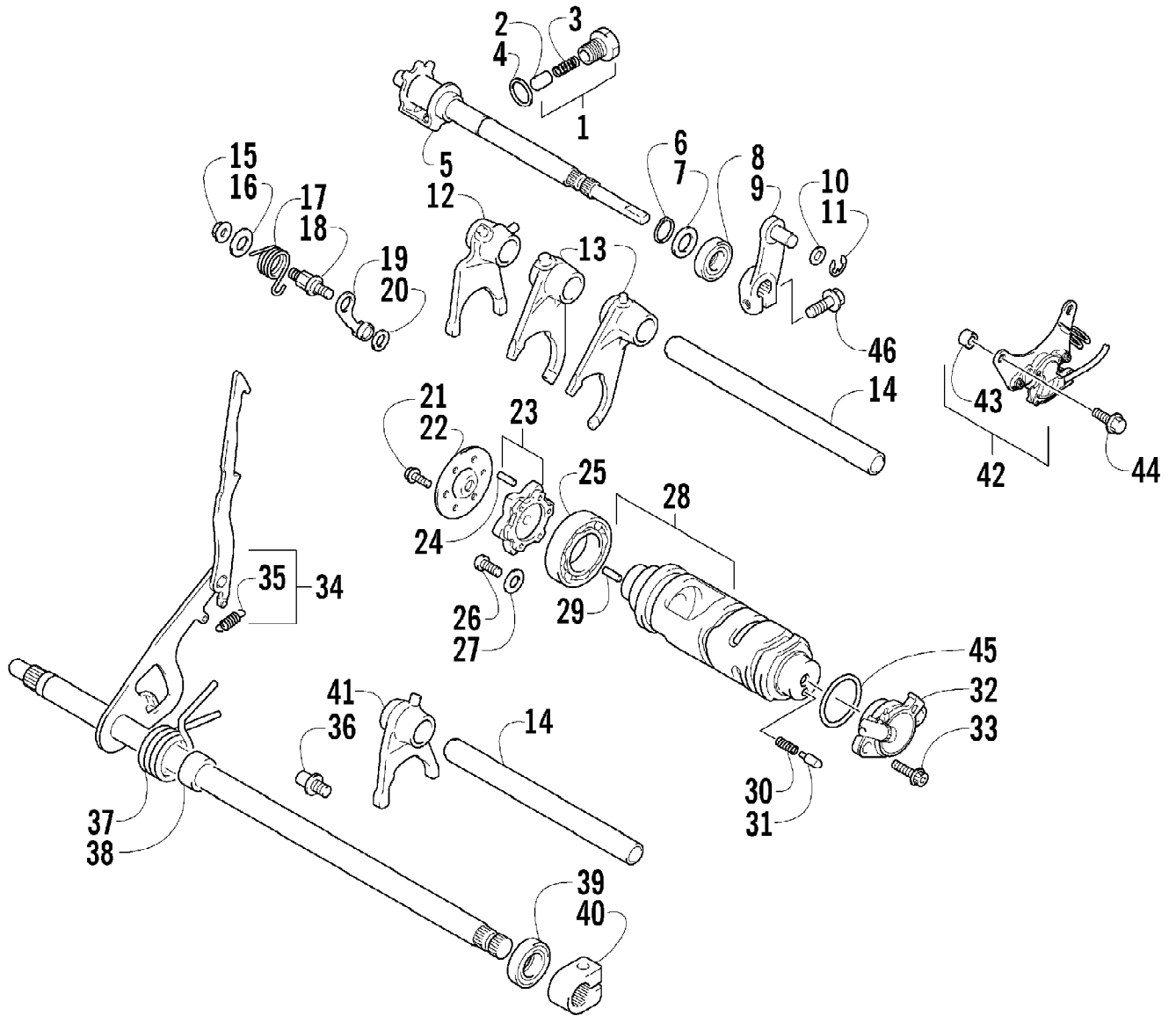
Ref #	Part Number	Qty	S/P/F	Description
1	1603-889	2	/P	Retainer, Spring
2	0403-127	2		Shock Absorber - Front (inc. 3-4)
3	0604-310	8		Bushing, Shock Absorber
4	0403-028	4		Sleeve, Shock
5	0403-102	2		Cam, Spring Adjuster
6	0403-128	2	S	Spring, Shock Absorber
7	8409-040	4		Screw, Cap
8	8428-002	10		Nut, Lock
9	0503-196	1	S	A-Arm, Upper Right - Assembly (inc. 10-13)
9	0503-197	1		A-Arm, Upper Left - Assembly (inc. 10-13)
10	0403-081	4	S	Bushing
11	0403-080	2		Collar
12	0423-009	4	/P	Clip, Ball Joint
13	0405-115	4	/P	Ball Joint - Front
14	0503-220	1		A-Arm, Lower Right (inc. 12-13 and 15-16)
14	0503-221	1		A-Arm, Lower Left (inc. 12-13 and 15-16)
15	0403-115	8	S	Bushing
16	0403-114	4	S	Collar
17	0505-026	1	S/P	Knuckle - Assembly - Right (inc. 18-22)
17	0505-027	1	S/P	Knuckle - Assembly - Left (inc. 18-22)
18	0402-089	2		Seal, Wheel Bearing - Front
19	0423-034	2		Clip, Bearing
20	0402-275	2	/P	Bearing, Wheel Hub - Front
21	0505-062	1	S	Knuckle, Steering - Right
21	0505-063	1	S	Knuckle, Steering - Left
22	0402-069	2		Seal, Wheel Bearing - Rear
23	8409-030	4		Screw, Cap
24	0502-544	2	S	Axle, Drive - Front (inc. 25-26)
25	0441-400	2	S	Clip, Retaining
26	0436-276	2	S	Repair Kit, Boot - Front Axle
27	0423-334	2		Screw, Cap
28	8409-075	4		Screw, Cap
29	1406-034	1		Guard, Boot - Axle - Right
29	1406-035	1		Guard, Boot - Axle - Left
30	0423-101	4		Screw, Body
31	0441-587	1		Wrench, Spanner





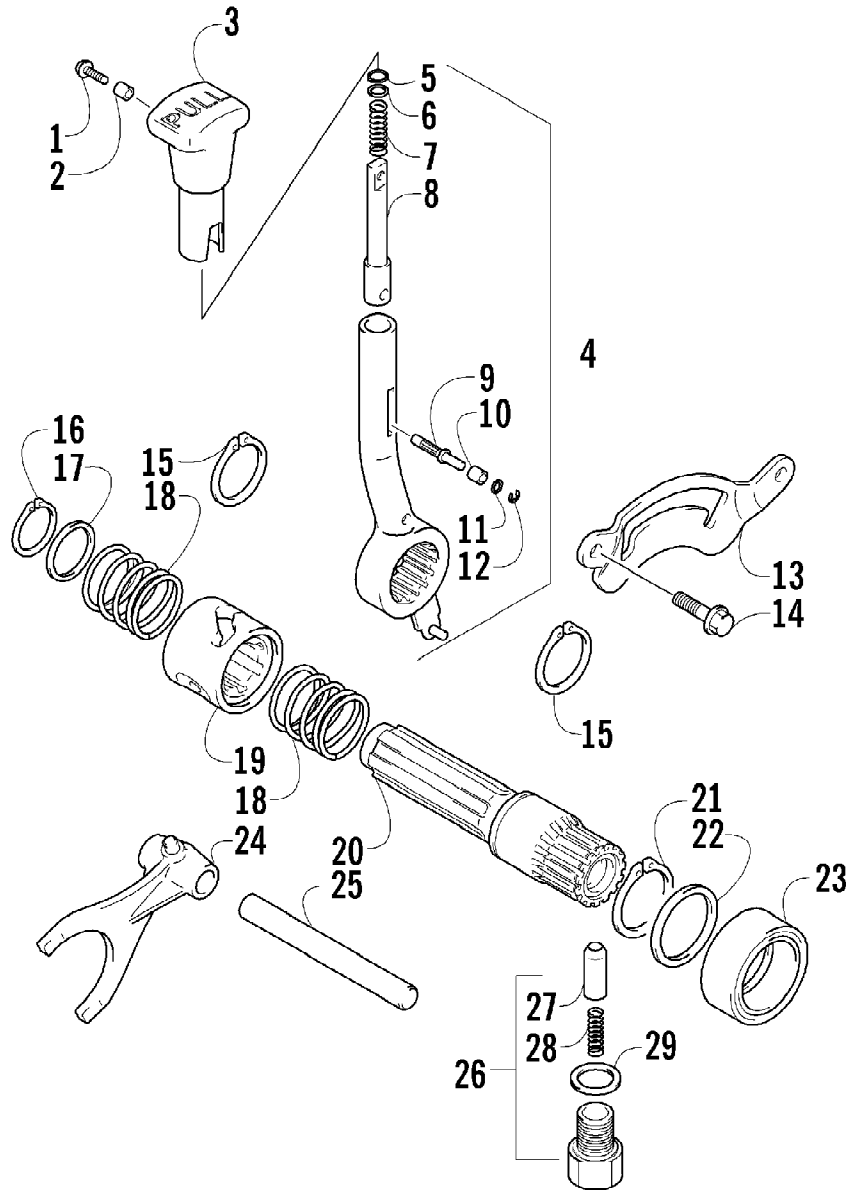
2004 ATV 500 MANUAL TRANSMISSION 4X4 FIS RED MRP (A2004ISM4AUSTP) Page 45 of 95  
GAS TANK ASSEMBLY

Ref #	Part Number	Qty	S/P/F	Description
1	0570-066	1	/P	Tank, Gas - Assembly (inc. 2-10)
2	0470-438	1	/P	Cap, Gas Tank (inc. 3)
3	0109-733	1	/P	Gasket, Tank Cap
4	0570-086	1	/P	Gauge, Fuel w/Gasket (Press-Fit)
5	0423-398	2		Nut, Lock
6	0470-416	1	/P	Hose, Vent
7	0610-007	AR	/P	Hose, Gasline - 25 ft
8	0423-152	2		Clamp, Hose
9	0470-445	1	/P	Valve, Fuel Shut-Off (inc. 10)
10	0470-364	1		Gasket, Fuel Shut-Off Valve
11	0470-408	1		Knob, Fuel Shut-Off Valve
12	0423-146	1		Screw, Machine
13	0423-130	2		Screw, Shoulder



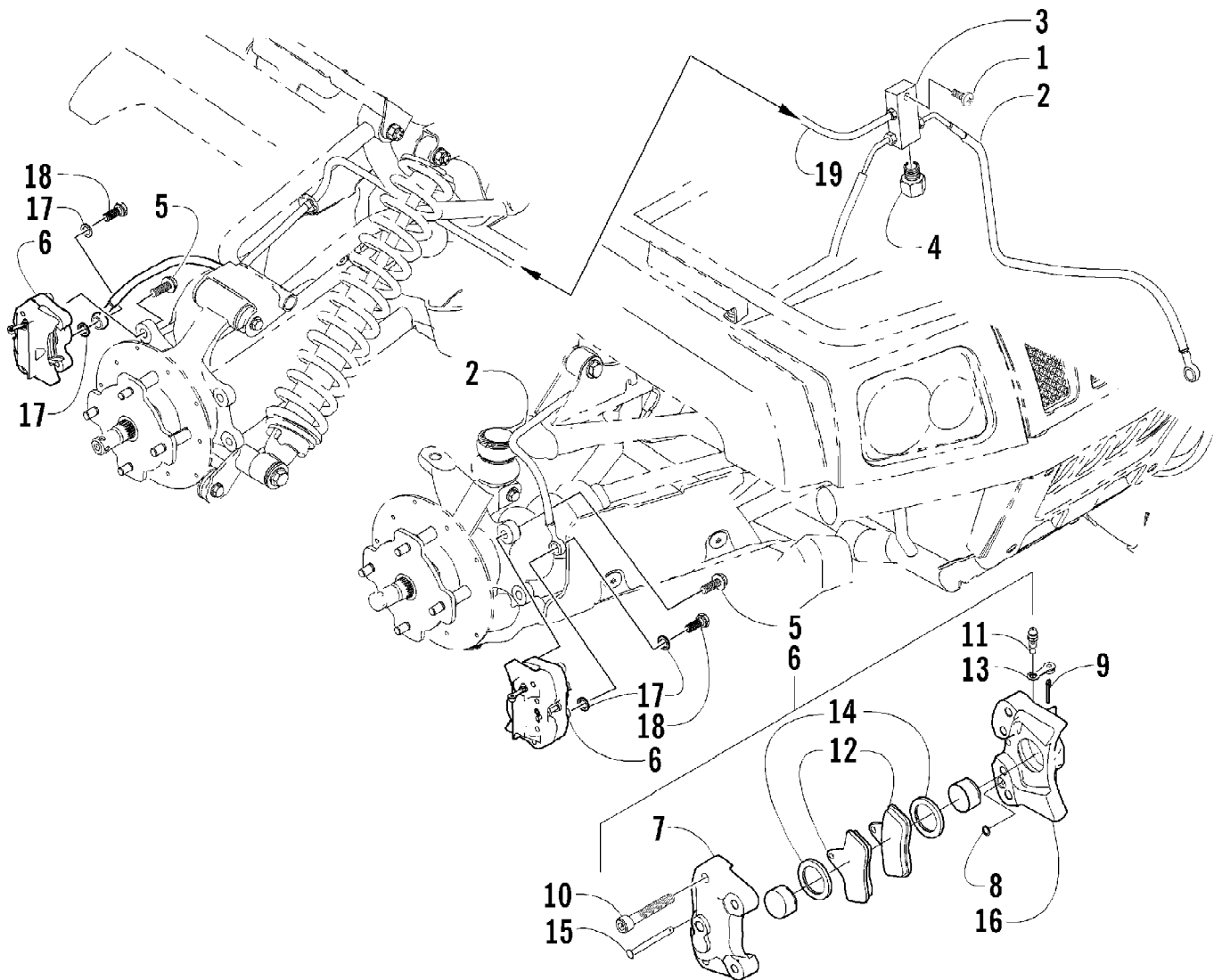
2004 ATV 500 MANUAL TRANSMISSION 4X4 FIS RED MRP (A2004ISM4AUSTP) Page 47 of 95  
GEAR SHIFTING ASSEMBLY

Ref #	Part Number	Qty	S/P/F	Description
1	3446-164	1		Stopper, Reverse (inc. 2-3)
2	3446-117	1		Stopper
3	3402-088	1		Spring
4	3402-012	1		Gasket, Cam Stopper
5	3446-349	1		Cam, Reverse Shift
6	3423-358	1	S	Circlip
7	3423-357	1		Washer
8	3402-076	1		Seal, Oil
9	3402-434	1	/P	Arm, Reverse Gear Shift
10	3423-204	1	/P	Washer
11	3423-168	1	S	E-Ring
12	3446-040	1		Fork, Gear Shift - Reverse
13	3446-347	2		Fork, Gear Shift
14	3446-052	2		Shaft, Gear Shift Fork
15	3007-373	1	/P	Nut, Cam Stopper
16	3423-142	1		Washer, Cam Stopper
17	3423-551	1		Spring, Cam Stopper
18	3446-048	1		Support, Cam Stopper
19	3446-043	1		Stopper, Cam
20	3423-141	1		Washer, Cam Stopper
21	3423-125	1	S	Screw, Cap
22	3446-309	1	/P	Guide, Gear Shift Cam
23	3446-049	1		Plate, Gear Shift Cam (inc. 24)
24	3423-045	5		Pin
25	3402-051	1		Bearing, Gear Shift Cam
26	3423-370	2		Screw, Machine
27	3423-135	2		Retainer, Shift Cam Bearing
28	3446-348	1		Cam, Gear Shift (inc. 29)
29	3423-114	1	/P	Pin
30	3402-087	2		Spring
31	3423-044	2		Contact
32	3402-816	1		Switch, Position
33	3423-418	2		Screw, Cap
34	3446-350	1	S	Shaft, Gear Shift (inc. 35)
35	3402-093	1		Spring
36	3446-056	1		Stopper, Gear Shift
37	3402-094	1		Spring, Gear Return
38	3446-054	1		Spacer, Gear Shift Shaft
39	3402-068	1	/P	Seal, Oil
40	3402-815	1		Boss, Gear Shift Lever
41	3446-039	1		Fork, Gear Shift
42	3409-020	1		Switch, Reverse (inc. 43)
43	3423-553	1		Spacer
44	3423-307	2	S	Screw, Cap
45	3423-059	1		O-Ring
46	8476-620	1		Screw, Machine



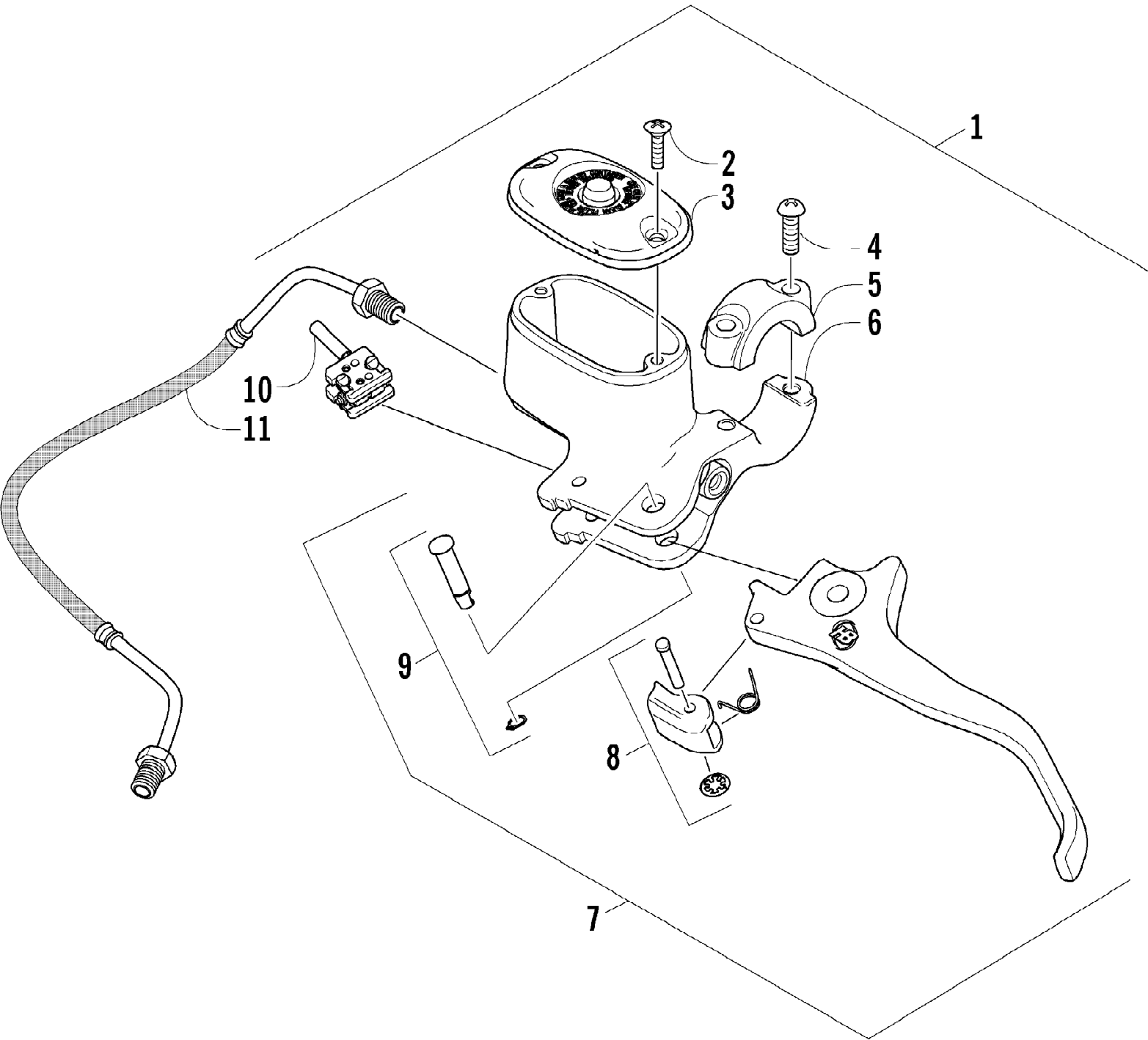
2004 ATV 500 MANUAL TRANSMISSION 4X4 FIS RED MRP (A2004ISM4AUSTP) Page 49 of 95  
HI/LO SHIFTER ASSEMBLY

Ref #	Part Number	Qty	S/P/F	Description
1	3423-156	1	S	Screw, Shift Handle
2	3402-191	1		Spacer
3	3446-078	1		Handle, Shift
4	3446-351	1		Lever, Shift - Assembly (inc. 5-12)
5	3423-154	1		Circlip
6	3423-155	1		Washer
7	3446-107	1		Spring
8	3446-252	1		Rod
9	3423-205	1		Pin
10	3446-106	1		Roller
11	3423-152	1	/P	Washer
12	3423-153	1		E-Ring
13	3446-077	1		Plate, Lever Stop
14	3004-377	2	S/P	Bolt, Stopper Plate
15	3423-192	2	/P	Circlip, Shift Lever
16	3423-191	1	/P	Circlip
17	3402-382	1		Washer
18	3446-104	2		Spring
19	3446-250	1		Cam, Gear Shift
20	3446-328	1	/P	Shaft, Gear Shift
21	3423-193	1	S/P	Circlip, Gear Shift Shaft
22	3006-489	1		Washer, Gear Shift Shaft
23	3402-071	1	/P	Seal, Oil
24	3446-073	1		Fork, Gear Shift
25	3446-051	1		Shaft, Gear Shift Fork
26	3446-314	1		Stopper, Shift Cam - Assembly (inc. 27-28)
27	3446-315	1		Stopper, Shift Cam
28	3423-524	1		Spring
29	3402-012	1		Gasket, Cam Stopper



2004 ATV 500 MANUAL TRANSMISSION 4X4 FIS RED MRP (A2004ISM4AUSTP) Page 51 of 95  
HYDRAULIC BRAKE ASSEMBLY

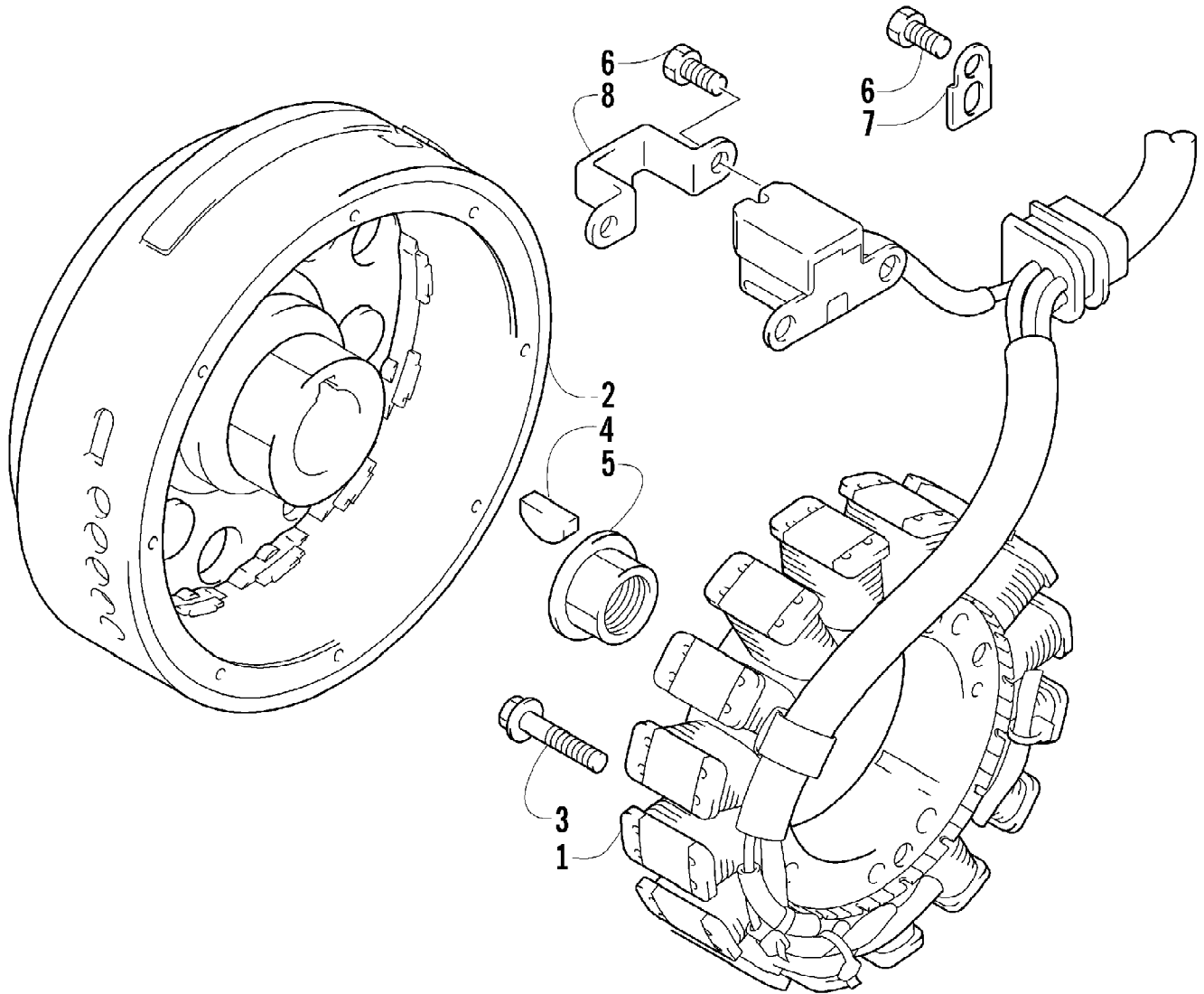
Ref #	Part Number	Qty	S/P/F	Description
1	8476-625	1		Screw, Cap
2	0402-961	2		Hose, Brake - Front
3	1402-086	1		Block, Junction
4	1402-031	1		Plug
5	8408-825	6		Screw, Cap
6	0502-335	1	S	Caliper, Brake - Right Front (inc. 7-16)
6	0502-336	2	S	Caliper, Brake - Left Front and Right Rear (inc. 7-16)
7	0	3	F	Housing, Caliper
8	0402-490	3		O-Ring
9	0423-495	3	/P	Pin, Cotter
10	0402-492	12		Screw, Cap
11	0402-491	3	S	Valve, Bleed
12	0402-882	6	/P	Pad, Brake
13	0402-493	3		Cap, Bleed Valve
14	0402-980	6		O-Ring, Brake Caliper
15	0402-495	3		Pin, Brake Caliper
16	0	3	F	Housing, Caliper
17	0423-178	6		Washer, Crush
18	0423-413	3		Bolt, Banjo Fitting
19	1402-204	1		Hose, Brake - Rear





2004 ATV 500 MANUAL TRANSMISSION 4X4 FIS RED MRP (A2004ISM4AUSTP) Page 53 of 95  
HYDRAULIC HAND BRAKE ASSEMBLY

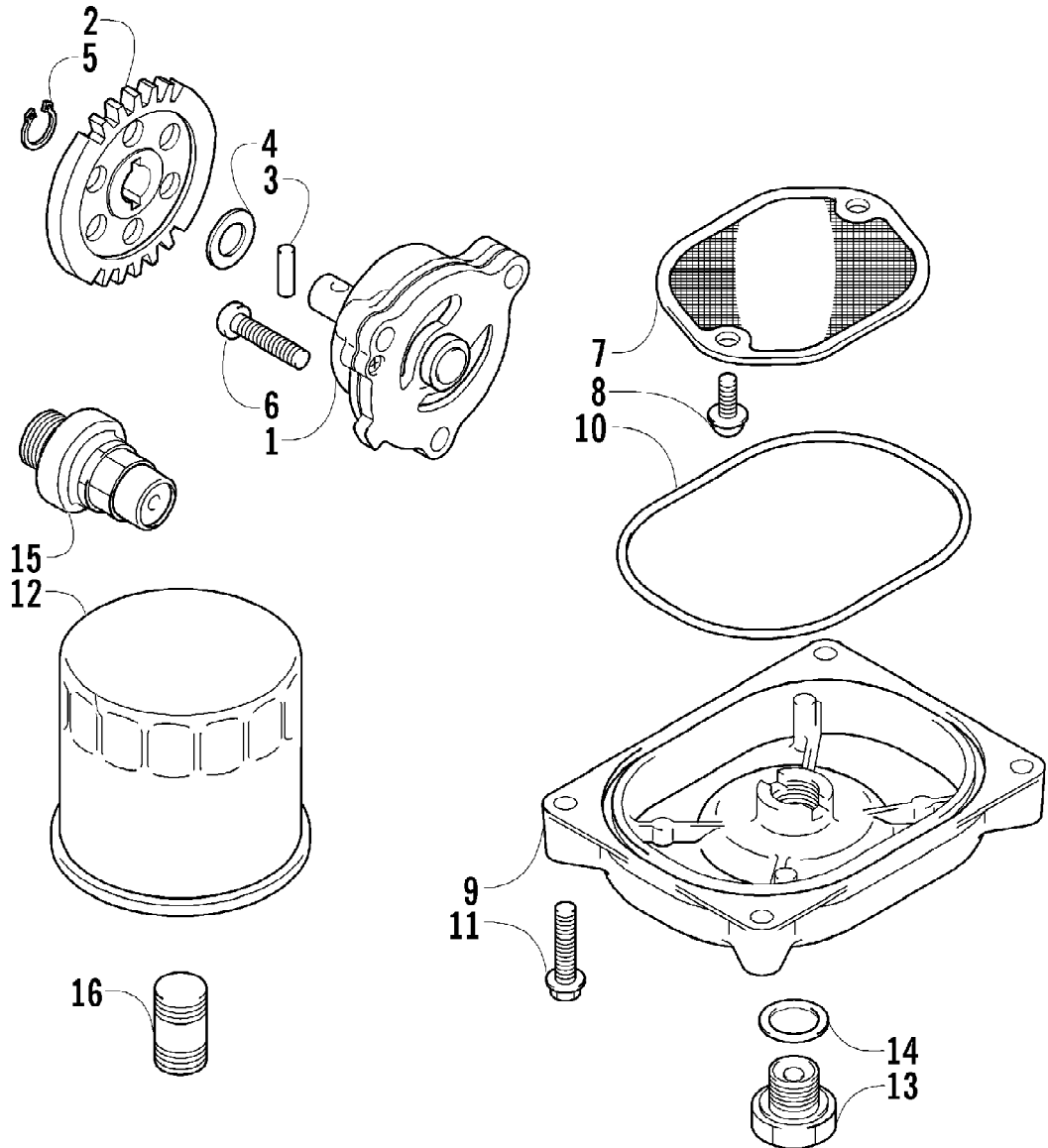
Ref #	Part Number	Qty	S/P/F	Description
1	0502-561	1	S	Brake Assembly (inc. 2-10)
2	0502-566	1		Screw, Reservoir Cover - Kit
3	0502-565	1		Cover, Reservoir - Kit
4	0502-568	1		Screw, Master Cylinder Clamp - Kit
5	0502-567	1		Clamp, Master Cylinder - Kit
6	0502-516	1		Master Cylinder Assembly - Kit
7	0502-562	1	S	Lever Assembly - Kit (inc. 8-9)
8	0502-563	1	S	Lock, Brake Lever - Kit
9	0502-580	1		Lever Pin - Kit
10	0502-564	1	/P	Switch, Brake - Kit
11	1402-212	1		Brakeline, Hydraulic



2004 ATV 500 MANUAL TRANSMISSION 4X4 FIS RED MRP (A2004ISM4AUSTP) Page 55 of 95  
MAGNETO ASSEMBLY

Ref #	Part Number	Qty	S/P/F	Description
1	3430-058	1		Stator Assembly
2	3430-046	1		Rotor/Flywheel
3	3423-162	3	S	Screw, Cap
4	0691-785	1		Key
5	3423-086	1		Nut
6	3423-005	3	/P	Screw, Cap
7	3430-005	1		Clamp
8	3430-006	1		Clamp

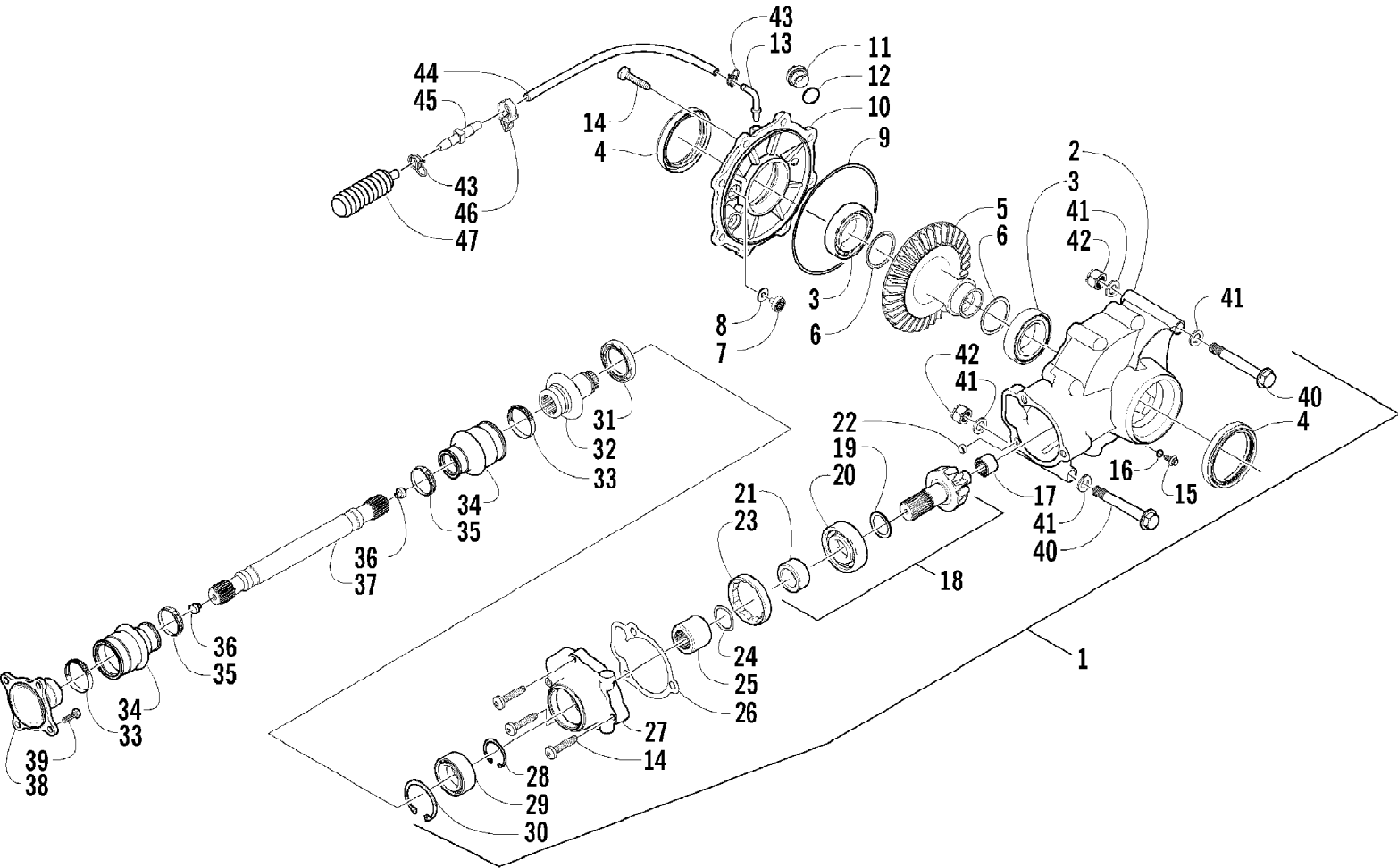
2004 ATV 500 MANUAL TRANSMISSION 4X4 FIS RED MRP (A2004ISM4AUSTP) Page 56 of 95  
OIL FILTER/PUMP ASSEMBLY



2004 ATV 500 MANUAL TRANSMISSION 4X4 FIS RED MRP (A2004ISM4AUSTP) Page 57 of 95  
OIL FILTER/PUMP ASSEMBLY

Ref #	Part Number	Qty	S/P/F	Description
1	3402-153	1		Pump, Oil
2	3402-026	1		Gear, Driven
3	3423-046	1		Pin
4	3423-115	1		Washer
5	3423-184	1	S	Circlip
6	3423-510	3		Screw
7	3402-156	1		Strainer, Oil
8	0693-389	2	S	Screw, Cap
9	3402-157	1		Cap, Oil Strainer
10	3423-077	1		O-Ring
11	3004-756	4	S	Screw, Cap
12	0436-146	1	S	Filter, Oil
13	3402-036	1	S	Plug, Drain
14	3402-012	1		Gasket
15	3402-359	1		Valve, Oil Relief - Assembly
16	3402-158	1	S	Union, Oil Filter

2004 ATV 500 MANUAL TRANSMISSION 4X4 FIS RED MRP (A2004ISM4AUSTP) Page 58 of 95  
REAR DRIVE GEARCASE ASSEMBLY



2004 ATV 500 MANUAL TRANSMISSION 4X4 FIS RED MRP (A2004ISM4AUSTP) Page 59 of 95  
REAR DRIVE GEARCASE ASSEMBLY

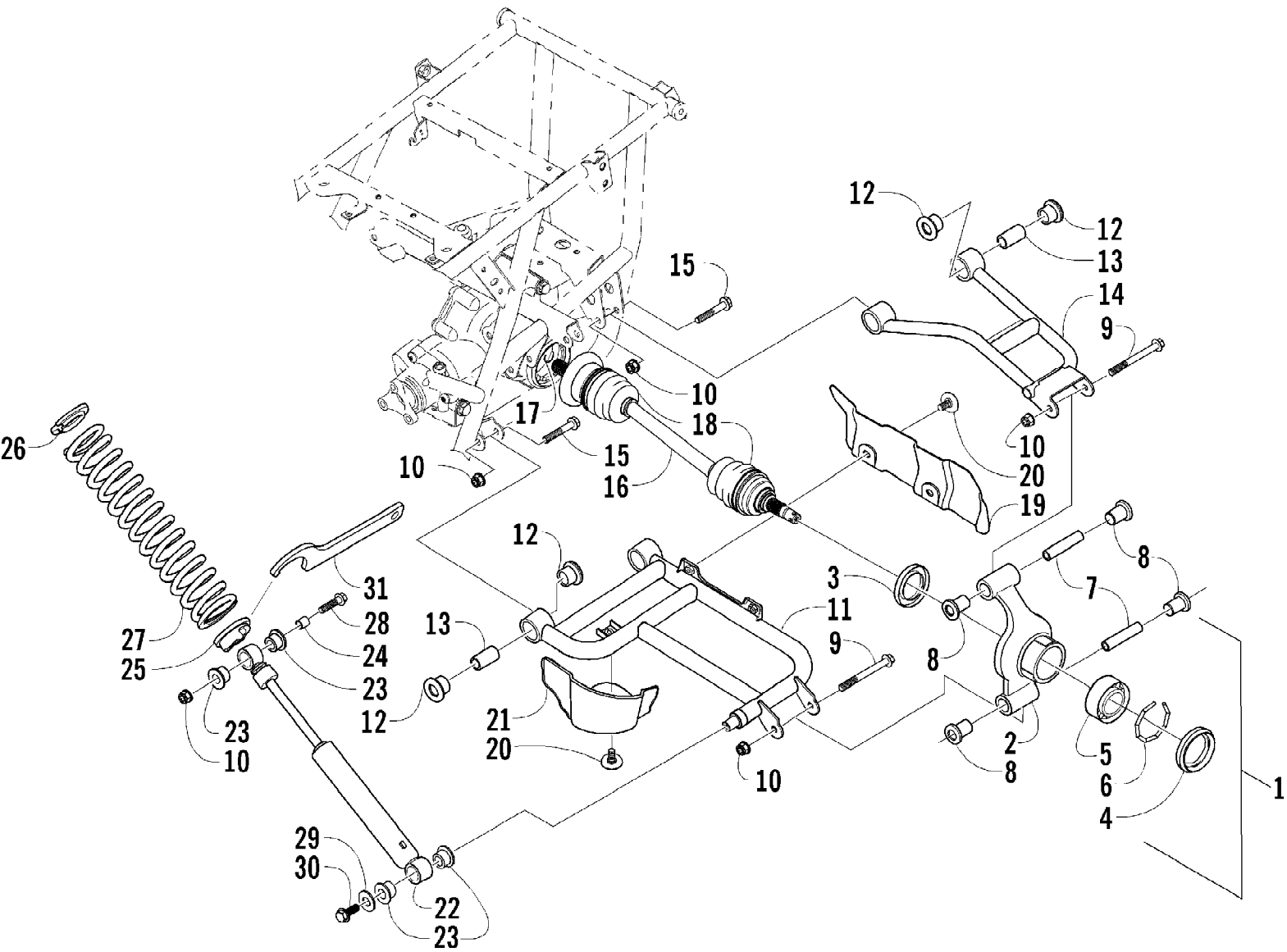
Ref #	Part Number	Qty	S/P/F	Description
1	0502-453	1		Gearcase, Rear Drive - Assembly (inc. 2-32)
2	0502-352	1		Housing, Gearcase
3	0402-393	2		Bearing
4	0402-394	2	S	Seal
5	0402-965	1		Gear, Ring - 36T
6	0402-405	AR		Shim
6	0402-406	AR		Shim
6	0402-407	AR		Shim
6	0402-408	AR		Shim
6	0402-409	AR		Shim
7	0402-326	1		Button, Thrust
8	0402-429	AR		Shim
8	0402-430	AR		Shim
8	0402-431	AR		Shim
8	0402-432	AR		Shim
8	0402-433	AR		Shim
9	0423-149	1		O-Ring
10	0502-346	1		Cover, Gearcase
11	0402-333	1	/P	Plug, Fill (inc. 12)
12	0423-154	1		O-Ring
13	1402-102	1		Fitting
14	0423-118	11		Screw, Self-Tapping
15	0402-450	1	S	Plug, Magnetic (inc. 16)
16	0423-153	1		O-Ring
17	0402-328	1		Bearing
18	0502-123	1		Gear, Pinion - Assembly - 10T (inc. 19-21)
19	0402-424	AR		Shim
19	0402-425	AR		Shim
19	0402-426	AR		Shim
19	0402-427	AR		Shim
19	0402-428	AR		Shim
20	0402-327	1		Bearing
21	0402-336	1		Collar, Retaining
22	0402-411	1		Pin, Dowel
23	0402-331	1		Collar, Lock
24	0402-982	1		Washer, Wave
25	0402-981	1		Collar, Shaft
26	0402-947	1		Gasket, Flange
27	0502-380	1		Housing, Pinion
28	0423-417	1		Ring, Retaining
29	1402-043	1		Bearing
30	0423-423	1		Ring, Retaining
31	1402-011	1		Seal
32	0502-407	1	S	Shaft, Input
33	0423-393	2		Clamp, Boot
34	0402-985	2	/P	Boot
35	0423-411	2		Clamp, Boot
36	0673-618	2	/P	Bumper, Propeller Shaft
37	1402-091	1		Shaft, Propeller
38	0402-950	1		Flange, Output
39	8408-820	4	/P	Screw, Cap
40	0423-404	2		Screw, Cap
41	0423-426	1		Washer

2004 ATV 500 MANUAL TRANSMISSION 4X4 FIS RED MRP (A2004ISM4AUSTP) Page 60 of 95  
REAR DRIVE GEARCASE ASSEMBLY

Ref #	Part Number	Qty	S/P/F	Description
42	8428-002	2		Nut, Lock
43	0423-315	3		Clamp, Fitting
44	0410-049	AR		Hose, Vent
45	0470-462	1		Fitting, Vent
46	0623-101	1		Clip, Routing - Snap-In
47	0402-147	1	S	Bladder, Gearcase

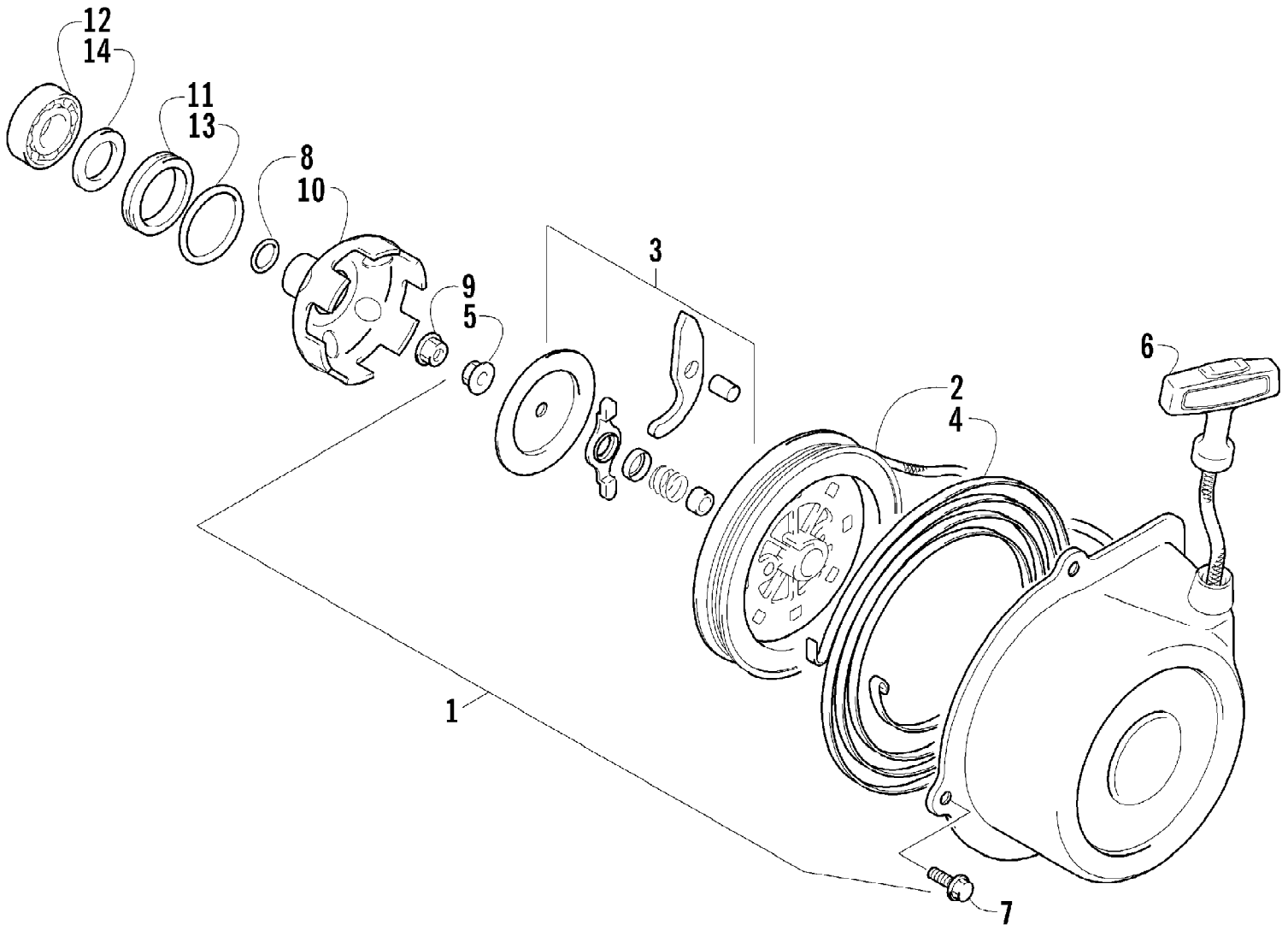


2004 ATV 500 MANUAL TRANSMISSION 4X4 FIS RED MRP (A2004ISM4AUST) Page 61 of 95  
REAR SUSPENSION ASSEMBLY



2004 ATV 500 MANUAL TRANSMISSION 4X4 FIS RED MRP (A2004ISM4AUSTP) Page 62 of 95  
REAR SUSPENSION ASSEMBLY

Ref #	Part Number	Qty	S/P/F	Description
1	0504-302	1	S	Knuckle, Right Rear - Assembly (inc. 2-6)
1	0504-227	1	S	Knuckle, Left Rear - Assembly (inc. 2-6)
2	0504-297	1	S	Knuckle - Right
2	0504-225	1	S	Knuckle - Left
3	0402-069	2		Seal, Wheel Bearing - Rear
4	0402-089	2		Seal, Wheel Bearing - Front
5	0402-275	2	/P	Bearing, Wheel
6	0423-034	2		Clip, Bearing
7	0403-038	4	S/P	Collar, Suspension Bushing
8	0403-032	8	S	Bushing, Suspension
9	8409-000	4		Screw, Cap
10	8428-002	14		Nut, Lock
11	0504-320	1	S	A-Arm, Rear - Lower Right (inc. 12-13)
11	0504-321	1	S	A-Arm, Rear - Lower Left (inc. 12-13)
12	0403-115	16	S	Bushing
13	0403-114	8	S	Collar
14	0504-318	1		A-Arm, Rear - Upper Right (inc. 12-13)
14	0504-319	1		A-Arm, Rear - Upper Left (inc. 12-13)
15	8409-075	8		Screw, Cap
16	0502-544	2	S	Axle, Drive (inc. 17-18)
17	0441-400	2	S	Clip, Retaining
18	0436-276	2	S	Repair Kit, Boot - Rear Axle
19	1406-068	1		Guard, Boot - Right
19	1406-069	1		Guard, Boot - Left
20	0423-101	6		Screw, Body
21	1406-071	1		Guard, Boot - Right
21	1406-072	1		Guard, Boot - Left
22	0404-072	2		Shock Absorber - Rear (inc. 23-24)
23	0604-310	8		Bushing, Shock Absorber
24	0403-028	2		Sleeve, Shock Absorber
25	0404-057	2		Cam, Spring Adjuster
26	1603-889	2	/P	Retainer, Spring
27	0404-065	2		Spring, Suspension
28	8409-040	2		Screw, Cap
29	0423-087	2		Washer
30	8408-820	2	/P	Screw, Cap
31	0441-587	1		Wrench, Spanner



2004 ATV 500 MANUAL TRANSMISSION 4X4 FIS RED MRP (A2004ISM4AUSTP) Page 64 of 95  
RECOIL STARTER ASSEMBLY

Ref #	Part Number	Qty	S/P/F	Description
1	3445-003	1		Starter, Recoil - Assembly (inc. 2-6)
2	3445-004	1		Reel
3	3445-016	1		Ratchet Set
4	3445-007	1		Spring, Spiral
5	3004-488	1	S/P	Nut
6	3445-011	1		Rope Assembly
7	3423-428	4		Bolt
8	3423-053	1	/P	O-Ring
9	3004-491	1	S/P	Nut
10	3445-029	1	/P	Cup, Starter
11	3423-542	1	/P	Spacer
12	3402-051	1		Bearing
13	3423-063	1		O-Ring
14	3402-070	1		Seal, Oil

No  
Diagram  
Available  
  
Parts List  
Only

2004 ATV 500 MANUAL TRANSMISSION 4X4 FIS RED MRP (A2004ISM4AUSTP) Page 66 of 95  
RELATED ITEMS

Ref #	Part Number	Qty	S/P/F	Description
	0436-479	1		Articulating Spool Mount
	0436-469	1		Backrest
	0436-513	1		Bag, Fender - Black
	0436-514	1		Bag, Fender (Break-Up)
	0436-515	1		Bag, Fender (Shadow Grass)
	0436-337	1		Bag, Rack - Front - Black
	0436-336	1		Bag, Rack - Rear - Black
	0436-480	1		Bar, Utility/Gun Rack
	0436-502	1		Brush Guard/Bumper
	0436-462	1		Bucket Holder
	0436-506	1		Bumper (Rear)
	0436-464	1		Camp Stove Cradle
	0436-454	1		Cargo Box
	0436-485	1		Cargo Box Solid Mount Kit
	0436-498	1		Cargo Box Quick-Release Kit
	0436-459	1	/P	Carryall (9x12)
	0436-460	1		Carryall (11x17)
	0436-461	1		Carryall (14x25)
	0436-476	1		Chain Saw Lock
	0436-477	1		Cord Reel
	0436-381	1		Cover, Black and Green
	0436-339	1		Cover, Timber Camo
	0436-005	1	S	Engine Oil - 10W40
	0436-003	1	S	Engine Oil - 5W30
	0436-035	1	S	Engine Block Heater
	0436-466	1		Fender Box
	0436-474	1		Flatbed Extensions
	0436-538	1		Gear Cradle
	0436-007	1	S	Gear Lube (Diff) - 80W90
	0436-472	1		Gun Scabbard Kit
	0436-505	1		Hand Guards - Black
	0436-352	1		Hand/Thumb Warmers
	0436-504	1		Ice Auger Holder
	2256-954	1		Illustrated Parts Manual
	0436-463	1		Light Bar
	0436-473	1		Maxrack (3-Piece)
	2256-937	1		Manuel d'utilisation (F)
	2256-934	1		Operator's Manual (E)
	0436-475	1		Rack Basket
	0436-579	1		Rapid Blind (Break-Up)
	0436-580	1		Rapid Blind (Shadow Grass)
	0436-578	1	/P	Rapid Shack (Blue Ice)
	0436-511	1		Rod Holder - Adjustable
	0436-386	1		Snowplow Attachment Kit
	0436-228	1		Snowplow Blade, 50 in. - Straight
	0436-287	1		Snowplow Blade, 50 in. - One-Way
	0436-296	1		Snowplow Blade, 60 in. - Straight
	0436-360	1		Snowplow Blade, 60 in. - One-Way
	0436-356	1	S	Snowplow, Push Frame
	0436-471	1		Speedclamp, Double
	0436-500	1		Sprayer System
	0436-508	1	S	Sprayer Boom (120 in.)
	0436-465	1		Table Extension

2004 ATV 500 MANUAL TRANSMISSION 4X4 FIS RED MRP (A2004ISM4AUSTP) Page 67 of 95  
RELATED ITEMS

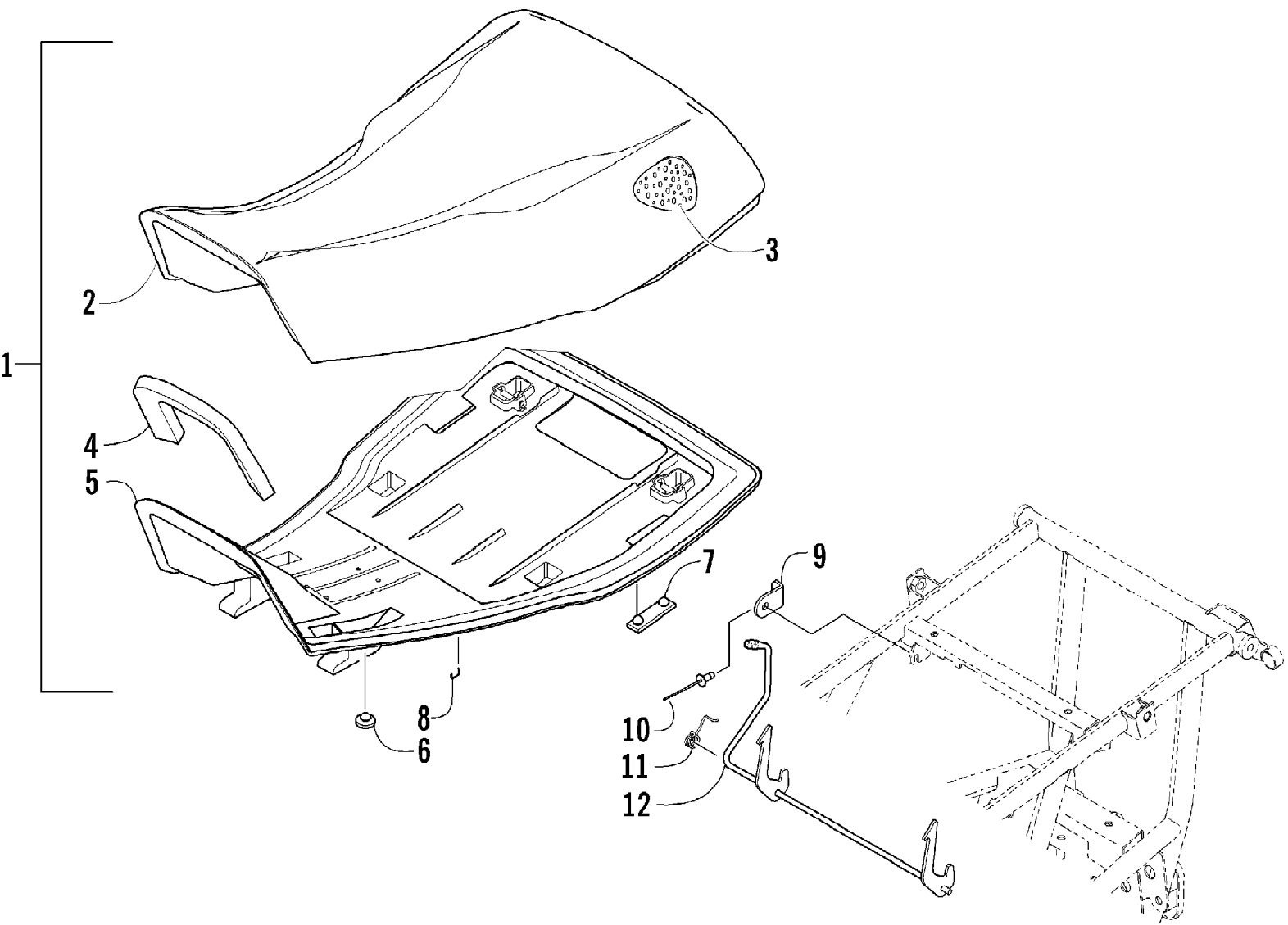
Ref #	Part Number	Qty	S/P/F	Description
	1402-028	1		Tire, Titan AT589 (25x8-12, Mud & Snow)
	0402-563	1		Tire, Titan AT589 (25x10-12, Mud & Snow)
	0436-478	1		Tool Caddy
	0436-297	1		Tool Holder - Double
	0436-263	1	/P	Tool Holder - Single
	0436-468	1		Tree Stand/Bow Case Holder
	0436-329	1	S	Winch Kit, 2500 lb
	0436-361	1		Winch Mounting Kit
	0436-507	1		Windshield, Clear w/Black Accent
	0436-470	1		Workbase (8 in.)





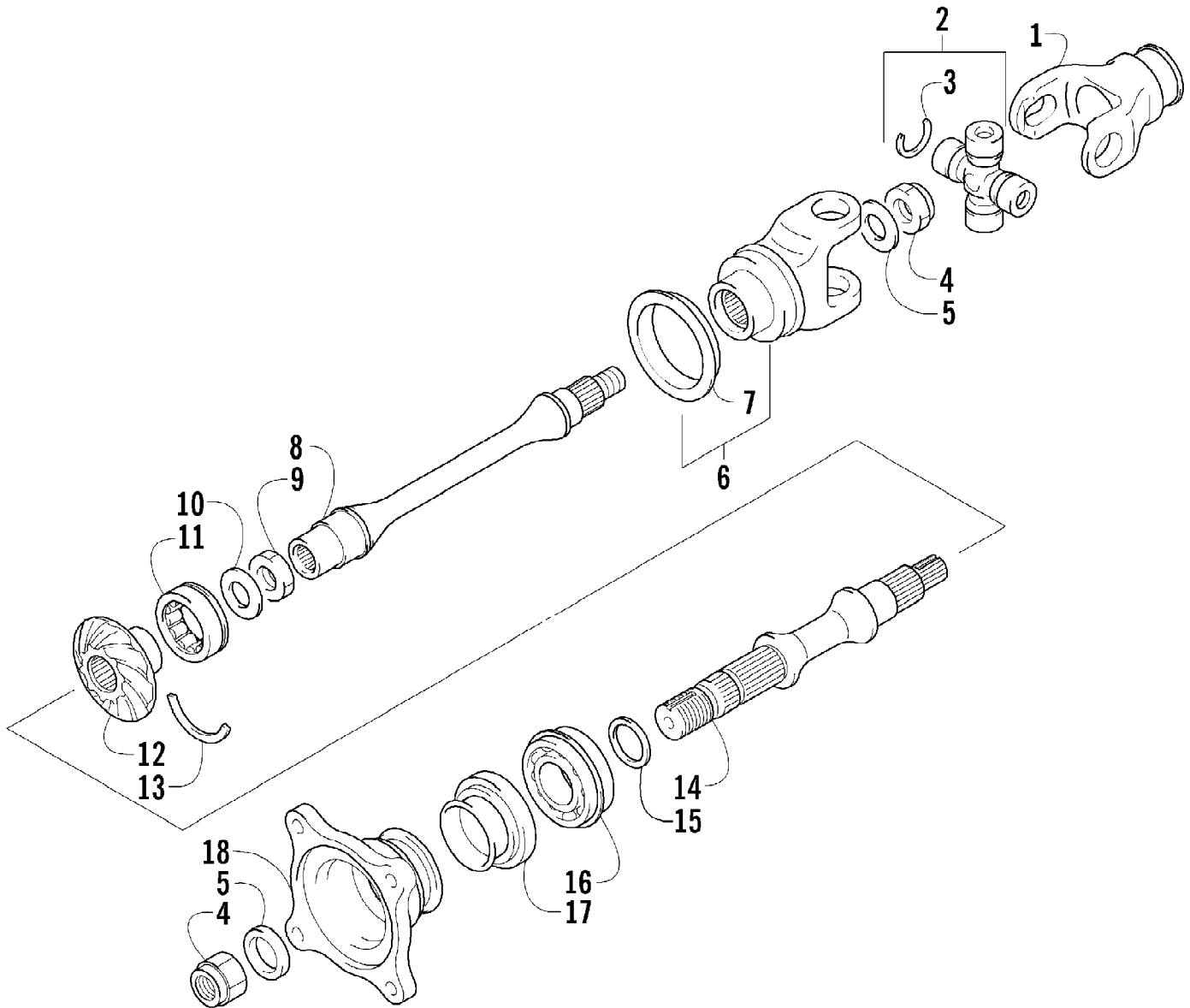
2004 ATV 500 MANUAL TRANSMISSION 4X4 FIS RED MRP (A2004ISM4AUSTP) Page 69 of 95  
REVERSE SHIFT LEVER ASSEMBLY

Ref #	Part Number	Qty	S/P/F	Description
1	8424-602	1	/P	Nut
2	8408-812	1		Screw, Cap
3	0502-560	1		Axle, Reverse Shift Lever
4	0502-185	1		Lever, Reverse Shift
5	0423-299	2	/P	O-Ring
6	0423-182	2	/P	O-Ring
7	0423-087	1		Washer
8	0502-410	1	S	Spring
9	0402-675	1		Axle, Pivot
10	0402-843	1	/P	Handle, Reverse Shift Lever
11	0423-345	1		Clip, Push
12	0502-439	1		Linkage, Shift
13	0402-844	1		End, Rod
14	0623-294	2		Nut
15	0423-091	1		Bushing
16	3423-204	1	/P	Washer
17	0423-169	1	/P	E-Ring
18	0402-847	1		Plate, Shift
19	0406-943	1		Shield, Linkage
20	0423-371	3		Screw, Machine
21	0623-309	1		Screw, Self-Tapping



2004 ATV 500 MANUAL TRANSMISSION 4X4 FIS RED MRP (A2004ISM4AUSTP) Page 71 of 95  
SEAT ASSEMBLY

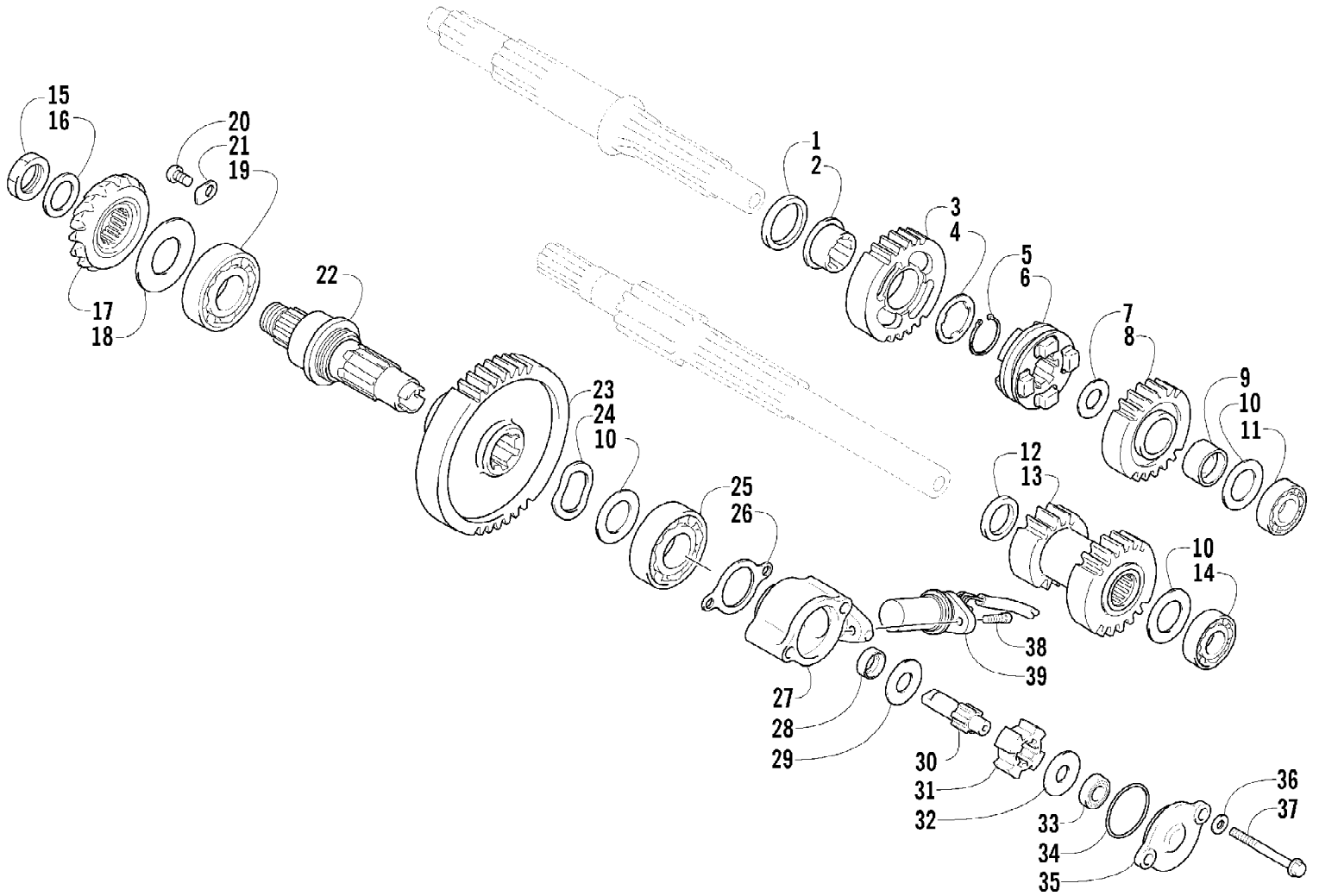
Ref #	Part Number	Qty	S/P/F	Description
1	0506-558	1		Seat Assembly (inc. 2-8)
2	0506-556	1		Cover, Seat
3	0506-555	1		Foam, Seat
4	1406-060	1		Foam, Sound
5	0406-878	1		Base, Seat Assembly (inc. 6-7)
6	0406-877	2	/P	Bumper, Seat - Front
7	0406-879	2		Bumper, Seat - Rear
8	0624-528	AR	/P	Staple
9	1406-087	1		Plate, Retainer
10	8060-284	1		Rivet
11	1406-371	1		Spring, Seat Latch
12	1506-217	1		Latch, Seat



2004 ATV 500 MANUAL TRANSMISSION 4X4 FIS RED MRP (A2004ISM4AUSTP) Page 73 of 95  
SECONDARY DRIVE ASSEMBLY

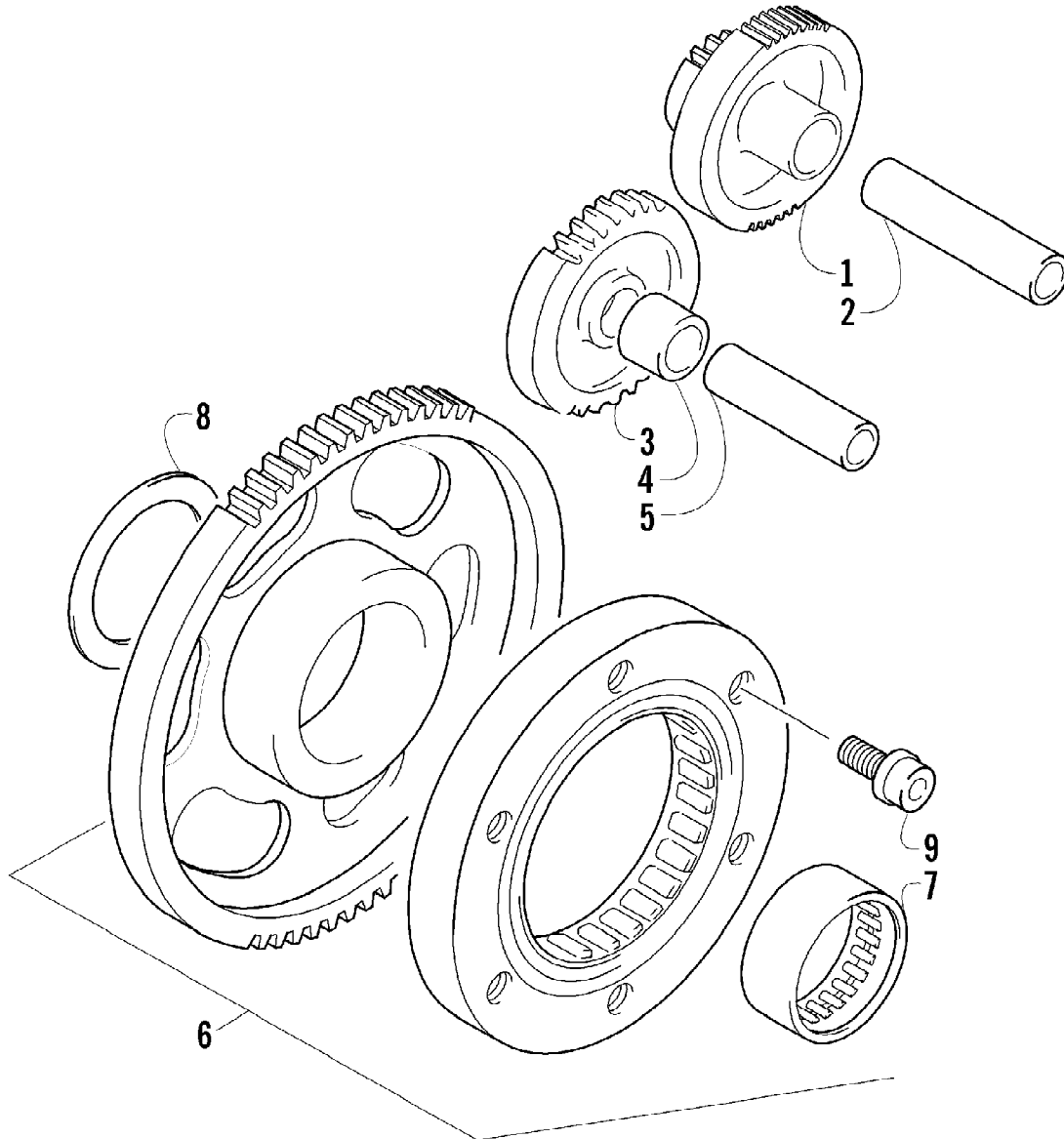
Ref #	Part Number	Qty	S/P/F	Description
1	3446-327	1	/P	Yoke, Propeller Shaft
2	3402-562	1		Joint, Universal (inc. 3)
3	3423-479	4		Circlip
4	3423-025	2		Nut
5	3423-028	2		Washer
6	3402-742	1		Yoke, Front Drive Output (inc. 7)
7	3402-743	1		Plate, Output
8	3446-239	1		Shaft, Secondary Driven - Front
9	3423-136	1		Nut, Secondary Driven Gear
10	3423-137	1		Washer, Secondary Driven Gear
11	3402-515	1	/P	Bearing, Secondary Driven Gear
12	3446-222	1	/P	Gear, Secondary Driven
13	3423-072	1		Ring, Secondary Driven Gear Bearing
14	3446-346	1	S	Shaft, Secondary Driven - Rear
15	3402-017	AR		Shim, 25 x 34 x 0.60 mm
15	3402-018	AR		Shim, 25 x 34 x 0.65 mm
15	3402-019	AR		Shim, 25 x 34 x 0.70 mm
15	3402-020	AR		Shim, 25 x 34 x 0.75 mm
15	3402-021	AR	S	Shim, 25 x 34 x 0.80 mm
15	3402-022	AR		Shim, 25 x 34 x 0.85 mm
15	3402-023	AR		Shim, 25 x 34 x 0.90 mm
15	3402-024	AR		Shim, 25 x 34 x 0.95 mm
15	3402-025	AR	S	Shim, 25 x 34 x 1.00 mm
15	3402-028	AR		Shim, 25 x 34 x 1.05 mm
15	3402-029	AR		Shim, 25 x 34 x 1.10 mm
15	3402-030	AR		Shim, 25 x 34 x 1.15 mm
15	3402-031	AR		Shim, 25 x 34 x 1.20 mm
16	3402-067	2	S	Bearing
17	3402-072	2		Seal, Oil
18	3402-514	1	/P	Yoke, Rear Drive Output

2004 ATV 500 MANUAL TRANSMISSION 4X4 FIS RED MRP (A2004ISM4AUST) Page 74 of 95  
SECONDARY TRANSMISSION ASSEMBLY



2004 ATV 500 MANUAL TRANSMISSION 4X4 FIS RED MRP (A2004ISM4AUSTP) Page 75 of 95  
SECONDARY TRANSMISSION ASSEMBLY

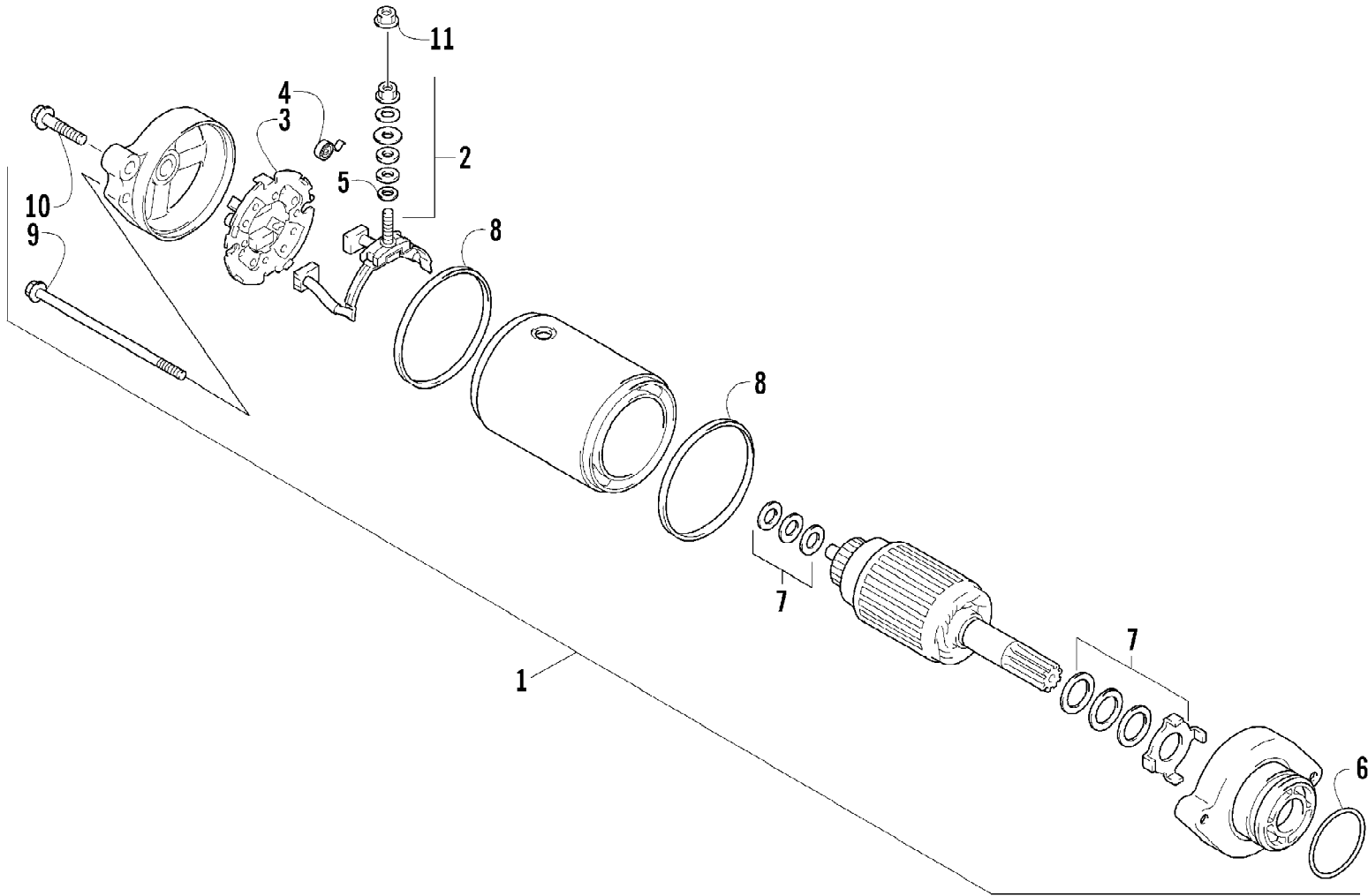
Ref #	Part Number	Qty	S/P/F	Description
1	3446-246	1		Spacer, Drive Gear
2	3446-247	1		Bushing, Drive Gear No. 1
3	3446-342	1		Gear, Drive - No. 1
4	3423-036	1		Washer, Drive Gear No. 1
5	3423-066	1	/P	Circlip, Drive Gear No. 1
6	3446-343	1		Dog, Sliding
7	3402-195	1		Washer, Drive Gear No. 2
8	3446-248	1		Gear, Drive - No. 2
9	3446-103	1		Bushing, Drive Gear No. 2
10	3402-381	3	/P	Washer
11	3402-046	1		Bearing, Driveshaft - Left
12	3423-148	1		Spacer, Idle Gear
13	3446-066	1		Gear, Idle
14	3402-979	1	/P	Bearing, Countershaft - Left
15	3423-023	1		Nut
16	3423-032	1		Washer
17	3446-274	1	/P	Gear, Secondary Drive Bevel
18	3423-549	1		Shim Set
19	3402-055	1	/P	Bearing
20	3423-370	2		Screw
21	3446-031	2	/P	Retainer, Secondary Driveshaft Bearing
22	3446-344	1		Shaft, Output
23	3446-345	1		Gear, Driven
24	3423-548	1		Lock Washer
25	3402-045	1	/P	Bearing
26	3446-244	1	/P	Gasket, Sensor Housing
27	3446-400	1		Housing, Speedometer Sensor
28	3006-322	1		Seal, Sensor Housing
29	3423-617	1		Washer
30	3446-402	1		Shaft, Speedometer Rotor
31	3402-837	1		Rotor, Speedometer
32	3423-767	1		Washer
33	3402-980	1		Bearing, Rotor Shaft
34	3423-766	1		O-Ring, Housing Cover
35	3446-401	1		Cover, Speedometer Housing
36	3003-290	2	/P	Gasket
37	3423-307	2	S	Bolt
38	3423-226	1		Bolt
39	3402-981	1		Sensor, Speedometer





2004 ATV 500 MANUAL TRANSMISSION 4X4 FIS RED MRP (A2004ISM4AUSTP) Page 77 of 95  
STARTER CLUTCH ASSEMBLY

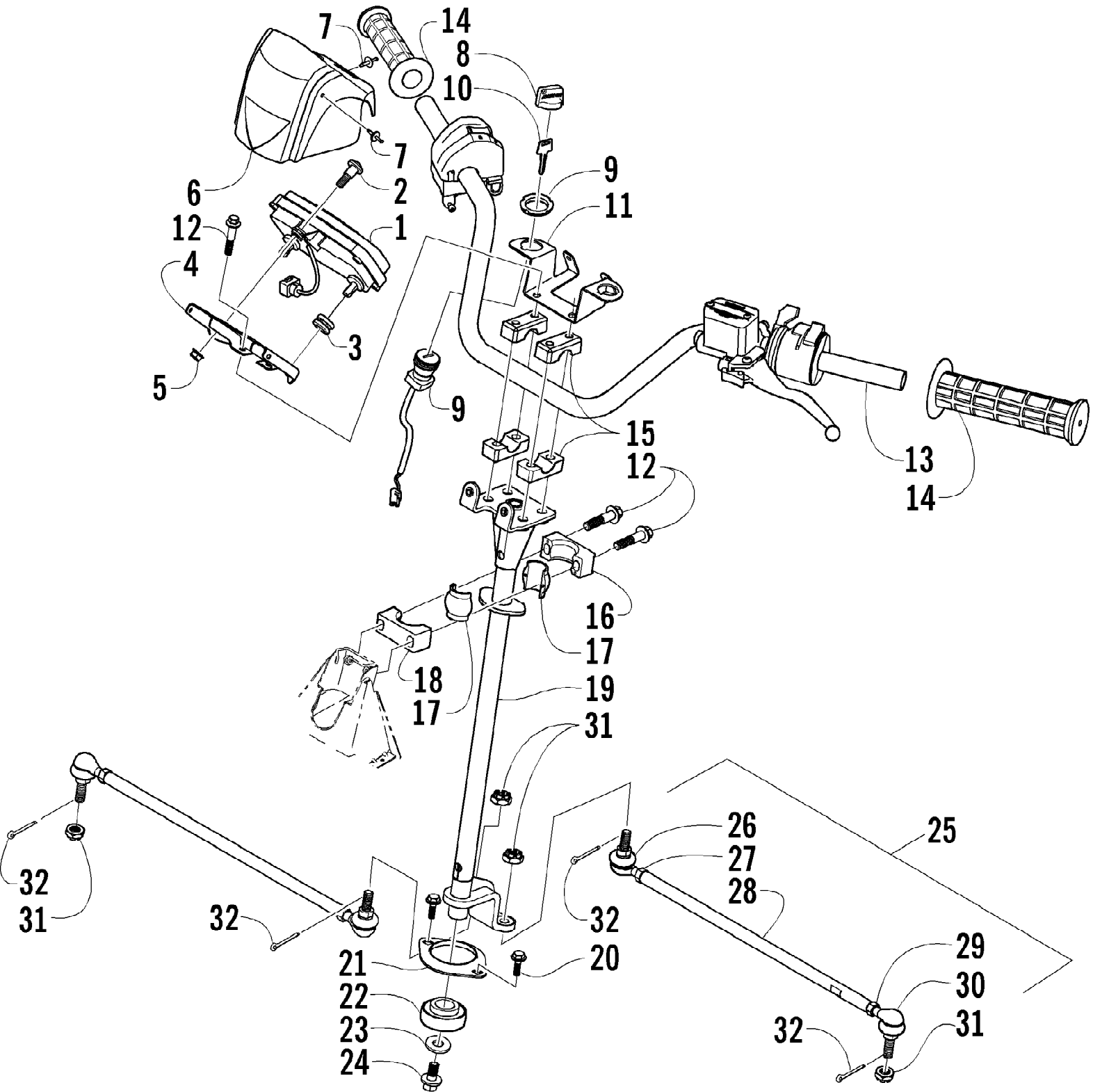
Ref #	Part Number	Qty	S/P/F	Description
1	3402-813	1	/P	Gear, Starter Idler - No.1
2	3423-331	1		Pin
3	3402-349	1		Gear, Starter Idler - No.2
4	3423-396	1		Spacer, Starter Idler Gear No. 2
5	3423-397	1		Pin
6	3402-457	1		Starter, Clutch - Set (inc. 7)
7	3402-063	1		Bearing
8	3423-104	1		Washer
9	3423-509	6		Bolt



2004 ATV 500 MANUAL TRANSMISSION 4X4 FIS RED MRP (A2004ISM4AUSTP) Page 79 of 95  
STARTER MOTOR ASSEMBLY

Ref #	Part Number	Qty	S/P/F	Description
1	3545-015	1	S	Motor, Starter - Assembly (inc. 2-9)
2	3008-094	1	/P	Terminal Set, Brush
3	3008-095	1	/P	Holder Set, Brush
4	3008-096	4		Spring, Brush
5	3008-164	1		O-Ring
6	3423-084	1		O-Ring
7	3436-001	1		Washer Set
8	3008-101	2	S	O-Ring
9	3423-085	2		Through-Bolt
10	3423-162	2	S	Bolt, Starter Motor
11	3423-195	1	/P	Nut, Starter Motor

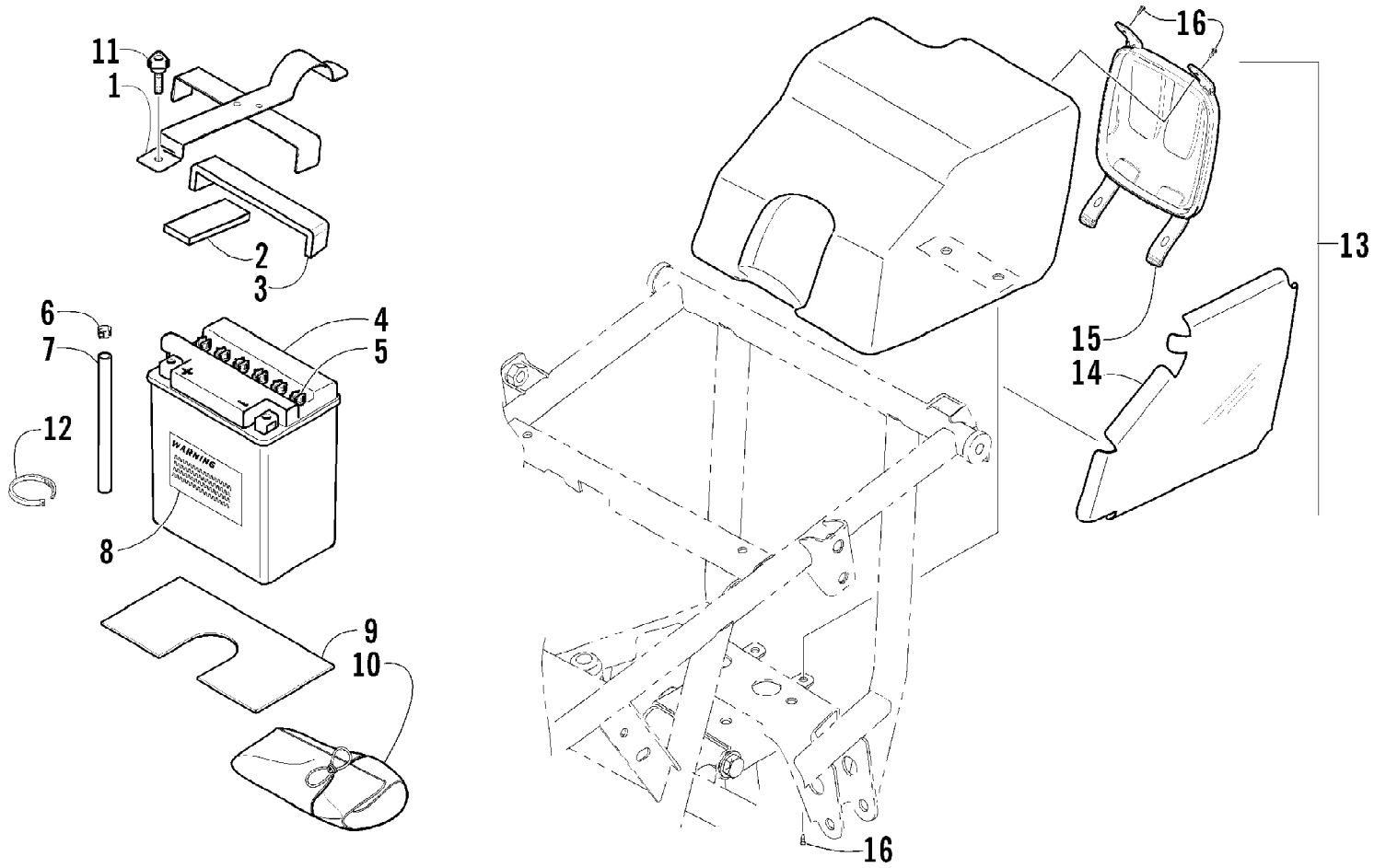
2004 ATV 500 MANUAL TRANSMISSION 4X4 FIS RED MRP (A2004ISM4AUSTP) Page 80 of 95  
STEERING ASSEMBLY



2004 ATV 500 MANUAL TRANSMISSION 4X4 FIS RED MRP (A2004ISM4AUSTP) Page 81 of 95  
STEERING ASSEMBLY

Ref #	Part Number	Qty	S/P/F	Description
1	0420-044	1		Gauge, Digital
2	0423-356	1		Screw, Shoulder
3	0423-448	2		Grommet
4	1506-307	1		Bracket, Mounting - Digital Gauge
5	8424-602	1	/P	Nut, Flange
6	0405-133	1		Instrument Pod
7	0623-362	4		Rivet, Reinstallable
8	0409-013	1		Cover, Key
9	3430-040	1		Switch, Ignition - Assembly (inc. 10)
10	3409-007	1	/P	Key, Ignition - Blank (C Series)
10	3409-011	1		Key, Ignition - Blank (D Series)
10	3409-012	1		Key, Ignition - Blank (E Series)
10	3409-013	1		Key, Ignition - Blank (F Series)
11	1506-309	1		Bracket, Key Switch
12	8408-860	6		Screw, Cap
13	0505-410	1		Tube, Handlebar
14	0405-106	2		Grip, Handlebar
15	0405-035	4		Cap, Steering Adjuster
16	0605-147	1	S	Housing, Bearing - Upper
17	0405-020	2		Bearing, Steering Post
18	0605-171	1		Housing, Bearing - Lower
19	0505-431	1	/P	Post, Steering
20	8408-816	2		Screw, Cap
21	0602-233	1		Flange, Bearing
22	0405-052	1		Bearing w/Inverted Oil Seal
23	0423-073	1		Washer
24	8409-020	1	/P	Screw, Cap
25	0505-408	2	S	Tie Rod - Assembly (inc. 26-30)
26	0405-083	2	S	Ball Joint, Tie Rod - Left
27	0423-013	2		Nut - Left
28	0405-107	2	S	Tie Rod
29	8420-002	2	/P	Nut - Right
30	0405-082	2	S	Ball Joint, Tie Rod - Right
31	0423-157	4		Nut, Lock
32	0623-175	4		Pin, Cotter

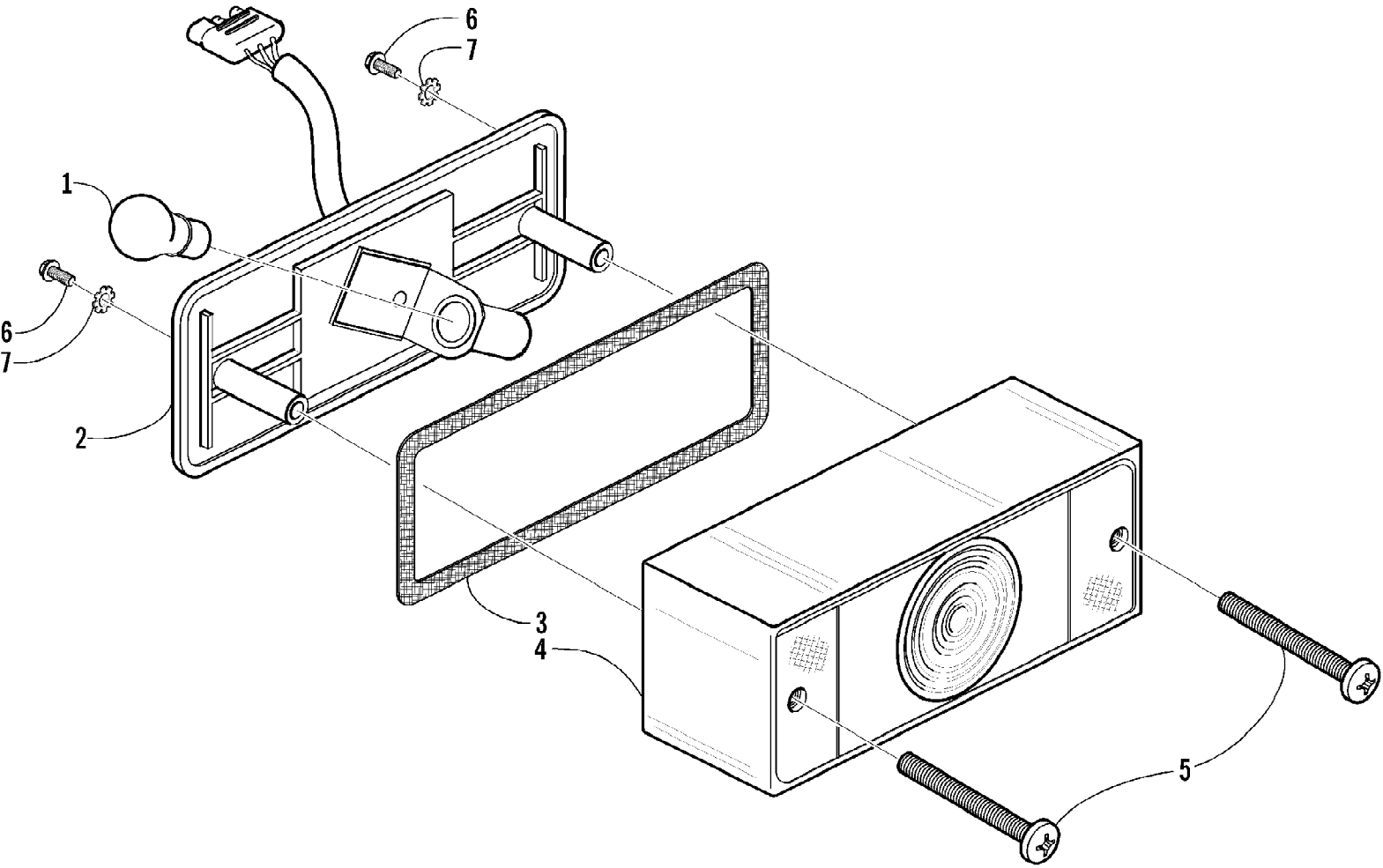
2004 ATV 500 MANUAL TRANSMISSION 4X4 FIS RED MRP (A2004ISM4AUST) Page 82 of 95  
STORAGE BOX AND BATTERY ASSEMBLY



2004 ATV 500 MANUAL TRANSMISSION 4X4 FIS RED MRP (A2004ISM4AUSTP) Page 83 of 95  
STORAGE BOX AND BATTERY ASSEMBLY

Ref #	Part Number	Qty	S/P/F	Description
1	0506-178	1		Strap, Battery w/Pads (inc. 2-3)
2	0406-288	1		Pad, Battery - Upper Front
3	0406-289	1		Pad, Battery - Upper Rear
4	0745-045	1	/P	Battery Assembly (inc. 5-8)
5	0645-045	6		Cap, Battery
6	0645-152	1		Clamp, Hose
7	0645-263	1	/P	Hose, Battery Vent
8	0645-151	1		Label, Warning - Battery
9	0406-227	1		Pad, Battery - Lower
10	0444-122	1	S/P	Kit, Tool
11	0423-456	1	/P	Screw, Thumb
12	0123-903	2		Cable Tie - 11.5 in.
13	0506-797	1		Storage Box - Assembly (inc. 14)
14	1406-140	1		Shield, Heat
15	1406-078	1		Cover, Storage Box
16	0623-797	4		Screw, Self-Tapping

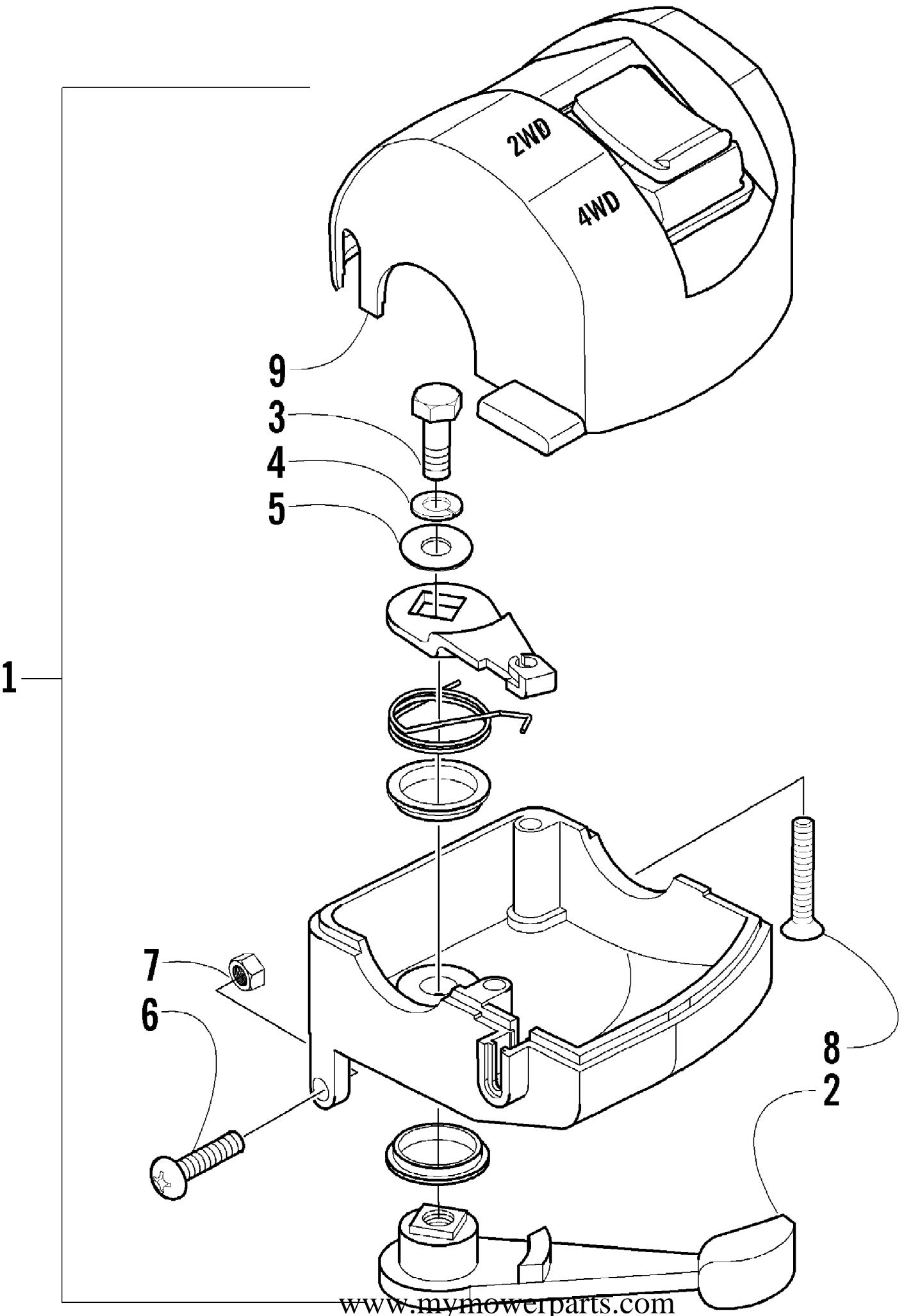
2004 ATV 500 MANUAL TRANSMISSION 4X4 FIS RED MRP (A2004ISM4AUSTP) Page 84 of 95  
TAILLIGHT ASSEMBLY





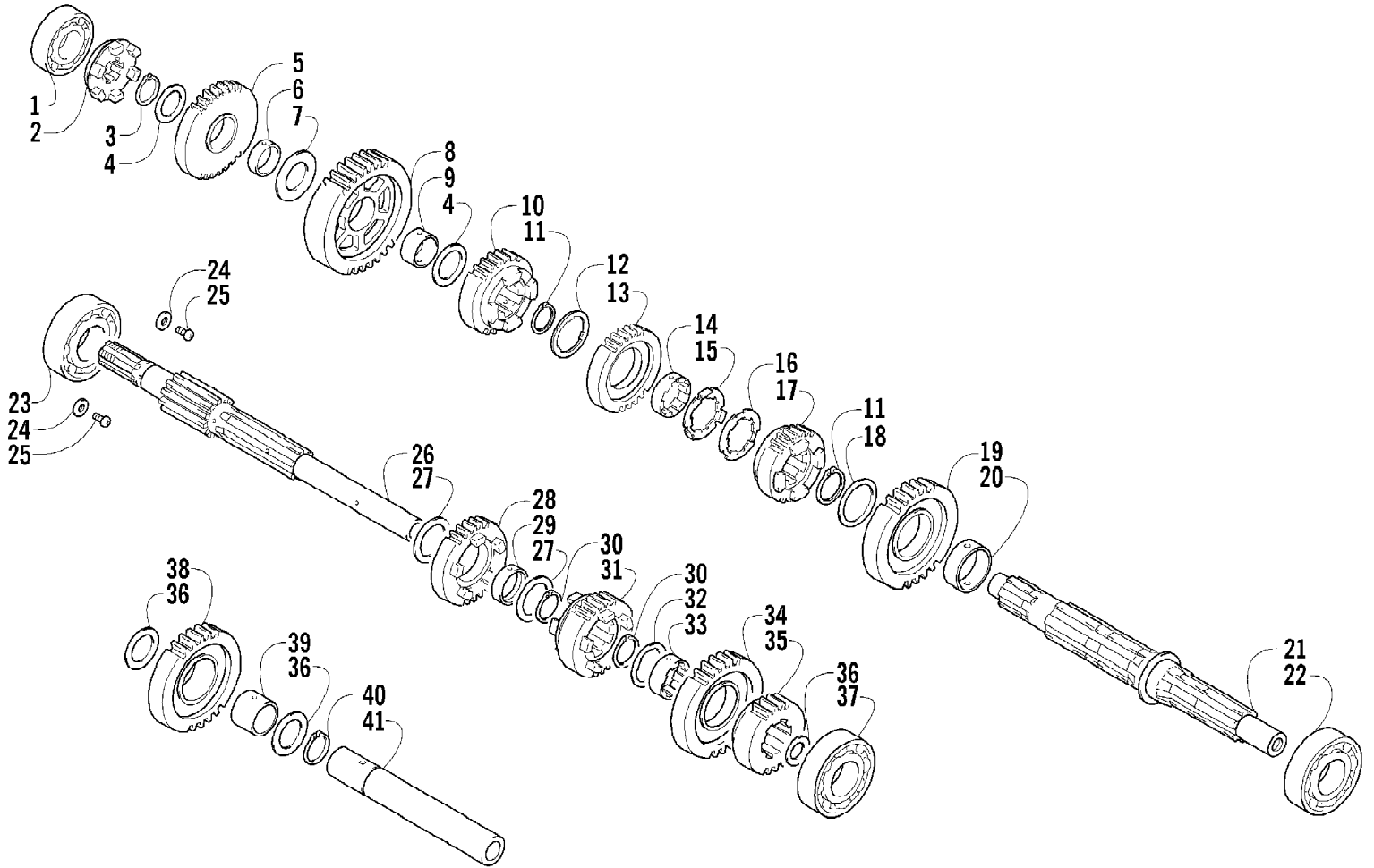
2004 ATV 500 MANUAL TRANSMISSION 4X4 FIS RED MRP (A2004ISM4AUSTP) Page 85 of 95  
TAILLIGHT ASSEMBLY

Ref #	Part Number	Qty	S/P/F	Description
	0409-002	1		Complete Taillight Assembly
1	0109-460	1	/P	Bulb, Stop/Taillight
2	0409-058	1		Taillight w/Socket Assembly
3	0409-012	1		Gasket, Taillight Lens
4	0409-007	1		Lens, Taillight
5	0409-010	2		Screw, Machine
6	0623-301	2	/P	Screw, Self-Tapping
7	8053-212	2	/P	Washer, Lock - External Tooth



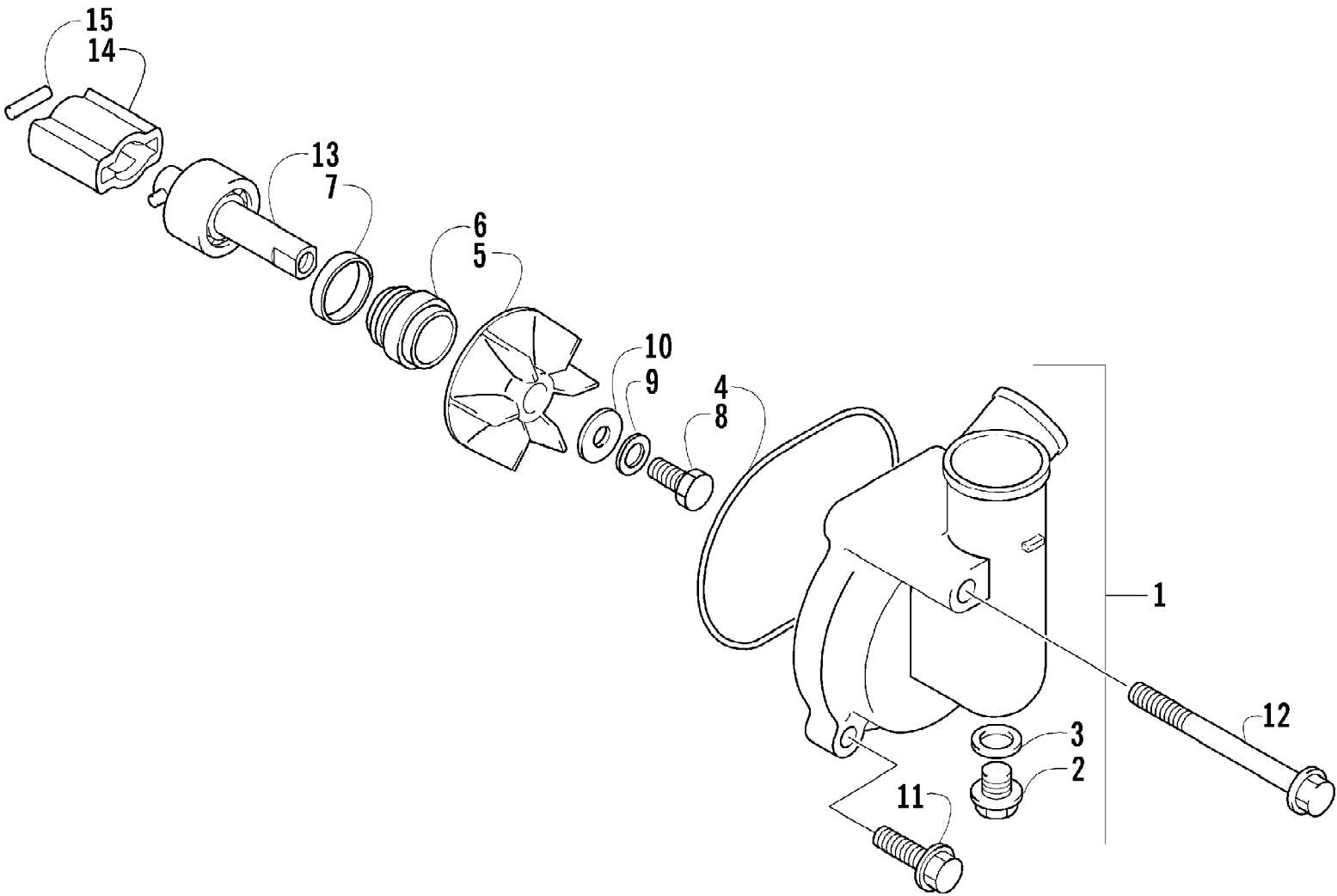
2004 ATV 500 MANUAL TRANSMISSION 4X4 FIS RED MRP (A2004ISM4AUSTP) Page 87 of 95  
THROTTLE CASE ASSEMBLY

Ref #	Part Number	Qty	S/P/F	Description
1	0509-012	1		Case, Throttle - Assembly (inc. 2-9)
2	3409-001	1		Lever
3	3004-533	1	S/P	Screw, Cap
4	3004-447	1	/P	Washer, Lock
5	3003-030	1	/P	Washer
6	3423-014	1		Screw
7	3423-327	1		Nut
8	3423-199	2		Screw
9	0409-048	1		Cover, Throttle w/Switch



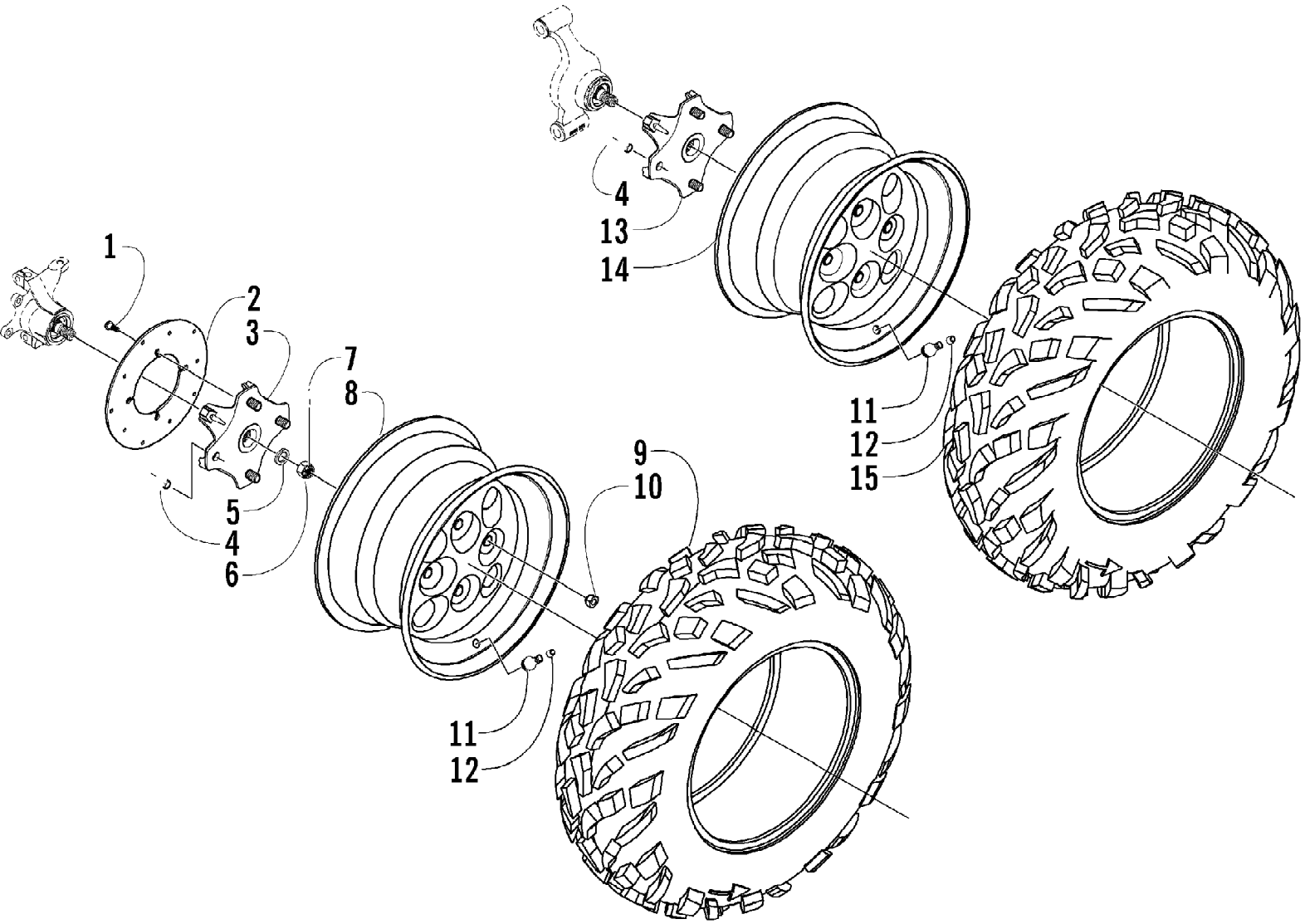
2004 ATV 500 MANUAL TRANSMISSION 4X4 FIS RED MRP (A2004ISM4AUSTP) Page 89 of 95  
TRANSMISSION ASSEMBLY

Ref #	Part Number	Qty	S/P/F	Description
1	3003-320	1	/P	Bearing, Driveshaft - Right
2	3446-030	1		Dog, Reverse
3	3423-189	1	S	Circlip
4	3402-335	2		Washer
5	3446-029	1		Gear, Reverse Driven
6	3446-032	1		Bushing, Reverse Driven Gear
7	3423-131	1		Washer, 1st Driven Gear - Right
8	3446-235	1	/P	Gear, 1st Driven
9	3402-692	1	/P	Bushing, 1st Driven Gear
10	3446-340	1		Gear, 4th Driven
11	3423-188	2	S	Circlip
12	3423-038	1		Washer, 3rd Driven Gear - Right
13	3446-339	1		Gear, 3rd Driven
14	3446-024	1		Bushing, 3rd Driven Gear
15	3423-039	1		Washer, 3rd Driven Gear - Left
16	3423-040	1		Washer, 3rd Driven Gear - Left
17	3446-341	1		Gear, 5th Driven
18	3402-383	1		Washer, 2nd Driven Gear
19	3446-022	1		Gear, 2nd Driven
20	3402-082	1		Bushing, 2nd Driven Gear
21	3446-234	1		Driveshaft
22	3402-336	1		Bearing, Driveshaft - Middle
23	3402-050	1		Bearing, Countershaft - Right
24	3423-135	2		Retainer, Countershaft Bearing
25	3423-370	2		Screw
26	3446-014	1		Countershaft
27	3423-187	2	/P	Washer, 4th Drive Gear
28	3446-337	1		Gear, 4th Drive
29	3423-547	1		Bushing, 4th Drive Gear
30	3423-066	2	/P	Circlip
31	3446-336	1		Gear, 3rd Drive
32	3423-037	1		Washer, 5th Drive Gear
33	3446-020	1		Bushing, 5th Drive Gear
34	3446-338	1		Gear, 5th Drive
35	3446-016	1		Gear, 2nd Drive
36	3402-195	3		Washer
37	3402-179	1		Bearing, Countershaft - Middle
38	3446-237	1		Gear, Reverse Idle
39	3446-238	1		Bushing, Reverse Idle
40	3423-190	1	S	Circlip
41	3446-236	1		Shaft, Reverse Idle



2004 ATV 500 MANUAL TRANSMISSION 4X4 FIS RED MRP (A2004ISM4AUSTP) Page 91 of 95  
WATER PUMP ASSEMBLY

Ref #	Part Number	Qty	S/P/F	Description
1	3402-354	1	/P	Case, Water Pump (inc. 2-3)
2	3423-343	1		Screw, Cap
3	3402-436	1	/P	Gasket
4	3423-078	1		O-Ring
5	3413-001	1		Impeller
6	3005-909	1	/P	Seal, Mechanical
7	3003-356	1		Oil Seal
8	3423-543	1		Bolt
9	3003-431	1	/P	Washer
10	3003-432	1		Washer
11	3004-507	2	S	Screw, Cap
12	3423-119	1	S	Bolt
13	3413-002	1		Shaft, Pump w/Bearing
14	3413-011	1	/P	Joint, Pump Drive
15	3423-046	1		Pin, Driven Gear

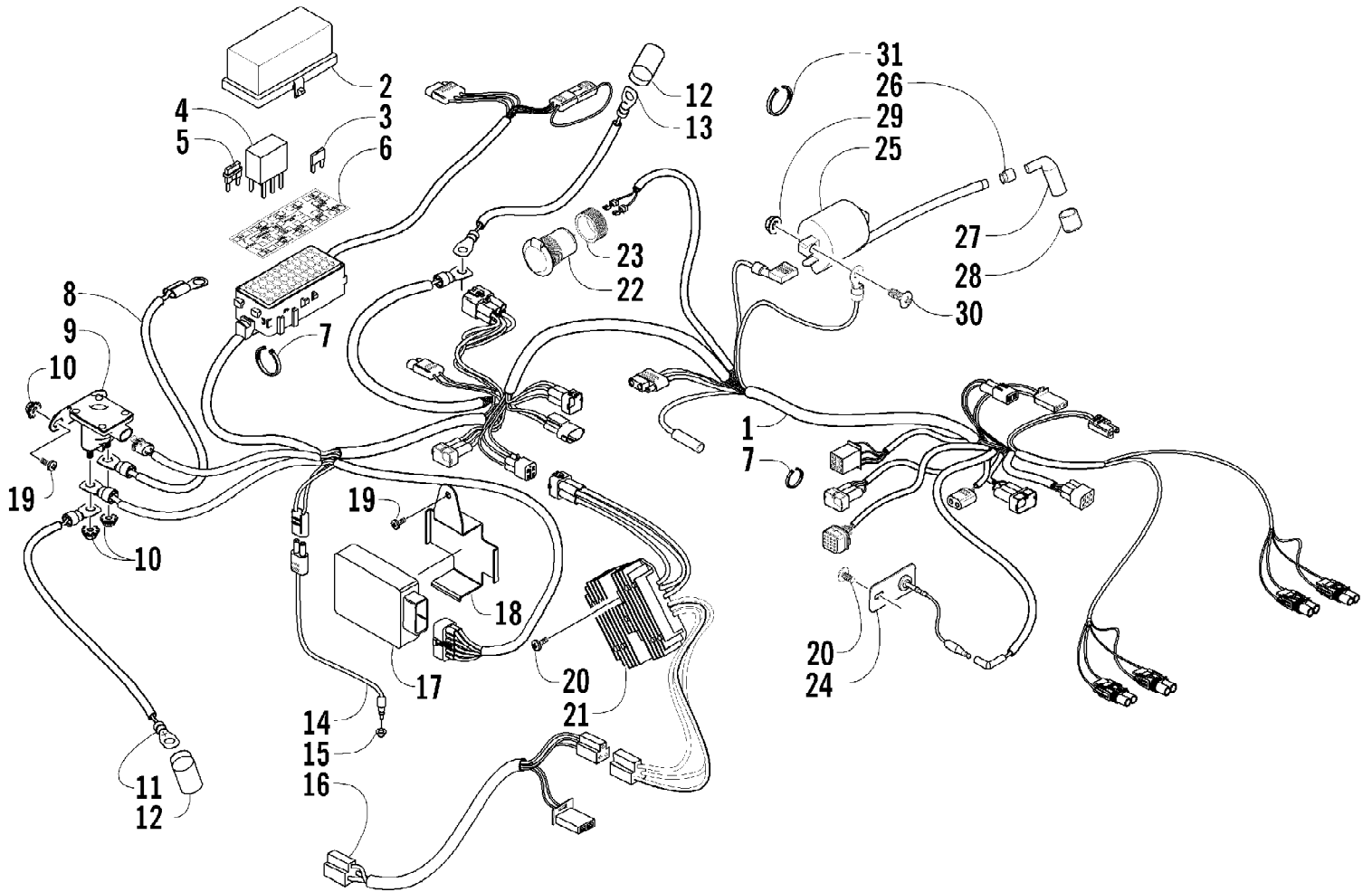




2004 ATV 500 MANUAL TRANSMISSION 4X4 FIS RED MRP (A2004ISM4AUSTP) Page 93 of 95  
WHEEL AND TIRE ASSEMBLY

Ref #	Part Number	Qty	S/P/F	Description
1	0423-029	12		Screw, Machine
2	0402-874	3	S	Disc, Brake
3	0502-421	2	/P	Hub, Wheel - Front (inc. 4)
4	0402-974	16	/P	Stud, Wheel Hub
5	0402-181	4		Seal, Hub
6	0423-394	4		Nut, Castle
7	0423-407	4		Pin, Cotter
8	0402-856	2		Wheel - Front
9	1402-100	2		Tire - Front
10	0423-408	16	/P	Nut, Lug
11	0402-064	4		Stem, Valve (inc. 12)
12	0402-140	4		Cap, Valve Stem
13	0502-423	1	/P	Hub, Wheel - Rear - Left (inc. 4)
13	0502-421	1	/P	Hub, Wheel - Rear - Right (inc. 4)
14	0402-858	2		Wheel - Rear
15	1402-137	2		Tire - Rear

2004 ATV 500 MANUAL TRANSMISSION 4X4 FIS RED MRP (A2004ISM4AUSTP) Page 94 of 95  
WIRING HARNESS ASSEMBLY



2004 ATV 500 MANUAL TRANSMISSION 4X4 FIS RED MRP (A2004ISM4AUSTP) Page 95 of 95  
WIRING HARNESS ASSEMBLY

Ref #	Part Number	Qty	S/P/F	Description
1	0486-129	1		Harness, Main (inc. 2-6 and two No. 7)
2	0530-008	1		Cover, Fuse Block
3	0430-034	2		Diode
4	0430-033	2	F	Relay
5	0430-032	5		Fuse - 10 Amp
5	0430-031	3		Fuse - 15 Amp
5	0430-030	2		Fuse - 30 Amp
6	0411-585	1		Decal, Fuse Block
7	0123-788	AR	/P	Cable Tie - 7.5 in.
8	0445-042	1		Cable, Solenoid/Starter
9	0645-414	1		Solenoid
10	0623-038	4		Nut w/Washer
11	0445-038	1	S	Cable, Battery/Solenoid
12	0645-019	2		Boot, Terminal
13	0445-037	1		Cable, Battery/Ground
14	0409-009	1		Switch, Brake - Assembly
15	0402-991	1		Retainer, Switch
16	0486-126	1		Harness, Adapter - Electric Choke
17	3530-040	1		CDI Unit
18	1506-083	1		Bracket, CDI
19	8476-616	3		Screw, Machine
20	8476-625	3		Screw, Machine
21	3530-028	1	S	Regulator, Voltage
22	0445-022	1	S	Receptacle, 12V (inc. 23)
23	0445-034	1		Nut, Retainer
24	0509-011	1	S	Diode Assembly
25	3530-027	1		Coil, Ignition - Assembly
26	3430-009	1	/P	Seal, High Tension Wire
27	3430-007	1	/P	Cap, Spark Plug
28	3430-008	1	/P	Seal, Spark Plug
29	8424-602	1	/P	Nut, Flange
30	8476-620	1		Screw, Machine
31	0123-903	AR		Cable Tie - 11.5 in.