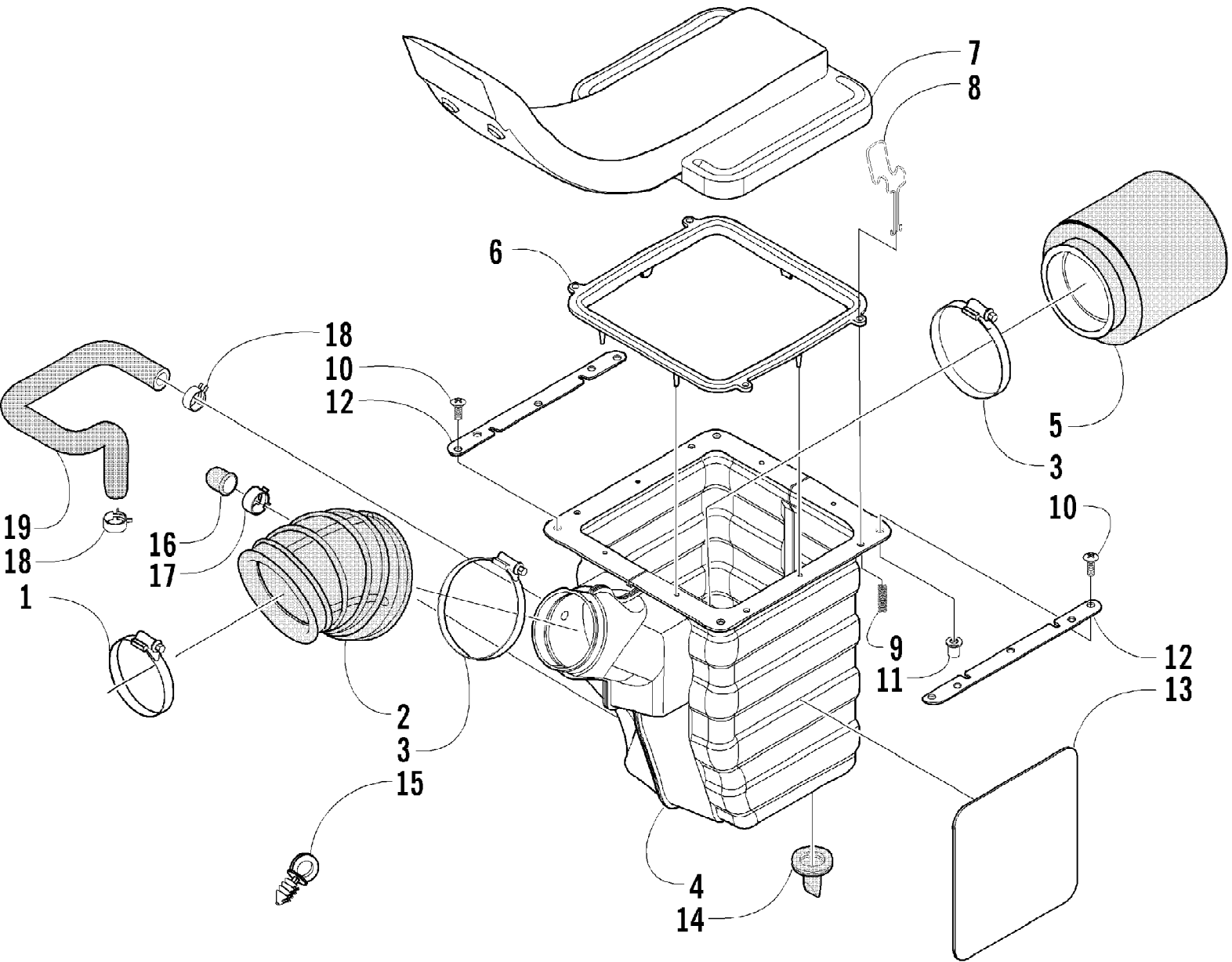


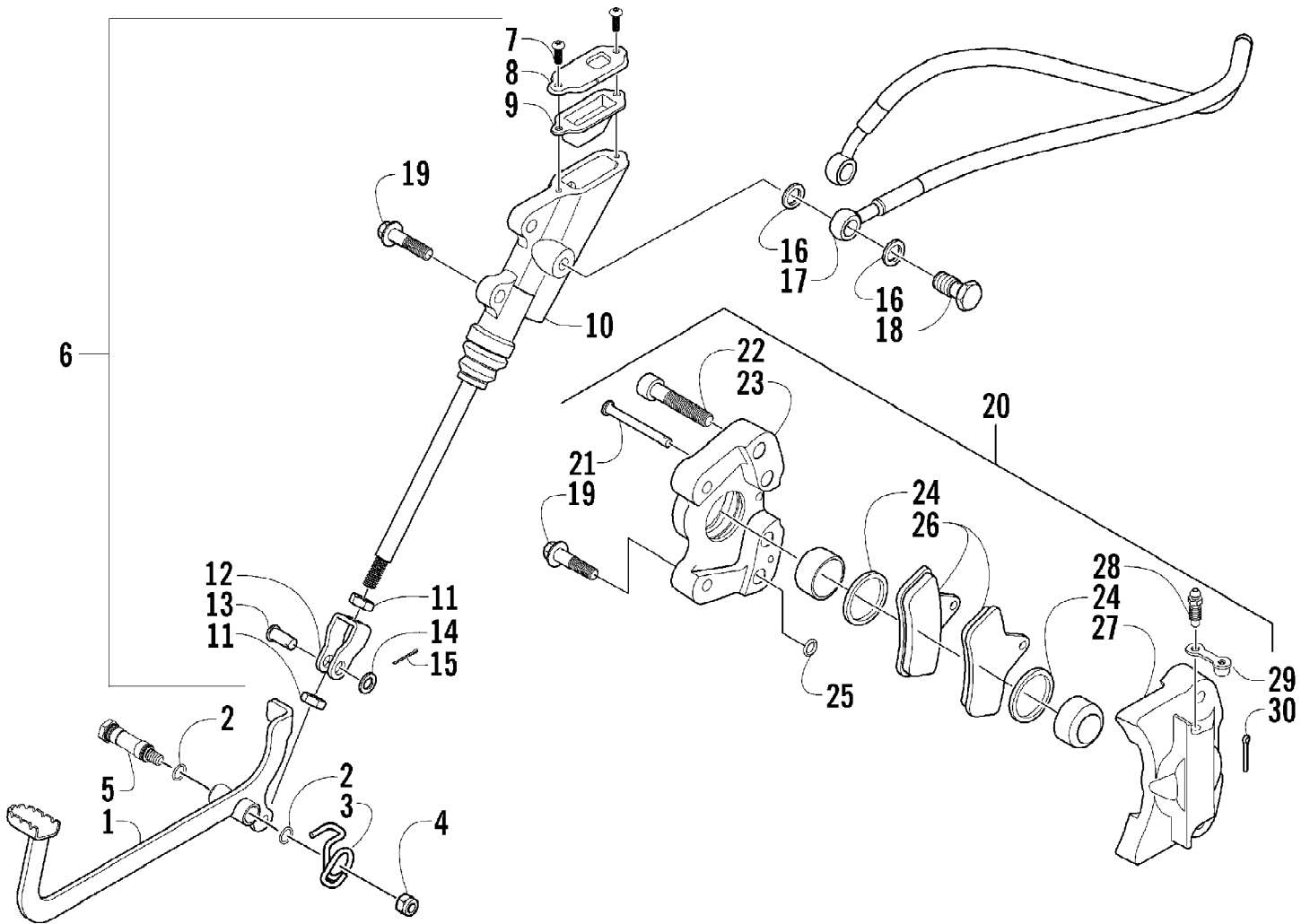
2004 ATV 500 MANUAL TRANSMISSION 4X4 FIS CAT GREEN (A2004ISM4AUBZ) Page 1 of 92  
AIR INTAKE ASSEMBLY



2004 ATV 500 MANUAL TRANSMISSION 4X4 FIS CAT GREEN (A2004ISM4AUBZ) Page 2 of 92  
AIR INTAKE ASSEMBLY

| Ref # | Part Number | Qty | S/P/F | Description                |
|-------|-------------|-----|-------|----------------------------|
| 1     | 0423-019    | 1   |       | Clamp                      |
| 2     | 0470-432    | 1   |       | Boot, Air Intake           |
| 3     | 0423-018    | 2   |       | Clamp                      |
| 4     | 0470-446    | 1   | /P    | Housing, Air Intake        |
| 5     | 0470-460    | 1   |       | Filter, Air                |
| 6     | 0470-343    | 1   |       | Gasket                     |
| 7     | 0470-459    | 1   |       | Snorkel                    |
| 8     | 0470-307    | 4   |       | Clamp                      |
| 9     | 0423-037    | 4   |       | Spring                     |
| 10    | 0623-121    | 4   |       | Screw, Machine             |
| 11    | 0123-010    | 4   | /P    | Nut, Expansion             |
| 12    | 0470-351    | 2   |       | Support, Air Intake Flange |
| 13    | 0412-141    | 1   |       | Shield, Heat               |
| 14    | 0470-442    | 1   | /P    | Valve, Drain               |
| 15    | 0623-101    | 1   |       | Clip, Retaining            |
| 16    | 1673-272    | 1   | /P    | Cap, Drain Tube            |
| 17    | 0423-047    | 1   |       | Clamp, Hose                |
| 18    | 0423-045    | 2   |       | Clamp, Hose                |
| 19    | 0410-045    | 1   |       | Hose, Crankcase Vent       |

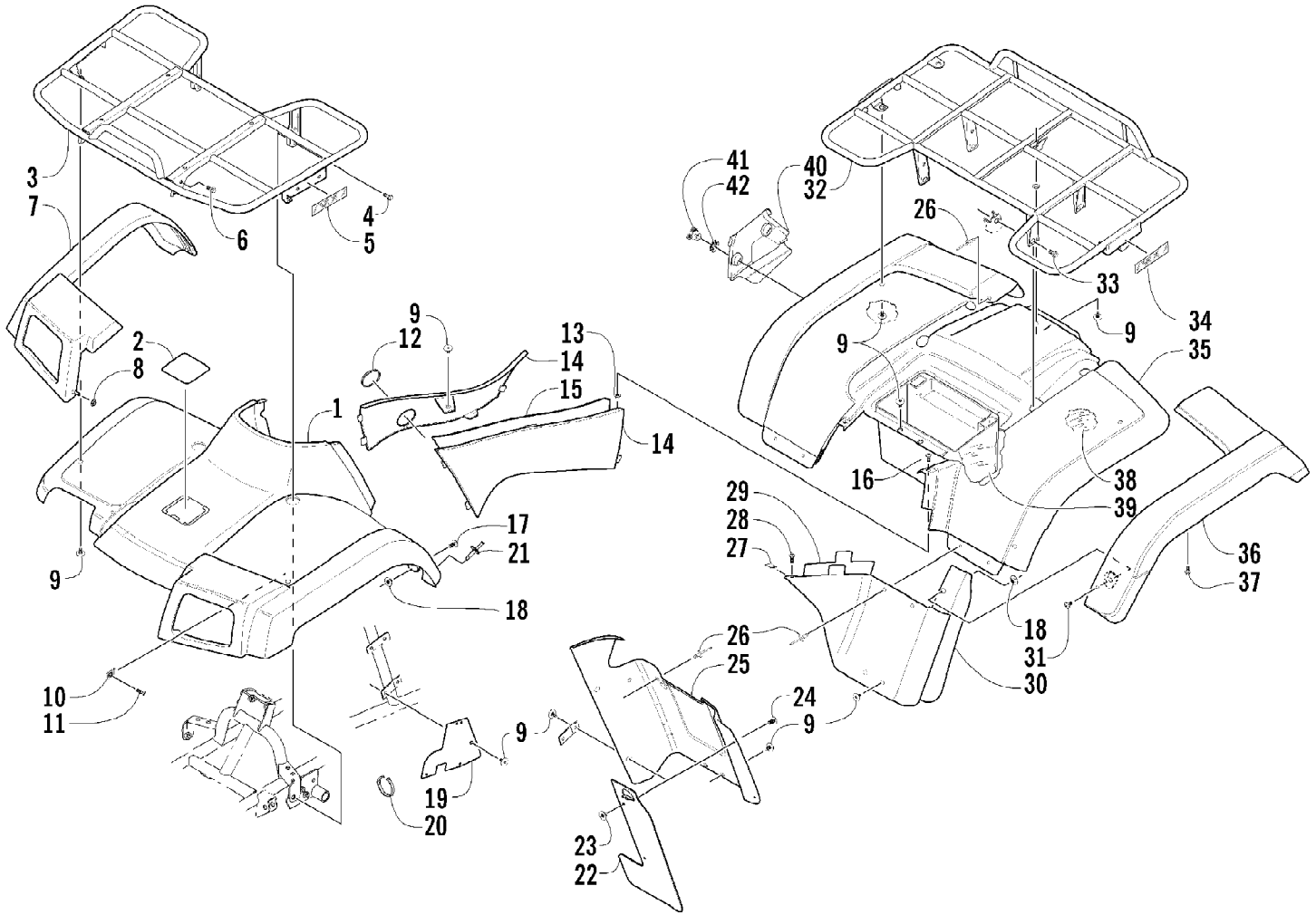
2004 ATV 500 MANUAL TRANSMISSION 4X4 FIS CAT GREEN (A2004ISM4AUBZ) Page 3 of 92  
AUXILIARY BRAKE ASSEMBLY



2004 ATV 500 MANUAL TRANSMISSION 4X4 FIS CAT GREEN (A2004ISM4AUBZ) Page 4 of 92  
AUXILIARY BRAKE ASSEMBLY

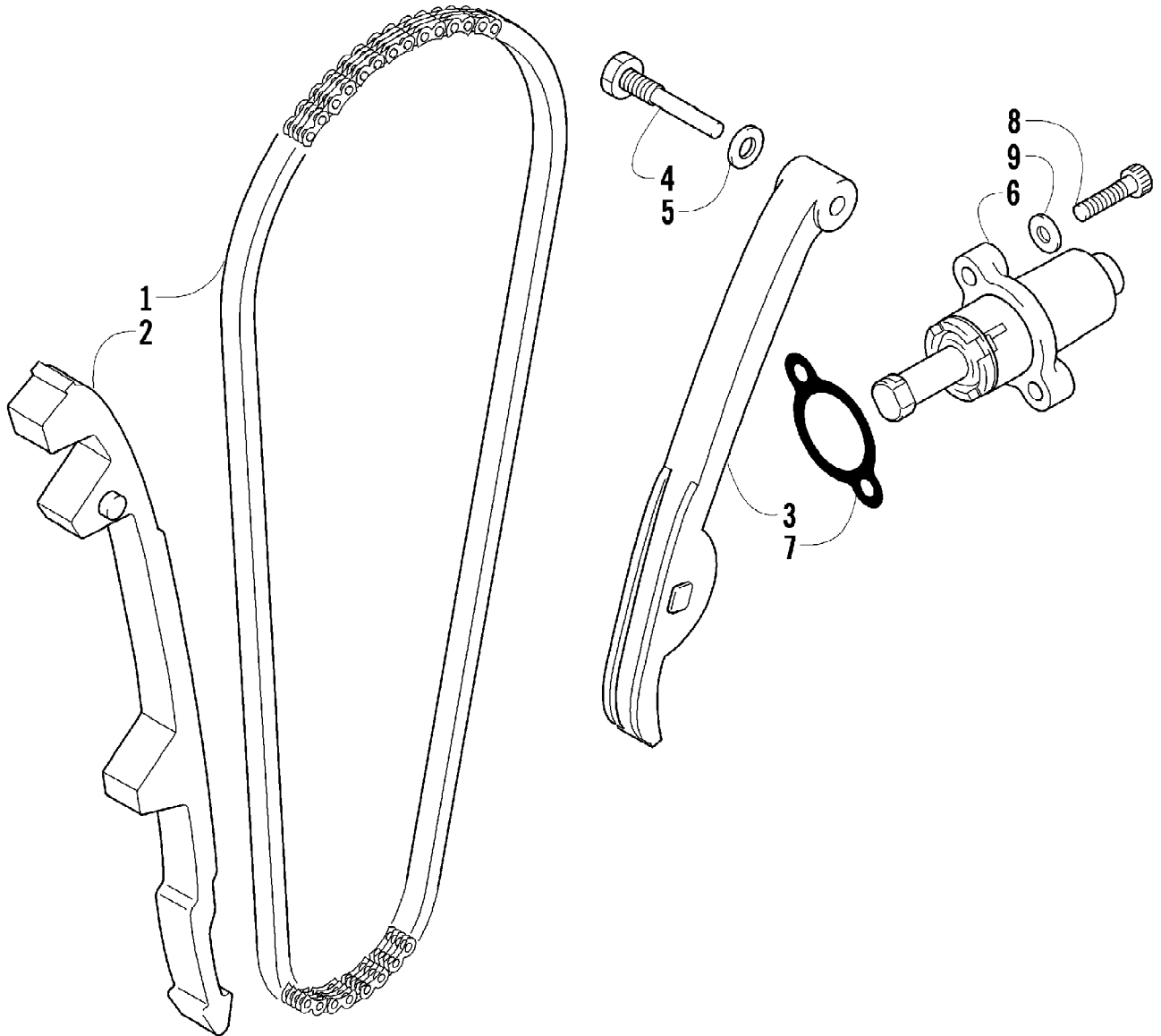
| Ref # | Part Number | Qty | S/P/F | Description                 |
|-------|-------------|-----|-------|-----------------------------|
| 1     | 0502-449    | 1   |       | Lever, Brake                |
| 2     | 1602-213    | 2   | /P    | O-Ring                      |
| 3     | 0502-395    | 1   | /P    | Spring, Brake Lever         |
| 4     | 8422-002    | 1   |       | Nut                         |
| 5     | 0402-872    | 1   |       | Axle, Brake Lever           |
| 6     | 0502-452    | 1   | S     | Brake Assembly (inc. 7-15)  |
| 7     | 0402-545    | 2   |       | Screw, Machine              |
| 8     | 0402-588    | 1   |       | Cover, Reservoir            |
| 9     | 0402-591    | 1   |       | Bladder, Reservoir          |
| 10    | 0           | 1   | F     | Master Cylinder             |
| 11    | 0402-592    | 2   |       | Nut, Jam                    |
| 12    | 0402-580    | 1   |       | Actuator, Push Rod          |
| 13    | 0402-575    | 1   |       | Pin, Clevis                 |
| 14    | 0402-583    | 1   |       | Washer                      |
| 15    | 0402-584    | 1   |       | Pin, Cotter                 |
| 16    | 0423-178    | 4   |       | Washer, Crush               |
| 17    | 1402-200    | 1   |       | Hose, Brake                 |
| 18    | 0423-413    | 2   |       | Bolt, Banjo Fitting         |
| 19    | 8408-825    | 4   |       | Screw, Cap                  |
| 20    | 0502-335    | 1   | S     | Caliper, Brake (inc. 21-30) |
| 21    | 0402-495    | 1   |       | Pin, Brake Caliper          |
| 22    | 0402-492    | 4   |       | Screw, Cap                  |
| 23    | 0           | 1   | F     | Housing, Caliper            |
| 24    | 0402-980    | 2   |       | O-Ring, Brake Caliper       |
| 25    | 0402-490    | 1   |       | O-Ring                      |
| 26    | 0402-882    | 2   | /P    | Pad, Brake                  |
| 27    | 0           | 1   | F     | Housing, Caliper            |
| 28    | 0402-491    | 1   | S     | Valve, Bleed                |
| 29    | 0402-493    | 1   |       | Cap, Bleed Valve            |
| 30    | 0423-495    | 1   | /P    | Pin, Cotter                 |

2004 ATV 500 MANUAL TRANSMISSION 4X4 FIS CAT GREEN (A2004ISM4AUBZ) Page 5 of 92  
BODY PANEL ASSEMBLY



2004 ATV 500 MANUAL TRANSMISSION 4X4 FIS CAT GREEN (A2004ISM4AUBZ) Page 6 of 92  
BODY PANEL ASSEMBLY

| Ref # | Part Number | Qty | S/P/F | Description                     |
|-------|-------------|-----|-------|---------------------------------|
| 1     | 0506-721    | 1   |       | Panel, Fender - Front (inc. 2)  |
| 2     | 1406-041    | 1   |       | Cover, Access                   |
| 3     | 1506-176    | 1   |       | Rack - Front                    |
| 4     | 8408-816    | 2   |       | Screw, Cap                      |
| 5     | 0411-646    | 2   |       | Decal, Reflector - Amber        |
| 6     | 0423-360    | 2   |       | Screw, Cap                      |
| 7     | 1506-158    | 1   |       | Flare - Front - Right           |
| 7     | 1506-159    | 1   |       | Flare - Front - Left            |
| 8     | 0423-357    | 2   |       | Nut, Stamped                    |
| 9     | 0423-101    | AR  |       | Screw, Body                     |
| 10    | 0423-031    | 2   |       | Nut, Speed                      |
| 11    | 8477-616    | 2   |       | Screw, Machine                  |
| 12    | 0470-404    | 1   |       | Grommet, Fuel Shut-Off Valve    |
| 13    | 0123-010    | 2   | /P    | Nut, Expansion                  |
| 14    | 0506-722    | 1   |       | Panel, Side - Right             |
| 14    | 0506-723    | 1   |       | Panel, Side - Left              |
| 15    | 0412-142    | 1   |       | Shield, Heat                    |
| 16    | 0423-068    | 2   |       | Screw, Machine                  |
| 17    | 0423-356    | 2   |       | Screw, Shoulder                 |
| 18    | 0423-438    | 4   |       | T-Nut w/Teeth                   |
| 19    | 1406-481    | 2   |       | Panel, Fender - Inner           |
| 20    | 0123-788    | AR  | /P    | Cable Tie - 7.5 in.             |
| 21    | 0623-362    | 2   |       | Rivet, Reinstallable            |
| 22    | 1506-194    | 2   |       | Extension, Flare                |
| 23    | 0423-077    | 4   | /P    | T-Nut w/Teeth                   |
| 24    | 0423-361    | 4   |       | Screw, Machine                  |
| 25    | 1506-199    | 1   | S     | Panel, Kick - Right             |
| 25    | 1506-193    | 1   |       | Panel, Kick - Left              |
| 26    | 0423-046    | AR  |       | Rivet, Plastic                  |
| 27    | 0423-060    | 2   |       | Clip, Tinerman                  |
| 28    | 0623-309    | 2   |       | Screw, Self-Tapping             |
| 29    | 0412-140    | 1   |       | Shield, Heat                    |
| 30    | 1506-350    | 1   |       | Fender Extension - Rear - Right |
| 30    | 0406-085    | 1   |       | Fender Extension - Rear - Left  |
| 31    | 0423-355    | 2   |       | Screw, Shoulder                 |
| 32    | 1506-177    | 1   |       | Rack - Rear                     |
| 33    | 8409-020    | 4   | /P    | Screw, Cap                      |
| 34    | 0411-647    | 2   |       | Decal, Reflector - Red          |
| 35    | 0506-724    | 1   |       | Panel, Fender - Rear            |
| 36    | 0506-552    | 1   |       | Flare, Rear - Right             |
| 36    | 0506-553    | 1   |       | Flare, Rear - Left              |
| 37    | 0423-342    | 12  | /P    | Screw, Self-Tapping             |
| 38    | 0412-124    | 1   |       | Shield, Heat                    |
| 39    | 0412-147    | 1   |       | Shield, Heat                    |
| 40    | 1406-408    | 1   |       | Shield, Fuse Block              |
| 41    | 1406-409    | 2   |       | Key, Fuse Block Shield          |
| 42    | 1406-410    | 2   | S     | Spring, Fuse Block Shield       |

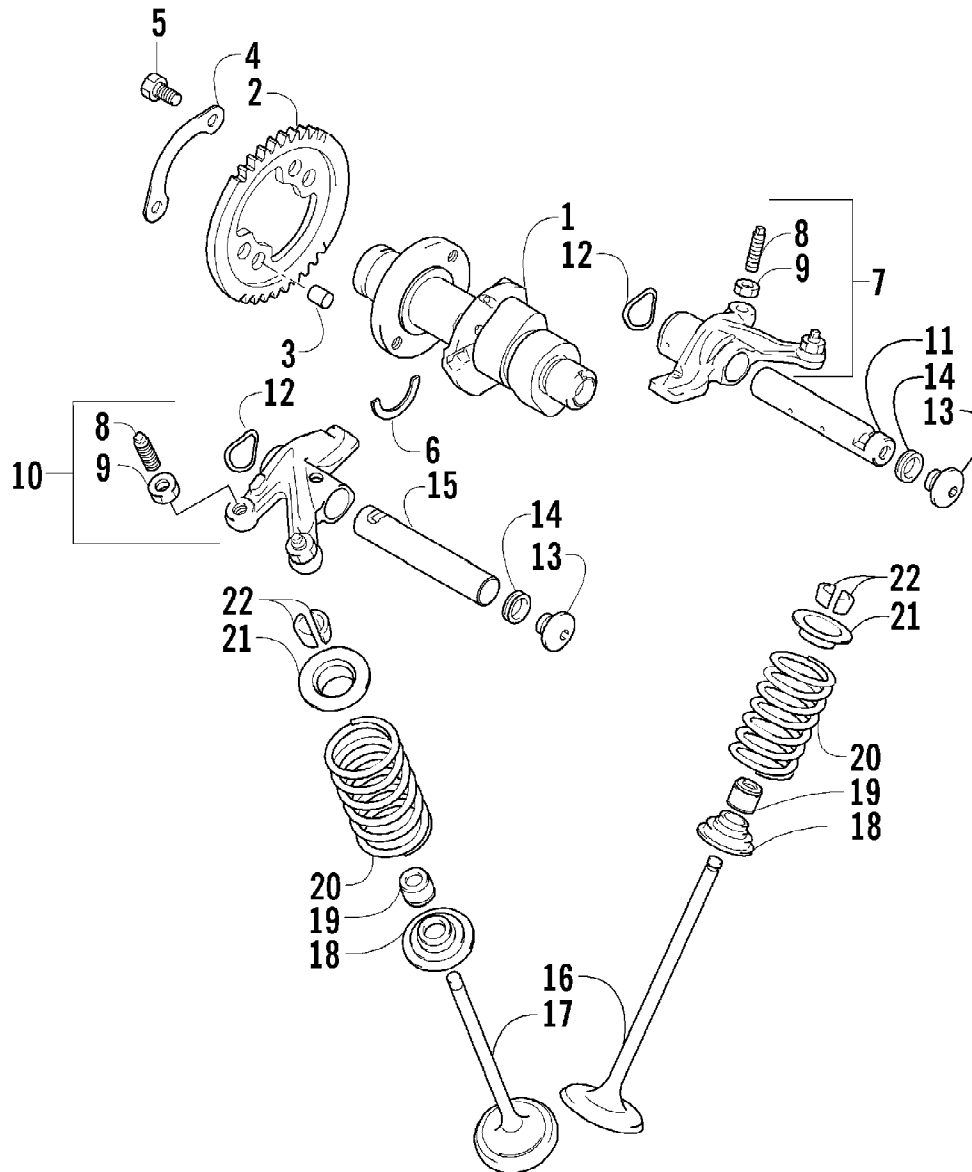


2004 ATV 500 MANUAL TRANSMISSION 4X4 FIS CAT GREEN (A2004ISM4AUBZ) Page 8 of 92  
CAM CHAIN ASSEMBLY

| Ref # | Part Number | Qty | S/P/F | Description                    |
|-------|-------------|-----|-------|--------------------------------|
| 1     | 3402-353    | 1   |       | Chain, Cam                     |
| 2     | 3402-355    | 1   |       | Guide, Chain                   |
| 3     | 3402-356    | 1   |       | Tensioner, Chain               |
| 4     | 3423-074    | 1   |       | Bolt                           |
| 5     | 3402-436    | 1   | /P    | Washer                         |
| 6     | 3402-136    | 1   |       | Adjuster, Tensioner - Assembly |
| 7     | 3402-137    | 1   |       | Gasket                         |
| 8     | 3004-475    | 2   | S     | Bolt                           |
| 9     | 3003-290    | 2   | /P    | Gasket                         |

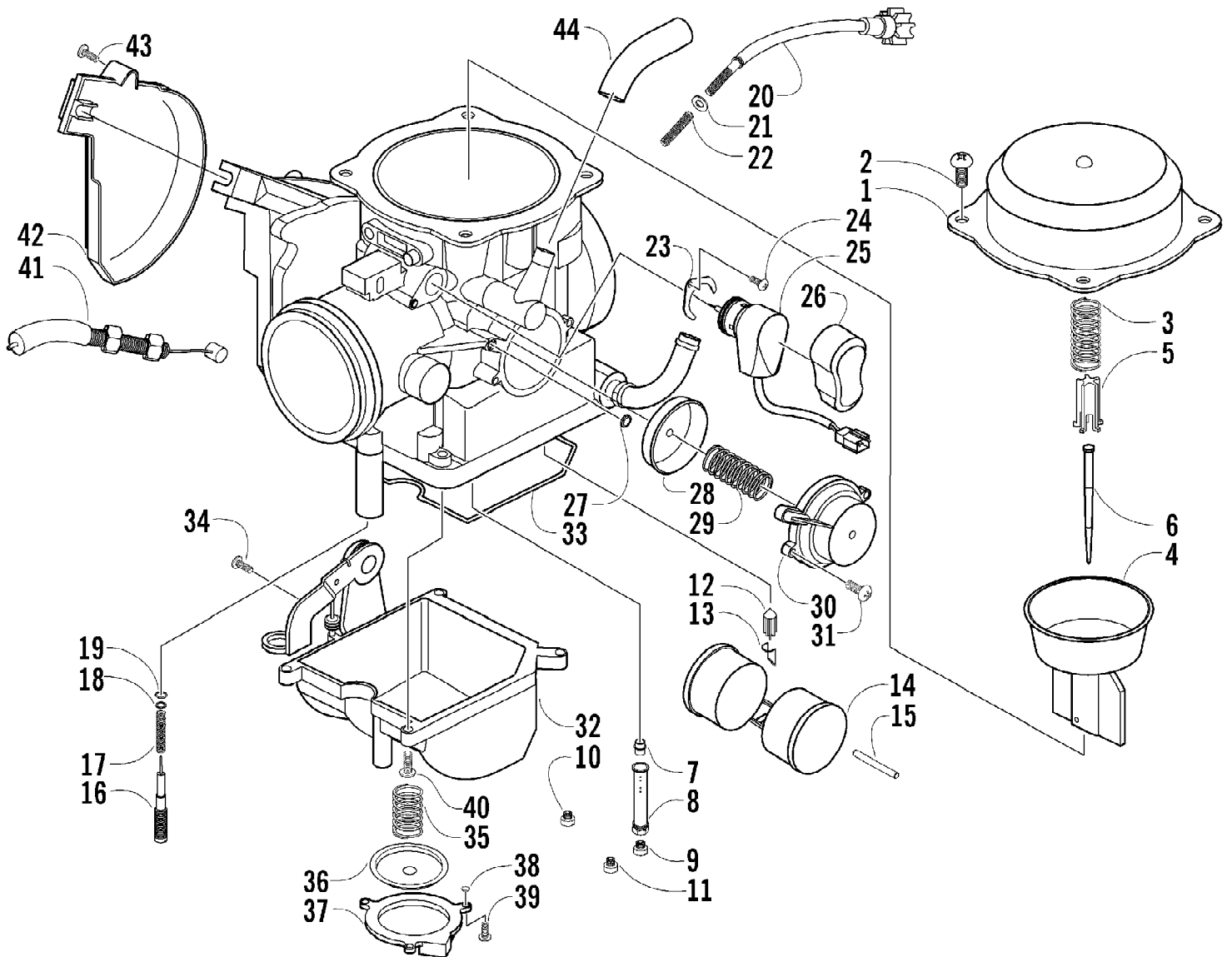


2004 ATV 500 MANUAL TRANSMISSION 4X4 FIS CAT GREEN (A2004ISM4AUBZ) Page 9 of 92  
CAMSHAFT/VALVE ASSEMBLY



2004 ATV 500 MANUAL TRANSMISSION 4X4 FIS CAT GREEN (A2004ISM4A) Page 10 of 92  
CAMSHAFT/VALVE ASSEMBLY

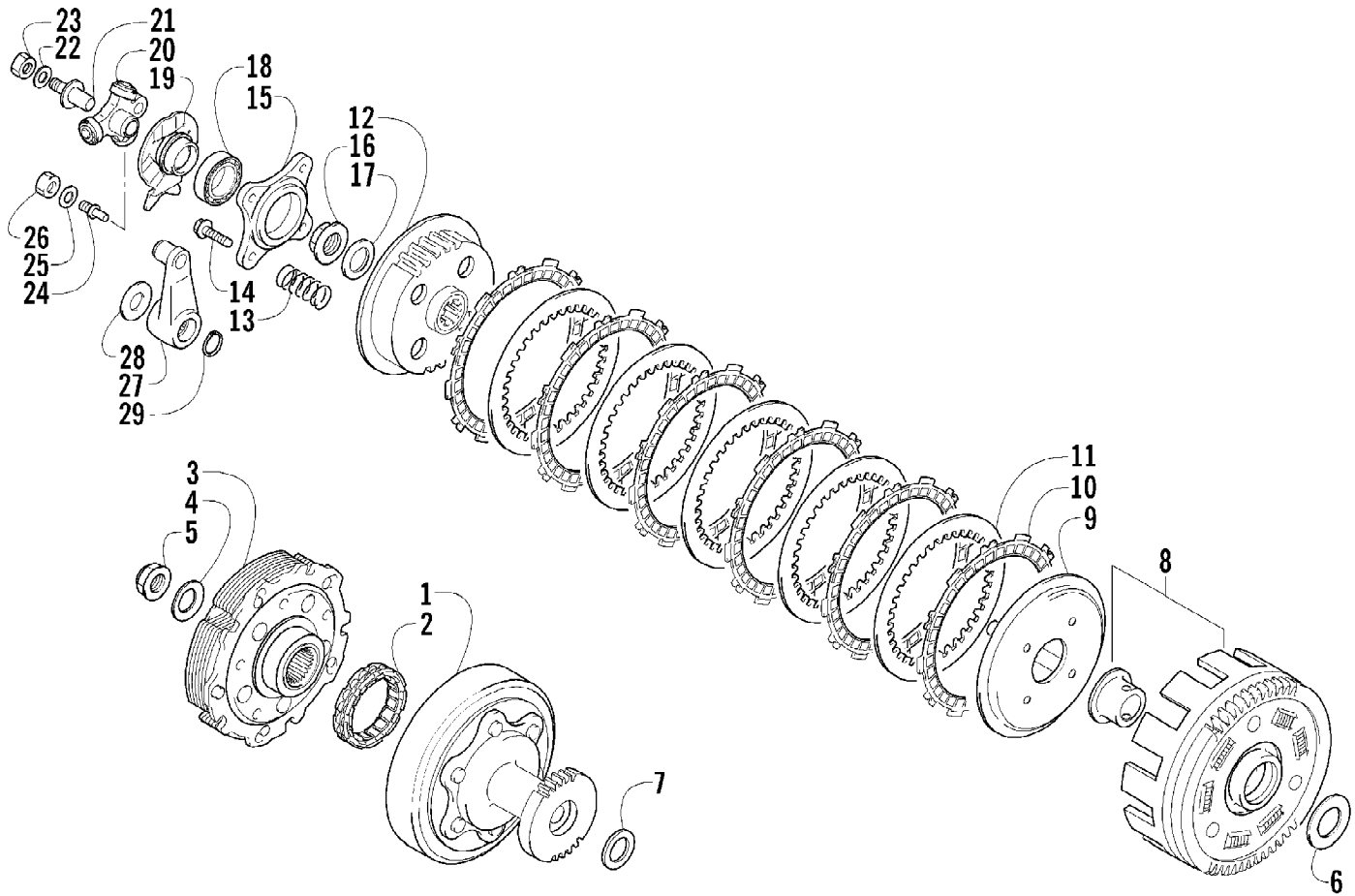
| Ref # | Part Number | Qty | S/P/F | Description                                    |
|-------|-------------|-----|-------|------------------------------------------------|
| 1     | 3402-982    | 1   | /P    | Camshaft                                       |
| 2     | 3402-352    | 1   |       | Sprocket                                       |
| 3     | 3423-047    | 1   |       | Pin                                            |
| 4     | 3423-073    | 1   |       | Washer                                         |
| 5     | 3423-013    | 2   | S     | Screw, Cap                                     |
| 6     | 3423-071    | 1   | /P    | C-Ring                                         |
| 7     | 3402-805    | 1   | /P    | Arm, Valve Rocker - Intake (inc. two No. 8-9)  |
| 8     | 3423-075    | 4   |       | Screw                                          |
| 9     | 3423-076    | 4   |       | Nut                                            |
| 10    | 3402-139    | 1   |       | Arm, Valve Rocker - Exhaust (inc. two No. 8-9) |
| 11    | 3402-140    | 1   |       | Shaft, Rocker Arm - Intake                     |
| 12    | 3423-031    | 2   |       | Washer                                         |
| 13    | 3423-111    | 2   | S     | Plug, Shaft                                    |
| 14    | 3402-012    | 2   |       | Gasket                                         |
| 15    | 3402-141    | 1   |       | Shaft, Rocker Arm - Exhaust                    |
| 16    | 3402-725    | 2   | /P    | Valve, Intake                                  |
| 17    | 3402-143    | 2   |       | Valve, Exhaust                                 |
| 18    | 3402-148    | 4   |       | Seat, Spring                                   |
| 19    | 3402-078    | 4   |       | Seal, Oil                                      |
| 20    | 3402-726    | 4   |       | Spring, Valve                                  |
| 21    | 3423-541    | 4   | /P    | Retainer, Spring                               |
| 22    | 3402-147    | 8   |       | Cotter, Valve                                  |



2004 ATV 500 MANUAL TRANSMISSION 4X4 FIS CAT GREEN (A2004ISM4A) Page 12 of 92  
CARBURETOR

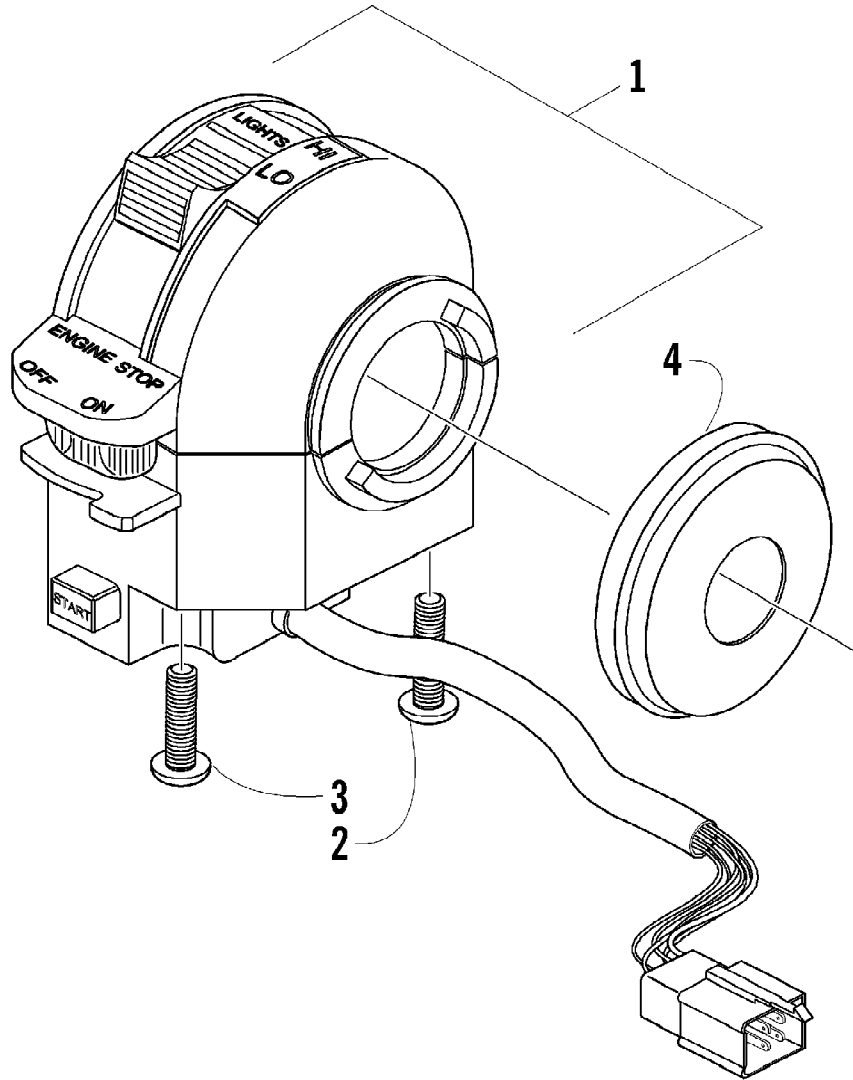
| Ref # | Part Number | Qty | S/P/F | Description                            |
|-------|-------------|-----|-------|----------------------------------------|
|       | 0470-471    | 1   |       | Complete Carburetor Assembly           |
| 1     | 5507-001    | 1   |       | Cover, Top                             |
| 2     | 5507-002    | 4   | /P    | Screw, Top Cover                       |
| 3     | 5507-085    | 1   | S     | Spring                                 |
| 4     | 5507-099    | 1   |       | Piston, Vacuum                         |
| 5     | 5507-005    | 1   |       | Seat, Spring                           |
| 6     | 5507-100    | 1   |       | Jet Needle                             |
| 7     | 5507-007    | 1   |       | Needle Jet                             |
| 8     | 5507-047    | 1   | /P    | Holder, Needle Jet                     |
| 9     | 5507-041    | 1   |       | Main Jet - 147                         |
| 9     | 5507-086    | 1   |       | Main Jet - 148                         |
| 9     | 5507-009    | 1   | /P    | Main Jet - 150                         |
| 9     | 5507-043    | 1   |       | Main Jet - 142                         |
| 9     | 5507-044    | 1   |       | Main Jet - 140                         |
| 10    | 5507-101    | 1   | S     | Slow Jet                               |
| 11    | 5507-112    | 1   |       | Starter Jet - 85                       |
| 12    | 5507-107    | 1   |       | Valve, Float - Set (inc. 13)           |
| 13    | 0           | 1   |       | Clip                                   |
| 14    | 5507-039    | 1   |       | Float Set (inc. 15)                    |
| 15    | 0           | 1   |       | Pin, Float                             |
| 16    | 5507-111    | 1   |       | Screw, Pilot Air - Set (inc. 17-19)    |
| 17    | 0           | 1   |       | Spring                                 |
| 18    | 0           | 1   |       | Washer                                 |
| 19    | 0           | 1   |       | O-Ring                                 |
| 20    | 5507-027    | 1   |       | Screw, Idle Adjust                     |
| 21    | 5507-028    | 1   |       | Washer                                 |
| 22    | 5507-029    | 1   |       | Spring                                 |
| 23    | 5507-115    | 1   |       | Plate                                  |
| 24    | 5507-117    | 1   | /P    | Screw                                  |
| 25    | 5507-113    | 1   |       | Choke, Electric                        |
| 26    | 5507-114    | 1   |       | Cover, Electric Choke                  |
| 27    | 5507-102    | 1   |       | U-Ring                                 |
| 28    | 5507-116    | 1   |       | Diaphragm Assembly                     |
| 29    | 5507-104    | 1   |       | Spring                                 |
| 30    | 5507-105    | 1   |       | Cover                                  |
| 31    | 5507-106    | 2   |       | Screw                                  |
| 32    | 5507-065    | 1   |       | Chamber, Float - Assembly (inc. 33-39) |
| 33    | 5507-067    | 1   | /P    | O-Ring, Float Chamber                  |
| 34    | 5507-050    | 1   | /P    | Screw, Drain                           |
| 35    | 5507-032    | 1   |       | Spring                                 |
| 36    | 5507-031    | 1   | S     | Diaphragm Assembly                     |
| 37    | 0           | 1   |       | Housing, Pump                          |
| 38    | 5507-034    | 1   |       | U-Ring                                 |
| 39    | 5507-035    | 3   |       | Screw                                  |
| 40    | 5507-017    | 4   | /P    | Screw                                  |
| 41    | 0487-021    | 1   | S     | Cable, Throttle                        |
| 42    | 5507-036    | 1   |       | Cover                                  |
| 43    | 5507-037    | 1   | /P    | Screw                                  |
| 44    | 0410-056    | 1   |       | Hose, Vent                             |

2004 ATV 500 MANUAL TRANSMISSION 4X4 FIS CAT GREEN (A2004ISM4A) Page 13 of 92  
CLUTCH ASSEMBLY



2004 ATV 500 MANUAL TRANSMISSION 4X4 FIS CAT GREEN (A2004ISM4A) Page 14 of 92  
CLUTCH ASSEMBLY

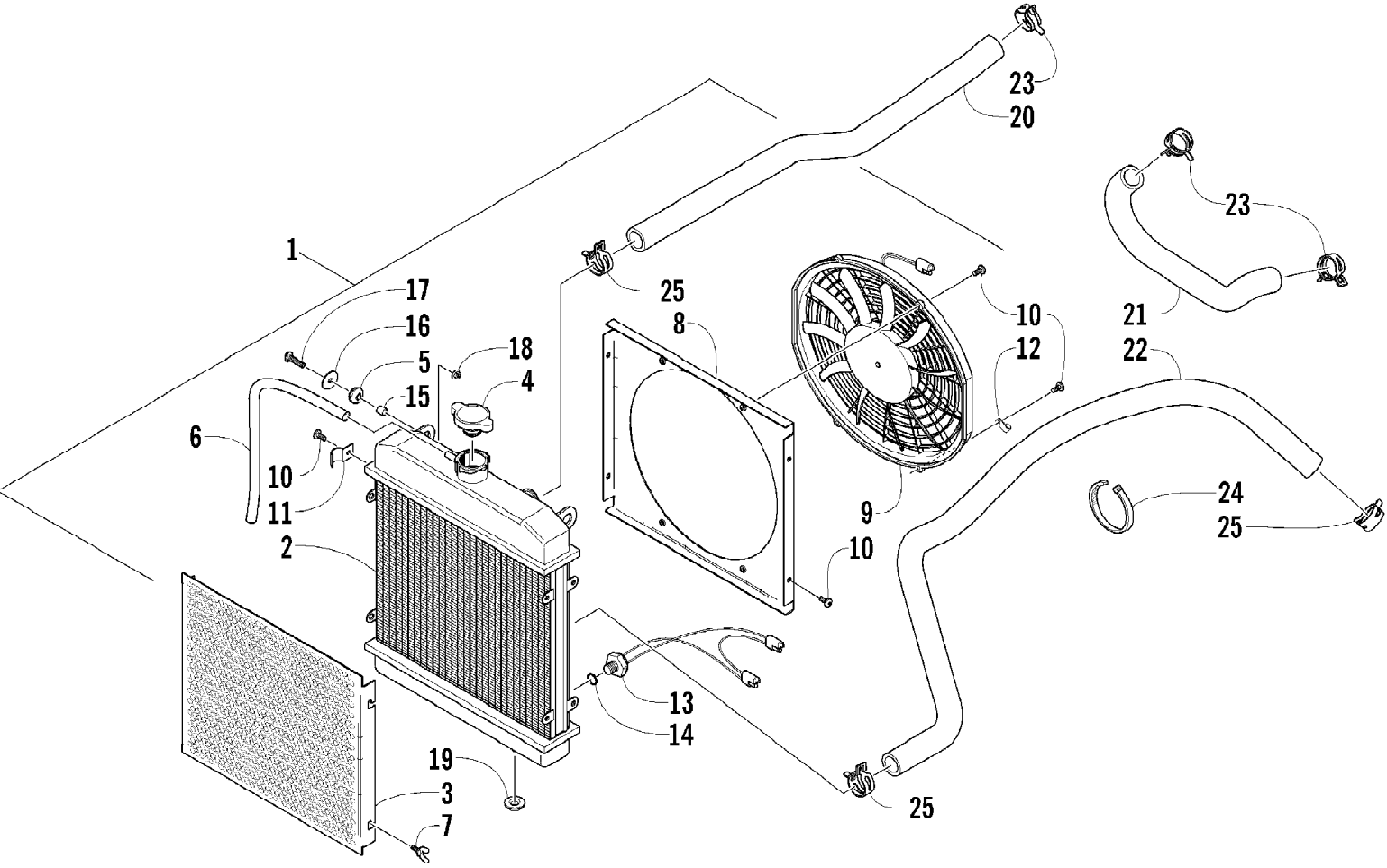
| Ref # | Part Number | Qty | S/P/F | Description                     |
|-------|-------------|-----|-------|---------------------------------|
| 1     | 3446-329    | 1   |       | Housing, Starter Clutch         |
| 2     | 3446-003    | 1   |       | Clutch, Primary Drive One Way   |
| 3     | 3446-330    | 1   |       | Shoe, Starter Clutch            |
| 4     | 3423-032    | 1   |       | Washer, Starter Clutch Shoe     |
| 5     | 3423-081    | 1   |       | Nut, Starter Clutch Shoe        |
| 6     | 3423-122    | 1   |       | Washer, Primary Driven          |
| 7     | 3423-350    | 1   |       | Washer, Primary Driven          |
| 8     | 3446-331    | 1   |       | Gear, Primary Driven - Assembly |
| 9     | 3446-008    | 1   |       | Disc, Clutch Pressure           |
| 10    | 3446-332    | 6   |       | Plate, Clutch Drive             |
| 11    | 3446-007    | 5   |       | Plate, Clutch Driven            |
| 12    | 3446-004    | 1   |       | Hub, Clutch Sleeve              |
| 13    | 3423-544    | 4   |       | Spring, Clutch                  |
| 14    | 3423-330    | 4   |       | Screw, Cap                      |
| 15    | 3446-009    | 1   |       | Plate, Clutch Release           |
| 16    | 3423-080    | 1   |       | Nut, Clutch Sleeve Hub          |
| 17    | 3423-032    | 1   |       | Washer, Clutch Sleeve Hub       |
| 18    | 3402-186    | 1   | /P    | Bearing, Clutch Release Plate   |
| 19    | 3446-334    | 1   |       | Guide, Clutch Release Roller    |
| 20    | 3446-335    | 1   |       | Roller Assembly, Clutch Release |
| 21    | 3423-361    | 1   |       | Bolt, Clutch Release - No. 1    |
| 22    | 3423-360    | 1   |       | Washer, Clutch Release - No. 1  |
| 23    | 3423-359    | 1   |       | Nut, Clutch Release - No. 1     |
| 24    | 3423-083    | 1   |       | Bolt, Clutch Release - No. 2    |
| 25    | 3423-027    | 1   |       | Washer, Clutch Release - No. 2  |
| 26    | 3008-014    | 1   |       | Nut, Clutch Release - No. 2     |
| 27    | 3446-333    | 1   |       | Arm, Clutch Release             |
| 28    | 3423-545    | 1   |       | Washer, Clutch Release Arm      |
| 29    | 3423-546    | 1   |       | Circlip, Clutch Release Arm     |



2004 ATV 500 MANUAL TRANSMISSION 4X4 FIS CAT GREEN (A2004ISM4A) Page 16 of 92  
CONTROL SWITCH HOUSING ASSEMBLY

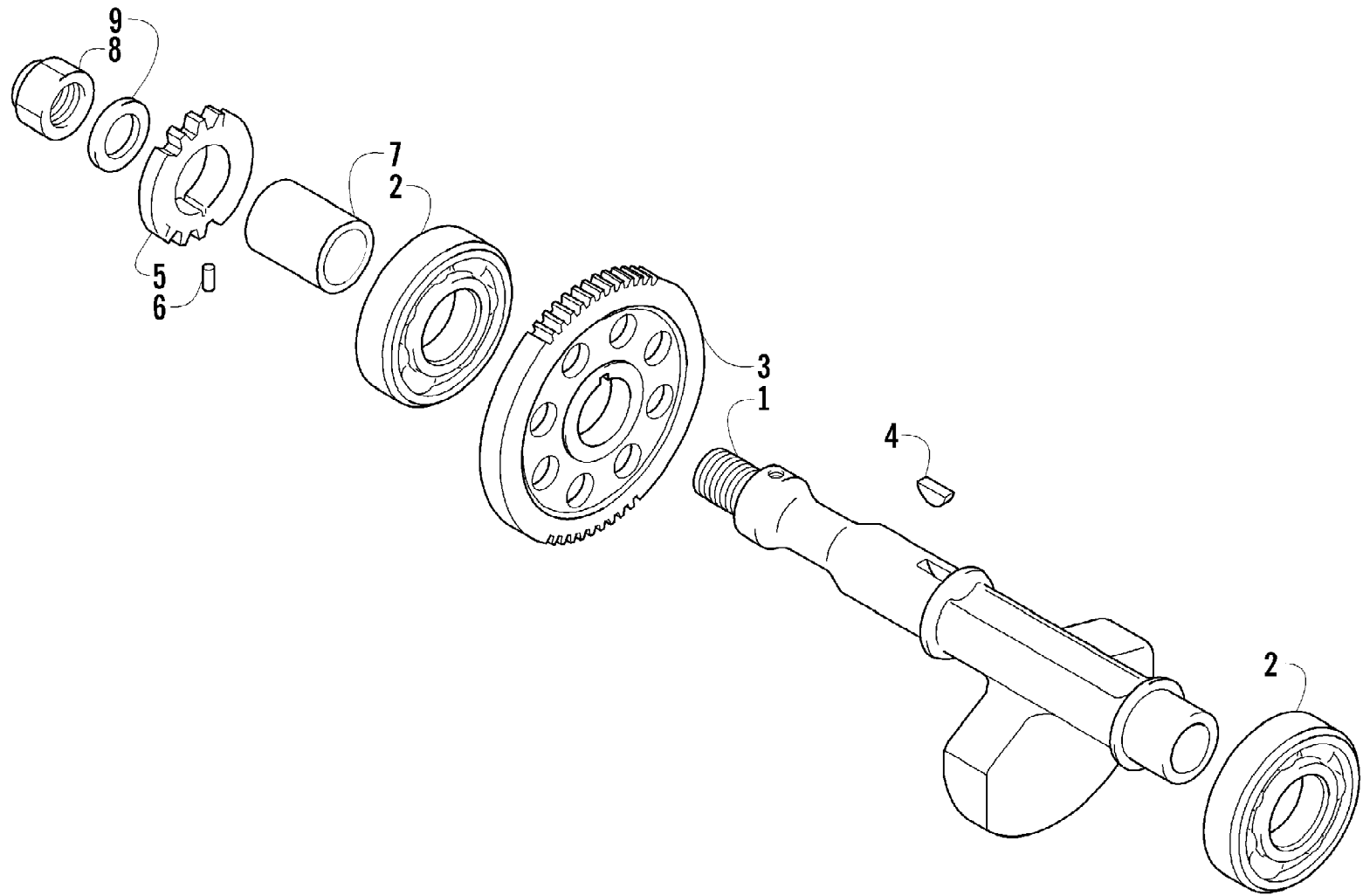
| Ref # | Part Number | Qty | S/P/F | Description                           |
|-------|-------------|-----|-------|---------------------------------------|
| 1     | 0509-013    | 1   |       | Switch, Control - Assembly (inc. 2-3) |
| 2     | 3423-197    | 1   |       | Screw, Machine                        |
| 3     | 3423-196    | 1   |       | Screw, Machine                        |
| 4     | 3409-019    | 1   |       | Cover, Switch Housing                 |





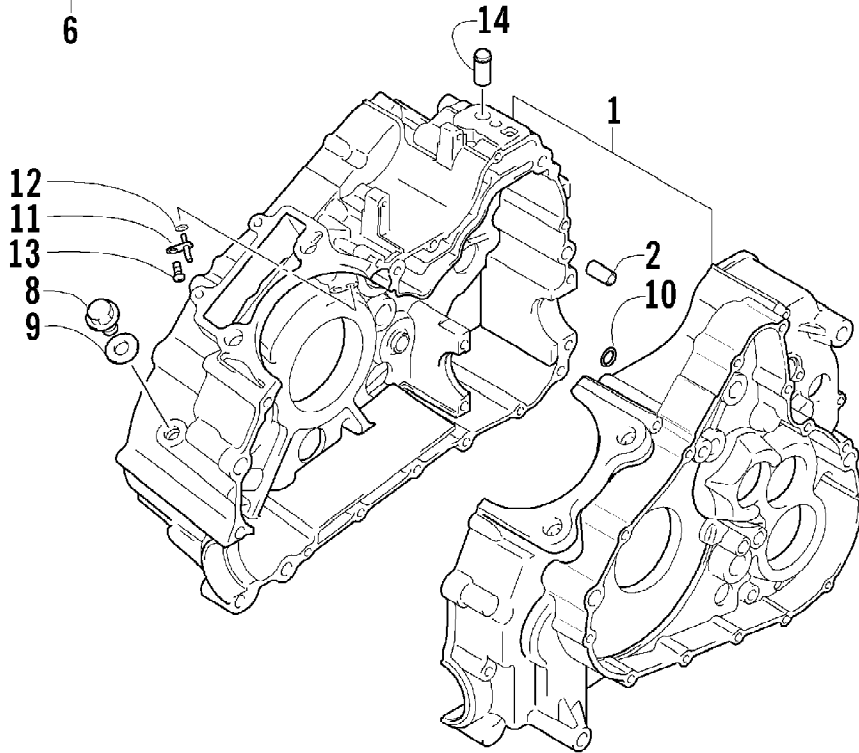
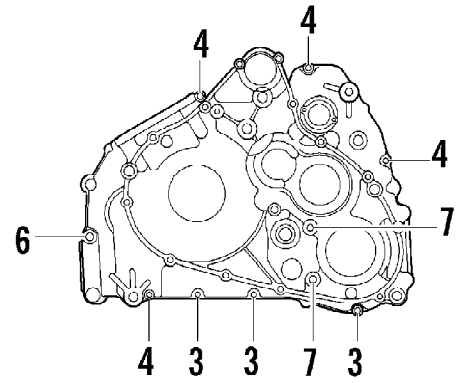
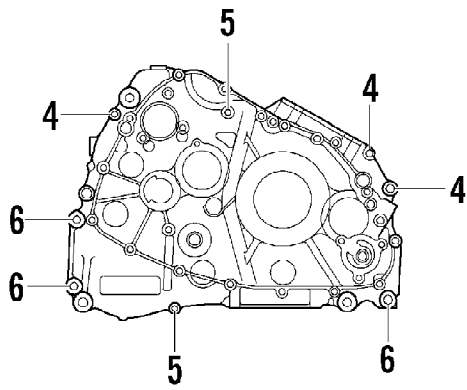
2004 ATV 500 MANUAL TRANSMISSION 4X4 FIS CAT GREEN (A2004ISM4A) Page 18 of 92  
COOLING ASSEMBLY

| Ref # | Part Number | Qty | S/P/F | Description                   |
|-------|-------------|-----|-------|-------------------------------|
| 1     | 0413-038    | 1   |       | Radiator Assembly (inc. 2-15) |
| 2     | 0413-043    | 1   | S     | Radiator                      |
| 3     | 0413-007    | 1   |       | Screen, Radiator              |
| 4     | 0413-002    | 1   | S     | Cap, Radiator                 |
| 5     | 0423-030    | 2   |       | Grommet                       |
| 6     | 0610-016    | AR  | /P    | Hose - 25 ft                  |
| 7     | 0413-009    | 4   |       | Screw, Thumb                  |
| 8     | 0413-046    | 1   |       | Shroud, Fan                   |
| 9     | 0413-044    | 1   | S     | Fan, Cooling                  |
| 10    | 8475-512    | 8   |       | Screw, Machine                |
| 11    | 0423-351    | 1   |       | Clamp, Wire                   |
| 12    | 0123-397    | 1   |       | Clamp, Cable                  |
| 13    | 0413-045    | 1   |       | Sender, Temperature - Coolant |
| 14    | 0423-390    | 1   | S     | O-Ring                        |
| 15    | 0423-036    | 2   |       | Collar                        |
| 16    | 0623-184    | 2   |       | Washer                        |
| 17    | 8476-625    | 2   |       | Screw, Cap                    |
| 18    | 0623-038    | 2   |       | Nut w/Washer                  |
| 19    | 0423-028    | 2   |       | Bushing, Stem                 |
| 20    | 0410-050    | 1   |       | Hose, Coolant - Upper         |
| 21    | 0410-003    | 1   |       | Hose, Coolant - Crossover     |
| 22    | 0410-042    | 1   |       | Hose, Coolant - Lower         |
| 23    | 0423-490    | 3   |       | Clamp, Hose                   |
| 24    | 0123-788    | AR  | /P    | Cable Tie - 7.5 in.           |
| 25    | 0423-496    | 3   |       | Clamp, Hose                   |



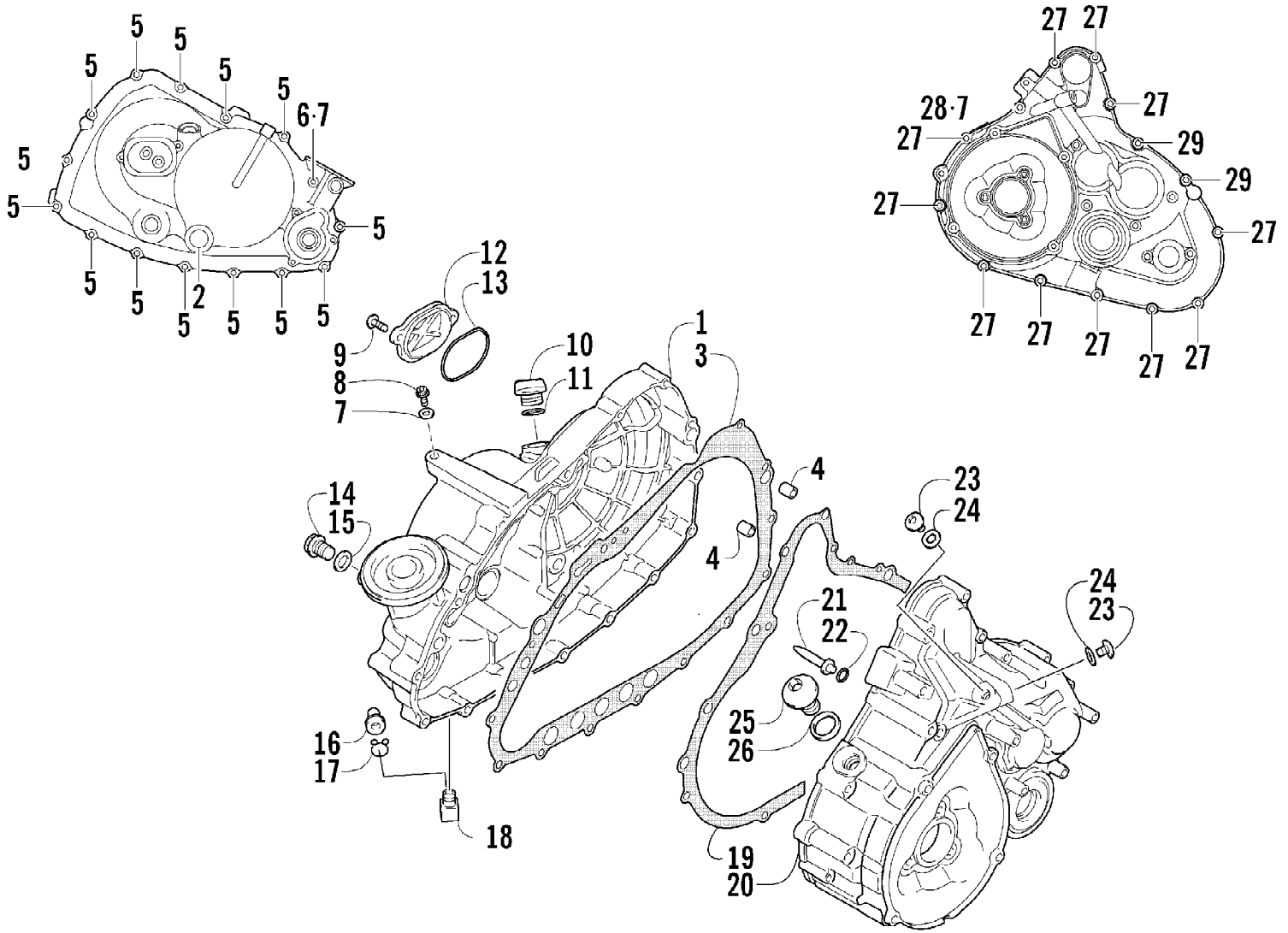
2004 ATV 500 MANUAL TRANSMISSION 4X4 FIS CAT GREEN (A2004ISM4A) Page 20 of 92  
CRANK BALANCER ASSEMBLY

| Ref # | Part Number | Qty | S/P/F | Description          |
|-------|-------------|-----|-------|----------------------|
| 1     | 3402-350    | 1   |       | Balancer, Crank      |
| 2     | 3402-050    | 2   |       | Bearing              |
| 3     | 3402-814    | 1   |       | Gear, Driven         |
| 4     | 3004-540    | 1   | /P    | Key                  |
| 5     | 3402-390    | 1   |       | Gear, Oil Pump Drive |
| 6     | 3423-114    | 1   | /P    | Pin, Drive Gear      |
| 7     | 3402-151    | 1   |       | Spacer, Drive Gear   |
| 8     | 3423-025    | 1   |       | Nut, Lock            |
| 9     | 3423-029    | 1   |       | Washer, Drive Gear   |



2004 ATV 500 MANUAL TRANSMISSION 4X4 FIS CAT GREEN (A2004ISM4A) Page 22 of 92  
CRANKCASE ASSEMBLY

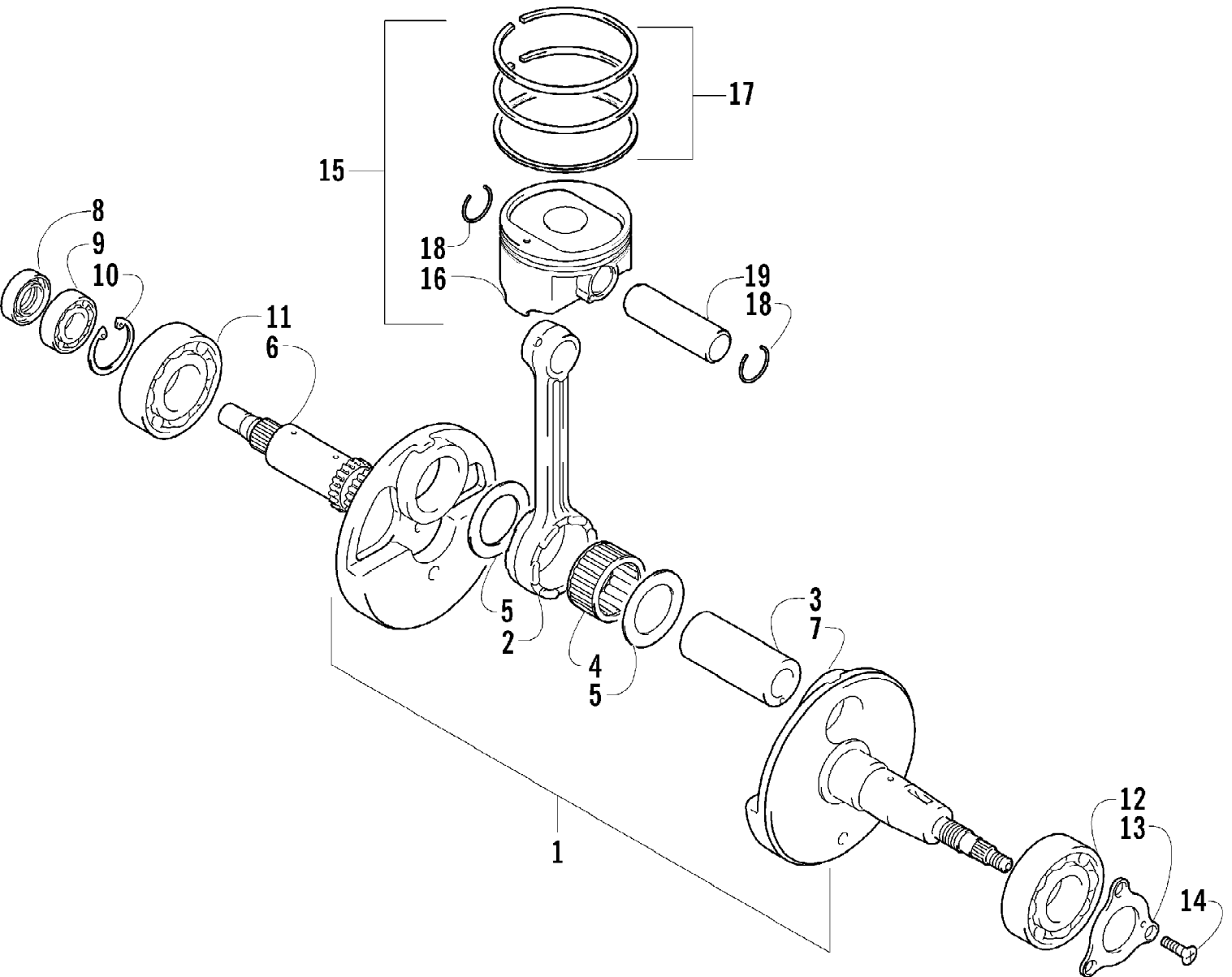
| Ref # | Part Number | Qty | S/P/F | Description                    |
|-------|-------------|-----|-------|--------------------------------|
| 1     | 3402-809    | 1   | S     | Crankcase Assembly (inc. 2-13) |
| 2     | 3423-088    | 2   |       | Pin, Dowel                     |
| 3     | 3423-091    | 3   | S     | Bolt                           |
| 4     | 3423-092    | 7   | S     | Bolt                           |
| 5     | 3423-094    | 2   |       | Bolt                           |
| 6     | 0693-303    | 4   | S     | Bolt                           |
| 7     | 3423-093    | 2   |       | Bolt                           |
| 8     | 3423-095    | 1   |       | Plug, Oil Gallery              |
| 9     | 3402-011    | 1   |       | Gasket                         |
| 10    | 3423-052    | 1   |       | O-Ring                         |
| 11    | 3402-369    | 1   |       | Jet, Piston Cooling            |
| 12    | 3423-051    | 1   |       | O-Ring                         |
| 13    | 3423-370    | 1   |       | Screw                          |
| 14    | 3423-538    | 1   |       | Union, Breather Hose           |



2004 ATV 500 MANUAL TRANSMISSION 4X4 FIS CAT GREEN (A2004ISM4A) Page 24 of 92  
CRANKCASE COVER ASSEMBLY

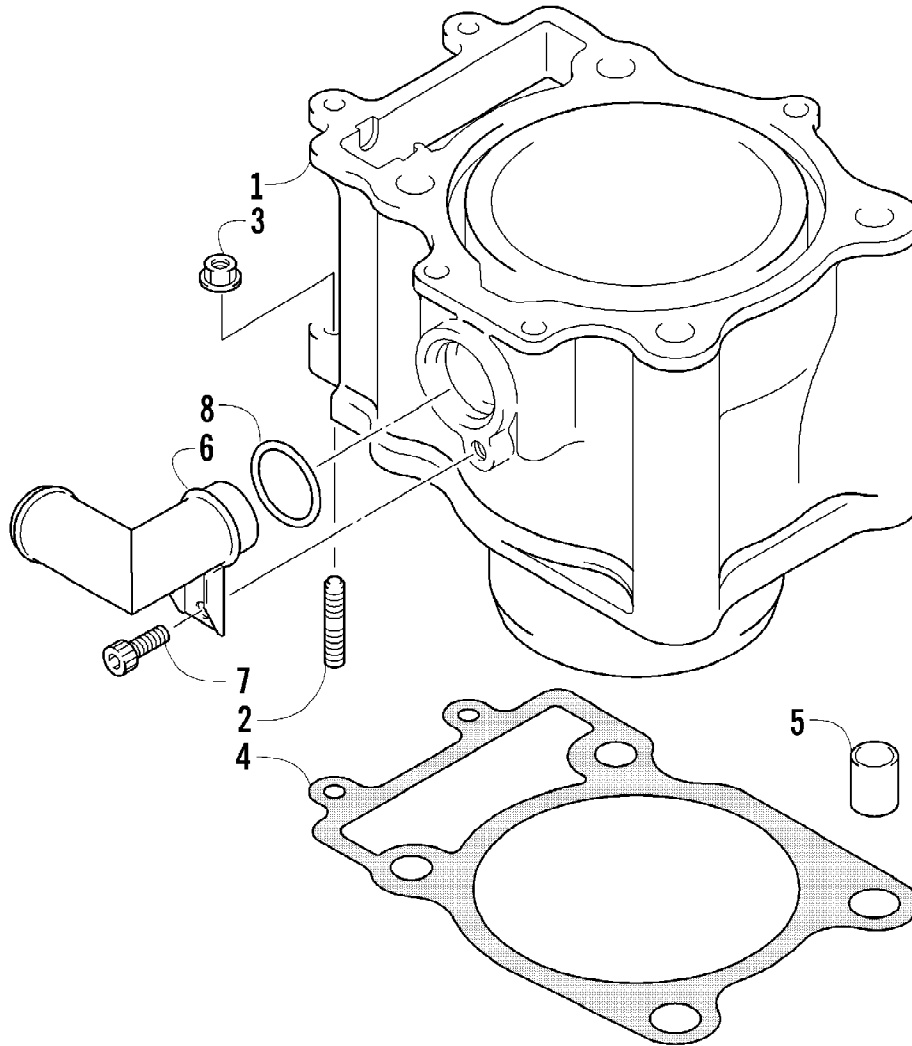
| Ref # | Part Number | Qty | S/P/F | Description                  |
|-------|-------------|-----|-------|------------------------------|
| 1     | 3402-810    | 1   |       | Cover, Clutch (inc. 2)       |
| 2     | 3402-112    | 1   | /P    | Lens, Oil Inspection         |
| 3     | 3402-108    | 1   |       | Gasket                       |
| 4     | 3423-088    | 4   |       | Pin, Dowel                   |
| 5     | 0693-327    | 14  | S     | Screw, Cap                   |
| 6     | 3423-097    | 1   |       | Screw, Cap                   |
| 7     | 3003-290    | 3   | /P    | Gasket                       |
| 8     | 3423-539    | 1   |       | Plug, Oil Gallery            |
| 9     | 3423-096    | 2   | S     | Screw, Cap                   |
| 10    | 3402-042    | 1   |       | Cap, Engine Oil Filler       |
| 11    | 3423-055    | 1   |       | O-Ring                       |
| 12    | 3402-363    | 1   |       | Cap, Inspection              |
| 13    | 3402-101    | 1   |       | O-Ring                       |
| 14    | 3402-214    | 1   |       | Plug, Oil Pressure           |
| 15    | 3402-012    | 1   |       | Gasket                       |
| 16    | 3413-008    | 1   |       | Hose                         |
| 17    | 3423-120    | 1   |       | Clip                         |
| 18    | 3413-009    | 1   |       | Union, Water Drain           |
| 19    | 3402-538    | 1   | /P    | Gasket, Transfer Cover       |
| 20    | 3402-368    | 1   |       | Cover, Transfer (inc. 21-22) |
| 21    | 3402-097    | 1   |       | Jet, Oil Mission             |
| 22    | 3423-051    | 1   |       | O-Ring                       |
| 23    | 3423-540    | 2   |       | Plug, Oil Gallery            |
| 24    | 3005-242    | 2   |       | Gasket                       |
| 25    | 3402-041    | 1   | S     | Plug                         |
| 26    | 3402-013    | 1   | /P    | Gasket                       |
| 27    | 3423-098    | 11  | S     | Screw, Cap                   |
| 28    | 3423-092    | 1   | S     | Screw, Cap                   |
| 29    | 3007-505    | 2   | /P    | Screw, Cap                   |





2004 ATV 500 MANUAL TRANSMISSION 4X4 FIS CAT GREEN (A2004ISM4A) Page 26 of 92  
CRANKSHAFT ASSEMBLY

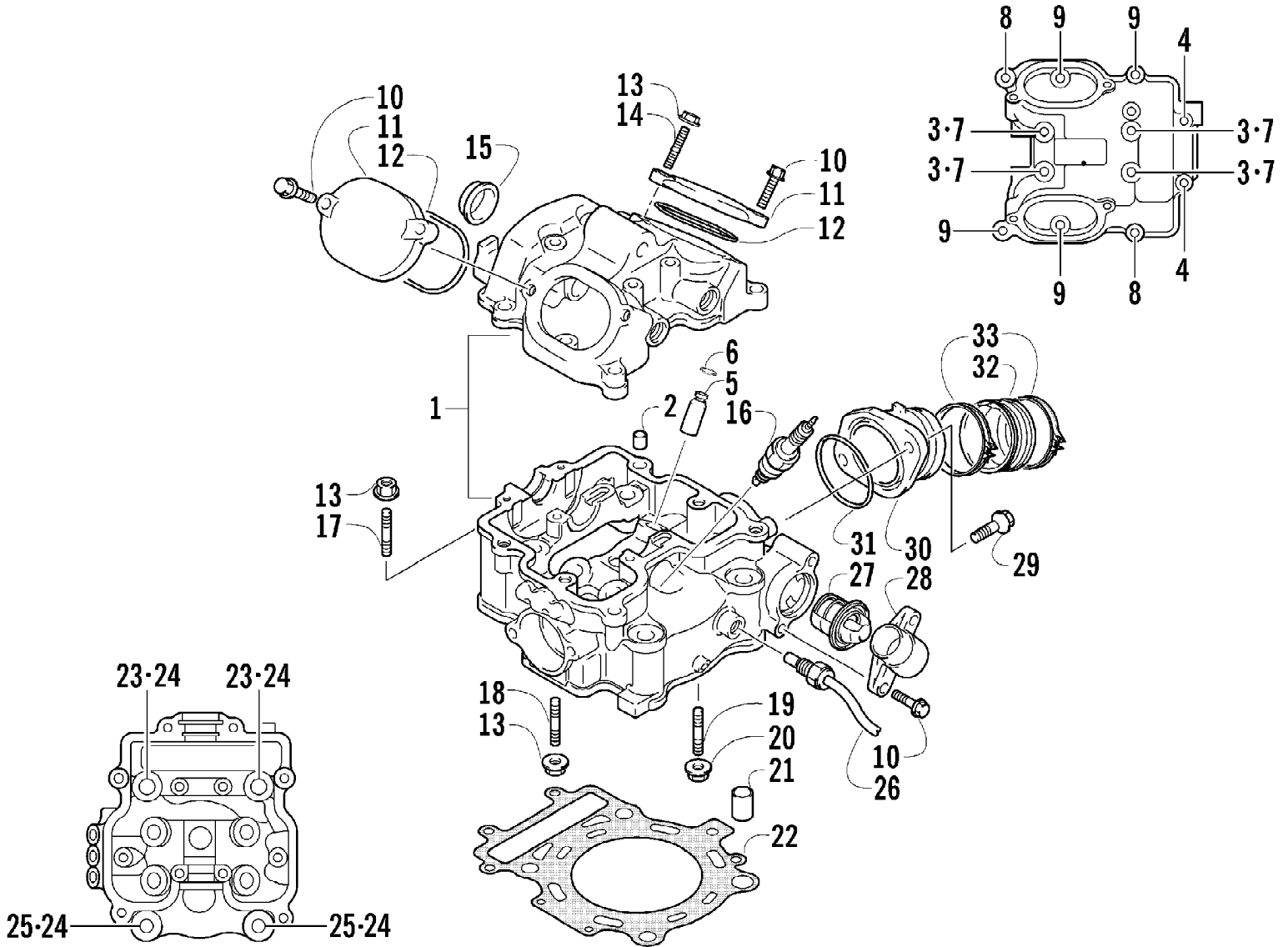
| Ref # | Part Number | Qty | S/P/F | Description                    |
|-------|-------------|-----|-------|--------------------------------|
| 1     | 3402-811    | 1   |       | Crankshaft Assembly (inc. 2-7) |
| 2     | 3402-376    | 1   |       | Rod, Connecting                |
| 3     | 3402-377    | 1   |       | Pin, Crank                     |
| 4     | 3402-717    | 1   | /P    | Bearing                        |
| 5     | 3423-351    | 2   |       | Washer                         |
| 6     | 3402-812    | 1   |       | Crankshaft - Right             |
| 7     | 3402-705    | 1   | /P    | Crankshaft - Left              |
| 8     | 3402-387    | 1   |       | Seal, Oil                      |
| 9     | 3402-384    | 1   |       | Bearing - Right                |
| 10    | 3423-355    | 1   |       | Circlip                        |
| 11    | 3402-058    | 1   |       | Bearing - Middle               |
| 12    | 3402-054    | 1   |       | Bearing - Left                 |
| 13    | 3402-188    | 1   | /P    | Retainer, Oil Seal - Left      |
| 14    | 3423-018    | 3   |       | Screw                          |
| 15    | 3402-788    | 1   |       | Piston Set (inc. 16-18)        |
| 16    | 3402-719    | 1   |       | Piston                         |
| 17    | 3402-720    | 1   |       | Ring Set, Piston               |
| 18    | 3423-344    | 2   |       | Circlip                        |
| 19    | 3402-375    | 1   |       | Pin                            |



2004 ATV 500 MANUAL TRANSMISSION 4X4 FIS CAT GREEN (A2004ISM4A) Page 28 of 92  
CYLINDER ASSEMBLY

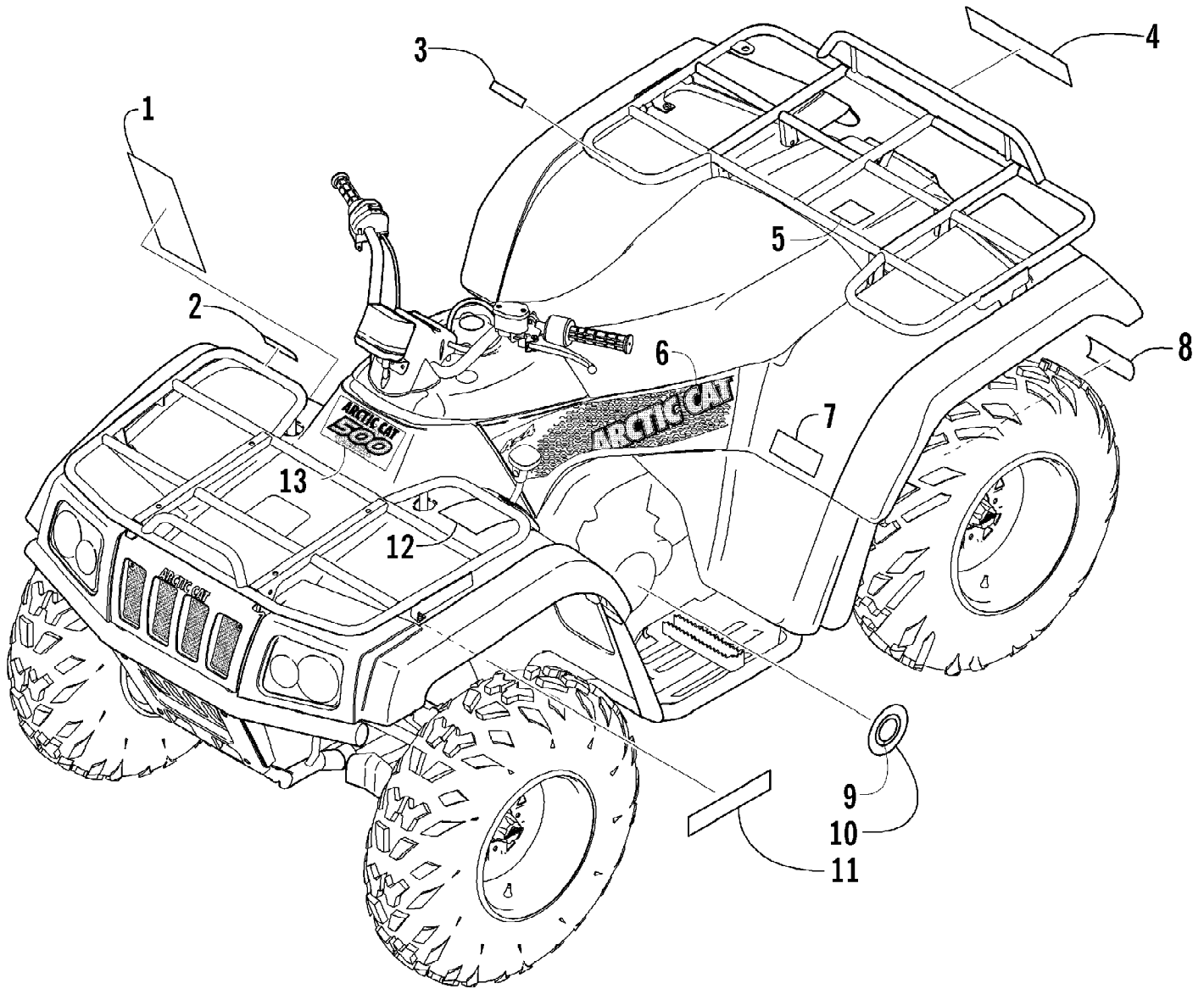
| Ref # | Part Number | Qty | S/P/F | Description       |
|-------|-------------|-----|-------|-------------------|
| 1     | 3402-707    | 1   |       | Cylinder          |
| 2     | 3423-384    | 2   | S     | Bolt, Stud        |
| 3     | 3004-488    | 2   | S/P   | Nut               |
| 4     | 3402-365    | 1   | /P    | Gasket, Cylinder  |
| 5     | 3423-088    | 2   |       | Pin, Dowel        |
| 6     | 3413-006    | 1   |       | Union, Water Hose |
| 7     | 3423-121    | 1   | S     | Screw, Cap        |
| 8     | 3423-058    | 1   |       | O-Ring            |

2004 ATV 500 MANUAL TRANSMISSION 4X4 FIS CAT GREEN (A2004ISM4A) Page 29 of 92  
CYLINDER HEAD ASSEMBLY



2004 ATV 500 MANUAL TRANSMISSION 4X4 FIS CAT GREEN (A2004ISM4A) Page 30 of 92  
CYLINDER HEAD ASSEMBLY

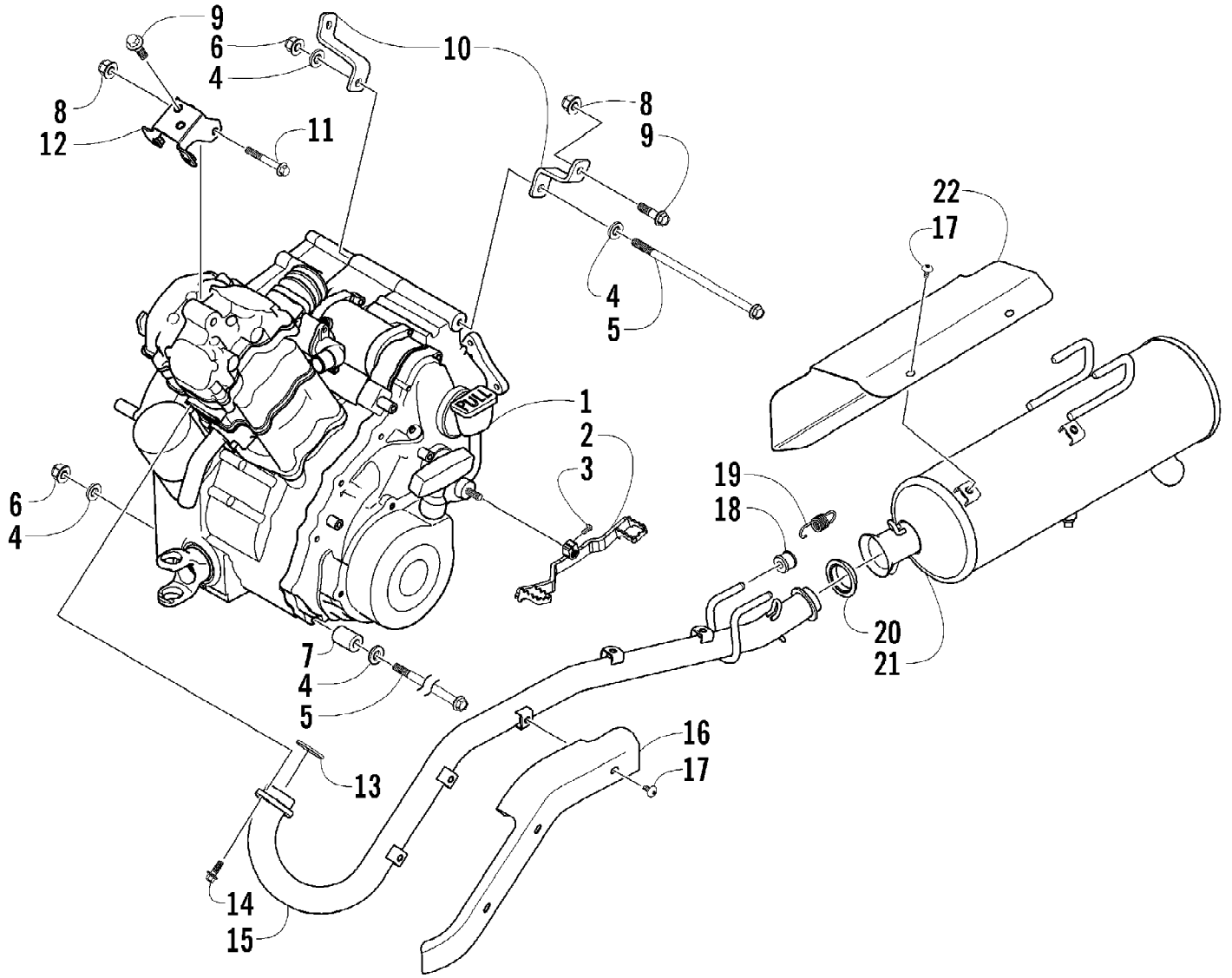
| Ref # | Part Number | Qty | S/P/F | Description                          |
|-------|-------------|-----|-------|--------------------------------------|
| 1     | 3402-098    | 1   |       | Head, Cylinder - Assembly (inc. 2-6) |
| 2     | 3423-043    | 2   | /P    | Pin, Dowel                           |
| 3     | 3423-006    | 4   |       | Bolt                                 |
| 4     | 3008-376    | 2   | S     | Bolt                                 |
| 5     | 3402-099    | 4   |       | Guide, Valve                         |
| 6     | 3423-068    | 4   |       | Circlip                              |
| 7     | 3003-290    | 4   | /P    | Washer                               |
| 8     | 3423-007    | 2   | S     | Bolt                                 |
| 9     | 3004-376    | 4   | S/P   | Bolt                                 |
| 10    | 3004-341    | 5   | S/P   | Bolt                                 |
| 11    | 3402-100    | 2   |       | Cap, Inspection                      |
| 12    | 3402-101    | 2   |       | O-Ring                               |
| 13    | 3004-488    | 5   | S/P   | Nut                                  |
| 14    | 3423-383    | 1   |       | Bolt, Stud                           |
| 15    | 3402-035    | 1   |       | Plug, Head                           |
| 16    | 0217-632    | 1   |       | Spark Plug (NGK CR6E)                |
| 16    | 0217-708    | 1   | F     | Spark Plug (NGK CR7E)                |
| 16    | 0217-705    | 1   | /P/F  | Spark Plug (NGK CR8E)                |
| 17    | 3423-087    | 2   | S     | Bolt, Stud                           |
| 18    | 3423-089    | 2   | S     | Bolt, Stud                           |
| 19    | 3423-203    | 1   | S/P   | Bolt, Stud                           |
| 20    | 3004-326    | 1   | S/P   | Nut                                  |
| 21    | 3423-088    | 2   |       | Pin, Dowel                           |
| 22    | 3402-362    | 1   |       | Gasket, Cylinder Head                |
| 23    | 3423-016    | 2   |       | Bolt                                 |
| 24    | 3402-010    | 4   |       | Gasket                               |
| 25    | 3423-015    | 2   |       | Bolt                                 |
| 26    | 3530-038    | 1   | S     | Switch, Water Temperature            |
| 27    | 3413-012    | 1   |       | Thermostat                           |
| 28    | 3413-004    | 1   |       | Cover, Thermostat                    |
| 29    | 3423-347    | 2   |       | Screw                                |
| 30    | 3402-357    | 1   |       | Pipe, Intake                         |
| 31    | 3423-353    | 1   | /P    | O-Ring                               |
| 32    | 0470-472    | 1   |       | Tube, Intake                         |
| 33    | 0423-317    | 2   | /P    | Clamp                                |



| Ref # | Part Number | Qty | S/P/F | Description                       |
|-------|-------------|-----|-------|-----------------------------------|
| 1     | 0411-666    | 1   |       | Decal, Warning - Reverse/Pre-Ride |
| 2     | 0411-576    | 1   |       | Decal, Warning - Front Rack Load  |
| 3     | 0411-648    | 1   |       | Decal, Warning - Rear Rack Load   |
| 4     | 0411-645    | 1   |       | Decal, "Arctic Cat"               |
| 5     | 0411-435    | 1   |       | Decal, Passenger                  |
| 6     | 0411-638    | 1   |       | Decal, Side - Right               |
| 6     | 0411-639    | 1   |       | Decal, Side - Left                |
| 7     | 0411-430    | 1   |       | Decal, Warning - Tire Pressure    |
| 8     | 0411-267    | 1   |       | Decal, Warning - Towing           |
| 9     | 0411-003    | 1   |       | Decal, Shift Pattern              |
| 10    | 0411-009    | 1   |       | Decal, High-Low                   |
| 11    | 0411-643    | 1   |       | Decal, CA Emissions               |
| 12    | 0411-218    | 1   |       | Decal, Warning - General          |
| 13    | 0411-624    | 1   |       | Decal, Front                      |



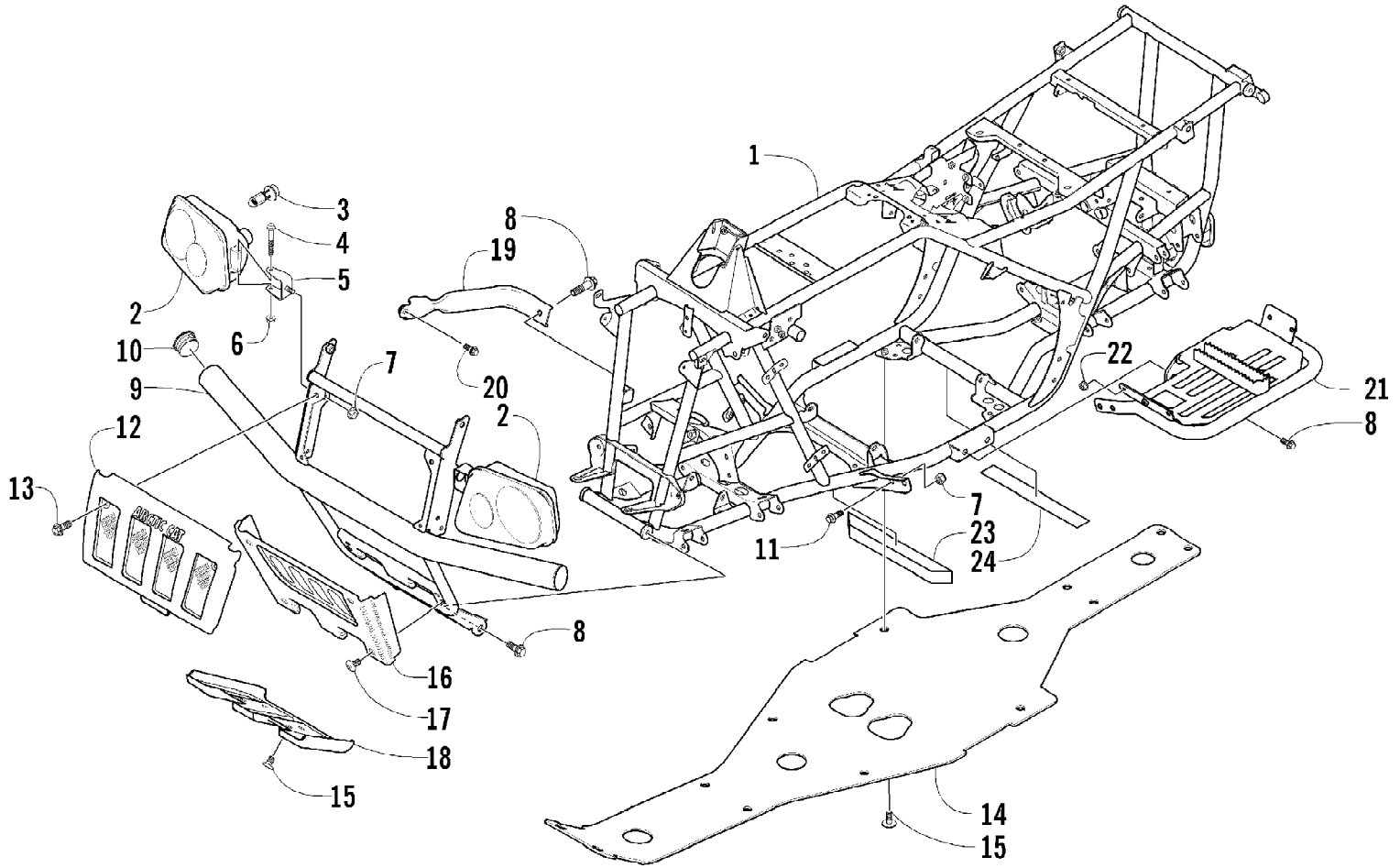
2004 ATV 500 MANUAL TRANSMISSION 4X4 FIS CAT GREEN (A2004ISM4A) Page 33 of 92  
ENGINE AND EXHAUST



2004 ATV 500 MANUAL TRANSMISSION 4X4 FIS CAT GREEN (A2004ISM4A) Page 34 of 92  
ENGINE AND EXHAUST

| Ref # | Part Number | Qty | S/P/F | Description             |
|-------|-------------|-----|-------|-------------------------|
| 1     | 0462-031    | 1   |       | Engine                  |
| 2     | 0502-436    | 1   |       | Lever, Shift            |
| 3     | 8476-620    | 1   |       | Screw, Machine          |
| 4     | 0423-426    | 4   |       | Washer                  |
| 5     | 0423-405    | 3   |       | Screw, Cap              |
| 6     | 8428-002    | 3   |       | Nut, Lock               |
| 7     | 0423-042    | 1   | S     | Spacer                  |
| 8     | 8424-802    | 3   |       | Nut                     |
| 9     | 8408-816    | 4   |       | Screw, Cap              |
| 10    | 1506-205    | 1   |       | Bracket, Engine - Right |
| 10    | 1506-206    | 1   |       | Bracket, Engine - Left  |
| 11    | 8408-860    | 1   |       | Screw, Cap              |
| 12    | 0506-546    | 1   |       | Bracket, Engine - Upper |
| 13    | 0412-007    | 1   | /P    | Seal, Exhaust           |
| 14    | 8408-820    | 2   | /P    | Screw, Cap              |
| 15    | 0512-179    | 1   | /P    | Pipe, Exhaust           |
| 16    | 0412-228    | 1   |       | Cover, Exhaust Pipe     |
| 17    | 8477-610    | 8   |       | Screw, Machine          |
| 18    | 0412-215    | 4   | S     | Bushing, Muffler        |
| 19    | 0612-668    | 2   | /P    | Spring, Exhaust         |
| 20    | 0612-188    | 1   | /P    | Gasket, Exhaust         |
| 21    | 0512-139    | 1   |       | Muffler                 |
| 22    | 0412-218    | 1   |       | Cover, Muffler          |

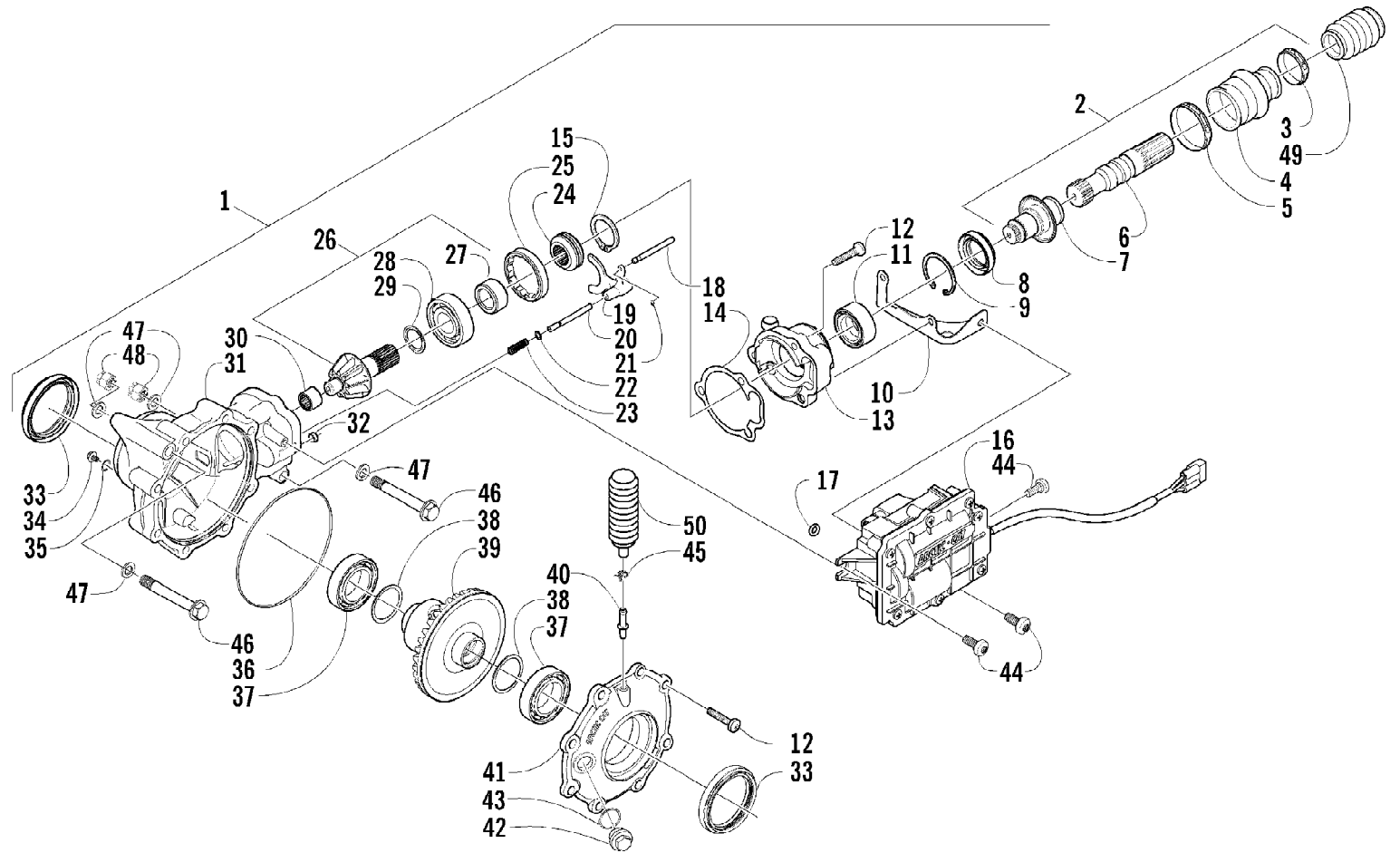
2004 ATV 500 MANUAL TRANSMISSION 4X4 FIS CAT GREEN (A2004ISM4A) Page 35 of 92  
FRAME AND RELATED PARTS



2004 ATV 500 MANUAL TRANSMISSION 4X4 FIS CAT GREEN (A2004ISM4A) Page 36 of 92  
FRAME AND RELATED PARTS

| Ref # | Part Number | Qty | S/P/F | Description                           |
|-------|-------------|-----|-------|---------------------------------------|
| 1     | 1506-282    | 1   | S     | Frame, Main                           |
| 2     | 0409-032    | 1   |       | Headlight Assembly - Right (inc. 3-6) |
| 2     | 0409-031    | 1   |       | Headlight Assembly - Left (inc. 3-6)  |
| 3     | 0409-045    | 4   |       | Bulb, Headlight                       |
| 4     | 8410-860    | 2   |       | Screw, Cap                            |
| 5     | 0406-945    | 2   |       | Bracket, Headlight Mounting           |
| 6     | 0423-375    | 2   |       | Nut, Flange                           |
| 7     | 8424-802    | 6   |       | Nut                                   |
| 8     | 8409-020    | 8   | /P    | Screw, Cap                            |
| 9     | 0506-544    | 1   |       | Bumper                                |
| 10    | 0406-130    | 2   |       | Cap, Bumper                           |
| 11    | 8408-816    | 4   |       | Screw, Cap                            |
| 12    | 0406-832    | 1   |       | Grille, Upper                         |
| 13    | 0423-361    | 2   |       | Screw, Machine                        |
| 14    | 1406-030    | 1   |       | Panel, Belly                          |
| 15    | 0423-101    | AR  |       | Screw, Shoulder                       |
| 16    | 1406-420    | 1   | /P    | Grille, Bumper - Lower                |
| 17    | 0423-362    | 4   |       | Screw, Machine                        |
| 18    | 0406-834    | 1   |       | Plate, Skid                           |
| 19    | 0506-653    | 2   | S     | Channel, Bumper Mounting              |
| 20    | 8408-812    | 2   |       | Screw, Cap                            |
| 21    | 0506-534    | 1   |       | Footrest - Right                      |
| 21    | 0506-535    | 1   |       | Footrest - Left                       |
| 22    | 8424-602    | 2   | /P    | Nut                                   |
| 23    | 1506-067    | 1   |       | Pad, Foam                             |
| 24    | 0406-289    | 1   |       | Pad, Foam                             |

2004 ATV 500 MANUAL TRANSMISSION 4X4 FIS CAT GREEN (A2004ISM4A) Page 37 of 92  
FRONT DRIVE GEARCASE ASSEMBLY



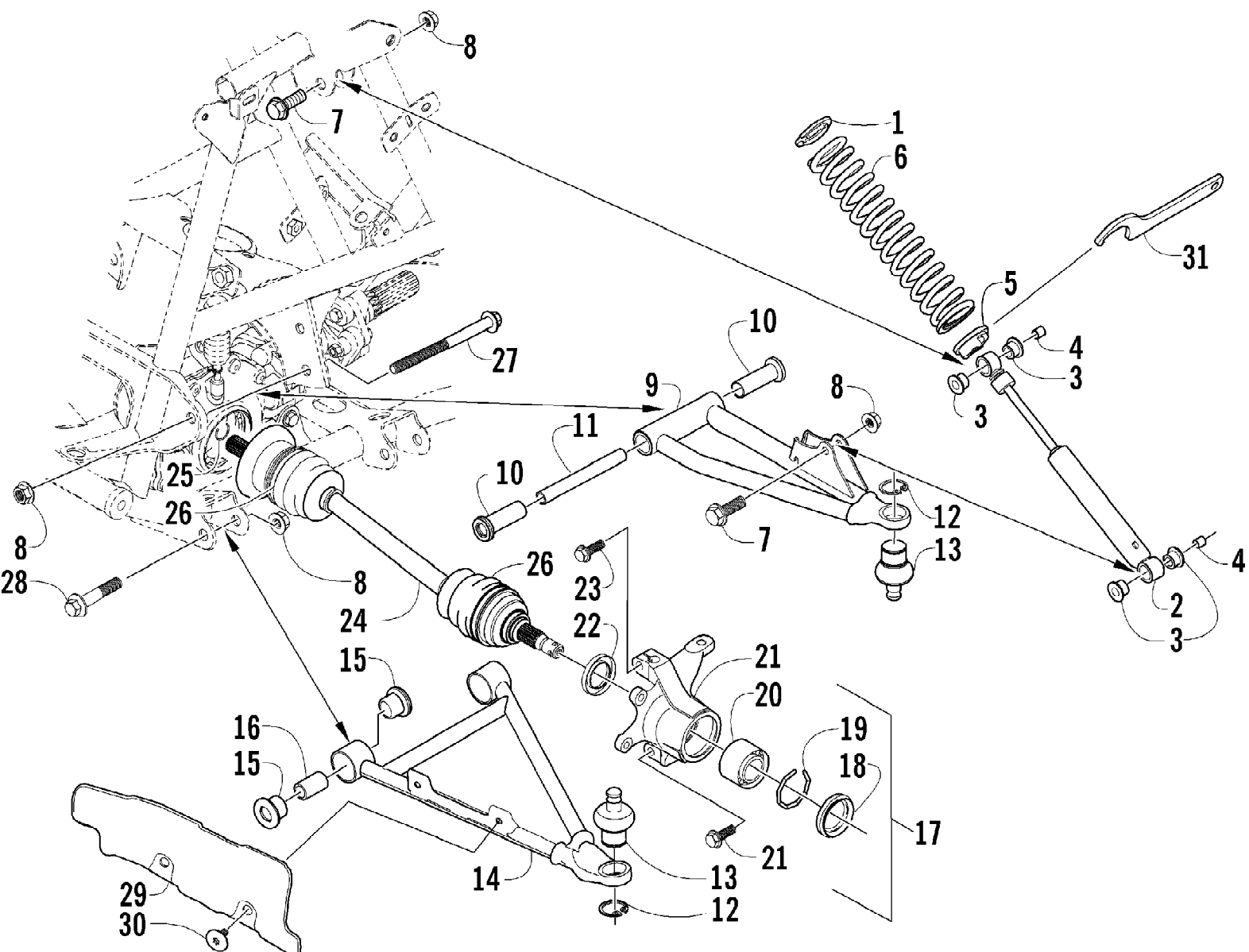
2004 ATV 500 MANUAL TRANSMISSION 4X4 FIS CAT GREEN (A2004ISM4A) Page 38 of 92  
FRONT DRIVE GEARCASE ASSEMBLY

| Ref # | Part Number | Qty | S/P/F | Description                                  |
|-------|-------------|-----|-------|----------------------------------------------|
| 1     | 0502-474    | 1   |       | Gearcase, Front Drive - Assembly (inc. 2-44) |
| 2     | 0502-385    | 1   |       | Shaft, Propeller - Assembly (inc. 3-7)       |
| 3     | 0423-411    | 1   |       | Clamp, Boot                                  |
| 4     | 0402-985    | 1   | /P    | Boot, Propeller Shaft                        |
| 5     | 0423-393    | 1   |       | Clamp, Boot                                  |
| 6     | 1402-045    | 1   |       | Shaft, Output                                |
| 7     | 1502-085    | 1   | /P    | Shaft, Input                                 |
| 8     | 1402-011    | 1   |       | Seal                                         |
| 9     | 0423-423    | 1   |       | Ring, Retaining                              |
| 10    | 0502-347    | 1   |       | Bracket, Actuator                            |
| 11    | 1402-043    | 1   |       | Bearing                                      |
| 12    | 0423-118    | 11  |       | Screw, Self-Tapping                          |
| 13    | 0502-406    | 1   |       | Housing, Pinion                              |
| 14    | 0402-947    | 1   |       | Gasket, Flange                               |
| 15    | 0423-417    | 1   |       | Ring, Retaining                              |
| 16    | 0502-296    | 1   |       | Actuator (inc. one No. 17)                   |
| 17    | 0423-498    | 2   | S     | O-Ring                                       |
| 18    | 0402-997    | 1   |       | Shaft, Selector                              |
| 19    | 0402-998    | 1   |       | Fork, Selector                               |
| 20    | 0402-417    | 1   |       | Shaft, Shuttle                               |
| 21    | 0423-402    | 1   |       | Ring, Retaining                              |
| 22    | 0423-147    | 1   |       | O-Ring                                       |
| 23    | 0402-999    | 1   |       | Spring, Return                               |
| 24    | 0402-413    | 1   |       | Coupler, Drive                               |
| 25    | 0402-357    | 1   |       | Collar, Lock                                 |
| 26    | 0502-123    | 1   |       | Gear, Pinion - Assembly - 10T (inc. 27-29)   |
| 27    | 0402-336    | 1   |       | Collar, Retaining                            |
| 28    | 0402-327    | 1   |       | Bearing                                      |
| 29    | 0402-424    | AR  |       | Shim                                         |
| 29    | 0402-425    | AR  |       | Shim                                         |
| 29    | 0402-426    | AR  |       | Shim                                         |
| 29    | 0402-427    | AR  |       | Shim                                         |
| 29    | 0402-428    | AR  |       | Shim                                         |
| 30    | 0402-328    | 1   |       | Bearing                                      |
| 31    | 0502-120    | 1   |       | Housing, Gearcase                            |
| 32    | 0402-411    | 1   |       | Pin, Dowel                                   |
| 33    | 0402-394    | 2   | S     | Seal                                         |
| 34    | 0402-450    | 1   | S     | Plug, Magnetic (inc. 35)                     |
| 35    | 0423-153    | 1   |       | O-Ring                                       |
| 36    | 0423-149    | 1   |       | O-Ring                                       |
| 37    | 0402-393    | 2   |       | Bearing                                      |
| 38    | 0402-405    | AR  |       | Shim                                         |
| 38    | 0402-406    | AR  |       | Shim                                         |
| 38    | 0402-407    | AR  |       | Shim                                         |
| 38    | 0402-408    | AR  |       | Shim                                         |
| 38    | 0402-409    | AR  |       | Shim                                         |
| 39    | 0502-124    | 1   |       | Gear, Ring - 36T                             |
| 40    | 1402-104    | 1   |       | Fitting                                      |
| 41    | 0502-121    | 1   |       | Cover, Gearcase                              |
| 42    | 0402-333    | 1   | /P    | Plug, Fill (inc. 43)                         |
| 43    | 0423-154    | 1   |       | O-Ring                                       |
| 44    | 0423-396    | 3   |       | Screw, Self-Tapping                          |
| 45    | 0423-315    | 1   |       | Clamp, Fitting                               |

2004 ATV 500 MANUAL TRANSMISSION 4X4 FIS CAT GREEN (A2004ISM4A) Page 39 of 92  
FRONT DRIVE GEARCASE ASSEMBLY

| Ref # | Part Number | Qty | S/P/F | Description       |
|-------|-------------|-----|-------|-------------------|
| 46    | 0423-404    | 2   |       | Screw, Cap        |
| 47    | 0423-426    | 4   |       | Washer            |
| 48    | 8428-002    | 2   |       | Nut, Lock         |
| 49    | 0402-966    | 1   |       | Boot, Shaft       |
| 50    | 0402-147    | 1   | S     | Bladder, Gearcase |

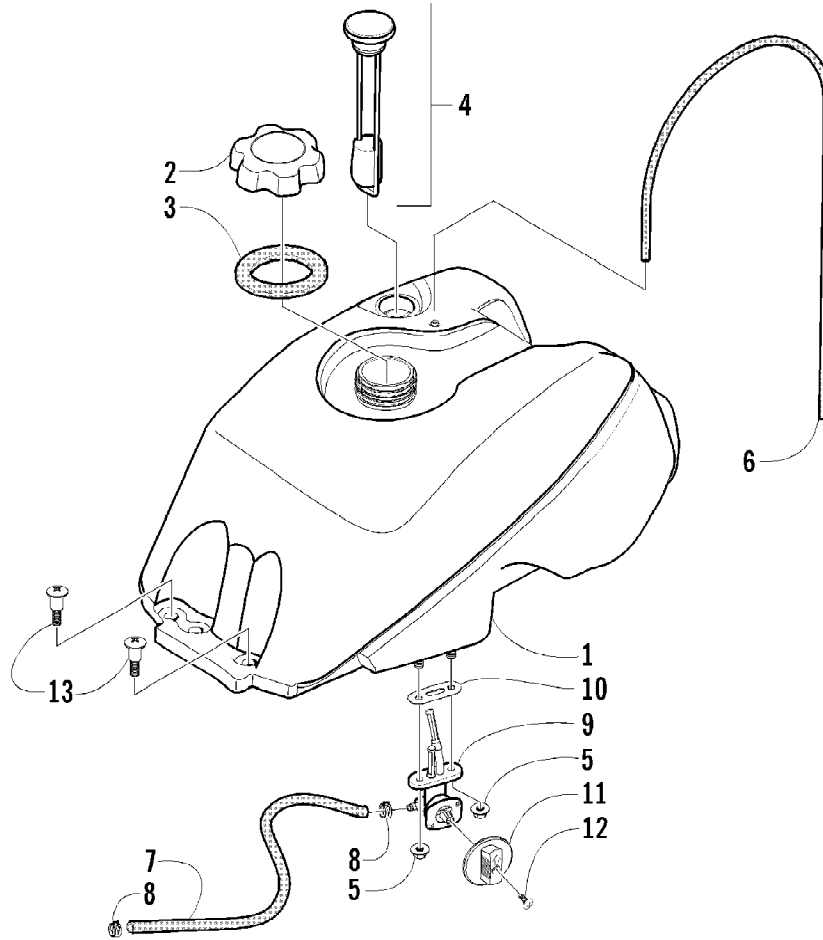
2004 ATV 500 MANUAL TRANSMISSION 4X4 FIS CAT GREEN (A2004ISM4A) Page 40 of 92  
FRONT SUSPENSION ASSEMBLY





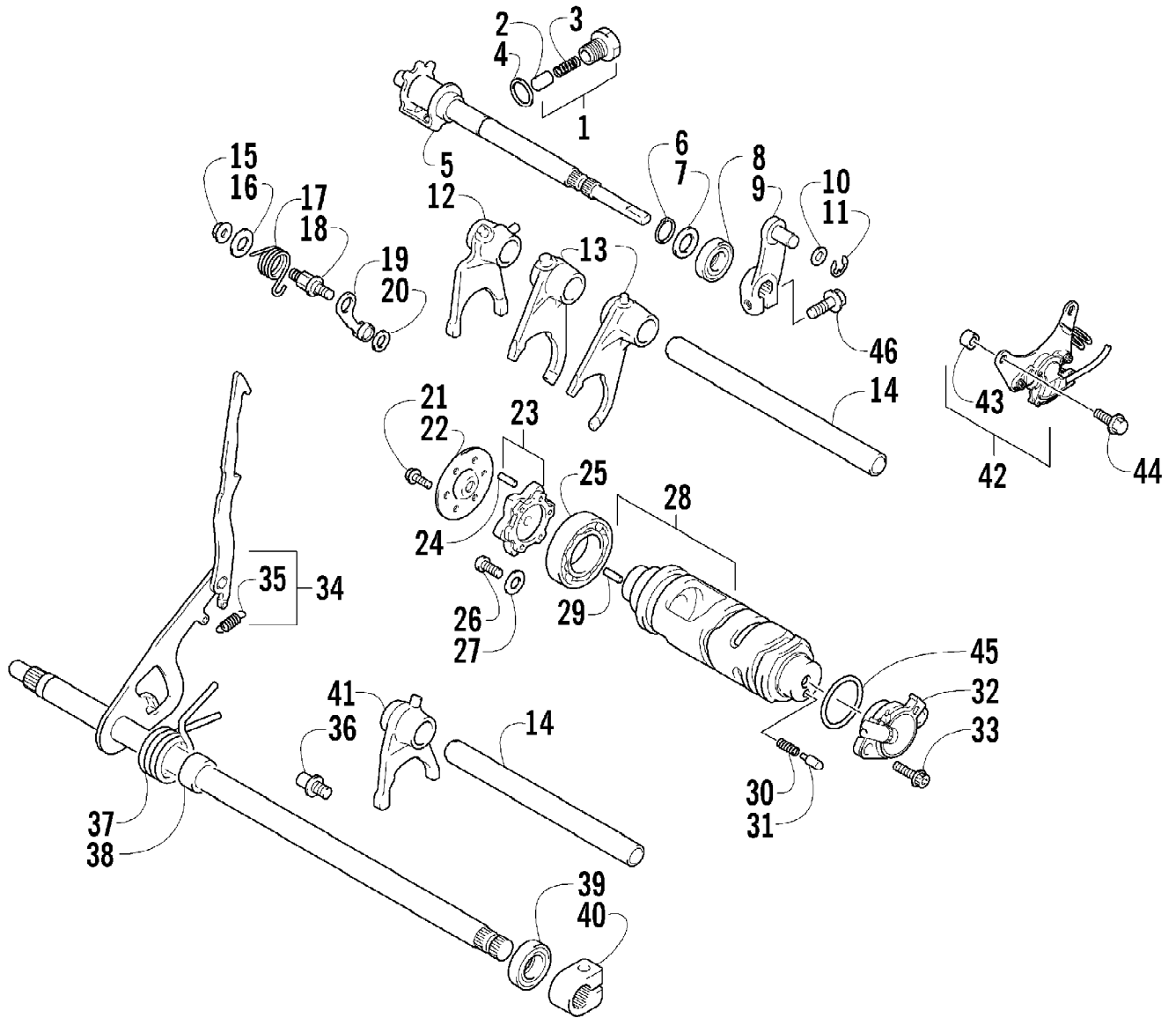
2004 ATV 500 MANUAL TRANSMISSION 4X4 FIS CAT GREEN (A2004ISM4A) Page 41 of 92  
FRONT SUSPENSION ASSEMBLY

| Ref # | Part Number | Qty | S/P/F | Description                                |
|-------|-------------|-----|-------|--------------------------------------------|
| 1     | 1603-889    | 2   | /P    | Retainer, Spring                           |
| 2     | 0403-127    | 2   |       | Shock Absorber - Front (inc. 3-4)          |
| 3     | 0604-310    | 8   |       | Bushing, Shock Absorber                    |
| 4     | 0403-028    | 4   |       | Sleeve, Shock                              |
| 5     | 0403-102    | 2   |       | Cam, Spring Adjuster                       |
| 6     | 0403-129    | 2   | S     | Spring, Shock Absorber                     |
| 7     | 8409-040    | 4   |       | Screw, Cap                                 |
| 8     | 8428-002    | 10  |       | Nut, Lock                                  |
| 9     | 0503-196    | 1   | S     | A-Arm, Upper Right - Assembly (inc. 10-13) |
| 9     | 0503-197    | 1   |       | A-Arm, Upper Left - Assembly (inc. 10-13)  |
| 10    | 0403-081    | 4   | S     | Bushing                                    |
| 11    | 0403-080    | 2   |       | Collar                                     |
| 12    | 0423-009    | 4   | /P    | Clip, Ball Joint                           |
| 13    | 0405-115    | 4   | /P    | Ball Joint - Front                         |
| 14    | 0503-220    | 1   |       | A-Arm, Lower Right (inc. 12-13 and 15-16)  |
| 14    | 0503-221    | 1   |       | A-Arm, Lower Left (inc. 12-13 and 15-16)   |
| 15    | 0403-115    | 8   | S     | Bushing                                    |
| 16    | 0403-114    | 4   | S     | Collar                                     |
| 17    | 0505-026    | 1   | S/P   | Knuckle - Assembly - Right (inc. 18-22)    |
| 17    | 0505-027    | 1   | S/P   | Knuckle - Assembly - Left (inc. 18-22)     |
| 18    | 0402-089    | 2   |       | Seal, Wheel Bearing - Front                |
| 19    | 0423-034    | 2   |       | Clip, Bearing                              |
| 20    | 0402-275    | 2   | /P    | Bearing, Wheel Hub - Front                 |
| 21    | 0505-062    | 1   | S     | Knuckle, Steering - Right                  |
| 21    | 0505-063    | 1   | S     | Knuckle, Steering - Left                   |
| 22    | 0402-069    | 2   |       | Seal, Wheel Bearing - Rear                 |
| 23    | 8409-030    | 4   |       | Screw, Cap                                 |
| 24    | 0502-544    | 2   | S     | Axle, Drive - Front (inc. 25-26)           |
| 25    | 0441-400    | 2   | S     | Clip, Retaining                            |
| 26    | 0436-276    | 2   | S     | Repair Kit, Boot - Front Axle              |
| 27    | 0423-334    | 2   |       | Screw, Cap                                 |
| 28    | 8409-075    | 4   |       | Screw, Cap                                 |
| 29    | 1406-034    | 1   |       | Guard, Boot - Axle - Right                 |
| 29    | 1406-035    | 1   |       | Guard, Boot - Axle - Left                  |
| 30    | 0423-101    | 4   |       | Screw, Body                                |
| 31    | 0441-587    | 1   |       | Wrench, Spanner                            |



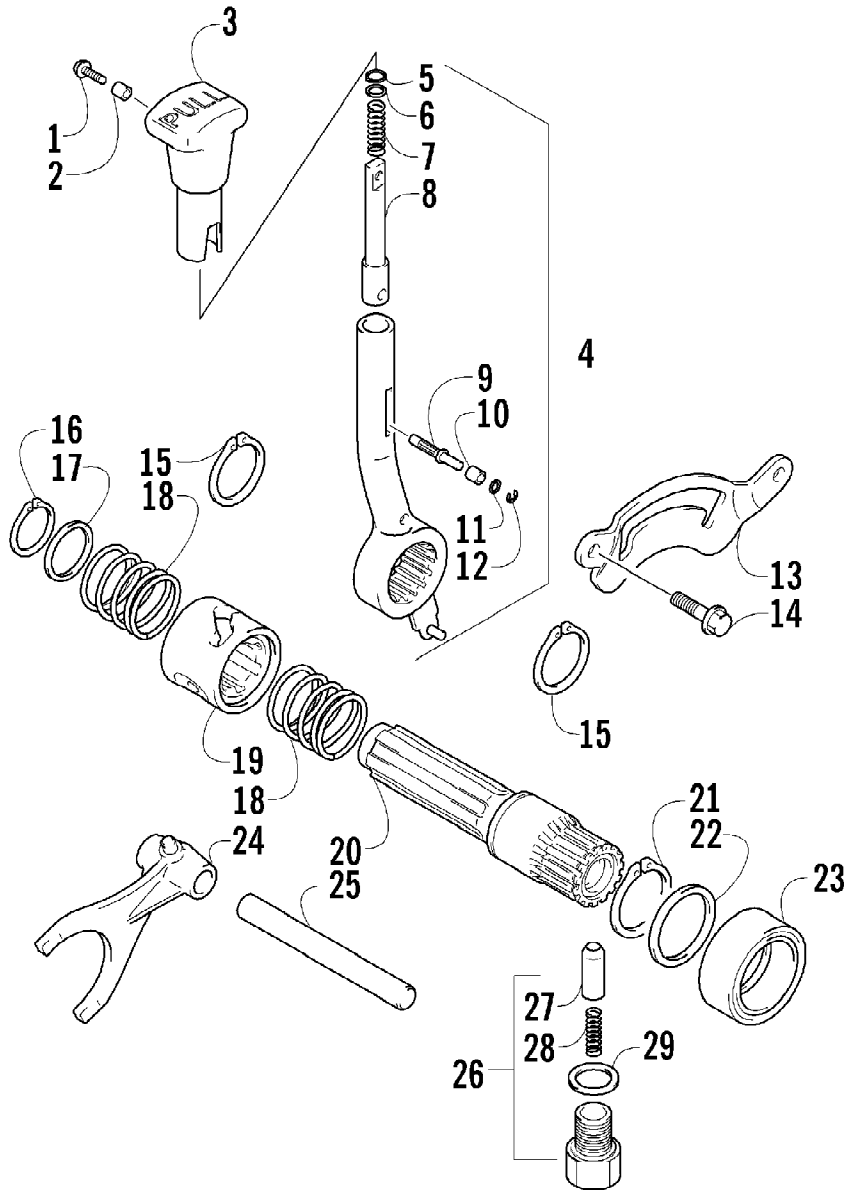
2004 ATV 500 MANUAL TRANSMISSION 4X4 FIS CAT GREEN (A2004ISM4A) Page 43 of 92  
GAS TANK ASSEMBLY

| Ref # | Part Number | Qty | S/P/F | Description                      |
|-------|-------------|-----|-------|----------------------------------|
| 1     | 0570-066    | 1   | /P    | Tank, Gas - Assembly (inc. 2-10) |
| 2     | 0470-438    | 1   | /P    | Cap, Gas Tank (inc. 3)           |
| 3     | 0109-733    | 1   | /P    | Gasket, Tank Cap                 |
| 4     | 0570-086    | 1   | /P    | Gauge, Fuel w/Gasket (Press-Fit) |
| 5     | 0423-398    | 2   |       | Nut, Lock                        |
| 6     | 0470-416    | 1   | /P    | Hose, Vent                       |
| 7     | 0610-007    | AR  | /P    | Hose, Gasline - 25 ft            |
| 8     | 0423-152    | 2   |       | Clamp, Hose                      |
| 9     | 0470-445    | 1   | /P    | Valve, Fuel Shut-Off (inc. 10)   |
| 10    | 0470-364    | 1   |       | Gasket, Fuel Shut-Off Valve      |
| 11    | 0470-408    | 1   |       | Knob, Fuel Shut-Off Valve        |
| 12    | 0423-146    | 1   |       | Screw, Machine                   |
| 13    | 0423-130    | 2   |       | Screw, Shoulder                  |



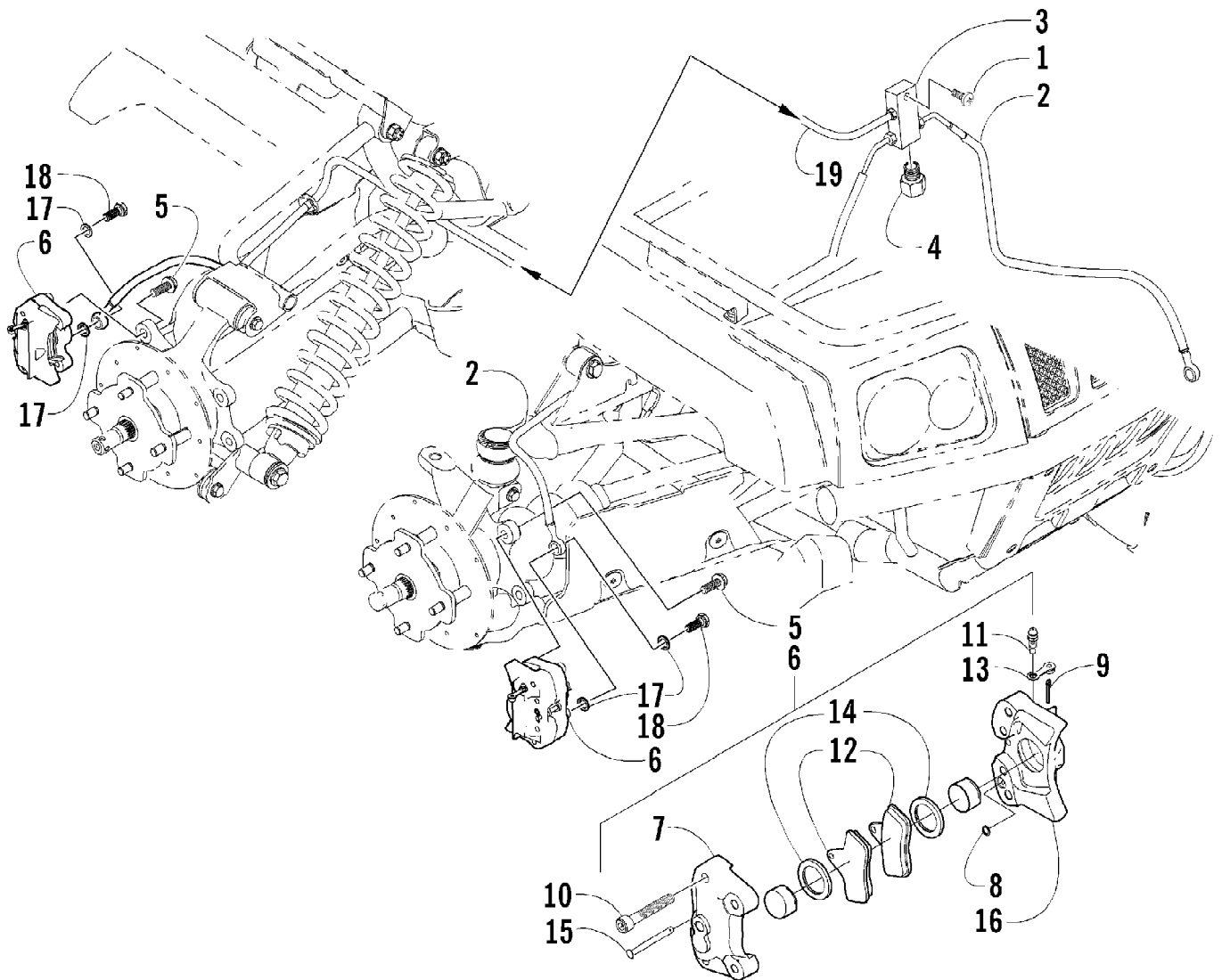
2004 ATV 500 MANUAL TRANSMISSION 4X4 FIS CAT GREEN (A2004ISM4A) Page 45 of 92  
GEAR SHIFTING ASSEMBLY

| Ref # | Part Number | Qty | S/P/F | Description                     |
|-------|-------------|-----|-------|---------------------------------|
| 1     | 3446-164    | 1   |       | Stopper, Reverse (inc. 2-3)     |
| 2     | 3446-117    | 1   |       | Stopper                         |
| 3     | 3402-088    | 1   |       | Spring                          |
| 4     | 3402-012    | 1   |       | Gasket, Cam Stopper             |
| 5     | 3446-349    | 1   |       | Cam, Reverse Shift              |
| 6     | 3423-358    | 1   | S     | Circlip                         |
| 7     | 3423-357    | 1   |       | Washer                          |
| 8     | 3402-076    | 1   |       | Seal, Oil                       |
| 9     | 3402-434    | 1   | /P    | Arm, Reverse Gear Shift         |
| 10    | 3423-204    | 1   | /P    | Washer                          |
| 11    | 3423-168    | 1   | S     | E-Ring                          |
| 12    | 3446-040    | 1   |       | Fork, Gear Shift - Reverse      |
| 13    | 3446-347    | 2   |       | Fork, Gear Shift                |
| 14    | 3446-052    | 2   |       | Shaft, Gear Shift Fork          |
| 15    | 3007-373    | 1   | /P    | Nut, Cam Stopper                |
| 16    | 3423-142    | 1   |       | Washer, Cam Stopper             |
| 17    | 3423-551    | 1   |       | Spring, Cam Stopper             |
| 18    | 3446-048    | 1   |       | Support, Cam Stopper            |
| 19    | 3446-043    | 1   |       | Stopper, Cam                    |
| 20    | 3423-141    | 1   |       | Washer, Cam Stopper             |
| 21    | 3423-125    | 1   | S     | Screw, Cap                      |
| 22    | 3446-309    | 1   | /P    | Guide, Gear Shift Cam           |
| 23    | 3446-049    | 1   |       | Plate, Gear Shift Cam (inc. 24) |
| 24    | 3423-045    | 5   |       | Pin                             |
| 25    | 3402-051    | 1   |       | Bearing, Gear Shift Cam         |
| 26    | 3423-370    | 2   |       | Screw, Machine                  |
| 27    | 3423-135    | 2   |       | Retainer, Shift Cam Bearing     |
| 28    | 3446-348    | 1   |       | Cam, Gear Shift (inc. 29)       |
| 29    | 3423-114    | 1   | /P    | Pin                             |
| 30    | 3402-087    | 2   |       | Spring                          |
| 31    | 3423-044    | 2   |       | Contact                         |
| 32    | 3402-816    | 1   |       | Switch, Position                |
| 33    | 3423-418    | 2   |       | Screw, Cap                      |
| 34    | 3446-350    | 1   | S     | Shaft, Gear Shift (inc. 35)     |
| 35    | 3402-093    | 1   |       | Spring                          |
| 36    | 3446-056    | 1   |       | Stopper, Gear Shift             |
| 37    | 3402-094    | 1   |       | Spring, Gear Return             |
| 38    | 3446-054    | 1   |       | Spacer, Gear Shift Shaft        |
| 39    | 3402-068    | 1   | /P    | Seal, Oil                       |
| 40    | 3402-815    | 1   |       | Boss, Gear Shift Lever          |
| 41    | 3446-039    | 1   |       | Fork, Gear Shift                |
| 42    | 3409-020    | 1   |       | Switch, Reverse (inc. 43)       |
| 43    | 3423-553    | 1   |       | Spacer                          |
| 44    | 3423-307    | 2   | S     | Screw, Cap                      |
| 45    | 3423-059    | 1   |       | O-Ring                          |
| 46    | 8476-620    | 1   |       | Screw, Machine                  |



2004 ATV 500 MANUAL TRANSMISSION 4X4 FIS CAT GREEN (A2004ISM4A) Page 47 of 92  
HI/LO SHIFTER ASSEMBLY

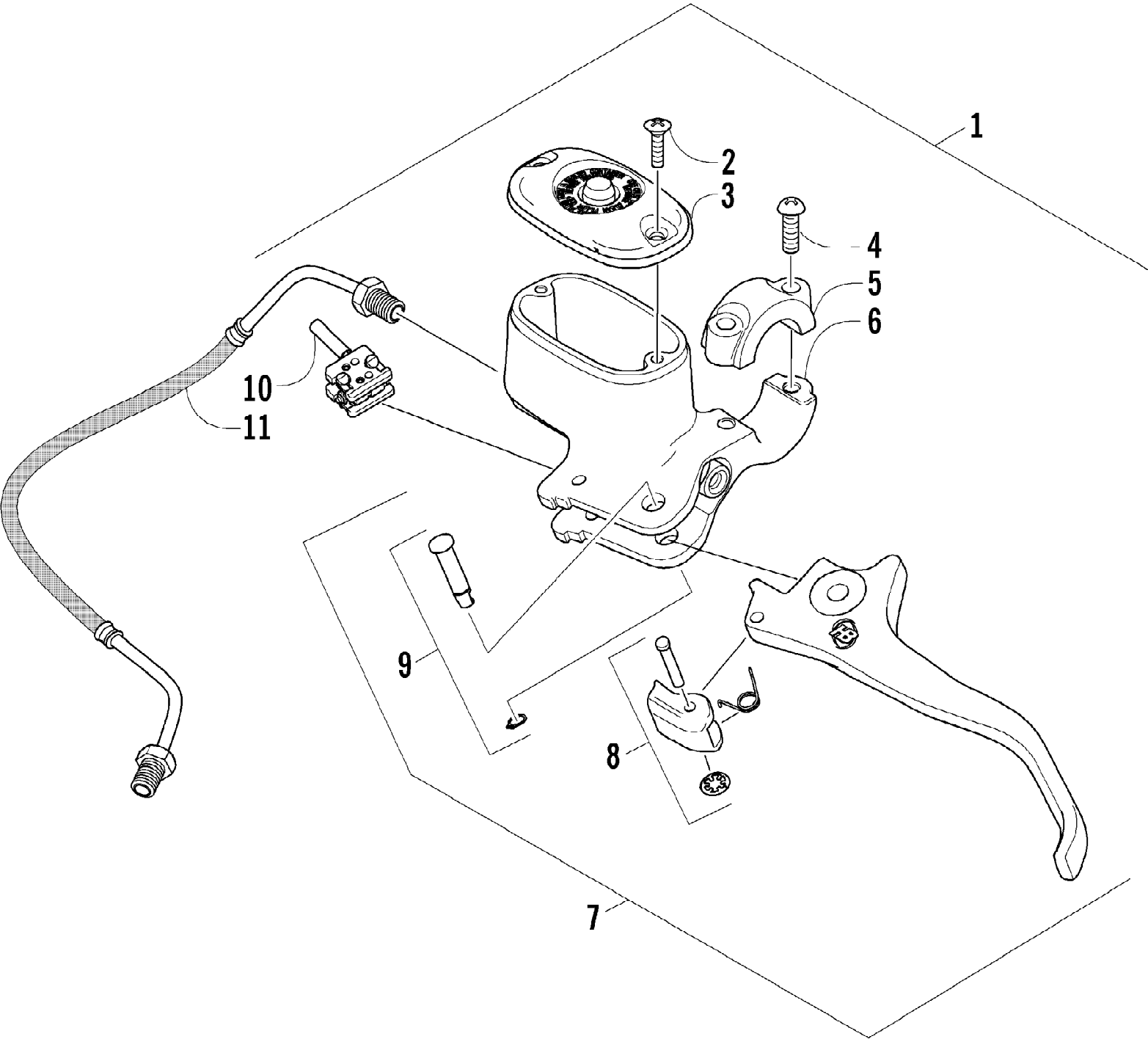
| Ref # | Part Number | Qty | S/P/F | Description                                |
|-------|-------------|-----|-------|--------------------------------------------|
| 1     | 3423-156    | 1   | S     | Screw, Shift Handle                        |
| 2     | 3402-191    | 1   |       | Spacer                                     |
| 3     | 3446-078    | 1   |       | Handle, Shift                              |
| 4     | 3446-351    | 1   |       | Lever, Shift - Assembly (inc. 5-12)        |
| 5     | 3423-154    | 1   |       | Circlip                                    |
| 6     | 3423-155    | 1   |       | Washer                                     |
| 7     | 3446-107    | 1   |       | Spring                                     |
| 8     | 3446-252    | 1   |       | Rod                                        |
| 9     | 3423-205    | 1   |       | Pin                                        |
| 10    | 3446-106    | 1   |       | Roller                                     |
| 11    | 3423-152    | 1   | /P    | Washer                                     |
| 12    | 3423-153    | 1   |       | E-Ring                                     |
| 13    | 3446-077    | 1   |       | Plate, Lever Stop                          |
| 14    | 3004-377    | 2   | S/P   | Bolt, Stopper Plate                        |
| 15    | 3423-192    | 2   | /P    | Circlip, Shift Lever                       |
| 16    | 3423-191    | 1   | /P    | Circlip                                    |
| 17    | 3402-382    | 1   |       | Washer                                     |
| 18    | 3446-104    | 2   |       | Spring                                     |
| 19    | 3446-250    | 1   |       | Cam, Gear Shift                            |
| 20    | 3446-328    | 1   | /P    | Shaft, Gear Shift                          |
| 21    | 3423-193    | 1   | S/P   | Circlip, Gear Shift Shaft                  |
| 22    | 3006-489    | 1   |       | Washer, Gear Shift Shaft                   |
| 23    | 3402-071    | 1   | /P    | Seal, Oil                                  |
| 24    | 3446-073    | 1   |       | Fork, Gear Shift                           |
| 25    | 3446-051    | 1   |       | Shaft, Gear Shift Fork                     |
| 26    | 3446-314    | 1   |       | Stopper, Shift Cam - Assembly (inc. 27-28) |
| 27    | 3446-315    | 1   |       | Stopper, Shift Cam                         |
| 28    | 3423-524    | 1   |       | Spring                                     |
| 29    | 3402-012    | 1   |       | Gasket, Cam Stopper                        |





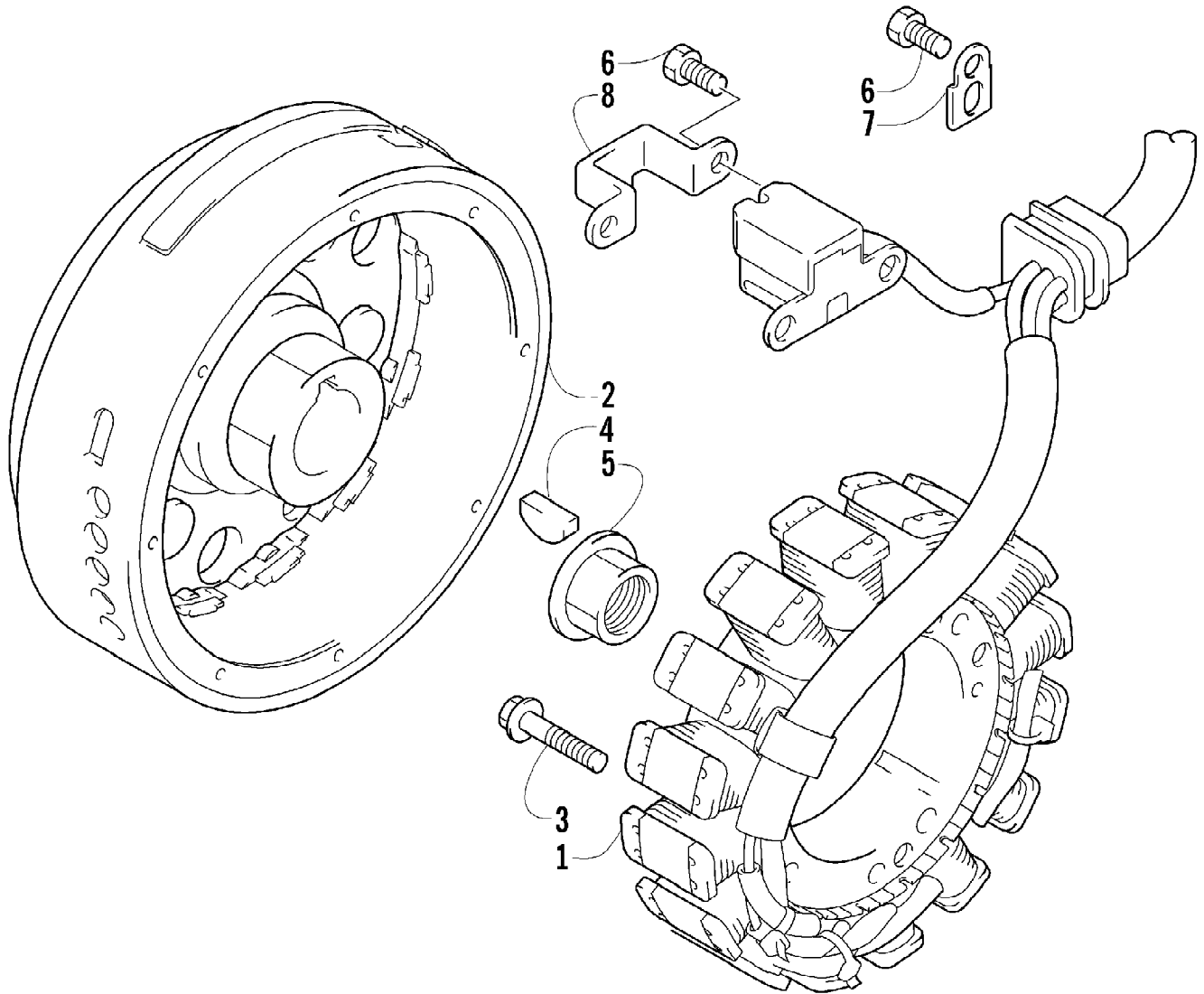
2004 ATV 500 MANUAL TRANSMISSION 4X4 FIS CAT GREEN (A2004ISM4A) Page 49 of 92  
HYDRAULIC BRAKE ASSEMBLY

| Ref # | Part Number | Qty | S/P/F | Description                                            |
|-------|-------------|-----|-------|--------------------------------------------------------|
| 1     | 8476-625    | 1   |       | Screw, Cap                                             |
| 2     | 0402-961    | 2   |       | Hose, Brake - Front                                    |
| 3     | 1402-086    | 1   |       | Block, Junction                                        |
| 4     | 1402-031    | 1   |       | Plug                                                   |
| 5     | 8408-825    | 6   |       | Screw, Cap                                             |
| 6     | 0502-335    | 1   | S     | Caliper, Brake - Right Front (inc. 7-16)               |
| 6     | 0502-336    | 2   | S     | Caliper, Brake - Left Front and Right Rear (inc. 7-16) |
| 7     | 0           | 3   | F     | Housing, Caliper                                       |
| 8     | 0402-490    | 3   |       | O-Ring                                                 |
| 9     | 0423-495    | 3   | /P    | Pin, Cotter                                            |
| 10    | 0402-492    | 12  |       | Screw, Cap                                             |
| 11    | 0402-491    | 3   | S     | Valve, Bleed                                           |
| 12    | 0402-882    | 6   | /P    | Pad, Brake                                             |
| 13    | 0402-493    | 3   |       | Cap, Bleed Valve                                       |
| 14    | 0402-980    | 6   |       | O-Ring, Brake Caliper                                  |
| 15    | 0402-495    | 3   |       | Pin, Brake Caliper                                     |
| 16    | 0           | 3   | F     | Housing, Caliper                                       |
| 17    | 0423-178    | 6   |       | Washer, Crush                                          |
| 18    | 0423-413    | 3   |       | Bolt, Banjo Fitting                                    |
| 19    | 1402-204    | 1   |       | Hose, Brake - Rear                                     |



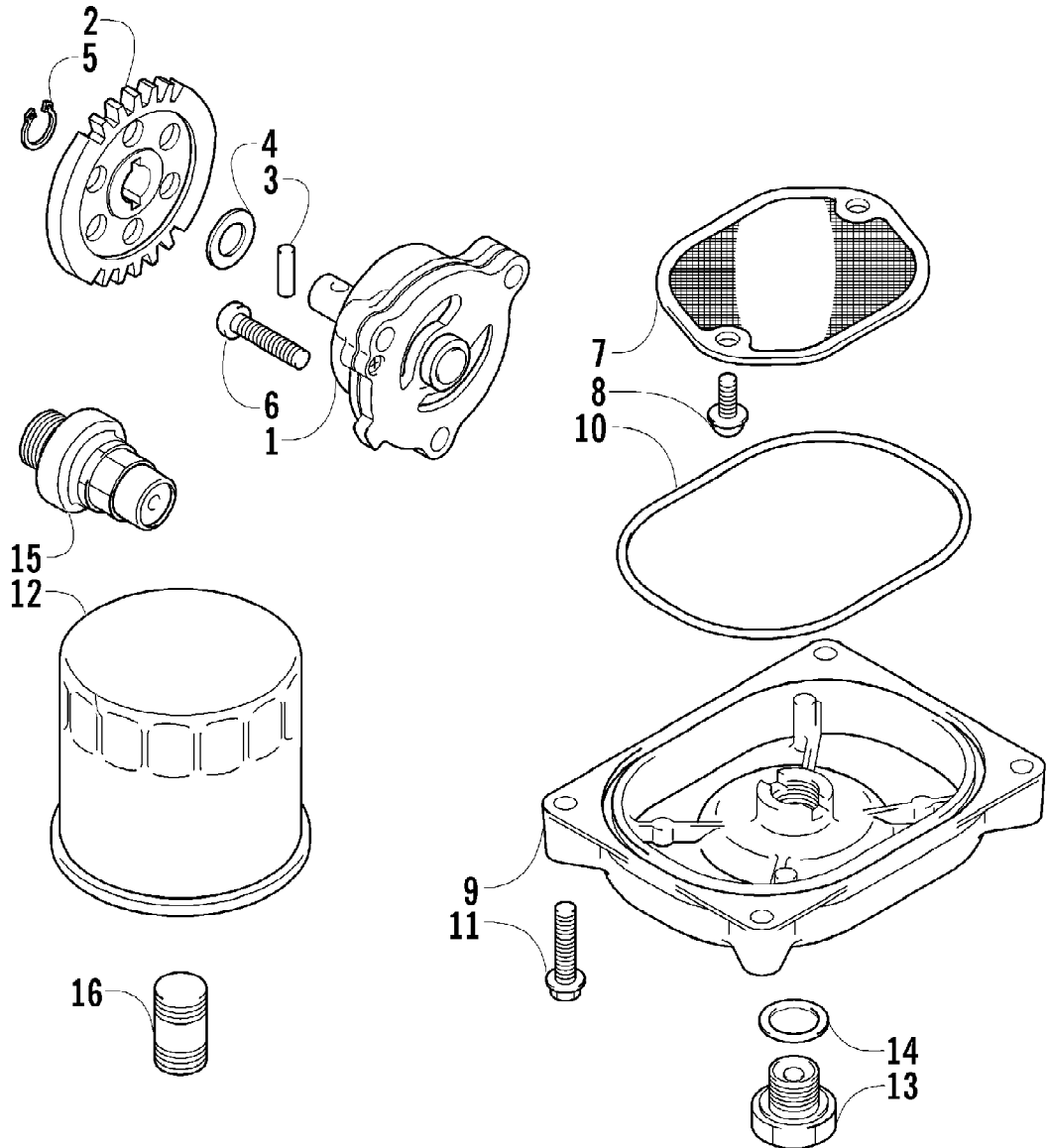
2004 ATV 500 MANUAL TRANSMISSION 4X4 FIS CAT GREEN (A2004ISM4A) Page 51 of 92  
HYDRAULIC HAND BRAKE ASSEMBLY

| Ref # | Part Number | Qty | S/P/F | Description                        |
|-------|-------------|-----|-------|------------------------------------|
| 1     | 0502-561    | 1   | S     | Brake Assembly (inc. 2-10)         |
| 2     | 0502-566    | 1   |       | Screw, Reservoir Cover - Kit       |
| 3     | 0502-565    | 1   |       | Cover, Reservoir - Kit             |
| 4     | 0502-568    | 1   |       | Screw, Master Cylinder Clamp - Kit |
| 5     | 0502-567    | 1   |       | Clamp, Master Cylinder - Kit       |
| 6     | 0502-516    | 1   |       | Master Cylinder Assembly - Kit     |
| 7     | 0502-562    | 1   | S     | Lever Assembly - Kit (inc. 8-9)    |
| 8     | 0502-563    | 1   | S     | Lock, Brake Lever - Kit            |
| 9     | 0502-580    | 1   |       | Lever Pin - Kit                    |
| 10    | 0502-564    | 1   | /P    | Switch, Brake - Kit                |
| 11    | 1402-212    | 1   |       | Brakeline, Hydraulic               |



2004 ATV 500 MANUAL TRANSMISSION 4X4 FIS CAT GREEN (A2004ISM4A) Page 53 of 92  
MAGNETO ASSEMBLY

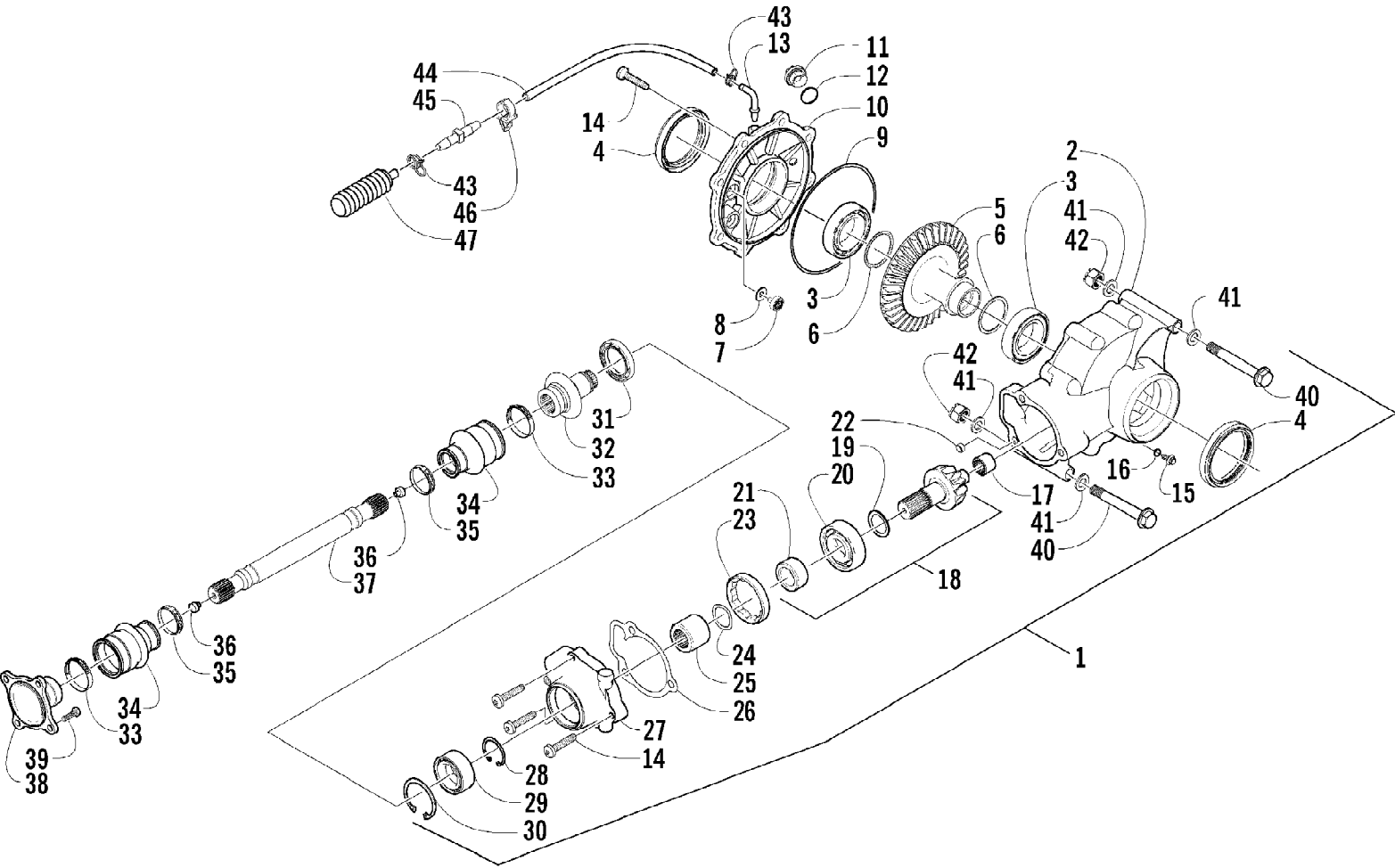
| Ref # | Part Number | Qty | S/P/F | Description     |
|-------|-------------|-----|-------|-----------------|
| 1     | 3430-058    | 1   |       | Stator Assembly |
| 2     | 3430-046    | 1   |       | Rotor/Flywheel  |
| 3     | 3423-162    | 3   | S     | Screw, Cap      |
| 4     | 0691-785    | 1   |       | Key             |
| 5     | 3423-086    | 1   |       | Nut             |
| 6     | 3423-005    | 3   | /P    | Screw, Cap      |
| 7     | 3430-005    | 1   |       | Clamp           |
| 8     | 3430-006    | 1   |       | Clamp           |



2004 ATV 500 MANUAL TRANSMISSION 4X4 FIS CAT GREEN (A2004ISM4A) Page 55 of 92  
OIL FILTER/PUMP ASSEMBLY

| Ref # | Part Number | Qty | S/P/F | Description                  |
|-------|-------------|-----|-------|------------------------------|
| 1     | 3402-153    | 1   |       | Pump, Oil                    |
| 2     | 3402-026    | 1   |       | Gear, Driven                 |
| 3     | 3423-046    | 1   |       | Pin                          |
| 4     | 3423-115    | 1   |       | Washer                       |
| 5     | 3423-184    | 1   | S     | Circlip                      |
| 6     | 3423-510    | 3   |       | Screw                        |
| 7     | 3402-156    | 1   |       | Strainer, Oil                |
| 8     | 0693-389    | 2   | S     | Screw, Cap                   |
| 9     | 3402-157    | 1   |       | Cap, Oil Strainer            |
| 10    | 3423-077    | 1   |       | O-Ring                       |
| 11    | 3004-756    | 4   | S     | Screw, Cap                   |
| 12    | 0436-146    | 1   | S     | Filter, Oil                  |
| 13    | 3402-036    | 1   | S     | Plug, Drain                  |
| 14    | 3402-012    | 1   |       | Gasket                       |
| 15    | 3402-359    | 1   |       | Valve, Oil Relief - Assembly |
| 16    | 3402-158    | 1   | S     | Union, Oil Filter            |

2004 ATV 500 MANUAL TRANSMISSION 4X4 FIS CAT GREEN (A2004ISM4A) Page 56 of 92  
REAR DRIVE GEARCASE ASSEMBLY





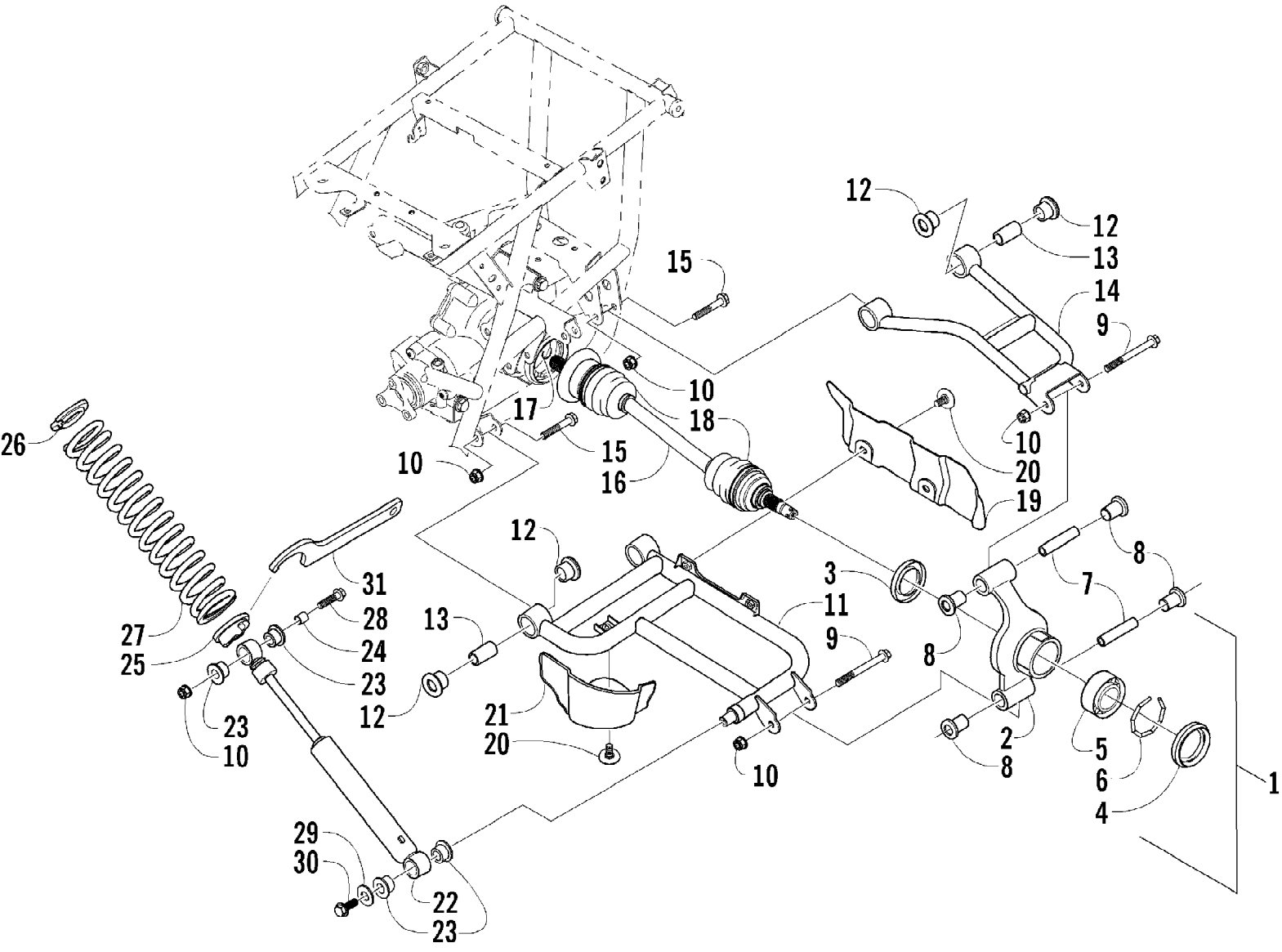
2004 ATV 500 MANUAL TRANSMISSION 4X4 FIS CAT GREEN (A2004ISM4A) Page 57 of 92  
REAR DRIVE GEARCASE ASSEMBLY

| Ref # | Part Number | Qty | S/P/F | Description                                 |
|-------|-------------|-----|-------|---------------------------------------------|
| 1     | 0502-453    | 1   |       | Gearcase, Rear Drive - Assembly (inc. 2-32) |
| 2     | 0502-352    | 1   |       | Housing, Gearcase                           |
| 3     | 0402-393    | 2   |       | Bearing                                     |
| 4     | 0402-394    | 2   | S     | Seal                                        |
| 5     | 0402-965    | 1   |       | Gear, Ring - 36T                            |
| 6     | 0402-405    | AR  |       | Shim                                        |
| 6     | 0402-406    | AR  |       | Shim                                        |
| 6     | 0402-407    | AR  |       | Shim                                        |
| 6     | 0402-408    | AR  |       | Shim                                        |
| 6     | 0402-409    | AR  |       | Shim                                        |
| 7     | 0402-326    | 1   |       | Button, Thrust                              |
| 8     | 0402-429    | AR  |       | Shim                                        |
| 8     | 0402-430    | AR  |       | Shim                                        |
| 8     | 0402-431    | AR  |       | Shim                                        |
| 8     | 0402-432    | AR  |       | Shim                                        |
| 8     | 0402-433    | AR  |       | Shim                                        |
| 9     | 0423-149    | 1   |       | O-Ring                                      |
| 10    | 0502-346    | 1   |       | Cover, Gearcase                             |
| 11    | 0402-333    | 1   | /P    | Plug, Fill (inc. 12)                        |
| 12    | 0423-154    | 1   |       | O-Ring                                      |
| 13    | 1402-102    | 1   |       | Fitting                                     |
| 14    | 0423-118    | 11  |       | Screw, Self-Tapping                         |
| 15    | 0402-450    | 1   | S     | Plug, Magnetic (inc. 16)                    |
| 16    | 0423-153    | 1   |       | O-Ring                                      |
| 17    | 0402-328    | 1   |       | Bearing                                     |
| 18    | 0502-123    | 1   |       | Gear, Pinion - Assembly - 10T (inc. 19-21)  |
| 19    | 0402-424    | AR  |       | Shim                                        |
| 19    | 0402-425    | AR  |       | Shim                                        |
| 19    | 0402-426    | AR  |       | Shim                                        |
| 19    | 0402-427    | AR  |       | Shim                                        |
| 19    | 0402-428    | AR  |       | Shim                                        |
| 20    | 0402-327    | 1   |       | Bearing                                     |
| 21    | 0402-336    | 1   |       | Collar, Retaining                           |
| 22    | 0402-411    | 1   |       | Pin, Dowel                                  |
| 23    | 0402-331    | 1   |       | Collar, Lock                                |
| 24    | 0402-982    | 1   |       | Washer, Wave                                |
| 25    | 0402-981    | 1   |       | Collar, Shaft                               |
| 26    | 0402-947    | 1   |       | Gasket, Flange                              |
| 27    | 0502-380    | 1   |       | Housing, Pinion                             |
| 28    | 0423-417    | 1   |       | Ring, Retaining                             |
| 29    | 1402-043    | 1   |       | Bearing                                     |
| 30    | 0423-423    | 1   |       | Ring, Retaining                             |
| 31    | 1402-011    | 1   |       | Seal                                        |
| 32    | 0502-407    | 1   | S     | Shaft, Input                                |
| 33    | 0423-393    | 2   |       | Clamp, Boot                                 |
| 34    | 0402-985    | 2   | /P    | Boot                                        |
| 35    | 0423-411    | 2   |       | Clamp, Boot                                 |
| 36    | 0673-618    | 2   | /P    | Bumper, Propeller Shaft                     |
| 37    | 1402-091    | 1   |       | Shaft, Propeller                            |
| 38    | 0402-950    | 1   |       | Flange, Output                              |
| 39    | 8408-820    | 4   | /P    | Screw, Cap                                  |
| 40    | 0423-404    | 2   |       | Screw, Cap                                  |
| 41    | 0423-426    | 1   |       | Washer                                      |

2004 ATV 500 MANUAL TRANSMISSION 4X4 FIS CAT GREEN (A2004ISM4A) Page 58 of 92  
 REAR DRIVE GEARCASE ASSEMBLY

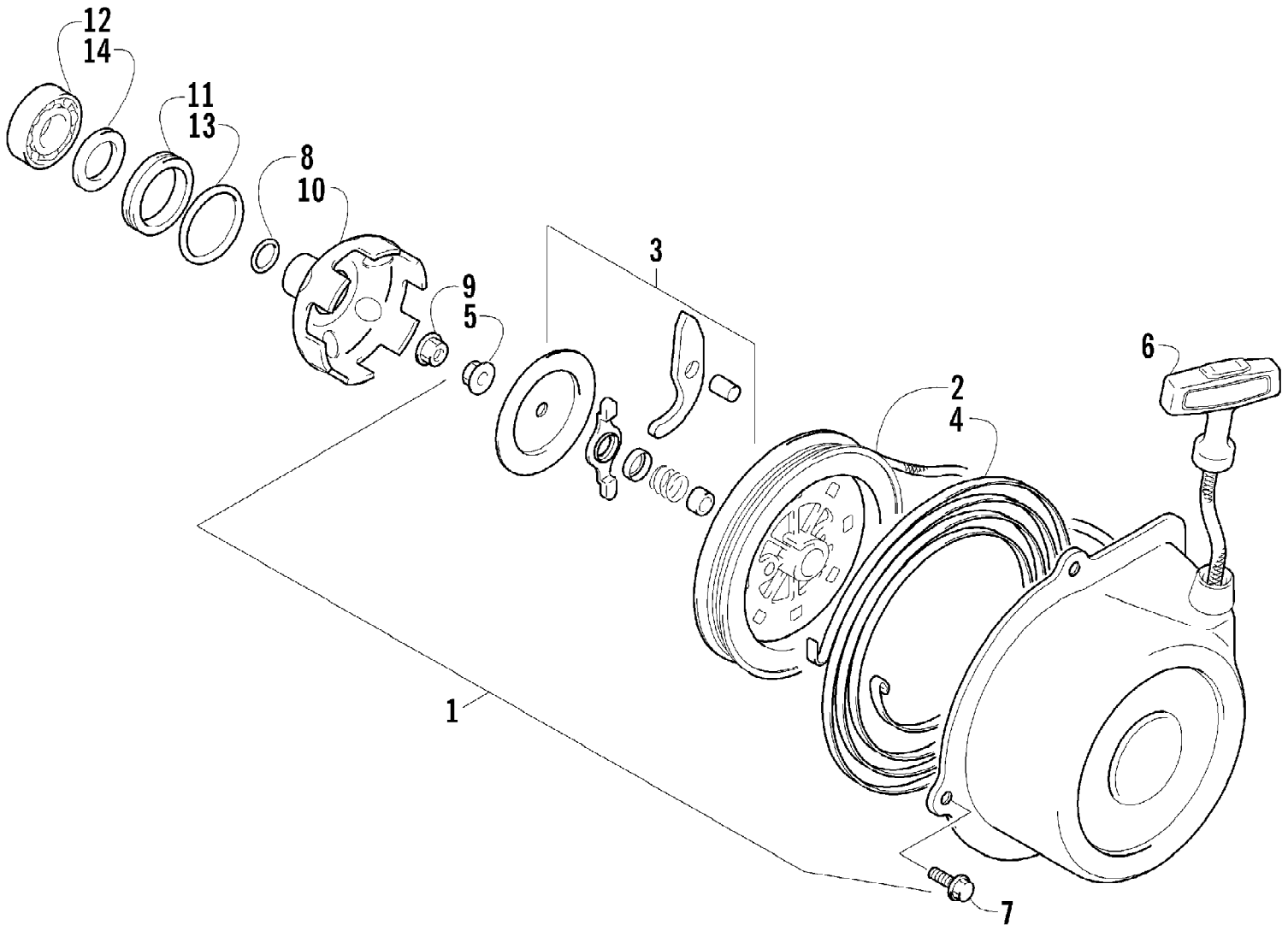
| Ref # | Part Number | Qty | S/P/F | Description             |
|-------|-------------|-----|-------|-------------------------|
| 42    | 8428-002    | 2   |       | Nut, Lock               |
| 43    | 0423-315    | 3   |       | Clamp, Fitting          |
| 44    | 0410-049    | AR  |       | Hose, Vent              |
| 45    | 0470-462    | 1   |       | Fitting, Vent           |
| 46    | 0623-101    | 1   |       | Clip, Routing - Snap-In |
| 47    | 0402-147    | 1   | S     | Bladder, Gearcase       |

2004 ATV 500 MANUAL TRANSMISSION 4X4 FIS CAT GREEN (A2004ISM4A) Page 59 of 92  
REAR SUSPENSION ASSEMBLY



2004 ATV 500 MANUAL TRANSMISSION 4X4 FIS CAT GREEN (A2004ISM4A) Page 60 of 92  
REAR SUSPENSION ASSEMBLY

| Ref # | Part Number | Qty | S/P/F | Description                               |
|-------|-------------|-----|-------|-------------------------------------------|
| 1     | 0504-302    | 1   | S     | Knuckle, Right Rear - Assembly (inc. 2-6) |
| 1     | 0504-227    | 1   | S     | Knuckle, Left Rear - Assembly (inc. 2-6)  |
| 2     | 0504-297    | 1   | S     | Knuckle - Right                           |
| 2     | 0504-225    | 1   | S     | Knuckle - Left                            |
| 3     | 0402-069    | 2   |       | Seal, Wheel Bearing - Rear                |
| 4     | 0402-089    | 2   |       | Seal, Wheel Bearing - Front               |
| 5     | 0402-275    | 2   | /P    | Bearing, Wheel                            |
| 6     | 0423-034    | 2   |       | Clip, Bearing                             |
| 7     | 0403-038    | 4   | S/P   | Collar, Suspension Bushing                |
| 8     | 0403-032    | 8   | S     | Bushing, Suspension                       |
| 9     | 8409-000    | 4   |       | Screw, Cap                                |
| 10    | 8428-002    | 14  |       | Nut, Lock                                 |
| 11    | 0504-320    | 1   | S     | A-Arm, Rear - Lower Right (inc. 12-13)    |
| 11    | 0504-321    | 1   | S     | A-Arm, Rear - Lower Left (inc. 12-13)     |
| 12    | 0403-115    | 16  | S     | Bushing                                   |
| 13    | 0403-114    | 8   | S     | Collar                                    |
| 14    | 0504-318    | 1   |       | A-Arm, Rear - Upper Right (inc. 12-13)    |
| 14    | 0504-319    | 1   |       | A-Arm, Rear - Upper Left (inc. 12-13)     |
| 15    | 8409-075    | 8   |       | Screw, Cap                                |
| 16    | 0502-544    | 2   | S     | Axle, Drive (inc. 17-18)                  |
| 17    | 0441-400    | 2   | S     | Clip, Retaining                           |
| 18    | 0436-276    | 2   | S     | Repair Kit, Boot - Rear Axle              |
| 19    | 1406-068    | 1   |       | Guard, Boot - Right                       |
| 19    | 1406-069    | 1   |       | Guard, Boot - Left                        |
| 20    | 0423-101    | 6   |       | Screw, Body                               |
| 21    | 1406-071    | 1   |       | Guard, Boot - Right                       |
| 21    | 1406-072    | 1   |       | Guard, Boot - Left                        |
| 22    | 0404-072    | 2   |       | Shock Absorber - Rear (inc. 23-24)        |
| 23    | 0604-310    | 8   |       | Bushing, Shock Absorber                   |
| 24    | 0403-028    | 2   |       | Sleeve, Shock Absorber                    |
| 25    | 0404-057    | 2   |       | Cam, Spring Adjuster                      |
| 26    | 1603-889    | 2   | /P    | Retainer, Spring                          |
| 27    | 0404-074    | 2   |       | Spring, Suspension                        |
| 28    | 8409-040    | 2   |       | Screw, Cap                                |
| 29    | 0423-087    | 2   |       | Washer                                    |
| 30    | 8408-820    | 2   | /P    | Screw, Cap                                |
| 31    | 0441-587    | 1   |       | Wrench, Spanner                           |



2004 ATV 500 MANUAL TRANSMISSION 4X4 FIS CAT GREEN (A2004ISM4A) Page 62 of 92  
RECOIL STARTER ASSEMBLY

| Ref # | Part Number | Qty | S/P/F | Description                           |
|-------|-------------|-----|-------|---------------------------------------|
| 1     | 3445-003    | 1   |       | Starter, Recoil - Assembly (inc. 2-6) |
| 2     | 3445-004    | 1   |       | Reel                                  |
| 3     | 3445-016    | 1   |       | Ratchet Set                           |
| 4     | 3445-007    | 1   |       | Spring, Spiral                        |
| 5     | 3004-488    | 1   | S/P   | Nut                                   |
| 6     | 3445-011    | 1   |       | Rope Assembly                         |
| 7     | 3423-428    | 4   |       | Bolt                                  |
| 8     | 3423-053    | 1   | /P    | O-Ring                                |
| 9     | 3004-491    | 1   | S/P   | Nut                                   |
| 10    | 3445-029    | 1   | /P    | Cup, Starter                          |
| 11    | 3423-542    | 1   | /P    | Spacer                                |
| 12    | 3402-051    | 1   |       | Bearing                               |
| 13    | 3423-063    | 1   |       | O-Ring                                |
| 14    | 3402-070    | 1   |       | Seal, Oil                             |

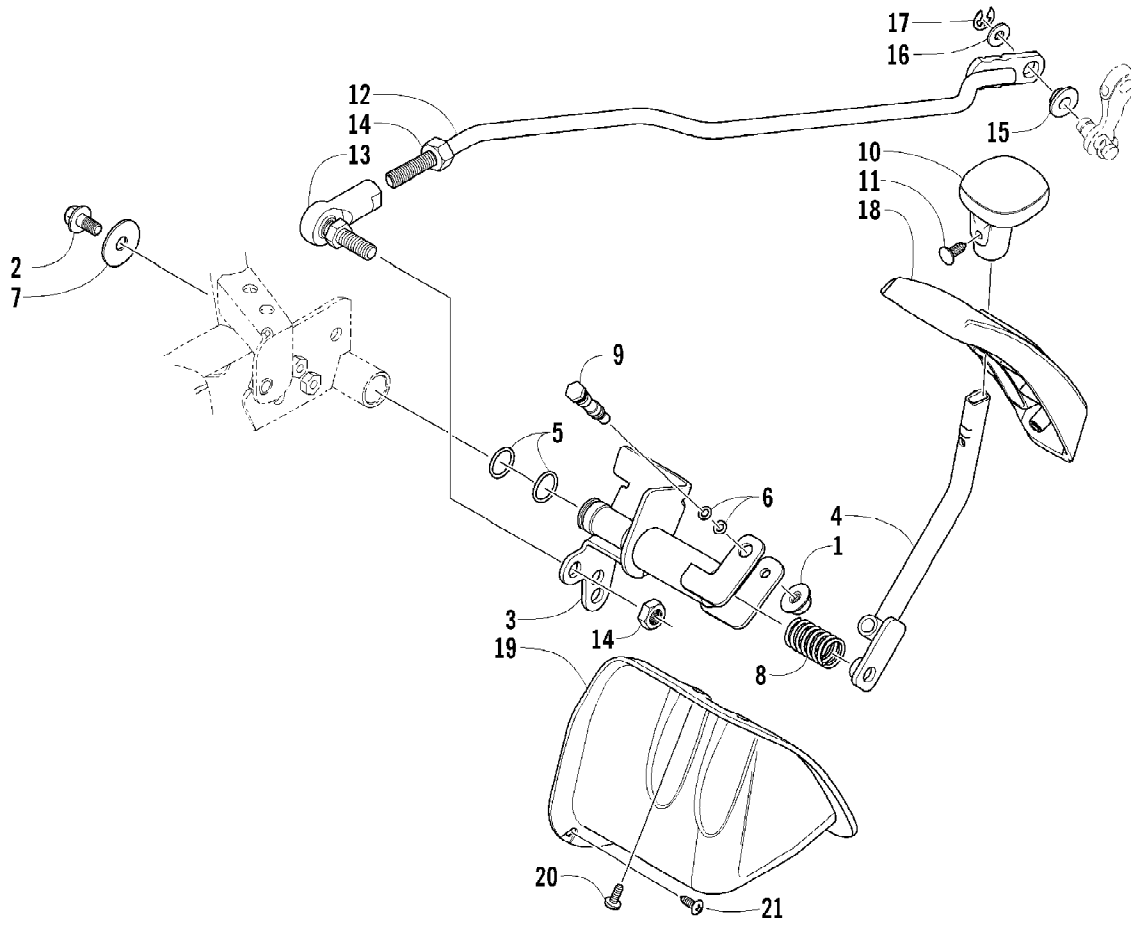
No  
Diagram  
Available  
  
Parts List  
Only

2004 ATV 500 MANUAL TRANSMISSION 4X4 FIS CAT GREEN (A2004ISM4A) Page 64 of 92  
RELATED ITEMS

| Ref # | Part Number | Qty | S/P/F | Description                              |
|-------|-------------|-----|-------|------------------------------------------|
|       | 0436-340    | 1   | S     | Bag, Fender - Black                      |
|       | 0436-337    | 1   |       | Bag, Rack - Front - Black                |
|       | 0436-336    | 1   |       | Bag, Rack - Rear - Black                 |
|       | 0436-432    | 1   | S     | Brush Guard/Bumper, Front                |
|       | 0436-330    | 1   |       | Bumper (Rear)                            |
|       | 0436-454    | 1   |       | Cargo Box                                |
|       | 0436-381    | 1   |       | Cover, Black and Green                   |
|       | 0436-339    | 1   |       | Cover, Timber Camo                       |
|       | 0436-005    | 1   | S     | Engine Oil - 10W40                       |
|       | 0436-003    | 1   | S     | Engine Oil - 5W30                        |
|       | 0436-035    | 1   | S     | Engine Block Heater                      |
|       | 0436-007    | 1   | S     | Gear Lube (Diff) - 80W90                 |
|       | 0436-200    | 1   |       | Gun Scabbard Mount                       |
|       | 0436-505    | 1   |       | Hand Guards - Black                      |
|       | 0436-352    | 1   |       | Hand/Thumb Warmers                       |
|       | 2256-954    | 1   |       | Illustrated Parts Manual                 |
|       | 2256-937    | 1   |       | Manuel d'utilisation (F)                 |
|       | 2256-934    | 1   |       | Operator's Manual (E)                    |
|       | 0436-351    | 1   |       | Rack Basket (Front)                      |
|       | 0436-350    | 1   |       | Rack Basket (Rear)                       |
|       | 0436-349    | 1   |       | Rack Extension, 4 in. (Front)            |
|       | 0436-225    | 1   |       | Rack Extension, 4 in. (Rear)             |
|       | 0436-226    | 1   |       | Rack Extension, 8 in. (Rear)             |
|       | 0436-386    | 1   |       | Snowplow Attachment Kit                  |
|       | 0436-228    | 1   |       | Snowplow Blade, 50 in. - Straight        |
|       | 0436-287    | 1   |       | Snowplow Blade, 50 in. - One-Way         |
|       | 0436-296    | 1   |       | Snowplow Blade, 60 in. - Straight        |
|       | 0436-360    | 1   |       | Snowplow Blade, 60 in. - One-Way         |
|       | 0436-356    | 1   | S     | Snowplow, Push Frame                     |
|       | 1402-028    | 1   |       | Tire, Titan AT589 (25x8-12, Mud & Snow)  |
|       | 0402-563    | 1   |       | Tire, Titan AT589 (25x10-12, Mud & Snow) |
|       | 0436-297    | 1   |       | Tool Holder - Double                     |
|       | 0436-263    | 1   | /P    | Tool Holder - Single                     |
|       | 0436-329    | 1   | S     | Winch Kit, 2500 lb                       |
|       | 0436-361    | 1   |       | Winch Mounting Kit                       |
|       | 0436-507    | 1   |       | Windshield, Clear w/Black Accent         |



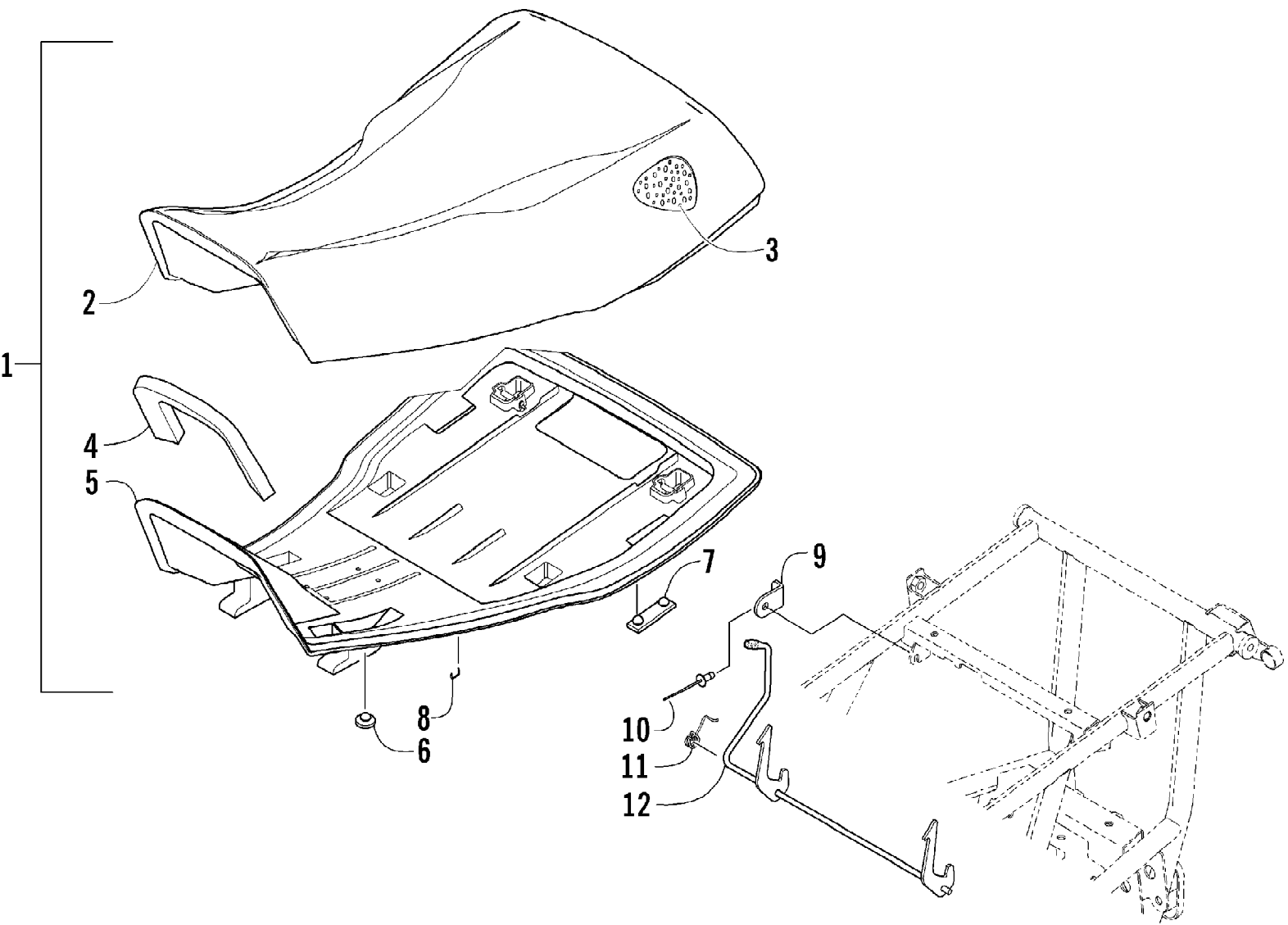
2004 ATV 500 MANUAL TRANSMISSION 4X4 FIS CAT GREEN (A2004ISM4A) Page 65 of 92  
REVERSE SHIFT LEVER ASSEMBLY



2004 ATV 500 MANUAL TRANSMISSION 4X4 FIS CAT GREEN (A2004ISM4A) Page 66 of 92  
REVERSE SHIFT LEVER ASSEMBLY

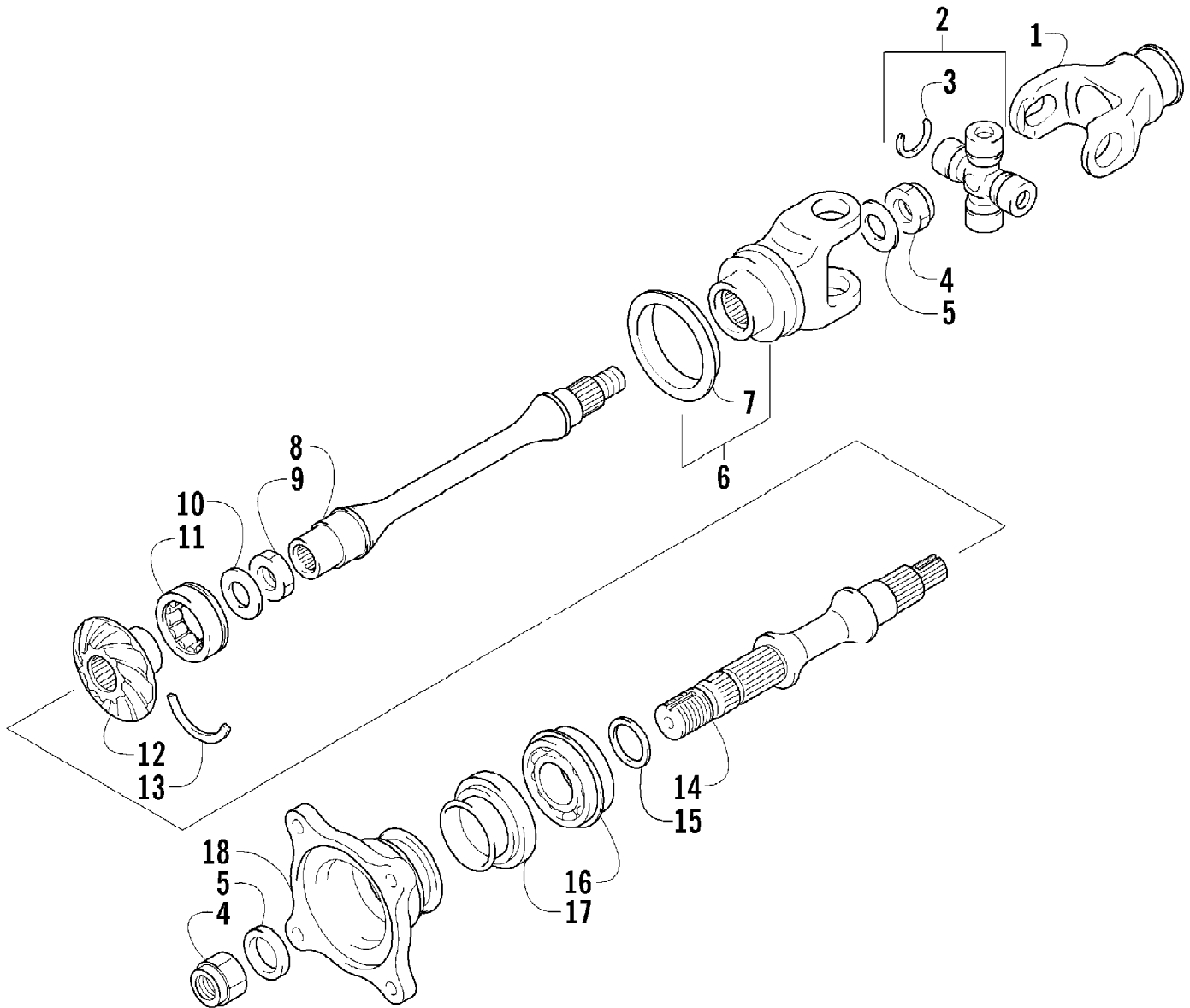
| Ref # | Part Number | Qty | S/P/F | Description                 |
|-------|-------------|-----|-------|-----------------------------|
| 1     | 8424-602    | 1   | /P    | Nut                         |
| 2     | 8408-812    | 1   |       | Screw, Cap                  |
| 3     | 0502-560    | 1   |       | Axle, Reverse Shift Lever   |
| 4     | 0502-185    | 1   |       | Lever, Reverse Shift        |
| 5     | 0423-299    | 2   | /P    | O-Ring                      |
| 6     | 0423-182    | 2   | /P    | O-Ring                      |
| 7     | 0423-087    | 1   |       | Washer                      |
| 8     | 0502-410    | 1   | S     | Spring                      |
| 9     | 0402-675    | 1   |       | Axle, Pivot                 |
| 10    | 0402-843    | 1   | /P    | Handle, Reverse Shift Lever |
| 11    | 0423-345    | 1   |       | Clip, Push                  |
| 12    | 0502-439    | 1   |       | Linkage, Shift              |
| 13    | 0402-844    | 1   |       | End, Rod                    |
| 14    | 0623-294    | 2   |       | Nut                         |
| 15    | 0423-091    | 1   |       | Bushing                     |
| 16    | 3423-204    | 1   | /P    | Washer                      |
| 17    | 0423-169    | 1   | /P    | E-Ring                      |
| 18    | 0402-847    | 1   |       | Plate, Shift                |
| 19    | 0406-943    | 1   |       | Shield, Linkage             |
| 20    | 0423-371    | 3   |       | Screw, Machine              |
| 21    | 0623-309    | 1   |       | Screw, Self-Tapping         |

2004 ATV 500 MANUAL TRANSMISSION 4X4 FIS CAT GREEN (A2004ISM4A) ~~Page 67 of 92~~  
SEAT ASSEMBLY



2004 ATV 500 MANUAL TRANSMISSION 4X4 FIS CAT GREEN (A2004ISM4A) Page 68 of 92  
SEAT ASSEMBLY

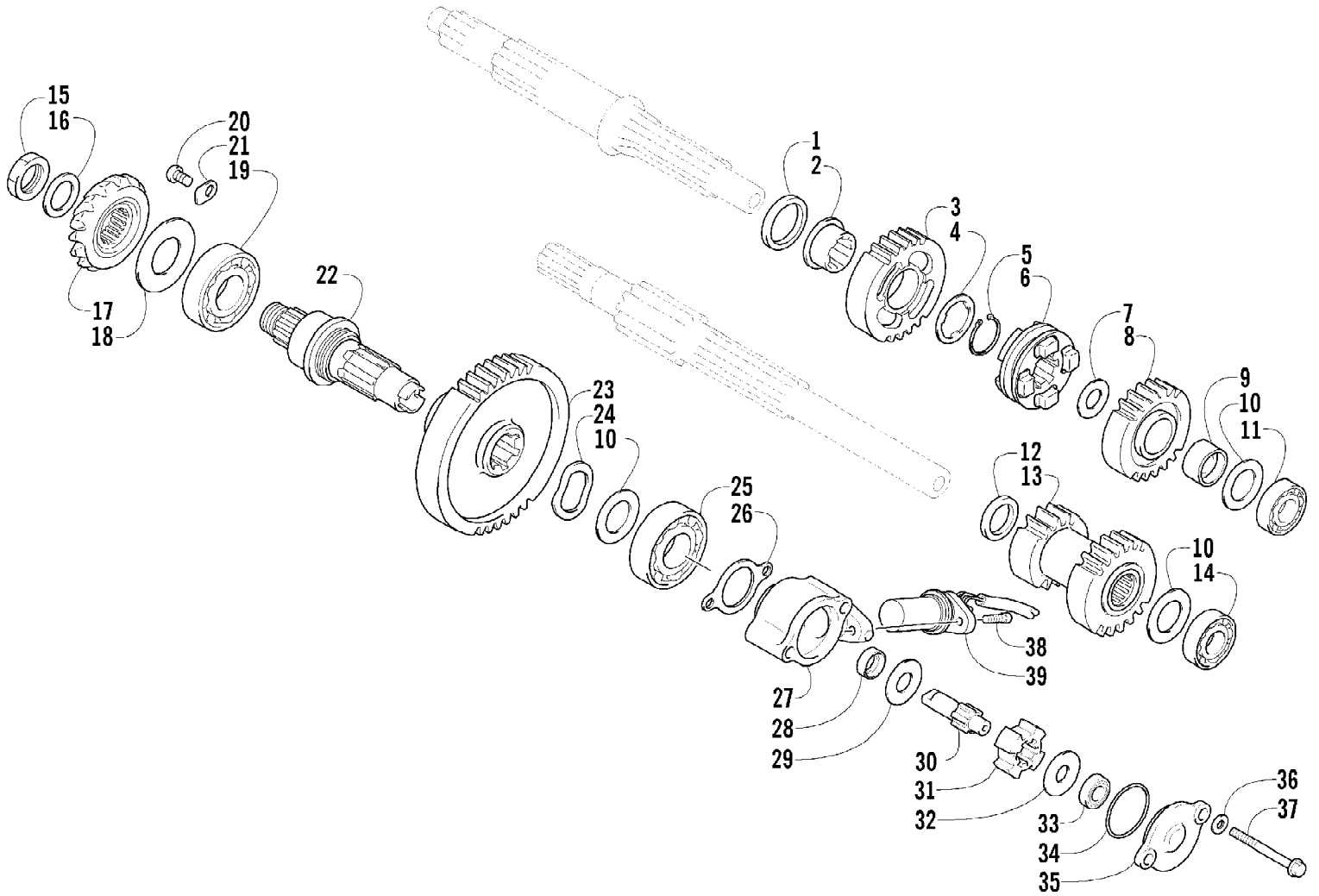
| Ref # | Part Number | Qty | S/P/F | Description                    |
|-------|-------------|-----|-------|--------------------------------|
| 1     | 0506-558    | 1   |       | Seat Assembly (inc. 2-8)       |
| 2     | 0506-556    | 1   |       | Cover, Seat                    |
| 3     | 0506-555    | 1   |       | Foam, Seat                     |
| 4     | 1406-060    | 1   |       | Foam, Sound                    |
| 5     | 0406-878    | 1   |       | Base, Seat Assembly (inc. 6-7) |
| 6     | 0406-877    | 2   | /P    | Bumper, Seat - Front           |
| 7     | 0406-879    | 2   |       | Bumper, Seat - Rear            |
| 8     | 0624-528    | AR  | /P    | Staple                         |
| 9     | 1406-087    | 1   |       | Plate, Retainer                |
| 10    | 8060-284    | 1   |       | Rivet                          |
| 11    | 1406-371    | 1   |       | Spring, Seat Latch             |
| 12    | 1506-217    | 1   |       | Latch, Seat                    |



2004 ATV 500 MANUAL TRANSMISSION 4X4 FIS CAT GREEN (A2004ISM4A) Page 70 of 92  
SECONDARY DRIVE ASSEMBLY

| Ref # | Part Number | Qty | S/P/F | Description                         |
|-------|-------------|-----|-------|-------------------------------------|
| 1     | 3446-327    | 1   | /P    | Yoke, Propeller Shaft               |
| 2     | 3402-562    | 1   |       | Joint, Universal (inc. 3)           |
| 3     | 3423-479    | 4   |       | Circlip                             |
| 4     | 3423-025    | 2   |       | Nut                                 |
| 5     | 3423-028    | 2   |       | Washer                              |
| 6     | 3402-742    | 1   |       | Yoke, Front Drive Output (inc. 7)   |
| 7     | 3402-743    | 1   |       | Plate, Output                       |
| 8     | 3446-239    | 1   |       | Shaft, Secondary Driven - Front     |
| 9     | 3423-136    | 1   |       | Nut, Secondary Driven Gear          |
| 10    | 3423-137    | 1   |       | Washer, Secondary Driven Gear       |
| 11    | 3402-515    | 1   | /P    | Bearing, Secondary Driven Gear      |
| 12    | 3446-222    | 1   | /P    | Gear, Secondary Driven              |
| 13    | 3423-072    | 1   |       | Ring, Secondary Driven Gear Bearing |
| 14    | 3446-346    | 1   | S     | Shaft, Secondary Driven - Rear      |
| 15    | 3402-017    | AR  |       | Shim, 25 x 34 x 0.60 mm             |
| 15    | 3402-018    | AR  |       | Shim, 25 x 34 x 0.65 mm             |
| 15    | 3402-019    | AR  |       | Shim, 25 x 34 x 0.70 mm             |
| 15    | 3402-020    | AR  |       | Shim, 25 x 34 x 0.75 mm             |
| 15    | 3402-021    | AR  | S     | Shim, 25 x 34 x 0.80 mm             |
| 15    | 3402-022    | AR  |       | Shim, 25 x 34 x 0.85 mm             |
| 15    | 3402-023    | AR  |       | Shim, 25 x 34 x 0.90 mm             |
| 15    | 3402-024    | AR  |       | Shim, 25 x 34 x 0.95 mm             |
| 15    | 3402-025    | AR  | S     | Shim, 25 x 34 x 1.00 mm             |
| 15    | 3402-028    | AR  |       | Shim, 25 x 34 x 1.05 mm             |
| 15    | 3402-029    | AR  |       | Shim, 25 x 34 x 1.10 mm             |
| 15    | 3402-030    | AR  |       | Shim, 25 x 34 x 1.15 mm             |
| 15    | 3402-031    | AR  |       | Shim, 25 x 34 x 1.20 mm             |
| 16    | 3402-067    | 2   | S     | Bearing                             |
| 17    | 3402-072    | 2   |       | Seal, Oil                           |
| 18    | 3402-514    | 1   | /P    | Yoke, Rear Drive Output             |

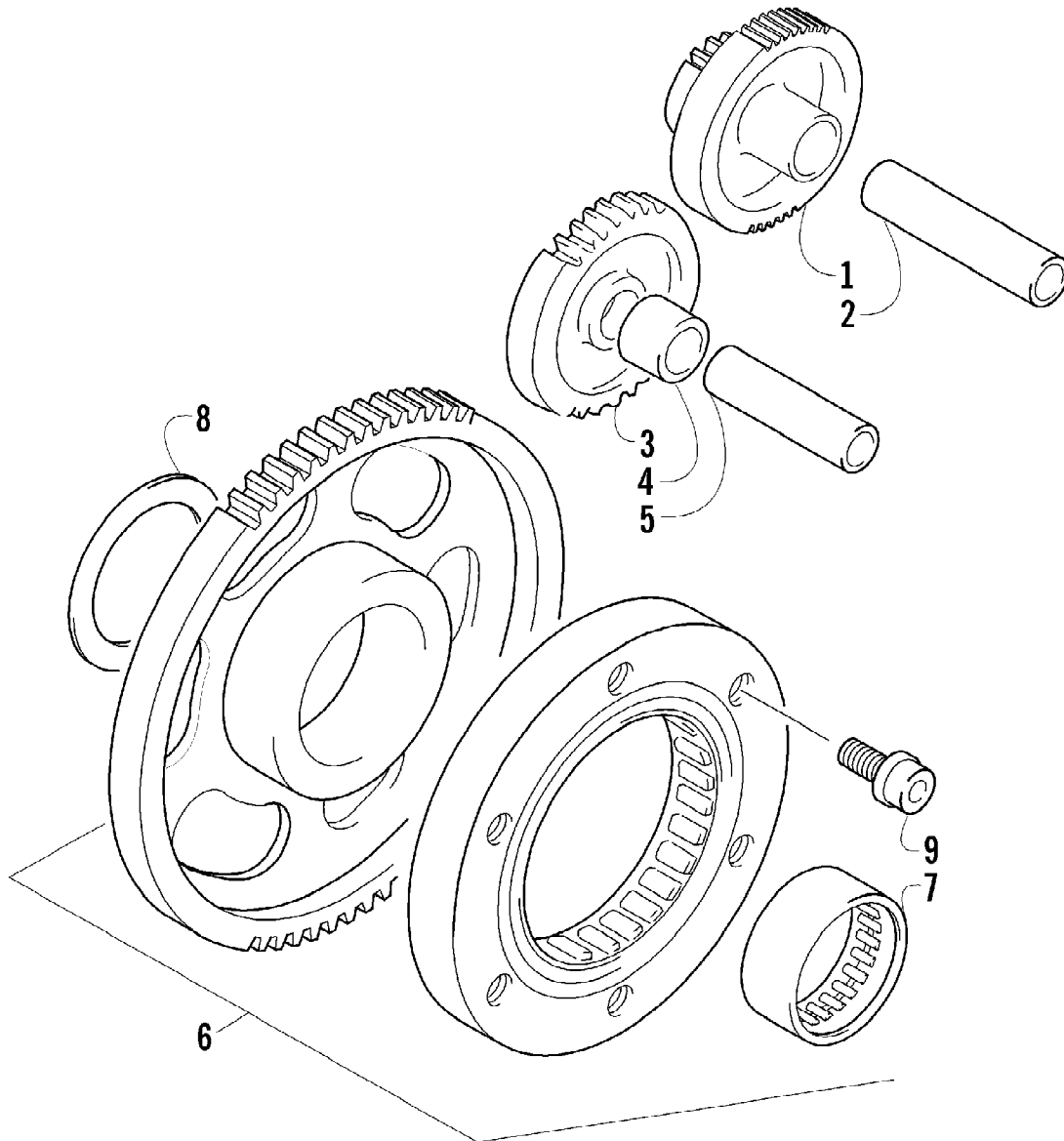
2004 ATV 500 MANUAL TRANSMISSION 4X4 FIS CAT GREEN (A2004ISM4A) Page 71 of 92  
SECONDARY TRANSMISSION ASSEMBLY



2004 ATV 500 MANUAL TRANSMISSION 4X4 FIS CAT GREEN (A2004ISM4A) Page 72 of 92  
SECONDARY TRANSMISSION ASSEMBLY

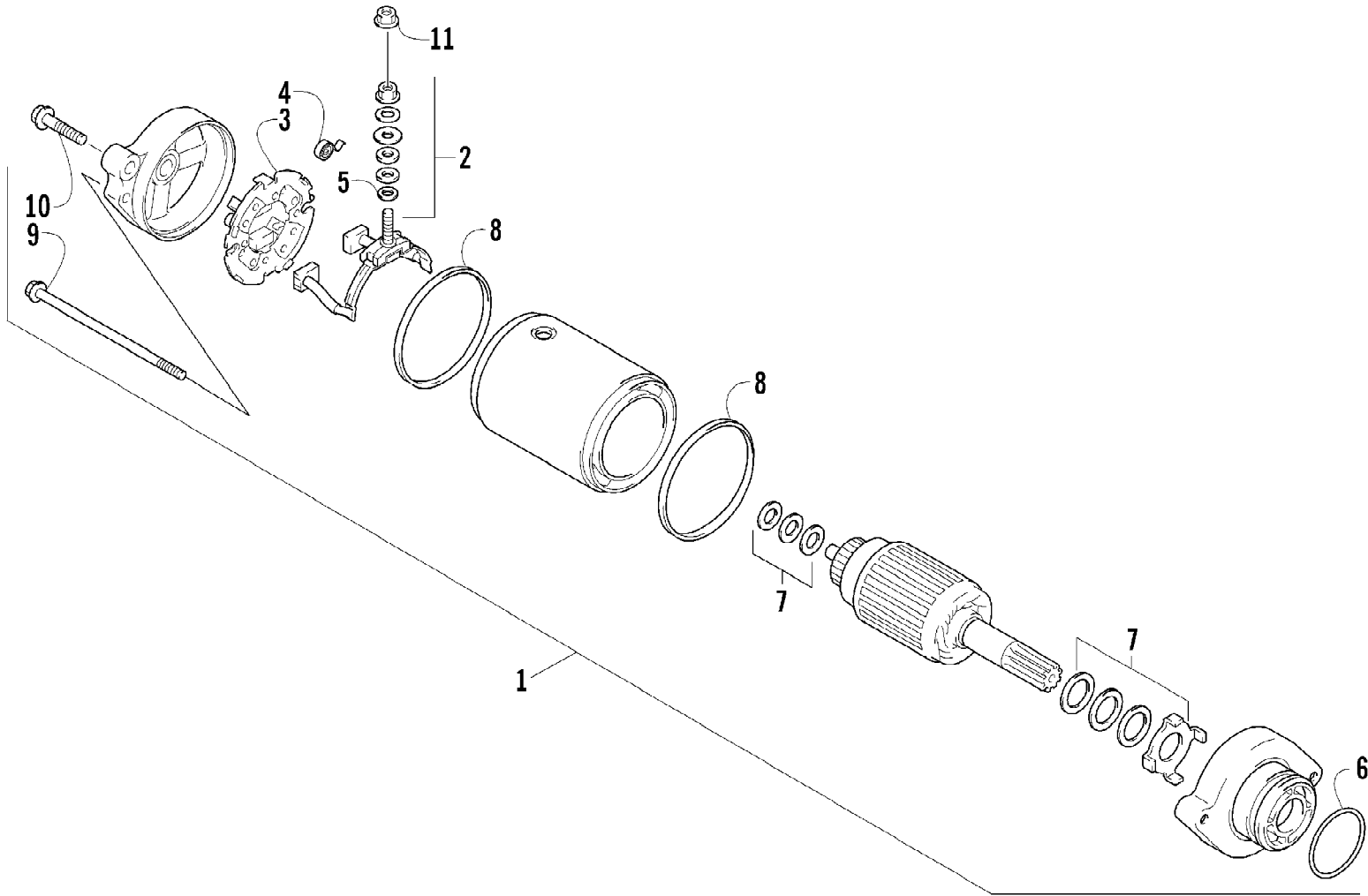
| Ref # | Part Number | Qty | S/P/F | Description                            |
|-------|-------------|-----|-------|----------------------------------------|
| 1     | 3446-246    | 1   |       | Spacer, Drive Gear                     |
| 2     | 3446-247    | 1   |       | Bushing, Drive Gear No. 1              |
| 3     | 3446-342    | 1   |       | Gear, Drive - No. 1                    |
| 4     | 3423-036    | 1   |       | Washer, Drive Gear No. 1               |
| 5     | 3423-066    | 1   | /P    | Circlip, Drive Gear No. 1              |
| 6     | 3446-343    | 1   |       | Dog, Sliding                           |
| 7     | 3402-195    | 1   |       | Washer, Drive Gear No. 2               |
| 8     | 3446-248    | 1   |       | Gear, Drive - No. 2                    |
| 9     | 3446-103    | 1   |       | Bushing, Drive Gear No. 2              |
| 10    | 3402-381    | 3   | /P    | Washer                                 |
| 11    | 3402-046    | 1   |       | Bearing, Driveshaft - Left             |
| 12    | 3423-148    | 1   |       | Spacer, Idle Gear                      |
| 13    | 3446-066    | 1   |       | Gear, Idle                             |
| 14    | 3402-979    | 1   | /P    | Bearing, Countershaft - Left           |
| 15    | 3423-023    | 1   |       | Nut                                    |
| 16    | 3423-032    | 1   |       | Washer                                 |
| 17    | 3446-274    | 1   | /P    | Gear, Secondary Drive Bevel            |
| 18    | 3423-549    | 1   |       | Shim Set                               |
| 19    | 3402-055    | 1   | /P    | Bearing                                |
| 20    | 3423-370    | 2   |       | Screw                                  |
| 21    | 3446-031    | 2   | /P    | Retainer, Secondary Driveshaft Bearing |
| 22    | 3446-344    | 1   |       | Shaft, Output                          |
| 23    | 3446-345    | 1   |       | Gear, Driven                           |
| 24    | 3423-548    | 1   |       | Lock Washer                            |
| 25    | 3402-045    | 1   | /P    | Bearing                                |
| 26    | 3446-244    | 1   | /P    | Gasket, Sensor Housing                 |
| 27    | 3446-400    | 1   |       | Housing, Speedometer Sensor            |
| 28    | 3006-322    | 1   |       | Seal, Sensor Housing                   |
| 29    | 3423-617    | 1   |       | Washer                                 |
| 30    | 3446-402    | 1   |       | Shaft, Speedometer Rotor               |
| 31    | 3402-837    | 1   |       | Rotor, Speedometer                     |
| 32    | 3423-767    | 1   |       | Washer                                 |
| 33    | 3402-980    | 1   |       | Bearing, Rotor Shaft                   |
| 34    | 3423-766    | 1   |       | O-Ring, Housing Cover                  |
| 35    | 3446-401    | 1   |       | Cover, Speedometer Housing             |
| 36    | 3003-290    | 2   | /P    | Gasket                                 |
| 37    | 3423-307    | 2   | S     | Bolt                                   |
| 38    | 3423-226    | 1   |       | Bolt                                   |
| 39    | 3402-981    | 1   |       | Sensor, Speedometer                    |





2004 ATV 500 MANUAL TRANSMISSION 4X4 FIS CAT GREEN (A2004ISM4A) Page 74 of 92  
STARTER CLUTCH ASSEMBLY

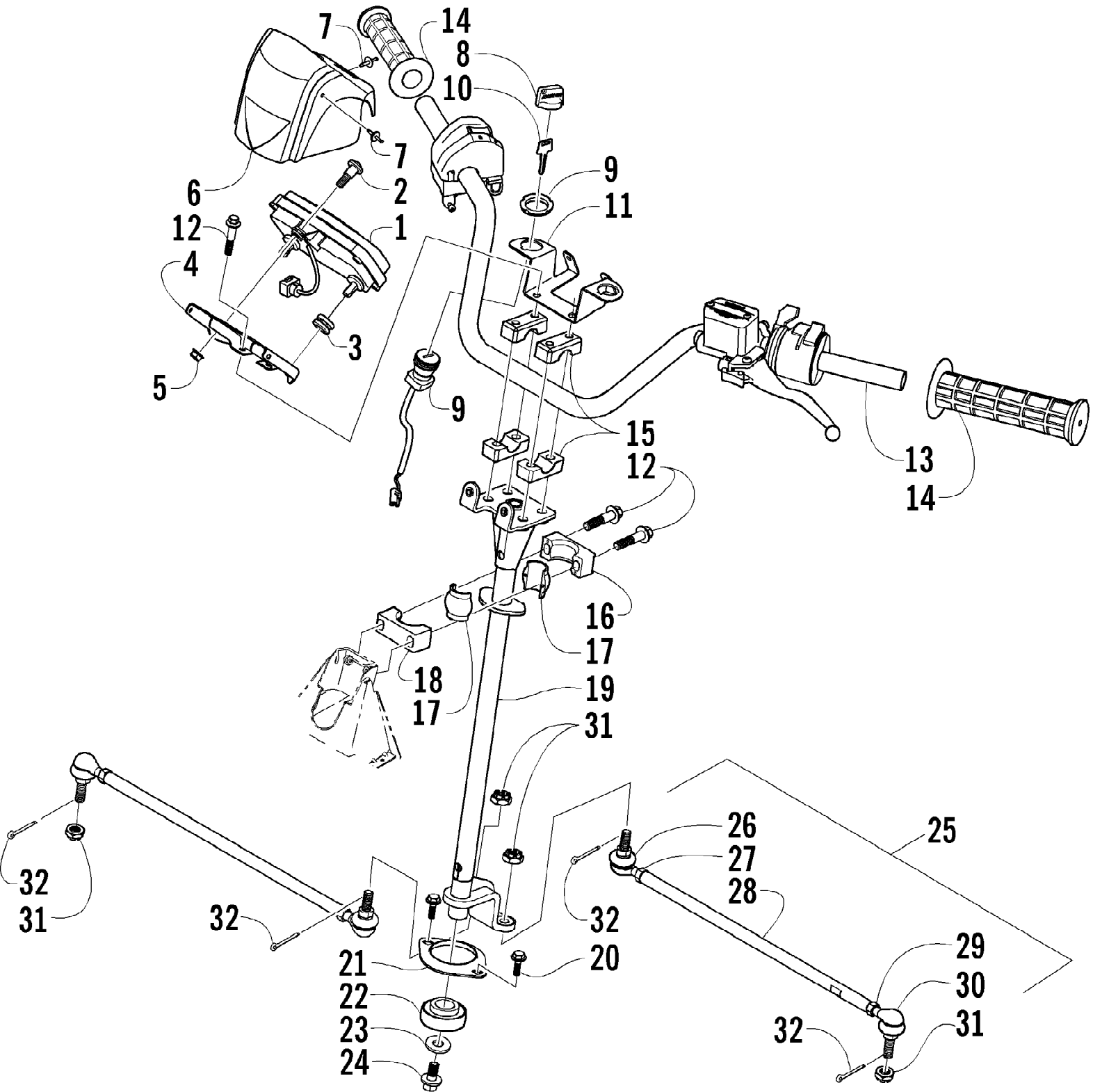
| Ref # | Part Number | Qty | S/P/F | Description                      |
|-------|-------------|-----|-------|----------------------------------|
| 1     | 3402-813    | 1   | /P    | Gear, Starter Idler - No.1       |
| 2     | 3423-331    | 1   |       | Pin                              |
| 3     | 3402-349    | 1   |       | Gear, Starter Idler - No.2       |
| 4     | 3423-396    | 1   |       | Spacer, Starter Idler Gear No. 2 |
| 5     | 3423-397    | 1   |       | Pin                              |
| 6     | 3402-457    | 1   |       | Starter, Clutch - Set (inc. 7)   |
| 7     | 3402-063    | 1   |       | Bearing                          |
| 8     | 3423-104    | 1   |       | Washer                           |
| 9     | 3423-509    | 6   |       | Bolt                             |



2004 ATV 500 MANUAL TRANSMISSION 4X4 FIS CAT GREEN (A2004ISM4A) Page 76 of 92  
STARTER MOTOR ASSEMBLY

| Ref # | Part Number | Qty | S/P/F | Description                          |
|-------|-------------|-----|-------|--------------------------------------|
| 1     | 3545-015    | 1   | S     | Motor, Starter - Assembly (inc. 2-9) |
| 2     | 3008-094    | 1   | /P    | Terminal Set, Brush                  |
| 3     | 3008-095    | 1   | /P    | Holder Set, Brush                    |
| 4     | 3008-096    | 4   |       | Spring, Brush                        |
| 5     | 3008-164    | 1   |       | O-Ring                               |
| 6     | 3423-084    | 1   |       | O-Ring                               |
| 7     | 3436-001    | 1   |       | Washer Set                           |
| 8     | 3008-101    | 2   | S     | O-Ring                               |
| 9     | 3423-085    | 2   |       | Through-Bolt                         |
| 10    | 3423-162    | 2   | S     | Bolt, Starter Motor                  |
| 11    | 3423-195    | 1   | /P    | Nut, Starter Motor                   |

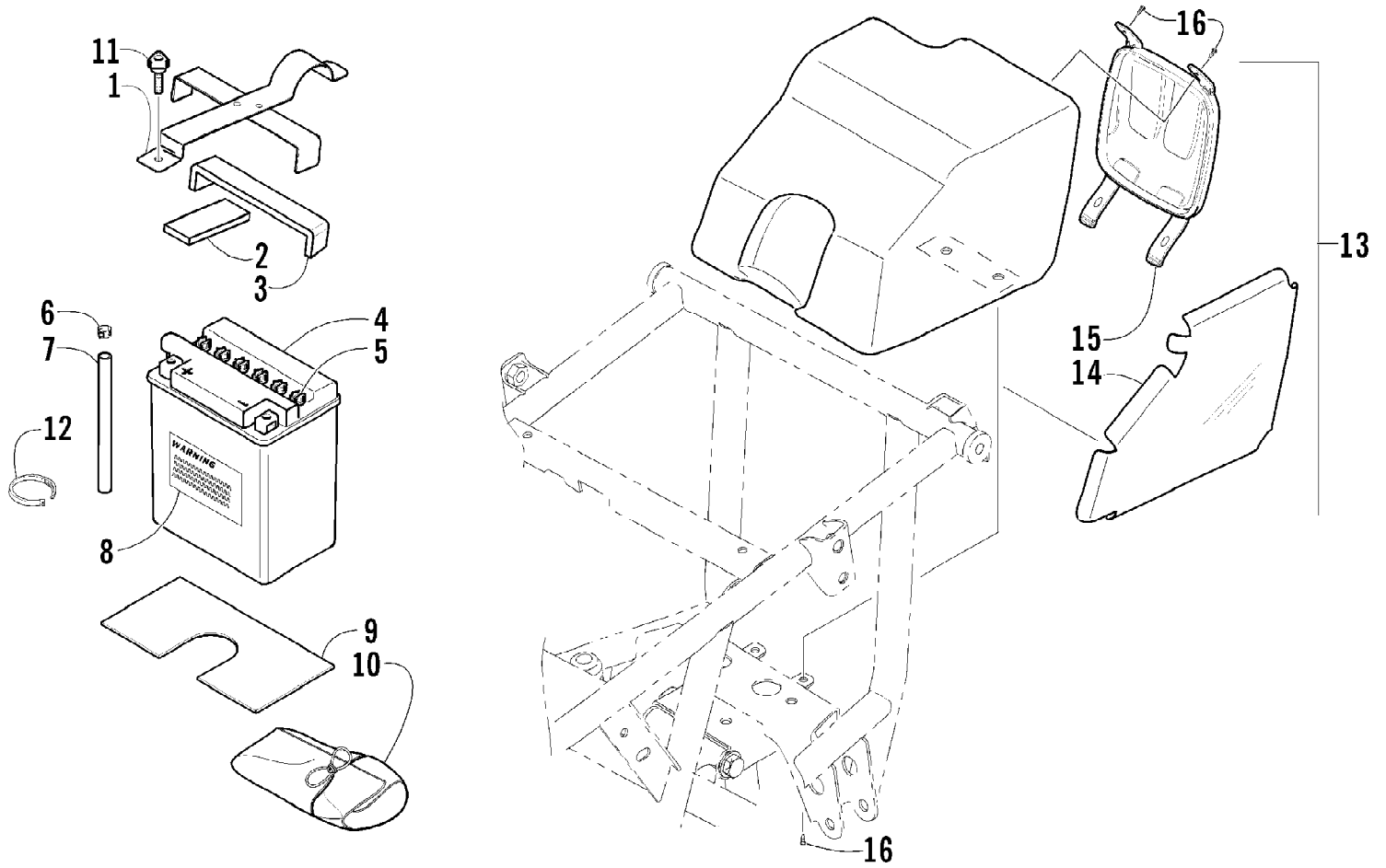
2004 ATV 500 MANUAL TRANSMISSION 4X4 FIS CAT GREEN (A2004ISM4A) Page 77 of 92  
STEERING ASSEMBLY



2004 ATV 500 MANUAL TRANSMISSION 4X4 FIS CAT GREEN (A2004ISM4A) Page 78 of 92  
STEERING ASSEMBLY

| Ref # | Part Number | Qty | S/P/F | Description                           |
|-------|-------------|-----|-------|---------------------------------------|
| 1     | 0420-044    | 1   |       | Gauge, Digital                        |
| 2     | 0423-356    | 1   |       | Screw, Shoulder                       |
| 3     | 0423-448    | 2   |       | Grommet                               |
| 4     | 1506-307    | 1   |       | Bracket, Mounting - Digital Gauge     |
| 5     | 8424-602    | 1   | /P    | Nut, Flange                           |
| 6     | 0405-134    | 1   |       | Instrument Pod                        |
| 7     | 0623-362    | 4   |       | Rivet, Reinstallable                  |
| 8     | 0409-013    | 1   |       | Cover, Key                            |
| 9     | 3430-040    | 1   |       | Switch, Ignition - Assembly (inc. 10) |
| 10    | 3409-007    | 1   | /P    | Key, Ignition - Blank (C Series)      |
| 10    | 3409-011    | 1   |       | Key, Ignition - Blank (D Series)      |
| 10    | 3409-012    | 1   |       | Key, Ignition - Blank (E Series)      |
| 10    | 3409-013    | 1   |       | Key, Ignition - Blank (F Series)      |
| 11    | 1506-309    | 1   |       | Bracket, Key Switch                   |
| 12    | 8408-860    | 6   |       | Screw, Cap                            |
| 13    | 0505-410    | 1   |       | Tube, Handlebar                       |
| 14    | 0405-106    | 2   |       | Grip, Handlebar                       |
| 15    | 0405-035    | 4   |       | Cap, Steering Adjuster                |
| 16    | 0605-147    | 1   | S     | Housing, Bearing - Upper              |
| 17    | 0405-020    | 2   |       | Bearing, Steering Post                |
| 18    | 0605-171    | 1   |       | Housing, Bearing - Lower              |
| 19    | 0505-431    | 1   | /P    | Post, Steering                        |
| 20    | 8408-816    | 2   |       | Screw, Cap                            |
| 21    | 0602-233    | 1   |       | Flange, Bearing                       |
| 22    | 0405-052    | 1   |       | Bearing w/Inverted Oil Seal           |
| 23    | 0423-073    | 1   |       | Washer                                |
| 24    | 8409-020    | 1   | /P    | Screw, Cap                            |
| 25    | 0505-408    | 2   | S     | Tie Rod - Assembly (inc. 26-30)       |
| 26    | 0405-083    | 2   | S     | Ball Joint, Tie Rod - Left            |
| 27    | 0423-013    | 2   |       | Nut - Left                            |
| 28    | 0405-107    | 2   | S     | Tie Rod                               |
| 29    | 8420-002    | 2   | /P    | Nut - Right                           |
| 30    | 0405-082    | 2   | S     | Ball Joint, Tie Rod - Right           |
| 31    | 0423-157    | 4   |       | Nut, Top Lock                         |
| 32    | 0623-175    | 4   |       | Pin, Cotter                           |

2004 ATV 500 MANUAL TRANSMISSION 4X4 FIS CAT GREEN (A2004ISM4A) Page 79 of 92  
STORAGE BOX AND BATTERY ASSEMBLY

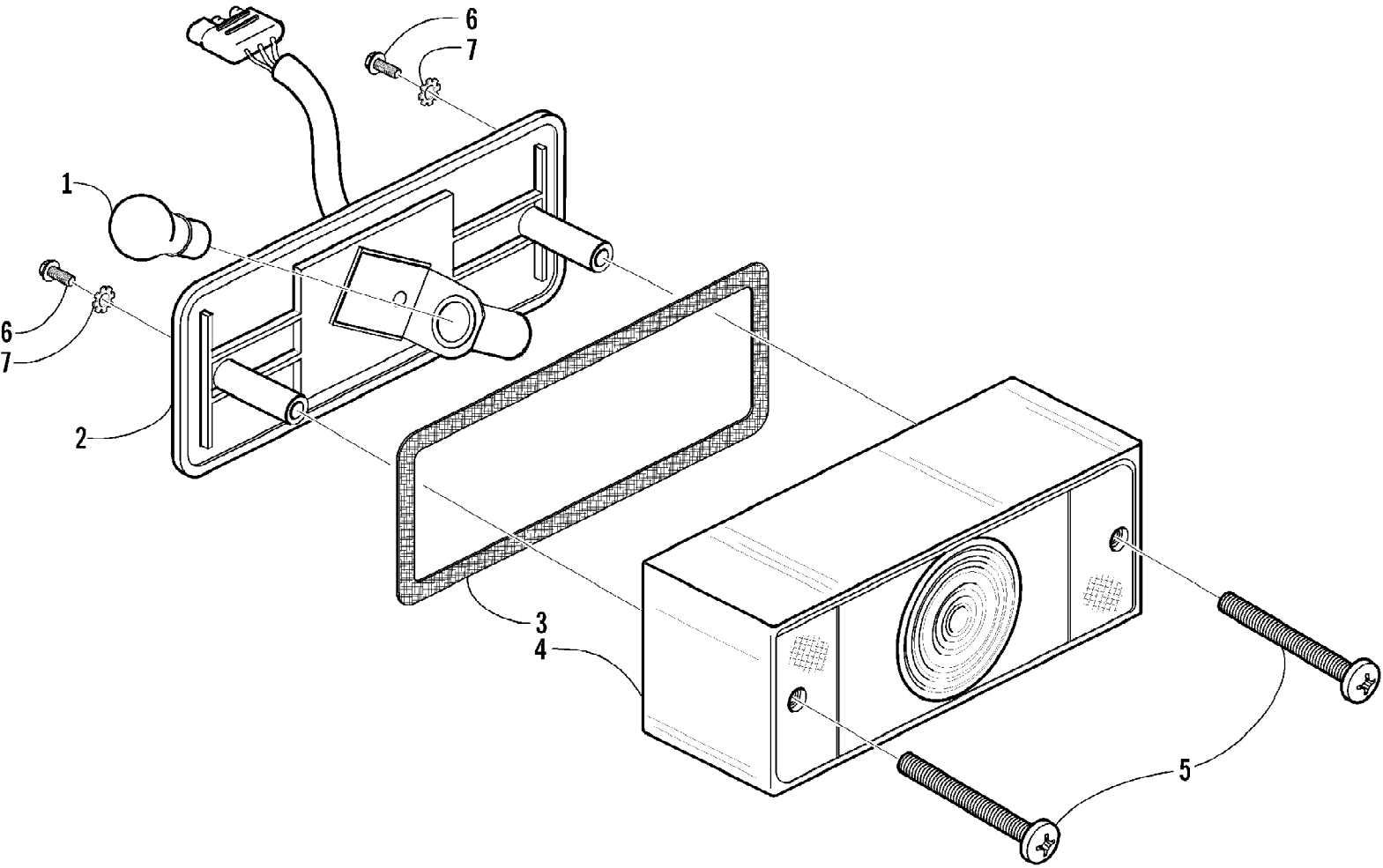


2004 ATV 500 MANUAL TRANSMISSION 4X4 FIS CAT GREEN (A2004ISM4A) Page 80 of 92  
STORAGE BOX AND BATTERY ASSEMBLY

| Ref # | Part Number | Qty | S/P/F | Description                      |
|-------|-------------|-----|-------|----------------------------------|
| 1     | 0506-178    | 1   |       | Strap, Battery w/Pads (inc. 2-3) |
| 2     | 0406-288    | 1   |       | Pad, Battery - Upper Front       |
| 3     | 0406-289    | 1   |       | Pad, Battery - Upper Rear        |
| 4     | 0745-045    | 1   | /P    | Battery Assembly (inc. 5-8)      |
| 5     | 0645-045    | 6   |       | Cap, Battery                     |
| 6     | 0645-152    | 1   |       | Clamp, Hose                      |
| 7     | 0645-263    | 1   | /P    | Hose, Battery Vent               |
| 8     | 0645-151    | 1   |       | Label, Warning - Battery         |
| 9     | 0406-227    | 1   |       | Pad, Battery - Lower             |
| 10    | 0444-122    | 1   | S/P   | Kit, Tool                        |
| 11    | 0423-456    | 1   | /P    | Screw, Thumb                     |
| 12    | 0123-903    | 2   |       | Cable Tie - 11.5 in.             |
| 13    | 0506-797    | 1   |       | Storage Box - Assembly (inc. 14) |
| 14    | 1406-140    | 1   |       | Shield, Heat                     |
| 15    | 1406-078    | 1   |       | Cover, Storage Box               |
| 16    | 0623-797    | 4   |       | Screw, Self-Tapping              |

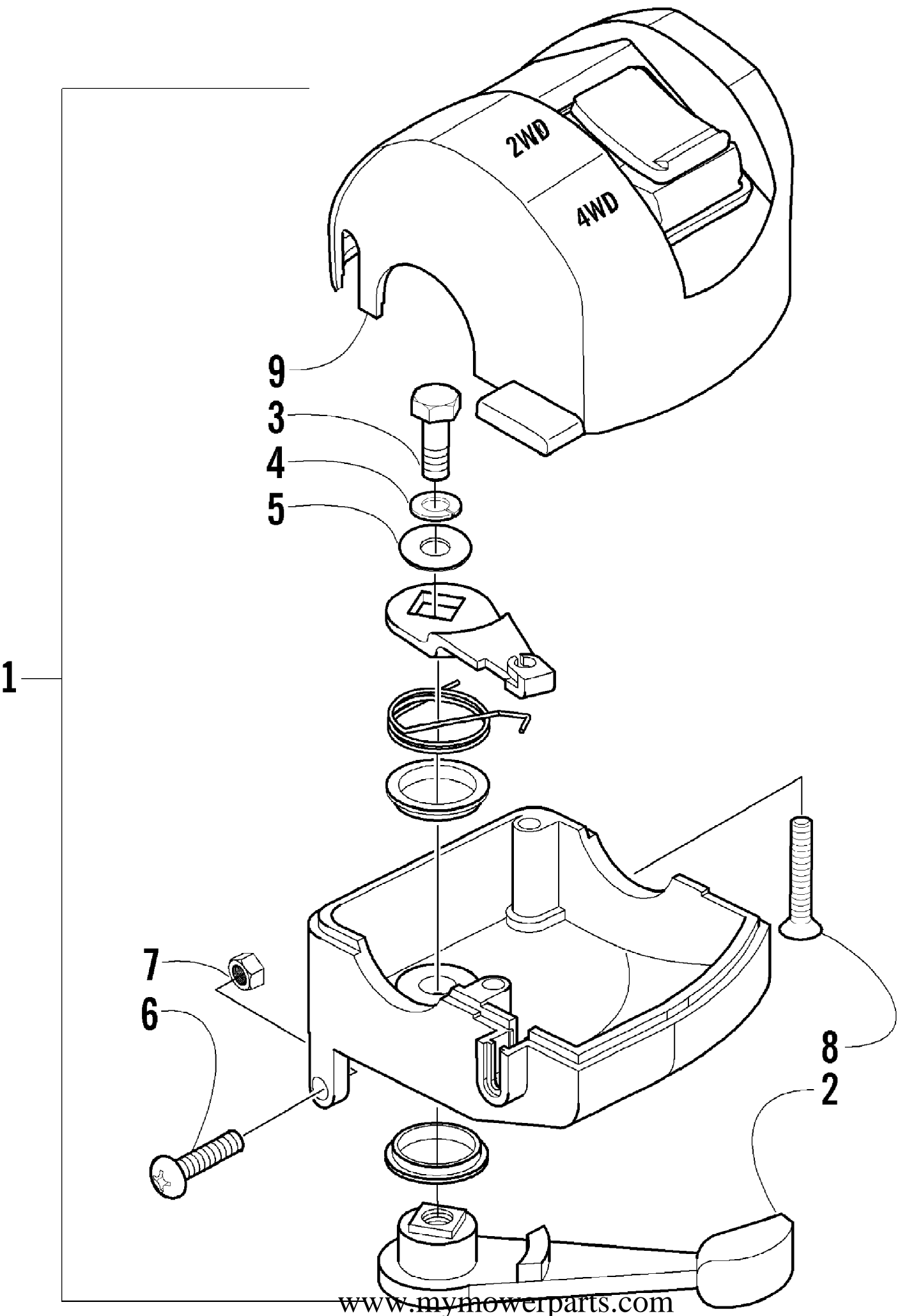


2004 ATV 500 MANUAL TRANSMISSION 4X4 FIS CAT GREEN (A2004ISM4A) Page 81 of 92  
TAILLIGHT ASSEMBLY



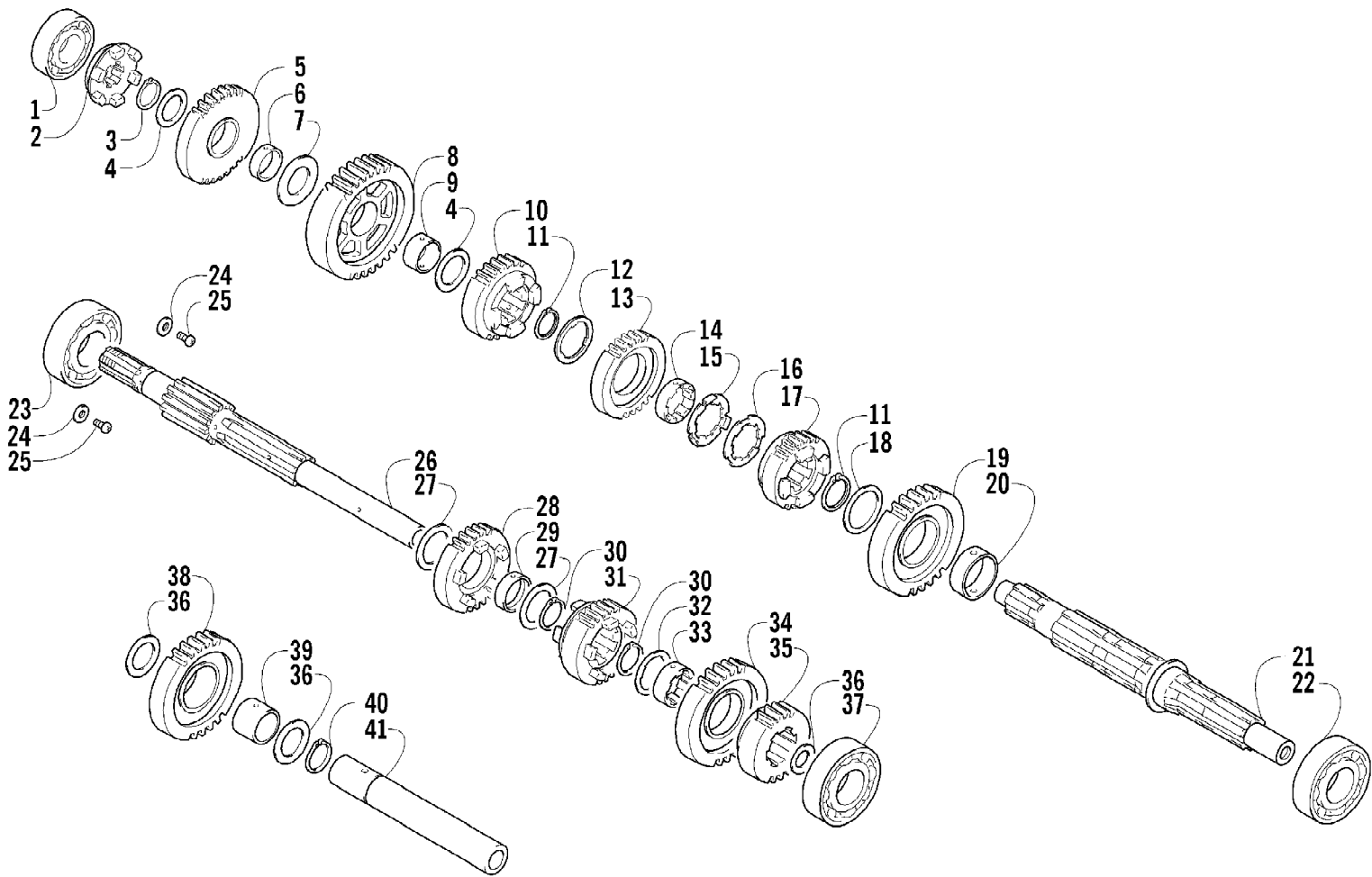
2004 ATV 500 MANUAL TRANSMISSION 4X4 FIS CAT GREEN (A2004ISM4A) Page 82 of 92  
TAILLIGHT ASSEMBLY

| Ref # | Part Number | Qty | S/P/F | Description                   |
|-------|-------------|-----|-------|-------------------------------|
|       | 0409-002    | 1   |       | Complete Taillight Assembly   |
| 1     | 0109-460    | 1   | /P    | Bulb, Stop/Taillight          |
| 2     | 0409-058    | 1   |       | Taillight w/Socket Assembly   |
| 3     | 0409-012    | 1   |       | Gasket, Taillight Lens        |
| 4     | 0409-007    | 1   |       | Lens, Taillight               |
| 5     | 0409-010    | 2   |       | Screw, Machine                |
| 6     | 0623-301    | 2   | /P    | Screw, Self-Tapping           |
| 7     | 8053-212    | 2   | /P    | Washer, Lock - External Tooth |



2004 ATV 500 MANUAL TRANSMISSION 4X4 FIS CAT GREEN (A2004ISM4A) Page 84 of 92  
THROTTLE CASE ASSEMBLY

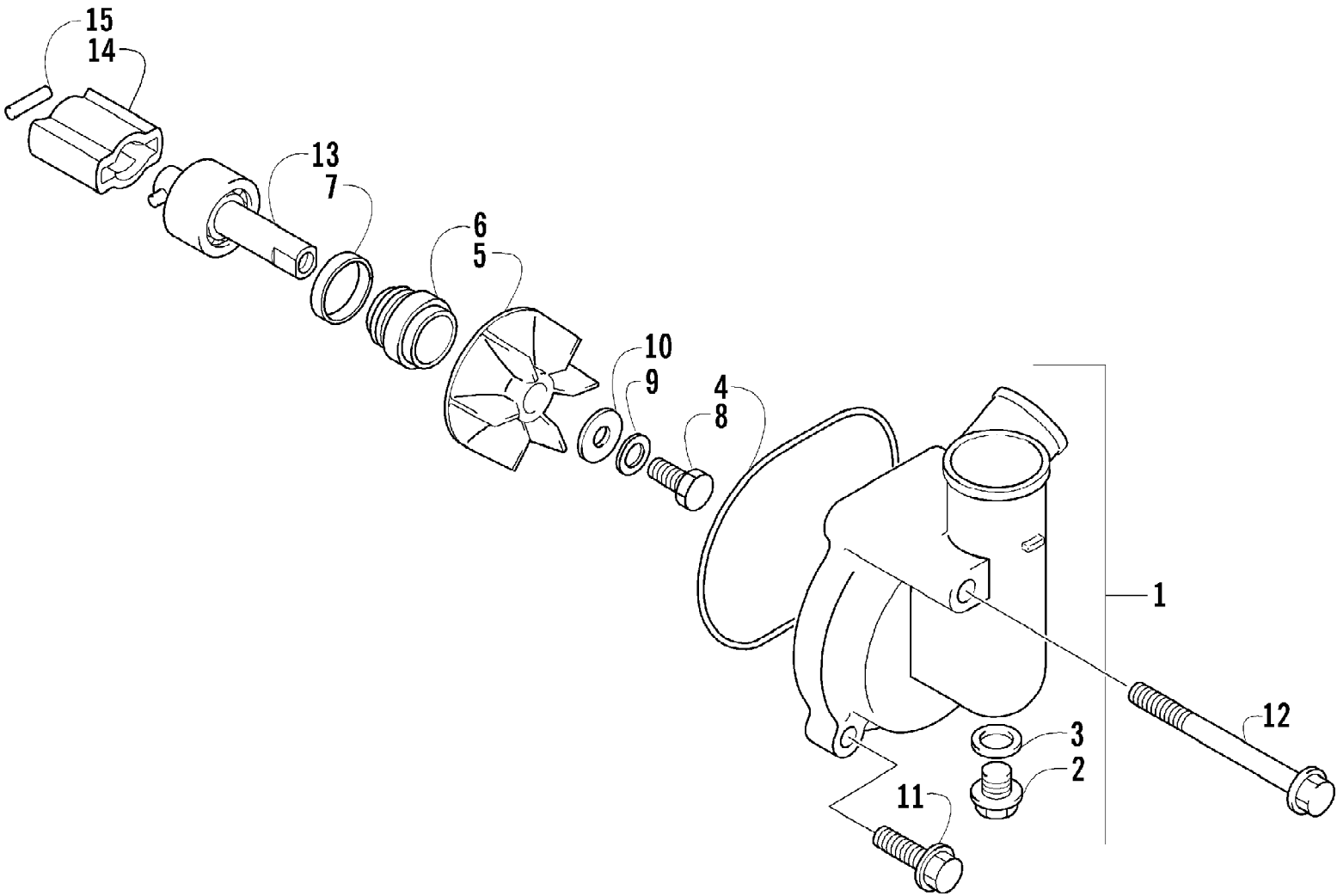
| Ref # | Part Number | Qty | S/P/F | Description                          |
|-------|-------------|-----|-------|--------------------------------------|
| 1     | 0509-012    | 1   |       | Case, Throttle - Assembly (inc. 2-9) |
| 2     | 3409-001    | 1   |       | Lever                                |
| 3     | 3004-533    | 1   | S/P   | Screw, Cap                           |
| 4     | 3004-447    | 1   | /P    | Washer, Lock                         |
| 5     | 3003-030    | 1   | /P    | Washer                               |
| 6     | 3423-014    | 1   |       | Screw                                |
| 7     | 3423-327    | 1   |       | Nut                                  |
| 8     | 3423-199    | 2   |       | Screw                                |
| 9     | 0409-048    | 1   |       | Cover, Throttle w/Switch             |



2004 ATV 500 MANUAL TRANSMISSION 4X4 FIS CAT GREEN (A2004ISM4A) Page 86 of 92  
TRANSMISSION ASSEMBLY

| Ref # | Part Number | Qty | S/P/F | Description                     |
|-------|-------------|-----|-------|---------------------------------|
| 1     | 3003-320    | 1   | /P    | Bearing, Driveshaft - Right     |
| 2     | 3446-030    | 1   |       | Dog, Reverse                    |
| 3     | 3423-189    | 1   | S     | Circlip                         |
| 4     | 3402-335    | 2   |       | Washer                          |
| 5     | 3446-029    | 1   |       | Gear, Reverse Driven            |
| 6     | 3446-032    | 1   |       | Bushing, Reverse Driven Gear    |
| 7     | 3423-131    | 1   |       | Washer, 1st Driven Gear - Right |
| 8     | 3446-235    | 1   | /P    | Gear, 1st Driven                |
| 9     | 3402-692    | 1   | /P    | Bushing, 1st Driven Gear        |
| 10    | 3446-340    | 1   |       | Gear, 4th Driven                |
| 11    | 3423-188    | 2   | S     | Circlip                         |
| 12    | 3423-038    | 1   |       | Washer, 3rd Driven Gear - Right |
| 13    | 3446-339    | 1   |       | Gear, 3rd Driven                |
| 14    | 3446-024    | 1   |       | Bushing, 3rd Driven Gear        |
| 15    | 3423-039    | 1   |       | Washer, 3rd Driven Gear - Left  |
| 16    | 3423-040    | 1   |       | Washer, 3rd Driven Gear - Left  |
| 17    | 3446-341    | 1   |       | Gear, 5th Driven                |
| 18    | 3402-383    | 1   |       | Washer, 2nd Driven Gear         |
| 19    | 3446-022    | 1   |       | Gear, 2nd Driven                |
| 20    | 3402-082    | 1   |       | Bushing, 2nd Driven Gear        |
| 21    | 3446-234    | 1   |       | Driveshaft                      |
| 22    | 3402-336    | 1   |       | Bearing, Driveshaft - Middle    |
| 23    | 3402-050    | 1   |       | Bearing, Countershaft - Right   |
| 24    | 3423-135    | 2   |       | Retainer, Countershaft Bearing  |
| 25    | 3423-370    | 2   |       | Screw                           |
| 26    | 3446-014    | 1   |       | Countershaft                    |
| 27    | 3423-187    | 2   | /P    | Washer, 4th Drive Gear          |
| 28    | 3446-337    | 1   |       | Gear, 4th Drive                 |
| 29    | 3423-547    | 1   |       | Bushing, 4th Drive Gear         |
| 30    | 3423-066    | 2   | /P    | Circlip                         |
| 31    | 3446-336    | 1   |       | Gear, 3rd Drive                 |
| 32    | 3423-037    | 1   |       | Washer, 5th Drive Gear          |
| 33    | 3446-020    | 1   |       | Bushing, 5th Drive Gear         |
| 34    | 3446-338    | 1   |       | Gear, 5th Drive                 |
| 35    | 3446-016    | 1   |       | Gear, 2nd Drive                 |
| 36    | 3402-195    | 3   |       | Washer                          |
| 37    | 3402-179    | 1   |       | Bearing, Countershaft - Middle  |
| 38    | 3446-237    | 1   |       | Gear, Reverse Idle              |
| 39    | 3446-238    | 1   |       | Bushing, Reverse Idle           |
| 40    | 3423-190    | 1   | S     | Circlip                         |
| 41    | 3446-236    | 1   |       | Shaft, Reverse Idle             |

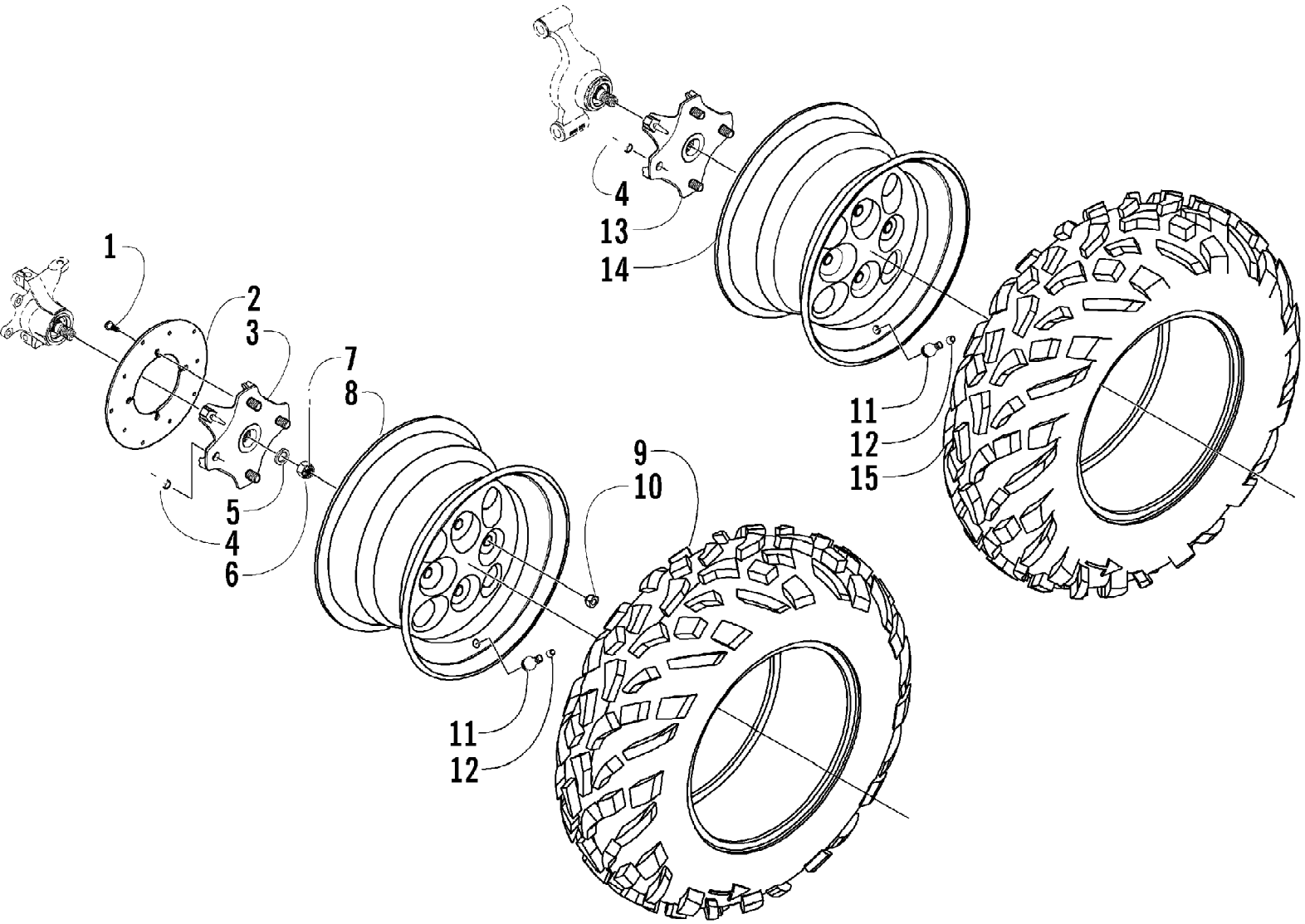
2004 ATV 500 MANUAL TRANSMISSION 4X4 FIS CAT GREEN (A2004ISM4A) Page 87 of 92  
WATER PUMP ASSEMBLY



2004 ATV 500 MANUAL TRANSMISSION 4X4 FIS CAT GREEN (A2004ISM4A) Page 88 of 92  
WATER PUMP ASSEMBLY

| Ref # | Part Number | Qty | S/P/F | Description                 |
|-------|-------------|-----|-------|-----------------------------|
| 1     | 3402-354    | 1   | /P    | Case, Water Pump (inc. 2-3) |
| 2     | 3423-343    | 1   |       | Screw, Cap                  |
| 3     | 3402-436    | 1   | /P    | Gasket                      |
| 4     | 3423-078    | 1   |       | O-Ring                      |
| 5     | 3413-001    | 1   |       | Impeller                    |
| 6     | 3005-909    | 1   | /P    | Seal, Mechanical            |
| 7     | 3003-356    | 1   |       | Oil Seal                    |
| 8     | 3423-543    | 1   |       | Bolt                        |
| 9     | 3003-431    | 1   | /P    | Washer                      |
| 10    | 3003-432    | 1   |       | Washer                      |
| 11    | 3004-507    | 2   | S     | Screw, Cap                  |
| 12    | 3423-119    | 1   | S     | Bolt                        |
| 13    | 3413-002    | 1   |       | Shaft, Pump w/Bearing       |
| 14    | 3413-011    | 1   | /P    | Joint, Pump Drive           |
| 15    | 3423-046    | 1   |       | Pin, Driven Gear            |

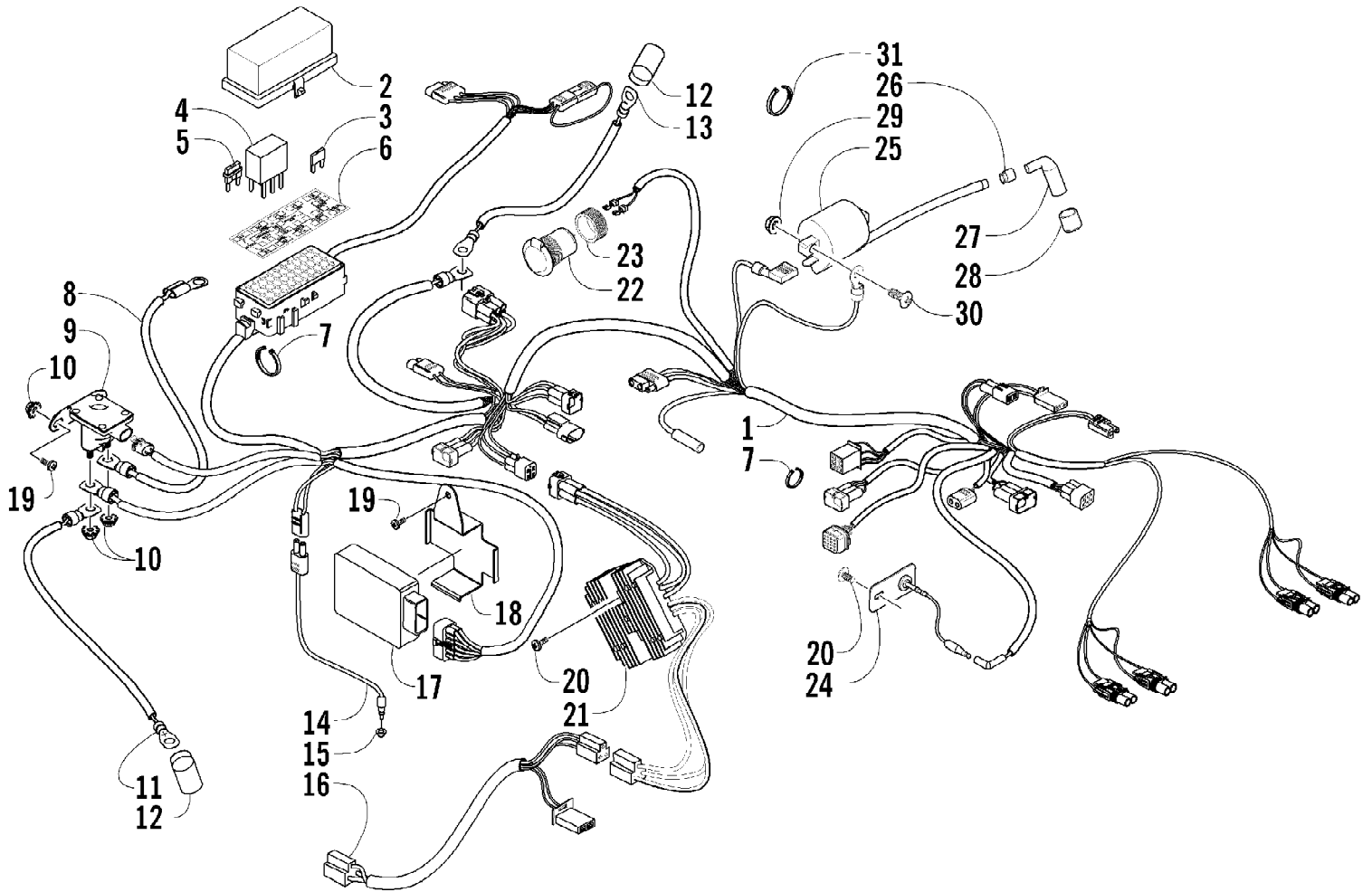




2004 ATV 500 MANUAL TRANSMISSION 4X4 FIS CAT GREEN (A2004ISM4A) Page 90 of 92  
WHEEL AND TIRE ASSEMBLY

| Ref # | Part Number | Qty | S/P/F | Description                        |
|-------|-------------|-----|-------|------------------------------------|
| 1     | 0423-029    | 12  |       | Screw, Machine                     |
| 2     | 0402-874    | 3   | S     | Disc, Brake                        |
| 3     | 0502-421    | 2   | /P    | Hub, Wheel - Front (inc. 4)        |
| 4     | 0402-974    | 16  | /P    | Stud, Wheel Hub                    |
| 5     | 0402-181    | 4   |       | Seal, Hub                          |
| 6     | 0423-394    | 4   |       | Nut, Castle                        |
| 7     | 0423-407    | 4   |       | Pin, Cotter                        |
| 8     | 1402-127    | 2   |       | Wheel - Front                      |
| 9     | 1402-100    | 2   |       | Tire - Front                       |
| 10    | 0423-408    | 16  | /P    | Nut, Lug                           |
| 11    | 0402-064    | 4   |       | Stem, Valve (inc. 12)              |
| 12    | 0402-140    | 4   |       | Cap, Valve Stem                    |
| 13    | 0502-423    | 1   | /P    | Hub, Wheel - Rear - Left (inc. 4)  |
| 13    | 0502-421    | 1   | /P    | Hub, Wheel - Rear - Right (inc. 4) |
| 14    | 1402-115    | 2   |       | Wheel - Rear                       |
| 15    | 1402-137    | 2   |       | Tire - Rear                        |

2004 ATV 500 MANUAL TRANSMISSION 4X4 FIS CAT GREEN (A2004ISM4A) Page 91 of 92  
WIRING HARNESS ASSEMBLY



2004 ATV 500 MANUAL TRANSMISSION 4X4 FIS CAT GREEN (A2004ISM4A) Page 92 of 92  
WIRING HARNESS ASSEMBLY

| Ref # | Part Number | Qty | S/P/F | Description                            |
|-------|-------------|-----|-------|----------------------------------------|
| 1     | 0486-129    | 1   |       | Harness, Main (inc. 2-6 and two No. 7) |
| 2     | 0530-008    | 1   |       | Cover, Fuse Block                      |
| 3     | 0430-034    | 2   |       | Diode                                  |
| 4     | 0430-033    | 2   | F     | Relay                                  |
| 5     | 0430-032    | 5   |       | Fuse - 10 Amp                          |
| 5     | 0430-031    | 3   |       | Fuse - 15 Amp                          |
| 5     | 0430-030    | 2   |       | Fuse - 30 Amp                          |
| 6     | 0411-585    | 1   |       | Decal, Fuse Block                      |
| 7     | 0123-788    | AR  | /P    | Cable Tie - 7.5 in.                    |
| 8     | 0445-042    | 1   |       | Cable, Solenoid/Starter                |
| 9     | 0645-414    | 1   |       | Solenoid                               |
| 10    | 0623-038    | 4   |       | Nut w/Washer                           |
| 11    | 0445-038    | 1   | S     | Cable, Battery/Solenoid                |
| 12    | 0645-019    | 2   |       | Boot, Terminal                         |
| 13    | 0445-037    | 1   |       | Cable, Battery/Ground                  |
| 14    | 0409-009    | 1   |       | Switch, Brake - Assembly               |
| 15    | 0402-991    | 1   |       | Retainer, Switch                       |
| 16    | 0486-126    | 1   |       | Harness, Adapter - Electric Choke      |
| 17    | 3530-040    | 1   |       | CDI Unit                               |
| 18    | 1506-083    | 1   |       | Bracket, CDI                           |
| 19    | 8476-616    | 3   |       | Screw, Machine                         |
| 20    | 8476-625    | 3   |       | Screw, Machine                         |
| 21    | 3530-028    | 1   | S     | Regulator, Voltage                     |
| 22    | 0445-022    | 1   | S     | Receptacle, 12V (inc. 23)              |
| 23    | 0445-034    | 1   |       | Nut, Retainer                          |
| 24    | 0509-011    | 1   | S     | Diode Assembly                         |
| 25    | 3530-027    | 1   |       | Coil, Ignition - Assembly              |
| 26    | 3430-009    | 1   | /P    | Seal, High Tension Wire                |
| 27    | 3430-007    | 1   | /P    | Cap, Spark Plug                        |
| 28    | 3430-008    | 1   | /P    | Seal, Spark Plug                       |
| 29    | 8424-602    | 1   | /P    | Nut, Flange                            |
| 30    | 8476-620    | 1   |       | Screw, Machine                         |
| 31    | 0123-903    | AR  |       | Cable Tie - 11.5 in.                   |