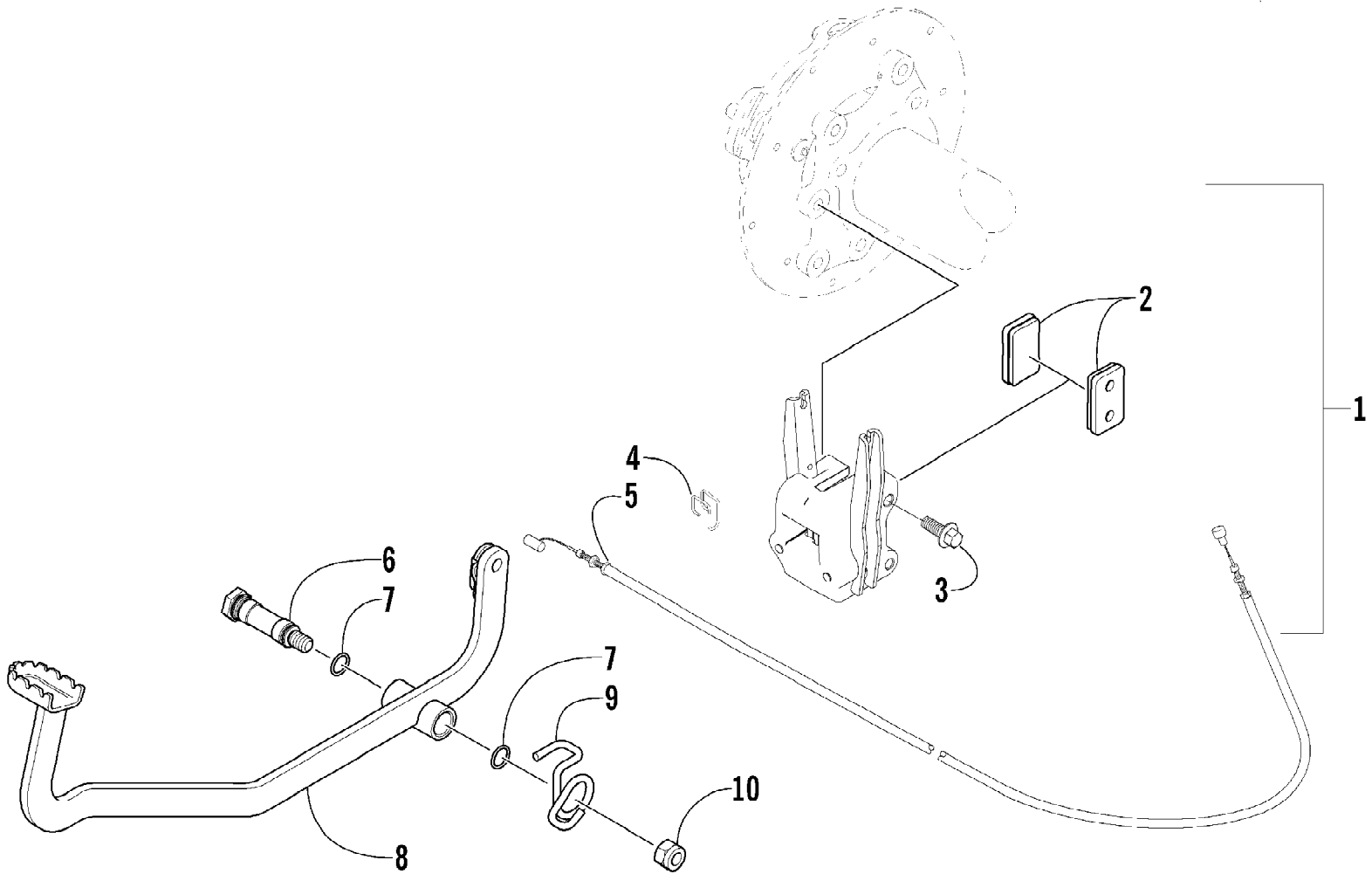


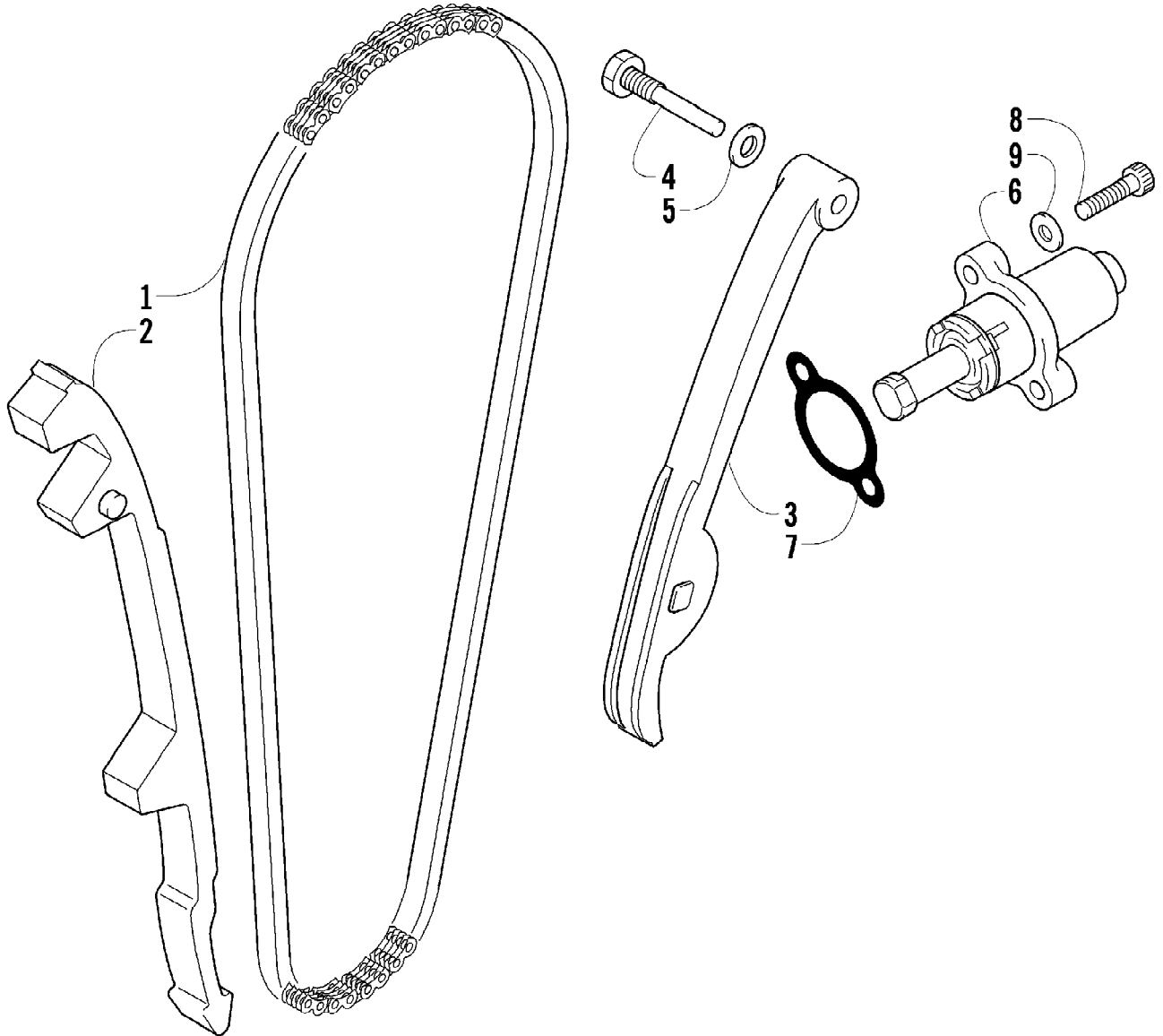
2004 ATV 500 AUTOMATIC TRANSMISSION 4X4 TRV RED (A2004TDM4BUSR) Page 2 of 92
 AIR INTAKE ASSEMBLY

Ref #	Part Number	Qty	S/P/F	Description
1	0423-019	1		Clamp
2	0470-455	1		Boot, Air Intake
3	0423-018	2		Clamp
4	0470-446	1	/P	Housing, Air Intake
5	0623-101	1		Clip, Retaining
6	0470-343	1		Gasket
7	0470-459	1		Snorkel
8	0470-307	4		Clamp
9	0423-037	4		Spring
10	0623-121	4		Screw, Machine
11	0123-010	4	/P	Nut, Expansion
12	0410-004	1		Hose, Crankcase Vent
13	0470-460	1		Filter, Air
14	0412-141	1		Shield, Heat
15	0470-442	1	/P	Valve, Drain
16	1673-272	1	/P	Cap, Drain Tube
17	0423-047	1		Clamp, Hose
18	0423-045	2		Clamp, Hose
19	0470-351	2		Support, Air Intake Flange



2004 ATV 500 AUTOMATIC TRANSMISSION 4X4 TRV RED (A2004TDM4BUSR)
AUXILIARY BRAKE ASSEMBLY

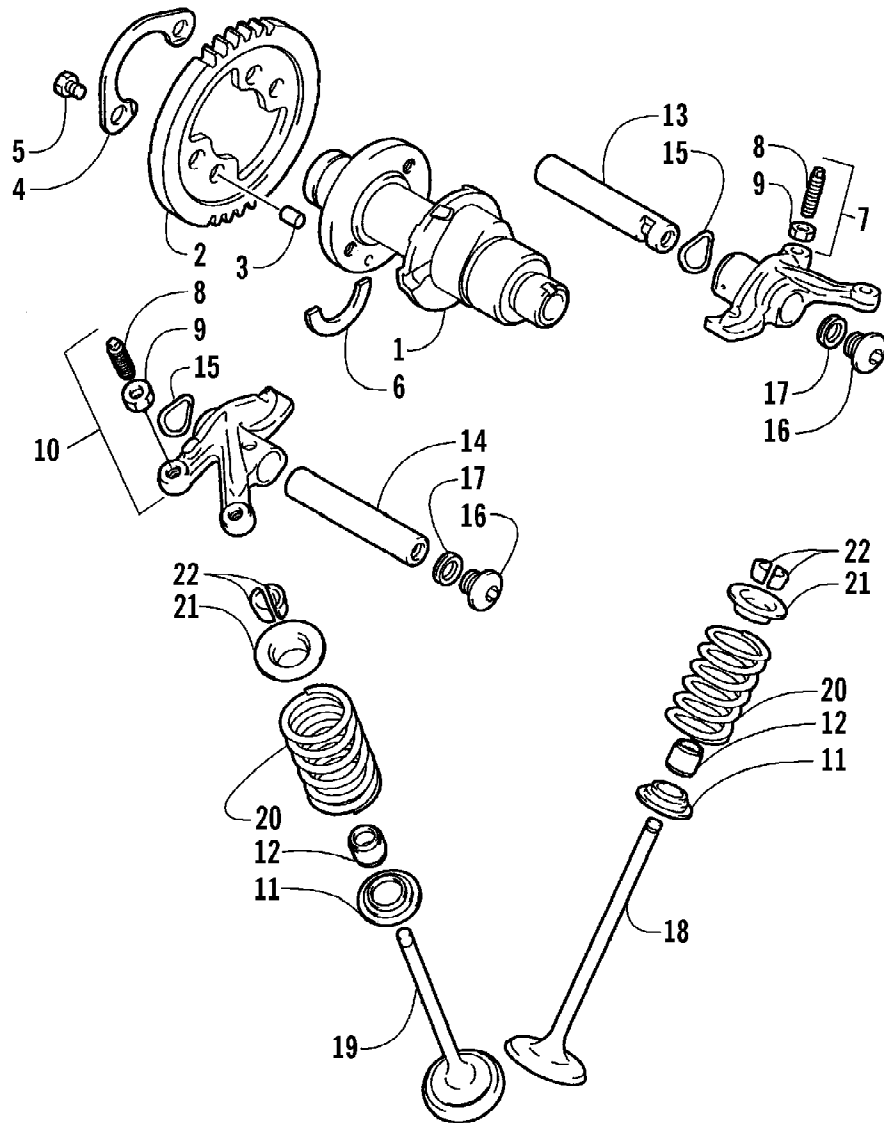
Ref #	Part Number	Qty	S/P/F	Description
1	0502-372	1	/P	Auxiliary Brake Assembly (inc. 2)
2	0402-958	2	/P	Pad, Brake
3	8408-825	2		Screw, Cap
4	0402-379	1		Wire Form, Cable
5	0487-029	1		Cable, Brake - Rear
6	0402-872	1		Axle, Brake Lever
7	0423-096	2		O-Ring
8	0502-236	1		Lever, Brake
9	0502-395	1	/P	Spring, Brake Lever
10	8422-002	1		Nut



2004 ATV 500 AUTOMATIC TRANSMISSION 4X4 TRV RED (A2004TDM4BUSR)
CAM CHAIN ASSEMBLY

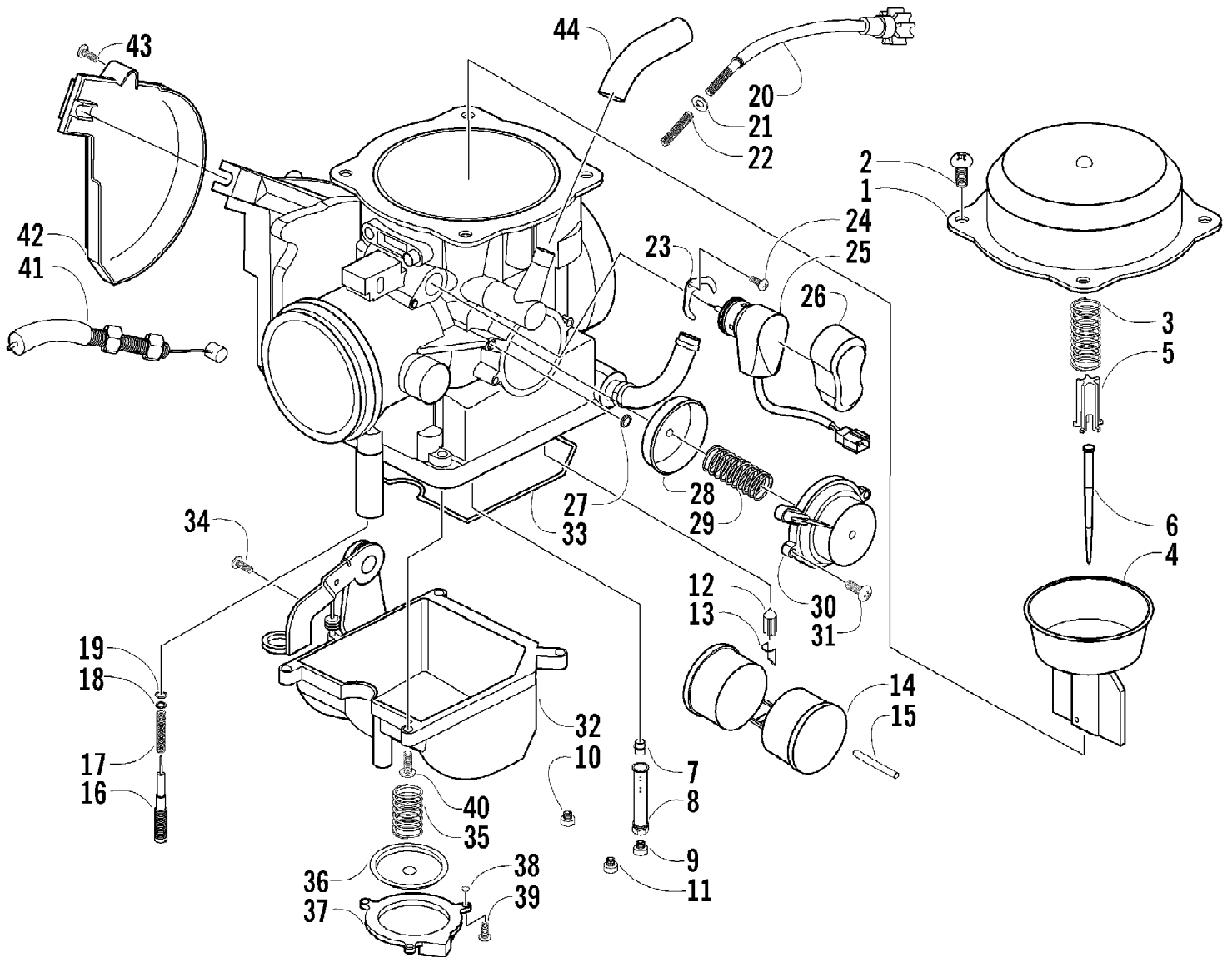
Ref #	Part Number	Qty	S/P/F	Description
1	3402-353	1		Chain, Cam
2	3402-355	1		Guide, Chain
3	3402-356	1		Tensioner, Chain
4	3423-074	1		Bolt
5	3003-188	1	S/P	Washer
6	3402-136	1		Adjuster, Tensioner - Assembly
7	3402-137	1		Gasket
8	3004-475	2	S	Screw, Cap
9	3003-290	2	/P	Gasket

2004 ATV 500 AUTOMATIC TRANSMISSION 4X4 TRV RED (A2004TDM4BUSR) Page 7 of 92
CAMSHAFT/VALVE ASSEMBLY



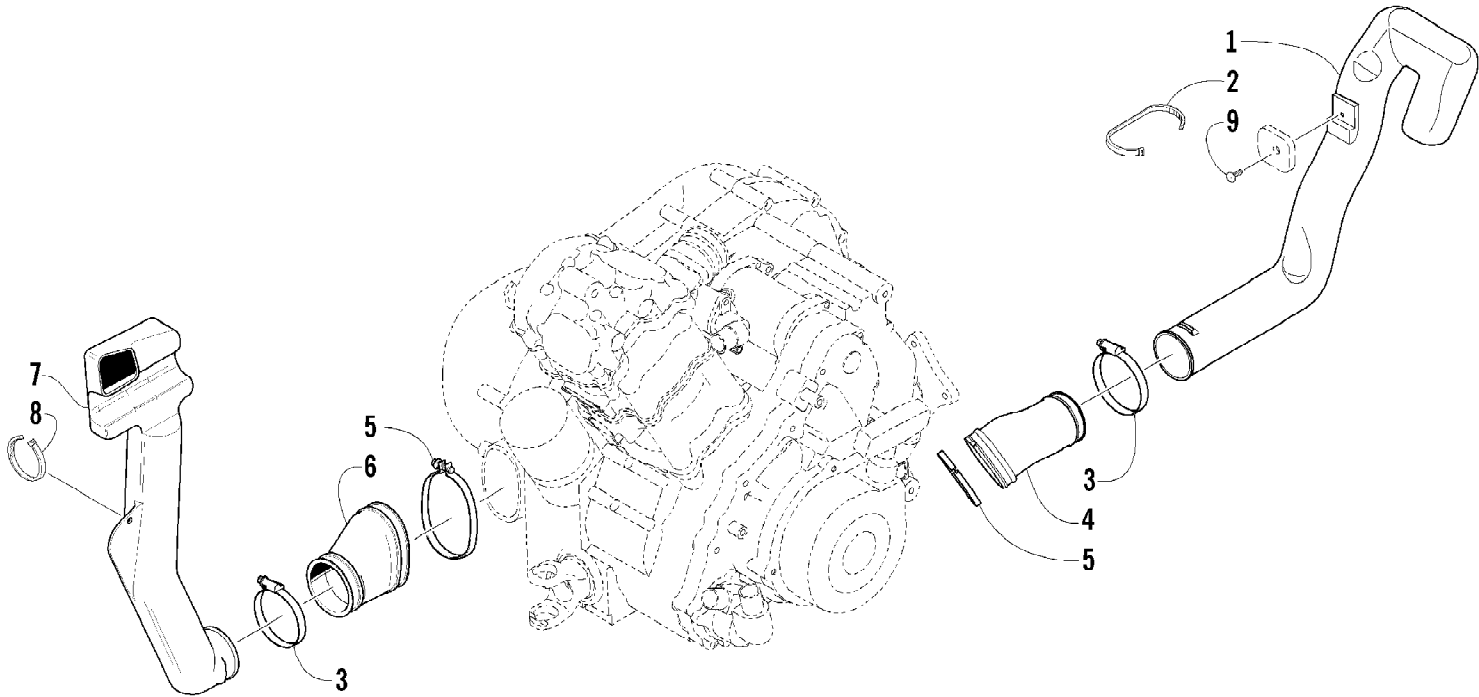
2004 ATV 500 AUTOMATIC TRANSMISSION 4X4 TRV RED (A2004TDM4BUSR) Page 8 of 92
CAMSHAFT/VALVE ASSEMBLY

Ref #	Part Number	Qty	S/P/F	Description
1	3402-723	1	S	Camshaft
2	3402-352	1		Sprocket
3	3423-047	1		Pin
4	3423-073	1		Washer
5	3423-013	2	S	Bolt
6	3423-071	1	/P	C-Ring
7	3402-805	1	/P	Arm, Valve Rocker - Intake (inc. two No. 8-9)
8	3423-075	4		Screw
9	3423-076	4		Nut
10	3402-139	1		Arm, Valve Rocker - Exhaust (inc. two No. 8-9)
11	3402-148	4		Seat, Spring
12	3402-078	4		Seal, Oil
13	3402-140	1		Shaft, Rocker Arm
14	3402-141	1		Shaft, Rocker Arm
15	3423-031	2		Washer
16	3402-040	2	/P	Plug, Shaft
17	3402-012	2		Gasket
18	3402-725	2	/P	Valve, Intake
19	3402-143	2		Valve, Exhaust
20	3402-726	4		Spring, Valve
21	3423-541	4	/P	Retainer, Spring
22	3402-147	8		Cotter, Valve



2004 ATV 500 AUTOMATIC TRANSMISSION 4X4 TRV RED (A2004TDM4BUSR) Page 10 of 92
CARBURETOR

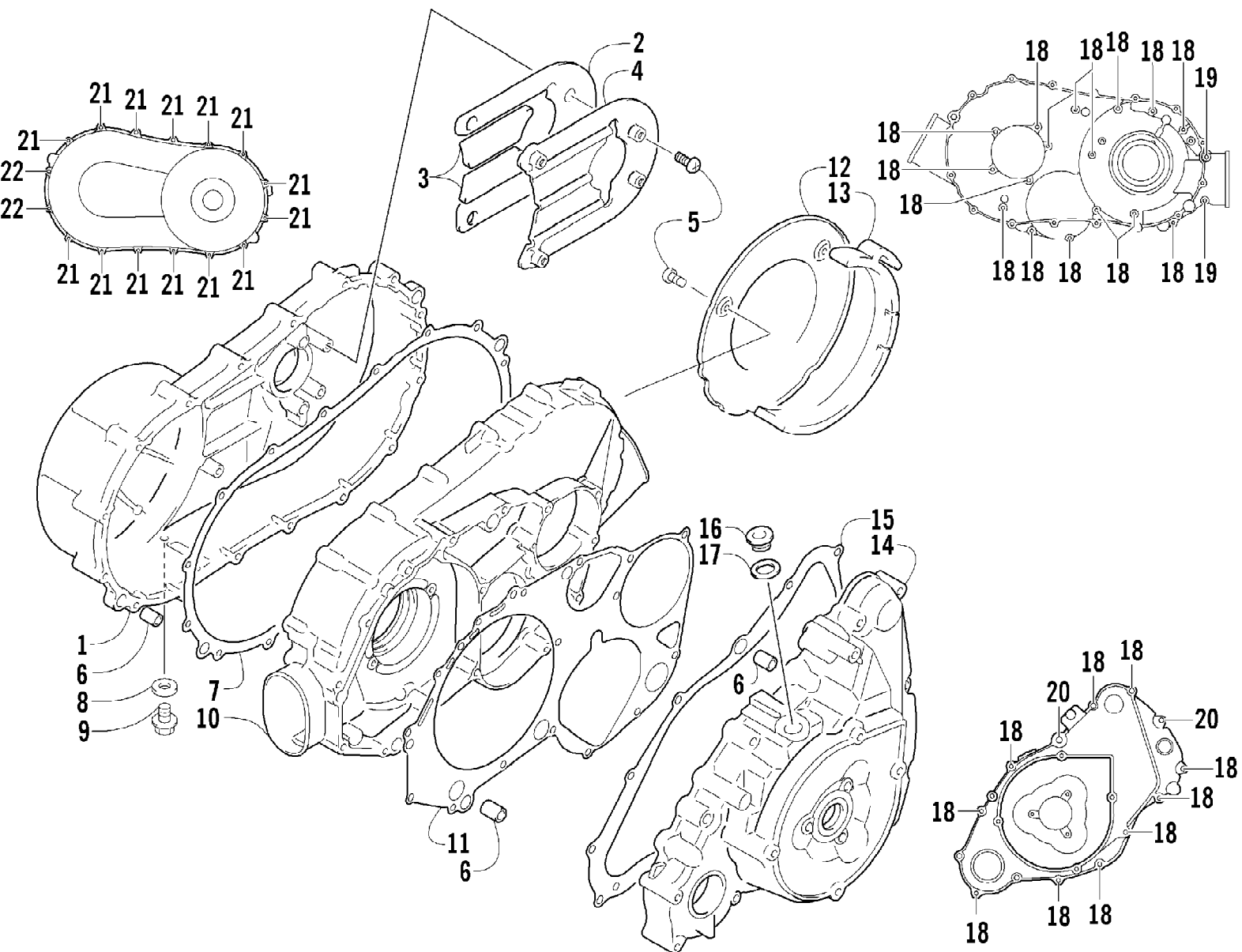
Ref #	Part Number	Qty	S/P/F	Description
	0470-471	1		Complete Carburetor Assembly
1	5507-001	1		Cover, Top
2	5507-002	4	/P	Screw, Top Cover
3	5507-085	1	S	Spring
4	5507-099	1		Piston, Vacuum
5	5507-005	1		Seat, Spring
6	5507-100	1		Jet Needle
7	5507-007	1		Needle Jet
8	5507-047	1	/P	Holder, Needle Jet
9	5507-041	1		Main Jet - 147
9	5507-086	1		Main Jet - 148
9	5507-009	1	/P	Main Jet - 150
9	5507-043	1		Main Jet - 142
9	5507-044	1		Main Jet - 140
10	5507-101	1	S	Slow Jet
11	5507-112	1		Starter Jet - 85
12	5507-107	1		Valve, Float - Set (inc. 13)
13	0	1		Clip
14	5507-039	1		Float Set (inc. 15)
15	0	1		Pin, Float
16	5507-111	1		Screw, Pilot Air - Set (inc. 17-19)
17	0	1		Spring
18	0	1		Washer
19	0	1		O-Ring
20	5507-027	1		Screw, Idle Adjust
21	5507-028	1		Washer
22	5507-029	1		Spring
23	5507-115	1		Plate
24	5507-117	1	/P	Screw
25	5507-113	1		Choke, Electric
26	5507-114	1		Cover, Electric Choke
27	5507-102	1		U-Ring
28	5507-116	1		Diaphragm Assembly
29	5507-104	1		Spring
30	5507-105	1		Cover
31	5507-106	2		Screw
32	5507-065	1		Chamber, Float - Assembly (inc. 33-39)
33	5507-067	1	/P	O-Ring, Float Chamber
34	5507-050	1	/P	Screw, Drain
35	5507-032	1		Spring
36	5507-031	1	S	Diaphragm Assembly
37	0	1		Housing, Pump
38	5507-034	1		U-Ring
39	5507-035	3		Screw
40	5507-017	4	/P	Screw
41	0487-021	1	S	Cable, Throttle
42	5507-036	1		Cover
43	5507-037	1	/P	Screw
44	0410-056	1		Hose, Vent



2004 ATV 500 AUTOMATIC TRANSMISSION 4X4 TRV RED (A2004TDM4BUSR) Page 12 of 92
CASE/BELT COOLING ASSEMBLY

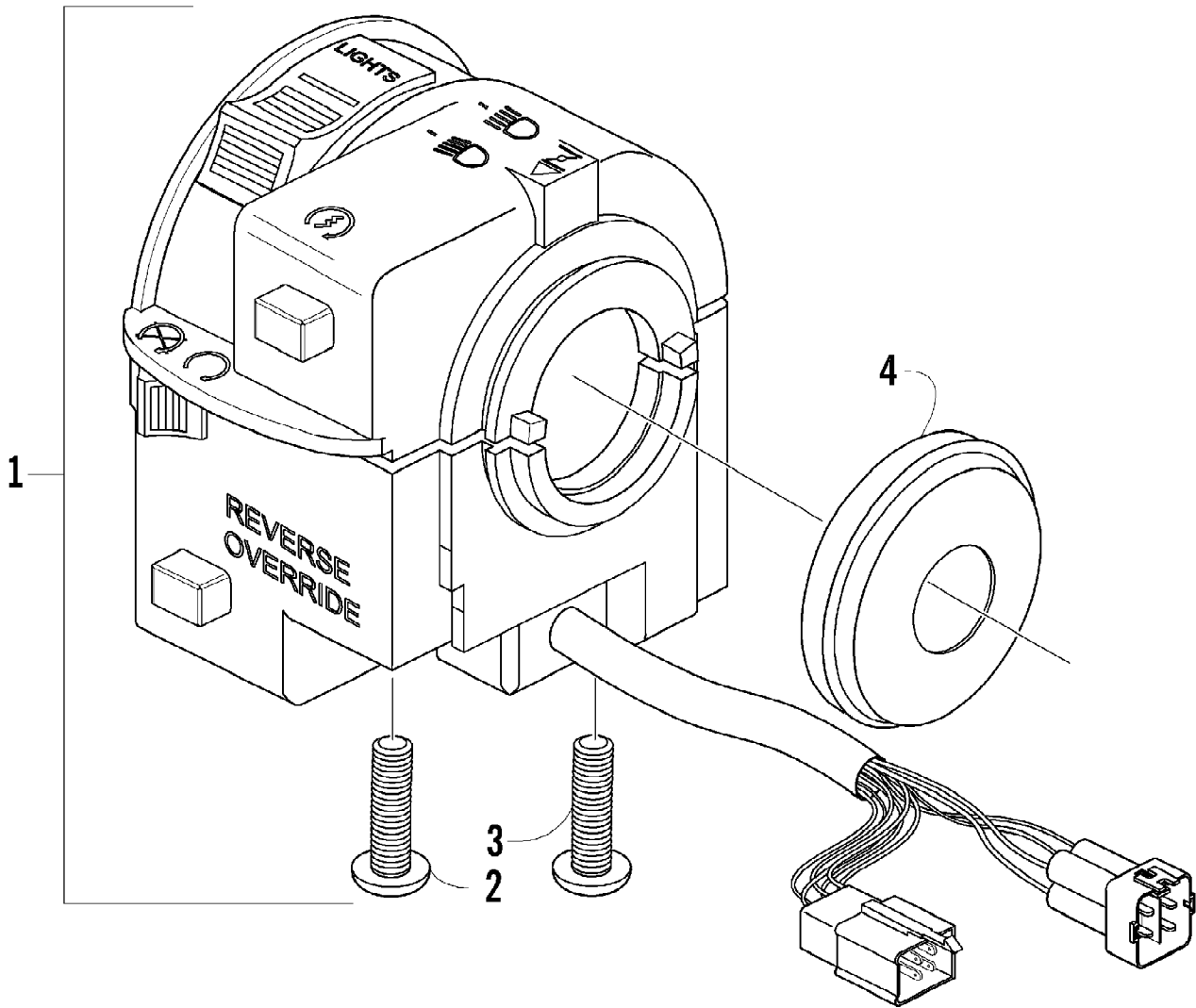
Ref #	Part Number	Qty	S/P/F	Description
1	0413-062	1		Duct, Belt Cooling - Rear
2	0123-903	1		Cable Tie - 11.5 in.
3	0423-380	2	/P	Clamp, Boot
4	0413-055	1		Boot, Duct - Rear
5	3402-449	2	/P	Clamp, Boot
6	0413-049	1		Boot, Duct - Front
7	0413-042	1		Duct, Belt Cooling - Front
8	0123-788	1	/P	Cable Tie - 7.5 in.
9	0623-301	1	/P	Screw, Self-Tapping

2004 ATV 500 AUTOMATIC TRANSMISSION 4X4 TRV RED (A2004TDM4BUSR) Page 13 of 92
CLUTCH/V-BELT/MAGNETO COVER ASSEMBLY



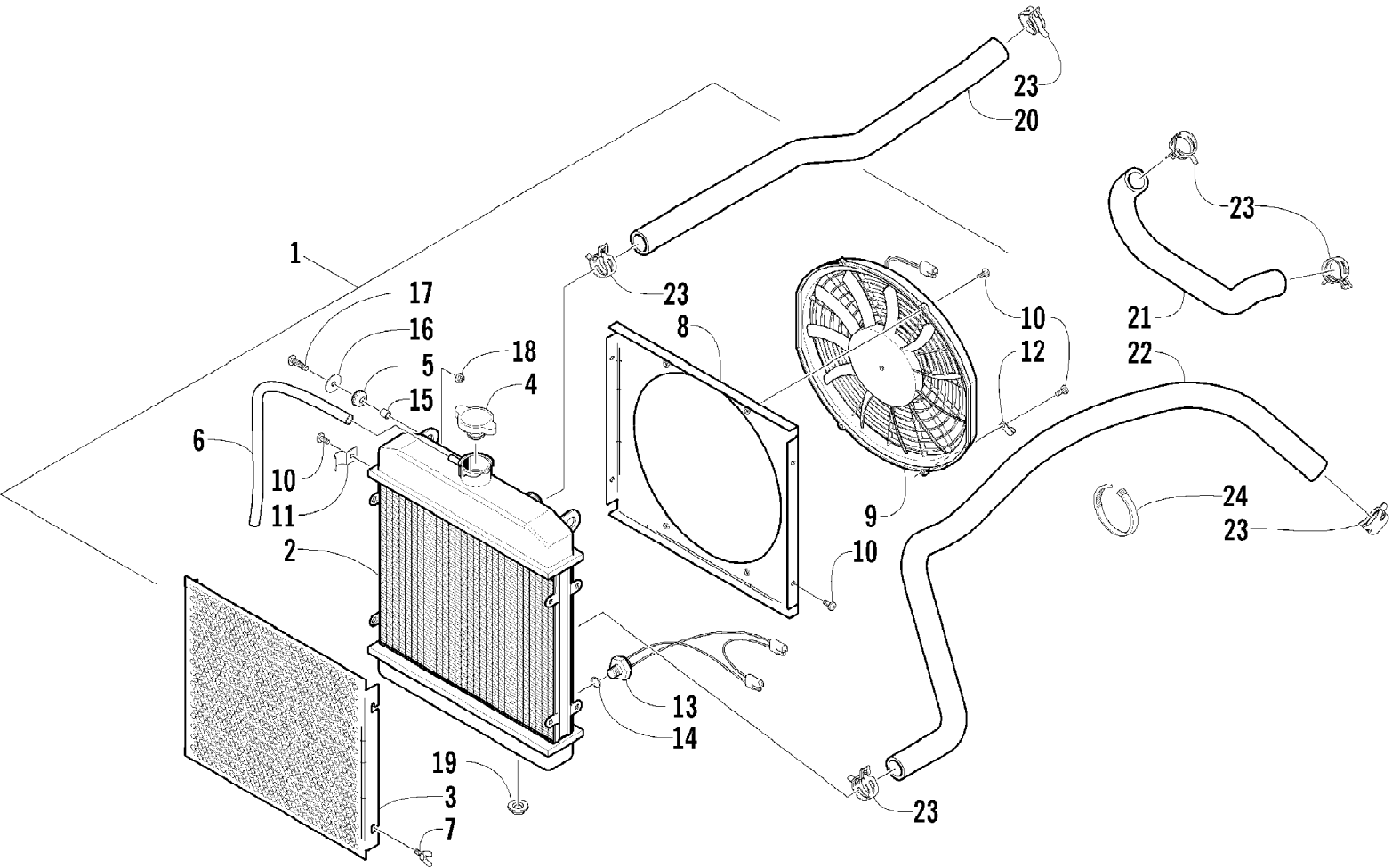
2004 ATV 500 AUTOMATIC TRANSMISSION 4X4 TRV RED (A2004TDM4BUSR) Page 14 of 92
CLUTCH/V-BELT/MAGNETO COVER ASSEMBLY

Ref #	Part Number	Qty	S/P/F	Description
1	3402-710	1		Cover, V-Belt
2	3402-711	1		Damper, V-Belt Cover
3	3402-712	2		Damper, V-Belt Cover
4	3402-713	1		Plate, V-Belt Cover
5	3423-435	7		Screw
6	3423-088	6		Pin, Dowel
7	3402-443	1		Gasket, V-Belt Cover
8	3402-444	1		Gasket, Drain Plug
9	3004-705	1	S	Plug, Drain
10	3402-709	1	/P	Cover, Clutch
11	3402-441	1		Gasket, Clutch Cover
12	3402-445	1		Plate, Air Intake
13	3402-699	1	/P	Cushion, Air Intake Plate
14	3402-714	1		Cover, Magneto
15	3402-715	1		Gasket, Magneto Cover
16	3402-041	1	S	Plug, Oil Filler
17	3402-013	1	/P	Gasket, Oil Filler Plug
18	3423-098	26	S	Bolt
19	3423-092	2	S	Bolt
20	3004-756	2	S	Bolt
21	3423-091	14	S	Bolt
22	3423-119	2	S	Bolt



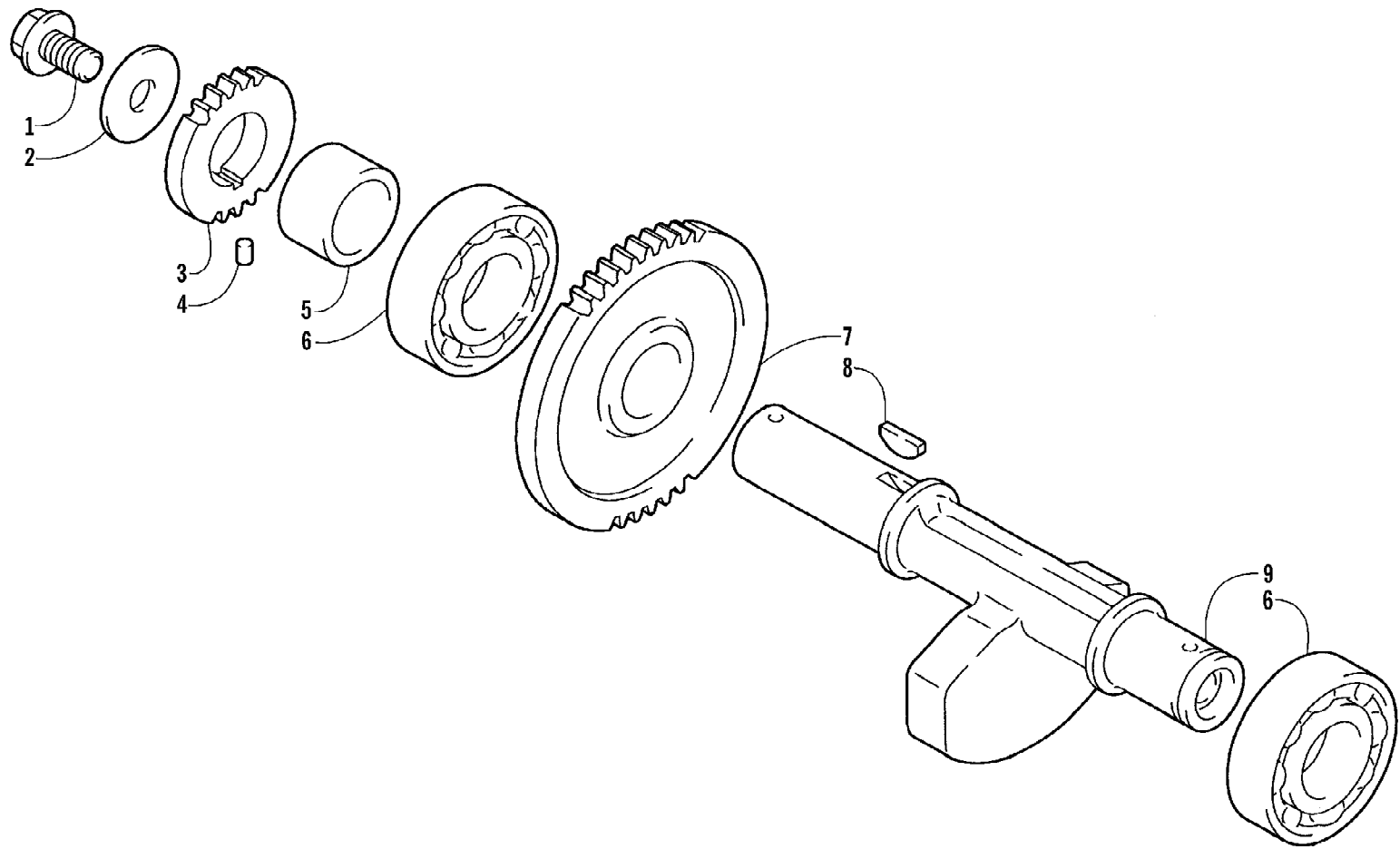
2004 ATV 500 AUTOMATIC TRANSMISSION 4X4 TRV RED (A2004TDM4BUSR) Page 16 of 92
CONTROL SWITCH HOUSING ASSEMBLY

Ref #	Part Number	Qty	S/P/F	Description
1	0509-014	1		Switch, Control - Assembly (inc. 2-4)
2	0409-027	1		Screw, Machine
3	0409-028	1		Screw, Machine
4	3409-019	1		Cover, Switch Housing



2004 ATV 500 AUTOMATIC TRANSMISSION 4X4 TRV RED (A2004TDM4BUSR) Page 18 of 92
COOLING ASSEMBLY

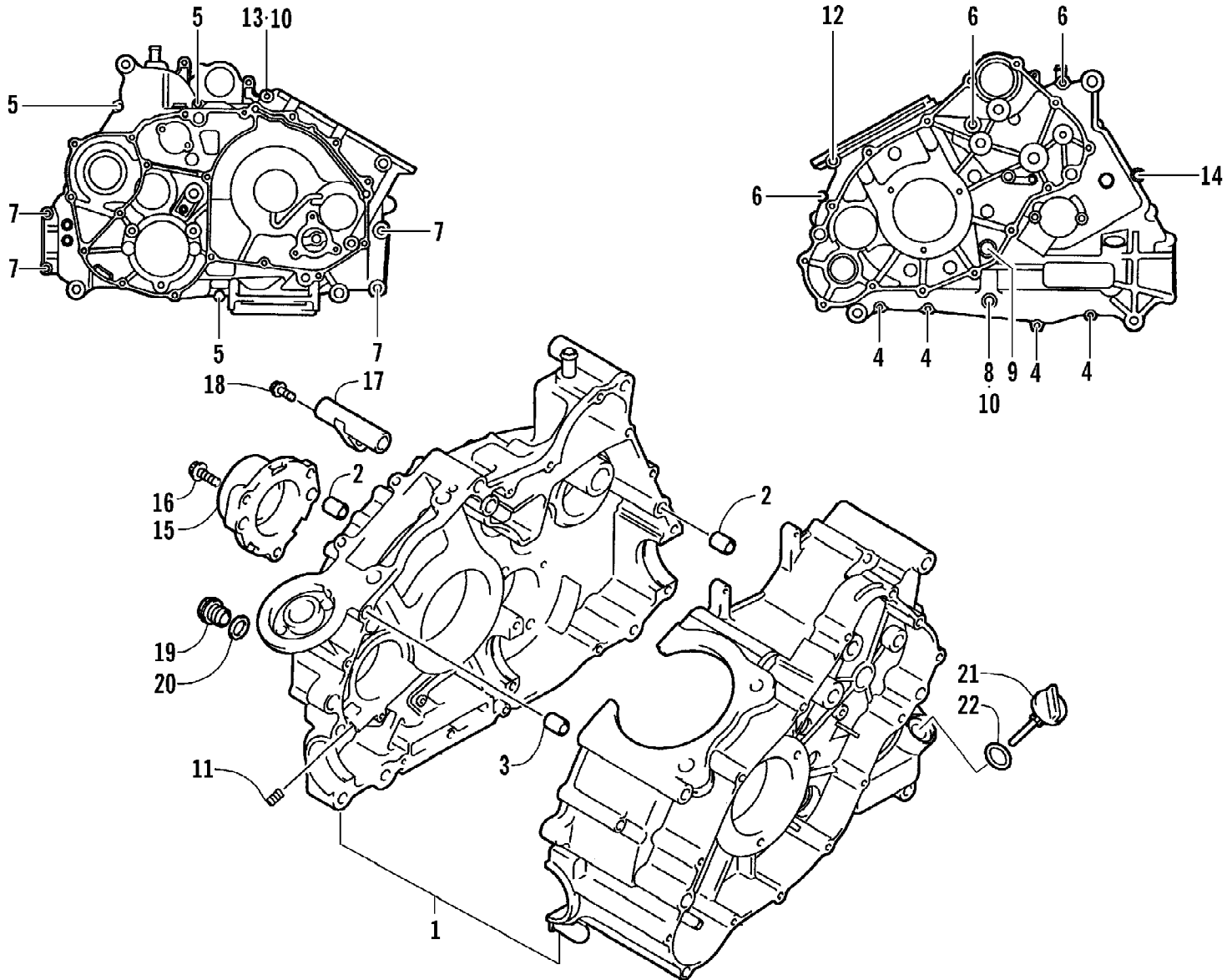
Ref #	Part Number	Qty	S/P/F	Description
1	0413-038	1		Radiator Assembly (inc. 2-15)
2	0	1	F	Radiator
3	0413-007	1		Screen, Radiator
4	0413-002	1	S	Cap, Radiator
5	0423-030	2		Grommet
6	0610-016	AR	/P	Hose - 25 ft
7	0413-009	4		Screw, Thumb
8	0413-046	2		Shroud, Fan
9	0413-044	1	S	Fan, Cooling
10	8475-512	8		Screw, Machine
11	0423-351	1		Clamp, Wire
12	0123-397	1		Clamp, Cable
13	0413-045	1		Sender, Temperature - Coolant
14	0423-390	1	S	O-Ring
15	0423-036	2		Collar
16	0623-184	2		Washer
17	8476-625	2		Screw, Cap
18	0623-038	2		Nut w/Washer
19	0423-028	2		Bushing, Stem
20	0410-002	1		Hose, Coolant - Upper
21	0410-022	1		Hose, Coolant - Crossover
22	0410-041	1		Hose, Coolant - Lower
23	0423-070	6		Clamp, Hose
24	0623-751	1		Cable Tie



2004 ATV 500 AUTOMATIC TRANSMISSION 4X4 TRV RED (A2004TDM4BUSR) Page 20 of 92
CRANK BALANCER ASSEMBLY

Ref #	Part Number	Qty	S/P/F	Description
1	3423-555	1		Bolt
2	3423-401	1		Washer
3	3402-390	1		Gear, Oil Pump Drive
4	3423-110	1		Pin
5	3402-461	1		Spacer
6	3402-050	2		Bearing
7	3402-722	1		Gear, Driven
8	3004-540	1	/P	Key
9	3402-458	1		Balancer, Crank

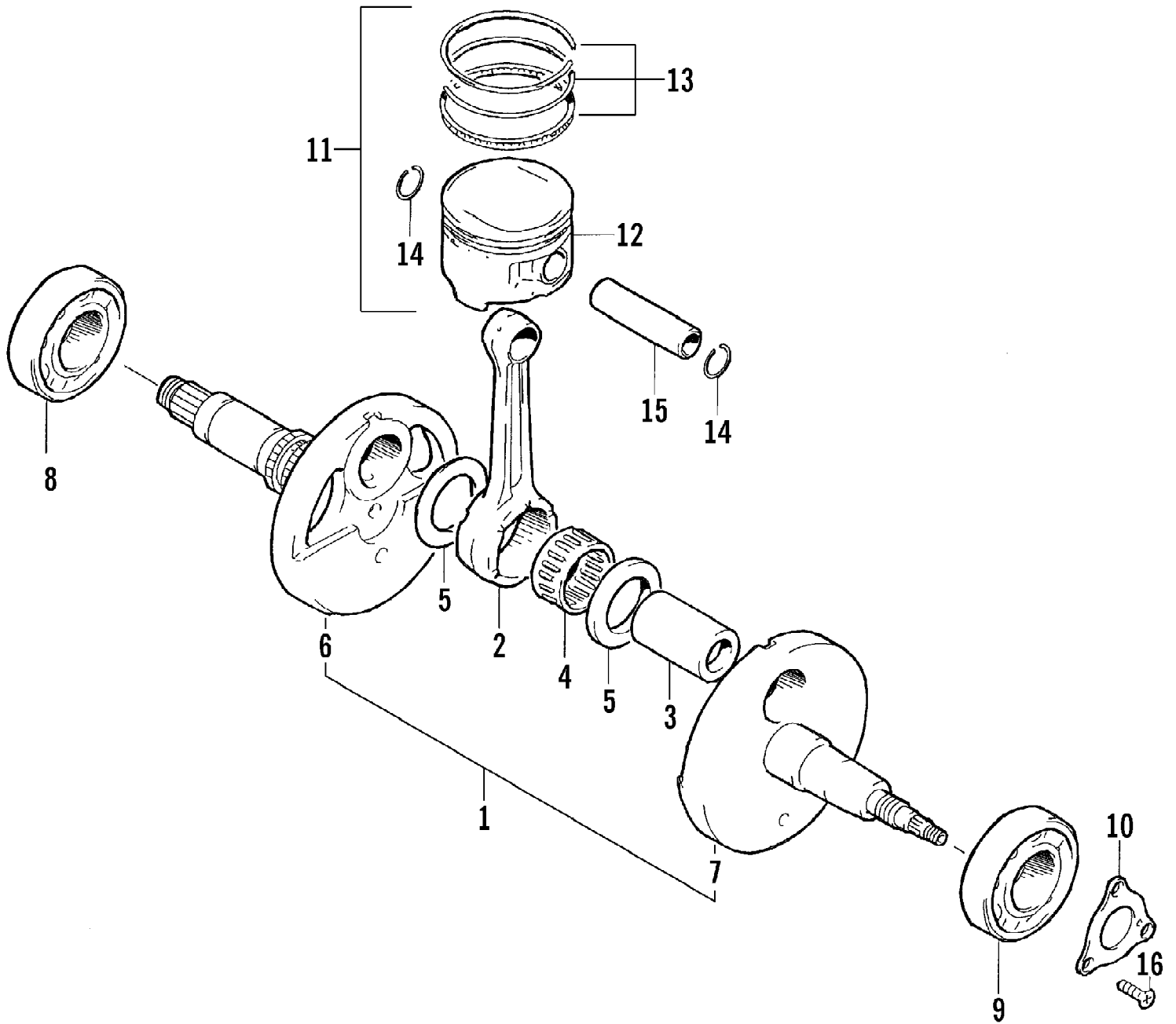
2004 ATV 500 AUTOMATIC TRANSMISSION 4X4 TRV RED (A2004TDM4BUSR) Page 21 of 92
CRANKCASE ASSEMBLY



2004 ATV 500 AUTOMATIC TRANSMISSION 4X4 TRV RED (A2004TDM4BUSR) Page 22 of 92
CRANKCASE ASSEMBLY

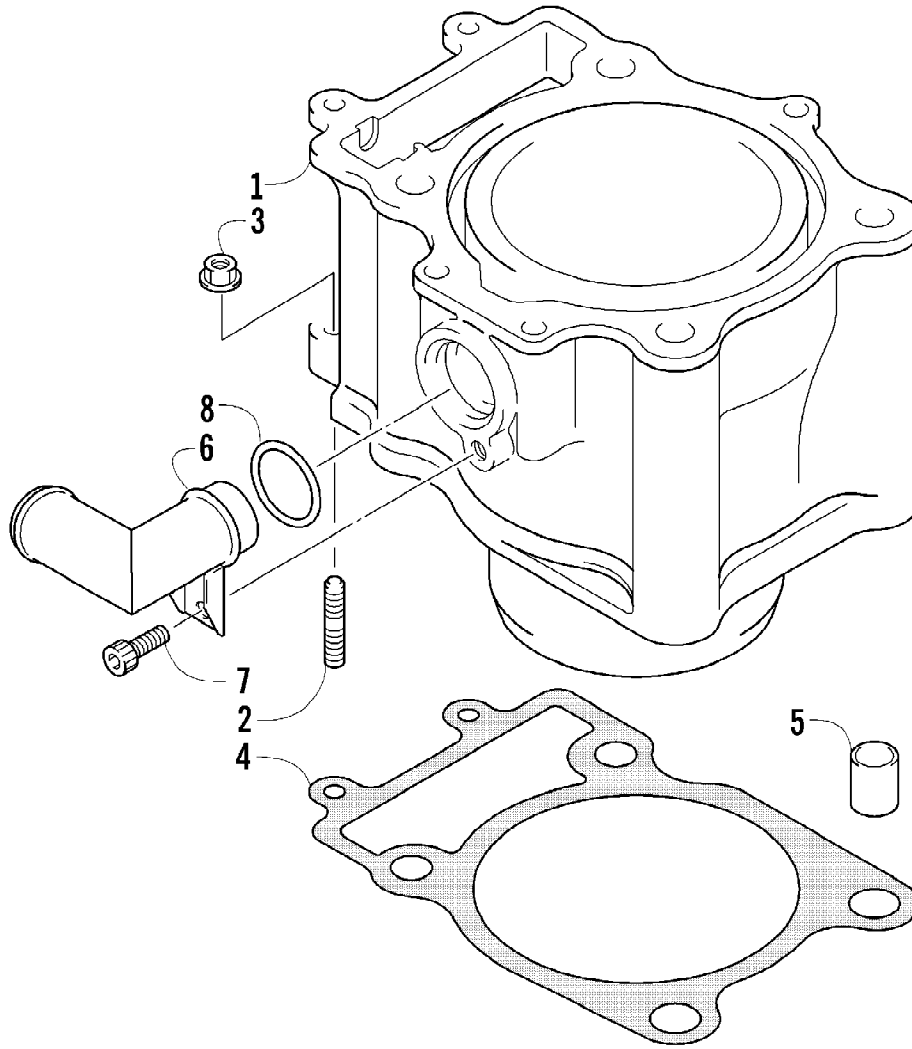
Ref #	Part Number	Qty	S/P/F	Description
1	3402-708	1	/P	Crankcase Assembly (inc. two No. 2 and 3-14)
2	3423-088	4		Pin, Dowel
3	3004-822	1		Pin, Dowel
4	3423-091	4	S	Bolt
5	3423-119	3	S	Bolt
6	3423-092	3	S	Bolt
7	3004-880	4		Bolt
8	3005-332	1		Bolt
9	3423-385	1		Bolt
10	3402-436	2	/P	Gasket
11	3423-386	1		Plug
12	3423-387	1		Bolt
13	3423-388	1		Bolt
14	3423-508	1		Bolt
15	3402-439	1		Housing, Secondary Shaft Bearing
16	3423-506	3	/P	Bolt
17	3402-437	1		Pipe, Breather
18	3423-389	1		Bolt, Breather Pipe
19	3402-214	1		Plug, Oil Pressure
20	3402-012	1		Gasket, Oil Pressure Plug
21	3402-438	1		Stick, Oil Level
22	3423-055	1		O-Ring, Oil Level Stick

2004 ATV 500 AUTOMATIC TRANSMISSION 4X4 TRV RED (A2004TDM4BUSR) Page 23 of 92
CRANKSHAFT ASSEMBLY



2004 ATV 500 AUTOMATIC TRANSMISSION 4X4 TRV RED (A2004TDM4BUSR) Page 24 of 92
CRANKSHAFT ASSEMBLY

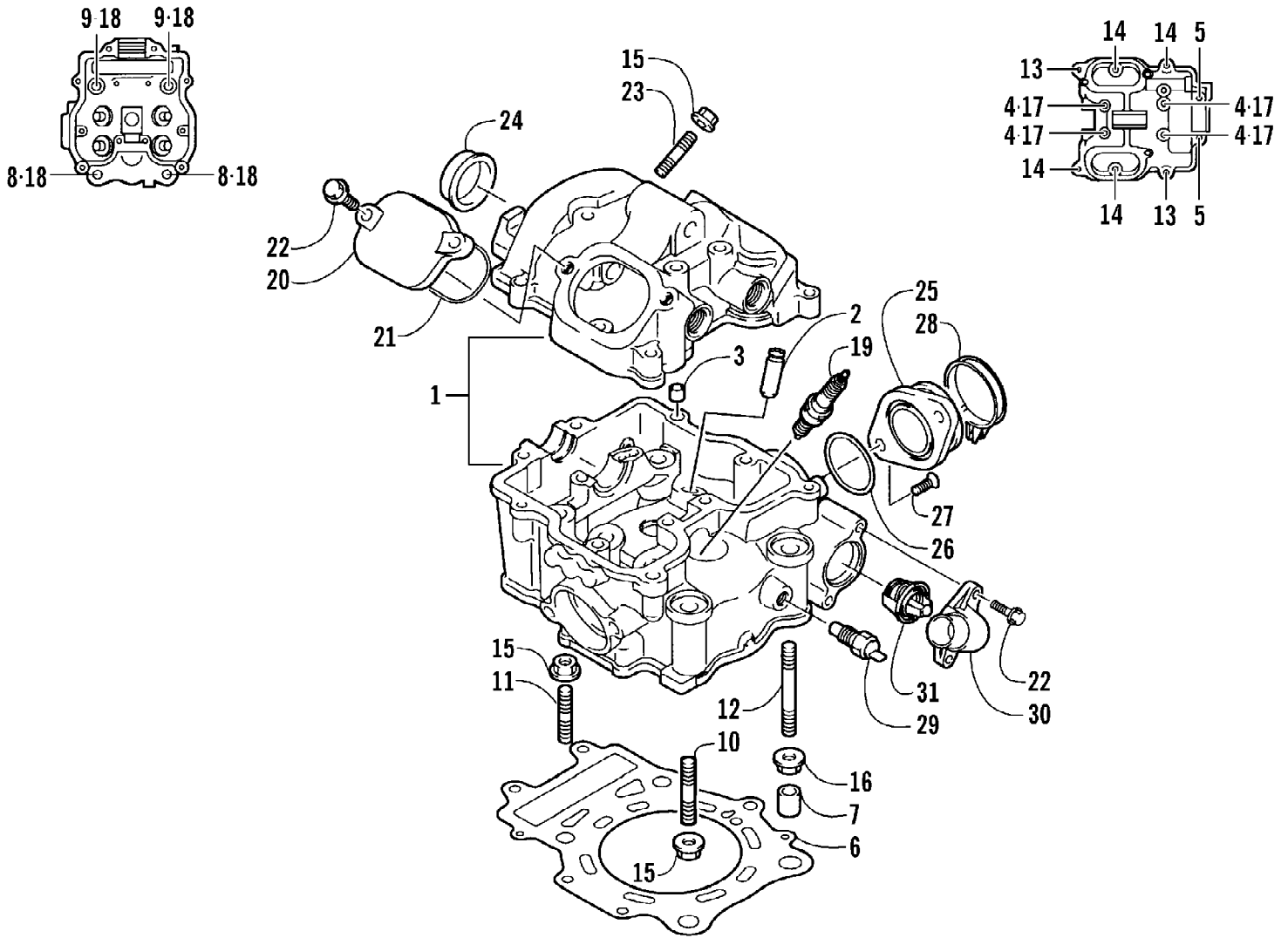
Ref #	Part Number	Qty	S/P/F	Description
1	3403-018	1	/P	Crankshaft Assembly (inc. 2-7)
2	3402-376	1		Rod, Connecting
3	3402-377	1		Pin, Crank
4	3402-717	1	/P	Bearing
5	3423-351	2		Washer
6	3403-025	1		Crankshaft - Right
7	3402-705	1	/P	Crankshaft - Left
8	3402-058	1		Bearing - Right
9	3402-054	1		Bearing - Left
10	3402-188	1	/P	Retainer, Oil Seal - Left
11	3402-788	1		Piston Set (inc. 12-14)
12	3402-719	1		Piston
13	3402-720	1		Ring, Piston - Set
14	3423-344	2		Circlip, Piston Pin
15	3402-375	1		Pin, Piston
16	3423-018	3		Screw



2004 ATV 500 AUTOMATIC TRANSMISSION 4X4 TRV RED (A2004TDM4BUSR) Page 26 of 92
CYLINDER ASSEMBLY

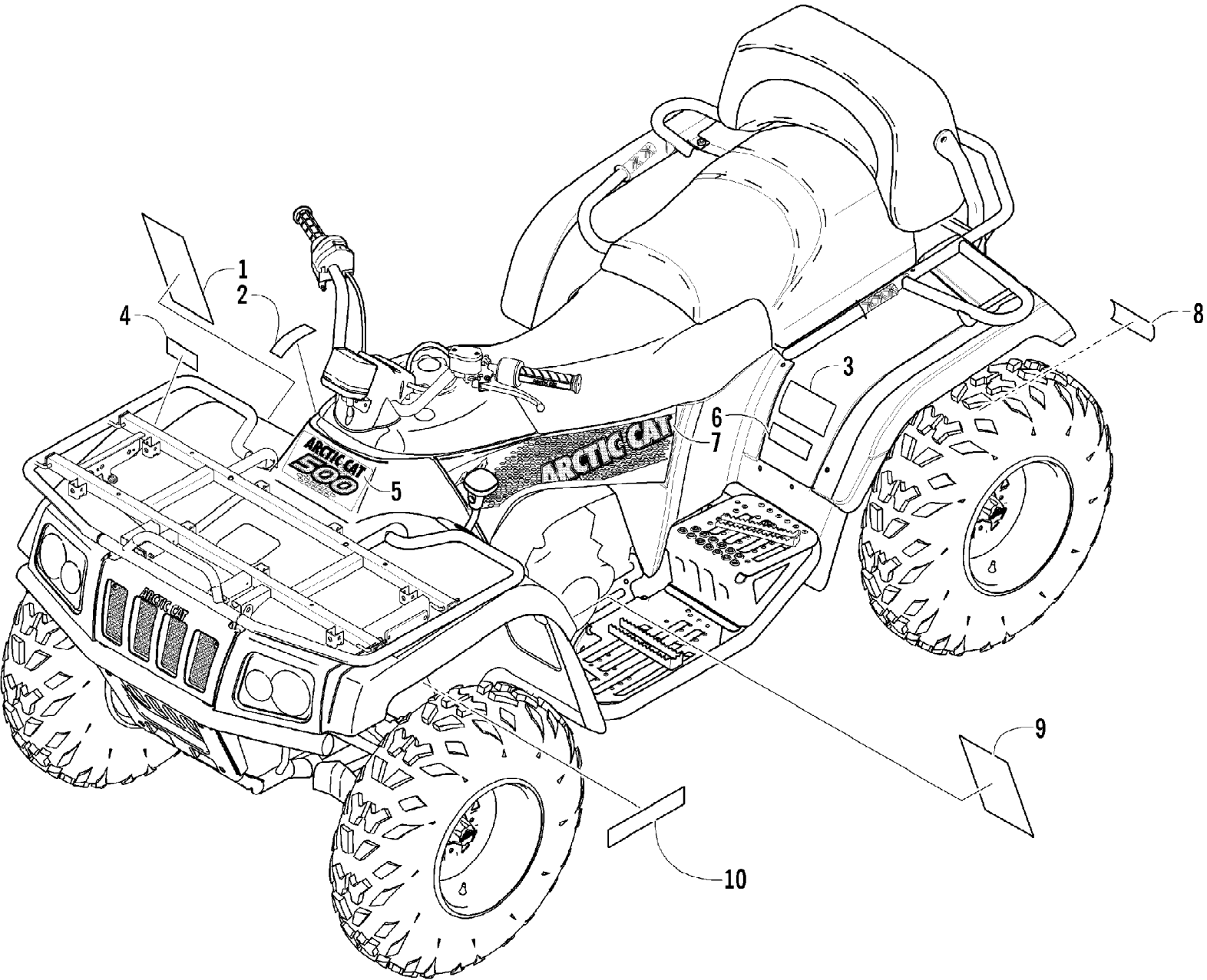
Ref #	Part Number	Qty	S/P/F	Description
1	3402-707	1		Cylinder
2	3423-384	2	S	Bolt, Stud
3	3004-488	2	S/P	Nut
4	3402-365	1	/P	Gasket, Cylinder
5	3423-088	2		Pin, Dowel
6	3413-013	1		Union, Water Hose
7	3423-121	1	S	Screw, Cap
8	3423-058	1		O-Ring

2004 ATV 500 AUTOMATIC TRANSMISSION 4X4 TRV RED (A2004TDM4BUSR) Page 27 of 92
CYLINDER HEAD ASSEMBLY



2004 ATV 500 AUTOMATIC TRANSMISSION 4X4 TRV RED (A2004TDM4BUSR) Page 28 of 92
CYLINDER HEAD ASSEMBLY

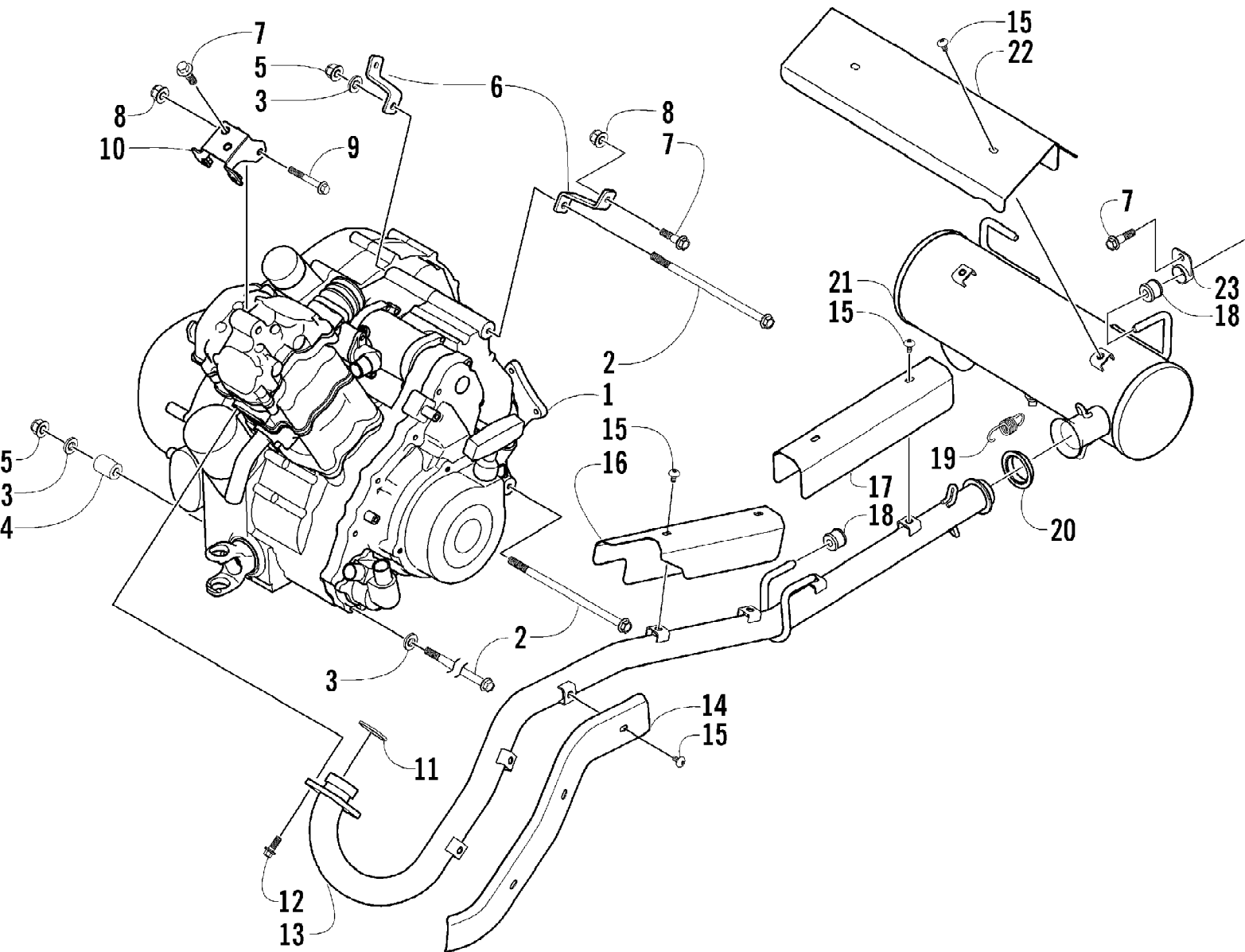
Ref #	Part Number	Qty	S/P/F	Description
1	3402-098	1		Head, Cylinder - Assembly (inc. 2-5)
2	3402-099	4		Guide, Valve
3	3423-043	2	/P	Pin, Dowel
4	3423-006	4		Screw, Cap
5	3008-376	2	S	Screw, Cap
6	3402-362	1		Gasket, Cylinder Head
7	3423-088	2		Pin, Dowel
8	3423-015	2		Screw, Cap
9	3423-016	2		Screw, Cap
10	3423-089	2	S	Bolt, Stud
11	3423-087	2	S	Bolt, Stud
12	3423-203	1	S/P	Bolt, Stud
13	3423-007	2	S	Screw, Cap
14	3004-376	4	S/P	Screw, Cap
15	3004-488	5	S/P	Nut
16	3004-326	1	S/P	Nut
17	3003-290	4	/P	Gasket
18	3402-010	4		Gasket, Head Nut
19	0217-632	1		Spark Plug (NGK CR6E)
20	3402-100	2		Cap, Inspection
21	3402-101	2		O-Ring
22	3004-341	5	S/P	Screw, Cap
23	3423-383	1		Bolt, Stud
24	3402-035	1		Plug, Cylinder Head
25	3402-706	1		Pipe, Intake - Assembly (inc. 26)
26	3423-353	1	/P	O-Ring
27	3423-347	2		Screw, Cap
28	0423-317	1	/P	Clamp
29	3530-038	1	S	Switch, Water Temperature - Assembly
30	3413-004	1		Cover, Thermostat
31	3413-012	1		Thermostat
	3402-048	1	F	Plug, Frost



2004 ATV 500 AUTOMATIC TRANSMISSION 4X4 TRV RED (A2004TDM4BUSR) Page 30 of 92
DECALS

Ref #	Part Number	Qty	S/P/F	Description
1	0411-666	1		Decal, Warning - Reverse/Pre-Ride
2	0411-426	1		Decal, Warning - Clutch Cover
3	0411-730	1		Decal, Warning - Passengers
4	0411-576	1		Decal, Warning - Front Rack Load
5	0411-622	1		Decal, Front
6	0411-732	1		Decal, Warning - Tire Pressure
7	0411-636	1		Decal, Side - Right
7	0411-637	1		Decal, Side - Left
8	0411-267	1		Decal, Warning - Towing
9	0411-753	1		Decal, Warning - General/Age
10	0411-643	1		Decal, CA Emissions

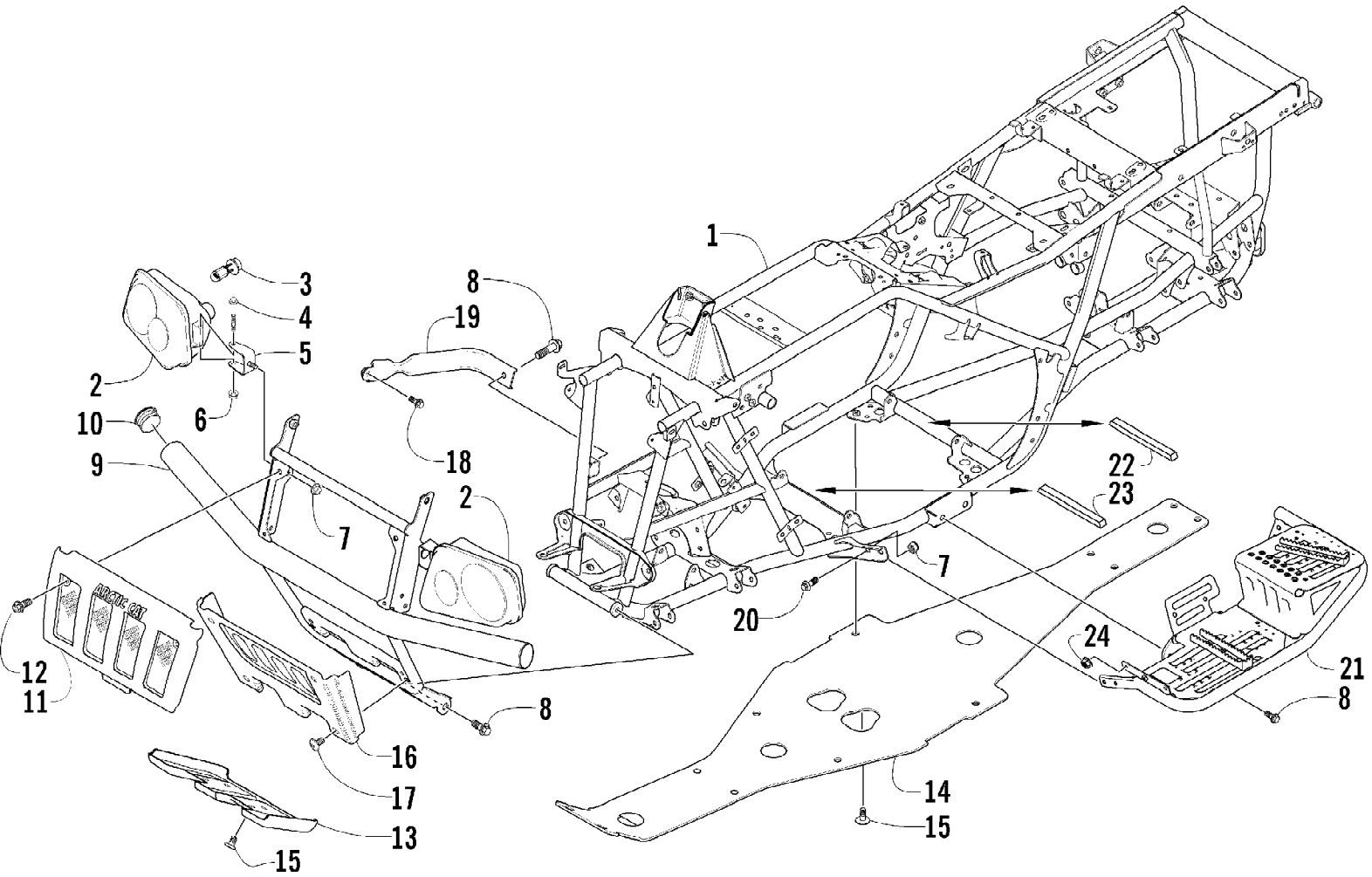
2004 ATV 500 AUTOMATIC TRANSMISSION 4X4 TRV RED (A2004TDM4BUSR) Page 31 of 92
ENGINE AND EXHAUST



2004 ATV 500 AUTOMATIC TRANSMISSION 4X4 TRV RED (A2004TDM4BUSR) Page 32 of 92
ENGINE AND EXHAUST

Ref #	Part Number	Qty	S/P/F	Description
1	0462-030	1		Engine
2	0423-405	3		Screw, Cap
3	0423-426	4		Washer
4	0423-042	2	S	Spacer
5	8428-002	3		Nut, Lock
6	1506-203	1		Bracket, Engine - Right
6	1506-204	1		Bracket, Engine - Left
7	8408-816	5		Screw, Cap
8	8424-802	3		Nut
9	8408-860	1		Screw, Cap
10	0506-546	1		Bracket, Engine - Upper
11	0412-007	1	/P	Seal, Exhaust
12	8408-820	2	/P	Screw, Cap
13	0512-143	1		Pipe, Exhaust
14	0412-189	1		Cover, Exhaust - Front
15	8477-610	11		Screw, Machine
16	0412-224	1		Cover, Exhaust - Middle
17	0412-225	1		Cover, Exhaust - Rear
18	0412-215	1	S	Bushing, Exhaust
19	0612-668	2	/P	Spring, Exhaust
20	0612-188	1	/P	Gasket, Exhaust
21	0512-141	1		Muffler
22	0412-229	1		Cover, Muffler
23	1506-184	1		Bracket, Exhaust

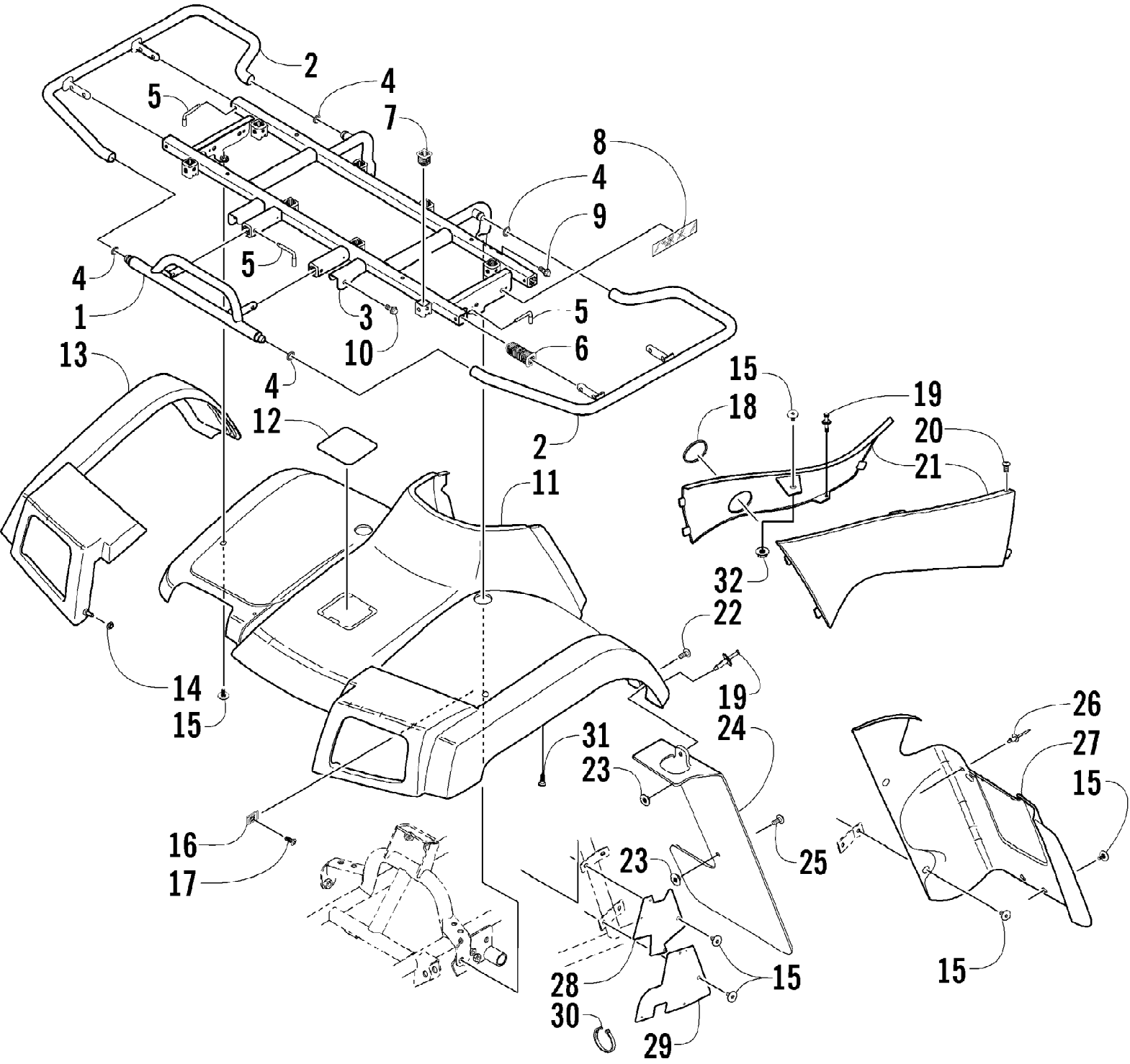
2004 ATV 500 AUTOMATIC TRANSMISSION 4X4 TRV RED (A2004TDM4BUSR) Page 33 of 92
FRAME AND RELATED PARTS



2004 ATV 500 AUTOMATIC TRANSMISSION 4X4 TRV RED (A2004TDM4BUSR) Page 34 of 92
FRAME AND RELATED PARTS

Ref #	Part Number	Qty	S/P/F	Description
1	1506-186	1		Frame, Main
2	0409-032	1		Headlight Assembly - Right (inc. 3-6)
2	0409-031	1		Headlight Assembly - Left (inc. 3-6)
3	0409-045	4		Bulb, Headlight
4	8410-860	2		Screw, Cap
5	0406-945	2		Bracket, Headlight Mounting
6	0423-375	2		Nut, Flange
7	8424-802	6		Nut, Flange
8	8409-020	8	/P	Screw, Cap
9	0506-544	1		Bumper
10	0406-130	2		Cap, Bumper
11	0406-832	1		Grille, Upper
12	0423-361	2		Screw, Machine
13	0406-834	1		Plate, Skid
14	1406-176	1		Panel, Belly
15	0423-101	AR		Screw, Body
16	1406-420	1	/P	Grille, Bumper - Lower
17	0423-362	4		Screw, Machine
18	8408-812	2		Screw, Cap
19	0506-653	2	S	Channel, Bumper Mounting
20	8408-816	8		Screw, Cap
21	0506-941	1		Footrest - Right
21	0506-942	1		Footrest - Left
22	0406-289	1		Pad, Frame - Rear
23	1506-067	1		Foam, Frame
24	8424-602	2	/P	Nut, Flange

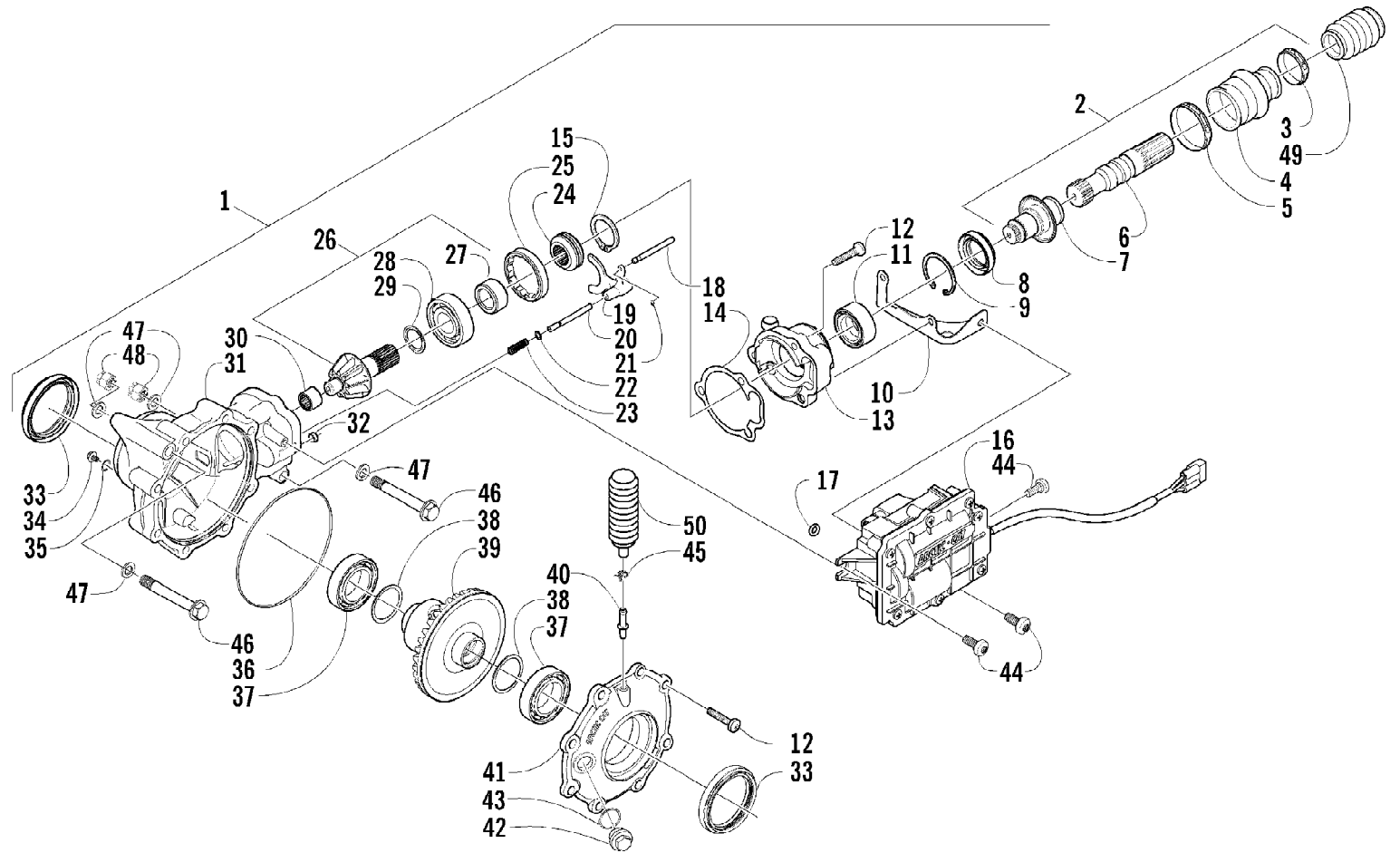
2004 ATV 500 AUTOMATIC TRANSMISSION 4X4 TRV RED (A2004TDM4BUSR) Page 35 of 92
FRONT BODY PANEL ASSEMBLY



2004 ATV 500 AUTOMATIC TRANSMISSION 4X4 TRV RED (A2004TDM4BUSR) Page 36 of 92
FRONT BODY PANEL ASSEMBLY

Ref #	Part Number	Qty	S/P/F	Description
1	0541-133	1		Center, Rack - Front
2	0541-134	2		Side, Rack - Front
3	0541-135	1		Frame, Rack - Front
4	0623-903	4		O-Ring
5	0541-189	6	S	Pin
6	0441-556	6		Bushing, Rack
7	0441-592	8	/P	Bushing, Rack
8	0411-646	2		Decal, Reflector - Amber
9	0423-360	2		Screw, Cap
10	8408-816	2		Screw, Cap
11	0506-616	1		Panel, Fender - Front (inc. 12)
12	1406-142	1	/P	Cover, Access
13	1506-158	1		Flare - Front - Right
13	1506-159	1		Flare - Front - Left
14	0423-357	2		Nut, Stamped
15	0423-101	AR		Screw, Body
16	0423-031	2		Nut, Speed
17	8477-616	2		Screw, Machine
18	0470-404	1		Grommet, Fuel Shut-Off Valve
19	0623-362	4		Rivet, Reinstallable
20	0623-309	2		Screw, Self-Tapping
21	0506-548	1		Panel, Side - Right
21	0506-243	1		Panel, Side - Left
22	0423-356	2		Screw, Shoulder
23	0423-077	6	/P	T-Nut w/Teeth
24	1506-194	2		Extension, Flare - Front
25	0423-361	4		Screw, Machine
26	0423-046	4		Rivet, Plastic
27	1506-199	1	S	Panel, Kick - Right
27	1506-200	1		Panel, Kick - Left
28	1406-063	1		Panel, Fender - Inner Right
28	1406-064	1		Panel, Fender - Inner Left
29	1406-006	1		Panel, Fender - Inner
30	0123-788	AR	/P	Cable Tie - 7.5 in.
31	0423-342	6	/P	Screw, Self-Tapping
32	8424-602	2	/P	Nut, Flange

2004 ATV 500 AUTOMATIC TRANSMISSION 4X4 TRV RED (A2004TDM4BUSR) Page 37 of 92
FRONT DRIVE GEARCASE ASSEMBLY



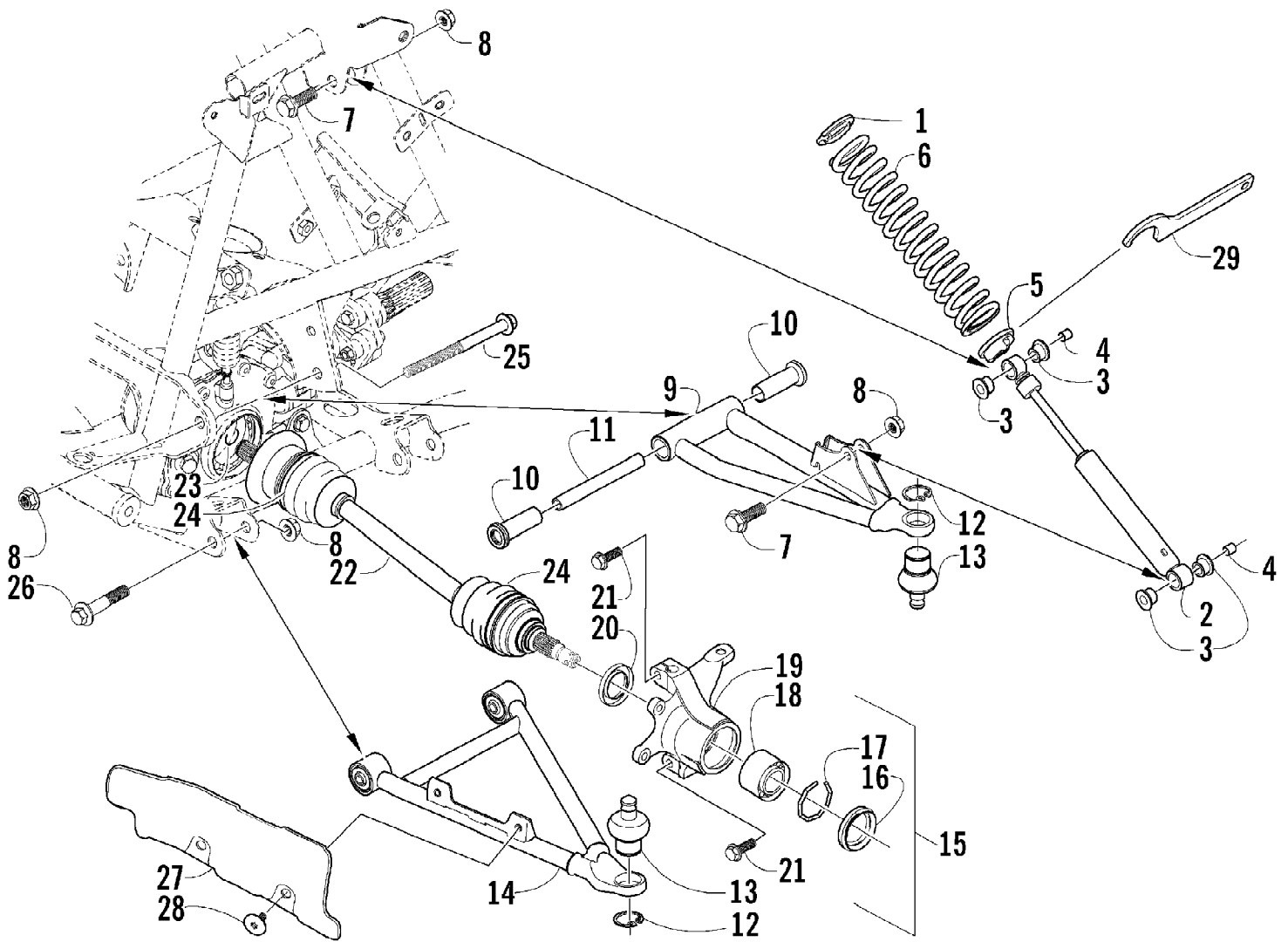
2004 ATV 500 AUTOMATIC TRANSMISSION 4X4 TRV RED (A2004TDM4BUSR) Page 38 of 92
FRONT DRIVE GEARCASE ASSEMBLY

Ref #	Part Number	Qty	S/P/F	Description
1	0502-474	1		Gearcase, Front Drive - Assembly (inc. 2-44)
2	0502-385	1		Shaft, Propeller - Assembly (inc. 3-7)
3	0423-411	1		Clamp, Boot
4	0402-985	1	/P	Boot, Propeller Shaft
5	0423-393	1		Clamp, Boot
6	1402-045	1		Shaft, Output
7	1502-085	1	/P	Shaft, Input
8	1402-011	1		Seal
9	0423-423	1		Ring, Retaining
10	0502-347	1		Bracket, Actuator
11	1402-043	1		Bearing
12	0423-118	11		Screw, Self-Tapping
13	0502-406	1		Housing, Pinion
14	0402-947	1		Gasket, Flange
15	0423-417	1		Ring, Retaining
16	0502-296	1		Actuator (inc. one No. 17)
17	0423-498	2	S	O-Ring
18	0402-997	1		Shaft, Selector
19	0402-998	1		Fork, Selector
20	0402-417	1		Shaft, Shuttle
21	0423-402	1		Ring, Retaining
22	0423-147	1		O-Ring
23	0402-999	1		Spring, Return
24	0402-413	1		Coupler, Drive
25	0402-357	1		Collar, Lock
26	0502-123	1		Gear, Pinion - Assembly - 10T (inc. 27-29)
27	0402-336	1		Collar, Retaining
28	0402-327	1		Bearing
29	0402-424	AR		Shim
29	0402-425	AR		Shim
29	0402-426	AR		Shim
29	0402-427	AR		Shim
29	0402-428	AR		Shim
30	0402-328	1		Bearing
31	0502-120	1		Housing, Gearcase
32	0402-411	1		Pin, Dowel
33	0402-394	2	S	Seal
34	0402-450	1	S	Plug, Magnetic (inc. 35)
35	0423-153	1		O-Ring
36	0423-149	1		O-Ring
37	0402-393	2		Bearing
38	0402-405	AR		Shim
38	0402-406	AR		Shim
38	0402-407	AR		Shim
38	0402-408	AR		Shim
38	0402-409	AR		Shim
39	0502-124	1		Gear, Ring - 36T
40	1402-104	1		Fitting
41	0502-121	1		Cover, Gearcase
42	0402-333	1	/P	Plug, Fill (inc. 43)
43	0423-154	1		O-Ring
44	0423-396	3		Screw, Self-Tapping
45	0423-315	1		Clamp Fitting

2004 ATV 500 AUTOMATIC TRANSMISSION 4X4 TRV RED (A2004TDM4BUSR) Page 39 of 92
 FRONT DRIVE GEARCASE ASSEMBLY

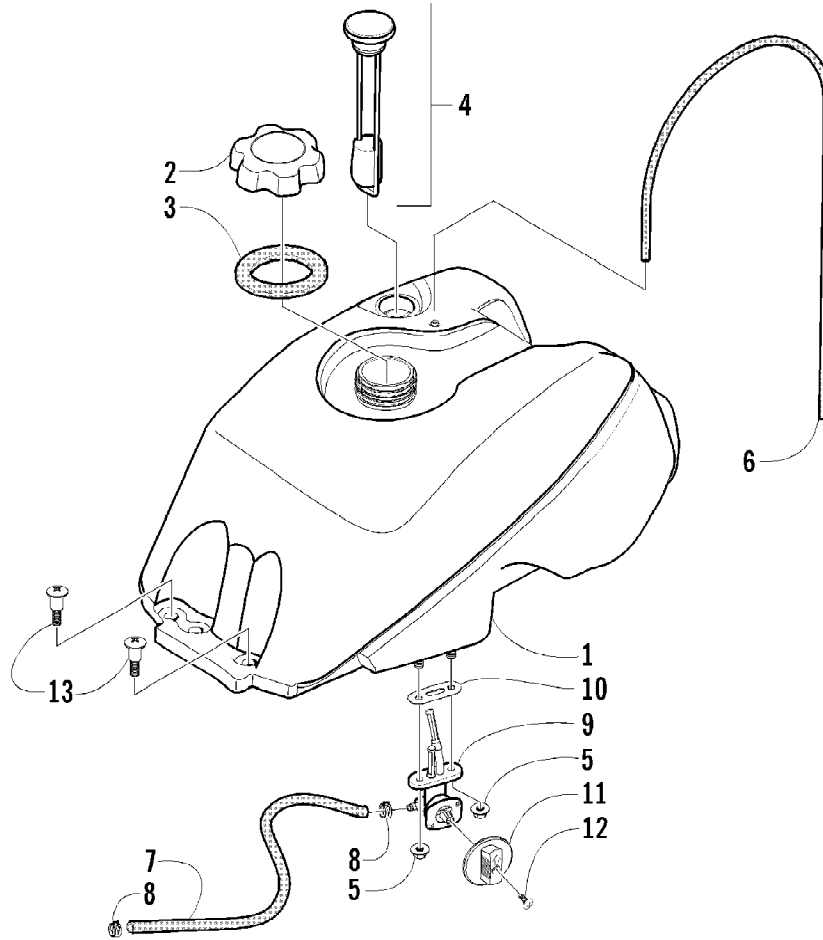
Ref #	Part Number	Qty	S/P/F	Description
46	0423-404	2		Screw, Cap
47	0423-426	4		Washer
48	8428-002	2		Nut, Lock
49	0402-966	1		Boot, Shaft
50	0402-147	1	S	Bladder, Gearcase

2004 ATV 500 AUTOMATIC TRANSMISSION 4X4 TRV RED (A2004TDM4BUSR) Page 40 of 92
FRONT SUSPENSION ASSEMBLY



2004 ATV 500 AUTOMATIC TRANSMISSION 4X4 TRV RED (A2004TDM4BUSR) Page 41 of 92
FRONT SUSPENSION ASSEMBLY

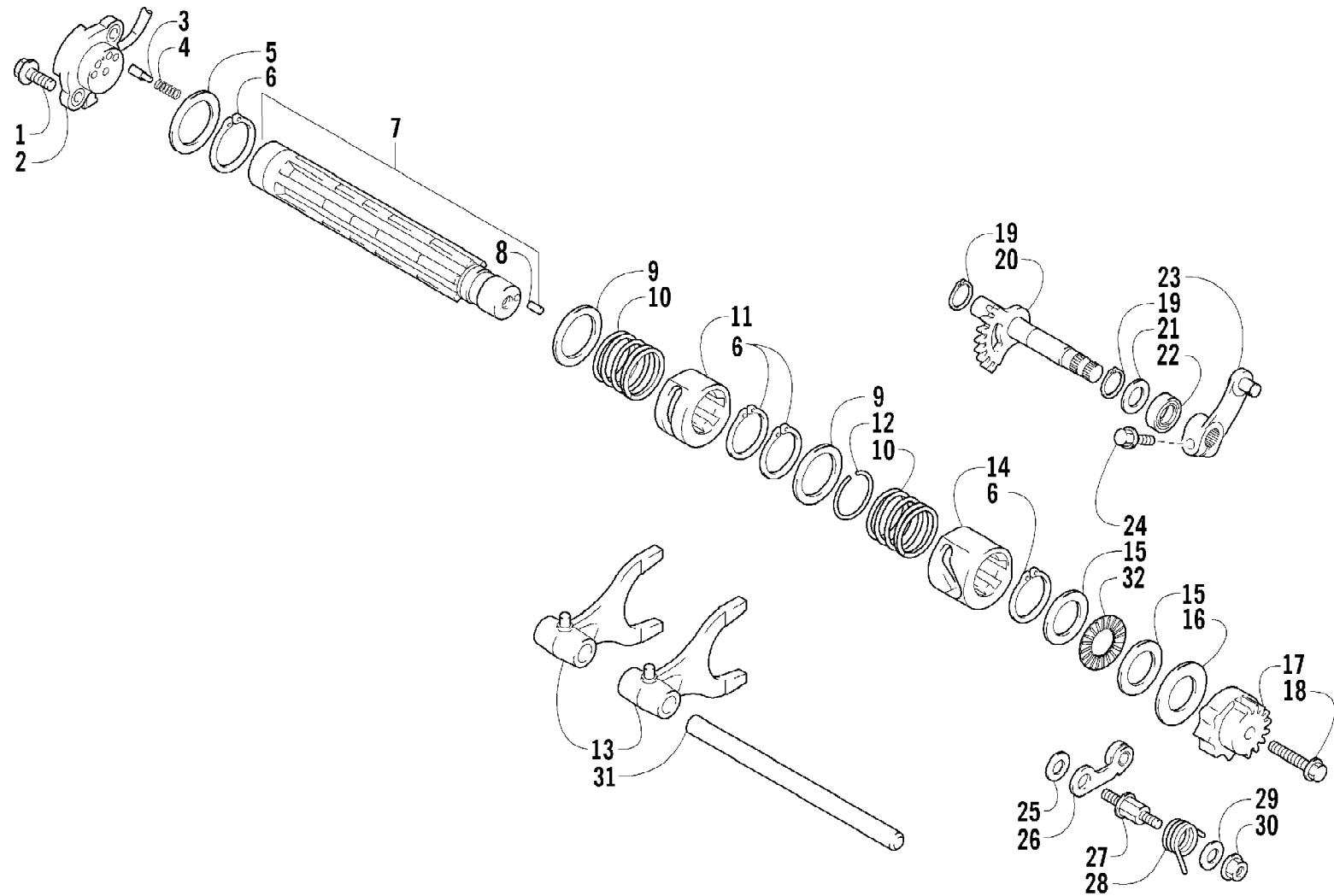
Ref #	Part Number	Qty	S/P/F	Description
1	1603-889	2	/P	Retainer, Spring
2	0403-116	2		Shock Absorber - Front (inc. 3-4)
3	0604-310	8		Bushing, Shock Absorber
4	0403-028	4		Sleeve, Shock
5	0403-102	2		Cam, Spring Adjuster
6	0503-232	2		Spring, Shock Absorber
7	8409-040	4		Screw, Cap
8	8428-002	10		Nut, Lock
9	0503-196	1	S	A-Arm, Upper Right - Assembly (inc. 10-13)
9	0503-197	1		A-Arm, Upper Left - Assembly (inc. 10-13)
10	0403-081	4	S	Bushing
11	0403-080	2		Collar
12	0423-009	4	/P	Clip, Ball Joint
13	0405-115	4	/P	Ball Joint - Front
14	0503-227	1		A-Arm, Lower Right (inc. 12-13)
14	0503-228	1		A-Arm, Lower Left (inc. 12-13)
15	0505-026	1	S/P	Knuckle - Assembly - Right (inc. 16-20)
15	0505-027	1	S/P	Knuckle - Assembly - Left (inc. 16-20)
16	0402-089	2		Seal, Wheel Bearing - Front
17	0423-034	2		Clip, Bearing
18	0402-275	2	/P	Bearing, Wheel Hub - Front
19	0505-062	1	S	Knuckle, Steering - Right
19	0505-063	1	S	Knuckle, Steering - Left
20	0402-069	2		Seal, Wheel Bearing - Rear
21	8409-030	4		Screw, Cap
22	0502-544	2	S	Axle, Drive - Front (inc. 23-24)
23	0441-400	2	S	Clip, Retaining
24	0436-276	2	S	Repair Kit, Boot - Front Axle
25	0423-334	2		Screw, Cap
26	8409-060	4		Screw, Cap
27	1406-034	1		Guard, Boot - Axle - Right
27	1406-035	1		Guard, Boot - Axle - Left
28	0423-101	4		Screw, Body
29	0441-587	1		Wrench, Spanner



2004 ATV 500 AUTOMATIC TRANSMISSION 4X4 TRV RED (A2004TDM4BUSR) Page 43 of 92
GAS TANK ASSEMBLY

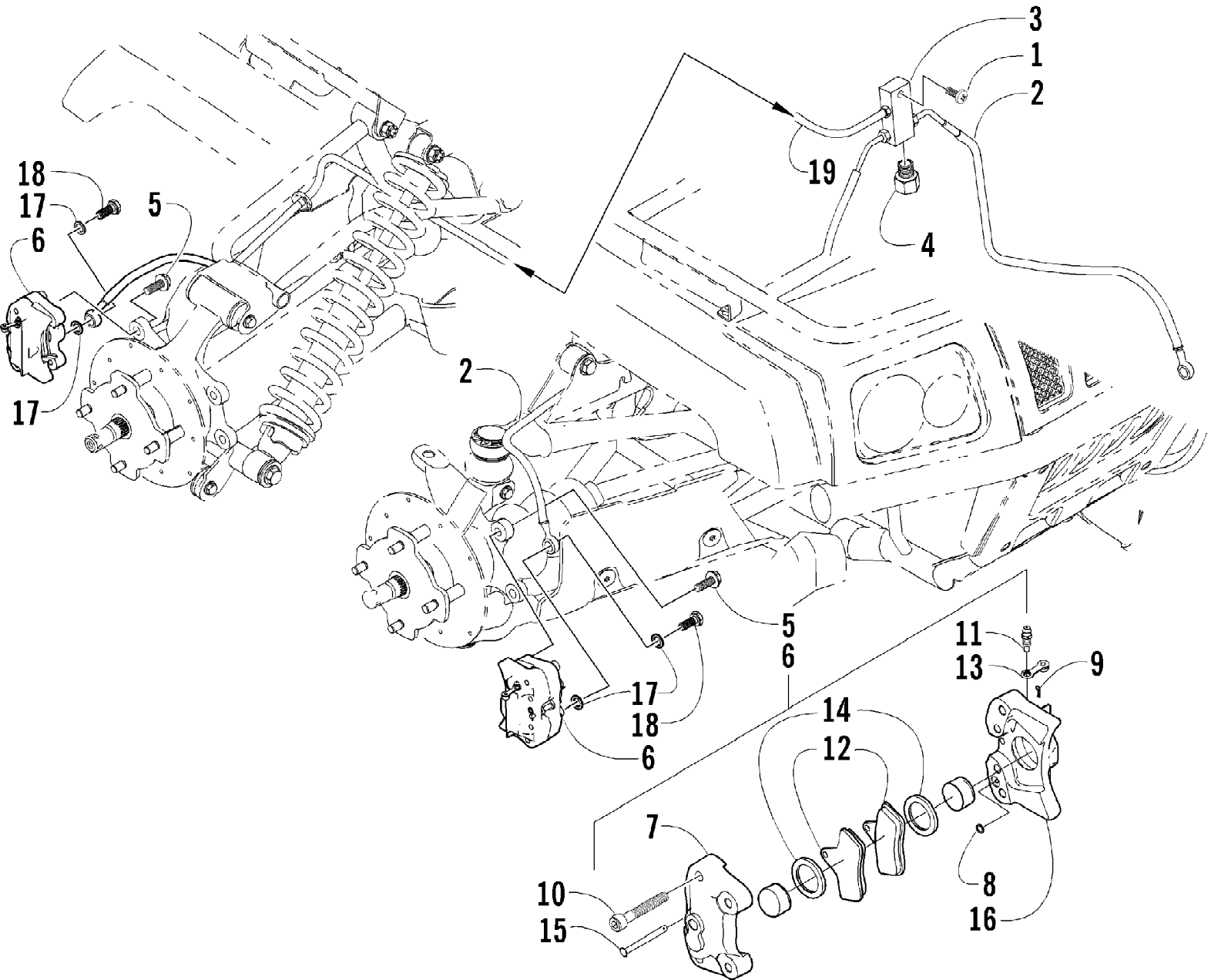
Ref #	Part Number	Qty	S/P/F	Description
1	0570-066	1	/P	Tank, Gas - Assembly (inc. 2-10)
2	0470-438	1	/P	Cap, Gas Tank (inc. 3)
3	0109-733	1	/P	Gasket, Tank Cap
4	0570-086	1	/P	Gauge, Fuel w/Gasket (Press-Fit)
5	0423-398	2		Nut, Lock
6	0470-416	1	/P	Hose, Vent
7	0610-007	AR	/P	Hose, Gasline - 25 ft
8	0423-152	2		Clamp, Hose
9	0470-445	1	/P	Valve, Fuel Shut-Off (inc. 10)
10	0470-364	1		Gasket, Fuel Shut-Off Valve
11	0470-408	1		Knob, Fuel Shut-Off Valve
12	0423-146	1		Screw, Machine
13	0423-130	2		Screw, Shoulder

2004 ATV 500 AUTOMATIC TRANSMISSION 4X4 TRV RED (A2004TDM4BUSR) Page 44 of 92
GEAR SHIFTING ASSEMBLY



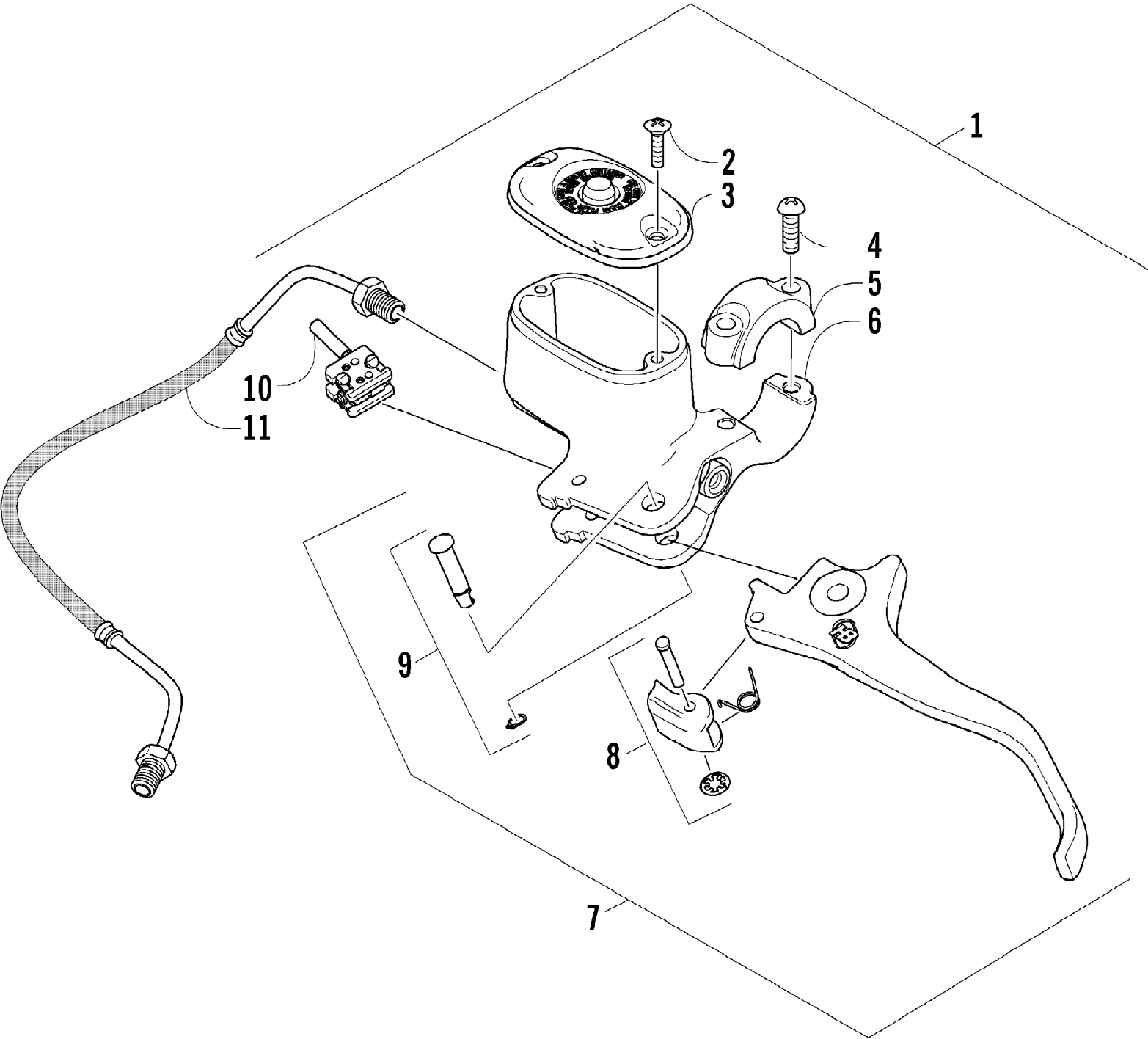
2004 ATV 500 AUTOMATIC TRANSMISSION 4X4 TRV RED (A2004TDM4BUSR) Page 45 of 92
GEAR SHIFTING ASSEMBLY

Ref #	Part Number	Qty	S/P/F	Description
1	3423-418	2		Bolt
2	3530-042	1		Base, Gear Shift - Assembly
3	3423-044	2		Contact
4	3402-087	2		Spring
5	3423-421	1	/P	Washer, Shift Shaft
6	3423-191	4	/P	Circlip, Cam Spring
7	3402-826	1		Shaft, Gear Shift (inc. 8)
8	3423-114	1	/P	Pin
9	3402-382	2		Washer, Cam Spring
10	3446-280	2		Spring, Cam
11	3402-827	1		Cam, Reverse
12	3423-116	1	S	C-Ring, Cam
13	3446-353	2		Fork, Shift
14	3402-828	1		Cam, Gear Shift
15	3402-381	2	/P	Washer, Shift Shaft
16	3423-446	1		Washer, Gear Shift Cam Plate
17	3402-642	1		Plate, Gear Shift Cam
18	3004-376	1	S/P	Bolt, Gear Shift Cam Plate
19	3423-358	2	S	Circlip, Sub-Gear Shift Shaft
20	3402-747	1		Shaft, Sub-Gear Shift
21	1691-043	2		Washer, Sub-Gear Shift Shaft
22	3402-076	1		Seal, Sub-Gear Shift Shaft
23	3402-434	1	/P	Arm, Select
24	3004-341	1	S/P	Bolt, Select Arm
25	3423-141	1		Washer, Cam Stopper
26	3402-746	2		Stopper, Cam
27	3446-048	1		Support, Cam Stopper
28	3423-511	1		Spring, Cam Stopper
29	3423-438	2		Washer, Cam Stopper Spring
30	3004-488	1	S/P	Nut, Cam Stopper Spring
31	3446-266	1		Shaft, Shift Fork
32	3402-829	1		Bearing



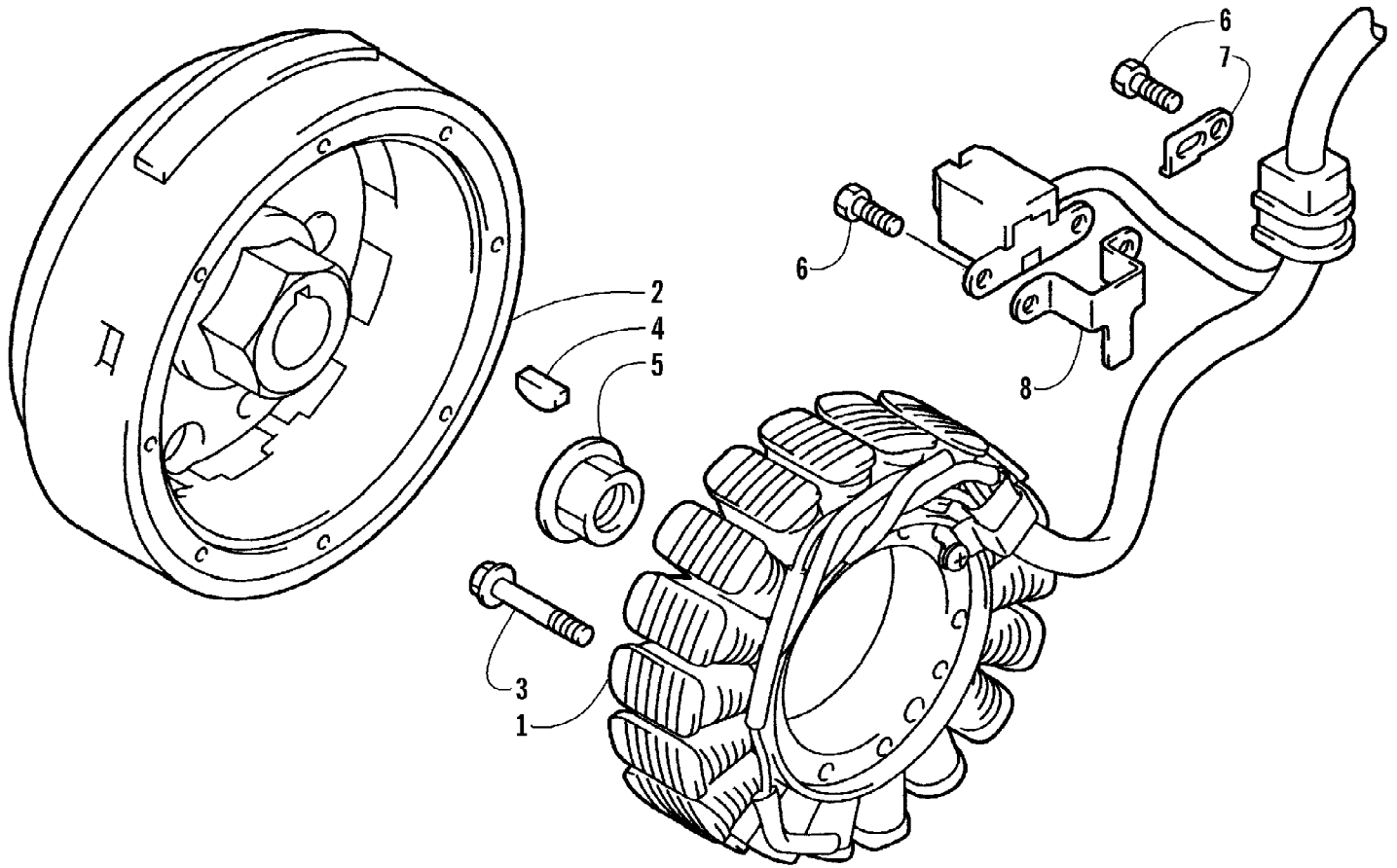
2004 ATV 500 AUTOMATIC TRANSMISSION 4X4 TRV RED (A2004TDM4BUSR) Page 47 of 92
HYDRAULIC BRAKE ASSEMBLY

Ref #	Part Number	Qty	S/P/F	Description
1	8476-625	1		Screw, Cap
2	0402-961	2		Hose, Brake - Front
3	1402-086	1		Block, Junction
4	1402-031	1		Plug
5	8408-825	6		Screw, Cap
6	0502-335	1	S	Caliper, Brake - Right Front (inc. 7-16)
6	0502-336	2	S	Caliper, Brake - Left Front and Right Rear (inc. 7-16)
7	0	3	F	Housing, Caliper
8	0402-490	3		O-Ring
9	0402-496	3	S	Clip, Hairpin
10	0402-492	12		Screw, Cap
11	0402-491	3	S	Valve, Bleed
12	0402-882	6	/P	Pad, Brake
13	0402-493	3		Cap, Bleed Valve
14	0402-980	6		O-Ring, Brake Caliper
15	0402-495	3		Pin, Brake Caliper
16	0	3	F	Housing, Caliper
17	0423-178	6		Washer, Crush
18	0423-413	3		Bolt, Banjo Fitting
19	1402-205	1		Hose, Brake - Rear



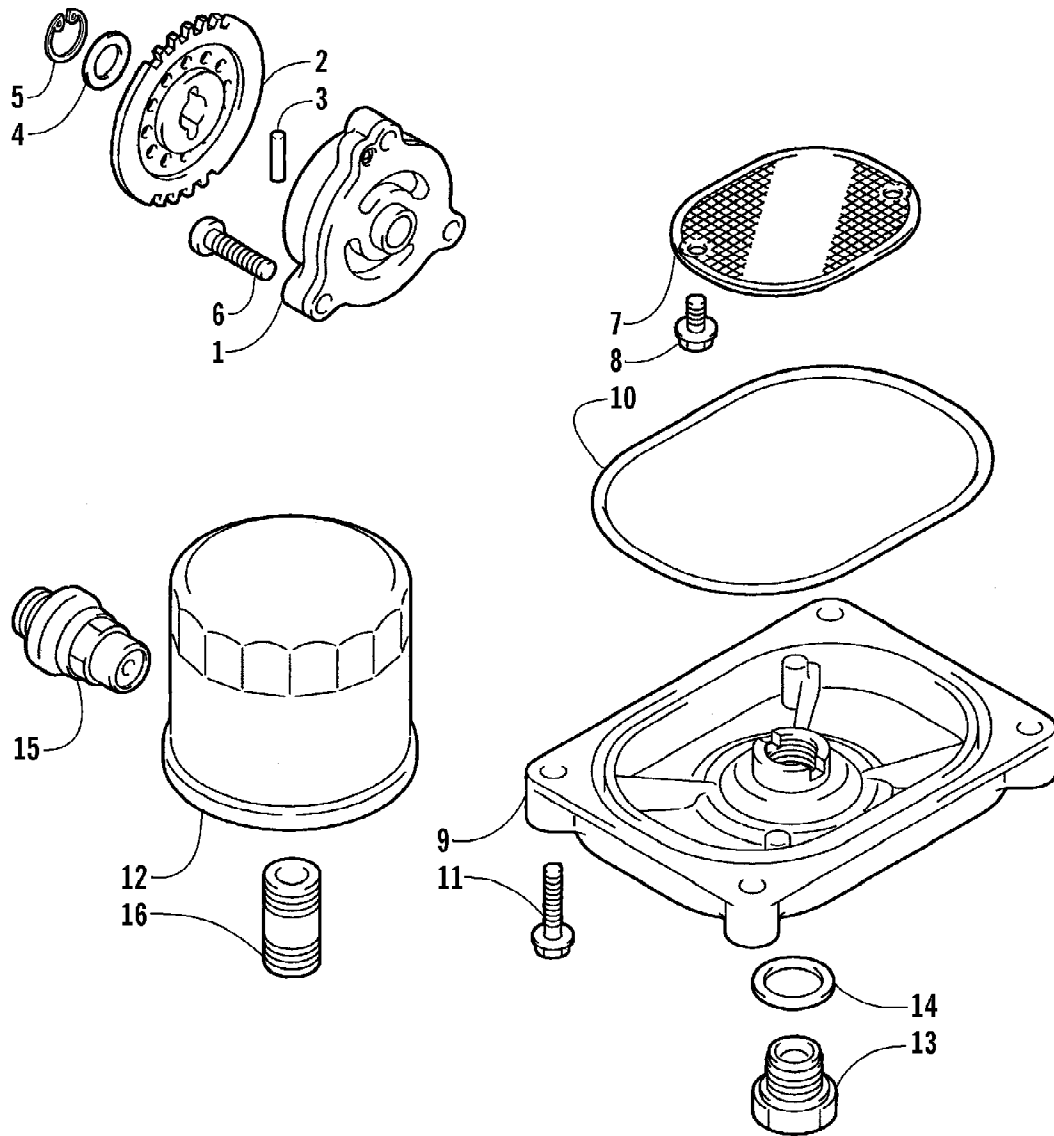
2004 ATV 500 AUTOMATIC TRANSMISSION 4X4 TRV RED (A2004TDM4BUSR) Page 49 of 92
HYDRAULIC HAND BRAKE ASSEMBLY

Ref #	Part Number	Qty	S/P/F	Description
1	0502-561	1	S	Brake Assembly (inc. 2-10)
2	0502-566	1		Screw, Reservoir Cover - Kit
3	0502-565	1		Cover, Reservoir - Kit
4	0502-568	1		Screw, Master Cylinder Clamp - Kit
5	0502-567	1		Clamp, Master Cylinder - Kit
6	0502-516	1		Master Cylinder Assembly - Kit
7	0502-562	1	S	Lever Assembly - Kit (inc. 8-9)
8	0502-563	1	S	Lock, Brake Lever - Kit
9	0502-580	1		Lever Pin - Kit
10	0502-564	1	/P	Switch, Brake - Kit
11	0402-962	1		Brakeline, Hydraulic



2004 ATV 500 AUTOMATIC TRANSMISSION 4X4 TRV RED (A2004TDM4BUSR) Page 51 of 92
MAGNETO ASSEMBLY

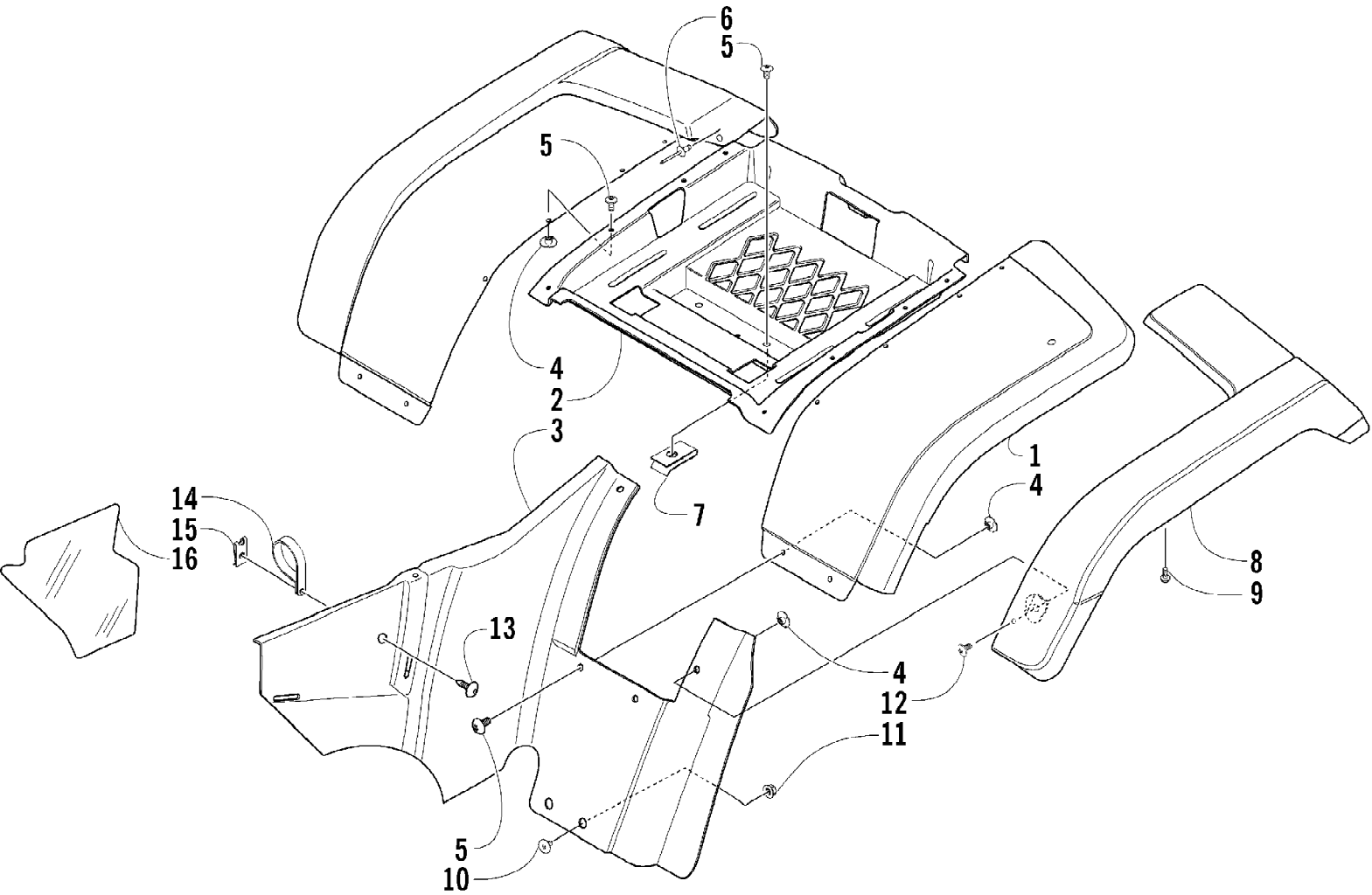
Ref #	Part Number	Qty	S/P/F	Description
1	3430-058	1		Stator Assembly
2	3430-046	1		Rotor/Flywheel
3	3423-162	3	S	Bolt
4	0691-785	1		Key
5	3423-086	1		Nut
6	3423-005	3	/P	Bolt
7	3430-005	1		Clamp (No. 1)
8	3430-006	1		Clamp (No. 2)



2004 ATV 500 AUTOMATIC TRANSMISSION 4X4 TRV RED (A2004TDM4BUSR) Page 53 of 92
OIL FILTER/PUMP ASSEMBLY

Ref #	Part Number	Qty	S/P/F	Description
1	3402-727	1	/P	Pump, Oil
2	3402-463	1		Gear, Driven
3	3423-046	1		Pin
4	3423-115	1		Washer
5	3423-184	1	S	Circlip
6	3423-510	3		Screw, Cap
7	3402-156	1		Strainer, Oil
8	0693-389	2	S	Screw, Cap
9	3402-157	1		Cap, Oil Strainer
10	3423-077	1		O-Ring
11	3004-756	4	S	Screw, Cap
12	0436-146	1	S	Filter, Oil
13	3402-036	1	S	Plug, Drain
14	3402-012	1		Gasket, Drain Plug
15	3402-154	1		Valve, Oil Relief - Assembly
16	3402-158	1	S	Union, Oil Filter

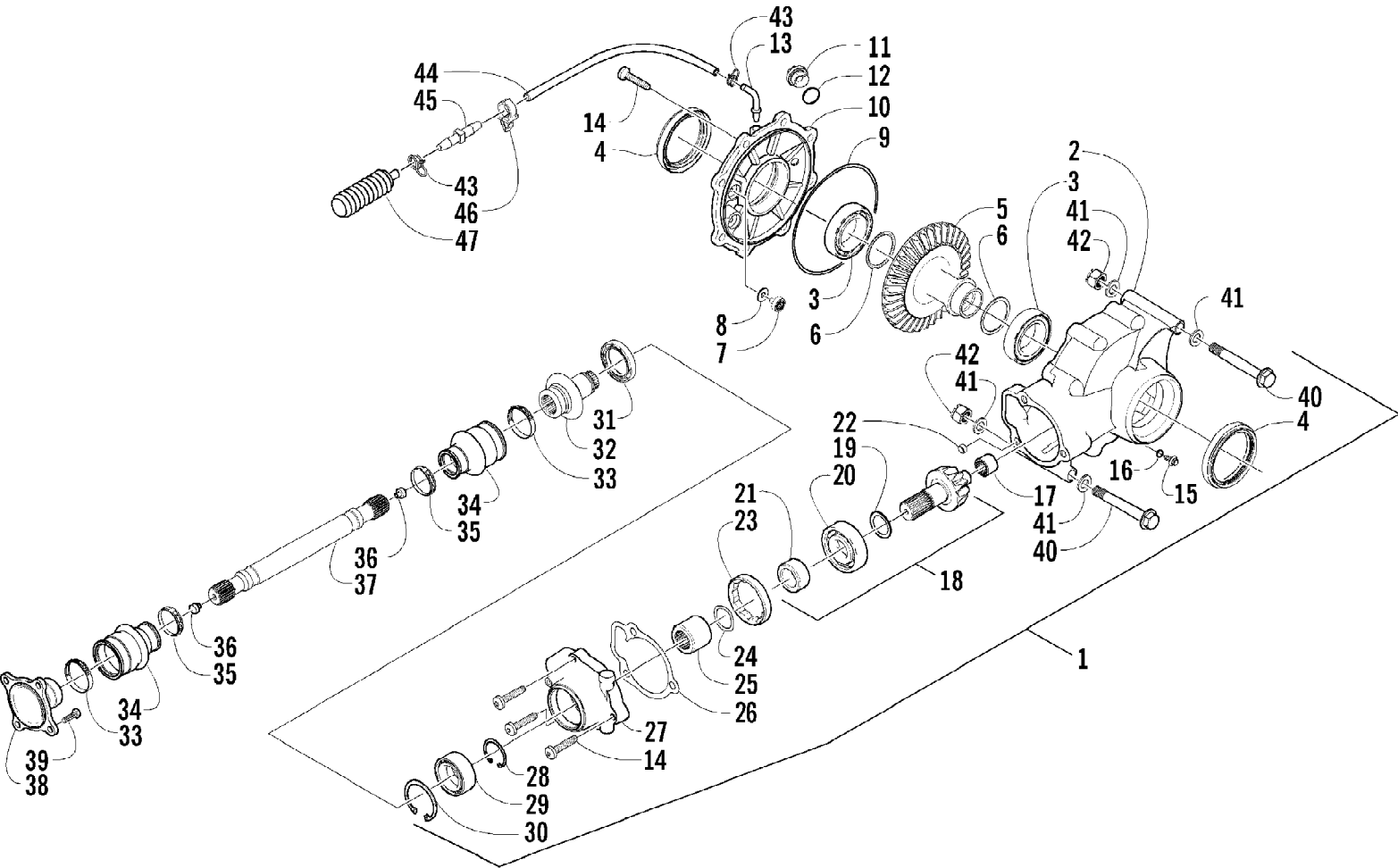
2004 ATV 500 AUTOMATIC TRANSMISSION 4X4 TRV RED (A2004TDM4BUSR) Page 54 of 92
REAR BODY PANEL ASSEMBLY



2004 ATV 500 AUTOMATIC TRANSMISSION 4X4 TRV RED (A2004TDM4BUSR) Page 55 of 92
REAR BODY PANEL ASSEMBLY

Ref #	Part Number	Qty	S/P/F	Description
1	0506-908	1		Panel, Fender - Rear - Right
1	0506-910	1		Panel, Fender - Rear - Left
2	0506-935	1		Tray, Storage
3	0506-923	1		Extension, Fender - Rear - Right
3	0506-924	1		Extension, Fender - Rear - Left
4	0423-077	14	/P	T-Nut w/Teeth
5	0423-419	14		Screw, Machine
6	0423-046	2		Rivet, Plastic
7	0423-031	2		Nut, Speed
8	0506-552	1		Flare, Rear - Right
8	0506-553	1		Flare, Rear - Left
9	0423-342	6	/P	Screw, Self-Tapping
10	0423-101	4		Screw, Body
11	8424-602	4	/P	Nut, Flange
12	0423-355	2		Screw, Shoulder
13	0623-784	2		Screw, Self-Tapping
14	0423-044	2		Clamp, Tube
15	0423-466	2		Clip, Tinerman
16	1406-262	1		Shield, Heat

2004 ATV 500 AUTOMATIC TRANSMISSION 4X4 TRV RED (A2004TDM4BUSR) Page 56 of 92
REAR DRIVE GEARCASE ASSEMBLY



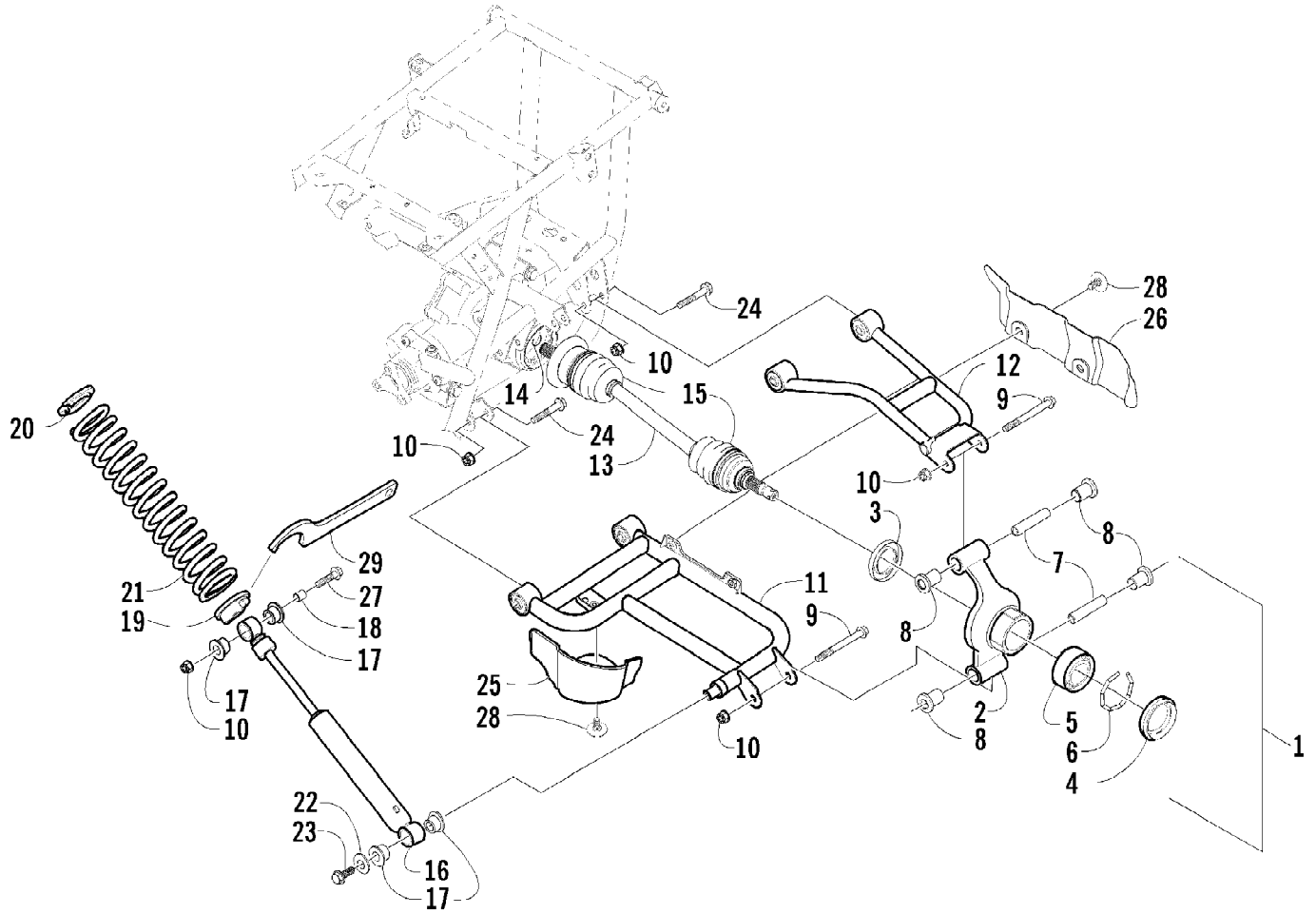
2004 ATV 500 AUTOMATIC TRANSMISSION 4X4 TRV RED (A2004TDM4BUSR) Page 57 of 92
REAR DRIVE GEARCASE ASSEMBLY

Ref #	Part Number	Qty	S/P/F	Description
1	0502-453	1		Gearcase, Rear Drive - Assembly (inc. 2-32)
2	0502-352	1		Housing, Gearcase
3	0402-393	2		Bearing
4	0402-394	2	S	Seal
5	0402-965	1		Gear, Ring - 36T
6	0402-405	AR		Shim
6	0402-406	AR		Shim
6	0402-407	AR		Shim
6	0402-408	AR		Shim
6	0402-409	AR		Shim
7	0402-326	1		Button, Thrust
8	0402-429	AR		Shim
8	0402-430	AR		Shim
8	0402-431	AR		Shim
8	0402-432	AR		Shim
8	0402-433	AR		Shim
9	0423-149	1		O-Ring
10	0502-346	1		Cover, Gearcase
11	0402-333	1	/P	Plug, Fill (inc. 12)
12	0423-154	1		O-Ring
13	1402-102	1		Fitting
14	0423-118	11		Screw, Self-Tapping
15	0402-450	1	S	Plug, Magnetic (inc. 16)
16	0423-153	1		O-Ring
17	0402-328	1		Bearing
18	0502-123	1		Gear, Pinion - Assembly - 10T (inc. 19-21)
19	0402-424	AR		Shim
19	0402-425	AR		Shim
19	0402-426	AR		Shim
19	0402-427	AR		Shim
19	0402-428	AR		Shim
20	0402-327	1		Bearing
21	0402-336	1		Collar, Retaining
22	0402-411	1		Pin, Dowel
23	0402-331	1		Collar, Lock
24	0402-982	1		Washer, Wave
25	0402-981	1		Collar, Shaft
26	0402-947	1		Gasket, Flange
27	0502-380	1		Housing, Pinion
28	0423-417	1		Ring, Retaining
29	1402-043	1		Bearing
30	0423-423	1		Ring, Retaining
31	1402-011	1		Seal
32	0502-407	1	S	Shaft, Input
33	0423-393	2		Clamp
34	0402-985	2	/P	Boot
35	0423-411	2		Clamp
36	0673-618	2	/P	Bumper, Propeller Shaft
37	1402-092	1		Shaft, Propeller
38	0402-950	1		Flange, Output
39	8408-820	4	/P	Screw, Cap
40	0423-404	2		Screw, Cap
41	0423-426	1		Washer

2004 ATV 500 AUTOMATIC TRANSMISSION 4X4 TRV RED (A2004TDM4BUSR) Page 58 of 92
REAR DRIVE GEARCASE ASSEMBLY

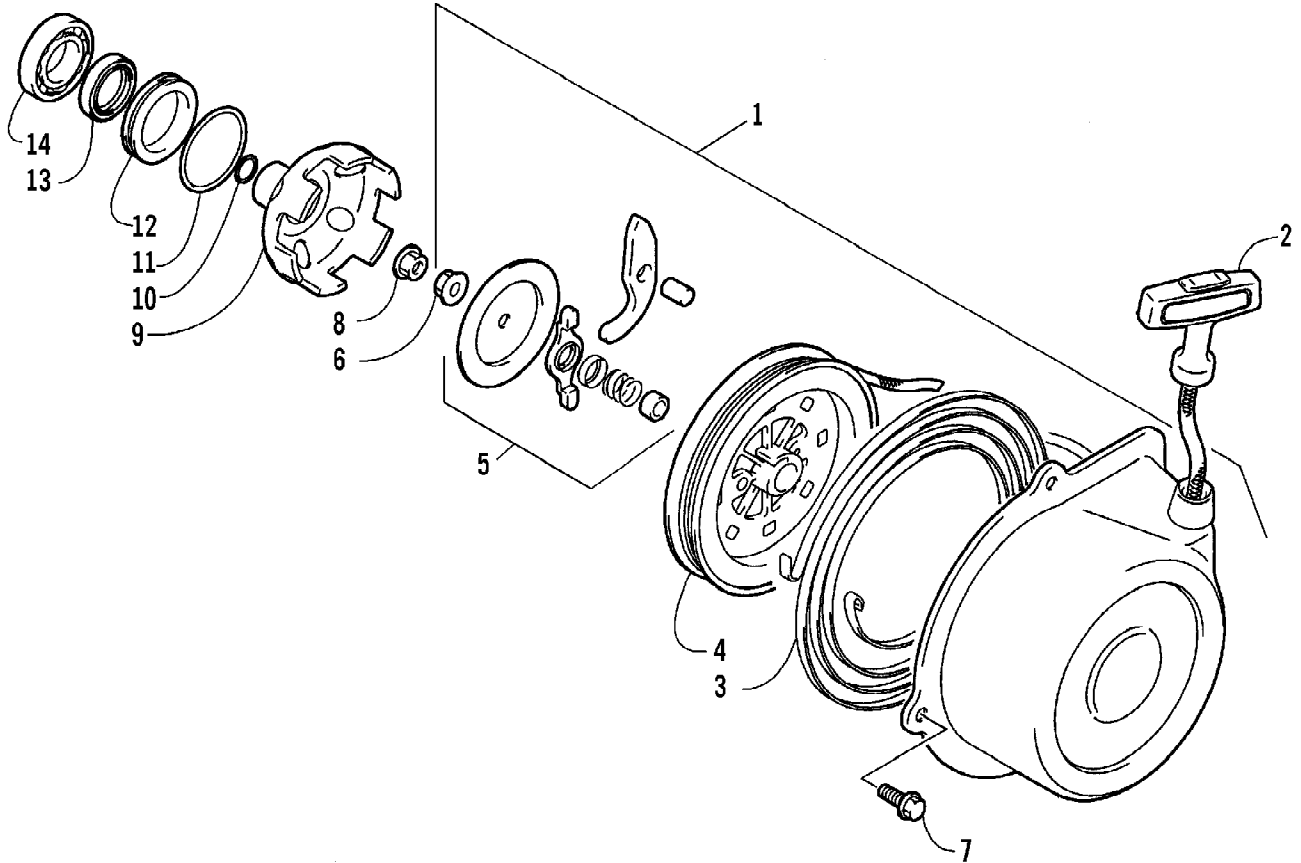
Ref #	Part Number	Qty	S/P/F	Description
42	8428-002	2		Nut
43	0423-315	3		Clamp, Hose
44	0410-049	AR		Hose, Vent
45	0470-462	1		Fitting, Vent
46	0623-101	1		Clip, Retaining
47	0402-147	1	S	Bladder, Gearcase

2004 ATV 500 AUTOMATIC TRANSMISSION 4X4 TRV RED (A2004TDM4BUSR) Page 59 of 92
REAR SUSPENSION ASSEMBLY



2004 ATV 500 AUTOMATIC TRANSMISSION 4X4 TRV RED (A2004TDM4BUSR) Page 60 of 92
REAR SUSPENSION ASSEMBLY

Ref #	Part Number	Qty	S/P/F	Description
1	0504-226	1	S	Knuckle, Right Rear - Assembly (inc. 2-8)
1	0504-227	1	S	Knuckle, Left Rear - Assembly (inc. 2-8)
2	0504-224	1	S	Knuckle - Right
2	0504-225	1	S	Knuckle - Left
3	0402-069	2		Seal, Wheel Bearing - Rear
4	0402-089	2		Seal, Wheel Bearing - Front
5	0402-275	2	/P	Bearing, Wheel
6	0423-034	2		Clip, Bearing
7	0403-038	4	S/P	Collar, Suspension Bushing
8	0403-032	8	S	Bushing, Suspension
9	8409-000	4		Screw, Cap
10	8428-002	14		Nut, Lock
11	0504-228	1		A-Arm, Rear - Lower Right
11	0504-229	1		A-Arm, Rear - Lower Left
12	0504-232	1		Arm, Rear - Upper Right
12	0504-233	1		Arm, Rear - Upper Left
13	0502-544	2	S	Axle, Drive (inc. 14-15)
14	0441-400	2	S	Clip, Retaining
15	0436-276	2	S	Repair Kit, Boot - Rear Axle
16	0404-045	2		Shock Absorber - Rear (inc. 17-18)
17	0604-310	8		Bushing, Shock Absorber
18	0403-028	2		Sleeve, Shock Absorber
19	0404-057	2		Cam, Spring Adjuster
20	1603-889	2	/P	Retainer, Spring
21	0404-065	2		Spring, Suspension
22	0423-087	2		Washer
23	8408-820	2	/P	Screw, Cap
24	8409-060	8		Screw, Cap
25	1406-071	1		Guard, Boot - Right
25	1406-072	1		Guard, Boot - Left
26	1406-068	1		Guard, Boot - Right
26	1406-069	1		Guard, Boot - Left
27	8409-040	2		Screw, Cap
28	0423-101	6		Screw, Body
29	0441-587	1		Wrench, Spanner



2004 ATV 500 AUTOMATIC TRANSMISSION 4X4 TRV RED (A2004TDM4BUSR) Page 62 of 92
RECOIL STARTER ASSEMBLY

Ref #	Part Number	Qty	S/P/F	Description
1	3445-003	1		Starter, Recoil - Assembly (inc. 2-6)
2	3445-011	1		Rope Assembly
3	3445-007	1		Spring, Spiral
4	3445-004	1		Reel
5	3445-016	1		Ratchet Assembly
6	3004-488	1	S/P	Nut
7	3423-428	4		Screw, Cap
8	3004-491	1	S/P	Nut
9	3445-029	1	/P	Cup, Starter
10	3423-053	1	/P	O-Ring
11	3423-063	1		O-Ring
12	3402-119	1	S	Spacer
13	3402-070	1		Seal, Oil
14	3402-051	1		Bearing

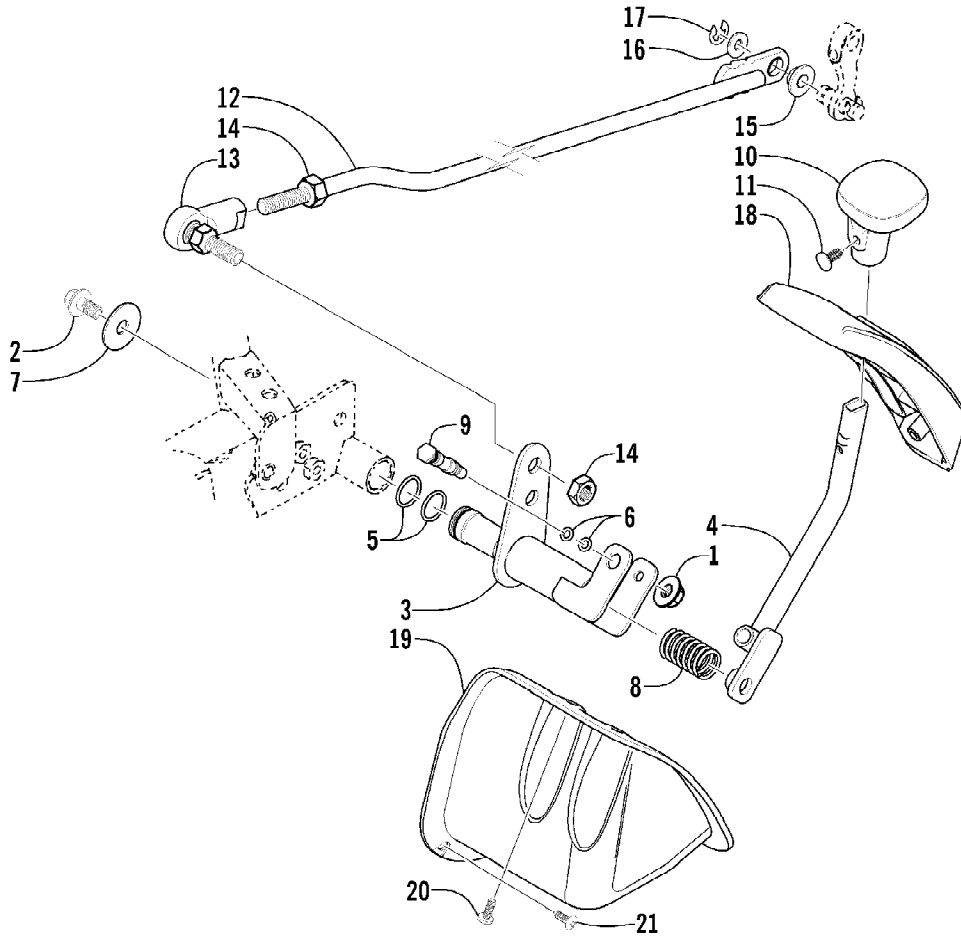
No
Diagram
Available

Parts List
Only

2004 ATV 500 AUTOMATIC TRANSMISSION 4X4 TRV RED (A2004TDM4BUSR) Page 64 of 92
RELATED ITEMS

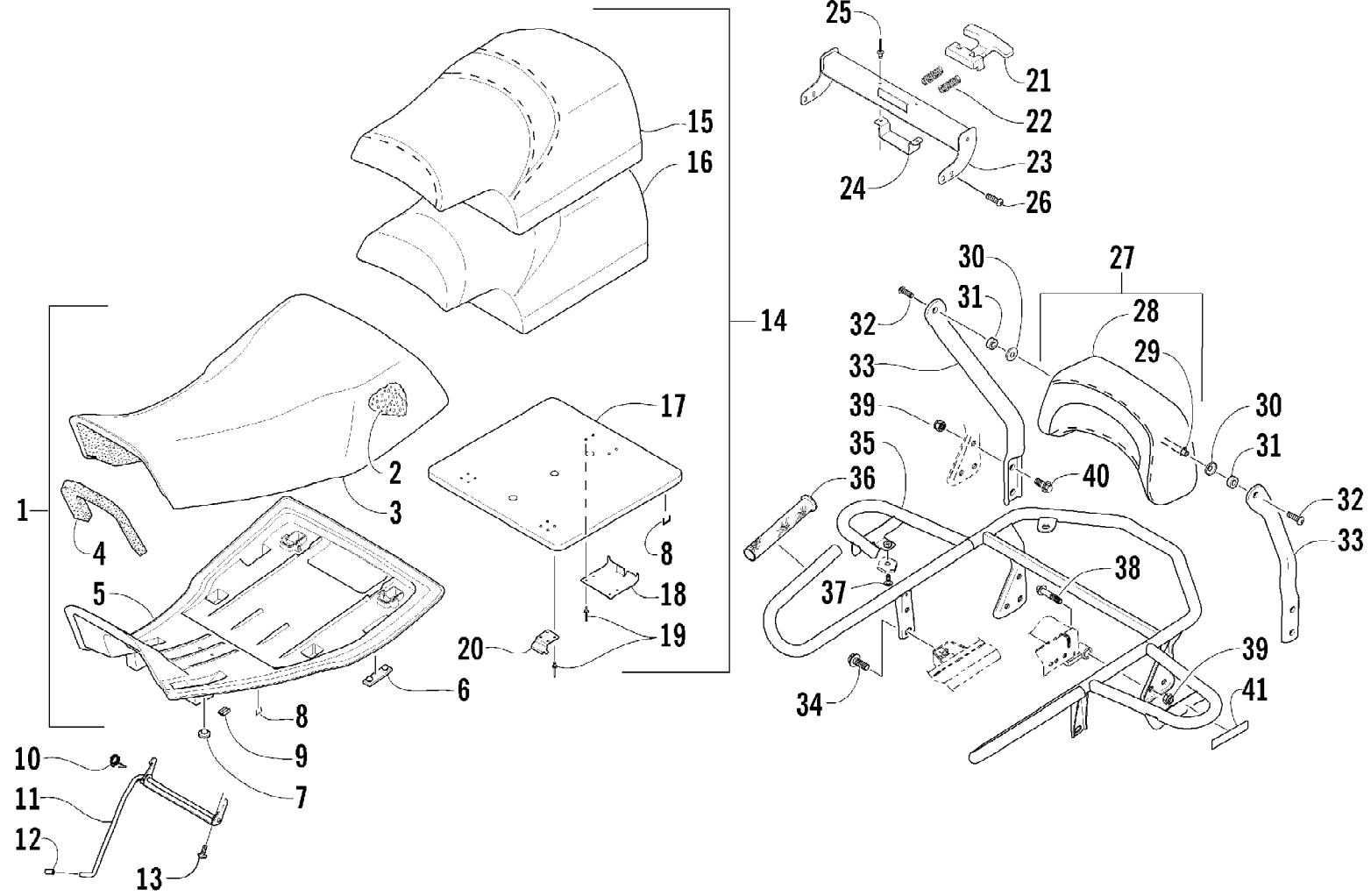
Ref #	Part Number	Qty	S/P/F	Description
	0436-337	1		Bag, Rack - Front - Black
	0436-185	1		Bag, Tank - Black
	0436-480	1		Bar, Utility - MRP
	0436-502	1		Brush Guard/Bumper - Deluxe
	0436-454	1		Cargo Box
	0436-516	1		Cargo Box Light Mount, Portable
	0436-498	1		Cargo Box Quick-Release Kit - MRP
	0436-485	1		Cargo Box Solid Mounting Kit - MRP
	0436-459	1	/P	Carryall - MRP (9x12)
	0436-460	1		Carryall - MRP (11x17)
	0436-462	1		Carryall - MRP (10 D)
	0436-477	1		Cord Reel - MRP
	0436-087	1	/P	Electrical Plug
	0436-035	1	S	Engine Block Heater
	0436-466	1		Fender Box - MRP
	0436-467	1		Gear Cradle - MRP
	0436-464	1		Grill Cradle - MRP
	0436-352	1		Hand/Thumb Warmers
	0436-103	1		Hourmeter
	2256-950	1		Illustrated Parts Manual
	0436-463	1		Light Bar - MRP
	0436-122	1	S	Lunch Pack, Black
	2256-939	1		Manuel d'utilisation (F)
	2256-938	1		Operator's Manual (E)
	0652-024	1		Paint, Metal - Black
	0436-475	1		Rack Basket - MRP
	0436-014	1	/P	Safety Flag
	0436-386	1		Snowplow Attachment Kit
	0436-228	1		Snowplow Blade, 50 in. - Straight
	0436-287	1		Snowplow Blade, 50 in. - One-Way
	0436-296	1		Snowplow Blade, 60 in. - Straight
	0436-360	1		Snowplow Blade, 60 in. - One-Way
	0436-356	1	S	Snowplow, Push Frame
	0436-040	1	/P	Spotlight, Portable
	0436-026	1		Tire Chains, Size B (24 in. and 25 in. Tires)
	0436-027	1		Tire Chains, Size C (26 in. Tires)
	1402-028	1		Tire, Titan AT589 (25x8-12, Mud & Snow)
	0402-563	1		Tire, Titan AT589 (25x10-12, Mud & Snow)
	0436-068	1		Winch Accessories Kit
	0436-329	1	S	Winch Kit, 2500 lb
	0436-361	1		Winch Mounting Kit
	0436-303	1		Windshield, Clear
	0436-301	1		Windshield, Clear w/Accent
	0436-470	1		Workbase - MRP (8 in.)
	0436-039	1	/P	Worklight, Portable

2004 ATV 500 AUTOMATIC TRANSMISSION 4X4 TRV RED (A2004TDM4BUSR) Page 65 of 92
REVERSE SHIFT LEVER ASSEMBLY



2004 ATV 500 AUTOMATIC TRANSMISSION 4X4 TRV RED (A2004TDM4BUSR) Page 66 of 92
REVERSE SHIFT LEVER ASSEMBLY

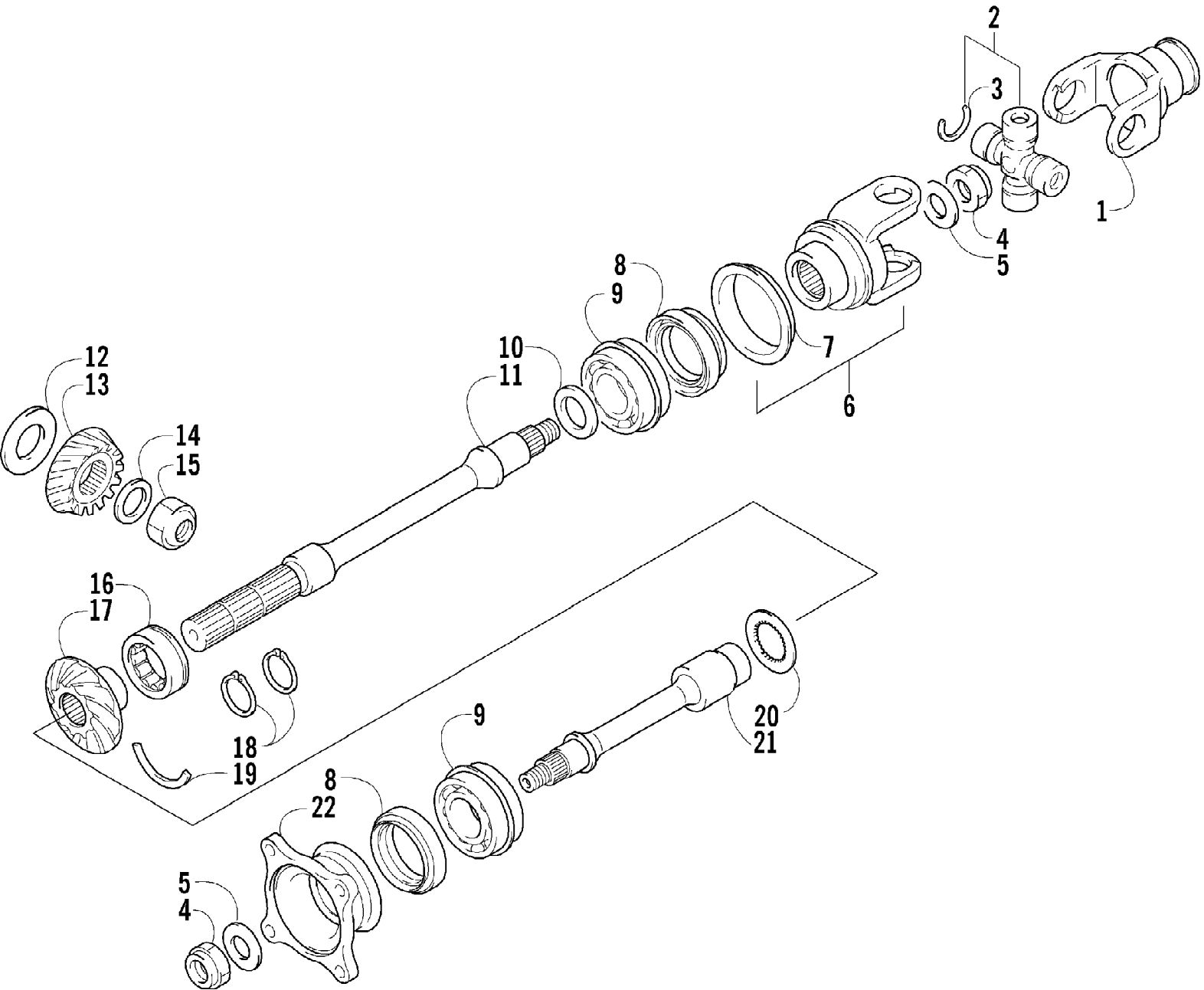
Ref #	Part Number	Qty	S/P/F	Description
1	8424-602	1	/P	Nut
2	8408-812	1		Screw, Cap
3	0502-187	1		Axle, Reverse Shift Lever
4	0502-185	1		Lever, Reverse Shift
5	0423-299	2	/P	O-Ring
6	0423-182	2	/P	O-Ring
7	0423-087	1		Washer
8	0502-410	1	S	Spring
9	0402-675	1		Axle, Pivot
10	0402-843	1	/P	Handle, Reverse Shift Lever
11	0423-345	1		Clip, Push
12	0502-146	1		Linkage, Shift
13	0402-844	1		End, Rod
14	0623-294	2		Nut
15	0423-091	1		Bushing
16	8050-242	1		Washer
17	0423-169	1	/P	E-Ring
18	0402-685	1		Plate, Shift
19	0406-943	1		Shield, Linkage
20	0423-371	3		Screw, Machine
21	0623-309	1		Screw, Self-Tapping



2004 ATV 500 AUTOMATIC TRANSMISSION 4X4 TRV RED (A2004TDM4BUSR) Page 68 of 92
SEAT ASSEMBLY

Ref #	Part Number	Qty	S/P/F	Description
1	0506-613	1		Seat Assembly - Front (inc. 2-9)
2	0506-555	1		Foam, Seat
3	0506-556	1		Cover, Seat
4	1406-060	1		Foam, Sound
5	0406-925	1		Base, Seat Assembly (inc. 6-7)
6	0406-879	2		Bumper, Seat - Rear
7	0406-877	2	/P	Bumper, Seat - Front
8	0624-528	AR	/P	Staple
9	0406-930	2		Plate, Strike - Front Seat Latch
10	1406-112	1		Spring, Front Seat Latch
11	1406-185	1		Latch, Seat - Front
12	0623-404	1		Cap, Protector
13	8477-616	2		Screw, Machine
14	1506-137	1		Seat Assembly - Passenger (inc. 8 and 15-20)
15	1506-138	1		Cover, Seat
16	1506-139	1		Foam, Seat
17	1406-194	1		Base, Seat
18	2606-161	1		Plate, Strike - Passenger Seat Latch
19	0423-425	12		Rivet
20	1406-203	2		Bracket, Seat
21	2606-159	1		Latch, Seat - Passenger
22	2606-154	2		Spring, Passenger Seat Latch
23	0506-940	1		Channel, Passenger Seat Latch
24	2706-130	1	/P	Bracket, Retainer - Passenger Seat Latch
25	8060-706	2	/P	Rivet
26	8477-610	4		Screw, Machine
27	0506-912	1		Backrest Assembly (inc. 28-29)
28	1506-284	1		Cover, Backrest w/Graphic
29	0114-163	1		Axle, Backrest
30	0723-003	2	/P	Washer, Cup
31	0616-547	2		Block, Tension - Backrest
32	0623-566	2		Screw, Machine
33	0506-965	1		Support, Backrest - Right
33	0506-966	1		Support, Backrest - Left
34	8409-020	2	/P	Screw, Cap
35	1506-141	1		Handhold, Passenger
36	1606-442	2		Grip, Passenger Handhold
37	0423-101	2		Screw, Body
38	0423-420	2		Screw, Shoulder
39	8428-002	6		Nut, Lock
40	8409-025	4		Screw, Cap
41	0411-652	2		Decal, Reflector - Red

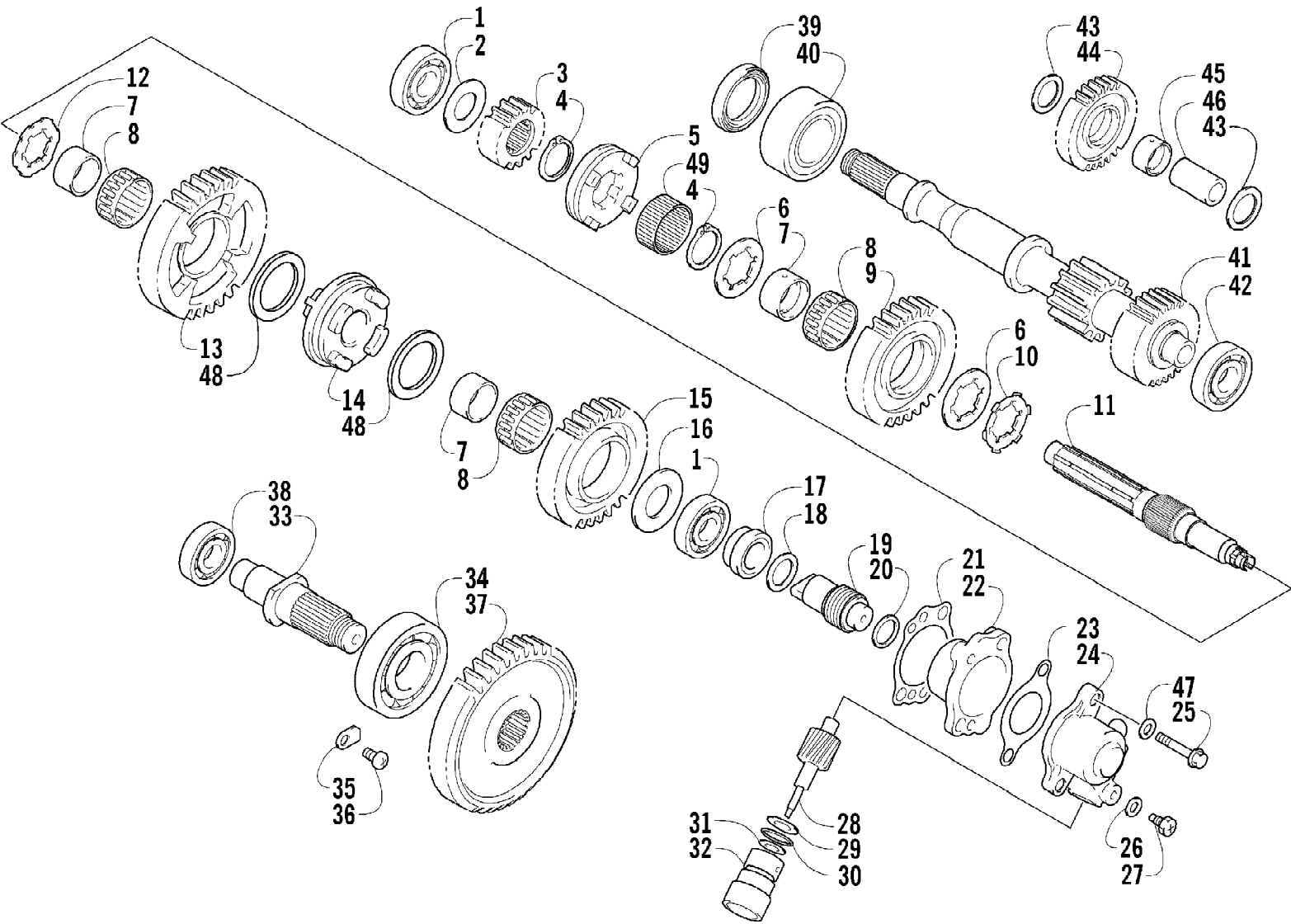
2004 ATV 500 AUTOMATIC TRANSMISSION 4X4 TRV RED (A2004TDM4BUSR)
SECONDARY DRIVE ASSEMBLY



2004 ATV 500 AUTOMATIC TRANSMISSION 4X4 TRV RED (A2004TDM4BUSR) Page 70 of 92
SECONDARY DRIVE ASSEMBLY

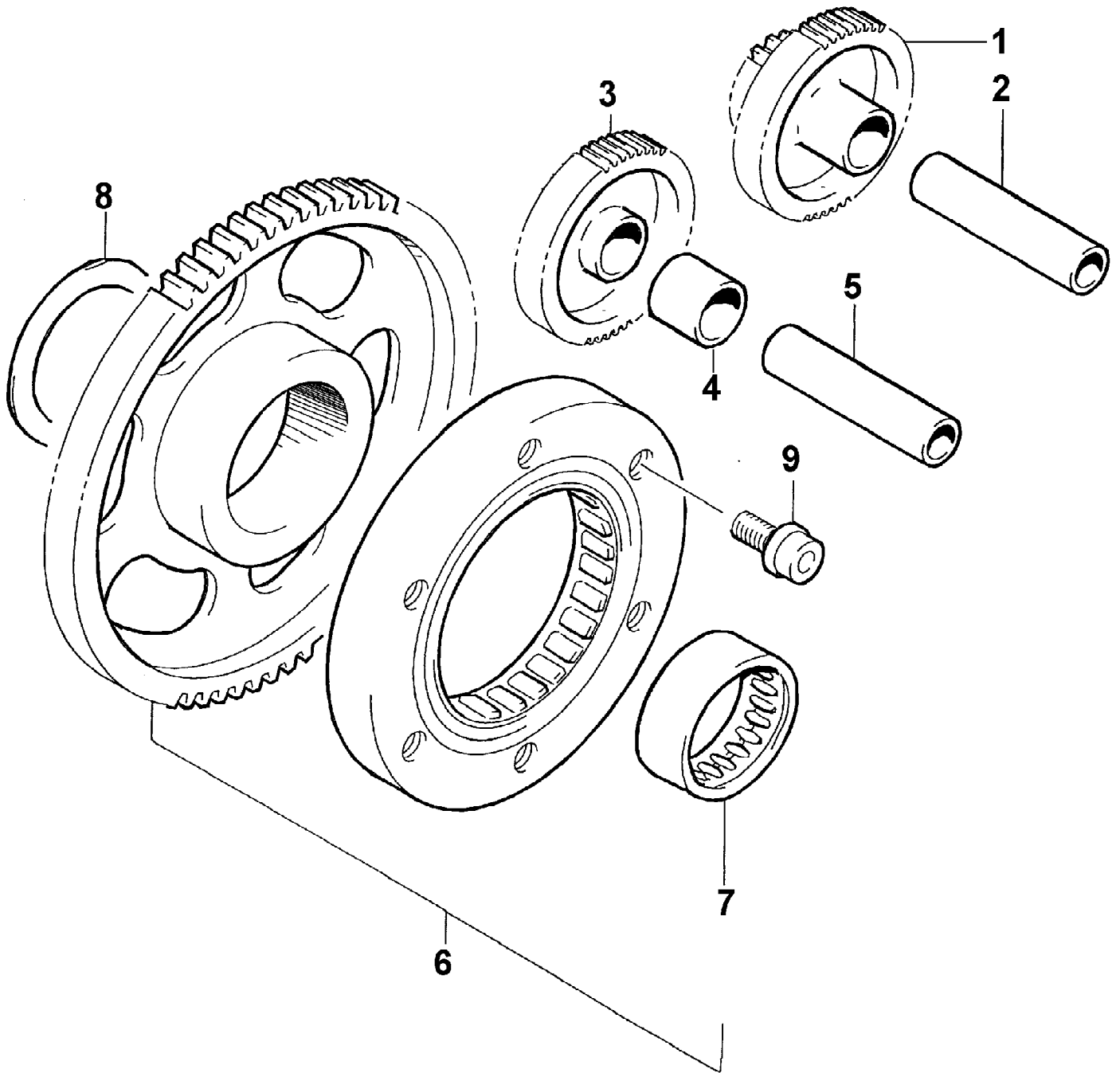
Ref #	Part Number	Qty	S/P/F	Description
1	3402-744	1	S	Yoke, Propeller Shaft Joint
2	3402-562	1		Joint, Universal - Set (inc. 4)
3	3423-479	4		Circlip
4	3423-025	2		Nut, Rear Output Joint
5	3423-028	2		Washer, Rear Output Flange
6	3402-742	1		Yoke, Drive Output - Front (inc. 8)
7	3402-743	1		Plate, Output Yoke
8	3402-072	2		Seal, Oil - Driven Shaft
9	3402-067	2	S	Bearing, Driven Shaft
10	3402-017	AR		Shim, 25 x 34 x 0.60 mm
10	3402-018	AR		Shim, 25 x 34 x 0.65 mm
10	3402-019	AR		Shim, 25 x 34 x 0.70 mm
10	3402-020	AR		Shim, 25 x 34 x 0.75 mm
10	3402-021	AR	S	Shim, 25 x 34 x 0.80 mm
10	3402-022	AR		Shim, 25 x 34 x 0.85 mm
10	3402-023	AR		Shim, 25 x 34 x 0.90 mm
10	3402-024	AR		Shim, 25 x 34 x 0.95 mm
10	3402-025	AR	S	Shim, 25 x 34 x 1.00 mm
10	3402-028	AR		Shim, 25 x 34 x 1.05 mm
10	3402-029	AR		Shim, 25 x 34 x 1.10 mm
10	3402-030	AR		Shim, 25 x 34 x 1.15 mm
10	3402-031	AR		Shim, 25 x 34 x 1.20 mm
11	3402-740	1		Shaft, Secondary Driven - Front
12	3446-035	1		Shim, Secondary Drive Gear - Set
13	3402-738	1		Gear, Secondary Drive
14	3005-372	1		Washer
15	3423-023	1		Nut
16	3402-515	1	/P	Bearing, Driven Gear
17	3402-739	1		Gear, Secondary Driven
18	3423-340	2	S	Circlip, Secondary Driven Gear
19	3423-072	1		Ring, Driven Bearing
20	3423-415	1		Washer, Driven Shaft
21	3402-513	1		Shaft, Secondary Driven - Rear
22	3402-514	1	/P	Flange, Output Joint - Rear

2004 ATV 500 AUTOMATIC TRANSMISSION 4X4 TRV RED (A2004TDM4BUSR) Page 71 of 92
SECONDARY TRANSMISSION ASSEMBLY



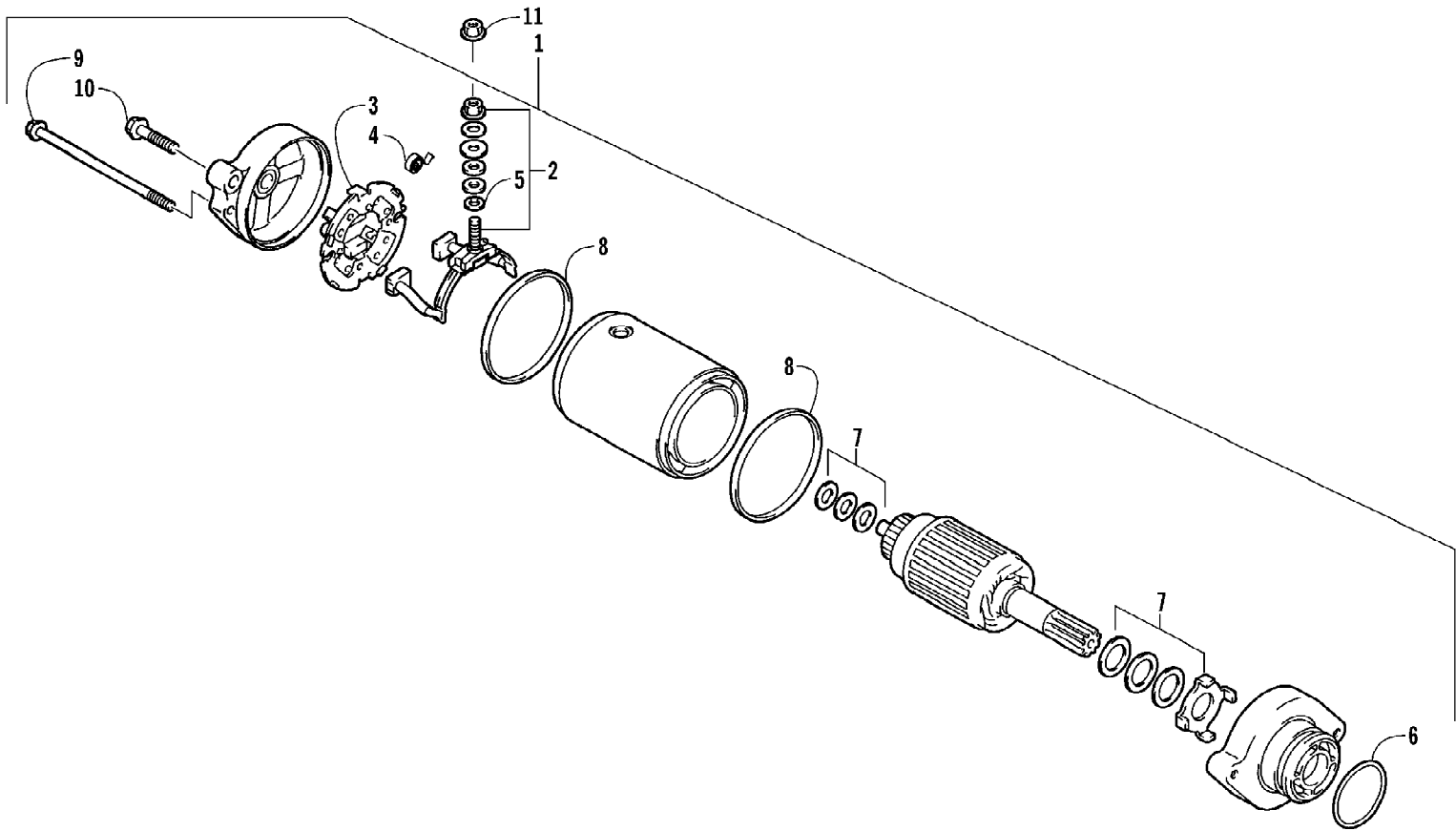
2004 ATV 500 AUTOMATIC TRANSMISSION 4X4 TRV RED (A2004TDM4BUSR) Page 72 of 92
SECONDARY TRANSMISSION ASSEMBLY

Ref #	Part Number	Qty	S/P/F	Description
1	3402-045	2	/P	Bearing, Shaft
2	3402-381	1	/P	Washer, Drive Gear No. 2 - Right
3	3402-497	1		Gear, Drive - No. 2
4	3423-066	2	/P	Circlip
5	3402-821	1		Dog, Reverse Driven Gear
6	3423-263	2		Washer
7	3402-494	3		Bushing
8	3402-498	3		Bearing
9	3402-822	1		Gear, Reverse Driven
10	3423-266	1		Washer, Lock
11	3402-820	1		Countershaft
12	3423-262	1		Washer, Lock
13	3402-668	1	/P	Gear, Driven - Low
14	3402-824	1		Dog, Sliding
15	3402-733	1		Gear, Driven - High
16	3423-412	1		Washer, Drive Gear - Left
17	1402-217	1		Spacer, Driven Gear
18	3423-146	1		Washer, Drive Gear - Center
19	3402-508	1		Gear, Speedometer Drive
20	3423-145	1		Washer, Drive Gear - Right
21	3446-289	1		Gasket
22	3446-288	1		Joint, Speedometer Gear
23	3446-244	1	/P	Gasket
24	3446-057	1		Housing, Speedometer Gear
25	3423-307	2	S	Bolt, Housing
26	3402-009	1	/P	Washer, Driven Gear
27	3423-143	1	S	Screw, Driven Gear
28	3402-509	1		Gear, Speedometer Driven
29	3423-144	1		Washer, Driven Gear
30	3423-056	1		O-Ring
31	3402-077	1		Seal, Driven Gear
32	3446-058	1		Sleeve
33	3402-835	1		Shaft, Output
34	3402-502	1		Bearing, Output Shaft
35	3446-031	2	/P	Retainer, Bearing
36	3423-435	2		Screw, Bearing Retainer
37	3402-534	1	/P	Gear, Driven - No. 2
38	3402-735	1		Bearing, Shaft
39	3402-537	1	/P	Seal, Driveshaft - Left
40	3402-499	1		Bearing, Driveshaft - Right
41	3402-731	1		Driveshaft
42	3003-261	1	/P	Bearing, Driveshaft - Left
43	3402-195	2		Washer, Reverse Idle Gear
44	3402-503	1		Gear, Reverse Idle
45	3446-103	1		Bushing, Reverse Idle Gear
46	3402-507	1		Shaft, Reverse Idle
47	3003-290	2	/P	Gasket
48	3423-554	2		Washer, Driven Gear
49	3402-825	1		Spacer, Reverse Driven Gear



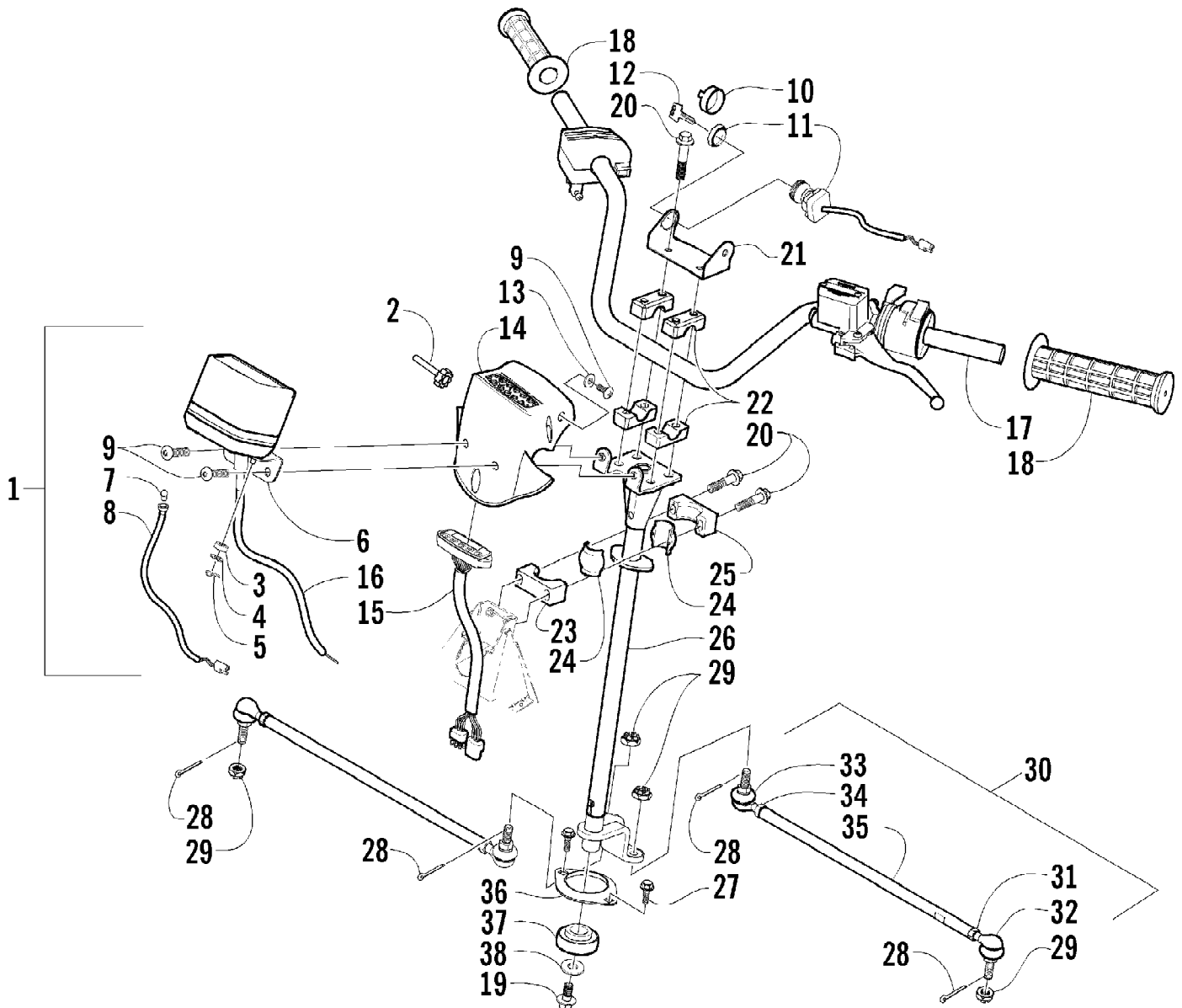
2004 ATV 500 AUTOMATIC TRANSMISSION 4X4 TRV RED (A2004TDM4BUSR) Page 74 of 92
STARTER CLUTCH ASSEMBLY

Ref #	Part Number	Qty	S/P/F	Description
1	3402-813	1	/P	Gear, Starter Idler - No. 1
2	3423-331	1		Pin
3	3402-349	1		Gear, Starter Idler - No. 2
4	3423-396	1		Spacer, Starter Idler Gear No. 2
5	3423-397	1		Pin
6	3402-457	1		Clutch, Starter - Set (inc. 7)
7	3402-063	1		Bearing
8	3423-104	1		Washer
9	3402-509	6		Screw, Cap



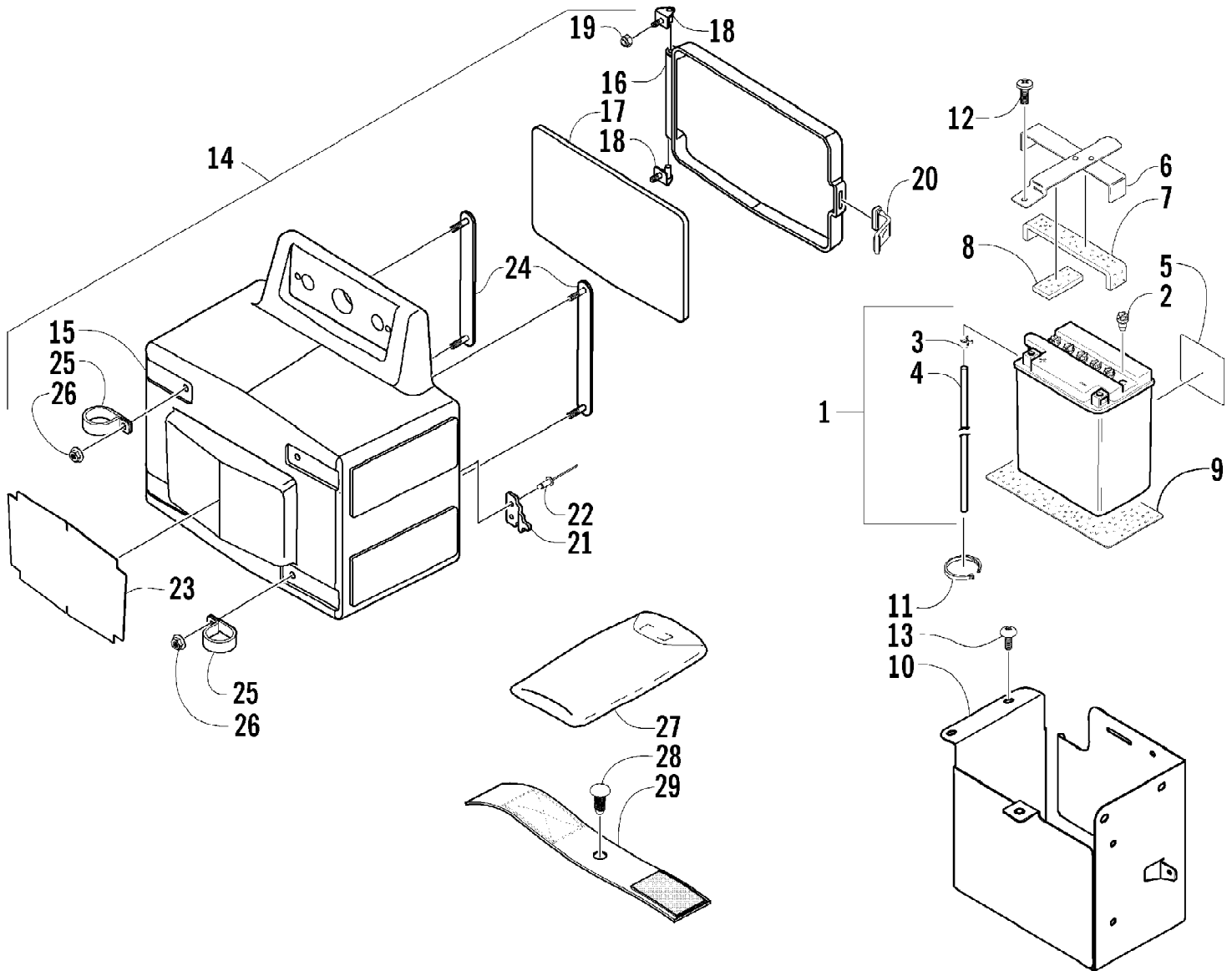
2004 ATV 500 AUTOMATIC TRANSMISSION 4X4 TRV RED (A2004TDM4BUSR) Page 76 of 92
STARTER MOTOR ASSEMBLY

Ref #	Part Number	Qty	S/P/F	Description
1	3545-015	1	S	Motor, Starter Assembly (inc. 2-9)
2	3008-094	1	/P	Terminal Set, Brush
3	3008-095	1	/P	Holder Set, Brush
4	3008-096	4		Spring, Brush
5	3008-164	1		O-Ring
6	3423-084	1		O-Ring
7	3436-001	1		Washer Set
8	3008-553	2	/P	O-Ring
9	3423-085	2		Through-Bolt
10	3423-162	2	S	Screw, Cap
11	3423-195	1	/P	Nut



2004 ATV 500 AUTOMATIC TRANSMISSION 4X4 TRV RED (A2004TDM4BUSR) Page 78 of 92
STEERING ASSEMBLY

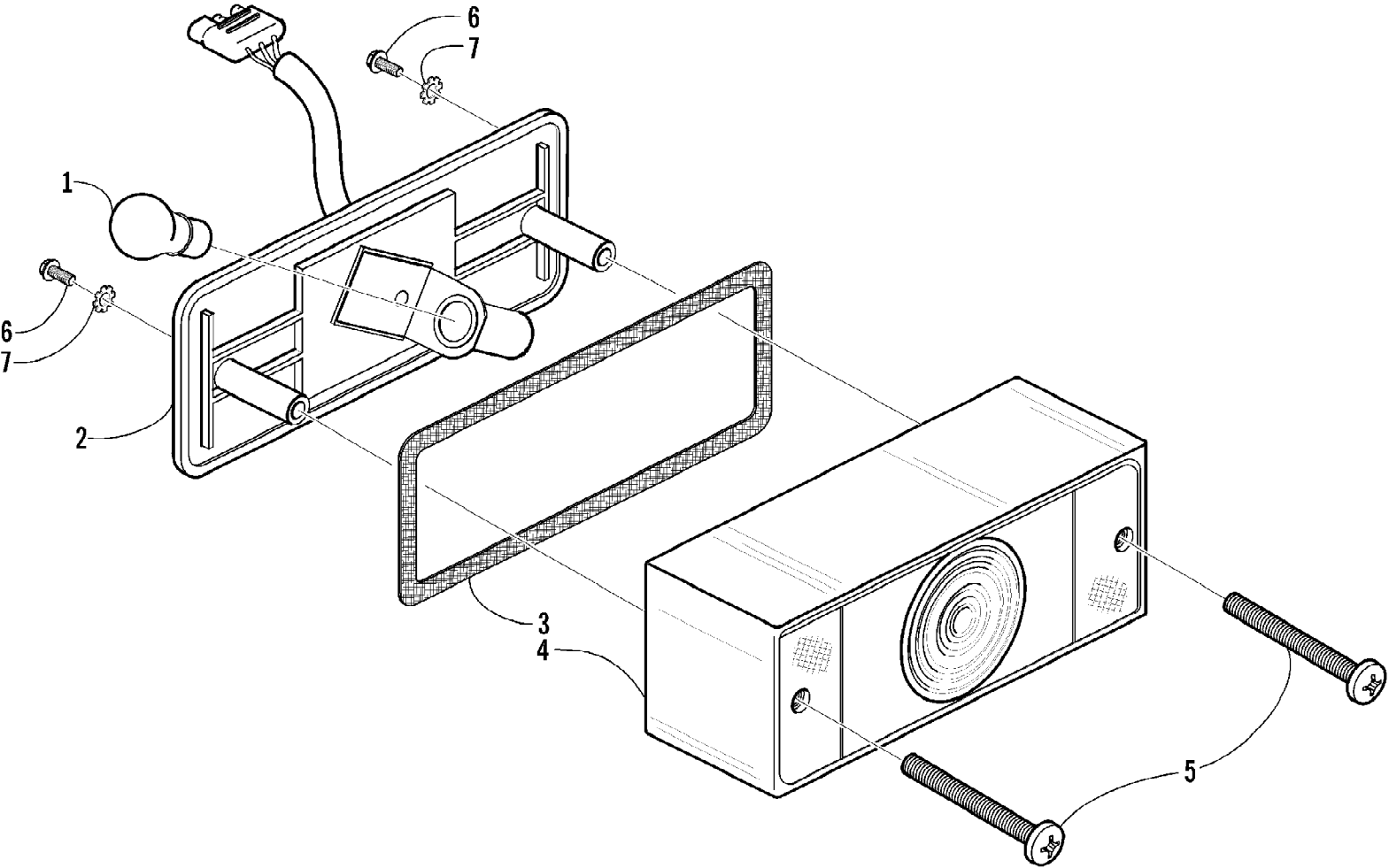
Ref #	Part Number	Qty	S/P/F	Description
1	0420-031	1	/P	Speedometer (inc. 2-8)
2	0420-027	1		Knob, Speedometer Trip
3	0420-016	2		Mount, Rubber
4	0420-017	2		Washer
5	0420-015	2		Pin, Retainer
6	0420-018	1		Bracket, Speedometer
7	0620-149	1	/P	Bulb, Speedometer
8	0420-014	1		Harness, Speedometer
9	8477-616	3		Screw, Machine
10	0409-013	1		Cover, Key
11	3430-040	1		Switch, Ignition - Assembly (inc. 12)
12	3409-007	1	/P	Key, Ignition - Blank (C Series)
12	3409-011	1		Key, Ignition - Blank (D Series)
12	3409-012	1		Key, Ignition - Blank (E Series)
12	3409-013	1		Key, Ignition - Blank (F Series)
13	0423-052	1		Collar, Body
14	0405-063	1		Instrument Pod
15	0420-035	1	/P	Panel, LED
16	0487-026	1		Cable, Speedometer
17	0505-410	1		Tube, Handlebar
18	0405-106	2		Grip, Handlebar
19	8409-020	1	/P	Screw, Cap
20	8408-860	6		Screw, Cap
21	0506-348	1	/P	Bracket, Key Switch
22	0405-035	4		Cap, Steering Adjuster
23	0605-171	1		Housing, Bearing - Lower
24	0405-020	2		Bearing, Steering Post
25	0605-147	1	S	Housing, Bearing - Upper
26	0505-431	1	/P	Post, Steering
27	8408-816	2		Screw, Cap
28	0623-175	4		Pin, Cotter
29	0423-157	4		Nut, Lock
30	0505-408	2	S	Tie Rod - Assembly (inc. 31-35)
31	8420-002	2	/P	Nut - Right
32	0405-082	2	S	Ball Joint, Tie Rod - Right
33	0405-083	2	S	Ball Joint, Tie Rod - Left
34	0423-013	2		Nut - Left
35	0405-107	2	S	Tie Rod
36	0602-233	1		Flange, Bearing
37	0405-052	1		Bearing w/Inverted Oil Seal
38	0423-073	1		Washer



2004 ATV 500 AUTOMATIC TRANSMISSION 4X4 TRV RED (A2004TDM4BUSR) Page 80 of 92
STORAGE BOX AND BATTERY ASSEMBLY

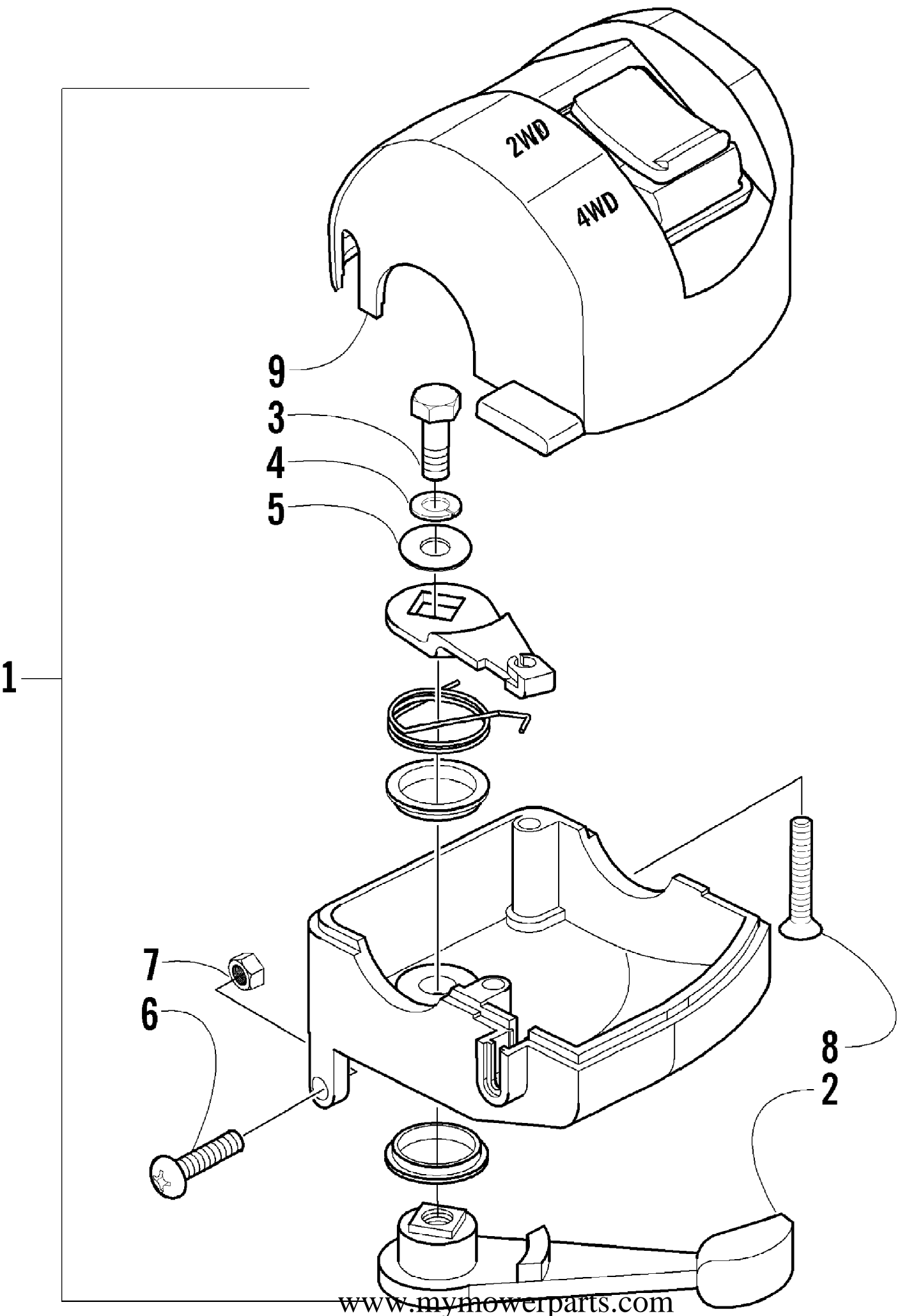
Ref #	Part Number	Qty	S/P/F	Description
1	0745-045	1	/P	Battery Assembly (inc. 2-5)
2	0645-045	6		Cap, Battery
3	0645-152	1		Clamp, Hose
4	0645-263	1	/P	Hose, Battery Vent
5	0645-151	1		Label, Warning - Battery
6	0506-877	1		Strap, Battery w/Pads (inc. 7-8)
7	1406-266	1		Pad, Battery - Upper Rear
8	1406-265	1		Pad, Battery - Upper Front
9	1406-219	1		Pad, Battery - Lower
10	1506-365	1	/P	Box, Battery
11	0123-903	1		Cable Tie - 11.5 in.
12	8477-610	1		Screw, Machine
13	8477-616	5		Screw, Machine
14	0506-943	1		Box, Storage - Assembly (inc. 15-22)
15	1406-209	1		Box, Storage
16	1406-218	1		Cover, Storage Box
17	1406-211	1		Seal, Storage Box Cover
18	0506-674	2		Hinge
19	8424-502	2		Nut, Lock
20	1406-134	1		Strap, Storage Box Cover
21	1406-210	1		Bracket, Latch
22	0623-685	2		Rivet
23	0506-944	2		Bracket, Mounting - Storage Box
24	0423-403	4		Clamp, Tube
25	8424-602	4	/P	Nut, Flange
26	1406-260	1		Shield, Heat
27	0444-122	1	S/P	Kit, Tool
28	0423-478	1		Clip, Retaining
29	0406-379	1	/P	Strap, Tool

2004 ATV 500 AUTOMATIC TRANSMISSION 4X4 TRV RED (A2004TDM4BUSR) Page 81 of 92
TAILLIGHT ASSEMBLY



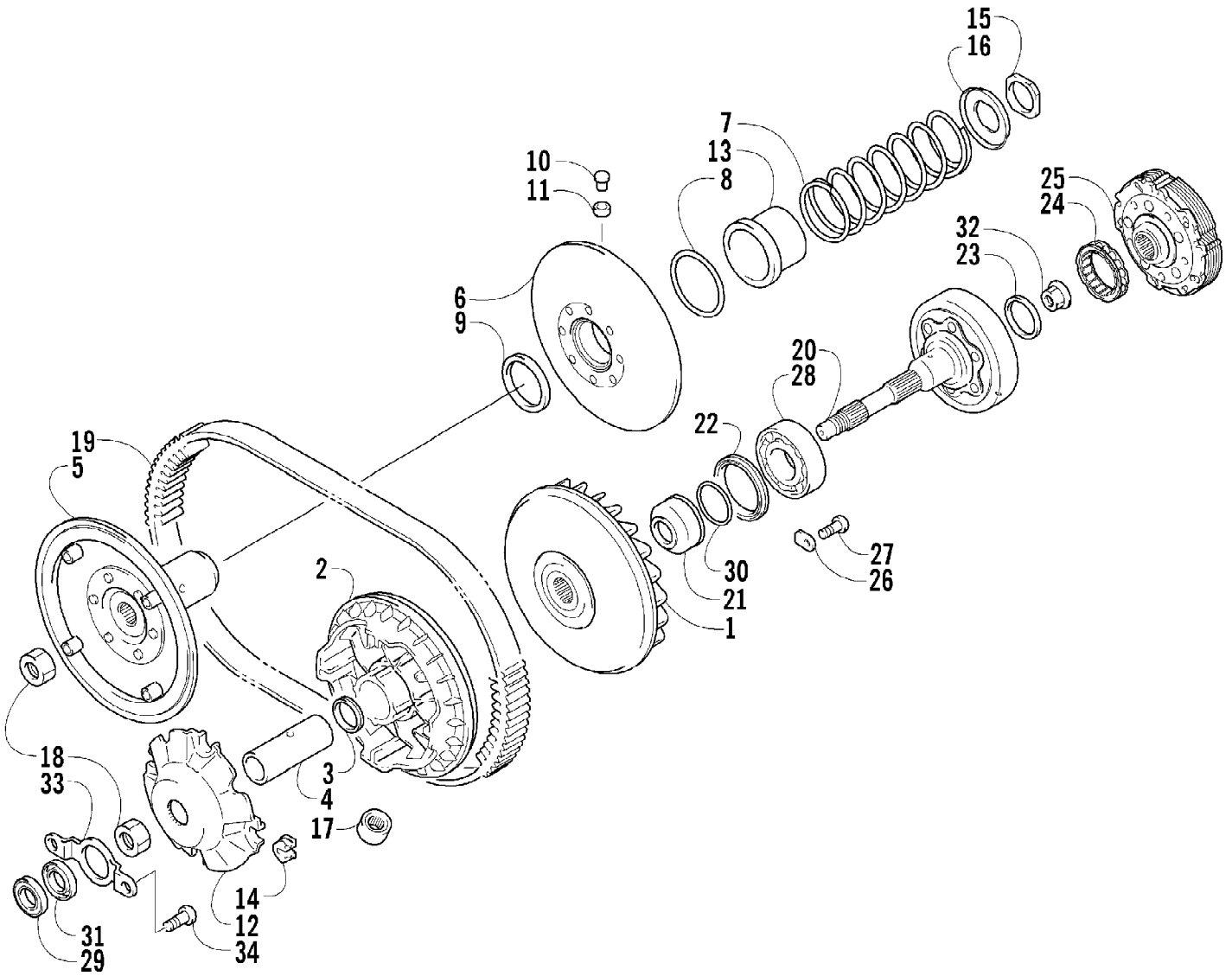
2004 ATV 500 AUTOMATIC TRANSMISSION 4X4 TRV RED (A2004TDM4BUSR) Page 82 of 92
TAILLIGHT ASSEMBLY

Ref #	Part Number	Qty	S/P/F	Description
	0409-002	1		Complete Taillight Assembly
1	0109-460	1	/P	Bulb, Stop/Taillight
2	0409-011	1		Taillight w/Socket Assembly
3	0409-012	1		Gasket, Taillight Lens
4	0409-007	1		Lens, Taillight
5	0409-010	2		Screw, Machine
6	0423-421	2		Screw, Self-Tapping
7	8053-212	2	/P	Washer, Lock - External Tooth



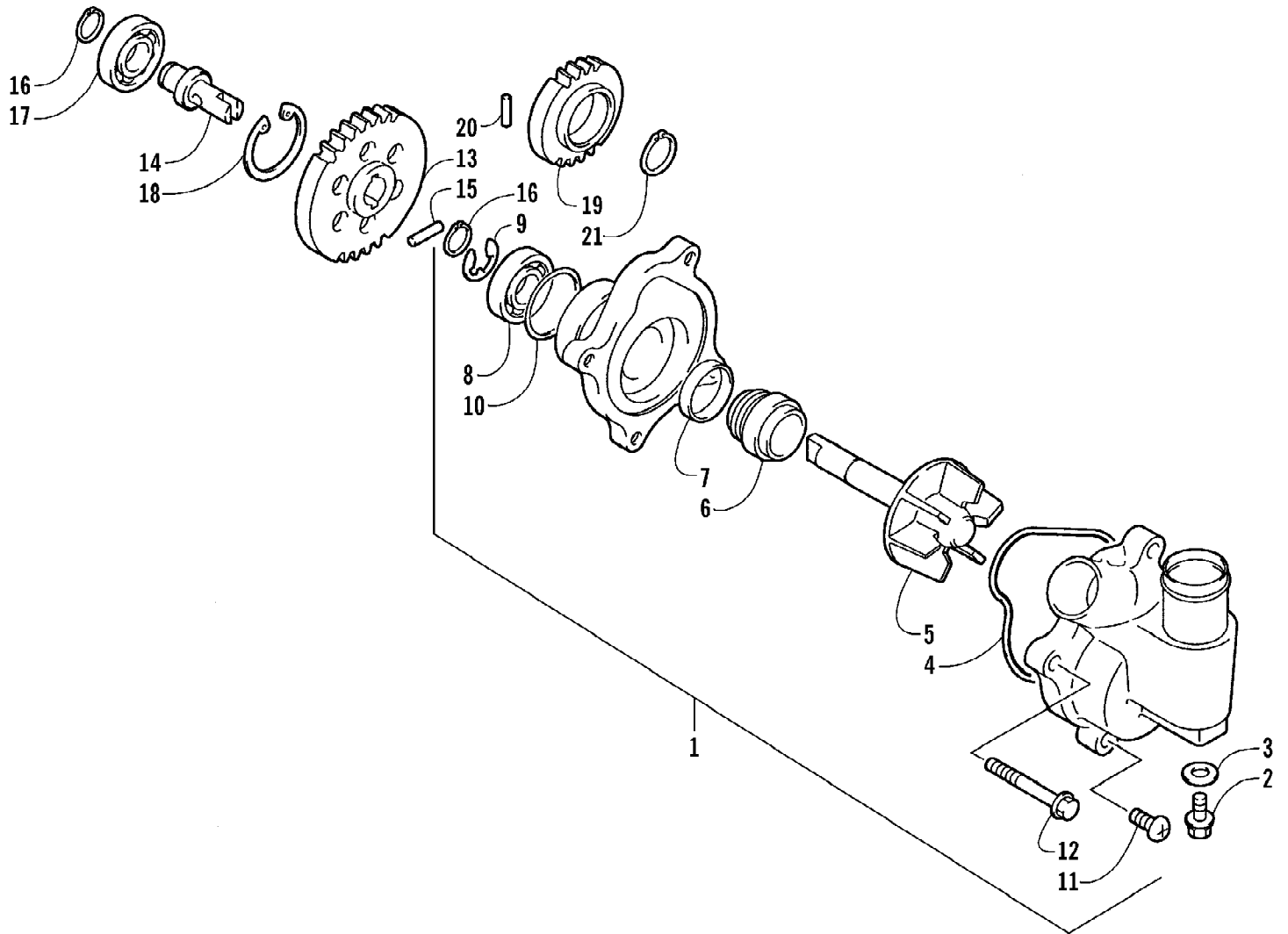
2004 ATV 500 AUTOMATIC TRANSMISSION 4X4 TRV RED (A2004TDM4BUSR) Page 84 of 92
THROTTLE CASE ASSEMBLY

Ref #	Part Number	Qty	S/P/F	Description
1	0509-012	1		Case, Throttle - Assembly (inc. 2-9)
2	3409-001	1		Lever
3	3004-533	1	S/P	Screw, Cap
4	3004-447	1	/P	Washer, Lock
5	3003-030	1	/P	Washer
6	3423-014	1		Screw
7	3423-327	1		Nut
8	3423-199	2		Screw
9	0409-048	1		Cover, Throttle w/Switch



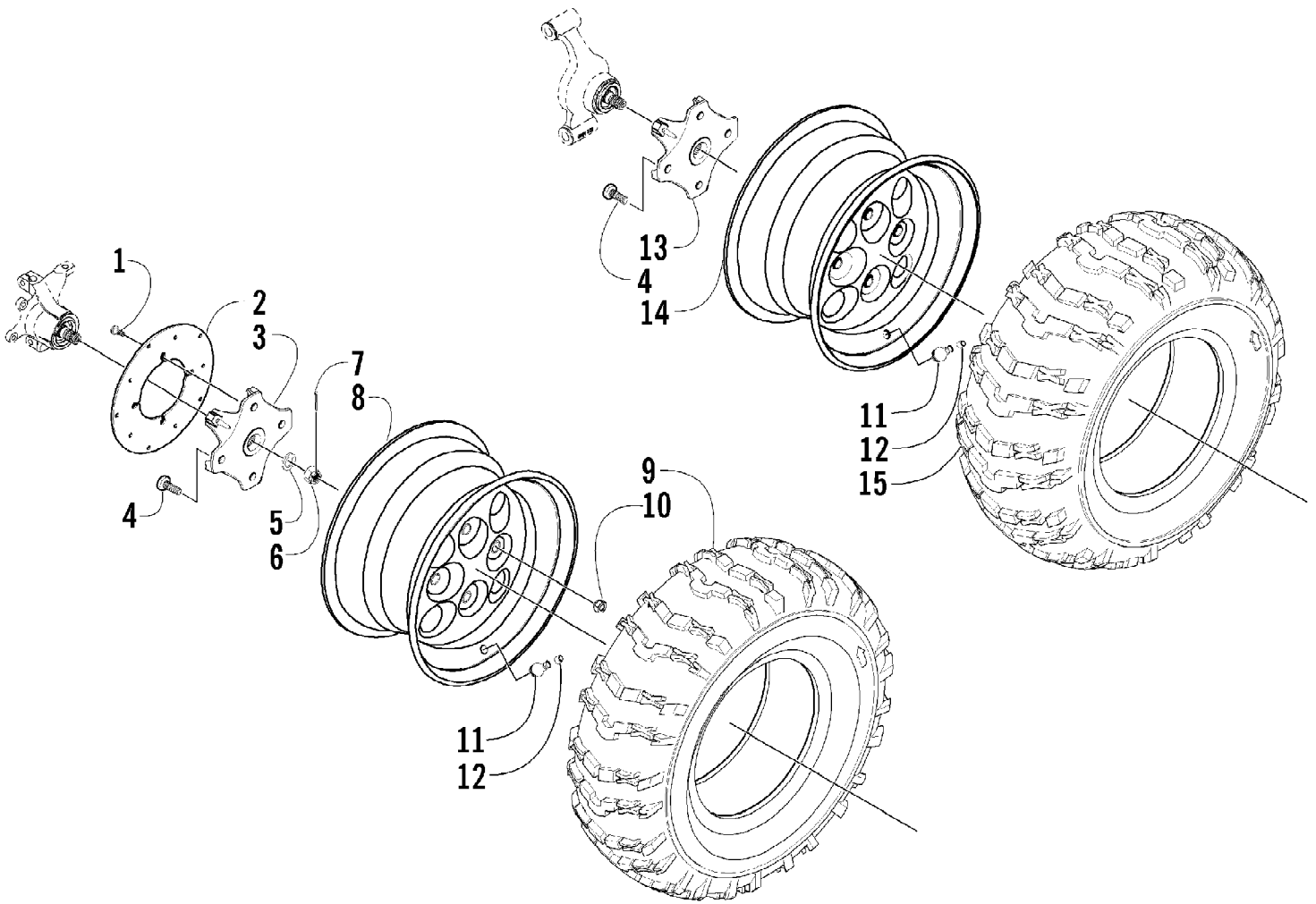
2004 ATV 500 AUTOMATIC TRANSMISSION 4X4 TRV RED (A2004TDM4BUSR) Page 86 of 92
TRANSMISSION ASSEMBLY

Ref #	Part Number	Qty	S/P/F	Description
1	3402-750	1		Face, Fixed Drive
2	3402-751	1		Face, Movable Drive
3	3402-470	2		Seal, Movable Drive Face
4	3402-471	1		Spacer, Movable Drive Face
5	3402-752	1		Face, Fixed Driven
6	3402-753	1		Face, Movable Driven
7	3402-754	1	S	Spring, Movable Driven Face
8	3402-475	2		O-Ring, Movable Driven Face
9	3402-476	2		Seal, Movable Driven Face
10	3402-477	4		Pin, Movable Driven Face
11	3402-478	4		Spacer, Movable Driven Face
12	3402-755	1	/P	Plate, Movable Drive Face
13	3402-756	1		Sleeve, Movable Driven Face
14	3402-481	4		Damper, Movable Drive Face
15	3423-406	1		Nut, Driven Pulley
16	3402-482	1		Holder, Movable Driven Face Spring
17	3402-483	8		Roller, Movable Drive Face
18	3423-514	2		Nut
19	3402-757	1		V-Belt
20	3402-758	1	/P	Housing, Clutch
21	3402-544	1	/P	Spacer, Fixed Drive Face
22	3402-695	1	S	Seal, Clutch Housing - Center
23	3402-488	1		Seal, Clutch Housing - Left
24	3446-003	1		Clutch, One-Way
25	3402-760	1		Shoe, Clutch - Assembly
26	3446-031	2	/P	Retainer, Bearing
27	3423-435	2		Screw, Bearing Retainer
28	3402-567	1		Bearing
29	3402-759	1	S	Bearing
30	3423-353	1	/P	O-Ring
31	3402-761	2		Seal, Clutch Housing - Right
32	3423-501	1		Nut
33	3402-730	1		Retainer, Bearing
34	3423-018	2		Screw



2004 ATV 500 AUTOMATIC TRANSMISSION 4X4 TRV RED (A2004TDM4BUSR) Page 88 of 92
WATER PUMP ASSEMBLY

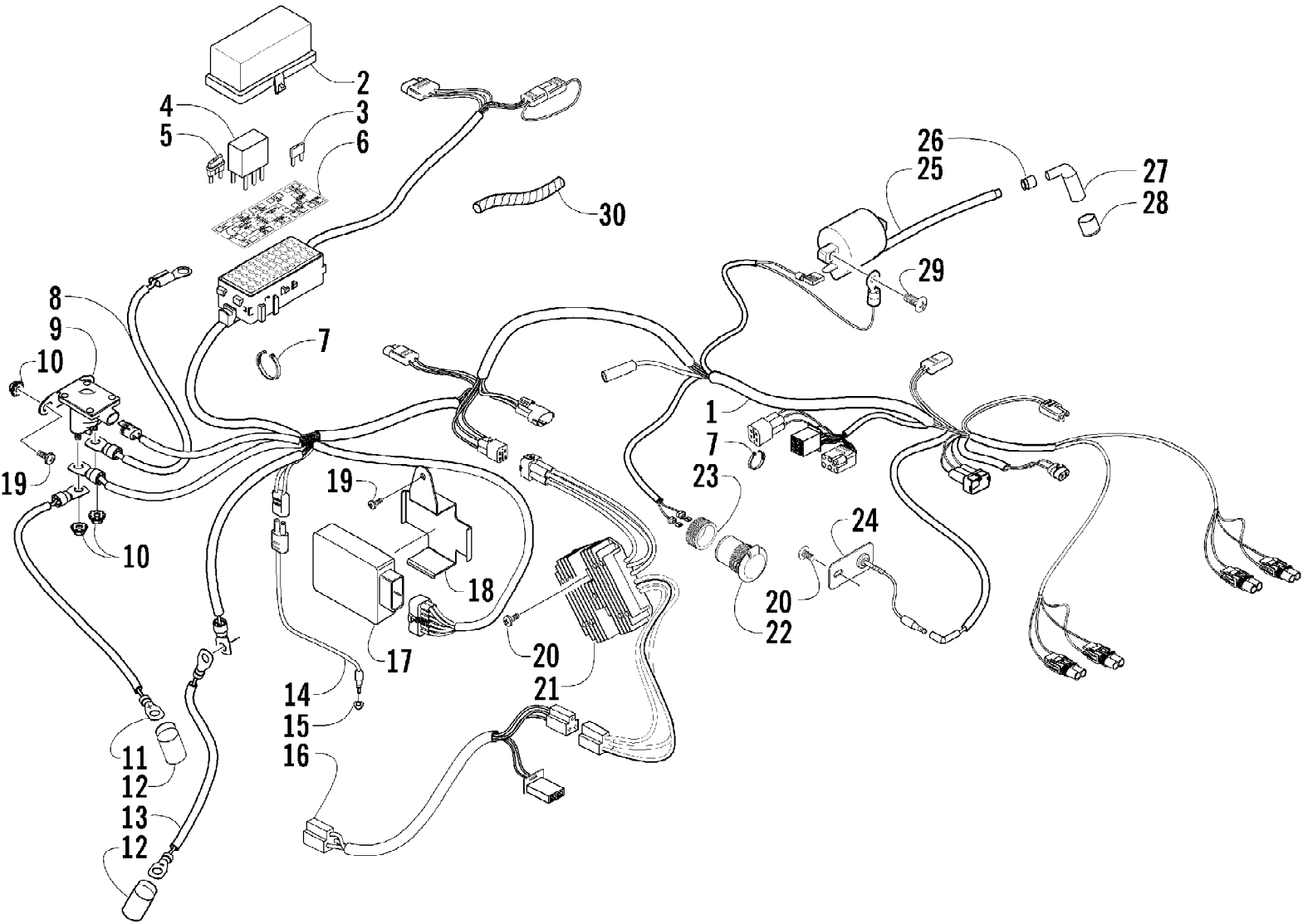
Ref #	Part Number	Qty	S/P/F	Description
1	3402-464	1	/P	Pump, Water - Assembly (inc. 2-11)
2	3423-343	1		Screw, Cap
3	3003-188	1	S/P	Gasket
4	3423-402	1		O-Ring
5	3413-014	1		Impeller/Shaft
6	3005-909	1	/P	Seal, Mechanical
7	3402-465	1		Seal, Oil
8	3003-615	1	/P	Bearing
9	3423-403	1	S	E-Ring
10	3423-404	1		O-Ring
11	3003-484	2	S/P	Screw
12	3423-308	2	S	Screw, Cap
13	3402-026	1		Gear, Driven
14	3402-466	1		Shaft, Driven Gear
15	3423-046	1		Pin, Driven Gear
16	3423-184	2	S	Circlip, Driven Gear
17	3402-467	1		Bearing, Shaft
18	3423-405	1		Circlip, Shaft Bearing
19	3402-390	1		Gear, Water Pump Drive
20	3423-110	1		Pin, Drive Gear
21	3423-189	1	S	Circlip, Drive Gear



2004 ATV 500 AUTOMATIC TRANSMISSION 4X4 TRV RED (A2004TDM4BUSR) Page 90 of 92
WHEEL AND TIRE ASSEMBLY

Ref #	Part Number	Qty	S/P/F	Description
1	0423-029	12		Screw, Machine
2	0402-874	3	S	Disc, Brake
3	0502-421	2	/P	Hub, Wheel - Front (inc. 4)
4	0402-974	16	/P	Stud, Wheel Hub
5	0402-181	4		Seal, Hub
6	0423-394	4		Nut, Castle
7	0423-407	4		Pin, Cotter
8	0402-856	2		Wheel - Front
9	1402-100	2		Tire - Front
10	0423-408	16	/P	Nut, Lug
11	0402-064	4		Stem, Valve (inc. 12)
12	0402-140	4		Cap, Valve Stem
13	0502-423	1	/P	Hub, Wheel - Rear - Left (inc. 4)
13	0502-421	1	/P	Hub, Wheel - Rear - Right (inc. 4)
14	0402-858	2		Wheel - Rear
15	1402-137	2		Tire - Rear

2004 ATV 500 AUTOMATIC TRANSMISSION 4X4 TRV RED (A2004TDM4BUSR) Page 91 of 92
WIRING HARNESS ASSEMBLY



2004 ATV 500 AUTOMATIC TRANSMISSION 4X4 TRV RED (A2004TDM4BUSR) Page 92 of 92
WIRING HARNESS ASSEMBLY

Ref #	Part Number	Qty	S/P/F	Description
1	0486-124	1		Harness, Main (inc. 2-6 and two No. 7)
2	0530-008	1		Cover, Fuse Block
3	0430-034	2		Diode
4	0430-033	2	F	Relay
5	0430-032	5		Fuse - 10 Amp
5	0430-031	3		Fuse - 15 Amp
5	0430-030	2		Fuse - 30 Amp
6	0411-585	1		Decal, Fuse Block
7	0123-788	AR	/P	Cable Tie - 7.5 in.
8	0445-019	1		Cable, Solenoid/Starter
9	0645-414	1		Solenoid
10	0623-038	4		Nut w/Washer
11	0445-003	1	/P	Cable, Battery/Solenoid
12	0645-019	2		Boot, Terminal
13	0445-035	1		Cable, Battery/Ground
14	0409-009	1		Switch, Brake - Assembly
15	0402-991	1		Retainer, Switch
16	0486-126	1		Harness, Adapter - Electric Choke
17	3530-039	1		CDI Unit
18	0506-987	1	/P	Bracket, CDI
19	8476-616	3		Screw, Machine
20	8476-625	3		Screw, Machine
21	3530-028	1	S	Regulator, Voltage
22	0445-022	1	S	Receptacle, 12V (inc. 23)
23	0445-034	1		Nut, Retainer
24	0509-011	1	S	Diode Assembly
25	3530-027	1		Coil, Ignition - Assembly
26	3430-009	1	/P	Seal, High Tension Wire
27	3430-007	1	/P	Cap, Spark Plug
28	3430-008	1	/P	Seal, Spark Plug
29	8476-620	1		Screw, Machine
30	0716-507	AR		Loom, Protective