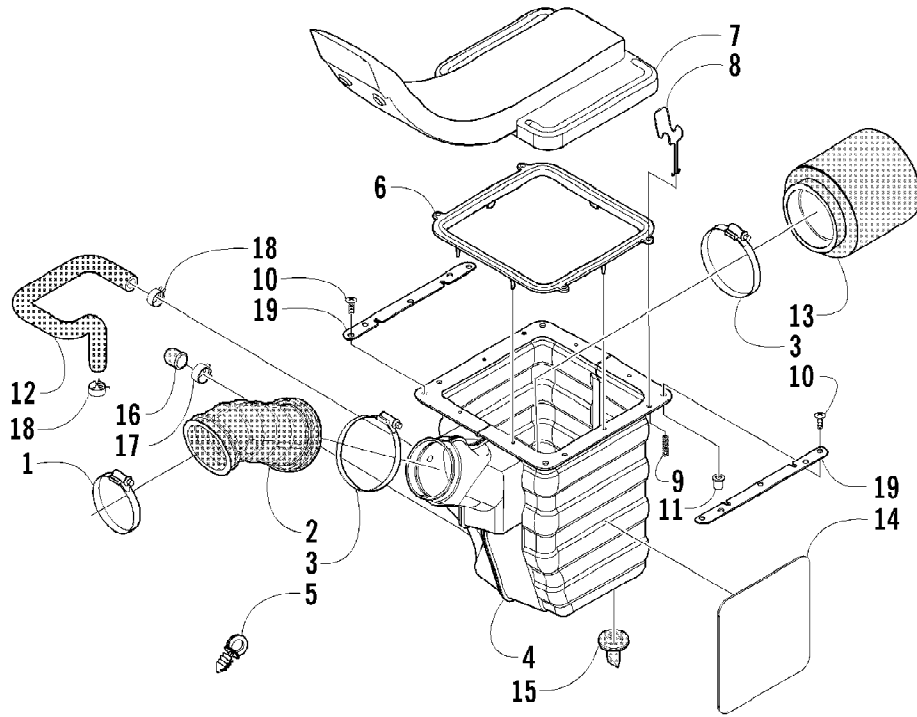


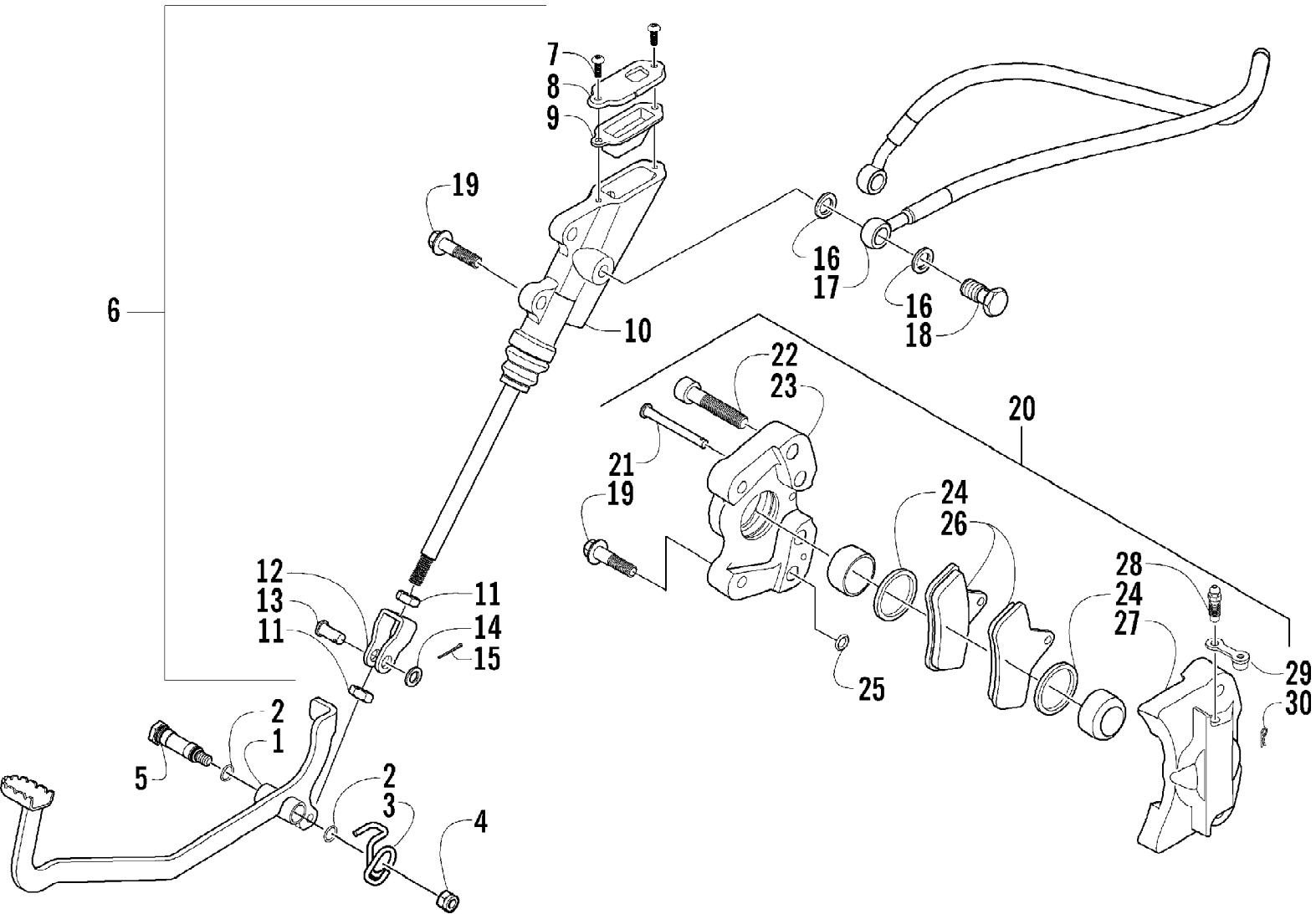
2004 ATV 500 AUTOMATIC TRANSMISSION 4X4 FIS CAT GREEN MRP (A2004B019)
AIR INTAKE ASSEMBLY



2004 ATV 500 AUTOMATIC TRANSMISSION 4X4 FIS CAT GREEN MRP (A2004P16M4B1S2)
AIR INTAKE ASSEMBLY

Ref #	Part Number	Qty	S/P/F	Description
1	0423-019	1		Clamp
2	0470-455	1		Boot, Air Intake
3	0423-018	2		Clamp
4	0470-446	1	/P	Housing, Air Intake
5	0623-101	1		Clip, Retaining
6	0470-343	1		Gasket
7	0470-459	1		Snorkel
8	0470-307	4		Clamp
9	0423-037	4		Spring
10	0623-121	4		Screw, Machine
11	0123-010	4	/P	Nut, Expansion
12	0410-004	1		Hose, Crankcase Vent
13	0470-460	1		Filter, Air
14	0412-141	1		Shield, Heat
15	0470-442	1	/P	Valve, Drain
16	1673-272	1	/P	Cap, Drain Tube
17	0423-047	1		Clamp, Hose
18	0423-045	2		Clamp, Hose
19	0470-351	2		Support, Air Intake Flange

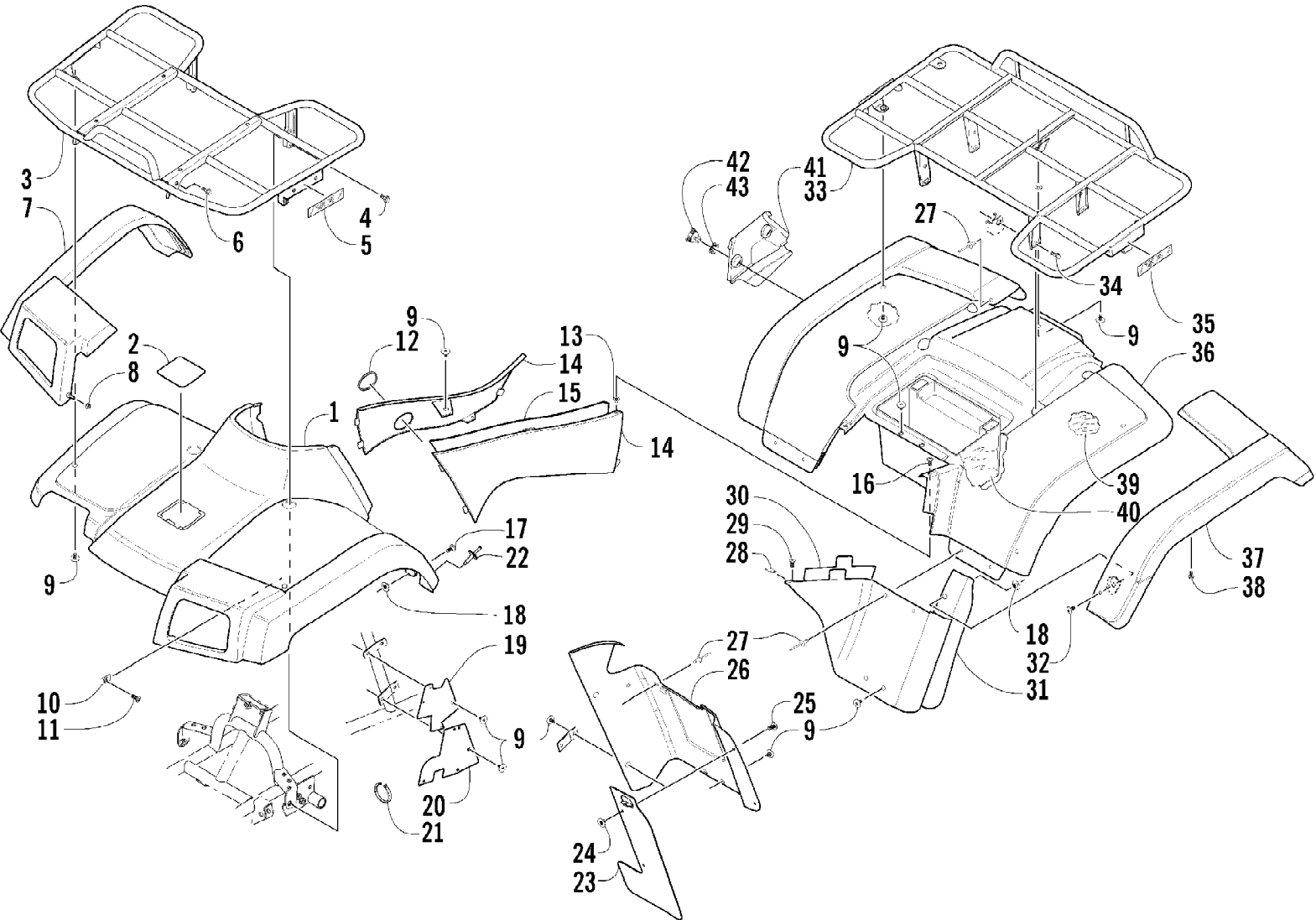
2004 ATV 500 AUTOMATIC TRANSMISSION 4X4 FIS CAT GREEN MRP (A20041314) **Page 4 of 9**
AUXILIARY BRAKE ASSEMBLY



2004 ATV 500 AUTOMATIC TRANSMISSION 4X4 FIS CAT GREEN MRP (A2004P16M4B1S2)
AUXILIARY BRAKE ASSEMBLY

Ref #	Part Number	Qty	S/P/F	Description
1	0502-447	1		Lever, Brake
2	1602-213	2	/P	O-Ring
3	0502-395	1	/P	Spring, Brake Lever
4	8422-002	1		Nut
5	0402-872	1		Axle, Brake Lever
6	0502-452	1	S	Brake Assembly (inc. 7-15)
7	0402-545	2		Screw, Machine
8	0402-588	1		Cover, Reservoir
9	0402-591	1		Bladder, Reservoir
10	0	1	F	Master Cylinder
11	0402-592	2		Nut, Jam
12	0402-580	1		Actuator, Push Rod
13	0402-575	1		Pin, Clevis
14	0402-583	1		Washer
15	0402-584	1		Pin, Cotter
16	0423-178	4		Washer, Crush
17	1402-200	1		Hose, Brake
18	0423-413	2		Bolt, Banjo Fitting
19	8408-825	4		Screw, Cap
20	0502-335	1	S	Caliper, Brake (inc. 21-30)
21	0402-495	1		Pin, Brake Caliper
22	0402-492	4		Screw, Cap
23	0	1	F	Housing, Caliper
24	0402-980	2		O-Ring, Brake Caliper
25	0402-490	1		O-Ring
26	0402-882	2	/P	Pad, Brake
27	0	1	F	Housing, Caliper
28	0402-491	1	S	Valve, Bleed
29	0402-493	1		Cap, Bleed Valve
30	0402-496	1	S	Clip, Hairpin

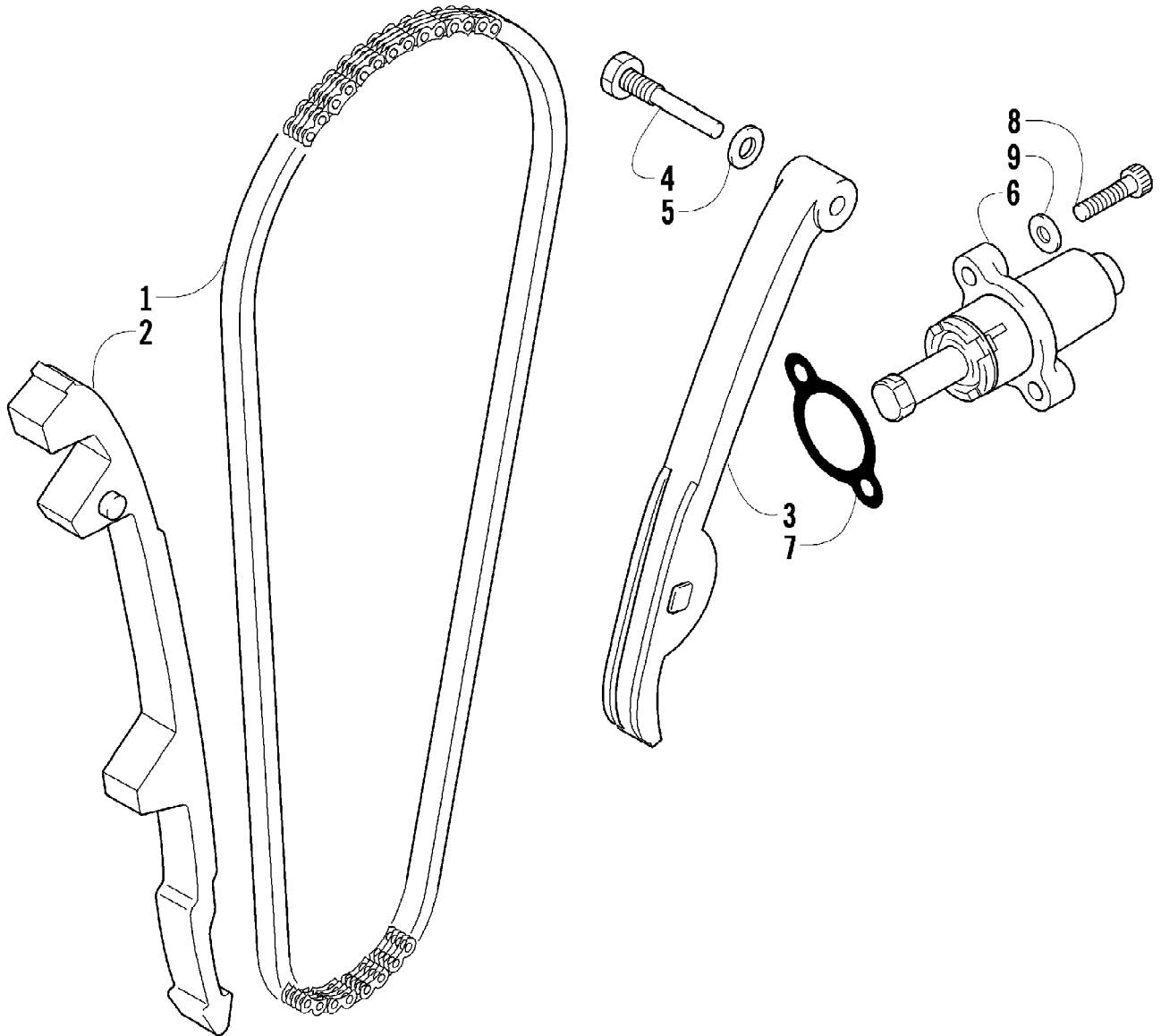
2004 ATV 500 AUTOMATIC TRANSMISSION 4X4 FIS CAT GREEN MRP (A200416192)
BODY PANEL ASSEMBLY



2004 ATV 500 AUTOMATIC TRANSMISSION 4X4 FIS CAT GREEN MRP (A2004) Page 4 of 92
BODY PANEL ASSEMBLY

Ref #	Part Number	Qty	S/P/F	Description
1	0506-721	1		Panel, Fender - Front (inc. 2)
2	1406-041	1		Cover, Access
3	0	1	F	Rack - Front
4	8408-816	2		Screw, Cap
5	0411-646	2		Decal, Reflector - Amber
6	0423-360	2		Screw, Cap
7	1506-158	1		Flare - Front - Right
7	1506-159	1		Flare - Front - Left
8	0423-357	2		Nut, Stamped
9	0423-101	AR		Screw, Body
10	0423-031	2		Nut, Speed
11	8477-616	2		Screw, Machine
12	0470-404	1		Grommet, Fuel Shut-Off Valve
13	0123-010	2	/P	Nut, Expansion
14	0506-722	1		Panel, Side - Right
14	0506-723	1		Panel, Side - Left
15	0412-142	1		Shield, Heat
16	0423-068	2		Screw, Machine
17	0423-356	2		Screw, Shoulder
18	0423-438	4		T-Nut w/Teeth
19	1406-063	2		Panel, Fender - Inner - Upper
20	1406-481	2		Panel, Fender - Inner - Lower
21	0123-788	AR	/P	Cable Tie - 7.5 in.
22	0623-362	2		Rivet, Reinstallable
23	1506-194	2		Extension, Flare
24	0423-077	4	/P	T-Nut w/Teeth
25	0423-361	4		Screw, Machine
26	1506-199	1	S	Panel, Kick - Right
26	1506-200	1		Panel, Kick - Left
27	0423-046	AR		Rivet, Plastic
28	0423-060	2		Clip, Tinerman
29	0623-309	2		Screw, Self-Tapping
30	0412-140	1		Shield, Heat
31	1506-042	1	/P	Fender Extension - Rear - Right
31	0406-085	1		Fender Extension - Rear - Left
32	0423-355	2		Screw, Shoulder
33	0	1	F	Rack - Rear
34	8409-020	4	/P	Screw, Cap
35	0411-647	2		Decal, Reflector - Red
36	0506-724	1		Panel, Fender - Rear
37	0506-552	1		Flare, Rear - Right
37	0506-553	1		Flare, Rear - Left
38	0423-342	12	/P	Screw, Self-Tapping
39	0412-124	1		Shield, Heat
40	0412-147	1		Shield, Heat
41	1406-408	1		Shield, Fuse Block
42	1406-409	2		Key, Fuse Block Shield
43	1406-410	2	S	Spring, Fuse Block Shield

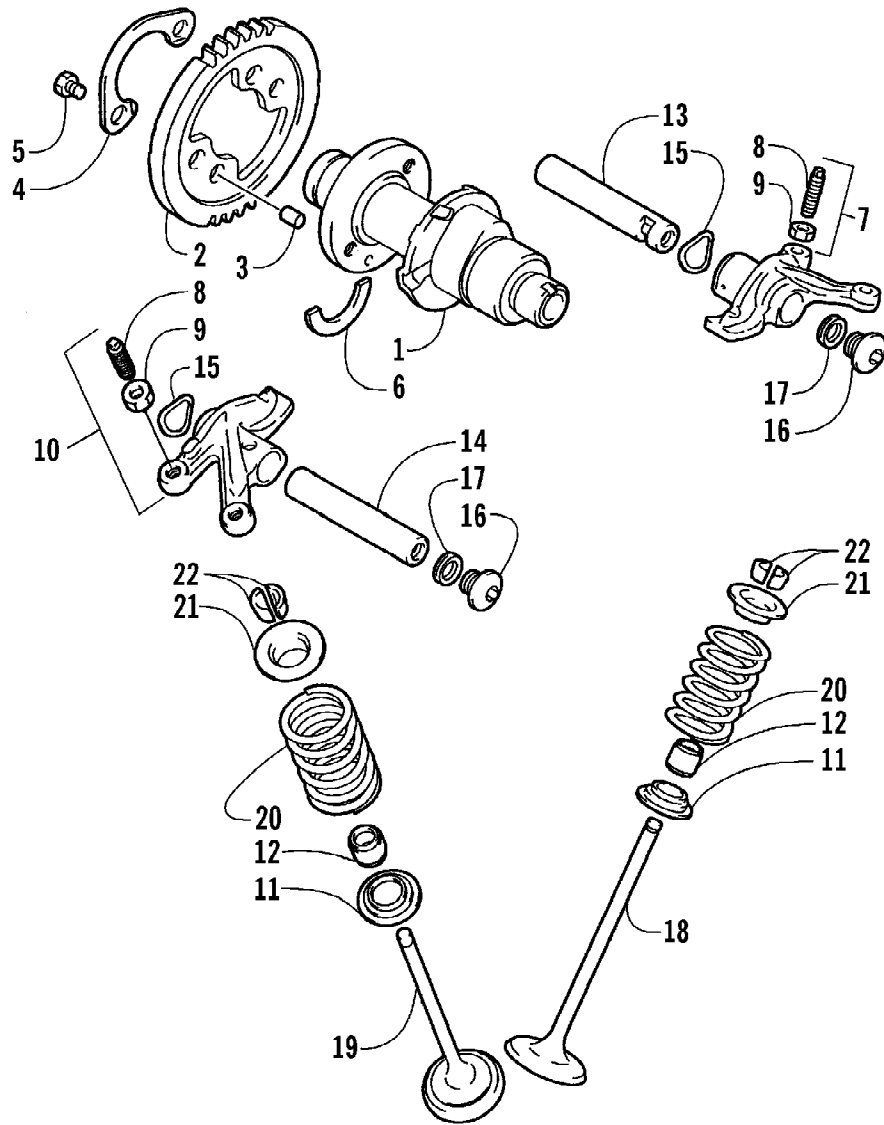
2004 ATV 500 AUTOMATIC TRANSMISSION 4X4 FIS CAT GREEN MRP (A2004141019)
CAM CHAIN ASSEMBLY



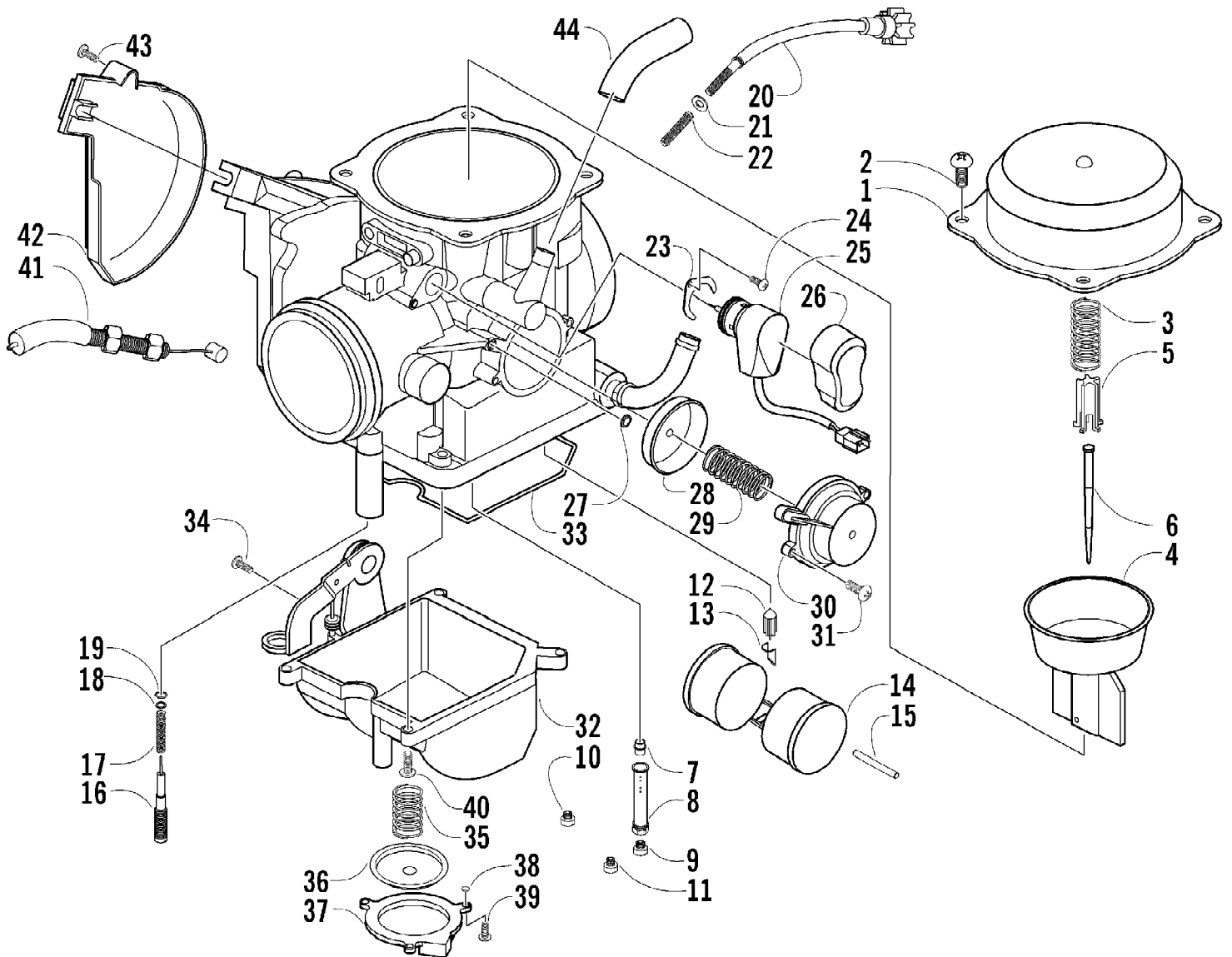
2004 ATV 500 AUTOMATIC TRANSMISSION 4X4 FIS CAT GREEN MRP (A2004P16M4B1S2)
 CAM CHAIN ASSEMBLY

Ref #	Part Number	Qty	S/P/F	Description
1	3402-353	1		Chain, Cam
2	3402-355	1		Guide, Chain
3	3402-356	1		Tensioner, Chain
4	3423-074	1		Bolt
5	3003-188	1	S/P	Washer
6	3402-136	1		Adjuster, Tensioner - Assembly
7	3402-137	1		Gasket
8	3004-475	2	S	Screw, Cap
9	3003-290	2	/P	Gasket

2004 ATV 500 AUTOMATIC TRANSMISSION 4X4 FIS CAT GREEN MRP (A2004B193)
CAMSHAFT/VALVE ASSEMBLY



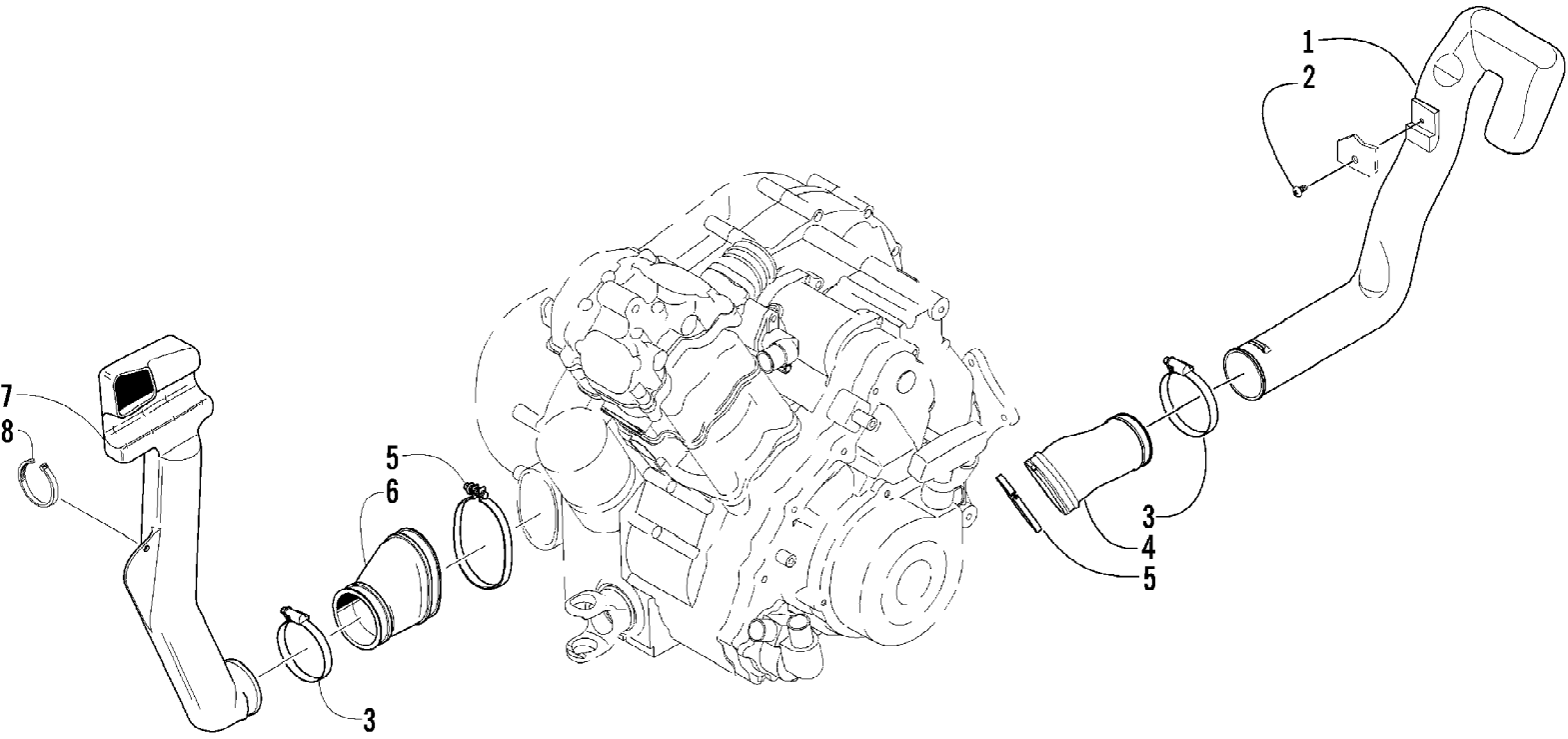
2004 ATV 500 AUTOMATIC TRANSMISSION 4X4 FIS CAT GREEN MRP (A200414B132)
CARBURETOR



2004 ATV 500 AUTOMATIC TRANSMISSION 4X4 FIS CAT GREEN MRP (A2004GMB1B1S2)
CARBURETOR

Ref #	Part Number	Qty	S/P/F	Description
	0470-471	1		Complete Carburetor Assembly
1	5507-001	1		Cover, Top
2	5507-002	4	/P	Screw, Top Cover
3	5507-085	1	S	Spring
4	5507-099	1		Piston, Vacuum
5	5507-005	1		Seat, Spring
6	5507-100	1		Jet Needle
7	5507-007	1		Needle Jet
8	5507-047	1	/P	Holder, Needle Jet
9	5507-041	1		Main Jet - 147
9	5507-086	1		Main Jet - 148
9	5507-009	1	/P	Main Jet - 150
9	5507-043	1		Main Jet - 142
9	5507-044	1		Main Jet - 140
10	5507-101	1	S	Slow Jet
11	5507-112	1		Starter Jet - 85
12	5507-107	1		Valve, Float - Set (inc. 13)
13	0	1		Clip
14	5507-039	1		Float Set (inc. 15)
15	0	1		Pin, Float
16	5507-111	1		Screw, Pilot Air - Set (inc. 17-19)
17	0	1		Spring
18	0	1		Washer
19	0	1		O-Ring
20	5507-027	1		Screw, Idle Adjust
21	5507-028	1		Washer
22	5507-029	1		Spring
23	5507-115	1		Plate
24	5507-117	1	/P	Screw
25	5507-113	1		Choke, Electric
26	5507-114	1		Cover, Electric Choke
27	5507-102	1		U-Ring
28	5507-116	1		Diaphragm Assembly
29	5507-104	1		Spring
30	5507-105	1		Cover
31	5507-106	2		Screw
32	5507-065	1		Chamber, Float - Assembly (inc. 33-39)
33	5507-067	1	/P	O-Ring, Float Chamber
34	5507-050	1	/P	Screw, Drain
35	5507-032	1		Spring
36	5507-031	1	S	Diaphragm Assembly
37	0	1		Housing, Pump
38	5507-034	1		U-Ring
39	5507-035	3		Screw
40	5507-017	4	/P	Screw
41	0487-021	1	S	Cable, Throttle
42	5507-036	1		Cover
43	5507-037	1	/P	Screw
44	0410-056	1		Hose, Vent

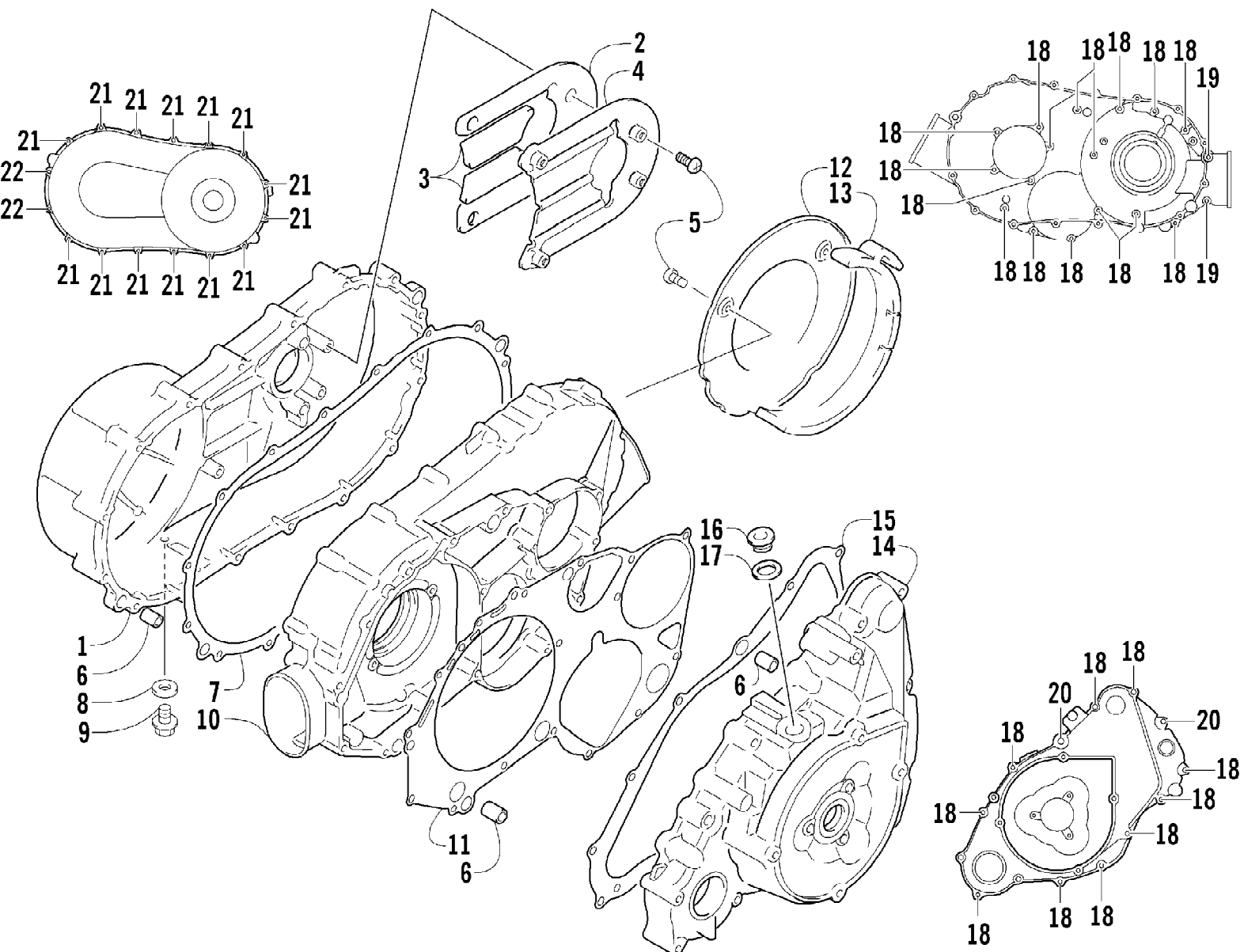
2004 ATV 500 AUTOMATIC TRANSMISSION 4X4 FIS CAT GREEN MRP (A200414301) Page 13 of 32
CASE/BELT COOLING ASSEMBLY



2004 ATV 500 AUTOMATIC TRANSMISSION 4X4 FIS CAT GREEN MRP (A200414B1S2),
CASE/BELT COOLING ASSEMBLY

Ref #	Part Number	Qty	S/P/F	Description
1	0413-061	1	/P	Duct, Belt Cooling - Rear
2	0623-301	1	/P	Screw, Self-Tapping
3	0423-380	2	/P	Clamp, Boot
4	0413-055	1		Boot, Duct - Rear
5	3402-449	2	/P	Clamp, Boot
6	0413-049	1		Boot, Duct - Front
7	0413-042	1		Duct, Belt Cooling - Front
8	0123-788	1	/P	Cable Tie - 7.5 in.

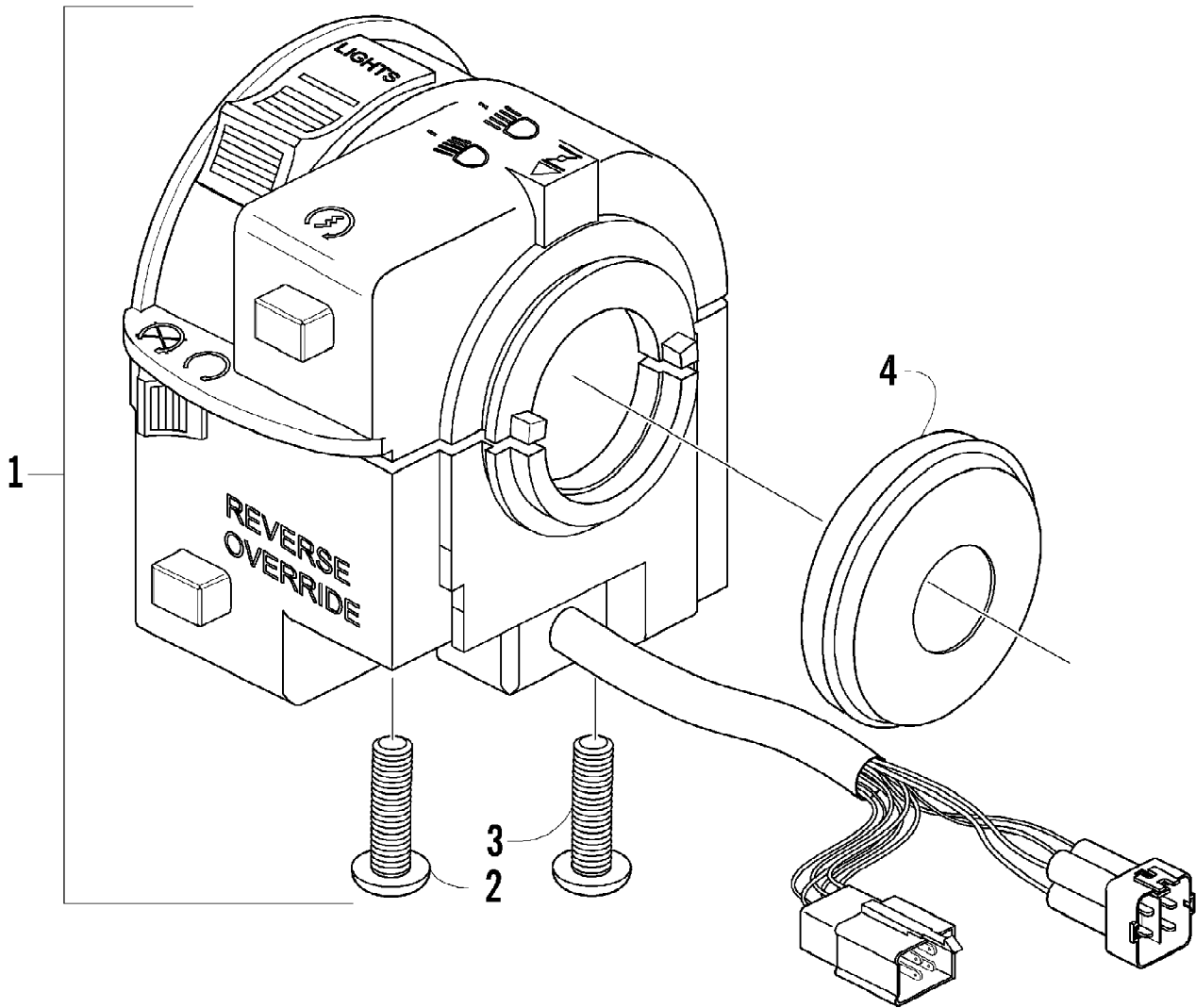
2004 ATV 500 AUTOMATIC TRANSMISSION 4X4 FIS CAT GREEN MRP (A20041401101) Page 14 of 32
CLUTCH/V-BELT/MAGNETO COVER ASSEMBLY



2004 ATV 500 AUTOMATIC TRANSMISSION 4X4 FIS CAT GREEN MRP (A2004161B1S2)
CLUTCH/V-BELT/MAGNETO COVER ASSEMBLY

Ref #	Part Number	Qty	S/P/F	Description
1	3402-710	1		Cover, V-Belt
2	3402-711	1		Damper, V-Belt Cover
3	3402-712	2		Damper, V-Belt Cover
4	3402-713	1		Plate, V-Belt Cover
5	3423-435	7		Screw
6	3423-088	6		Pin, Dowel
7	3402-443	1		Gasket, V-Belt Cover
8	3402-444	1		Gasket, Drain Plug
9	3004-705	1	S	Plug, Drain
10	3402-709	1	/P	Cover, Clutch
11	3402-441	1		Gasket, Clutch Cover
12	3402-445	1		Plate, Air Intake
13	3402-699	1	/P	Cushion, Air Intake Plate
14	3402-714	1		Cover, Magneto
15	3402-715	1		Gasket, Magneto Cover
16	3402-041	1	S	Plug, Oil Filler
17	3402-013	1	/P	Gasket, Oil Filler Plug
18	3423-098	26	S	Bolt
19	3423-092	2	S	Bolt
20	3004-756	2	S	Bolt
21	3423-091	14	S	Bolt
22	3423-119	2	S	Bolt

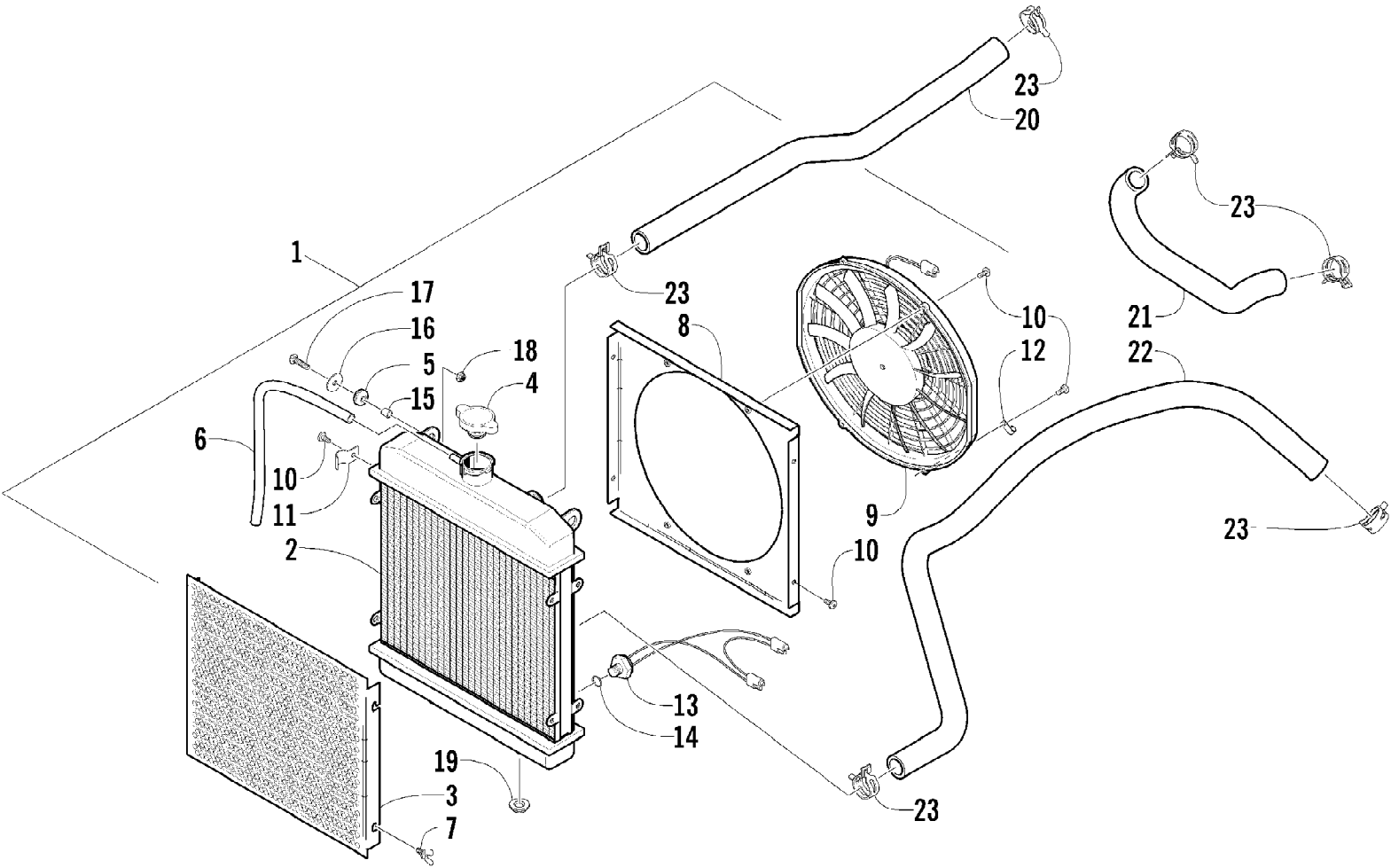
2004 ATV 500 AUTOMATIC TRANSMISSION 4X4 FIS CAT GREEN MRP (A200414B192)
CONTROL SWITCH HOUSING ASSEMBLY



2004 ATV 500 AUTOMATIC TRANSMISSION 4X4 FIS CAT GREEN MRP (A2004180192)
CONTROL SWITCH HOUSING ASSEMBLY

Ref #	Part Number	Qty	S/P/F	Description
1	0509-014	1		Switch, Control - Assembly (inc. 2-4)
2	0409-027	1		Screw, Machine
3	0409-028	1		Screw, Machine
4	3409-019	1		Cover, Switch Housing

2004 ATV 500 AUTOMATIC TRANSMISSION 4X4 FIS CAT GREEN MRP (A200414B1S2)
COOLING ASSEMBLY

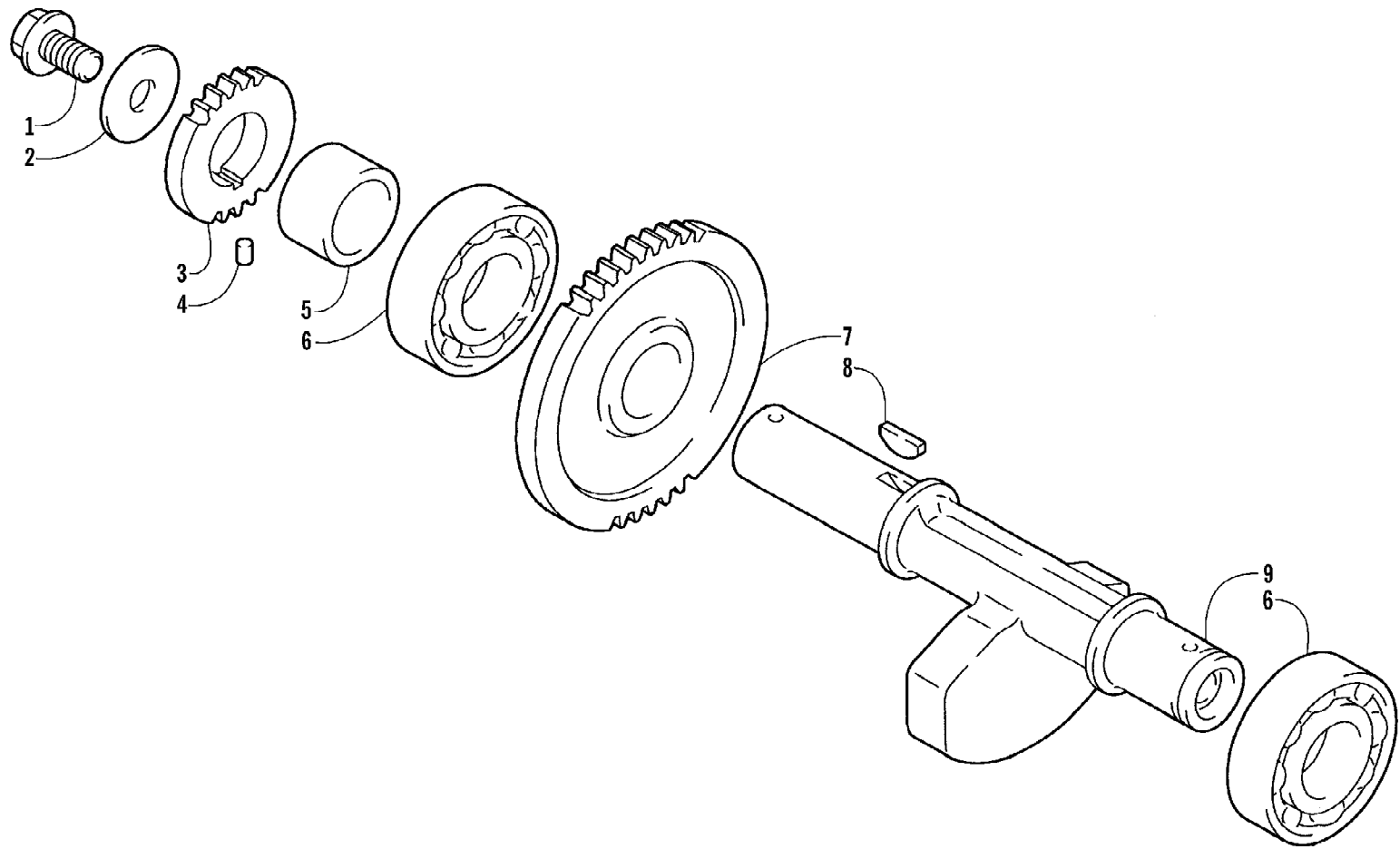


2004 ATV 500 AUTOMATIC TRANSMISSION 4X4 FIS CAT GREEN MRP (A20041520B1S2)
COOLING ASSEMBLY

Page 20 of 32

Ref #	Part Number	Qty	S/P/F	Description
1	0413-038	1		Radiator Assembly (inc. 2-15)
2	0413-043	1	S	Radiator
3	0413-007	1		Screen, Radiator
4	0413-002	1	S	Cap, Radiator
5	0423-030	2		Grommet
6	0610-016	AR	/P	Hose - 25 ft
7	0413-009	4		Screw, Thumb
8	0413-046	1		Shroud, Fan
9	0413-044	1	S	Fan, Cooling
10	8475-512	8		Screw, Machine
11	0423-351	1		Clamp, Wire
12	0123-397	1		Clamp, Cable
13	0413-045	1		Sender, Temperature - Coolant
14	0423-390	1	S	O-Ring
15	0423-036	2		Collar
16	0623-184	2		Washer
17	8476-625	2		Screw, Cap
18	0623-038	2		Nut w/Washer
19	0423-028	2		Bushing, Stem
20	0410-002	1		Hose, Coolant - Upper
21	0410-022	1		Hose, Coolant - Crossover
22	0410-041	1		Hose, Coolant - Lower
23	0423-070	6		Clamp, Hose

2004 ATV 500 AUTOMATIC TRANSMISSION 4X4 FIS CAT GREEN MRP (A20041613),
CRANK BALANCER ASSEMBLY



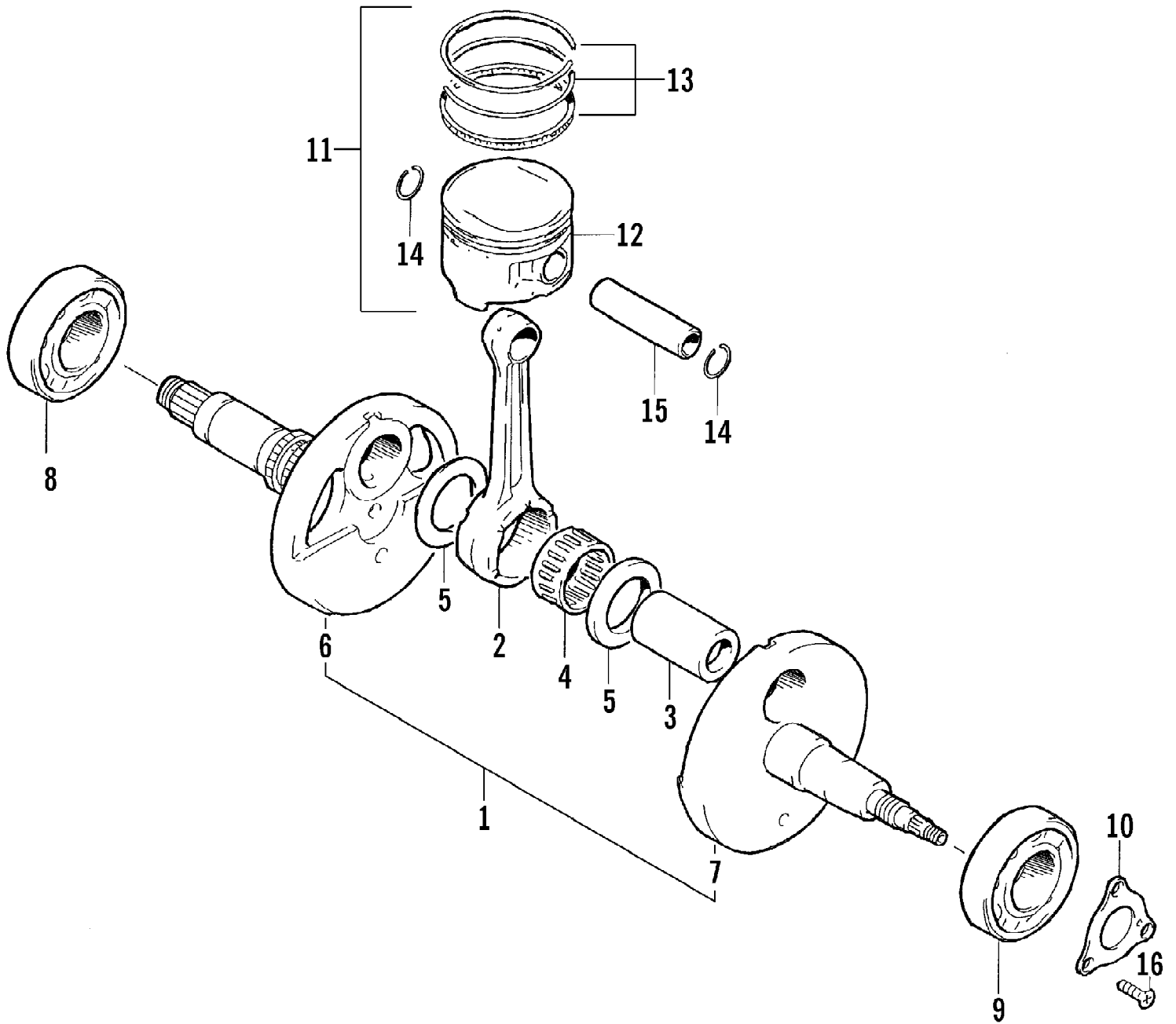
2004 ATV 500 AUTOMATIC TRANSMISSION 4X4 FIS CAT GREEN MRP (A2004152B1S2)
 CRANK BALANCER ASSEMBLY

Ref #	Part Number	Qty	S/P/F	Description
1	3423-555	1		Bolt
2	3423-401	1		Washer
3	3402-390	1		Gear, Oil Pump Drive
4	3423-110	1		Pin
5	3402-461	1		Spacer
6	3402-050	2		Bearing
7	3402-722	1		Gear, Driven
8	3004-540	1	/P	Key
9	3402-458	1		Balancer, Crank

2004 ATV 500 AUTOMATIC TRANSMISSION 4X4 FIS CAT GREEN MRP (A200416124BFS2)
CRANKCASE ASSEMBLY

Ref #	Part Number	Qty	S/P/F	Description
1	3402-708	1	/P	Crankcase Assembly (inc. two No. 2 and 3-14)
2	3423-088	4		Pin, Dowel
3	3004-822	1		Pin, Dowel
4	3423-091	4	S	Bolt
5	3423-119	3	S	Bolt
6	3423-092	3	S	Bolt
7	3004-880	4		Bolt
8	3005-332	1		Bolt
9	3423-385	1		Bolt
10	3402-436	2	/P	Gasket
11	3423-386	1		Plug
12	3423-387	1		Bolt
13	3423-388	1		Bolt
14	3423-508	1		Bolt
15	3402-439	1		Housing, Secondary Shaft Bearing
16	3423-506	3	/P	Bolt
17	3402-437	1		Pipe, Breather
18	3423-389	1		Bolt, Breather Pipe
19	3402-214	1		Plug, Oil Pressure
20	3402-012	1		Gasket, Oil Pressure Plug
21	3402-438	1		Stick, Oil Level
22	3423-055	1		O-Ring, Oil Level Stick

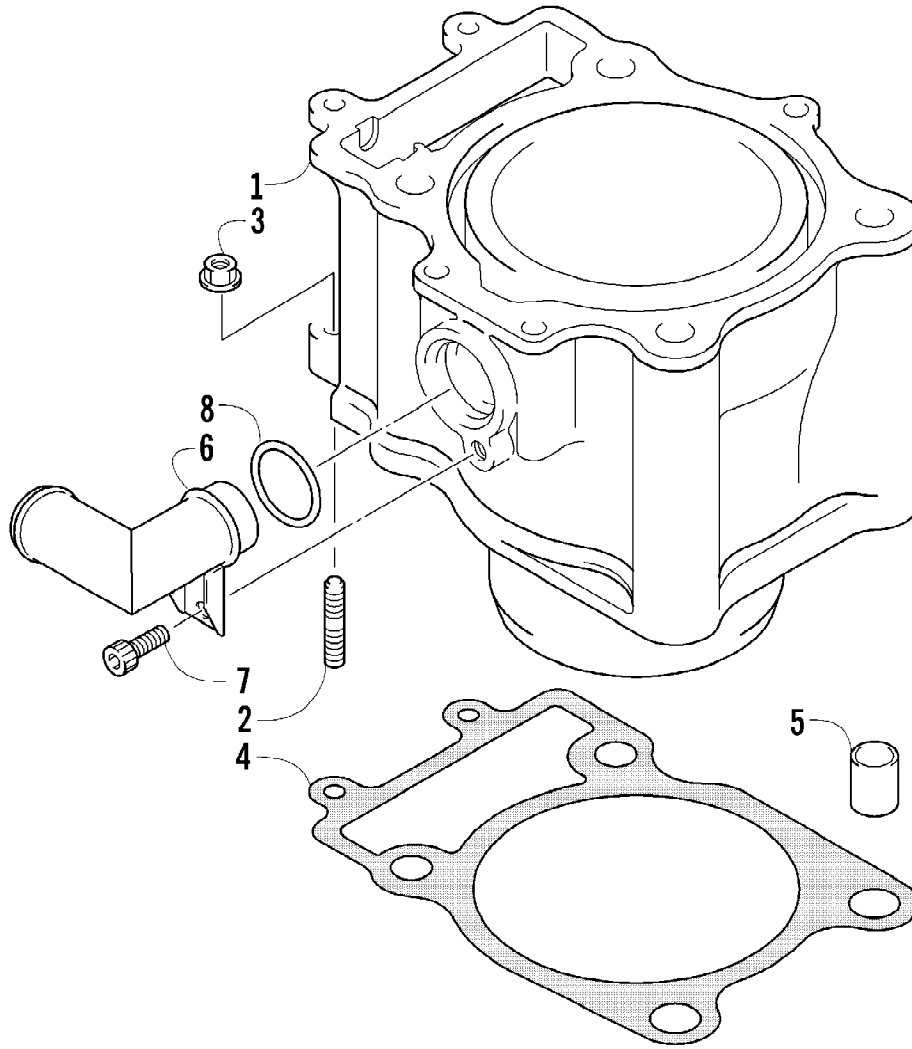
2004 ATV 500 AUTOMATIC TRANSMISSION 4X4 FIS CAT GREEN MRP (A2004250193)
CRANKSHAFT ASSEMBLY



2004 ATV 500 AUTOMATIC TRANSMISSION 4X4 FIS CAT GREEN MRP (A2004126192)
CRANKSHAFT ASSEMBLY

Ref #	Part Number	Qty	S/P/F	Description
1	3403-018	1	/P	Crankshaft Assembly (inc. 2-7)
2	3402-376	1		Rod, Connecting
3	3402-377	1		Pin, Crank
4	3402-717	1	/P	Bearing
5	3423-351	2		Washer
6	3403-025	1		Crankshaft - Right
7	3402-705	1	/P	Crankshaft - Left
8	3402-058	1		Bearing - Right
9	3402-054	1		Bearing - Left
10	3402-188	1	/P	Retainer, Oil Seal - Left
11	3402-788	1		Piston Set (inc. 12-14)
12	3402-719	1		Piston
13	3402-720	1		Ring, Piston - Set
14	3423-344	2		Circlip, Piston Pin
15	3402-375	1		Pin, Piston
16	3423-018	3		Screw

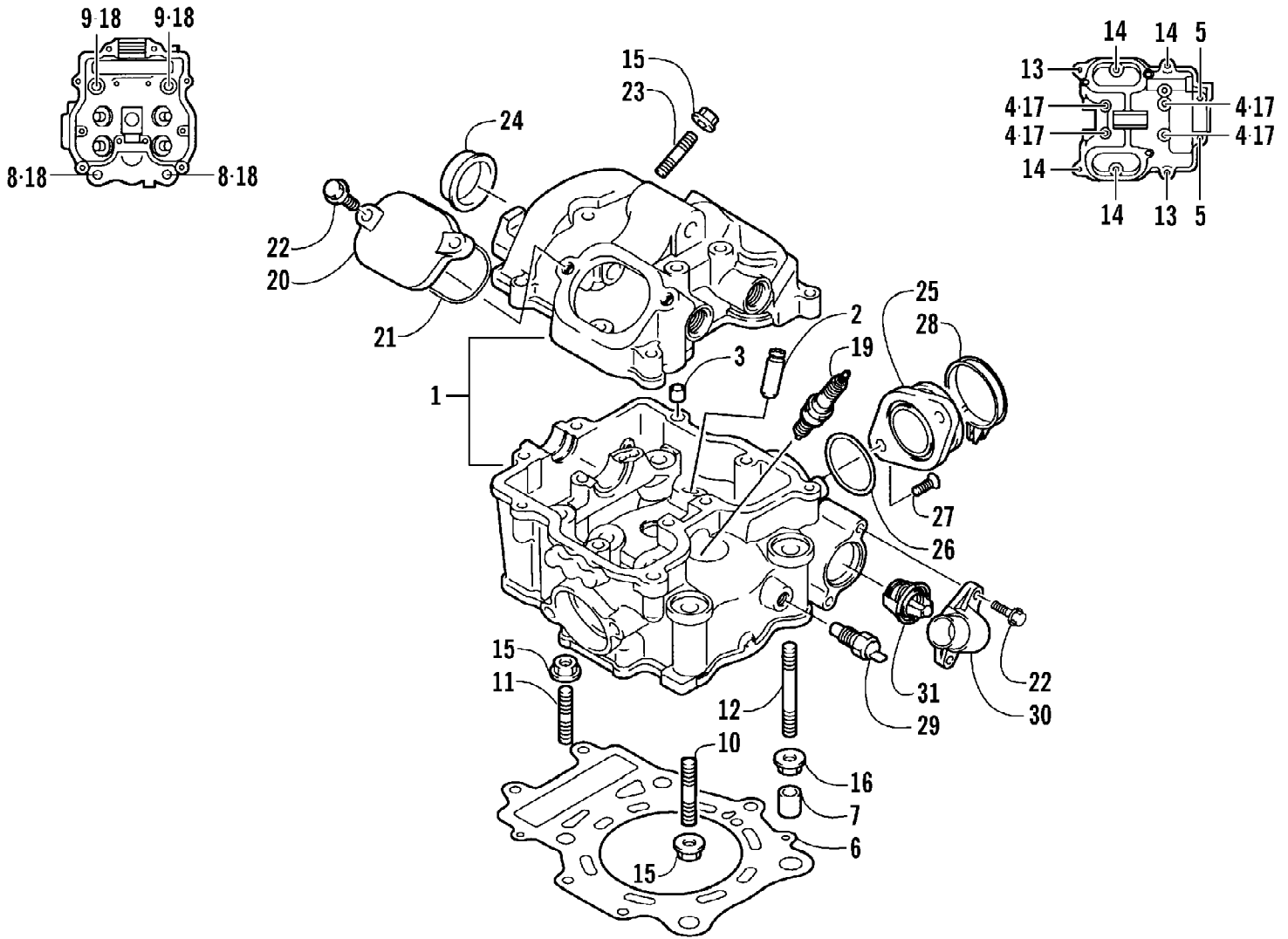
2004 ATV 500 AUTOMATIC TRANSMISSION 4X4 FIS CAT GREEN MRP (A2004121019)
CYLINDER ASSEMBLY



2004 ATV 500 AUTOMATIC TRANSMISSION 4X4 FIS CAT GREEN MRP (A20041280192)
 CYLINDER ASSEMBLY

Ref #	Part Number	Qty	S/P/F	Description
1	3402-707	1		Cylinder
2	3423-384	2	S	Bolt, Stud
3	3004-488	2	S/P	Nut
4	3402-365	1	/P	Gasket, Cylinder
5	3423-088	2		Pin, Dowel
6	3413-013	1		Union, Water Hose
7	3423-121	1	S	Screw, Cap
8	3423-058	1		O-Ring

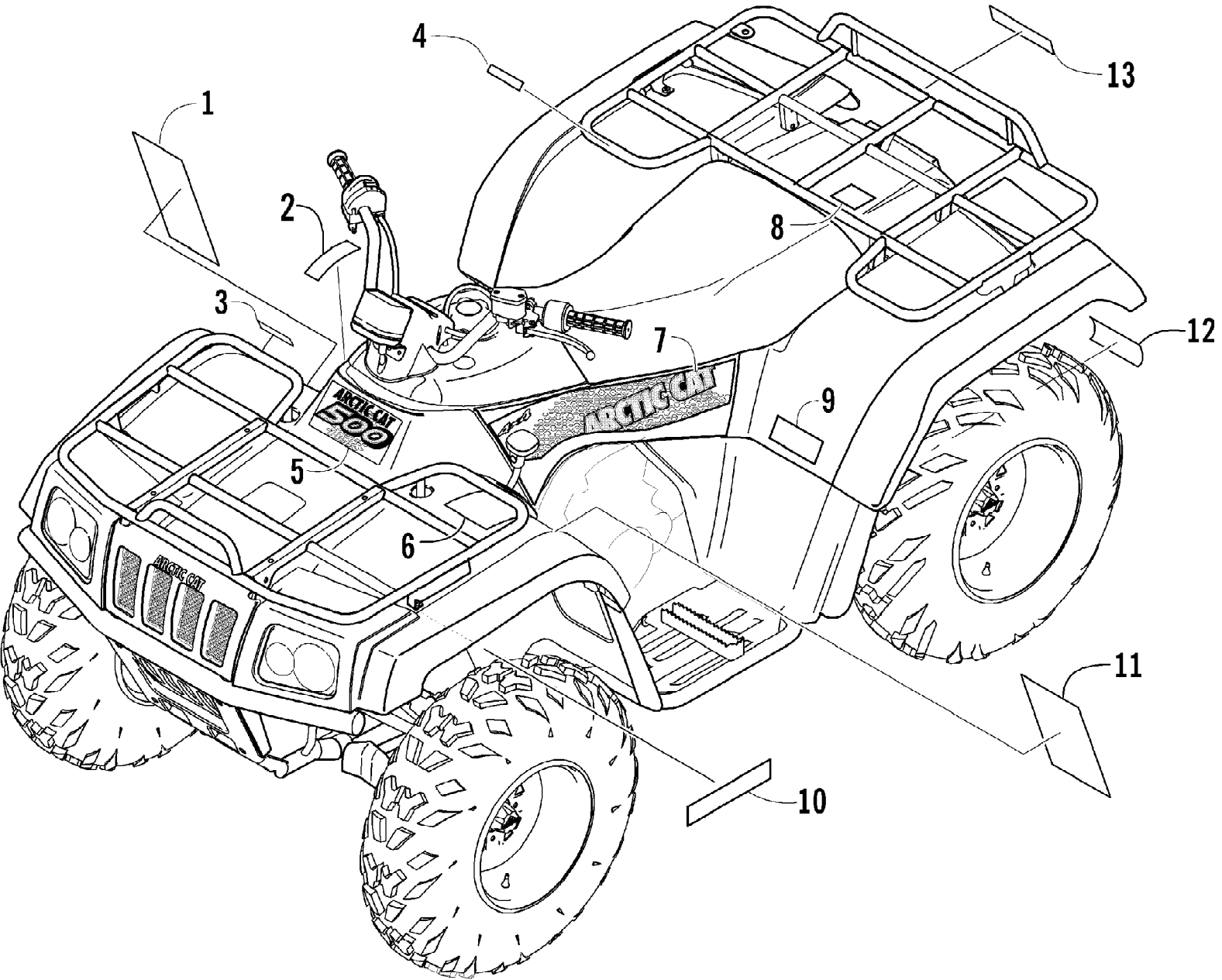
2004 ATV 500 AUTOMATIC TRANSMISSION 4X4 FIS CAT GREEN MRP (A2004128132)
CYLINDER HEAD ASSEMBLY



2004 ATV 500 AUTOMATIC TRANSMISSION 4X4 FIS CAT GREEN MRP (A2004) (A2004) (A2004)
CYLINDER HEAD ASSEMBLY

Ref #	Part Number	Qty	S/P/F	Description
1	3402-098	1		Head, Cylinder - Assembly (inc. 2-5)
2	3402-099	4		Guide, Valve
3	3423-043	2	/P	Pin, Dowel
4	3423-006	4		Screw, Cap
5	3008-376	2	S	Screw, Cap
6	3402-362	1		Gasket, Cylinder Head
7	3423-088	2		Pin, Dowel
8	3423-015	2		Screw, Cap
9	3423-016	2		Screw, Cap
10	3423-089	2	S	Bolt, Stud
11	3423-087	2	S	Bolt, Stud
12	3423-203	1	S/P	Bolt, Stud
13	3423-007	2	S	Screw, Cap
14	3004-376	4	S/P	Screw, Cap
15	3004-488	5	S/P	Nut
16	3004-326	1	S/P	Nut
17	3003-290	4	/P	Gasket
18	3402-010	4		Gasket, Head Nut
19	0217-632	1		Spark Plug (NGK CR6E)
20	3402-100	2		Cap, Inspection
21	3402-101	2		O-Ring
22	3004-341	5	S/P	Screw, Cap
23	3423-383	1		Bolt, Stud
24	3402-035	1		Plug, Cylinder Head
25	3402-706	1		Pipe, Intake - Assembly (inc. 26)
26	3423-353	1	/P	O-Ring
27	3423-347	2		Screw, Cap
28	0423-317	1	/P	Clamp
29	3530-038	1	S	Switch, Water Temperature - Assembly
30	3413-004	1		Cover, Thermostat
31	3413-012	1		Thermostat
	3402-048	1	F	Plug, Frost

2004 ATV 500 AUTOMATIC TRANSMISSION 4X4 FIS CAT GREEN MRP (A2004131101) Page 11 of 12
DECALS



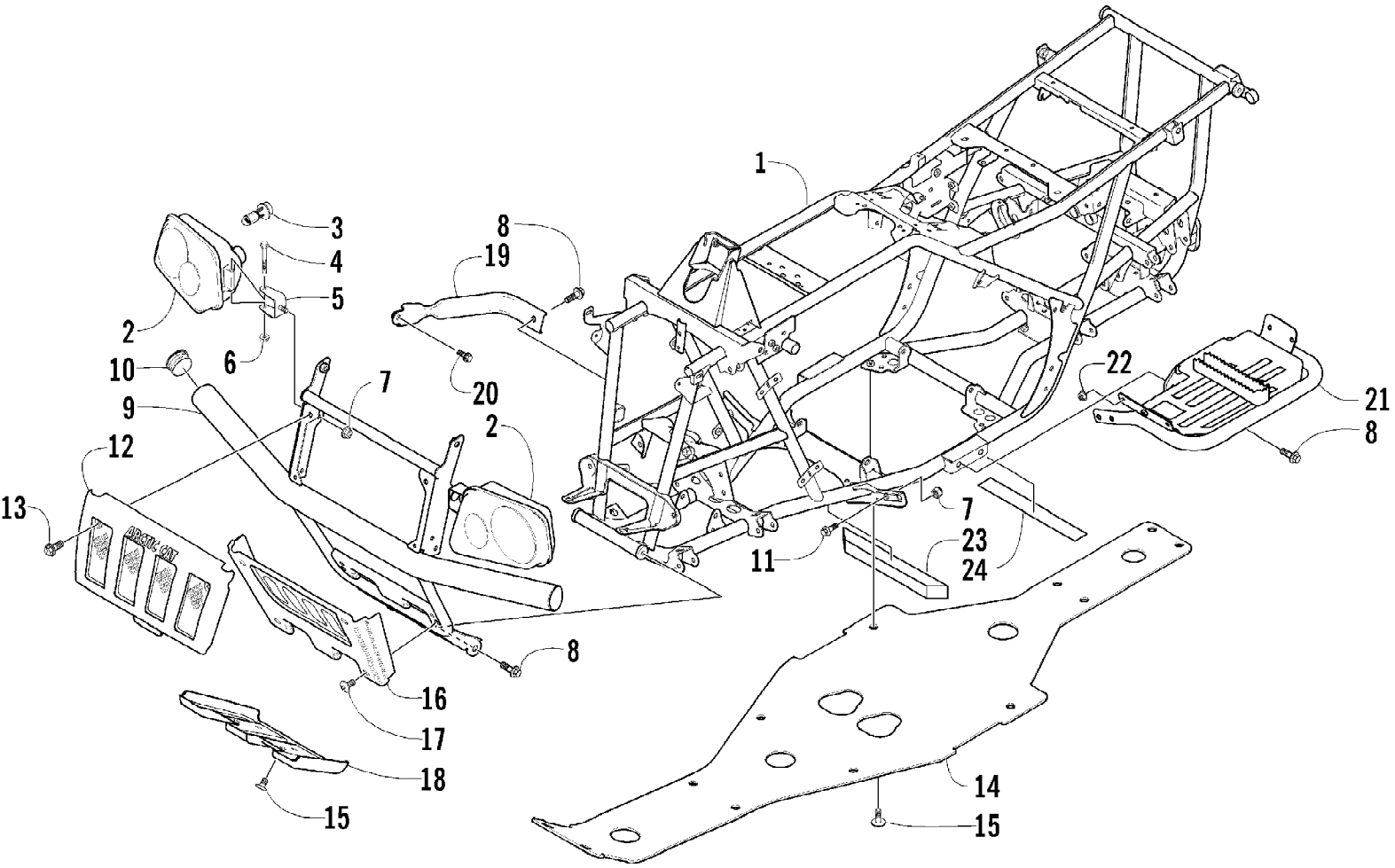
2004 ATV 500 AUTOMATIC TRANSMISSION 4X4 FIS CAT GREEN MRP (A2004131001)
DECALS

Ref #	Part Number	Qty	S/P/F	Description
1	0411-666	1		Decal, Warning - Reverse/Pre-Ride
2	0411-426	1		Decal, Warning - Clutch Cover
3	0411-576	1		Decal, Warning - Front Rack Load
4	0411-648	1		Decal, Warning - Rear Rack Load
5	0411-624	1		Decal, Front
6	0411-401	1		Decal, Warning - Age
7	0411-638	1		Decal, Side - Right
7	0411-639	1		Decal, Side - Left
8	0411-435	1		Decal, Passenger
9	0411-430	1		Decal, Warning - Tire Pressure
10	0411-643	1		Decal, CA Emissions
11	0411-218	1		Decal, Warning - General
12	0411-267	1		Decal, Warning - Towing
13	0411-501	1		Decal, "Arctic Cat"

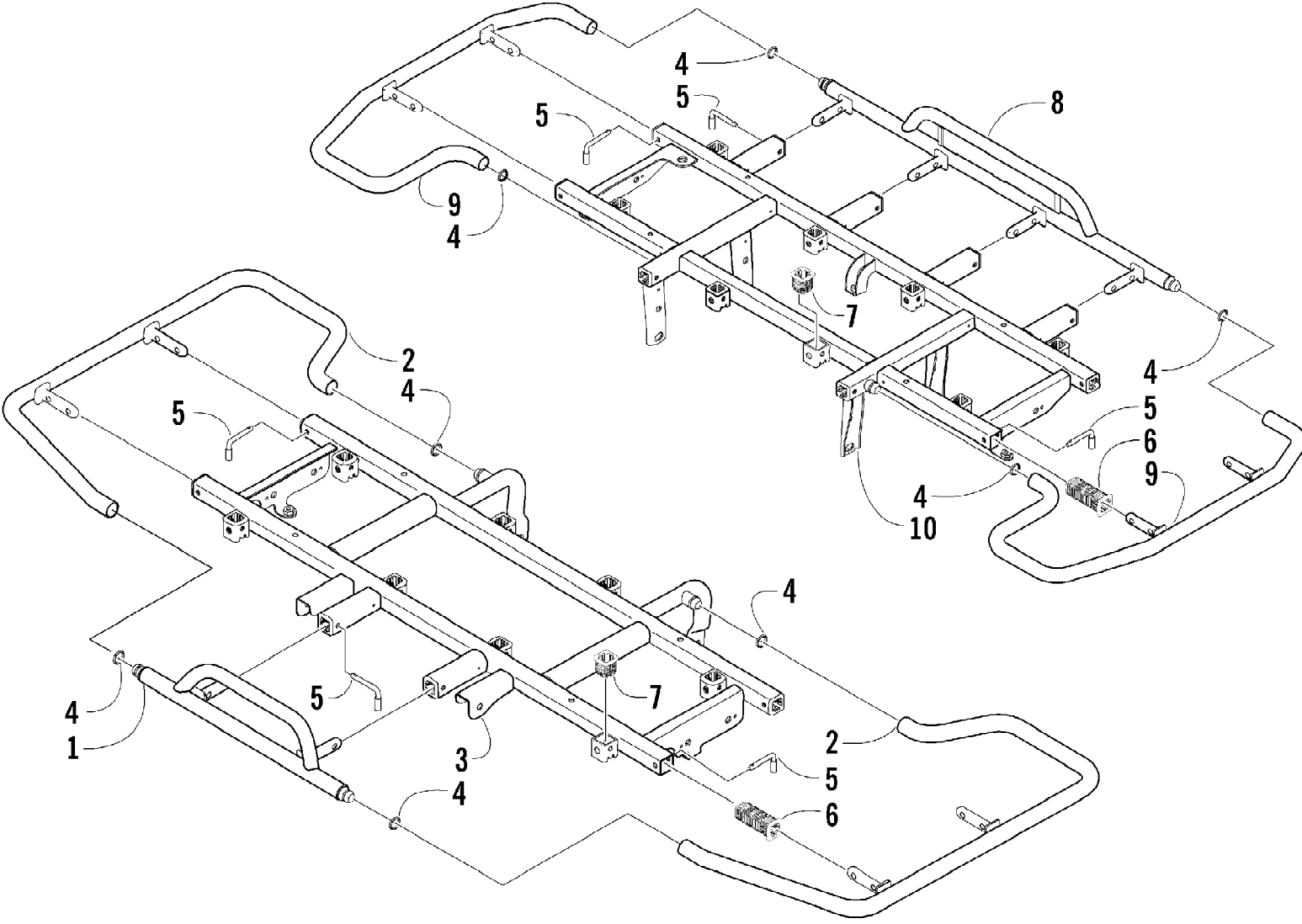
2004 ATV 500 AUTOMATIC TRANSMISSION 4X4 FIS CAT GREEN MRP (A20041614B1S2)
ENGINE AND EXHAUST

Ref #	Part Number	Qty	S/P/F	Description
1	0462-029	1	/P	Engine
2	0423-405	3		Screw, Cap
3	0423-426	4		Washer
4	0423-042	2	S	Spacer
5	8428-002	3		Nut, Lock
6	1506-203	1		Bracket, Engine - Right
6	1506-204	1		Bracket, Engine - Left
7	8424-802	3		Nut
8	8408-816	4		Screw, Cap
9	0506-546	1		Bracket, Engine - Upper
10	8408-860	1		Screw, Cap
11	0412-007	1	/P	Seal, Exhaust
12	8408-820	2	/P	Screw, Cap
13	0512-130	1	S	Pipe, Exhaust
14	0412-189	1		Cover, Exhaust
15	8477-610	7		Screw, Machine
16	0412-215	4	S	Bushing, Muffler
17	0612-668	2	/P	Spring, Exhaust
18	0612-188	1	/P	Gasket, Exhaust
19	0512-139	1		Muffler
20	0412-218	1		Cover, Muffler

2004 ATV 500 AUTOMATIC TRANSMISSION 4X4 FIS CAT GREEN MRP (A20045000000) Page 35 of 38
FRAME AND RELATED PARTS



2004 ATV 500 AUTOMATIC TRANSMISSION 4X4 FIS CAT GREEN MRP (A2004010101) Page 17 of 32
FRONT AND REAR RACK ASSEMBLIES



2004 ATV 500 AUTOMATIC TRANSMISSION 4X4 FIS CAT GREEN MRP (A2004151B01S2)
 FRONT AND REAR RACK ASSEMBLIES

Ref #	Part Number	Qty	S/P/F	Description
1	0541-133	1		Center, Rack - Front
2	0541-134	2		Side, Rack - Front
3	0541-135	1		Frame, Rack - Front
4	0623-903	8		O-Ring
5	0541-189	14	S	Pin
6	0441-556	16		Bushing, Rack
7	0441-592	16	/P	Bushing, Rack
8	0541-130	1		Center, Rack - Rear
9	0541-131	2		Side, Rack - Rear
10	0541-132	1		Frame, Rack - Rear

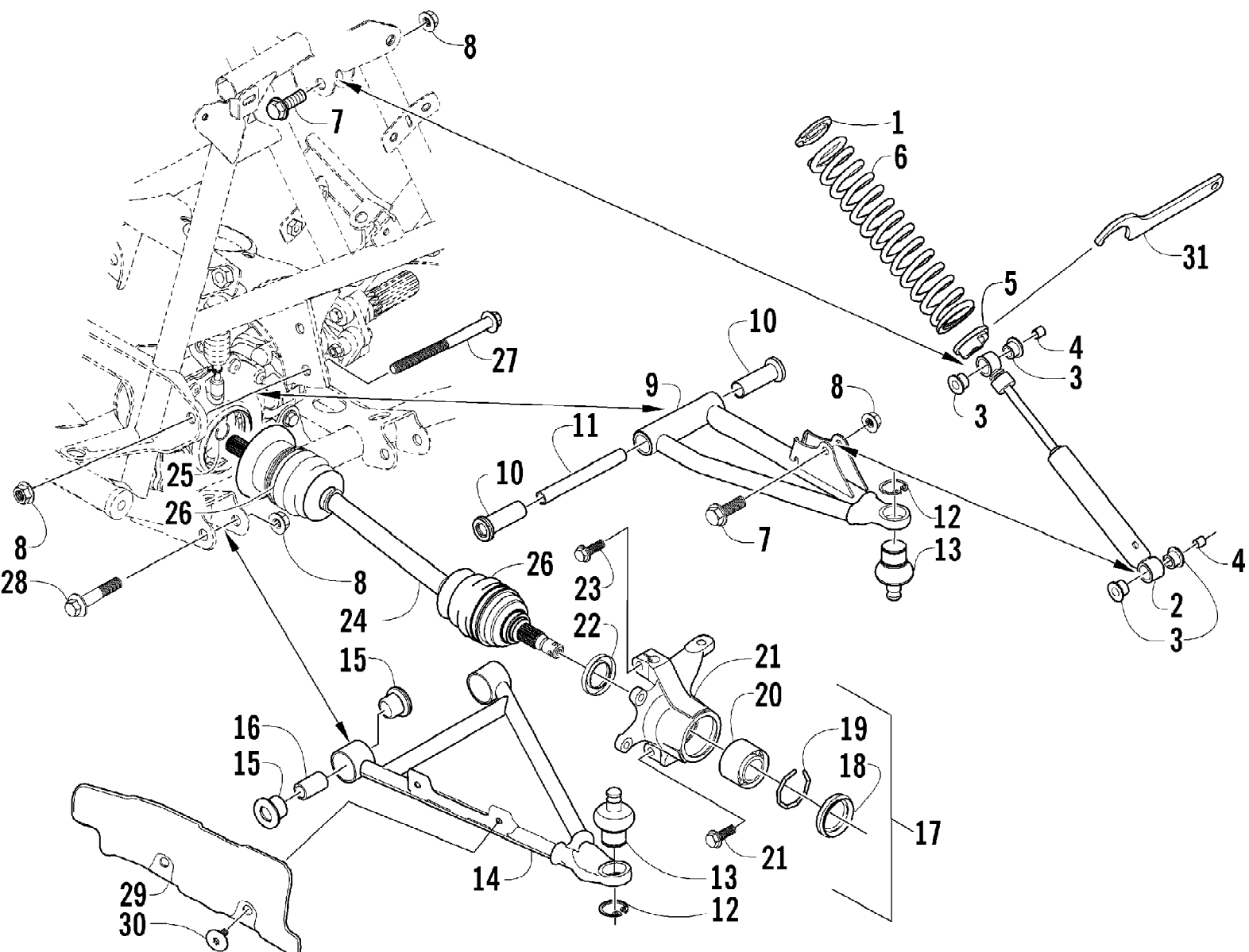
2004 ATV 500 AUTOMATIC TRANSMISSION 4X4 FIS CAT GREEN MRP (A200410B192)
FRONT DRIVE GEARCASE ASSEMBLY

Ref #	Part Number	Qty	S/P/F	Description
1	0502-474	1		Gearcase, Front Drive - Assembly (inc. 2-44)
2	0502-385	1		Shaft, Propeller - Assembly (inc. 3-7)
3	0423-411	1		Clamp, Boot
4	0402-985	1	/P	Boot, Propeller Shaft
5	0423-393	1		Clamp, Boot
6	1402-045	1		Shaft, Output
7	1502-085	1	/P	Shaft, Input
8	1402-011	1		Seal
9	0423-423	1		Ring, Retaining
10	0502-347	1		Bracket, Actuator
11	1402-043	1		Bearing
12	0423-118	11		Screw, Self-Tapping
13	0502-406	1		Housing, Pinion
14	0402-947	1		Gasket, Flange
15	0423-417	1		Ring, Retaining
16	0502-296	1		Actuator (inc. one No. 17)
17	0423-498	2	S	O-Ring
18	0402-997	1		Shaft, Selector
19	0402-998	1		Fork, Selector
20	0402-417	1		Shaft, Shuttle
21	0423-402	1		Ring, Retaining
22	0423-147	1		O-Ring
23	0402-999	1		Spring, Return
24	0402-413	1		Coupler, Drive
25	0402-357	1		Collar, Lock
26	0502-123	1		Gear, Pinion - Assembly - 10T (inc. 27-29)
27	0402-336	1		Collar, Retaining
28	0402-327	1		Bearing
29	0402-424	AR		Shim
29	0402-425	AR		Shim
29	0402-426	AR		Shim
29	0402-427	AR		Shim
29	0402-428	AR		Shim
30	0402-328	1		Bearing
31	0502-120	1		Housing, Gearcase
32	0402-411	1		Pin, Dowel
33	0402-394	2	S	Seal
34	0402-450	1	S	Plug, Magnetic (inc. 35)
35	0423-153	1		O-Ring
36	0423-149	1		O-Ring
37	0402-393	2		Bearing
38	0402-405	AR		Shim
38	0402-406	AR		Shim
38	0402-407	AR		Shim
38	0402-408	AR		Shim
38	0402-409	AR		Shim
39	0502-124	1		Gear, Ring - 36T
40	1402-104	1		Fitting
41	0502-121	1		Cover, Gearcase
42	0402-333	1	/P	Plug, Fill (inc. 43)
43	0423-154	1		O-Ring
44	0423-396	3		Screw, Self-Tapping
45	0423-315	1		Clamp, Fitting

2004 ATV 500 AUTOMATIC TRANSMISSION 4X4 FIS CAT GREEN MRP (A20041611B1S2)
FRONT DRIVE GEARCASE ASSEMBLY

Ref #	Part Number	Qty	S/P/F	Description
46	0423-404	2		Screw, Cap
47	0423-426	4		Washer
48	8428-002	2		Nut, Lock
49	0402-966	1		Boot, Shaft
50	0402-147	1	S	Bladder, Gearcase

2004 ATV 500 AUTOMATIC TRANSMISSION 4X4 FIS CAT GREEN MRP (A20041201) Page #12 of 32
FRONT SUSPENSION ASSEMBLY



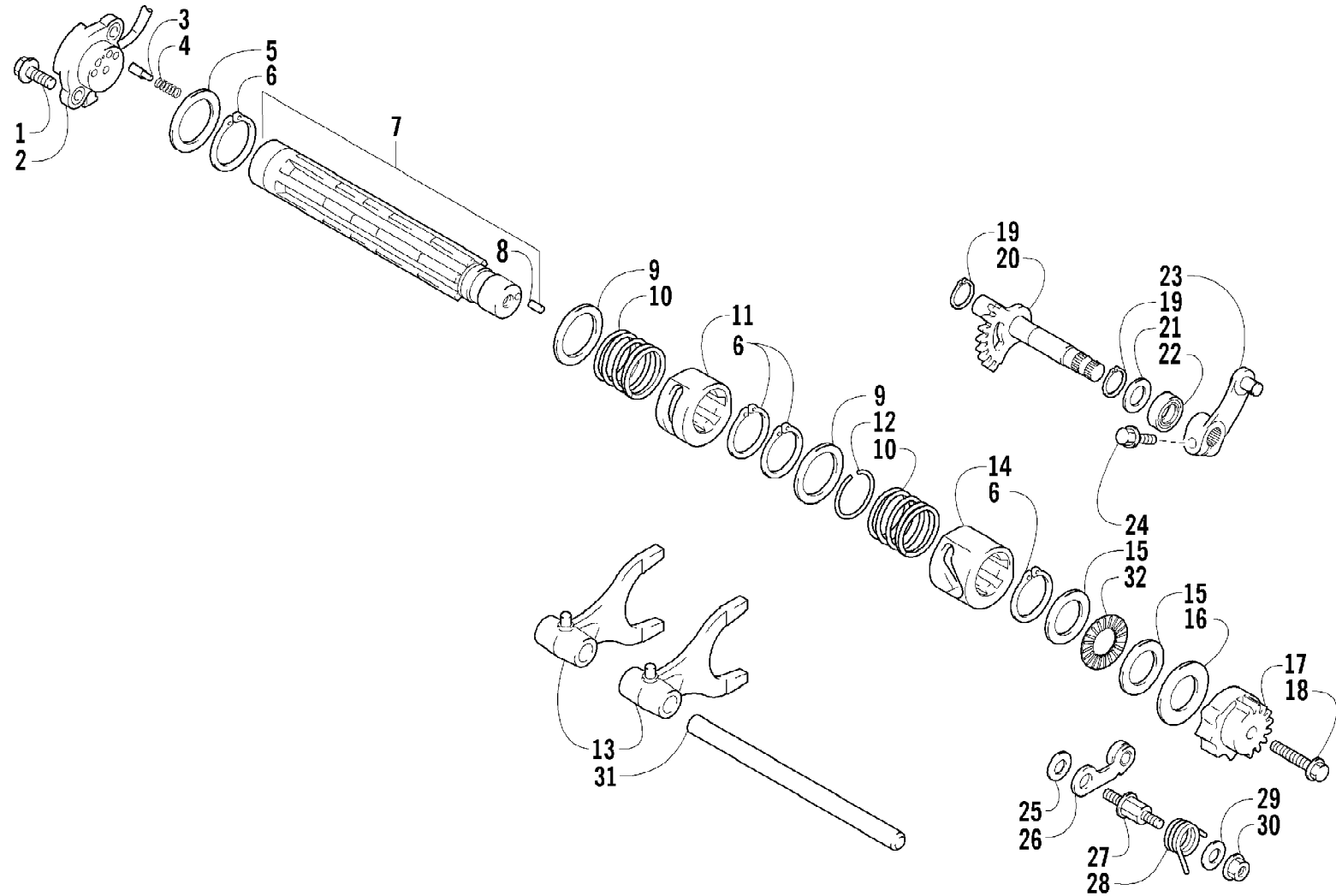
2004 ATV 500 AUTOMATIC TRANSMISSION 4X4 FIS CAT GREEN MRP (A200413013)
FRONT SUSPENSION ASSEMBLY

Ref #	Part Number	Qty	S/P/F	Description
1	1603-889	2	/P	Retainer, Spring
2	0403-127	2		Shock Absorber - Front (inc. 3-4)
3	0604-310	8		Bushing, Shock Absorber
4	0403-028	4		Sleeve, Shock
5	0403-102	2		Cam, Spring Adjuster
6	0403-128	2	S	Spring, Shock Absorber
7	8409-040	4		Screw, Cap
8	8428-002	10		Nut, Lock
9	0503-196	1	S	A-Arm, Upper Right - Assembly (inc. 10-13)
9	0503-197	1		A-Arm, Upper Left - Assembly (inc. 10-13)
10	0403-081	4	S	Bushing
11	0403-080	2		Collar
12	0423-009	4	/P	Clip, Ball Joint
13	0405-115	4	/P	Ball Joint - Front
14	0503-220	1		A-Arm, Lower Right (inc. 12-13 and 15-16)
14	0503-221	1		A-Arm, Lower Left (inc. 12-13 and 15-16)
15	0403-115	8	S	Bushing
16	0403-114	4	S	Collar
17	0505-026	1	S/P	Knuckle - Assembly - Right (inc. 18-22)
17	0505-027	1	S/P	Knuckle - Assembly - Left (inc. 18-22)
18	0402-089	2		Seal, Wheel Bearing - Front
19	0423-034	2		Clip, Bearing
20	0402-275	2	/P	Bearing, Wheel Hub - Front
21	0505-062	1	S	Knuckle, Steering - Right
21	0505-063	1	S	Knuckle, Steering - Left
22	0402-069	2		Seal, Wheel Bearing - Rear
23	8409-030	4		Screw, Cap
24	0502-544	2	S	Axle, Drive - Front (inc. 25-26)
25	0441-400	2	S	Clip, Retaining
26	0436-276	2	S	Repair Kit, Boot - Front Axle
27	0423-334	2		Screw, Cap
28	8409-075	4		Screw, Cap
29	1406-034	1		Guard, Boot - Axle - Right
29	1406-035	1		Guard, Boot - Axle - Left
30	0423-101	4		Screw, Body
31	0441-587	1		Wrench, Spanner

2004 ATV 500 AUTOMATIC TRANSMISSION 4X4 FIS CAT GREEN MRP (A2004150150)
 GAS TANK ASSEMBLY

Ref #	Part Number	Qty	S/P/F	Description
1	0570-066	1	/P	Tank, Gas - Assembly (inc. 2-10)
2	0470-438	1	/P	Cap, Gas Tank (inc. 3)
3	0109-733	1	/P	Gasket, Tank Cap
4	0570-086	1	/P	Gauge, Fuel w/Gasket (Press-Fit)
5	0423-398	2		Nut, Lock
6	0470-416	1	/P	Hose, Vent
7	0610-007	AR	/P	Hose, Gasline - 25 ft
8	0423-152	2		Clamp, Hose
9	0470-445	1	/P	Valve, Fuel Shut-Off (inc. 10)
10	0470-364	1		Gasket, Fuel Shut-Off Valve
11	0470-408	1		Knob, Fuel Shut-Off Valve
12	0423-146	1		Screw, Machine
13	0423-130	2		Screw, Shoulder

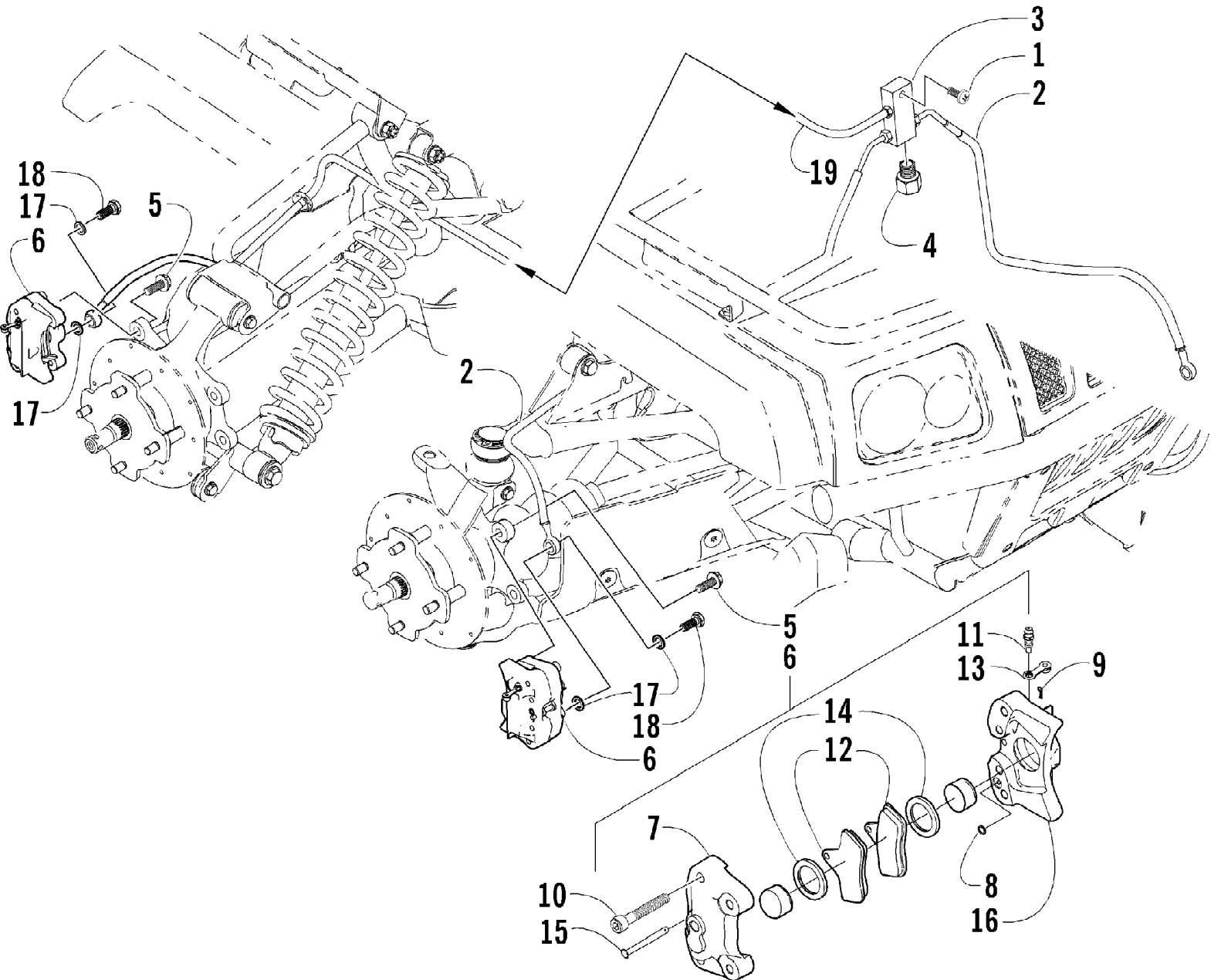
2004 ATV 500 AUTOMATIC TRANSMISSION 4X4 FIS CAT GREEN MRP (A2004160192)
GEAR SHIFTING ASSEMBLY



2004 ATV 500 AUTOMATIC TRANSMISSION 4X4 FIS CAT GREEN MRP (A200411B019)
GEAR SHIFTING ASSEMBLY

Ref #	Part Number	Qty	S/P/F	Description
1	3423-418	2		Bolt
2	3530-042	1		Base, Gear Shift - Assembly
3	3423-044	2		Contact
4	3402-087	2		Spring
5	3423-421	1	/P	Washer, Shift Shaft
6	3423-191	4	/P	Circlip, Cam Spring
7	3402-826	1		Shaft, Gear Shift (inc. 8)
8	3423-114	1	/P	Pin
9	3402-382	2		Washer, Cam Spring
10	3446-280	2		Spring, Cam
11	3402-827	1		Cam, Reverse
12	3423-116	1	S	C-Ring, Cam
13	3446-353	2		Fork, Shift
14	3402-828	1		Cam, Gear Shift
15	3402-381	2	/P	Washer, Shift Shaft
16	3423-446	1		Washer, Gear Shift Cam Plate
17	3402-642	1		Plate, Gear Shift Cam
18	3004-376	1	S/P	Bolt, Gear Shift Cam Plate
19	3423-358	2	S	Circlip, Sub-Gear Shift Shaft
20	3402-747	1		Shaft, Sub-Gear Shift
21	1691-043	2		Washer, Sub-Gear Shift Shaft
22	3402-076	1		Seal, Sub-Gear Shift Shaft
23	3402-434	1	/P	Arm, Select
24	3004-341	1	S/P	Bolt, Select Arm
25	3423-141	1		Washer, Cam Stopper
26	3402-746	2		Stopper, Cam
27	3446-048	1		Support, Cam Stopper
28	3423-511	1		Spring, Cam Stopper
29	3423-438	2		Washer, Cam Stopper Spring
30	3004-488	1	S/P	Nut, Cam Stopper Spring
31	3446-266	1		Shaft, Shift Fork
32	3402-829	1		Bearing

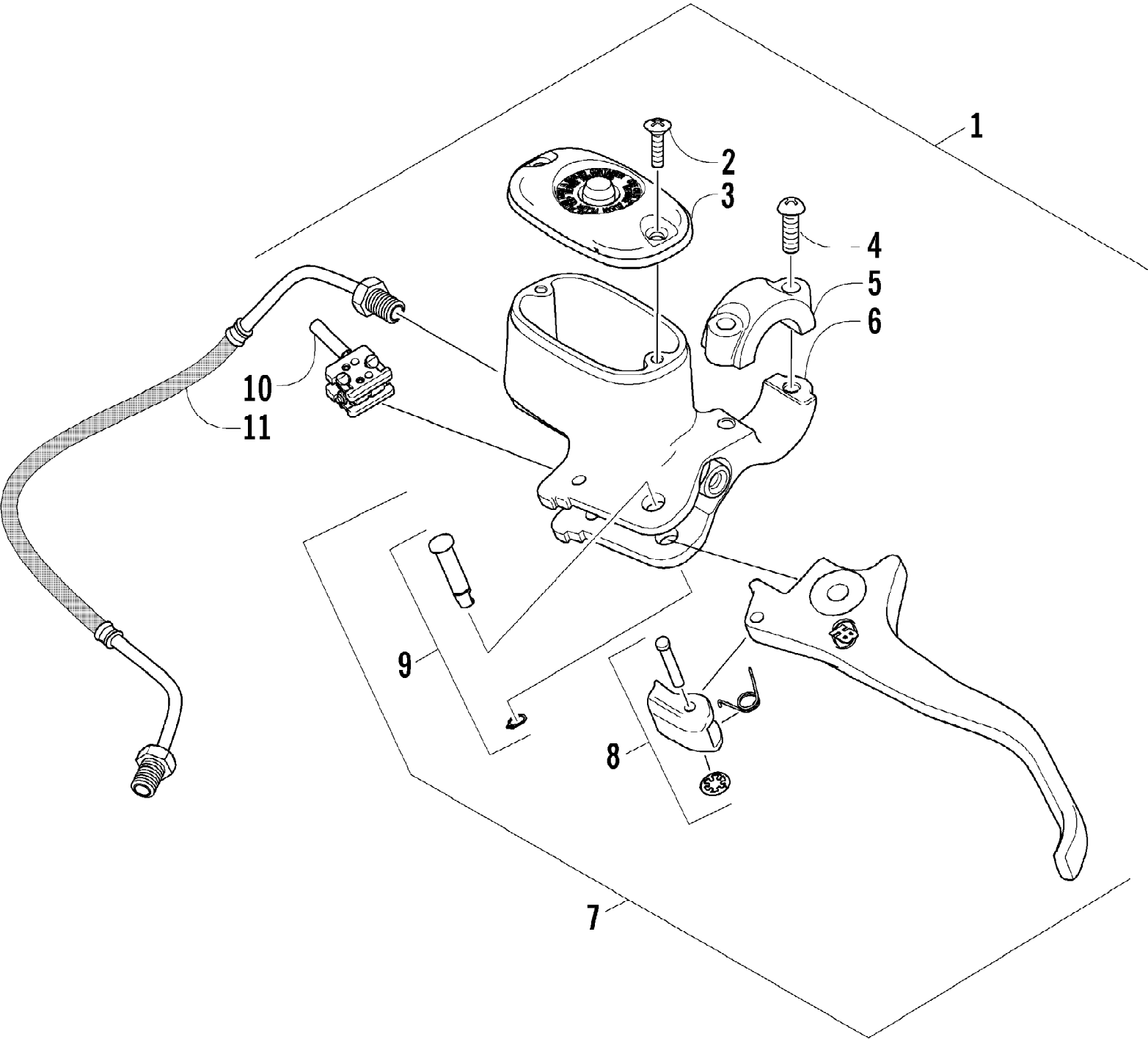
2004 ATV 500 AUTOMATIC TRANSMISSION 4X4 FIS CAT GREEN MRP (A2004180192)
HYDRAULIC BRAKE ASSEMBLY



2004 ATV 500 AUTOMATIC TRANSMISSION 4X4 FIS CAT GREEN MRP (A2004148B1S2)
HYDRAULIC BRAKE ASSEMBLY

Ref #	Part Number	Qty	S/P/F	Description
1	8476-625	1		Screw, Cap
2	0402-961	2		Hose, Brake - Front
3	1402-086	1		Block, Junction
4	1402-031	1		Plug
5	8408-825	6		Screw, Cap
6	0502-335	1	S	Caliper, Brake - Right Front (inc. 7-16)
6	0502-336	2	S	Caliper, Brake - Left Front and Right Rear (inc. 7-16)
7	0	3	F	Housing, Caliper
8	0402-490	3		O-Ring
9	0402-496	3	S	Clip, Hairpin
10	0402-492	12		Screw, Cap
11	0402-491	3	S	Valve, Bleed
12	0402-882	6	/P	Pad, Brake
13	0402-493	3		Cap, Bleed Valve
14	0402-980	6		O-Ring, Brake Caliper
15	0402-495	3		Pin, Brake Caliper
16	0	3	F	Housing, Caliper
17	0423-178	6		Washer, Crush
18	0423-413	3		Bolt, Banjo Fitting
19	1402-204	1		Hose, Brake - Rear

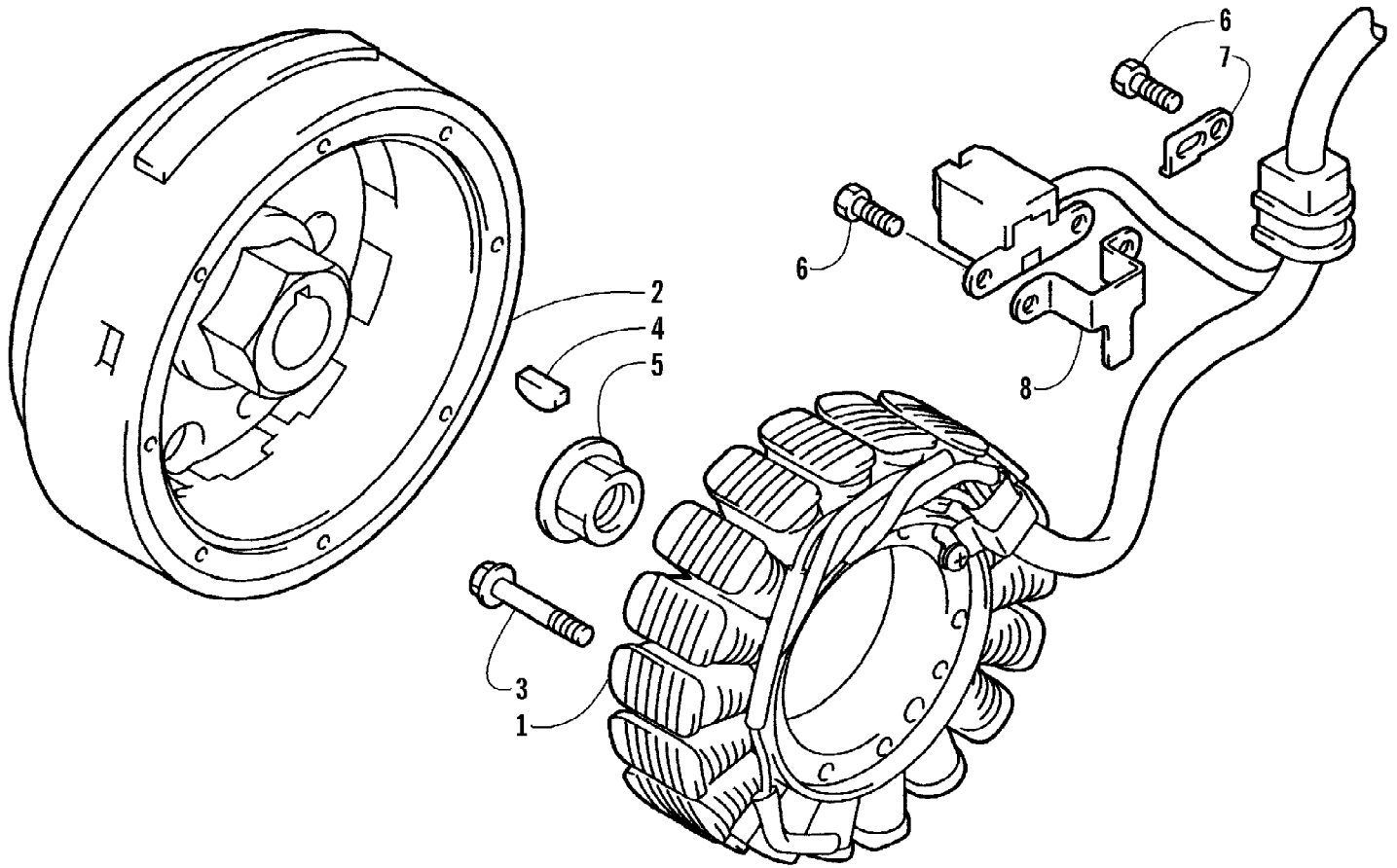
2004 ATV 500 AUTOMATIC TRANSMISSION 4X4 FIS CAT GREEN MRP (A2004500193)
HYDRAULIC HAND BRAKE ASSEMBLY



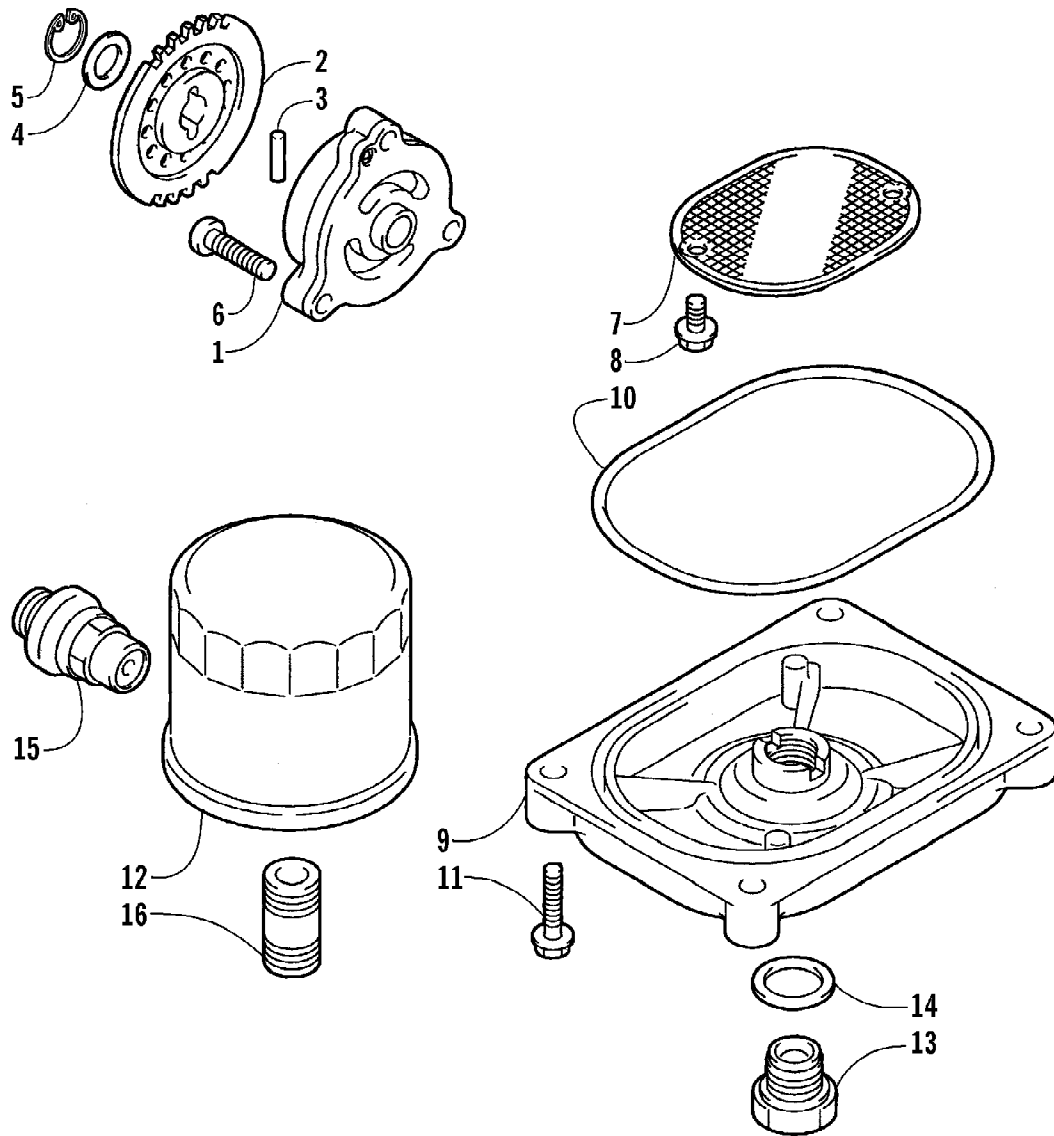
2004 ATV 500 AUTOMATIC TRANSMISSION 4X4 FIS CAT GREEN MRP (A20041541B1S2)
HYDRAULIC HAND BRAKE ASSEMBLY

Ref #	Part Number	Qty	S/P/F	Description
1	0502-561	1	S	Brake Assembly (inc. 2-10)
2	0502-566	1		Screw, Reservoir Cover - Kit
3	0502-565	1		Cover, Reservoir - Kit
4	0502-568	1		Screw, Master Cylinder Clamp - Kit
5	0502-567	1		Clamp, Master Cylinder - Kit
6	0502-516	1		Master Cylinder Assembly - Kit
7	0502-562	1	S	Lever Assembly - Kit (inc. 8-9)
8	0502-563	1	S	Lock, Brake Lever - Kit
9	0502-580	1		Lever Pin - Kit
10	0502-564	1	/P	Switch, Brake - Kit
11	1402-212	1		Brakeline, Hydraulic

2004 ATV 500 AUTOMATIC TRANSMISSION 4X4 FIS CAT GREEN MRP (A20045000192)
MAGNETO ASSEMBLY



2004 ATV 500 AUTOMATIC TRANSMISSION 4X4 FIS CAT GREEN MRP (A2004154013)
OIL FILTER/PUMP ASSEMBLY

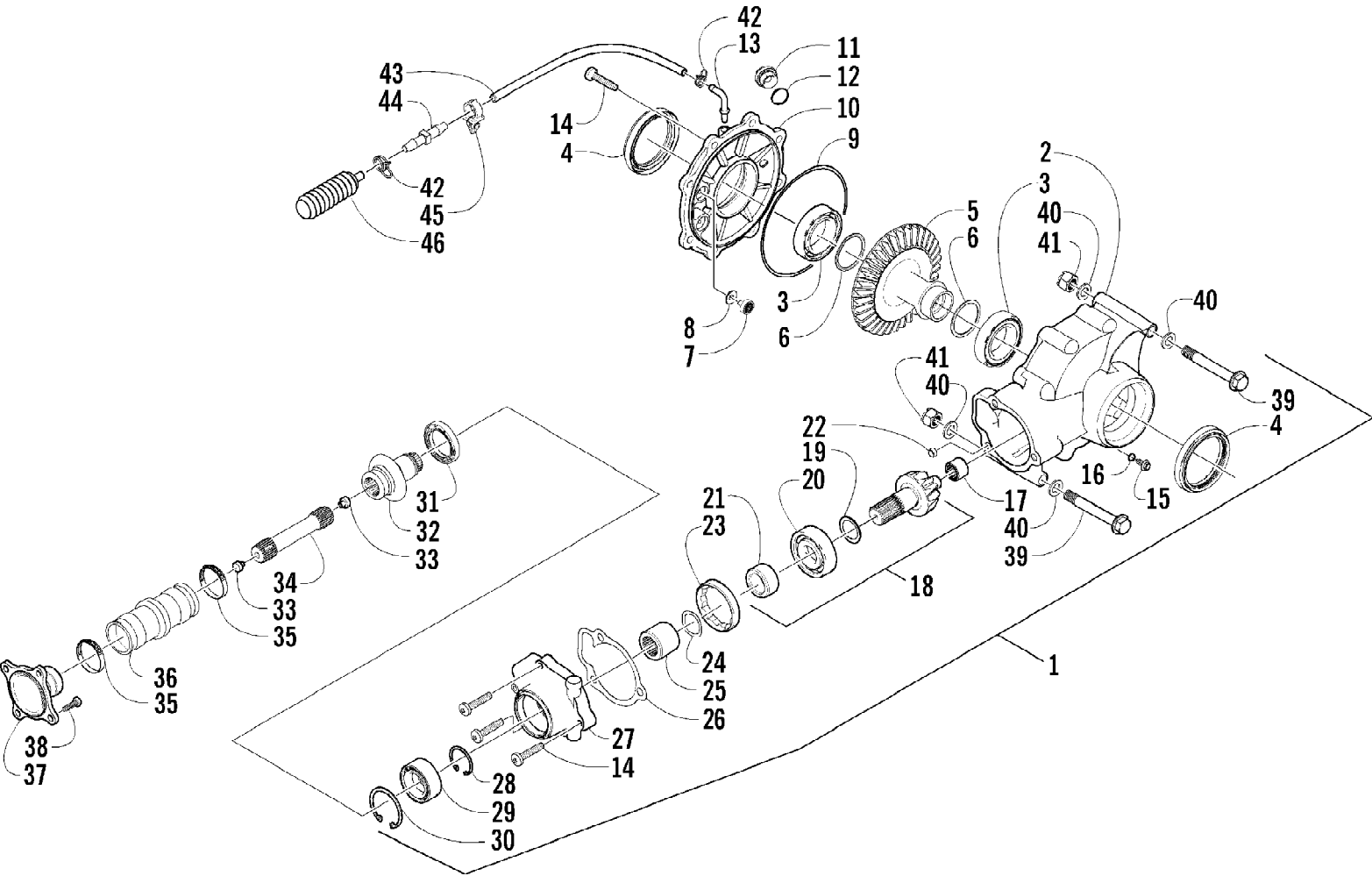


2004 ATV 500 AUTOMATIC TRANSMISSION 4X4 FIS CAT GREEN MRP (A2004156B1S2)
OIL FILTER/PUMP ASSEMBLY

Page 5 of 9

Ref #	Part Number	Qty	S/P/F	Description
1	3402-727	1	/P	Pump, Oil
2	3402-463	1		Gear, Driven
3	3423-046	1		Pin
4	3423-115	1		Washer
5	3423-184	1	S	Circlip
6	3423-510	3		Screw, Cap
7	3402-156	1		Strainer, Oil
8	0693-389	2	S	Screw, Cap
9	3402-157	1		Cap, Oil Strainer
10	3423-077	1		O-Ring
11	3004-756	4	S	Screw, Cap
12	0436-146	1	S	Filter, Oil
13	3402-036	1	S	Plug, Drain
14	3402-012	1		Gasket, Drain Plug
15	3402-154	1		Valve, Oil Relief - Assembly
16	3402-158	1	S	Union, Oil Filter

2004 ATV 500 AUTOMATIC TRANSMISSION 4X4 FIS CAT GREEN MRP (A20045000192)
REAR DRIVE GEARCASE ASSEMBLY



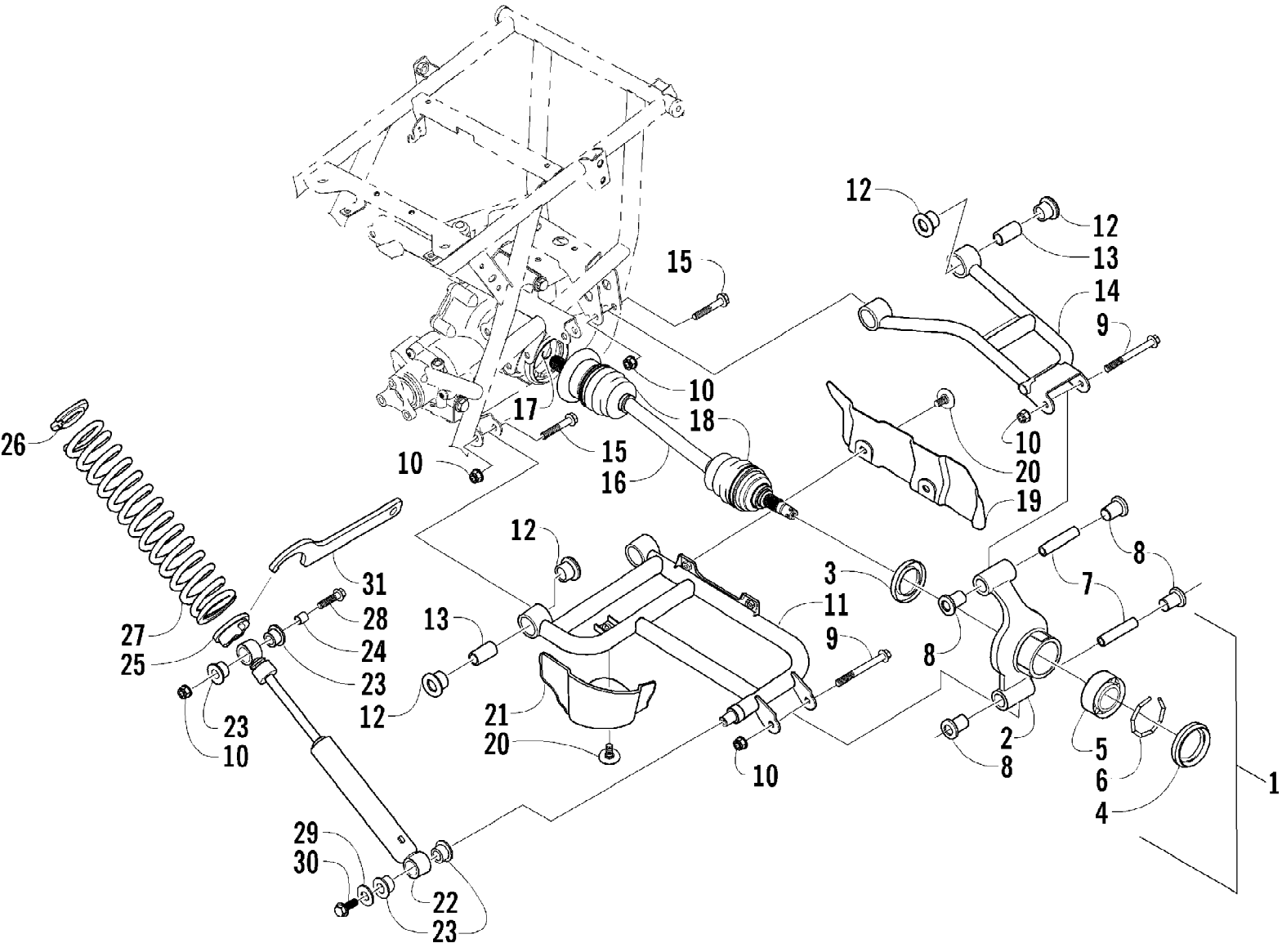
2004 ATV 500 AUTOMATIC TRANSMISSION 4X4 FIS CAT GREEN MRP (A2004GEMT0192)
REAR DRIVE GEARCASE ASSEMBLY

Ref #	Part Number	Qty	S/P/F	Description
1	0502-453	1		Gearcase, Rear Drive - Assembly (inc. 2-32)
2	0502-352	1		Housing, Gearcase
3	0402-393	2		Bearing
4	0402-394	2	S	Seal
5	0402-965	1		Gear, Ring - 36T
6	0402-405	AR		Shim
6	0402-406	AR		Shim
6	0402-407	AR		Shim
6	0402-408	AR		Shim
6	0402-409	AR		Shim
7	0402-326	1		Button, Thrust
8	0402-429	AR		Shim
8	0402-430	AR		Shim
8	0402-431	AR		Shim
8	0402-432	AR		Shim
8	0402-433	AR		Shim
9	0423-149	1		O-Ring
10	0502-346	1		Cover, Gearcase
11	0402-333	1	/P	Plug, Fill (inc. 12)
12	0423-154	1		O-Ring
13	1402-102	1		Fitting
14	0423-118	11		Screw, Self-Tapping
15	0402-450	1	S	Plug, Magnetic (inc. 16)
16	0423-153	1		O-Ring
17	0402-328	1		Bearing
18	0502-123	1		Gear, Pinion - Assembly - 10T (inc. 19-21)
19	0402-424	AR		Shim
19	0402-425	AR		Shim
19	0402-426	AR		Shim
19	0402-427	AR		Shim
19	0402-428	AR		Shim
20	0402-327	1		Bearing
21	0402-336	1		Collar, Retaining
22	0402-411	1		Pin, Dowel
23	0402-331	1		Collar, Lock
24	0402-982	1		Washer, Wave
25	0402-981	1		Collar, Shaft
26	0402-947	1		Gasket, Flange
27	0502-380	1		Housing, Pinion
28	0423-417	1		Ring, Retaining
29	1402-043	1		Bearing
30	0423-423	1		Ring, Retaining
31	1402-011	1		Seal
32	0502-407	1	S	Shaft, Input
33	0673-618	2	/P	Bumper, Propeller Shaft
34	0402-963	1		Shaft, Propeller
35	0423-393	2		Clamp
36	0402-954	1		Boot
37	0402-950	1		Flange, Output
38	8408-820	4	/P	Screw, Cap
39	0423-404	2		Screw, Cap
40	0423-426	4		Washer
41	8428-002	2		Nut, Lock

2004 ATV 500 AUTOMATIC TRANSMISSION 4X4 FIS CAT GREEN MRP (A20045801S2)
 REAR DRIVE GEARCASE ASSEMBLY

Ref #	Part Number	Qty	S/P/F	Description
42	0423-315	3		Clamp, Hose
43	0410-049	AR		Hose, Vent
44	0470-462	1		Fitting, Vent
45	0623-101	1		Clip, Retaining
46	0402-147	1	S	Bladder, Gearcase

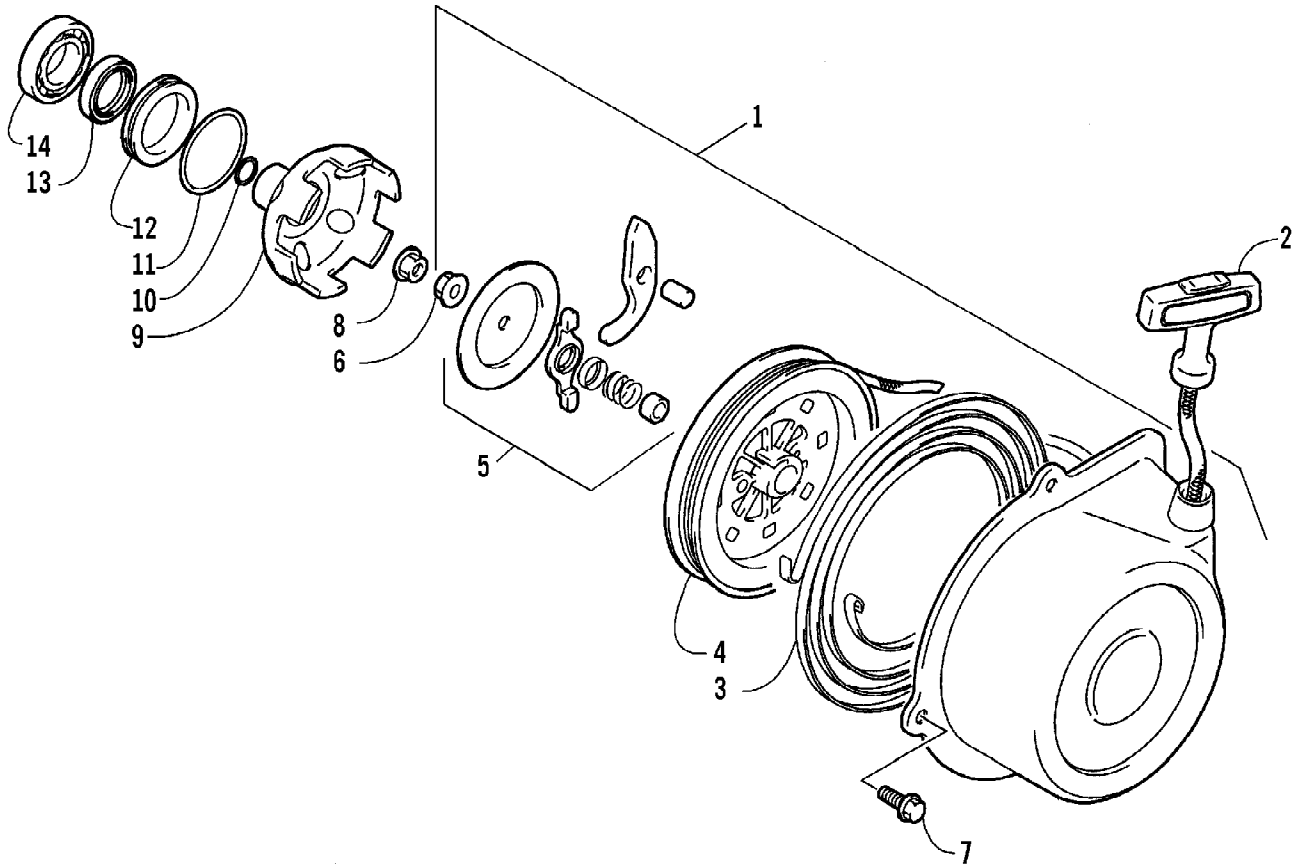
2004 ATV 500 AUTOMATIC TRANSMISSION 4X4 FIS CAT GREEN MRP (A2004500192)
REAR SUSPENSION ASSEMBLY



2004 ATV 500 AUTOMATIC TRANSMISSION 4X4 FIS CAT GREEN MRP (A2004) (A2004) (A2004)
REAR SUSPENSION ASSEMBLY

Ref #	Part Number	Qty	S/P/F	Description
1	0504-302	1	S	Knuckle, Right Rear - Assembly (inc. 2-6)
1	0504-227	1	S	Knuckle, Left Rear - Assembly (inc. 2-6)
2	0504-297	1	S	Knuckle - Right
2	0504-225	1	S	Knuckle - Left
3	0402-069	2		Seal, Wheel Bearing - Rear
4	0402-089	2		Seal, Wheel Bearing - Front
5	0402-275	2	/P	Bearing, Wheel
6	0423-034	2		Clip, Bearing
7	0403-038	4	S/P	Collar, Suspension Bushing
8	0403-032	8	S	Bushing, Suspension
9	8409-000	4		Screw, Cap
10	8428-002	14		Nut, Lock
11	0504-320	1	S	A-Arm, Rear - Lower Right (inc. 12-13)
11	0504-321	1	S	A-Arm, Rear - Lower Left (inc. 12-13)
12	0403-115	16	S	Bushing
13	0403-114	8	S	Collar
14	0504-318	1		A-Arm, Rear - Upper Right (inc. 12-13)
14	0504-319	1		A-Arm, Rear - Upper Left (inc. 12-13)
15	8409-075	8		Screw, Cap
16	0502-544	2	S	Axle, Drive (inc. 17-18)
17	0441-400	2	S	Clip, Retaining
18	0436-276	2	S	Repair Kit, Boot - Rear Axle
19	1406-068	1		Guard, Boot - Right
19	1406-069	1		Guard, Boot - Left
20	0423-101	6		Screw, Body
21	1406-071	1		Guard, Boot - Right
21	1406-072	1		Guard, Boot - Left
22	0404-072	2		Shock Absorber - Rear (inc. 23-24)
23	0604-310	8		Bushing, Shock Absorber
24	0403-028	2		Sleeve, Shock Absorber
25	0404-057	2		Cam, Spring Adjuster
26	1603-889	2	/P	Retainer, Spring
27	0404-065	2		Spring, Suspension
28	8409-040	2		Screw, Cap
29	0423-087	2		Washer
30	8408-820	2	/P	Screw, Cap
31	0441-587	1		Wrench, Spanner

2004 ATV 500 AUTOMATIC TRANSMISSION 4X4 FIS CAT GREEN MRP (A2004151101) Page 1 of 3
RECOIL STARTER ASSEMBLY



2004 ATV 500 AUTOMATIC TRANSMISSION 4X4 FIS CAT GREEN MRP (A2004160101),
 RECOIL STARTER ASSEMBLY

Page 6 of 92

Ref #	Part Number	Qty	S/P/F	Description
1	3445-003	1		Starter, Recoil - Assembly (inc. 2-6)
2	3445-011	1		Rope Assembly
3	3445-007	1		Spring, Spiral
4	3445-004	1		Reel
5	3445-016	1		Ratchet Assembly
6	3004-488	1	S/P	Nut
7	3423-428	4		Screw, Cap
8	3004-491	1	S/P	Nut
9	3445-029	1	/P	Cup, Starter
10	3423-053	1	/P	O-Ring
11	3423-063	1		O-Ring
12	3402-119	1	S	Spacer
13	3402-070	1		Seal, Oil
14	3402-051	1		Bearing

No
Diagram
Available

Parts List
Only

2004 ATV 500 AUTOMATIC TRANSMISSION 4X4 FIS CAT GREEN MRP (A2004GMB1S2)
RELATED ITEMS

Ref #	Part Number	Qty	S/P/F	Description
	0436-479	1		Articulating Spool Mount
	0436-469	1		Backrest
	0436-513	1		Bag, Fender - Black
	0436-514	1		Bag, Fender (Break-Up)
	0436-515	1		Bag, Fender (Shadow Grass)
	0436-337	1		Bag, Rack, Front, Black
	0436-336	1		Bag, Rack, Rear, Black
	0436-480	1		Bar, Utility/Gun Rack
	0436-432	1	S	Brush Guard/Bumper, Front
	0436-502	1		Brush Guard/Bumper
	0436-462	1		Bucket Holder
	0436-506	1		Bumper (Rear)
	0436-464	1		Camp Stove Cradle
	0436-454	1		Cargo Box
	0436-485	1		Cargo Box Solid Mount Kit
	0436-498	1		Cargo Box Quick-Release Kit
	0436-459	1	/P	Carryall (9x12)
	0436-460	1		Carryall (11x17)
	0436-461	1		Carryall (14x25)
	0436-476	1		Chain Saw Lock
	0436-477	1		Cord Reel
	0436-381	1		Cover, Black and Green
	0436-339	1		Cover, Timber Camo
	0436-005	1	S	Engine Oil - 10W40
	0436-003	1	S	Engine Oil - 5W30
	0436-035	1	S	Engine Block Heater
	0436-466	1		Fender Box
	0436-474	1		Flatbed Extensions
	0436-467	1		Gear Cradle
	0436-007	1	S	Gear Lube (Diff) - 80W90
	0436-472	1		Gun Scabbard Kit
	0436-505	1		Hand Guards - Black
	0436-352	1		Hand/Thumb Warmers
	0436-504	1		Ice Auger Holder
	2256-952	1		Illustrated Parts Manual
	0436-463	1		Light Bar
	0436-473	1		Maxrack (3-Piece)
	2256-937	1		Manuel d'utilisation (F)
	2256-934	1		Operator's Manual (E)
	0436-475	1		Rack Basket
	0436-495	1		Rapid Blind (Break-Up)
	0436-496	1		Rapid Blind (Shadow Grass)
	0436-494	1	S	Rapid Shack (Blue Ice)
	0436-511	1		Rod Holder - Adjustable
	0436-386	1		Snowplow Attachment Kit
	0436-228	1		Snowplow Blade, 50 in. - Straight
	0436-287	1		Snowplow Blade, 50 in. - One-Way
	0436-296	1		Snowplow Blade, 60 in. - Straight
	0436-360	1		Snowplow Blade, 60 in. - One-Way
	0436-356	1	S	Snowplow, Push Frame
	0436-471	1		Speedclamp, Double
	0436-500	1		Sprayer System
	0436-508	1	S	Sprayer Boom (120 in.)

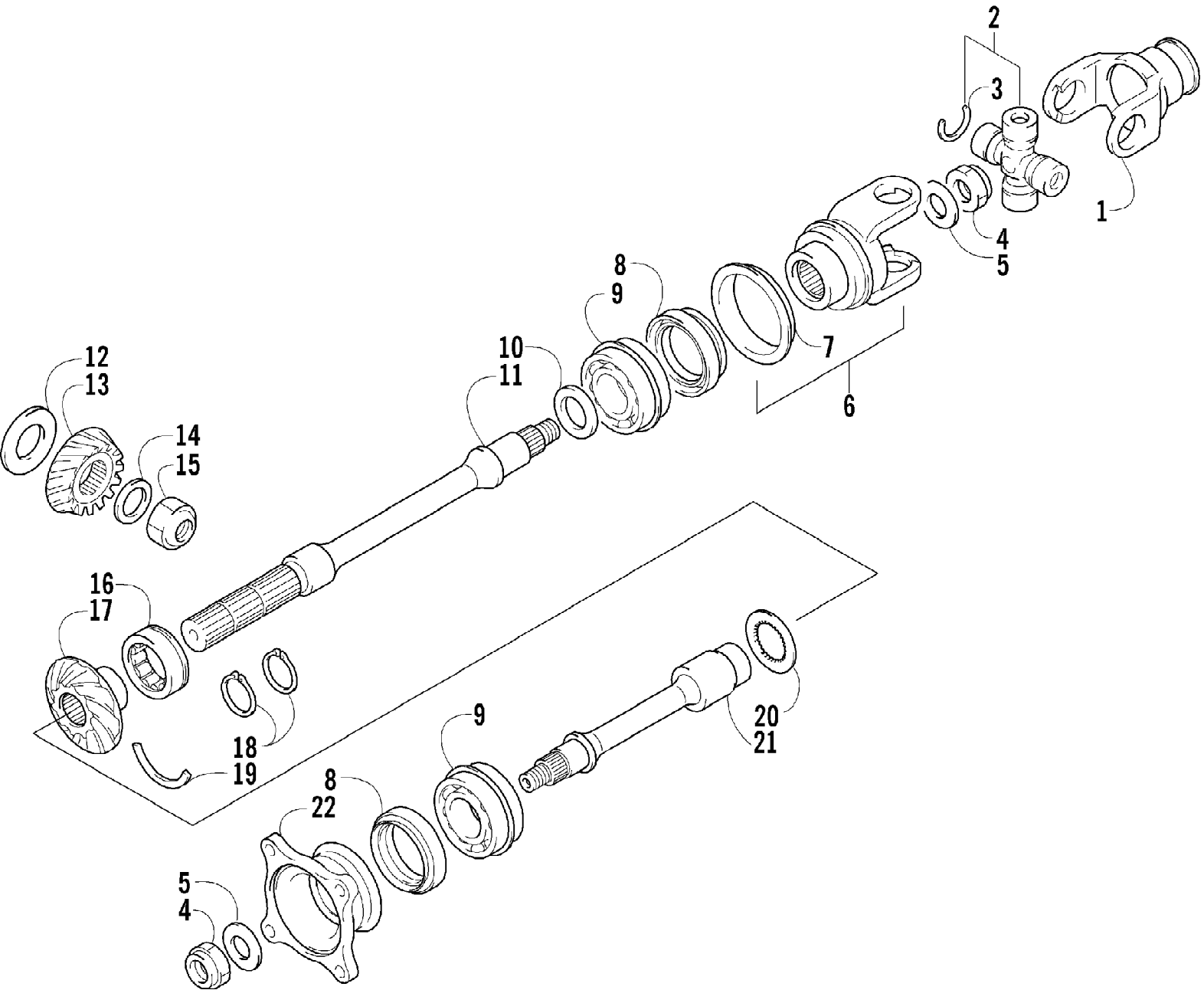
2004 ATV 500 AUTOMATIC TRANSMISSION 4X4 FIS CAT GREEN MRP (A2004) (Page 6 of 9)
REVERSE SHIFT LEVER ASSEMBLY

Ref #	Part Number	Qty	S/P/F	Description
1	8424-602	1	/P	Nut
2	8408-812	1		Screw, Cap
3	0502-187	1		Axle, Reverse Shift Lever
4	0502-185	1		Lever, Reverse Shift
5	0423-299	2	/P	O-Ring
6	0423-182	2	/P	O-Ring
7	0423-087	1		Washer
8	0502-410	1	S	Spring
9	0402-675	1		Axle, Pivot
10	0402-843	1	/P	Handle, Reverse Shift Lever
11	0423-345	1		Clip, Push
12	0502-146	1		Linkage, Shift
13	0402-844	1		End, Rod
14	0623-294	2		Nut
15	0423-091	1		Bushing
16	3423-204	1	/P	Washer
17	0423-169	1	/P	E-Ring
18	0402-685	1		Plate, Shift
19	0406-943	1		Shield, Linkage
20	0423-371	3		Screw, Machine
21	0623-309	1		Screw, Self-Tapping

2004 ATV 500 AUTOMATIC TRANSMISSION 4X4 FIS CAT GREEN MRP (A20041616B1S2)
 SEAT ASSEMBLY

Ref #	Part Number	Qty	S/P/F	Description
1	0506-558	1		Seat Assembly (inc. 2-8)
2	0506-556	1		Cover, Seat
3	0506-555	1		Foam, Seat
4	1406-060	1		Foam, Sound
5	0406-878	1		Base, Seat Assembly (inc. 6-7)
6	0406-877	2	/P	Bumper, Seat - Front
7	0406-879	2		Bumper, Seat - Rear
8	0624-528	AR	/P	Staple
9	1406-087	1		Plate, Retainer
10	8060-284	1		Rivet
11	1406-371	1		Spring, Seat Latch
12	1506-217	1		Latch, Seat

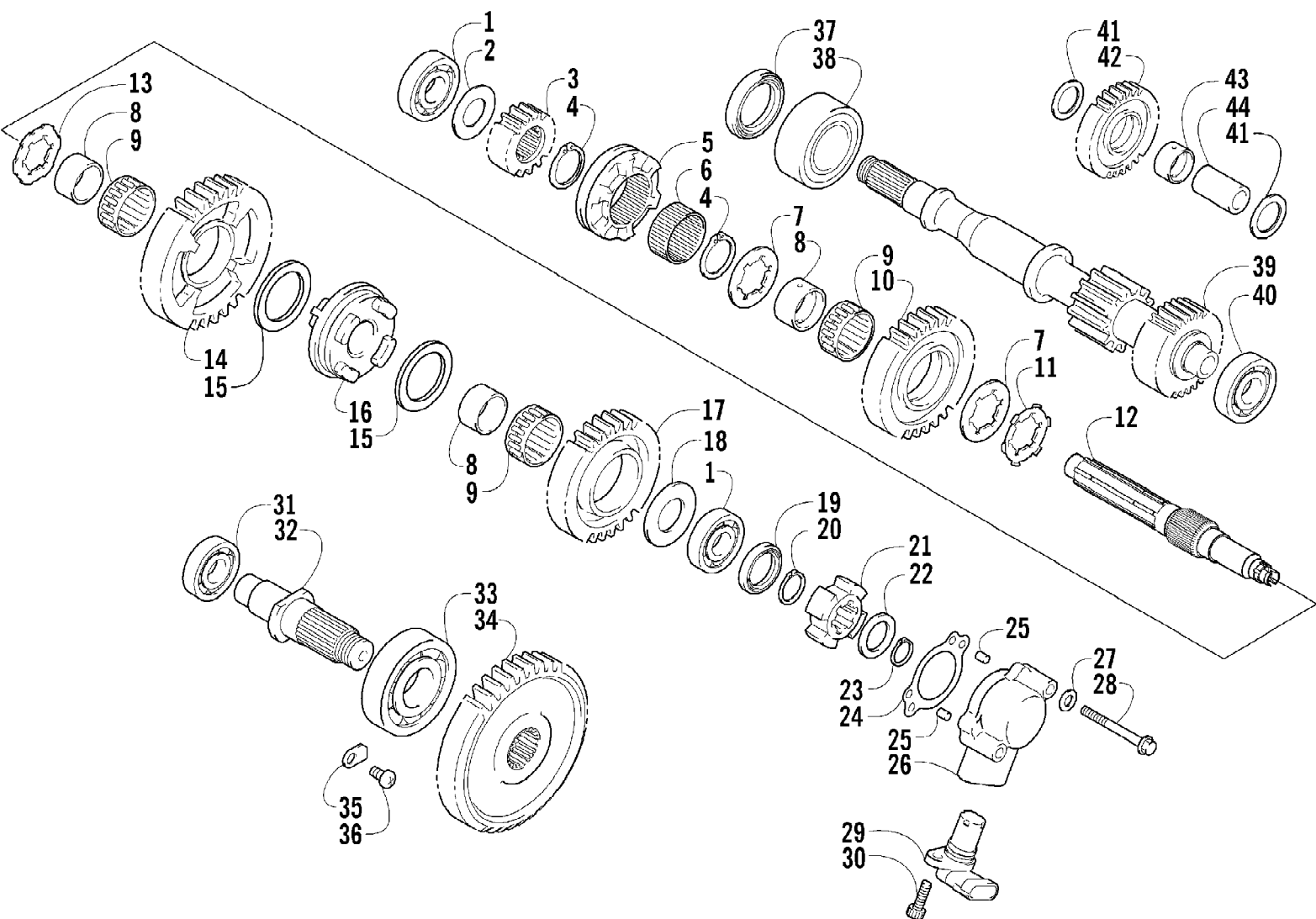
2004 ATV 500 AUTOMATIC TRANSMISSION 4X4 FIS CAT GREEN MRP (A200417013)
SECONDARY DRIVE ASSEMBLY



2004 ATV 500 AUTOMATIC TRANSMISSION 4X4 FIS CAT GREEN MRP (A200416171019)
SECONDARY DRIVE ASSEMBLY

Ref #	Part Number	Qty	S/P/F	Description
1	3402-744	1	S	Yoke, Propeller Shaft Joint
2	3402-562	1		Joint, Universal - Set (inc. 3)
3	3423-479	4		Circlip
4	3423-025	2		Nut, Rear Output Joint
5	3423-028	2		Washer, Rear Output Flange
6	3402-742	1		Yoke, Drive Output - Front (inc. 7)
7	3402-743	1		Plate, Output Yoke
8	3402-072	2		Seal, Oil - Driven Shaft
9	3402-067	2	S	Bearing, Driven Shaft
10	3402-017	AR		Shim, 25 x 34 x 0.60 mm
10	3402-018	AR		Shim, 25 x 34 x 0.65 mm
10	3402-019	AR		Shim, 25 x 34 x 0.70 mm
10	3402-020	AR		Shim, 25 x 34 x 0.75 mm
10	3402-021	AR	S	Shim, 25 x 34 x 0.80 mm
10	3402-022	AR		Shim, 25 x 34 x 0.85 mm
10	3402-023	AR		Shim, 25 x 34 x 0.90 mm
10	3402-024	AR		Shim, 25 x 34 x 0.95 mm
10	3402-025	AR	S	Shim, 25 x 34 x 1.00 mm
10	3402-028	AR		Shim, 25 x 34 x 1.05 mm
10	3402-029	AR		Shim, 25 x 34 x 1.10 mm
10	3402-030	AR		Shim, 25 x 34 x 1.15 mm
10	3402-031	AR		Shim, 25 x 34 x 1.20 mm
11	3402-740	1		Shaft, Secondary Driven - Front
12	3446-035	1		Shim, Secondary Drive Gear - Set
13	3402-738	1		Gear, Secondary Drive
14	3005-372	1		Washer
15	3423-023	1		Nut
16	3402-515	1	/P	Bearing, Driven Gear
17	3402-739	1		Gear, Secondary Driven
18	3423-340	2	S	Circlip, Secondary Driven Gear
19	3423-072	1		Ring, Driven Bearing
20	3423-415	1		Washer, Driven Shaft
21	3402-513	1		Shaft, Secondary Driven - Rear
22	3402-514	1	/P	Flange, Output Joint - Rear

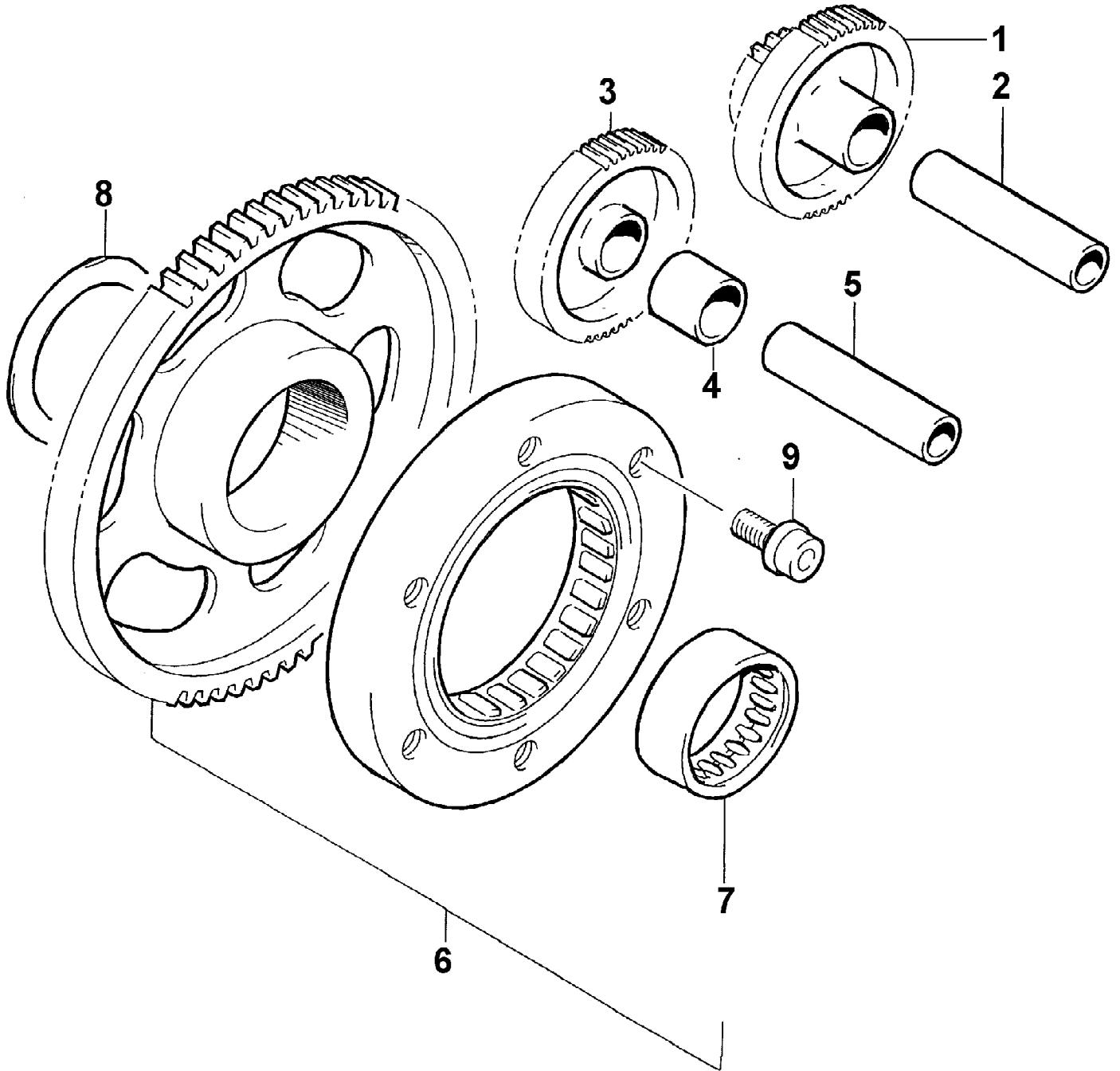
2004 ATV 500 AUTOMATIC TRANSMISSION 4X4 FIS CAT GREEN MRP (A2004170192)
SECONDARY TRANSMISSION ASSEMBLY



2004 ATV 500 AUTOMATIC TRANSMISSION 4X4 FIS CAT GREEN MRP (A2004161730)
SECONDARY TRANSMISSION ASSEMBLY

Ref #	Part Number	Qty	S/P/F	Description
1	3402-045	2	/P	Bearing, Shaft
2	3402-381	1	/P	Washer, Drive Gear No. 2 - Right
3	3402-497	1		Gear, Drive - No. 2
4	3423-066	2	/P	Circlip
5	3402-821	1		Dog, Reverse Driven Gear
6	3402-825	1		Spacer, Reverse Driven Gear
7	3423-263	2		Washer
8	3402-494	3		Bushing
9	3402-498	3		Bearing
10	3402-822	1		Gear, Reverse Driven
11	3423-266	1		Washer, Lock
12	3402-820	1		Countershaft
13	3423-262	1		Washer, Lock
14	3402-668	1	/P	Gear, Driven - Low
15	3423-554	2		Washer, Driven Gear
16	3402-824	1		Dog, Sliding
17	3402-733	1		Gear, Driven - High
18	3423-412	1		Washer, Drive Gear - Left
19	3402-836	1		Seal, Countershaft - Left
20	3423-518	1		Circlip
21	3402-837	1		Rotor
22	3423-556	1		Washer
23	3423-557	1		Circlip
24	3446-289	1		Gasket
25	3006-547	2	/P	Pin
26	3446-355	1		Housing, Speedometer Sensor
27	3003-290	2	/P	Gasket
28	3423-091	2	S	Bolt
29	3402-838	1		Sensor, Speedometer
30	3423-226	1		Bolt
31	3402-735	1		Bearing, Shaft
32	3402-835	1		Shaft, Output
33	3402-502	1		Bearing, Output Shaft
34	3402-534	1	/P	Gear, Driven - No. 2
35	3446-031	2	/P	Retainer, Bearing
36	3423-435	2		Screw, Bearing Retainer
37	3402-537	1	/P	Seal, Driveshaft - Left
38	3402-499	1		Bearing, Driveshaft - Right
39	3402-731	1		Driveshaft
40	3003-261	1	/P	Bearing, Driveshaft - Left
41	3402-195	2		Washer, Reverse Idle Gear
42	3402-503	1		Gear, Reverse Idle
43	3446-103	1		Bushing, Reverse Idle Gear
44	3402-507	1		Shaft, Reverse Idle

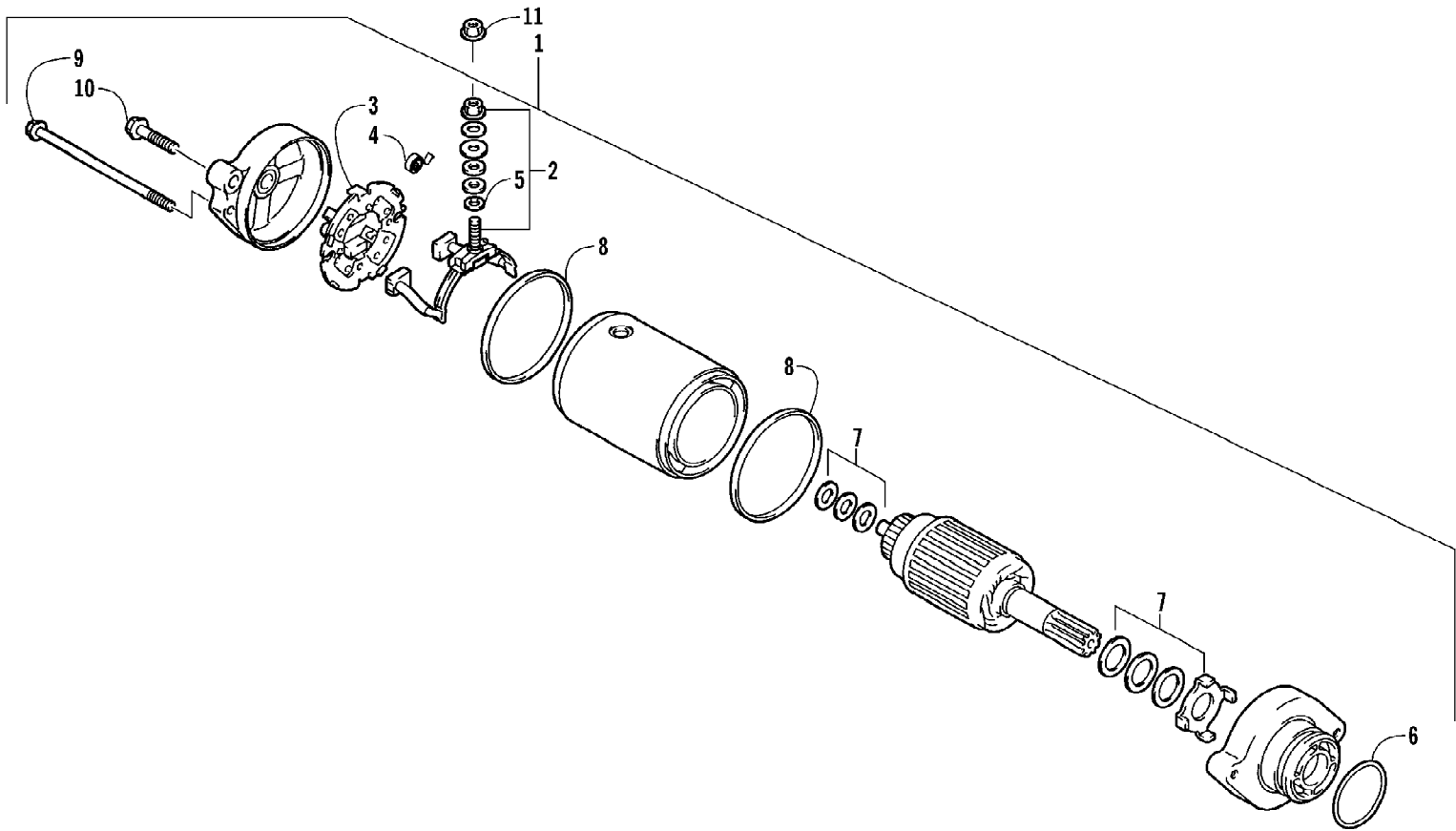
2004 ATV 500 AUTOMATIC TRANSMISSION 4X4 FIS CAT GREEN MRP (A200416174B192)
STARTER CLUTCH ASSEMBLY



2004 ATV 500 AUTOMATIC TRANSMISSION 4X4 FIS CAT GREEN MRP (A20041547B1S2),
 STARTER CLUTCH ASSEMBLY

Ref #	Part Number	Qty	S/P/F	Description
1	3402-813	1	/P	Gear, Starter Idler - No. 1
2	3423-331	1		Pin
3	3402-349	1		Gear, Starter Idler - No. 2
4	3423-396	1		Spacer, Starter Idler Gear No. 2
5	3423-397	1		Pin
6	3402-457	1		Clutch, Starter - Set (inc. 7)
7	3402-063	1		Bearing
8	3423-104	1		Washer
9	3402-509	6		Screw, Cap

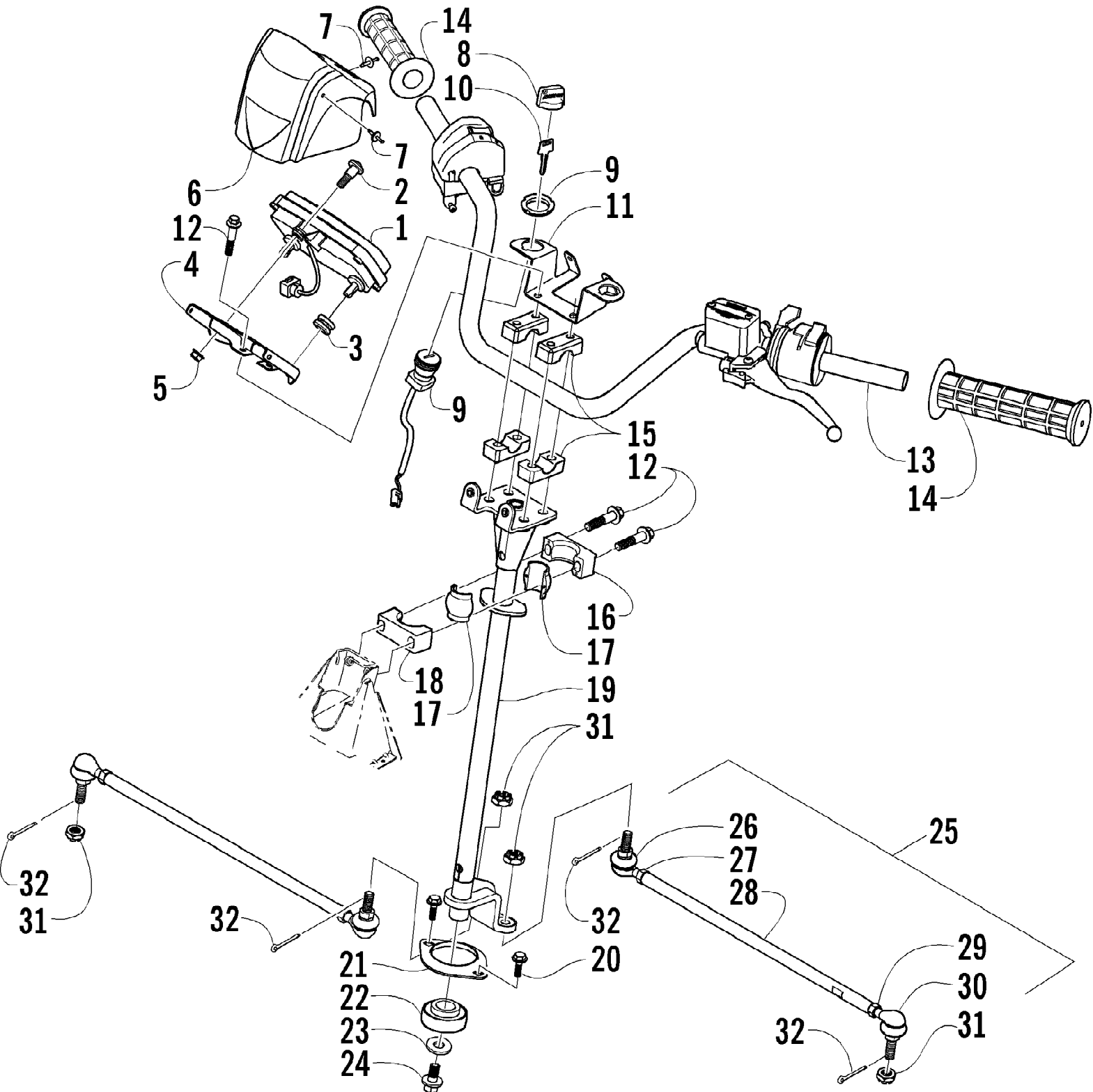
2004 ATV 500 AUTOMATIC TRANSMISSION 4X4 FIS CAT GREEN MRP (A2004176192)
STARTER MOTOR ASSEMBLY



2004 ATV 500 AUTOMATIC TRANSMISSION 4X4 FIS CAT GREEN MRP (A20041547B1S2)
STARTER MOTOR ASSEMBLY

Ref #	Part Number	Qty	S/P/F	Description
1	3545-015	1	S	Motor, Starter Assembly (inc. 2-9)
2	3008-094	1	/P	Terminal Set, Brush
3	3008-095	1	/P	Holder Set, Brush
4	3008-096	4		Spring, Brush
5	3008-164	1		O-Ring
6	3423-084	1		O-Ring
7	3436-001	1		Washer Set
8	3008-553	2	/P	O-Ring
9	3423-085	2		Through-Bolt
10	3423-162	2	S	Screw, Cap
11	3423-195	1	/P	Nut

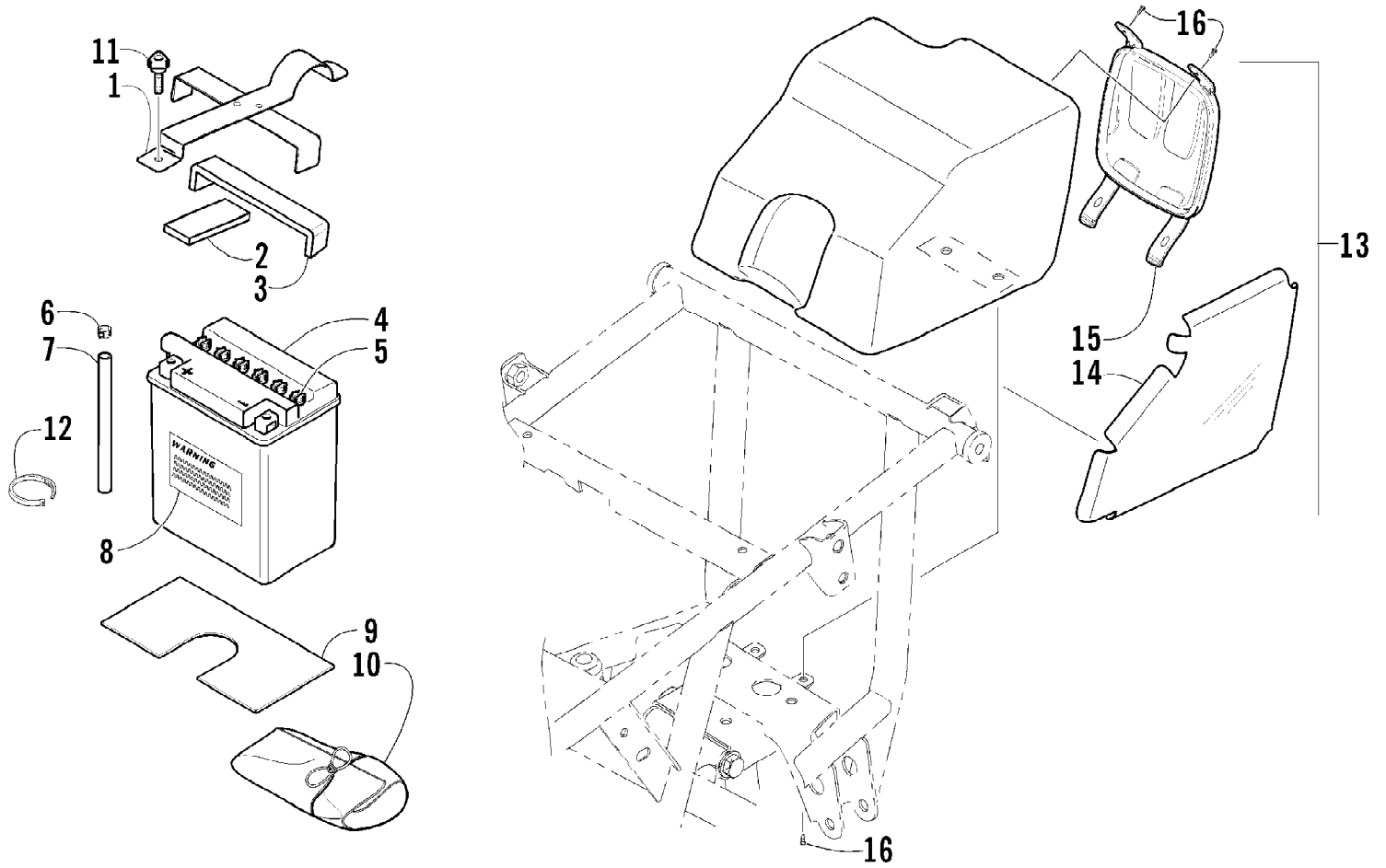
2004 ATV 500 AUTOMATIC TRANSMISSION 4X4 FIS CAT GREEN MRP (A20041678) (A20041678) (A20041678)
STEERING ASSEMBLY



2004 ATV 500 AUTOMATIC TRANSMISSION 4X4 FIS CAT GREEN MRP (A20041674B1S2)
STEERING ASSEMBLY

Ref #	Part Number	Qty	S/P/F	Description
1	0420-045	1		Gauge, Digital
2	0423-356	1		Screw, Shoulder
3	0423-448	2		Grommet
4	1506-307	1		Bracket, Mounting - Digital Gauge
5	8424-602	1	/P	Nut, Flange
6	0405-134	1		Instrument Pod
7	0623-362	4		Rivet, Reinstallable
8	0409-013	1		Cover, Key
9	3430-040	1		Switch, Ignition - Assembly (inc. 10)
10	3409-007	1	/P	Key, Ignition - Blank (C Series)
10	3409-011	1		Key, Ignition - Blank (D Series)
10	3409-012	1		Key, Ignition - Blank (E Series)
10	3409-013	1		Key, Ignition - Blank (F Series)
11	1506-309	1		Bracket, Key Switch
12	8408-860	6		Screw, Cap
13	0505-410	1		Tube, Handlebar
14	0405-106	2		Grip, Handlebar
15	0405-035	4		Cap, Steering Adjuster
16	0605-147	1	S	Housing, Bearing - Upper
17	0405-020	2		Bearing, Steering Post
18	0605-171	1		Housing, Bearing - Lower
19	0505-431	1	/P	Post, Steering
20	8408-816	2		Screw, Cap
21	0602-233	1		Flange, Bearing
22	0405-052	1		Bearing w/Inverted Oil Seal
23	0423-073	1		Washer
24	8409-020	1	/P	Screw, Cap
25	0505-408	2	S	Tie Rod - Assembly (inc. 26-30)
26	0405-083	2	S	Ball Joint, Tie Rod - Left
27	0423-013	2		Nut - Left
28	0405-107	2	S	Tie Rod
29	8420-002	2	/P	Nut - Right
30	0405-082	2	S	Ball Joint, Tie Rod - Right
31	0423-157	4		Nut, Lock
32	0623-175	4		Pin, Cotter

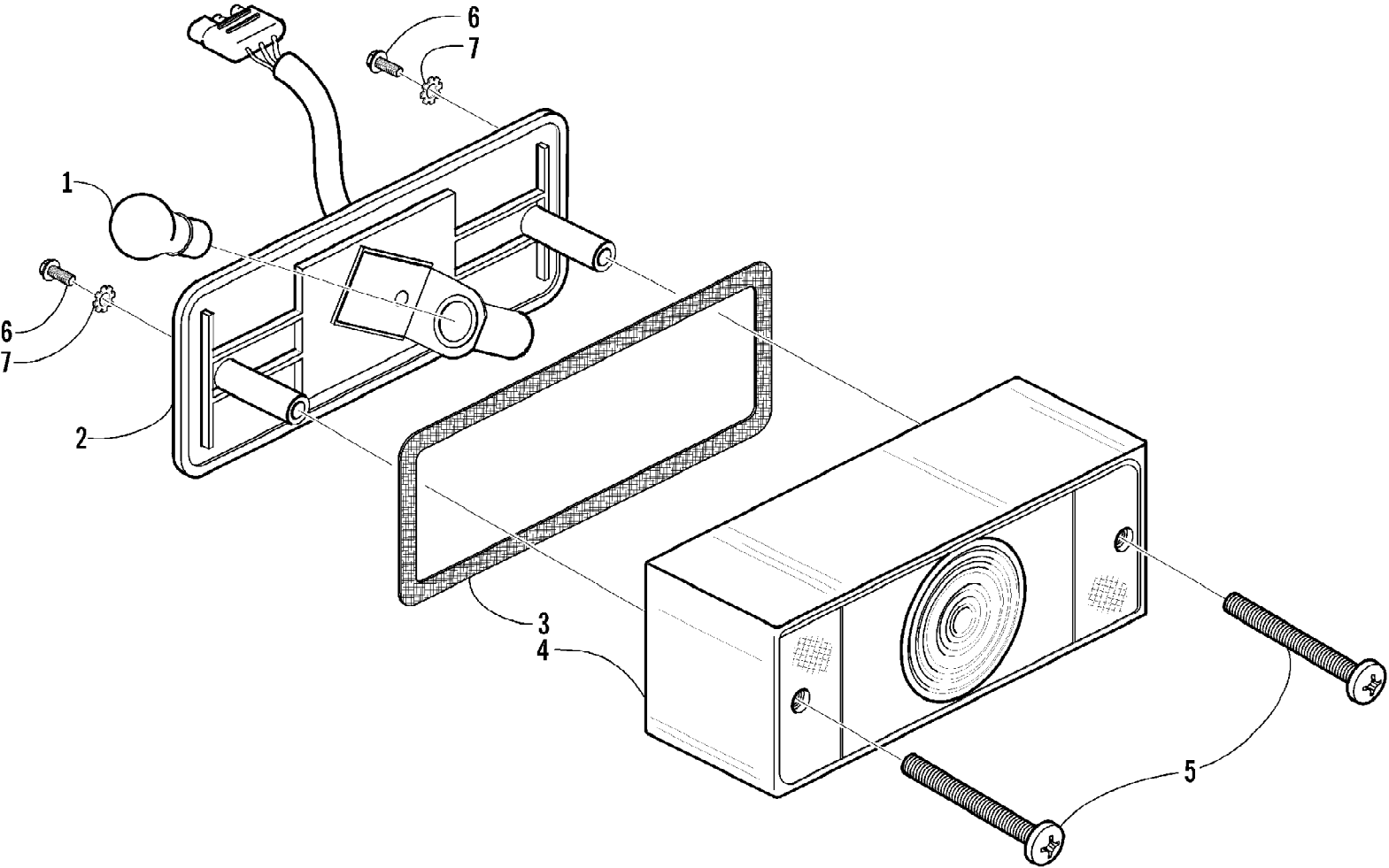
2004 ATV 500 AUTOMATIC TRANSMISSION 4X4 FIS CAT GREEN MRP (A2016180192)
STORAGE BOX AND BATTERY ASSEMBLY



2004 ATV 500 AUTOMATIC TRANSMISSION 4X4 FIS CAT GREEN MRP (A2004) (A2004) (A2004)
STORAGE BOX AND BATTERY ASSEMBLY

Ref #	Part Number	Qty	S/P/F	Description
1	0506-178	1		Strap, Battery w/Pads (inc. 2-3)
2	0406-288	1		Pad, Battery - Upper Front
3	0406-289	1		Pad, Battery - Upper Rear
4	0745-045	1	/P	Battery Assembly (inc. 5-8)
5	0645-045	6		Cap, Battery
6	0645-152	1		Clamp, Hose
7	0645-263	1	/P	Hose, Battery Vent
8	0645-151	1		Label, Warning - Battery
9	0406-227	1		Pad, Battery - Lower
10	0444-122	1	S/P	Kit, Tool
11	0423-456	1	/P	Screw, Thumb
12	0123-903	2		Cable Tie - 11.5 in.
13	0506-797	1		Storage Box - Assembly (inc. 14)
14	1406-140	1		Shield, Heat
15	1406-078	1		Cover, Storage Box
16	0623-797	4		Screw, Self-Tapping

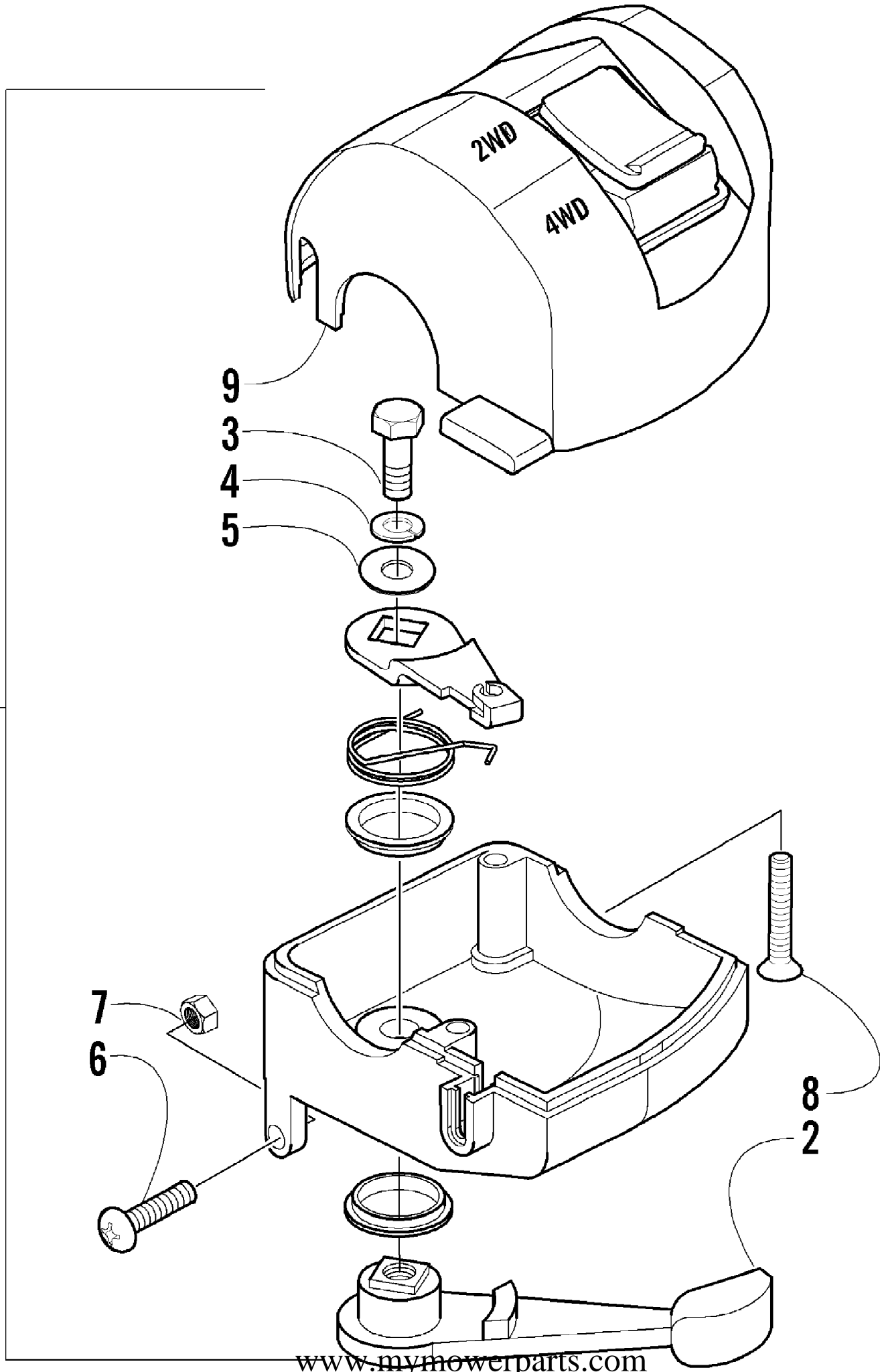
2004 ATV 500 AUTOMATIC TRANSMISSION 4X4 FIS CAT GREEN MRP (A20045000192)
TAILLIGHT ASSEMBLY



2004 ATV 500 AUTOMATIC TRANSMISSION 4X4 FIS CAT GREEN MRP (A200416181B1S2)
TAILLIGHT ASSEMBLY

Ref #	Part Number	Qty	S/P/F	Description
	0409-002	1		Complete Taillight Assembly
1	0109-460	1	/P	Bulb, Stop/Taillight
2	0409-058	1		Taillight w/Socket Assembly
3	0409-012	1		Gasket, Taillight Lens
4	0409-007	1		Lens, Taillight
5	0409-010	2		Screw, Machine
6	0623-301	2	/P	Screw, Self-Tapping
7	8053-212	2	/P	Washer, Lock - External Tooth

2004 ATV 500 AUTOMATIC TRANSMISSION 4X4 FIS CAT GREEN MRP (A200414019)
THROTTLE CASE ASSEMBLY



2004 ATV 500 AUTOMATIC TRANSMISSION 4X4 FIS CAT GREEN MRP (A200415B01S2)
THROTTLE CASE ASSEMBLY

Ref #	Part Number	Qty	S/P/F	Description
1	0509-012	1		Case, Throttle - Assembly (inc. 2-9)
2	3409-001	1		Lever
3	3004-533	1	S/P	Screw, Cap
4	3004-447	1	/P	Washer, Lock
5	3003-030	1	/P	Washer
6	3423-014	1		Screw
7	3423-327	1		Nut
8	3423-199	2		Screw
9	0409-048	1		Cover, Throttle w/Switch

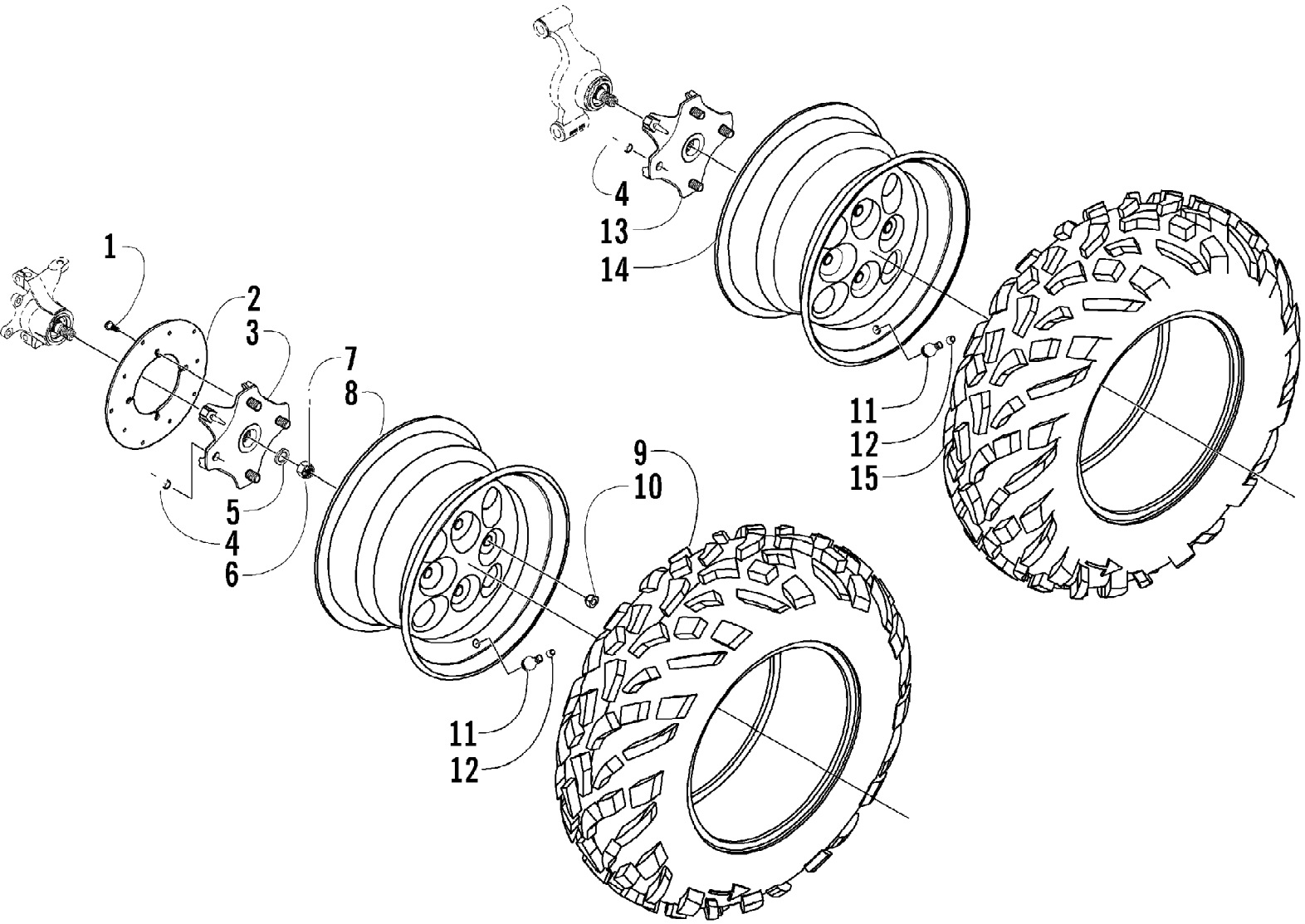
2004 ATV 500 AUTOMATIC TRANSMISSION 4X4 FIS CAT GREEN MRP (A2004ATV500A) (Page 11 of 12)
TRANSMISSION ASSEMBLY

Ref #	Part Number	Qty	S/P/F	Description
1	3402-750	1		Face, Fixed Drive
2	3402-751	1		Face, Movable Drive
3	3402-470	2		Seal, Movable Drive Face
4	3402-471	1		Spacer, Movable Drive Face
5	3402-752	1		Face, Fixed Driven
6	3402-753	1		Face, Movable Driven
7	3402-754	1	S	Spring, Movable Driven Face
8	3402-475	2		O-Ring, Movable Driven Face
9	3402-476	2		Seal, Movable Driven Face
10	3402-477	4		Pin, Movable Driven Face
11	3402-478	4		Spacer, Movable Driven Face
12	3402-755	1	/P	Plate, Movable Drive Face
13	3402-756	1		Sleeve, Movable Driven Face
14	3402-481	4		Damper, Movable Drive Face
15	3423-406	1		Nut, Driven Pulley
16	3402-482	1		Holder, Movable Driven Face Spring
17	3402-483	8		Roller, Movable Drive Face
18	3423-514	2		Nut
19	3402-757	1		V-Belt
20	3402-758	1	/P	Housing, Clutch
21	3402-544	1	/P	Spacer, Fixed Drive Face
22	3402-695	1	S	Seal, Clutch Housing - Center
23	3402-488	1		Seal, Clutch Housing - Left
24	3446-003	1		Clutch, One-Way
25	3402-760	1		Shoe, Clutch - Assembly
26	3446-031	2	/P	Retainer, Bearing
27	3423-435	2		Screw, Bearing Retainer
28	3402-567	1		Bearing
29	3402-759	1	S	Bearing
30	3423-353	1	/P	O-Ring
31	3402-761	2		Seal, Clutch Housing - Right
32	3423-501	1		Nut
33	3402-730	1		Retainer, Bearing
34	3423-018	2		Screw

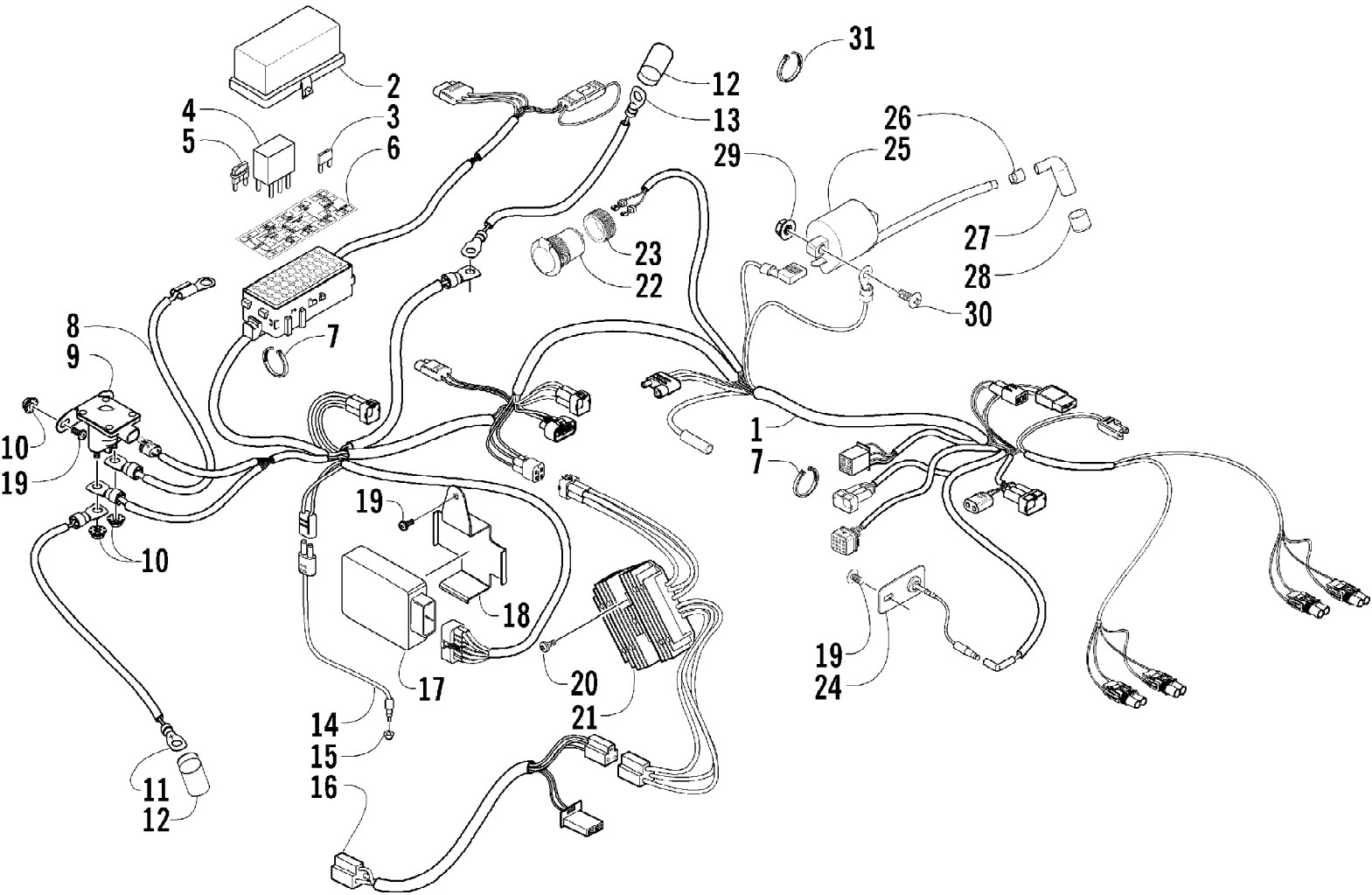
2004 ATV 500 AUTOMATIC TRANSMISSION 4X4 FIS CAT GREEN MRP (A200415180192)
WATER PUMP ASSEMBLY

Ref #	Part Number	Qty	S/P/F	Description
1	3402-464	1	/P	Pump, Water - Assembly (inc. 2-11)
2	3423-343	1		Screw, Cap
3	3003-188	1	S/P	Gasket
4	3423-402	1		O-Ring
5	3413-014	1		Impeller/Shaft
6	3005-909	1	/P	Seal, Mechanical
7	3402-465	1		Seal, Oil
8	3003-615	1	/P	Bearing
9	3423-403	1	S	E-Ring
10	3423-404	1		O-Ring
11	3003-484	2	S/P	Screw
12	3423-308	2	S	Screw, Cap
13	3402-026	1		Gear, Driven
14	3402-466	1		Shaft, Driven Gear
15	3423-046	1		Pin, Driven Gear
16	3423-184	2	S	Circlip, Driven Gear
17	3402-467	1		Bearing, Shaft
18	3423-405	1		Circlip, Shaft Bearing
19	3402-390	1		Gear, Water Pump Drive
20	3423-110	1		Pin, Drive Gear
21	3423-189	1	S	Circlip, Drive Gear

2004 ATV 500 AUTOMATIC TRANSMISSION 4X4 FIS CAT GREEN MRP (A2004100193)
WHEEL AND TIRE ASSEMBLY



2004 ATV 500 AUTOMATIC TRANSMISSION 4X4 FIS CAT GREEN MRP (A20045000192)
WIRING HARNESS ASSEMBLY



2004 ATV 500 AUTOMATIC TRANSMISSION 4X4 FIS CAT GREEN MRP (A2004) (Page 93 of 93)
WIRING HARNESS ASSEMBLY

Ref #	Part Number	Qty	S/P/F	Description
1	0486-141	1		Harness, Main (inc. 2-6 and two No. 7)
2	0530-008	1		Cover, Fuse Block
3	0430-034	2		Diode
4	0430-033	2	F	Relay
5	0430-032	5		Fuse - 10 Amp
5	0430-031	3		Fuse - 15 Amp
5	0430-030	2		Fuse - 30 Amp
6	0411-585	1		Decal, Fuse Block
7	0123-788	AR	/P	Cable Tie - 7.5 in.
8	0445-032	1		Cable, Solenoid/Starter
9	0645-414	1		Solenoid
10	0623-038	4		Nut w/Washer
11	0445-038	1	S	Cable, Battery/Solenoid
12	0645-019	2		Boot, Terminal
13	0445-037	1		Cable, Battery/Ground
14	0409-009	1		Switch, Brake - Assembly
15	0402-991	1		Retainer, Switch
16	0486-126	1		Harness, Adapter - Electric Choke
17	3530-039	1		CDI Unit
18	0506-987	1	/P	Bracket, CDI
19	8476-616	4		Screw, Machine
20	8476-625	2		Screw, Machine
21	3530-028	1	S	Regulator, Voltage
22	0445-022	1	S	Receptacle, 12V (inc. 23)
23	0445-034	1		Nut, Retainer
24	0509-011	1	S	Diode Assembly
25	3530-027	1		Coil, Ignition - Assembly
26	3430-009	1	/P	Seal, High Tension Wire
27	3430-007	1	/P	Cap, Spark Plug
28	3430-008	1	/P	Seal, Spark Plug
29	8424-602	1	/P	Nut, Flange
30	8476-620	1		Screw, Machine
31	0123-903	AR		Cable Tie - 11.5 in.