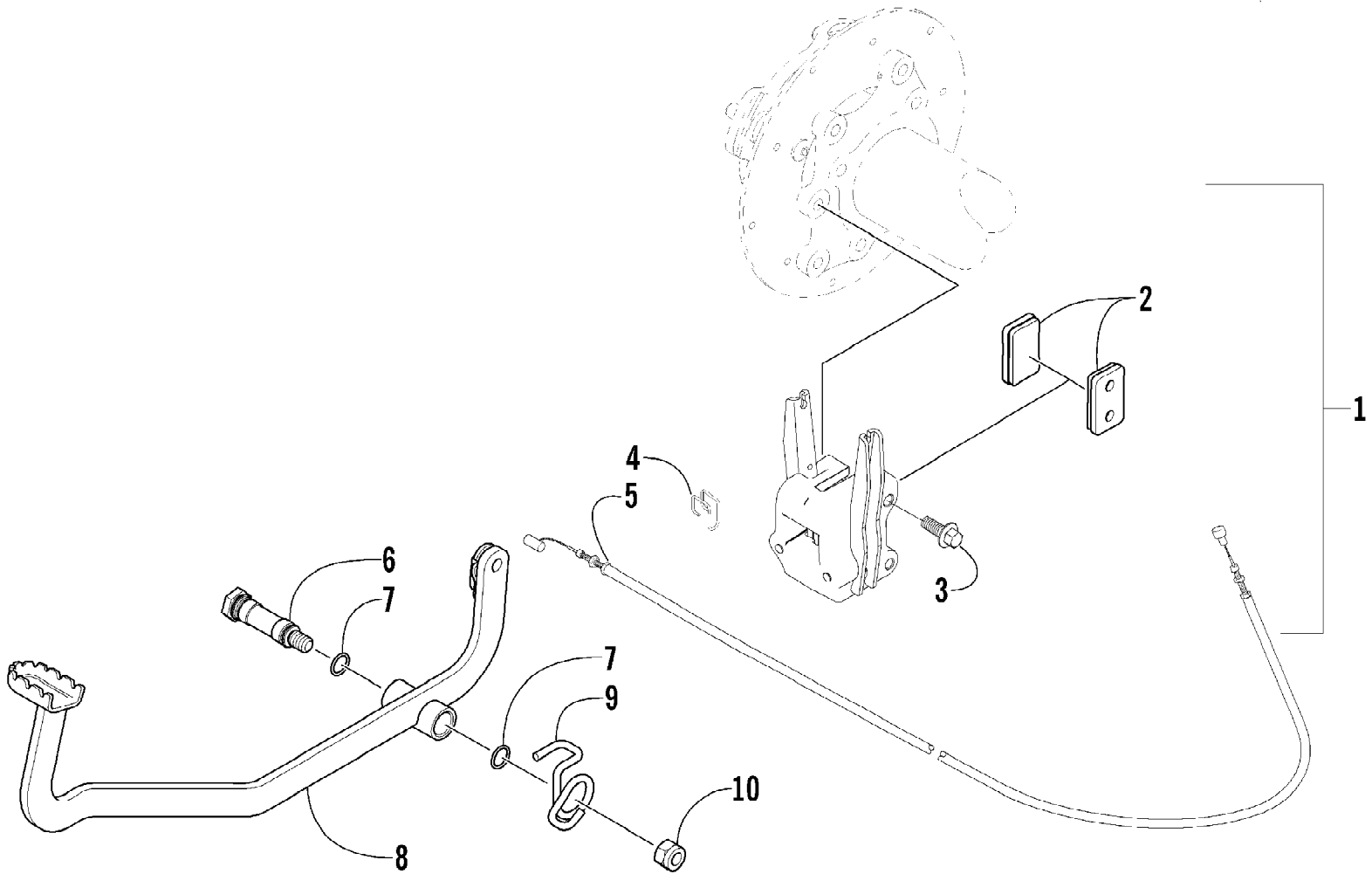


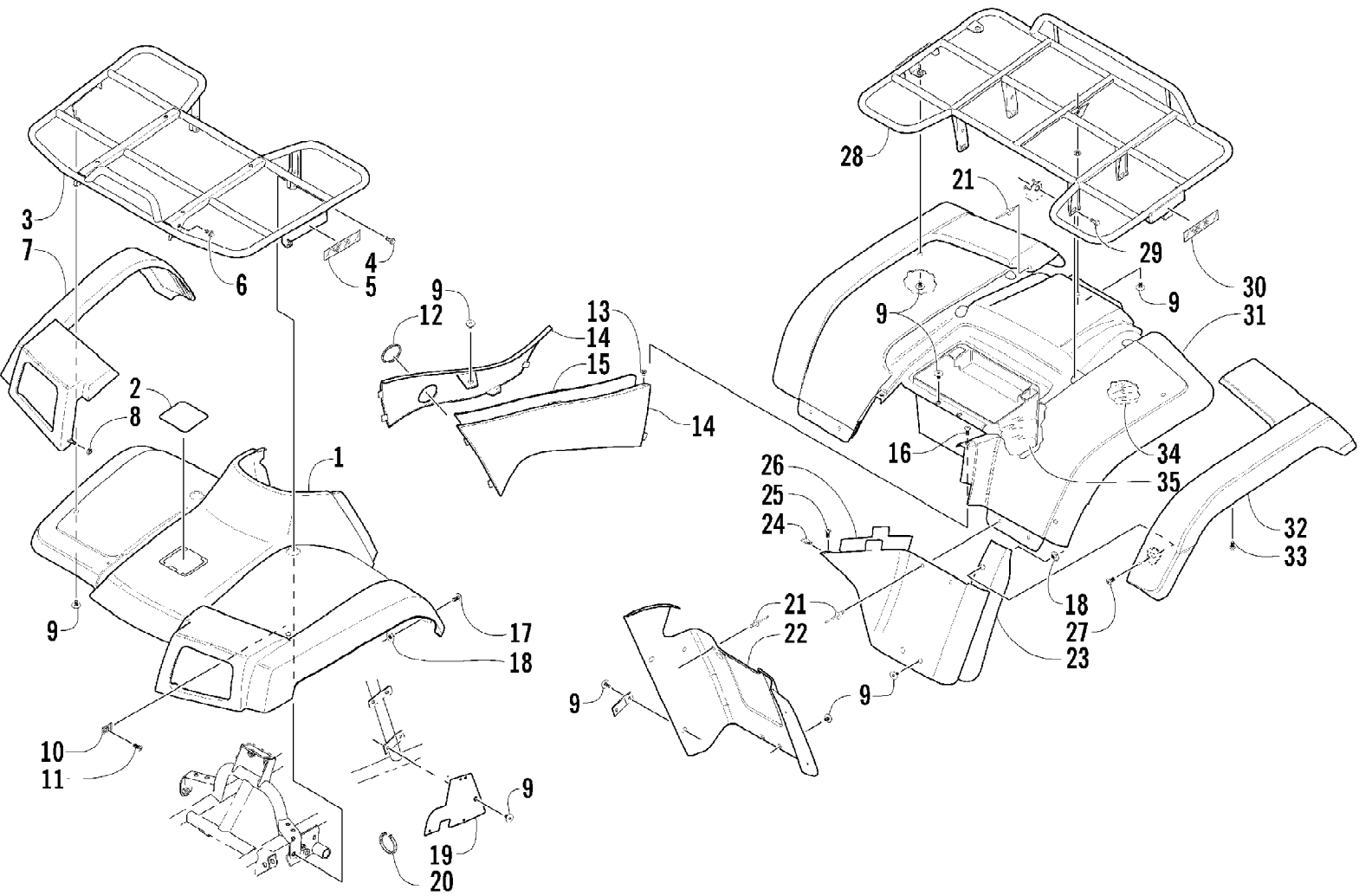
2004 ATV 400 MANUAL TRANSMISSION 4X4 GREEN MRP (A2004ATH4AUSS)Page 2 of 96
AIR INTAKE ASSEMBLY

Ref #	Part Number	Qty	S/P/F	Description
1	0423-379	1		Clamp
2	0470-456	1		Boot, Air Intake
3	0423-018	2		Clamp
4	0470-446	1	/P	Housing, Air Intake
5	0623-101	1		Clip, Retaining
6	0470-343	1		Gasket
7	0470-383	1	/P	Snorkel
8	0470-307	4		Clamp
9	0423-037	4		Spring
10	0623-121	4		Screw, Machine
11	0123-010	4	/P	Nut, Expansion
12	0410-045	1		Hose, Crankcase Vent
13	0470-391	1	/P	Filter, Air
14	0412-141	1		Shield, Heat
15	0470-442	1	/P	Valve, Drain
16	1673-272	1	/P	Cap, Drain Tube
17	0423-047	1		Clamp, Hose
18	0423-045	2		Clamp, Hose
19	0470-351	2		Support, Air Intake Flange



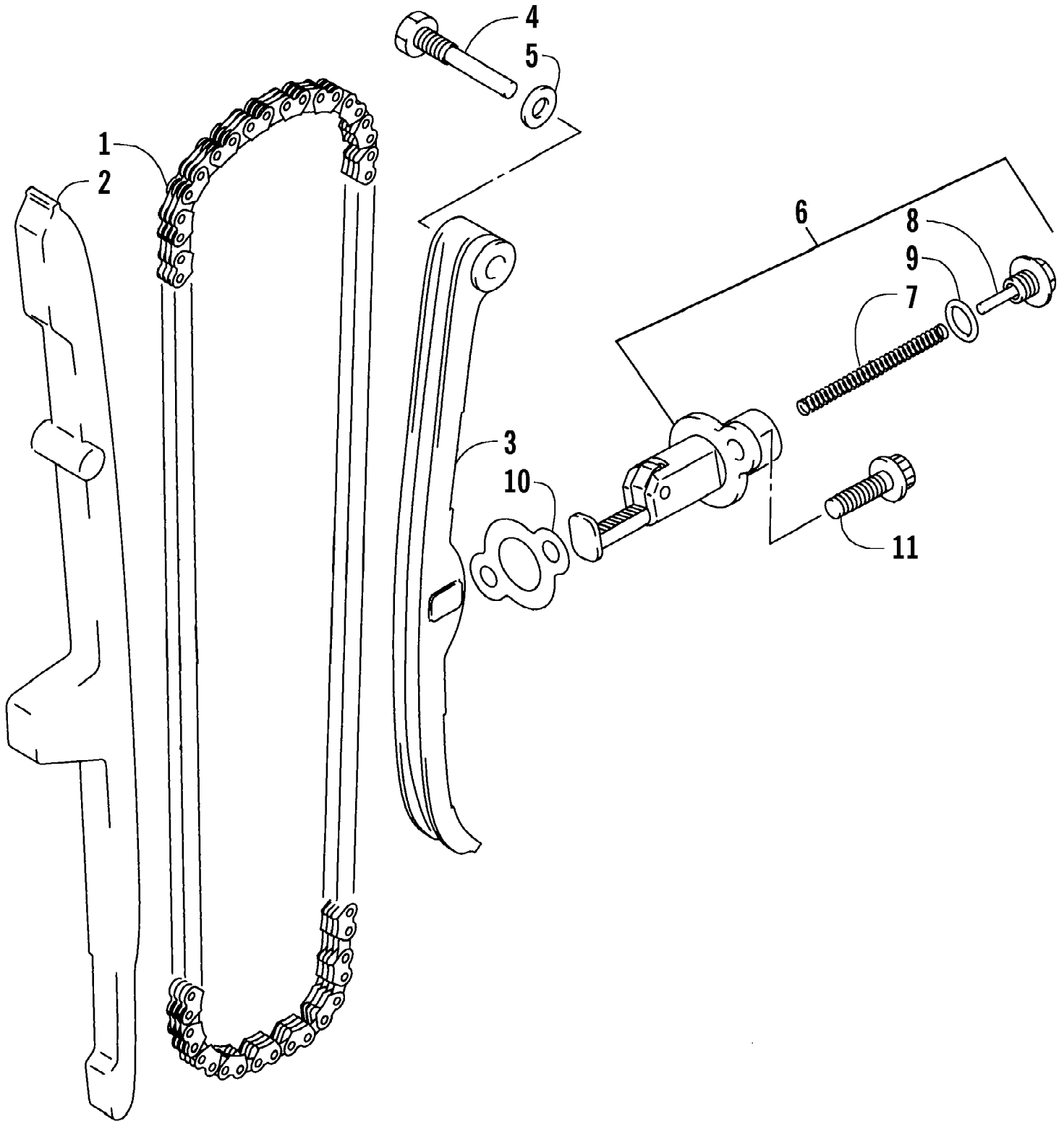
2004 ATV 400 MANUAL TRANSMISSION 4X4 GREEN MRP (A2004ATH4AUSS)Page 4 of 96
AUXILIARY BRAKE ASSEMBLY

Ref #	Part Number	Qty	S/P/F	Description
1	0502-372	1	/P	Auxiliary Brake Assembly (inc. 2)
2	0402-958	2	/P	Pad, Brake
3	8408-820	2	/P	Screw, Cap
4	0402-379	1		Wire Form, Cable
5	0487-006	1		Cable, Brake - Rear
6	0402-872	1		Axle, Brake Lever
7	0423-096	2		O-Ring
8	0502-252	1		Lever, Brake
9	0502-395	1	/P	Spring, Brake Lever
10	8422-002	1		Nut



2004 ATV 400 MANUAL TRANSMISSION 4X4 GREEN MRP (A2004ATH4AUSS)Page 6 of 96
BODY PANEL ASSEMBLY

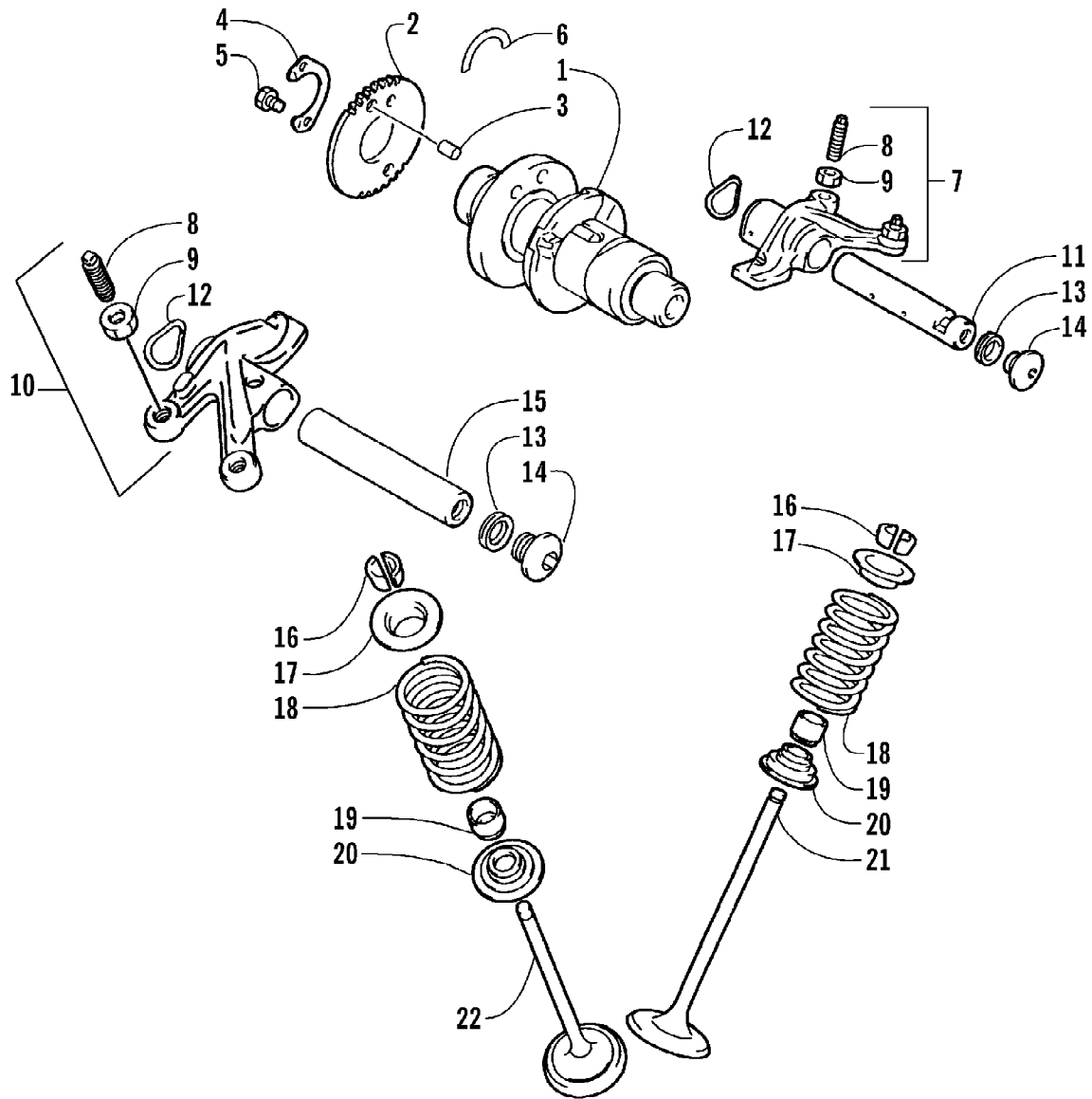
Ref #	Part Number	Qty	S/P/F	Description
1	0506-584	1		Panel, Fender - Front (inc. 2)
2	1406-141	1	/P	Cover, Access
3	0	1	F	Rack - Front
4	8408-816	2		Screw, Cap
5	0411-646	2		Decal, Reflector - Amber
6	0423-360	2		Screw, Cap
7	0506-550	1		Flare - Front - Right
7	0506-551	1		Flare - Front - Left
8	0423-357	2		Nut, Stamped
9	0423-101	AR		Screw, Body
10	0423-031	2		Nut, Speed
11	8477-616	2		Screw, Machine
12	0470-404	1		Grommet, Fuel Shut-Off Valve
13	0123-010	2	/P	Nut, Expansion
14	0506-549	1		Panel, Side - Right
14	0506-673	1		Panel, Side - Left
15	0412-142	1		Shield, Heat
16	0423-068	2		Screw, Machine
17	0423-356	2		Screw, Shoulder
18	0423-438	4		T-Nut w/Teeth
19	1406-006	2		Panel, Fender - Inner
20	0123-788	AR	/P	Cable Tie - 7.5 in.
21	0423-046	AR		Rivet, Plastic
22	0506-625	1		Panel, Kick - Right
22	0506-626	1		Panel, Kick - Left
23	0406-084	1		Fender Extension - Rear - Right
23	0406-085	1		Fender Extension - Rear - Left
24	0423-060	2		Clip, Tinerman
25	0623-309	2		Screw, Self-Tapping
26	0412-140	1		Shield, Heat
27	0423-355	2		Screw, Shoulder
28	0	1	F	Rack - Rear
29	8409-020	4	/P	Screw, Cap
30	0411-647	2		Decal, Reflector - Red
31	0506-621	1		Panel, Fender - Rear
32	0506-552	1		Flare, Rear - Right
32	0506-553	1		Flare, Rear - Left
33	0423-342	12	/P	Screw, Self-Tapping
34	0412-124	1		Shield, Heat
35	0412-147	1		Shield, Heat



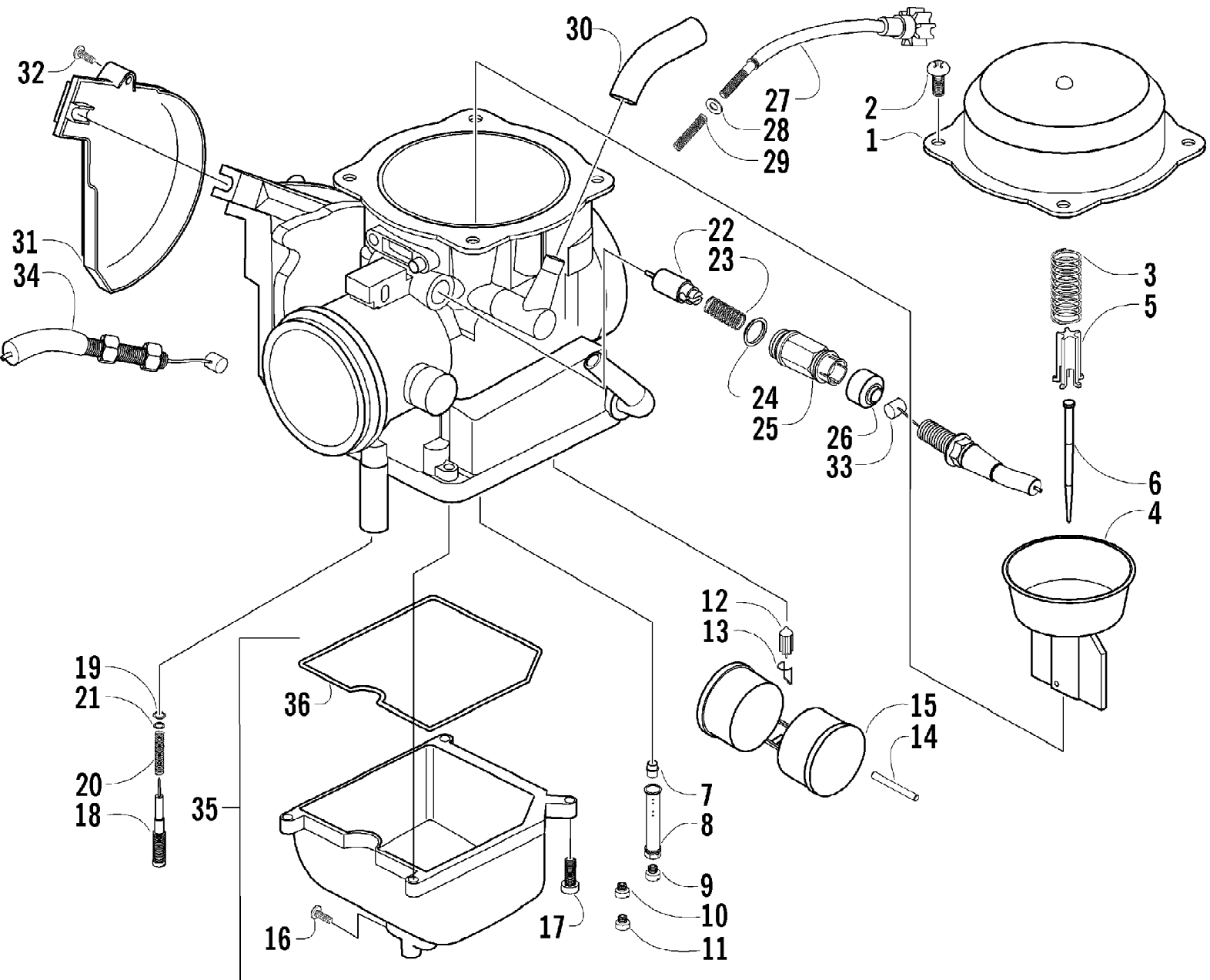
2004 ATV 400 MANUAL TRANSMISSION 4X4 GREEN MRP (A2004ATH4AUSS)Page 8 of 96
CAM CHAIN ASSEMBLY

Ref #	Part Number	Qty	S/P/F	Description
1	3402-281	1		Chain, Cam
2	3402-612	1		Guide, Cam Chain
3	3402-613	1		Tensioner, Cam Chain
4	3423-074	1		Bolt
5	3003-188	1	S/P	Washer
6	3402-614	1		Adjuster, Tensioner - Assembly (inc. 7-9)
7	3423-484	1		Spring
8	3423-285	1		Plug
9	3423-286	1		O-Ring
10	3402-287	1		Gasket, Adjuster
11	3004-576	2	S	Bolt

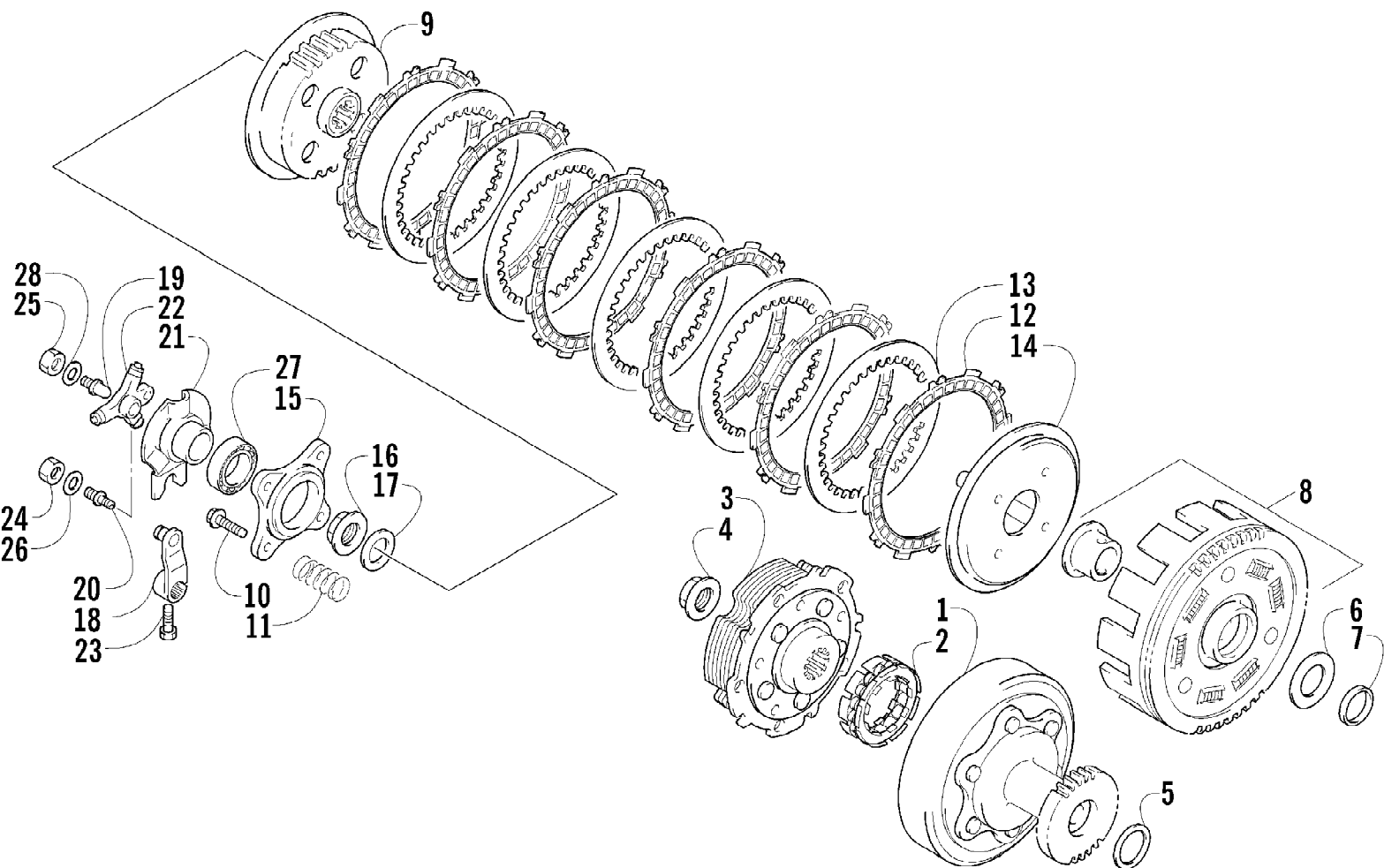
2004 ATV 400 MANUAL TRANSMISSION 4X4 GREEN MRP (A2004ATH4AUSS)Page 9 of 96
CAMSHAFT/VALVE ASSEMBLY



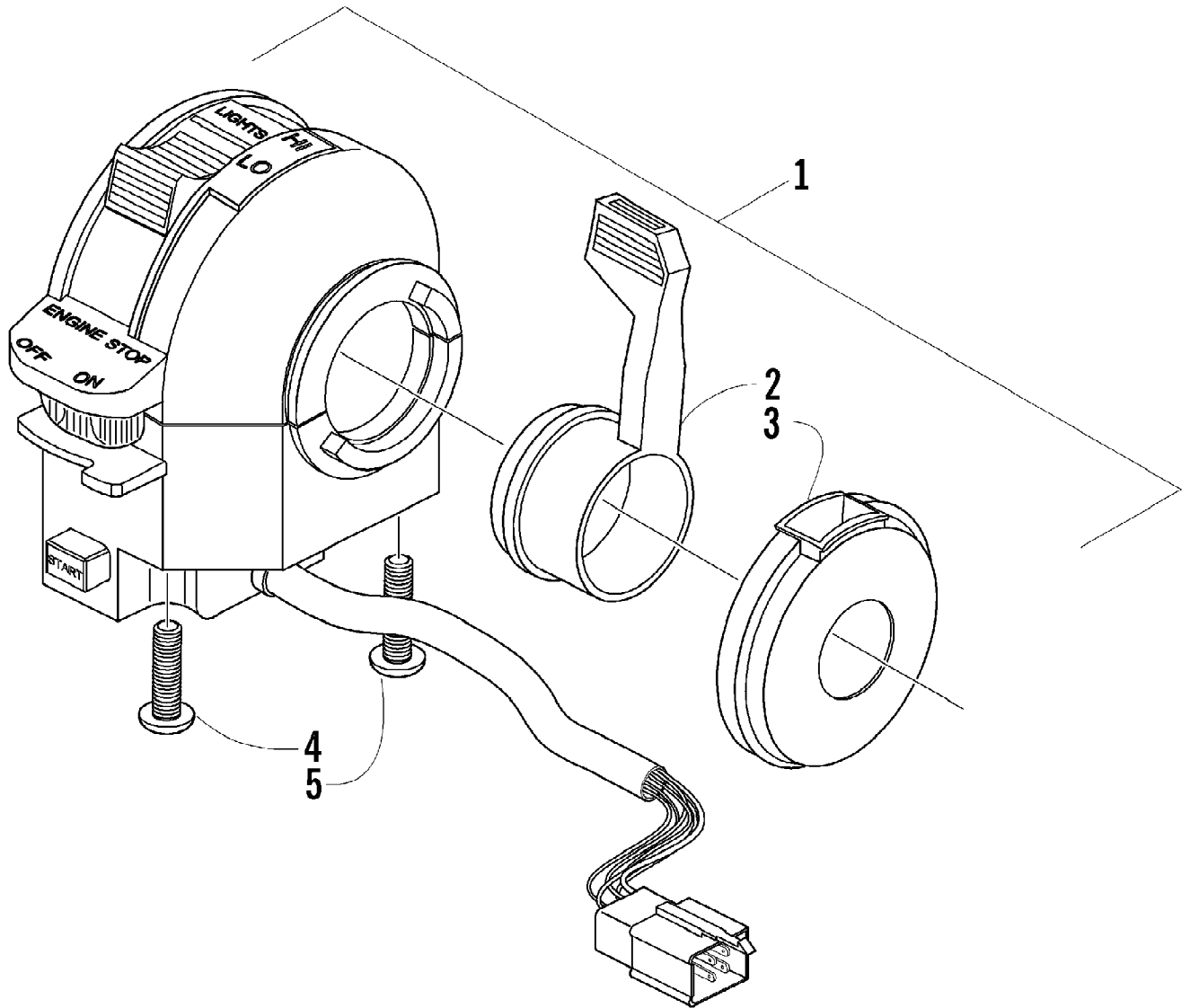
Ref #	Part Number	Qty	S/P/F	Description
1	3402-609	1	S	Camshaft
2	3402-611	1		Sprocket
3	3423-047	1		Pin
4	3423-073	1		Washer
5	3423-013	2	S	Bolt
6	3423-071	1	/P	C-Ring
7	3402-532	1	S	Arm, Valve Rocker - Intake (inc. two No. 8-9)
8	3423-075	4		Screw
9	3423-076	4		Nut
10	3402-139	1		Arm, Valve Rocker - Exhaust (inc. two No. 8-9)
11	3402-140	1		Shaft, Rocker Arm
12	3423-031	2		Washer
13	3402-012	2		Gasket
14	3402-040	2	/P	Plug, Shaft
15	3402-141	1		Shaft, Rocker Arm
16	3402-147	8		Cotter, Valve
17	3402-146	4	S	Retainer, Spring
18	3402-726	4		Spring, Valve
19	3402-078	4		Seal, Oil
20	3402-148	4		Seat, Spring
21	3402-725	2	/P	Valve, Intake
22	3402-143	2		Valve, Exhaust



Ref #	Part Number	Qty	S/P/F	Description
	0470-454	1		Complete Assembly
1	5507-001	1		Cover, Top
2	5507-002	3	/P	Screw, Top Cover
3	5507-052	1		Spring
4	5507-053	1		Piston, Vacuum
5	5507-054	1		Spring, Seat
6	5507-080	1		Jet Needle
7	5507-056	1		Needle Jet
8	5507-047	1	/P	Holder, Needle Jet
9	5507-009	1	/P	Main Jet - 150
9	5507-041	1	F	Main Jet - 147
9	5507-042	1	/P/F	Main Jet - 145
9	5507-043	1	F	Main Jet - 142
9	5507-044	1	F	Main Jet - 140
10	5507-010	1	S	Slow Jet
11	5507-090	1		Starter Jet - 60
12	5507-038	1		Valve, Float - Set (inc. 13)
13	0	1	F	Clip
14	0	1	F	Pin, Float
15	5507-039	1		Float Set (inc. 14)
16	5507-050	1	/P	Screw, Drain
17	5507-089	4	S	Screw
18	5507-040	1		Screw, Pilot Air - Set (inc. 19-21)
19	0	1	F	O-Ring
20	0	1	F	Spring
21	0	1	F	Washer
22	5507-022	1		Valve, Starter
23	5507-023	1		Spring
24	5507-024	1		O-Ring
25	5507-025	1		Cap
26	5507-026	1		Cap, Rubber
27	5507-027	1		Screw, Idle Adjust
28	5507-028	1		Washer
29	5507-029	1		Spring
30	5507-083	1	/P	Tube, Vinyl
31	5507-036	1		Cover
32	5507-037	1	/P	Screw
33	0487-016	1		Cable, Choke
34	0487-021	1	S	Cable, Throttle
35	5507-064	1		Chamber, Float - Assembly (inc. 16 and 36)
36	5507-068	1		O-Ring, Float Chamber

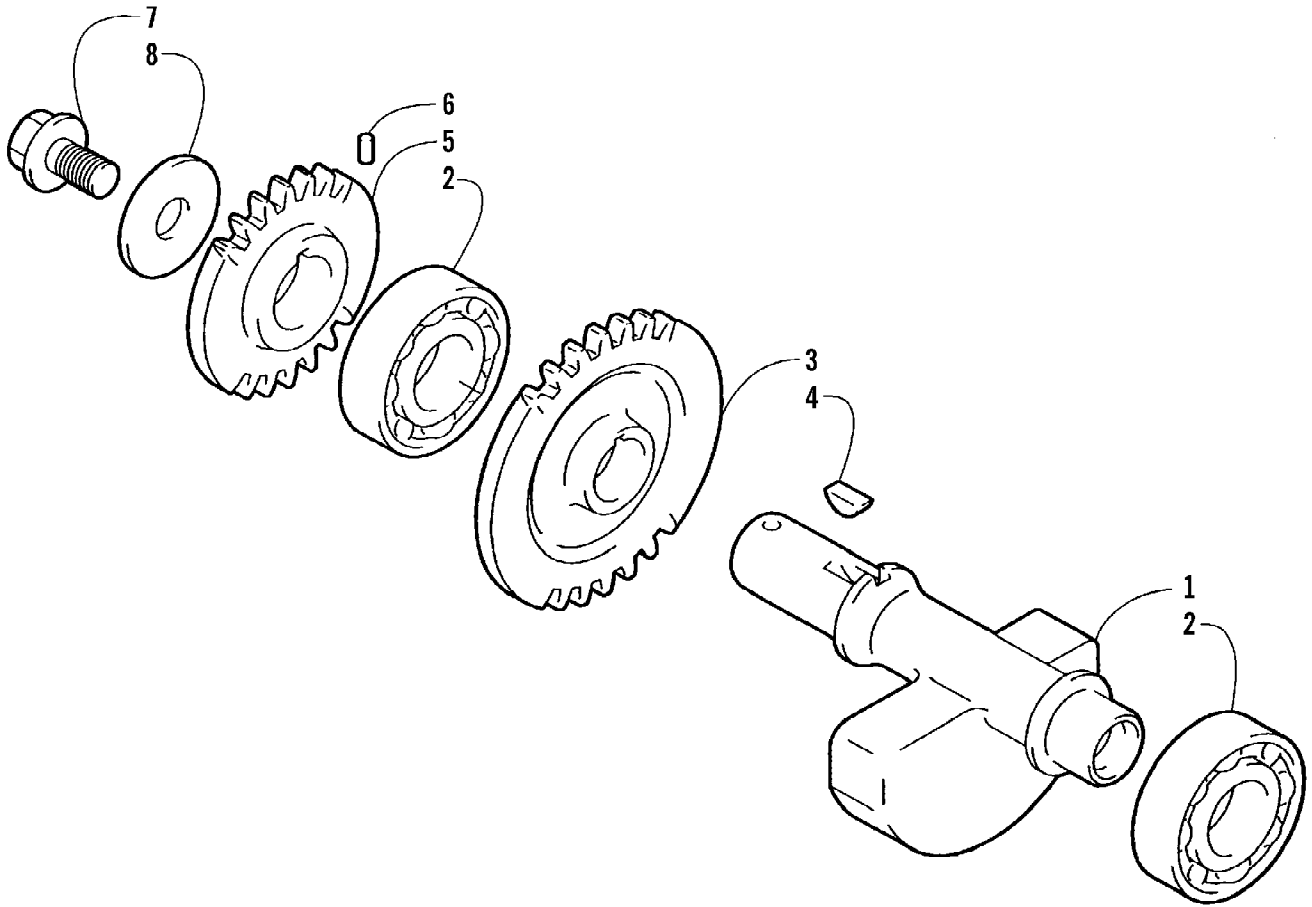


Ref #	Part Number	Qty	S/P/F	Description
1	3446-001	1	S	Housing, Starter Clutch
2	3446-003	1		Clutch, Primary Drive One Way
3	3446-290	1		Shoe, Starter Clutch
4	3423-501	1		Nut, Starter Clutch Shoe
5	3423-209	1		Washer, Primary Driven
6	3423-515	1		Washer, Primary Driven
7	3423-516	1		Washer
8	3446-291	1		Gear, Primary Driven - Assembly
9	3446-004	1		Hub, Clutch Sleeve
10	3423-330	4		Screw, Cap - Clutch Spring
11	3423-517	4		Spring, Clutch
12	3446-006	6		Plate, Clutch Drive
13	3446-007	5		Plate, Clutch Driven
14	3446-008	1		Disc, Clutch Pressure
15	3446-009	1		Plate, Clutch Release
16	3423-080	1		Nut, Clutch Sleeve Hub
17	3423-032	1		Washer, Sleeve Hub
18	3446-292	1		Arm, Clutch Release
19	3423-361	1		Bolt, Clutch Release (No. 1)
20	3423-083	1		Bolt, Clutch Release (No. 2)
21	3446-293	1		Guide, Release Roller
22	3446-294	1		Roller, Clutch Release - Assembly
23	3423-125	1	S	Bolt, Clutch Release Arm
24	3008-014	1		Nut, Clutch Release (No. 2)
25	3423-359	1		Nut, Clutch Release (No. 1)
26	3423-027	1		Washer, Clutch Release (No. 2)
27	3402-186	1	/P	Bearing
28	3423-360	1		Washer, Clutch Release (No. 1)



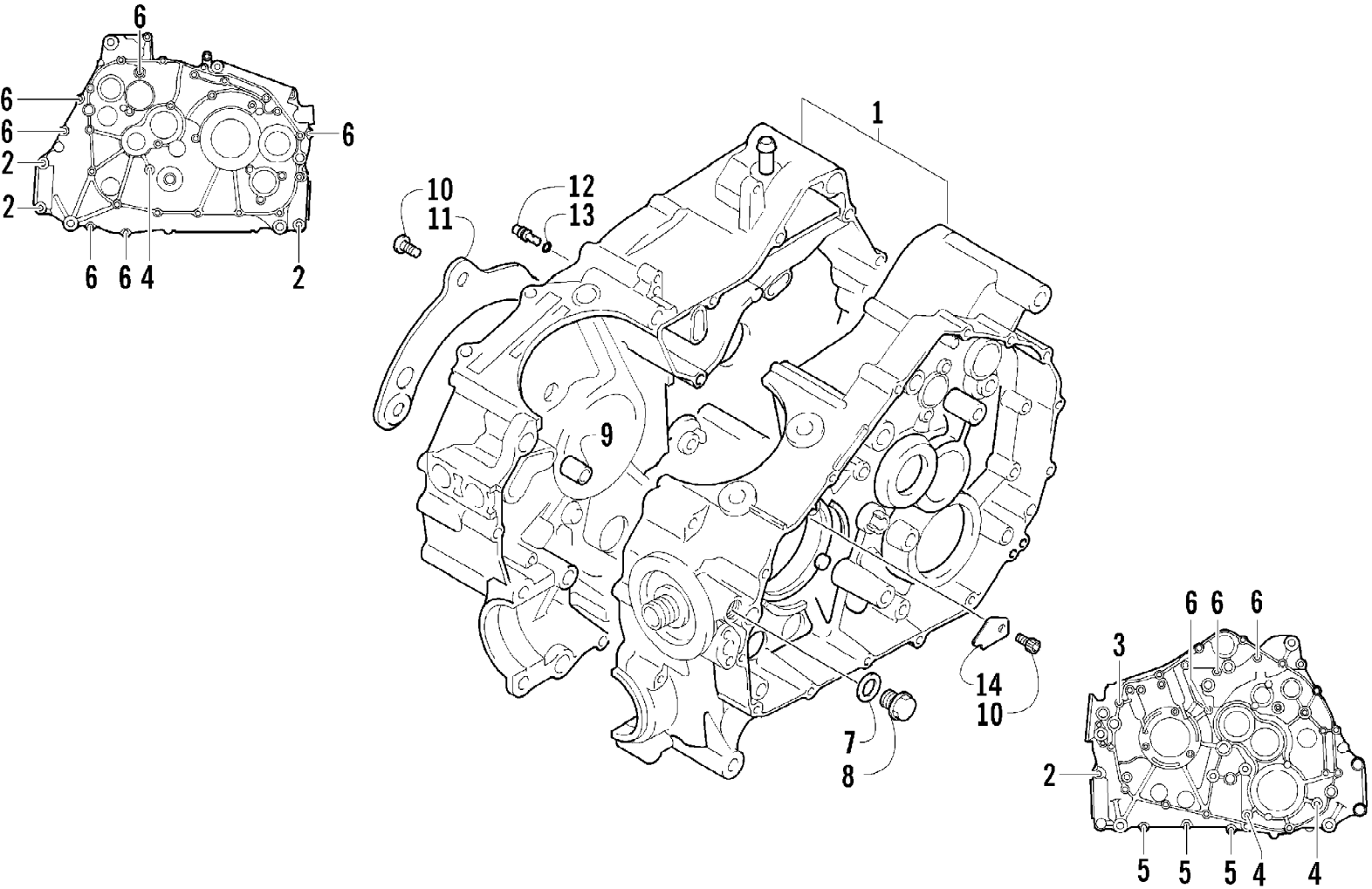
2004 ATV 400 MANUAL TRANSMISSION 4X4 GREEN MRP (A2004ATH4AUS\$) Page 16 of 96
CONTROL SWITCH HOUSING ASSEMBLY

Ref #	Part Number	Qty	S/P/F	Description
1	3509-001	1	S	Switch, Control - Assembly (inc. 2-5)
2	3409-009	1		Lever, Choke
3	3409-010	1		Cover, Choke Lever
4	3423-196	1		Screw, Cap
5	3423-197	1		Screw, Cap



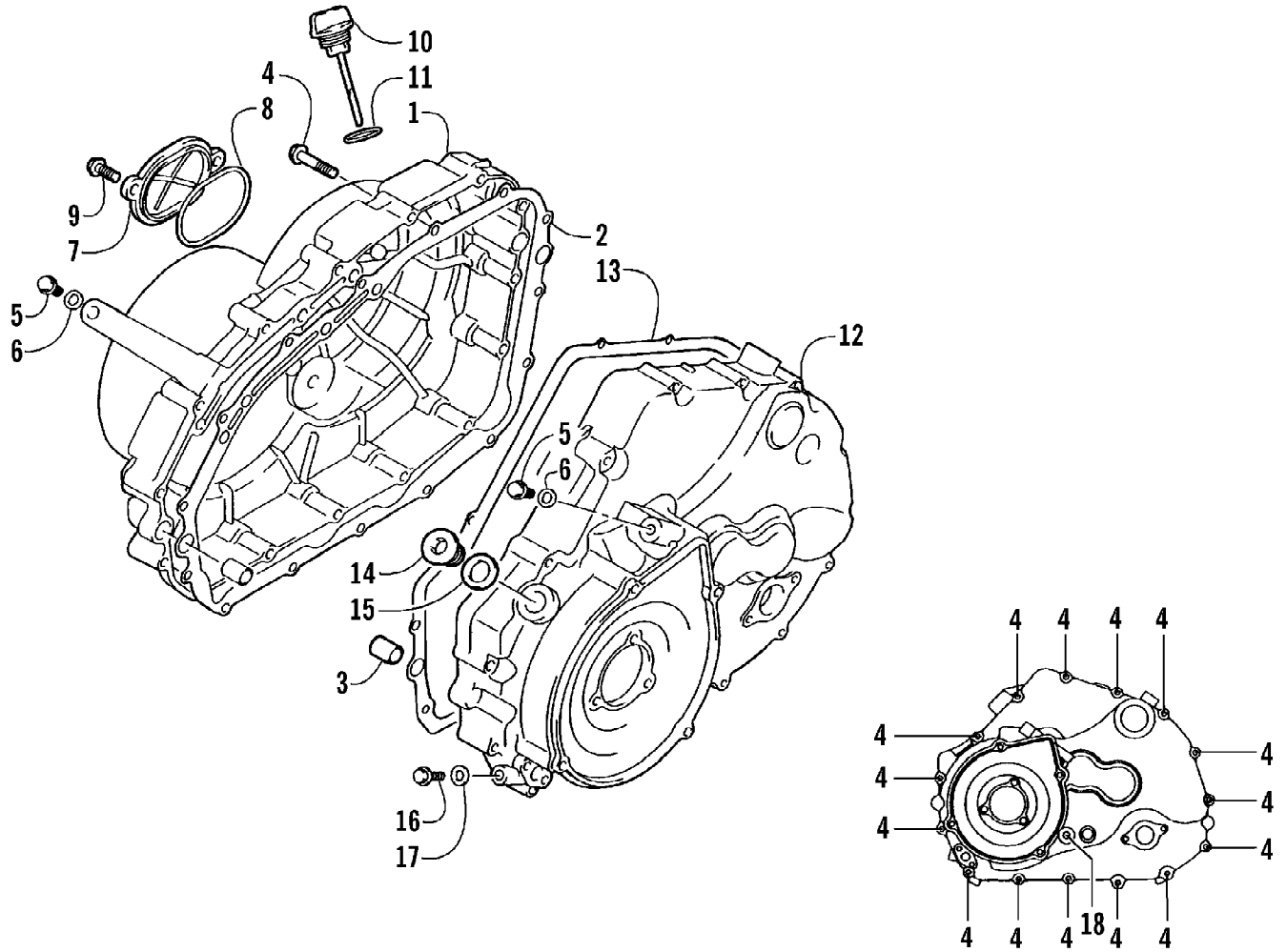
2004 ATV 400 MANUAL TRANSMISSION 4X4 GREEN MRP (A2004ATH4AUS\$) Page 18 of 96
CRANK BALANCER ASSEMBLY

Ref #	Part Number	Qty	S/P/F	Description
1	3402-605	1		Balancer, Crank
2	3402-553	2	/P	Bearing
3	3402-772	1		Gear, Driven
4	3004-540	1	/P	Key
5	3402-617	1		Gear, Oil Pump Drive
6	3423-110	1		Pin, Drive Gear
7	3423-400	1		Bolt, Drive Gear
8	3423-401	1		Washer, Drive Gear



2004 ATV 400 MANUAL TRANSMISSION 4X4 GREEN MRP (A2004ATH4AUS\$) Page 20 of 96
 CRANKCASE ASSEMBLY

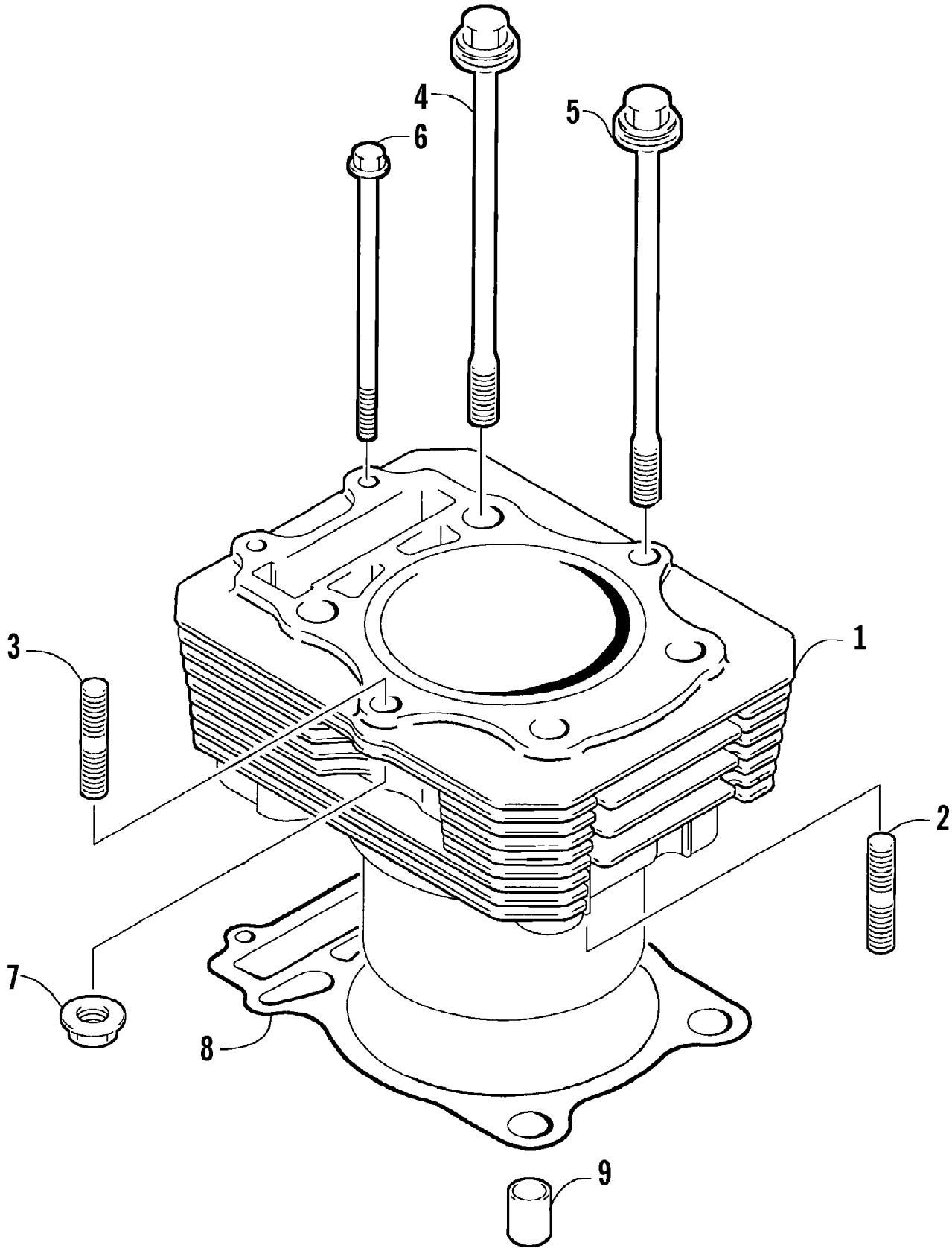
Ref #	Part Number	Qty	S/P/F	Description
1	3402-763	1		Crankcase Assembly (inc. 2-9)
2	3004-880	4		Bolt
3	3005-332	1		Bolt
4	3005-410	3		Bolt
5	3423-097	3		Bolt
6	3423-091	9	S	Bolt
7	3402-012	1		Gasket, Oil Pressure Plug
8	3402-214	1		Plug, Oil Pressure
9	3423-088	2		Pin, Dowel
10	3004-552	4	S	Screw, Oil Guide Plate - Right
11	3402-764	1		Plate, Oil Guide - Right
12	3402-691	1		Jet, Oil Gallery
13	3423-051	1		O-Ring, Oil Gallery Jet
14	3402-582	1		Plate, Oil Guide - Left



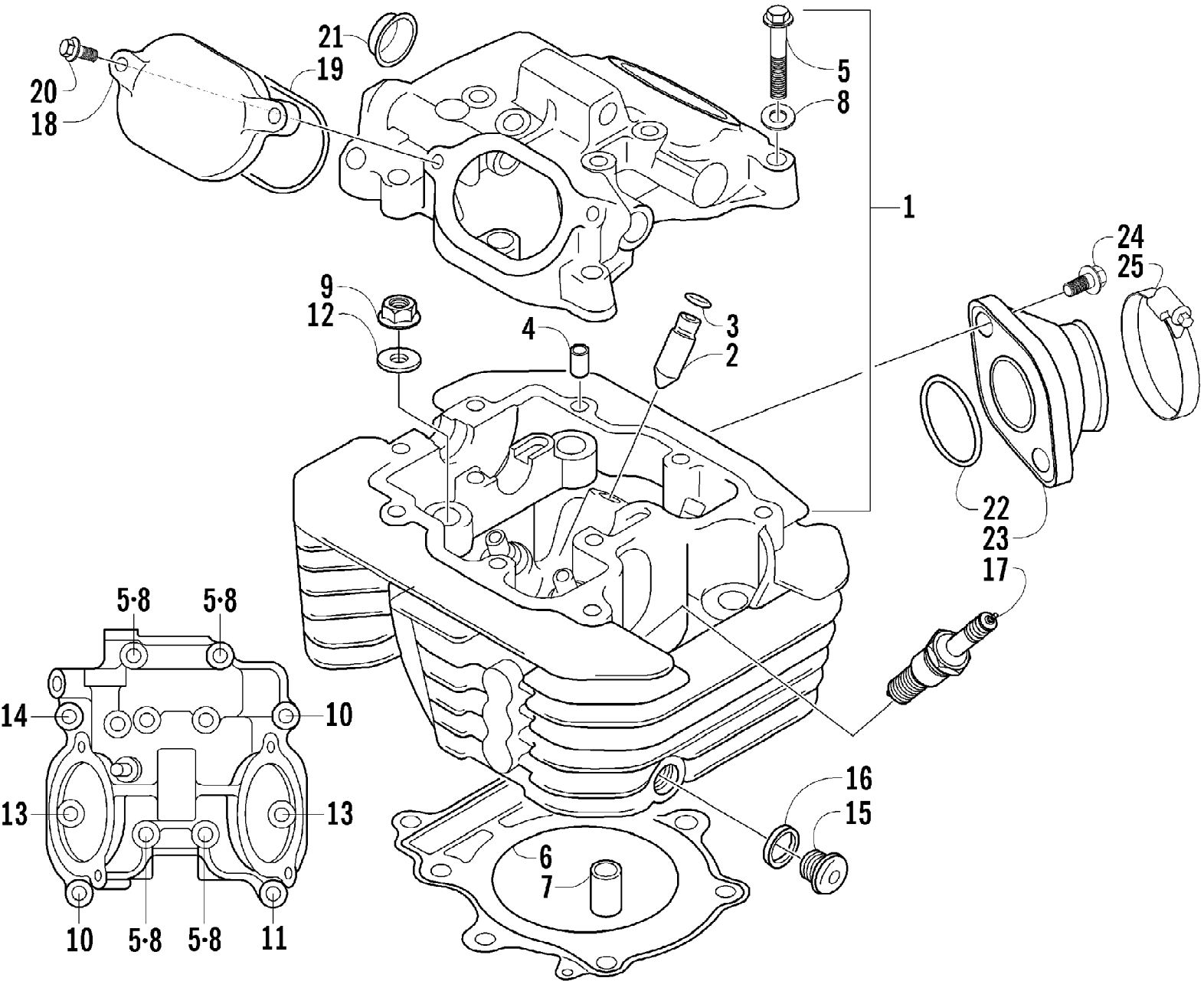
2004 ATV 400 MANUAL TRANSMISSION 4X4 GREEN MRP (A2004ATH4AUS\$) Page 22 of 96
CRANKCASE COVER ASSEMBLY

Ref #	Part Number	Qty	S/P/F	Description
1	3402-765	1		Cover, Clutch
2	3402-766	1		Gasket
3	3423-088	4		Pin, Dowel
4	3423-098	30	S	Bolt
5	3004-338	2	S/P	Plug, Oil Gallery
6	3003-290	2	/P	Gasket
7	3402-100	1		Cap, Inspection
8	3402-101	1		O-Ring, Inspection Cap
9	3004-341	2	S/P	Bolt, Inspection Cap
10	3402-593	1		Stick, Oil Level
11	3423-055	1		O-Ring, Oil Level Stick
12	3402-767	1		Cover, Magneto
13	3402-768	1		Gasket, Magneto Cover
14	3423-180	1	S	Plug
15	3402-013	1	/P	Gasket
16	3004-705	1	S	Plug, Drain
17	3402-444	1		Gasket, Drain Plug
18	3423-430	1		Bolt

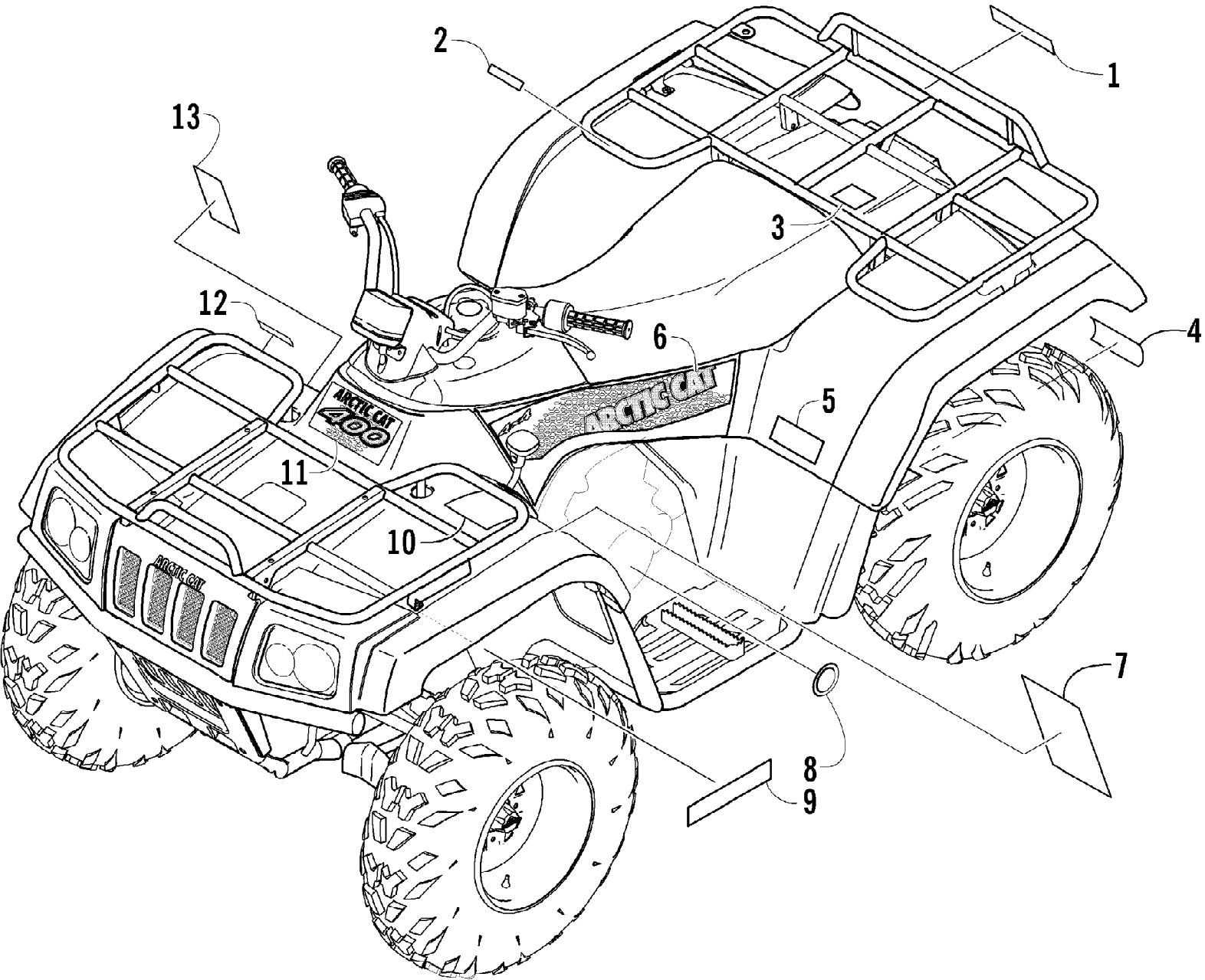
Ref #	Part Number	Qty	S/P/F	Description
1	3402-716	1	S	Crankshaft Assembly (inc. 2-7)
2	3402-597	1		Rod, Connecting
3	3402-769	1		Pin, Crank
4	3402-571	1		Bearing
5	3423-440	2		Washer
6	3402-718	1	S	Crankshaft - Right
7	3402-770	1	S	Crankshaft - Left
8	3402-698	1	/P	Gear, Crank Balancer Drive
9	3402-180	2	S	Bearing - Middle
10	3402-771	1		Circlip
11	3402-216	1		Bearing - Right
12	3402-594	1		Piston
13	3402-595	1		Ring, Piston - Set
14	3436-015	1	F	Piston Set (Oversized 0.50 mm)
15	3003-439	2	/P	Circlip
16	3402-596	1		Pin, Piston
17	3402-051	1		Bearing
18	3423-063	1		O-Ring
19	3402-119	1	S	Spacer
20	3402-070	1		Seal, Oil
21	3423-053	1	/P	O-Ring
22	3402-188	1	/P	Retainer, Crankshaft Oil Seal - Left
23	3423-018	3		Screw, Retainer



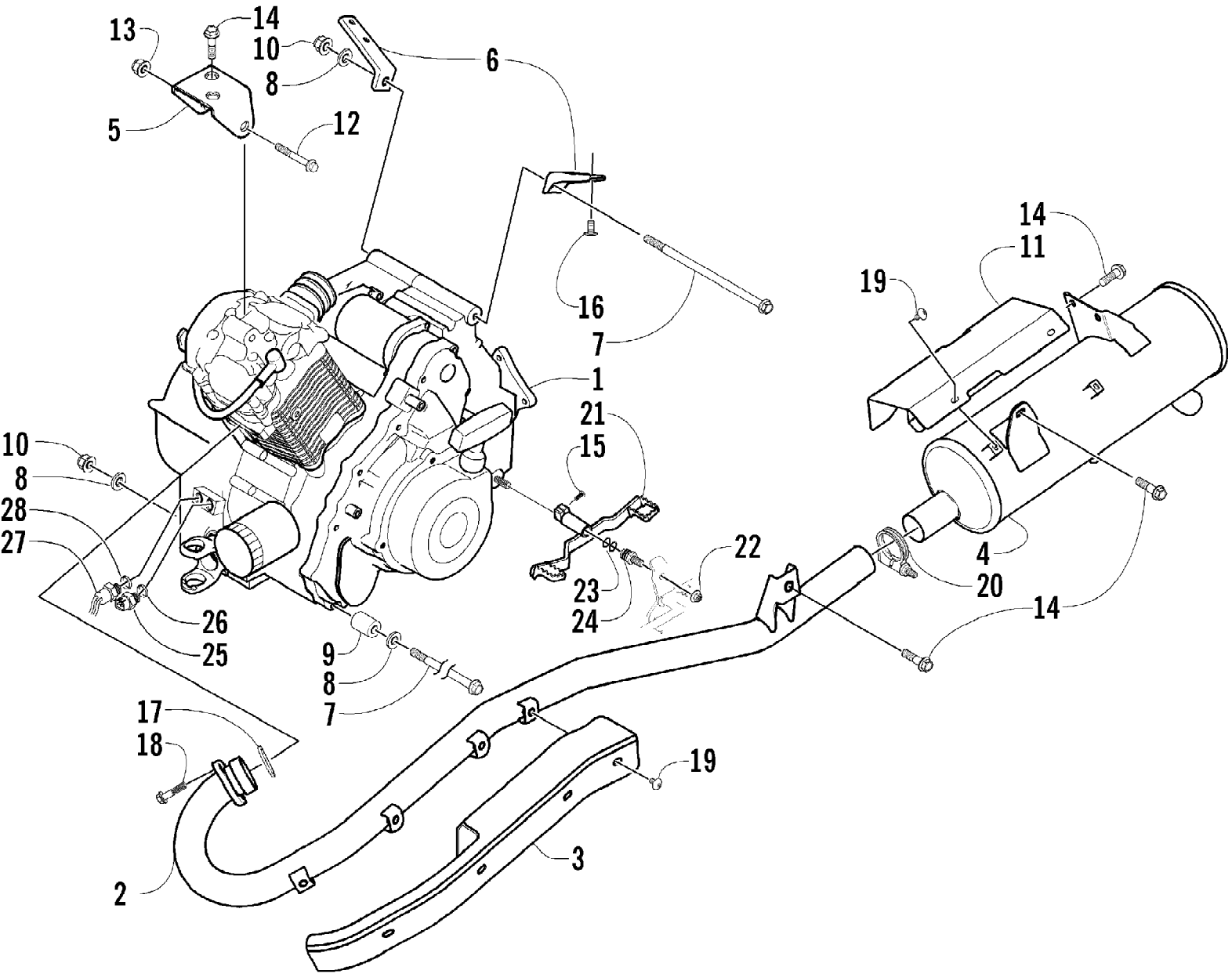
Ref #	Part Number	Qty	S/P/F	Description
1	3402-578	1	S	Cylinder
2	3423-384	2	S	Bolt, Stud
3	3004-778	2	S	Bolt, Stud
4	3423-431	2		Bolt
5	3423-432	2		Bolt
6	3423-427	2		Bolt
7	3004-488	4	S/P	Nut
8	3402-579	1		Gasket, Cylinder
9	3423-088	2		Pin, Dowel



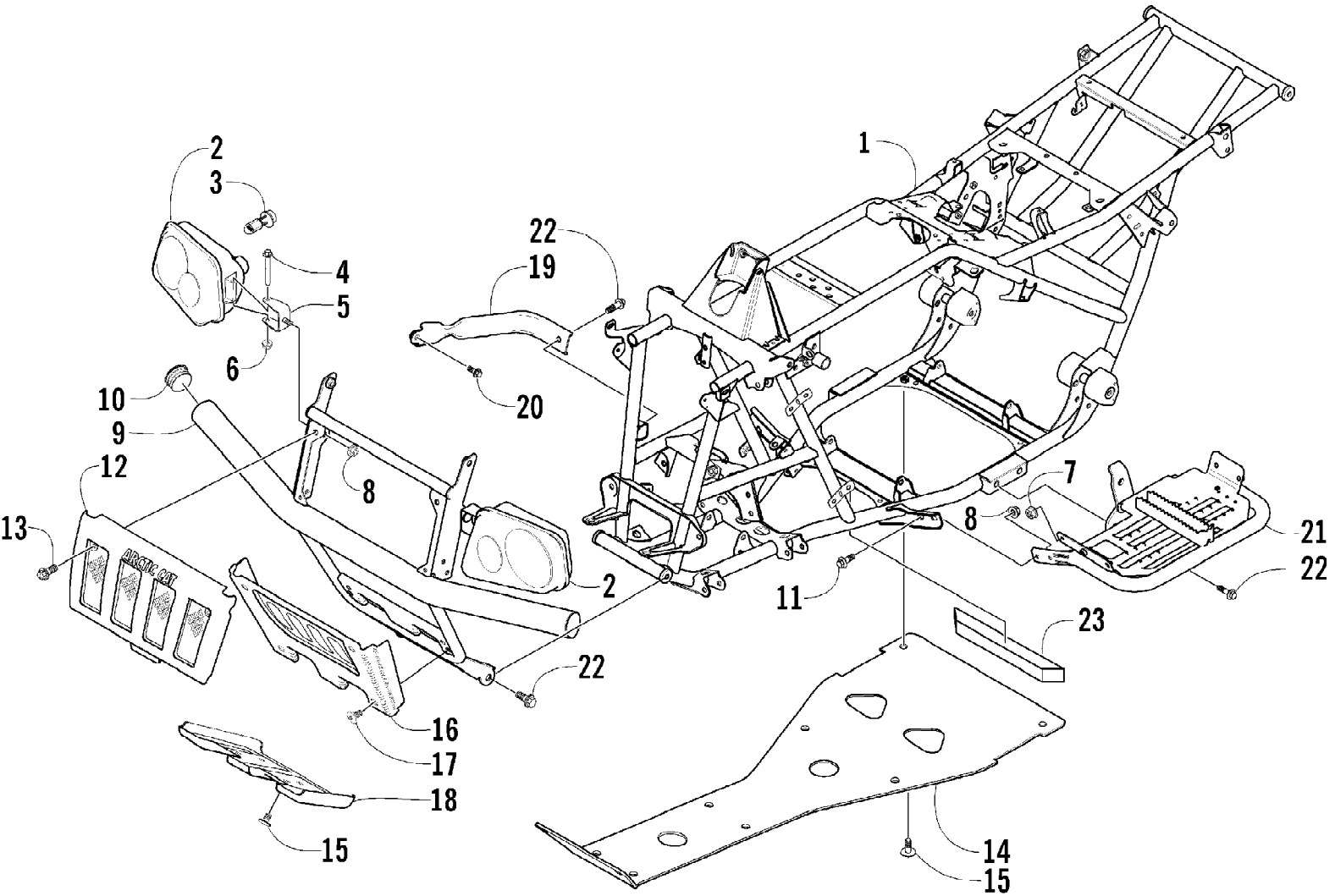
Ref #	Part Number	Qty	S/P/F	Description
1	3402-576	1	S	Head, Cylinder - Assembly (inc. 2-5)
2	3402-099	2		Guide, Valve
3	3423-068	4		Ring, Valve Guide
4	3423-043	2	/P	Pin, Dowel
5	3423-006	4		Bolt
6	3402-577	1		Gasket, Cylinder Head
7	3423-449	2		Pin, Dowel
8	3003-290	4	/P	Gasket
9	3004-326	2	S/P	Nut, Cylinder Head
10	3423-007	2	S	Bolt, Head Cover
11	3423-429	1		Bolt, Head Cover
12	3423-439	4	S	Washer, Cylinder Head Nut
13	3004-376	2	S/P	Bolt, Head Cover
14	3008-376	1	S	Bolt, Head Cover
15	3423-453	1		Plug, Oil Gallery
16	3402-011	1		Gasket, Oil Gallery Plug
17	0217-708	1		Spark Plug (NGK CR7E)
18	3402-100	2		Cap, Inspection
19	3402-101	2		O-Ring
20	3004-341	4	S/P	Bolt, Inspection Cap
21	3402-035	1		Plug, Head
22	3423-353	1	/P	O-Ring
23	0570-073	1	/P	Manifold, Intake
24	3004-893	2		Screw
25	0423-317	1	/P	Clamp
	3402-048	1		Plug, Frost



Ref #	Part Number	Qty	S/P/F	Description
1	0411-501	1		Decal, "Arctic Cat"
2	0411-648	1		Decal, Warning - Rear Rack Load
3	0411-435	1		Decal, Passenger
4	0411-267	1		Decal, Warning - Towing
5	0411-430	1		Decal, Warning - Tire Pressure
6	0411-634	1		Decal, Side - Right
6	0411-635	1		Decal, Side - Left
7	0411-218	1		Decal, Warning - General
8	0411-003	1		Decal, Shift Pattern
9	0411-612	1		Decal, CA Emissions
10	0411-401	1		Decal, Warning - Age
11	0411-620	1		Decal, Front
12	0411-576	1		Decal, Warning - Front Rack Load
13	0411-008	1	/P	Decal, Warning - Reverse/Pre-Ride

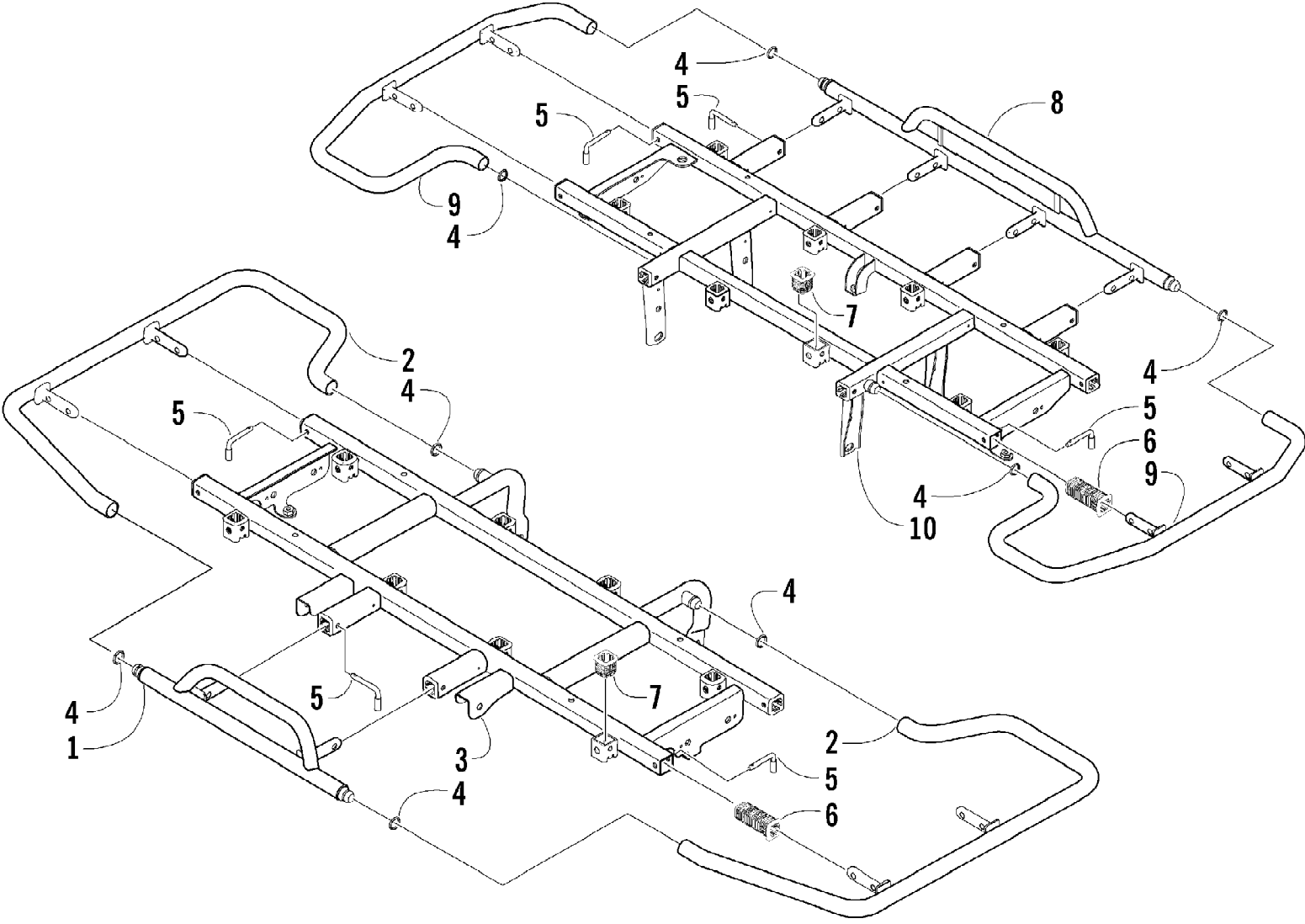


Ref #	Part Number	Qty	S/P/F	Description
1	0462-025	1	S	Engine
2	0512-100	1		Pipe, Exhaust
3	0412-112	1		Cover, Exhaust
4	0412-182	1		Muffler
5	0506-631	1		Bracket, Engine - Upper
6	0506-983	1	/P	Bracket, Engine - Right
6	0506-984	1	/P	Bracket, Engine - Left
7	0423-405	3		Screw, Cap
8	0423-426	4		Washer, Engine
9	0423-042	2	S	Spacer, Engine
10	8428-002	3		Nut, Lock
11	1406-023	1		Cover, Muffler
12	8408-860	1		Screw, Cap
13	8424-802	1		Nut
14	8408-816	6		Screw, Cap
15	8476-620	1		Screw, Machine
16	8408-616	4		Screw, Cap
17	0412-007	1	/P	Seal, Exhaust
18	8408-820	2	/P	Screw, Cap
19	8477-610	9		Screw, Machine
20	0423-150	1		Clamp, Exhaust
21	0502-354	1		Lever, Shift
22	8422-002	1		Nut
23	1602-213	2	/P	O-Ring
24	0402-994	1		Pin, Shift Lever
25	3530-037	1	/P	Switch, Oil Light
26	3402-556	1	/P	Gasket
27	3430-033	1		Switch, Cooling Fan
28	3402-013	1	/P	Gasket



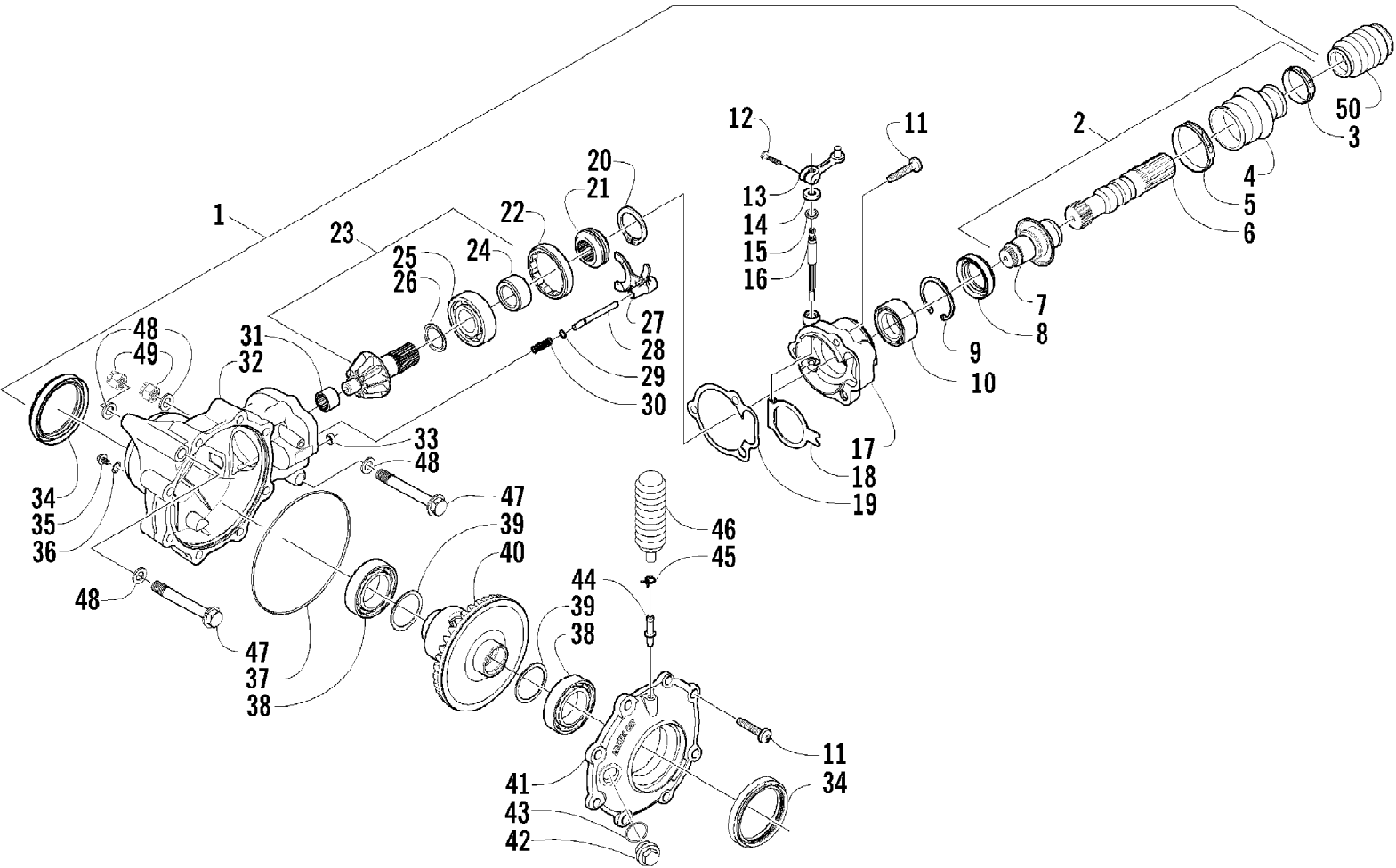
2004 ATV 400 MANUAL TRANSMISSION 4X4 GREEN MRP (A2004ATH4AUS) Page 34 of 96
FRAME AND RELATED PARTS

Ref #	Part Number	Qty	S/P/F	Description
1	0506-816	1		Frame, Main
2	0409-032	1		Headlight Assembly - Right (inc. 3-6)
2	0409-031	1		Headlight Assembly - Left (inc. 3-6)
3	0409-045	2		Bulb, Headlight
4	8410-860	2		Screw, Cap
5	0406-945	2		Bracket, Headlight Mounting
6	0423-375	2		Nut, Flange
7	8424-602	2	/P	Nut, Flange
8	8424-802	6		Nut
9	0506-544	1		Bumper
10	0406-130	2		Cap, Bumper
11	8408-816	4		Screw, Cap
12	0406-832	1		Grille, Upper
13	0423-361	2		Screw, Machine
14	0406-864	1		Panel, Belly
15	0423-101	AR		Screw, Body
16	1406-420	1	/P	Grille, Lower
17	0423-362	4		Screw, Machine
18	0406-834	1		Plate, Skid
19	0506-653	2	S	Channel, Bumper Mounting
20	8408-812	2		Screw, Cap
21	0506-534	1		Footrest - Right
21	0506-827	1		Footrest - Left
22	8409-020	8	/P	Screw, Cap
23	1506-067	1		Foam, Frame



2004 ATV 400 MANUAL TRANSMISSION 4X4 GREEN MRP (A2004ATH4AUS\$) Page 36 of 96
FRONT AND REAR RACK ASSEMBLIES

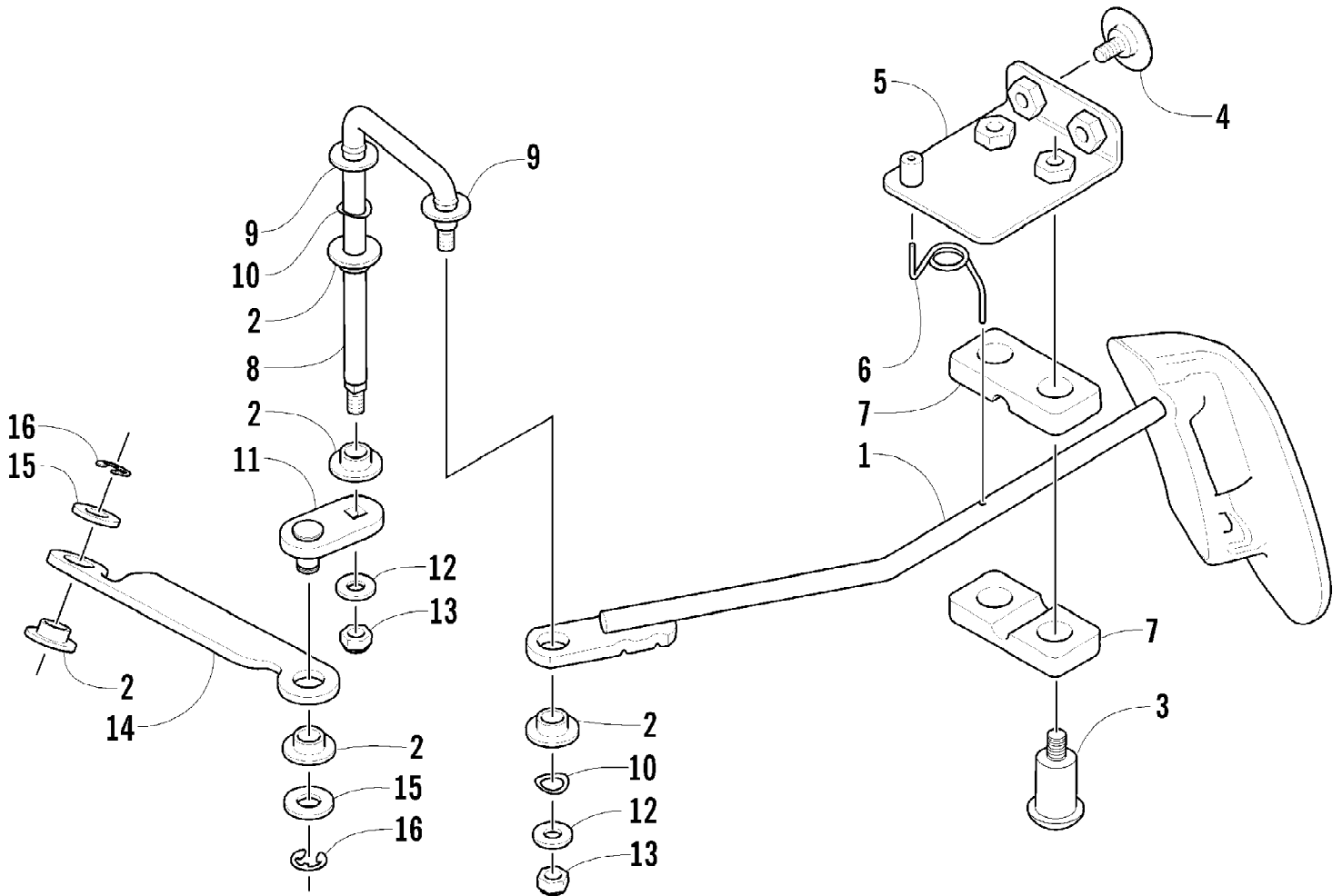
Ref #	Part Number	Qty	S/P/F	Description
1	0541-133	1		Center, Rack - Front
2	0541-134	2		Side, Rack - Front
3	0541-135	1		Frame, Rack - Front
4	0623-903	8		O-Ring
5	0541-189	14	S	Pin
6	0441-556	16		Bushing, Rack
7	0441-592	16	/P	Bushing, Rack
8	0541-130	1		Center, Rack - Rear
9	0541-131	2		Side, Rack - Rear
10	0541-132	1		Frame, Rack - Rear



2004 ATV 400 MANUAL TRANSMISSION 4X4 GREEN MRP (A2004ATH4AUS) Page 38 of 96
FRONT DRIVE GEARCASE ASSEMBLY

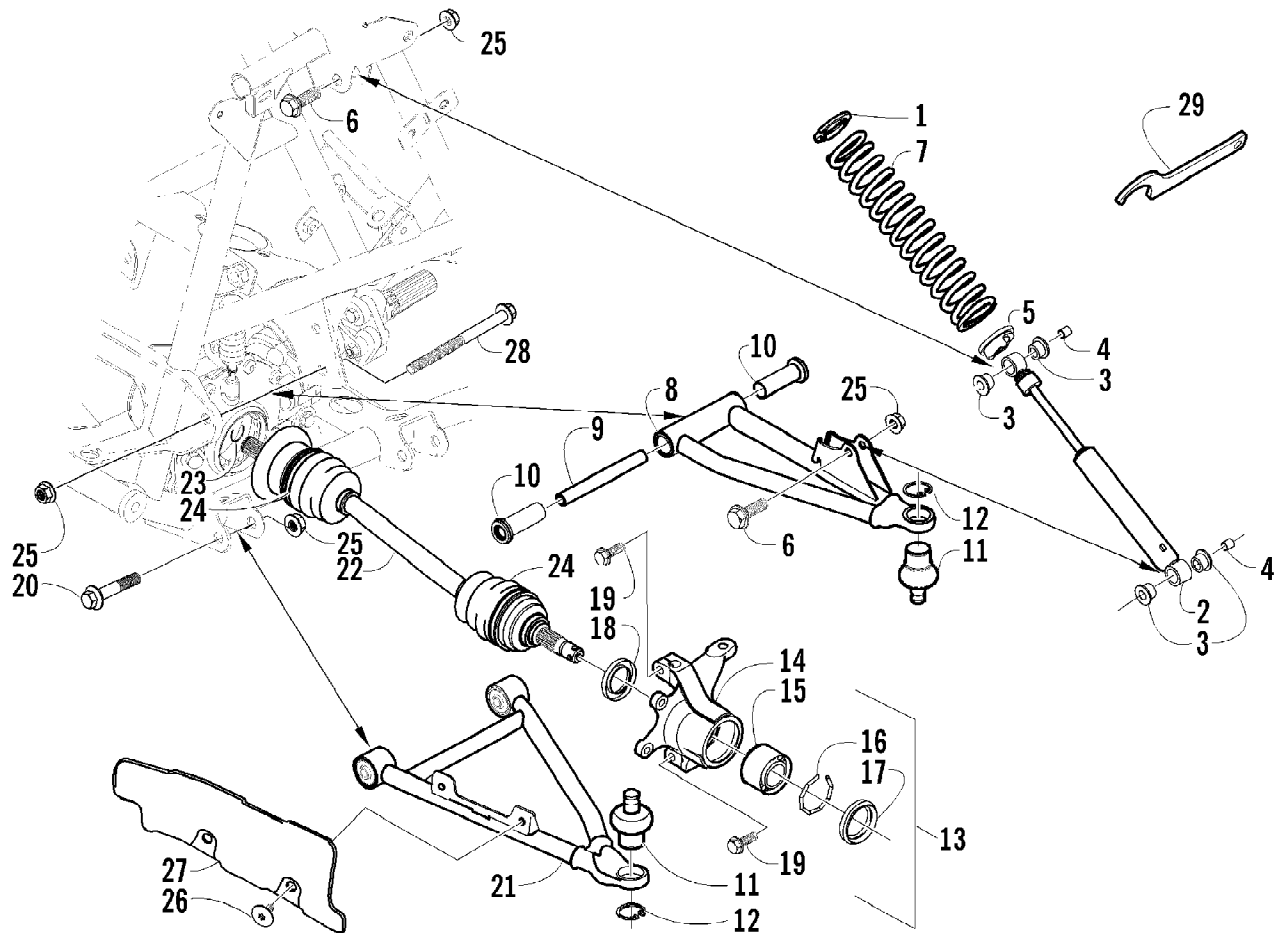
Ref #	Part Number	Qty	S/P/F	Description
1	0502-555	1		Gearcase, Front Drive - Assembly (inc. 2-44)
2	0502-386	1		Shaft, Propeller - Assembly (inc. 3-7)
3	0423-411	1		Clamp, Boot
4	0402-985	1	/P	Boot, Propeller Shaft
5	0423-393	1		Clamp, Boot
6	1402-046	1		Shaft, Output
7	0502-407	1	S	Shaft, Input
8	1402-011	1		Seal
9	0423-423	1		Ring, Retaining
10	1402-043	1		Bearing
11	0423-118	11		Screw, Self-Tapping
12	8411-620	1		Screw, Cap
13	0502-092	1		Arm, Selector
14	0402-398	1		Plate, Selector Shaft
15	0402-416	1		Seal
16	0402-412	1		Shaft, Selector
17	0502-379	1		Housing, Selector
18	0402-414	1		Plate, Spring - Selector
19	0402-947	1		Gasket, Flange
20	0423-417	1		Ring, Retaining
21	0402-413	1		Coupler, Drive
22	0402-357	1		Collar, Lock
23	0502-123	1		Gear, Pinion - Assembly - 10T (inc. 24-26)
24	0402-336	1		Collar, Retaining
25	0402-327	1		Bearing
26	0402-424	AR		Shim
26	0402-425	AR		Shim
26	0402-426	AR		Shim
26	0402-427	AR		Shim
26	0402-428	AR		Shim
27	0402-420	1		Fork, Selector
28	0402-417	1		Shaft, Shuttle
29	0423-147	1		O-Ring
30	0402-999	1		Spring, Return
31	0402-328	1		Bearing
32	0502-120	1		Housing, Gearcase
33	0402-411	1		Pin, Dowel
34	0402-394	2	S	Seal
35	0402-450	1	S	Plug, Magnetic (inc. 36)
36	0423-153	1		O-Ring
37	0423-149	1		O-Ring
38	0402-393	2		Bearing
39	0402-405	AR		Shim
39	0402-406	AR		Shim
39	0402-407	AR		Shim
39	0402-408	AR		Shim
39	0402-409	AR		Shim
40	0502-124	1		Gear, Ring - 36T
41	0502-121	1		Cover, Gearcase
42	0402-333	1	/P	Plug, Fill (inc. 43)
43	0423-154	1		O-Ring
44	1402-104	1		Fitting
45	0423-315	1		Clamp Fitting

Ref #	Part Number	Qty	S/P/F	Description
46	0402-147	1	S	Bladder, Gearcase
47	0423-404	2		Screw, Cap
48	0423-426	4		Washer
49	8428-002	2		Nut, Lock
50	0402-966	1		Boot, Shaft



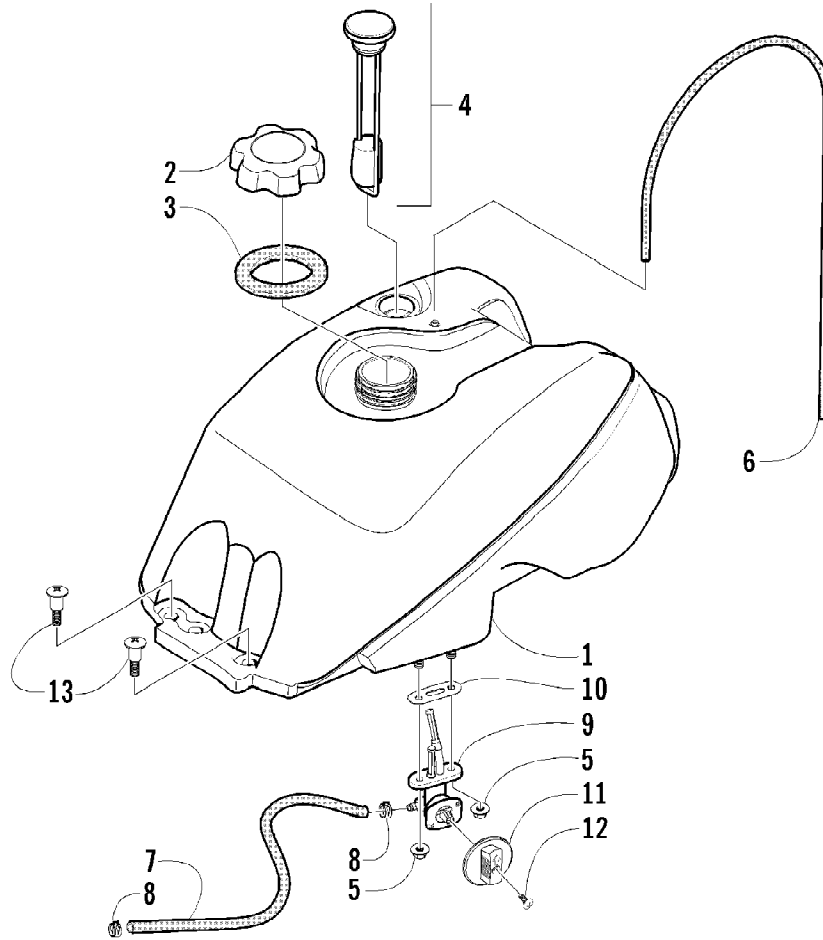
2004 ATV 400 MANUAL TRANSMISSION 4X4 GREEN MRP (A2004ATH4AUS\$) Page 41 of 96
FRONT DRIVE SHIFT LINKAGE ASSEMBLY

Ref #	Part Number	Qty	S/P/F	Description
1	0502-291	1		Shifter
2	0423-091	5		Bushing
3	0423-329	2		Screw, Shoulder
4	0423-101	2		Screw, Shoulder
5	0502-234	1		Plate, Mounting
6	0402-828	1		Spring, Torsion
7	0406-363	2		Bushing
8	0402-821	1		Arm, Shifter
9	0123-053	2	/P	Washer
10	0423-368	2		Washer, Wave
11	0502-295	1		Arm, Selector
12	0423-348	2		Washer
13	0624-250	2		Nut, Lock
14	0502-396	1	/P	Cross-Link
15	8050-247	2	/P	Washer
16	0124-057	2	/P	E-Ring

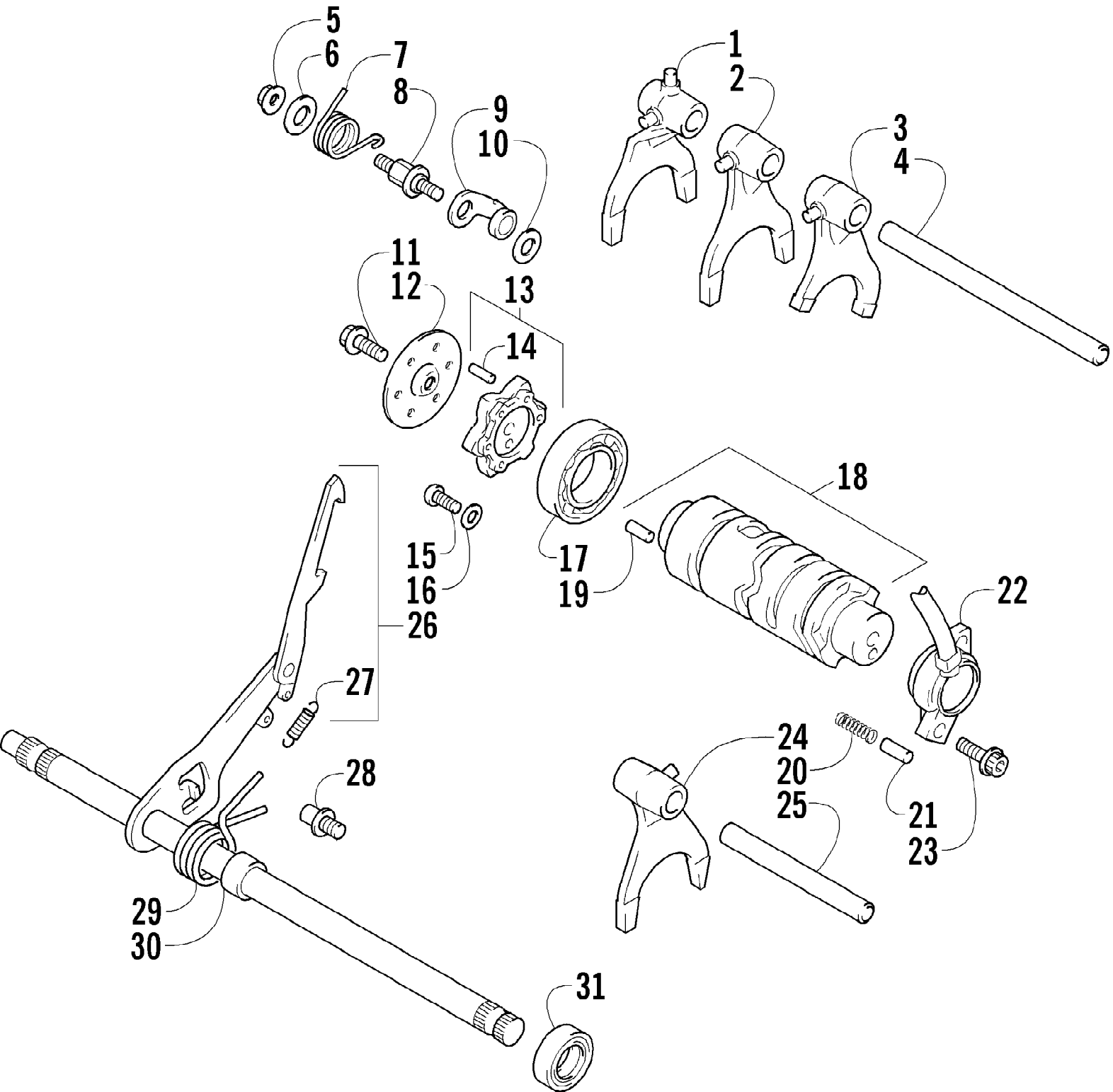


2004 ATV 400 MANUAL TRANSMISSION 4X4 GREEN MRP (A2004ATH4AUS\$) Page 43 of 96
FRONT SUSPENSION ASSEMBLY

Ref #	Part Number	Qty	S/P/F	Description
1	1603-889	2	/P	Retainer, Spring
2	0403-101	2		Shock Absorber - Front (inc. 3-4)
3	0604-310	8		Bushing, Shock Absorber
4	0403-028	4		Sleeve, Shock
5	0403-102	2		Cam, Spring Adjuster
6	8409-040	4		Screw, Cap
7	0403-103	2		Spring, Shock Absorber
8	0503-120	1	S	A-Arm, Upper Right - Assembly (inc. 9-12)
8	0503-121	1	S	A-Arm, Upper Left - Assembly (inc. 9-12)
9	0403-080	2		Collar
10	0403-081	4	S	Bushing
11	0405-068	4	S	Ball Joint - Front
12	0423-009	4	/P	Clip, Ball Joint
13	0505-026	1	S/P	Knuckle - Assembly - Right (inc. 14-18)
13	0505-027	1	S/P	Knuckle - Assembly - Left (inc. 14-18)
14	0505-062	1	S	Knuckle, Steering - Right
14	0505-063	1	S	Knuckle, Steering - Left
15	0402-275	2	/P	Bearing, Wheel Hub - Front
16	0423-034	2		Clip, Bearing
17	0402-089	2		Seal, Wheel Bearing - Front
18	0402-069	2		Seal, Wheel Bearing - Rear
19	8409-030	4		Screw, Cap
20	8409-060	4		Screw, Cap
21	0503-118	1	S	A-Arm, Lower Right (inc. 11-12)
21	0503-119	1	S	A-Arm, Lower Left (inc. 11-12)
22	0402-987	2	S	Axle, Drive - Front (inc. 23-24)
23	0441-400	2	S	Clip, Retaining
24	0436-276	4	S	Repair Kit, Boot - Front Axle
25	8428-002	10		Nut, Lock
26	0423-101	4		Screw, Body
27	0406-944	1		Guard, Boot - Axle - Right
27	0406-927	1		Guard, Boot - Axle - Left
28	0423-334	2		Screw, Cap
29	0441-587	1		Wrench, Spanner

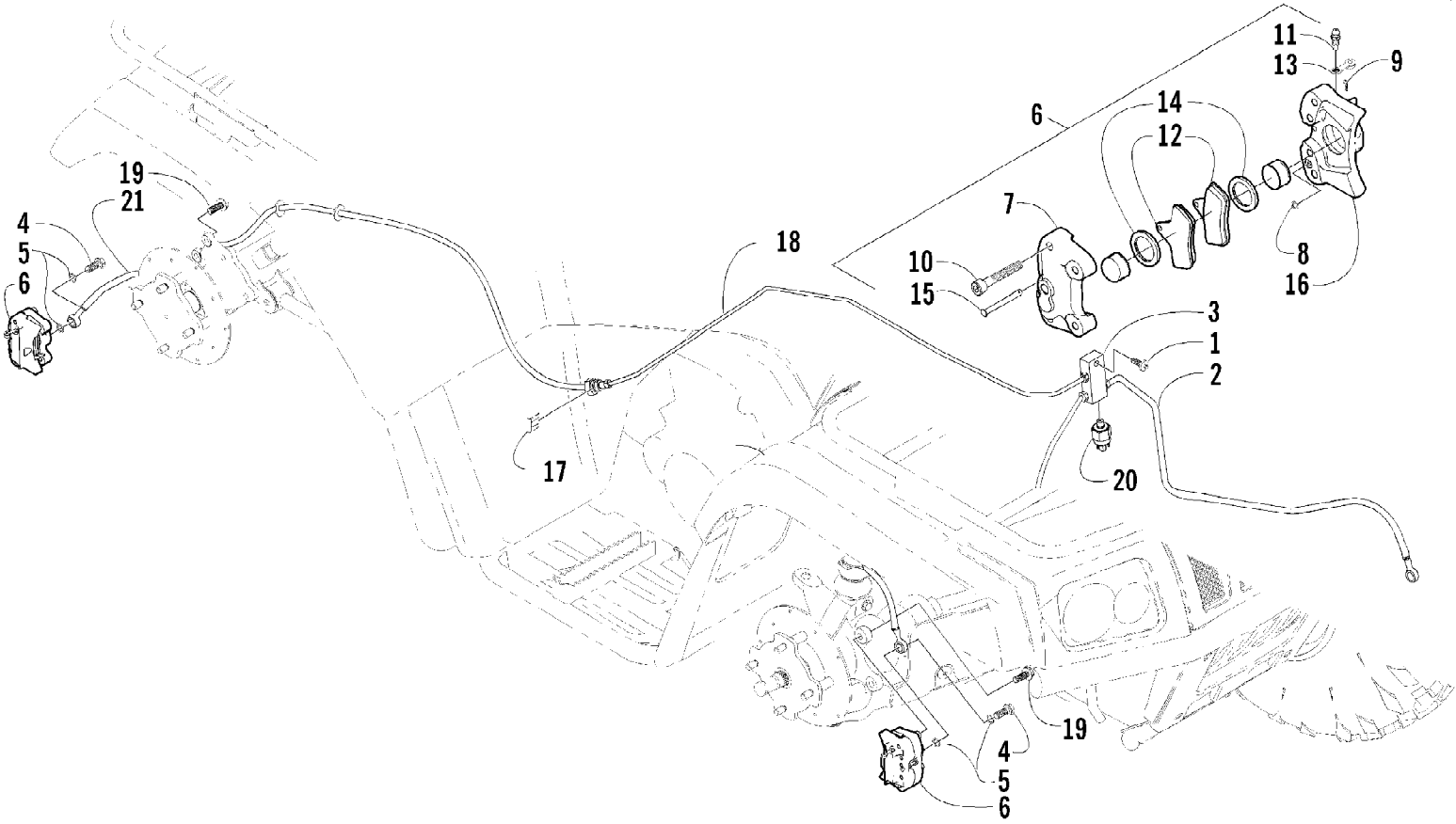


Ref #	Part Number	Qty	S/P/F	Description
1	0570-066	1	/P	Tank, Gas - Assembly (inc. 2-10)
2	0470-438	1	/P	Cap, Gas Tank (inc. 3)
3	0109-733	1	/P	Gasket, Tank Cap
4	0570-086	1	/P	Gauge, Fuel w/Gasket (Press-Fit)
5	0423-398	2		Nut, Lock
6	0470-416	1	/P	Hose, Vent
7	0610-007	AR	/P	Hose, Gasline - 25 ft
8	0423-152	2		Clamp, Hose
9	0470-445	1	/P	Valve, Fuel Shut-Off (inc. 10)
10	0470-364	1		Gasket, Fuel Shut-Off Valve
11	0470-408	1		Knob, Fuel Shut-Off Valve
12	0423-146	1		Screw, Machine
13	0423-130	2		Screw, Shoulder

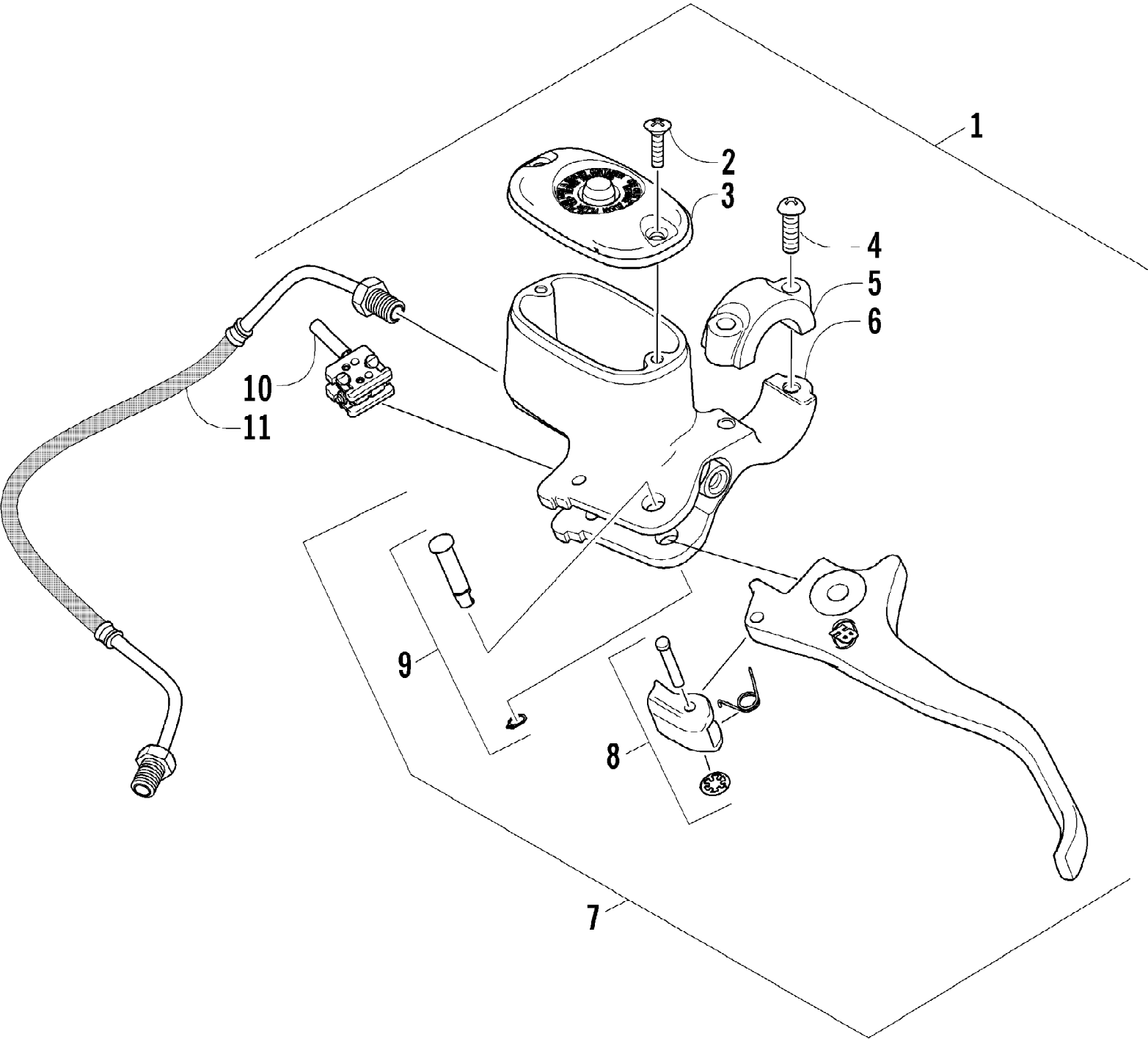


2004 ATV 400 MANUAL TRANSMISSION 4X4 GREEN MRP (A2004ATH4AUS\$) Page 47 of 96
GEAR SHIFTING ASSEMBLY

Ref #	Part Number	Qty	S/P/F	Description
1	3446-306	1		Fork, Gear Shift - Reverse
2	3446-155	1		Fork, Gear Shift - No. 1
3	3446-156	1		Fork, Gear Shift - No. 2
4	3402-643	1		Shaft, Gear Shift Fork - No. 2
5	3004-488	1	S/P	Nut
6	3423-142	1		Washer
7	3423-521	1	S	Spring, Gear Shift Cam Stopper
8	3446-048	1		Support, Gear Shift Cam Stopper
9	3402-746	1		Stopper, Gear Shift Cam
10	3423-141	1		Washer
11	3423-125	1	S	Bolt
12	3446-309	1	/P	Guide, Gear Shift Cam Plate
13	3446-049	1		Plate, Gear Shift Cam (inc. 14)
14	3423-045	5		Pin
15	3423-370	2		Screw
16	3423-135	2		Retainer
17	3402-051	1		Bearing, Gear Shift Cam
18	3446-308	1		Cam, Gear Shift (inc. 19)
19	3423-114	1	/P	Pin
20	3402-087	2		Spring
21	3423-044	2		Contact
22	3446-313	1		Base, Neutral Switch
23	3423-418	2		Bolt
24	3446-157	1		Fork, Gear Shift - No. 3
25	3446-307	1		Shaft, Gear Shift Fork - No. 1
26	3446-310	1		Shaft, Gear Shift (inc. 27)
27	3402-093	1		Spring
28	3446-056	1		Stopper, Gear Shift Shaft
29	3402-094	1		Spring, Return
30	3446-054	1		Spacer, Gear Shift Shaft
31	3402-068	1	/P	Seal, Oil

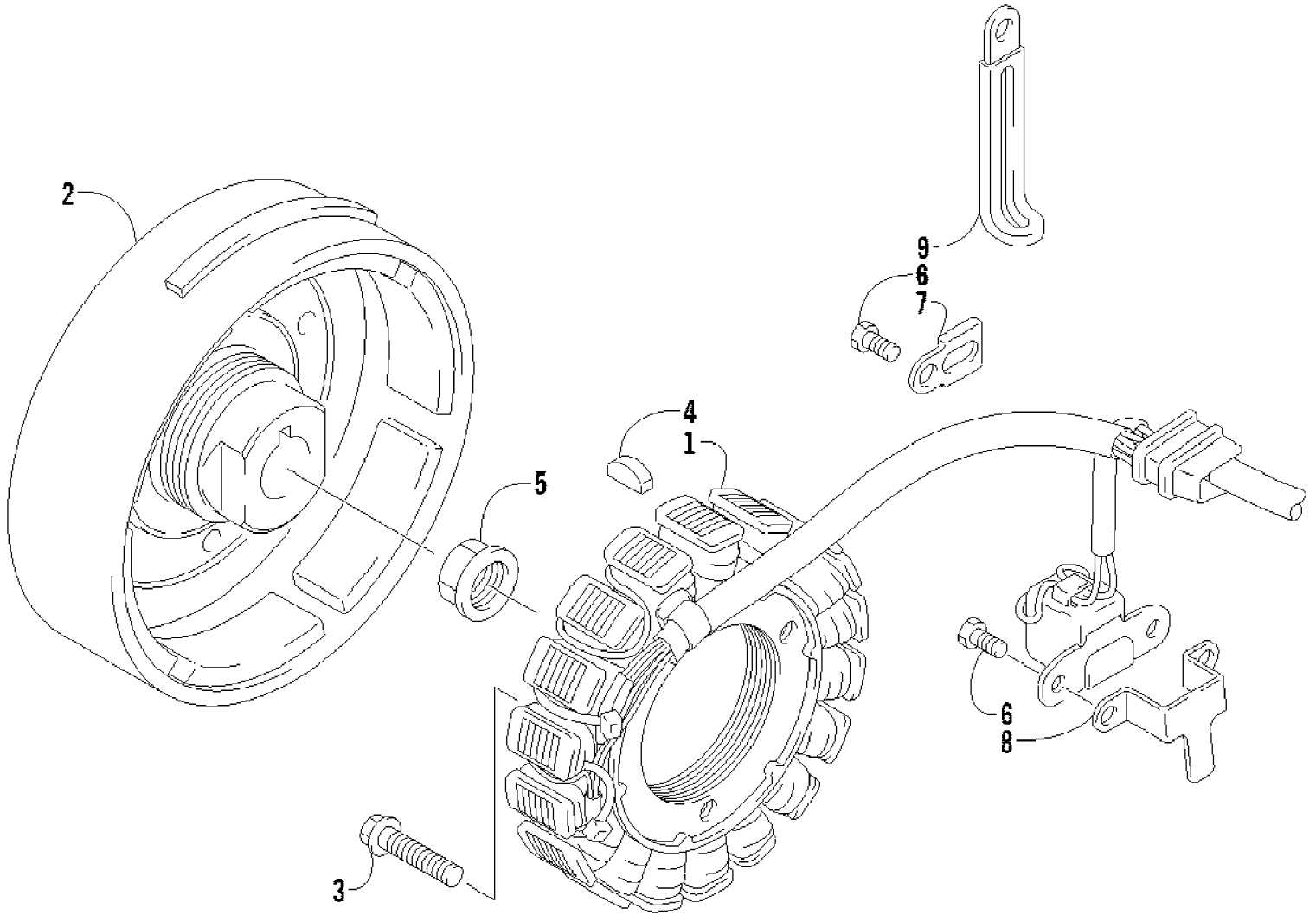


Ref #	Part Number	Qty	S/P/F	Description
1	8476-625	1		Screw, Cap
2	0402-986	2		Hose, Brake - Front
3	1402-086	1		Block, Junction
4	0423-409	3		Bolt, Banjo Fitting
5	0423-039	6		Washer, Crush
6	0502-335	1	S	Caliper, Brake - Right Front (inc. 7-16)
6	0502-336	2	S	Caliper, Brake - Left Front and Right Rear (inc. 7-16)
7	0	3	F	Housing, Caliper
8	0402-490	3		O-Ring
9	0402-496	3	S	Pin, Cotter
10	0402-492	12		Screw, Cap
11	0402-493	3		Cap, Bleed Valve
12	0402-882	6	/P	Pad, Brake
13	0402-491	3	S	Valve, Bleed
14	0402-980	6		O-Ring, Brake Caliper
15	0402-495	3		Pin, Brake Caliper
16	0	3	F	Housing, Caliper
17	0402-597	1	/P	Clip, Brake Line
18	0402-932	1		Tube, Brake Line - Rear
19	8408-825	6		Screw, Cap
20	0402-306	1	/P	Switch, Brake Pressure
21	0402-990	1		Hose, Brake - Rear

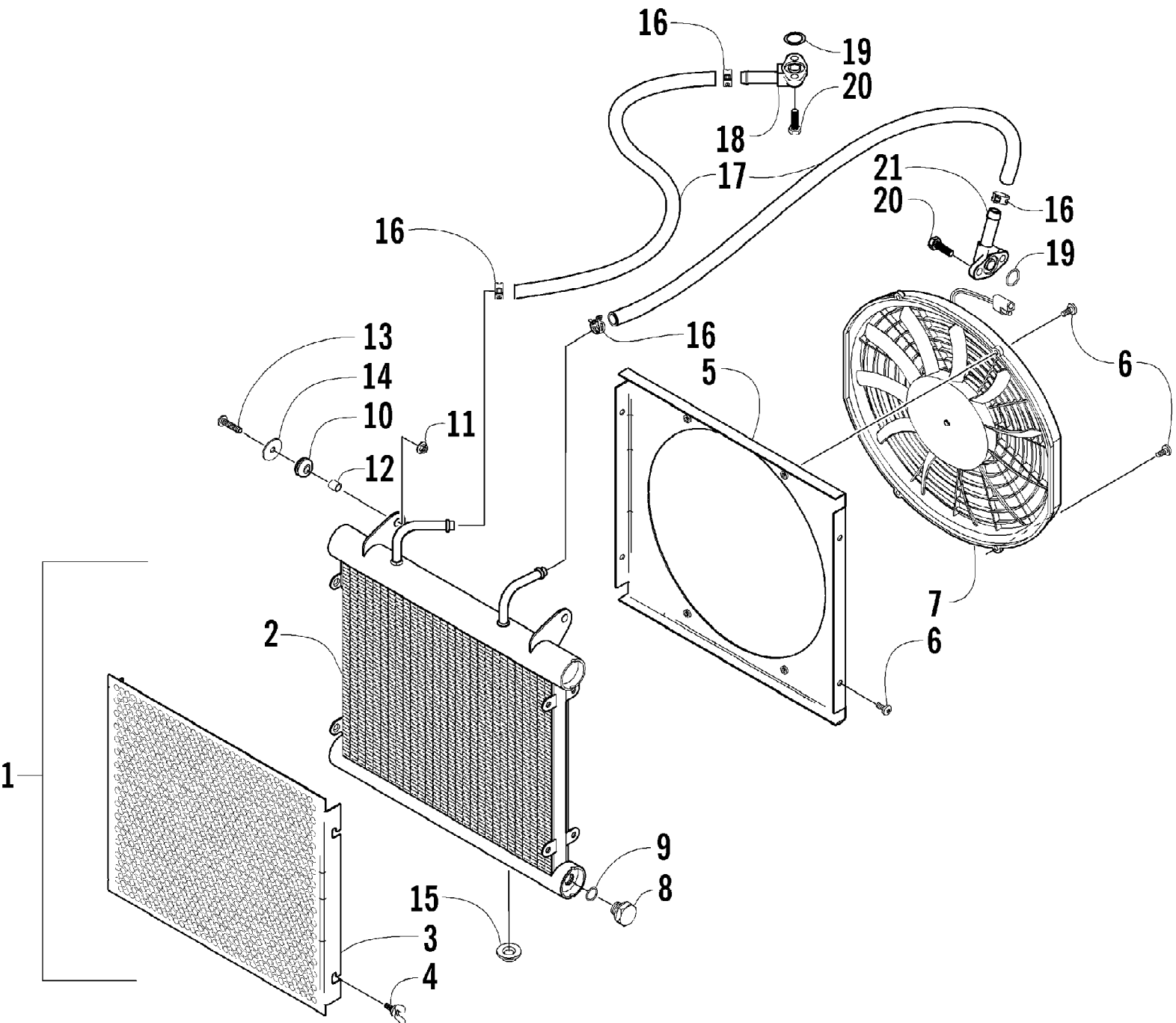


2004 ATV 400 MANUAL TRANSMISSION 4X4 GREEN MRP (A2004ATH4AUS\$) Page 51 of 96
 HYDRAULIC HAND BRAKE ASSEMBLY

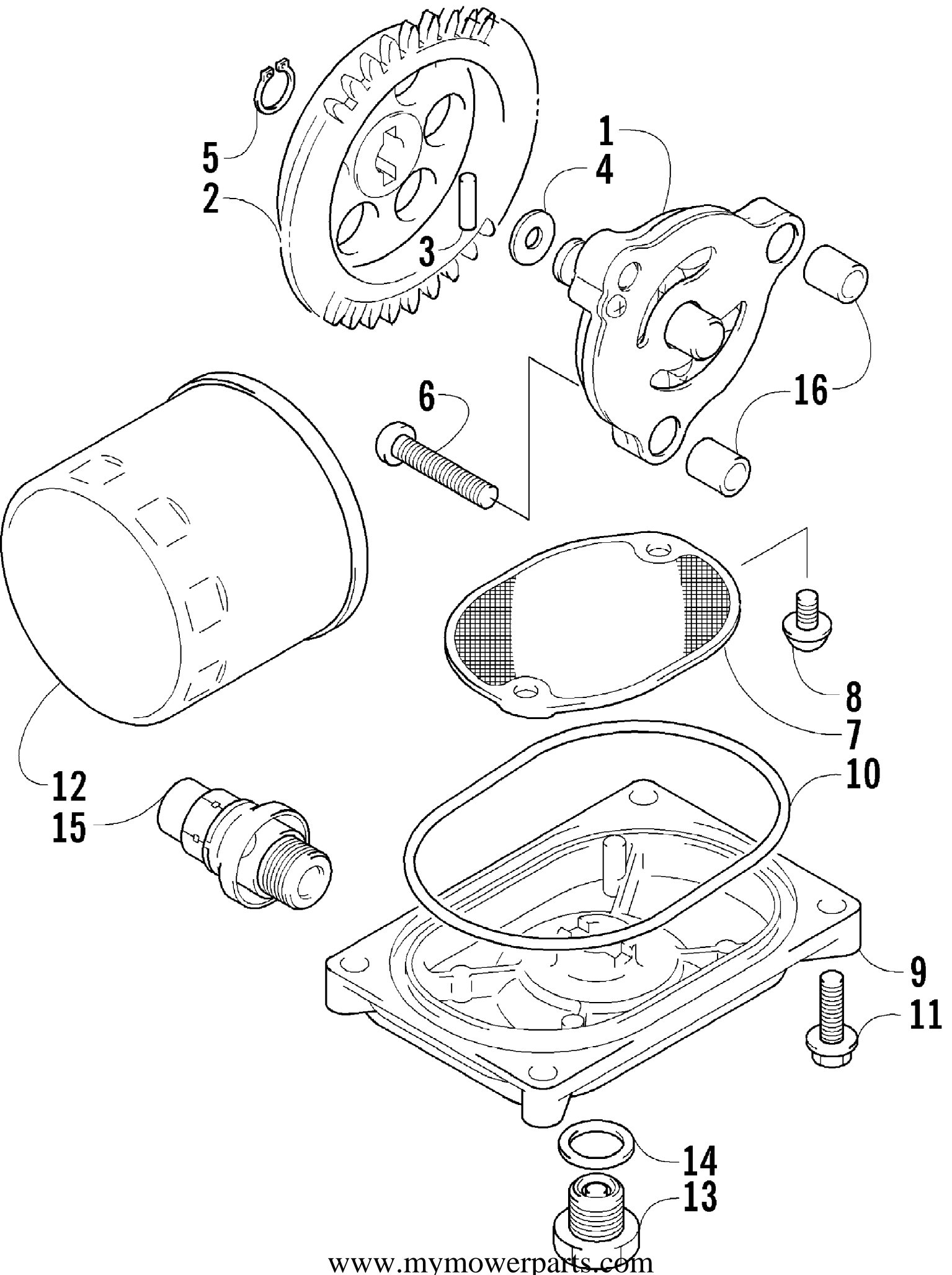
Ref #	Part Number	Qty	S/P/F	Description
1	0502-561	1	S	Brake Assembly (inc. 2-10)
2	0502-566	1		Screw, Reservoir Cover - Kit
3	0502-565	1		Cover, Reservoir - Kit
4	0502-568	1		Screw, Master Cylinder Clamp - Kit
5	0502-567	1		Clamp, Master Cylinder - Kit
6	0502-516	1		Master Cylinder Assembly - Kit
7	0502-562	1	S	Lever Assembly - Kit (inc. 8-9)
8	0502-563	1	S	Lock, Brake Lever - Kit
9	0502-580	1		Lever Pin - Kit
10	0502-564	1	/P	Switch, Brake - Kit
11	0402-962	1		Brakeline, Hydraulic



Ref #	Part Number	Qty	S/P/F	Description
1	3430-053	1		Stator Assembly
2	3430-054	1	S	Rotor/Flywheel
3	3004-756	3	S	Bolt
4	0691-785	1		Key
5	3423-086	1		Nut
6	3423-005	3	/P	Bolt
7	3430-005	1		Clamp
8	3430-006	1		Clamp
9	3002-964	1	/P	Clamp, Wire



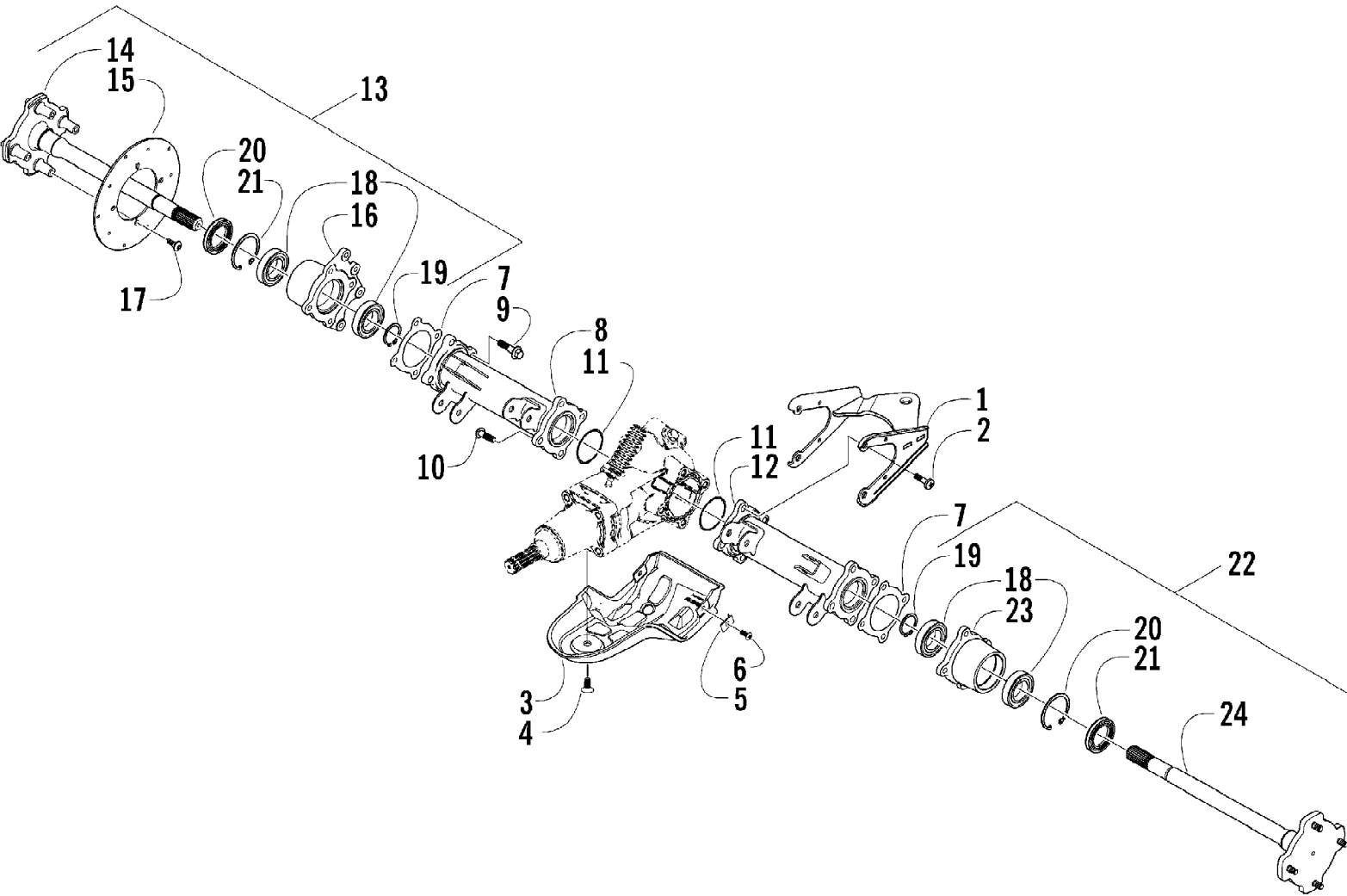
Ref #	Part Number	Qty	S/P/F	Description
1	0413-052	1		Cooler, Oil - Assembly (inc. 2-9)
2	0413-053	1		Cooler, Oil
3	0413-007	1		Screen, Oil Cooler
4	0413-009	1		Screw, Thumb
5	0413-064	1		Shroud, Fan
6	8475-512	8		Screw, Machine
7	0413-044	1	S	Fan, Cooling
8	0413-058	1		Plug, Drain
9	0413-059	1		O-Ring
10	0423-030	2		Grommet
11	0623-038	2		Nut w/Washer
12	0423-036	2		Collar
13	8476-625	2		Screw, Machine
14	0623-184	2		Washer
15	0423-028	2		Bushing, Stem
16	0423-098	4	/P	Clamp, Hose
17	0410-044	2		Hose, Oil
18	0410-013	1		Fitting, Oil
19	0423-089	2		O-Ring
20	8471-616	4		Screw, Machine
21	0410-012	1		Fitting, Oil - Angled



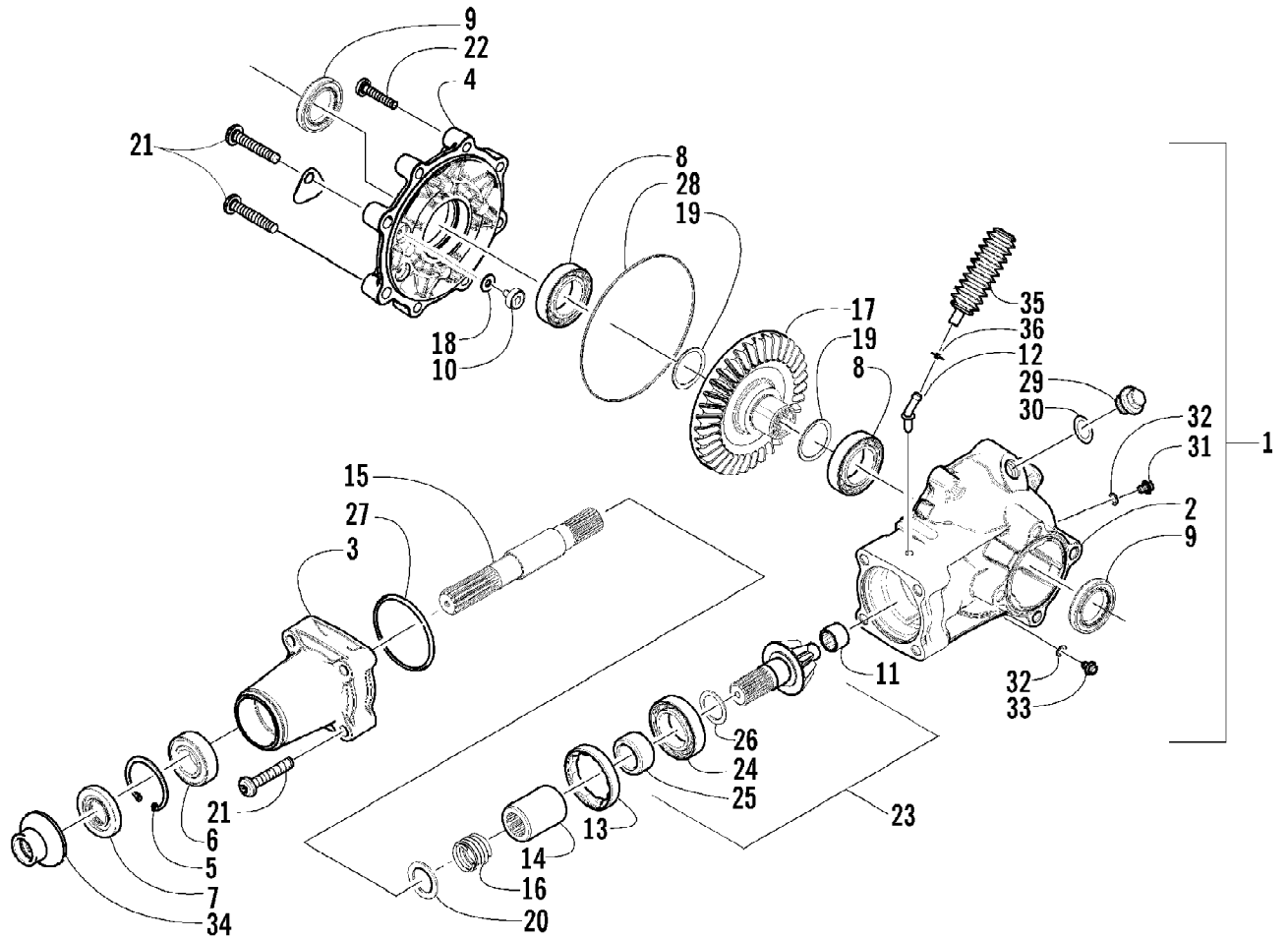
2004 ATV 400 MANUAL TRANSMISSION 4X4 GREEN MRP (A2004ATH4AUS\$) Page 57 of 96
OIL FILTER/PUMP ASSEMBLY

Ref #	Part Number	Qty	S/P/F	Description
1	3402-619	1		Pump, Oil
2	3402-618	1		Gear, Driven
3	3423-046	1		Pin
4	3423-443	1		Washer
5	3423-184	1	S	Circlip
6	3423-113	3	S/P	Screw
7	3402-156	1		Strainer, Oil
8	0693-389	2	S	Screw
9	3402-157	1		Cap, Oil Strainer
10	3423-077	1		O-Ring
11	3004-756	4	S	Screw, Cap
12	0436-146	1	S	Filter, Oil
13	3402-036	1	S	Plug, Drain
14	3402-012	1		Gasket, Drain Plug
15	3402-773	1		Valve, Assembly - Oil Relief
16	3005-206	2	/P	Pin, Oil Pump

2004 ATV 400 MANUAL TRANSMISSION 4X4 GREEN MRP (A2004ATH4AUS) Page 58 of 96
REAR AXLE ASSEMBLY

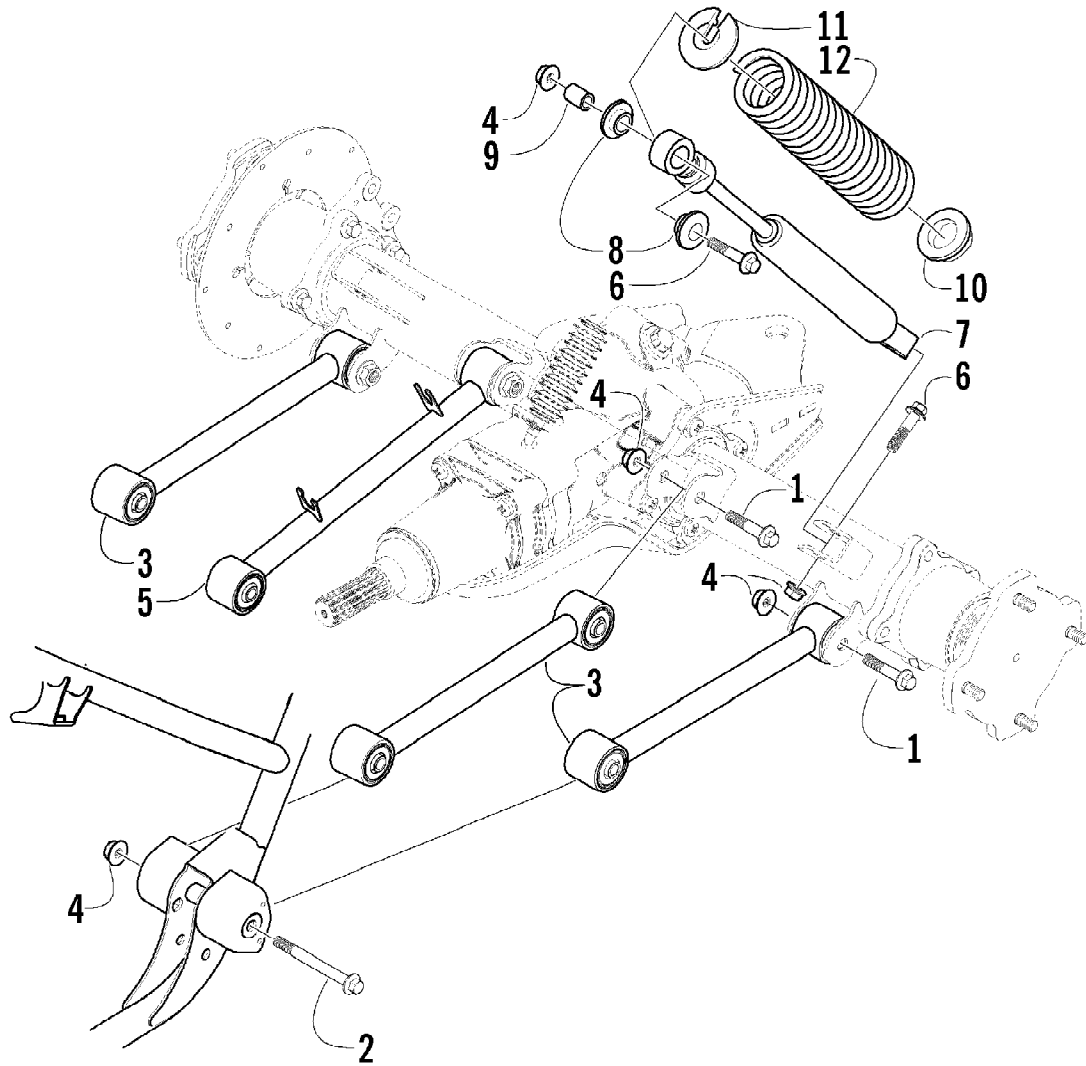


Ref #	Part Number	Qty	S/P/F	Description
1	0506-675	1		Hitch, Trailer
2	0423-116	4		Screw, Self-Tapping
3	0406-415	1		Panel, Gearcase
4	0423-101	1		Screw, Body
5	0423-031	2		Nut, Speed
6	8477-616	2		Screw, Machine
7	0402-374	2		Gasket, Axle Housing
8	0502-090	1		Housing, Axle - Right
9	8409-025	8		Screw, Cap
10	0423-117	4		Screw, Self-Tapping
11	0423-119	2		O-Ring
12	0502-091	1		Housing, Axle - Left
13	0502-365	1		Retainer, Axle - Assembly - Right (inc. 14-17, two No. 18, and one No. 19-21)
14	0502-366	1		Axle Assembly - Right
15	0402-874	1	S	Disc, Brake
16	0502-096	1	S	Housing, Bearing - Right
17	0423-029	4		Screw, Shoulder
18	0402-339	4		Bearing
19	0402-351	2		Ring, Retaining
20	0402-347	2		Ring, Retaining
21	0402-348	2		Seal
22	0502-367	1	/P	Retainer, Axle - Assembly - Left (inc. two No. 18, one No. 19-21, and 23-24)
23	0502-097	1	S	Housing, Bearing - Left
24	0502-368	1	S	Axle Assembly - Left



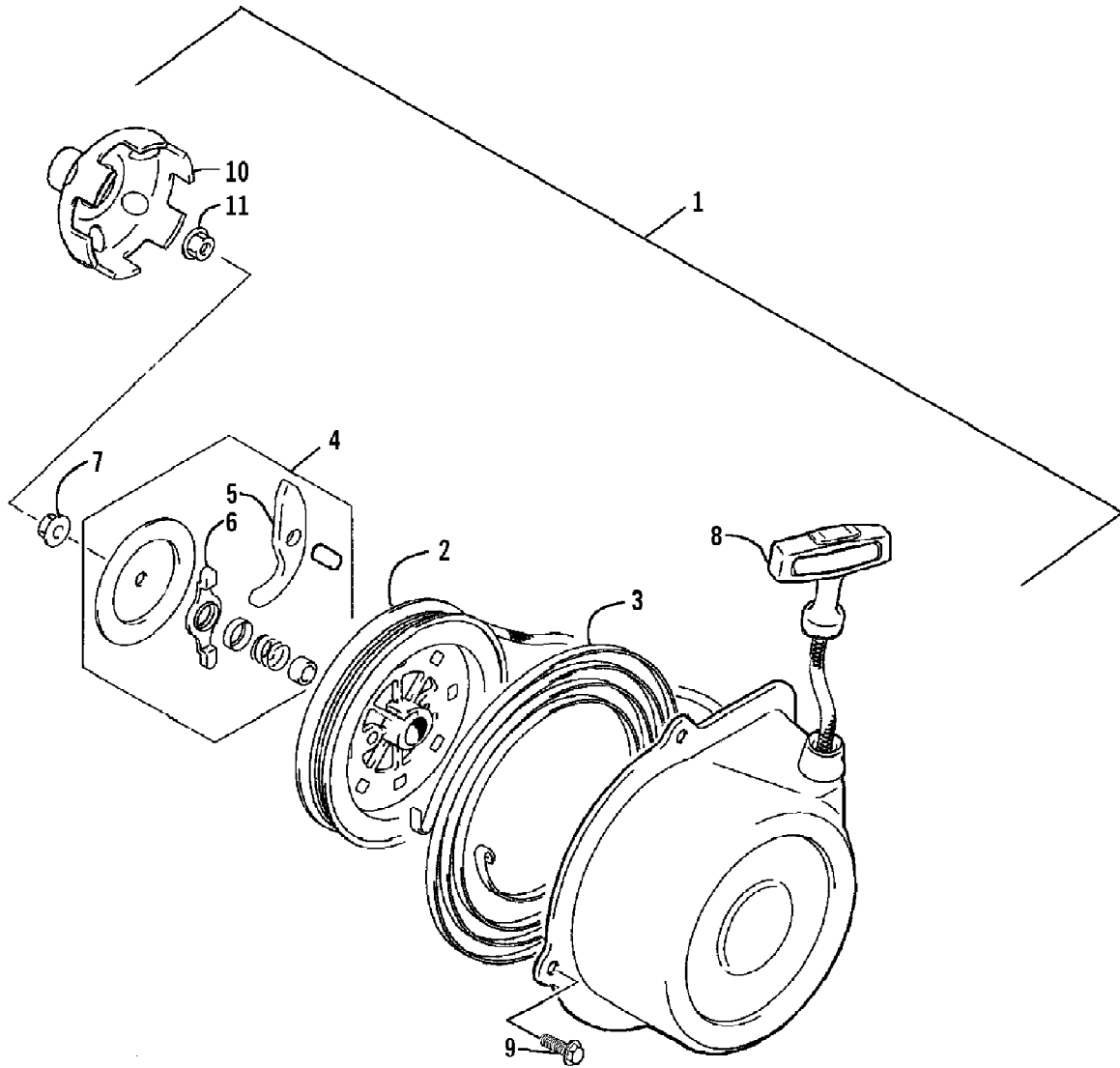
2004 ATV 400 MANUAL TRANSMISSION 4X4 GREEN MRP (A2004ATH4AUS\$) Page 61 of 96
REAR DRIVE GEARCASE ASSEMBLY

Ref #	Part Number	Qty	S/P/F	Description
	0502-292	1		Complete Assembly
1	0502-292	1		Gearcase, Rear Drive - Assembly (inc. 2-33)
2	0502-088	1		Housing, Gearcase
3	0502-239	1		Housing, Pinion
4	0502-089	1		Cover, Gearcase
5	0402-321	1		Ring, Retaining
6	0402-322	1		Bearing
7	0402-323	1		Seal
8	0402-324	2		Bearing
9	0402-325	2		Seal
10	0402-326	1		Button, Thrust
11	0402-328	1		Bearing, Needle
12	0402-330	1		Fitting
13	0402-331	1		Collar, Lock
14	0402-335	1		Collar, Shaft
15	0402-851	1		Shaft, Thrust
16	0402-338	1		Spring, Compression
17	0402-381	1		Gear, Ring - 36T
18	0402-429	AR		Shim
18	0402-430	AR		Shim
18	0402-431	AR		Shim
18	0402-432	AR		Shim
18	0402-433	AR		Shim
19	0402-434	AR		Shim
19	0402-435	AR		Shim
19	0402-436	AR		Shim
19	0402-437	AR		Shim
19	0402-438	AR		Shim
20	0423-111	1		Washer
21	0423-115	6		Screw, Self-Tapping
22	0423-118	6		Screw, Self-Tapping
23	0502-123	1		Gear, Pinion - Assembly - 10T (inc. 24-26)
24	0402-327	1		Bearing
25	0402-336	1		Collar, Retaining
26	0402-424	AR		Shim
26	0402-425	AR		Shim
26	0402-426	AR		Shim
26	0402-427	AR		Shim
26	0402-428	AR		Shim
27	0423-148	1		O-Ring
28	0423-149	1		O-Ring
29	0402-333	1	/P	Plug, Fill (inc. 30)
30	0423-154	1		O-Ring
31	0402-334	1		Plug, Drain (inc. one No. 32)
32	0423-153	2		O-Ring
33	0402-450	1	S	Plug, Drain - Magnetic (inc. one No. 32)
34	0402-352	1		Boot, Rear Drive
35	0402-147	1	S	Bladder, Gearcase
36	0423-315	1		Clamp, Hose



2004 ATV 400 MANUAL TRANSMISSION 4X4 GREEN MRP (A2004ATH4AUS\$) Page 63 of 96
REAR SUSPENSION ASSEMBLY

Ref #	Part Number	Qty	S/P/F	Description
1	8409-060	4		Screw, Cap
2	0423-335	2		Screw, Cap
3	0504-218	3		Arm, Swing
4	8428-002	10		Nut, Lock
5	0504-246	1		Arm, Swing
6	8409-040	4		Screw, Cap
7	0404-056	2		Shock Absorber - Rear (inc. 8-9)
8	0604-310	8		Bushing, Shock Absorber
9	0403-028	4		Sleeve, Shock Absorber
10	0403-102	2		Cam, Spring Adjuster
11	1603-889	2	/P	Retainer, Spring - Upper
12	0404-058	2		Spring, Shock Absorber



2004 ATV 400 MANUAL TRANSMISSION 4X4 GREEN MRP (A2004ATH4AUS\$) Page 65 of 96
RECOIL STARTER ASSEMBLY

Ref #	Part Number	Qty	S/P/F	Description
1	3445-003	1		Starter, Recoil - Assembly (inc. 2-8)
2	3445-004	1		Reel
3	3445-007	1		Spring, Spiral
4	3445-016	1		Ratchet - Assembly (inc. 5-6)
5	3445-007	1		Ratchet
6	3445-006	1		Guide, Ratchet
7	3004-488	1	S/P	Nut
8	3445-011	1		Rope Assembly
9	3423-428	4		Screw, Cap
10	3445-029	1	/P	Cup, Starter
11	3004-491	1	S/P	Nut

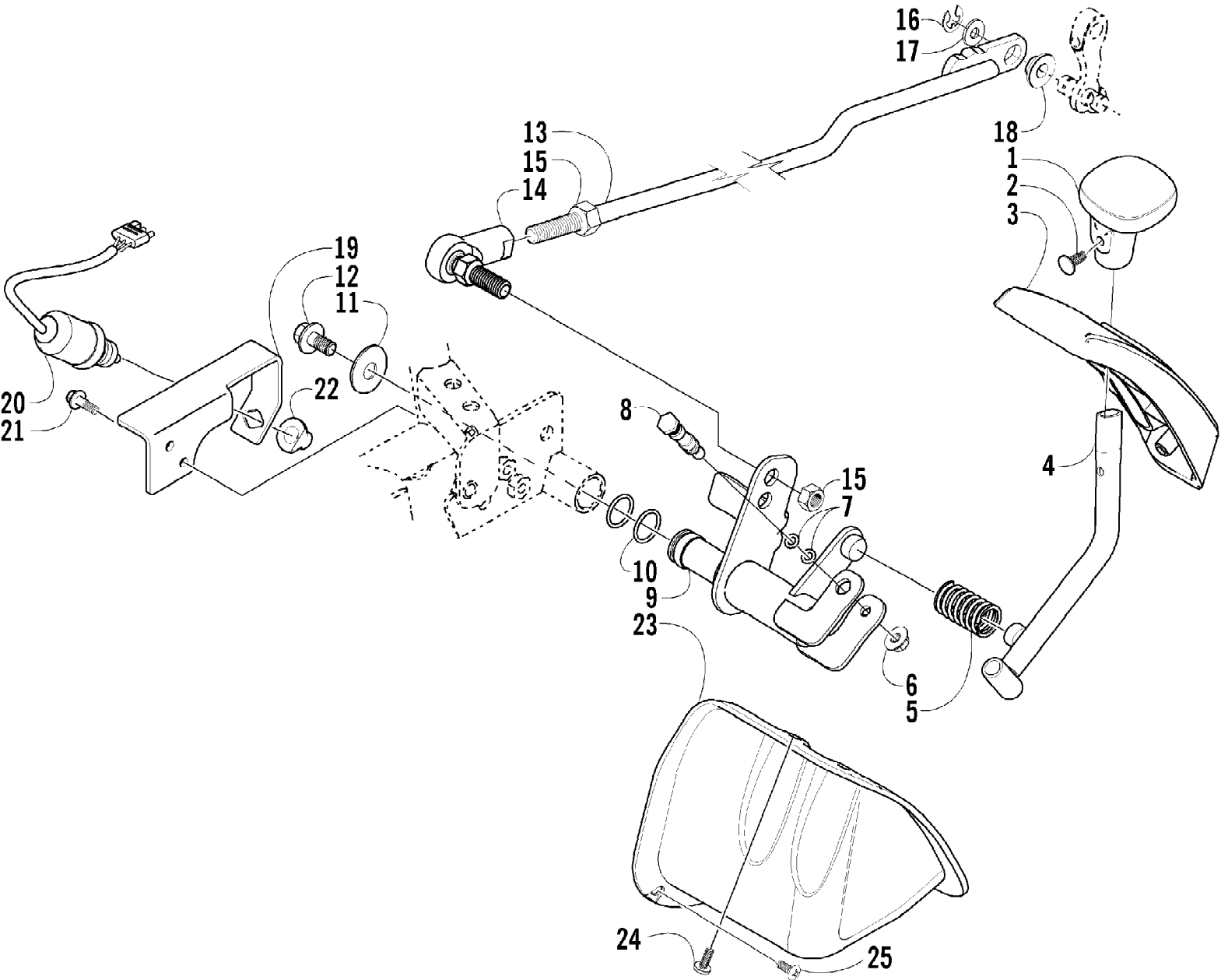
No
Diagram
Available

Parts List
Only

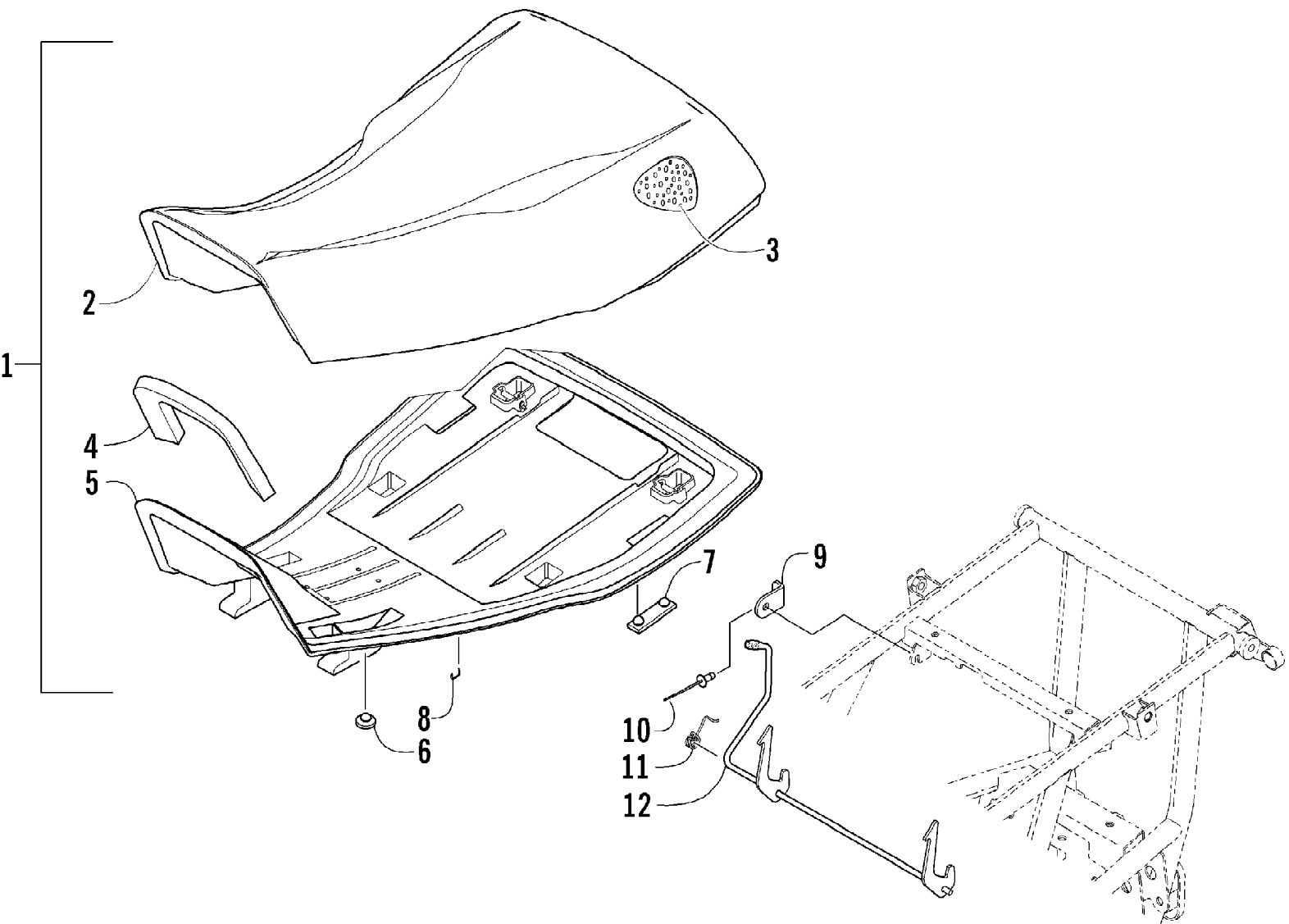
Ref #	Part Number	Qty	S/P/F	Description
	0436-479	1		Articulating Spool Mount
	0436-469	1		Backrest
	0436-513	1		Bag, Fender - Black
	0436-514	1		Bag, Fender (Break-Up)
	0436-515	1		Bag, Fender (Shadow Grass)
	0436-337	1		Bag, Rack, Front - Black
	0436-336	1		Bag, Rack, Rear - Black
	0436-480	1		Bar, Utility/Gun Rack
	0436-502	1		Brush Guard/Bumper
	0436-462	1		Bucket Holder
	0436-432	1	S	Brush Guard/Bumper, Front
	0436-506	1		Bumper (Rear)
	0436-464	1		Camp Stove Cradle
	0436-485	1		Cargo Box Solid Mount Kit
	0436-498	1		Cargo Box Quick-Release Kit
	0436-459	1	/P	Carryall (9x12)
	0436-460	1		Carryall (11x17)
	0436-461	1		Carryall (14x25)
	0436-476	1		Chain Saw Lock
	0436-477	1		Cord Reel
	0436-381	1		Cover, Black and Green
	0436-339	1		Cover, Timber Camo
	0436-005	1	S	Engine Oil - 10W40
	0436-003	1	S	Engine Oil - 5W30
	0436-466	1		Fender Box
	0436-474	1		Flatbed Extensions
	0436-467	1		Gear Cradle
	0436-007	1	S	Gear Lube (Diff) - 80W90
	0436-472	1		Gun Scabbard Kit
	0436-505	1		Hand Guards - Black
	0436-352	1		Hand/Thumb Warmers
	0436-504	1		Ice Auger Holder
	2256-984	1		Illustrated Parts Manual
	0436-463	1		Light Bar
	2256-937	1		Manuel d'utilisation (F)
	0436-473	1		Maxrack (3-Piece)
	2256-934	1		Operator's Manual (E)
	0436-351	1		Rack Basket (Front)
	0436-475	1		Rack Basket (MRP)
	0436-350	1		Rack Basket (Rear)
	0436-349	1		Rack Extension, 4 in. (Front)
	0436-225	1		Rack Extension, 4 in. (Rear)
	0436-226	1		Rack Extension, 8 in. (Rear)
	0436-495	1		Rapid Blind (Break-Up)
	0436-496	1		Rapid Blind (Shadow Grass)
	0436-494	1	S	Rapid Shack (Blue Ice)
	0436-511	1		Rod Holder - Adjustable
	0436-386	1		Snowplow Attachment Kit
	0436-228	1		Snowplow Blade, 50 in. -
	0436-287	1		Snowplow Blade, 50 in. -
	0436-296	1		Snowplow Blade, 60 in. -
	0436-360	1		Snowplow Blade, 60 in. - One-Way
	0436-356	1	S	Snowplow Push Frame

2004 ATV 400 MANUAL TRANSMISSION 4X4 GREEN MRP (A2004ATH4AUS\$) Page 68 of 96
 RELATED ITEMS

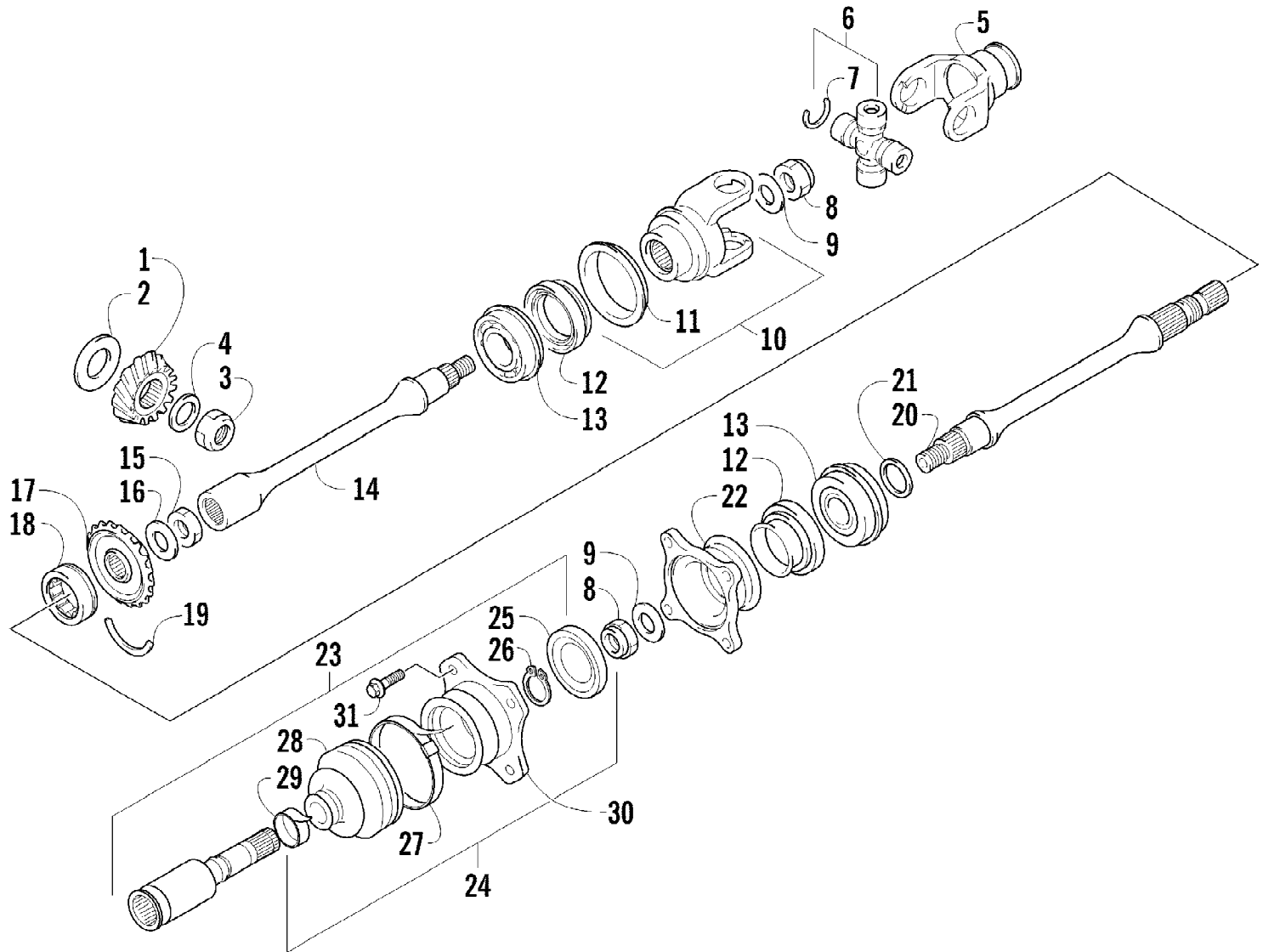
Ref #	Part Number	Qty	S/P/F	Description
	0436-471	1		Speedclamp, Double
	0436-500	1		Sprayer System
	0436-508	1	S	Sprayer Boom (120 in.)
	0436-465	1		Table, Expansion
	1402-028	1		Tire, Titan AT589 (25x8-12, Mud & Snow)
	0402-563	1		Tire, Titan AT589 (25x10-12,
	0436-478	1		Tool Caddy
	0436-297	1		Tool Holder - Double
	0436-263	1	/P	Tool Holder - Single
	0436-468	1		Tree Stand/Bow Case Holder
	0436-329	1	S	Winch, 2500 lb
	0436-361	1		Winch Mounting Kit
	0436-301	1		Windshield, Clear w/Black Accent
	0436-470	1		Workbase (8 in.)



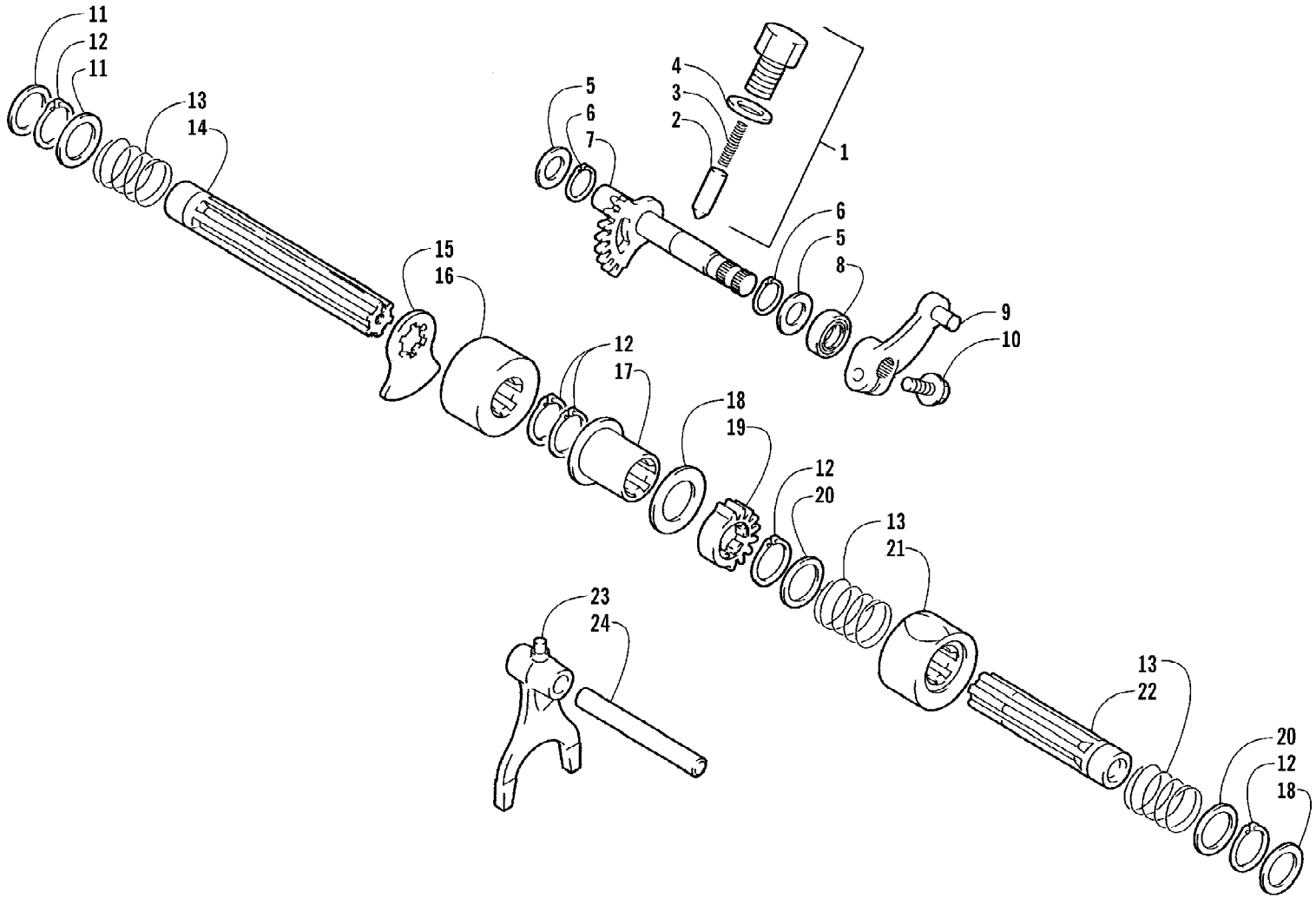
Ref #	Part Number	Qty	S/P/F	Description
1	0402-843	1	/P	Handle, Reverse Shift Lever
2	0423-345	1		Clip, Push
3	0402-983	1		Plate, Shift
4	0502-417	1		Lever, Reverse Shift
5	0502-410	1	S	Spring
6	8424-602	1	/P	Nut
7	0423-182	2	/P	O-Ring
8	0402-675	1		Axle, Pivot
9	0502-419	1		Axle, Reverse Shift Lever
10	0423-299	2	/P	O-Ring
11	0423-087	1		Washer
12	8408-812	1		Screw, Cap
13	0502-147	1		Linkage, Shift
14	0402-844	1		End, Rod
15	0623-294	2		Nut
16	0423-169	1	/P	E-Ring
17	3423-204	1	/P	Washer
18	0423-091	1		Bushing
19	1506-082	1		Bracket, Reverse Switch
20	0409-008	1		Reverse Switch
21	8408-616	2		Screw, Cap
22	0402-991	1		Retainer, Reverse Switch
23	0406-943	1		Shield, Linkage
24	0423-371	3		Screw, Machine
25	0623-309	1		Screw, Self-Tapping



Ref #	Part Number	Qty	S/P/F	Description
1	0506-558	1		Seat Assembly (inc. 2-8)
2	0506-556	1		Cover, Seat
3	0506-555	1		Foam, Seat
4	1406-060	1		Foam, Sound
5	0406-878	1		Base, Seat Assembly (inc. 6-7)
6	0406-877	2	/P	Bumper, Seat - Front
7	0406-879	2		Bumper, Seat - Rear
8	0624-528	AR	/P	Staple
9	1406-087	1		Plate, Retainer
10	8060-284	1		Rivet
11	1406-371	1		Spring, Seat Latch
12	1506-217	1		Latch, Seat

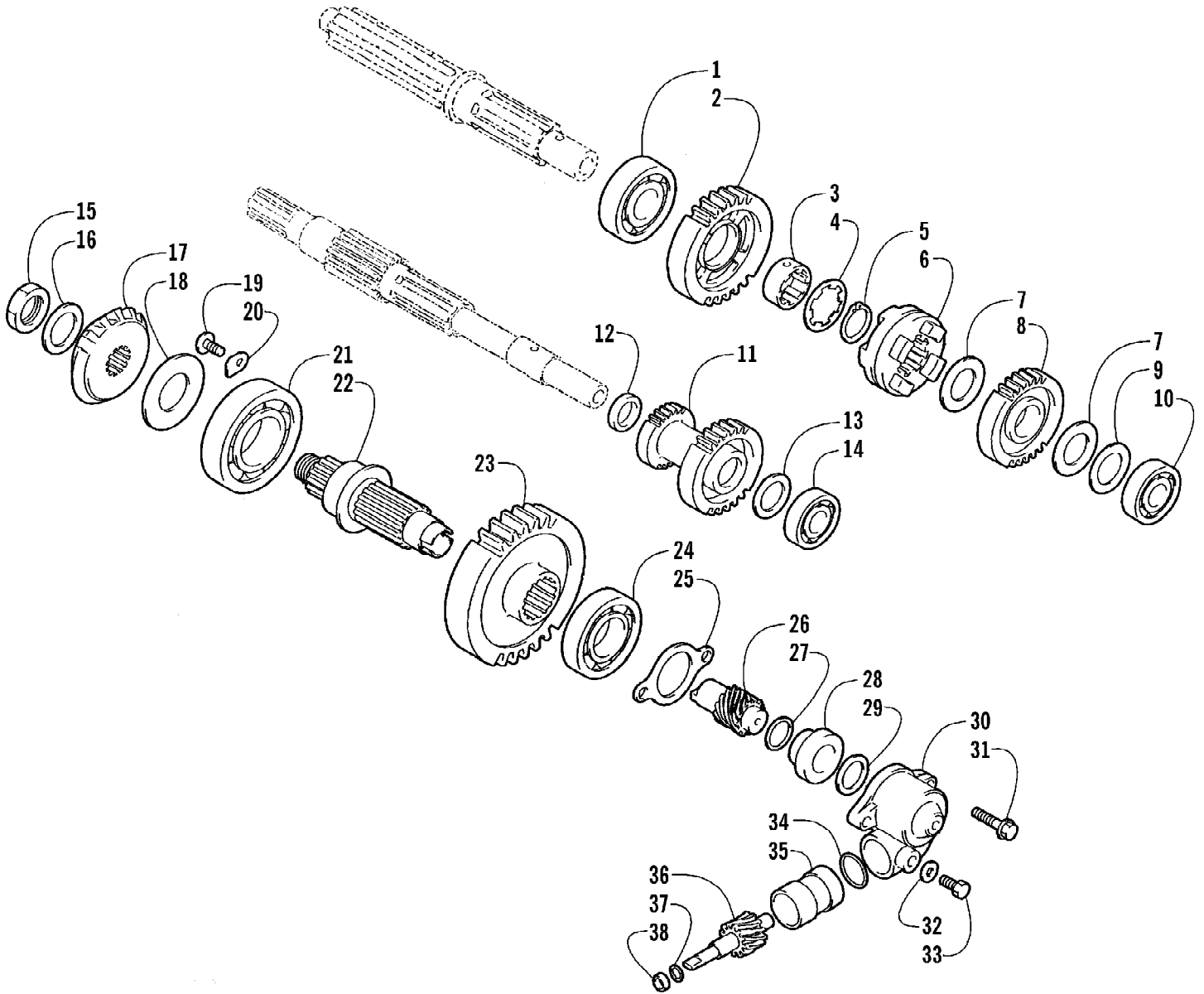


Ref #	Part Number	Qty	S/P/F	Description
1	3446-274	1	/P	Gear, Secondary Drive
2	3446-035	1		Shim, Secondary Drive Gear - Set
3	3423-023	1		Nut
4	3005-372	1		Washer
5	3446-327	1	/P	Yoke, Propeller Shaft
6	3402-562	1		Joint, Universal - Set (inc. 7)
7	3423-479	4		Circlip
8	3423-025	2		Nut
9	3423-028	2		Washer
10	3402-742	1		Yoke, Drive Output - Front (inc. 11)
11	3402-743	1		Plate, Drive Output Yoke
12	3402-072	2		Seal, Oil
13	3402-067	2	S	Bearing
14	3402-559	1		Shaft, Secondary Driven - Front
15	3423-136	1		Nut
16	3423-520	1		Washer
17	3446-222	1	/P	Gear, Secondary Driven
18	3402-515	1	/P	Bearing, Driven Gear
19	3423-072	1		C-Ring, Driven Bearing
20	3446-305	1		Shaft, Secondary Driven - Rear
21	3402-017	AR		Shim, 25 x 34 x 0.60 mm
21	3402-018	AR		Shim, 25 x 34 x 0.65 mm
21	3402-019	AR		Shim, 25 x 34 x 0.70 mm
21	3402-020	AR		Shim, 25 x 34 x 0.75 mm
21	3402-021	AR	S	Shim, 25 x 34 x 0.80 mm
21	3402-022	AR		Shim, 25 x 34 x 0.85 mm
21	3402-023	AR		Shim, 25 x 34 x 0.90 mm
21	3402-024	AR		Shim, 25 x 34 x 0.95 mm
21	3402-025	AR	S	Shim, 25 x 34 x 1.00 mm
21	3402-028	AR		Shim, 25 x 34 x 1.05 mm
21	3402-029	AR		Shim, 25 x 34 x 1.10 mm
21	3402-030	AR		Shim, 25 x 34 x 1.15 mm
21	3402-031	AR		Shim, 25 x 34 x 1.20 mm
22	3402-514	1	/P	Flange, Output Joint - Rear
23	3435-010	1		Joint, Rear Output - Assembly (inc. 24-30)
24	3435-066	1		Boot, Joint - Set (inc. 25-29)
25	3423-356	1		Seal, Plate
26	3423-210	1		Ring, Snap
27	3423-211	1		Band
28	3435-067	1		Boot
29	3423-212	1		Band
30	0	1		Flange, Output
31	8408-820	4	/P	Screw, Cap



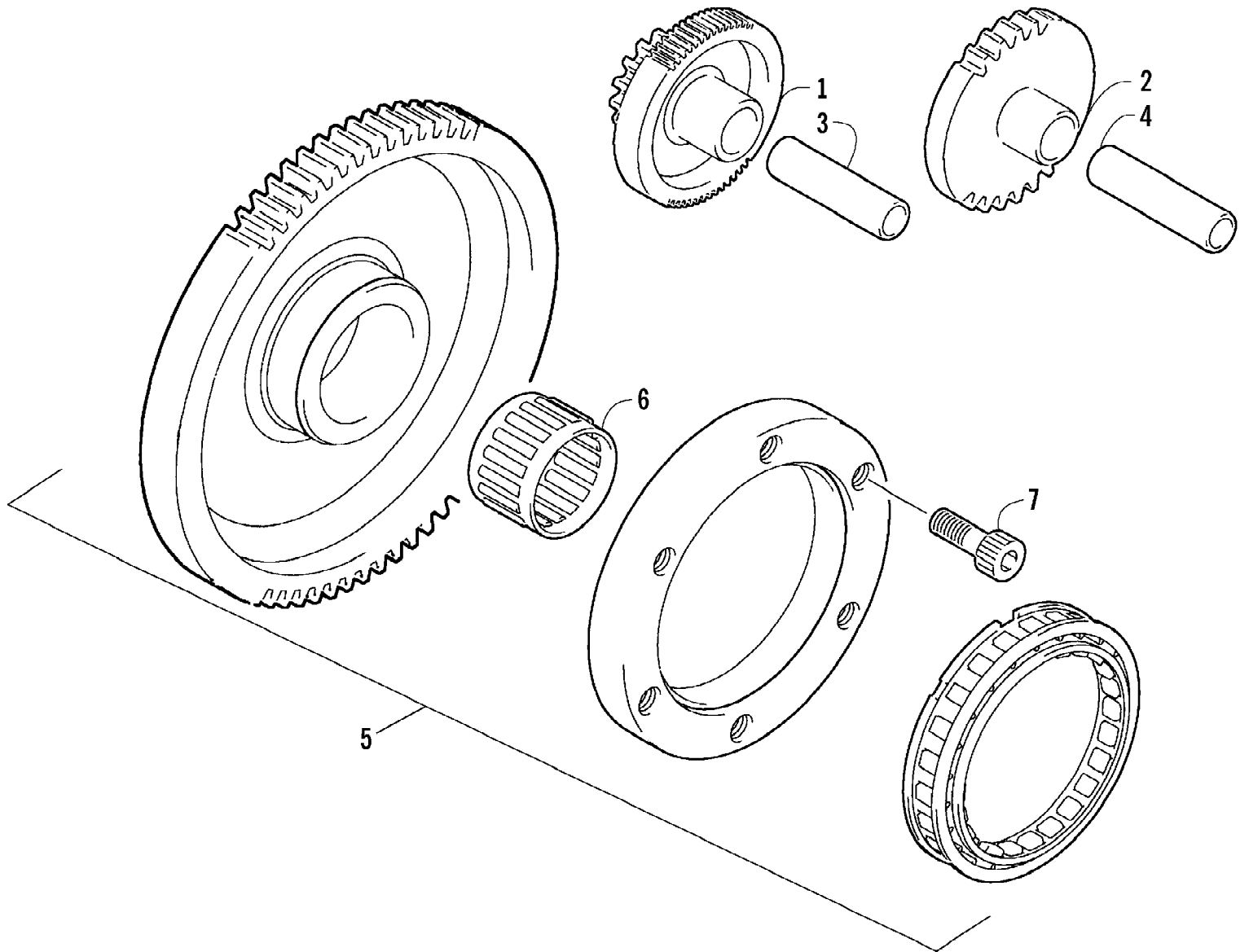
2004 ATV 400 MANUAL TRANSMISSION 4X4 GREEN MRP (A2004ATH4AUS\$) Page 76 of 96
SECONDARY SHIFTING ASSEMBLY

Ref #	Part Number	Qty	S/P/F	Description
1	3446-314	1		Stopper, Gear Shift Cam (inc. 2-3)
2	3446-315	1		Stopper
3	3423-524	1		Spring
4	3402-012	1		Gasket
5	1691-043	2		Washer
6	3423-358	2	S	Circlip
7	3446-322	1		Shaft, Gear Shift
8	3402-076	1		Seal, Oil
9	3402-434	1	/P	Arm, Gear Shift
10	3004-341	1	S/P	Bolt, Gear Shift Arm
11	3423-527	2	/P	Washer
12	3423-190	5	S	Circlip
13	3423-526	3	/P	Spring
14	3446-325	1		Camshaft, Reverse
15	3446-324	1		Plate, Cam Lock
16	3446-323	1		Cam, Reverse
17	3446-321	1		Joint, Camshaft
18	3402-381	2	/P	Washer
19	3446-316	1		Gear, Camshaft
20	3423-533	2		Washer
21	3423-525	1		Cam
22	3446-320	1		Camshaft
23	3446-318	1		Fork, Gear Shift
24	3446-317	1		Shaft, Gear Shift Fork



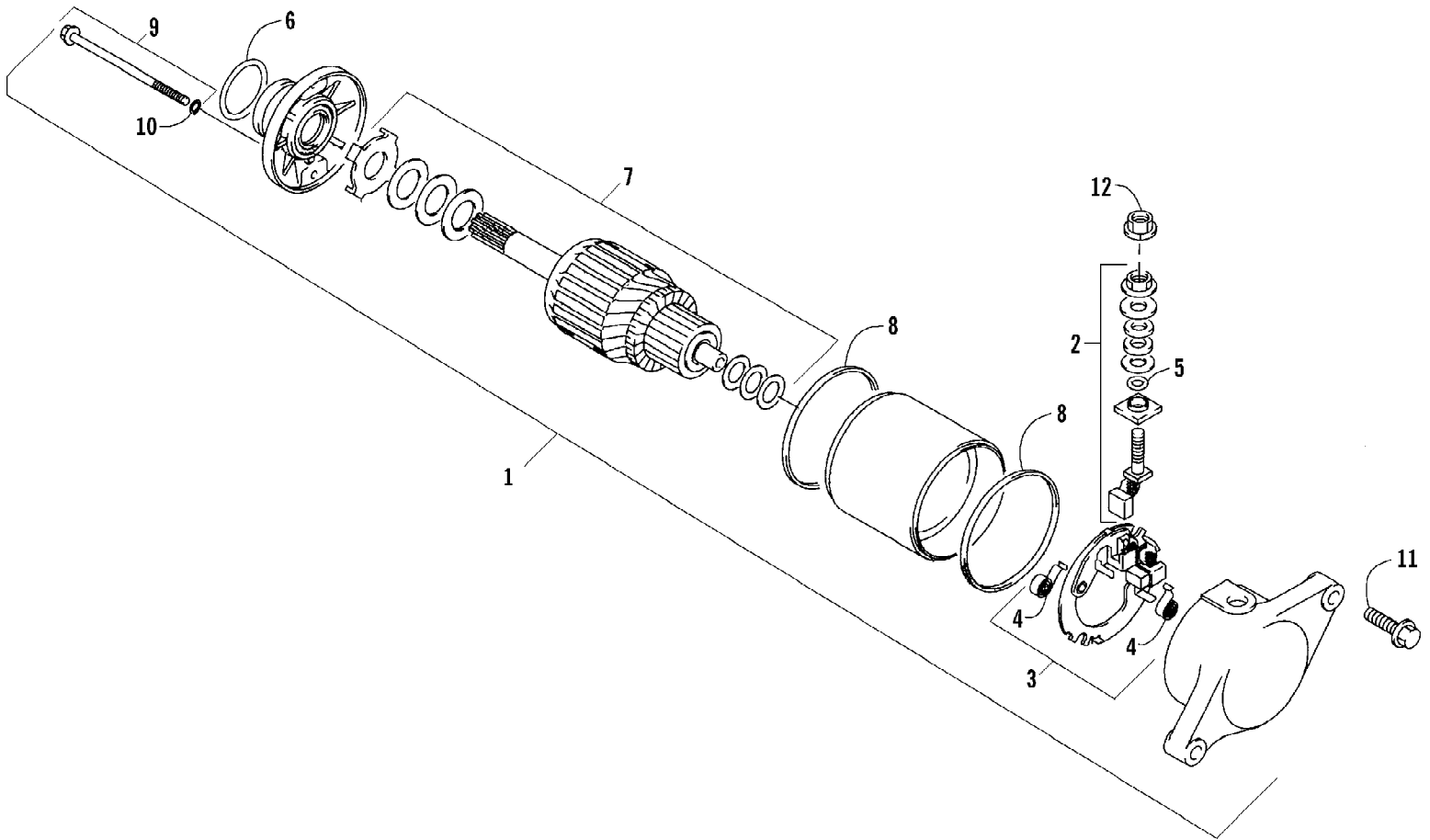
2004 ATV 400 MANUAL TRANSMISSION 4X4 GREEN MRP (A2004ATH4AUS\$) Page 78 of 96
SECONDARY TRANSMISSION ASSEMBLY

Ref #	Part Number	Qty	S/P/F	Description
1	3402-776	1		Bearing
2	3446-300	1		Gear, Drive - No. 1
3	3446-301	1		Bushing, Drive Gear No. 1
4	3423-036	1		Washer
5	3423-066	1	/P	Circlip
6	3446-249	1		Dog, Sliding
7	3423-126	2	/P	Washer
8	3446-302	1		Gear, Drive - No. 2
9	3423-519	1		Spacer, Drive Gear
10	3402-047	1	S	Bearing, Driveshaft
11	3446-299	1		Gear, Idle
12	3402-205	1		Spacer, Idle Gear
13	3423-319	1		Washer
14	3402-217	1		Bearing
15	3423-023	1		Nut, Secondary Drive Gear
16	3005-372	1		Washer, Secondary Drive Gear
17	3446-274	1	/P	Gear, Secondary Drive
18	3446-035	1		Shim, Secondary Drive Gear - Set
19	3423-370	2		Screw
20	3446-031	2	/P	Retainer, Output Shaft
21	3402-180	1	S	Bearing
22	3446-303	1		Shaft, Output
23	3446-304	1		Gear, Driven
24	3402-045	1	/P	Bearing
25	3446-244	1	/P	Gasket, Speedometer Housing
26	3446-060	1		Gear, Speedometer Drive
27	3423-145	1		Washer
28	3446-114	1	/P	Spacer, Speedometer Drive Gear
29	3423-146	1		Washer
30	3446-057	1		Housing, Speedometer
31	3423-346	2	S	Bolt
32	3402-009	1	/P	Washer
33	3423-143	1	S	Bolt
34	3423-056	1		O-Ring
35	3446-058	1		Sleeve
36	3446-061	1		Gear, Speedometer Driven
37	3423-144	1		Washer
38	3402-077	1		Seal, Speedometer Driven Gear



2004 ATV 400 MANUAL TRANSMISSION 4X4 GREEN MRP (A2004ATH4AUS\$) Page 80 of 96
STARTER CLUTCH ASSEMBLY

Ref #	Part Number	Qty	S/P/F	Description
1	3402-603	1		Gear, Starter Idler - No. 1
2	3402-124	1		Gear, Starter Idler - No. 2
3	3423-331	1		Pin, Starter Idler Gear No. 1
4	3423-397	1		Pin, Starter Idler Gear No. 2
5	3402-690	1	S	Clutch, Starter - Set (inc. 6)
6	3402-674	1		Bearing
7	3423-102	6	S	Bolt

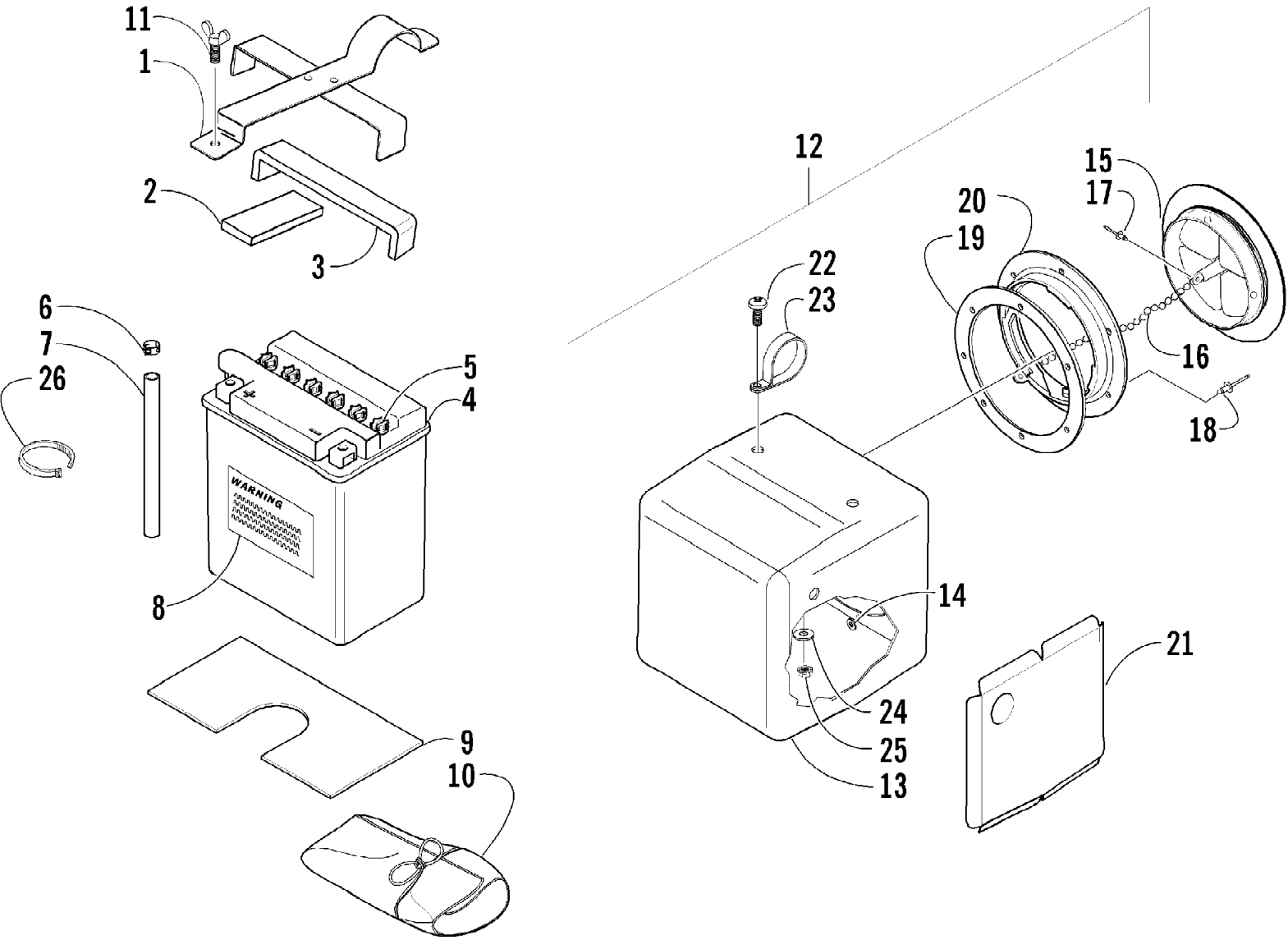


2004 ATV 400 MANUAL TRANSMISSION 4X4 GREEN MRP (A2004ATH4AUS\$) Page 82 of 96
STARTER MOTOR ASSEMBLY

Ref #	Part Number	Qty	S/P/F	Description
1	3545-016	1		Motor, Starter Assembly (inc. 2-10)
2	3402-671	1		Terminal Set, Brush
3	3402-672	1		Holder Set, Brush
4	3008-551	2		Spring, Brush
5	3008-164	1		O-Ring
6	3423-272	1		O-Ring
7	3008-099	1		Washer Set
8	3423-497	2		O-Ring
9	3423-498	2		Through-Bolt (inc. 10)
10	3423-496	2		O-Ring
11	3004-756	2	S	Bolt
12	3423-195	1	/P	Nut

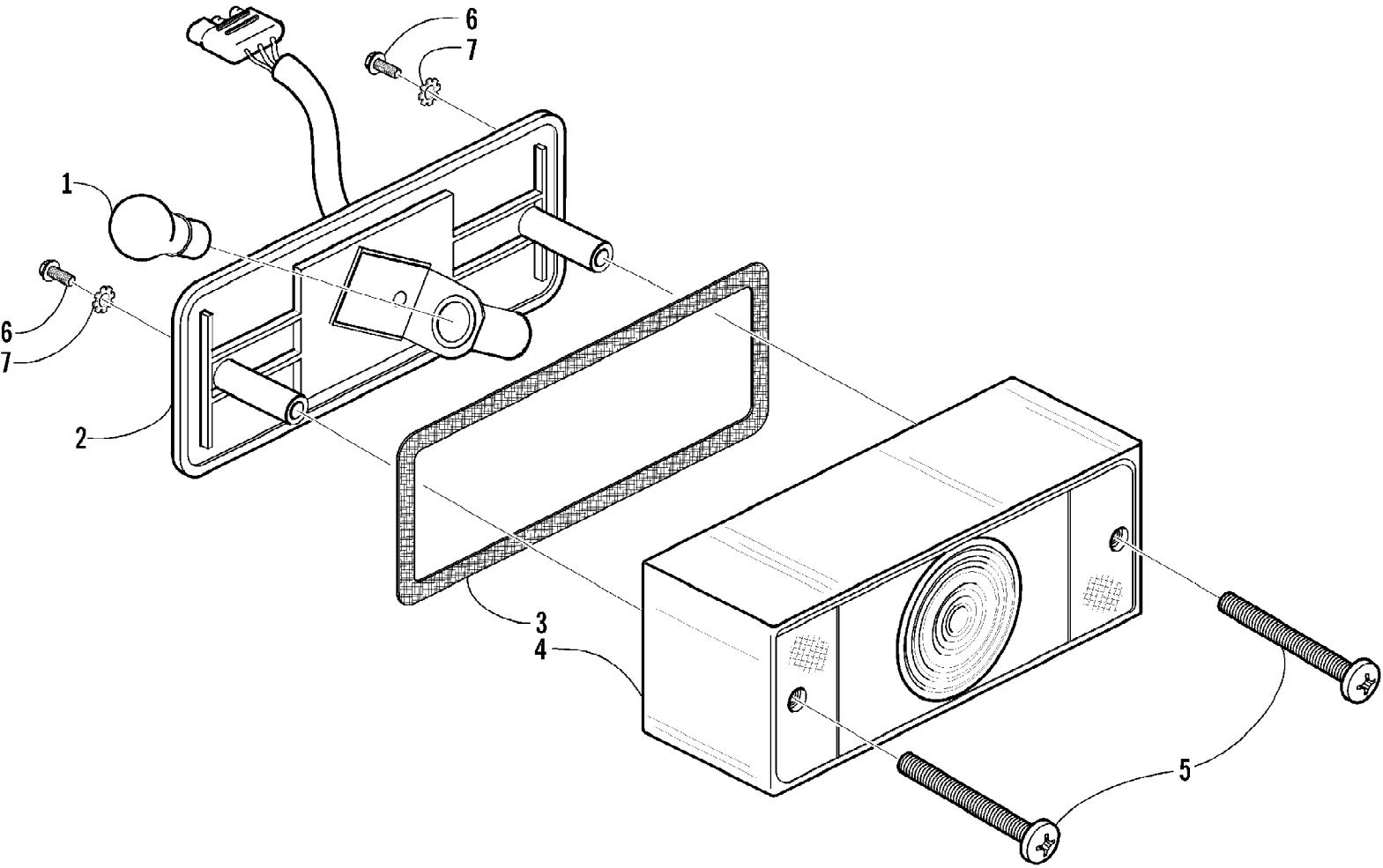
Ref #	Part Number	Qty	S/P/F	Description
1	0420-031	1	/P	Speedometer (inc. 2-8)
2	0420-027	1		Knob, Speedometer Trip
3	0420-016	2		Mount, Rubber
4	0420-017	2		Washer
5	0420-015	2		Pin, Retainer
6	0420-018	1		Bracket, Speedometer
7	0620-149	1	/P	Bulb, Speedometer
8	0420-014	1		Harness, Speedometer
9	8477-616	3		Screw, Machine
10	0409-013	1		Cover, Key
11	3430-040	1		Switch, Ignition - Assembly (inc. 12)
12	3409-007	1	/P	Key, Ignition - Blank (C Series)
12	3409-011	1		Key, Ignition - Blank (D Series)
12	3409-012	1		Key, Ignition - Blank (E Series)
12	3409-013	1		Key, Ignition - Blank (F Series)
13	0423-052	1		Collar, Body
14	0405-063	1		Instrument Pod
15	0420-035	1	/P	Panel, LED
16	0487-026	1		Cable, Speedometer
17	0505-410	1		Tube, Handlebar
18	0405-106	2		Grip, Handlebar
19	8409-020	1	/P	Screw, Cap
20	8408-860	6		Screw, Cap
21	0506-348	1	/P	Bracket, Key Switch
22	0405-035	4		Cap, Steering Adjuster
23	0605-171	1		Housing, Bearing - Lower
24	0405-020	2		Bearing, Steering Post
25	0605-147	1	S	Housing, Bearing - Upper
26	0505-423	1	S	Post, Steering
27	8408-816	2		Screw, Cap
28	0623-175	4		Pin, Cotter
29	0423-157	4		Nut, Lock
30	0505-072	2	/P	Tie Rod, Assembly (inc. 31-35)
31	8420-002	2	/P	Nut - Right
32	0405-082	2	S	Ball Joint, Tie Rod - Right
33	0405-083	2	S	Ball Joint, Tie Rod - Left
34	0423-013	2		Nut - Left
35	0405-032	2		Tie Rod
36	0602-233	1		Flange, Bearing
37	0405-052	1		Bearing w/Inverted Oil Seal
38	0423-073	1		Washer

2004 ATV 400 MANUAL TRANSMISSION 4X4 GREEN MRP (A2004ATH4AUS) Page 85 of 96
STORAGE BOX AND BATTERY ASSEMBLY



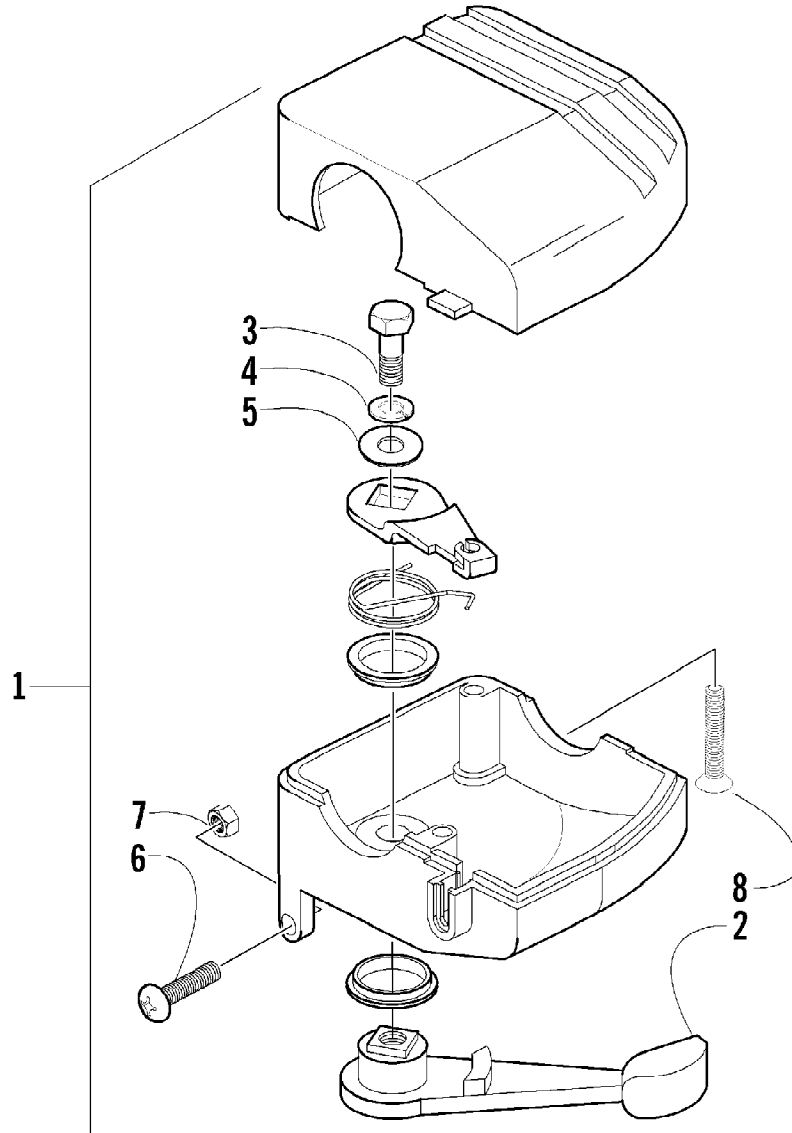
2004 ATV 400 MANUAL TRANSMISSION 4X4 GREEN MRP (A2004ATH4AUS\$) Page 86 of 96
STORAGE BOX AND BATTERY ASSEMBLY

Ref #	Part Number	Qty	S/P/F	Description
1	0506-178	1		Strap, Battery w/Pads (inc. 2-3)
2	0406-288	1		Pad, Battery - Upper Front
3	0406-289	1		Pad, Battery - Upper Rear
4	0745-045	1	/P	Battery Assembly (inc. 5-8)
5	0645-045	6		Cap, Battery
6	0645-152	1		Clamp, Hose
7	0645-263	1	/P	Hose, Battery Vent
8	0645-151	1		Label, Warning - Battery
9	0406-227	1		Pad, Battery - Lower
10	0444-122	1	S/P	Kit, Tool
11	0423-456	1	/P	Screw, Thumb
12	1506-032	1		Storage Box - Assembly (inc. 13-21)
13	1406-236	1		Box, Storage
14	0123-802	6		Washer
15	0406-208	1		Cover, Storage Box
16	0773-401	1		Chain, Cover
17	8060-223	2	S	Rivet
18	8060-630	6		Rivet
19	0673-973	1		Seal, Cover
20	0406-205	1	/P	Ring, Mounting - Cover
21	1406-237	1		Shield, Heat
22	8476-620	4		Screw, Cap
23	0423-044	4		Clamp, Tube
24	0623-184	4		Washer
25	0623-038	4		Nut w/Washer
26	0123-903	2		Cable Tie - 11.5 in.

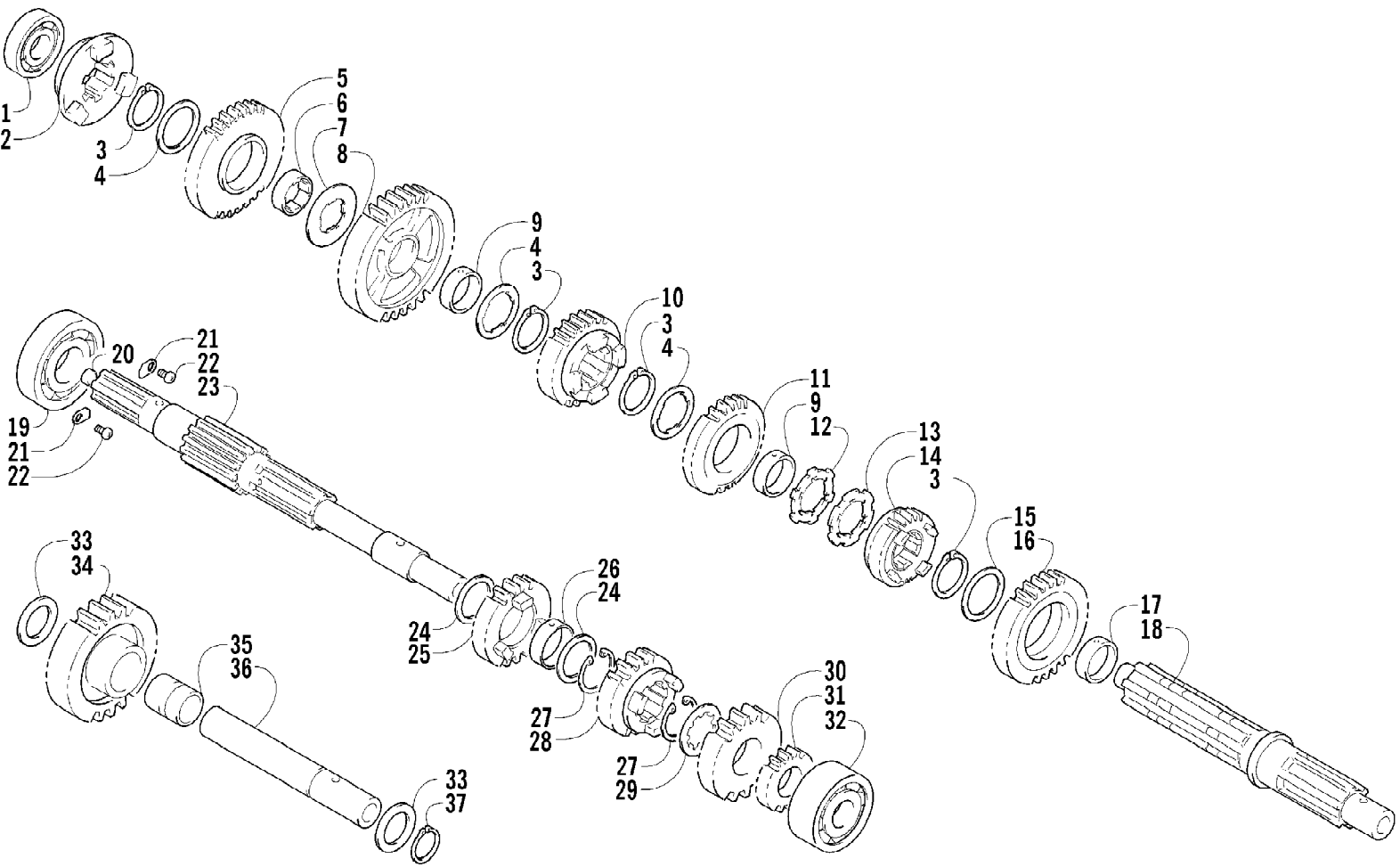


2004 ATV 400 MANUAL TRANSMISSION 4X4 GREEN MRP (A2004ATH4AUS\$) Page 88 of 96
TAILLIGHT ASSEMBLY

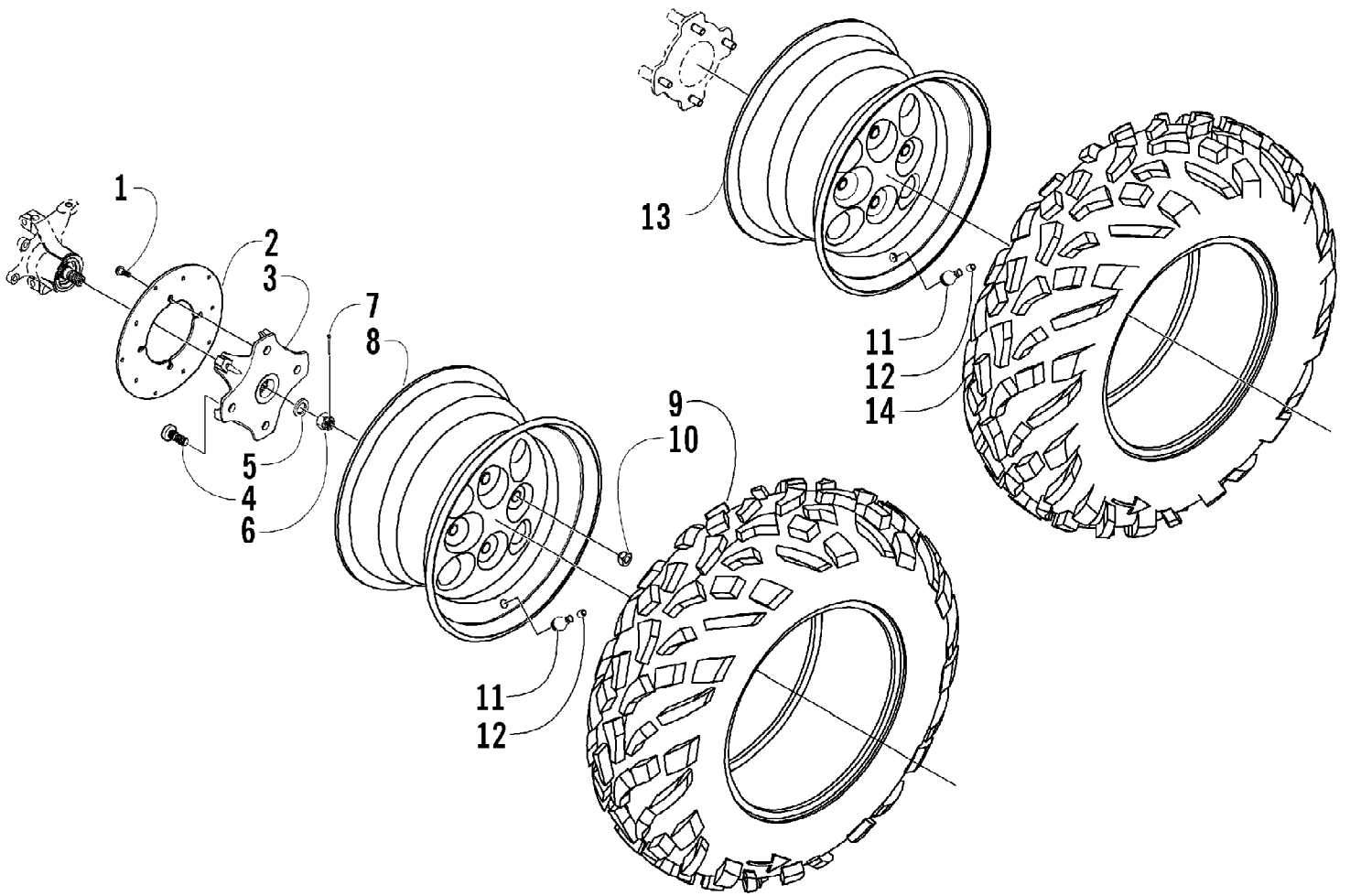
Ref #	Part Number	Qty	S/P/F	Description
	0409-002	1		Complete Taillight Assembly
1	0109-460	1	/P	Bulb, Stop/Taillight
2	0409-058	1		Taillight w/Socket Assembly
3	0409-012	1		Gasket, Taillight Lens
4	0409-007	1		Lens, Taillight
5	0409-010	2		Screw, Machine
6	0623-301	2	/P	Screw, Self-Tapping
7	8053-212	2	/P	Washer, Lock - External Tooth



Ref #	Part Number	Qty	S/P/F	Description
1	3509-003	1	/P	Case, Throttle - Assembly (inc. 2-8)
2	3409-001	1		Lever
3	3004-533	1	S/P	Screw, Cap
4	3004-447	1	/P	Washer, Lock
5	3003-030	1	/P	Washer
6	3423-014	1		Screw
7	3423-327	1		Nut
8	3423-199	2		Screw

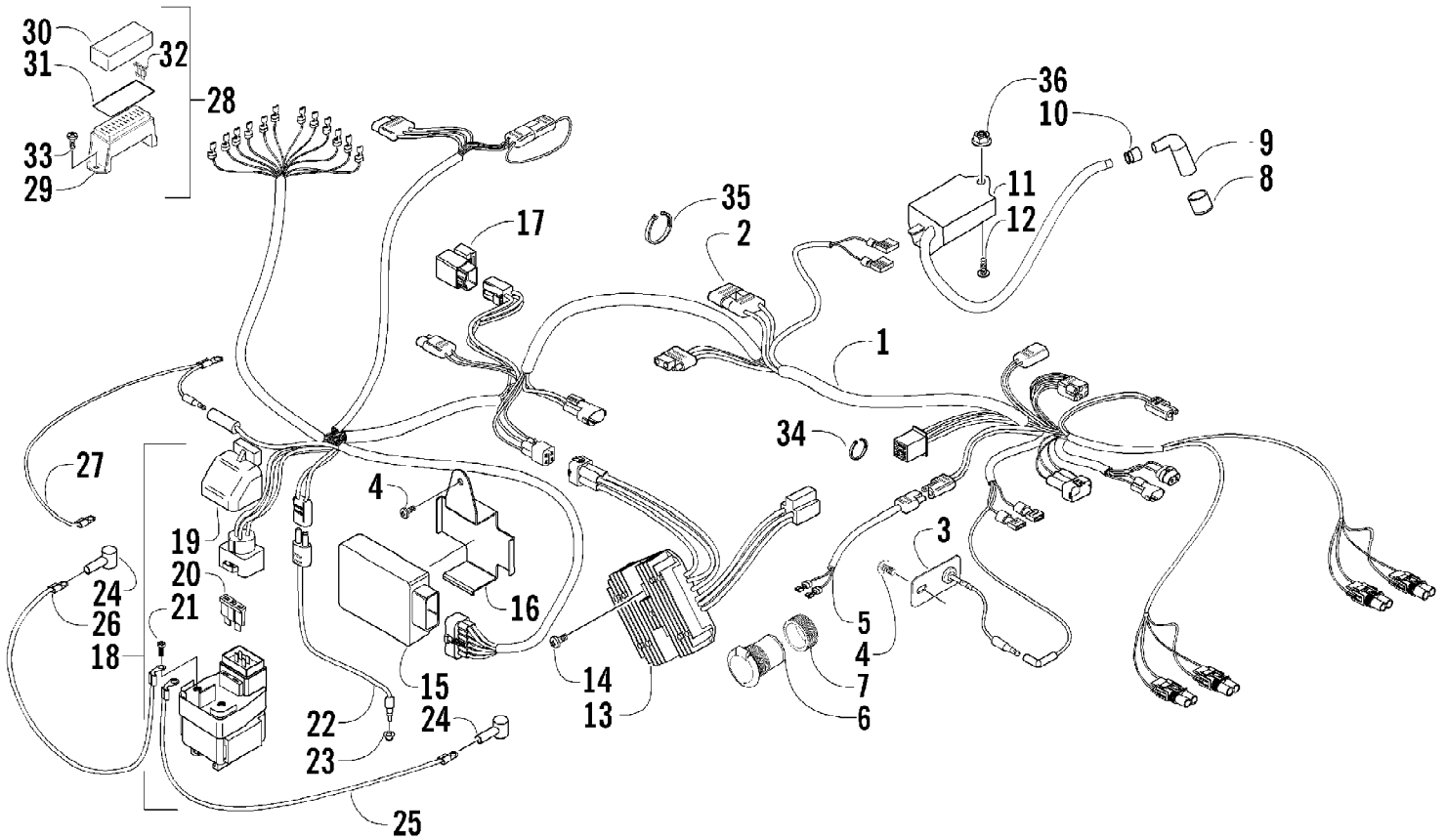


Ref #	Part Number	Qty	S/P/F	Description
1	3402-218	1		Bearing
2	3446-297	1		Dog, Reverse
3	3423-066	4	/P	Circlip
4	3423-036	3		Washer, Lock
5	3446-296	1		Gear, Reverse Driven
6	3446-145	1		Bushing
7	3423-263	1		Washer
8	3446-141	1		Gear, 1st Driven
9	3446-273	2	/P	Bushing
10	3446-146	1		Gear, 4th Driven
11	3446-143	1		Gear, 3rd Driven
12	3423-266	1		Washer, Lock
13	3423-262	1		Washer, Lock
14	3446-147	1		Gear, 5th Driven
15	3423-317	1		Washer
16	3446-142	1		Gear, 2nd Driven
17	3402-230	1		Bushing
18	3402-775	1		Driveshaft
19	0691-374	1		Bearing
20	3402-033	1		Plug, Countershaft
21	3446-031	2	/P	Retainer, Bearing
22	3423-370	2		Screw
23	3446-295	1	S	Countershaft
24	3402-210	2		Washer
25	3446-139	1		Gear, 4th Drive
26	3402-229	1		Bushing
27	3423-279	2		Circlip
28	3446-138	1		Gear, 3rd Drive
29	3423-261	1	S	Washer
30	3446-140	1		Gear, 5th Drive
31	3446-137	1		Gear, 2nd Drive
32	3402-224	1		Bearing
33	3402-209	2		Washer
34	3446-149	1		Gear, Reverse Idle
35	3402-228	1		Bushing
36	3446-298	1		Shaft, Reverse Idle
37	3423-518	1		Circlip



2004 ATV 400 MANUAL TRANSMISSION 4X4 GREEN MRP (A2004ATH4AUS\$) Page 94 of 96
 WHEEL AND TIRE ASSEMBLY

Ref #	Part Number	Qty	S/P/F	Description
1	0423-029	8		Screw, Machine
2	0402-874	2	S	Disc, Brake
3	0502-421	2	/P	Hub, Wheel - Front (inc. 4)
4	0402-974	8	/P	Stud, Wheel Hub
5	0402-181	2		Seal, Hub
6	0423-394	2		Nut, Hex
7	0123-458	2	/P	Pin, Cotter
8	0402-856	2		Wheel - Front
9	0402-890	2		Tire - Front
10	0423-408	16	/P	Nut, Mounting - Wheel
11	0402-064	4		Stem, Valve (inc. 12)
12	0402-140	4		Cap, Valve Stem
13	0402-989	2		Wheel - Rear
14	0402-887	2		Tire - Rear



Ref #	Part Number	Qty	S/P/F	Description
1	0486-100	1		Harness, Main (inc. 2)
2	0486-029	1		Diode (Start In Gear)
3	0509-011	1	S	Diode Assembly
4	8476-616	2		Screw, Machine
5	0486-004	1		Harness, 12V Receptacle
6	0445-022	1	S	Receptacle, 12V (inc. 7)
7	0445-034	1		Nut, Retainer
8	3430-008	1	/P	Seal, Spark Plug
9	3430-007	1	/P	Cap, Spark Plug
10	3430-009	1	/P	Seal, High Tension Wire
11	3430-055	1		Coil, Ignition - Assembly
12	8476-620	1		Screw, Machine
13	3402-682	1		Regulator, Voltage
14	8476-625	2		Screw, Machine
15	3402-785	1		CDI Unit
16	0506-982	1	/P	Bracket, CDI
17	3530-008	1	S	Relay, Neutral Start - Assembly
18	3530-001	1	/P	Relay, Starter Motor - Assembly (inc. 19-20)
19	3530-010	1		Cover, Starter Motor Relay
20	0630-098	1		Fuse, 30 Amp
21	8477-610	2		Screw, Cap
22	0409-009	1		Switch, Brake - Assembly
23	0402-991	1		Retainer, Switch
24	0645-019	2		Boot, Terminal
25	0445-003	1	/P	Cable, Battery/Electric Start Relay
26	0445-019	1		Cable, Electric Start Relay/Starter
27	0445-035	1		Cable, Battery/Ground
28	0530-001	1		Block, Fuse - Assembly (inc. 29-30)
29	0	1	F	Block, Fuse
30	0	1	F	Cover, Fuse Block
31	0411-271	1		Decal, Fuse Block
32	0630-057	4		Fuse - 10 Amp
32	0630-058	2		Fuse - 15 Amp
33	0623-361	2		Screw, Self-Tapping
34	0123-788	AR	/P	Cable Tie - 7.5 in.
35	0123-903	AR		Cable Tie - 11.5 in.
36	8424-602	2	/P	Nut, Flange