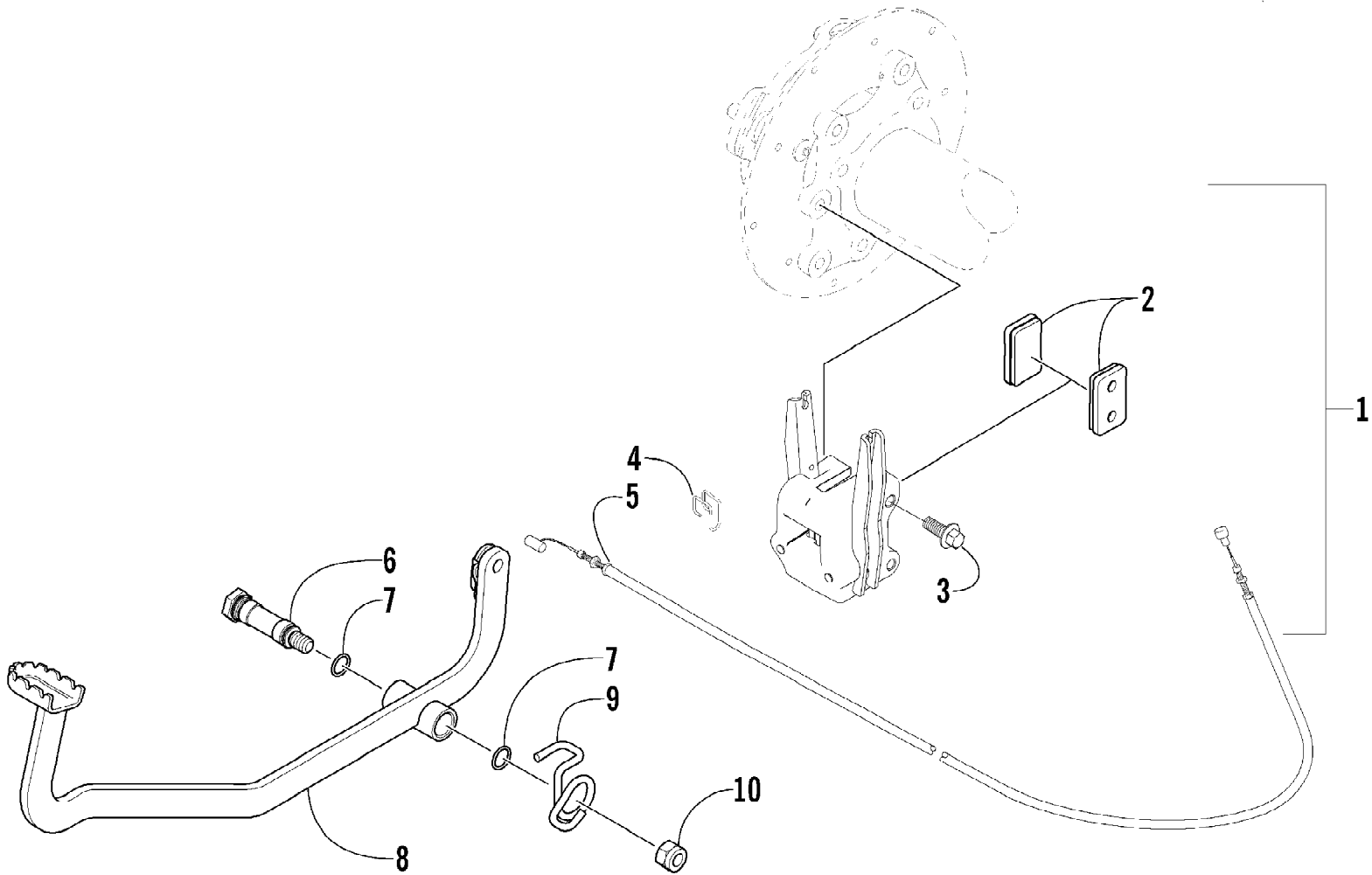


2004 ATV 400 AUTOMATIC TRANSMISSION 4X4 RED MRP (A2004ATH4BUSTP) Page 2 of 94  
AIR INTAKE ASSEMBLY

Ref #	Part Number	Qty	S/P/F	Description
1	0423-379	1		Clamp
2	0470-456	1		Boot, Air Intake
3	0423-018	2		Clamp
4	0470-446	1	/P	Housing, Air Intake
5	0623-101	1		Clip, Retaining
6	0470-343	1		Gasket
7	0470-383	1	/P	Snorkel
8	0470-307	4		Clamp
9	0423-037	4		Spring
10	0623-121	4		Screw, Machine
11	0123-010	4	/P	Nut, Expansion
12	0410-045	1		Hose, Crankcase Vent
13	0470-391	1	/P	Filter, Air
14	0412-141	1		Shield, Heat
15	0470-442	1	/P	Valve, Drain
16	1673-272	1	/P	Cap, Drain Tube
17	0423-047	1		Clamp, Hose
18	0423-045	2		Clamp, Hose
19	0470-351	2		Support, Air Intake Flange



2004 ATV 400 AUTOMATIC TRANSMISSION 4X4 RED MRP (A2004ATH4BUSTP) Page 4 of 94  
AUXILIARY BRAKE ASSEMBLY

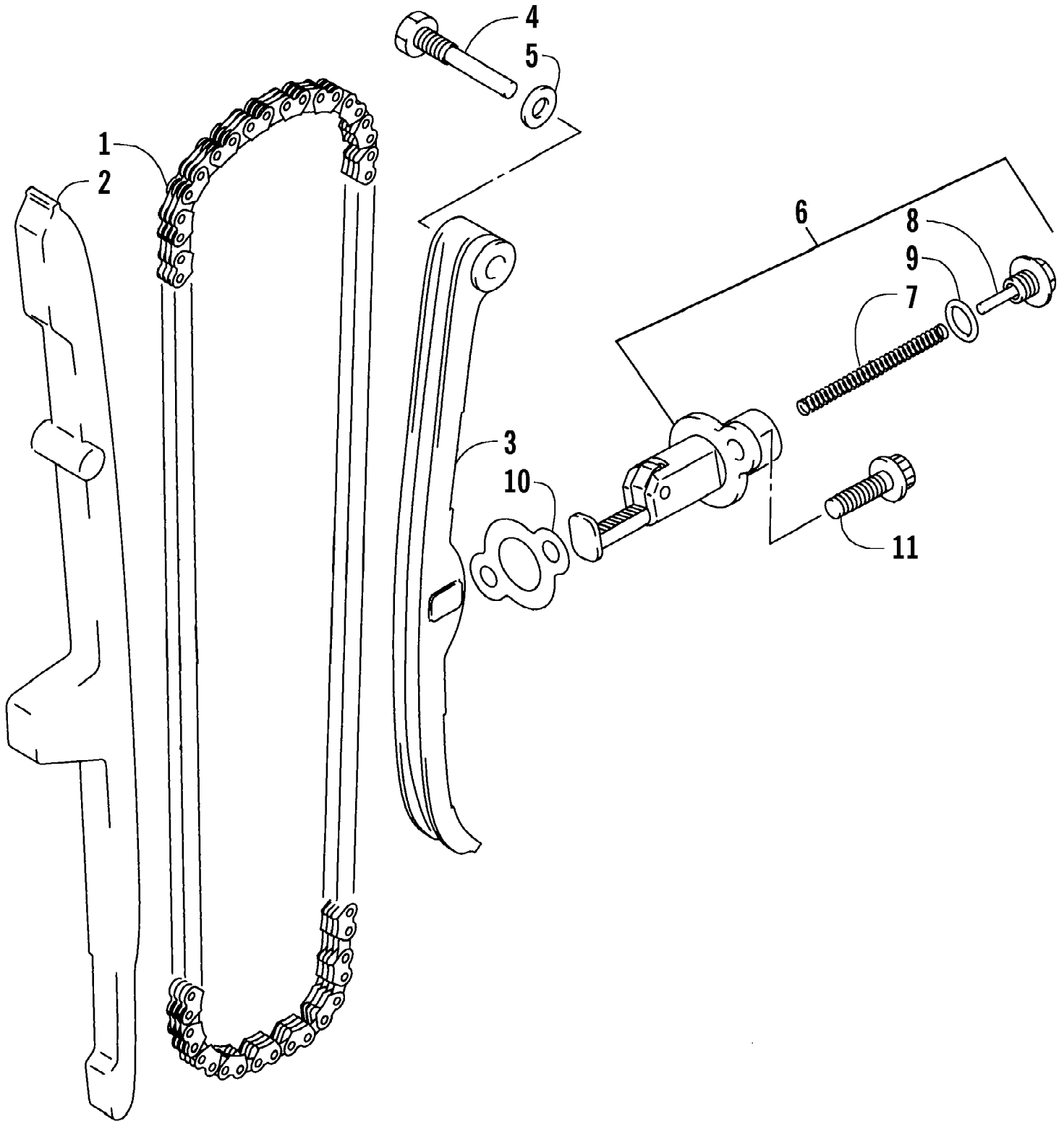
Ref #	Part Number	Qty	S/P/F	Description
1	0502-372	1	/P	Auxiliary Brake Assembly (inc. 2)
2	0402-958	2	/P	Pad, Brake
3	8408-820	2	/P	Screw, Cap
4	0402-379	1		Wire Form, Cable
5	0487-006	1		Cable, Brake - Rear
6	0402-872	1		Axle, Brake Lever
7	0423-096	2		O-Ring
8	0502-252	1		Lever, Brake
9	0502-395	1	/P	Spring, Brake Lever
10	8422-002	1		Nut





2004 ATV 400 AUTOMATIC TRANSMISSION 4X4 RED MRP (A2004ATH4BUST) Page 6 of 94  
BODY PANEL ASSEMBLY

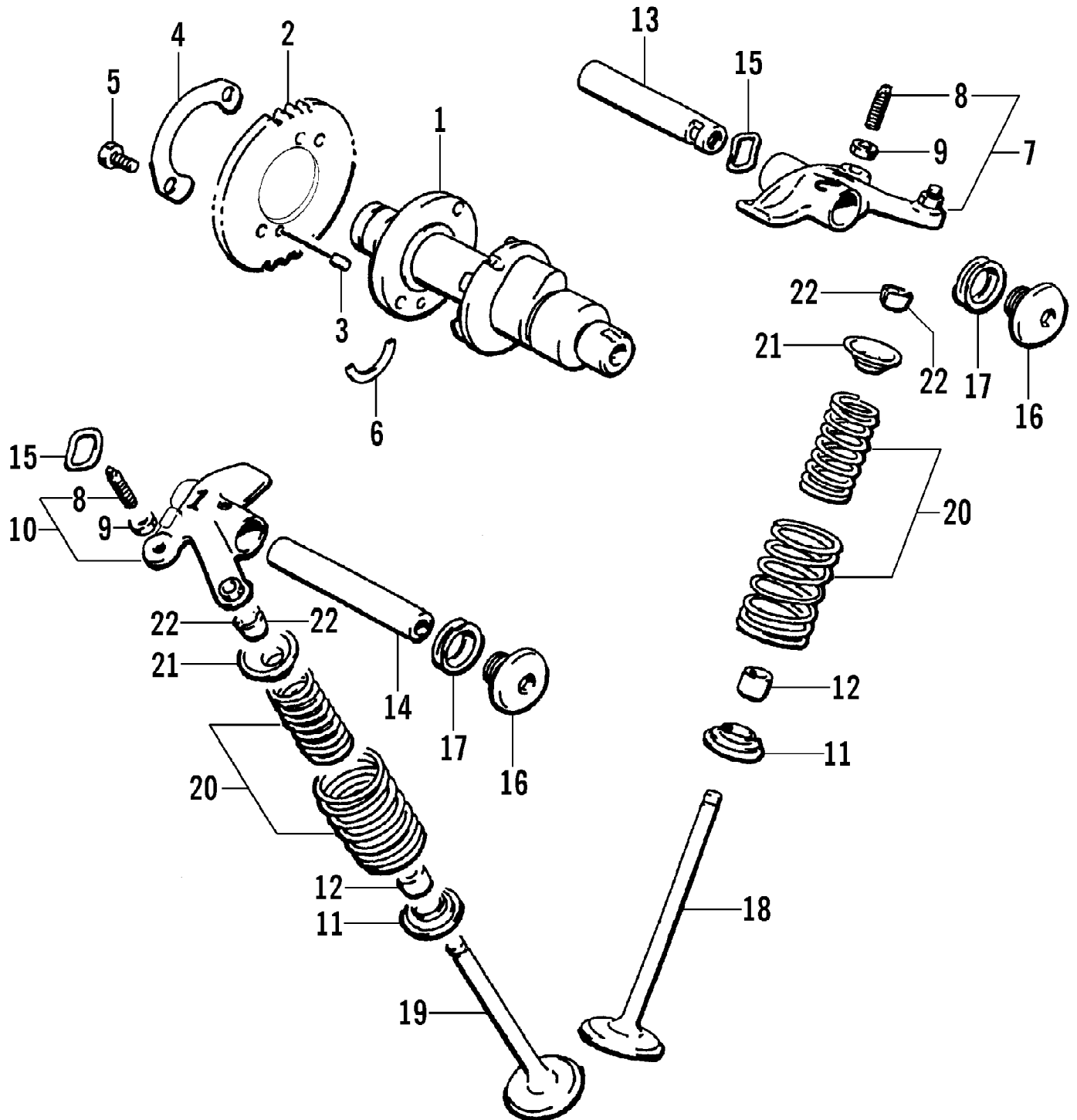
Ref #	Part Number	Qty	S/P/F	Description
1	0506-616	1		Panel, Fender - Front (inc. 2)
2	1406-142	1	/P	Cover, Access
3	0	1	F	Rack - Front
4	8408-816	2		Screw, Cap
5	0411-646	2		Decal, Reflector - Amber
6	0423-360	2		Screw, Cap
7	0506-550	1		Flare - Front - Right
7	0506-551	1		Flare - Front - Left
8	0423-357	2		Nut, Stamped
9	0423-101	AR		Screw, Body
10	0423-031	2		Nut, Speed
11	8477-616	2		Screw, Machine
12	0470-404	1		Grommet, Fuel Shut-Off Valve
13	0123-010	2	/P	Nut, Expansion
14	0506-548	1		Panel, Side - Right
14	0506-243	1		Panel, Side - Left
15	0412-142	1		Shield, Heat
16	0423-068	2		Screw, Machine
17	0423-356	2		Screw, Shoulder
18	0423-438	4		T-Nut w/Teeth
19	1406-063	1		Panel, Fender - Inner - Right
19	1406-064	1		Panel, Fender - Inner - Left
20	1406-006	2		Panel, Fender - Inner - Lower
21	0123-788	AR	/P	Cable Tie - 7.5 in.
22	0406-941	1	/P	Panel, Kick - Right
22	0506-626	1		Panel, Kick - Left
23	0423-046	AR		Rivet, Plastic
24	0423-060	2		Clip, Tinnerman
25	0623-309	2		Screw, Self-Tapping
26	0412-140	1		Shield, Heat
27	0423-355	2		Screw, Shoulder
28	0506-750	1	S	Fender Extension - Rear - Right
28	0406-085	1		Fender Extension - Rear - Left
29	0	1	F	Rack - Rear
30	8409-020	4	/P	Screw, Cap
31	0411-647	2		Decal, Reflector - Red
32	0506-620	1	S	Panel, Fender - Rear
33	0506-552	1		Flare, Rear - Right
33	0506-553	1		Flare, Rear - Left
34	0423-342	12	/P	Screw, Self-Tapping
35	0412-124	1		Shield, Heat
36	0412-147	1		Shield, Heat



2004 ATV 400 AUTOMATIC TRANSMISSION 4X4 RED MRP (A2004ATH4BUSTP) Page 8 of 94  
CAM CHAIN ASSEMBLY

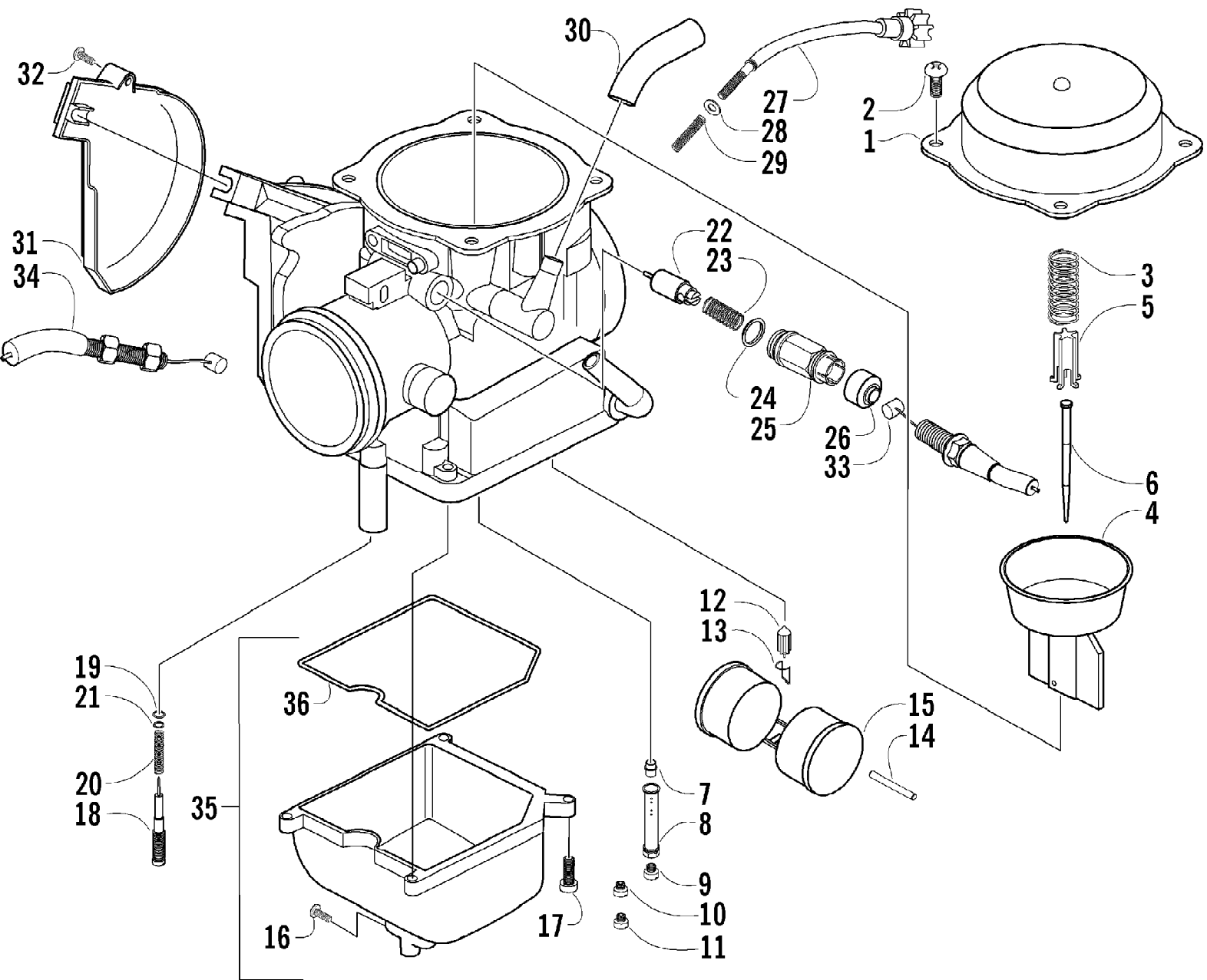
Ref #	Part Number	Qty	S/P/F	Description
1	3402-281	1		Chain, Cam
2	3402-612	1		Guide, Cam Chain
3	3402-613	1		Tensioner, Cam Chain
4	3423-074	1		Bolt
5	3402-436	1	/P	Washer
6	3402-614	1		Adjuster, Tensioner - Assembly (inc. 7-9)
7	3423-484	1		Spring
8	3423-485	1		Plug
9	3423-286	1		O-Ring
10	3403-020	1		Gasket, Adjuster
11	3004-512	2	S	Bolt

2004 ATV 400 AUTOMATIC TRANSMISSION 4X4 RED MRP (A2004ATH4BUST) Page 9 of 94  
CAMSHAFT/VALVE ASSEMBLY



2004 ATV 400 AUTOMATIC TRANSMISSION 4X4 RED MRP (A2004ATH4BUSP) Page 10 of 94  
 CAMSHAFT/VALVE ASSEMBLY

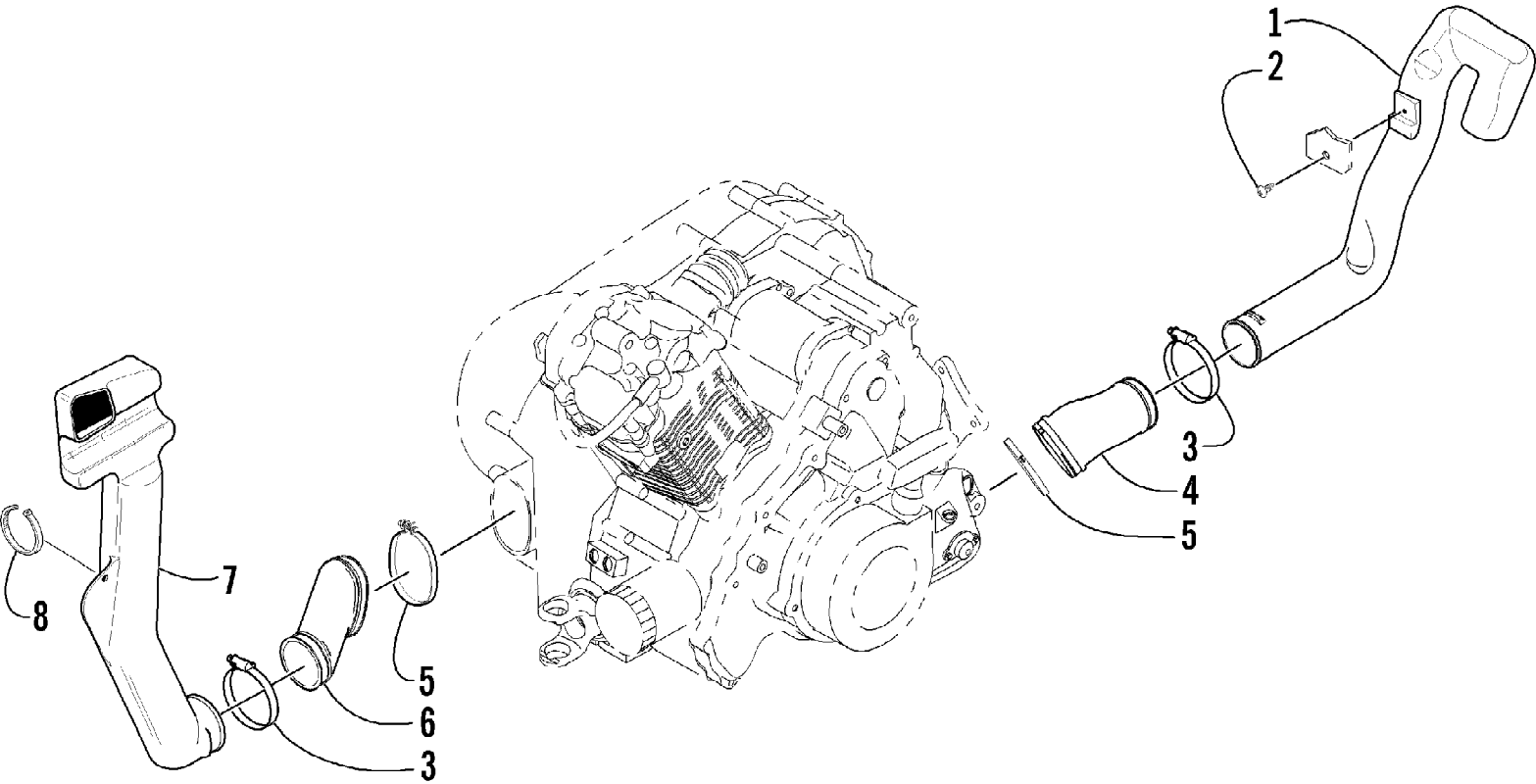
Ref #	Part Number	Qty	S/P/F	Description
1	3402-831	1	S	Camshaft
2	3402-611	1		Sprocket
3	3423-047	1		Pin
4	3423-073	1		Washer
5	3423-013	2	S	Bolt
6	3423-071	1	/P	C-Ring
7	3402-532	1	S	Arm, Valve Rocker - Intake (inc. two No. 8-9)
8	3423-075	4		Screw
9	3423-076	4		Nut
10	3402-139	1		Arm, Valve Rocker - Exhaust (inc. two No. 8-9)
11	3402-148	4		Seat, Spring
12	3402-078	4		Seal, Oil
13	3402-140	1		Shaft, Rocker Arm
14	3402-141	1		Shaft, Rocker Arm
15	3423-031	2		Washer
16	3402-040	2	/P	Plug, Shaft
17	3402-012	2		Gasket
18	3402-725	2	/P	Valve, Intake
19	3402-143	2		Valve, Exhaust
20	3402-144	4		Spring, Valve - Set
21	3402-146	4	S	Retainer, Spring
22	3402-147	8		Cotter, Valve



2004 ATV 400 AUTOMATIC TRANSMISSION 4X4 RED MRP (A2004ATH4BUSP) Page 12 of 94  
CARBURETOR

Ref #	Part Number	Qty	S/P/F	Description
	0470-454	1		Complete Assembly
1	5507-001	1		Cover, Top
2	5507-002	3	/P	Screw, Top Cover
3	5507-052	1		Spring
4	5507-053	1		Piston, Vacuum
5	5507-054	1		Spring, Seat
6	5507-080	1		Jet Needle
7	5507-056	1		Needle Jet
8	5507-047	1	/P	Holder, Needle Jet
9	5507-009	1	/P	Main Jet - 150
9	5507-041	1	F	Main Jet - 147
9	5507-042	1	/P/F	Main Jet - 145
9	5507-043	1	F	Main Jet - 142
9	5507-044	1	F	Main Jet - 140
10	5507-010	1	S	Slow Jet
11	5507-090	1		Starter Jet - 60
12	5507-038	1		Valve, Float - Set (inc. 13)
13	0	1	F	Clip
14	0	1	F	Pin, Float
15	5507-039	1		Float Set (inc. 14)
16	5507-050	1	/P	Screw, Drain
17	5507-089	4	S	Screw
18	5507-040	1		Screw, Pilot Air - Set (inc. 19-21)
19	0	1	F	O-Ring
20	0	1	F	Spring
21	0	1	F	Washer
22	5507-022	1		Valve, Starter
23	5507-023	1		Spring
24	5507-024	1		O-Ring
25	5507-025	1		Cap
26	5507-026	1		Cap, Rubber
27	5507-027	1		Screw, Idle Adjust
28	5507-028	1		Washer
29	5507-029	1		Spring
30	5507-083	1	/P	Tube, Vinyl
31	5507-036	1		Cover
32	5507-037	1	/P	Screw
33	0487-016	1		Cable, Choke
34	0487-021	1	S	Cable, Throttle
35	5507-064	1		Chamber, Float - Assembly (inc. 16 and 36)
36	5507-068	1		O-Ring, Float Chamber





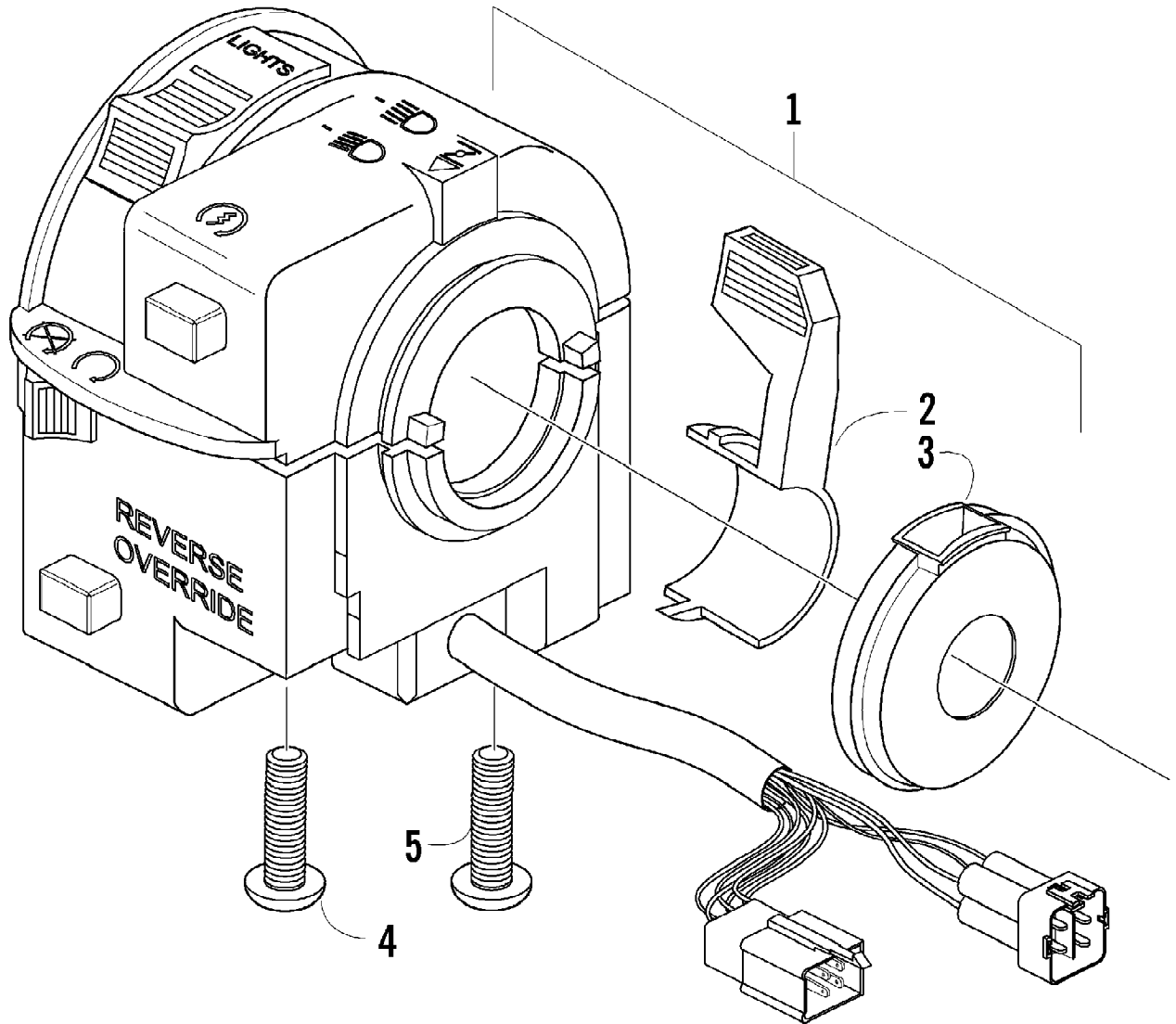
2004 ATV 400 AUTOMATIC TRANSMISSION 4X4 RED MRP (A2004ATH4BUSP) Page 14 of 94  
CASE/BELT COOLING ASSEMBLY

Ref #	Part Number	Qty	S/P/F	Description
1	0413-061	1	/P	Duct, Belt Cooling - Rear
2	0623-301	1	/P	Screw, Self-Tapping
3	0423-380	2	/P	Clamp
4	0413-060	1		Boot, Duct - Rear
5	3402-449	2	/P	Clamp
6	0413-048	1		Boot, Duct - Front
7	0413-042	1		Duct, Belt Cooling - Front
8	0123-788	2	/P	Cable Tie - 7.5 in.



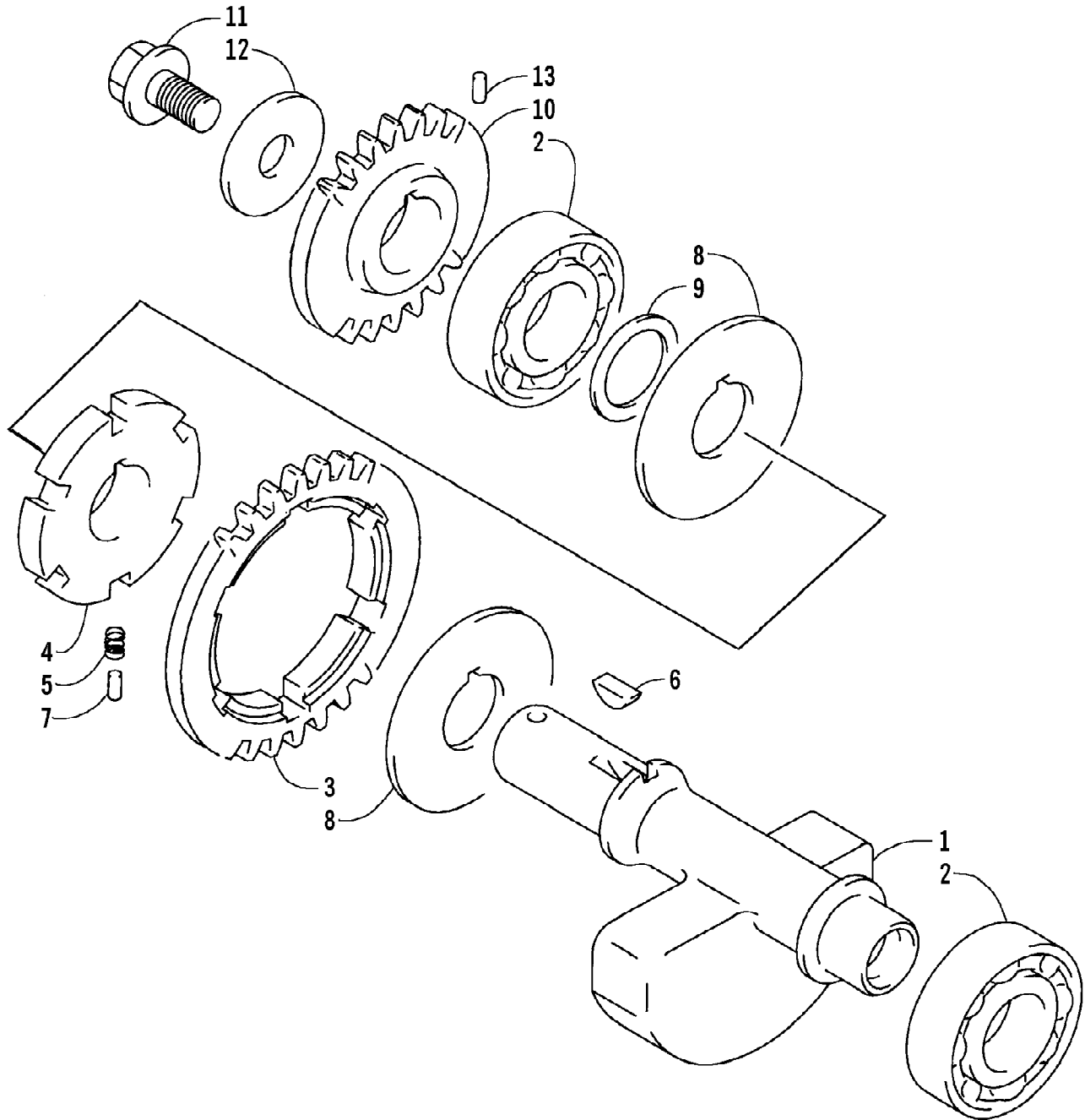
2004 ATV 400 AUTOMATIC TRANSMISSION 4X4 RED MRP (A2004ATH4BUSP) Page 16 of 94  
CLUTCH/V-BELT/MAGNETO COVER ASSEMBLY

Ref #	Part Number	Qty	S/P/F	Description
1	3402-583	1		Cover, Clutch
2	3402-589	1		Gasket
3	3423-088	6		Pin, Dowel
4	3423-098	26	S	Bolt
5	3423-392	1		Bolt
6	3402-586	1		Cover, V-Belt
7	3402-591	1		Gasket, V-Belt Cover
8	0693-327	14	S	Bolt
9	3004-552	3	S	Screw
10	3004-705	1	S	Plug, Drain
11	3402-444	1		Gasket, Drain Plug
12	3402-445	1		Plate, Air Intake
13	3402-013	1	/P	Gasket
14	3402-585	1		Cover, Magneto
15	3402-590	1		Gasket, Magneto Cover
16	3402-593	1		Stick, Oil Level
17	3423-055	1		O-Ring, Oil Level Stick
18	3423-307	2	S	Bolt
19	3423-430	1		Bolt
20	3004-705	1	S	Plug, Oil Gallery
21	3402-444	1		Gasket
22	3402-041	1	S	Plug



2004 ATV 400 AUTOMATIC TRANSMISSION 4X4 RED MRP (A2004ATH4BUSP) Page 18 of 94  
CONTROL SWITCH HOUSING ASSEMBLY

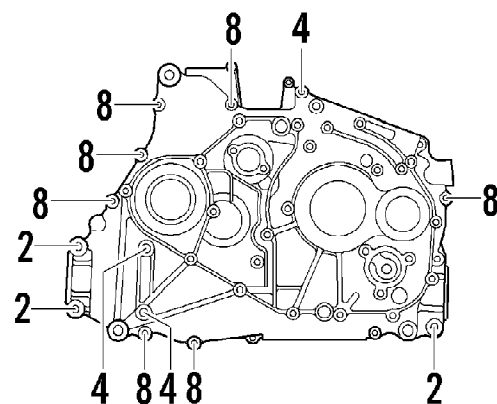
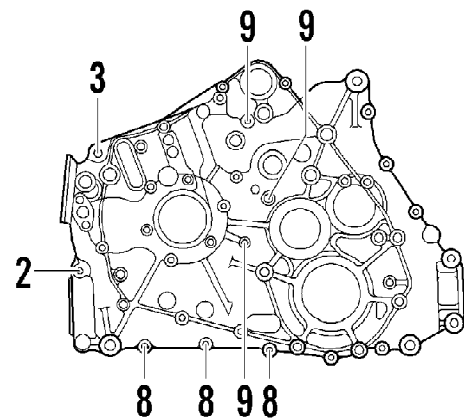
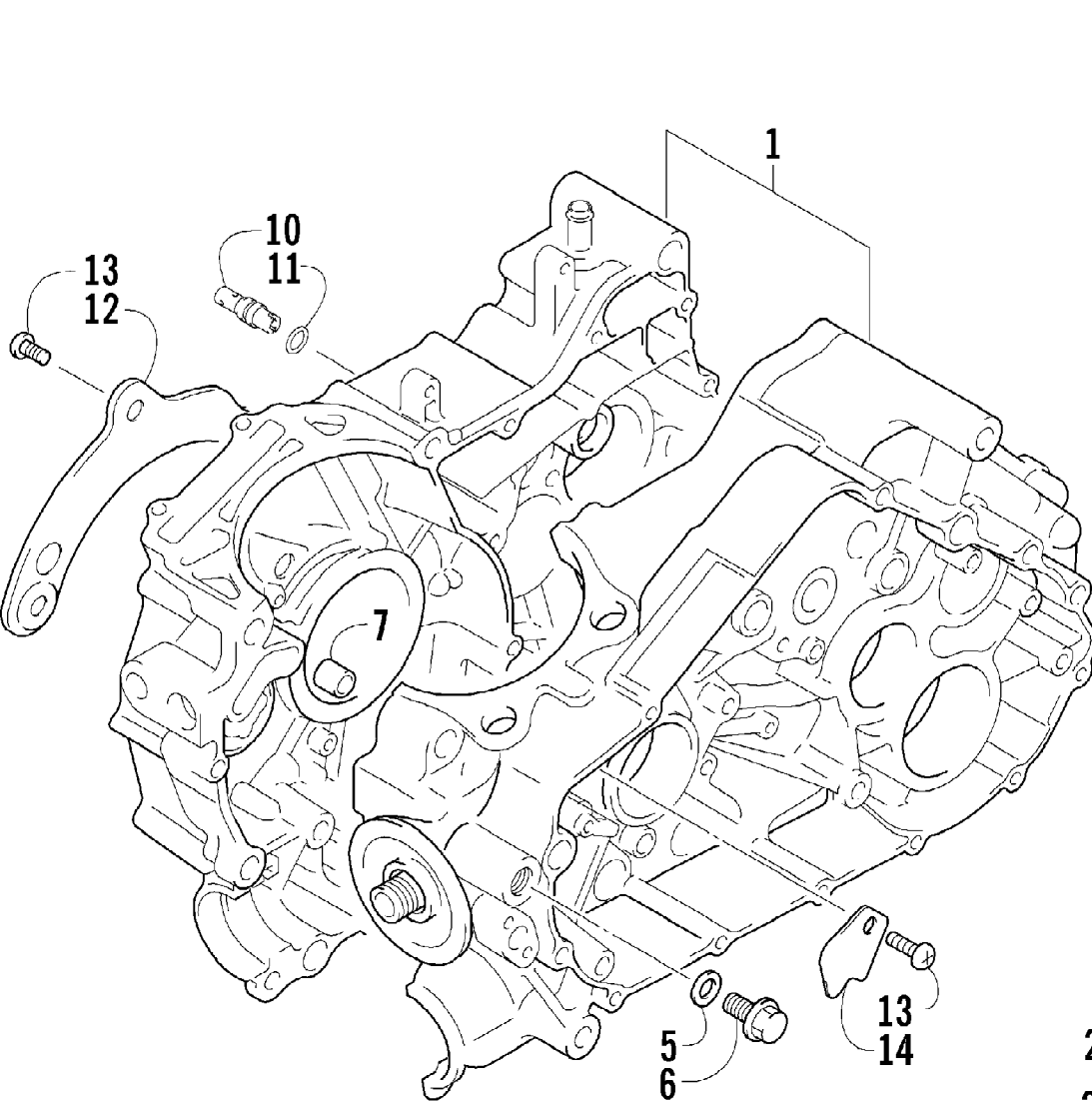
Ref #	Part Number	Qty	S/P/F	Description
1	0409-022	1		Switch, Control - Assembly (inc. 2-5)
2	0409-025	1		Lever, Choke
3	0409-026	1		Cover, Choke Lever
4	0409-027	1		Screw, Cap
5	0409-028	1		Screw



2004 ATV 400 AUTOMATIC TRANSMISSION 4X4 RED MRP (A2004ATH4BUSP) Page 20 of 94  
CRANK BALANCER ASSEMBLY

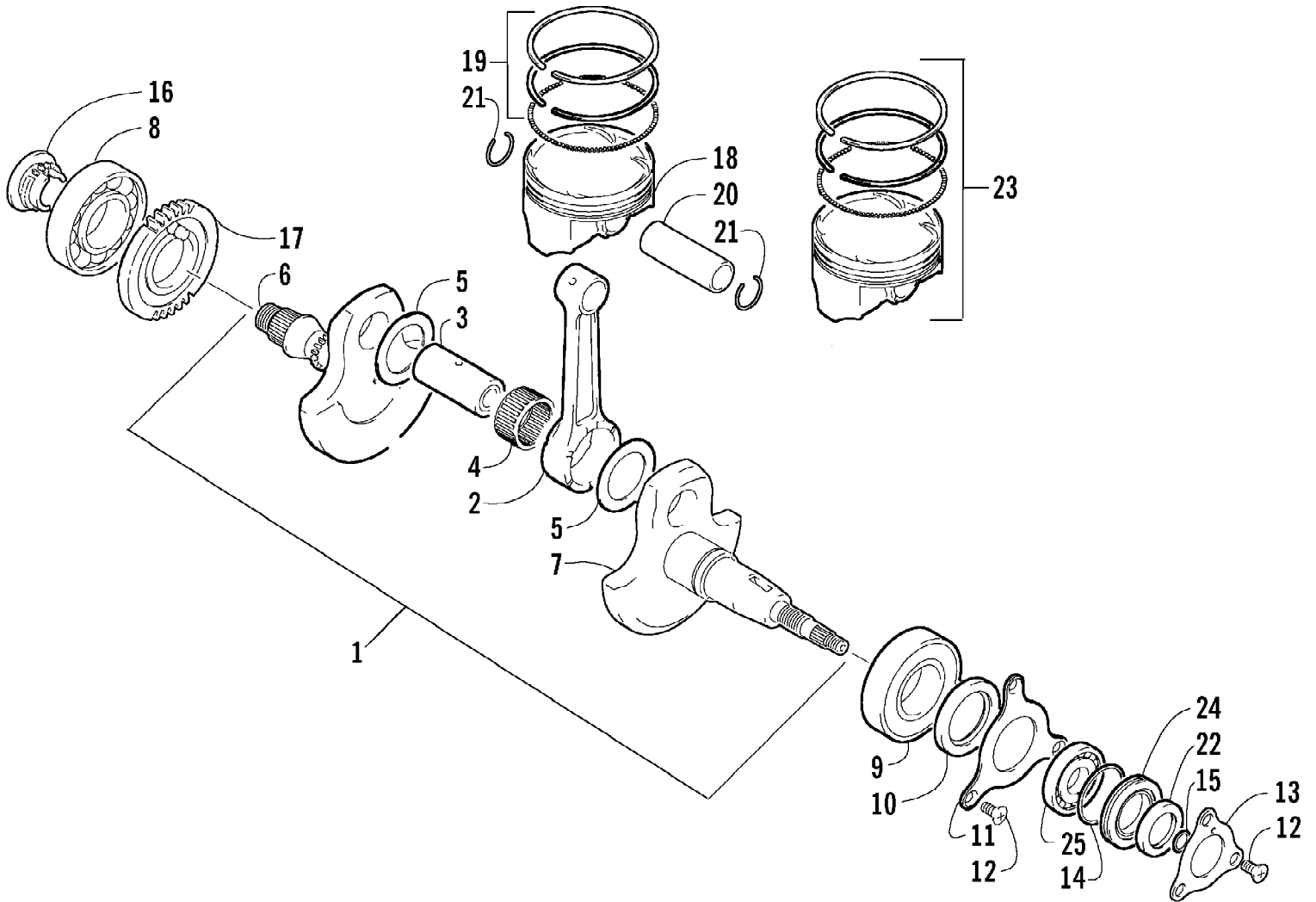
Ref #	Part Number	Qty	S/P/F	Description
1	3402-605	1		Balancer, Crank
2	3402-553	2	/P	Bearing
3	3402-772	1		Gear, Driven
4	3402-608	1		Race, Driven Gear
5	3402-090	2		Spring, Driven Gear
6	3004-540	1	/P	Key
7	3423-106	3	/P	Pin, Driven Gear
8	3423-441	2		Washer, Driven Gear
9	3423-446	1		Washer
10	3402-617	1		Gear, Oil Pump Drive
11	3423-555	1		Bolt, Drive Gear
12	3423-401	1		Washer, Drive Gear
13	3423-110	1		Pin, Drive Gear





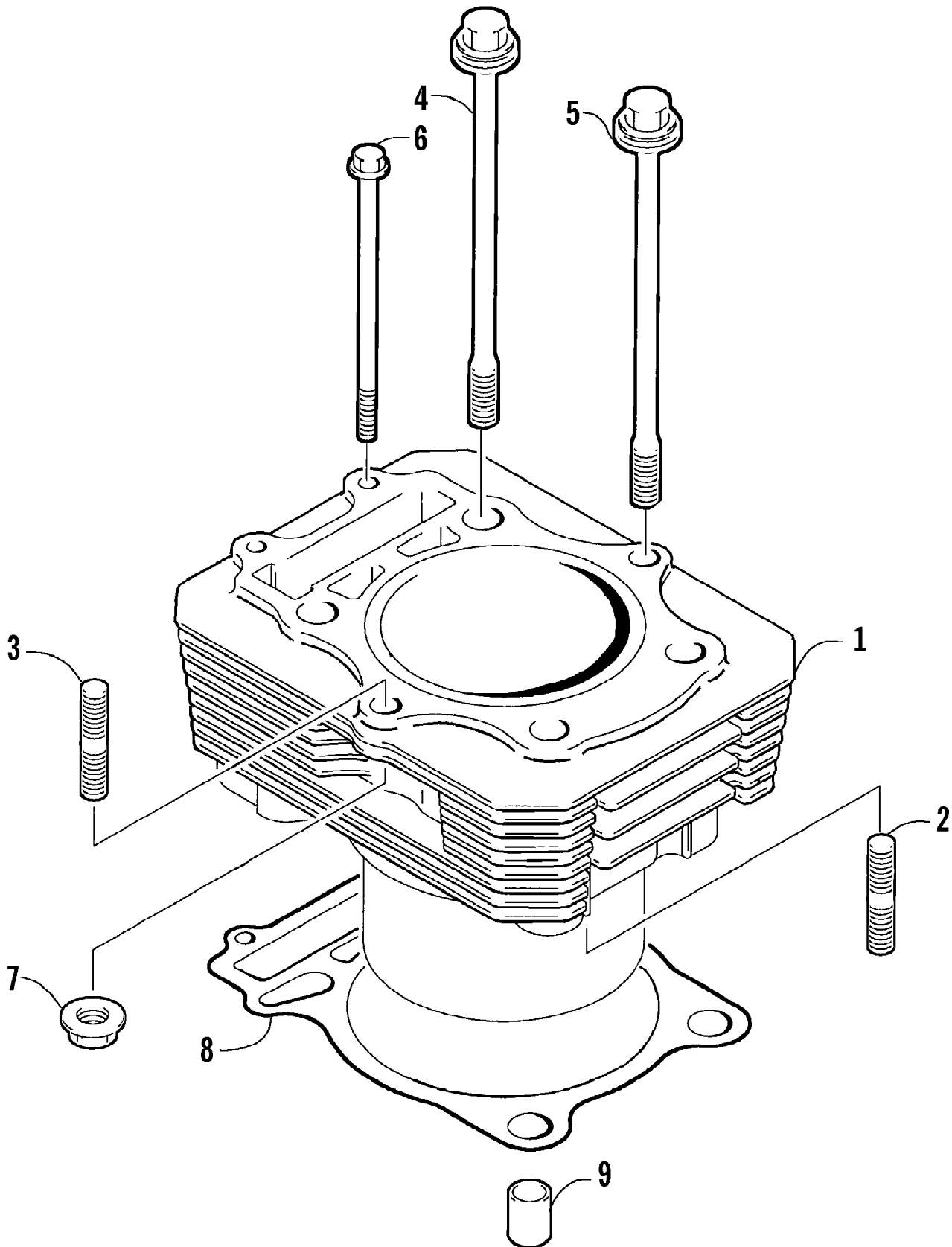
2004 ATV 400 AUTOMATIC TRANSMISSION 4X4 RED MRP (A2004ATH4BUSP) Page 22 of 94  
 CRANKCASE ASSEMBLY

Ref #	Part Number	Qty	S/P/F	Description
1	3402-580	1		Crankcase Assembly (inc. 2-9)
2	3004-880	4		Bolt
3	3005-332	1		Bolt
4	3005-410	3		Bolt
5	3402-012	1		Gasket, Oil Pressure Plug
6	3402-214	1		Plug, Oil Pressure
7	3423-088	2		Pin, Dowel
8	3423-091	10	S	Bolt
9	3423-097	3		Bolt
10	3402-691	1		Jet, Oil Gallery
11	3423-051	1		O-Ring, Oil Gallery Jet
12	3402-581	1		Plate, Oil Guide - Right
13	3004-552	4	S	Screw, Oil Guide Plate - Right
14	3402-582	1		Plate, Oil Guide - Left



2004 ATV 400 AUTOMATIC TRANSMISSION 4X4 RED MRP (A2004ATH4BUSP) Page 24 of 94  
CRANKSHAFT ASSEMBLY

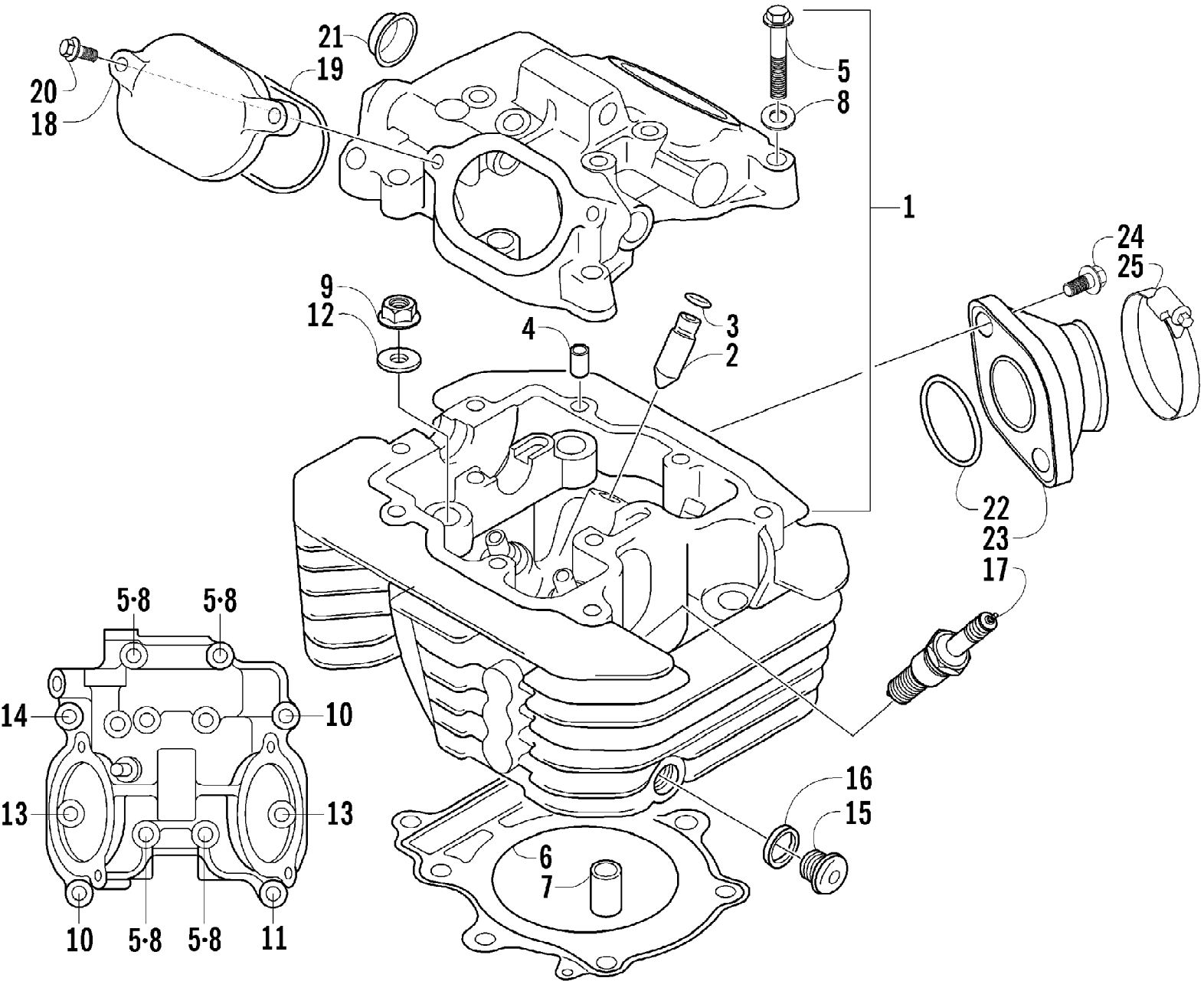
Ref #	Part Number	Qty	S/P/F	Description
1	3402-598	1	S	Crankshaft Assembly (inc. 2-7)
2	3402-597	1		Rod, Connecting
3	3402-599	1		Pin, Crank
4	3402-571	1		Bearing
5	3423-440	2		Washer
6	3402-600	1	S	Crankshaft - Right
7	3402-601	1		Crankshaft - Left
8	3402-180	1	S	Bearing - Right
9	3402-566	1		Bearing - Middle
10	3402-573	1		Seal, Crankshaft Oil
11	3402-602	1		Retainer, Crankshaft Oil Seal - Middle
12	3423-018	6		Screw, Retainer
13	3402-188	1	/P	Retainer, Crankshaft Oil Seal - Left
14	3423-063	1		O-Ring
15	3423-053	1	/P	O-Ring
16	3402-610	1		Sprocket, Cam Chain Drive
17	3402-698	1	/P	Gear, Crank Balancer Drive
18	3402-594	1		Piston
19	3402-595	1		Ring, Piston - Set
20	3402-596	1		Pin, Piston
21	3003-439	2	/P	Circlip
22	3402-070	1		Seal, Oil
23	3436-015	1	F	Piston Set (Oversized 0.50 mm)
24	3402-119	1	S	Spacer
25	3402-051	1		Bearing



2004 ATV 400 AUTOMATIC TRANSMISSION 4X4 RED MRP (A2004ATH4BUSP) Page 26 of 94  
CYLINDER ASSEMBLY

Ref #	Part Number	Qty	S/P/F	Description
1	3402-578	1	S	Cylinder
2	3423-384	2	S	Bolt, Stud
3	3004-778	2	S	Bolt, Stud
4	3423-431	2		Bolt
5	3423-432	2		Bolt
6	3423-427	2		Bolt
7	3004-488	2	S/P	Nut
8	3402-579	1		Gasket, Cylinder
9	3423-088	2		Pin, Dowel

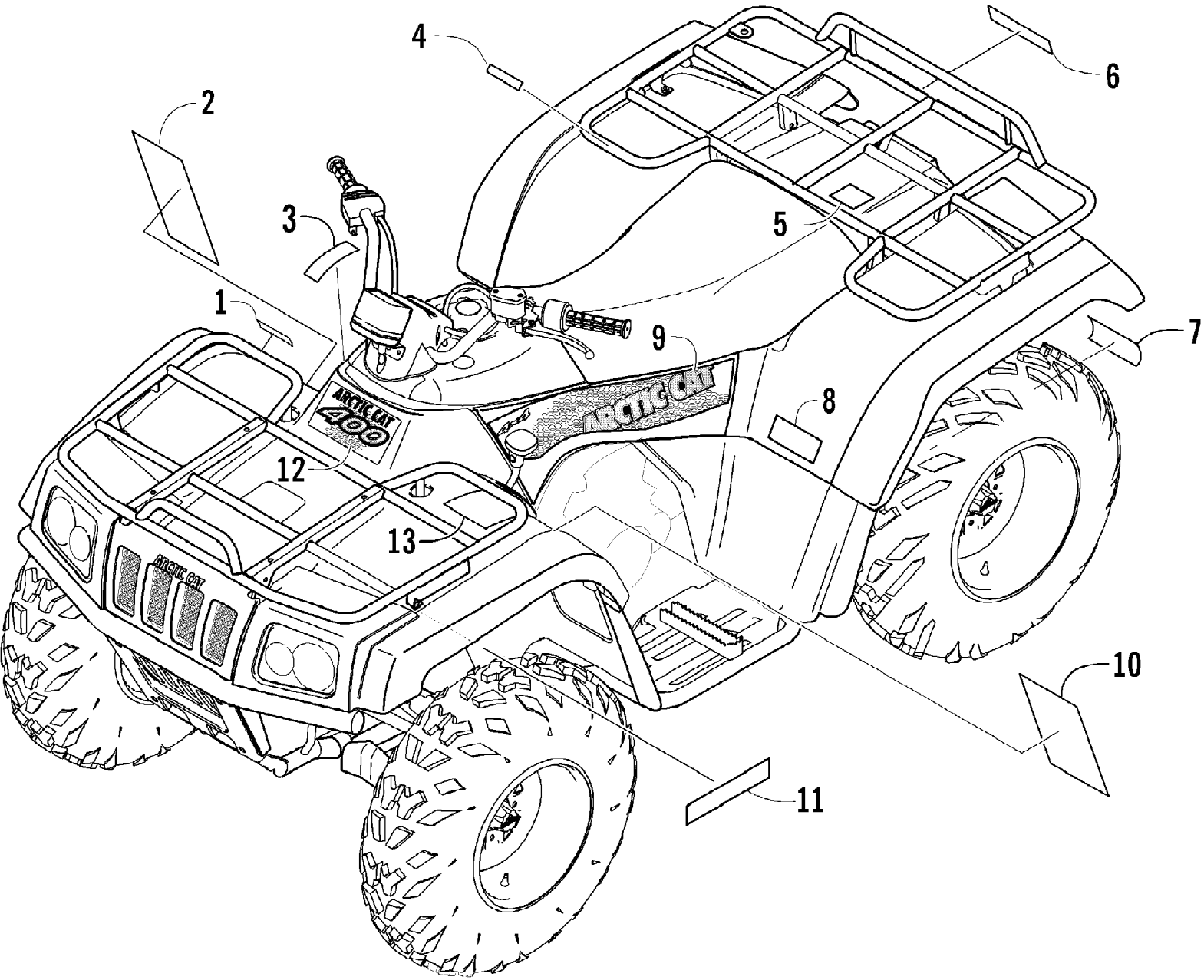
2004 ATV 400 AUTOMATIC TRANSMISSION 4X4 RED MRP (A2004ATH4BUSP) Page 27 of 94  
CYLINDER HEAD ASSEMBLY



2004 ATV 400 AUTOMATIC TRANSMISSION 4X4 RED MRP (A2004ATH4BUSP) Page 28 of 94  
CYLINDER HEAD ASSEMBLY

Ref #	Part Number	Qty	S/P/F	Description
1	3402-576	1	S	Head, Cylinder - Assembly (inc. 2-5)
2	3402-099	2		Guide, Valve
3	3423-068	4		Ring, Valve Guide
4	3423-043	2	/P	Pin, Dowel
5	3423-006	4		Bolt
6	3402-577	1		Gasket, Cylinder Head
7	3423-449	2		Pin, Dowel
8	3003-290	4	/P	Gasket
9	3004-326	2	S/P	Nut, Cylinder Head
10	3423-007	2	S	Bolt, Head Cover
11	3423-429	1		Bolt, Head Cover
12	3423-439	4	S	Washer, Cylinder Head Nut
13	3004-376	2	S/P	Bolt, Head Cover
14	3008-376	1	S	Bolt, Head Cover
15	3423-453	1		Plug, Oil Gallery
16	3402-011	1		Gasket, Oil Gallery Plug
17	0217-708	1		Spark Plug (NGK CR7E)
18	3402-100	2		Cap, Inspection
19	3402-101	2		O-Ring
20	3004-341	4	S/P	Bolt, Inspection Cap
21	3402-035	1		Plug, Head
22	3423-353	1	/P	O-Ring
23	0570-073	1	/P	Manifold, Intake
24	3004-893	2		Screw
25	0423-317	1	/P	Clamp
	3402-048	1		Plug, Frost

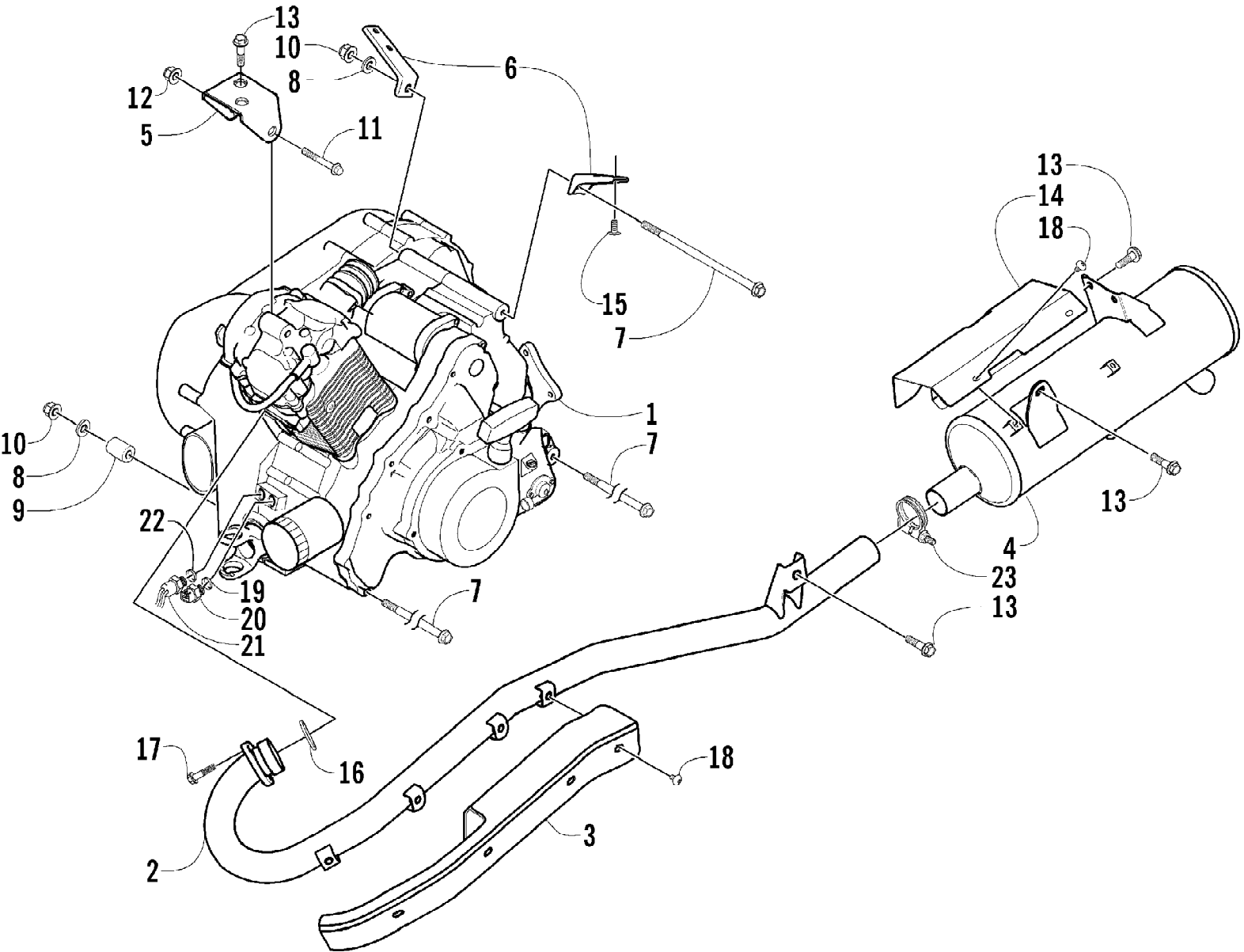




2004 ATV 400 AUTOMATIC TRANSMISSION 4X4 RED MRP (A2004ATH4BUSP) Page 30 of 94  
DECALS

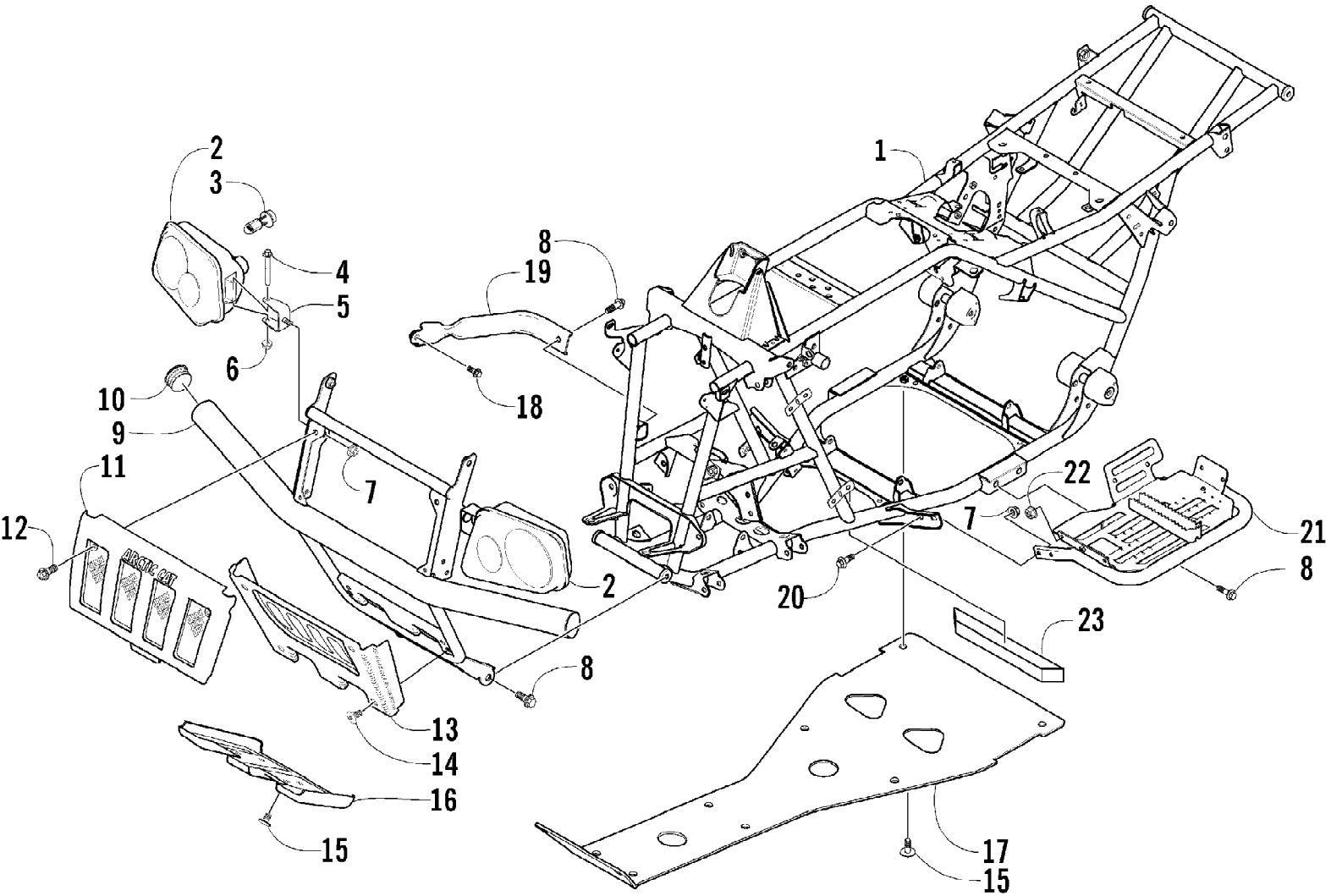
Ref #	Part Number	Qty	S/P/F	Description
1	0411-576	1		Decal, Warning - Front Rack Load
2	0411-008	1	/P	Decal, Warning - Reverse/Pre-Ride
3	0411-426	1		Decal, Warning - Clutch Cover
4	0411-648	1		Decal, Warning - Rear Rack Load
5	0411-435	1		Decal, Passenger
6	0411-501	1		Decal, "Arctic Cat"
7	0411-267	1		Decal, Warning - Towing
8	0411-430	1		Decal, Warning - Tire Pressure
9	0411-636	1		Decal, Side - Right
9	0411-637	1		Decal, Side - Left
10	0411-218	1		Decal, Warning - General
11	0411-612	1		Decal, CA Emissions
12	0411-619	1		Decal, Front
13	0411-401	1		Decal, Warning - Age

2004 ATV 400 AUTOMATIC TRANSMISSION 4X4 RED MRP (A2004ATH4BUSP) Page 31 of 94  
ENGINE AND EXHAUST



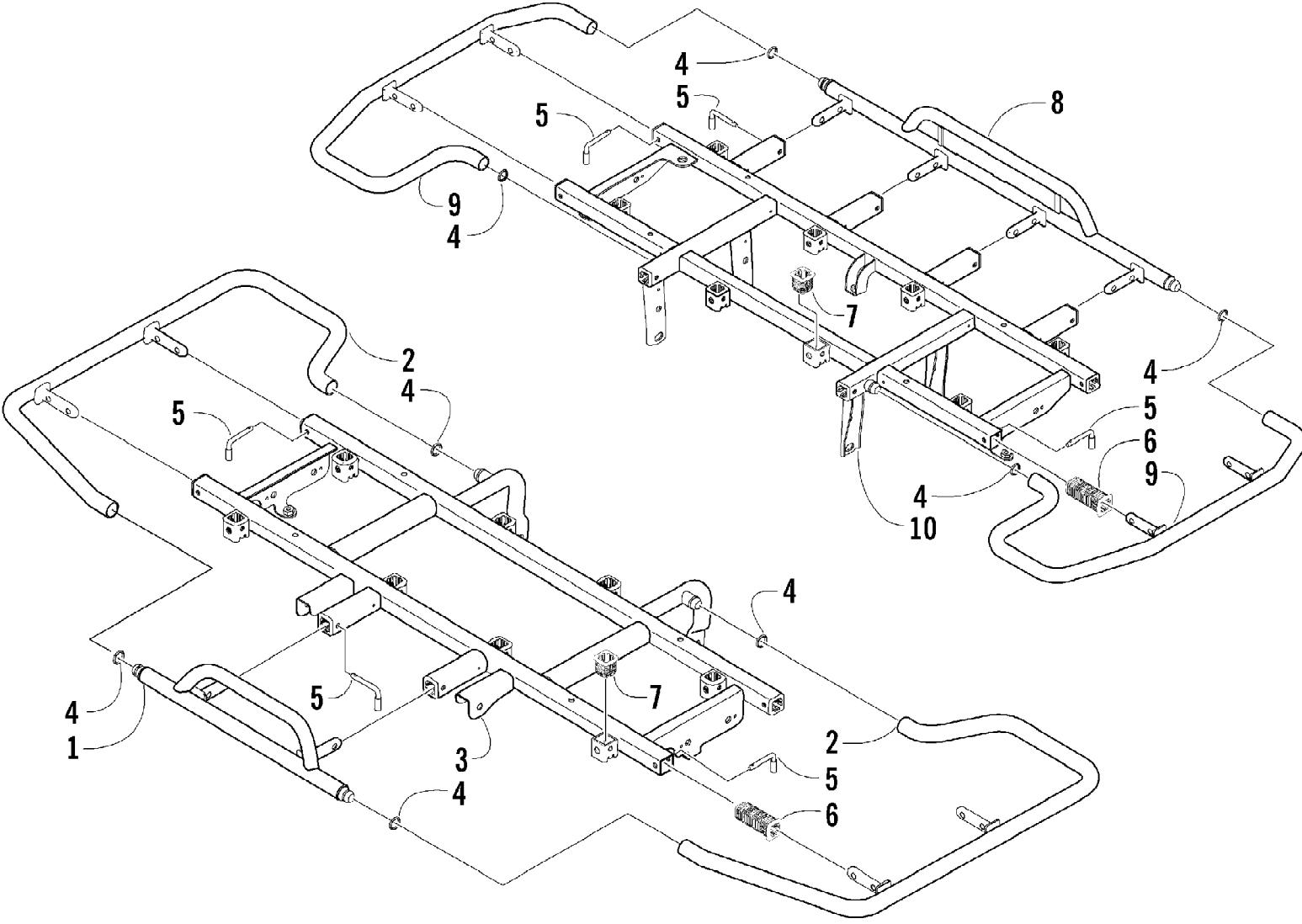
2004 ATV 400 AUTOMATIC TRANSMISSION 4X4 RED MRP (A2004ATH4BUSP) Page 32 of 94  
ENGINE AND EXHAUST

Ref #	Part Number	Qty	S/P/F	Description
1	0462-017	1	/P	Engine
2	0512-100	1		Pipe, Exhaust
3	0412-112	1		Cover, Exhaust
4	0412-182	1		Muffler
5	0506-631	1		Bracket, Engine - Upper
6	0506-983	1	/P	Bracket, Engine - Right
6	0506-984	1	/P	Bracket, Engine - Left
7	0423-405	3		Screw, Cap
8	0423-426	4		Washer, Engine
9	0423-042	2	S	Spacer, Engine
10	8428-002	3		Nut, Lock
11	8408-860	1		Screw, Cap
12	8424-802	1		Nut
13	8408-816	6		Screw, Cap
14	1406-023	1		Cover, Muffler
15	8408-616	4		Screw, Cap
16	0412-007	1	/P	Seal, Exhaust
17	8408-820	2	/P	Screw, Cap
18	8477-610	9		Screw, Machine
19	3402-556	1	/P	Gasket, Switch
20	3530-037	1	/P	Switch, Oil Light
21	3430-033	1		Switch, Cooling Fan
22	3402-013	1	/P	Gasket, Switch
23	0423-150	1		Clamp, Exhaust



2004 ATV 400 AUTOMATIC TRANSMISSION 4X4 RED MRP (A2004ATH4BUSP) Page 34 of 94  
FRAME AND RELATED PARTS

Ref #	Part Number	Qty	S/P/F	Description
1	0506-816	1		Frame, Main
2	0409-032	1		Headlight Assembly - Right (inc. 3-6)
2	0409-031	1		Headlight Assembly - Left (inc. 3-6)
3	0409-045	2		Bulb, Headlight
4	8410-860	2		Screw, Cap
5	0406-945	2		Bracket, Headlight Mounting
6	0423-375	2		Nut, Flange
7	8424-802	6		Nut
8	8409-020	8	/P	Screw, Cap
9	0506-544	1		Bumper
10	0406-130	2		Cap, Bumper
11	0406-832	1		Grille, Upper
12	0423-361	2		Screw, Machine
13	1406-420	1	/P	Grille, Lower
14	0423-362	4		Screw, Machine
15	0423-101	AR		Screw, Body
16	0406-834	1		Plate, Skid
17	0406-864	1		Panel, Belly
18	8408-812	2		Screw, Cap
19	0506-653	2	S	Channel, Bumper Mounting
20	8408-816	4		Screw, Cap
21	0506-534	1		Footrest - Right
21	0506-728	1		Footrest - Left
22	8424-602	2	/P	Nut, Flange
23	1506-067	1		Foam, Frame

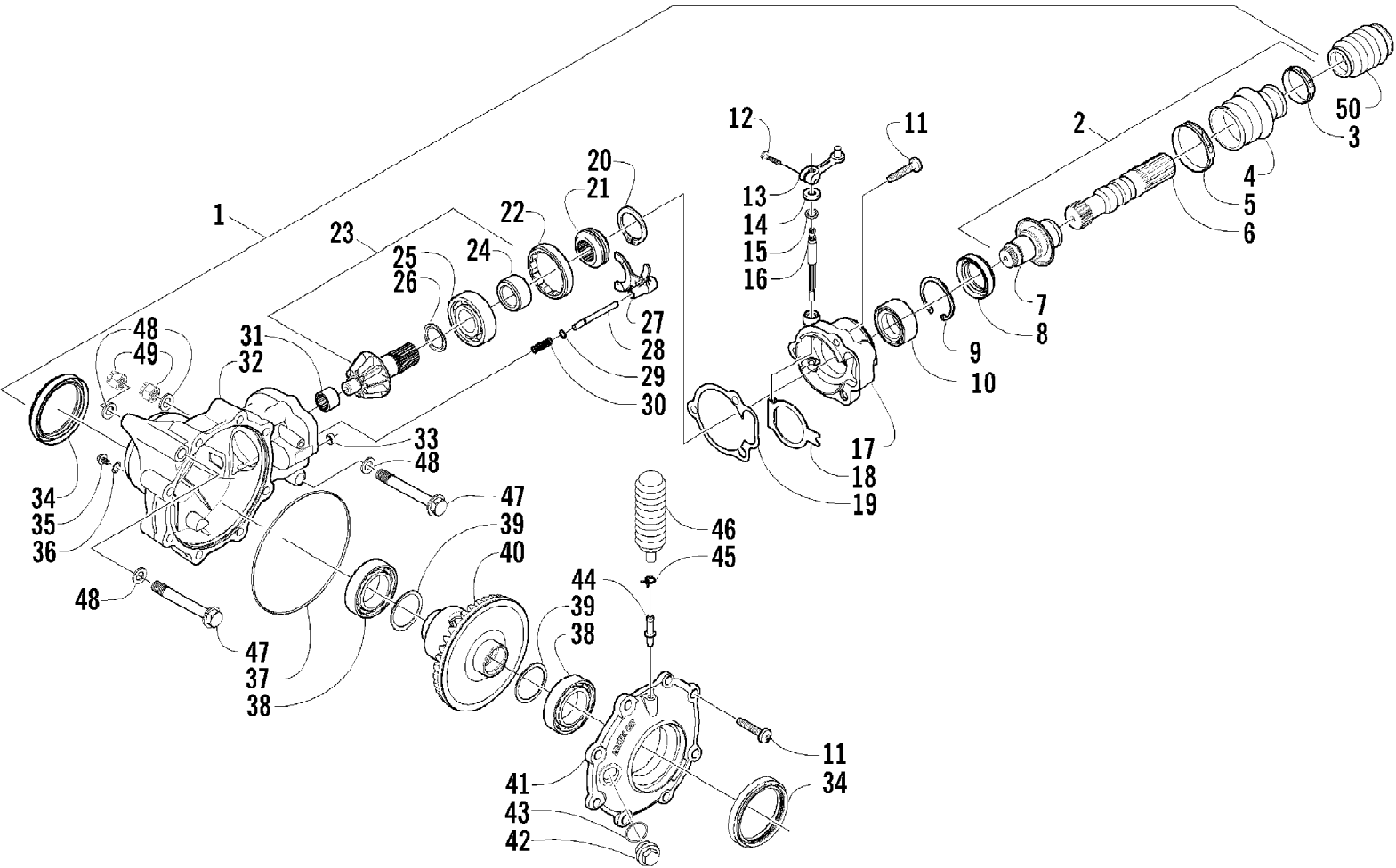


2004 ATV 400 AUTOMATIC TRANSMISSION 4X4 RED MRP (A2004ATH4BUSP) Page 36 of 94  
FRONT AND REAR RACK ASSEMBLIES

Ref #	Part Number	Qty	S/P/F	Description
1	0541-133	1		Center, Rack - Front
2	0541-134	2		Side, Rack - Front
3	0541-135	1		Frame, Rack - Front
4	0623-903	8		O-Ring
5	0541-189	14	S	Pin
6	0441-556	16		Bushing, Rack
7	0441-592	16	/P	Bushing, Rack
8	0541-130	1		Center, Rack - Rear
9	0541-131	2		Side, Rack - Rear
10	0541-132	1		Frame, Rack - Rear



2004 ATV 400 AUTOMATIC TRANSMISSION 4X4 RED MRP (A2004ATH4BUSP) Page 37 of 94  
FRONT DRIVE GEARCASE ASSEMBLY

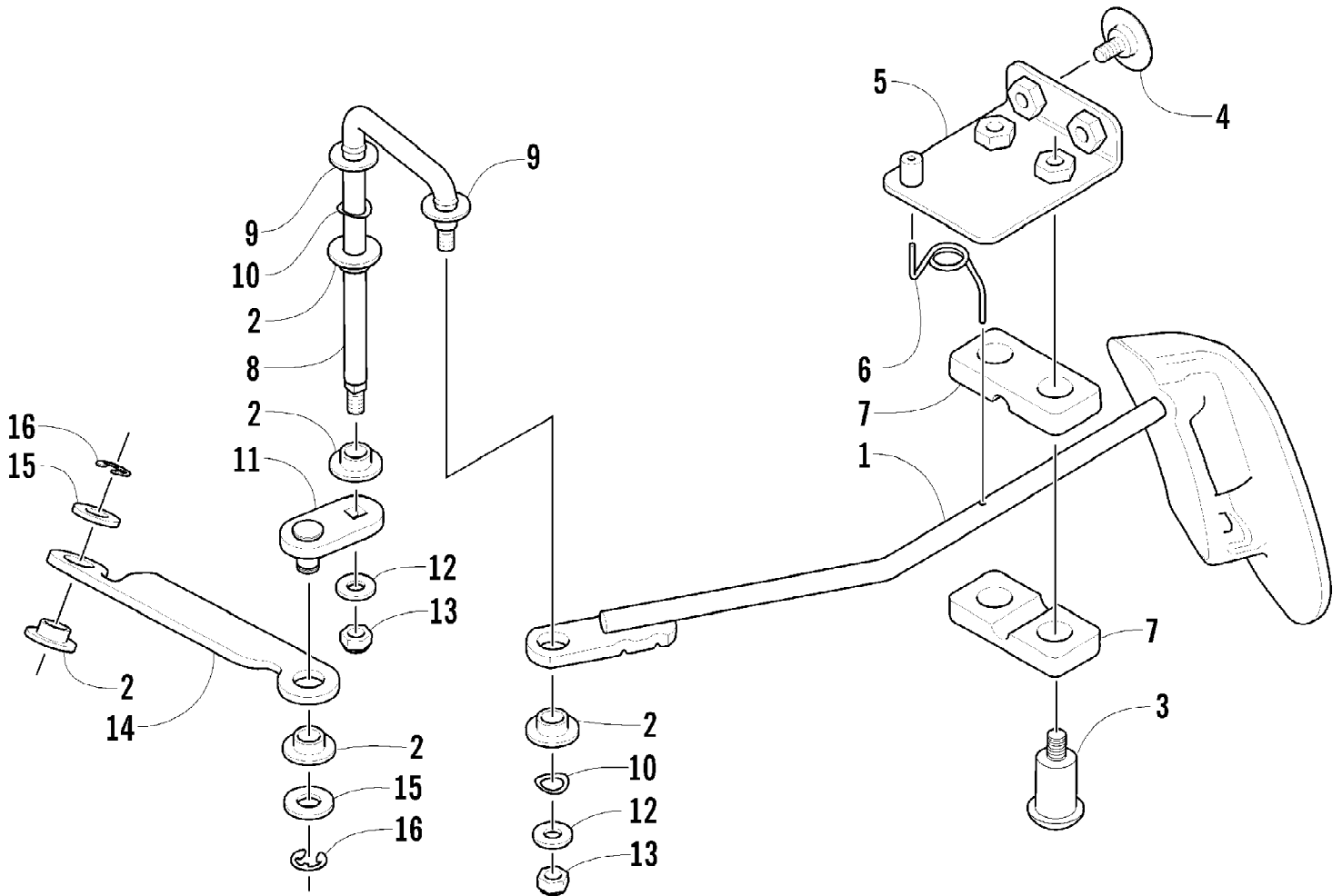


2004 ATV 400 AUTOMATIC TRANSMISSION 4X4 RED MRP (A2004ATH4BUSP) Page 38 of 94  
FRONT DRIVE GEARCASE ASSEMBLY

Ref #	Part Number	Qty	S/P/F	Description
1	0502-555	1		Gearcase, Front Drive - Assembly (inc. 2-44)
2	0502-386	1		Shaft, Propeller - Assembly (inc. 3-7)
3	0423-411	1		Clamp, Boot
4	0402-985	1	/P	Boot, Propeller Shaft
5	0423-393	1		Clamp, Boot
6	1402-046	1		Shaft, Output
7	0502-407	1	S	Shaft, Input
8	1402-011	1		Seal
9	0423-423	1		Ring, Retaining
10	1402-043	1		Bearing
11	0423-118	11		Screw, Self-Tapping
12	8411-620	1		Screw, Cap
13	0502-092	1		Arm, Selector
14	0402-398	1		Plate, Selector Shaft
15	0402-416	1		Seal
16	0402-412	1		Shaft, Selector
17	0502-379	1		Housing, Selector
18	0402-414	1		Plate, Spring - Selector
19	0402-947	1		Gasket, Flange
20	0423-417	1		Ring, Retaining
21	0402-413	1		Coupler, Drive
22	0402-357	1		Collar, Lock
23	0502-123	1		Gear, Pinion - Assembly - 10T (inc. 24-26)
24	0402-336	1		Collar, Retaining
25	0402-327	1		Bearing
26	0402-424	AR		Shim
26	0402-425	AR		Shim
26	0402-426	AR		Shim
26	0402-427	AR		Shim
26	0402-428	AR		Shim
27	0402-420	1		Fork, Selector
28	0402-417	1		Shaft, Shuttle
29	0423-147	1		O-Ring
30	0402-999	1		Spring, Return
31	0402-328	1		Bearing
32	0502-120	1		Housing, Gearcase
33	0402-411	1		Pin, Dowel
34	0402-394	2	S	Seal
35	0402-450	1	S	Plug, Magnetic (inc. 36)
36	0423-153	1		O-Ring
37	0423-149	1		O-Ring
38	0402-393	2		Bearing
39	0402-405	AR		Shim
39	0402-406	AR		Shim
39	0402-407	AR		Shim
39	0402-408	AR		Shim
39	0402-409	AR		Shim
40	0502-124	1		Gear, Ring - 36T
41	0502-121	1		Cover, Gearcase
42	0402-333	1	/P	Plug, Fill (inc. 43)
43	0423-154	1		O-Ring
44	1402-104	1		Fitting
45	0423-315	1		Clamp Fitting

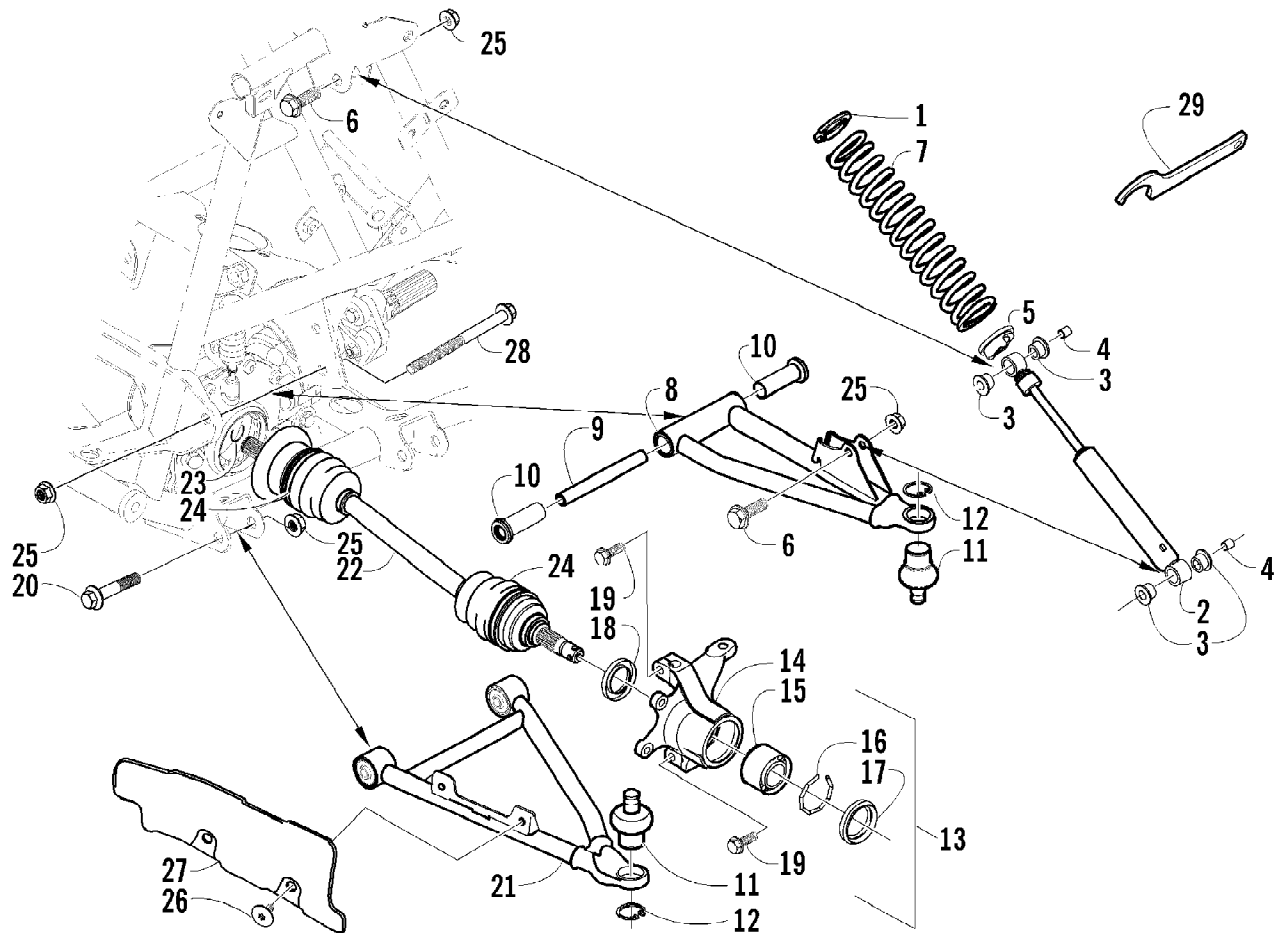
2004 ATV 400 AUTOMATIC TRANSMISSION 4X4 RED MRP (A2004ATH4BUSP) Page 39 of 94  
FRONT DRIVE GEARCASE ASSEMBLY

Ref #	Part Number	Qty	S/P/F	Description
46	0402-147	1	S	Bladder, Gearcase
47	0423-404	2		Screw, Cap
48	0423-426	4		Washer
49	8428-002	2		Nut, Lock
50	0402-966	1		Boot, Shaft



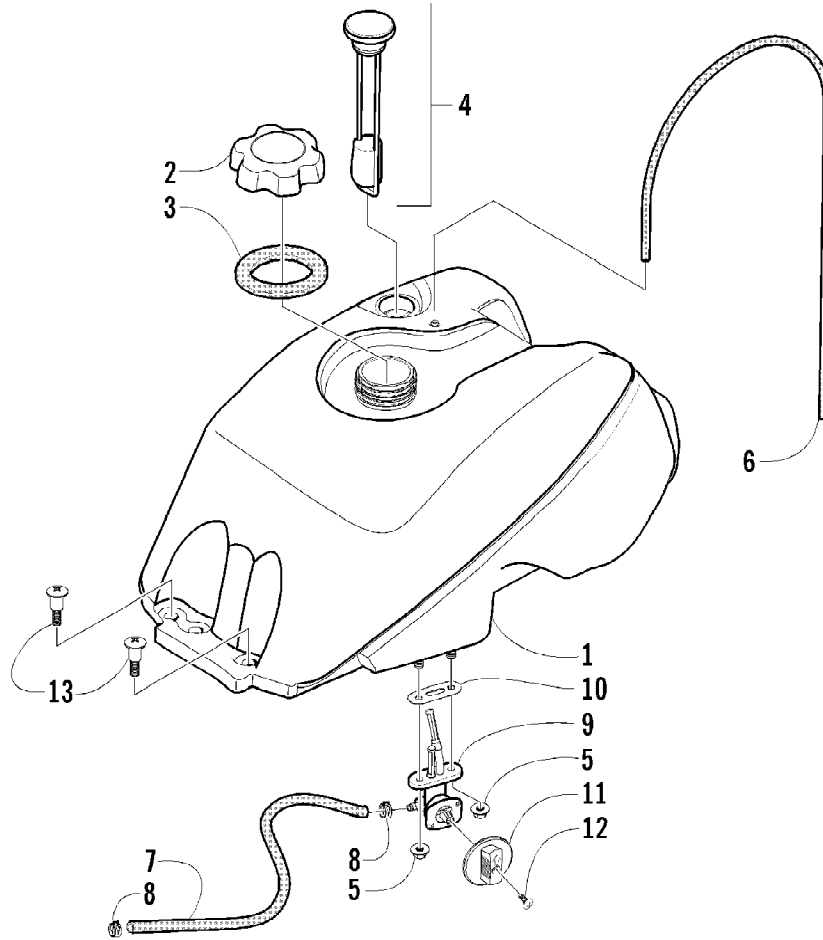
2004 ATV 400 AUTOMATIC TRANSMISSION 4X4 RED MRP (A2004ATH4BUSP) Page 41 of 94  
FRONT DRIVE SHIFT LINKAGE ASSEMBLY

Ref #	Part Number	Qty	S/P/F	Description
1	0502-291	1		Shifter
2	0423-091	5		Bushing
3	0423-329	2		Screw, Shoulder
4	0423-101	2		Screw, Shoulder
5	0502-234	1		Plate, Mounting
6	0402-828	1		Spring, Torsion
7	0406-363	2		Bushing
8	0402-821	1		Arm, Shifter
9	0123-053	2	/P	Washer
10	0423-368	2		Washer, Wave
11	0502-295	1		Arm, Selector
12	0423-348	2		Washer
13	0624-250	2		Nut, Lock
14	0502-396	1	/P	Cross-Link
15	8050-247	2	/P	Washer
16	0124-057	2	/P	E-Ring



2004 ATV 400 AUTOMATIC TRANSMISSION 4X4 RED MRP (A2004ATH4BUS) Page 43 of 94  
FRONT SUSPENSION ASSEMBLY

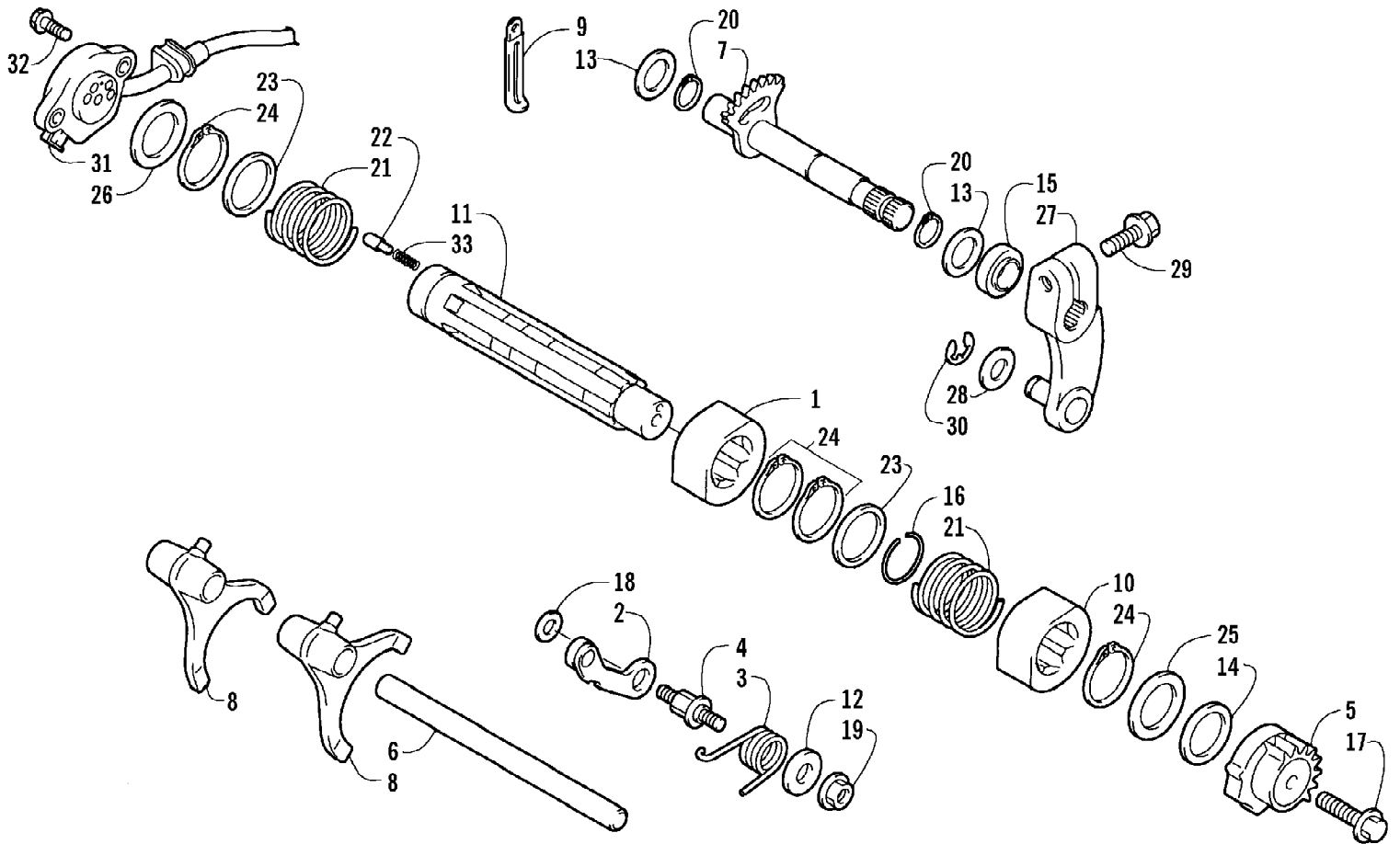
Ref #	Part Number	Qty	S/P/F	Description
1	1603-889	2	/P	Retainer, Spring
2	0403-101	2		Shock Absorber - Front (inc. 3-4)
3	0604-310	8		Bushing, Shock Absorber
4	0403-028	4		Sleeve, Shock
5	0403-102	2		Cam, Spring Adjuster
6	8409-040	4		Screw, Cap
7	0403-103	2		Spring, Shock Absorber
8	0503-120	1	S	A-Arm, Upper Right - Assembly (inc. 9-12)
8	0503-121	1	S	A-Arm, Upper Left - Assembly (inc. 9-12)
9	0403-080	2		Collar
10	0403-081	4	S	Bushing
11	0405-068	4	S	Ball Joint - Front
12	0423-009	4	/P	Clip, Ball Joint
13	0505-026	1	S/P	Knuckle - Assembly - Right (inc. 14-18)
13	0505-027	1	S/P	Knuckle - Assembly - Left (inc. 14-18)
14	0505-062	1	S	Knuckle, Steering - Right
14	0505-063	1	S	Knuckle, Steering - Left
15	0402-275	2	/P	Bearing, Wheel Hub - Front
16	0423-034	2		Clip, Bearing
17	0402-089	2		Seal, Wheel Bearing - Front
18	0402-069	2		Seal, Wheel Bearing - Rear
19	8409-030	4		Screw, Cap
20	8409-060	4		Screw, Cap
21	0503-118	1	S	A-Arm, Lower Right (inc. 11-12)
21	0503-119	1	S	A-Arm, Lower Left (inc. 11-12)
22	0402-987	2	S	Axle, Drive - Front (inc. 23-24)
23	0441-400	2	S	Clip, Retaining
24	0436-276	4	S	Repair Kit, Boot - Front Axle
25	8428-002	10		Nut, Lock
26	0423-101	4		Screw, Body
27	0406-944	1		Guard, Boot - Axle - Right
27	0406-927	1		Guard, Boot - Axle - Left
28	0423-334	2		Screw, Cap
29	0441-587	1		Wrench, Spanner





2004 ATV 400 AUTOMATIC TRANSMISSION 4X4 RED MRP (A2004ATH4BUSP) Page 45 of 94  
 GAS TANK ASSEMBLY

Ref #	Part Number	Qty	S/P/F	Description
1	0570-066	1	/P	Tank, Gas - Assembly (inc. 2-10)
2	0470-438	1	/P	Cap, Gas Tank (inc. 3)
3	0109-733	1	/P	Gasket, Tank Cap
4	0570-086	1	/P	Gauge, Fuel w/Gasket (Press-Fit)
5	0423-398	2		Nut, Lock
6	0470-416	1	/P	Hose, Vent
7	0610-007	AR	/P	Hose, Gasline - 25 ft
8	0423-152	2		Clamp, Hose
9	0470-445	1	/P	Valve, Fuel Shut-Off (inc. 10)
10	0470-364	1		Gasket, Fuel Shut-Off Valve
11	0470-408	1		Knob, Fuel Shut-Off Valve
12	0423-146	1		Screw, Machine
13	0423-130	2		Screw, Shoulder



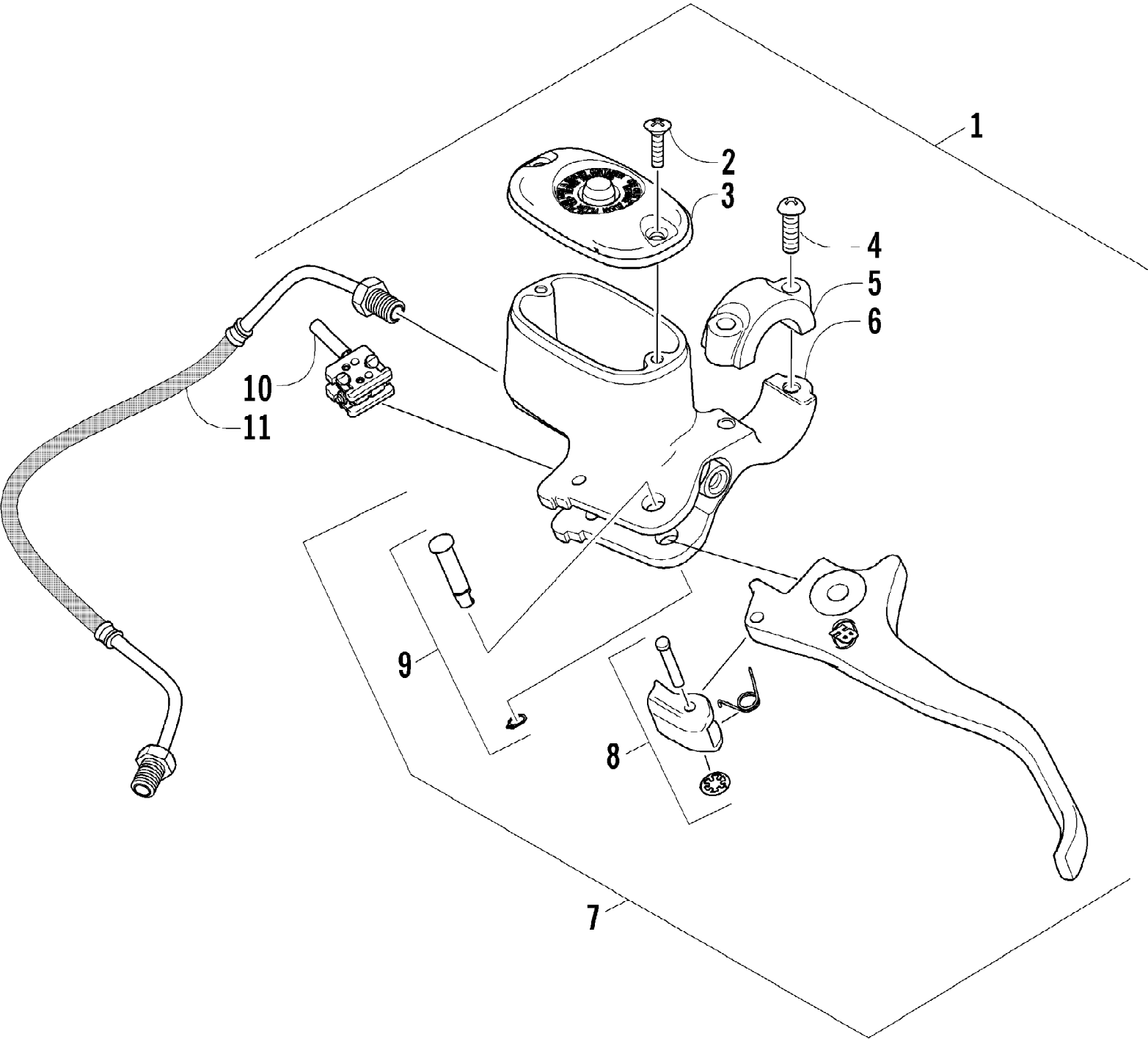
2004 ATV 400 AUTOMATIC TRANSMISSION 4X4 RED MRP (A2004ATH4BUSP) Page 47 of 94  
GEAR SHIFTING ASSEMBLY

Ref #	Part Number	Qty	S/P/F	Description
1	3402-640	1		Cam, Reverse
2	3446-043	1		Stopper, Cam
3	3446-283	1		Spring, Cam Stopper
4	3446-048	1		Support, Cam Stopper
5	3402-642	1		Plate, Gear Shift Cam
6	3402-643	1		Shaft, Shift Fork
7	3402-644	1		Shaft, Sub-Gear Shift
8	3446-073	2		Fork, Shift
9	3002-964	1	/P	Clamp, Wire
10	3402-670	1		Cam, Gear Shift
11	3446-281	1		Shaft, Gear Shift
12	3423-438	1		Washer, Cam Stopper Spring
13	1691-043	2		Washer, Sub-Gear Shift Shaft
14	3423-446	1		Washer, Gear Shift Cam Plate
15	3402-076	1		Seal, Sub-Gear Shift Shaft
16	3423-416	1		C-Ring, Cam
17	3004-376	1	S/P	Bolt, Gear Shift Cam Plate
18	3423-141	1		Washer, Cam Stopper
19	3004-488	1	S/P	Nut, Cam Stopper Spring
20	3423-358	2	S	Circlip, Sub-Gear Shift Shaft
21	3446-280	2		Spring, Cam
22	3423-044	2		Contact
23	3402-382	2		Washer, Cam Spring
24	3423-191	4	/P	Circlip, Cam Spring
25	3402-195	1		Washer, Shift Shaft
26	3423-421	1	/P	Washer, Shift Shaft
27	3402-434	1	/P	Arm, Select
28	3423-204	1	/P	Washer, Select Arm
29	3004-341	1	S/P	Bolt, Select Arm
30	3423-168	1	S	E-Ring
31	3402-686	1		Base, Gear Shift - Assembly
32	3423-418	2		Bolt
33	3402-087	2		Spring



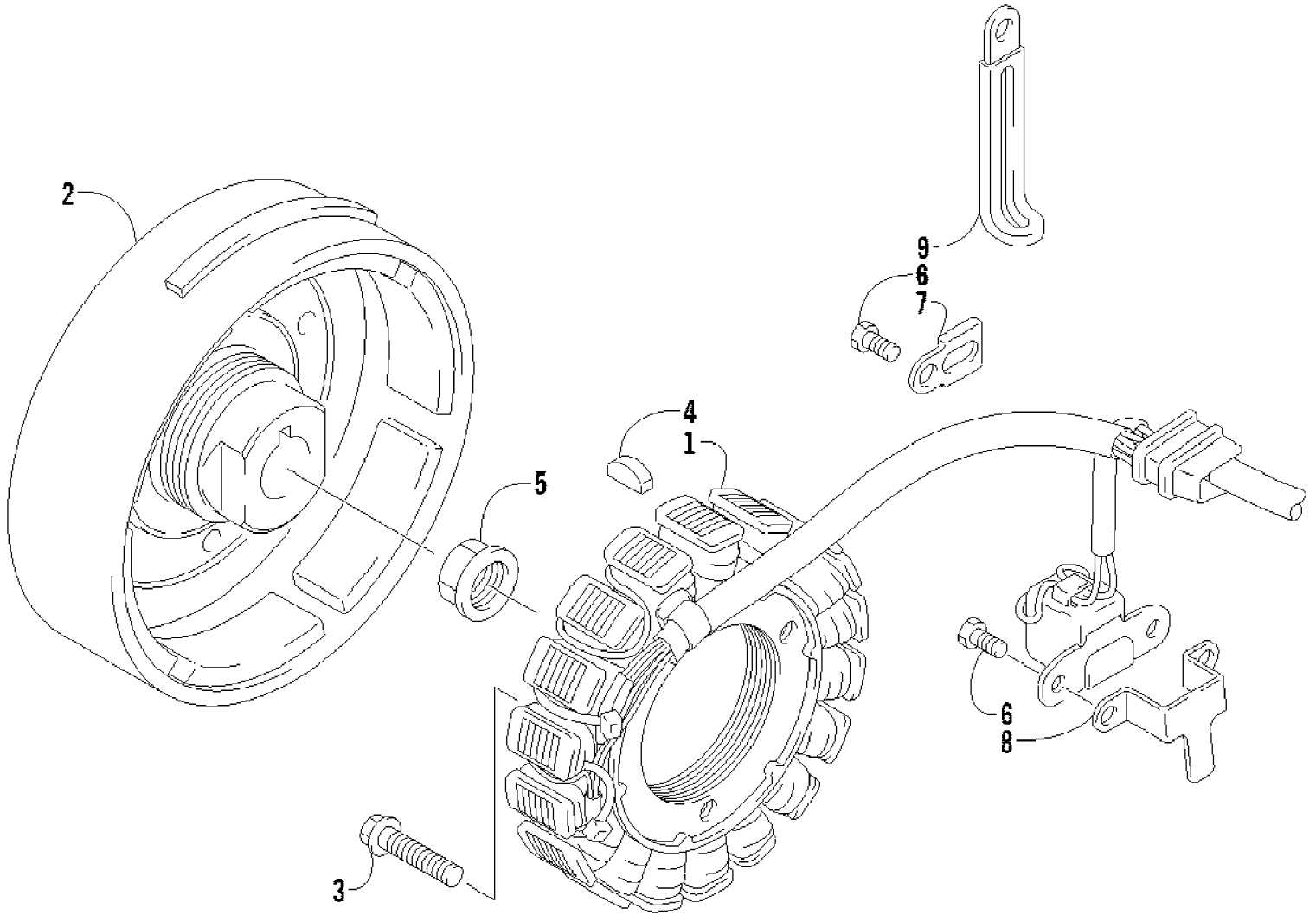
2004 ATV 400 AUTOMATIC TRANSMISSION 4X4 RED MRP (A2004ATH4BUSP) Page 49 of 94  
HYDRAULIC BRAKE ASSEMBLY

Ref #	Part Number	Qty	S/P/F	Description
1	8476-625	1		Screw, Cap
2	0402-986	2		Hose, Brake - Front
3	1402-086	1		Block, Junction
4	0423-409	3		Bolt, Banjo Fitting
5	0423-039	6		Washer, Crush
6	0502-335	1	S	Caliper, Brake - Right Front (inc. 7-16)
6	0502-336	2	S	Caliper, Brake - Left Front and Right Rear (inc. 7-16)
7	0	3	F	Housing, Caliper
8	0402-490	3		O-Ring
9	0402-496	3	S	Pin, Cotter
10	0402-492	12		Screw, Cap
11	0402-493	3		Cap, Bleed Valve
12	0402-882	6	/P	Pad, Brake
13	0402-491	3	S	Valve, Bleed
14	0402-980	6		O-Ring, Brake Caliper
15	0402-495	3		Pin, Brake Caliper
16	0	3	F	Housing, Caliper
17	0402-597	1	/P	Clip, Brake Line
18	0402-932	1		Tube, Brake Line - Rear
19	8408-825	6		Screw, Cap
20	0402-306	1	/P	Switch, Brake Pressure
21	0402-990	1		Hose, Brake - Rear



2004 ATV 400 AUTOMATIC TRANSMISSION 4X4 RED MRP (A2004ATH4BUSP) Page 51 of 94  
 HYDRAULIC HAND BRAKE ASSEMBLY

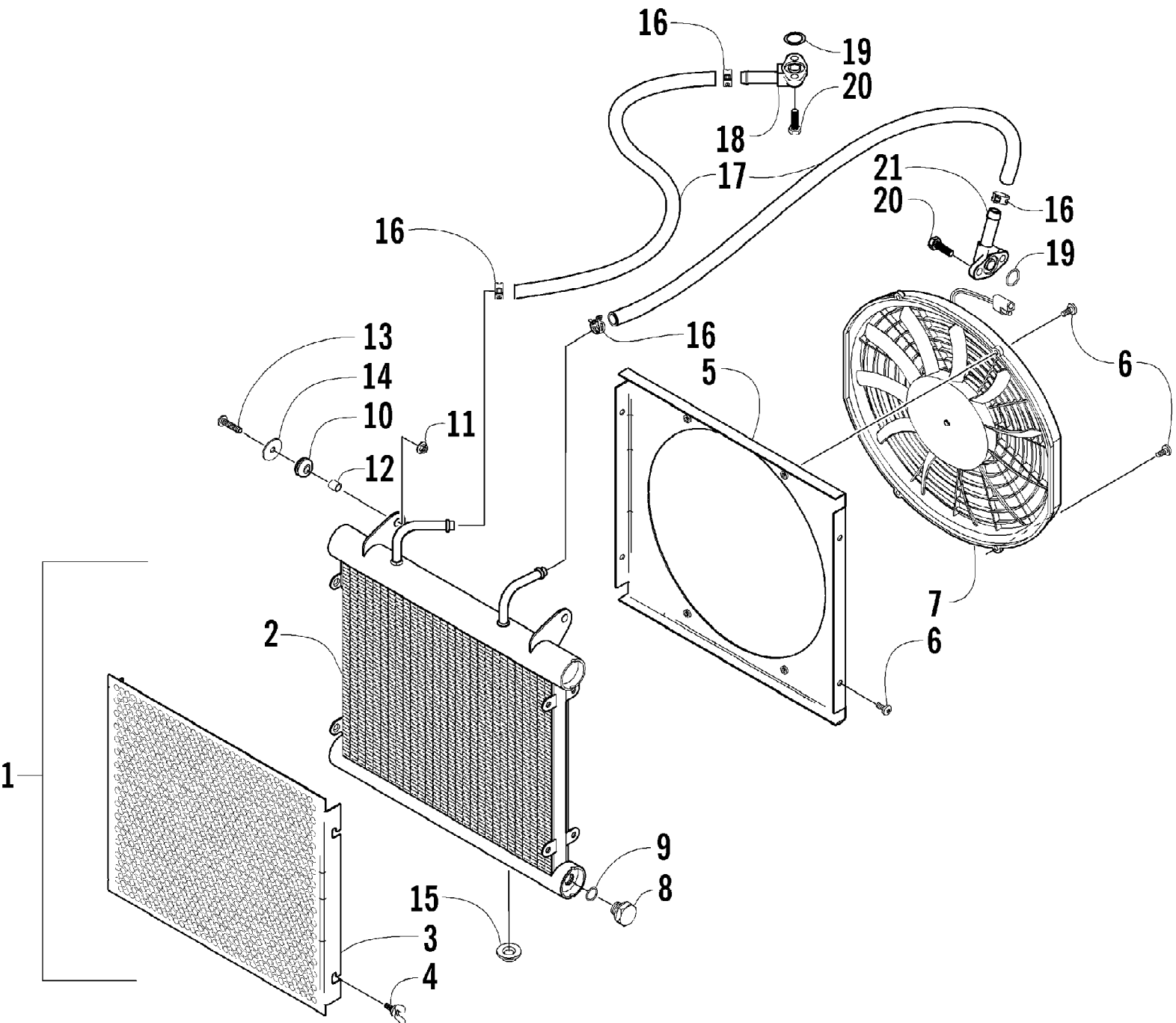
Ref #	Part Number	Qty	S/P/F	Description
1	0502-561	1	S	Brake Assembly (inc. 2-10)
2	0502-566	1		Screw, Reservoir Cover - Kit
3	0502-565	1		Cover, Reservoir - Kit
4	0502-568	1		Screw, Master Cylinder Clamp - Kit
5	0502-567	1		Clamp, Master Cylinder - Kit
6	0502-516	1		Master Cylinder Assembly - Kit
7	0502-562	1	S	Lever Assembly - Kit (inc. 8-9)
8	0502-563	1	S	Lock, Brake Lever - Kit
9	0502-580	1		Lever Pin - Kit
10	0502-564	1	/P	Switch, Brake - Kit
11	0402-962	1		Brakeline, Hydraulic





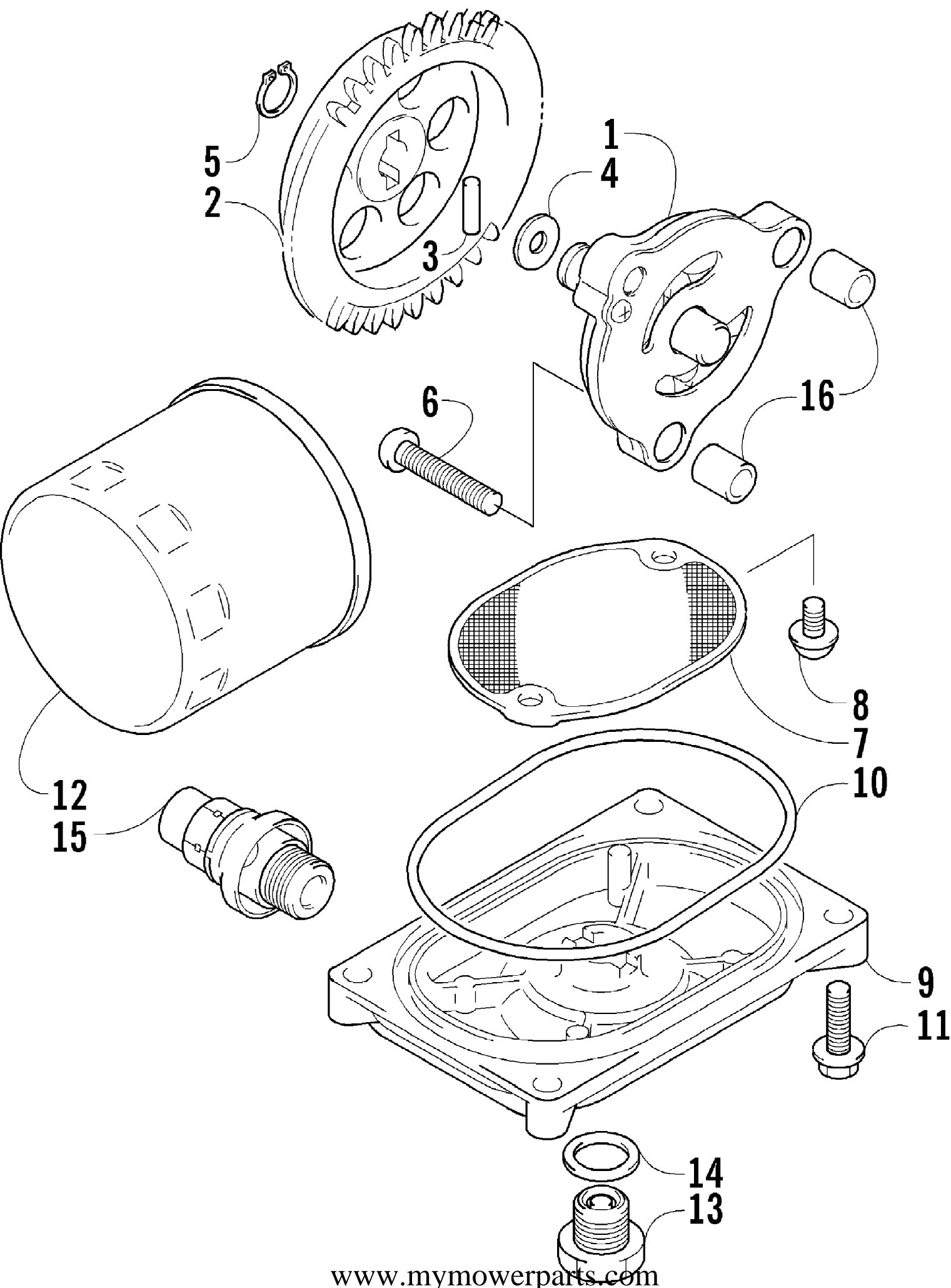
2004 ATV 400 AUTOMATIC TRANSMISSION 4X4 RED MRP (A2004ATH4BUSP) Page 53 of 94  
MAGNETO ASSEMBLY

Ref #	Part Number	Qty	S/P/F	Description
1	3430-053	1		Stator Assembly
2	3430-054	1	S	Rotor/Flywheel
3	3004-756	3	S	Bolt
4	0691-785	1		Key
5	3423-086	1		Nut
6	3423-005	3	/P	Bolt
7	3430-005	1		Clamp
8	3430-006	1		Clamp
9	3002-964	1	/P	Clamp, Wire



2004 ATV 400 AUTOMATIC TRANSMISSION 4X4 RED MRP (A2004ATH4BUSP) Page 55 of 94  
 OIL COOLER ASSEMBLY

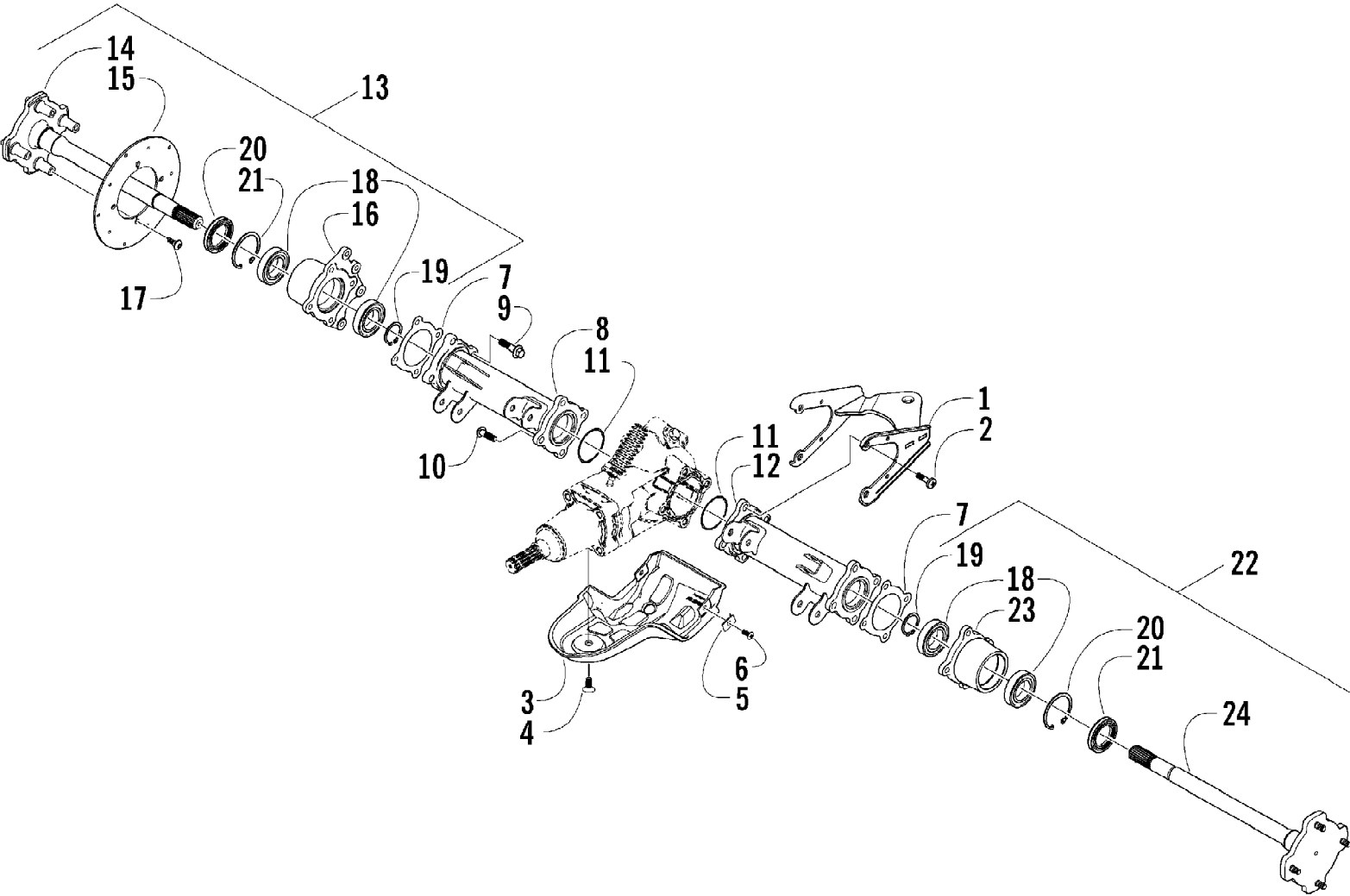
Ref #	Part Number	Qty	S/P/F	Description
1	0413-052	1		Cooler, Oil - Assembly (inc. 2-9)
2	0413-053	1		Cooler, Oil
3	0413-007	1		Screen, Oil Cooler
4	0413-009	1		Screw, Thumb
5	0413-064	1		Shroud, Fan
6	8475-512	8		Screw, Machine
7	0413-044	1	S	Fan, Cooling
8	0413-058	1		Plug, Drain
9	0413-059	1		O-Ring
10	0423-030	2		Grommet
11	0623-038	2		Nut w/Washer
12	0423-036	2		Collar
13	8476-625	2		Screw, Machine
14	0623-184	2		Washer
15	0423-028	2		Bushing, Stem
16	0423-098	4	/P	Clamp, Hose
17	0410-044	2		Hose, Oil
18	0410-013	1		Fitting, Oil
19	0423-089	2		O-Ring
20	8471-616	4		Screw, Machine
21	0410-012	1		Fitting, Oil - Angled



2004 ATV 400 AUTOMATIC TRANSMISSION 4X4 RED MRP (A2004ATH4BUSP) Page 57 of 94  
 OIL FILTER/PUMP ASSEMBLY

Ref #	Part Number	Qty	S/P/F	Description
1	3402-619	1		Pump, Oil
2	3402-618	1		Gear, Driven
3	3423-046	1		Pin
4	3423-443	1		Washer
5	3423-184	1	S	Circlip
6	3423-113	3	S/P	Screw
7	3402-156	1		Strainer, Oil
8	0693-389	2	S	Screw
9	3402-157	1		Cap, Oil Strainer
10	3423-077	1		O-Ring
11	3004-756	4	S	Screw, Cap
12	0436-146	1	S	Filter, Oil
13	3403-021	1	/P	Plug, Drain
14	3402-012	1		Gasket, Drain Plug
15	3402-773	1		Valve, Assembly - Oil Relief
16	3005-206	2	/P	Pin, Oil Pump

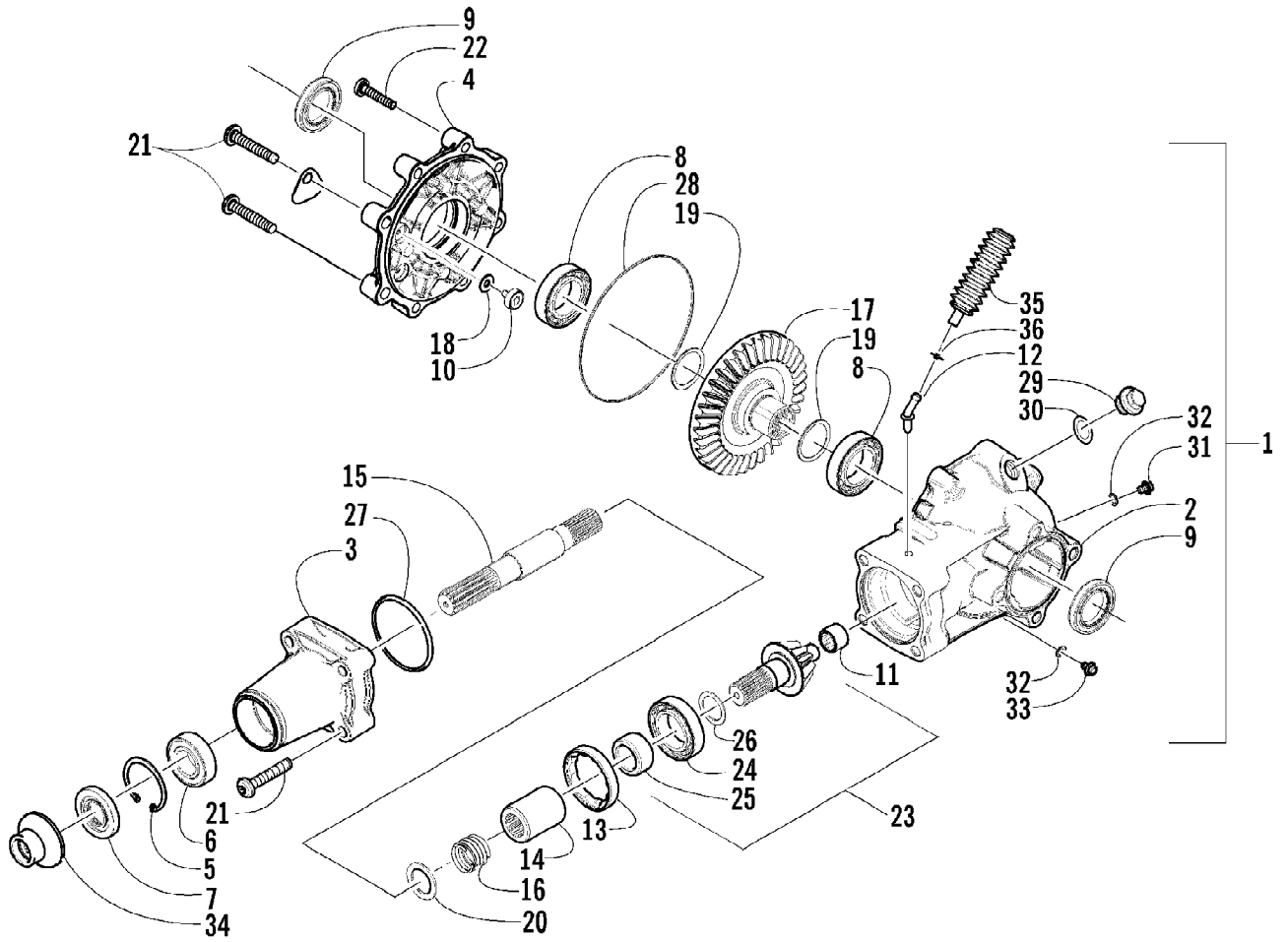
2004 ATV 400 AUTOMATIC TRANSMISSION 4X4 RED MRP (A2004ATH4BUSF) Page 58 of 94  
REAR AXLE ASSEMBLY



2004 ATV 400 AUTOMATIC TRANSMISSION 4X4 RED MRP (A2004ATH4BUSP) Page 59 of 94  
 REAR AXLE ASSEMBLY

Ref #	Part Number	Qty	S/P/F	Description
1	0506-675	1		Hitch, Trailer
2	0423-116	4		Screw, Self-Tapping
3	0406-415	1		Panel, Gearcase
4	0423-101	1		Screw, Body
5	0423-031	2		Nut, Speed
6	8477-616	2		Screw, Machine
7	0402-374	2		Gasket, Axle Housing
8	0502-090	1		Housing, Axle - Right
9	8409-025	8		Screw, Cap
10	0423-117	4		Screw, Self-Tapping
11	0423-119	2		O-Ring
12	0502-091	1		Housing, Axle - Left
13	0502-365	1		Retainer, Axle - Assembly - Right (inc. 14-17, two No. 18, and one No. 19-21)
14	0502-366	1		Axle Assembly - Right
15	0402-874	1	S	Disc, Brake
16	0502-096	1	S	Housing, Bearing - Right
17	0423-029	4		Screw, Shoulder
18	0402-339	4		Bearing
19	0402-351	2		Ring, Retaining
20	0402-347	2		Ring, Retaining
21	0402-348	2		Seal
22	0502-367	1	/P	Retainer, Axle - Assembly - Left (inc. two No. 18, one No. 19-21, and 23-24)
23	0502-097	1	S	Housing, Bearing - Left
24	0502-368	1	S	Axle Assembly - Left

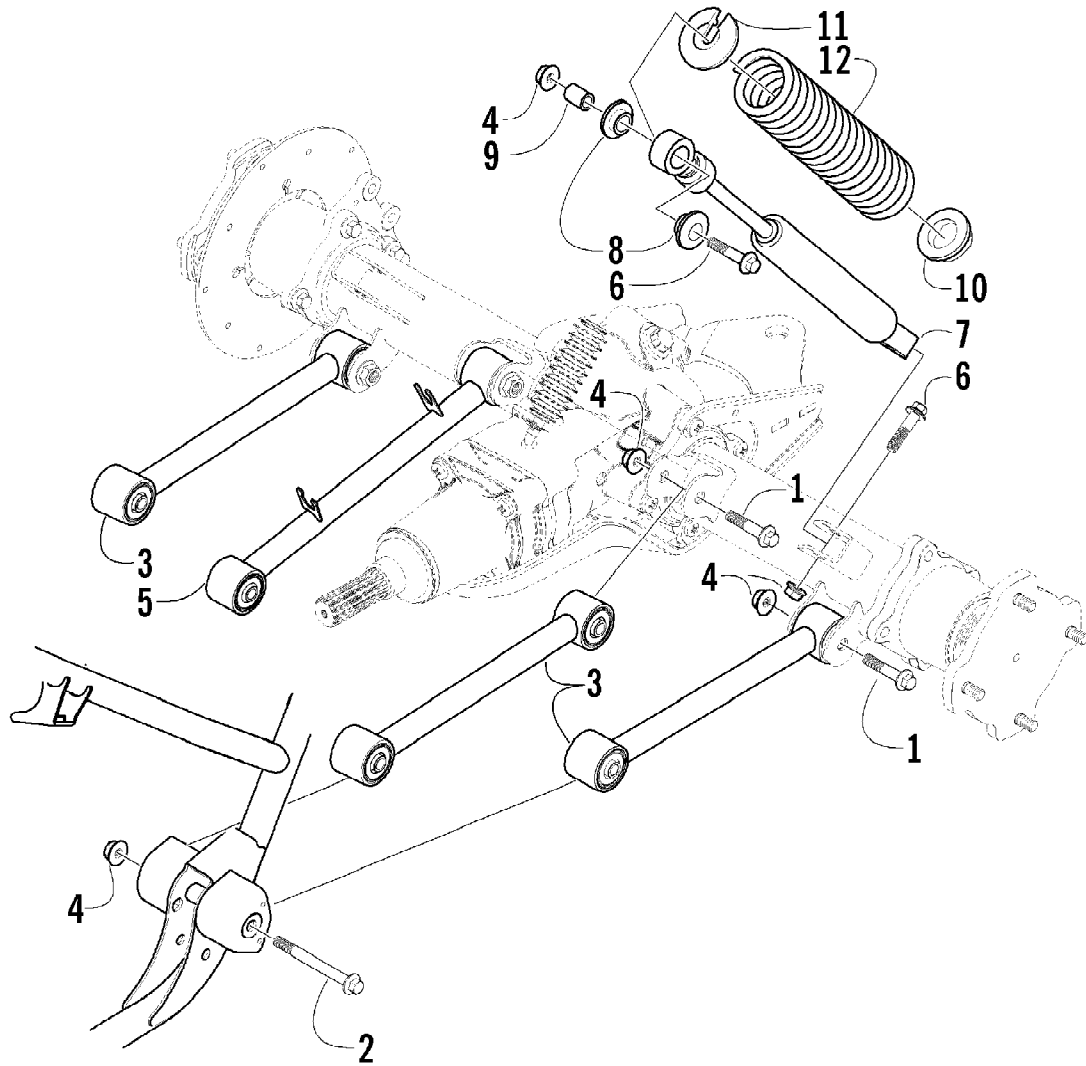
2004 ATV 400 AUTOMATIC TRANSMISSION 4X4 RED MRP (A2004ATH4BUSP) Page 60 of 94  
REAR DRIVE GEARCASE ASSEMBLY





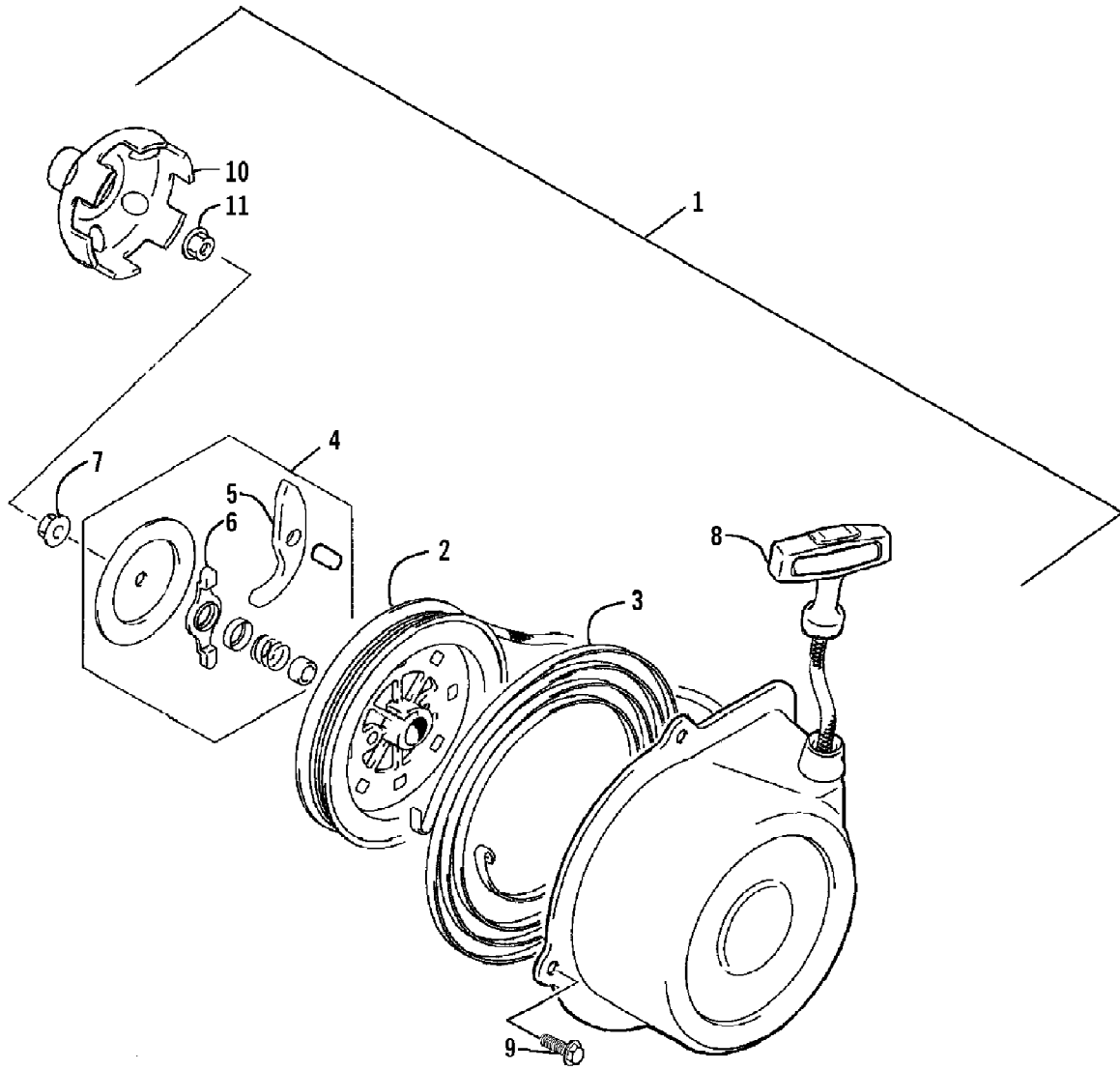
2004 ATV 400 AUTOMATIC TRANSMISSION 4X4 RED MRP (A2004ATH4BUSP) Page 61 of 94  
REAR DRIVE GEARCASE ASSEMBLY

Ref #	Part Number	Qty	S/P/F	Description
	0502-292	1		Complete Assembly
1	0502-292	1		Gearcase, Rear Drive - Assembly (inc. 2-33)
2	0502-088	1		Housing, Gearcase
3	0502-239	1		Housing, Pinion
4	0502-089	1		Cover, Gearcase
5	0402-321	1		Ring, Retaining
6	0402-322	1		Bearing
7	0402-323	1		Seal
8	0402-324	2		Bearing
9	0402-325	2		Seal
10	0402-326	1		Button, Thrust
11	0402-328	1		Bearing, Needle
12	0402-330	1		Fitting
13	0402-331	1		Collar, Lock
14	0402-335	1		Collar, Shaft
15	0402-851	1		Shaft, Thrust
16	0402-338	1		Spring, Compression
17	0402-381	1		Gear, Ring - 36T
18	0402-429	AR		Shim
18	0402-430	AR		Shim
18	0402-431	AR		Shim
18	0402-432	AR		Shim
18	0402-433	AR		Shim
19	0402-434	AR		Shim
19	0402-435	AR		Shim
19	0402-436	AR		Shim
19	0402-437	AR		Shim
19	0402-438	AR		Shim
20	0423-111	1		Washer
21	0423-115	6		Screw, Self-Tapping
22	0423-118	6		Screw, Self-Tapping
23	0502-123	1		Gear, Pinion - Assembly - 10T (inc. 24-26)
24	0402-327	1		Bearing
25	0402-336	1		Collar, Retaining
26	0402-424	AR		Shim
26	0402-425	AR		Shim
26	0402-426	AR		Shim
26	0402-427	AR		Shim
26	0402-428	AR		Shim
27	0423-148	1		O-Ring
28	0423-149	1		O-Ring
29	0402-333	1	/P	Plug, Fill (inc. 30)
30	0423-154	1		O-Ring
31	0402-334	1		Plug, Drain (inc. one No. 32)
32	0423-153	2		O-Ring
33	0402-450	1	S	Plug, Drain - Magnetic (inc. one No. 32)
34	0402-352	1		Boot, Rear Drive
35	0402-147	1	S	Bladder, Gearcase
36	0423-315	1		Clamp, Hose



2004 ATV 400 AUTOMATIC TRANSMISSION 4X4 RED MRP (A2004ATH4BUSP) Page 63 of 94  
REAR SUSPENSION ASSEMBLY

Ref #	Part Number	Qty	S/P/F	Description
1	8409-060	4		Screw, Cap
2	0423-335	2		Screw, Cap
3	0504-218	3		Arm, Swing
4	8428-002	10		Nut, Lock
5	0504-246	1		Arm, Swing
6	8409-040	4		Screw, Cap
7	0404-056	2		Shock Absorber - Rear (inc. 8-9)
8	0604-310	8		Bushing, Shock Absorber
9	0403-028	4		Sleeve, Shock Absorber
10	0403-102	2		Cam, Spring Adjuster
11	1603-889	2	/P	Retainer, Spring - Upper
12	0404-058	2		Spring, Shock Absorber



2004 ATV 400 AUTOMATIC TRANSMISSION 4X4 RED MRP (A2004ATH4BUSP) Page 65 of 94  
RECOIL STARTER ASSEMBLY

Ref #	Part Number	Qty	S/P/F	Description
1	3445-003	1		Starter, Recoil - Assembly (inc. 2-8)
2	3445-004	1		Reel
3	3445-007	1		Spring, Sprial
4	3445-016	1		Ratchet - Assembly (inc. 5-6)
5	3445-005	1		Ratchet
6	3445-006	1		Guide, Ratchet
7	3004-488	1	S/P	Nut
8	3445-011	1		Rope Assembly
9	3423-428	4		Screw, Cap
10	3445-027	1	S	Cup, Starter
11	3004-491	1	S/P	Nut

No  
Diagram  
Available  
  
Parts List  
Only

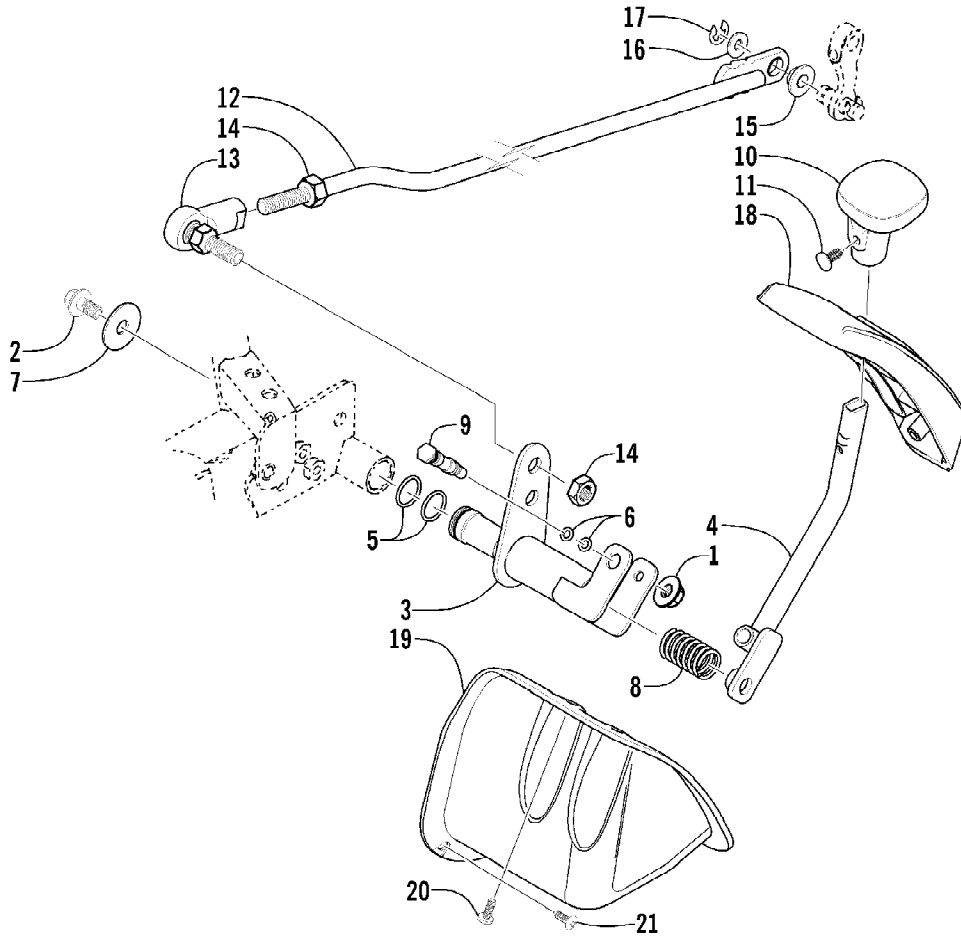
2004 ATV 400 AUTOMATIC TRANSMISSION 4X4 RED MRP (A2004ATH4BUS) Page 67 of 94  
RELATED ITEMS

Ref #	Part Number	Qty	S/P/F	Description
	0436-479	1		Articulating Spool Mount
	0436-469	1		Backrest
	0436-513	1		Bag, Fender - Black
	0436-514	1		Bag, Fender (Break-Up)
	0436-515	1		Bag, Fender (Shadow Grass)
	0436-337	1		Bag, Rack, Front - Black
	0436-336	1		Bag, Rack, Rear - Black
	0436-480	1		Bar, Utility/Gun Rack
	0436-502	1		Brush Guard/Bumper
	0436-462	1		Bucket Holder
	0436-506	1		Bumper (Rear)
	0436-464	1		Camp Stove Cradle
	0436-454	1		Cargo Box
	0436-485	1		Cargo Box Solid Mount Kit
	0436-498	1		Cargo Box Quick-Release Kit
	0436-459	1	/P	Carryall (9x12)
	0436-460	1		Carryall (11x17)
	0436-461	1		Carryall (14x25)
	0436-476	1		Chain Saw Lock
	0436-477	1		Cord Reel
	0436-381	1		Cover, Black and Green
	0436-339	1		Cover, Timber Camo
	0436-005	1	S	Engine Oil - 10W40
	0436-003	1	S	Engine Oil - 5W30
	0436-466	1		Fender Box
	0436-474	1		Flatbed Extensions
	0436-467	1		Gear Cradle
	0436-007	1	S	Gear Lube (Diff) - 80W90
	0436-472	1		Gun Scabbard Kit
	0436-505	1		Hand Guards - Black
	0436-352	1		Hand/Thumb Warmers
	0436-504	1		Ice Auger Holder
	2256-985	1		Illustrated Parts Manual
	0436-463	1		Light Bar
	2256-937	1		Manuel d'utilisation (F)
	0436-473	1		Maxrack (3-Piece)
	2256-934	1		Operator's Manual (E)
	0436-475	1		Rack Basket
	0436-495	1		Rapid Blind (Break-Up)
	0436-496	1		Rapid Blind (Shadow Grass)
	0436-494	1	S	Rapid Shack (Blue Ice)
	0436-511	1		Rod Holder - Adjustable
	0436-386	1		Snowplow Attachment Kit
	0436-228	1		Snowplow Blade, 50 in. - Straight
	0436-287	1		Snowplow Blade, 50 in. - One-Way
	0436-296	1		Snowplow Blade, 60 in. - Straight
	0436-360	1		Snowplow Blade, 60 in. - One-Way
	0436-356	1	S	Snowplow, Push Frame
	0436-471	1		Speedclamp, Double
	0436-500	1		Sprayer System
	0436-508	1	S	Sprayer Boom (120 in.)
	0436-465	1		Table, Expansion
	1402-028	1		Tire, Tire AT589 (25x8-12, Mud & Snow)

2004 ATV 400 AUTOMATIC TRANSMISSION 4X4 RED MRP (A2004ATH4BUSP) Page 68 of 94  
RELATED ITEMS

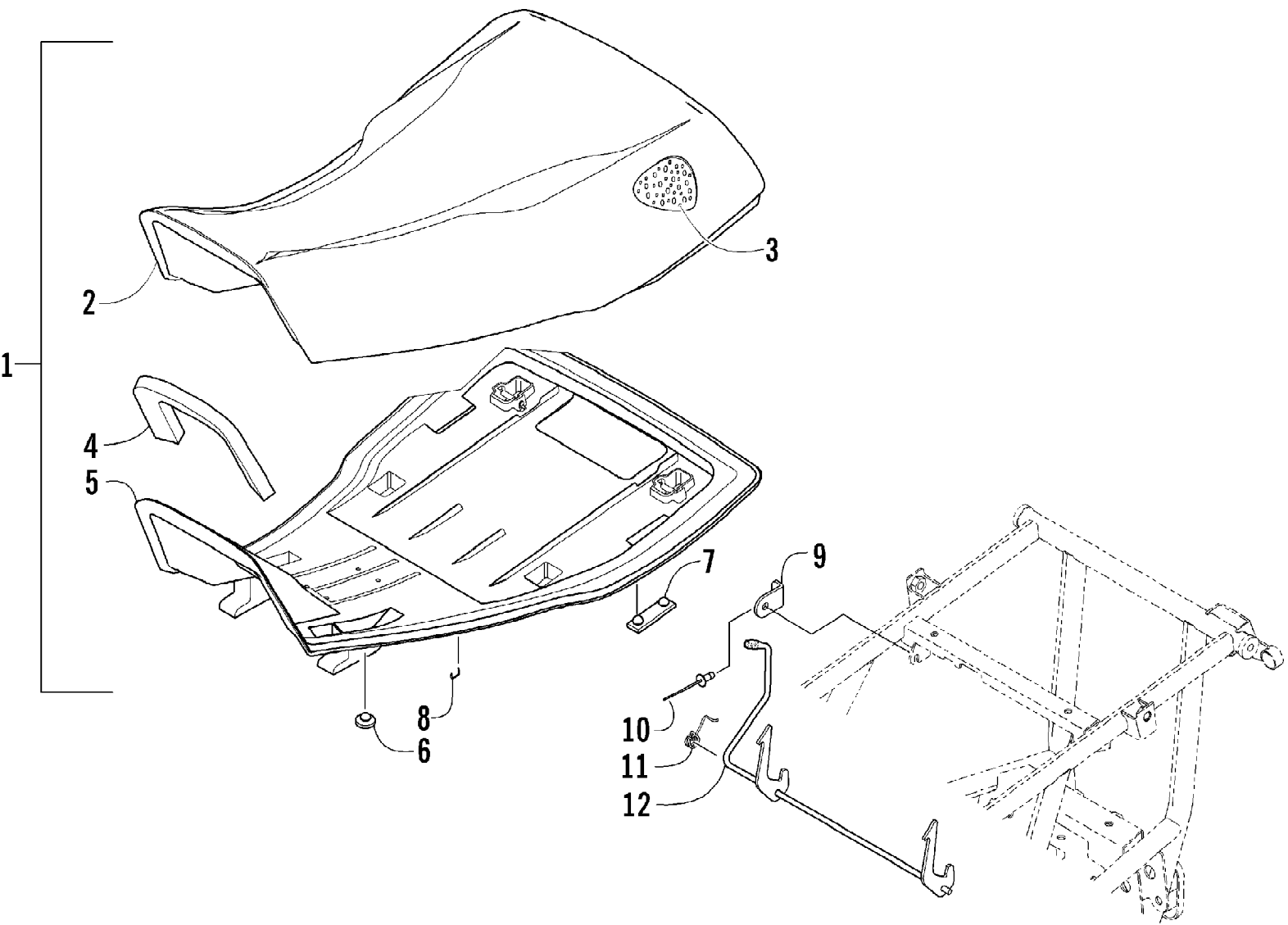
Ref #	Part Number	Qty	S/P/F	Description
	0402-563	1		Tire, Titan AT589 (25x10-12, Mud & Snow)
	0436-478	1		Tool Caddy
	0436-297	1		Tool Holder - Double
	0436-263	1	/P	Tool Holder - Single
	0436-468	1		Tree Stand/Bow Case Holder
	0436-329	1	S	Winch, 2500 lb
	0436-361	1		Winch Mounting Kit
	0436-301	1		Windshield, Clear w/Black Accent
	0436-470	1		Workbase (8 in.)





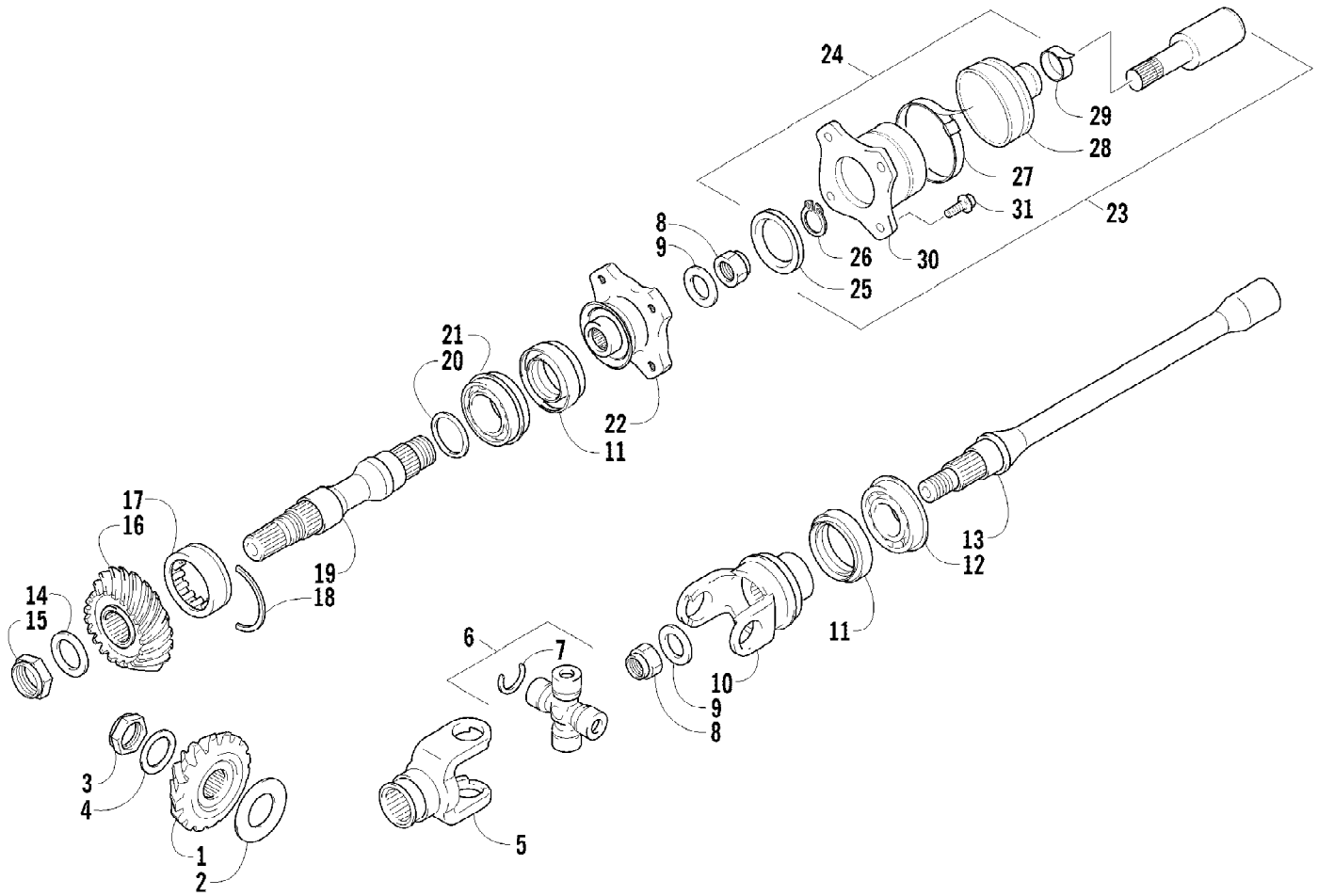
2004 ATV 400 AUTOMATIC TRANSMISSION 4X4 RED MRP (A2004ATH4BUSP) Page 70 of 94  
REVERSE SHIFT LEVER ASSEMBLY

Ref #	Part Number	Qty	S/P/F	Description
1	8424-602	1	/P	Nut
2	8408-812	1		Screw, Cap
3	0502-187	1		Axle, Reverse Shift Lever
4	0502-185	1		Lever, Reverse Shift
5	0423-299	2	/P	O-Ring
6	0423-182	2	/P	O-Ring
7	0423-087	1		Washer
8	0502-410	1	S	Spring
9	0402-675	1		Axle, Pivot
10	0402-843	1	/P	Handle, Reverse Shift Lever
11	0423-345	1		Clip, Push
12	0502-311	1	S	Linkage, Shift
13	0402-844	1		End, Rod
14	0623-294	2		Nut
15	0423-091	1		Bushing
16	3423-204	1	/P	Washer
17	0423-169	1	/P	E-Ring
18	0402-685	1		Plate, Shift
19	0406-943	1		Shield, Linkage
20	0423-371	3		Screw, Machine
21	0623-309	1		Screw, Self-Tapping



2004 ATV 400 AUTOMATIC TRANSMISSION 4X4 RED MRP (A2004ATH4BUSP) Page 72 of 94  
SEAT ASSEMBLY

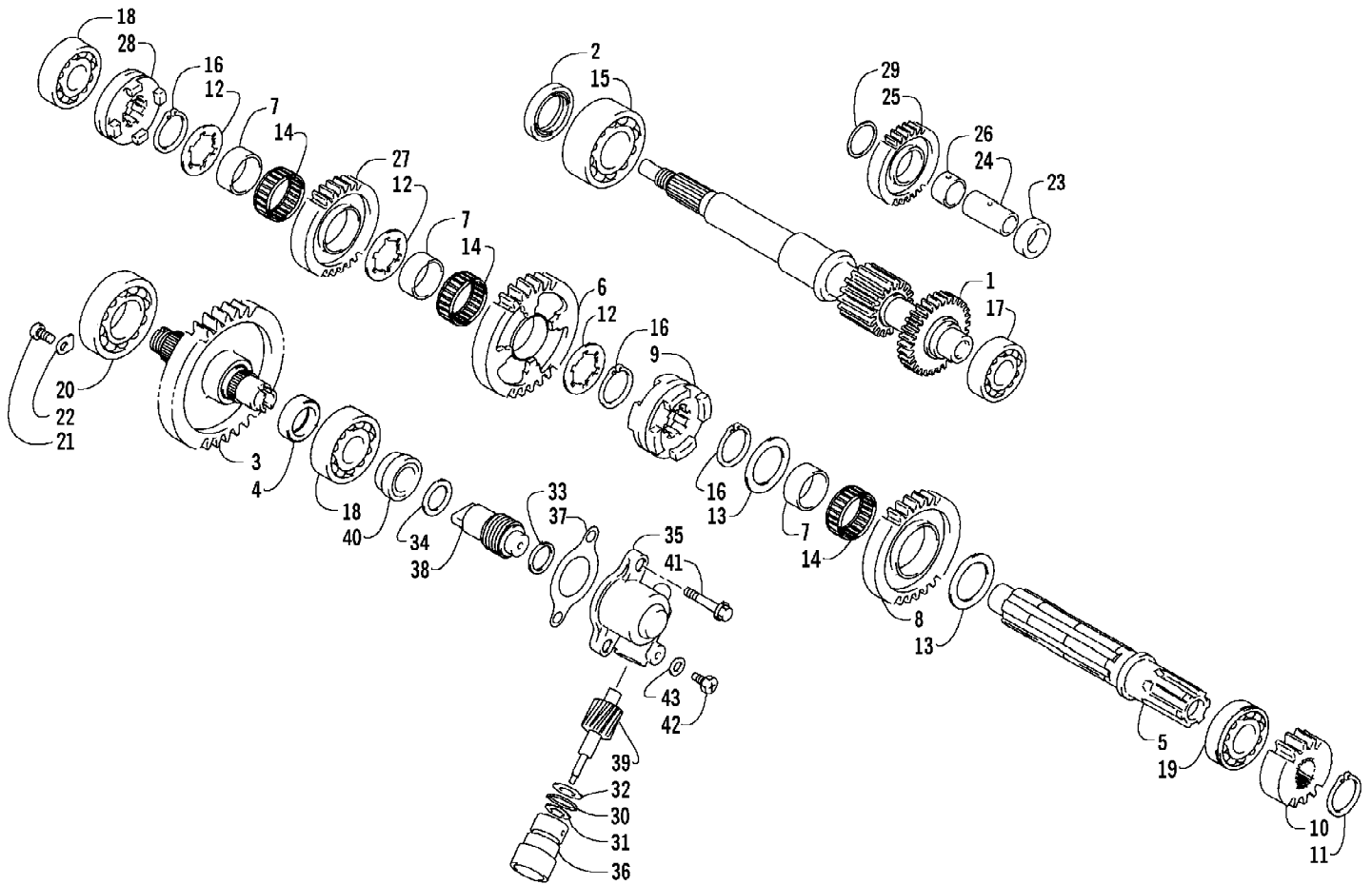
Ref #	Part Number	Qty	S/P/F	Description
1	0506-558	1		Seat Assembly (inc. 2-8)
2	0506-556	1		Cover, Seat
3	0506-555	1		Foam, Seat
4	1406-060	1		Foam, Sound
5	0406-878	1		Base, Seat Assembly (inc. 6-7)
6	0406-877	2	/P	Bumper, Seat - Front
7	0406-879	2		Bumper, Seat - Rear
8	0624-528	AR	/P	Staple
9	1406-087	1		Plate, Retainer
10	8060-284	1		Rivet
11	1406-371	1		Spring, Seat Latch
12	1506-217	1		Latch, Seat



2004 ATV 400 AUTOMATIC TRANSMISSION 4X4 RED MRP (A2004ATH4BUS) Page 74 of 94  
SECONDARY DRIVE ASSEMBLY

Ref #	Part Number	Qty	S/P/F	Description
1	3402-637	1		Gear, Secondary Drive
2	3446-035	1		Shim, Secondary Drive Gear - Set
3	3423-023	1		Nut
4	3005-372	1		Washer
5	3446-327	1	/P	Yoke, Propeller Shaft
6	3402-562	1		Joint, Universal - Set (inc. 7)
7	3423-479	4		Circlip
8	3423-025	2		Nut
9	3423-028	2		Washer
10	3402-742	1		Yoke, Drive Output - Front
11	3402-072	2		Seal, Oil
12	3402-558	1		Bearing, Front Secondary Driven Shaft
13	3402-559	1		Shaft, Secondary Driven - Front
14	3423-137	1		Washer, Secondary Driven Gear
15	3423-136	1		Nut, Secondary Driven Gear
16	3402-638	1		Gear, Secondary Driven
17	3402-515	1	/P	Bearing, Driven Gear
18	3423-072	1		C-Ring, Driven Bearing
19	3402-639	1		Shaft, Secondary Driven - Rear
20	3402-017	AR		Shim, 25 x 34 x 0.60 mm
20	3402-018	AR		Shim, 25 x 34 x 0.65 mm
20	3402-019	AR		Shim, 25 x 34 x 0.70 mm
20	3402-020	AR		Shim, 25 x 34 x 0.75 mm
20	3402-021	AR	S	Shim, 25 x 34 x 0.80 mm
20	3402-022	AR		Shim, 25 x 34 x 0.85 mm
20	3402-023	AR		Shim, 25 x 34 x 0.90 mm
20	3402-024	AR		Shim, 25 x 34 x 0.95 mm
20	3402-025	AR	S	Shim, 25 x 34 x 1.00 mm
20	3402-028	AR		Shim, 25 x 34 x 1.05 mm
20	3402-029	AR		Shim, 25 x 34 x 1.10 mm
20	3402-030	AR		Shim, 25 x 34 x 1.15 mm
20	3402-031	AR		Shim, 25 x 34 x 1.20 mm
21	3402-067	1	S	Bearing, Rear Secondary Driven Shaft
22	3402-514	1	/P	Flange, Output Joint - Rear
23	3435-010	1		Joint, Rear Output - Assembly (inc. 24-30)
24	3435-066	1		Boot, Joint - Set (inc. 25-29)
25	3423-356	1		Seal, Plate
26	3423-210	1		Ring, Snap
27	3423-211	1		Band
28	3435-067	1		Boot
29	3423-212	1		Band
30	0	1	F	Flange, Output
31	8408-820	4	/P	Screw, Cap

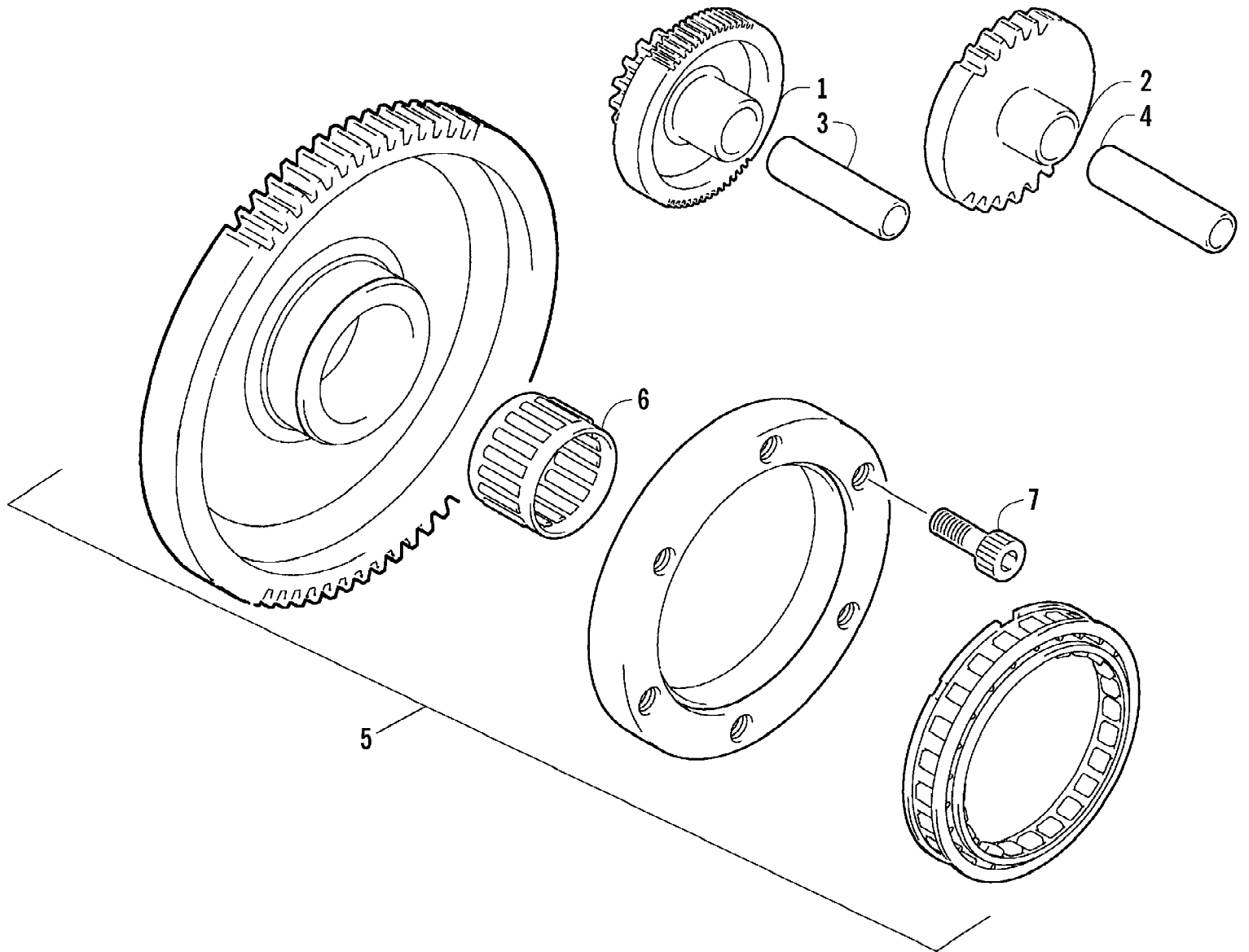
2004 ATV 400 AUTOMATIC TRANSMISSION 4X4 RED MRP (A2004ATH4BUSP) Page 75 of 94  
SECONDARY TRANSMISSION ASSEMBLY



2004 ATV 400 AUTOMATIC TRANSMISSION 4X4 RED MRP (A2004ATH4BUSP) Page 76 of 94  
SECONDARY TRANSMISSION ASSEMBLY

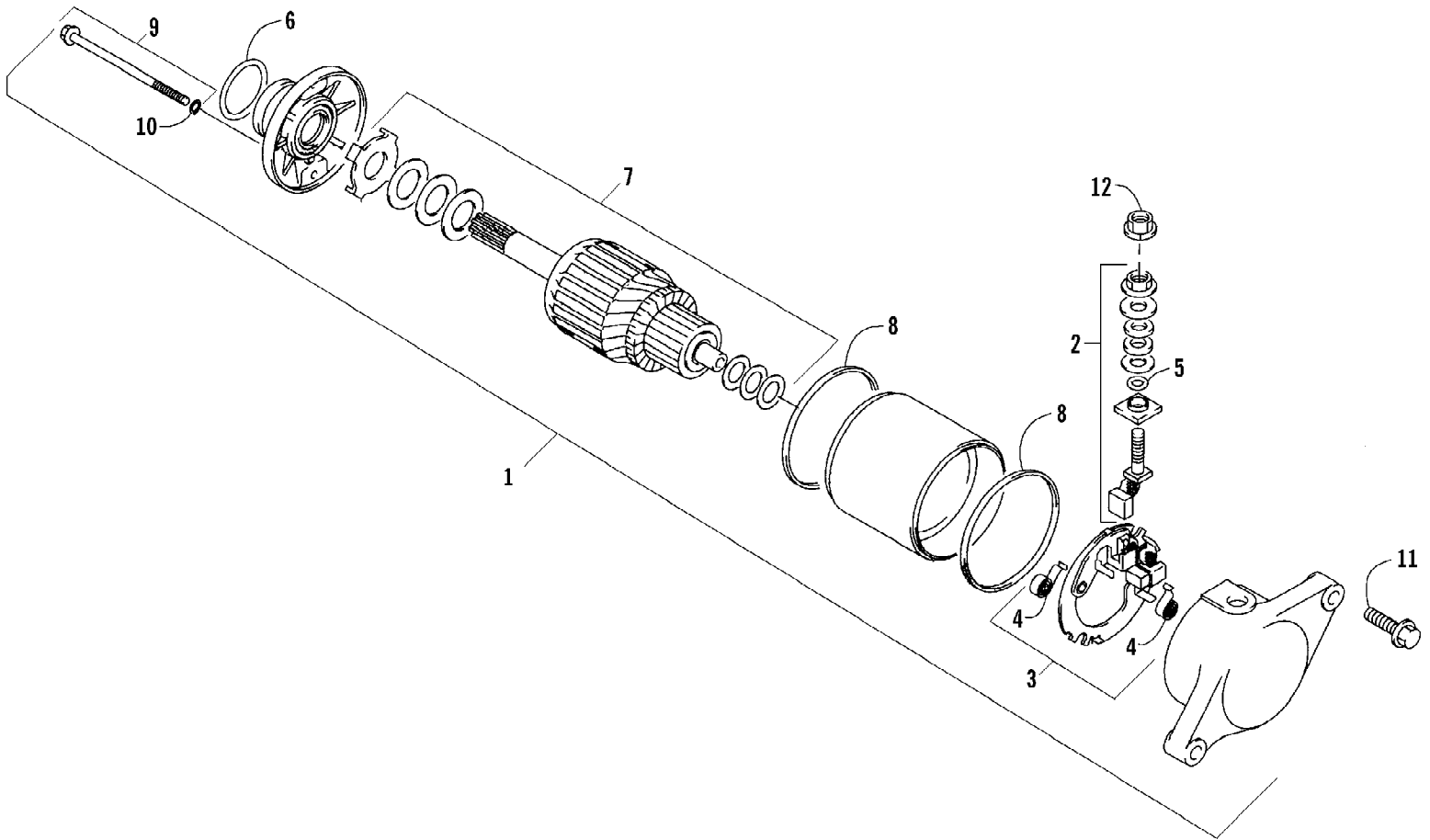
Ref #	Part Number	Qty	S/P/F	Description
1	3402-665	1		Driveshaft
2	3402-500	1	S	Seal, Driveshaft
3	3402-666	1		Shaft, Output
4	3423-494	1		Spacer, Output Shaft
5	3402-667	1		Countershaft
6	3402-668	1	/P	Gear, Driven - Low
7	3402-494	3		Bushing
8	3402-495	1		Gear, Driven - High
9	3402-496	1		Dog, Sliding
10	3402-669	1		Gear, Drive - No. 2
11	3423-191	1	/P	Circlip
12	3423-263	3		Washer
13	3423-448	2		Washer
14	3402-498	3		Bearing
15	3402-499	1		Bearing, Driveshaft
16	3423-066	3	/P	Circlip
17	3003-261	1	/P	Bearing, Driveshaft - Left
18	3402-045	2	/P	Bearing, Shaft
19	3004-209	1	/P	Bearing, Shaft
20	3402-180	1	S	Bearing, Output Shaft
21	3423-435	2		Screw, Bearing Retainer
22	3446-031	2	/P	Retainer, Bearing
23	3423-442	1		Spacer, Reverse Idle Gear
24	3402-634	1		Shaft, Reverse Idle
25	3402-503	1		Gear, Reverse Idle
26	3446-103	1		Bushing, Reverse Idle Gear
27	3402-635	1		Gear, Reverse Driven
28	3402-636	1		Dog, Reverse Driven Gear
29	3402-195	2		Washer, Reverse Idle Gear
30	3423-056	1		O-Ring
31	3402-077	1		Seal, Driven Gear
32	3423-144	1		Washer, Driven Gear
33	3423-336	1		Washer
34	3423-502	1	/P	Washer
35	3446-057	1		Housing, Speedometer Gear
36	3446-058	1		Sleeve
37	3446-244	1	/P	Gasket, Housing
38	3446-284	1		Gear, Drive
39	3446-285	1		Gear, Driven
40	3446-114	1	/P	Spacer, Driven Gear
41	3423-346	2	S	Bolt, Housing
42	3423-143	1	S	Bolt, Driven Gear
43	3402-009	1	/P	Washer, Driven Gear





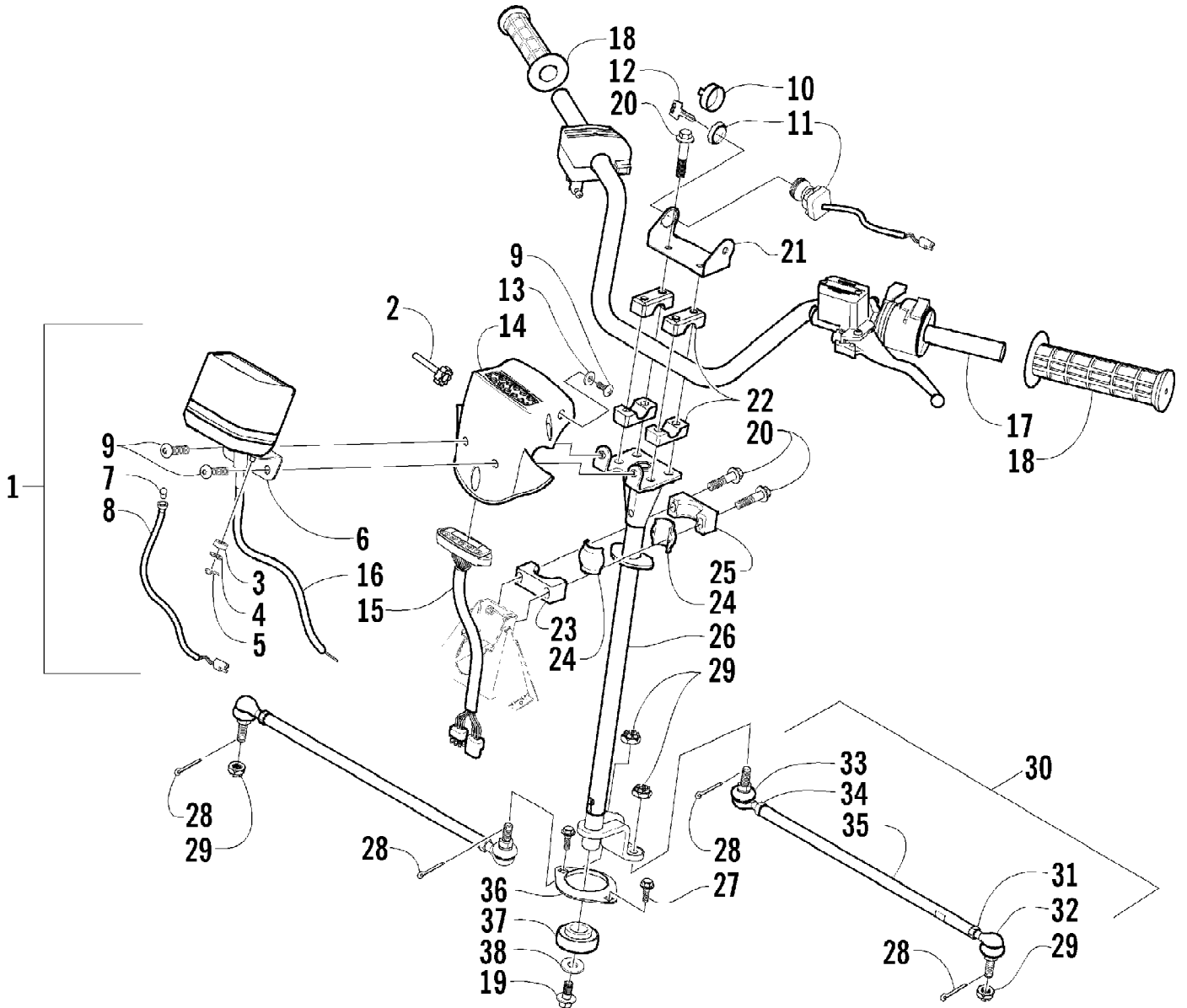
2004 ATV 400 AUTOMATIC TRANSMISSION 4X4 RED MRP (A2004ATH4BUSP) Page 78 of 94  
STARTER CLUTCH ASSEMBLY

Ref #	Part Number	Qty	S/P/F	Description
1	3402-603	1		Gear, Starter Idler - No. 1
2	3402-124	1		Gear, Starter Idler - No. 2
3	3423-331	1		Pin, Starter Idler Gear No. 1
4	3423-397	1		Pin, Starter Idler Gear No. 2
5	3402-690	1	S	Clutch, Starter - Set (inc. 6)
6	3402-674	1		Bearing
7	3423-102	6	S	Bolt



2004 ATV 400 AUTOMATIC TRANSMISSION 4X4 RED MRP (A2004ATH4BUSP) Page 80 of 94  
STARTER MOTOR ASSEMBLY

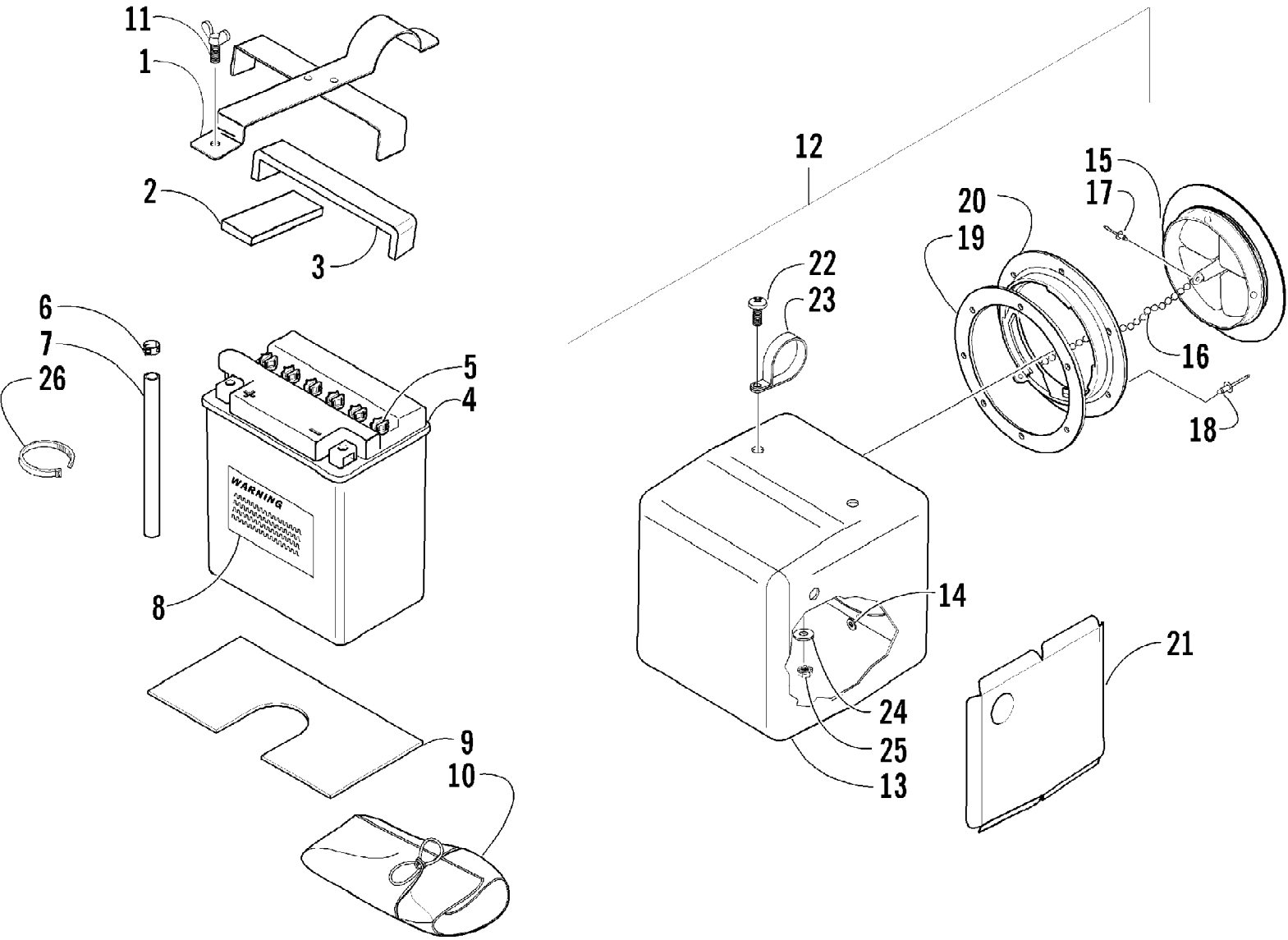
Ref #	Part Number	Qty	S/P/F	Description
1	3545-016	1		Motor, Starter Assembly (inc. 2-10)
2	3402-671	1		Terminal Set, Brush
3	3402-672	1		Holder Set, Brush
4	3008-551	4		Spring, Brush
5	3008-164	1		O-Ring
6	3423-272	1		O-Ring
7	3008-099	1		Washer Set
8	3423-497	2		O-Ring
9	3423-498	2		Through-Bolt (inc. 10)
10	3423-496	2		O-Ring
11	3004-756	2	S	Bolt
12	3423-195	1	/P	Nut



2004 ATV 400 AUTOMATIC TRANSMISSION 4X4 RED MRP (A2004ATH4BUSP) Page 82 of 94  
STEERING ASSEMBLY

Ref #	Part Number	Qty	S/P/F	Description
1	0420-031	1	/P	Speedometer (inc. 2-8)
2	0420-027	1		Knob, Speedometer Trip
3	0420-016	2		Mount, Rubber
4	0420-017	2		Washer
5	0420-015	2		Pin, Retainer
6	0420-018	1		Bracket, Speedometer
7	0620-149	1	/P	Bulb, Speedometer
8	0420-014	1		Harness, Speedometer
9	8477-616	3		Screw, Machine
10	0409-013	1		Cover, Key
11	3430-040	1		Switch, Ignition - Assembly (inc. 12)
12	3409-007	1	/P	Key, Ignition - Blank (C Series)
12	3409-011	1		Key, Ignition - Blank (D Series)
12	3409-012	1		Key, Ignition - Blank (E Series)
12	3409-013	1		Key, Ignition - Blank (F Series)
13	0423-052	1		Collar, Body
14	0405-063	1		Instrument Pod
15	0420-035	1	/P	Panel, LED
16	0487-026	1		Cable, Speedometer
17	0505-410	1		Tube, Handlebar
18	0405-106	2		Grip, Handlebar
19	8409-020	1	/P	Screw, Cap
20	8408-860	6		Screw, Cap
21	0506-348	1	/P	Bracket, Key Switch
22	0405-035	4		Cap, Steering Adjuster
23	0605-171	1		Housing, Bearing - Lower
24	0405-020	2		Bearing, Steering Post
25	0605-147	1	S	Housing, Bearing - Upper
26	0505-423	1	S	Post, Steering
27	8408-816	2		Screw, Cap
28	0623-175	4		Pin, Cotter
29	0423-157	4		Nut, Lock
30	0505-072	2	/P	Tie Rod, Assembly (inc. 31-35)
31	8420-002	2	/P	Nut - Right
32	0405-082	2	S	Ball Joint, Tie Rod - Right
33	0405-083	2	S	Ball Joint, Tie Rod - Left
34	0423-013	2		Nut - Left
35	0405-032	2		Tie Rod
36	0602-233	1		Flange, Bearing
37	0405-052	1		Bearing w/Inverted Oil Seal
38	0423-073	1		Washer

2004 ATV 400 AUTOMATIC TRANSMISSION 4X4 RED MRP (A2004ATH4BUSP) Page 83 of 94  
STORAGE BOX AND BATTERY ASSEMBLY

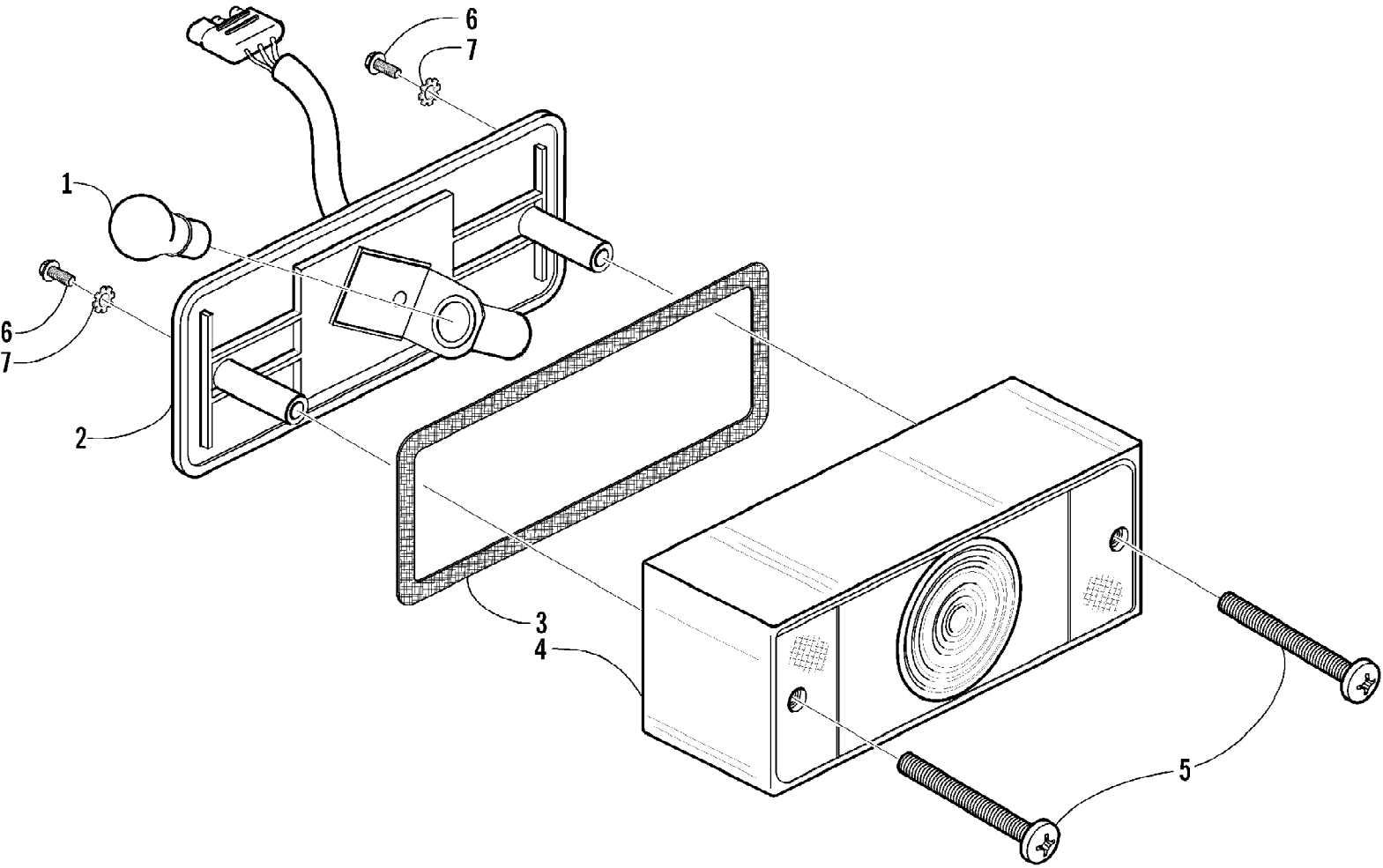


2004 ATV 400 AUTOMATIC TRANSMISSION 4X4 RED MRP (A2004ATH4BUSP) Page 84 of 94  
STORAGE BOX AND BATTERY ASSEMBLY

Ref #	Part Number	Qty	S/P/F	Description
1	0506-178	1		Strap, Battery w/Pads (inc. 2-3)
2	0406-288	1		Pad, Battery - Upper Front
3	0406-289	1		Pad, Battery - Upper Rear
4	0745-045	1	/P	Battery Assembly (inc. 5-8)
5	0645-045	6		Cap, Battery
6	0645-152	1		Clamp, Hose
7	0645-263	1	/P	Hose, Battery Vent
8	0645-151	1		Label, Warning - Battery
9	0406-227	1		Pad, Battery - Lower
10	0444-122	1	S/P	Kit, Tool
11	0423-456	1	/P	Screw, Thumb
12	1506-032	1		Storage Box - Assembly (inc. 13-21)
13	1406-236	1		Box, Storage
14	0123-802	6		Washer
15	0406-208	1		Cover, Storage Box
16	0773-401	1		Chain, Cover
17	8060-223	2	S	Rivet
18	8060-630	6		Rivet
19	0673-973	1		Seal, Cover
20	0406-205	1	/P	Ring, Mounting - Cover
21	1406-237	1		Shield, Heat
22	8476-620	4		Screw, Cap
23	0423-044	4		Clamp, Tube
24	0623-184	4		Washer
25	0623-038	4		Nut w/Washer
26	0123-903	2		Cable Tie - 11.5 in.

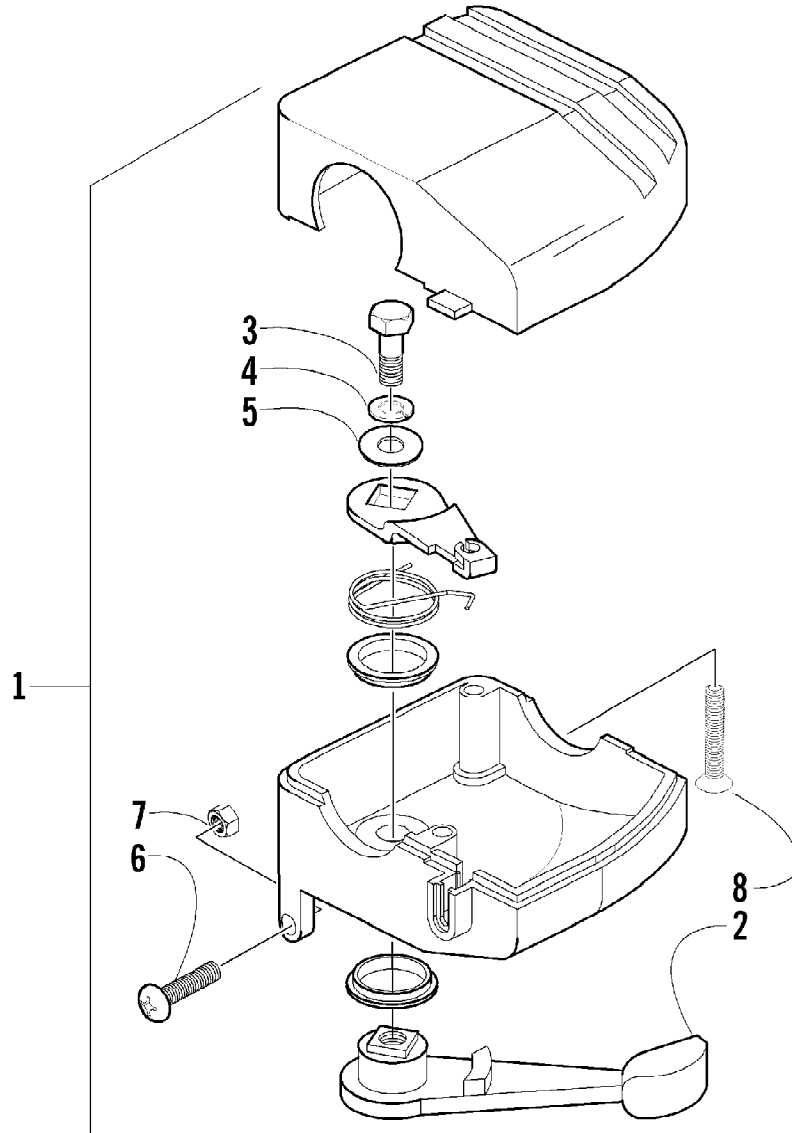


2004 ATV 400 AUTOMATIC TRANSMISSION 4X4 RED MRP (A2004ATH4BUSP) Page 85 of 94  
TAILLIGHT ASSEMBLY



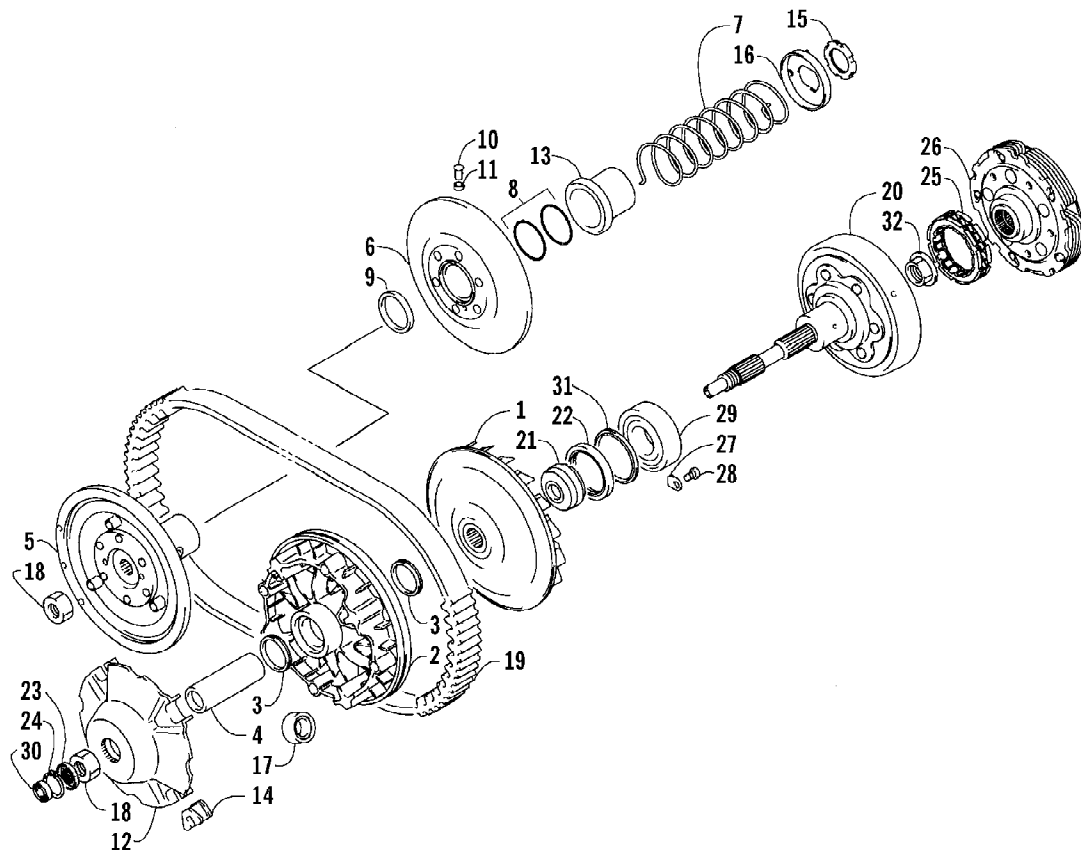
2004 ATV 400 AUTOMATIC TRANSMISSION 4X4 RED MRP (A2004ATH4BUSP) Page 86 of 94  
TAILLIGHT ASSEMBLY

Ref #	Part Number	Qty	S/P/F	Description
	0409-002	1		Complete Taillight Assembly
1	0109-460	1	/P	Bulb, Stop/Taillight
2	0409-058	1		Taillight w/Socket Assembly
3	0409-012	1		Gasket, Taillight Lens
4	0409-007	1		Lens, Taillight
5	0409-010	2		Screw, Machine
6	0623-301	2	/P	Screw, Self-Tapping
7	8053-212	2	/P	Washer, Lock - External Tooth



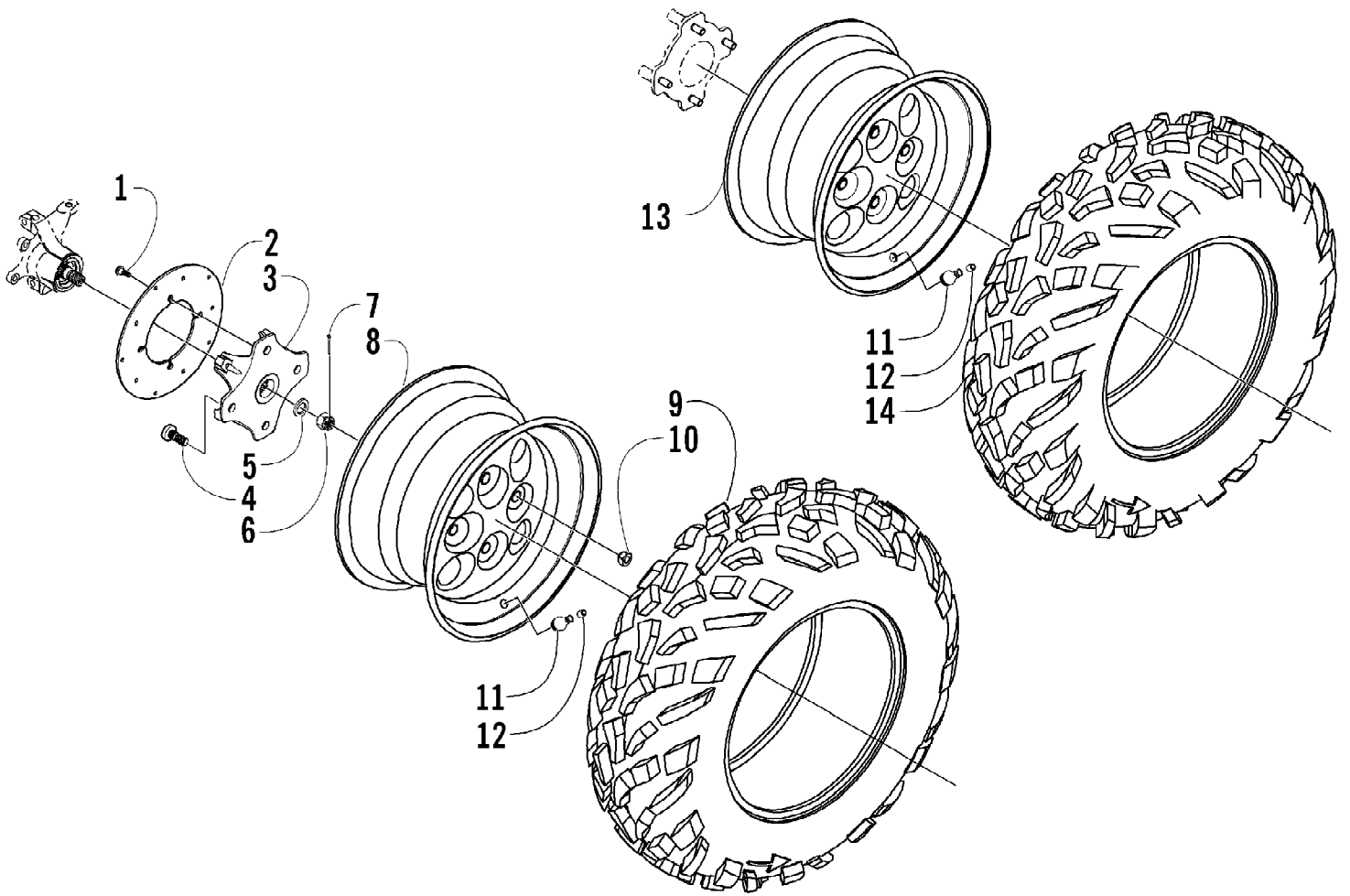
2004 ATV 400 AUTOMATIC TRANSMISSION 4X4 RED MRP (A2004ATH4BUSP) Page 88 of 94  
THROTTLE CASE ASSEMBLY

Ref #	Part Number	Qty	S/P/F	Description
1	3509-003	1	/P	Case, Throttle - Assembly (inc. 2-8)
2	3409-001	1		Lever
3	3004-533	1	S/P	Screw, Cap
4	3004-447	1	/P	Washer, Lock
5	3003-030	1	/P	Washer
6	3423-014	1		Screw
7	3423-327	1		Nut
8	3423-199	2		Screw



2004 ATV 400 AUTOMATIC TRANSMISSION 4X4 RED MRP (A2004ATH4BUSP) Page 90 of 94  
TRANSMISSION ASSEMBLY

Ref #	Part Number	Qty	S/P/F	Description
1	3402-622	1		Face, Fixed Drive
2	3402-623	1		Face, Movable Drive
3	3402-624	2		Seal, Movable Drive Face
4	3402-625	1		Spacer, Movable Drive Face
5	3402-626	1	S	Face, Fixed Driven
6	3402-627	1		Face, Movable Driven
7	3423-486	1		Spring, Movable Driven Face
8	3423-487	2		O-Ring, Movable Driven Face
9	3402-629	2		Seal, Movable Driven Face
10	3402-477	3		Pin, Movable Driven Face
11	3402-478	3		Spacer, Movable Driven Face
12	3402-630	1		Plate, Movable Drive Face
13	3402-631	1		Sleeve, Movable Driven Face
14	3402-481	4		Damper, Movable Drive Face
15	3423-489	1		Nut, Driven Pulley
16	3402-632	1		Holder, Movable Driven Face Spring
17	3402-633	8		Roller, Movable Drive Face
18	3423-437	2		Nut
19	3402-664	1		V-Belt
20	3402-620	1		Housing, Clutch
21	3402-621	1		Spacer, Fixed Drive Face
22	3402-535	1	S	Seal, Clutch Housing
23	3402-574	1		Seal, Clutch Housing
24	3423-505	1	S	Circlip
25	3446-003	1		Clutch, One Way
26	3446-278	1	S	Shoe, Clutch - Assembly
27	3446-031	2	/P	Retainer, Bearing
28	3423-435	2		Screw, Bearing Retainer
29	3402-567	1		Bearing
30	3402-693	1		Bearing
31	3423-353	1	/P	O-Ring
32	3423-501	1		Nut

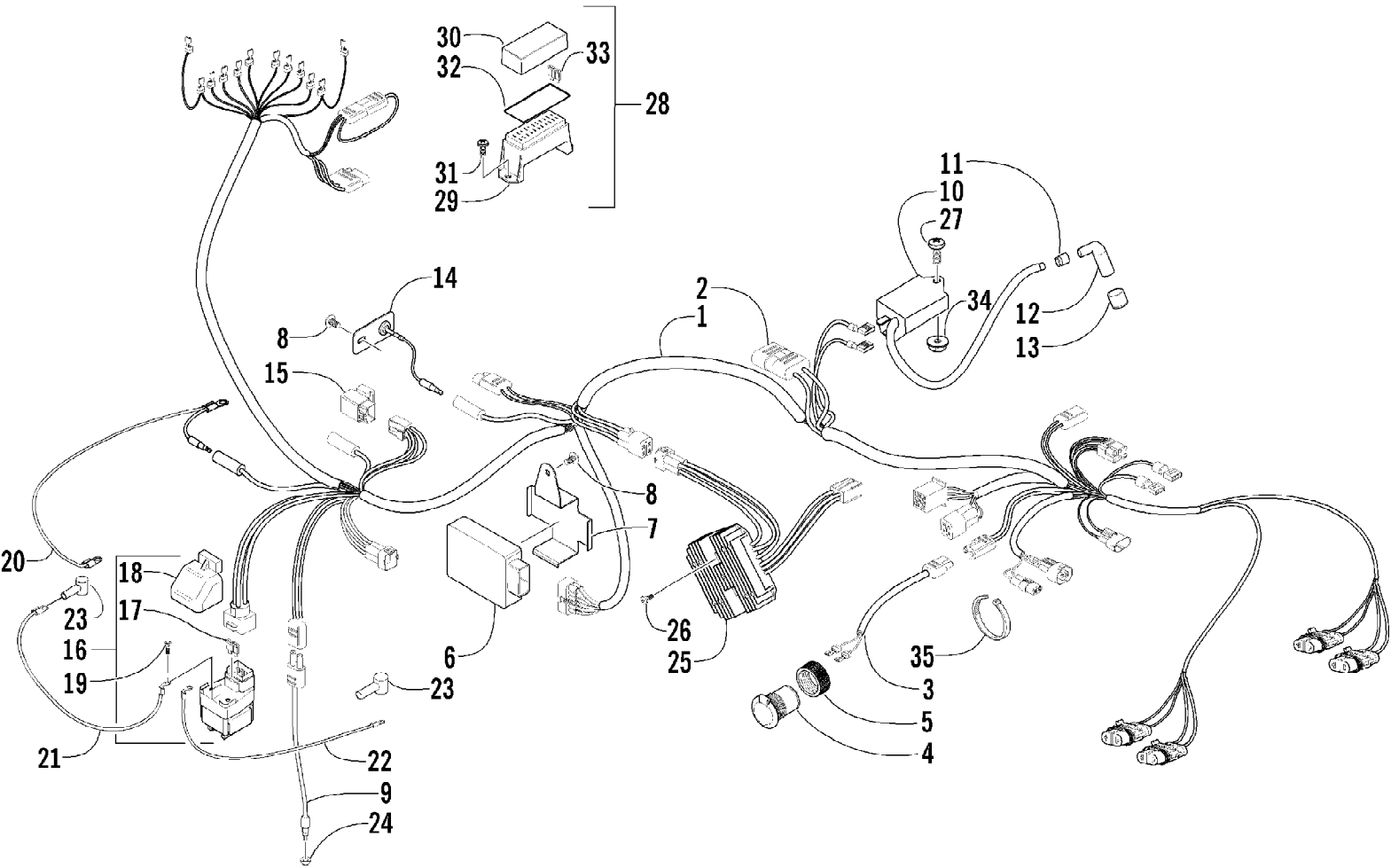


2004 ATV 400 AUTOMATIC TRANSMISSION 4X4 RED MRP (A2004ATH4BUSP) Page 92 of 94  
 WHEEL AND TIRE ASSEMBLY

Ref #	Part Number	Qty	S/P/F	Description
1	0423-029	8		Screw, Machine
2	0402-874	2	S	Disc, Brake
3	0502-421	2	/P	Hub, Wheel - Front (inc. 4)
4	0402-974	8	/P	Stud, Wheel Hub
5	0402-181	2		Seal, Hub
6	0423-394	2		Nut, Hex
7	0123-458	2	/P	Pin, Cotter
8	0402-856	2		Wheel - Front
9	0402-890	2		Tire - Front
10	0423-408	16	/P	Nut, Mounting - Wheel
11	0402-064	4		Stem, Valve (inc. 12)
12	0402-140	4		Cap, Valve Stem
13	0402-989	2		Wheel - Rear
14	0402-887	2		Tire - Rear



2004 ATV 400 AUTOMATIC TRANSMISSION 4X4 RED MRP (A2004ATH4BUSP) Page 93 of 94  
WIRING HARNESS ASSEMBLY



2004 ATV 400 AUTOMATIC TRANSMISSION 4X4 RED MRP (A2004ATH4BUSP) Page 94 of 94  
WIRING HARNESS ASSEMBLY

Ref #	Part Number	Qty	S/P/F	Description
1	0486-106	1		Harness, Main (inc. 2)
2	0486-029	1		Diode (Start In Gear)
3	0486-004	1		Harness, 12V Receptacle
4	0445-022	1	S	Receptacle, 12V (inc. 5)
5	0445-034	1		Nut, Retainer
6	3402-683	1		CDI Unit
7	0506-982	1	/P	Bracket, CDI Unit
8	8476-616	2		Screw, Machine
9	0409-009	1		Switch, Brake
10	3430-055	1		Coil, Ignition - Assembly
11	3430-009	1	/P	Seal, High Tension Wire
12	3430-007	1	/P	Cap, Spark Plug
13	3430-008	1	/P	Seal, Spark Plug Cap
14	0509-011	1	S	Diode Assembly
15	3530-008	1	S	Relay, Neutral Start - Assembly
16	3530-001	1	/P	Relay, Starter Motor - Assembly (inc. 17-18)
17	0630-098	1		Fuse, 30 Amp
18	3530-010	1		Cover, Starter Motor Relay
19	8477-610	2		Screw, Cap
20	0445-035	1		Cable, Battery/Ground
21	0445-003	1	/P	Cable, Battery/Electric Start Relay
22	0445-019	1		Cable, Electric Start Relay/Starter
23	0645-019	2		Boot, Terminal
24	0402-991	2		Retainer, Brake Switch
25	3402-682	1		Regulator, Voltage
26	8476-625	2		Screw, Machine
27	8476-620	1		Screw, Machine
28	0530-001	1		Block, Fuse - Assembly (inc. 29-30)
29	0	1	F	Block, Fuse
30	0	1	F	Cover, Fuse Block
31	0623-361	2		Screw, Self-Tapping
32	0411-271	1		Decal, Fuse Block
33	0630-057	4		Fuse, 10 Amp
33	0630-058	2		Fuse, 15 Amp
34	8424-602	1	/P	Nut, Flange
35	0123-788	AR	/P	Cable Tie - 7 in.