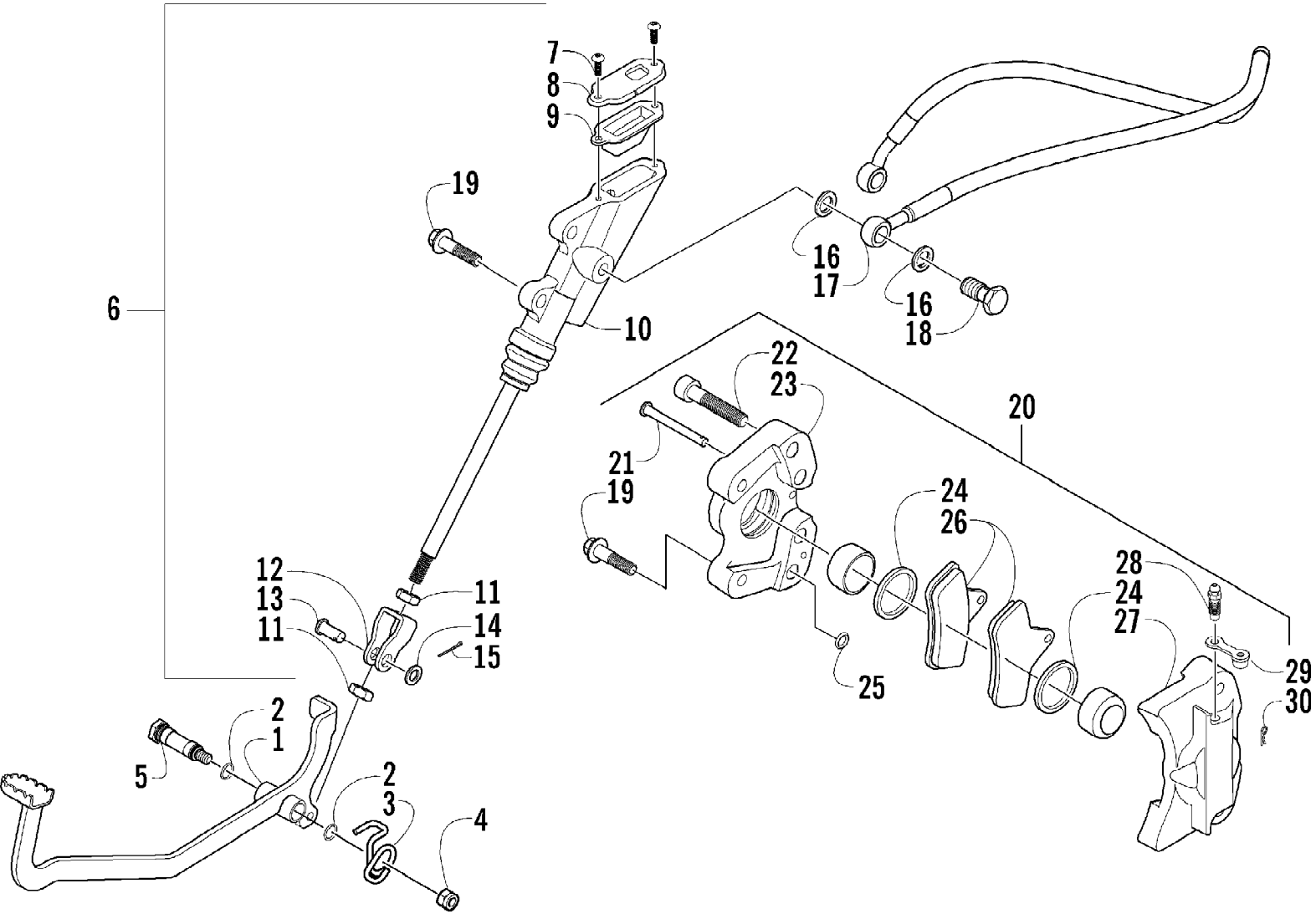


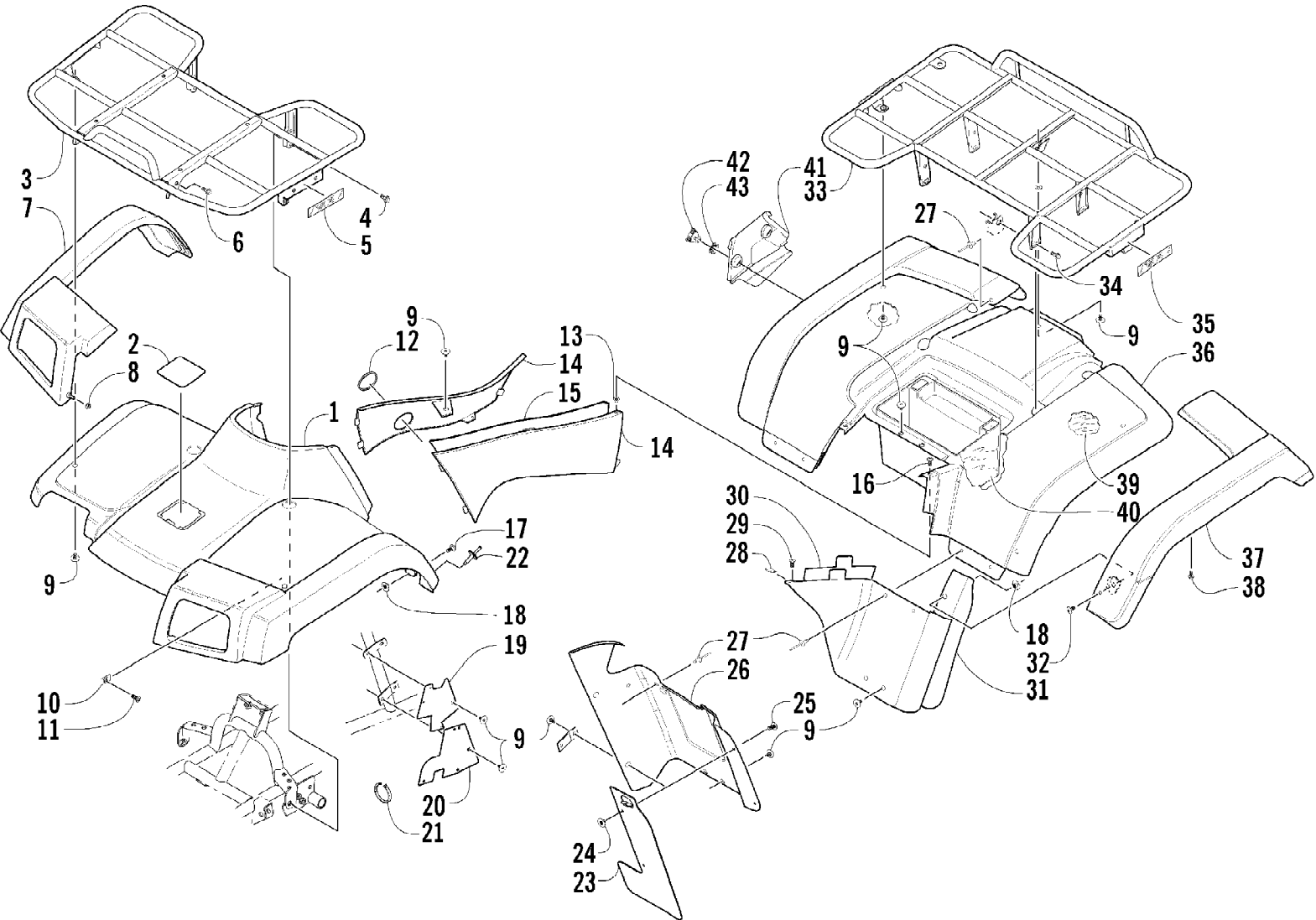
2004 ATV 400 AUTOMATIC TRANSMISSION 2X4 FIS GREEN (A2004ISH2BUS) Page 2 of 89
 AIR INTAKE ASSEMBLY

Ref #	Part Number	Qty	S/P/F	Description
1	0423-379	1		Clamp
2	0470-467	1		Boot, Air Intake
3	0423-018	2		Clamp
4	0470-446	1	/P	Housing, Air Intake
5	0470-391	1	/P	Filter, Air
6	0470-343	1		Gasket
7	0470-383	1	/P	Snorkel
8	0470-307	4		Clamp
9	0423-037	4		Spring
10	0623-121	4		Screw, Machine
11	0123-010	4	/P	Nut, Expansion
12	0470-351	2		Support, Air Intake Flange
13	0412-141	1		Shield, Heat
14	0470-442	1	/P	Valve, Drain
15	0623-101	1		Clip, Retaining
16	1673-272	1	/P	Cap, Drain Tube
17	0423-047	1		Clamp, Hose
18	0423-045	2		Clamp, Hose
19	0410-045	1		Hose, Crankcase Vent



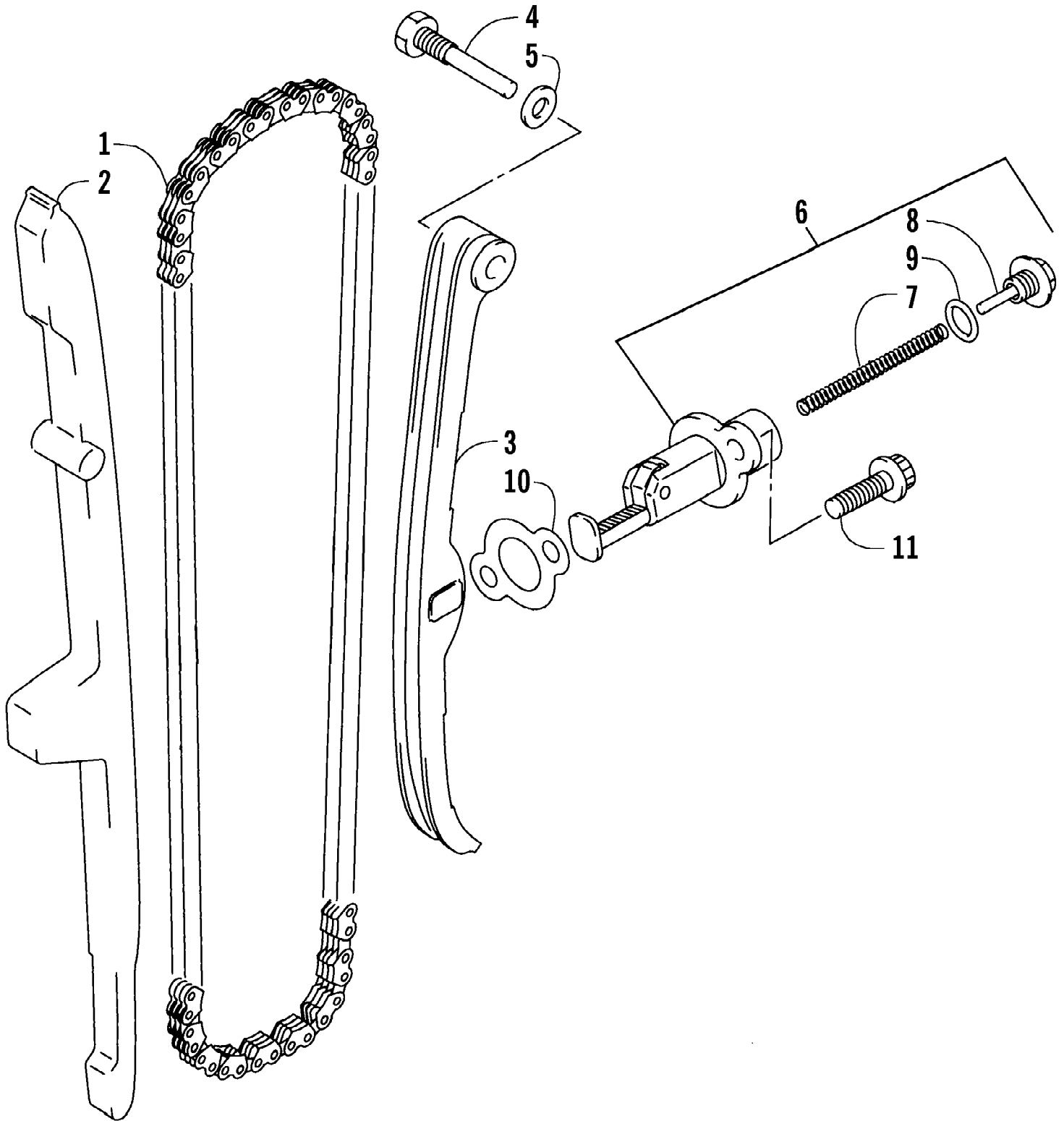
2004 ATV 400 AUTOMATIC TRANSMISSION 2X4 FIS GREEN (A2004ISH2BUS) Page 4 of 89
AUXILIARY BRAKE ASSEMBLY

Ref #	Part Number	Qty	S/P/F	Description
1	0502-447	1		Lever, Brake
2	1602-213	2	/P	O-Ring
3	0502-395	1	/P	Spring, Brake Lever
4	8422-002	1		Nut
5	0402-872	1		Axle, Brake Lever
6	0502-452	1	S	Brake Assembly (inc. 7-15)
7	0402-545	2		Screw, Machine
8	0402-588	1		Cover, Reservoir
9	0402-591	1		Bladder, Reservoir
10	0	1	F	Master Cylinder
11	0402-592	2		Nut, Jam
12	0402-580	1		Actuator, Push Rod
13	0402-575	1		Pin, Clevis
14	0402-583	1		Washer
15	0402-584	1		Pin, Cotter
16	0423-178	4		Washer, Crush
17	1402-200	1		Hose, Brake
18	0423-413	2		Bolt, Banjo Fitting
19	8408-825	4		Screw, Cap
20	0502-335	1	S	Caliper, Brake (inc. 21-30)
21	0402-495	1		Pin, Brake Caliper
22	0402-492	4		Screw, Cap
23	0	1	F	Housing, Caliper
24	0402-980	2		O-Ring, Brake Caliper
25	0402-490	1		O-Ring
26	0402-882	2	/P	Pad, Brake
27	0	1	F	Housing, Caliper
28	0402-491	1	S	Valve, Bleed
29	0402-493	1		Cap, Bleed Valve
30	0402-496	1	S	Clip, Hairpin



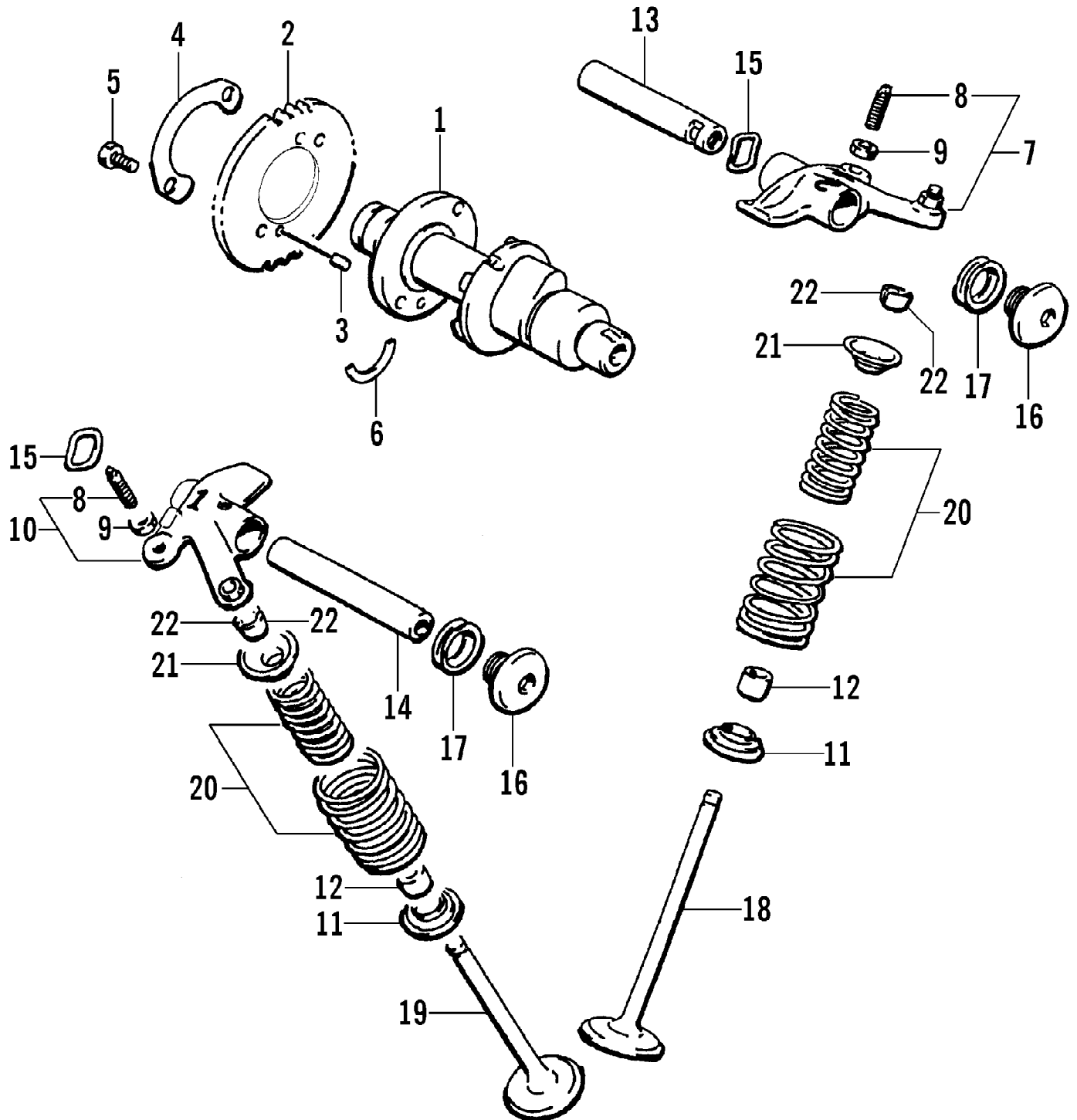
2004 ATV 400 AUTOMATIC TRANSMISSION 2X4 FIS GREEN (A2004ISH2BUS) Page 6 of 89
BODY PANEL ASSEMBLY

Ref #	Part Number	Qty	S/P/F	Description
1	0506-604	1		Panel, Fender - Front (inc. 2)
2	1406-141	1	/P	Cover, Access
3	0506-718	1		Rack - Front
4	8408-816	2		Screw, Cap
5	0411-646	2		Decal, Reflector - Amber
6	0423-360	2		Screw, Cap
7	0	1	F	Flare - Front - Right
7	0	1	F	Flare - Front - Left
8	0	1	F	Nut, Stamped
9	0423-101	AR		Screw, Body
10	0423-031	2		Nut, Speed
11	8477-616	2		Screw, Machine
12	0470-404	1		Grommet, Fuel Shut-Off Valve
13	0123-010	2	/P	Nut, Expansion
14	0506-549	1		Panel, Side - Right
14	0506-673	1		Panel, Side - Left
15	0412-142	1		Shield, Heat
16	0423-068	2		Screw, Machine
17	8477-610	2		Screw, Machine
18	0423-077	4	/P	T-Nut w/Teeth
19	1406-063	2		Panel, Fender - Inner - Upper
20	1406-006	2		Panel, Fender - Inner - Lower
21	0123-788	AR	/P	Cable Tie - 7.5 in.
22	0	1	F	Rivet, Reinstallable
23	0	1	F	Extension, Flare
24	0	1	F	T-Nut w/Teeth
25	0	1	F	Screw, Machine
26	0406-140	1	/P	Panel, Kick - Right
26	0506-628	1		Panel, Kick - Left
27	0423-046	AR		Rivet, Plastic
28	0423-060	2		Clip, Tinerman
29	0623-309	2		Screw, Self-Tapping
30	0412-140	1		Shield, Heat
31	0506-750	1	S	Fender Extension - Rear - Right
31	0406-085	1		Fender Extension - Rear - Left
32	8477-610	2		Screw, Machine
33	0506-821	1	/P	Rack - Rear
34	8409-020	4	/P	Screw, Cap
35	0411-647	2		Decal, Reflector - Red
36	0506-634	1		Panel, Fender - Rear
37	0	1	F	Flare, Rear - Right
37	0	1	F	Flare, Rear - Left
38	0	1	F	Screw, Self-Tapping
39	0412-124	1		Shield, Heat
40	0412-147	1		Shield, Heat
41	1406-408	1		Shield, Fuse Block
42	1406-409	2		Key, Fuse Block Shield
43	1406-410	2	S	Spring, Fuse Block Shield



2004 ATV 400 AUTOMATIC TRANSMISSION 2X4 FIS GREEN (A2004ISH2BUS) Page 8 of 89
CAM CHAIN ASSEMBLY

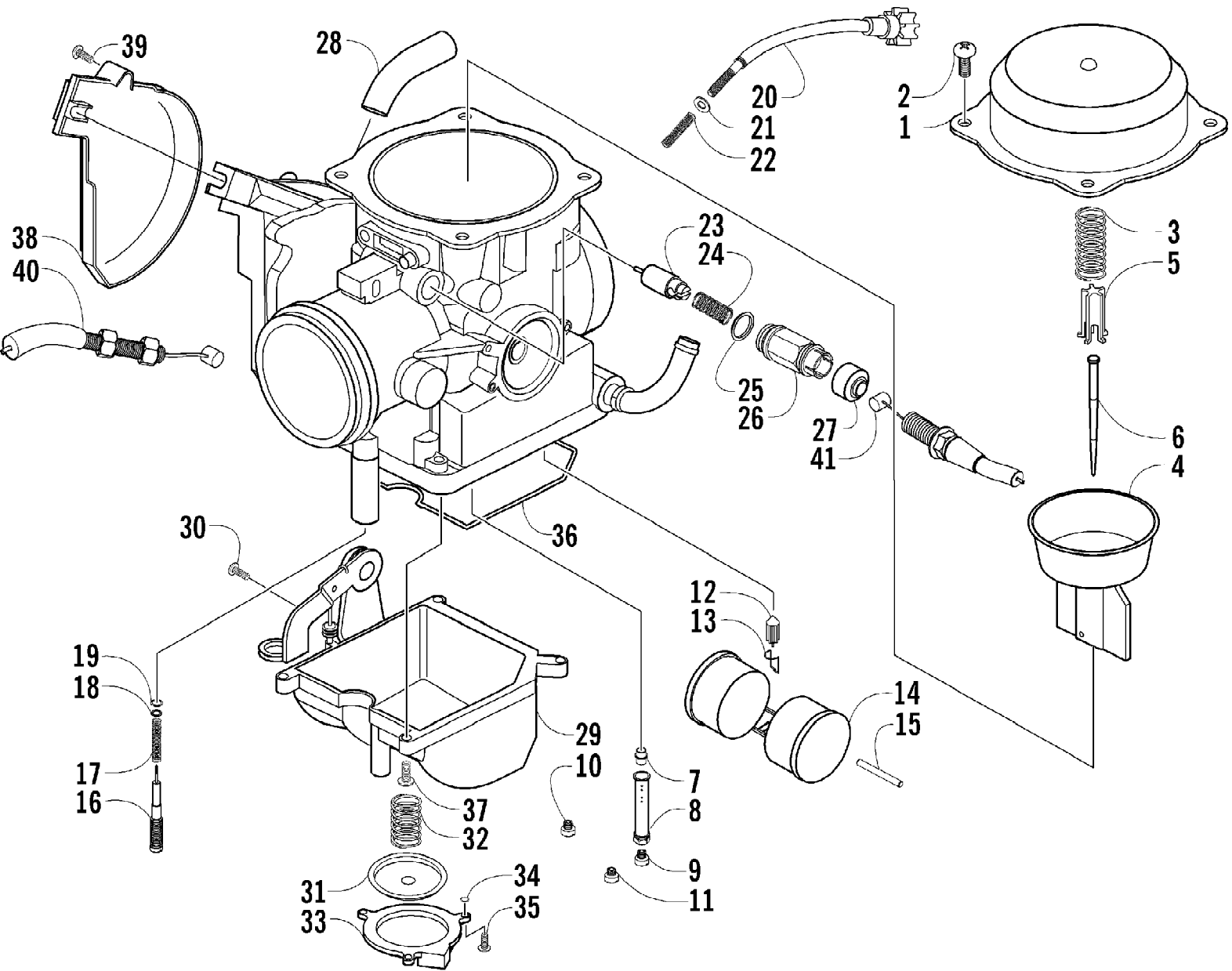
Ref #	Part Number	Qty	S/P/F	Description
1	3402-281	1		Chain, Cam
2	3402-612	1		Guide, Cam Chain
3	3402-613	1		Tensioner, Cam Chain
4	3423-074	1		Bolt
5	3402-436	1	/P	Washer
6	3402-614	1		Adjuster, Tensioner - Assembly (inc. 7-9)
7	3423-484	1		Spring
8	3423-485	1		Plug
9	3423-286	1		O-Ring
10	3403-020	1		Gasket, Adjuster
11	3004-512	2	S	Bolt



2004 ATV 400 AUTOMATIC TRANSMISSION 2X4 FIS GREEN (A2004ISH2BUS) Page 10 of 89
CAMSHAFT/VALVE ASSEMBLY

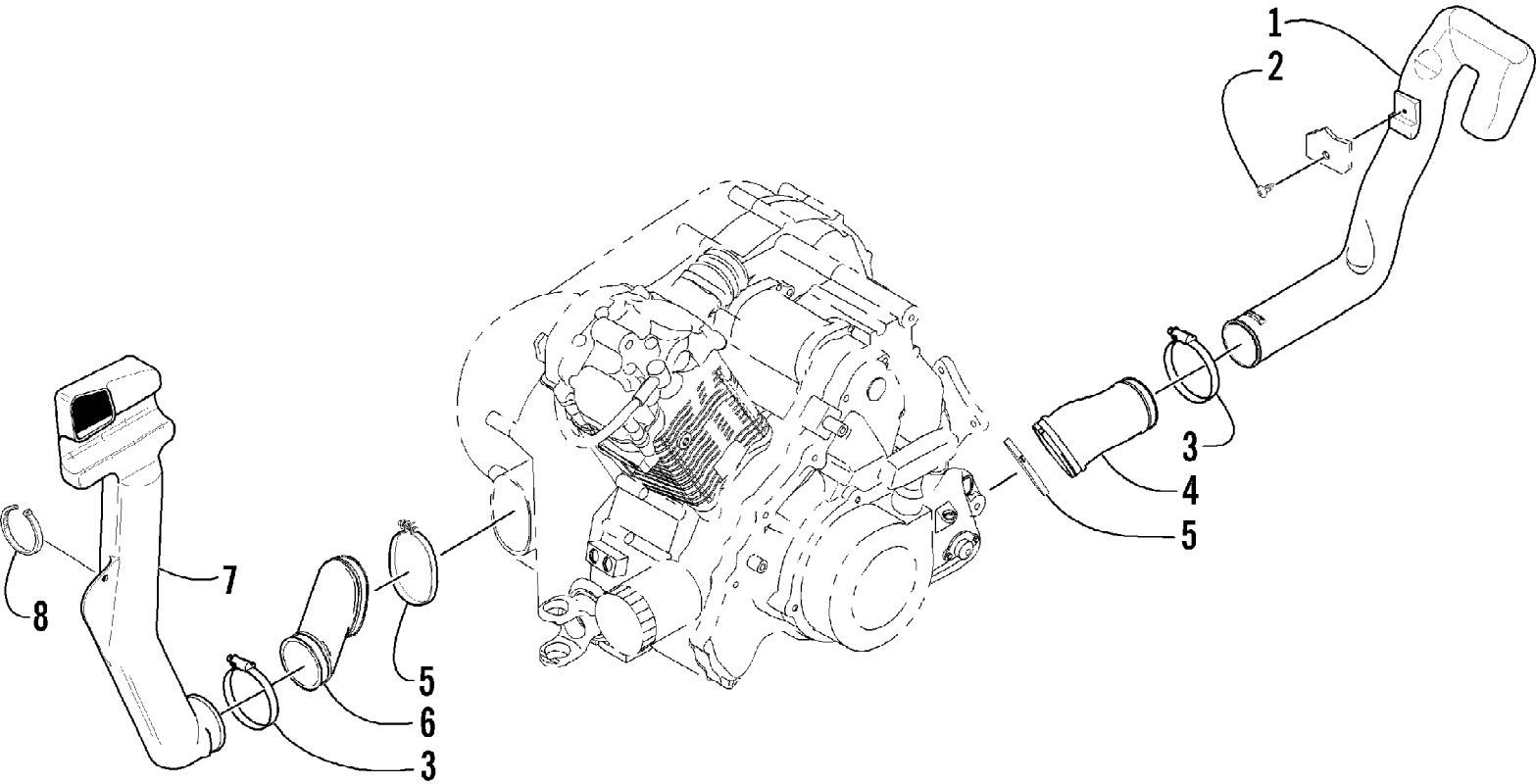
Ref #	Part Number	Qty	S/P/F	Description
1	3402-831	1	S	Camshaft
2	3402-611	1		Sprocket
3	3423-047	1		Pin
4	3423-073	1		Washer
5	3423-013	2	S	Bolt
6	3423-071	1	/P	C-Ring
7	3402-532	1	S	Arm, Valve Rocker - Intake (inc. two No. 8-9)
8	3423-075	4		Screw
9	3423-076	4		Nut
10	3402-139	1		Arm, Valve Rocker - Exhaust (inc. two No. 8-9)
11	3402-148	4		Seat, Spring
12	3402-078	4		Seal, Oil
13	3402-140	1		Shaft, Rocker Arm
14	3402-141	1		Shaft, Rocker Arm
15	3423-031	2		Washer
16	3402-040	2	/P	Plug, Shaft
17	3402-012	2		Gasket
18	3402-725	2	/P	Valve, Intake
19	3402-143	2		Valve, Exhaust
20	3402-144	4		Spring, Valve - Set
21	3402-146	4	S	Retainer, Spring
22	3402-147	8		Cotter, Valve

2004 ATV 400 AUTOMATIC TRANSMISSION 2X4 FIS GREEN (A2004ISH2BU86) Page 11 of 89
CARBURETOR



2004 ATV 400 AUTOMATIC TRANSMISSION 2X4 FIS GREEN (A2004ISH2BUS) Page 12 of 89
CARBURETOR

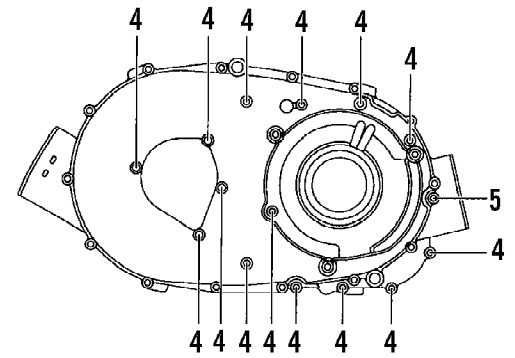
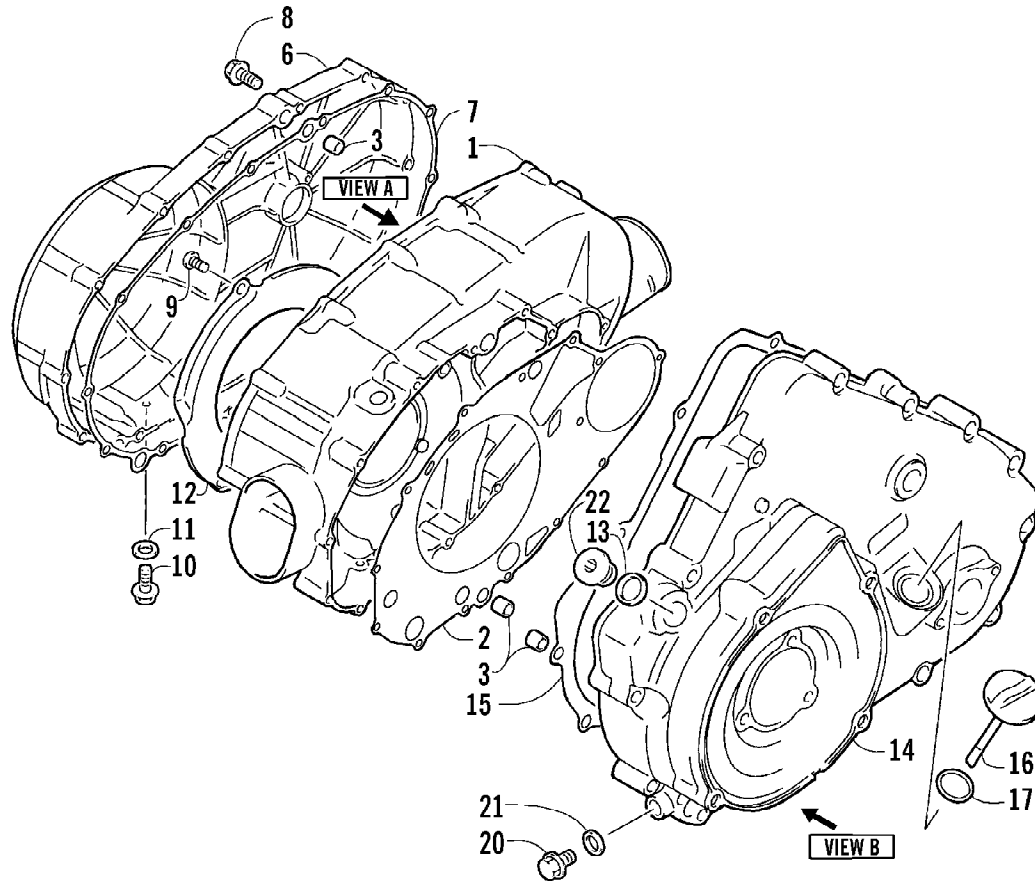
Ref #	Part Number	Qty	S/P/F	Description
	0470-504	1		Complete Carburetor Assembly
1	5507-001	1		Cover, Top
2	5507-002	4	/P	Screw, Top Cover
3	5507-085	1	S	Spring
4	5507-109	1	S	Piston, Vacuum
5	5507-005	1		Spring, Seat
6	5507-110	1		Jet Needle
7	5507-007	1		Needle Jet
8	5507-047	1	/P	Holder, Needle Jet
9	5507-043	1		Main Jet - 142
9	5507-009	1	/P/F	Main Jet - 150
9	5507-041	1	F	Main Jet - 147
9	5507-042	1	/P/F	Main Jet - 145
9	5507-044	1	F	Main Jet - 140
10	5507-010	1	S	Slow Jet
11	5507-097	1	/P	Starter Jet - 75
12	5507-107	1		Valve, Float - Set (inc. 13)
13	0	1	F	Clip
14	5507-039	1		Float Set (inc. 15)
15	0	1	F	Pin, Float
16	5507-111	1		Screw, Pilot Air - Set (inc. 17-19)
17	0	1	F	Spring
18	0	1	F	Washer
19	0	1	F	O-Ring
20	5507-027	1		Screw, Idle Adjust
21	5507-028	1		Washer
22	5507-029	1		Spring
23	5507-022	1		Valve, Starter
24	5507-023	1		Spring
25	5507-024	1		O-Ring
26	5507-025	1		Cap
27	5507-026	1		Cap, Rubber
28	0410-056	AR		Tube, Vent
29	5507-065	1		Chamber, Float - Assembly (inc. 30-36)
30	5507-050	1	/P	Screw, Drain
31	5507-031	1	S	Diaphragm Assembly
32	5507-032	1		Spring
33	0	1	F	Housing, Pump
34	5507-034	1		U-Ring
35	5507-035	3		Screw
36	5507-067	1	/P	O-Ring, Float Chamber
37	5507-089	4	S	Screw
38	5507-036	1		Cover
39	5507-037	1	/P	Screw
40	0487-021	1	S	Cable, Throttle
41	0487-016	1		Cable, Choke



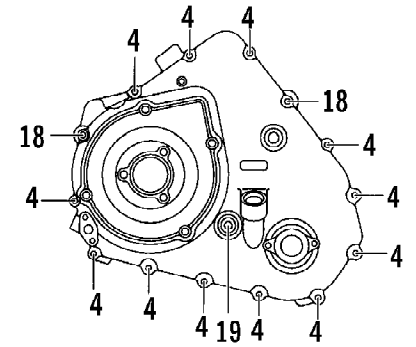
2004 ATV 400 AUTOMATIC TRANSMISSION 2X4 FIS GREEN (A2004ISH2BUS) Page 14 of 89
CASE/BELT COOLING ASSEMBLY

Ref #	Part Number	Qty	S/P/F	Description
1	0413-061	1	/P	Duct, Belt Cooling - Rear
2	0623-301	1	/P	Screw, Self-Tapping
3	0423-380	2	/P	Clamp
4	0413-060	1		Boot, Duct - Rear
5	3402-449	2	/P	Clamp
6	0413-048	1		Boot, Duct - Front
7	0413-042	1		Duct, Belt Cooling - Front
8	0123-788	2	/P	Cable Tie - 7.5 in.

2004 ATV 400 AUTOMATIC TRANSMISSION 2X4 FIS GREEN (A2004ISH2BU) Page 15 of 89
CLUTCH/V-BELT/MAGNETO COVER ASSEMBLY



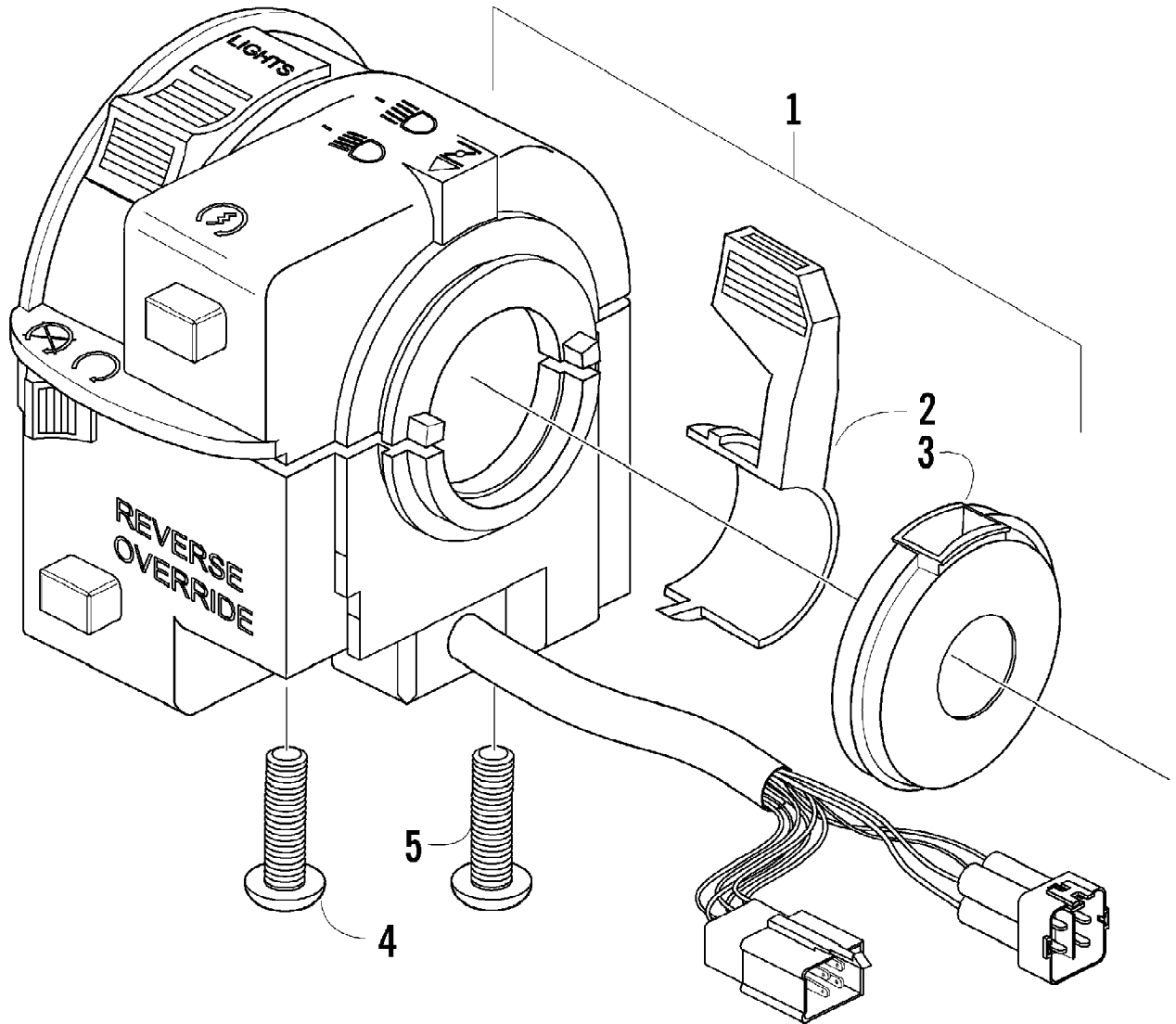
VIEW A



VIEW B

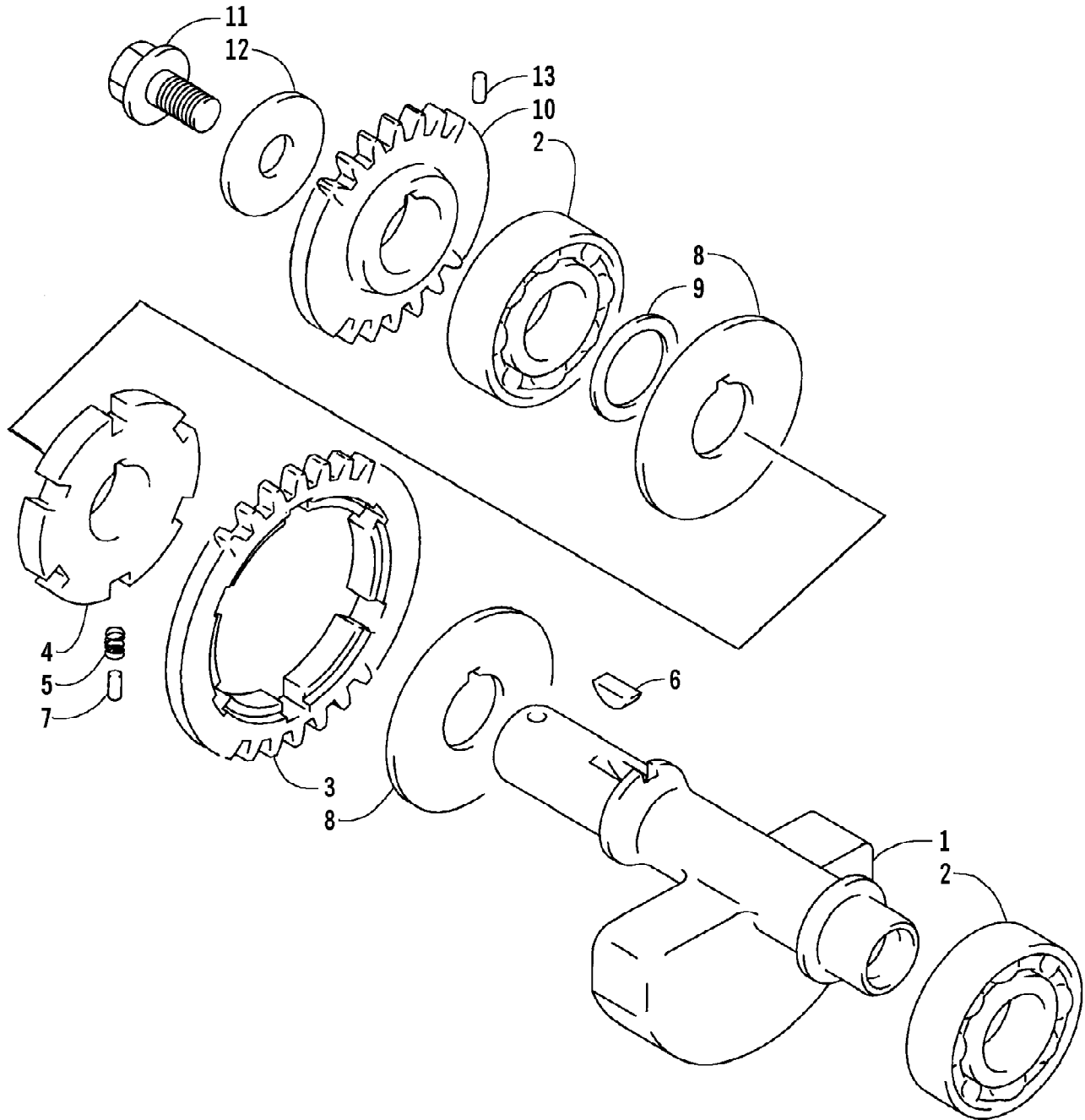
2004 ATV 400 AUTOMATIC TRANSMISSION 2X4 FIS GREEN (A2004ISH2BUS) Page 16 of 89
CLUTCH/V-BELT/MAGNETO COVER ASSEMBLY

Ref #	Part Number	Qty	S/P/F	Description
1	3402-583	1		Cover, Clutch
2	3402-589	1		Gasket
3	3423-088	6		Pin, Dowel
4	3423-098	26	S	Bolt
5	3423-392	1		Bolt
6	3402-586	1		Cover, V-Belt
7	3402-591	1		Gasket, V-Belt Cover
8	0693-327	14	S	Bolt
9	3004-552	3	S	Screw
10	3004-705	1	S	Plug, Drain
11	3402-444	1		Gasket, Drain Plug
12	3402-445	1		Plate, Air Intake
13	3402-013	1	/P	Gasket
14	3402-585	1		Cover, Magneto
15	3402-590	1		Gasket, Magneto Cover
16	3402-593	1		Stick, Oil Level
17	3423-055	1		O-Ring, Oil Level Stick
18	3423-307	2	S	Bolt
19	3423-430	1		Bolt
20	3004-705	1	S	Plug, Oil Gallery
21	3402-444	1		Gasket
22	3402-041	1	S	Plug



2004 ATV 400 AUTOMATIC TRANSMISSION 2X4 FIS GREEN (A2004ISH2BUS) Page 18 of 89
CONTROL SWITCH HOUSING ASSEMBLY

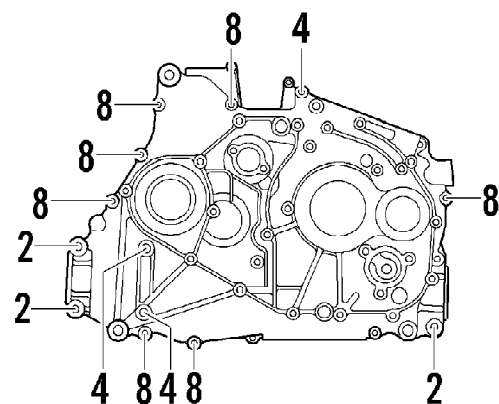
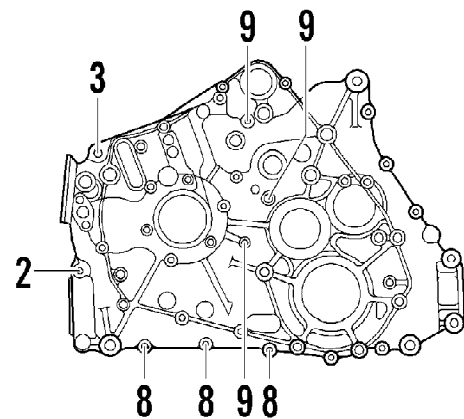
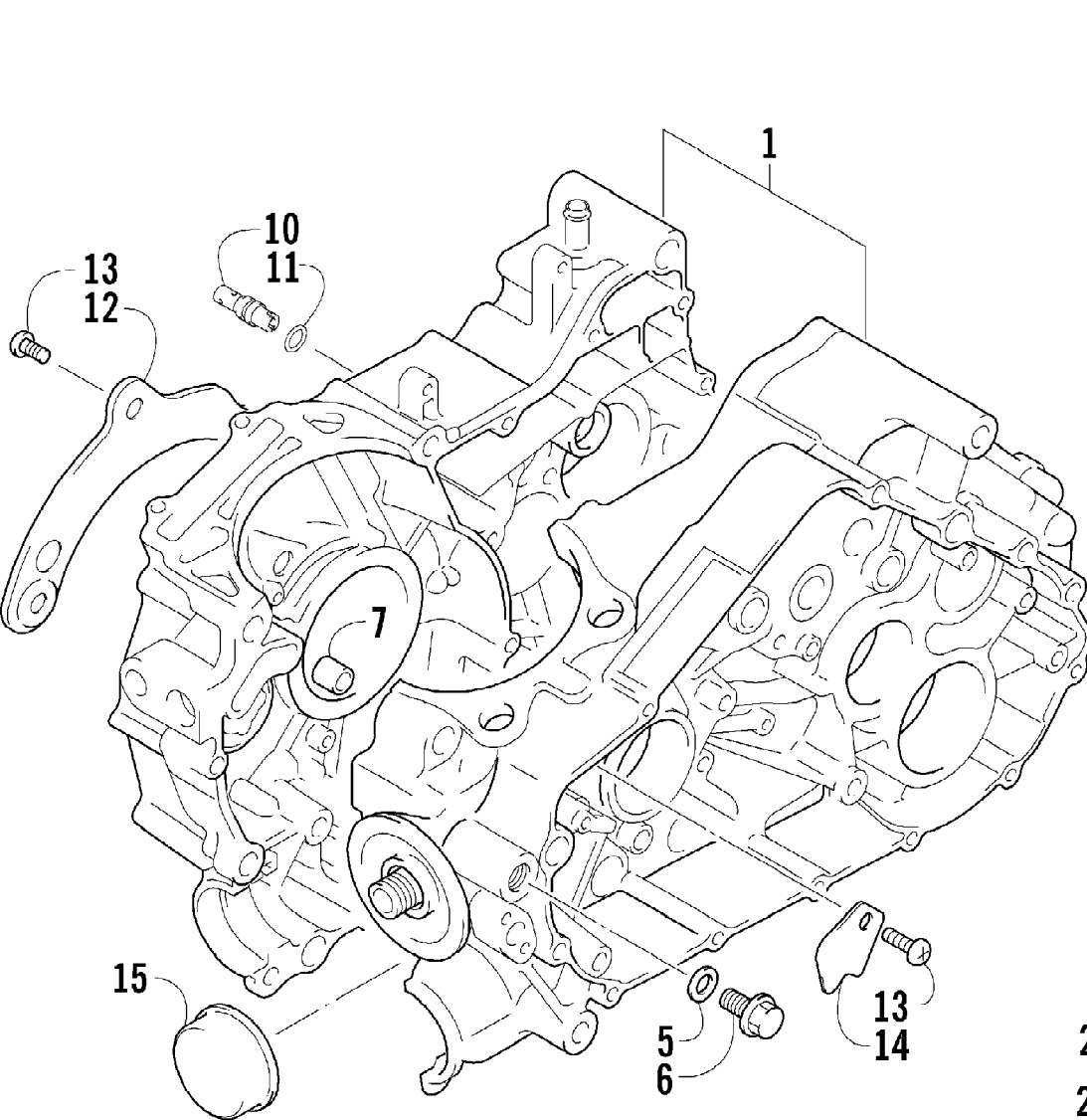
Ref #	Part Number	Qty	S/P/F	Description
1	0409-022	1		Switch, Control - Assembly (inc. 2-5)
2	0409-025	1		Lever, Choke
3	0409-026	1		Cover, Choke Lever
4	0409-027	1		Screw, Cap
5	0409-028	1		Screw



2004 ATV 400 AUTOMATIC TRANSMISSION 2X4 FIS GREEN (A2004ISH2BUS) Page 20 of 89
CRANK BALANCER ASSEMBLY

Ref #	Part Number	Qty	S/P/F	Description
1	3402-605	1		Balancer, Crank
2	3402-553	2	/P	Bearing
3	3402-772	1		Gear, Driven
4	3402-608	1		Race, Driven Gear
5	3402-090	2		Spring, Driven Gear
6	3004-540	1	/P	Key
7	3423-106	3	/P	Pin, Driven Gear
8	3423-441	2		Washer, Driven Gear
9	3423-446	1		Washer
10	3402-617	1		Gear, Oil Pump Drive
11	3423-555	1		Bolt, Drive Gear
12	3423-401	1		Washer, Drive Gear
13	3423-110	1		Pin, Drive Gear

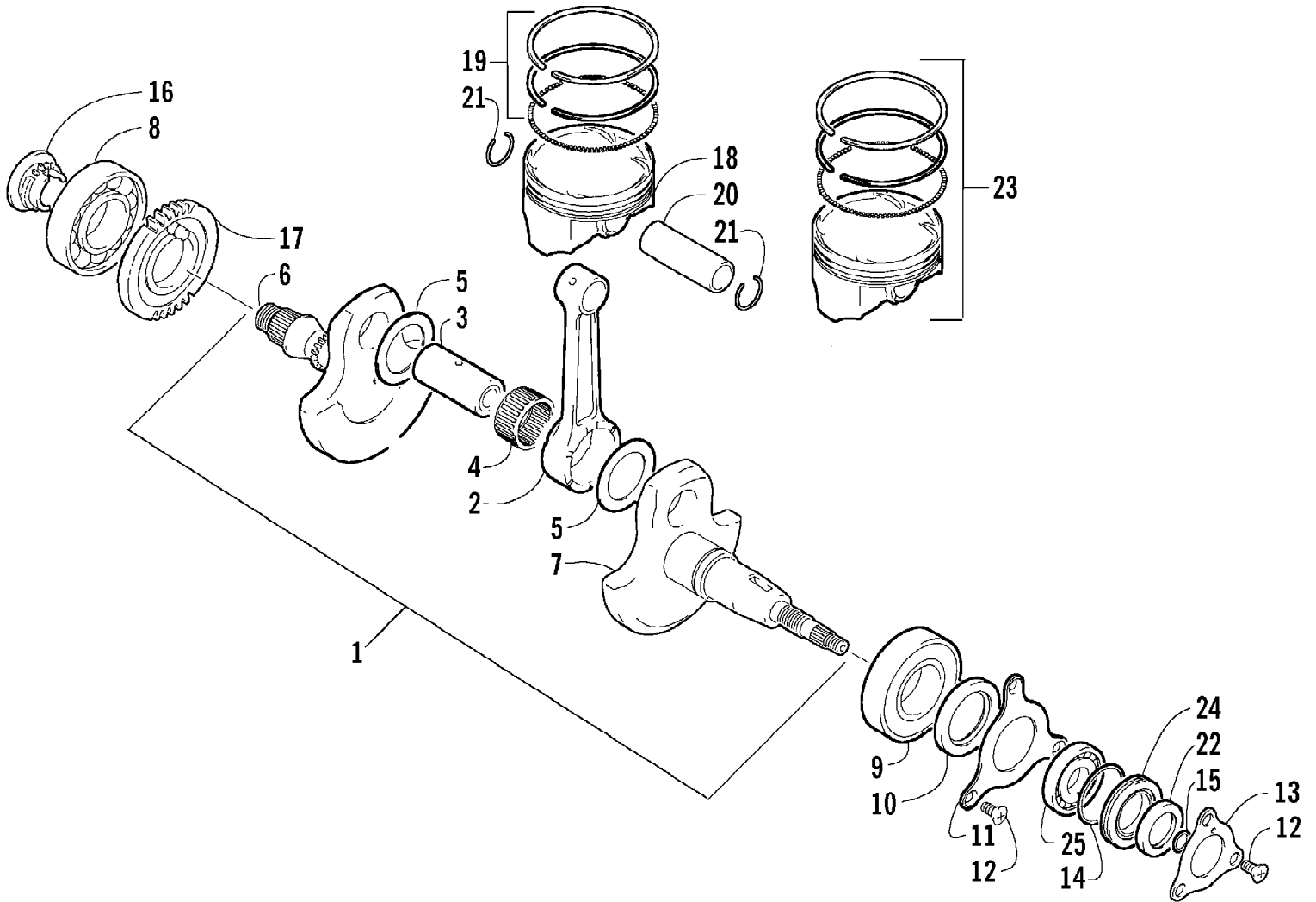
2004 ATV 400 AUTOMATIC TRANSMISSION 2X4 FIS GREEN (A2004ISH2BUS) Page 21 of 89
CRANKCASE ASSEMBLY



2004 ATV 400 AUTOMATIC TRANSMISSION 2X4 FIS GREEN (A2004ISH2BUS) Page 22 of 89
CRANKCASE ASSEMBLY

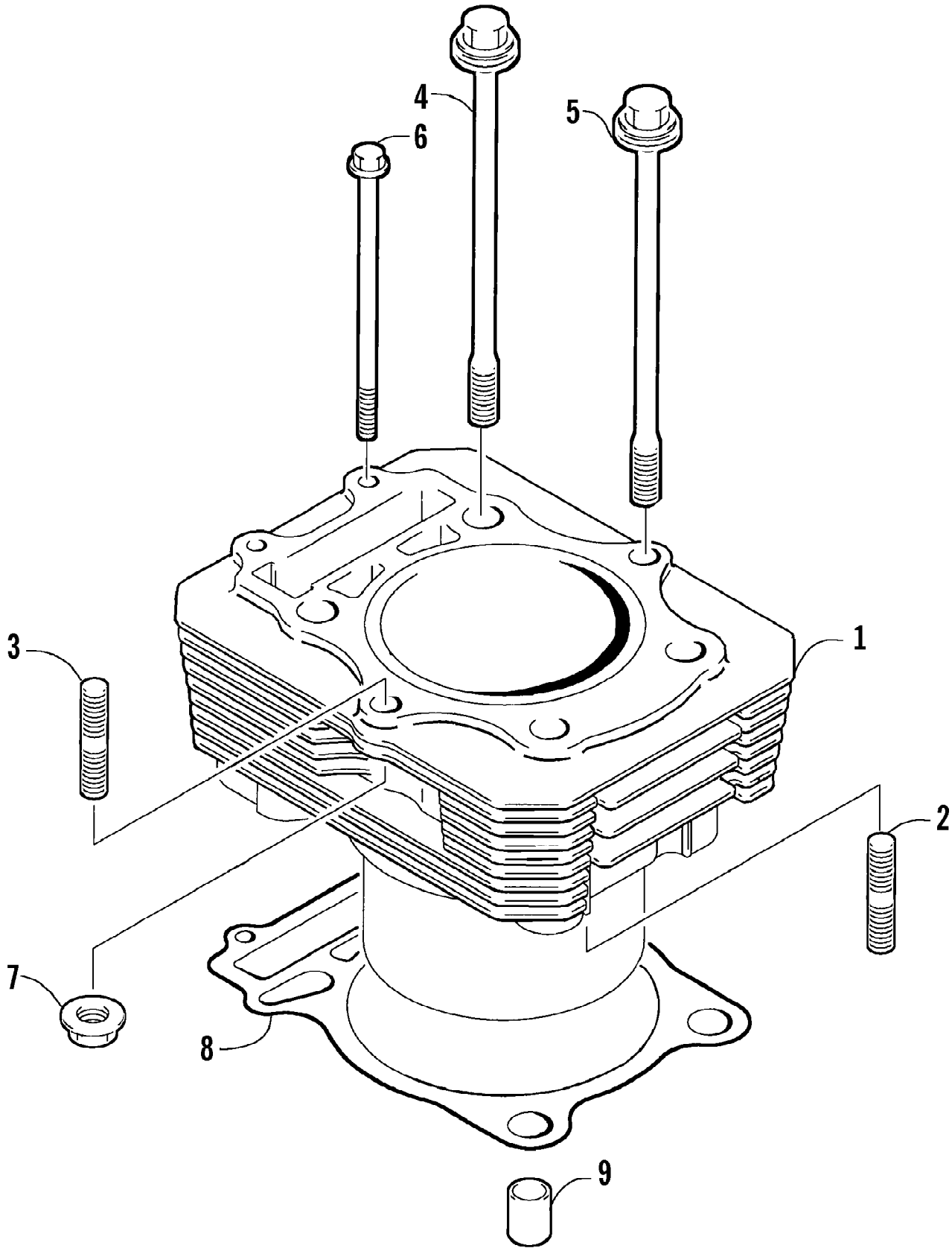
Ref #	Part Number	Qty	S/P/F	Description
1	3402-580	1		Crankcase Assembly (inc. 2-9)
2	3004-880	4		Bolt
3	3005-332	1		Bolt
4	3005-310	3	S	Bolt
5	3402-012	1		Gasket, Oil Pressure Plug
6	3402-214	1		Plug, Oil Pressure
7	3423-088	2		Pin, Dowel
8	3423-091	10	S	Bolt
9	3423-097	3		Bolt
10	3402-691	1		Jet, Oil Gallery
11	3423-051	1		O-Ring, Oil Gallery Jet
12	3042-581	1		Plate, Oil Guide - Right
13	3004-552	4	S	Screw, Oil Guide Plate
14	3402-582	1		Plate, Oil Guide - Left
15	3423-208	1		Plug, Crankcase

2004 ATV 400 AUTOMATIC TRANSMISSION 2X4 FIS GREEN (A2004ISH2BUS) Page 23 of 89
CRANKSHAFT ASSEMBLY



2004 ATV 400 AUTOMATIC TRANSMISSION 2X4 FIS GREEN (A2004ISH2BUS) Page 24 of 89
CRANKSHAFT ASSEMBLY

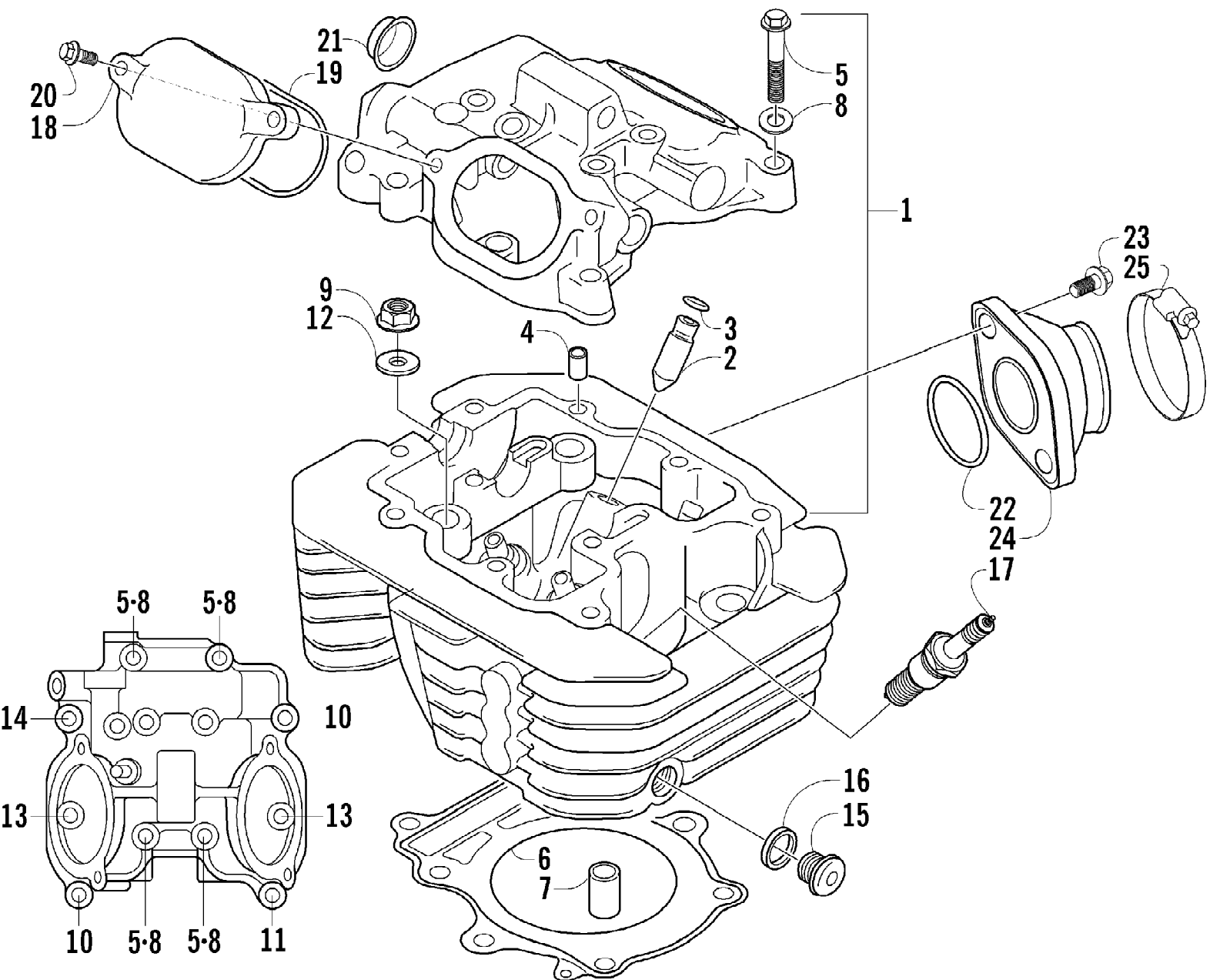
Ref #	Part Number	Qty	S/P/F	Description
1	3402-598	1	S	Crankshaft Assembly (inc. 2-7)
2	3402-597	1		Rod, Connecting
3	3402-599	1		Pin, Crank
4	3402-571	1		Bearing
5	3423-440	2		Washer
6	3402-600	1	S	Crankshaft - Right
7	3402-601	1		Crankshaft - Left
8	3402-180	1	S	Bearing - Right
9	3402-566	1		Bearing - Middle
10	3402-573	1		Seal, Crankshaft Oil
11	3402-602	1		Retainer, Crankshaft Oil Seal - Middle
12	3423-018	6		Screw, Retainer
13	3402-188	1	/P	Retainer, Crankshaft Oil Seal - Left
14	3423-063	1		O-Ring
15	3423-053	1	/P	O-Ring
16	3402-610	1		Sprocket, Cam Chain Drive
17	3402-698	1	/P	Gear, Crank Balancer Drive
18	3402-594	1		Piston
19	3402-595	1		Ring, Piston - Set
20	3402-596	1		Pin, Piston
21	3003-439	2	/P	Circlip
22	3402-070	1		Seal, Oil
23	3436-015	1	F	Piston Set (Oversized 0.50 mm)
24	3402-119	1	S	Spacer
25	3402-051	1		Bearing



2004 ATV 400 AUTOMATIC TRANSMISSION 2X4 FIS GREEN (A2004ISH2BUS) Page 26 of 89
CYLINDER ASSEMBLY

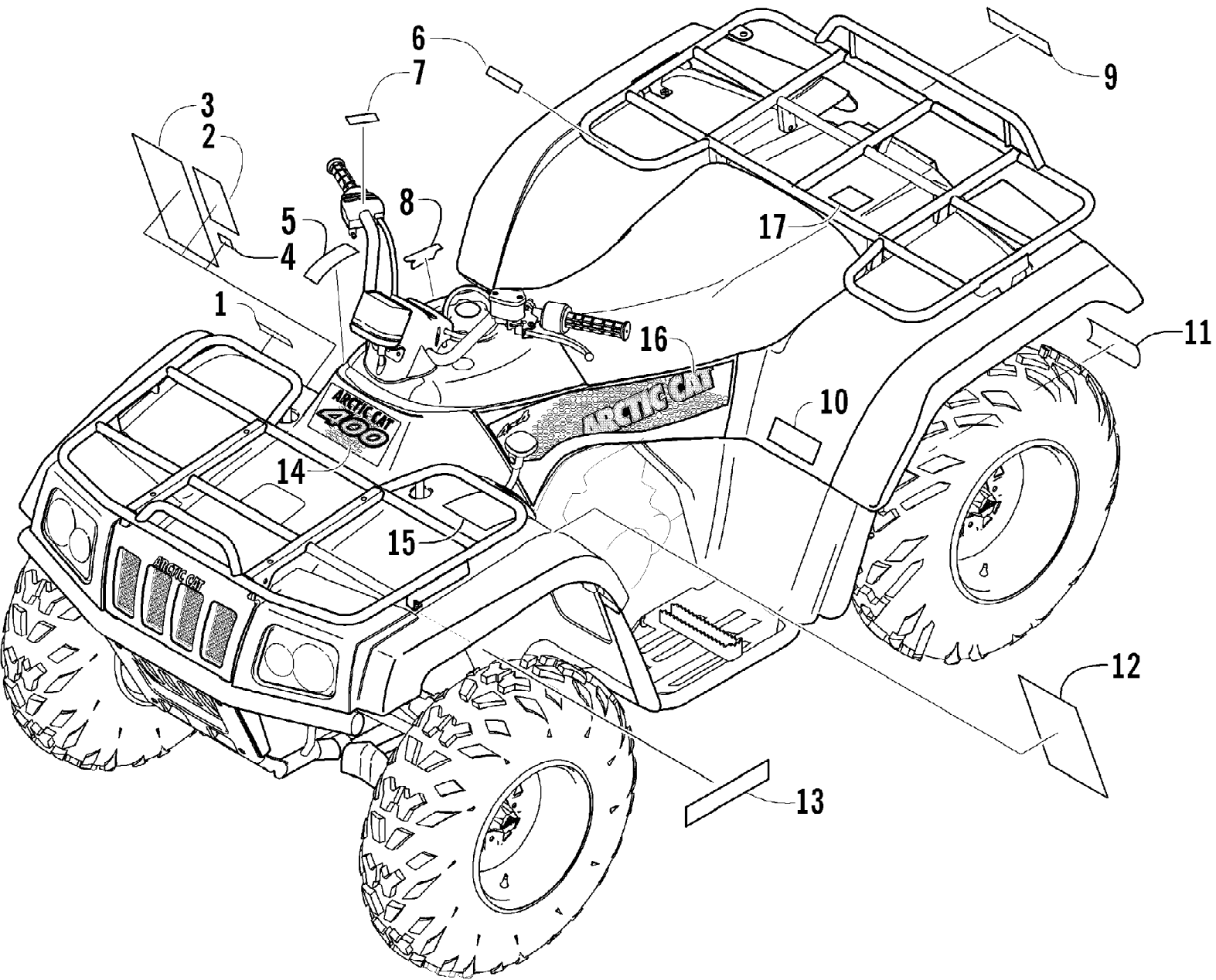
Ref #	Part Number	Qty	S/P/F	Description
1	3402-578	1	S	Cylinder
2	3423-384	2	S	Bolt, Stud
3	3004-778	2	S	Bolt, Stud
4	3423-431	2		Bolt
5	3423-432	2		Bolt
6	3423-427	2		Bolt
7	3004-488	2	S/P	Nut
8	3402-579	1		Gasket, Cylinder
9	3423-088	2		Pin, Dowel

2004 ATV 400 AUTOMATIC TRANSMISSION 2X4 FIS GREEN (A20041SH2BU) Page 27 of 89
CYLINDER HEAD ASSEMBLY



2004 ATV 400 AUTOMATIC TRANSMISSION 2X4 FIS GREEN (A2004ISH2BUS) Page 28 of 89
CYLINDER HEAD ASSEMBLY

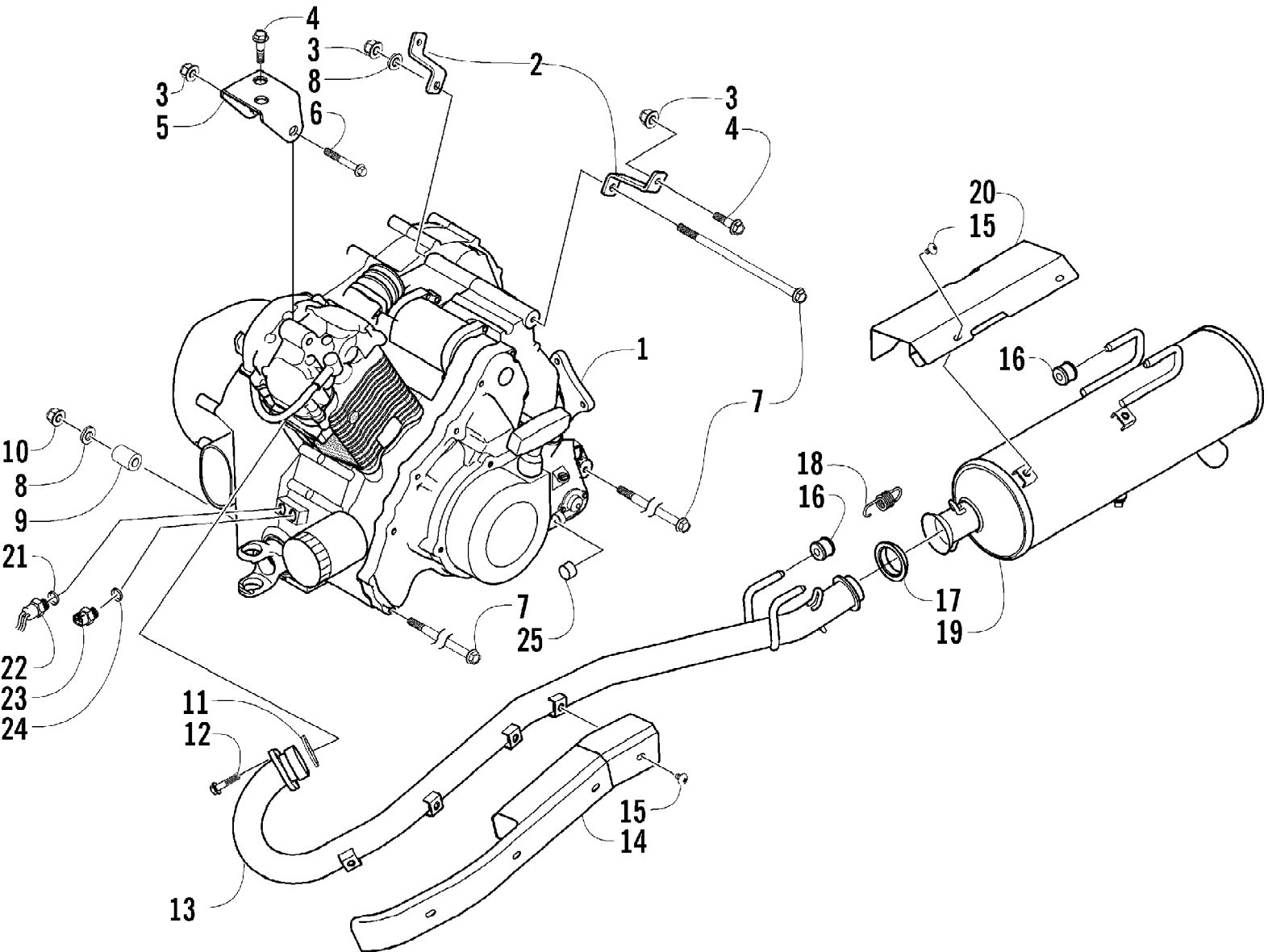
Ref #	Part Number	Qty	S/P/F	Description
1	3402-576	1	S	Head, Cylinder - Assembly (inc. 2-5)
2	3402-099	2		Guide, Valve
3	3423-068	4		Ring, Valve Guide
4	3423-043	2	/P	Pin, Dowel
5	3423-006	4		Bolt
6	3402-577	1		Gasket, Cylinder Head
7	3423-449	2		Pin, Dowel
8	3003-290	4	/P	Gasket
9	3004-326	2	S/P	Nut, Cylinder Head
10	3423-007	2	S	Bolt, Head Cover
11	3423-429	1		Bolt, Head Cover
12	3423-439	4	S	Washer, Cylinder Head Nut
13	3004-376	2	S/P	Bolt, Head Cover
14	3008-376	1	S	Bolt, Head Cover
15	3423-453	1		Plug, Oil Gallery
16	3402-011	1		Gasket, Oil Gallery Plug
17	0217-708	1		Spark Plug (NGK CR7E)
18	3402-100	2		Cap, Inspection
19	3402-101	2		O-Ring
20	3004-341	4	S/P	Bolt, Inspection Cap
21	3402-035	1		Plug, Head
22	3423-353	1	/P	O-Ring
23	8476-620	2		Screw, Machine
24	0570-076	1		Manifold, Intake
25	0423-317	1	/P	Clamp
	3402-048	1		Plug, Frost



2004 ATV 400 AUTOMATIC TRANSMISSION 2X4 FIS GREEN (A2004ISH2BUS) Page 30 of 89
DECALS

Ref #	Part Number	Qty	S/P/F	Description
1	0411-576	1		Decal, Warning - Front Rack Load
2	0411-045	1		Decal, Warning - Turn
3	0411-008	1	/P	Decal, Warning - Reverse/Pre-Ride
4	0	1	F	N/A
5	0411-426	1		Decal, Warning - Clutch Cover
6	0411-648	1		Decal, Warning - Rear Rack Load
7	0411-324	1		Decal, Instruction - Start In Gear
8	0411-507	1		Decal, "Duramatic"
9	0411-501	1		Decal, "Arctic Cat"
10	0411-430	1		Decal, Warning - Tire Pressure
11	0411-267	1		Decal, Warning - Towing
12	0411-218	1		Decal, Warning - General
13	0411-612	1		Decal, CA Emissions
14	0411-620	1		Decal, Front
15	0411-401	1		Decal, Warning - Age
16	0411-628	1		Decal, Side - Right
16	0411-629	1		Decal, Side - Left
17	0411-435	1		Decal, Passenger

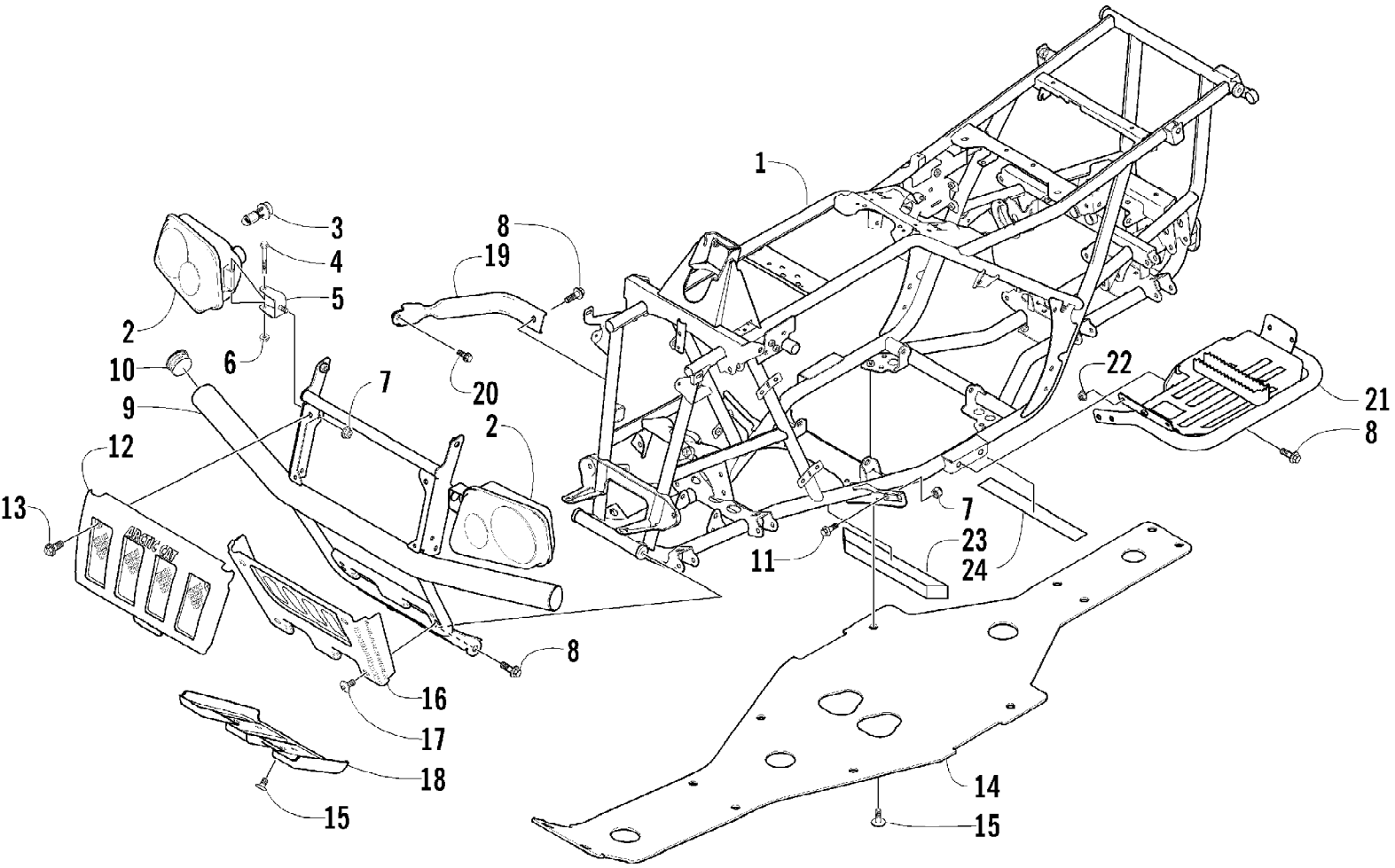
2004 ATV 400 AUTOMATIC TRANSMISSION 2X4 FIS GREEN (A2004ISH2BUS) Page 31 of 89
ENGINE AND EXHAUST



2004 ATV 400 AUTOMATIC TRANSMISSION 2X4 FIS GREEN (A2004ISH2BUS) Page 32 of 89
ENGINE AND EXHAUST

Ref #	Part Number	Qty	S/P/F	Description
1	0462-018	1	/P	Engine
2	1506-201	1		Bracket, Engine - Right
2	1506-202	1		Bracket, Engine - Left
3	8424-802	3		Nut
4	8408-816	4		Screw, Cap
5	0506-892	1	/P	Bracket, Engine - Upper
6	8408-860	1		Screw, Cap
7	0423-405	3		Screw, Cap
8	0423-426	4		Washer
9	0423-042	2	S	Spacer
10	8428-002	3		Nut, Lock
11	0412-007	1	/P	Seal, Exhaust
12	8408-820	4	/P	Screw, Cap
13	0512-137	1	S	Pipe, Exhaust
14	0412-220	1		Cover, Exhaust
15	8477-610	8		Screw, Machine
16	0412-215	4	S	Bushing, Exhaust
17	0612-188	1	/P	Gasket, Exhaust
18	0612-668	2	/P	Spring, Exhaust
19	0512-139	1		Muffler
20	0412-218	1		Cover, Muffler
21	3402-013	1	/P	Gasket, Switch
22	3430-033	1		Switch, Cooling Fan
23	3530-037	1	/P	Switch, Oil Light
24	3402-556	1	/P	Gasket, Switch
25	0402-160	1		Cap

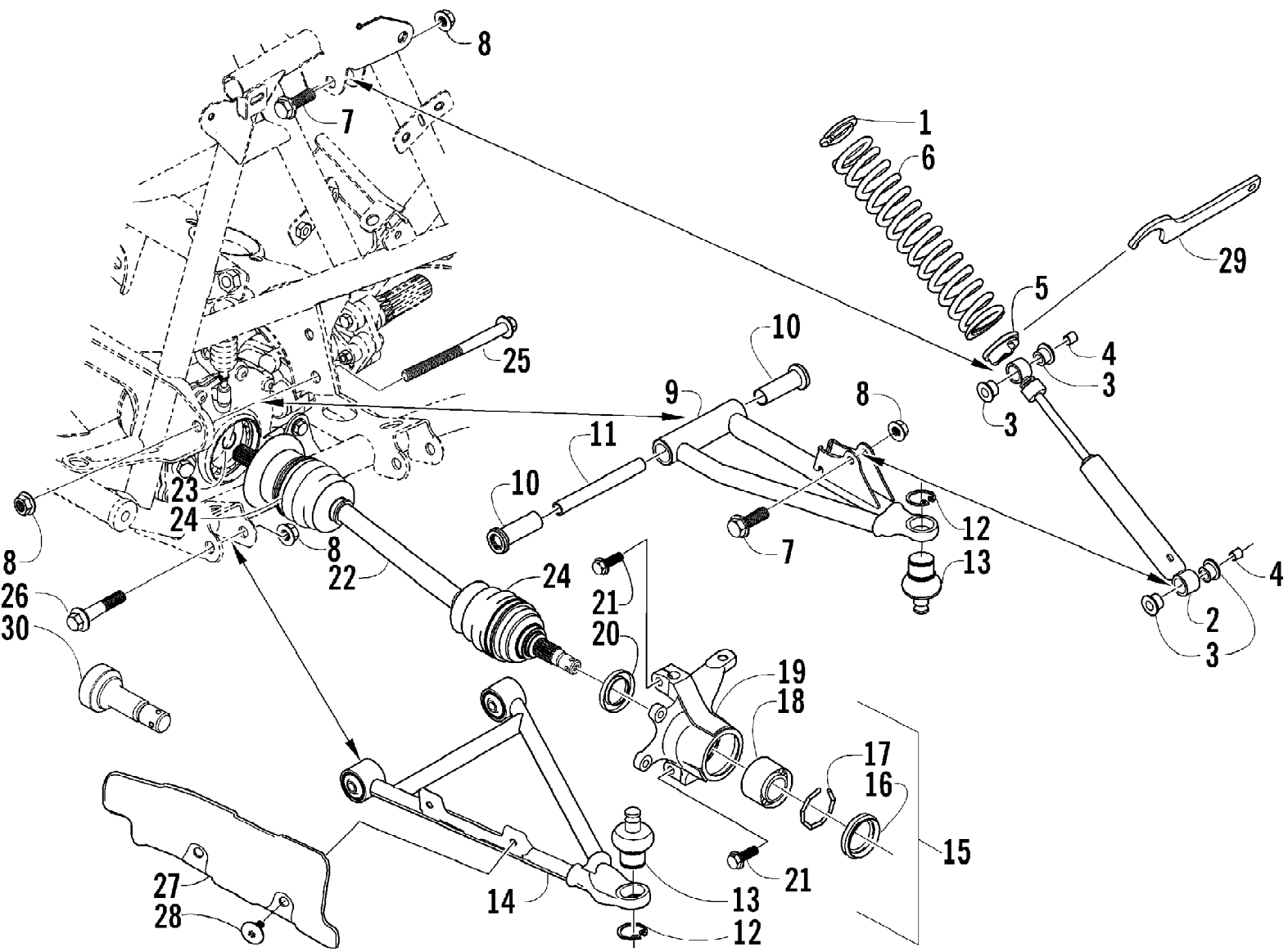
2004 ATV 400 AUTOMATIC TRANSMISSION 2X4 FIS GREEN (A2004ISH2BUS) Page 33 of 89
FRAME AND RELATED PARTS



2004 ATV 400 AUTOMATIC TRANSMISSION 2X4 FIS GREEN (A2004ISH2BUS) Page 34 of 89
FRAME AND RELATED PARTS

Ref #	Part Number	Qty	S/P/F	Description
1	1506-113	1		Frame, Main
1	1506-282	1	S	Frame, Main (VIN Ending in 225000 and Up)
2	0409-032	1		Headlight Assembly - Right (inc. 3-6)
2	0409-031	1		Headlight Assembly - Left (inc. 3-6)
3	0409-045	2		Bulb, Headlight
4	8410-860	2		Screw, Cap
5	0406-945	2		Bracket, Headlight Mounting
6	0423-375	2		Nut, Lock
7	8424-802	6		Nut
8	8409-020	8	/P	Screw, Cap
9	0506-859	1	/P	Bumper
10	0	1	F	N/A
11	8408-816	4		Screw, Cap
12	0406-832	1		Grille, Upper
13	0423-361	2		Screw, Machine
14	1406-030	1		Panel, Belly
15	0423-101	AR		Screw, Shoulder
16	1406-420	1	/P	Grille, Bumper - Lower
17	0423-362	4		Screw, Machine
18	0406-834	1		Plate, Skid
19	0506-653	2	S	Channel, Bumper Mounting
20	8408-812	2		Screw, Cap
21	0506-534	1		Footrest - Right
21	0506-728	1		Footrest - Left
22	8424-602	2	/P	Nut
23	1506-067	1		Pad, Foam
24	0406-289	1		Pad, Foam

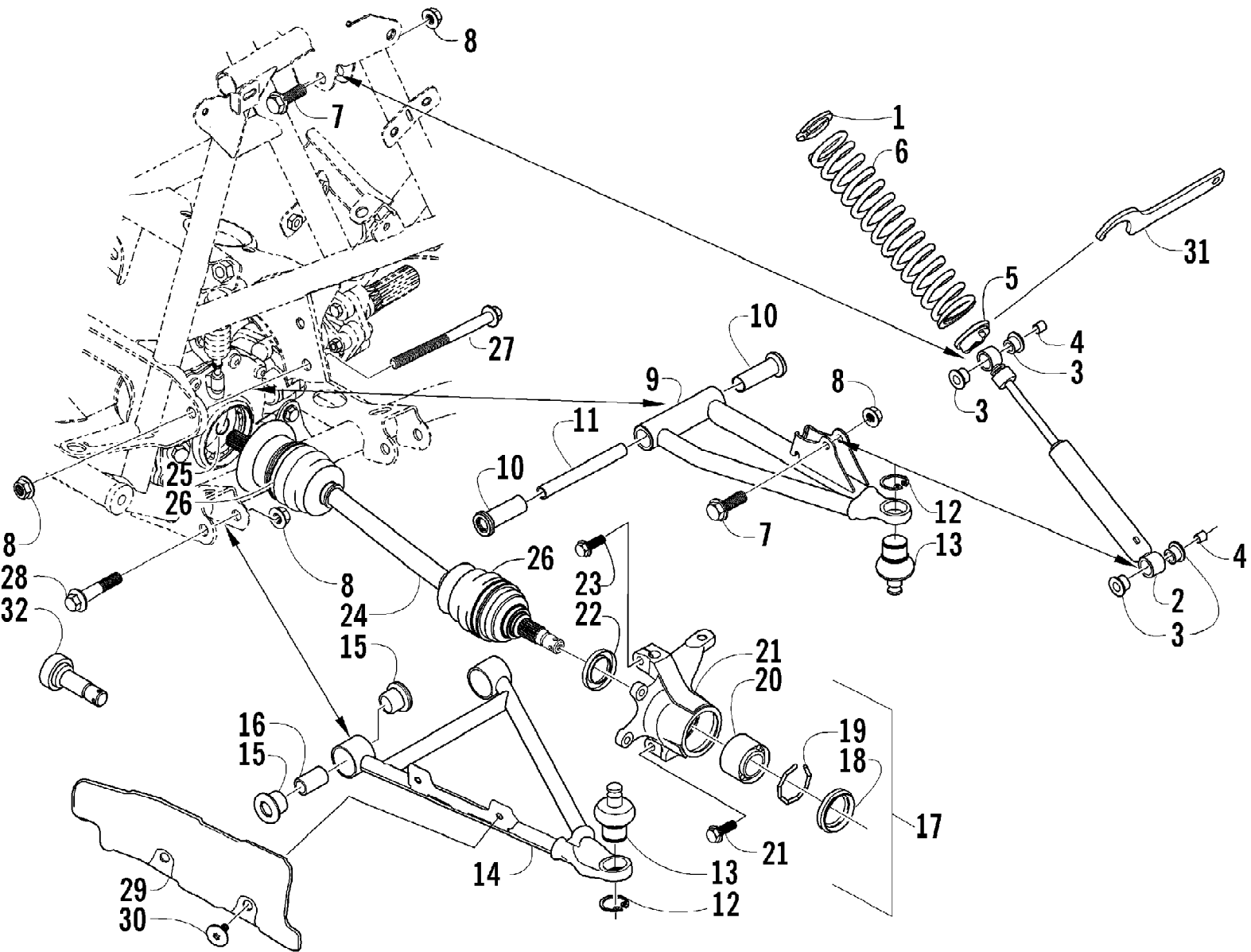
2004 ATV 400 AUTOMATIC TRANSMISSION 2X4 FIS GREEN (A2004ISH2BU86) Page 35 of 89
FRONT SUSPENSION ASSEMBLY



2004 ATV 400 AUTOMATIC TRANSMISSION 2X4 FIS GREEN (A2004ISH2BUS) Page 36 of 89
FRONT SUSPENSION ASSEMBLY

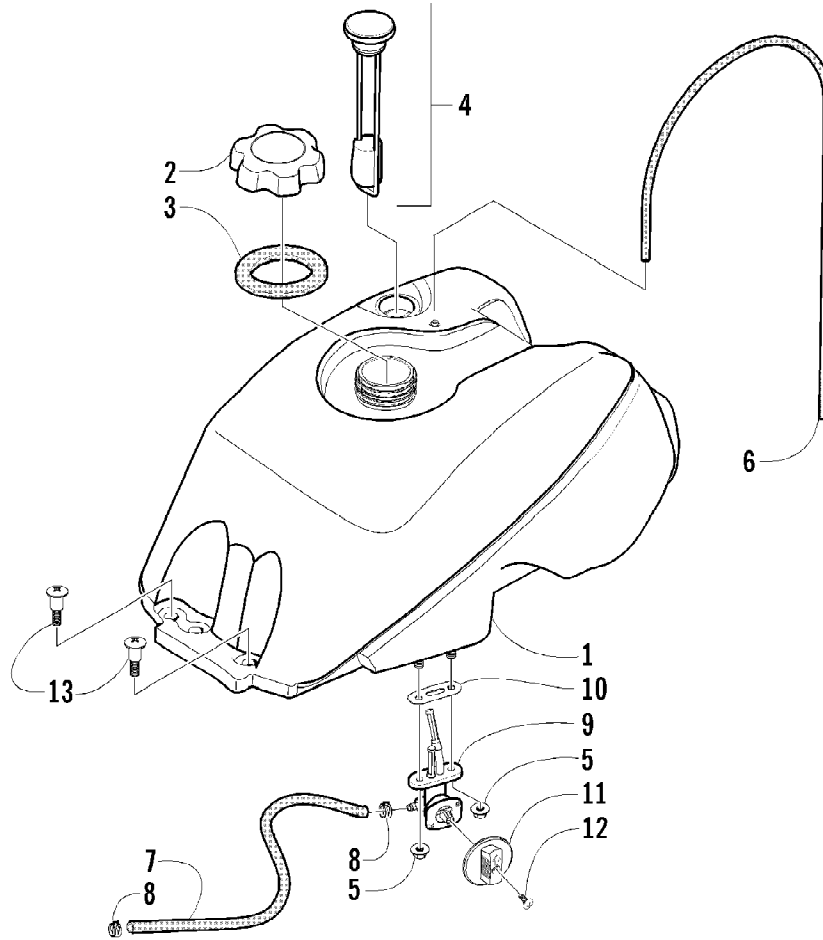
Ref #	Part Number	Qty	S/P/F	Description
1	1603-889	2	/P	Retainer, Spring
2	0403-110	2	/P	Shock Absorber - Front (inc. 3-4)
3	0604-310	8		Bushing, Shock Absorber
4	0403-028	4		Sleeve, Shock
5	0403-102	2		Cam, Spring Adjuster
6	0403-096	2		Spring, Shock Absorber
7	8409-040	4		Screw, Cap
8	8428-002	10		Nut, Lock
9	0503-196	1	S	A-Arm, Upper Right - Assembly (inc. 10-13)
9	0503-197	1		A-Arm, Upper Left - Assembly (inc. 10-13)
10	0403-081	4	S	Bushing
11	0403-080	2		Collar
12	0423-009	4	/P	Clip, Ball Joint
13	0405-115	4	/P	Ball Joint - Front
14	0503-243	1		A-Arm, Lower Right (inc. 12-13)
14	0503-244	1		A-Arm, Lower Left (inc. 12-13)
15	0505-026	1	S/P	Knuckle - Assembly - Right (inc. 16-20)
15	0505-027	1	S/P	Knuckle - Assembly - Left (inc. 16-20)
16	0402-089	2		Seal, Wheel Bearing - Front
17	0423-034	2		Clip, Bearing
18	0402-275	2	/P	Bearing, Wheel Hub - Front
19	0505-062	1	S	Knuckle, Steering - Right
19	0505-063	1	S	Knuckle, Steering - Left
20	0402-069	2		Seal, Wheel Bearing - Rear
21	8409-030	4		Screw, Cap
22	0	1	F	N/A
23	0	1	F	N/A
24	0	1	F	N/A
25	0423-334	2		Screw, Cap
26	8409-060	4		Screw, Cap
27	0	1	F	N/A
27	0	1	F	N/A
28	0	1	F	N/A
29	0441-587	1		Wrench, Spanner
30	1402-006	2		Axle, Stub

2004 ATV 400 AUTOMATIC TRANSMISSION 2X4 FIS GREEN (A2004ISH2BUS) Page 37 of 89
FRONT SUSPENSION ASSEMBLY (VIN Ending in 225000 and Up)



2004 ATV 400 AUTOMATIC TRANSMISSION 2X4 FIS GREEN (A2004ISH2BUS) Page 38 of 89
 FRONT SUSPENSION ASSEMBLY (VIN Ending in 225000 and Up)

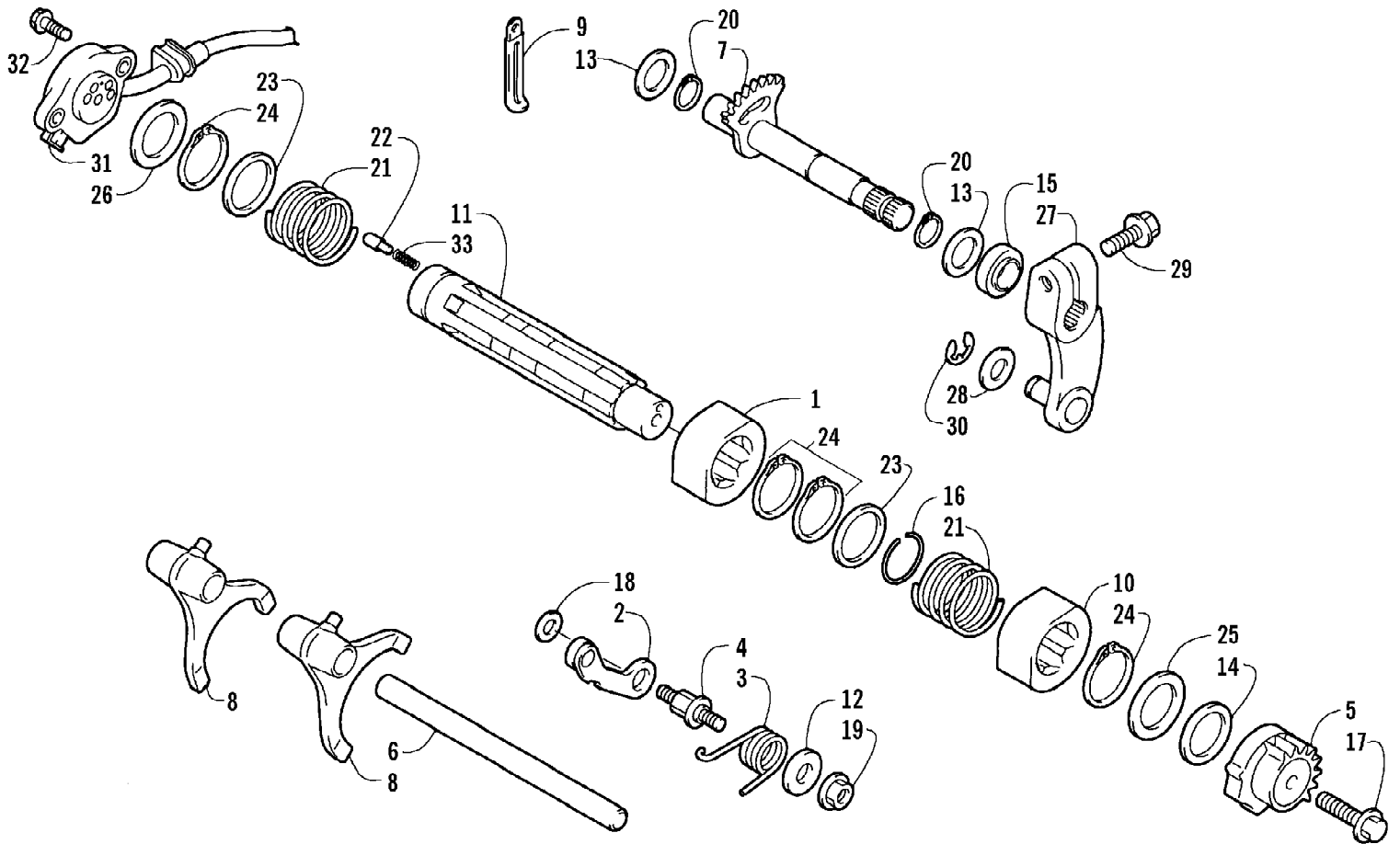
Ref #	Part Number	Qty	S/P/F	Description
1	1603-889	2	/P	Retainer, Spring
2	0403-127	2		Shock Absorber - Front (inc. 3-4)
3	0604-310	8		Bushing, Shock Absorber
4	0403-028	4		Sleeve, Shock
5	0403-102	2		Cam, Spring Adjuster
6	0403-091	2		Spring, Shock Absorber
7	8409-040	4		Screw, Cap
8	8428-002	10		Nut, Lock
9	0503-196	1	S	A-Arm, Upper Right - Assembly (inc. 10-13)
9	0503-197	1		A-Arm, Upper Left - Assembly (inc. 10-13)
10	0403-081	4	S	Bushing
11	0403-080	2		Collar
12	0423-009	4	/P	Clip, Ball Joint
13	0405-115	4	/P	Ball Joint - Front
14	0503-252	1		A-Arm, Lower Right (inc. 12-13 and 15-16)
14	0503-253	1		A-Arm, Lower Left (inc. 12-13 and 15-16)
15	0403-115	8	S	Bushing
16	0403-114	4	S	Collar
17	0505-026	1	S/P	Knuckle - Assembly - Right (inc. 18-22)
17	0505-027	1	S/P	Knuckle - Assembly - Left (inc. 18-22)
18	0402-089	2		Seal, Wheel Bearing - Front
19	0423-034	2		Clip, Bearing
20	0402-275	2	/P	Bearing, Wheel Hub - Front
21	0505-062	1	S	Knuckle, Steering - Right
21	0505-063	1	S	Knuckle, Steering - Left
22	0402-069	2		Seal, Wheel Bearing - Rear
23	8409-030	4		Screw, Cap
24	0	1	F	N/A
25	0	1	F	N/A
26	0	1	F	N/A
27	0423-334	2		Screw, Cap
28	8409-075	4		Screw, Cap
29	0	1	F	N/A
29	0	1	F	N/A
30	0423-101	4		Screw, Body
31	0441-587	1		Wrench, Spanner
32	1402-006	2		Axle, Stub



2004 ATV 400 AUTOMATIC TRANSMISSION 2X4 FIS GREEN (A2004ISH2BUS) Page 40 of 89
 GAS TANK ASSEMBLY

Ref #	Part Number	Qty	S/P/F	Description
1	0570-066	1	/P	Tank, Gas - Assembly (inc. 2-10)
2	0470-438	1	/P	Cap, Gas Tank (inc. 3)
3	0109-733	1	/P	Gasket, Tank Cap
4	0570-086	1	/P	Gauge, Fuel w/Gasket (Press-Fit)
5	0423-398	2		Nut, Lock
6	0470-416	1	/P	Hose, Vent
7	0610-007	AR	/P	Hose, Gasline - 25 ft
8	0423-152	2		Clamp, Hose
9	0470-445	1	/P	Valve, Fuel Shut-Off (inc. 10)
10	0470-364	1		Gasket, Fuel Shut-Off Valve
11	0470-408	1		Knob, Fuel Shut-Off Valve
12	0423-146	1		Screw, Machine
13	0423-130	2		Screw, Shoulder

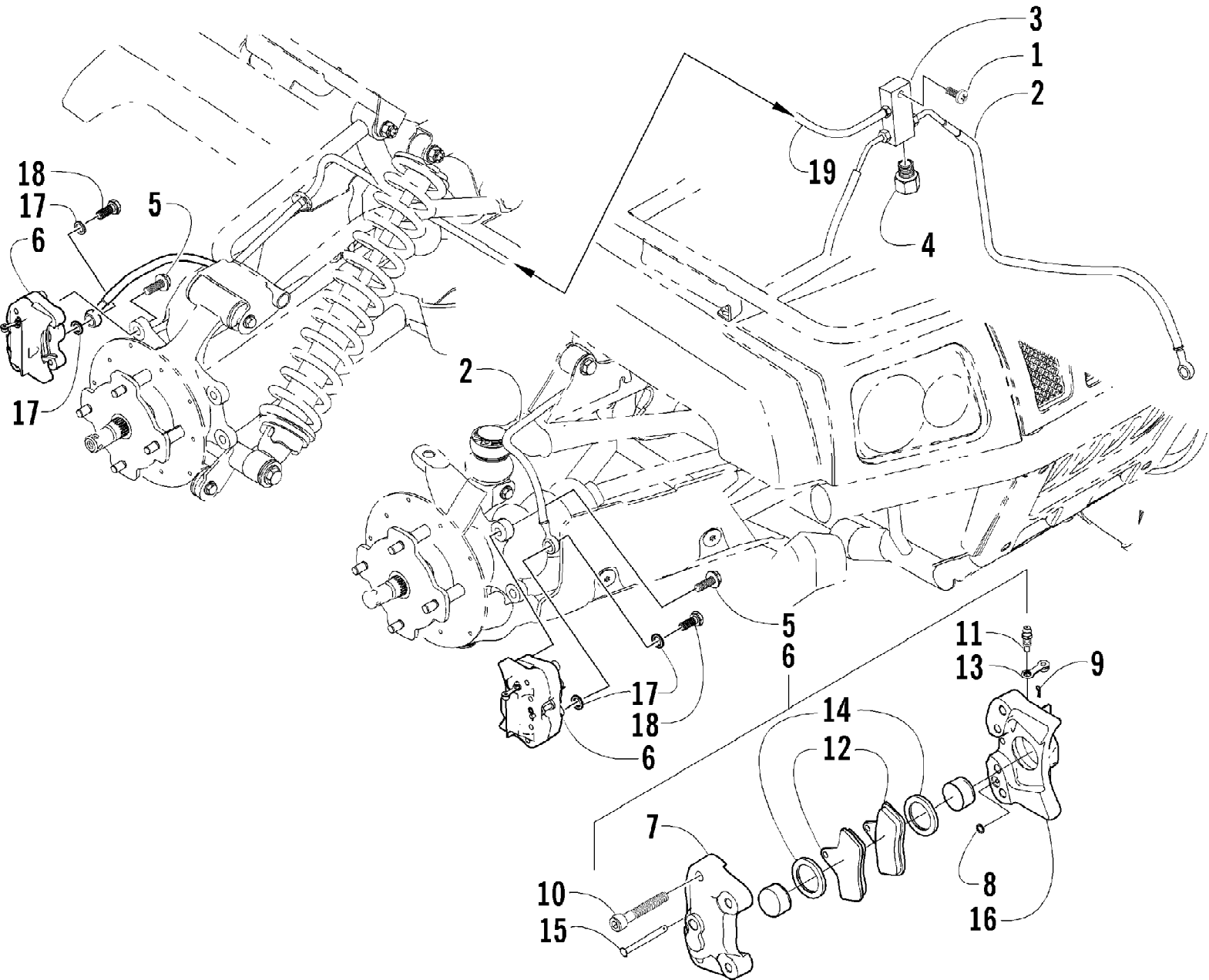
2004 ATV 400 AUTOMATIC TRANSMISSION 2X4 FIS GREEN (A2004ISH2BUS) Page 41 of 89
GEAR SHIFTING ASSEMBLY



2004 ATV 400 AUTOMATIC TRANSMISSION 2X4 FIS GREEN (A2004ISH2BUS) Page 42 of 89
GEAR SHIFTING ASSEMBLY

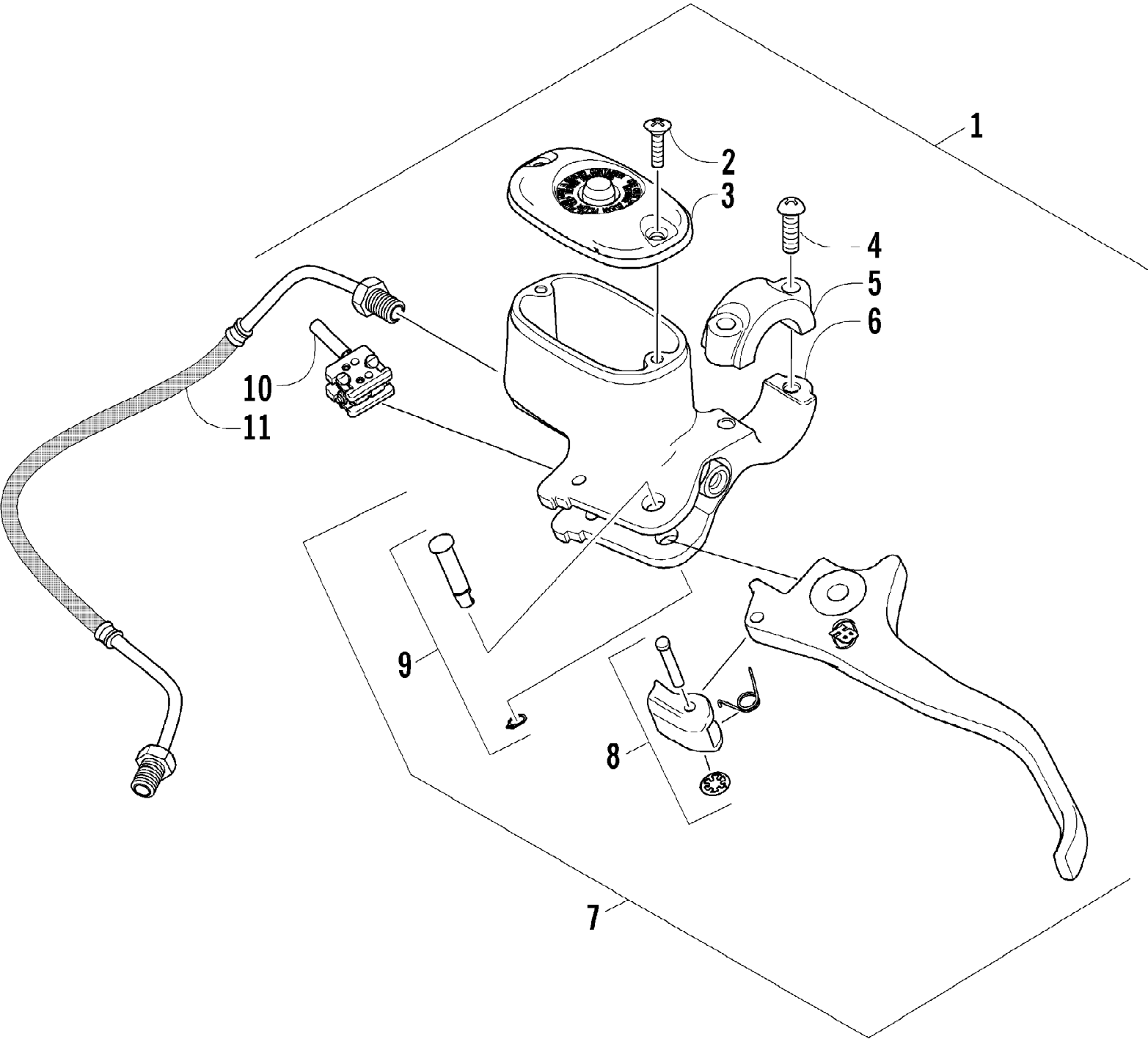
Ref #	Part Number	Qty	S/P/F	Description
1	3402-640	1		Cam, Reverse
2	3446-043	1		Stopper, Cam
3	3446-283	1		Spring, Cam Stopper
4	3446-048	1		Support, Cam Stopper
5	3402-642	1		Plate, Gear Shift Cam
6	3402-643	1		Shaft, Shift Fork
7	3402-644	1		Shaft, Sub-Gear Shift
8	3446-073	2		Fork, Shift
9	3002-964	1	/P	Clamp, Wire
10	3402-670	1		Cam, Gear Shift
11	3446-281	1		Shaft, Gear Shift
12	3423-438	1		Washer, Cam Stopper Spring
13	1691-043	2		Washer, Sub-Gear Shift Shaft
14	3423-446	1		Washer, Gear Shift Cam Plate
15	3402-076	1		Seal, Sub-Gear Shift Shaft
16	3423-416	1		C-Ring, Cam
17	3004-376	1	S/P	Bolt, Gear Shift Cam Plate
18	3423-141	1		Washer, Cam Stopper
19	3004-488	1	S/P	Nut, Cam Stopper Spring
20	3423-358	2	S	Circlip, Sub-Gear Shift Shaft
21	3446-280	2		Spring, Cam
22	3423-044	2		Contact
23	3402-382	2		Washer, Cam Spring
24	3423-191	4	/P	Circlip, Cam Spring
25	3402-195	1		Washer, Shift Shaft
26	3423-421	1	/P	Washer, Shift Shaft
27	3402-434	1	/P	Arm, Select
28	3423-204	1	/P	Washer, Select Arm
29	3004-341	1	S/P	Bolt, Select Arm
30	3423-168	1	S	E-Ring
31	3402-686	1		Base, Gear Shift - Assembly
32	3423-418	2		Bolt
33	3402-087	2		Spring

2004 ATV 400 AUTOMATIC TRANSMISSION 2X4 FIS GREEN (A2004ISH2BU86) Page 43 of 89
HYDRAULIC BRAKE ASSEMBLY



2004 ATV 400 AUTOMATIC TRANSMISSION 2X4 FIS GREEN (A2004ISH2BUS) Page 44 of 89
HYDRAULIC BRAKE ASSEMBLY

Ref #	Part Number	Qty	S/P/F	Description
1	8476-625	1		Screw, Cap
2	0402-961	2		Hose, Brake - Front
3	1402-086	1		Block, Junction
4	1402-031	1		Plug
5	8408-825	6		Screw, Cap
6	0502-335	1	S	Caliper, Brake - Right Front (inc. 7-16)
6	0502-336	2	S	Caliper, Brake - Left Front and Right Rear (inc. 7-16)
7	0	3	F	Housing, Caliper
8	0402-490	3		O-Ring
9	0402-496	3	S	Clip, Hairpin
10	0402-492	12		Screw, Cap
11	0402-491	3	S	Valve, Bleed
12	0402-882	6	/P	Pad, Brake
13	0402-493	3		Cap, Bleed Valve
14	0402-980	6		O-Ring, Brake Caliper
15	0402-495	3		Pin, Brake Caliper
16	0	3	F	Housing, Caliper
17	0423-178	6		Washer, Crush
18	0423-413	3		Bolt, Banjo Fitting
19	1402-204	1		Hose, Brake - Rear



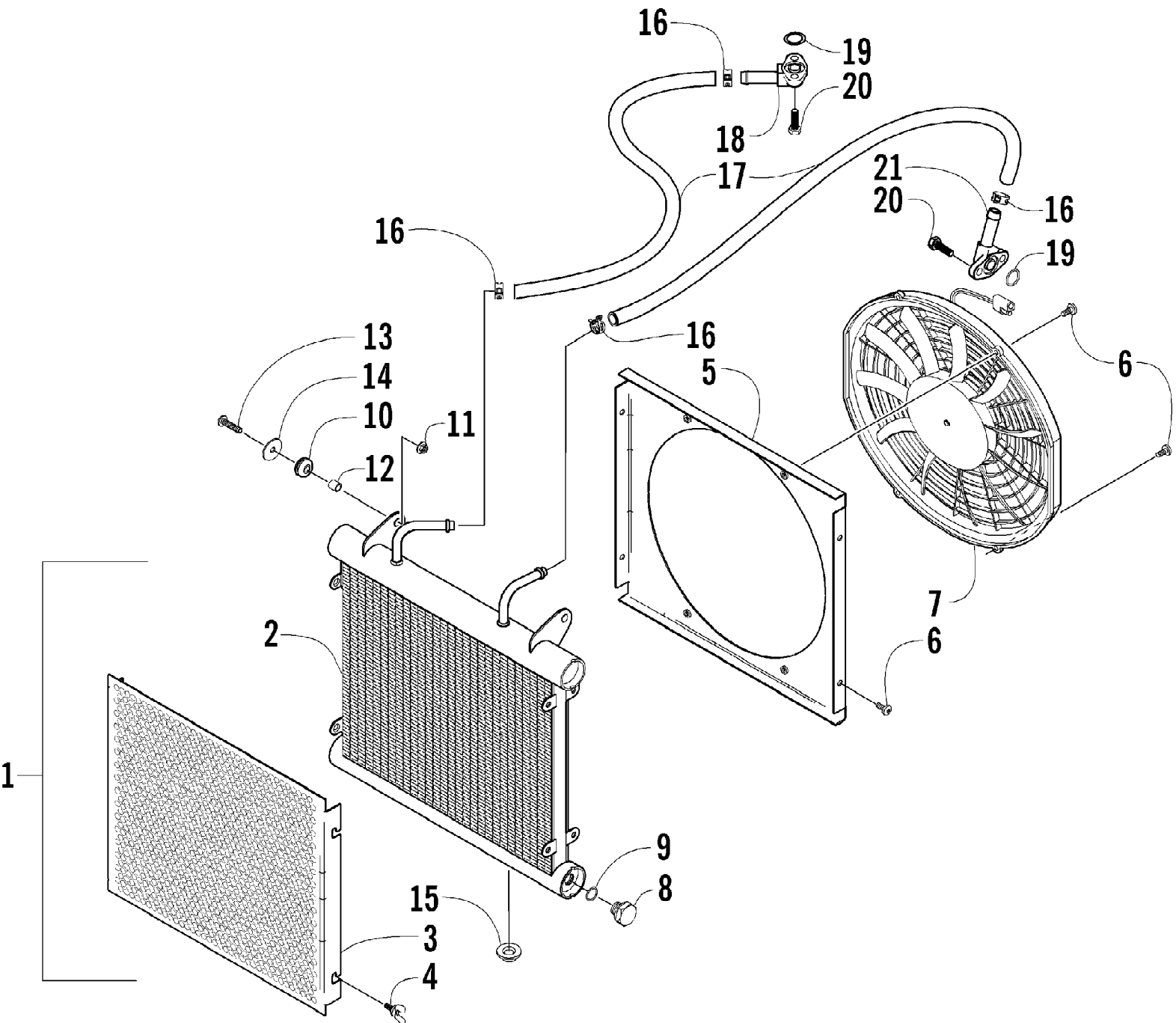
2004 ATV 400 AUTOMATIC TRANSMISSION 2X4 FIS GREEN (A2004ISH2BUS) Page 46 of 89
 HYDRAULIC HAND BRAKE ASSEMBLY

Ref #	Part Number	Qty	S/P/F	Description
1	0502-561	1	S	Brake Assembly (inc. 2-10)
2	0502-566	1		Screw, Reservoir Cover - Kit
3	0502-565	1		Cover, Reservoir - Kit
4	0502-568	1		Screw, Master Cylinder Clamp - Kit
5	0502-567	1		Clamp, Master Cylinder - Kit
6	0502-516	1		Master Cylinder Assembly - Kit
7	0502-562	1	S	Lever Assembly - Kit (inc. 8-9)
8	0502-563	1	S	Lock, Brake Lever - Kit
9	0502-580	1		Lever Pin - Kit
10	0502-564	1	/P	Switch, Brake - Kit
11	0402-962	1		Brakeline, Hydraulic

2004 ATV 400 AUTOMATIC TRANSMISSION 2X4 FIS GREEN (A2004ISH2BUS) Page 48 of 89
MAGNETO ASSEMBLY

Ref #	Part Number	Qty	S/P/F	Description
1	3430-053	1		Stator Assembly
2	3430-054	1	S	Rotor/Flywheel
3	3004-756	3	S	Bolt
4	0691-785	1		Key
5	3423-086	1		Nut
6	3423-005	3	/P	Bolt
7	3430-005	1		Clamp
8	3430-006	1		Clamp
9	3002-964	1	/P	Clamp, Wire

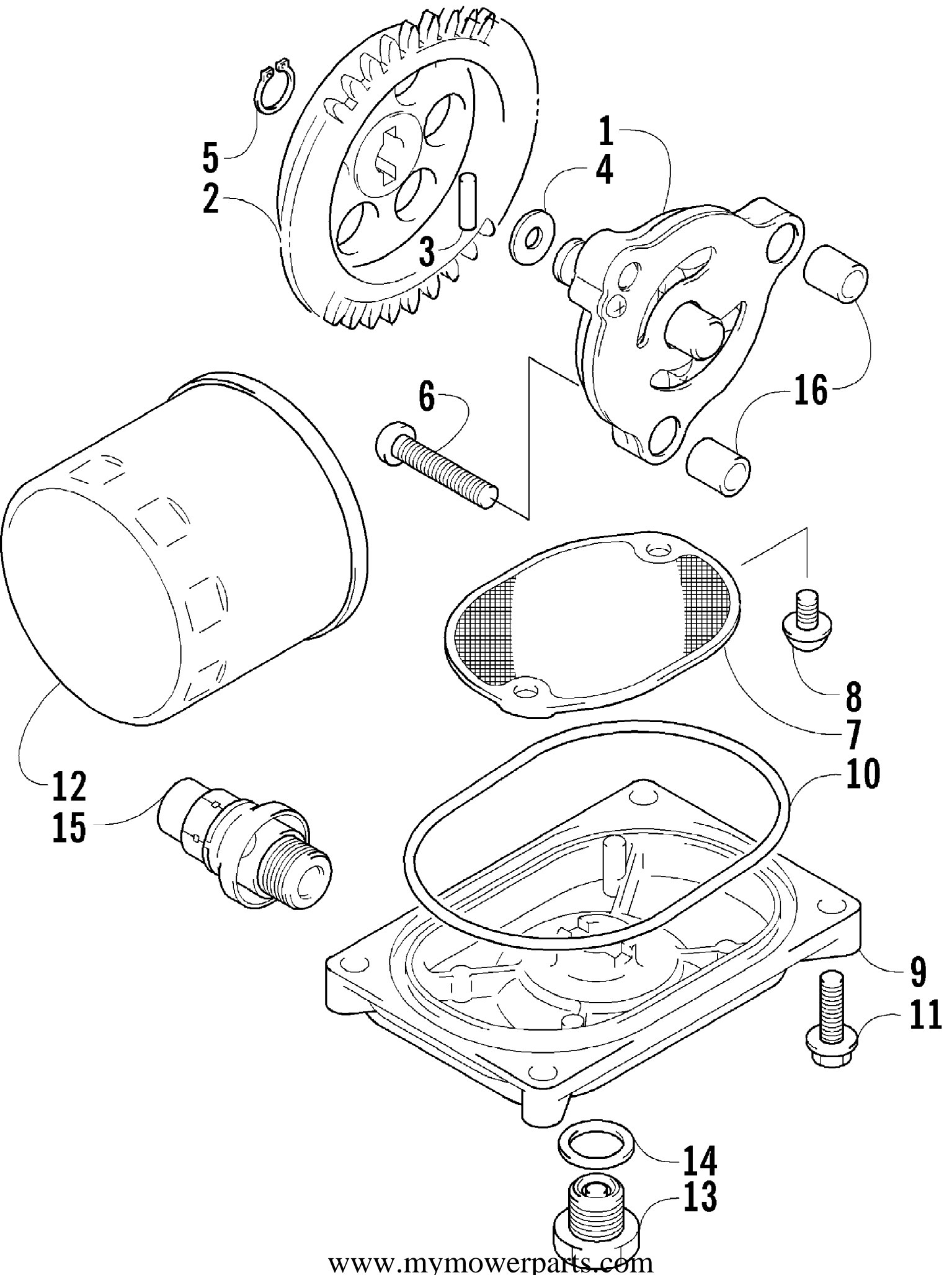
2004 ATV 400 AUTOMATIC TRANSMISSION 2X4 FIS GREEN (A2004ISH2BU86) Page 49 of 89
OIL COOLER ASSEMBLY



2004 ATV 400 AUTOMATIC TRANSMISSION 2X4 FIS GREEN (A2004ISH2BUS) Page 50 of 89
OIL COOLER ASSEMBLY

Ref #	Part Number	Qty	S/P/F	Description
1	0413-052	1		Cooler, Oil - Assembly (inc. 2-9)
2	0413-053	1		Cooler, Oil
3	0413-007	1		Screen, Oil Cooler
4	0413-009	1		Screw, Thumb
5	0413-064	1		Shroud, Fan
6	8475-512	8		Screw, Machine
7	0413-044	1	S	Fan, Cooling
8	0413-058	1		Plug, Drain
9	0413-059	1		O-Ring
10	0423-030	2		Grommet
11	0623-038	2		Nut w/Washer
12	0423-036	2		Collar
13	8476-625	2		Screw, Machine
14	0623-184	2		Washer
15	0423-028	2		Bushing, Stem
16	0423-098	4	/P	Clamp, Hose
17	0410-044	2		Hose, Oil
18	0410-013	1		Fitting, Oil
19	0423-089	2		O-Ring
20	8471-616	4		Screw, Machine
21	0410-012	1		Fitting, Oil - Angled

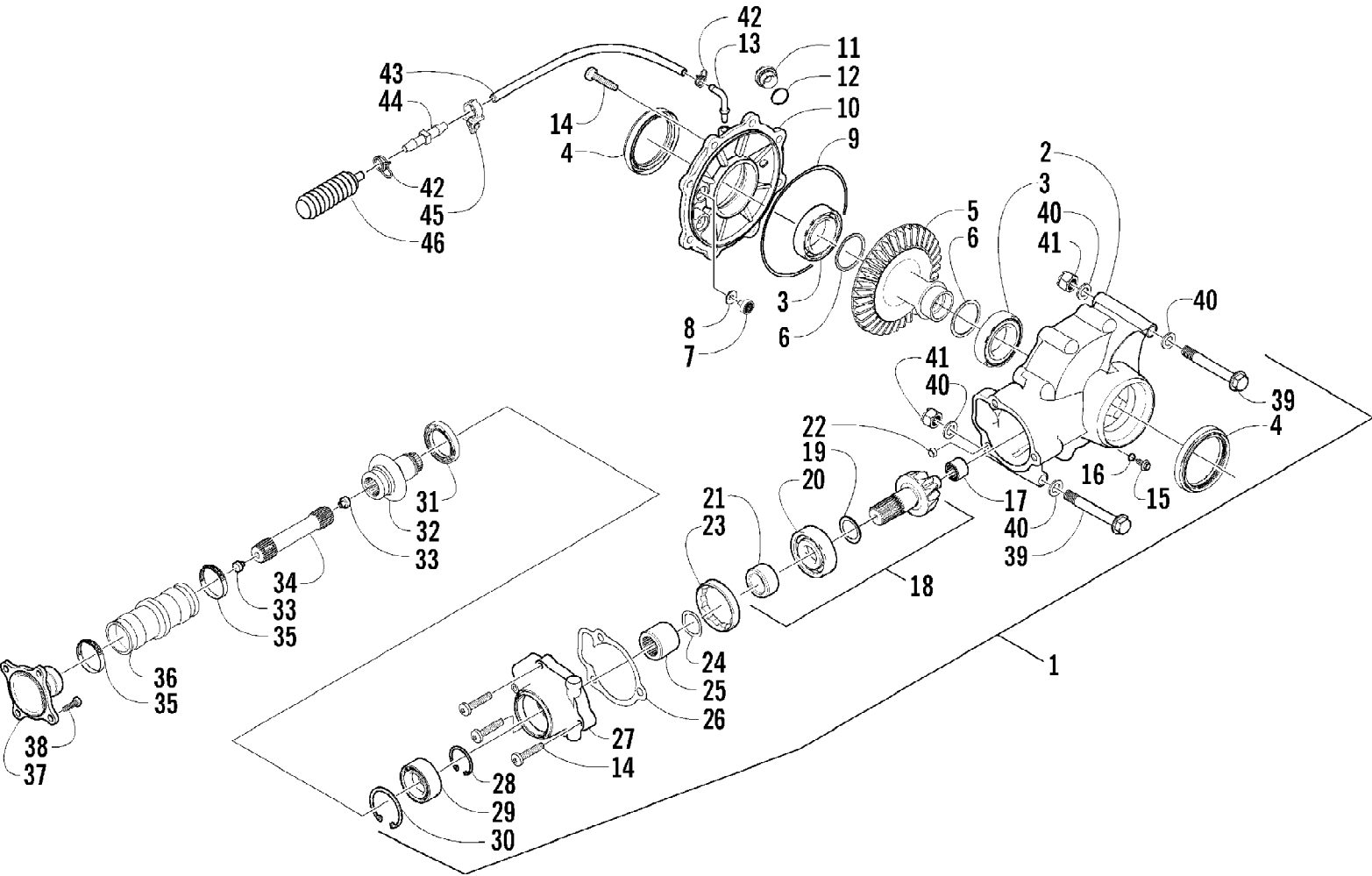
2004 ATV 400 AUTOMATIC TRANSMISSION 2X4 FIS GREEN (A2004ISH2BU86) Page 51 of 89
OIL FILTER/PUMP ASSEMBLY



2004 ATV 400 AUTOMATIC TRANSMISSION 2X4 FIS GREEN (A2004ISH2BUS) Page 52 of 89
OIL FILTER/PUMP ASSEMBLY

Ref #	Part Number	Qty	S/P/F	Description
1	3402-619	1		Pump, Oil
2	3402-618	1		Gear, Driven
3	3423-046	1		Pin
4	3423-443	1		Washer
5	3423-184	1	S	Circlip
6	3423-113	3	S/P	Screw
7	3402-156	1		Strainer, Oil
8	0693-389	2	S	Screw
9	3402-157	1		Cap, Oil Strainer
10	3423-077	1		O-Ring
11	3004-756	4	S	Screw, Cap
12	0436-146	1	S	Filter, Oil
13	3403-021	1	/P	Plug, Drain
14	3402-012	1		Gasket, Drain Plug
15	3402-773	1		Valve, Assembly - Oil Relief
16	3005-206	2	/P	Pin, Oil Pump

2004 ATV 400 AUTOMATIC TRANSMISSION 2X4 FIS GREEN (A2004ISH2BU) Page 53 of 89
REAR DRIVE GEARCASE ASSEMBLY



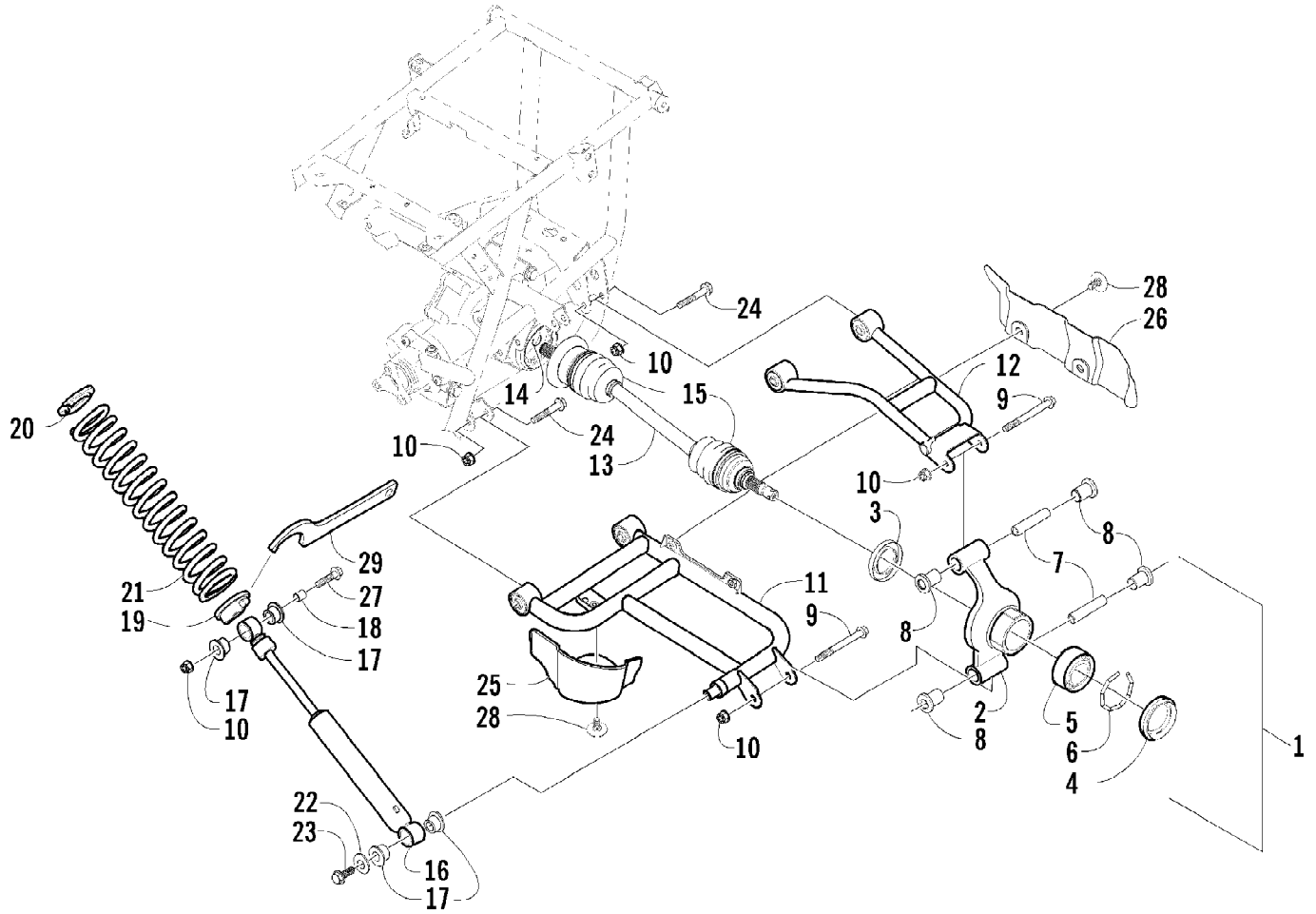
2004 ATV 400 AUTOMATIC TRANSMISSION 2X4 FIS GREEN (A2004ISH2BUS) Page 54 of 89
REAR DRIVE GEARCASE ASSEMBLY

Ref #	Part Number	Qty	S/P/F	Description
1	0502-453	1		Gearcase, Rear Drive - Assembly (inc. 2-32)
2	0502-352	1		Housing, Gearcase
3	0402-393	2		Bearing
4	0402-394	2	S	Seal
5	0402-965	1		Gear, Ring - 36T
6	0402-405	AR		Shim
6	0402-406	AR		Shim
6	0402-407	AR		Shim
6	0402-408	AR		Shim
6	0402-409	AR		Shim
7	0402-326	1		Button, Thrust
8	0402-429	AR		Shim
8	0402-430	AR		Shim
8	0402-431	AR		Shim
8	0402-432	AR		Shim
8	0402-433	AR		Shim
9	0423-149	1		O-Ring
10	0502-346	1		Cover, Gearcase
11	0402-333	1	/P	Plug, Fill (inc. 12)
12	0423-154	1		O-Ring
13	1402-102	1		Fitting
14	0423-118	11		Screw, Self-Tapping
15	0402-450	1	S	Plug, Magnetic (inc. 16)
16	0423-153	1		O-Ring
17	0402-328	1		Bearing
18	0502-123	1		Gear, Pinion - Assembly - 10T (inc. 19-21)
19	0402-424	AR		Shim
19	0402-425	AR		Shim
19	0402-426	AR		Shim
19	0402-427	AR		Shim
19	0402-428	AR		Shim
20	0402-327	1		Bearing
21	0402-336	1		Collar, Retaining
22	0402-411	1		Pin, Dowel
23	0402-331	1		Collar, Lock
24	0402-982	1		Washer, Wave
25	0402-981	1		Collar, Shaft
26	0402-947	1		Gasket, Flange
27	0502-380	1		Housing, Pinion
28	0423-417	1		Ring, Retaining
29	1402-043	1		Bearing
30	0423-423	1		Ring, Retaining
31	1402-011	1		Seal
32	0502-407	1	S	Shaft, Input
33	0673-618	2	/P	Bumper, Propeller Shaft
34	0402-963	1		Shaft, Propeller
35	0423-393	2		Clamp
36	0402-954	1		Boot
37	0402-950	1		Flange, Output
38	8408-820	4	/P	Screw, Cap
39	0423-404	2		Screw, Cap
40	0423-426	4		Washer
41	8428-002	2		Nut, Lock

2004 ATV 400 AUTOMATIC TRANSMISSION 2X4 FIS GREEN (A2004ISH2BUS) Page 55 of 89
 REAR DRIVE GEARCASE ASSEMBLY

Ref #	Part Number	Qty	S/P/F	Description
42	0423-315	3		Clamp, Hose
43	0410-049	AR		Hose, Vent
44	0470-462	1		Fitting, Vent
45	0623-101	1		Clip, Retaining
46	0402-147	1	S	Bladder, Gearcase

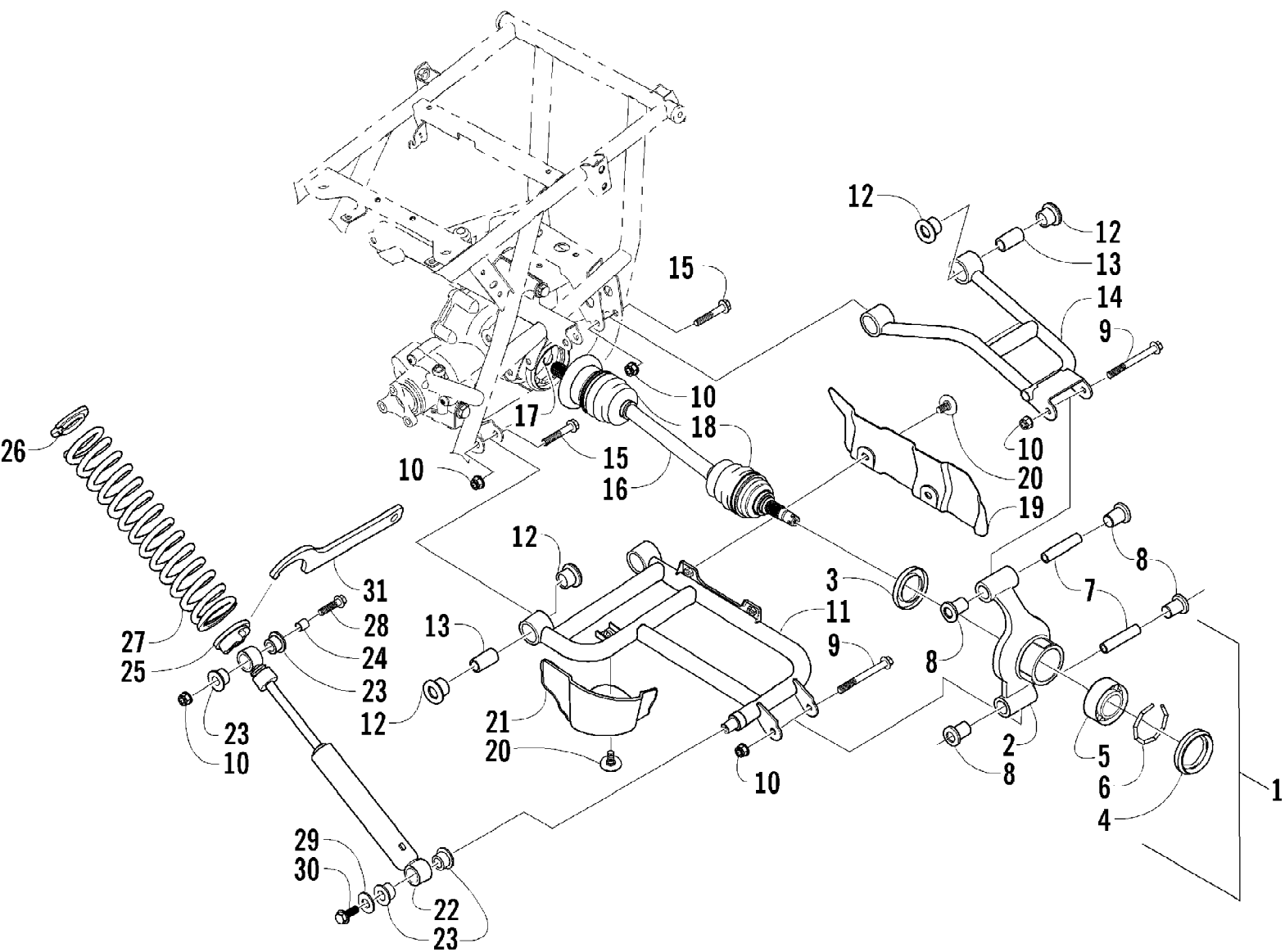
2004 ATV 400 AUTOMATIC TRANSMISSION 2X4 FIS GREEN (A2004ISH2BUS) Page 56 of 89
REAR SUSPENSION ASSEMBLY



2004 ATV 400 AUTOMATIC TRANSMISSION 2X4 FIS GREEN (A2004ISH2BUS) Page 57 of 89
REAR SUSPENSION ASSEMBLY

Ref #	Part Number	Qty	S/P/F	Description
1	0504-302	1	S	Knuckle, Right Rear - Assembly (inc. 2-6)
1	0504-227	1	S	Knuckle, Left Rear - Assembly (inc. 2-6)
2	0504-297	1	S	Knuckle - Right
2	0504-225	1	S	Knuckle - Left
3	0402-069	2		Seal, Wheel Bearing - Rear
4	0402-089	2		Seal, Wheel Bearing - Front
5	0402-275	2	/P	Bearing, Wheel
6	0423-034	2		Clip, Bearing
7	0403-038	4	S/P	Collar, Suspension Bushing
8	0403-032	8	S	Bushing, Suspension
9	8409-000	4		Screw, Cap
10	8428-002	14		Nut, Lock
11	0504-228	1		A-Arm, Rear - Lower Right
11	0504-229	1		A-Arm, Rear - Lower Left
12	0504-306	1		Arm, Rear - Upper Right
12	0504-233	1		Arm, Rear - Upper Left
13	0502-544	2	S	Axle, Drive (inc. 14-15)
14	0441-400	2	S	Clip, Retaining
15	0436-276	2	S	Repair Kit, Boot - Rear Axle
16	0404-045	2		Shock Absorber - Rear (inc. 17-18)
17	0604-310	8		Bushing, Shock Absorber
18	0403-028	2		Sleeve, Shock Absorber
19	0404-057	2		Cam, Spring Adjuster
20	1603-889	2	/P	Retainer, Spring
21	0404-046	2		Spring, Suspension
22	0423-087	2		Washer
23	8408-820	2	/P	Screw, Cap
24	8409-060	8		Screw, Cap
25	1406-071	1		Guard, Boot - Right
25	1406-072	1		Guard, Boot - Left
26	1406-068	1		Guard, Boot - Right
26	1406-069	1		Guard, Boot - Left
27	8409-040	2		Screw, Cap
28	0423-101	6		Screw, Body
29	0441-587	1		Wrench, Spanner

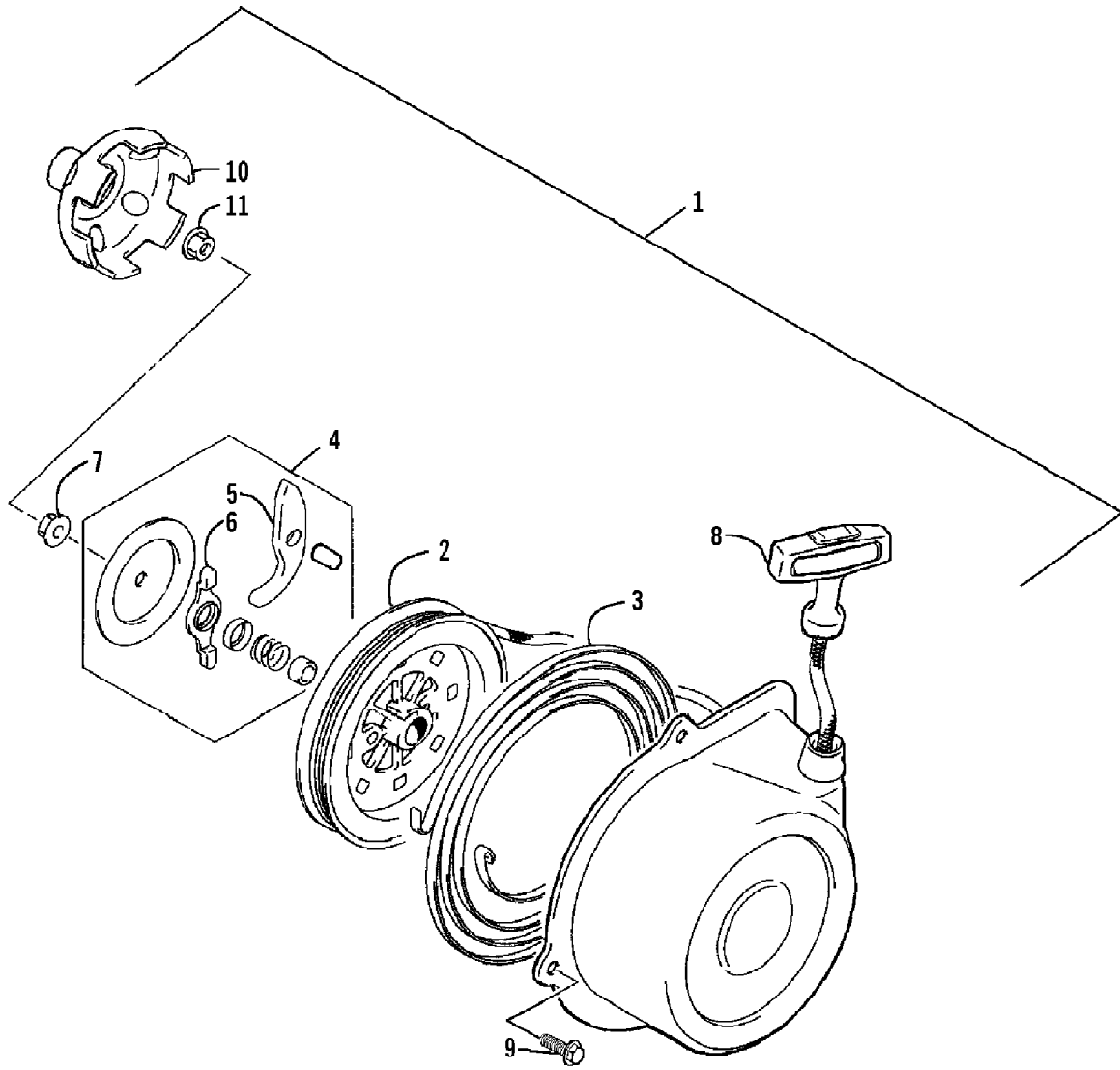
2004 ATV 400 AUTOMATIC TRANSMISSION 2X4 FIS GREEN (A2004ISH2BUS) Page 58 of 89
REAR SUSPENSION ASSEMBLY (VIN Ending in 225000 and Up)



2004 ATV 400 AUTOMATIC TRANSMISSION 2X4 FIS GREEN (A2004ISH2BUS) Page 59 of 89
REAR SUSPENSION ASSEMBLY (VIN Ending in 225000 and Up)

Ref #	Part Number	Qty	S/P/F	Description
1	0504-302	1	S	Knuckle, Right Rear - Assembly (inc. 2-6)
1	0504-227	1	S	Knuckle, Left Rear - Assembly (inc. 2-6)
2	0504-297	1	S	Knuckle - Right
2	0504-225	1	S	Knuckle - Left
3	0402-069	2		Seal, Wheel Bearing - Rear
4	0402-089	2		Seal, Wheel Bearing - Front
5	0402-275	2	/P	Bearing, Wheel
6	0423-034	2		Clip, Bearing
7	0403-038	4	S/P	Collar, Suspension Bushing
8	0403-032	8	S	Bushing, Suspension
9	8409-000	4		Screw, Cap
10	8428-002	14		Nut, Lock
11	0504-320	1	S	A-Arm, Rear - Lower Right (inc. 12-13)
11	0504-321	1	S	A-Arm, Rear - Lower Left (inc. 12-13)
12	0403-115	16	S	Bushing
13	0403-114	8	S	Collar
14	0504-318	1		A-Arm, Rear - Upper Right (inc. 12-13)
14	0504-319	1		A-Arm, Rear - Upper Left (inc. 12-13)
15	8409-075	8		Screw, Cap
16	0502-544	2	S	Axle, Drive (inc. 17-18)
17	0441-400	2	S	Clip, Retaining
18	0436-276	2	S	Repair Kit, Boot - Rear Axle
19	1406-068	1		Guard, Boot - Right
19	1406-069	1		Guard, Boot - Left
20	0423-101	6		Screw, Body
21	1406-071	1		Guard, Boot - Right
21	1406-072	1		Guard, Boot - Left
22	0404-072	2		Shock Absorber - Rear (inc. 23-24)
23	0604-310	8		Bushing, Shock Absorber
24	0403-028	2		Sleeve, Shock Absorber
25	0404-057	2		Cam, Spring Adjuster
26	1603-889	2	/P	Retainer, Spring
27	0404-065	2		Spring, Suspension
28	8409-040	2		Screw, Cap
29	0423-087	2		Washer
30	8408-820	2	/P	Screw, Cap
31	0441-587	1		Wrench, Spanner

2004 ATV 400 AUTOMATIC TRANSMISSION 2X4 FIS GREEN (A20041SH2BUS) Page 60 of 89
RECOIL STARTER ASSEMBLY



2004 ATV 400 AUTOMATIC TRANSMISSION 2X4 FIS GREEN (A2004ISH2BUS) Page 61 of 89
RECOIL STARTER ASSEMBLY

Ref #	Part Number	Qty	S/P/F	Description
1	3445-003	1		Starter, Recoil - Assembly (inc. 2-8)
2	3445-004	1		Reel
3	3445-007	1		Spring, Sprial
4	3445-016	1		Ratchet - Assembly (inc. 5-6)
5	3445-005	1		Ratchet
6	3445-006	1		Guide, Ratchet
7	3004-488	1	S/P	Nut
8	3445-011	1		Rope Assembly
9	3423-428	4		Screw, Cap
10	3445-027	1	S	Cup, Starter
11	3004-491	1	S/P	Nut

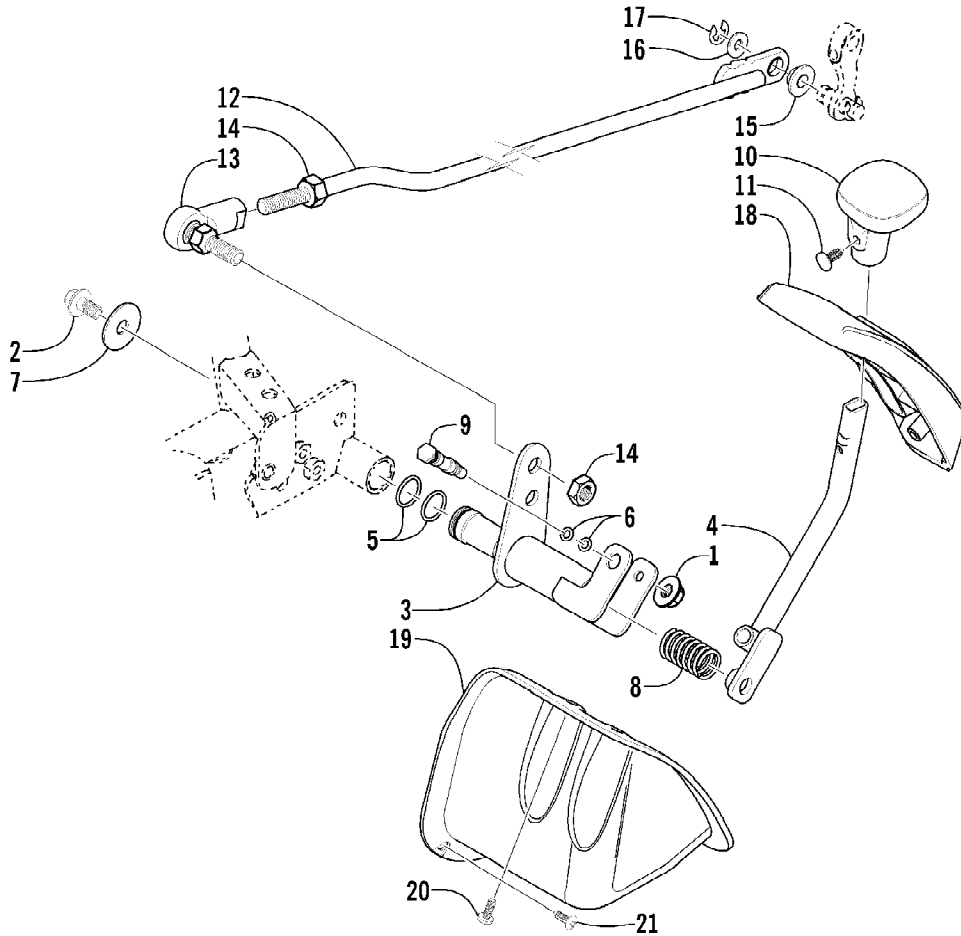
No
Diagram
Available

Parts List
Only

2004 ATV 400 AUTOMATIC TRANSMISSION 2X4 FIS GREEN (A2004ISH2BUS) Page 63 of 89
RELATED ITEMS

Ref #	Part Number	Qty	S/P/F	Description
	0436-340	1	S	Bag, Fender - Black
	0436-337	1		Bag, Rack, Front - Black
	0436-336	1		Bag, Rack, Rear - Black
	0436-330	1		Bumper (Rear)
	0436-454	1		Cargo Box
	0436-381	1		Cover, Black and Green
	0436-339	1		Cover, Timber Camo
	0436-005	1	S	Engine Oil - 10W40
	0436-003	1	S	Engine Oil - 5W30
	0436-007	1	S	Gear Lube (Diff) - 80W90
	0436-200	1		Gun Scabbard Mount
	0436-505	1		Hand Guards - Black
	0436-352	1		Hand/Thumb Warmers
	2256-946	1		Illustrated Parts Manual
	2256-937	1		Manuel d'utilisation (F)
	2256-934	1		Operator's Manual (E)
	0436-351	1		Rack Basket (Front)
	0436-350	1		Rack Basket (Rear)
	0436-349	1		Rack Extension, 4 in. (Front)
	0436-225	1		Rack Extension, 4 in. (Rear)
	0436-226	1		Rack Extension, 8 in. (Rear)
	0436-411	1		Speedometer Kit (2x4)
	1402-028	1		Tire, Titan AT589 (25x8-12, Mud & Snow)
	0402-563	1		Tire, Titan AT589 (25x10-12, Mud & Snow)
	0436-297	1		Tool Holder - Double
	0436-263	1	/P	Tool Holder - Single
	0436-329	1	S	Winch, 2500 lb
	0436-361	1		Winch Mounting Kit
	0436-301	1		Windshield, Clear w/Black Accent

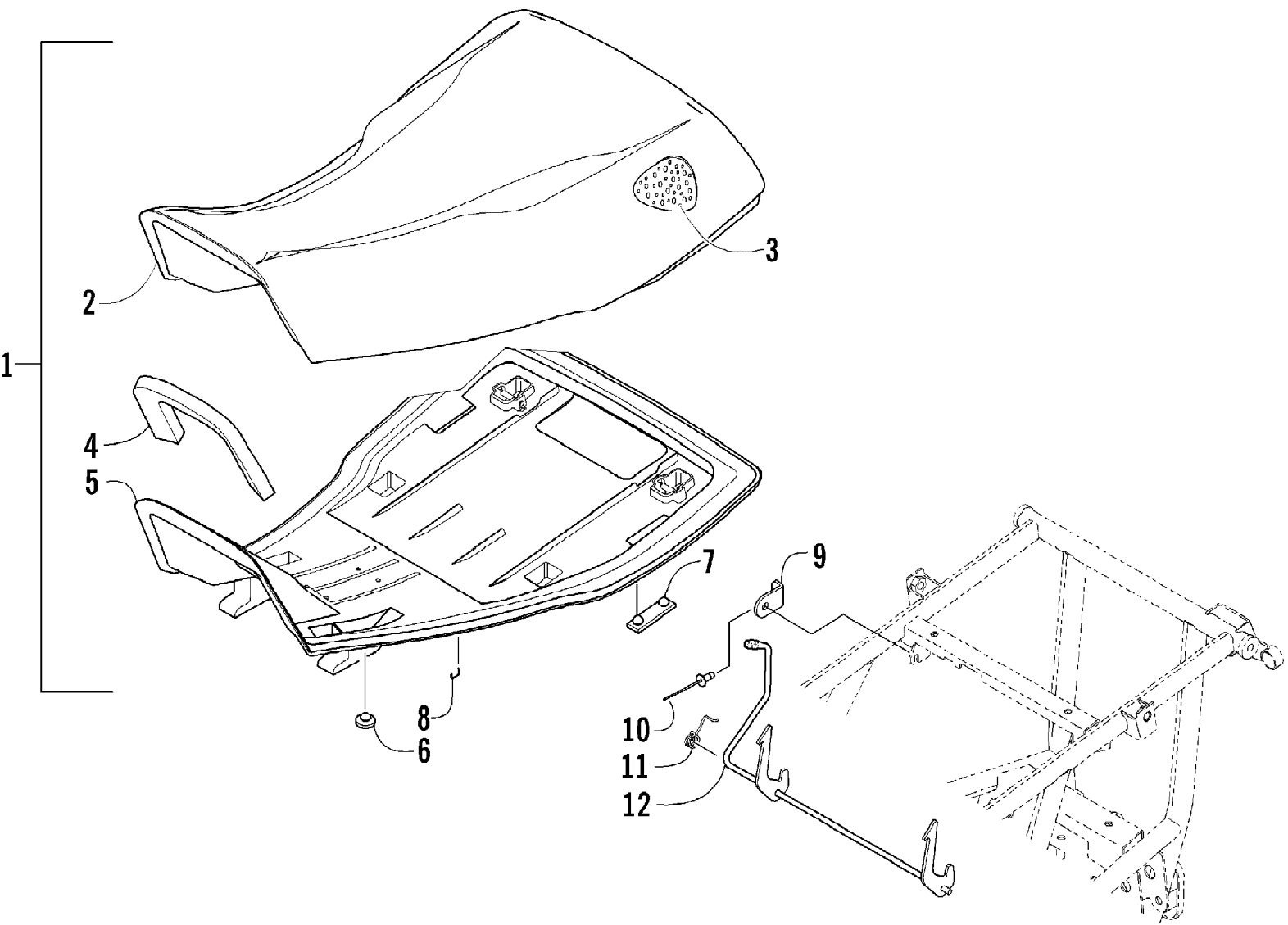
2004 ATV 400 AUTOMATIC TRANSMISSION 2X4 FIS GREEN (A2004ISH2BUS) Page 64 of 89
REVERSE SHIFT LEVER ASSEMBLY



2004 ATV 400 AUTOMATIC TRANSMISSION 2X4 FIS GREEN (A2004ISH2BUS) Page 65 of 89
REVERSE SHIFT LEVER ASSEMBLY

Ref #	Part Number	Qty	S/P/F	Description
1	8424-602	1	/P	Nut
2	8408-812	1		Screw, Cap
3	0502-187	1		Axle, Reverse Shift Lever
4	0502-185	1		Lever, Reverse Shift
5	0423-299	2	/P	O-Ring
6	0423-182	2	/P	O-Ring
7	0423-087	1		Washer
8	0502-410	1	S	Spring
9	0402-675	1		Axle, Pivot
10	0402-843	1	/P	Handle, Reverse Shift Lever
11	0423-345	1		Clip, Push
12	0502-311	1	S	Linkage, Shift
13	0402-844	1		End, Rod
14	0623-294	2		Nut
15	0423-091	1		Bushing
16	3423-204	1	/P	Washer
17	0423-169	1	/P	E-Ring
18	0402-685	1		Plate, Shift
19	0406-943	1		Shield, Linkage
20	0423-371	3		Screw, Machine
21	0623-309	1		Screw, Self-Tapping

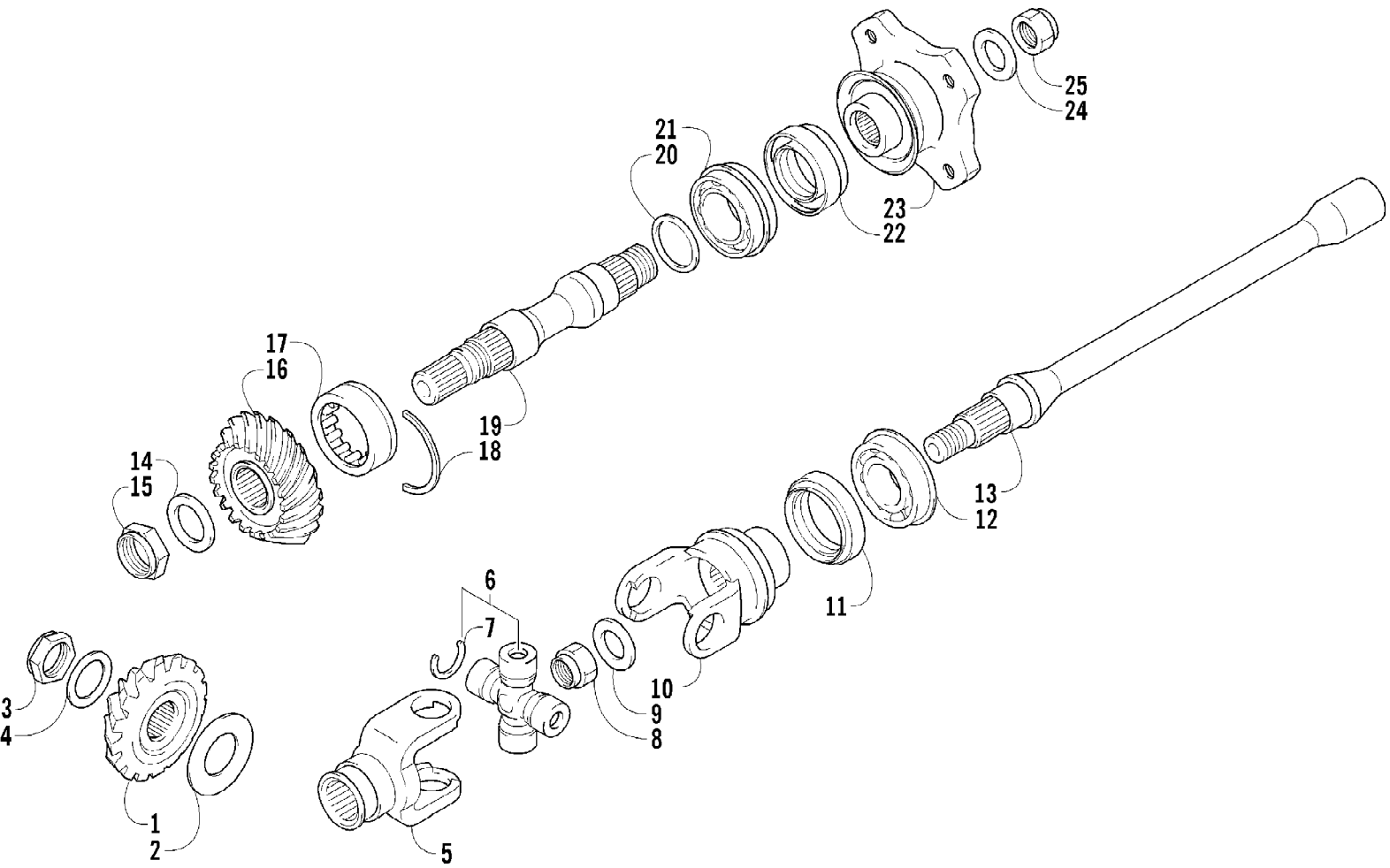
2004 ATV 400 AUTOMATIC TRANSMISSION 2X4 FIS GREEN (A2004ISH2BU) Page 66 of 89
SEAT ASSEMBLY



2004 ATV 400 AUTOMATIC TRANSMISSION 2X4 FIS GREEN (A2004ISH2BUS) Page 67 of 89
 SEAT ASSEMBLY

Ref #	Part Number	Qty	S/P/F	Description
1	0506-558	1		Seat Assembly (inc. 2-8)
2	0506-556	1		Cover, Seat
3	0506-555	1		Foam, Seat
4	1406-060	1		Foam, Sound
5	0406-878	1		Base, Seat Assembly (inc. 6-7)
6	0406-877	2	/P	Bumper, Seat - Front
7	0406-879	2		Bumper, Seat - Rear
8	0624-528	AR	/P	Staple
9	1406-087	1		Plate, Retainer
10	8060-284	1		Rivet
11	1406-371	1		Spring, Seat Latch
12	1506-217	1		Latch, Seat

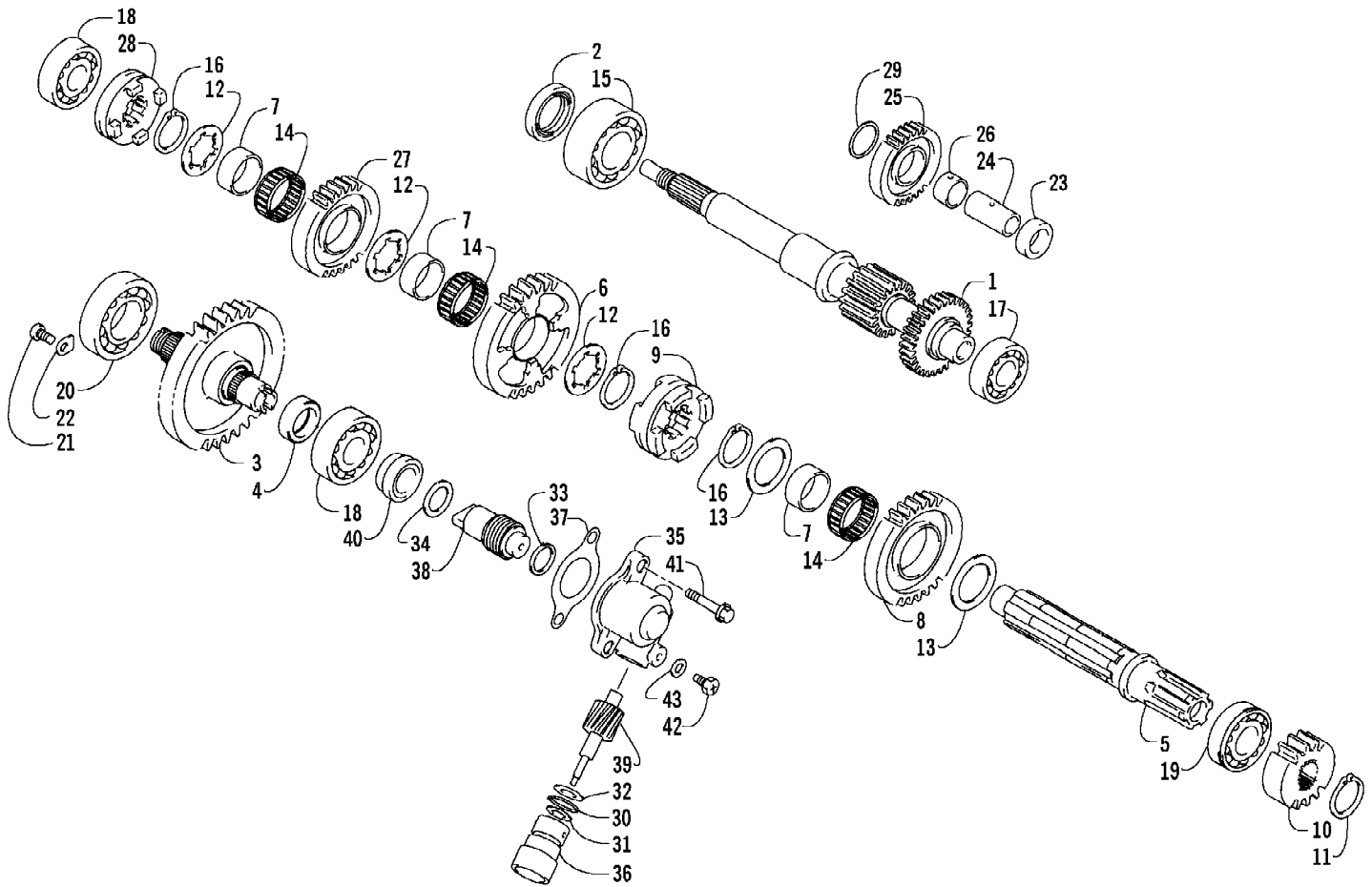
2004 ATV 400 AUTOMATIC TRANSMISSION 2X4 FIS GREEN (A2004ISH2BUS) Page 68 of 89
SECONDARY DRIVE ASSEMBLY



2004 ATV 400 AUTOMATIC TRANSMISSION 2X4 FIS GREEN (A2004ISH2BUS) Page 69 of 89
SECONDARY DRIVE ASSEMBLY

Ref #	Part Number	Qty	S/P/F	Description
1	3402-637	1		Gear, Secondary Drive
2	3446-035	1		Shim, Secondary Drive Gear - Set
3	3423-023	1		Nut
4	3005-372	1		Washer
5	0	1	F	N/A
6	0	1	F	N/A
7	0	1	F	N/A
8	0	1	F	N/A
9	0	1	F	N/A
10	0	1	F	N/A
11	0	1	F	N/A
12	0	1	F	N/A
13	0	1	F	N/A
14	3423-137	1		Washer, Secondary Driven Gear
15	3423-136	1		Nut, Secondary Driven Gear
16	3402-638	1		Gear, Secondary Driven
17	3402-515	1	/P	Bearing, Driven Gear
18	3423-072	1		C-Ring, Driven Bearing
19	3402-639	1		Shaft, Secondary Driven - Rear
20	3402-017	AR		Shim, 25 x 34 x 0.60 mm
20	3402-018	AR		Shim, 25 x 34 x 0.65 mm
20	3402-019	AR		Shim, 25 x 34 x 0.70 mm
20	3402-020	AR		Shim, 25 x 34 x 0.75 mm
20	3402-021	AR	S	Shim, 25 x 34 x 0.80 mm
20	3402-022	AR		Shim, 25 x 34 x 0.85 mm
20	3402-023	AR		Shim, 25 x 34 x 0.90 mm
20	3402-024	AR		Shim, 25 x 34 x 0.95 mm
20	3402-025	AR	S	Shim, 25 x 34 x 1.00 mm
20	3402-028	AR		Shim, 25 x 34 x 1.05 mm
20	3402-029	AR		Shim, 25 x 34 x 1.10 mm
20	3402-030	AR		Shim, 25 x 34 x 1.15 mm
20	3402-031	AR		Shim, 25 x 34 x 1.20 mm
21	3402-067	1	S	Bearing, Rear Secondary Driven Shaft
22	3402-072	1		Seal, Oil - Rear Secondary Driven Shaft
23	3402-514	1	/P	Flange, Output Joint - Rear
24	3423-028	1		Washer, Rear Output Joint Flange
25	3423-025	1		Nut, Rear Output Joint Flange

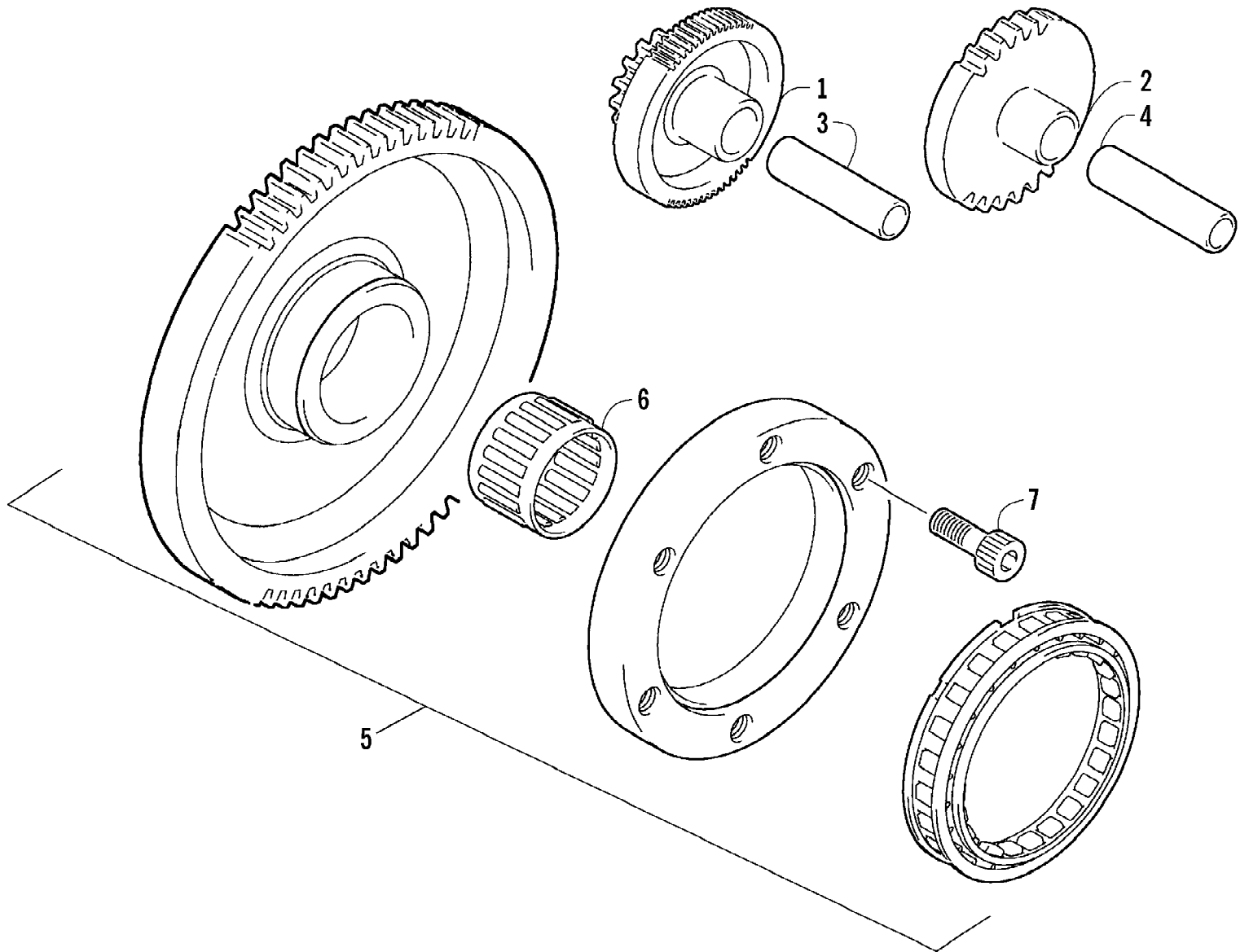
2004 ATV 400 AUTOMATIC TRANSMISSION 2X4 FIS GREEN (A2004ISH2BU) Page 70 of 89
SECONDARY TRANSMISSION ASSEMBLY



2004 ATV 400 AUTOMATIC TRANSMISSION 2X4 FIS GREEN (A2004ISH2BUS) Page 71 of 89
SECONDARY TRANSMISSION ASSEMBLY

Ref #	Part Number	Qty	S/P/F	Description
1	3402-665	1		Driveshaft
2	3402-500	1	S	Seal, Driveshaft
3	3402-666	1		Shaft, Output
4	3423-494	1		Spacer, Output Shaft
5	3402-667	1		Countershaft
6	3402-668	1	/P	Gear, Driven - Low
7	3402-494	3		Bushing
8	3402-495	1		Gear, Driven - High
9	3402-496	1		Dog, Sliding
10	3402-669	1		Gear, Drive - No. 2
11	3423-191	1	/P	Circlip
12	3423-263	3		Washer
13	3423-448	2		Washer
14	3402-498	3		Bearing
15	3402-499	1		Bearing, Driveshaft
16	3423-066	3	/P	Circlip
17	3003-261	1	/P	Bearing, Driveshaft - Left
18	3402-045	2	/P	Bearing, Shaft
19	3004-209	1	/P	Bearing, Shaft
20	3402-180	1	S	Bearing, Output Shaft
21	3423-435	2		Screw, Bearing Retainer
22	3446-031	2	/P	Retainer, Bearing
23	3423-442	1		Spacer, Reverse Idle Gear
24	3402-634	1		Shaft, Reverse Idle
25	3402-503	1		Gear, Reverse Idle
26	3446-103	1		Bushing, Reverse Idle Gear
27	3402-635	1		Gear, Reverse Driven
28	3402-636	1		Dog, Reverse Driven Gear
29	3402-195	2		Washer, Reverse Idle Gear
30	3423-056	1		O-Ring
31	3402-077	1		Seal, Driven Gear
32	3423-144	1		Washer, Driven Gear
33	3423-336	1		Washer
34	3423-502	1	/P	Washer
35	3446-057	1		Housing, Speedometer Gear
36	3446-058	1		Sleeve
37	3446-244	1	/P	Gasket, Housing
38	3446-284	1		Gear, Drive
39	3446-285	1		Gear, Driven
40	3446-114	1	/P	Spacer, Driven Gear
41	3423-346	2	S	Bolt, Housing
42	3423-143	1	S	Bolt, Driven Gear
43	3402-009	1	/P	Washer, Driven Gear

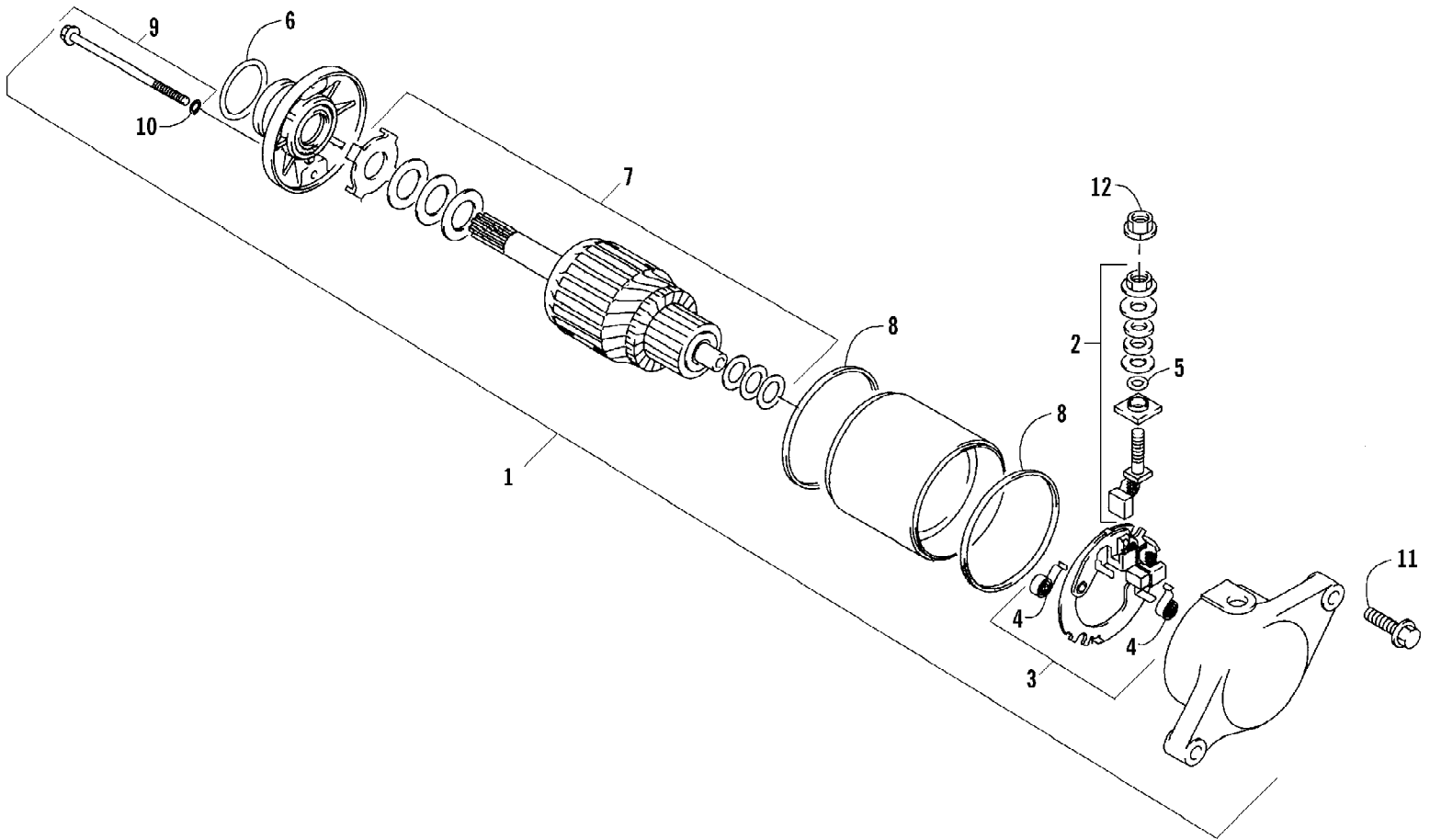
2004 ATV 400 AUTOMATIC TRANSMISSION 2X4 FIS GREEN (A2004ISH2BU86) Page 72 of 89
STARTER CLUTCH ASSEMBLY



2004 ATV 400 AUTOMATIC TRANSMISSION 2X4 FIS GREEN (A2004ISH2BUS) Page 73 of 89
STARTER CLUTCH ASSEMBLY

Ref #	Part Number	Qty	S/P/F	Description
1	3402-603	1		Gear, Starter Idler - No. 1
2	3402-124	1		Gear, Starter Idler - No. 2
3	3423-331	1		Pin, Starter Idler Gear No. 1
4	3423-397	1		Pin, Starter Idler Gear No. 2
5	3402-690	1	S	Clutch, Starter - Set (inc. 6)
6	3402-674	1		Bearing
7	3423-102	6	S	Bolt

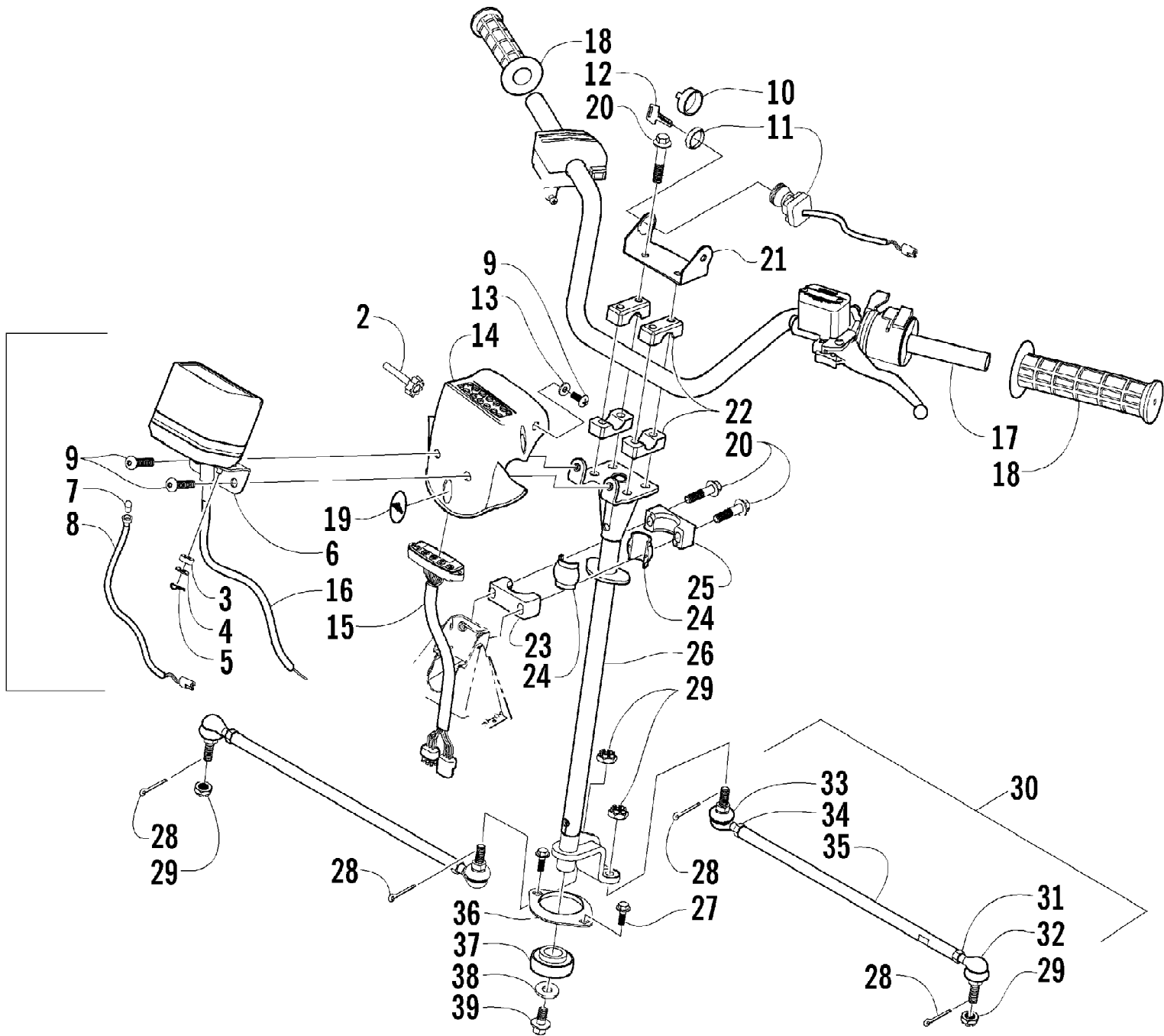
2004 ATV 400 AUTOMATIC TRANSMISSION 2X4 FIS GREEN (A2004ISH2BUS) Page 74 of 89
STARTER MOTOR ASSEMBLY



2004 ATV 400 AUTOMATIC TRANSMISSION 2X4 FIS GREEN (A2004ISH2BUS) Page 75 of 89
 STARTER MOTOR ASSEMBLY

Ref #	Part Number	Qty	S/P/F	Description
1	3545-016	1		Motor, Starter Assembly (inc. 2-10)
2	3402-671	1		Terminal Set, Brush
3	3402-672	1		Holder Set, Brush
4	3008-551	4		Spring, Brush
5	3008-164	1		O-Ring
6	3423-272	1		O-Ring
7	3008-099	1		Washer Set
8	3423-497	2		O-Ring
9	3423-498	2		Through-Bolt (inc. 10)
10	3423-496	2		O-Ring
11	3004-756	2	S	Bolt
12	3423-195	1	/P	Nut

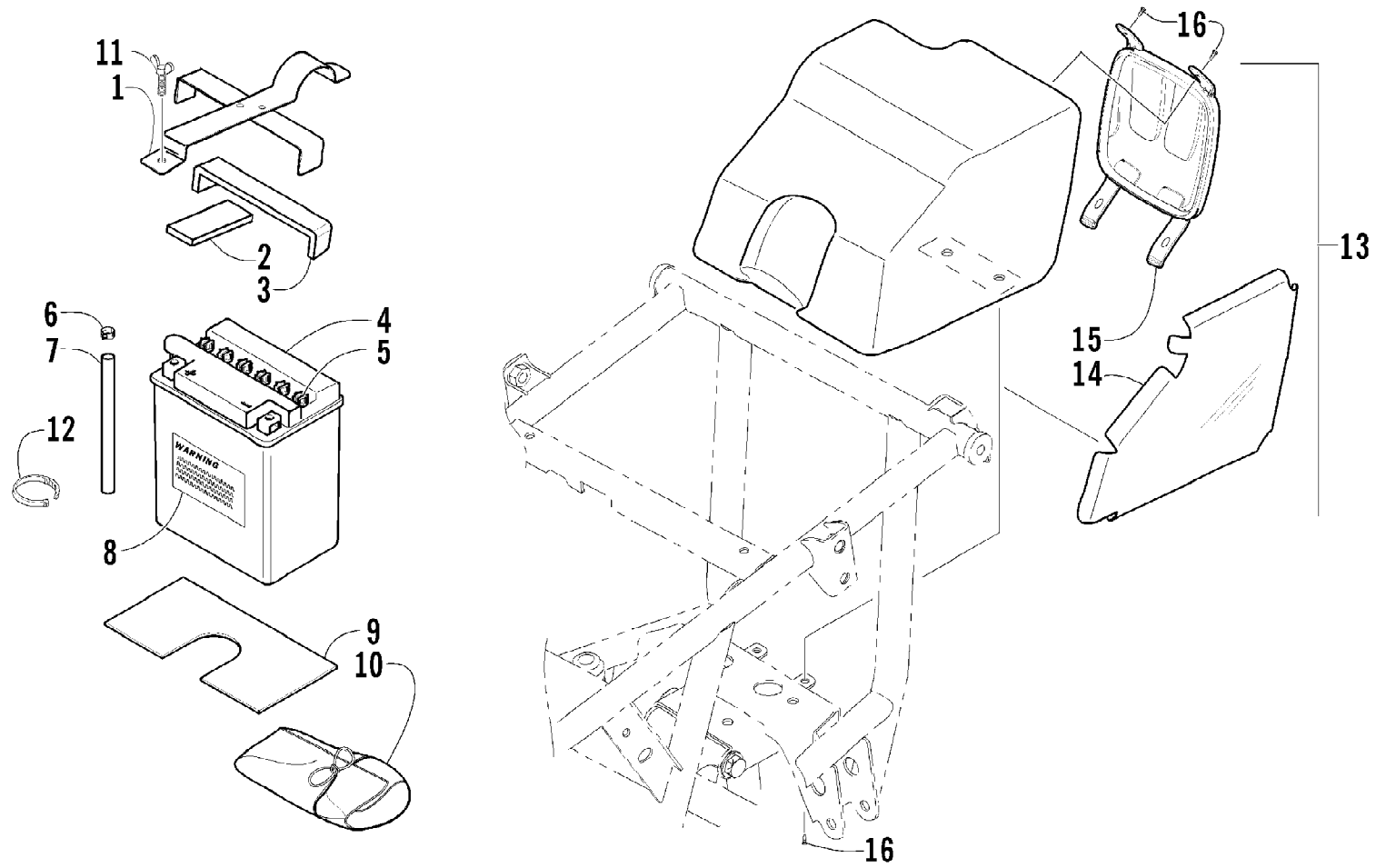
2004 ATV 400 AUTOMATIC TRANSMISSION 2X4 FIS GREEN (A2004ISH2BU) Page 76 of 89
STEERING ASSEMBLY



2004 ATV 400 AUTOMATIC TRANSMISSION 2X4 FIS GREEN (A2004ISH2BUS) Page 77 of 89
STEERING ASSEMBLY

Ref #	Part Number	Qty	S/P/F	Description
1	0	1	F	N/A
2	0	1	F	N/A
3	0	1	F	N/A
4	0	1	F	N/A
5	0	1	F	N/A
6	0	1	F	N/A
7	0	1	F	N/A
8	0	1	F	N/A
9	8477-616	3		Screw, Machine
10	0409-013	1		Cover, Key
11	3430-040	1		Switch, Ignition - Assembly (inc. 12)
12	3409-007	1	/P	Key, Ignition - Blank (C Series)
12	3409-011	1		Key, Ignition - Blank (D Series)
12	3409-012	1		Key, Ignition - Blank (E Series)
12	3409-013	1		Key, Ignition - Blank (F Series)
13	0423-052	1		Collar, Body
14	0405-063	1		Instrument Pod
15	0420-035	1	/P	Panel, LED
16	0	1	F	N/A
17	0505-410	1		Tube, Handlebar
18	0405-106	2		Grip, Handlebar
19	0405-042	1		Plug, Instrument Pod
20	8408-860	6		Screw, Cap
21	0506-348	1	/P	Bracket, Key Switch
22	0405-035	4		Cap, Steering Adjuster
23	0605-171	1		Housing, Bearing - Lower
24	0405-020	2		Bearing, Steering Post
25	0605-147	1	S	Housing, Bearing - Upper
26	0505-431	1	/P	Post, Steering
27	8408-816	2		Screw, Cap
28	0623-175	4		Pin, Cotter
29	0423-157	4		Nut, Lock
30	0505-408	2	S	Tie Rod, Assembly (inc. 31-35)
31	8420-002	2	/P	Nut - Right
32	0405-082	2	S	Ball Joint, Tie Rod - Right
33	0405-083	2	S	Ball Joint, Tie Rod - Left
34	0423-013	2		Nut - Left
35	0405-107	2	S	Tie Rod
36	0602-233	1		Flange, Bearing
37	0405-052	1		Bearing w/Inverted Oil Seal
38	0423-073	1		Washer
39	8409-020	1	/P	Screw, Cap

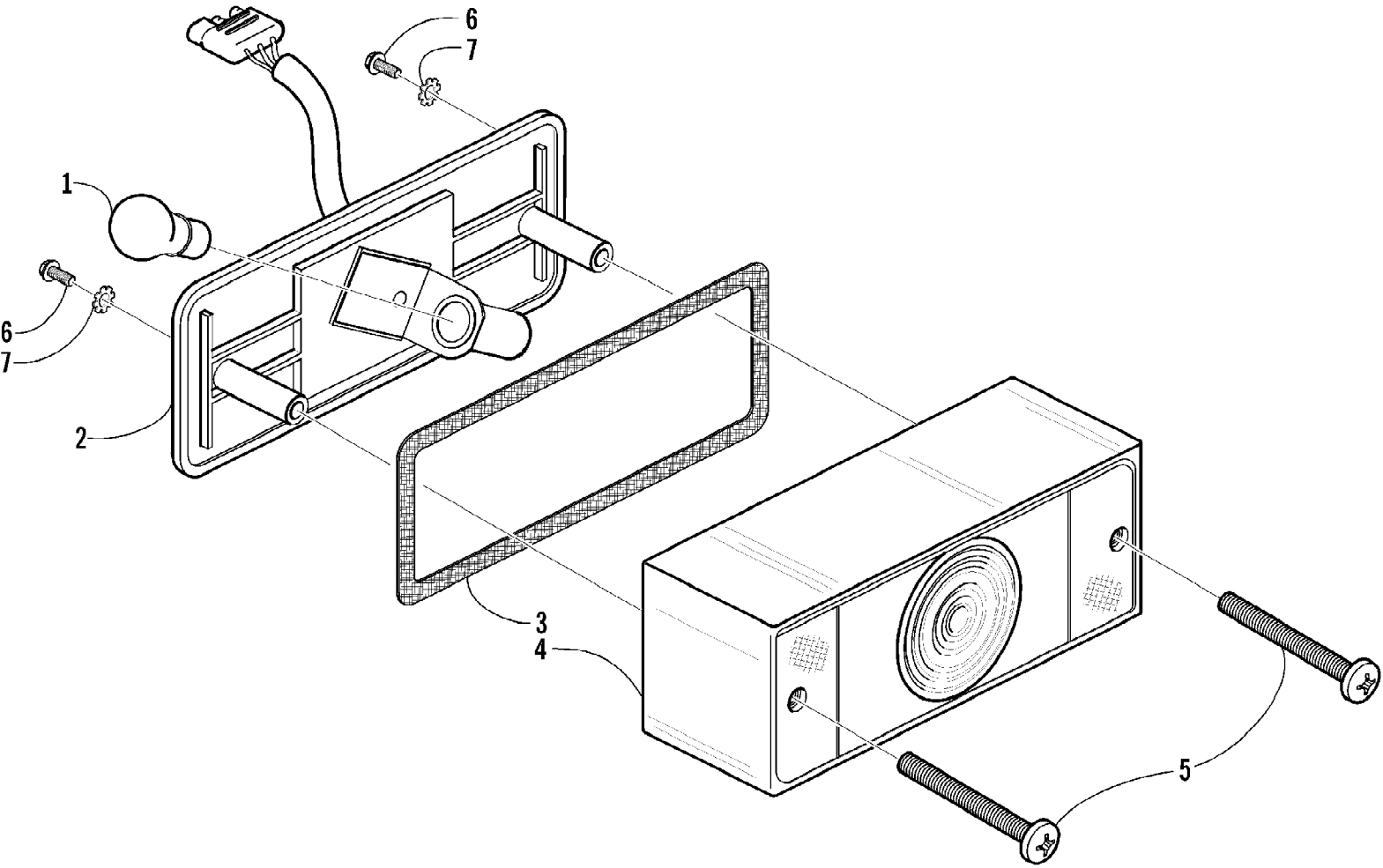
2004 ATV 400 AUTOMATIC TRANSMISSION 2X4 FIS GREEN (A2004ISH2BUS) Page 78 of 89
STORAGE BOX AND BATTERY ASSEMBLY



2004 ATV 400 AUTOMATIC TRANSMISSION 2X4 FIS GREEN (A2004ISH2BUS) Page 79 of 89
STORAGE BOX AND BATTERY ASSEMBLY

Ref #	Part Number	Qty	S/P/F	Description
1	0506-178	1		Strap, Battery w/Pads (inc. 2-3)
2	0406-288	1		Pad, Battery - Upper Front
3	0406-289	1		Pad, Battery - Upper Rear
4	0745-045	1	/P	Battery Assembly (inc. 5-8)
5	0645-045	6		Cap, Battery
6	0645-152	1		Clamp, Hose
7	0645-263	1	/P	Hose, Vent
8	0645-151	1		Label, Warning - Battery
9	0406-227	1		Pad, Battery - Lower
10	0444-122	1	S/P	Kit, Tool
11	0423-456	1	/P	Screw, Thumb
12	0123-903	2		Cable Tie - 11.5 in.
13	0506-797	1		Storage Box - Assembly (inc. 14)
14	1406-140	1		Shield, Heat
15	1406-078	1		Cover, Storage Box
16	0623-797	4		Screw, Self-Tapping

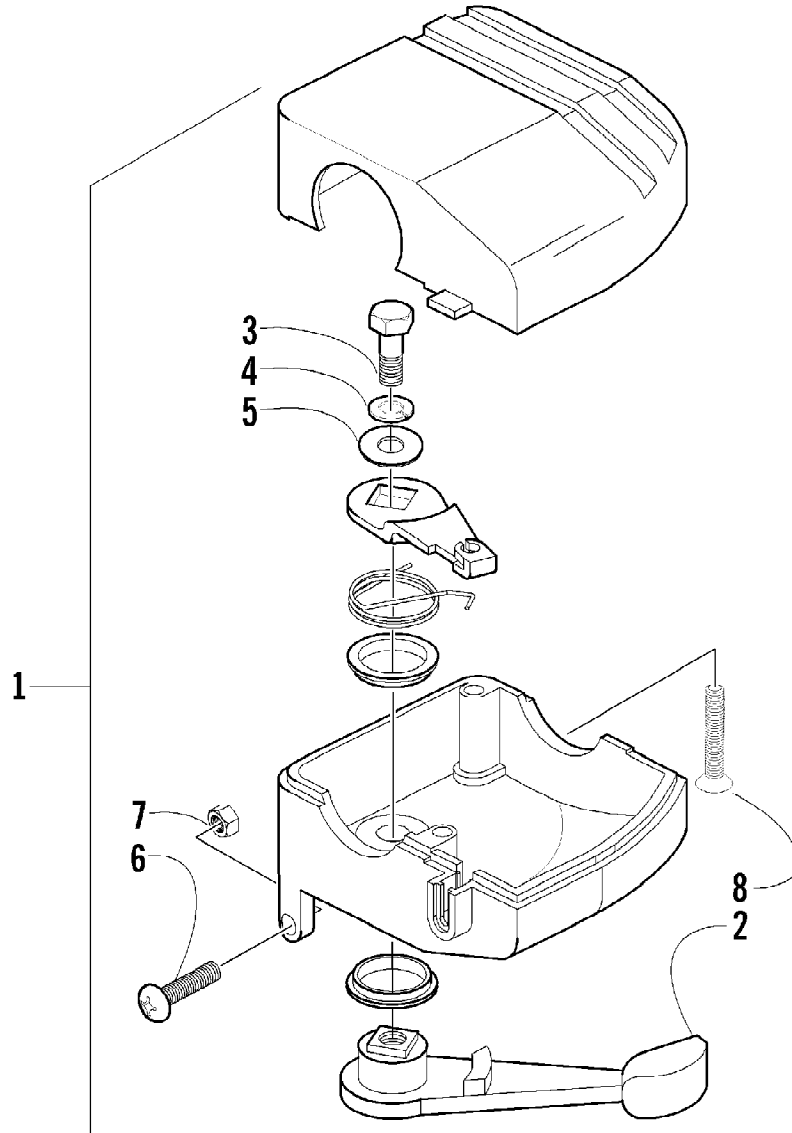
2004 ATV 400 AUTOMATIC TRANSMISSION 2X4 FIS GREEN (A2004ISH2BU) Page 80 of 89
TAILLIGHT ASSEMBLY



2004 ATV 400 AUTOMATIC TRANSMISSION 2X4 FIS GREEN (A2004ISH2BUS) Page 81 of 89
TAILLIGHT ASSEMBLY

Ref #	Part Number	Qty	S/P/F	Description
	0409-002	1		Complete Taillight Assembly
1	0109-460	1	/P	Bulb, Stop/Taillight
2	0409-058	1		Taillight w/Socket Assembly
3	0409-012	1		Gasket, Taillight Lens
4	0409-007	1		Lens, Taillight
5	0409-010	2		Screw, Machine
6	0623-301	2	/P	Screw, Self-Tapping
7	8053-212	2	/P	Washer, Lock - External Tooth

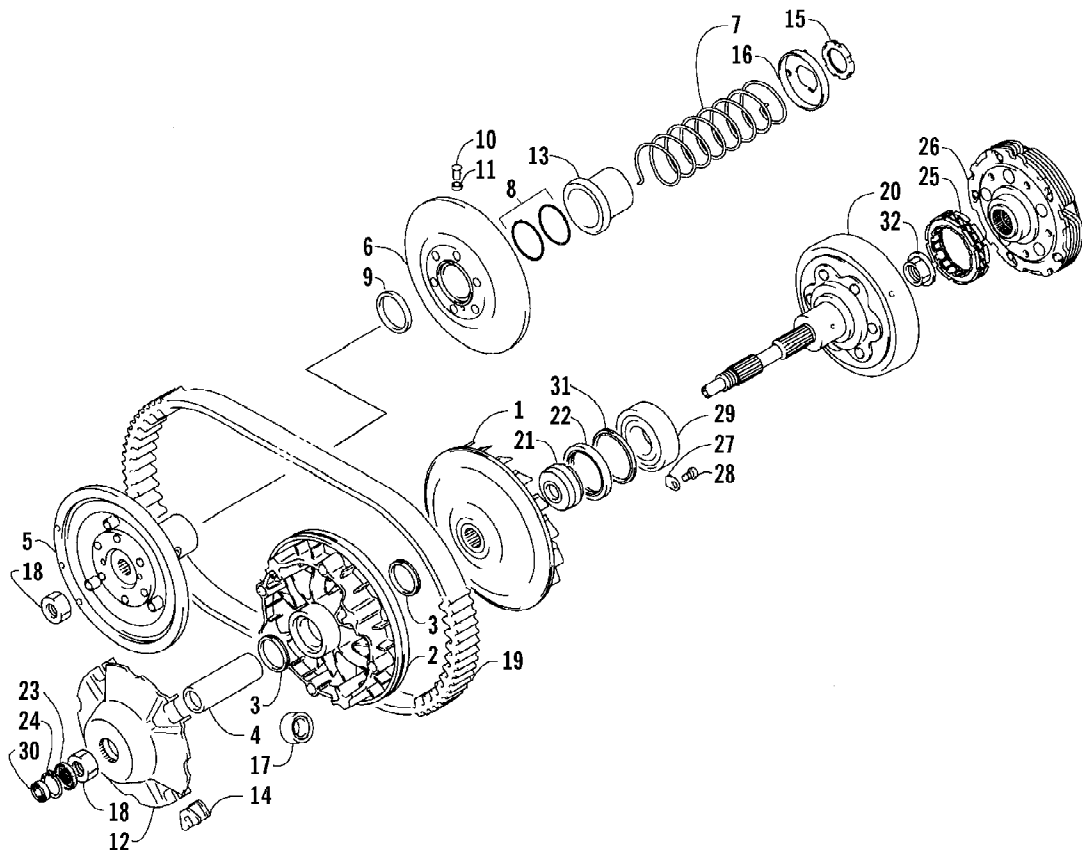
2004 ATV 400 AUTOMATIC TRANSMISSION 2X4 FIS GREEN (A2004ISH2BU) Page 82 of 89
THROTTLE CASE ASSEMBLY



2004 ATV 400 AUTOMATIC TRANSMISSION 2X4 FIS GREEN (A2004ISH2BUS) Page 83 of 89
THROTTLE CASE ASSEMBLY

Ref #	Part Number	Qty	S/P/F	Description
1	3509-003	1	/P	Case, Throttle - Assembly (inc. 2-8)
2	3409-001	1		Lever
3	3004-533	1	S/P	Screw, Cap
4	3004-447	1	/P	Washer, Lock
5	3003-030	1	/P	Washer
6	3423-014	1		Screw
7	3423-327	1		Nut
8	3423-199	2		Screw

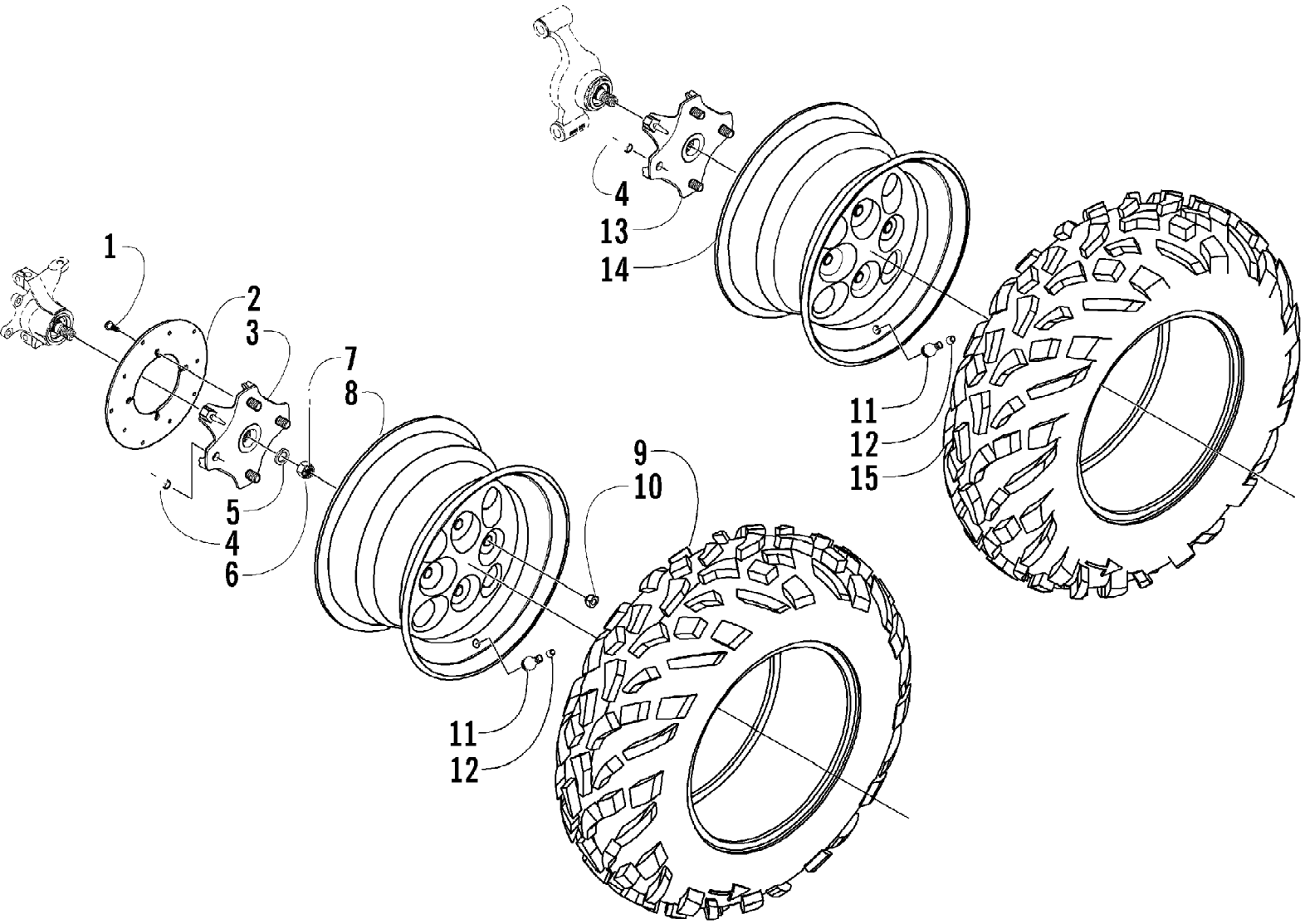
2004 ATV 400 AUTOMATIC TRANSMISSION 2X4 FIS GREEN (A2004ISH2BUS) Page 84 of 89
TRANSMISSION ASSEMBLY



2004 ATV 400 AUTOMATIC TRANSMISSION 2X4 FIS GREEN (A2004ISH2BUS) Page 85 of 89
TRANSMISSION ASSEMBLY

Ref #	Part Number	Qty	S/P/F	Description
1	3402-622	1		Face, Fixed Drive
2	3402-623	1		Face, Movable Drive
3	3402-624	2		Seal, Movable Drive Face
4	3402-625	1		Spacer, Movable Drive Face
5	3402-626	1	S	Face, Fixed Driven
6	3402-627	1		Face, Movable Driven
7	3423-486	1		Spring, Movable Driven Face
8	3423-487	2		O-Ring, Movable Driven Face
9	3402-629	2		Seal, Movable Driven Face
10	3402-477	3		Pin, Movable Driven Face
11	3402-478	3		Spacer, Movable Driven Face
12	3402-630	1		Plate, Movable Drive Face
13	3402-631	1		Sleeve, Movable Driven Face
14	3402-481	4		Damper, Movable Drive Face
15	3423-489	1		Nut, Driven Pulley
16	3402-632	1		Holder, Movable Driven Face Spring
17	3402-633	8		Roller, Movable Drive Face
18	3423-437	2		Nut
19	3402-664	1		V-Belt
20	3402-620	1		Housing, Clutch
21	3402-621	1		Spacer, Fixed Drive Face
22	3402-535	1	S	Seal, Clutch Housing
23	3402-574	1		Seal, Clutch Housing
24	3423-505	1	S	Circlip
25	3446-003	1		Clutch, One Way
26	3446-278	1	S	Shoe, Clutch - Assembly
27	3446-031	2	/P	Retainer, Bearing
28	3423-435	2		Screw, Bearing Retainer
29	3402-567	1		Bearing
30	3402-693	1		Bearing
31	3423-353	1	/P	O-Ring
32	3423-501	1		Nut

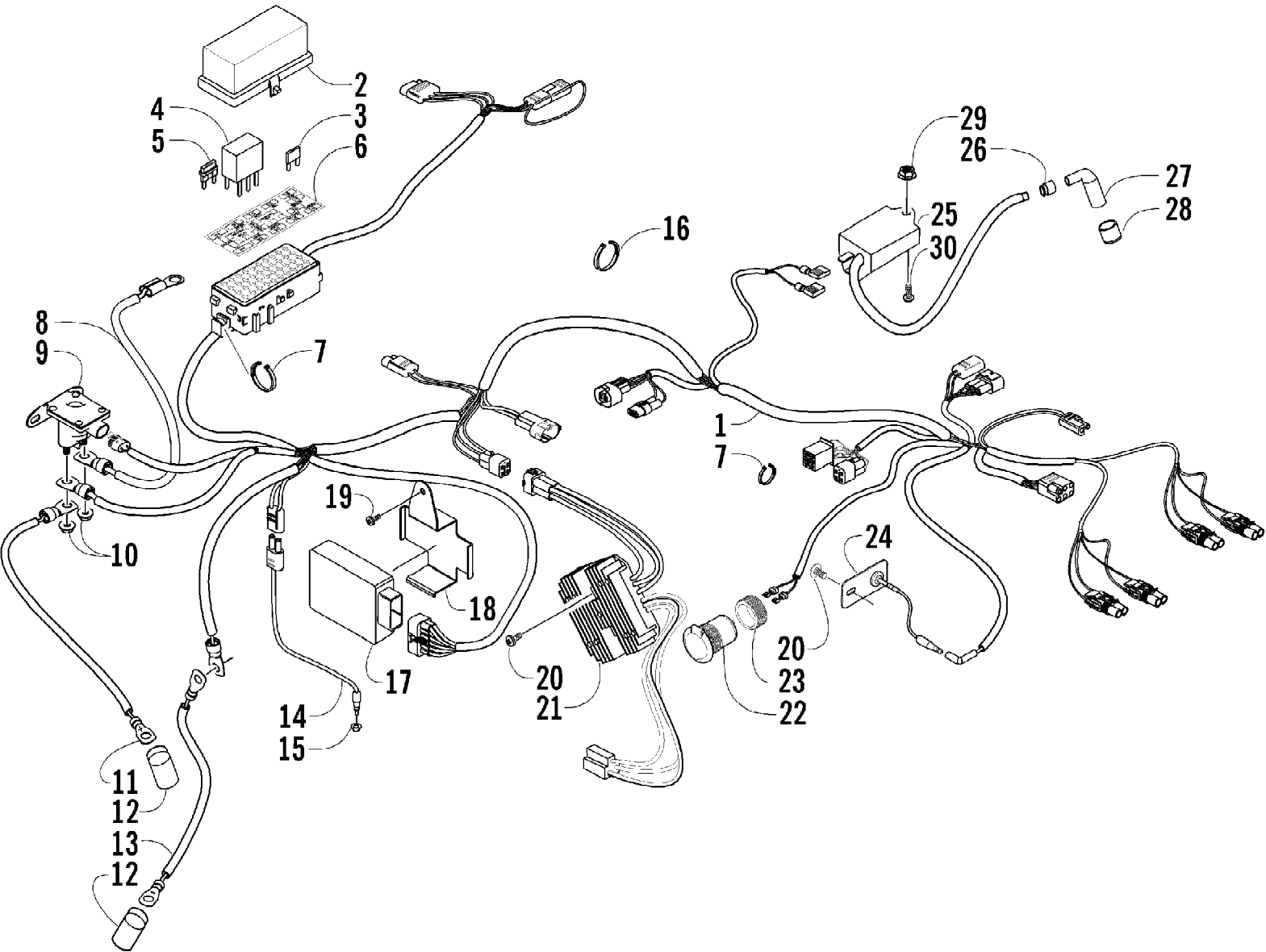
2004 ATV 400 AUTOMATIC TRANSMISSION 2X4 FIS GREEN (A2004ISH2BU86) Page 86 of 89
WHEEL AND TIRE ASSEMBLY



2004 ATV 400 AUTOMATIC TRANSMISSION 2X4 FIS GREEN (A2004ISH2BUS) Page 87 of 89
WHEEL AND TIRE ASSEMBLY

Ref #	Part Number	Qty	S/P/F	Description
1	0423-029	12		Screw, Machine
2	0402-874	3	S	Disc, Brake
3	0502-421	2	/P	Hub, Wheel - Front (inc. 4)
4	0402-974	16	/P	Stud, Wheel Hub
5	0402-181	4		Seal, Hub
6	0423-394	4		Nut, Castle
7	0423-407	4		Pin, Cotter
8	0402-856	2		Wheel - Front
9	1402-100	2		Tire - Front
10	0423-408	16	/P	Nut, Lug
11	0402-064	4		Stem, Valve (inc. 12)
12	0402-140	4		Cap, Valve Stem
13	0502-423	1	/P	Hub, Wheel - Rear - Left (inc. 4)
13	0502-421	1	/P	Hub, Wheel - Rear - Right (inc. 4)
14	0402-858	2		Wheel - Rear
15	1402-101	2		Tire - Rear

2004 ATV 400 AUTOMATIC TRANSMISSION 2X4 FIS GREEN (A2004ISH2BUS) Page 88 of 89
WIRING HARNESS ASSEMBLY



2004 ATV 400 AUTOMATIC TRANSMISSION 2X4 FIS GREEN (A2004ISH2BUS) Page 89 of 89
WIRING HARNESS ASSEMBLY

Ref #	Part Number	Qty	S/P/F	Description
1	0486-120	1		Harness, Main (inc. 2-6 and two No. 7)
2	0530-008	1		Cover, Fuse Block
3	0430-034	2		Diode
4	0430-033	2	F	Relay
5	0430-032	5		Fuse - 10 Amp
5	0430-031	3		Fuse - 15 Amp
5	0430-030	2		Fuse - 30 Amp
6	0411-585	1		Decal, Fuse Block
7	0123-788	AR	/P	Cable Tie - 7.5 in.
8	0445-032	1		Cable, Solenoid/Starter
9	0645-414	1		Solenoid
10	0623-038	2		Nut w/Washer
11	0445-038	1	S	Cable, Battery/Solenoid
12	0645-019	2		Boot, Terminal
13	0445-037	1		Cable, Battery/Ground
14	0409-009	1		Switch, Brake - Assembly
15	0402-991	1		Retainer, Switch
16	0123-903	AR		Cable Tie - 11.5 in.
17	3402-683	1		CDI Unit
18	0506-985	1	/P	Bracket, CDI
19	8476-616	1		Screw, Machine
20	8476-625	5		Screw, Machine
21	3402-682	1		Regulator, Voltage
22	0	1	F	N/A
23	0	1	F	N/A
24	0509-011	1	S	Diode Assembly
25	3430-055	1		Coil, Ignition - Assembly
26	3430-009	1	/P	Seal, High Tension Wire
27	3430-007	1	/P	Cap, Spark Plug
28	3430-008	1	/P	Seal, Spark Plug
29	8424-602	1	/P	Nut
30	8476-620	1		Screw, Machine