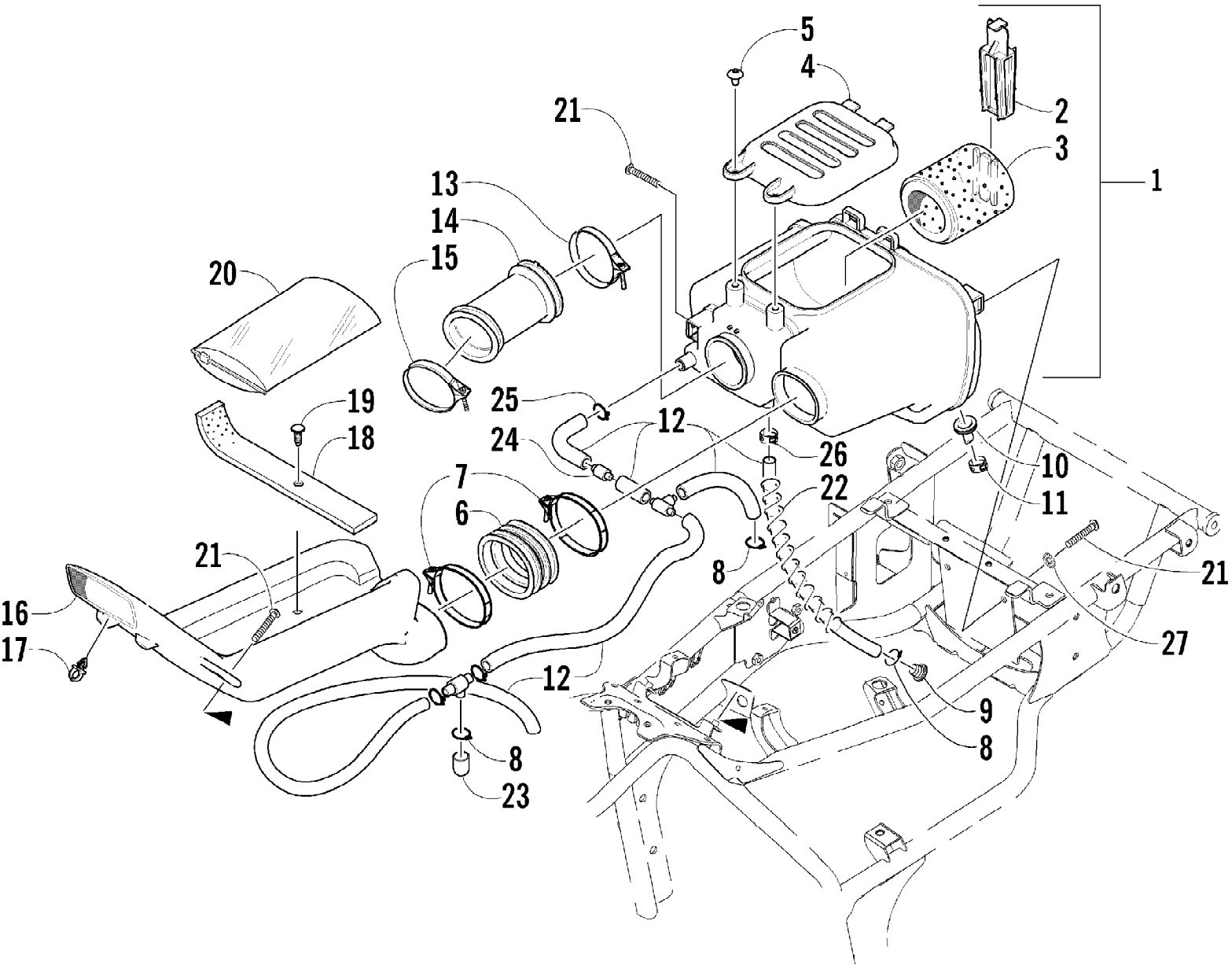


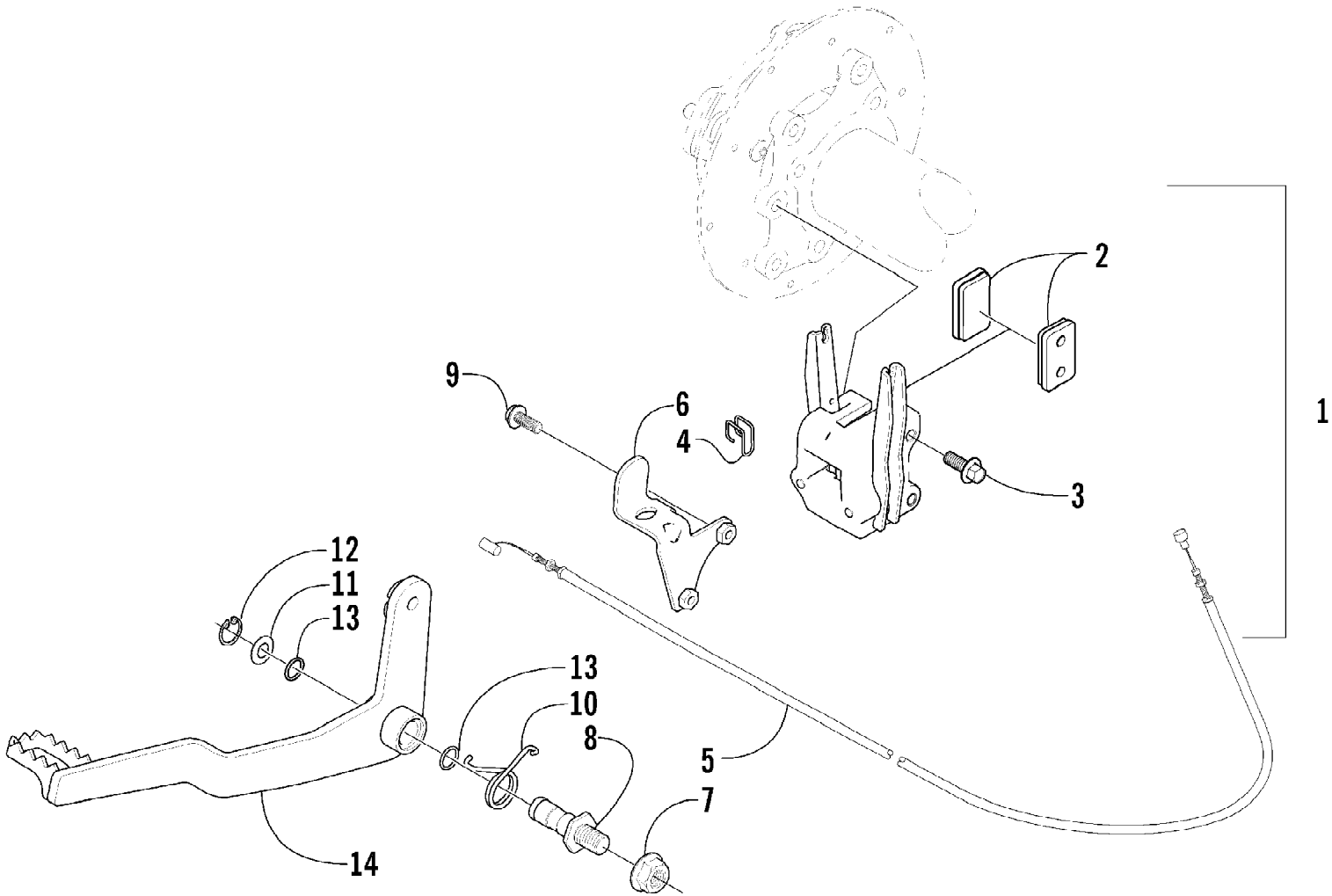
2004 ATV 300 4X4 GREEN MRP (A2004ATF4AUSS)
AIR INTAKE ASSEMBLY



2004 ATV 300 4X4 GREEN MRP (A2004ATF4AUSS)
AIR INTAKE ASSEMBLY

Page 2 of 88

Ref #	Part Number	Qty	S/P/F	Description
1	3570-001	1	/P	Intake, Air - Assembly (inc. 2-7)
2	3402-330	1		Slider, Retainer - Filter
3	0470-421	1		Filter, Air Cleaner
4	3402-331	1		Cap
5	8477-610	2		Screw, Cap
6	3423-329	1		Joint
7	3423-311	2		Clamp
8	3423-313	5		Clip
9	0423-127	1		Plug, Drain
10	0470-442	1	/P	Valve, Air Cleaner
11	0423-071	1		Clamp
12	3470-004	1		Tube, Crankcase Breather
13	3402-236	1	/P	Clamp
14	0470-347	1		Boot, Air Cleaner
15	3402-235	1		Clamp
16	0570-062	1		Snorkel, Air Intake - Assembly (inc. 17-19)
17	0623-101	1		Clip, Routing
18	0406-379	1	/P	Strap, Tool Kit
19	0606-586	1		Plug, Hole - Retaining Clip
20	0444-122	1	S/P	Kit, Tool
21	8476-616	5		Screw, Cap
22	0423-128	1		Spring, Vent Tube
23	3402-334	1		Plug, Breather
24	3470-002	1		Valve, Check
25	3423-424	1		Clip, Air Cleaner
26	0423-047	1		Clamp
27	8053-212	1	/P	Washer, Lock - External Tooth

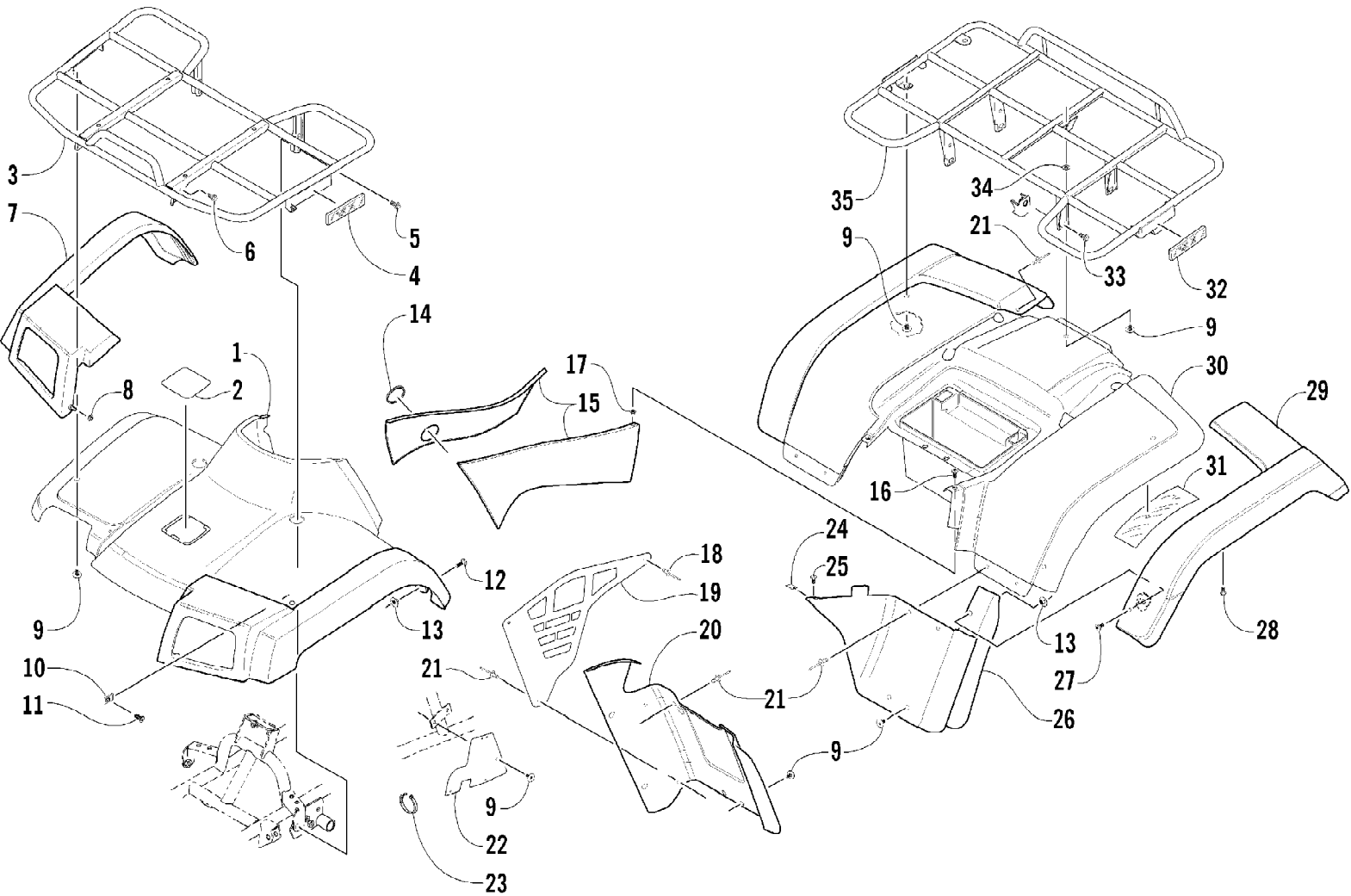


2004 ATV 300 4X4 GREEN MRP (A2004ATF4AUSS)
AUXILIARY BRAKE ASSEMBLY

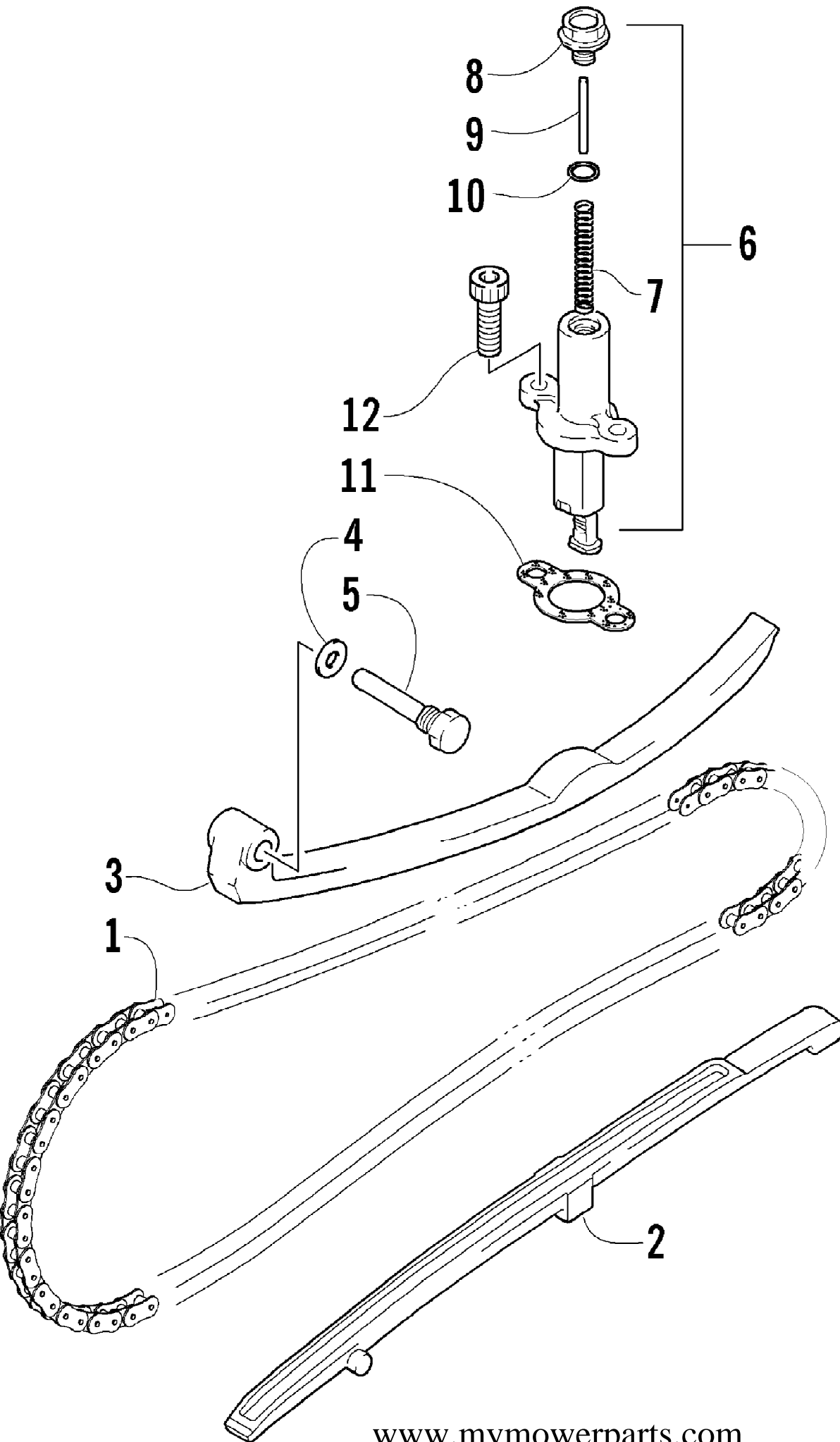
Page 4 of 88

Ref #	Part Number	Qty	S/P/F	Description
1	0502-372	1	/P	Auxiliary Brake Assembly (inc. 2)
2	0402-958	2	/P	Pad, Brake
3	8408-825	2		Screw, Cap
4	0402-379	1		Wire Form, Cable
5	0487-010	1		Cable, Brake - Rear
6	0502-056	1		Bracket, Brake Switch
7	0423-165	1		Nut
8	0406-562	1		Axle, Brake Lever
9	8476-616	2		Screw, Cap
10	0502-409	1	/P	Spring, Brake Lever
11	0423-027	1		Washer, Brake Lever
12	0623-237	1	/P	Ring, Snap
13	0670-183	2		O-Ring
14	0502-095	1	/P	Lever, Brake

2004 ATV 300 4X4 GREEN MRP (A2004ATF4AUSS)
BODY PANEL ASSEMBLY



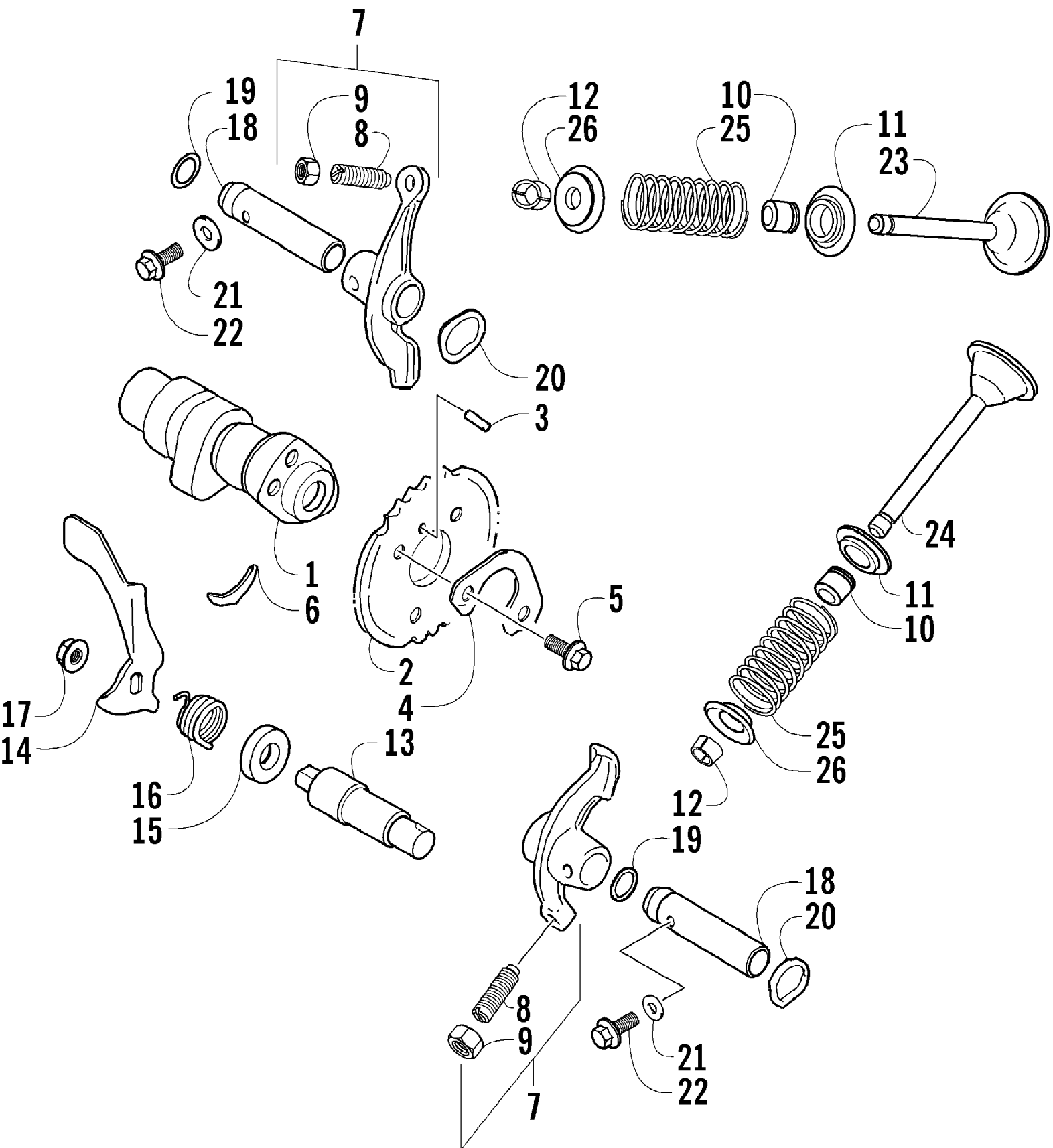
Ref #	Part Number	Qty	S/P/F	Description
1	0506-633	1		Panel, Fender - Front (inc. 2)
2	1406-141	1	/P	Cover, Access
3	0	1	F	N/A
4	0411-646	2		Decal, Reflector - Amber
5	0423-360	2		Screw, Cap
6	8408-816	2		Screw, Cap
7	0506-550	1		Flare - Front - Right
7	0506-551	1		Flare - Front - Left
8	0423-357	2		Nut, Stamped
9	0423-101	AR		Screw, Machine
10	0423-031	2		Nut, Speed
11	8477-616	2		Screw, Machine
12	0423-356	2		Screw, Shoulder
13	0423-438	4		T-Nut
14	0470-404	1		Grommet, Fuel Shut-Off Valve
15	0506-549	1		Panel, Side - Right
15	0506-673	1		Panel, Side - Left
16	0423-068	2		Screw, Machine
17	0123-010	2	/P	Nut, Expansion
18	0623-362	2		Rivet, Plastic
19	0406-374	2		Panel, Deflector
20	0506-625	1		Panel, Kick - Right
20	0506-627	1		Panel, Kick - Left
21	0423-046	AR		Rivet, Plastic
22	1406-045	2		Fender, Panel - Inner
23	0123-788	AR	/P	Cable Tie - 7.5 in.
24	0423-060	2		Clip, Tinerman
25	0623-309	2		Screw, Self-Tapping
26	0406-084	1		Fender Extension - Rear - Right
26	0406-085	1		Fender Extension - Rear - Left
27	0423-355	2		Screw, Shoulder
28	0423-342	AR	/P	Screw, Self-Tapping
29	0506-552	1		Flare - Rear Right
29	0506-553	1		Flare - Rear Left
30	0506-588	1		Panel, Fender - Rear
31	0619-230	AR	/P	Tape, Foil
32	0411-647	2		Decal, Reflector - Red
33	8409-020	4	/P	Screw, Cap
34	0423-332	1		Washer, Rubber
35	0	1	F	N/A



2004 ATV 300 4X4 GREEN MRP (A2004ATF4AUSS)
CAM CHAIN ASSEMBLY

Page 8 of 88

Ref #	Part Number	Qty	S/P/F	Description
1	3402-281	1		Chain, Camshaft
2	3402-277	1		Guide, Camshaft Chain
3	3402-282	1		Tensioner, Camshaft Chain
4	3003-188	1	S/P	Washer
5	3423-074	1		Screw, Cap
6	3402-283	1		Adjuster, Tensioner - Assembly (inc. 7-10)
7	3402-284	1		Spring
8	3402-285	1		Plug
9	3402-286	1		Bar
10	3423-286	1		O-Ring
11	3402-287	1		Gasket, Adjuster
12	3004-576	2	S	Screw, Cap

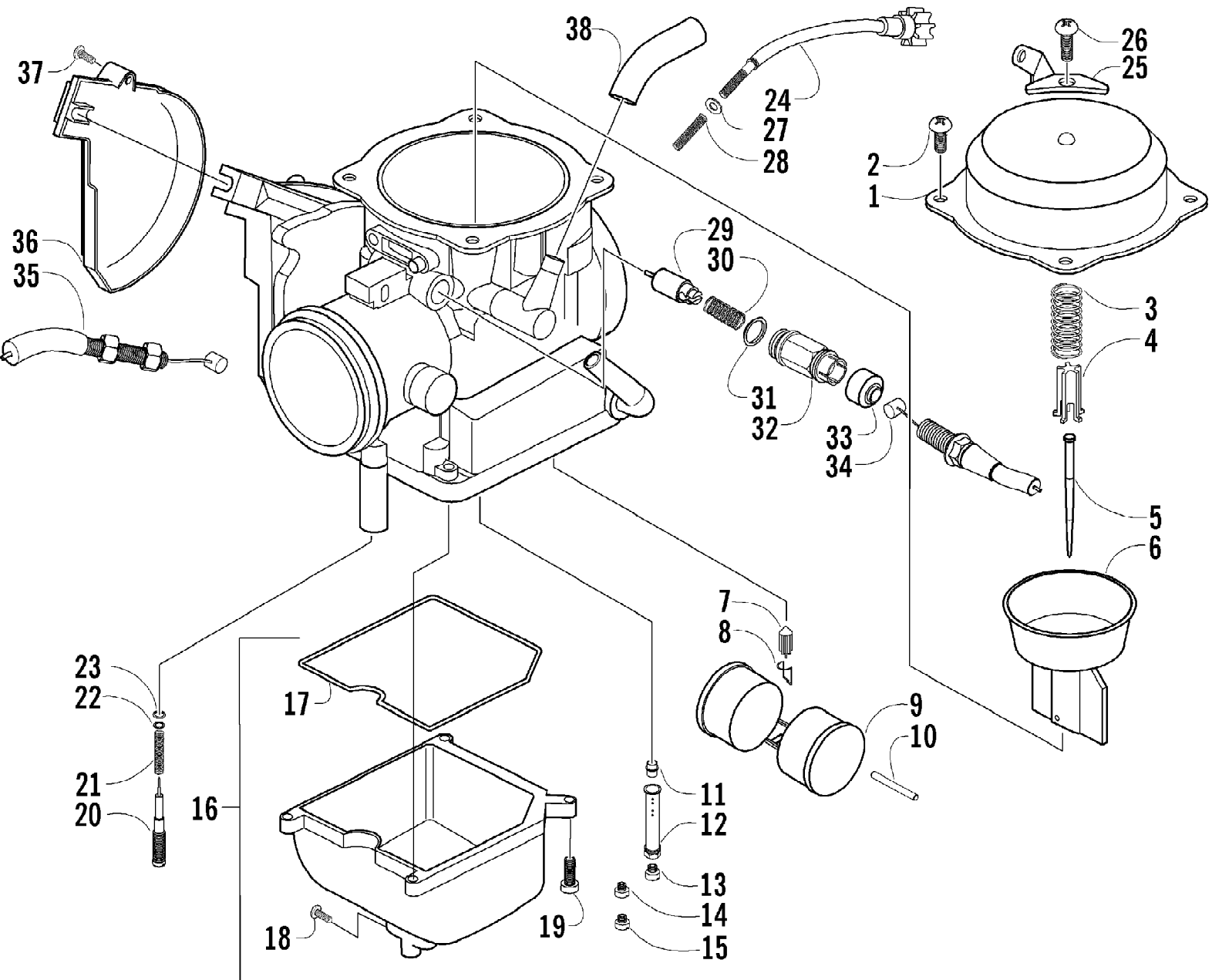


2004 ATV 300 4X4 GREEN MRP (A2004ATF4AUSS)
CAMSHAFT/VALVE ASSEMBLY

Page 10 of 88

Ref #	Part Number	Qty	S/P/F	Description
1	3402-275	1		Camshaft
2	3402-545	1	/P	Sprocket
3	3423-047	1		Pin
4	3423-284	1	S	Washer
5	3423-013	2	S	Screw
6	3423-071	1	/P	C-Ring
7	3402-288	2		Arm, Valve Rocker (inc. 8-9)
8	3423-287	2		Screw, Cap
9	3423-288	2		Nut
10	3402-226	2		Seal, Oil
11	3402-294	2		Seat, Valve Spring
12	0693-281	4	/P	Cotter, Valve
13	3402-295	1		Shaft, Decompression Lever
14	3402-296	1		Lever, Decompression
15	3402-225	1		Seal, Oil
16	3402-242	1		Spring
17	3004-326	1	S/P	Nut
18	3402-289	2		Shaft, Rocker Arm
19	3423-052	2		O-Ring
20	3423-259	2		Washer
21	3003-290	2	/P	Gasket
22	0693-416	2		Screw, Cap
23	3402-290	1		Valve, Intake
24	3402-291	1		Valve, Exhaust
25	3402-292	2		Spring, Valve - Set
26	3402-293	2	S	Retainer, Spring

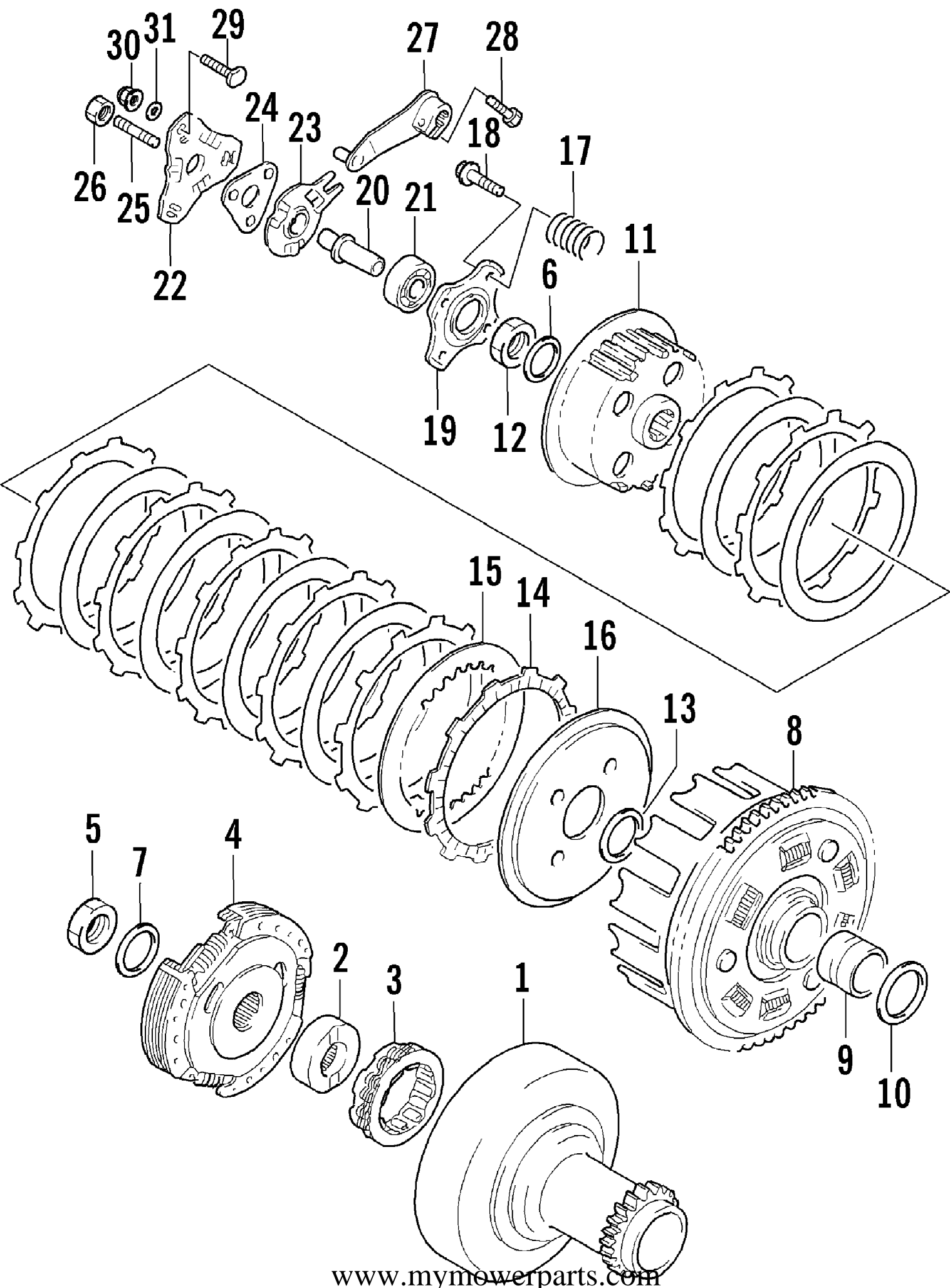
2004 ATV 300 4X4 GREEN MRP (A2004ATF4AUSS)
CARBURETOR



2004 ATV 300 4X4 GREEN MRP (A2004ATF4AUSS)
CARBURETOR

Page 12 of 88

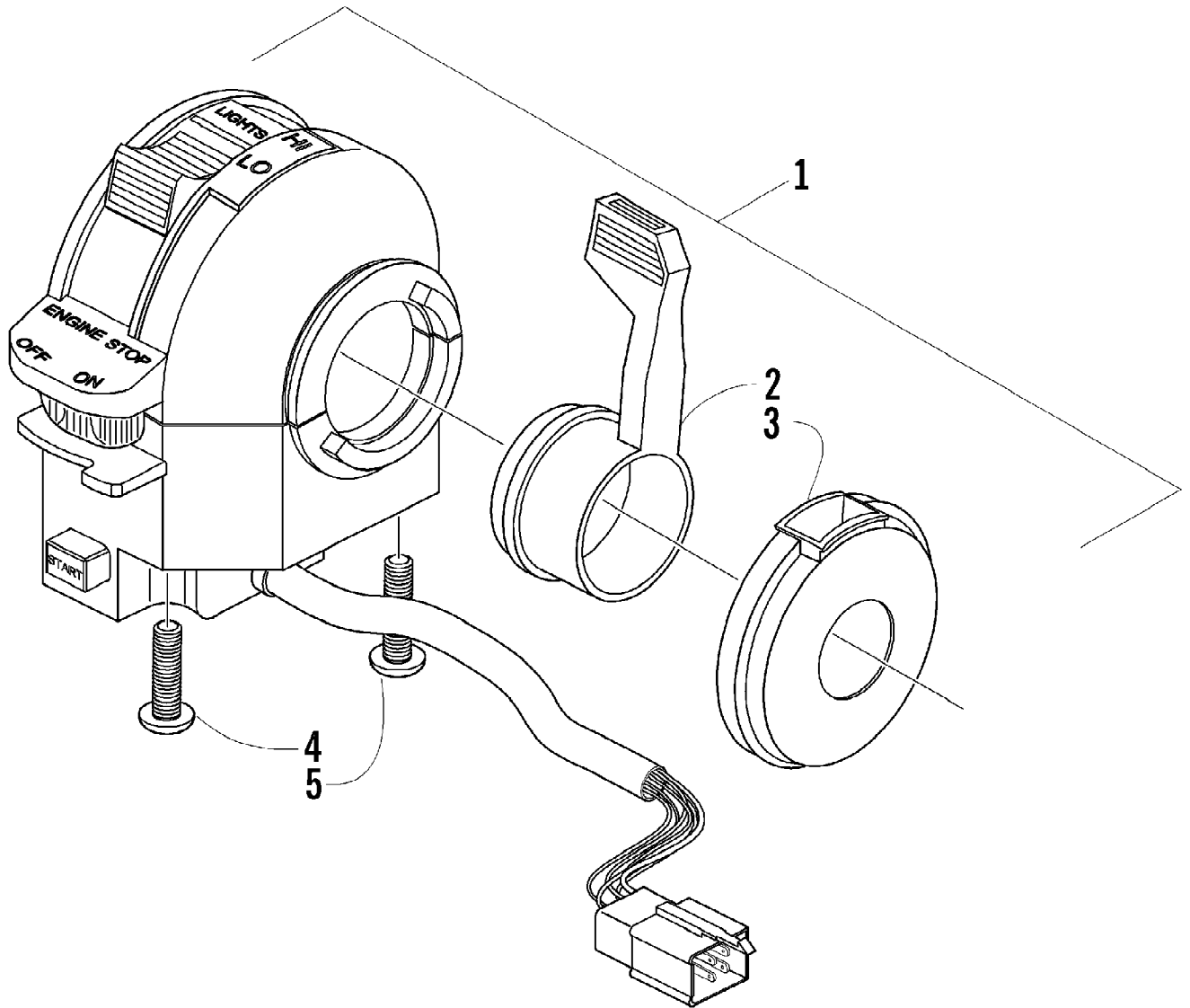
Ref #	Part Number	Qty	S/P/F	Description
	0470-448	1	/P	Complete Carburetor Assembly
1	5507-001	1		Cover, Top
2	5507-002	3	/P	Screw, Top Cover
3	5507-052	1		Spring
4	5507-054	1		Seat, Spring
5	5507-055	1		Jet Needle
6	5507-053	1		Piston, Vacuum
7	5507-038	1		Valve, Float - Set (inc. 8)
8	0	1	F	Clip
9	5507-039	1		Float Set (inc. 10)
10	0	1	F	Pin, Float
11	5507-056	1		Needle Jet
12	5507-047	1	/P	Holder, Needle Jet
13	5507-057	1	/P	Main Jet - 135
13	5507-088	1	S	Main Jet - 138**
13	5507-041	1		Main Jet - 147**
13	5507-042	1	/P	Main Jet - 145**
13	5507-043	1		Main Jet - 142**
13	5507-044	1		Main Jet - 140**
13	5507-009	1	/P	Main Jet - 150**
14	5507-010	1	S	Slow Jet
15	5507-058	1		Starter Jet - 65
16	5507-064	1		Chamber, Float - Assembly (inc. 17-18)
17	5507-068	1		O-Ring, Float Chamber
18	5507-050	1	/P	Plug, Drain
19	5507-017	4	/P	Screw
20	5507-040	1		Screw, Pilot Air - Set (inc. 21-23)
21	0	1	F	Spring
22	0	1	F	Washer
23	0	1	F	O-Ring
24	5507-059	1		Screw, Idle Adjust (inc. 25)
25	0	1	F	Bracket, Idle Adjust Screw
26	5507-035	1		Screw
27	5507-028	1		Washer
28	5507-029	1		Spring
29	5507-022	1		Valve, Starter
30	5507-023	1		Spring
31	5507-024	1		O-Ring
32	5507-025	1		Cap
33	5507-026	1		Cap, Rubber
34	0487-017	1		Cable, Choke
35	0487-019	1		Cable, Throttle
36	5507-036	1		Cover
37	5507-037	1	/P	Screw
38	5507-083	1	/P	Tube, Vinyl



2004 ATV 300 4X4 GREEN MRP (A2004ATF4AUSS)
CLUTCH ASSEMBLY

Page 14 of 88

Ref #	Part Number	Qty	S/P/F	Description
1	3446-253	1	/P	Gear, Primary Drive
2	3446-129	1		Race, Inner
3	3446-122	1		Clutch, One Way
4	3446-128	1		Clutch Assembly
5	3423-253	1		Nut
6	3423-032	1		Washer, Lock
7	3423-260	1	S	Washer, Lock
8	3446-121	1		Gear, Primary - Assembly
9	3402-206	1		Spacer
10	3402-211	1		Washer
11	3446-123	1		Hub, Clutch
12	3423-254	1		Nut
13	3423-316	1		Washer
14	3446-124	8		Plate, Drive
15	3446-125	7		Plate, Driven
16	3446-126	1		Plate, Clutch Pressure
17	3402-239	4		Spring
18	3004-341	4	S/P	Screw, Cap
19	3446-127	1		Plate, Release
20	3446-130	1		Rod, Push
21	3402-043	1	/P	Bearing
22	3446-133	1		Guide, Ball - Outer
23	3446-131	1		Guide, Ball - Inner
24	3446-134	1		Ball, Release
25	3423-248	1		Screw, Adjuster
26	3423-022	1		Nut, Adjuster
27	3446-132	1		Arm, Release
28	3423-125	1	S	Screw, Cap
29	3423-245	3		Screw, Cap
30	0693-316	3	S	Nut
31	3003-290	3	/P	Seal, Cap Screw

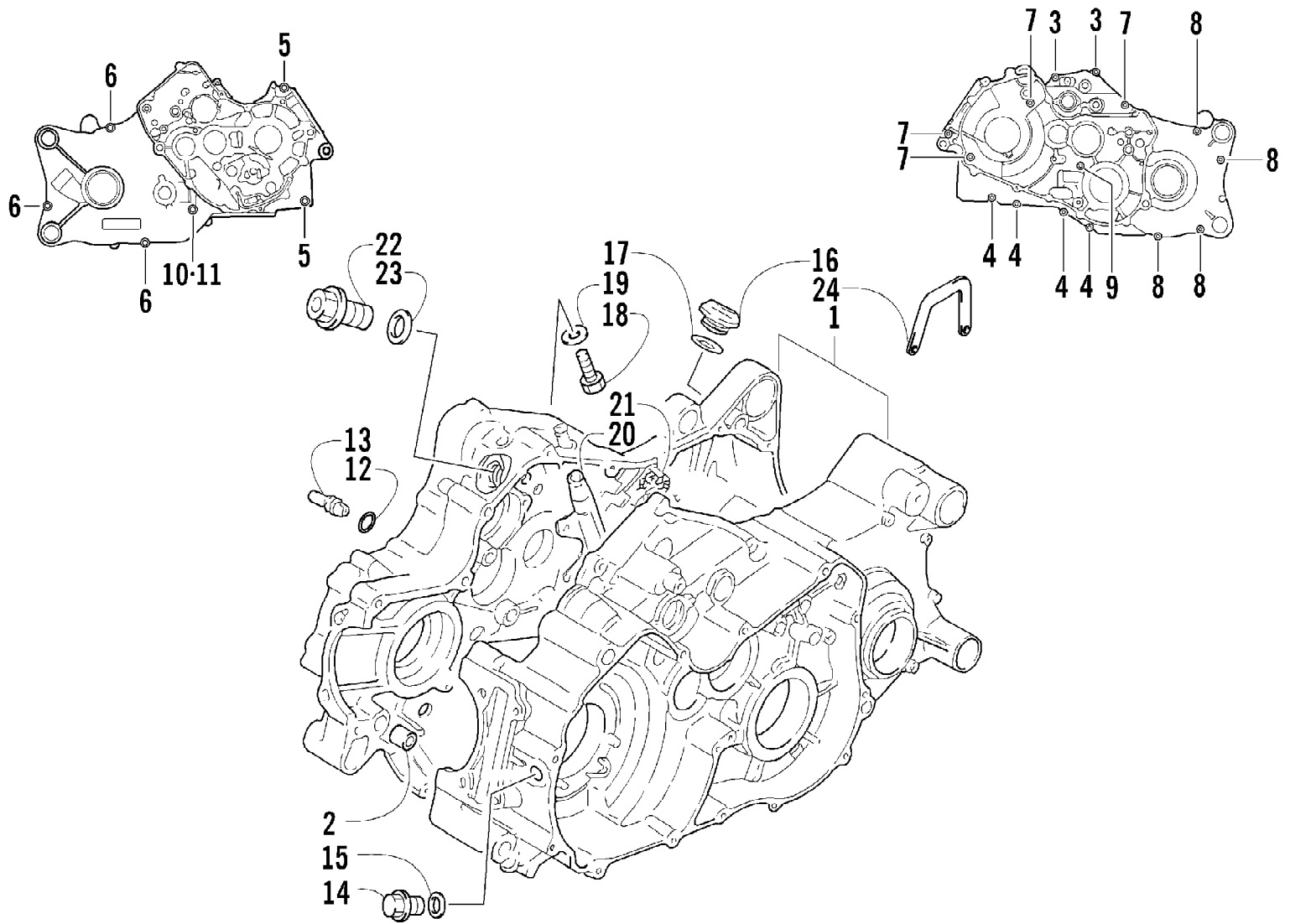


2004 ATV 300 4X4 GREEN MRP (A2004ATF4AUSS)
CONTROL SWITCH HOUSING ASSEMBLY

Page 16 of 88

Ref #	Part Number	Qty	S/P/F	Description
1	3509-001	1	S	Switch, Control - Assembly (inc. 2-5)
2	3409-009	1		Lever, Choke
3	3409-010	1		Cover, Choke Lever
4	3423-196	1		Screw, Cap
5	3423-197	1		Screw, Cap

2004 ATV 300 4X4 GREEN MRP (A2004ATF4AUSS)
CRANKCASE ASSEMBLY

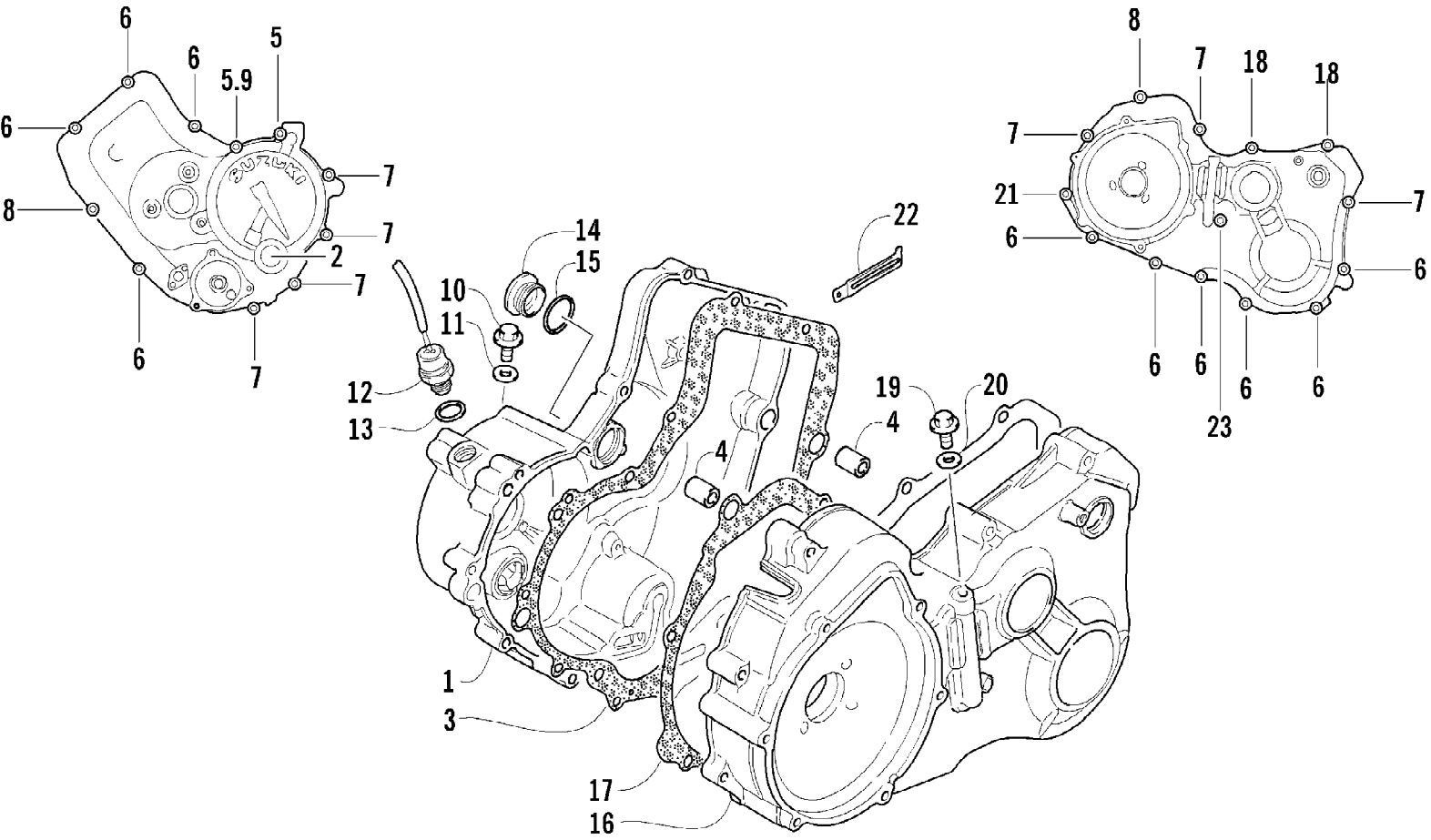


2004 ATV 300 4X4 GREEN MRP (A2004ATF4AUSS)
CRANKCASE ASSEMBLY

Page 18 of 88

Ref #	Part Number	Qty	S/P/F	Description
1	3402-697	1	/P	Crankcase Set (inc. 2-13)
2	3423-088	2		Pin, Dowel
3	3423-162	2	S	Screw, Cap
4	3423-098	4	S	Screw, Cap
5	3423-091	2	S	Screw, Cap
6	3423-307	3	S	Screw, Cap
7	3423-308	4	S	Screw, Cap
8	3423-094	4		Screw, Cap
9	3423-232	1		Screw, Cap
10	3423-234	1		Screw, Cap
11	3005-243	1		Gasket
12	3423-051	1		O-Ring, Oil Gallery Jet
13	3402-245	1		Jet, Oil Gallery
14	3402-214	1		Plug
15	3402-012	1		Gasket
16	3402-212	1		Cap, Oil Filler
17	3423-274	1	/P	O-Ring
18	3402-404	1		Plug, Oil Drain
19	3402-011	1		Gasket
20	3402-530	1		Pipe, Breather
21	3402-250	1		Separator, Oil Breather
22	3402-258	1		Plug, Reverse Switch Hole
23	3423-271	1		O-Ring
24	3402-796	1		Bracket, Engine Hanger

2004 ATV 300 4X4 GREEN MRP (A2004ATF4AUSS)
CRANKCASE COVER ASSEMBLY

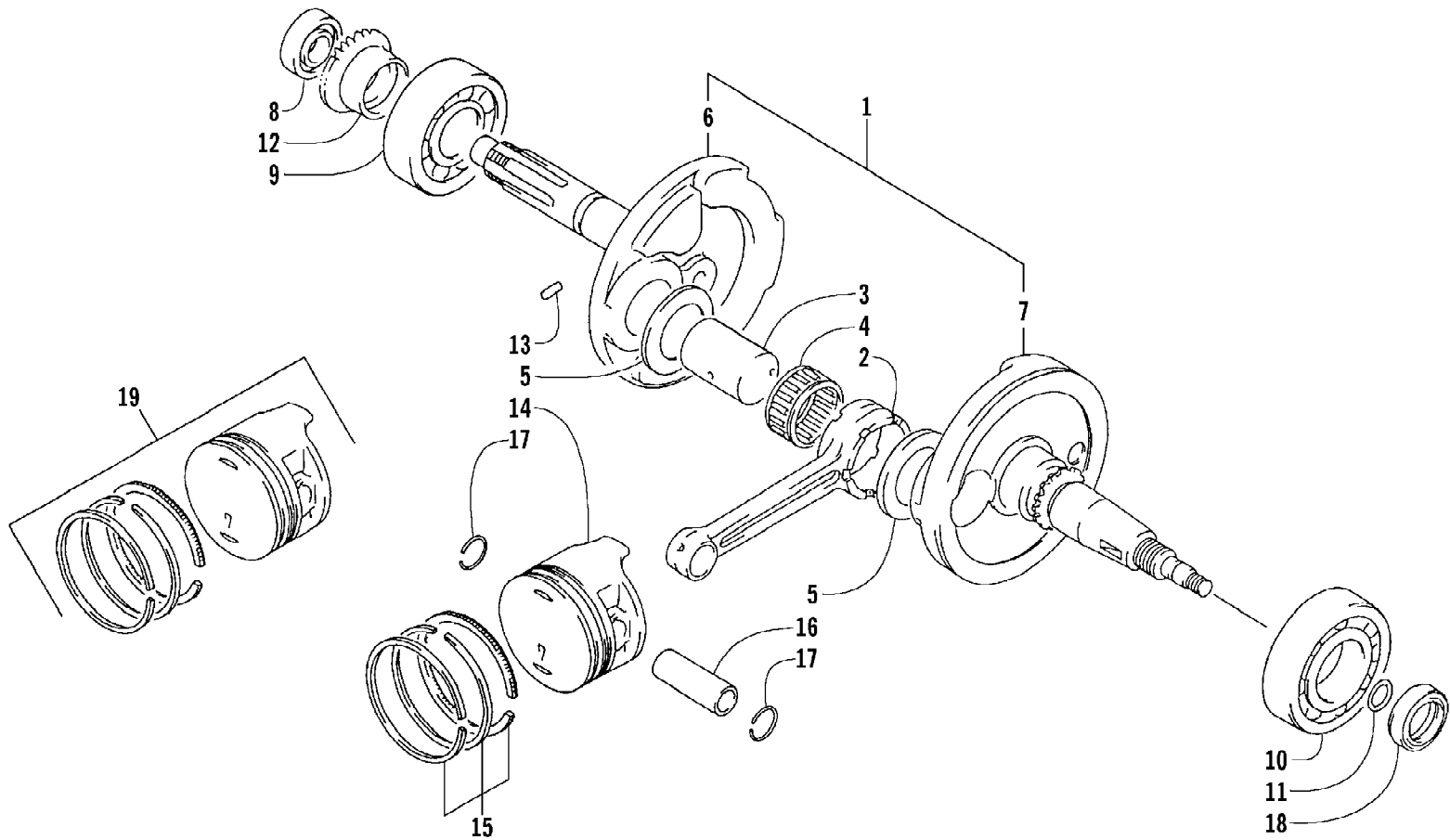


2004 ATV 300 4X4 GREEN MRP (A2004ATF4AUSS)
CRANKCASE COVER ASSEMBLY

Page 20 of 88

Ref #	Part Number	Qty	S/P/F	Description
1	3402-254	1	/P	Cover, Clutch (inc. 2)
2	3402-112	1	/P	Lens, Oil Inspection
3	3402-280	1	S	Gasket
4	3423-088	4		Pin, Dowel
5	3423-231	2		Bolt
6	0693-327	10	S	Bolt
7	3423-098	7	S	Bolt
8	3423-307	2	S	Bolt
9	3402-444	1		Gasket
10	3004-705	2	S	Plug, Oil Gallery
11	3005-242	2		Gasket
12	3430-019	1		Switch, Oil Sensor
13	3402-013	1	/P	Gasket
14	3402-215	1		Cap, Clutch Adjust
15	3423-274	1	/P	O-Ring
16	3402-256	1		Cover, Transfer
17	3402-262	1		Gasket, Transfer Cover
18	3423-091	2	S	Screw, Cap
19	3004-339	1	S/P	Plug, Oil Gallery
20	3003-290	1	/P	Gasket
21	3004-756	1	S	Screw, Cap
22	3402-237	2		Clamp, Breather Hose
23	3423-308	1	S	Screw, Cap

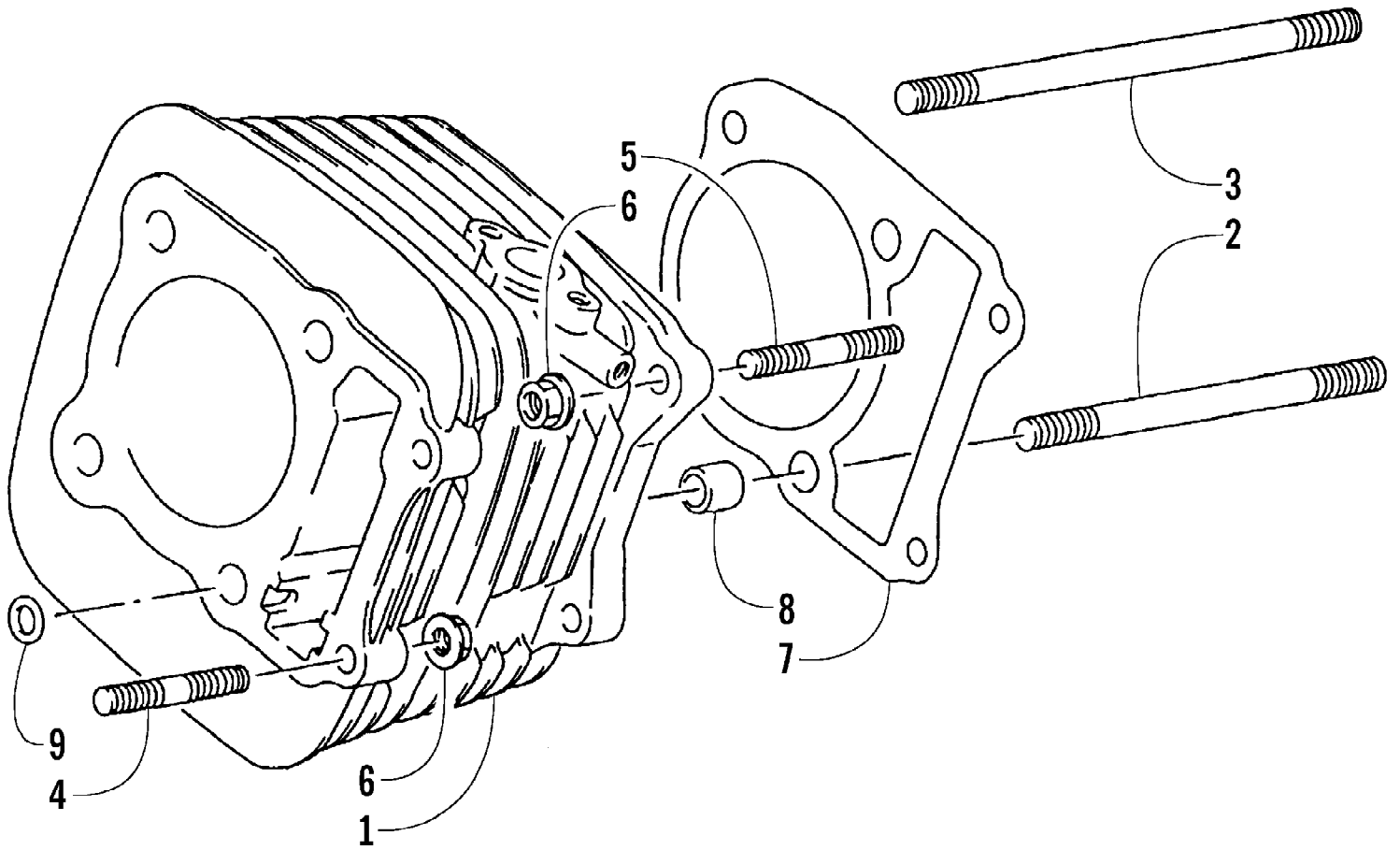
2004 ATV 300 4X4 GREEN MRP (A2004ATF4AUSS)
CRANKSHAFT ASSEMBLY



2004 ATV 300 4X4 GREEN MRP (A2004ATF4AUSS)
CRANKSHAFT ASSEMBLY

Page 22 of 88

Ref #	Part Number	Qty	S/P/F	Description
1	3402-269	1		Crankshaft Assembly (inc. 2-7)
2	3402-268	1		Rod, Connecting
3	3402-270	1	S	Pin, Crank
4	3402-223	1		Bearing
5	3005-241	2		Washer
6	3402-792	1	/P	Crankshaft - Right
7	3402-703	1	/P	Crankshaft - Left
8	3402-216	1		Bearing - Right
9	3402-221	1		Bearing - Middle
10	3402-180	1	S	Bearing - Left
11	3423-053	1	/P	O-Ring
12	3402-301	1		Gear, Oil Pump Drive
13	3423-114	1	/P	Pin
14	3402-265	1		Piston
15	3402-266	1		Ring, Piston - Set
15	3436-011	1		Ring, Piston - Set (Oversized 0.50 mm)
15	3436-012	1		Ring, Piston - Set (Oversized 1.00 mm)
16	3402-267	1		Pin, Piston
17	3423-280	2		Circlip
18	3402-227	1		Seal, Oil
19	3402-306	1		Piston Set (Oversized 0.50 mm)
19	3402-307	1		Piston Set (Oversized 1.00 mm)

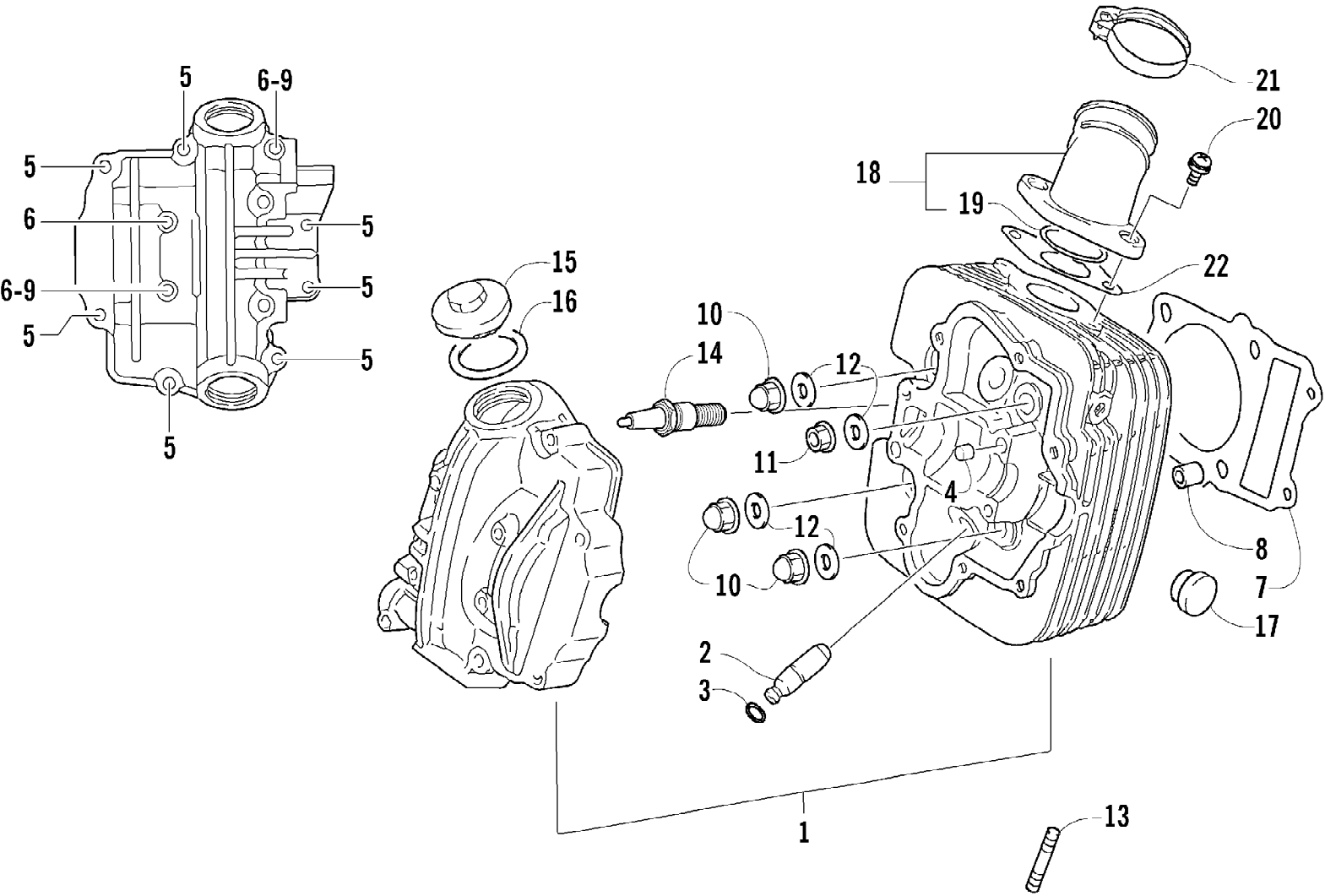


2004 ATV 300 4X4 GREEN MRP (A2004ATF4AUSS)
CYLINDER ASSEMBLY

Page 24 of 88

Ref #	Part Number	Qty	S/P/F	Description
1	3402-251	1		Cylinder
2	3423-238	2		Bolt, Stud
3	3423-239	2		Bolt, Stud
4	3423-089	2	S	Bolt, Stud
5	3423-237	2		Bolt, Stud
6	3004-488	4	S/P	Nut
7	3402-252	1		Gasket, Cylinder
8	3423-306	2		Pin, Dowel
9	3005-226	1	/P	O-Ring

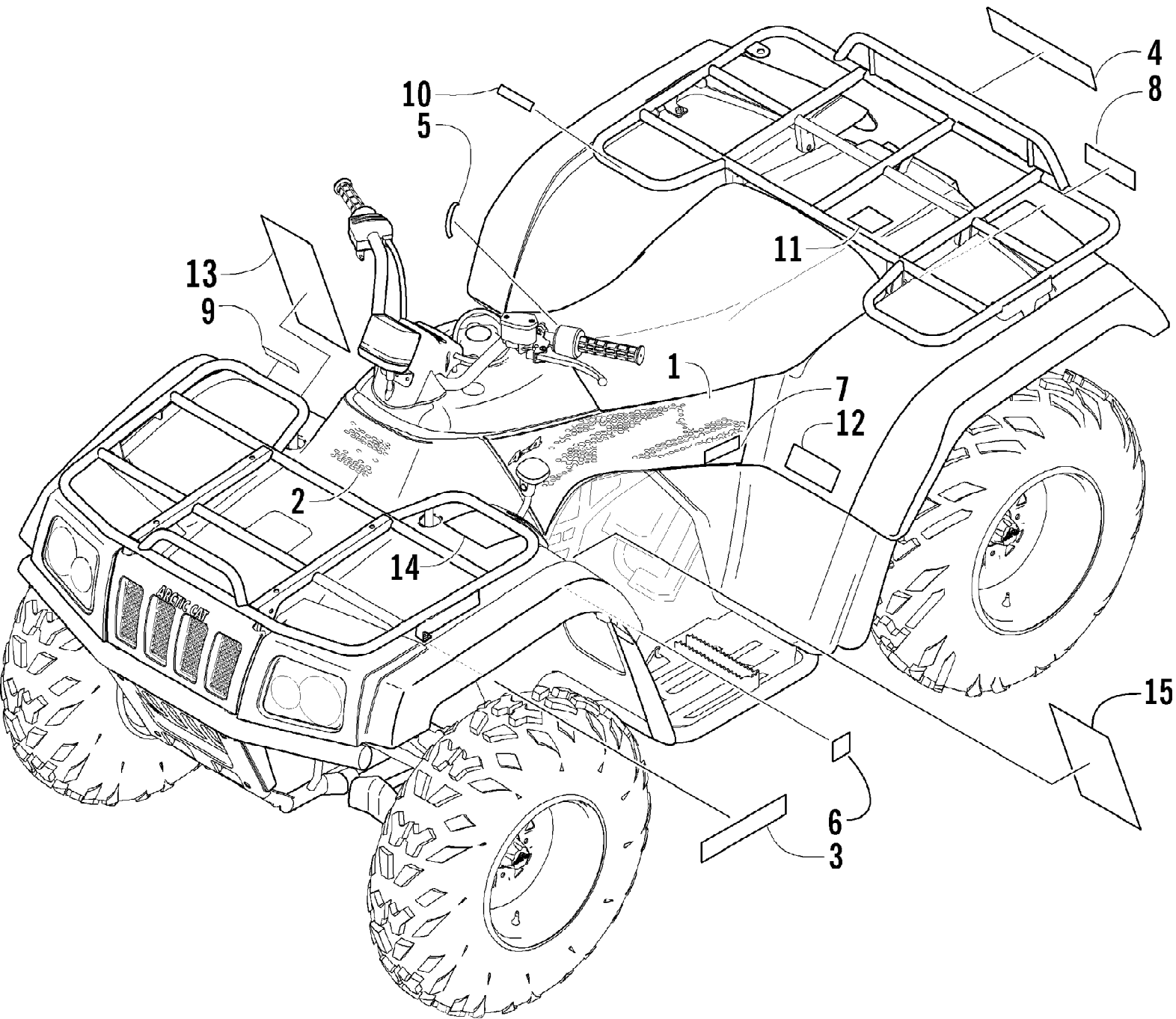
2004 ATV 300 4X4 GREEN MRP (A2004ATF4AUSS)
CYLINDER HEAD ASSEMBLY



2004 ATV 300 4X4 GREEN MRP (A2004ATF4AUSS)
CYLINDER HEAD ASSEMBLY

Page 26 of 88

Ref #	Part Number	Qty	S/P/F	Description
	3402-260	1	S	Gasket Set
1	3402-246	1		Head, Cylinder - Assembly (inc. 2-6)
2	3402-247	2		Guide, Valve
3	3423-068	2		Ring, Valve Guide
4	3423-043	2	/P	Pin, Dowel
5	3004-426	7	S	Screw, Cap
6	3423-304	3	S	Screw, Cap
7	3402-248	1		Gasket, Cylinder Head
8	3004-822	2		Pin, Dowel
9	3003-290	2	/P	Gasket
10	3423-257	3		Nut
11	3004-326	1	S/P	Nut
12	3005-243	4		Gasket
13	3004-279	2	S/P	Bolt, Stud
14	0217-713	1		Spark Plug (NGK DR7EA)
15	3402-249	2		Cap, Inspection
16	3423-275	2		O-Ring
17	3402-213	1		Plug, Head
18	3402-533	1	/P	Pipe, Intake (inc. 19)
19	3423-276	1		O-Ring
20	3423-305	2	S	Screw
21	3402-086	1	/P	Clamp
22	3402-298	1		Gasket, Intake Pipe

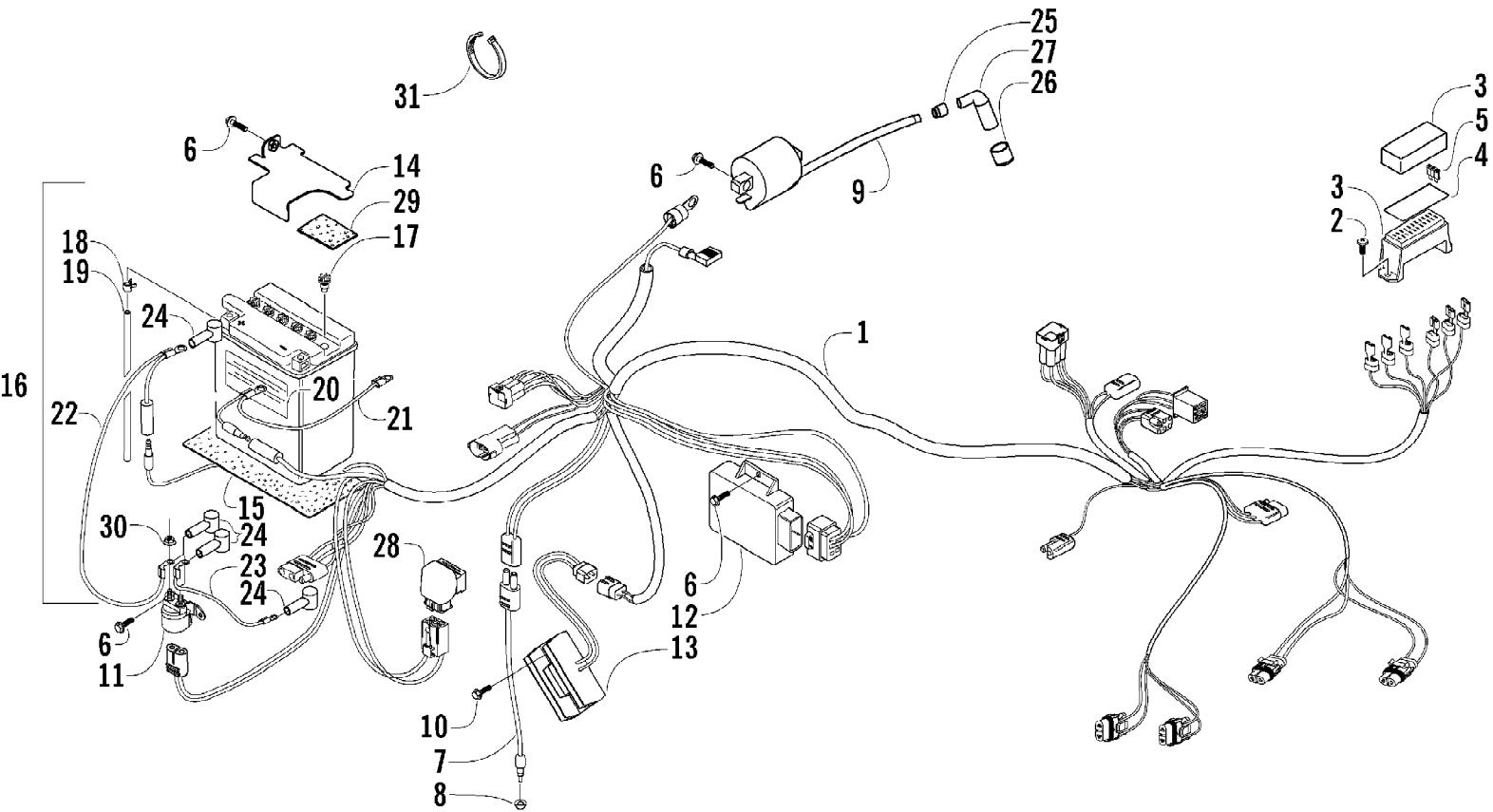


2004 ATV 300 4X4 GREEN MRP (A2004ATF4AUSS)
DECALS

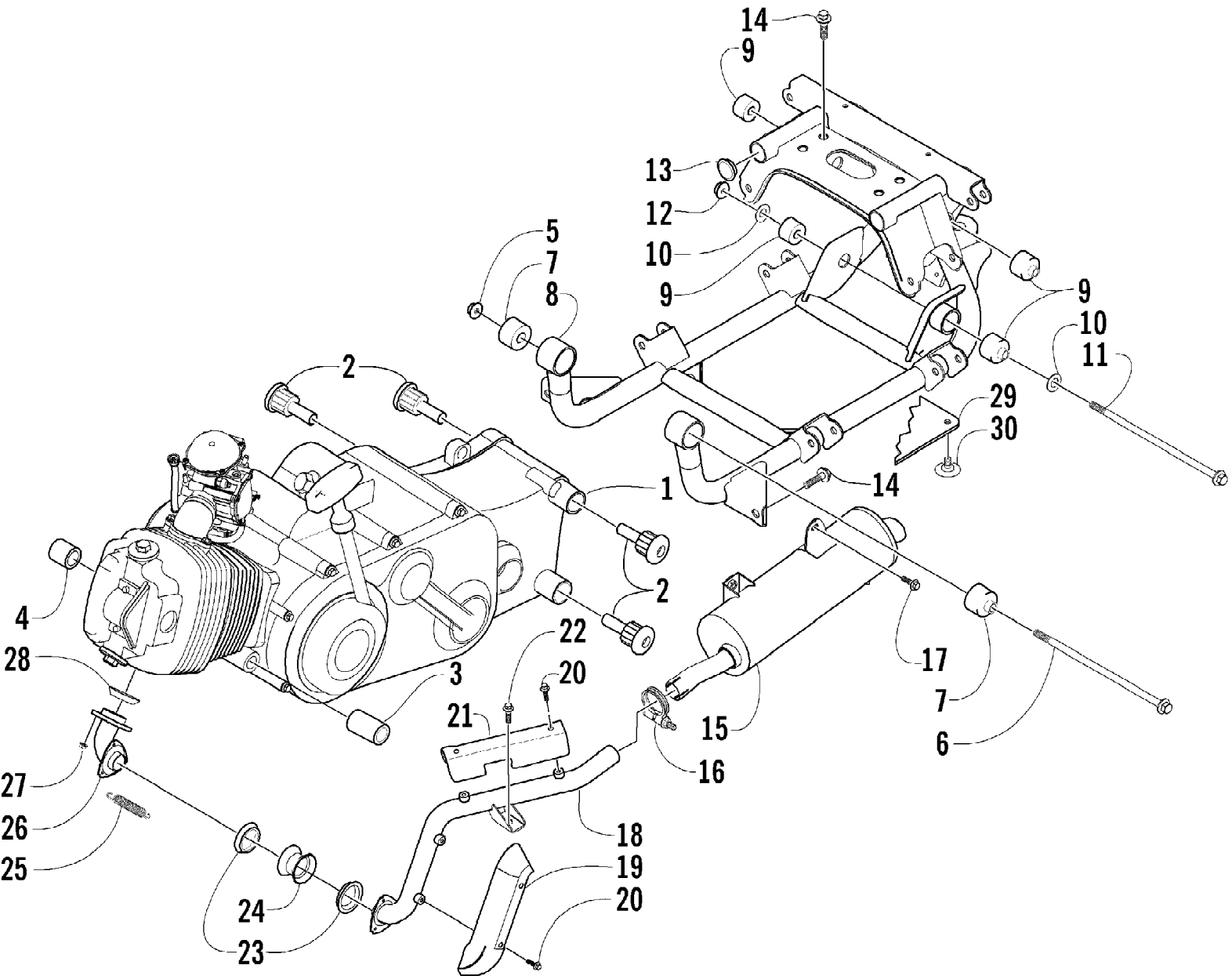
Page 28 of 88

Ref #	Part Number	Qty	S/P/F	Description
1	0411-634	1		Decal, Side - Right
1	0411-635	1		Decal, Side - Left
2	0411-617	1		Decal, Front
3	0411-641	1		Decal, CA Emissions
4	0411-501	1		Decal, "Arctic Cat"
5	0411-325	1		Decal, Instruction - Choke
6	0411-086	1		Decal, Shift Pattern
7	0411-586	1		Decal, Hi/Low Range
8	0411-269	1		Decal, Warning - Towing
9	0411-576	1		Decal, Warning - Front Rack Load
10	0411-648	1		Decal, Warning - Rear Rack Load
11	0411-435	1		Decal, Passenger
12	0411-430	1		Decal, Warning - Tire Pressure
13	0411-008	1	/P	Decal, Warning - Reverse/Pre-Ride
14	0411-401	1		Decal, Warning - Age
15	0411-218	1		Decal, Warning - General

2004 ATV 300 4X4 GREEN MRP (A2004ATF4AUSS)
ELECTRICAL COMPONENTS

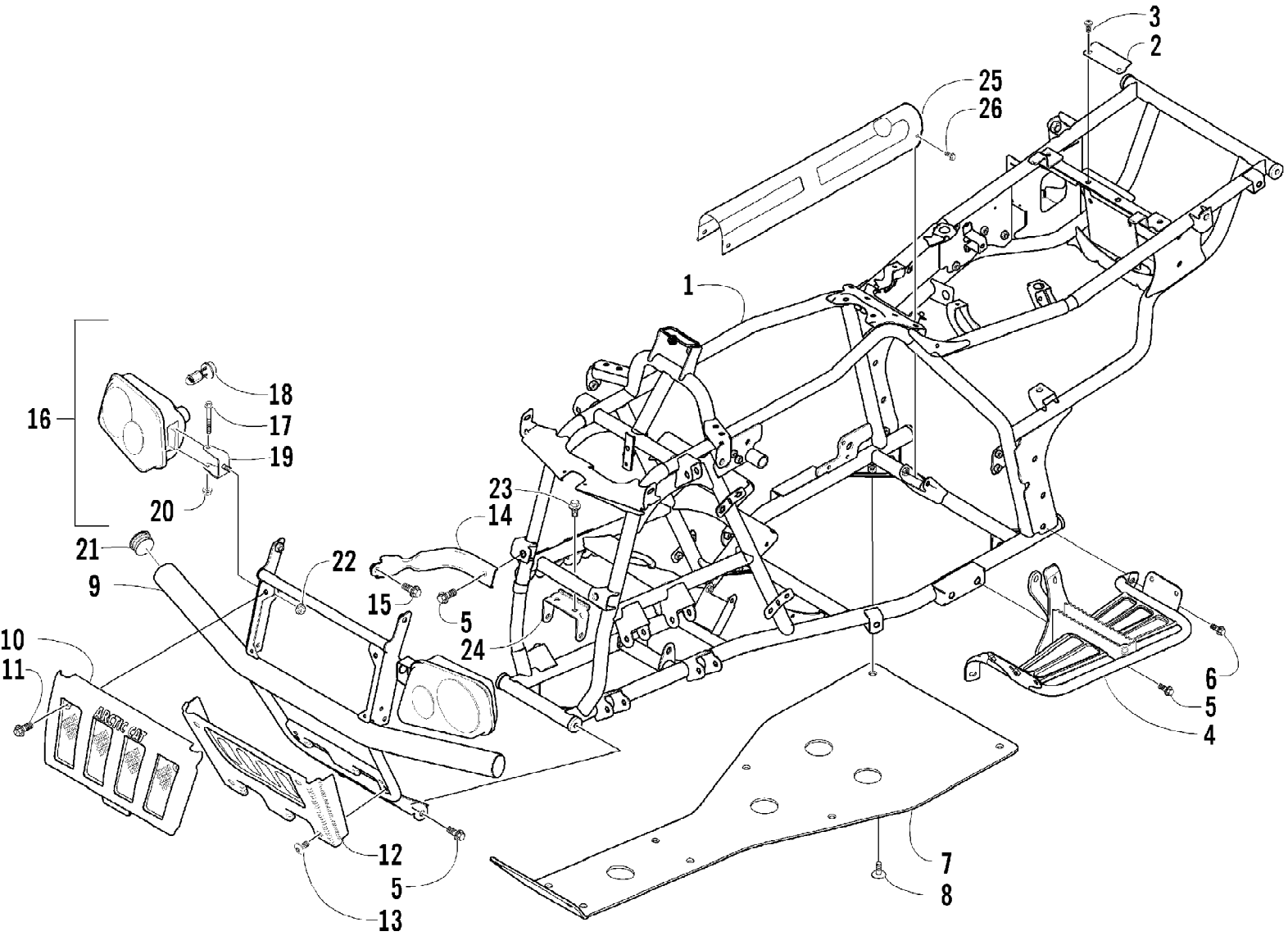


Ref #	Part Number	Qty	S/P/F	Description
1	0486-082	1		Harness, Main
2	0623-361	2		Screw, Self-Tapping
3	0530-003	1		Fuse Box Assembly
4	0411-404	1		Decal, Fuse Box
5	0630-057	3		Fuse, 10 Amp
5	0630-058	1		Fuse, 15 Amp
6	8476-616	7		Screw, Cap
7	0409-009	1		Switch, Brake
8	0402-991	1		Retainer, Brake Switch
9	3530-012	1	/P	Coil, Ignition
10	8476-620	2		Screw, Cap
11	3530-013	1	/P	Relay, Starter
12	3530-011	1		CDI Unit
13	3530-034	1		Regulator, Voltage
14	0506-958	1	/P	Bracket, Battery
15	0406-380	1		Pad, Battery
16	0745-040	1	/P	Battery (inc. 17-20)
17	0645-045	6		Cap, Battery
18	0645-152	1		Clamp, Hose
19	0645-263	1	/P	Hose, Battery Vent
20	0645-151	1		Decal, Warning - Battery
21	0445-010	1		Cable, Battery/Ground
22	0445-011	1		Cable, Battery/Electric Start Relay
23	0445-012	1		Cable, Electric Start Relay/Starter
24	0645-019	4		Boot, Terminal - Battery
25	3430-009	1	/P	Seal, High Tension Wire
26	3430-026	1		Seal, Spark Plug
27	3430-007	1	/P	Cap, Spark Plug
28	3530-026	1	/P	Relay, Neutral Start
29	0417-003	1		Foam, Battery Bracket
30	0623-056	2		Nut, Starter Relay
31	0123-788	AR	/P	Cable Tie - 7 in.



2004 ATV 300 4X4 GREEN MRP (A2004ATF4AUSS)
ENGINE AND RELATED PARTS

Ref #	Part Number	Qty	S/P/F	Description
1	0462-009	1	/P	Engine
2	3402-263	4		Mount, Engine
3	0402-231	1		Spacer, Engine Mount - Long
4	0402-232	1		Spacer, Engine Mount - Short
5	8422-202	1		Nut
6	3423-236	1	/P	Screw, Cap
7	3402-264	2		Mount, Engine
8	0506-301	1	/P	Sub-Frame (inc. 9)
9	3402-232	4		Mount, Engine
10	8050-272	4		Washer
11	3423-235	2	/P	Screw, Cap
12	8432-002	2		Nut
13	0406-320	2		Cap, Sub-Frame
14	8409-020	6	/P	Screw, Cap
15	0512-011	1		Muffler
16	0423-092	1		Clamp, Exhaust
17	8408-816	1		Screw, Cap
18	0512-093	1		Pipe, Exhaust
19	0412-023	1		Cover, Exhaust
20	8477-610	4		Screw, Cap
21	0412-024	1		Cover, Exhaust - Rear
22	8408-812	3		Screw, Cap
23	0612-887	2	/P	Gasket, Exhaust
24	0512-077	1	/P	Coupler, Exhaust
25	0123-321	3	/P	Spring, Extension
26	0512-008	1		Pipe, Header
27	8424-802	2		Nut
28	3402-300	1		Seal, Exhaust Pipe
29	0406-787	1	/P	Panel, Belly - Sub-Frame (Press-Fit)
30	0423-101	4		Screw, Body

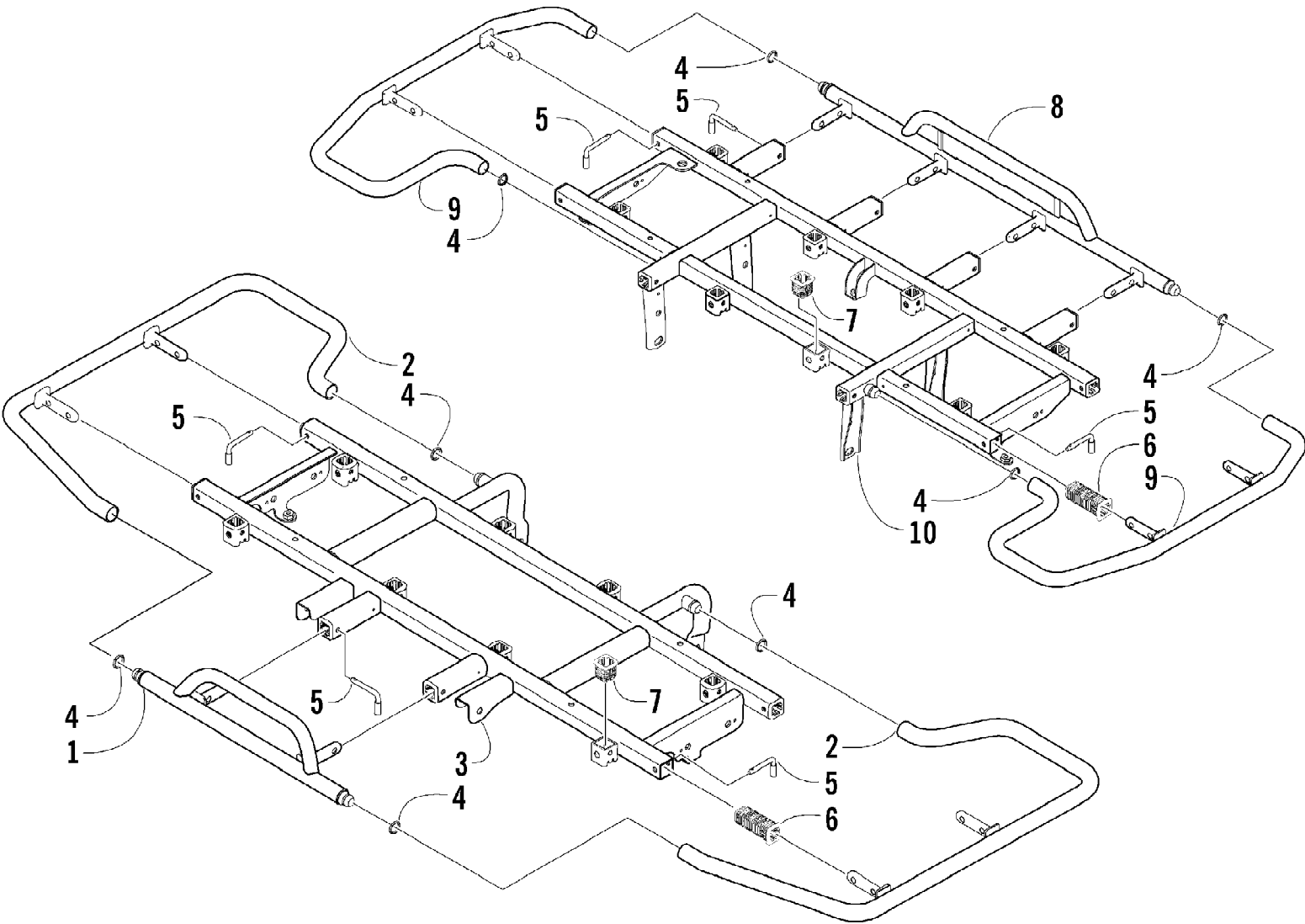


2004 ATV 300 4X4 GREEN MRP (A2004ATF4AUSS)
 FRAME AND RELATED PARTS

Page 34 of 88

Ref #	Part Number	Qty	S/P/F	Description
1	0506-574	1	/P	Frame, Main
2	0506-962	1	/P	Bracket, Body Hold-Down
3	8476-616	2		Screw, Machine
4	0506-959	1	/P	Footrest - Right
4	0506-217	1		Footrest - Left
5	8409-020	8	/P	Screw, Cap
6	8408-816	4		Screw, Cap
7	0406-894	1		Panel, Belly
8	0423-101	10		Screw, Body
9	0506-520	1		Bumper
10	0406-832	1		Grille, Upper
11	0423-361	2		Screw, Machine
12	1406-420	1	/P	Grille, Lower
13	0423-362	4		Screw, Machine
14	0506-964	2	/P	Channel, Bumper
15	8408-812	2		Screw, Cap
16	0409-032	1		Headlight - Right (inc. 17-20)
16	0409-031	1		Headlight - Left (inc. 17-20)
17	8410-860	2		Screw, Cap
18	0409-045	4		Bulb, Headlight
19	0406-945	2		Bracket, Headlight
20	0423-375	2		Nut, Nylock
21	0406-130	2		Cap, Bumper
22	8424-802	2		Nut
23	8408-820	2	/P	Screw, Cap
24	0506-210	1		Bracket, Front Differential
25	0506-963	1	/P	Cover, Front Driveshaft
26	8471-610	4		Screw, Cap

2004 ATV 300 4X4 GREEN MRP (A2004ATF4AUSS)
FRONT AND REAR RACK ASSEMBLIES

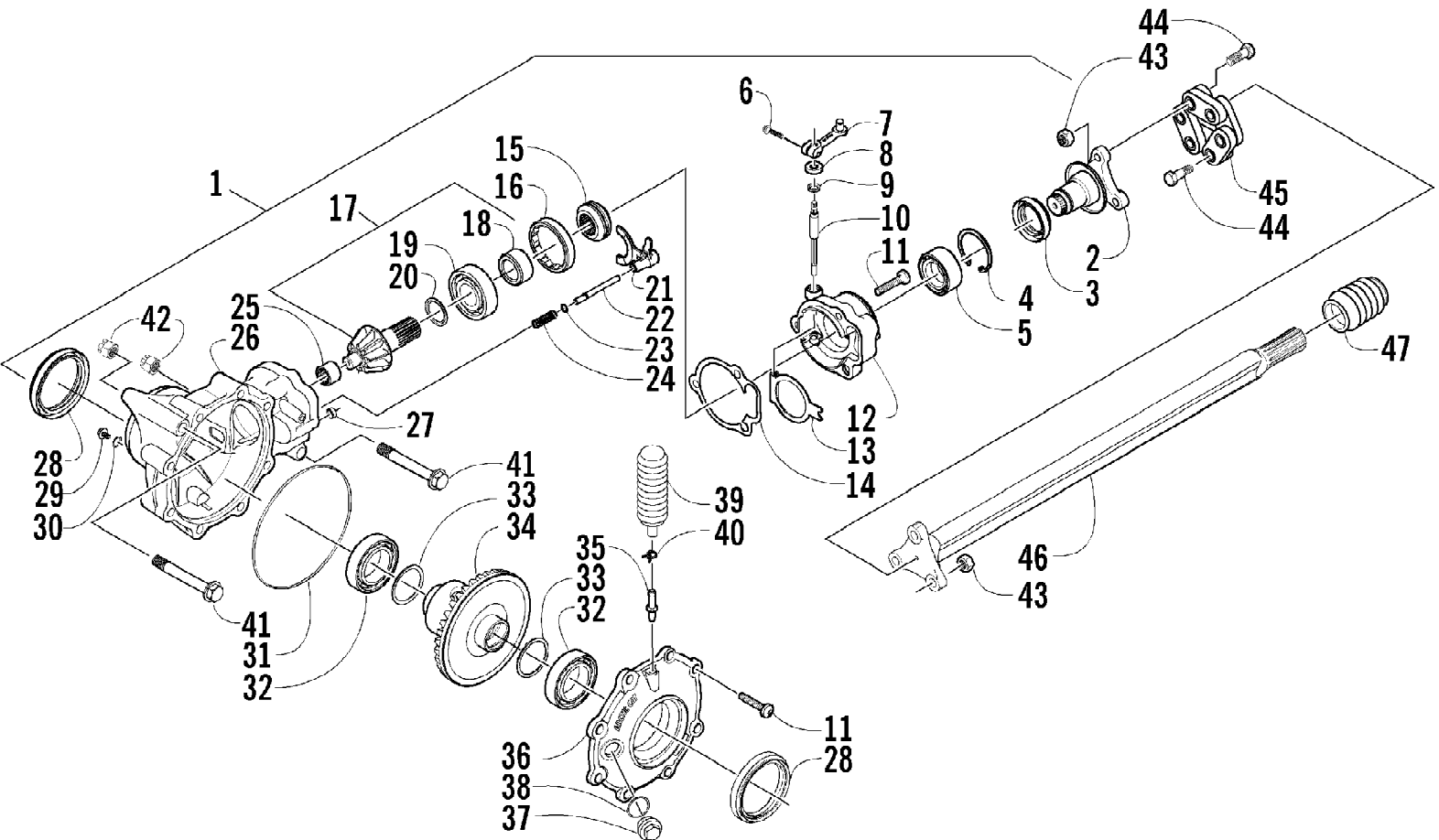


2004 ATV 300 4X4 GREEN MRP (A2004ATF4AUSS)
FRONT AND REAR RACK ASSEMBLIES

Page 36 of 88

Ref #	Part Number	Qty	S/P/F	Description
1	0541-133	1		Center, Rack - Front
2	0541-134	2		Side, Rack - Front
3	0541-135	1		Frame, Rack - Front
4	0623-903	8		O-Ring
5	0541-189	14	S	Pin
6	0441-556	16		Bushing, Rack
7	0441-592	16	/P	Bushing, Rack
8	0541-130	1		Center, Rack - Rear
9	0541-131	2		Side, Rack - Rear
10	0541-132	1		Frame, Rack - Rear

2004 ATV 300 4X4 GREEN MRP (A2004ATF4AUSS)
FRONT DRIVE GEARCASE ASSEMBLY



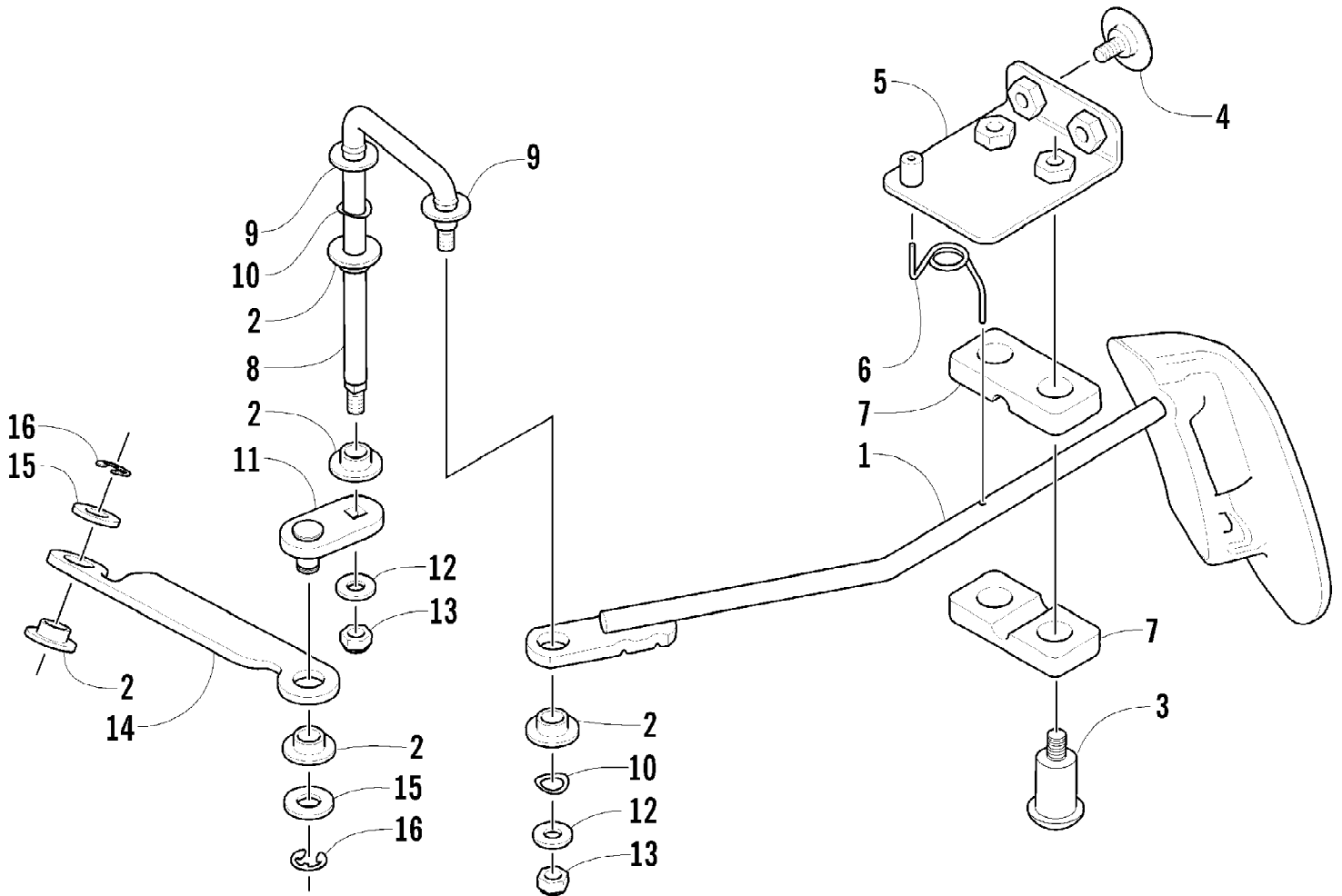
2004 ATV 300 4X4 GREEN MRP (A2004ATF4AUSS)
FRONT DRIVE GEARCASE ASSEMBLY

Page 38 of 88

Ref #	Part Number	Qty	S/P/F	Description
1	0502-338	1		Gearcase, Front Drive - Assembly (inc. 2-38)
2	0502-383	1		Shaft, Input
3	1402-011	1		Seal
4	0423-423	1		Ring, Retaining
5	1402-043	1		Bearing
6	8411-620	1		Screw, Cap
7	0502-092	1		Arm, Selector
8	0402-398	1		Plate, Selector Shaft
9	0402-416	1		Seal
10	0402-412	1		Shaft, Selector
11	0423-118	11		Screw, Self-Tapping
12	0502-379	1		Housing, Selector
13	0402-414	1		Plate, Spring - Selector
14	0402-947	1		Gasket, Flange
15	0402-413	1		Coupler, Drive
16	0402-357	1		Collar, Lock
17	0502-155	1		Gear, Pinion - Assembly - 11T (inc. 18-20)
18	0402-336	1		Collar, Retaining
19	0402-327	1		Bearing
20	0402-424	AR		Shim
20	0402-425	AR		Shim
20	0402-426	AR		Shim
20	0402-427	AR		Shim
20	0402-428	AR		Shim
21	0402-420	1		Fork, Selector
22	0402-417	1		Shaft, Shuttle
23	0423-147	1		O-Ring
24	0402-418	1		Spring, Return
25	0402-328	1		Bearing
26	0502-120	1		Housing, Gearcase
27	0402-411	1		Pin, Dowel
28	0402-394	2	S	Seal
29	0402-450	1	S	Plug, Magnetic (inc. 30)
30	0423-153	1		O-Ring
31	0423-149	1		O-Ring
32	0402-393	2		Bearing
33	0402-405	AR		Shim
33	0402-406	AR		Shim
33	0402-407	AR		Shim
33	0402-408	AR		Shim
33	0402-409	AR		Shim
34	0502-199	1		Gear, Ring - 34T
35	0402-871	1		Fitting
36	0502-121	1		Cover, Gearcase
37	0402-333	1	/P	Plug, Fill (inc. 38)
38	0423-154	1		O-Ring
39	0402-147	1	S	Bladder, Gearcase
40	0423-315	1		Clamp, Fitting
41	3423-010	2	/P	Screw, Cap
42	8428-002	2		Nut, Lock
43	3004-491	6	S/P	Nut
44	3423-182	6	S	Screw, Cap
45	3435-007	1		Coupler, Propeller Shaft

2004 ATV 300 4X4 GREEN MRP (A2004ATF4AUSS)
FRONT DRIVE GEARCASE ASSEMBLY

Ref #	Part Number	Qty	S/P/F	Description
46	0502-201	1		Shaft, Propeller
47	0402-966	1		Boot, Propeller Shaft

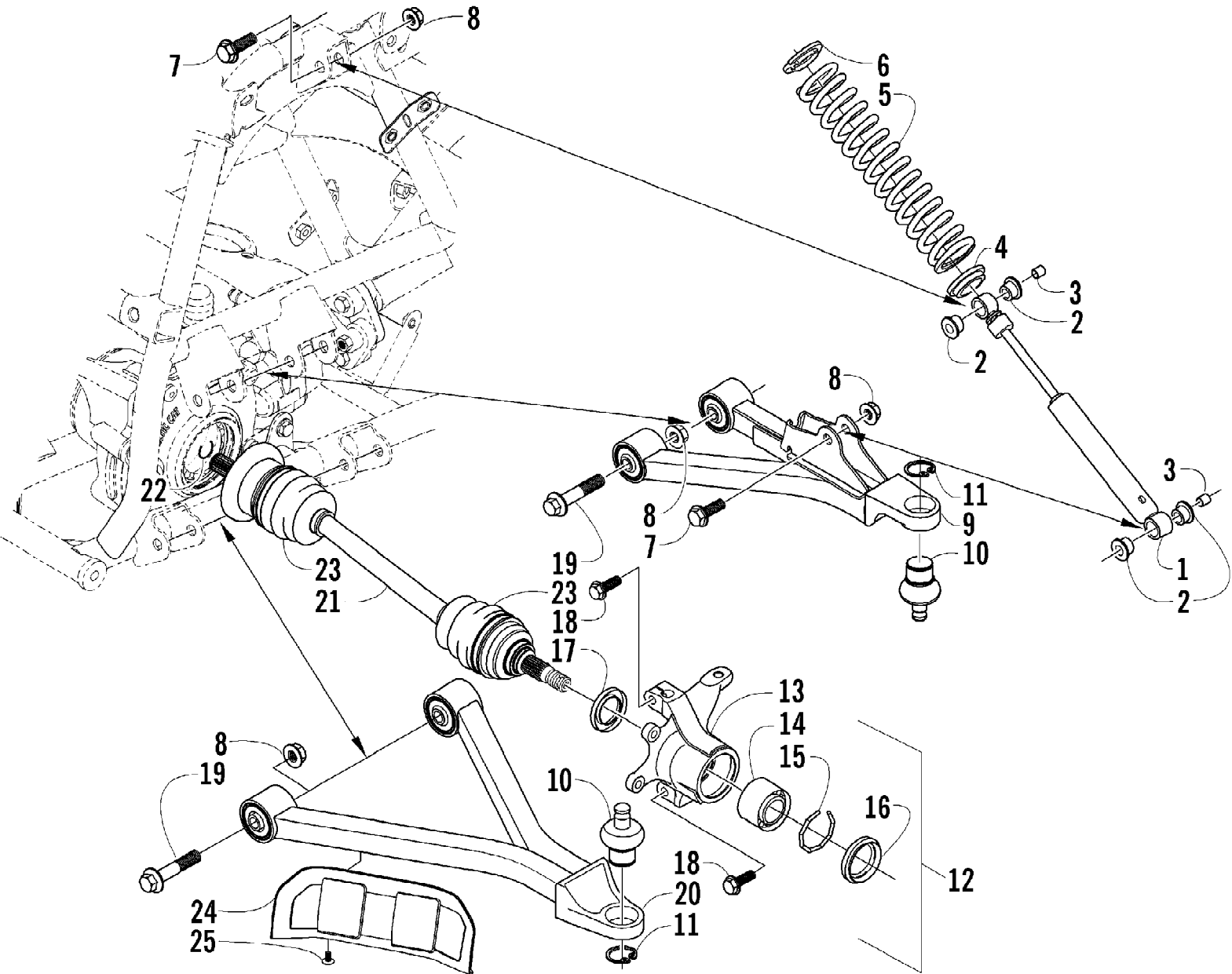


2004 ATV 300 4X4 GREEN MRP (A2004ATF4AUSS)
FRONT DRIVE SHIFT LINKAGE ASSEMBLY

Page 41 of 88

Ref #	Part Number	Qty	S/P/F	Description
1	0502-291	1		Shifter
2	0423-091	5		Bushing
3	0423-329	2		Screw, Shoulder
4	0423-101	2		Screw, Shoulder
5	0502-234	1		Plate, Mounting
6	0402-828	1		Spring, Torsion
7	0406-363	2		Bushing
8	0402-821	1		Arm, Shifter
9	0123-053	2	/P	Washer
10	0423-368	2		Washer, Wave
11	0502-295	1		Arm, Selector
12	0423-348	2		Washer
13	0624-250	2		Nut, Lock
14	0502-396	1	/P	Cross-Link
15	8050-247	2	/P	Washer
16	0124-057	2	/P	E-Ring

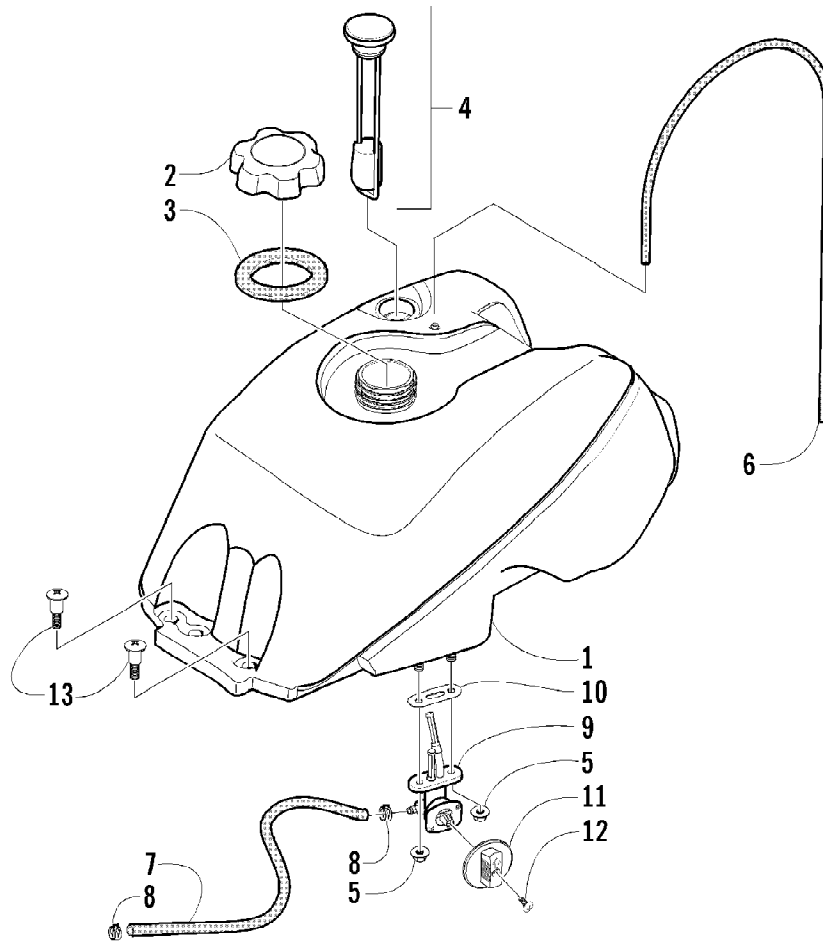
2004 ATV 300 4X4 GREEN MRP (A2004ATF4AUSS)
FRONT SUSPENSION ASSEMBLY



2004 ATV 300 4X4 GREEN MRP (A2004ATF4AUSS)
FRONT SUSPENSION ASSEMBLY

Page 43 of 88

Ref #	Part Number	Qty	S/P/F	Description
1	0403-015	2		Shock Absorber - Front (inc. 2-3)
2	0604-310	8		Bushing, Shock Absorber
3	0403-028	4		Sleeve, Shock
4	0403-104	2		Retainer, Spring - Lower
5	0403-022	2		Spring, Shock Absorber
6	1603-889	2	/P	Retainer, Spring
7	8409-040	4		Screw, Cap
8	8428-002	12		Nut, Lock
9	0503-184	1	/P	A-Arm, Upper Right - Assembly (inc. 10-11)
9	0503-185	1	/P	A-Arm, Upper Left - Assembly (inc. 10-11)
10	0405-115	4	/P	Ball Joint - Front
11	0423-009	4	/P	Clip, Ball Joint
12	0505-026	1	S/P	Knuckle - Assembly - Right (inc. 13-17)
12	0505-027	1	S/P	Knuckle - Assembly - Left (inc. 13-17)
13	0505-062	1	S	Knuckle, Steering - Right
13	0505-063	1	S	Knuckle, Steering - Left
14	0402-275	2	/P	Bearing, Wheel Hub - Front
15	0423-034	2		Clip, Bearing
16	0402-089	2		Seal, Wheel Bearing - Front
17	0402-069	2		Seal, Wheel Bearing - Rear
18	8409-030	4		Screw, Cap
19	8409-060	8		Screw, Cap
20	0503-188	1	/P	A-Arm, Lower Right (inc. 10-11)
20	0503-189	1	/P	A-Arm, Lower Left (inc. 10-11)
21	0402-987	2	S	Axle, Drive - Front Right (inc. 22-23)
22	0441-400	2	S	Clip, Retaining
23	0436-276	2	S	Repair Kit, Boot - Front Axle
24	0406-656	2		Guard, Boot - Front Axle
25	0423-101	4		Screw, Body

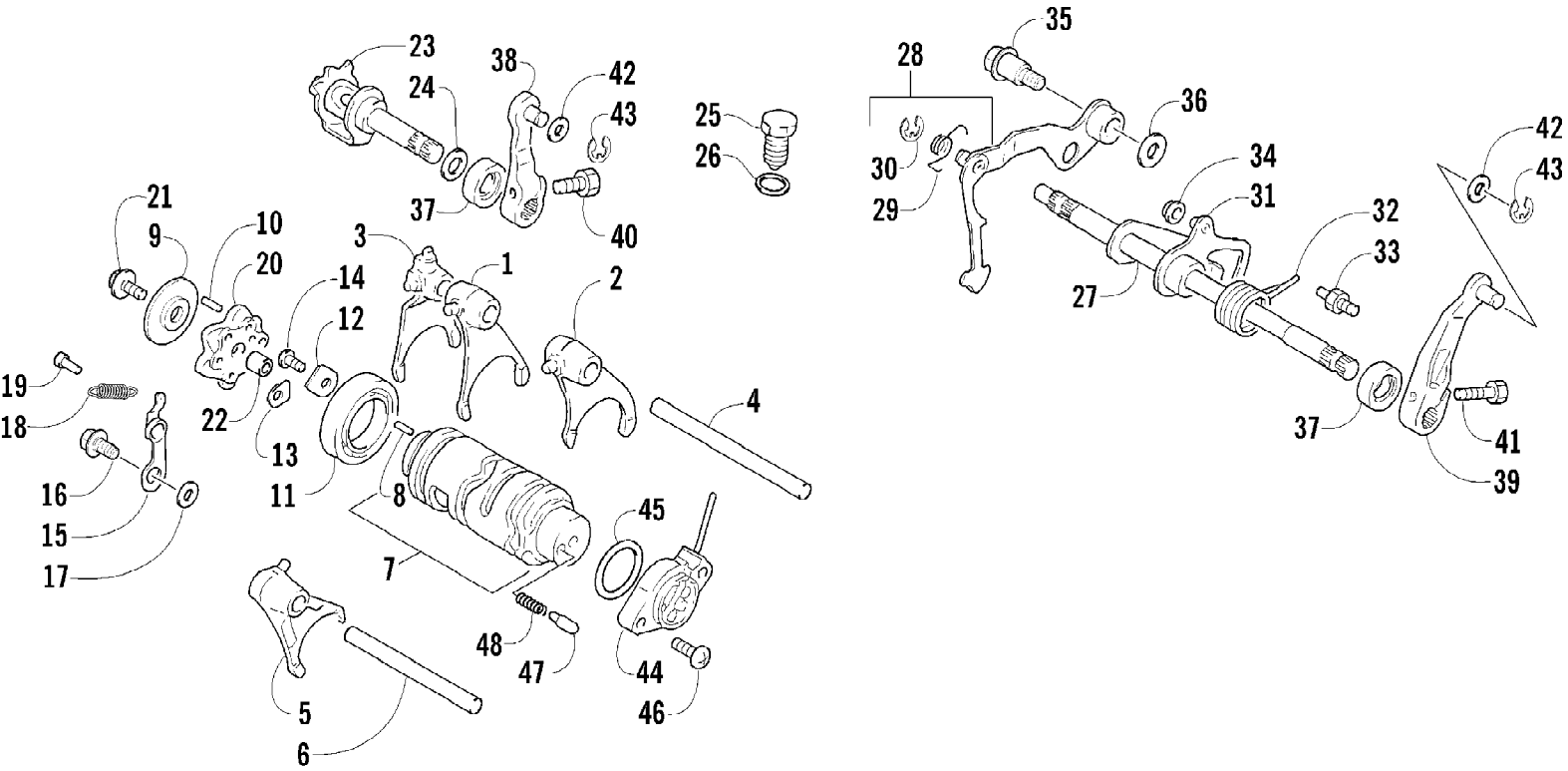


2004 ATV 300 4X4 GREEN MRP (A2004ATF4AUSS)
 GAS TANK ASSEMBLY

Page 45 of 88

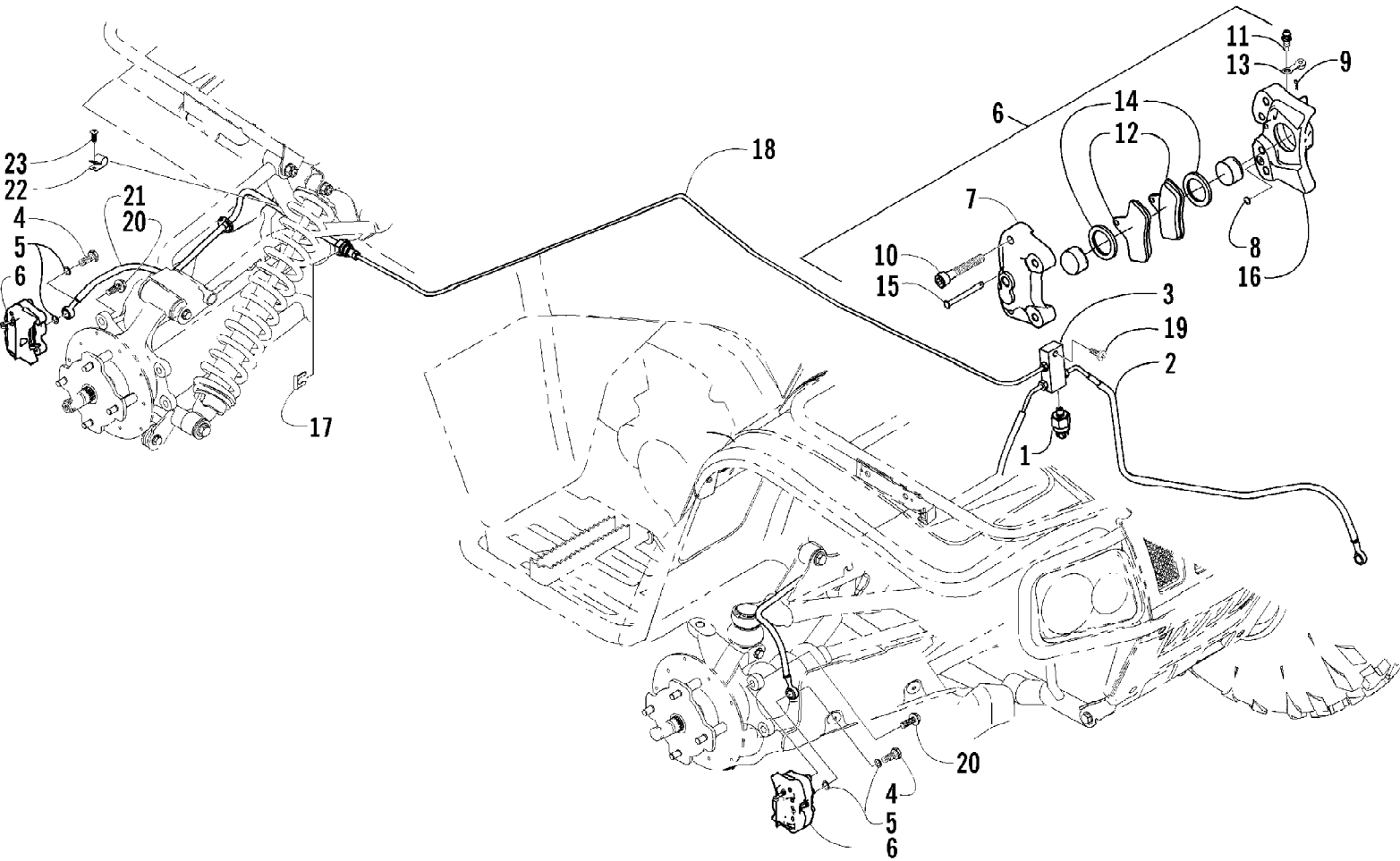
Ref #	Part Number	Qty	S/P/F	Description
1	0570-068	1		Tank, Gas - Assembly (inc. 2-10)
2	0470-438	1	/P	Cap, Gas Tank (inc. 3)
3	0109-733	1	/P	Gasket, Tank Cap
4	0570-086	1	/P	Gauge, Fuel w/Gasket (Press-Fit)
5	0423-398	2		Nut, Lock
6	0470-416	1	/P	Hose, Vent
7	0610-007	AR	/P	Hose, Gasline - 25 ft
8	0423-152	2		Clamp, Hose
9	0470-445	1	/P	Valve, Fuel Shut-Off (inc. 10)
10	0470-364	1		Gasket, Fuel Shut-Off Valve
11	0470-408	1		Knob, Fuel Shut-Off Valve
12	0423-146	1		Screw, Machine
13	0423-130	2		Screw, Shoulder

2004 ATV 300 4X4 GREEN MRP (A2004ATF4AUSS)
GEAR SHIFTING ASSEMBLY



Ref #	Part Number	Qty	S/P/F	Description
1	3446-155	1		Fork, Gear Shifting
2	3446-156	1		Fork, Gear Shifting
3	3446-159	1		Fork, Gear Shifting
4	3446-167	1		Shaft
5	3446-157	1		Fork, Gear Shifting
6	3446-051	1		Shaft
7	3446-160	1		Cam, Gear Shifting (inc. 8)
8	3423-114	1	/P	Pin
9	3446-162	1		Retainer, Pin
10	3423-045	6		Pin
11	3402-051	1		Bearing
12	3446-163	1		Retainer
13	3446-031	1	/P	Retainer
14	3423-370	2		Screw, Cap
15	3446-165	1		Stopper, Cam
16	3423-535	1		Screw, Cap
17	3423-141	1		Washer
18	3402-240	1		Spring
19	3423-268	1		Pin
20	3446-166	1		Plate, Stopper
21	3006-086	1	S	Bolt
22	3005-206	1	/P	Pin
23	3446-161	1		Cam, Reverse Shifting
24	3423-322	1		Washer
25	3446-164	1		Stopper, Cam
26	3402-012	1		Gasket
27	3446-169	1		Shaft, Gear Shifting
28	3446-170	1		Arm, Gear Shifting (inc. 29-30)
29	3402-312	1		Spring
30	3423-368	1	/P	E-Ring
31	3446-171	1		Arm, Link
32	3402-094	1		Spring
33	3446-172	1		Stopper, Arm
34	3402-132	1		Roller
35	3423-233	1		Screw, Cap
36	3423-324	1		Washer
37	3402-076	2		Seal, Oil
38	3446-055	1		Arm
39	3446-115	1		Arm, Reverse Shift
40	3423-125	1	S	Screw, Cap
41	3423-228	1		Screw, Cap
42	3423-204	2	/P	Washer
43	3423-168	2	S	E-Ring
44	3430-050	1		Base, Gear Shift - Assembly
45	3423-273	1		O-Ring
46	3423-325	2	S	Screw, Cap
47	3423-044	1		Contact
48	3402-087	1		Spring

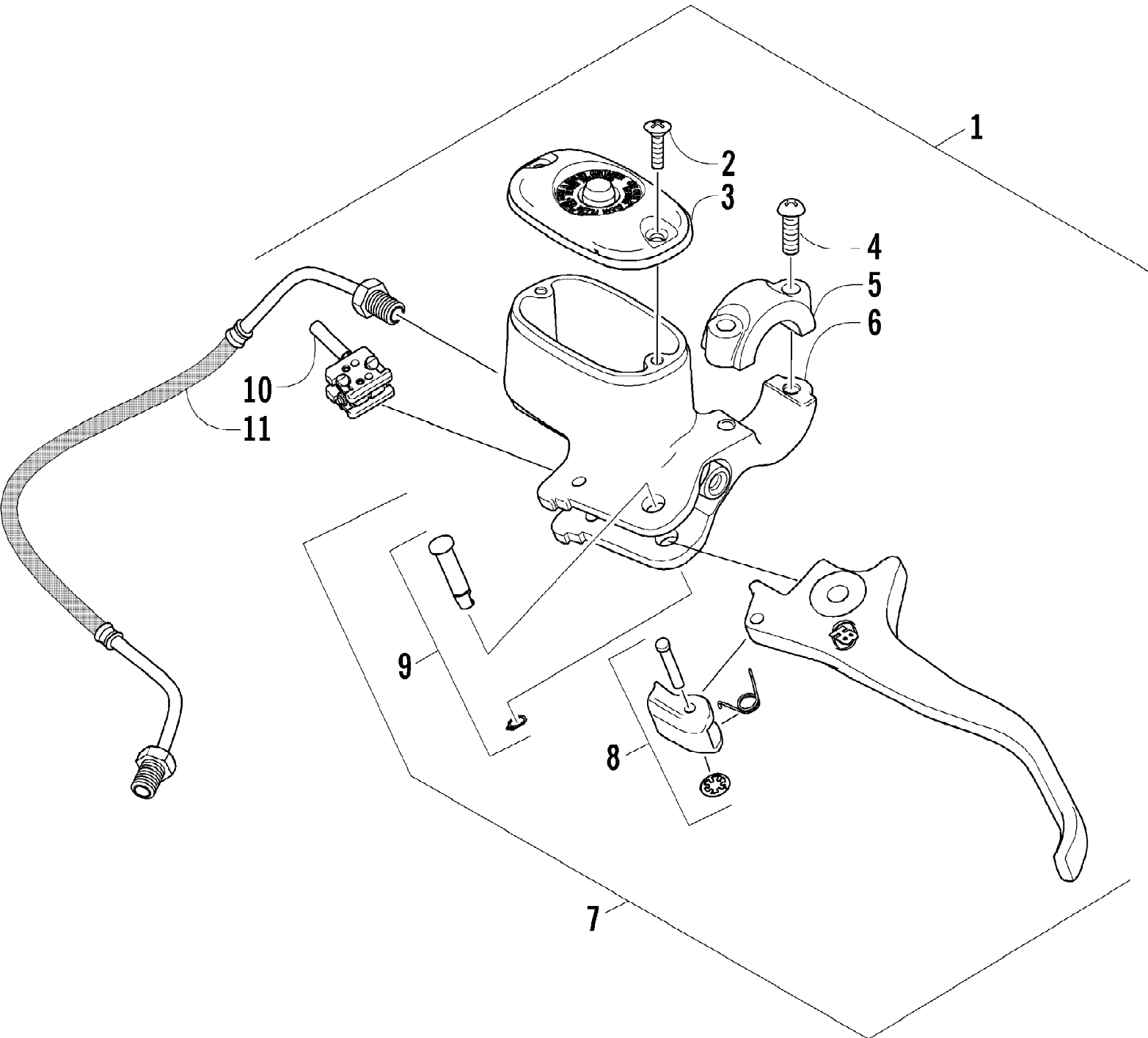
2004 ATV 300 4X4 GREEN MRP (A2004ATF4AUSS)
HYDRAULIC BRAKE ASSEMBLY



2004 ATV 300 4X4 GREEN MRP (A2004ATF4AUSS)
HYDRAULIC BRAKE ASSEMBLY

Page 49 of 88

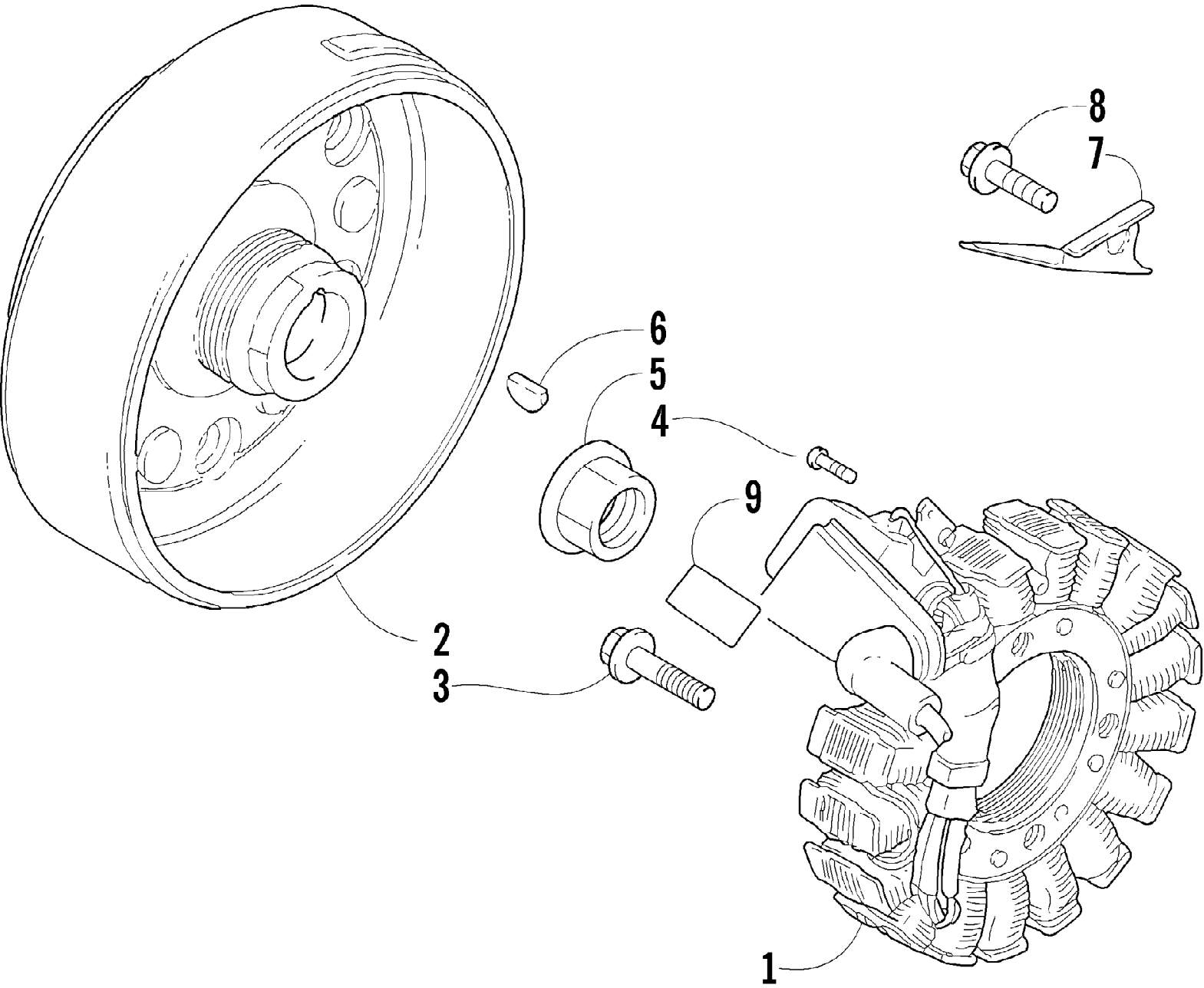
Ref #	Part Number	Qty	S/P/F	Description
1	0402-306	1	/P	Switch, Brake Pressure
2	0402-986	2		Hose, Brake - Front
3	1402-086	1		Block, Junction
4	0423-413	3		Bolt, Banjo Fitting
5	0423-178	6		Washer, Crush
6	0502-335	1	S	Caliper, Brake - Right Front (inc. 7-16)
6	0502-336	2	S	Caliper, Brake - Left Front and Right Rear (inc. 7-16)
7	0	3	F	Housing, Caliper
8	0402-490	3		O-Ring
9	0402-496	3	S	Clip, Hairpin
10	0402-492	12		Screw, Socket Head
11	0402-493	3		Cap, Bleed Valve
12	0402-882	6	/P	Pad, Brake
13	0402-491	3	S	Valve, Bleed
14	0402-980	6		O-Ring, Brake Caliper
15	0402-495	3		Pin, Brake Caliper
16	0	1	F	Housing, Caliper
17	0402-597	1	/P	Clip, Brakeline
18	1402-018	1		Tube, Brakeline - Rear
19	8476-625	1		Screw, Machine
20	8408-825	6		Screw, Cap
21	1402-020	1		Hose, Brake - Rear
22	0423-415	1		Clamp, Cable
23	0423-324	1		Screw, Machine



2004 ATV 300 4X4 GREEN MRP (A2004ATF4AUSS)
HYDRAULIC HAND BRAKE ASSEMBLY

Page 51 of 88

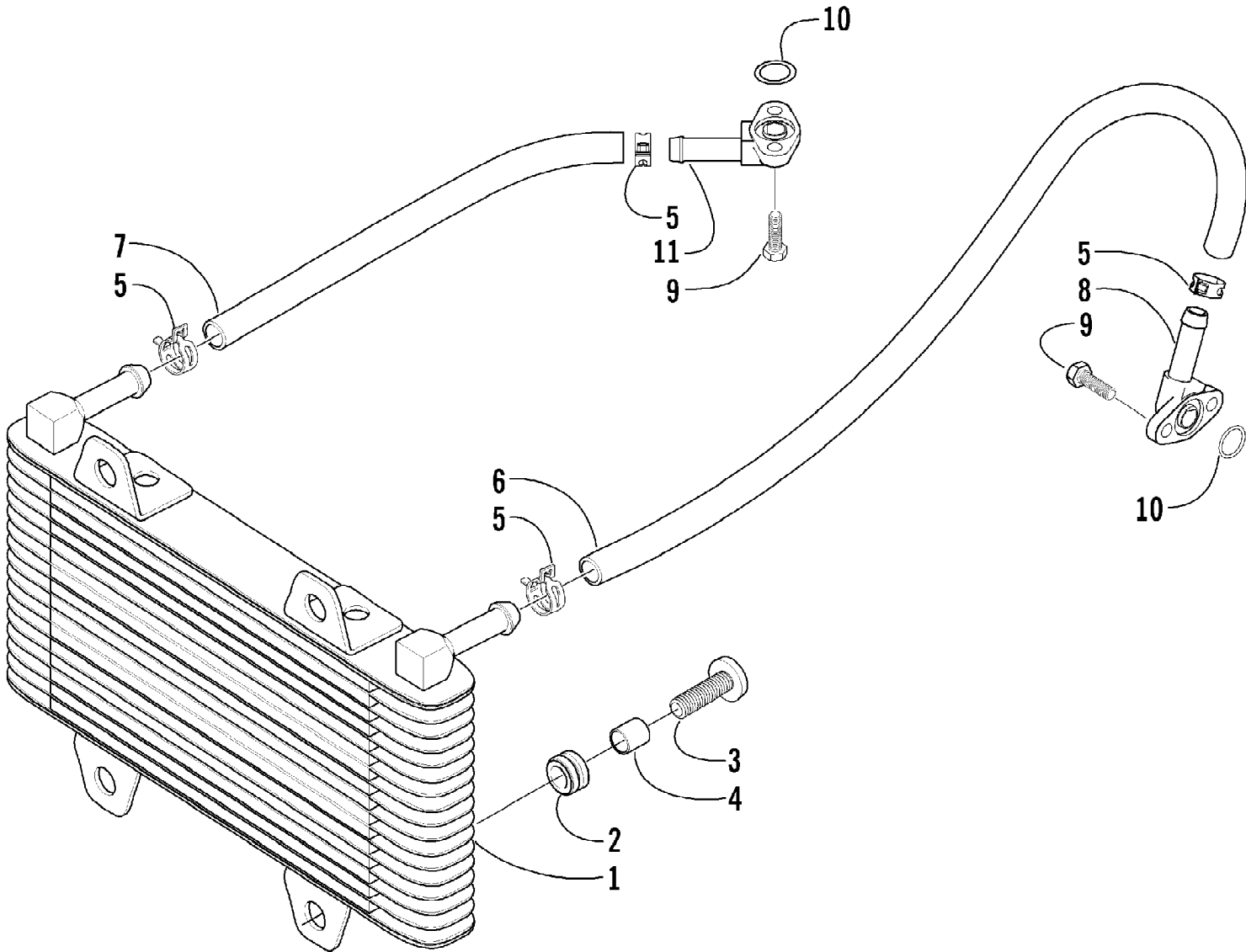
Ref #	Part Number	Qty	S/P/F	Description
1	0502-561	1	S	Brake Assembly (inc. 2-10)
2	0502-566	1		Screw, Reservoir Cover - Kit
3	0502-565	1		Cover, Reservoir - Kit
4	0502-568	1		Screw, Master Cylinder Clamp - Kit
5	0502-567	1		Clamp, Master Cylinder - Kit
6	0502-516	1		Master Cylinder Assembly - Kit
7	0502-562	1	S	Lever Assembly - Kit (inc. 8-9)
8	0502-563	1	S	Lock, Brake Lever - Kit
9	0502-580	1		Lever Pin - Kit
10	0502-564	1	/P	Switch, Brake - Kit
11	0402-962	1		Brakeline, Hydraulic



2004 ATV 300 4X4 GREEN MRP (A2004ATF4AUSS)
MAGNETO ASSEMBLY

Page 53 of 88

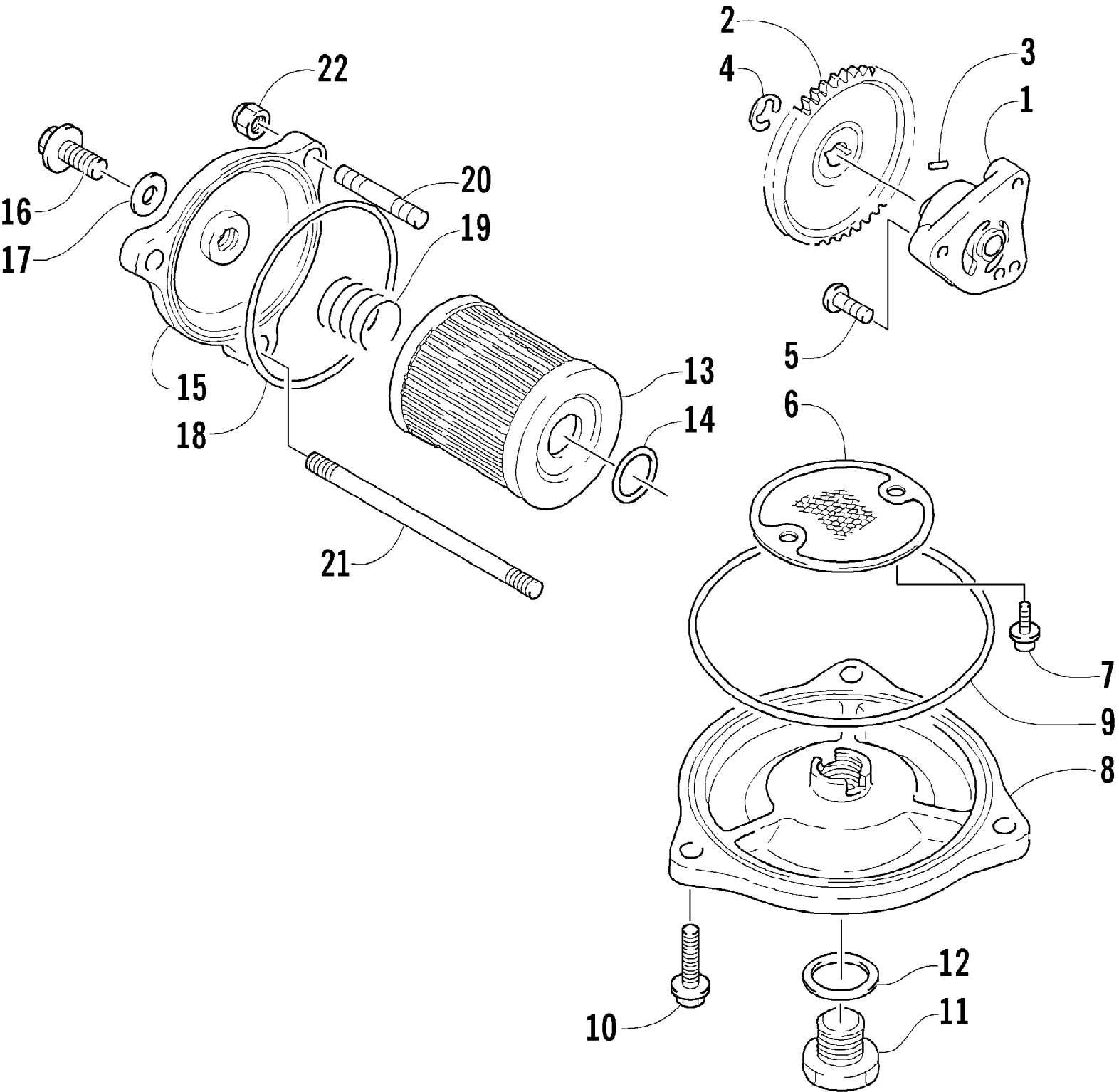
Ref #	Part Number	Qty	S/P/F	Description
1	3430-021	1	S	Stator - Assembly
2	3430-022	1		Rotor/Flywheel
3	3004-756	3	S	Bolt, Magneto
4	3423-326	2	S	Screw, Cap
5	3423-086	1		Nut, Magneto
6	3004-540	1	/P	Key
7	3430-023	1		Plate
8	3423-112	1	S	Screw, Cap
9	3430-036	1		Shield, Heat Protection



2004 ATV 300 4X4 GREEN MRP (A2004ATF4AUSS)
OIL COOLER ASSEMBLY

Page 55 of 88

Ref #	Part Number	Qty	S/P/F	Description
1	0413-011	1	/P	Cooler, Oil
2	0423-086	4		Grommet
3	8476-620	4		Screw, Cap
4	0423-036	4		Collar
5	0423-098	4	/P	Clamp, Hose
6	0410-007	1		Hose, Oil - Input
7	0410-006	1		Hose, Oil - Output
8	0410-013	1		Fitting, Oil
9	8471-616	4		Screw, Cap
10	0423-089	2		O-Ring, Oil Fitting
11	0410-012	1		Fitting, Oil - Angled

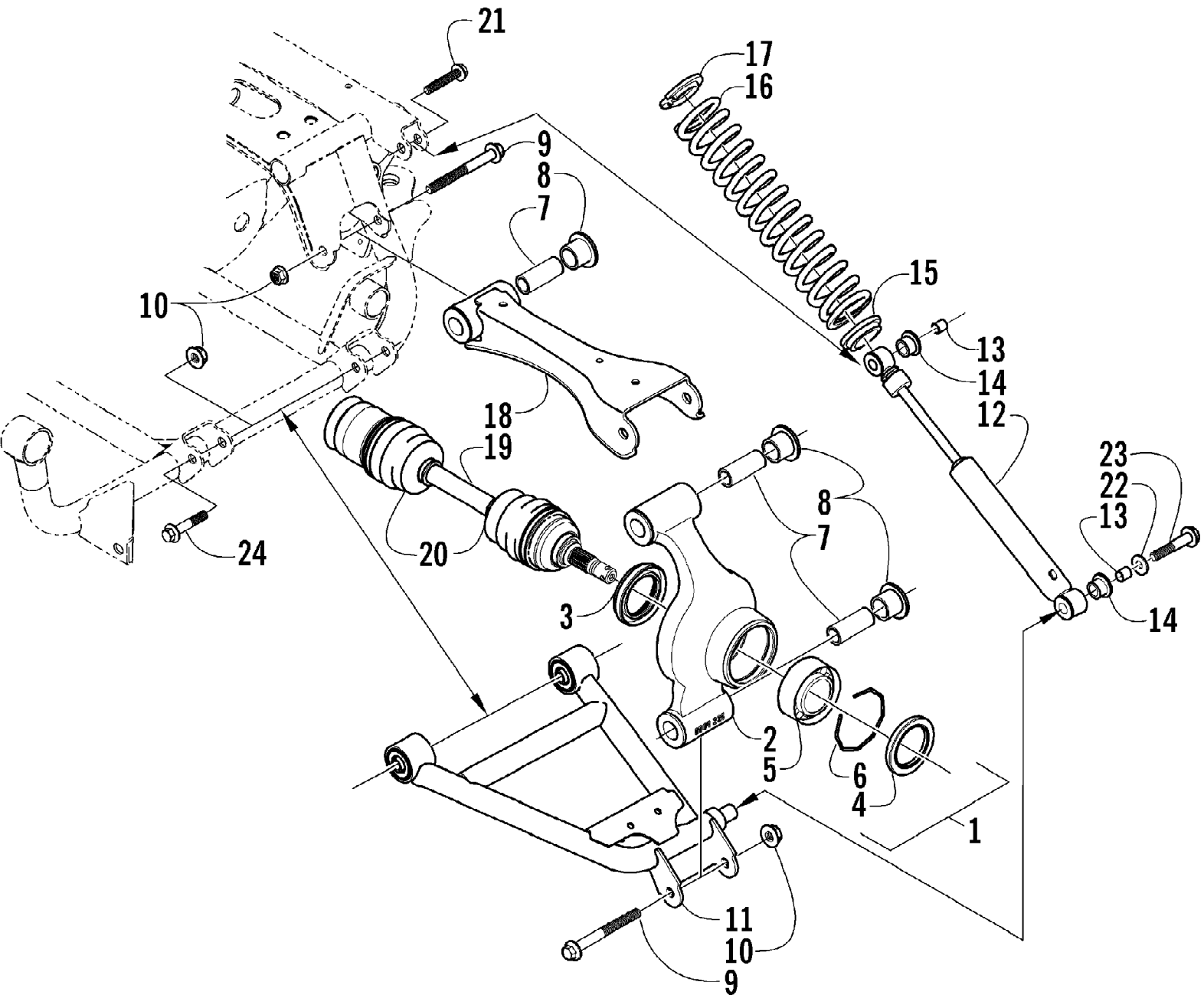


2004 ATV 300 4X4 GREEN MRP (A2004ATF4AUSS)
OIL PUMP ASSEMBLY

Page 57 of 88

Ref #	Part Number	Qty	S/P/F	Description
1	3445-017	1		Pump, Oil
2	3402-302	1		Gear, Driven
3	3423-285	1		Pin
4	3423-168	1	S	Circlip
5	3004-402	3	S/P	Screw, Cap
6	3402-304	1		Strainer, Oil
7	0693-389	2	S	Screw, Cap
8	3402-305	1		Cap, Oil Strainer
9	3423-278	1		O-Ring
10	3004-507	3	S	Screw, Cap
11	3402-037	1		Plug, Drain
12	3402-012	1		Gasket
13	3436-005	1		Filter, Oil
14	3423-270	1		O-Ring
15	3402-303	1		Cap, Oil Filter
16	3004-705	1	S	Plug, Oil Check
17	3402-444	1		Gasket
18	3423-277	1		O-Ring
19	3402-238	1		Spring
20	3423-314	2	S	Bolt, Stud
21	3004-543	1	S	Bolt, Stud
22	3423-315	3	S	Nut

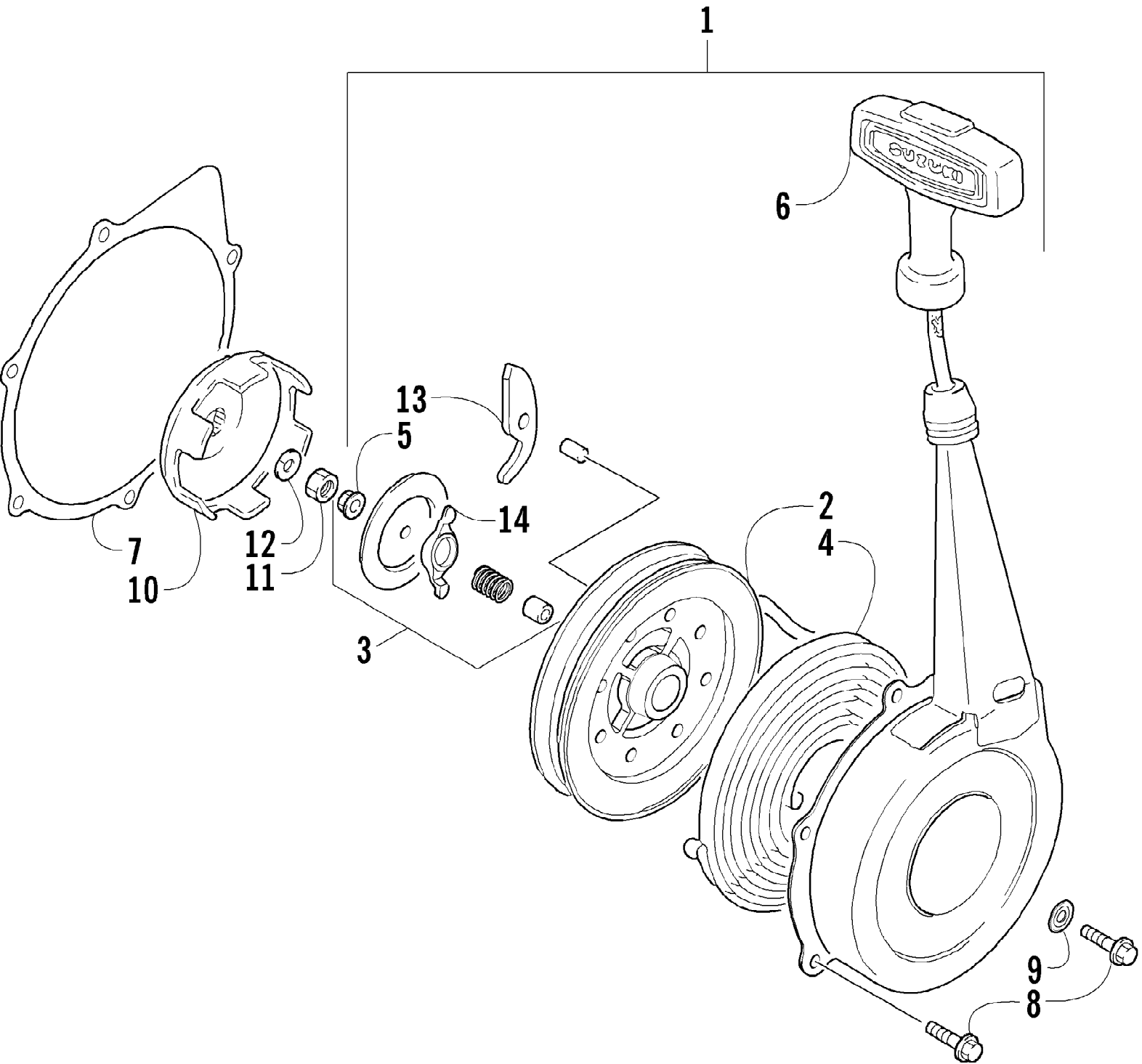
2004 ATV 300 4X4 GREEN MRP (A2004ATF4AUSS)
REAR SUSPENSION ASSEMBLY



2004 ATV 300 4X4 GREEN MRP (A2004ATF4AUSS)
 REAR SUSPENSION ASSEMBLY

Page 59 of 88

Ref #	Part Number	Qty	S/P/F	Description
1	0504-226	1	S	Knuckle, Right Rear - Assembly (inc. 2-6)
1	0504-227	1	S	Knuckle, Left Rear - Assembly (inc. 2-6)
2	0504-224	1	S	Knuckle - Right
2	0504-225	1	S	Knuckle - Left
3	0402-069	2		Seal, Wheel Bearing - Rear
4	0402-089	2		Seal, Wheel Bearing - Front
5	0402-275	2	/P	Bearing, Wheel
6	0423-034	2		Clip, Bearing
7	0403-038	6	S/P	Collar, Suspension Bushing
8	0403-032	12	S	Bushing, Suspension
9	8409-000	6		Screw, Cap
10	8428-002	12		Nut, Lock
11	0504-030	1		A-Arm, Rear - Lower Right
11	0504-031	1		A-Arm, Rear - Lower Left
12	0404-014	2		Shock Absorber - Rear (inc. 13-14)
13	0403-028	4		Sleeve, Shock Absorber
14	0604-310	8		Bushing, Shock Absorber
15	0403-104	2		Retainer, Spring - Lower
16	0403-002	2		Spring, Suspension
17	1603-889	2	/P	Retainer, Spring - Upper
18	0504-044	2		Arm, Rear - Upper
19	1402-002	2	S	Axle, Drive (inc. 20)
20	0436-276	2	S	Repair Kit, Boot - Rear Axle
21	8409-040	2		Screw, Cap
22	0423-087	2		Washer
23	8408-820	2	/P	Screw, Cap
24	8409-060	4		Screw, Cap



2004 ATV 300 4X4 GREEN MRP (A2004ATF4AUSS)
 RECOIL STARTER ASSEMBLY

Page 61 of 88

Ref #	Part Number	Qty	S/P/F	Description
1	3445-018	1	S	Starter, Recoil - Assembly (inc. 2-6 and 13-14)
2	3445-019	1		Reel
3	3445-016	1		Ratchet - Assembly (inc. 13-14)
4	3445-007	1		Spring, Spiral
5	3004-488	1	S/P	Nut
6	3445-020	1		Rope Assembly
7	3445-028	1	/P	Gasket, Recoil Starter
8	3423-428	6		Screw, Cap
9	3003-290	1	/P	Gasket
10	3445-022	1		Cup, Starter
11	3004-336	1	S/P	Nut
12	3004-362	1	S/P	Washer, Lock
13	3445-005	1		Ratchet
14	3445-006	1		Guide, Ratchet

No
Diagram
Available

Parts List
Only

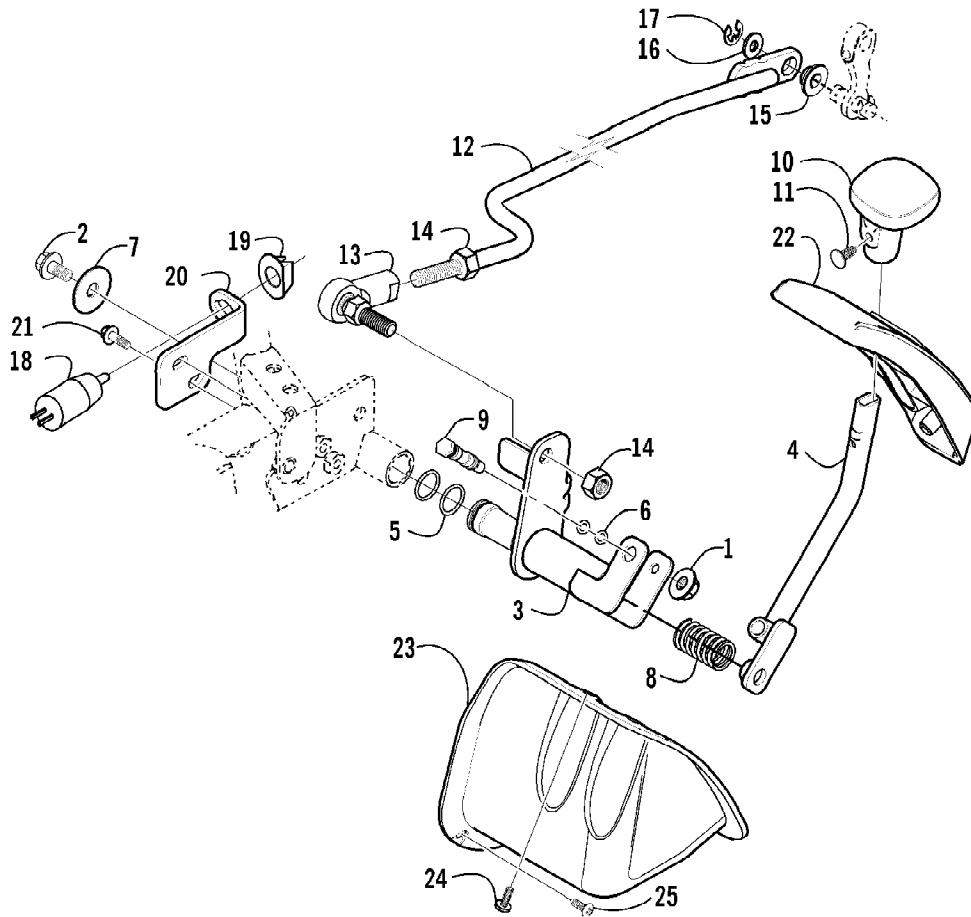
Ref #	Part Number	Qty	S/P/F	Description
	0436-479	1		Articulating Spool Mount (MRP)
	0436-469	1		Backrest (MRP)
	0436-513	1		Bag, Fender - Black (MRP)
	0436-514	1		Bag, Fender (Break-Up) (MRP)
	0436-515	1		Bag, Fender (Shadow Grass) (MRP)
	0436-337	1		Bag, Rack, Front, Black
	0436-336	1		Bag, Rack, Rear, Black
	0436-340	1	S	Bag, Fender, Black
	0436-480	1		Bar, Utility/Gun Rack (MRP)
	0436-351	1		Basket, Rack, Front
	0436-475	1		Basket, Rack (MRP)
	0436-350	1		Basket, Rack, Rear
	0436-432	1	S	Brush Guard/Bumper, Front
	0436-502	1		Brush Guard/Bumper (MRP)
	0436-462	1		Bucket Holder (MRP)
	0436-330	1		Bumper (Rear)
	0436-506	1		Bumper (Rear) (MRP)
	0436-464	1		Camp Stove Cradle (MRP)
	0436-454	1		Cargo Box
	0436-485	1		Cargo Box Solid Mount Kit (MRP)
	0436-498	1		Cargo Box Quick-Release Kit (MRP)
	0436-459	1	/P	Carryall (9x12) (MRP)
	0436-460	1		Carryall (11x17) (MRP)
	0436-461	1		Carryall (14x25) (MRP)
	0436-476	1		Chain Saw Lock (MRP)
	0436-477	1		Cord Reel (MRP)
	0436-381	1		Cover, Green and Black
	0436-339	1		Cover, Timber Camo
	0436-151	1		CV Joint Protectors (Rear)
	0436-466	1		Fender Box (MRP)
	0436-474	1		Flatbed Extensions (MRP)
	0436-467	1		Gear Cradle (MRP)
	0436-007	1	S	Gear Lube (Diff) - 80W90
	0436-472	1		Gun Scabbard Kit (MRP)
	0436-200	1		Gun Scabbard Mount
	0436-505	1		Hand Guards, Black
	0436-352	1		Hand/Thumb Warmers
	0436-504	1		Ice Auger Holder (MRP)
	2256-942	1		Illustrated Parts Manual
	0436-463	1		Light Bar (MRP)
	2256-937	1		Manuel d'utilisation (F)
	0436-473	1		Maxrack (3-Piece) (MRP)
	2256-934	1		Operator's Manual (E)
	0436-005	1	S	Oil, Engine - 10W40
	0436-003	1	S	Oil, Engine - 5W30
	0436-349	1		Rack Extension, 4 in. (Front)
	0436-225	1		Rack Extension, 4 in. (Rear)
	0436-226	1		Rack Extension, 8 in. (Rear)
	0436-495	1		Rapid Blind (Break-Up) (MRP)
	0436-496	1		Rapid Blind (Shadow Grass) (MRP)
	0436-494	1	S	Rapid Shack (Blue Ice) (MRP)
	0436-511	1		Rod Holder - Adjustable (MRP)

2004 ATV 300 4X4 GREEN MRP (A2004ATF4AUSS)
RELATED ITEMS

Page 64 of 88

Ref #	Part Number	Qty	S/P/F	Description
	0436-228	1		Snowplow Blade, 50 in. - Straight (use w/0436-356)
	0436-287	1		Snowplow Blade, 50 in. - One-Way (use w/0436-356)
	0436-356	1	S	Snowplow Push Frame
	0436-357	1		Snowplow Attachment Kit
	0436-471	1		Speedclamp, Double (MRP)
	0436-500	1		Sprayer System (MRP)
	0436-508	1	S	Sprayer Boom (120 in.) (MRP)
	0436-465	1		Table, Expansion (MRP)
	0436-478	1		Tool Caddy (MRP)
	0436-297	1		Tool Holders - Double
	0436-263	1	/P	Tool Holders - Single
	0436-468	1		Tree Stand/Bow Case Holder (MRP)
	0436-329	1	S	Winch Kit, 2500 lb
	0436-361	1		Winch Mounting Kit
	0436-301	1		Windshield, Clear w/Black Accent
	0436-470	1		Workbase (8 in.) (MRP)
	0436-329	1	S	Winch, 2500 lb
	0436-361	1		Winch Mounting Kit
	0436-301	1		Windshield, Clear w/Black Accent
	0436-470	1		Workbase (8 in.) (MRP)

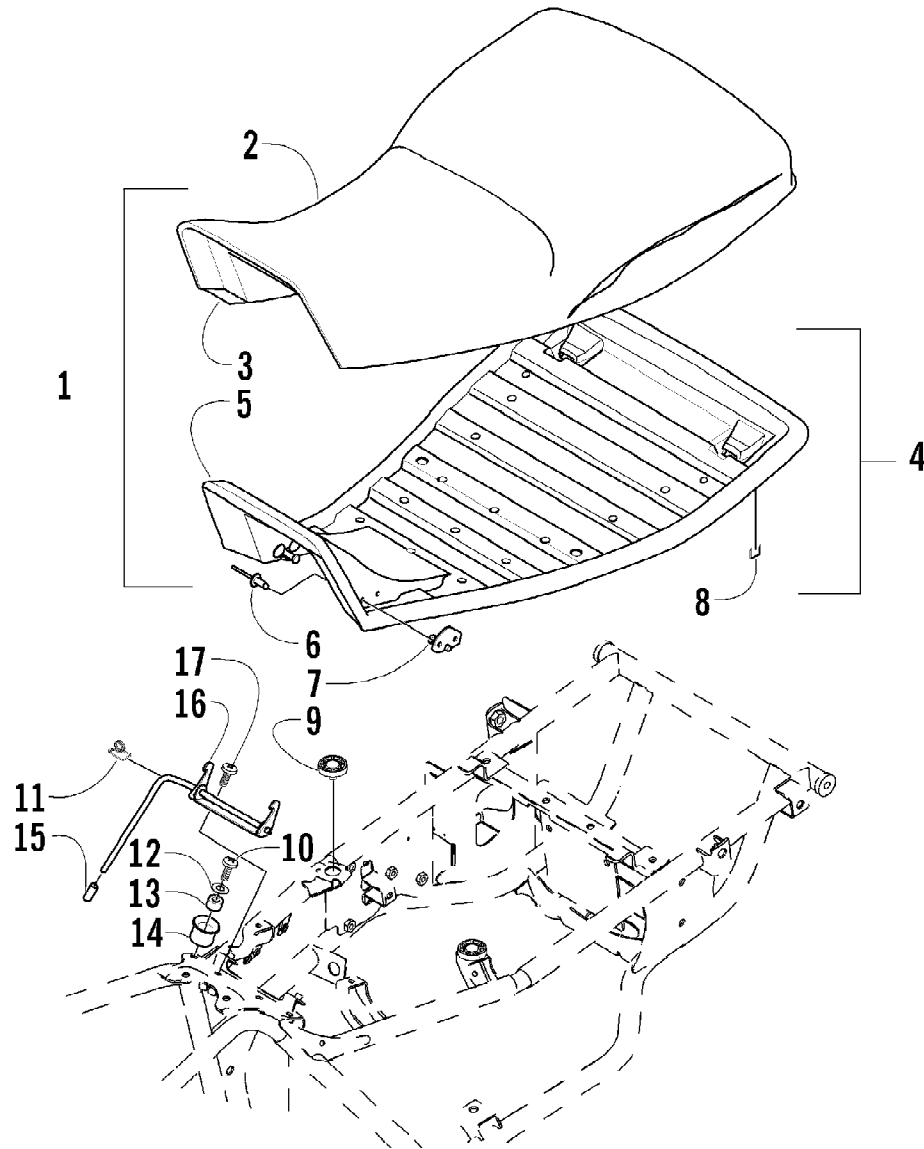
2004 ATV 300 4X4 GREEN MRP (A2004ATF4AUSS)
REVERSE SHIFT LEVER ASSEMBLY



2004 ATV 300 4X4 GREEN MRP (A2004ATF4AUSS)
REVERSE SHIFT LEVER ASSEMBLY

Page 66 of 88

Ref #	Part Number	Qty	S/P/F	Description
1	8424-602	1	/P	Nut
2	8408-812	1		Screw, Cap
3	0502-237	1		Axle, Reverse Shift Lever
4	0502-185	1		Lever, Reverse Shift
5	0423-299	2	/P	O-Ring
6	0423-182	2	/P	O-Ring
7	0423-087	1		Washer
8	0502-410	1	S	Spring
9	0402-675	1		Axle, Pivot
10	0402-843	1	/P	Handle, Reverse Shift Lever
11	0423-345	1		Clip, Push
12	0502-250	1		Linkage, Shift
13	0402-844	1		End, Rod
14	0623-294	2		Nut
15	0423-091	1		Bushing
16	8050-242	1		Washer
17	0423-169	1	/P	E-Ring
18	0409-008	1		Reverse Switch
19	0402-168	1	/P	Retainer, Reverse Switch
20	0506-961	1	/P	Bracket, Reverse Switch
21	8408-616	2		Screw, Cap
22	0402-847	1		Plate, Shift
23	0406-943	1		Shield, Linkage
24	0423-371	3		Screw, Machine
25	0623-309	1		Screw, Self-Tapping

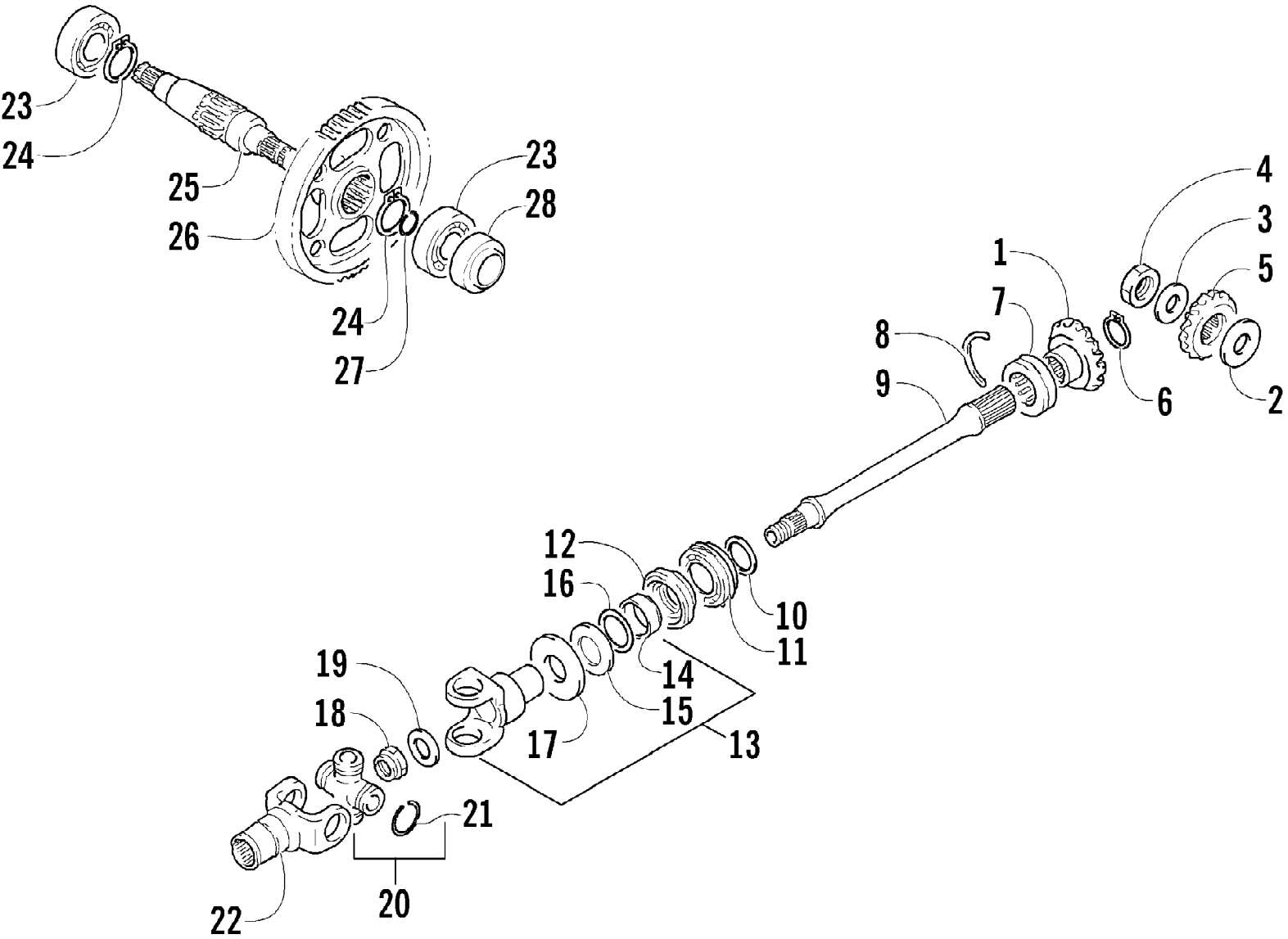


2004 ATV 300 4X4 GREEN MRP (A2004ATF4AUSS)
SEAT ASSEMBLY

Page 68 of 88

Ref #	Part Number	Qty	S/P/F	Description
1	1506-182	1		Seat Assembly (inc. 2-8)
2	0406-404	1		Cover, Seat
3	0506-291	1		Foam, Seat
4	0506-223	1	/P	Base, Seat - Assembly (inc. 5-7)
5	0	1	F	Base, Seat
6	8061-628	4		Rivet
7	1506-057	2	/P	Pin, Seat-Base - Front
8	0624-100	AR		Staple
9	0406-309	2		Grommet, Seat - Center
10	8476-620	2		Screw, Cap
11	0406-235	1		Spring, Seat Latch
12	8050-217	2	/P	Washer
13	0406-199	2		Collar, Seat-Base - Front
14	0406-171	2		Bumper, Seat-Base - Front
15	0623-404	1		Cap, Protector
16	1506-056	1	/P	Latch, Seat - Assembly
17	8476-616	2		Screw, Machine

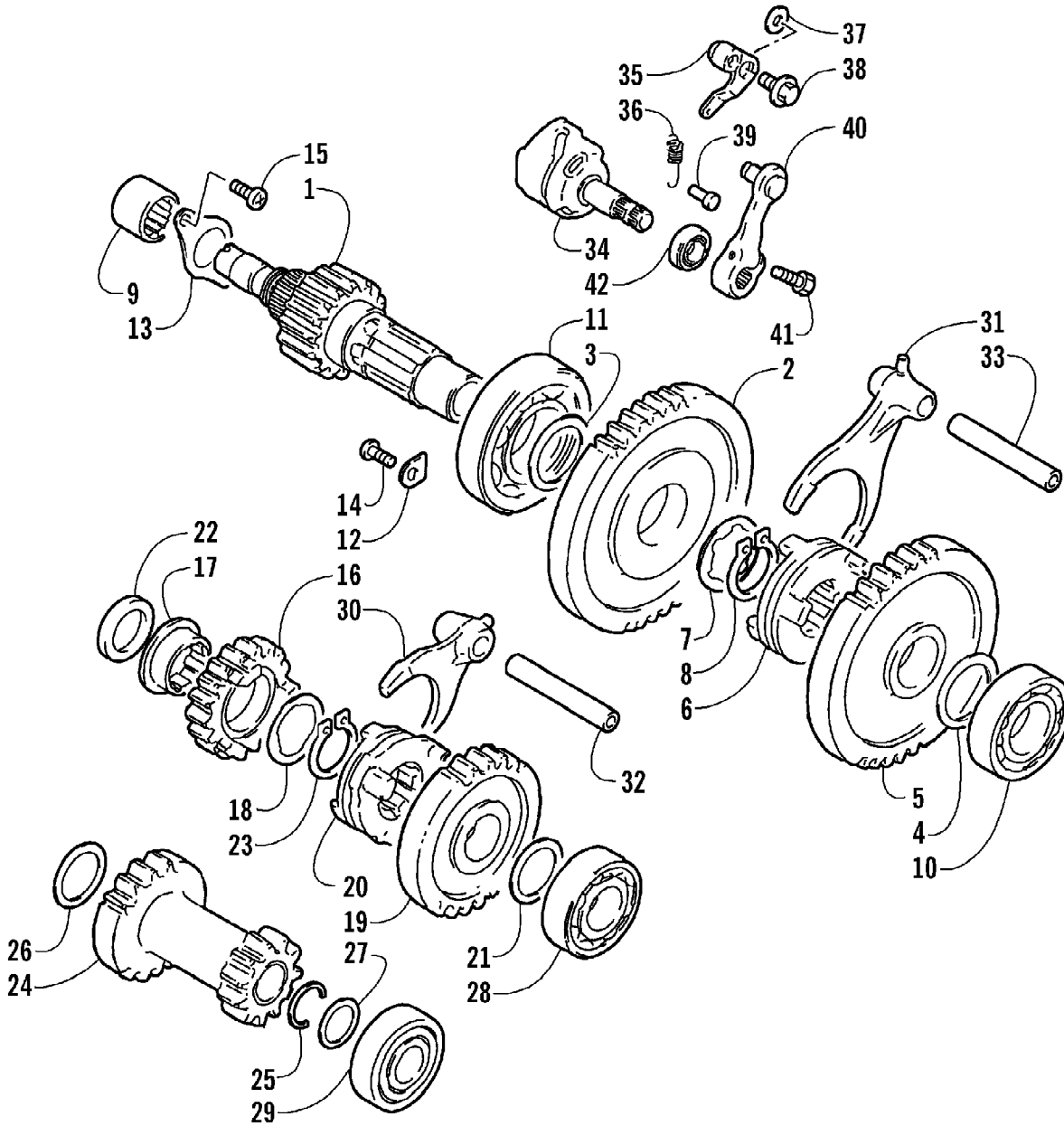
2004 ATV 300 4X4 GREEN MRP (A2004ATF4AUSS)
SECONDARY GEAR/OUTPUT SHAFT ASSEMBLY



2004 ATV 300 4X4 GREEN MRP (A2004ATF4AUSS)
SECONDARY GEAR/OUTPUT SHAFT ASSEMBLY

Ref #	Part Number	Qty	S/P/F	Description
1	3446-197	1		Gear, Secondary Drive Bevel
2	3446-035	1		Shim Set, Secondary Drive Bevel
3	3423-032	1		Washer
4	3423-537	1		Nut
5	3446-198	1		Gear, Secondary Driven Bevel
6	3423-340	1	S	Circlip
7	3402-515	1	/P	Bearing, Rear
8	3423-072	1		Ring
9	3446-199	1		Shaft, Secondary Output
10	3402-308	AR		Shim, 25 x 34 x 0.50 mm
10	3402-017	AR		Shim, 25 x 34 x 0.60 mm
10	3402-018	AR		Shim, 25 x 34 x 0.65 mm
10	3402-019	AR		Shim, 25 x 34 x 0.70 mm
10	3402-020	AR		Shim, 25 x 34 x 0.75 mm
10	3402-021	AR	S	Shim, 25 x 34 x 0.80 mm
10	3402-022	AR		Shim, 25 x 34 x 0.85 mm
10	3402-023	AR		Shim, 25 x 34 x 0.90 mm
10	3402-024	AR		Shim, 25 x 34 x 0.95 mm
10	3402-025	AR	S	Shim, 25 x 34 x 1.00 mm
10	3402-028	AR		Shim, 25 x 34 x 1.05 mm
10	3402-029	AR		Shim, 25 x 34 x 1.10 mm
10	3402-030	AR		Shim, 25 x 34 x 1.15 mm
10	3402-031	AR		Shim, 25 x 34 x 1.20 mm
11	3402-067	1	S	Bearing, Front
12	3402-072	1		Seal, Oil
13	3435-090	1	/P	Yoke, Output - Front (inc. 14-17)
14	3435-029	1		Collar
15	3435-030	1		Plate, Oil Seal
16	3423-060	1		O-Ring
17	3423-035	1		Plate
18	3423-025	1		Nut
19	3423-028	1		Washer
20	3435-011	1		Joint, Universal (inc. 21)
21	3423-067	4		Circlip
22	3435-002	1		Yoke, Output Shaft Joint
23	3402-219	2		Bearing
24	3423-321	2		Circlip
25	3446-176	1		Shaft, Rear Final Driven
26	3446-175	1		Gear, Driven
27	3423-281	2		Ring
28	3402-072	2		Seal, Oil

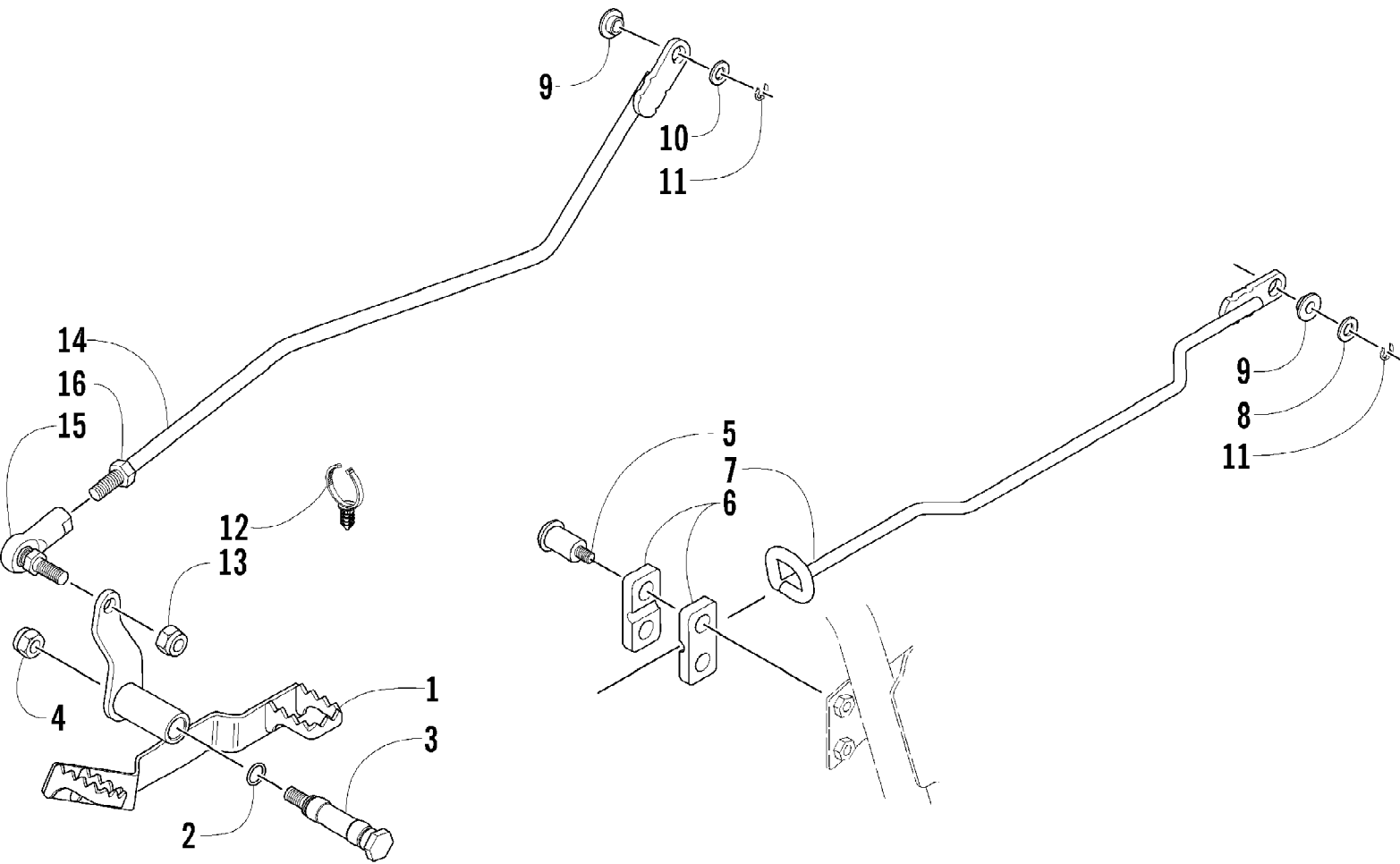
2004 ATV 300 4X4 GREEN MRP (A2004ATF4AUSS)
SECONDARY TRANSMISSION ASSEMBLY



2004 ATV 300 4X4 GREEN MRP (A2004ATF4AUSS)
SECONDARY TRANSMISSION ASSEMBLY

Ref #	Part Number	Qty	S/P/F	Description
1	3402-798	1		Shaft, Sub-Transmission
2	3446-207	1		Gear, Driven
3	3423-338	1		Washer - Right
4	3423-298	1		Washer - Left
5	3446-208	1		Gear, Driven
6	3446-209	1		Dog, Driven Gear
7	3423-317	1		Washer
8	3423-318	1	S	Circlip
9	3402-278	1		Bearing - Right
10	3004-209	1	/P	Bearing - Left
11	3402-180	1	S	Bearing - Middle
12	3446-031	2	/P	Retainer
13	3446-154	1		Retainer
14	3423-370	2		Screw
15	3003-484	2	S/P	Screw
16	3446-275	1	/P	Gear, Drive
17	3446-259	1	/P	Bushing
18	3423-036	1		Washer
19	3446-182	1		Gear, Drive
20	3446-183	1		Dog, Drive Gear
21	3402-195	1		Washer
22	3402-207	1		Spacer
23	3423-066	1	/P	Circlip
24	3446-272	1	/P	Gear, Idler (inc. 25)
25	3423-534	1		Circlip
26	3402-205	1		Washer
27	3423-319	1		Washer
28	3003-261	1	/P	Bearing, Drive - Left
29	3402-217	1		Bearing, Countershaft - Left
30	3446-185	1		Fork
31	3446-210	1		Fork
32	3446-271	1	/P	Shaft
33	3446-230	1		Shaft
34	3446-211	1		Cam, Sub-Transmission Gear
35	3446-187	1		Stopper
36	3402-241	1		Spring
37	3423-141	1		Washer
38	3423-535	1		Screw, Cap
39	3423-268	1		Pin
40	3446-116	1		Arm
41	3423-125	1	S	Screw, Cap
42	3402-076	1		Seal, Oil

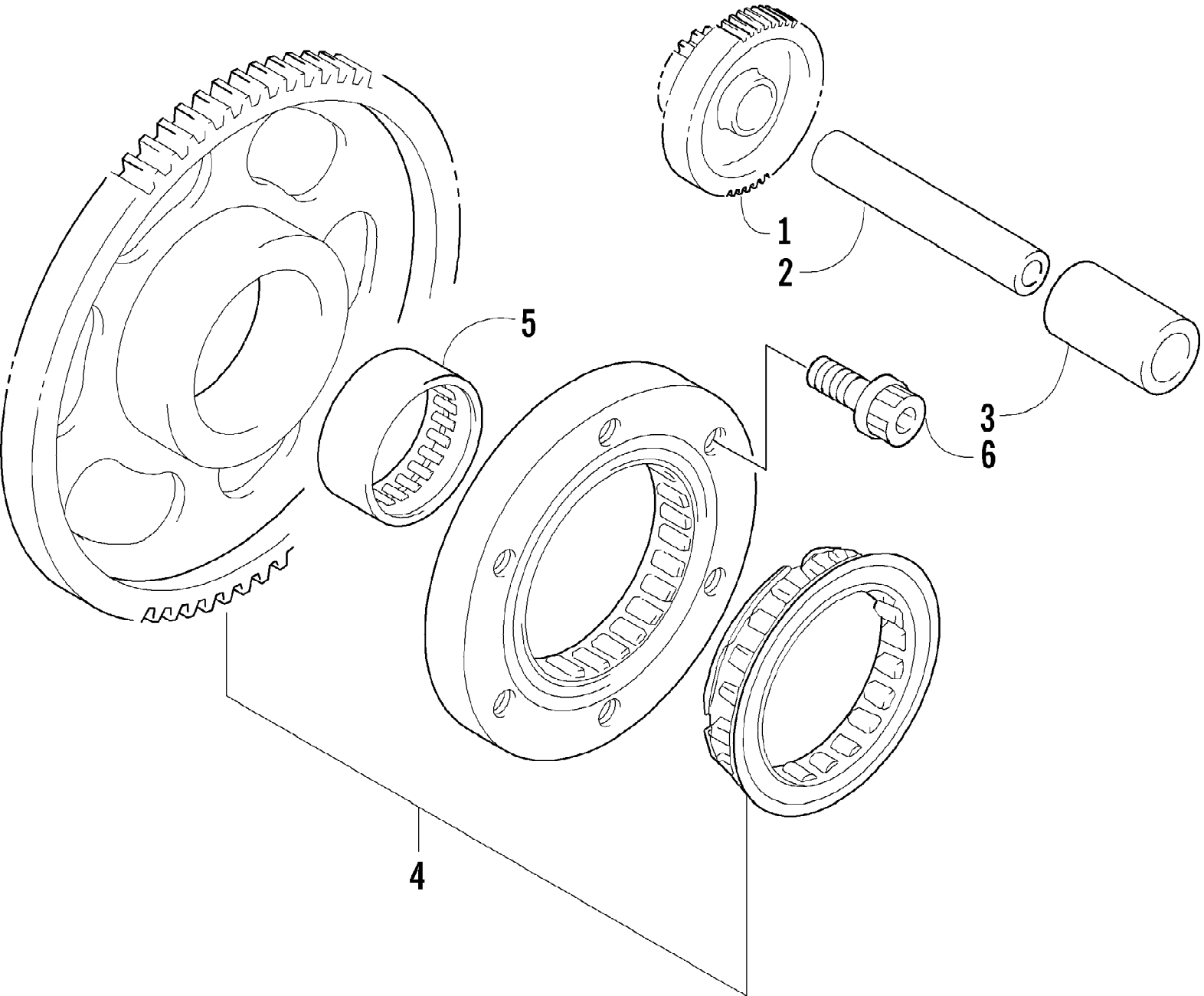
2004 ATV 300 4X4 GREEN MRP (A2004ATF4AUSS)
SHIFTER ASSEMBLY



2004 ATV 300 4X4 GREEN MRP (A2004ATF4AUSS)
 SHIFTER ASSEMBLY

Page 74 of 88

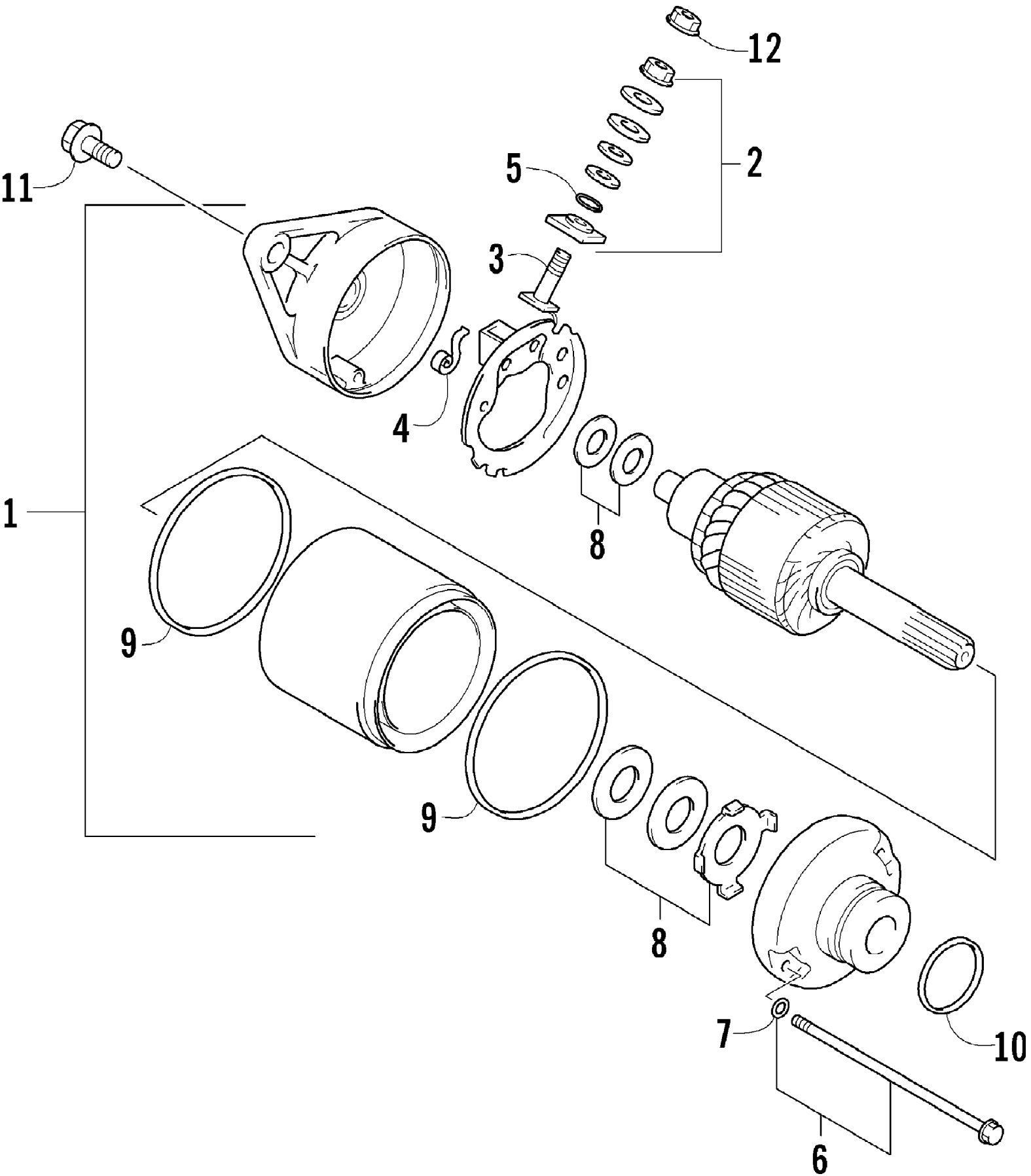
Ref #	Part Number	Qty	S/P/F	Description
1	0502-253	1		Lever, Footshift
2	1602-213	2	/P	O-Ring
3	0402-370	1		Axle, Lever
4	8422-002	1		Nut
5	0423-329	2		Screw, Shoulder
6	0406-363	2		Bushing
7	0502-257	1		Linkage, Shift
8	8050-247	1	/P	Washer
9	0423-091	2		Bushing
10	8050-242	1		Washer
11	3423-168	2	S	E-Ring
12	0423-075	1		Tie, Cable - Push-Mount
13	0623-025	1		Nut, Lock
14	0502-256	1		Linkage, Footshift Lever (inc. 15-16)
15	0402-844	1		End, Rod
16	0623-294	1		Nut



2004 ATV 300 4X4 GREEN MRP (A2004ATF4AUSS)
STARTER CLUTCH ASSEMBLY

Page 76 of 88

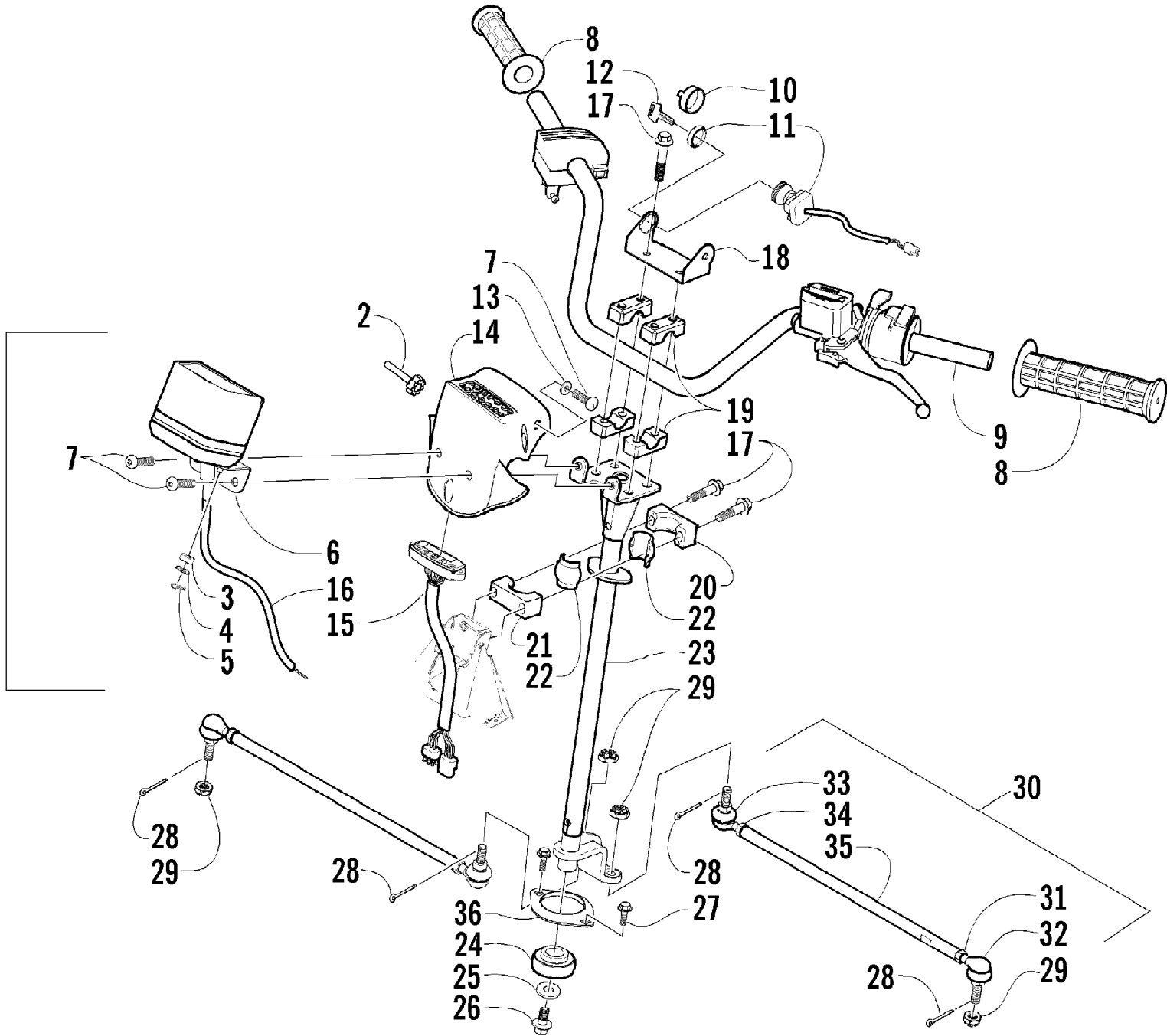
Ref #	Part Number	Qty	S/P/F	Description
1	3402-274	1	S	Gear, Starter Idler
2	3423-267	1		Pin
3	3402-145	1		Spacer
4	3402-273	1		Clutch Set, Starter (inc. 5)
5	3402-222	1		Bearing
6	3423-309	3		Screw, Cap



2004 ATV 300 4X4 GREEN MRP (A2004ATF4AUSS)
STARTER MOTOR ASSEMBLY

Page 78 of 88

Ref #	Part Number	Qty	S/P/F	Description
1	3545-017	1	/P	Motor, Starter - Assembly (inc. 2-10)
2	3402-671	1		Terminal Set, Brush
3	3402-799	1		Holder Set, Brush
4	3008-551	2		Spring, Brush
5	3008-164	1		O-Ring
6	3423-536	2		Through-Bolt (inc. 7)
7	3423-496	2		O-Ring
8	3008-099	1		Washer Set
9	3008-553	2	/P	O-Ring
10	3008-363	1	/P	O-Ring
11	3004-756	2	S	Screw, Cap
12	3423-195	1	/P	Nut

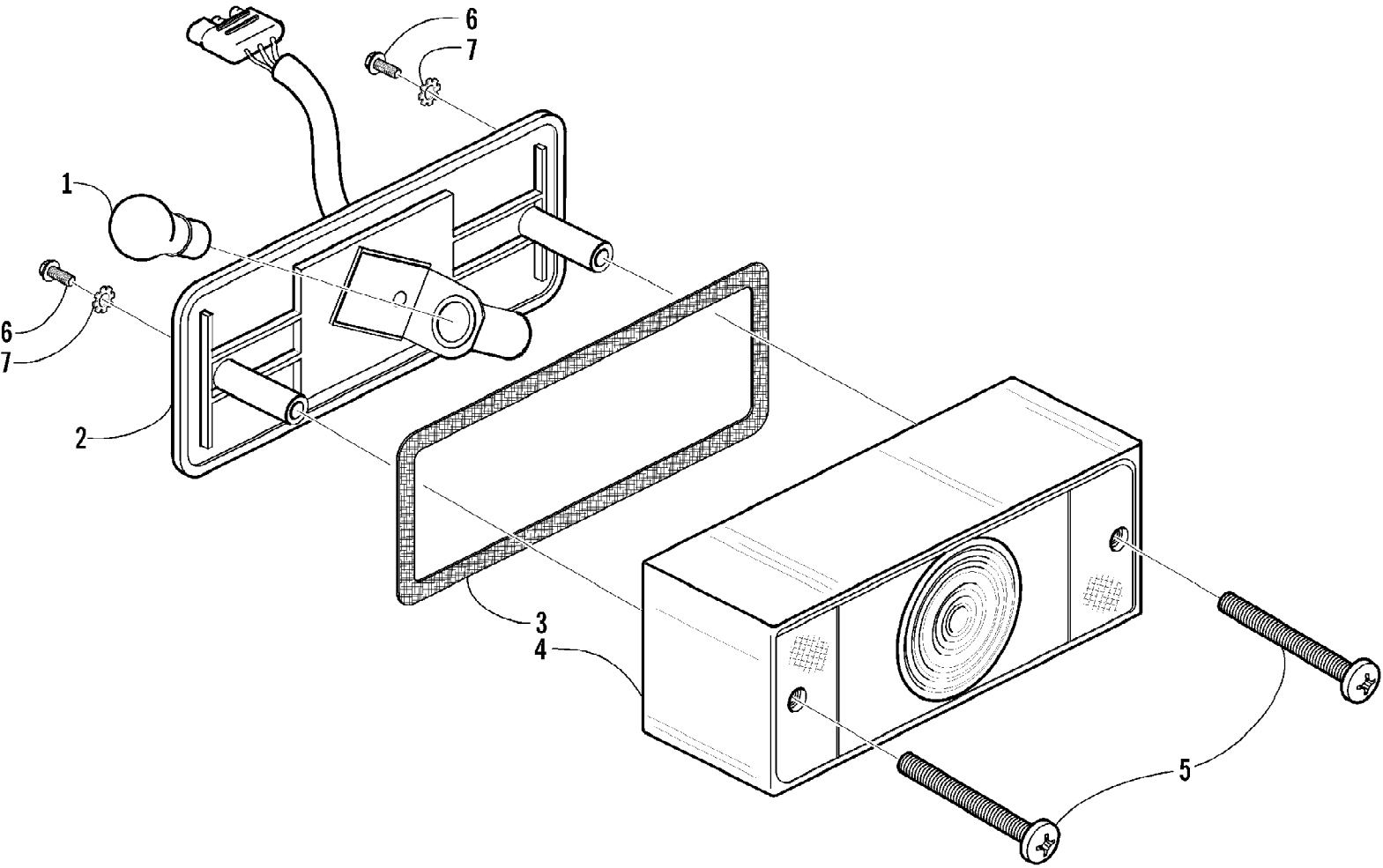


2004 ATV 300 4X4 GREEN MRP (A2004ATF4AUSS)
STEERING ASSEMBLY

Page 80 of 88

Ref #	Part Number	Qty	S/P/F	Description
1	0420-040	1	/P	Speedometer (inc. 2-6)
2	0420-027	1		Knob, Speedometer Trip
3	0420-016	2		Mount, Rubber
4	0420-017	2		Washer
5	0420-015	2		Pin, Retainer
6	0420-018	1		Bracket, Speedometer
7	8477-616	3		Screw, Machine
8	0405-106	2		Grip, Handlebar
9	0505-427	1		Tube, Handlebar
10	0409-013	1		Cover, Key
11	3430-040	1		Switch, Ignition - Assembly (inc. 12)
12	3409-007	1	/P	Key, Ignition - Blank (C Series)
12	3409-011	1		Key, Ignition - Blank (D Series)
12	3409-012	1		Key, Ignition - Blank (E Series)
12	3409-013	1		Key, Ignition - Blank (F Series)
13	0423-052	1		Collar, Body
14	0405-063	1		Instrument Pod
15	0420-034	1	/P	Panel, LED
16	0487-025	1	/P	Cable, Speedometer
17	8408-860	6		Screw, Cap
18	0506-348	1	/P	Bracket, Key Switch
19	0405-035	4		Cap, Steering Adjuster
20	0605-147	1	S	Housing, Bearing - Upper
21	0605-171	1		Housing, Bearing - Lower
22	0405-020	2		Bearing, Steering Post
23	0505-431	1	/P	Post, Steering
24	0405-052	1		Bearing w/Inverted Oil Seal
25	0423-073	1		Washer
26	8409-020	1	/P	Screw, Cap
27	8408-816	2		Screw, Cap
28	0623-175	4		Pin, Cotter
29	0423-157	4		Nut, Top Lock
30	0505-072	2	/P	Tie Rod, Assembly (inc. 31-35)
31	8420-002	2	/P	Nut - Right
32	0405-082	2	S	Ball Joint, Tie Rod - Right
33	0405-083	2	S	Ball Joint, Tie Rod - Left
34	0423-013	2		Nut - Left
35	0405-032	2		Tie Rod
36	0602-233	1		Flange, Bearing

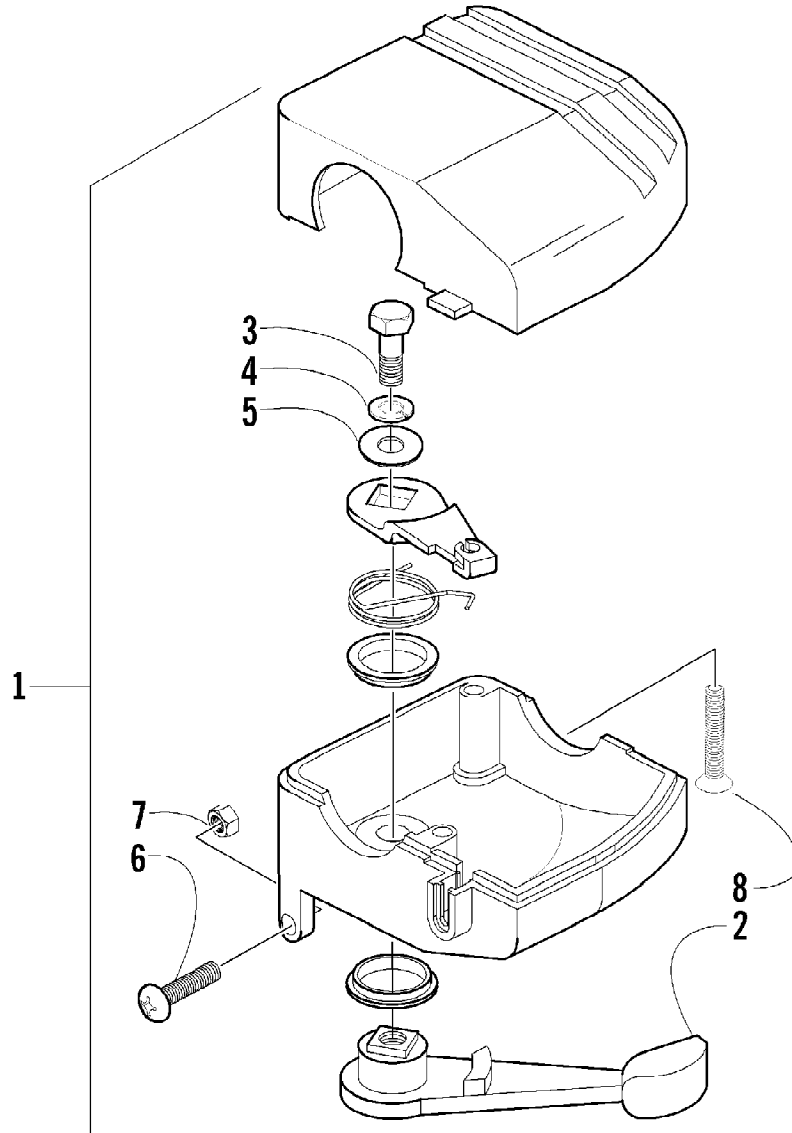
2004 ATV 300 4X4 GREEN MRP (A2004ATF4AUSS)
TAILLIGHT ASSEMBLY



2004 ATV 300 4X4 GREEN MRP (A2004ATF4AUSS)
TAILLIGHT ASSEMBLY

Page 82 of 88

Ref #	Part Number	Qty	S/P/F	Description
	0409-002	1		Complete Taillight Assembly
1	0109-460	1	/P	Bulb, Stop/Taillight
2	0409-058	1		Taillight w/Socket Assembly
3	0409-012	1		Gasket, Taillight Lens
4	0409-007	1		Lens, Taillight
5	0409-010	2		Screw, Machine
6	0623-301	2	/P	Screw, Self-Tapping
7	8053-212	2	/P	Washer, Lock - External Tooth

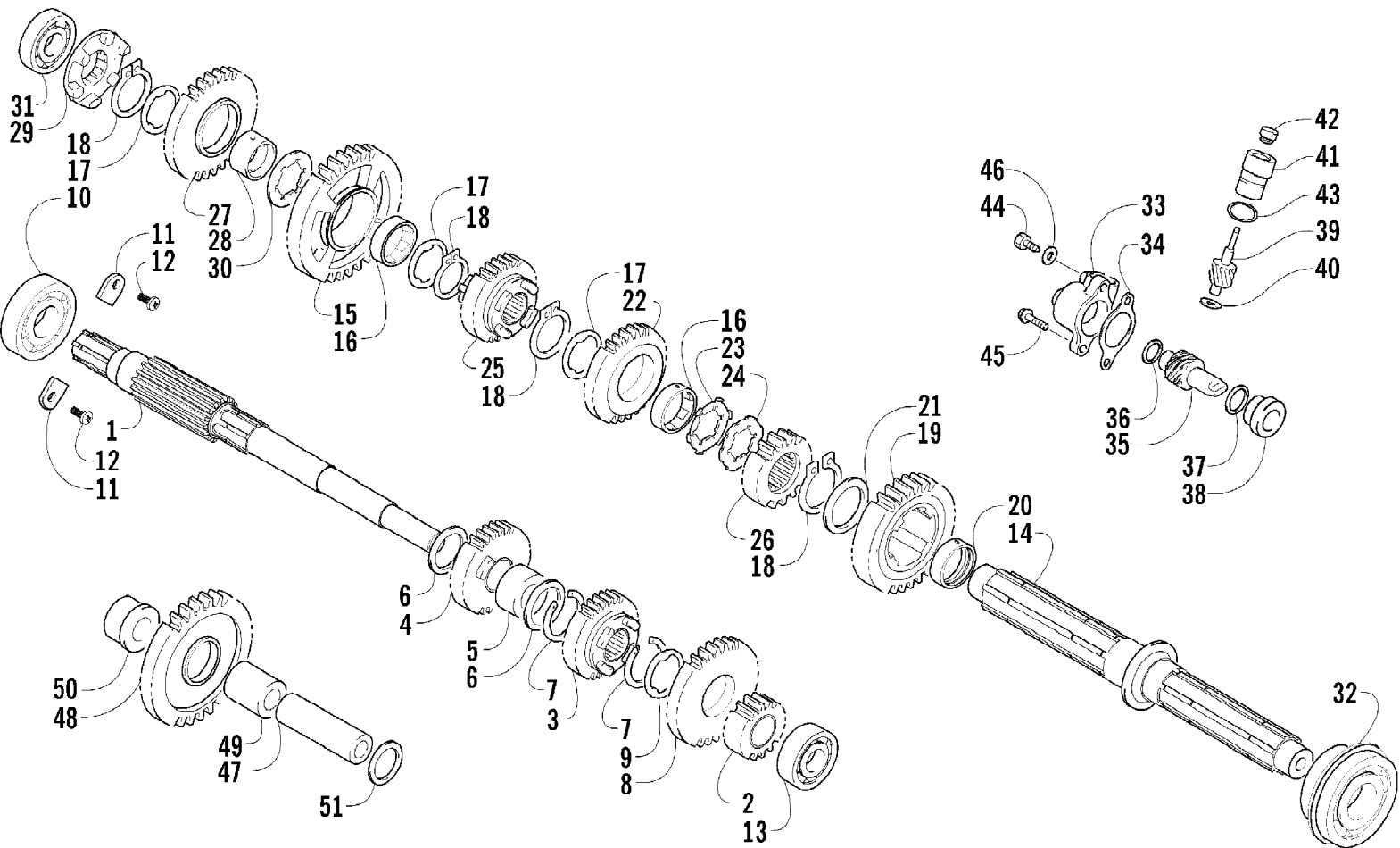


2004 ATV 300 4X4 GREEN MRP (A2004ATF4AUSS)
THROTTLE CASE ASSEMBLY

Page 84 of 88

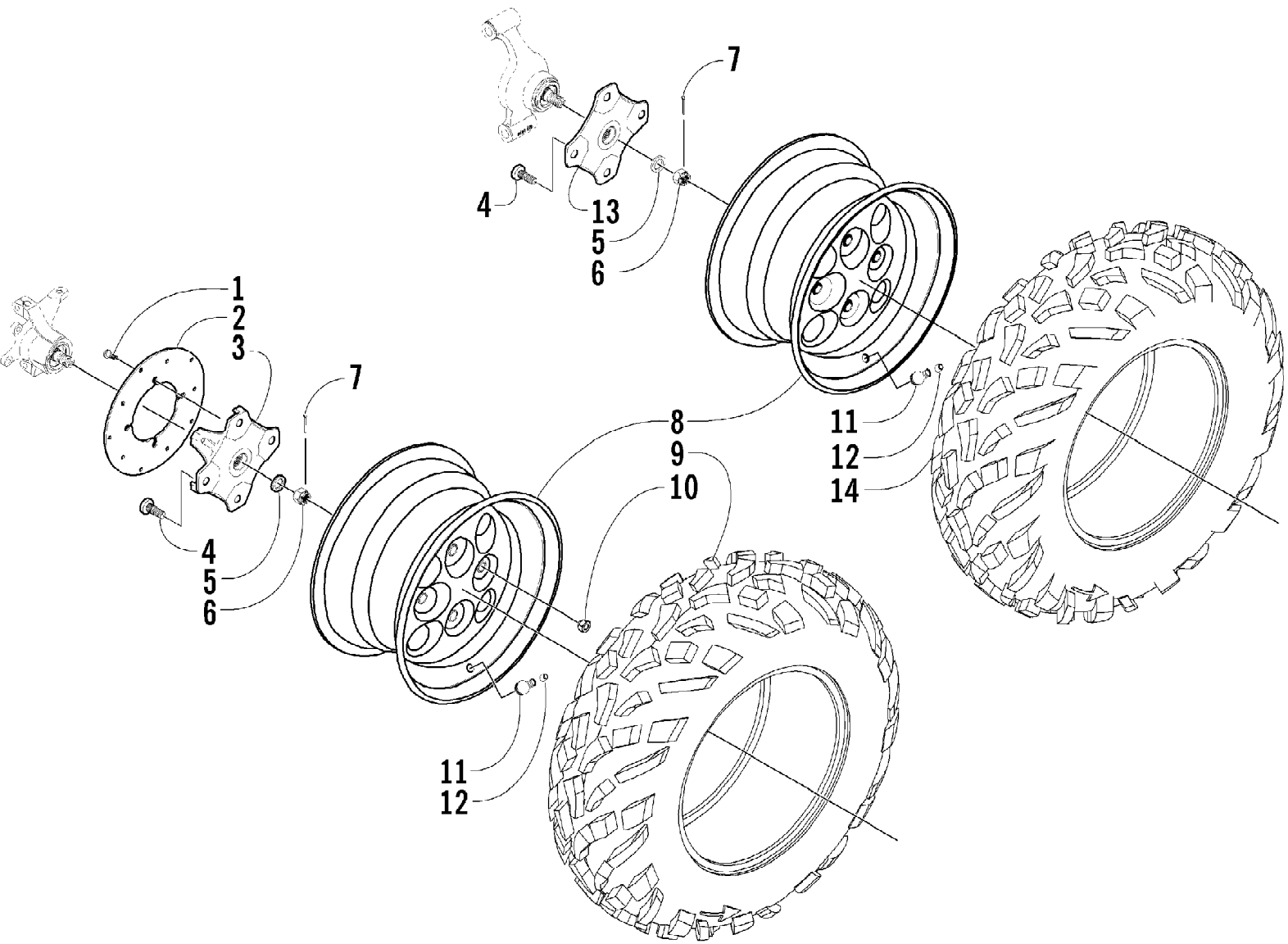
Ref #	Part Number	Qty	S/P/F	Description
1	3509-003	1	/P	Case, Throttle - Assembly (inc. 2-8)
2	3409-001	1		Lever
3	3004-533	1	S/P	Screw, Cap
4	3004-447	1	/P	Washer, Lock
5	3003-030	1	/P	Washer
6	3423-014	1		Screw
7	3423-327	1		Nut
8	3423-199	2		Screw

2004 ATV 300 4X4 GREEN MRP (A2004ATF4AUSS)
TRANSMISSION ASSEMBLY



Ref #	Part Number	Qty	S/P/F	Description
1	3446-277	1	/P	Countershaft
2	3446-137	1		Gear, 2nd Drive
3	3446-138	1		Gear, 3rd Drive
4	3446-139	1		Gear, 4th Drive
5	3402-229	1		Bushing
6	3402-210	2		Washer
7	3423-279	2		Circlip
8	3446-140	1		Gear, 5th Drive
9	3423-261	1	S	Washer
10	0691-374	1		Bearing - Right
11	3446-031	2	/P	Retainer
12	3423-370	2		Screw
13	3402-224	1		Bearing - Middle
14	3402-797	1	/P	Driveshaft
15	3446-141	1		Gear, 1st Driven
16	3446-273	2	/P	Bushing
17	3423-036	3		Washer
18	3423-066	4	/P	Circlip
19	3446-142	1		Gear, 2nd Driven
20	3402-230	1		Bushing
21	3423-317	1		Washer
22	3446-143	1		Gear, 3rd Driven
23	3423-266	1		Washer, Lock
24	3423-262	1		Washer, Lock
25	3446-146	1		Gear, 4th Driven
26	3446-147	1		Gear, 5th Driven
27	3446-151	1		Gear, Reverse Driven
28	3446-145	1		Bushing
29	3446-152	1		Dog, Reverse
30	3423-263	1		Washer
31	3402-218	1		Bearing - Right
32	3402-220	1		Bearing - Middle
33	3446-057	1		Housing, Speedometer Gear
34	3446-244	1	/P	Gasket
35	3446-228	1		Gear, Speedometer Drive
36	3423-336	1		Washer - Right
37	3423-337	1	S	Washer - Left
38	3446-114	1	/P	Spacer
39	3446-229	1		Gear, Speedometer Driven
40	3423-144	1		Washer
41	3446-058	1		Sleeve
42	3402-077	1		Seal, Oil
43	3423-056	1		O-Ring
44	3423-123	1		Screw, Cap
45	3423-346	2	S	Screw, Cap
46	3402-009	1	/P	Washer
47	3446-148	1		Shaft, Reverse Idle
48	3446-149	1		Gear, Reverse Idle
49	3402-228	1		Bushing
50	3446-150	1		Spacer
51	3402-209	1		Washer

2004 ATV 300 4X4 GREEN MRP (A2004ATF4AUSS)
WHEEL AND TIRE ASSEMBLY



2004 ATV 300 4X4 GREEN MRP (A2004ATF4AUSS)
WHEEL AND TIRE ASSEMBLY

Page 88 of 88

Ref #	Part Number	Qty	S/P/F	Description
1	0423-029	12		Screw, Machine
2	0402-874	3	S	Disc, Brake
3	0502-421	2	/P	Hub, Wheel - Front (inc. 4)
4	0402-974	16	/P	Stud, Wheel Hub
5	0402-181	4		Seal, Hub
6	0423-394	4		Nut, Hex
7	0423-407	4		Pin, Cotter
8	0402-856	4		Wheel Assembly
9	0402-317	2	/P	Tire - Front
10	0423-408	16	/P	Nut, Mounting - Wheel
11	0402-064	4		Stem, Valve (inc. 12)
12	0402-140	4		Cap, Valve Stem
13	0502-421	1	/P	Hub, Wheel - Rear - Right (inc. 4)
13	0502-423	1	/P	Hub, Wheel - Rear - Left (inc. 4)
14	0402-319	2	/P	Tire, Rear