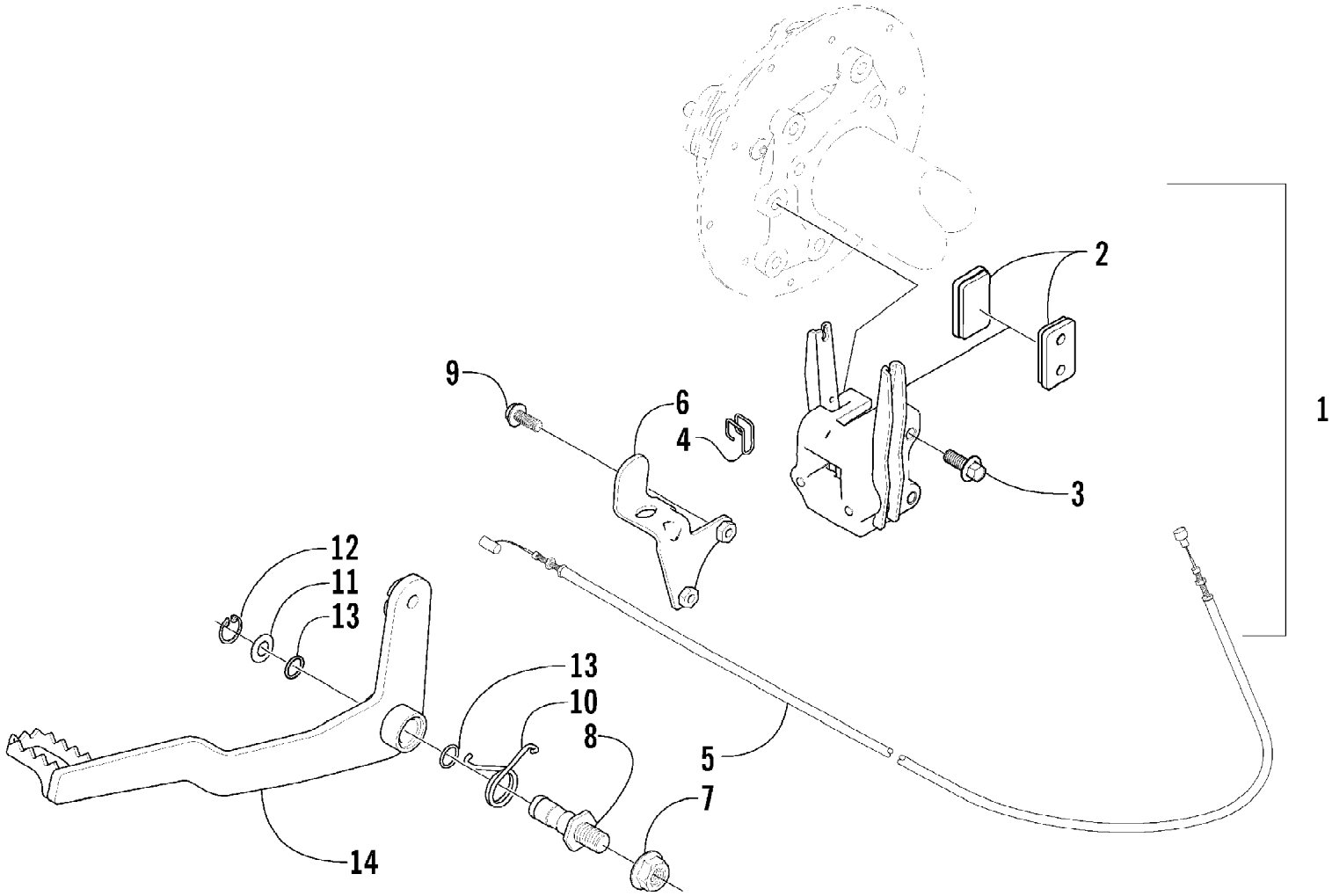




2004 ATV 250 4X4 RED (A2004ATE4AUSR)  
AIR INTAKE ASSEMBLY

Page 2 of 83

| Ref # | Part Number | Qty | S/P/F | Description                                 |
|-------|-------------|-----|-------|---|
| 1     | 3570-001    | 1   | /P    | Intake, Air - Assembly (inc. 2-7)           |
| 2     | 3402-330    | 1   |       | Slider, Retainer - Filter                   |
| 3     | 0470-421    | 1   |       | Filter, Air Cleaner                         |
| 4     | 3402-331    | 1   |       | Cap   |
| 5     | 8477-610    | 2   |       | Screw, Machine                              |
| 6     | 3423-329    | 1   |       | Joint                                       |
| 7     | 3423-311    | 2   |       | Clamp                                       |
| 8     | 3423-313    | 5   |       | Clamp, Hose                                 |
| 9     | 0423-127    | 1   |       | Plug, Drain                                 |
| 10    | 0470-442    | 1   | /P    | Valve, Air Cleaner                          |
| 11    | 0423-071    | 1   |       | Clamp                                       |
| 12    | 3470-004    | 1   |       | Tube, Crankcase Breather                    |
| 13    | 3402-236    | 1   | /P    | Clamp                                       |
| 14    | 0470-347    | 1   |       | Boot, Air Cleaner                           |
| 15    | 0423-317    | 1   | /P    | Clamp                                       |
| 16    | 0570-062    | 1   |       | Snorkel, Air Intake - Assembly (inc. 17-19) |
| 17    | 0623-101    | 1   |       | Clip, Routing                               |
| 18    | 0406-379    | 1   | /P    | Strap, Tool Kit                             |
| 19    | 0606-586    | 1   |       | Clip, Retaining                             |
| 20    | 0444-122    | 1   | S/P   | Kit, Tool                                   |
| 21    | 8476-616    | 5   |       | Screw, Cap                                  |
| 22    | 0423-128    | 1   |       | Spring, Vent Tube                           |
| 23    | 3402-334    | 1   |       | Plug, Breather                              |
| 24    | 3470-002    | 1   |       | Valve, Check                                |
| 25    | 3423-424    | 1   |       | Clip, Air Cleaner                           |
| 26    | 0423-047    | 1   |       | Clamp, Hose                                 |
| 27    | 8053-212    | 1   | /P    | Washer, External Tooth Lock                 |

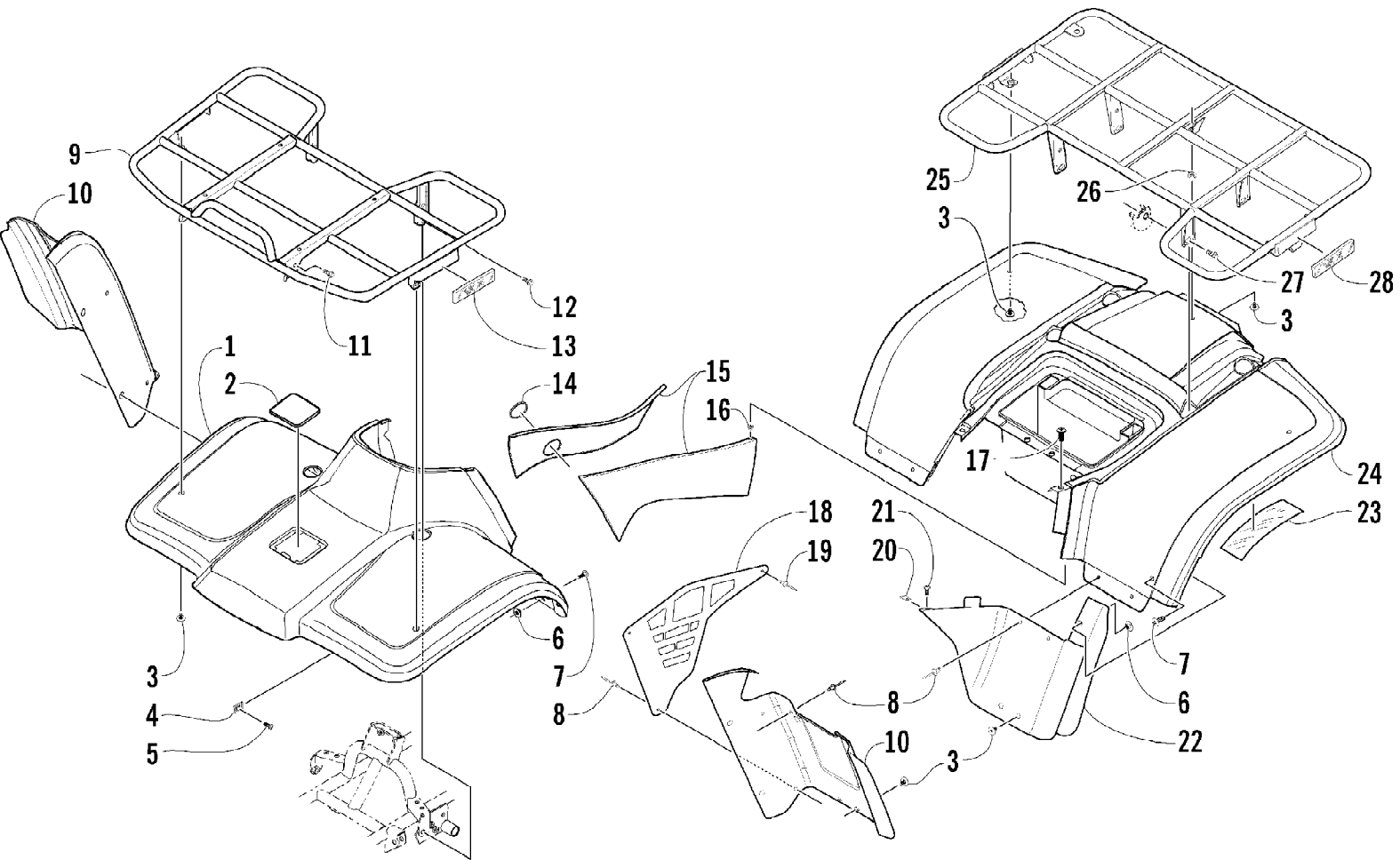


2004 ATV 250 4X4 RED (A2004ATE4AUSR)  
AUXILIARY BRAKE ASSEMBLY

Page 4 of 83

| Ref # | Part Number | Qty | S/P/F | Description                       |
|-------|-------------|-----|-------|-----------------------------------|
| 1     | 0502-372    | 1   | /P    | Auxiliary Brake Assembly (inc. 2) |
| 2     | 0402-958    | 2   | /P    | Pad, Brake                        |
| 3     | 8408-825    | 2   |       | Screw, Cap                        |
| 4     | 0402-379    | 1   |       | Wire Form, Cable                  |
| 5     | 0487-010    | 1   |       | Cable, Brake - Rear               |
| 6     | 0502-056    | 1   |       | Bracket, Brake Switch             |
| 7     | 0423-165    | 1   |       | Nut                               |
| 8     | 0406-562    | 1   |       | Axle, Brake Lever                 |
| 9     | 8476-616    | 2   |       | Screw, Cap                        |
| 10    | 0502-409    | 1   | /P    | Spring, Brake Lever               |
| 11    | 0423-027    | 1   |       | Washer, Brake Lever               |
| 12    | 0623-237    | 1   | /P    | Ring, Snap                        |
| 13    | 0670-183    | 2   |       | O-Ring                            |
| 14    | 0502-095    | 1   | /P    | Lever, Brake                      |

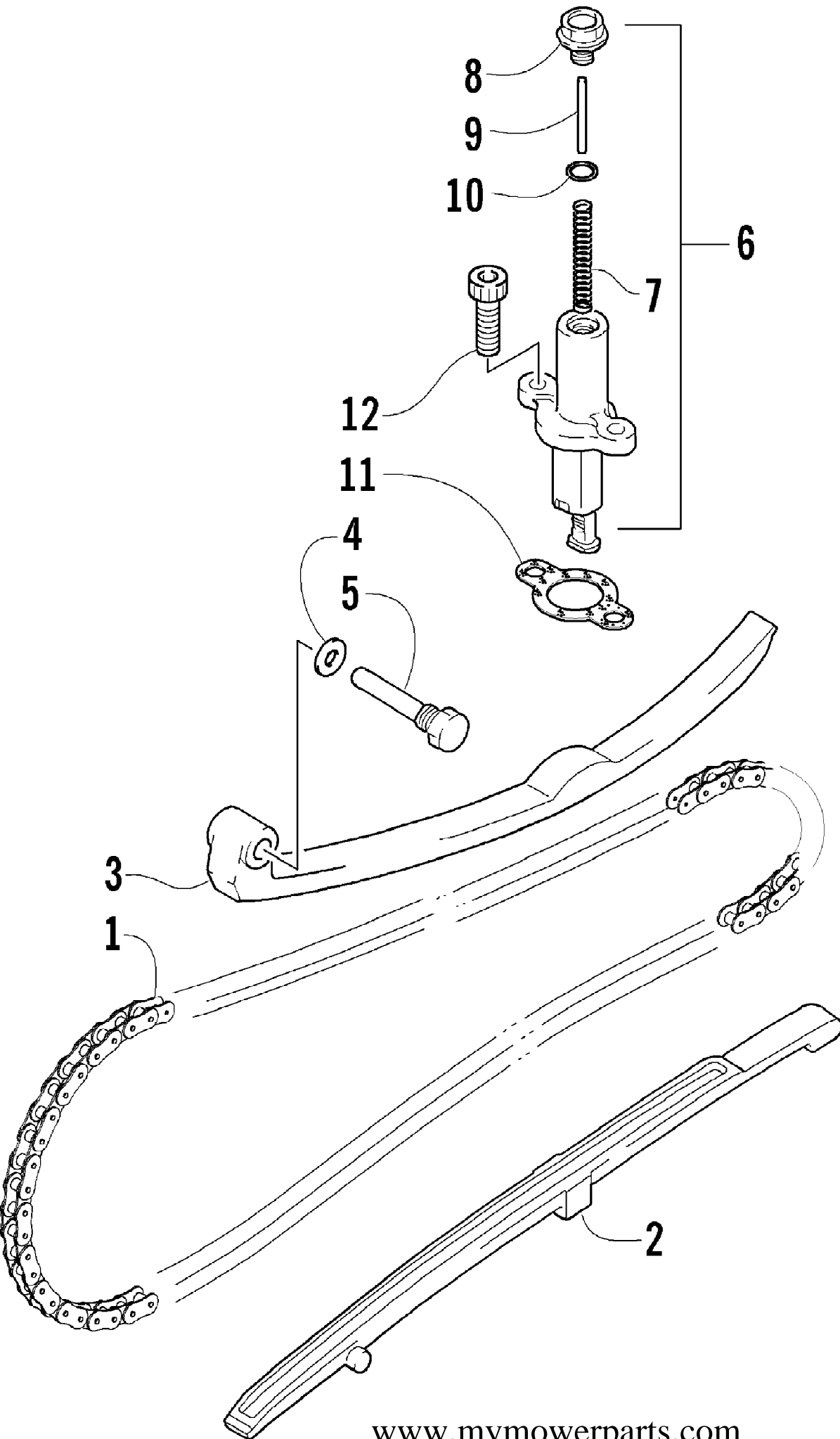
2004 ATV 250 4X4 RED (A2004ATE4AUSR)  
BODY PANEL ASSEMBLY



2004 ATV 250 4X4 RED (A2004ATE4AUSR)  
BODY PANEL ASSEMBLY

Page 6 of 83

| Ref # | Part Number | Qty | S/P/F | Description                     |
|-------|-------------|-----|-------|---------------------------------|
| 1     | 0506-605    | 1   |       | Panel, Fender - Front (inc. 2)  |
| 2     | 1406-142    | 1   | /P    | Cover, Access                   |
| 3     | 0423-101    | AR  |       | Screw, Body                     |
| 4     | 0423-031    | 2   |       | Nut, Speed                      |
| 5     | 8477-616    | 2   |       | Screw, Machine                  |
| 6     | 0423-077    | 4   | /P    | T-Nut                           |
| 7     | 8477-616    | 4   |       | Screw, Shoulder                 |
| 8     | 0423-046    | AR  |       | Rivet, Plastic                  |
| 9     | 1506-178    | 1   |       | Rack - Front                    |
| 10    | 0506-272    | 1   |       | Panel, Kick - Right             |
| 10    | 0506-629    | 1   |       | Panel, Kick - Left              |
| 11    | 0423-360    | 2   |       | Screw, Cap                      |
| 12    | 8408-816    | 2   |       | Screw, Cap                      |
| 13    | 0411-646    | 2   |       | Decal, Reflector - Amber        |
| 14    | 0470-404    | 1   |       | Grommet, Fuel Shut-Off Valve    |
| 15    | 0506-548    | 1   |       | Panel, Side - Right             |
| 15    | 0506-243    | 1   |       | Panel, Side - Left              |
| 16    | 0123-010    | 2   | /P    | Nut, Expansion                  |
| 17    | 0423-068    | 2   |       | Screw, Machine                  |
| 18    | 0406-374    | 2   |       | Panel, Deflector                |
| 19    | 0623-362    | 2   |       | Rivet, Plastic                  |
| 20    | 0423-060    | 2   |       | Clip, Tinnerman                 |
| 21    | 0623-309    | 2   |       | Screw, Self-Tapping             |
| 22    | 0406-084    | 1   |       | Fender Extension - Rear - Right |
| 22    | 0406-085    | 1   |       | Fender Extension - Rear - Left  |
| 23    | 0619-230    | AR  | /P    | Tape, Foil                      |
| 24    | 0506-617    | 1   |       | Panel, Fender - Rear            |
| 25    | 1506-179    | 1   |       | Rack - Rear                     |
| 26    | 0423-332    | 1   |       | Washer, Rubber                  |
| 27    | 8409-020    | 4   | /P    | Screw, Cap                      |
| 28    | 0411-647    | 2   |       | Decal, Reflector - Red          |



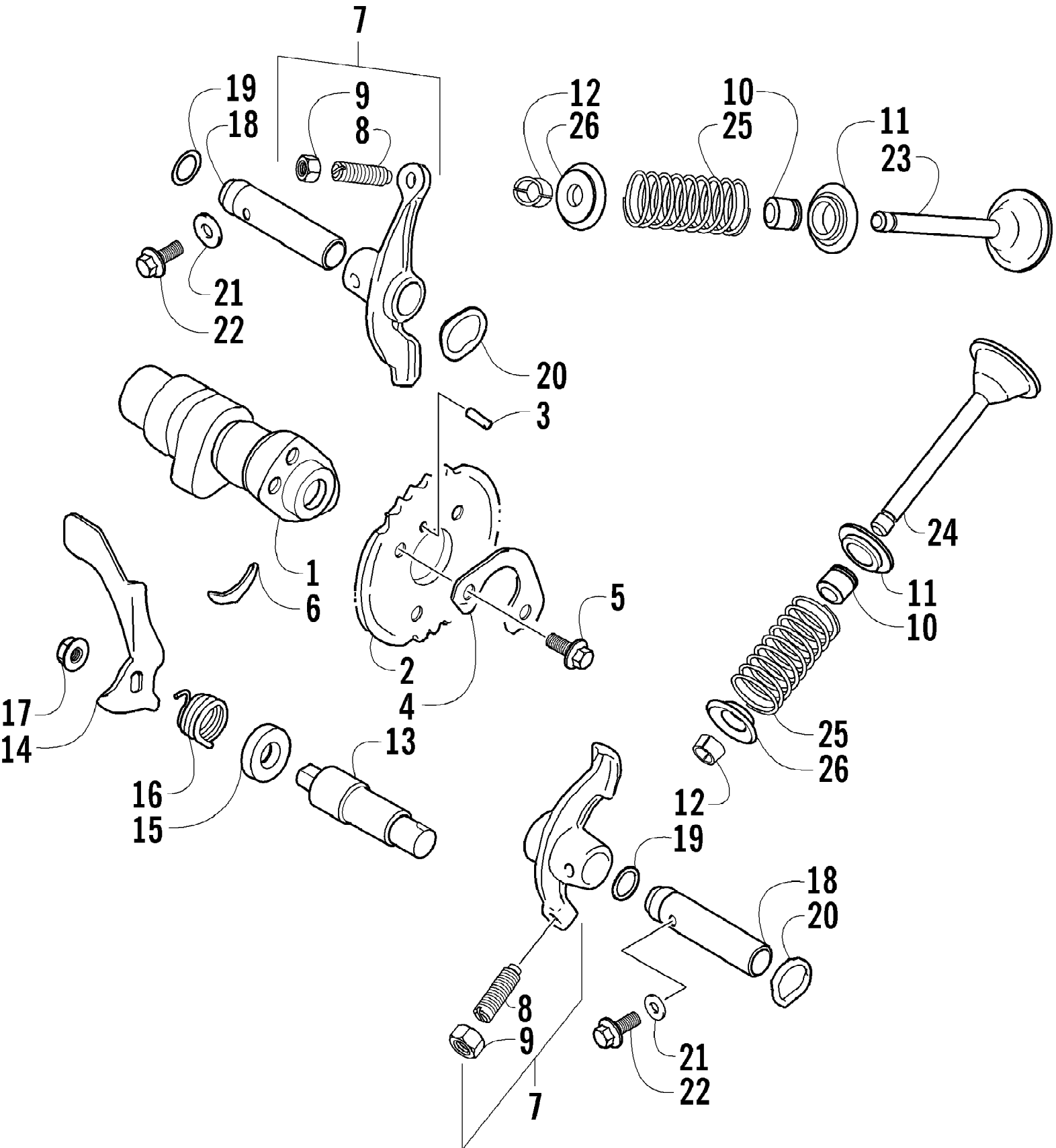
2004 ATV 250 4X4 RED (A2004ATE4AUSR)  
CAM CHAIN ASSEMBLY

Page 8 of 83

| Ref # | Part Number | Qty | S/P/F | Description                                |
|-------|-------------|-----|-------|--|
| 1     | 3402-398    | 1   |       | Chain, Camshaft                            |
| 2     | 3402-399    | 1   | S     | Guide, Camshaft Chain                      |
| 3     | 3402-400    | 1   |       | Tensioner, Camshaft Chain                  |
| 4     | 3003-188    | 1   | S/P   | Washer                                     |
| 5     | 3423-074    | 1   |       | Screw, Cap                                 |
| 6     | 3402-283    | 1   |       | Adjuster, Tensioner - Assembly (inc. 7-10) |
| 7     | 3402-284    | 1   |       | Spring                                     |
| 8     | 3402-285    | 1   |       | Plug                                       |
| 9     | 3402-286    | 1   |       | Bar  |
| 10    | 3423-286    | 1   |       | O-Ring                                     |
| 11    | 3402-287    | 1   |       | Gasket, Adjuster                           |
| 12    | 3004-576    | 2   | S     | Screw, Cap                                 |



2004 ATV 250 4X4 RED (A2004ATE4AUSR)  
CAMSHAFT/VALVE ASSEMBLY

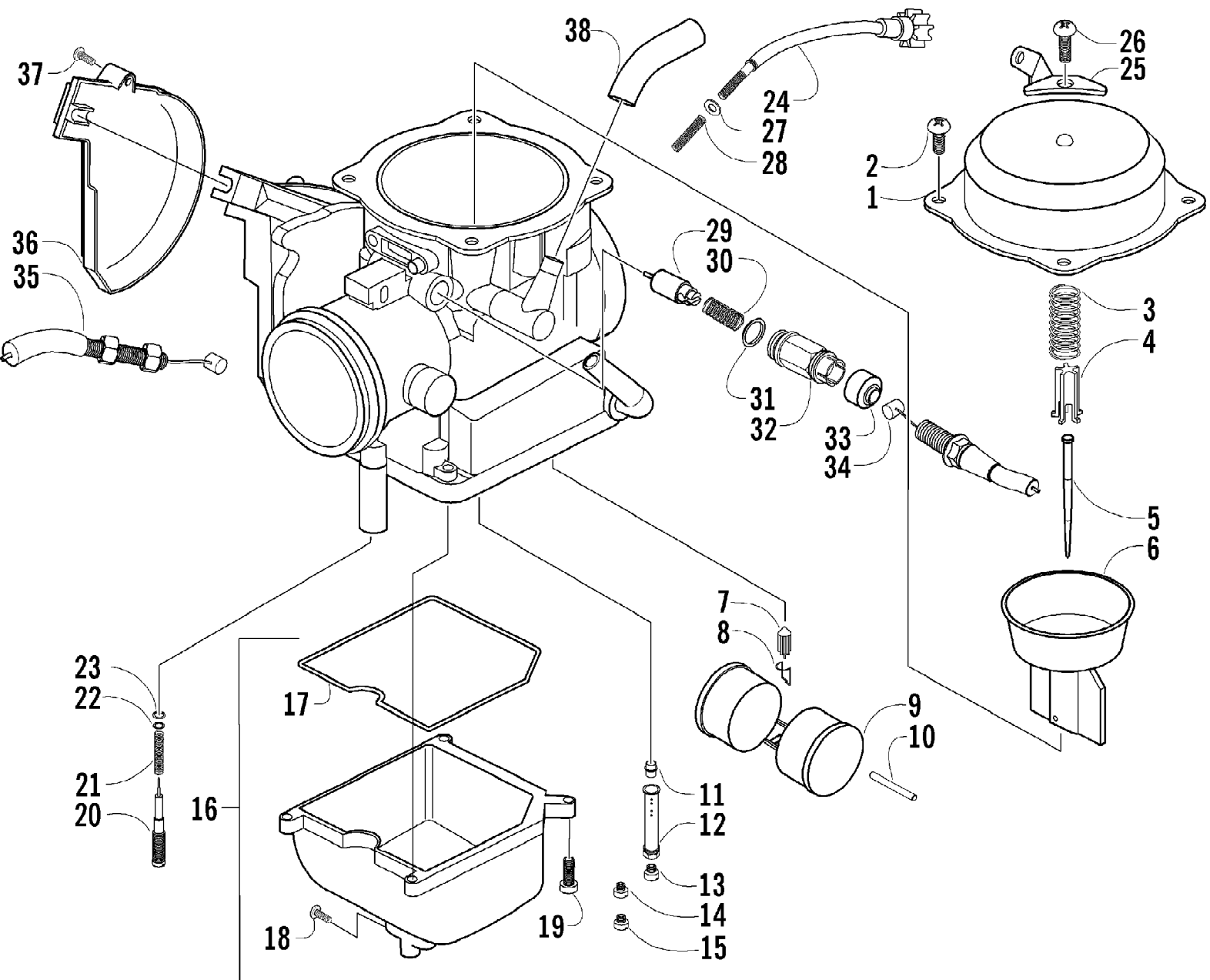


2004 ATV 250 4X4 RED (A2004ATE4AUSR)  
CAMSHAFT/VALVE ASSEMBLY

Page 10 of 83

| Ref # | Part Number | Qty | S/P/F | Description                  |
|-------|-------------|-----|-------|------------------------------|
| 1     | 3402-397    | 1   |       | Camshaft                     |
| 2     | 3402-427    | 1   |       | Sprocket                     |
| 3     | 3423-047    | 1   |       | Pin                          |
| 4     | 3423-284    | 1   | S     | Washer                       |
| 5     | 3423-013    | 2   | S     | Screw                        |
| 6     | 3423-071    | 1   | /P    | C-Ring                       |
| 7     | 3402-288    | 2   |       | Arm, Valve Rocker (inc. 8-9) |
| 8     | 3423-287    | 2   |       | Screw, Cap                   |
| 9     | 3423-288    | 2   |       | Nut                          |
| 10    | 3402-226    | 2   |       | Seal, Oil                    |
| 11    | 3402-403    | 2   |       | Seat, Valve Spring           |
| 12    | 0693-281    | 4   | /P    | Cotter, Valve                |
| 13    | 3402-295    | 1   |       | Shaft, Decompression Lever   |
| 14    | 3402-296    | 1   |       | Lever, Decompression         |
| 15    | 3402-225    | 1   |       | Seal, Oil                    |
| 16    | 3402-242    | 1   |       | Spring                       |
| 17    | 3004-326    | 1   | S/P   | Nut                          |
| 18    | 3402-289    | 2   |       | Shaft, Rocker Arm            |
| 19    | 3423-052    | 2   |       | O-Ring                       |
| 20    | 3423-259    | 2   |       | Washer                       |
| 21    | 3003-290    | 2   | /P    | Gasket                       |
| 22    | 3004-376    | 2   | S/P   | Screw, Cap                   |
| 23    | 3402-290    | 1   |       | Valve, Intake                |
| 24    | 3402-291    | 1   |       | Valve, Exhaust               |
| 25    | 3402-401    | 2   |       | Spring, Valve - Set          |
| 26    | 3402-402    | 2   |       | Retainer, Spring             |

2004 ATV 250 4X4 RED (A2004ATE4AUSR)  
CARBURETOR

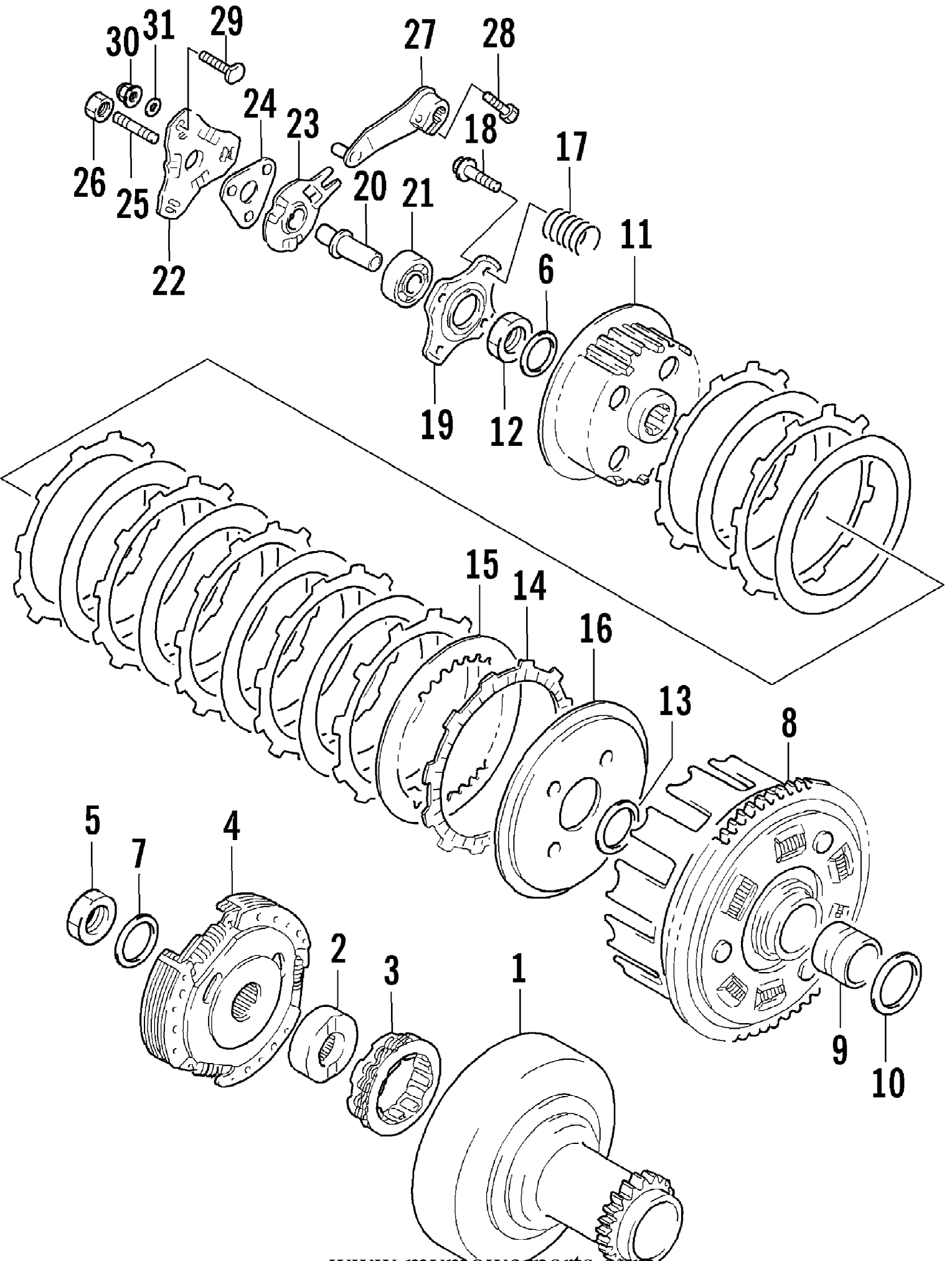


2004 ATV 250 4X4 RED (A2004ATE4AUSR)  
CARBURETOR

Page 12 of 83

| Ref # | Part Number | Qty | S/P/F | Description                            |
|-------|-------------|-----|-------|--|
|       | 0470-387    | 1   |       | Complete Carburetor Assembly           |
| 1     | 5507-001    | 1   |       | Cover, Top                             |
| 2     | 5507-002    | 3   | /P    | Screw, Top Cover                       |
| 3     | 5507-052    | 1   |       | Spring                                 |
| 4     | 5507-054    | 1   |       | Spring, Seat                           |
| 5     | 5507-055    | 1   |       | Jet Needle                             |
| 6     | 5507-053    | 1   |       | Piston, Vacuum                         |
| 7     | 5507-038    | 1   |       | Valve, Float - Set (inc. 8)            |
| 8     | 0           | 1   | F     | Clip                                   |
| 9     | 5507-039    | 1   |       | Float Set (inc. 10)                    |
| 10    | 0           | 1   | F     | Pin, Float                             |
| 11    | 5507-056    | 1   |       | Needle Jet                             |
| 12    | 5507-047    | 1   | /P    | Holder, Needle Jet                     |
| 13    | 5507-088    | 1   | S     | Main Jet - 138                         |
| 13    | 5507-057    | 1   | /P    | Main Jet - 135**                       |
| 13    | 5507-041    | 1   |       | Main Jet - 147**                       |
| 13    | 5507-042    | 1   | /P    | Main Jet - 145**                       |
| 13    | 5507-043    | 1   |       | Main Jet - 142**                       |
| 13    | 5507-044    | 1   |       | Main Jet - 140**                       |
| 13    | 5507-009    | 1   | /P    | Main Jet - 150**                       |
| 14    | 5507-010    | 1   | S     | Slow Jet                               |
| 15    | 5507-090    | 1   |       | Starter Jet - 60                       |
| 16    | 5507-064    | 1   |       | Chamber, Float - Assembly (inc. 17-18) |
| 17    | 5507-068    | 1   |       | O-Ring, Float Chamber                  |
| 18    | 5507-050    | 1   | /P    | Plug, Drain                            |
| 19    | 5507-089    | 4   | S     | Screw                                  |
| 20    | 5507-040    | 1   |       | Screw, Pilot Air - Set (inc. 21-23)    |
| 21    | 0           | 1   | F     | Spring                                 |
| 22    | 0           | 1   | F     | Washer                                 |
| 23    | 0           | 1   | F     | O-Ring                                 |
| 24    | 5507-059    | 1   |       | Screw, Idle Adjust (inc. 25)           |
| 25    | 0           | 1   | F     | Bracket, Idle Adjust Screw             |
| 26    | 5507-035    | 1   |       | Screw                                  |
| 27    | 5507-028    | 1   |       | Washer                                 |
| 28    | 5507-029    | 1   |       | Spring                                 |
| 29    | 5507-022    | 1   |       | Valve, Starter                         |
| 30    | 5507-023    | 1   |       | Spring                                 |
| 31    | 5507-024    | 1   |       | O-Ring                                 |
| 32    | 5507-025    | 1   |       | Cap                                    |
| 33    | 5507-026    | 1   |       | Cap, Rubber                            |
| 34    | 0487-017    | 1   |       | Cable, Choke                           |
| 35    | 0487-019    | 1   |       | Cable, Throttle                        |
| 36    | 5507-036    | 1   |       | Cover                                  |
| 37    | 5507-037    | 1   | /P    | Screw                                  |
| 38    | 5507-083    | 1   | /P    | Tube, Vinyl                            |

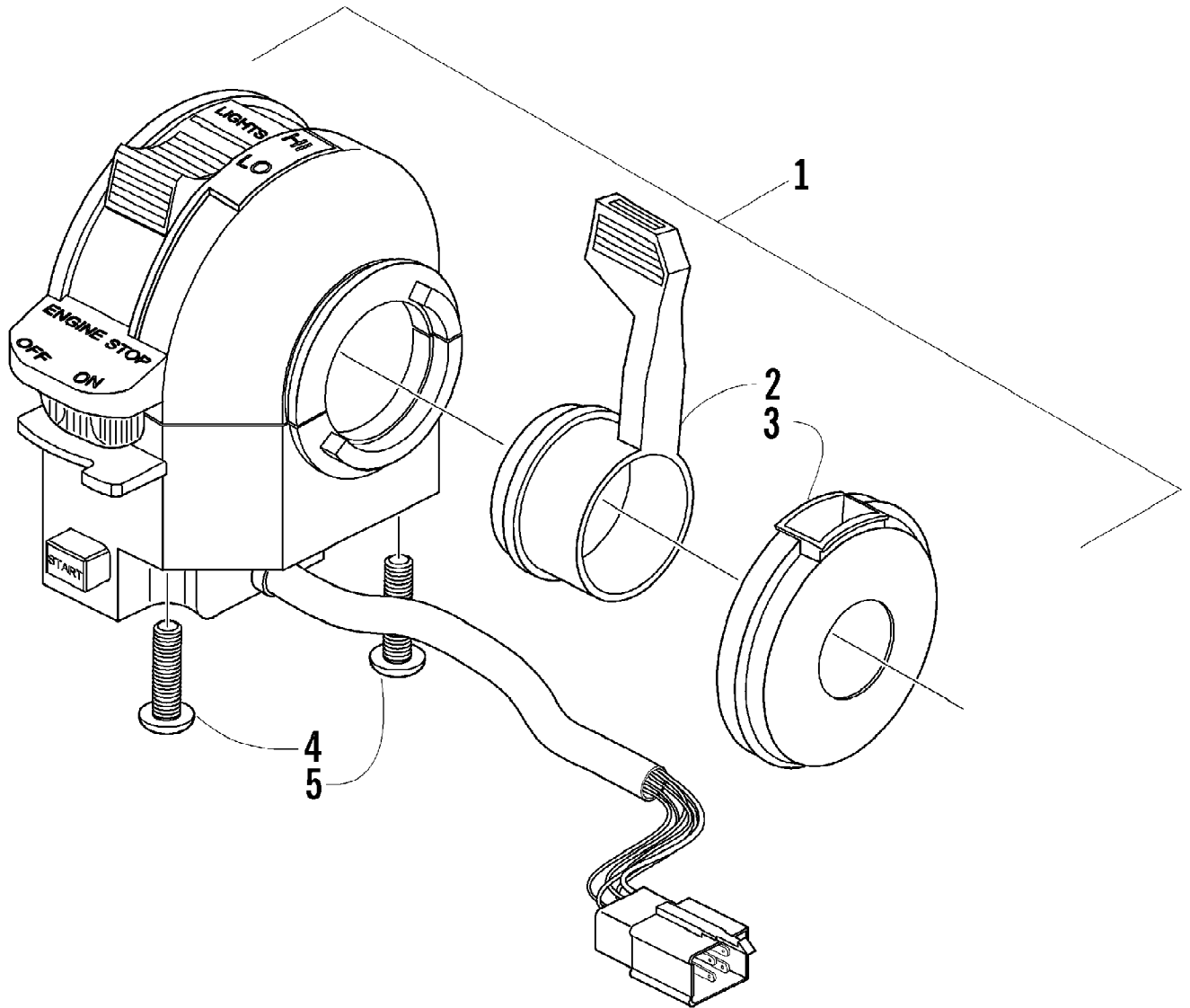
2004 ATV 250 4X4 RED (A2004ATE4AUSR)  
CLUTCH ASSEMBLY



2004 ATV 250 4X4 RED (A2004ATE4AUSR)  
CLUTCH ASSEMBLY

Page 14 of 83

| Ref # | Part Number | Qty | S/P/F | Description              |
|-------|-------------|-----|-------|--------------------------|
| 1     | 3446-253    | 1   | /P    | Gear, Primary Drive      |
| 2     | 3446-129    | 1   |       | Race, Inner              |
| 3     | 3446-122    | 1   |       | Clutch, One Way          |
| 4     | 3446-257    | 1   |       | Clutch Assembly          |
| 5     | 3423-253    | 1   |       | Nut                      |
| 6     | 3423-032    | 1   |       | Washer, Lock             |
| 7     | 3423-260    | 1   | S     | Washer, Lock             |
| 8     | 3446-254    | 1   |       | Gear, Primary - Assembly |
| 9     | 3402-206    | 1   |       | Spacer                   |
| 10    | 3402-211    | 1   |       | Washer                   |
| 11    | 3446-255    | 1   |       | Hub, Clutch              |
| 12    | 3423-254    | 1   |       | Nut                      |
| 13    | 3423-316    | 1   |       | Washer                   |
| 14    | 3446-124    | 7   |       | Plate, Drive             |
| 15    | 3446-125    | 6   |       | Plate, Driven            |
| 16    | 3446-256    | 1   |       | Plate, Clutch Pressure   |
| 17    | 3402-239    | 4   |       | Spring                   |
| 18    | 3004-341    | 4   | S/P   | Screw, Cap               |
| 19    | 3446-127    | 1   |       | Plate, Release           |
| 20    | 3446-130    | 1   |       | Rod, Push                |
| 21    | 3402-043    | 1   | /P    | Bearing                  |
| 22    | 3446-133    | 1   |       | Guide, Ball - Outer      |
| 23    | 3446-131    | 1   |       | Guide, Ball - Inner      |
| 24    | 3446-134    | 1   |       | Ball, Release            |
| 25    | 3423-248    | 1   |       | Screw, Adjuster          |
| 26    | 3423-022    | 1   |       | Nut, Adjuster            |
| 27    | 3446-132    | 1   |       | Arm, Release             |
| 28    | 3423-125    | 1   | S     | Screw, Cap               |
| 29    | 3423-245    | 3   |       | Screw, Cap               |
| 30    | 0693-316    | 3   | S     | Nut                      |
| 31    | 3003-290    | 3   | /P    | Seal, Cap Screw          |



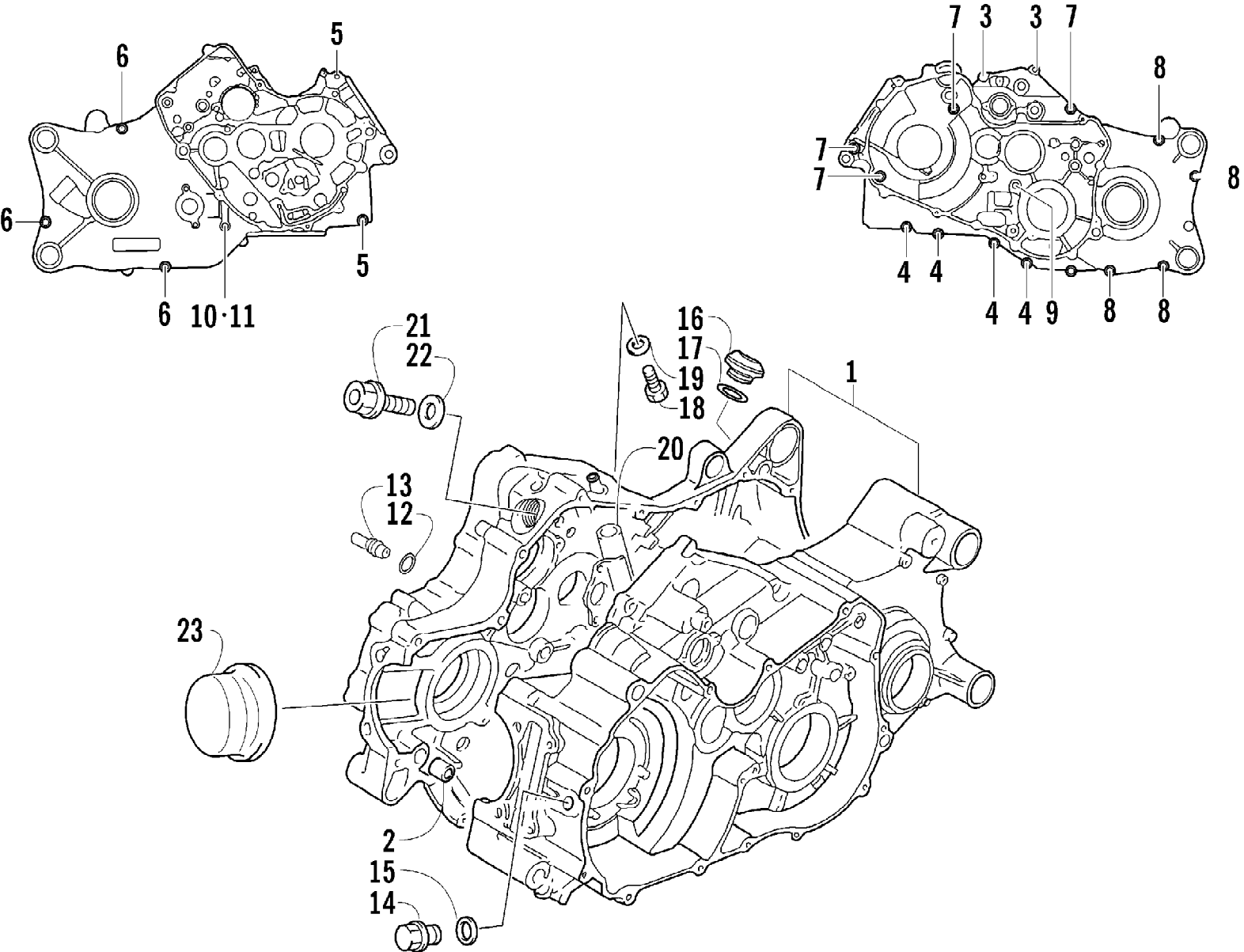
2004 ATV 250 4X4 RED (A2004ATE4AUSR)  
CONTROL SWITCH HOUSING ASSEMBLY

Page 16 of 83

| Ref # | Part Number | Qty | S/P/F | Description                           |
|-------|-------------|-----|-------|---------------------------------------|
| 1     | 3509-001    | 1   | S     | Switch, Control - Assembly (inc. 2-5) |
| 2     | 3409-009    | 1   |       | Lever, Choke                          |
| 3     | 3409-010    | 1   |       | Cover, Choke Lever                    |
| 4     | 3423-196    | 1   |       | Screw, Cap                            |
| 5     | 3423-197    | 1   |       | Screw, Cap                            |



2004 ATV 250 4X4 RED (A2004ATE4AUSR)  
CRANKCASE ASSEMBLY

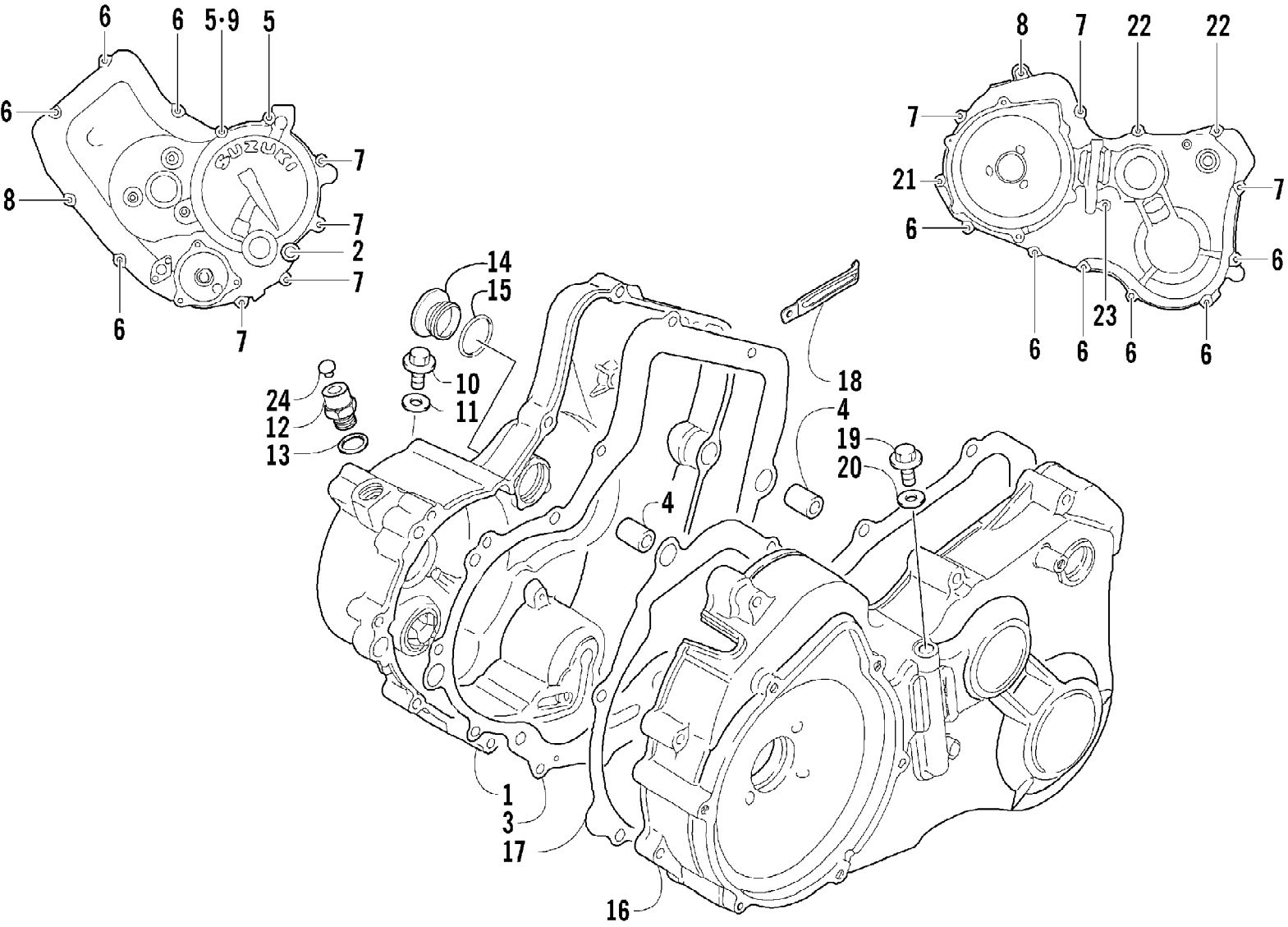


2004 ATV 250 4X4 RED (A2004ATE4AUSR)  
CRANKCASE ASSEMBLY

Page 18 of 83

| Ref # | Part Number | Qty | S/P/F | Description               |
|-------|-------------|-----|-------|---------------------------|
| 1     | 3402-528    | 1   | /P    | Crankcase Set (inc. 2-13) |
| 2     | 3423-088    | 2   |       | Pin, Dowel                |
| 3     | 3423-162    | 2   | S     | Screw, Cap                |
| 4     | 3423-098    | 4   | S     | Screw, Cap                |
| 5     | 3423-091    | 2   | S     | Screw, Cap                |
| 6     | 3423-307    | 3   | S     | Screw, Cap                |
| 7     | 3423-308    | 4   | S     | Screw, Cap                |
| 8     | 3423-094    | 4   |       | Screw, Cap                |
| 9     | 3423-232    | 1   |       | Screw, Cap                |
| 10    | 3423-234    | 1   |       | Screw, Cap                |
| 11    | 3005-243    | 1   |       | Gasket                    |
| 12    | 3423-051    | 1   |       | O-Ring, Oil Gallery Jet   |
| 13    | 3402-245    | 1   |       | Jet, Oil Gallery          |
| 14    | 3402-214    | 1   |       | Plug                      |
| 15    | 3402-012    | 1   |       | Gasket                    |
| 16    | 3402-212    | 1   |       | Cap, Oil Filler           |
| 17    | 3423-274    | 1   | /P    | O-Ring                    |
| 18    | 3402-404    | 1   |       | Plug, Oil Drain           |
| 19    | 3402-011    | 1   |       | Gasket                    |
| 20    | 3402-530    | 1   |       | Pipe, Breather            |
| 21    | 3402-258    | 1   |       | Plug, Reverse Switch Hole |
| 22    | 3423-271    | 1   |       | O-Ring                    |
| 23    | 0           | 1   | F     | N/A                       |

2004 ATV 250 4X4 RED (A2004ATE4AUSR)  
CRANKCASE COVER ASSEMBLY

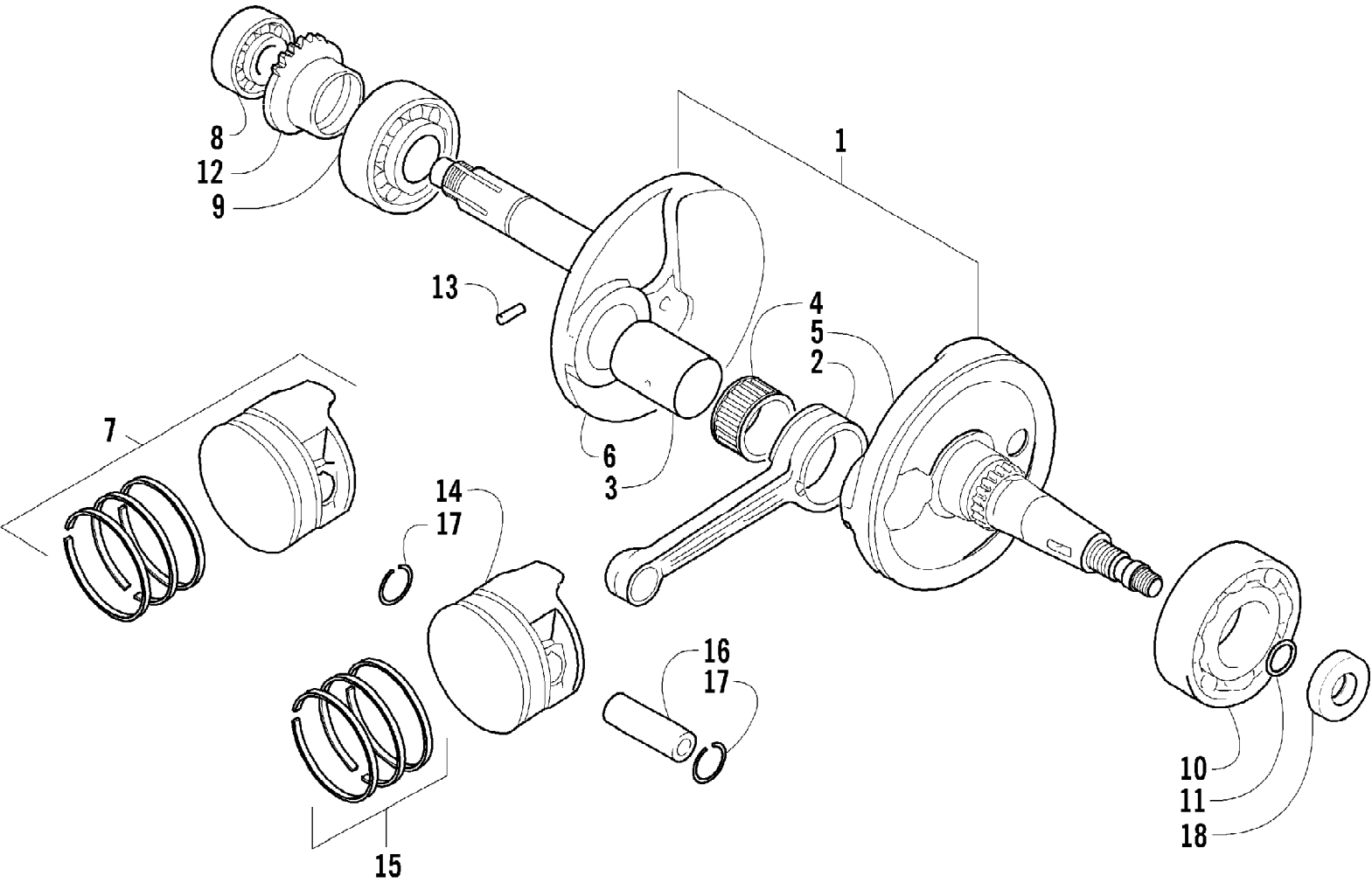


2004 ATV 250 4X4 RED (A2004ATE4AUSR)  
CRANKCASE COVER ASSEMBLY

Page 20 of 83

| Ref # | Part Number | Qty | S/P/F | Description            |
|-------|-------------|-----|-------|------------------------|
| 1     | 3402-254    | 1   | /P    | Cover, Clutch (inc. 2) |
| 2     | 3402-112    | 1   | /P    | Lens, Oil Inspection   |
| 3     | 3402-280    | 1   | S     | Gasket                 |
| 4     | 3423-088    | 4   |       | Pin, Dowel             |
| 5     | 3423-231    | 2   |       | Bolt                   |
| 6     | 0693-327    | 10  | S     | Bolt                   |
| 7     | 3423-098    | 7   | S     | Bolt                   |
| 8     | 3423-307    | 2   | S     | Bolt                   |
| 9     | 3003-290    | 1   | /P    | Gasket                 |
| 10    | 3004-705    | 2   | S     | Plug, Oil Gallery      |
| 11    | 3005-242    | 2   |       | Gasket                 |
| 12    | 3402-041    | 1   | S     | Plug, Oil Gallery      |
| 13    | 3402-013    | 1   | /P    | Gasket                 |
| 14    | 3402-215    | 1   |       | Cap, Clutch Adjust     |
| 15    | 3423-274    | 1   | /P    | O-Ring                 |
| 16    | 3402-256    | 1   |       | Cover, Transfer        |
| 17    | 3402-262    | 1   |       | Gasket, Transfer Cover |
| 18    | 0693-274    | 2   | /P    | Clamp, Breather Hose   |
| 19    | 3004-339    | 1   | S/P   | Plug, Oil Gallery      |
| 20    | 3003-290    | 1   | /P    | Gasket                 |
| 21    | 3004-756    | 1   | S     | Screw, Cap             |
| 22    | 3423-091    | 2   | S     | Screw, Cap             |
| 23    | 3423-308    | 1   | S     | Screw, Cap             |
| 24    | 3402-405    | 1   |       | Cap, Oil Gallery Plug  |

2004 ATV 250 4X4 RED (A2004ATE4AUSR)  
CRANKSHAFT ASSEMBLY

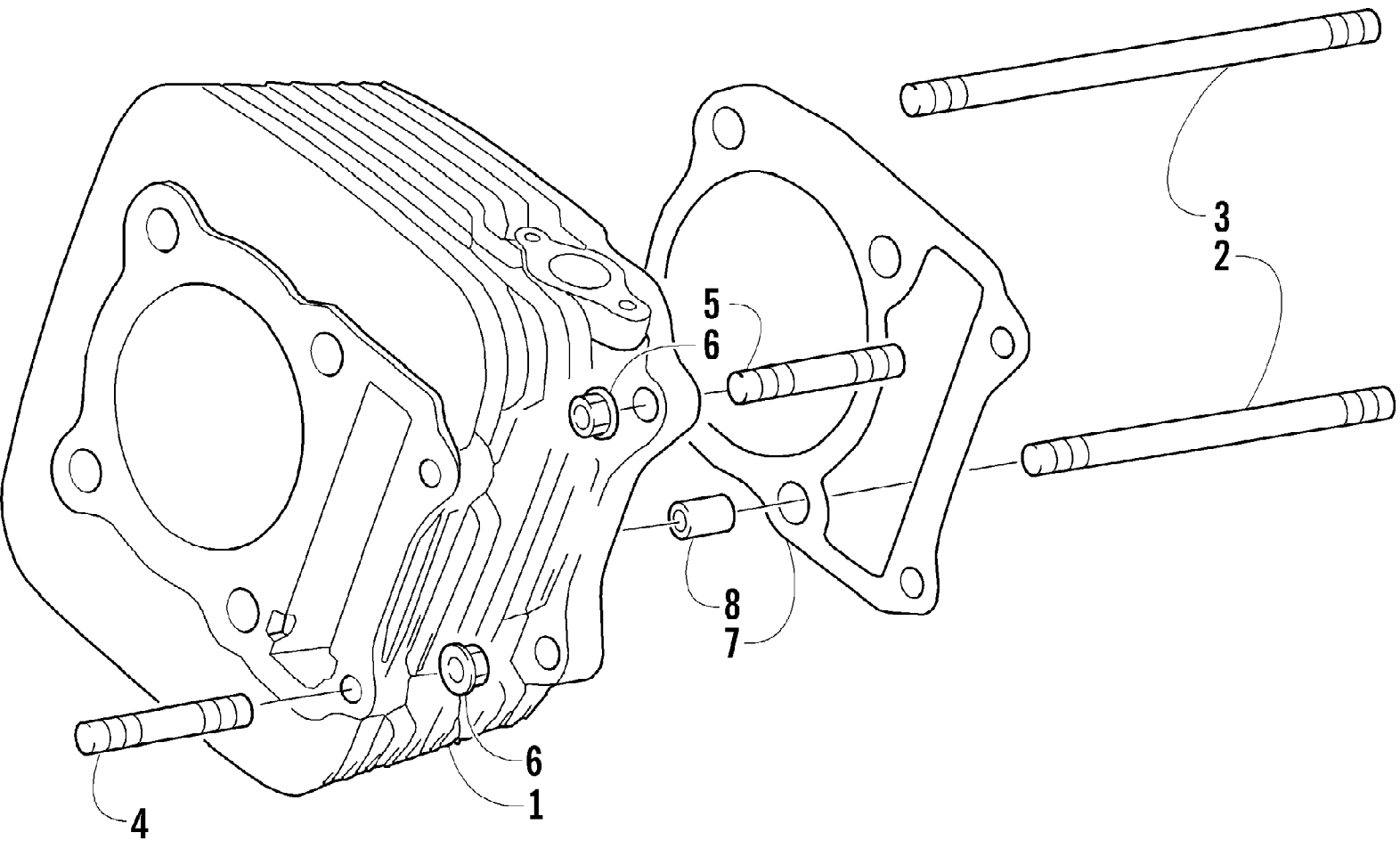


2004 ATV 250 4X4 RED (A2004ATE4AUSR)  
CRANKSHAFT ASSEMBLY

Page 22 of 83

| Ref # | Part Number | Qty | S/P/F | Description                            |
|-------|-------------|-----|-------|--|
| 1     | 3402-419    | 1   |       | Crankshaft Assembly (inc. 2-6)         |
| 2     | 3402-418    | 1   |       | Rod, Connecting                        |
| 3     | 3402-529    | 1   | /P    | Pin, Crank                             |
| 4     | 3402-406    | 1   |       | Bearing                                |
| 5     | 3402-421    | 1   | S     | Crankshaft - Left                      |
| 6     | 3402-420    | 1   |       | Crankshaft - Right                     |
| 7     | 3402-423    | 1   |       | Piston Set (Oversized 0.50 mm)         |
| 7     | 3402-424    | 1   |       | Piston Set (Oversized 1.00 mm)         |
| 8     | 3402-216    | 1   |       | Bearing - Right                        |
| 9     | 3402-221    | 1   |       | Bearing - Middle                       |
| 10    | 3402-180    | 1   | S     | Bearing - Left                         |
| 11    | 3423-053    | 1   | /P    | O-Ring                                 |
| 12    | 3402-428    | 1   |       | Gear, Oil Pump Drive                   |
| 13    | 3423-114    | 1   | /P    | Pin                                    |
| 14    | 3402-415    | 1   |       | Piston                                 |
| 15    | 3402-416    | 1   |       | Ring, Piston - Set                     |
| 15    | 3436-013    | 1   |       | Ring, Piston - Set (Oversized 0.50 mm) |
| 15    | 3436-014    | 1   |       | Ring, Piston - Set (Oversized 1.00 mm) |
| 16    | 3402-417    | 1   |       | Pin, Piston                            |
| 17    | 3423-366    | 2   |       | Circlip                                |
| 18    | 3402-227    | 1   |       | Seal, Oil                              |

2004 ATV 250 4X4 RED (A2004ATE4AUSR)  
CYLINDER ASSEMBLY



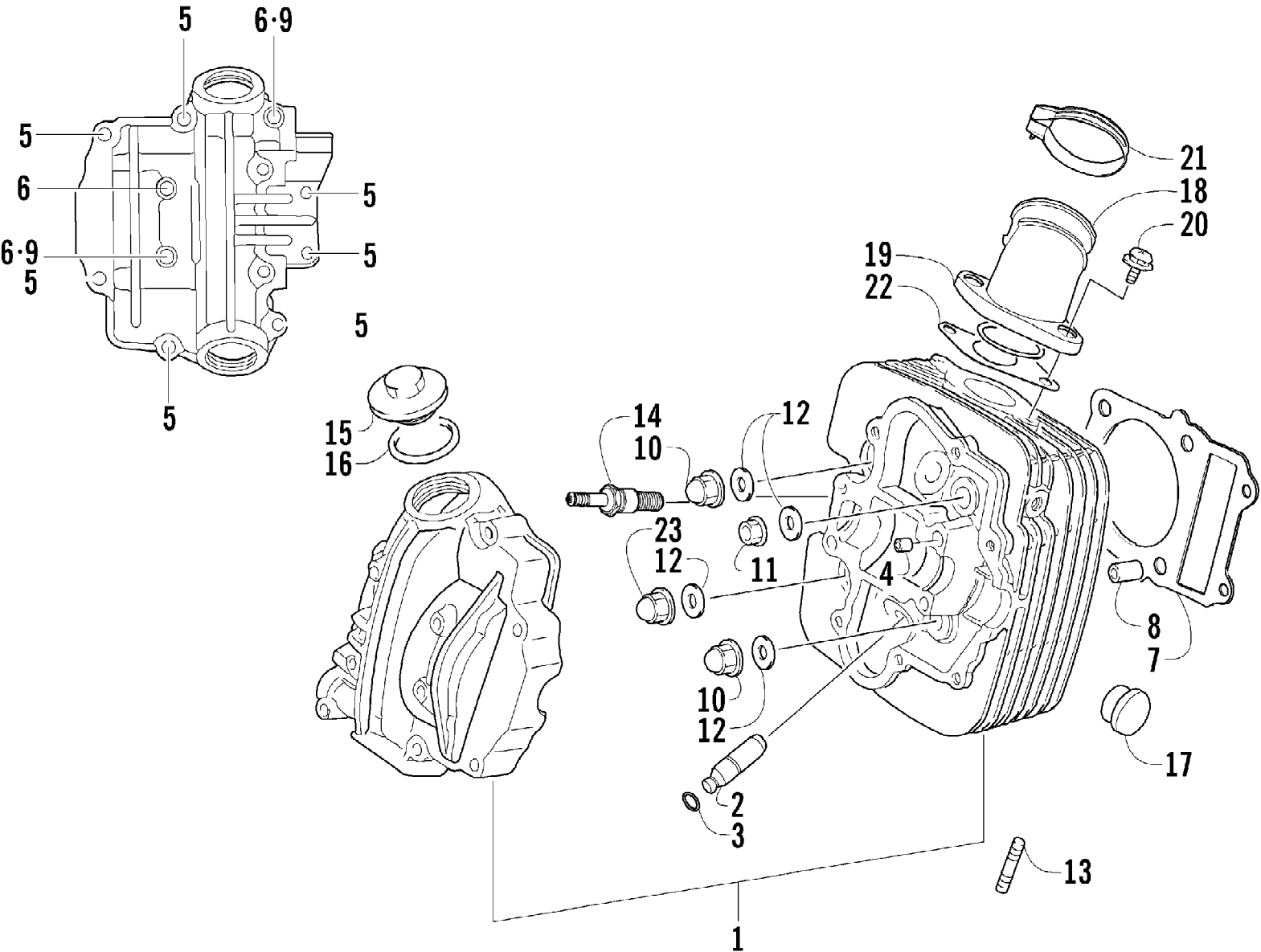
2004 ATV 250 4X4 RED (A2004ATE4AUSR)  
CYLINDER ASSEMBLY

Page 24 of 83

| Ref # | Part Number | Qty | S/P/F | Description      |
|-------|-------------|-----|-------|------------------|
| 1     | 3402-409    | 1   |       | Cylinder         |
| 2     | 3423-365    | 2   |       | Bolt, Stud       |
| 3     | 3423-364    | 2   |       | Bolt, Stud       |
| 4     | 3423-089    | 2   | S     | Bolt, Stud       |
| 5     | 3423-237    | 2   |       | Bolt, Stud       |
| 6     | 3004-488    | 4   | S/P   | Nut              |
| 7     | 3402-410    | 1   |       | Gasket, Cylinder |
| 8     | 3423-306    | 2   |       | Pin, Dowel       |



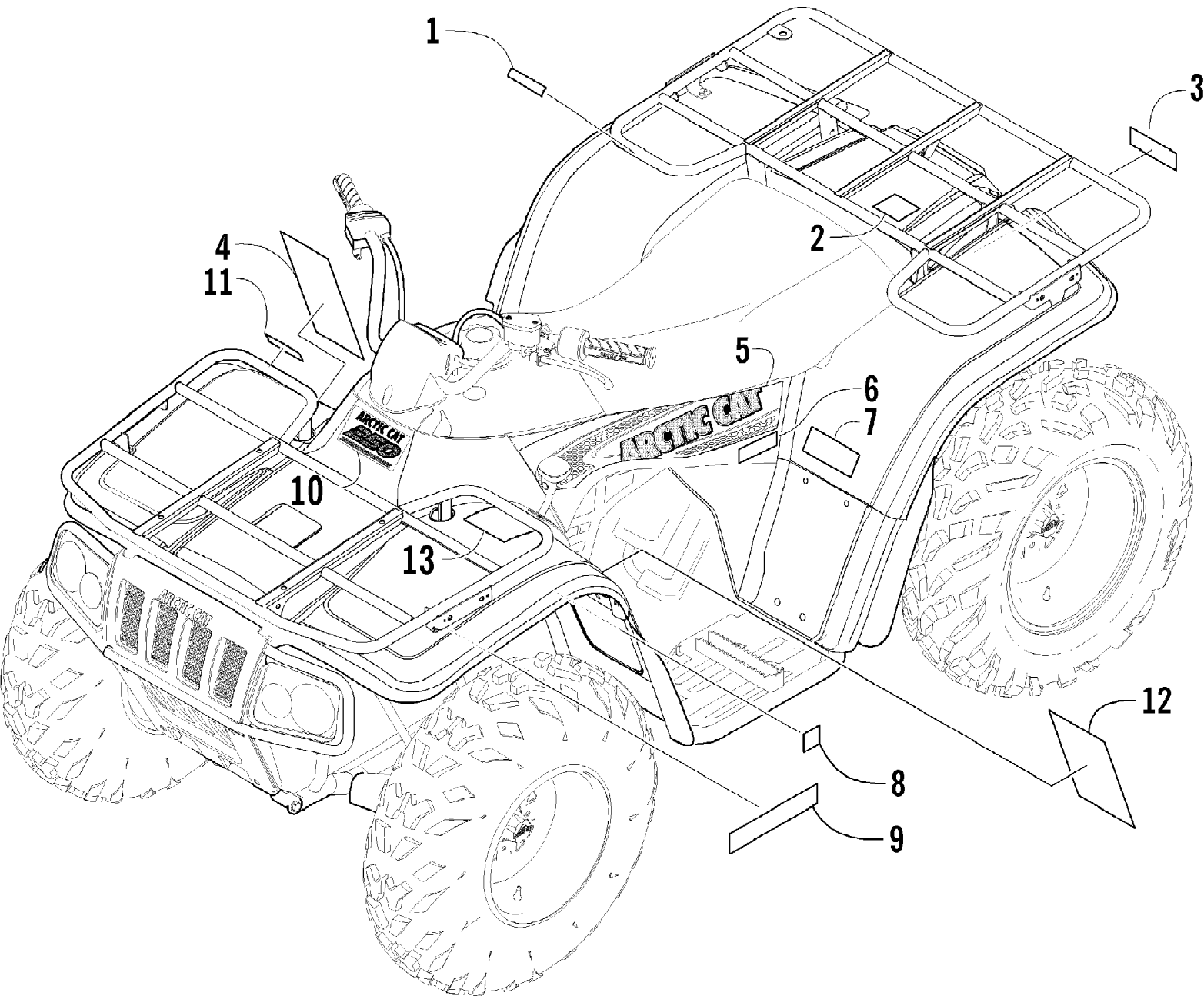
2004 ATV 250 4X4 RED (A2004ATE4AUSR)  
CYLINDER HEAD ASSEMBLY



2004 ATV 250 4X4 RED (A2004ATE4AUSR)  
CYLINDER HEAD ASSEMBLY

Page 26 of 83

| Ref # | Part Number | Qty | S/P/F | Description                          |
|-------|-------------|-----|-------|--------------------------------------|
| 1     | 3402-407    | 1   |       | Head, Cylinder - Assembly (inc. 2-6) |
| 2     | 3402-247    | 2   |       | Guide, Valve                         |
| 3     | 3423-068    | 2   |       | Ring, Valve Guide                    |
| 4     | 3423-043    | 2   | /P    | Pin, Dowel                           |
| 5     | 3004-426    | 7   | S     | Screw, Cap                           |
| 6     | 3423-304    | 3   | S     | Screw, Cap                           |
| 7     | 3402-408    | 1   |       | Gasket, Cylinder Head                |
| 8     | 3004-822    | 2   |       | Pin, Dowel                           |
| 9     | 3003-290    | 2   | /P    | Gasket                               |
| 10    | 3423-257    | 2   |       | Nut                                  |
| 11    | 3004-326    | 1   | S/P   | Nut                                  |
| 12    | 3005-243    | 4   |       | Gasket                               |
| 13    | 3004-279    | 2   | S/P   | Bolt, Stud                           |
| 14    | 0217-713    | 1   |       | Spark Plug (NGK DR7EA)               |
| 15    | 3402-249    | 2   |       | Cap, Inspection                      |
| 16    | 3423-275    | 2   |       | O-Ring                               |
| 17    | 3402-213    | 1   |       | Plug, Head                           |
| 18    | 3402-533    | 1   | /P    | Pipe, Intake                         |
| 19    | 3423-276    | 1   |       | O-Ring                               |
| 20    | 3423-305    | 2   | S     | Screw                                |
| 21    | 0423-317    | 1   | /P    | Clamp                                |
| 22    | 3402-298    | 1   |       | Gasket, Intake Pipe                  |
| 23    | 3004-326    | 1   | S/P   | Nut                                  |

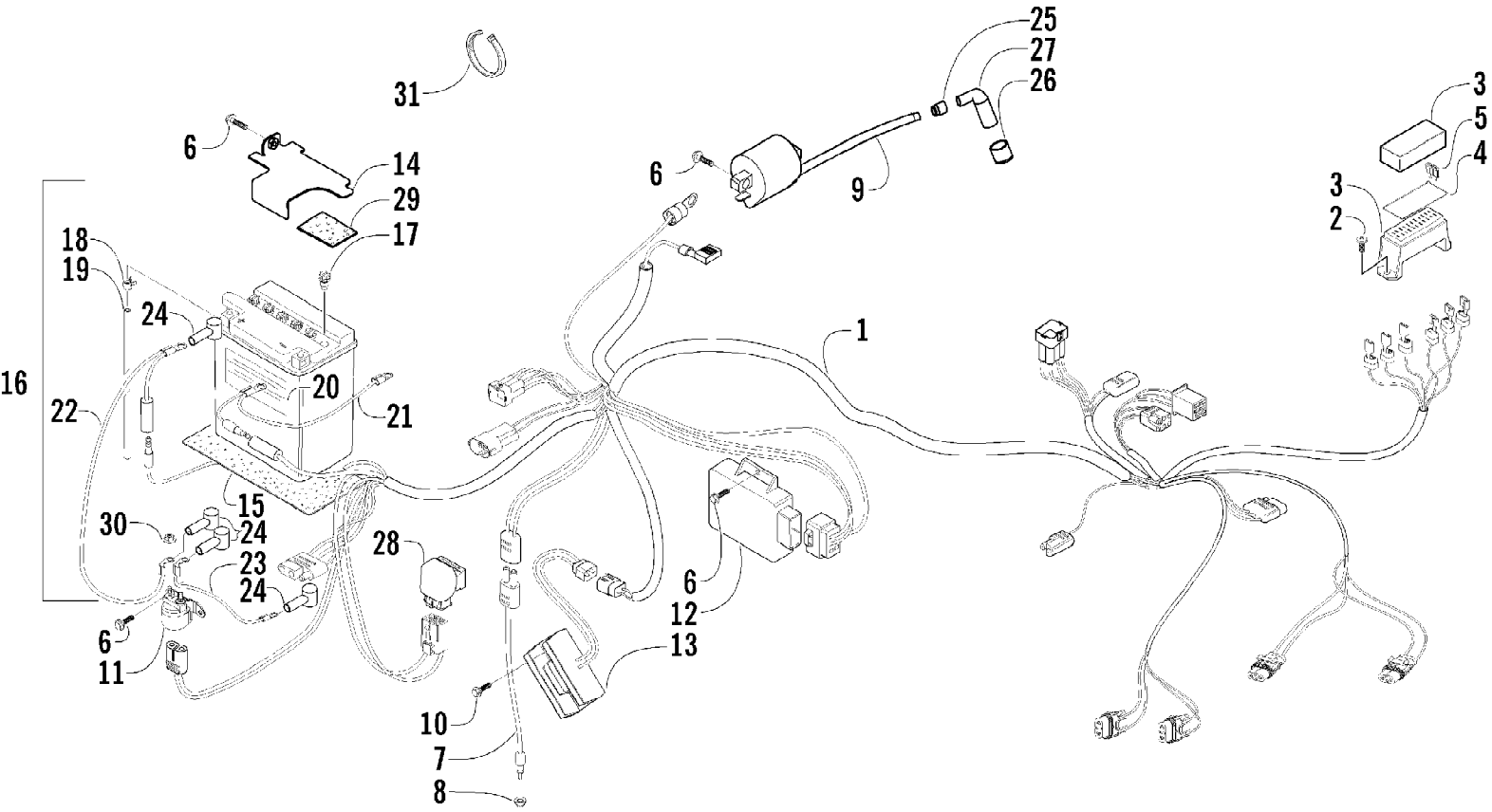


2004 ATV 250 4X4 RED (A2004ATE4AUSR)  
DECALS

Page 28 of 83

| Ref # | Part Number | Qty | S/P/F | Description                       |
|-------|-------------|-----|-------|-----------------------------------|
| 1     | 0411-648    | 1   |       | Decal, Warning - Rear Rack Load   |
| 2     | 0411-435    | 1   |       | Decal, Passenger                  |
| 3     | 0411-269    | 1   |       | Decal, Warning - Towing           |
| 4     | 0411-008    | 1   | /P    | Decal, Warning - Reverse/Pre-Ride |
| 5     | 0411-636    | 1   |       | Decal, Side - Right               |
| 5     | 0411-637    | 1   |       | Decal, Side - Left                |
| 6     | 0411-586    | 1   |       | Decal, Hi/Low Range               |
| 7     | 0411-430    | 1   |       | Decal, Warning - Tire Pressure    |
| 8     | 0411-086    | 1   |       | Decal, Shift Pattern              |
| 9     | 0411-640    | 1   |       | Decal, CA Emissions               |
| 10    | 0411-613    | 1   |       | Decal, Front                      |
| 11    | 0411-576    | 1   |       | Decal, Warning - Front Rack Load  |
| 12    | 0411-218    | 1   |       | Decal, Warning - General          |
| 13    | 0411-401    | 1   |       | Decal, Warning - Age              |

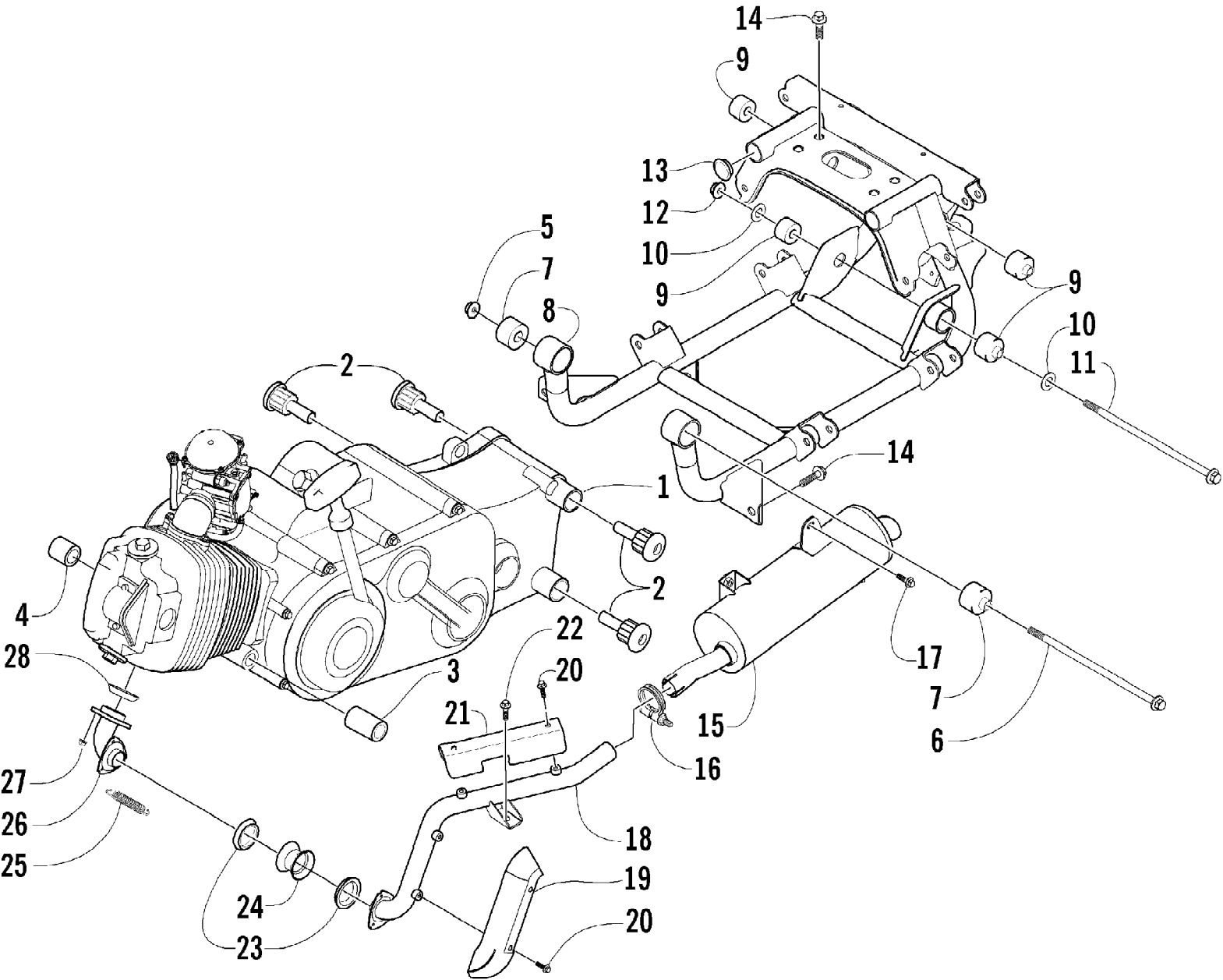
2004 ATV 250 4X4 RED (A2004ATE4AUSR)  
ELECTRICAL COMPONENTS



2004 ATV 250 4X4 RED (A2004ATE4AUSR)  
ELECTRICAL COMPONENTS

Page 30 of 83

| Ref # | Part Number | Qty | S/P/F | Description                  |
|-------|-------------|-----|-------|------------------------------|
| 1     | 0486-088    | 1   |       | Harness, Main                |
| 2     | 0623-361    | 2   |       | Screw, Self-Tapping          |
| 3     | 0530-003    | 1   |       | Fuse Box Assembly            |
| 4     | 0411-404    | 1   |       | Decal, Fuse Box              |
| 5     | 0630-057    | 4   |       | Fuse, 10 Amp                 |
| 5     | 0630-058    | 1   |       | Fuse, 15 Amp                 |
| 6     | 8476-616    | 7   |       | Screw, Cap                   |
| 7     | 0409-009    | 1   |       | Switch, Brake                |
| 8     | 0402-991    | 1   |       | Retainer, Brake Switch       |
| 9     | 3530-025    | 1   |       | Coil, Ignition               |
| 10    | 8476-620    | 2   |       | Screw, Cap                   |
| 11    | 3530-013    | 1   | /P    | Relay, Starter               |
| 12    | 3530-024    | 1   |       | CDI Unit                     |
| 13    | 3530-034    | 1   |       | Regulator, Voltage           |
| 14    | 0506-958    | 1   | /P    | Bracket, Battery             |
| 15    | 0406-380    | 1   |       | Pad, Battery                 |
| 16    | 0745-040    | 1   | /P    | Battery (inc. 17-20)         |
| 17    | 0645-045    | 6   |       | Cap, Battery                 |
| 18    | 0645-152    | 1   |       | Clamp, Hose                  |
| 19    | 0645-263    | 1   | /P    | Hose, Battery Vent           |
| 20    | 0645-151    | 1   |       | Decal, Warning - Battery     |
| 21    | 0445-010    | 1   |       | Cable, Battery/Ground        |
| 22    | 0445-011    | 1   |       | Cable, Battery/Starter Relay |
| 23    | 0445-012    | 1   |       | Cable, Starter Relay/Starter |
| 24    | 0645-019    | 4   |       | Boot, Terminal - Battery     |
| 25    | 3430-009    | 1   | /P    | Seal, High Tension Wire      |
| 26    | 3430-026    | 1   |       | Seal, Spark Plug             |
| 27    | 3430-007    | 1   | /P    | Cap, Spark Plug              |
| 28    | 3530-026    | 1   | /P    | Relay, Neutral Start         |
| 29    | 0417-003    | 1   |       | Foam, Battery Bracket        |
| 30    | 0624-250    | 2   |       | Nut, Starter Relay           |
| 31    | 0123-788    | AR  | /P    | Cable Tie - 7 in.            |



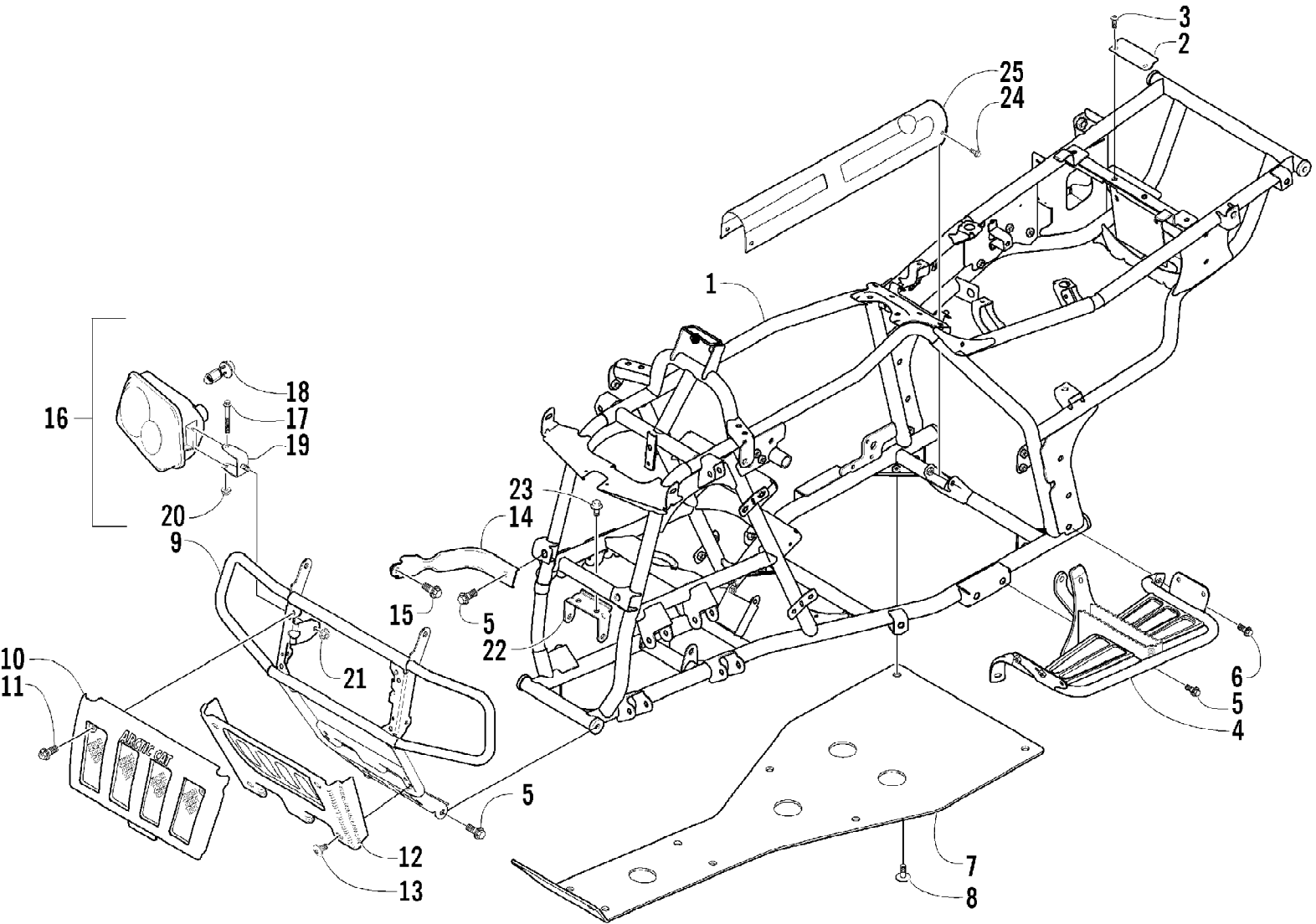
2004 ATV 250 4X4 RED (A2004ATE4AUSR)  
ENGINE AND RELATED PARTS

Page 32 of 83

| Ref # | Part Number | Qty | S/P/F | Description                  |
|-------|-------------|-----|-------|------------------------------|
| 1     | 0462-016    | 1   |       | Engine                       |
| 2     | 3402-263    | 4   |       | Mount, Engine                |
| 3     | 0402-231    | 1   |       | Spacer, Engine Mount - Long  |
| 4     | 0402-232    | 1   |       | Spacer, Engine Mount - Short |
| 5     | 8422-202    | 1   |       | Nut                          |
| 6     | 3423-236    | 1   | /P    | Screw, Cap                   |
| 7     | 3402-264    | 2   |       | Mount, Engine                |
| 8     | 0506-189    | 1   | S     | Sub-Frame                    |
| 9     | 3402-232    | 4   |       | Mount, Engine                |
| 10    | 8050-272    | 4   |       | Washer                       |
| 11    | 3423-235    | 2   | /P    | Screw, Cap                   |
| 12    | 8422-002    | 2   |       | Nut                          |
| 13    | 0406-320    | 2   |       | Cap, Sub-Frame               |
| 14    | 8409-020    | 6   | /P    | Screw, Cap                   |
| 15    | 0512-011    | 1   |       | Muffler                      |
| 16    | 0423-092    | 1   |       | Clamp, Exhaust               |
| 17    | 8408-816    | 1   |       | Screw, Cap                   |
| 18    | 0512-093    | 1   |       | Pipe, Exhaust                |
| 19    | 0412-023    | 1   |       | Cover, Exhaust               |
| 20    | 8477-610    | 4   |       | Screw, Cap                   |
| 21    | 0412-024    | 1   |       | Cover, Exhaust - Rear        |
| 22    | 8408-812    | 3   |       | Screw, Cap                   |
| 23    | 0612-887    | 2   | /P    | Gasket, Exhaust              |
| 24    | 0512-077    | 1   | /P    | Coupler, Exhaust             |
| 25    | 0123-321    | 3   | /P    | Spring, Extension            |
| 26    | 0512-008    | 1   |       | Pipe, Header                 |
| 27    | 8424-802    | 2   |       | Nut                          |
| 28    | 3402-300    | 1   |       | Seal, Exhaust Pipe           |



2004 ATV 250 4X4 RED (A2004ATE4AUSR)  
FRAME AND RELATED PARTS

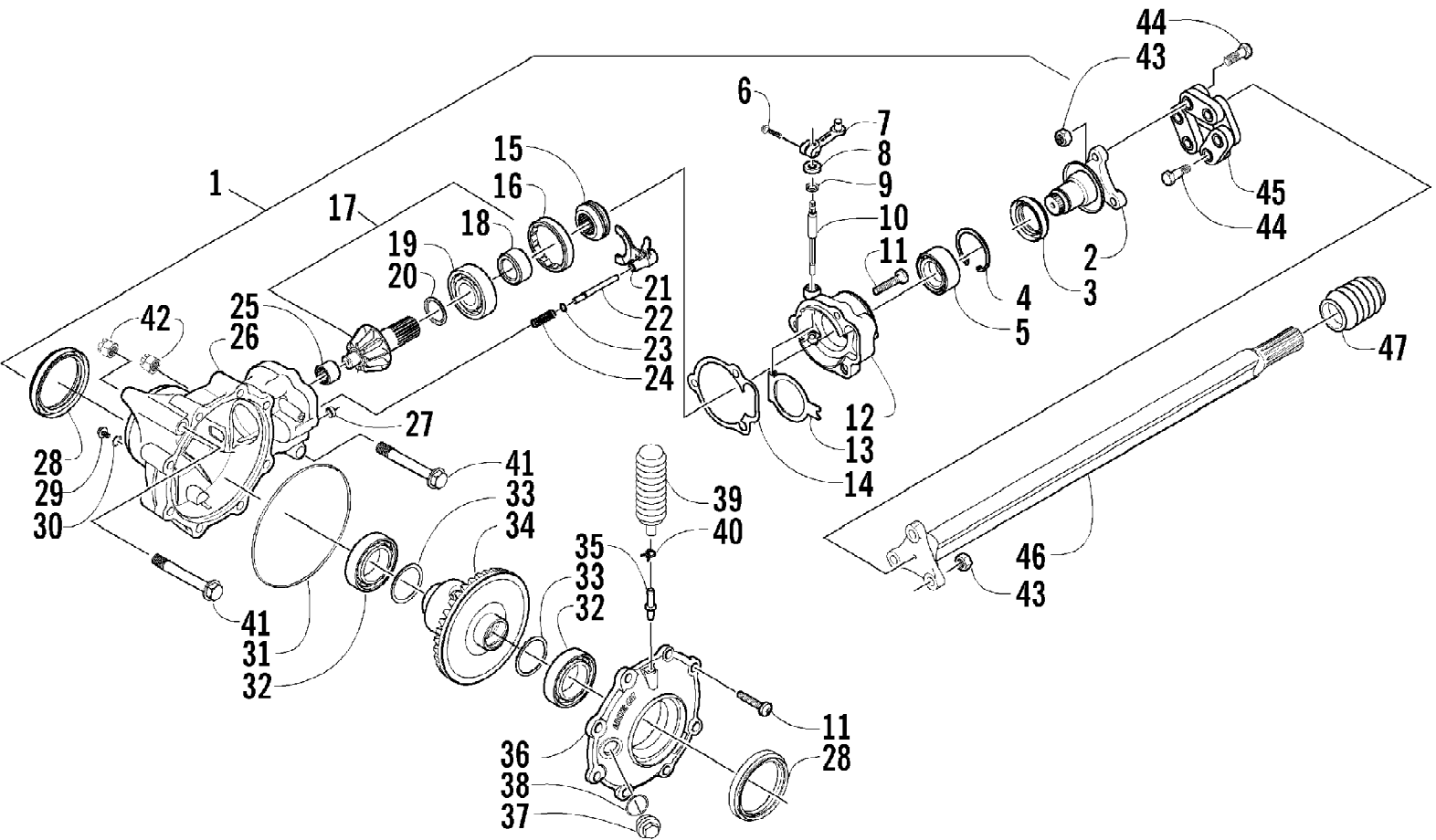


2004 ATV 250 4X4 RED (A2004ATE4AUSR)  
 FRAME AND RELATED PARTS

Page 34 of 83

| Ref # | Part Number | Qty | S/P/F | Description                              |
|-------|-------------|-----|-------|--|
| 1     | 0506-875    | 1   |       | Frame, Main                              |
| 2     | 0506-962    | 1   | /P    | Bracket, Body Hold-Down                  |
| 3     | 8476-616    | 2   |       | Screw, Machine                           |
| 4     | 0506-959    | 1   | /P    | Footrest - Right                         |
| 4     | 0506-217    | 1   |       | Footrest - Left                          |
| 5     | 8409-020    | 8   | /P    | Screw, Cap                               |
| 6     | 8408-816    | 4   |       | Screw, Cap                               |
| 7     | 0406-894    | 1   |       | Panel, Belly                             |
| 8     | 0423-101    | 10  |       | Screw, Shoulder                          |
| 9     | 0506-873    | 1   |       | Bumper                                   |
| 10    | 0406-832    | 1   |       | Grille - Upper                           |
| 11    | 0423-361    | 2   |       | Screw, Machine                           |
| 12    | 1406-420    | 1   | /P    | Grille - Lower                           |
| 13    | 0423-362    | 4   |       | Screw, Machine                           |
| 14    | 0506-964    | 2   | /P    | Channel, Bumper                          |
| 15    | 8408-812    | 2   |       | Screw, Cap                               |
| 16    | 0409-032    | 1   |       | Headlight - Right (inc. 17-20)           |
| 16    | 0409-031    | 1   |       | Headlight - Left (inc. 17-20)            |
| 17    | 8410-860    | 2   |       | Screw, Cap                               |
| 18    | 0409-045    | 4   |       | Bulb, Headlight                          |
| 19    | 0406-945    | 2   |       | Bracket, Headlight                       |
| 20    | 0423-375    | 2   |       | Nut, Lock                                |
| 21    | 8424-802    | 2   |       | Nut                                      |
| 22    | 0506-210    | 1   |       | Bracket, Mounting - Front Drive Gearcase |
| 23    | 8408-820    | 2   | /P    | Screw, Cap                               |
| 24    | 8471-610    | 4   |       | Screw, Machine                           |
| 25    | 0506-963    | 1   | /P    | Cover, Front Driveshaft                  |

2004 ATV 250 4X4 RED (A2004ATE4AUSR)  
FRONT DRIVE GEARCASE ASSEMBLY



2004 ATV 250 4X4 RED (A2004ATE4AUSR)  
FRONT DRIVE GEARCASE ASSEMBLY

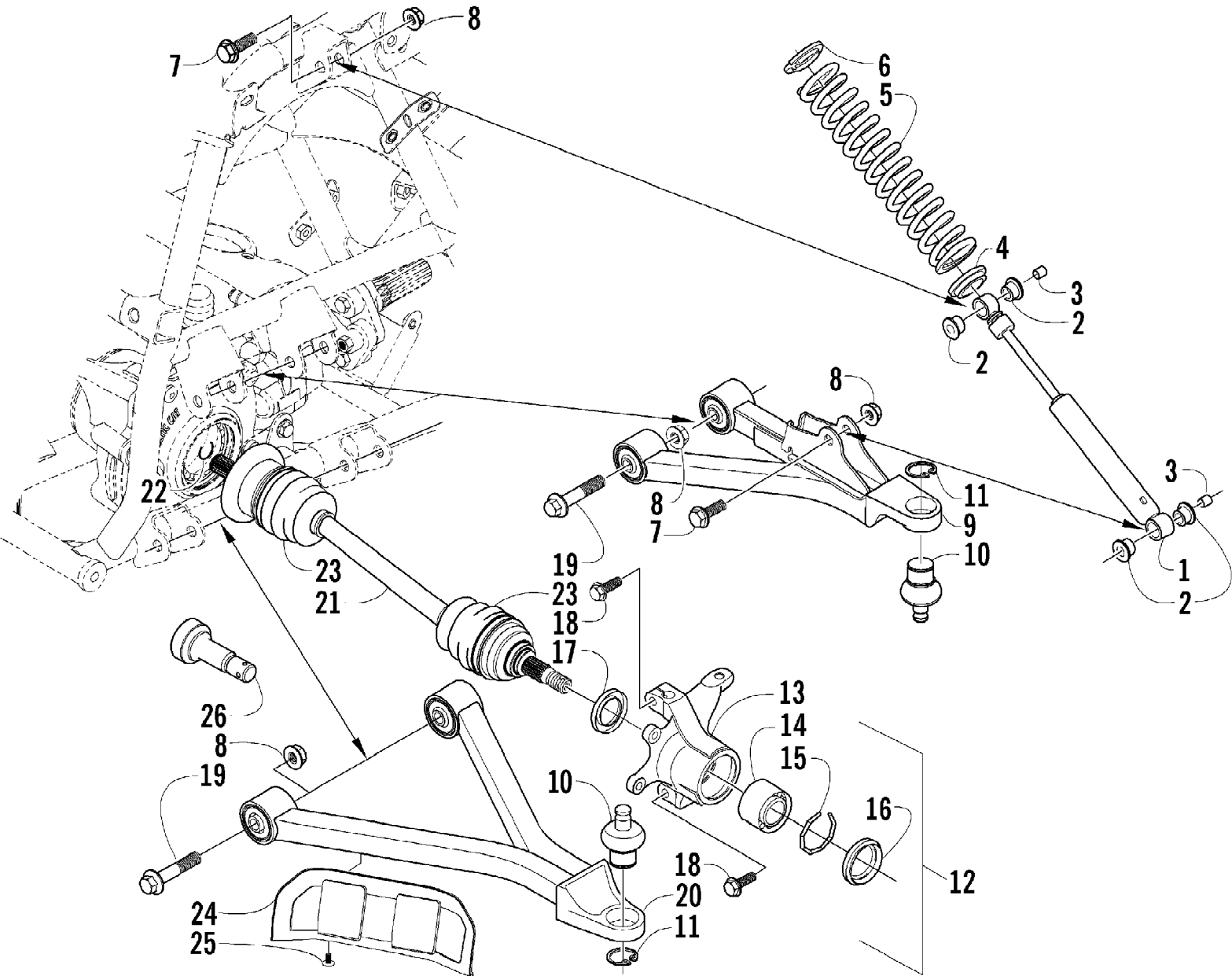
Page 36 of 83

| Ref # | Part Number | Qty | S/P/F | Description                                  |
|-------|-------------|-----|-------|--|
| 1     | 0502-338    | 1   |       | Gearcase, Front Drive - Assembly (inc. 2-38) |
| 2     | 0502-383    | 1   |       | Shaft, Input                                 |
| 3     | 1402-011    | 1   |       | Seal   |
| 4     | 0423-423    | 1   |       | Ring, Retaining                              |
| 5     | 1402-043    | 1   |       | Bearing                                      |
| 6     | 8411-620    | 1   |       | Screw, Cap                                   |
| 7     | 0502-092    | 1   |       | Arm, Selector                                |
| 8     | 0402-398    | 1   |       | Plate, Selector Shaft                        |
| 9     | 0402-416    | 1   |       | Seal   |
| 10    | 0402-412    | 1   |       | Shaft, Selector                              |
| 11    | 0423-118    | 11  |       | Screw, Self-Tapping                          |
| 12    | 0502-379    | 1   |       | Housing, Selector                            |
| 13    | 0402-414    | 1   |       | Plate, Spring - Selector                     |
| 14    | 0402-947    | 1   |       | Gasket, Flange                               |
| 15    | 0402-413    | 1   |       | Coupler, Drive                               |
| 16    | 0402-357    | 1   |       | Collar, Lock                                 |
| 17    | 0502-155    | 1   |       | Gear, Pinion - Assembly - 11T (inc. 18-20)   |
| 18    | 0402-336    | 1   |       | Collar, Retaining                            |
| 19    | 0402-327    | 1   |       | Bearing                                      |
| 20    | 0402-424    | AR  |       | Shim   |
| 20    | 0402-425    | AR  |       | Shim   |
| 20    | 0402-426    | AR  |       | Shim   |
| 20    | 0402-427    | AR  |       | Shim   |
| 20    | 0402-428    | AR  |       | Shim   |
| 21    | 0402-420    | 1   |       | Fork, Selector                               |
| 22    | 0402-417    | 1   |       | Shaft, Shuttle                               |
| 23    | 0423-147    | 1   |       | O-Ring                                       |
| 24    | 0402-418    | 1   |       | Spring, Return                               |
| 25    | 0402-328    | 1   |       | Bearing                                      |
| 26    | 0502-120    | 1   |       | Housing, Gearcase                            |
| 27    | 0402-411    | 1   |       | Pin, Dowel                                   |
| 28    | 0402-394    | 2   | S     | Seal   |
| 29    | 0402-450    | 1   | S     | Plug, Magnetic (inc. 30)                     |
| 30    | 0423-153    | 1   |       | O-Ring                                       |
| 31    | 0423-149    | 1   |       | O-Ring                                       |
| 32    | 0402-393    | 2   |       | Bearing                                      |
| 33    | 0402-405    | AR  |       | Shim   |
| 33    | 0402-406    | AR  |       | Shim   |
| 33    | 0402-407    | AR  |       | Shim   |
| 33    | 0402-408    | AR  |       | Shim   |
| 33    | 0402-409    | AR  |       | Shim   |
| 34    | 0502-199    | 1   |       | Gear, Ring - 34T                             |
| 35    | 0402-871    | 1   |       | Fitting                                      |
| 36    | 0502-121    | 1   |       | Cover, Gearcase                              |
| 37    | 0402-333    | 1   | /P    | Plug, Fill (inc. 38)                         |
| 38    | 0423-154    | 1   |       | O-Ring                                       |
| 39    | 0402-147    | 1   | S     | Bladder, Gearcase                            |
| 40    | 0423-315    | 1   |       | Clamp, Fitting                               |
| 41    | 3423-010    | 2   | /P    | Screw, Cap                                   |
| 42    | 8428-002    | 2   |       | Nut, Lock                                    |
| 43    | 3004-491    | 6   | S/P   | Nut  |
| 44    | 3423-182    | 6   | S     | Screw, Cap                                   |
| 45    | 3435-007    | 1   |       | Coupler, Propeller Shaft                     |

2004 ATV 250 4X4 RED (A2004ATE4AUSR)  
FRONT DRIVE GEARCASE ASSEMBLY

| Ref # | Part Number | Qty | S/P/F | Description           |
|-------|-------------|-----|-------|-----------------------|
| 46    | 0502-201    | 1   |       | Shaft, Propeller      |
| 47    | 0402-966    | 1   |       | Boot, Propeller Shaft |

2004 ATV 250 4X4 RED (A2004ATE4AUSR)  
FRONT SUSPENSION ASSEMBLY

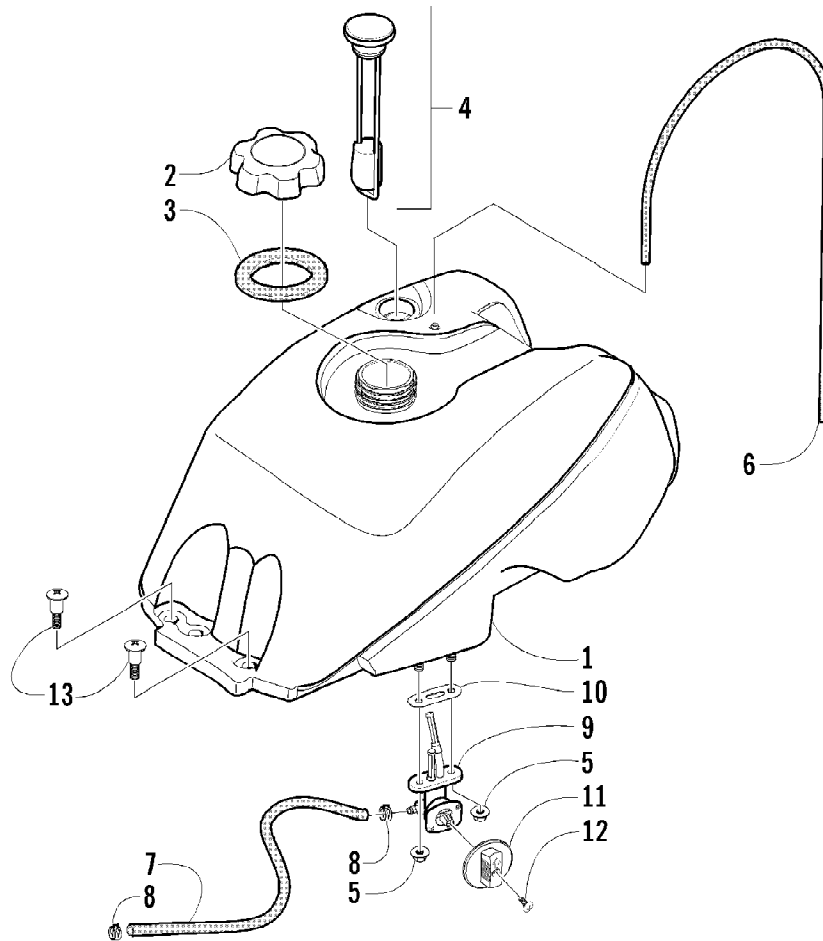


2004 ATV 250 4X4 RED (A2004ATE4AUSR)  
FRONT SUSPENSION ASSEMBLY

Page 39 of 83

| Ref # | Part Number | Qty | S/P/F | Description                                |
|-------|-------------|-----|-------|--|
| 1     | 0403-036    | 2   |       | Shock Absorber - Front (inc. 2-3)          |
| 2     | 0604-310    | 8   |       | Bushing, Shock Absorber                    |
| 3     | 0403-028    | 4   |       | Sleeve, Shock                              |
| 4     | 0403-104    | 2   |       | Retainer, Spring - Lower                   |
| 5     | 0403-122    | 2   |       | Spring, Shock Absorber - Platinum          |
| 6     | 1603-889    | 2   | /P    | Retainer, Spring                           |
| 7     | 8409-040    | 4   |       | Screw, Cap                                 |
| 8     | 8428-002    | 12  |       | Nut, Lock                                  |
| 9     | 0503-184    | 1   | /P    | A-Arm, Upper Right - Assembly (inc. 10-11) |
| 9     | 0503-185    | 1   | /P    | A-Arm, Upper Left - Assembly (inc. 10-11)  |
| 10    | 0405-115    | 4   | /P    | Ball Joint - Front                         |
| 11    | 0423-009    | 4   | /P    | Clip, Ball Joint                           |
| 12    | 0505-026    | 1   | S/P   | Knuckle - Assembly - Right (inc. 13-17)    |
| 12    | 0505-027    | 1   | S/P   | Knuckle - Assembly - Left (inc. 13-17)     |
| 13    | 0505-062    | 1   | S     | Knuckle, Steering - Right                  |
| 13    | 0505-063    | 1   | S     | Knuckle, Steering - Left                   |
| 14    | 0402-275    | 2   | /P    | Bearing, Wheel Hub - Front                 |
| 15    | 0423-034    | 2   |       | Clip, Bearing                              |
| 16    | 0402-089    | 2   |       | Seal, Wheel Bearing - Front                |
| 17    | 0402-069    | 2   |       | Seal, Wheel Bearing - Rear                 |
| 18    | 8409-030    | 4   |       | Screw, Cap                                 |
| 19    | 8409-060    | 8   |       | Screw, Cap                                 |
| 20    | 0503-188    | 1   | /P    | A-Arm, Lower Right (inc. 10-11)            |
| 20    | 0503-189    | 1   | /P    | A-Arm, Lower Left (inc. 10-11)             |
| 21    | 0402-987    | 2   | S     | Axle, Drive - Front Right (inc. 22-23)     |
| 22    | 0441-400    | 2   | S     | Clip, Retaining                            |
| 23    | 0436-276    | 2   | S     | Repair Kit, Boot - Front Axle              |
| 24    | 0406-656    | 2   |       | Guard, Boot - Front Axle                   |
| 25    | 0423-101    | 4   |       | Screw, Body                                |
| 26    | 0           | 1   | F     | N/A  |

2004 ATV 250 4X4 RED (A2004ATE4AUSR)  
GAS TANK ASSEMBLY



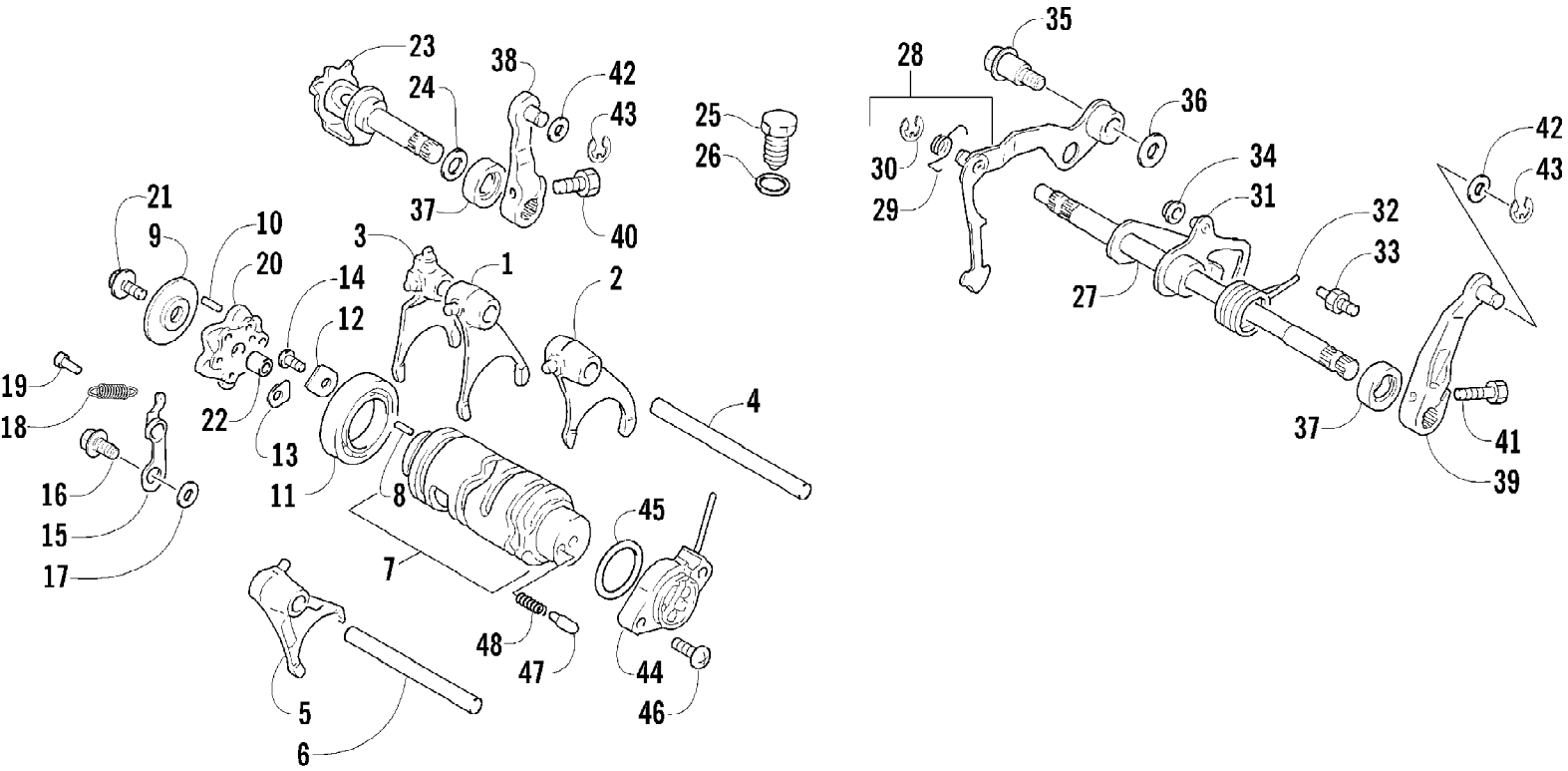


2004 ATV 250 4X4 RED (A2004ATE4AUSR)  
GAS TANK ASSEMBLY

Page 41 of 83

| Ref # | Part Number | Qty | S/P/F | Description                      |
|-------|-------------|-----|-------|----------------------------------|
| 1     | 0570-068    | 1   |       | Tank, Gas - Assembly (inc. 2-10) |
| 2     | 0470-438    | 1   | /P    | Cap, Gas Tank (inc. 3)           |
| 3     | 0109-733    | 1   | /P    | Gasket, Tank Cap                 |
| 4     | 0570-086    | 1   | /P    | Gauge, Fuel w/Gasket (Press-Fit) |
| 5     | 0423-398    | 2   |       | Nut, Lock                        |
| 6     | 0470-416    | 1   | /P    | Hose, Vent                       |
| 7     | 0610-007    | AR  | /P    | Hose, Gasline - 25 ft            |
| 8     | 0423-152    | 2   |       | Clamp, Hose                      |
| 9     | 0470-445    | 1   | /P    | Valve, Fuel Shut-Off (inc. 10)   |
| 10    | 0470-364    | 1   |       | Gasket, Fuel Shut-Off Valve      |
| 11    | 0470-408    | 1   |       | Knob, Fuel Shut-Off Valve        |
| 12    | 0423-146    | 1   |       | Screw, Machine                   |
| 13    | 0423-130    | 2   |       | Screw, Shoulder                  |

2004 ATV 250 4X4 RED (A2004ATE4AUSR)  
GEAR SHIFTING ASSEMBLY

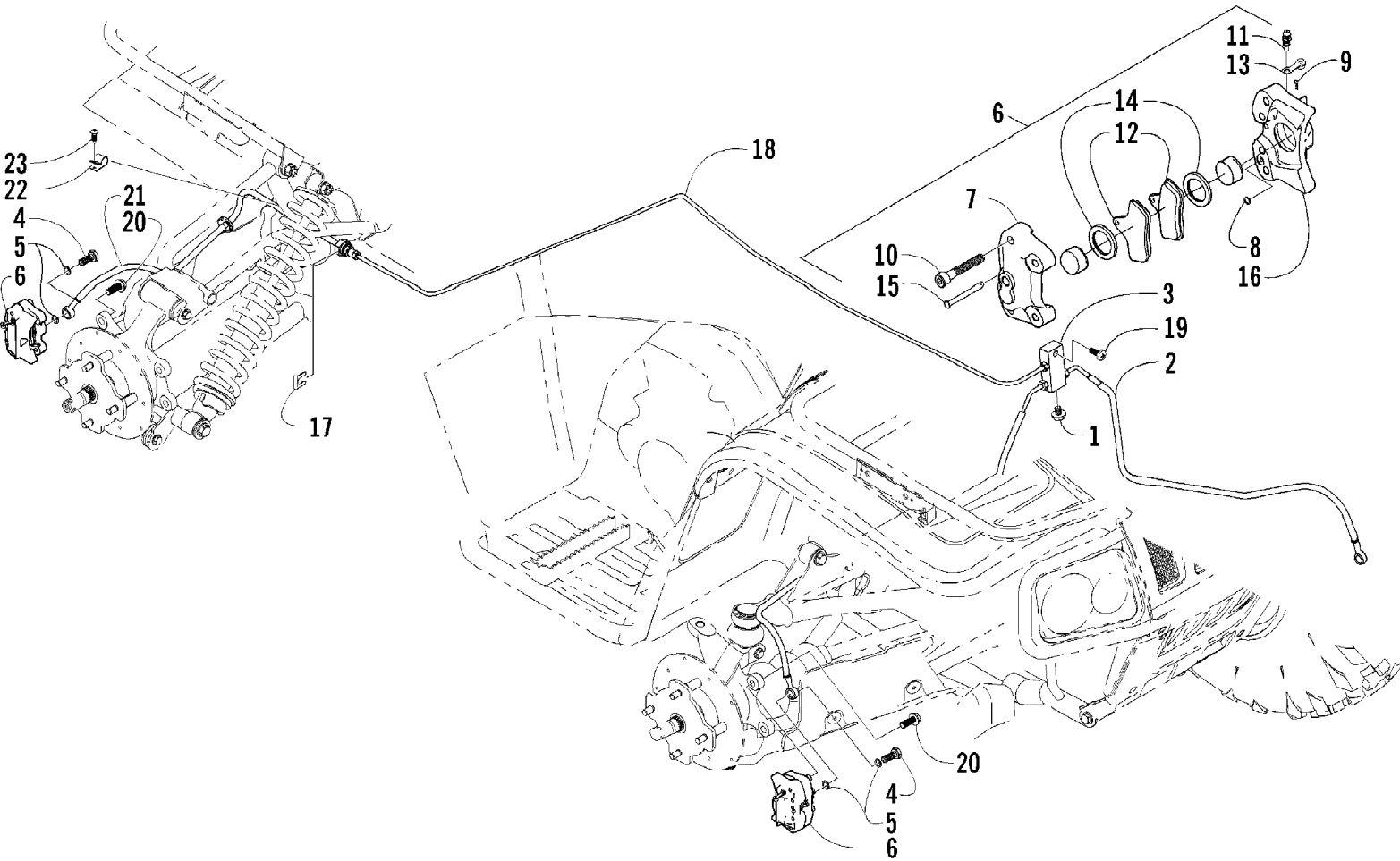


2004 ATV 250 4X4 RED (A2004ATE4AUSR)  
GEAR SHIFTING ASSEMBLY

Page 43 of 83

| Ref # | Part Number | Qty | S/P/F | Description                     |
|-------|-------------|-----|-------|---------------------------------|
| 1     | 3446-155    | 1   |       | Fork, Gear Shifting             |
| 2     | 3446-156    | 1   |       | Fork, Gear Shifting             |
| 3     | 3446-159    | 1   |       | Fork, Gear Shifting             |
| 4     | 3446-167    | 1   |       | Shaft                           |
| 5     | 3446-157    | 1   |       | Fork, Gear Shifting             |
| 6     | 3446-051    | 1   |       | Shaft                           |
| 7     | 3446-160    | 1   |       | Cam, Gear Shifting (inc. 8)     |
| 8     | 3423-114    | 1   | /P    | Pin                             |
| 9     | 3446-162    | 1   |       | Retainer, Pin                   |
| 10    | 3423-045    | 6   |       | Pin                             |
| 11    | 3402-051    | 1   |       | Bearing                         |
| 12    | 3446-163    | 1   |       | Retainer                        |
| 13    | 3446-031    | 1   | /P    | Retainer                        |
| 14    | 3004-552    | 2   | S     | Screw, Cap                      |
| 15    | 3446-165    | 1   |       | Stopper, Cam                    |
| 16    | 3423-240    | 1   |       | Screw, Cap                      |
| 17    | 3423-141    | 1   |       | Washer                          |
| 18    | 3402-240    | 1   |       | Spring                          |
| 19    | 3423-268    | 1   |       | Pin                             |
| 20    | 3446-166    | 1   |       | Plate, Stopper                  |
| 21    | 3004-376    | 1   | S/P   | Screw, Cap                      |
| 22    | 3005-206    | 1   | /P    | Pin                             |
| 23    | 3446-161    | 1   |       | Cam, Reverse Shifting           |
| 24    | 3423-322    | 1   |       | Washer                          |
| 25    | 3446-164    | 1   |       | Stopper, Cam                    |
| 26    | 3402-012    | 1   |       | Gasket                          |
| 27    | 3446-169    | 1   |       | Shaft, Gear Shifting            |
| 28    | 3446-170    | 1   |       | Arm, Gear Shifting (inc. 29-30) |
| 29    | 3402-312    | 1   |       | Spring                          |
| 30    | 3423-368    | 1   | /P    | E-Ring                          |
| 31    | 3446-171    | 1   |       | Arm, Link                       |
| 32    | 3402-094    | 1   |       | Spring                          |
| 33    | 3446-172    | 1   |       | Stopper, Arm                    |
| 34    | 3402-132    | 1   |       | Roller                          |
| 35    | 3423-233    | 1   |       | Screw, Cap                      |
| 36    | 3423-324    | 1   |       | Washer                          |
| 37    | 3402-076    | 2   |       | Seal, Oil                       |
| 38    | 3446-055    | 1   |       | Arm                             |
| 39    | 3446-115    | 1   |       | Arm, Reverse Shift              |
| 40    | 3423-125    | 1   | S     | Screw, Cap                      |
| 41    | 3423-228    | 1   |       | Screw, Cap                      |
| 42    | 3423-204    | 2   | /P    | Washer                          |
| 43    | 3423-168    | 2   | S     | E-Ring                          |
| 44    | 3430-050    | 1   |       | Base, Gear Shift - Assembly     |
| 45    | 3423-273    | 1   |       | O-Ring                          |
| 46    | 3423-325    | 2   | S     | Screw, Cap                      |
| 47    | 3423-044    | 1   |       | Contact                         |
| 48    | 3402-087    | 1   |       | Spring                          |

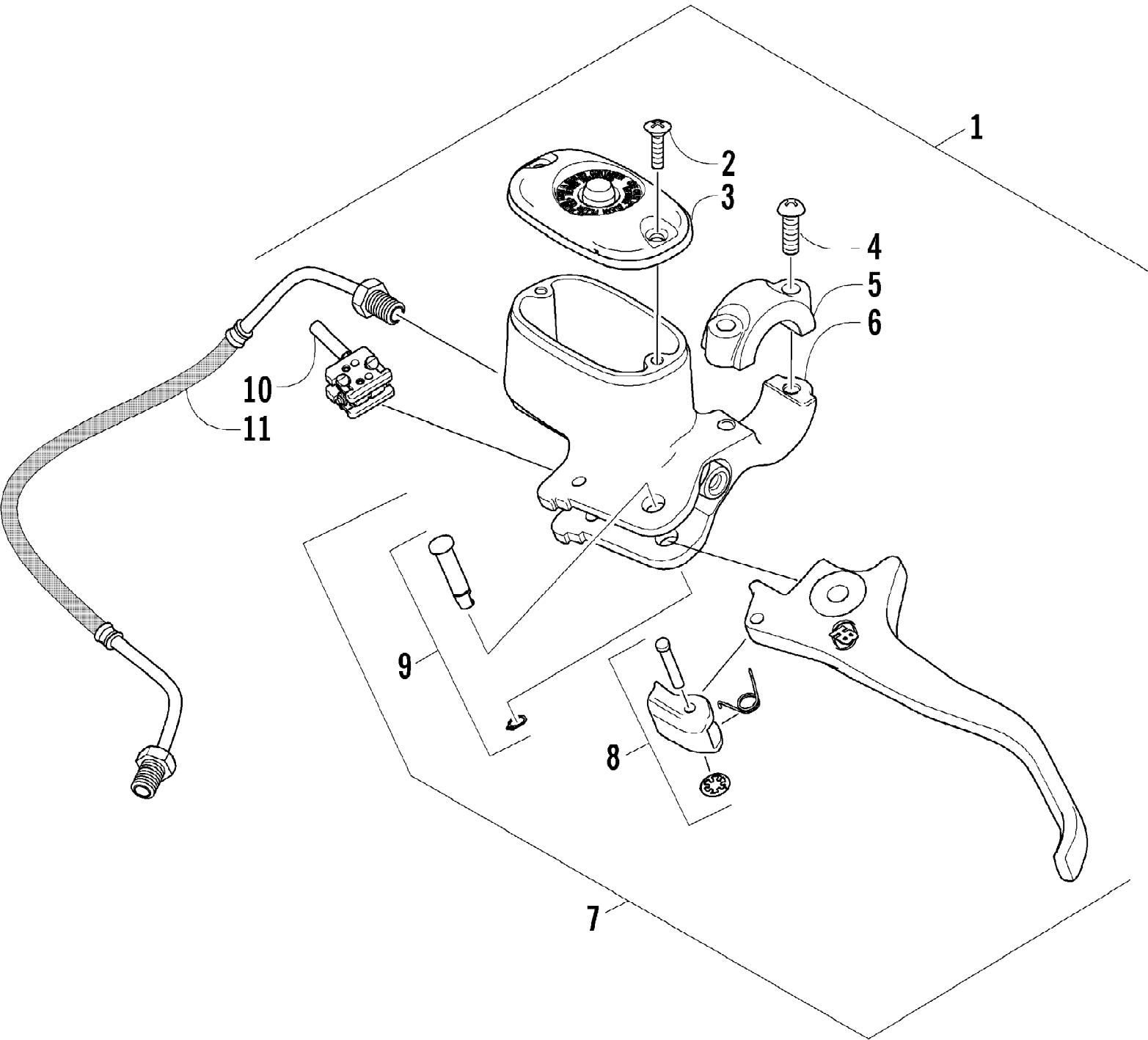
2004 ATV 250 4X4 RED (A2004ATE4AUSR)  
HYDRAULIC BRAKE ASSEMBLY



2004 ATV 250 4X4 RED (A2004ATE4AUSR)  
HYDRAULIC BRAKE ASSEMBLY

Page 45 of 83

| Ref # | Part Number | Qty | S/P/F | Description  |
|-------|-------------|-----|-------|--|
| 1     | 8476-625    | 1   |       | Screw, Cap   |
| 2     | 0402-986    | 2   |       | Hose, Brake - Front                                    |
| 3     | 1402-086    | 1   |       | Block, Junction  |
| 4     | 0423-413    | 3   |       | Bolt, Banjo Fitting                                    |
| 5     | 0423-178    | 6   |       | Washer, Crush  |
| 6     | 0502-335    | 1   | S     | Caliper, Brake - Right Front (inc. 7-16)               |
| 6     | 0502-336    | 2   | S     | Caliper, Brake - Left Front and Right Rear (inc. 7-16) |
| 7     | 0           | 3   | F     | Housing, Caliper                                       |
| 8     | 0402-490    | 3   |       | O-Ring   |
| 9     | 0402-496    | 3   | S     | Clip, Hairpin  |
| 10    | 0402-492    | 12  |       | Screw, Cap   |
| 11    | 0402-493    | 3   |       | Cap, Bleed Valve                                       |
| 12    | 0402-882    | 6   | /P    | Pad, Brake   |
| 13    | 0402-491    | 3   | S     | Valve, Bleed   |
| 14    | 0402-980    | 6   |       | O-Ring, Brake Caliper                                  |
| 15    | 0402-495    | 3   |       | Pin, Brake Caliper                                     |
| 16    | 0           | 3   | F     | Housing, Caliper                                       |
| 17    | 0402-597    | 1   | /P    | Clip, Brake Line                                       |
| 18    | 0402-932    | 1   |       | Tube, Brake Line - Rear                                |
| 19    | 8408-825    | 6   |       | Screw, Cap   |
| 20    | 0402-306    | 1   | /P    | Switch, Brake Pressure                                 |
| 21    | 0402-990    | 1   |       | Hose, Brake - Rear                                     |

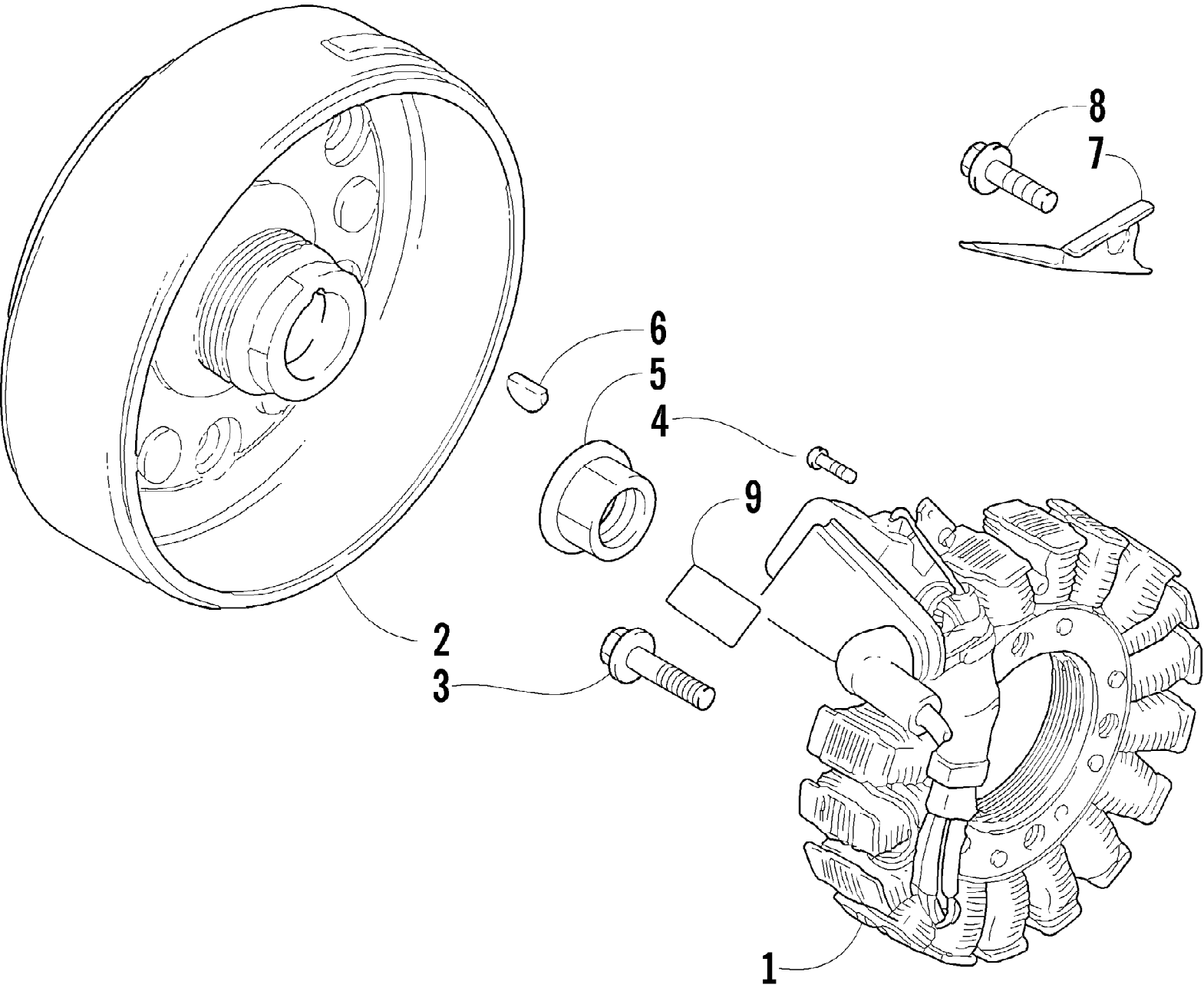


2004 ATV 250 4X4 RED (A2004ATE4AUSR)  
HYDRAULIC HAND BRAKE ASSEMBLY

Page 47 of 83

| Ref # | Part Number | Qty | S/P/F | Description                        |
|-------|-------------|-----|-------|------------------------------------|
| 1     | 0502-561    | 1   | S     | Brake Assembly (inc. 2-10)         |
| 2     | 0502-566    | 1   |       | Screw, Reservoir Cover - Kit       |
| 3     | 0502-565    | 1   |       | Cover, Reservoir - Kit             |
| 4     | 0502-568    | 1   |       | Screw, Master Cylinder Clamp - Kit |
| 5     | 0502-567    | 1   |       | Clamp, Master Cylinder - Kit       |
| 6     | 0502-516    | 1   |       | Master Cylinder Assembly - Kit     |
| 7     | 0502-562    | 1   | S     | Lever Assembly - Kit (inc. 8-9)    |
| 8     | 0502-563    | 1   | S     | Lock, Brake Lever - Kit            |
| 9     | 0502-580    | 1   |       | Lever Pin - Kit                    |
| 10    | 0502-564    | 1   | /P    | Switch, Brake - Kit                |
| 11    | 0402-962    | 1   |       | Brakeline, Hydraulic               |

2004 ATV 250 4X4 RED (A2004ATE4AUSR)  
MAGNETO ASSEMBLY

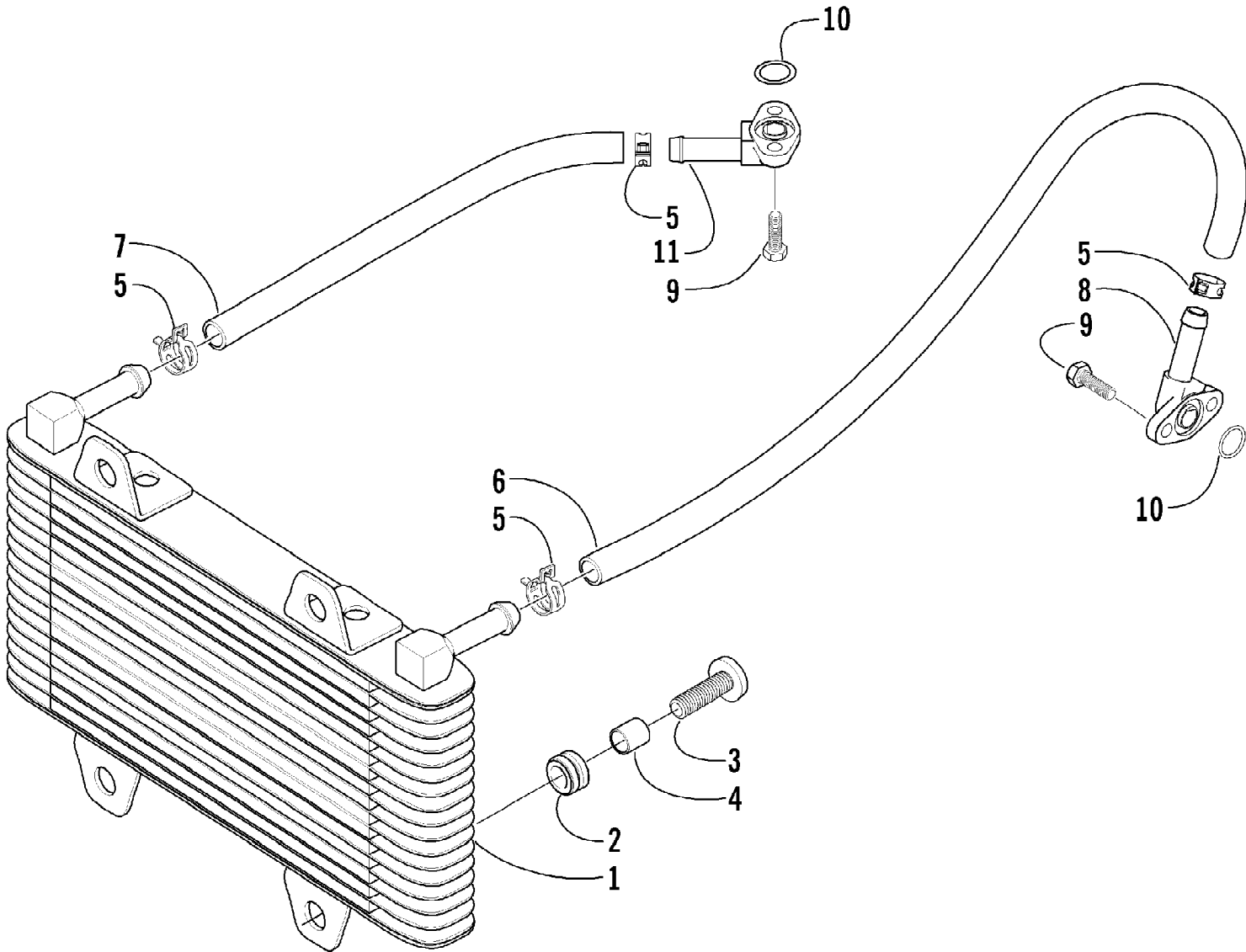




2004 ATV 250 4X4 RED (A2004ATE4AUSR)  
MAGNETO ASSEMBLY

Page 49 of 83

| Ref # | Part Number | Qty | S/P/F | Description             |
|-------|-------------|-----|-------|-------------------------|
| 1     | 3430-021    | 1   | S     | Stator - Assembly       |
| 2     | 3430-039    | 1   |       | Rotor/Flywheel          |
| 3     | 3004-756    | 3   | S     | Bolt                    |
| 4     | 3423-326    | 2   | S     | Screw, Cap              |
| 5     | 3423-086    | 1   |       | Nut                     |
| 6     | 3004-540    | 1   | /P    | Key                     |
| 7     | 3430-023    | 1   |       | Plate                   |
| 8     | 3423-112    | 1   | S     | Screw, Cap              |
| 9     | 3430-036    | 1   |       | Shield, Heat Protection |

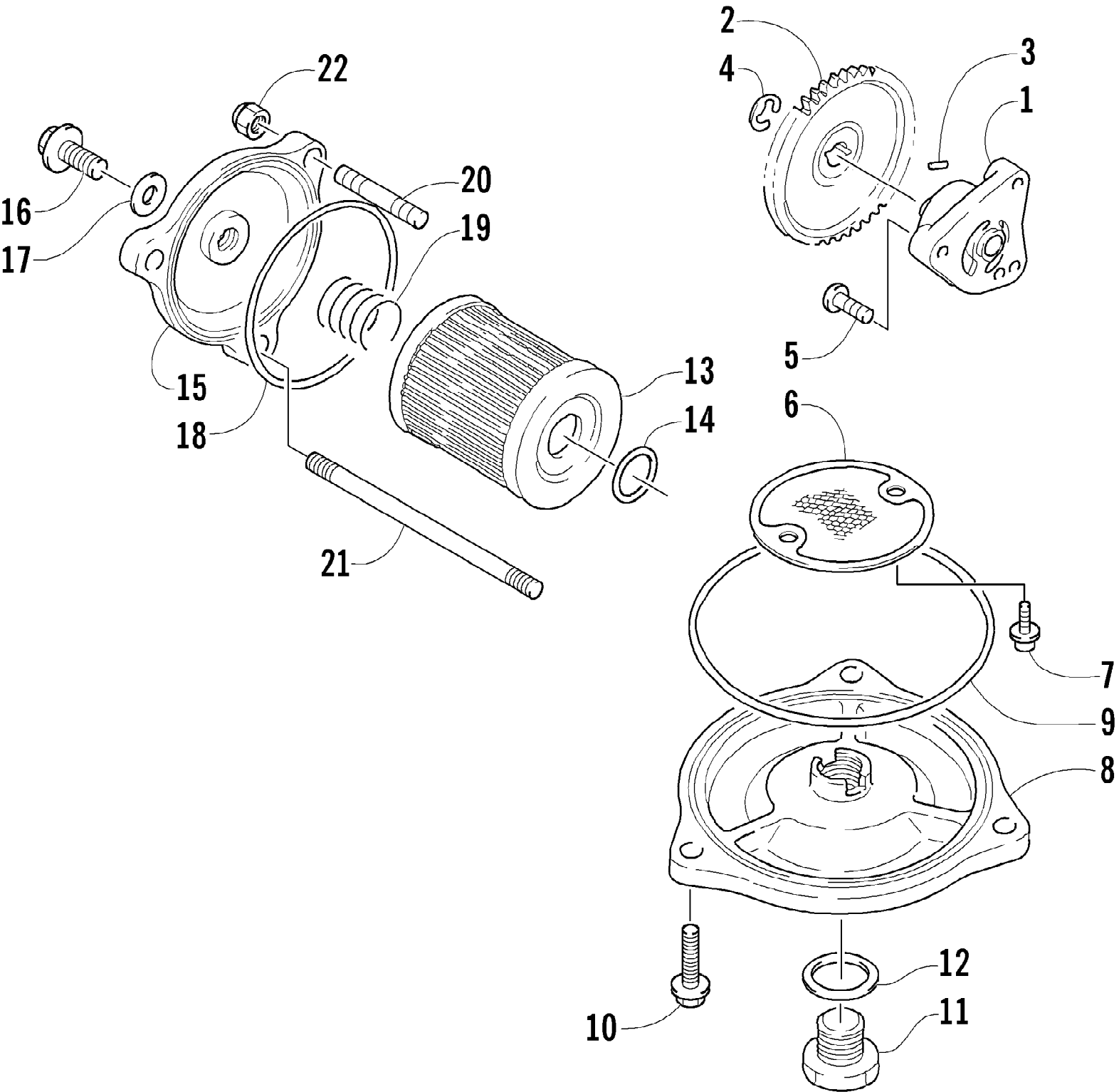


2004 ATV 250 4X4 RED (A2004ATE4AUSR)  
OIL COOLER ASSEMBLY

Page 51 of 83

| Ref # | Part Number | Qty | S/P/F | Description           |
|-------|-------------|-----|-------|-----------------------|
| 1     | 0413-011    | 1   | /P    | Cooler, Oil           |
| 2     | 0423-086    | 4   |       | Grommet               |
| 3     | 8476-620    | 4   |       | Screw, Cap            |
| 4     | 0423-036    | 4   |       | Collar                |
| 5     | 0423-098    | 4   | /P    | Clamp, Hose           |
| 6     | 0410-007    | 1   |       | Hose, Oil - Input     |
| 7     | 0410-006    | 1   |       | Hose, Oil - Output    |
| 8     | 0410-013    | 1   |       | Fitting, Oil          |
| 9     | 8471-616    | 4   |       | Screw, Cap            |
| 10    | 0423-089    | 2   |       | O-Ring, Oil Fitting   |
| 11    | 0410-012    | 1   |       | Fitting, Oil - Angled |

2004 ATV 250 4X4 RED (A2004ATE4AUSR)  
OIL PUMP ASSEMBLY

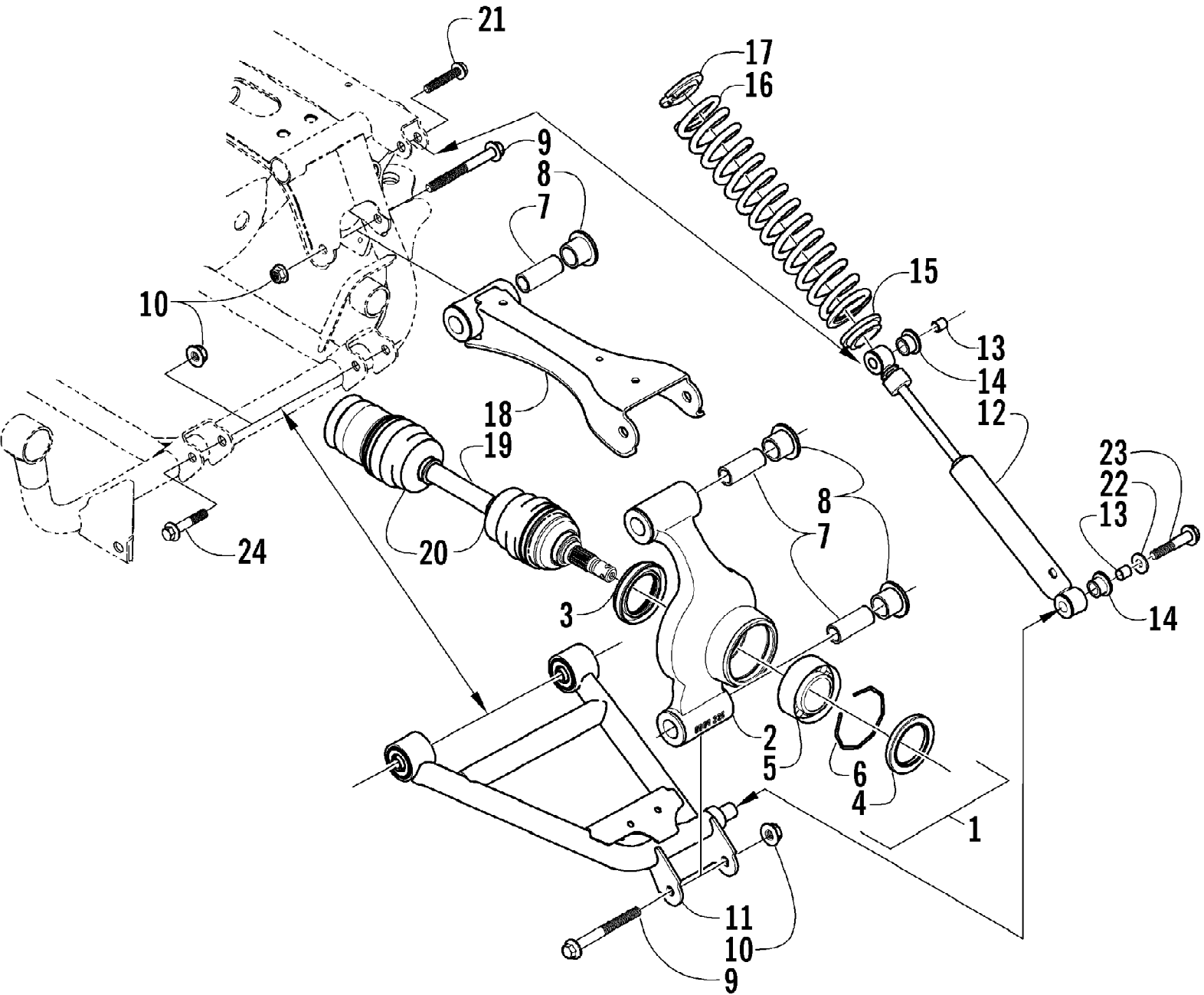


2004 ATV 250 4X4 RED (A2004ATE4AUSR)  
OIL PUMP ASSEMBLY

Page 53 of 83

| Ref # | Part Number | Qty | S/P/F | Description       |
|-------|-------------|-----|-------|-------------------|
| 1     | 3445-017    | 1   |       | Pump, Oil         |
| 2     | 3402-302    | 1   |       | Gear, Driven      |
| 3     | 3423-285    | 1   |       | Pin               |
| 4     | 3423-168    | 1   | S     | Circlip           |
| 5     | 3004-402    | 3   | S/P   | Screw, Cap        |
| 6     | 3402-304    | 1   |       | Strainer, Oil     |
| 7     | 0693-389    | 2   | S     | Screw, Cap        |
| 8     | 3402-305    | 1   |       | Cap, Oil Strainer |
| 9     | 3423-278    | 1   |       | O-Ring            |
| 10    | 3004-507    | 3   | S     | Screw, Cap        |
| 11    | 3402-037    | 1   |       | Plug, Drain       |
| 12    | 3402-012    | 1   |       | Gasket            |
| 13    | 3436-005    | 1   |       | Filter, Oil       |
| 14    | 3423-270    | 1   |       | O-Ring            |
| 15    | 3402-303    | 1   |       | Cap, Oil Filter   |
| 16    | 3004-705    | 1   | S     | Plug, Oil Check   |
| 17    | 3005-242    | 1   |       | Gasket            |
| 18    | 3423-277    | 1   |       | O-Ring            |
| 19    | 3402-238    | 1   |       | Spring            |
| 20    | 3423-314    | 2   | S     | Bolt, Stud        |
| 21    | 3004-543    | 1   | S     | Bolt, Stud        |
| 22    | 3423-315    | 3   | S     | Nut               |

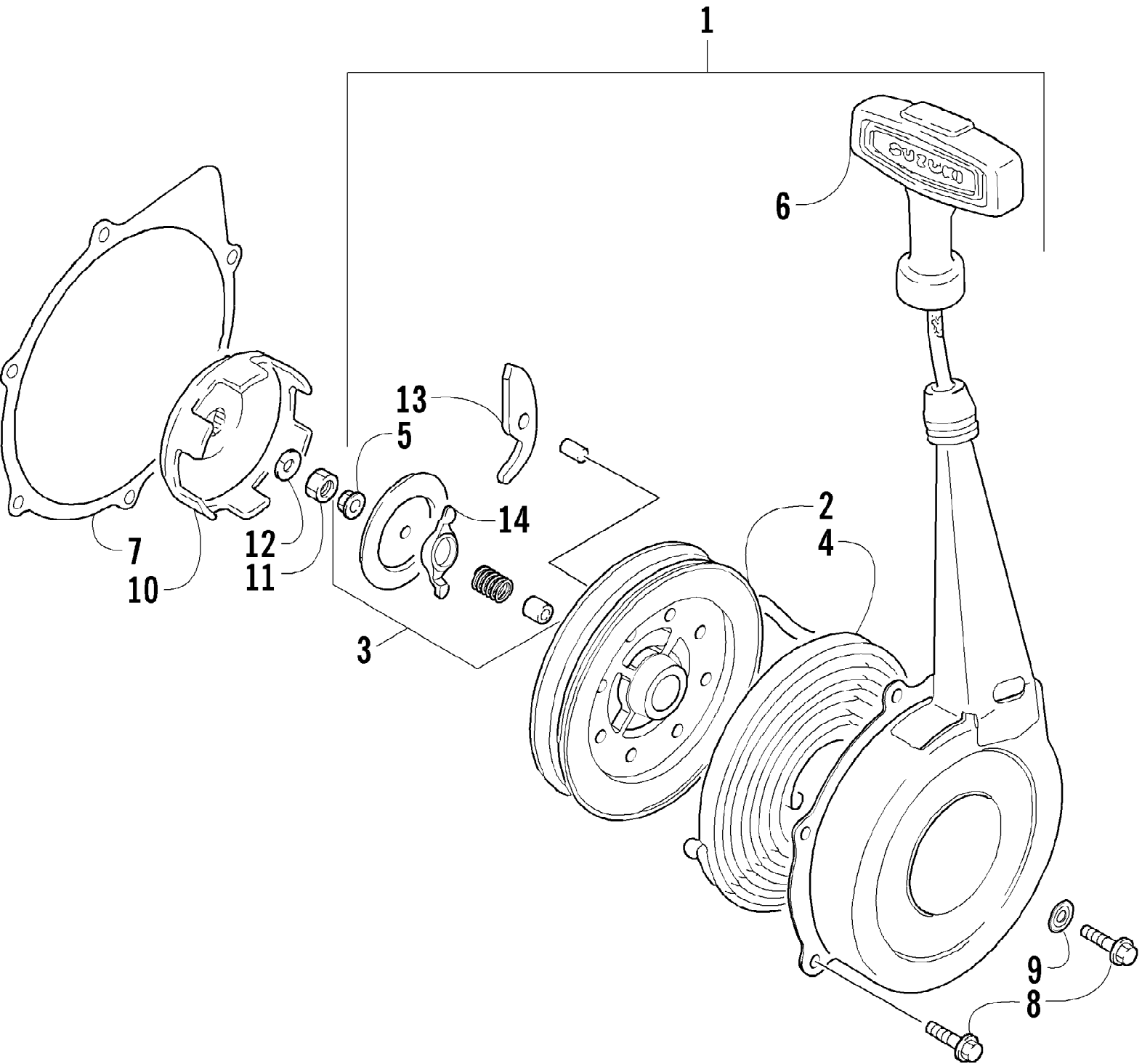
2004 ATV 250 4X4 RED (A2004ATE4AUSR)  
REAR SUSPENSION ASSEMBLY



2004 ATV 250 4X4 RED (A2004ATE4AUSR)  
 REAR SUSPENSION ASSEMBLY

Page 55 of 83

| Ref # | Part Number | Qty | S/P/F | Description                               |
|-------|-------------|-----|-------|---|
| 1     | 0504-226    | 1   | S     | Knuckle, Right Rear - Assembly (inc. 2-6) |
| 1     | 0504-227    | 1   | S     | Knuckle, Left Rear - Assembly (inc. 2-6)  |
| 2     | 0504-224    | 1   | S     | Knuckle - Right                           |
| 2     | 0504-225    | 1   | S     | Knuckle - Left                            |
| 3     | 0402-069    | 2   |       | Seal, Wheel Bearing - Rear                |
| 4     | 0402-089    | 2   |       | Seal, Wheel Bearing - Front               |
| 5     | 0402-275    | 2   | /P    | Bearing, Wheel                            |
| 6     | 0423-034    | 2   |       | Clip, Bearing                             |
| 7     | 0403-038    | 6   | S/P   | Collar, Suspension Bushing                |
| 8     | 0403-032    | 12  | S     | Bushing, Suspension                       |
| 9     | 8409-000    | 6   |       | Screw, Cap                                |
| 10    | 8428-002    | 12  |       | Nut, Lock                                 |
| 11    | 0504-030    | 1   |       | A-Arm, Rear - Lower Right                 |
| 11    | 0504-031    | 1   |       | A-Arm, Rear - Lower Left                  |
| 12    | 0404-014    | 2   |       | Shock Absorber - Rear (inc. 13-14)        |
| 13    | 0403-028    | 4   |       | Sleeve, Shock Absorber                    |
| 14    | 0604-310    | 8   |       | Bushing, Shock Absorber                   |
| 15    | 0403-104    | 2   |       | Retainer, Spring - Lower                  |
| 16    | 0403-123    | 2   |       | Spring, Suspension                        |
| 17    | 1603-889    | 2   | /P    | Retainer, Spring - Upper                  |
| 18    | 0504-044    | 2   |       | Arm, Rear - Upper                         |
| 19    | 1402-002    | 2   | S     | Axle, Drive (inc. 20)                     |
| 20    | 0436-276    | 2   | S     | Repair Kit, Boot - Rear Axle              |
| 21    | 8409-040    | 2   |       | Screw, Cap                                |
| 22    | 0423-087    | 2   |       | Washer                                    |
| 23    | 8408-820    | 2   | /P    | Screw, Cap                                |
| 24    | 8409-060    | 4   |       | Screw, Cap                                |





2004 ATV 250 4X4 RED (A2004ATE4AUSR)  
 RECOIL STARTER ASSEMBLY

Page 57 of 83

| Ref # | Part Number | Qty | S/P/F | Description                                     |
|-------|-------------|-----|-------|---|
| 1     | 3445-018    | 1   | S     | Starter, Recoil - Assembly (inc. 2-6 and 13-14) |
| 2     | 3445-019    | 1   |       | Reel  |
| 3     | 3445-016    | 1   |       | Ratchet - Assembly (inc. 13-14)                 |
| 4     | 3445-007    | 1   |       | Spring, Spiral                                  |
| 5     | 3004-488    | 1   | S/P   | Nut   |
| 6     | 3445-020    | 1   |       | Rope Assembly                                   |
| 7     | 3445-021    | 1   | S     | Gasket, Recoil Starter                          |
| 8     | 3423-112    | 6   | S     | Screw, Cap                                      |
| 9     | 3003-290    | 1   | /P    | Gasket  |
| 10    | 3445-022    | 1   |       | Cup, Starter                                    |
| 11    | 3004-336    | 1   | S/P   | Nut   |
| 12    | 3004-362    | 1   | S/P   | Washer, Lock                                    |
| 13    | 3445-005    | 1   |       | Ratchet   |
| 14    | 3445-006    | 1   |       | Guide, Ratchet                                  |

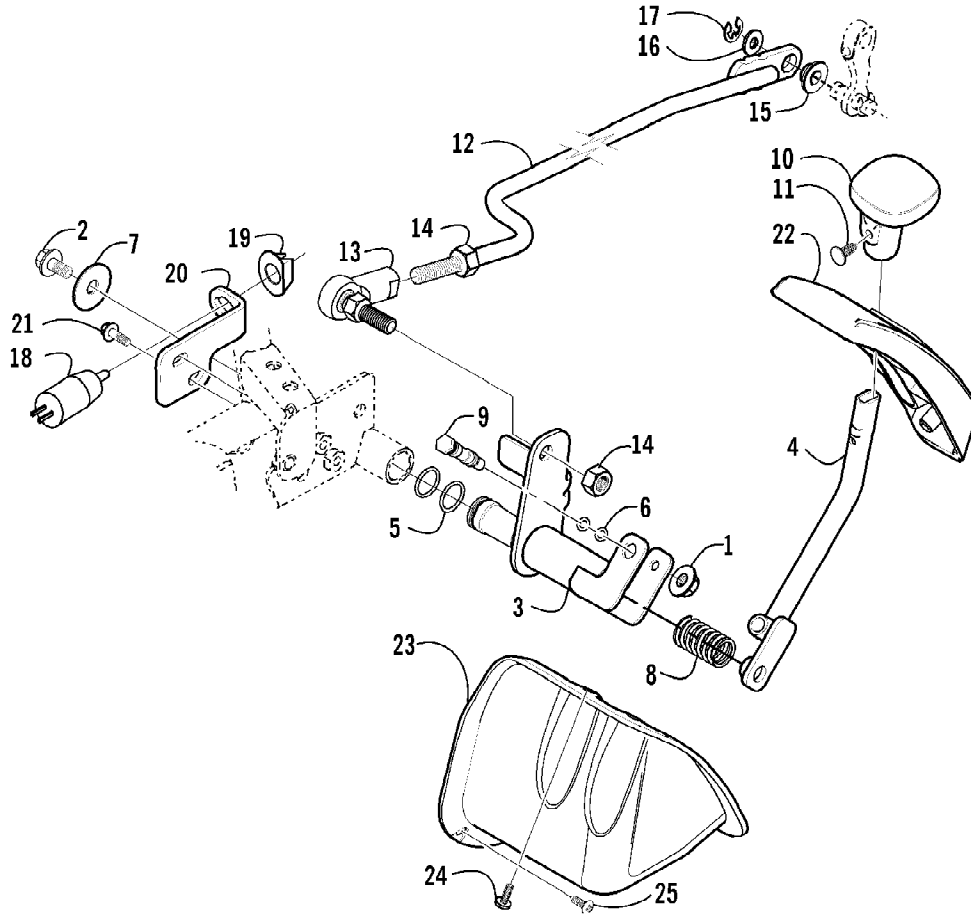
No  
Diagram  
Available  
  
Parts List  
Only

2004 ATV 250 4X4 RED (A2004ATE4AUSR)  
RELATED ITEMS

Page 59 of 83

| Ref # | Part Number | Qty | S/P/F | Description  |
|-------|-------------|-----|-------|--|
|       | 0436-337    | 1   |       | Bag, Rack, Front, Black                                  |
|       | 0436-336    | 1   |       | Bag, Rack, Rear, Black                                   |
|       | 0436-340    | 1   | S     | Bag, Fender, Black                                       |
|       | 0436-351    | 1   |       | Basket, Rack, Front                                      |
|       | 0436-350    | 1   |       | Basket, Rack, Rear                                       |
|       | 0436-330    | 1   |       | Bumper (Rear)  |
|       | 0436-454    | 1   |       | Cargo Box  |
|       | 0436-381    | 1   |       | Cover, Green and Black                                   |
|       | 0436-339    | 1   |       | Cover, Timber Camo                                       |
|       | 0436-151    | 1   |       | CV Joint Protectors (Rear)                               |
|       | 0436-007    | 1   | S     | Gear Lube (Diff) - 80W90                                 |
|       | 0436-200    | 1   |       | Gun Scabbard Mount                                       |
|       | 0436-505    | 1   |       | Hand Guards, Black                                       |
|       | 0436-352    | 1   |       | Hand/Thumb Warmers                                       |
|       | 2256-940    | 1   |       | Illustrated Parts Manual                                 |
|       | 2256-937    | 1   |       | Manuel d'utilisation (F)                                 |
|       | 2256-934    | 1   |       | Operator's Manual (E)                                    |
|       | 0436-005    | 1   | S     | Oil, Engine - 10W40                                      |
|       | 0436-003    | 1   | S     | Oil, Engine - 5W30                                       |
|       | 0436-349    | 1   |       | Rack Extension, 4 in. (Front)                            |
|       | 0436-225    | 1   |       | Rack Extension, 4 in. (Rear)                             |
|       | 0436-226    | 1   |       | Rack Extension, 8 in. (Rear)                             |
|       | 0436-181    | 1   |       | Skid Plate (Rear)  |
|       | 0436-228    | 1   |       | Snowplow Blade, 50 in. - Straight (use w/0436-356) - 4x4 |
|       | 0436-287    | 1   |       | Snowplow Blade, 50 in. - One-Way (use w/0436-356) - 4x4  |
|       | 0436-356    | 1   | S     | Snowplow Push Frame - 4x4                                |
|       | 0436-357    | 1   |       | Snowplow Attachment Kit - 4x4                            |
|       | 0436-129    | 1   |       | Speedometer Kit (2x4)                                    |
|       | 0436-297    | 1   |       | Tool Holders - Double                                    |
|       | 0436-263    | 1   | /P    | Tool Holders - Single                                    |
|       | 0436-329    | 1   | S     | Winch Kit, 2500 lb                                       |
|       | 0436-361    | 1   |       | Winch Mounting Kit                                       |
|       | 0436-301    | 1   |       | Windshield, Clear w/Black Accent                         |

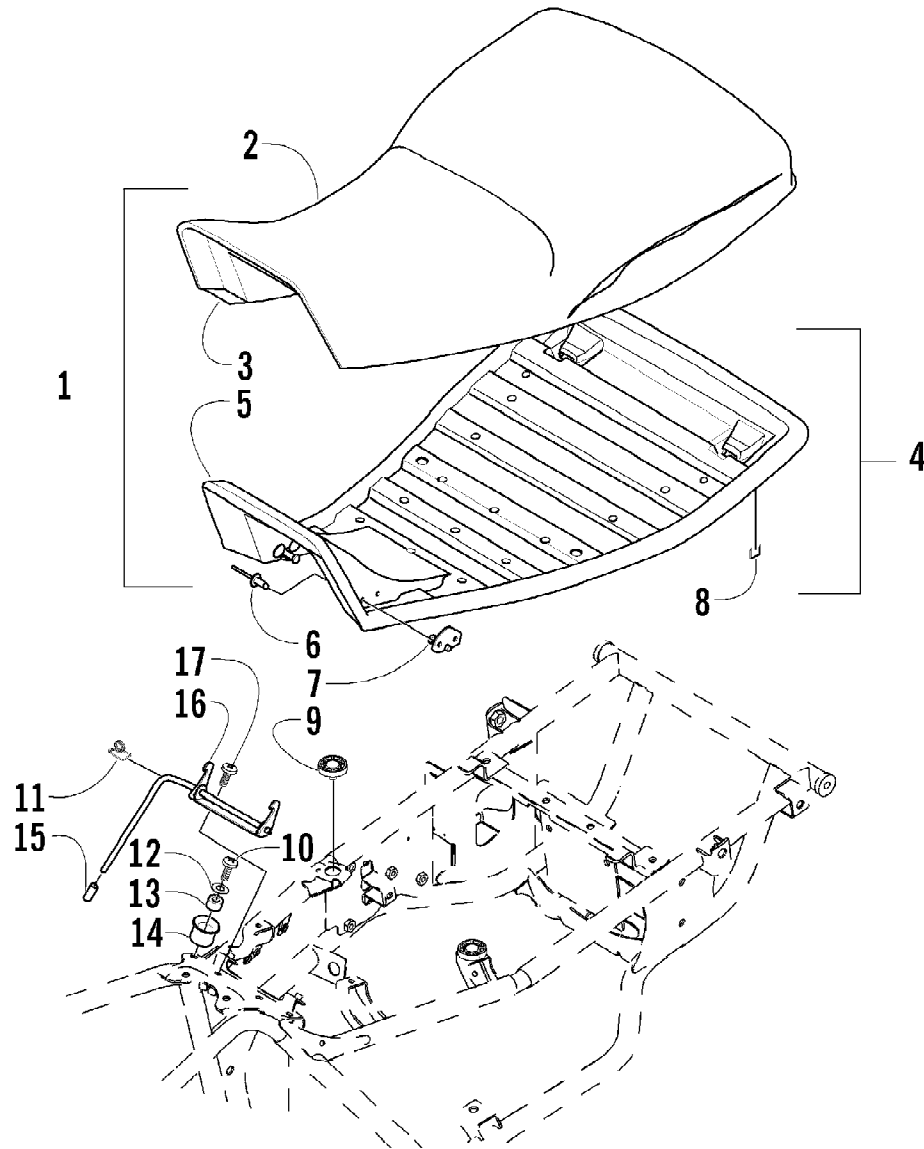
2004 ATV 250 4X4 RED (A2004ATE4AUSR)  
REVERSE SHIFT LEVER ASSEMBLY



2004 ATV 250 4X4 RED (A2004ATE4AUSR)  
REVERSE SHIFT LEVER ASSEMBLY

Page 61 of 83

| Ref # | Part Number | Qty | S/P/F | Description                 |
|-------|-------------|-----|-------|-----------------------------|
| 1     | 8424-602    | 1   | /P    | Nut                         |
| 2     | 8408-812    | 1   |       | Screw, Cap                  |
| 3     | 0502-237    | 1   |       | Axle, Reverse Shift Lever   |
| 4     | 0502-185    | 1   |       | Lever, Reverse Shift        |
| 5     | 0423-299    | 2   | /P    | O-Ring                      |
| 6     | 0423-182    | 2   | /P    | O-Ring                      |
| 7     | 0423-087    | 1   |       | Washer                      |
| 8     | 0502-410    | 1   | S     | Spring                      |
| 9     | 0402-675    | 1   |       | Axle, Pivot                 |
| 10    | 0402-843    | 1   | /P    | Handle, Reverse Shift Lever |
| 11    | 0423-345    | 1   |       | Clip, Push                  |
| 12    | 0502-250    | 1   |       | Linkage, Shift              |
| 13    | 0402-844    | 1   |       | End, Rod                    |
| 14    | 0623-294    | 2   |       | Nut                         |
| 15    | 0423-091    | 1   |       | Bushing                     |
| 16    | 8050-242    | 1   |       | Washer                      |
| 17    | 0423-169    | 1   | /P    | E-Ring                      |
| 18    | 0409-008    | 1   |       | Reverse Switch              |
| 19    | 0402-168    | 1   | /P    | Retainer, Reverse Switch    |
| 20    | 0506-961    | 1   | /P    | Bracket, Reverse Switch     |
| 21    | 8408-616    | 2   |       | Screw, Cap                  |
| 22    | 0402-847    | 1   |       | Plate, Shift                |
| 23    | 0406-943    | 1   |       | Shield, Linkage             |
| 24    | 0423-371    | 3   |       | Screw, Machine              |
| 25    | 0623-309    | 1   |       | Screw, Self-Tapping         |

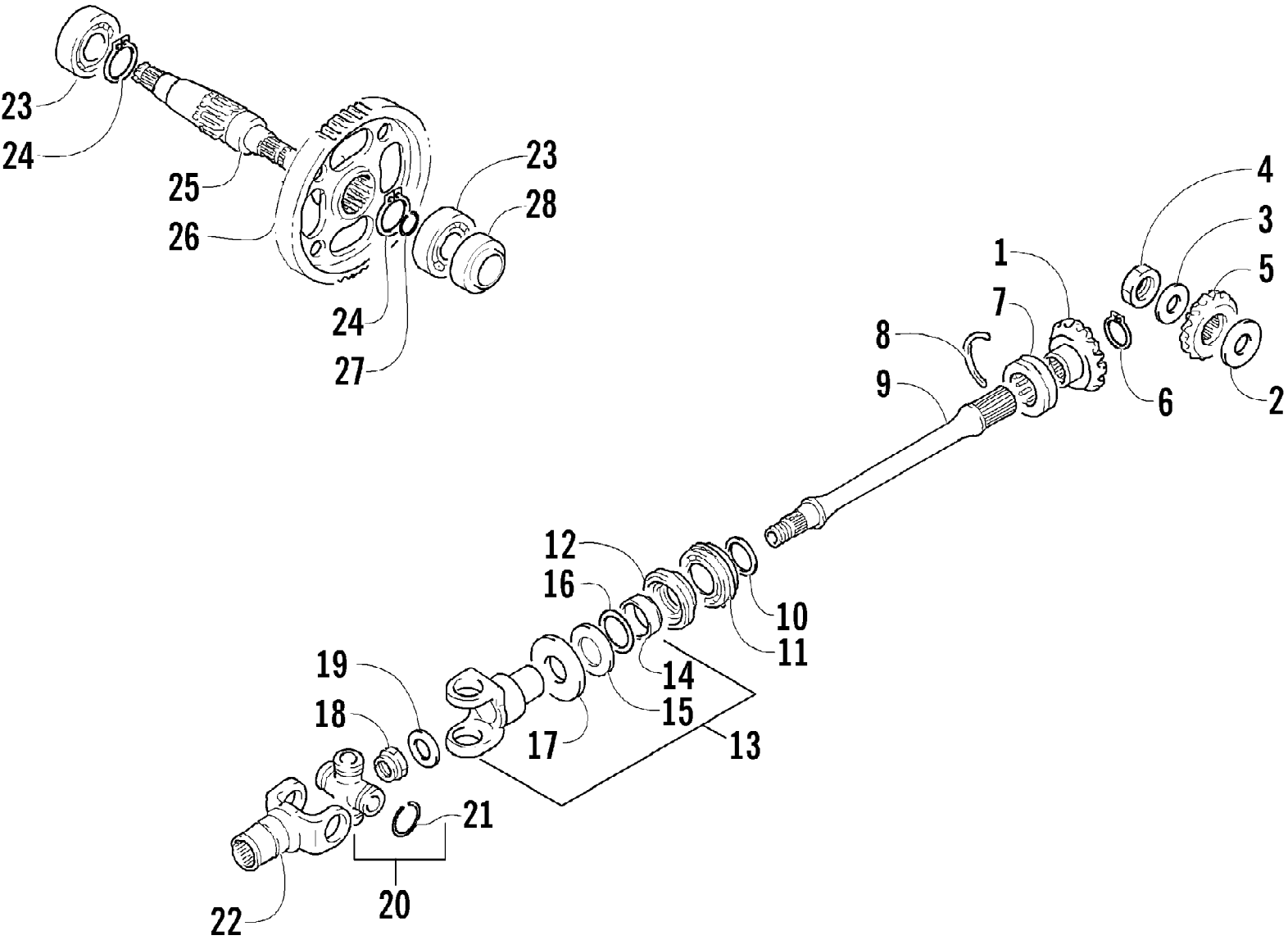


2004 ATV 250 4X4 RED (A2004ATE4AUSR)  
SEAT ASSEMBLY

Page 63 of 83

| Ref # | Part Number | Qty | S/P/F | Description                      |
|-------|-------------|-----|-------|----------------------------------|
| 1     | 1506-182    | 1   |       | Seat Assembly (inc. 2-8)         |
| 2     | 0406-404    | 1   |       | Cover, Seat                      |
| 3     | 0506-291    | 1   |       | Foam, Seat                       |
| 4     | 0506-223    | 1   | /P    | Base, Seat - Assembly (inc. 5-7) |
| 5     | 0           | 1   | F     | Base, Seat                       |
| 6     | 8061-628    | 4   |       | Rivet                            |
| 7     | 1506-057    | 2   | /P    | Pin, Seat-Base - Front           |
| 8     | 0624-100    | AR  |       | Staple                           |
| 9     | 0406-309    | 2   |       | Grommet, Seat - Center           |
| 10    | 8476-620    | 2   |       | Screw, Cap                       |
| 11    | 0406-235    | 1   |       | Spring, Seat Latch               |
| 12    | 8050-217    | 2   | /P    | Washer                           |
| 13    | 0406-199    | 2   |       | Collar, Seat-Base - Front        |
| 14    | 0406-171    | 2   |       | Bumper, Seat-Base - Front        |
| 15    | 0623-404    | 1   |       | Cap, Protector                   |
| 16    | 1506-056    | 1   | /P    | Latch, Seat - Assembly           |
| 17    | 8476-616    | 2   |       | Screw, Machine                   |

2004 ATV 250 4X4 RED (A2004ATE4AUSR)  
SECONDARY GEAR/OUTPUT SHAFT ASSEMBLY

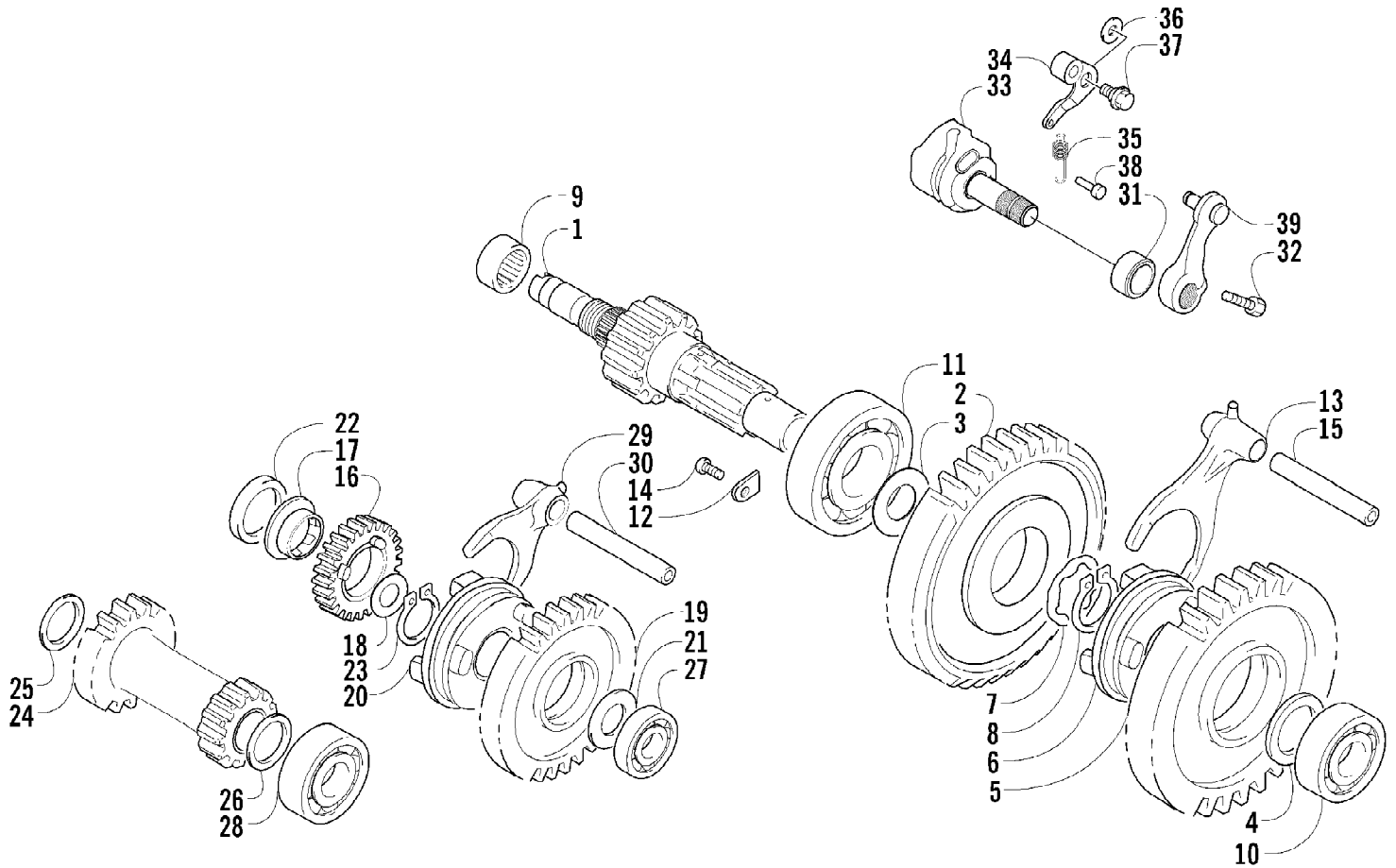




2004 ATV 250 4X4 RED (A2004ATE4AUSR)  
SECONDARY GEAR/OUTPUT SHAFT ASSEMBLY

| Ref # | Part Number | Qty | S/P/F | Description                       |
|-------|-------------|-----|-------|-----------------------------------|
| 1     | 3446-269    | 1   |       | Gear, Secondary Drive Bevel       |
| 2     | 3446-035    | 1   |       | Shim Set, Secondary Drive Bevel   |
| 3     | 3423-032    | 1   |       | Washer                            |
| 4     | 3423-254    | 1   |       | Nut                               |
| 5     | 3446-270    | 1   |       | Gear, Secondary Driven Bevel      |
| 6     | 3423-340    | 1   | S     | Circlip                           |
| 7     | 3402-515    | 1   | /P    | Bearing, Rear                     |
| 8     | 3423-072    | 1   |       | Ring                              |
| 9     | 3446-199    | 1   |       | Shaft, Secondary Output           |
| 10    | 3402-308    | AR  |       | Shim, 25 x 34 x 0.50 mm           |
| 10    | 3402-017    | AR  |       | Shim, 25 x 34 x 0.60 mm           |
| 10    | 3402-018    | AR  |       | Shim, 25 x 34 x 0.65 mm           |
| 10    | 3402-019    | AR  |       | Shim, 25 x 34 x 0.70 mm           |
| 10    | 3402-020    | AR  |       | Shim, 25 x 34 x 0.75 mm           |
| 10    | 3402-021    | AR  | S     | Shim, 25 x 34 x 0.80 mm           |
| 10    | 3402-022    | AR  |       | Shim, 25 x 34 x 0.85 mm           |
| 10    | 3402-023    | AR  |       | Shim, 25 x 34 x 0.90 mm           |
| 10    | 3402-024    | AR  |       | Shim, 25 x 34 x 0.95 mm           |
| 10    | 3402-025    | AR  | S     | Shim, 25 x 34 x 1.00 mm           |
| 10    | 3402-028    | AR  |       | Shim, 25 x 34 x 1.05 mm           |
| 10    | 3402-029    | AR  |       | Shim, 25 x 34 x 1.10 mm           |
| 10    | 3402-030    | AR  |       | Shim, 25 x 34 x 1.15 mm           |
| 10    | 3402-031    | AR  |       | Shim, 25 x 34 x 1.20 mm           |
| 11    | 3402-067    | 1   | S     | Bearing, Front                    |
| 12    | 3402-072    | 1   |       | Seal, Oil                         |
| 13    | 3435-001    | 1   | S     | Yoke, Output - Front (inc. 14-17) |
| 14    | 3435-029    | 1   |       | Collar                            |
| 15    | 3435-030    | 1   |       | Plate, Oil Seal                   |
| 16    | 3423-060    | 1   |       | O-Ring                            |
| 17    | 3423-035    | 1   |       | Plate                             |
| 18    | 3423-025    | 1   |       | Nut                               |
| 19    | 3423-028    | 1   |       | Washer                            |
| 20    | 3435-011    | 1   |       | Joint, Universal (inc. 21)        |
| 21    | 3423-067    | 4   |       | Circlip                           |
| 22    | 3435-002    | 1   |       | Yoke, Output Shaft Joint          |
| 23    | 3402-219    | 2   |       | Bearing                           |
| 24    | 3423-321    | 2   |       | Circlip                           |
| 25    | 3446-176    | 1   |       | Shaft, Rear Final Driven          |
| 26    | 3446-175    | 1   |       | Gear, Driven                      |
| 27    | 3423-281    | 2   |       | Ring                              |
| 28    | 3402-072    | 2   |       | Seal, Oil                         |

2004 ATV 250 4X4 RED (A2004ATE4AUSR)  
SECONDARY TRANSMISSION ASSEMBLY

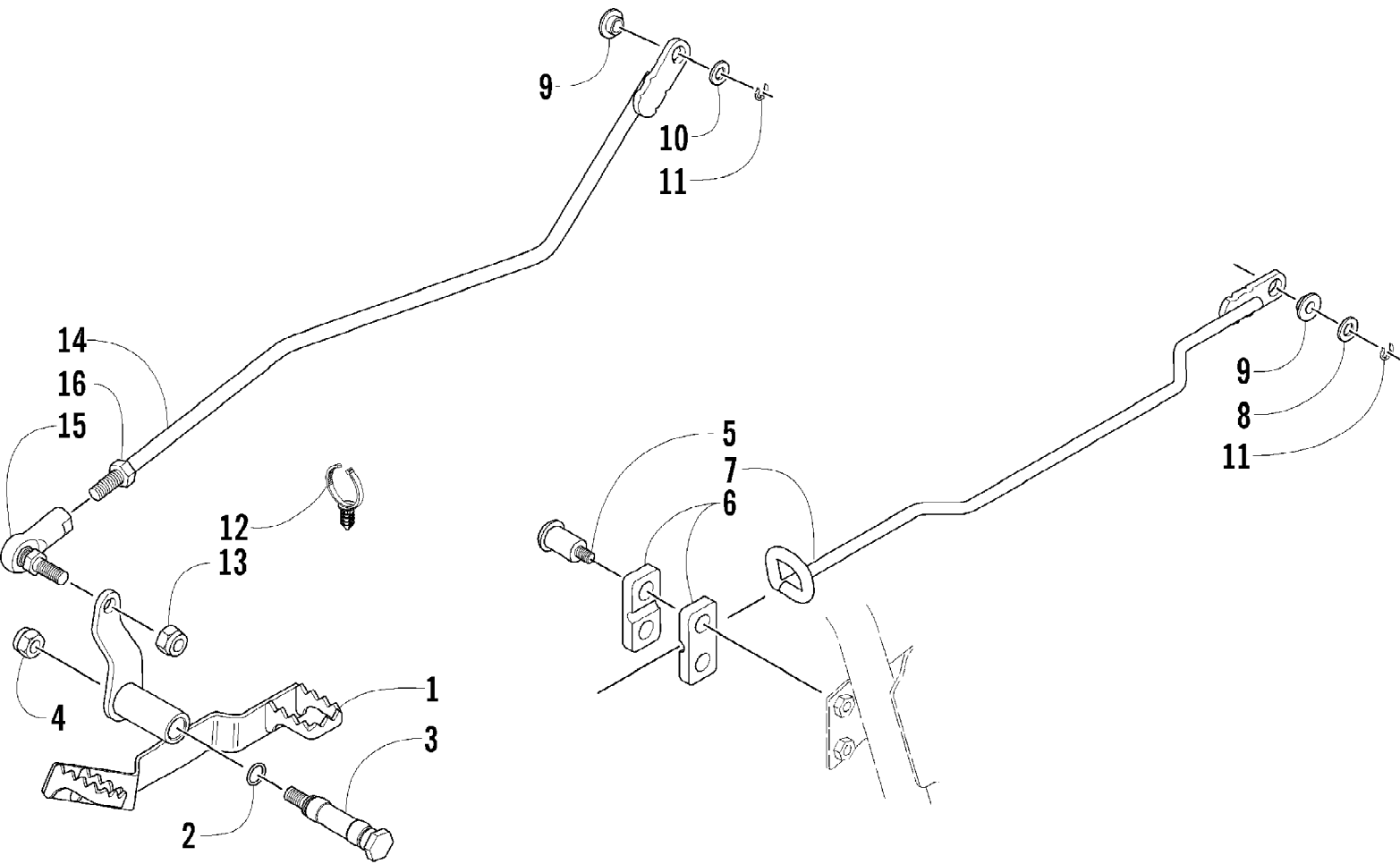


2004 ATV 250 4X4 RED (A2004ATE4AUSR)  
SECONDARY TRANSMISSION ASSEMBLY

Page 67 of 83

| Ref # | Part Number | Qty | S/P/F | Description                  |
|-------|-------------|-----|-------|------------------------------|
| 1     | 3446-206    | 1   |       | Shaft, Sub-Transmission      |
| 2     | 3446-207    | 1   |       | Gear, Driven                 |
| 3     | 3423-338    | 1   |       | Washer - Right               |
| 4     | 3423-298    | 1   |       | Washer - Left                |
| 5     | 3446-208    | 1   |       | Gear, Driven                 |
| 6     | 3446-209    | 1   |       | Dog, Driven Gear             |
| 7     | 3423-317    | 1   |       | Washer                       |
| 8     | 3423-318    | 1   | S     | Circlip                      |
| 9     | 3402-278    | 1   |       | Bearing - Right              |
| 10    | 3004-209    | 1   | /P    | Bearing - Left               |
| 11    | 3402-180    | 1   | S     | Bearing - Middle             |
| 12    | 3446-031    | 2   | /P    | Retainer                     |
| 13    | 3446-210    | 1   |       | Fork                         |
| 14    | 3004-552    | 2   | S     | Screw                        |
| 15    | 3446-230    | 1   |       | Shaft                        |
| 16    | 3446-181    | 1   | S     | Gear, Drive                  |
| 17    | 3446-259    | 1   | /P    | Bushing                      |
| 18    | 3423-036    | 1   |       | Washer                       |
| 19    | 3446-182    | 1   |       | Gear, Drive                  |
| 20    | 3446-183    | 1   |       | Dog, Drive Gear              |
| 21    | 3402-195    | 1   |       | Washer                       |
| 22    | 3402-207    | 1   |       | Spacer                       |
| 23    | 3423-066    | 1   | /P    | Circlip                      |
| 24    | 3446-272    | 1   | /P    | Gear, Idler                  |
| 25    | 3402-205    | 1   |       | Washer                       |
| 26    | 3423-319    | 1   |       | Washer                       |
| 27    | 3003-261    | 1   | /P    | Bearing, Drive - Left        |
| 28    | 3402-217    | 1   |       | Bearing, Countershaft - Left |
| 29    | 3446-185    | 1   |       | Fork                         |
| 30    | 3446-271    | 1   | /P    | Shaft                        |
| 31    | 3402-076    | 1   |       | Seal, Oil                    |
| 32    | 3423-125    | 1   | S     | Screw, Cap                   |
| 33    | 3446-211    | 1   |       | Cam, Sub-Transmission Gear   |
| 34    | 3446-187    | 1   |       | Stopper                      |
| 35    | 3402-241    | 1   |       | Spring                       |
| 36    | 3423-141    | 1   |       | Washer                       |
| 37    | 3423-240    | 1   |       | Screw, Cap                   |
| 38    | 3423-268    | 1   |       | Pin                          |
| 39    | 3446-116    | 1   |       | Arm                          |

2004 ATV 250 4X4 RED (A2004ATE4AUSR)  
SHIFTER ASSEMBLY

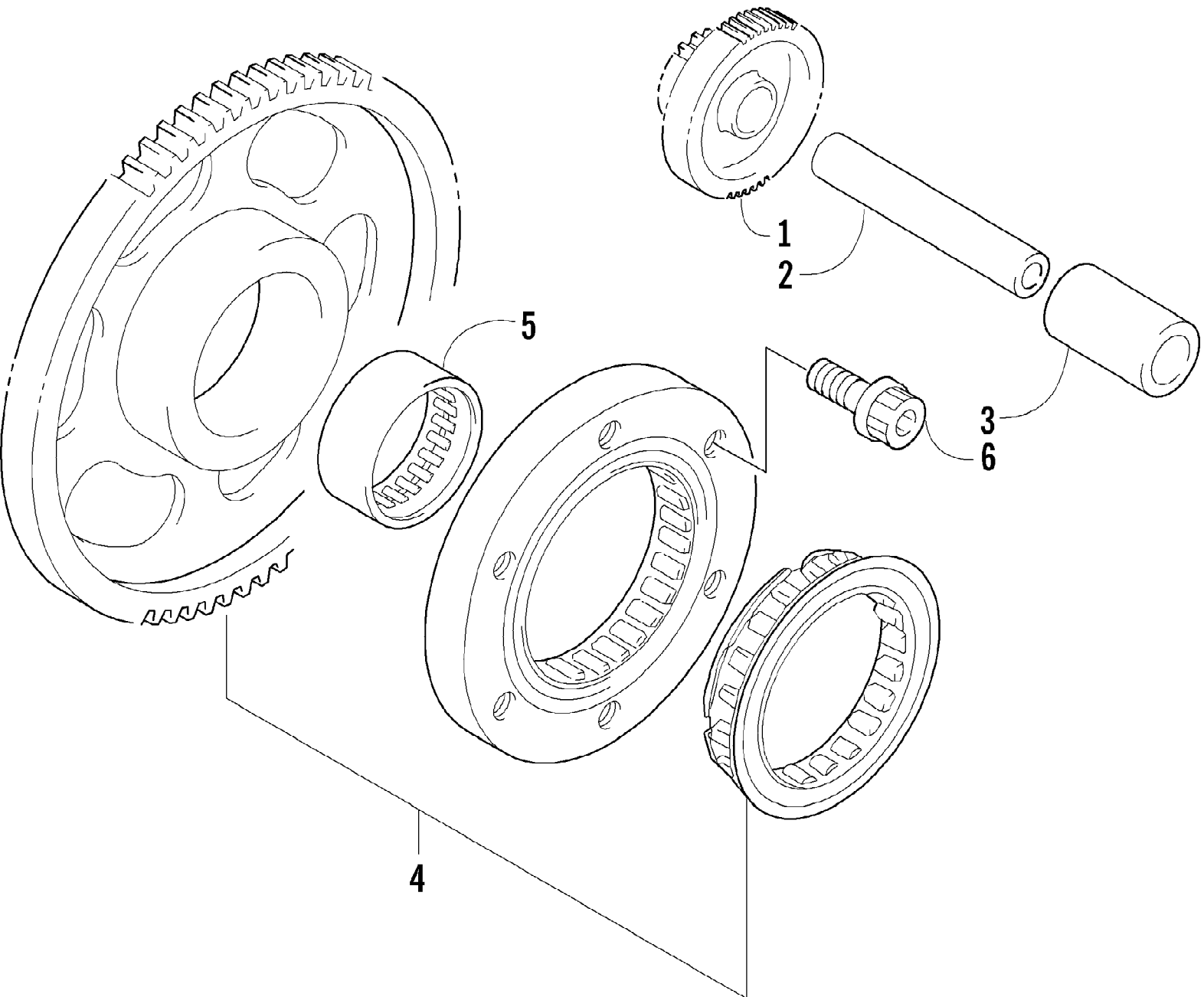


2004 ATV 250 4X4 RED (A2004ATE4AUSR)  
SHIFTER ASSEMBLY

Page 69 of 83

| Ref # | Part Number | Qty | S/P/F | Description                           |
|-------|-------------|-----|-------|---------------------------------------|
| 1     | 0502-253    | 1   |       | Lever, Footshift                      |
| 2     | 1602-213    | 2   | /P    | O-Ring                                |
| 3     | 0402-370    | 1   |       | Axle, Lever                           |
| 4     | 8422-002    | 1   |       | Nut                                   |
| 5     | 0423-329    | 2   |       | Screw, Shoulder                       |
| 6     | 0406-363    | 2   |       | Bushing                               |
| 7     | 0502-257    | 1   |       | Linkage, Shift                        |
| 8     | 8050-247    | 1   | /P    | Washer                                |
| 9     | 0423-091    | 2   |       | Bushing                               |
| 10    | 8050-242    | 1   |       | Washer                                |
| 11    | 3423-168    | 2   | S     | E-Ring                                |
| 12    | 0423-075    | 1   |       | Tie, Cable - Push-Mount               |
| 13    | 0623-025    | 1   |       | Nut, Lock                             |
| 14    | 0502-256    | 1   |       | Linkage, Footshift Lever (inc. 15-16) |
| 15    | 0402-844    | 1   |       | End, Rod                              |
| 16    | 0623-294    | 1   |       | Nut                                   |

2004 ATV 250 4X4 RED (A2004ATE4AUSR)  
STARTER CLUTCH ASSEMBLY

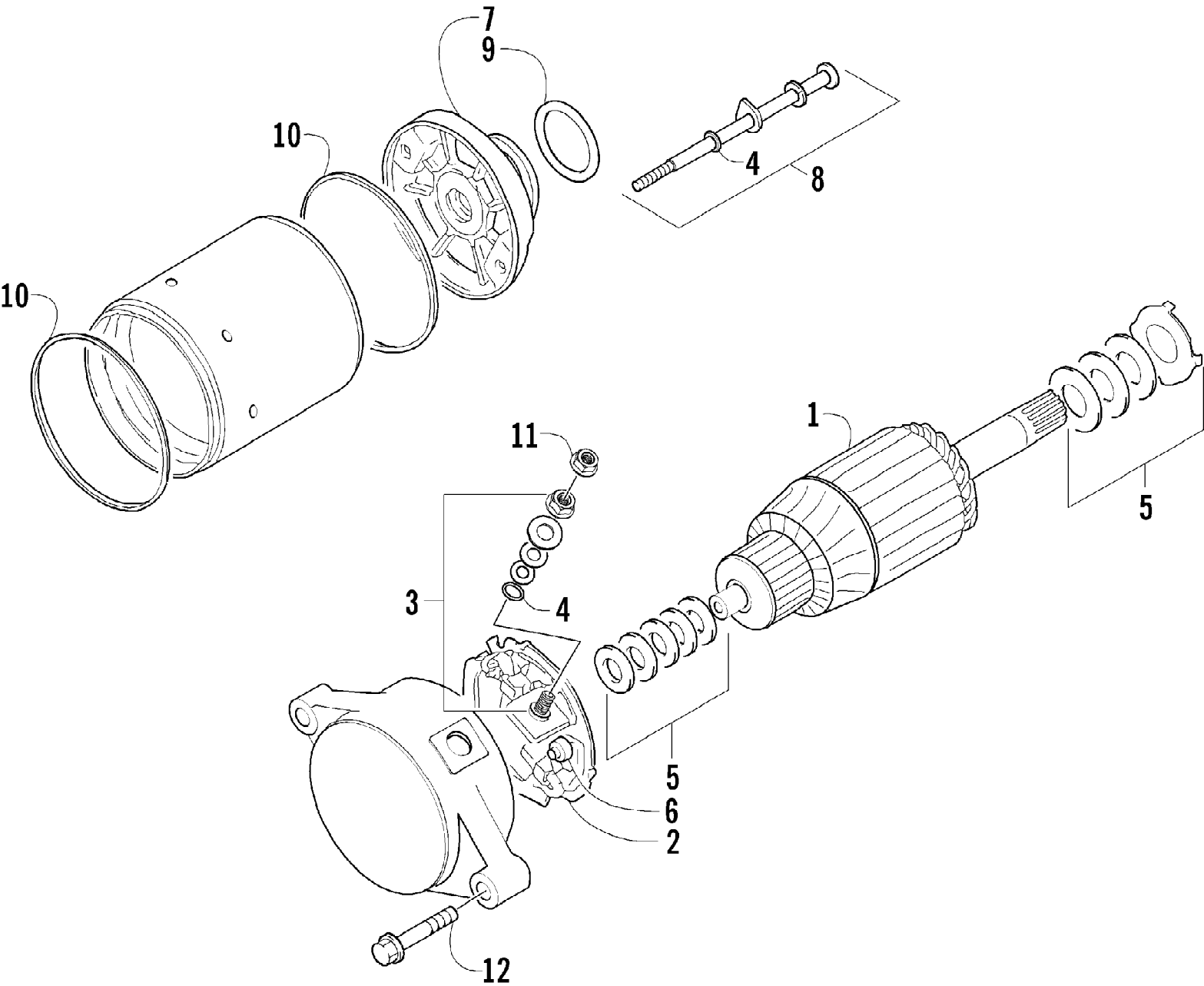


2004 ATV 250 4X4 RED (A2004ATE4AUSR)  
STARTER CLUTCH ASSEMBLY

Page 71 of 83

| Ref # | Part Number | Qty | S/P/F | Description                  |
|-------|-------------|-----|-------|------------------------------|
| 1     | 3402-274    | 1   | S     | Gear, Starter Idler          |
| 2     | 3423-267    | 1   |       | Pin                          |
| 3     | 3402-145    | 1   |       | Spacer                       |
| 4     | 3402-273    | 1   |       | Clutch Set, Starter (inc. 5) |
| 5     | 3402-222    | 1   |       | Bearing                      |
| 6     | 3423-309    | 3   |       | Screw, Cap                   |

2004 ATV 250 4X4 RED (A2004ATE4AUSR)  
STARTER MOTOR ASSEMBLY



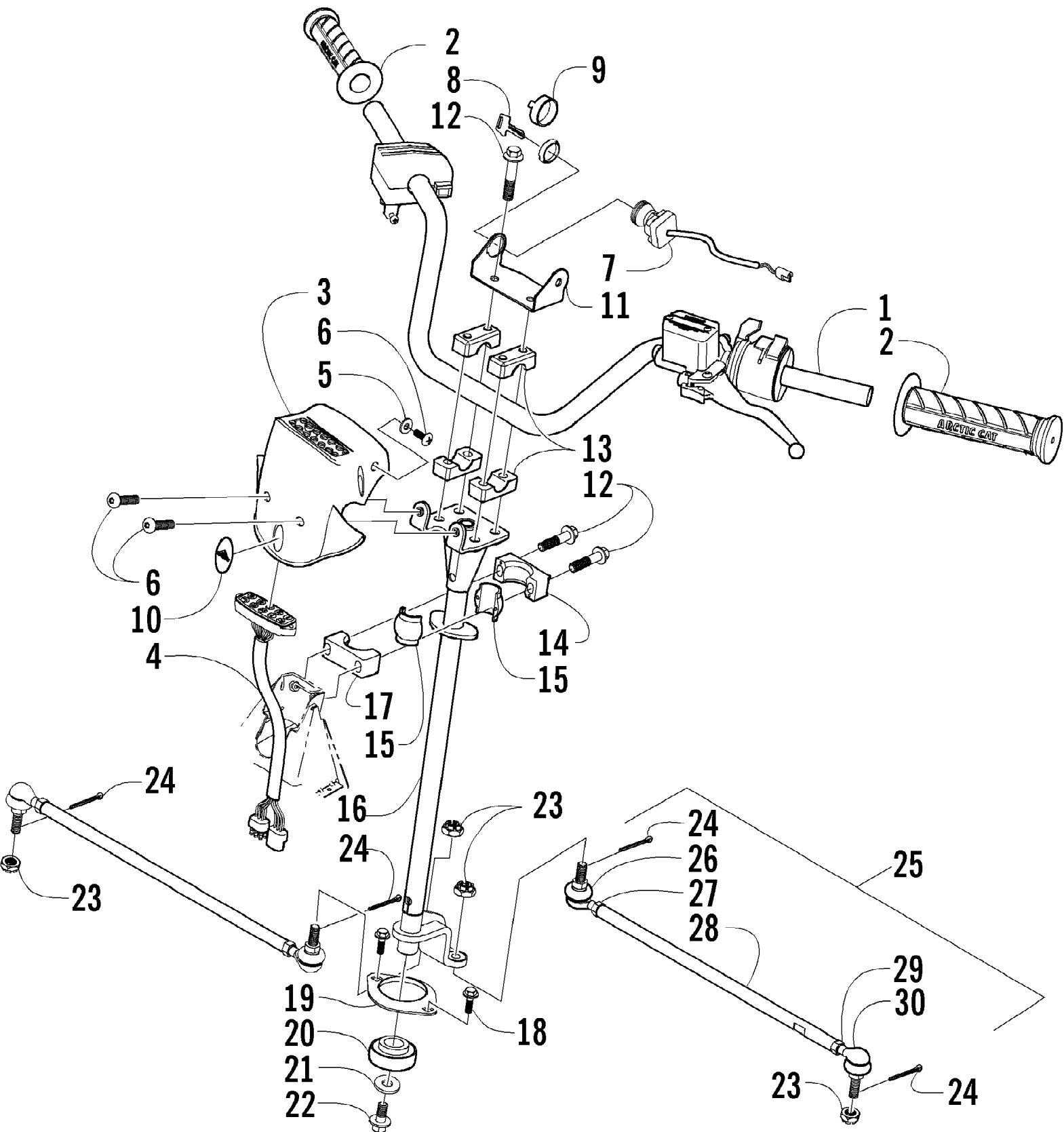


2004 ATV 250 4X4 RED (A2004ATE4AUSR)  
STARTER MOTOR ASSEMBLY

Page 73 of 83

| Ref # | Part Number | Qty | S/P/F | Description                          |
|-------|-------------|-----|-------|--------------------------------------|
|       | 3545-003    | 1   | S     | Complete Starter Motor Assembly      |
| 1     | 3008-554    | 1   |       | Armature                             |
| 2     | 3008-550    | 1   |       | Holder Set, Brush                    |
| 3     | 3008-549    | 1   |       | Terminal Set, Brush (inc. one No. 4) |
| 4     | 3008-164    | 3   |       | O-Ring                               |
| 5     | 3008-099    | 1   |       | Washer Set                           |
| 6     | 3008-551    | 2   |       | Spring, Brush                        |
| 7     | 3008-552    | 1   |       | Bracket, Front - Assembly            |
| 8     | 3423-289    | 2   |       | Through-Bolt Set (inc. two No. 4)    |
| 9     | 3423-272    | 1   |       | O-Ring                               |
| 10    | 3008-553    | 2   | /P    | O-Ring                               |
| 11    | 3423-195    | 1   | /P    | Nut                                  |
| 12    | 3004-756    | 2   | S     | Screw, Cap                           |

2004 ATV 250 4X4 RED (A2004ATE4AUSR)  
STEERING ASSEMBLY

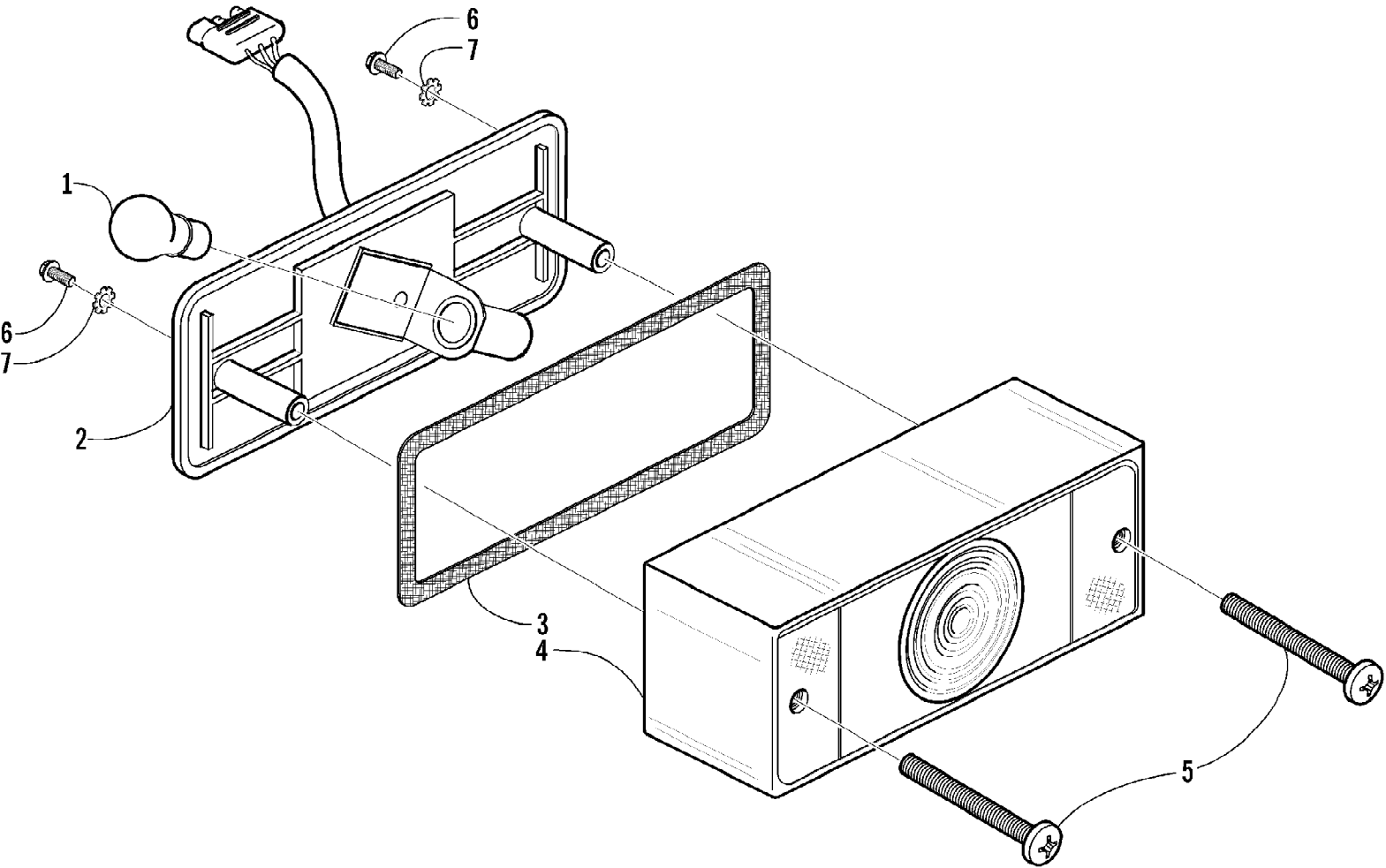


2004 ATV 250 4X4 RED (A2004ATE4AUSR)  
STEERING ASSEMBLY

Page 75 of 83

| Ref # | Part Number | Qty | S/P/F | Description                          |
|-------|-------------|-----|-------|--------------------------------------|
| 1     | 0505-427    | 1   |       | Tube, Handlebar                      |
| 2     | 0405-106    | 2   |       | Grip, Handlebar                      |
| 3     | 0405-063    | 1   |       | Housing, Instrument                  |
| 4     | 0420-035    | 1   | /P    | Panel, LED                           |
| 5     | 0423-052    | 1   |       | Collar, Body                         |
| 6     | 8477-616    | 3   |       | Screw, Machine                       |
| 7     | 3430-040    | 1   |       | Switch, Ignition - Assembly (inc. 8) |
| 8     | 3409-007    | 1   | /P    | Key, Ignition - Blank (C Series)     |
| 8     | 3409-011    | 1   |       | Key, Ignition - Blank (D Series)     |
| 8     | 3409-012    | 1   |       | Key, Ignition - Blank (E Series)     |
| 8     | 3409-013    | 1   |       | Key, Ignition - Blank (F Series)     |
| 9     | 0409-013    | 1   |       | Cover, Key                           |
| 10    | 0405-042    | 1   |       | Plug, Instrument Pod                 |
| 11    | 0506-348    | 1   | /P    | Bracket, Key Switch                  |
| 12    | 8408-860    | 6   |       | Screw, Cap                           |
| 13    | 0405-035    | 4   |       | Cap, Steering Adjuster               |
| 14    | 0605-147    | 1   | S     | Housing, Bearing - Upper             |
| 15    | 0405-020    | 2   |       | Bearing, Steering Post               |
| 16    | 0505-431    | 1   | /P    | Post, Steering                       |
| 17    | 0605-171    | 1   |       | Housing, Bearing - Lower             |
| 18    | 8408-816    | 2   |       | Screw, Cap                           |
| 19    | 0602-233    | 1   |       | Flange, Bearing                      |
| 20    | 0405-052    | 1   |       | Bearing, Steering                    |
| 21    | 0423-073    | 1   |       | Washer                               |
| 22    | 8409-020    | 1   | /P    | Screw, Cap                           |
| 23    | 0423-157    | 4   |       | Nut, Lock                            |
| 24    | 0623-175    | 4   |       | Pin, Cotter                          |
| 25    | 0505-072    | 2   | /P    | Tie Rod, Assembly (inc. 26-30)       |
| 26    | 0405-083    | 2   | S     | Ball Joint, Tie Rod - Left           |
| 27    | 0423-013    | 2   |       | Nut - Left                           |
| 28    | 0405-032    | 2   |       | Tie Rod                              |
| 29    | 8420-002    | 2   | /P    | Nut - Right                          |
| 30    | 0405-082    | 2   | S     | Ball Joint, Tie Rod - Right          |

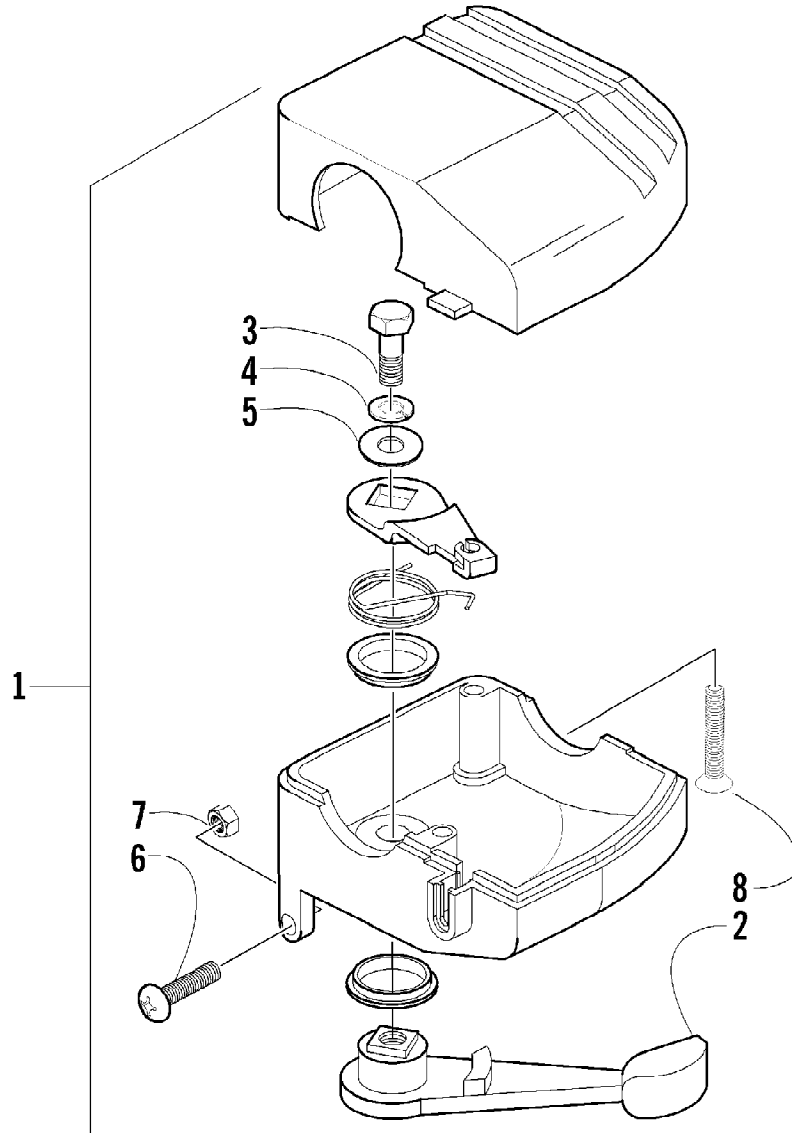
2004 ATV 250 4X4 RED (A2004ATE4AUSR)  
TAILLIGHT ASSEMBLY



2004 ATV 250 4X4 RED (A2004ATE4AUSR)  
TAILLIGHT ASSEMBLY

Page 77 of 83

| Ref # | Part Number | Qty | S/P/F | Description                   |
|-------|-------------|-----|-------|-------------------------------|
|       | 0409-002    | 1   |       | Complete Taillight Assembly   |
| 1     | 0109-460    | 1   | /P    | Bulb, Stop/Taillight          |
| 2     | 0409-058    | 1   |       | Taillight w/Socket Assembly   |
| 3     | 0409-012    | 1   |       | Gasket, Taillight Lens        |
| 4     | 0409-007    | 1   |       | Lens, Taillight               |
| 5     | 0409-010    | 2   |       | Screw, Machine                |
| 6     | 0623-301    | 2   | /P    | Screw, Self-Tapping           |
| 7     | 8053-212    | 2   | /P    | Washer, Lock - External Tooth |

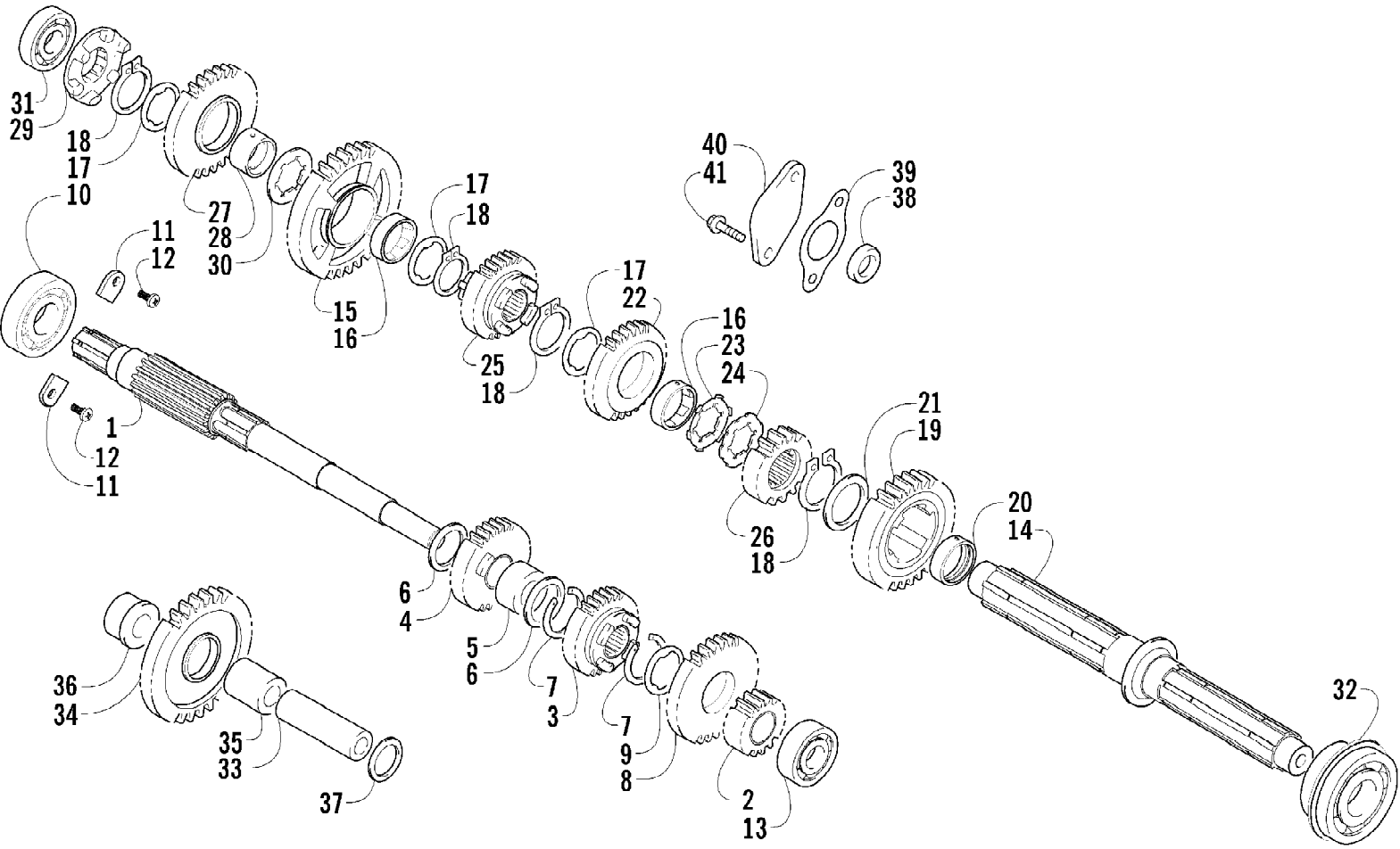


2004 ATV 250 4X4 RED (A2004ATE4AUSR)  
THROTTLE CASE ASSEMBLY

Page 79 of 83

| Ref # | Part Number | Qty | S/P/F | Description                          |
|-------|-------------|-----|-------|--------------------------------------|
| 1     | 3509-003    | 1   | /P    | Case, Throttle - Assembly (inc. 2-8) |
| 2     | 3409-001    | 1   |       | Lever                                |
| 3     | 3004-533    | 1   | S/P   | Screw, Cap                           |
| 4     | 3004-447    | 1   | /P    | Washer, Lock                         |
| 5     | 3003-030    | 1   | /P    | Washer                               |
| 6     | 3423-014    | 1   |       | Screw                                |
| 7     | 3423-327    | 1   |       | Nut                                  |
| 8     | 3423-199    | 2   |       | Screw                                |

2004 ATV 250 4X4 RED (A2004ATE4AUSR)  
TRANSMISSION ASSEMBLY



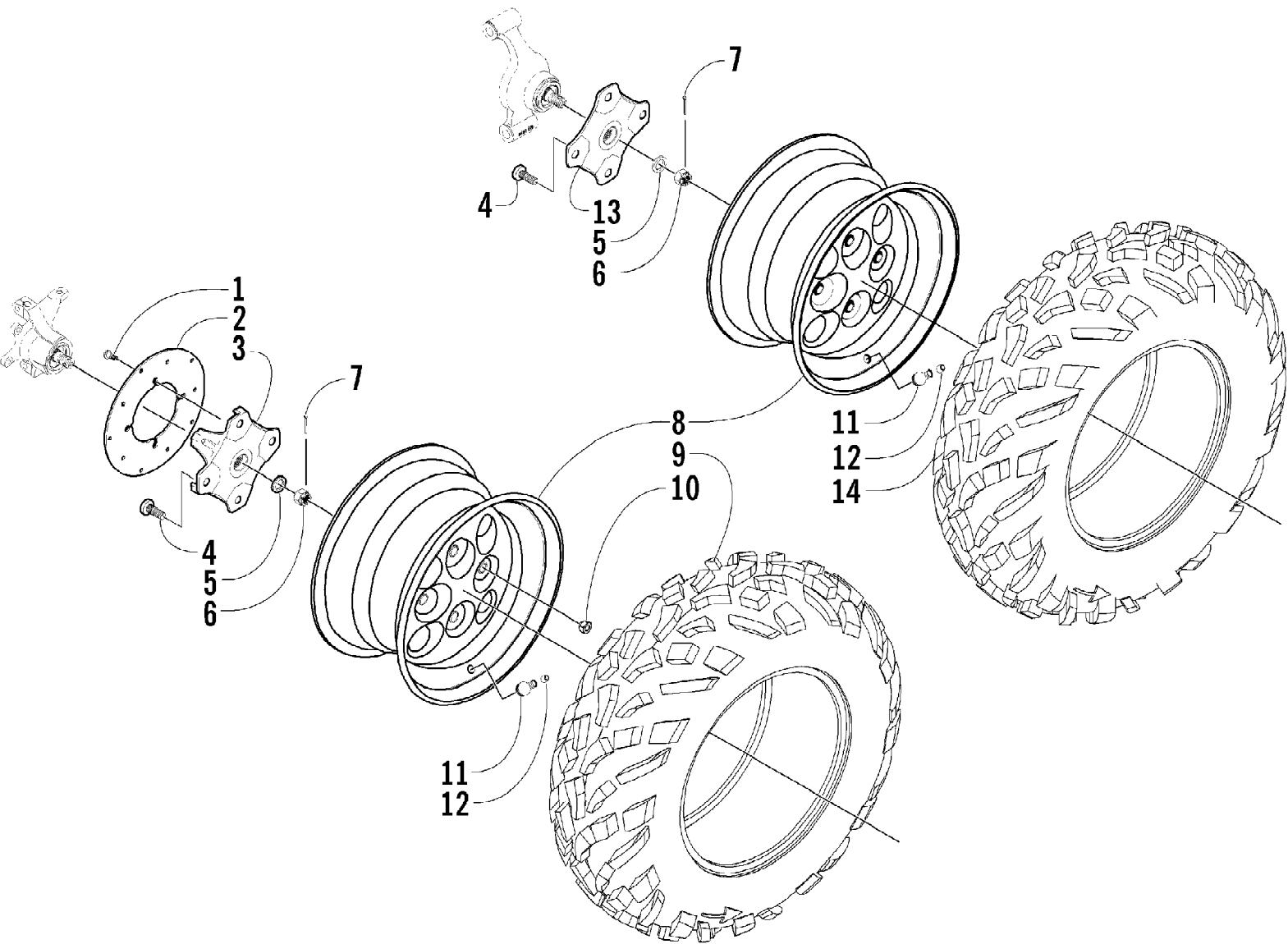


2004 ATV 250 4X4 RED (A2004ATE4AUSR)  
TRANSMISSION ASSEMBLY

Page 81 of 83

| Ref # | Part Number | Qty | S/P/F | Description                 |
|-------|-------------|-----|-------|-----------------------------|
| 1     | 3446-135    | 1   | S     | Countershaft                |
| 2     | 3446-137    | 1   |       | Gear, 2nd Drive             |
| 3     | 3446-138    | 1   |       | Gear, 3rd Drive             |
| 4     | 3446-139    | 1   |       | Gear, 4th Drive             |
| 5     | 3402-229    | 1   |       | Bushing                     |
| 6     | 3402-210    | 2   |       | Washer                      |
| 7     | 3423-279    | 2   |       | Circlip                     |
| 8     | 3446-140    | 1   |       | Gear, 5th Drive             |
| 9     | 3423-261    | 1   | S     | Washer                      |
| 10    | 0691-374    | 1   |       | Bearing - Right             |
| 11    | 3446-031    | 2   | /P    | Retainer                    |
| 12    | 3004-552    | 2   | S     | Screw                       |
| 13    | 3402-224    | 1   |       | Bearing - Middle            |
| 14    | 3446-136    | 1   | S     | Driveshaft                  |
| 15    | 3446-141    | 1   |       | Gear, 1st Driven            |
| 16    | 3446-144    | 2   | S     | Bushing                     |
| 17    | 3423-036    | 3   |       | Washer                      |
| 18    | 3423-066    | 4   | /P    | Circlip                     |
| 19    | 3446-142    | 1   |       | Gear, 2nd Driven            |
| 20    | 3402-230    | 1   |       | Bushing                     |
| 21    | 3423-317    | 1   |       | Washer                      |
| 22    | 3446-143    | 1   |       | Gear, 3rd Driven            |
| 23    | 3423-266    | 1   |       | Washer, Lock                |
| 24    | 3423-262    | 1   |       | Washer, Lock                |
| 25    | 3446-146    | 1   |       | Gear, 4th Driven            |
| 26    | 3446-147    | 1   |       | Gear, 5th Driven            |
| 27    | 3446-151    | 1   |       | Gear, Reverse Driven        |
| 28    | 3446-145    | 1   |       | Bushing                     |
| 29    | 3446-152    | 1   |       | Dog, Reverse                |
| 30    | 3423-263    | 1   |       | Washer                      |
| 31    | 3402-218    | 1   |       | Bearing - Right             |
| 32    | 3402-220    | 1   |       | Bearing - Middle            |
| 33    | 3446-148    | 1   |       | Shaft, Reverse Idle         |
| 34    | 3446-149    | 1   |       | Gear, Reverse Idle          |
| 35    | 3402-228    | 1   |       | Bushing                     |
| 36    | 3446-150    | 1   |       | Spacer                      |
| 37    | 3402-209    | 1   |       | Washer                      |
| 38    | 3402-255    | 1   |       | Plug, Cover - Hole          |
| 39    | 3446-244    | 1   | /P    | Gasket, Cover Plug Retainer |
| 40    | 3446-260    | 1   |       | Retainer, Cover Plug        |
| 41    | 3423-363    | 2   |       | Bolt, Retainer              |

2004 ATV 250 4X4 RED (A2004ATE4AUSR)  
WHEEL AND TIRE ASSEMBLY



2004 ATV 250 4X4 RED (A2004ATE4AUSR)  
WHEEL AND TIRE ASSEMBLY

Page 83 of 83

| Ref # | Part Number | Qty | S/P/F | Description                        |
|-------|-------------|-----|-------|------------------------------------|
| 1     | 0423-029    | 12  |       | Screw, Machine                     |
| 2     | 0402-874    | 3   | S     | Disc, Brake                        |
| 3     | 0502-421    | 2   | /P    | Hub, Wheel - Front (inc. 4)        |
| 4     | 0402-974    | 16  | /P    | Stud, Wheel Hub                    |
| 5     | 0402-181    | 4   |       | Seal, Hub                          |
| 6     | 0423-394    | 4   |       | Nut, Castle                        |
| 7     | 0423-407    | 4   |       | Pin, Cotter                        |
| 8     | 1402-127    | 4   |       | Wheel Assembly                     |
| 9     | 0402-316    | 2   | /P    | Tire - Front                       |
| 10    | 0423-408    | 16  | /P    | Nut, Lug                           |
| 11    | 0402-064    | 4   |       | Stem, Valve (inc. 12)              |
| 12    | 0402-140    | 4   |       | Cap, Valve Stem                    |
| 13    | 0502-421    | 1   | /P    | Hub, Wheel - Rear - Right (inc. 4) |
| 13    | 0502-423    | 1   | /P    | Hub, Wheel - Rear - Left (inc. 4)  |
| 14    | 0402-317    | 2   | /P    | Tire, Rear                         |