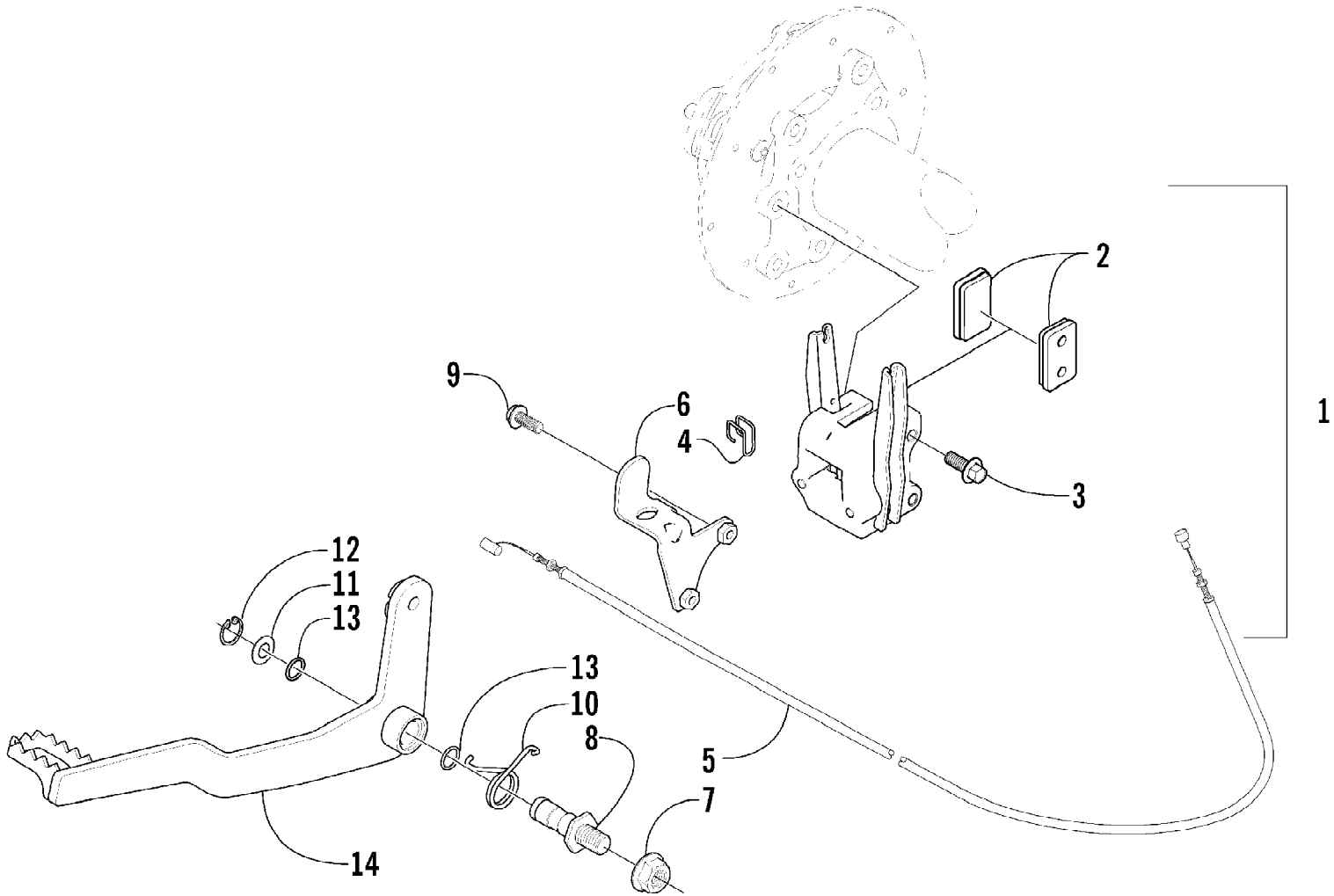


2004 ATV 250 4X4 GREEN (A2004ATE4AUSG)
AIR INTAKE ASSEMBLY

Page 2 of 83

Ref #	Part Number	Qty	S/P/F	Description
1	3570-001	1	/P	Intake, Air - Assembly (inc. 2-7)
2	3402-330	1		Slider, Retainer - Filter
3	0470-421	1		Filter, Air Cleaner
4	3402-331	1		Cap
5	8477-610	2		Screw, Machine
6	3423-329	1		Joint
7	3423-311	2		Clamp
8	3423-313	5		Clamp, Hose
9	0423-127	1		Plug, Drain
10	0470-442	1	/P	Valve, Air Cleaner
11	0423-071	1		Clamp
12	3470-004	1		Tube, Crankcase Breather
13	3402-236	1	/P	Clamp
14	0470-347	1		Boot, Air Cleaner
15	0423-317	1	/P	Clamp
16	0570-062	1		Snorkel, Air Intake - Assembly (inc. 17-19)
17	0623-101	1		Clip, Routing
18	0406-379	1	/P	Strap, Tool Kit
19	0606-586	1		Clip, Retaining
20	0444-122	1	S/P	Kit, Tool
21	8476-616	5		Screw, Cap
22	0423-128	1		Spring, Vent Tube
23	3402-334	1		Plug, Breather
24	3470-002	1		Valve, Check
25	3423-424	1		Clip, Air Cleaner
26	0423-047	1		Clamp, Hose
27	8053-212	1	/P	Washer, External Tooth Lock

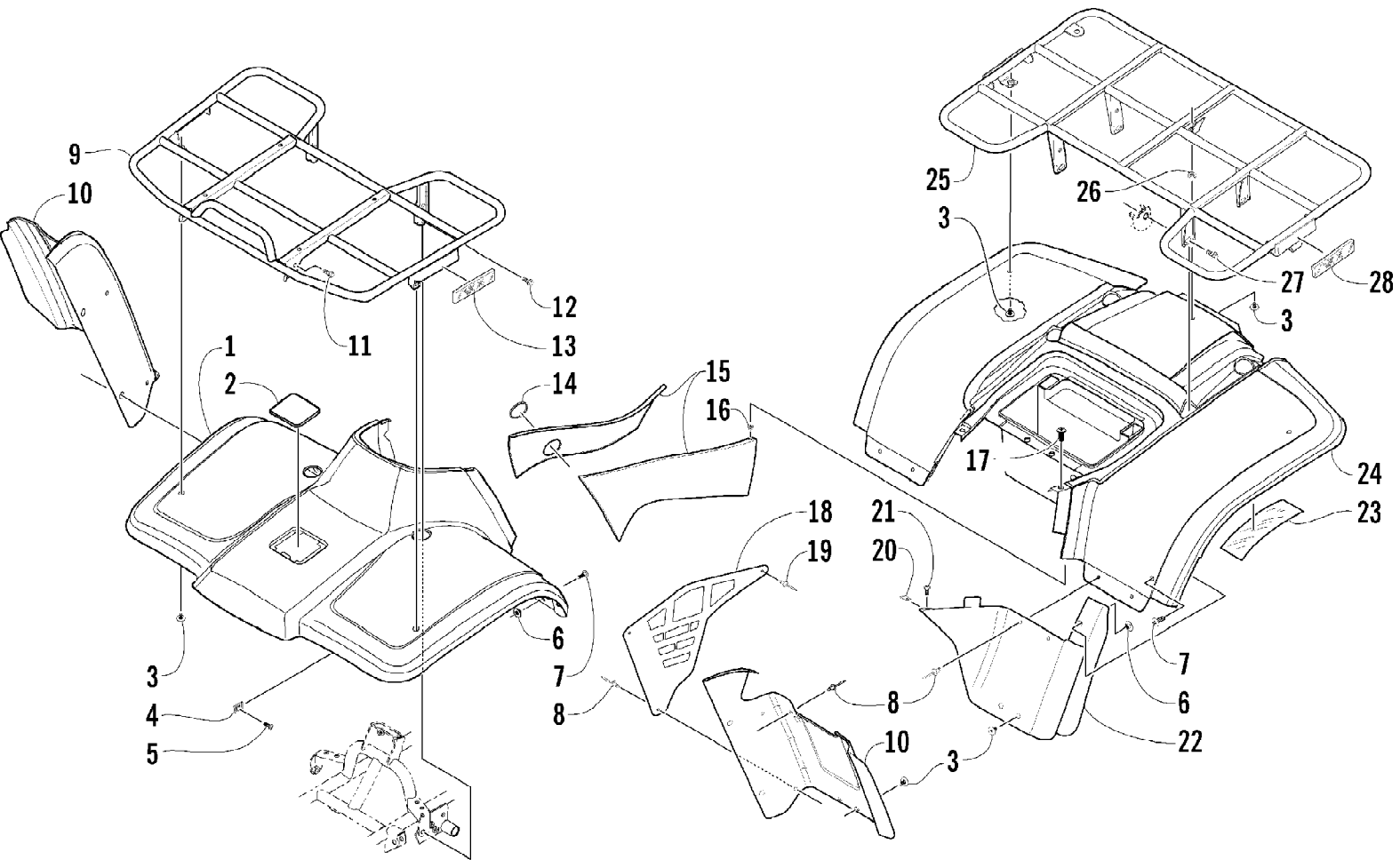


2004 ATV 250 4X4 GREEN (A2004ATE4AUSG)
AUXILIARY BRAKE ASSEMBLY

Page 4 of 83

Ref #	Part Number	Qty	S/P/F	Description
1	0502-372	1	/P	Auxiliary Brake Assembly (inc. 2)
2	0402-958	2	/P	Pad, Brake
3	8408-825	2		Screw, Cap
4	0402-379	1		Wire Form, Cable
5	0487-010	1		Cable, Brake - Rear
6	0502-056	1		Bracket, Brake Switch
7	0423-165	1		Nut
8	0406-562	1		Axle, Brake Lever
9	8476-616	2		Screw, Cap
10	0502-409	1	/P	Spring, Brake Lever
11	0423-027	1		Washer, Brake Lever
12	0623-237	1	/P	Ring, Snap
13	0670-183	2		O-Ring
14	0502-095	1	/P	Lever, Brake

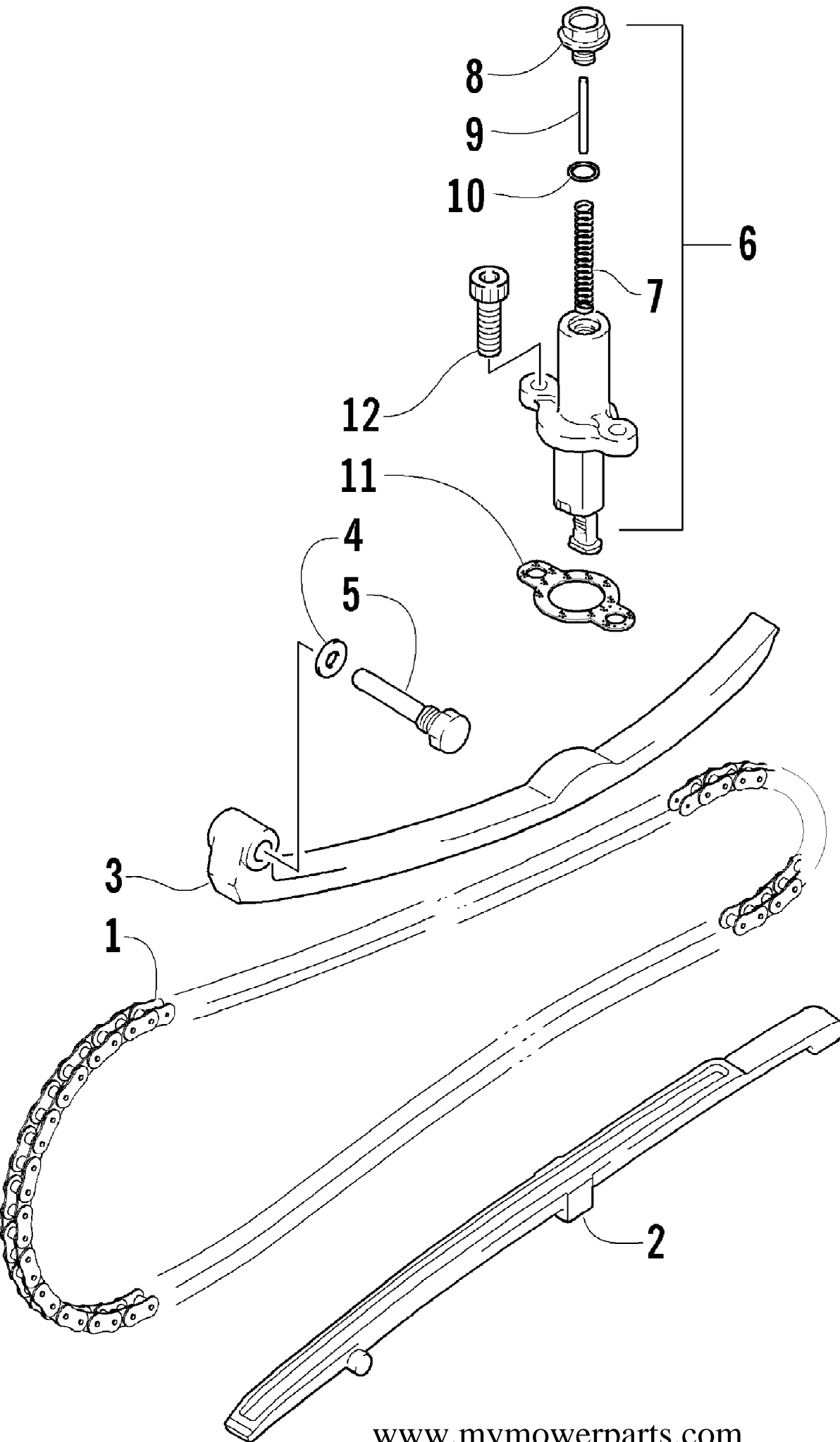
2004 ATV 250 4X4 GREEN (A2004ATE4AUSG)
BODY PANEL ASSEMBLY



2004 ATV 250 4X4 GREEN (A2004ATE4AUSG)
BODY PANEL ASSEMBLY

Page 6 of 83

Ref #	Part Number	Qty	S/P/F	Description
1	0506-604	1		Panel, Fender - Front (inc. 2)
2	1406-141	1	/P	Cover, Access
3	0423-101	AR		Screw, Body
4	0423-031	2		Nut, Speed
5	8477-616	2		Screw, Machine
6	0423-077	4	/P	T-Nut
7	8477-616	4		Screw, Shoulder
8	0423-046	AR		Rivet, Plastic
9	0506-525	1		Rack - Front
10	0506-272	1		Panel, Kick - Right
10	0506-629	1		Panel, Kick - Left
11	0423-360	2		Screw, Cap
12	8408-816	2		Screw, Cap
13	0411-646	2		Decal, Reflector - Amber
14	0470-404	1		Grommet, Fuel Shut-Off Valve
15	0506-549	1		Panel, Side - Right
15	0506-673	1		Panel, Side - Left
16	0123-010	2	/P	Nut, Expansion
17	0423-068	2		Screw, Machine
18	0406-374	2		Panel, Deflector
19	0623-362	2		Rivet, Plastic
20	0423-060	2		Clip, Tinnerman
21	0623-309	2		Screw, Self-Tapping
22	0406-084	1		Fender Extension - Rear - Right
22	0406-085	1		Fender Extension - Rear - Left
23	0619-230	AR	/P	Tape, Foil
24	0506-619	1		Panel, Fender - Rear
25	0506-861	1		Rack - Rear
26	0423-332	1		Washer, Rubber
27	8409-020	4	/P	Screw, Cap
28	0411-647	2		Decal, Reflector - Red

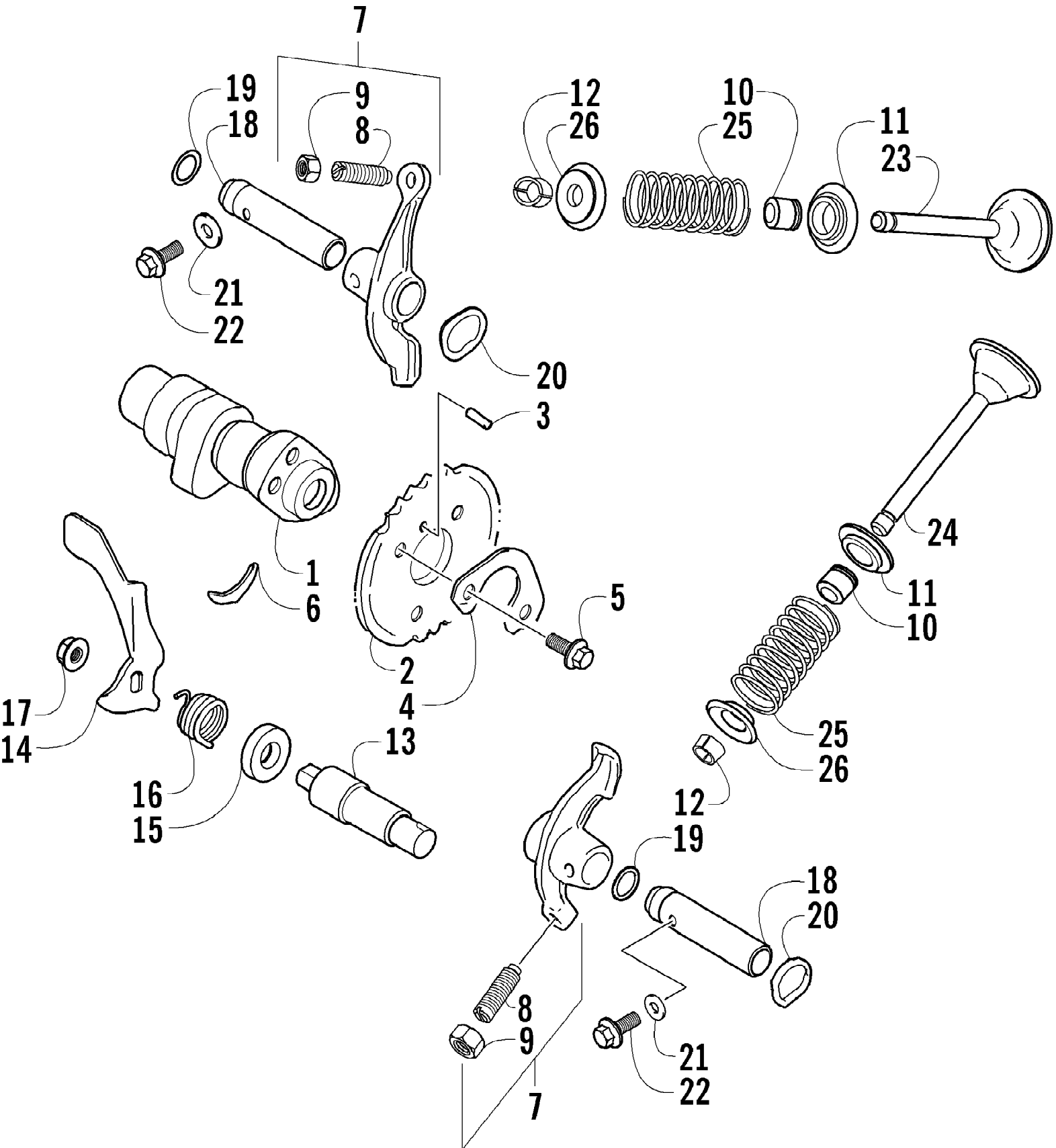


2004 ATV 250 4X4 GREEN (A2004ATE4AUSG)
CAM CHAIN ASSEMBLY

Page 8 of 83

Ref #	Part Number	Qty	S/P/F	Description
1	3402-398	1		Chain, Camshaft
2	3402-399	1	S	Guide, Camshaft Chain
3	3402-400	1		Tensioner, Camshaft Chain
4	3003-188	1	S/P	Washer
5	3423-074	1		Screw, Cap
6	3402-283	1		Adjuster, Tensioner - Assembly (inc. 7-10)
7	3402-284	1		Spring
8	3402-285	1		Plug
9	3402-286	1		Bar
10	3423-286	1		O-Ring
11	3402-287	1		Gasket, Adjuster
12	3004-576	2	S	Screw, Cap

2004 ATV 250 4X4 GREEN (A2004ATE4AUSG)
CAMSHAFT/VALVE ASSEMBLY

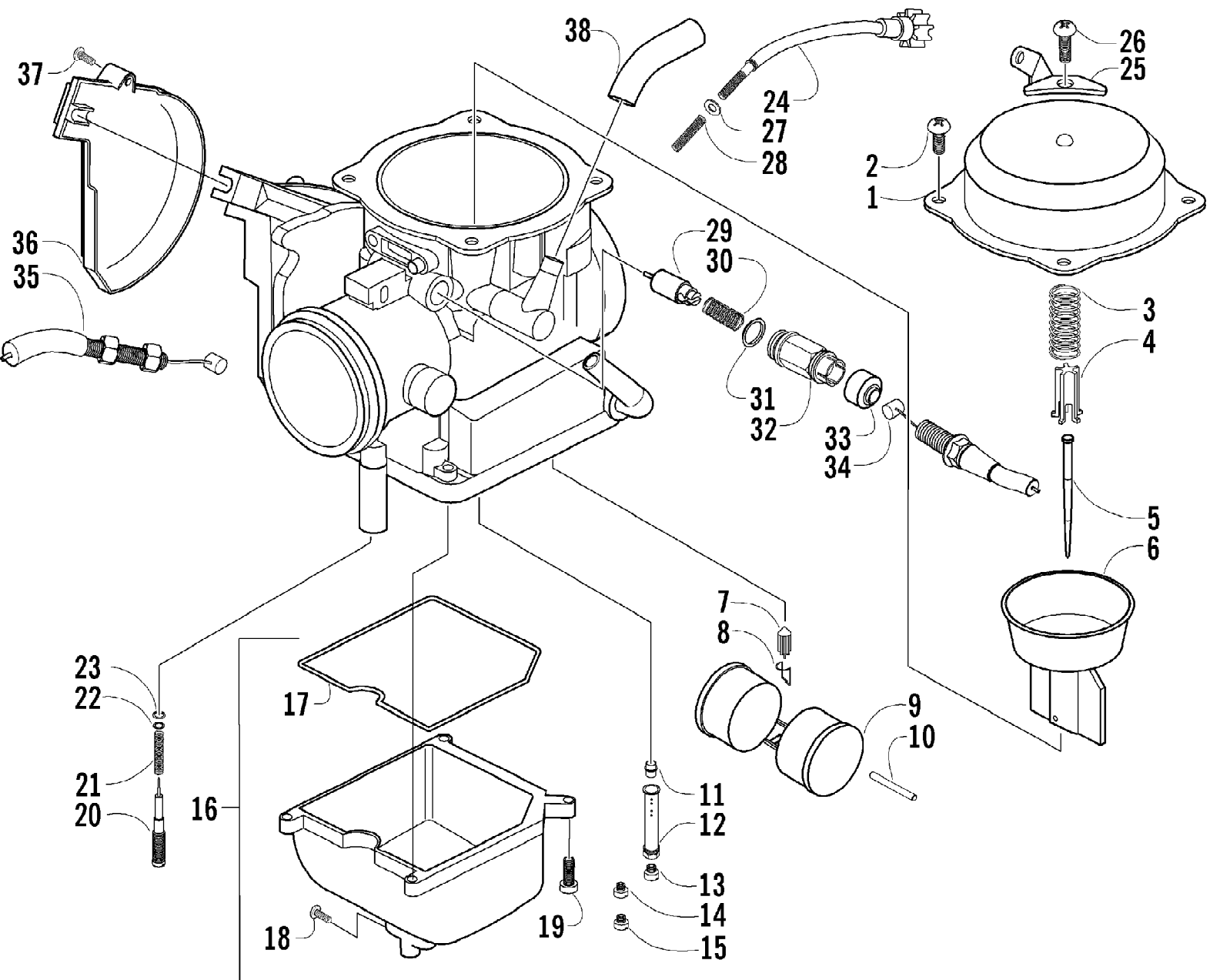


2004 ATV 250 4X4 GREEN (A2004ATE4AUSG)
CAMSHAFT/VALVE ASSEMBLY

Page 10 of 83

Ref #	Part Number	Qty	S/P/F	Description
1	3402-397	1		Camshaft
2	3402-427	1		Sprocket
3	3423-047	1		Pin
4	3423-284	1	S	Washer
5	3423-013	2	S	Screw
6	3423-071	1	/P	C-Ring
7	3402-288	2		Arm, Valve Rocker (inc. 8-9)
8	3423-287	2		Screw, Cap
9	3423-288	2		Nut
10	3402-226	2		Seal, Oil
11	3402-403	2		Seat, Valve Spring
12	0693-281	4	/P	Cotter, Valve
13	3402-295	1		Shaft, Decompression Lever
14	3402-296	1		Lever, Decompression
15	3402-225	1		Seal, Oil
16	3402-242	1		Spring
17	3004-326	1	S/P	Nut
18	3402-289	2		Shaft, Rocker Arm
19	3423-052	2		O-Ring
20	3423-259	2		Washer
21	3003-290	2	/P	Gasket
22	3004-376	2	S/P	Screw, Cap
23	3402-290	1		Valve, Intake
24	3402-291	1		Valve, Exhaust
25	3402-401	2		Spring, Valve - Set
26	3402-402	2		Retainer, Spring

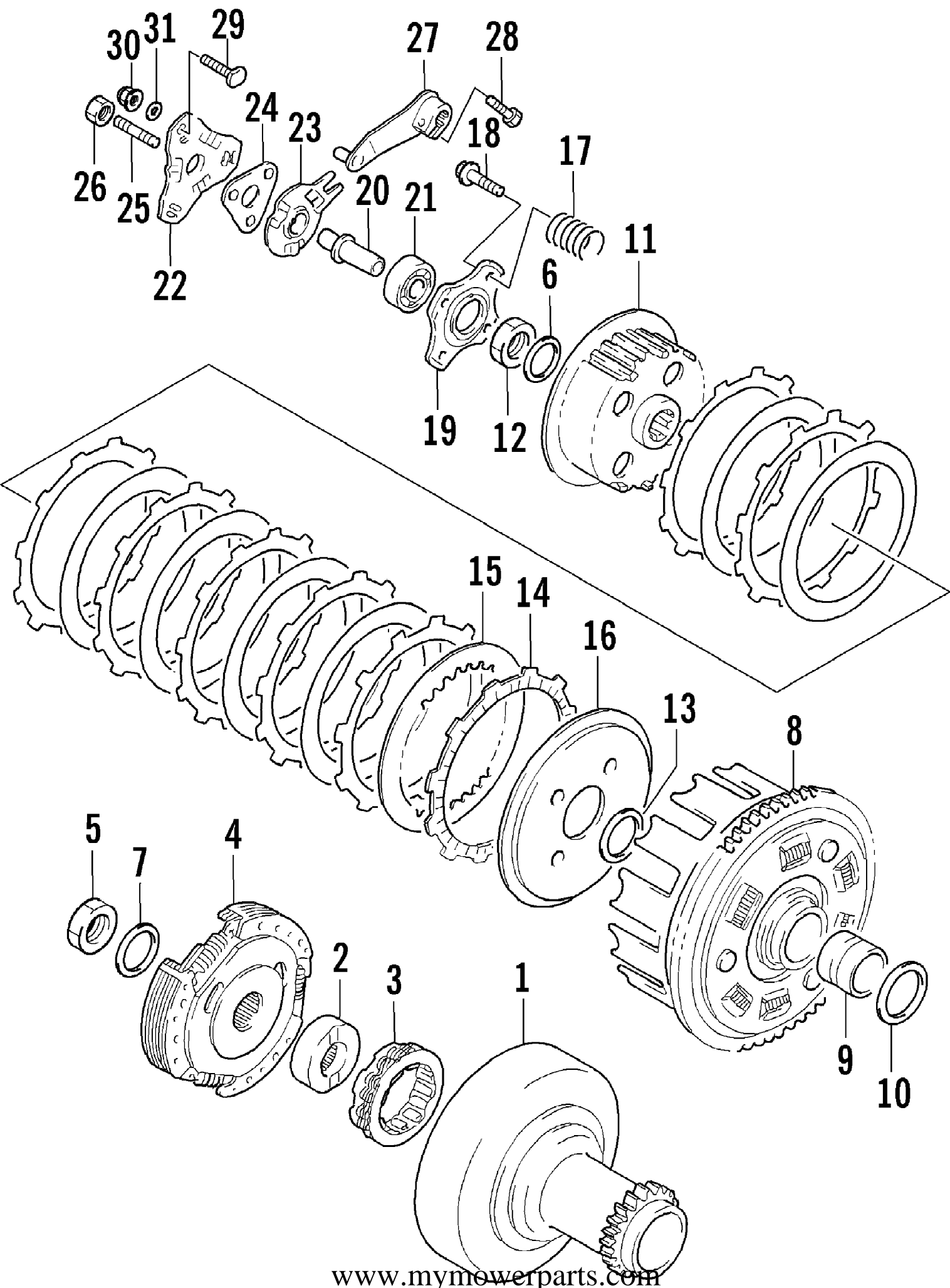
2004 ATV 250 4X4 GREEN (A2004ATE4AUSG)
CARBURETOR



2004 ATV 250 4X4 GREEN (A2004ATE4AUSG)
CARBURETOR

Page 12 of 83

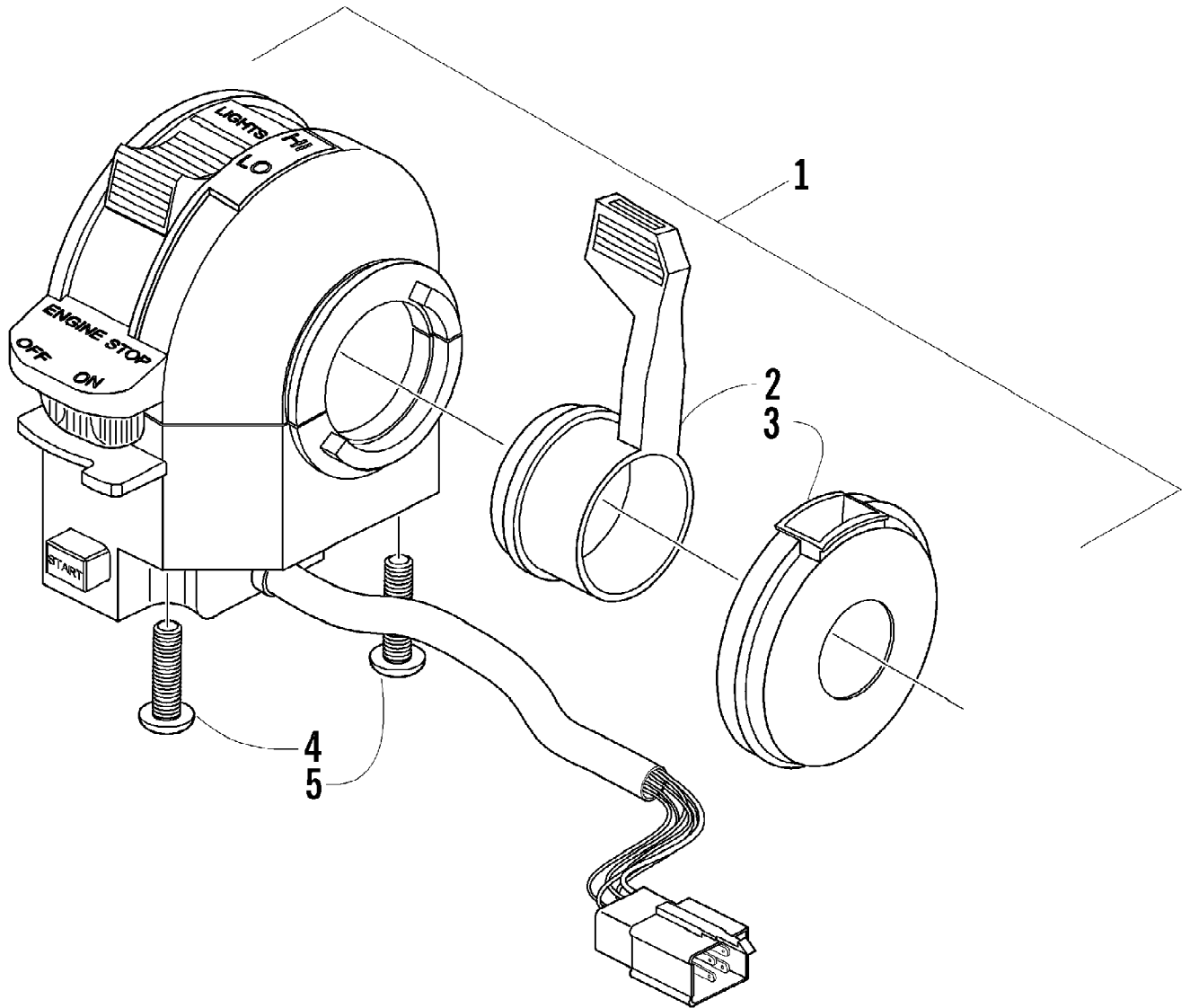
Ref #	Part Number	Qty	S/P/F	Description
	0470-387	1		Complete Carburetor Assembly
1	5507-001	1		Cover, Top
2	5507-002	3	/P	Screw, Top Cover
3	5507-052	1		Spring
4	5507-054	1		Spring, Seat
5	5507-055	1		Jet Needle
6	5507-053	1		Piston, Vacuum
7	5507-038	1		Valve, Float - Set (inc. 8)
8	0	1	F	Clip
9	5507-039	1		Float Set (inc. 10)
10	0	1	F	Pin, Float
11	5507-056	1		Needle Jet
12	5507-047	1	/P	Holder, Needle Jet
13	5507-088	1	S	Main Jet - 138
13	5507-057	1	/P	Main Jet - 135**
13	5507-041	1		Main Jet - 147**
13	5507-042	1	/P	Main Jet - 145**
13	5507-043	1		Main Jet - 142**
13	5507-044	1		Main Jet - 140**
13	5507-009	1	/P	Main Jet - 150**
14	5507-010	1	S	Slow Jet
15	5507-090	1		Starter Jet - 60
16	5507-064	1		Chamber, Float - Assembly (inc. 17-18)
17	5507-068	1		O-Ring, Float Chamber
18	5507-050	1	/P	Plug, Drain
19	5507-089	4	S	Screw
20	5507-040	1		Screw, Pilot Air - Set (inc. 21-23)
21	0	1	F	Spring
22	0	1	F	Washer
23	0	1	F	O-Ring
24	5507-059	1		Screw, Idle Adjust (inc. 25)
25	0	1	F	Bracket, Idle Adjust Screw
26	5507-035	1		Screw
27	5507-028	1		Washer
28	5507-029	1		Spring
29	5507-022	1		Valve, Starter
30	5507-023	1		Spring
31	5507-024	1		O-Ring
32	5507-025	1		Cap
33	5507-026	1		Cap, Rubber
34	0487-017	1		Cable, Choke
35	0487-019	1		Cable, Throttle
36	5507-036	1		Cover
37	5507-037	1	/P	Screw
38	5507-083	1	/P	Tube, Vinyl



2004 ATV 250 4X4 GREEN (A2004ATE4AUSG)
CLUTCH ASSEMBLY

Page 14 of 83

Ref #	Part Number	Qty	S/P/F	Description
1	3446-253	1	/P	Gear, Primary Drive
2	3446-129	1		Race, Inner
3	3446-122	1		Clutch, One Way
4	3446-257	1		Clutch Assembly
5	3423-253	1		Nut
6	3423-032	1		Washer, Lock
7	3423-260	1	S	Washer, Lock
8	3446-254	1		Gear, Primary - Assembly
9	3402-206	1		Spacer
10	3402-211	1		Washer
11	3446-255	1		Hub, Clutch
12	3423-254	1		Nut
13	3423-316	1		Washer
14	3446-124	7		Plate, Drive
15	3446-125	6		Plate, Driven
16	3446-256	1		Plate, Clutch Pressure
17	3402-239	4		Spring
18	3004-341	4	S/P	Screw, Cap
19	3446-127	1		Plate, Release
20	3446-130	1		Rod, Push
21	3402-043	1	/P	Bearing
22	3446-133	1		Guide, Ball - Outer
23	3446-131	1		Guide, Ball - Inner
24	3446-134	1		Ball, Release
25	3423-248	1		Screw, Adjuster
26	3423-022	1		Nut, Adjuster
27	3446-132	1		Arm, Release
28	3423-125	1	S	Screw, Cap
29	3423-245	3		Screw, Cap
30	0693-316	3	S	Nut
31	3003-290	3	/P	Seal, Cap Screw

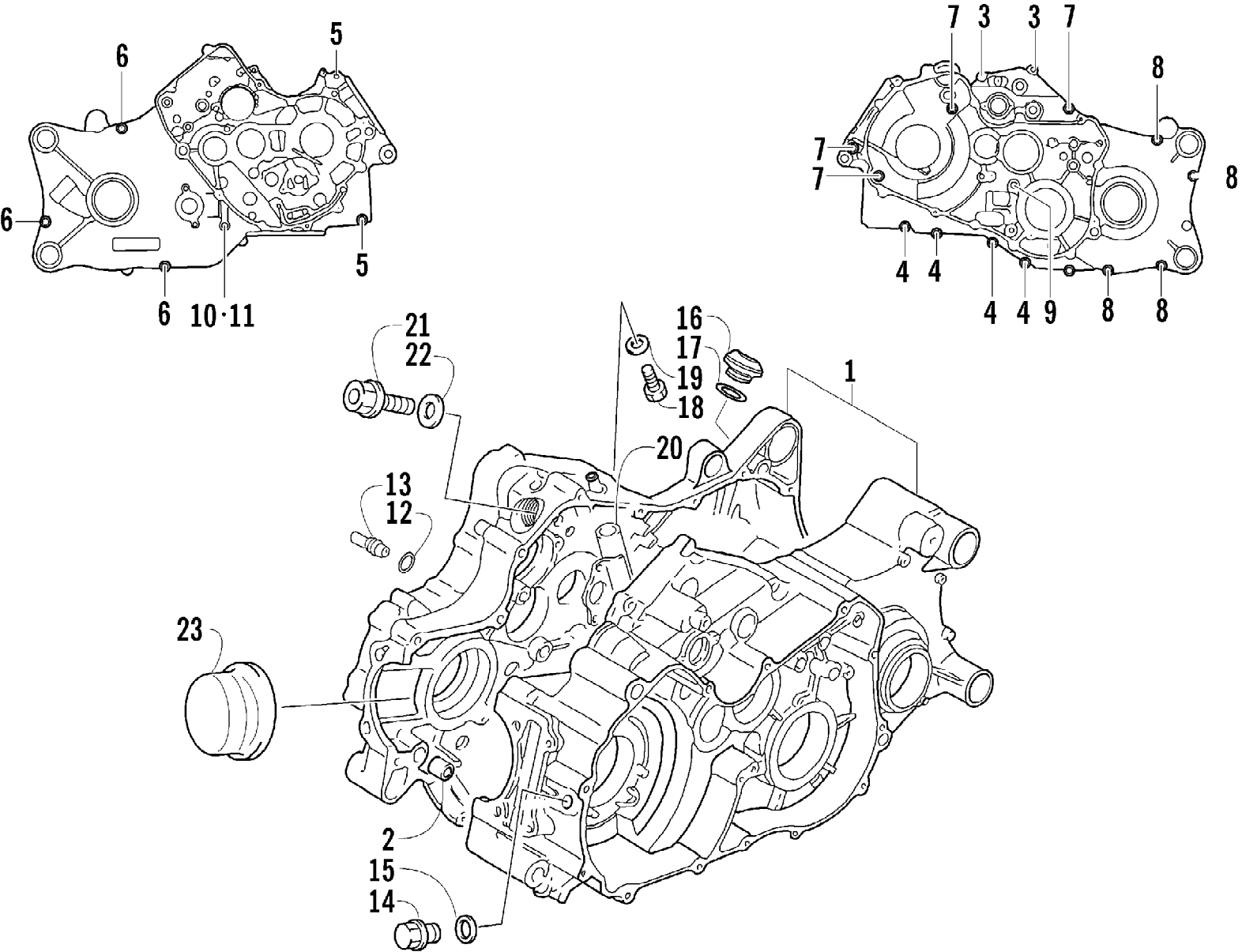


2004 ATV 250 4X4 GREEN (A2004ATE4AUSG)
CONTROL SWITCH HOUSING ASSEMBLY

Page 16 of 83

Ref #	Part Number	Qty	S/P/F	Description
1	3509-001	1	S	Switch, Control - Assembly (inc. 2-5)
2	3409-009	1		Lever, Choke
3	3409-010	1		Cover, Choke Lever
4	3423-196	1		Screw, Cap
5	3423-197	1		Screw, Cap

2004 ATV 250 4X4 GREEN (A2004ATE4AUSG)
CRANKCASE ASSEMBLY

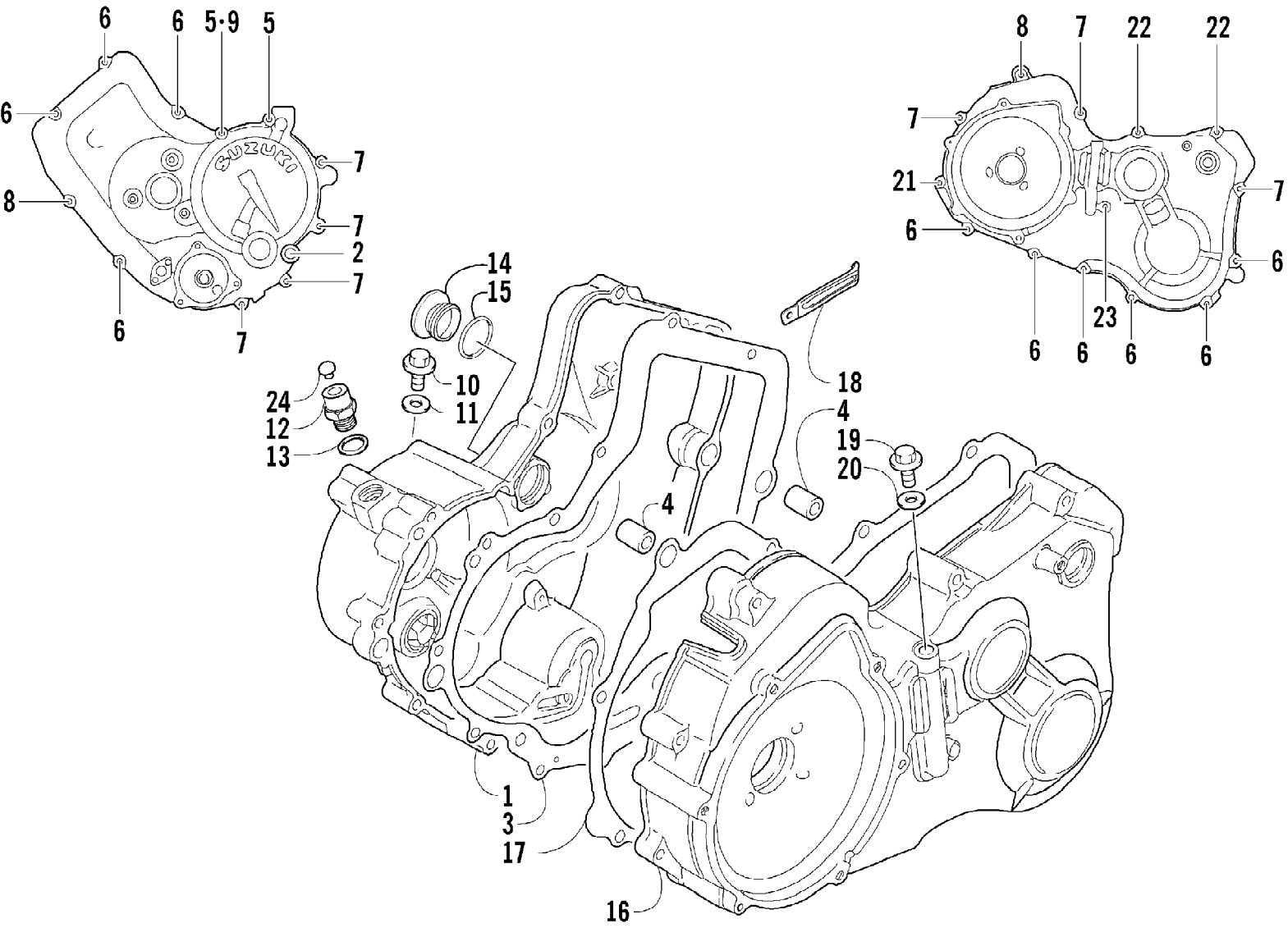


2004 ATV 250 4X4 GREEN (A2004ATE4AUSG)
CRANKCASE ASSEMBLY

Page 18 of 83

Ref #	Part Number	Qty	S/P/F	Description
1	3402-528	1	/P	Crankcase Set (inc. 2-13)
2	3423-088	2		Pin, Dowel
3	3423-162	2	S	Screw, Cap
4	3423-098	4	S	Screw, Cap
5	3423-091	2	S	Screw, Cap
6	3423-307	3	S	Screw, Cap
7	3423-308	4	S	Screw, Cap
8	3423-094	4		Screw, Cap
9	3423-232	1		Screw, Cap
10	3423-234	1		Screw, Cap
11	3005-243	1		Gasket
12	3423-051	1		O-Ring, Oil Gallery Jet
13	3402-245	1		Jet, Oil Gallery
14	3402-214	1		Plug
15	3402-012	1		Gasket
16	3402-212	1		Cap, Oil Filler
17	3423-274	1	/P	O-Ring
18	3402-404	1		Plug, Oil Drain
19	3402-011	1		Gasket
20	3402-530	1		Pipe, Breather
21	3402-258	1		Plug, Reverse Switch Hole
22	3423-271	1		O-Ring
23	0	1	F	N/A

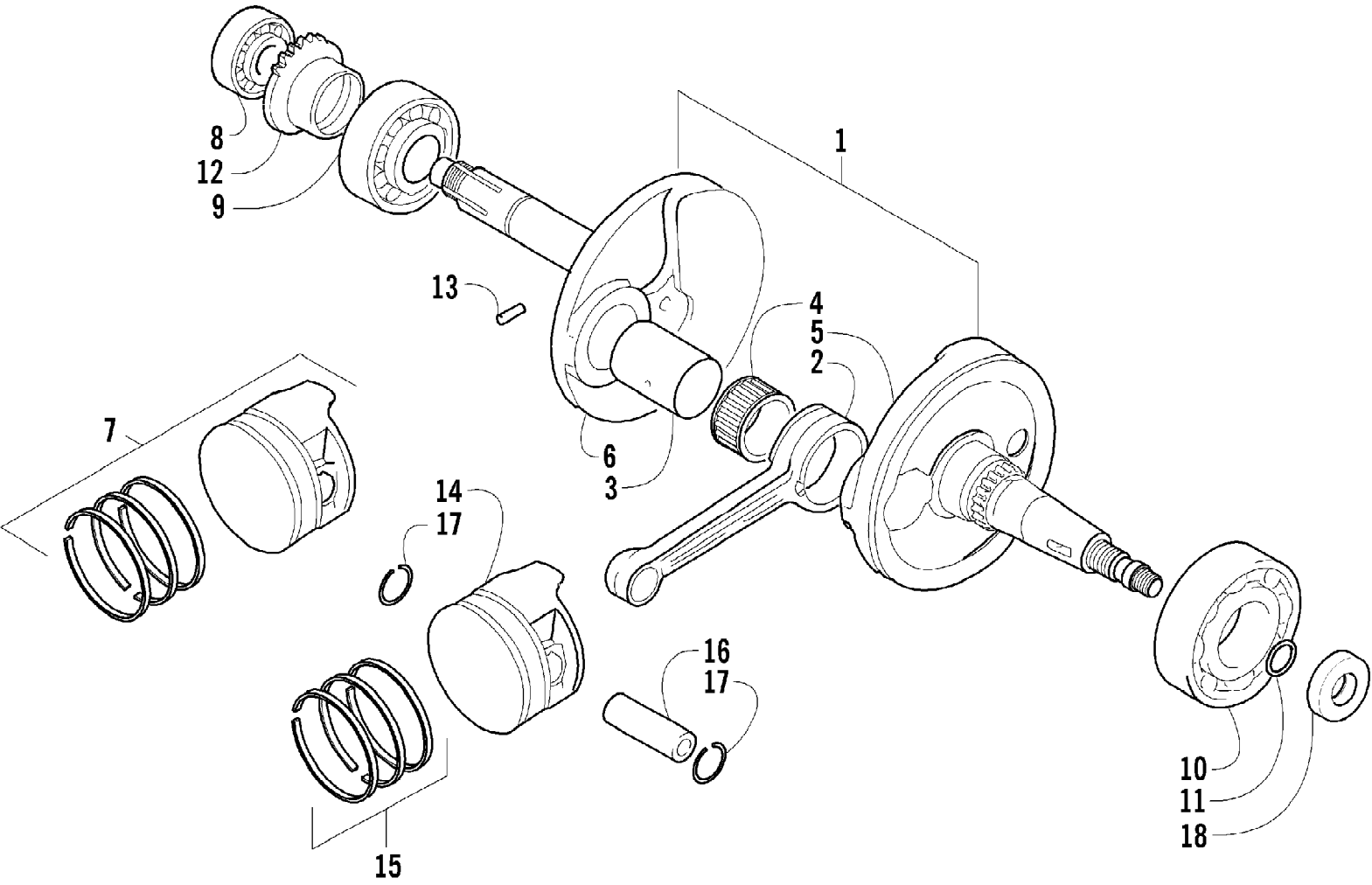
2004 ATV 250 4X4 GREEN (A2004ATE4AUSG)
CRANKCASE COVER ASSEMBLY



2004 ATV 250 4X4 GREEN (A2004ATE4AUSG)
CRANKCASE COVER ASSEMBLY

Ref #	Part Number	Qty	S/P/F	Description
1	3402-254	1	/P	Cover, Clutch (inc. 2)
2	3402-112	1	/P	Lens, Oil Inspection
3	3402-280	1	S	Gasket
4	3423-088	4		Pin, Dowel
5	3423-231	2		Bolt
6	0693-327	10	S	Bolt
7	3423-098	7	S	Bolt
8	3423-307	2	S	Bolt
9	3003-290	1	/P	Gasket
10	3004-705	2	S	Plug, Oil Gallery
11	3005-242	2		Gasket
12	3402-041	1	S	Plug, Oil Gallery
13	3402-013	1	/P	Gasket
14	3402-215	1		Cap, Clutch Adjust
15	3423-274	1	/P	O-Ring
16	3402-256	1		Cover, Transfer
17	3402-262	1		Gasket, Transfer Cover
18	0693-274	2	/P	Clamp, Breather Hose
19	3004-339	1	S/P	Plug, Oil Gallery
20	3003-290	1	/P	Gasket
21	3004-756	1	S	Screw, Cap
22	3423-091	2	S	Screw, Cap
23	3423-308	1	S	Screw, Cap
24	3402-405	1		Cap, Oil Gallery Plug

2004 ATV 250 4X4 GREEN (A2004ATE4AUSG)
CRANKSHAFT ASSEMBLY

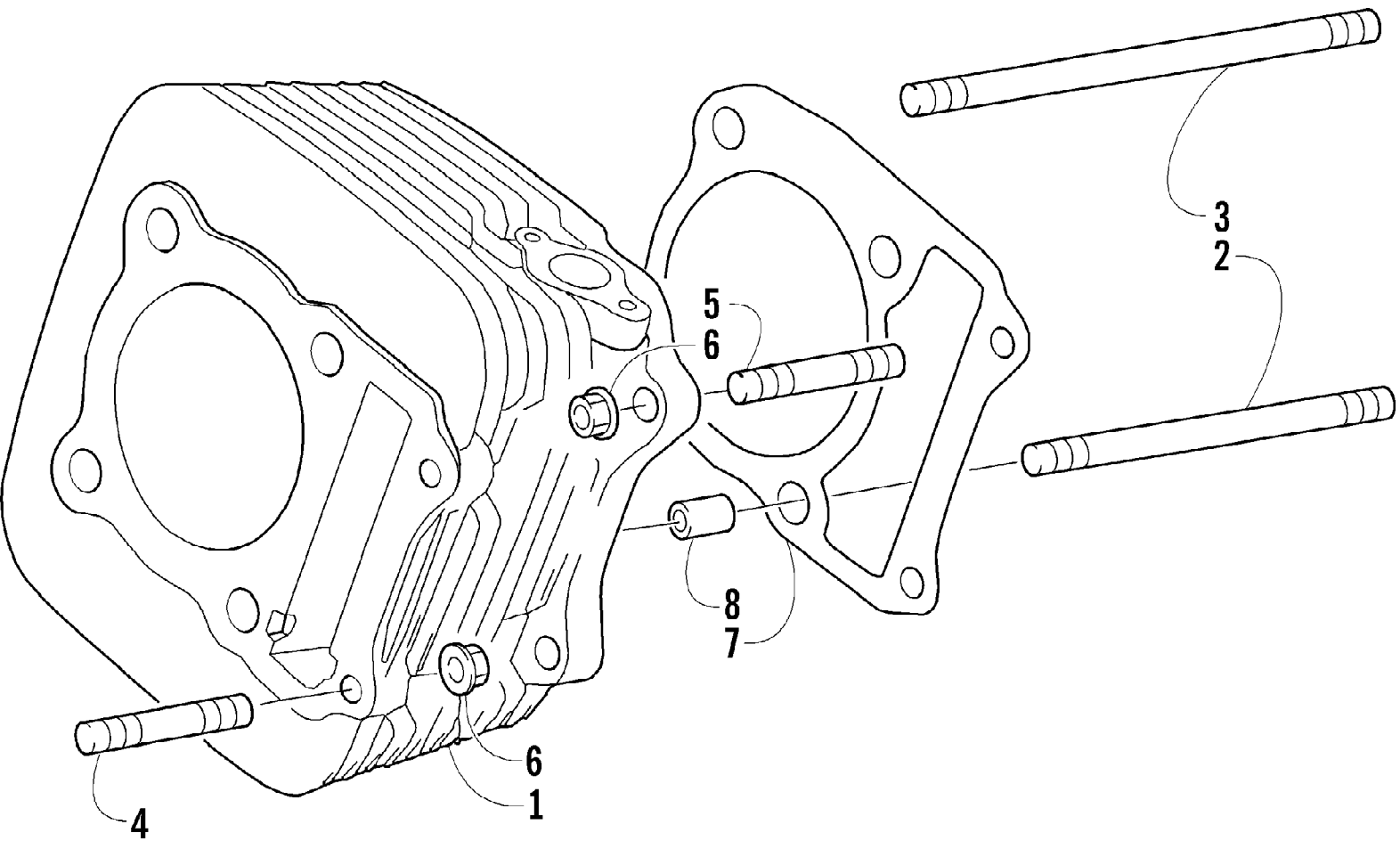


2004 ATV 250 4X4 GREEN (A2004ATE4AUSG)
CRANKSHAFT ASSEMBLY

Page 22 of 83

Ref #	Part Number	Qty	S/P/F	Description
1	3402-419	1		Crankshaft Assembly (inc. 2-6)
2	3402-418	1		Rod, Connecting
3	3402-529	1	/P	Pin, Crank
4	3402-406	1		Bearing
5	3402-421	1	S	Crankshaft - Left
6	3402-420	1		Crankshaft - Right
7	3402-423	1		Piston Set (Oversized 0.50 mm)
7	3402-424	1		Piston Set (Oversized 1.00 mm)
8	3402-216	1		Bearing - Right
9	3402-221	1		Bearing - Middle
10	3402-180	1	S	Bearing - Left
11	3423-053	1	/P	O-Ring
12	3402-428	1		Gear, Oil Pump Drive
13	3423-114	1	/P	Pin
14	3402-415	1		Piston
15	3402-416	1		Ring, Piston - Set
15	3436-013	1		Ring, Piston - Set (Oversized 0.50 mm)
15	3436-014	1		Ring, Piston - Set (Oversized 1.00 mm)
16	3402-417	1		Pin, Piston
17	3423-366	2		Circlip
18	3402-227	1		Seal, Oil

2004 ATV 250 4X4 GREEN (A2004ATE4AUSG)
CYLINDER ASSEMBLY

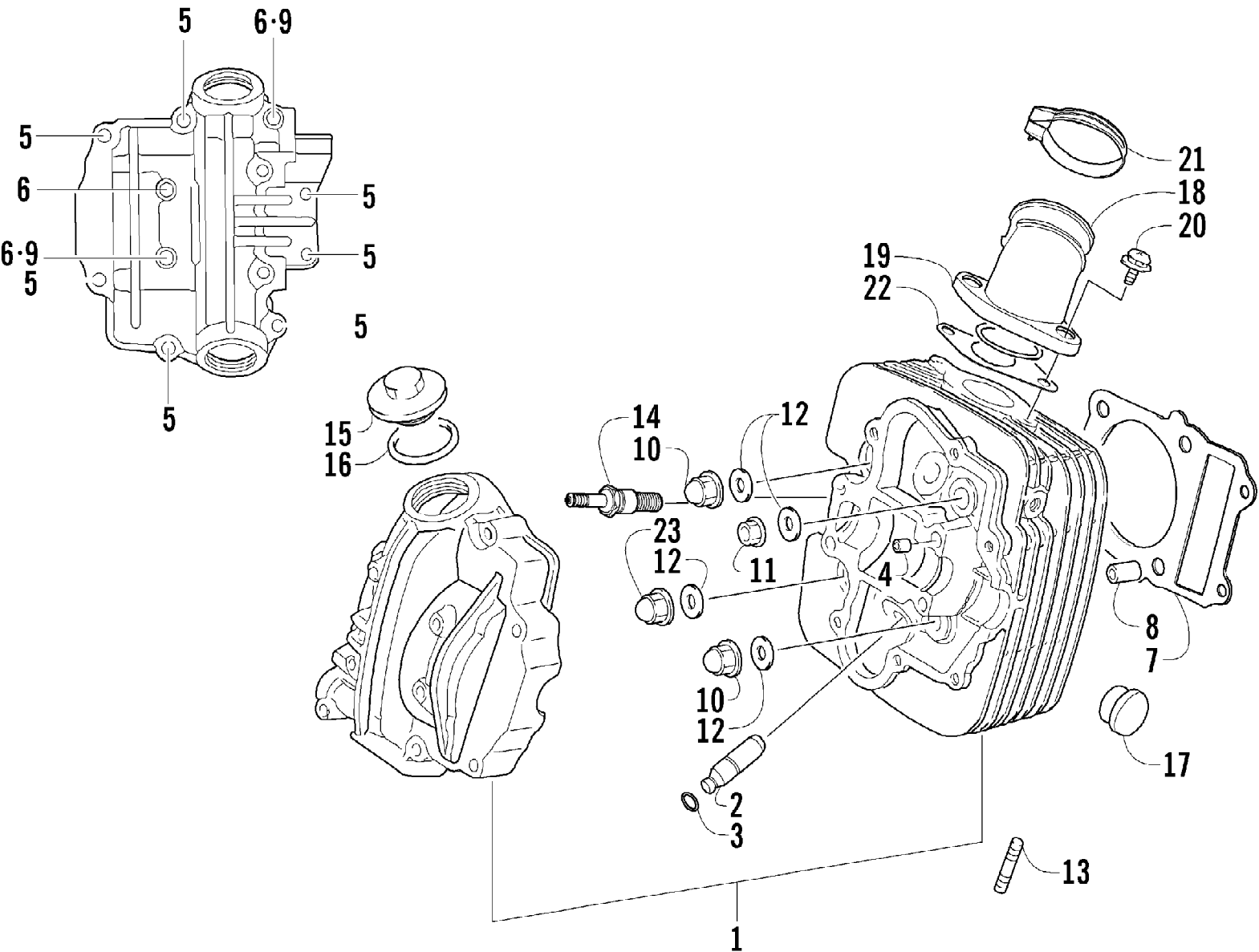


2004 ATV 250 4X4 GREEN (A2004ATE4AUSG)
CYLINDER ASSEMBLY

Page 24 of 83

Ref #	Part Number	Qty	S/P/F	Description
1	3402-409	1		Cylinder
2	3423-365	2		Bolt, Stud
3	3423-364	2		Bolt, Stud
4	3423-089	2	S	Bolt, Stud
5	3423-237	2		Bolt, Stud
6	3004-488	4	S/P	Nut
7	3402-410	1		Gasket, Cylinder
8	3423-306	2		Pin, Dowel

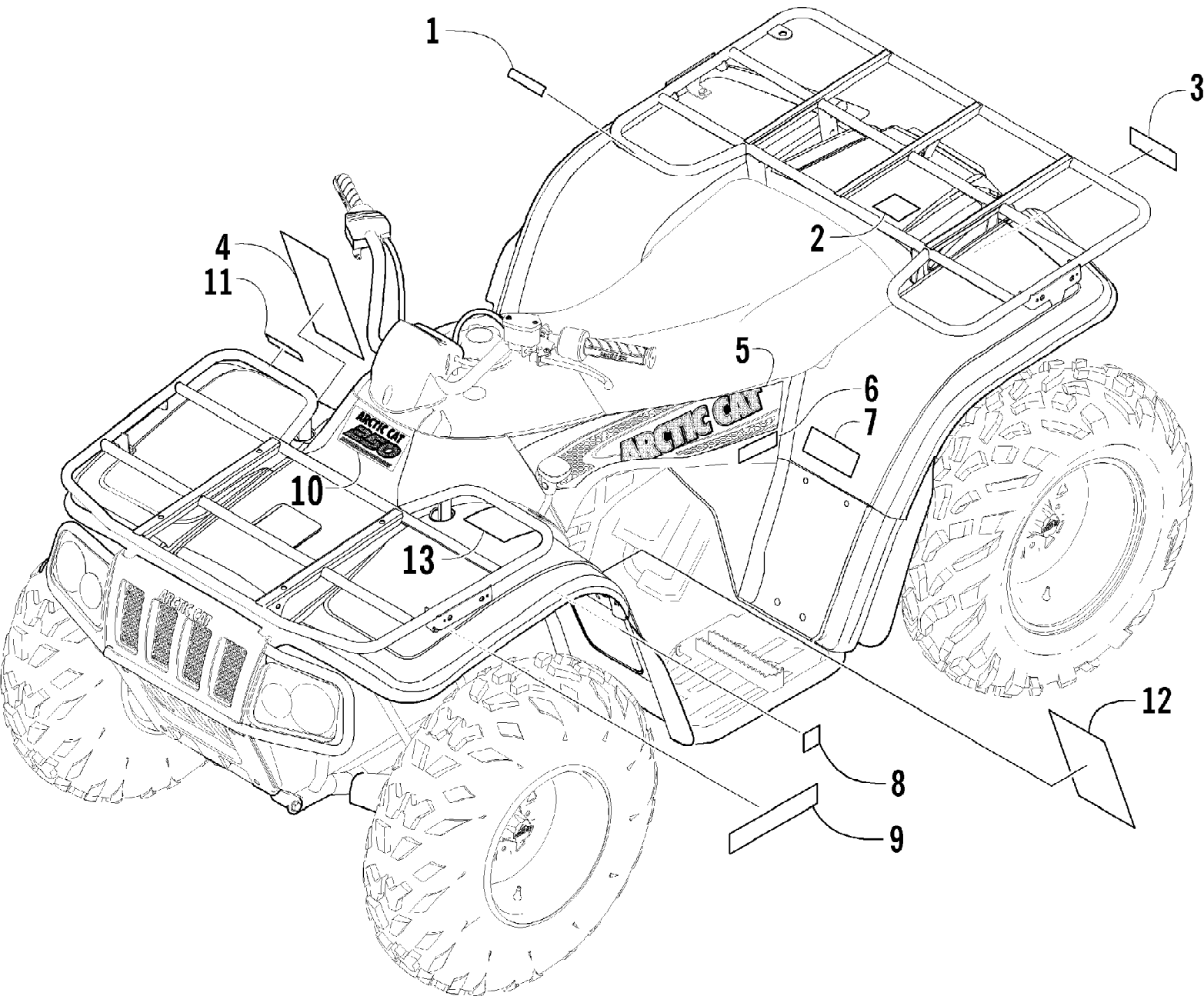
2004 ATV 250 4X4 GREEN (A2004ATE4AUSG)
CYLINDER HEAD ASSEMBLY



2004 ATV 250 4X4 GREEN (A2004ATE4AUSG)
CYLINDER HEAD ASSEMBLY

Page 26 of 83

Ref #	Part Number	Qty	S/P/F	Description
1	3402-407	1		Head, Cylinder - Assembly (inc. 2-6)
2	3402-247	2		Guide, Valve
3	3423-068	2		Ring, Valve Guide
4	3423-043	2	/P	Pin, Dowel
5	3004-426	7	S	Screw, Cap
6	3423-304	3	S	Screw, Cap
7	3402-408	1		Gasket, Cylinder Head
8	3004-822	2		Pin, Dowel
9	3003-290	2	/P	Gasket
10	3423-257	2		Nut
11	3004-326	1	S/P	Nut
12	3005-243	4		Gasket
13	3004-279	2	S/P	Bolt, Stud
14	0217-713	1		Spark Plug (NGK DR7EA)
15	3402-249	2		Cap, Inspection
16	3423-275	2		O-Ring
17	3402-213	1		Plug, Head
18	3402-533	1	/P	Pipe, Intake
19	3423-276	1		O-Ring
20	3423-305	2	S	Screw
21	0423-317	1	/P	Clamp
22	3402-298	1		Gasket, Intake Pipe
23	3004-326	1	S/P	Nut

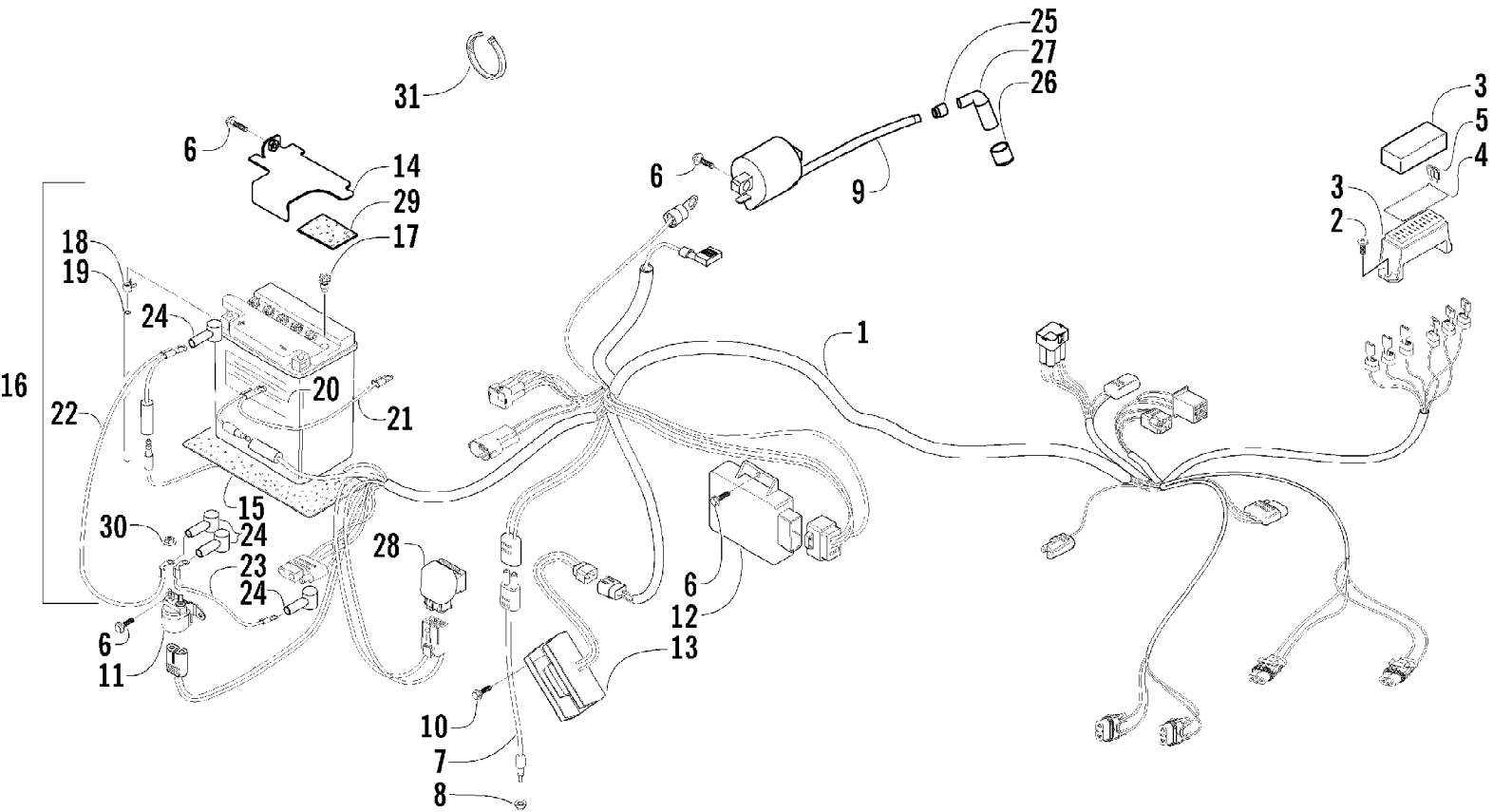


2004 ATV 250 4X4 GREEN (A2004ATE4AUSG)
DECALS

Page 28 of 83

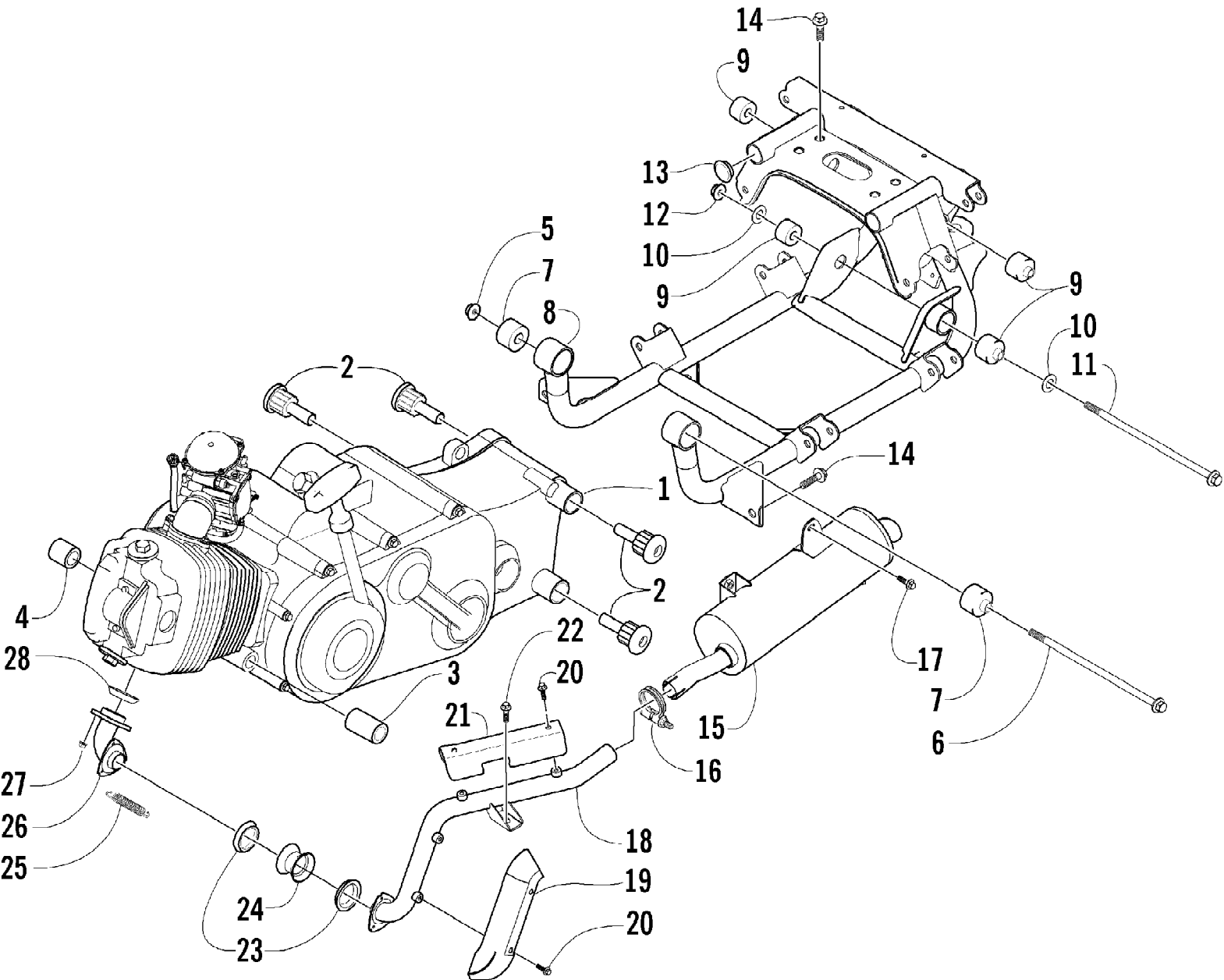
Ref #	Part Number	Qty	S/P/F	Description
1	0411-648	1		Decal, Warning - Rear Rack Load
2	0411-435	1		Decal, Passenger
3	0411-269	1		Decal, Warning - Towing
4	0411-008	1	/P	Decal, Warning - Reverse/Pre-Ride
5	0411-634	1		Decal, Side - Right
5	0411-635	1		Decal, Side - Left
6	0411-586	1		Decal, Hi/Low Range
7	0411-430	1		Decal, Warning - Tire Pressure
8	0411-086	1		Decal, Shift Pattern
9	0411-640	1		Decal, CA Emissions
10	0411-614	1		Decal, Front
11	0411-576	1		Decal, Warning - Front Rack Load
12	0411-218	1		Decal, Warning - General
13	0411-401	1		Decal, Warning - Age

2004 ATV 250 4X4 GREEN (A2004ATE4AUSG)
ELECTRICAL COMPONENTS



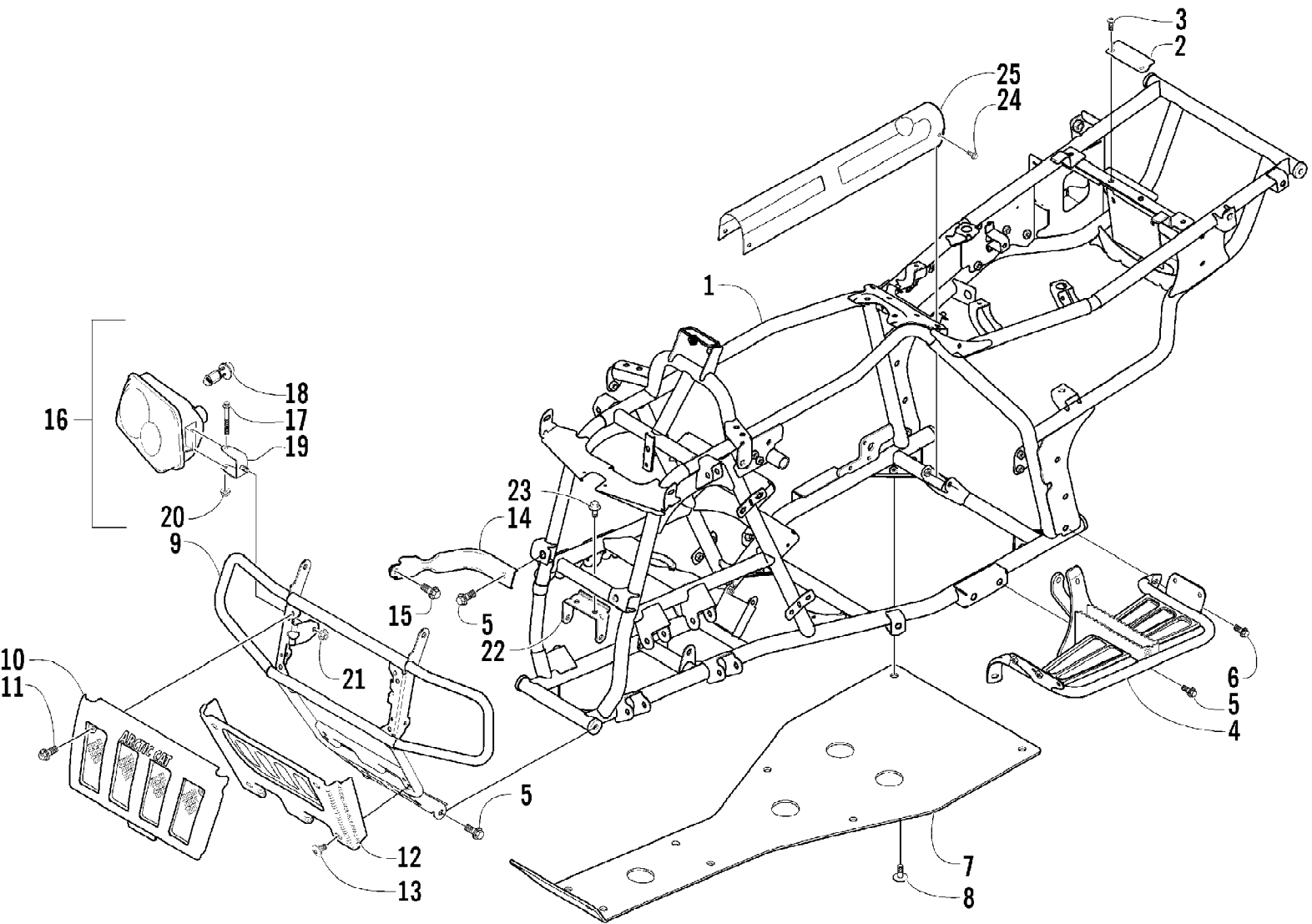
2004 ATV 250 4X4 GREEN (A2004ATE4AUSG)
ELECTRICAL COMPONENTS

Ref #	Part Number	Qty	S/P/F	Description
1	0486-088	1		Harness, Main
2	0623-361	2		Screw, Self-Tapping
3	0530-003	1		Fuse Box Assembly
4	0411-404	1		Decal, Fuse Box
5	0630-057	4		Fuse, 10 Amp
5	0630-058	1		Fuse, 15 Amp
6	8476-616	7		Screw, Cap
7	0409-009	1		Switch, Brake
8	0402-991	1		Retainer, Brake Switch
9	3530-025	1		Coil, Ignition
10	8476-620	2		Screw, Cap
11	3530-013	1	/P	Relay, Starter
12	3530-024	1		CDI Unit
13	3530-034	1		Regulator, Voltage
14	0506-958	1	/P	Bracket, Battery
15	0406-380	1		Pad, Battery
16	0745-040	1	/P	Battery (inc. 17-20)
17	0645-045	6		Cap, Battery
18	0645-152	1		Clamp, Hose
19	0645-263	1	/P	Hose, Battery Vent
20	0645-151	1		Decal, Warning - Battery
21	0445-010	1		Cable, Battery/Ground
22	0445-011	1		Cable, Battery/Starter Relay
23	0445-012	1		Cable, Starter Relay/Starter
24	0645-019	4		Boot, Terminal - Battery
25	3430-009	1	/P	Seal, High Tension Wire
26	3430-026	1		Seal, Spark Plug
27	3430-007	1	/P	Cap, Spark Plug
28	3530-026	1	/P	Relay, Neutral Start
29	0417-003	1		Foam, Battery Bracket
30	0624-250	2		Nut, Starter Relay
31	0123-788	AR	/P	Cable Tie - 7 in.



2004 ATV 250 4X4 GREEN (A2004ATE4AUSG)
ENGINE AND RELATED PARTS

Ref #	Part Number	Qty	S/P/F	Description
1	0462-016	1		Engine
2	3402-263	4		Mount, Engine
3	0402-231	1		Spacer, Engine Mount - Long
4	0402-232	1		Spacer, Engine Mount - Short
5	8422-202	1		Nut
6	3423-236	1	/P	Screw, Cap
7	3402-264	2		Mount, Engine
8	0506-189	1	S	Sub-Frame
9	3402-232	4		Mount, Engine
10	8050-272	4		Washer
11	3423-235	2	/P	Screw, Cap
12	8422-002	2		Nut
13	0406-320	2		Cap, Sub-Frame
14	8409-020	6	/P	Screw, Cap
15	0512-011	1		Muffler
16	0423-092	1		Clamp, Exhaust
17	8408-816	1		Screw, Cap
18	0512-093	1		Pipe, Exhaust
19	0412-023	1		Cover, Exhaust
20	8477-610	4		Screw, Cap
21	0412-024	1		Cover, Exhaust - Rear
22	8408-812	3		Screw, Cap
23	0612-887	2	/P	Gasket, Exhaust
24	0512-077	1	/P	Coupler, Exhaust
25	0123-321	3	/P	Spring, Extension
26	0512-008	1		Pipe, Header
27	8424-802	2		Nut
28	3402-300	1		Seal, Exhaust Pipe

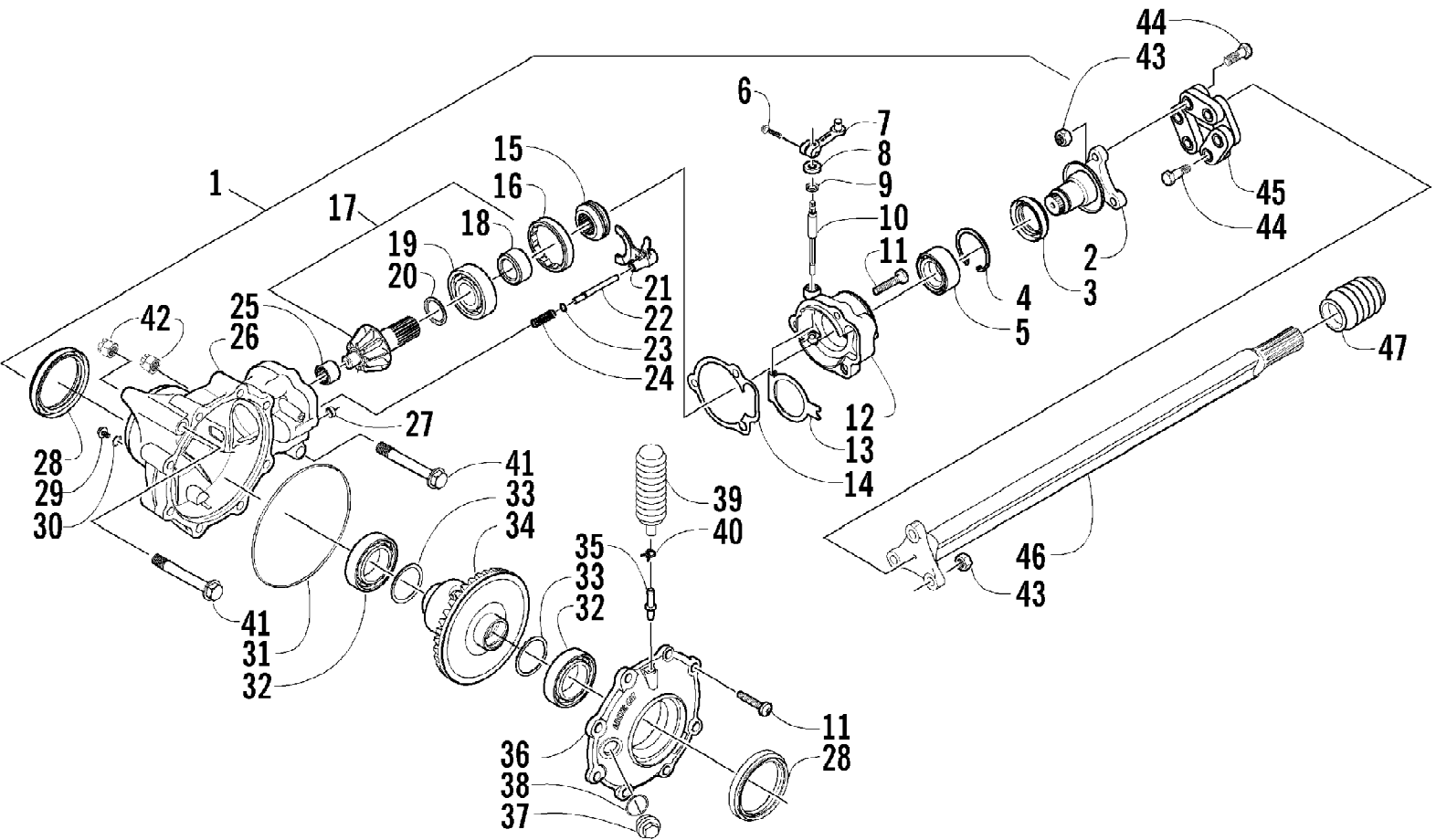


2004 ATV 250 4X4 GREEN (A2004ATE4AUSG)
 FRAME AND RELATED PARTS

Page 34 of 83

Ref #	Part Number	Qty	S/P/F	Description
1	0506-875	1		Frame, Main
2	0506-962	1	/P	Bracket, Body Hold-Down
3	8476-616	2		Screw, Machine
4	0506-959	1	/P	Footrest - Right
4	0506-217	1		Footrest - Left
5	8409-020	8	/P	Screw, Cap
6	8408-816	4		Screw, Cap
7	0406-894	1		Panel, Belly
8	0423-101	10		Screw, Shoulder
9	0506-873	1		Bumper
10	0406-832	1		Grille - Upper
11	0423-361	2		Screw, Machine
12	1406-420	1	/P	Grille - Lower
13	0423-362	4		Screw, Machine
14	0506-964	2	/P	Channel, Bumper
15	8408-812	2		Screw, Cap
16	0409-032	1		Headlight - Right (inc. 17-20)
16	0409-031	1		Headlight - Left (inc. 17-20)
17	8410-860	2		Screw, Cap
18	0409-045	4		Bulb, Headlight
19	0406-945	2		Bracket, Headlight
20	0423-375	2		Nut, Lock
21	8424-802	2		Nut
22	0506-210	1		Bracket, Mounting - Front Drive Gearcase
23	8408-820	2	/P	Screw, Cap
24	8471-610	4		Screw, Machine
25	0506-963	1	/P	Cover, Front Driveshaft

2004 ATV 250 4X4 GREEN (A2004ATE4AUSG)
FRONT DRIVE GEARCASE ASSEMBLY



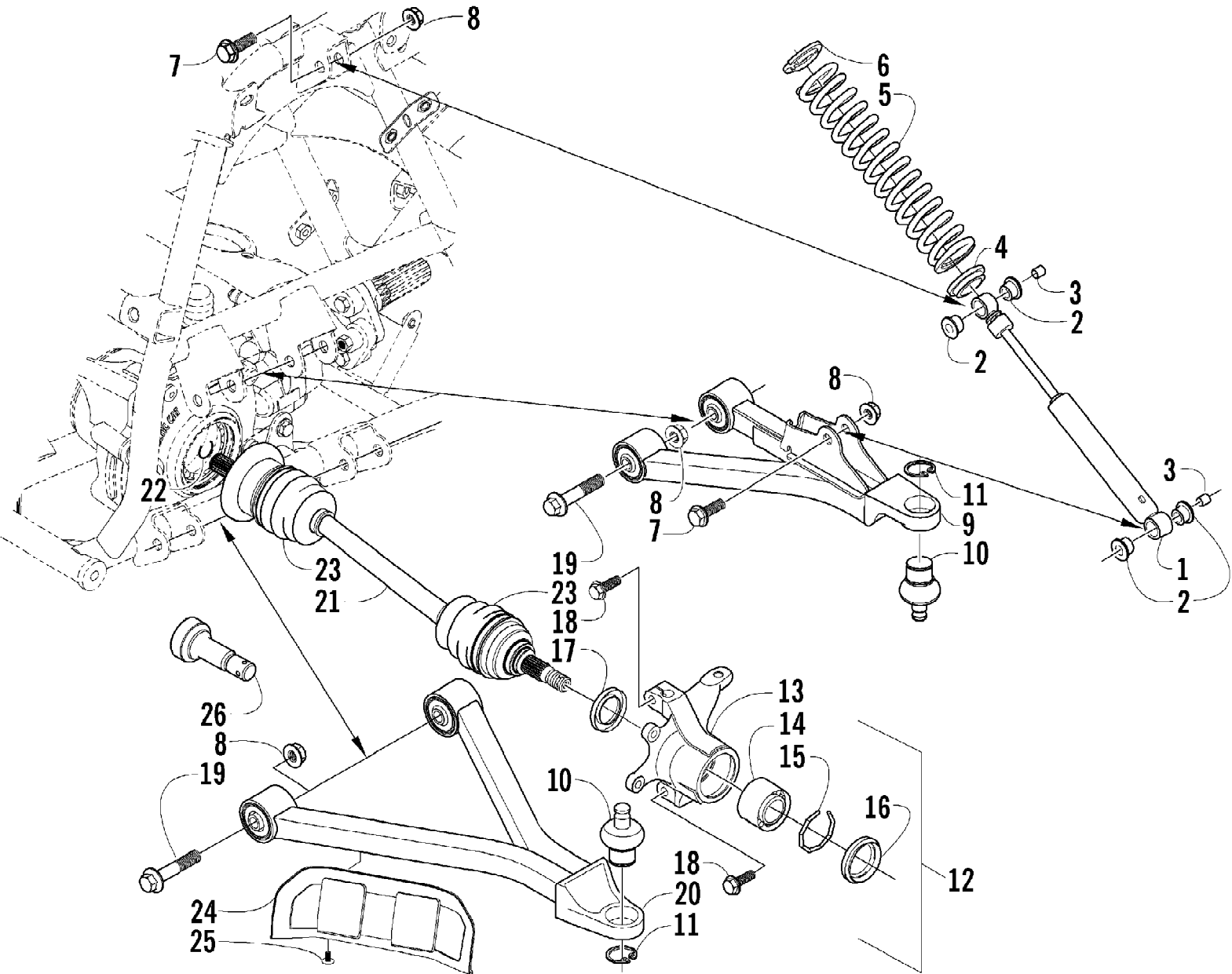
2004 ATV 250 4X4 GREEN (A2004ATE4AUSG)
FRONT DRIVE GEARCASE ASSEMBLY

Ref #	Part Number	Qty	S/P/F	Description
1	0502-338	1		Gearcase, Front Drive - Assembly (inc. 2-38)
2	0502-383	1		Shaft, Input
3	1402-011	1		Seal
4	0423-423	1		Ring, Retaining
5	1402-043	1		Bearing
6	8411-620	1		Screw, Cap
7	0502-092	1		Arm, Selector
8	0402-398	1		Plate, Selector Shaft
9	0402-416	1		Seal
10	0402-412	1		Shaft, Selector
11	0423-118	11		Screw, Self-Tapping
12	0502-379	1		Housing, Selector
13	0402-414	1		Plate, Spring - Selector
14	0402-947	1		Gasket, Flange
15	0402-413	1		Coupler, Drive
16	0402-357	1		Collar, Lock
17	0502-155	1		Gear, Pinion - Assembly - 11T (inc. 18-20)
18	0402-336	1		Collar, Retaining
19	0402-327	1		Bearing
20	0402-424	AR		Shim
20	0402-425	AR		Shim
20	0402-426	AR		Shim
20	0402-427	AR		Shim
20	0402-428	AR		Shim
21	0402-420	1		Fork, Selector
22	0402-417	1		Shaft, Shuttle
23	0423-147	1		O-Ring
24	0402-418	1		Spring, Return
25	0402-328	1		Bearing
26	0502-120	1		Housing, Gearcase
27	0402-411	1		Pin, Dowel
28	0402-394	2	S	Seal
29	0402-450	1	S	Plug, Magnetic (inc. 30)
30	0423-153	1		O-Ring
31	0423-149	1		O-Ring
32	0402-393	2		Bearing
33	0402-405	AR		Shim
33	0402-406	AR		Shim
33	0402-407	AR		Shim
33	0402-408	AR		Shim
33	0402-409	AR		Shim
34	0502-199	1		Gear, Ring - 34T
35	0402-871	1		Fitting
36	0502-121	1		Cover, Gearcase
37	0402-333	1	/P	Plug, Fill (inc. 38)
38	0423-154	1		O-Ring
39	0402-147	1	S	Bladder, Gearcase
40	0423-315	1		Clamp, Fitting
41	3423-010	2	/P	Screw, Cap
42	8428-002	2		Nut, Lock
43	3004-491	6	S/P	Nut
44	3423-182	6	S	Screw, Cap
45	3435-007	1		Coupler, Propeller Shaft

2004 ATV 250 4X4 GREEN (A2004ATE4AUSG)
FRONT DRIVE GEARCASE ASSEMBLY

Ref #	Part Number	Qty	S/P/F	Description
46	0502-201	1		Shaft, Propeller
47	0402-966	1		Boot, Propeller Shaft

2004 ATV 250 4X4 GREEN (A2004ATE4AUSG)
FRONT SUSPENSION ASSEMBLY

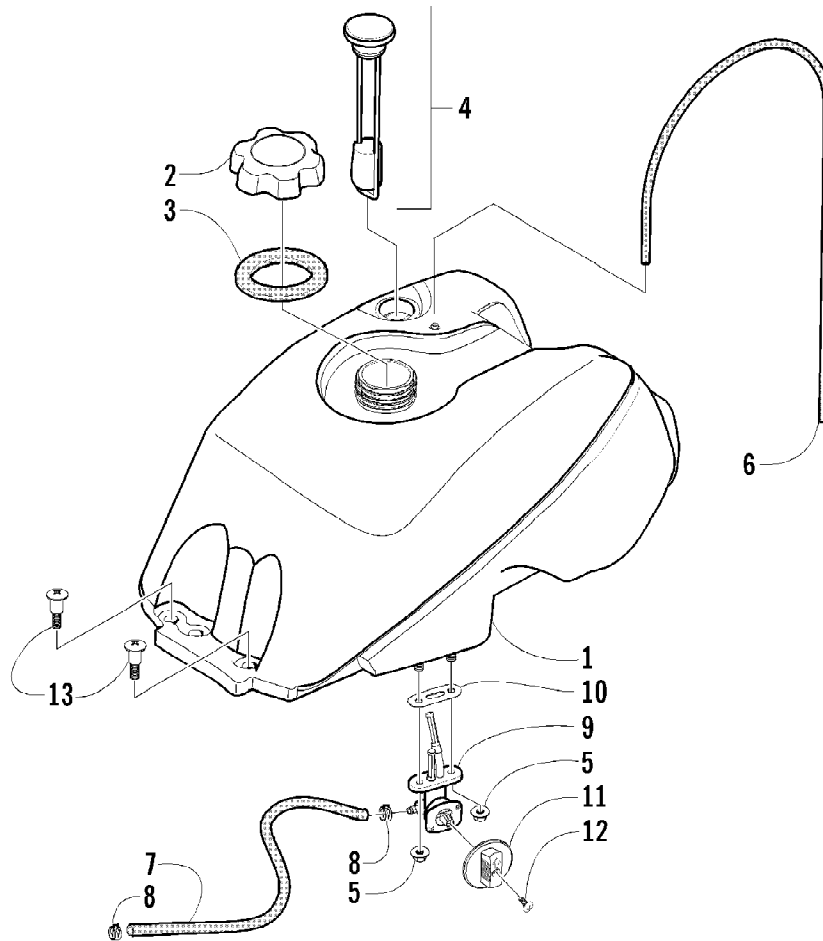


2004 ATV 250 4X4 GREEN (A2004ATE4AUSG)
FRONT SUSPENSION ASSEMBLY

Page 39 of 83

Ref #	Part Number	Qty	S/P/F	Description
1	0403-036	2		Shock Absorber - Front (inc. 2-3)
2	0604-310	8		Bushing, Shock Absorber
3	0403-028	4		Sleeve, Shock
4	0403-104	2		Retainer, Spring - Lower
5	0403-037	2		Spring, Shock Absorber - Black
6	1603-889	2	/P	Retainer, Spring
7	8409-040	4		Screw, Cap
8	8428-002	12		Nut, Lock
9	0503-184	1	/P	A-Arm, Upper Right - Assembly (inc. 10-11)
9	0503-185	1	/P	A-Arm, Upper Left - Assembly (inc. 10-11)
10	0405-115	4	/P	Ball Joint - Front
11	0423-009	4	/P	Clip, Ball Joint
12	0505-026	1	S/P	Knuckle - Assembly - Right (inc. 13-17)
12	0505-027	1	S/P	Knuckle - Assembly - Left (inc. 13-17)
13	0505-062	1	S	Knuckle, Steering - Right
13	0505-063	1	S	Knuckle, Steering - Left
14	0402-275	2	/P	Bearing, Wheel Hub - Front
15	0423-034	2		Clip, Bearing
16	0402-089	2		Seal, Wheel Bearing - Front
17	0402-069	2		Seal, Wheel Bearing - Rear
18	8409-030	4		Screw, Cap
19	8409-060	8		Screw, Cap
20	0503-188	1	/P	A-Arm, Lower Right (inc. 10-11)
20	0503-189	1	/P	A-Arm, Lower Left (inc. 10-11)
21	0402-987	2	S	Axle, Drive - Front Right (inc. 22-23)
22	0441-400	2	S	Clip, Retaining
23	0436-276	2	S	Repair Kit, Boot - Front Axle
24	0406-656	2		Guard, Boot - Front Axle
25	0423-101	4		Screw, Body
26	0	1	F	N/A

2004 ATV 250 4X4 GREEN (A2004ATE4AUSG)
GAS TANK ASSEMBLY

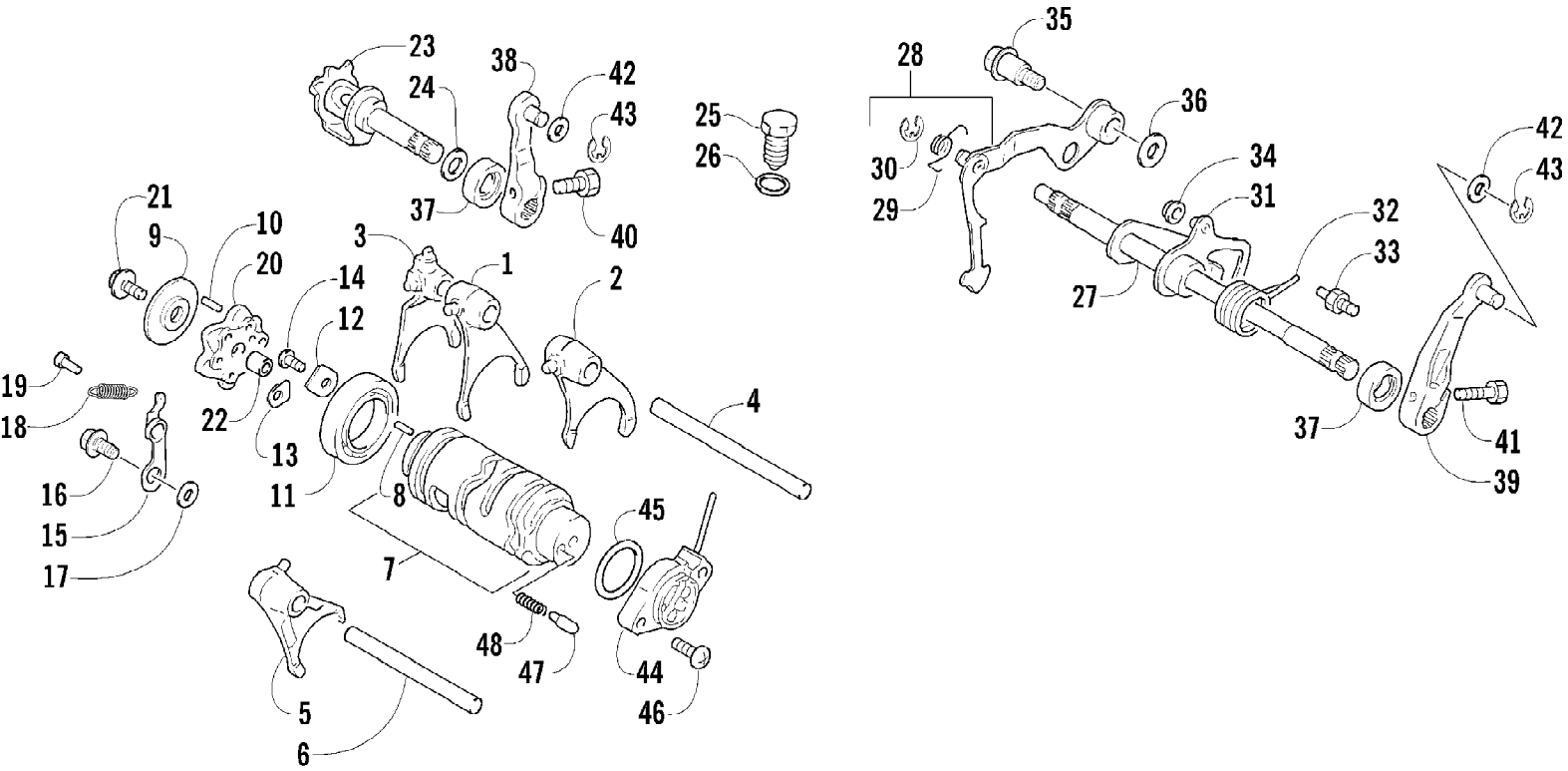


2004 ATV 250 4X4 GREEN (A2004ATE4AUSG)
GAS TANK ASSEMBLY

Page 41 of 83

Ref #	Part Number	Qty	S/P/F	Description
1	0570-068	1		Tank, Gas - Assembly (inc. 2-10)
2	0470-438	1	/P	Cap, Gas Tank (inc. 3)
3	0109-733	1	/P	Gasket, Tank Cap
4	0570-086	1	/P	Gauge, Fuel w/Gasket (Press-Fit)
5	0423-398	2		Nut, Lock
6	0470-416	1	/P	Hose, Vent
7	0610-007	AR	/P	Hose, Gasline - 25 ft
8	0423-152	2		Clamp, Hose
9	0470-445	1	/P	Valve, Fuel Shut-Off (inc. 10)
10	0470-364	1		Gasket, Fuel Shut-Off Valve
11	0470-408	1		Knob, Fuel Shut-Off Valve
12	0423-146	1		Screw, Machine
13	0423-130	2		Screw, Shoulder

2004 ATV 250 4X4 GREEN (A2004ATE4AUSG)
GEAR SHIFTING ASSEMBLY

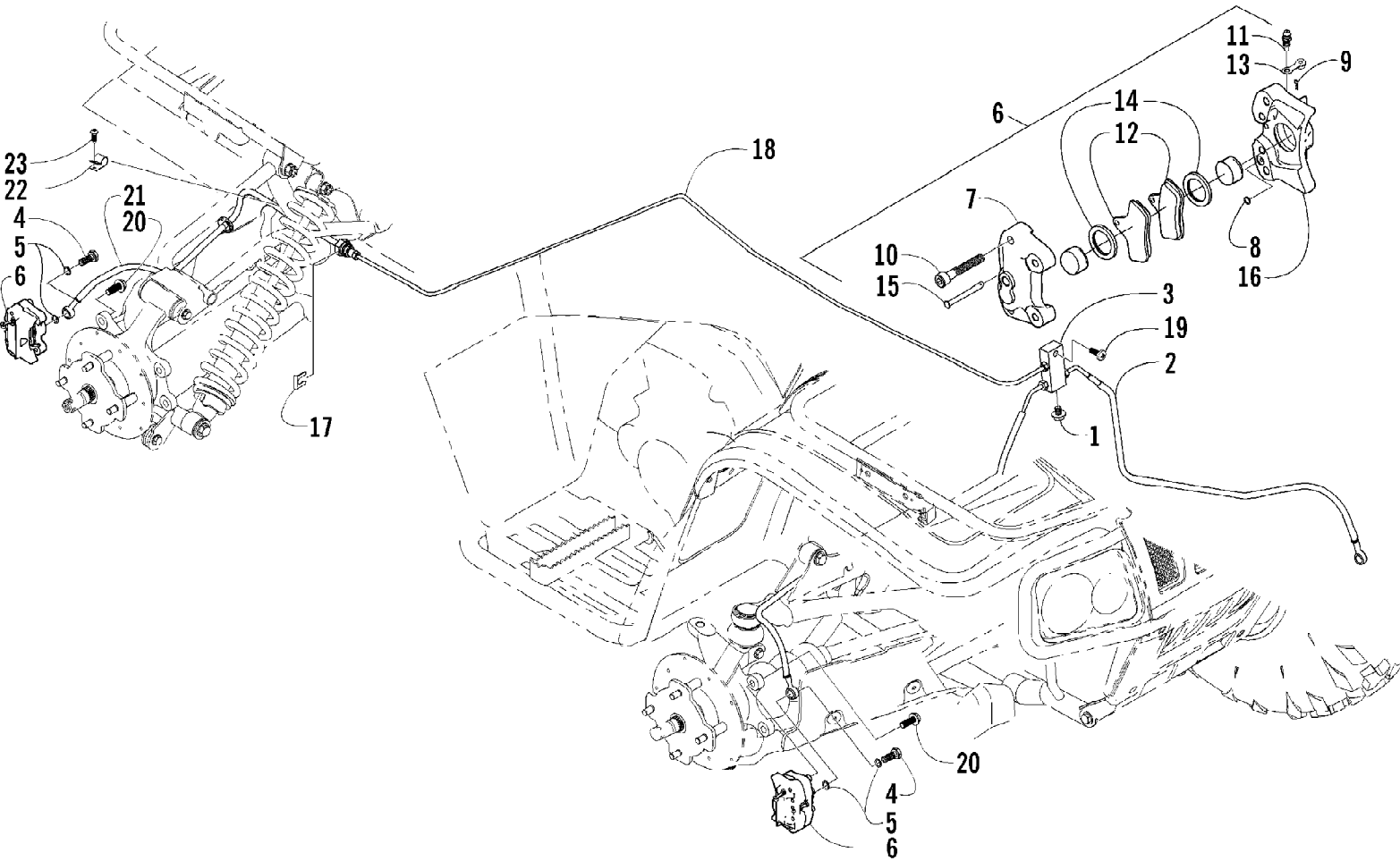


2004 ATV 250 4X4 GREEN (A2004ATE4AUSG)
GEAR SHIFTING ASSEMBLY

Page 43 of 83

Ref #	Part Number	Qty	S/P/F	Description
1	3446-155	1		Fork, Gear Shifting
2	3446-156	1		Fork, Gear Shifting
3	3446-159	1		Fork, Gear Shifting
4	3446-167	1		Shaft
5	3446-157	1		Fork, Gear Shifting
6	3446-051	1		Shaft
7	3446-160	1		Cam, Gear Shifting (inc. 8)
8	3423-114	1	/P	Pin
9	3446-162	1		Retainer, Pin
10	3423-045	6		Pin
11	3402-051	1		Bearing
12	3446-163	1		Retainer
13	3446-031	1	/P	Retainer
14	3004-552	2	S	Screw, Cap
15	3446-165	1		Stopper, Cam
16	3423-240	1		Screw, Cap
17	3423-141	1		Washer
18	3402-240	1		Spring
19	3423-268	1		Pin
20	3446-166	1		Plate, Stopper
21	3004-376	1	S/P	Screw, Cap
22	3005-206	1	/P	Pin
23	3446-161	1		Cam, Reverse Shifting
24	3423-322	1		Washer
25	3446-164	1		Stopper, Cam
26	3402-012	1		Gasket
27	3446-169	1		Shaft, Gear Shifting
28	3446-170	1		Arm, Gear Shifting (inc. 29-30)
29	3402-312	1		Spring
30	3423-368	1	/P	E-Ring
31	3446-171	1		Arm, Link
32	3402-094	1		Spring
33	3446-172	1		Stopper, Arm
34	3402-132	1		Roller
35	3423-233	1		Screw, Cap
36	3423-324	1		Washer
37	3402-076	2		Seal, Oil
38	3446-055	1		Arm
39	3446-115	1		Arm, Reverse Shift
40	3423-125	1	S	Screw, Cap
41	3423-228	1		Screw, Cap
42	3423-204	2	/P	Washer
43	3423-168	2	S	E-Ring
44	3430-050	1		Base, Gear Shift - Assembly
45	3423-273	1		O-Ring
46	3423-325	2	S	Screw, Cap
47	3423-044	1		Contact
48	3402-087	1		Spring

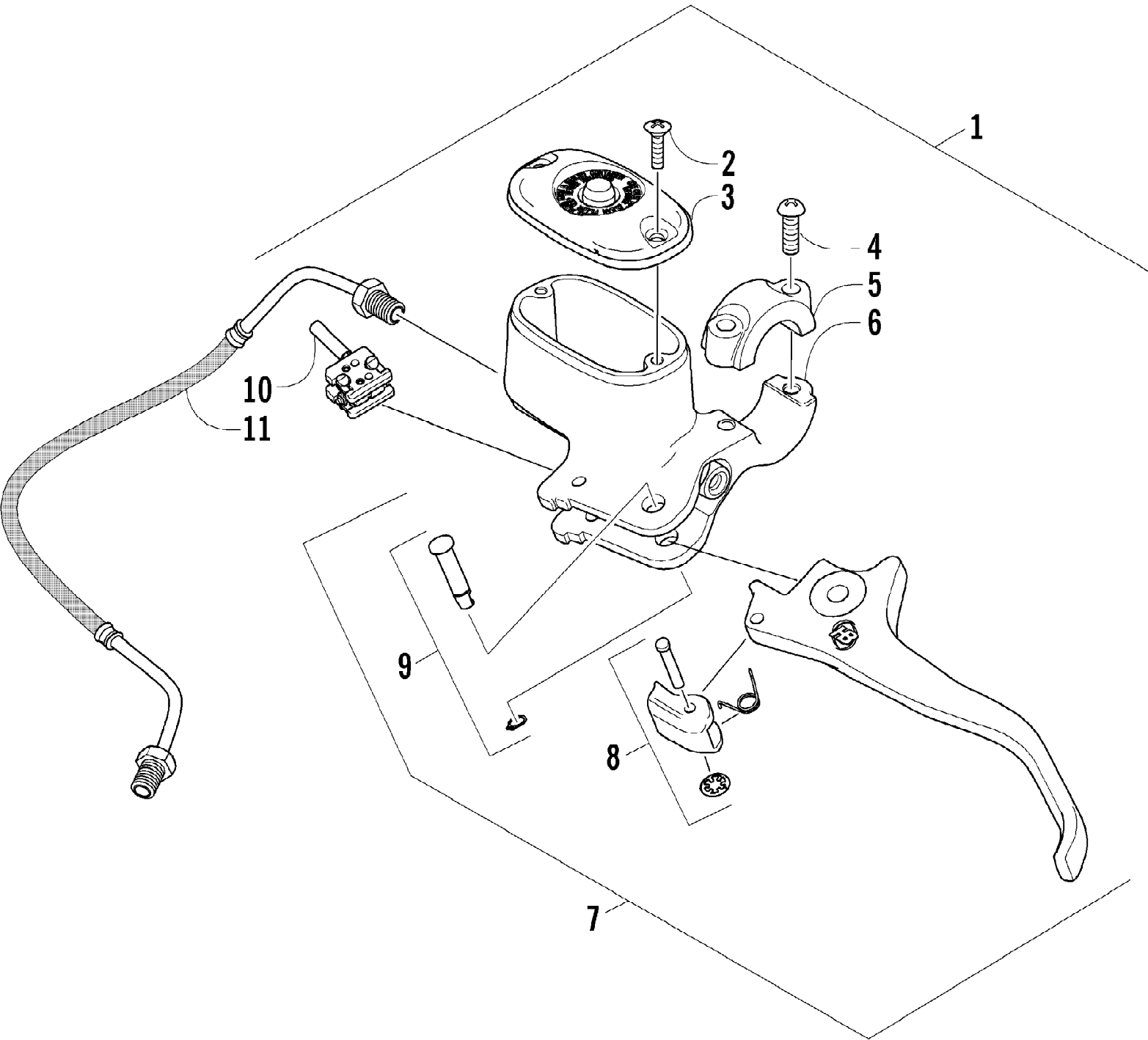
2004 ATV 250 4X4 GREEN (A2004ATE4AUSG)
HYDRAULIC BRAKE ASSEMBLY



2004 ATV 250 4X4 GREEN (A2004ATE4AUSG)
HYDRAULIC BRAKE ASSEMBLY

Page 45 of 83

Ref #	Part Number	Qty	S/P/F	Description
1	8476-625	1		Screw, Cap
2	0402-986	2		Hose, Brake - Front
3	1402-086	1		Block, Junction
4	0423-413	3		Bolt, Banjo Fitting
5	0423-178	6		Washer, Crush
6	0502-335	1	S	Caliper, Brake - Right Front (inc. 7-16)
6	0502-336	2	S	Caliper, Brake - Left Front and Right Rear (inc. 7-16)
7	0	3	F	Housing, Caliper
8	0402-490	3		O-Ring
9	0402-496	3	S	Clip, Hairpin
10	0402-492	12		Screw, Cap
11	0402-493	3		Cap, Bleed Valve
12	0402-882	6	/P	Pad, Brake
13	0402-491	3	S	Valve, Bleed
14	0402-980	6		O-Ring, Brake Caliper
15	0402-495	3		Pin, Brake Caliper
16	0	3	F	Housing, Caliper
17	0402-597	1	/P	Clip, Brake Line
18	0402-932	1		Tube, Brake Line - Rear
19	8408-825	6		Screw, Cap
20	0402-306	1	/P	Switch, Brake Pressure
21	0402-990	1		Hose, Brake - Rear

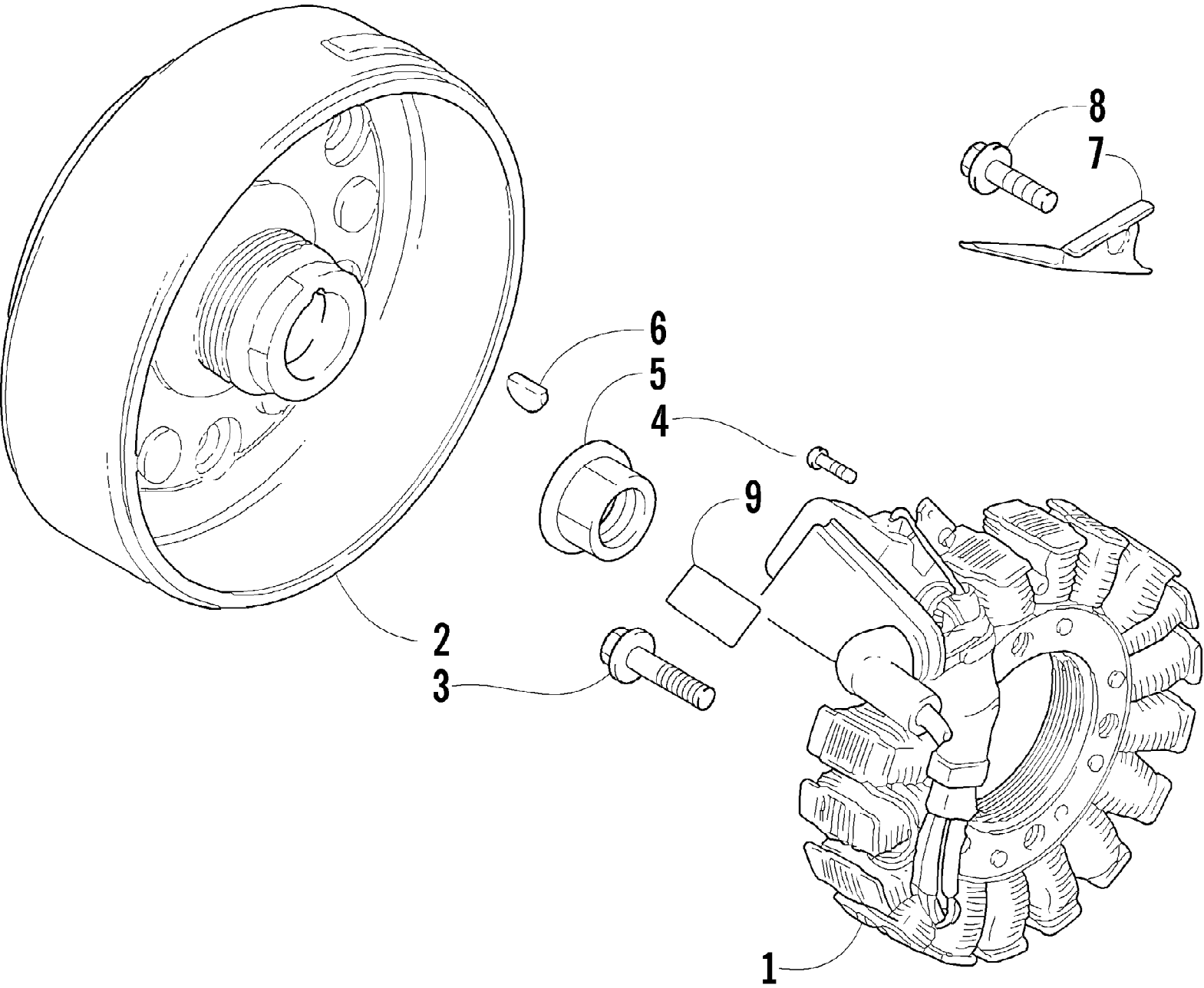


2004 ATV 250 4X4 GREEN (A2004ATE4AUSG)
HYDRAULIC HAND BRAKE ASSEMBLY

Page 47 of 83

Ref #	Part Number	Qty	S/P/F	Description
1	0502-561	1	S	Brake Assembly (inc. 2-10)
2	0502-566	1		Screw, Reservoir Cover - Kit
3	0502-565	1		Cover, Reservoir - Kit
4	0502-568	1		Screw, Master Cylinder Clamp - Kit
5	0502-567	1		Clamp, Master Cylinder - Kit
6	0502-516	1		Master Cylinder Assembly - Kit
7	0502-562	1	S	Lever Assembly - Kit (inc. 8-9)
8	0502-563	1	S	Lock, Brake Lever - Kit
9	0502-580	1		Lever Pin - Kit
10	0502-564	1	/P	Switch, Brake - Kit
11	0402-962	1		Brakeline, Hydraulic

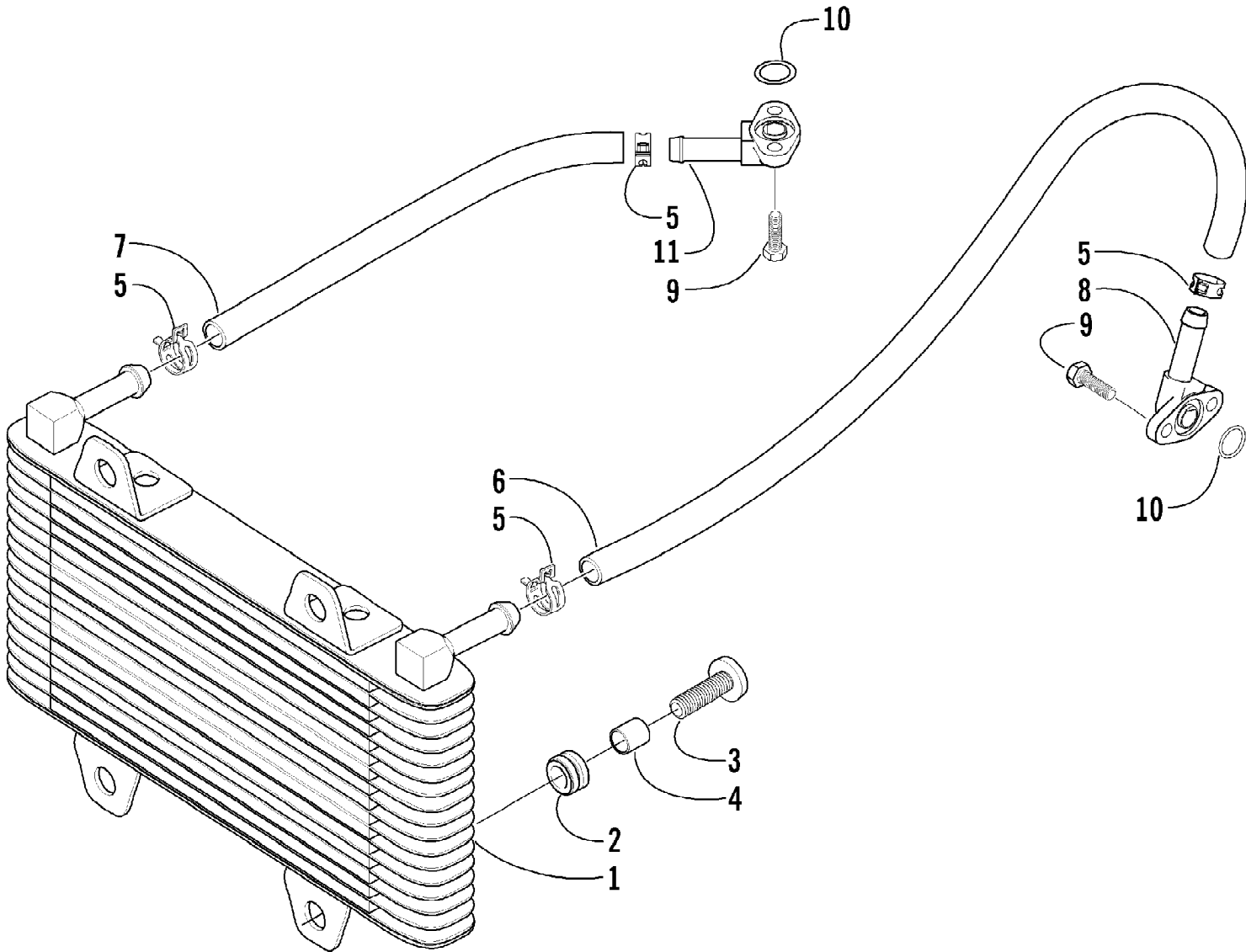
2004 ATV 250 4X4 GREEN (A2004ATE4AUSG)
MAGNETO ASSEMBLY



2004 ATV 250 4X4 GREEN (A2004ATE4AUSG)
MAGNETO ASSEMBLY

Page 49 of 83

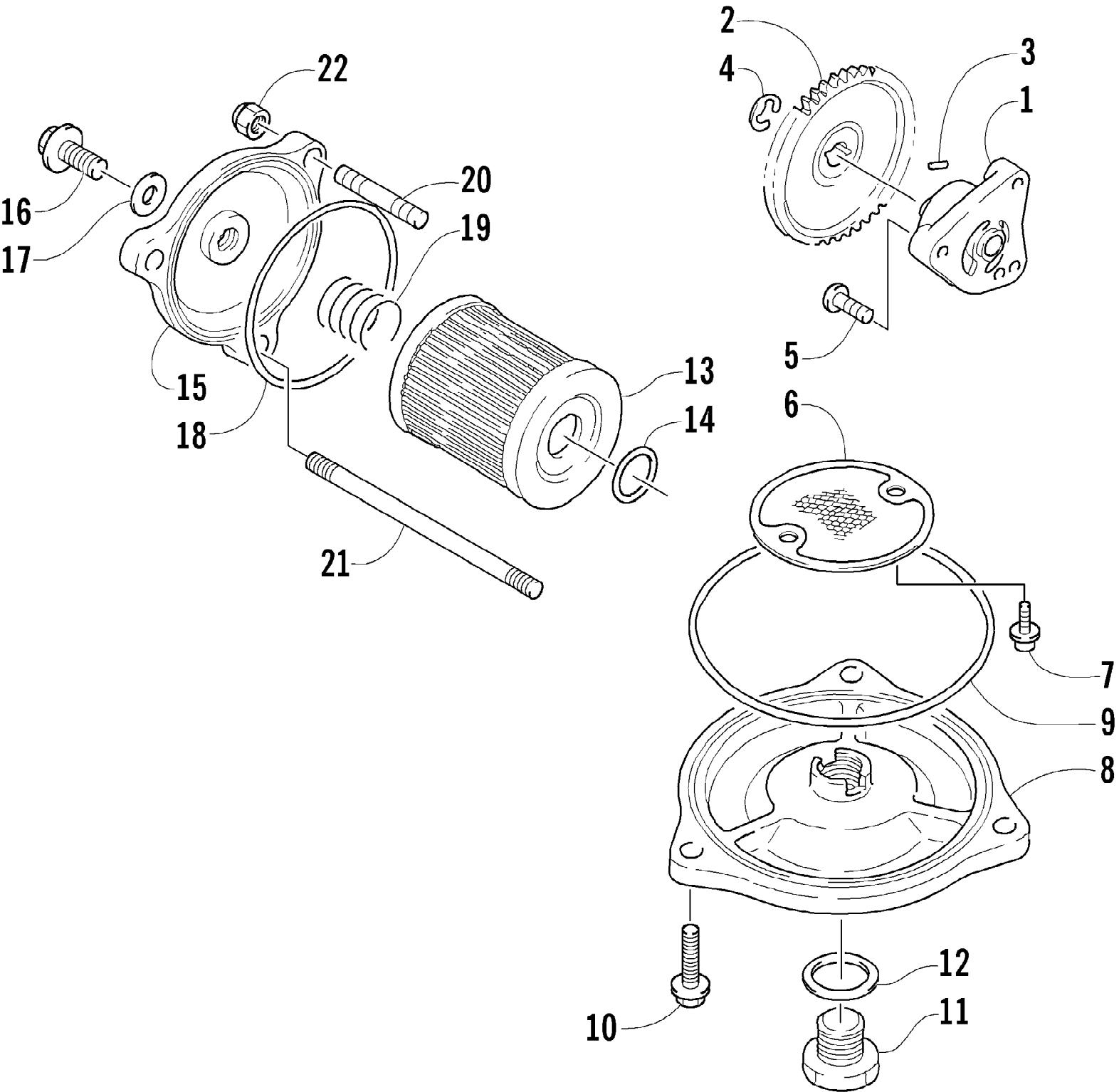
Ref #	Part Number	Qty	S/P/F	Description
1	3430-021	1	S	Stator - Assembly
2	3430-039	1		Rotor/Flywheel
3	3004-756	3	S	Bolt
4	3423-326	2	S	Screw, Cap
5	3423-086	1		Nut
6	3004-540	1	/P	Key
7	3430-023	1		Plate
8	3423-112	1	S	Screw, Cap
9	3430-036	1		Shield, Heat Protection



2004 ATV 250 4X4 GREEN (A2004ATE4AUSG)
OIL COOLER ASSEMBLY

Page 51 of 83

Ref #	Part Number	Qty	S/P/F	Description
1	0413-011	1	/P	Cooler, Oil
2	0423-086	4		Grommet
3	8476-620	4		Screw, Cap
4	0423-036	4		Collar
5	0423-098	4	/P	Clamp, Hose
6	0410-007	1		Hose, Oil - Input
7	0410-006	1		Hose, Oil - Output
8	0410-013	1		Fitting, Oil
9	8471-616	4		Screw, Cap
10	0423-089	2		O-Ring, Oil Fitting
11	0410-012	1		Fitting, Oil - Angled

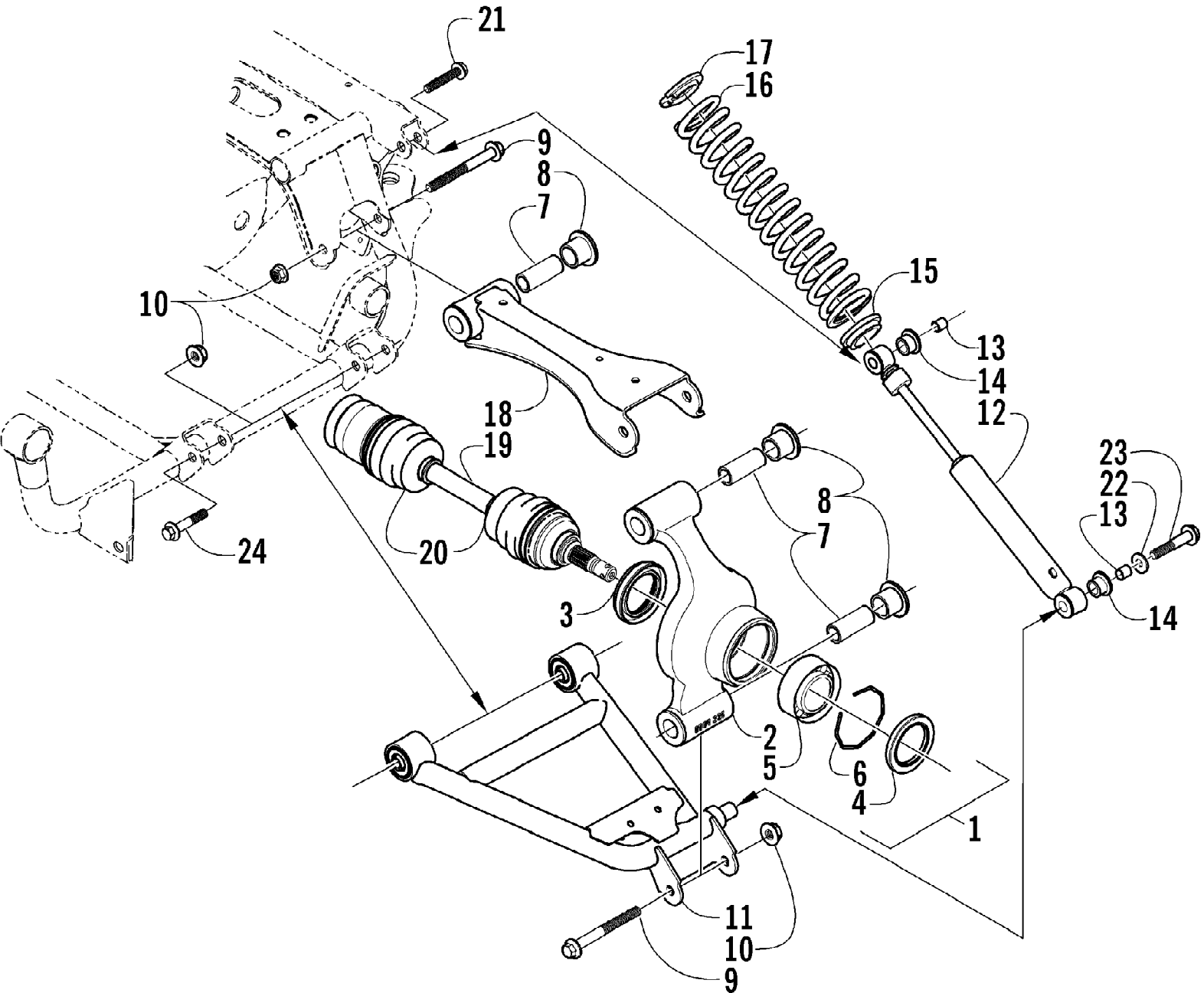


2004 ATV 250 4X4 GREEN (A2004ATE4AUSG)
OIL PUMP ASSEMBLY

Page 53 of 83

Ref #	Part Number	Qty	S/P/F	Description
1	3445-017	1		Pump, Oil
2	3402-302	1		Gear, Driven
3	3423-285	1		Pin
4	3423-168	1	S	Circlip
5	3004-402	3	S/P	Screw, Cap
6	3402-304	1		Strainer, Oil
7	0693-389	2	S	Screw, Cap
8	3402-305	1		Cap, Oil Strainer
9	3423-278	1		O-Ring
10	3004-507	3	S	Screw, Cap
11	3402-037	1		Plug, Drain
12	3402-012	1		Gasket
13	3436-005	1		Filter, Oil
14	3423-270	1		O-Ring
15	3402-303	1		Cap, Oil Filter
16	3004-705	1	S	Plug, Oil Check
17	3005-242	1		Gasket
18	3423-277	1		O-Ring
19	3402-238	1		Spring
20	3423-314	2	S	Bolt, Stud
21	3004-543	1	S	Bolt, Stud
22	3423-315	3	S	Nut

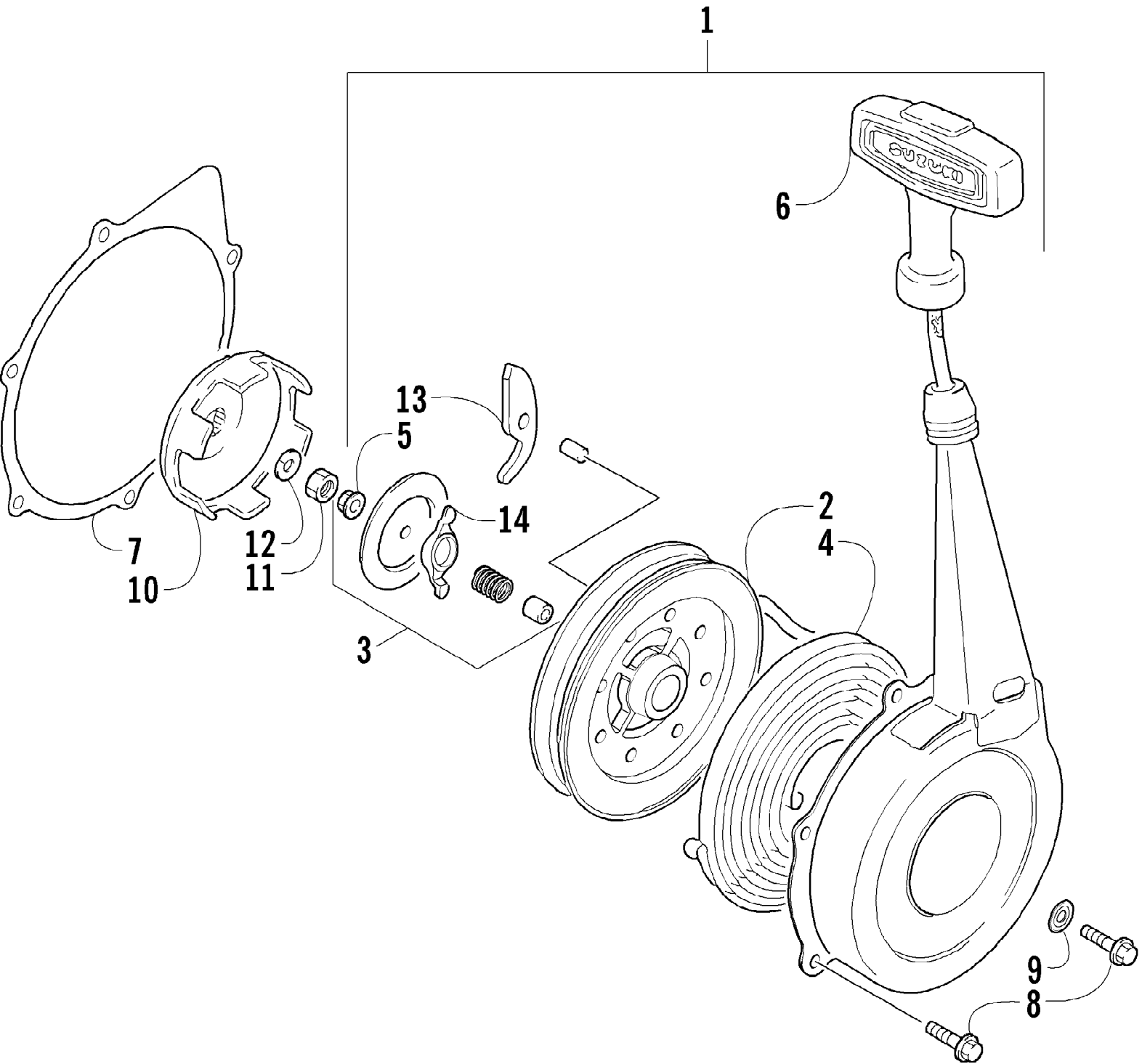
2004 ATV 250 4X4 GREEN (A2004ATE4AUSG)
REAR SUSPENSION ASSEMBLY



2004 ATV 250 4X4 GREEN (A2004ATE4AUSG)
 REAR SUSPENSION ASSEMBLY

Page 55 of 83

Ref #	Part Number	Qty	S/P/F	Description
1	0504-226	1	S	Knuckle, Right Rear - Assembly (inc. 2-6)
1	0504-227	1	S	Knuckle, Left Rear - Assembly (inc. 2-6)
2	0504-224	1	S	Knuckle - Right
2	0504-225	1	S	Knuckle - Left
3	0402-069	2		Seal, Wheel Bearing - Rear
4	0402-089	2		Seal, Wheel Bearing - Front
5	0402-275	2	/P	Bearing, Wheel
6	0423-034	2		Clip, Bearing
7	0403-038	6	S/P	Collar, Suspension Bushing
8	0403-032	12	S	Bushing, Suspension
9	8409-000	6		Screw, Cap
10	8428-002	12		Nut, Lock
11	0504-030	1		A-Arm, Rear - Lower Right
11	0504-031	1		A-Arm, Rear - Lower Left
12	0404-014	2		Shock Absorber - Rear (inc. 13-14)
13	0403-028	4		Sleeve, Shock Absorber
14	0604-310	8		Bushing, Shock Absorber
15	0403-104	2		Retainer, Spring - Lower
16	0403-002	2		Spring, Suspension
17	1603-889	2	/P	Retainer, Spring - Upper
18	0504-044	2		Arm, Rear - Upper
19	1402-002	2	S	Axle, Drive (inc. 20)
20	0436-276	2	S	Repair Kit, Boot - Rear Axle
21	8409-040	2		Screw, Cap
22	0423-087	2		Washer
23	8408-820	2	/P	Screw, Cap
24	8409-060	4		Screw, Cap



2004 ATV 250 4X4 GREEN (A2004ATE4AUSG)
 RECOIL STARTER ASSEMBLY

Page 57 of 83

Ref #	Part Number	Qty	S/P/F	Description
1	3445-018	1	S	Starter, Recoil - Assembly (inc. 2-6 and 13-14)
2	3445-019	1		Reel
3	3445-016	1		Ratchet - Assembly (inc. 13-14)
4	3445-007	1		Spring, Spiral
5	3004-488	1	S/P	Nut
6	3445-020	1		Rope Assembly
7	3445-021	1	S	Gasket, Recoil Starter
8	3423-112	6	S	Screw, Cap
9	3003-290	1	/P	Gasket
10	3445-022	1		Cup, Starter
11	3004-336	1	S/P	Nut
12	3004-362	1	S/P	Washer, Lock
13	3445-005	1		Ratchet
14	3445-006	1		Guide, Ratchet

No
Diagram
Available

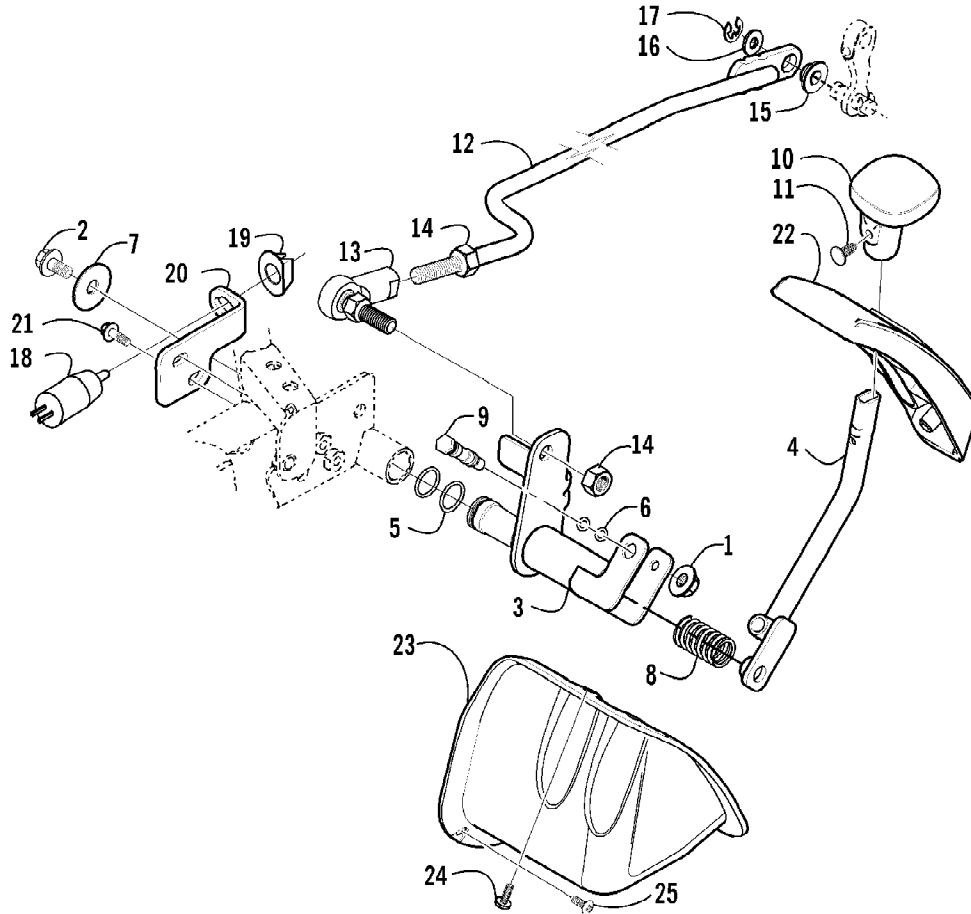
Parts List
Only

2004 ATV 250 4X4 GREEN (A2004ATE4AUSG)
RELATED ITEMS

Page 59 of 83

Ref #	Part Number	Qty	S/P/F	Description
	0436-337	1		Bag, Rack, Front, Black
	0436-336	1		Bag, Rack, Rear, Black
	0436-340	1	S	Bag, Fender, Black
	0436-351	1		Basket, Rack, Front
	0436-350	1		Basket, Rack, Rear
	0436-330	1		Bumper (Rear)
	0436-454	1		Cargo Box
	0436-381	1		Cover, Green and Black
	0436-339	1		Cover, Timber Camo
	0436-151	1		CV Joint Protectors (Rear)
	0436-007	1	S	Gear Lube (Diff) - 80W90
	0436-200	1		Gun Scabbard Mount
	0436-505	1		Hand Guards, Black
	0436-352	1		Hand/Thumb Warmers
	2256-940	1		Illustrated Parts Manual
	2256-937	1		Manuel d'utilisation (F)
	2256-934	1		Operator's Manual (E)
	0436-005	1	S	Oil, Engine - 10W40
	0436-003	1	S	Oil, Engine - 5W30
	0436-349	1		Rack Extension, 4 in. (Front)
	0436-225	1		Rack Extension, 4 in. (Rear)
	0436-226	1		Rack Extension, 8 in. (Rear)
	0436-181	1		Skid Plate (Rear)
	0436-228	1		Snowplow Blade, 50 in. - Straight (use w/0436-356) - 4x4
	0436-287	1		Snowplow Blade, 50 in. - One-Way (use w/0436-356) - 4x4
	0436-356	1	S	Snowplow Push Frame - 4x4
	0436-357	1		Snowplow Attachment Kit - 4x4
	0436-129	1		Speedometer Kit (2x4)
	0436-297	1		Tool Holders - Double
	0436-263	1	/P	Tool Holders - Single
	0436-329	1	S	Winch Kit, 2500 lb
	0436-361	1		Winch Mounting Kit
	0436-301	1		Windshield, Clear w/Black Accent

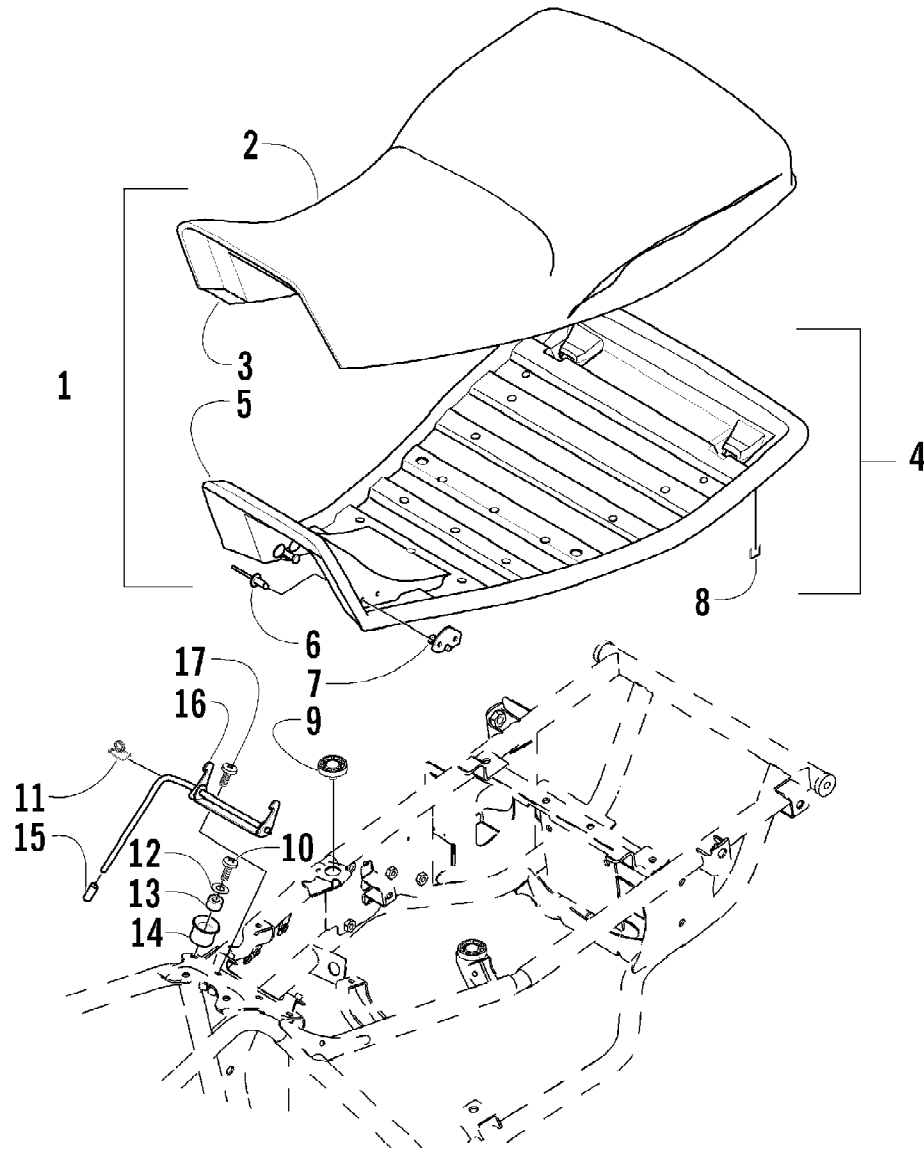
2004 ATV 250 4X4 GREEN (A2004ATE4AUSG)
REVERSE SHIFT LEVER ASSEMBLY



2004 ATV 250 4X4 GREEN (A2004ATE4AUSG)
REVERSE SHIFT LEVER ASSEMBLY

Page 61 of 83

Ref #	Part Number	Qty	S/P/F	Description
1	8424-602	1	/P	Nut
2	8408-812	1		Screw, Cap
3	0502-237	1		Axle, Reverse Shift Lever
4	0502-185	1		Lever, Reverse Shift
5	0423-299	2	/P	O-Ring
6	0423-182	2	/P	O-Ring
7	0423-087	1		Washer
8	0502-410	1	S	Spring
9	0402-675	1		Axle, Pivot
10	0402-843	1	/P	Handle, Reverse Shift Lever
11	0423-345	1		Clip, Push
12	0502-250	1		Linkage, Shift
13	0402-844	1		End, Rod
14	0623-294	2		Nut
15	0423-091	1		Bushing
16	8050-242	1		Washer
17	0423-169	1	/P	E-Ring
18	0409-008	1		Reverse Switch
19	0402-168	1	/P	Retainer, Reverse Switch
20	0506-961	1	/P	Bracket, Reverse Switch
21	8408-616	2		Screw, Cap
22	0402-847	1		Plate, Shift
23	0406-943	1		Shield, Linkage
24	0423-371	3		Screw, Machine
25	0623-309	1		Screw, Self-Tapping

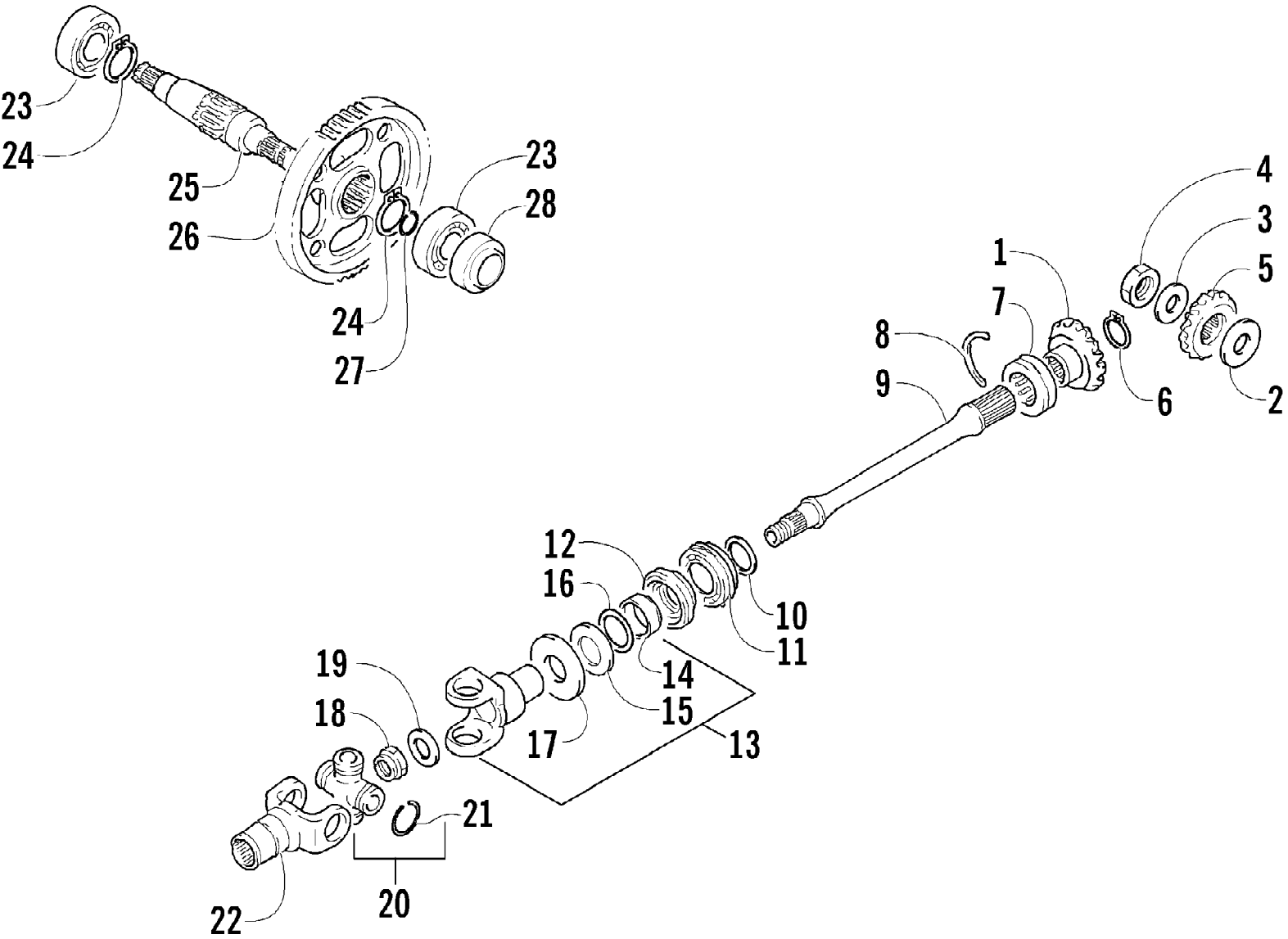


2004 ATV 250 4X4 GREEN (A2004ATE4AUSG)
SEAT ASSEMBLY

Page 63 of 83

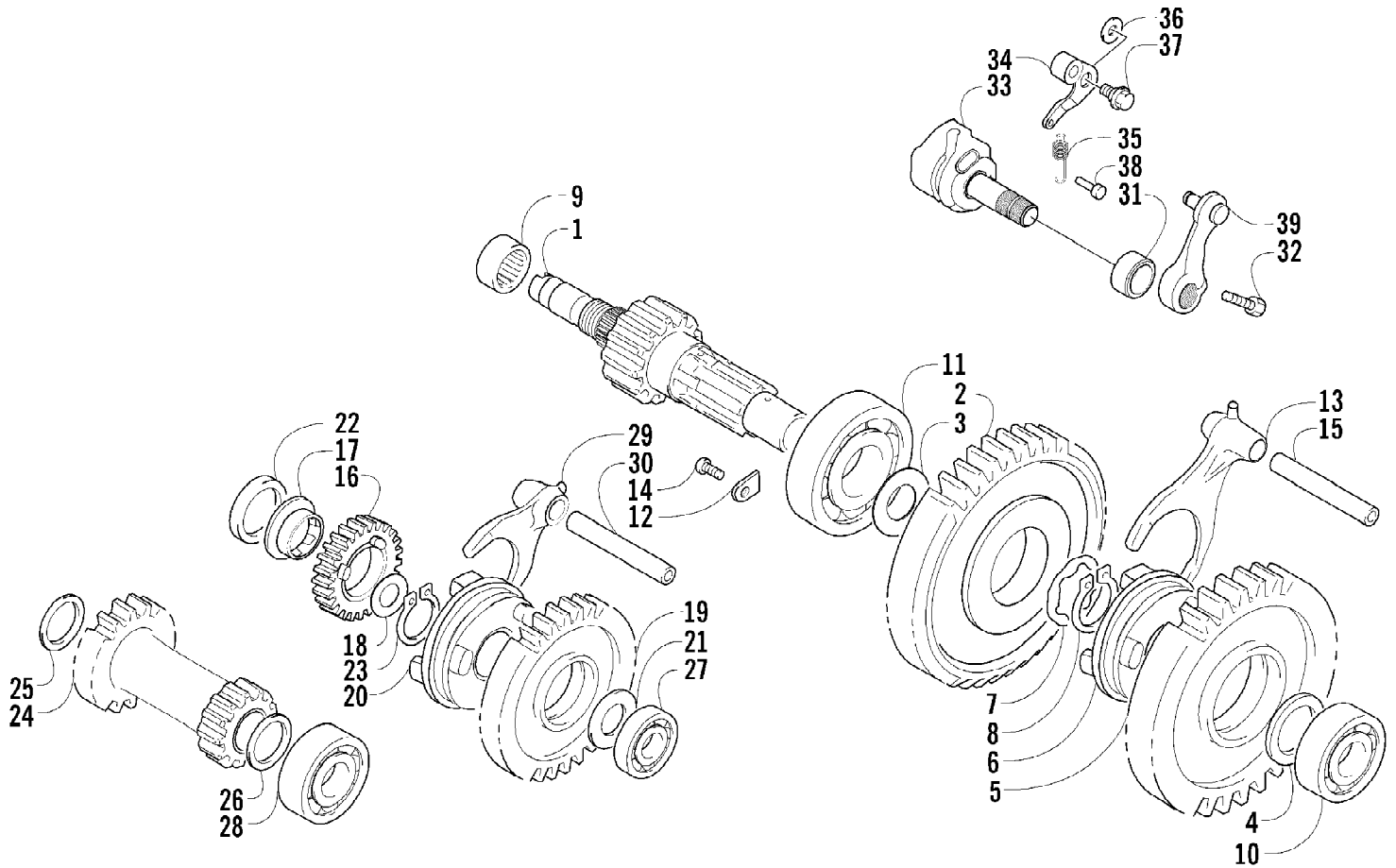
Ref #	Part Number	Qty	S/P/F	Description
1	1506-182	1		Seat Assembly (inc. 2-8)
2	0406-404	1		Cover, Seat
3	0506-291	1		Foam, Seat
4	0506-223	1	/P	Base, Seat - Assembly (inc. 5-7)
5	0	1	F	Base, Seat
6	8061-628	4		Rivet
7	1506-057	2	/P	Pin, Seat-Base - Front
8	0624-100	AR		Staple
9	0406-309	2		Grommet, Seat - Center
10	8476-620	2		Screw, Cap
11	0406-235	1		Spring, Seat Latch
12	8050-217	2	/P	Washer
13	0406-199	2		Collar, Seat-Base - Front
14	0406-171	2		Bumper, Seat-Base - Front
15	0623-404	1		Cap, Protector
16	1506-056	1	/P	Latch, Seat - Assembly
17	8476-616	2		Screw, Machine

2004 ATV 250 4X4 GREEN (A2004ATE4AUSG)
SECONDARY GEAR/OUTPUT SHAFT ASSEMBLY



2004 ATV 250 4X4 GREEN (A2004ATE4AUSG)
SECONDARY GEAR/OUTPUT SHAFT ASSEMBLY

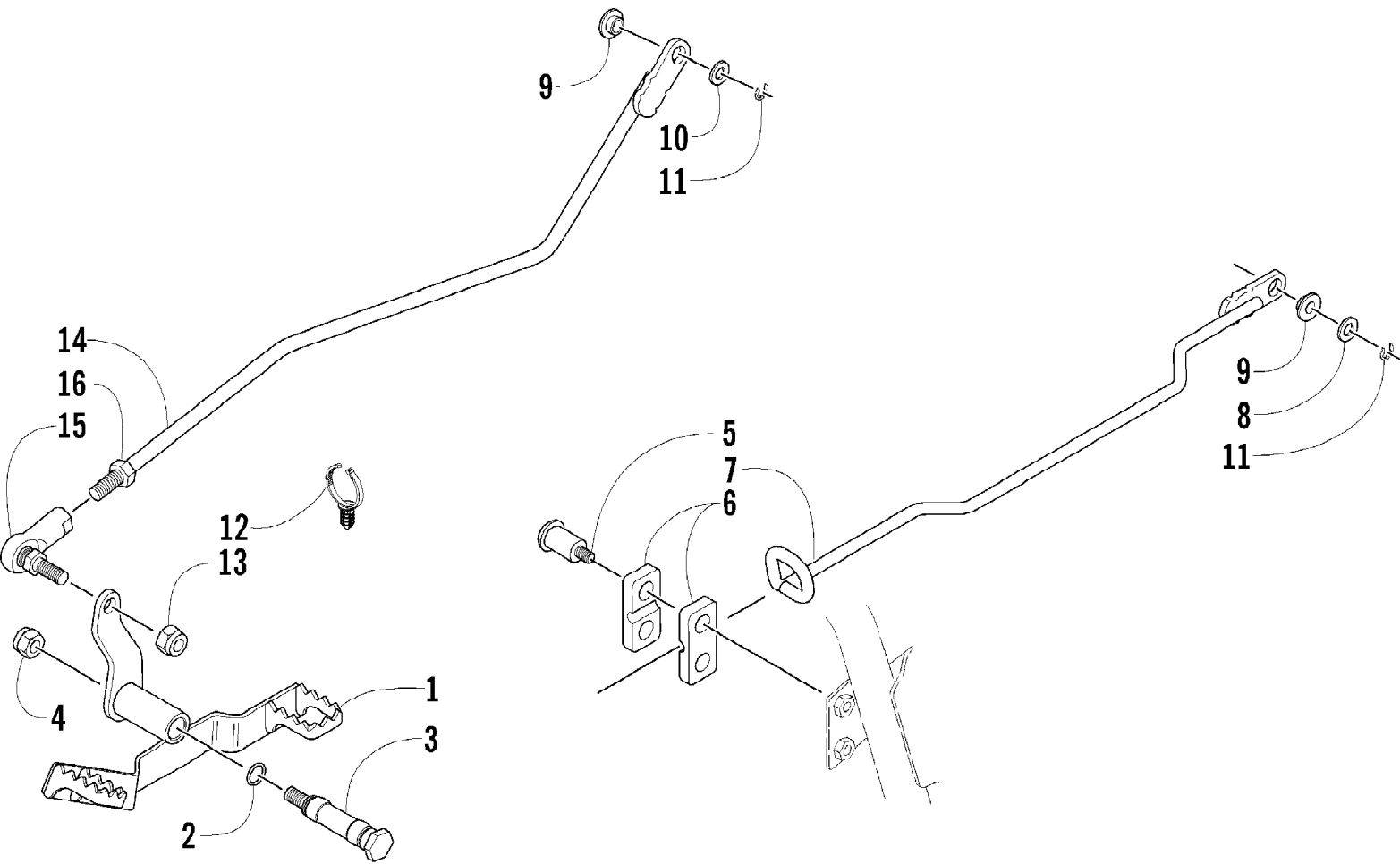
Ref #	Part Number	Qty	S/P/F	Description
1	3446-269	1		Gear, Secondary Drive Bevel
2	3446-035	1		Shim Set, Secondary Drive Bevel
3	3423-032	1		Washer
4	3423-254	1		Nut
5	3446-270	1		Gear, Secondary Driven Bevel
6	3423-340	1	S	Circlip
7	3402-515	1	/P	Bearing, Rear
8	3423-072	1		Ring
9	3446-199	1		Shaft, Secondary Output
10	3402-308	AR		Shim, 25 x 34 x 0.50 mm
10	3402-017	AR		Shim, 25 x 34 x 0.60 mm
10	3402-018	AR		Shim, 25 x 34 x 0.65 mm
10	3402-019	AR		Shim, 25 x 34 x 0.70 mm
10	3402-020	AR		Shim, 25 x 34 x 0.75 mm
10	3402-021	AR	S	Shim, 25 x 34 x 0.80 mm
10	3402-022	AR		Shim, 25 x 34 x 0.85 mm
10	3402-023	AR		Shim, 25 x 34 x 0.90 mm
10	3402-024	AR		Shim, 25 x 34 x 0.95 mm
10	3402-025	AR	S	Shim, 25 x 34 x 1.00 mm
10	3402-028	AR		Shim, 25 x 34 x 1.05 mm
10	3402-029	AR		Shim, 25 x 34 x 1.10 mm
10	3402-030	AR		Shim, 25 x 34 x 1.15 mm
10	3402-031	AR		Shim, 25 x 34 x 1.20 mm
11	3402-067	1	S	Bearing, Front
12	3402-072	1		Seal, Oil
13	3435-001	1	S	Yoke, Output - Front (inc. 14-17)
14	3435-029	1		Collar
15	3435-030	1		Plate, Oil Seal
16	3423-060	1		O-Ring
17	3423-035	1		Plate
18	3423-025	1		Nut
19	3423-028	1		Washer
20	3435-011	1		Joint, Universal (inc. 21)
21	3423-067	4		Circlip
22	3435-002	1		Yoke, Output Shaft Joint
23	3402-219	2		Bearing
24	3423-321	2		Circlip
25	3446-176	1		Shaft, Rear Final Driven
26	3446-175	1		Gear, Driven
27	3423-281	2		Ring
28	3402-072	2		Seal, Oil



2004 ATV 250 4X4 GREEN (A2004ATE4AUSG)
SECONDARY TRANSMISSION ASSEMBLY

Ref #	Part Number	Qty	S/P/F	Description
1	3446-206	1		Shaft, Sub-Transmission
2	3446-207	1		Gear, Driven
3	3423-338	1		Washer - Right
4	3423-298	1		Washer - Left
5	3446-208	1		Gear, Driven
6	3446-209	1		Dog, Driven Gear
7	3423-317	1		Washer
8	3423-318	1	S	Circlip
9	3402-278	1		Bearing - Right
10	3004-209	1	/P	Bearing - Left
11	3402-180	1	S	Bearing - Middle
12	3446-031	2	/P	Retainer
13	3446-210	1		Fork
14	3004-552	2	S	Screw
15	3446-230	1		Shaft
16	3446-181	1	S	Gear, Drive
17	3446-259	1	/P	Bushing
18	3423-036	1		Washer
19	3446-182	1		Gear, Drive
20	3446-183	1		Dog, Drive Gear
21	3402-195	1		Washer
22	3402-207	1		Spacer
23	3423-066	1	/P	Circlip
24	3446-272	1	/P	Gear, Idler
25	3402-205	1		Washer
26	3423-319	1		Washer
27	3003-261	1	/P	Bearing, Drive - Left
28	3402-217	1		Bearing, Countershaft - Left
29	3446-185	1		Fork
30	3446-271	1	/P	Shaft
31	3402-076	1		Seal, Oil
32	3423-125	1	S	Screw, Cap
33	3446-211	1		Cam, Sub-Transmission Gear
34	3446-187	1		Stopper
35	3402-241	1		Spring
36	3423-141	1		Washer
37	3423-240	1		Screw, Cap
38	3423-268	1		Pin
39	3446-116	1		Arm

2004 ATV 250 4X4 GREEN (A2004ATE4AUSG)
SHIFTER ASSEMBLY

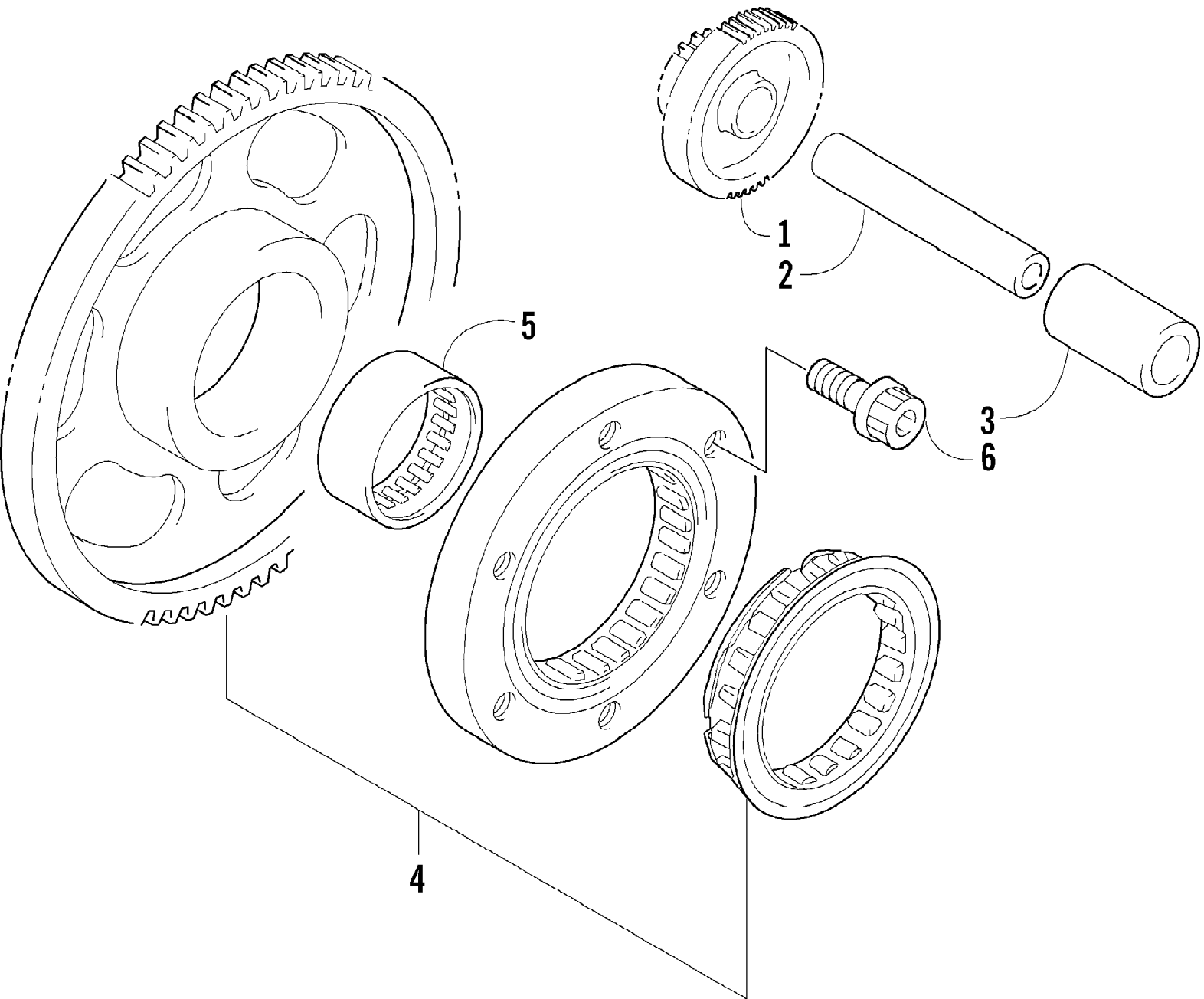


2004 ATV 250 4X4 GREEN (A2004ATE4AUSG)
SHIFTER ASSEMBLY

Page 69 of 83

Ref #	Part Number	Qty	S/P/F	Description
1	0502-253	1		Lever, Footshift
2	1602-213	2	/P	O-Ring
3	0402-370	1		Axle, Lever
4	8422-002	1		Nut
5	0423-329	2		Screw, Shoulder
6	0406-363	2		Bushing
7	0502-257	1		Linkage, Shift
8	8050-247	1	/P	Washer
9	0423-091	2		Bushing
10	8050-242	1		Washer
11	3423-168	2	S	E-Ring
12	0423-075	1		Tie, Cable - Push-Mount
13	0623-025	1		Nut, Lock
14	0502-256	1		Linkage, Footshift Lever (inc. 15-16)
15	0402-844	1		End, Rod
16	0623-294	1		Nut

2004 ATV 250 4X4 GREEN (A2004ATE4AUSG)
STARTER CLUTCH ASSEMBLY

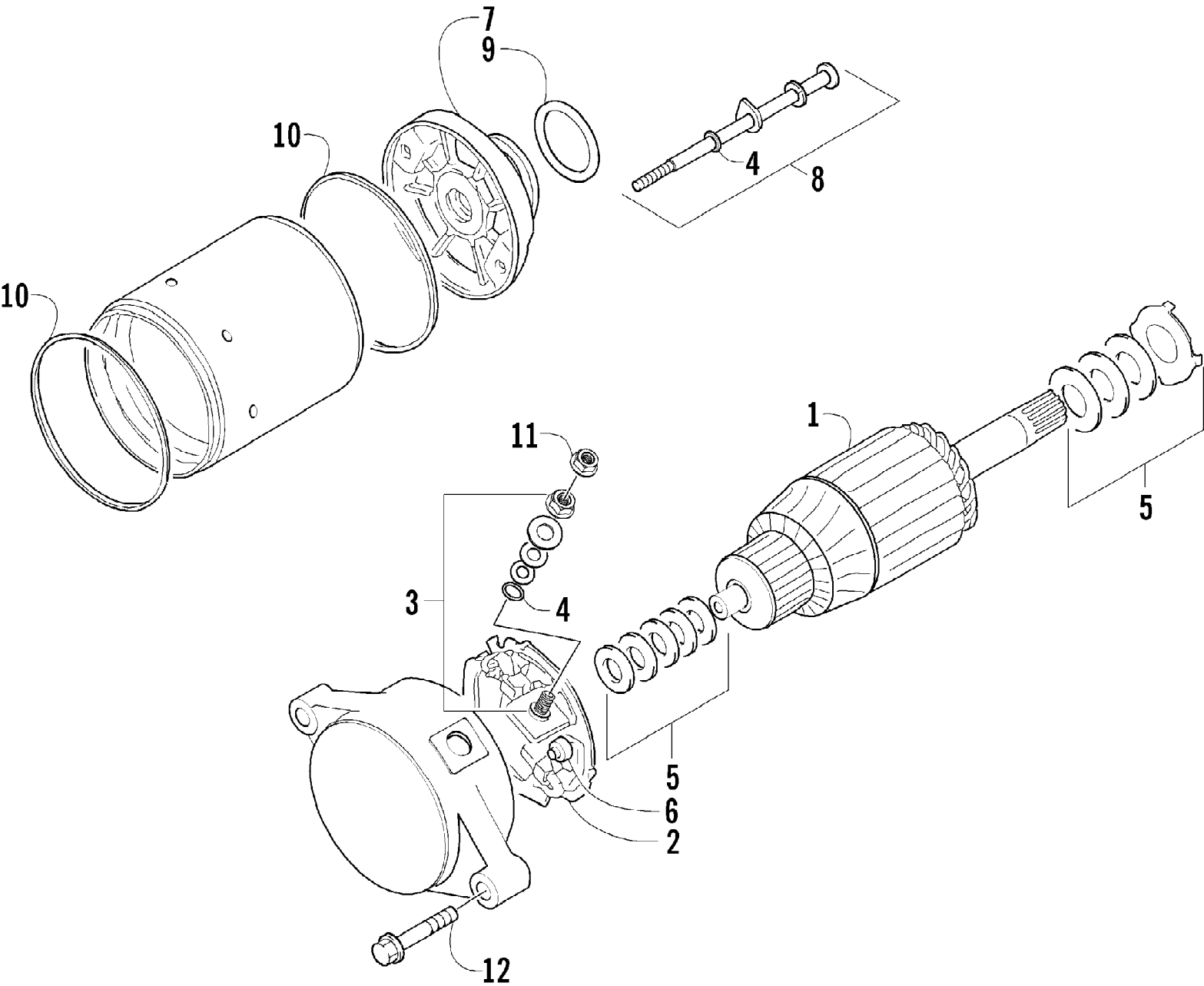


2004 ATV 250 4X4 GREEN (A2004ATE4AUSG)
STARTER CLUTCH ASSEMBLY

Page 71 of 83

Ref #	Part Number	Qty	S/P/F	Description
1	3402-274	1	S	Gear, Starter Idler
2	3423-267	1		Pin
3	3402-145	1		Spacer
4	3402-273	1		Clutch Set, Starter (inc. 5)
5	3402-222	1		Bearing
6	3423-309	3		Screw, Cap

2004 ATV 250 4X4 GREEN (A2004ATE4AUSG)
STARTER MOTOR ASSEMBLY

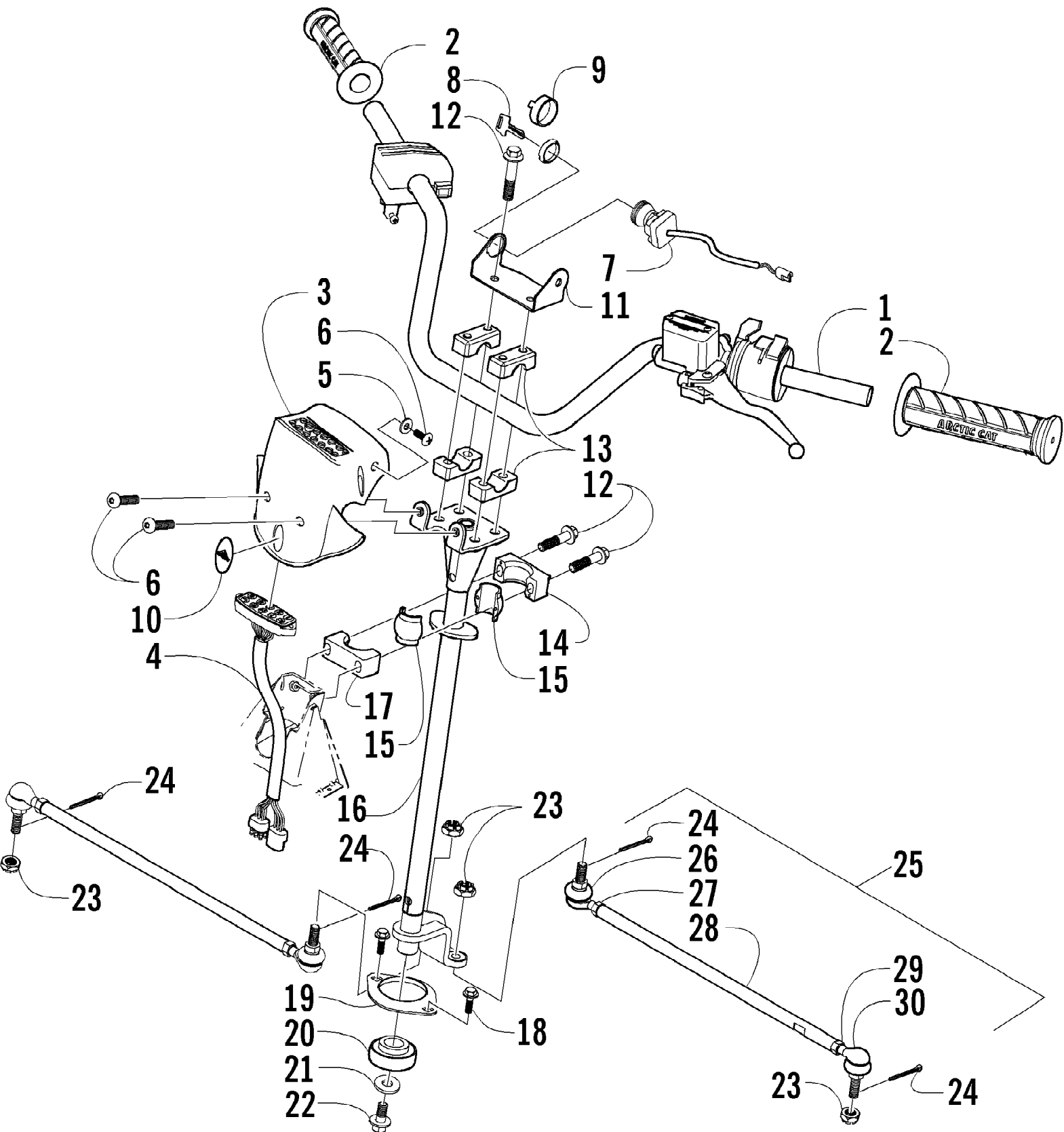


2004 ATV 250 4X4 GREEN (A2004ATE4AUSG)
STARTER MOTOR ASSEMBLY

Page 73 of 83

Ref #	Part Number	Qty	S/P/F	Description
	3545-003	1	S	Complete Starter Motor Assembly
1	3008-554	1		Armature
2	3008-550	1		Holder Set, Brush
3	3008-549	1		Terminal Set, Brush (inc. one No. 4)
4	3008-164	3		O-Ring
5	3008-099	1		Washer Set
6	3008-551	2		Spring, Brush
7	3008-552	1		Bracket, Front - Assembly
8	3423-289	2		Through-Bolt Set (inc. two No. 4)
9	3423-272	1		O-Ring
10	3008-553	2	/P	O-Ring
11	3423-195	1	/P	Nut
12	3004-756	2	S	Screw, Cap

2004 ATV 250 4X4 GREEN (A2004ATE4AUSG)
STEERING ASSEMBLY

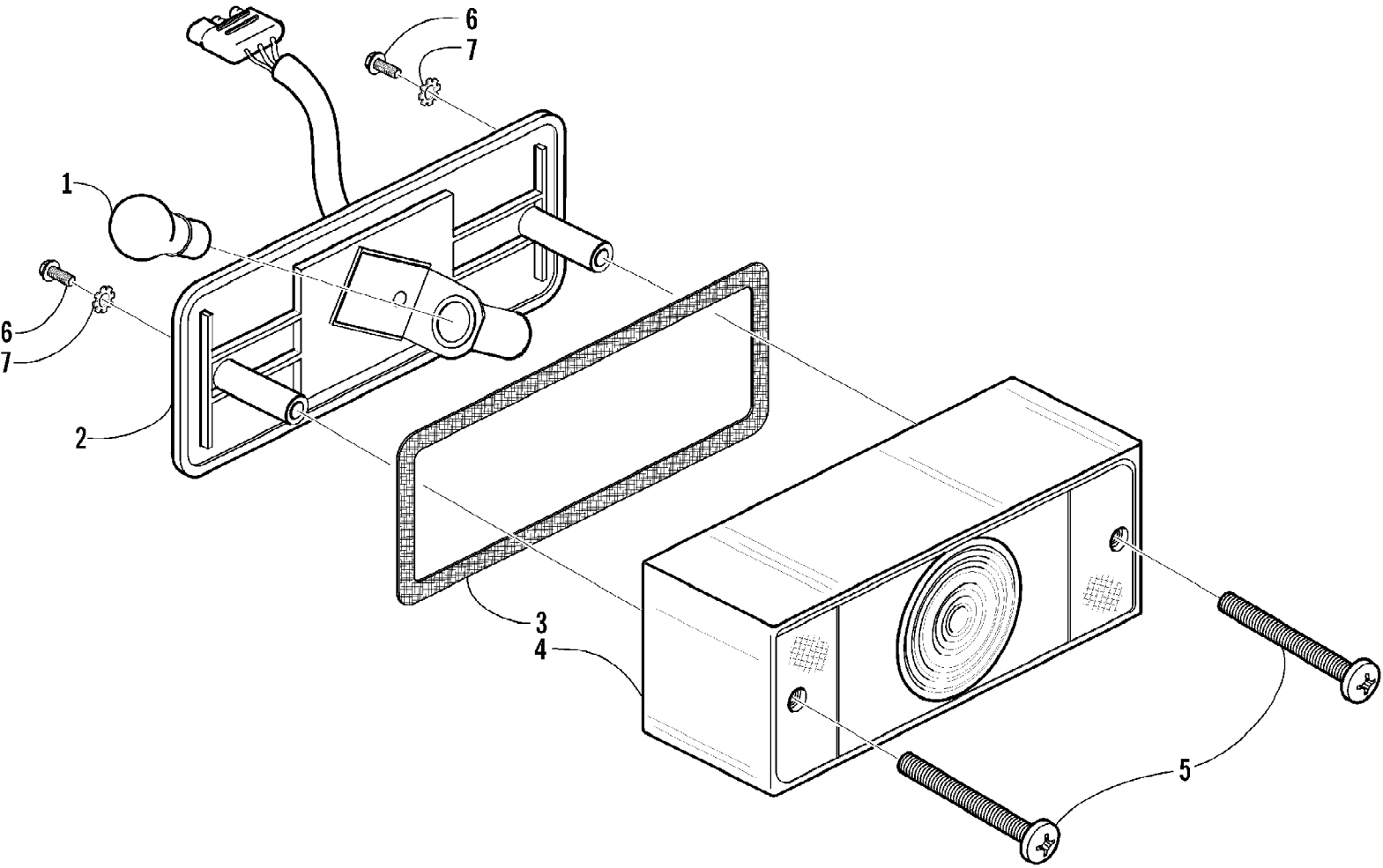


2004 ATV 250 4X4 GREEN (A2004ATE4AUSG)
STEERING ASSEMBLY

Page 75 of 83

Ref #	Part Number	Qty	S/P/F	Description
1	0505-427	1		Tube, Handlebar
2	0405-106	2		Grip, Handlebar
3	0405-063	1		Housing, Instrument
4	0420-035	1	/P	Panel, LED
5	0423-052	1		Collar, Body
6	8477-616	3		Screw, Machine
7	3430-040	1		Switch, Ignition - Assembly (inc. 8)
8	3409-007	1	/P	Key, Ignition - Blank (C Series)
8	3409-011	1		Key, Ignition - Blank (D Series)
8	3409-012	1		Key, Ignition - Blank (E Series)
8	3409-013	1		Key, Ignition - Blank (F Series)
9	0409-013	1		Cover, Key
10	0405-042	1		Plug, Instrument Pod
11	0506-348	1	/P	Bracket, Key Switch
12	8408-860	6		Screw, Cap
13	0405-035	4		Cap, Steering Adjuster
14	0605-147	1	S	Housing, Bearing - Upper
15	0405-020	2		Bearing, Steering Post
16	0505-431	1	/P	Post, Steering
17	0605-171	1		Housing, Bearing - Lower
18	8408-816	2		Screw, Cap
19	0602-233	1		Flange, Bearing
20	0405-052	1		Bearing, Steering
21	0423-073	1		Washer
22	8409-020	1	/P	Screw, Cap
23	0423-157	4		Nut, Lock
24	0623-175	4		Pin, Cotter
25	0505-072	2	/P	Tie Rod, Assembly (inc. 26-30)
26	0405-083	2	S	Ball Joint, Tie Rod - Left
27	0423-013	2		Nut - Left
28	0405-032	2		Tie Rod
29	8420-002	2	/P	Nut - Right
30	0405-082	2	S	Ball Joint, Tie Rod - Right

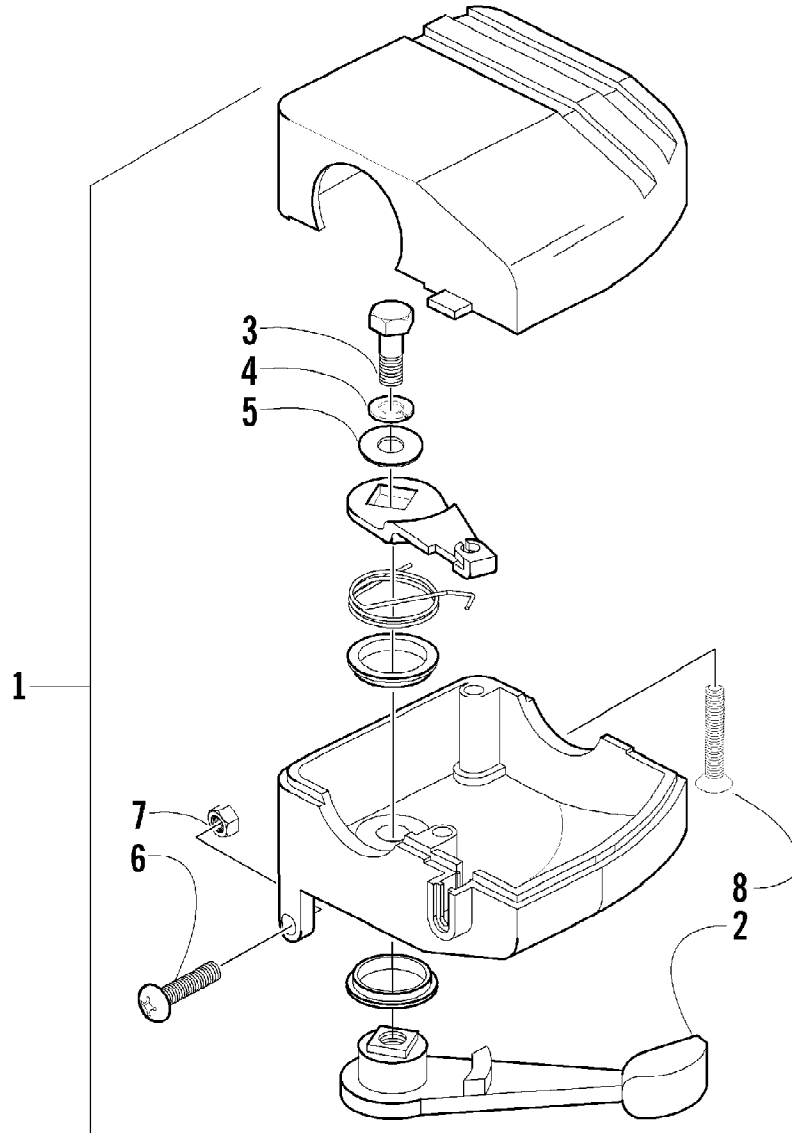
2004 ATV 250 4X4 GREEN (A2004ATE4AUSG)
TAILLIGHT ASSEMBLY



2004 ATV 250 4X4 GREEN (A2004ATE4AUSG)
TAILLIGHT ASSEMBLY

Page 77 of 83

Ref #	Part Number	Qty	S/P/F	Description
	0409-002	1		Complete Taillight Assembly
1	0109-460	1	/P	Bulb, Stop/Taillight
2	0409-058	1		Taillight w/Socket Assembly
3	0409-012	1		Gasket, Taillight Lens
4	0409-007	1		Lens, Taillight
5	0409-010	2		Screw, Machine
6	0623-301	2	/P	Screw, Self-Tapping
7	8053-212	2	/P	Washer, Lock - External Tooth

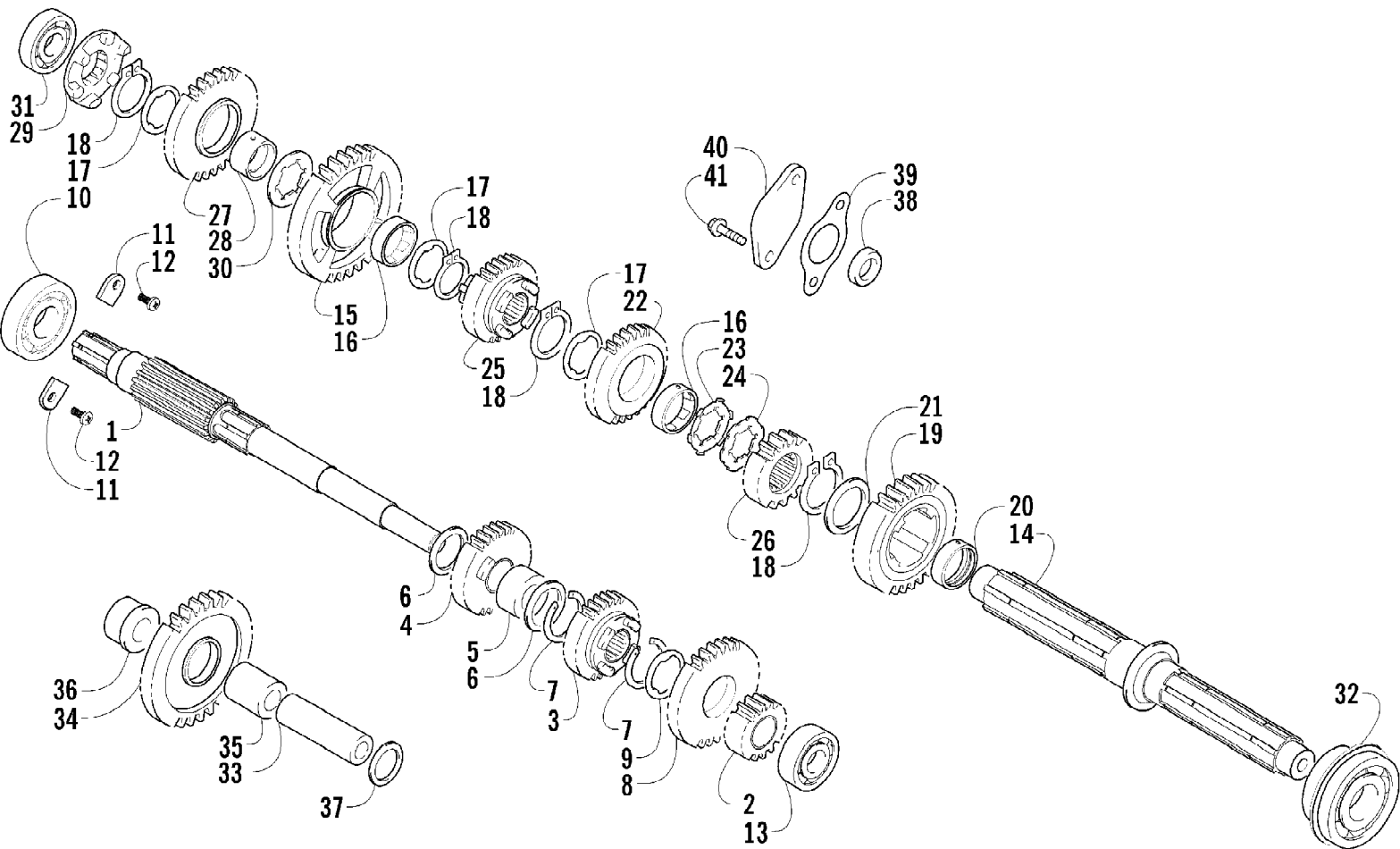


2004 ATV 250 4X4 GREEN (A2004ATE4AUSG)
THROTTLE CASE ASSEMBLY

Page 79 of 83

Ref #	Part Number	Qty	S/P/F	Description
1	3509-003	1	/P	Case, Throttle - Assembly (inc. 2-8)
2	3409-001	1		Lever
3	3004-533	1	S/P	Screw, Cap
4	3004-447	1	/P	Washer, Lock
5	3003-030	1	/P	Washer
6	3423-014	1		Screw
7	3423-327	1		Nut
8	3423-199	2		Screw

2004 ATV 250 4X4 GREEN (A2004ATE4AUSG)
TRANSMISSION ASSEMBLY

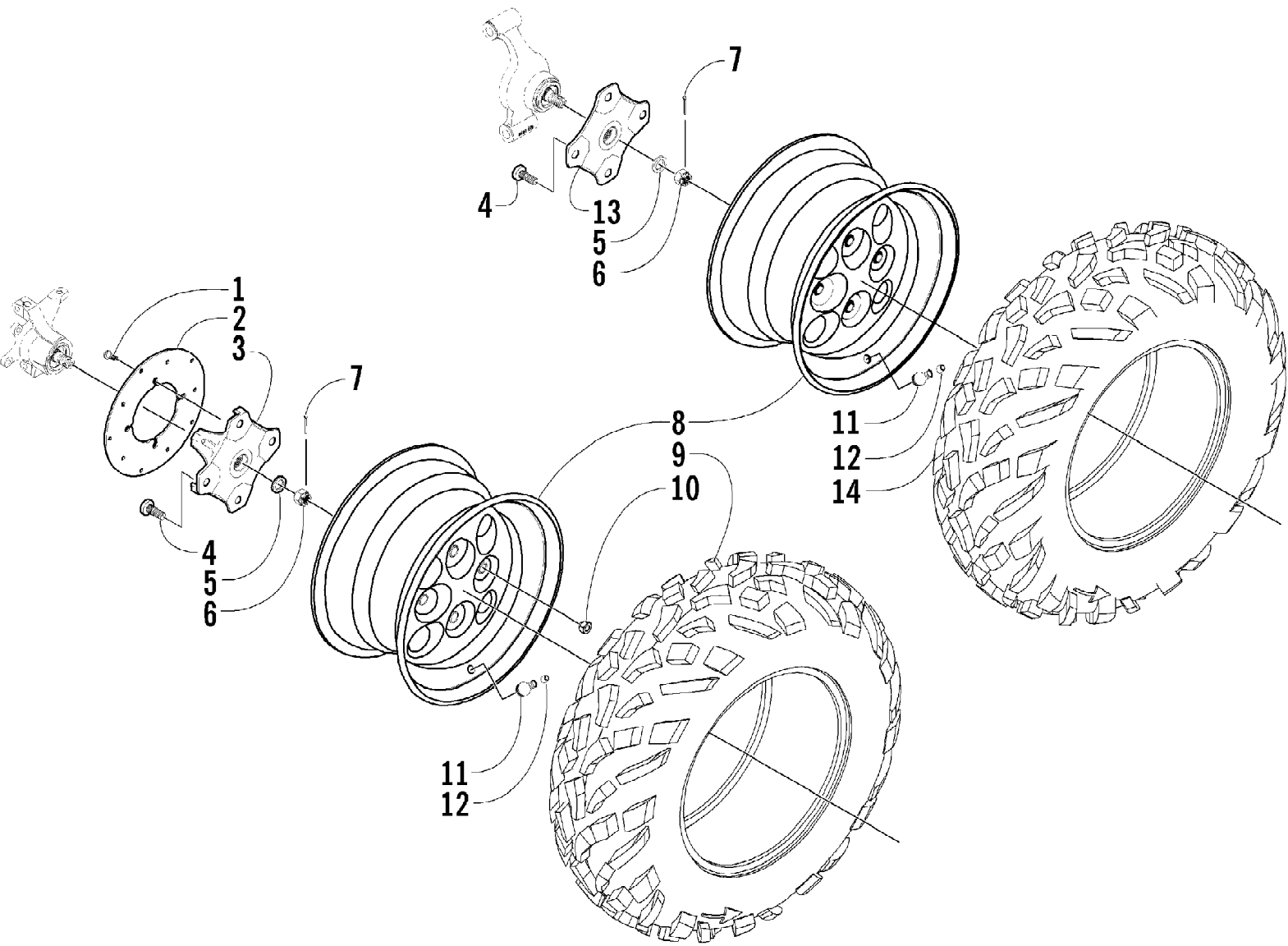


2004 ATV 250 4X4 GREEN (A2004ATE4AUSG)
TRANSMISSION ASSEMBLY

Page 81 of 83

Ref #	Part Number	Qty	S/P/F	Description
1	3446-135	1	S	Countershaft
2	3446-137	1		Gear, 2nd Drive
3	3446-138	1		Gear, 3rd Drive
4	3446-139	1		Gear, 4th Drive
5	3402-229	1		Bushing
6	3402-210	2		Washer
7	3423-279	2		Circlip
8	3446-140	1		Gear, 5th Drive
9	3423-261	1	S	Washer
10	0691-374	1		Bearing - Right
11	3446-031	2	/P	Retainer
12	3004-552	2	S	Screw
13	3402-224	1		Bearing - Middle
14	3446-136	1	S	Driveshaft
15	3446-141	1		Gear, 1st Driven
16	3446-144	2	S	Bushing
17	3423-036	3		Washer
18	3423-066	4	/P	Circlip
19	3446-142	1		Gear, 2nd Driven
20	3402-230	1		Bushing
21	3423-317	1		Washer
22	3446-143	1		Gear, 3rd Driven
23	3423-266	1		Washer, Lock
24	3423-262	1		Washer, Lock
25	3446-146	1		Gear, 4th Driven
26	3446-147	1		Gear, 5th Driven
27	3446-151	1		Gear, Reverse Driven
28	3446-145	1		Bushing
29	3446-152	1		Dog, Reverse
30	3423-263	1		Washer
31	3402-218	1		Bearing - Right
32	3402-220	1		Bearing - Middle
33	3446-148	1		Shaft, Reverse Idle
34	3446-149	1		Gear, Reverse Idle
35	3402-228	1		Bushing
36	3446-150	1		Spacer
37	3402-209	1		Washer
38	3402-255	1		Plug, Cover - Hole
39	3446-244	1	/P	Gasket, Cover Plug Retainer
40	3446-260	1		Retainer, Cover Plug
41	3423-363	2		Bolt, Retainer

2004 ATV 250 4X4 GREEN (A2004ATE4AUSG)
WHEEL AND TIRE ASSEMBLY



2004 ATV 250 4X4 GREEN (A2004ATE4AUSG)
WHEEL AND TIRE ASSEMBLY

Page 83 of 83

Ref #	Part Number	Qty	S/P/F	Description
1	0423-029	12		Screw, Machine
2	0402-874	3	S	Disc, Brake
3	0502-421	2	/P	Hub, Wheel - Front (inc. 4)
4	0402-974	16	/P	Stud, Wheel Hub
5	0402-181	4		Seal, Hub
6	0423-394	4		Nut, Castle
7	0423-407	4		Pin, Cotter
8	0402-856	4		Wheel Assembly
9	0402-316	2	/P	Tire - Front
10	0423-408	16	/P	Nut, Lug
11	0402-064	4		Stem, Valve (inc. 12)
12	0402-140	4		Cap, Valve Stem
13	0502-421	1	/P	Hub, Wheel - Rear - Right (inc. 4)
13	0502-423	1	/P	Hub, Wheel - Rear - Left (inc. 4)
14	0402-317	2	/P	Tire, Rear