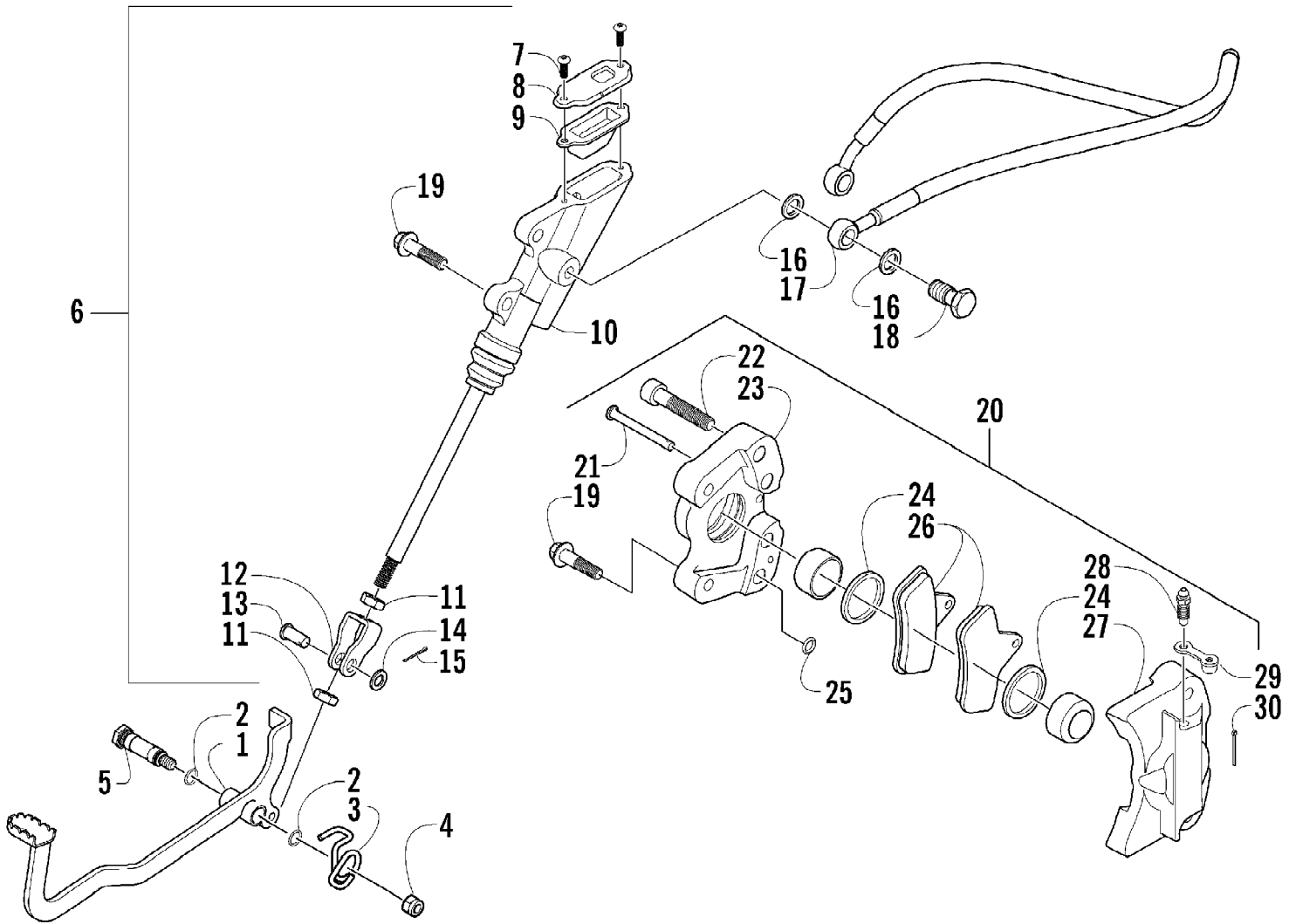


2004 650 V-2 4X4 FIS CAT GREEN MRP (A2004ISR4BUSV)
AIR INTAKE ASSEMBLY

Page 2 of 95

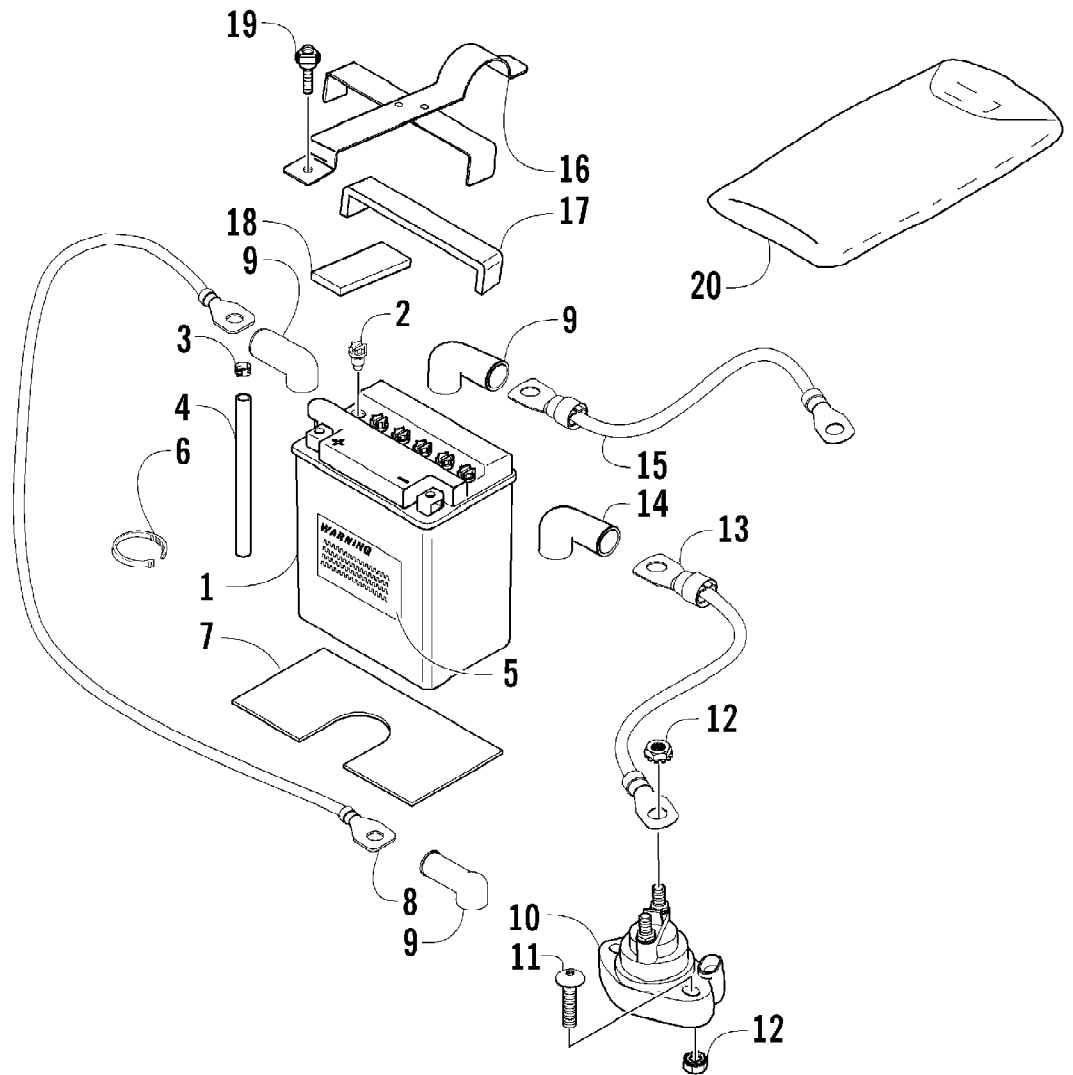
Ref #	Part Number	Qty	S/P/F	Description
1	0470-685	1	/P	Cover, Air Intake Housing (inc. 2)
2	0470-690	1		Seal, Air Intake
3	0470-494	1	S	Filter, Air
4	0470-493	1		Screen, Air Filter
5	0470-485	1		Housing, Air Intake
6	0413-089	1		Duct, Air Intake
7	3201-001	2		Duct, Air Funnel
8	3201-002	8		Screw, Cap
9	0423-455	4		Clip, Spring
10	0623-941	2		Clamp, Hose
11	0410-061	1	S	Hose, Crankcase Vent
12	0470-442	1	/P	Valve, Drain
13	0470-497	1		Carburetor
14	1406-559	1		Shield, Air Intake Housing



2004 650 V-2 4X4 FIS CAT GREEN MRP (A2004ISR4BUSV)
 AUXILIARY BRAKE ASSEMBLY

Page 4 of 95

Ref #	Part Number	Qty	S/P/F	Description
1	0502-594	1		Lever, Brake
2	1602-213	2	/P	O-Ring
3	0502-395	1	/P	Spring, Brake Lever
4	8422-002	1		Nut
5	0402-872	1		Axle, Brake Lever
6	0502-452	1	S	Brake Assembly (inc. 7-15)
7	0402-545	2		Screw, Machine
8	0402-588	1		Cover, Reservoir
9	0402-591	1		Bladder, Reservoir
10	0	1	F	Master Cylinder
11	0402-592	2		Nut, Jam
12	0402-580	1		Actuator, Push Rod
13	0402-575	1		Pin, Clevis
14	0402-583	1		Washer
15	0402-584	1		Pin, Cotter
16	0423-178	4		Washer, Crush
17	1402-200	1		Hose, Brake
18	0423-413	2		Bolt, Banjo Fitting
19	8408-825	4		Screw, Cap
20	0502-335	1	S	Caliper, Brake (inc. 21-30)
21	0402-495	1		Pin, Brake Caliper
22	0402-492	4		Screw, Cap
23	0	1	F	Housing, Caliper
24	0402-980	2		O-Ring, Brake Caliper
25	0402-490	1		O-Ring
26	0402-882	2	/P	Pad, Brake
27	0	1	F	Housing, Caliper
28	0402-491	1	S	Valve, Bleed
29	0402-493	1		Cap, Bleed Valve
30	0423-495	1	/P	Pin, Cotter

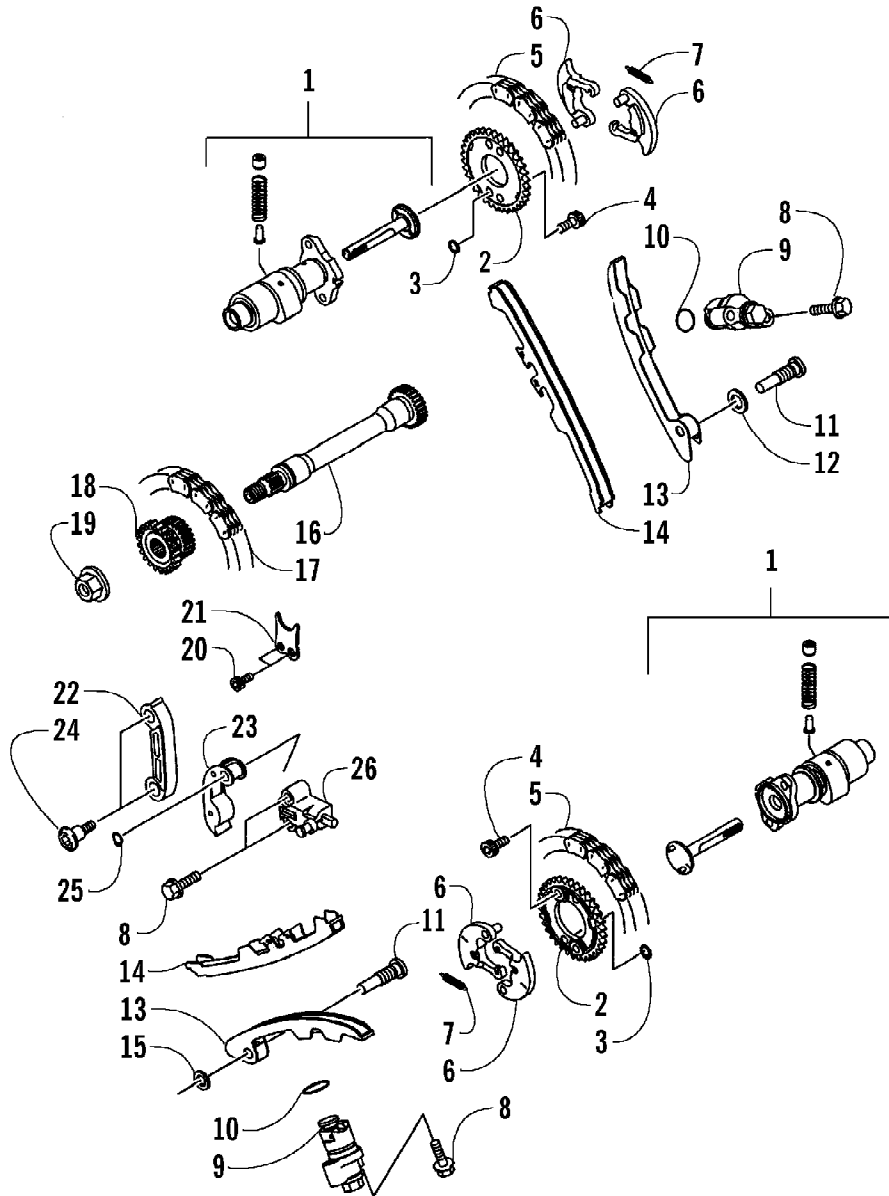


2004 650 V-2 4X4 FIS CAT GREEN MRP (A2004ISR4BUSV)
BATTERY AND SOLENOID ASSEMBLY

Page 6 of 95

Ref #	Part Number	Qty	S/P/F	Description
1	0745-045	1	/P	Battery Assembly (inc. 2-6)
2	0645-045	6		Cap, Battery
3	0645-152	1		Clamp, Hose
4	0645-263	1	/P	Hose, Battery Vent
5	0645-151	1		Label, Warning - Battery
6	0123-788	2	/P	Cable Tie - 7.5 in.
7	0406-227	1		Pad, Battery - Lower
8	0445-043	1		Cable, Battery/Solenoid (inc. two No. 9)
9	0645-019	3		Boot, Terminal
10	0445-036	1	S	Solenoid
11	8476-630	2		Screw, Machine
12	0623-038	4		Nut w/Washer
13	0445-041	1		Cable, Solenoid/Starter
14	0645-327	1		Boot, Terminal
15	0445-040	1		Cable, Battery/Ground (inc. one No 9)
16	0506-178	1		Strap, Battery w/Pads (inc. 17-18)
17	0406-289	1		Pad, Battery - Upper Rear
18	0406-288	1		Pad, Battery - Upper Front
19	0423-456	1	/P	Screw, Thumb
20	0444-122	1	S/P	Kit, Tool

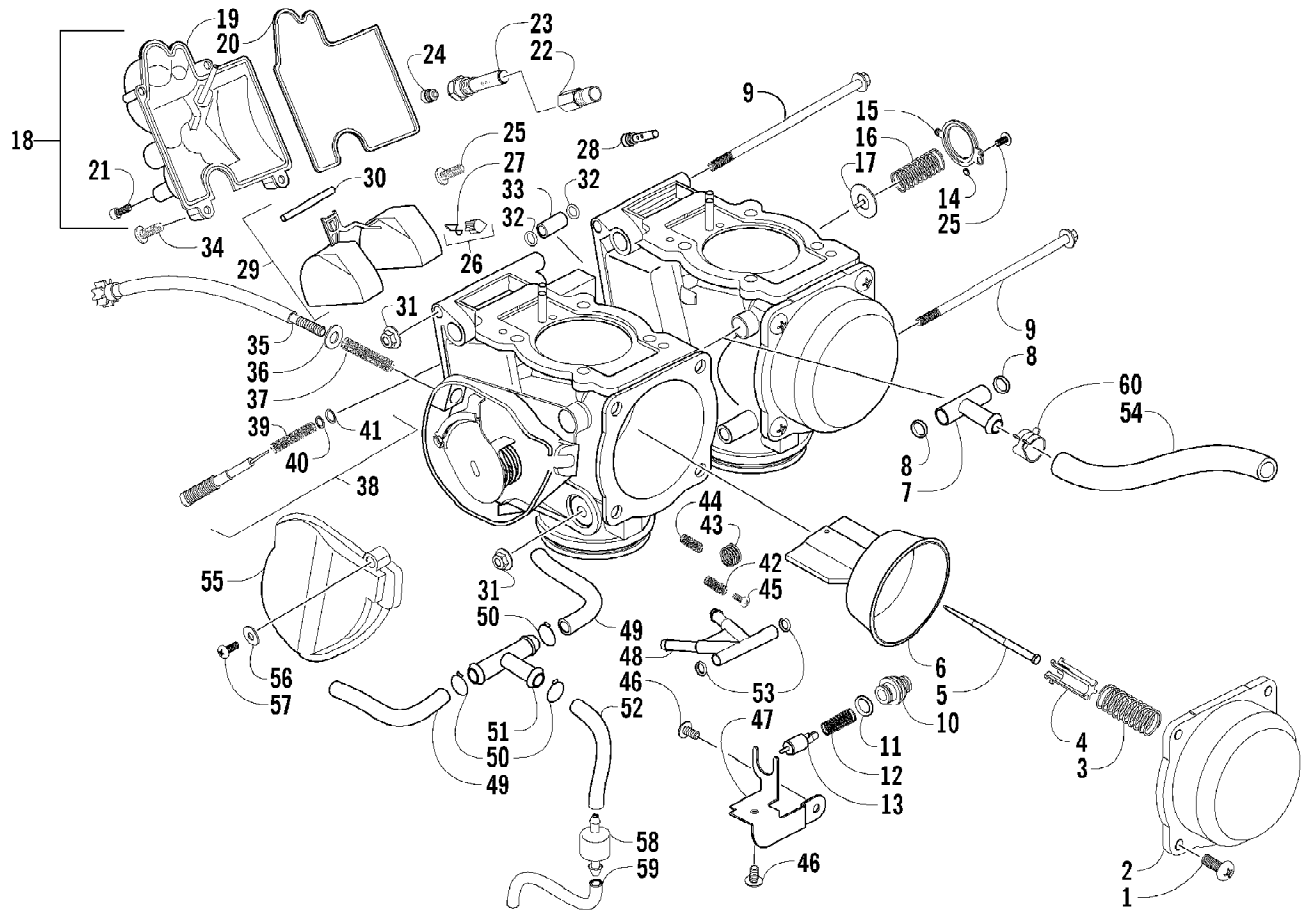
2004 650 V-2 4X4 FIS CAT GREEN MRP (A2004ISR4BUSV)
CAMSHAFTS/TENSIONER ASSEMBLY



2004 650 V-2 4X4 FIS CAT GREEN MRP (A2004ISR4BUSV)
CAMSHAFTS/TENSIONER ASSEMBLY

Page 8 of 95

Ref #	Part Number	Qty	S/P/F	Description
1	3201-238	1		Camshaft Assembly - Front
1	3201-239	1		Camshaft Assembly - Rear
2	3201-083	2		Sprocket, Camshaft - 34T
3	3201-214	4		Circlip
4	3201-093	4	S	Bolt
5	3201-346	2	S	Chain, Camshaft
6	3201-106	4		Weight
7	3201-364	2		Spring
8	3201-146	6		Screw, Cap
9	3201-085	2		Tensioner, Cam - Assembly
10	3201-331	2		O-Ring
11	3201-116	1		Shaft, Chain Guide - Front
11	3201-117	1		Shaft, Chain Guide - Rear
12	3201-070	1		Gasket
13	3201-089	2		Guide, Chain - Slack
14	3201-088	2		Guide, Chain - Tension
15	3201-209	1		Washer
16	3201-118	1		Shaft, Secondary
17	3201-347	1	S	Chain, Secondary Shaft
18	3201-084	1		Sprocket, Secondary Shaft
19	3201-273	1		Nut
20	3201-098	2		Bolt
21	3201-158	1		Plate, Position - Drive
22	3201-090	1	/P	Guide, Chain - Tension
23	3201-092	1		Guide, Chain - Slack
24	3201-379	2		Bolt
25	3201-298	1		Ring, Snap
26	3201-086	1		Tensioner, Secondary - Assembly

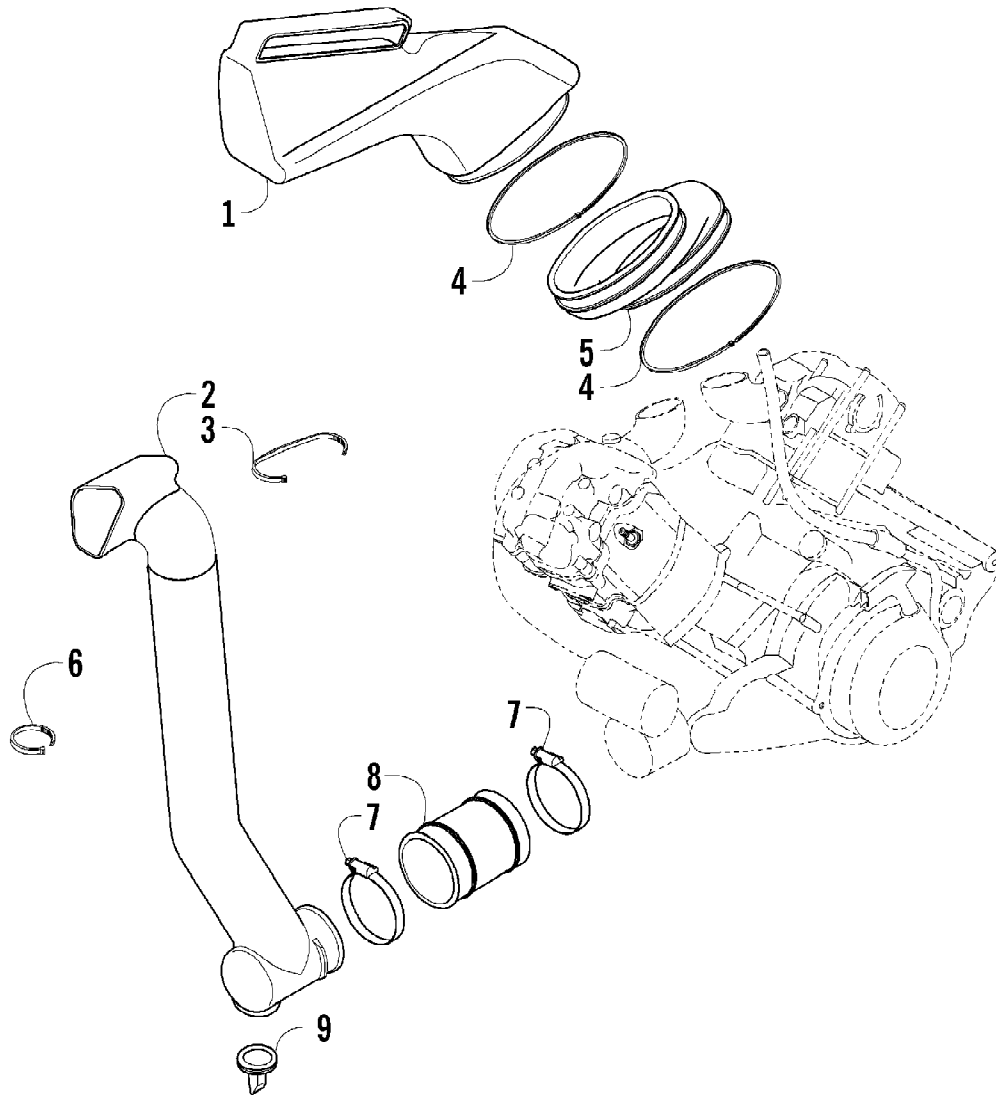


Ref #	Part Number	Qty	S/P/F	Description
	0470-497	1		Carburetor Assembly
1	5507-037	8	/P	Screw, Top Cover
2	5507-118	2		Cover, Top
3	5507-119	2		Spring
4	5507-121	2		Seat, Spring
5	5507-122	2		Jet Needle
6	5507-120	2		Piston, Vacuum
7	5507-153	1		T-Fitting
8	5507-154	2		O-Ring
9	5507-144	2		Bolt
10	5507-136	2		Cap, Starter Valve
11	5507-137	2		O-Ring
12	5507-135	2		Spring
13	5507-134	2		Valve, Starter
14	5507-034	2		O-Ring
15	5507-140	2	F	Housing, Pump
16	5507-139	2		Spring
17	5507-138	2		Diaphragm Assembly
18	5507-165	2		Chamber, Float - Assembly (inc. 19-21)
19	0	2	F	Chamber, Float
20	5507-172	2		O-Ring, Float Chamber
21	5507-133	2		Screw, Drain
22	5507-123	2		Holder, Jet
23	5507-124	2		Needle Jet
24	5507-185	2	S	Main Jet - 122 - Front/Rear
24	5507-126	1		Main Jet - 115 - Front (4-6,500 ft Alt.)
24	5507-166	1		Main Jet - 110 - Rear (4-6,500 ft Alt.)
24	5507-166	1		Main Jet - 110 - Front (6,500-8,000 ft Alt.)
24	5507-166	1		Main Jet - 110 - Rear (6,500-8,000 ft Alt.)
24	5507-167	1		Main Jet - 105 - Front (Over 8,000 ft Alt.)
24	5507-166	1		Main Jet - 110 - Rear (Over 8,000 ft Alt.)
25	5507-132	6	S	Screw
26	5507-038	2		Valve, Float - Set (inc. 27)
27	0	2	F	Clip
28	5507-127	2		Slow Jet - 40
29	5507-163	2		Float Set (inc. 30)
30	0	2	F	Pin, Float
31	5507-145	2		Nut
32	5507-152	2		O-Ring
33	5507-151	1		Fitting, Straight
34	5507-017	8	/P	Screw
35	5507-141	1		Screw, Idle Adjust
36	5507-142	2		Washer
37	5507-143	1		Spring
38	5507-164	2		Screw, Pilot - Set (inc. 39-41)
39	0	2	F	Spring
40	0	2	F	Washer
41	0	2	F	O-Ring
42	5507-148	1		Spring
43	5507-149	1		Spring
44	5507-147	1		Spring
45	5507-146	1		Screw, Stop
46	5507-106	1		Screw

2004 650 V-2 4X4 FIS CAT GREEN MRP (A2004ISR4BUSV)
CARBURETOR

Page 11 of 95

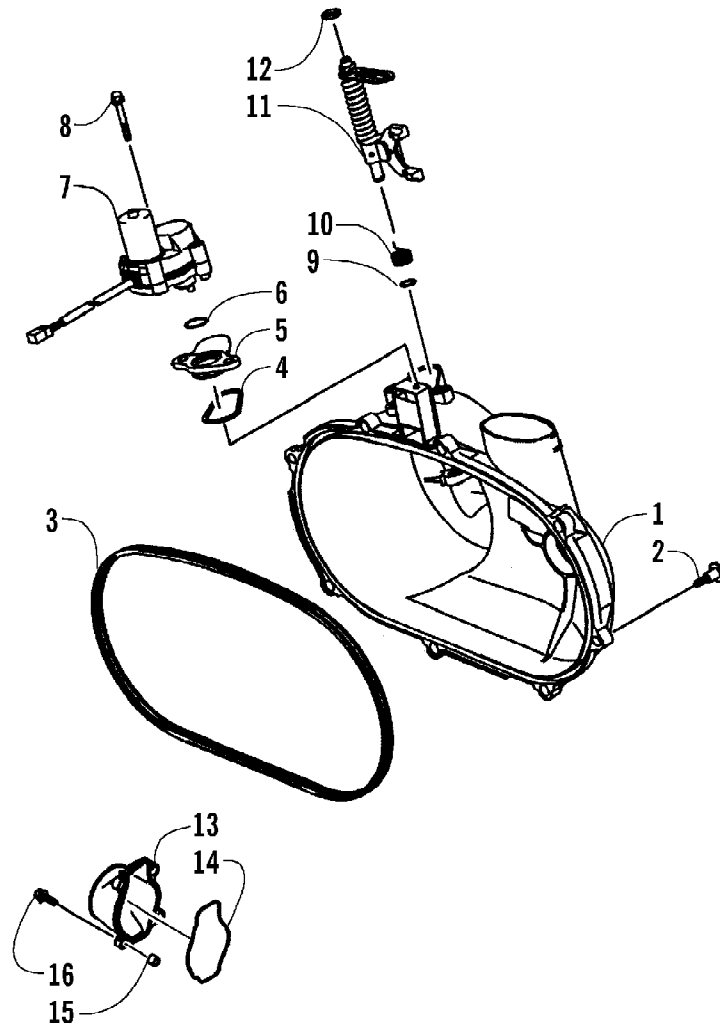
Ref #	Part Number	Qty	S/P/F	Description
47	5507-150	2		Plate, Stay
48	5507-155	1		T-Fitting
49	5507-159	2		Hose
50	5507-161	5		Clamp, Hose
51	5507-158	1		T-Fitting
52	5507-160	1		Hose
53	5507-156	4		O-Ring
54	0410-069	1	S	Hose
55	3201-053	1		Cover, Throttle Cable
56	3201-056	1		Washer
57	3201-054	1		Screw, Machine
58	3201-055	1		Valve, Check
59	3201-057	1		Hose
60	0423-461	1	S	Clamp, Hose



2004 650 V-2 4X4 FIS CAT GREEN MRP (A2004ISR4BUSV)
CASE/BELT COOLING ASSEMBLY

Page 13 of 95

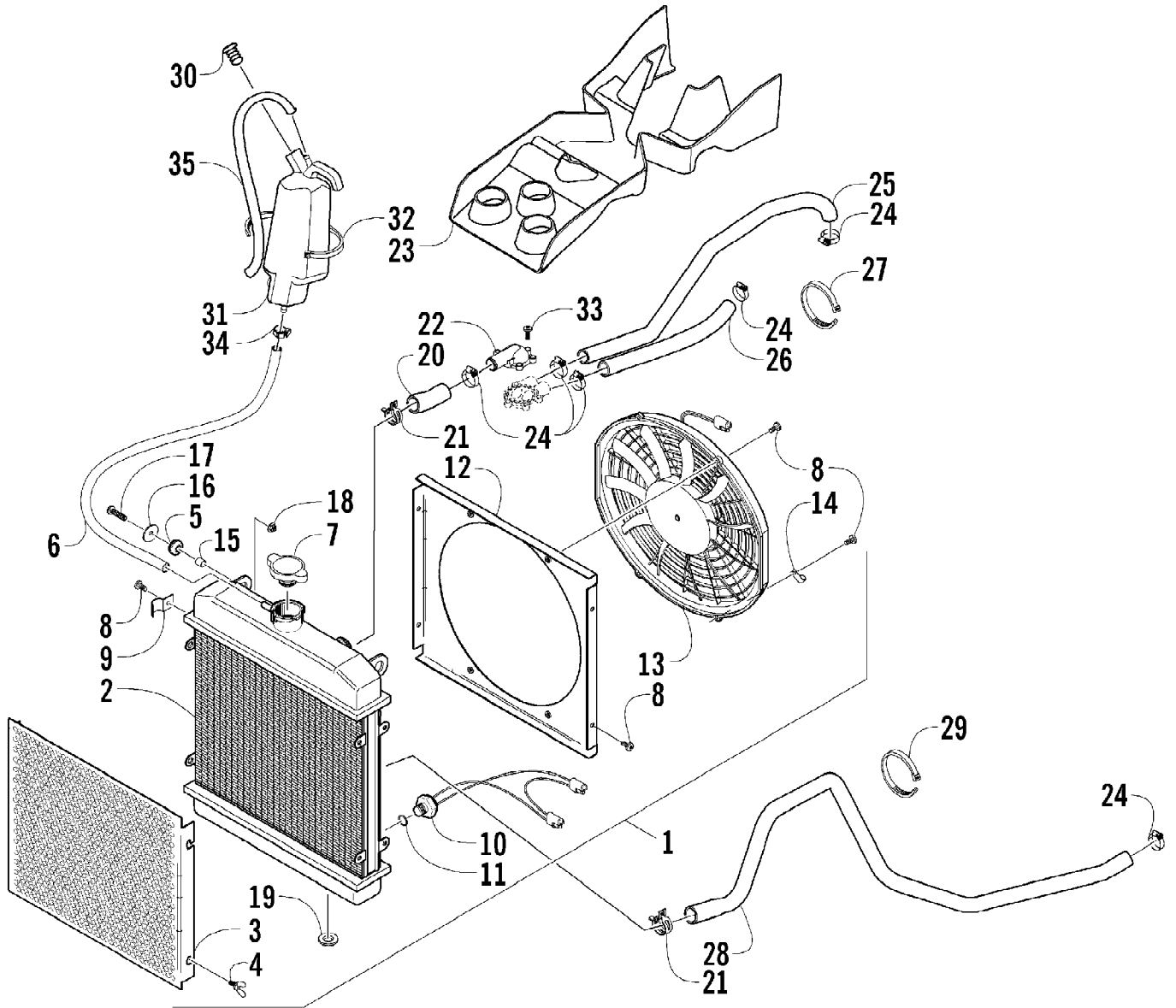
Ref #	Part Number	Qty	S/P/F	Description
1	0413-082	1	S	Duct, Air-Out
2	0413-081	1		Duct, Air-In
3	0123-903	1		Cable Tie - 11.5 in.
4	3201-038	2		Clamp
5	0413-083	1		Boot, Air-Out Duct
6	0123-788	2	/P	Cable Tie - 7.5 in.
7	0423-380	2	/P	Clamp
8	0413-085	1		Boot, Air-In Duct
9	0470-442	1	/P	Valve, Drain



2004 650 V-2 4X4 FIS CAT GREEN MRP (A2004ISR4BUSV)
CLUTCH COVER

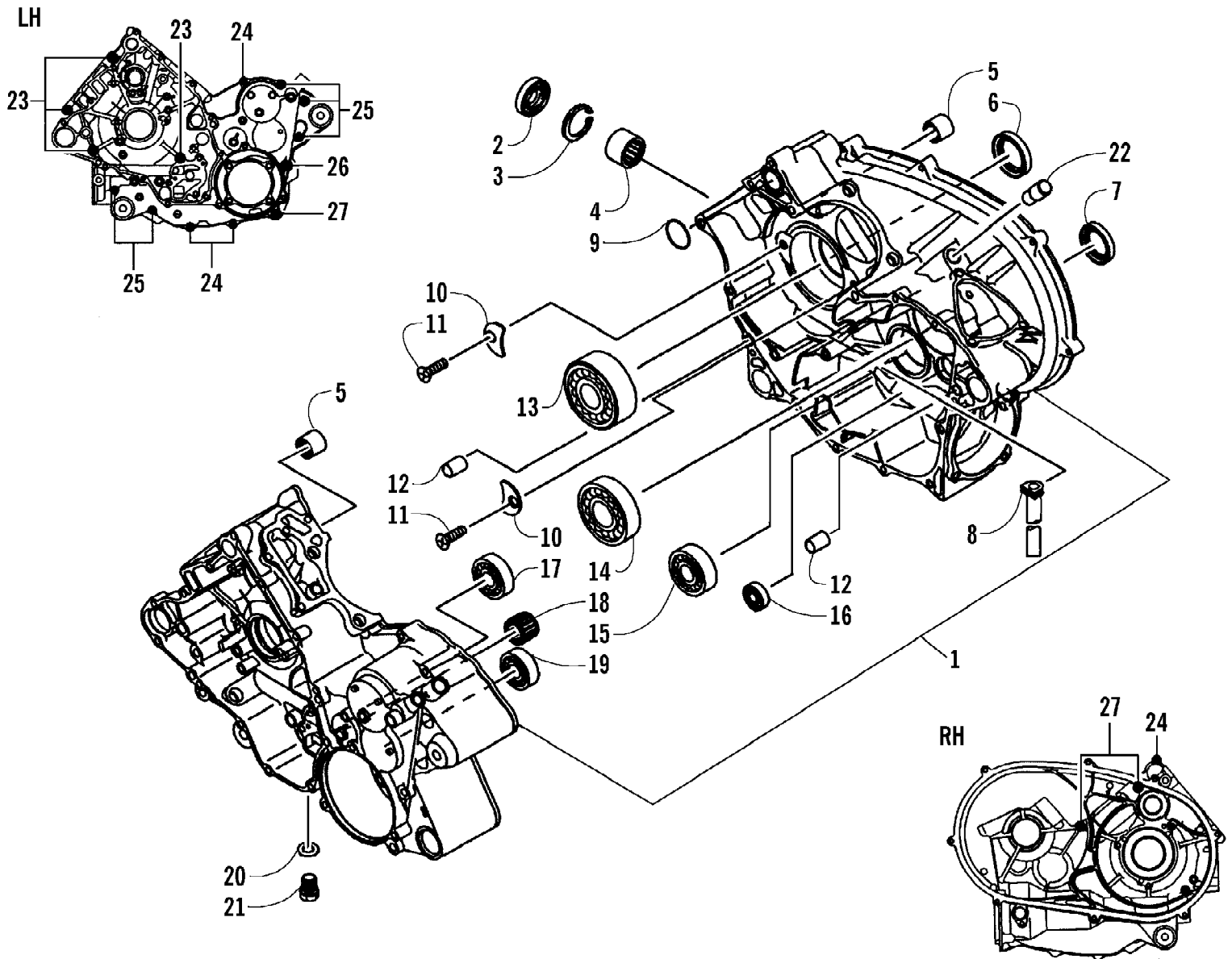
Page 15 of 95

Ref #	Part Number	Qty	S/P/F	Description
1	3201-161	1		Cover, Clutch
2	3201-371	8		Bolt
3	3201-202	1		Trim, Seal
4	3201-357	1		Seal
5	3201-167	1		Cover, Engine Brake
6	3201-259	1		O-Ring
7	3201-181	1	S	Actuator, Engine Brake
8	3201-142	3		Screw, Cap
9	3201-211	1		Circlip
10	3201-366	1		Spring
11	3201-127	1	S	Lever Assembly
11	3201-125	AR	F	Lever Assembly
11	3201-126	AR	F	Lever Assembly
12	3201-280	1		Washer
13	3201-267	1		Fitting
14	3201-340	1		O-Ring
15	3201-378	4		Collar
16	3201-037	4		Screw, Cap



Ref #	Part Number	Qty	S/P/F	Description
1	0413-088	1		Radiator Assembly (inc. 2-15)
2	0413-043	1	S	Radiator
3	0413-007	1		Screen, Radiator
4	0413-009	4		Screw, Thumb
5	0423-030	2		Grommet
6	0610-016	AR	/P	Hose - 25 ft
7	0413-002	1	S	Cap, Radiator
8	8475-512	8		Screw, Machine
9	0423-351	1		Clamp, Wire
10	0413-045	1		Sender, Temperature - Coolant
11	0423-390	1	S	O-Ring
12	0413-046	1		Shroud, Fan
13	0413-044	1	S	Fan, Cooling
14	0123-397	1		Clamp, Cable
15	0423-036	2		Collar
16	0623-184	2		Washer
17	8476-625	2		Screw, Cap
18	0623-038	2		Nut w/Washer
19	0423-028	2		Bushing, Stem
20	0410-057	1		Hose, Coolant - Front
21	0423-070	2		Clamp, Hose
22	0413-077	1		Housing, Thermostat
23	0413-084	1		Diverter, Air
24	1623-091	6		Clamp, Hose
25	0410-058	1		Hose, Coolant - Right
26	0410-059	1		Hose, Coolant - Left
27	0123-788	AR	/P	Cable Tie - 7.5 in.
28	0410-060	1		Hose, Coolant - Lower
29	0123-903	1		Cable Tie - 11.5 in.
30	0413-087	1		Stopper, Coolant Bottle
31	0413-086	1		Bottle, Coolant Overflow
32	0623-316	1		Cable Tie - Single Loop
33	3201-036	4		Screw, Cap
34	0124-045	1	/P	Clamp, Hose
35	6101-009	AR		Hose, Vent - 50 ft

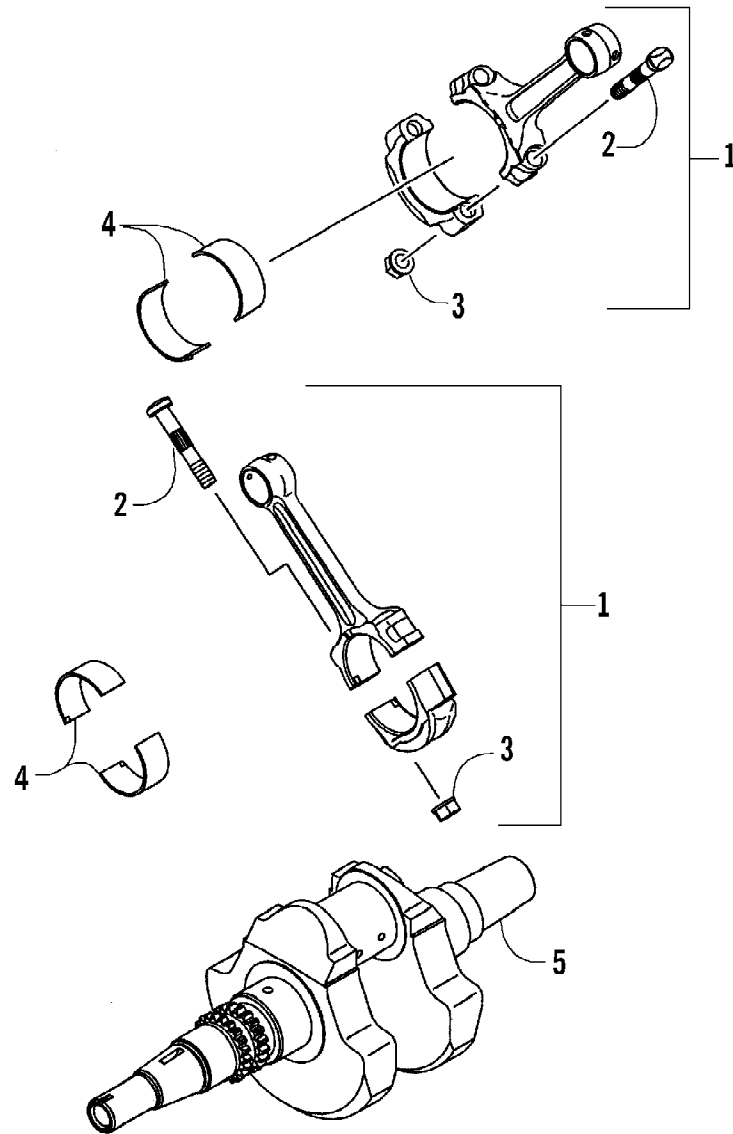
2004 650 V-2 4X4 FIS CAT GREEN MRP (A2004ISR4BUSV)
CRANKCASE ASSEMBLY



2004 650 V-2 4X4 FIS CAT GREEN MRP (A2004ISR4BUSV)
CRANKCASE ASSEMBLY

Page 19 of 95

Ref #	Part Number	Qty	S/P/F	Description
1	3201-156	1		Crankcase
2	3201-327	1		Seal, Oil
3	3201-213	1		Circlip
4	3201-318	1		Bearing
5	3201-315	2		Bearing
6	3201-324	1		Seal, Oil
7	3201-328	1		Seal, Oil
8	3201-396	1		Tube, Oil Return
9	3201-332	1		O-Ring
10	3201-157	2		Plate, Position
11	3201-193	2		Screw
12	3201-305	2		Pin
13	3201-308	1		Bearing
14	3201-309	1		Bearing
15	3201-252	1		Bearing
16	3201-250	1		Bearing
17	3201-312	1		Bearing
18	3201-316	1		Bearing
19	3201-251	1		Bearing
20	3201-349	1		Gasket, Drain Plug
21	3201-352	1		Plug, Drain
22	3201-165	1		Fitting, Breather
23	3201-155	4		Screw, Cap
24	3201-147	4		Screw, Cap
25	3201-149	5		Screw, Cap
26	3201-374	1		Bolt
27	3201-153	3		Screw, Cap

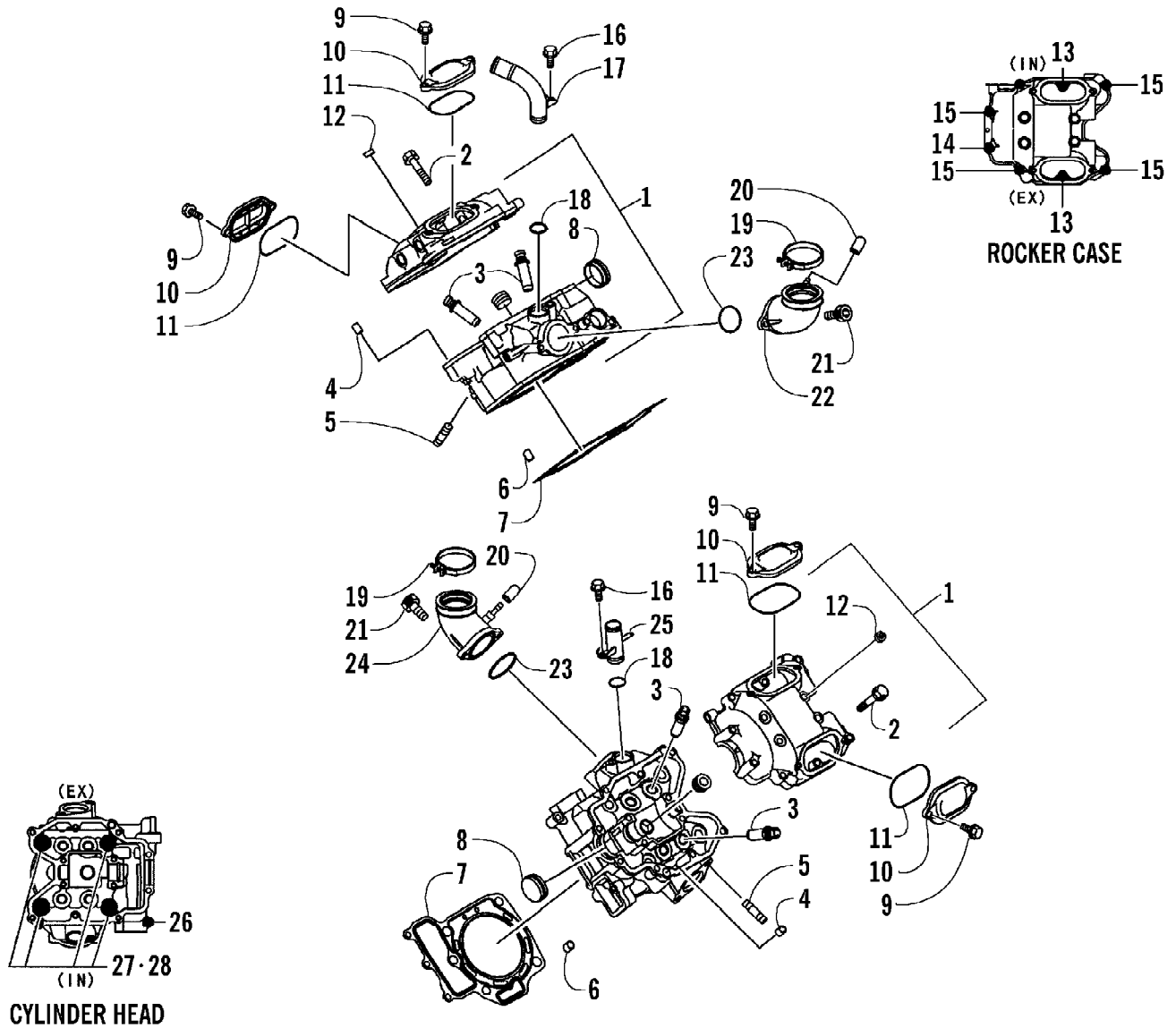


2004 650 V-2 4X4 FIS CAT GREEN MRP (A2004ISR4BUSV)
CRANKSHAFT ASSEMBLY

Page 21 of 95

Ref #	Part Number	Qty	S/P/F	Description
1	3201-128	2		Rod, Connecting - Assembly (inc 2-3)
2	3201-263	4		Bolt, Connecting Rod
3	3201-271	4		Nut
4	3201-293	AR		Bushing, Connecting Rod
4	3201-294	4		Bushing, Connecting Rod
4	3201-295	AR		Bushing, Connecting Rod
5	3201-105	1	S	Crankshaft Assembly

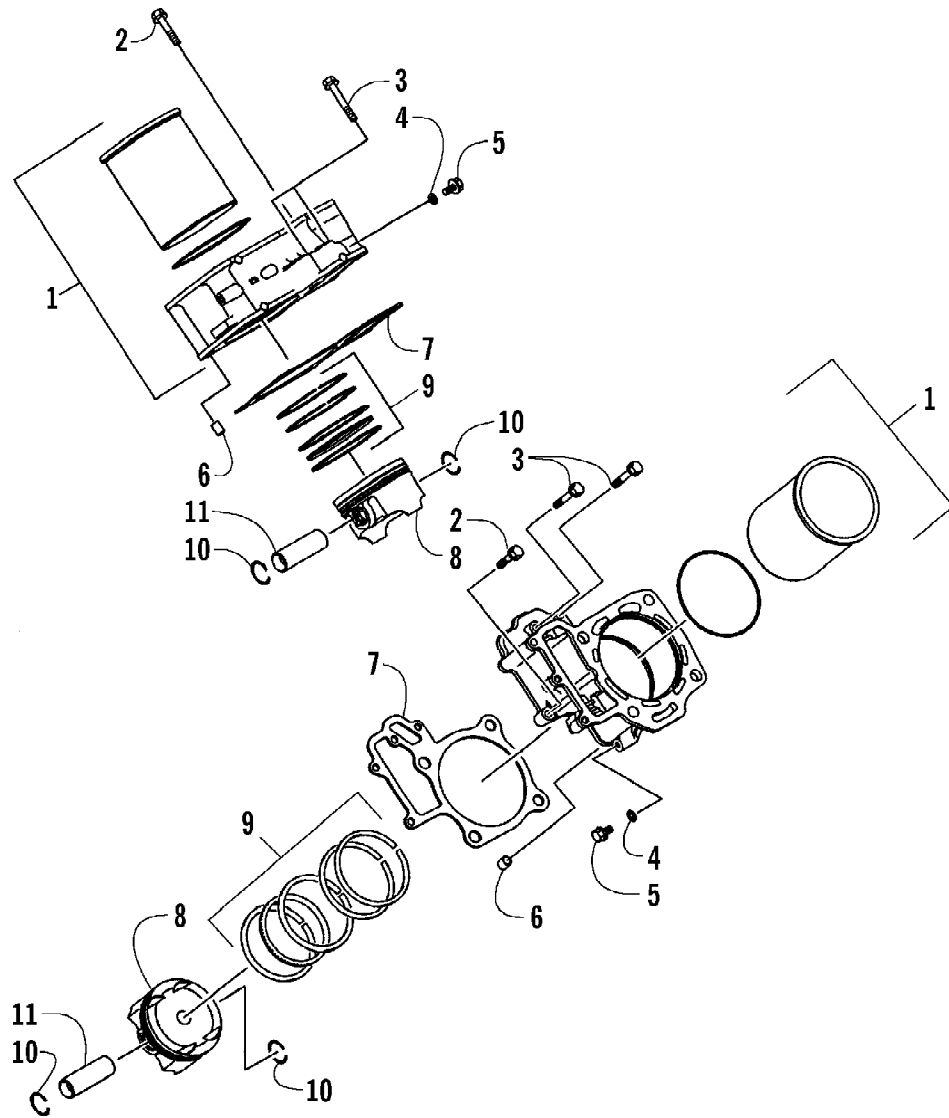
2004 650 V-2 4X4 FIS CAT GREEN MRP (A2004ISR4BUSV)
CYLINDER HEAD ASSEMBLY



2004 650 V-2 4X4 FIS CAT GREEN MRP (A2004ISR4BUSV)
CYLINDER HEAD ASSEMBLY

Page 23 of 95

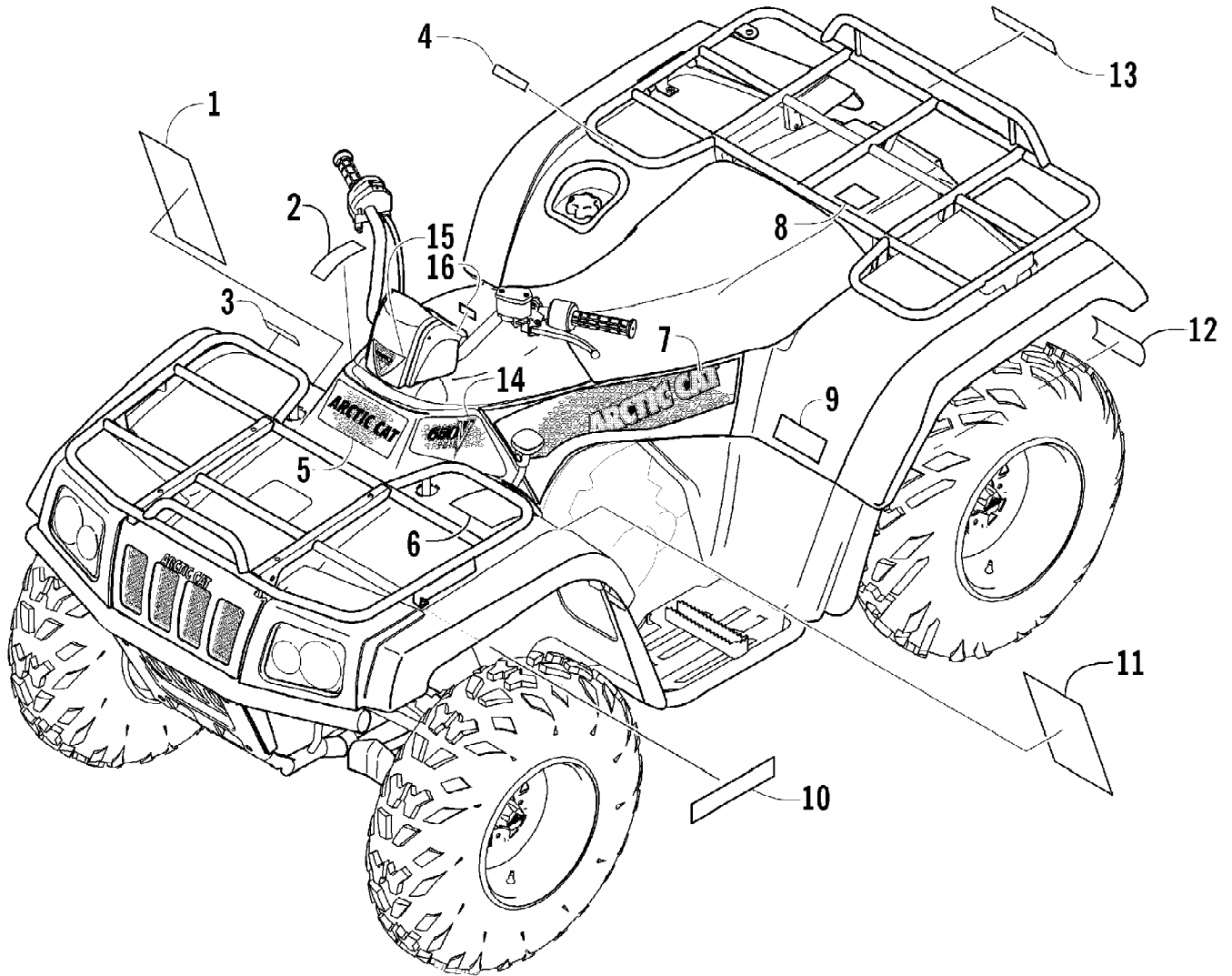
Ref #	Part Number	Qty	S/P/F	Description
1	3201-064	1		Head, Cylinder - Front (inc. 2-3)
1	3201-065	1		Head, Cylinder - Rear (inc. 2-3)
2	3201-368	8		Bolt
3	3201-216	AR		Guide, Valve
4	3201-304	4		Pin
5	3201-264	4		Stud
6	3201-307	4		Pin
7	3201-061	2	S	Gasket, Head
8	3201-353	2		Plug
9	3201-036	8		Screw, Cap
10	3201-075	4		Cap, Rocker Case
11	3201-342	4	S	O-Ring
12	3201-071	8		Gasket
13	3201-140	4		Screw, Cap
14	3201-145	4		Screw, Cap
15	3201-146	8		Screw, Cap
16	3201-144	2		Screw, Cap
17	3201-046	1		Pipe, Water
18	3201-048	2		O-Ring
19	3201-049	2		Clamp
20	3201-354	2		Plug
21	3201-099	4		Bolt
22	3201-172	1		Holder, Carburetor - Front
23	3201-337	2		O-Ring
24	3201-173	1		Holder, Carburetor - Rear
25	3201-047	1		Pipe, Water
26	3201-150	2		Screw, Cap
27	3201-377	8		Bolt
28	3201-279	8		Washer



2004 650 V-2 4X4 FIS CAT GREEN MRP (A2004ISR4BUSV)
CYLINDER/PISTON ASSEMBLY

Page 25 of 95

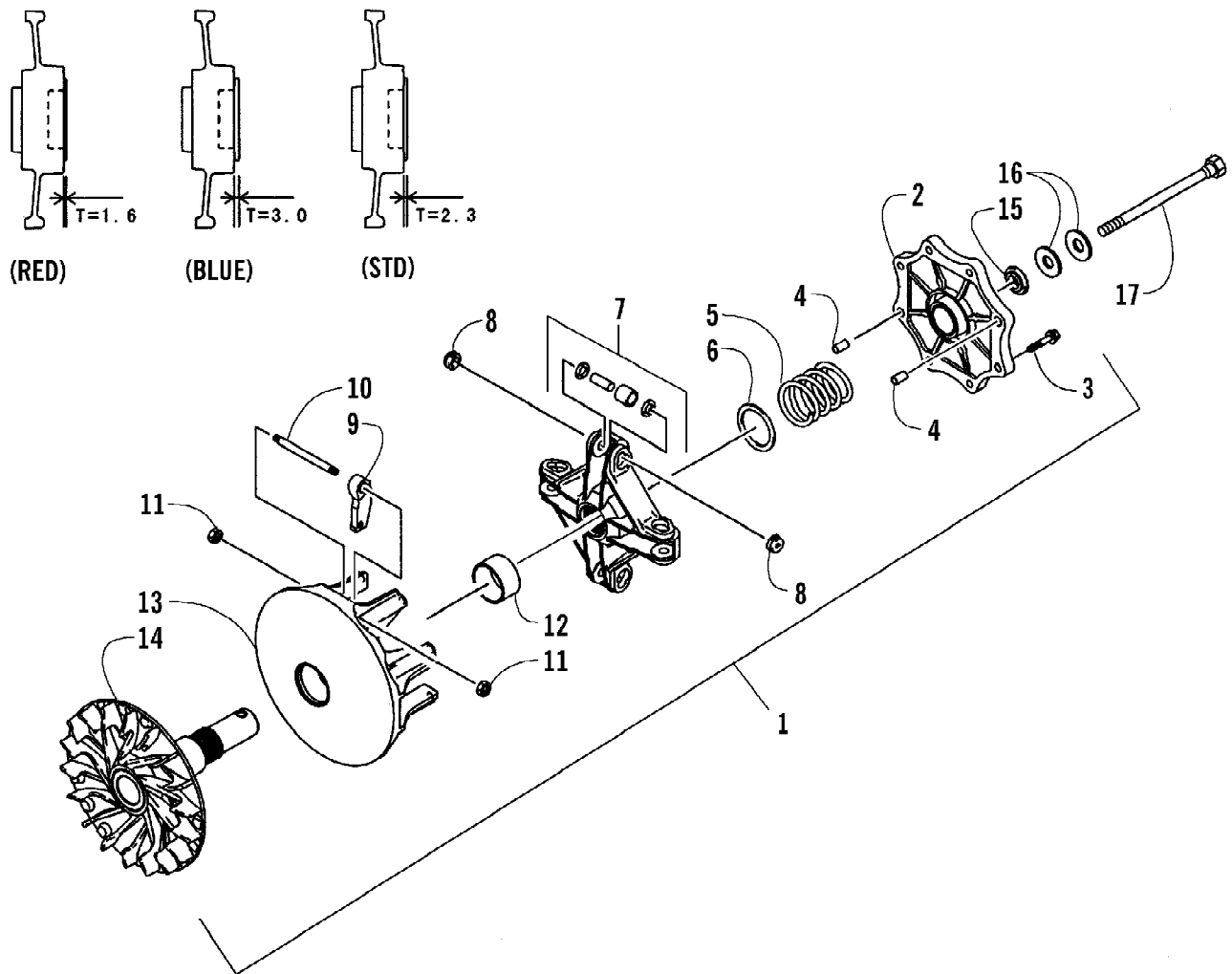
Ref #	Part Number	Qty	S/P/F	Description
1	3201-062	1		Cylinder, Engine - Front
1	3201-063	1		Cylinder, Engine - Rear
2	3201-146	2		Screw, Cap
3	3201-147	4		Screw, Cap
4	3201-281	2		Washer
5	3201-144	2		Screw, Cap
6	3201-307	4		Pin
7	3201-069	2		Gasket, Cylinder Base
8	3201-100	2		Piston, Engine
8	3201-104	AR	F	Piston, Engine (Oversized 0.50 mm)
9	3201-102	2		Ring, Set, Piston
9	3201-103	AR	F	Ring, Set, Piston (Oversized 0.50 mm)
10	3201-299	4		Ring, Snap
11	3201-101	2		Pin, Piston



2004 650 V-2 4X4 FIS CAT GREEN MRP (A2004ISR4BUSV)
DECALS

Page 27 of 95

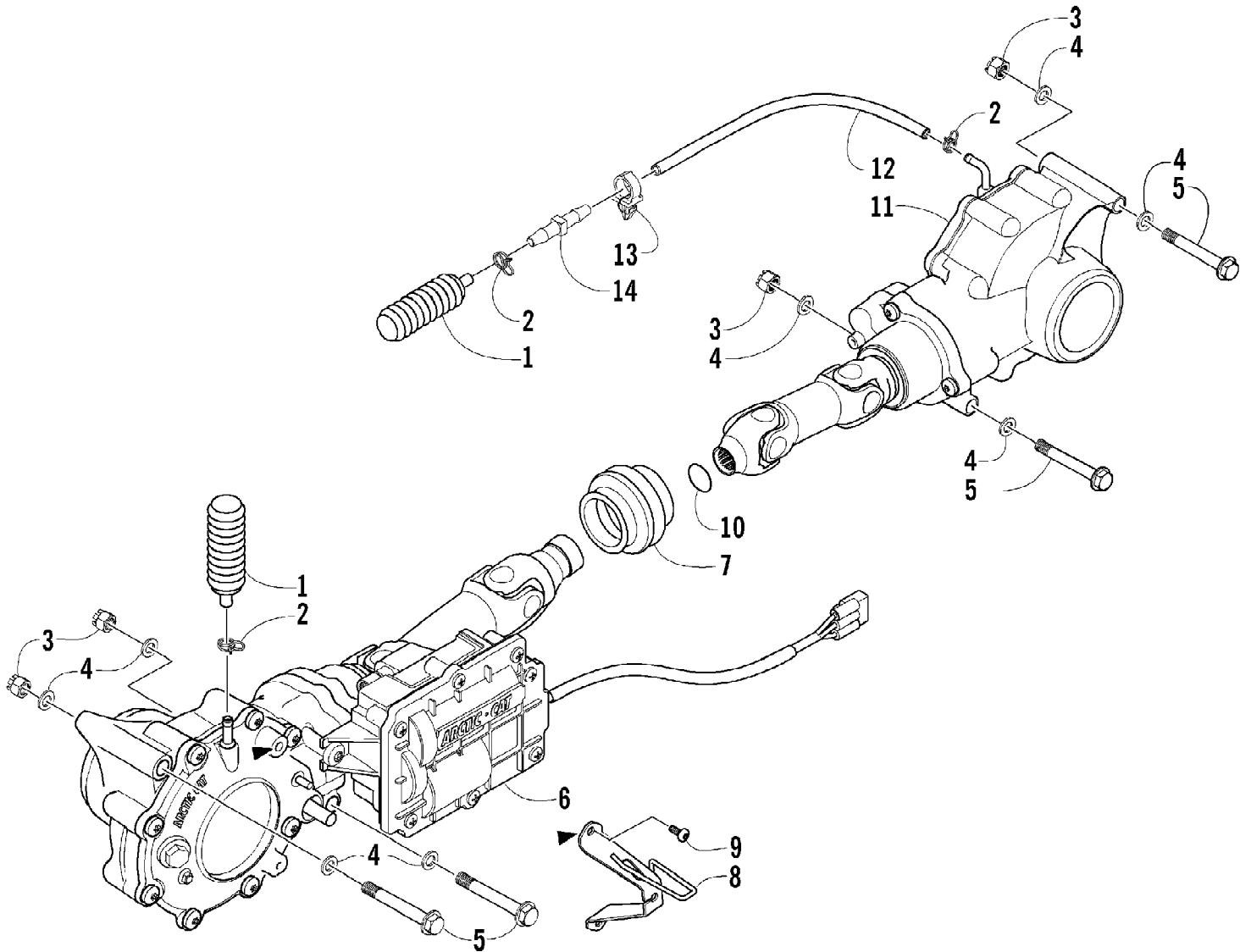
Ref #	Part Number	Qty	S/P/F	Description
1	0411-008	1	/P	Decal, Warning - Reverse/Pre-Ride
2	0411-426	1		Decal, Warning - Clutch Cover
3	0411-576	1		Decal, Warning - Front Rack Load
4	0411-648	1		Decal, Warning - Rear Rack Load
5	0411-720	1		Decal, Front
6	0411-401	1		Decal, Warning - Age
7	0411-716	1		Decal, Side - Right
7	0411-717	1		Decal, Side - Left
8	0411-435	1		Decal, Passenger
9	0411-430	1		Decal, Warning - Tire Pressure
10	0	1	F	Decal, CA Emissions
11	0411-218	1		Decal, Warning - General
12	0411-267	1		Decal, Warning - Towing
13	0411-501	1		Decal, "Arctic Cat"
14	0411-718	1		Decal Side - Upper Right
14	0411-719	1		Decal Side - Upper Left
15	0411-721	1		Decal, Crest
16	0411-763	1		Decal, Warning - Differential Lock



2004 650 V-2 4X4 FIS CAT GREEN MRP (A2004ISR4BUSV)
DRIVE CLUTCH

Page 29 of 95

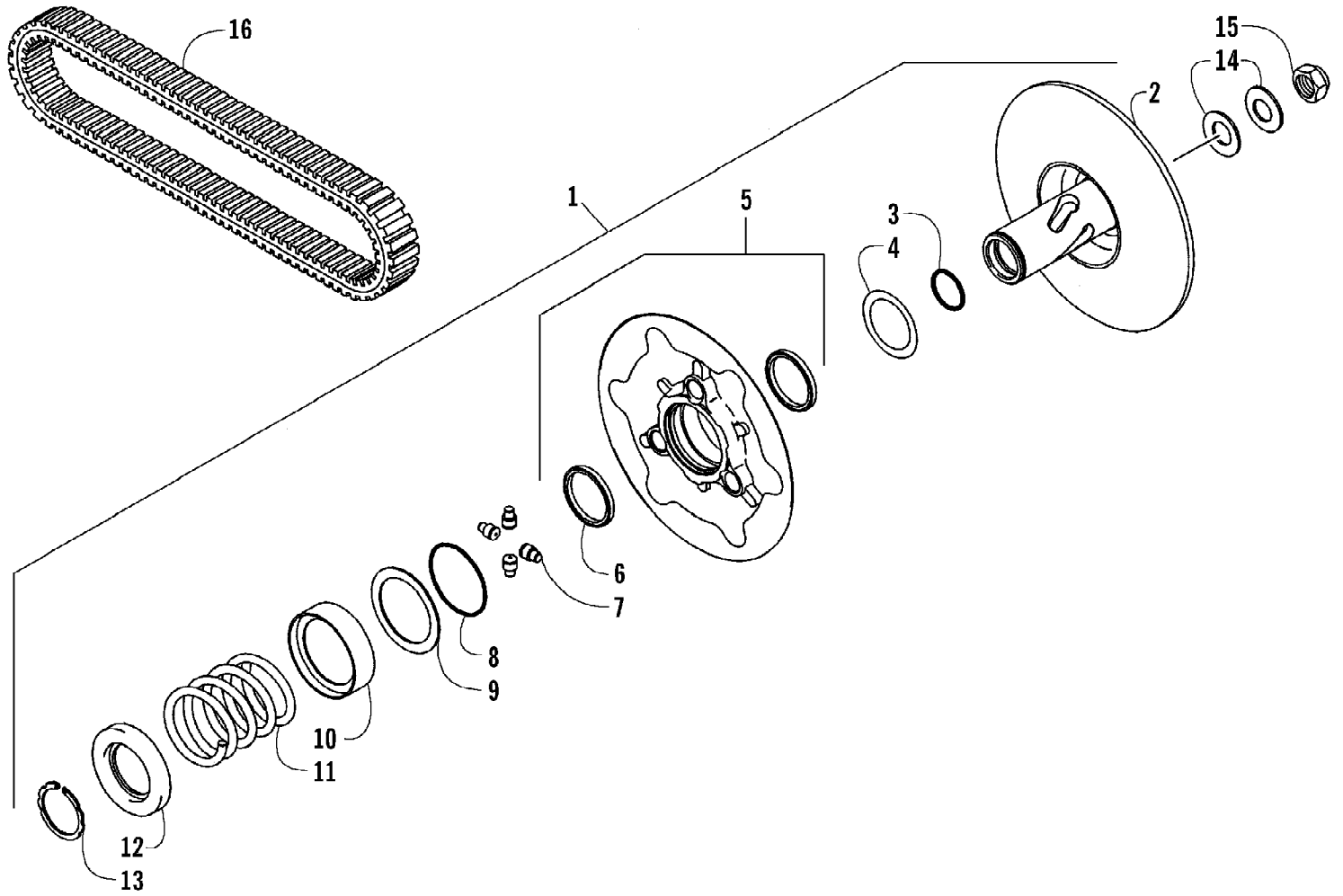
Ref #	Part Number	Qty	S/P/F	Description
1	3201-236	1	S	Clutch, Drive (inc. 2-14)
2	3201-164	AR	S	Cover Assembly - STD
2	3201-162	AR	F	Cover Assembly - Red
2	3201-163	AR	S/F	Cover Assembly - Blue
3	3201-112	8		Screw, Cap
4	3201-304	2		Pin
5	3201-360	1		Spring
6	3201-291	1		Spacer
7	3201-229	1		Spider Assembly
8	3201-222	8		Shoe - 7.4 mm
8	3201-220	AR		Shoe - 7.2 mm
8	3201-221	AR		Shoe - 7.3 mm
8	3201-223	AR		Shoe - 7.5 mm
8	3201-224	AR		Shoe - 7.6 mm
8	3201-225	AR		Shoe - 7.7 mm
8	3201-226	AR		Shoe - 7.8 mm
8	3201-227	AR		Shoe - 7.9 mm
8	3201-228	AR		Shoe - 8.0 mm
9	3201-203	4		Weight, Ramp
10	3201-306	4		Pin
11	3201-276	8		Nut, Lock
12	3201-296	1		Bushing
13	3201-245	1		Sheave, Movable
14	3201-248	1		Sheave, Stationary
15	3201-402	1		Washer
16	3201-399	2		Washer, Spring
17	3201-370	1		Bolt



2004 650 V-2 4X4 FIS CAT GREEN MRP (A2004ISR4BUSV)
DRIVE TRAIN ASSEMBLY

Page 31 of 95

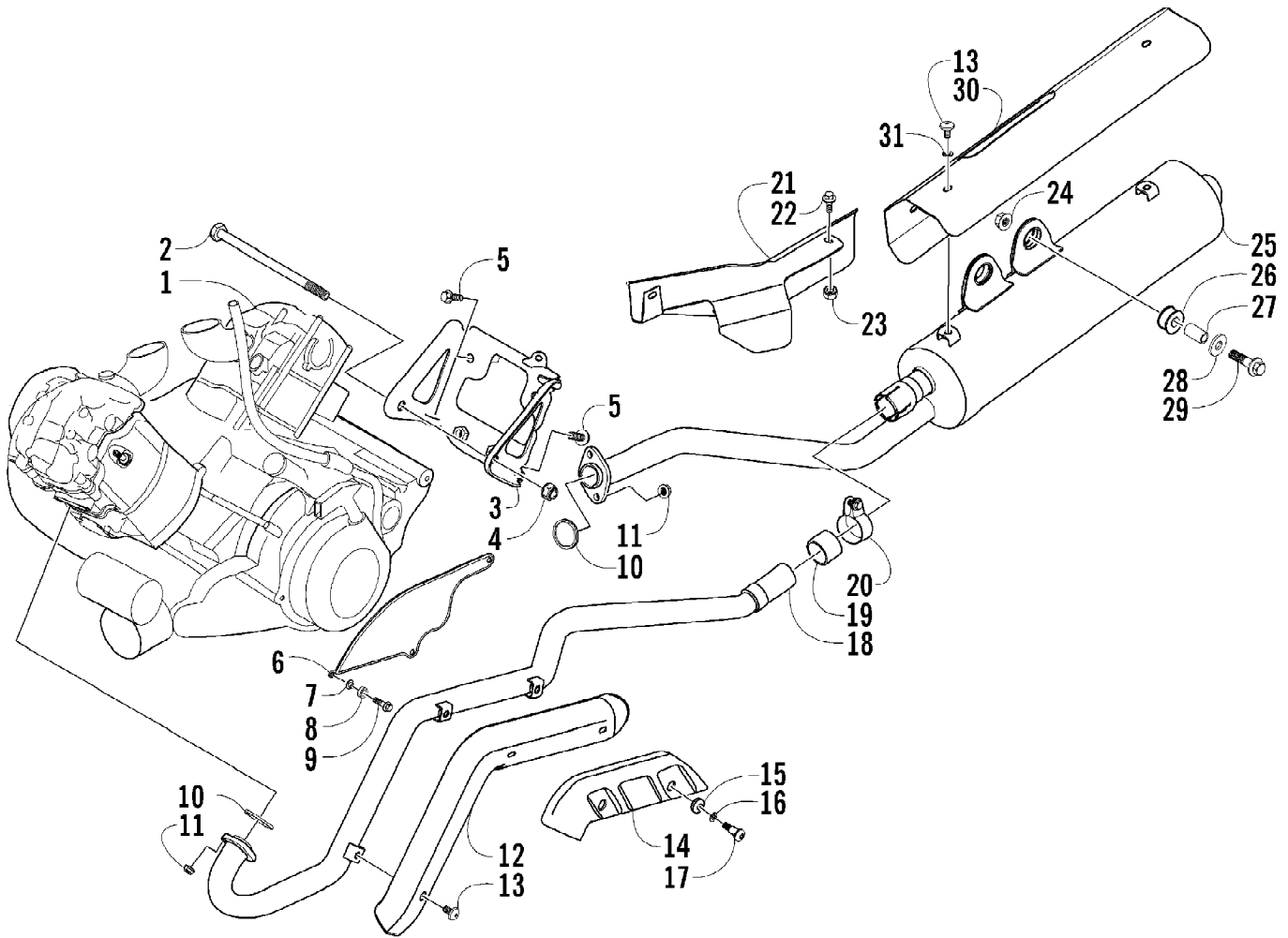
Ref #	Part Number	Qty	S/P/F	Description
1	0402-147	2	S	Bladder, Gearcase
2	0423-315	4		Clamp, Fitting
3	8428-002	4		Nut, Lock
4	0423-426	8		Washer
5	0423-404	4		Screw, Cap
6	0502-615	1		Gearcase, Front
7	0402-967	1	/P	Boot, Shaft
8	0502-500	1		Plate, Cable
9	0423-396	2		Screw, Self-Tapping
10	1402-203	1		O-Ring
11	0502-616	1		Gearcase, Rear
12	0410-049	AR		Hose, Vent
13	0623-101	1		Clip, Routing - Snap-In
14	0470-462	1		Fitting, Vent



2004 650 V-2 4X4 FIS CAT GREEN MRP (A2004ISR4BUSV)
DRIVEN CLUTCH

Page 33 of 95

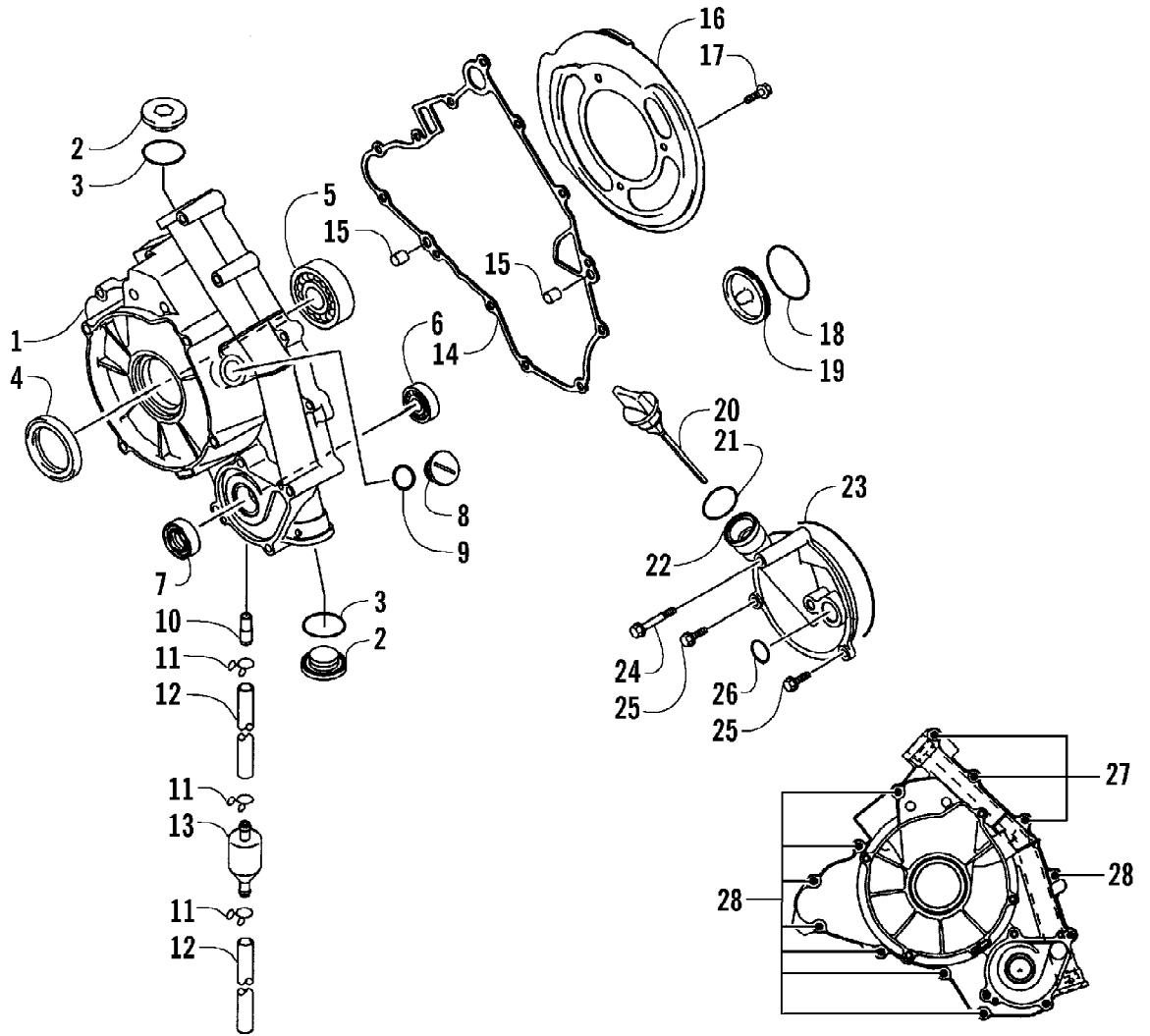
Ref #	Part Number	Qty	S/P/F	Description
1	3201-237	1		Clutch, Driven (inc. 2-13)
2	3201-246	1		Sheave, Stationary
3	3201-260	1		O-Ring
4	3201-284	1		Spacer - 1.00 mm
4	3201-282	AR		Spacer - 0.30 mm
4	3201-286	AR		Spacer - 0.60 mm
4	3201-287	AR		Spacer - 1.40 mm
4	3201-292	AR		Spacer - 0.80 mm
5	3201-247	1		Sheave, Movable (inc. 6)
6	3201-325	2		Seal, Oil
7	3201-358	4		Roller
8	3201-261	1		O-Ring
9	3201-232	1		Plate, Thrust
10	3201-171	1		Seat, Spring - Movable Sheave
11	3201-365	1		Spring - Yellow
12	3201-170	1		Seat, Spring
13	3201-300	1		Ring, Snap
14	3201-400	2		Washer
15	3201-404	1		Nut
16	3201-242	1	S	Belt



2004 650 V-2 4X4 FIS CAT GREEN MRP (A2004ISR4BUSV)
ENGINE AND EXHAUST

Page 35 of 95

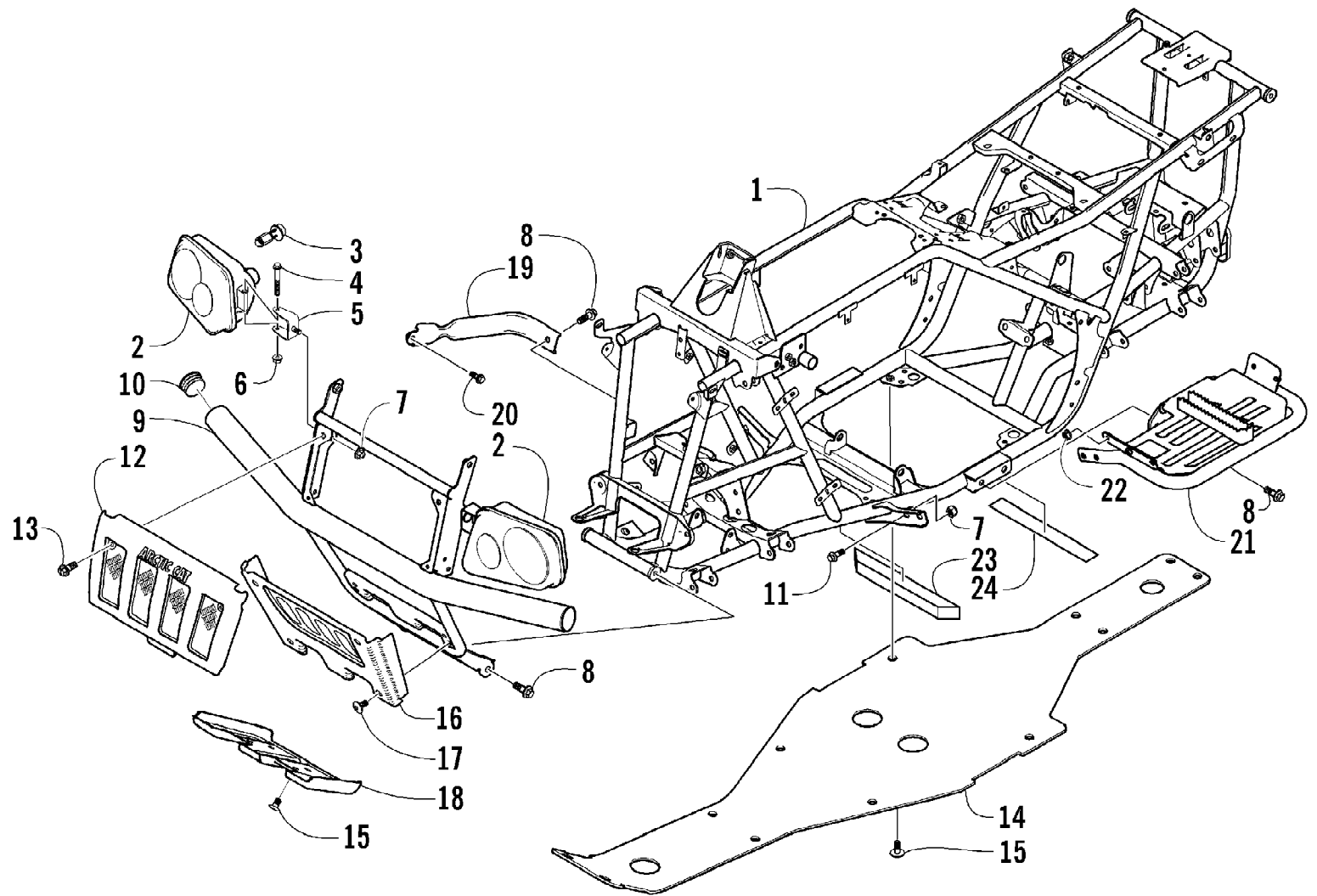
Ref #	Part Number	Qty	S/P/F	Description
1	0462-032	1		Engine
2	0423-479	2		Screw, Cap
3	1506-314	1		Bracket, Engine
4	8424-202	2		Nut
5	8409-020	4	/P	Screw, Cap
6	1506-420	1		Plate, Heat Guard
7	3201-016	3		Collar
8	3201-015	3		Damper
9	3201-017	3		Screw, Cap
10	3201-013	2		Gasket, Exhaust
11	3201-018	4		Nut
12	0412-239	1		Cover, Exhaust - Front
13	8477-610	5		Screw, Machine
14	1406-568	1	S	Cover, Exhaust Pipe
15	0423-500	2		Grommet
16	8050-252	2		Washer
17	0423-356	2		Screw, Shoulder
18	0512-152	1		Pipe, Exhaust
19	0412-249	1		Seal, Exhaust
20	3201-043	1		Clamp
21	0412-240	1		Cover Exhaust - Rear
22	8476-616	3		Screw, Cap
23	0623-038	3		Nut w/Washer
24	8424-802	2		Nut, Lock
25	0512-155	1		Muffler
26	0412-253	2		Bushing, Muffler
27	0423-499	2		Collar
28	0423-073	2		Washer
29	8408-840	2		Screw, Cap
30	0412-241	1		Cover, Muffler
31	8053-212	4	/P	Washer, External Tooth Lock



2004 650 V-2 4X4 FIS CAT GREEN MRP (A2004ISR4BUSV)
ENGINE COVERS

Page 37 of 95

Ref #	Part Number	Qty	S/P/F	Description
1	3201-159	1		Cover, Magneto
2	3201-351	2		Plug
3	3201-332	2		O-Ring
4	3201-329	1		Seal, Oil
5	3201-313	1		Bearing
6	3201-311	1		Bearing
7	3201-323	1		Seal, Oil
8	3201-350	1		Plug, Cover
9	3201-333	1		O-Ring
10	3201-266	1		Fitting
11	3201-052	3		Clamp, Hose
12	3201-051	2		Hose
13	3201-050	1		Breather
14	3201-072	1		Gasket
15	3201-304	2		Pin
16	3201-168	1		Cover, Drive
17	3201-144	3		Screw, Cap
18	3201-336	1	S	O-Ring
19	3201-074	1		Cap
20	3201-175	1		Cap, Oil Filler
21	3201-344	1		O-Ring
22	3201-166	1		Cover
23	3201-341	1		O-Ring
24	3201-149	1		Screw, Cap
25	3201-036	2		Screw, Cap
26	3201-258	1		O-Ring
27	3201-148	3		Screw, Cap
28	3201-146	8		Screw, Cap

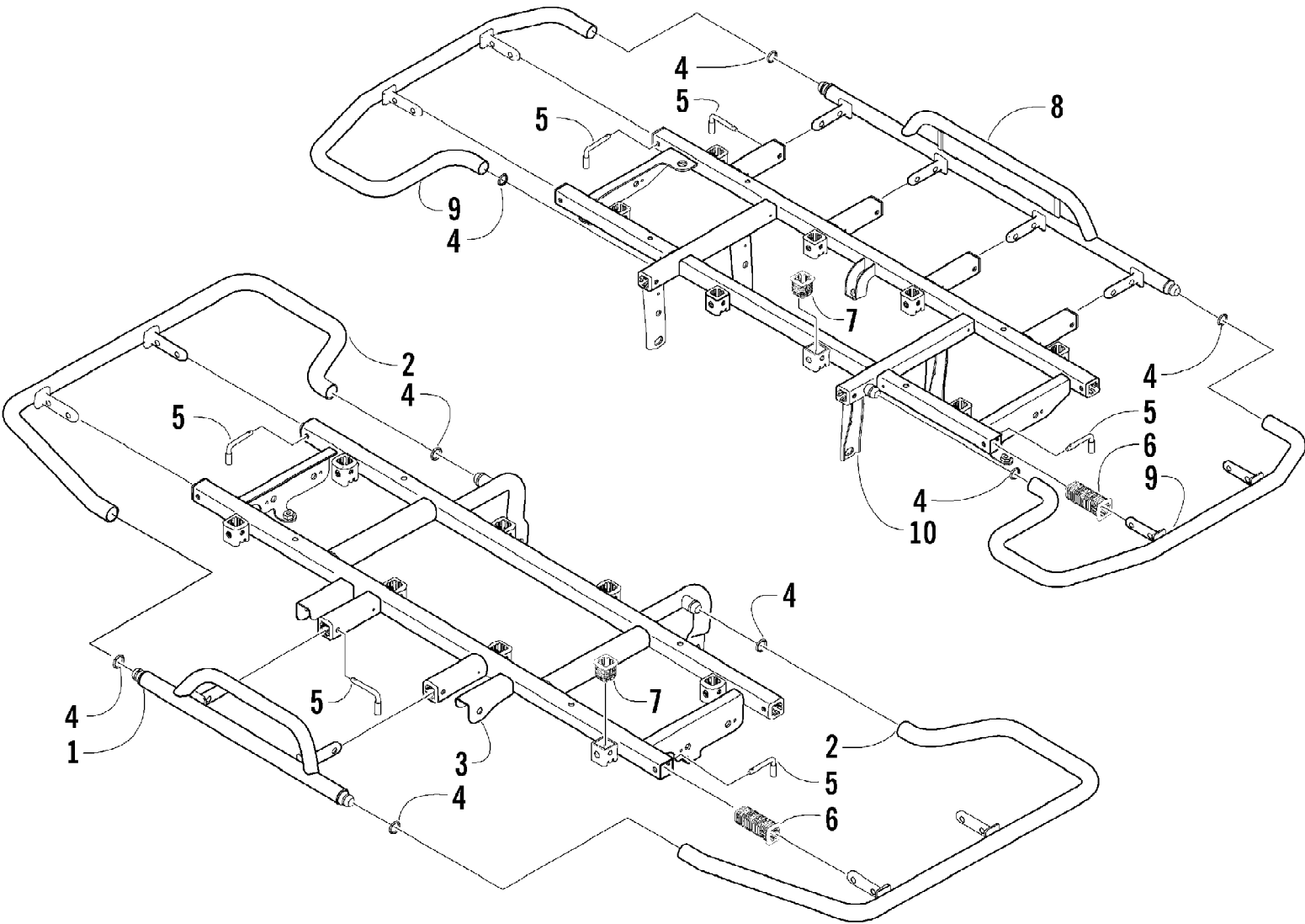


2004 650 V-2 4X4 FIS CAT GREEN MRP (A2004ISR4BUSV)
FRAME AND RELATED PARTS

Page 39 of 95

Ref #	Part Number	Qty	S/P/F	Description
1	1506-245	1	S	Frame, Main
2	0409-032	1		Headlight Assembly - Right (inc. 3-6)
2	0409-031	1		Headlight Assembly - Left (inc. 3-6)
3	0409-045	2		Bulb, Headlight
4	8410-860	2		Screw, Cap
5	0406-945	2		Bracket, Headlight Mounting
6	0423-375	2		Nut, Lock
7	8424-802	6		Nut
8	8409-020	8	/P	Screw, Cap
9	0506-544	1		Bumper
10	0406-130	2		Cap, Bumper
11	8408-816	4		Screw, Cap
12	0406-832	1		Grille, Upper
13	0423-361	2		Screw, Machine
14	1406-425	1		Panel, Belly
15	0423-101	AR		Screw, Shoulder
16	1406-420	1	/P	Grille, Bumper - Lower
17	0423-362	4		Screw, Machine
18	0406-834	1		Plate, Skid
19	1506-367	1	S	Channel, Bumper Mounting - Right
19	0506-653	1	S	Channel, Bumper Mounting - Left
20	8408-812	2		Screw, Cap
21	0506-534	1		Footrest - Right
21	1506-351	1		Footrest - Left
22	8424-602	2	/P	Nut
23	1506-067	1		Pad, Foam
24	0406-289	1		Pad, Foam

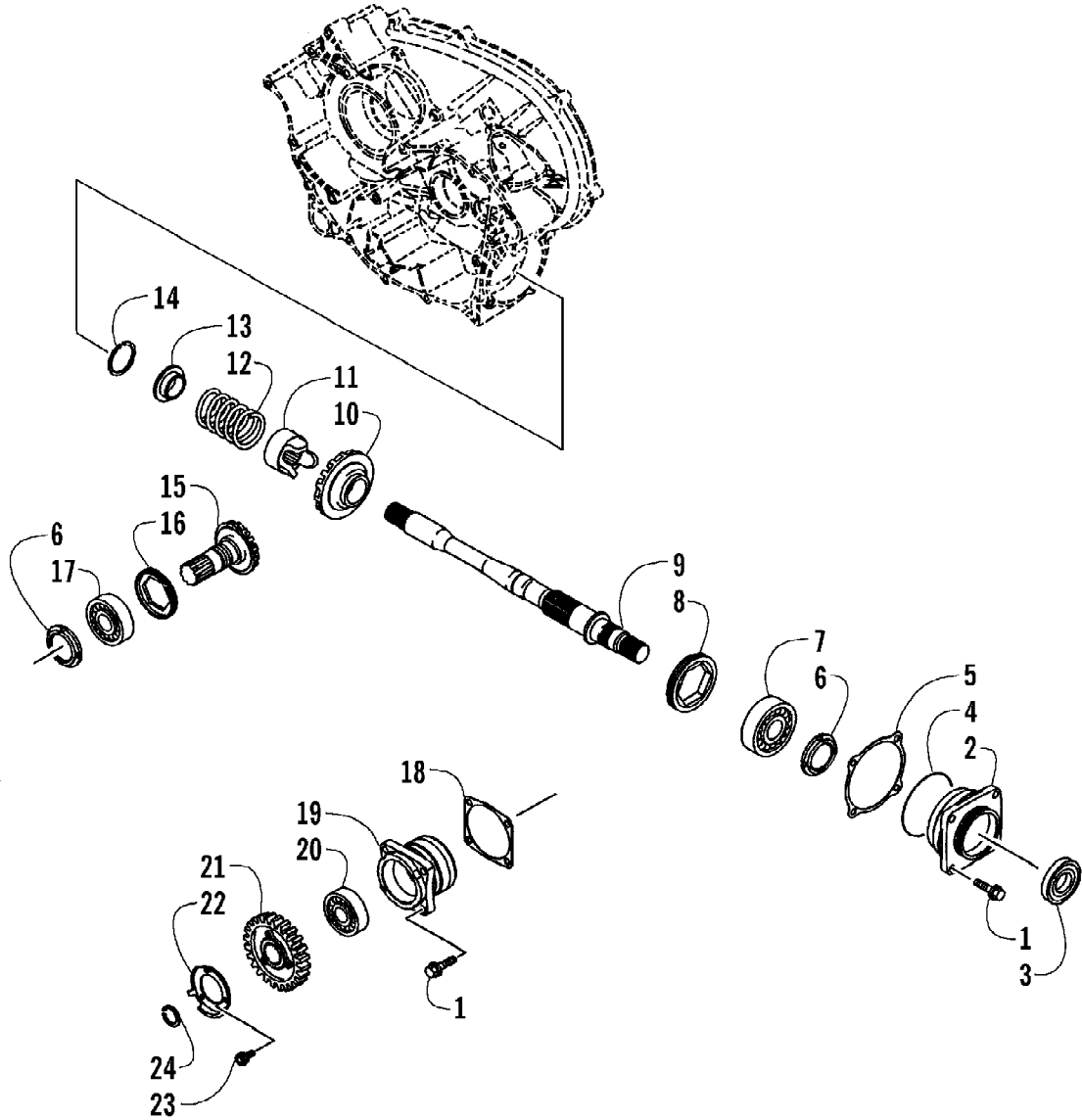
2004 650 V-2 4X4 FIS CAT GREEN MRP (A2004ISR4BUSV)
FRONT AND REAR RACK ASSEMBLIES



2004 650 V-2 4X4 FIS CAT GREEN MRP (A2004ISR4BUSV)
FRONT AND REAR RACK ASSEMBLIES

Page 41 of 95

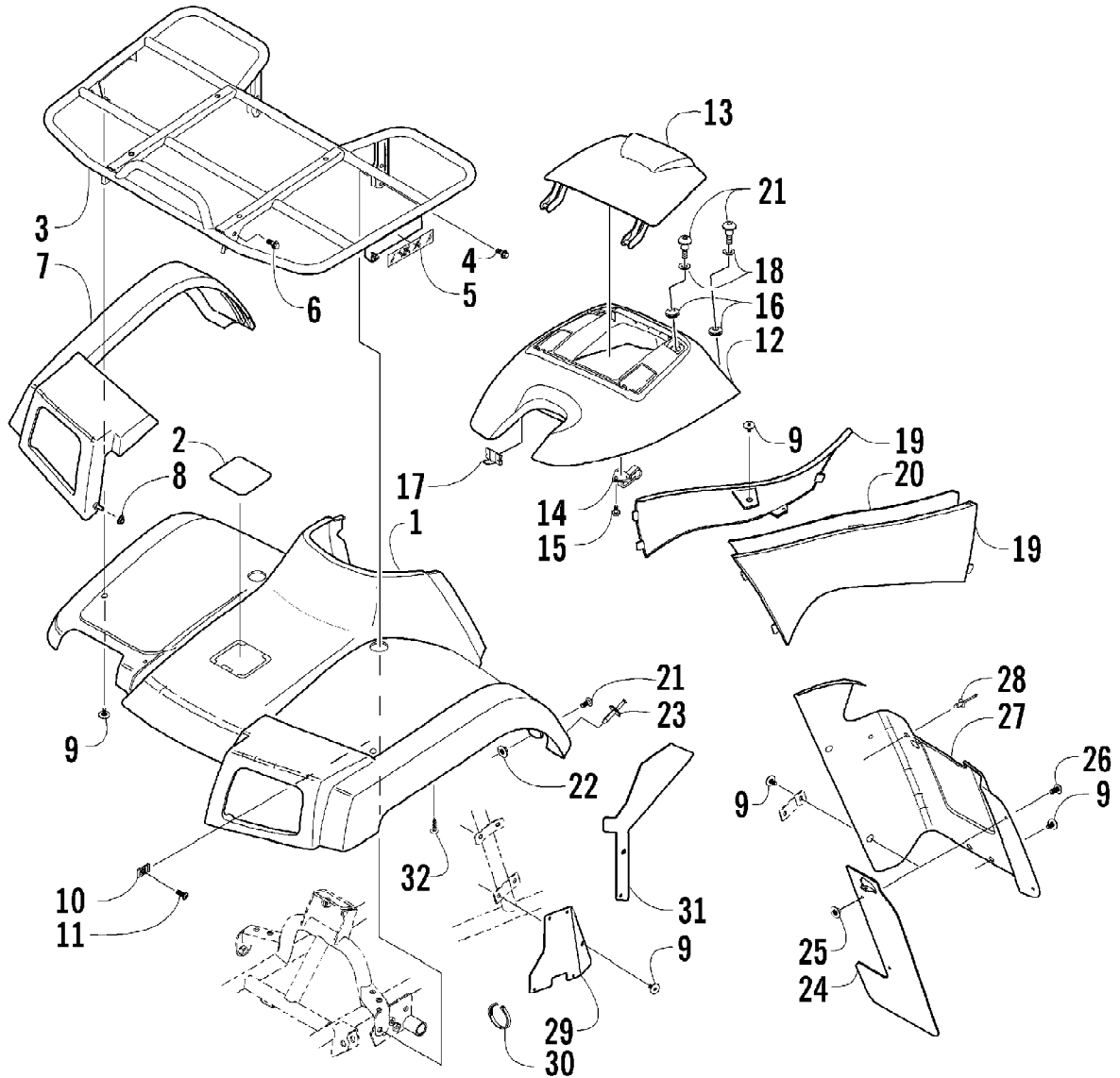
Ref #	Part Number	Qty	S/P/F	Description
1	0541-133	1		Center, Rack - Front
2	0541-134	2		Side, Rack - Front
3	0541-135	1		Frame, Rack - Front
4	0623-903	8		O-Ring
5	0541-189	14	S	Pin
6	0441-556	16		Bushing, Rack
7	0441-592	16	/P	Bushing, Rack
8	0541-130	1		Center, Rack - Rear
9	0541-131	2		Side, Rack - Rear
10	0541-132	1		Frame, Rack - Rear



2004 650 V-2 4X4 FIS CAT GREEN MRP (A2004ISR4BUSV)
FRONT BEVEL GEAR

Page 43 of 95

Ref #	Part Number	Qty	S/P/F	Description
1	3201-373	8		Bolt
2	3201-208	1		Housing, Bearing
3	3201-326	1		Seal, Oil
4	3201-262	1		O-Ring
5	3201-384	1		Shim, Driven - 0.15 mm
5	3201-385	1		Shim, Driven - 0.20 mm
5	3201-386	1		Shim, Driven - 0.50 mm
5	3201-387	1		Shim, Driven - 0.80 mm
5	3201-392	1		Shim, Driven - 1.00 mm
5	3201-393	1		Shim, Driven - 1.20 mm
6	3201-403	2		Nut
7	3201-309	1		Bearing
8	3201-268	1		Screw
9	3201-113	1		Shaft
10	3201-218	1		Gear, Driven Bevel - 20T
11	3201-107	1		Cam, Damper
12	3201-362	1		Spring
13	3201-139	1		Holder
14	3201-301	1		Ring, Snap
15	3201-217	1		Gear, Drive Bevel - 12T
16	3201-269	1		Screw
17	3201-253	1		Bearing,
18	3201-388	1		Shim, Drive - 0.15 mm
18	3201-389	1		Shim, Drive - 0.20 mm
18	3201-390	1		Shim, Drive - 0.50 mm
18	3201-391	1		Shim, Drive - 0.80 mm
18	3201-394	1		Shim, Drive - 1.00 mm
18	3201-395	1		Shim, Drive - 1.20 mm
19	3201-207	1		Housing
20	3201-310	1		Bearing
21	3201-136	1		Gear, Output - 29T
22	3201-184	1		Rotor, Reverse Sensor
23	3201-094	3		Bolt
24	3201-212	1		Circlip

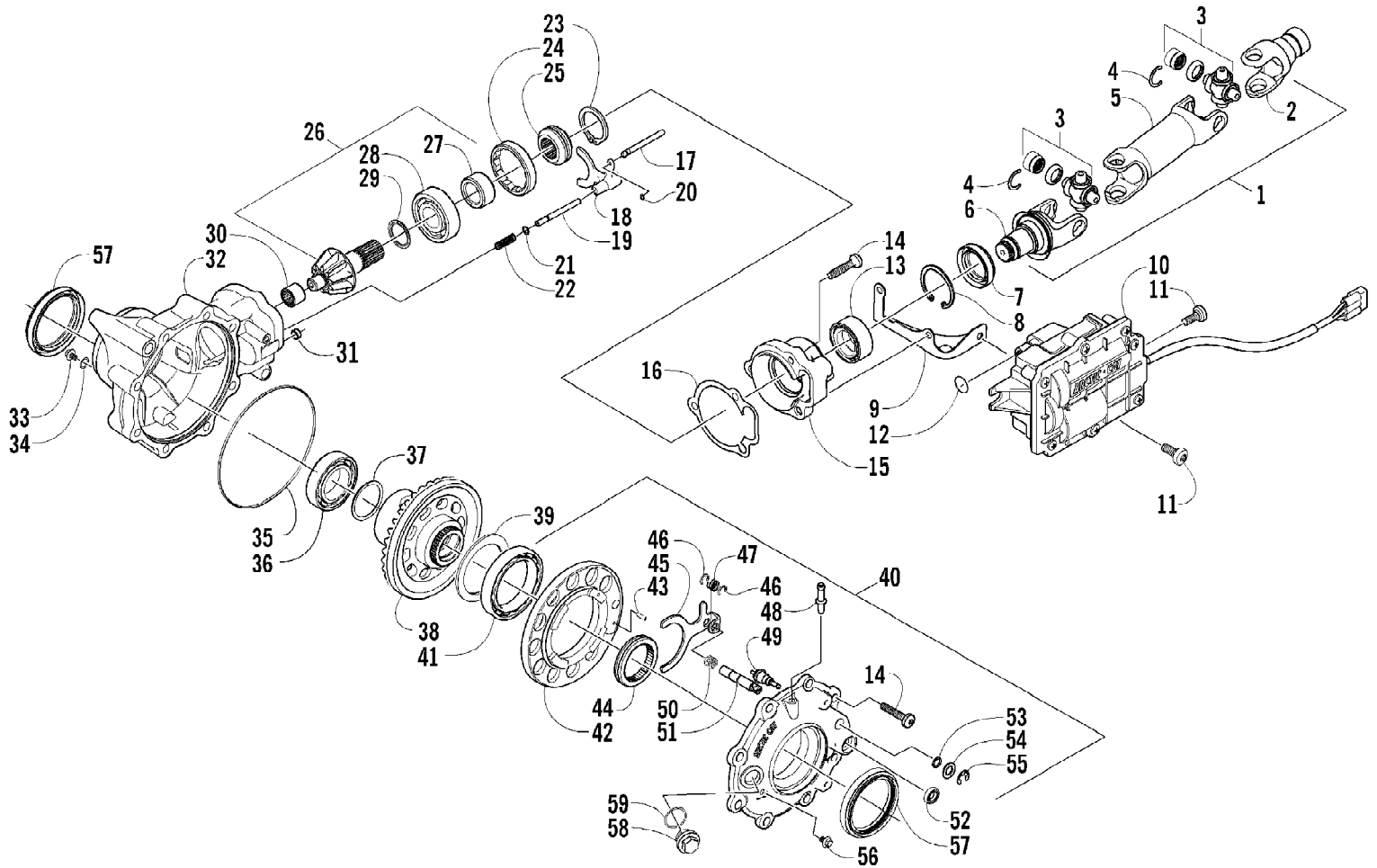


2004 650 V-2 4X4 FIS CAT GREEN MRP (A2004ISR4BUSV)
FRONT BODY PANEL ASSEMBLY

Page 45 of 95

Ref #	Part Number	Qty	S/P/F	Description
1	0506-721	1		Panel, Fender - Front (inc. 2)
2	1406-041	1		Cover, Access
3	0	1	F	Rack - Front
4	8408-816	2		Screw, Cap
5	0411-646	2		Decal, Reflector - Amber
6	0423-360	2		Screw, Cap
7	1506-158	1		Flare - Front - Right
7	1506-159	1		Flare - Front - Left
8	0423-357	2		Nut, Stamped
9	0423-101	AR		Screw, Body
10	0423-031	2		Nut, Speed
11	8477-616	2		Screw, Machine
12	0470-506	1		Compartment, Storage
13	0470-508	1		Cover, Storage Compartment
14	0470-489	2		Hinge, Storage Compartment Cover
15	0623-301	6	/P	Screw, Self-Tapping
16	1623-156	4		Grommet
17	0423-497	2		Clip, Tinnerman
18	0123-053	2	/P	Washer
19	1506-313	1		Panel, Side - Right
19	0506-723	1		Panel, Side - Left
20	0412-142	1		Shield, Heat
21	0423-356	4		Screw, Shoulder
22	0423-438	2		T-Nut w/Teeth
23	0623-362	2		Rivet, Reinstallable
24	1506-194	2		Extension, Flare
25	0423-077	4	/P	T-Nut w/Teeth
26	0423-361	4		Screw, Machine
27	1506-381	1		Panel, Kick - Right
27	1506-200	1		Panel, Kick - Left
28	0423-046	AR		Rivet, Plastic
29	1406-481	2		Panel, Fender - Inner - Lower
30	0123-788	AR	/P	Cable Tie - 7.5 in.
31	1406-560	2		Panel, Fender - Inner - Upper
32	0423-342	6	/P	Screw, Self-Tapping

2004 650 V-2 4X4 FIS CAT GREEN MRP (A2004ISR4BUSV)
FRONT DRIVE GEARCASE ASSEMBLY



2004 650 V-2 4X4 FIS CAT GREEN MRP (A2004ISR4BUSV)
FRONT DRIVE GEARCASE ASSEMBLY

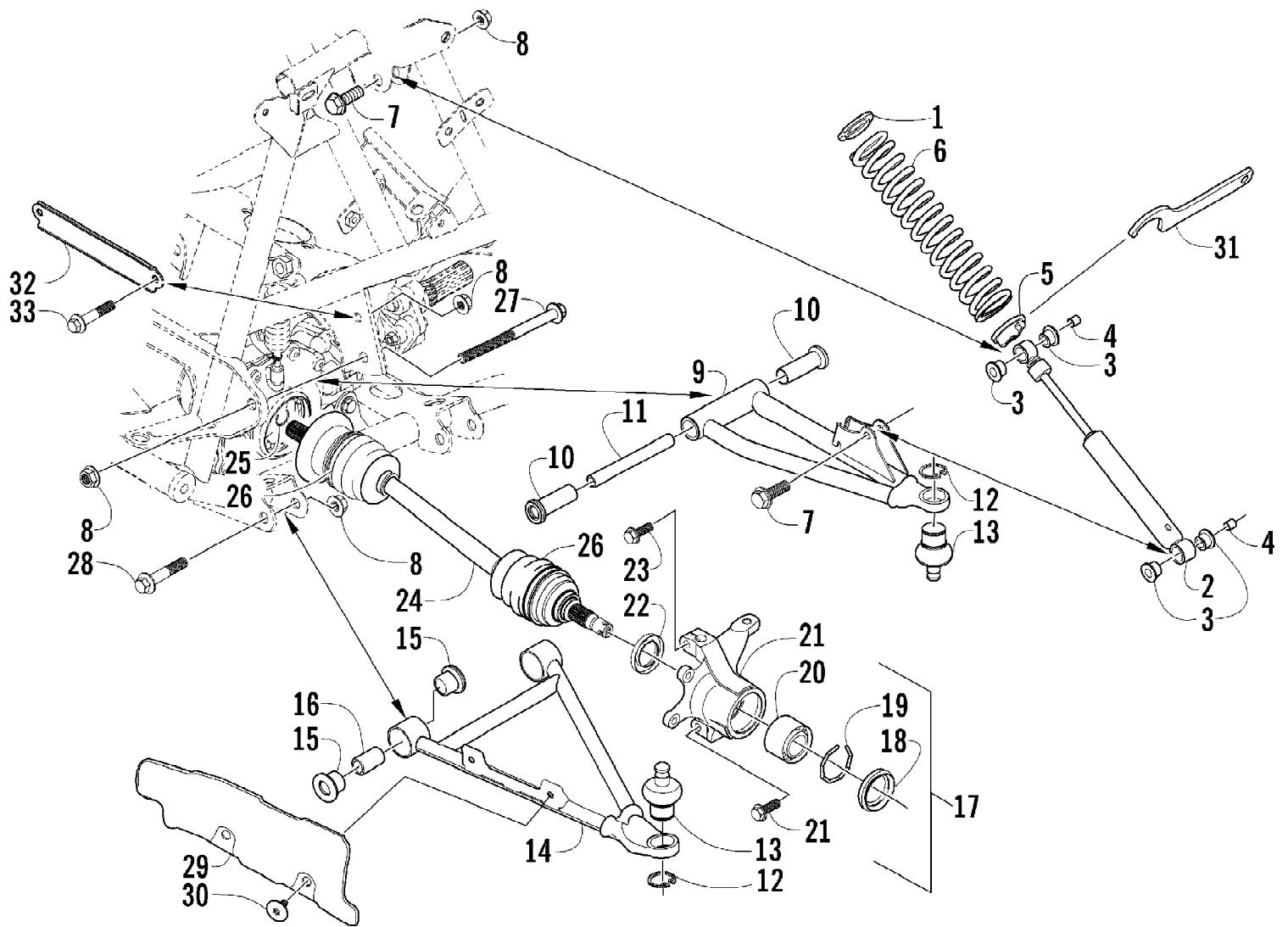
Page 47 of 95

Ref #	Part Number	Qty	S/P/F	Description
	0502-615	1		Complete Gearcase Assembly
1	0502-381	1		Driveshaft Assembly (inc. 2-6)
2	0502-521	1		Yoke, Front Slip
3	1402-164	2	/P	Joint, Universal (inc. 4)
4	0423-450	8		Ring, Retaining
5	0502-524	1		Driveshaft
6	0502-517	1		Yoke, Front
7	1402-011	1		Seal
8	0423-423	1		Ring, Retaining
9	0502-347	1		Bracket, Actuator
10	0502-579	1		Actuator
11	0423-396	3		Screw, Self-Tapping
12	0423-498	1	S	O-Ring
13	1402-043	1		Bearing
14	0423-118	11		Screw, Self-Tapping
15	0502-528	1	/P	Housing, Pinion
16	0402-947	1		Gasket, Flange
17	0402-997	1		Shaft, Selector
18	0402-998	1		Fork, Selector
19	0402-417	1		Shaft, Shuttle
20	0423-402	1		Ring, Retaining
21	0423-147	1		O-Ring
22	0402-999	1		Spring, Return
23	0423-417	1		Ring, Retaining
24	0402-357	1		Collar, Lock
25	0402-413	1		Coupler, Drive
26	0502-123	1		Gear, Pinion - Assembly - 10T (inc. 27-29)
27	0402-336	1		Collar, Retaining
28	0402-327	1		Bearing
29	0402-424	AR		Shim
29	0402-425	AR		Shim
29	0402-426	AR		Shim
29	0402-427	AR		Shim
29	0402-428	AR		Shim
30	0402-328	1		Bearing
31	0402-411	1		Pin, Dowel
32	0502-514	1		Housing, Gearcase
33	1402-210	1	/P	Plug, Magnetic (inc. 34)
34	0423-153	1		O-Ring
35	0423-149	1		O-Ring
36	0402-393	1		Bearing
37	0402-405	AR		Shim
37	0402-406	AR		Shim
37	0402-407	AR		Shim
37	0402-408	AR		Shim
37	0402-409	AR		Shim
38	0502-411	1		Gear, Ring - 36T
39	1402-074	AR		Shim
39	1402-075	AR		Shim
39	1402-076	AR		Shim
39	1402-077	AR		Shim
39	1402-078	AR		Shim
40	0502-434	1		Gearcase (inc. 41-56 and one No. 57)

2004 650 V-2 4X4 FIS CAT GREEN MRP (A2004ISR4BUSV)
FRONT DRIVE GEARCASE ASSEMBLY

Page 48 of 95

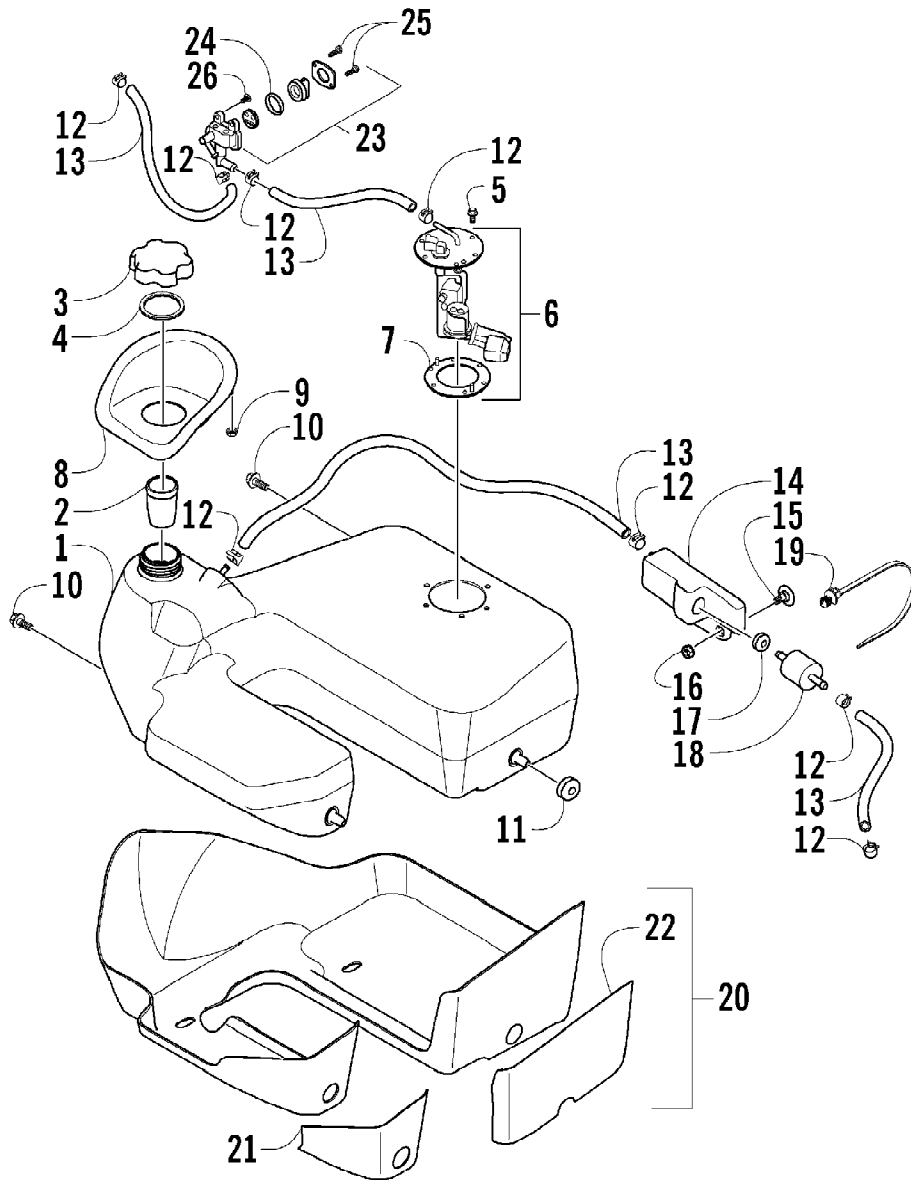
Ref #	Part Number	Qty	S/P/F	Description
41	1402-053	1		Bearing
42	0502-413	1		Flange, Bearing
43	1402-079	1		Pin, Parallel
44	1402-042	1		Collar, Sliding
45	1402-054	1		Fork
46	1402-058	2		Ring, Retaining
47	1402-057	1		Spring
48	1402-104	1		Fitting
49	0402-419	1		Switch, Indicator
50	1402-063	1		Spring
51	1402-055	1		Shaft, Lock
52	1402-056	1		Seal
53	0423-133	1		O-Ring
54	0423-132	1		Washer
55	0423-424	1		Ring, Retaining
56	1402-211	1		Plug, Oil Level
57	0402-394	2	S	Seal
58	0402-333	1	/P	Plug, Fill (inc. 59)
59	0423-154	1		O-Ring



2004 650 V-2 4X4 FIS CAT GREEN MRP (A2004ISR4BUSV)
FRONT SUSPENSION ASSEMBLY

Page 50 of 95

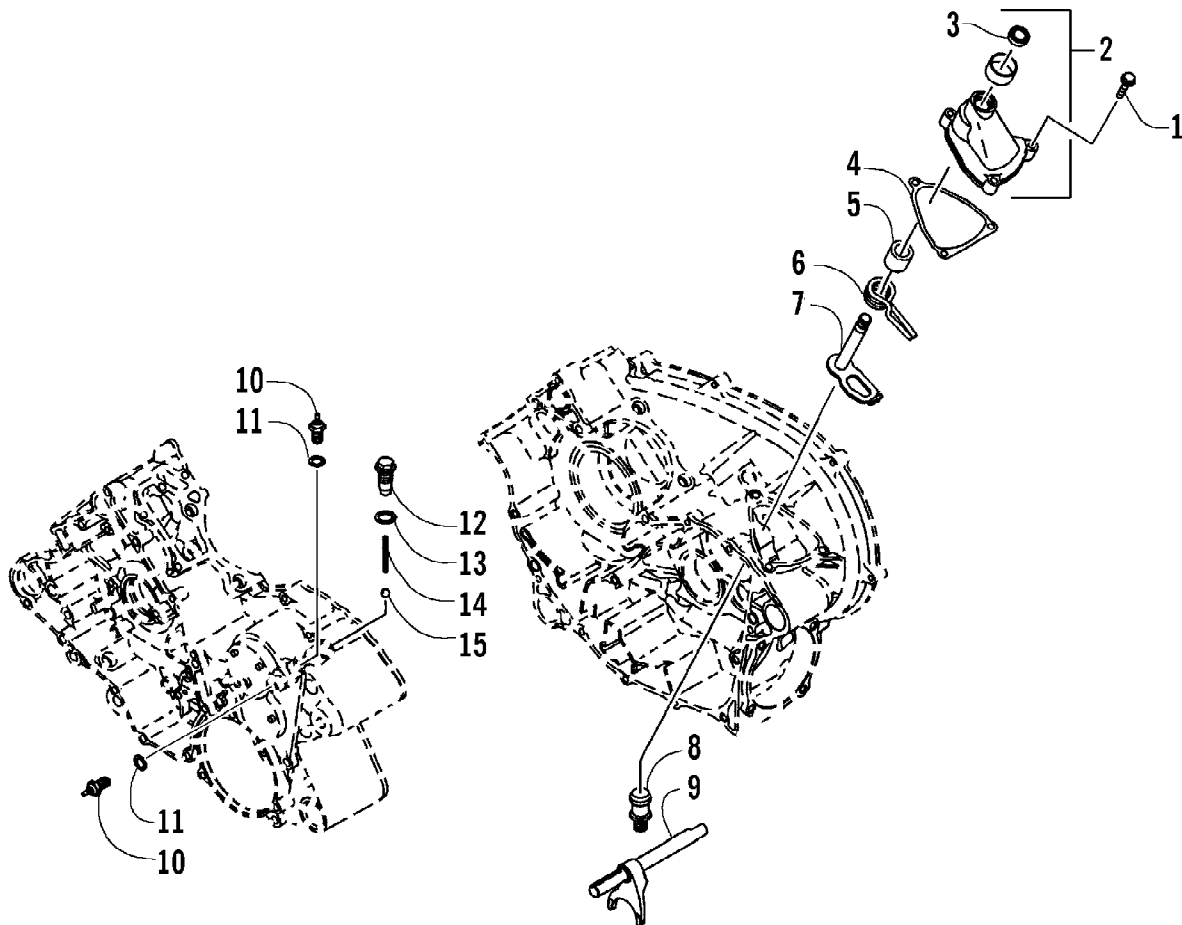
Ref #	Part Number	Qty	S/P/F	Description
1	1603-889	2	/P	Retainer, Spring
2	0403-127	2		Shock Absorber - Front (inc. 3-4)
3	0604-310	8		Bushing, Shock Absorber
4	0403-028	4		Sleeve, Shock
5	0403-102	2		Cam, Spring Adjuster
6	0403-128	2	S	Spring, Shock Absorber
7	8409-040	4		Screw, Cap
8	8428-002	12		Nut, Lock
9	0503-196	1	S	A-Arm, Upper Right - Assembly (inc. 10-13)
9	0503-197	1		A-Arm, Upper Left - Assembly (inc. 10-13)
10	0403-081	4	S	Bushing
11	0403-080	2		Collar
12	0423-009	4	/P	Clip, Ball Joint
13	0405-115	4	/P	Ball Joint - Front
14	0503-220	1		A-Arm, Lower Right (inc. 12-13 and 15-16)
14	0503-221	1		A-Arm, Lower Left (inc. 12-13 and 15-16)
15	0403-115	8	S	Bushing
16	0403-114	4	S	Collar
17	0505-026	1	S/P	Knuckle - Assembly - Right (inc. 18-22)
17	0505-027	1	S/P	Knuckle - Assembly - Left (inc. 18-22)
18	0402-089	2		Seal, Wheel Bearing - Front
19	0423-034	2		Clip, Bearing
20	0402-275	2	/P	Bearing, Wheel Hub - Front
21	0505-062	1	S	Knuckle, Steering - Right
21	0505-063	1	S	Knuckle, Steering - Left
22	0402-069	2		Seal, Wheel Bearing - Rear
23	8409-030	4		Screw, Cap
24	0502-544	1	S	Axle, Drive - Front - Right (inc. 25-26)
24	0502-546	1		Axle, Drive - Front - Left (inc. 25-26)
25	0441-400	2	S	Clip, Retaining
26	0436-276	2	S	Repair Kit, Boot - Front Axle
27	0423-334	2		Screw, Cap
28	8409-075	4		Screw, Cap
29	1406-034	1		Guard, Boot - Axle - Right
29	1406-035	1		Guard, Boot - Axle - Left
30	0423-101	4		Screw, Body
31	0441-587	1		Wrench, Spanner
32	1506-429	1	S	Brace, A-Arm
33	8409-025	2		Screw, Cap



2004 650 V-2 4X4 FIS CAT GREEN MRP (A2004ISR4BUSV)
GAS TANK ASSEMBLY

Page 52 of 95

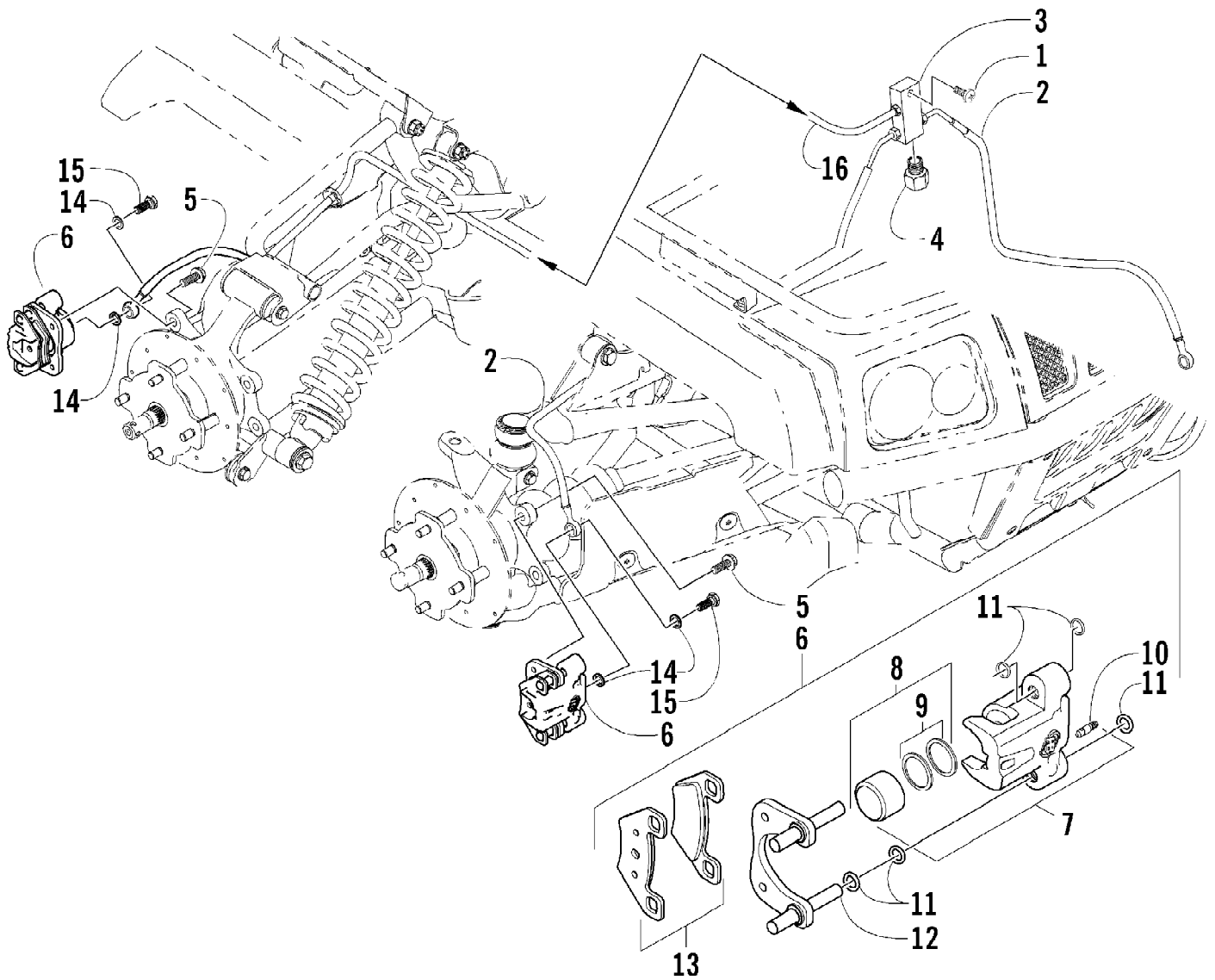
Ref #	Part Number	Qty	S/P/F	Description
1	0570-087	1	S	Tank, Gas - Assembly (inc. 2-5 and 7)
2	0470-501	1		Sleeve
3	0470-438	1	/P	Cap, Gas Tank (inc. 4)
4	0109-733	1	/P	Gasket, Tank Cap
5	3201-008	6		Screw, Cap
6	3201-005	1	S	Pump, Fuel (inc. 7)
7	3201-009	1		Damper, Fuel Pump
8	1406-399	1		Insert, Rear Panel
9	0423-357	4		Nut, Stamped
10	8408-816	2		Screw, Cap
11	0423-460	2		Grommet
12	0423-461	7	S	Clamp, Hose
13	0410-070	AR	/P	Hose, Gasline - 25 ft
14	3201-003	1		Breather, Tank
15	0423-469	2		Screw, Shoulder
16	0623-038	2		Nut w/Washer
17	3201-007	1		Grommet
18	3201-004	1		Valve, Check
19	0423-075	1		Cable Tie - Push-Mount
20	0570-081	1		Shield, Gas Tank (inc. 21-22)
21	0470-498	1		Shield, Heat
22	0470-499	1		Shield, Heat
23	3201-006	1		Valve, Fuel - Assembly (inc. 24-25)
24	3201-330	1		O-Ring
25	3201-192	2		Screw, Machine
26	8476-616	2		Screw, Machine



2004 650 V-2 4X4 FIS CAT GREEN MRP (A2004ISR4BUSV)
GEAR SHIFTING ASSEMBLY

Page 54 of 95

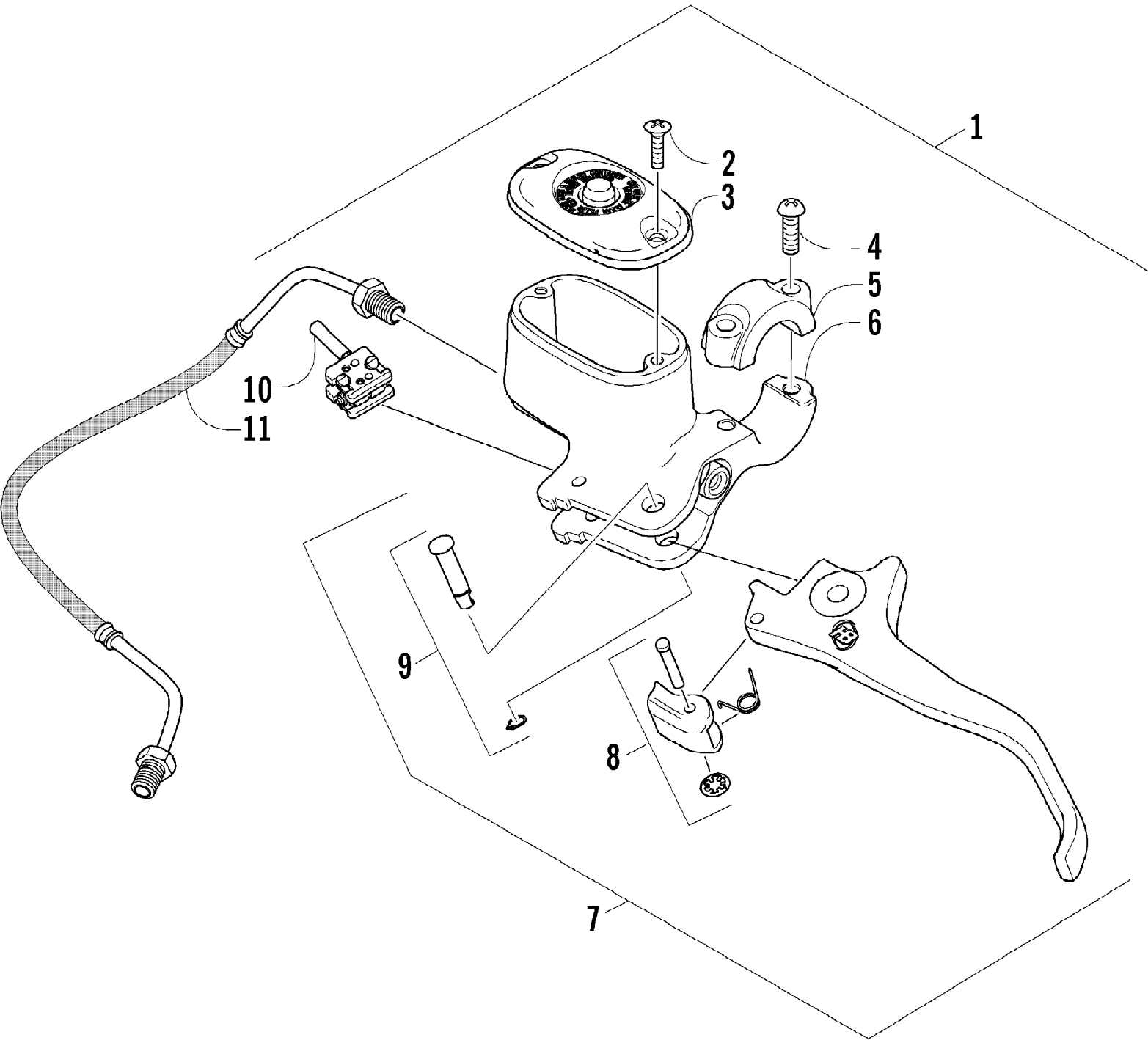
Ref #	Part Number	Qty	S/P/F	Description
1	3201-146	3		Screw, Cap
2	3201-160	1		Cover, Shift Lever - Assembly (inc. 3)
3	3201-447	1		Seal, Oil
4	3201-067	1		Gasket, Shift Lever Cover
5	3201-109	1		Guide
6	3201-363	1		Spring, Shift Lever
7	3201-124	1	S	Lever, Shift
8	3201-375	1		Bolt, Shift Rod
9	3201-219	1		Rod, Shift
10	3201-121	2		Switch, Neutral - Assembly
11	3201-348	2		Gasket
12	3201-372	1		Bolt
13	3201-066	1		Gasket, Rocker Shaft
14	3201-361	1		Spring
15	3201-249	1		Ball, Steel



2004 650 V-2 4X4 FIS CAT GREEN MRP (A2004ISR4BUSV)
HYDRAULIC BRAKE ASSEMBLY

Page 56 of 95

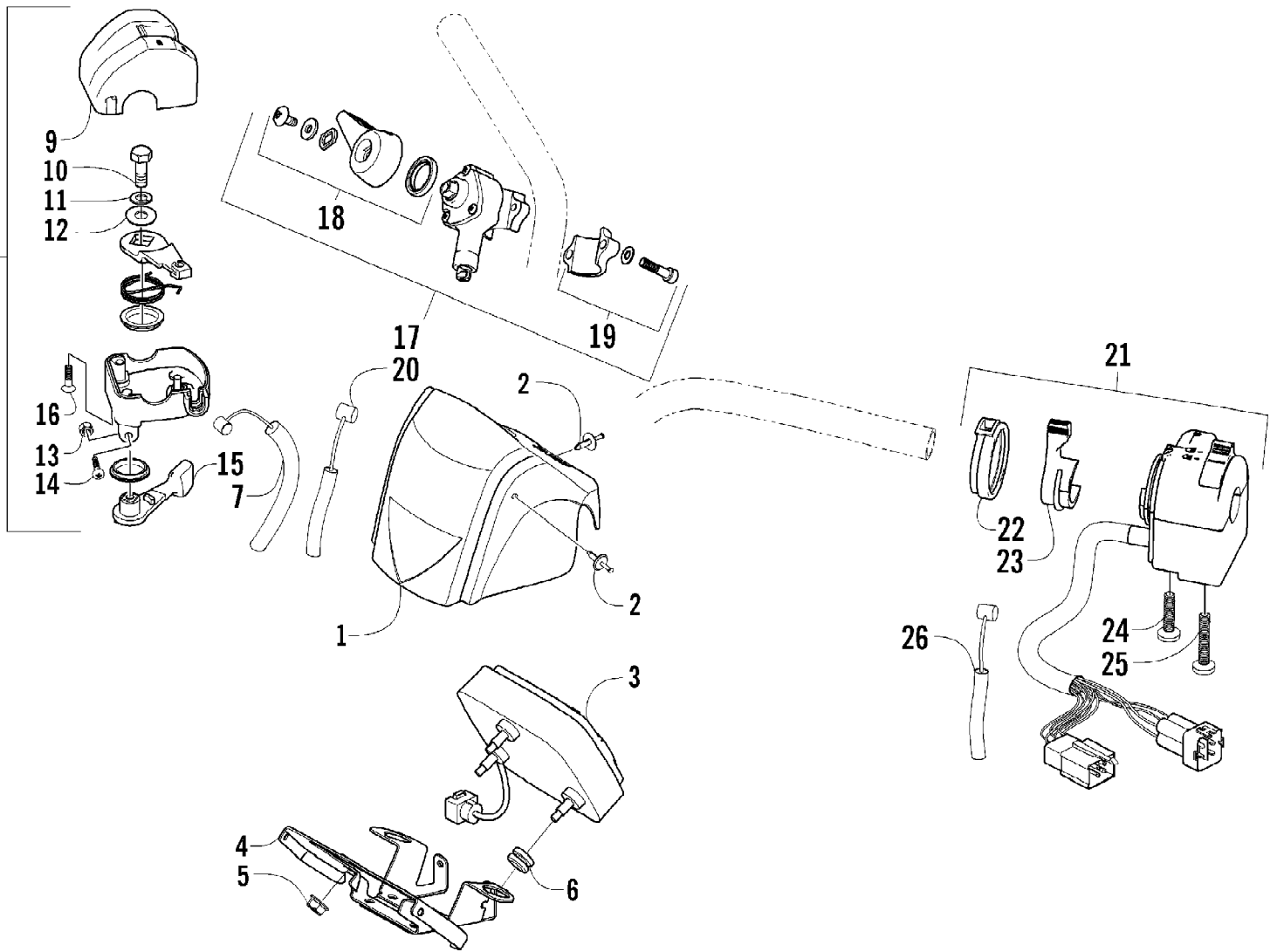
Ref #	Part Number	Qty	S/P/F	Description
1	8476-625	1		Screw, Cap
2	0402-961	2		Hose, Brake - Front
3	1402-086	1		Block, Junction
4	1402-031	1		Plug
5	8408-820	6	/P	Screw, Cap
6	0502-602	1	S	Caliper, Brake - Right Front (inc. 7-13)
6	0502-610	2	S	Caliper, Brake - Left Front and Right Rear (inc. 7-13)
7	0502-603	1	S	Housing, Caliper - Assembly - Right Front (inc. 8-9)
7	0502-611	2	S	Housing, Caliper - Assembly - Left Front and Right Rear (inc. 8-9)
8	0502-606	3		Piston/Seal Set (inc. 9)
9	0502-607	3		Seal Set
10	0502-609	3	/P	Valve, Bleed
11	0502-608	3		O-Ring, Guide - Set
12	0502-605	3		Bracket Assembly
13	0502-604	3	S	Pad, Brake - Set
14	0423-178	6		Washer, Crush
15	0423-413	3		Bolt, Banjo Fitting
16	1402-204	1		Hose, Brake - Rear



2004 650 V-2 4X4 FIS CAT GREEN MRP (A2004ISR4BUSV)
 HYDRAULIC HAND BRAKE ASSEMBLY

Page 58 of 95

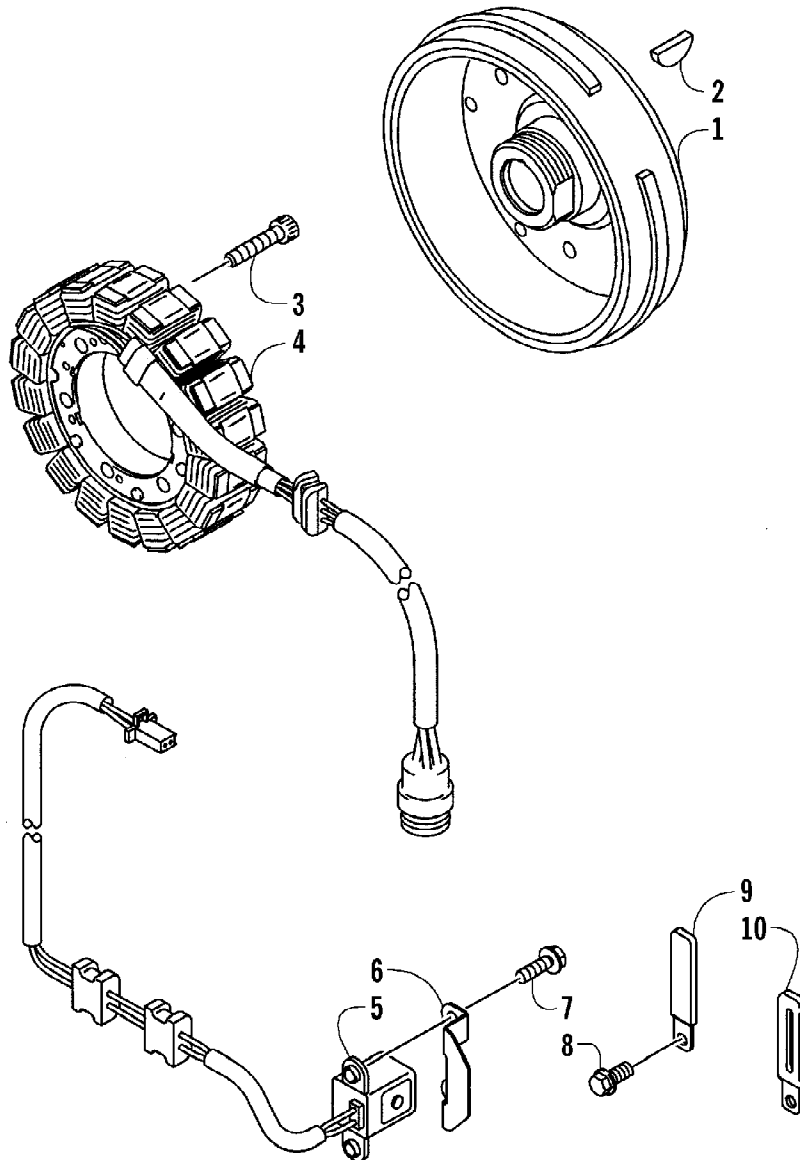
Ref #	Part Number	Qty	S/P/F	Description
1	0502-561	1	S	Brake Assembly (inc. 2-10)
2	0502-566	1		Screw, Reservoir Cover - Kit
3	0502-565	1		Cover, Reservoir - Kit
4	0502-568	1		Screw, Master Cylinder Clamp - Kit
5	0502-567	1		Clamp, Master Cylinder - Kit
6	0502-516	1		Master Cylinder Assembly - Kit
7	0502-562	1	S	Lever Assembly - Kit (inc. 8-9)
8	0502-563	1	S	Lock, Brake Lever - Kit
9	0502-580	1		Lever Pin - Kit
10	0502-564	1	/P	Switch, Brake - Kit
11	1402-212	1		Brakeline, Hydraulic



2004 650 V-2 4X4 FIS CAT GREEN MRP (A2004ISR4BUSV)
INSTRUMENTS AND CONTROLS

Page 60 of 95

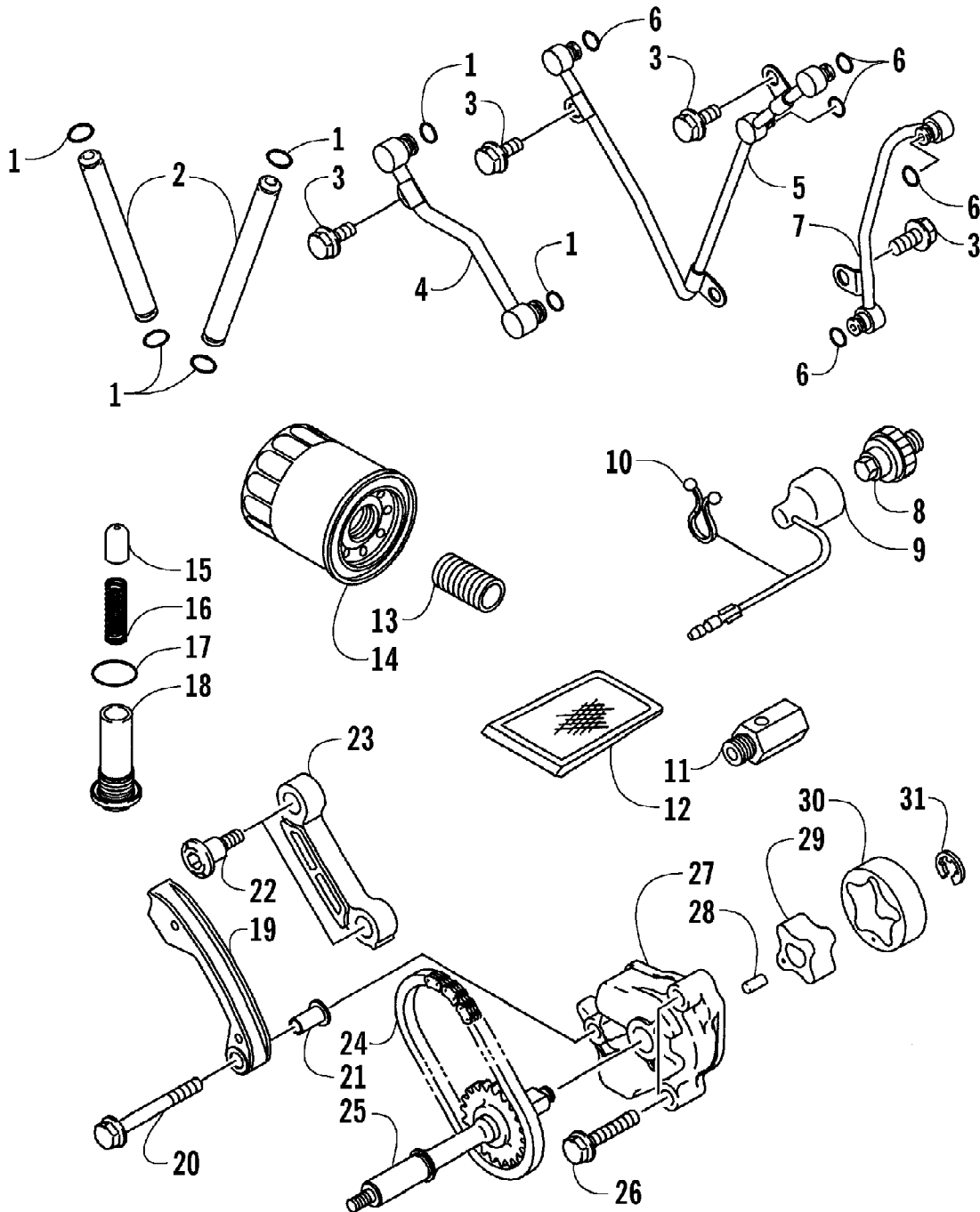
Ref #	Part Number	Qty	S/P/F	Description
1	0405-137	1		Instrument Pod
2	0623-362	4		Rivet, Reinstallable
3	0420-048	1		Gauge, Digital
4	1506-425	1		Bracket, Mounting - Digital Gauge
5	8424-502	3		Nut, Flange
6	0423-447	3		Grommet
7	0487-032	1		Cable, Throttle
8	0509-012	1		Case, Throttle - Assembly (inc. 9-16)
9	0409-048	1		Cover, Throttle Case w/Switch
10	3004-533	1	S/P	Screw, Cap
11	3004-447	1	/P	Washer, Lock
12	3003-030	1	/P	Washer
13	3423-327	1		Nut
14	3423-014	1		Screw
15	3409-001	1		Lever
16	3423-199	2		Screw
17	0502-527	1		Control, Differential Lock (inc 18-19)
18	0502-612	1		Lever, Differential Lock Control - Kit
19	0502-613	1		Clamp, Differential Lock Control - Kit
20	0487-030	1	S	Cable, Differential Lock
21	0409-022	1		Switch, Control - Assembly (inc. 22-25)
22	0409-026	1		Cover, Choke Lever
23	0409-025	1		Lever, Choke
24	0409-028	1		Screw
25	0409-027	1		Screw, Cap
26	0487-033	1		Cable, Choke



2004 650 V-2 4X4 FIS CAT GREEN MRP (A2004ISR4BUSV)
MAGNETO

Page 62 of 95

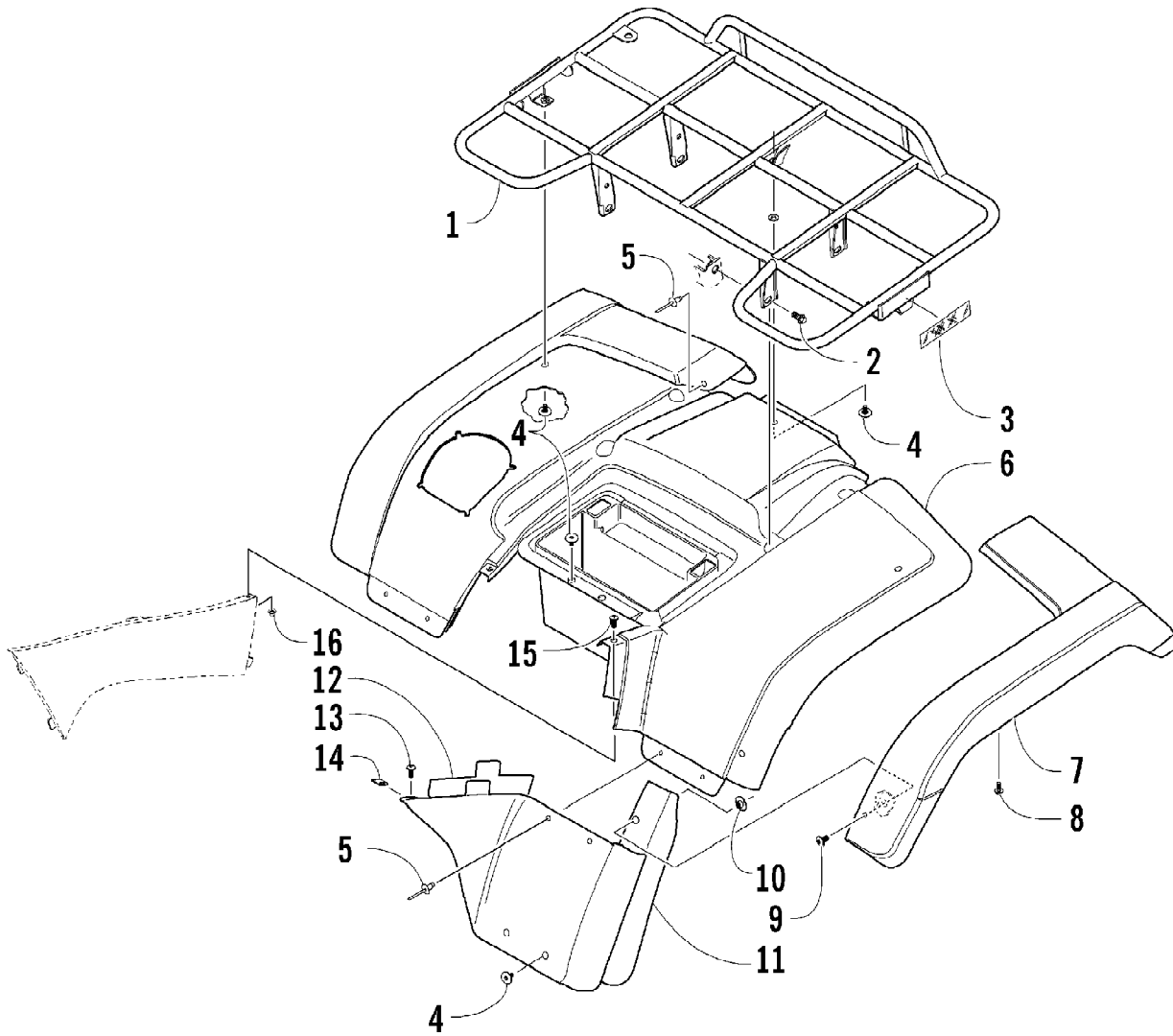
Ref #	Part Number	Qty	S/P/F	Description
1	3201-183	1		Rotor
2	3201-240	1		Key, Woodruff
3	3201-095	3		Bolt
4	3201-182	1		Stator
5	3201-243	1		Coil, Pulsing
6	3201-138	1		Plate
7	3201-111	2		Screw, Cap
8	3201-144	1		Screw, Cap
9	3201-382	1		Clamp
10	3201-381	1		Clamp



2004 650 V-2 4X4 FIS CAT GREEN MRP (A2004ISR4BUSV)
OIL PUMP ASSEMBLY

Page 64 of 95

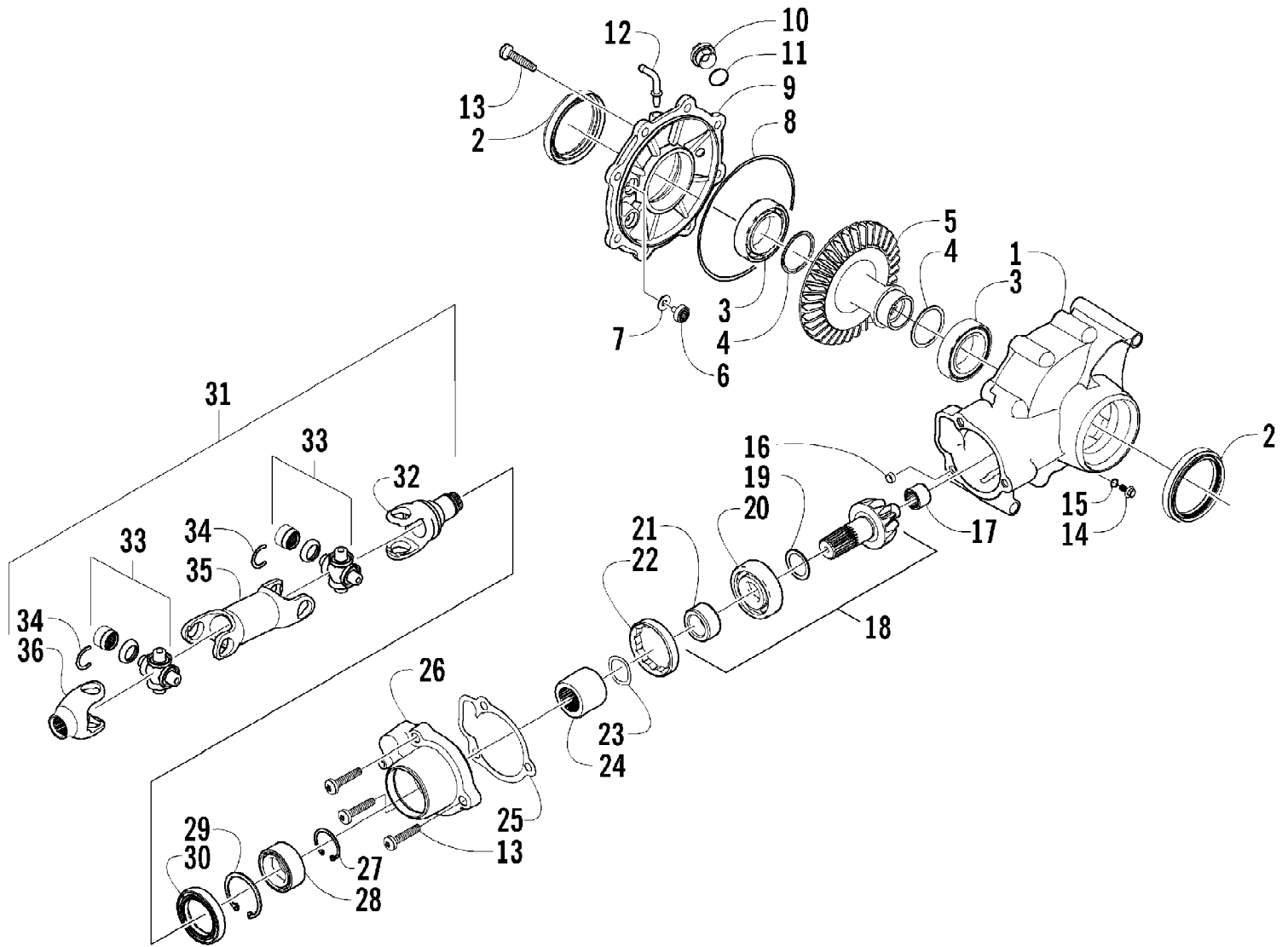
Ref #	Part Number	Qty	S/P/F	Description
1	3201-255	6		O-Ring
2	3201-199	2		Pipe
3	3201-144	4		Screw, Cap
4	3201-204	1		Pipe, Oil - Crankshaft
5	3201-205	1		Pipe, Oil - Crankcase - Left
6	3201-254	5		O-Ring
7	3201-206	1		Pipe, Oil - Crankcase - Right
8	3201-196	1		Switch, Oil Pressure
9	3201-194	1		Wire, Lead
10	3201-383	1		Clamp
11	3201-176	1		Valve, Relief - Assembly
12	3201-231	1		Filter, Oil
13	3201-198	1		Pipe, Oil Filter
14	3201-044	1	S	Filter, Oil
15	3201-303	1		Pin
16	3201-356	1		Spring
17	3201-257	1		O-Ring
18	3201-376	1		Bolt
19	3201-087	1		Guide, Chain - Slack
20	3201-142	1		Screw, Cap
21	3201-359	1		Collar
22	3201-379	2		Bolt
23	3201-090	1	/P	Guide, Chain - Tension
24	3201-345	1	S	Chain
25	3201-123	1		Shaft, Oil Pump
26	3201-146	2		Screw, Cap
27	3201-178	1		Cover, Pump
28	3201-241	2		Pin, Dowel
29	3201-179	1		Rotor, Pump - Inner
30	3201-180	1		Rotor, Pump - Outer
31	3201-215	1		Circlip



2004 650 V-2 4X4 FIS CAT GREEN MRP (A2004ISR4BUSV)
 REAR BODY PANEL ASSEMBLY

Page 66 of 95

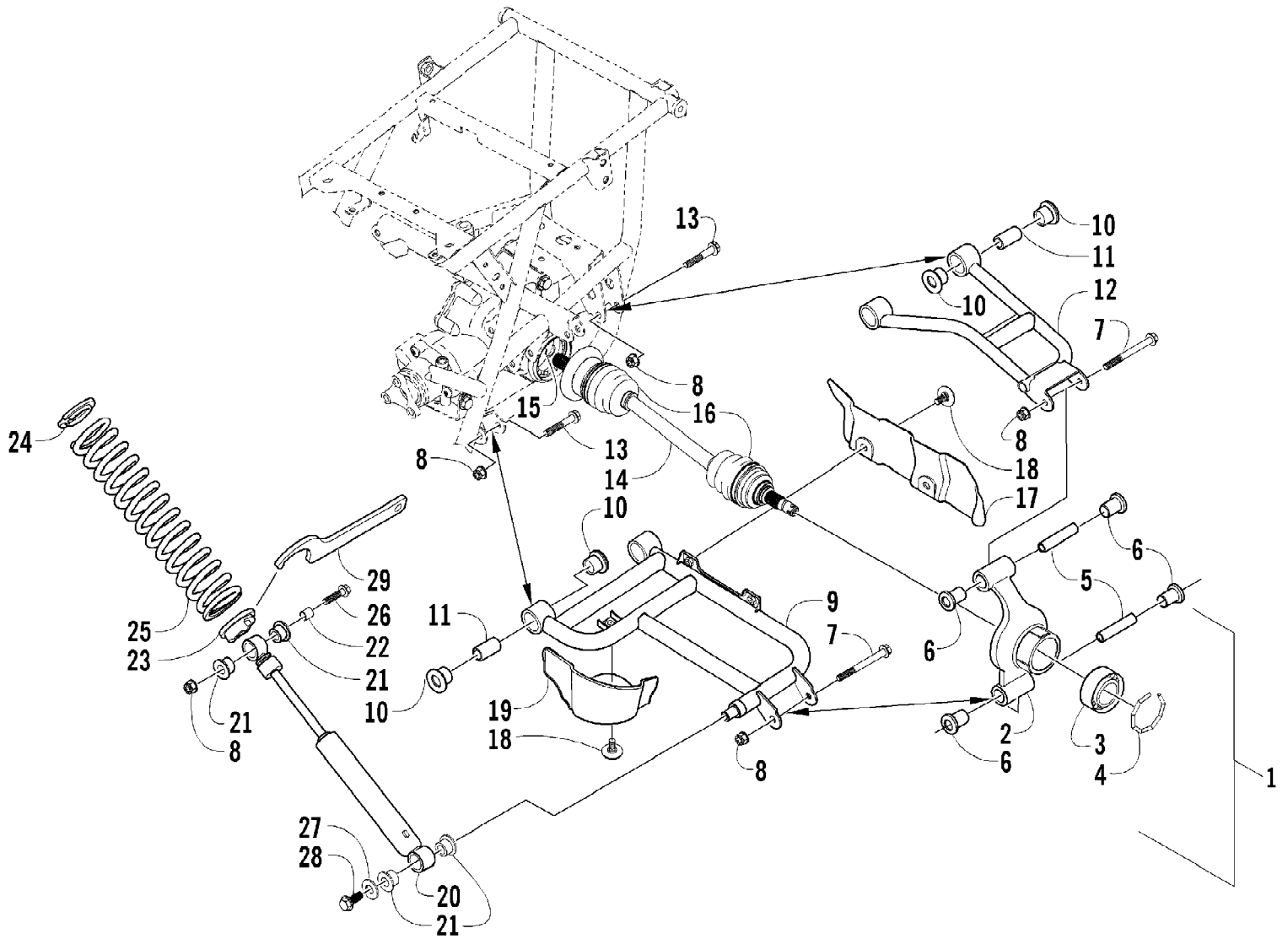
Ref #	Part Number	Qty	S/P/F	Description
1	0	1	F	Rack - Rear
2	8409-020	4	/P	Screw, Cap
3	0411-647	2		Decal, Reflector - Red
4	0423-101	AR		Screw, Body
5	0423-046	AR		Rivet, Plastic
6	1506-261	1		Panel, Fender - Rear
7	0506-552	1		Flare, Rear - Right
7	0506-553	1		Flare, Rear - Left
8	0423-342	10	/P	Screw, Self-Tapping
9	0423-355	2		Screw, Shoulder
10	0423-438	2		T-Nut w/Teeth
11	1506-350	1		Fender Extension - Rear - Right
11	1506-372	1		Fender Extension - Rear - Left
12	0412-140	1		Shield, Heat
13	0623-309	2		Screw, Self-Tapping
14	0423-060	2		Clip, Tinerman
15	0423-068	2		Screw, Machine
16	0123-010	2	/P	Nut, Expansion



2004 650 V-2 4X4 FIS CAT GREEN MRP (A2004ISR4BUSV)
REAR DRIVE GEARCASE ASSEMBLY

Page 68 of 95

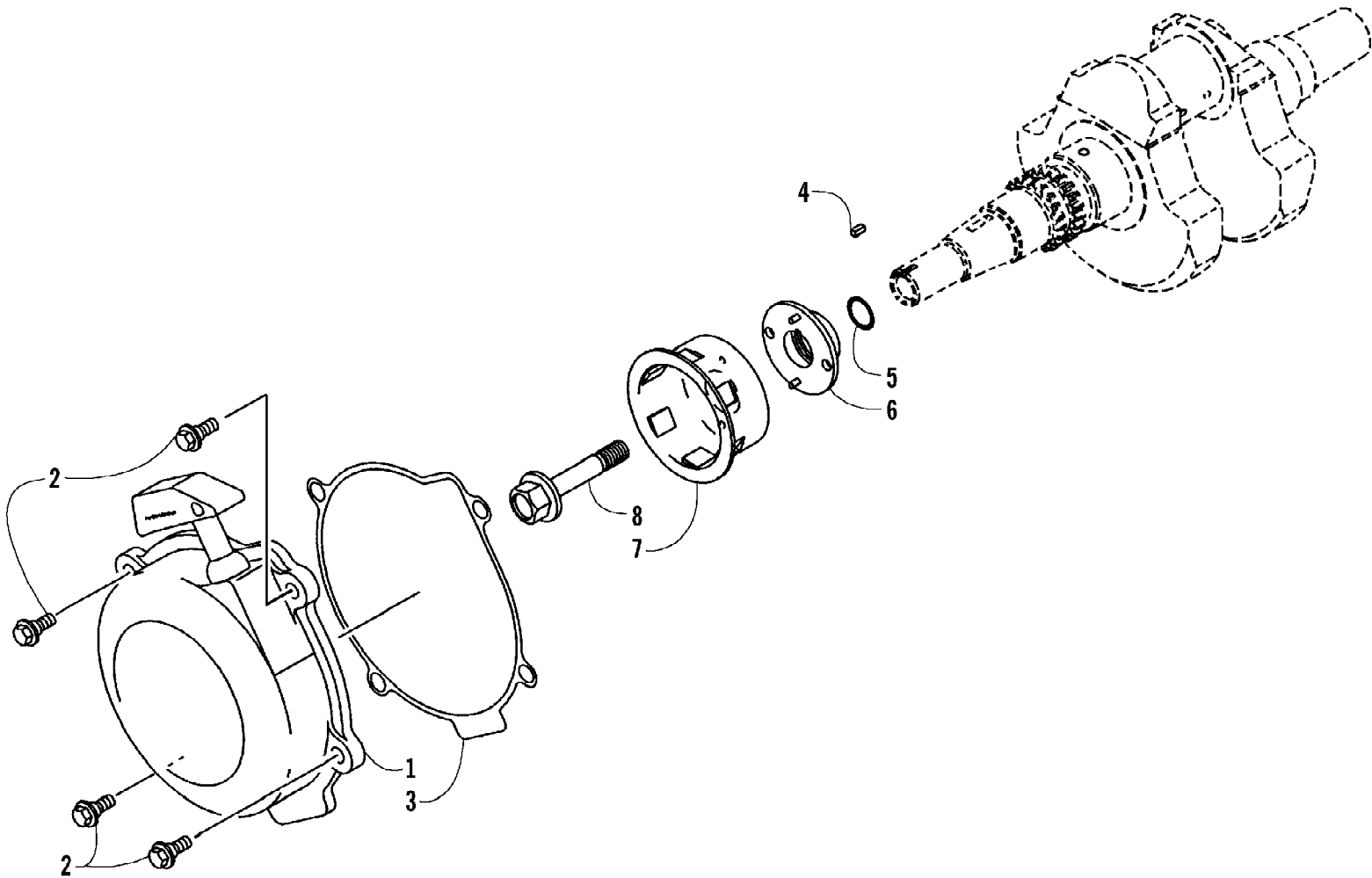
Ref #	Part Number	Qty	S/P/F	Description
	0502-616	1		Complete Gearcase Assembly
1	0502-622	1		Housing, Gearcase
2	0402-394	2	S	Seal
3	0402-393	2		Bearing
4	0402-405	AR		Shim
4	0402-406	AR		Shim
4	0402-407	AR		Shim
4	0402-408	AR		Shim
4	0402-409	AR		Shim
5	1402-032	1		Gear, Ring - 36T
6	0402-326	1		Button, Thrust
7	0402-429	AR		Shim
7	0402-430	AR		Shim
7	0402-431	AR		Shim
7	0402-432	AR		Shim
7	0402-433	AR		Shim
8	0423-149	1		O-Ring
9	0502-346	1		Cover, Gearcase
10	0402-333	1	/P	Plug, Fill (inc. 11)
11	0423-154	1		O-Ring
12	1402-102	1		Fitting
13	0423-118	11		Screw, Self-Tapping
14	1402-210	1	/P	Plug, Magnetic (inc. 15)
15	0423-153	1		O-Ring
16	0402-411	1		Pin, Dowel
17	0402-328	1		Bearing
18	0502-123	1		Gear, Pinion - Assembly - 10T (inc. 19-21)
19	0402-424	AR		Shim
19	0402-425	AR		Shim
19	0402-426	AR		Shim
19	0402-427	AR		Shim
19	0402-428	AR		Shim
20	0402-327	1		Bearing
21	0402-336	1		Collar, Retaining
22	0402-331	1		Collar, Lock
23	0402-982	1		Washer, Wave
24	0402-981	1		Collar, Shaft
25	0402-947	1		Gasket, Flange
26	0502-529	1		Housing, Pinion
27	0423-417	1		Ring, Retaining
28	1402-043	1		Bearing
29	0423-423	1		Ring, Retaining
30	1402-011	1		Seal
31	0502-382	1		Driveshaft Assembly (inc. 32-36)
32	0502-518	1		Yoke, Rear
33	0402-944	2	/P	Joint, Universal (inc. 34)
34	0423-395	8		Ring, Retaining
35	0502-525	1		Driveshaft
36	0502-522	1		Yoke, Rear Slip



2004 650 V-2 4X4 FIS CAT GREEN MRP (A2004ISR4BUSV)
REAR SUSPENSION ASSEMBLY

Page 70 of 95

Ref #	Part Number	Qty	S/P/F	Description
1	0504-312	1	S	Knuckle, Right Rear - Assembly (inc. 2-6)
1	0504-313	1	S	Knuckle, Left Rear - Assembly (inc. 2-6)
2	0504-311	1	S	Knuckle - Right
2	0504-310	1	S	Knuckle - Left
3	1402-027	2	S/P	Bearing, Wheel
4	0423-423	2		Ring, Retaining
5	0403-038	4	S/P	Collar, Suspension Bushing
6	0403-032	8	S	Bushing, Suspension
7	8409-000	4		Screw, Cap
8	8428-002	14		Nut, Lock
9	0504-320	1	S	A-Arm, Rear - Lower Right (inc. 10-11)
9	0504-321	1	S	A-Arm, Rear - Lower Left (inc. 10-11)
10	0403-115	16	S	Bushing
11	0403-114	8	S	Collar
12	0504-318	1		A-Arm, Rear - Upper Right (inc. 10-11)
12	0504-319	1		A-Arm, Rear - Upper Left (inc. 10-11)
13	8409-075	8		Screw, Cap
14	0502-596	2	S	Axle, Drive (inc. 15-16)
15	0441-893	2	S	Clip, Retaining
16	0436-276	2	S	Repair Kit, Boot - Rear Axle
17	1406-068	1		Guard, Boot - Right
17	1406-069	1		Guard, Boot - Left
18	0423-101	6		Screw, Body
19	1406-071	1		Guard, Boot - Right
19	1406-072	1		Guard, Boot - Left
20	0404-077	2		Shock Absorber - Rear (inc. 21-22)
21	0604-310	8		Bushing, Shock Absorber
22	0403-028	2		Sleeve, Shock Absorber
23	0404-057	2		Cam, Spring Adjuster
24	1603-889	2	/P	Retainer, Spring
25	0404-065	2		Spring, Suspension
26	8409-040	2		Screw, Cap
27	0423-087	2		Washer
28	8408-820	2	/P	Screw, Cap
29	0441-587	1		Wrench, Spanner



2004 650 V-2 4X4 FIS CAT GREEN MRP (A2004ISR4BUSV)
RECOIL STARTER

Page 72 of 95

Ref #	Part Number	Qty	S/P/F	Description
1	3201-235	1		Starter, Recoil
2	3201-380	4		Bolt
3	3201-073	1		Gasket, Recoil Starter
4	3201-302	1		Key
5	3201-334	1		O-Ring
6	3201-108	1		Boss
7	3201-234	1		Pulley, Starter
8	3201-369	1		Bolt

No
Diagram
Available

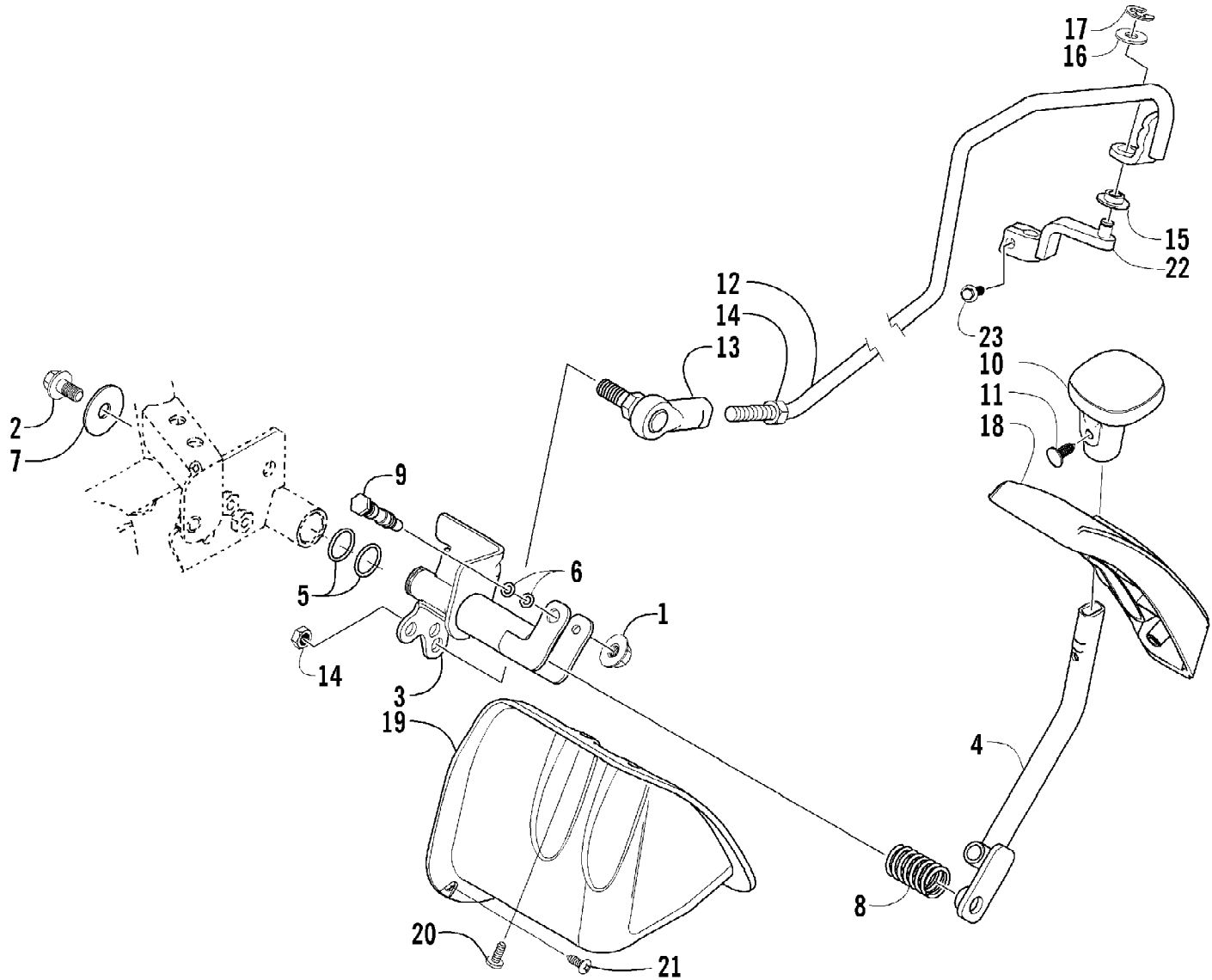
Parts List
Only

Ref #	Part Number	Qty	S/P/F	Description
	0436-479	1		Articulating Spool Mount
	0436-469	1		Backrest
	0436-513	1		Bag, Fender - Black
	0436-514	1		Bag, Fender (Break-Up)
	0436-515	1		Bag, Fender (Shadow Grass)
	0436-337	1		Bag, Rack, Front, Black
	0436-336	1		Bag, Rack, Rear, Black
	0436-480	1		Bar, Utility/Gun Rack
	0436-432	1	S	Brush Guard/Bumper, Front
	0436-502	1		Brush Guard/Bumper
	0436-462	1		Bucket Holder
	0436-506	1		Bumper (Rear)
	0436-464	1		Camp Stove Cradle
	0436-454	1		Cargo Box
	0436-485	1		Cargo Box Solid Mount Kit
	0436-498	1		Cargo Box Quick-Release Kit
	0436-459	1	/P	Carryall (9x12)
	0436-460	1		Carryall (11x17)
	0436-461	1		Carryall (14x25)
	0436-476	1		Chain Saw Lock
	0436-477	1		Cord Reel
	0436-381	1		Cover, Black and Green
	0436-339	1		Cover, Timber Camo
	0436-005	1	S	Engine Oil - 10W40
	0436-003	1	S	Engine Oil - 5W30
	0436-466	1		Fender Box
	0436-474	1		Flatbed Extensions
	0436-467	1		Gear Cradle
	0436-007	1	S	Gear Lube (Diff) - 80W90
	0436-472	1		Gun Scabbard Kit
	0436-505	1		Hand Guards - Black
	0436-352	1		Hand/Thumb Warmers
	0436-504	1		Ice Auger Holder
	2257-204	1		Illustrated Parts Manual
	0436-463	1		Light Bar
	0436-473	1		Maxrack (3-Piece)
	2256-892	1		Manuel d'utilisation (F)
	2256-975	1		Operator's Manual (E)
	0436-475	1		Rack Basket
	0436-495	1		Rapid Blind (Break-Up)
	0436-496	1		Rapid Blind (Shadow Grass)
	0436-494	1	S	Rapid Shack (Blue Ice)
	0436-511	1		Rod Holder - Adjustable
	0436-386	1		Snowplow Attachment Kit
	0436-228	1		Snowplow Blade, 50 in. - Straight
	0436-287	1		Snowplow Blade, 50 in. - One-Way
	0436-296	1		Snowplow Blade, 60 in. - Straight
	0436-360	1		Snowplow Blade, 60 in. - One-Way
	0436-356	1	S	Snowplow, Push Frame
	0436-471	1		Speedclamp, Double
	0436-500	1		Sprayer System
	0436-508	1	S	Sprayer Boom (120 in.)
	0436-465	1		Table Extension

2004 650 V-2 4X4 FIS CAT GREEN MRP (A2004ISR4BUSV)
RELATED ITEMS

Page 75 of 95

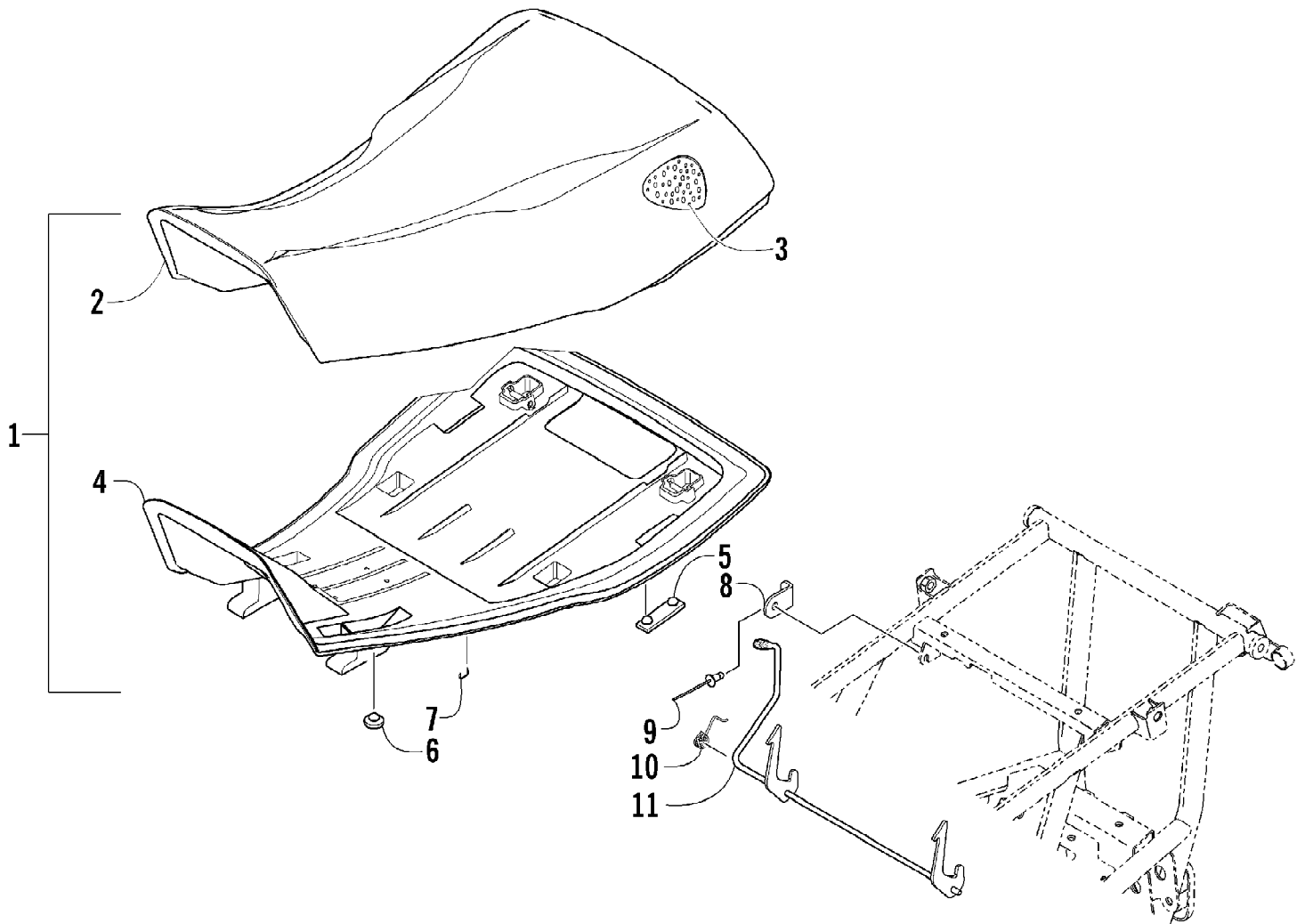
Ref #	Part Number	Qty	S/P/F	Description
	1402-028	1		Tire, Titan AT589 (25x8-12, Mud & Snow)
	0402-563	1		Tire, Titan AT589 (25x10-12, Mud & Snow)
	0436-478	1		Tool Caddy
	0436-297	1		Tool Holder - Double
	0436-263	1	/P	Tool Holder - Single
	0436-468	1		Tree Stand/Bow Case Holder
	0436-329	1	S	Winch Kit, 2500 lb
	0436-361	1		Winch Mounting Kit
	0436-507	1		Windshield, Clear w/Black Accent
	0436-470	1		Workbase (8 in.)



2004 650 V-2 4X4 FIS CAT GREEN MRP (A2004ISR4BUSV)
 REVERSE SHIFT LEVER ASSEMBLY

Page 77 of 95

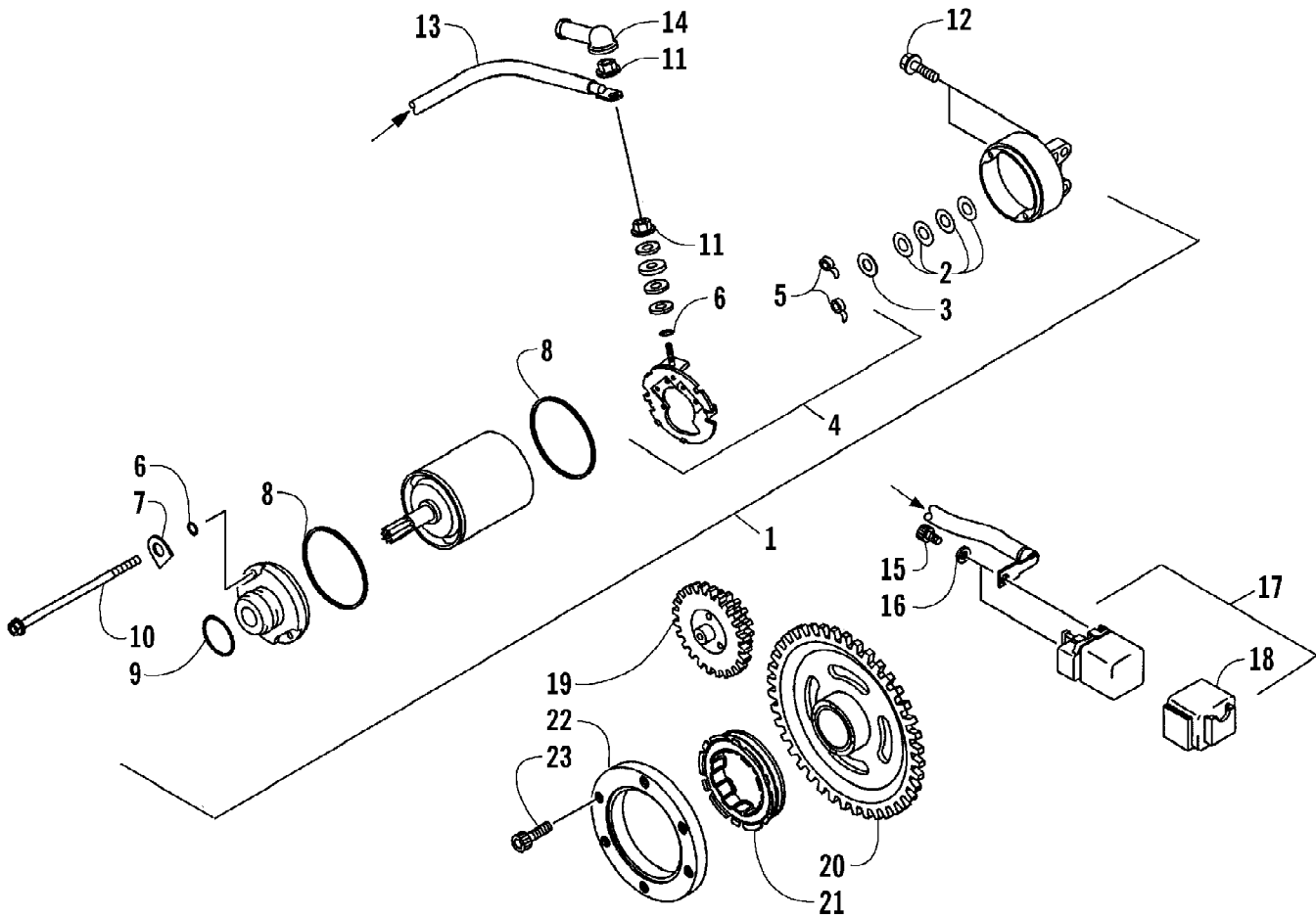
Ref #	Part Number	Qty	S/P/F	Description
1	8424-602	1	/P	Nut
2	8408-812	1		Screw, Cap
3	0502-560	1		Axle, Reverse Shift Lever
4	0502-185	1		Lever, Reverse Shift
5	0423-299	2	/P	O-Ring
6	0423-182	2	/P	O-Ring
7	0423-087	1		Washer
8	0502-410	1	S	Spring
9	0402-675	1		Axle, Pivot
10	0402-843	1	/P	Handle, Reverse Shift Lever
11	0423-345	1		Clip, Push
12	0502-530	1	S	Linkage, Shift
13	0402-844	1		End, Rod
14	0623-294	2		Nut
15	0423-091	1		Bushing
16	8050-242	1		Washer
17	0423-169	1	/P	E-Ring
18	0402-685	1		Plate, Shift
19	0406-943	1		Shield, Linkage
20	0423-371	3		Screw, Machine
21	0623-309	1		Screw, Self-Tapping
22	0502-587	1		Arm, Reverse Shift
23	3201-037	1		Screw, Cap



2004 650 V-2 4X4 FIS CAT GREEN MRP (A2004ISR4BUSV)
SEAT ASSEMBLY

Page 79 of 95

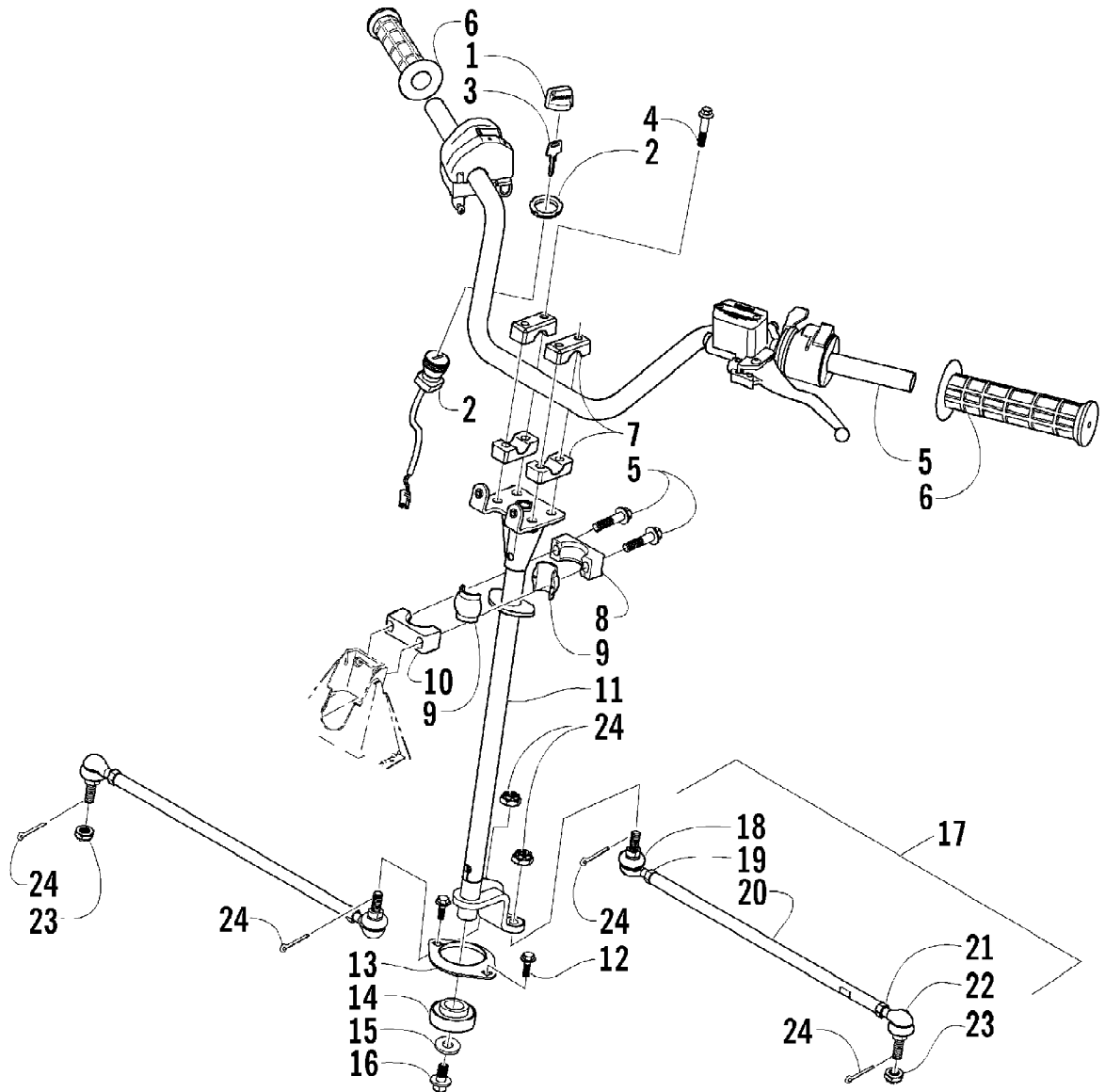
Ref #	Part Number	Qty	S/P/F	Description
1	1506-435	1		Seat Assembly (inc. 2-7)
2	0506-556	1		Cover, Seat
3	0506-555	1		Foam, Seat
4	0406-878	1		Base, Seat Assembly (inc. 5-6)
5	0406-879	2		Bumper, Seat - Rear
6	0406-877	2	/P	Bumper, Seat - Front
7	0624-528	AR	/P	Staple
8	1406-087	1		Plate, Retainer
9	8060-284	1		Rivet
10	1406-371	1		Spring, Seat Latch
11	1506-217	1		Latch, Seat



2004 650 V-2 4X4 FIS CAT GREEN MRP (A2004ISR4BUSV)
STARTER MOTOR

Page 81 of 95

Ref #	Part Number	Qty	S/P/F	Description
1	3201-189	1		Motor, Starter (inc. 2-10 and one No. 11)
2	3201-186	4		Washer
3	3201-277	1		Washer
4	3201-187	1		Brush Set (inc. 5, two No. 6, and one No. 11)
5	3201-188	2		Spring, Brush
6	3201-338	3		O-Ring
7	3201-278	2		Washer, Lock
8	3201-339	2		O-Ring
9	3201-335	1		O-Ring
10	3201-367	2		Bolt
11	3201-274	2		Nut
12	3201-146	2		Screw, Cap
13	3201-195	1		Wire, Lead
14	3201-185	1		Grommet, Starter Terminal
15	3201-097	2		Bolt
16	3201-210	2		Washer, Lock
17	3201-197	1		Switch, Magnetic (inc. 18)
18	3201-110	1		Holder
19	3201-200	1	S	Limiters, Starter
20	3201-174	1		Gear, Starter
21	3201-122	1		Clutch, One-way
22	3201-321	1		Race, One-way Clutch
23	3201-096	6		Bolt

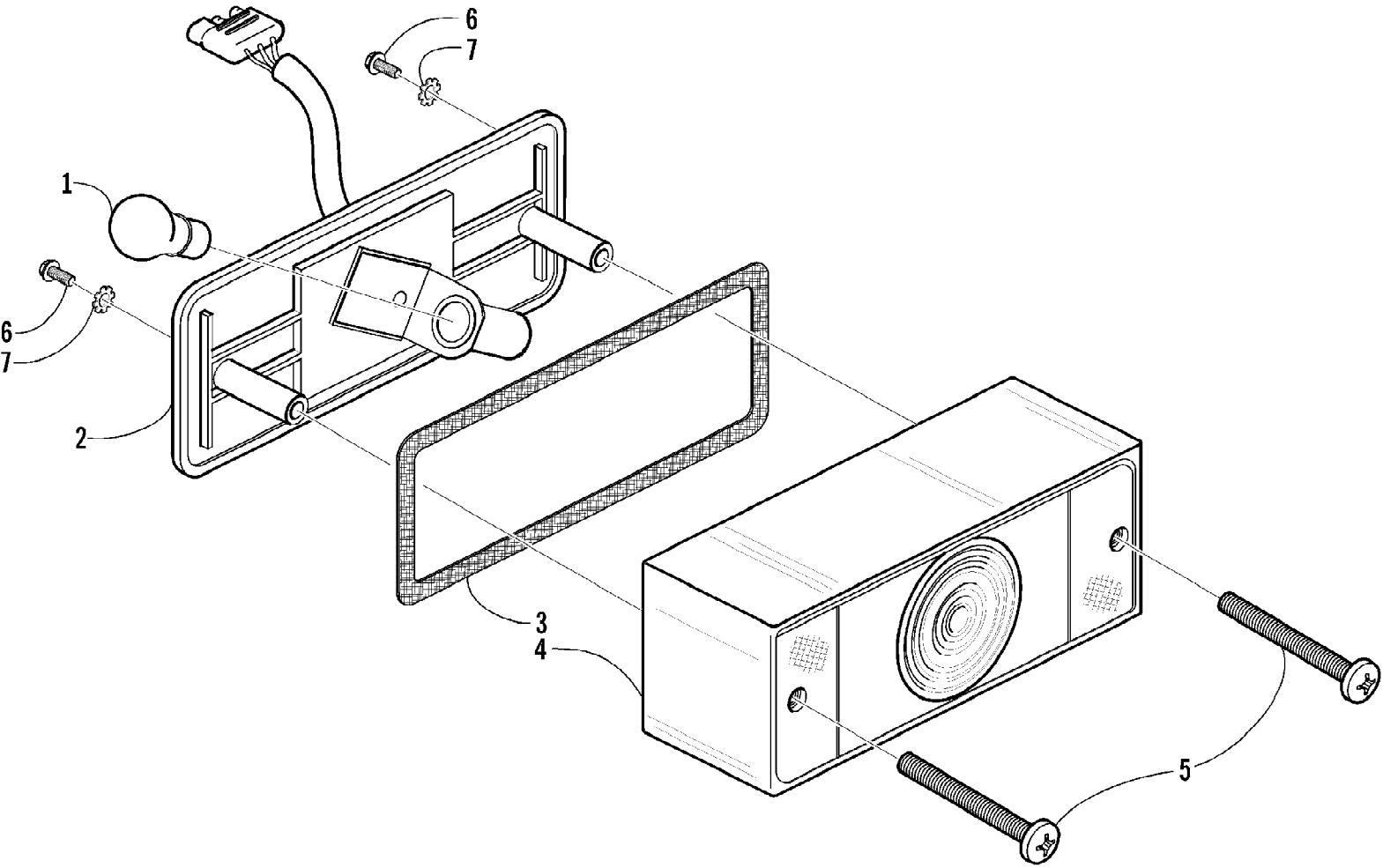


2004 650 V-2 4X4 FIS CAT GREEN MRP (A2004ISR4BUSV)
STEERING ASSEMBLY

Page 83 of 95

Ref #	Part Number	Qty	S/P/F	Description
1	0409-013	1		Cover, Key
2	0430-036	1		Switch, Ignition - Assembly (inc. 3)
3	3409-007	1	/P	Key, Ignition - Blank (C Series)
3	3409-011	1		Key, Ignition - Blank (D Series)
3	3409-012	1		Key, Ignition - Blank (E Series)
3	3409-013	1		Key, Ignition - Blank (F Series)
4	8408-860	6		Screw, Cap
5	0505-441	1		Tube, Handlebar
6	0405-106	2		Grip, Handlebar
7	0405-035	4		Cap, Steering Adjuster
8	0605-147	1	S	Housing, Bearing - Upper
9	0405-020	2		Bearing, Steering Post
10	0605-171	1		Housing, Bearing - Lower
11	0505-431	1	/P	Post, Steering
12	8408-816	2		Screw, Cap
13	0602-233	1		Flange, Bearing
14	0405-052	1		Bearing w/Inverted Oil Seal
15	0423-073	1		Washer
16	8409-020	1	/P	Screw, Cap
17	0505-408	2	S	Tie Rod - Assembly (inc. 18-22)
18	0405-083	2	S	Ball Joint, Tie Rod - Left
19	0423-013	2		Nut - Left
20	0405-107	2	S	Tie Rod
21	8420-002	2	/P	Nut - Right
22	0405-082	2	S	Ball Joint, Tie Rod - Right
23	0423-157	4		Nut, Lock
24	0623-175	4		Pin, Cotter

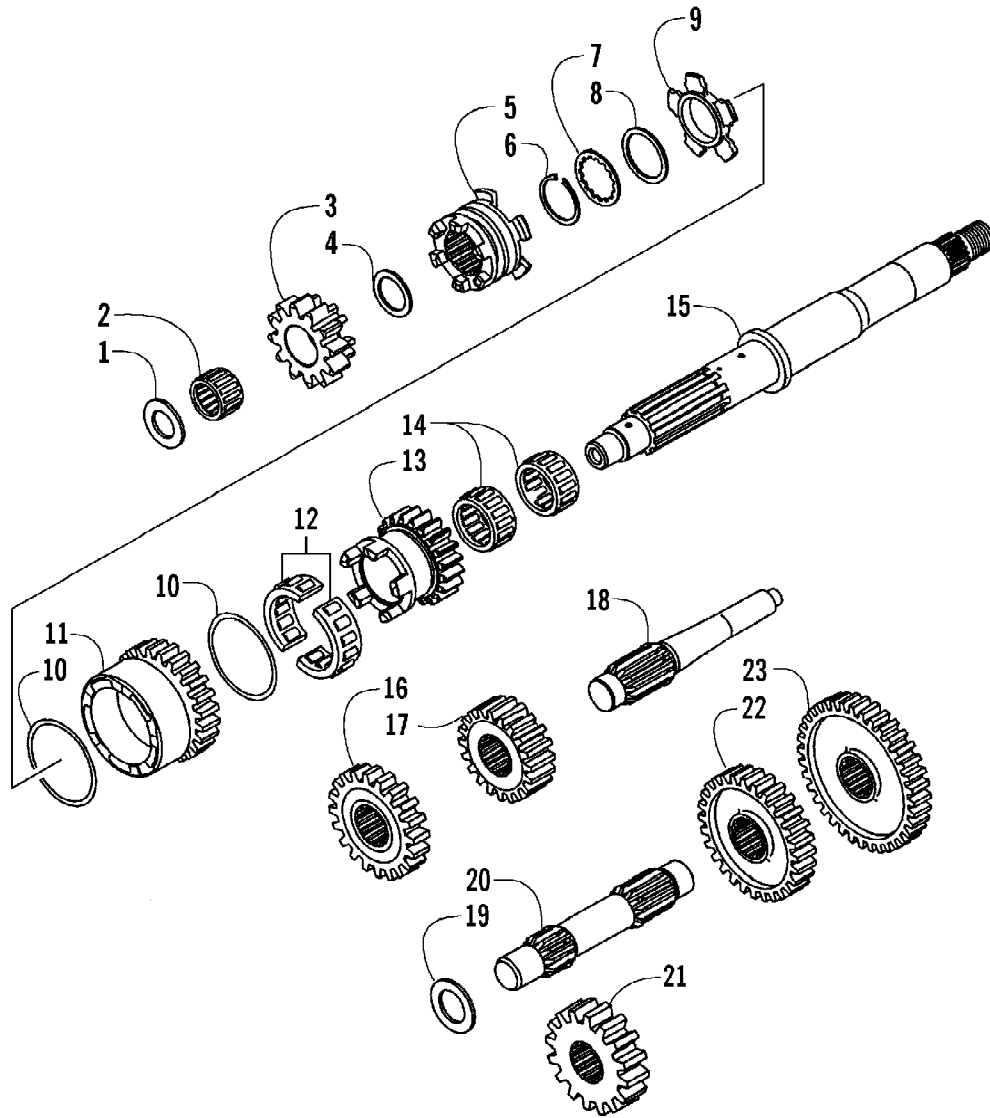
2004 650 V-2 4X4 FIS CAT GREEN MRP (A2004ISR4BUSV)
TAILLIGHT ASSEMBLY



2004 650 V-2 4X4 FIS CAT GREEN MRP (A2004ISR4BUSV)
TAILLIGHT ASSEMBLY

Page 85 of 95

Ref #	Part Number	Qty	S/P/F	Description
	0409-002	1		Complete Taillight Assembly
1	0109-460	1	/P	Bulb, Stop/Taillight
2	0409-058	1		Taillight w/Socket Assembly
3	0409-012	1		Gasket, Taillight Lens
4	0409-007	1		Lens, Taillight
5	0409-010	2		Screw, Machine
6	0623-301	2	/P	Screw, Self-Tapping
7	8053-212	2	/P	Washer, Lock - External Tooth

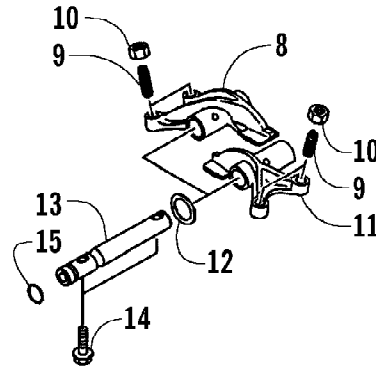
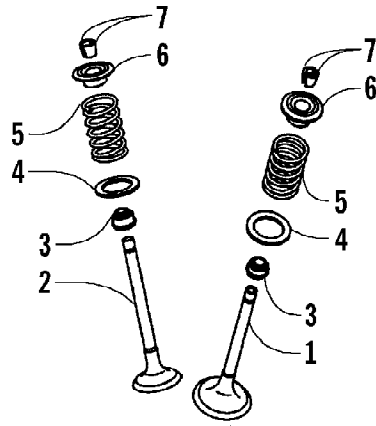


2004 650 V-2 4X4 FIS CAT GREEN MRP (A2004ISR4BUSV)
TRANSMISSION ASSEMBLY

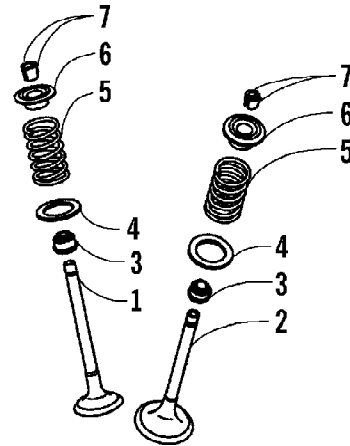
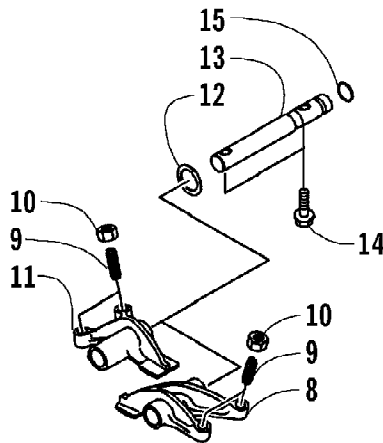
Page 87 of 95

Ref #	Part Number	Qty	S/P/F	Description
1	3201-283	1		Spacer
2	3201-320	1		Bearing, Reverse Input Gear
3	3201-130	1	S	Gear, Input - Reverse - 12T
4	3201-285	1		Spacer
5	3201-120	1	S	Shifter
6	3201-297	1		Ring, Snap
7	3201-397	1		Washer
8	3201-288	1		Spacer
9	3201-290	1		Spacer
10	3201-289	2		Spacer
11	3201-129	1		Gear, Input - High - 26T
12	3201-317	1		Bearing, High Input Gear
13	3201-137	1	S	Gear, Input - Low - 20T
14	3201-319	2		Bearing, Low Input Gear
15	3201-119	1	S	Shaft, Transmission Input
16	3201-135	1		Gear, Driven - Reverse - 16T
17	3201-134	1		Gear, Output - Reverse - 16T
18	3201-115	1		Shaft, Idle - Reverse
19	3201-398	1		Washer
20	3201-114	1		Shaft, Output
21	3201-133	1		Gear, Output - Drive - 18T
22	3201-132	1		Gear, Driven - High - 30T
23	3201-131	1		Gear, Driven - Low - 36T

FR



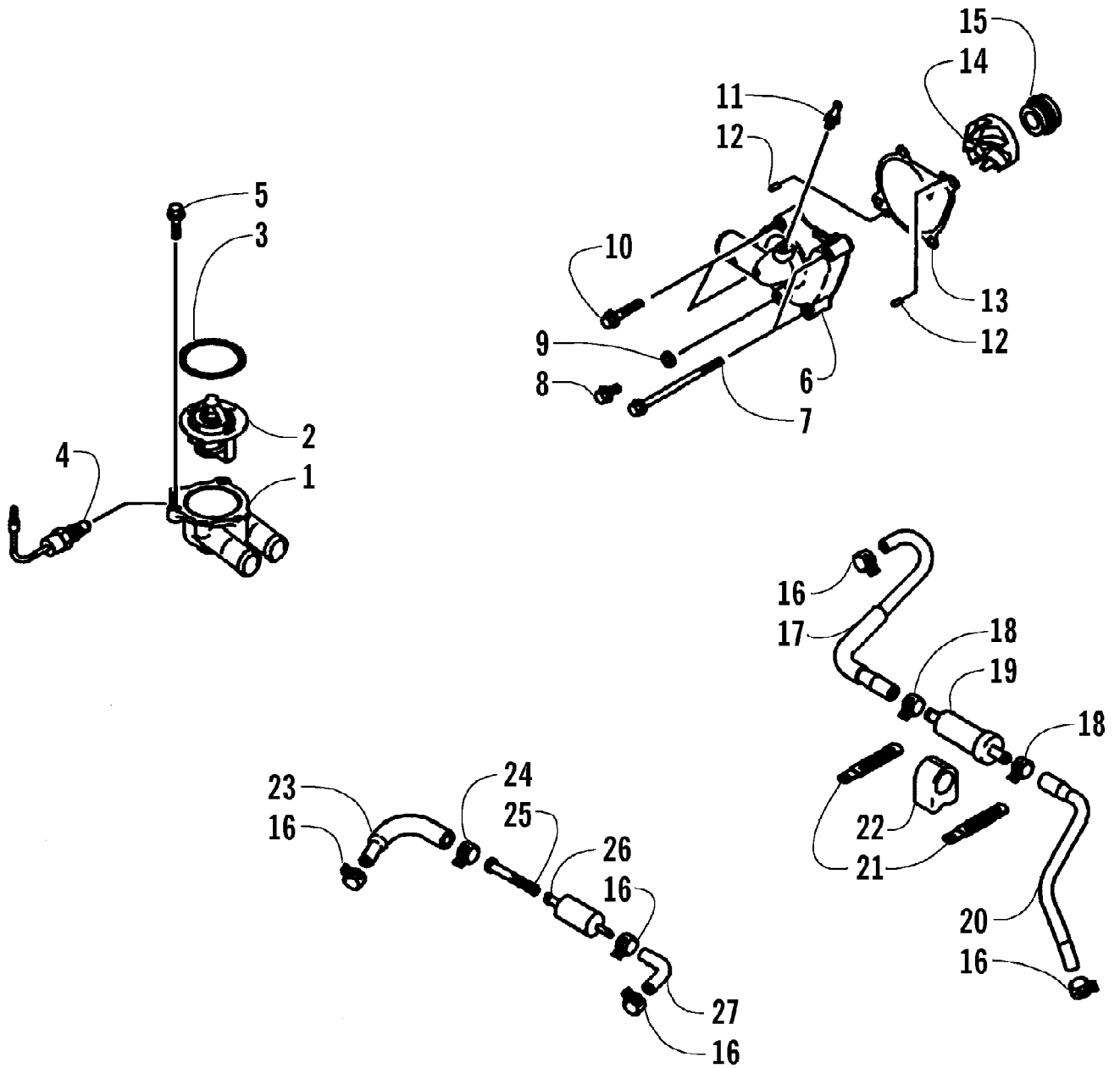
RR



2004 650 V-2 4X4 FIS CAT GREEN MRP (A2004ISR4BUSV)
VALVE ASSEMBLY

Page 89 of 95

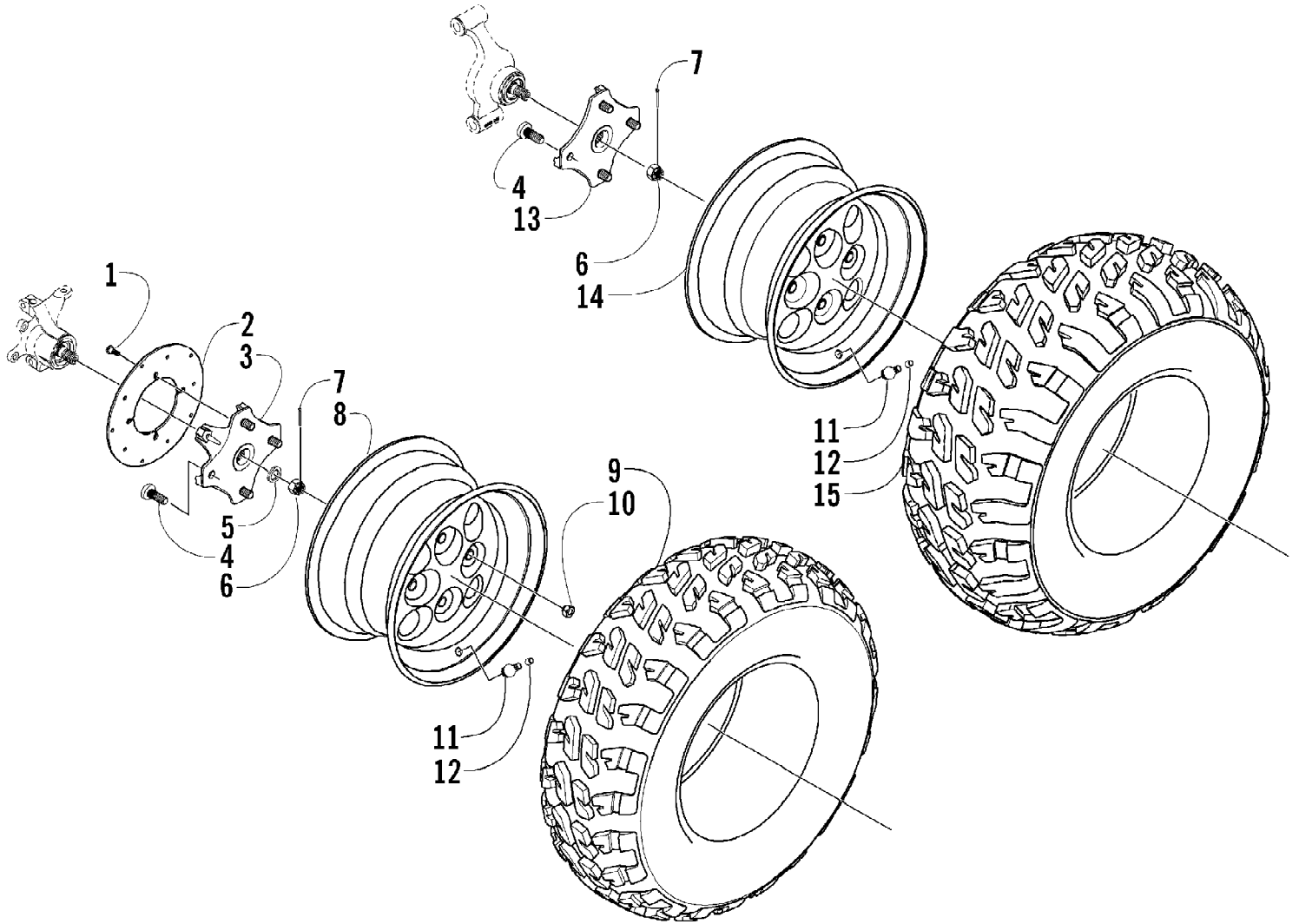
Ref #	Part Number	Qty	S/P/F	Description
1	3201-076	4	S	Valve, Intake
2	3201-077	4	S	Valve, Exhaust
3	3201-322	8		Seal, Oil
4	3201-169	8		Seat, Spring
5	3201-233	8		Spring, Engine Valve
6	3201-078	8		Retainer, Valve Spring
7	3201-079	16		Collet
8	3201-080	2		Arm, Rocker - Exhaust
9	3201-270	8		Screw
10	3201-275	8		Nut
11	3201-081	2		Arm, Rocker - Intake
12	3201-401	4		Washer, Rocker Arm
13	3201-082	4		Shaft, Rocker
14	3201-144	8		Screw, Cap
15	3201-256	4		O-Ring



2004 650 V-2 4X4 FIS CAT GREEN MRP (A2004ISR4BUSV)
WATER PUMP/THERMOSTAT ASSEMBLY

Page 91 of 95

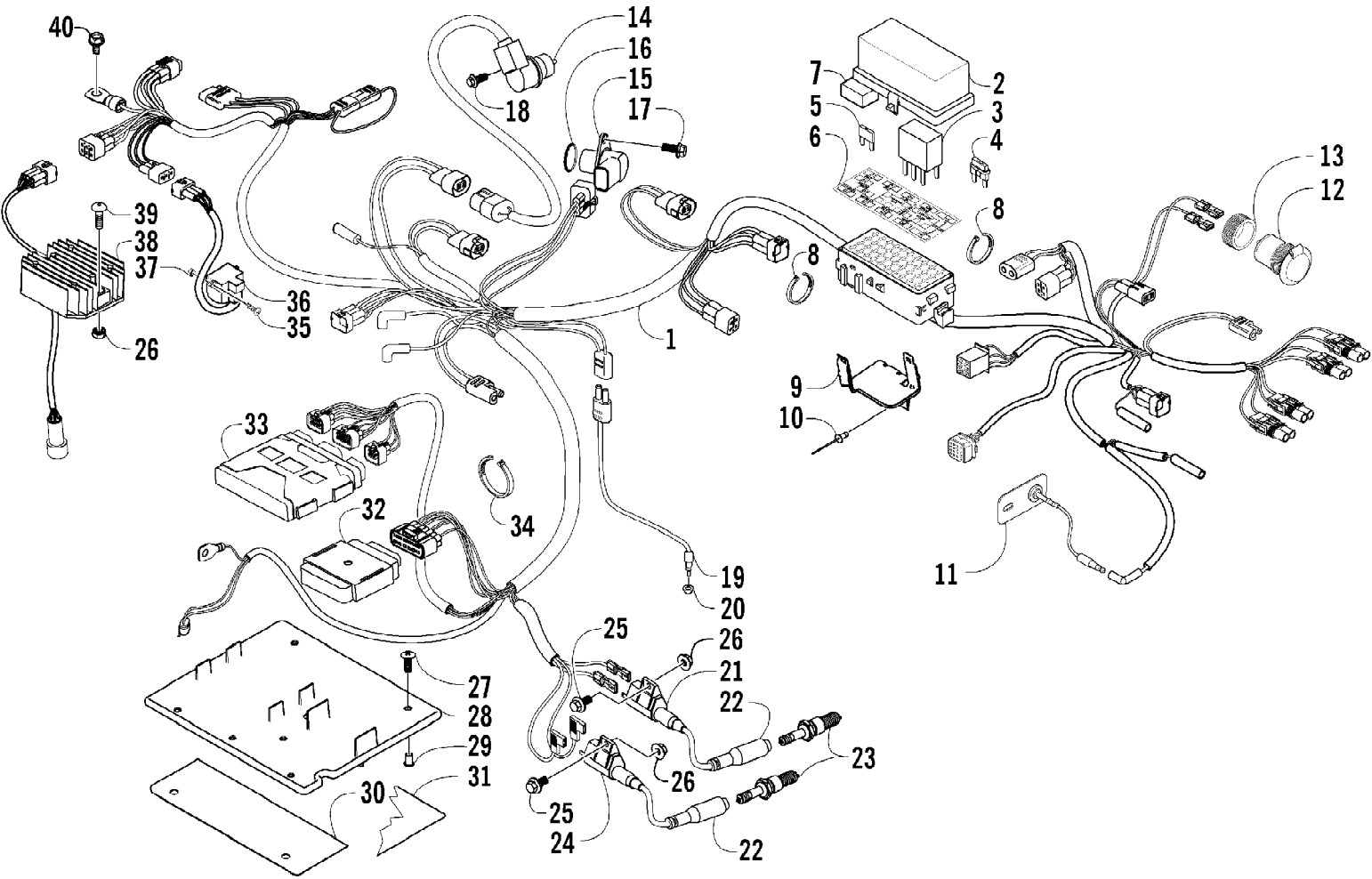
Ref #	Part Number	Qty	S/P/F	Description
1	3201-019	1		Body, Thermostat Lower
2	3201-026	1		Thermostat
3	3201-028	1	/P	O-Ring
4	3201-021	1		Switch, Temperature Sensor
5	3201-036	4		Screw, Cap
6	3201-177	1		Cover, Water Pump
7	3201-143	2		Screw, Cap
8	3201-144	1		Screw, Cap
9	3201-281	1		Washer
10	3201-146	2		Screw, Cap
11	3201-265	1		Fitting
12	3201-241	2		Pin, Dowel
13	3201-068	1		Gasket, Water Pump
14	3201-244	1		Impeller
15	3201-230	1		Seal, Mechanical
16	3201-032	5		Clamp
17	3201-023	1		Hose, Cooling - Carburetor/Valve
18	3201-031	2		Clamp
19	3201-027	1		Valve
20	3201-024	1		Hose, Cooling - Valve/Water Pump
21	3201-033	2		Clamp
22	3201-029	1		Damper, Valve
23	3201-058	1		Hose, Cooling - Water Filter/Carburetor
24	3201-030	1		Clamp
25	3201-025	1		Filter, Water
26	3201-020	1		Body, Water Filter
27	3201-022	1		Hose, Cooling - Cylinder Head/Filter



2004 650 V-2 4X4 FIS CAT GREEN MRP (A2004ISR4BUSV)
WHEEL AND TIRE ASSEMBLY

Page 93 of 95

Ref #	Part Number	Qty	S/P/F	Description
1	0423-029	12		Screw, Machine
2	0402-874	3	S	Disc, Brake
3	0502-421	2	/P	Hub, Wheel - Front (inc. 4)
4	0402-974	16	/P	Stud, Wheel Hub
5	0402-181	2		Seal, Hub
6	0423-394	4		Nut, Castle
7	0423-407	4		Pin, Cotter
8	0402-856	2		Wheel - Front
9	1402-201	2		Tire - Front
10	0423-408	16	/P	Nut, Lug
11	0402-064	4		Stem, Valve (inc. 12)
12	0402-140	4		Cap, Valve Stem
13	0502-601	1	S	Hub, Wheel - Rear - Left (inc. 4)
13	0502-599	1	S	Hub, Wheel - Rear - Right (inc. 4)
14	0402-858	2		Wheel - Rear
15	1402-202	2		Tire - Rear



2004 650 V-2 4X4 FIS CAT GREEN MRP (A2004ISR4BUSV)
WIRING HARNESS ASSEMBLY

Page 95 of 95

Ref #	Part Number	Qty	S/P/F	Description
1	0486-147	1		Harness, Main (inc. 2-7 and two No. 8)
2	0530-008	1		Cover, Fuse Block
3	0430-033	4	F	Relay
4	0430-034	2		Diode
5	0430-032	5		Fuse - 10 Amp
5	0430-031	3		Fuse - 15 Amp
5	0430-030	2		Fuse - 30 Amp
6	0411-751	1		Decal, Fuse Block
7	0430-037	1		Holder, Fuse
8	0123-788	AR	/P	Cable Tie - 7.5 in.
9	1506-414	1		Bracket, Fuse Block
10	8061-705	2		Rivet
11	0509-011	1	S	Diode Assembly
12	0445-022	1	S	Receptacle, 12V (inc. 13)
13	0445-034	1		Nut, Retainer
14	3201-191	1		Sensor, Reverse
15	3201-190	1		Sensor, Speed (inc. 16)
16	3201-343	1		O-Ring
17	3201-036	1		Screw, Cap
18	3201-141	1		Screw, Cap
19	0409-009	1		Switch, Brake - Assembly
20	0402-991	1		Retainer, Switch
21	3201-010	1		Coil, Ignition - Front
22	3201-012	2		Cap, Spark Plug
23	0217-708	2		Spark Plug (NGK CR7E)
24	3201-011	1		Coil, Ignition - Rear
25	8476-620	2		Screw, Cap
26	0623-038	4		Nut w/Washer
27	0623-121	4		Screw, Machine
28	1406-423	1		Tray, Electrical
29	0123-010	4	/P	Nut, Expansion
30	0412-255	1		Shield, Heat
31	0412-147	1		Shield, Heat
32	3201-040	1	S	Controller, Actuator
33	3201-039	1		CDI
34	0123-903	4		Cable Tie - 11.5 in.
35	3201-060	2		Screw
36	3201-034	1		Switch, Invert Sensor
37	0423-493	2		Nut w/Washer
38	0430-035	1	S	Regulator, Voltage
39	8476-630	2		Screw, Machine
40	0623-966	1		Screw, Self-Tapping