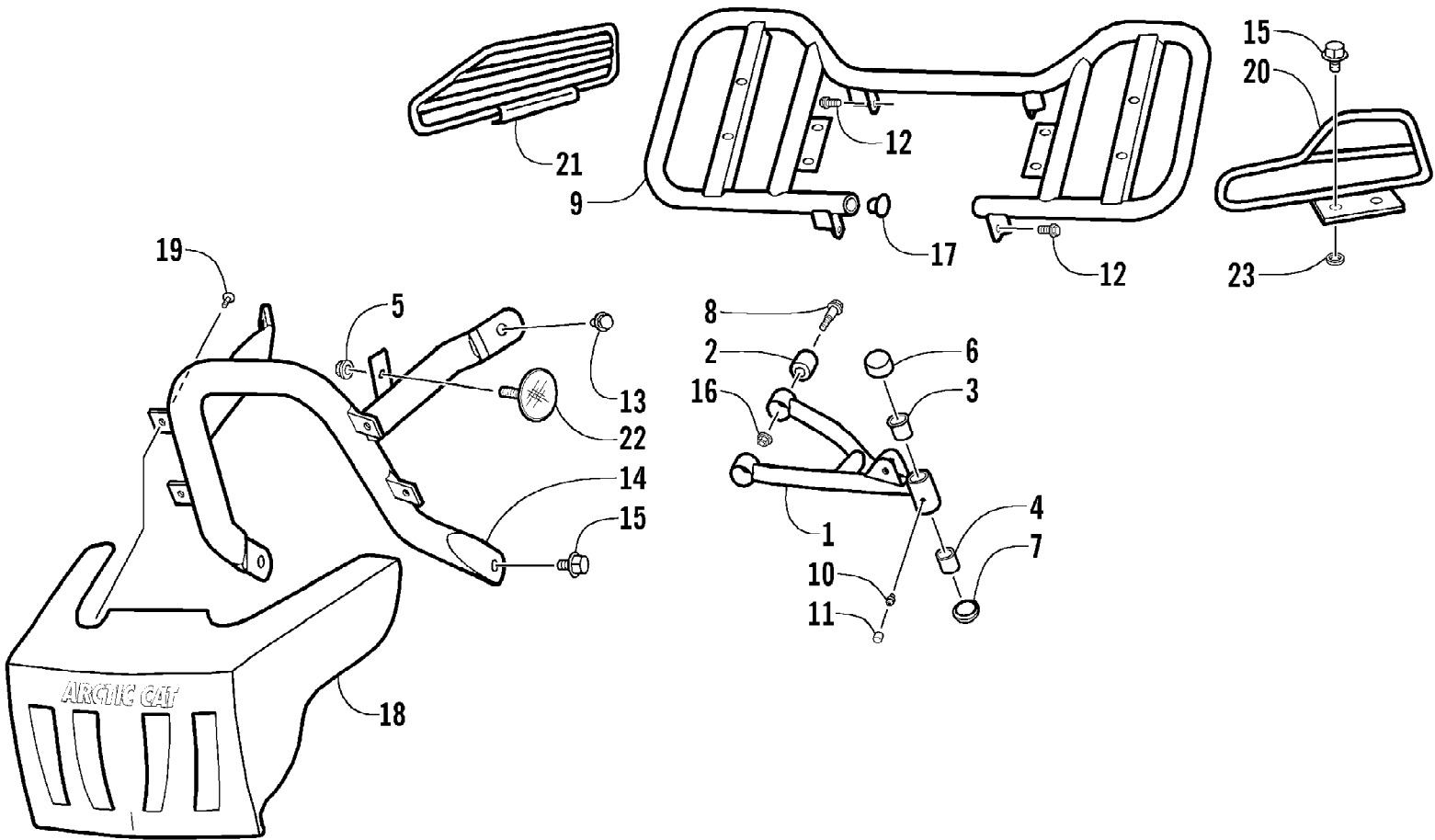


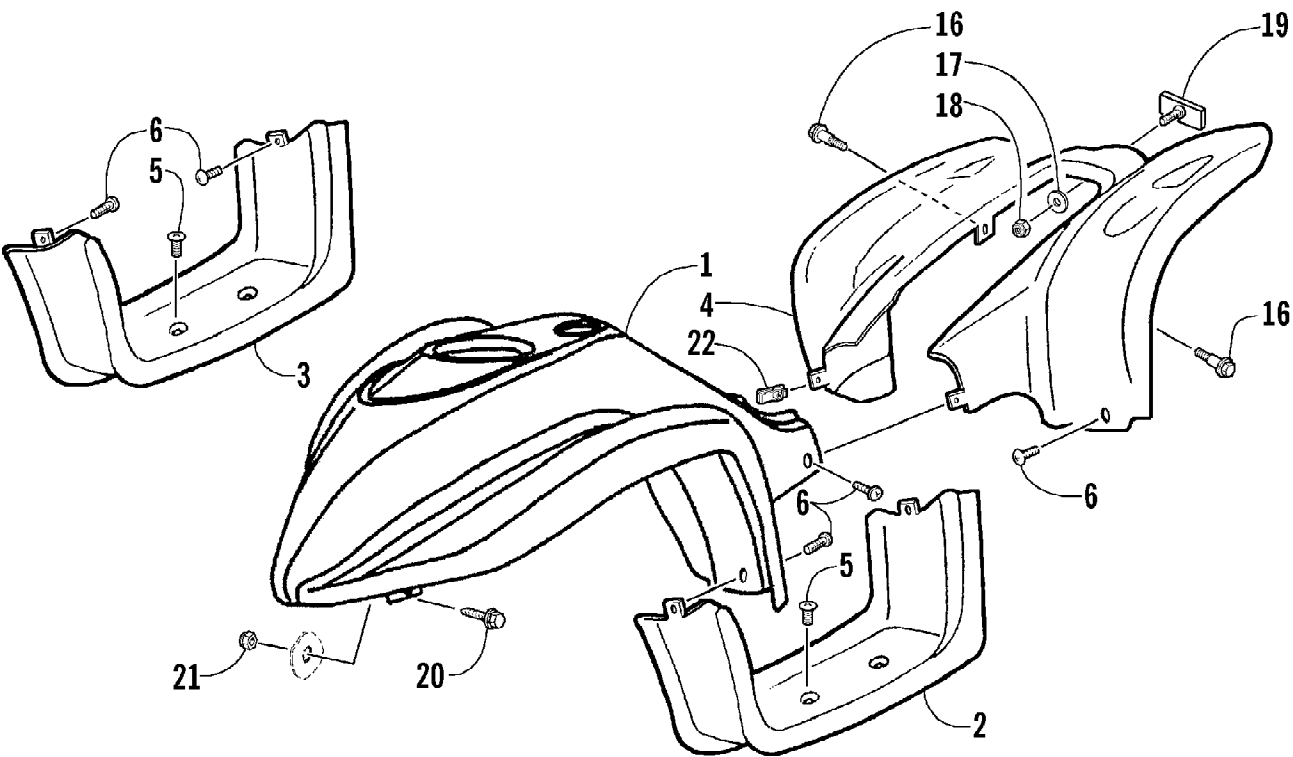
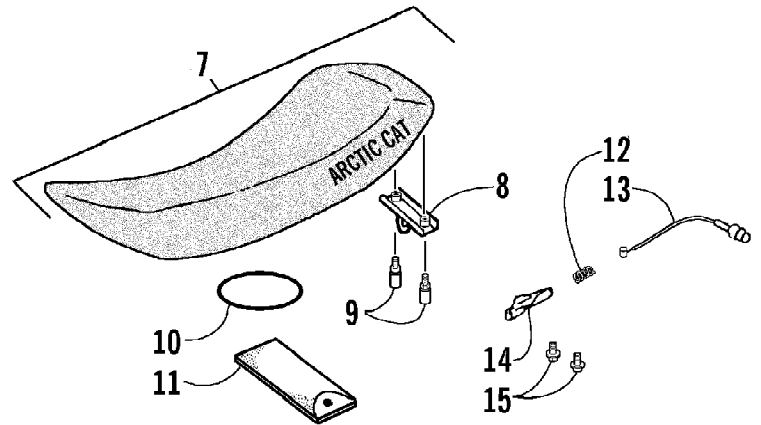
2003 ATV 90 Y-12 YOUTH (GREEN) (A2003ATB2BUSG)
A-ARM, FLOOR PANEL, AND BUMPER ASSEMBLY



2003 ATV 90 Y-12 YOUTH (GREEN) (A2003ATB2BUSG)
 A-ARM, FLOOR PANEL, AND BUMPER ASSEMBLY

Page 2 of 54

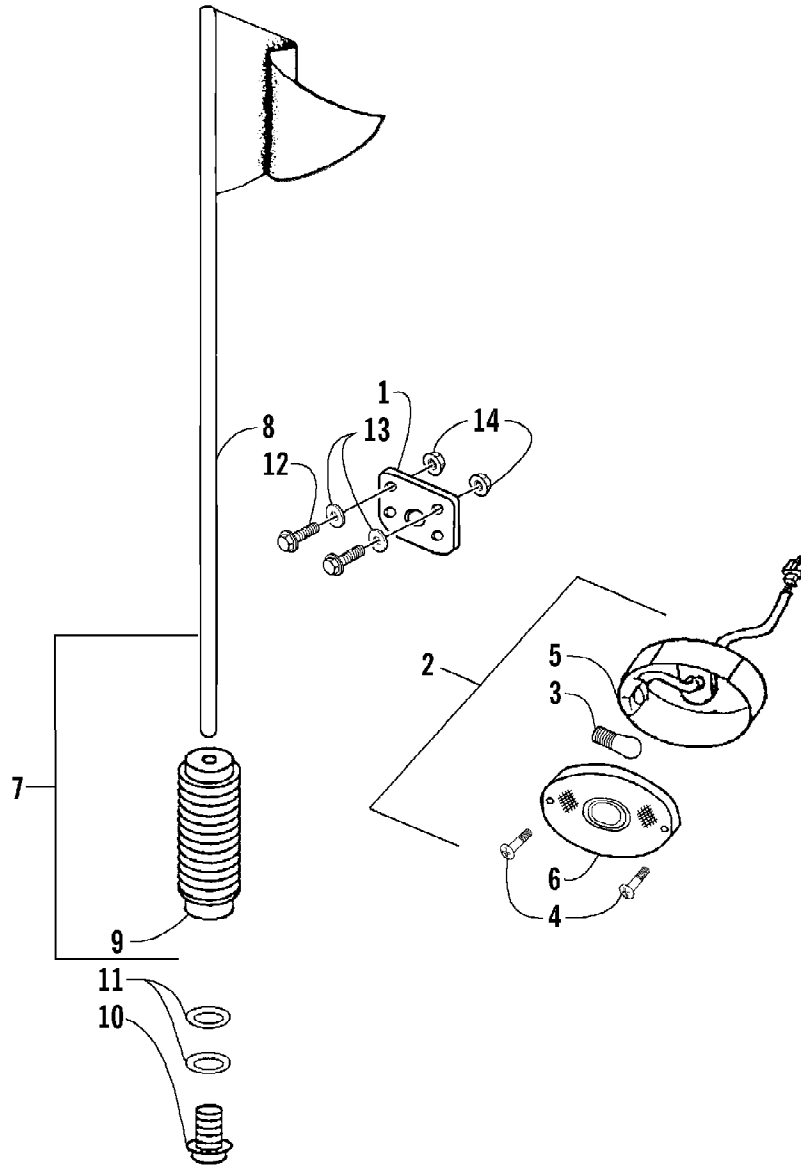
| Ref # | Part Number | Qty | S/P/F | Description |
|-------|-------------|-----|-------|----------------------------|
| 1 | 3301-222 | 1 | | A-Arm, Suspension - Left |
| 1 | 3301-218 | 1 | | A-Arm, Suspension - Right |
| 2 | 3301-428 | 4 | | Bushing, Rubber |
| 3 | 3301-328 | 2 | | Bushing |
| 4 | 3301-219 | 2 | | Bushing |
| 5 | 3301-327 | 2 | | Nut, Flange |
| 6 | 3301-220 | 2 | | Cover, Waterproof |
| 7 | 3301-221 | 2 | S | Cover, Dustproof |
| 8 | 3301-402 | 4 | | Screw, Cap |
| 9 | 3301-251 | 1 | | Panel, Floor |
| 10 | 3301-444 | 2 | | Fitting, Grease |
| 11 | 3301-445 | 2 | | Cap, Grease Fitting |
| 12 | 3301-400 | 4 | | Screw, Cap |
| 13 | 3301-388 | 2 | | Screw, Cap |
| 14 | 3301-207 | 1 | | Bumper |
| 15 | 3301-395 | 6 | | Screw, Cap |
| 16 | 3301-283 | 4 | | Nut, Nylon |
| 17 | 3301-256 | 2 | | Cap, Floor Panel - Rubber |
| 18 | 3301-208 | 1 | | Cover, Bumper |
| 19 | 3301-322 | 4 | | Screw, Self-Tapping |
| 20 | 3301-254 | 1 | | Guard, Floor Panel - Left |
| 21 | 3301-255 | 1 | | Guard, Floor Panel - Right |
| 22 | 3301-455 | 2 | | Reflector - Amber |
| 23 | 3301-476 | 4 | | Washer, Spring |



2003 ATV 90 Y-12 YOUTH (GREEN) (A2003ATB2BUSG)
BODY AND SEAT ASSEMBLY

Page 4 of 54

| Ref # | Part Number | Qty | S/P/F | Description |
|-------|-------------|-----|-------|--------------------------|
| 1 | 3301-250 | 1 | | Cover, Front (Red) |
| 1 | 3301-248 | 1 | | Cover, Front (Green) |
| 1 | 3301-249 | 1 | | Cover, Front (Cat Green) |
| 2 | 3301-253 | 1 | | Panel, Floor - Left |
| 3 | 3301-252 | 1 | | Panel, Floor - Right |
| 4 | 3301-264 | 1 | | Cover, Rear (Red) |
| 4 | 3301-493 | 1 | | Cover, Rear (Green) |
| 4 | 3301-494 | 1 | | Cover, Rear (Cat Green) |
| 5 | 3301-319 | 4 | | Screw, Machine |
| 6 | 3301-320 | 6 | | Screw, Machine |
| 7 | 3301-257 | 1 | | Seat Assembly (inc. 8-9) |
| 8 | 3301-258 | 1 | | Bracket, Seat |
| 9 | 3301-259 | 2 | | Bolt, Seat |
| 10 | 3301-304 | 1 | | Strip, Rubber |
| 11 | 3301-210 | 1 | | Bag, Tool |
| 12 | 3301-262 | 1 | | Spring, Reset |
| 13 | 3301-261 | 1 | | Cable, Seat Release |
| 14 | 3301-263 | 1 | | Seat Lock Assembly |
| 15 | 3301-386 | 2 | | Screw, Cap |
| 16 | 3301-275 | 4 | | Bolt, Carriage |
| 17 | 3301-338 | 1 | | Washer |
| 18 | 3301-281 | 1 | | Nut, Nylon |
| 19 | 3301-149 | 1 | | Reflector |
| 20 | 3301-466 | 2 | /P | Screw, Cap |
| 21 | 3301-327 | 2 | | Nut, Flange |
| 22 | 3301-280 | 2 | S | U-Nut |

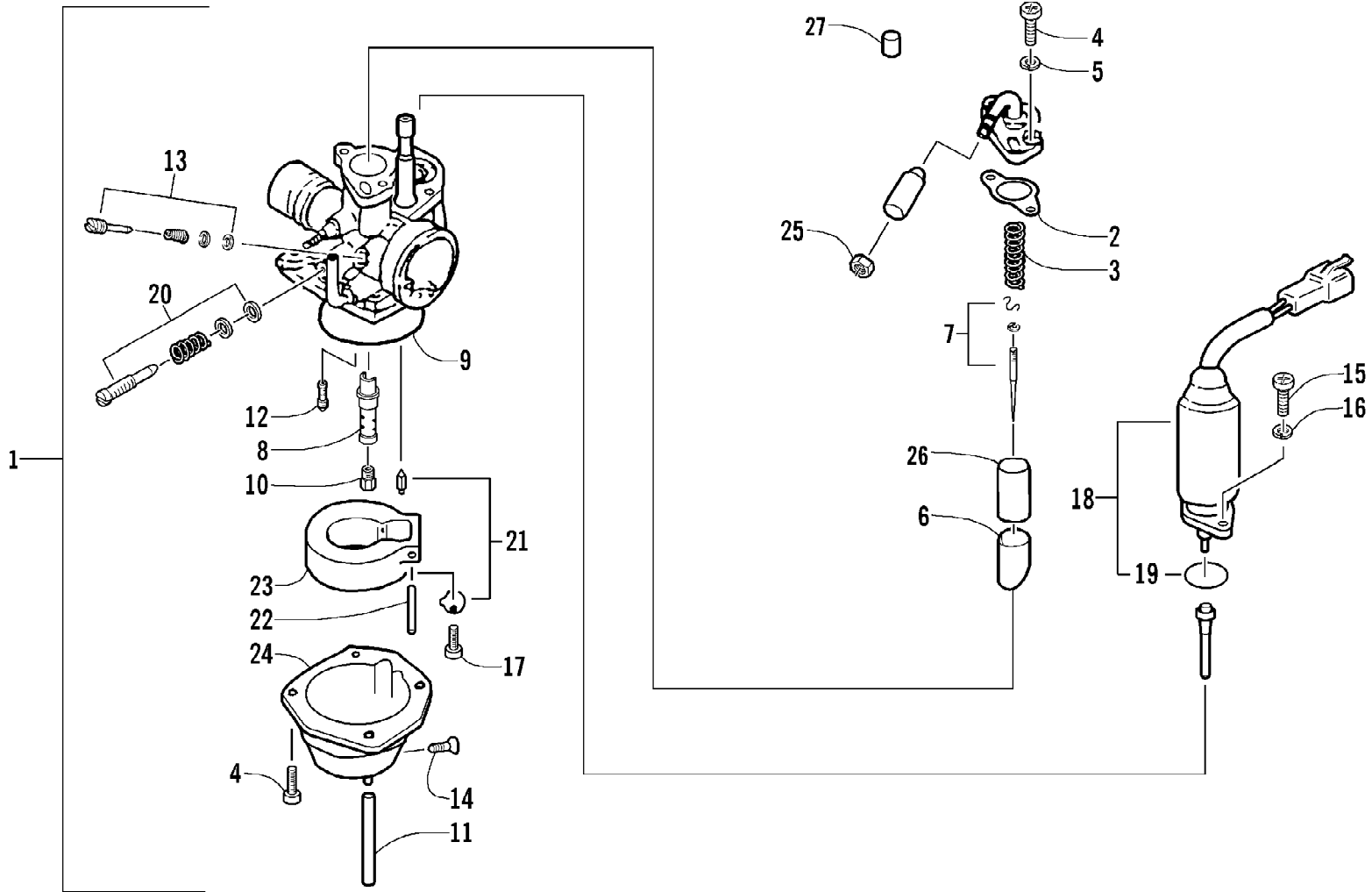


2003 ATV 90 Y-12 YOUTH (GREEN) (A2003ATB2BUSG)
BRAKELIGHT ASSEMBLY

Page 6 of 54

| Ref # | Part Number | Qty | S/P/F | Description |
|-------|-------------|-----|-------|---------------------------------|
| 1 | 3301-213 | 1 | | Bracket, Brakelight |
| 2 | 3301-148 | 1 | | Brakelight Assembly (inc. 3-6) |
| 3 | 3301-150 | 1 | | Bulb, Brakelight |
| 4 | 3301-314 | 2 | | Screw, Machine |
| 5 | 3301-453 | 1 | | Base, Brakelight |
| 6 | 3301-452 | 1 | | Lens, Brakelight |
| 7 | 3301-274 | 1 | | Flag/Spring Assembly (inc. 8-9) |
| 8 | 3301-464 | 1 | | Flag |
| 9 | 3301-273 | 1 | | Spring, Flag |
| 10 | 3301-490 | 1 | /P | Screw, Cap |
| 11 | 3301-472 | 2 | | Washer |
| 12 | 3301-386 | 2 | | Screw, Cap |
| 13 | 3301-338 | 2 | | Washer |
| 14 | 3301-327 | 2 | | Nut, Flange |

2003 ATV 90 Y-12 YOUTH (GREEN) (A2003ATB2BUSG)
CARBURETOR ASSEMBLY

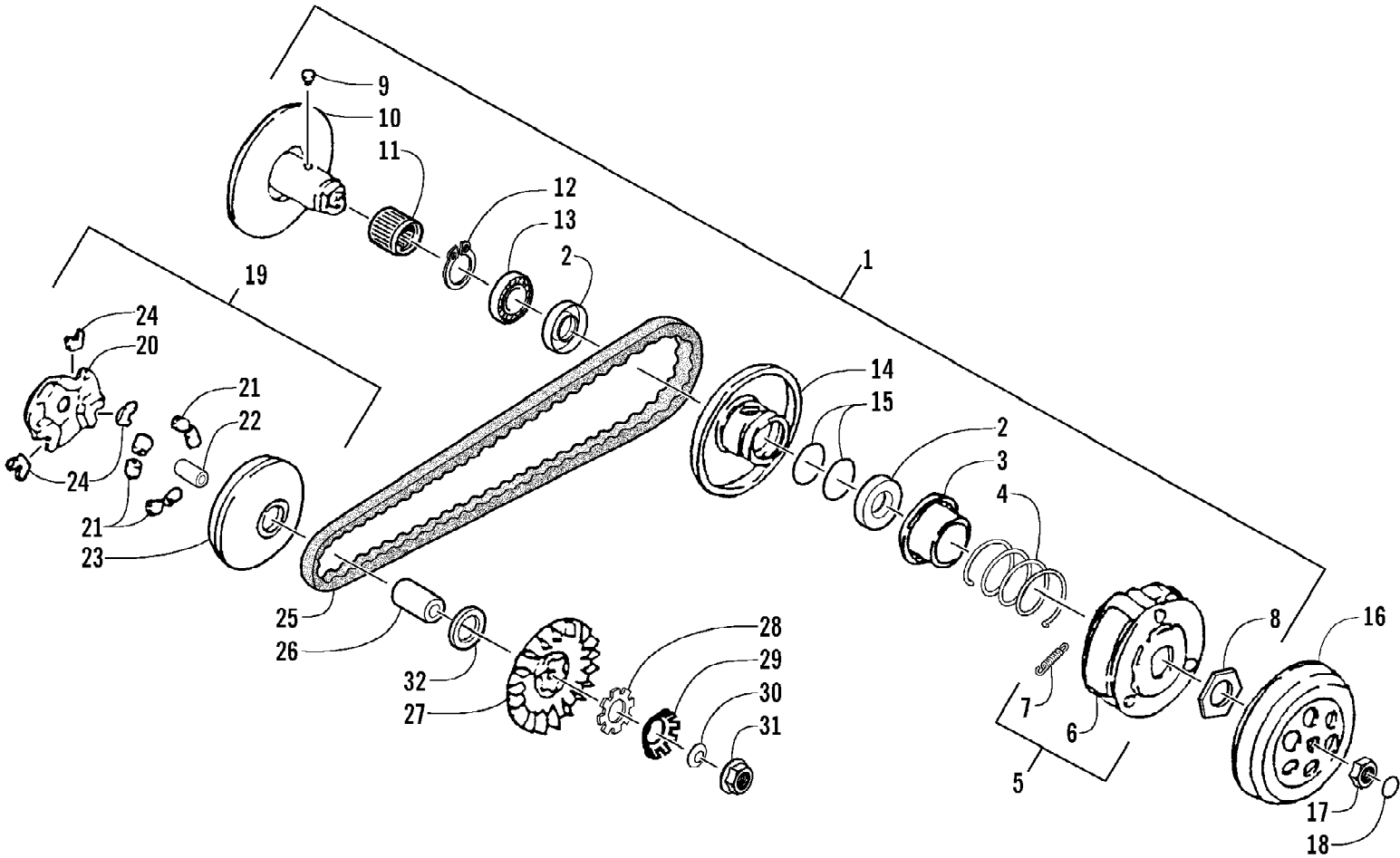


2003 ATV 90 Y-12 YOUTH (GREEN) (A2003ATB2BUSG)
CARBURETOR ASSEMBLY

Page 8 of 54

| Ref # | Part Number | Qty | S/P/F | Description |
|-------|-------------|-----|-------|-------------------------------------|
| 1 | 3301-038 | 1 | | Carburetor Assembly (inc. 2-26) |
| 2 | 3301-039 | 1 | | Gasket, Carburetor |
| 3 | 3301-040 | 1 | | Spring, Throttle Valve |
| 4 | 3301-315 | 6 | S | Screw, Machine |
| 5 | 3301-359 | 2 | | Washer, Spring |
| 6 | 3301-041 | 1 | | Valve, Throttle |
| 7 | 3301-042 | 1 | | Set, Jet Needle |
| 8 | 3301-043 | 1 | | Needle Jet |
| 9 | 3301-044 | 1 | | Seal, Float Chamber |
| 10 | 3301-046 | 1 | | Main Jet |
| 11 | 3301-047 | 1 | | Tube, Overflow |
| 12 | 3301-048 | 1 | | Jet, Pilot |
| 13 | 3301-052 | 1 | | Screw, Air Adjustment |
| 14 | 3301-049 | 1 | | Plug, Drain |
| 15 | 3301-313 | 2 | | Screw, Machine |
| 16 | 3301-358 | 2 | | Washer, Spring |
| 17 | 3301-312 | 1 | | Screw, Machine |
| 18 | 3301-066 | 1 | /P | Choke Assembly - Electric (inc. 19) |
| 19 | 3301-299 | 1 | | O-Ring |
| 20 | 3301-051 | 1 | | Screw, Throttle |
| 21 | 3301-053 | 1 | | Needle Valve Assembly |
| 22 | 3301-055 | 1 | | Pin, Float |
| 23 | 3301-054 | 1 | | Float |
| 24 | 3301-045 | 1 | | Chamber, Float |
| 25 | 3301-050 | 1 | | Nut, Cable Adjust |
| 26 | 3301-056 | 1 | | RPM Limiter, Carburetor |
| 27 | 3301-521 | 1 | /P | Plug, Purge Hole |

2003 ATV 90 Y-12 YOUTH (GREEN) (A2003ATB2BUSG)
CLUTCH ASSEMBLY

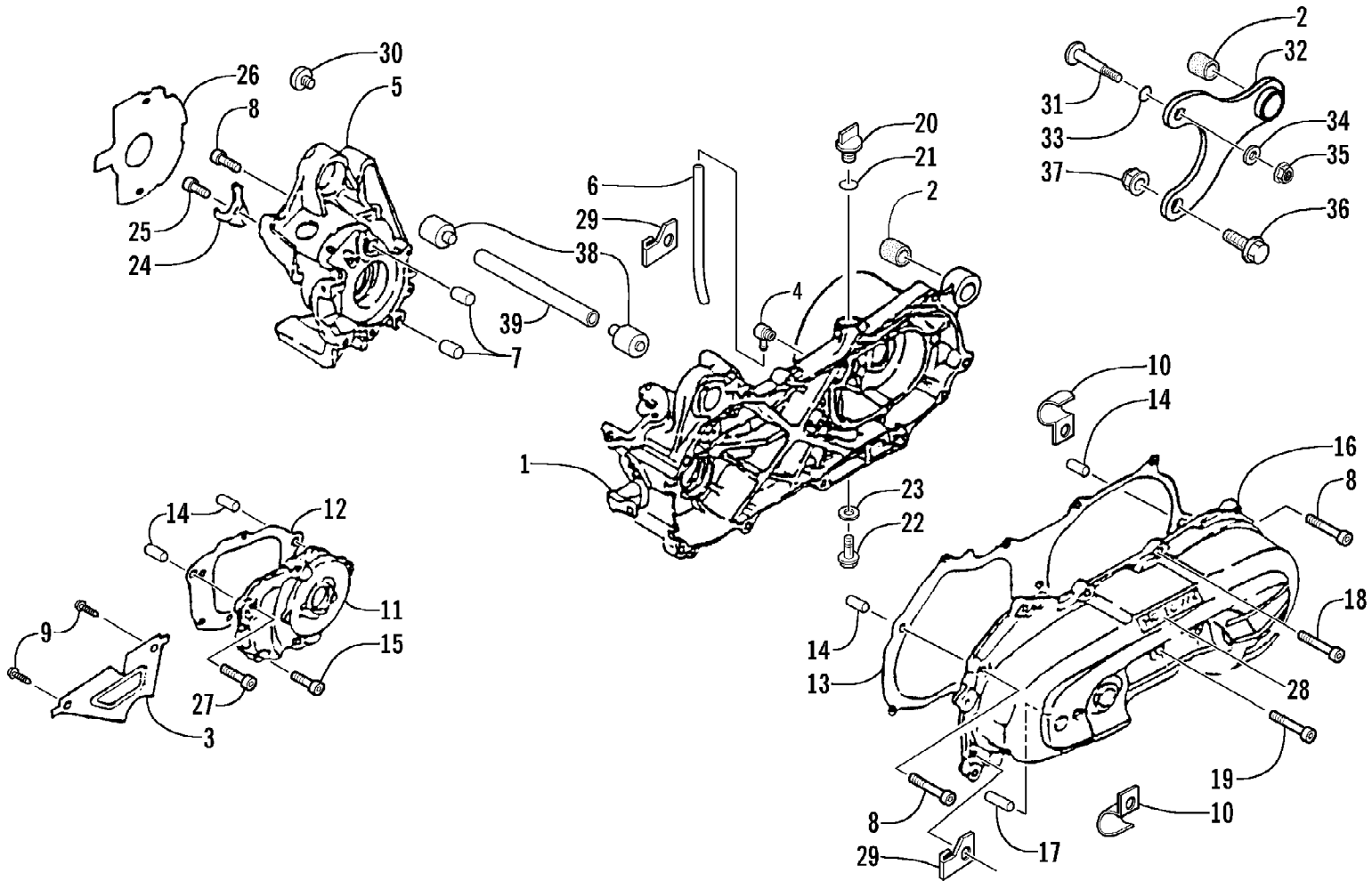


2003 ATV 90 Y-12 YOUTH (GREEN) (A2003ATB2BUSG)
CLUTCH ASSEMBLY

Page 10 of 54

| Ref # | Part Number | Qty | S/P/F | Description |
|-------|-------------|-----|-------|----------------------------------|
| 1 | 3301-099 | 1 | | Driven Face Assembly (inc. 2-15) |
| 2 | 3301-442 | 2 | | Seal, Oil |
| 3 | 3301-118 | 1 | | Seat, Secondary Spring |
| 4 | 3301-117 | 1 | | Spring, Compression |
| 5 | 3301-112 | 1 | | Weight Set, Clutch (inc. 6-7) |
| 6 | 3301-110 | 1 | | Carrier, Clutch Weight |
| 7 | 3301-111 | 3 | | Spring |
| 8 | 3301-277 | 1 | | Nut |
| 9 | 3301-116 | 2 | | Pin, Guide |
| 10 | 3301-114 | 1 | | Face, Fixed Driven |
| 11 | 3301-420 | 1 | | Bearing, Needle |
| 12 | 3301-380 | 1 | /P | Circlip |
| 13 | 3301-417 | 1 | | Bearing, Radial Ball |
| 14 | 3301-115 | 1 | | Face, Movable Driven |
| 15 | 3301-302 | 2 | | O-Ring |
| 16 | 3301-100 | 1 | | Cover, Clutch Carrier |
| 17 | 3301-325 | 1 | | Nut |
| 18 | 3301-298 | 1 | | O-Ring |
| 19 | 3301-102 | 1 | | Drive Face Assembly (inc. 20-24) |
| 20 | 3301-105 | 1 | | Plate, Cam |
| 21 | 3301-104 | 6 | | Roller, Weight |
| 22 | 3301-431 | 1 | | Bushing |
| 23 | 3301-103 | 1 | | Face, Movable Drive |
| 24 | 3301-106 | 3 | | Slide, Cam Plate |
| 25 | 3301-113 | 1 | | V-Belt |
| 26 | 3301-430 | 1 | | Bushing |
| 27 | 3301-101 | 1 | | Face, Fixed Drive |
| 28 | 3301-109 | 1 | | Washer, Lock - External Tooth |
| 29 | 3301-107 | 1 | | Clutch, One-Way |
| 30 | 3301-108 | 1 | | Washer, Cone Spring |
| 31 | 3301-331 | 1 | | Nut, Flange |
| 32 | 3301-451 | 1 | | Bushing, Clutch |

2003 ATV 90 Y-12 YOUTH (GREEN) (A2003ATB2BUSG)
CRANKCASE ASSEMBLY

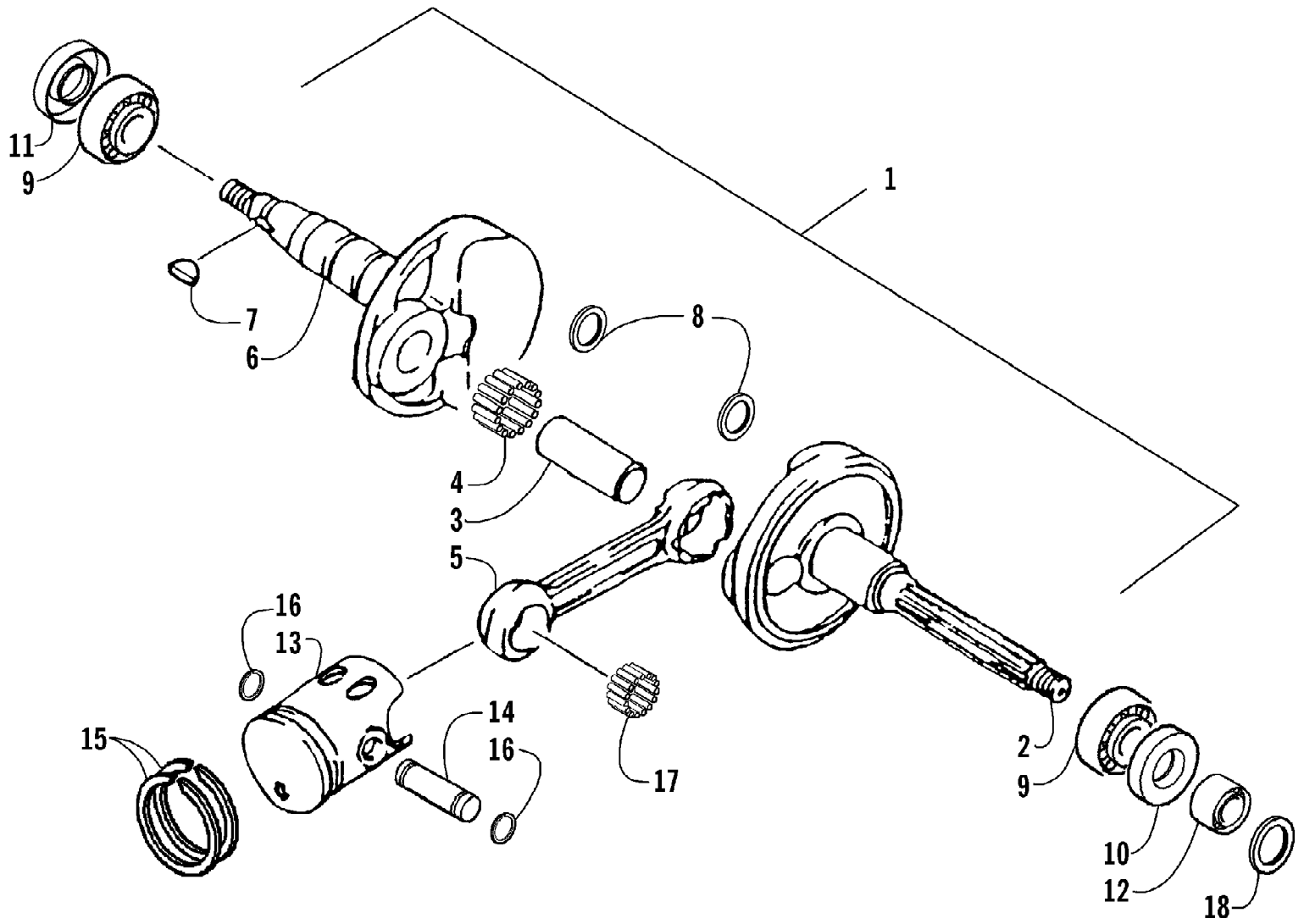


2003 ATV 90 Y-12 YOUTH (GREEN) (A2003ATB2BUSG)
CRANKCASE ASSEMBLY

Page 12 of 54

| Ref # | Part Number | Qty | S/P/F | Description |
|-------|-------------|-----|-------|--------------------------|
| 1 | 3301-006 | 1 | | Crankcase - Left |
| 2 | 3301-427 | 2 | | Bushing, Rubber |
| 3 | 3301-011 | 1 | | Plate, Cover |
| 4 | 3301-057 | 1 | | Fitting, Breather Hose |
| 5 | 3301-001 | 1 | | Crankcase - Right |
| 6 | 3301-480 | 1 | | Hose, Breather |
| 7 | 3301-365 | 2 | | Pin, Dowel |
| 8 | 3301-292 | 8 | | Screw, Cap |
| 9 | 3301-321 | 2 | | Screw, Self-Tapping |
| 10 | 3301-013 | 2 | | Clamp |
| 11 | 3301-097 | 1 | | Cover, Mission |
| 12 | 3301-098 | 1 | | Gasket, Mission Cover |
| 13 | 3301-014 | 1 | | Gasket, Crankcase Cover |
| 14 | 3301-364 | 4 | | Pin, Dowel |
| 15 | 3301-289 | 3 | | Screw, Cap |
| 16 | 3301-010 | 1 | | Cover, Crankcase - Left |
| 17 | 3301-426 | 1 | | Shaft, Idler |
| 18 | 3301-290 | 9 | | Screw, Cap |
| 19 | 3301-293 | 1 | | Screw, Cap |
| 20 | 3301-037 | 1 | | Plug, Oil |
| 21 | 3301-297 | 1 | | O-Ring |
| 22 | 3301-394 | 1 | | Screw, Cap |
| 23 | 3301-342 | 1 | | Washer |
| 24 | 3301-003 | 1 | | Bracket, Oil Seal |
| 25 | 3301-287 | 1 | | Screw, Cap |
| 26 | 3301-004 | 1 | | Gasket, Magneto |
| 27 | 3301-291 | 2 | | Screw, Cap |
| 28 | 0411-481 | 1 | | Decal, Duramatic |
| 29 | 3301-012 | 2 | | Bracket, Carburetor Tube |
| 30 | 3301-002 | 1 | | Protector, Shroud |
| 31 | 3301-198 | 1 | | Shaft, Fixed |
| 32 | 3301-007 | 1 | | Bracket, Crankcase |
| 33 | 3301-296 | 1 | | O-Ring |
| 34 | 3301-343 | 1 | | Washer |
| 35 | 3301-330 | 1 | | Nut, Flange |
| 36 | 3301-406 | 1 | | Screw, Cap |
| 37 | 3301-332 | 1 | | Nut, Flange |
| 38 | 3301-008 | 2 | | Bushing |
| 39 | 3301-005 | 1 | | Shaft, Crankcase Fixed |

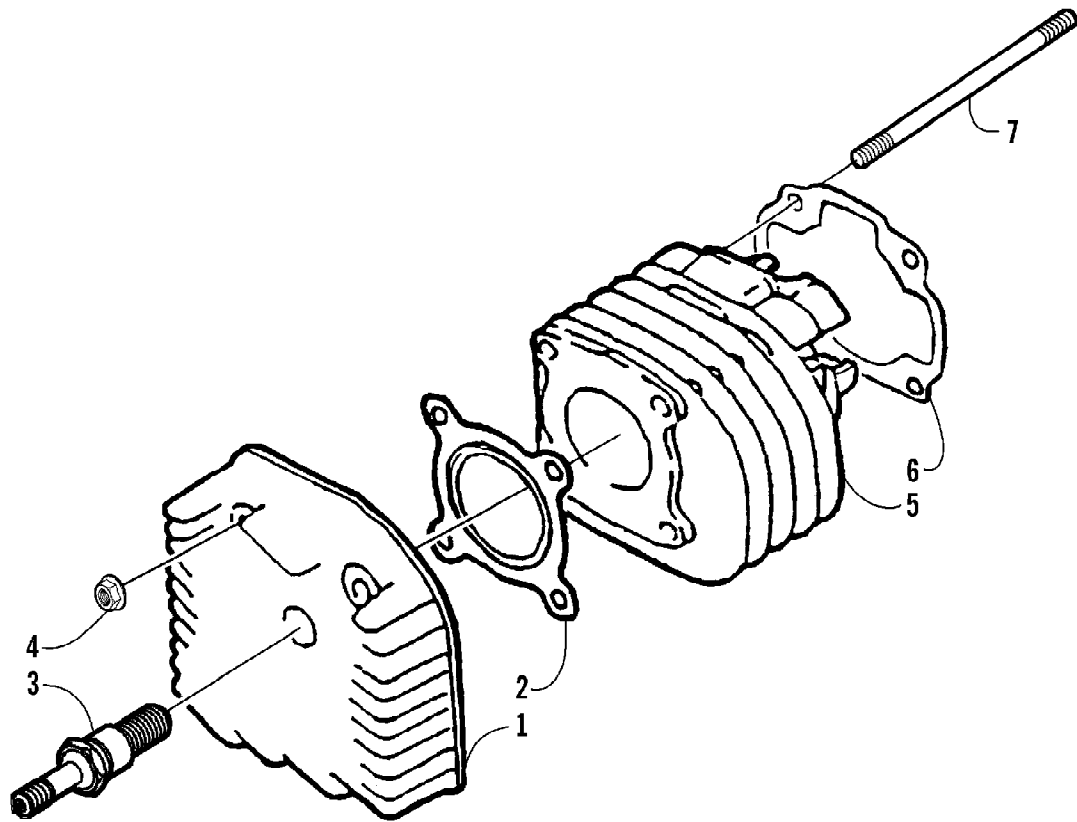
2003 ATV 90 Y-12 YOUTH (GREEN) (A2003ATB2BUSG)
CRANKSHAFT AND PISTON ASSEMBLY



2003 ATV 90 Y-12 YOUTH (GREEN) (A2003ATB2BUSG)
CRANKSHAFT AND PISTON ASSEMBLY

Page 14 of 54

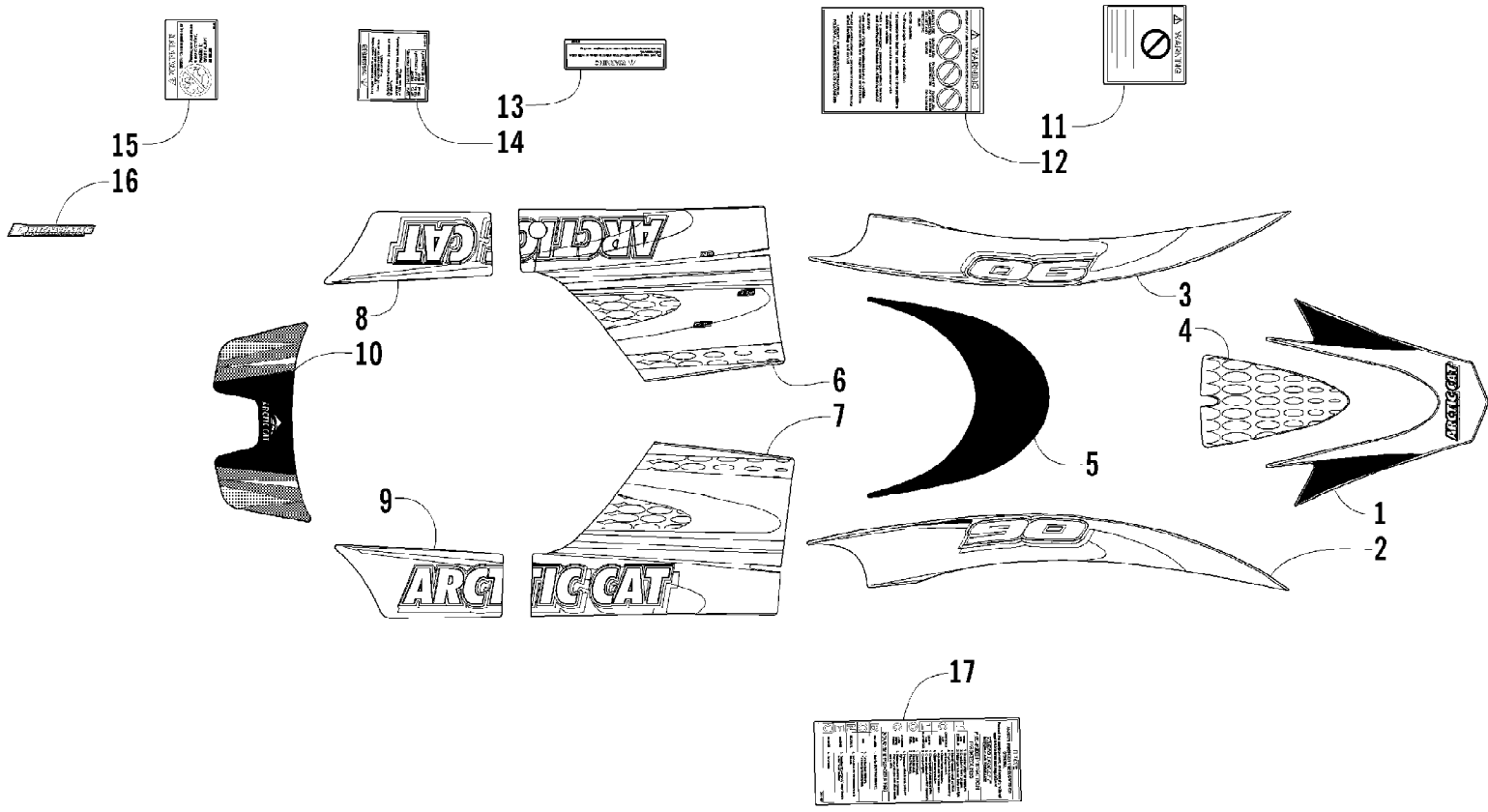
| Ref # | Part Number | Qty | S/P/F | Description |
|-------|-------------|-----|-------|--------------------------------|
| 1 | 3301-020 | 1 | | Crankshaft Assembly (inc. 2-8) |
| 2 | 3301-028 | 1 | | Crank, Left |
| 3 | 3301-029 | 1 | | Pin, Crank |
| 4 | 3301-421 | 1 | | Bearing, Needle |
| 5 | 3301-025 | 1 | | Rod, Connecting |
| 6 | 3301-026 | 1 | | Crank, Right |
| 7 | 3301-285 | 1 | | Key |
| 8 | 3301-354 | 2 | | Washer |
| 9 | 3301-415 | 2 | | Bearing, Radial Ball |
| 10 | 3301-438 | 1 | | Seal, Oil |
| 11 | 3301-437 | 1 | | Seal, Oil |
| 12 | 3301-027 | 1 | | Collar, Crank |
| 13 | 3301-022 | 1 | | Piston |
| 14 | 3301-023 | 1 | | Pin, Piston |
| 15 | 3301-021 | 1 | | Ring, Piston - Set |
| 16 | 3301-024 | 2 | | Clip, Piston Pin |
| 17 | 3301-419 | 1 | | Bearing, Needle |
| 18 | 3301-353 | 1 | | Washer |



2003 ATV 90 Y-12 YOUTH (GREEN) (A2003ATB2BUSG)
CYLINDER AND HEAD ASSEMBLY

Page 16 of 54

| Ref # | Part Number | Qty | S/P/F | Description |
|-------|-------------|-----|-------|-----------------------|
| 1 | 3301-017 | 1 | | Cylinder Head |
| 2 | 3301-018 | 1 | | Gasket, Cylinder Head |
| 3 | 3301-446 | 1 | S | Plug, Spark |
| 4 | 3301-329 | 4 | | Nut, Flange |
| 5 | 3301-015 | 1 | | Cylinder |
| 6 | 3301-016 | 1 | | Gasket, Cylinder |
| 7 | 3301-294 | 4 | | Bolt, Stud |

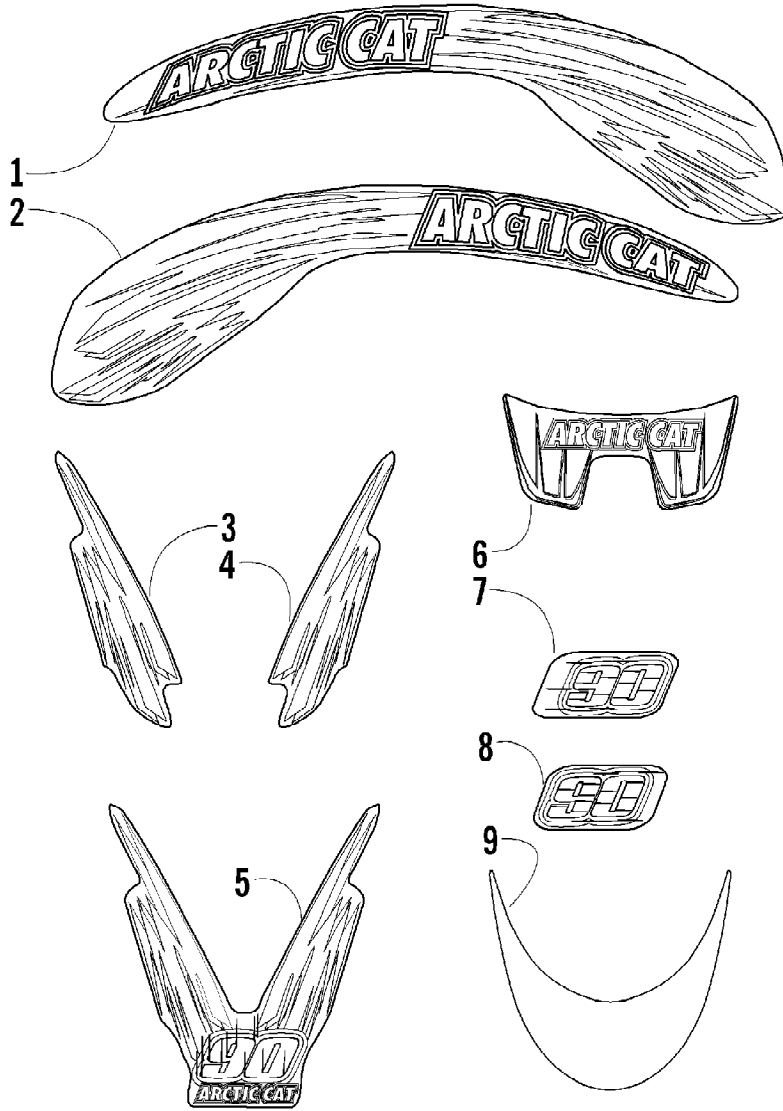


2003 ATV 90 Y-12 YOUTH (GREEN) (A2003ATB2BUSG)
DECALS

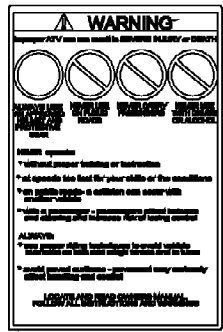
Page 18 of 54

| Ref # | Part Number | Qty | S/P/F | Description |
|-------|-------------|-----|-------|---|
| 1 | 0411-442 | 1 | | Decal, Graphic - Front |
| 1 | 0411-448 | 1 | | Decal, Graphic - Front (Green) |
| 2 | 0411-443 | 1 | | Decal, Graphic - Upper Right |
| 2 | 0411-449 | 1 | | Decal, Graphic - Upper Right (Green) |
| 3 | 0411-444 | 1 | | Decal, Graphic - Upper Left |
| 3 | 0411-450 | 1 | | Decal, Graphic - Upper Left (Green) |
| 4 | 0411-462 | 1 | | Decal, Graphic - Front Insert |
| 4 | 0411-463 | 1 | | Decal, Graphic - Front Insert (Green) |
| 5 | 0411-454 | 1 | | Decal, Graphic - Cowl |
| 6 | 0411-446 | 1 | | Decal, Graphic - Lower Left |
| 6 | 0411-452 | 1 | | Decal, Graphic - Lower Left (Green) |
| 7 | 0411-445 | 1 | | Decal, Graphic - Lower Right |
| 7 | 0411-451 | 1 | | Decal, Graphic - Lower Right (Green) |
| 8 | 0411-459 | 1 | | Decal, Graphic - Lower Rear - Left |
| 8 | 0411-461 | 1 | | Decal, Graphic - Lower Rear - Left (Green) |
| 9 | 0411-458 | 1 | | Decal, Graphic - Lower Rear - Right |
| 9 | 0411-460 | 1 | | Decal, Graphic - Lower Rear - Right (Green) |
| 10 | 0411-447 | 1 | | Decal, Graphic - Rear |
| 10 | 0411-453 | 1 | | Decal, Graphic - Rear (Green) |
| 11 | 0411-400 | 1 | | Decal, Warning - Age |
| 12 | 0411-218 | 1 | | Decal, Warning - General |
| 13 | 0411-426 | 1 | | Decal, Warning - Clutch Cover |
| 14 | 0411-455 | 1 | | Decal, Warning - Tire/Load |
| 15 | 0411-435 | 1 | | Decal, Warning - Passenger |
| 16 | 0411-481 | 1 | | Decal, Duramatic |
| 17 | 0411-457 | 1 | | Decal, Warning - Pre-Ride |

2003 ATV 90 Y-12 YOUTH (GREEN) (A2003ATB2BUSG)
DECALS (Cat Green)



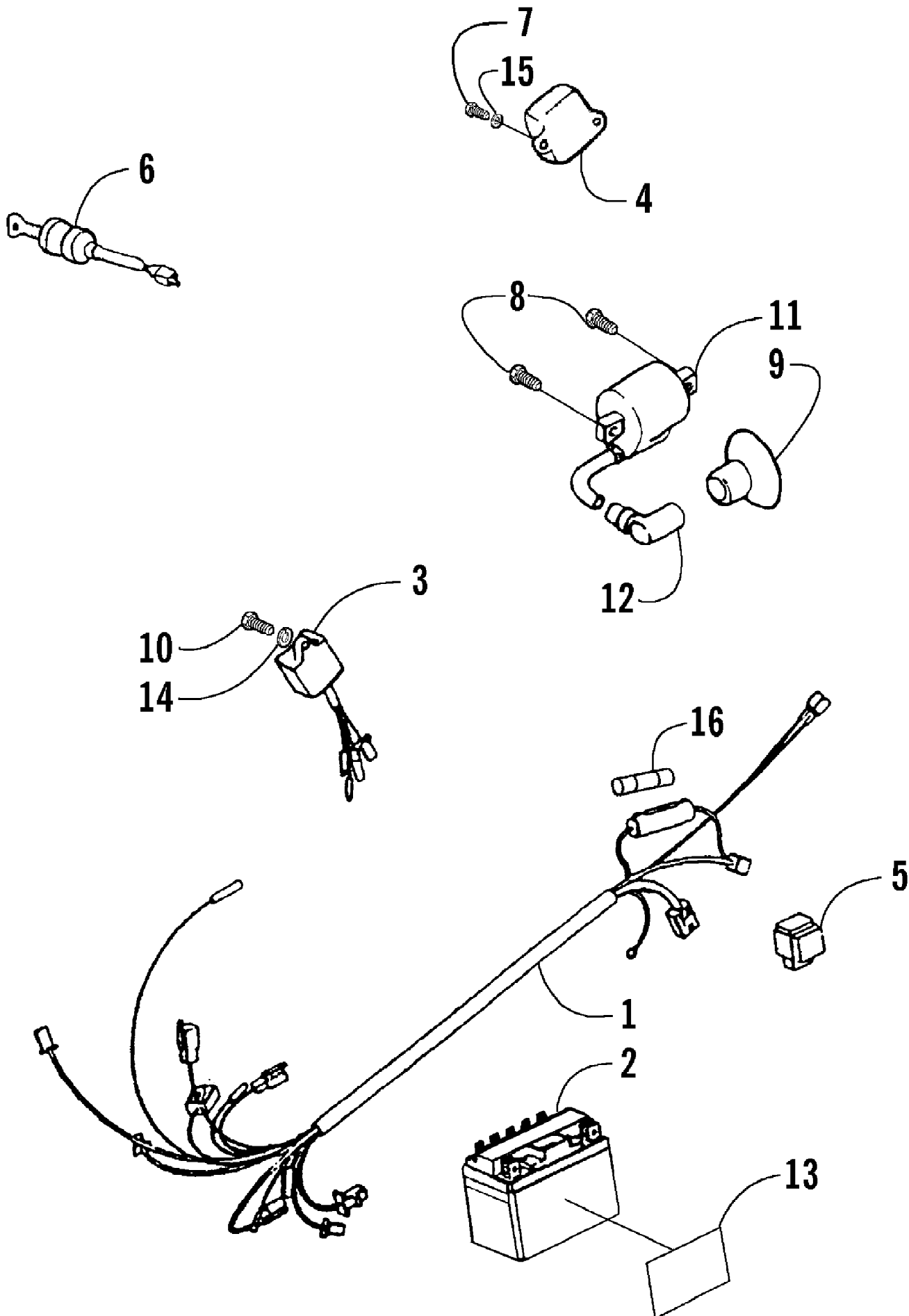
| <input type="checkbox"/> NOTE ALWAYS RESPECT THE RIGHTS OF OTHERS. Protect the environment, and comply with all applicable laws and regulations. | |
|---|--|
| T | TRAILER 1. Check for proper tie-down technique. 2. Check for proper tie-down technique. 3. Check for proper tie-down technique. 4. Check for proper tie-down technique. |
| G | GENERAL 1. Read the operator's manual. 2. Read the operator's manual. 3. Read the operator's manual. 4. Read the operator's manual. |
| H | HAZARDOUS MATERIALS 1. Read the operator's manual. 2. Read the operator's manual. 3. Read the operator's manual. 4. Read the operator's manual. |
| C | CHILDREN 1. Read the operator's manual. 2. Read the operator's manual. 3. Read the operator's manual. 4. Read the operator's manual. |
| S | STARTING PROCEDURES 1. Read the operator's manual. 2. Read the operator's manual. 3. Read the operator's manual. 4. Read the operator's manual. |
| B | BATTERY 1. Read the operator's manual. 2. Read the operator's manual. 3. Read the operator's manual. 4. Read the operator's manual. |
| W | WARNING 1. Read the operator's manual. 2. Read the operator's manual. 3. Read the operator's manual. 4. Read the operator's manual. |
| N | NEEDLES 1. Read the operator's manual. 2. Read the operator's manual. 3. Read the operator's manual. 4. Read the operator's manual. |
| C | CHILDREN 1. Read the operator's manual. 2. Read the operator's manual. 3. Read the operator's manual. 4. Read the operator's manual. |



2003 ATV 90 Y-12 YOUTH (GREEN) (A2003ATB2BUSG)
DECALS (Cat Green)

Page 20 of 54

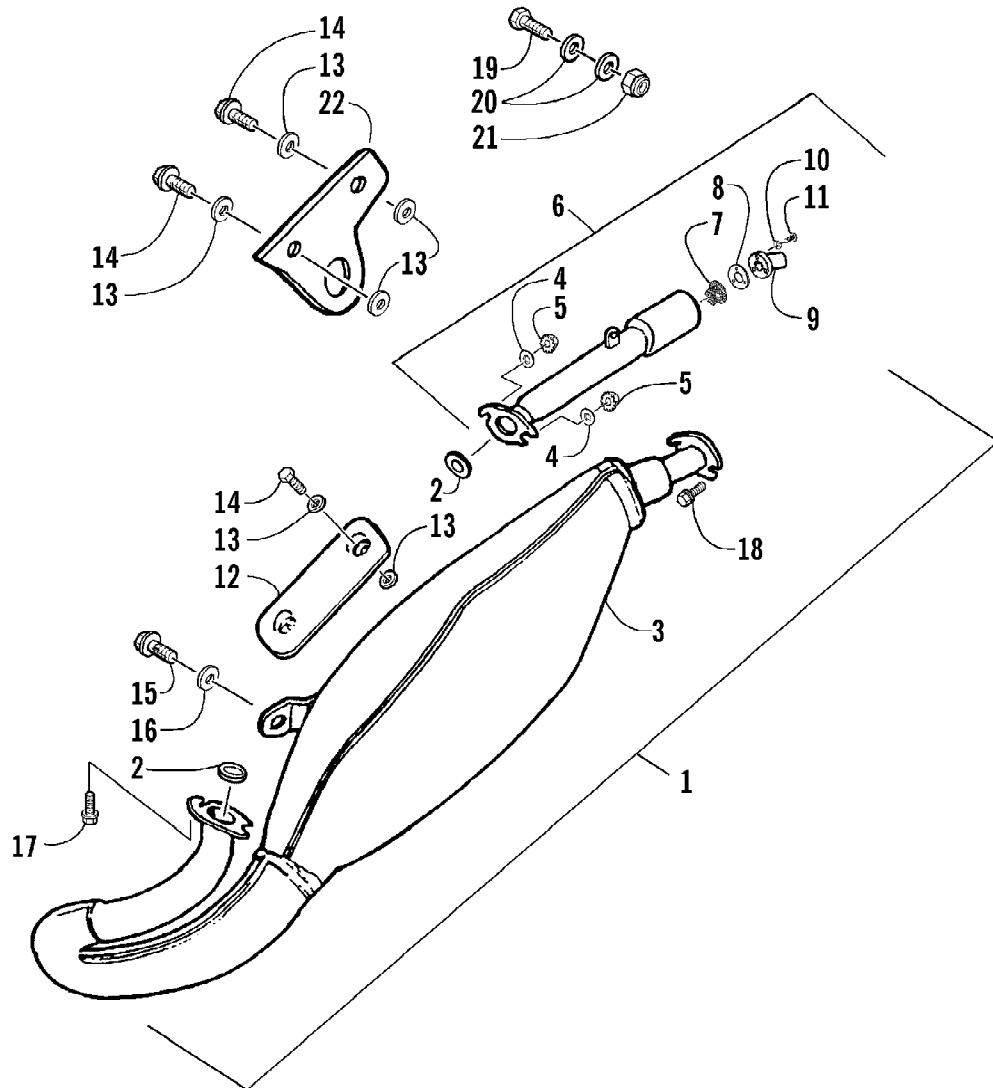
| Ref # | Part Number | Qty | S/P/F | Description |
|-------|-------------|-----|-------|-------------------------------|
| 1 | 0411-552 | 1 | | Decal, Graphic - Left |
| 2 | 0411-551 | 1 | | Decal, Graphic - Right |
| 3 | 0411-555 | 1 | | Decal, Graphic - Upper Right |
| 4 | 0411-556 | 1 | | Decal, Graphic - Upper Left |
| 5 | 0411-550 | 1 | | Decal, Graphic - Front |
| 6 | 0411-557 | 1 | | Decal, Graphic - Rear |
| 7 | 0411-554 | 1 | | Decal, Graphic - Lower Left |
| 8 | 0411-553 | 1 | | Decal, Graphic - Lower Right |
| 9 | 0411-454 | 1 | | Decal, Graphic - Cowl |
| 10 | 0411-218 | 1 | | Decal, Warning - General |
| 11 | 0411-457 | 1 | | Decal, Warning - Pre-Ride |
| 12 | 0411-400 | 1 | | Decal, Warning - Age |
| 13 | 0411-435 | 1 | | Decal, Warning - Passenger |
| 14 | 0411-481 | 1 | | Decal, Duramatic |
| 15 | 0411-455 | 1 | | Decal, Warning - Tire/Load |
| 16 | 0411-426 | 1 | | Decal, Warning - Clutch Cover |



2003 ATV 90 Y-12 YOUTH (GREEN) (A2003ATB2BUSG)
ELECTRICAL

Page 22 of 54

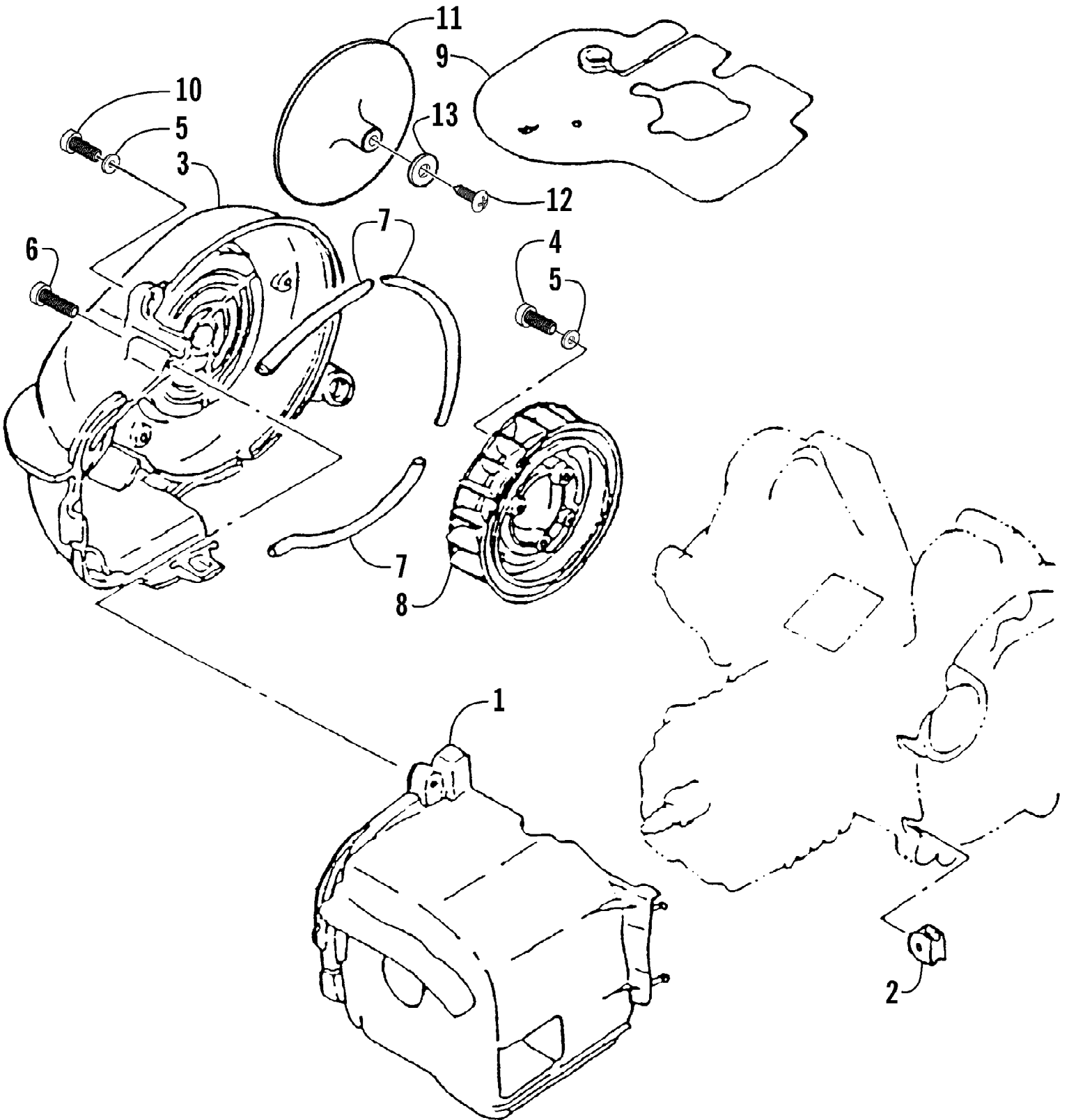
| Ref # | Part Number | Qty | S/P/F | Description |
|-------|-------------|-----|-------|--------------------------|
| 1 | 3301-147 | 1 | | Harness, Main (inc. 16) |
| 2 | 3301-145 | 1 | | Battery |
| 3 | 3301-135 | 1 | | CDI Unit |
| 4 | 3301-146 | 1 | | Regulator |
| 5 | 3301-154 | 1 | | Relay, Starter |
| 6 | 3301-151 | 1 | | Switch, Ignition |
| 7 | 3301-316 | 1 | | Screw, Machine |
| 8 | 3301-390 | 2 | | Screw, Cap |
| 9 | 3301-137 | 1 | | Cap, Rubber |
| 10 | 3301-318 | 1 | | Screw, Machine |
| 11 | 3301-136 | 1 | | Coil, Ignition |
| 12 | 3301-138 | 1 | | Cap, Spark Plug |
| 13 | 3301-463 | 1 | | Decal, Warning - Battery |
| 14 | 3301-360 | 1 | | Washer, Spring |
| 15 | 3301-475 | 1 | | Washer, Spring |
| 16 | 3301-512 | 1 | | Fuse - 7 Amp |



2003 ATV 90 Y-12 YOUTH (GREEN) (A2003ATB2BUSG)
EXHAUST ASSEMBLY

Page 24 of 54

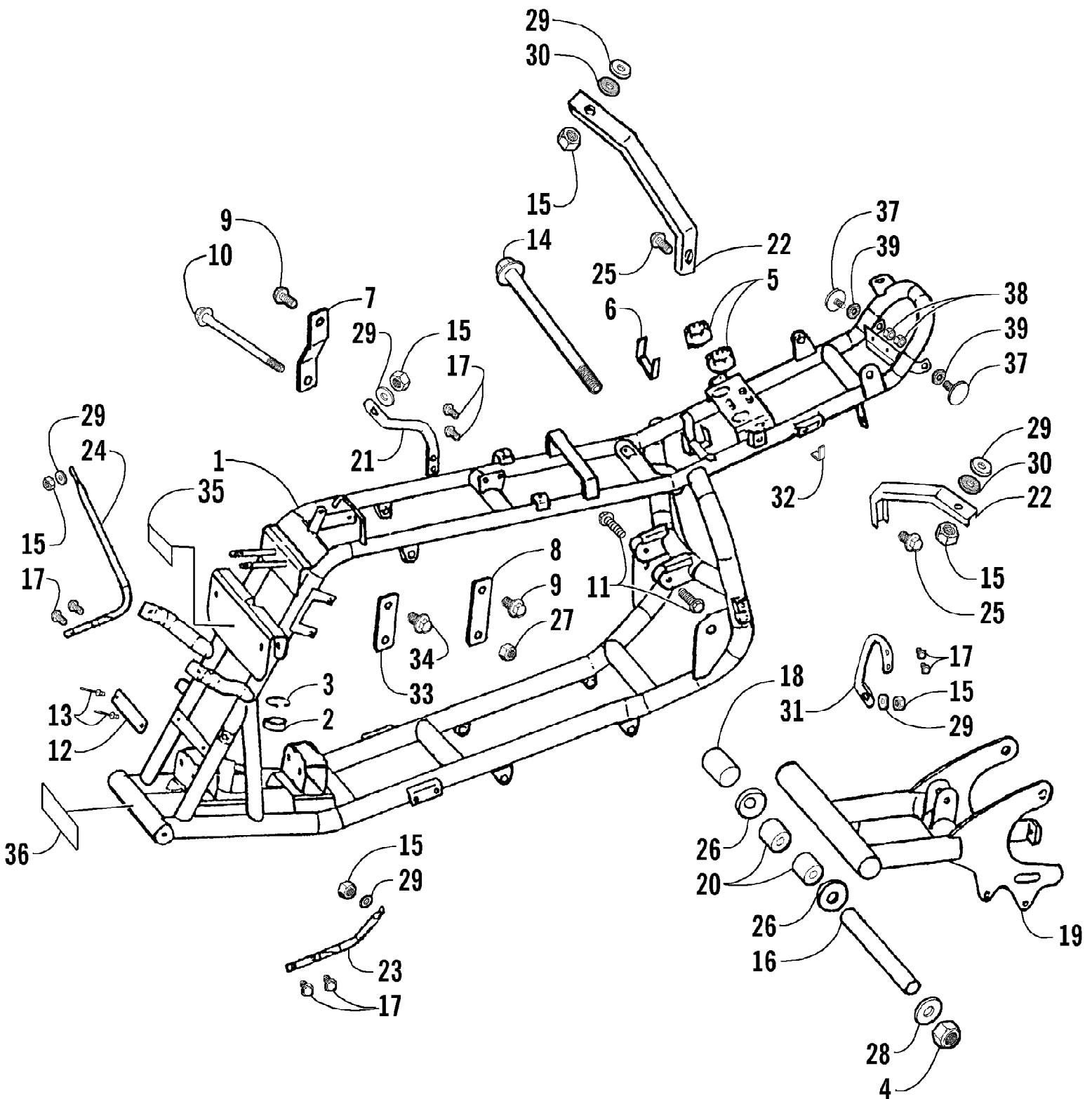
| Ref # | Part Number | Qty | S/P/F | Description |
|-------|-------------|-----|-------|---|
| 1 | 3301-088 | 1 | | Pipe, Exhaust - Assembly (inc. 2-12, four No. 13, and two No. 14) |
| 2 | 3301-086 | 2 | | Gasket, Exhaust Pipe |
| 3 | 3301-509 | 1 | /P | Pipe, Exhaust - Front |
| 4 | 3301-360 | 2 | | Washer, Spring |
| 5 | 3301-327 | 2 | | Nut, Flange |
| 6 | 3301-092 | 1 | | Muffler (inc. 7-11) |
| 7 | 3301-450 | 1 | | Arrester, Spark |
| 8 | 3301-516 | 1 | | Gasket |
| 9 | 3301-518 | 1 | /P | End Cap, Muffler |
| 10 | 3301-514 | 3 | | Washer, Lock |
| 11 | 3301-515 | 3 | | Screw, Machine |
| 12 | 3301-091 | 1 | | Shroud, Muffler |
| 13 | 3301-087 | 8 | | Packing |
| 14 | 3301-385 | 4 | | Screw, Cap |
| 15 | 3301-397 | 1 | | Screw, Cap |
| 16 | 3301-361 | 1 | | Washer, Spring |
| 17 | 3301-310 | 2 | | Screw, Cap |
| 18 | 3301-391 | 2 | | Screw, Cap |
| 19 | 3301-402 | 1 | | Screw, Cap |
| 20 | 3301-357 | 2 | /P | Washer |
| 21 | 3301-283 | 1 | | Nut, Nylon |
| 22 | 3301-089 | 1 | | Insulator |



2003 ATV 90 Y-12 YOUTH (GREEN) (A2003ATB2BUSG)
FAN AND AIR SHROUD ASSEMBLY

Page 26 of 54

| Ref # | Part Number | Qty | S/P/F | Description |
|-------|-------------|-----|-------|------------------------|
| 1 | 3301-096 | 1 | | Air Shroud, Cylinder |
| 2 | 3301-268 | 2 | | Grommet |
| 3 | 3301-094 | 1 | | Cover, Magneto |
| 4 | 3301-288 | 4 | | Screw, Cap |
| 5 | 3301-336 | 6 | | Washer |
| 6 | 3301-324 | 1 | | Screw, Self-Tapping |
| 7 | 3301-082 | 2 | | Damper |
| 8 | 3301-093 | 1 | | Fan |
| 9 | 3301-247 | 1 | | Deflector |
| 10 | 3301-289 | 2 | | Screw, Cap |
| 11 | 3301-095 | 1 | | Cover, Magneto - Outer |
| 12 | 3301-322 | 1 | | Screw, Self-Tapping |
| 13 | 3301-339 | 1 | | Washer |

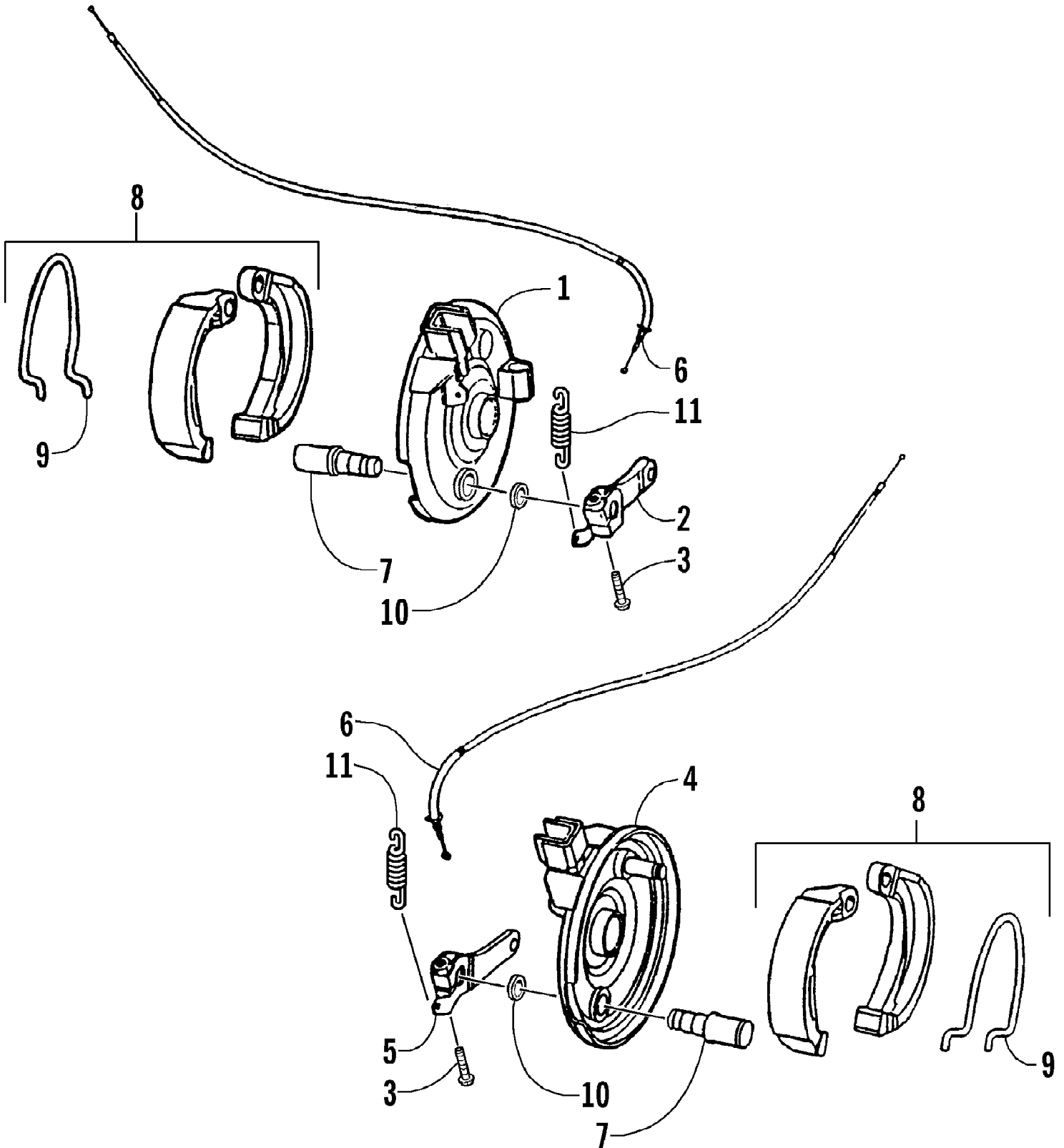


2003 ATV 90 Y-12 YOUTH (GREEN) (A2003ATB2BUSG)
FRAME AND RELATED PARTS

Page 28 of 54

| Ref # | Part Number | Qty | S/P/F | Description |
|-------|-------------|-----|-------|--|
| 1 | 3301-206 | 1 | | Frame |
| 2 | 3301-409 | 1 | | Bearing, Radial Ball |
| 3 | 3301-381 | 1 | | Circlip |
| 4 | 3301-284 | 1 | | Nut, Nylon |
| 5 | 3301-260 | 2 | | Bumper, Rubber |
| 6 | 3301-077 | 1 | | Pad, Foam |
| 7 | 3301-211 | 1 | | Plate, Engine Mounting - Right |
| 8 | 3301-212 | 1 | | Plate, Engine Mounting - Left |
| 9 | 3301-400 | 2 | | Screw, Cap |
| 10 | 3301-403 | 1 | | Screw, Cap |
| 11 | 3301-485 | 2 | /P | Screw, Cap |
| 12 | 3301-209 | 1 | | Plate, Frame No. |
| 13 | 3301-286 | 2 | | Rivet |
| 14 | 3301-407 | 1 | | Screw, Cap |
| 15 | 3301-281 | 6 | | Nut, Nylon |
| 16 | 3301-227 | 1 | | Spacer, Swing Arm |
| 17 | 3301-306 | 8 | | Screw, Cap |
| 18 | 3301-225 | 1 | | Sleeve, Rubber |
| 19 | 3301-224 | 1 | | Swing Arm Sub-Assembly |
| 20 | 3301-226 | 2 | | Bushing |
| 21 | 3301-265 | 1 | | Bracket, Rear Cover Mounting - Lower Right |
| 22 | 3301-266 | 2 | | Bracket, Rear Cover Mounting - Upper |
| 23 | 3301-461 | 1 | | Bracket, Front Cover Mounting - Left |
| 24 | 3301-462 | 1 | | Bracket, Front Cover Mounting - Right |
| 25 | 3301-386 | 2 | | Screw, Cap |
| 26 | 3301-228 | 2 | | Cover, Swing Arm Seal |
| 27 | 3301-282 | 1 | | Nut, Nylon |
| 28 | 3301-349 | 1 | | Washer |
| 29 | 3301-340 | 6 | | Washer |
| 30 | 3301-356 | 2 | | Washer, Rubber |
| 31 | 3301-267 | 1 | | Bracket, Rear Cover Mounting - Lower Left |
| 32 | 3301-449 | 4 | | Clamp, Cable - Rubber |
| 33 | 3301-460 | 1 | | Bracket, Gas Cup |
| 34 | 3301-466 | 1 | /P | Screw, Cap |
| 35 | 3301-448 | 1 | | Decal, Bar Code |
| 36 | 3301-447 | 1 | | Decal, CE |
| 37 | 3301-456 | 2 | /P | Reflector - Red |
| 38 | 3301-327 | 2 | | Nut, Flange |
| 39 | 3301-356 | 2 | | Washer, Rubber |

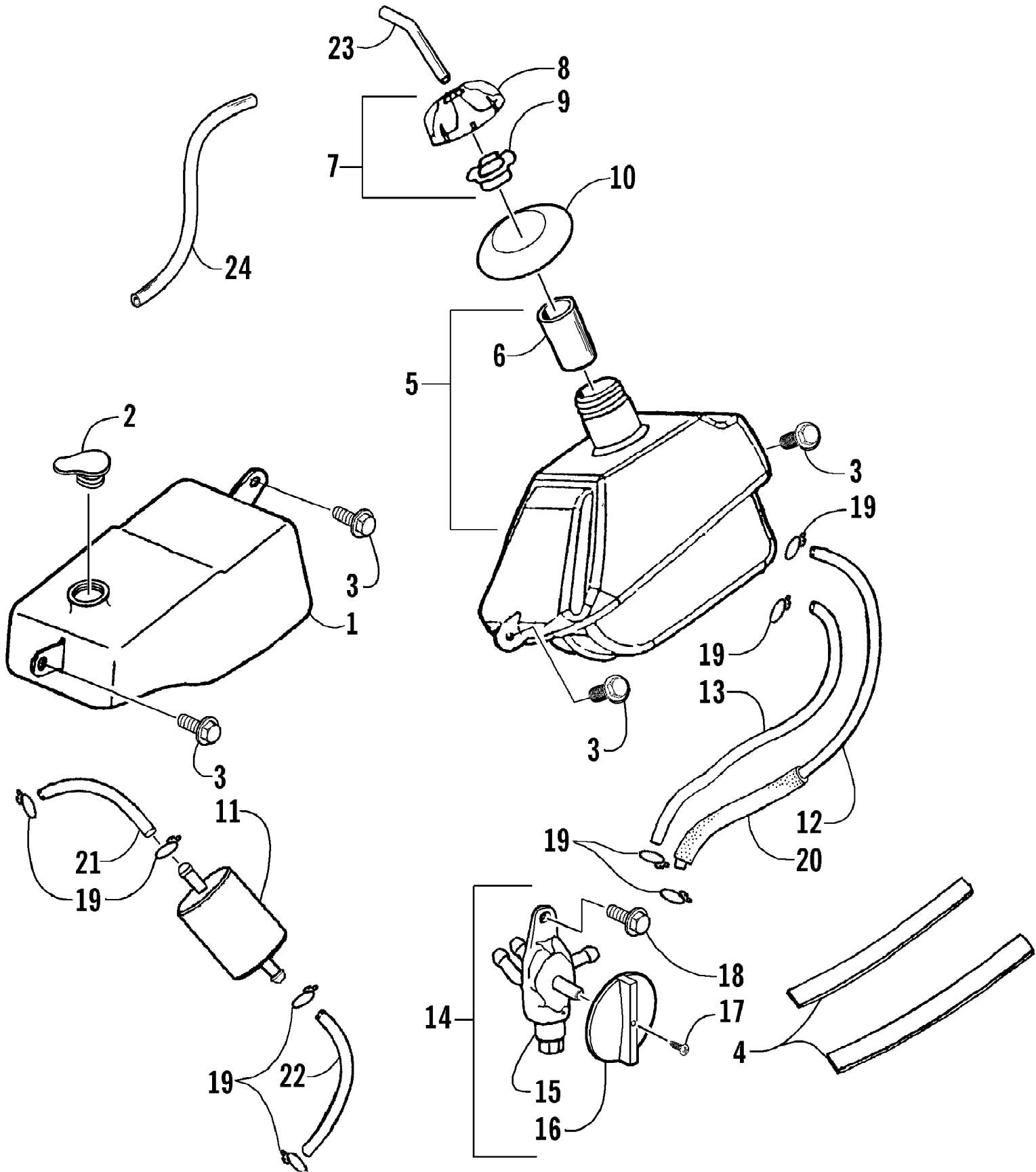
2003 ATV 90 Y-12 YOUTH (GREEN) (A2003ATB2BUSG)
FRONT BRAKE ASSEMBLY



2003 ATV 90 Y-12 YOUTH (GREEN) (A2003ATB2BUSG)
FRONT BRAKE ASSEMBLY

Page 30 of 54

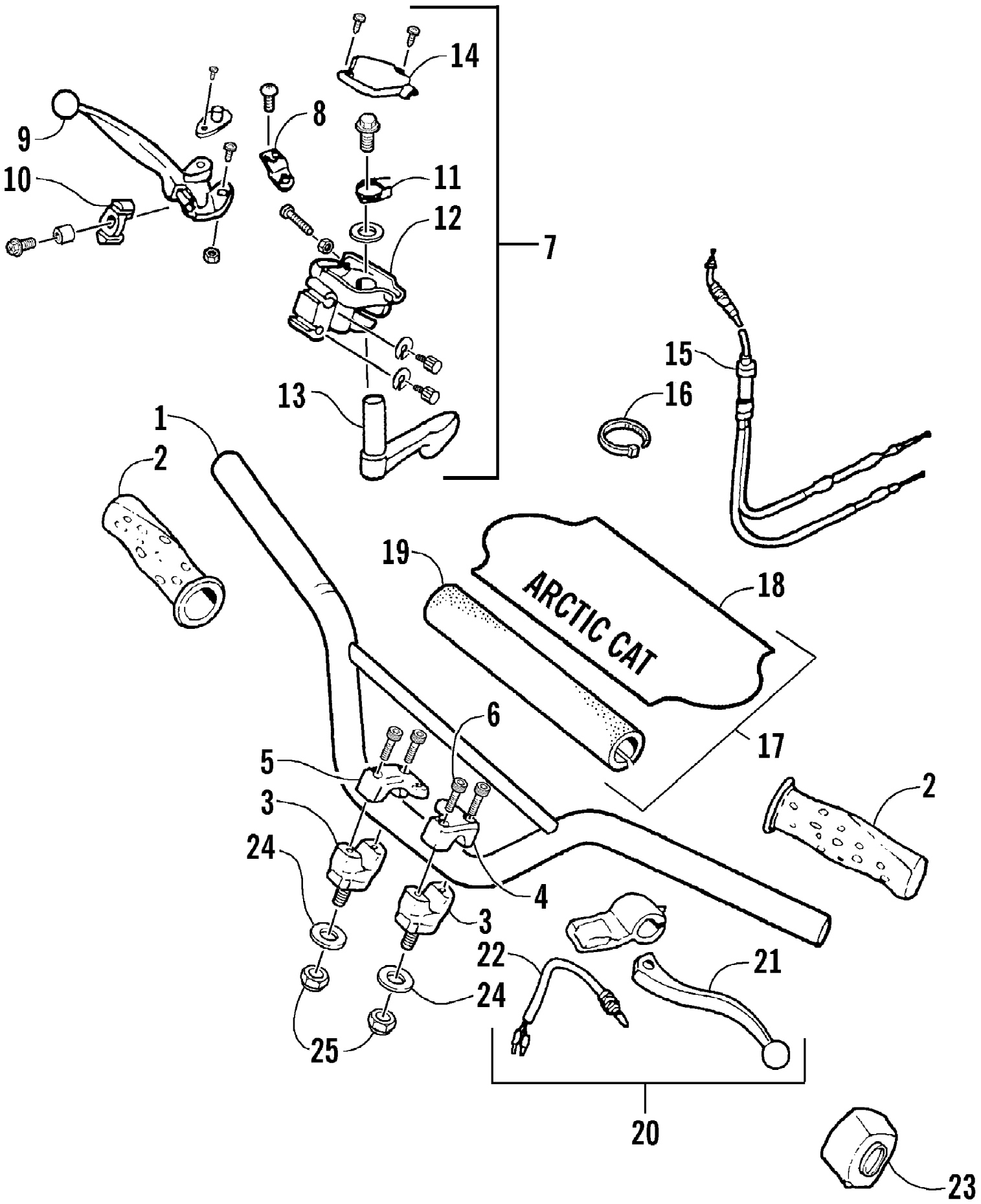
| Ref # | Part Number | Qty | S/P/F | Description |
|-------|-------------|-----|-------|------------------------------|
| 1 | 3301-196 | 1 | | Panel, Brake - Front - Left |
| 2 | 3301-203 | 1 | | Arm, Brake - Front - Left |
| 3 | 3301-384 | 2 | | Screw, Cap |
| 4 | 3301-197 | 1 | | Panel, Brake - Front - Right |
| 5 | 3301-202 | 1 | | Arm, Brake - Front - Right |
| 6 | 3301-205 | 2 | | Cable, Brake - Front |
| 7 | 3301-201 | 2 | | Camshaft, Brake - Front |
| 8 | 3301-199 | 2 | | Shoe, Brake - Front (inc. 9) |
| 9 | 3301-200 | 2 | | Spring, Shoe Retainer |
| 10 | 3301-298 | 2 | | O-Ring |
| 11 | 3301-204 | 2 | | Spring, Return |



2003 ATV 90 Y-12 YOUTH (GREEN) (A2003ATB2BUSG)
GAS TANK AND OIL TANK ASSEMBLIES

Page 32 of 54

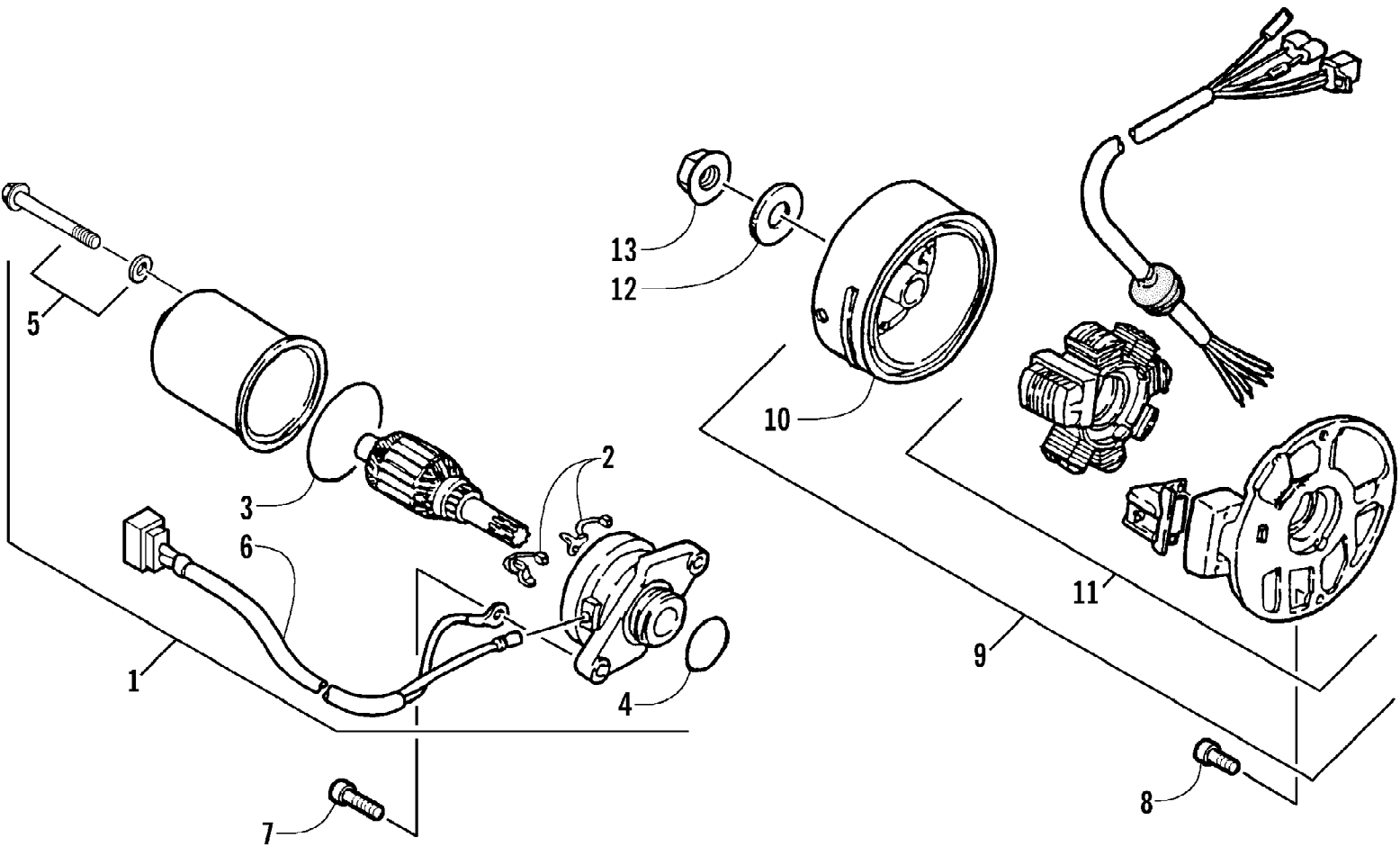
| Ref # | Part Number | Qty | S/P/F | Description |
|-------|-------------|-----|-------|------------------------------|
| 1 | 3301-245 | 1 | | Tank, Oil |
| 2 | 3301-246 | 1 | | Cap, Oil Tank |
| 3 | 3301-306 | 4 | | Screw, Cap |
| 4 | 3301-076 | 2 | | Pad, Foam |
| 5 | 3301-073 | 1 | | Tank, Gas (inc. 6) |
| 6 | 3301-084 | 1 | | Tube, Gas Tank |
| 7 | 3301-078 | 1 | | Tank Cap Assembly (inc. 8-9) |
| 8 | 3301-079 | 1 | | Cap, Tank |
| 9 | 3301-081 | 1 | | Gasket, Cap |
| 10 | 3301-489 | 1 | | Gasket, Front Cover - Rubber |
| 11 | 3301-074 | 1 | S | Cup, Oil Filter |
| 12 | 3301-370 | 1 | | Tube |
| 13 | 3301-369 | 1 | | Tube |
| 14 | 3301-059 | 1 | | Cup, Gas (inc. 15-17) |
| 15 | 3301-491 | 1 | | Body, Gas Cup |
| 16 | 3301-080 | 1 | | Knob, Gas Cup |
| 17 | 3301-470 | 1 | | Screw, Machine |
| 18 | 3301-317 | 1 | | Screw, Machine |
| 19 | 3301-374 | 8 | | Clip |
| 20 | 3301-481 | 1 | | Cover, Tube |
| 21 | 3301-477 | 1 | | Tube |
| 22 | 3301-478 | 1 | | Tube |
| 23 | 3301-479 | 1 | | Hose, Breather |
| 24 | 3301-482 | 1 | | Cover, Tube |



2003 ATV 90 Y-12 YOUTH (GREEN) (A2003ATB2BUSG)
HANDLEBAR ASSEMBLY

Page 34 of 54

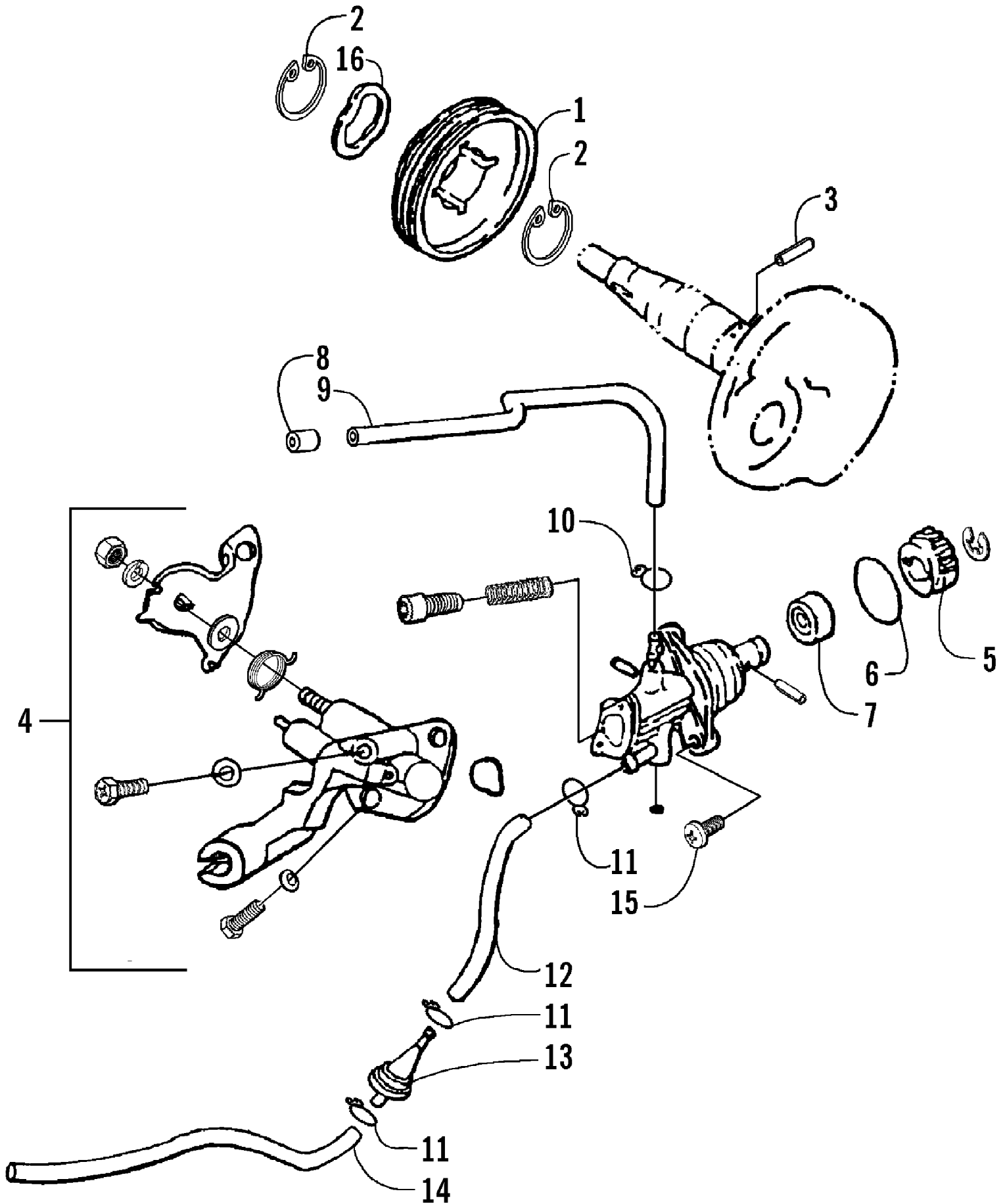
| Ref # | Part Number | Qty | S/P/F | Description |
|-------|-------------|-----|-------|--|
| 1 | 3301-230 | 1 | | Handlebar |
| 2 | 3301-234 | 2 | | Grip, Handlebar |
| 3 | 3301-231 | 2 | | Clamp, Handlebar - Bottom |
| 4 | 3301-232 | 1 | | Clamp, Handlebar - Left |
| 5 | 3301-233 | 1 | | Clamp, Handlebar - Right |
| 6 | 3301-290 | 4 | | Screw, Cap |
| 7 | 3301-235 | 1 | S | Lever Assembly - Right (inc. 8-13) |
| 8 | 3301-239 | 1 | | Bracket, Throttle Cable |
| 9 | 3301-240 | 1 | | Lever, Brake - Right |
| 10 | 3301-238 | 1 | | Bracket, Cable |
| 11 | 3301-244 | 1 | | Spring, Throttle Lever |
| 12 | 3301-237 | 1 | | Bracket, Lever |
| 13 | 3301-243 | 1 | | Lever, Throttle |
| 14 | 3301-236 | 1 | | Cover, Lever Body |
| 15 | 3301-085 | 1 | S | Cable, Throttle |
| 16 | 3301-465 | 1 | | Cable Tie |
| 17 | 3301-457 | 1 | /P | Pad, Handlebar - Assembly (inc. 18-19) |
| 18 | 3301-458 | 1 | S | Cover, Pad |
| 19 | 3301-459 | 1 | | Pad, Handlebar |
| 20 | 3301-242 | 1 | | Lever Assembly - Left (inc. 21-22) |
| 21 | 3301-241 | 1 | | Lever, Brake - Left |
| 22 | 3301-153 | 1 | | Harness, Brake Switch |
| 23 | 3301-152 | 1 | | Switch Assembly |
| 24 | 3301-486 | 2 | | Washer |
| 25 | 3301-283 | 2 | | Nut, Nylon |



2003 ATV 90 Y-12 YOUTH (GREEN) (A2003ATB2BUSG)
MAGNETO AND STARTER MOTOR ASSEMBLY

Page 36 of 54

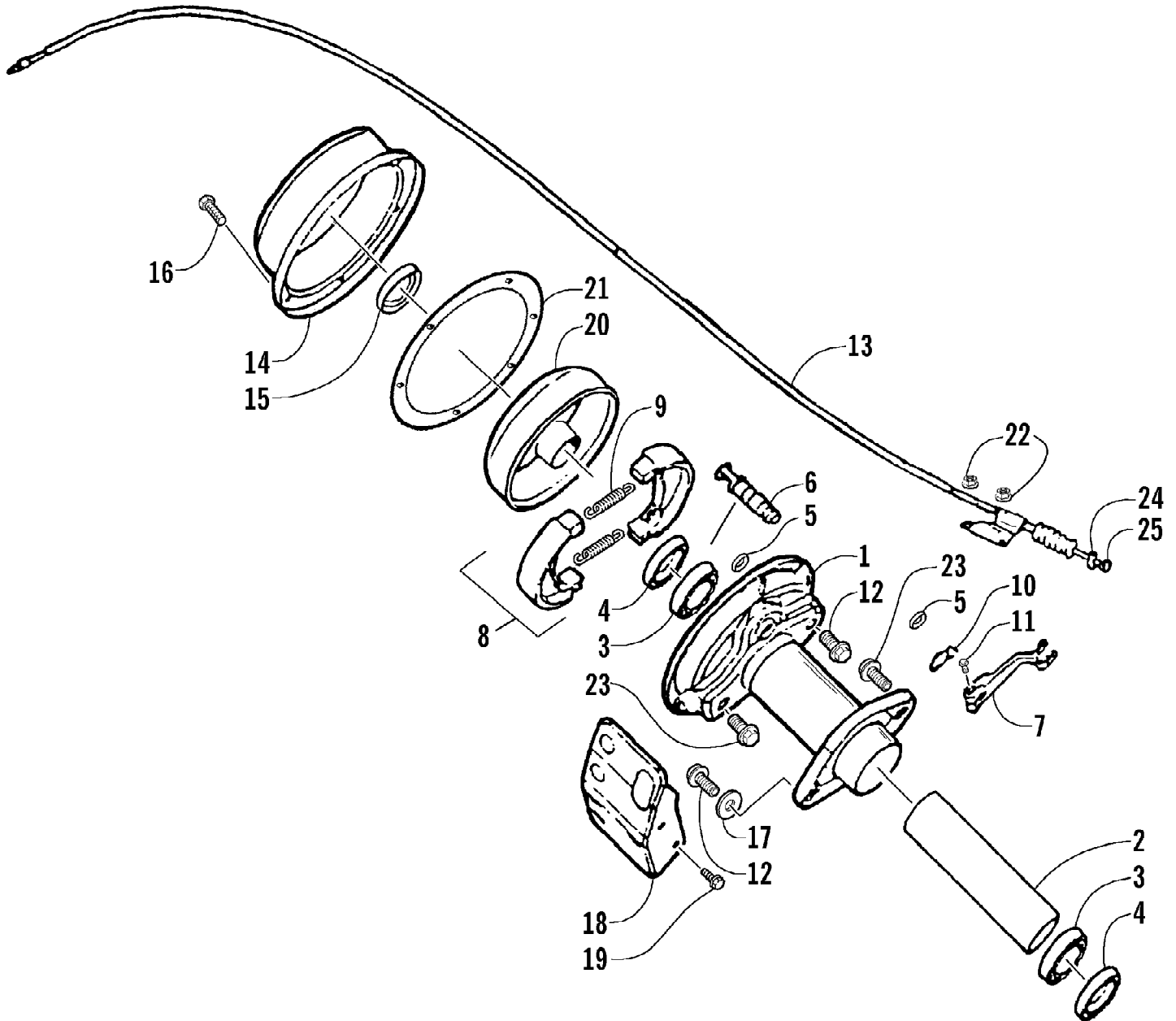
| Ref # | Part Number | Qty | S/P/F | Description |
|-------|-------------|-----|-------|-----------------------------------|
| 1 | 3301-142 | 1 | | Starter Motor Assembly (inc. 2-6) |
| 2 | 3301-143 | 1 | S | Brush Set |
| 3 | 3301-303 | 1 | | O-Ring |
| 4 | 3301-301 | 1 | | O-Ring |
| 5 | 3301-276 | 2 | | Bolt w/Washer |
| 6 | 3301-144 | 1 | | Harness, Starter Motor |
| 7 | 3301-289 | 2 | | Screw, Cap |
| 8 | 3301-288 | 2 | | Screw, Cap |
| 9 | 3301-139 | 1 | | Magneto Assembly (inc. 10-11) |
| 10 | 3301-140 | 1 | | Rotor/Flywheel |
| 11 | 3301-141 | 1 | | Stator Assembly |
| 12 | 3301-345 | 1 | | Washer |
| 13 | 3301-331 | 1 | | Nut, Flange |



2003 ATV 90 Y-12 YOUTH (GREEN) (A2003ATB2BUSG)
OIL PUMP ASSEMBLY

Page 38 of 54

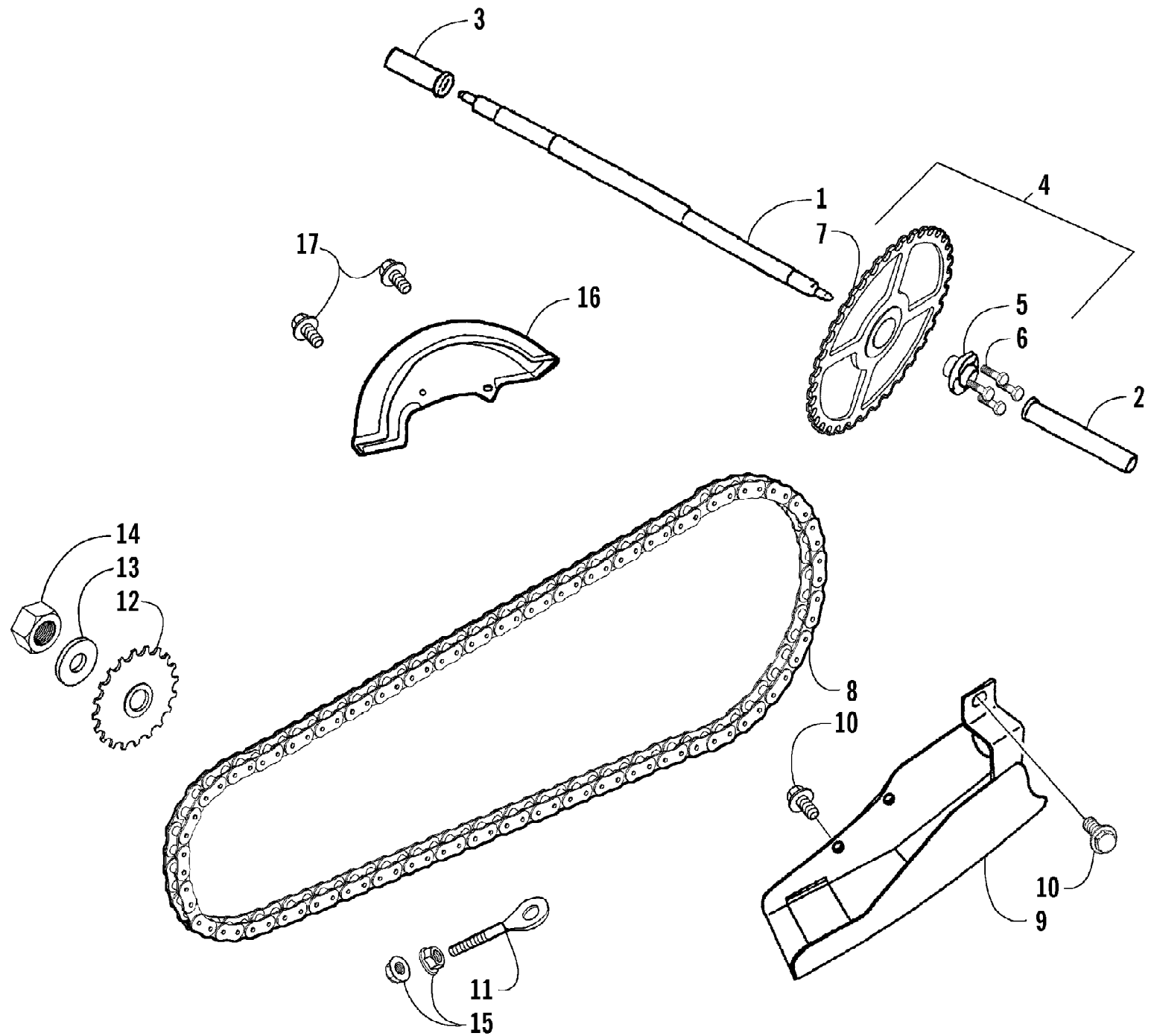
| Ref # | Part Number | Qty | S/P/F | Description |
|-------|-------------|-----|-------|---------------------------------|
| 1 | 3301-035 | 1 | | Gear, Pump Drive |
| 2 | 3301-379 | 2 | | Circlip |
| 3 | 3301-425 | 1 | | Pin, Crankshaft |
| 4 | 3301-032 | 1 | | Pump, Oil - Assembly (inc. 5-7) |
| 5 | 3301-034 | 1 | | Gear, Oil Pump |
| 6 | 3301-300 | 1 | | O-Ring |
| 7 | 3301-433 | 1 | | Seal, Oil |
| 8 | 3301-033 | 1 | | Ring, Steel |
| 9 | 3301-366 | 1 | | Tube, Oil |
| 10 | 3301-373 | 1 | | Clip |
| 11 | 3301-374 | 4 | | Clip |
| 12 | 3301-371 | 1 | | Tube |
| 13 | 3301-074 | 1 | S | Cup, Oil Filter |
| 14 | 3301-372 | 1 | | Tube |
| 15 | 3301-317 | 2 | | Screw, Machine |
| 16 | 3301-036 | 1 | | Washer, Wave |



2003 ATV 90 Y-12 YOUTH (GREEN) (A2003ATB2BUSG)
 REAR BRAKE ASSEMBLY

Page 40 of 54

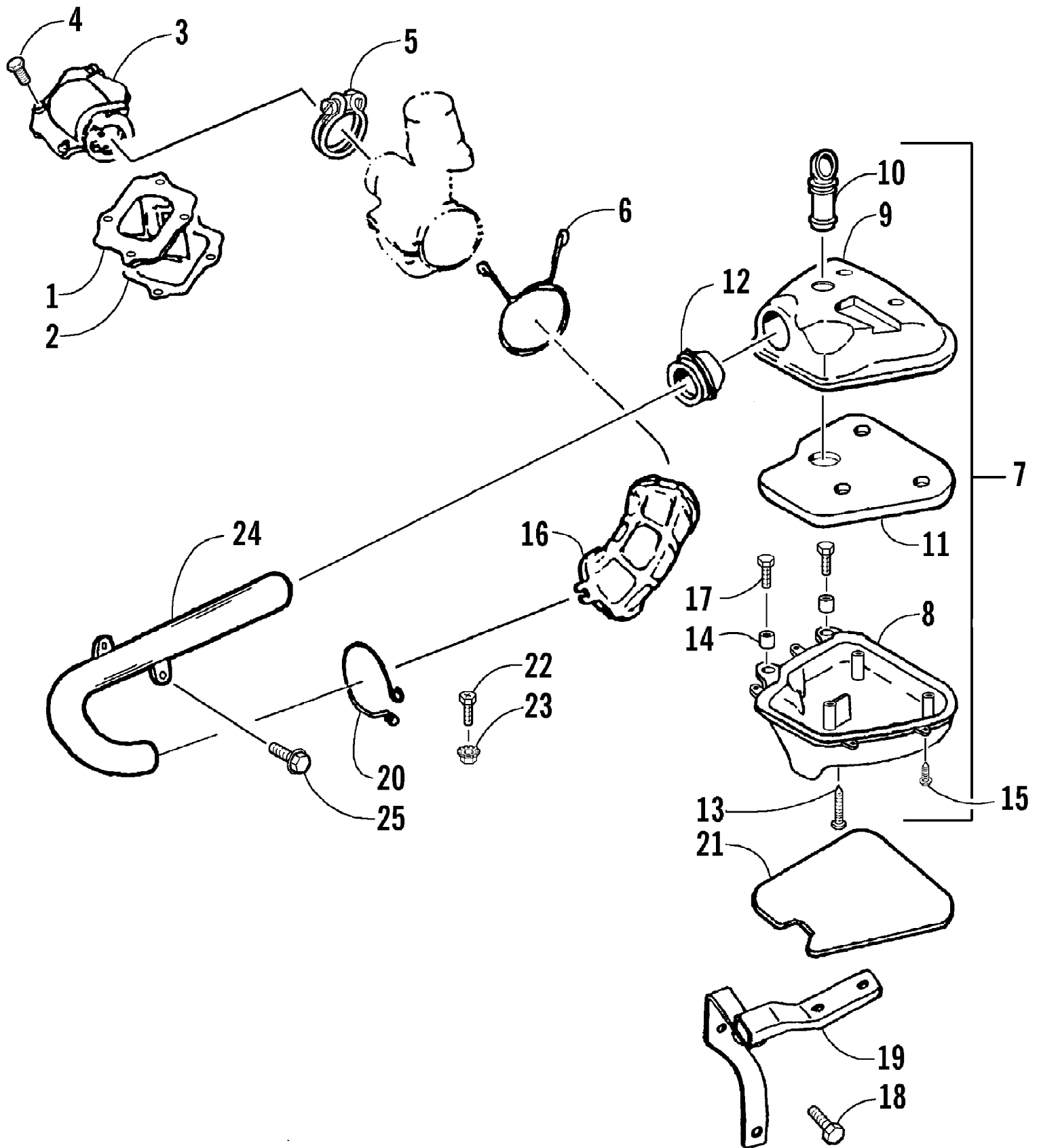
| Ref # | Part Number | Qty | S/P/F | Description |
|-------|-------------|-----|-------|-----------------------------|
| 1 | 3301-182 | 1 | | Panel Brake - Rear |
| 2 | 3301-162 | 1 | | Spacer, Brake Panel - Rear |
| 3 | 3301-413 | 2 | | Bearing, Radial Ball |
| 4 | 3301-443 | 2 | | Seal, Oil |
| 5 | 3301-434 | 2 | | Seal, Oil |
| 6 | 3301-184 | 1 | | Camshaft, Brake - Rear |
| 7 | 3301-186 | 1 | | Arm, Brake - Rear |
| 8 | 3301-183 | 1 | | Shoe, Brake - Rear (inc. 9) |
| 9 | 3301-185 | 2 | | Spring, Shoe Retainer |
| 10 | 3301-172 | 1 | | Spring, Return |
| 11 | 3301-392 | 1 | | Screw, Cap |
| 12 | 3301-405 | 2 | | Screw, Cap |
| 13 | 3301-187 | 1 | | Cable, Brake - Rear |
| 14 | 3301-166 | 1 | | Cover, Drum - Rear |
| 15 | 3301-441 | 1 | | Seal, Oil |
| 16 | 3301-483 | 6 | | Screw, Cap |
| 17 | 3301-473 | 1 | | Washer |
| 18 | 3301-167 | 1 | | Cover, Brake - Rear |
| 19 | 3301-393 | 2 | | Screw, Cap |
| 20 | 3301-164 | 1 | | Drum, Rear |
| 21 | 3301-168 | 1 | | Gasket, Drum Cover - Rear |
| 22 | 3301-330 | 2 | | Nut, Flange |
| 23 | 3301-404 | 2 | | Screw, Cap |
| 24 | 3301-908 | 1 | | Spacer, Brake Cable |
| 25 | 3301-909 | 1 | | Nut, Adjuster - Brake Cable |



2003 ATV 90 Y-12 YOUTH (GREEN) (A2003ATB2BUSG)
 REAR DRIVE ASSEMBLY

Page 42 of 54

| Ref # | Part Number | Qty | S/P/F | Description |
|-------|-------------|-----|-------|-----------------------------------|
| 1 | 3301-161 | 1 | | Axle, Rear Wheel |
| 2 | 3301-173 | 1 | | Collar, Spacer - Right |
| 3 | 3301-174 | 1 | | Collar, Spacer - Left |
| 4 | 3301-163 | 1 | | Rear Sprocket Assembly (inc. 5-7) |
| 5 | 3301-165 | 1 | | Flange, Final Drive |
| 6 | 3301-399 | 4 | | Screw, Cap |
| 7 | 3301-159 | 1 | | Sprocket, Rear |
| 8 | 3301-157 | 1 | | Chain, Drive |
| 9 | 3301-155 | 1 | | Guard, Chain |
| 10 | 3301-393 | 2 | | Screw, Cap |
| 11 | 3301-158 | 1 | | Adjuster, Drive Chain |
| 12 | 3301-123 | 1 | | Drive Sprocket Assembly |
| 13 | 3301-352 | 1 | | Washer |
| 14 | 3301-284 | 1 | | Nut, Nylon |
| 15 | 3301-327 | 2 | | Nut, Flange |
| 16 | 3301-156 | 1 | /P | Guard, Chain - Rear |
| 17 | 3301-386 | 2 | | Screw, Cap |



2003 ATV 90 Y-12 YOUTH (GREEN) (A2003ATB2BUSG)
 REED VALVE AND AIR CLEANER ASSEMBLY

Page 44 of 54

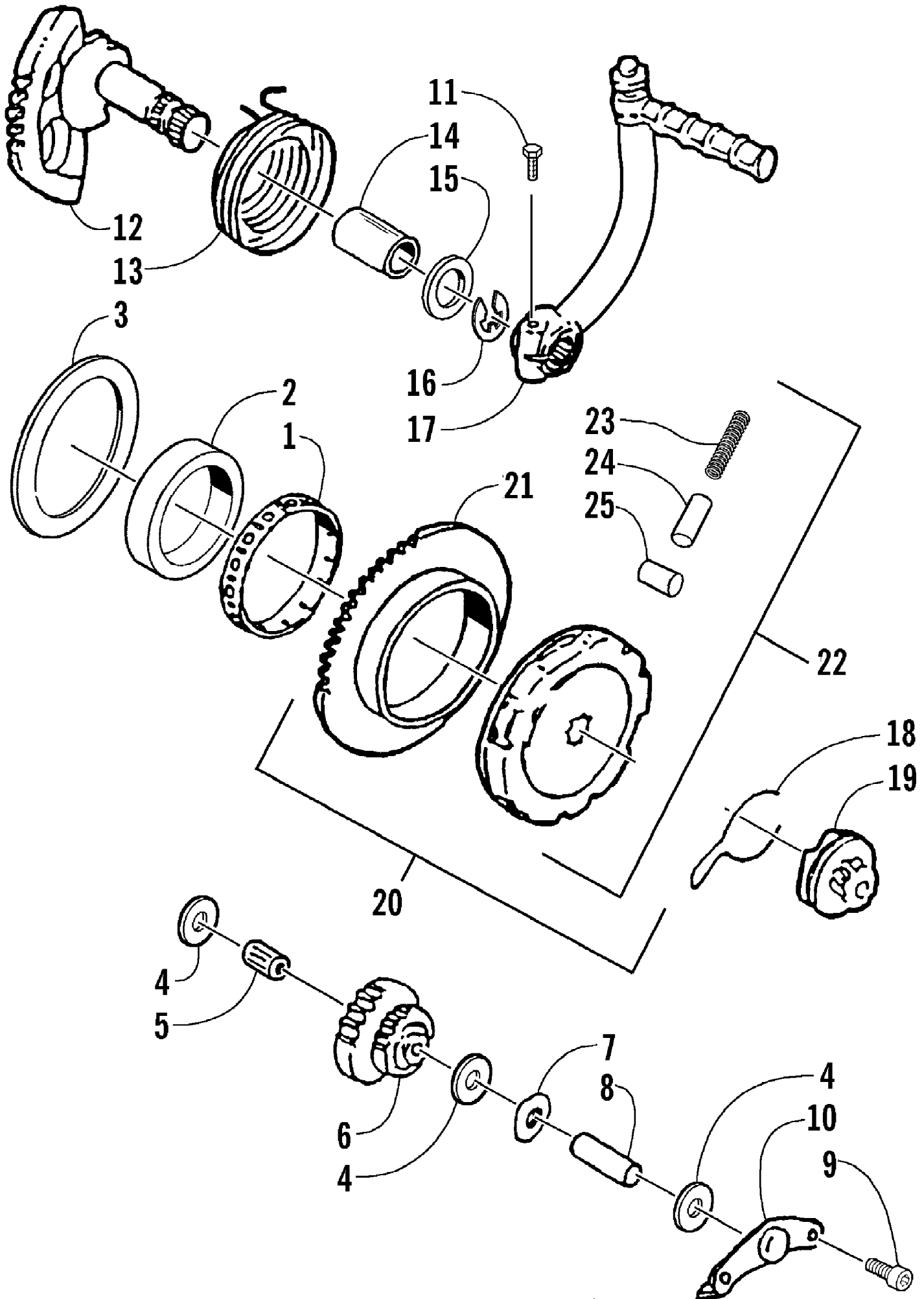
| Ref # | Part Number | Qty | S/P/F | Description |
|-------|-------------|-----|-------|----------------------------------|
| 1 | 3301-030 | 1 | | Valve, Reed - Assembly |
| 2 | 3301-061 | 1 | | Gasket, Reed Valve |
| 3 | 3301-060 | 1 | | Manifold, Intake |
| 4 | 3301-389 | 4 | | Screw, Cap |
| 5 | 3301-031 | 1 | | Clamp, Hose - Intake Manifold |
| 6 | 3301-375 | 1 | | Clip |
| 7 | 3301-062 | 1 | | Air Cleaner Assembly (inc. 8-15) |
| 8 | 3301-064 | 1 | | Base, Air Cleaner |
| 9 | 3301-065 | 1 | | Cover, Air Cleaner |
| 10 | 3301-067 | 1 | | Pipe, Guide |
| 11 | 3301-063 | 1 | | Element, Air Cleaner |
| 12 | 3301-070 | 1 | | Connector, Air Cleaner |
| 13 | 3301-323 | 3 | | Screw, Self-Tapping |
| 14 | 3301-432 | 2 | | Grommet |
| 15 | 3301-471 | 4 | | Screw, Self-Tapping |
| 16 | 3301-520 | 1 | /P | Joint, Air Cleaner |
| 17 | 3301-307 | 2 | | Screw, Cap |
| 18 | 3301-396 | 2 | S | Screw, Cap |
| 19 | 3301-072 | 1 | | Bracket, Air Cleaner |
| 20 | 3301-376 | 1 | /P | Clip |
| 21 | 3301-068 | 1 | /P | Gasket, Air Cleaner Isolation |
| 22 | 3301-309 | 1 | | Screw, Cap |
| 23 | 3301-326 | 1 | | Nut, Flange |
| 24 | 3301-071 | 1 | | Duct, Air |
| 25 | 3301-484 | 1 | | Screw, Cap |

No
Diagram
Available

Parts List
Only

2003 ATV 90 Y-12 YOUTH (GREEN) (A2003ATB2BUSG)
RELATED ITEMS

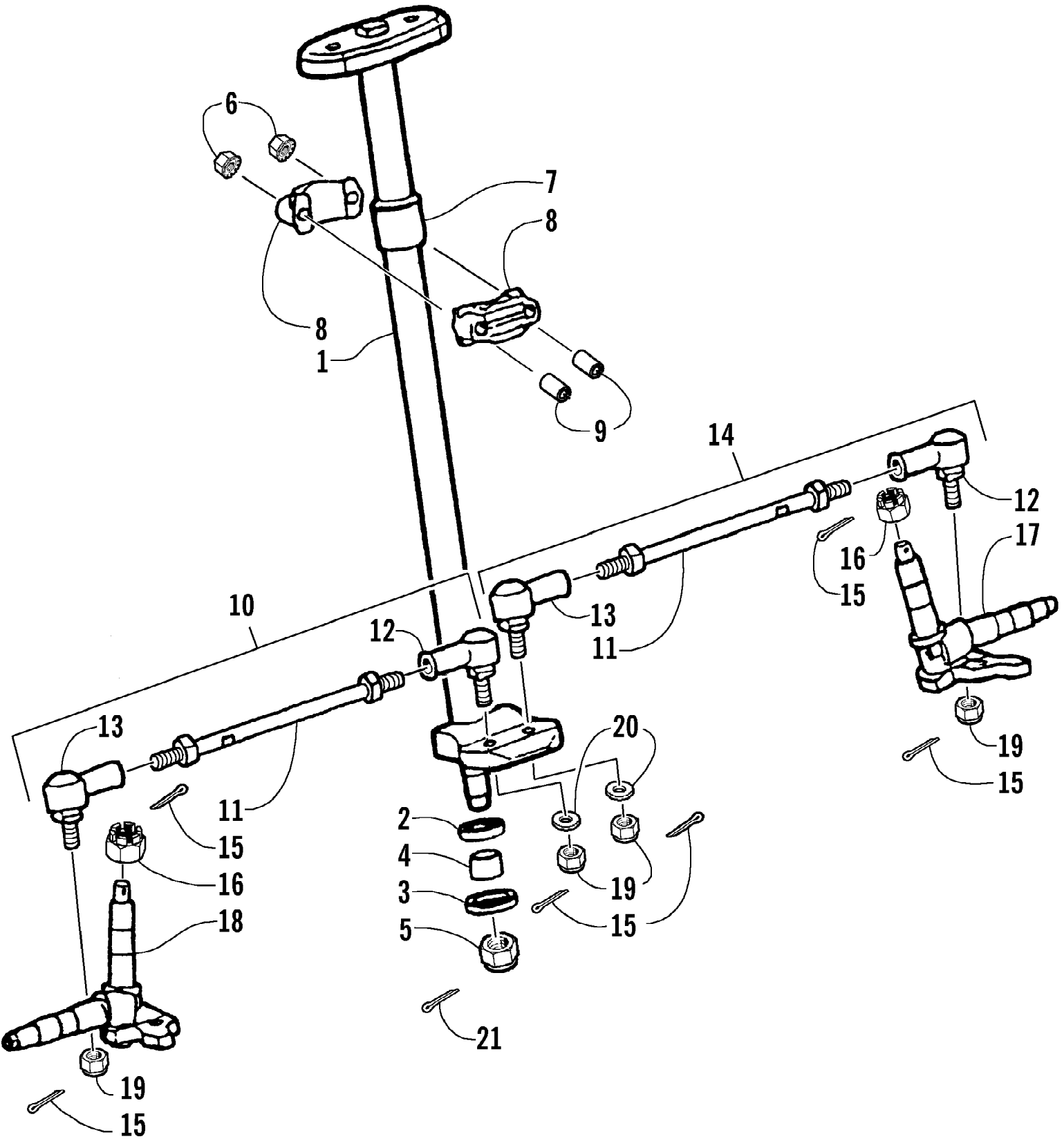
| Ref # | Part Number | Qty | S/P/F | Description |
|-------|-------------|-----|-------|--------------------------|
| | 2256-688 | 1 | | Illustrated Parts Manual |
| | 2256-649 | 1 | /P | Operator's Manual |
| | 0436-446 | 1 | | Skid Plate |
| | 0436-447 | 1 | | Windshield |



2003 ATV 90 Y-12 YOUTH (GREEN) (A2003ATB2BUSG)
STARTER ASSEMBLY

Page 48 of 54

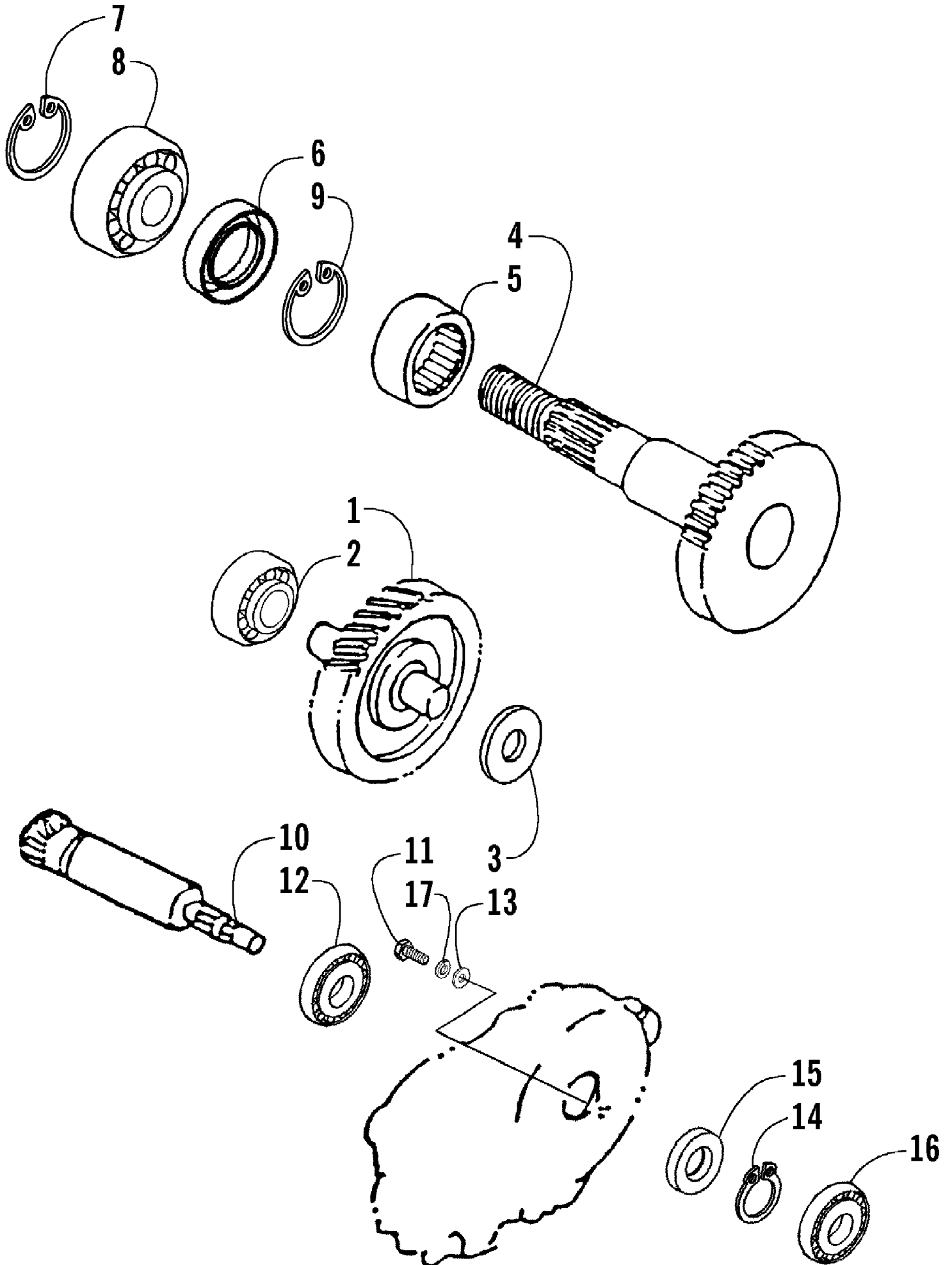
| Ref # | Part Number | Qty | S/P/F | Description |
|-------|-------------|-----|-------|---|
| 1 | 3301-423 | 1 | | Bearing, Needle |
| 2 | 3301-424 | 1 | | Boss, Bearing |
| 3 | 3301-355 | 1 | | Washer |
| 4 | 3301-344 | 3 | | Washer |
| 5 | 3301-418 | 1 | | Bearing, Needle |
| 6 | 3301-121 | 1 | | Gear, Idler |
| 7 | 3301-311 | 1 | | Washer, Wave |
| 8 | 3301-426 | 1 | | Shaft, Idler |
| 9 | 3301-287 | 2 | | Screw, Cap |
| 10 | 3301-009 | 1 | | Plate, Idler Gear |
| 11 | 3301-391 | 1 | | Screw, Cap |
| 12 | 3301-127 | 1 | | Starter Shaft Assembly |
| 13 | 3301-128 | 1 | | Spring, Reset - Starter Shaft |
| 14 | 3301-429 | 1 | | Bushing |
| 15 | 3301-351 | 1 | | Washer |
| 16 | 3301-377 | 1 | | Circlip |
| 17 | 3301-129 | 1 | /P | Starter Crank Assembly |
| 18 | 3301-125 | 1 | | Clip, Spring - Starter Pinion |
| 19 | 3301-126 | 1 | | Starter Pinion Assembly |
| 20 | 3301-130 | 1 | | Starter Clutch - Electric - Assembly (inc. 21-25) |
| 21 | 3301-124 | 1 | | Wheel, Starter Clutch |
| 22 | 3301-131 | 1 | | Clutch Set, Electric Starter (inc. 23-25) |
| 23 | 3301-134 | 3 | | Spring, Clutch |
| 24 | 3301-133 | 3 | | Guide, Clutch |
| 25 | 3301-132 | 3 | | Roller, Clutch |



2003 ATV 90 Y-12 YOUTH (GREEN) (A2003ATB2BUSG)
STEERING ASSEMBLY

Page 50 of 54

| Ref # | Part Number | Qty | S/P/F | Description |
|-------|-------------|-----|-------|---|
| 1 | 3301-214 | 1 | | Steering Post Assembly |
| 2 | 3301-436 | 1 | | Seal, Oil |
| 3 | 3301-439 | 1 | | Seal, Oil |
| 4 | 3301-195 | 1 | | Spacer |
| 5 | 3301-284 | 1 | | Nut, Nylon |
| 6 | 3301-330 | 2 | | Nut, Flange |
| 7 | 3301-216 | 1 | | Bushing, Steering Post |
| 8 | 3301-215 | 2 | | Holder, Steering Post |
| 9 | 3301-217 | 2 | | Collar, Spacer |
| 10 | 3301-190 | 1 | /P | Tie Rod Assembly - Left (inc. one No. 11-13) |
| 11 | 3301-295 | 2 | | Tie Rod |
| 12 | 3301-192 | 2 | | Joint, Ball - Left Thread |
| 13 | 3301-194 | 2 | | Joint, Ball - Right Thread |
| 14 | 3301-189 | 1 | /P | Tie Rod Assembly - Right (inc. one No. 11-13) |
| 15 | 3301-362 | 6 | | Pin, Cotter |
| 16 | 3301-334 | 2 | | Nut, Slotted |
| 17 | 3301-191 | 1 | | Knuckle, Left |
| 18 | 3301-193 | 1 | | Knuckle, Right |
| 19 | 3301-283 | 4 | | Nut, Nylon |
| 20 | 3301-474 | 2 | S | Washer |
| 21 | 3301-363 | 1 | | Pin, Cotter |

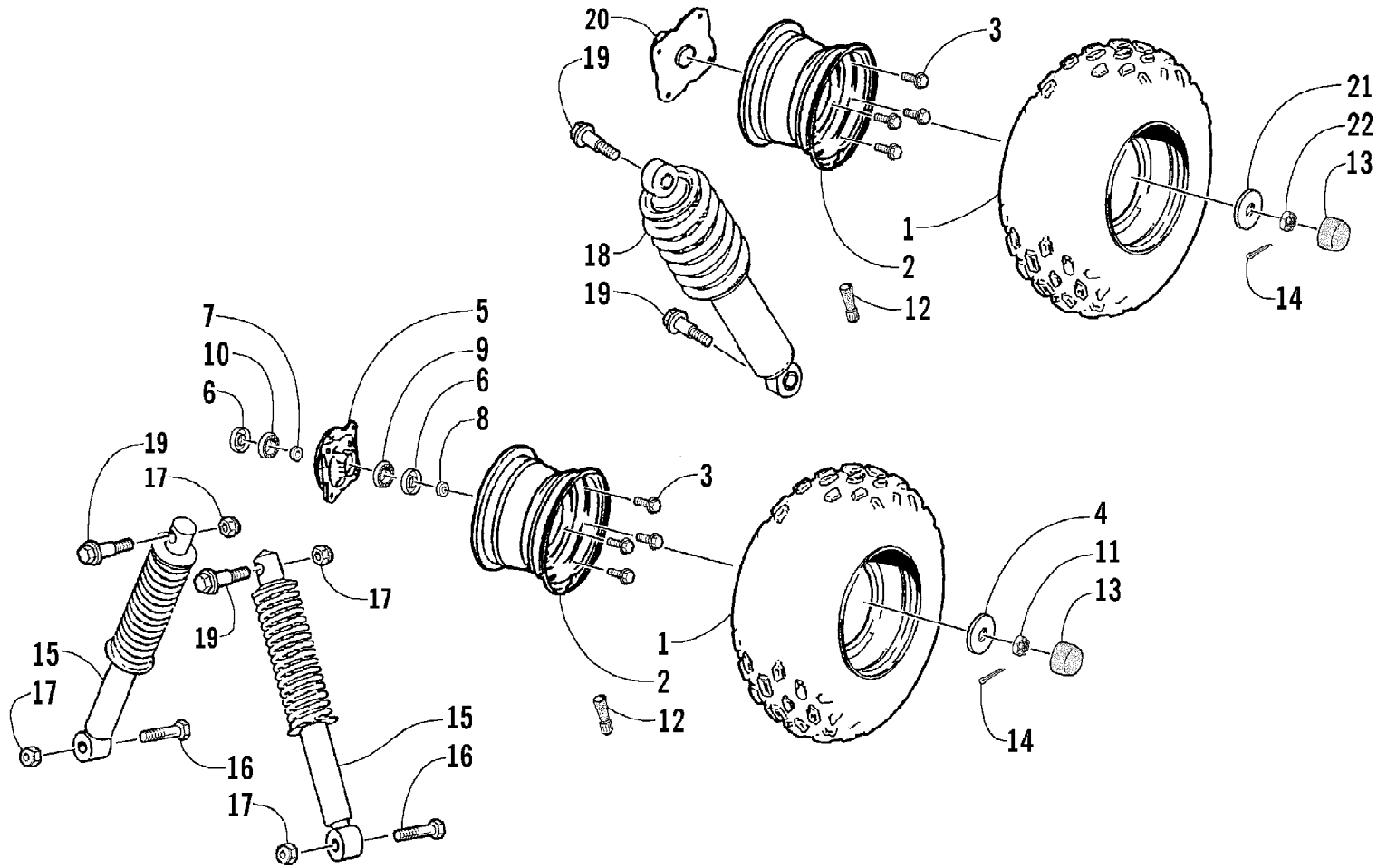


2003 ATV 90 Y-12 YOUTH (GREEN) (A2003ATB2BUSG)
TRANSMISSION ASSEMBLY

Page 52 of 54

| Ref # | Part Number | Qty | S/P/F | Description |
|-------|-------------|-----|-------|----------------------|
| 1 | 3301-120 | 1 | | Axle, Main |
| 2 | 3301-414 | 1 | | Bearing, Radial Ball |
| 3 | 3301-346 | 1 | | Washer |
| 4 | 3301-122 | 1 | | Axle, Drive |
| 5 | 3301-422 | 1 | | Bearing, Needle |
| 6 | 3301-440 | 1 | | Seal, Oil |
| 7 | 3301-383 | 2 | | Circlip |
| 8 | 3301-412 | 1 | | Bearing, Radial Ball |
| 9 | 3301-382 | 1 | | Circlip |
| 10 | 3301-119 | 1 | | Gear, Primary Drive |
| 11 | 3301-305 | 1 | | Screw, Cap |
| 12 | 3301-410 | 1 | | Bearing, Radial Ball |
| 13 | 3301-341 | 1 | | Washer |
| 14 | 3301-378 | 1 | | Circlip |
| 15 | 3301-435 | 1 | | Seal, Oil |
| 16 | 3301-416 | 1 | | Bearing, Radial Ball |
| 17 | 3301-360 | 1 | | Washer, Spring |

2003 ATV 90 Y-12 YOUTH (GREEN) (A2003ATB2BUSG)
WHEEL, TIRE, AND SUSPENSION ASSEMBLY



2003 ATV 90 Y-12 YOUTH (GREEN) (A2003ATB2BUSG)
WHEEL, TIRE, AND SUSPENSION ASSEMBLY

Page 54 of 54

| Ref # | Part Number | Qty | S/P/F | Description |
|-------|-------------|-----|-------|----------------------|
| 1 | 3301-177 | 4 | /P | Tire |
| 2 | 3301-175 | 4 | /P | Wheel |
| 3 | 3301-399 | 16 | | Screw, Cap |
| 4 | 3301-347 | 2 | | Washer |
| 5 | 3301-176 | 2 | | Drum, Brake - Front |
| 6 | 3301-439 | 4 | | Seal, Oil |
| 7 | 3301-195 | 2 | | Spacer |
| 8 | 3301-188 | 2 | | Collar - Front |
| 9 | 3301-408 | 2 | | Bearing, Radial Ball |
| 10 | 3301-411 | 2 | | Bearing, Radial Ball |
| 11 | 3301-333 | 2 | | Nut, Slotted |
| 12 | 3301-170 | 4 | S | Stem, Valve |
| 13 | 3301-181 | 4 | | Cover, Rubber |
| 14 | 3301-363 | 4 | | Pin, Cotter |
| 15 | 3301-223 | 2 | | Shock, Front |
| 16 | 3301-308 | 2 | | Screw, Cap |
| 17 | 3301-283 | 4 | | Nut, Nylon |
| 18 | 3301-229 | 1 | | Shock, Rear |
| 19 | 3301-401 | 4 | | Screw, Cap |
| 20 | 3301-160 | 2 | | Connector, Shaft |
| 21 | 3301-350 | 2 | | Washer |
| 22 | 3301-335 | 2 | | Nut, Slotted |