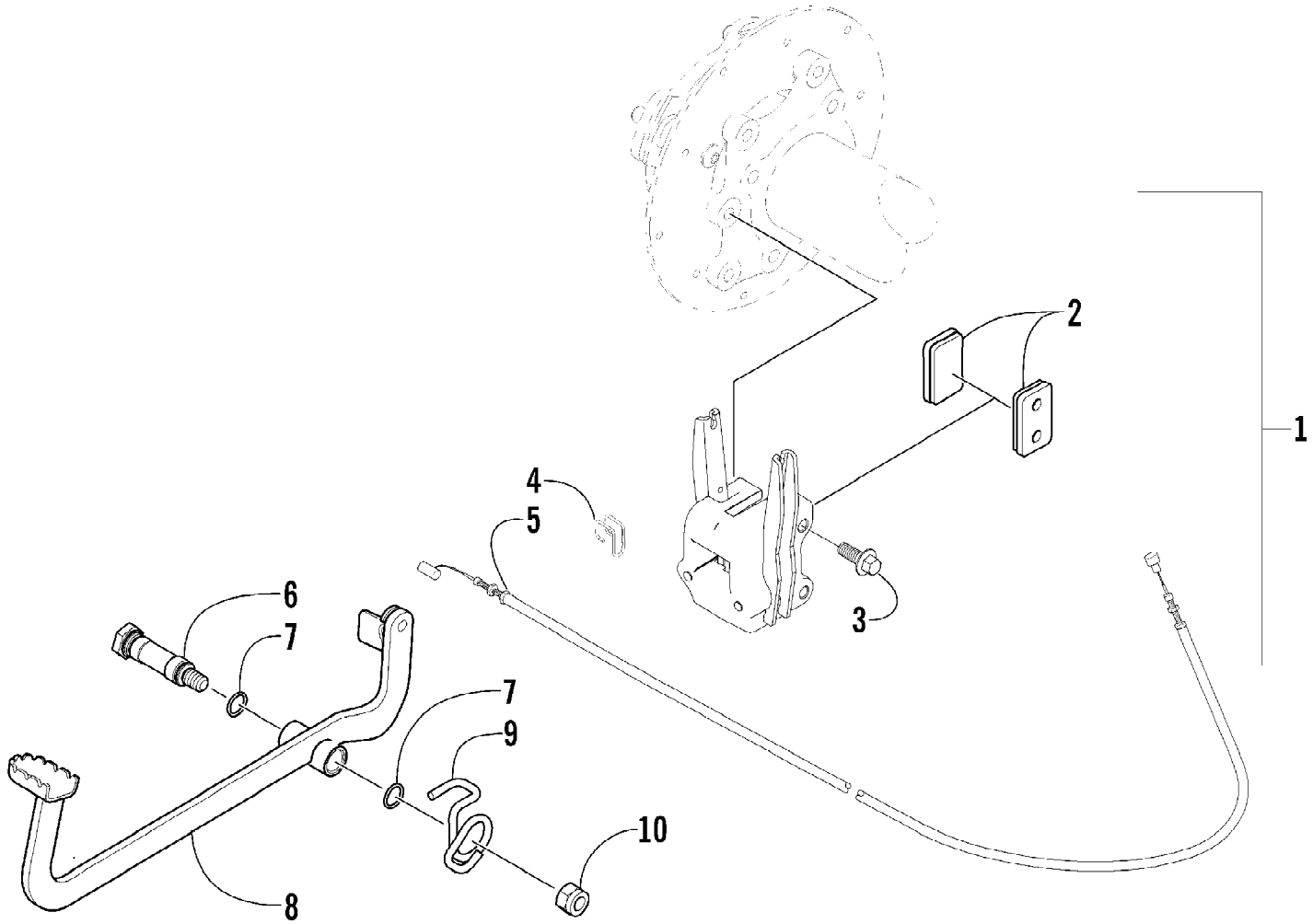
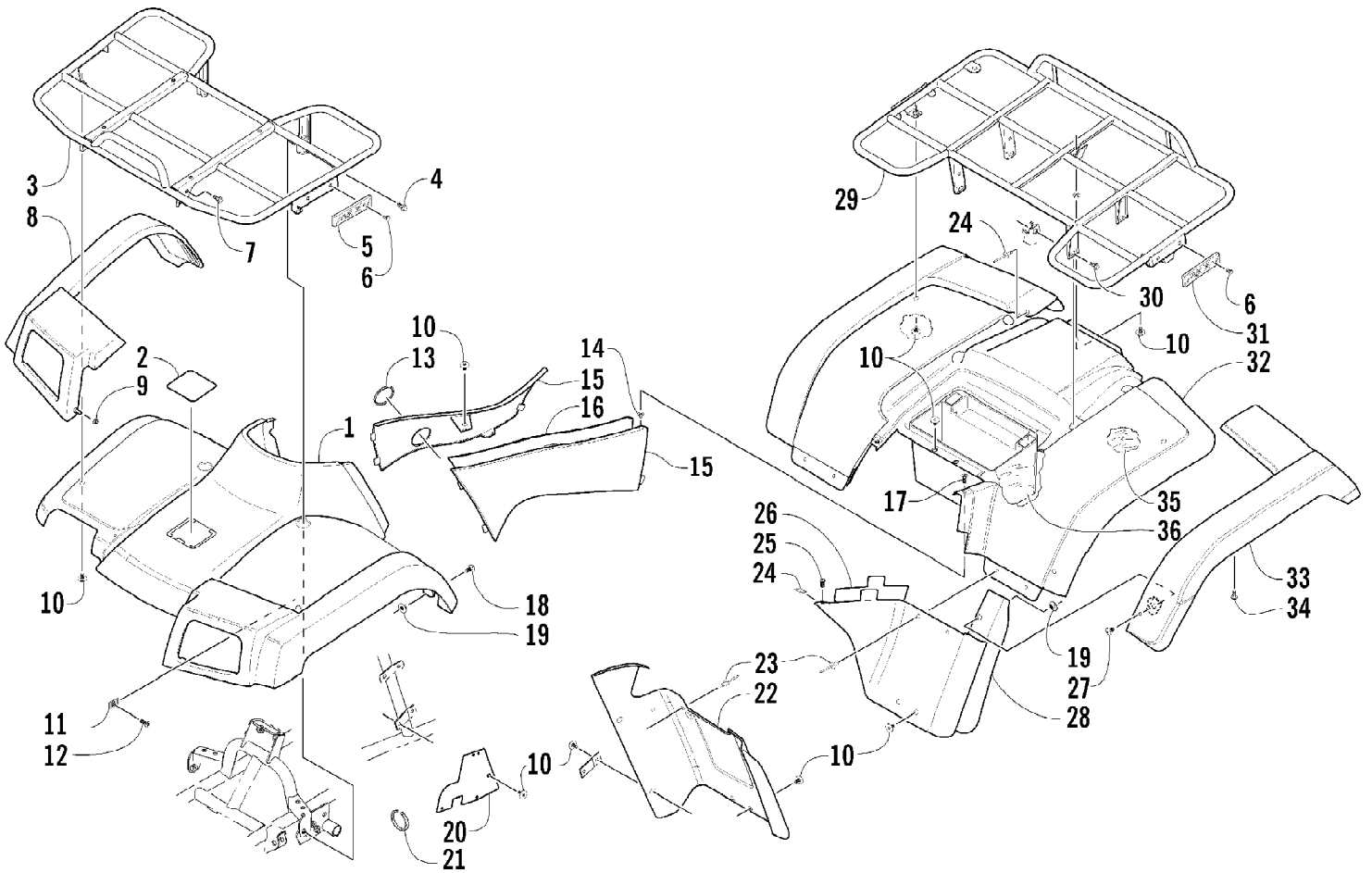


Ref #	Part Number	Qty	S/P/F	Description
1	0423-019	1		Clamp
2	0470-432	1		Boot, Air Intake
3	0423-018	2		Clamp
4	0470-446	1	/P	Housing, Air Intake
5	0623-101	1		Clip, Retaining
6	0470-343	1		Gasket
7	0470-459	1		Snorkel
8	0470-307	4		Clamp
9	0423-037	4		Spring
10	0623-121	4		Screw, Machine
11	0123-010	4	/P	Nut, Expansion
12	0410-004	1		Hose, Crankcase Vent
13	0470-460	1		Filter, Air
14	0412-141	1		Shield, Heat
15	0470-442	1	/P	Valve, Drain
16	1673-272	1	/P	Cap, Drain Tube
17	0423-047	1		Clamp, Hose
18	0423-045	2		Clamp, Hose
19	0470-351	2		Support, Air Intake Flange

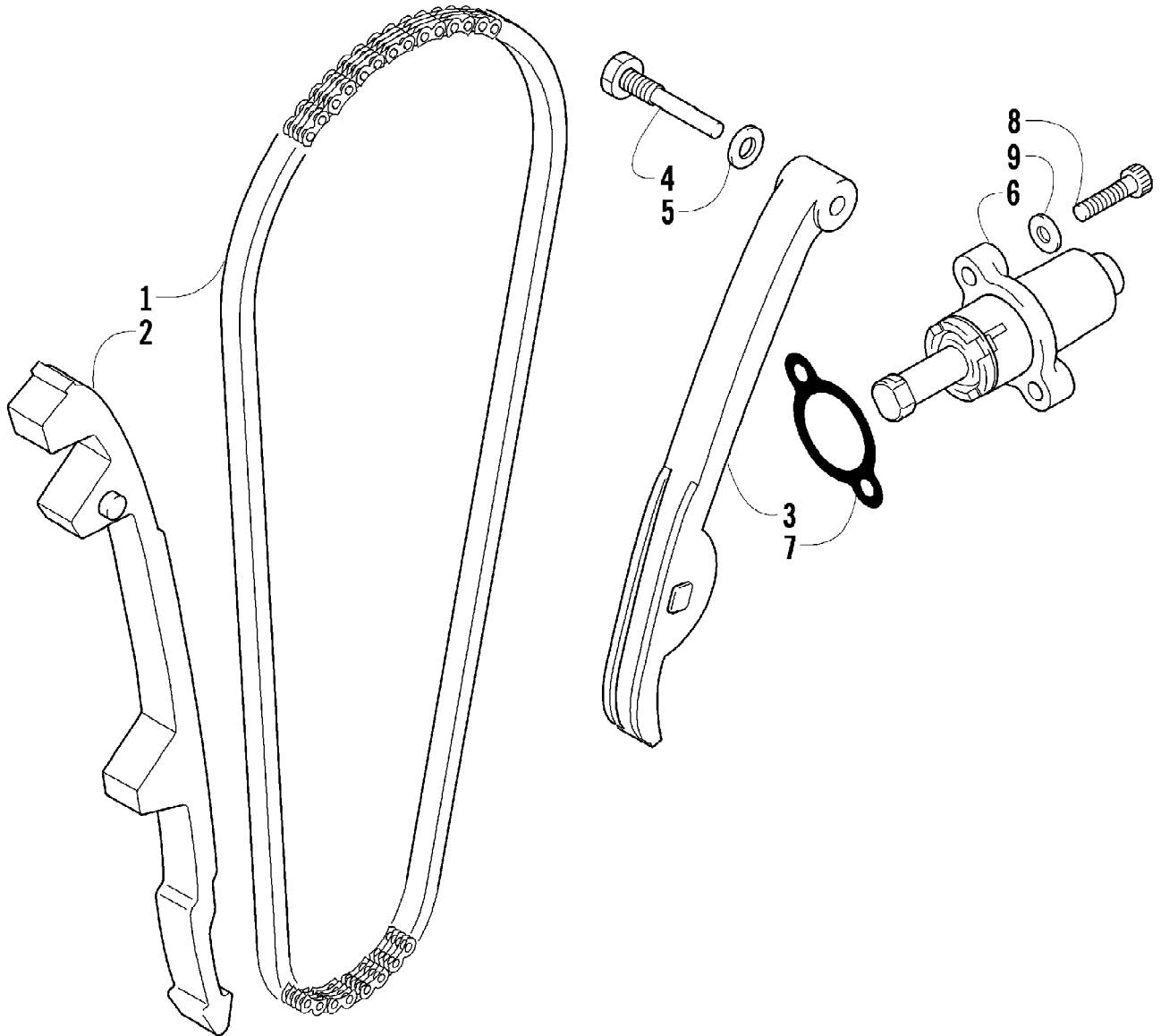


Ref #	Part Number	Qty	S/P/F	Description
1	0502-372	1	/P	Auxiliary Brake Assembly (inc. 2)
2	0402-958	2	/P	Pad, Brake
3	8408-825	2		Screw, Cap
4	0402-379	1		Wire Form, Cable
5	0487-006	1		Cable, Brake - Rear
6	0402-872	1		Axle, Brake Lever
7	1602-213	2	/P	O-Ring
8	0502-252	1		Lever, Brake
9	0502-395	1	/P	Spring, Brake Lever
10	8422-002	1		Nut

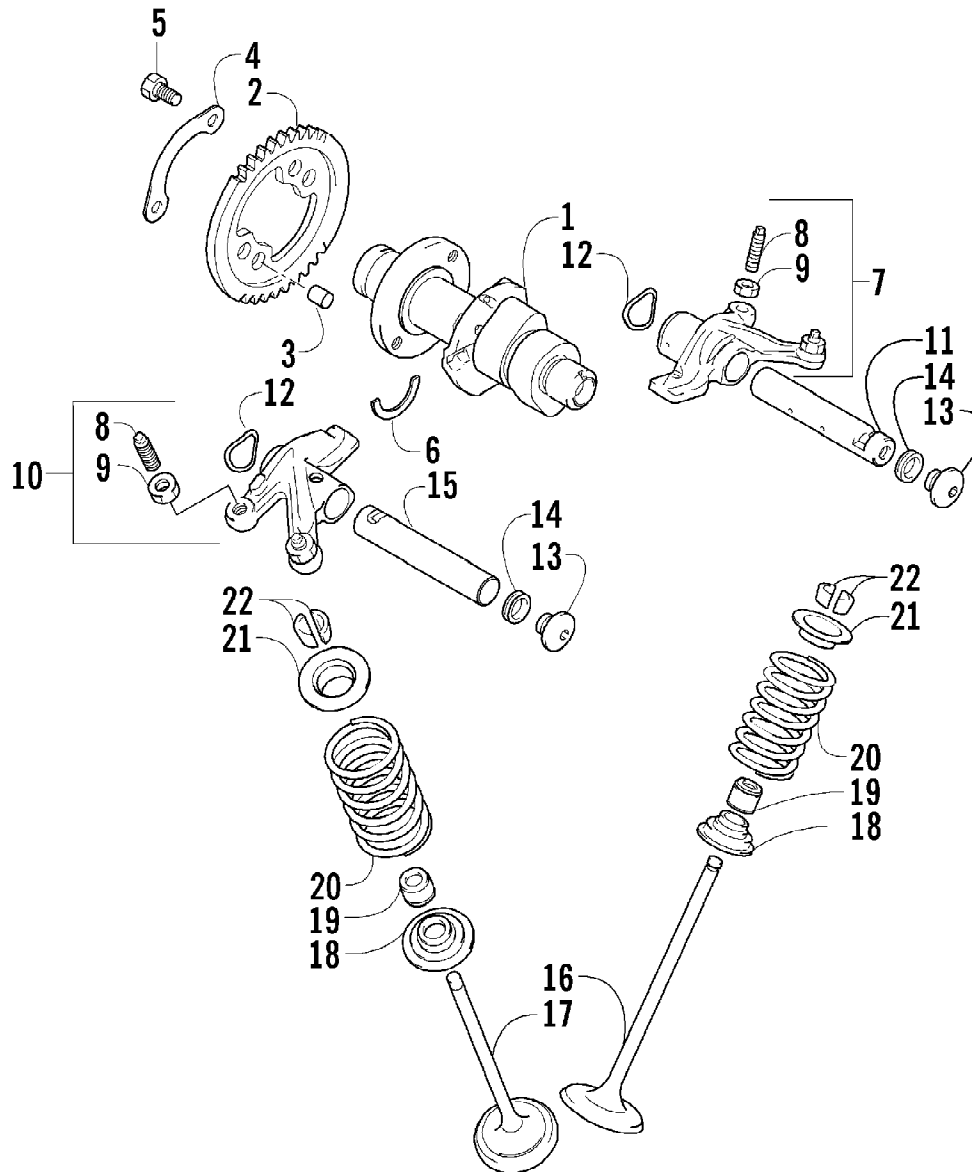




Ref #	Part Number	Qty	S/P/F	Description
1	1506-109	1		Panel, Fender - Front (inc. 2)
1	1506-107	1		Panel, Fender - Front (inc. 2) (Green/MRP)
2	1406-142	1	/P	Cover, Access
2	1406-141	1	/P	Cover, Access (Green/MRP)
3	0506-547	1		Rack - Front (Red/Green)
4	8408-816	2		Screw, Cap
5	0606-526	2		Reflector, Front - Amber
6	0623-269	8		Clip, Retaining
7	0423-360	2		Screw, Cap
8	0506-550	1		Flare - Front - Right
8	0506-551	1		Flare - Front - Left
9	0423-357	2		Nut, Stamped
10	0423-101	AR		Screw, Body
11	0423-031	2		Nut, Speed
12	8477-616	2		Screw, Machine
13	0470-404	1		Grommet, Fuel Shut-Off Valve
14	0123-010	2	/P	Nut, Expansion
15	0506-548	1		Panel, Side - Right
15	0506-243	1		Panel, Side - Left
15	0506-549	1		Panel, Side - Right (Green/MRP)
15	0506-673	1		Panel, Side - Left (Green/MRP)
16	0412-142	1		Shield, Heat
17	0423-068	2		Screw, Machine
18	0423-356	2		Screw, Shoulder
19	0423-438	4		T-Nut w/Teeth
20	1406-006	2		Panel, Fender - Inner
21	0123-788	AR	/P	Cable Tie - 7.5 in.
22	0406-941	1	/P	Panel, Kick - Right
22	0506-626	1		Panel, Kick - Left
23	0423-046	AR		Rivet, Plastic
24	0423-060	2		Clip, Tinerman
25	0623-309	2		Screw, Self-Tapping
26	0412-140	1		Shield, Heat
27	0423-355	2		Screw, Shoulder
28	0406-084	1		Fender Extension - Rear - Right
28	0406-085	1		Fender Extension - Rear - Left
29	0506-821	1	/P	Rack - Rear (Red/Green)
30	8409-020	4	/P	Screw, Cap
31	0606-029	2		Reflector, Rear - Red
32	0506-620	1	S	Panel, Fender - Rear
32	0506-621	1		Panel, Fender - Rear (Green/MRP)
33	0506-552	1		Flare, Rear - Right
33	0506-553	1		Flare, Rear - Left
34	0423-342	16	/P	Screw, Self-Tapping
35	0412-124	1		Shield, Heat
36	0412-147	1		Shield, Heat

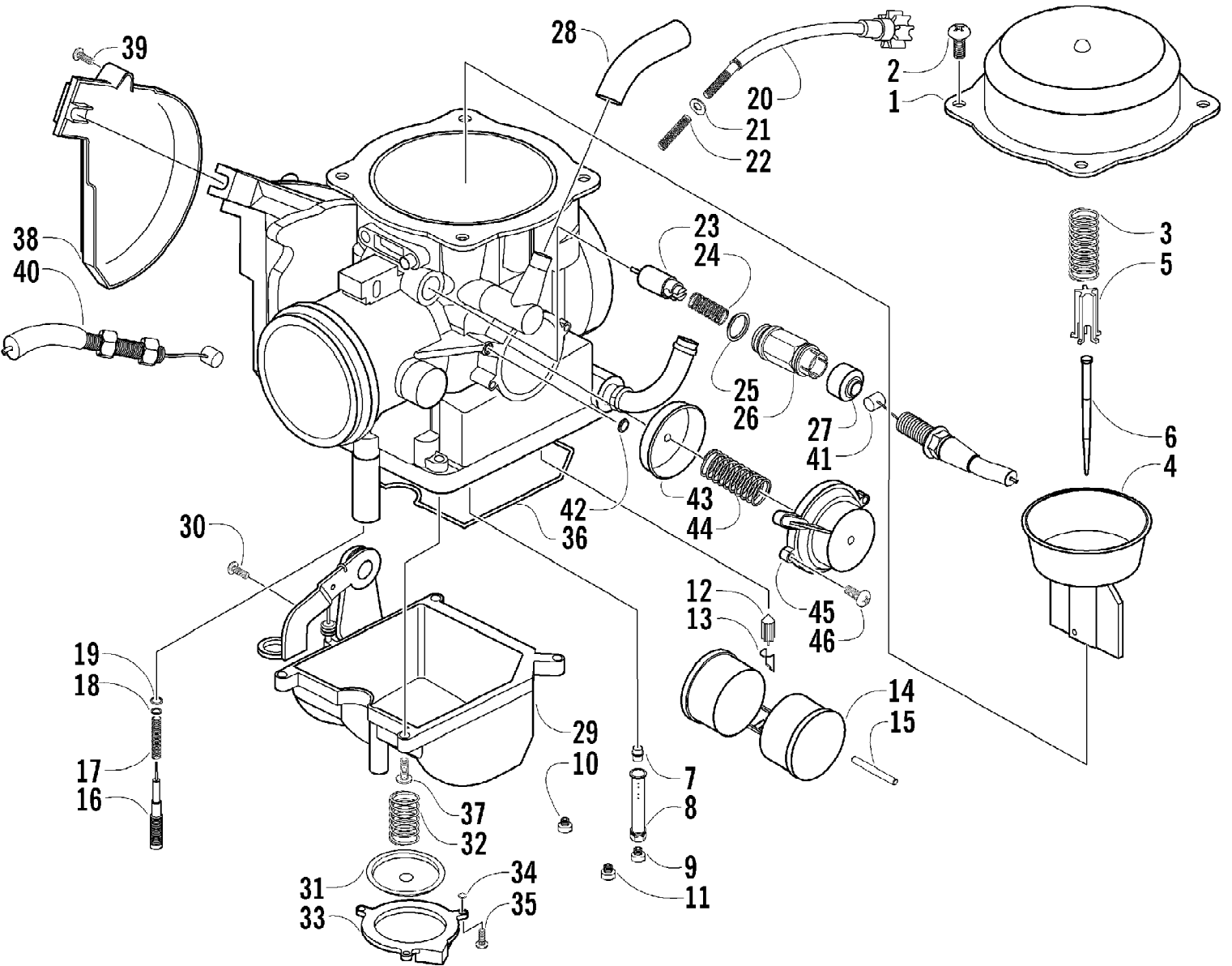


Ref #	Part Number	Qty	S/P/F	Description
1	3402-353	1		Chain, Cam
2	3402-355	1		Guide, Chain
3	3402-356	1		Tensioner, Chain
4	3423-074	1		Bolt
5	3003-188	1	S/P	Washer
6	3402-136	1		Adjuster, Tensioner - Assembly
7	3402-137	1		Gasket
8	3004-475	2	S	Bolt
9	3003-290	2	/P	Gasket



2003 ATV 500 FIS MANUAL TRANSMISSION (GREEN - MRP) (A2003ISM4AUBS) Page 10 of 97  
CAMSHAFT/VALVE ASSEMBLY

Ref #	Part Number	Qty	S/P/F	Description
1	3402-723	1	S	Camshaft
2	3402-352	1		Sprocket
3	3423-047	1		Pin
4	3423-073	1		Washer
5	3423-013	2	S	Screw, Cap
6	3423-071	1	/P	C-Ring
7	3402-805	1	/P	Arm, Valve Rocker - Intake (inc. two No. 8-9)
8	3423-075	4		Screw
9	3423-076	4		Nut
10	3402-139	1		Arm, Valve Rocker - Exhaust (inc. two No. 8-9)
11	3402-140	1		Shaft, Rocker Arm - Intake
12	3423-031	2		Washer
13	3423-111	2	S	Plug, Shaft
14	3402-012	2		Gasket
15	3402-141	1		Shaft, Rocker Arm - Exhaust
16	3402-725	2	/P	Valve, Intake
17	3402-143	2		Valve, Exhaust
18	3402-148	4		Seat, Spring
19	3402-078	4		Seal, Oil
20	3402-726	4		Spring, Valve
21	3423-541	4	/P	Retainer, Spring
22	3402-147	8		Cotter, Valve

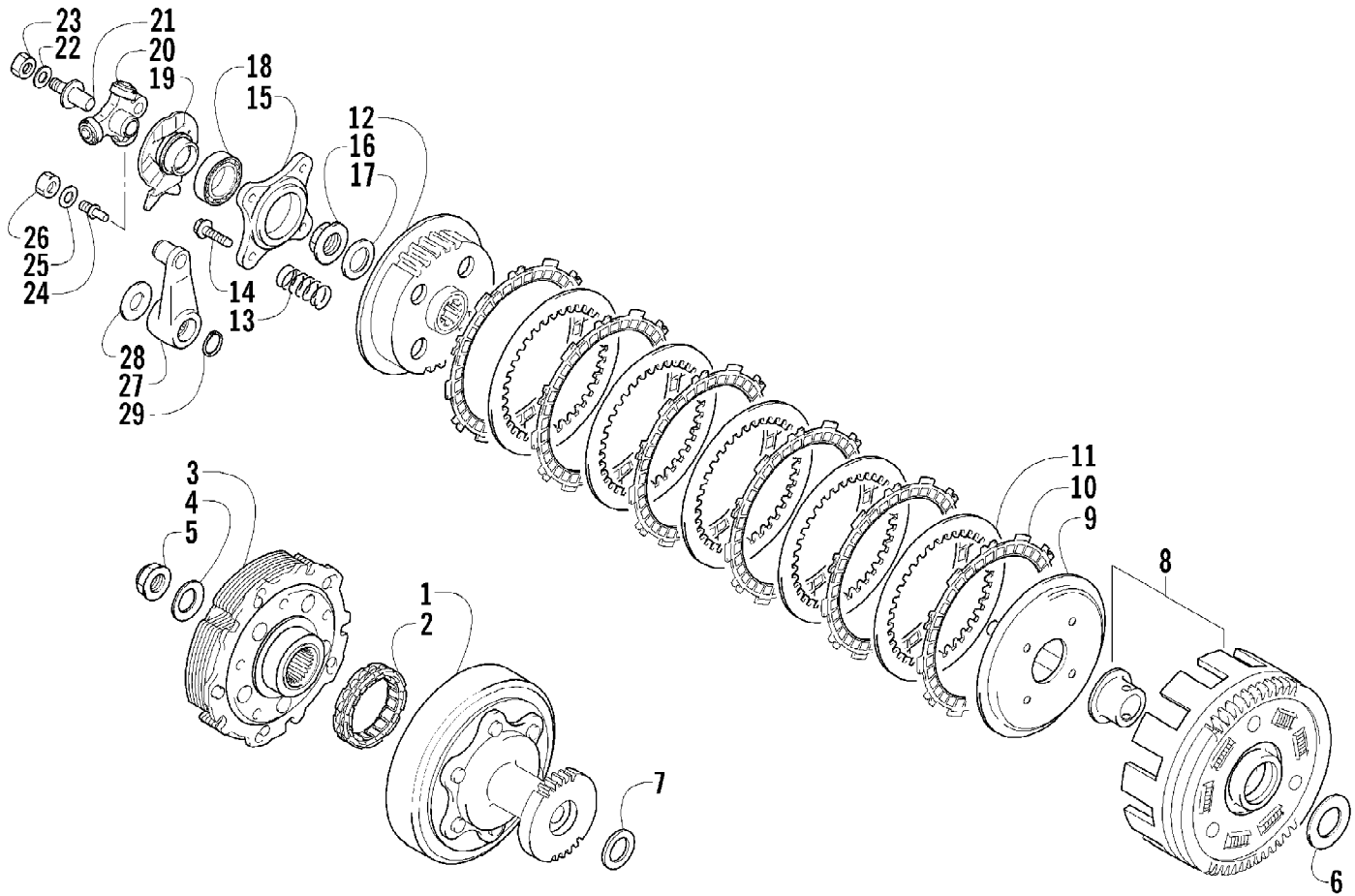


2003 ATV 500 FIS MANUAL TRANSMISSION (GREEN - MRP) (A2003ISM4AUBS) Page 12 of 97  
CARBURETOR

Ref #	Part Number	Qty	S/P/F	Description
	0470-458	1		Complete Carburetor Assembly
1	5507-001	1		Cover, Top
2	5507-002	4	/P	Screw, Top Cover
3	5507-085	1	S	Spring
4	5507-099	1		Piston, Vacuum
5	5507-005	1		Seat, Spring
6	5507-100	1		Jet Needle
7	5507-007	1		Needle Jet
8	5507-047	1	/P	Holder, Needle Jet
9	5507-041	1		Main Jet - 147
9	5507-009	1	/P/F	Main Jet - 150
9	5507-086	1	F	Main Jet - 148
9	5507-043	1	F	Main Jet - 142
9	5507-044	1	F	Main Jet - 140
10	5507-101	1	S	Slow Jet
11	5507-092	1		Starter Jet - 90
12	5507-107	1		Valve, Float - Set (inc. 13)
13	0	1	F	Clip
14	5507-039	1		Float
15	0	1	F	Pin, Float
16	5507-108	1		Screw, Pilot Air - Set (inc. 17-19)
17	0	1	F	Spring
18	0	1	F	Washer
19	0	1	F	O-Ring
20	5507-027	1		Screw, Idle Adjust
21	5507-028	1		Washer
22	5507-029	1		Spring
23	5507-022	1		Valve, Starter
24	5507-023	1		Spring
25	5507-024	1		O-Ring
26	5507-025	1		Cap
27	5507-026	1		Cap, Rubber
28	5507-084	1	S	Tube, Vinyl
29	5507-065	1		Chamber, Float - Assembly (inc. 30-36)
30	5507-050	1	/P	Screw, Drain
31	5507-031	1	S	Diaphragm Assembly
32	5507-032	1		Spring
33	0	1	F	Housing, Pump
34	5507-034	1		U-Ring
35	5507-035	3		Screw
36	5507-067	1	/P	O-Ring, Float Chamber
37	5507-017	4	/P	Screw
38	5507-036	1		Cable, Throttle
39	5507-037	1	/P	Screw
40	0487-021	1	S	Cable, Throttle
41	0487-016	1		Cable, Choke
42	5507-102	1		U-Ring
43	5507-103	1		Diaphragm Assembly
44	5507-104	1		Spring
45	5507-105	1		Cover
46	5507-106	2		Screw

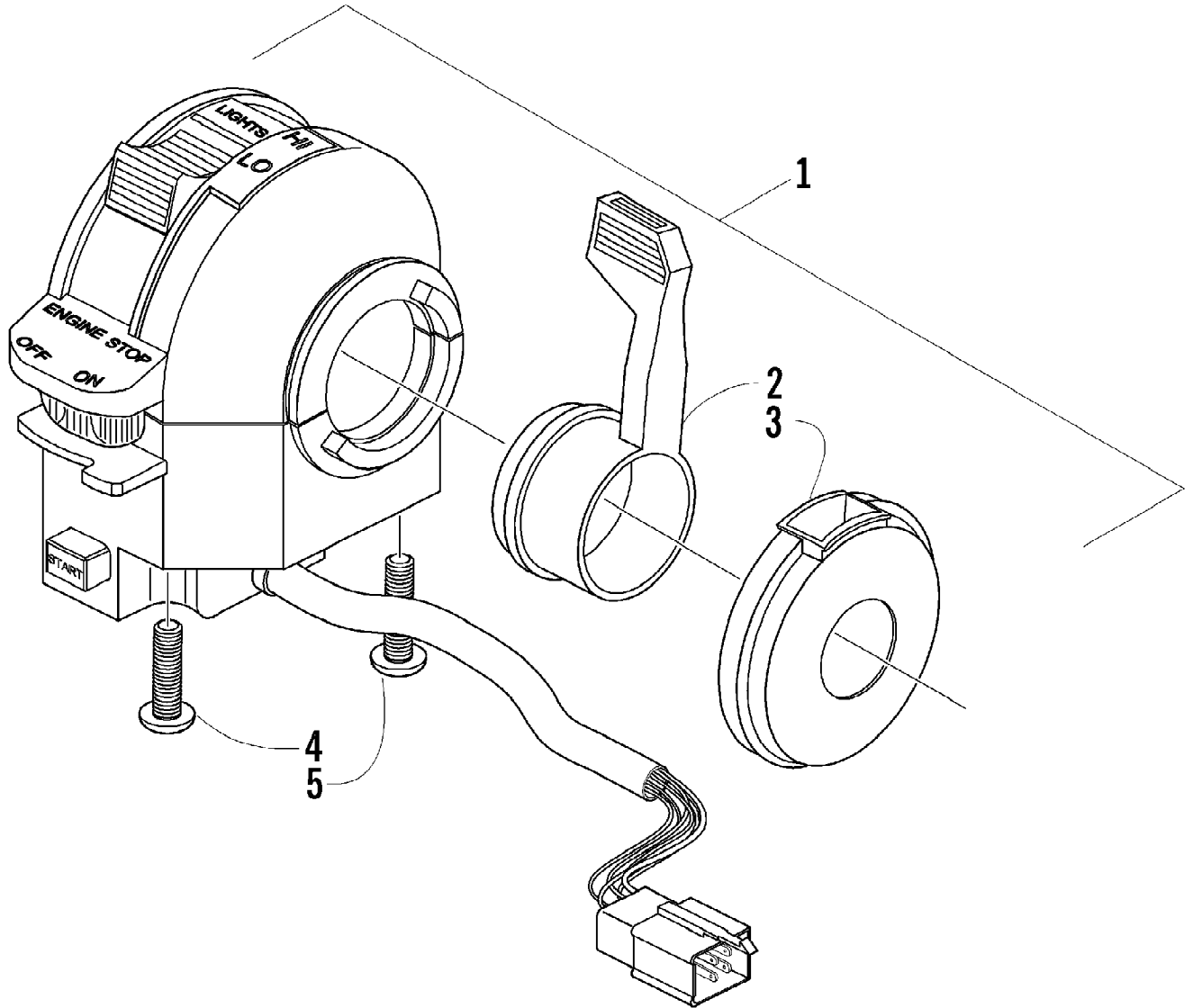


2003 ATV 500 FIS MANUAL TRANSMISSION (GREEN - MRP) (A2003ISM4AUB) Page 13 of 97  
CLUTCH ASSEMBLY



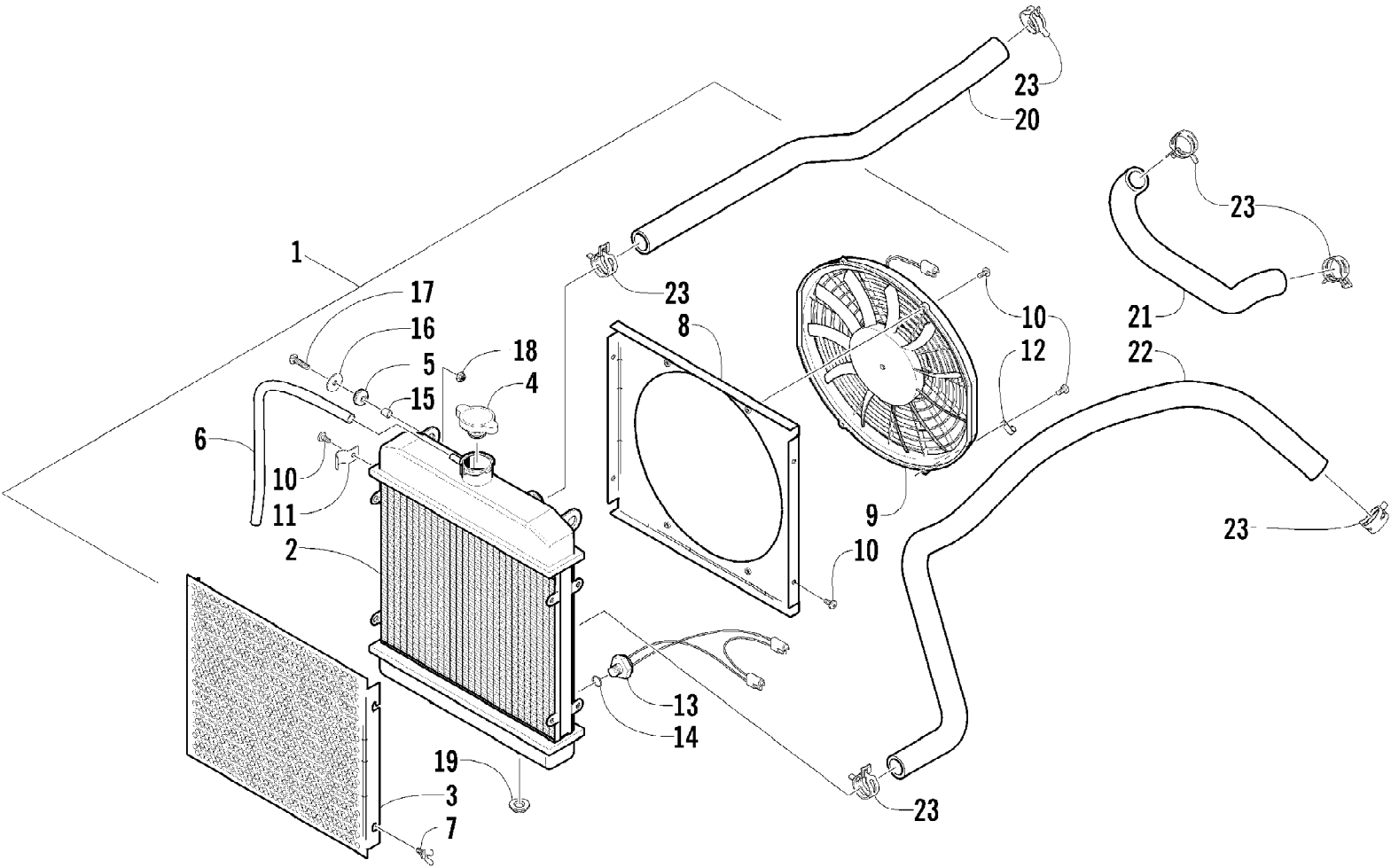
2003 ATV 500 FIS MANUAL TRANSMISSION (GREEN - MRP) (A2003ISM4AUBS) Page 14 of 97  
CLUTCH ASSEMBLY

Ref #	Part Number	Qty	S/P/F	Description
1	3446-329	1		Housing, Starter Clutch
2	3446-003	1		Clutch, Primary Drive One Way
3	3446-330	1		Shoe, Starter Clutch
4	3423-032	1		Washer, Starter Clutch Shoe
5	3423-081	1		Nut, Starter Clutch Shoe
6	3423-122	1		Washer, Primary Driven
7	3423-350	1		Washer, Primary Driven
8	3446-331	1		Gear, Primary Driven - Assembly
9	3446-008	1		Disc, Clutch Pressure
10	3446-332	6		Plate, Clutch Drive
11	3446-007	5		Plate, Clutch Driven
12	3446-004	1		Hub, Clutch Sleeve
13	3423-544	4		Spring, Clutch
14	3423-330	4		Screw, Cap
15	3446-009	1		Plate, Clutch Release
16	3423-080	1		Nut, Clutch Sleeve Hub
17	3423-032	1		Washer, Clutch Sleeve Hub
18	3402-186	1	/P	Bearing, Clutch Release Plate
19	3446-334	1		Guide, Clutch Release Roller
20	3446-335	1		Roller Assembly, Clutch Release
21	3423-361	1		Bolt, Clutch Release - No. 1
22	3423-360	1		Washer, Clutch Release - No. 1
23	3423-359	1		Nut, Clutch Release - No. 1
24	3423-083	1		Bolt, Clutch Release - No. 2
25	3423-027	1		Washer, Clutch Release - No. 2
26	3008-014	1		Nut, Clutch Release - No. 2
27	3446-333	1		Arm, Clutch Release
28	3423-545	1		Washer, Clutch Release Arm
29	3423-546	1		Circlip, Clutch Release Arm



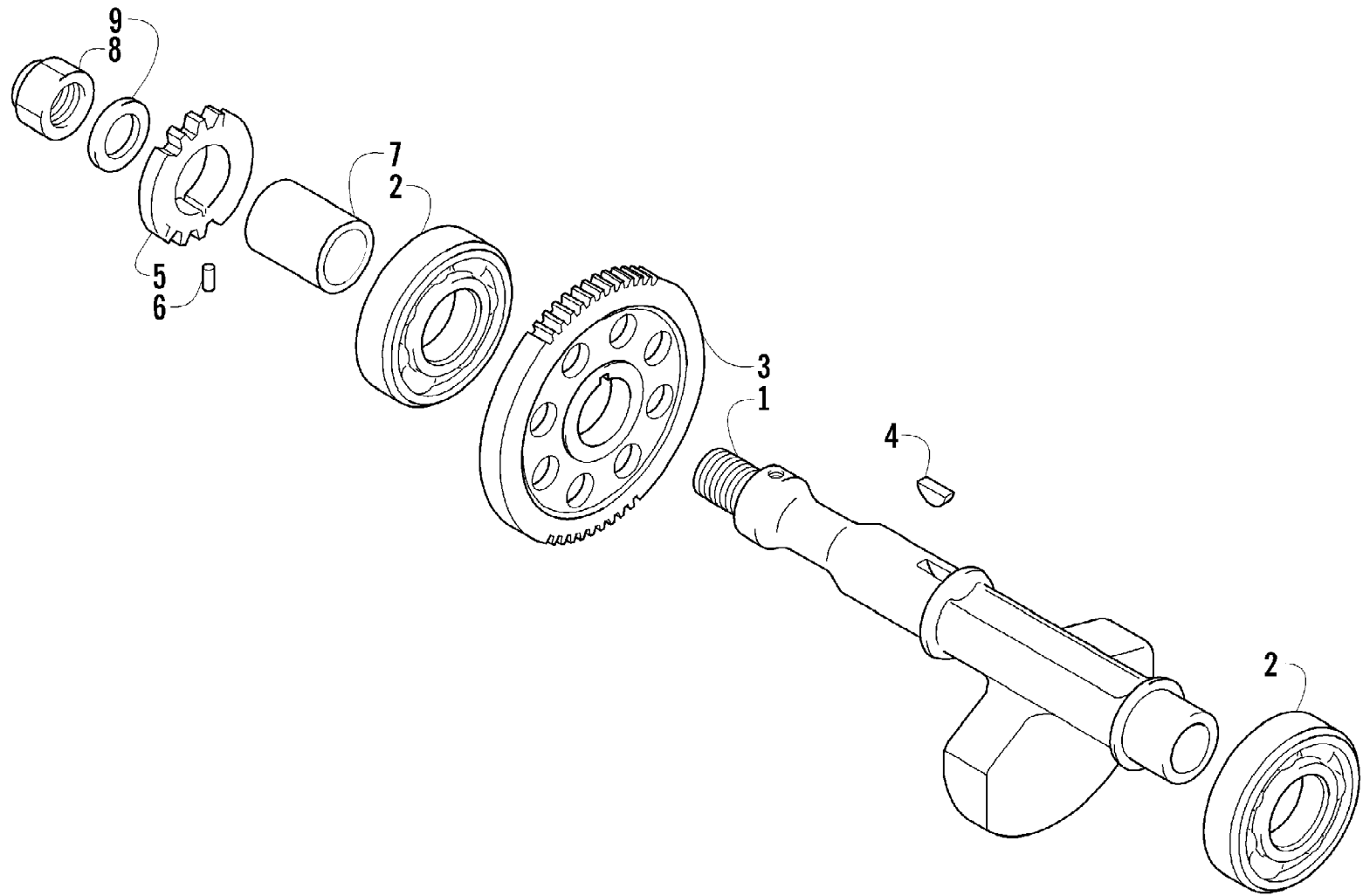
2003 ATV 500 FIS MANUAL TRANSMISSION (GREEN - MRP) (A2003ISM4AUBS) Page 16 of 97  
 CONTROL SWITCH HOUSING ASSEMBLY

Ref #	Part Number	Qty	S/P/F	Description
1	3509-001	1	S	Switch, Control - Assembly (inc. 2-5)
2	3409-009	1		Lever, Choke
3	3409-010	1		Cover, Choke Lever
4	3423-196	1		Screw, Cap
5	3423-197	1		Screw, Cap



2003 ATV 500 FIS MANUAL TRANSMISSION (GREEN - MRP) (A2003ISM4AUBS) Page 18 of 97  
COOLING ASSEMBLY

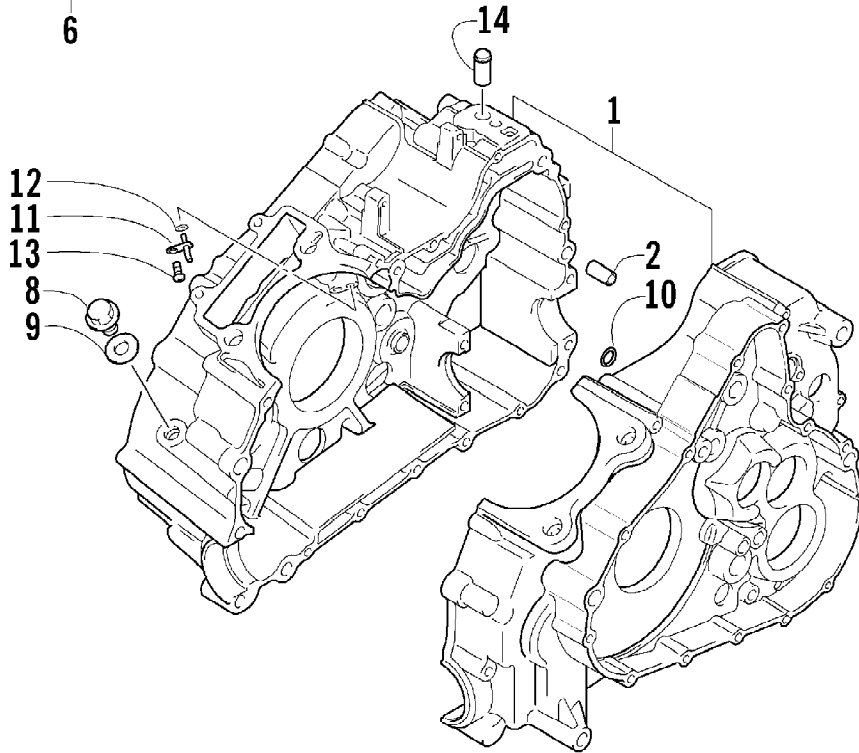
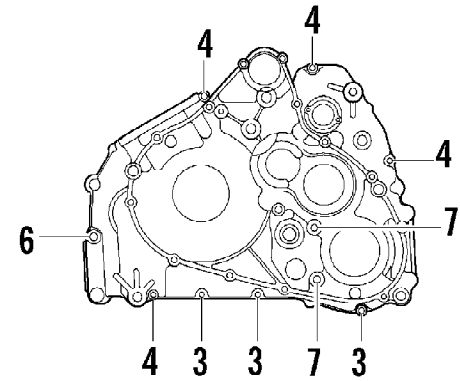
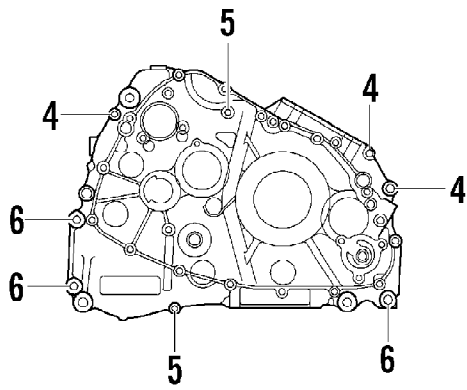
Ref #	Part Number	Qty	S/P/F	Description
1	0413-038	1		Radiator Assembly (inc. 2-15)
2	0413-043	1	S	Radiator
3	0413-007	1		Screen, Radiator
4	0413-002	1	S	Cap, Radiator
5	0423-030	2		Grommet
6	0610-016	AR	/P	Hose - 25 ft
7	0413-009	4		Screw, Thumb
8	0413-046	2		Shroud, Fan
9	0413-044	1	S	Fan, Cooling
10	8475-512	8		Screw, Machine
11	0423-351	1		Clamp, Wire
12	0123-397	1		Clamp, Cable
13	0413-045	1		Sender, Temperature - Coolant
14	0423-390	1	S	O-Ring
15	0423-036	2		Collar
16	0623-184	2		Washer
17	8476-625	2		Screw, Cap
18	0623-038	2		Nut w/Washer
19	0423-028	2		Bushing, Stem
20	0410-050	1		Hose, Coolant - Upper
21	0410-003	1		Hose, Coolant - Crossover
22	0410-042	1		Hose, Coolant - Lower
23	0423-070	6		Clamp, Hose



2003 ATV 500 FIS MANUAL TRANSMISSION (GREEN - MRP) (A2003ISM4AUBS)  
CRANK BALANCER ASSEMBLY

Ref #	Part Number	Qty	S/P/F	Description
1	3402-350	1		Balancer, Crank
2	3402-050	2		Bearing
3	3402-814	1		Gear, Driven
4	3004-540	1	/P	Key
5	3402-390	1		Gear, Oil Pump Drive
6	3423-114	1	/P	Pin, Drive Gear
7	3402-151	1		Spacer, Drive Gear
8	3423-025	1		Nut, Lock
9	3423-029	1		Washer, Drive Gear

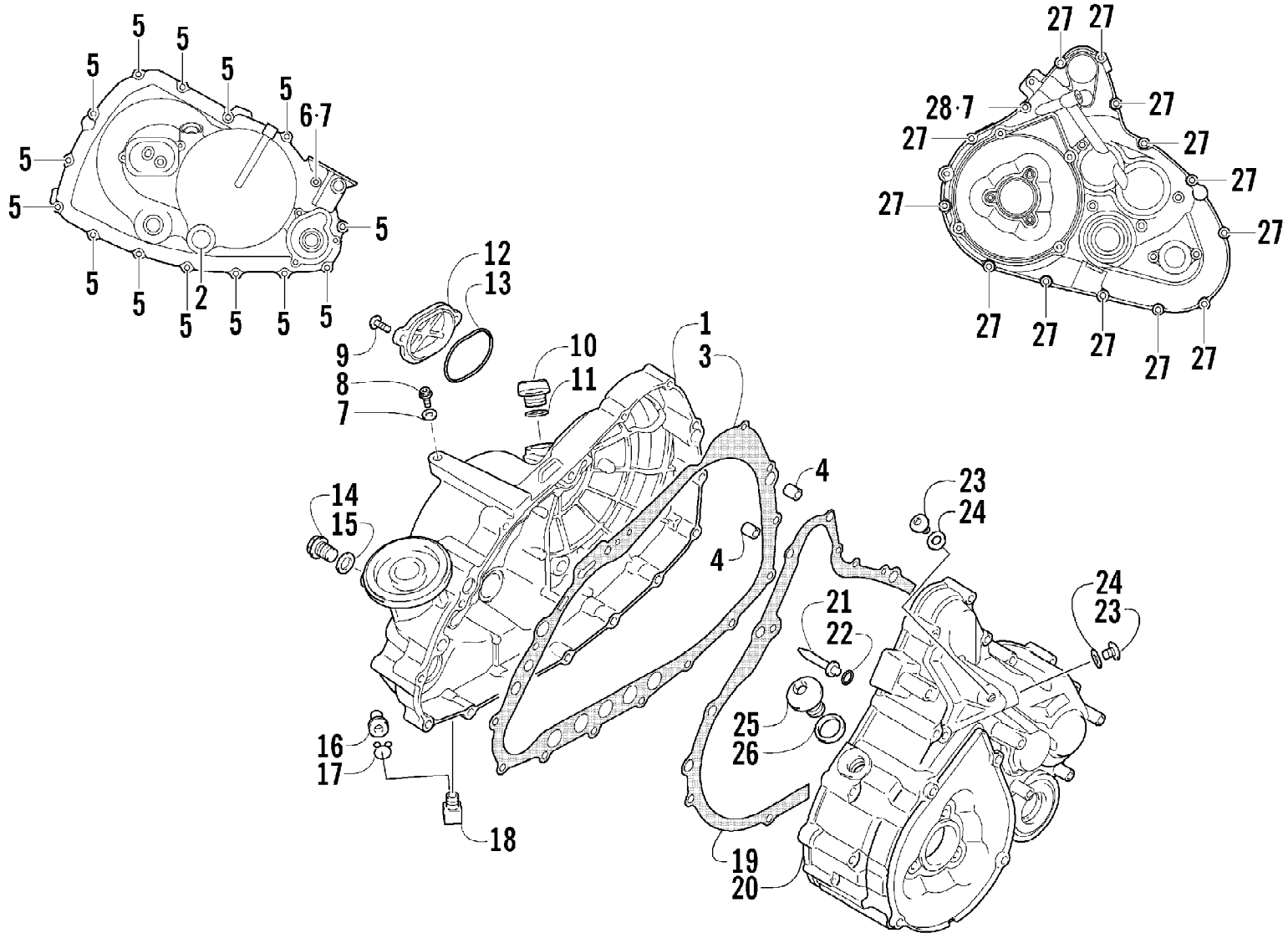




2003 ATV 500 FIS MANUAL TRANSMISSION (GREEN - MRP) (A2003ISM4AUBS) Page 22 of 97  
CRANKCASE ASSEMBLY

Ref #	Part Number	Qty	S/P/F	Description
1	3402-809	1	S	Crankcase Assembly (inc. 2-13)
2	3423-088	2		Pin, Dowel
3	3423-091	3	S	Bolt
4	3423-092	7	S	Bolt
5	3423-094	2		Bolt
6	0693-303	4	S	Bolt
7	3423-093	2		Bolt
8	3423-095	1		Plug, Oil Gallery
9	3402-011	1		Gasket
10	3423-052	1		O-Ring
11	3402-369	1		Jet, Piston Cooling
12	3423-051	1		O-Ring
13	3423-370	1		Screw
14	3423-538	1		Union, Breather Hose

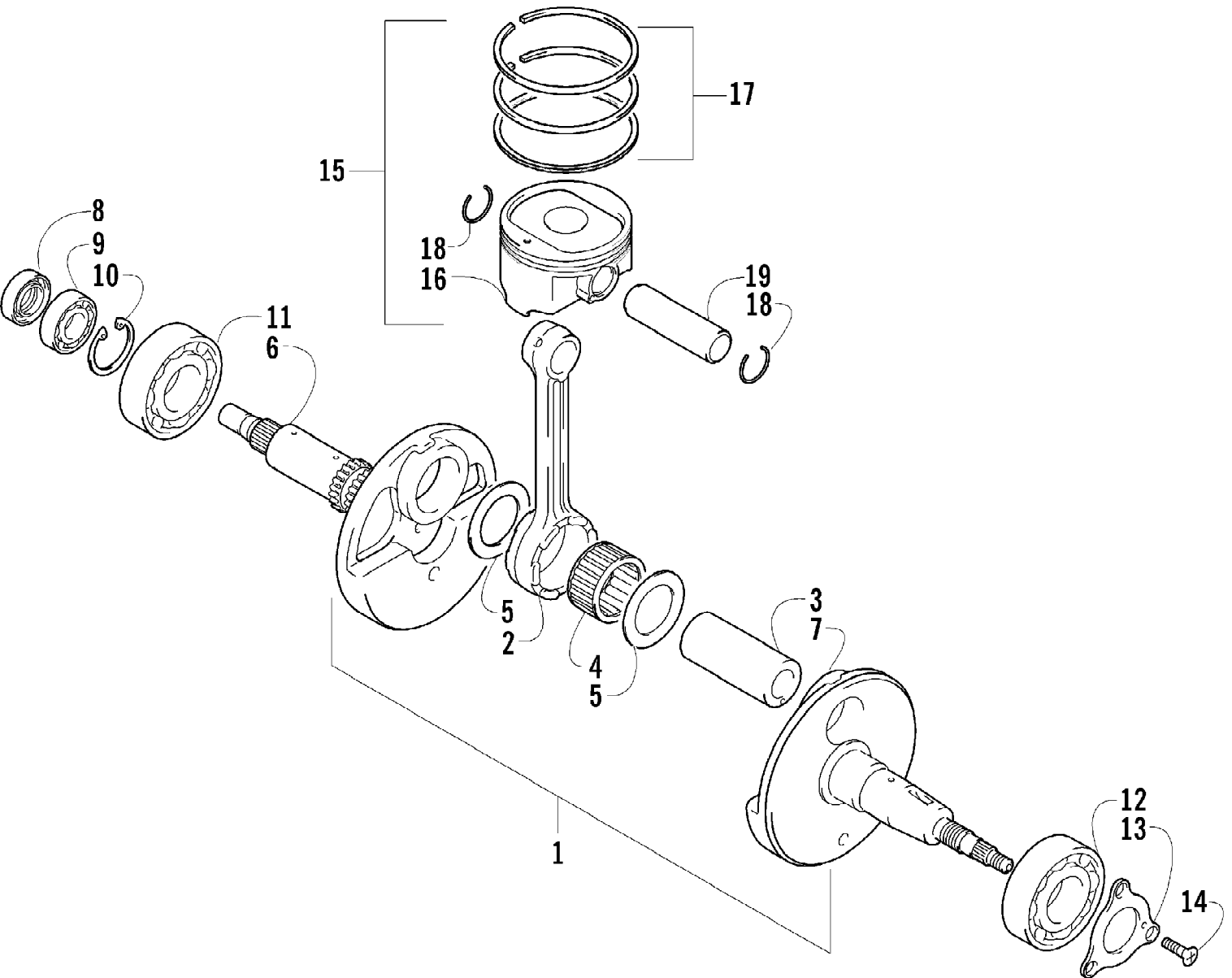
2003 ATV 500 FIS MANUAL TRANSMISSION (GREEN - MRP) (A2003ISM4AUB) Page 23 of 97  
CRANKCASE COVER ASSEMBLY



2003 ATV 500 FIS MANUAL TRANSMISSION (GREEN - MRP) (A2003ISM4AUBS) Page 24 of 97  
CRANKCASE COVER ASSEMBLY

Ref #	Part Number	Qty	S/P/F	Description
1	3402-810	1		Cover, Clutch (inc. 2)
2	3402-112	1	/P	Lens, Oil Inspection
3	3402-108	1		Gasket
4	3423-088	4		Pin, Dowel
5	0693-327	14	S	Screw, Cap
6	3423-097	1		Screw, Cap
7	3003-290	3	/P	Gasket
8	3423-539	1		Plug, Oil Gallery
9	3423-096	2	S	Screw, Cap
10	3402-042	1		Cap, Engine Oil Filler
11	3423-055	1		O-Ring
12	3402-363	1		Cap, Inspection
13	3402-101	1		O-Ring
14	3402-214	1		Plug, Oil Pressure
15	3402-012	1		Gasket
16	3413-008	1		Hose
17	3423-120	1		Clip
18	3413-009	1		Union, Water Drain
19	3402-538	1	/P	Gasket, Transfer Cover
20	3402-368	1		Cover, Transfer (inc. 21-22)
21	3402-097	1		Jet, Oil Mission
22	3423-051	1		O-Ring
23	3423-540	2		Plug, Oil Gallery
24	3005-242	2		Gasket
25	3402-041	1	S	Plug
26	3402-013	1	/P	Gasket
27	3423-098	13	S	Screw, Cap
28	3423-092	1	S	Screw, Cap

2003 ATV 500 FIS MANUAL TRANSMISSION (GREEN - MRP) (A2003ISM4AUB) Page 25 of 97  
CRANKSHAFT ASSEMBLY



2003 ATV 500 FIS MANUAL TRANSMISSION (GREEN - MRP) (A2003ISM4AUBS) Page 26 of 97  
CRANKSHAFT ASSEMBLY

Ref #	Part Number	Qty	S/P/F	Description
1	3402-811	1		Crankshaft Assembly (inc. 2-7)
2	3402-376	1		Rod, Connecting
3	3402-377	1		Pin, Crank
4	3402-717	1	/P	Bearing
5	3423-351	2		Washer
6	3402-812	1		Crankshaft - Right
7	3402-705	1	/P	Crankshaft - Left
8	3402-387	1		Seal, Oil
9	3402-384	1		Bearing - Right
10	3423-355	1		Circlip
11	3402-058	1		Bearing - Middle
12	3402-054	1		Bearing - Left
13	3402-188	1	/P	Retainer, Oil Seal - Left
14	3423-018	3		Screw
15	3402-788	1		Piston Set (inc. 16-18)
16	3402-719	1		Piston
17	3402-720	1		Ring Set, Piston
18	3423-344	2		Circlip
19	3402-375	1		Pin

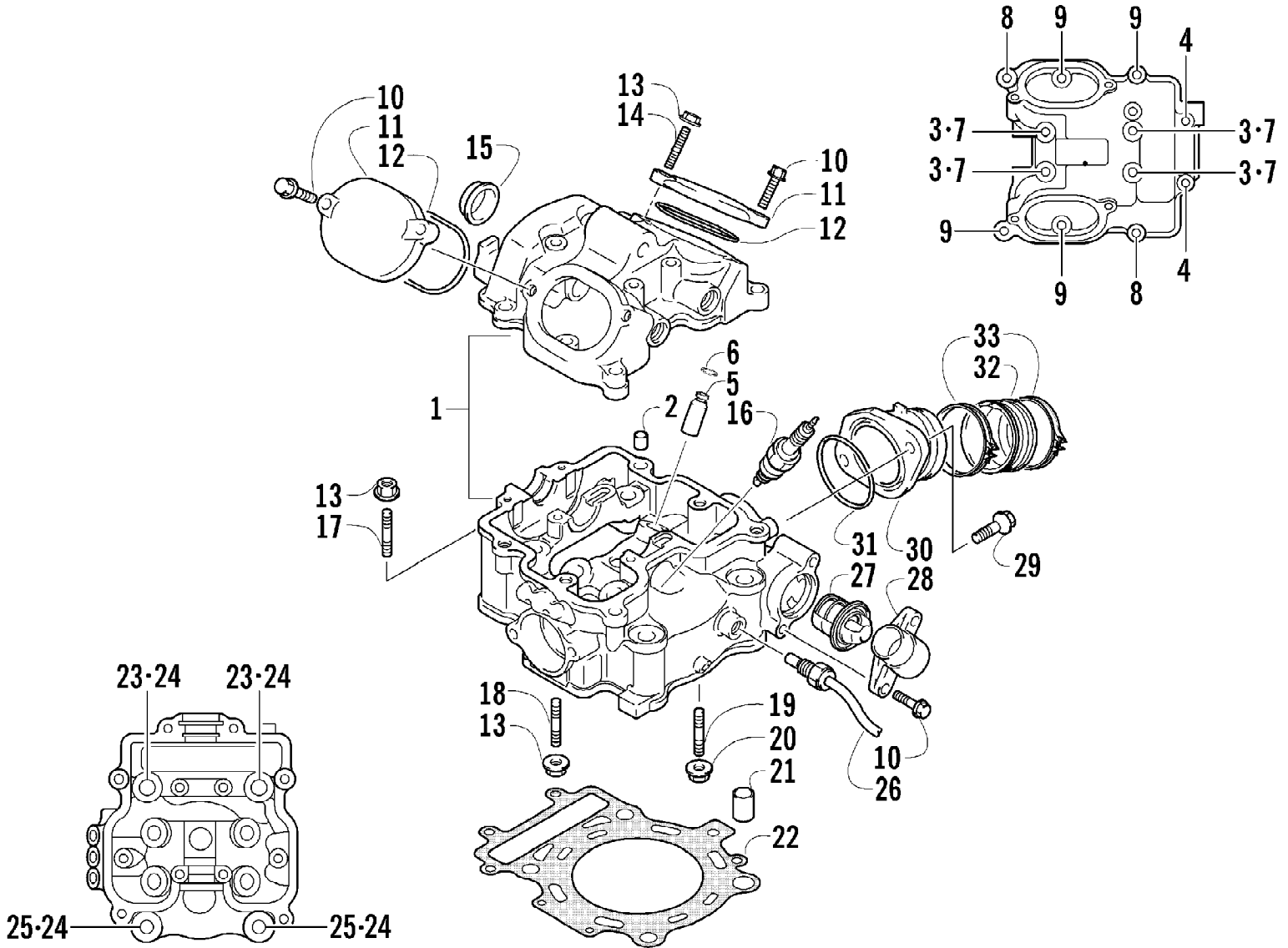


2003 ATV 500 FIS MANUAL TRANSMISSION (GREEN - MRP) (A2003ISM4AUBS) Page 28 of 97  
CYLINDER ASSEMBLY

Ref #	Part Number	Qty	S/P/F	Description
1	3402-707	1		Cylinder
2	3423-384	2	S	Bolt, Stud
3	3004-488	2	S/P	Nut
4	3402-365	1	/P	Gasket, Cylinder
5	3423-088	2		Pin, Dowel
6	3413-006	1		Union, Water Hose
7	3423-121	1	S	Screw, Cap
8	3423-058	1		O-Ring

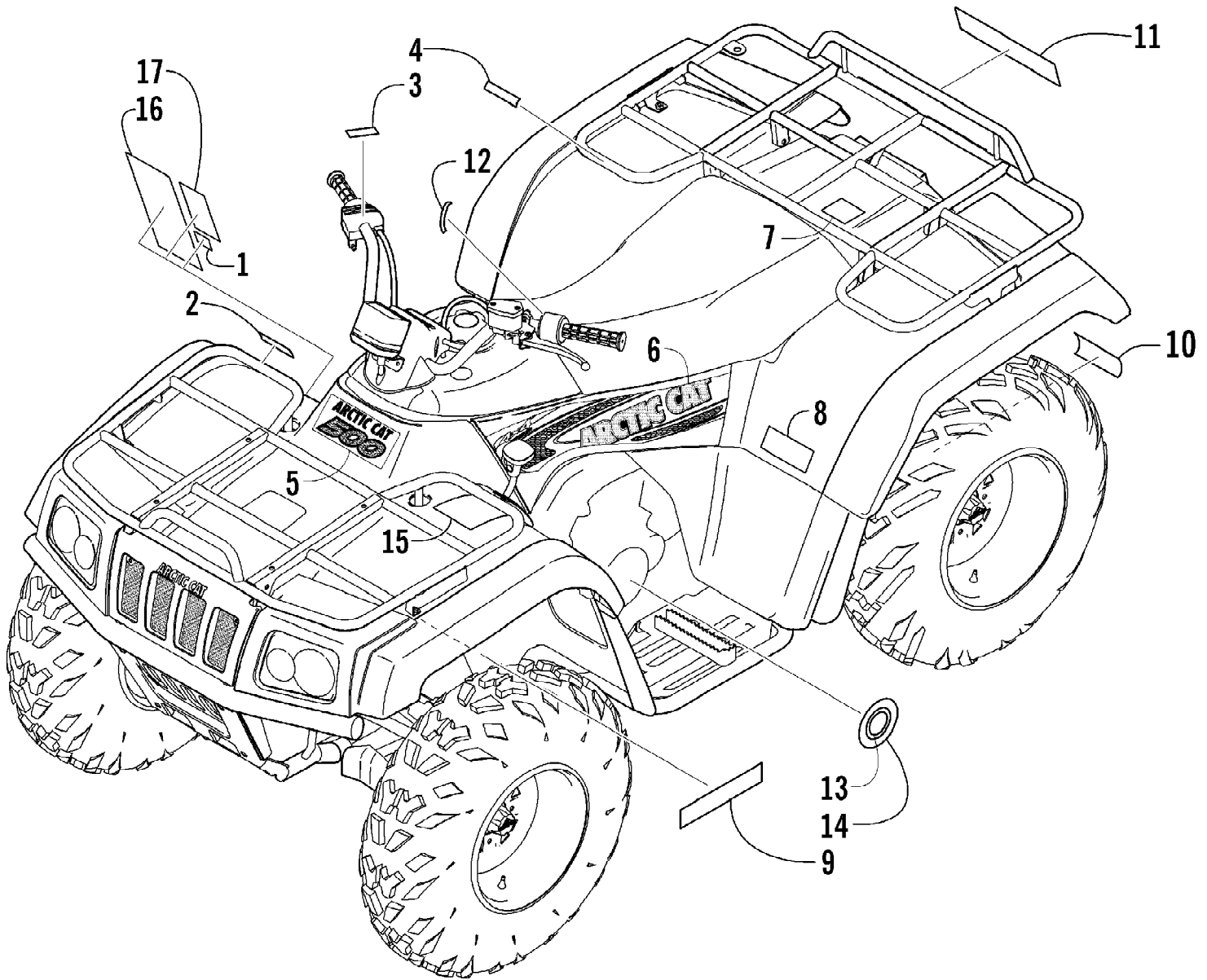


2003 ATV 500 FIS MANUAL TRANSMISSION (GREEN - MRP) (A2003ISM4AUB) Page 29 of 97  
CYLINDER HEAD ASSEMBLY



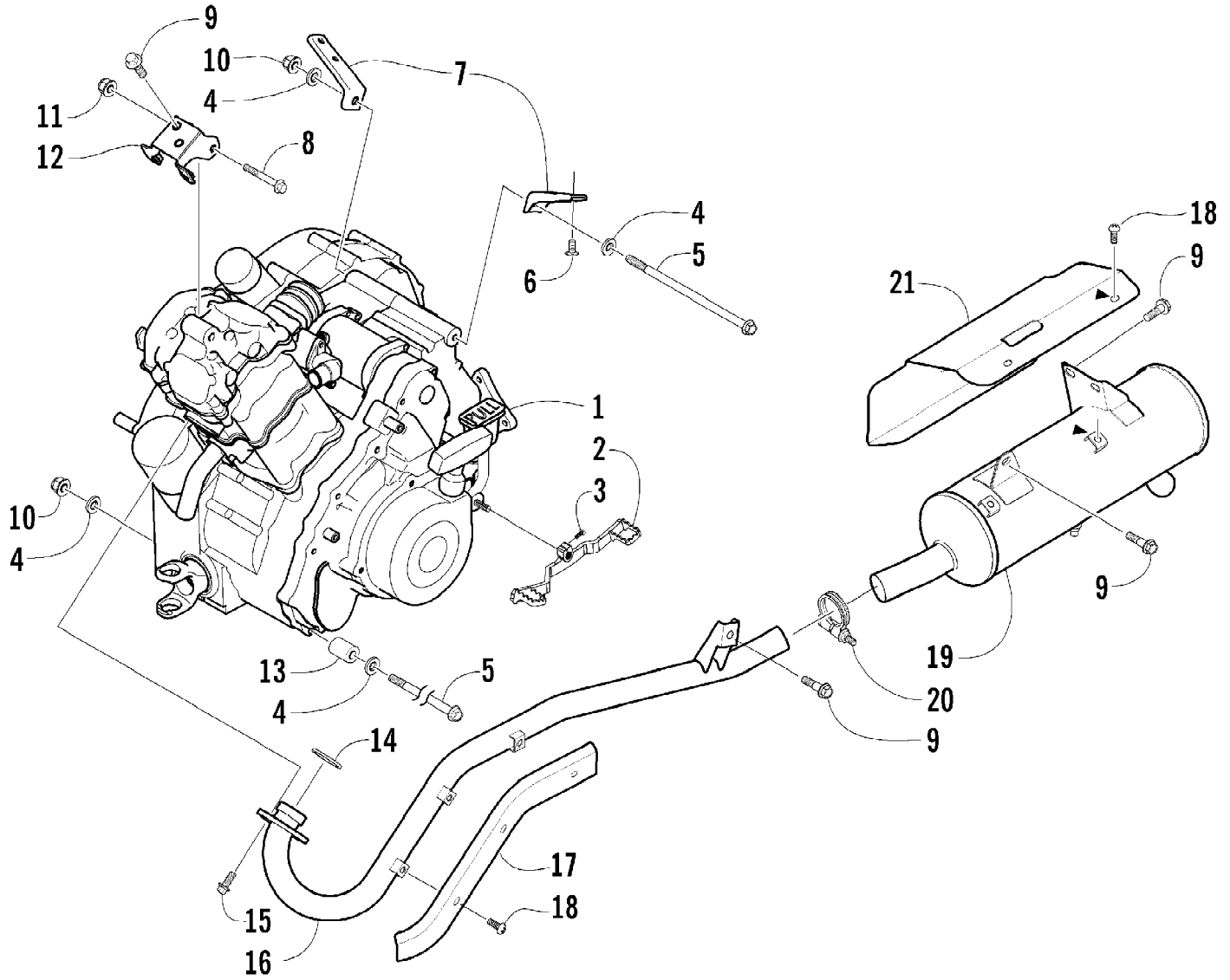
2003 ATV 500 FIS MANUAL TRANSMISSION (GREEN - MRP) (A2003ISM4AUBS) Page 30 of 97  
CYLINDER HEAD ASSEMBLY

Ref #	Part Number	Qty	S/P/F	Description
1	3402-098	1		Head, Cylinder - Assembly (inc. 2-6)
2	3423-043	2	/P	Pin, Dowel
3	3423-006	4		Bolt
4	3008-376	2	S	Bolt
5	3402-099	4		Guide, Valve
6	3423-068	4		Circlip
7	3003-290	4	/P	Washer
8	3423-007	2	S	Bolt
9	3004-376	4	S/P	Bolt
10	3004-341	5	S/P	Bolt
11	3402-100	2		Cap, Inspection
12	3402-101	2		O-Ring
13	3004-488	5	S/P	Nut
14	3423-383	1		Bolt, Stud
15	3402-035	1		Plug, Head
16	0217-632	1		Spark Plug (NGK CR6E)
16	0217-708	1	F	Spark Plug (NGK CR7E)
16	0217-705	1	/P/F	Spark Plug (NGK CR8E)
17	3423-087	2	S	Bolt, Stud
18	3423-089	2	S	Bolt, Stud
19	3423-203	1	S/P	Bolt, Stud
20	3004-326	1	S/P	Nut
21	3423-088	2		Pin, Dowel
22	3402-362	1		Gasket, Cylinder Head
23	3423-016	2		Bolt
24	3402-010	4		Gasket
25	3423-015	2		Bolt
26	3530-038	1	S	Switch, Water Temperature
27	3413-012	1		Thermostat
28	3413-004	1		Cover, Thermostat
29	3423-347	2		Screw
30	3402-357	1		Pipe, Intake
31	3423-353	1	/P	O-Ring
32	0470-472	1		Tube, Intake
33	0423-317	2	/P	Clamp



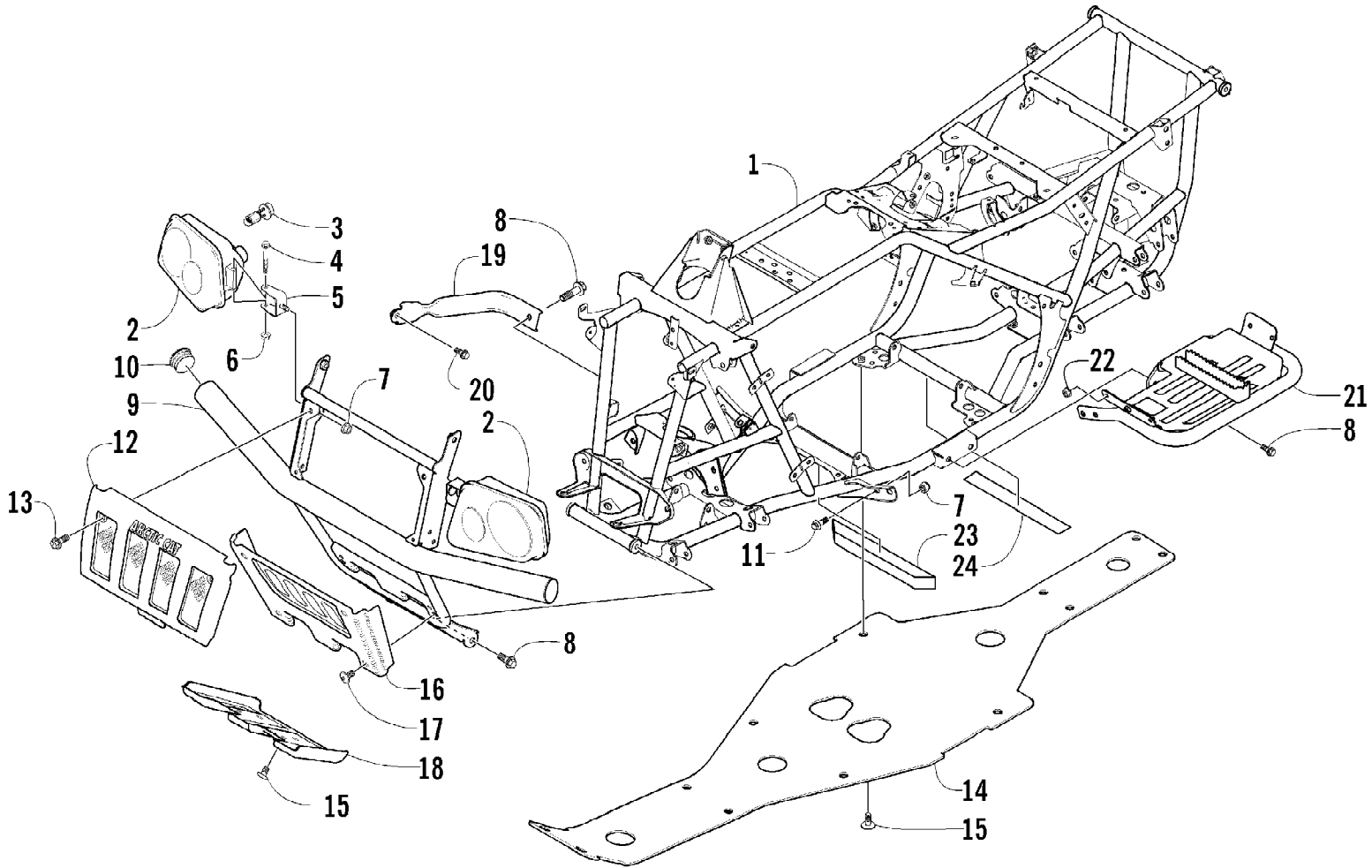
Ref #	Part Number	Qty	S/P/F	Description
1	0411-011	1		Decal, Caution - Electrical
2	0411-006	1		Decal, Warning - Front Rack Load
3	0411-324	1		Decal, Instruction - Start In Gear
4	0411-007	1		Decal, Warning - Rear Rack Load
5	0411-538	1		Decal, Front
5	0411-537	1		Decal, Front (Green/MRP)
6	0411-515	1		Decal, Side - Right
6	0411-516	1		Decal, Side - Left
6	0411-513	1		Decal, Side - Right (Green/MRP)
6	0411-514	1		Decal, Side - Left (Green/MRP)
7	0411-435	1		Decal, Passenger
8	0411-430	1		Decal, Warning - Tire Pressure
9	0411-506	1		Decal, CA Emissions
10	0411-267	1		Decal, Warning - Towing
11	0411-501	1		Decal, "Arctic Cat"
12	0411-325	1		Decal, Instruction - Choke
13	0411-003	1		Decal, Shift Pattern
14	0411-009	1		Decal, High-Low
15	0411-218	1		Decal, Warning - General
16	0411-008	1	/P	Decal, Warning - Reverse/Pre-Ride
17	0411-045	1		Decal, Warning - Turn

2003 ATV 500 FIS MANUAL TRANSMISSION (GREEN - MRP) (A2003ISM4AUB) Page 33 of 97  
ENGINE AND EXHAUST



2003 ATV 500 FIS MANUAL TRANSMISSION (GREEN - MRP) (A2003ISM4AUBS) Page 34 of 97  
ENGINE AND EXHAUST

Ref #	Part Number	Qty	S/P/F	Description
1	0462-028	1	/P	Engine
2	0502-436	1		Lever, Shift
3	8476-620	1		Screw, Machine
4	0423-426	4		Washer, Engine
5	0423-405	3		Screw, Cap
6	8408-616	4		Screw, Cap
7	0506-988	1		Bracket, Engine - Right
7	0506-989	1	/P	Bracket, Engine - Left
8	8408-860	1		Screw, Cap
9	8408-816	6		Screw, Cap
10	8428-002	3		Nut, Lock
11	8424-802	1		Nut
12	0506-546	1		Bracket, Engine - Upper
13	0423-042	1	S	Spacer
14	0412-007	1	/P	Seal, Exhaust
15	8408-820	2	/P	Screw, Cap
16	0512-098	1	S	Pipe, Exhaust
17	0412-209	1		Cover, Exhaust Pipe
18	8477-610	7		Screw, Machine
19	0412-184	1	/P	Muffler
20	0423-150	1		Clamp
21	0412-187	1		Cover, Muffler

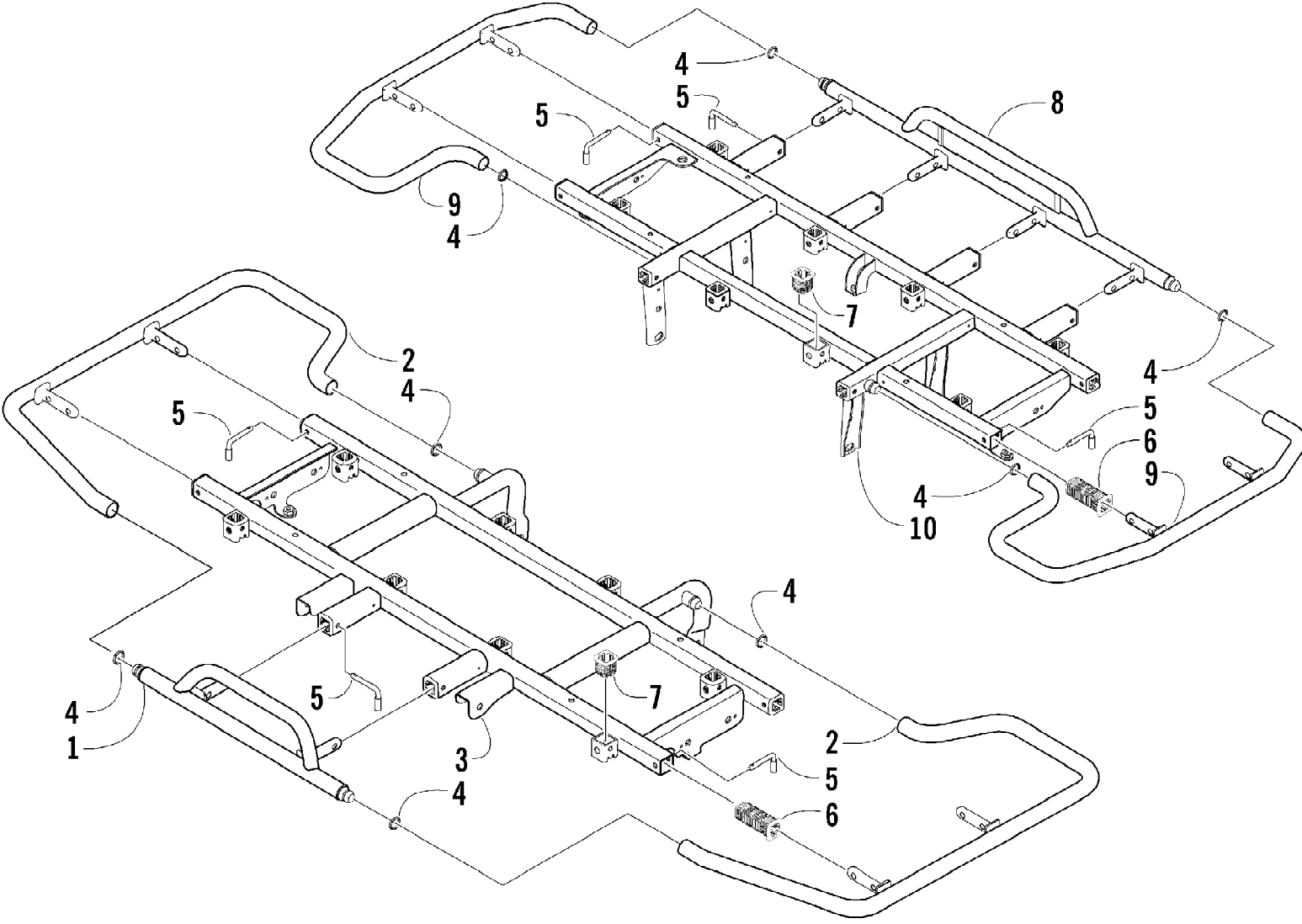


2003 ATV 500 FIS MANUAL TRANSMISSION (GREEN - MRP) (A2003ISM4AUBS) Page 36 of 97  
FRAME AND RELATED PARTS

Ref #	Part Number	Qty	S/P/F	Description
1	0506-815	1		Frame, Main
2	0409-032	2		Headlight Assembly - Right (inc. 3-6)
2	0409-031	2		Headlight Assembly - Left (inc. 3-6)
3	0409-045	4		Bulb, Headlight
4	8410-860	2		Screw, Cap
5	0406-945	2		Bracket, Headlight Mounting
6	0423-375	2		Nut, Lock
7	8424-802	6		Nut
8	8409-020	8	/P	Screw, Cap
9	0506-544	1		Bumper
10	0406-130	2		Cap, Bumper
11	8408-816	4		Screw, Cap
12	0406-832	1		Grille, Upper
13	0423-361	2		Screw, Machine
14	1406-030	1		Panel, Belly
15	0423-101	AR		Screw, Shoulder
16	0406-833	1	S	Grille, Bumper - Lower
17	0423-362	4		Screw, Machine
18	0406-834	1		Plate, Skid
19	0506-653	2	S	Channel, Bumper Mounting
20	8408-812	2		Screw, Cap
21	0506-534	1		Footrest - Right
21	0506-535	1		Footrest - Left
22	8424-602	2	/P	Nut
23	1506-067	1		Pad, Foam
24	0406-289	1		Pad, Foam



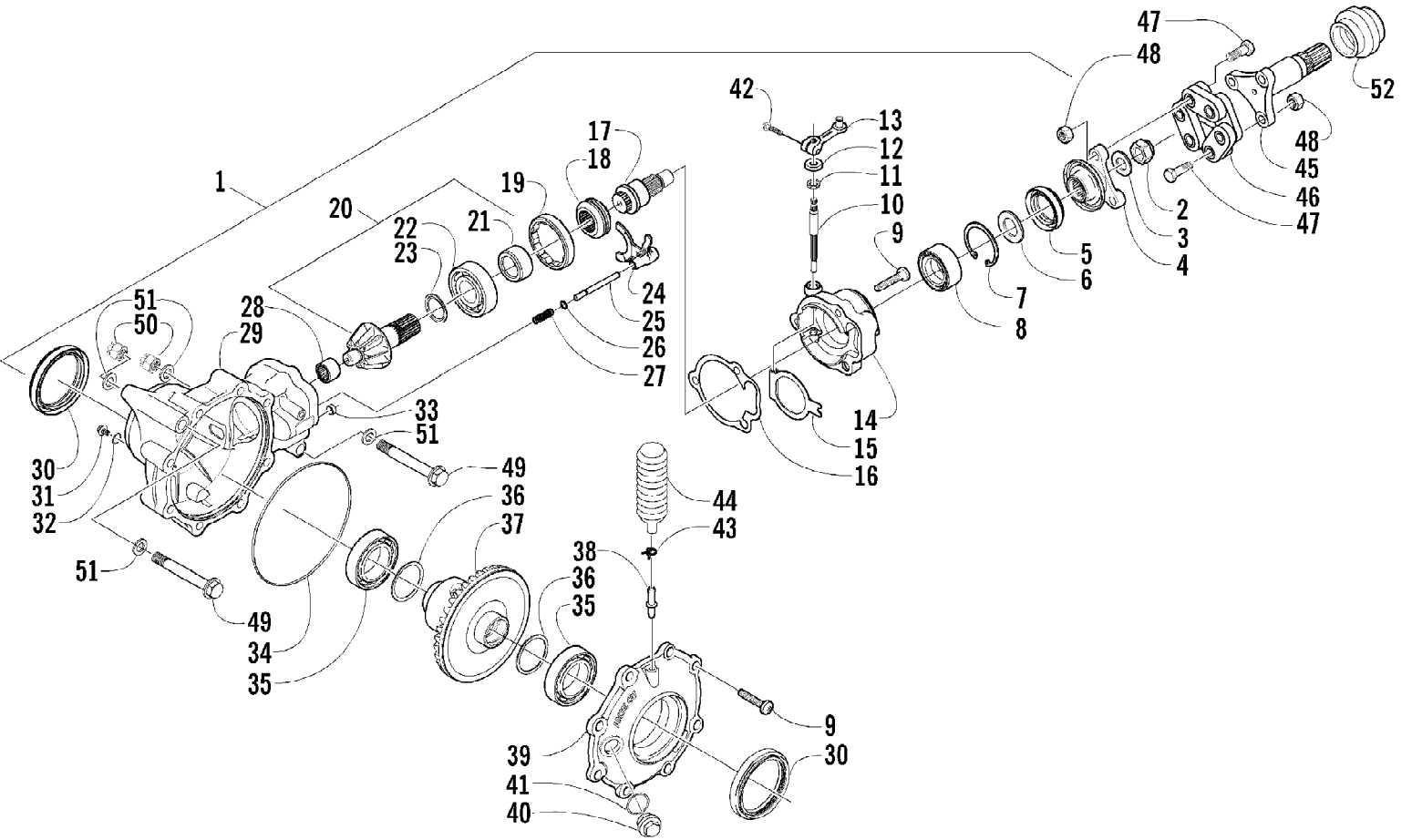
2003 ATV 500 FIS MANUAL TRANSMISSION (GREEN - MRP) (A2003ISM4AUB) Page 37 of 97  
FRONT AND REAR RACK ASSEMBLIES (MRP)



2003 ATV 500 FIS MANUAL TRANSMISSION (GREEN - MRP) (A2003ISM4AUBS) Page 38 of 97  
FRONT AND REAR RACK ASSEMBLIES (MRP)

Ref #	Part Number	Qty	S/P/F	Description
1	0541-133	1		Center, Rack - Front
2	0541-134	2		Side, Rack - Front
3	0541-135	1		Frame, Rack - Front
4	0623-903	8		O-Ring
5	0541-189	14	S	Pin
6	0441-556	16		Bushing, Rack
7	0441-592	16	/P	Bushing, Rack
8	0541-130	1		Center, Rack - Rear
9	0541-131	2		Side, Rack - Rear
10	0541-132	1		Frame, Rack - Rear

2003 ATV 500 FIS MANUAL TRANSMISSION (GREEN - MRP) (A2003ISM4AUB) Page 39 of 97  
FRONT DRIVE GEARCASE ASSEMBLY



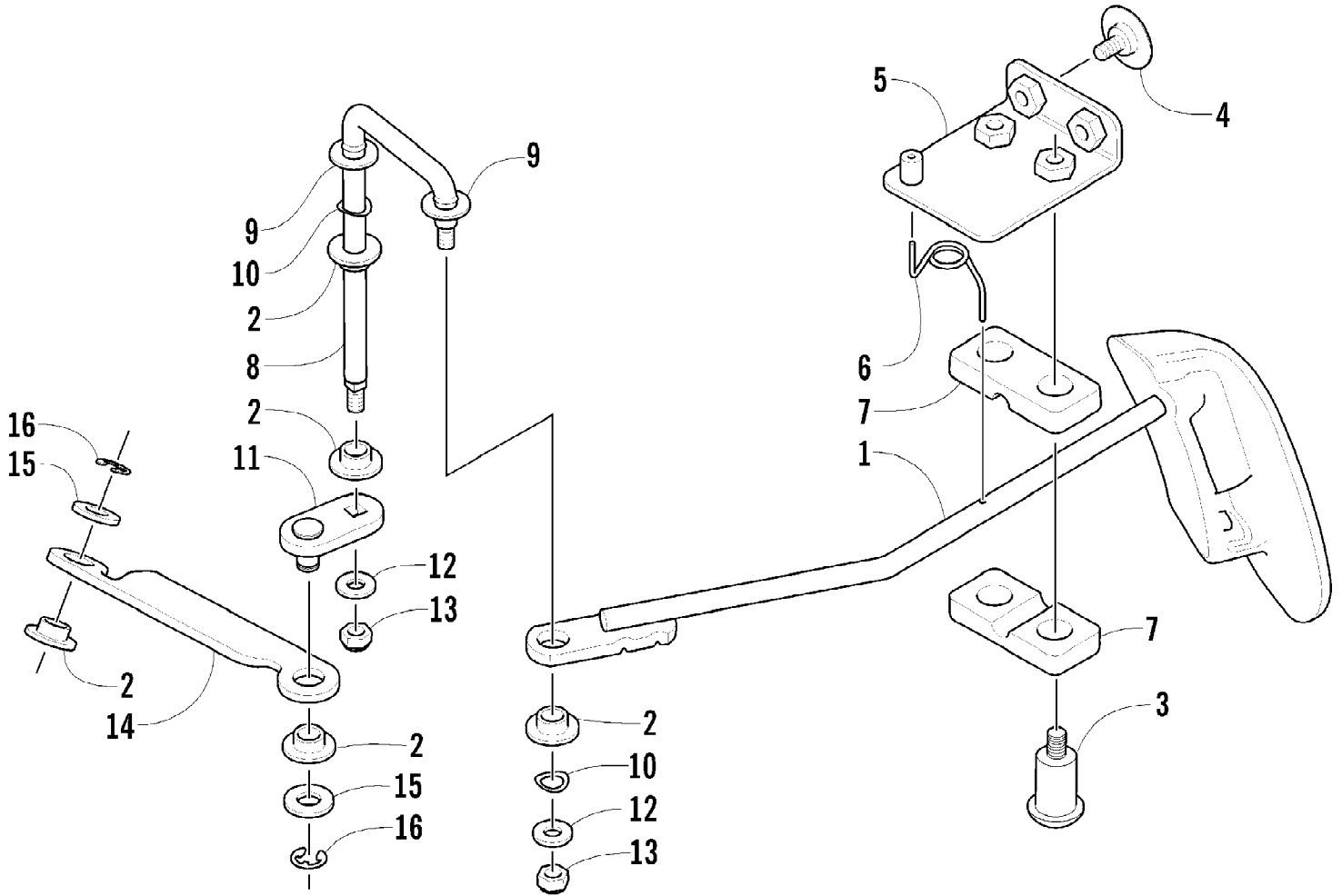
2003 ATV 500 FIS MANUAL TRANSMISSION (GREEN - MRP) (A2003ISM4AUBS) Page 40 of 97  
FRONT DRIVE GEARCASE ASSEMBLY

Ref #	Part Number	Qty	S/P/F	Description
1	0502-119	1		Gearcase, Front Drive - Assembly (inc. 2-42)
2	0423-135	1		Nut
3	0423-134	1		Washer
4	0402-422	1		Flange, Drive
5	0402-395	1		Seal
6	0402-346	1		Spacer, Drive
7	0402-332	1		Ring, Retaining
8	0402-003	1		Bearing
9	0423-118	11		Screw, Self-Tapping
10	0402-412	1		Shaft, Selector
11	0402-416	1		Seal
12	0402-398	1		Plate, Selector Shaft
13	0502-092	1		Arm, Selector
14	0502-122	1		Housing, Selector
15	0402-414	1		Plate, Spring - Selector
16	0402-947	1		Gasket, Flange
17	0402-410	1		Shaft, Thrust
18	0402-413	1		Coupler, Drive
19	0402-357	1		Collar, Lock
20	0502-123	1		Gear, Pinion - Assembly - 10T (inc. 21-23)
21	0402-336	1		Collar, Retaining
22	0402-327	1		Bearing
23	0402-424	AR		Shim
23	0402-425	AR		Shim
23	0402-426	AR		Shim
23	0402-427	AR		Shim
23	0402-428	AR		Shim
24	0402-420	1		Fork, Selector
25	0402-417	1		Shaft, Shuttle
26	0423-147	1		O-Ring
27	0402-418	1		Spring, Return
28	0402-328	1		Bearing
29	0502-120	1		Housing, Gearcase
30	0402-394	2	S	Seal
31	0402-450	1	S	Plug, Magnetic (inc. 32)
32	0423-153	1		O-Ring
33	0402-411	1		Pin, Dowel
34	0423-149	1		O-Ring
35	0402-393	2		Bearing
36	0402-405	AR		Shim
36	0402-406	AR		Shim
36	0402-407	AR		Shim
36	0402-408	AR		Shim
36	0402-409	AR		Shim
37	0502-124	1		Gear, Ring - 36T
38	0402-871	1		Fitting
39	0502-121	1		Cover, Gearcase
40	0402-333	1	/P	Plug, Fill (inc. 41)
41	0423-154	1		O-Ring
42	8410-620	1		Screw, Cap
43	0423-315	1		Clamp, Fitting
44	0402-147	1	S	Bladder, Gearcase
45	0502-200	1		Shaft, Propeller

2003 ATV 500 FIS MANUAL TRANSMISSION (GREEN - MRP) (A2003ISM4AUBS)  
FRONT DRIVE GEARCASE ASSEMBLY Page 41 of 97

Ref #	Part Number	Qty	S/P/F	Description
46	3435-007	1		Coupler, Propeller Shaft
47	3423-182	6	S	Screw, Cap
48	3004-491	6	S/P	Nut
49	0423-404	2		Screw, Cap
50	8428-002	2		Nut, Lock
51	0423-426	4		Washer
52	0402-967	1	/P	Boot, Propeller Shaft

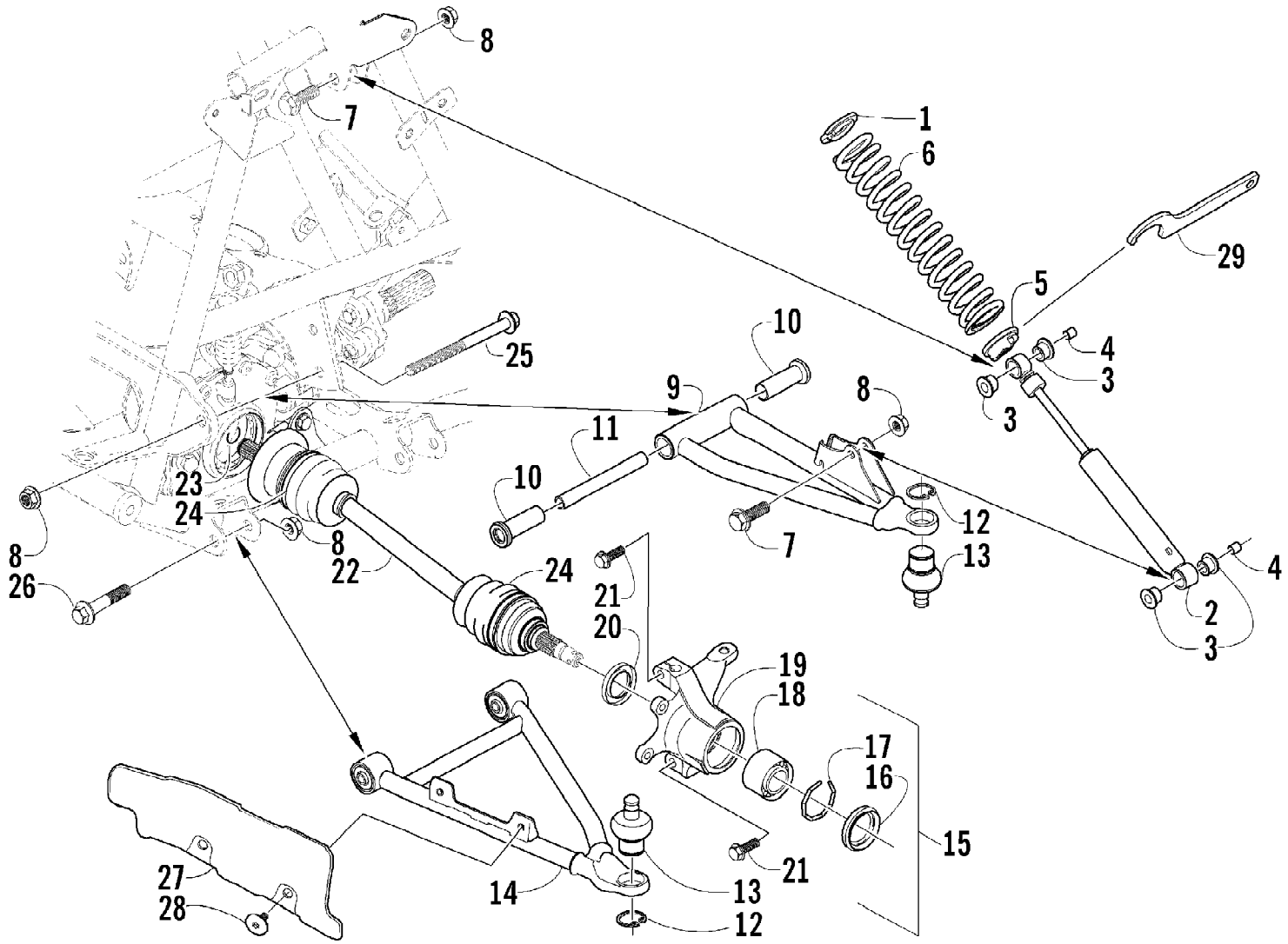
2003 ATV 500 FIS MANUAL TRANSMISSION (GREEN - MRP) (A2003ISM4AUB) Page 42 of 97  
FRONT DRIVE SHIFT LINKAGE ASSEMBLY



2003 ATV 500 FIS MANUAL TRANSMISSION (GREEN - MRP) (A2003ISM4AUBS) Page 43 of 97  
FRONT DRIVE SHIFT LINKAGE ASSEMBLY

Ref #	Part Number	Qty	S/P/F	Description
1	0502-291	1		Shifter
2	0423-091	5		Bushing
3	0423-329	2		Screw, Shoulder
4	0423-101	2		Screw, Shoulder
5	0502-234	1		Plate, Mounting
6	0402-828	1		Spring, Torsion
7	0406-363	2		Bushing
8	0402-821	1		Arm, Shifter
9	0123-053	2	/P	Washer
10	0423-368	2		Washer, Wave
11	0502-295	1		Arm, Selector
12	0423-348	2		Washer
13	0624-250	2		Nut, Lock
14	0502-396	1	/P	Cross-Link
15	8050-247	2	/P	Washer
16	0124-057	2	/P	E-Ring

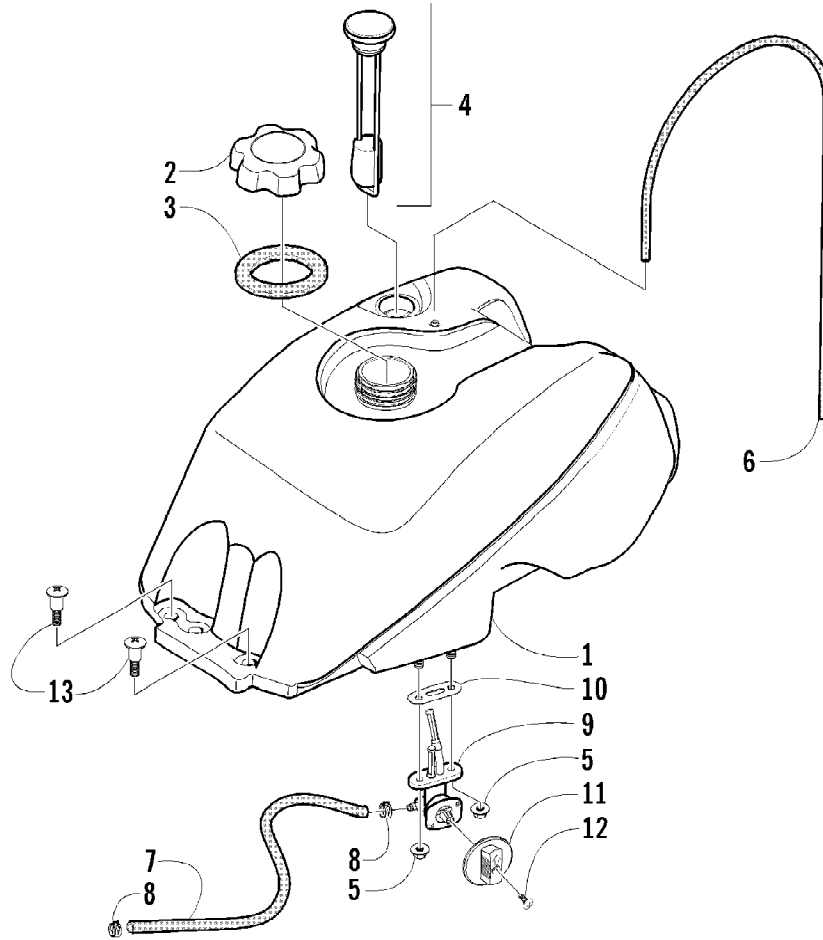
2003 ATV 500 FIS MANUAL TRANSMISSION (GREEN - MRP) (A2003ISM4AUB) Page 44 of 97  
FRONT SUSPENSION ASSEMBLY





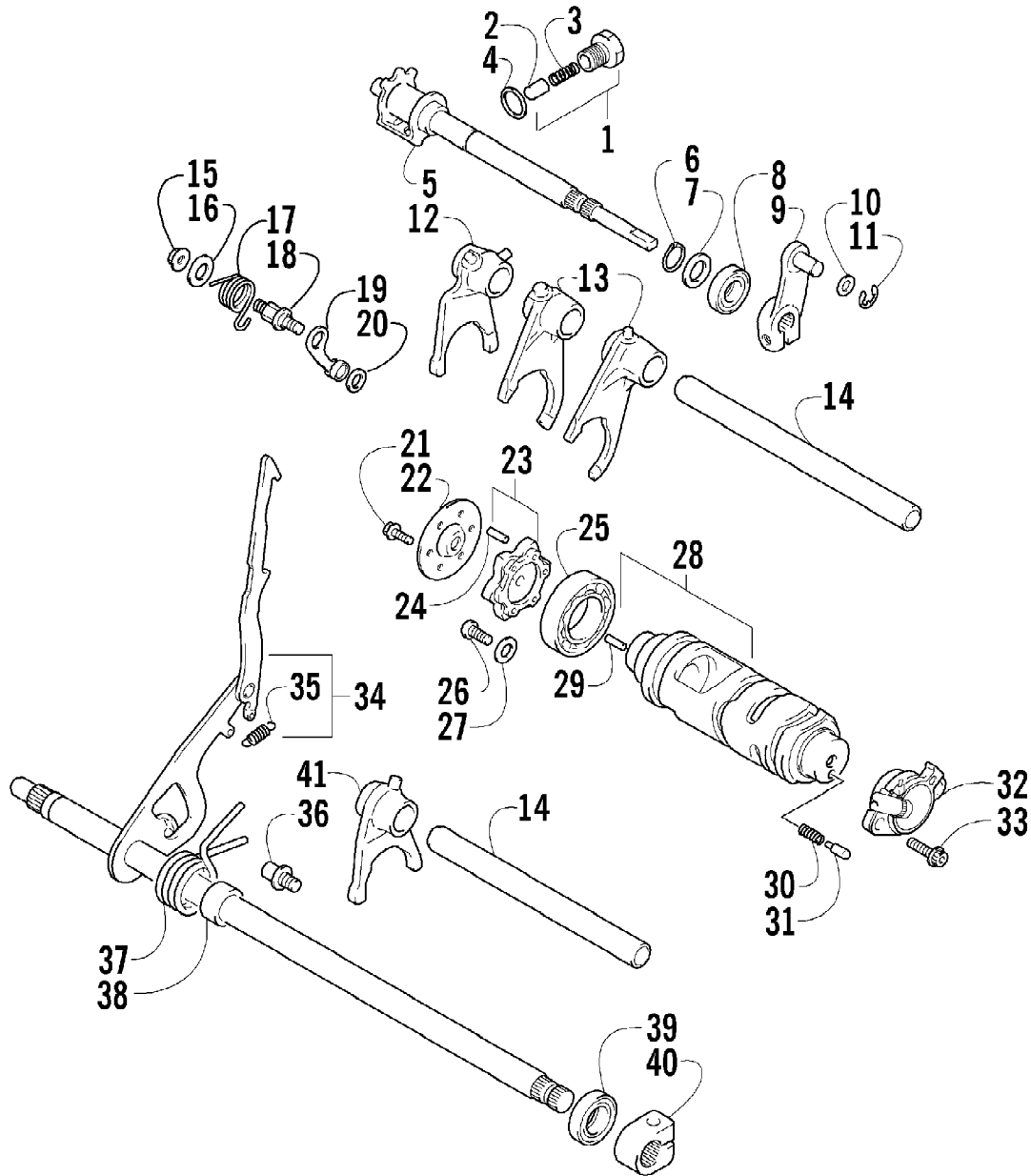
2003 ATV 500 FIS MANUAL TRANSMISSION (GREEN - MRP) (A2003ISM4AUBS) Page 45 of 97  
FRONT SUSPENSION ASSEMBLY

Ref #	Part Number	Qty	S/P/F	Description
1	1603-889	2	/P	Retainer, Spring
2	0403-111	2	/P	Shock Absorber - Front (inc. 3-4)
3	0604-310	8		Bushing, Shock Absorber
4	0403-028	4		Sleeve, Shock
5	0403-102	2		Cam, Spring Adjuster
6	0403-091	2		Spring, Shock Absorber
7	8409-040	4		Screw, Cap
8	8428-002	10		Nut, Lock
9	0503-196	1	S	A-Arm, Upper Right - Assembly (inc. 10-13)
9	0503-197	1		A-Arm, Upper Left - Assembly (inc. 10-13)
10	0403-081	4	S	Bushing
11	0403-080	2		Collar
12	0423-009	4	/P	Clip, Ball Joint
13	0405-115	4	/P	Ball Joint - Front
14	0503-194	1	/P	A-Arm, Lower Right (inc. 12-13)
14	0503-195	1	/P	A-Arm, Lower Left (inc. 12-13)
15	0505-026	1	S/P	Knuckle - Assembly - Right (inc. 16-20)
15	0505-027	1	S/P	Knuckle - Assembly - Left (inc. 16-20)
16	0402-089	2		Seal, Wheel Bearing - Front
17	0423-034	2		Clip, Bearing
18	0402-275	2	/P	Bearing, Wheel Hub - Front
19	0505-062	1	S	Knuckle, Steering - Right
19	0505-063	1	S	Knuckle, Steering - Left
20	0402-069	2		Seal, Wheel Bearing - Rear
21	8409-030	4		Screw, Cap
22	0402-907	2	S	Axle, Drive - Front (inc. 23-24)
23	0441-400	2	S	Clip, Retaining
24	0436-276	2	S	Repair Kit, Boot - Front Axle
25	0423-334	2		Screw, Cap
26	8409-060	4		Screw, Cap
27	1406-034	1		Guard, Boot - Axle - Right
27	1406-035	1		Guard, Boot - Axle - Left
28	0423-101	4		Screw, Body
29	0441-587	1		Wrench, Spanner



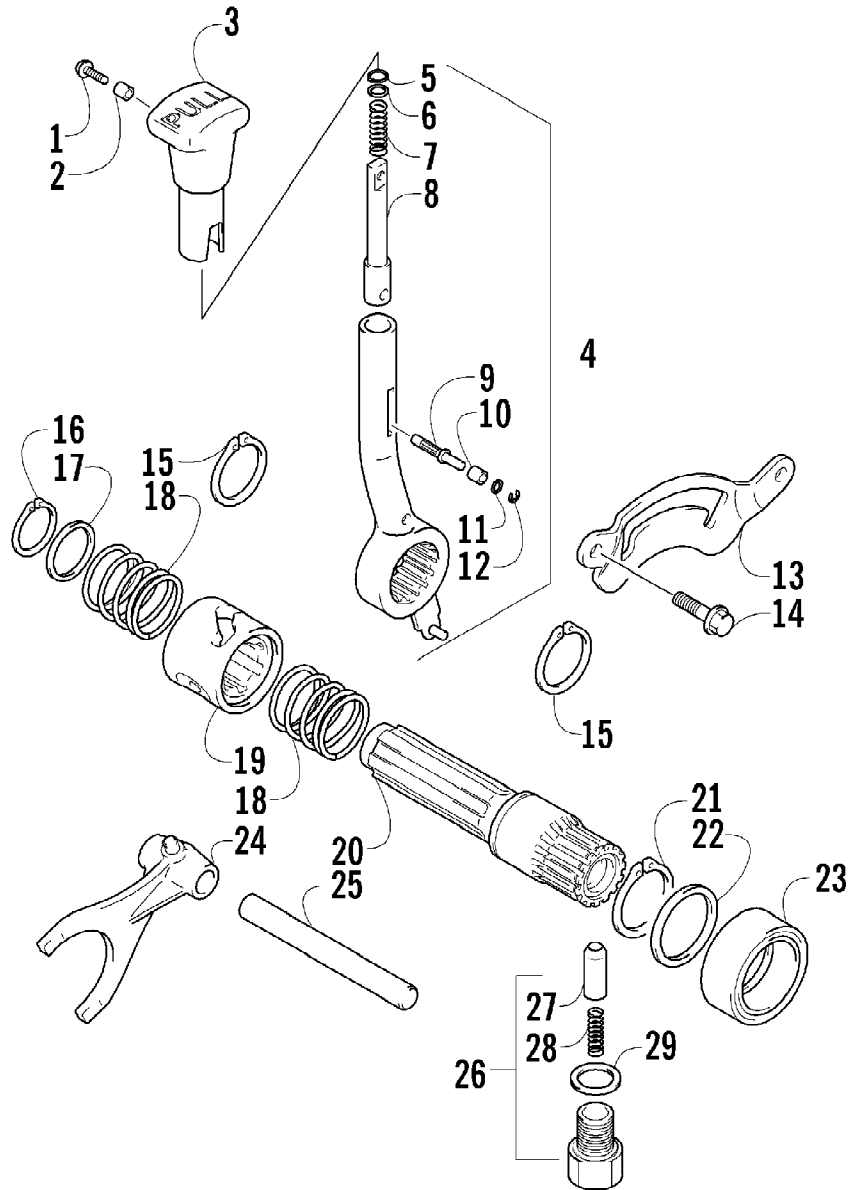
2003 ATV 500 FIS MANUAL TRANSMISSION (GREEN - MRP) (A2003ISM4AUBS)  
GAS TANK ASSEMBLY Page 47 of 97

Ref #	Part Number	Qty	S/P/F	Description
1	0570-066	1	/P	Tank, Gas - Assembly (inc. 2-10)
2	0470-438	1	/P	Cap, Gas Tank (inc. 3)
3	0109-733	1	/P	Gasket, Tank Cap
4	0470-444	1	S	Gauge, Fuel w/Gasket (Press-Fit)
5	0423-398	2		Nut, Lock
6	0470-416	1	/P	Hose, Vent
7	0610-007	AR	/P	Hose, Gasline - 25 ft
8	0423-152	2		Clamp, Hose
9	0470-445	1	/P	Valve, Fuel Shut-Off (inc. 10)
10	0470-364	1		Gasket, Fuel Shut-Off Valve
11	0470-408	1		Knob, Fuel Shut-Off Valve
12	0423-146	1		Screw, Machine
13	0423-130	2		Screw, Shoulder



2003 ATV 500 FIS MANUAL TRANSMISSION (GREEN - MRP) (A2003ISM4AUBS) Page 49 of 97  
GEAR SHIFTING ASSEMBLY

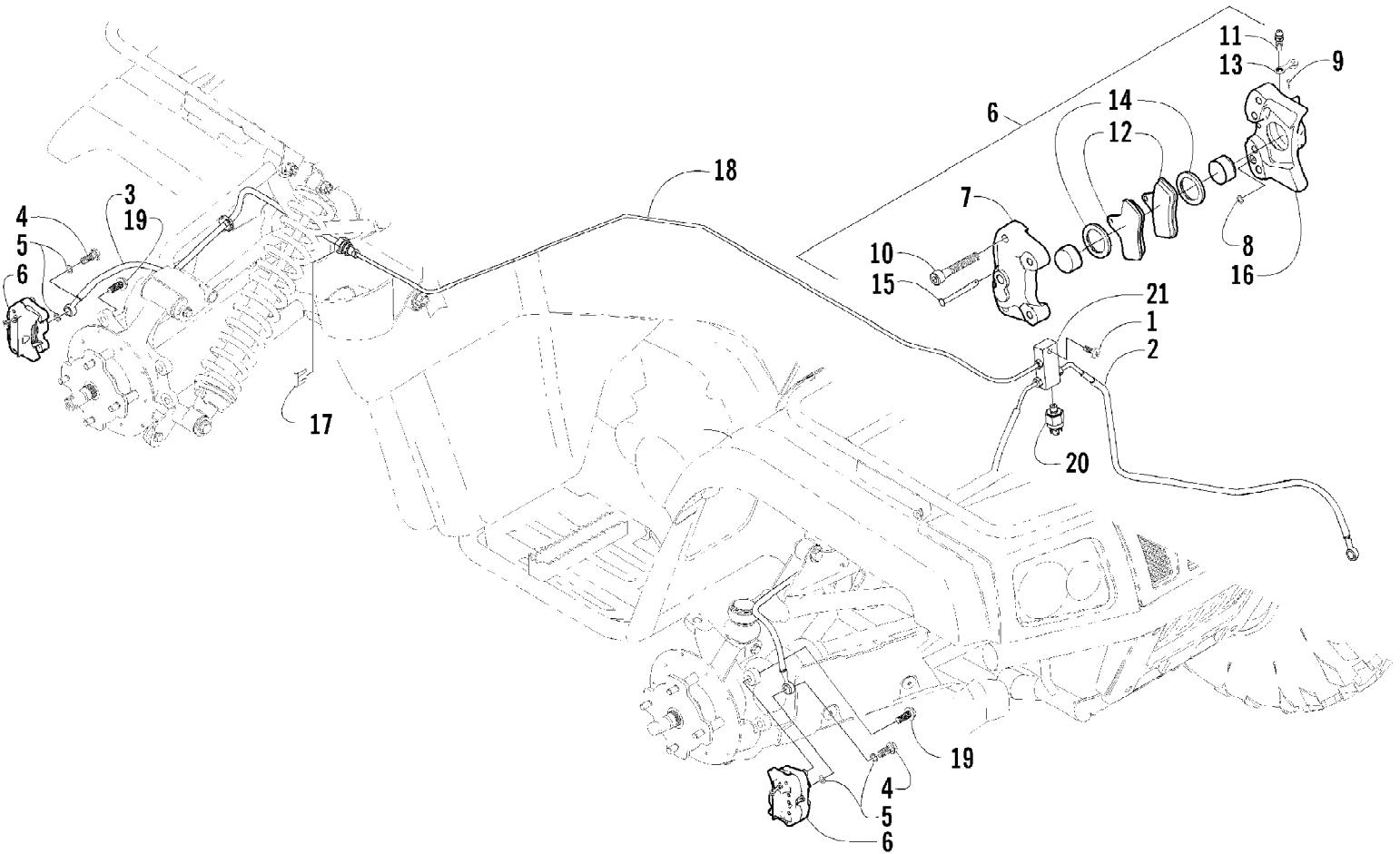
Ref #	Part Number	Qty	S/P/F	Description
1	3446-164	1		Stopper, Reverse (inc. 2-3)
2	3446-117	1		Stopper
3	3402-088	1		Spring
4	3402-012	1		Gasket, Cam Stopper
5	3446-349	1		Cam, Reverse Shift
6	3423-358	1	S	Circlip
7	3423-357	1		Washer
8	3402-076	1		Seal, Oil
9	3402-434	1	/P	Arm, Reverse Gear Shift
10	3423-204	1	/P	Washer
11	3423-168	1	S	E-Ring
12	3446-040	1		Fork, Gear Shift - Reverse
13	3446-347	2		Fork, Gear Shift
14	3446-052	2		Shaft, Gear Shift Fork
15	3004-488	1	S/P	Nut, Cam Stopper
16	3423-142	1		Washer, Cam Stopper
17	3423-551	1		Spring, Cam Stopper
18	3446-048	1		Support, Cam Stopper
19	3446-043	1		Stopper, Cam
20	3423-141	1		Washer, Cam Stopper
21	3423-125	1	S	Bolt, Gear Shift Cam
22	3446-309	1	/P	Guide, Gear Shift Cam
23	3446-049	1		Plate, Gear Shift Cam (inc. 24)
24	3423-045	5		Pin
25	3402-051	1		Bearing, Gear Shift Cam
26	3423-370	2		Screw
27	3423-135	2		Retainer, Shift Cam Bearing
28	3446-348	1		Cam, Gear Shift (inc. 29)
29	3423-114	1	/P	Pin
30	3402-087	2		Spring
31	3423-044	2		Contact
32	3402-816	1		Base Assembly
33	3423-418	2		Bolt
34	3446-350	1	S	Shaft, Gear Shift (inc. 35)
35	3402-093	1		Spring
36	3446-056	1		Stopper, Gear Shift
37	3402-094	1		Spring, Gear Return
38	3446-054	1		Spacer, Gear Shift Shaft
39	3402-068	1	/P	Seal, Oil
40	3402-815	1		Boss, Gear Shift Lever
41	3446-039	1		Fork, Gear Shift



2003 ATV 500 FIS MANUAL TRANSMISSION (GREEN - MRP) (A2003ISM4AUBS) Page 51 of 97  
HI/LO SHIFTER ASSEMBLY

Ref #	Part Number	Qty	S/P/F	Description
1	3423-156	1	S	Screw, Shift Handle
2	3402-191	1		Spacer
3	3446-078	1		Handle, Shift
4	3446-351	1		Lever, Shift - Assembly (inc. 5-12)
5	3423-154	1		Circlip
6	3423-155	1		Washer
7	3446-107	1		Spring
8	3446-252	1		Rod
9	3423-205	1		Pin
10	3446-106	1		Roller
11	3423-152	1	/P	Washer
12	3423-153	1		E-Ring
13	3446-077	1		Plate, Lever Stop
14	3004-377	2	S/P	Bolt, Stopper Plate
15	3423-192	2	/P	Circlip, Shift Lever
16	3423-191	1	/P	Circlip
17	3402-382	1		Washer
18	3446-104	2		Spring
19	3446-250	1		Cam, Gear Shift
20	3446-328	1	/P	Shaft, Gear Shift
21	3423-193	1	S/P	Circlip, Gear Shift Shaft
22	3006-489	1		Washer, Gear Shift Shaft
23	3402-071	1	/P	Seal, Oil
24	3446-073	1		Fork, Gear Shift
25	3446-051	1		Shaft, Gear Shift Fork
26	3446-314	1		Stopper, Shift Cam - Assembly (inc. 27-28)
27	3446-315	1		Stopper, Shift Cam
28	3423-524	1		Spring
29	3402-012	1		Gasket, Cam Stopper

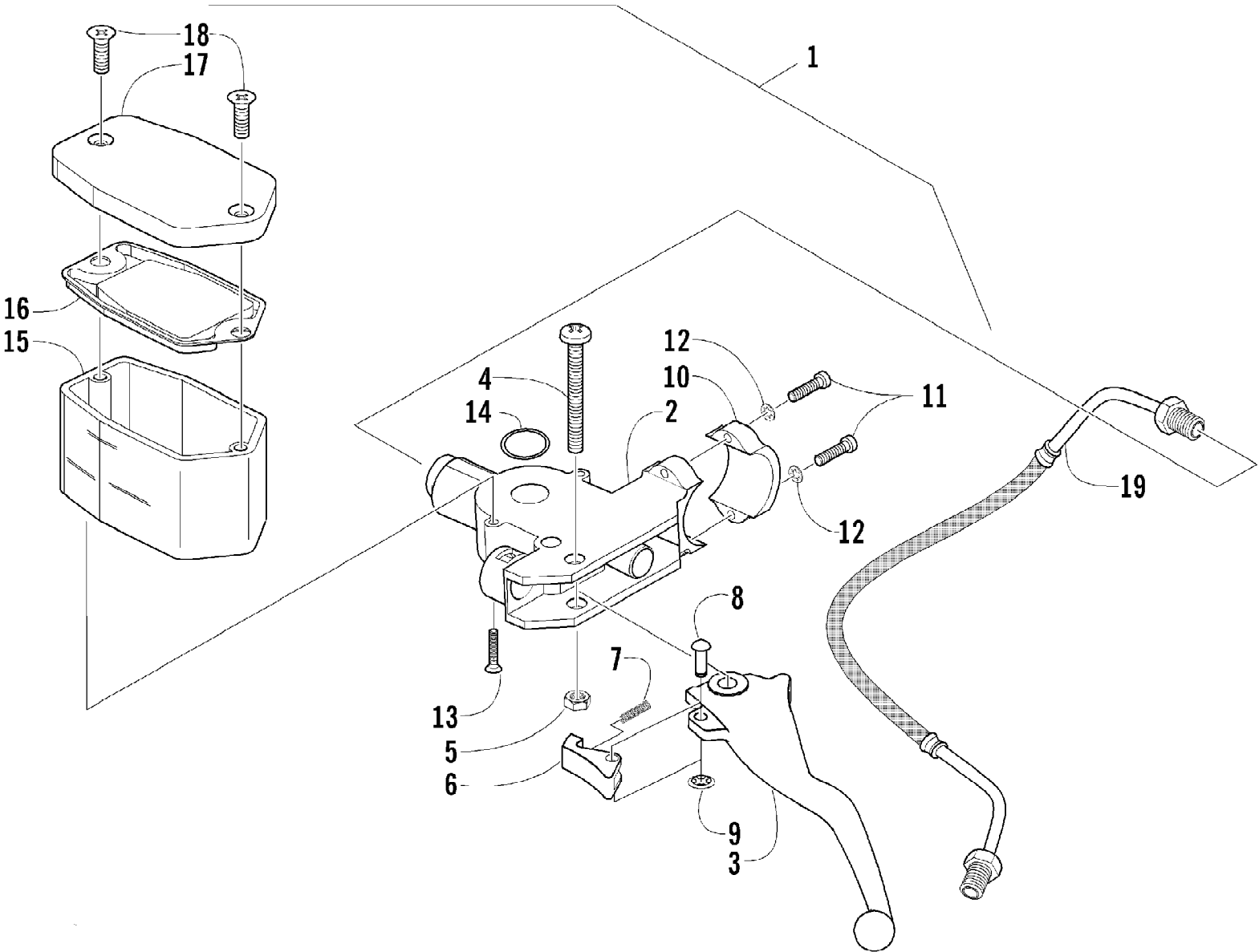
2003 ATV 500 FIS MANUAL TRANSMISSION (GREEN - MRP) (A2003ISM4AUB) Page 52 of 97  
HYDRAULIC BRAKE ASSEMBLY





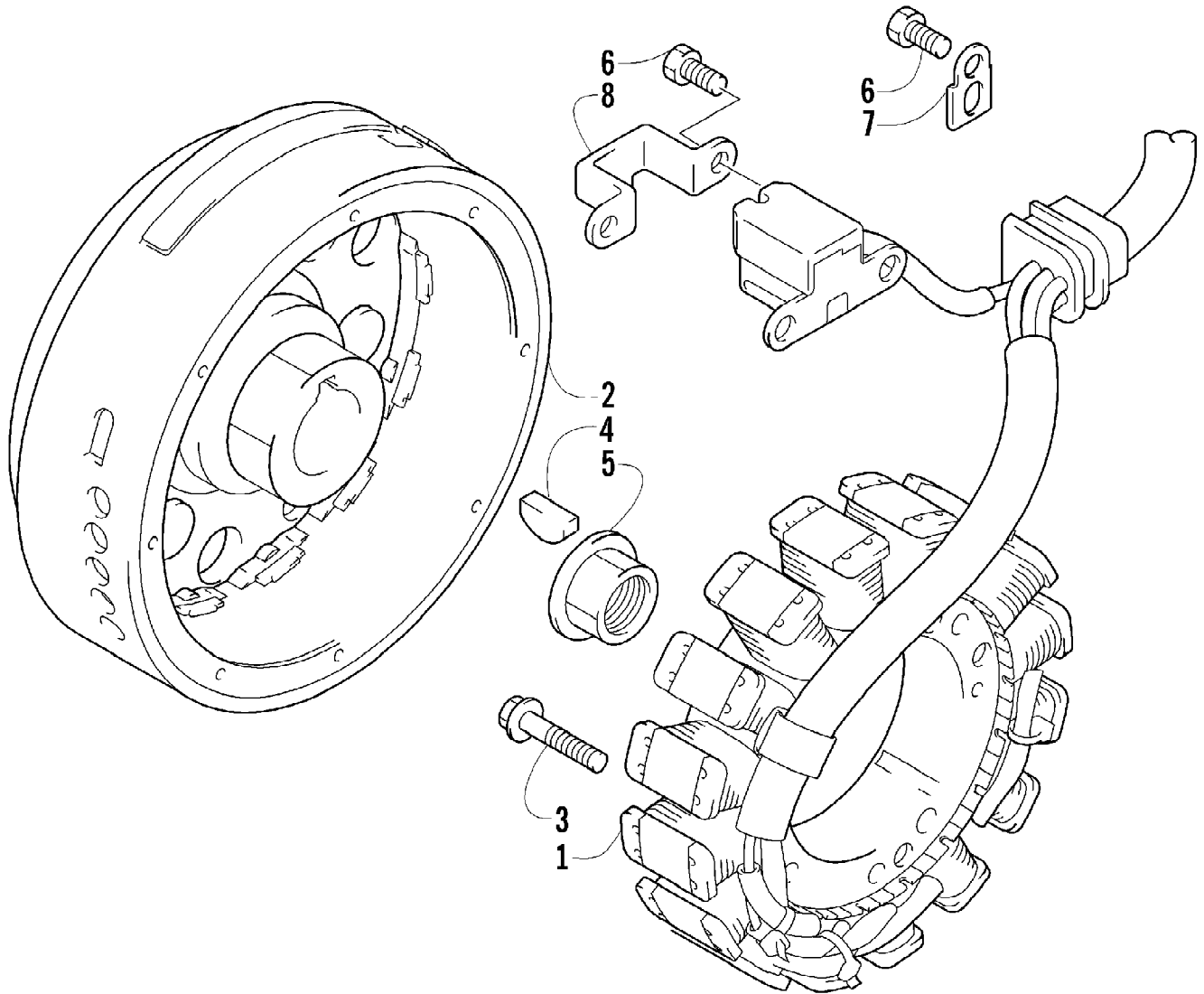
2003 ATV 500 FIS MANUAL TRANSMISSION (GREEN - MRP) (A2003ISM4AUBS) Page 53 of 97  
HYDRAULIC BRAKE ASSEMBLY

Ref #	Part Number	Qty	S/P/F	Description
1	8476-625	1		Screw, Cap
2	0402-961	2		Hose, Brakeline - Front
3	0402-956	1		Hose, Brakeline - Rear
4	0423-413	3		Bolt, Banjo Fitting
5	0423-178	6		Washer, Crush
6	0502-335	1	S	Caliper, Brake - Right Front (inc. 7-16)
6	0502-336	2	S	Caliper, Brake - Left Front and Right Rear (inc. 7-16)
7	0	3	F	Housing, Caliper
8	0402-490	3		O-Ring
9	0402-496	3	S	Pin, Cotter
10	0402-492	12		Screw, Cap
11	0402-493	3		Cap, Bleed Valve
12	0402-882	6	/P	Pad, Brake
13	0402-491	3	S	Valve, Bleed
14	0402-980	6		O-Ring, Brake Caliper
15	0402-495	3		Pin, Brake Caliper
16	0	3	F	Housing, Caliper
17	0402-597	1	/P	Clip, Brake Line
18	0402-955	1		Tube, Brake Line - Rear
19	8408-825	6		Screw, Cap
20	0402-306	1	/P	Switch, Brake Pressure
21	1402-086	1		Block, Junction



2003 ATV 500 FIS MANUAL TRANSMISSION (GREEN - MRP) (A2003ISM4AUBS) Page 55 of 97  
HYDRAULIC HAND BRAKE ASSEMBLY

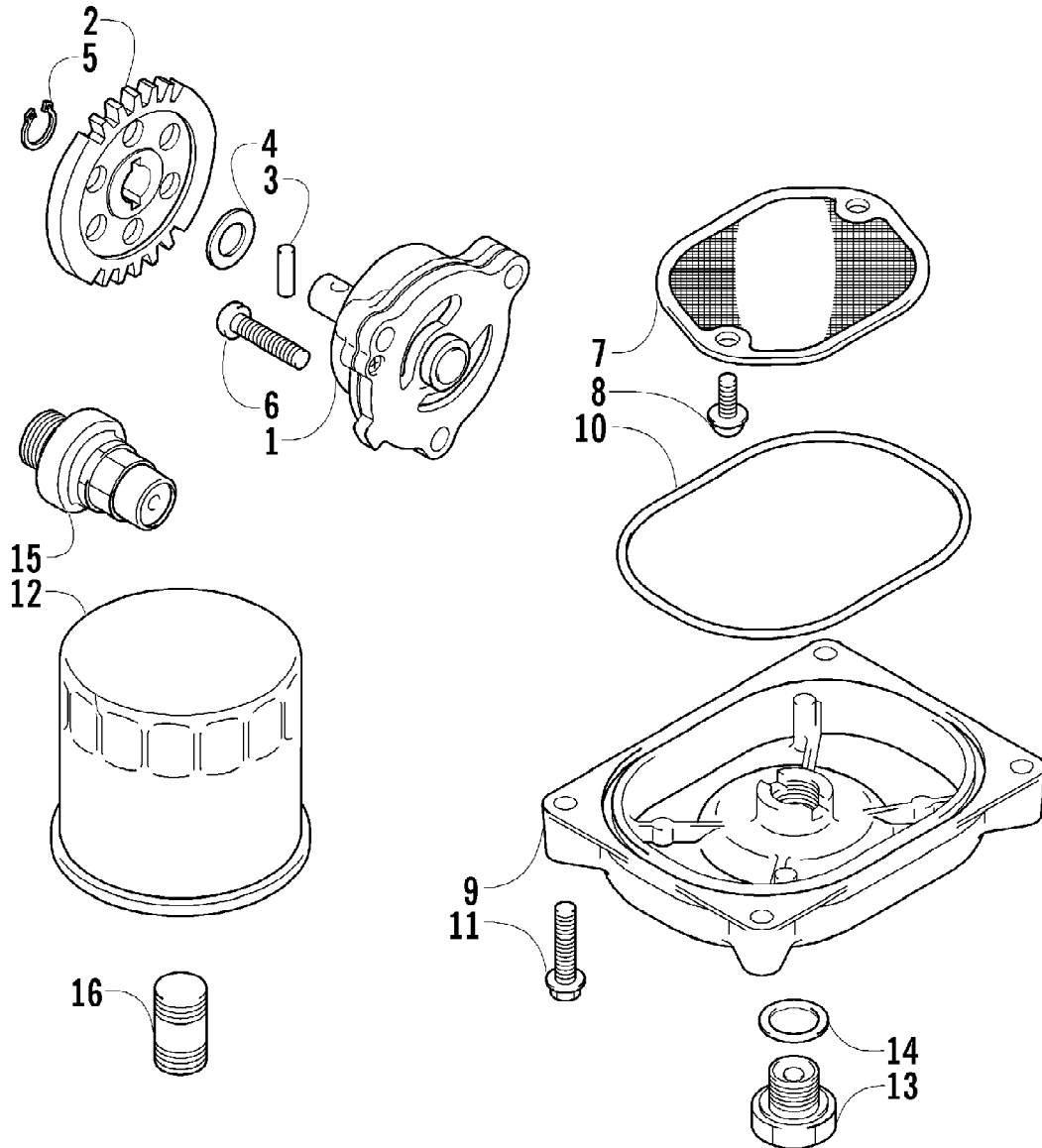
Ref #	Part Number	Qty	S/P/F	Description
	0502-429	1		Master Cylinder Rebuild Kit
1	0502-387	1	/P	Brake Assembly (inc. 2-18)
2	0	1	F	Master Cylinder
3	0402-818	1	/P	Lever, Brake
4	0623-430	1	/P	Screw, Machine
5	0623-056	1		Nut, Lock
6	1402-034	1	/P	Lock, Brake Lever
7	0402-245	1		Spring, Brake Lever Lock
8	0402-246	1		Pin, Brake Lever Lock
9	0423-090	1		Nut, Push
10	0602-907	1		Clamp, Master Cylinder
11	0623-613	2	/P	Screw, Machine
12	8052-212	2		Washer, Lock - Internal Tooth
13	0623-432	2		Screw, Machine
14	0602-587	1		O-Ring
15	0602-740	1		Reservoir
16	0602-741	1		Gasket, Cover
17	0602-742	1		Cover, Reservoir
18	0623-506	2		Screw, Machine
19	0402-962	1		Brakeline, Hydraulic



2003 ATV 500 FIS MANUAL TRANSMISSION (GREEN - MRP) (A2003ISM4AUBS) Page 57 of 97  
MAGNETO ASSEMBLY

Ref #	Part Number	Qty	S/P/F	Description
1	3430-058	1		Stator Assembly
2	3430-046	1		Rotor/Flywheel
3	3423-162	3	S	Screw, Cap
4	0691-785	1		Key
5	3423-086	1		Nut
6	3423-005	3	/P	Screw, Cap
7	3430-005	1		Clamp
8	3430-006	1		Clamp

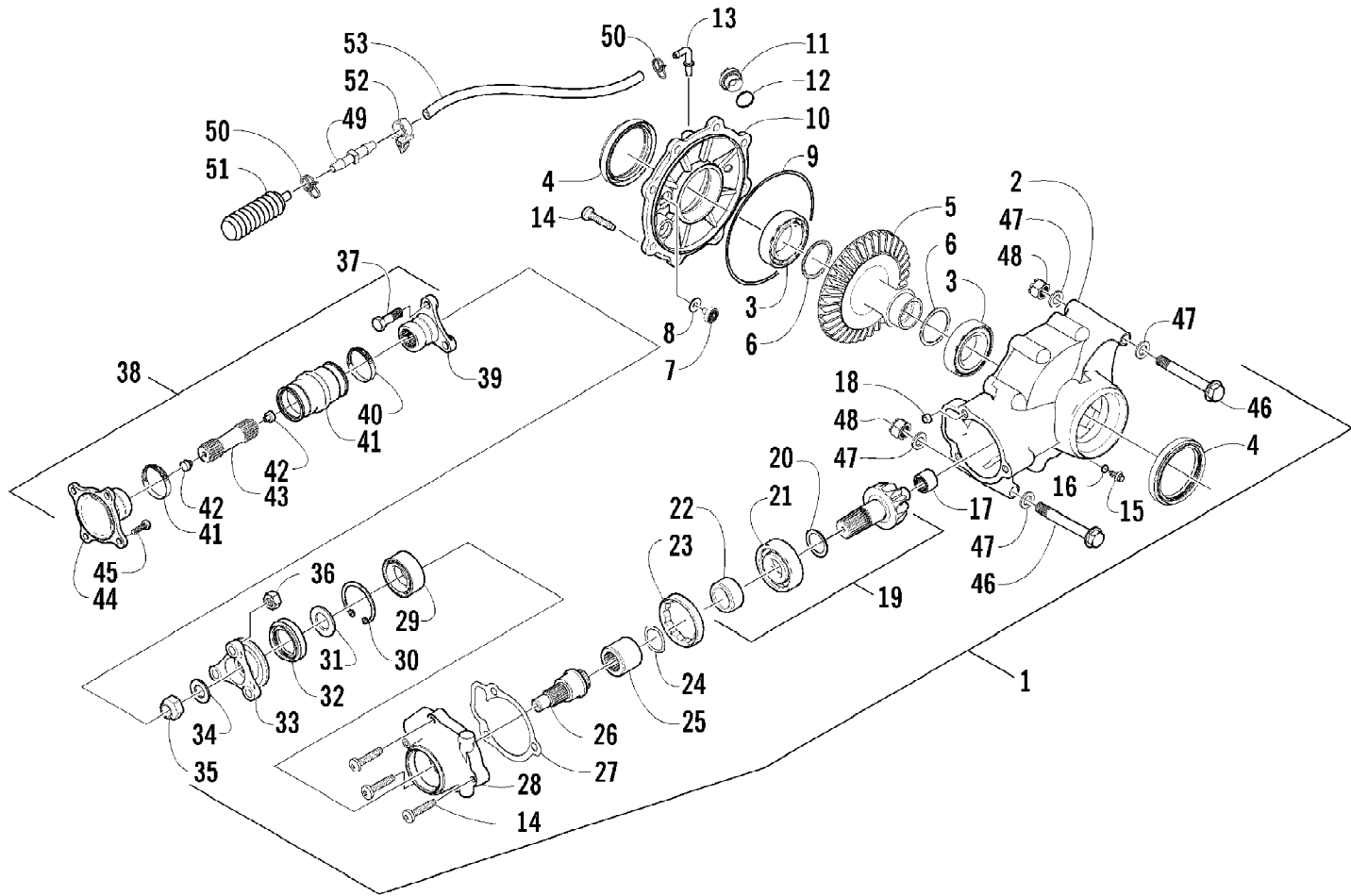
2003 ATV 500 FIS MANUAL TRANSMISSION (GREEN - MRP) (A2003ISM4AUB) Page 58 of 97  
OIL FILTER/PUMP ASSEMBLY



2003 ATV 500 FIS MANUAL TRANSMISSION (GREEN - MRP) (A2003ISM4AUBS) Page 59 of 97  
OIL FILTER/PUMP ASSEMBLY

Ref #	Part Number	Qty	S/P/F	Description
1	3402-153	1		Pump, Oil
2	3402-026	1		Gear, Driven
3	3423-046	1		Pin
4	3423-115	1		Washer
5	3423-184	1	S	Circlip
6	3423-510	3		Screw
7	3402-156	1		Strainer, Oil
8	0693-389	2	S	Screw, Cap
9	3402-157	1		Cap, Oil Strainer
10	3423-077	1		O-Ring
11	3004-756	4	S	Screw, Cap
12	0436-146	1	S	Filter, Oil
13	3402-036	1	S	Plug, Drain
14	3402-012	1		Gasket
15	3402-359	1		Valve, Oil Relief - Assembly
16	3402-158	1	S	Union, Oil Filter

2003 ATV 500 FIS MANUAL TRANSMISSION (GREEN - MRP) (A2003ISM4AUB) Page 60 of 97  
REAR DRIVE GEARCASE ASSEMBLY





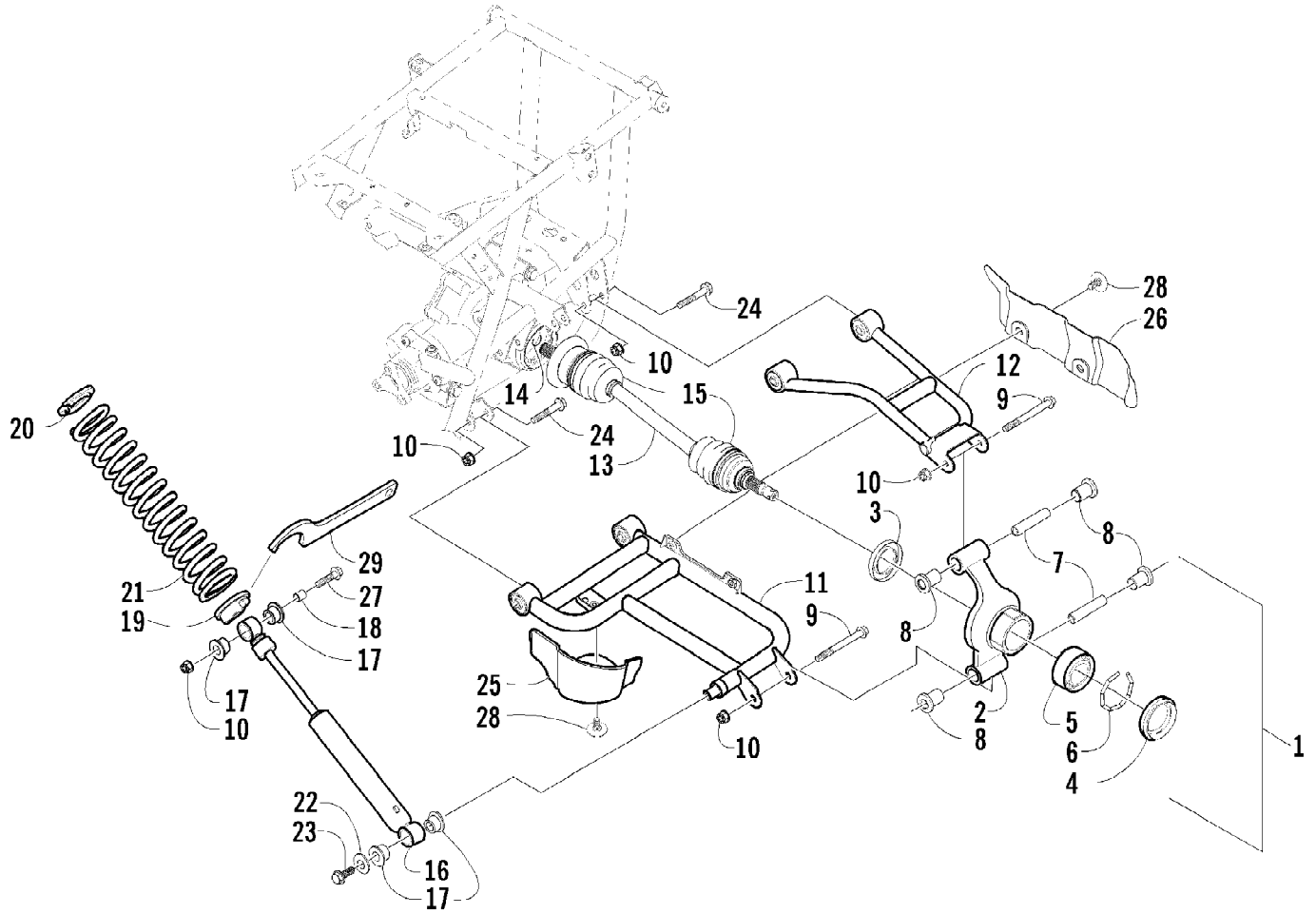
2003 ATV 500 FIS MANUAL TRANSMISSION (GREEN - MRP) (A2003ISM4AUBS) Page 61 of 97  
REAR DRIVE GEARCASE ASSEMBLY

Ref #	Part Number	Qty	S/P/F	Description
1	0502-440	1		Gearcase, Rear Drive - Assembly (inc. 2-35)
2	0502-352	1		Housing, Gearcase
3	0402-393	2		Bearing
4	0402-394	2	S	Seal
5	0402-965	1		Gear, Ring - 36T
6	0402-405	AR		Shim
6	0402-406	AR		Shim
6	0402-407	AR		Shim
6	0402-408	AR		Shim
6	0402-409	AR		Shim
7	0402-326	1		Button, Thrust
8	0402-429	AR		Shim
8	0402-430	AR		Shim
8	0402-431	AR		Shim
8	0402-432	AR		Shim
8	0402-433	AR		Shim
9	0423-149	1		O-Ring
10	0502-346	1		Cover, Gearcase
11	0402-333	1	/P	Plug, Fill (inc. 12)
12	0423-154	1		O-Ring
13	0402-329	1		Fitting
14	0423-118	11		Screw, Self-Tapping
15	0402-450	1	S	Plug, Magnetic (inc. 16)
16	0423-153	1		O-Ring
17	0402-328	1		Bearing
18	0402-411	1		Pin, Dowel
19	0502-123	1		Gear, Pinion - Assembly - 10T (inc. 20-22)
20	0402-424	AR		Shim
20	0402-425	AR		Shim
20	0402-426	AR		Shim
20	0402-427	AR		Shim
20	0402-428	AR		Shim
21	0402-327	1		Bearing
22	0402-336	1		Collar, Retaining
23	0402-331	1		Collar, Lock
24	0402-982	1		Washer, Wave
25	0402-981	1		Collar, Shaft
26	0402-410	1		Shaft, Thrust
27	0402-947	1		Gasket, Flange
28	0502-345	1		Housing, Pinion
29	0402-003	1		Bearing
30	0402-332	1		Ring, Retaining
31	0402-346	1		Spacer, Drive
32	0402-395	1		Seal
33	0402-422	1		Flange, Drive - Assembly
34	0423-134	1		Washer
35	0423-135	1		Nut
36	0423-157	3		Nut, Lock
37	8409-030	3		Screw, Cap
38	0502-326	1		Coupler, Drive (inc. 39-44)
39	0	1	F	Flange, Output
40	0423-393	2		Clamp
41	0402-954	1		Bolt

2003 ATV 500 FIS MANUAL TRANSMISSION (GREEN - MRP) (A2003ISM4AUBS) Page 62 of 97  
REAR DRIVE GEARCASE ASSEMBLY

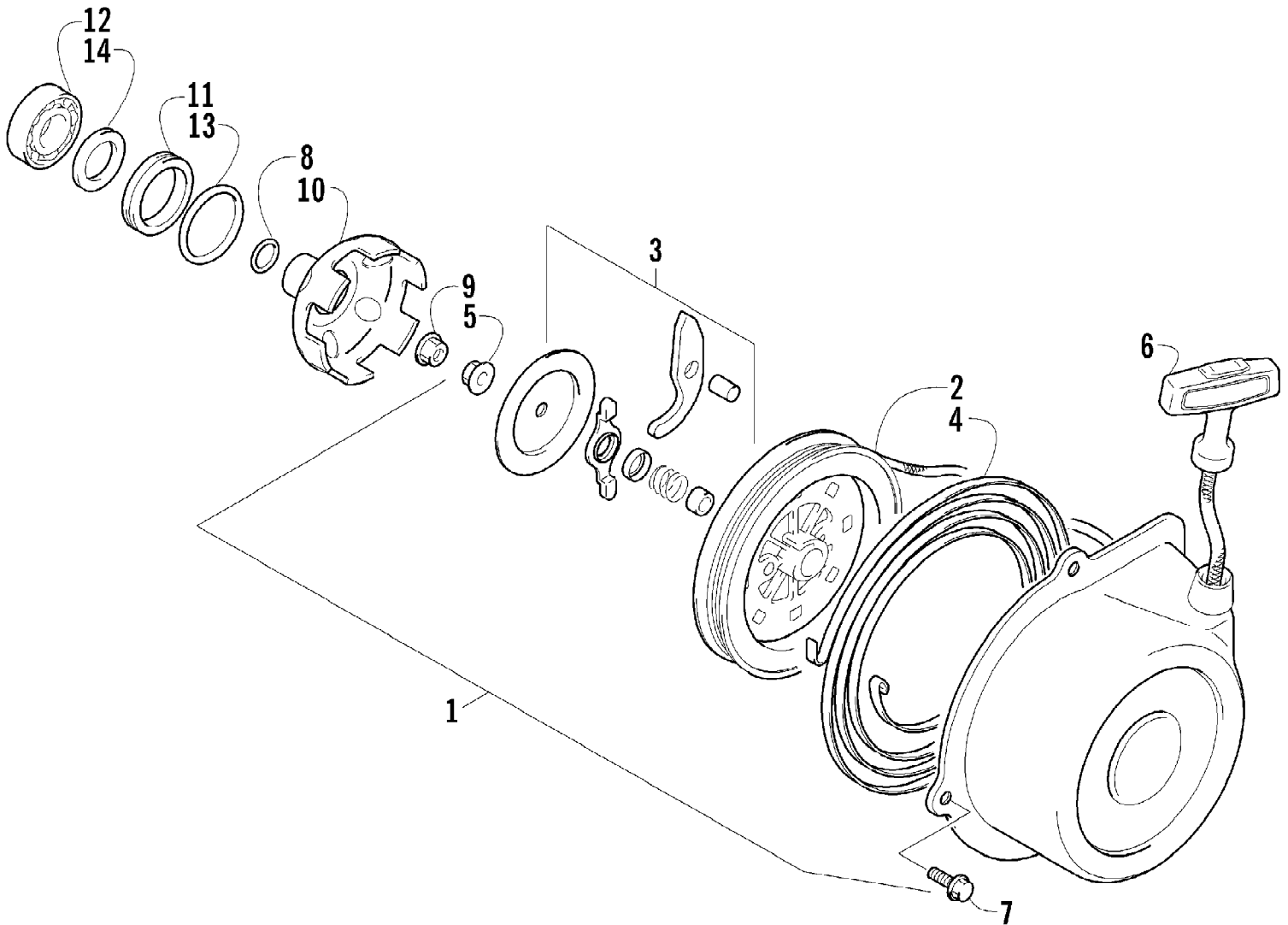
Ref #	Part Number	Qty	S/P/F	Description
42	0673-618	2	/P	Bumper, Propeller Shaft
43	0	1	F	Shaft, Propeller
44	0	1	F	Flange, Input
45	8408-820	4	/P	Screw, Cap
46	0423-404	2		Screw, Cap
47	0423-426	4		Washer
48	8428-002	2		Nut, Lock
49	0470-462	1		Fitting, Vent
50	0423-315	3		Clamp, Hose
51	0402-147	1	S	Bladder, Gearcase
52	0623-101	1		Clip, Retaining
53	0410-049	AR		Hose, Vent

2003 ATV 500 FIS MANUAL TRANSMISSION (GREEN - MRP) (A2003ISM4AUBS) Page 63 of 97  
REAR SUSPENSION ASSEMBLY



2003 ATV 500 FIS MANUAL TRANSMISSION (GREEN - MRP) (A2003ISM4AUBS) Page 64 of 97  
REAR SUSPENSION ASSEMBLY

Ref #	Part Number	Qty	S/P/F	Description
1	0504-226	1	S	Knuckle, Right Rear - Assembly (inc. 2-6)
1	0504-227	1	S	Knuckle, Left Rear - Assembly (inc. 2-6)
2	0504-224	1	S	Knuckle - Right
2	0504-225	1	S	Knuckle - Left
3	0402-069	2		Seal, Wheel Bearing - Rear
4	0402-089	2		Seal, Wheel Bearing - Front
5	0402-275	2	/P	Bearing, Wheel
6	0423-034	2		Clip, Bearing
7	0403-038	4	S/P	Collar, Suspension Bushing
8	0403-032	8	S	Bushing, Suspension
9	8409-000	4		Screw, Cap
10	8428-002	14		Nut, Lock
11	0504-228	1		A-Arm, Rear - Lower Right
11	0504-229	1		A-Arm, Rear - Lower Left
12	0504-232	1		A-Arm, Rear - Upper Right
12	0504-233	1		A-Arm, Rear - Upper Left
13	0402-907	2	S	Axle, Drive (inc. 14-15)
14	0441-400	2	S	Clip, Retaining
15	0436-276	2	S	Repair Kit, Boot - Rear Axle
16	0404-045	2		Shock Absorber - Rear (inc. 17-18)
17	0604-310	8		Bushing, Shock Absorber
18	0403-028	2		Sleeve, Shock Absorber
19	0404-057	2		Cam, Spring Adjuster
20	1603-889	2	/P	Retainer, Spring
21	0404-046	2		Spring, Suspension
22	0423-087	2		Washer
23	8408-820	2	/P	Screw, Cap
24	8409-060	8		Screw, Cap
25	1406-071	1		Guard, Boot - Right
25	1406-072	1		Guard, Boot - Left
26	1406-068	1		Guard, Boot - Right
26	1406-069	1		Guard, Boot - Left
27	8409-040	2		Screw, Cap
28	0423-101	6		Screw, Body
29	0441-587	1		Wrench, Spanner



2003 ATV 500 FIS MANUAL TRANSMISSION (GREEN - MRP) (A2003ISM4AUBS) Page 66 of 97  
RECOIL STARTER ASSEMBLY

Ref #	Part Number	Qty	S/P/F	Description
1	3445-003	1		Starter, Recoil - Assembly (inc. 2-6)
2	3445-004	1		Reel
3	3445-016	1		Ratchet Set
4	3445-007	1		Spring, Spiral
5	3004-488	1	S/P	Nut
6	3445-011	1		Rope Assembly
7	3423-428	4		Bolt
8	3423-053	1	/P	O-Ring
9	3004-491	1	S/P	Nut
10	3445-029	1	/P	Cup, Starter
11	3423-542	1	/P	Spacer
12	3402-051	1		Bearing
13	3423-063	1		O-Ring
14	3402-070	1		Seal, Oil

No  
Diagram  
Available  
  
Parts List  
Only

2003 ATV 500 FIS MANUAL TRANSMISSION (GREEN - MRP) (A2003ISM4AUBS) Page 68 of 97  
RELATED ITEMS

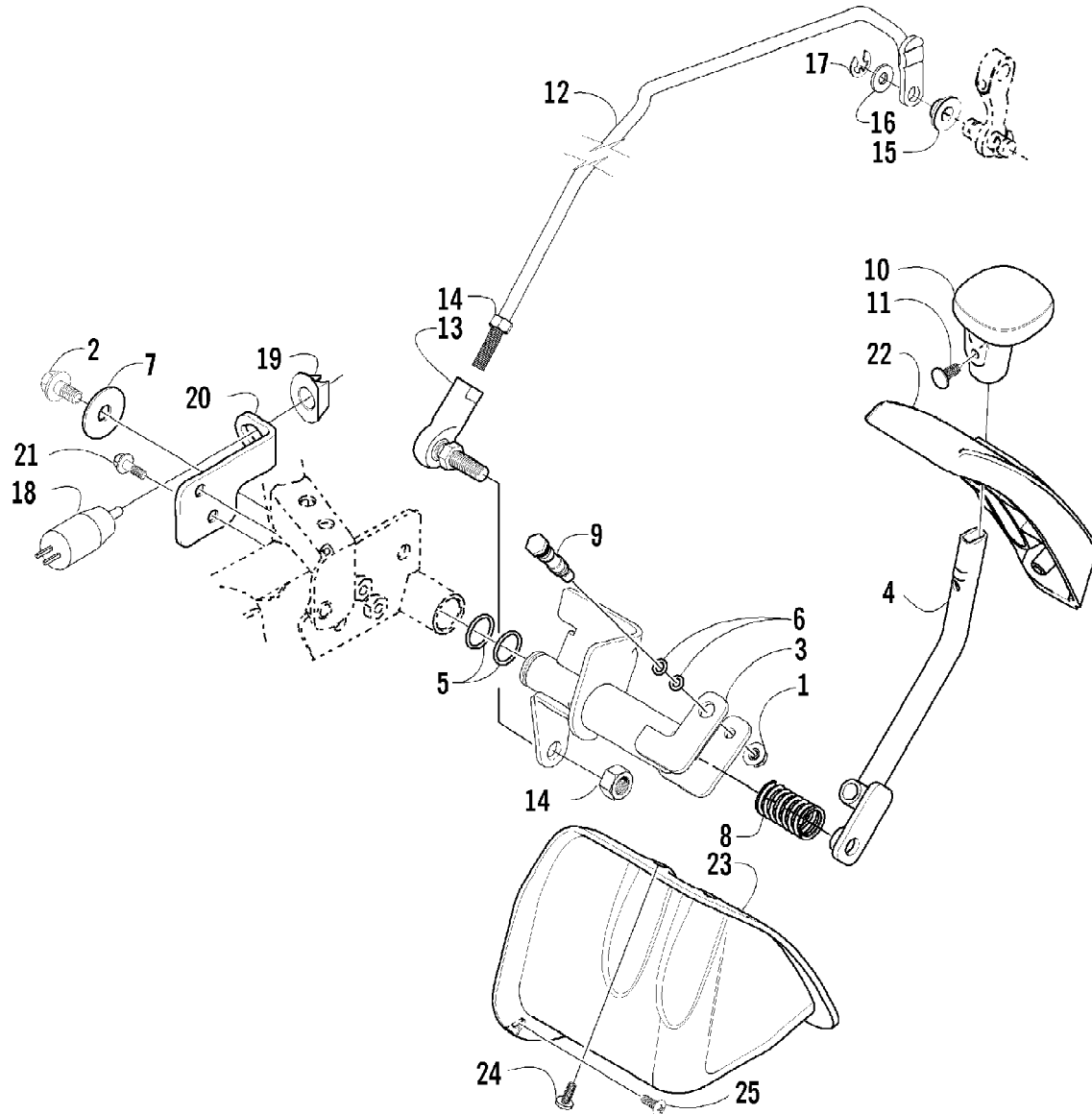
Ref #	Part Number	Qty	S/P/F	Description
	0436-479	1		Articulating Spool Mount - MRP
	0436-469	1		Backrest - MRP
	0436-185	1		Bag, Tank, Black
	0436-183	1	/P	Battery, Heavy Duty
	0436-480	1		Bar, Utility - MRP
	0436-455	1		Cargo Box Quick-Release Kit - MRP
	0436-454	1		Cargo Box Kit
	0436-139	1		Cargo Trailer - Deluxe
	0436-459	1	/P	Carryall (912) - MRP
	0436-460	1		Carryall (1117) - MRP
	0436-461	1		Carryall (1425) - MRP
	0436-462	1		Carryall (100) - MRP
	0436-477	1		Cord Reel - MRP
	0436-087	1	/P	Electrical Plug
	0436-035	1	S	Engine Block Heater
	0436-466	1		Fender Box - MRP
	0436-474	1		Flatbed Extensions - MRP
	0436-467	1		Gear Cradle - MRP
	0436-468	1		Gear Lock - MRP
	0436-464	1		Grille Cradle - MRP
	0436-472	1		Gun Scabbard Kit - MRP
	0436-352	1		Hand/Thumb Warmers
	0436-103	1		Hourmeter
	2256-861	1		Illustrated Parts Manual
	0436-463	1		Light Bar - MRP
	0436-473	1		Maxrack - MRP
	2256-593	1		Operator's Manual
	0652-024	1		Paint, Metal - Black
	0436-176	1		Prefilter, Air Filter
	0436-475	1		Rack Basket - MRP
	0436-014	1	/P	Safety Flag
	0436-476	1		Saw Lock - MRP
	0436-386	1		Snowplow Attachment Kit
	0436-228	1		Snowplow Blade, 50 in. -
	0436-287	1		Snowplow Blade, 50 in. -
	0436-296	1		Snowplow Blade, 60 in. -
	0436-360	1		Snowplow Blade, 60 in. - One-Way
	0436-356	1	S	Snowplow, Push Frame
	0436-233	1		Snowplow Remote Angle Adjust
	0436-384	1		Snowplow, Hand Lift Lever Kit
	0436-471	1		Speedclamp, Double - MRP
	0436-483	1		Strap (20 in. to 40 in.)
	0436-482	1		Straps (12 in. to 24 in.)
	0436-465	1		Table, Expansion - MRP
	0436-026	1		Tire Chains, Size B (24 in. and
	0436-027	1		Tire Chains, Size C (26 in. Tires)
	0402-154	1		Tire, Titan AT471 (25x8-12, Deep Lug)
	0402-155	1		Tire, Titan AT471
	0402-926	1		Tire, Dunlop KT (25x11-12)
	0402-890	1		Tire, Dunlop KT (25x8-12)
	0402-227	1		Tire, Titan AT495 (26x10.5-12)
	1402-028	1		Tire, Titan AT589 (25x8-12, Mud & Snow)
	0402-563	1		Tire, Titan AT589



2003 ATV 500 FIS MANUAL TRANSMISSION (GREEN - MRP) (A2003ISM4AUBS) Page 69 of 97  
 RELATED ITEMS

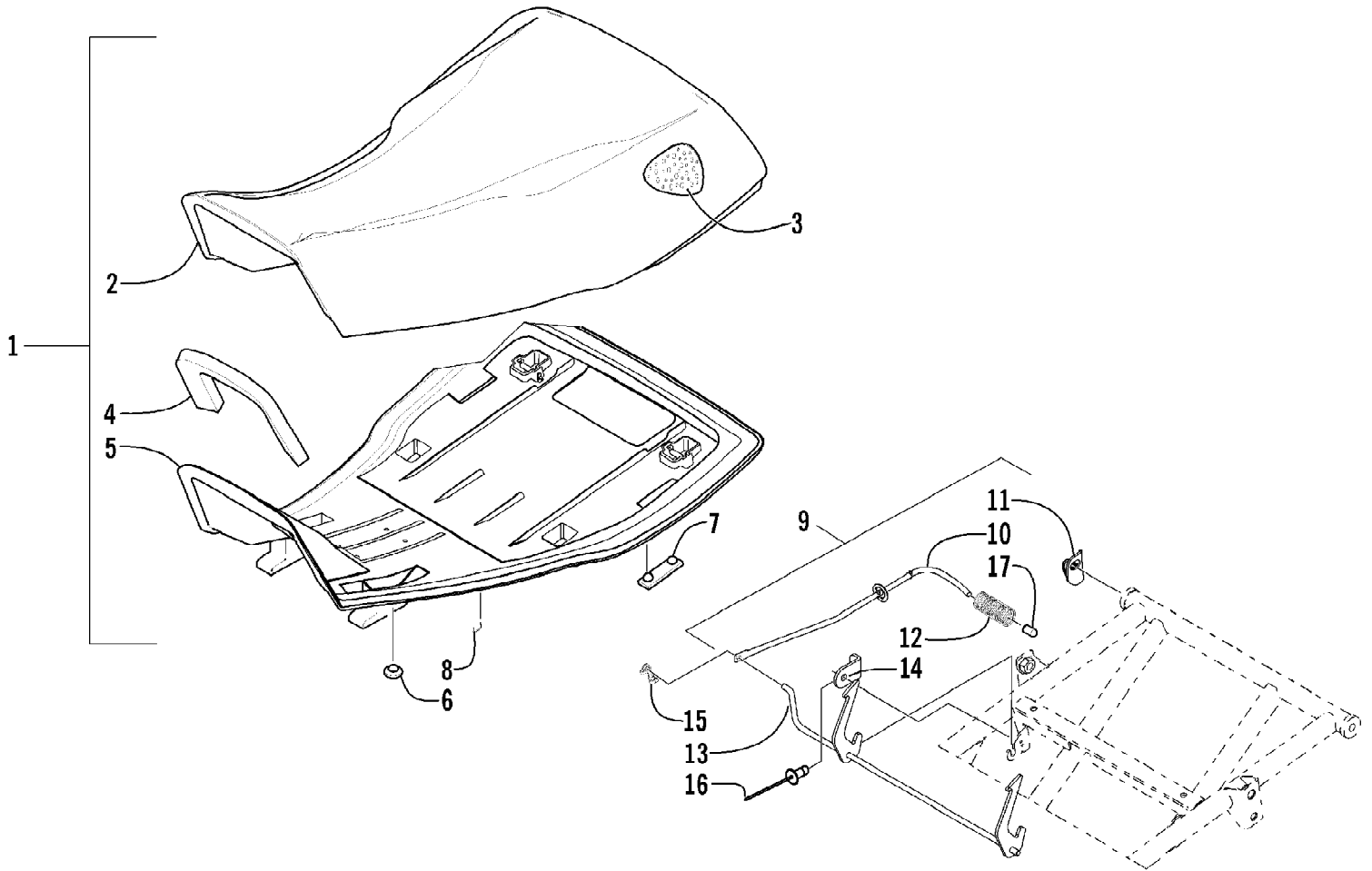
Ref #	Part Number	Qty	S/P/F	Description
	0436-478	1		Tool Lock - MRP
	0436-068	1		Winch Accessories Kit
	0436-329	1	S	Winch Kit, 2500 lb
	0436-361	1		Winch Mounting Kit
	0436-303	1		Windshield, Clear
	0436-301	1		Windshield, Clear w/Accent
	0436-302	1		Windshield, Smoke w/Accent
	0436-470	1		Workbase (8 in.) - MRP

2003 ATV 500 FIS MANUAL TRANSMISSION (GREEN - MRP) (A2003ISM4AUB) Page 70 of 97  
REVERSE SHIFT LEVER ASSEMBLY



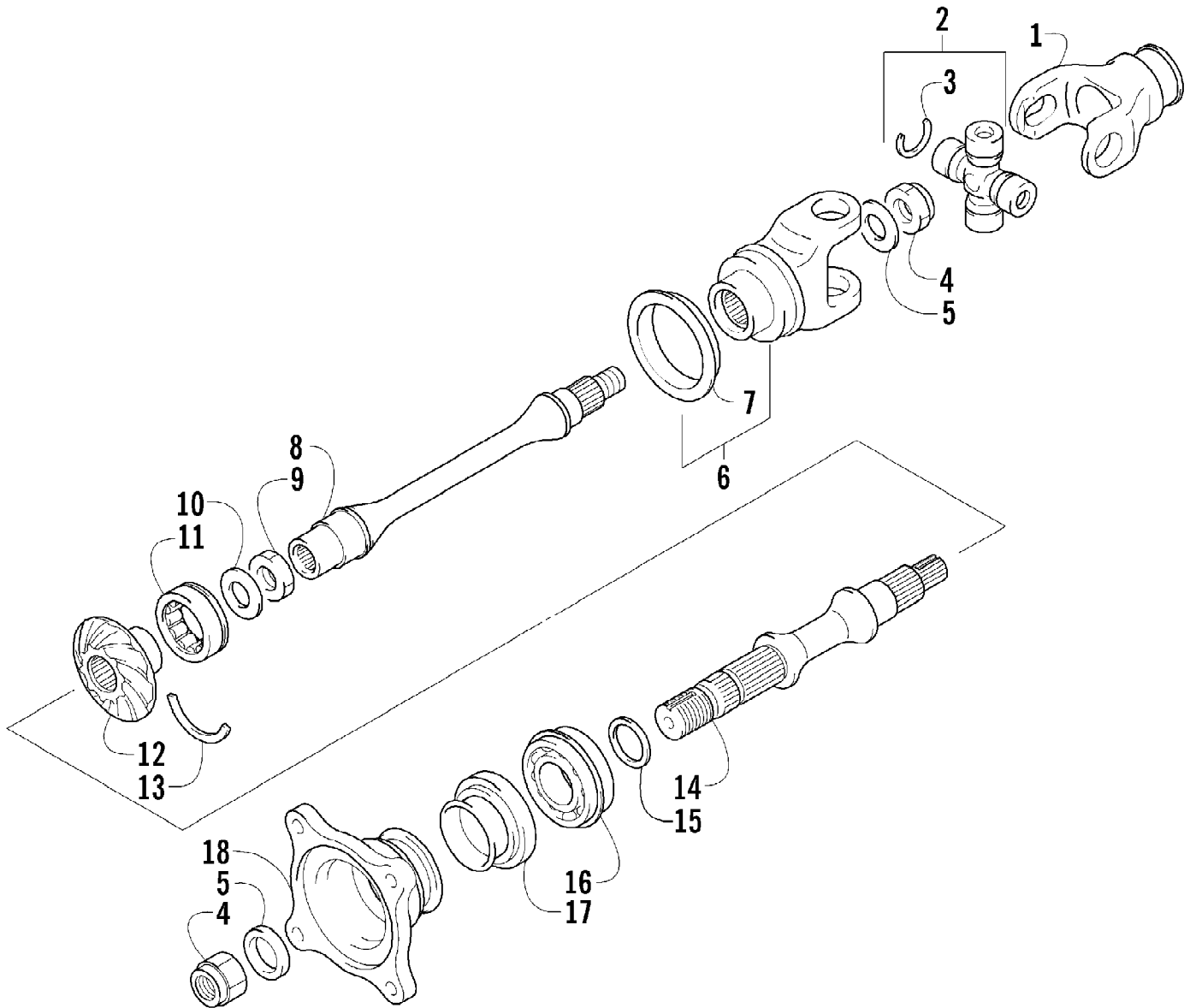
2003 ATV 500 FIS MANUAL TRANSMISSION (GREEN - MRP) (A2003ISM4AUBS) Page 71 of 97  
REVERSE SHIFT LEVER ASSEMBLY

Ref #	Part Number	Qty	S/P/F	Description
1	8424-602	1	/P	Nut
2	8408-812	1		Screw, Cap
3	0502-437	1		Axle, Reverse Shift Lever
4	0502-185	1		Lever, Reverse Shift
5	0423-299	2	/P	O-Ring
6	0423-182	2	/P	O-Ring
7	0423-087	1		Washer
8	0502-410	1	S	Spring
9	0402-675	1		Axle, Pivot
10	0402-843	1	/P	Handle, Lever
11	0423-345	1		Clip, Push
12	0502-439	1		Linkage, Shift
13	0402-844	1		End, Rod
14	0623-294	2		Nut
15	0423-091	1		Bushing
16	3423-204	1	/P	Washer
17	0423-169	1	/P	E-Ring
18	0409-008	1		Reverse Switch
19	0402-991	1		Retainer, Reverse Switch
20	0506-961	1	/P	Bracket, Reverse Switch
21	8408-616	2		Screw, Cap
22	0402-847	1		Plate, Shift
23	0406-943	1		Shield, Linkage
24	0423-371	3		Screw, Machine
25	0623-309	1		Screw, Self-Tapping



2003 ATV 500 FIS MANUAL TRANSMISSION (GREEN - MRP) (A2003ISM4AUBS) Page 73 of 97  
SEAT ASSEMBLY

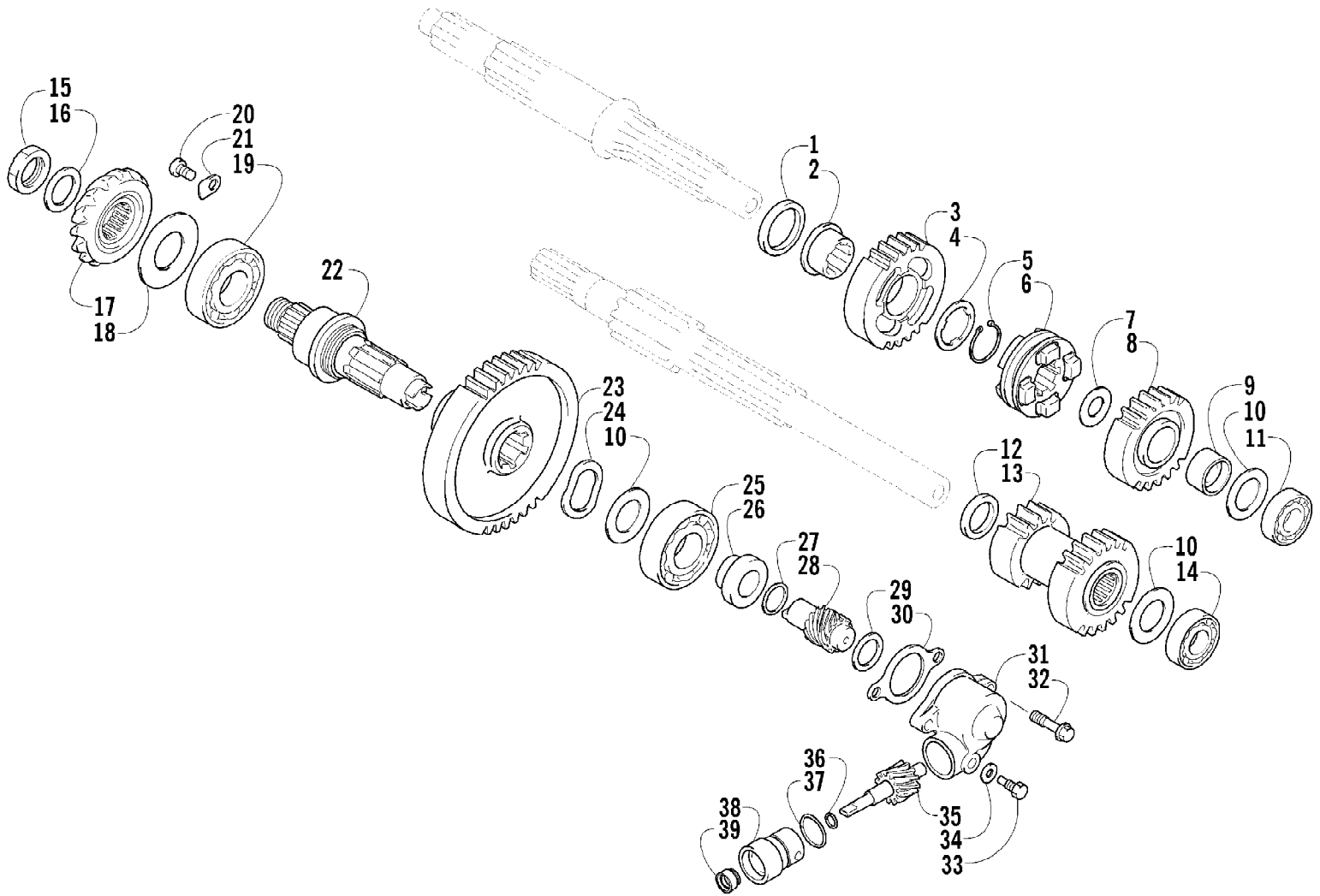
Ref #	Part Number	Qty	S/P/F	Description
1	0506-558	1		Seat Assembly (inc. 2-8)
2	0506-556	1		Cover, Seat
3	0506-555	1		Foam, Seat
4	1406-060	1		Foam, Sound
5	0406-878	1		Base, Seat Assembly (inc. 6-7)
6	0406-877	2	/P	Bumper, Seat - Front
7	0406-879	2		Bumper, Seat - Rear
8	0624-100	AR		Staple
9	0506-702	1	/P	Rod, Seat Release - Assembly (inc. 10-12)
10	0506-701	1	S	Rod, Seat Release
11	1406-004	1		Bracket, Seat Release
12	1406-005	1		Spring, Seat Release
13	0506-796	1		Latch, Seat
14	1406-087	1		Plate, Retainer
15	0423-358	1		Clip, Retainer
16	8060-284	1		Rivet
17	0623-404	1		Cap, Protector



2003 ATV 500 FIS MANUAL TRANSMISSION (GREEN - MRP) (A2003ISM4AUBS) Page 75 of 97  
SECONDARY DRIVE ASSEMBLY

Ref #	Part Number	Qty	S/P/F	Description
1	3446-327	1	/P	Yoke, Propeller Shaft
2	3402-562	1		Joint, Universal (inc. 3)
3	3423-479	4		Circlip
4	3423-025	2		Nut
5	3423-028	2		Washer
6	3402-742	1		Yoke, Front Drive Output (inc. 7)
7	3402-743	1		Plate, Output
8	3446-239	1		Shaft, Secondary Driven - Front
9	3423-136	1		Nut, Secondary Driven Gear
10	3423-137	1		Washer, Secondary Driven Gear
11	3402-515	1	/P	Bearing, Secondary Driven Gear
12	3446-222	1	/P	Gear, Secondary Driven
13	3423-072	1		Ring, Secondary Driven Gear Bearing
14	3446-346	1	S	Shaft, Secondary Driven - Rear
15	3402-017	AR		Shim, 25 x 34 x 0.60 mm
15	3402-018	AR		Shim, 25 x 34 x 0.65 mm
15	3402-019	AR		Shim, 25 x 34 x 0.70 mm
15	3402-020	AR		Shim, 25 x 34 x 0.75 mm
15	3402-021	AR	S	Shim, 25 x 34 x 0.80 mm
15	3402-022	AR		Shim, 25 x 34 x 0.85 mm
15	3402-023	AR		Shim, 25 x 34 x 0.90 mm
15	3402-024	AR		Shim, 25 x 34 x 0.95 mm
15	3402-025	AR	S	Shim, 25 x 34 x 1.00 mm
15	3402-028	AR		Shim, 25 x 34 x 1.05 mm
15	3402-029	AR		Shim, 25 x 34 x 1.10 mm
15	3402-030	AR		Shim, 25 x 34 x 1.15 mm
15	3402-031	AR		Shim, 25 x 34 x 1.20 mm
16	3402-067	2	S	Bearing
17	3402-072	2		Seal, Oil
18	3402-514	1	/P	Yoke, Rear Drive Output

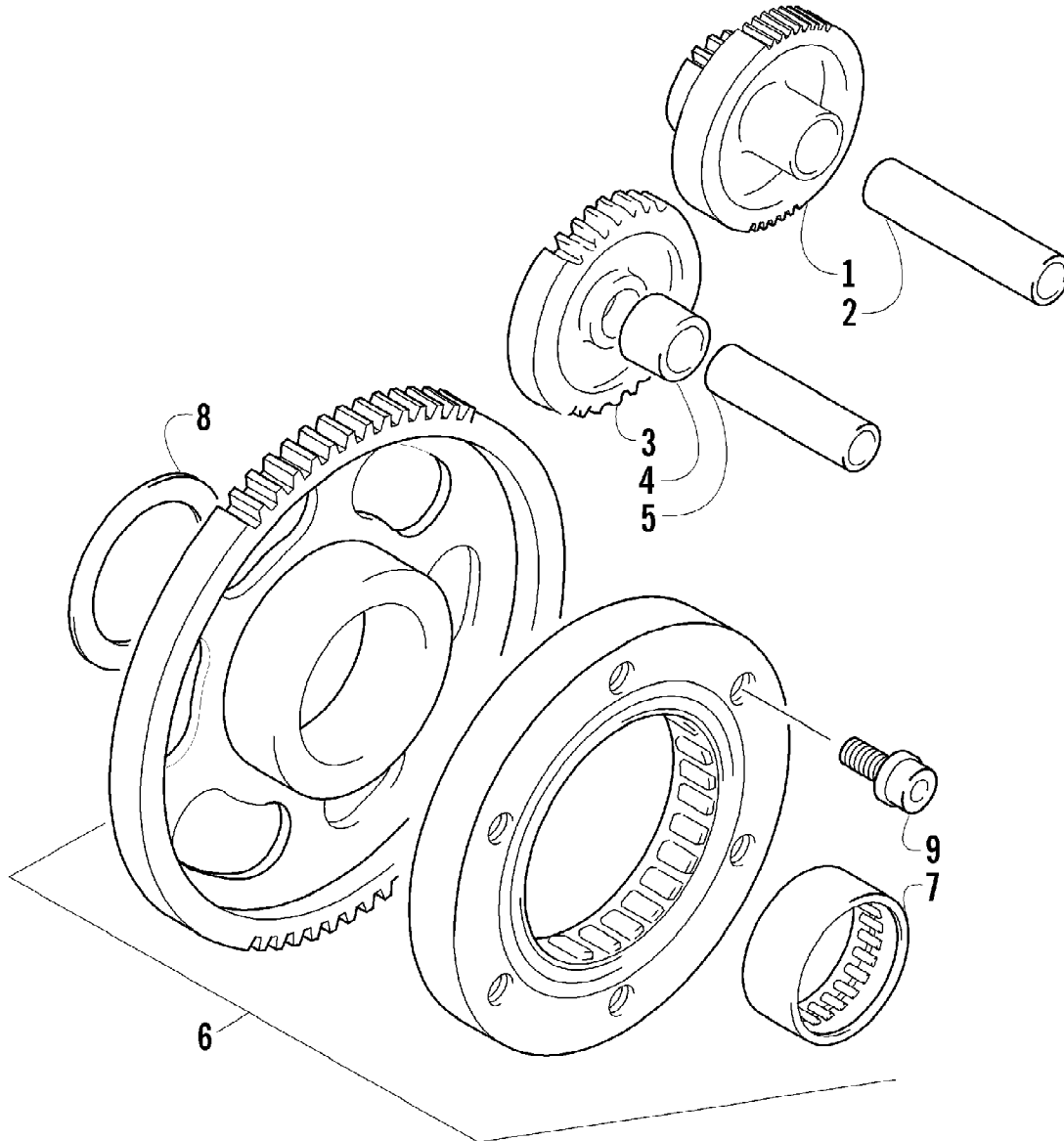
2003 ATV 500 FIS MANUAL TRANSMISSION (GREEN - MRP) (A2003ISM4AUB) Page 76 of 97  
SECONDARY TRANSMISSION ASSEMBLY





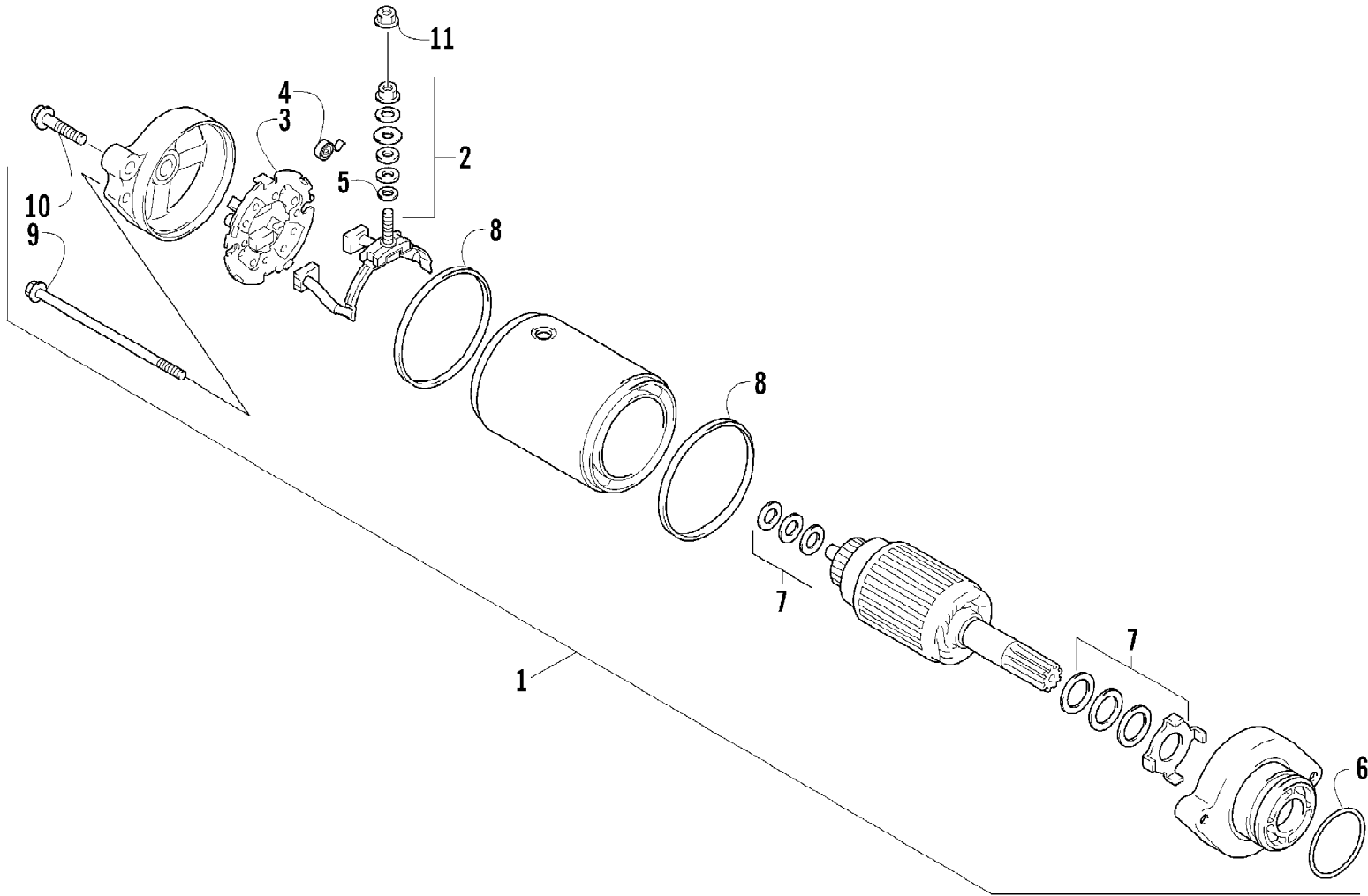
2003 ATV 500 FIS MANUAL TRANSMISSION (GREEN - MRP) (A2003ISM4AUBS) Page 77 of 97  
SECONDARY TRANSMISSION ASSEMBLY

Ref #	Part Number	Qty	S/P/F	Description
1	3446-246	1		Spacer, Drive Gear
2	3446-247	1		Bushing, Drive Gear No.1
3	3446-342	1		Gear, Drive - No.1
4	3423-036	1		Washer, Drive Gear No. 1
5	3423-066	1	/P	Circlip, Drive Gear No.1
6	3446-343	1		Dog, Sliding
7	3402-195	1		Washer, Drive Gear No.2
8	3446-248	1		Gear, Drive - No.2
9	3446-103	1		Bushing, Drive Gear No.2
10	3402-381	3	/P	Washer
11	3402-046	1		Bearing, Driveshaft - Left
12	3423-148	1		Spacer, Idle Gear
13	3446-066	1		Gear, Idle
14	3402-047	1	S	Bearing, Countershaft - Left
15	3423-023	1		Nut
16	3423-032	1		Washer
17	3446-274	1	/P	Gear, Secondary Drive Bevel
18	3423-549	1		Shim Set
19	3402-055	1	/P	Bearing
20	3423-370	2		Screw
21	3446-031	2	/P	Retainer, Secondary Driveshaft Bearing
22	3446-344	1		Shaft, Output
23	3446-345	1		Gear, Driven
24	3423-548	1		Lock Washer
25	3402-045	1	/P	Bearing
26	3446-114	1	/P	Spacer
27	3423-146	1		Washer, Drive Gear - Right
28	3446-060	1		Gear, Drive - Speedometer
29	3423-145	1		Washer, Drive Gear - Left
30	3446-244	1	/P	Gasket, Speedometer Gear Housing
31	3446-057	1		Housing, Speedometer Gear
32	3423-346	2	S	Bolt, Speedometer Gear Housing
33	3423-143	1	S	Bolt, Driven Gear Sleeve
34	3402-009	1	/P	Washer
35	3446-061	1		Gear, Driven - Speedometer
36	3423-144	1		Washer, Driven Gear
37	3423-056	1		O-Ring
38	3446-058	1		Sleeve, Driven Gear
39	3402-077	1		Seal, Driven Gear



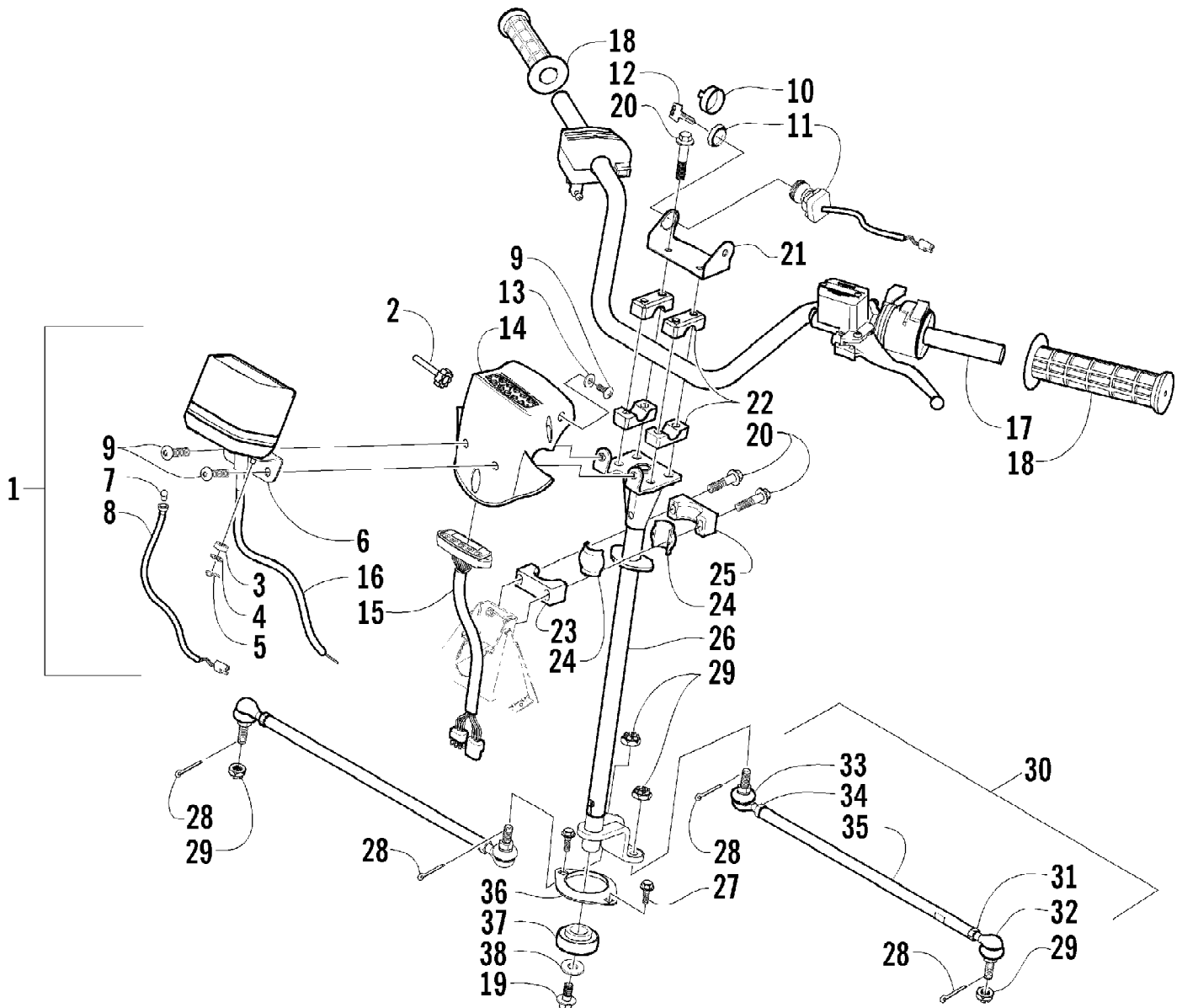
2003 ATV 500 FIS MANUAL TRANSMISSION (GREEN - MRP) (A2003ISM4AUBS) Page 79 of 97  
STARTER CLUTCH ASSEMBLY

Ref #	Part Number	Qty	S/P/F	Description
1	3402-813	1	/P	Gear, Starter Idler - No.1
2	3423-331	1		Pin
3	3402-349	1		Gear, Starter Idler - No.2
4	3423-396	1		Spacer, Starter Idler Gear No. 2
5	3423-397	1		Pin
6	3402-457	1		Starter, Clutch - Set (inc. 7)
7	3402-063	1		Bearing
8	3423-104	1		Washer
9	3423-509	6		Bolt



2003 ATV 500 FIS MANUAL TRANSMISSION (GREEN - MRP) (A2003ISM4AUBS) Page 81 of 97  
STARTER MOTOR ASSEMBLY

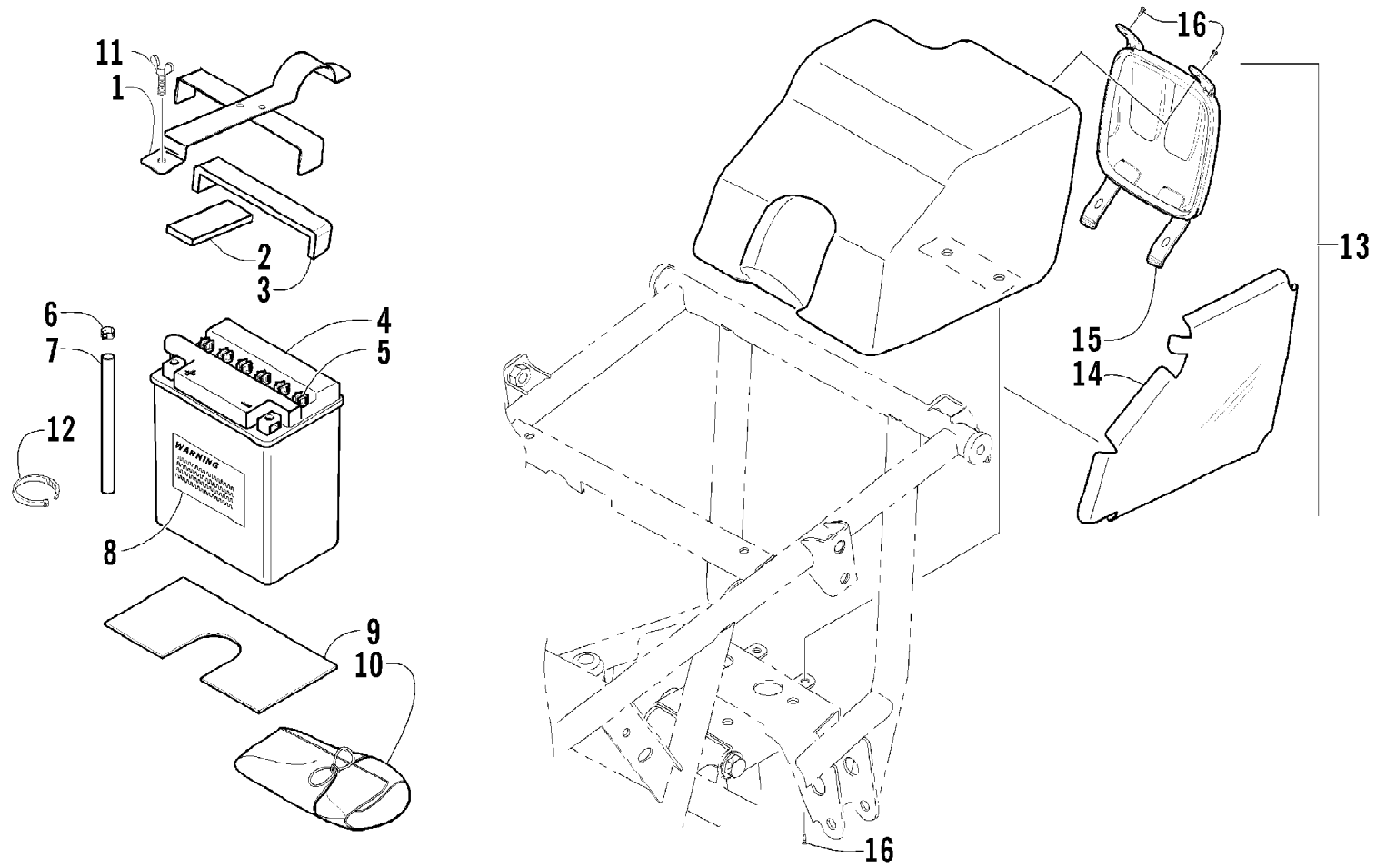
Ref #	Part Number	Qty	S/P/F	Description
1	3545-015	1	S	Motor, Starter - Assembly (inc. 2-9)
2	3008-094	1	/P	Terminal Set, Brush
3	3008-095	1	/P	Holder Set, Brush
4	3008-096	4		Spring, Brush
5	3008-164	1		O-Ring
6	3423-084	1		O-Ring
7	3436-001	1		Washer Set
8	3008-101	2	S	O-Ring
9	3423-085	2		Through-Bolt
10	3423-162	2	S	Bolt, Starter Motor
11	3423-195	1	/P	Nut, Starter Motor



2003 ATV 500 FIS MANUAL TRANSMISSION (GREEN - MRP) (A2003ISM4AUBS) Page 83 of 97  
STEERING ASSEMBLY

Ref #	Part Number	Qty	S/P/F	Description
1	0420-031	1	/P	Speedometer (inc. 2-8)
2	0420-027	1		Knob, Speedometer Trip
3	0420-016	2		Mount, Rubber
4	0420-017	2		Washer
5	0420-015	2		Pin, Retainer
6	0420-018	1		Bracket, Speedometer
7	0620-149	1	/P	Bulb, Speedometer
8	0420-014	1		Harness, Speedometer
9	8477-616	3		Screw, Machine
10	0409-013	1		Cover, Key
11	3430-040	1		Switch, Ignition - Assembly (inc. 12)
12	3409-007	1	/P	Key, Ignition - Blank (C Series)
12	3409-011	1		Key, Ignition - Blank (D Series)
12	3409-012	1		Key, Ignition - Blank (E Series)
12	3409-013	1		Key, Ignition - Blank (F Series)
13	0423-052	1		Collar, Body
14	0405-063	1		Instrument Pod
15	0420-034	1	/P	Panel, LED
16	0487-026	1		Cable, Speedometer
17	0505-410	1		Tube, Handlebar
18	0405-106	2		Grip, Handlebar
19	8409-020	1	/P	Screw, Cap
20	8408-860	6		Screw, Cap
21	0506-348	1	/P	Bracket, Key Switch
22	0405-035	4		Cap, Steering Adjuster
23	0605-171	1		Housing, Bearing - Lower
24	0405-020	2		Bearing, Steering Post
25	0605-147	1	S	Housing, Bearing - Upper
26	0505-425	1	S	Post, Steering
27	8408-816	2		Screw, Cap
28	0623-175	4		Pin, Cotter
29	0423-157	4		Nut, Lock
30	0505-408	2	S	Tie Rod - Assembly (inc. 31-35)
31	8420-002	2	/P	Nut - Right
32	0405-082	2	S	Ball Joint, Tie Rod - Right
33	0405-083	2	S	Ball Joint, Tie Rod - Left
34	0423-013	2		Nut - Left
35	0405-107	2	S	Tie Rod
36	0602-233	1		Flange, Bearing
37	0405-052	1		Bearing w/Inverted Oil Seal
38	0423-073	1		Washer

2003 ATV 500 FIS MANUAL TRANSMISSION (GREEN - MRP) (A2003ISM4AUB) Page 84 of 97  
STORAGE BOX AND BATTERY ASSEMBLY

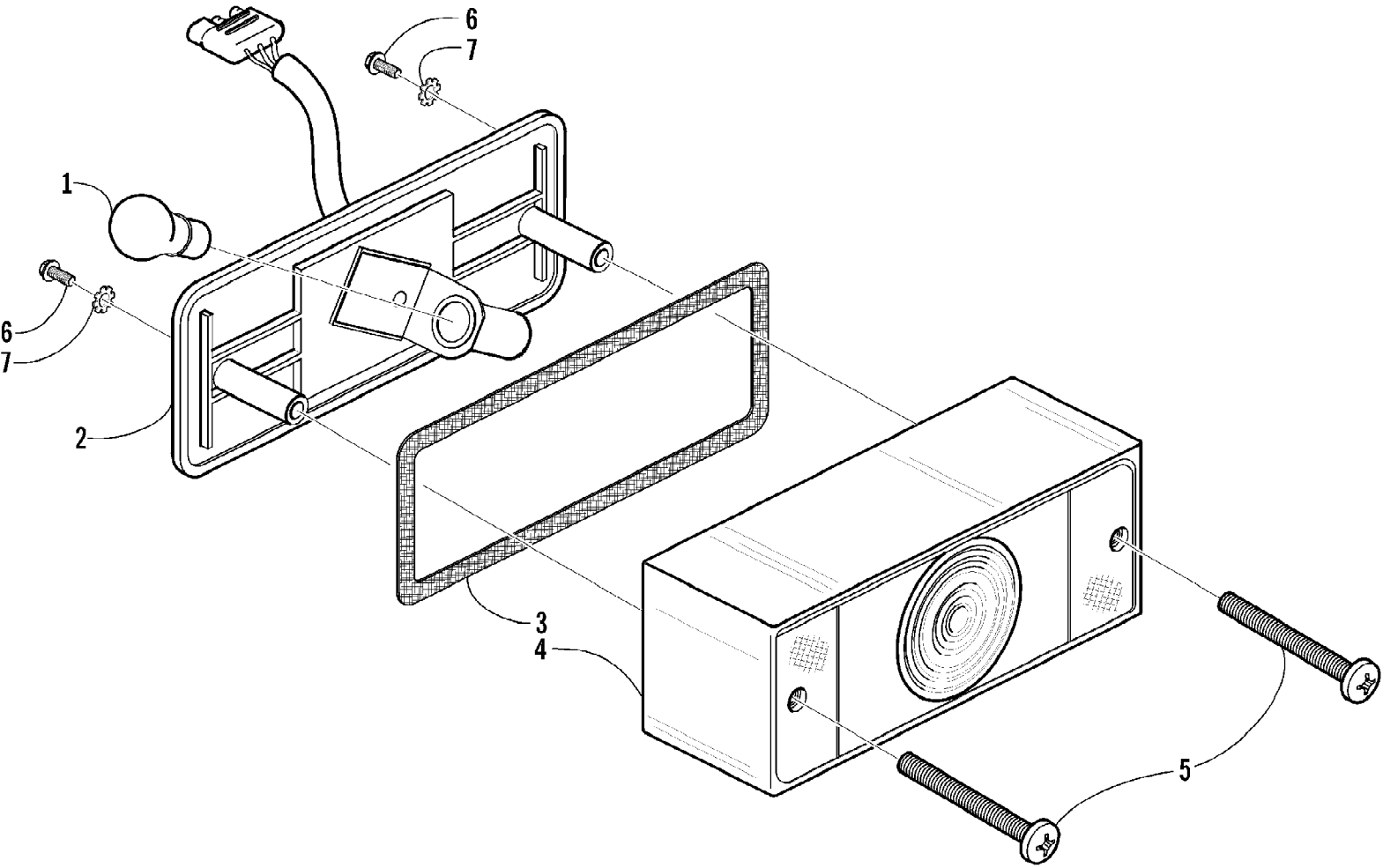




2003 ATV 500 FIS MANUAL TRANSMISSION (GREEN - MRP) (A2003ISM4AUBS) Page 85 of 97  
STORAGE BOX AND BATTERY ASSEMBLY

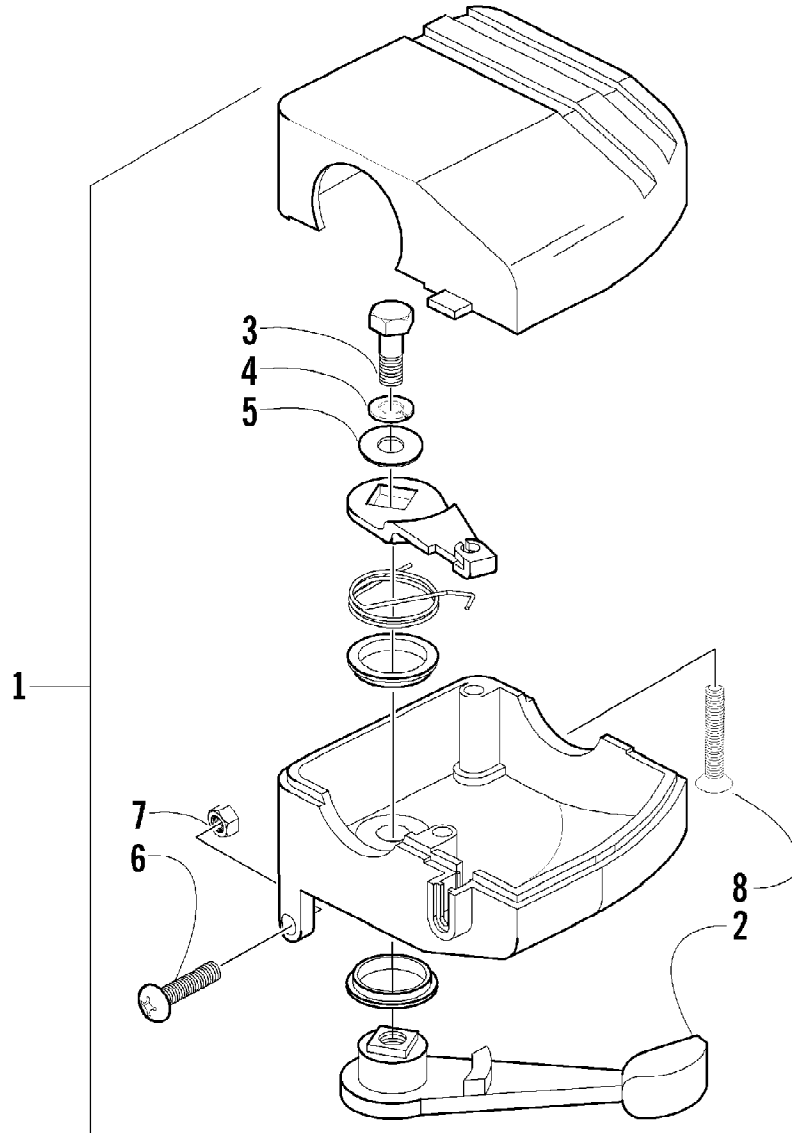
Ref #	Part Number	Qty	S/P/F	Description
1	0506-178	1		Strap, Battery w/Pads (inc. 2-3)
2	0406-288	1		Pad, Battery - Upper Front
3	0406-289	1		Pad, Battery - Upper Rear
4	0745-045	1	/P	Battery Assembly (inc. 5-8)
5	0645-045	6		Cap, Battery
6	0645-152	1		Clamp, Hose
7	0645-263	1	/P	Hose, Battery Vent
8	0645-151	1		Label, Warning - Battery
9	0406-227	1		Pad, Battery - Lower
10	0444-122	1	S/P	Kit, Tool
11	0423-428	1	S	Screw, Machine
12	0123-903	2		Cable Tie - 11.5 in.
13	0506-797	1		Storage Box - Assembly (inc. 14)
14	1406-140	1		Shield, Heat
15	1406-078	1		Cover, Storage Box
16	0623-797	4		Screw, Self-Tapping

2003 ATV 500 FIS MANUAL TRANSMISSION (GREEN - MRP) (A2003ISM4AUB) Page 86 of 97  
TAILLIGHT ASSEMBLY



2003 ATV 500 FIS MANUAL TRANSMISSION (GREEN - MRP) (A2003ISM4AUBS)  
TAILLIGHT ASSEMBLY Page 87 of 97

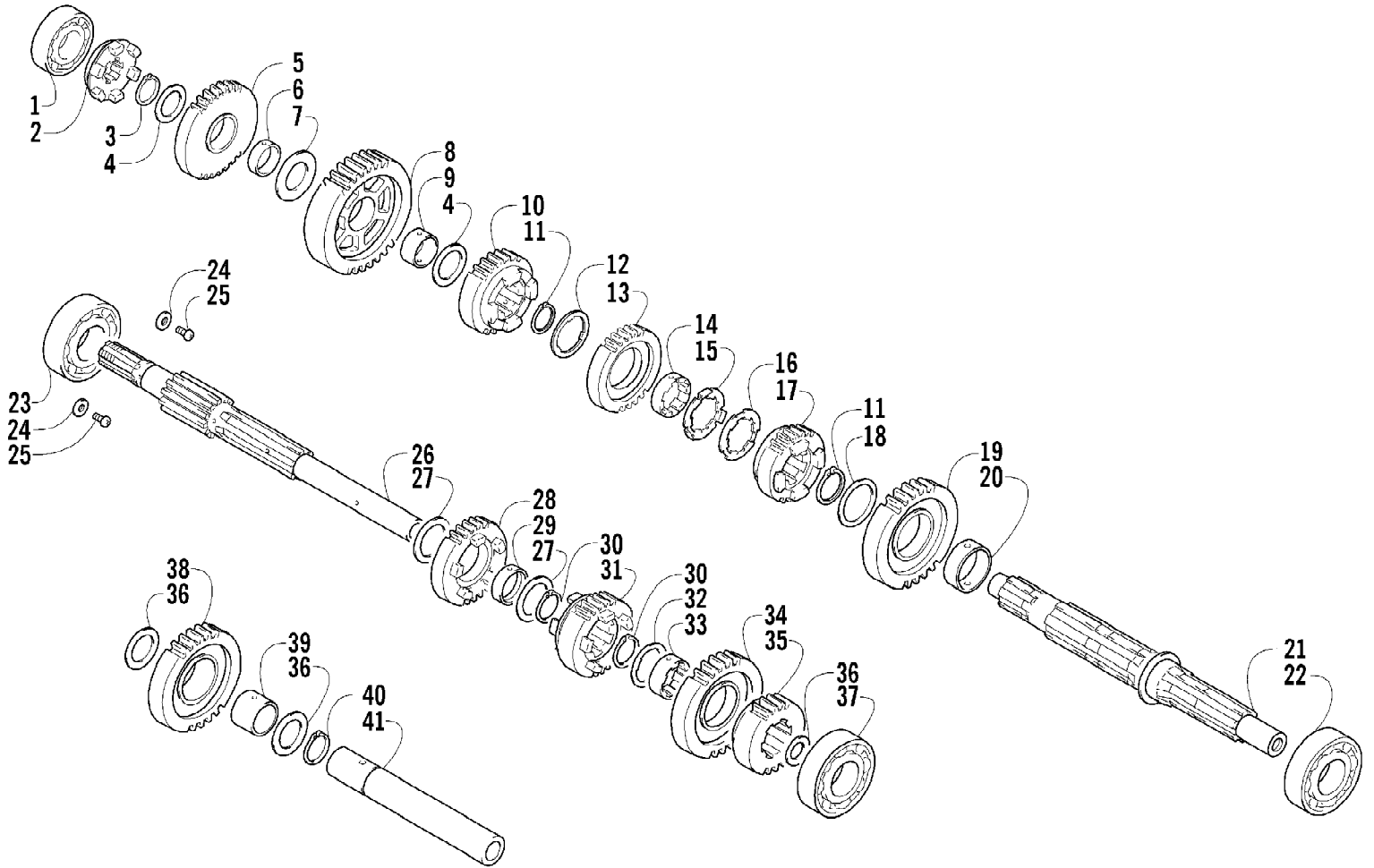
Ref #	Part Number	Qty	S/P/F	Description
	0409-002	1		Complete Taillight Assembly
1	0109-460	1	/P	Bulb, Stop/Taillight
2	0409-011	1		Taillight w/Socket Assembly
3	0409-012	1		Gasket, Taillight Lens
4	0409-007	1		Lens, Taillight
5	0409-010	2		Screw, Machine
6	0623-301	2	/P	Screw, Self-Tapping
7	8053-212	2	/P	Washer, Lock - External Tooth



2003 ATV 500 FIS MANUAL TRANSMISSION (GREEN - MRP) (A2003ISM4AUBS)  
THROTTLE CASE ASSEMBLY

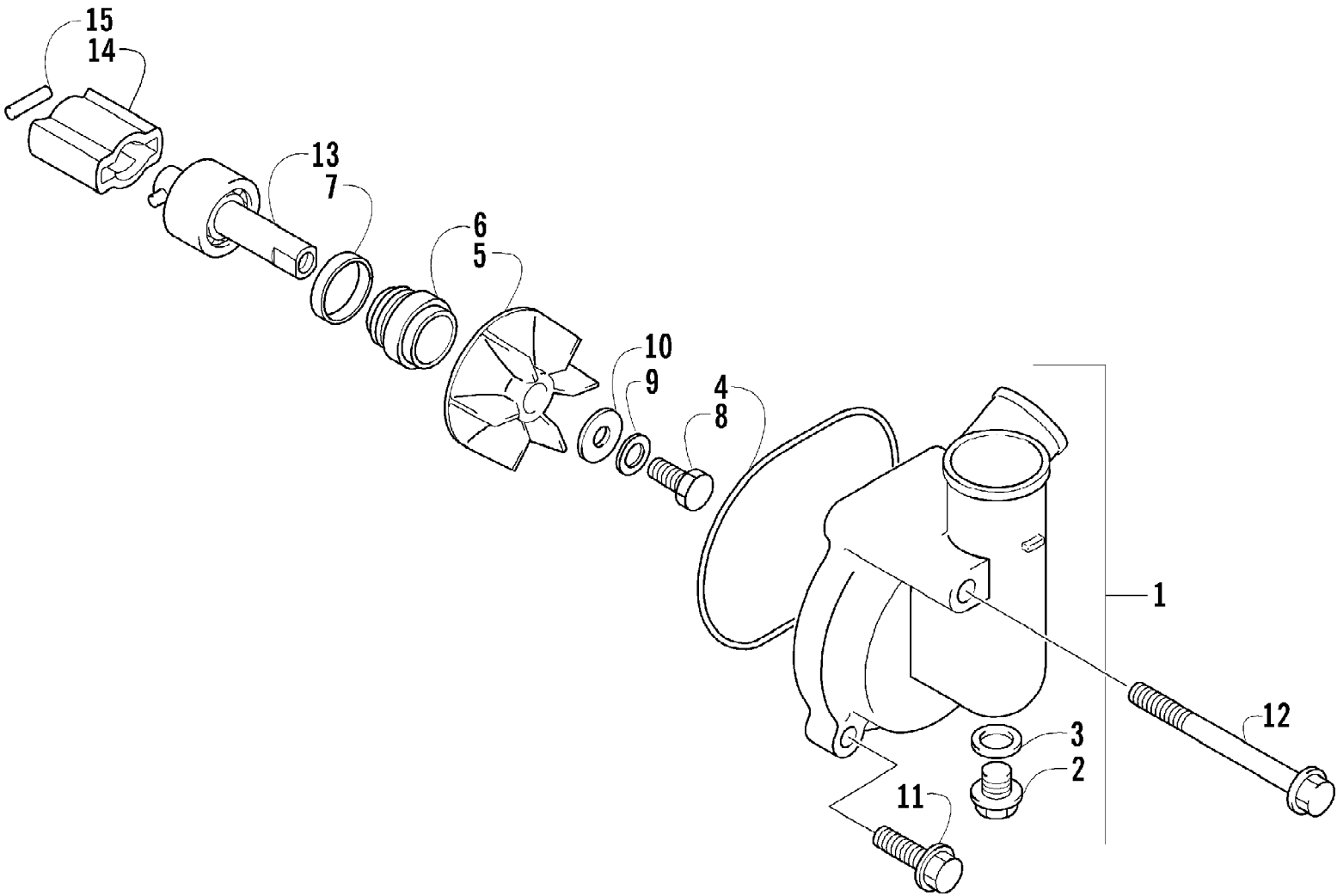
Ref #	Part Number	Qty	S/P/F	Description
1	3509-003	1	/P	Case, Throttle - Assembly (inc. 2-8)
2	3409-001	1		Lever
3	3004-533	1	S/P	Screw, Cap
4	3004-447	1	/P	Washer, Lock
5	3003-030	1	/P	Washer
6	3423-014	1		Screw
7	3423-327	1		Nut
8	3423-199	2		Screw

2003 ATV 500 FIS MANUAL TRANSMISSION (GREEN - MRP) (A2003ISM4AUB) Page 90 of 97  
TRANSMISSION ASSEMBLY



2003 ATV 500 FIS MANUAL TRANSMISSION (GREEN - MRP) (A2003ISM4AUBS) Page 91 of 97  
TRANSMISSION ASSEMBLY

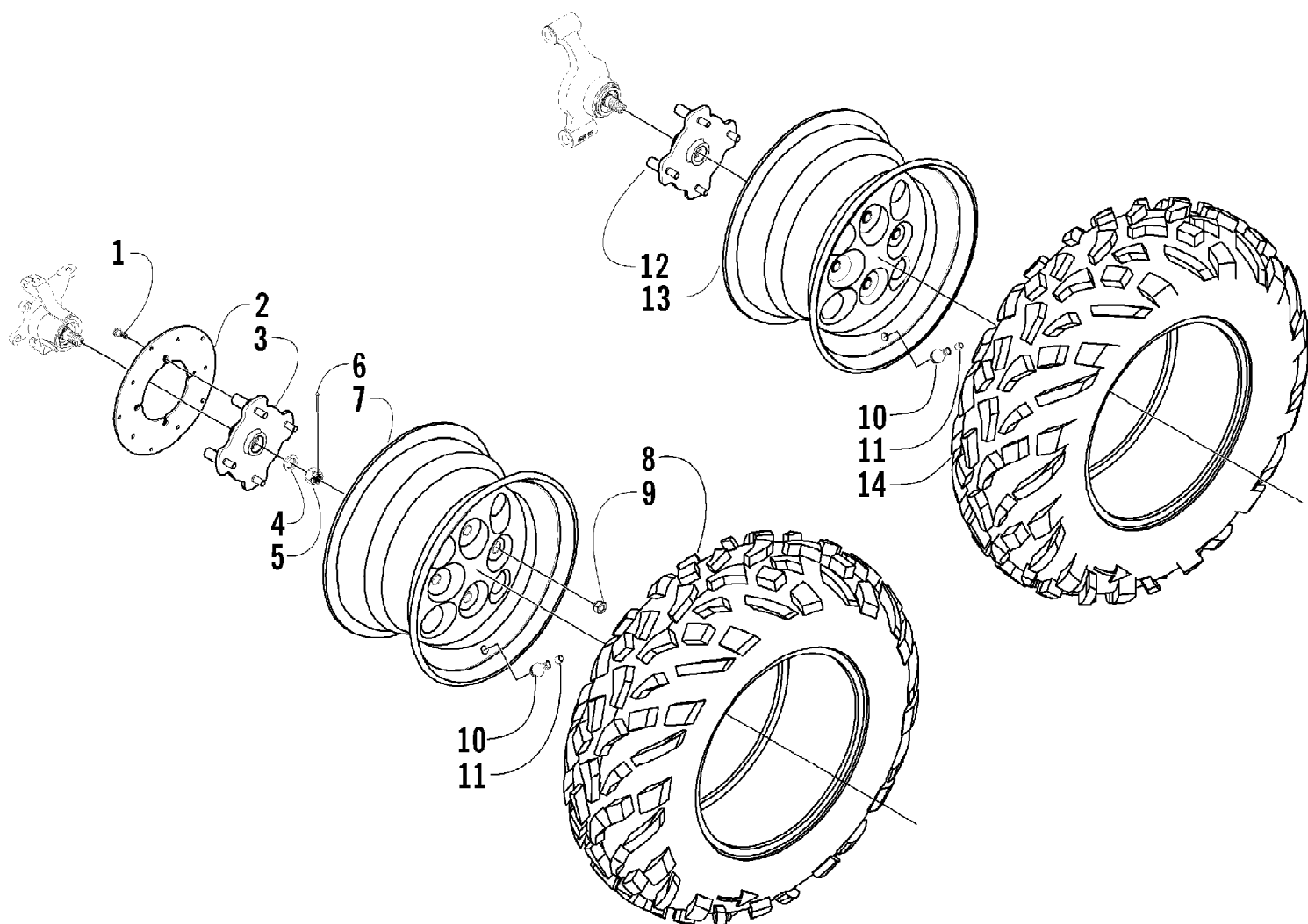
Ref #	Part Number	Qty	S/P/F	Description
1	3003-320	1	/P	Bearing, Driveshaft - Right
2	3446-030	1		Dog, Reverse
3	3423-189	1	S	Circlip
4	3402-335	2		Washer
5	3446-029	1		Gear, Reverse Driven
6	3446-032	1		Bushing, Reverse Driven Gear
7	3423-131	1		Washer, 1st Driven Gear - Right
8	3446-235	1	/P	Gear, 1st Driven
9	3402-692	1	/P	Bushing, 1st Driven Gear
10	3446-340	1		Gear, 4th Driven
11	3423-188	2	S	Circlip
12	3423-038	1		Washer, 3rd Driven Gear - Right
13	3446-339	1		Gear, 3rd Driven
14	3446-024	1		Bushing, 3rd Driven Gear
15	3423-039	1		Washer, 3rd Driven Gear - Left
16	3423-040	1		Washer, 3rd Driven Gear - Left
17	3446-341	1		Gear, 5th Driven
18	3402-383	1		Washer, 2nd Driven Gear
19	3446-022	1		Gear, 2nd Driven
20	3402-082	1		Bushing, 2nd Driven Gear
21	3446-234	1		Driveshaft
22	3402-336	1		Bearing, Driveshaft - Middle
23	3402-050	1		Bearing, Countershaft - Right
24	3423-135	2		Retainer, Countershaft Bearing
25	3423-370	2		Screw
26	3446-014	1		Countershaft
27	3423-187	2	/P	Washer, 4th Drive Gear
28	3446-337	1		Gear, 4th Drive
29	3423-547	1		Bushing, 4th Drive Gear
30	3423-066	2	/P	Circlip
31	3446-336	1		Gear, 3rd Drive
32	3423-037	1		Washer, 5th Drive Gear
33	3446-020	1		Bushing, 5th Drive Gear
34	3446-338	1		Gear, 5th Drive
35	3446-016	1		Gear, 2nd Drive
36	3402-195	3		Washer
37	3402-179	1		Bearing, Countershaft - Middle
38	3446-237	1		Gear, Reverse Idle
39	3446-238	1		Bushing, Reverse Idle
40	3423-190	1	S	Circlip
41	3446-236	1		Shaft, Reverse Idle





2003 ATV 500 FIS MANUAL TRANSMISSION (GREEN - MRP) (A2003ISM4AUBS) Page 93 of 97  
WATER PUMP ASSEMBLY

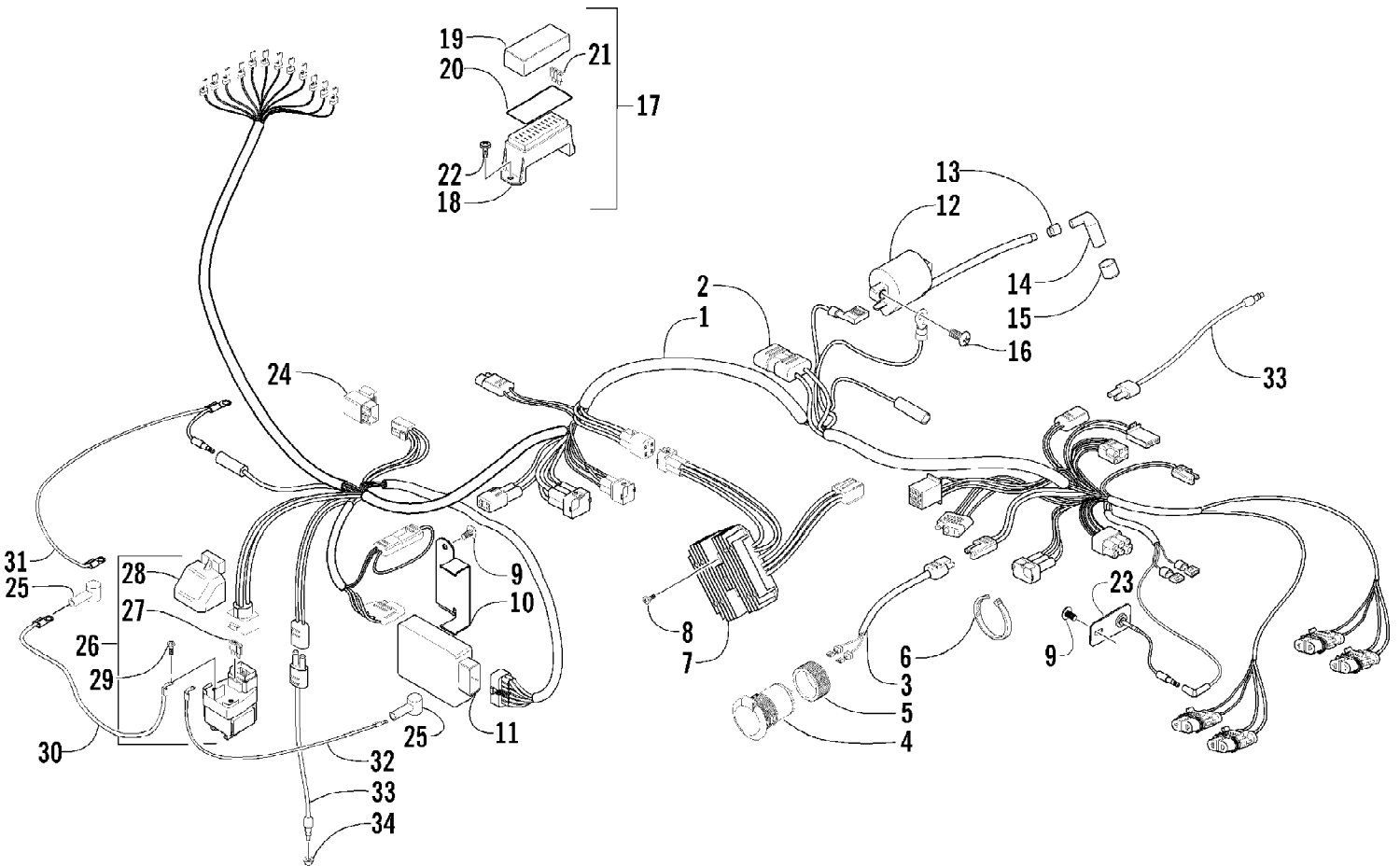
Ref #	Part Number	Qty	S/P/F	Description
1	3402-354	1	/P	Case, Water Pump (inc. 2-3)
2	3423-343	1		Screw, Cap
3	3003-188	1	S/P	Gasket
4	3423-078	1		O-Ring
5	3413-001	1		Impeller
6	3005-909	1	/P	Seal, Mechanical
7	3003-356	1		Oil Seal
8	3423-543	1		Bolt
9	3003-431	1	/P	Washer
10	3003-432	1		Washer
11	3004-507	2	S	Screw, Cap
12	3423-308	1	S	Bolt
13	3413-002	1		Shaft, Pump w/Bearing
14	3413-011	1	/P	Joint, Pump Drive
15	3423-046	1		Pin, Driven Gear



2003 ATV 500 FIS MANUAL TRANSMISSION (GREEN - MRP) (A2003ISM4AUBS) Page 95 of 97  
WHEEL AND TIRE ASSEMBLY

Ref #	Part Number	Qty	S/P/F	Description
1	0423-029	12		Screw, Machine
2	0402-874	3	S	Disc, Brake
3	0502-360	2	S	Hub, Wheel - Front
4	0402-181	4		Seal, Hub
5	0423-394	4		Nut, Castle
6	0423-407	4		Pin, Cotter
7	0402-856	2		Wheel - Front
8	0402-890	2		Tire - Front
9	0423-408	16	/P	Nut, Mounting - Wheel
10	0402-064	4		Stem, Valve (inc. 11)
11	0402-140	4		Cap, Valve Stem
12	0502-359	1	S	Hub, Wheel - Rear - Left
12	0502-360	1	S	Hub, Wheel - Rear - Right
13	0402-858	2		Wheel - Rear
14	0402-926	2		Tire - Rear

2003 ATV 500 FIS MANUAL TRANSMISSION (GREEN - MRP) (A2003ISM4AUB) Page 96 of 97  
WIRING HARNESS ASSEMBLY



2003 ATV 500 FIS MANUAL TRANSMISSION (GREEN - MRP) (A2003ISM4AUBS) Page 97 of 97  
WIRING HARNESS ASSEMBLY

Ref #	Part Number	Qty	S/P/F	Description
1	0486-108	1		Harness, Main (inc. 2)
2	0486-029	1		Diode (Start In Gear)
3	0486-004	1		Harness, 12V Receptacle
4	0445-022	1	S	Receptacle, 12V (inc. 5)
5	0445-034	1		Nut, Retainer
6	0123-788	AR	/P	Cable Tie - 7 in.
7	3530-028	1	S	Regulator, Voltage
8	8476-625	2		Screw, Machine
9	8476-616	2		Screw, Machine
10	1506-083	1		Bracket, CDI Unit
11	3530-040	1		CDI Unit
12	3530-027	1		Coil, Ignition - Assembly
13	3430-009	1	/P	Seal, High Tension Wire
14	3430-007	1	/P	Cap, Spark Plug
15	3430-008	1	/P	Seal, Spark Plug
16	8476-620	2		Screw, Machine
17	0530-001	1		Block, Fuse - Assembly (inc. 18-19)
18	0	1	F	Block, Fuse
19	0	1	F	Cover, Fuse Block
20	0411-271	1		Decal, Fuse Block
21	0630-057	4		Fuse, 10 Amp
21	0630-058	2		Fuse, 15 Amp
22	0623-361	2		Screw, Self-Tapping
23	0509-011	1	S	Diode Assembly
24	3530-008	1	S	Relay, Neutral Start - Assembly
25	0645-019	2		Boot, Terminal
26	3530-001	1	/P	Relay, Starter Motor - Assembly (inc. 27-28)
27	0630-098	1		Fuse, 30 Amp
28	3530-010	1		Cover, Starter Motor Relay
29	8477-610	2		Screw, Cap
30	0445-003	1	/P	Cable, Battery/Electric Start Relay
31	0445-035	1		Cable, Battery/Ground
32	0445-032	1		Cable, Electric Start Relay/Starter
33	0409-009	2		Switch, Brake
34	0402-991	1		Retainer, Brake Switch