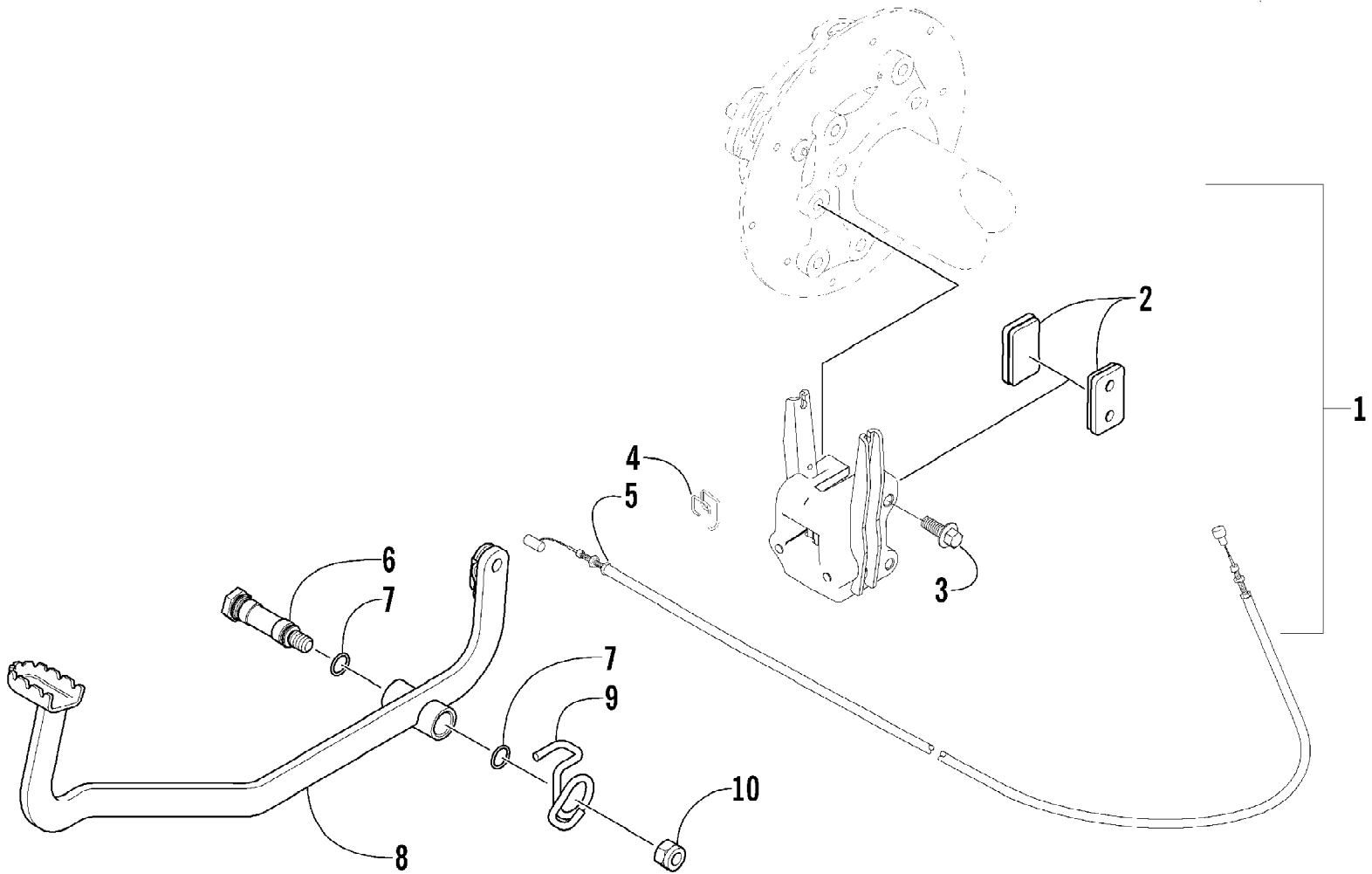


2003 ATV 500 FIS AUTOMATIC TRANSMISSION (GREEN) (A2003ISM4BUSG) Page 2 of 98  
AIR INTAKE ASSEMBLY

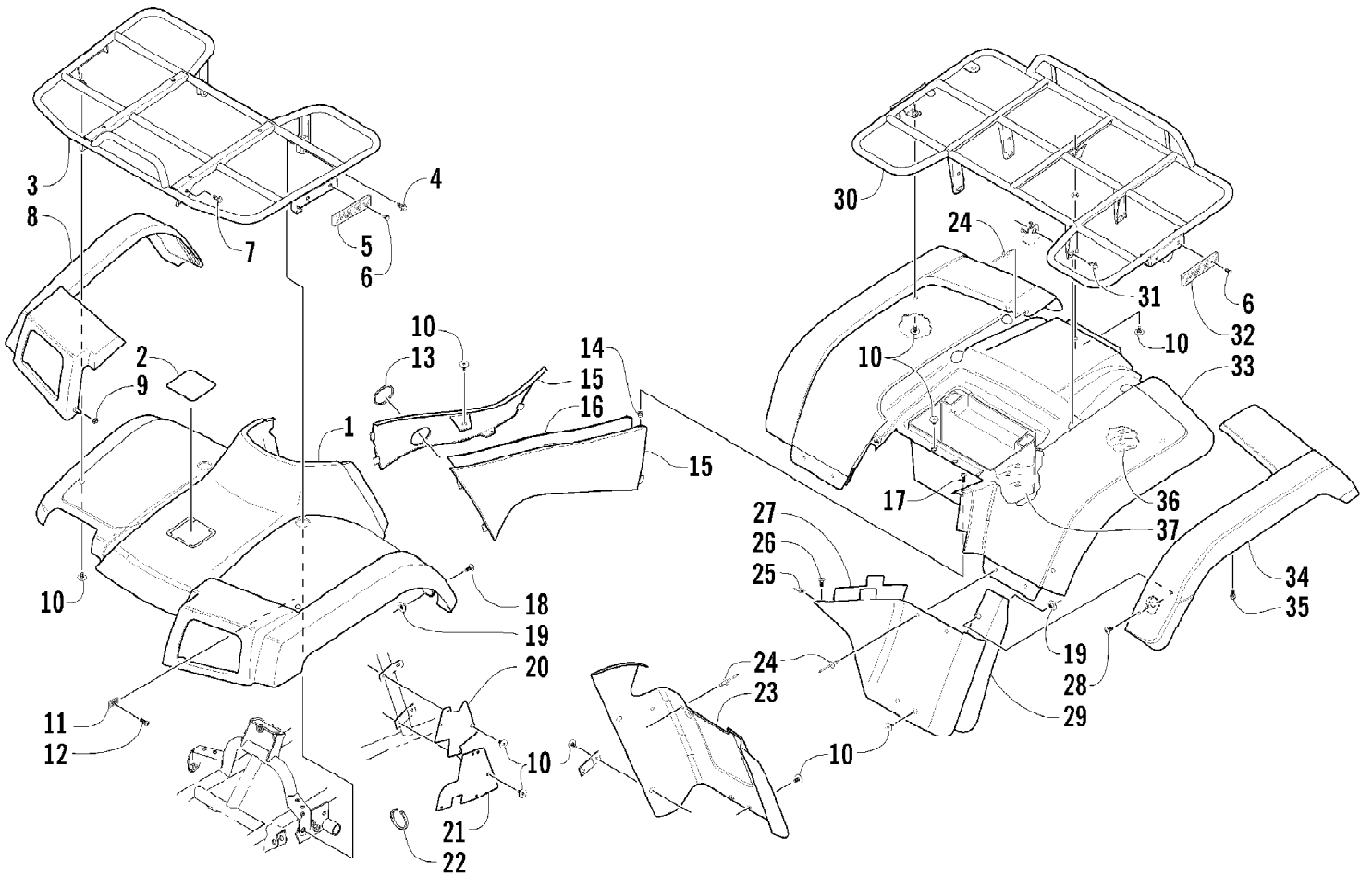
Ref #	Part Number	Qty	S/P/F	Description
1	0423-019	1		Clamp
2	0470-455	1		Boot, Air Intake
3	0423-018	2		Clamp
4	0470-446	1	/P	Housing, Air Intake
5	0623-101	1		Clip, Retaining
6	0470-343	1		Gasket
7	0470-459	1		Snorkel
8	0470-307	4		Clamp
9	0423-037	4		Spring
10	0623-121	4		Screw, Machine
11	0123-010	4	/P	Nut, Expansion
12	0410-004	1		Hose, Crankcase Vent
13	0470-460	1		Filter, Air
14	0412-141	1		Shield, Heat
15	0470-442	1	/P	Valve, Drain
16	1673-272	1	/P	Cap, Drain Tube
17	0423-047	1		Clamp, Hose
18	0423-045	2		Clamp, Hose
19	0470-351	2		Support, Air Intake Flange



2003 ATV 500 FIS AUTOMATIC TRANSMISSION (GREEN) (A2003ISM4BUSG) Page 4 of 98  
AUXILIARY BRAKE ASSEMBLY

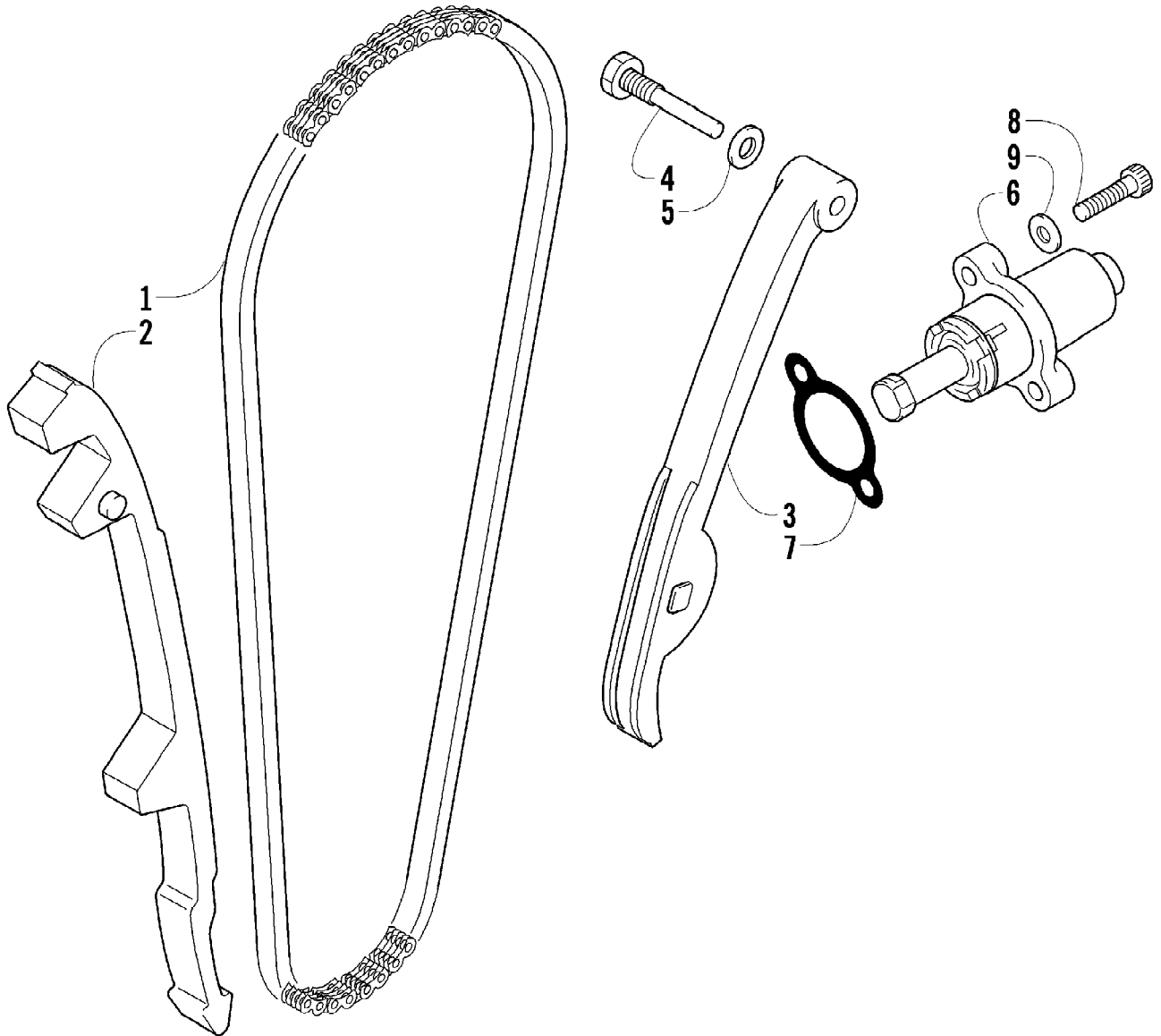
Ref #	Part Number	Qty	S/P/F	Description
1	0502-372	1	/P	Auxiliary Brake Assembly (inc. 2)
2	0402-958	2	/P	Pad, Brake
3	8408-825	2		Screw, Cap
4	0402-379	1		Wire Form, Cable
5	0487-006	1		Cable, Brake - Rear
6	0402-872	1		Axle, Brake Lever
7	0423-096	2		O-Ring
8	0502-236	1		Lever, Brake
9	0502-395	1	/P	Spring, Brake Lever
10	8422-002	1		Nut





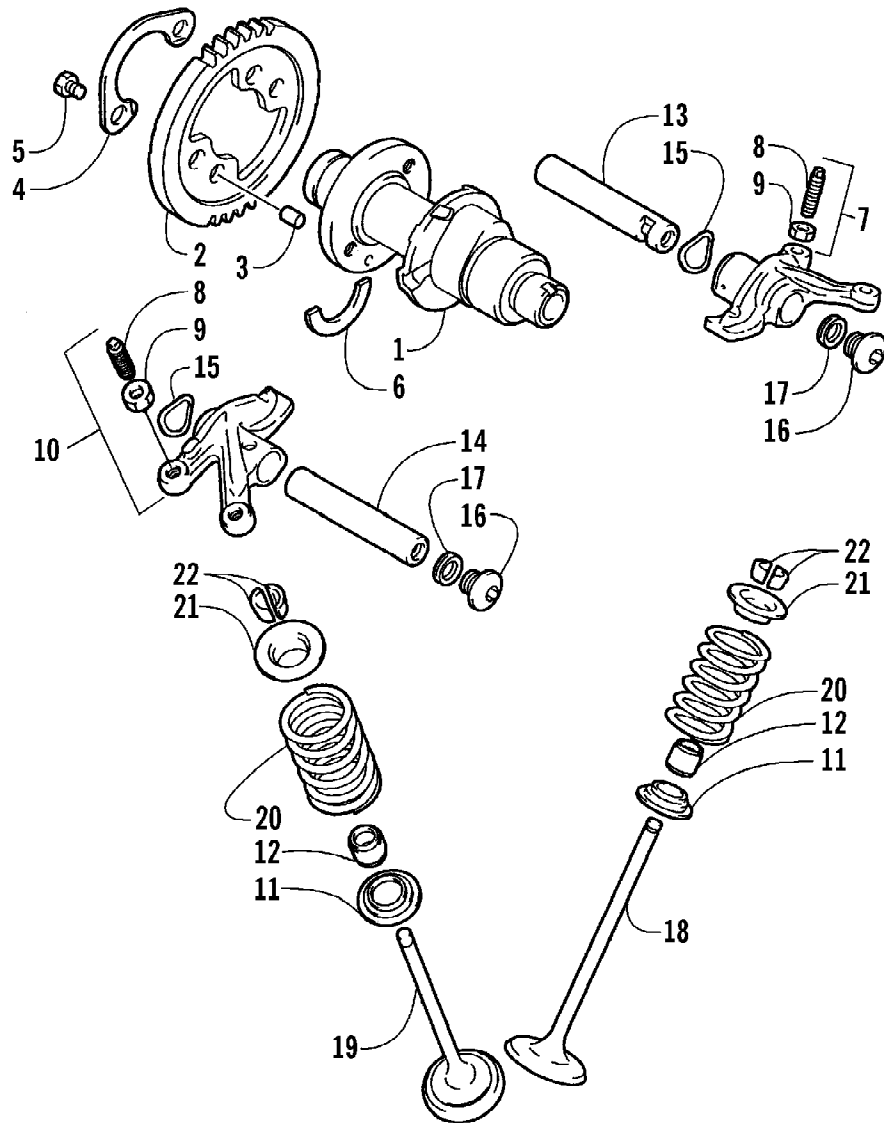
2003 ATV 500 FIS AUTOMATIC TRANSMISSION (GREEN) (A2003ISM4BUSG) Page 6 of 98  
BODY PANEL ASSEMBLY

Ref #	Part Number	Qty	S/P/F	Description
1	0506-616	1		Panel, Fender - Front (inc. 2)
1	0506-584	1		Panel, Fender - Front (inc. 2) (Green/MRP)
1	0506-721	1		Panel, Fender - Front (inc. 2) (Cat Green)
2	1406-142	1	/P	Cover, Access
2	1406-141	1	/P	Cover, Access (Green/MRP)
2	1406-041	1		Cover, Access (Cat Green)
3	0506-547	1		Rack - Front (Red/Green/Cat Green)
4	8408-816	2		Screw, Cap
5	0606-526	2		Reflector, Front - Amber
6	0623-269	8		Clip, Retaining
7	0423-360	2		Screw, Cap
8	0506-550	1		Flare - Front - Right
8	0506-551	1		Flare - Front - Left
9	0423-357	2		Nut, Stamped
10	0423-101	AR		Screw, Body
11	0423-031	2		Nut, Speed
12	8477-616	2		Screw, Machine
13	0470-404	1		Grommet, Fuel Shut-Off Valve
14	0123-010	2	/P	Nut, Expansion
15	0506-548	1		Panel, Side - Right
15	0506-243	1		Panel, Side - Left
15	0506-549	1		Panel, Side - Right (Green/MRP)
15	0506-673	1		Panel, Side - Left (Green/MRP)
15	0506-722	1		Panel, Side - Right (Cat Green)
15	0506-723	1		Panel, Side - Left (Cat Green)
16	0412-142	1		Shield, Heat
17	0423-068	2		Screw, Machine
18	0423-356	2		Screw, Shoulder
19	0423-438	4		T-Nut w/Teeth
20	1406-063	1		Panel, Fender - Inner - Right
20	1406-064	1		Panel, Fender - Inner - Left
21	1406-006	2		Panel, Fender - Inner
22	0123-788	AR	/P	Cable Tie - 7.5 in.
23	0406-941	1	/P	Panel, Kick - Right
23	0506-630	1	/P	Panel, Kick - Left
24	0423-046	AR		Rivet, Plastic
25	0423-060	2		Clip, Tinerman
26	0623-309	2		Screw, Self-Tapping
27	0412-140	1		Shield, Heat
28	0423-355	2		Screw, Shoulder
29	1506-042	1	/P	Fender Extension - Rear - Right
29	0406-085	1		Fender Extension - Rear - Left
30	0506-821	1	/P	Rack - Rear (Red/Green/Cat Green)
31	8409-020	4	/P	Screw, Cap
32	0606-029	2		Reflector, Rear - Red
33	0506-620	1	S	Panel, Fender - Rear
33	0506-621	1		Panel, Fender - Rear (Green/MRP)
33	0506-724	1		Panel, Fender - Rear (Cat Green)
34	0506-552	1		Flare, Rear - Right
34	0506-553	1		Flare, Rear - Left
35	0423-342	12	/P	Screw, Self-Tapping
36	0412-124	1		Shield, Heat
37	0412-147	1		Shield, Heat



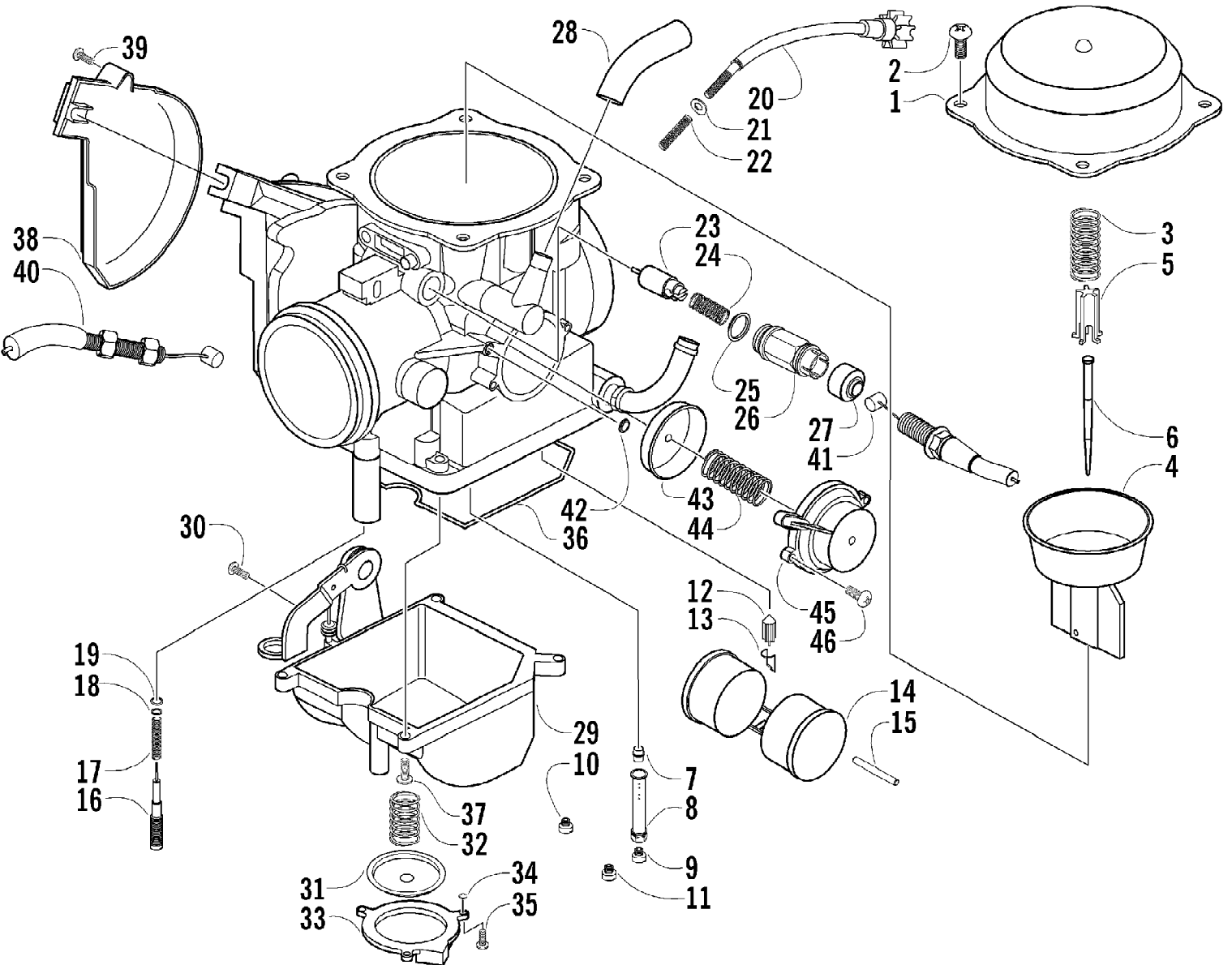
2003 ATV 500 FIS AUTOMATIC TRANSMISSION (GREEN) (A2003ISM4BUSG) Page 8 of 98  
CAM CHAIN ASSEMBLY

Ref #	Part Number	Qty	S/P/F	Description
1	3402-353	1		Chain, Cam
2	3402-355	1		Guide, Chain
3	3402-356	1		Tensioner, Chain
4	3423-074	1		Bolt
5	3003-188	1	S/P	Washer
6	3402-136	1		Adjuster, Tensioner - Assembly
7	3402-137	1		Gasket
8	3004-475	2	S	Screw, Cap
9	3003-290	2	/P	Gasket



2003 ATV 500 FIS AUTOMATIC TRANSMISSION (GREEN) (A2003ISM4BUSG) Page 10 of 98  
CAMSHAFT/VALVE ASSEMBLY

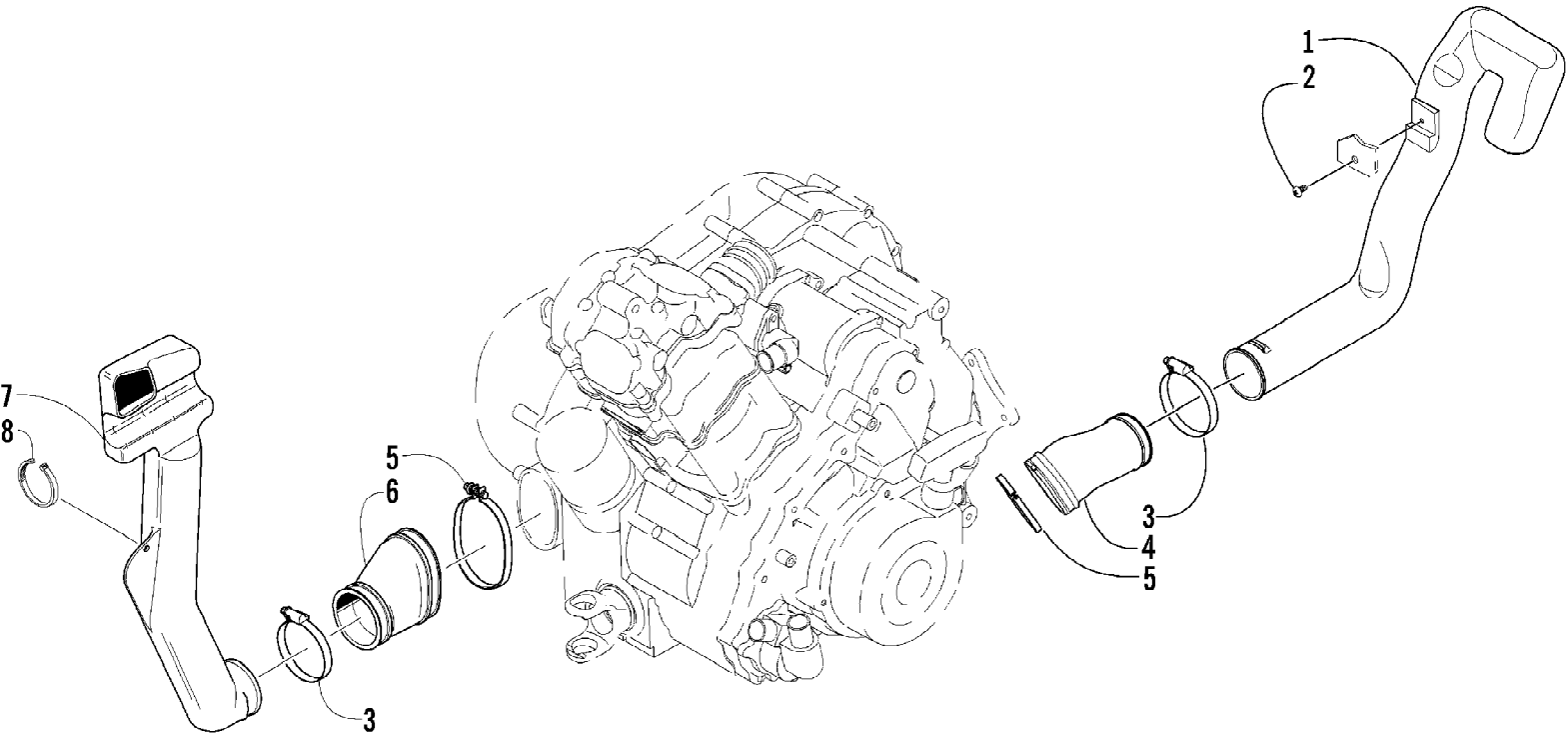
Ref #	Part Number	Qty	S/P/F	Description
1	3402-723	1	S	Camshaft
2	3402-352	1		Sprocket
3	3423-047	1		Pin
4	3423-073	1		Washer
5	3423-013	2	S	Bolt
6	3423-071	1	/P	C-Ring
7	3402-532	1	S	Arm, Valve Rocker - Intake (inc. two No. 8-9)
8	3423-075	4		Screw
9	3423-076	4		Nut
10	3402-139	1		Arm, Valve Rocker - Exhaust (inc. two No. 8-9)
11	3402-148	4		Seat, Spring
12	3402-078	4		Seal, Oil
13	3402-140	1		Shaft, Rocker Arm
14	3402-141	1		Shaft, Rocker Arm
15	3423-031	2		Washer
16	3402-040	2	/P	Plug, Shaft
17	3402-012	2		Gasket
18	3402-725	2	/P	Valve, Intake
19	3402-143	2		Valve, Exhaust
20	3402-726	4		Spring, Valve
21	3402-146	4	S	Retainer, Spring
22	3402-147	8		Cotter, Valve



2003 ATV 500 FIS AUTOMATIC TRANSMISSION (GREEN) (A2003ISM4BUSG) Page 12 of 98  
CARBURETOR

Ref #	Part Number	Qty	S/P/F	Description
	0470-458	1		Complete Assembly
1	5507-001	1		Cover, Top
2	5507-002	4	/P	Screw, Top Cover
3	5507-085	1	S	Spring
4	5507-099	1		Piston, Vacuum
5	5507-054	1		Spring, Seat
6	5507-100	1		Jet Needle
7	5507-007	1		Needle Jet
8	5507-047	1	/P	Holder, Needle Jet
9	5507-086	1		Main Jet - 148
9	5507-009	1	/P/F	Main Jet - 150
9	5507-041	1	F	Main Jet - 147
9	5507-043	1	F	Main Jet - 142
9	5507-044	1	F	Main Jet - 140
10	5507-101	1	S	Slow Jet
11	5507-092	1		Starter Jet - 90
12	5507-107	1		Valve, Float - Set (inc. 13)
13	0	1	F	Clip
14	5507-039	1		Float Set (inc. 15)
15	0	1	F	Pin, Float
16	5507-108	1		Screw, Pilot Air - Set (inc. 17-19)
17	0	1	F	Spring
18	0	1	F	Washer
19	0	1	F	O-Ring
20	5507-027	1		Screw, Idle Adjust
21	5507-028	1		Washer
22	5507-029	1		Spring
23	5507-022	1		Valve, Starter
24	5507-023	1		Spring
25	5507-024	1		O-Ring
26	5507-025	1		Cap
27	5507-026	1		Cap, Rubber
28	5507-084	1	S	Tube, Vinyl
29	5507-065	1		Chamber, Float - Assembly (inc. 30-36)
30	5507-050	1	/P	Screw, Drain
31	5507-031	1	S	Diaphragm Assembly
32	5507-032	1		Spring
33	0	1	F	Housing, Pump
34	5507-034	1		U-Ring
35	5507-035	3		Screw
36	5507-067	1	/P	O-Ring, Float Chamber
37	5507-089	4	S	Screw
38	5507-036	1		Cover
39	5507-037	1	/P	Screw
40	0487-021	1	S	Cable, Throttle
41	0487-016	1		Cable, Choke
42	5507-102	1		U-Ring
43	5507-103	1		Diaphragm Assembly
44	5507-104	1		Spring
45	5507-105	1		Cover
46	5507-106	2		Screw

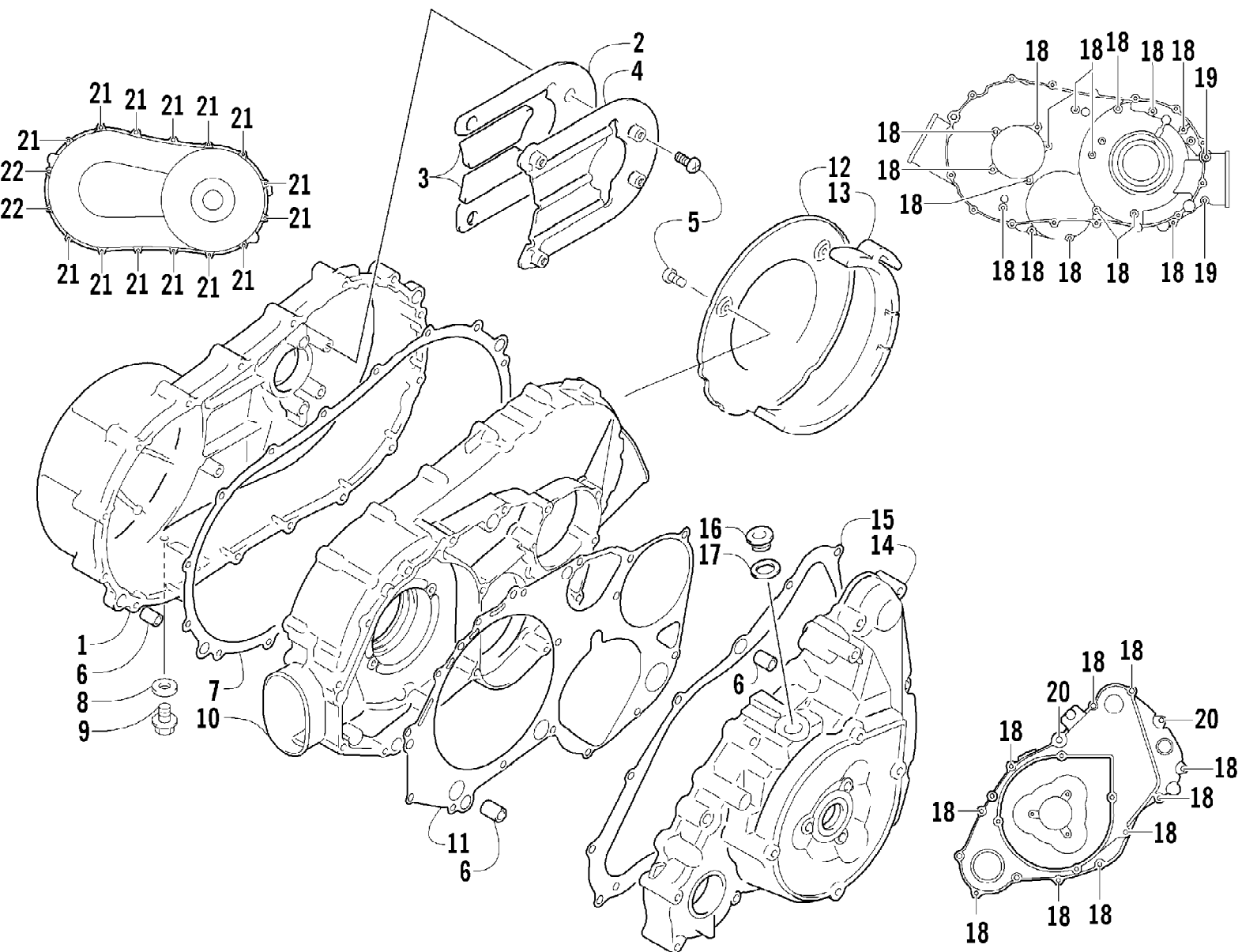




2003 ATV 500 FIS AUTOMATIC TRANSMISSION (GREEN) (A2003ISM4BUSG) Page 14 of 98  
CASE/BELT COOLING ASSEMBLY

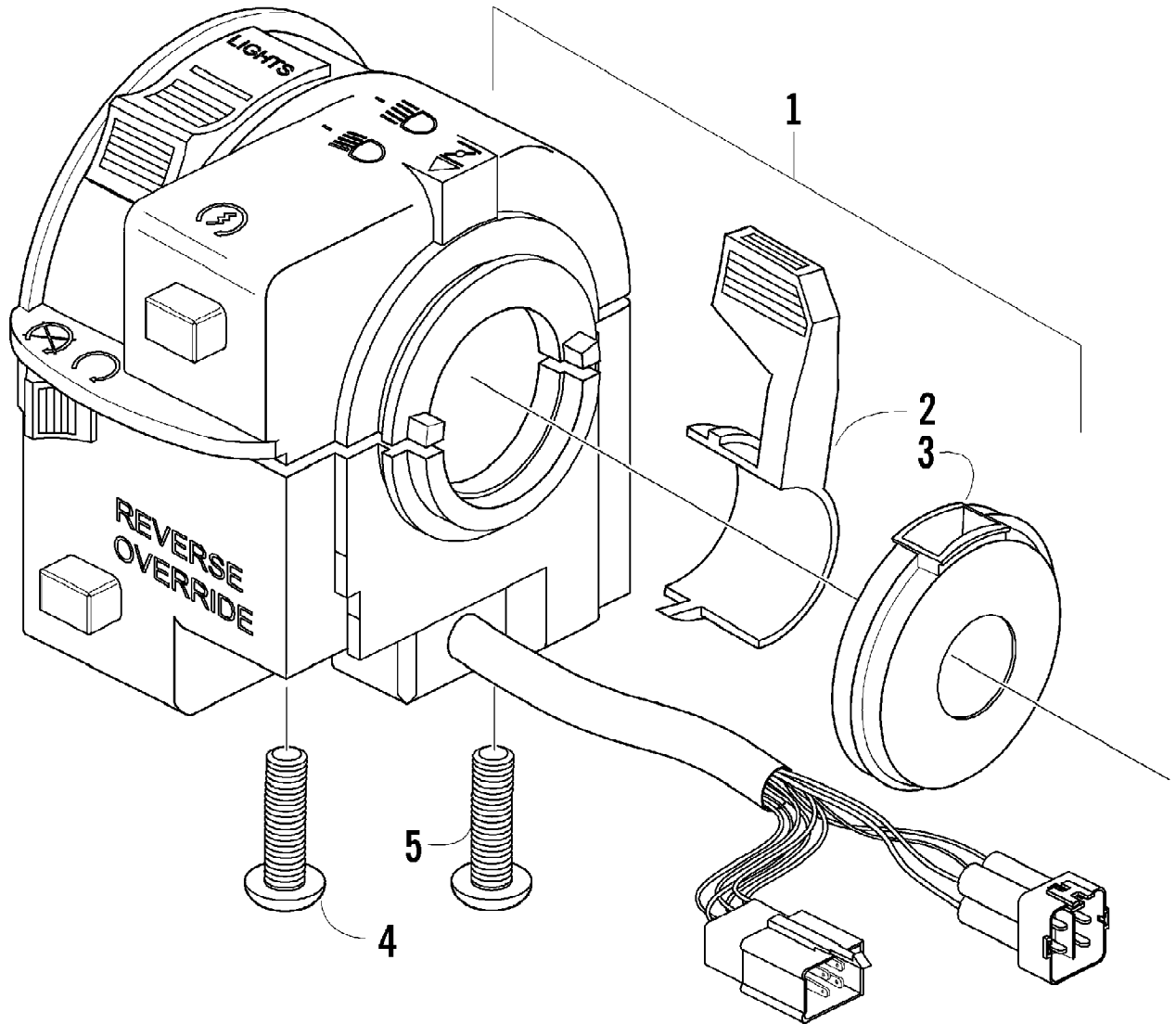
Ref #	Part Number	Qty	S/P/F	Description
1	0413-061	1	/P	Duct, Belt Cooling - Rear
2	0623-301	1	/P	Screw, Self-Tapping
3	0423-380	2	/P	Clamp, Boot
4	0413-055	1		Boot, Duct - Rear
5	3402-449	2	/P	Clamp, Boot
6	0413-049	1		Boot, Duct - Front
7	0413-042	1		Duct, Belt Cooling - Front
8	0123-788	1	/P	Cable Tie - 7.5 in.

2003 ATV 500 FIS AUTOMATIC TRANSMISSION (GREEN) (A2003ISM4BUSG) Page 15 of 98  
CLUTCH/V-BELT/MAGNETO COVER ASSEMBLY



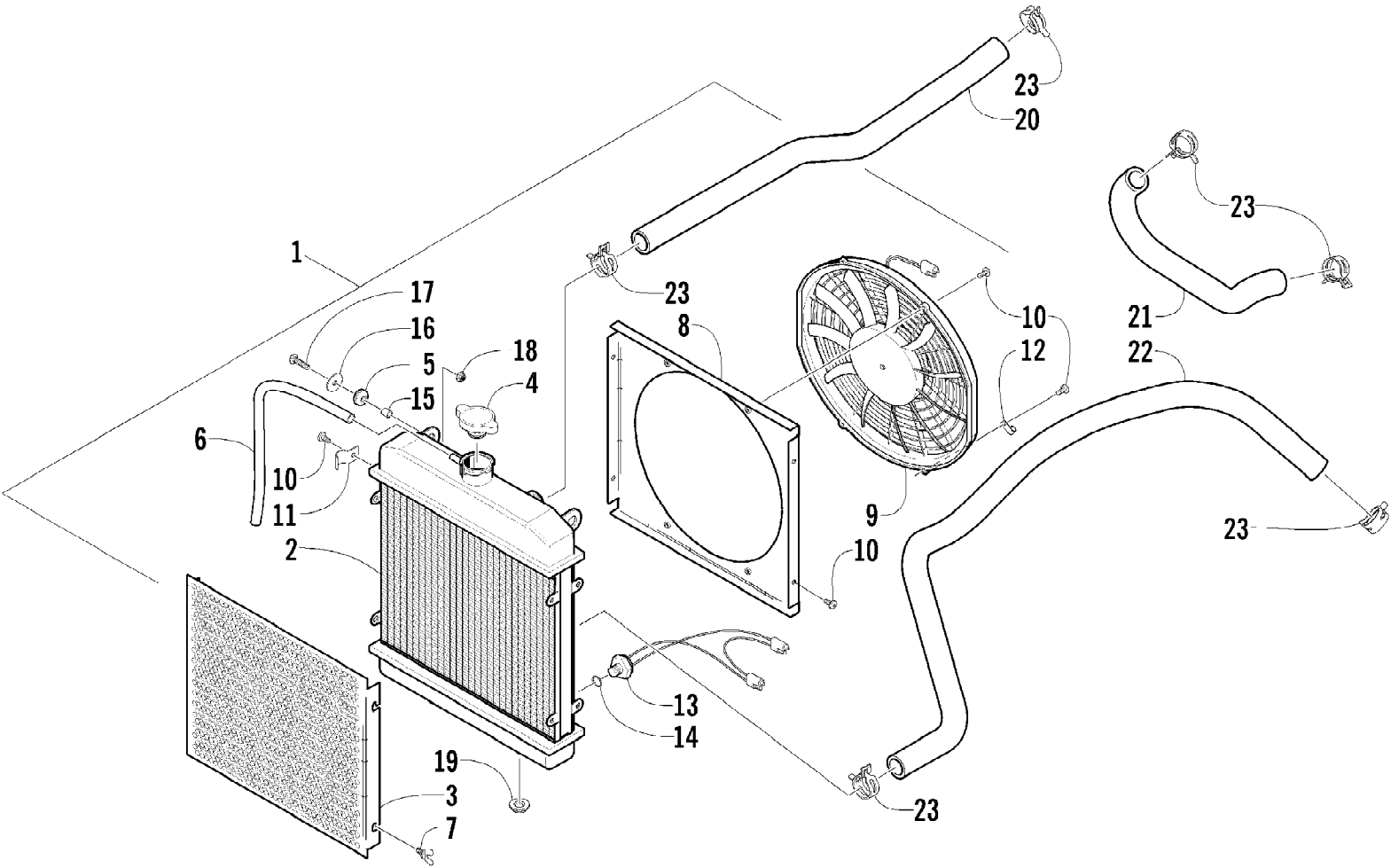
2003 ATV 500 FIS AUTOMATIC TRANSMISSION (GREEN) (A2003ISM4BUSG) Page 16 of 98  
CLUTCH/V-BELT/MAGNETO COVER ASSEMBLY

Ref #	Part Number	Qty	S/P/F	Description
1	3402-710	1		Cover, V-Belt
2	3402-711	1		Damper, V-Belt Cover
3	3402-712	2		Damper, V-Belt Cover
4	3402-713	1		Plate, V-Belt Cover
5	3004-435	7	S	Screw
6	3423-088	6		Pin, Dowel
7	3402-443	1		Gasket, V-Belt Cover
8	3402-444	1		Gasket, Drain Plug
9	3004-705	1	S	Plug, Drain
10	3402-709	1	/P	Cover, Clutch
11	3402-441	1		Gasket, Clutch Cover
12	3402-445	1		Plate, Air Intake
13	3402-699	1	/P	Cushion, Air Intake Plate
14	3402-714	1		Cover, Magneto
15	3402-715	1		Gasket, Magneto Cover
16	3402-041	1	S	Plug, Oil Filler
17	3402-013	1	/P	Gasket, Oil Filler Plug
18	3423-098	26	S	Bolt
19	3423-092	2	S	Bolt
20	3004-756	2	S	Bolt
21	3423-091	14	S	Bolt
22	3423-119	2	S	Bolt



2003 ATV 500 FIS AUTOMATIC TRANSMISSION (GREEN) (A2003ISM4BUSG) Page 18 of 98  
CONTROL SWITCH HOUSING ASSEMBLY

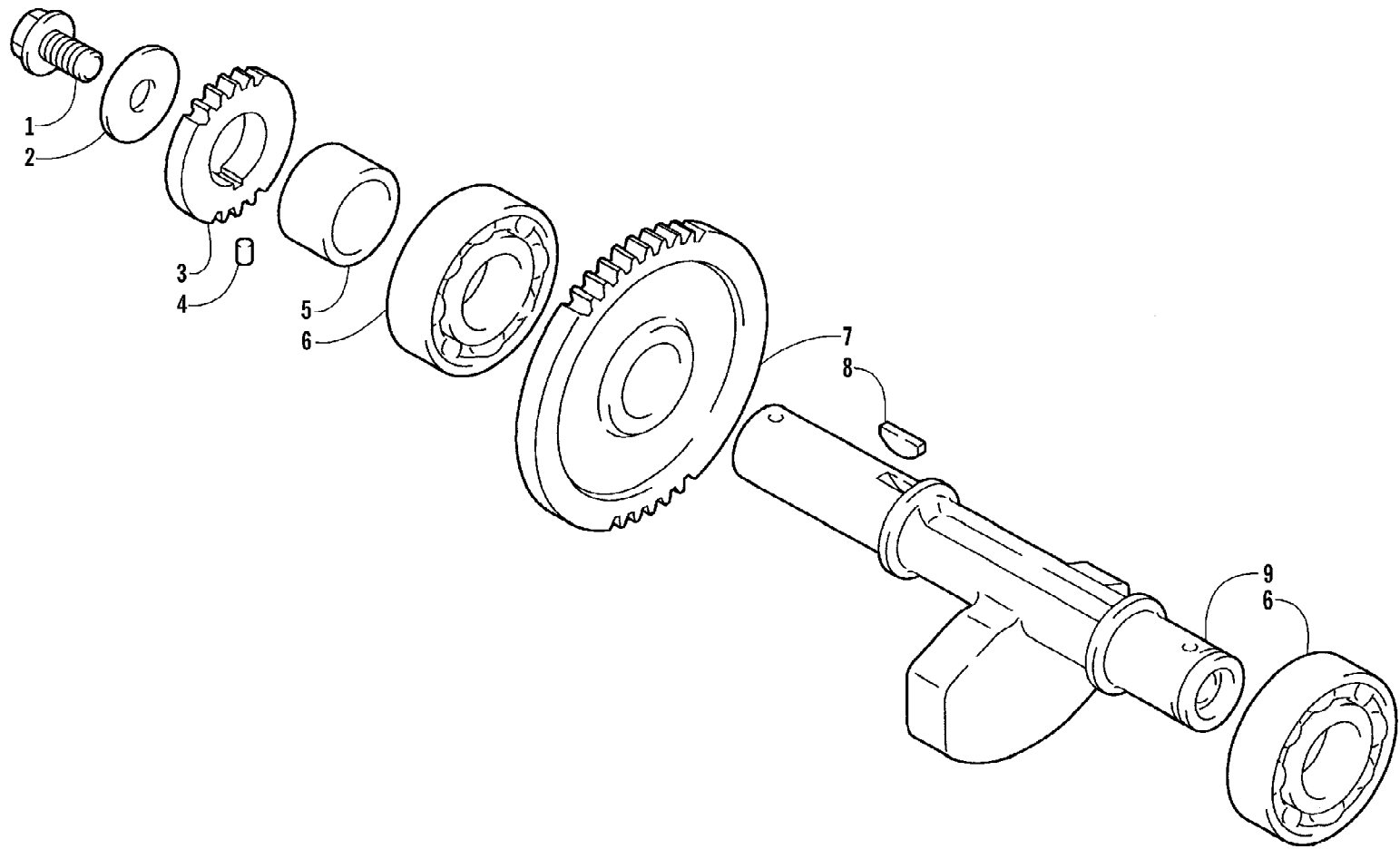
Ref #	Part Number	Qty	S/P/F	Description
1	0409-022	1		Switch, Control - Assembly (inc. 2-5)
2	0409-025	1		Lever, Choke
3	0409-026	1		Cover, Choke Lever
4	0409-027	1		Screw, Cap
5	0409-028	1		Screw



2003 ATV 500 FIS AUTOMATIC TRANSMISSION (GREEN) (A2003ISM4BUSG) Page 20 of 98  
COOLING ASSEMBLY

Ref #	Part Number	Qty	S/P/F	Description
1	0413-038	1		Radiator Assembly (inc. 2-15)
2	0413-043	1	S	Radiator
3	0413-007	1		Screen, Radiator
4	0413-002	1	S	Cap, Radiator
5	0423-030	2		Grommet
6	0610-016	AR	/P	Hose - 25 ft
7	0413-009	4		Screw, Thumb
8	0413-046	1		Shroud, Fan
9	0413-044	1	S	Fan, Cooling
10	8475-512	8		Screw, Machine
11	0423-351	1		Clamp, Wire
12	0123-397	1		Clamp, Cable
13	0413-045	1		Sender, Temperature - Coolant
14	0423-390	1	S	O-Ring
15	0423-036	2		Collar
16	0623-184	2		Washer
17	8476-625	2		Screw, Cap
18	0623-038	2		Nut w/Washer
19	0423-028	2		Bushing, Stem
20	0410-002	1		Hose, Coolant - Upper
21	0410-022	1		Hose, Coolant - Crossover
22	0410-041	1		Hose, Coolant - Lower
23	0423-070	6		Clamp, Hose

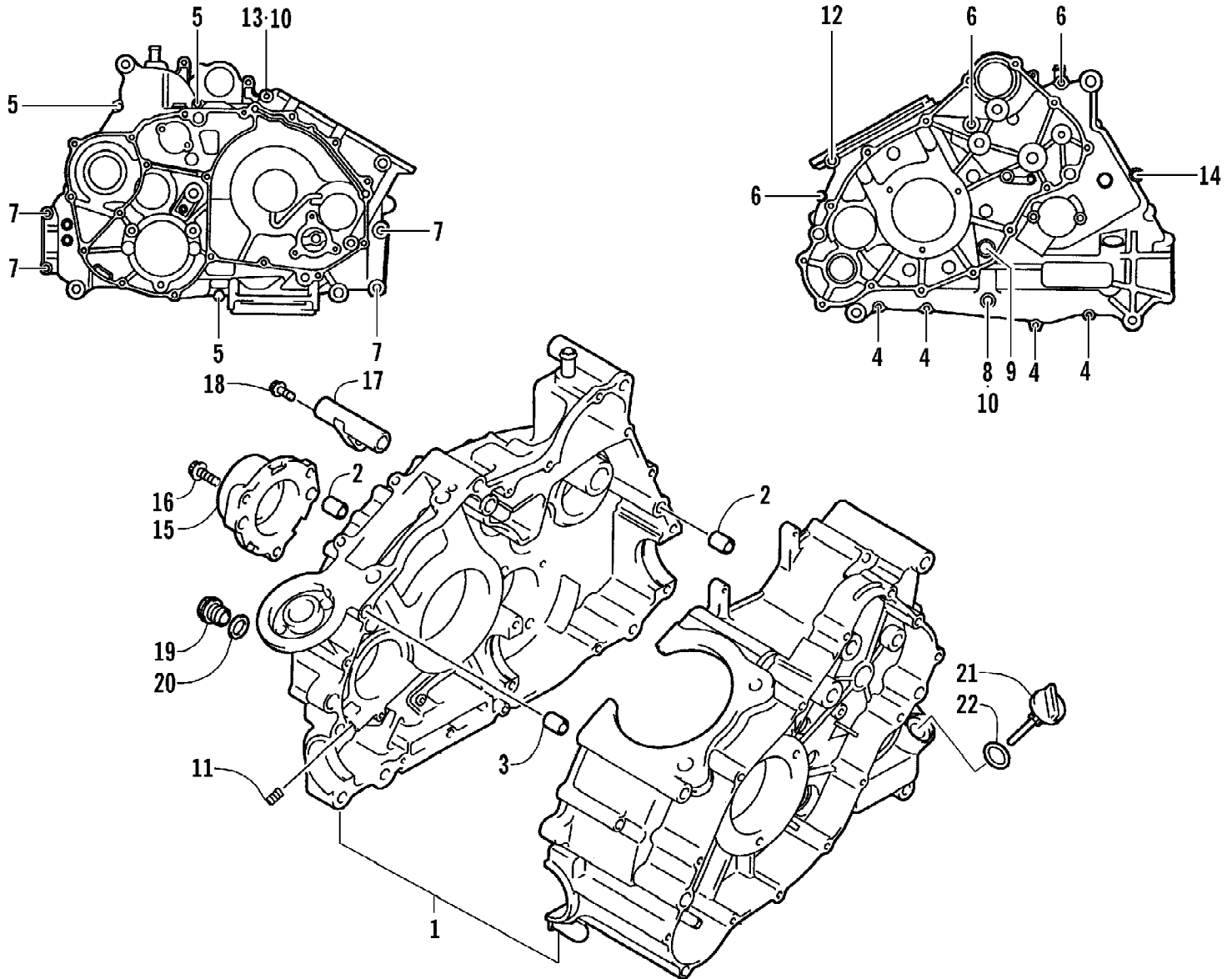




2003 ATV 500 FIS AUTOMATIC TRANSMISSION (GREEN) (A2003ISM4BUSG)  
CRANK BALANCER ASSEMBLY

Ref #	Part Number	Qty	S/P/F	Description
1	3423-400	1		Bolt
2	3423-401	1		Washer
3	3402-390	1		Gear, Oil Pump Drive
4	3423-110	1		Pin
5	3402-461	1		Spacer
6	3402-050	2		Bearing
7	3402-722	1		Gear, Driven
8	3004-540	1	/P	Key
9	3402-458	1		Balancer, Crank

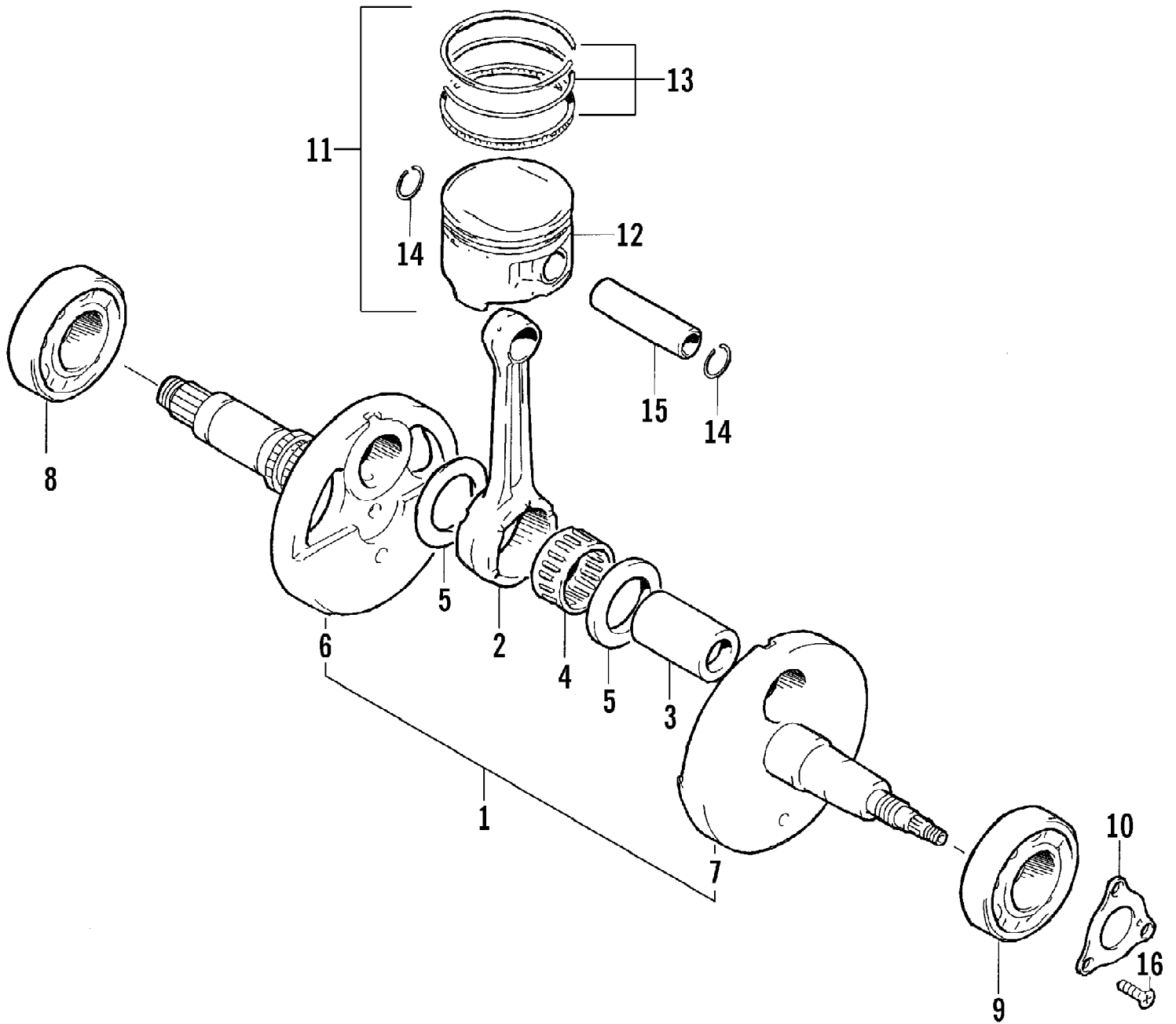
2003 ATV 500 FIS AUTOMATIC TRANSMISSION (GREEN) (A2003ISM4BUSG) Page 23 of 98  
CRANKCASE ASSEMBLY



2003 ATV 500 FIS AUTOMATIC TRANSMISSION (GREEN) (A2003ISM4BUSG) Page 24 of 98  
CRANKCASE ASSEMBLY

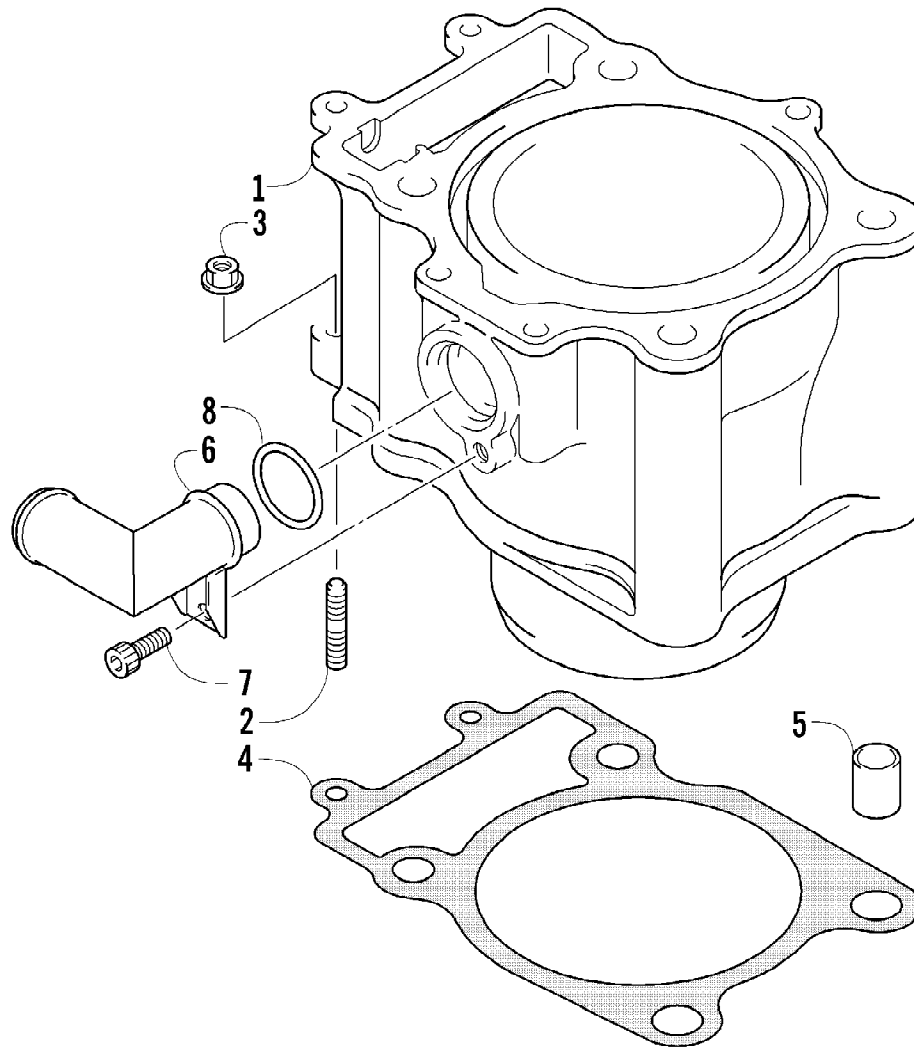
Ref #	Part Number	Qty	S/P/F	Description
1	3402-708	1	/P	Crankcase Assembly (inc. two No. 2 and 3-14)
2	3423-088	4		Pin, Dowel
3	3004-822	1		Pin, Dowel
4	3423-091	4	S	Bolt
5	3423-119	3	S	Bolt
6	3423-092	3	S	Bolt
7	3004-880	4		Bolt
8	3005-332	1		Bolt
9	3423-385	1		Bolt
10	3402-436	2	/P	Gasket
11	3423-386	1		Plug
12	3423-387	1		Bolt
13	3423-388	1		Bolt
14	3423-508	1		Bolt
15	3402-439	1		Housing, Secondary Shaft Bearing
16	3423-506	3	/P	Bolt
17	3402-437	1		Pipe, Breather
18	3423-389	1		Bolt, Breather Pipe
19	3402-214	1		Plug, Oil Pressure
20	3402-012	1		Gasket, Oil Pressure Plug
21	3402-438	1		Stick, Oil Level
22	3423-055	1		O-Ring, Oil Level Stick

2003 ATV 500 FIS AUTOMATIC TRANSMISSION (GREEN) (A2003ISM4BUSG) Page 25 of 98  
CRANKSHAFT ASSEMBLY



2003 ATV 500 FIS AUTOMATIC TRANSMISSION (GREEN) (A2003ISM4BUSG) Page 26 of 98  
CRANKSHAFT ASSEMBLY

Ref #	Part Number	Qty	S/P/F	Description
1	3402-702	1	S	Crankshaft Assembly (inc. 2-7)
2	3402-376	1		Rod, Connecting
3	3402-377	1		Pin, Crank
4	3402-717	1	/P	Bearing
5	3423-351	2		Washer
6	3402-793	1		Crankshaft - Right
7	3402-705	1	/P	Crankshaft - Left
8	3402-058	1		Bearing - Right
9	3402-054	1		Bearing - Left
10	3402-188	1	/P	Retainer, Oil Seal - Left
11	3402-788	1		Piston Set (inc. 12-14)
12	3402-719	1		Piston
13	3402-720	1		Ring, Piston - Set
14	3423-344	2		Circlip, Piston Pin
15	3402-375	1		Pin, Piston
16	3423-018	3		Screw

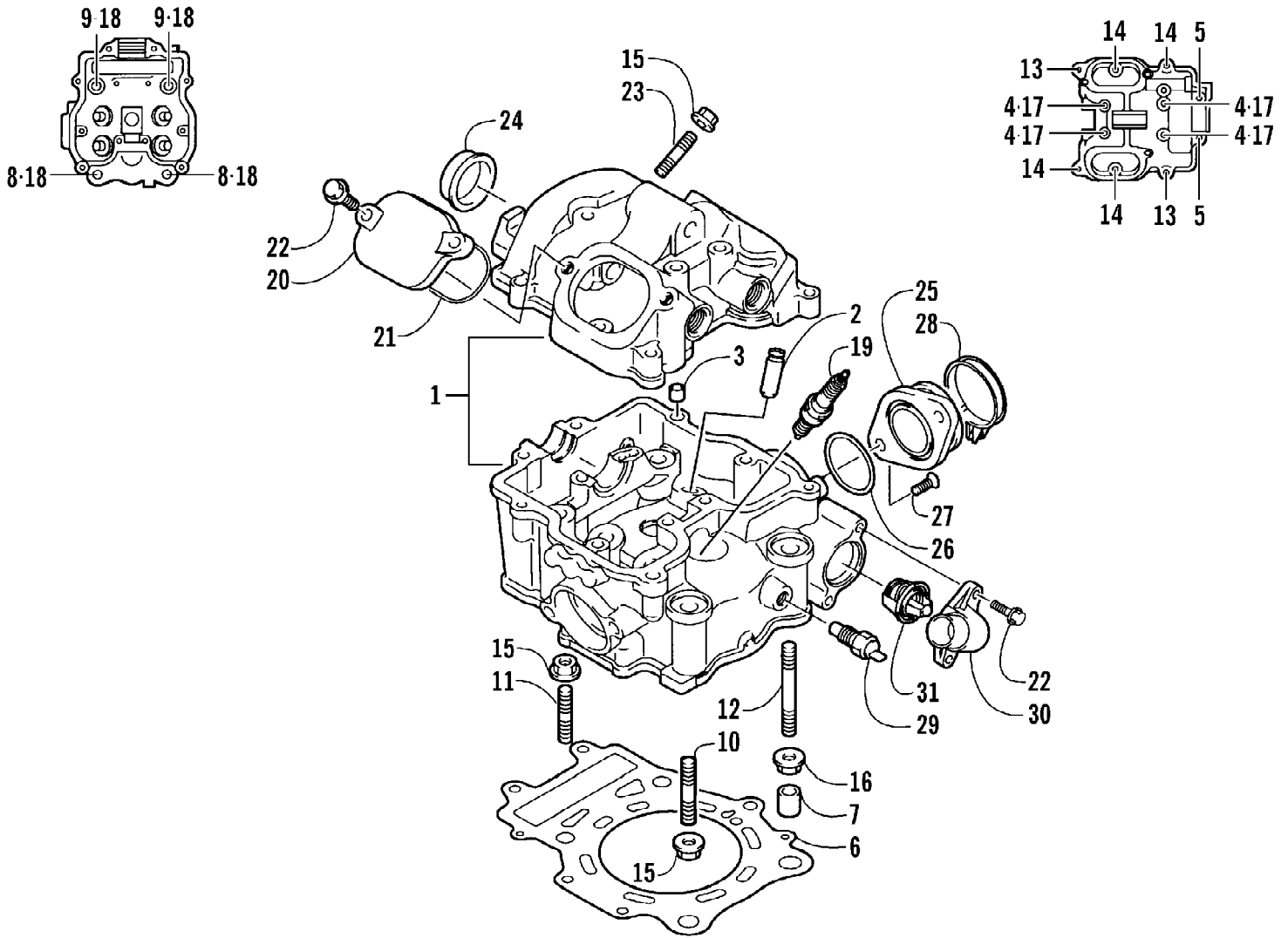


2003 ATV 500 FIS AUTOMATIC TRANSMISSION (GREEN) (A2003ISM4BUSG)  
CYLINDER ASSEMBLY

Ref #	Part Number	Qty	S/P/F	Description
1	3402-707	1		Cylinder
2	3423-384	2	S	Bolt, Stud
3	3004-488	2	S/P	Nut
4	3402-365	1	/P	Gasket, Cylinder
5	3423-088	2		Pin, Dowel
6	3413-013	1		Union, Water Hose
7	3423-121	1	S	Screw, Cap
8	3423-058	1		O-Ring

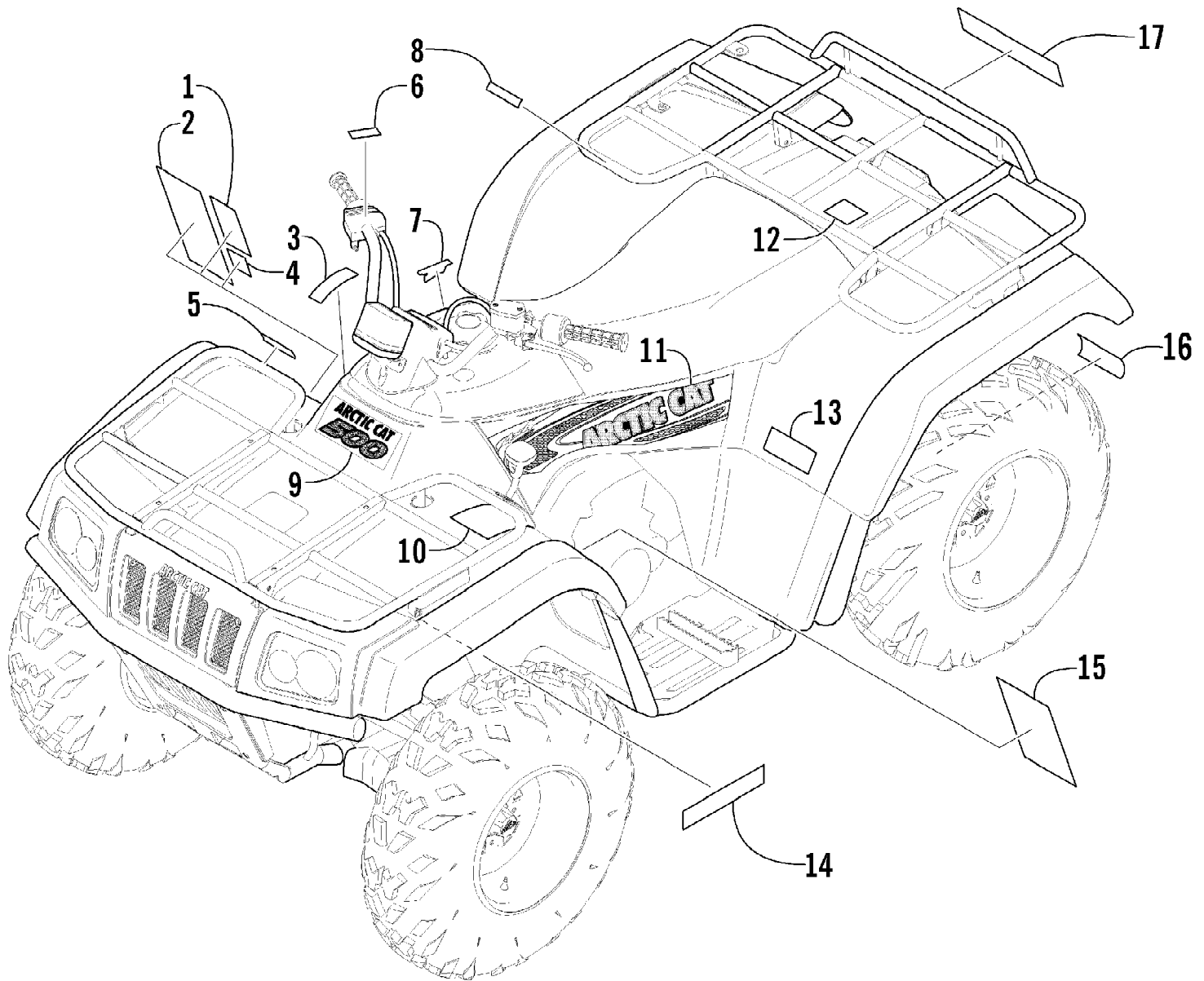


2003 ATV 500 FIS AUTOMATIC TRANSMISSION (GREEN) (A2003ISM4BUSG) Page 29 of 98  
CYLINDER HEAD ASSEMBLY



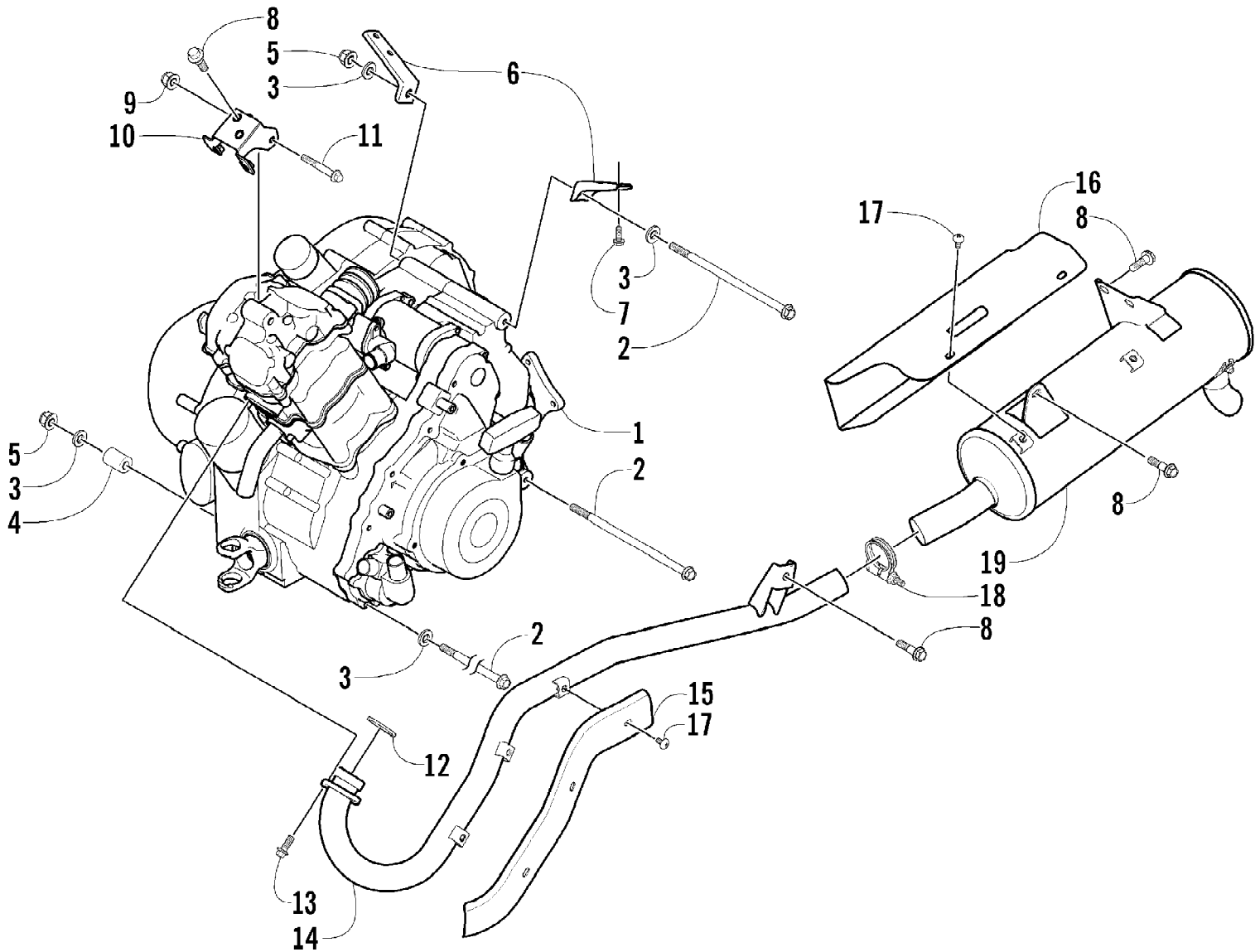
2003 ATV 500 FIS AUTOMATIC TRANSMISSION (GREEN) (A2003ISM4BUSG)  
CYLINDER HEAD ASSEMBLY Page 30 of 98

Ref #	Part Number	Qty	S/P/F	Description
1	3402-098	1		Head, Cylinder - Assembly (inc. 2-5)
2	3402-099	4		Guide, Valve
3	3423-043	2	/P	Pin, Dowel
4	3423-006	4		Screw, Cap
5	3008-376	2	S	Screw, Cap
6	3402-362	1		Gasket, Cylinder Head
7	3423-088	2		Pin, Dowel
8	3423-015	2		Screw, Cap
9	3423-016	2		Screw, Cap
10	3423-089	2	S	Bolt, Stud
11	3423-087	2	S	Bolt, Stud
12	3423-203	1	S/P	Bolt, Stud
13	3423-007	2	S	Screw, Cap
14	3004-376	4	S/P	Screw, Cap
15	3004-488	5	S/P	Nut
16	3004-326	1	S/P	Nut
17	3003-290	4	/P	Gasket
18	3402-010	4		Gasket, Head Nut
19	0217-632	1		Spark Plug (NGK CR6E)
20	3402-100	2		Cap, Inspection
21	3402-101	2		O-Ring
22	3004-341	5	S/P	Screw, Cap
23	3423-383	1		Bolt, Stud
24	3402-035	1		Plug, Cylinder Head
25	3402-706	1		Pipe, Intake - Assembly (inc. 26)
26	3423-353	1	/P	O-Ring
27	3423-347	2		Screw, Cap
28	0423-317	1	/P	Clamp
29	3530-038	1	S	Switch, Water Temperature - Assembly
30	3413-004	1		Cover, Thermostat
31	3413-012	1		Thermostat
0	3402-048	1	F	Plug, Frost



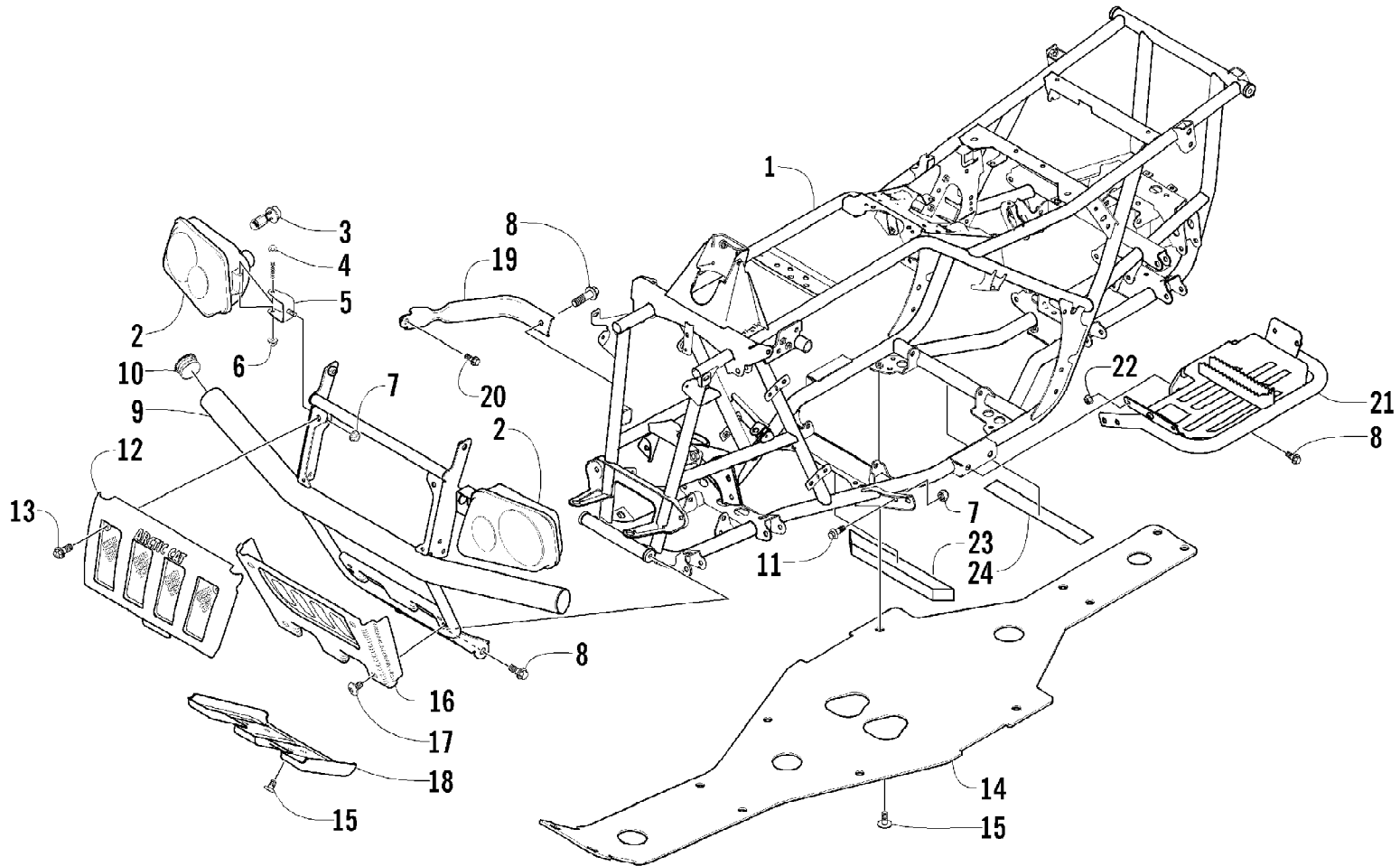
2003 ATV 500 FIS AUTOMATIC TRANSMISSION (GREEN) (A2003ISM4BUSG) Page 32 of 98  
DECALS

Ref #	Part Number	Qty	S/P/F	Description
1	0411-008	1	/P	Decal, Warning - Reverse/Pre-Ride
2	0411-045	1		Decal, Warning - Turn
3	0411-426	1		Decal, Warning - Clutch Cover
4	0411-011	1		Decal, Caution - Electrical
5	0411-006	1		Decal, Warning - Front Rack Load
6	0411-324	1		Decal, Instruction - Start In Gear
7	0411-507	1		Decal, "Duramatic"
8	0411-007	1		Decal, Warning - Rear Rack Load
9	0411-538	1		Decal, Front
9	0411-537	1		Decal, Front (Green/MRP)
9	0411-559	1		Decal, Front (Cat Green)
10	0411-401	1		Decal, Warning - Age
11	0411-523	1		Decal, Side - Right
11	0411-524	1		Decal, Side - Left
11	0411-521	1		Decal, Side - Right (Green/MRP)
11	0411-522	1		Decal, Side - Left (Green/MRP)
11	0411-560	1		Decal, Side - Right (Cat Green)
11	0411-561	1		Decal, Side - Left (Cat Green)
12	0411-435	1		Decal, Passenger
13	0411-430	1		Decal, Warning - Tire Pressure
14	0411-506	1		Decal, CA Emissions
15	0411-218	1		Decal, Warning - General
16	0411-267	1		Decal, Warning - Towing
17	0411-501	1		Decal, "Arctic Cat"



2003 ATV 500 FIS AUTOMATIC TRANSMISSION (GREEN) (A2003ISM4BUSG) Page 34 of 98  
ENGINE AND EXHAUST

Ref #	Part Number	Qty	S/P/F	Description
1	0462-023	1		Engine
2	0423-405	3		Screw, Cap
3	0423-426	4		Washer
4	0423-042	2	S	Spacer
5	8428-002	3		Nut, Lock
6	1506-024	1	/P	Bracket, Engine - Right
6	1506-025	1	/P	Bracket, Engine - Left
7	8408-616	4		Screw, Cap
8	8408-816	6		Screw, Cap
9	8424-802	1		Nut
10	0506-546	1		Bracket, Engine - Upper
11	8408-860	1		Screw, Cap
12	0412-007	1	/P	Seal, Exhaust
13	8408-820	2	/P	Screw, Cap
14	0512-076	1	S	Pipe, Exhaust
15	0412-189	1		Cover, Exhaust
16	0412-187	1		Cover, Muffler
17	8477-610	7		Screw, Machine
18	0423-150	1		Clamp
19	0412-184	1	/P	Muffler

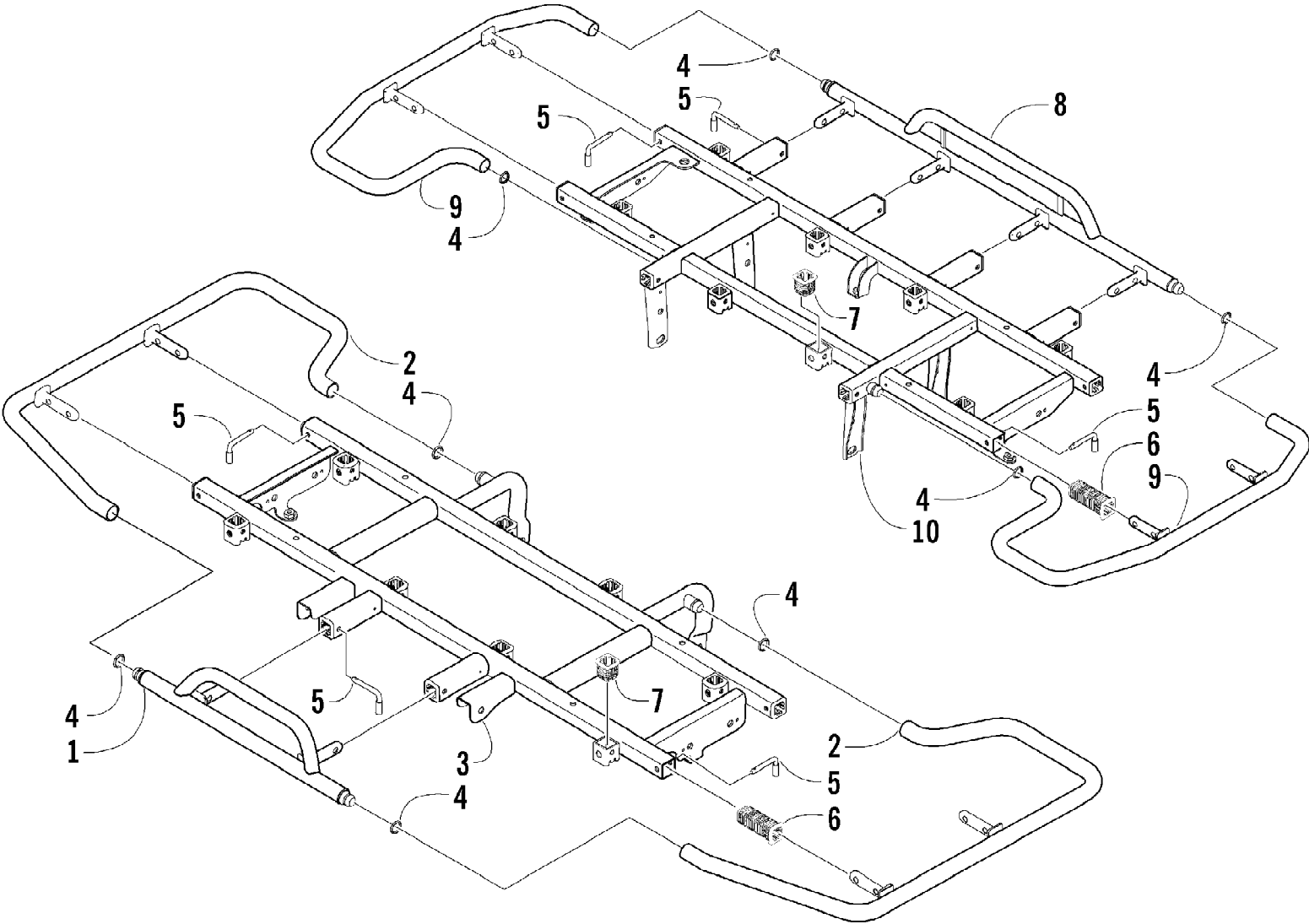


2003 ATV 500 FIS AUTOMATIC TRANSMISSION (GREEN) (A2003ISM4BUSG) Page 36 of 98  
FRAME AND RELATED PARTS

Ref #	Part Number	Qty	S/P/F	Description
1	0506-815	1		Frame, Main
2	0409-032	2		Headlight Assembly - Right (inc. 3-6)
2	0409-031	2		Headlight Assembly - Left (inc. 3-6)
3	0409-045	4		Bulb, Headlight
4	8410-860	2		Screw, Cap
5	0406-945	2		Bracket, Headlight Mounting
6	0423-375	2		Nut, Lock
7	8424-802	6		Nut
8	8409-020	8	/P	Screw, Cap
9	0506-544	1		Bumper
10	0406-130	2		Cap, Bumper
11	8408-816	4		Screw, Cap
12	0406-832	1		Grille, Upper
13	0423-361	2		Screw, Machine
14	1406-030	1		Panel, Belly
15	0423-101	AR		Screw, Shoulder
16	0406-833	1	S	Grille, Bumper - Lower
17	0423-362	4		Screw, Machine
18	0406-834	1		Plate, Skid
19	0506-653	2	S	Channel, Bumper Mounting
20	8408-812	2		Screw, Cap
21	0506-534	1		Footrest - Right
21	0506-728	1		Footrest - Left
22	8424-602	2	/P	Nut
23	1506-067	1		Pad, Foam
24	0406-289	1		Pad, Foam



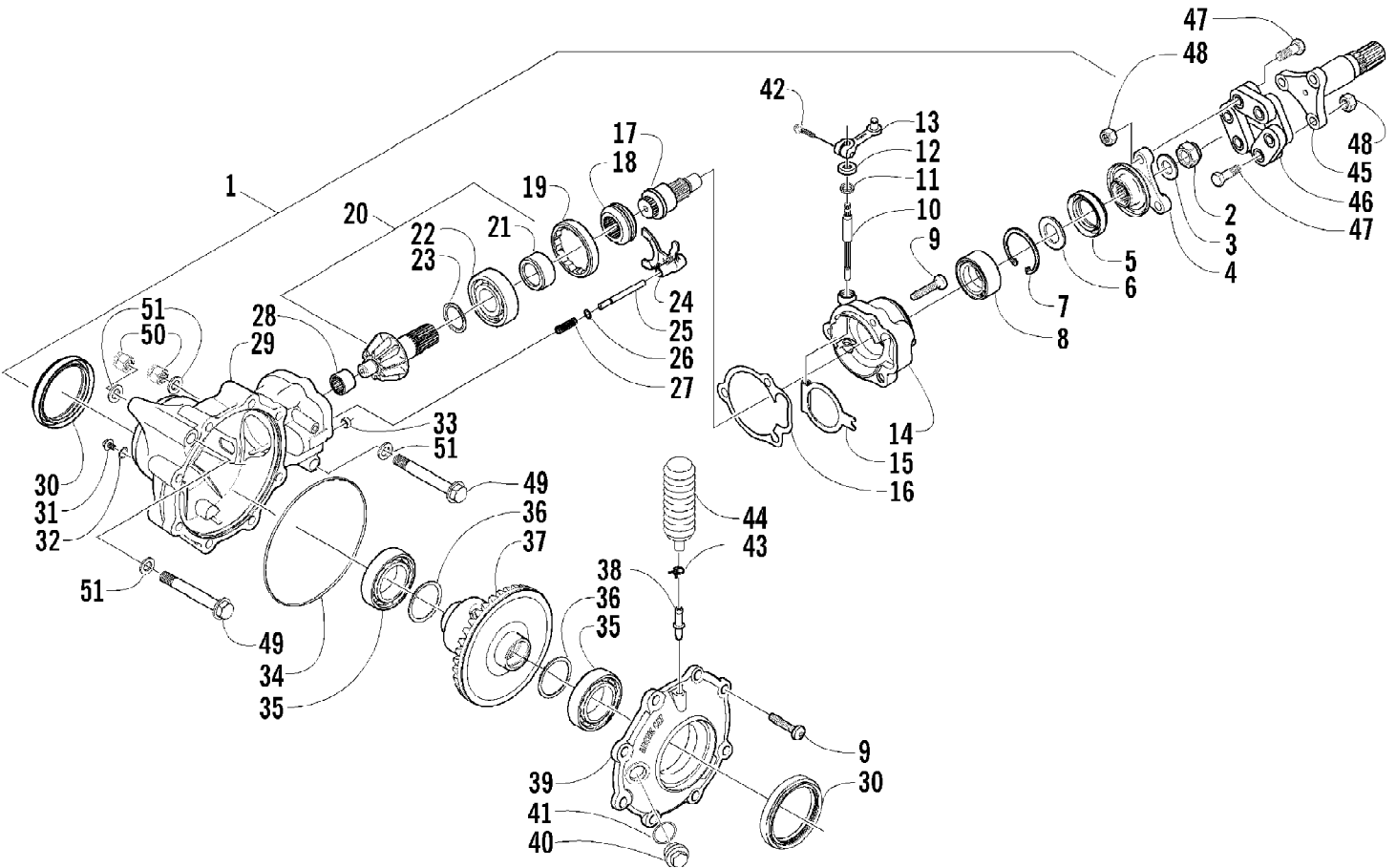
2003 ATV 500 FIS AUTOMATIC TRANSMISSION (GREEN) (A2003ISM4BUSG) Page 37 of 98  
FRONT AND REAR RACK ASSEMBLIES (MRP)



2003 ATV 500 FIS AUTOMATIC TRANSMISSION (GREEN) (A2003ISM4BUSG) Page 38 of 98  
FRONT AND REAR RACK ASSEMBLIES (MRP)

Ref #	Part Number	Qty	S/P/F	Description
1	0541-133	1		Center, Rack - Front
2	0541-134	2		Side, Rack - Front
3	0541-135	1		Frame, Rack - Front
4	0623-903	8		O-Ring
5	0541-189	14	S	Pin
6	0441-556	16		Bushing, Rack
7	0441-592	16	/P	Bushing, Rack
8	0541-130	1		Center, Rack - Rear
9	0541-131	2		Side, Rack - Rear
10	0541-132	1		Frame, Rack - Rear

2003 ATV 500 FIS AUTOMATIC TRANSMISSION (GREEN) (A2003ISM4BUSG) Page 39 of 98  
FRONT DRIVE GEARCASE ASSEMBLY

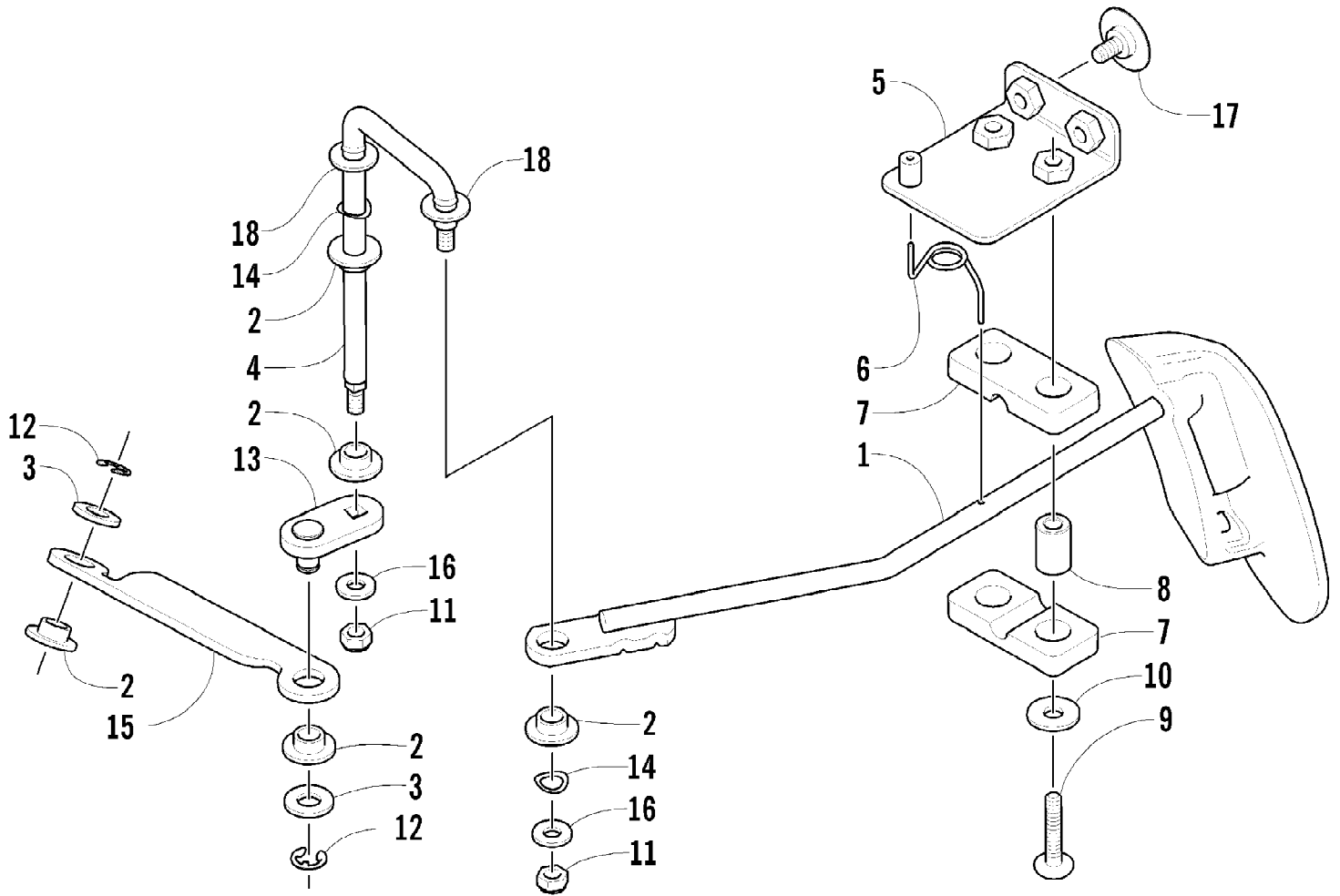


2003 ATV 500 FIS AUTOMATIC TRANSMISSION (GREEN) (A2003ISM4BUSG) Page 40 of 98  
FRONT DRIVE GEARCASE ASSEMBLY

Ref #	Part Number	Qty	S/P/F	Description
1	0502-153	1		Gearcase, Front Drive - Assembly (inc. 2-42)
2	0423-135	1		Nut
3	0423-134	1		Washer
4	0402-422	1		Flange, Drive
5	0402-395	1		Seal
6	0402-346	1		Spacer, Drive
7	0402-332	1		Ring, Retaining
8	0402-003	1		Bearing
9	0423-118	11		Screw, Self-Tapping
10	0402-412	1		Shaft, Selector
11	0402-416	1		Seal
12	0402-398	1		Plate, Selector Shaft
13	0502-092	1		Arm, Selector
14	0502-122	1		Housing, Selector
15	0402-414	1		Plate, Spring - Selector
16	0402-947	1		Gasket, Flange
17	0402-410	1		Shaft, Thrust
18	0402-413	1		Coupler, Drive
19	0402-357	1		Collar, Lock
20	0502-155	1		Gear, Pinion - Assembly - 11T (inc. 21-23)
21	0402-336	1		Collar, Retaining
22	0402-327	1		Bearing
23	0402-424	AR		Shim
23	0402-425	AR		Shim
23	0402-426	AR		Shim
23	0402-427	AR		Shim
23	0402-428	AR		Shim
24	0402-420	1		Fork, Selector
25	0402-417	1		Shaft, Shuttle
26	0423-147	1		O-Ring
27	0402-418	1		Spring, Return
28	0402-328	1		Bearing
29	0502-120	1		Housing, Gearcase
30	0402-394	2	S	Seal
31	0402-450	1	S	Plug, Magnetic (inc. 32)
32	0423-153	1		O-Ring
33	0402-411	1		Pin, Dowel
34	0423-149	1		O-Ring
35	0402-393	2		Bearing
36	0402-405	AR		Shim
36	0402-406	AR		Shim
36	0402-407	AR		Shim
36	0402-408	AR		Shim
36	0402-409	AR		Shim
37	0502-199	1		Gear, Ring - 34T
38	0402-871	1		Fitting
39	0502-121	1		Cover, Gearcase
40	0402-333	1	/P	Plug, Fill (inc. 41)
41	0423-154	1		O-Ring
42	8410-620	1		Screw, Cap
43	0423-315	1		Clamp, Fitting
44	0402-147	1	S	Bladder, Gearcase
45	0502-200	1		Shaft, Propeller

2003 ATV 500 FIS AUTOMATIC TRANSMISSION (GREEN) (A2003ISM4BUSG) Page 41 of 98  
 FRONT DRIVE GEARCASE ASSEMBLY

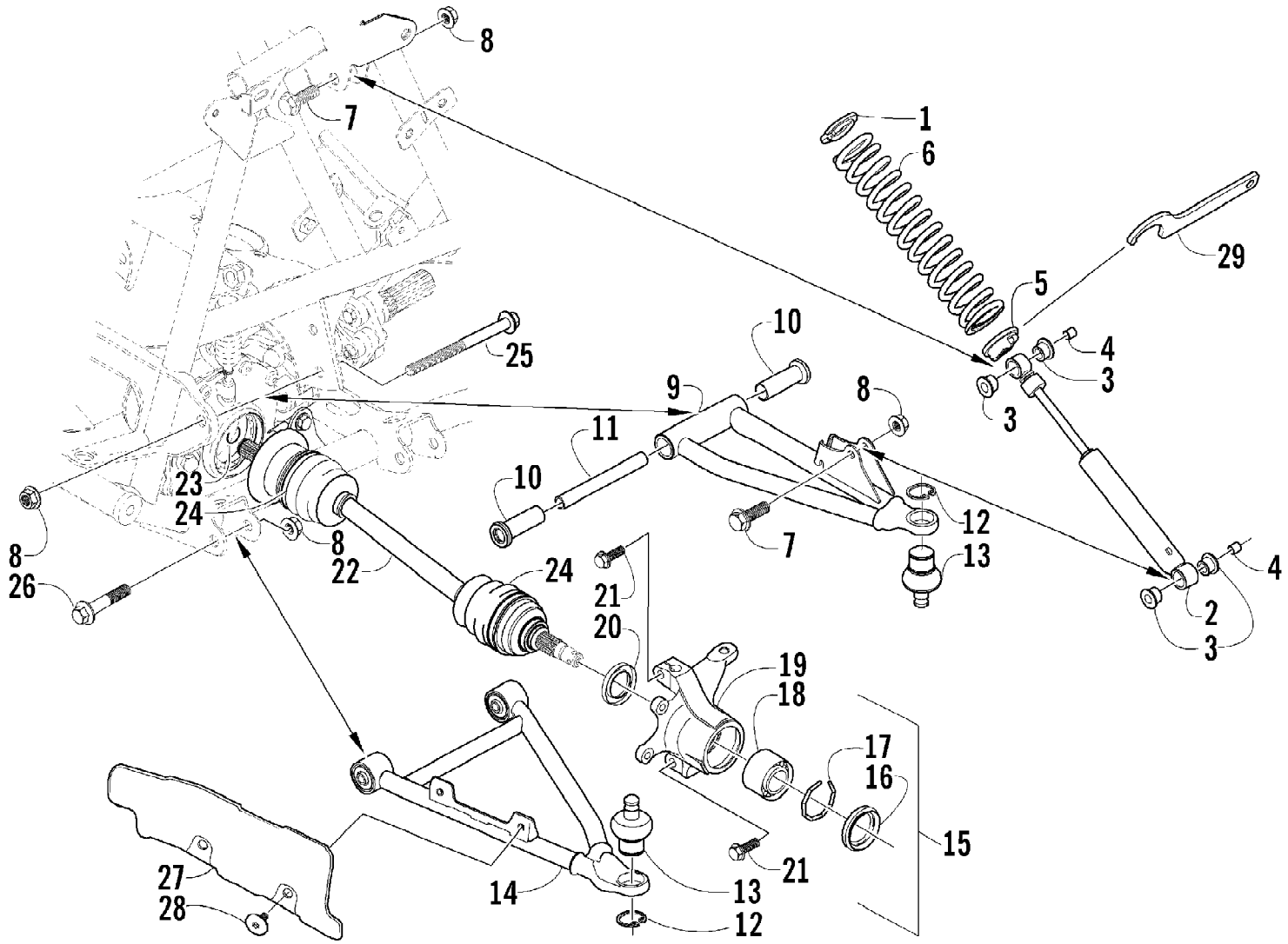
Ref #	Part Number	Qty	S/P/F	Description
46	3435-007	1		Coupler, Propeller Shaft
47	3423-182	6	S	Screw, Cap
48	3004-491	6	S/P	Nut
49	0423-404	2		Screw, Cap
50	8428-002	2		Nut, Lock
51	0423-426	4		Washer



2003 ATV 500 FIS AUTOMATIC TRANSMISSION (GREEN) (A2003ISM4BUSG)  
FRONT DRIVE SHIFT LINKAGE ASSEMBLY

Ref #	Part Number	Qty	S/P/F	Description
1	0502-291	1		Shifter
2	0423-091	5		Bushing
3	8050-247	2	/P	Washer
4	0402-821	1		Arm, Shifter
5	0502-234	1		Plate, Mounting
6	0402-828	1		Spring, Torsion
7	0406-363	2		Bushing
8	0402-256	2		Collar
9	8476-630	2		Screw, Machine
10	8050-222	2	/P	Washer
11	0624-250	2		Nut, Lock
12	0124-057	2	/P	E-Ring
13	0502-295	1		Arm, Selector
14	0423-368	2		Washer, Wave
15	0502-396	1	/P	Cross-Link
16	0423-348	2		Washer
17	0423-101	2		Screw, Body
18	0123-053	2	/P	Washer

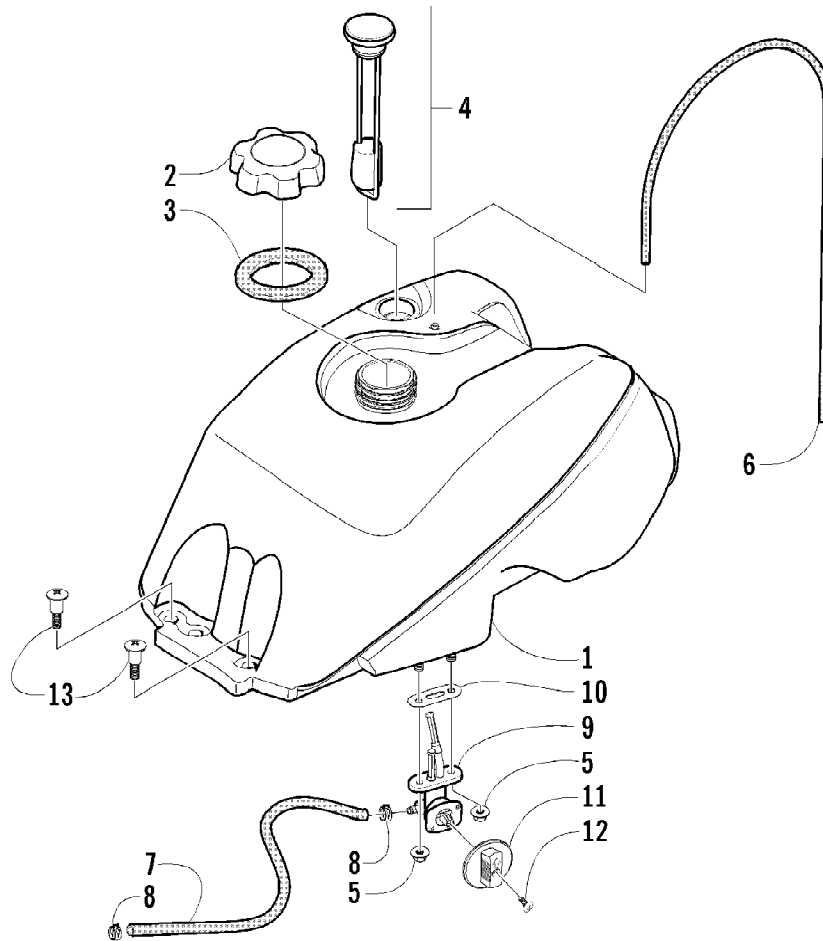
2003 ATV 500 FIS AUTOMATIC TRANSMISSION (GREEN) (A2003ISM4BUSG) Page 44 of 98  
FRONT SUSPENSION ASSEMBLY





2003 ATV 500 FIS AUTOMATIC TRANSMISSION (GREEN) (A2003ISM4BUSG) Page 45 of 98  
FRONT SUSPENSION ASSEMBLY

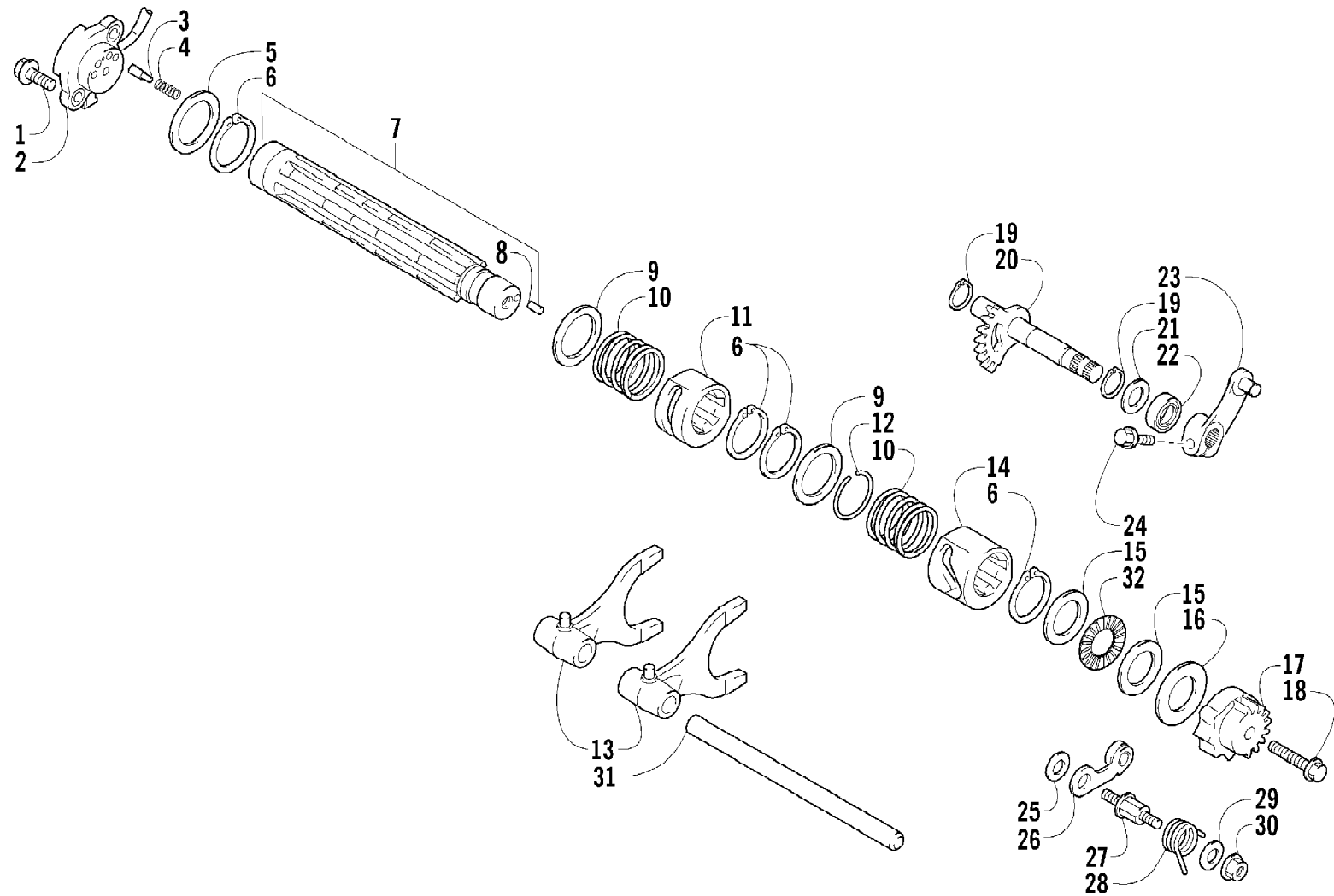
Ref #	Part Number	Qty	S/P/F	Description
1	1603-889	2	/P	Retainer, Spring
2	0403-111	2	/P	Shock Absorber - Front (inc. 3-4)
3	0604-310	8		Bushing, Shock Absorber
4	0403-028	4		Sleeve, Shock
5	0403-102	2		Cam, Spring Adjuster
6	0403-091	2		Spring, Shock Absorber
7	8409-040	4		Screw, Cap
8	8428-002	10		Nut, Lock
9	0503-196	1	S	A-Arm, Upper Right - Assembly (inc. 10-13)
9	0503-197	1		A-Arm, Upper Left - Assembly (inc. 10-13)
10	0403-081	4	S	Bushing
11	0403-080	2		Collar
12	0423-009	4	/P	Clip, Ball Joint
13	0405-115	4	/P	Ball Joint - Front
14	0503-194	1	/P	A-Arm, Lower Right (inc. 12-13)
14	0503-195	1	/P	A-Arm, Lower Left (inc. 12-13)
15	0505-026	1	S/P	Knuckle - Assembly - Right (inc. 16-20)
15	0505-027	1	S/P	Knuckle - Assembly - Left (inc. 16-20)
16	0402-089	2		Seal, Wheel Bearing - Front
17	0423-034	2		Clip, Bearing
18	0402-275	2	/P	Bearing, Wheel Hub - Front
19	0505-062	1	S	Knuckle, Steering - Right
19	0505-063	1	S	Knuckle, Steering - Left
20	0402-069	2		Seal, Wheel Bearing - Rear
21	8409-030	4		Screw, Cap
22	0402-907	2	S	Axle, Drive - Front (inc. 23-24)
23	0441-400	2	S	Clip, Retaining
24	0436-276	2	S	Repair Kit, Boot - Front Axle
25	0423-334	2		Screw, Cap
26	8409-060	4		Screw, Cap
27	1406-034	1		Guard, Boot - Axle - Right
27	1406-035	1		Guard, Boot - Axle - Left
28	0423-101	4		Screw, Body
29	0441-587	1		Wrench, Spanner



2003 ATV 500 FIS AUTOMATIC TRANSMISSION (GREEN) (A2003ISM4BUSG) Page 47 of 98  
GAS TANK ASSEMBLY

Ref #	Part Number	Qty	S/P/F	Description
1	0570-066	1	/P	Tank, Gas - Assembly (inc. 2-10)
2	0470-438	1	/P	Cap, Gas Tank (inc. 3)
3	0109-733	1	/P	Gasket, Tank Cap
4	0470-444	1	S	Gauge, Fuel w/Gasket (Press-Fit)
5	0423-398	2		Nut, Lock
6	0470-416	1	/P	Hose, Vent
7	0610-007	AR	/P	Hose, Gasline - 25 ft
8	0423-152	2		Clamp, Hose
9	0470-445	1	/P	Valve, Fuel Shut-Off (inc. 10)
10	0470-364	1		Gasket, Fuel Shut-Off Valve
11	0470-408	1		Knob, Fuel Shut-Off Valve
12	0423-146	1		Screw, Machine
13	0423-130	2		Screw, Shoulder

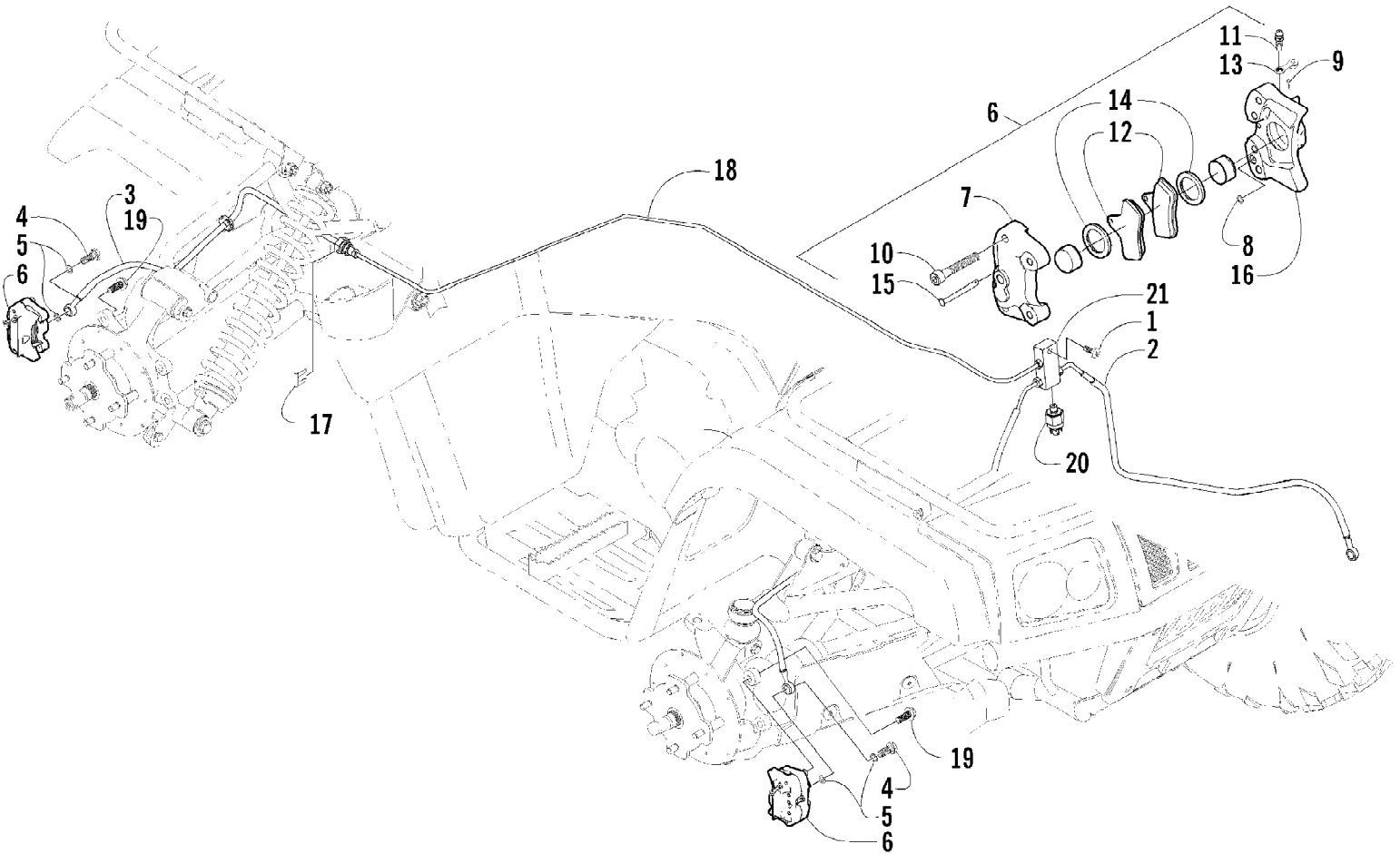
2003 ATV 500 FIS AUTOMATIC TRANSMISSION (GREEN) (A2003ISM4BUSG) Page 48 of 98  
GEAR SHIFTING ASSEMBLY



2003 ATV 500 FIS AUTOMATIC TRANSMISSION (GREEN) (A2003ISM4BUSG) Page 49 of 98  
GEAR SHIFTING ASSEMBLY

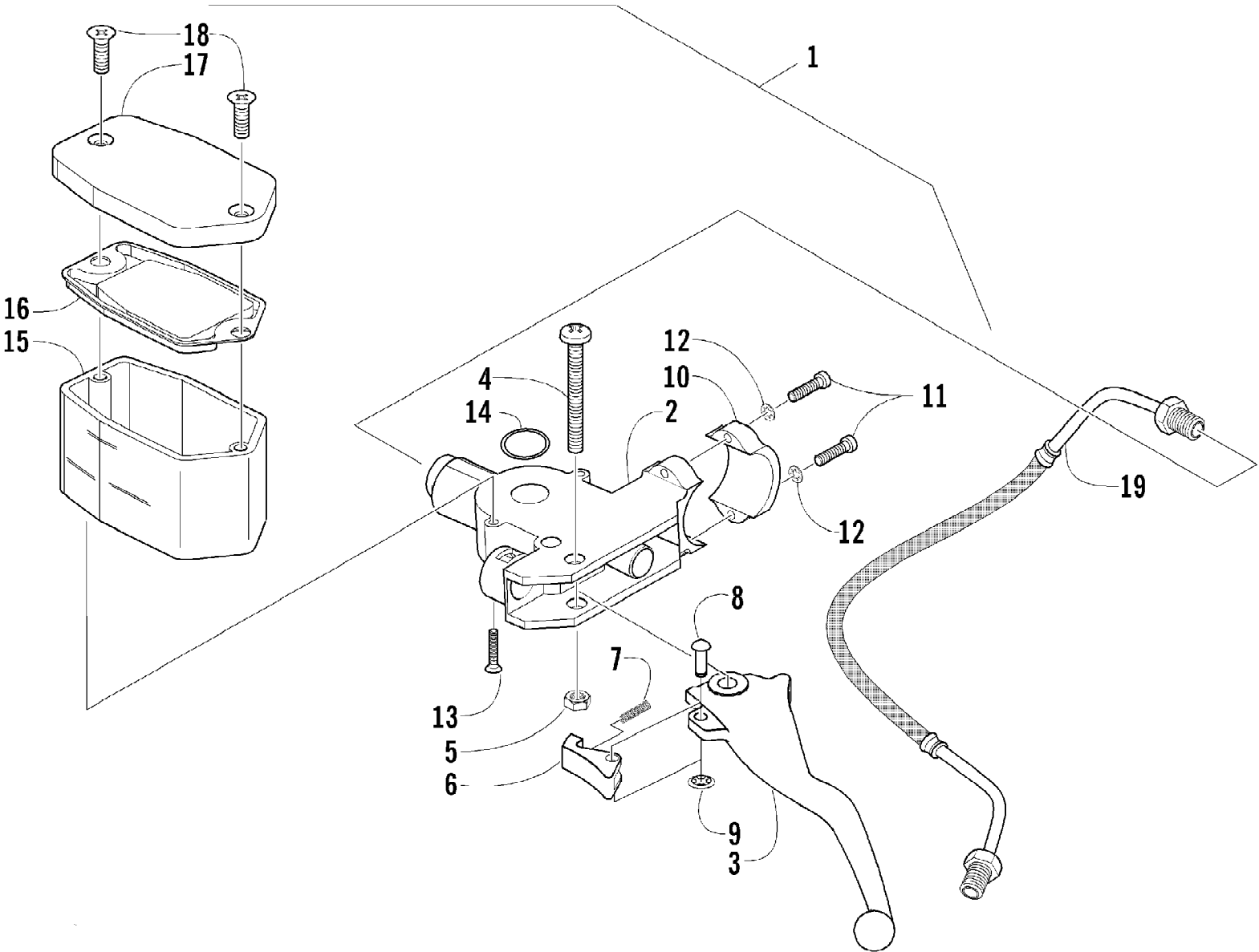
Ref #	Part Number	Qty	S/P/F	Description
1	3423-418	2		Bolt
2	3530-031	1		Base, Gear Shift - Assembly
3	3423-044	2		Contact
4	3402-087	2		Spring
5	3423-421	1	/P	Washer, Shift Shaft
6	3423-191	4	/P	Circlip, Cam Spring
7	3402-826	1		Shaft, Gear Shift (inc. 8)
8	3423-114	1	/P	Pin
9	3402-382	2		Washer, Cam Spring
10	3446-280	2		Spring, Cam
11	3402-827	1		Cam, Reverse
12	3423-116	1	S	C-Ring, Cam
13	3446-353	2		Fork, Shift
14	3402-828	1		Cam, Gear Shift
15	3402-381	2	/P	Washer, Shift Shaft
16	3423-446	1		Washer, Gear Shift Cam Plate
17	3402-642	1		Plate, Gear Shift Cam
18	3004-376	1	S/P	Bolt, Gear Shift Cam Plate
19	3423-358	2	S	Circlip, Sub-Gear Shift Shaft
20	3402-747	1		Shaft, Sub-Gear Shift
21	1691-043	2		Washer, Sub-Gear Shift Shaft
22	3402-076	1		Seal, Sub-Gear Shift Shaft
23	3402-434	1	/P	Arm, Select
24	3004-341	1	S/P	Bolt, Select Arm
25	3423-141	1		Washer, Cam Stopper
26	3402-746	2		Stopper, Cam
27	3446-048	1		Support, Cam Stopper
28	3423-511	1		Spring, Cam Stopper
29	3423-438	2		Washer, Cam Stopper Spring
30	3004-488	1	S/P	Nut, Cam Stopper Spring
31	3446-266	1		Shaft, Shift Fork
32	3402-829	1		Bearing

2003 ATV 500 FIS AUTOMATIC TRANSMISSION (GREEN) (A2003ISM4BUSG)  
HYDRAULIC BRAKE ASSEMBLY



2003 ATV 500 FIS AUTOMATIC TRANSMISSION (GREEN) (A2003ISM4BUSG) Page 51 of 98  
HYDRAULIC BRAKE ASSEMBLY

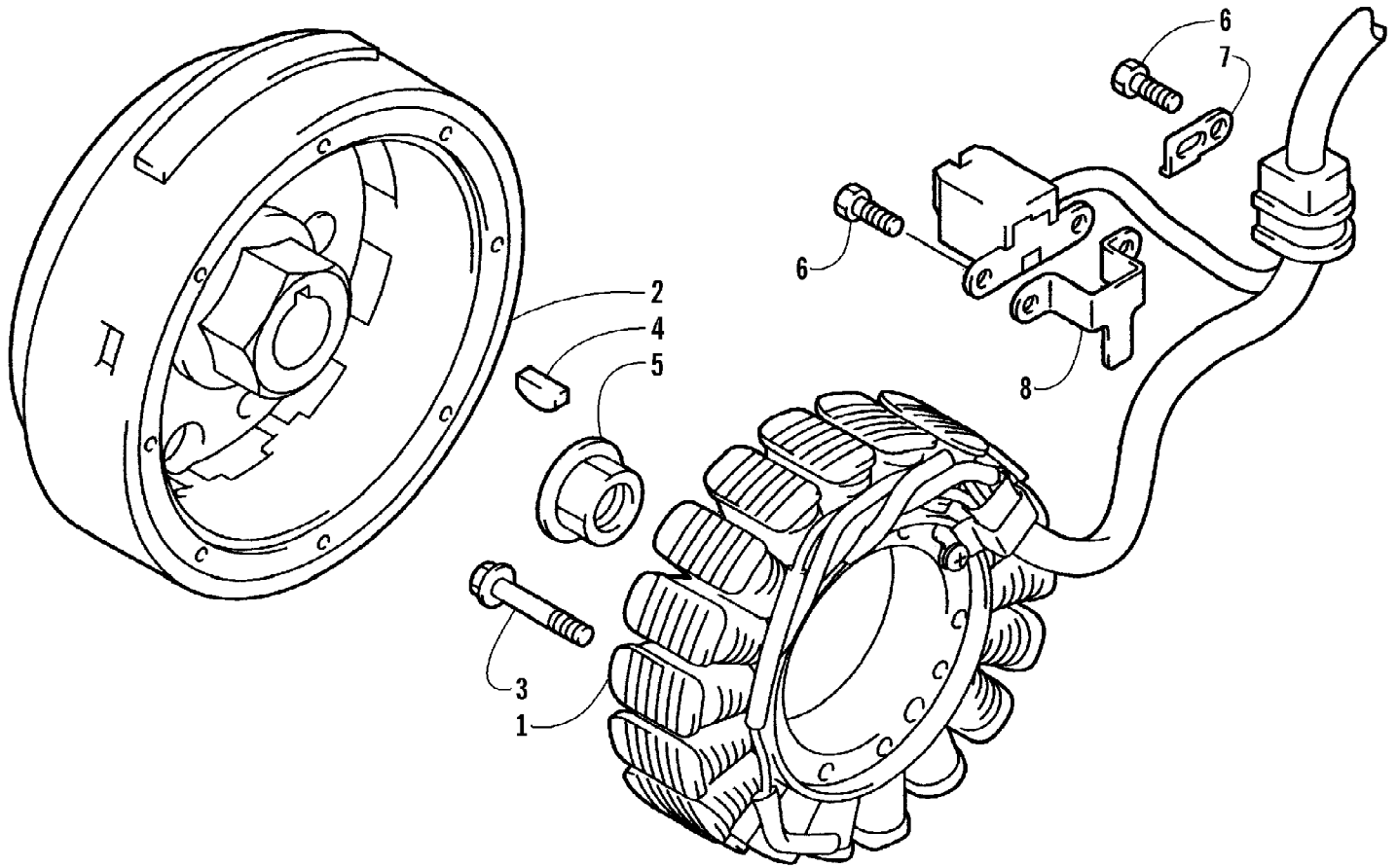
Ref #	Part Number	Qty	S/P/F	Description
1	8476-630	1		Screw, Cap
2	0402-961	2		Hose, Brakeline - Front
3	0402-956	1		Hose, Brakeline - Rear
4	0423-413	3		Bolt, Banjo Fitting
5	0423-178	6		Washer, Crush
6	0502-335	1	S	Caliper, Brake - Right Front (inc. 7-16)
6	0502-336	2	S	Caliper, Brake - Left Front and Right Rear (inc. 7-16)
7	0	3	F	Housing, Caliper
8	0402-490	3		O-Ring
9	0402-496	3	S	Pin, Cotter
10	0402-492	12		Screw, Cap
11	0402-493	3		Cap, Bleed Valve
12	0402-882	6	/P	Pad, Brake
13	0402-491	3	S	Valve, Bleed
14	0402-980	6		O-Ring, Brake Caliper
15	0402-495	3		Pin, Brake Caliper
16	0	3	F	Housing, Caliper
17	0402-597	1	/P	Clip, Brake Line
18	1402-008	1		Tube, Brake Line - Rear
19	8408-825	6		Screw, Cap
20	0402-306	1	/P	Switch, Brake Pressure
21	1402-086	1		Block, Junction





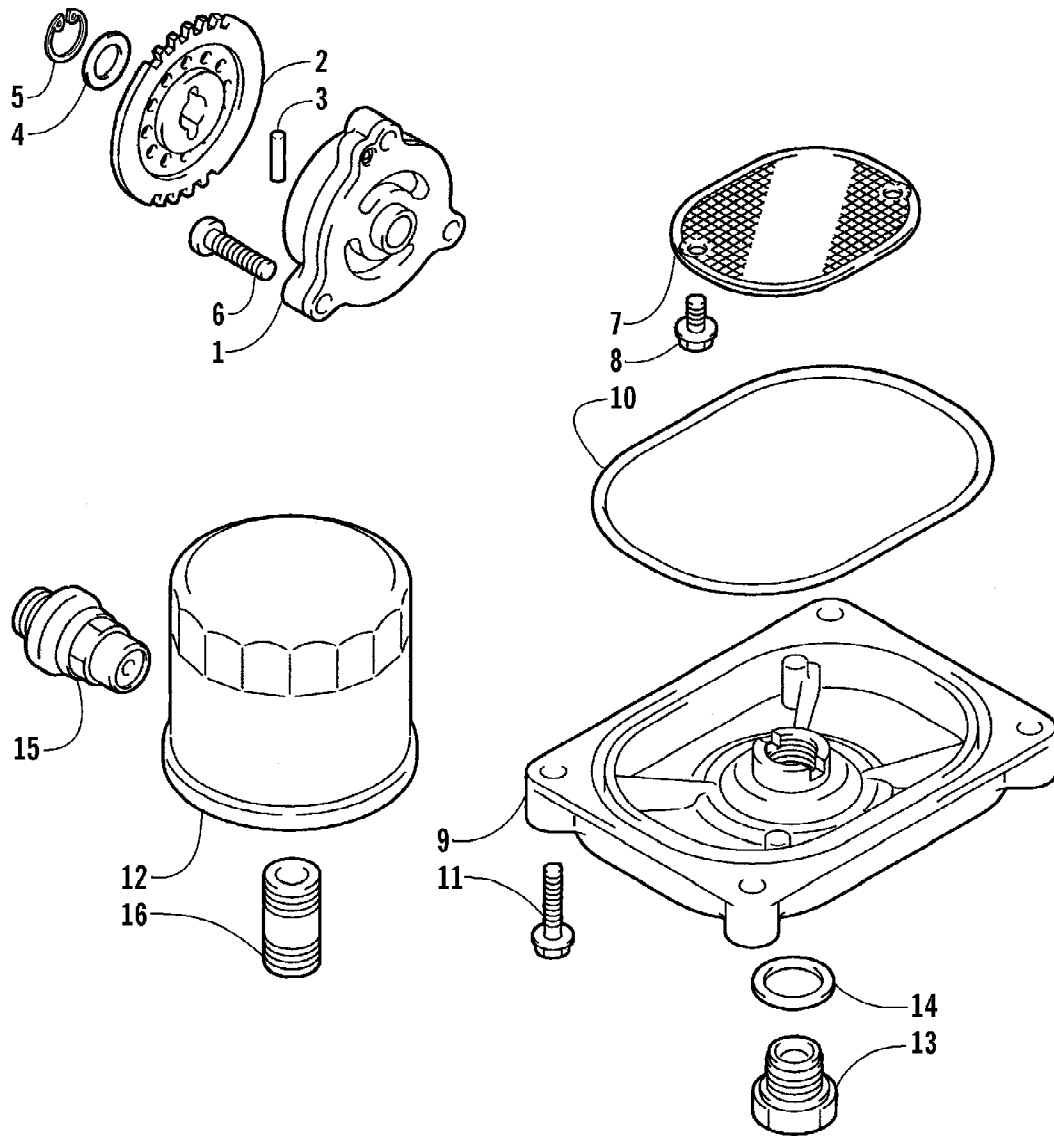
2003 ATV 500 FIS AUTOMATIC TRANSMISSION (GREEN) (A2003ISM4BUSG) Page 53 of 98  
HYDRAULIC HAND BRAKE ASSEMBLY

Ref #	Part Number	Qty	S/P/F	Description
	0502-429	1		Master Cylinder Rebuild Kit
1	0502-387	1	/P	Brake Assembly (inc. 2-18)
2	0	1	F	Master Cylinder
3	0402-818	1	/P	Lever, Brake
4	0623-430	1	/P	Screw, Machine
5	0623-056	1		Nut, Lock
6	1402-034	1	/P	Lock, Brake Lever
7	0402-245	1		Spring, Brake Lever Lock
8	0402-246	1		Pin, Brake Lever Lock
9	0423-090	1		Nut, Push
10	0602-907	1		Clamp, Master Cylinder
11	0623-613	2	/P	Screw, Machine
12	8052-212	2		Washer, Lock - Internal Tooth
13	0623-432	2		Screw, Machine
14	0602-587	1		O-Ring
15	0602-740	1		Reservoir
16	0602-741	1		Gasket, Cover
17	0602-742	1		Cover, Reservoir
18	0623-506	2		Screw, Machine
19	0402-962	1		Brakeline, Hydraulic



2003 ATV 500 FIS AUTOMATIC TRANSMISSION (GREEN) (A2003ISM4BUSG)  
MAGNETO ASSEMBLY

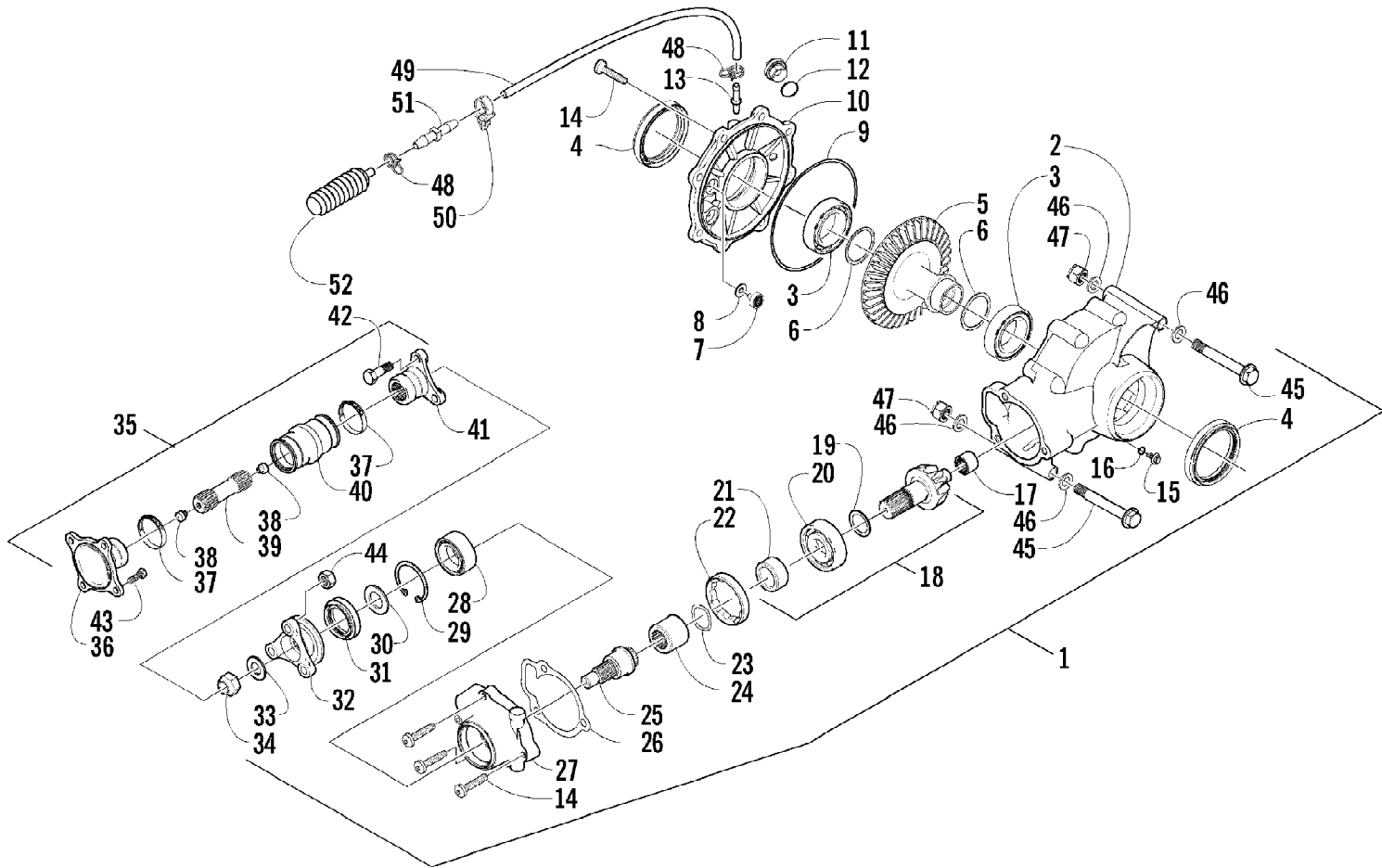
Ref #	Part Number	Qty	S/P/F	Description
1	3430-058	1		Stator Assembly
2	3430-046	1		Rotor/Flywheel
3	3423-162	3	S	Bolt
4	0691-785	1		Key
5	3423-086	1		Nut
6	3423-005	3	/P	Bolt
7	3430-005	1		Clamp (No. 1)
8	3430-006	1		Clamp (No. 2)



2003 ATV 500 FIS AUTOMATIC TRANSMISSION (GREEN) (A2003ISM4BUSG)  
OIL FILTER/PUMP ASSEMBLY

Ref #	Part Number	Qty	S/P/F	Description
1	3402-727	1	/P	Pump, Oil
2	3402-463	1		Gear, Driven
3	3423-046	1		Pin
4	3423-115	1		Washer
5	3423-184	1	S	Circlip
6	3423-510	3		Screw, Cap
7	3402-156	1		Strainer, Oil
8	0693-389	2	S	Screw, Cap
9	3402-157	1		Cap, Oil Strainer
10	3423-077	1		O-Ring
11	3004-756	4	S	Screw, Cap
12	0436-146	1	S	Filter, Oil
13	3402-036	1	S	Plug, Drain
14	3402-012	1		Gasket, Drain Plug
15	3402-154	1		Valve, Oil Relief - Assembly
16	3402-158	1	S	Union, Oil Filter

2003 ATV 500 FIS AUTOMATIC TRANSMISSION (GREEN) (A2003ISM4BUSG) Page 58 of 98  
REAR DRIVE GEARCASE ASSEMBLY



2003 ATV 500 FIS AUTOMATIC TRANSMISSION (GREEN) (A2003ISM4BUSG) Page 59 of 98  
REAR DRIVE GEARCASE ASSEMBLY

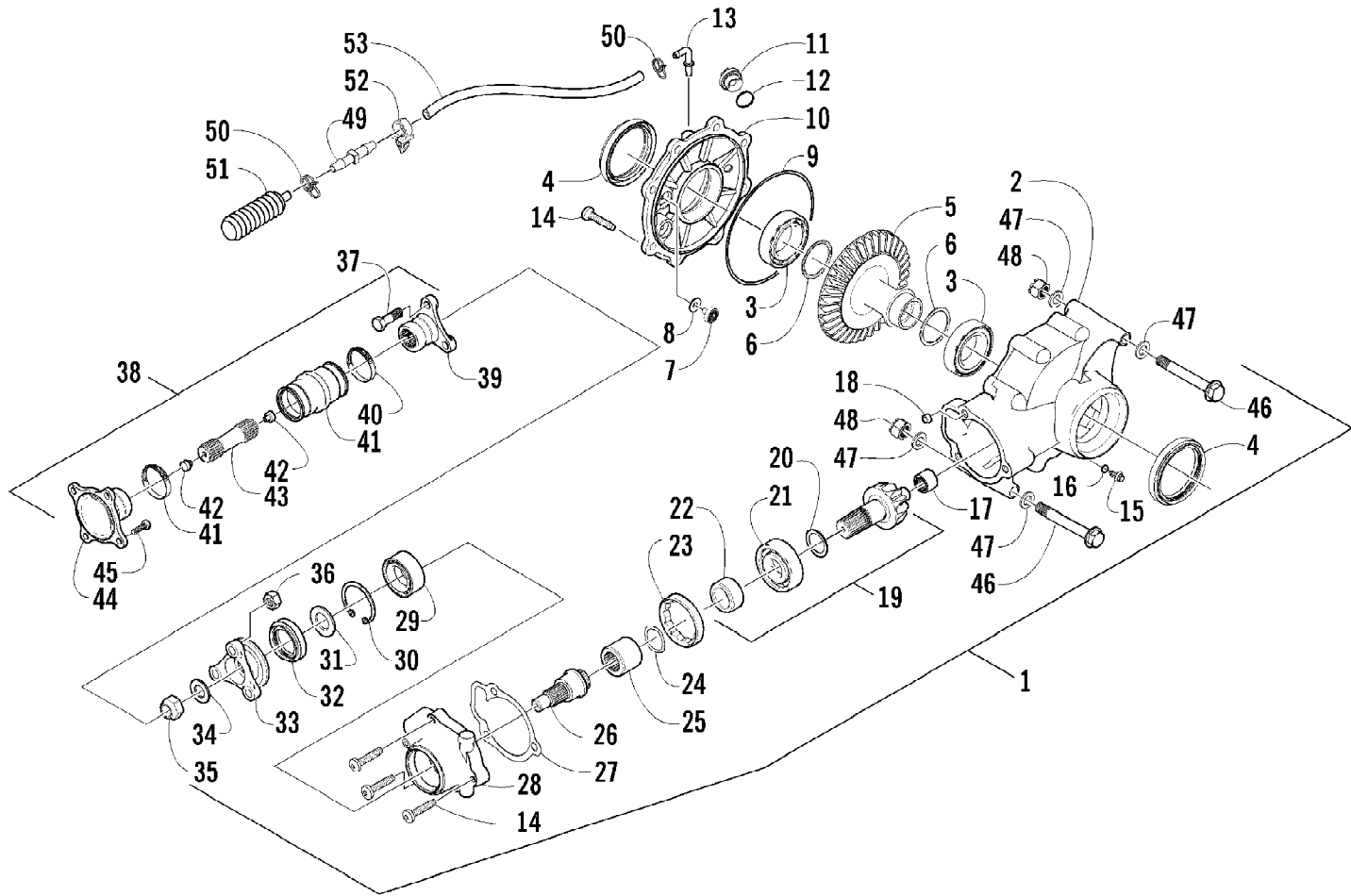
Ref #	Part Number	Qty	S/P/F	Description
1	0502-293	1		Gearcase, Rear Drive - Assembly (inc. 2-34)
2	0502-352	1		Housing, Gearcase
3	0402-393	2		Bearing
4	0402-394	2	S	Seal
5	0402-964	1		Gear, Ring - 34T
6	0402-405	AR		Shim
6	0402-406	AR		Shim
6	0402-407	AR		Shim
6	0402-408	AR		Shim
6	0402-409	AR		Shim
7	0402-326	1		Button, Thrust
8	0402-429	AR		Shim
8	0402-430	AR		Shim
8	0402-431	AR		Shim
8	0402-432	AR		Shim
8	0402-433	AR		Shim
9	0423-149	1		O-Ring
10	0502-346	1		Cover, Gearcase
11	0402-333	1	/P	Plug, Fill (inc. 12)
12	0423-154	1		O-Ring
13	0402-871	1		Fitting
14	0423-118	11		Screw, Self-Tapping
15	0402-450	1	S	Plug, Magnetic (inc. 16)
16	0423-153	1		O-Ring
17	0402-328	1		Bearing
18	0502-155	1		Gear, Pinion - Assembly - 11T (inc. 19-21)
19	0402-424	AR		Shim
19	0402-425	AR		Shim
19	0402-426	AR		Shim
19	0402-427	AR		Shim
19	0402-428	AR		Shim
20	0402-327	1		Bearing
21	0402-336	1		Collar, Retaining
22	0402-331	1		Collar, Lock
23	0402-982	1		Washer, Wave
24	0402-981	1		Collar, Shaft
25	0402-410	1		Shaft, Thrust
26	0402-947	1		Gasket, Flange
27	0502-345	1		Housing, Pinion
28	0402-003	1		Bearing
29	0402-332	1		Ring, Retaining
30	0402-346	1		Spacer, Drive
31	0402-395	1		Seal
32	0402-422	1		Flange, Drive - Assembly
33	0423-134	1		Washer
34	0423-135	1		Nut
35	0502-325	1		Coupler, Drive (inc. 36-41)
36	0	1	F	Flange, Output
37	0423-393	2		Clamp, Boot
38	0673-618	2	/P	Bumper, Propeller Shaft
39	0	1	F	Shaft, Propeller
40	0402-953	1		Boot
41	0	1	F	Flange, Output

2003 ATV 500 FIS AUTOMATIC TRANSMISSION (GREEN) (A2003ISM4BUSG)  
REAR DRIVE GEARCASE ASSEMBLY

Ref #	Part Number	Qty	S/P/F	Description
42	8409-030	3		Screw, Cap
43	8408-820	4	/P	Screw, Cap
44	0423-157	3		Nut, Lock
45	0423-404	2		Bolt
46	0423-426	4		Washer
47	8428-002	2		Nut, Lock
48	0423-315	3		Clamp, Fitting
49	0410-048	AR	S	Hose, Vent - 10 ft
50	0623-101	1		Clip, Routing - Snap-In
51	0470-462	1		Fitting, Vent
52	0402-147	1	S	Bladder, Gearcase



2003 ATV 500 FIS AUTOMATIC TRANSMISSION (GREEN) (A2003ISM4BUSG) Page 61 of 98  
REAR DRIVE GEARCASE ASSEMBLY



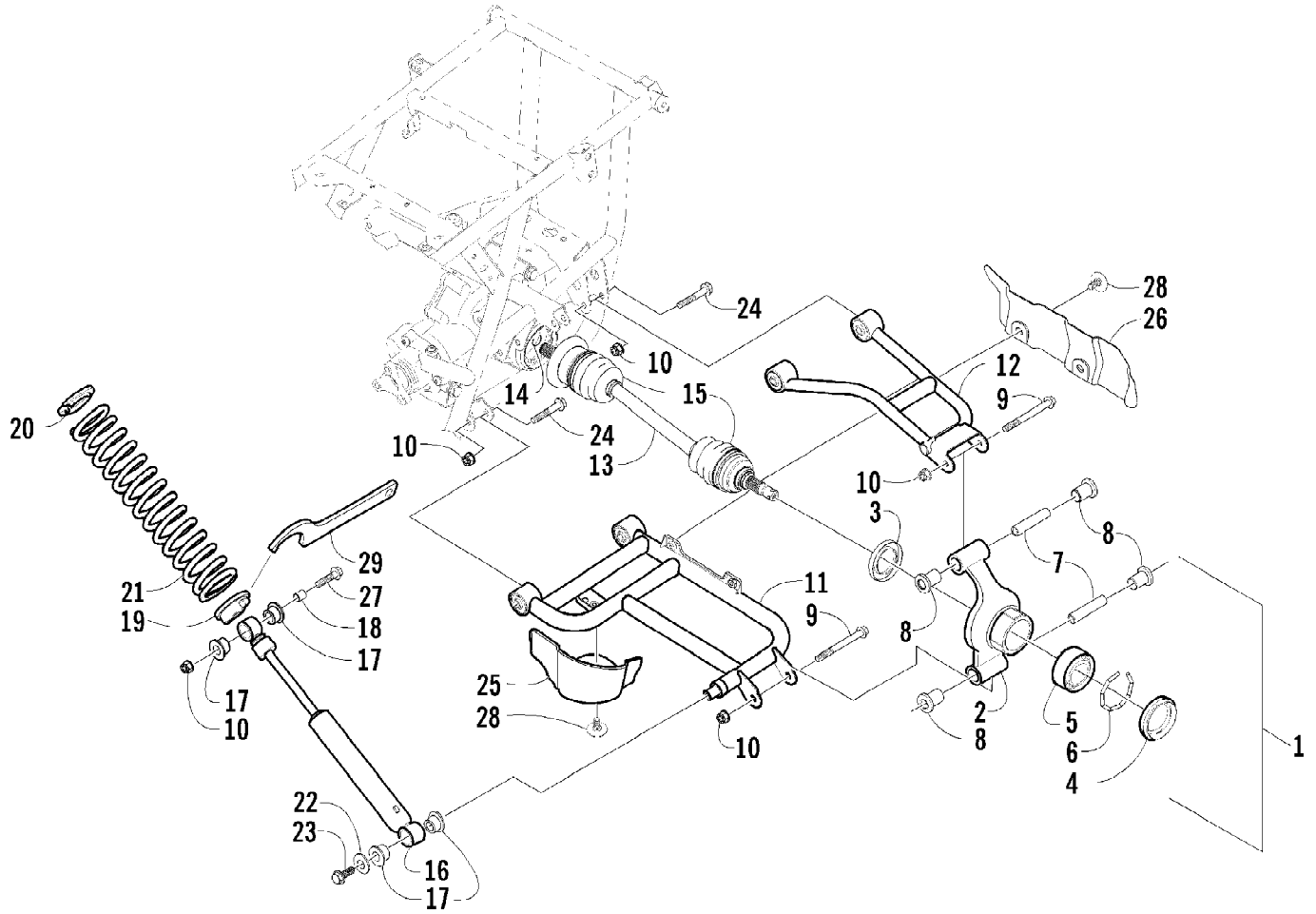
2003 ATV 500 FIS AUTOMATIC TRANSMISSION (GREEN) (A2003ISM4BUSG)  
REAR DRIVE GEARCASE ASSEMBLY

Ref #	Part Number	Qty	S/P/F	Description
1	0502-441	1		Gearcase, Rear Drive - Assembly (inc. 2-35)
2	0502-352	1		Housing, Gearcase
3	0402-393	2		Bearing
4	0402-394	2	S	Seal
5	0402-964	1		Gear, Ring - 34T
6	0402-405	AR		Shim
6	0402-406	AR		Shim
6	0402-407	AR		Shim
6	0402-408	AR		Shim
6	0402-409	AR		Shim
7	0402-326	1		Button, Thrust
8	0402-429	AR		Shim
8	0402-430	AR		Shim
8	0402-431	AR		Shim
8	0402-432	AR		Shim
8	0402-433	AR		Shim
9	0423-149	1		O-Ring
10	0502-346	1		Cover, Gearcase
11	0402-333	1	/P	Plug, Fill (inc. 12)
12	0423-154	1		O-Ring
13	0402-329	1		Fitting
14	0423-118	11		Screw, Self-Tapping
15	0402-450	1	S	Plug, Magnetic (inc. 16)
16	0423-153	1		O-Ring
17	0402-328	1		Bearing
18	0402-411	1		Pin, Dowel
19	0502-155	1		Gear, Pinion - Assembly - 11T (inc. 20-22)
20	0402-424	AR		Shim
20	0402-425	AR		Shim
20	0402-426	AR		Shim
20	0402-427	AR		Shim
20	0402-428	AR		Shim
21	0402-327	1		Bearing
22	0402-336	1		Collar, Retaining
23	0402-331	1		Collar, Lock
24	0402-982	1		Washer, Wave
25	0402-981	1		Collar, Shaft
26	0402-410	1		Shaft, Thrust
27	0402-947	1		Gasket, Flange
28	0502-345	1		Housing, Pinion
29	0402-003	1		Bearing
30	0402-332	1		Ring, Retaining
31	0402-346	1		Spacer, Drive
32	0402-395	1		Seal
33	0402-422	1		Flange, Drive - Assembly
34	0423-134	1		Washer
35	0423-135	1		Nut
36	0423-157	3		Nut, Lock
37	8409-030	3		Screw, Cap
38	0502-325	1		Coupler, Drive (inc. 39-44)
39	0	1	F	Flange, Output
40	0423-393	2		Clamp
41	0402-953	1		Bolt

2003 ATV 500 FIS AUTOMATIC TRANSMISSION (GREEN) (A2003ISM4BUSG)  
REAR DRIVE GEARCASE ASSEMBLY

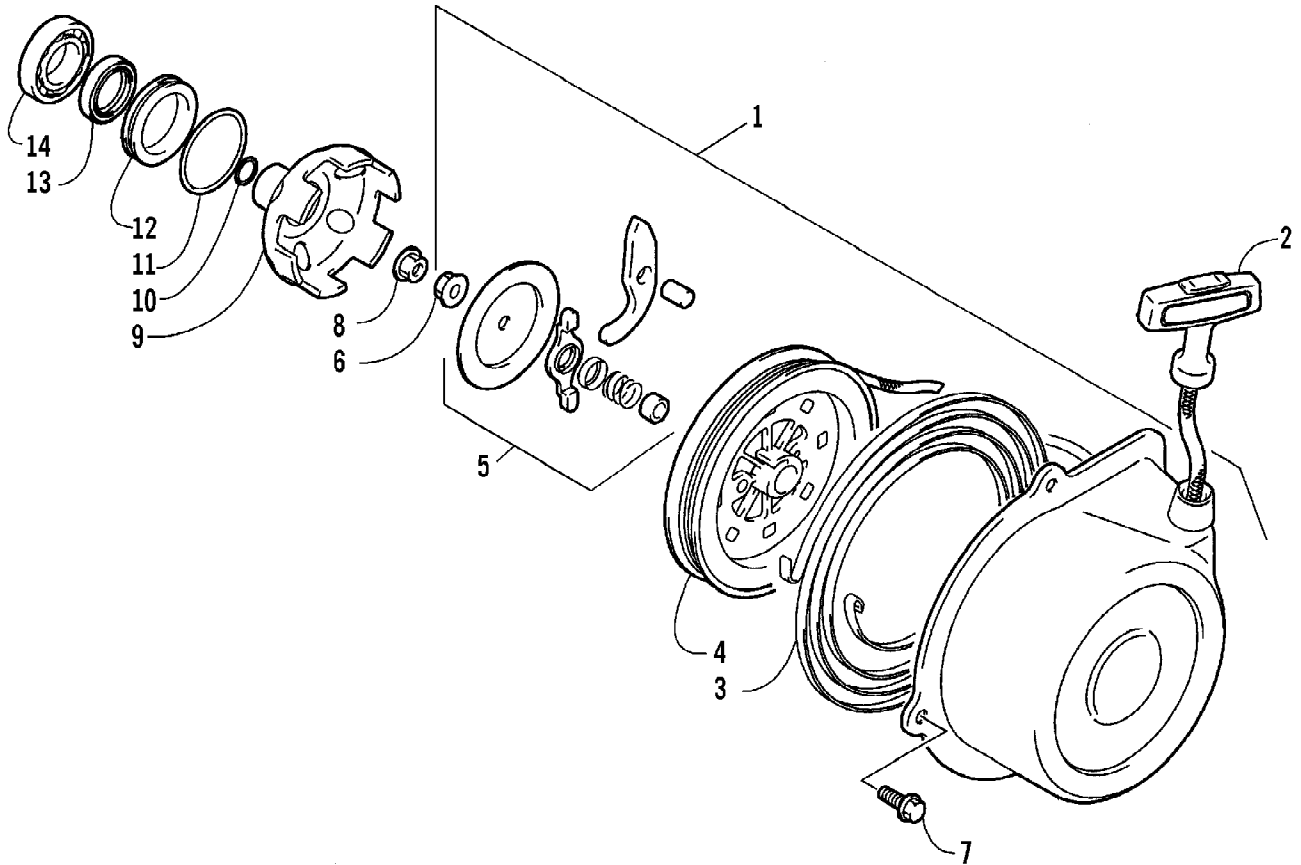
Ref #	Part Number	Qty	S/P/F	Description
42	0673-618	2	/P	Bumper, Propeller Shaft
43	0	1	F	Shaft, Propeller
44	0	1	F	Flange, Input
45	8408-820	4	/P	Screw, Cap
46	0423-404	2		Screw, Cap
47	0423-426	4		Washer
48	8428-002	2		Nut, Lock
49	0470-462	1		Fitting, Vent
50	0423-315	3		Clamp, Hose
51	0402-147	1	S	Bladder, Gearcase
52	0623-101	1		Clip, Retaining
53	0410-049	AR		Hose, Vent

2003 ATV 500 FIS AUTOMATIC TRANSMISSION (GREEN) (A2003ISM4BUSG) Page 64 of 98  
REAR SUSPENSION ASSEMBLY



2003 ATV 500 FIS AUTOMATIC TRANSMISSION (GREEN) (A2003ISM4BUSG) Page 65 of 98  
REAR SUSPENSION ASSEMBLY

Ref #	Part Number	Qty	S/P/F	Description
1	0504-226	1	S	Knuckle, Right Rear - Assembly (inc. 2-6)
1	0504-227	1	S	Knuckle, Left Rear - Assembly (inc. 2-6)
2	0504-224	1	S	Knuckle - Right
2	0504-225	1	S	Knuckle - Left
3	0402-069	2		Seal, Wheel Bearing - Rear
4	0402-089	2		Seal, Wheel Bearing - Front
5	0402-275	2	/P	Bearing, Wheel
6	0423-034	2		Clip, Bearing
7	0403-038	4	S/P	Collar, Suspension Bushing
8	0403-032	8	S	Bushing, Suspension
9	8409-000	4		Screw, Cap
10	8428-002	14		Nut, Lock
11	0504-228	1		A-Arm, Rear - Lower Right
11	0504-229	1		A-Arm, Rear - Lower Left
12	0504-232	1		A-Arm, Rear - Upper Right
12	0504-233	1		A-Arm, Rear - Upper Left
13	0402-907	2	S	Axle, Drive (inc. 14-15)
14	0441-400	2	S	Clip, Retaining
15	0436-276	2	S	Repair Kit, Boot - Rear Axle
16	0404-045	2		Shock Absorber - Rear (inc. 17-18)
17	0604-310	8		Bushing, Shock Absorber
18	0403-028	2		Sleeve, Shock Absorber
19	0404-057	2		Cam, Spring Adjuster
20	1603-889	2	/P	Retainer, Spring
21	0404-046	2		Spring, Suspension
22	0423-087	2		Washer
23	8408-820	2	/P	Screw, Cap
24	8409-060	8		Screw, Cap
25	1406-071	1		Guard, Boot - Right
25	1406-072	1		Guard, Boot - Left
26	1406-068	1		Guard, Boot - Right
26	1406-069	1		Guard, Boot - Left
27	8409-040	2		Screw, Cap
28	0423-101	6		Screw, Body
29	0441-587	1		Wrench, Spanner



2003 ATV 500 FIS AUTOMATIC TRANSMISSION (GREEN) (A2003ISM4BUSG)  
RECOIL STARTER ASSEMBLY

Ref #	Part Number	Qty	S/P/F	Description
1	3445-003	1		Starter, Recoil - Assembly (inc. 2-6)
2	3445-011	1		Rope Assembly
3	3445-007	1		Spring, Spiral
4	3445-004	1		Reel
5	3445-016	1		Ratchet Assembly
6	3004-488	1	S/P	Nut
7	3423-428	4		Screw, Cap
8	3004-491	1	S/P	Nut
9	3445-029	1	/P	Cup, Starter
10	3423-053	1	/P	O-Ring
11	3423-063	1		O-Ring
12	3402-119	1	S	Spacer
13	3402-070	1		Seal, Oil
14	3402-051	1		Bearing

No  
Diagram  
Available  
  
Parts List  
Only



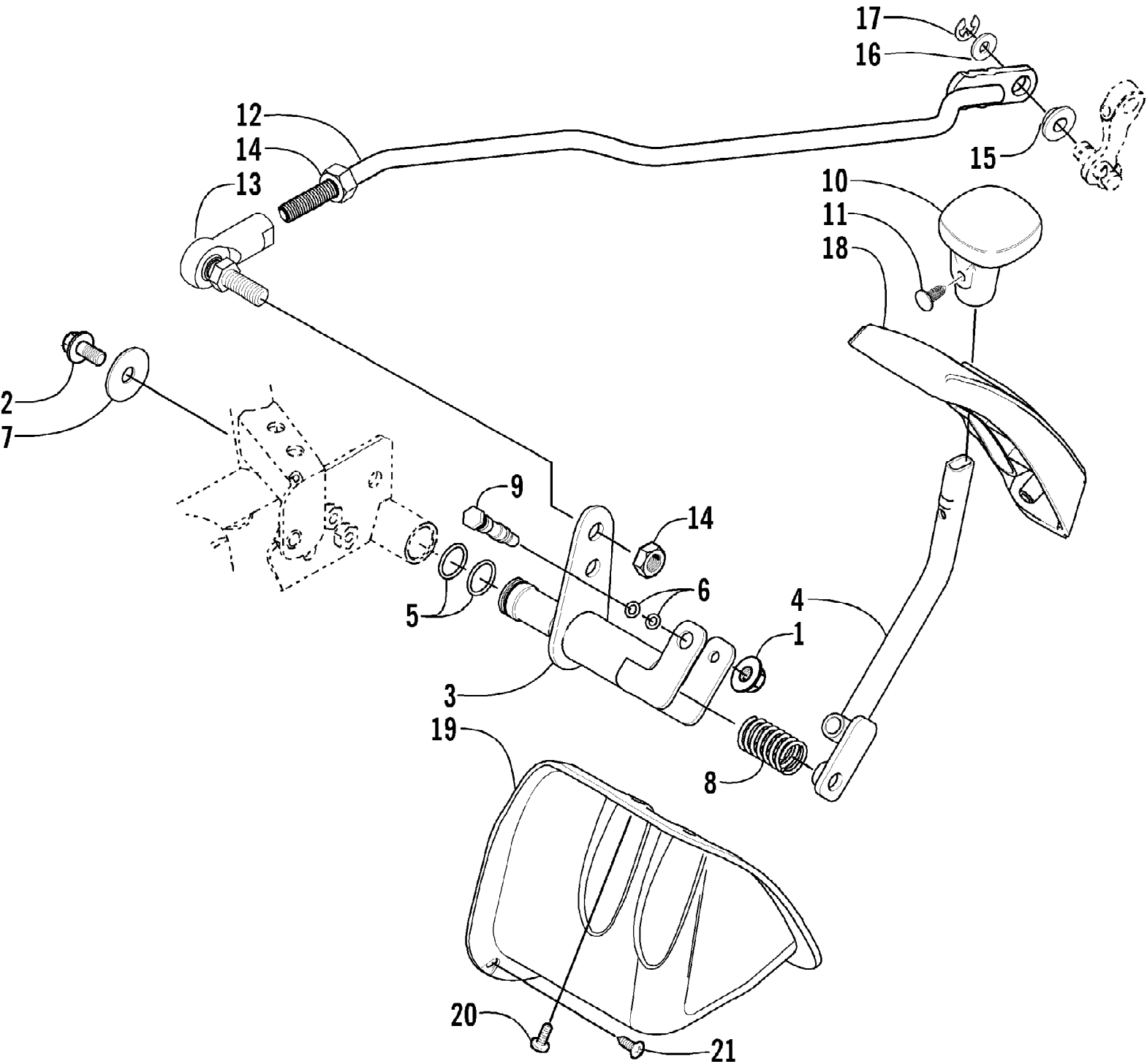
2003 ATV 500 FIS AUTOMATIC TRANSMISSION (GREEN) (A2003ISM4BUSG) Page 69 of 98  
RELATED ITEMS

Ref #	Part Number	Qty	S/P/F	Description
	0436-479	1		Articulating Spool Mount - MRP
	0436-469	1		Backrest - MRP
	0436-337	1		Bag, Rack, Front, Black
	0436-336	1		Bag, Rack, Rear, Black
	0436-185	1		Bag, Tank, Black
	0436-183	1	/P	Battery, Heavy Duty
	0436-480	1		Bar, Utility - MRP
	0436-455	1		Cargo Box Quick-Release Kit - MRP
	0436-432	1	S	Brush Guard/Bumper, Deluxe
	0436-330	1		Bumper (Rear)
	0436-139	1		Cargo Trailer - Deluxe
	0436-459	1	/P	Carryall (912) - MRP
	0436-460	1		Carryall (1117) - MRP
	0436-461	1		Carryall (1425) - MRP
	0436-462	1		Carryall (100) - MRP
	0436-477	1		Cord Reel - MRP
	0436-381	1		Cover, Black and Green
	0436-125	1		Cover, Gray Universal
	0436-087	1	/P	Electrical Plug
	0436-035	1	S	Engine Block Heater
	0436-466	1		Fender Box - MRP
	0436-474	1		Flatbed Extensions - MRP
	0436-467	1		Gear Cradle - MRP
	0436-468	1		Gear Lock - MRP
	0436-464	1		Grille Cradle - MRP
	0436-472	1		Gun Scabbard Kit - MRP
	0436-199	1		Gun Scabbard w/Mount
	0436-352	1		Hand/Thumb Warmers
	0436-103	1		Hourmeter
	2256-705R	1		Illustrated Parts Manual
	0436-463	1		Light Bar - MRP
	0436-473	1		Maxrack - MRP
	0436-122	1	S	Lunch Pack, Black
	2256-593	1		Operator's Manual
	0652-024	1		Paint, Metal - Black
	0436-176	1		Prefilter, Air Filter
	0436-475	1		Rack Basket - MRP
	0436-351	1		Rack Basket (Front)
	0436-350	1		Rack Basket (Rear)
	0436-349	1		Rack Extension, 4 in. (Front)
	0436-225	1		Rack Extension, 4 in. (Rear)
	0436-226	1		Rack Extension, 8 in. (Rear)
	0436-201	1		Rack Pouch, Standard Rack, Black
	0436-014	1	/P	Safety Flag
	0436-476	1		Saw Lock - MRP
	0436-386	1		Snowplow Attachment Kit
	0436-228	1		Snowplow Blade, 50 in. - Straight
	0436-287	1		Snowplow Blade, 50 in. - One-Way
	0436-296	1		Snowplow Blade, 60 in. - Straight
	0436-360	1		Snowplow Blade, 60 in. - One-Way
	0436-356	1	S	Snowplow, Push Frame
	0436-233	1		Snowplow Remote Angle Adjust
	0436-385	1		Snowplow Hand Lift Lever Kit

2003 ATV 500 FIS AUTOMATIC TRANSMISSION (GREEN) (A2003ISM4BUSG) Page 70 of 98  
 RELATED ITEMS

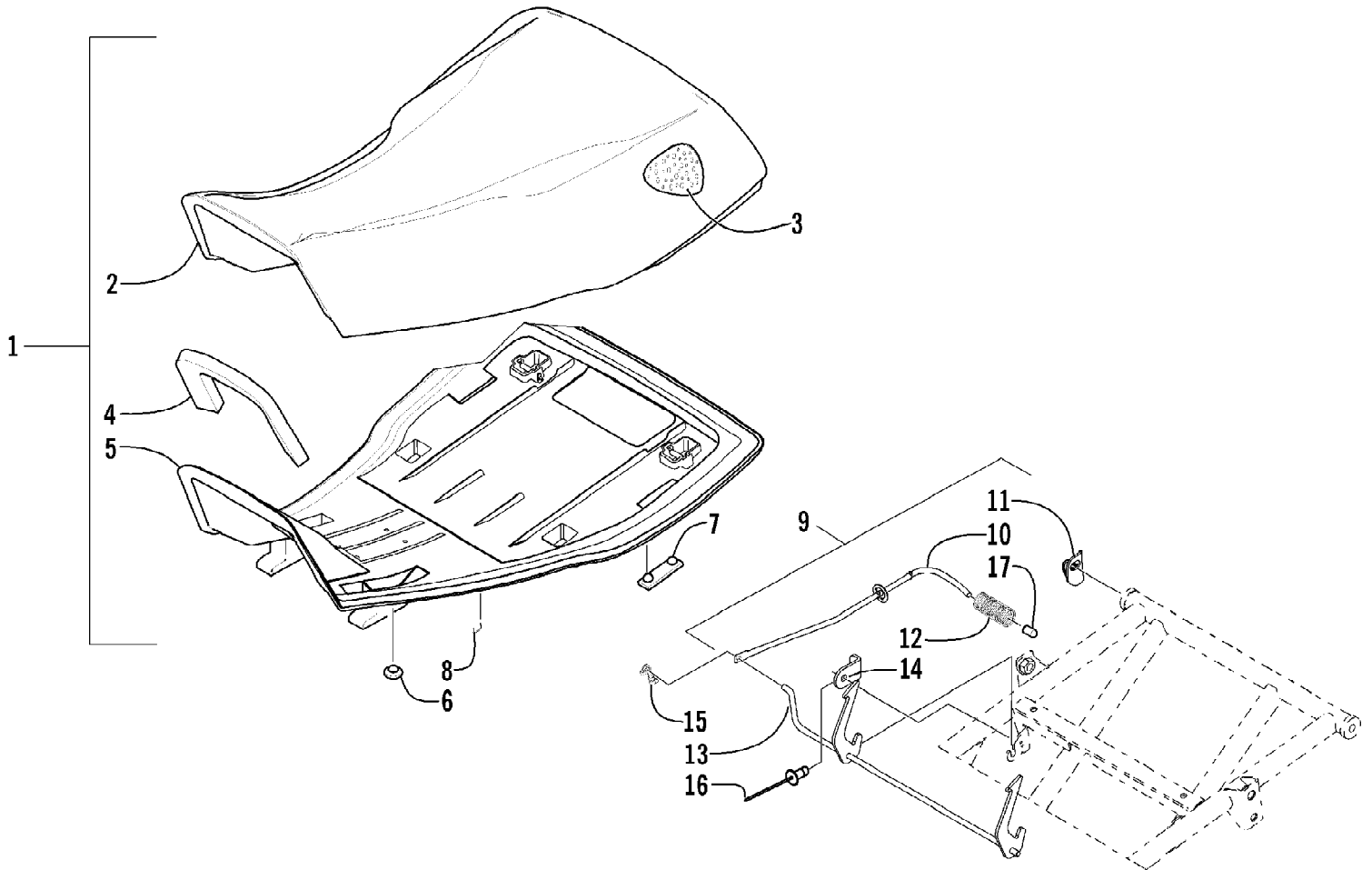
Ref #	Part Number	Qty	S/P/F	Description
	0436-471	1		Speedclamp, Double - MRP
	0436-465	1		Table, Expansion - MRP
	0436-026	1		Tire Chains, Size B (24 in. and 25 in. Tires)
	0436-027	1		Tire Chains, Size C (26 in. Tires)
	0402-154	1		Tire, Titan AT471 (25x8-12, Deep Lug)
	0402-155	1		Tire, Titan AT471 (25x10-12, Deep Lug)
	0402-926	1		Tire, Dunlop KT (25x11-12)
	0402-890	1		Tire, Dunlop KT (25x8-12)
	0402-227	1		Tire, Titan AT495 (26x10.5-12)
	1402-028	1		Tire, Titan AT589 (25x8-12, Mud & Snow)
	0402-563	1		Tire, Titan AT589 (25x10-12, Mud & Snow)
	0436-297	1		Tool Holder - Double (Pair)
	0436-263	1	/P	Tool Holder - Single (Pair)
	0436-478	1		Tool Lock - MRP
	0436-068	1		Winch Accessories Kit
	0436-329	1	S	Wink Kit, 2500 lb
	0436-361	1		Winch Mounting Kit
	0436-303	1		Windshield, Clear
	0436-301	1		Windshield, Clear w/Accent
	0436-302	1		Windshield, Smoke w/Accent
	0436-470	1		Workbase (8 in.) - MRP

2003 ATV 500 FIS AUTOMATIC TRANSMISSION (GREEN) (A2003ISM4BUSG) Page 71 of 98  
REVERSE SHIFT LEVER ASSEMBLY



2003 ATV 500 FIS AUTOMATIC TRANSMISSION (GREEN) (A2003ISM4BUSG) Page 72 of 98  
REVERSE SHIFT LEVER ASSEMBLY

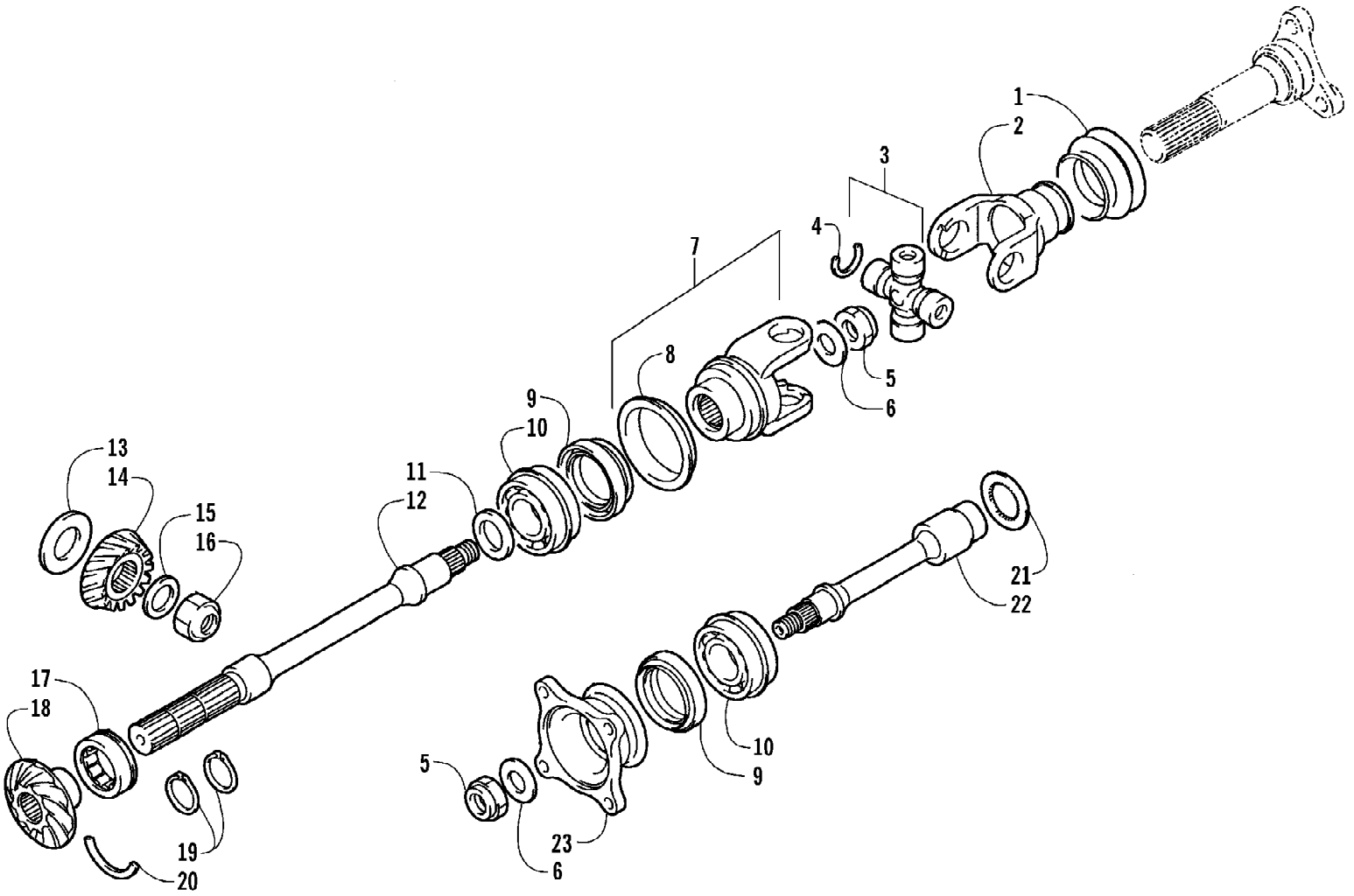
Ref #	Part Number	Qty	S/P/F	Description
1	8424-602	1	/P	Nut
2	8408-812	1		Screw, Cap
3	0502-187	1		Axle, Reverse Shift Lever
4	0502-185	1		Lever, Reverse Shift
5	0423-299	2	/P	O-Ring
6	0423-182	2	/P	O-Ring
7	0423-087	1		Washer
8	0502-410	1	S	Spring
9	0402-675	1		Axle, Pivot
10	0402-843	1	/P	Handle, Reverse Shift Lever
11	0423-345	1		Clip, Push
12	0502-146	1		Linkage, Shift
13	0402-844	1		End, Rod
14	0623-294	2		Nut
15	0423-091	1		Bushing
16	3423-204	1	/P	Washer
17	0423-169	1	/P	E-Ring
18	0402-685	1		Plate, Shift
19	0406-943	1		Shield, Linkage
20	0423-371	3		Screw, Machine
21	0623-309	1		Screw, Self-Tapping



2003 ATV 500 FIS AUTOMATIC TRANSMISSION (GREEN) (A2003ISM4BUSG) Page 74 of 98  
SEAT ASSEMBLY

Ref #	Part Number	Qty	S/P/F	Description
1	0506-558	1		Seat Assembly (inc. 2-8)
2	0506-556	1		Cover, Seat
3	0506-555	1		Foam, Seat
4	1406-060	1		Foam, Sound
5	0406-878	1		Base, Seat Assembly (inc. 6-7)
6	0406-877	2	/P	Bumper, Seat - Front
7	0406-879	2		Bumper, Seat - Rear
8	0624-100	AR		Staple
9	0506-702	1	/P	Rod, Seat Release - Assembly (inc. 10-12)
10	0506-701	1	S	Rod, Seat Release
11	1406-004	1		Bracket, Seat Release
12	1406-005	1		Spring, Seat Release
13	0506-796	1		Latch, Seat
14	1406-087	1		Plate, Retainer
15	0423-358	1		Clip, Retainer
16	8060-284	1		Rivet
17	0623-404	1		Cap, Protector

2003 ATV 500 FIS AUTOMATIC TRANSMISSION (GREEN) (A2003ISM4BUSG) Page 75 of 98  
SECONDARY DRIVE ASSEMBLY

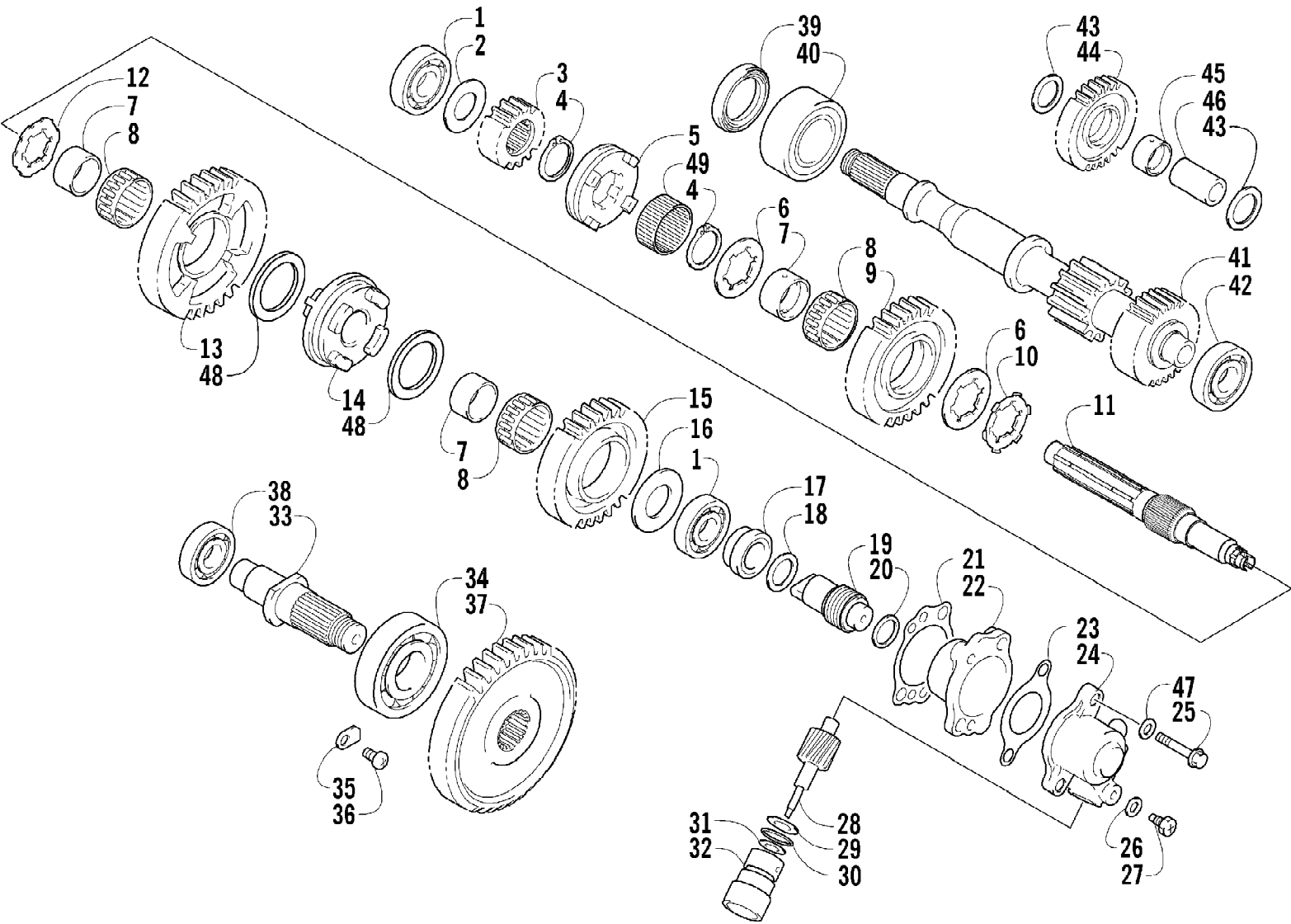


2003 ATV 500 FIS AUTOMATIC TRANSMISSION (GREEN) (A2003ISM4BUSG) Page 76 of 98  
SECONDARY DRIVE ASSEMBLY

Ref #	Part Number	Qty	S/P/F	Description
1	3402-518	1	S	Boot, Propeller Shaft
2	3402-744	1	S	Yoke, Propeller Shaft Joint
3	3402-562	1		Joint, Universal - Set (inc. 4)
4	3423-479	4		Circlip
5	3423-025	2		Nut, Rear Output Joint
6	3423-028	2		Washer, Rear Output Flange
7	3402-742	1		Yoke, Drive Output - Front (inc. 8)
8	3402-743	1		Plate, Output Yoke
9	3402-072	2		Seal, Oil - Driven Shaft
10	3402-067	2	S	Bearing, Driven Shaft
11	3402-017	AR		Shim, 25 x 34 x 0.60 mm
11	3402-018	AR		Shim, 25 x 34 x 0.65 mm
11	3402-019	AR		Shim, 25 x 34 x 0.70 mm
11	3402-020	AR		Shim, 25 x 34 x 0.75 mm
11	3402-021	AR	S	Shim, 25 x 34 x 0.80 mm
11	3402-022	AR		Shim, 25 x 34 x 0.85 mm
11	3402-023	AR		Shim, 25 x 34 x 0.90 mm
11	3402-024	AR		Shim, 25 x 34 x 0.95 mm
11	3402-025	AR	S	Shim, 25 x 34 x 1.00 mm
11	3402-028	AR		Shim, 25 x 34 x 1.05 mm
11	3402-029	AR		Shim, 25 x 34 x 1.10 mm
11	3402-030	AR		Shim, 25 x 34 x 1.15 mm
11	3402-031	AR		Shim, 25 x 34 x 1.20 mm
12	3402-740	1		Shaft, Secondary Driven - Front
13	3446-035	1		Shim, Secondary Drive Gear - Set
14	3402-738	1		Gear, Secondary Drive
15	3005-372	1		Washer
16	3423-023	1		Nut
17	3402-515	1	/P	Bearing, Driven Gear
18	3402-739	1		Gear, Secondary Driven
19	3423-340	2	S	Circlip, Secondary Driven Gear
20	3423-072	1		Ring, Driven Bearing
21	3423-415	1		Washer, Driven Shaft
22	3402-513	1		Shaft, Secondary Driven - Rear
23	3402-514	1	/P	Flange, Output Joint - Rear

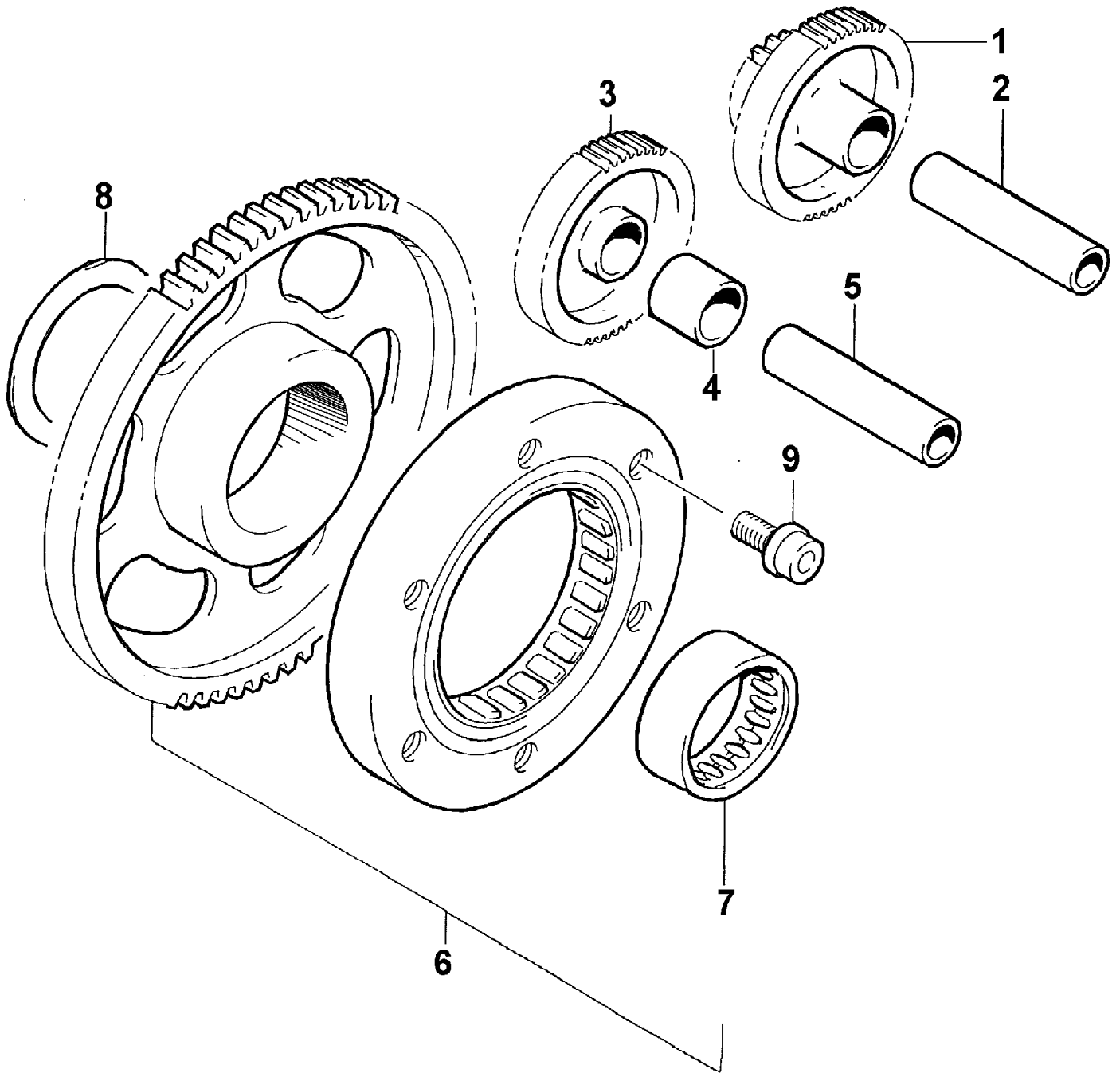


2003 ATV 500 FIS AUTOMATIC TRANSMISSION (GREEN) (A2003ISM4BUSG) Page 77 of 98  
SECONDARY TRANSMISSION ASSEMBLY



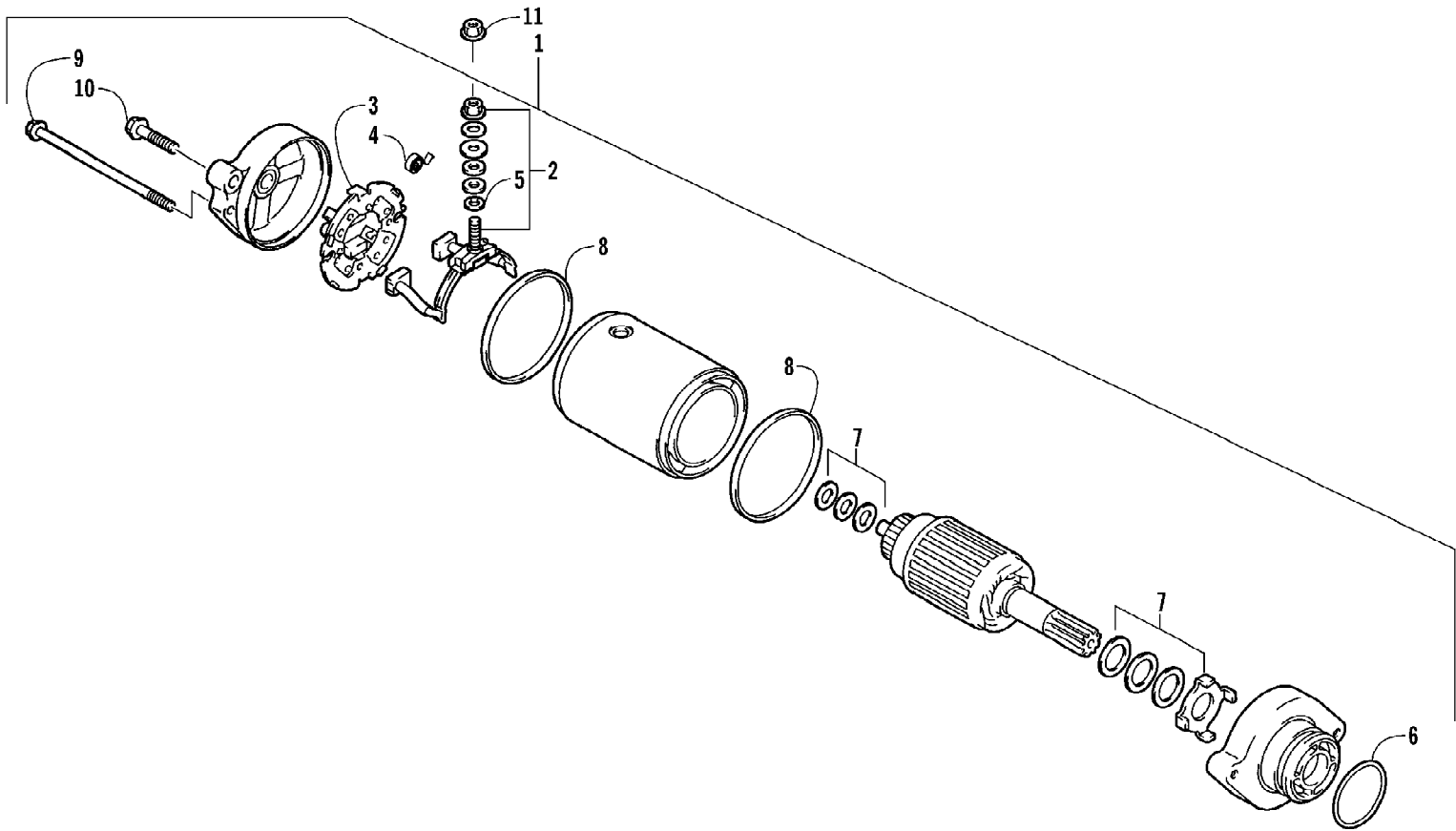
2003 ATV 500 FIS AUTOMATIC TRANSMISSION (GREEN) (A2003ISM4BUSG) Page 78 of 98  
SECONDARY TRANSMISSION ASSEMBLY

Ref #	Part Number	Qty	S/P/F	Description
1	3402-045	2	/P	Bearing, Shaft
2	3423-411	1		Washer, Drive Gear No. 2 - Right
3	3402-497	1		Gear, Drive - No. 2
4	3423-066	2	/P	Circlip
5	3402-821	1		Dog, Reverse Driven Gear
6	3423-263	2		Washer
7	3402-494	3		Bushing
8	3402-498	3		Bearing
9	3402-822	1		Gear, Reverse Driven
10	3423-266	1		Washer, Lock
11	3402-820	1		Countershaft
12	3423-262	1		Washer, Lock
13	3402-668	1	/P	Gear, Driven - Low
14	3402-824	1		Dog, Sliding
15	3402-733	1		Gear, Driven - High
16	3423-412	1		Washer, Drive Gear - Left
17	3446-114	1	/P	Spacer, Driven Gear
18	3423-146	1		Washer, Drive Gear - Center
19	3402-508	1		Gear, Speedometer Drive
20	3423-145	1		Washer, Drive Gear - Right
21	3446-289	1		Gasket
22	3446-288	1		Joint, Speedometer Gear
23	3446-244	1	/P	Gasket
24	3446-057	1		Housing, Speedometer Gear
25	3423-307	2	S	Bolt, Housing
26	3402-009	1	/P	Washer, Driven Gear
27	3423-143	1	S	Screw, Driven Gear
28	3402-509	1		Gear, Speedometer Driven
29	3423-144	1		Washer, Driven Gear
30	3423-056	1		O-Ring
31	3402-077	1		Seal, Driven Gear
32	3446-058	1		Sleeve
33	3402-491	1		Shaft, Output
34	3402-502	1		Bearing, Output Shaft
35	3446-031	2	/P	Retainer, Bearing
36	3423-435	2		Screw, Bearing Retainer
37	3402-534	1	/P	Gear, Driven - No. 2
38	3402-735	1		Bearing
39	3402-537	1	/P	Seal, Driveshaft - Left
40	3402-499	1		Bearing, Driveshaft - Right
41	3402-731	1		Driveshaft
42	3003-261	1	/P	Bearing, Driveshaft - Left
43	3402-195	2		Washer, Reverse Idle Gear
44	3402-503	1		Gear, Reverse Idle
45	3446-103	1		Bushing, Reverse Idle Gear
46	3402-507	1		Shaft, Reverse Idle
47	3003-290	2	/P	Gasket
48	3423-554	2		Washer, Driven Gear
49	3402-825	1		Spacer, Reverse Driven Gear



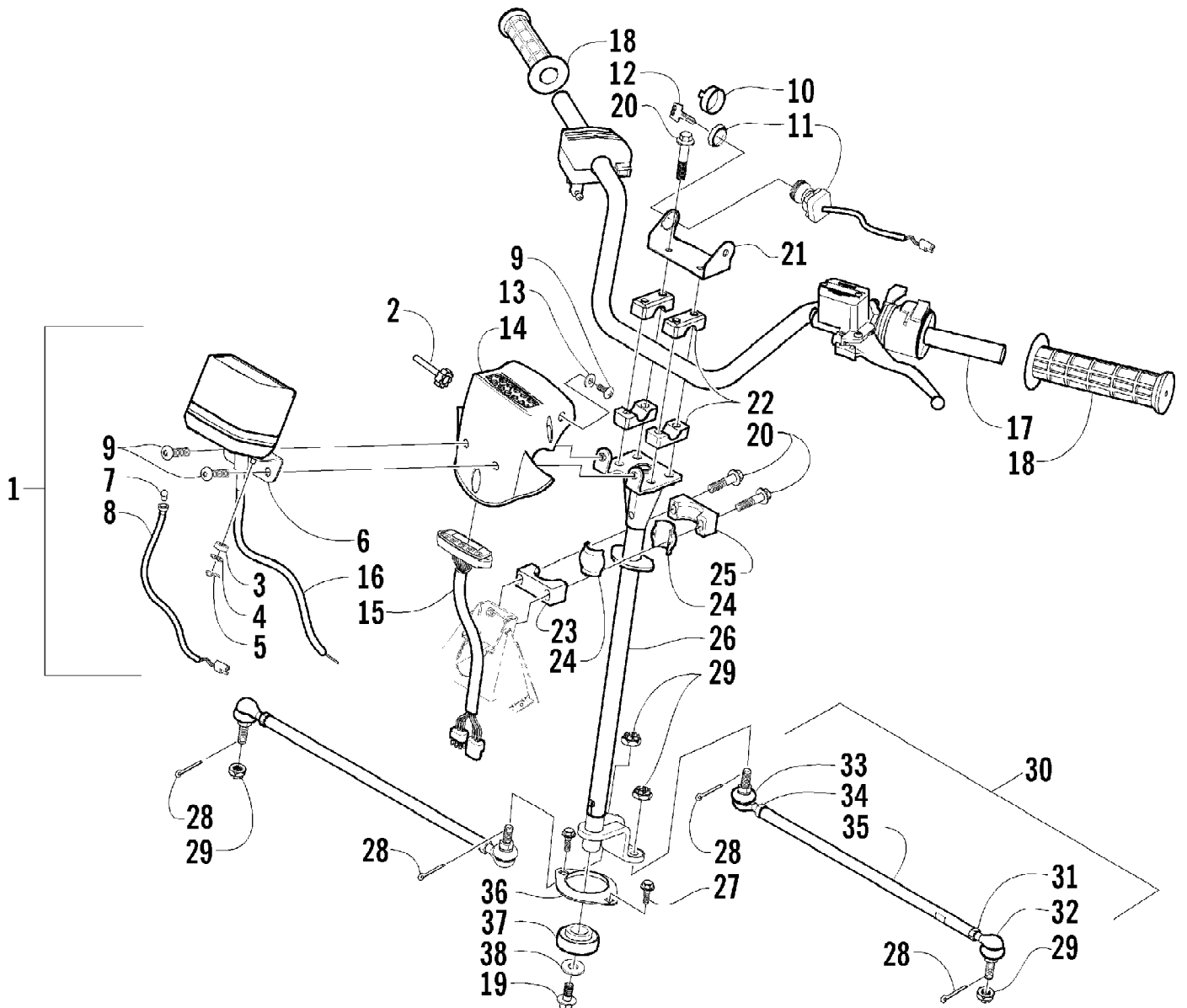
2003 ATV 500 FIS AUTOMATIC TRANSMISSION (GREEN) (A2003ISM4BUSG) Page 80 of 98  
STARTER CLUTCH ASSEMBLY

Ref #	Part Number	Qty	S/P/F	Description
1	3402-721	1	S	Gear, Starter Idler - No. 1
2	3423-331	1		Pin
3	3402-349	1		Gear, Starter Idler - No. 2
4	3423-396	1		Spacer, Starter Idler Gear No. 2
5	3423-397	1		Pin
6	3402-457	1		Clutch, Starter - Set (inc. 7)
7	3402-063	1		Bearing
8	3423-104	1		Washer
9	3402-509	6		Screw, Cap



2003 ATV 500 FIS AUTOMATIC TRANSMISSION (GREEN) (A2003ISM4BUSG) Page 82 of 98  
STARTER MOTOR ASSEMBLY

Ref #	Part Number	Qty	S/P/F	Description
1	3545-015	1	S	Motor, Starter Assembly (inc. 2-9)
2	3008-094	1	/P	Terminal Set, Brush
3	3008-095	1	/P	Holder Set, Brush
4	3008-096	4		Spring, Brush
5	3008-164	1		O-Ring
6	3423-084	1		O-Ring
7	3436-001	1		Washer Set
8	3008-553	2	/P	O-Ring
9	3423-085	2		Through-Bolt
10	3423-162	2	S	Screw, Cap
11	3423-195	1	/P	Nut

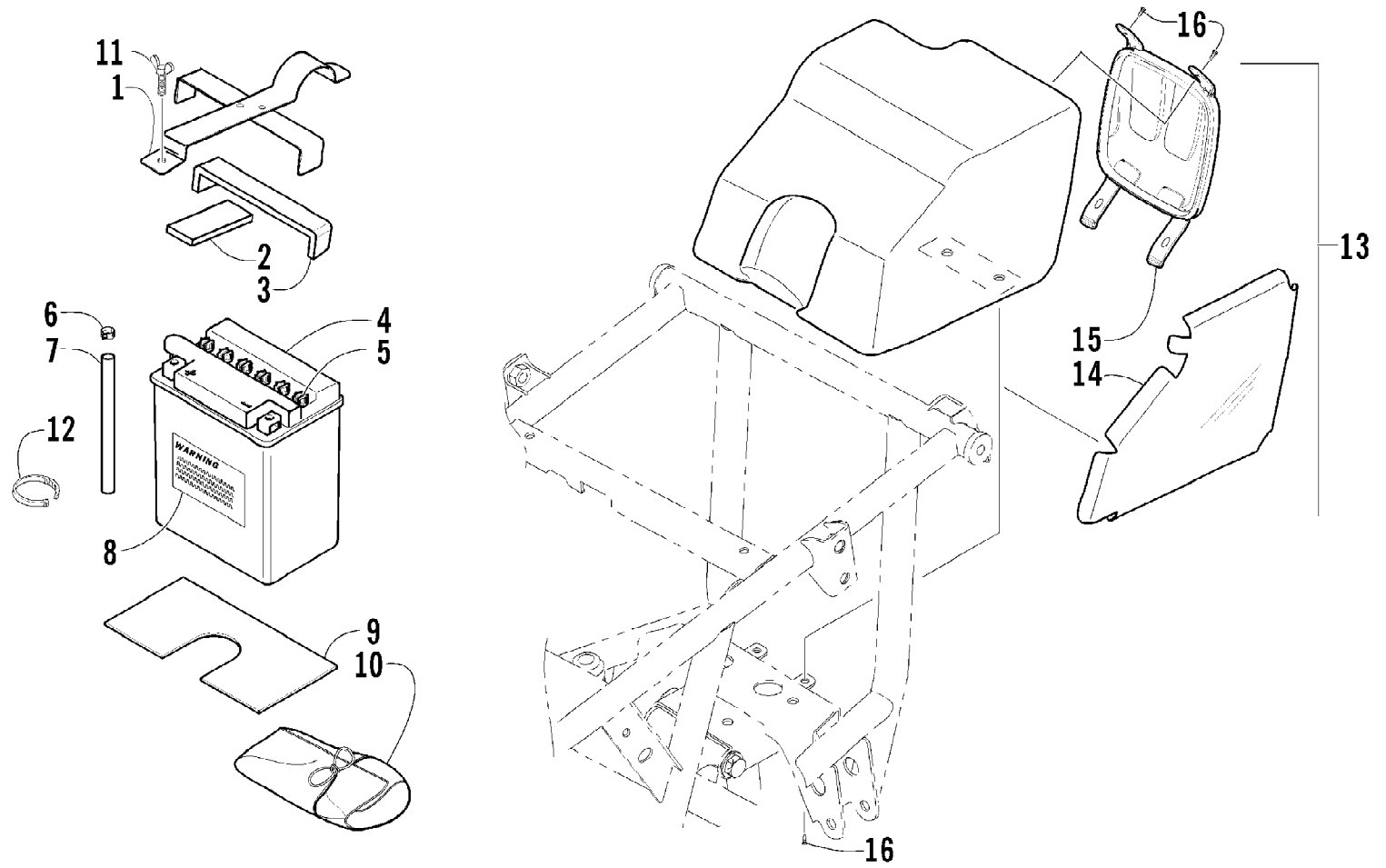


2003 ATV 500 FIS AUTOMATIC TRANSMISSION (GREEN) (A2003ISM4BUSG) Page 84 of 98  
STEERING ASSEMBLY

Ref #	Part Number	Qty	S/P/F	Description
1	0420-041	1		Speedometer (inc. 2-8)
2	0420-027	1		Knob, Speedometer Trip
3	0420-016	2		Mount, Rubber
4	0420-017	2		Washer
5	0420-015	2		Pin, Retainer
6	0420-018	1		Bracket, Speedometer
7	0620-149	1	/P	Bulb, Speedometer
8	0420-014	1		Harness, Speedometer
9	8477-616	3		Screw, Machine
10	0409-013	1		Cover, Key
11	3430-040	1		Switch, Ignition - Assembly (inc. 12)
12	3409-007	1	/P	Key, Ignition - Blank (C Series)
12	3409-011	1		Key, Ignition - Blank (D Series)
12	3409-012	1		Key, Ignition - Blank (E Series)
12	3409-013	1		Key, Ignition - Blank (F Series)
13	0423-052	1		Collar, Body
14	0405-063	1		Instrument Pod
15	0420-035	1	/P	Panel, LED
16	0487-026	1		Cable, Speedometer
17	0505-410	1		Tube, Handlebar
18	0405-106	2		Grip, Handlebar
19	8409-020	1	/P	Screw, Cap
20	8408-860	6		Screw, Cap
21	0506-348	1	/P	Bracket, Key Switch
22	0405-035	4		Cap, Steering Adjuster
23	0605-171	1		Housing, Bearing - Lower
24	0405-020	2		Bearing, Steering Post
25	0605-147	1	S	Housing, Bearing - Upper
26	0505-425	1	S	Post, Steering
27	8408-816	2		Screw, Cap
28	0623-175	4		Pin, Cotter
29	0423-157	4		Nut, Lock
30	0505-408	2	S	Tie Rod - Assembly (inc. 31-35)
31	8420-002	2	/P	Nut - Right
32	0405-082	2	S	Ball Joint, Tie Rod - Right
33	0405-083	2	S	Ball Joint, Tie Rod - Left
34	0423-013	2		Nut - Left
35	0405-107	2	S	Tie Rod
36	0602-233	1		Flange, Bearing
37	0405-052	1		Bearing w/Inverted Oil Seal
38	0423-073	1		Washer



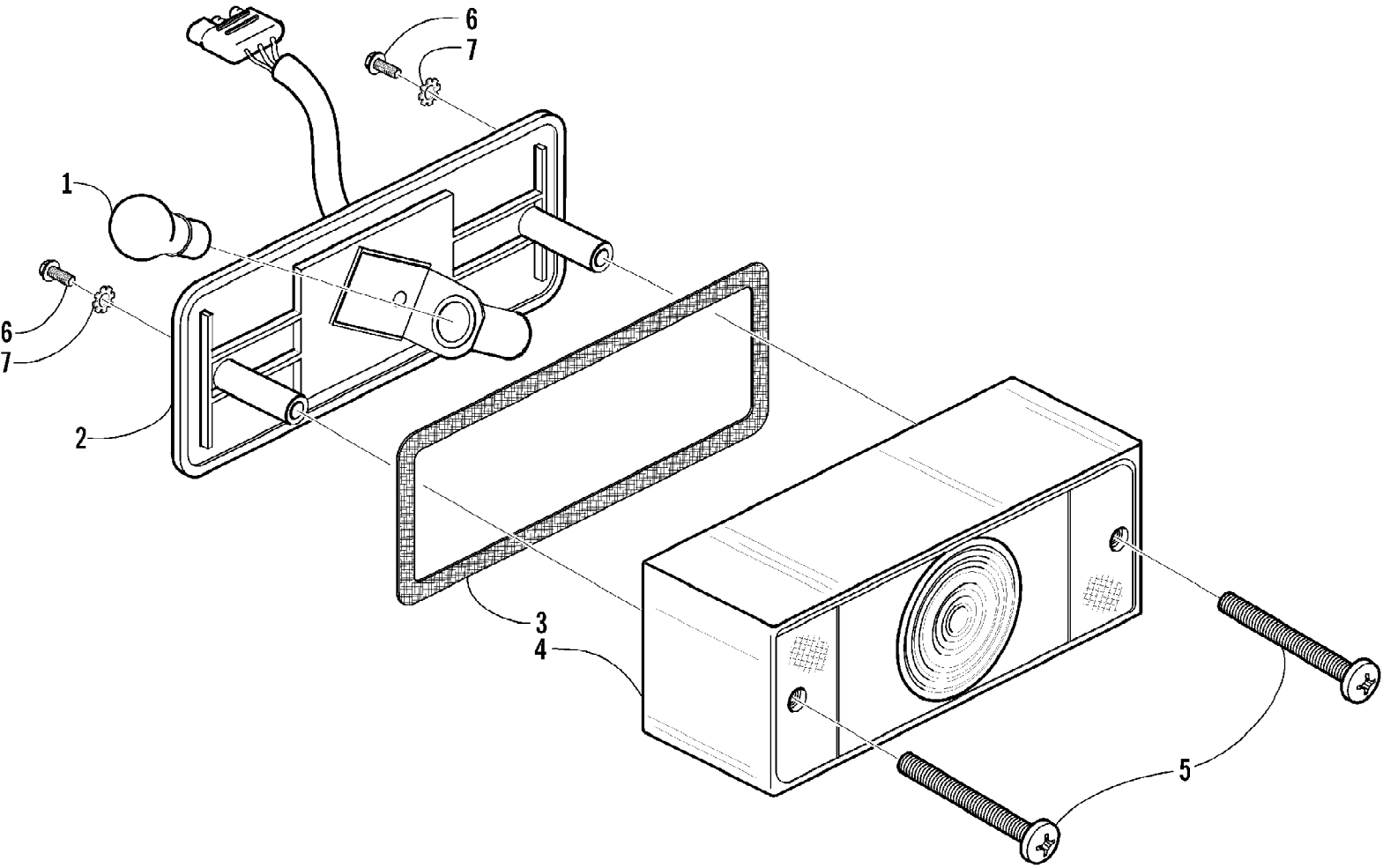
2003 ATV 500 FIS AUTOMATIC TRANSMISSION (GREEN) (A2003ISM4BUSG) Page 85 of 98  
STORAGE BOX AND BATTERY ASSEMBLY



2003 ATV 500 FIS AUTOMATIC TRANSMISSION (GREEN) (A2003ISM4BUSG) Page 86 of 98  
STORAGE BOX AND BATTERY ASSEMBLY

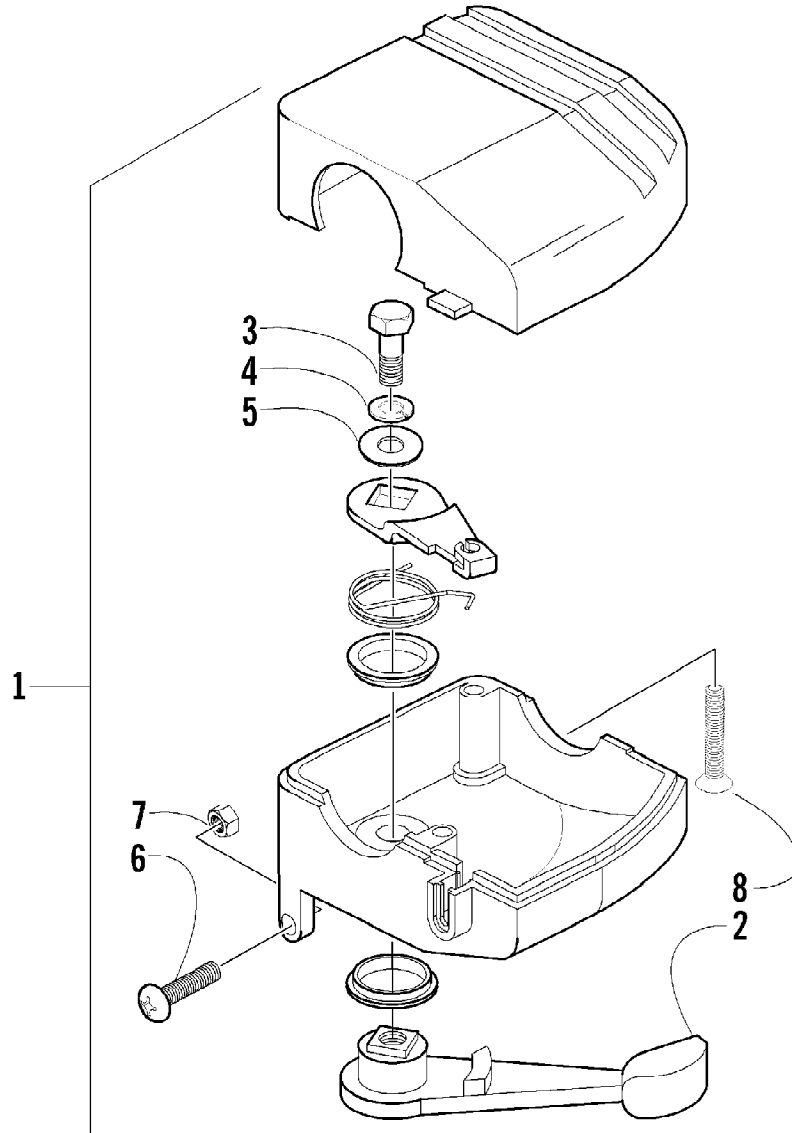
Ref #	Part Number	Qty	S/P/F	Description
1	0506-178	1		Strap, Battery w/Pads (inc. 2-3)
2	0406-288	1		Pad, Battery - Upper Front
3	0406-289	1		Pad, Battery - Upper Rear
4	0745-045	1	/P	Battery Assembly (inc. 5-8)
5	0645-045	6		Cap, Battery
6	0645-152	1		Clamp, Hose
7	0645-263	1	/P	Hose, Battery Vent
8	0645-151	1		Label, Warning - Battery
9	0406-227	1		Pad, Battery - Lower
10	0444-122	1	S/P	Kit, Tool
11	0423-428	1	S	Screw, Machine
12	0123-903	2		Cable Tie - 11.5 in.
13	0506-797	1		Storage Box - Assembly (inc. 14)
14	1406-140	1		Shield, Heat
15	1406-078	1		Cover, Storage Box
16	0623-797	4		Screw, Self-Tapping

2003 ATV 500 FIS AUTOMATIC TRANSMISSION (GREEN) (A2003ISM4BUSG) Page 87 of 98  
TAILLIGHT ASSEMBLY



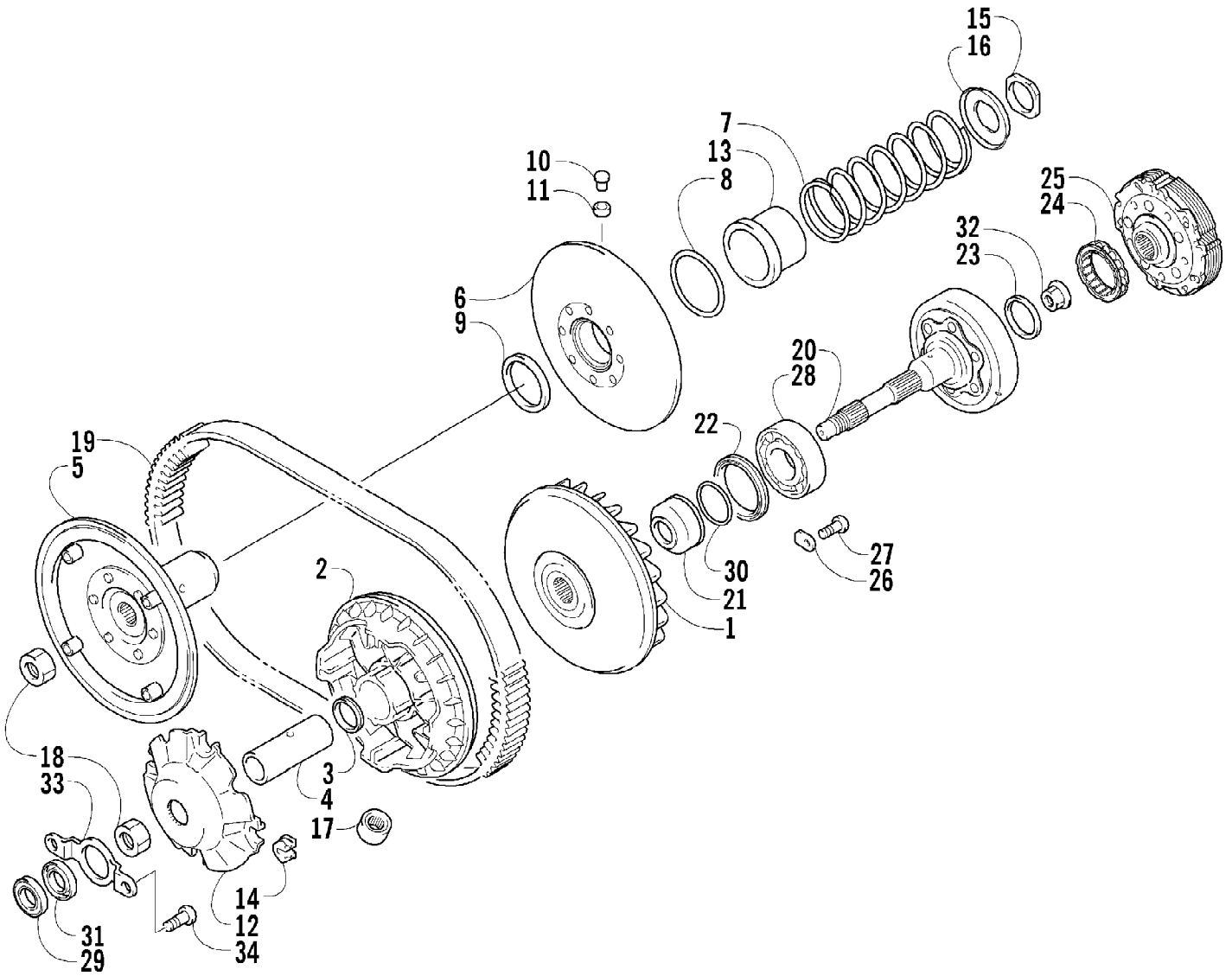
2003 ATV 500 FIS AUTOMATIC TRANSMISSION (GREEN) (A2003ISM4BUSG)  
TAILLIGHT ASSEMBLY

Ref #	Part Number	Qty	S/P/F	Description
	0409-002	1		Complete Taillight Assembly
1	0109-460	1	/P	Bulb, Stop/Taillight
2	0409-011	1		Taillight w/Socket Assembly
3	0409-012	1		Gasket, Taillight Lens
4	0409-007	1		Lens, Taillight
5	0409-010	2		Screw, Machine
6	0623-301	2	/P	Screw, Self-Tapping
7	8053-212	2	/P	Washer, Lock - External Tooth



2003 ATV 500 FIS AUTOMATIC TRANSMISSION (GREEN) (A2003ISM4BUSG)  
THROTTLE CASE ASSEMBLY

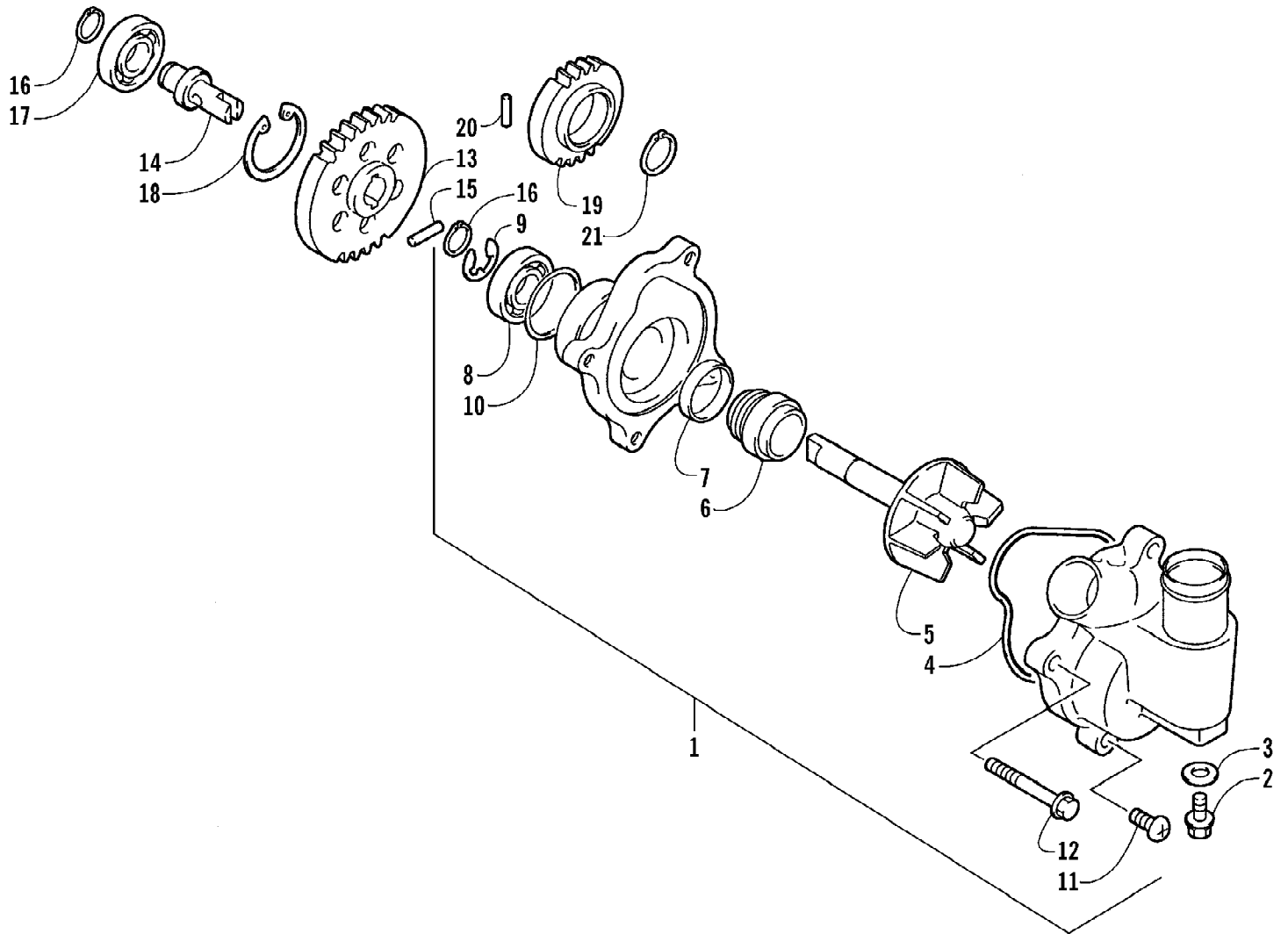
Ref #	Part Number	Qty	S/P/F	Description
1	3509-003	1	/P	Case, Throttle - Assembly (inc. 2-8)
2	3409-001	1		Lever
3	3004-533	1	S/P	Screw, Cap
4	3004-447	1	/P	Washer, Lock
5	3003-030	1	/P	Washer
6	3423-014	1		Screw
7	3423-327	1		Nut
8	3423-199	2		Screw



2003 ATV 500 FIS AUTOMATIC TRANSMISSION (GREEN) (A2003ISM4BUSG) Page 92 of 98  
TRANSMISSION ASSEMBLY

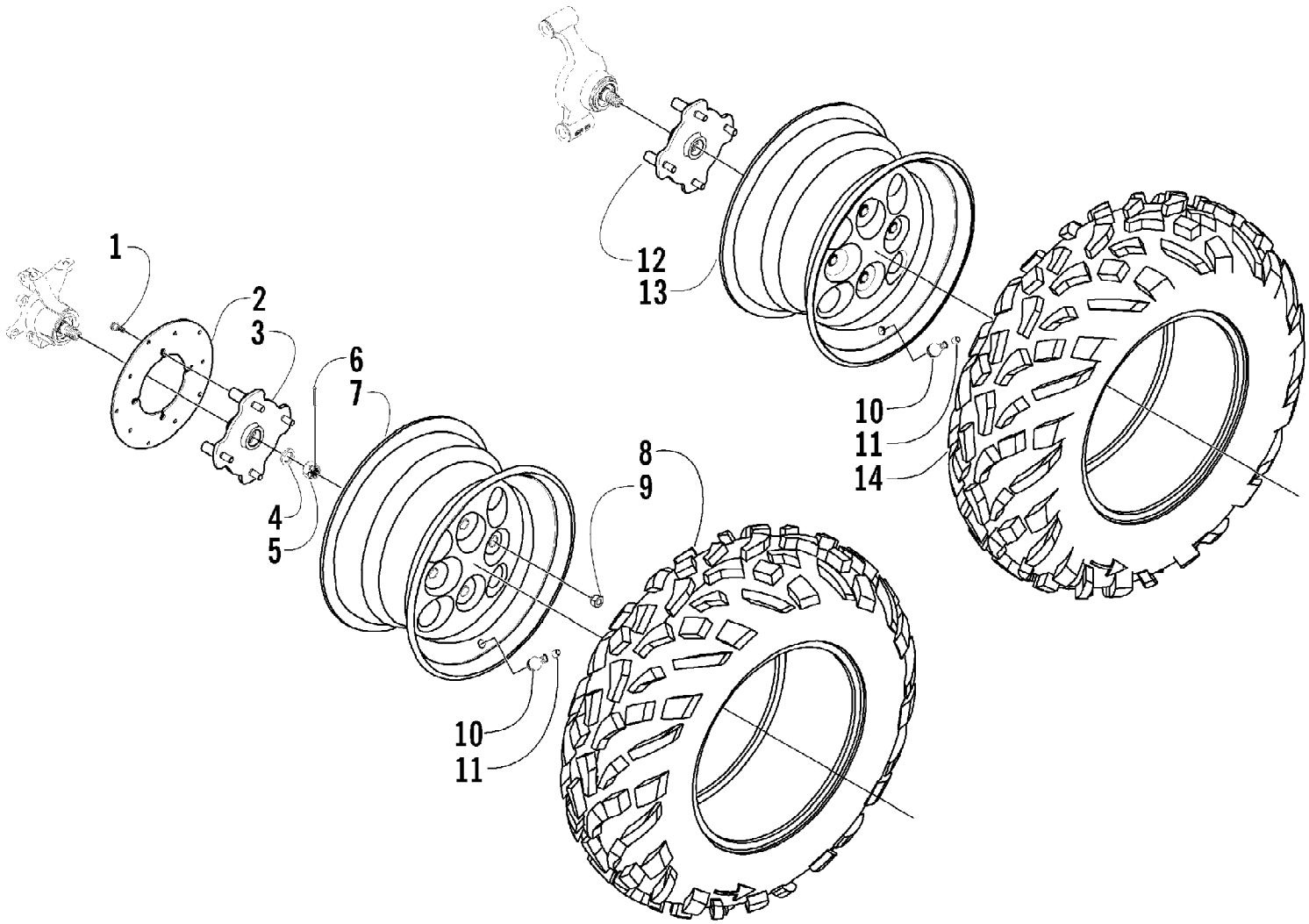
Ref #	Part Number	Qty	S/P/F	Description
1	3402-750	1		Face, Fixed Drive
2	3402-751	1		Face, Movable Drive
3	3402-470	2		Seal, Movable Drive Face
4	3402-471	1		Spacer, Movable Drive Face
5	3402-752	1		Face, Fixed Driven
6	3402-753	1		Face, Movable Driven
7	3402-754	1	S	Spring, Movable Driven Face
8	3402-475	2		O-Ring, Movable Driven Face
9	3402-476	2		Seal, Movable Driven Face
10	3402-477	4		Pin, Movable Driven Face
11	3402-478	4		Spacer, Movable Driven Face
12	3402-755	1	/P	Plate, Movable Drive Face
13	3402-756	1		Sleeve, Movable Driven Face
14	3402-481	4		Damper, Movable Drive Face
15	3423-406	1		Nut, Driven Pulley
16	3402-482	1		Holder, Movable Driven Face Spring
17	3402-483	8		Roller, Movable Drive Face
18	3423-514	2		Nut
19	3402-757	1		V-Belt
20	3402-758	1	/P	Housing, Clutch
21	3402-544	1	/P	Spacer, Fixed Drive Face
22	3402-695	1	S	Seal, Clutch Housing - Center
23	3402-488	1		Seal, Clutch Housing - Left
24	3446-003	1		Clutch, One Way
25	3402-760	1		Shoe, Clutch - Assembly
26	3446-031	2	/P	Retainer, Bearing
27	3423-435	2		Screw, Bearing Retainer
28	3402-567	1		Bearing
29	3402-759	1	S	Bearing
30	3423-353	1	/P	O-Ring
31	3402-761	2		Seal, Clutch Housing - Right
32	3423-501	1		Nut
33	3402-730	1		Retainer, Bearing
34	3423-018	2		Screw





2003 ATV 500 FIS AUTOMATIC TRANSMISSION (GREEN) (A2003ISM4BUSG) Page 94 of 98  
WATER PUMP ASSEMBLY

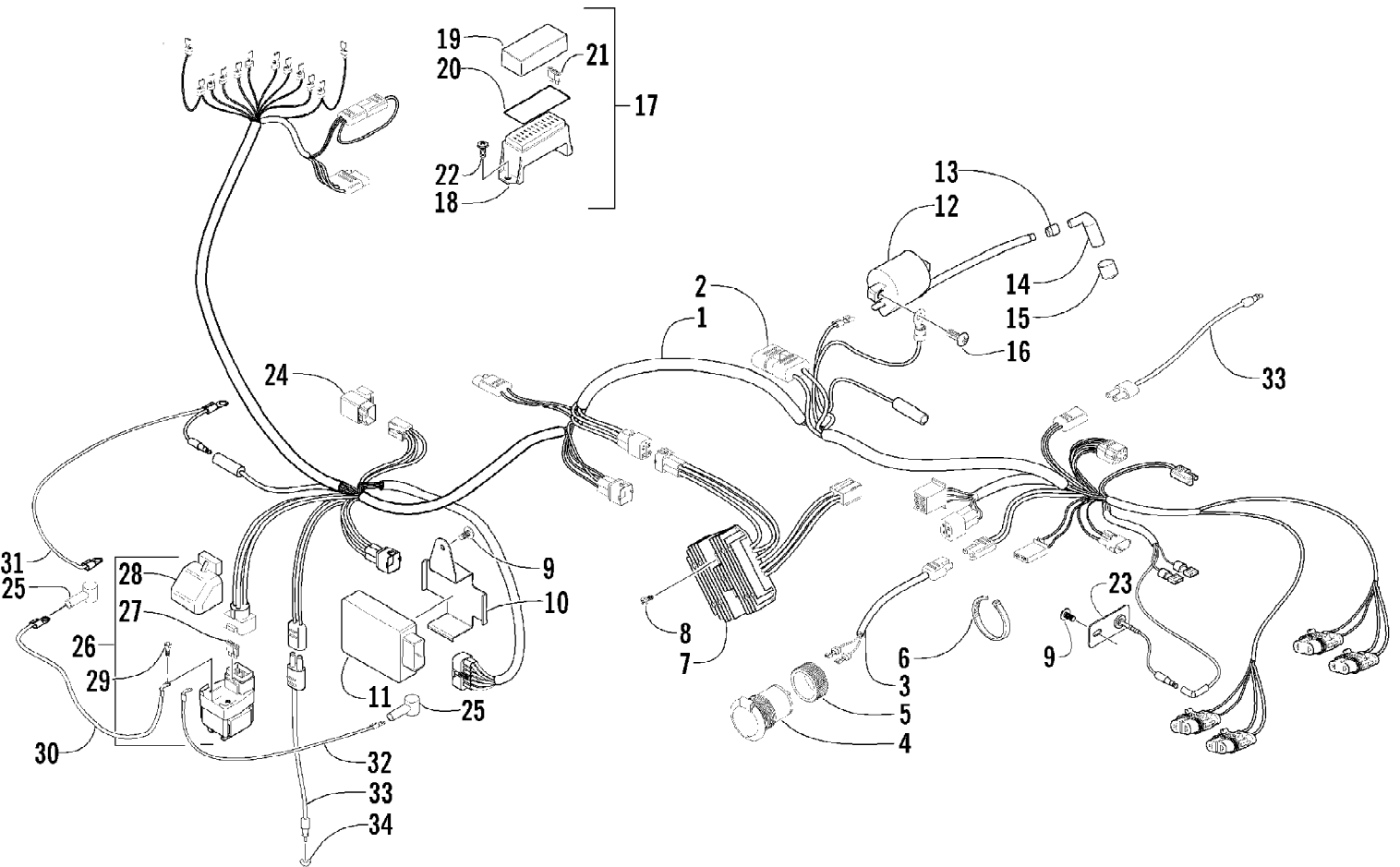
Ref #	Part Number	Qty	S/P/F	Description
1	3402-464	1	/P	Pump, Water - Assembly (inc. 2-11)
2	3423-343	1		Screw, Cap
3	3003-188	1	S/P	Gasket
4	3423-402	1		O-Ring
5	3413-014	1		Impeller/Shaft
6	3005-909	1	/P	Seal, Mechanical
7	3402-465	1		Seal, Oil
8	3003-615	1	/P	Bearing
9	3423-403	1	S	E-Ring
10	3423-404	1		O-Ring
11	3003-484	2	S/P	Screw
12	3423-308	2	S	Screw, Cap
13	3402-026	1		Gear, Driven
14	3402-466	1		Shaft, Driven Gear
15	3423-046	1		Pin, Driven Gear
16	3423-184	2	S	Circlip, Driven Gear
17	3402-467	1		Bearing, Shaft
18	3423-405	1		Circlip, Shaft Bearing
19	3402-390	1		Gear, Water Pump Drive
20	3423-110	1		Pin, Drive Gear
21	3423-189	1	S	Circlip, Drive Gear



2003 ATV 500 FIS AUTOMATIC TRANSMISSION (GREEN) (A2003ISM4BUSG) Page 96 of 98  
WHEEL AND TIRE ASSEMBLY

Ref #	Part Number	Qty	S/P/F	Description
1	0423-029	12		Screw, Machine
2	0402-874	3	S	Disc, Brake
3	0502-360	2	S	Hub, Wheel - Front
4	0402-181	4		Seal, Hub
5	0423-394	4		Nut, Castle
6	0423-407	4		Pin, Cotter
7	0402-856	2		Wheel - Front
8	0402-890	2		Tire - Front
9	0423-408	16	/P	Nut, Lug
10	0402-064	4		Stem, Valve (inc. 11)
11	0402-140	4		Cap, Valve Stem
12	0502-359	1	S	Hub, Wheel - Left
12	0502-360	1	S	Hub, Wheel - Right
13	0402-858	2		Wheel - Rear
14	0402-926	2		Tire - Rear

2003 ATV 500 FIS AUTOMATIC TRANSMISSION (GREEN) (A2003ISM4BUSG) Page 97 of 98  
WIRING HARNESS ASSEMBLY



2003 ATV 500 FIS AUTOMATIC TRANSMISSION (GREEN) (A2003ISM4BUSG) Page 98 of 98  
WIRING HARNESS ASSEMBLY

Ref #	Part Number	Qty	S/P/F	Description
1	0486-098	1		Harness, Main (inc. 2)
2	0486-029	1		Diode (Start in Gear)
3	0486-004	1		Harness, 12V Receptacle
4	0445-022	1	S	Receptacle, 12V (inc. 5)
5	0445-034	1		Nut, Retainer
6	0123-788	AR	/P	Cable Tie - 7 in.
7	3530-028	1	S	Regulator, Voltage
8	8476-625	2		Screw, Machine
9	8476-616	2		Screw, Machine
10	0506-987	1	/P	Bracket, CDI Unit
11	3530-039	1		CDI Unit
12	3530-027	1		Coil, Ignition - Assembly
13	3430-009	1	/P	Seal, High Tension Wire
14	3430-007	1	/P	Cap, Spark Plug
15	3430-008	1	/P	Seal, Spark Plug
16	8476-620	2		Screw, Machine
17	0530-001	1		Block, Fuse - Assembly (inc. 18-19)
18	0	1	F	Block, Fuse
19	0	1	F	Cover, Fuse Block
20	0411-271	1		Decal, Fuse Block
21	0630-057	4		Fuse, 10 Amp
21	0630-058	2		Fuse, 15 Amp
22	0623-361	2		Screw, Self-Tapping
23	0509-011	1	S	Diode Assembly
24	3530-008	1	S	Relay, Neutral Start - Assembly
25	0645-019	2		Boot, Terminal
26	3530-001	1	/P	Relay, Starter Motor - Assembly (inc. 27-28)
27	0630-098	1		Fuse, 30 Amp
28	3530-010	1		Cover, Starter Motor Relay
29	3423-020	2	/P	Screw, Cap
30	0445-003	1	/P	Cable, Battery/Electric Start Relay
31	0445-035	1		Cable, Battery/Ground
32	0445-032	1		Cable, Electric Start Relay/Starter
33	0409-009	2		Switch, Brake
34	0402-991	1		Retainer, Brake Switch