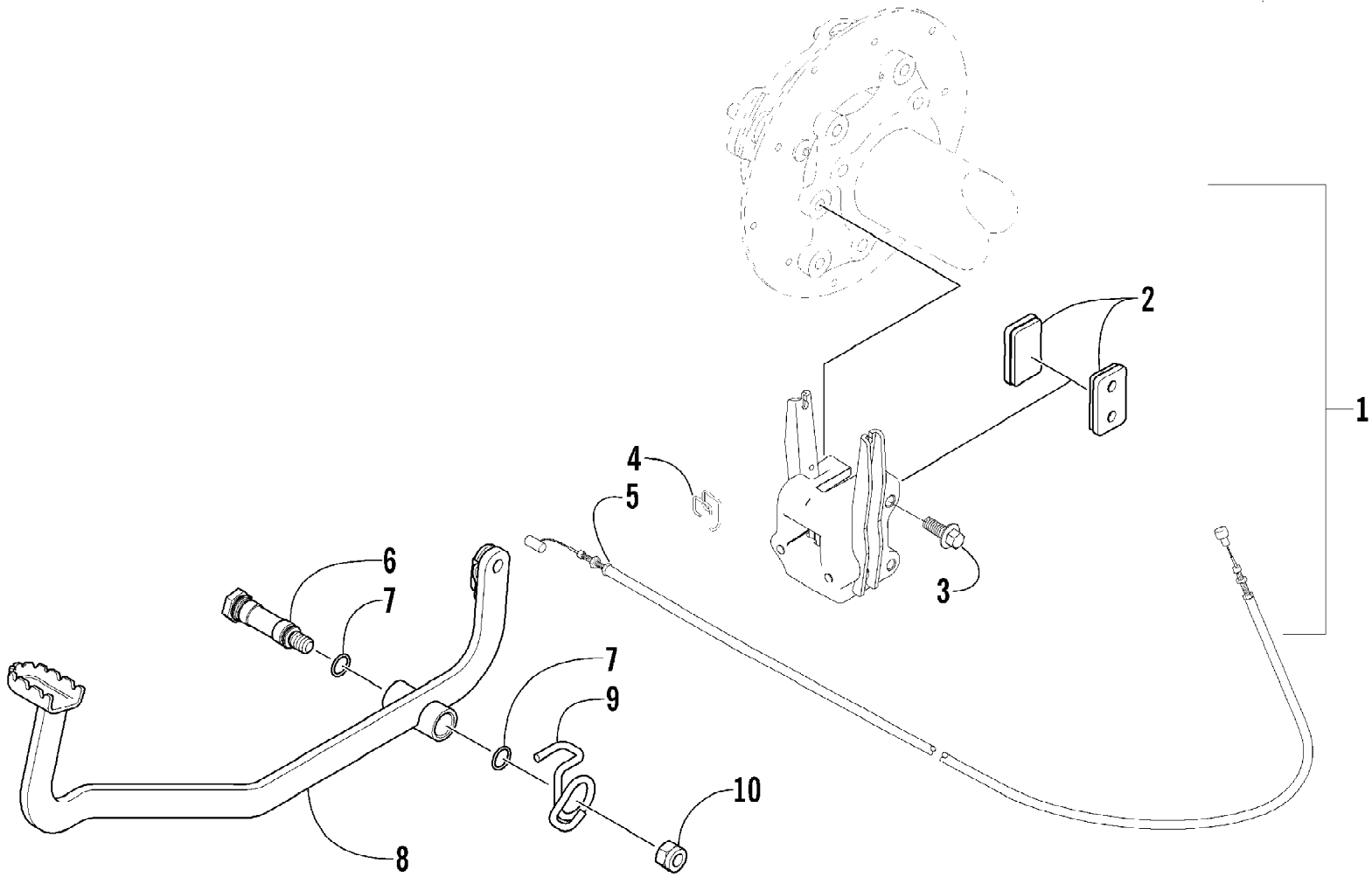


2003 ATV 500 FIS AUTOMATIC TRANSMISSION (GREEN - MRP) (A2003ISM4B) Page 2 of 98  
AIR INTAKE ASSEMBLY

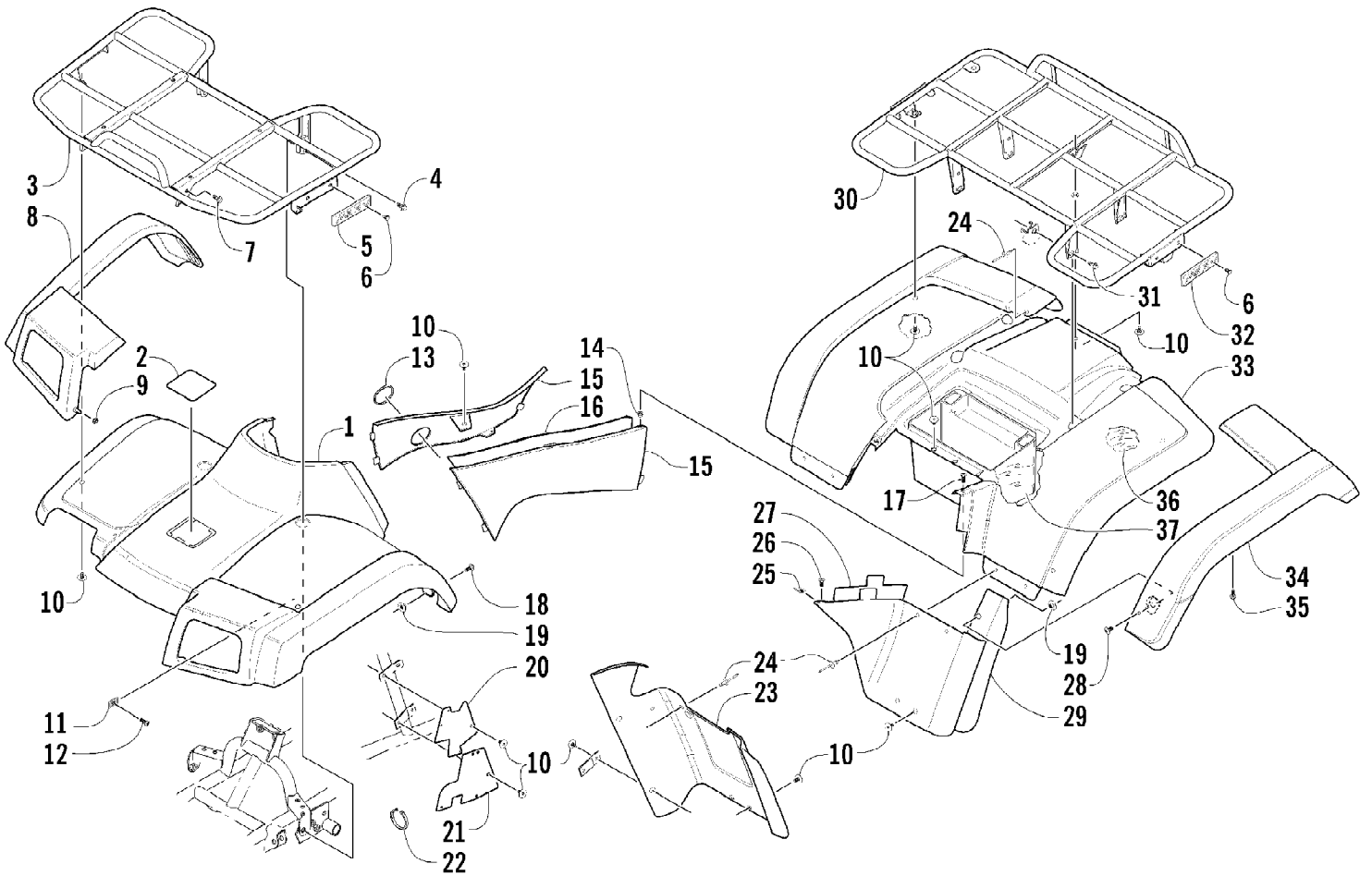
Ref #	Part Number	Qty	S/P/F	Description
1	0423-019	1		Clamp
2	0470-455	1		Boot, Air Intake
3	0423-018	2		Clamp
4	0470-446	1	/P	Housing, Air Intake
5	0623-101	1		Clip, Retaining
6	0470-343	1		Gasket
7	0470-459	1		Snorkel
8	0470-307	4		Clamp
9	0423-037	4		Spring
10	0623-121	4		Screw, Machine
11	0123-010	4	/P	Nut, Expansion
12	0410-004	1		Hose, Crankcase Vent
13	0470-460	1		Filter, Air
14	0412-141	1		Shield, Heat
15	0470-442	1	/P	Valve, Drain
16	1673-272	1	/P	Cap, Drain Tube
17	0423-047	1		Clamp, Hose
18	0423-045	2		Clamp, Hose
19	0470-351	2		Support, Air Intake Flange



2003 ATV 500 FIS AUTOMATIC TRANSMISSION (GREEN - MRP) (A2003ISM4B166) Page 4 of 98  
AUXILIARY BRAKE ASSEMBLY

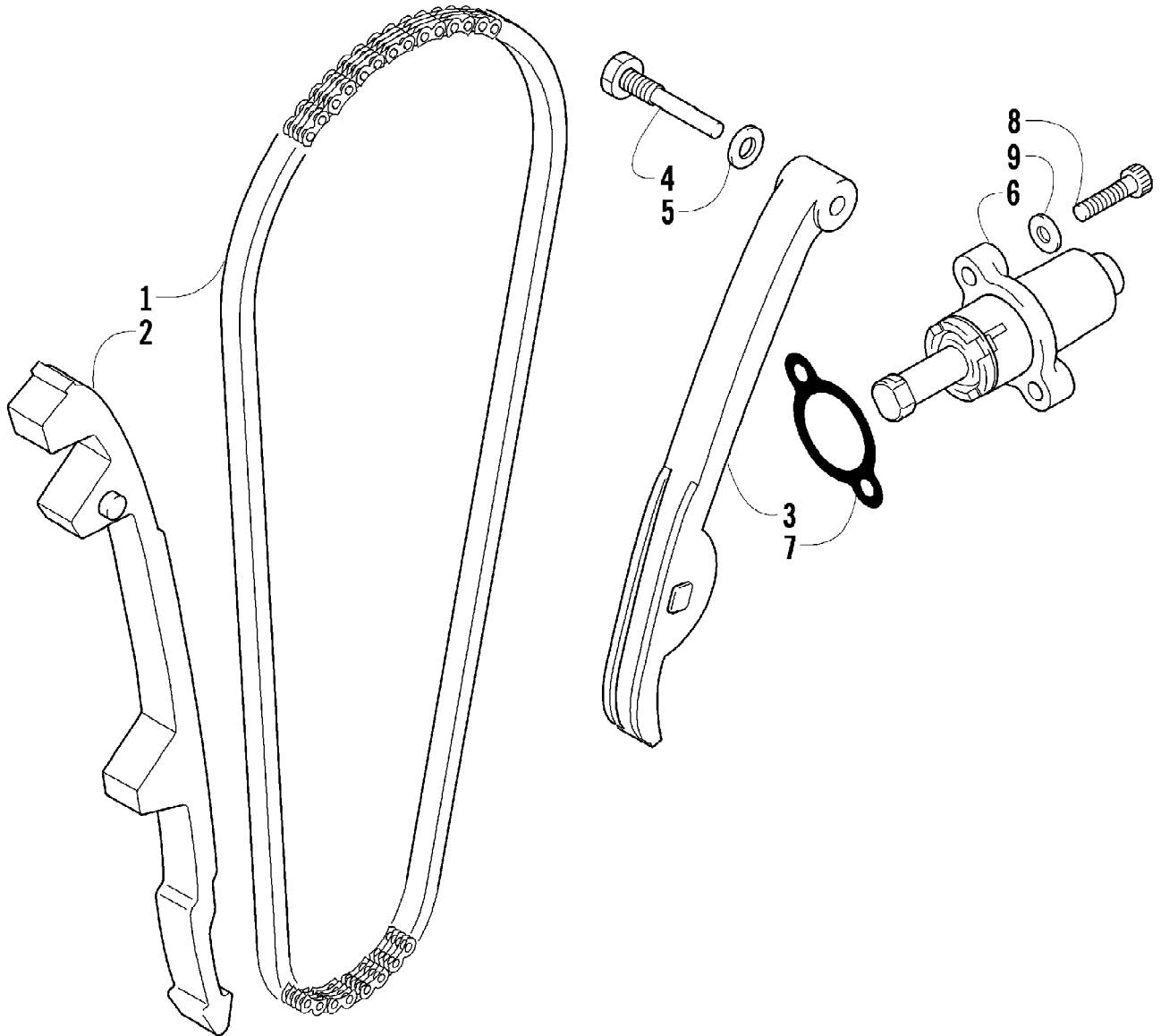
Ref #	Part Number	Qty	S/P/F	Description
1	0502-372	1	/P	Auxiliary Brake Assembly (inc. 2)
2	0402-958	2	/P	Pad, Brake
3	8408-825	2		Screw, Cap
4	0402-379	1		Wire Form, Cable
5	0487-006	1		Cable, Brake - Rear
6	0402-872	1		Axle, Brake Lever
7	0423-096	2		O-Ring
8	0502-236	1		Lever, Brake
9	0502-395	1	/P	Spring, Brake Lever
10	8422-002	1		Nut





2003 ATV 500 FIS AUTOMATIC TRANSMISSION (GREEN - MRP) (A2003ISM4B) Page 6 of 98  
BODY PANEL ASSEMBLY

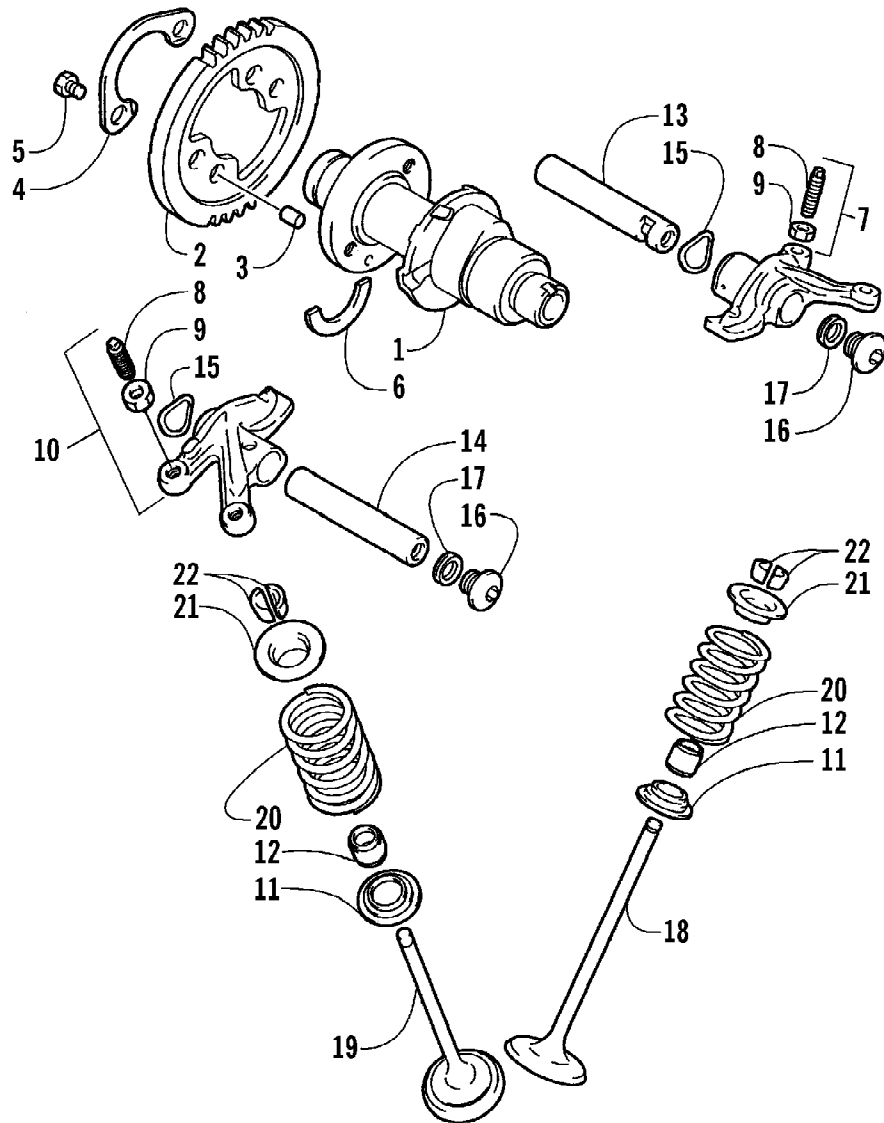
Ref #	Part Number	Qty	S/P/F	Description
1	0506-616	1		Panel, Fender - Front (inc. 2)
1	0506-584	1		Panel, Fender - Front (inc. 2) (Green/MRP)
1	0506-721	1		Panel, Fender - Front (inc. 2) (Cat Green)
2	1406-142	1	/P	Cover, Access
2	1406-141	1	/P	Cover, Access (Green/MRP)
2	1406-041	1		Cover, Access (Cat Green)
3	0506-547	1		Rack - Front (Red/Green/Cat Green)
4	8408-816	2		Screw, Cap
5	0606-526	2		Reflector, Front - Amber
6	0623-269	8		Clip, Retaining
7	0423-360	2		Screw, Cap
8	0506-550	1		Flare - Front - Right
8	0506-551	1		Flare - Front - Left
9	0423-357	2		Nut, Stamped
10	0423-101	AR		Screw, Body
11	0423-031	2		Nut, Speed
12	8477-616	2		Screw, Machine
13	0470-404	1		Grommet, Fuel Shut-Off Valve
14	0123-010	2	/P	Nut, Expansion
15	0506-548	1		Panel, Side - Right
15	0506-243	1		Panel, Side - Left
15	0506-549	1		Panel, Side - Right (Green/MRP)
15	0506-673	1		Panel, Side - Left (Green/MRP)
15	0506-722	1		Panel, Side - Right (Cat Green)
15	0506-723	1		Panel, Side - Left (Cat Green)
16	0412-142	1		Shield, Heat
17	0423-068	2		Screw, Machine
18	0423-356	2		Screw, Shoulder
19	0423-438	4		T-Nut w/Teeth
20	1406-063	1		Panel, Fender - Inner - Right
20	1406-064	1		Panel, Fender - Inner - Left
21	1406-006	2		Panel, Fender - Inner
22	0123-788	AR	/P	Cable Tie - 7.5 in.
23	0406-941	1	/P	Panel, Kick - Right
23	0506-630	1	/P	Panel, Kick - Left
24	0423-046	AR		Rivet, Plastic
25	0423-060	2		Clip, Tinerman
26	0623-309	2		Screw, Self-Tapping
27	0412-140	1		Shield, Heat
28	0423-355	2		Screw, Shoulder
29	1506-042	1	/P	Fender Extension - Rear - Right
29	0406-085	1		Fender Extension - Rear - Left
30	0506-821	1	/P	Rack - Rear (Red/Green/Cat Green)
31	8409-020	4	/P	Screw, Cap
32	0606-029	2		Reflector, Rear - Red
33	0506-620	1	S	Panel, Fender - Rear
33	0506-621	1		Panel, Fender - Rear (Green/MRP)
33	0506-724	1		Panel, Fender - Rear (Cat Green)
34	0506-552	1		Flare, Rear - Right
34	0506-553	1		Flare, Rear - Left
35	0423-342	12	/P	Screw, Self-Tapping
36	0412-124	1		Shield, Heat
37	0412-147	1		Shield, Heat



2003 ATV 500 FIS AUTOMATIC TRANSMISSION (GREEN - MRP) (A2003ISM41466) Page 8 of 98  
CAM CHAIN ASSEMBLY

Ref #	Part Number	Qty	S/P/F	Description
1	3402-353	1		Chain, Cam
2	3402-355	1		Guide, Chain
3	3402-356	1		Tensioner, Chain
4	3423-074	1		Bolt
5	3003-188	1	S/P	Washer
6	3402-136	1		Adjuster, Tensioner - Assembly
7	3402-137	1		Gasket
8	3004-475	2	S	Screw, Cap
9	3003-290	2	/P	Gasket

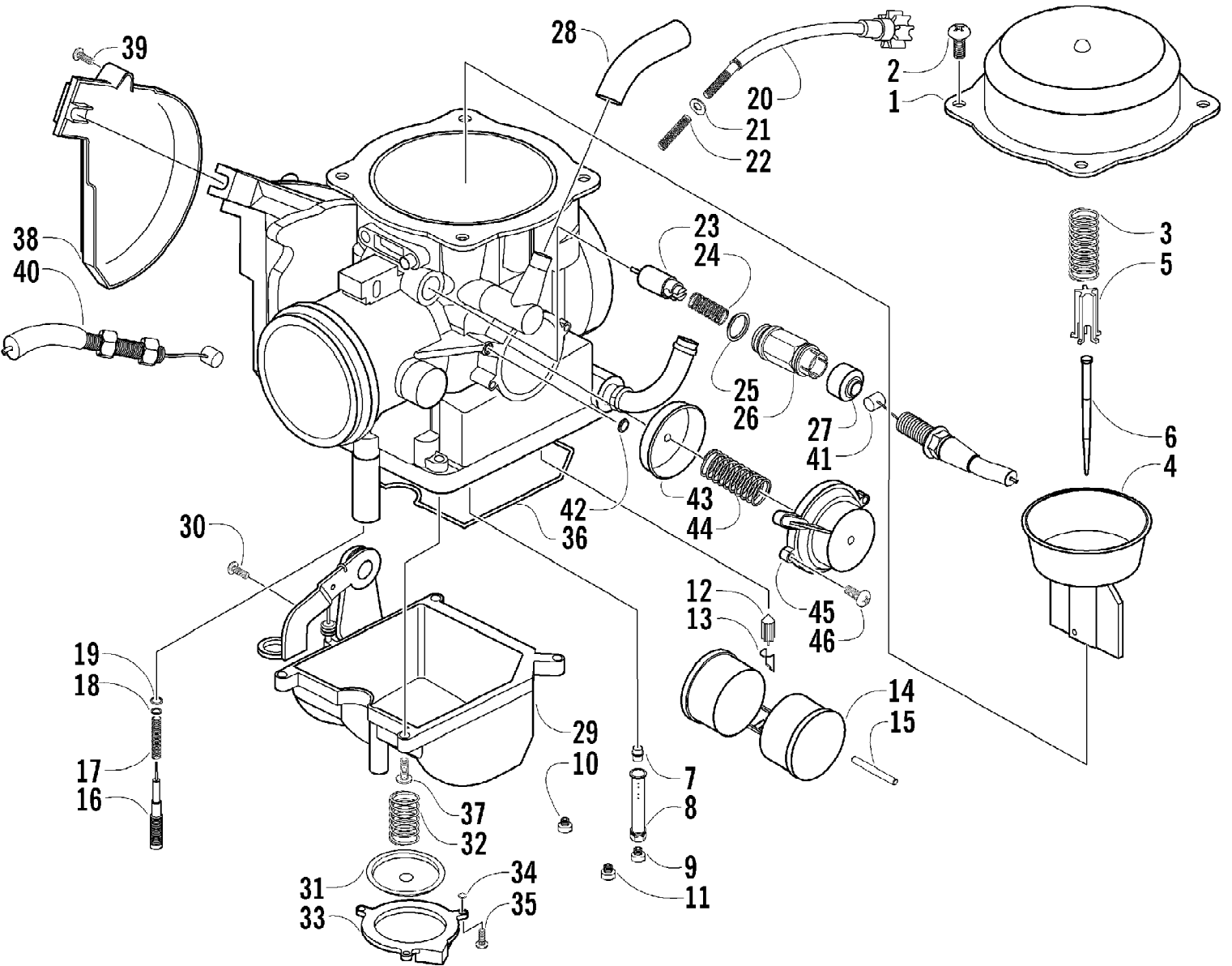
2003 ATV 500 FIS AUTOMATIC TRANSMISSION (GREEN - MRP) (A2003ISM4) Page 9 of 98  
CAMSHAFT/VALVE ASSEMBLY



2003 ATV 500 FIS AUTOMATIC TRANSMISSION (GREEN - MRP) (A2003ISM4463) of 98  
CAMSHAFT/VALVE ASSEMBLY

Ref #	Part Number	Qty	S/P/F	Description
1	3402-723	1	S	Camshaft
2	3402-352	1		Sprocket
3	3423-047	1		Pin
4	3423-073	1		Washer
5	3423-013	2	S	Bolt
6	3423-071	1	/P	C-Ring
7	3402-532	1	S	Arm, Valve Rocker - Intake (inc. two No. 8-9)
8	3423-075	4		Screw
9	3423-076	4		Nut
10	3402-139	1		Arm, Valve Rocker - Exhaust (inc. two No. 8-9)
11	3402-148	4		Seat, Spring
12	3402-078	4		Seal, Oil
13	3402-140	1		Shaft, Rocker Arm
14	3402-141	1		Shaft, Rocker Arm
15	3423-031	2		Washer
16	3402-040	2	/P	Plug, Shaft
17	3402-012	2		Gasket
18	3402-725	2	/P	Valve, Intake
19	3402-143	2		Valve, Exhaust
20	3402-726	4		Spring, Valve
21	3402-146	4	S	Retainer, Spring
22	3402-147	8		Cotter, Valve

2003 ATV 500 FIS AUTOMATIC TRANSMISSION (GREEN - MRP) (A2003ISM4) **Page 31** of 98  
CARBURETOR

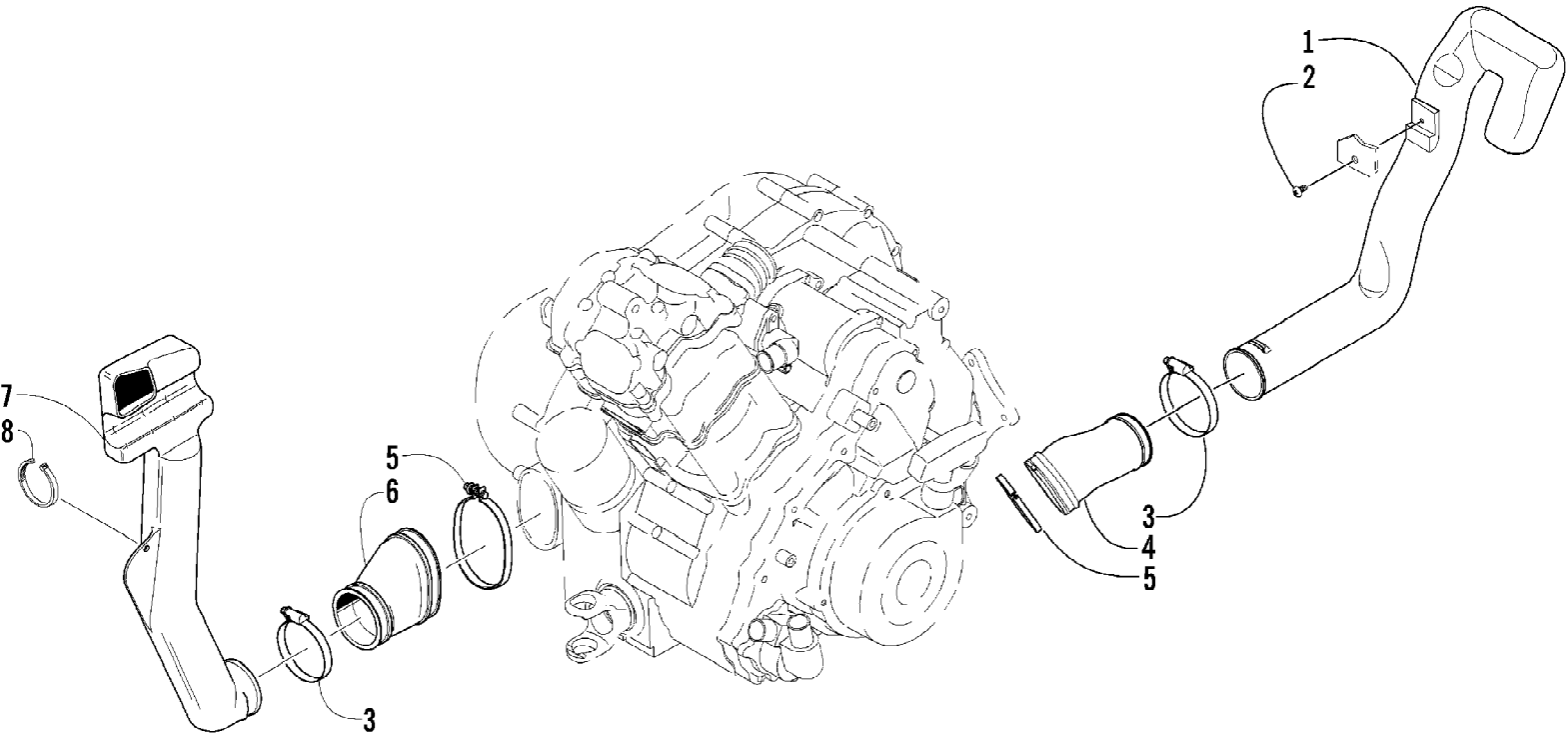


2003 ATV 500 FIS AUTOMATIC TRANSMISSION (GREEN - MRP) (A2003ISM4) Page 12 of 98  
CARBURETOR

Ref #	Part Number	Qty	S/P/F	Description
	0470-458	1		Complete Assembly
1	5507-001	1		Cover, Top
2	5507-002	4	/P	Screw, Top Cover
3	5507-085	1	S	Spring
4	5507-099	1		Piston, Vacuum
5	5507-054	1		Spring, Seat
6	5507-100	1		Jet Needle
7	5507-007	1		Needle Jet
8	5507-047	1	/P	Holder, Needle Jet
9	5507-086	1		Main Jet - 148
9	5507-009	1	/P/F	Main Jet - 150
9	5507-041	1	F	Main Jet - 147
9	5507-043	1	F	Main Jet - 142
9	5507-044	1	F	Main Jet - 140
10	5507-101	1	S	Slow Jet
11	5507-092	1		Starter Jet - 90
12	5507-107	1		Valve, Float - Set (inc. 13)
13	0	1	F	Clip
14	5507-039	1		Float Set (inc. 15)
15	0	1	F	Pin, Float
16	5507-108	1		Screw, Pilot Air - Set (inc. 17-19)
17	0	1	F	Spring
18	0	1	F	Washer
19	0	1	F	O-Ring
20	5507-027	1		Screw, Idle Adjust
21	5507-028	1		Washer
22	5507-029	1		Spring
23	5507-022	1		Valve, Starter
24	5507-023	1		Spring
25	5507-024	1		O-Ring
26	5507-025	1		Cap
27	5507-026	1		Cap, Rubber
28	5507-084	1	S	Tube, Vinyl
29	5507-065	1		Chamber, Float - Assembly (inc. 30-36)
30	5507-050	1	/P	Screw, Drain
31	5507-031	1	S	Diaphragm Assembly
32	5507-032	1		Spring
33	0	1	F	Housing, Pump
34	5507-034	1		U-Ring
35	5507-035	3		Screw
36	5507-067	1	/P	O-Ring, Float Chamber
37	5507-089	4	S	Screw
38	5507-036	1		Cover
39	5507-037	1	/P	Screw
40	0487-021	1	S	Cable, Throttle
41	0487-016	1		Cable, Choke
42	5507-102	1		U-Ring
43	5507-103	1		Diaphragm Assembly
44	5507-104	1		Spring
45	5507-105	1		Cover
46	5507-106	2		Screw



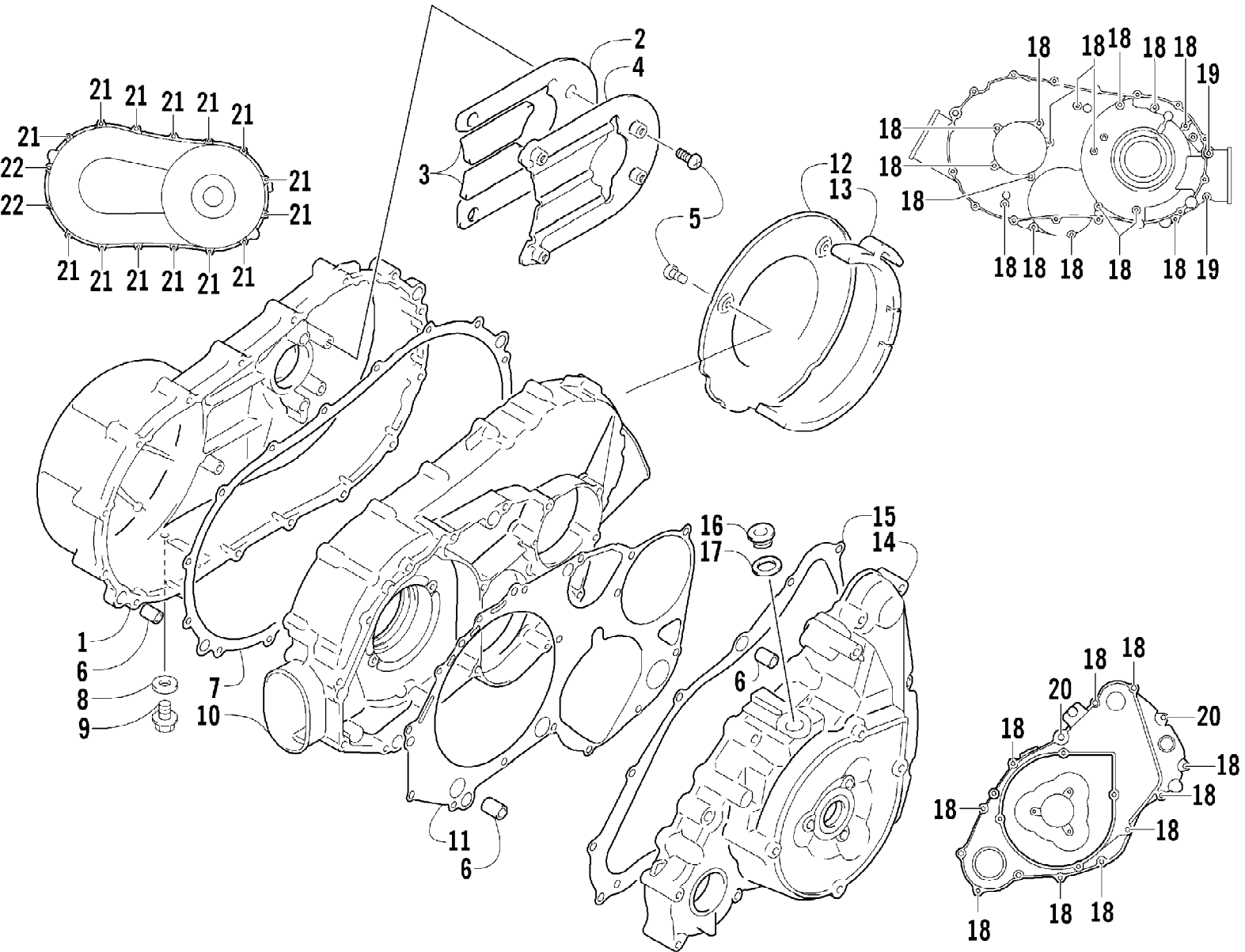
2003 ATV 500 FIS AUTOMATIC TRANSMISSION (GREEN - MRP) (A2003ISM4463) of 98  
CASE/BELT COOLING ASSEMBLY



2003 ATV 500 FIS AUTOMATIC TRANSMISSION (GREEN - MRP) (A2003ISM4) Page 34 of 98  
CASE/BELT COOLING ASSEMBLY

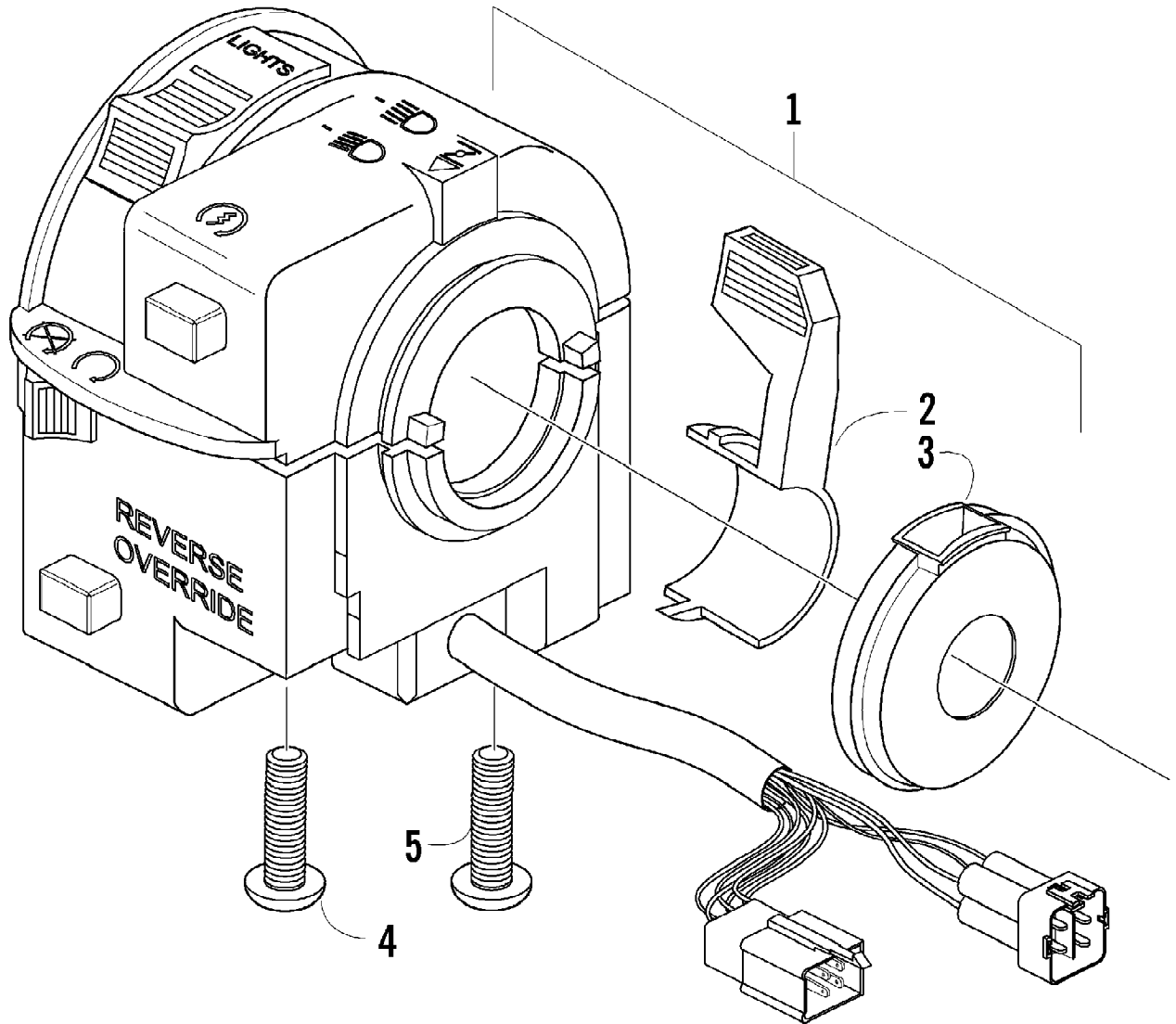
Ref #	Part Number	Qty	S/P/F	Description
1	0413-061	1	/P	Duct, Belt Cooling - Rear
2	0623-301	1	/P	Screw, Self-Tapping
3	0423-380	2	/P	Clamp, Boot
4	0413-055	1		Boot, Duct - Rear
5	3402-449	2	/P	Clamp, Boot
6	0413-049	1		Boot, Duct - Front
7	0413-042	1		Duct, Belt Cooling - Front
8	0123-788	1	/P	Cable Tie - 7.5 in.

2003 ATV 500 FIS AUTOMATIC TRANSMISSION (GREEN - MRP) (A2003ISM4) **Page 35** of 98  
CLUTCH/V-BELT/MAGNETO COVER ASSEMBLY



2003 ATV 500 FIS AUTOMATIC TRANSMISSION (GREEN - MRP) (A2003ISM4) Page 36 of 98  
CLUTCH/V-BELT/MAGNETO COVER ASSEMBLY

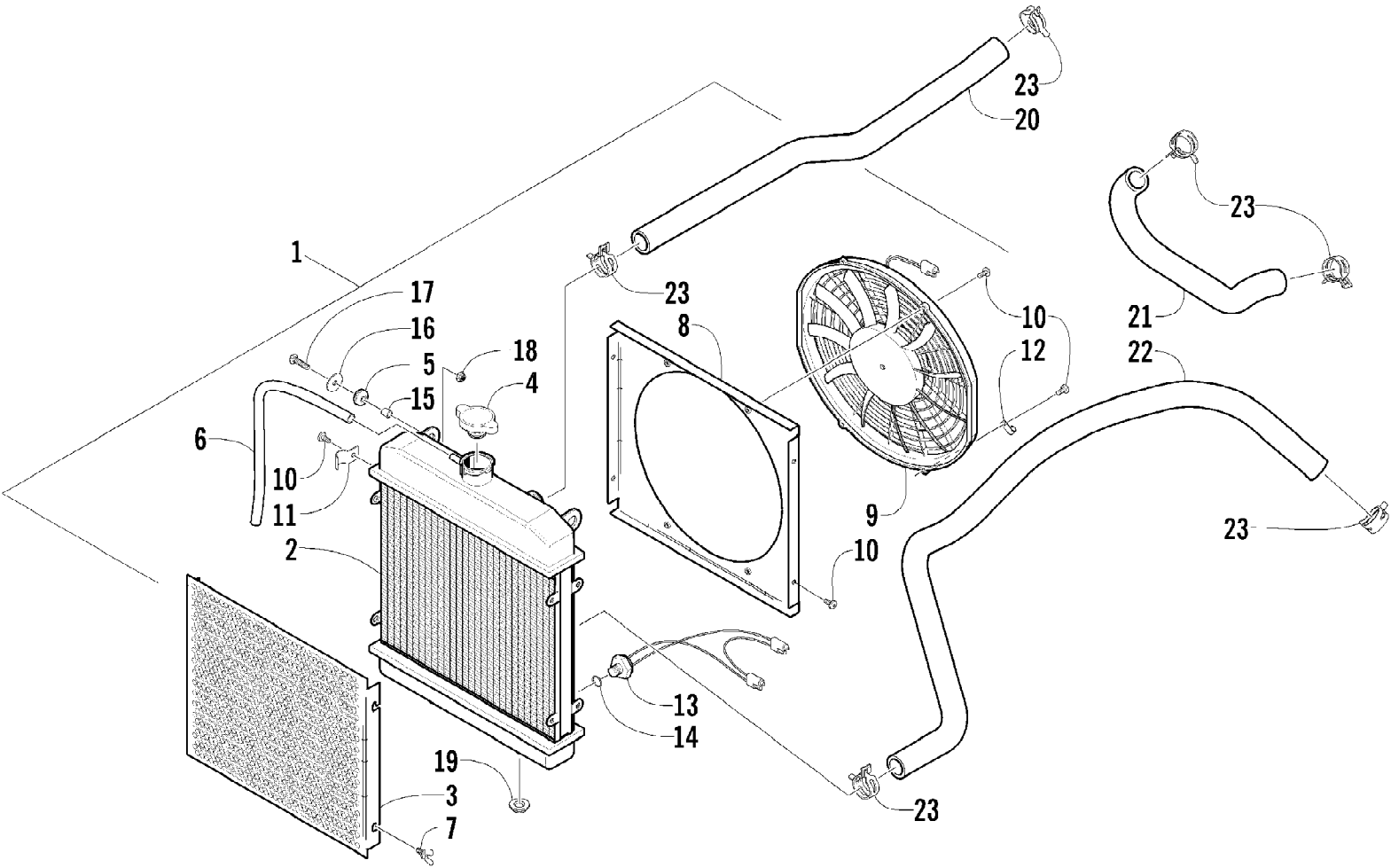
Ref #	Part Number	Qty	S/P/F	Description
1	3402-710	1		Cover, V-Belt
2	3402-711	1		Damper, V-Belt Cover
3	3402-712	2		Damper, V-Belt Cover
4	3402-713	1		Plate, V-Belt Cover
5	3004-435	7	S	Screw
6	3423-088	6		Pin, Dowel
7	3402-443	1		Gasket, V-Belt Cover
8	3402-444	1		Gasket, Drain Plug
9	3004-705	1	S	Plug, Drain
10	3402-709	1	/P	Cover, Clutch
11	3402-441	1		Gasket, Clutch Cover
12	3402-445	1		Plate, Air Intake
13	3402-699	1	/P	Cushion, Air Intake Plate
14	3402-714	1		Cover, Magneto
15	3402-715	1		Gasket, Magneto Cover
16	3402-041	1	S	Plug, Oil Filler
17	3402-013	1	/P	Gasket, Oil Filler Plug
18	3423-098	26	S	Bolt
19	3423-092	2	S	Bolt
20	3004-756	2	S	Bolt
21	3423-091	14	S	Bolt
22	3423-119	2	S	Bolt



2003 ATV 500 FIS AUTOMATIC TRANSMISSION (GREEN - MRP) (A2003ISM4463) of 98  
CONTROL SWITCH HOUSING ASSEMBLY

Ref #	Part Number	Qty	S/P/F	Description
1	0409-022	1		Switch, Control - Assembly (inc. 2-5)
2	0409-025	1		Lever, Choke
3	0409-026	1		Cover, Choke Lever
4	0409-027	1		Screw, Cap
5	0409-028	1		Screw

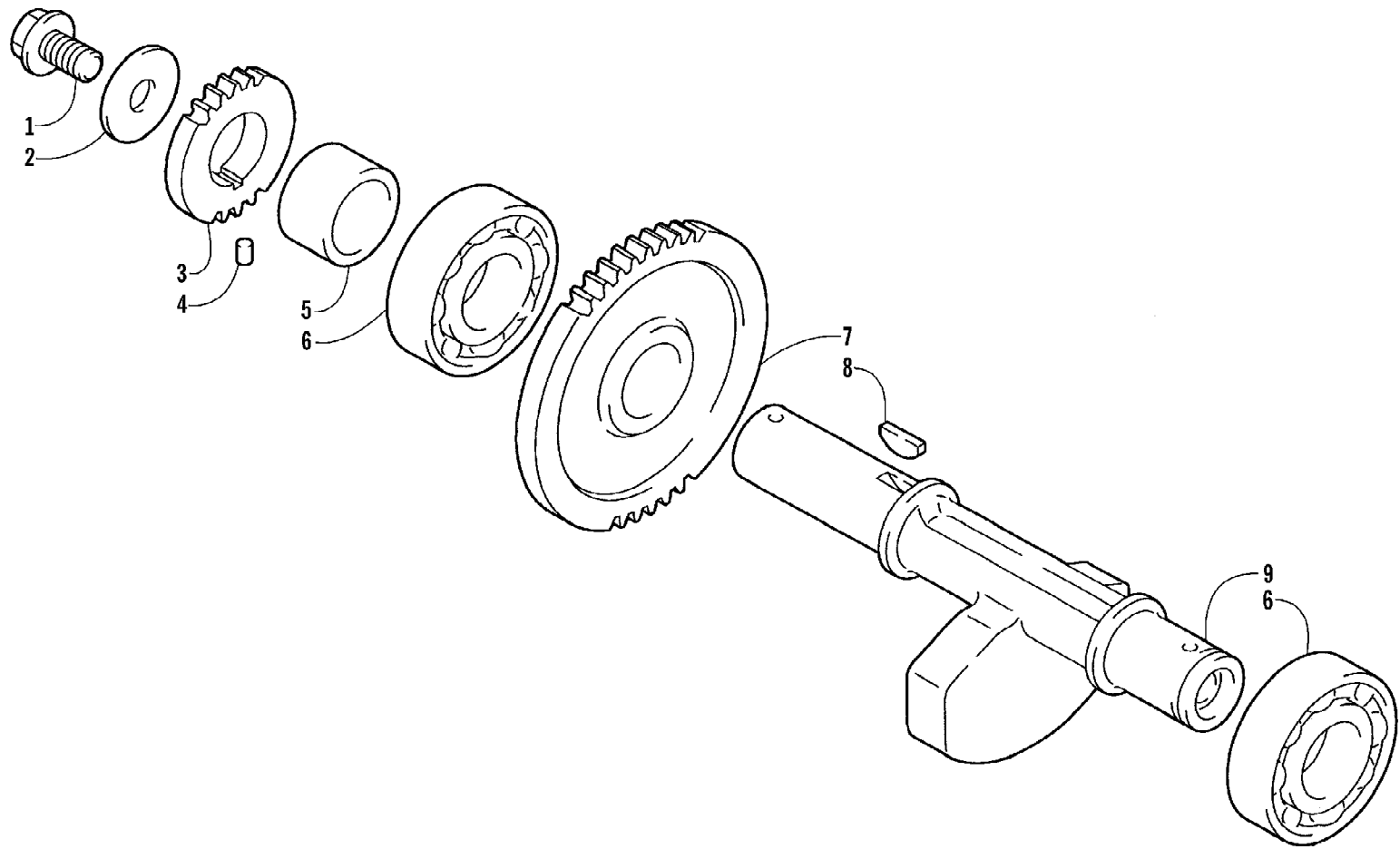
2003 ATV 500 FIS AUTOMATIC TRANSMISSION (GREEN - MRP) (A2003ISM4) Page 39 of 98  
COOLING ASSEMBLY



2003 ATV 500 FIS AUTOMATIC TRANSMISSION (GREEN - MRP) (A2003ISM41662) of 98  
COOLING ASSEMBLY

Ref #	Part Number	Qty	S/P/F	Description
1	0413-038	1		Radiator Assembly (inc. 2-15)
2	0413-043	1	S	Radiator
3	0413-007	1		Screen, Radiator
4	0413-002	1	S	Cap, Radiator
5	0423-030	2		Grommet
6	0610-016	AR	/P	Hose - 25 ft
7	0413-009	4		Screw, Thumb
8	0413-046	1		Shroud, Fan
9	0413-044	1	S	Fan, Cooling
10	8475-512	8		Screw, Machine
11	0423-351	1		Clamp, Wire
12	0123-397	1		Clamp, Cable
13	0413-045	1		Sender, Temperature - Coolant
14	0423-390	1	S	O-Ring
15	0423-036	2		Collar
16	0623-184	2		Washer
17	8476-625	2		Screw, Cap
18	0623-038	2		Nut w/Washer
19	0423-028	2		Bushing, Stem
20	0410-002	1		Hose, Coolant - Upper
21	0410-022	1		Hose, Coolant - Crossover
22	0410-041	1		Hose, Coolant - Lower
23	0423-070	6		Clamp, Hose

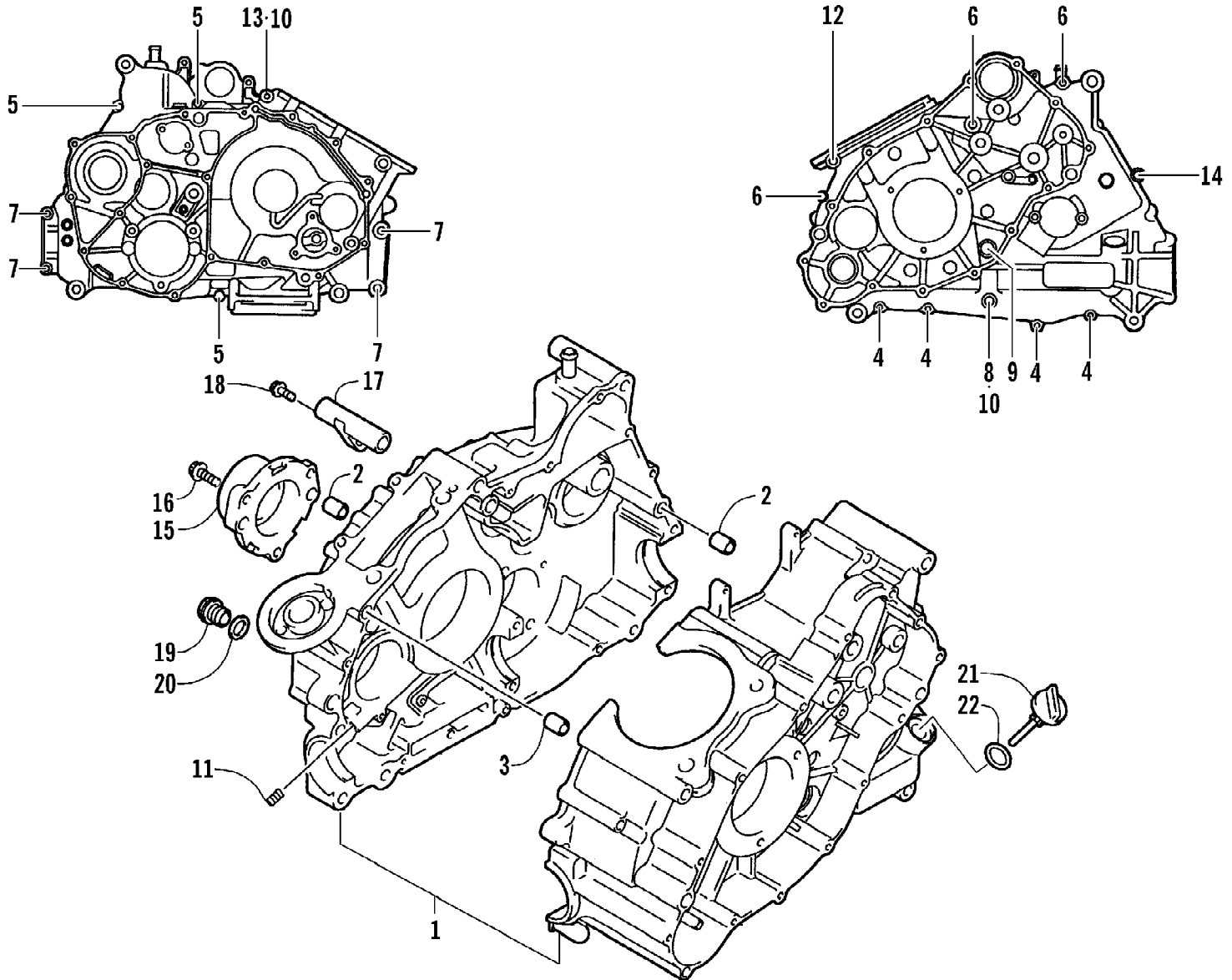




2003 ATV 500 FIS AUTOMATIC TRANSMISSION (GREEN - MRP) (A2003ISM44632) of 98  
CRANK BALANCER ASSEMBLY

Ref #	Part Number	Qty	S/P/F	Description
1	3423-400	1		Bolt
2	3423-401	1		Washer
3	3402-390	1		Gear, Oil Pump Drive
4	3423-110	1		Pin
5	3402-461	1		Spacer
6	3402-050	2		Bearing
7	3402-722	1		Gear, Driven
8	3004-540	1	/P	Key
9	3402-458	1		Balancer, Crank

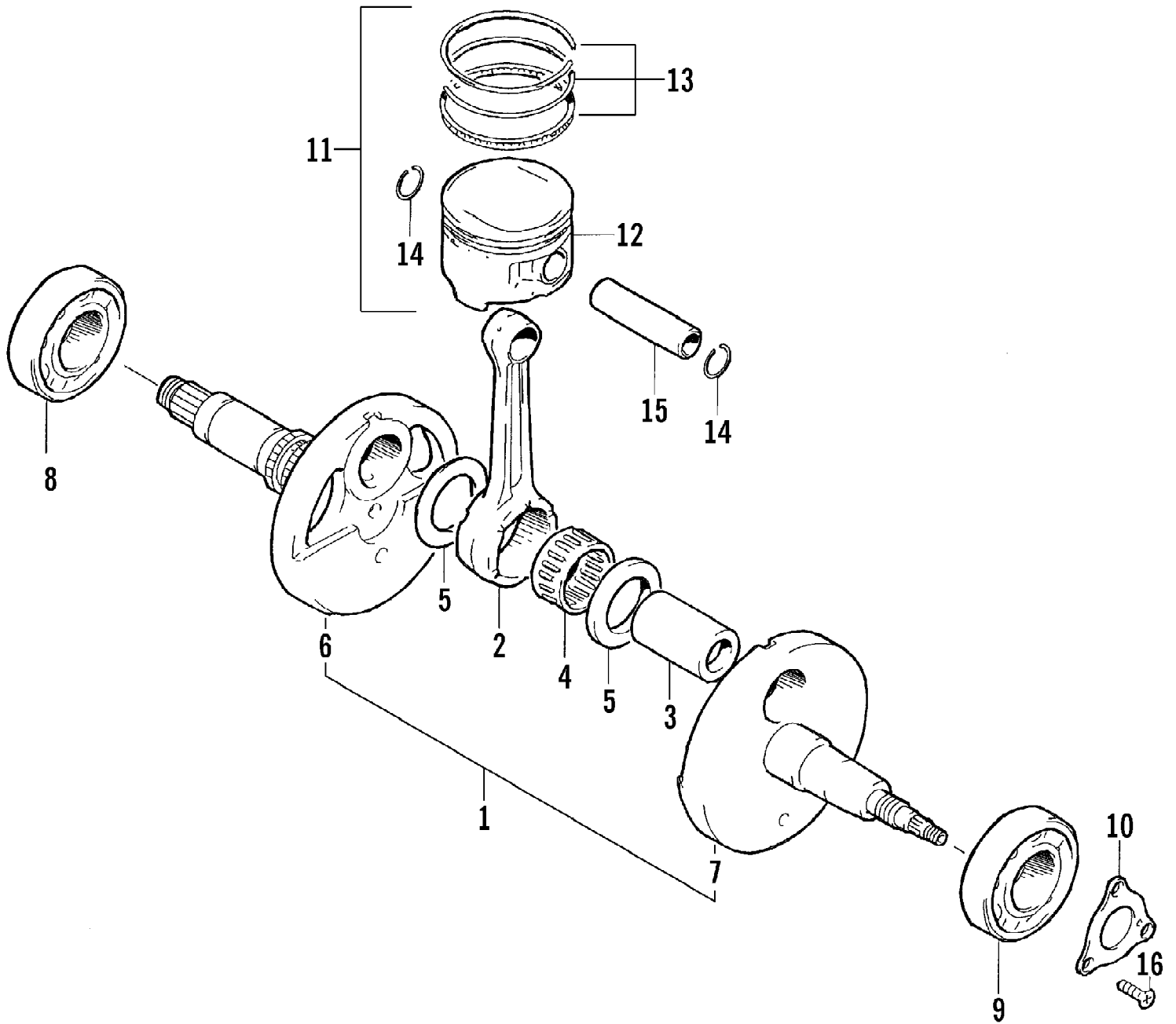
2003 ATV 500 FIS AUTOMATIC TRANSMISSION (GREEN - MRP) (A2003ISM41662) of 98  
CRANKCASE ASSEMBLY



2003 ATV 500 FIS AUTOMATIC TRANSMISSION (GREEN - MRP) (A2003ISM4) Page 24 of 98  
CRANKCASE ASSEMBLY

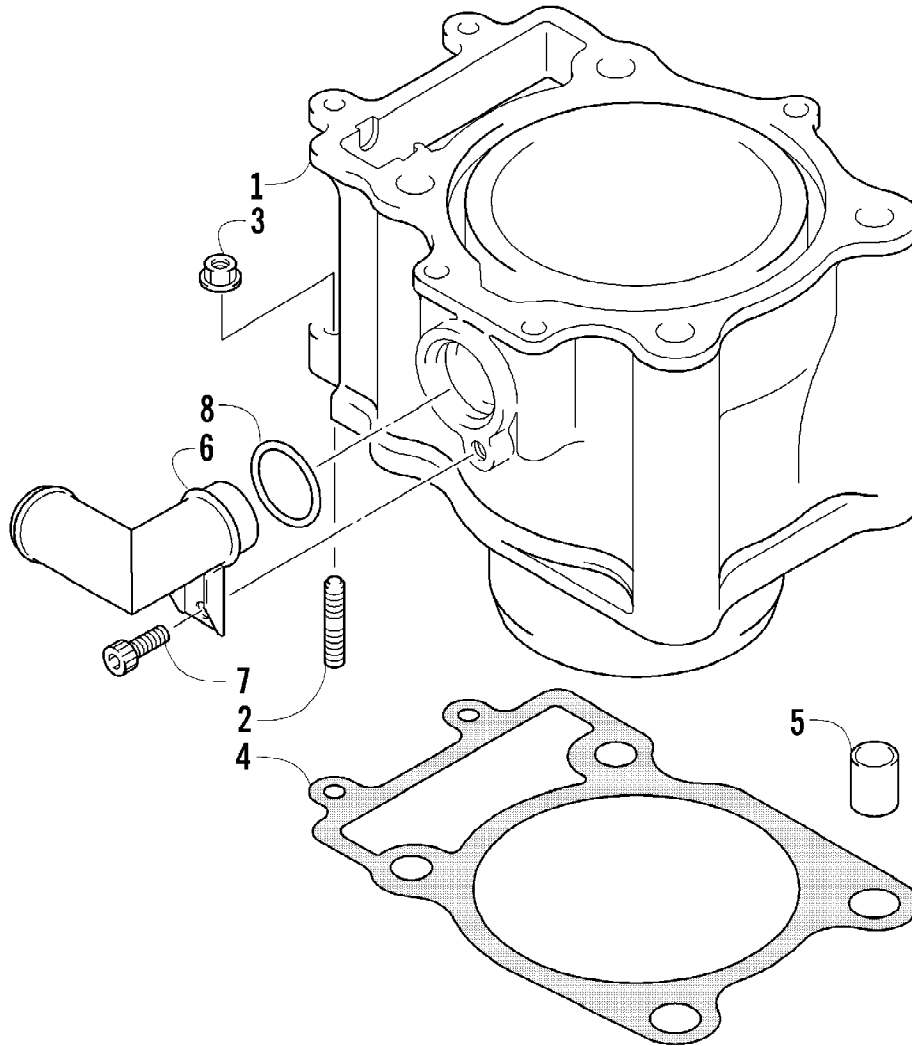
Ref #	Part Number	Qty	S/P/F	Description
1	3402-708	1	/P	Crankcase Assembly (inc. two No. 2 and 3-14)
2	3423-088	4		Pin, Dowel
3	3004-822	1		Pin, Dowel
4	3423-091	4	S	Bolt
5	3423-119	3	S	Bolt
6	3423-092	3	S	Bolt
7	3004-880	4		Bolt
8	3005-332	1		Bolt
9	3423-385	1		Bolt
10	3402-436	2	/P	Gasket
11	3423-386	1		Plug
12	3423-387	1		Bolt
13	3423-388	1		Bolt
14	3423-508	1		Bolt
15	3402-439	1		Housing, Secondary Shaft Bearing
16	3423-506	3	/P	Bolt
17	3402-437	1		Pipe, Breather
18	3423-389	1		Bolt, Breather Pipe
19	3402-214	1		Plug, Oil Pressure
20	3402-012	1		Gasket, Oil Pressure Plug
21	3402-438	1		Stick, Oil Level
22	3423-055	1		O-Ring, Oil Level Stick

2003 ATV 500 FIS AUTOMATIC TRANSMISSION (GREEN - MRP) (A2003ISM4) Page 25 of 98  
CRANKSHAFT ASSEMBLY



2003 ATV 500 FIS AUTOMATIC TRANSMISSION (GREEN - MRP) (A2003ISM41662) Page 26 of 98  
CRANKSHAFT ASSEMBLY

Ref #	Part Number	Qty	S/P/F	Description
1	3402-702	1	S	Crankshaft Assembly (inc. 2-7)
2	3402-376	1		Rod, Connecting
3	3402-377	1		Pin, Crank
4	3402-717	1	/P	Bearing
5	3423-351	2		Washer
6	3402-793	1		Crankshaft - Right
7	3402-705	1	/P	Crankshaft - Left
8	3402-058	1		Bearing - Right
9	3402-054	1		Bearing - Left
10	3402-188	1	/P	Retainer, Oil Seal - Left
11	3402-788	1		Piston Set (inc. 12-14)
12	3402-719	1		Piston
13	3402-720	1		Ring, Piston - Set
14	3423-344	2		Circlip, Piston Pin
15	3402-375	1		Pin, Piston
16	3423-018	3		Screw

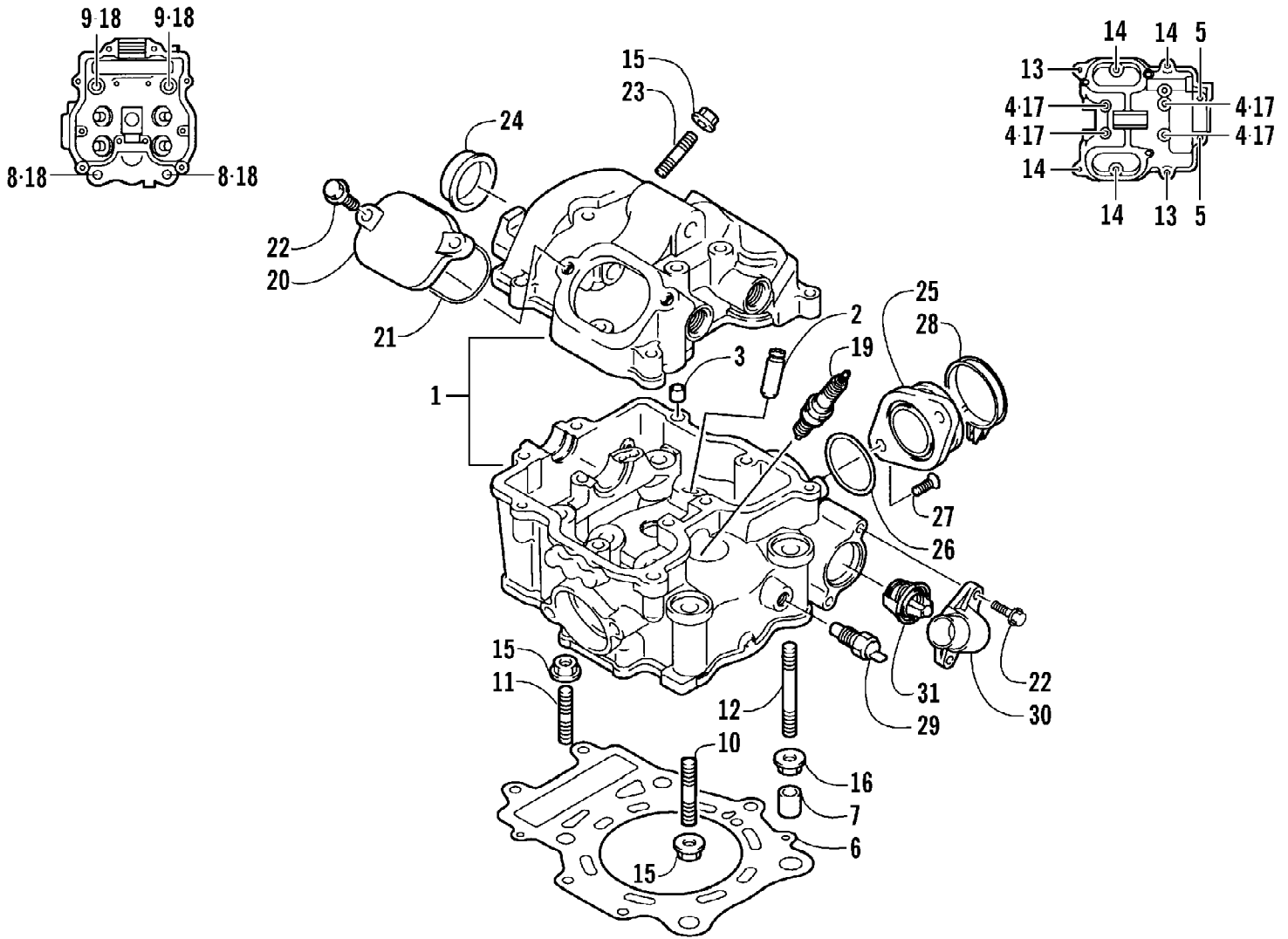


2003 ATV 500 FIS AUTOMATIC TRANSMISSION (GREEN - MRP) (A2003ISM4462) of 98  
CYLINDER ASSEMBLY

Ref #	Part Number	Qty	S/P/F	Description
1	3402-707	1		Cylinder
2	3423-384	2	S	Bolt, Stud
3	3004-488	2	S/P	Nut
4	3402-365	1	/P	Gasket, Cylinder
5	3423-088	2		Pin, Dowel
6	3413-013	1		Union, Water Hose
7	3423-121	1	S	Screw, Cap
8	3423-058	1		O-Ring

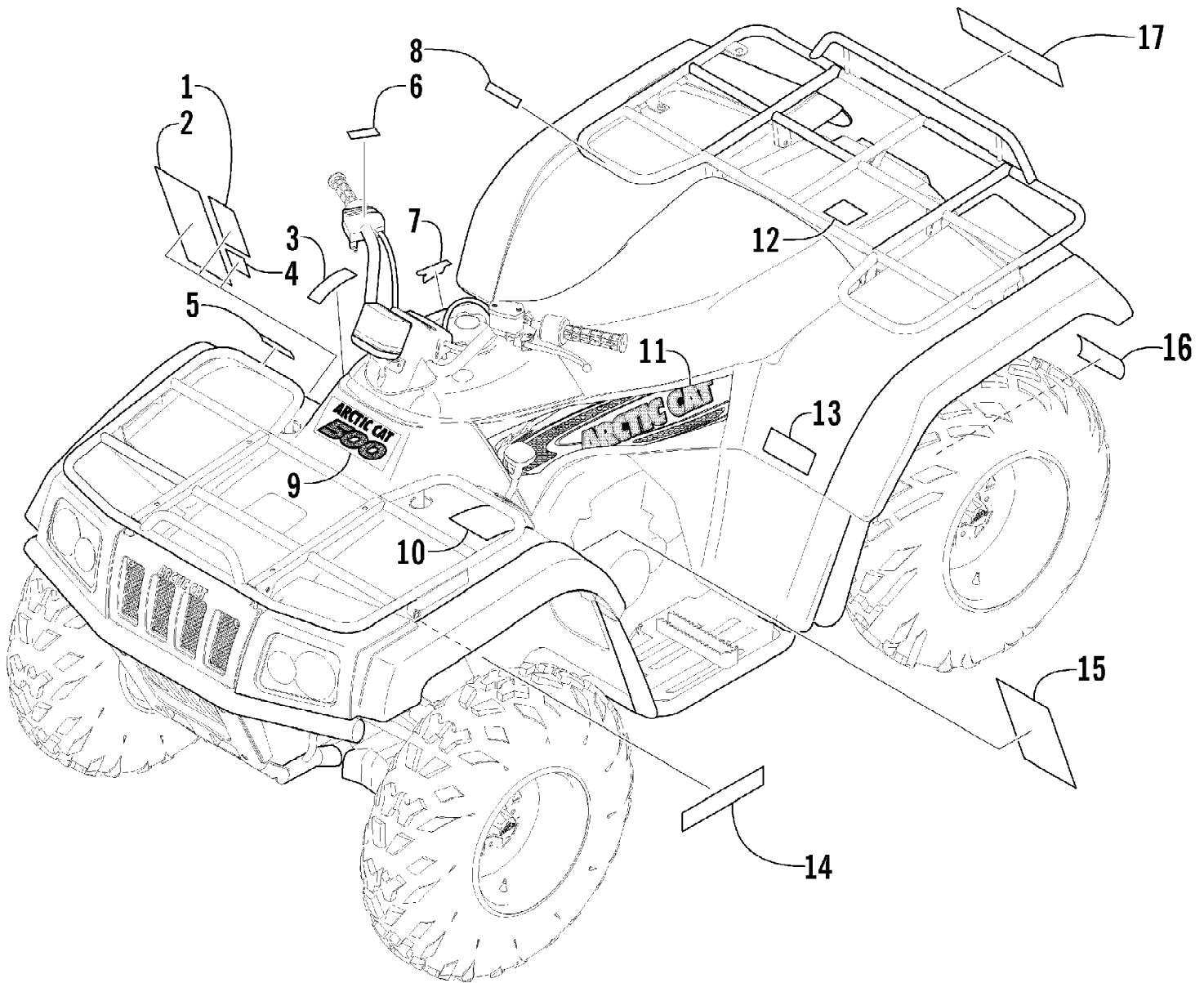


2003 ATV 500 FIS AUTOMATIC TRANSMISSION (GREEN - MRP) (A2003ISM4) Page 29 of 98  
CYLINDER HEAD ASSEMBLY



2003 ATV 500 FIS AUTOMATIC TRANSMISSION (GREEN - MRP) (A2003ISM4463) of 98  
CYLINDER HEAD ASSEMBLY

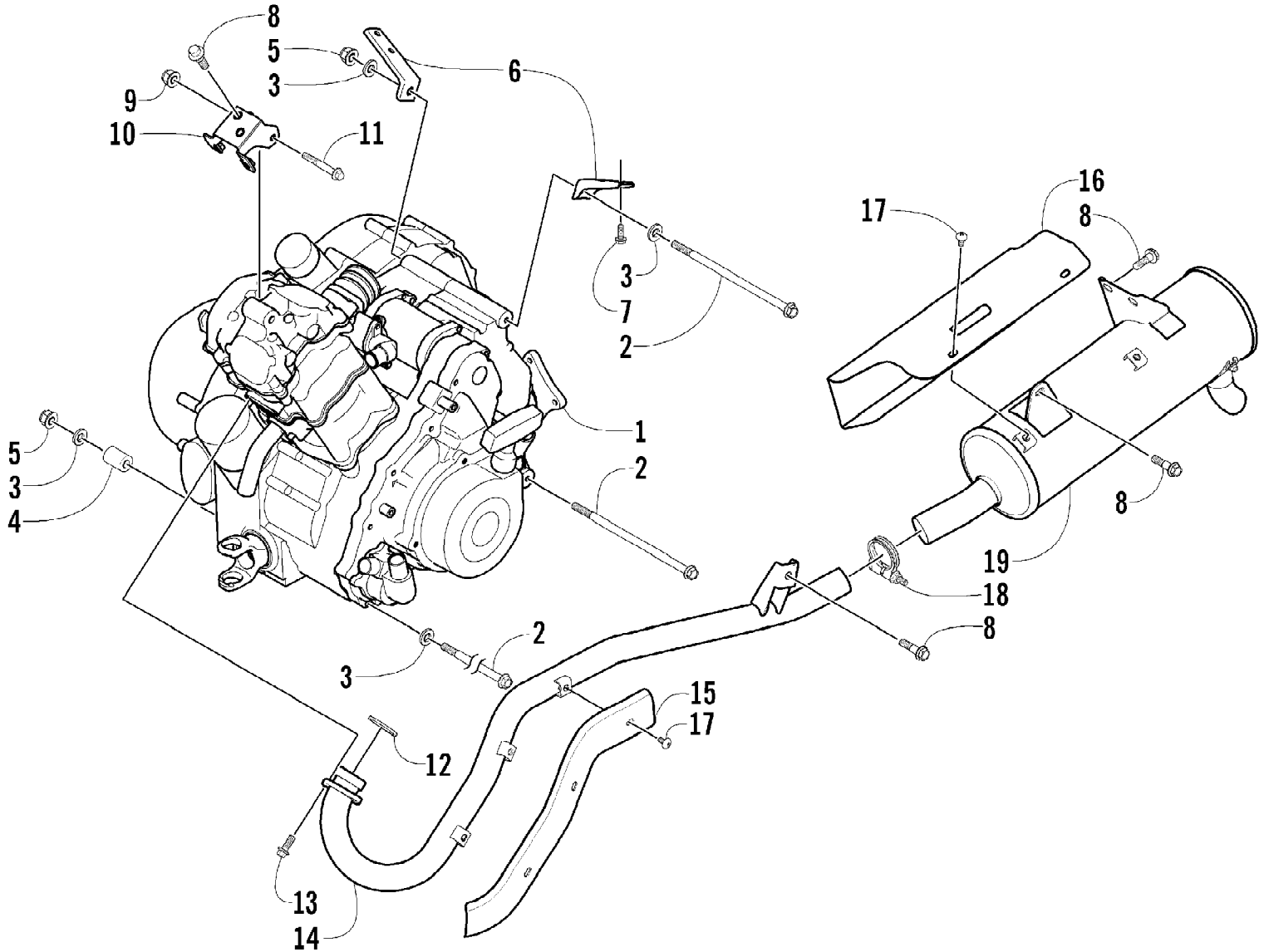
Ref #	Part Number	Qty	S/P/F	Description
1	3402-098	1		Head, Cylinder - Assembly (inc. 2-5)
2	3402-099	4		Guide, Valve
3	3423-043	2	/P	Pin, Dowel
4	3423-006	4		Screw, Cap
5	3008-376	2	S	Screw, Cap
6	3402-362	1		Gasket, Cylinder Head
7	3423-088	2		Pin, Dowel
8	3423-015	2		Screw, Cap
9	3423-016	2		Screw, Cap
10	3423-089	2	S	Bolt, Stud
11	3423-087	2	S	Bolt, Stud
12	3423-203	1	S/P	Bolt, Stud
13	3423-007	2	S	Screw, Cap
14	3004-376	4	S/P	Screw, Cap
15	3004-488	5	S/P	Nut
16	3004-326	1	S/P	Nut
17	3003-290	4	/P	Gasket
18	3402-010	4		Gasket, Head Nut
19	0217-632	1		Spark Plug (NGK CR6E)
20	3402-100	2		Cap, Inspection
21	3402-101	2		O-Ring
22	3004-341	5	S/P	Screw, Cap
23	3423-383	1		Bolt, Stud
24	3402-035	1		Plug, Cylinder Head
25	3402-706	1		Pipe, Intake - Assembly (inc. 26)
26	3423-353	1	/P	O-Ring
27	3423-347	2		Screw, Cap
28	0423-317	1	/P	Clamp
29	3530-038	1	S	Switch, Water Temperature - Assembly
30	3413-004	1		Cover, Thermostat
31	3413-012	1		Thermostat
0	3402-048	1	F	Plug, Frost



2003 ATV 500 FIS AUTOMATIC TRANSMISSION (GREEN - MRP) (A2003ISM4163) Page 32 of 98  
 DECALS

Ref #	Part Number	Qty	S/P/F	Description
1	0411-008	1	/P	Decal, Warning - Reverse/Pre-Ride
2	0411-045	1		Decal, Warning - Turn
3	0411-426	1		Decal, Warning - Clutch Cover
4	0411-011	1		Decal, Caution - Electrical
5	0411-006	1		Decal, Warning - Front Rack Load
6	0411-324	1		Decal, Instruction - Start In Gear
7	0411-507	1		Decal, "Duramatic"
8	0411-007	1		Decal, Warning - Rear Rack Load
9	0411-538	1		Decal, Front
9	0411-537	1		Decal, Front (Green/MRP)
9	0411-559	1		Decal, Front (Cat Green)
10	0411-401	1		Decal, Warning - Age
11	0411-523	1		Decal, Side - Right
11	0411-524	1		Decal, Side - Left
11	0411-521	1		Decal, Side - Right (Green/MRP)
11	0411-522	1		Decal, Side - Left (Green/MRP)
11	0411-560	1		Decal, Side - Right (Cat Green)
11	0411-561	1		Decal, Side - Left (Cat Green)
12	0411-435	1		Decal, Passenger
13	0411-430	1		Decal, Warning - Tire Pressure
14	0411-506	1		Decal, CA Emissions
15	0411-218	1		Decal, Warning - General
16	0411-267	1		Decal, Warning - Towing
17	0411-501	1		Decal, "Arctic Cat"

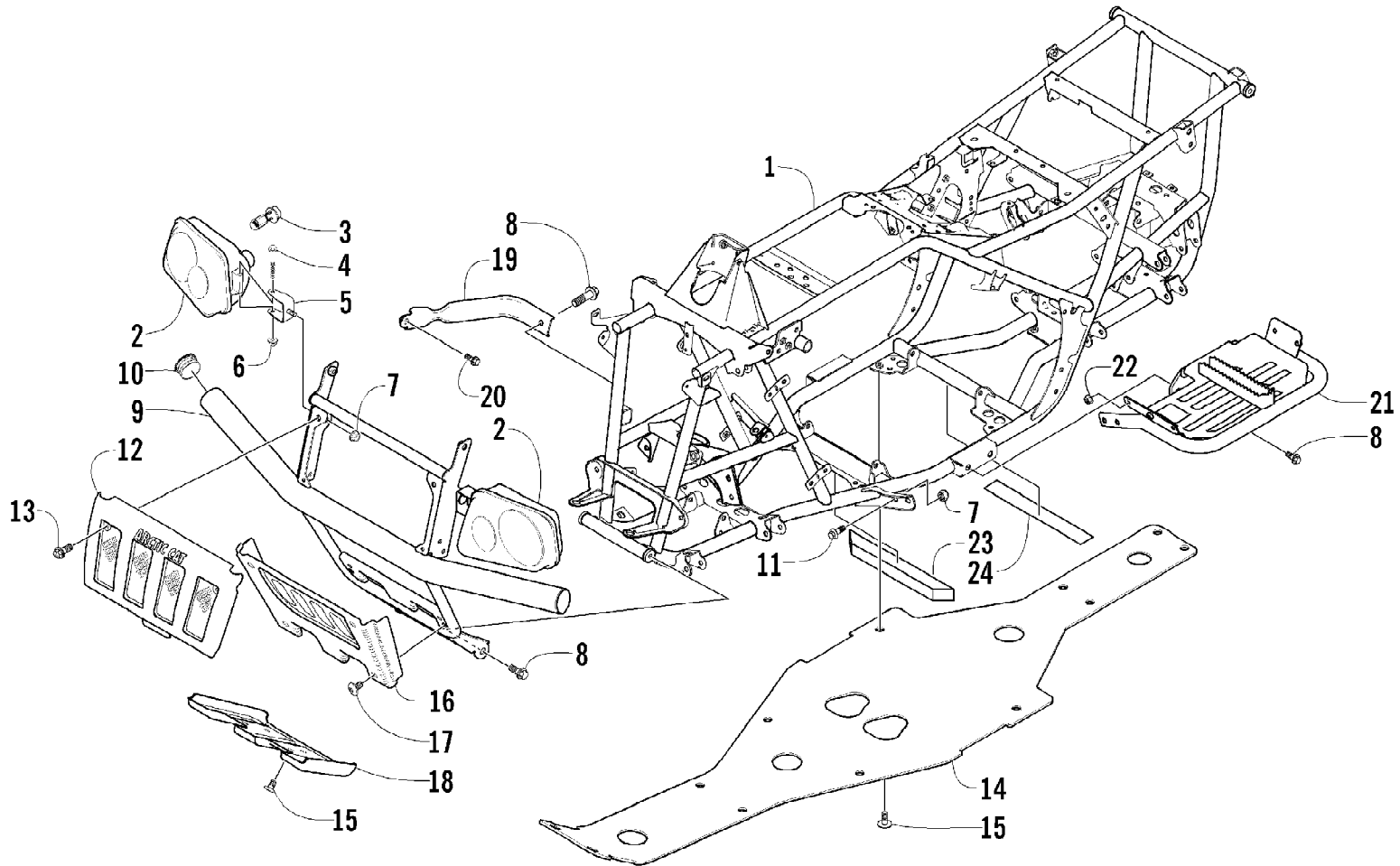
2003 ATV 500 FIS AUTOMATIC TRANSMISSION (GREEN - MRP) (A2003ISM4) **Page 33** of 98  
ENGINE AND EXHAUST



2003 ATV 500 FIS AUTOMATIC TRANSMISSION (GREEN - MRP) (A2003ISM46634) of 98  
ENGINE AND EXHAUST

Ref #	Part Number	Qty	S/P/F	Description
1	0462-023	1		Engine
2	0423-405	3		Screw, Cap
3	0423-426	4		Washer
4	0423-042	2	S	Spacer
5	8428-002	3		Nut, Lock
6	1506-024	1	/P	Bracket, Engine - Right
6	1506-025	1	/P	Bracket, Engine - Left
7	8408-616	4		Screw, Cap
8	8408-816	6		Screw, Cap
9	8424-802	1		Nut
10	0506-546	1		Bracket, Engine - Upper
11	8408-860	1		Screw, Cap
12	0412-007	1	/P	Seal, Exhaust
13	8408-820	2	/P	Screw, Cap
14	0512-076	1	S	Pipe, Exhaust
15	0412-189	1		Cover, Exhaust
16	0412-187	1		Cover, Muffler
17	8477-610	7		Screw, Machine
18	0423-150	1		Clamp
19	0412-184	1	/P	Muffler

2003 ATV 500 FIS AUTOMATIC TRANSMISSION (GREEN - MRP) (A2003ISM4) Page 35 of 98  
FRAME AND RELATED PARTS

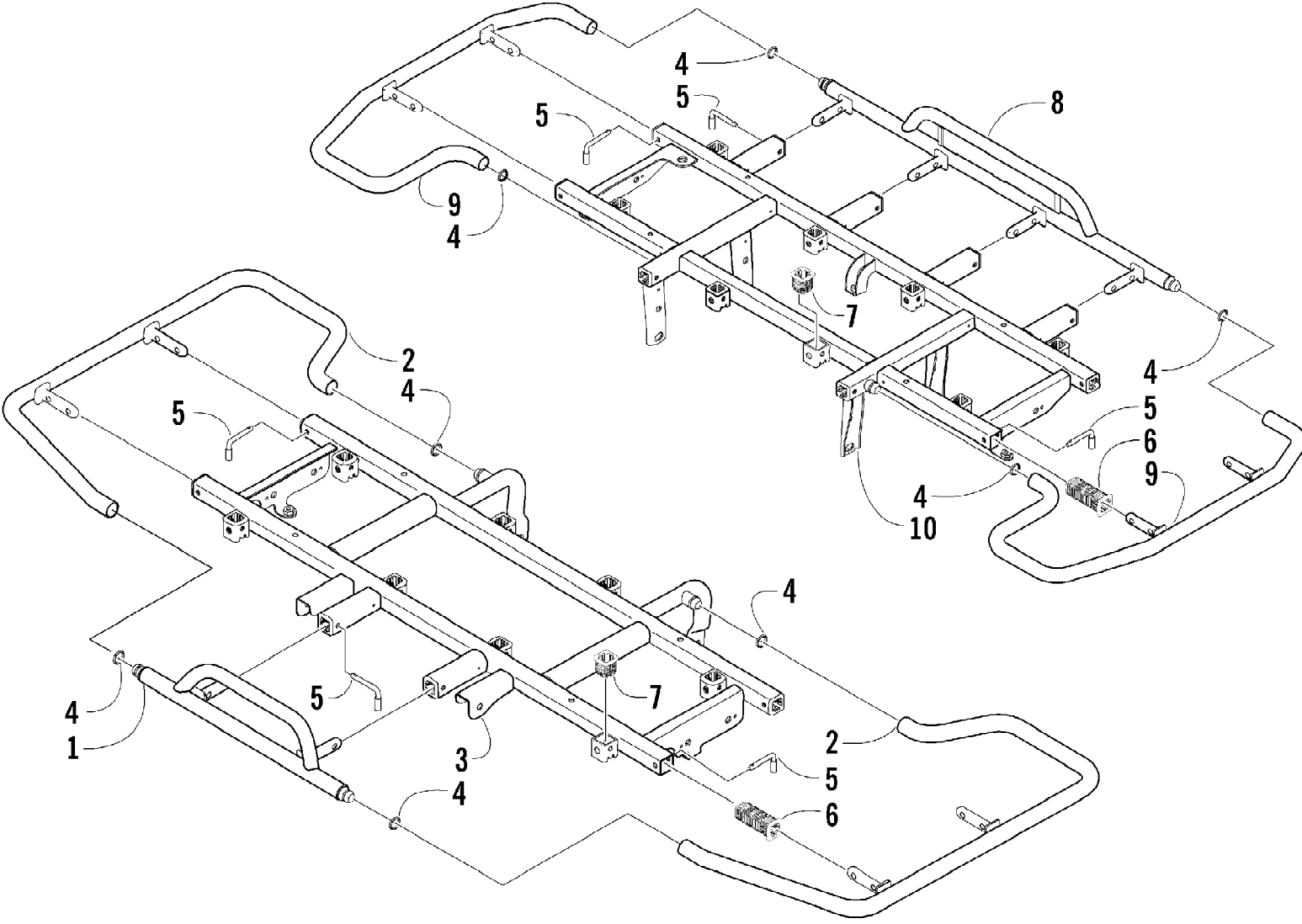


2003 ATV 500 FIS AUTOMATIC TRANSMISSION (GREEN - MRP) (A2003ISM4) Pages 36 of 98  
FRAME AND RELATED PARTS

Ref #	Part Number	Qty	S/P/F	Description
1	0506-815	1		Frame, Main
2	0409-032	2		Headlight Assembly - Right (inc. 3-6)
2	0409-031	2		Headlight Assembly - Left (inc. 3-6)
3	0409-045	4		Bulb, Headlight
4	8410-860	2		Screw, Cap
5	0406-945	2		Bracket, Headlight Mounting
6	0423-375	2		Nut, Lock
7	8424-802	6		Nut
8	8409-020	8	/P	Screw, Cap
9	0506-544	1		Bumper
10	0406-130	2		Cap, Bumper
11	8408-816	4		Screw, Cap
12	0406-832	1		Grille, Upper
13	0423-361	2		Screw, Machine
14	1406-030	1		Panel, Belly
15	0423-101	AR		Screw, Shoulder
16	0406-833	1	S	Grille, Bumper - Lower
17	0423-362	4		Screw, Machine
18	0406-834	1		Plate, Skid
19	0506-653	2	S	Channel, Bumper Mounting
20	8408-812	2		Screw, Cap
21	0506-534	1		Footrest - Right
21	0506-728	1		Footrest - Left
22	8424-602	2	/P	Nut
23	1506-067	1		Pad, Foam
24	0406-289	1		Pad, Foam



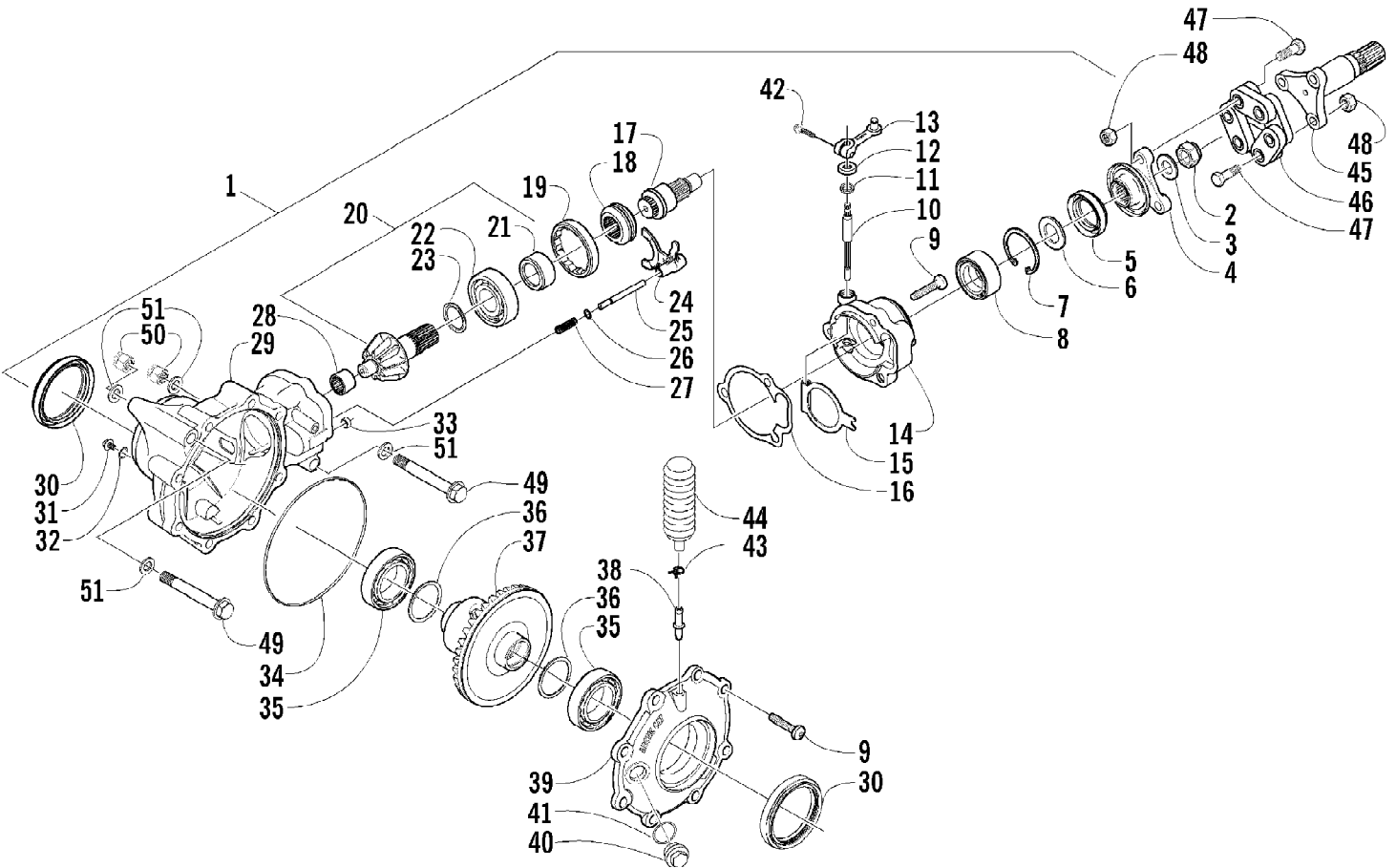
2003 ATV 500 FIS AUTOMATIC TRANSMISSION (GREEN - MRP) (A2003ISM44637 of 98)  
FRONT AND REAR RACK ASSEMBLIES (MRP)



2003 ATV 500 FIS AUTOMATIC TRANSMISSION (GREEN - MRP) (A2003ISM4463) of 98  
FRONT AND REAR RACK ASSEMBLIES (MRP)

Ref #	Part Number	Qty	S/P/F	Description
1	0541-133	1		Center, Rack - Front
2	0541-134	2		Side, Rack - Front
3	0541-135	1		Frame, Rack - Front
4	0623-903	8		O-Ring
5	0541-189	14	S	Pin
6	0441-556	16		Bushing, Rack
7	0441-592	16	/P	Bushing, Rack
8	0541-130	1		Center, Rack - Rear
9	0541-131	2		Side, Rack - Rear
10	0541-132	1		Frame, Rack - Rear

2003 ATV 500 FIS AUTOMATIC TRANSMISSION (GREEN - MRP) (A2003ISM4163) of 98  
FRONT DRIVE GEARCASE ASSEMBLY



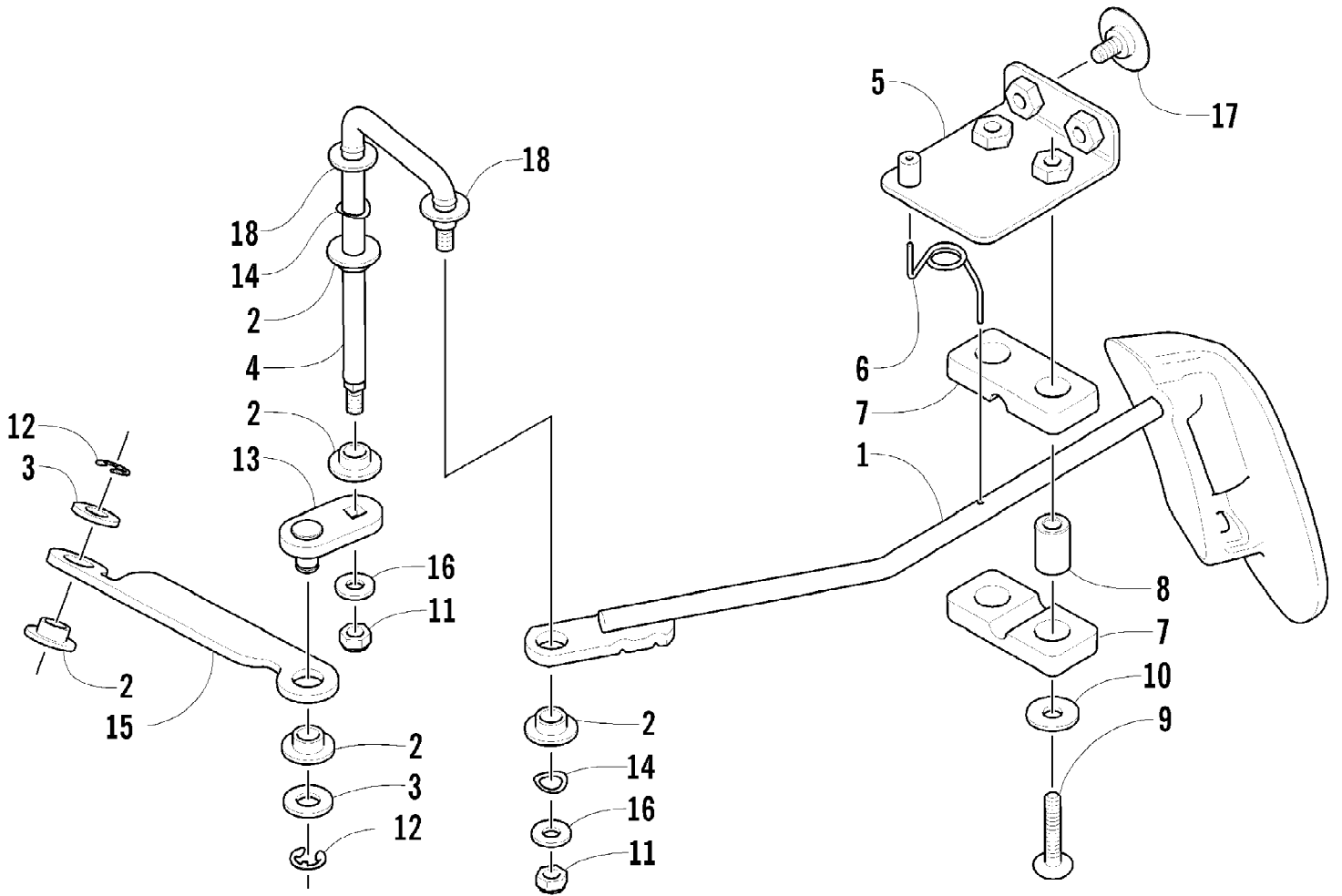
2003 ATV 500 FIS AUTOMATIC TRANSMISSION (GREEN - MRP) (A2003ISM4) (Page 3) of 98  
FRONT DRIVE GEARCASE ASSEMBLY

Ref #	Part Number	Qty	S/P/F	Description
1	0502-153	1		Gearcase, Front Drive - Assembly (inc. 2-42)
2	0423-135	1		Nut
3	0423-134	1		Washer
4	0402-422	1		Flange, Drive
5	0402-395	1		Seal
6	0402-346	1		Spacer, Drive
7	0402-332	1		Ring, Retaining
8	0402-003	1		Bearing
9	0423-118	11		Screw, Self-Tapping
10	0402-412	1		Shaft, Selector
11	0402-416	1		Seal
12	0402-398	1		Plate, Selector Shaft
13	0502-092	1		Arm, Selector
14	0502-122	1		Housing, Selector
15	0402-414	1		Plate, Spring - Selector
16	0402-947	1		Gasket, Flange
17	0402-410	1		Shaft, Thrust
18	0402-413	1		Coupler, Drive
19	0402-357	1		Collar, Lock
20	0502-155	1		Gear, Pinion - Assembly - 11T (inc. 21-23)
21	0402-336	1		Collar, Retaining
22	0402-327	1		Bearing
23	0402-424	AR		Shim
23	0402-425	AR		Shim
23	0402-426	AR		Shim
23	0402-427	AR		Shim
23	0402-428	AR		Shim
24	0402-420	1		Fork, Selector
25	0402-417	1		Shaft, Shuttle
26	0423-147	1		O-Ring
27	0402-418	1		Spring, Return
28	0402-328	1		Bearing
29	0502-120	1		Housing, Gearcase
30	0402-394	2	S	Seal
31	0402-450	1	S	Plug, Magnetic (inc. 32)
32	0423-153	1		O-Ring
33	0402-411	1		Pin, Dowel
34	0423-149	1		O-Ring
35	0402-393	2		Bearing
36	0402-405	AR		Shim
36	0402-406	AR		Shim
36	0402-407	AR		Shim
36	0402-408	AR		Shim
36	0402-409	AR		Shim
37	0502-199	1		Gear, Ring - 34T
38	0402-871	1		Fitting
39	0502-121	1		Cover, Gearcase
40	0402-333	1	/P	Plug, Fill (inc. 41)
41	0423-154	1		O-Ring
42	8410-620	1		Screw, Cap
43	0423-315	1		Clamp, Fitting
44	0402-147	1	S	Bladder, Gearcase
45	0502-200	1		Shaft, Propeller

2003 ATV 500 FIS AUTOMATIC TRANSMISSION (GREEN - MRP) (A2003ISM4163) Page 31 of 98  
 FRONT DRIVE GEARCASE ASSEMBLY

Ref #	Part Number	Qty	S/P/F	Description
46	3435-007	1		Coupler, Propeller Shaft
47	3423-182	6	S	Screw, Cap
48	3004-491	6	S/P	Nut
49	0423-404	2		Screw, Cap
50	8428-002	2		Nut, Lock
51	0423-426	4		Washer

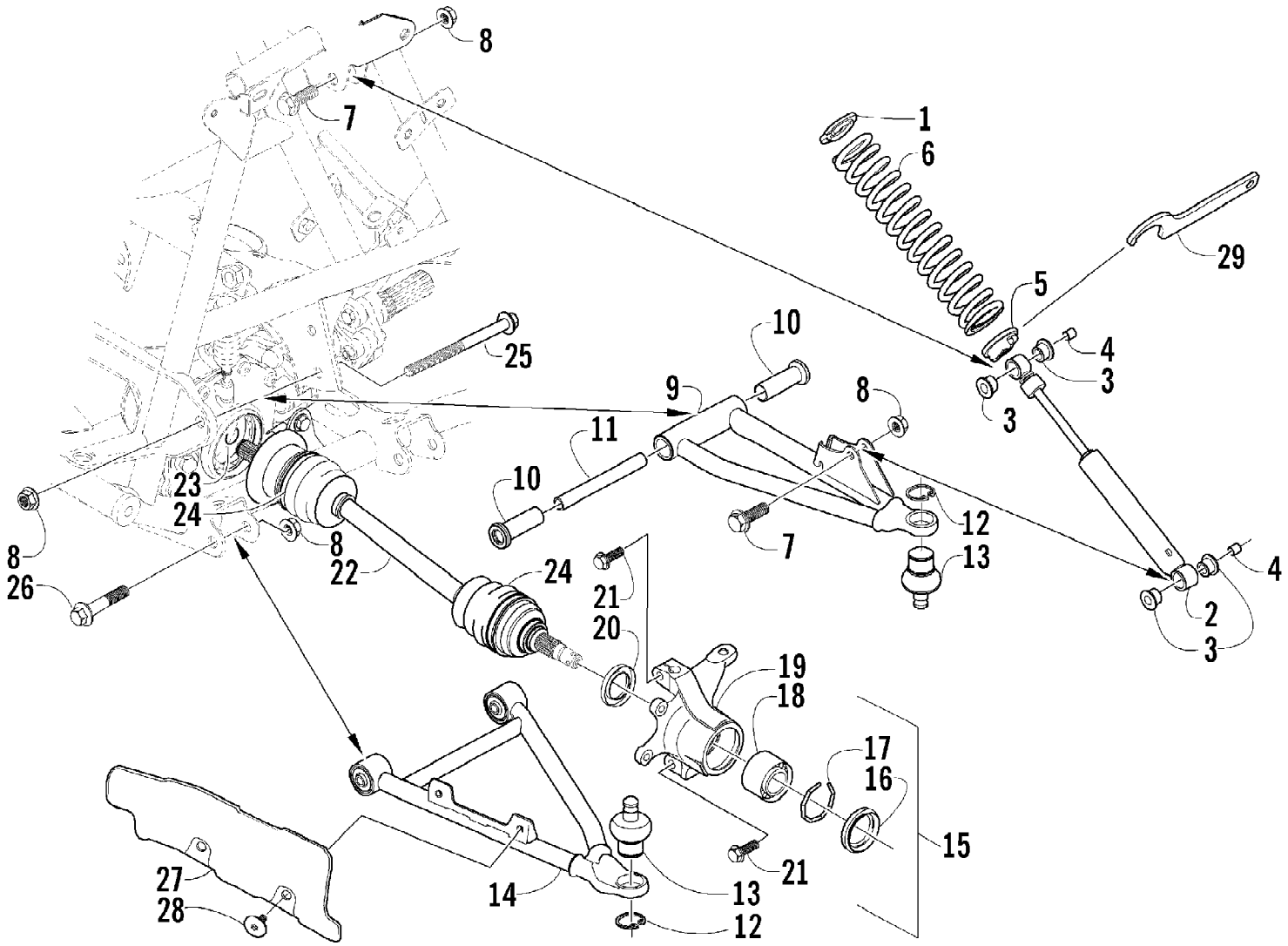
2003 ATV 500 FIS AUTOMATIC TRANSMISSION (GREEN - MRP) (A2003ISM4) **Page 12** of 98  
FRONT DRIVE SHIFT LINKAGE ASSEMBLY



2003 ATV 500 FIS AUTOMATIC TRANSMISSION (GREEN - MRP) (A2003ISM4663) of 98  
FRONT DRIVE SHIFT LINKAGE ASSEMBLY

Ref #	Part Number	Qty	S/P/F	Description
1	0502-291	1		Shifter
2	0423-091	5		Bushing
3	8050-247	2	/P	Washer
4	0402-821	1		Arm, Shifter
5	0502-234	1		Plate, Mounting
6	0402-828	1		Spring, Torsion
7	0406-363	2		Bushing
8	0402-256	2		Collar
9	8476-630	2		Screw, Machine
10	8050-222	2	/P	Washer
11	0624-250	2		Nut, Lock
12	0124-057	2	/P	E-Ring
13	0502-295	1		Arm, Selector
14	0423-368	2		Washer, Wave
15	0502-396	1	/P	Cross-Link
16	0423-348	2		Washer
17	0423-101	2		Screw, Body
18	0123-053	2	/P	Washer

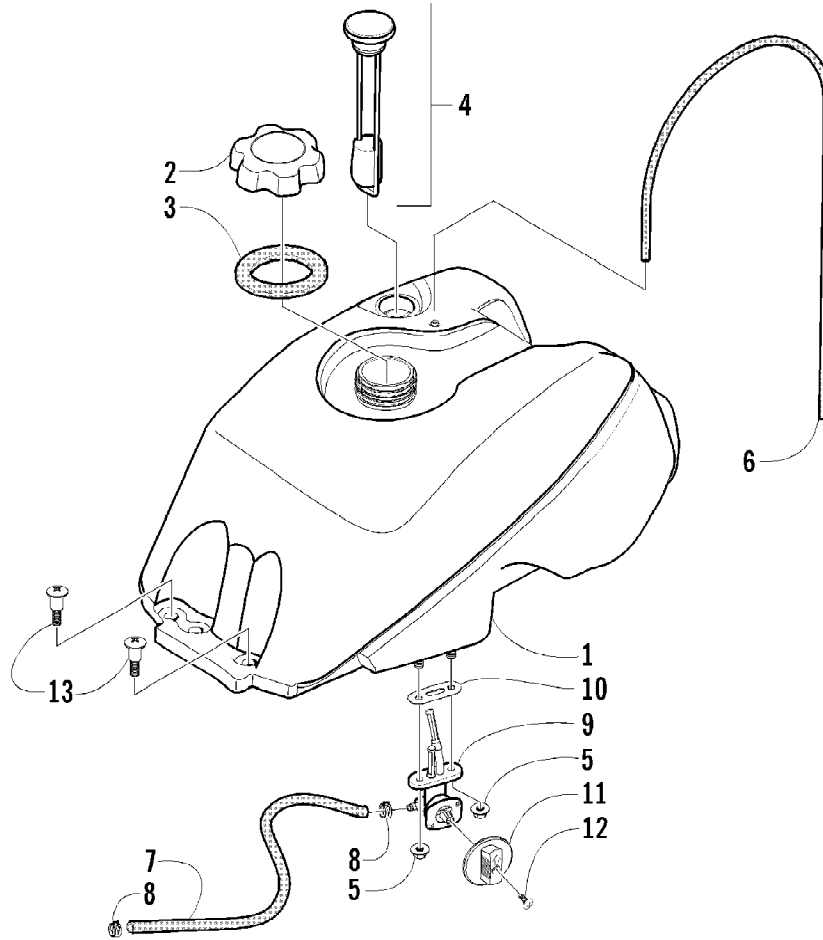
2003 ATV 500 FIS AUTOMATIC TRANSMISSION (GREEN - MRP) (A2003ISM4) **Page 34** of 98  
FRONT SUSPENSION ASSEMBLY





2003 ATV 500 FIS AUTOMATIC TRANSMISSION (GREEN - MRP) (A2003ISM4) Page 35 of 98  
FRONT SUSPENSION ASSEMBLY

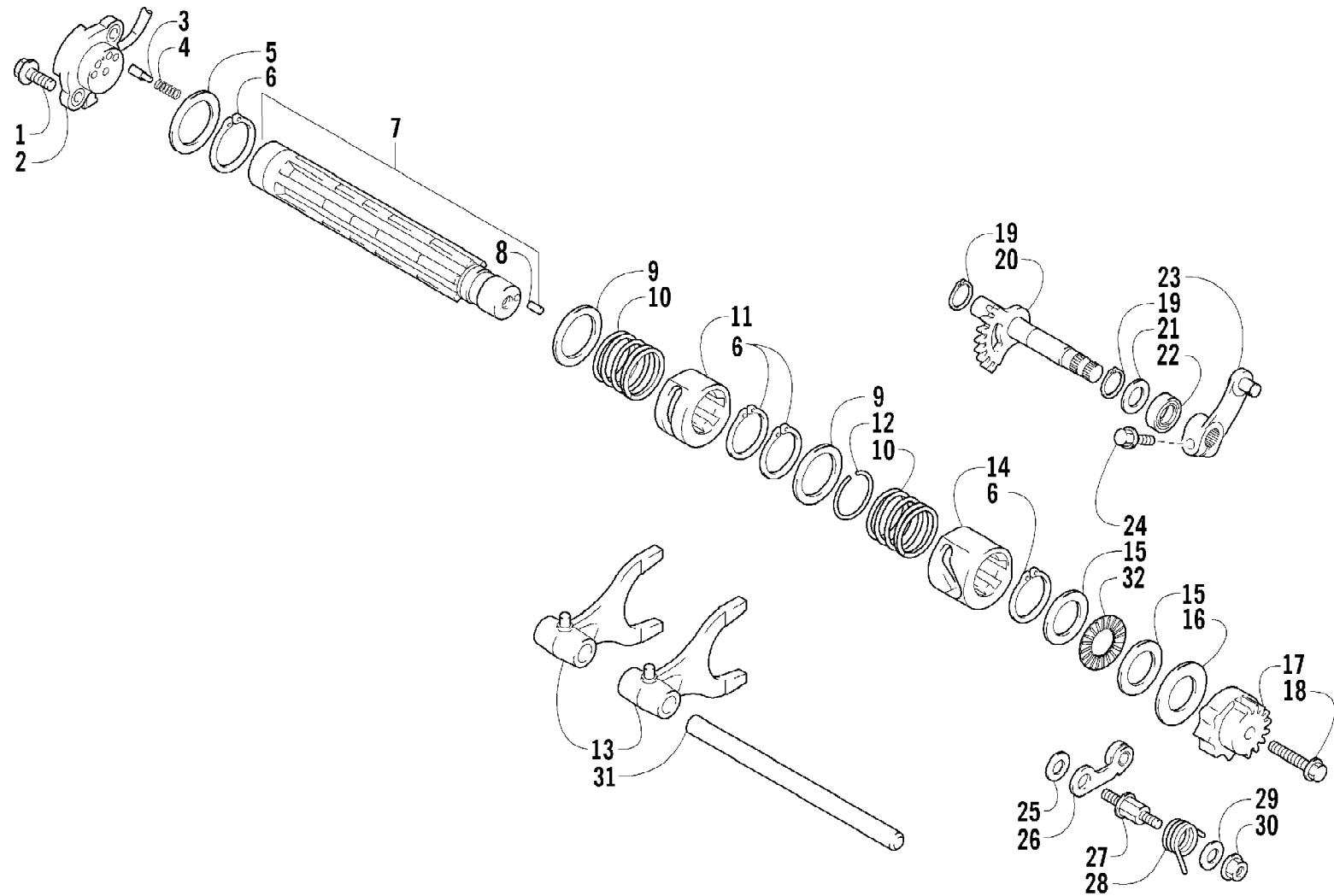
Ref #	Part Number	Qty	S/P/F	Description
1	1603-889	2	/P	Retainer, Spring
2	0403-111	2	/P	Shock Absorber - Front (inc. 3-4)
3	0604-310	8		Bushing, Shock Absorber
4	0403-028	4		Sleeve, Shock
5	0403-102	2		Cam, Spring Adjuster
6	0403-091	2		Spring, Shock Absorber
7	8409-040	4		Screw, Cap
8	8428-002	10		Nut, Lock
9	0503-196	1	S	A-Arm, Upper Right - Assembly (inc. 10-13)
9	0503-197	1		A-Arm, Upper Left - Assembly (inc. 10-13)
10	0403-081	4	S	Bushing
11	0403-080	2		Collar
12	0423-009	4	/P	Clip, Ball Joint
13	0405-115	4	/P	Ball Joint - Front
14	0503-194	1	/P	A-Arm, Lower Right (inc. 12-13)
14	0503-195	1	/P	A-Arm, Lower Left (inc. 12-13)
15	0505-026	1	S/P	Knuckle - Assembly - Right (inc. 16-20)
15	0505-027	1	S/P	Knuckle - Assembly - Left (inc. 16-20)
16	0402-089	2		Seal, Wheel Bearing - Front
17	0423-034	2		Clip, Bearing
18	0402-275	2	/P	Bearing, Wheel Hub - Front
19	0505-062	1	S	Knuckle, Steering - Right
19	0505-063	1	S	Knuckle, Steering - Left
20	0402-069	2		Seal, Wheel Bearing - Rear
21	8409-030	4		Screw, Cap
22	0402-907	2	S	Axle, Drive - Front (inc. 23-24)
23	0441-400	2	S	Clip, Retaining
24	0436-276	2	S	Repair Kit, Boot - Front Axle
25	0423-334	2		Screw, Cap
26	8409-060	4		Screw, Cap
27	1406-034	1		Guard, Boot - Axle - Right
27	1406-035	1		Guard, Boot - Axle - Left
28	0423-101	4		Screw, Body
29	0441-587	1		Wrench, Spanner



2003 ATV 500 FIS AUTOMATIC TRANSMISSION (GREEN - MRP) (A2003ISM4463) Page 37 of 98  
 GAS TANK ASSEMBLY

Ref #	Part Number	Qty	S/P/F	Description
1	0570-066	1	/P	Tank, Gas - Assembly (inc. 2-10)
2	0470-438	1	/P	Cap, Gas Tank (inc. 3)
3	0109-733	1	/P	Gasket, Tank Cap
4	0470-444	1	S	Gauge, Fuel w/Gasket (Press-Fit)
5	0423-398	2		Nut, Lock
6	0470-416	1	/P	Hose, Vent
7	0610-007	AR	/P	Hose, Gasline - 25 ft
8	0423-152	2		Clamp, Hose
9	0470-445	1	/P	Valve, Fuel Shut-Off (inc. 10)
10	0470-364	1		Gasket, Fuel Shut-Off Valve
11	0470-408	1		Knob, Fuel Shut-Off Valve
12	0423-146	1		Screw, Machine
13	0423-130	2		Screw, Shoulder

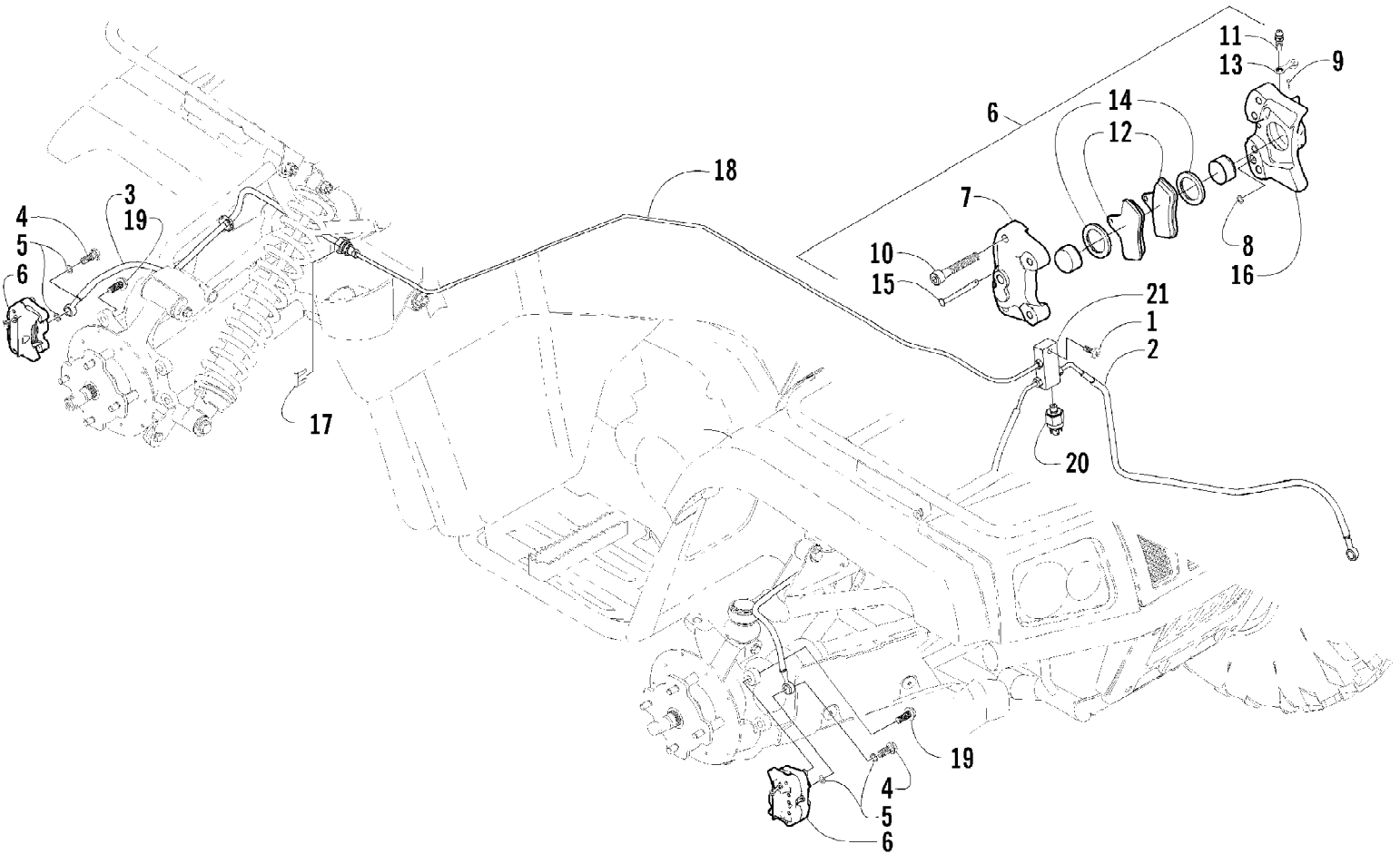
2003 ATV 500 FIS AUTOMATIC TRANSMISSION (GREEN - MRP) (A2003ISM4163) Page 38 of 98  
GEAR SHIFTING ASSEMBLY



2003 ATV 500 FIS AUTOMATIC TRANSMISSION (GREEN - MRP) (A2003ISM4163) of 98  
GEAR SHIFTING ASSEMBLY

Ref #	Part Number	Qty	S/P/F	Description
1	3423-418	2		Bolt
2	3530-031	1		Base, Gear Shift - Assembly
3	3423-044	2		Contact
4	3402-087	2		Spring
5	3423-421	1	/P	Washer, Shift Shaft
6	3423-191	4	/P	Circlip, Cam Spring
7	3402-826	1		Shaft, Gear Shift (inc. 8)
8	3423-114	1	/P	Pin
9	3402-382	2		Washer, Cam Spring
10	3446-280	2		Spring, Cam
11	3402-827	1		Cam, Reverse
12	3423-116	1	S	C-Ring, Cam
13	3446-353	2		Fork, Shift
14	3402-828	1		Cam, Gear Shift
15	3402-381	2	/P	Washer, Shift Shaft
16	3423-446	1		Washer, Gear Shift Cam Plate
17	3402-642	1		Plate, Gear Shift Cam
18	3004-376	1	S/P	Bolt, Gear Shift Cam Plate
19	3423-358	2	S	Circlip, Sub-Gear Shift Shaft
20	3402-747	1		Shaft, Sub-Gear Shift
21	1691-043	2		Washer, Sub-Gear Shift Shaft
22	3402-076	1		Seal, Sub-Gear Shift Shaft
23	3402-434	1	/P	Arm, Select
24	3004-341	1	S/P	Bolt, Select Arm
25	3423-141	1		Washer, Cam Stopper
26	3402-746	2		Stopper, Cam
27	3446-048	1		Support, Cam Stopper
28	3423-511	1		Spring, Cam Stopper
29	3423-438	2		Washer, Cam Stopper Spring
30	3004-488	1	S/P	Nut, Cam Stopper Spring
31	3446-266	1		Shaft, Shift Fork
32	3402-829	1		Bearing

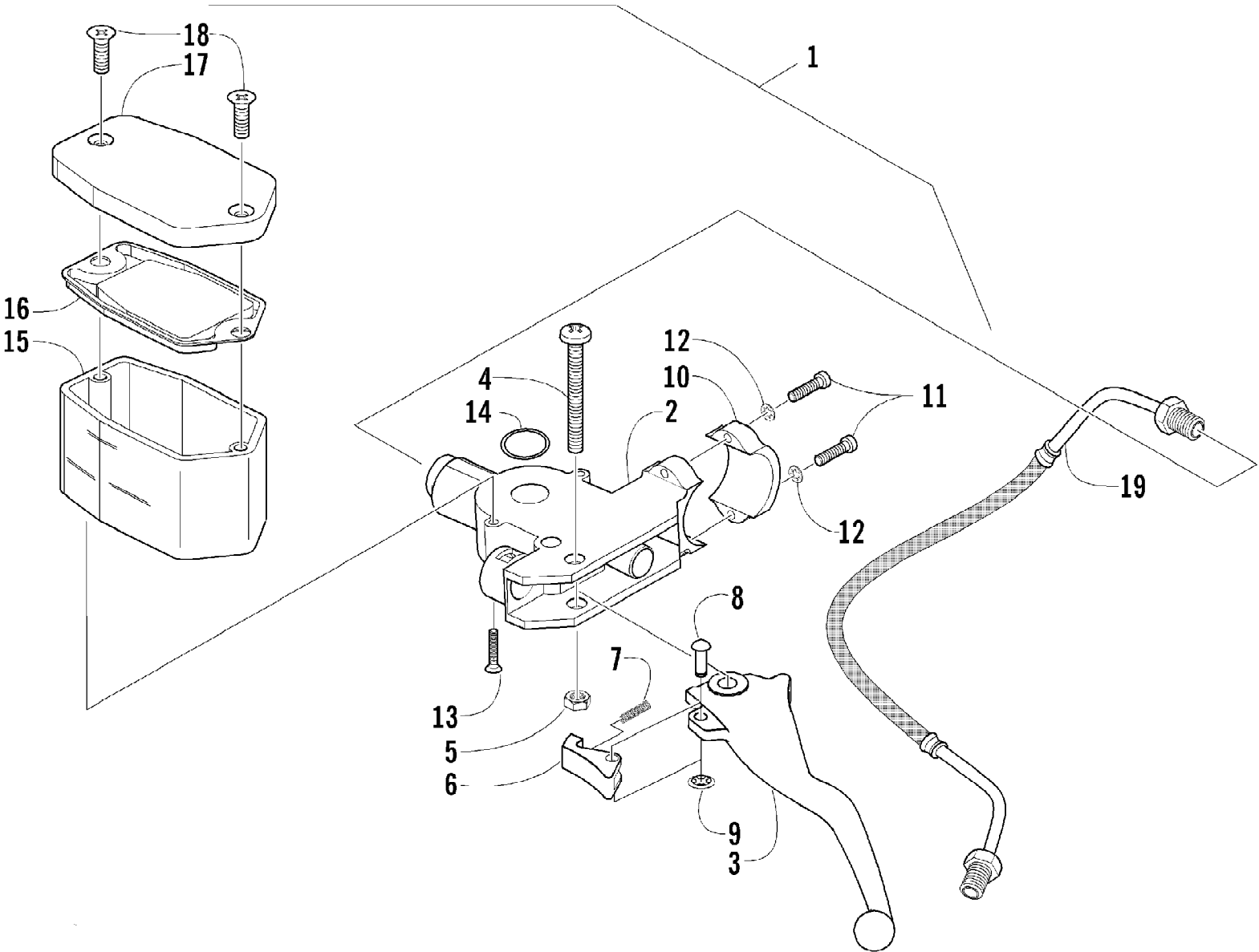
2003 ATV 500 FIS AUTOMATIC TRANSMISSION (GREEN - MRP) (A2003ISM4665) of 98  
HYDRAULIC BRAKE ASSEMBLY



2003 ATV 500 FIS AUTOMATIC TRANSMISSION (GREEN - MRP) (A2003ISM4465) of 98  
HYDRAULIC BRAKE ASSEMBLY

Ref #	Part Number	Qty	S/P/F	Description
1	8476-630	1		Screw, Cap
2	0402-961	2		Hose, Brakeline - Front
3	0402-956	1		Hose, Brakeline - Rear
4	0423-413	3		Bolt, Banjo Fitting
5	0423-178	6		Washer, Crush
6	0502-335	1	S	Caliper, Brake - Right Front (inc. 7-16)
6	0502-336	2	S	Caliper, Brake - Left Front and Right Rear (inc. 7-16)
7	0	3	F	Housing, Caliper
8	0402-490	3		O-Ring
9	0402-496	3	S	Pin, Cotter
10	0402-492	12		Screw, Cap
11	0402-493	3		Cap, Bleed Valve
12	0402-882	6	/P	Pad, Brake
13	0402-491	3	S	Valve, Bleed
14	0402-980	6		O-Ring, Brake Caliper
15	0402-495	3		Pin, Brake Caliper
16	0	3	F	Housing, Caliper
17	0402-597	1	/P	Clip, Brake Line
18	1402-008	1		Tube, Brake Line - Rear
19	8408-825	6		Screw, Cap
20	0402-306	1	/P	Switch, Brake Pressure
21	1402-086	1		Block, Junction

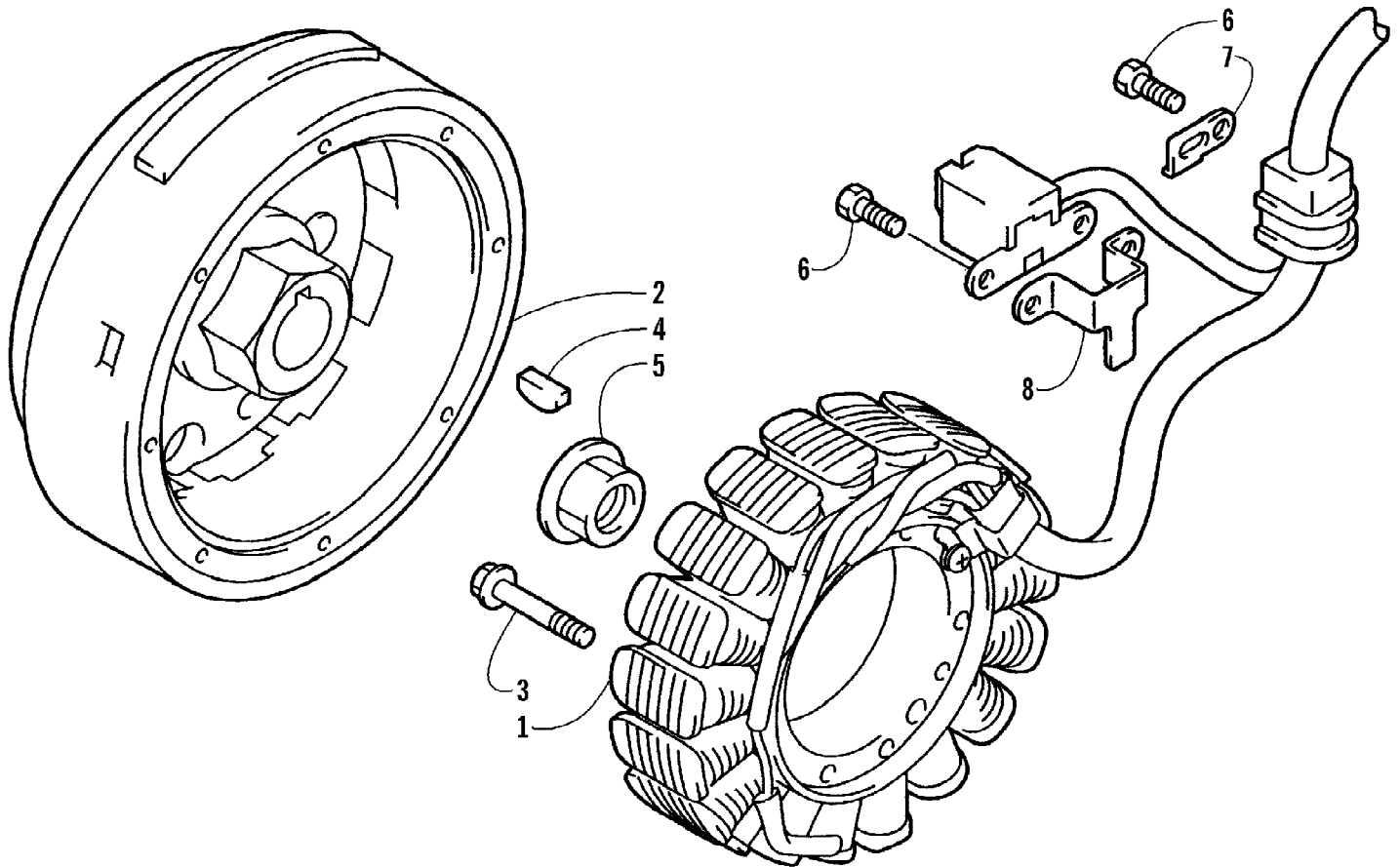
2003 ATV 500 FIS AUTOMATIC TRANSMISSION (GREEN - MRP) (A2003ISM4665) of 98  
HYDRAULIC HAND BRAKE ASSEMBLY





2003 ATV 500 FIS AUTOMATIC TRANSMISSION (GREEN - MRP) (A2003ISM4165) of 98  
HYDRAULIC HAND BRAKE ASSEMBLY

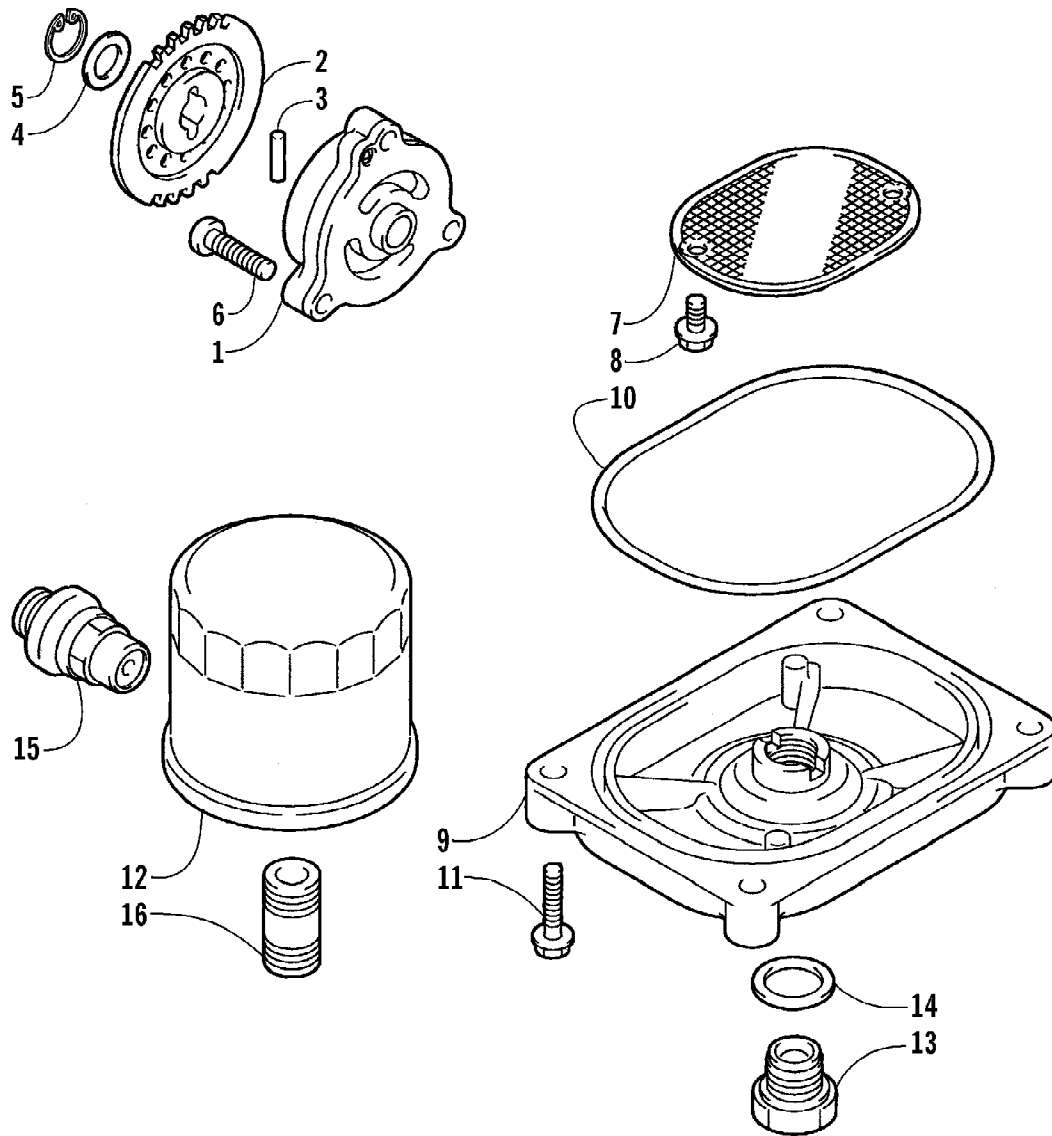
Ref #	Part Number	Qty	S/P/F	Description
	0502-429	1		Master Cylinder Rebuild Kit
1	0502-387	1	/P	Brake Assembly (inc. 2-18)
2	0	1	F	Master Cylinder
3	0402-818	1	/P	Lever, Brake
4	0623-430	1	/P	Screw, Machine
5	0623-056	1		Nut, Lock
6	1402-034	1	/P	Lock, Brake Lever
7	0402-245	1		Spring, Brake Lever Lock
8	0402-246	1		Pin, Brake Lever Lock
9	0423-090	1		Nut, Push
10	0602-907	1		Clamp, Master Cylinder
11	0623-613	2	/P	Screw, Machine
12	8052-212	2		Washer, Lock - Internal Tooth
13	0623-432	2		Screw, Machine
14	0602-587	1		O-Ring
15	0602-740	1		Reservoir
16	0602-741	1		Gasket, Cover
17	0602-742	1		Cover, Reservoir
18	0623-506	2		Screw, Machine
19	0402-962	1		Brakeline, Hydraulic



2003 ATV 500 FIS AUTOMATIC TRANSMISSION (GREEN - MRP) (A2003ISM44655) of 98  
 MAGNETO ASSEMBLY

Ref #	Part Number	Qty	S/P/F	Description
1	3430-058	1		Stator Assembly
2	3430-046	1		Rotor/Flywheel
3	3423-162	3	S	Bolt
4	0691-785	1		Key
5	3423-086	1		Nut
6	3423-005	3	/P	Bolt
7	3430-005	1		Clamp (No. 1)
8	3430-006	1		Clamp (No. 2)

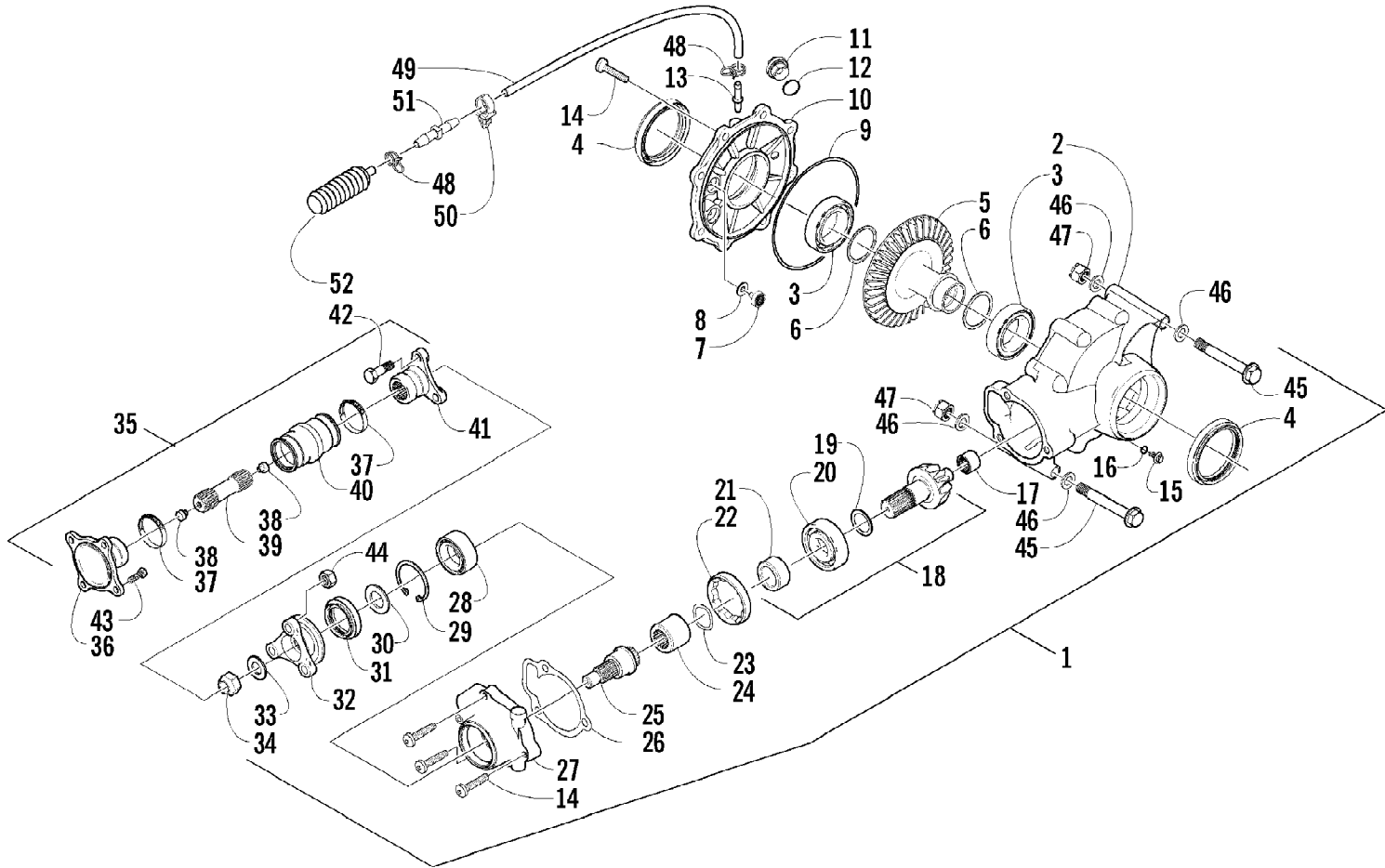
2003 ATV 500 FIS AUTOMATIC TRANSMISSION (GREEN - MRP) (A2003ISM4) Pages 56 of 98  
OIL FILTER/PUMP ASSEMBLY



2003 ATV 500 FIS AUTOMATIC TRANSMISSION (GREEN - MRP) (A2003ISM4465) Page 57 of 98  
OIL FILTER/PUMP ASSEMBLY

Ref #	Part Number	Qty	S/P/F	Description
1	3402-727	1	/P	Pump, Oil
2	3402-463	1		Gear, Driven
3	3423-046	1		Pin
4	3423-115	1		Washer
5	3423-184	1	S	Circlip
6	3423-510	3		Screw, Cap
7	3402-156	1		Strainer, Oil
8	0693-389	2	S	Screw, Cap
9	3402-157	1		Cap, Oil Strainer
10	3423-077	1		O-Ring
11	3004-756	4	S	Screw, Cap
12	0436-146	1	S	Filter, Oil
13	3402-036	1	S	Plug, Drain
14	3402-012	1		Gasket, Drain Plug
15	3402-154	1		Valve, Oil Relief - Assembly
16	3402-158	1	S	Union, Oil Filter

2003 ATV 500 FIS AUTOMATIC TRANSMISSION (GREEN - MRP) (A2003ISM4665) of 98  
REAR DRIVE GEARCASE ASSEMBLY



2003 ATV 500 FIS AUTOMATIC TRANSMISSION (GREEN - MRP) (A2003ISM4) Pages 59 of 98  
REAR DRIVE GEARCASE ASSEMBLY

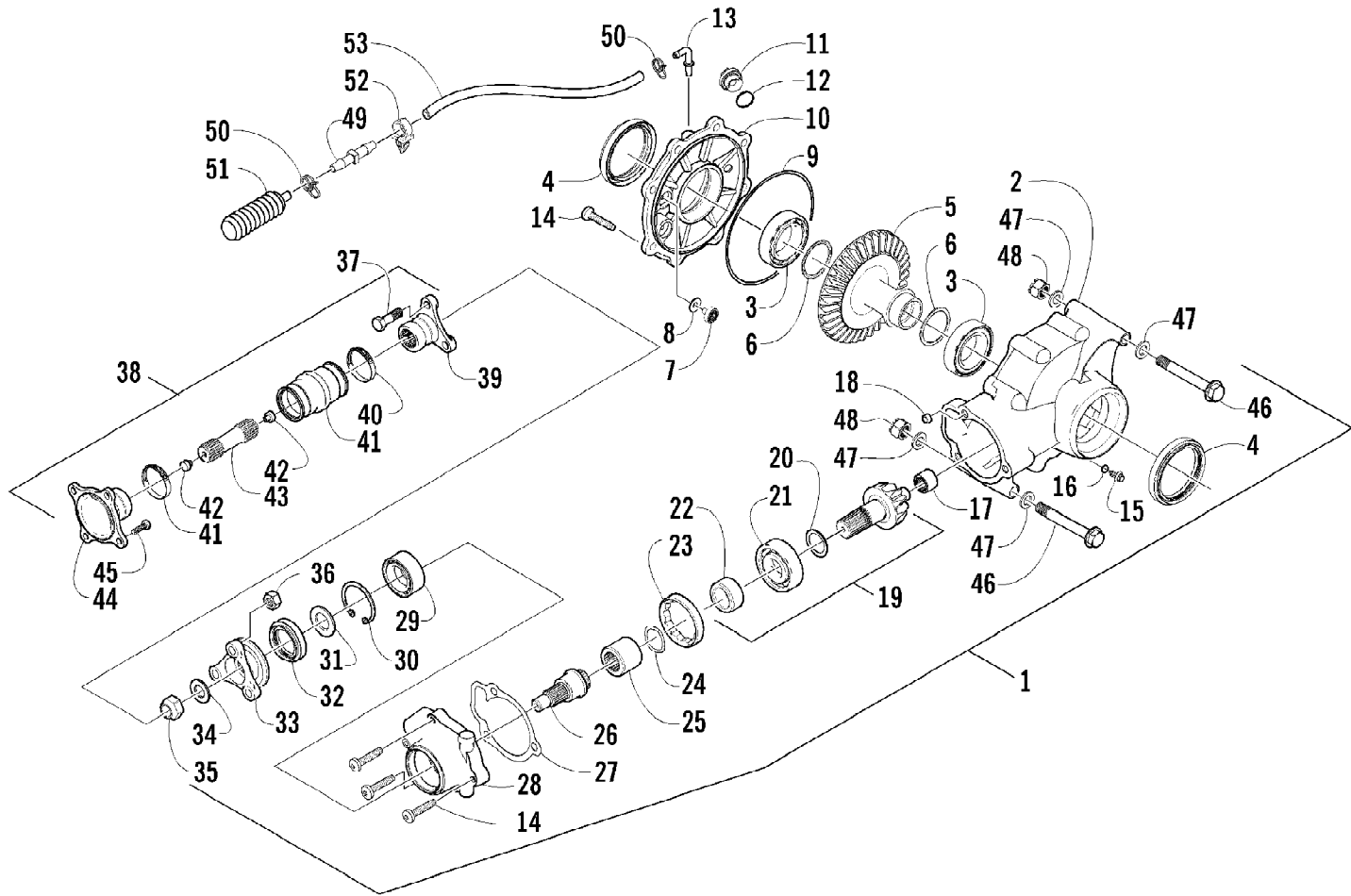
Ref #	Part Number	Qty	S/P/F	Description
1	0502-293	1		Gearcase, Rear Drive - Assembly (inc. 2-34)
2	0502-352	1		Housing, Gearcase
3	0402-393	2		Bearing
4	0402-394	2	S	Seal
5	0402-964	1		Gear, Ring - 34T
6	0402-405	AR		Shim
6	0402-406	AR		Shim
6	0402-407	AR		Shim
6	0402-408	AR		Shim
6	0402-409	AR		Shim
7	0402-326	1		Button, Thrust
8	0402-429	AR		Shim
8	0402-430	AR		Shim
8	0402-431	AR		Shim
8	0402-432	AR		Shim
8	0402-433	AR		Shim
9	0423-149	1		O-Ring
10	0502-346	1		Cover, Gearcase
11	0402-333	1	/P	Plug, Fill (inc. 12)
12	0423-154	1		O-Ring
13	0402-871	1		Fitting
14	0423-118	11		Screw, Self-Tapping
15	0402-450	1	S	Plug, Magnetic (inc. 16)
16	0423-153	1		O-Ring
17	0402-328	1		Bearing
18	0502-155	1		Gear, Pinion - Assembly - 11T (inc. 19-21)
19	0402-424	AR		Shim
19	0402-425	AR		Shim
19	0402-426	AR		Shim
19	0402-427	AR		Shim
19	0402-428	AR		Shim
20	0402-327	1		Bearing
21	0402-336	1		Collar, Retaining
22	0402-331	1		Collar, Lock
23	0402-982	1		Washer, Wave
24	0402-981	1		Collar, Shaft
25	0402-410	1		Shaft, Thrust
26	0402-947	1		Gasket, Flange
27	0502-345	1		Housing, Pinion
28	0402-003	1		Bearing
29	0402-332	1		Ring, Retaining
30	0402-346	1		Spacer, Drive
31	0402-395	1		Seal
32	0402-422	1		Flange, Drive - Assembly
33	0423-134	1		Washer
34	0423-135	1		Nut
35	0502-325	1		Coupler, Drive (inc. 36-41)
36	0	1	F	Flange, Output
37	0423-393	2		Clamp, Boot
38	0673-618	2	/P	Bumper, Propeller Shaft
39	0	1	F	Shaft, Propeller
40	0402-953	1		Boot
41	0	1	F	Flange, Output

2003 ATV 500 FIS AUTOMATIC TRANSMISSION (GREEN - MRP) (A2003ISM4465) of 98  
REAR DRIVE GEARCASE ASSEMBLY

Ref #	Part Number	Qty	S/P/F	Description
42	8409-030	3		Screw, Cap
43	8408-820	4	/P	Screw, Cap
44	0423-157	3		Nut, Lock
45	0423-404	2		Bolt
46	0423-426	4		Washer
47	8428-002	2		Nut, Lock
48	0423-315	3		Clamp, Fitting
49	0410-048	AR	S	Hose, Vent - 10 ft
50	0623-101	1		Clip, Routing - Snap-In
51	0470-462	1		Fitting, Vent
52	0402-147	1	S	Bladder, Gearcase



2003 ATV 500 FIS AUTOMATIC TRANSMISSION (GREEN - MRP) (A2003ISM4665) of 98  
REAR DRIVE GEARCASE ASSEMBLY



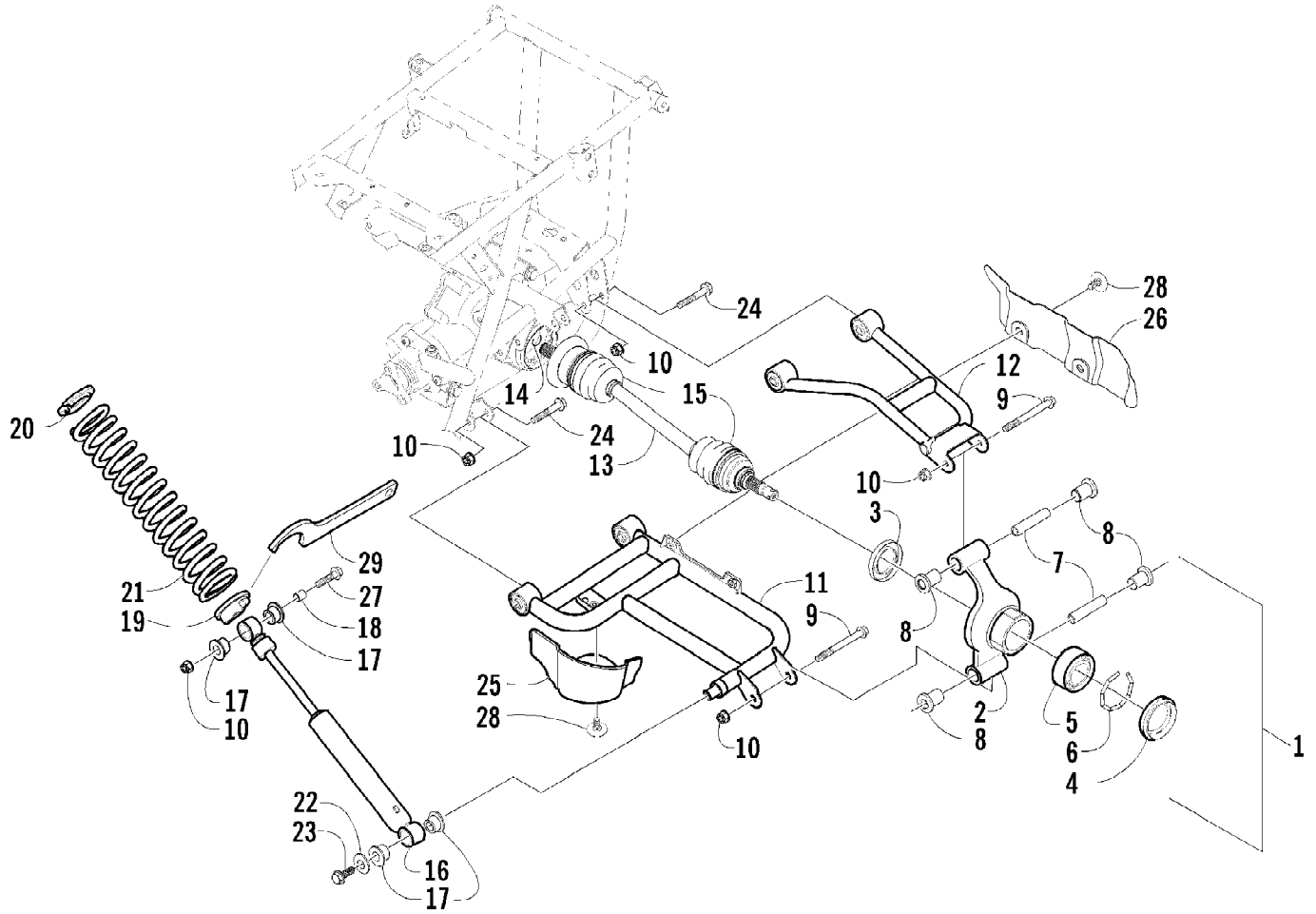
2003 ATV 500 FIS AUTOMATIC TRANSMISSION (GREEN - MRP) (A2003ISM4) Page 52 of 98  
REAR DRIVE GEARCASE ASSEMBLY

Ref #	Part Number	Qty	S/P/F	Description
1	0502-441	1		Gearcase, Rear Drive - Assembly (inc. 2-35)
2	0502-352	1		Housing, Gearcase
3	0402-393	2		Bearing
4	0402-394	2	S	Seal
5	0402-964	1		Gear, Ring - 34T
6	0402-405	AR		Shim
6	0402-406	AR		Shim
6	0402-407	AR		Shim
6	0402-408	AR		Shim
6	0402-409	AR		Shim
7	0402-326	1		Button, Thrust
8	0402-429	AR		Shim
8	0402-430	AR		Shim
8	0402-431	AR		Shim
8	0402-432	AR		Shim
8	0402-433	AR		Shim
9	0423-149	1		O-Ring
10	0502-346	1		Cover, Gearcase
11	0402-333	1	/P	Plug, Fill (inc. 12)
12	0423-154	1		O-Ring
13	0402-329	1		Fitting
14	0423-118	11		Screw, Self-Tapping
15	0402-450	1	S	Plug, Magnetic (inc. 16)
16	0423-153	1		O-Ring
17	0402-328	1		Bearing
18	0402-411	1		Pin, Dowel
19	0502-155	1		Gear, Pinion - Assembly - 11T (inc. 20-22)
20	0402-424	AR		Shim
20	0402-425	AR		Shim
20	0402-426	AR		Shim
20	0402-427	AR		Shim
20	0402-428	AR		Shim
21	0402-327	1		Bearing
22	0402-336	1		Collar, Retaining
23	0402-331	1		Collar, Lock
24	0402-982	1		Washer, Wave
25	0402-981	1		Collar, Shaft
26	0402-410	1		Shaft, Thrust
27	0402-947	1		Gasket, Flange
28	0502-345	1		Housing, Pinion
29	0402-003	1		Bearing
30	0402-332	1		Ring, Retaining
31	0402-346	1		Spacer, Drive
32	0402-395	1		Seal
33	0402-422	1		Flange, Drive - Assembly
34	0423-134	1		Washer
35	0423-135	1		Nut
36	0423-157	3		Nut, Lock
37	8409-030	3		Screw, Cap
38	0502-325	1		Coupler, Drive (inc. 39-44)
39	0	1	F	Flange, Output
40	0423-393	2		Clamp
41	0402-953	1		Bolt

2003 ATV 500 FIS AUTOMATIC TRANSMISSION (GREEN - MRP) (A2003ISM4465) of 98  
REAR DRIVE GEARCASE ASSEMBLY

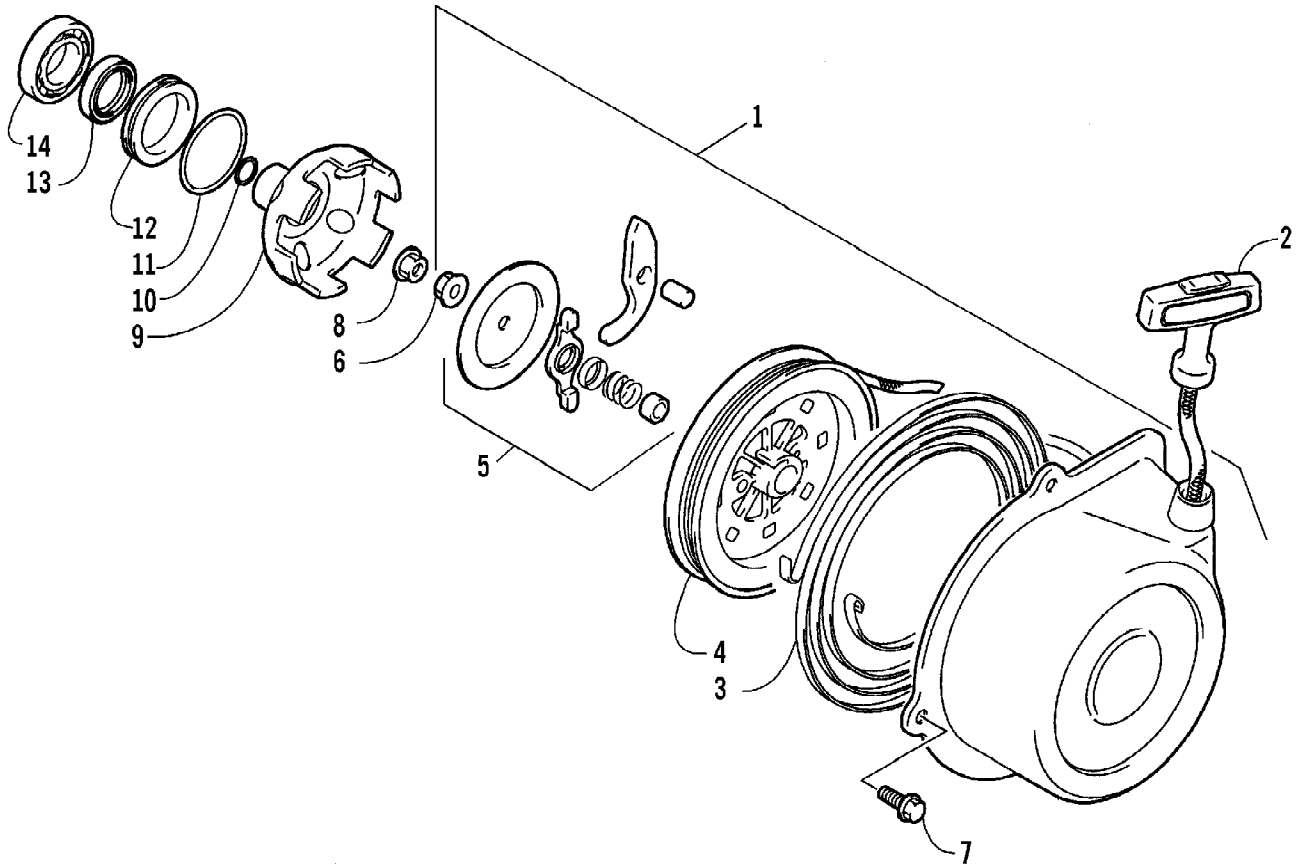
Ref #	Part Number	Qty	S/P/F	Description
42	0673-618	2	/P	Bumper, Propeller Shaft
43	0	1	F	Shaft, Propeller
44	0	1	F	Flange, Input
45	8408-820	4	/P	Screw, Cap
46	0423-404	2		Screw, Cap
47	0423-426	4		Washer
48	8428-002	2		Nut, Lock
49	0470-462	1		Fitting, Vent
50	0423-315	3		Clamp, Hose
51	0402-147	1	S	Bladder, Gearcase
52	0623-101	1		Clip, Retaining
53	0410-049	AR		Hose, Vent

2003 ATV 500 FIS AUTOMATIC TRANSMISSION (GREEN - MRP) (A2003ISM4) **Page 54** of 98  
REAR SUSPENSION ASSEMBLY



2003 ATV 500 FIS AUTOMATIC TRANSMISSION (GREEN - MRP) (A2003ISM4) Pages 5 of 98  
REAR SUSPENSION ASSEMBLY

Ref #	Part Number	Qty	S/P/F	Description
1	0504-226	1	S	Knuckle, Right Rear - Assembly (inc. 2-6)
1	0504-227	1	S	Knuckle, Left Rear - Assembly (inc. 2-6)
2	0504-224	1	S	Knuckle - Right
2	0504-225	1	S	Knuckle - Left
3	0402-069	2		Seal, Wheel Bearing - Rear
4	0402-089	2		Seal, Wheel Bearing - Front
5	0402-275	2	/P	Bearing, Wheel
6	0423-034	2		Clip, Bearing
7	0403-038	4	S/P	Collar, Suspension Bushing
8	0403-032	8	S	Bushing, Suspension
9	8409-000	4		Screw, Cap
10	8428-002	14		Nut, Lock
11	0504-228	1		A-Arm, Rear - Lower Right
11	0504-229	1		A-Arm, Rear - Lower Left
12	0504-232	1		A-Arm, Rear - Upper Right
12	0504-233	1		A-Arm, Rear - Upper Left
13	0402-907	2	S	Axle, Drive (inc. 14-15)
14	0441-400	2	S	Clip, Retaining
15	0436-276	2	S	Repair Kit, Boot - Rear Axle
16	0404-045	2		Shock Absorber - Rear (inc. 17-18)
17	0604-310	8		Bushing, Shock Absorber
18	0403-028	2		Sleeve, Shock Absorber
19	0404-057	2		Cam, Spring Adjuster
20	1603-889	2	/P	Retainer, Spring
21	0404-046	2		Spring, Suspension
22	0423-087	2		Washer
23	8408-820	2	/P	Screw, Cap
24	8409-060	8		Screw, Cap
25	1406-071	1		Guard, Boot - Right
25	1406-072	1		Guard, Boot - Left
26	1406-068	1		Guard, Boot - Right
26	1406-069	1		Guard, Boot - Left
27	8409-040	2		Screw, Cap
28	0423-101	6		Screw, Body
29	0441-587	1		Wrench, Spanner



2003 ATV 500 FIS AUTOMATIC TRANSMISSION (GREEN - MRP) (A2003ISM4465) Page 57 of 98  
RECOIL STARTER ASSEMBLY

Ref #	Part Number	Qty	S/P/F	Description
1	3445-003	1		Starter, Recoil - Assembly (inc. 2-6)
2	3445-011	1		Rope Assembly
3	3445-007	1		Spring, Spiral
4	3445-004	1		Reel
5	3445-016	1		Ratchet Assembly
6	3004-488	1	S/P	Nut
7	3423-428	4		Screw, Cap
8	3004-491	1	S/P	Nut
9	3445-029	1	/P	Cup, Starter
10	3423-053	1	/P	O-Ring
11	3423-063	1		O-Ring
12	3402-119	1	S	Spacer
13	3402-070	1		Seal, Oil
14	3402-051	1		Bearing

No  
Diagram  
Available  
  
Parts List  
Only



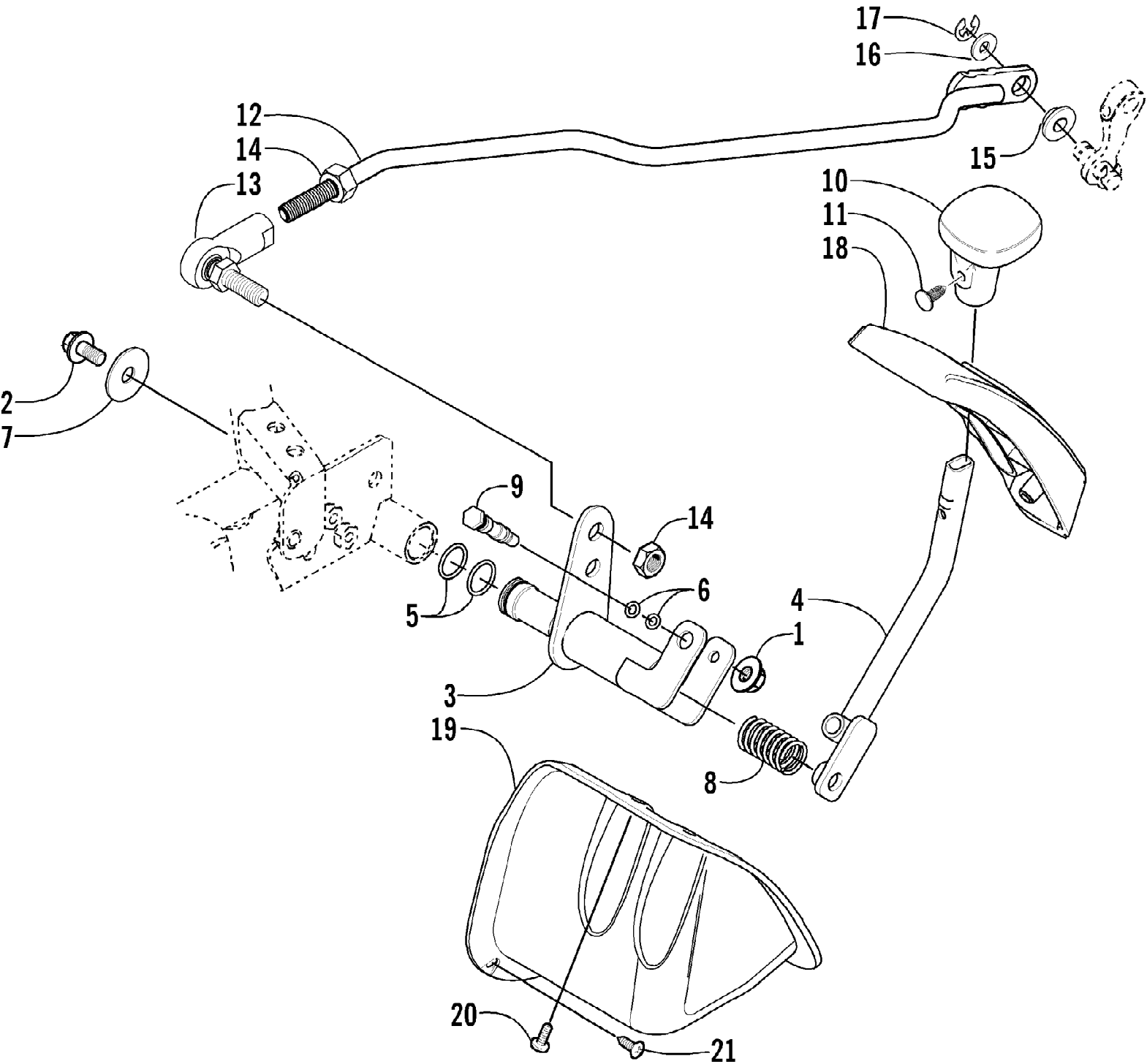
2003 ATV 500 FIS AUTOMATIC TRANSMISSION (GREEN - MRP) (A2003ISM44659) of 98  
RELATED ITEMS

Ref #	Part Number	Qty	S/P/F	Description
	0436-479	1		Articulating Spool Mount - MRP
	0436-469	1		Backrest - MRP
	0436-337	1		Bag, Rack, Front, Black
	0436-336	1		Bag, Rack, Rear, Black
	0436-185	1		Bag, Tank, Black
	0436-183	1	/P	Battery, Heavy Duty
	0436-480	1		Bar, Utility - MRP
	0436-455	1		Cargo Box Quick-Release Kit - MRP
	0436-432	1	S	Brush Guard/Bumper, Deluxe
	0436-330	1		Bumper (Rear)
	0436-139	1		Cargo Trailer - Deluxe
	0436-459	1	/P	Carryall (912) - MRP
	0436-460	1		Carryall (1117) - MRP
	0436-461	1		Carryall (1425) - MRP
	0436-462	1		Carryall (100) - MRP
	0436-477	1		Cord Reel - MRP
	0436-381	1		Cover, Black and Green
	0436-125	1		Cover, Gray Universal
	0436-087	1	/P	Electrical Plug
	0436-035	1	S	Engine Block Heater
	0436-466	1		Fender Box - MRP
	0436-474	1		Flatbed Extensions - MRP
	0436-467	1		Gear Cradle - MRP
	0436-468	1		Gear Lock - MRP
	0436-464	1		Grille Cradle - MRP
	0436-472	1		Gun Scabbard Kit - MRP
	0436-199	1		Gun Scabbard w/Mount
	0436-352	1		Hand/Thumb Warmers
	0436-103	1		Hourmeter
	2256-705R	1		Illustrated Parts Manual
	0436-463	1		Light Bar - MRP
	0436-473	1		Maxrack - MRP
	0436-122	1	S	Lunch Pack, Black
	2256-593	1		Operator's Manual
	0652-024	1		Paint, Metal - Black
	0436-176	1		Prefilter, Air Filter
	0436-475	1		Rack Basket - MRP
	0436-351	1		Rack Basket (Front)
	0436-350	1		Rack Basket (Rear)
	0436-349	1		Rack Extension, 4 in. (Front)
	0436-225	1		Rack Extension, 4 in. (Rear)
	0436-226	1		Rack Extension, 8 in. (Rear)
	0436-201	1		Rack Pouch, Standard Rack, Black
	0436-014	1	/P	Safety Flag
	0436-476	1		Saw Lock - MRP
	0436-386	1		Snowplow Attachment Kit
	0436-228	1		Snowplow Blade, 50 in. - Straight
	0436-287	1		Snowplow Blade, 50 in. - One-Way
	0436-296	1		Snowplow Blade, 60 in. - Straight
	0436-360	1		Snowplow Blade, 60 in. - One-Way
	0436-356	1	S	Snowplow, Push Frame
	0436-233	1		Snowplow Remote Angle Adjust
	0436-385	1		Snowplow Hand Lift Lever Kit

2003 ATV 500 FIS AUTOMATIC TRANSMISSION (GREEN - MRP) (A2003ISM4667) of 98  
 RELATED ITEMS

Ref #	Part Number	Qty	S/P/F	Description
	0436-471	1		Speedclamp, Double - MRP
	0436-465	1		Table, Expansion - MRP
	0436-026	1		Tire Chains, Size B (24 in. and 25 in. Tires)
	0436-027	1		Tire Chains, Size C (26 in. Tires)
	0402-154	1		Tire, Titan AT471 (25x8-12, Deep Lug)
	0402-155	1		Tire, Titan AT471 (25x10-12, Deep Lug)
	0402-926	1		Tire, Dunlop KT (25x11-12)
	0402-890	1		Tire, Dunlop KT (25x8-12)
	0402-227	1		Tire, Titan AT495 (26x10.5-12)
	1402-028	1		Tire, Titan AT589 (25x8-12, Mud & Snow)
	0402-563	1		Tire, Titan AT589 (25x10-12, Mud & Snow)
	0436-297	1		Tool Holder - Double (Pair)
	0436-263	1	/P	Tool Holder - Single (Pair)
	0436-478	1		Tool Lock - MRP
	0436-068	1		Winch Accessories Kit
	0436-329	1	S	Wink Kit, 2500 lb
	0436-361	1		Winch Mounting Kit
	0436-303	1		Windshield, Clear
	0436-301	1		Windshield, Clear w/Accent
	0436-302	1		Windshield, Smoke w/Accent
	0436-470	1		Workbase (8 in.) - MRP

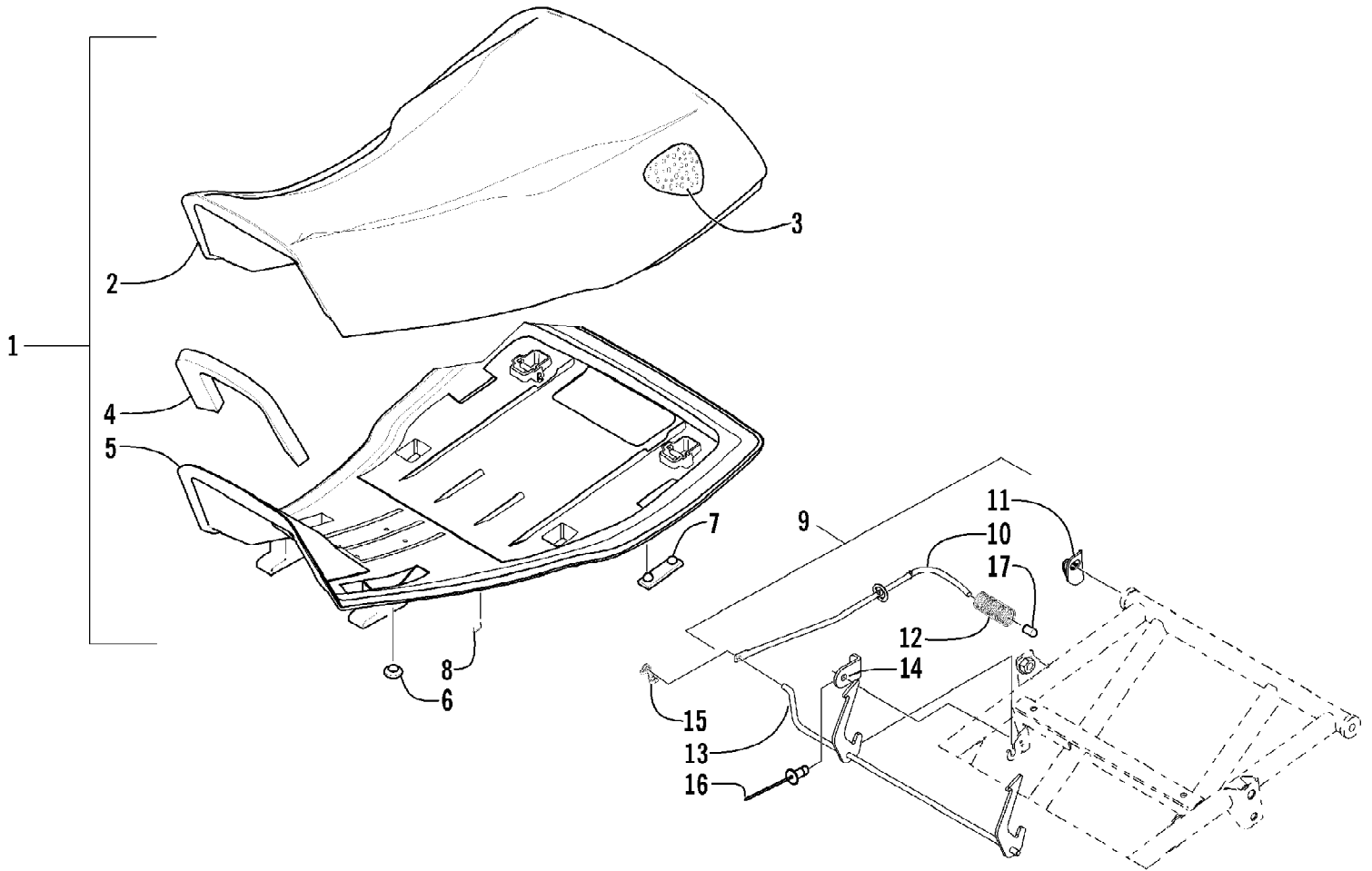
2003 ATV 500 FIS AUTOMATIC TRANSMISSION (GREEN - MRP) (A2003ISM4) Pages 1 of 98  
REVERSE SHIFT LEVER ASSEMBLY



2003 ATV 500 FIS AUTOMATIC TRANSMISSION (GREEN - MRP) (A2003ISM4663) of 98  
REVERSE SHIFT LEVER ASSEMBLY

Ref #	Part Number	Qty	S/P/F	Description
1	8424-602	1	/P	Nut
2	8408-812	1		Screw, Cap
3	0502-187	1		Axle, Reverse Shift Lever
4	0502-185	1		Lever, Reverse Shift
5	0423-299	2	/P	O-Ring
6	0423-182	2	/P	O-Ring
7	0423-087	1		Washer
8	0502-410	1	S	Spring
9	0402-675	1		Axle, Pivot
10	0402-843	1	/P	Handle, Reverse Shift Lever
11	0423-345	1		Clip, Push
12	0502-146	1		Linkage, Shift
13	0402-844	1		End, Rod
14	0623-294	2		Nut
15	0423-091	1		Bushing
16	3423-204	1	/P	Washer
17	0423-169	1	/P	E-Ring
18	0402-685	1		Plate, Shift
19	0406-943	1		Shield, Linkage
20	0423-371	3		Screw, Machine
21	0623-309	1		Screw, Self-Tapping

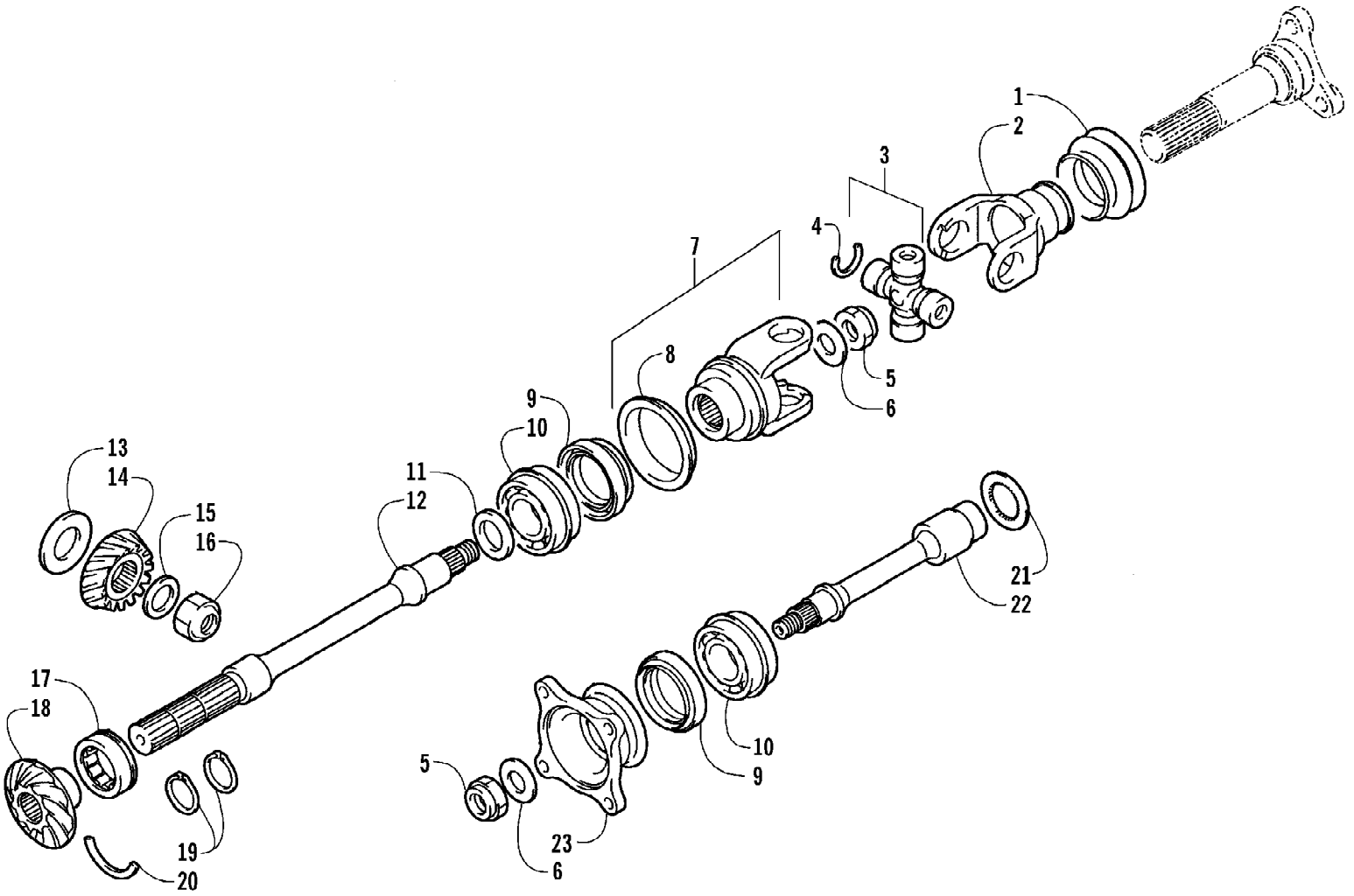
2003 ATV 500 FIS AUTOMATIC TRANSMISSION (GREEN - MRP) (A2003ISM44653) of 98  
SEAT ASSEMBLY



2003 ATV 500 FIS AUTOMATIC TRANSMISSION (GREEN - MRP) (A2003ISM46574) of 98  
SEAT ASSEMBLY

Ref #	Part Number	Qty	S/P/F	Description
1	0506-558	1		Seat Assembly (inc. 2-8)
2	0506-556	1		Cover, Seat
3	0506-555	1		Foam, Seat
4	1406-060	1		Foam, Sound
5	0406-878	1		Base, Seat Assembly (inc. 6-7)
6	0406-877	2	/P	Bumper, Seat - Front
7	0406-879	2		Bumper, Seat - Rear
8	0624-100	AR		Staple
9	0506-702	1	/P	Rod, Seat Release - Assembly (inc. 10-12)
10	0506-701	1	S	Rod, Seat Release
11	1406-004	1		Bracket, Seat Release
12	1406-005	1		Spring, Seat Release
13	0506-796	1		Latch, Seat
14	1406-087	1		Plate, Retainer
15	0423-358	1		Clip, Retainer
16	8060-284	1		Rivet
17	0623-404	1		Cap, Protector

2003 ATV 500 FIS AUTOMATIC TRANSMISSION (GREEN - MRP) (A2003ISM4) **Page 37** of 98  
SECONDARY DRIVE ASSEMBLY

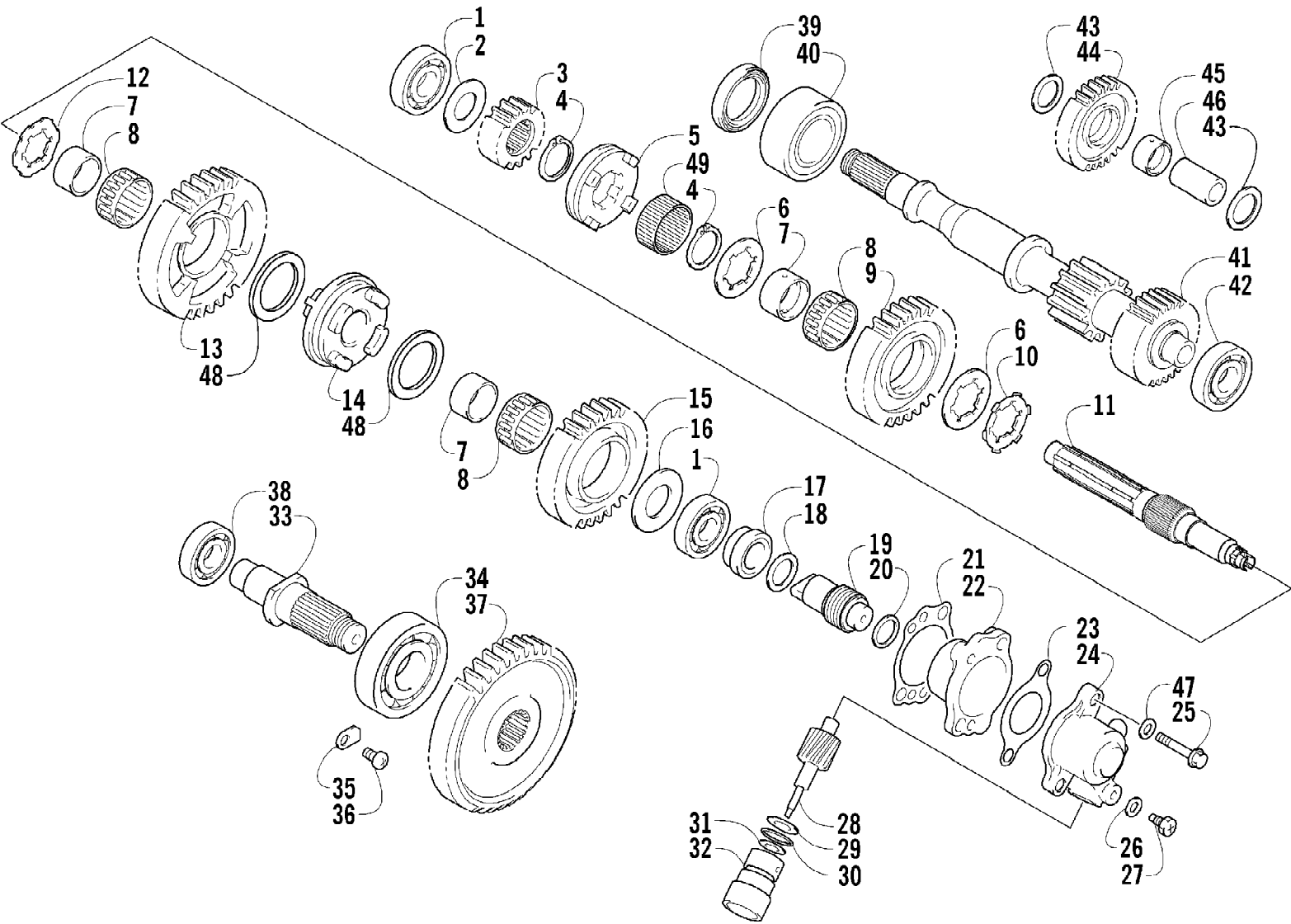


2003 ATV 500 FIS AUTOMATIC TRANSMISSION (GREEN - MRP) (A2003ISM4) Page 36 of 98  
SECONDARY DRIVE ASSEMBLY

Ref #	Part Number	Qty	S/P/F	Description
1	3402-518	1	S	Boot, Propeller Shaft
2	3402-744	1	S	Yoke, Propeller Shaft Joint
3	3402-562	1		Joint, Universal - Set (inc. 4)
4	3423-479	4		Circlip
5	3423-025	2		Nut, Rear Output Joint
6	3423-028	2		Washer, Rear Output Flange
7	3402-742	1		Yoke, Drive Output - Front (inc. 8)
8	3402-743	1		Plate, Output Yoke
9	3402-072	2		Seal, Oil - Driven Shaft
10	3402-067	2	S	Bearing, Driven Shaft
11	3402-017	AR		Shim, 25 x 34 x 0.60 mm
11	3402-018	AR		Shim, 25 x 34 x 0.65 mm
11	3402-019	AR		Shim, 25 x 34 x 0.70 mm
11	3402-020	AR		Shim, 25 x 34 x 0.75 mm
11	3402-021	AR	S	Shim, 25 x 34 x 0.80 mm
11	3402-022	AR		Shim, 25 x 34 x 0.85 mm
11	3402-023	AR		Shim, 25 x 34 x 0.90 mm
11	3402-024	AR		Shim, 25 x 34 x 0.95 mm
11	3402-025	AR	S	Shim, 25 x 34 x 1.00 mm
11	3402-028	AR		Shim, 25 x 34 x 1.05 mm
11	3402-029	AR		Shim, 25 x 34 x 1.10 mm
11	3402-030	AR		Shim, 25 x 34 x 1.15 mm
11	3402-031	AR		Shim, 25 x 34 x 1.20 mm
12	3402-740	1		Shaft, Secondary Driven - Front
13	3446-035	1		Shim, Secondary Drive Gear - Set
14	3402-738	1		Gear, Secondary Drive
15	3005-372	1		Washer
16	3423-023	1		Nut
17	3402-515	1	/P	Bearing, Driven Gear
18	3402-739	1		Gear, Secondary Driven
19	3423-340	2	S	Circlip, Secondary Driven Gear
20	3423-072	1		Ring, Driven Bearing
21	3423-415	1		Washer, Driven Shaft
22	3402-513	1		Shaft, Secondary Driven - Rear
23	3402-514	1	/P	Flange, Output Joint - Rear

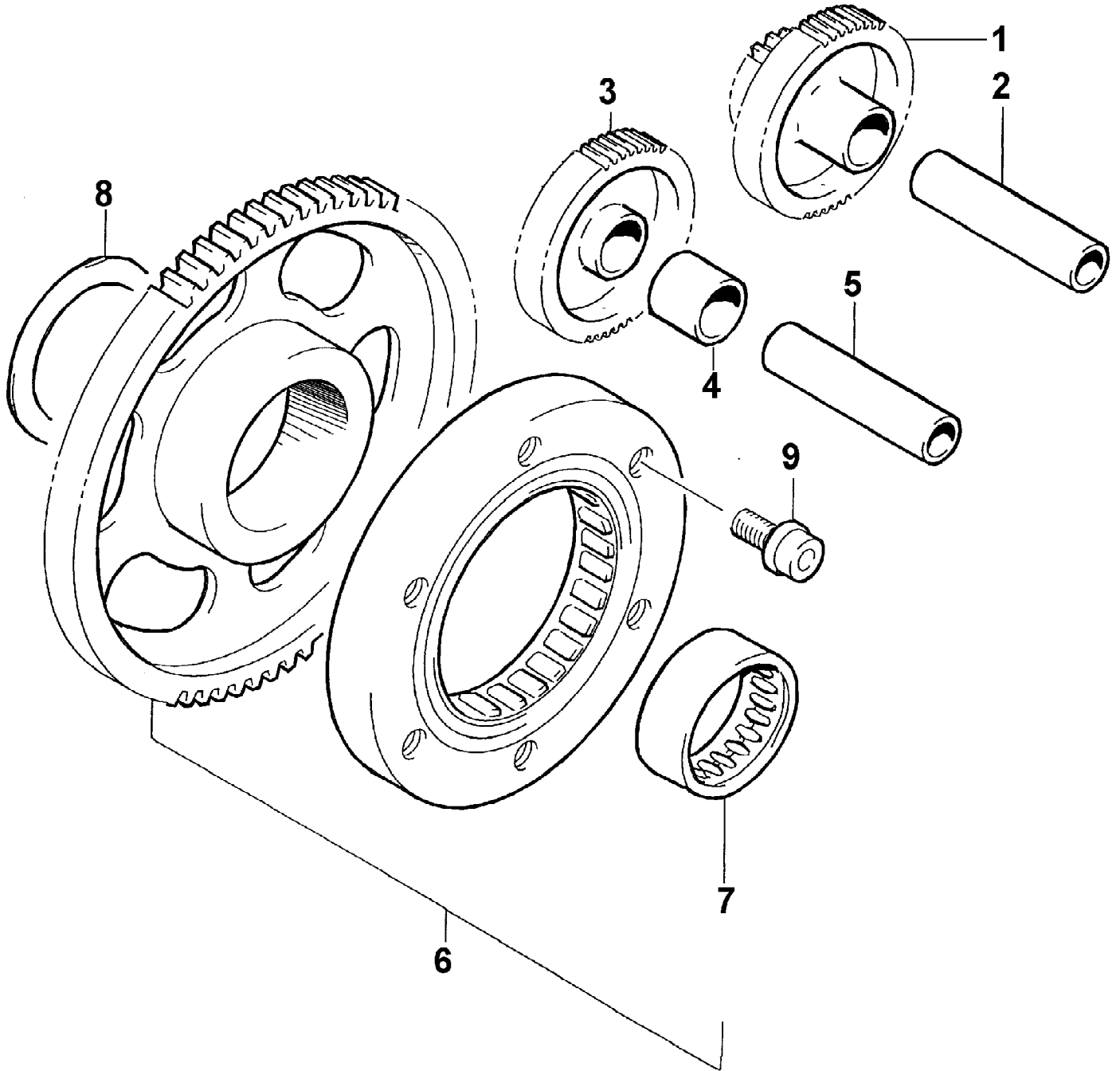


2003 ATV 500 FIS AUTOMATIC TRANSMISSION (GREEN - MRP) (A2003ISM4) **Page 37** of 98  
SECONDARY TRANSMISSION ASSEMBLY



2003 ATV 500 FIS AUTOMATIC TRANSMISSION (GREEN - MRP) (A2003ISM41657) of 98  
SECONDARY TRANSMISSION ASSEMBLY

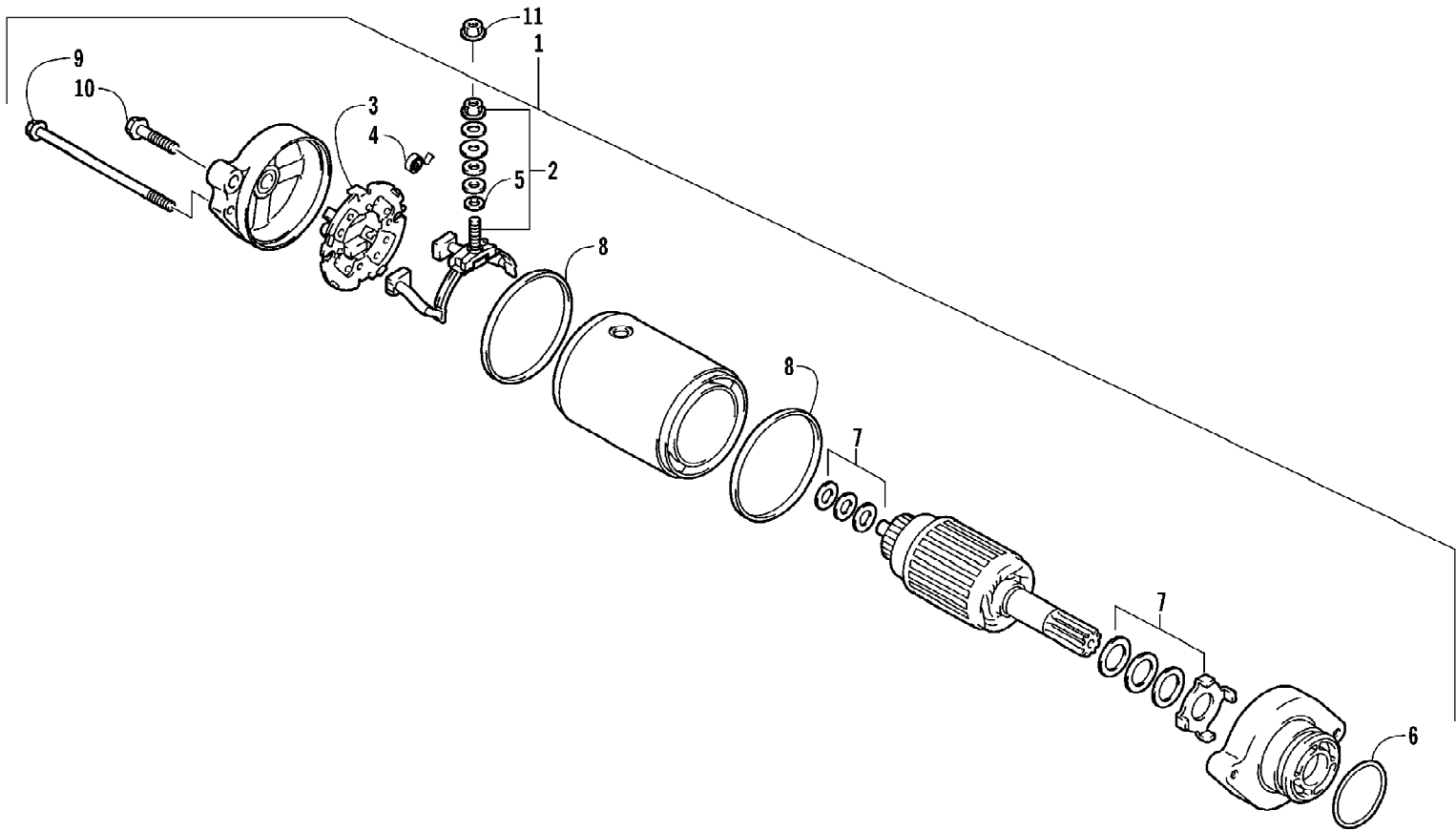
Ref #	Part Number	Qty	S/P/F	Description
1	3402-045	2	/P	Bearing, Shaft
2	3423-411	1		Washer, Drive Gear No. 2 - Right
3	3402-497	1		Gear, Drive - No. 2
4	3423-066	2	/P	Circlip
5	3402-821	1		Dog, Reverse Driven Gear
6	3423-263	2		Washer
7	3402-494	3		Bushing
8	3402-498	3		Bearing
9	3402-822	1		Gear, Reverse Driven
10	3423-266	1		Washer, Lock
11	3402-820	1		Countershaft
12	3423-262	1		Washer, Lock
13	3402-668	1	/P	Gear, Driven - Low
14	3402-824	1		Dog, Sliding
15	3402-733	1		Gear, Driven - High
16	3423-412	1		Washer, Drive Gear - Left
17	3446-114	1	/P	Spacer, Driven Gear
18	3423-146	1		Washer, Drive Gear - Center
19	3402-508	1		Gear, Speedometer Drive
20	3423-145	1		Washer, Drive Gear - Right
21	3446-289	1		Gasket
22	3446-288	1		Joint, Speedometer Gear
23	3446-244	1	/P	Gasket
24	3446-057	1		Housing, Speedometer Gear
25	3423-307	2	S	Bolt, Housing
26	3402-009	1	/P	Washer, Driven Gear
27	3423-143	1	S	Screw, Driven Gear
28	3402-509	1		Gear, Speedometer Driven
29	3423-144	1		Washer, Driven Gear
30	3423-056	1		O-Ring
31	3402-077	1		Seal, Driven Gear
32	3446-058	1		Sleeve
33	3402-491	1		Shaft, Output
34	3402-502	1		Bearing, Output Shaft
35	3446-031	2	/P	Retainer, Bearing
36	3423-435	2		Screw, Bearing Retainer
37	3402-534	1	/P	Gear, Driven - No. 2
38	3402-735	1		Bearing
39	3402-537	1	/P	Seal, Driveshaft - Left
40	3402-499	1		Bearing, Driveshaft - Right
41	3402-731	1		Driveshaft
42	3003-261	1	/P	Bearing, Driveshaft - Left
43	3402-195	2		Washer, Reverse Idle Gear
44	3402-503	1		Gear, Reverse Idle
45	3446-103	1		Bushing, Reverse Idle Gear
46	3402-507	1		Shaft, Reverse Idle
47	3003-290	2	/P	Gasket
48	3423-554	2		Washer, Driven Gear
49	3402-825	1		Spacer, Reverse Driven Gear



2003 ATV 500 FIS AUTOMATIC TRANSMISSION (GREEN - MRP) (A2003ISM4463) of 98  
STARTER CLUTCH ASSEMBLY

Ref #	Part Number	Qty	S/P/F	Description
1	3402-721	1	S	Gear, Starter Idler - No. 1
2	3423-331	1		Pin
3	3402-349	1		Gear, Starter Idler - No. 2
4	3423-396	1		Spacer, Starter Idler Gear No. 2
5	3423-397	1		Pin
6	3402-457	1		Clutch, Starter - Set (inc. 7)
7	3402-063	1		Bearing
8	3423-104	1		Washer
9	3402-509	6		Screw, Cap

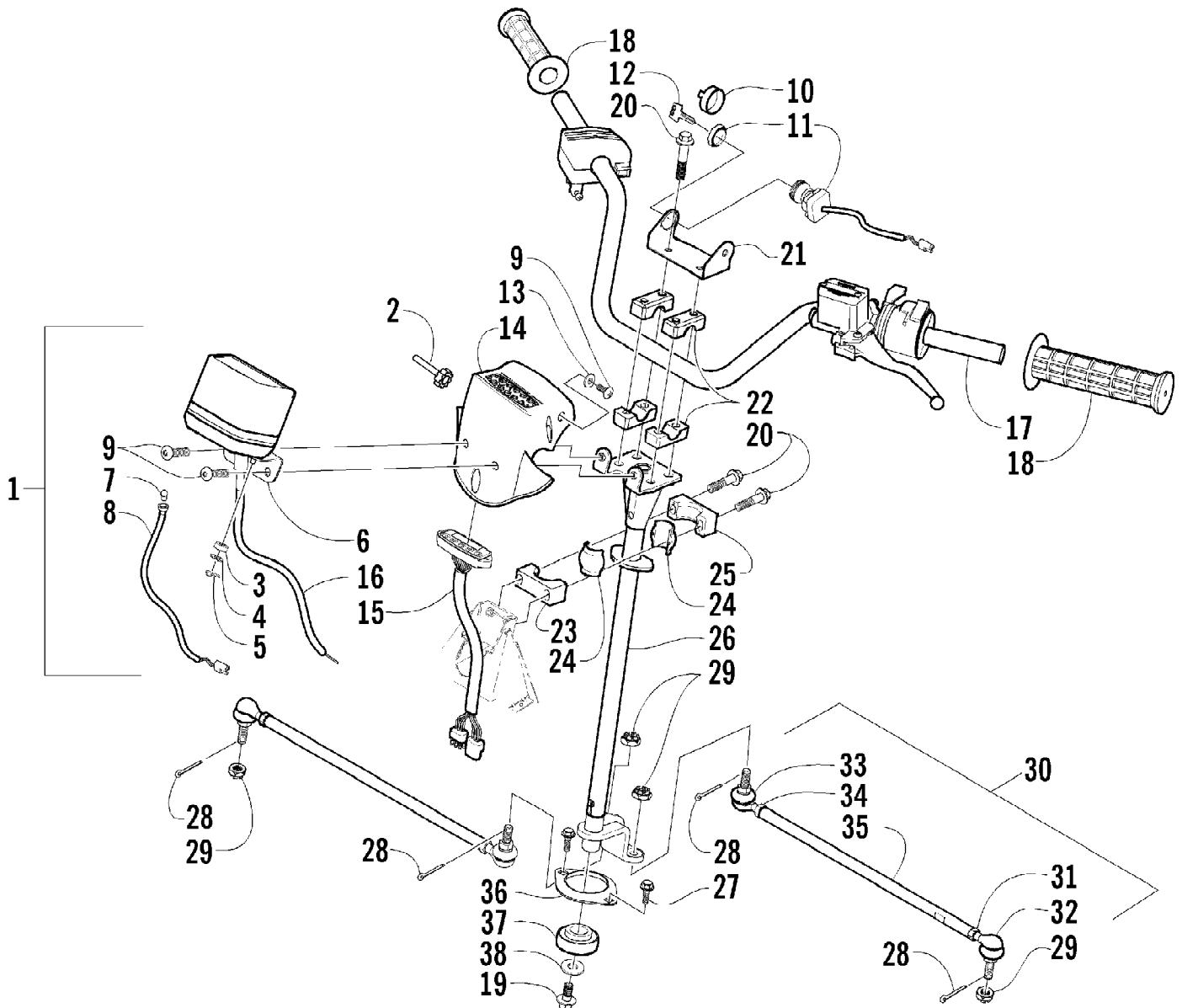
2003 ATV 500 FIS AUTOMATIC TRANSMISSION (GREEN - MRP) (A2003ISM4463) of 98  
STARTER MOTOR ASSEMBLY



2003 ATV 500 FIS AUTOMATIC TRANSMISSION (GREEN - MRP) (A2003ISM4163) of 98  
STARTER MOTOR ASSEMBLY

Ref #	Part Number	Qty	S/P/F	Description
1	3545-015	1	S	Motor, Starter Assembly (inc. 2-9)
2	3008-094	1	/P	Terminal Set, Brush
3	3008-095	1	/P	Holder Set, Brush
4	3008-096	4		Spring, Brush
5	3008-164	1		O-Ring
6	3423-084	1		O-Ring
7	3436-001	1		Washer Set
8	3008-553	2	/P	O-Ring
9	3423-085	2		Through-Bolt
10	3423-162	2	S	Screw, Cap
11	3423-195	1	/P	Nut

2003 ATV 500 FIS AUTOMATIC TRANSMISSION (GREEN - MRP) (A2003ISM4) **Page 33** of 98  
STEERING ASSEMBLY

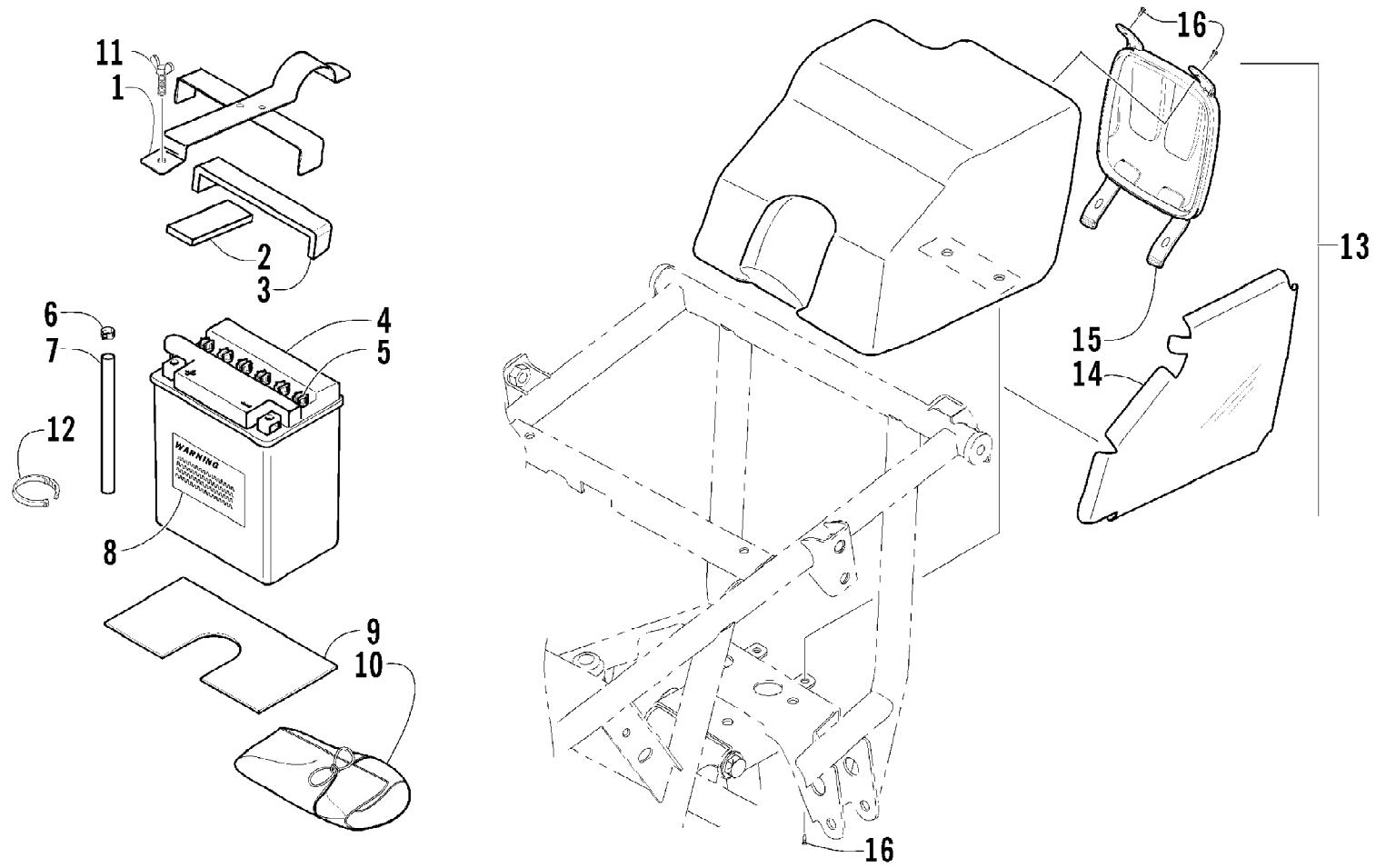


2003 ATV 500 FIS AUTOMATIC TRANSMISSION (GREEN - MRP) (A2003ISM4) Page 34 of 98  
STEERING ASSEMBLY

Ref #	Part Number	Qty	S/P/F	Description
1	0420-041	1		Speedometer (inc. 2-8)
2	0420-027	1		Knob, Speedometer Trip
3	0420-016	2		Mount, Rubber
4	0420-017	2		Washer
5	0420-015	2		Pin, Retainer
6	0420-018	1		Bracket, Speedometer
7	0620-149	1	/P	Bulb, Speedometer
8	0420-014	1		Harness, Speedometer
9	8477-616	3		Screw, Machine
10	0409-013	1		Cover, Key
11	3430-040	1		Switch, Ignition - Assembly (inc. 12)
12	3409-007	1	/P	Key, Ignition - Blank (C Series)
12	3409-011	1		Key, Ignition - Blank (D Series)
12	3409-012	1		Key, Ignition - Blank (E Series)
12	3409-013	1		Key, Ignition - Blank (F Series)
13	0423-052	1		Collar, Body
14	0405-063	1		Instrument Pod
15	0420-035	1	/P	Panel, LED
16	0487-026	1		Cable, Speedometer
17	0505-410	1		Tube, Handlebar
18	0405-106	2		Grip, Handlebar
19	8409-020	1	/P	Screw, Cap
20	8408-860	6		Screw, Cap
21	0506-348	1	/P	Bracket, Key Switch
22	0405-035	4		Cap, Steering Adjuster
23	0605-171	1		Housing, Bearing - Lower
24	0405-020	2		Bearing, Steering Post
25	0605-147	1	S	Housing, Bearing - Upper
26	0505-425	1	S	Post, Steering
27	8408-816	2		Screw, Cap
28	0623-175	4		Pin, Cotter
29	0423-157	4		Nut, Lock
30	0505-408	2	S	Tie Rod - Assembly (inc. 31-35)
31	8420-002	2	/P	Nut - Right
32	0405-082	2	S	Ball Joint, Tie Rod - Right
33	0405-083	2	S	Ball Joint, Tie Rod - Left
34	0423-013	2		Nut - Left
35	0405-107	2	S	Tie Rod
36	0602-233	1		Flange, Bearing
37	0405-052	1		Bearing w/Inverted Oil Seal
38	0423-073	1		Washer



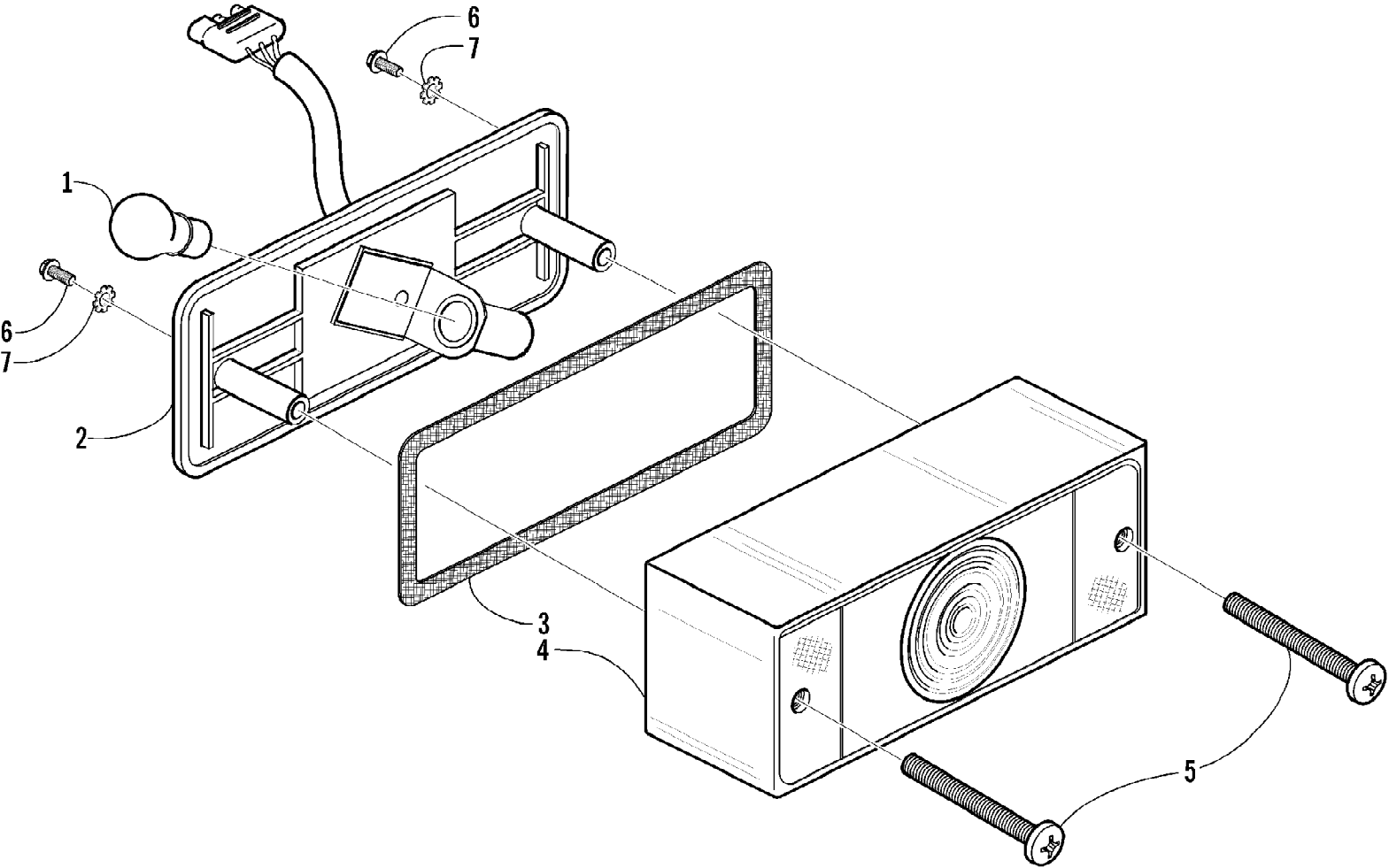
2003 ATV 500 FIS AUTOMATIC TRANSMISSION (GREEN - MRP) (A2003ISM4) Page 35 of 98  
STORAGE BOX AND BATTERY ASSEMBLY



2003 ATV 500 FIS AUTOMATIC TRANSMISSION (GREEN - MRP) (A2003ISM4463) Page 36 of 98  
STORAGE BOX AND BATTERY ASSEMBLY

Ref #	Part Number	Qty	S/P/F	Description
1	0506-178	1		Strap, Battery w/Pads (inc. 2-3)
2	0406-288	1		Pad, Battery - Upper Front
3	0406-289	1		Pad, Battery - Upper Rear
4	0745-045	1	/P	Battery Assembly (inc. 5-8)
5	0645-045	6		Cap, Battery
6	0645-152	1		Clamp, Hose
7	0645-263	1	/P	Hose, Battery Vent
8	0645-151	1		Label, Warning - Battery
9	0406-227	1		Pad, Battery - Lower
10	0444-122	1	S/P	Kit, Tool
11	0423-428	1	S	Screw, Machine
12	0123-903	2		Cable Tie - 11.5 in.
13	0506-797	1		Storage Box - Assembly (inc. 14)
14	1406-140	1		Shield, Heat
15	1406-078	1		Cover, Storage Box
16	0623-797	4		Screw, Self-Tapping

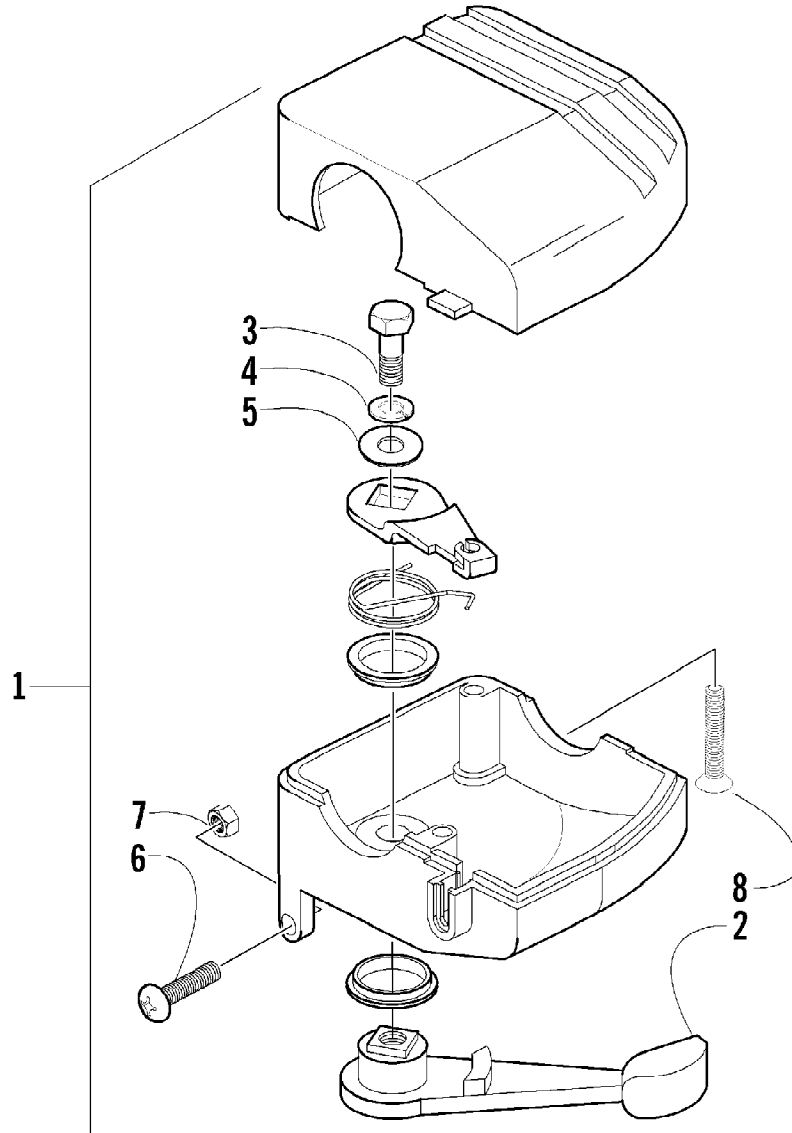
2003 ATV 500 FIS AUTOMATIC TRANSMISSION (GREEN - MRP) (A2003ISM41663) of 98  
TAILLIGHT ASSEMBLY



2003 ATV 500 FIS AUTOMATIC TRANSMISSION (GREEN - MRP) (A2003ISM44638) of 98  
TAILLIGHT ASSEMBLY

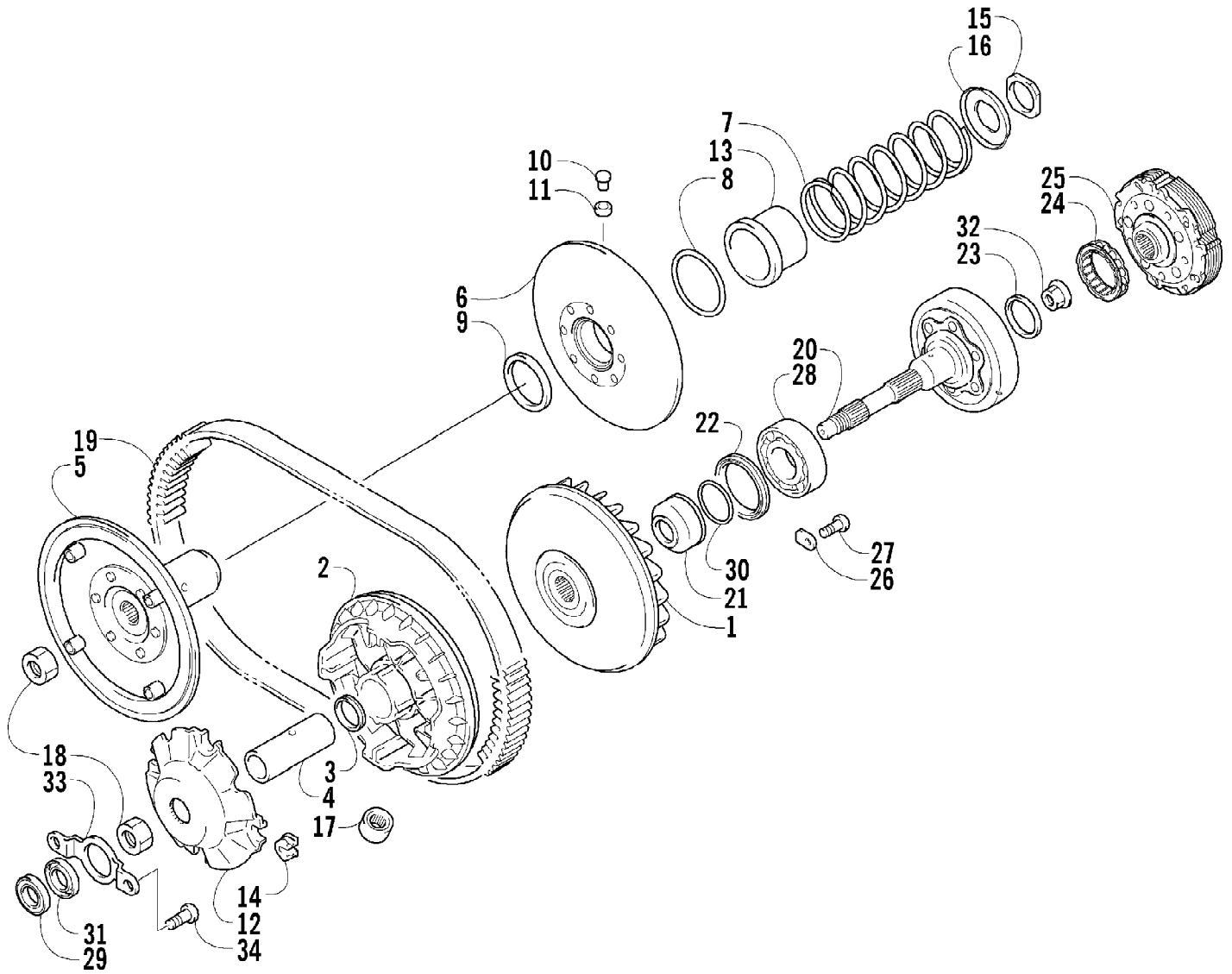
Ref #	Part Number	Qty	S/P/F	Description
	0409-002	1		Complete Taillight Assembly
1	0109-460	1	/P	Bulb, Stop/Taillight
2	0409-011	1		Taillight w/Socket Assembly
3	0409-012	1		Gasket, Taillight Lens
4	0409-007	1		Lens, Taillight
5	0409-010	2		Screw, Machine
6	0623-301	2	/P	Screw, Self-Tapping
7	8053-212	2	/P	Washer, Lock - External Tooth

2003 ATV 500 FIS AUTOMATIC TRANSMISSION (GREEN - MRP) (A2003ISM4463) of 98  
THROTTLE CASE ASSEMBLY



2003 ATV 500 FIS AUTOMATIC TRANSMISSION (GREEN - MRP) (A2003ISM4469) of 98  
THROTTLE CASE ASSEMBLY

Ref #	Part Number	Qty	S/P/F	Description
1	3509-003	1	/P	Case, Throttle - Assembly (inc. 2-8)
2	3409-001	1		Lever
3	3004-533	1	S/P	Screw, Cap
4	3004-447	1	/P	Washer, Lock
5	3003-030	1	/P	Washer
6	3423-014	1		Screw
7	3423-327	1		Nut
8	3423-199	2		Screw

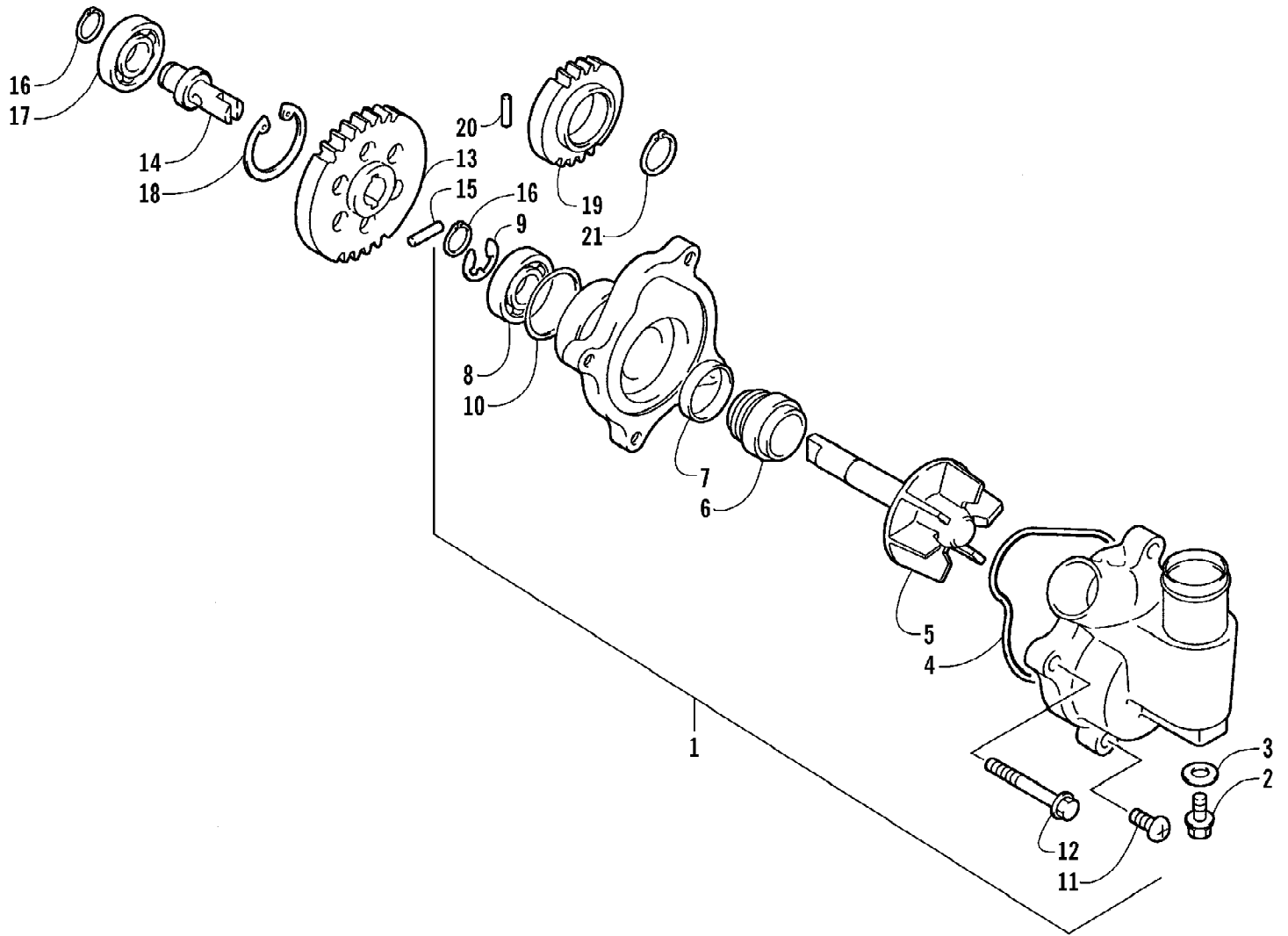


2003 ATV 500 FIS AUTOMATIC TRANSMISSION (GREEN - MRP) (A2003ISM4669) of 98  
TRANSMISSION ASSEMBLY

Ref #	Part Number	Qty	S/P/F	Description
1	3402-750	1		Face, Fixed Drive
2	3402-751	1		Face, Movable Drive
3	3402-470	2		Seal, Movable Drive Face
4	3402-471	1		Spacer, Movable Drive Face
5	3402-752	1		Face, Fixed Driven
6	3402-753	1		Face, Movable Driven
7	3402-754	1	S	Spring, Movable Driven Face
8	3402-475	2		O-Ring, Movable Driven Face
9	3402-476	2		Seal, Movable Driven Face
10	3402-477	4		Pin, Movable Driven Face
11	3402-478	4		Spacer, Movable Driven Face
12	3402-755	1	/P	Plate, Movable Drive Face
13	3402-756	1		Sleeve, Movable Driven Face
14	3402-481	4		Damper, Movable Drive Face
15	3423-406	1		Nut, Driven Pulley
16	3402-482	1		Holder, Movable Driven Face Spring
17	3402-483	8		Roller, Movable Drive Face
18	3423-514	2		Nut
19	3402-757	1		V-Belt
20	3402-758	1	/P	Housing, Clutch
21	3402-544	1	/P	Spacer, Fixed Drive Face
22	3402-695	1	S	Seal, Clutch Housing - Center
23	3402-488	1		Seal, Clutch Housing - Left
24	3446-003	1		Clutch, One Way
25	3402-760	1		Shoe, Clutch - Assembly
26	3446-031	2	/P	Retainer, Bearing
27	3423-435	2		Screw, Bearing Retainer
28	3402-567	1		Bearing
29	3402-759	1	S	Bearing
30	3423-353	1	/P	O-Ring
31	3402-761	2		Seal, Clutch Housing - Right
32	3423-501	1		Nut
33	3402-730	1		Retainer, Bearing
34	3423-018	2		Screw

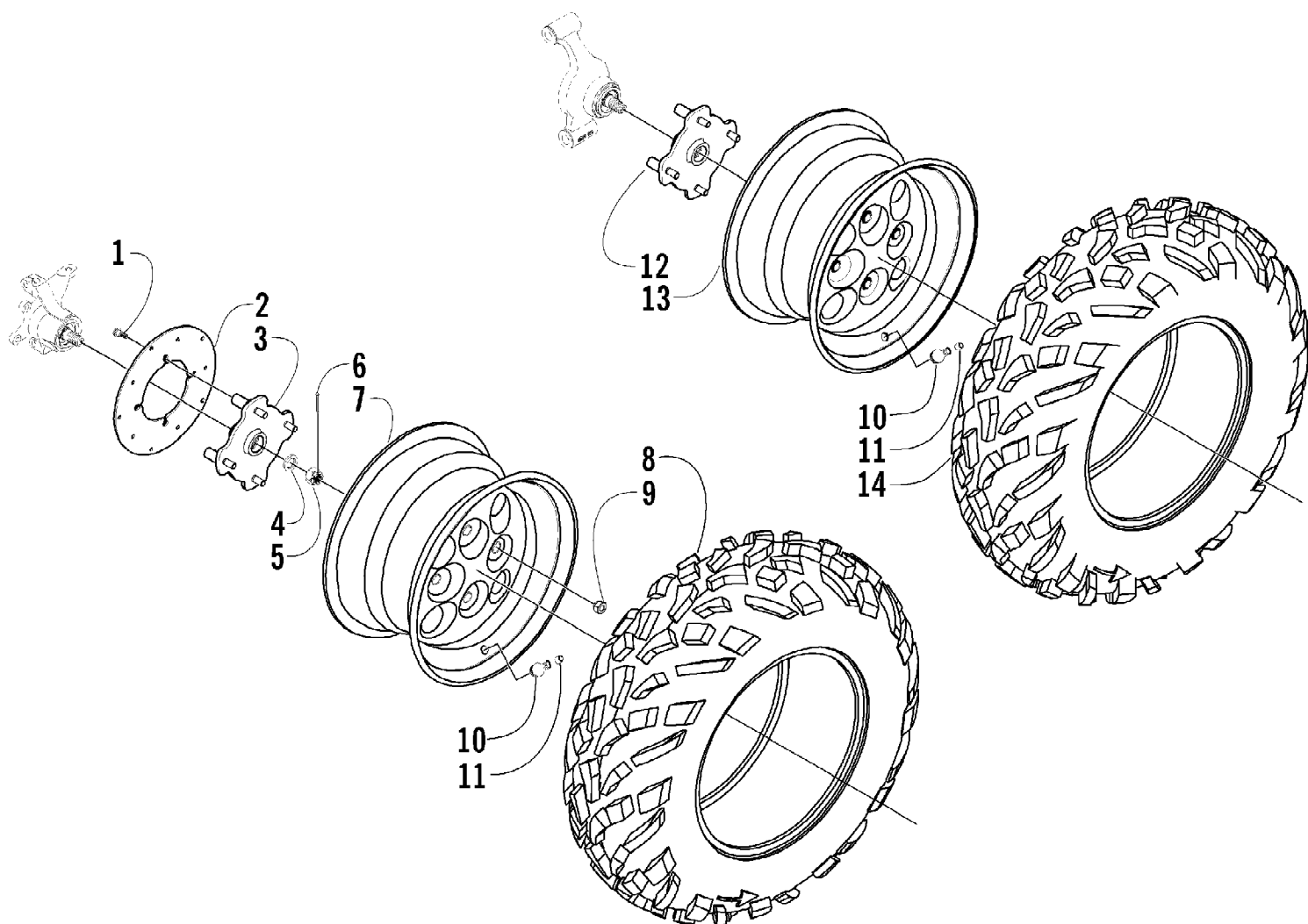


2003 ATV 500 FIS AUTOMATIC TRANSMISSION (GREEN - MRP) (A2003ISM4469) of 98  
WATER PUMP ASSEMBLY



2003 ATV 500 FIS AUTOMATIC TRANSMISSION (GREEN - MRP) (A2003ISM44694) of 98  
WATER PUMP ASSEMBLY

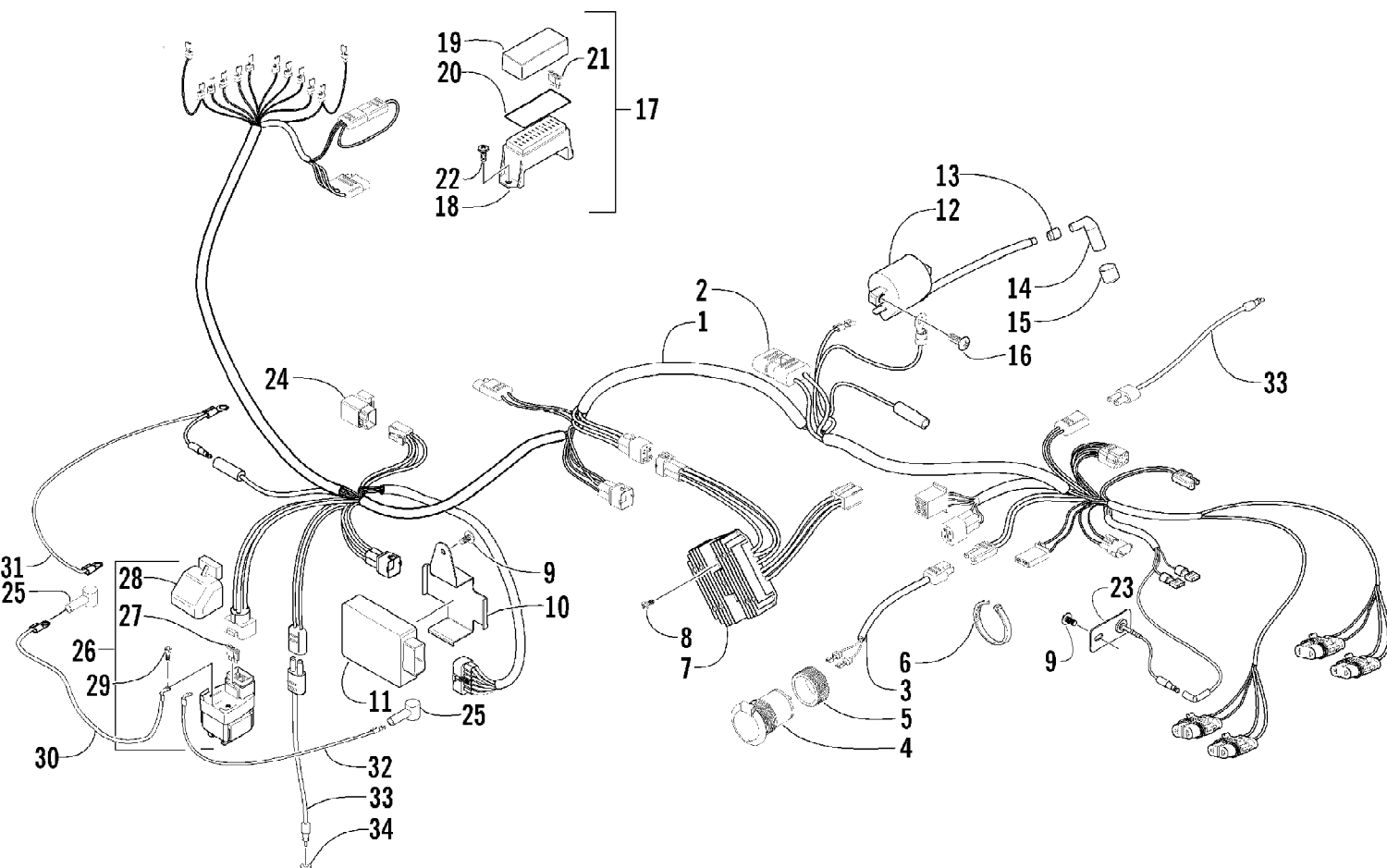
Ref #	Part Number	Qty	S/P/F	Description
1	3402-464	1	/P	Pump, Water - Assembly (inc. 2-11)
2	3423-343	1		Screw, Cap
3	3003-188	1	S/P	Gasket
4	3423-402	1		O-Ring
5	3413-014	1		Impeller/Shaft
6	3005-909	1	/P	Seal, Mechanical
7	3402-465	1		Seal, Oil
8	3003-615	1	/P	Bearing
9	3423-403	1	S	E-Ring
10	3423-404	1		O-Ring
11	3003-484	2	S/P	Screw
12	3423-308	2	S	Screw, Cap
13	3402-026	1		Gear, Driven
14	3402-466	1		Shaft, Driven Gear
15	3423-046	1		Pin, Driven Gear
16	3423-184	2	S	Circlip, Driven Gear
17	3402-467	1		Bearing, Shaft
18	3423-405	1		Circlip, Shaft Bearing
19	3402-390	1		Gear, Water Pump Drive
20	3423-110	1		Pin, Drive Gear
21	3423-189	1	S	Circlip, Drive Gear



2003 ATV 500 FIS AUTOMATIC TRANSMISSION (GREEN - MRP) (A2003ISM4469) Page 96 of 98  
 WHEEL AND TIRE ASSEMBLY

Ref #	Part Number	Qty	S/P/F	Description
1	0423-029	12		Screw, Machine
2	0402-874	3	S	Disc, Brake
3	0502-360	2	S	Hub, Wheel - Front
4	0402-181	4		Seal, Hub
5	0423-394	4		Nut, Castle
6	0423-407	4		Pin, Cotter
7	0402-856	2		Wheel - Front
8	0402-890	2		Tire - Front
9	0423-408	16	/P	Nut, Lug
10	0402-064	4		Stem, Valve (inc. 11)
11	0402-140	4		Cap, Valve Stem
12	0502-359	1	S	Hub, Wheel - Left
12	0502-360	1	S	Hub, Wheel - Right
13	0402-858	2		Wheel - Rear
14	0402-926	2		Tire - Rear

2003 ATV 500 FIS AUTOMATIC TRANSMISSION (GREEN - MRP) (A2003ISM4) Page 97 of 98  
WIRING HARNESS ASSEMBLY



2003 ATV 500 FIS AUTOMATIC TRANSMISSION (GREEN - MRP) (A2003ISM41698) of 98  
WIRING HARNESS ASSEMBLY

Ref #	Part Number	Qty	S/P/F	Description
1	0486-098	1		Harness, Main (inc. 2)
2	0486-029	1		Diode (Start in Gear)
3	0486-004	1		Harness, 12V Receptacle
4	0445-022	1	S	Receptacle, 12V (inc. 5)
5	0445-034	1		Nut, Retainer
6	0123-788	AR	/P	Cable Tie - 7 in.
7	3530-028	1	S	Regulator, Voltage
8	8476-625	2		Screw, Machine
9	8476-616	2		Screw, Machine
10	0506-987	1	/P	Bracket, CDI Unit
11	3530-039	1		CDI Unit
12	3530-027	1		Coil, Ignition - Assembly
13	3430-009	1	/P	Seal, High Tension Wire
14	3430-007	1	/P	Cap, Spark Plug
15	3430-008	1	/P	Seal, Spark Plug
16	8476-620	2		Screw, Machine
17	0530-001	1		Block, Fuse - Assembly (inc. 18-19)
18	0	1	F	Block, Fuse
19	0	1	F	Cover, Fuse Block
20	0411-271	1		Decal, Fuse Block
21	0630-057	4		Fuse, 10 Amp
21	0630-058	2		Fuse, 15 Amp
22	0623-361	2		Screw, Self-Tapping
23	0509-011	1	S	Diode Assembly
24	3530-008	1	S	Relay, Neutral Start - Assembly
25	0645-019	2		Boot, Terminal
26	3530-001	1	/P	Relay, Starter Motor - Assembly (inc. 27-28)
27	0630-098	1		Fuse, 30 Amp
28	3530-010	1		Cover, Starter Motor Relay
29	3423-020	2	/P	Screw, Cap
30	0445-003	1	/P	Cable, Battery/Electric Start Relay
31	0445-035	1		Cable, Battery/Ground
32	0445-032	1		Cable, Electric Start Relay/Starter
33	0409-009	2		Switch, Brake
34	0402-991	1		Retainer, Brake Switch