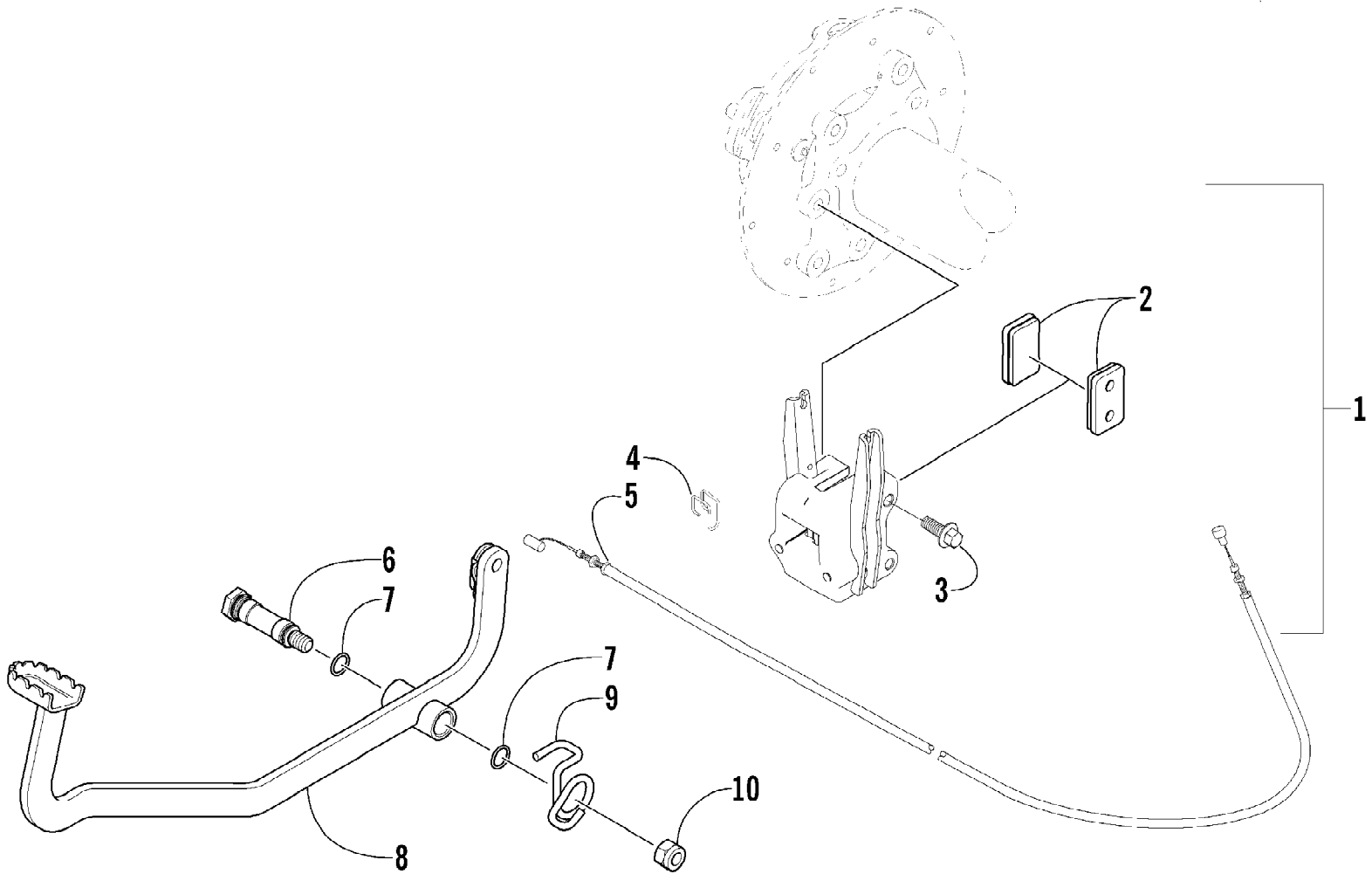


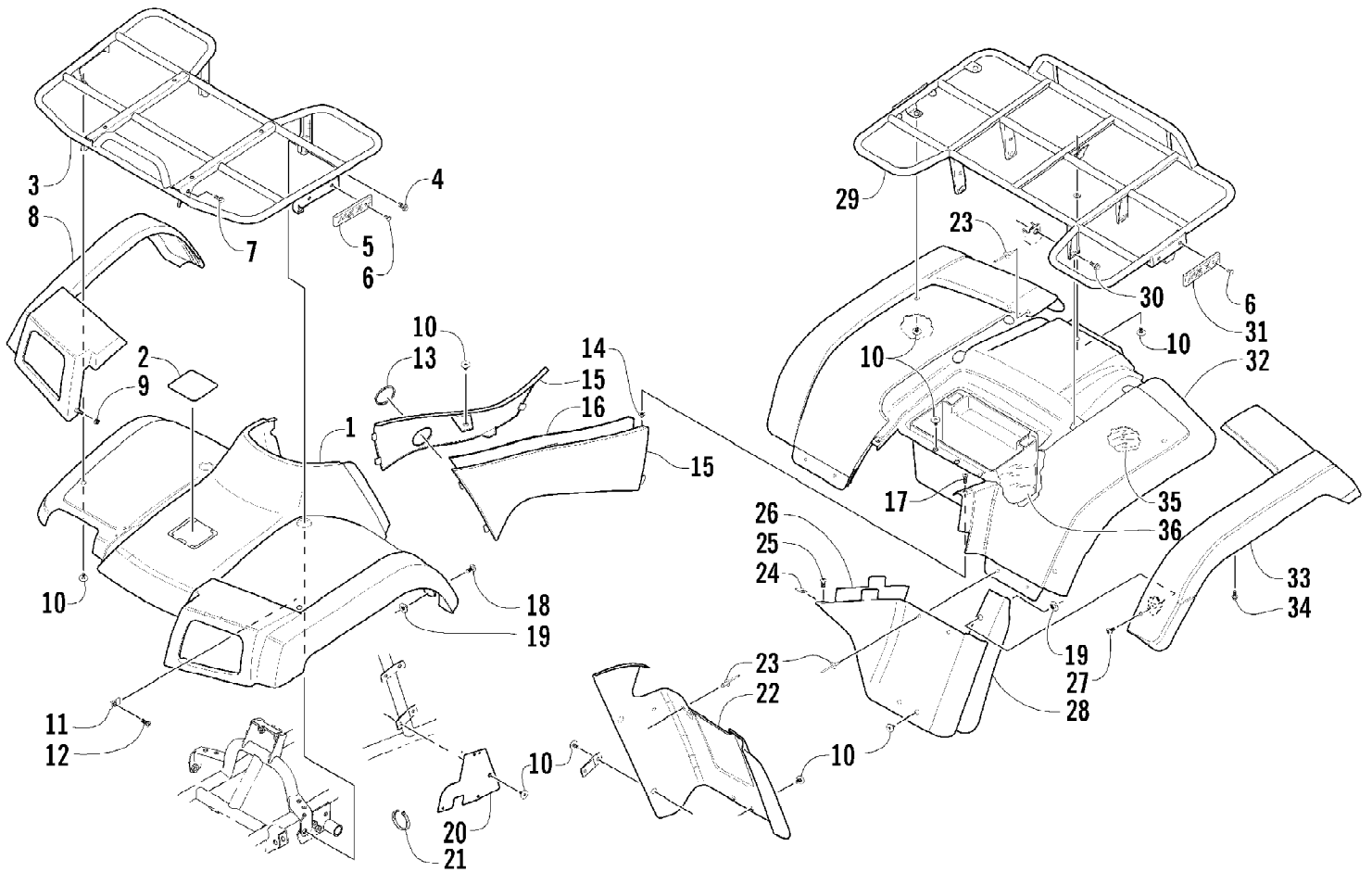
2003 ATV 400 FIS MANUAL TRANSMISSION (4X4 GREEN) (A2003ISH4AUSG)Page 2 of 95
AIR INTAKE ASSEMBLY

Ref #	Part Number	Qty	S/P/F	Description
1	0423-379	1		Clamp
2	0470-456	1		Boot, Air Intake
3	0423-018	2		Clamp
4	0470-446	1	/P	Housing, Air Intake
5	0623-101	1		Clip, Retaining
6	0470-343	1		Gasket
7	0470-383	1	/P	Snorkel
8	0470-307	4		Clamp
9	0423-037	4		Spring
10	0623-121	4		Screw, Machine
11	0123-010	4	/P	Nut, Expansion
12	0410-045	1		Hose, Crankcase Vent
13	0470-391	1	/P	Filter, Air
14	0412-141	1		Shield, Heat
15	0470-442	1	/P	Valve, Drain
16	1673-272	1	/P	Cap, Drain Tube
17	0423-047	1		Clamp, Hose
18	0423-045	2		Clamp, Hose
19	0470-351	2		Support, Air Intake Flange



2003 ATV 400 FIS MANUAL TRANSMISSION (4X4 GREEN) (A2003ISH4AUSG)Page 4 of 95
AUXILIARY BRAKE ASSEMBLY

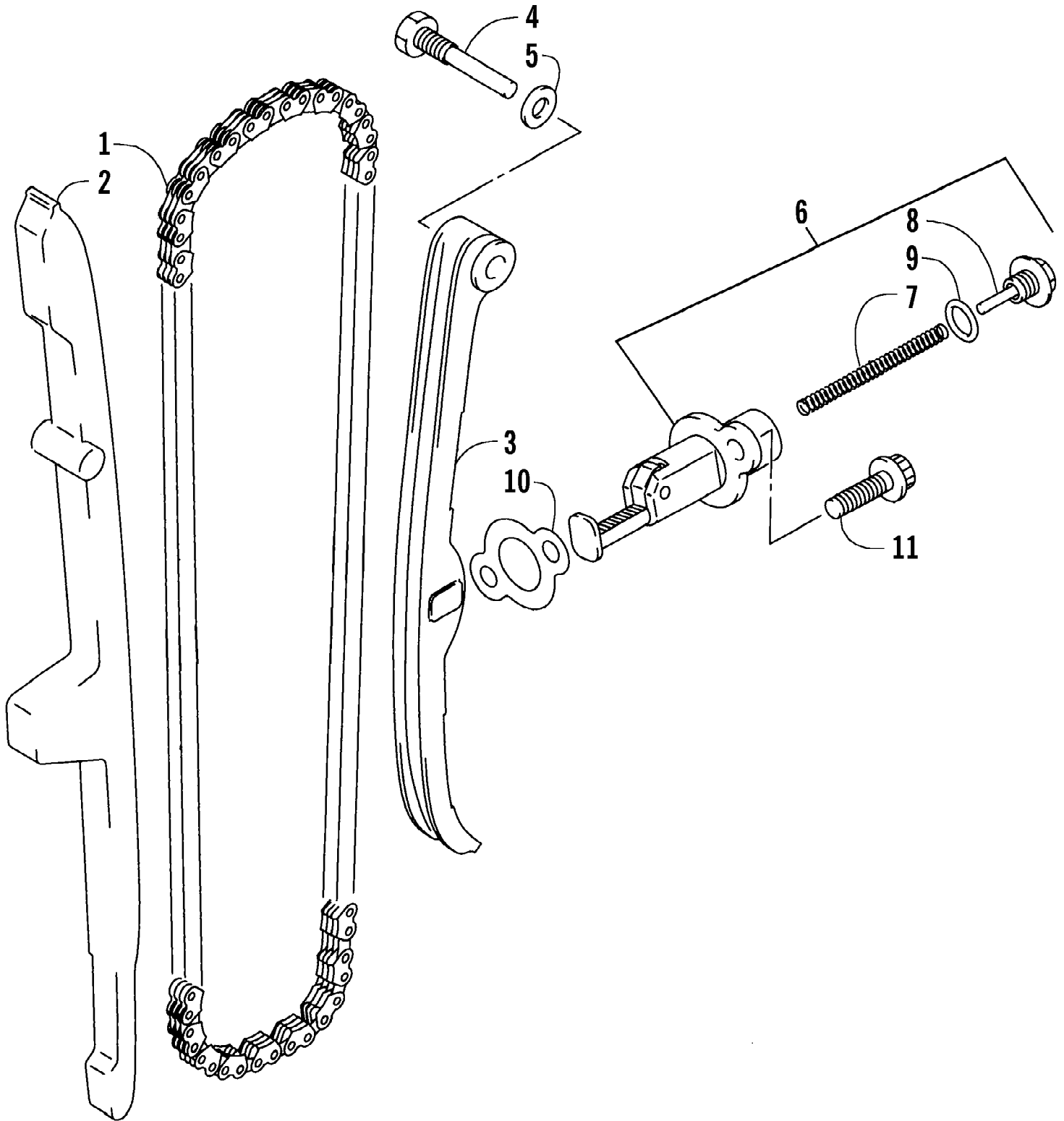
Ref #	Part Number	Qty	S/P/F	Description
1	0502-372	1	/P	Auxiliary Brake Assembly (inc. 2)
2	0402-958	2	/P	Pad, Brake
3	8408-825	2		Screw, Cap
4	0402-379	1		Wire Form, Cable
5	0487-006	1		Cable, Brake - Rear
6	0402-872	1		Axle, Brake Lever
7	0423-096	2		O-Ring
8	0502-236	1		Lever, Brake
9	0502-395	1	/P	Spring, Brake Lever
10	8422-002	1		Nut



2003 ATV 400 FIS MANUAL TRANSMISSION (4X4 GREEN) (A2003ISH4AUSG)Page 6 of 95
BODY PANEL ASSEMBLY

Ref #	Part Number	Qty	S/P/F	Description
1	0506-605	1		Panel, Fender - Front (inc. 2)
1	0506-604	1		Panel, Fender - Front (inc. 2) (2X4 Green)
1	0506-616	1		Panel, Fender - Front (inc. 2) (4X4 Red)
1	0506-584	1		Panel, Fender - Front (inc. 2) (4X4 Green/MRP)
2	1406-142	1	/P	Cover, Access
2	1406-141	1	/P	Cover, Access (Green/MRP)
3	0506-718	1		Rack - Front (2X4)
3	0506-547	1		Rack - Front (4X4 Red/4X4 Green)
4	8408-816	2		Screw, Cap
5	0606-526	2		Reflector, Front - Amber
6	0623-269	8		Clip, Retaining
7	0423-360	2		Screw, Cap
8	0506-550	1		Flare - Front - Right (4X4)
8	0506-551	1		Flare - Front - Left (4X4)
9	0423-357	2		Nut, Stamped (4X4)
10	0423-101	AR		Screw, Body
11	0423-031	2		Nut, Speed
12	8477-616	2		Screw, Machine
13	0470-404	1		Grommet, Fuel Shut-Off Valve
14	0123-010	2	/P	Nut, Expansion
15	0506-548	1		Panel, Side - Right
15	0506-243	1		Panel, Side - Left
15	0506-549	1		Panel, Side - Right (Green/MRP)
15	0506-673	1		Panel, Side - Left (Green/MRP)
16	0412-142	1		Shield, Heat
17	0423-068	2		Screw, Machine
18	8477-610	2		Screw, Machine
18	0423-356	2		Screw, Shoulder (4X4)
19	0423-077	4	/P	T-Nut w/Teeth
19	0423-438	4		T-Nut w/Teeth (4X4)
20	1406-006	2		Panel, Fender - Inner
21	0123-788	AR	/P	Cable Tie - 7.5 in.
22	0406-362	1		Panel, Kick - Right
22	0506-628	1		Panel, Kick - Left
22	0406-939	1	/P	Panel, Kick - Right (4X4)
22	0506-626	1		Panel, Kick - Left (4X4)
23	0423-046	AR		Rivet, Plastic
24	0423-060	2		Clip, Tinerman
25	0623-309	2		Screw, Self-Tapping
26	0412-140	1		Shield, Heat
27	8477-610	2		Screw, Machine
27	0423-355	2		Screw, Shoulder (4X4)
28	0406-084	1		Fender Extension - Rear - Right
28	0406-085	1		Fender Extension - Rear - Left
29	0506-821	1	/P	Rack - Rear (2X4/4X4 Red/4X4 Green)
30	8409-020	4	/P	Screw, Cap
31	0606-029	2		Reflector, Rear - Red
32	0506-618	1		Panel, Fender - Rear
32	0506-634	1		Panel, Fender - Rear (2X4 Green)
32	0506-620	1	S	Panel, Fender - Rear (4X4 Red)
32	0506-621	1		Panel, Fender - Rear (4X4 Green/MRP)

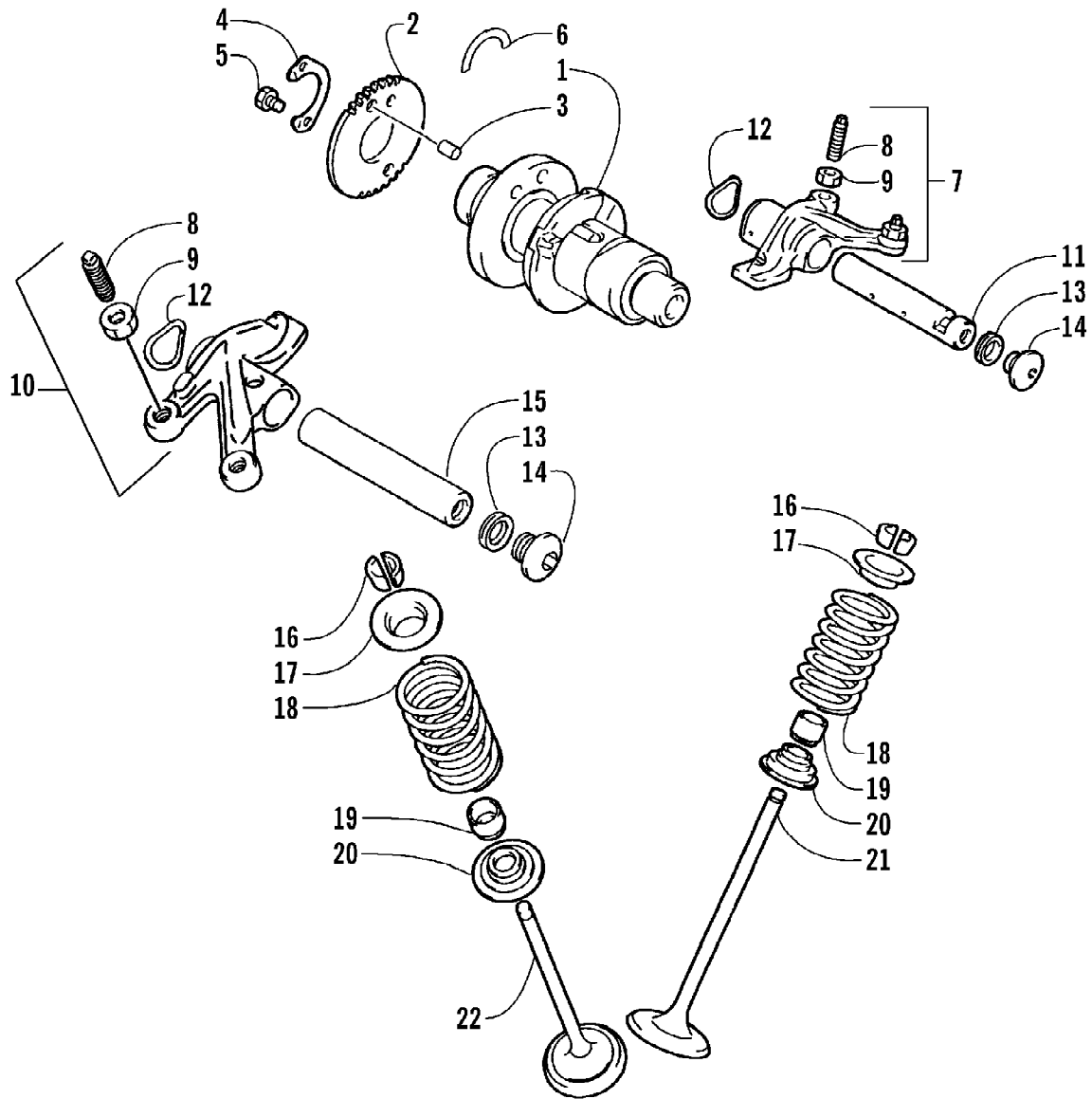
Ref #	Part Number	Qty	S/P/F	Description
33	0506-552	1		Flare, Rear - Right (4X4)
33	0506-553	1		Flare, Rear - Left (4X4)
34	0423-342	12	/P	Screw, Self-Tapping (4X4)
35	0412-124	1		Shield, Heat
36	0412-147	1		Shield, Heat



2003 ATV 400 FIS MANUAL TRANSMISSION (4X4 GREEN) (A2003ISH4AUSG)Page 9 of 95
CAM CHAIN ASSEMBLY

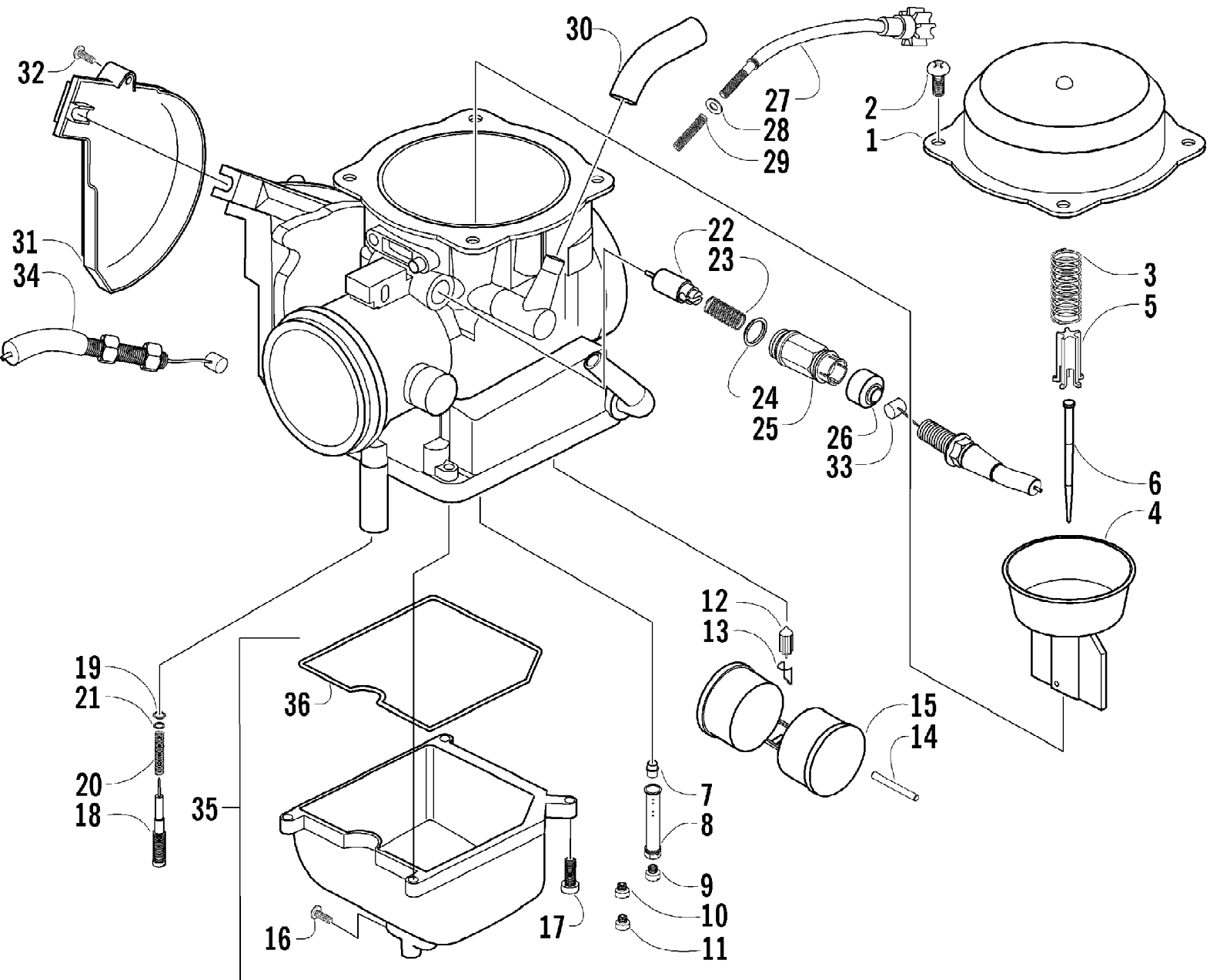
Ref #	Part Number	Qty	S/P/F	Description
1	3402-281	1		Chain, Cam
2	3402-612	1		Guide, Cam Chain
3	3402-613	1		Tensioner, Cam Chain
4	3423-074	1		Bolt
5	3003-188	1	S/P	Washer
6	3402-614	1		Adjuster, Tensioner - Assembly (inc. 7-9)
7	3423-484	1		Spring
8	3423-485	1		Plug
9	3423-286	1		O-Ring
10	3402-287	1		Gasket, Adjuster
11	3004-576	2	S	Bolt

2003 ATV 400 FIS MANUAL TRANSMISSION (4X4 GREEN) (A2003ISH4AUSG) Page 10 of 95
CAMSHAFT/VALVE ASSEMBLY



2003 ATV 400 FIS MANUAL TRANSMISSION (4X4 GREEN) (A2003ISH4AUSG) Page 11 of 95
CAMSHAFT/VALVE ASSEMBLY

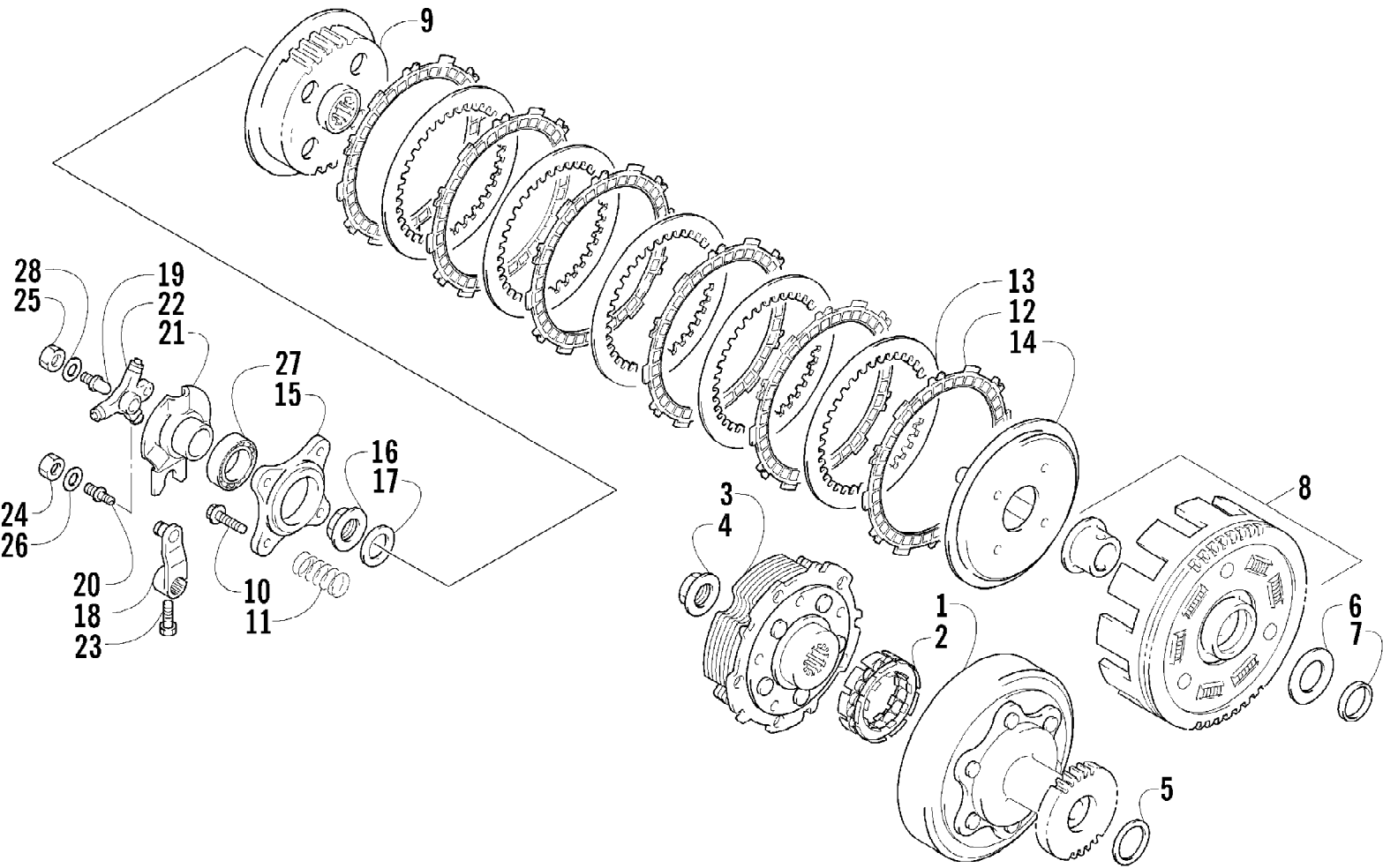
Ref #	Part Number	Qty	S/P/F	Description
1	3402-831	1	S	Camshaft
2	3402-611	1		Sprocket
3	3423-047	1		Pin
4	3423-073	1		Washer
5	3423-013	2	S	Bolt
6	3423-071	1	/P	C-Ring
7	3402-532	1	S	Arm, Valve Rocker - Intake (inc. two No. 8-9)
8	3423-075	4		Screw
9	3423-076	4		Nut
10	3402-139	1		Arm, Valve Rocker - Exhaust (inc. two No. 8-9)
11	3402-140	1		Shaft, Rocker Arm
12	3423-031	2		Washer
13	3402-012	2		Gasket
14	3402-040	2	/P	Plug, Shaft
15	3402-141	1		Shaft, Rocker Arm
16	3402-147	8		Cotter, Valve
17	3402-146	4	S	Retainer, Spring
18	3402-726	4		Spring, Valve
19	3402-078	4		Seal, Oil
20	3402-148	4		Seat, Spring
21	3402-725	2	/P	Valve, Intake
22	3402-143	2		Valve, Exhaust



2003 ATV 400 FIS MANUAL TRANSMISSION (4X4 GREEN) (A2003ISH4AUSG) Page 13 of 95
CARBURETOR

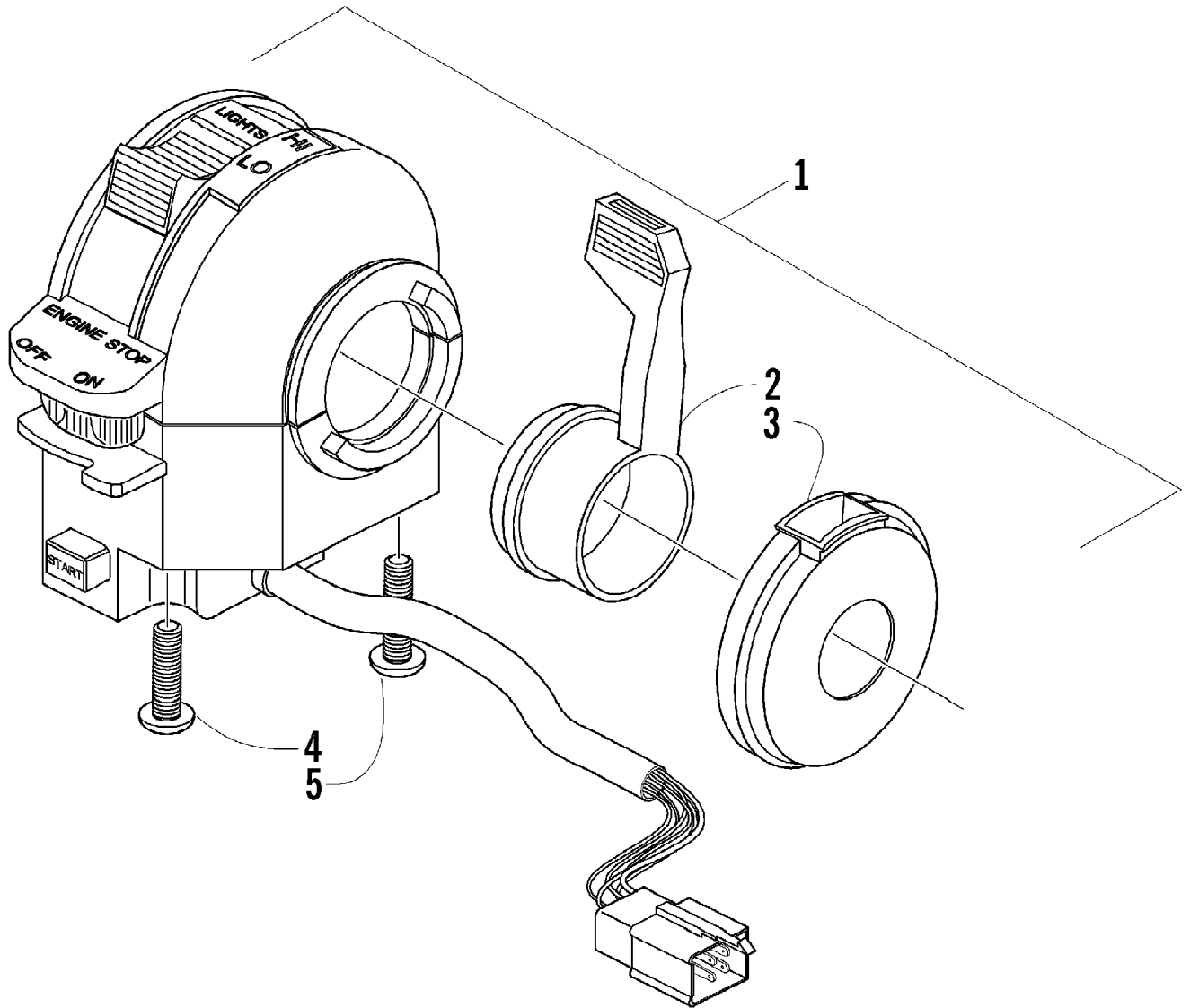
Ref #	Part Number	Qty	S/P/F	Description
	0470-454	1		Complete Assembly
1	5507-001	1		Cover, Top
2	5507-002	3	/P	Screw, Top Cover
3	5507-052	1		Spring
4	5507-053	1		Piston, Vacuum
5	5507-054	1		Spring, Seat
6	5507-080	1		Jet Needle
7	5507-056	1		Needle Jet
8	5507-047	1	/P	Holder, Needle Jet
9	5507-009	1	/P	Main Jet - 150
9	5507-041	1	F	Main Jet - 147
9	5507-042	1	/P/F	Main Jet - 145
9	5507-043	1	F	Main Jet - 142
9	5507-044	1	F	Main Jet - 140
10	5507-010	1	S	Slow Jet
11	5507-090	1		Starter Jet - 60
12	5507-038	1		Valve, Float - Set (inc. 13)
13	0	1	F	Clip
14	0	1	F	Pin, Float
15	5507-039	1		Float Set (inc. 14)
16	5507-050	1	/P	Screw, Drain
17	5507-089	4	S	Screw
18	5507-040	1		Screw, Pilot Air - Set (inc. 19-21)
19	0	1	F	O-Ring
20	0	1	F	Spring
21	0	1	F	Washer
22	5507-022	1		Valve, Starter
23	5507-023	1		Spring
24	5507-024	1		O-Ring
25	5507-025	1		Cap
26	5507-026	1		Cap, Rubber
27	5507-027	1		Screw, Idle Adjust
28	5507-028	1		Washer
29	5507-029	1		Spring
30	5507-083	1	/P	Tube, Vinyl
31	5507-036	1		Cover
32	5507-037	1	/P	Screw
33	0487-016	1		Cable, Choke
34	0487-021	1	S	Cable, Throttle
35	5507-064	1		Chamber, Float - Assembly (inc. 16 and 36)
36	5507-068	1		O-Ring, Float Chamber

2003 ATV 400 FIS MANUAL TRANSMISSION (4X4 GREEN) (A2003ISH4AUSG) Page 14 of 95
CLUTCH ASSEMBLY

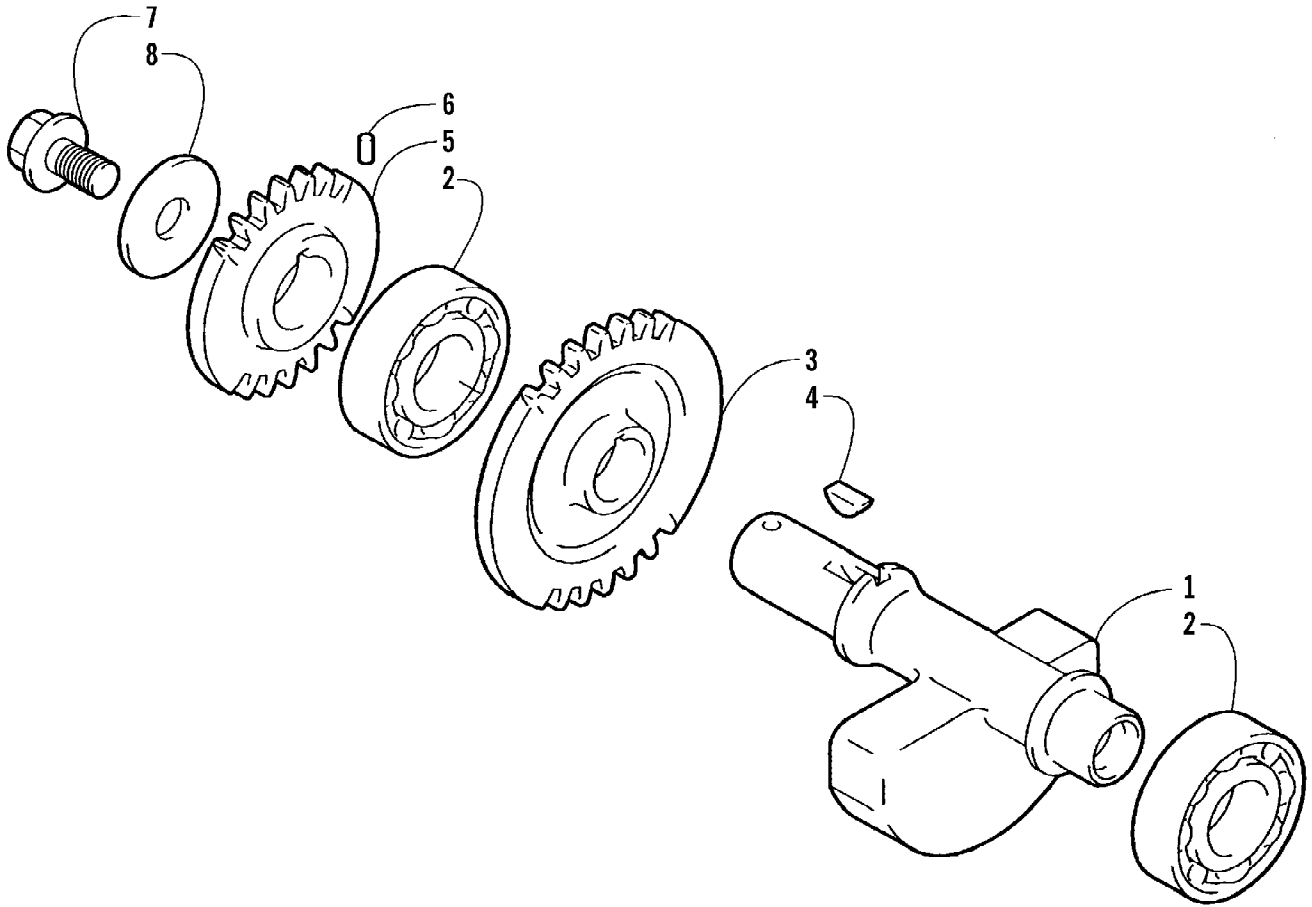


2003 ATV 400 FIS MANUAL TRANSMISSION (4X4 GREEN) (A2003ISH4AUSG) Page 15 of 95
CLUTCH ASSEMBLY

Ref #	Part Number	Qty	S/P/F	Description
1	3446-001	1	S	Housing, Starter Clutch
2	3446-003	1		Clutch, Primary Drive One Way
3	3446-290	1		Shoe, Starter Clutch
4	3423-501	1		Nut, Starter Clutch Shoe
5	3423-209	1		Washer, Primary Driven
6	3423-515	1		Washer, Primary Driven
7	3423-516	1		Washer
8	3446-291	1		Gear, Primary Driven - Assembly
9	3446-004	1		Hub, Clutch Sleeve
10	3423-330	4		Screw, Cap - Clutch Spring
11	3423-517	4		Spring, Clutch
12	3446-006	6		Plate, Clutch Drive
13	3446-007	5		Plate, Clutch Driven
14	3446-008	1		Disc, Clutch Pressure
15	3446-009	1		Plate, Clutch Release
16	3423-080	1		Nut, Clutch Sleeve Hub
17	3423-032	1		Washer, Sleeve Hub
18	3446-292	1		Arm, Clutch Release
19	3423-361	1		Bolt, Clutch Release (No. 1)
20	3423-083	1		Bolt, Clutch Release (No. 2)
21	3446-293	1		Guide, Release Roller
22	3446-294	1		Roller, Clutch Release - Assembly
23	3423-125	1	S	Bolt, Clutch Release Arm
24	3008-014	1		Nut, Clutch Release (No. 2)
25	3423-359	1		Nut, Clutch Release (No. 1)
26	3423-027	1		Washer, Clutch Release (No. 2)
27	3402-186	1	/P	Bearing
28	3423-360	1		Washer, Clutch Release (No. 1)

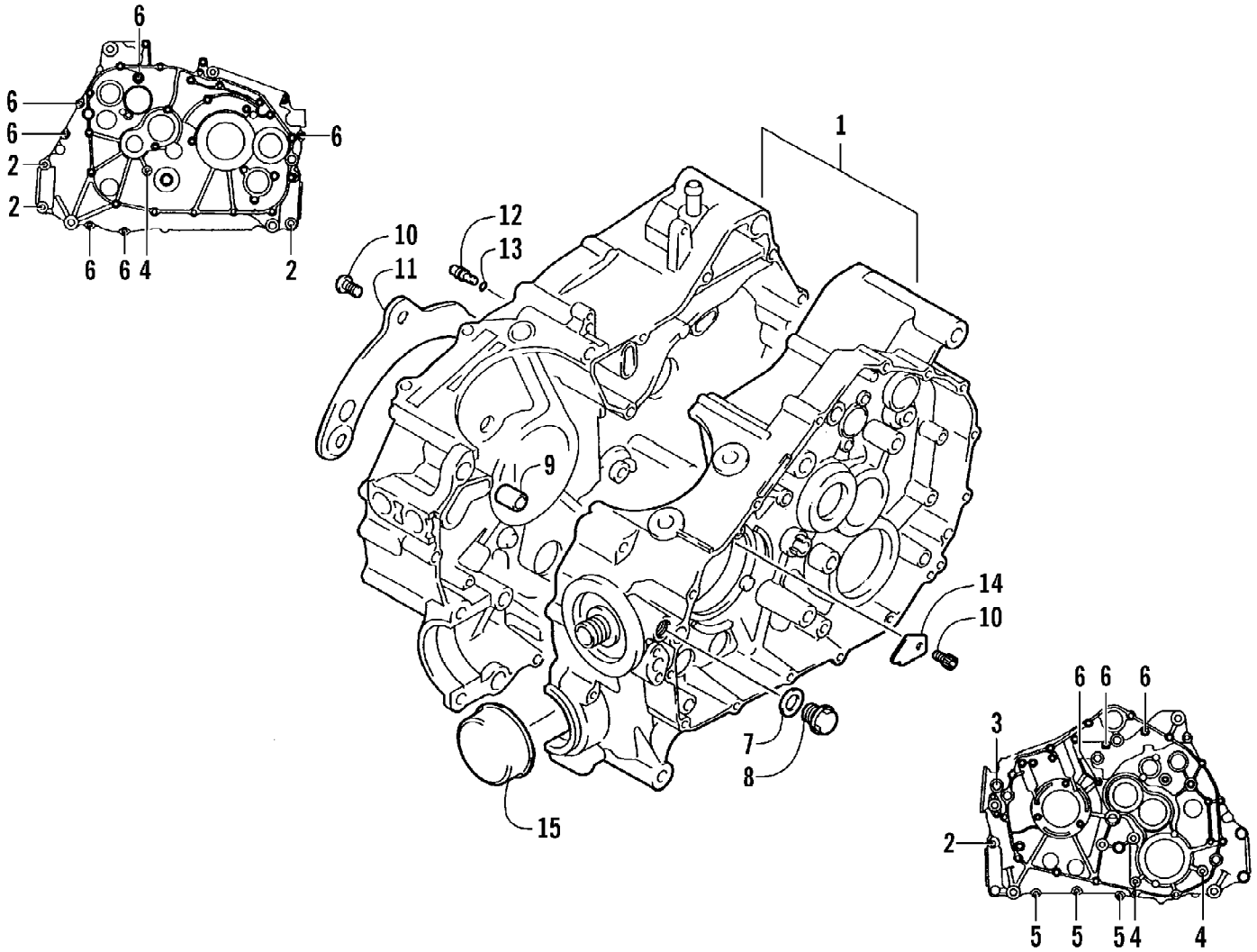


Ref #	Part Number	Qty	S/P/F	Description
1	3509-001	1	S	Switch, Control - Assembly (inc. 2-5)
2	3409-009	1		Lever, Choke
3	3409-010	1		Cover, Choke Lever
4	3423-196	1		Screw, Cap
5	3423-197	1		Screw, Cap



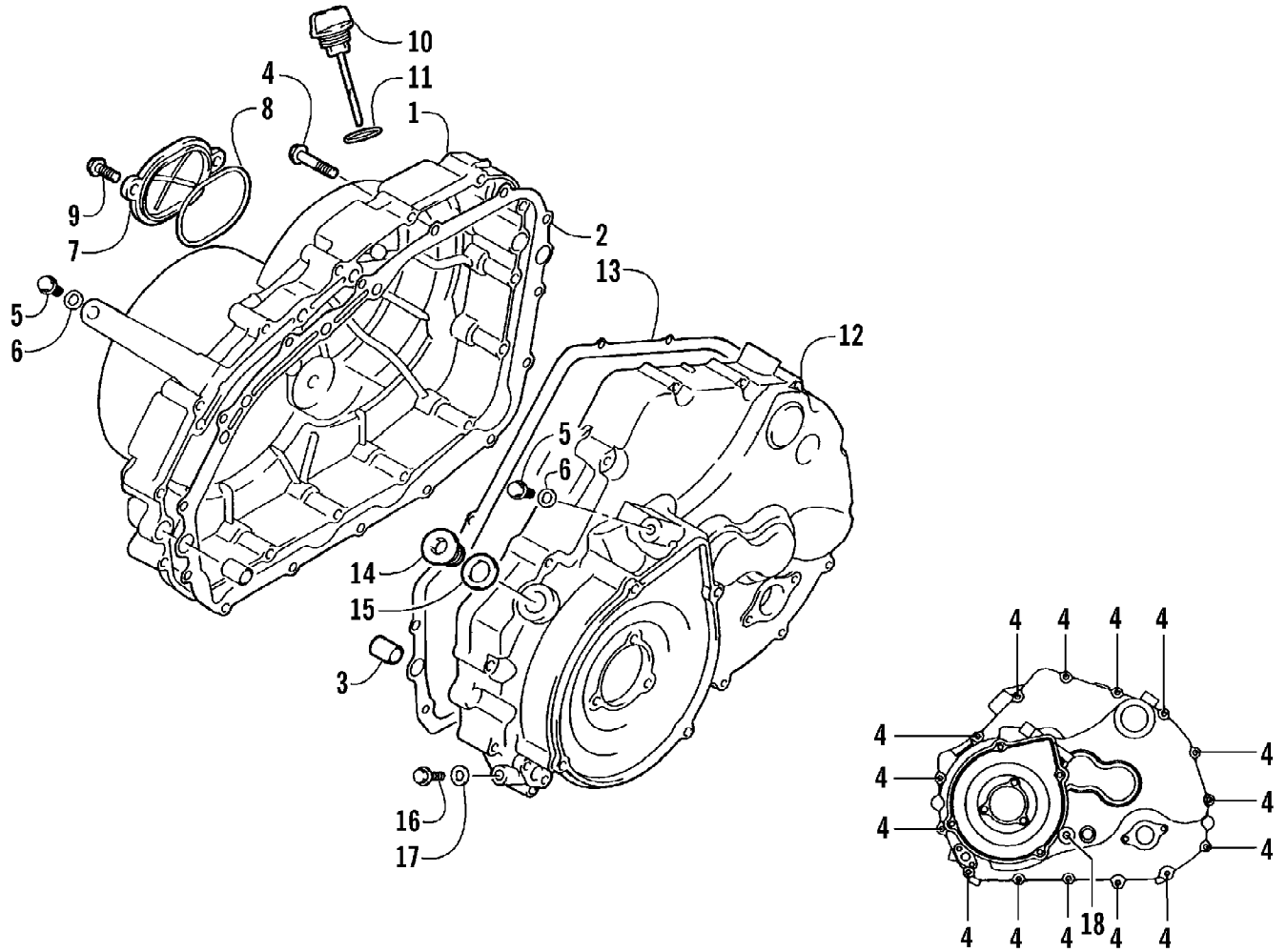
2003 ATV 400 FIS MANUAL TRANSMISSION (4X4 GREEN) (A2003ISH4AUSG) Page 19 of 95
CRANK BALANCER ASSEMBLY

Ref #	Part Number	Qty	S/P/F	Description
1	3402-605	1		Balancer, Crank
2	3402-553	2	/P	Bearing
3	3402-772	1		Gear, Driven - No. 1
4	3004-540	1	/P	Key
5	3402-617	1		Gear, Oil Pump Drive
6	3423-110	1		Pin, Drive Gear
7	3423-400	1		Bolt, Drive Gear
8	3423-401	1		Washer, Drive Gear



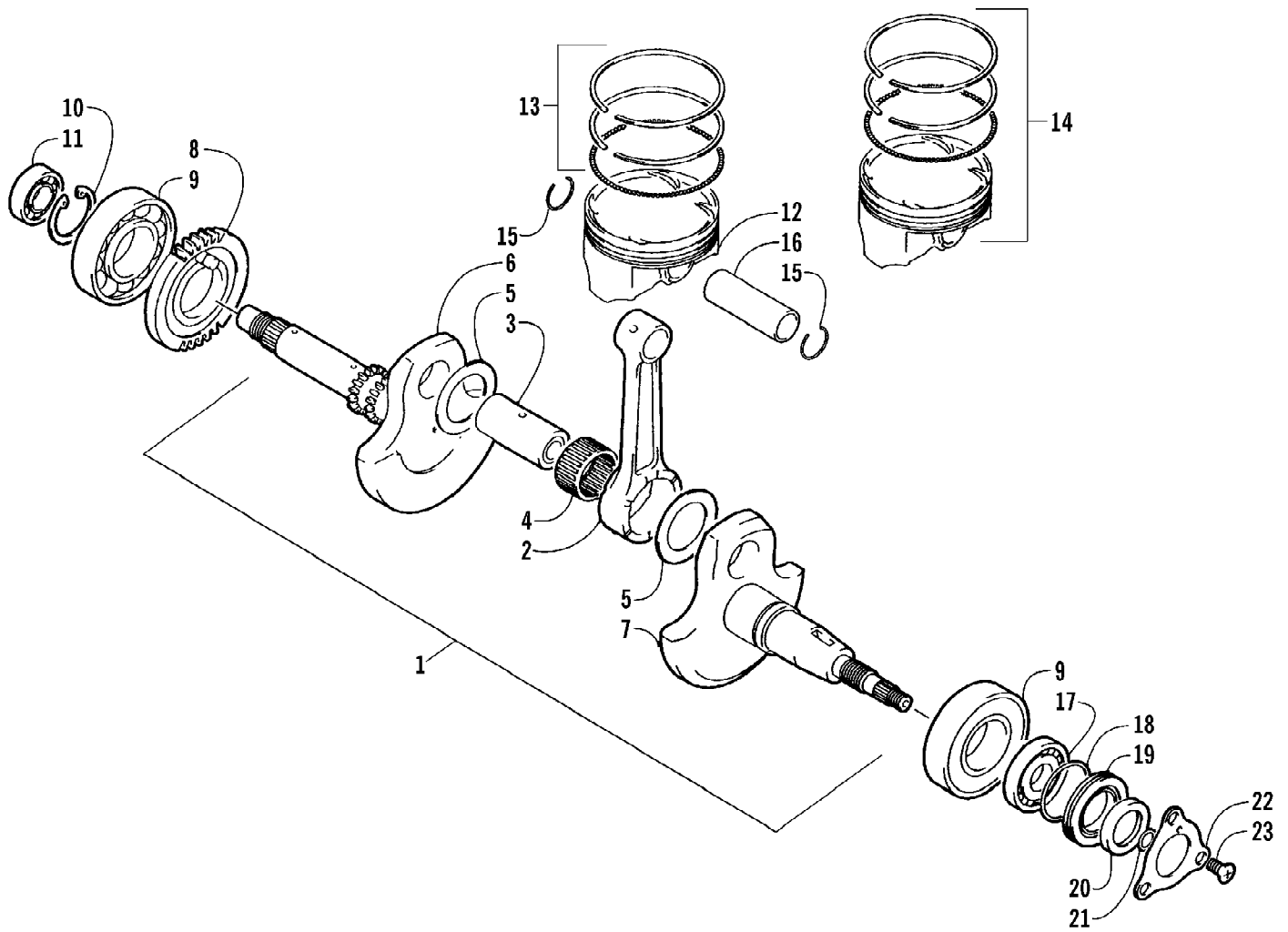
2003 ATV 400 FIS MANUAL TRANSMISSION (4X4 GREEN) (A2003ISH4AUSG) Page 21 of 95
CRANKCASE ASSEMBLY

Ref #	Part Number	Qty	S/P/F	Description
1	3402-763	1		Crankcase Assembly (inc. 2-9)
2	3004-880	4		Bolt
3	3005-332	1		Bolt
4	3005-410	3		Bolt
5	3423-097	3		Bolt
6	3423-091	8	S	Bolt
7	3402-012	1		Gasket, Oil Pressure Plug
8	3402-214	1		Plug, Oil Pressure
9	3423-088	2		Pin, Dowel
10	3004-552	4	S	Screw, Oil Guide Plate - Right
11	3402-764	1		Plate, Oil Guide - Right
12	3402-691	1		Jet, Oil Gallery
13	3423-051	1		O-Ring, Oil Gallery Jet
14	3402-582	1		Plate, Oil Guide - Left
15	3423-208	1		Plug, Crankcase (2X4)



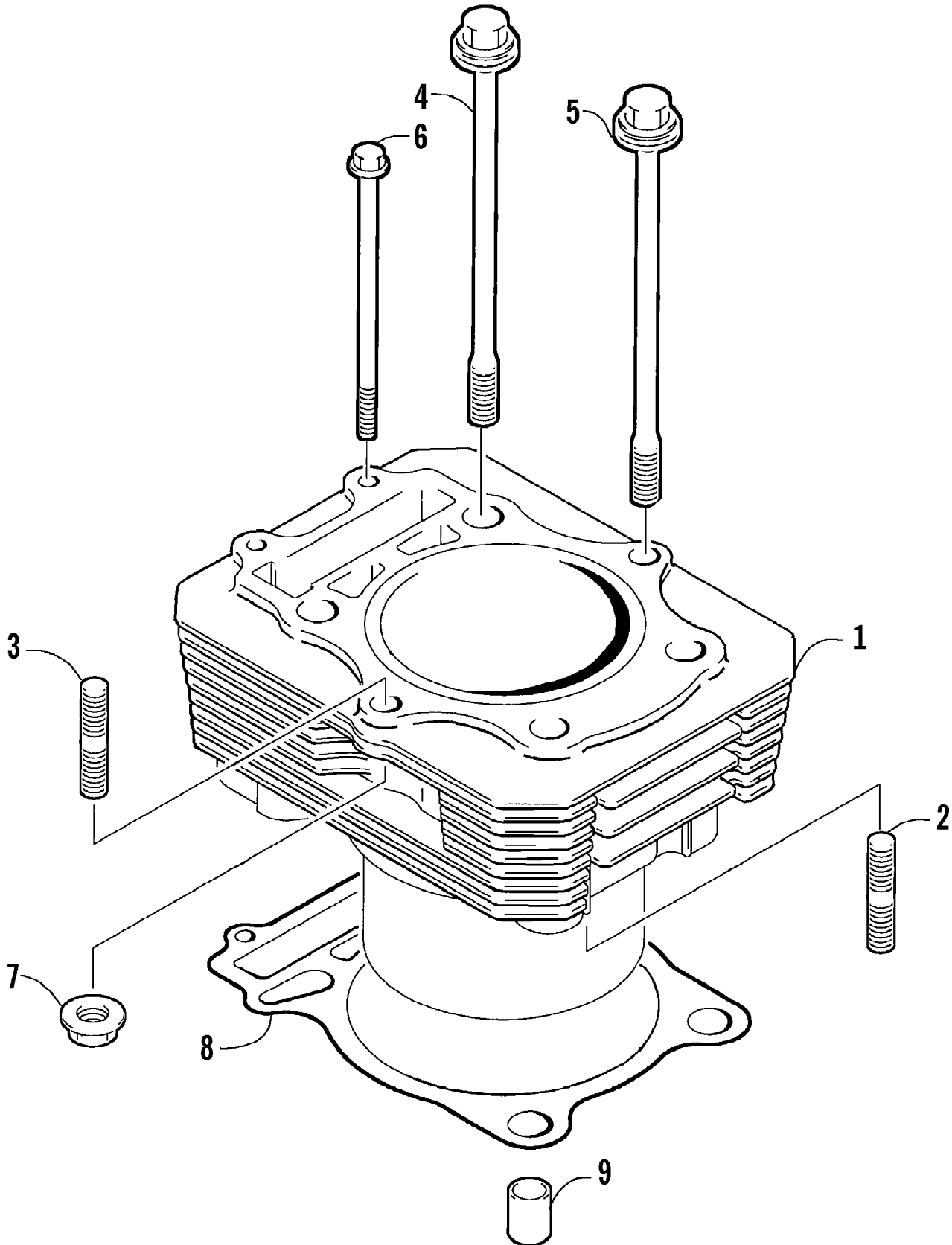
2003 ATV 400 FIS MANUAL TRANSMISSION (4X4 GREEN) (A2003ISH4AUSG) Page 23 of 95
CRANKCASE COVER ASSEMBLY

Ref #	Part Number	Qty	S/P/F	Description
1	3402-765	1		Cover, Clutch
2	3402-766	1		Gasket
3	3423-088	4		Pin, Dowel
4	3423-098	30	S	Bolt
5	3004-338	2	S/P	Plug, Oil Gallery
6	3003-290	2	/P	Gasket
7	3402-100	1		Cap, Inspection
8	3402-101	1		O-Ring, Inspection Cap
9	3004-341	2	S/P	Bolt, Inspection Cap
10	3402-593	1		Stick, Oil Level
11	3423-055	1		O-Ring, Oil Level Stick
12	3402-767	1		Cover, Magneto
13	3402-768	1		Gasket, Magneto Cover
14	3423-180	1	S	Plug
15	3402-013	1	/P	Gasket
16	3004-705	1	S	Plug, Drain
17	3402-444	1		Gasket, Drain Plug
18	3423-430	1		Bolt



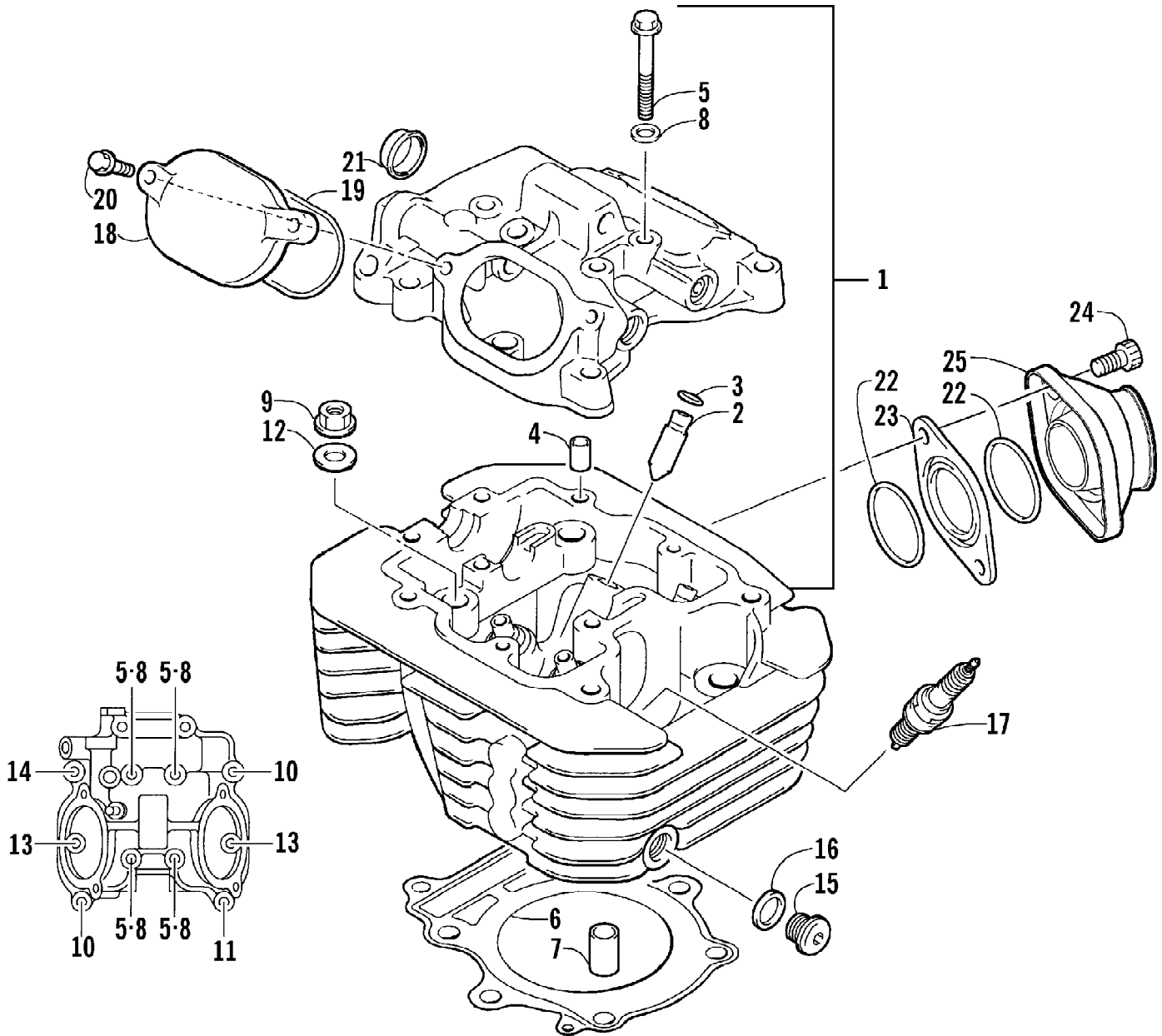
2003 ATV 400 FIS MANUAL TRANSMISSION (4X4 GREEN) (A2003ISH4AUSG) Page 25 of 95
CRANKSHAFT ASSEMBLY

Ref #	Part Number	Qty	S/P/F	Description
1	3402-716	1	S	Crankshaft Assembly (inc. 2-7)
2	3402-597	1		Rod, Connecting
3	3402-769	1		Pin, Crank
4	3402-571	1		Bearing
5	3423-440	2		Washer
6	3402-718	1	S	Crankshaft - Right
7	3402-770	1	S	Crankshaft - Left
8	3402-698	1	/P	Gear, Crank Balancer Drive
9	3402-180	2	S	Bearing - Middle
10	3402-771	1		Circlip
11	3402-216	1		Bearing - Right
12	3402-594	1		Piston
13	3402-595	1		Ring, Piston - Set
14	3436-015	1	F	Piston Set (Oversized 0.50 mm)
15	3003-439	2	/P	Circlip
16	3402-596	1		Pin, Piston
17	3402-051	1		Bearing
18	3423-063	1		O-Ring
19	3402-119	1	S	Spacer
20	3402-070	1		Seal, Oil
21	3423-053	1	/P	O-Ring
22	3402-188	1	/P	Retainer, Crankshaft Oil Seal - Left
23	3423-018	3		Screw, Retainer



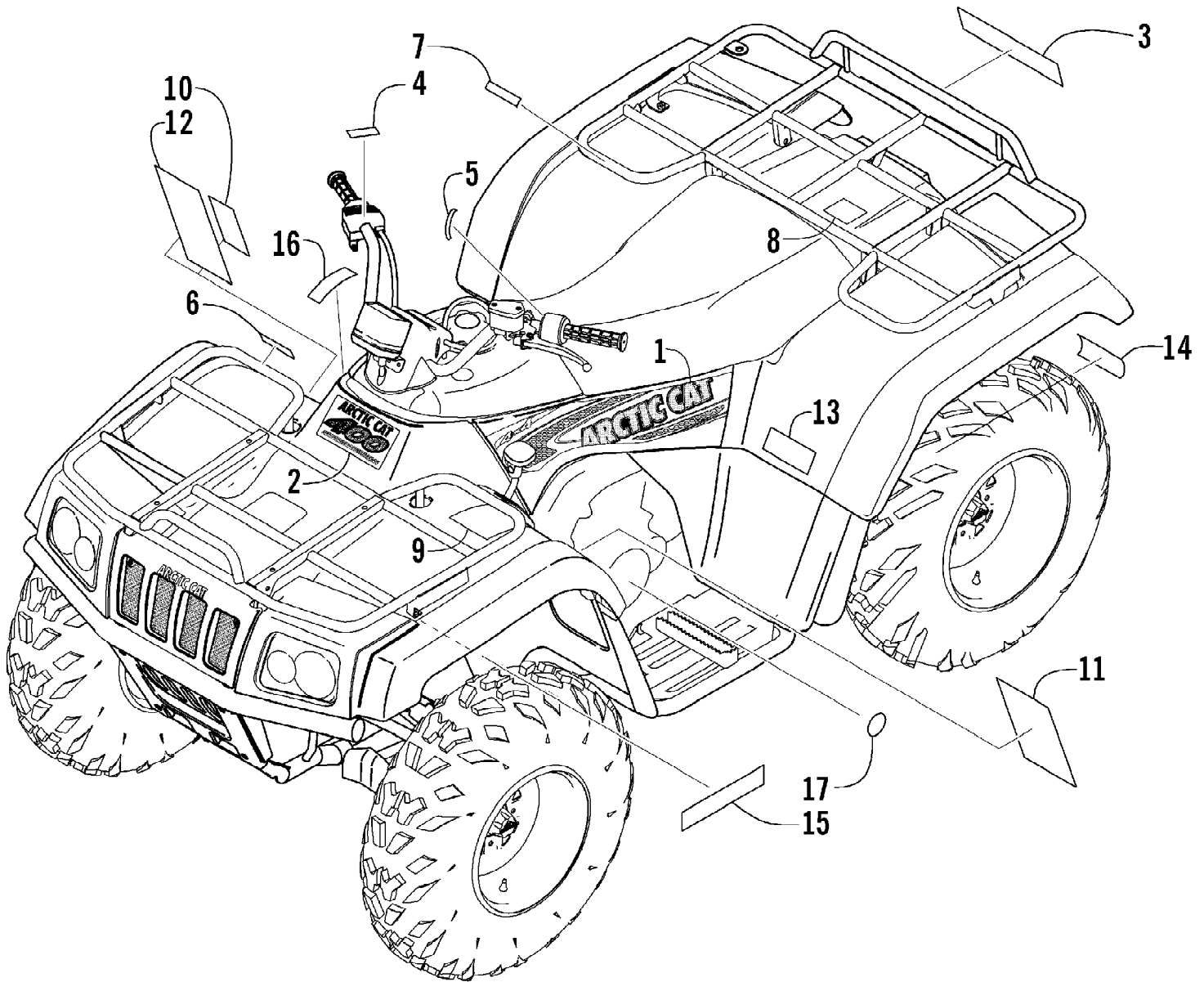
2003 ATV 400 FIS MANUAL TRANSMISSION (4X4 GREEN) (A2003ISH4AUSG)
CYLINDER ASSEMBLY

Ref #	Part Number	Qty	S/P/F	Description
1	3402-578	1	S	Cylinder
2	3423-384	2	S	Bolt, Stud
3	3004-778	2	S	Bolt, Stud
4	3423-431	2		Bolt
5	3423-432	2		Bolt
6	3423-427	2		Bolt
7	3004-488	2	S/P	Nut
8	3402-579	1		Gasket, Cylinder
9	3423-088	2		Pin, Dowel

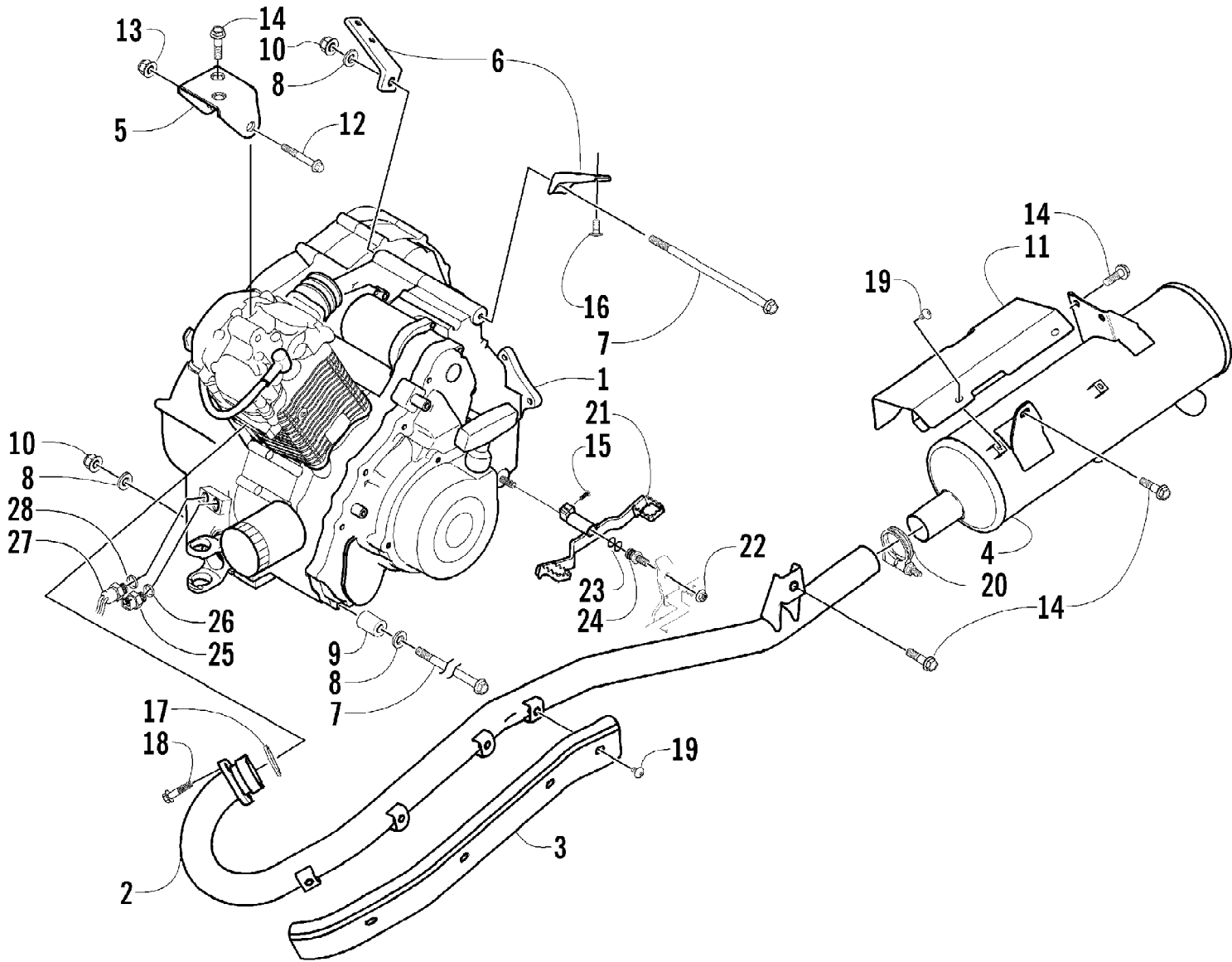


2003 ATV 400 FIS MANUAL TRANSMISSION (4X4 GREEN) (A2003ISH4AUSG) Page 29 of 95
CYLINDER HEAD ASSEMBLY

Ref #	Part Number	Qty	S/P/F	Description
1	3402-576	1	S	Head, Cylinder - Assembly (inc. 2-5)
2	3402-099	2		Guide, Valve
3	3423-068	4		Ring, Valve Guide
4	3423-043	2	/P	Pin, Dowel
5	3423-006	4		Bolt
6	3402-577	1		Gasket, Cylinder Head
7	3423-449	2		Pin, Dowel
8	3003-290	4	/P	Gasket
9	3004-326	2	S/P	Nut, Cylinder Head
10	3423-007	2	S	Bolt, Head Cover
11	3423-429	1		Bolt, Head Cover
12	3423-439	4	S	Washer, Cylinder Head Nut
13	3004-376	2	S/P	Bolt, Head Cover
14	3008-376	1	S	Bolt, Head Cover
15	3423-453	1		Plug, Oil Gallery
16	3402-011	1		Gasket, Oil Gallery Plug
17	0217-708	1		Spark Plug (NGK CR7E)
18	3402-100	2		Cap, Inspection
19	3402-101	2		O-Ring
20	3004-341	4	S/P	Bolt, Inspection Cap
21	3402-035	1		Plug, Head
22	3423-353	2	/P	O-Ring
23	3402-616	1		Insulator, Intake Manifold
24	3004-893	2		Screw
25	0570-067	1	S	Manifold, Intake
	3402-048	1	F	Plug, Frost

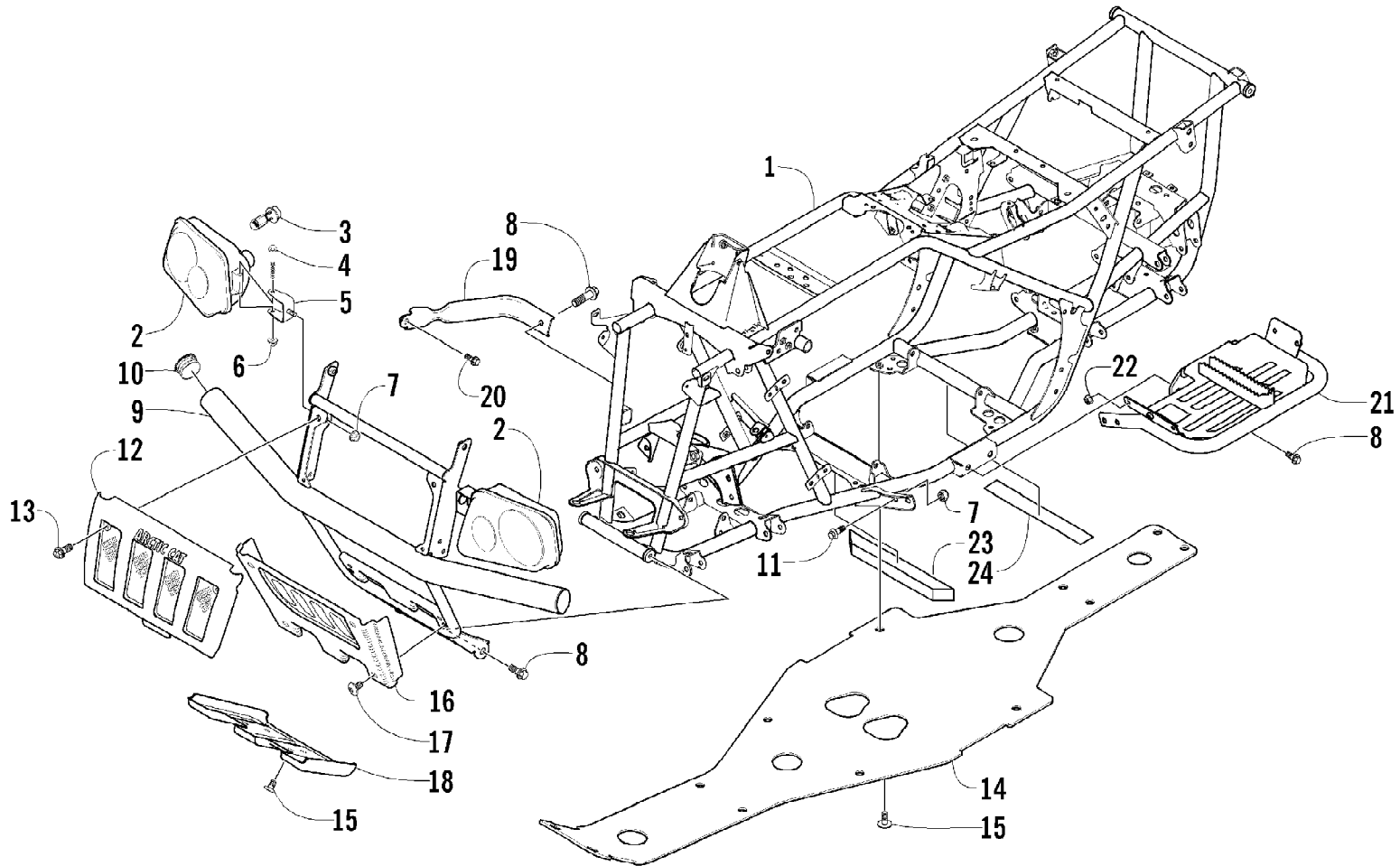


Ref #	Part Number	Qty	S/P/F	Description
1	0411-511	1		Decal, Side - Right
1	0411-512	1		Decal, Side - Left
1	0411-509	1		Decal, Side - Right (2X4 Green)
1	0411-510	1		Decal, Side - Left (2X4 Green)
1	0411-515	1		Decal, Side - Right (4X4 Red)
1	0411-516	1		Decal, Side - Left (4X4 Red)
1	0411-513	1		Decal, Side - Right (4X4 Green/MRP)
1	0411-514	1		Decal, Side - Left (4X4 Green/MRP)
2	0411-532	1		Decal, Front
2	0411-531	1		Decal, Front (Green/MRP)
3	0411-501	1		Decal, "Arctic Cat" (4X4)
4	0411-324	1		Decal, Instruction - Start In Gear
5	0411-325	1		Decal, Instruction - Choke
6	0411-006	1		Decal, Warning - Front Rack Load
7	0411-007	1		Decal, Warning - Rear Rack Load
8	0411-435	1		Decal, Passenger
9	0411-401	1		Decal, Warning - Age
10	0411-008	1	/P	Decal, Warning - Reverse/Pre-Ride
11	0411-218	1		Decal, Warning - General
12	0411-045	1		Decal, Warning - Turn
13	0411-430	1		Decal, Warning - Tire Pressure
14	0411-267	1		Decal, Warning - Towing
15	0411-504	1		Decal, CA Emissions
16	0411-011	1		Decal, Caution - Electrical (4X4)
17	0411-003	1		Decal, Shift Pattern



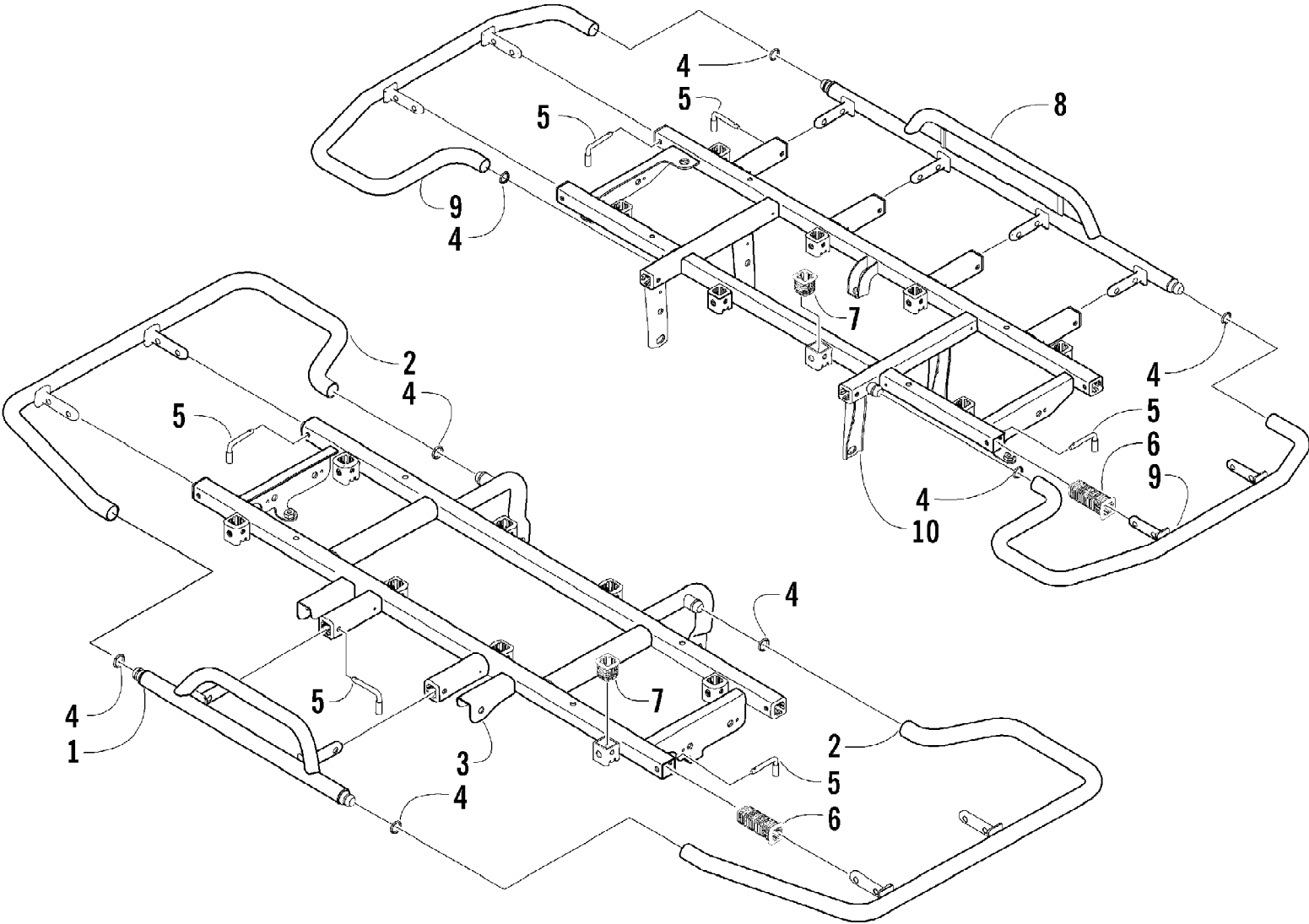
2003 ATV 400 FIS MANUAL TRANSMISSION (4X4 GREEN) (A2003ISH4AUSG) Page 33 of 95
ENGINE AND EXHAUST

Ref #	Part Number	Qty	S/P/F	Description
1	0462-026	1	/P	Engine
1	0462-025	1	S	Engine (4X4)
2	0512-051	1	S	Pipe, Exhaust
3	0412-112	1		Cover, Exhaust
4	0412-184	1	/P	Muffler
5	0506-892	1	/P	Bracket, Engine - Upper
6	0506-983	1	/P	Bracket, Engine - Right
6	0506-984	1	/P	Bracket, Engine - Left
7	0423-405	3		Screw, Cap
8	0423-426	3		Washer
9	0423-042	2	S	Spacer
10	8428-002	3		Nut, Lock
11	0412-187	1		Cover, Muffler
12	8408-860	1		Screw, Cap
13	8424-802	1		Nut
14	8408-816	6		Screw, Cap
15	8476-620	1		Screw, Machine
16	8408-616	4		Screw, Cap
17	0412-007	1	/P	Seal, Exhaust
18	8408-820	2	/P	Screw, Cap
19	8477-610	8		Screw, Machine
20	0423-150	1		Clamp, Exhaust
21	0502-354	1		Lever, Shift
22	8422-002	1		Nut
23	1602-213	2	/P	O-Ring
24	0402-994	1		Pin, Shift Lever
25	3430-033	1		Switch, Cooling Fan
26	3402-774	1	S	Gasket
27	3530-037	1	/P	Switch, Oil Light
28	3402-556	1	/P	Gasket



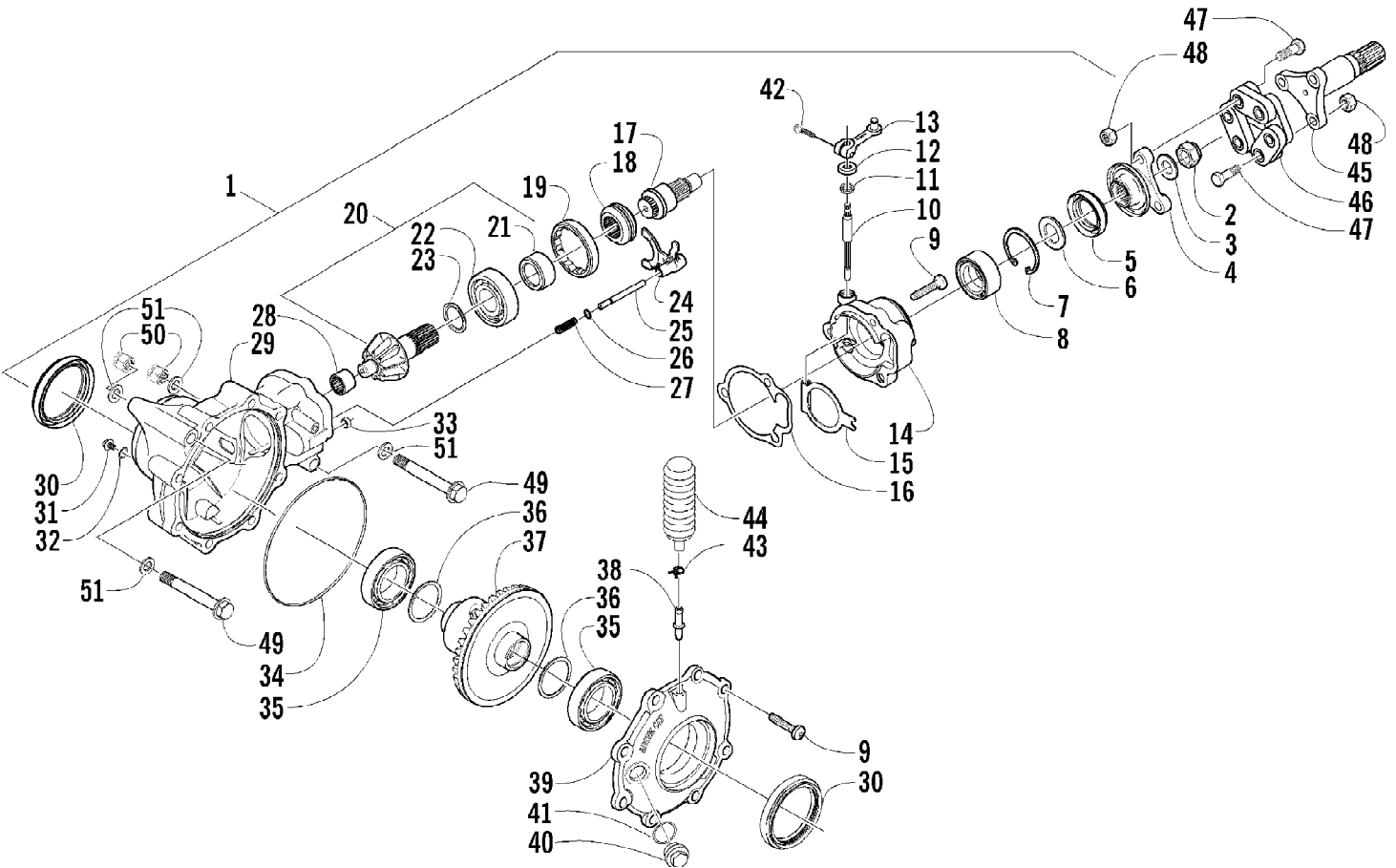
2003 ATV 400 FIS MANUAL TRANSMISSION (4X4 GREEN) (A2003ISH4AUSG) Page 35 of 95
FRAME AND RELATED PARTS

Ref #	Part Number	Qty	S/P/F	Description
1	0506-815	1		Frame, Main
2	0409-032	2		Headlight Assembly - Right (inc. 3-6)
2	0409-031	2		Headlight Assembly - Left (inc. 3-6)
3	0409-045	2		Bulb, Headlight
4	8410-860	2		Screw, Cap
5	0406-945	2		Bracket, Headlight Mounting
6	0423-375	2		Nut, Lock
7	8424-802	6		Nut
8	8409-020	8	/P	Screw, Cap
9	0506-859	1	/P	Bumper
9	0506-544	1		Bumper (4X4)
10	0406-130	2		Cap, Bumper (4X4)
11	8408-816	4		Screw, Cap
12	0406-832	1		Grille, Upper
13	0423-361	2		Screw, Machine
14	1406-030	1		Panel, Belly
15	0423-101	AR		Screw, Shoulder
16	0406-833	1	S	Grille, Bumper - Lower
17	0423-362	4		Screw, Machine
18	0406-834	1		Plate, Skid
19	0506-653	2	S	Channel, Bumper Mounting
20	8408-812	2		Screw, Cap
21	0506-534	1		Footrest - Right
21	0506-827	1		Footrest - Left
22	8424-602	2	/P	Nut, Flange
23	1506-067	1		Pad, Foam
24	0406-289	1		Pad, Foam



2003 ATV 400 FIS MANUAL TRANSMISSION (4X4 GREEN) (A2003ISH4AUSG) Page 37 of 95
FRONT AND REAR RACK ASSEMBLIES (MRP)

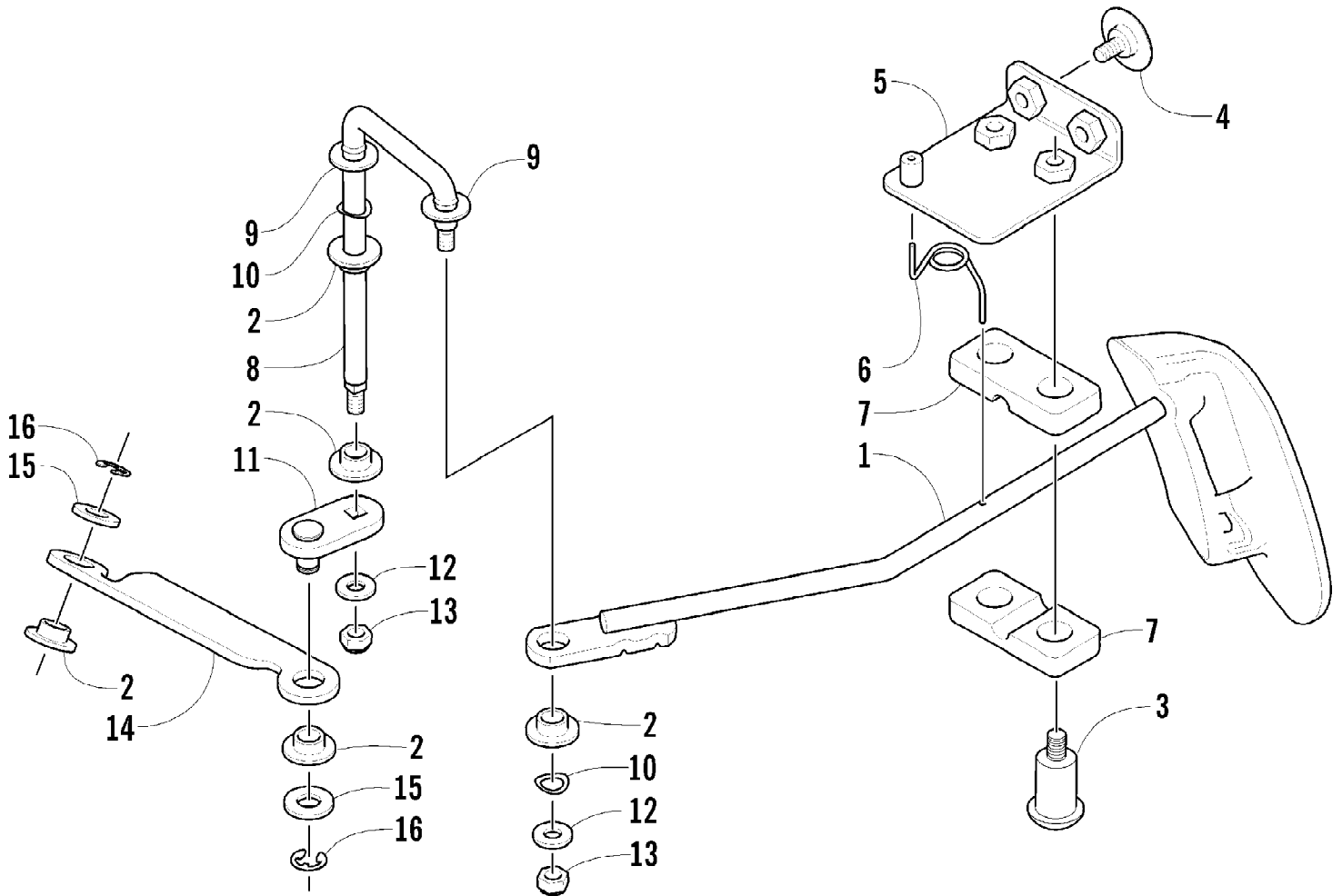
Ref #	Part Number	Qty	S/P/F	Description
1	0541-133	1		Center, Rack - Front
2	0541-134	2		Side, Rack - Front
3	0541-135	1		Frame, Rack - Front
4	0623-903	8		O-Ring
5	0541-189	14	S	Pin
6	0441-556	16		Bushing, Rack
7	0441-592	16	/P	Bushing, Rack
8	0541-130	1		Center, Rack - Rear
9	0541-131	2		Side, Rack - Rear
10	0541-132	1		Frame, Rack - Rear



2003 ATV 400 FIS MANUAL TRANSMISSION (4X4 GREEN) (A2003ISH4AUSG)
FRONT DRIVE GEARCASE ASSEMBLY (4X4) Page 39 of 95

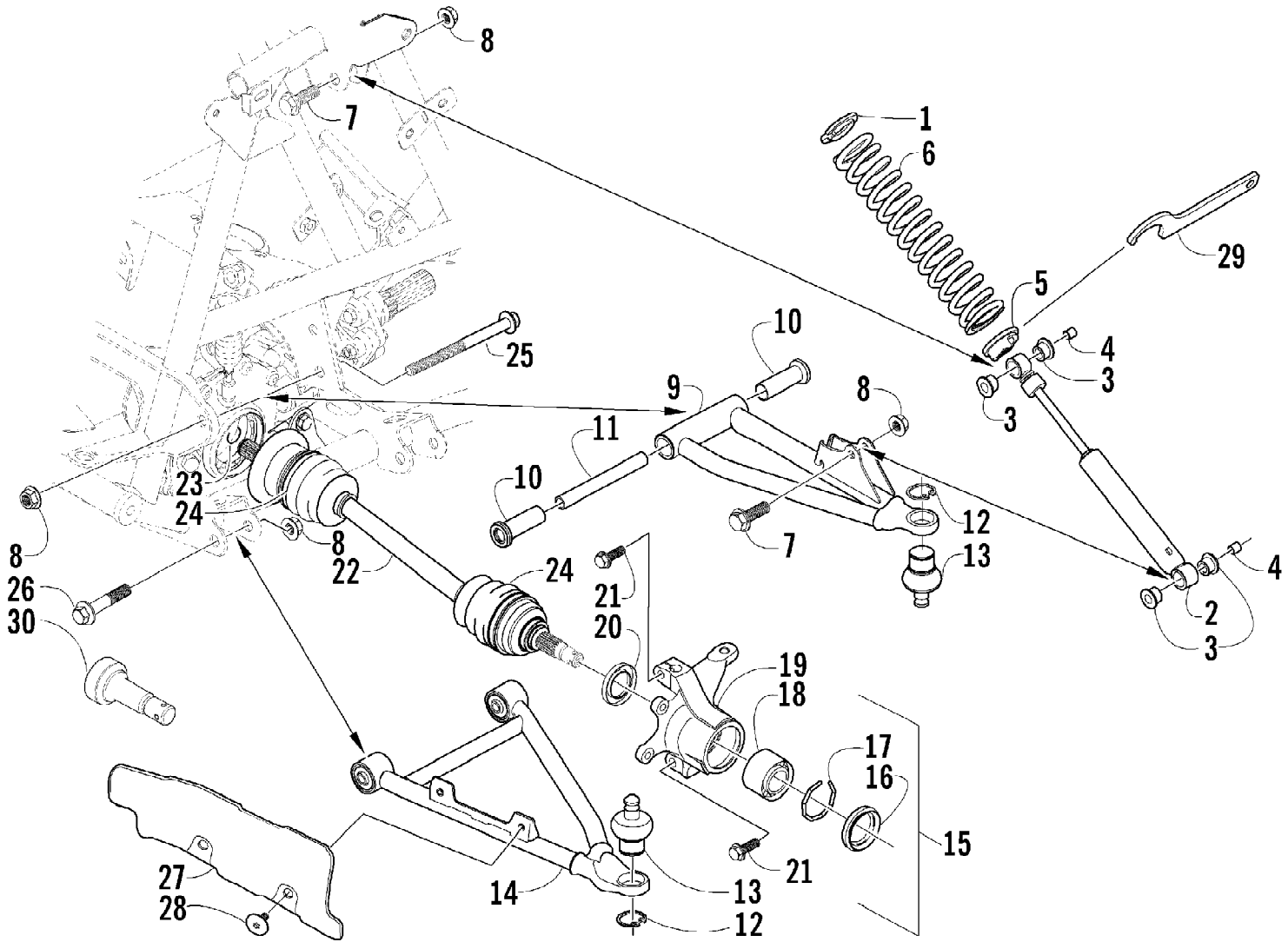
Ref #	Part Number	Qty	S/P/F	Description
1	0502-119	1		Gearcase, Front Drive - Assembly (inc. 2-42)
2	0423-135	1		Nut
3	0423-134	1		Washer
4	0402-422	1		Flange, Drive
5	0402-395	1		Seal
6	0402-346	1		Spacer, Drive
7	0402-332	1		Ring, Retaining
8	0402-003	1		Bearing
9	0423-118	11		Screw, Self-Tapping
10	0402-412	1		Shaft, Selector
11	0402-416	1		Seal
12	0402-398	1		Plate, Selector Shaft
13	0502-092	1		Arm, Selector
14	0502-122	1		Housing, Selector
15	0402-414	1		Plate, Spring - Selector
16	0402-947	1		Gasket, Flange
17	0402-410	1		Shaft, Thrust
18	0402-413	1		Coupler, Drive
19	0402-357	1		Collar, Lock
20	0502-123	1		Gear, Pinion - Assembly - 10T (inc. 21-23)
21	0402-336	1		Collar, Retaining
22	0402-327	1		Bearing
23	0402-424	AR		Shim
23	0402-425	AR		Shim
23	0402-426	AR		Shim
23	0402-427	AR		Shim
23	0402-428	AR		Shim
24	0402-420	1		Fork, Selector
25	0402-417	1		Shaft, Shuttle
26	0423-147	1		O-Ring
27	0402-418	1		Spring, Return
28	0402-328	1		Bearing
29	0502-120	1		Housing, Gearcase
30	0402-394	2	S	Seal
31	0402-450	1	S	Plug, Magnetic (inc. 32)
32	0423-153	1		O-Ring
33	0402-411	1		Pin, Dowel
34	0423-149	1		O-Ring
35	0402-393	2		Bearing
36	0402-405	AR		Shim
36	0402-406	AR		Shim
36	0402-407	AR		Shim
36	0402-408	AR		Shim
36	0402-409	AR		Shim
37	0502-124	1		Gear, Ring - 36T
38	0402-871	1		Fitting
39	0502-121	1		Cover, Gearcase
40	0402-333	1	/P	Plug, Fill (inc. 41)
41	0423-154	1		O-Ring
42	8410-620	1		Screw, Cap
43	0423-315	1		Clamp, Fitting
44	0402-147	1	S	Bladder, Case
45	0502-321	1		Shaft, Propeller

Ref #	Part Number	Qty	S/P/F	Description
46	3435-007	1		Coupler, Propeller Shaft
47	3423-182	6	S	Screw, Cap
48	3004-491	6	S/P	Nut
49	0423-404	2		Screw, Cap
50	8428-002	2		Nut, Lock
51	0423-426	4		Washer



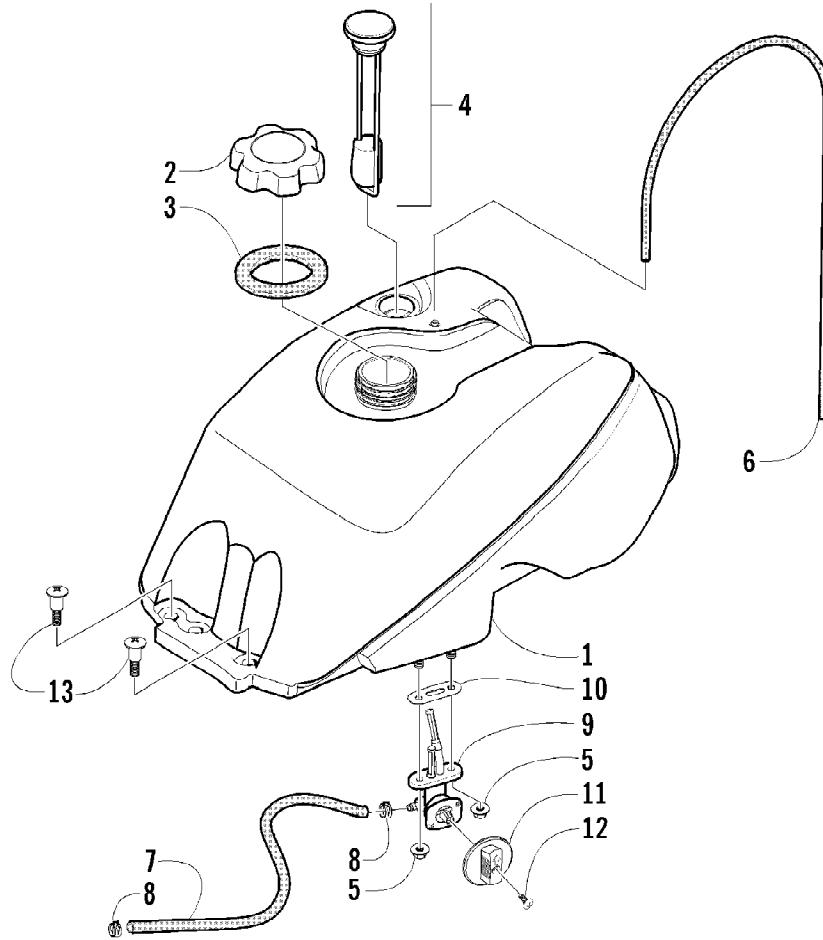
2003 ATV 400 FIS MANUAL TRANSMISSION (4X4 GREEN) (A2003ISH4AUSG)
FRONT DRIVE SHIFT LINKAGE ASSEMBLY (4X4) Page 42 of 95

Ref #	Part Number	Qty	S/P/F	Description
1	0502-291	1		Shifter
2	0423-091	5		Bushing
3	0423-329	2		Screw, Shoulder
4	0423-101	2		Screw, Body
5	0502-234	1		Plate, Mounting
6	0402-828	1		Spring, Torsion
7	0406-363	2		Bushing
8	0402-821	1		Arm, Shifter
9	0123-053	2	/P	Washer
10	0423-368	2		Washer, Wave
11	0502-295	1		Arm, Selector
12	0423-348	2		Washer
13	0624-250	2		Nut, Lock
14	0502-396	1	/P	Cross-Link
15	8050-247	2	/P	Washer
16	0124-057	2	/P	E-Ring



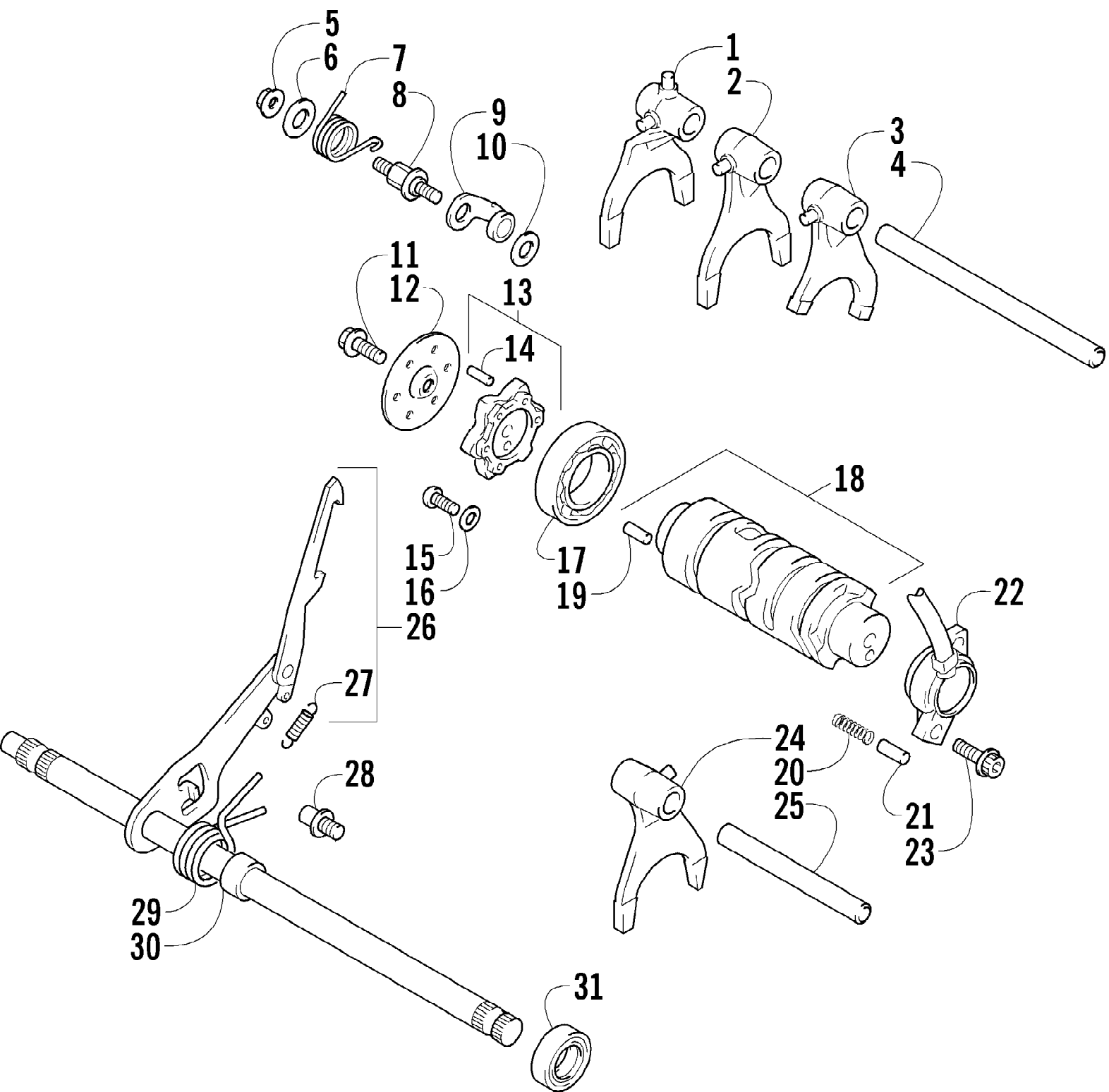
2003 ATV 400 FIS MANUAL TRANSMISSION (4X4 GREEN) (A2003ISH4AUSG) Page 44 of 95
FRONT SUSPENSION ASSEMBLY

Ref #	Part Number	Qty	S/P/F	Description
1	1603-889	2	/P	Retainer, Spring
2	0403-110	2	/P	Shock Absorber - Front (inc. 3-4)
2	0403-111	2	/P	Shock Absorber - Front (inc. 3-4) (4X4)
3	0604-310	8		Bushing, Shock Absorber
4	0403-028	4		Sleeve, Shock
5	0403-102	2		Cam, Spring Adjuster
6	0403-096	2		Spring, Shock Absorber
6	0403-091	2		Spring, Shock Absorber (4X4)
7	8409-040	4		Screw, Cap
8	8428-002	10		Nut, Lock
9	0503-196	1	S	A-Arm, Upper Right - Assembly (inc. 10-13)
9	0503-197	1		A-Arm, Upper Left - Assembly (inc. 10-13)
10	0403-081	4	S	Bushing
11	0403-080	2		Collar
12	0423-009	4	/P	Clip, Ball Joint
13	0405-115	4	/P	Ball Joint - Front
14	0503-198	1	/P	A-Arm, Lower Right (inc. 12-13)
14	0503-199	1	/P	A-Arm, Lower Left (inc. 12-13)
14	0503-194	1	/P	A-Arm, Lower Right (inc. 12-13) (4X4)
14	0503-195	1	/P	A-Arm, Lower Left (inc. 12-13) (4X4)
15	0505-026	1	S/P	Knuckle - Assembly - Right (inc. 16-20)
15	0505-027	1	S/P	Knuckle - Assembly - Left (inc. 16-20)
16	0402-089	2		Seal, Wheel Bearing - Front
17	0423-034	2		Clip, Bearing
18	0402-275	2	/P	Bearing, Wheel Hub - Front
19	0505-062	1	S	Knuckle, Steering - Right
19	0505-063	1	S	Knuckle, Steering - Left
20	0402-069	2		Seal, Wheel Bearing - Rear
21	8409-030	4		Screw, Cap
22	0402-907	2	S	Axle, Drive - Front (inc. 23-24) (4X4)
23	0441-400	2	S	Clip, Retaining (4X4)
24	0436-276	4	S	Repair Kit, Boot - Front Axle (4X4)
25	0423-334	2		Screw, Cap
26	8409-060	4		Screw, Cap
27	1406-034	1		Guard, Boot - Axle - Right (4X4)
27	1406-035	1		Guard, Boot - Axle - Left (4X4)
28	0423-101	4		Screw, Body (4X4)
29	0441-587	1		Wrench, Spanner
30	1402-006	2		Axle, Stub (2X4)



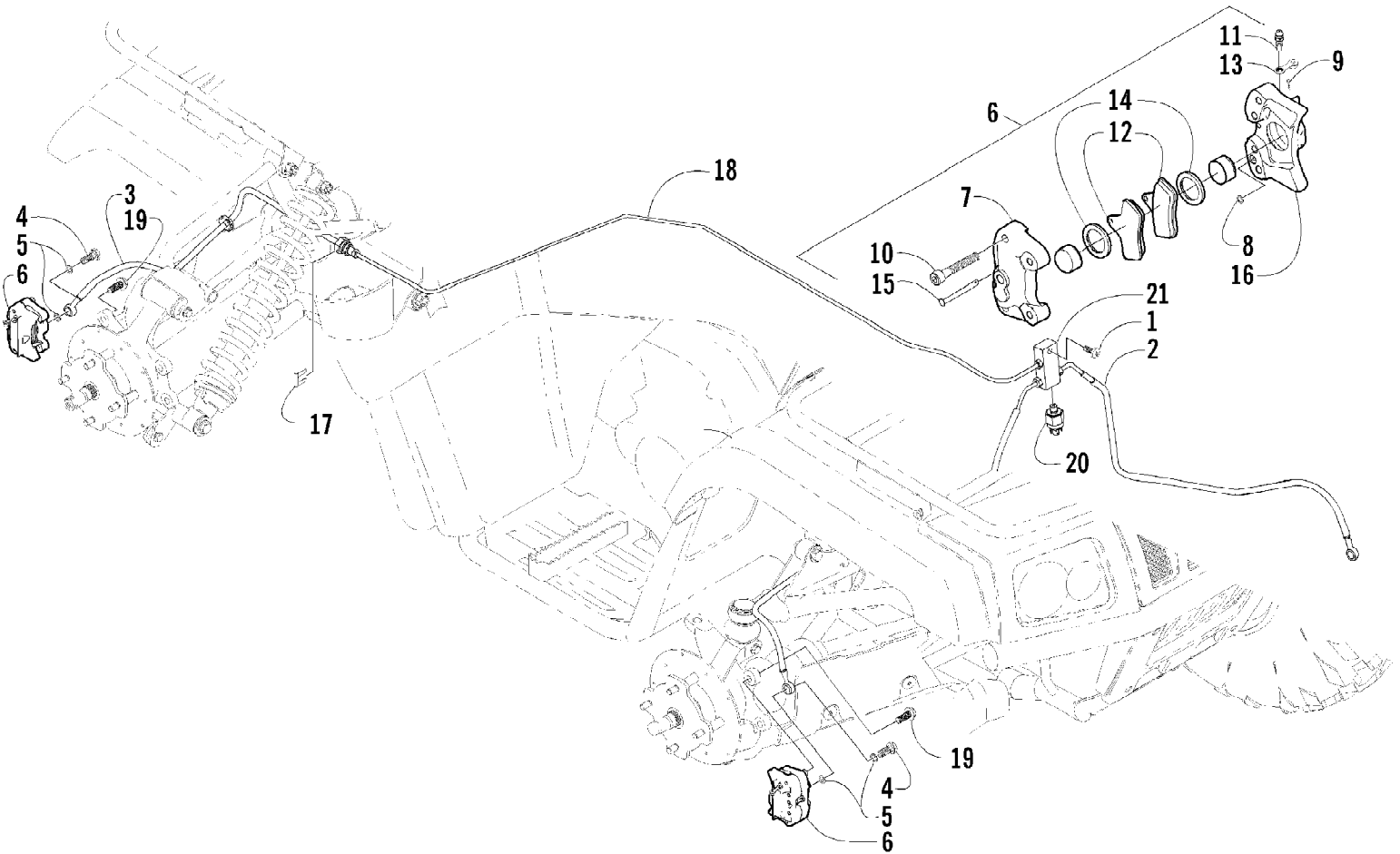
2003 ATV 400 FIS MANUAL TRANSMISSION (4X4 GREEN) (A2003ISH4AUSG) Page 46 of 95
GAS TANK ASSEMBLY

Ref #	Part Number	Qty	S/P/F	Description
1	0570-066	1	/P	Tank, Gas - Assembly (inc. 2-10)
2	0470-438	1	/P	Cap, Gas Tank (inc. 3)
3	0109-733	1	/P	Gasket, Tank Cap
4	0470-444	1	S	Gauge, Fuel w/Gasket (Press-Fit)
5	0423-398	2		Nut, Lock
6	0470-416	1	/P	Hose, Vent
7	0610-007	AR	/P	Hose, Gasline - 25 ft
8	0423-152	2		Clamp, Hose
9	0470-445	1	/P	Valve, Fuel Shut-Off (inc. 10)
10	0470-364	1		Gasket, Fuel Shut-Off Valve
11	0470-408	1		Knob, Fuel Shut-Off Valve
12	0423-146	1		Screw, Fuel Shut-Off Valve Knob
13	0423-130	2		Screw, Shoulder



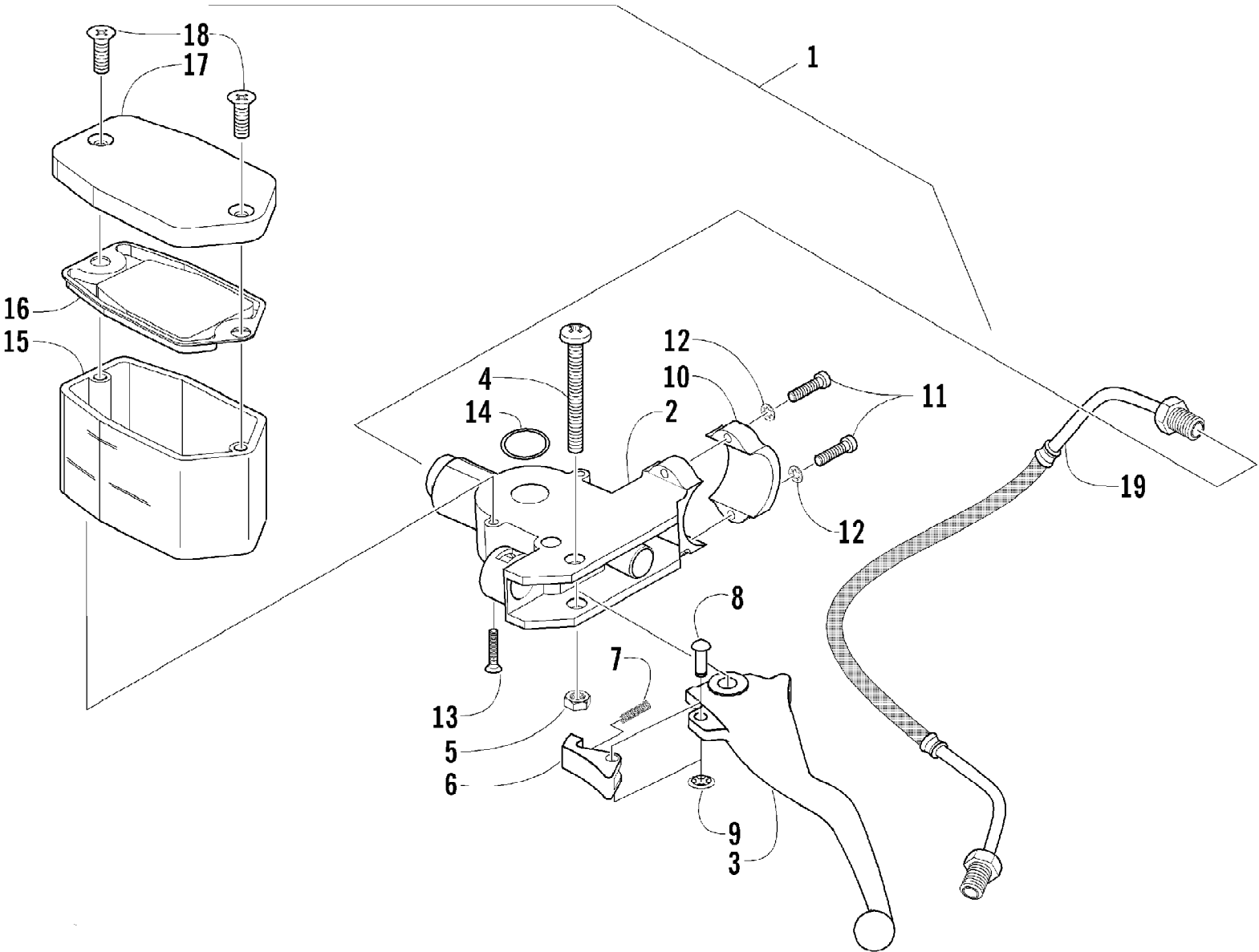
2003 ATV 400 FIS MANUAL TRANSMISSION (4X4 GREEN) (A2003ISH4AUSG) Page 48 of 95
GEAR SHIFTING ASSEMBLY

Ref #	Part Number	Qty	S/P/F	Description
1	3446-306	1		Fork, Gear Shift - Reverse
2	3446-155	1		Fork, Gear Shift - No. 1
3	3446-156	1		Fork, Gear Shift - No. 2
4	3402-643	1		Shaft, Gear Shift Fork - No. 2
5	3004-488	1	S/P	Nut
6	3423-142	1		Washer
7	3423-521	1	S	Spring, Gear Shift Cam Stopper
8	3446-048	1		Support, Gear Shift Cam Stopper
9	3402-746	1		Stopper, Gear Shift Cam
10	3423-141	1		Washer
11	3423-125	1	S	Bolt
12	3446-309	1	/P	Guide, Gear Shift
13	3446-049	1		Plate, Gear Shift Cam (inc. 14)
14	3423-045	5		Pin
15	3423-370	2		Screw
16	3423-135	2		Retainer
17	3402-051	1		Bearing, Gear Shift Cam
18	3446-308	1		Cam, Gear Shift (inc. 19)
19	3423-114	1	/P	Pin
20	3402-087	2		Spring
21	3423-044	2		Contact
22	3446-313	1		Base, Neutral Switch
23	3423-418	2		Bolt
24	3446-157	1		Fork, Gear Shift - No. 3
25	3446-307	1		Shaft, Gear Shift Fork - No. 1
26	3446-310	1		Shaft, Gear Shift (inc. 27)
27	3402-093	1		Spring
28	3446-056	1		Stopper, Gear Shift Shaft
29	3402-094	1		Spring, Return
30	3446-054	1		Spacer, Gear Shift Shaft
31	3402-068	1	/P	Seal, Oil



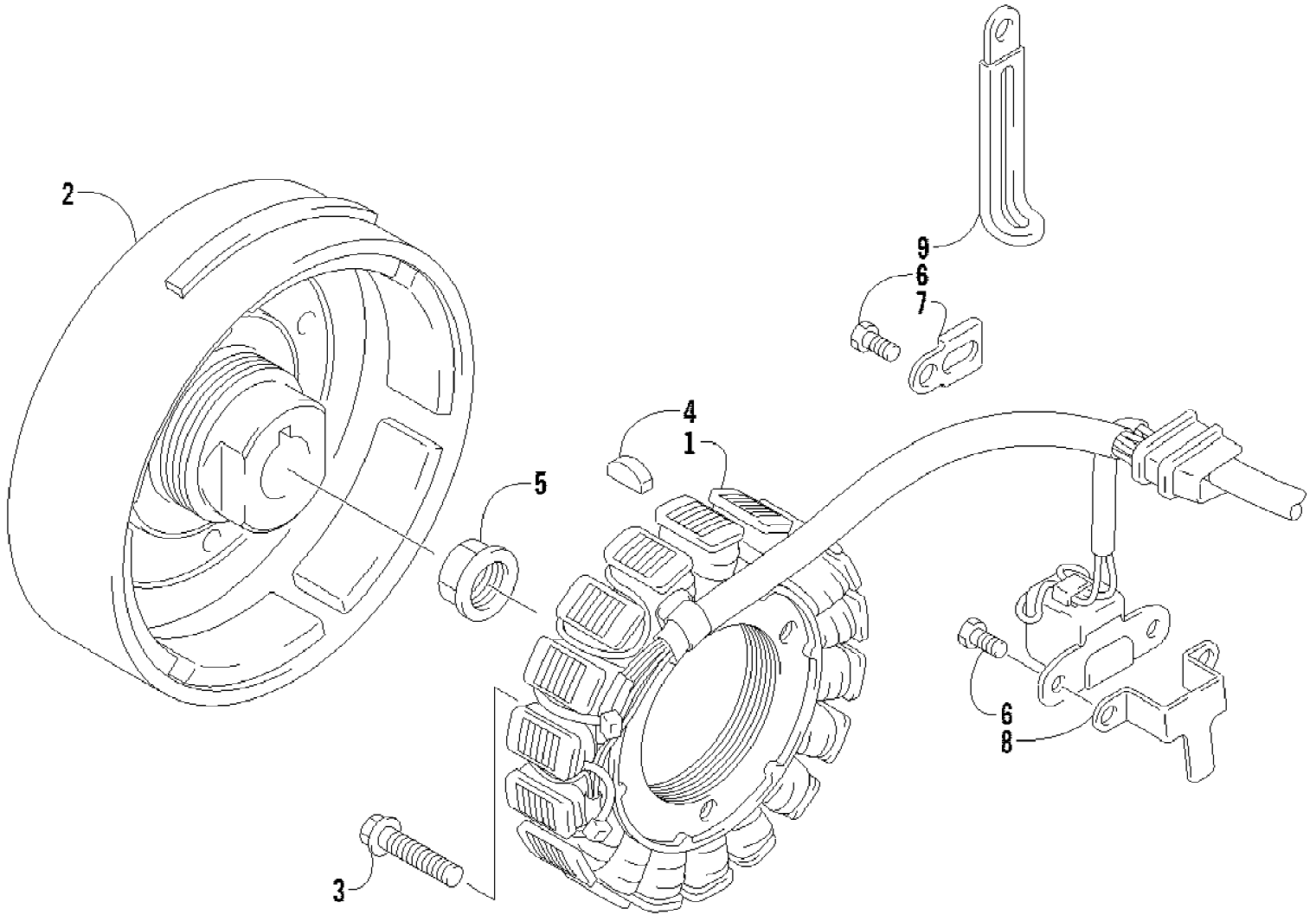
2003 ATV 400 FIS MANUAL TRANSMISSION (4X4 GREEN) (A2003ISH4AUSG) Page 50 of 95
HYDRAULIC BRAKE ASSEMBLY

Ref #	Part Number	Qty	S/P/F	Description
1	8476-630	1		Screw, Cap
2	0402-961	2		Hose, Brake - Front
3	0402-956	1		Hose, Brake - Rear
4	0423-413	3		Bolt, Banjo Fitting
5	0423-178	6		Washer, Crush
6	0502-335	1	S	Caliper, Brake - Right Front (inc. 7-16)
6	0502-336	2	S	Caliper, Brake - Left Front and Right Rear (inc. 7-16)
7	0	3	F	Housing, Caliper
8	0402-490	3		O-Ring
9	0402-496	3	S	Pin, Cotter
10	0402-492	12		Screw, Cap
11	0402-493	3		Cap, Bleed Valve
12	0402-882	6	/P	Pad, Brake
13	0402-491	3	S	Valve, Bleed
14	0402-980	6		O-Ring, Brake Caliper
15	0402-495	3		Pin, Brake Caliper
16	0	3	F	Housing, Caliper
17	0402-597	1	/P	Clip, Brake Line
18	1402-008	1		Tube, Brake Line - Rear
19	8408-825	6		Screw, Cap
20	0402-306	1	/P	Switch, Brake Pressure
21	1402-086	1		Block, Junction

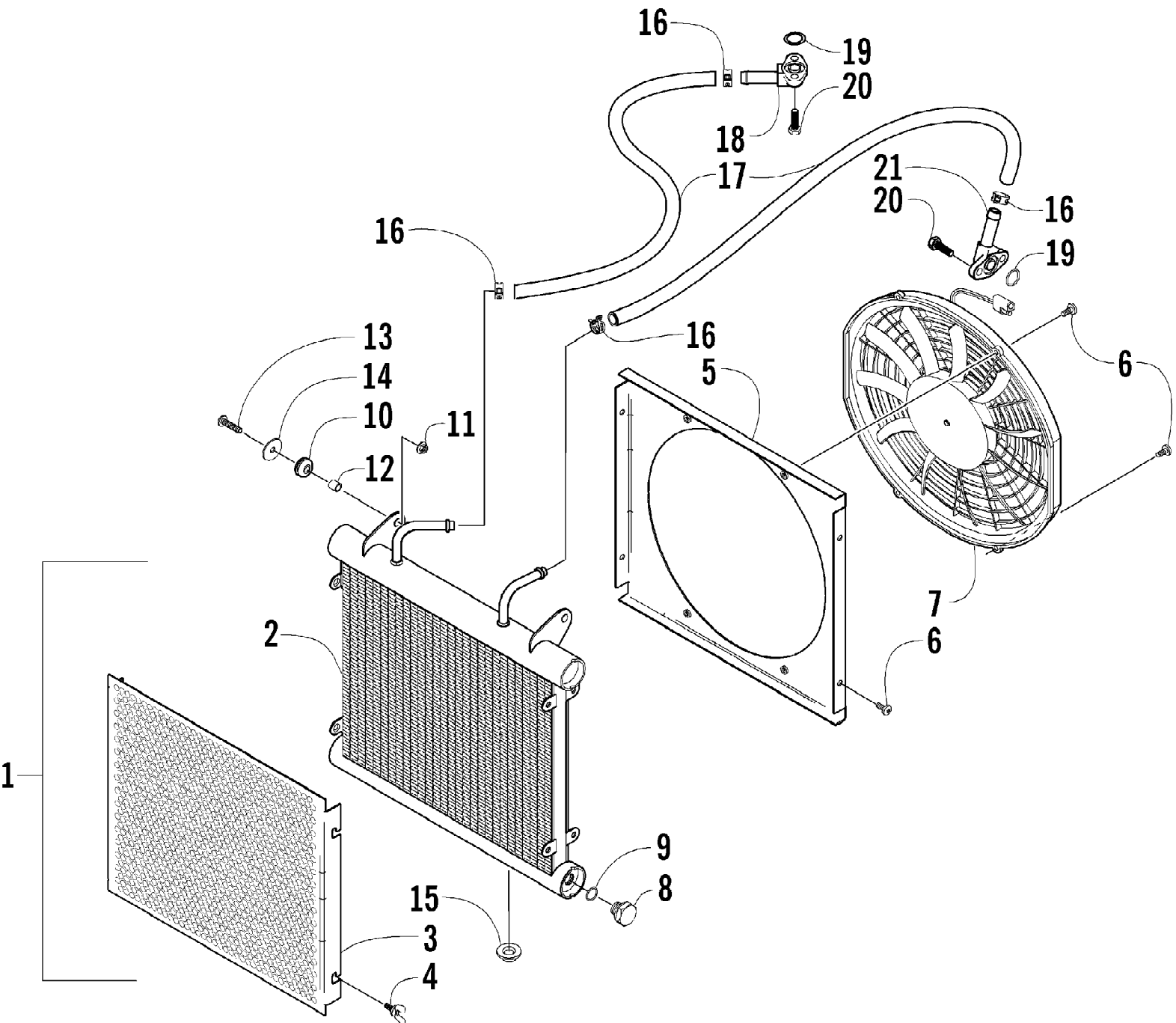


2003 ATV 400 FIS MANUAL TRANSMISSION (4X4 GREEN) (A2003ISH4AUSG) Page 52 of 95
HYDRAULIC HAND BRAKE ASSEMBLY

Ref #	Part Number	Qty	S/P/F	Description
	0502-429	1		Master Cylinder Rebuild Kit
1	0502-387	1	/P	Brake Assembly (inc. 2-18)
2	0	1	F	Master Cylinder
3	0402-818	1	/P	Lever, Brake
4	0623-430	1	/P	Screw, Machine
5	0623-056	1		Nut, Lock
6	1402-034	1	/P	Lock, Brake Lever
7	0402-245	1		Spring, Brake Lever Lock
8	0402-246	1		Pin, Brake Lever Lock
9	0423-090	1		Nut, Push
10	0602-907	1		Clamp, Master Cylinder
11	0623-613	2	/P	Screw, Machine
12	8052-212	2		Washer, Lock - Internal Tooth
13	0623-432	2		Screw, Machine
14	0602-587	1		O-Ring
15	0602-740	1		Reservoir
16	0602-741	1		Gasket, Cover
17	0602-742	1		Cover, Reservoir
18	0623-506	2		Screw, Machine
19	0402-962	1		Brakeline, Hydraulic

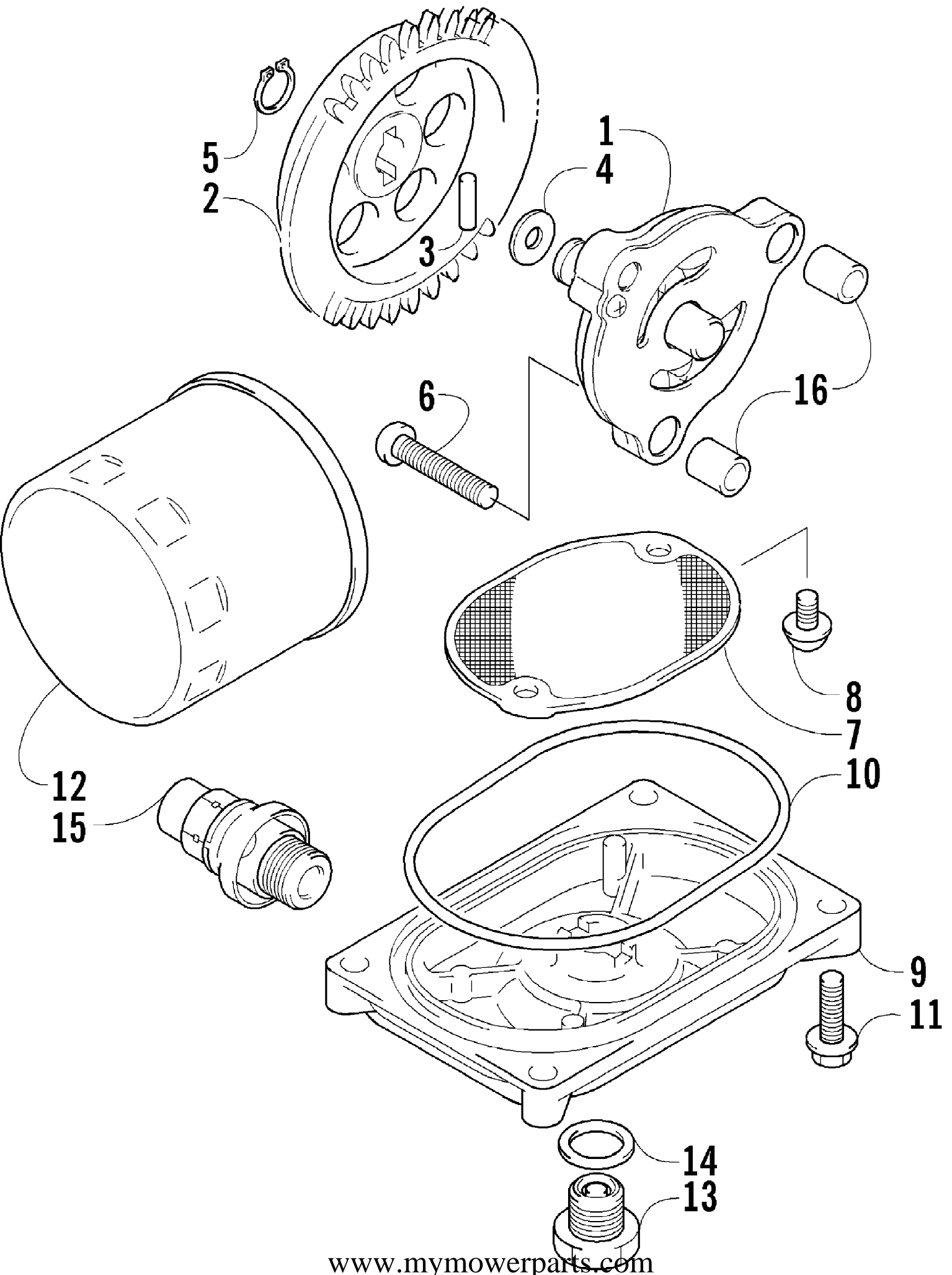


Ref #	Part Number	Qty	S/P/F	Description
1	3430-053	1		Stator Assembly
2	3430-054	1	S	Rotor/Flywheel
3	3004-756	3	S	Bolt
4	0691-785	1		Key
5	3423-086	1		Nut
6	3423-005	3	/P	Bolt
7	3430-005	1		Clamp
8	3430-006	1		Clamp
9	3002-964	1	/P	Clamp, Wire



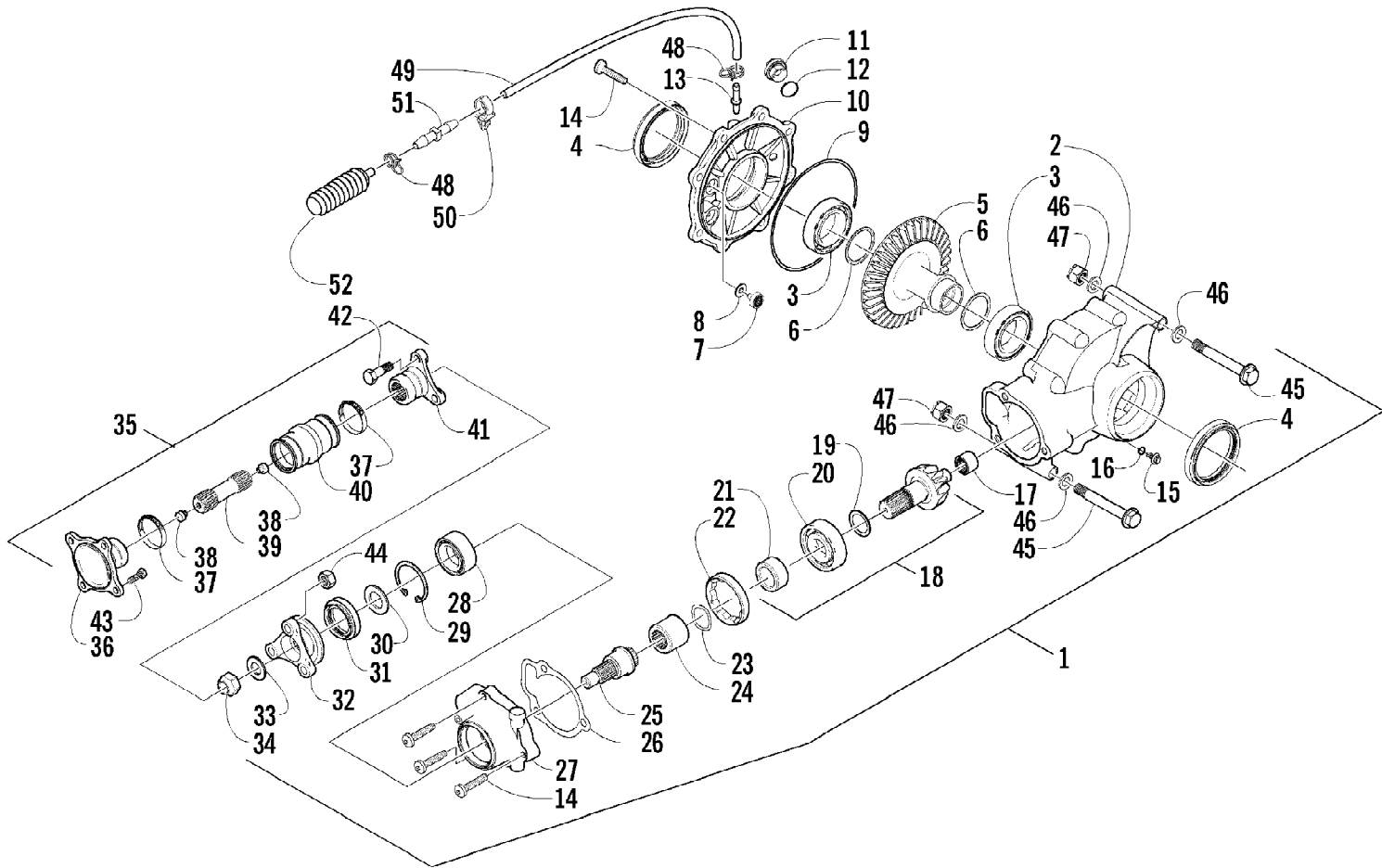
2003 ATV 400 FIS MANUAL TRANSMISSION (4X4 GREEN) (A2003ISH4AUSG) Page 56 of 95
OIL COOLER ASSEMBLY

Ref #	Part Number	Qty	S/P/F	Description
1	0413-052	1		Cooler, Oil - Assembly (inc. 2-9)
2	0413-053	1		Cooler, Oil
3	0413-007	1		Screen, Oil Cooler
4	0413-009	1		Screw, Thumb
5	0413-064	1		Shroud, Fan
6	8475-512	8		Screw, Machine
7	0413-044	1	S	Fan, Cooling
8	0413-058	1		Plug, Drain
9	0413-059	1		O-Ring
10	0423-030	2		Grommet
11	0623-038	2		Nut w/Washer
12	0423-036	2		Collar
13	8476-625	2		Screw, Machine
14	0623-184	2		Washer
15	0423-028	2		Bushing, Stem
16	0423-098	4	/P	Clamp, Hose
17	0410-044	2		Hose, Oil
18	0410-013	1		Fitting, Oil
19	0423-089	2		O-Ring
20	8471-616	4		Screw, Machine
21	0410-012	1		Fitting, Oil - Angled



2003 ATV 400 FIS MANUAL TRANSMISSION (4X4 GREEN) (A2003ISH4AUSG) Page 58 of 95
OIL FILTER/PUMP ASSEMBLY

Ref #	Part Number	Qty	S/P/F	Description
1	3402-619	1		Pump, Oil
2	3402-618	1		Gear, Driven
3	3423-046	1		Pin
4	3423-443	1		Washer
5	3423-184	1	S	Circlip
6	3423-113	3	S/P	Screw
7	3402-156	1		Strainer, Oil
8	0693-389	2	S	Screw
9	3402-157	1		Cap, Oil Strainer
10	3423-077	1		O-Ring
11	3004-756	4	S	Screw, Cap
12	0436-146	1	S	Filter, Oil
13	3403-021	1	/P	Plug, Drain
14	3402-012	1		Gasket, Drain Plug
15	3402-773	1		Valve, Assembly - Oil Relief
16	3005-206	2	/P	Pin, Oil Pump



2003 ATV 400 FIS MANUAL TRANSMISSION (4X4 GREEN) (A2003ISH4AUSG) Page 60 of 95
REAR DRIVE GEARCASE ASSEMBLY

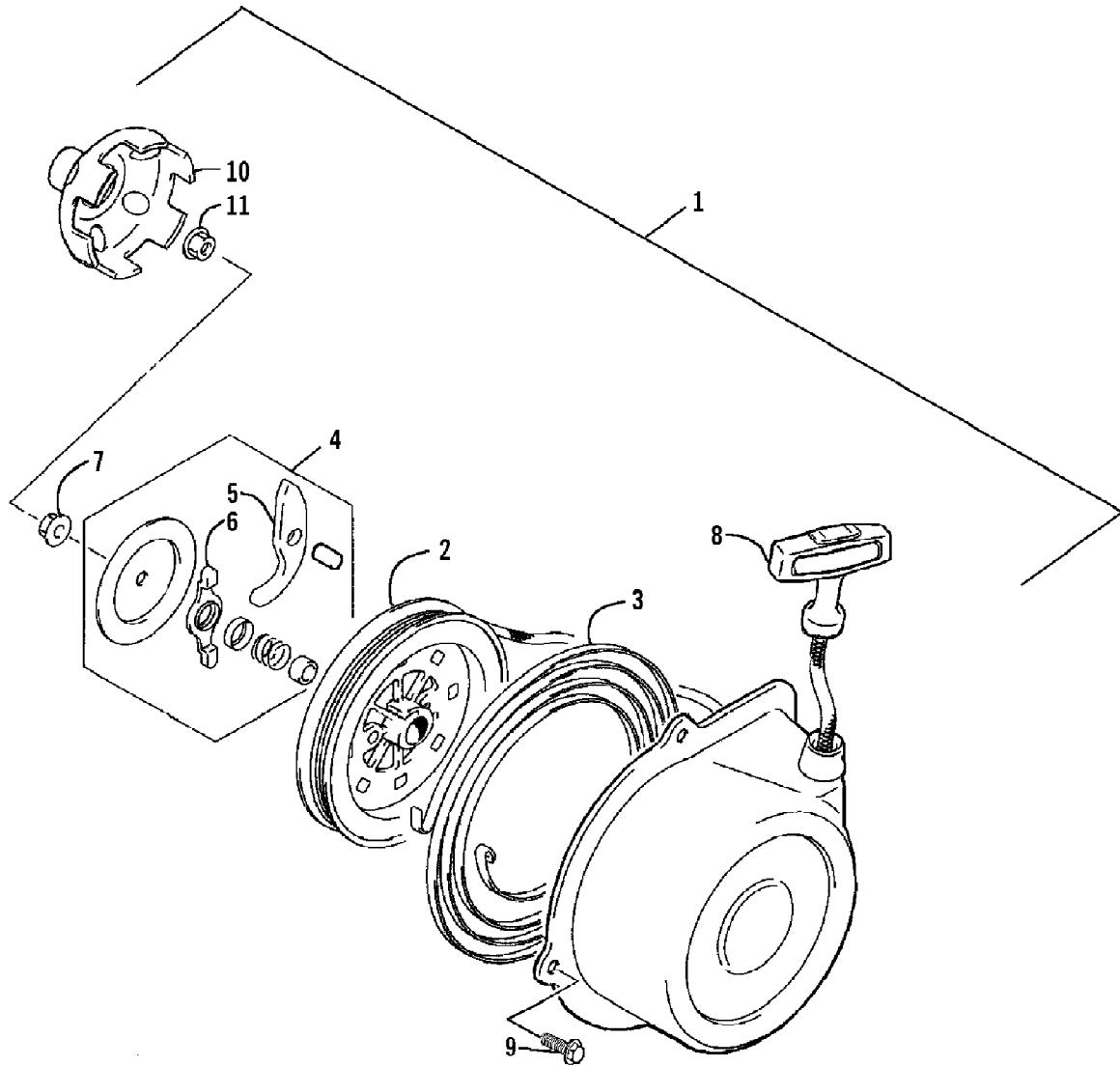
Ref #	Part Number	Qty	S/P/F	Description
	0502-294	1		Complete Assembly
1	0502-294	1		Gearcase, Rear Drive - Assembly (inc. 2-34)
2	0502-352	1		Housing, Gearcase
3	0402-393	2		Bearing
4	0402-394	2	S	Seal
5	0402-965	1		Gear, Ring - 36T
6	0402-405	AR		Shim
6	0402-406	AR		Shim
6	0402-407	AR		Shim
6	0402-408	AR		Shim
6	0402-409	AR		Shim
7	0402-326	1		Button, Thrust
8	0402-429	AR		Shim
8	0402-430	AR		Shim
8	0402-431	AR		Shim
8	0402-432	AR		Shim
8	0402-433	AR		Shim
9	0423-149	1		O-Ring
10	0502-346	1		Cover, Gearcase
11	0402-333	1	/P	Plug, Fill (inc. 12)
12	0423-154	1		O-Ring
13	0402-871	1		Fitting
14	0423-118	11		Screw, Self-Tapping
15	0402-450	1	S	Plug, Magnetic (inc. 16)
16	0423-153	1		O-Ring
17	0402-328	1		Bearing
18	0502-123	1		Gear, Pinion - Assembly - 10T (inc. 19-21)
19	0402-424	AR		Shim
19	0402-425	AR		Shim
19	0402-426	AR		Shim
19	0402-427	AR		Shim
19	0402-428	AR		Shim
20	0402-327	1		Bearing
21	0402-336	1		Collar, Retaining
22	0402-331	1		Collar, Lock
23	0402-982	1		Washer, Wave
24	0402-981	1		Collar, Shaft
25	0402-410	1		Shaft, Thrust
26	0402-947	1		Gasket, Flange
27	0502-345	1		Housing, Pinion
28	0402-003	1		Bearing
29	0402-332	1		Ring, Retaining
30	0402-346	1		Spacer, Drive
31	0402-395	1		Seal
32	0402-422	1		Flange, Drive - Assembly
33	0423-134	1		Washer
34	0423-135	1		Nut
35	0502-325	1		Coupler, Drive (inc. 36-41)
36	0	1	F	Flange, Output
37	0423-393	2		Clamp, Boot
38	0673-618	2	/P	Bumper, Propeller Shaft
39	0	1	F	Shaft, Propeller
40	0402-953	1		Pin

2003 ATV 400 FIS MANUAL TRANSMISSION (4X4 GREEN) (A2003ISH4AUSG) Page 61 of 95
REAR DRIVE GEARCASE ASSEMBLY

Ref #	Part Number	Qty	S/P/F	Description
41	0	1	F	Flange, Input
42	8409-030	3		Screw, Cap
43	8408-820	4	/P	Screw, Cap
44	0423-157	3		Nut, Lock
45	0423-404	2		Bolt
46	0423-426	4		Washer
47	8428-002	2		Nut, Lock
48	0423-315	2		Clamp, Fitting
49	0410-049	AR		Hose, Vent
50	0623-101	1		Clip, Routing - Snap-In
51	0470-462	1		Fitting, Vent
52	0402-147	1	S	Bladder, Gearcase

2003 ATV 400 FIS MANUAL TRANSMISSION (4X4 GREEN) (A2003ISH4AUSG) Page 63 of 95
REAR SUSPENSION ASSEMBLY

Ref #	Part Number	Qty	S/P/F	Description
1	0504-226	1	S	Knuckle, Right Rear - Assembly (inc. 2-6)
1	0504-227	1	S	Knuckle, Left Rear - Assembly (inc. 2-6)
2	0504-224	1	S	Knuckle - Right
2	0504-225	1	S	Knuckle - Left
3	0402-069	2		Seal
4	0402-089	2		Seal
5	0402-275	2	/P	Bearing, Wheel
6	0423-034	2		Clip, Bearing
7	0403-038	4	S/P	Collar, Suspension Bushing
8	0403-032	8	S	Bushing, Suspension
9	8409-000	4		Screw, Cap
10	8428-002	14		Nut, Lock
11	0504-228	1		A-Arm, Rear - Lower Right
11	0504-229	1		A-Arm, Rear - Lower Left
12	0504-232	1		Arm, Rear - Upper Right
12	0504-233	1		Arm, Rear - Upper Left
13	0402-907	2	S	Axle, Drive (inc. 14-15)
14	0441-400	2	S	Clip, Retaining
15	0436-276	4	S	Repair Kit, Boot - Rear Axle
16	0404-045	2		Shock Absorber - Rear (inc. 17-18)
17	0604-310	8		Bushing, Shock Absorber
18	0403-028	2		Sleeve, Shock Absorber
19	0404-057	2		Cam, Spring Adjuster
20	1603-889	2	/P	Retainer, Spring
21	0404-046	2		Spring, Suspension
22	0423-087	2		Washer
23	8408-820	2	/P	Screw, Cap
24	8409-060	8		Screw, Cap
25	1406-071	1		Guard, Boot - Right
25	1406-072	1		Guard, Boot - Left
26	1406-068	1		Guard, Boot - Right
26	1406-069	1		Guard, Boot - Left
27	8409-040	2		Screw, Cap
28	0423-101	6		Screw, Body
29	0441-587	1		Wrench, Spanner



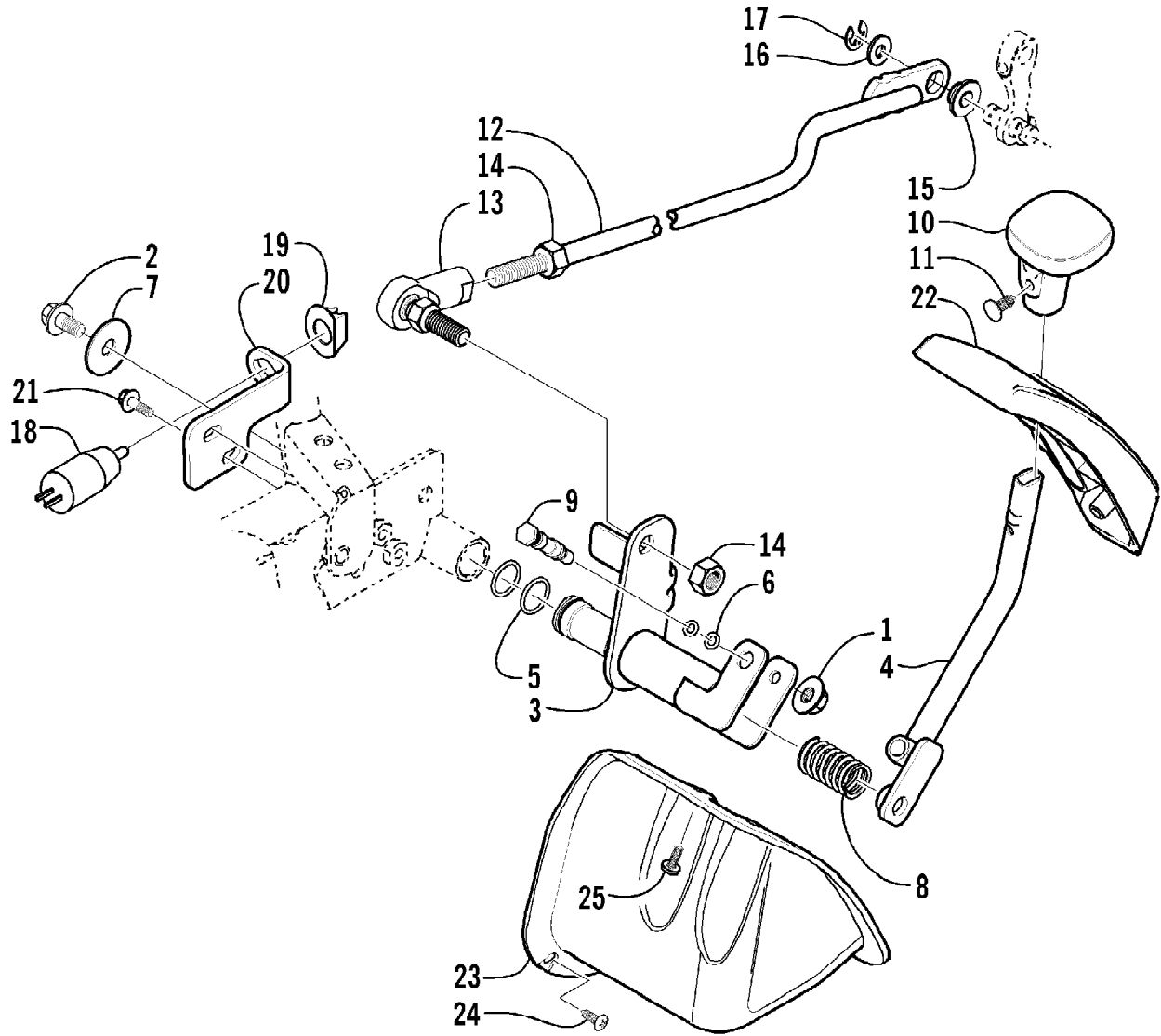
2003 ATV 400 FIS MANUAL TRANSMISSION (4X4 GREEN) (A2003ISH4AUSG)
RECOIL STARTER ASSEMBLY

Ref #	Part Number	Qty	S/P/F	Description
1	3445-003	1		Starter, Recoil - Assembly (inc. 2-8)
2	3445-004	1		Reel
3	3445-007	1		Spring, Sprial
4	3445-016	1		Ratchet - Assembly (inc. 5-6)
5	3445-005	1		Ratchet
6	3445-006	1		Guide, Ratchet
7	3004-488	1	S/P	Nut
8	3445-011	1		Rope Assembly
9	3423-428	4		Screw, Cap
10	3445-029	1	/P	Cup, Starter
11	3004-491	1	S/P	Nut

No
Diagram
Available

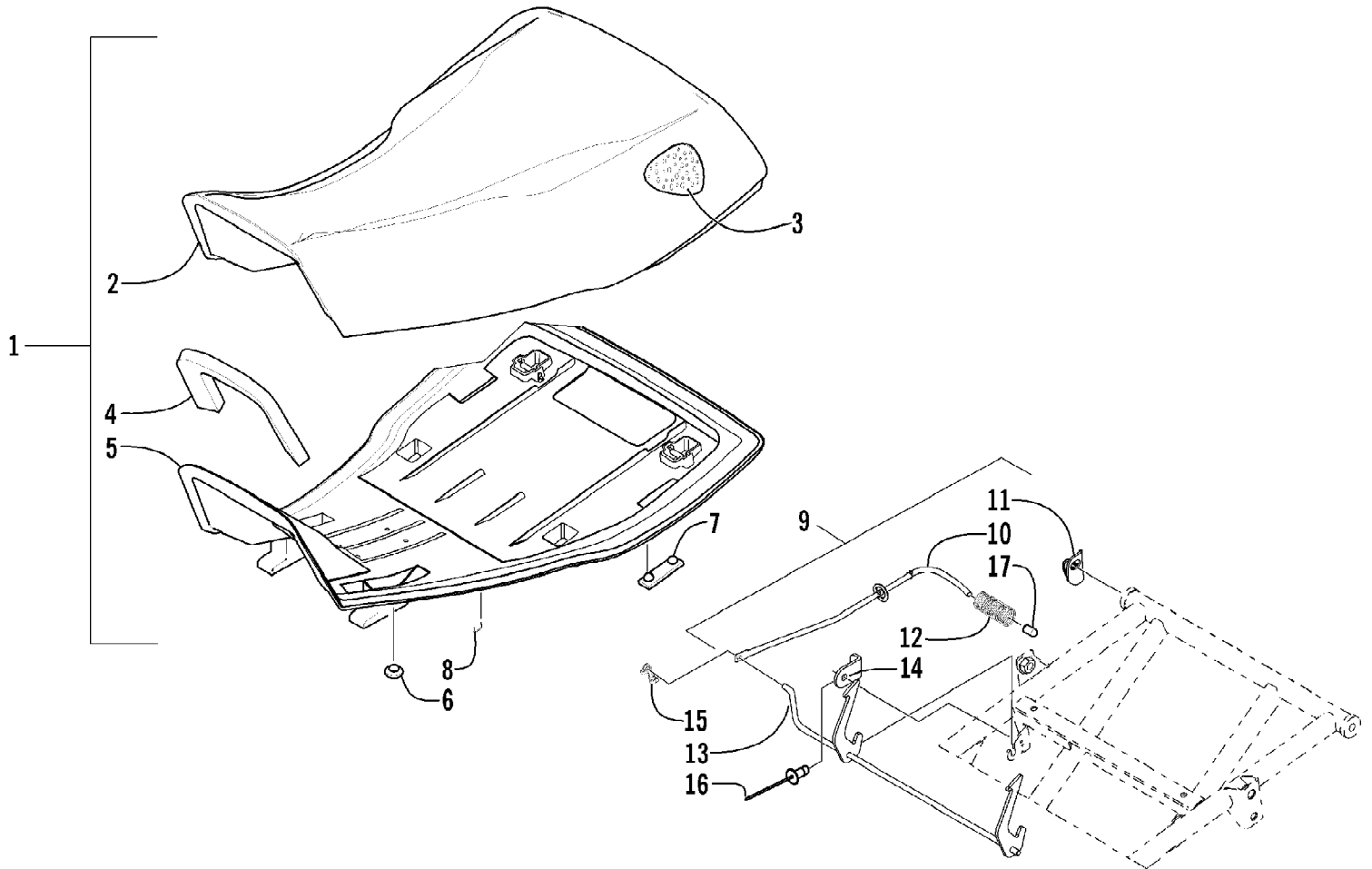
Parts List
Only

Ref #	Part Number	Qty	S/P/F	Description
	0436-337	1		Bag, Rack, Front, Black
	0436-336	1		Bag, Rack, Rear, Black
	0436-185	1		Bag, Tank, Black
	0436-183	1	/P	Battery, Heavy Duty
	0436-436	1	S	Brush Guard/Bumper, Deluxe (4x4)
	0436-330	1		Bumper (Rear)
	0436-139	1		Cargo Trailer - Deluxe
	0436-381	1		Cover, Black and Green
	0436-125	1		Cover, Gray Universal
	0436-087	1	/P	Electrical Plug
	0436-199	1		Gun Scabbard w/Mount
	0436-352	1		Hand/Thumb Warmers
	0436-103	1		Hourmeter
	2256-689R	1		Illustrated Parts Manual
	0436-122	1	S	Lunch Pack, Black
	2256-593	1		Operator's Manual
	0652-024	1		Paint, Metal - Black
	0436-176	1		Prefilter, Air Filter
	0436-351	1		Rack Basket (Front)
	0436-350	1		Rack Basket (Rear)
	0436-349	1		Rack Extension, 4 in. (Front)
	0436-225	1		Rack Extension, 4 in. (Rear)
	0436-226	1		Rack Extension, 8 in. (Rear)
	0436-201	1		Rack Pouch, Standard Rack, Black
	0436-014	1	/P	Safety Flag
	0436-386	1		Snowplow Attachment Kit
	0436-228	1		Snowplow Blade, 50 in. -
	0436-287	1		Snowplow Blade, 50 in. -
	0436-296	1		Snowplow Blade, 60 in. -
	0436-360	1		Snowplow Blade, 60 in. - One-Way
	0436-356	1	S	Snowplow, Push Frame
	0436-233	1		Snowplow Remote Angle Adjust
	0436-384	1		Snowplow, Hand Lift Lever Kit
	0436-026	1		Tire Chains, Size B (24 in. and 25 in.)
	0436-027	1		Tire Chains, Size C (26 in. Tires)
	0402-154	1		Tire, Titan AT471 (25x8-12, Deep Lug)
	0402-155	1		Tire, Titan AT471 (25x10-12, Deep Lug)
	0402-926	1		Tire, Dunlop KT (25x11-12)
	0402-890	1		Tire, Dunlop KT (25x8-12)
	0402-227	1		Tire, Titan AT495 (26x10.5-12)
	1402-028	1		Tire, Titan AT589 (25x8-12, Mud & Snow)
	0402-563	1		Tire, Titan AT589 (25x10-12,
	0436-297	1		Tool Holder - Double (Pair)
	0436-263	1	/P	Tool Holder - Single (Pair)
	0436-068	1		Winch Accessories Kit
	0436-329	1	S	Winch Kit, 2500 lb
	0436-361	1		Winch Mounting Kit
	0436-303	1		Windshield, Clear
	0436-301	1		Windshield, Clear w/Accent
	0436-302	1		Windshield, Smoke w/Accent



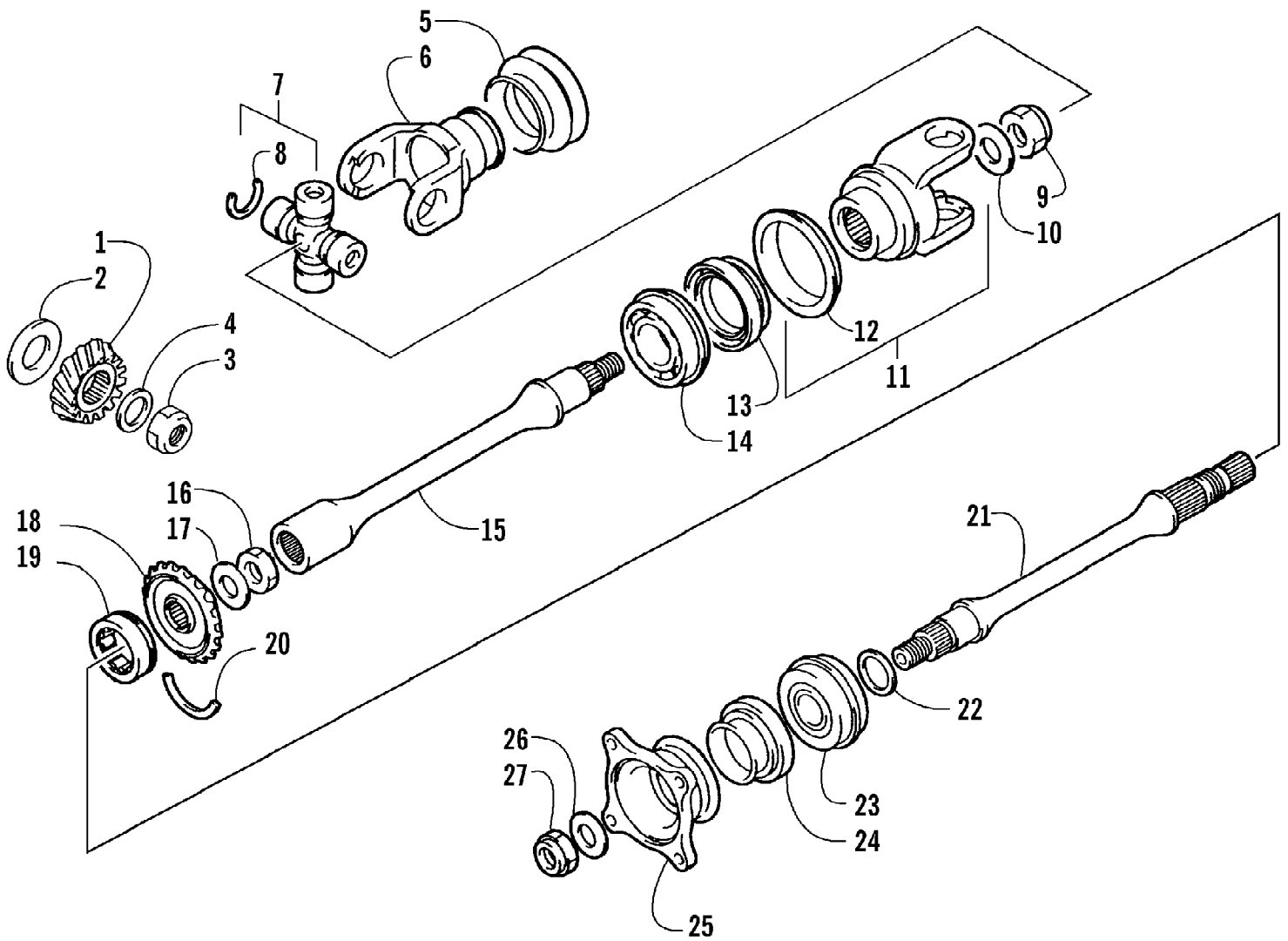
2003 ATV 400 FIS MANUAL TRANSMISSION (4X4 GREEN) (A2003ISH4AUSG)
REVERSE SHIFT LEVER ASSEMBLY

Ref #	Part Number	Qty	S/P/F	Description
1	8424-602	1	/P	Nut
2	8408-812	1		Screw, Cap
3	0502-419	1		Axle, Reverse Shift Lever
4	0502-417	1		Lever, Shift
5	0423-299	2	/P	O-Ring
6	0423-182	2	/P	O-Ring
7	0423-087	1		Washer
8	0502-410	1	S	Spring
9	0402-675	1		Axle, Pivot
10	0402-843	1	/P	Handle, Reverse Shift Lever
11	0423-345	1		Clip, Push
12	0502-147	1		Linkage, Shift
13	0402-844	1		End, Rod
14	0623-294	2		Nut
15	0423-091	1		Bushing
16	2423-204	1		Washer
17	0423-169	1	/P	E-Ring
18	0409-008	1		Reverse Switch
19	0402-991	1		Retainer, Reverse Switch
20	1506-082	1		Bracket, Reverse Switch
21	8408-616	2		Screw, Cap
22	0402-983	1		Plate, Shift
23	0406-943	1		Shield, Linkage
24	0423-371	3		Screw, Machine
25	0623-309	1		Screw, Self-Tapping



2003 ATV 400 FIS MANUAL TRANSMISSION (4X4 GREEN) (A2003ISH4AUSG) Page 71 of 95
SEAT ASSEMBLY

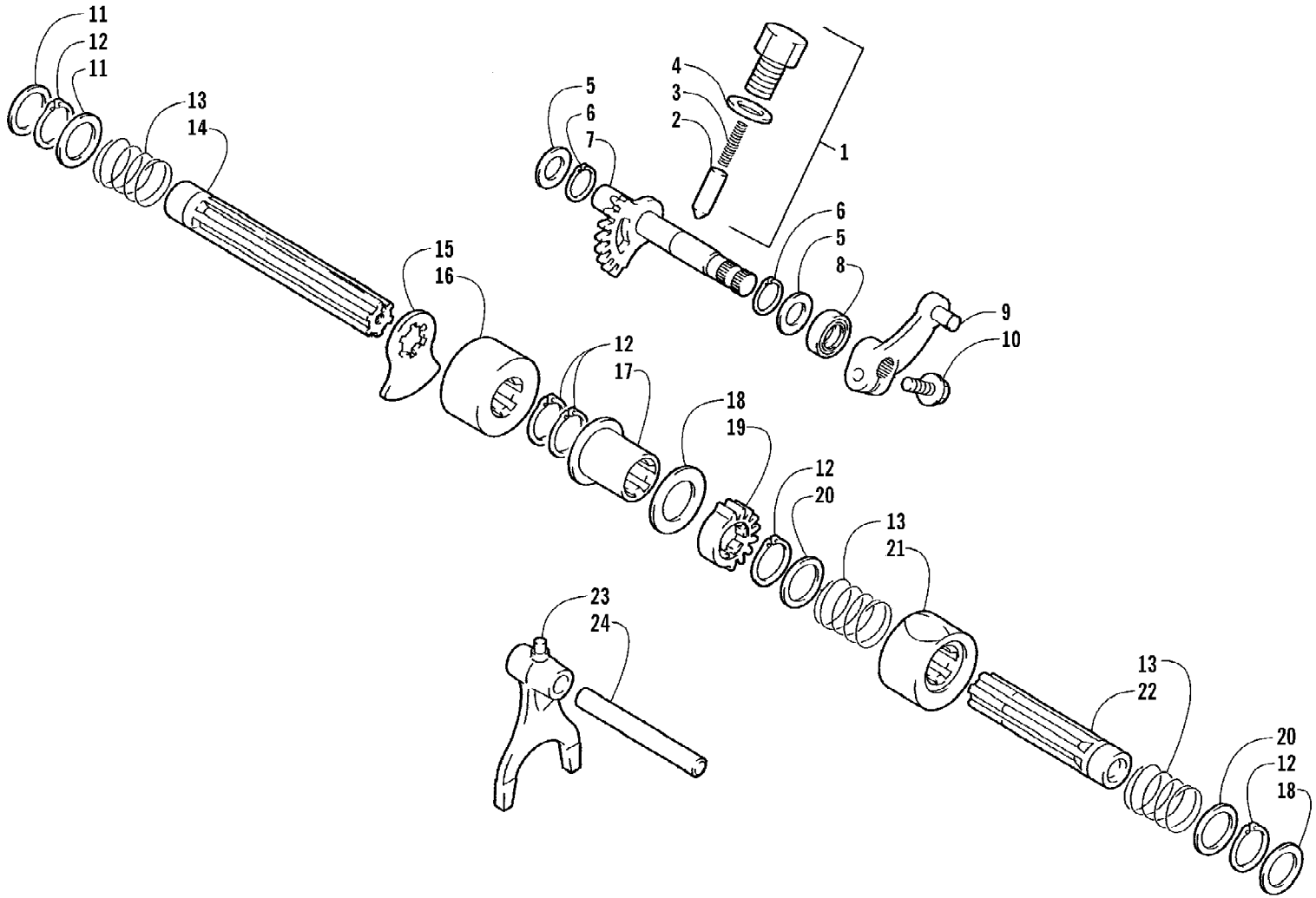
Ref #	Part Number	Qty	S/P/F	Description
1	0506-558	1		Seat Assembly (inc. 2-8)
2	0506-556	1		Cover, Seat
3	0506-555	1		Foam, Seat
4	1406-060	1		Foam, Sound
5	0406-878	1		Base, Seat Assembly (inc. 6-7)
6	0406-877	2	/P	Bumper, Seat - Front
7	0406-879	2		Bumper, Seat - Rear
8	0624-100	AR		Staple
9	0506-702	1	/P	Rod, Seat Release - Assembly (inc. 10-12)
10	0506-701	1	S	Rod, Seat Release
11	1406-004	1		Bracket, Seat Release
12	1406-005	1		Spring, Seat Release
13	0506-796	1		Latch, Seat
14	1406-087	1		Plate, Retainer
15	0423-358	1		Clip, Retainer
16	8060-284	1		Rivet
17	0623-404	1		Cap, Protector



2003 ATV 400 FIS MANUAL TRANSMISSION (4X4 GREEN) (A2003ISH4AUSG) Page 73 of 95
SECONDARY DRIVE ASSEMBLY

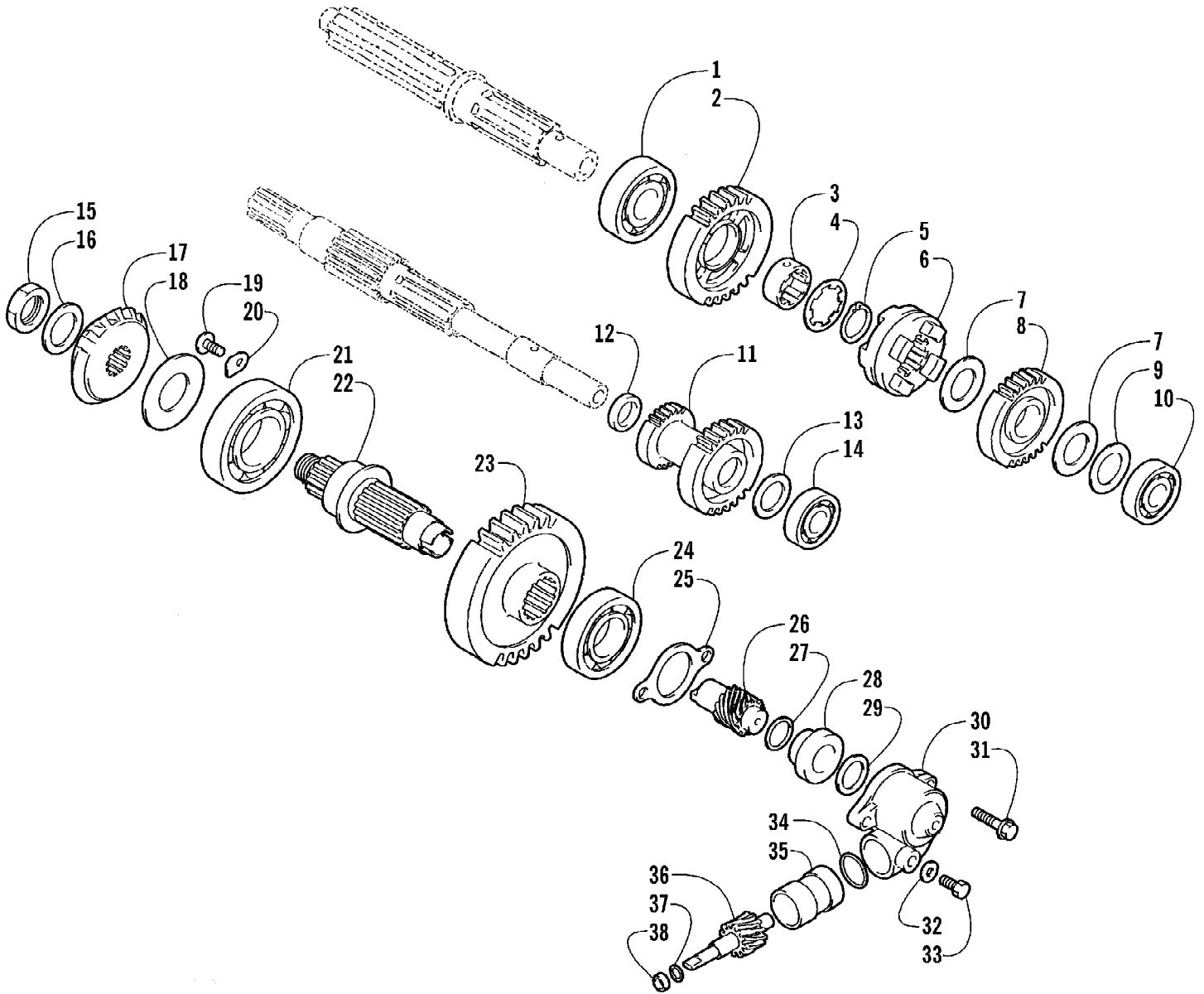
Ref #	Part Number	Qty	S/P/F	Description
1	3446-274	1	/P	Gear, Secondary Drive
2	3446-035	1		Shim, Secondary Drive Gear - Set
3	3423-023	1		Nut
4	3005-372	1		Washer
5	3402-518	1	S	Boot, Propeller Shaft (4X4)
6	3446-327	1	/P	Yoke, Propeller Shaft (4X4)
7	3402-562	1		Joint, Universal - Set (inc. 8) (4X4)
8	3423-479	4		Circlip (4X4)
9	3423-025	1		Nut, Yoke - Front (4X4)
10	3423-028	1		Washer, Yoke - Front (4X4)
11	3402-744	1	S	Yoke, Drive Output - Front (inc. 12) (4X4)
12	3402-743	1		Plate, Drive Output Yoke
13	3402-072	1		Seal, Oil - Front Secondary Driven Shaft (4X4)
14	3402-067	1	S	Bearing, Front Secondary Driven Shaft (4X4)
15	3402-559	1		Shaft, Secondary Driven - Front (4X4)
16	3423-136	1		Nut, Secondary Driven Gear
17	3423-520	1		Washer, Secondary Driven Gear
18	3446-222	1	/P	Gear, Secondary Driven
19	3402-515	1	/P	Bearing, Driven Gear
20	3423-072	1		C-Ring, Driven Bearing
21	3446-305	1		Shaft, Secondary Driven - Rear
22	3402-017	AR		Shim, 25 x 34 x 0.60 mm
22	3402-018	AR		Shim, 25 x 34 x 0.65 mm
22	3402-019	AR		Shim, 25 x 34 x 0.70 mm
22	3402-020	AR		Shim, 25 x 34 x 0.75 mm
22	3402-021	AR	S	Shim, 25 x 34 x 0.80 mm
22	3402-022	AR		Shim, 25 x 34 x 0.85 mm
22	3402-023	AR		Shim, 25 x 34 x 0.90 mm
22	3402-024	AR		Shim, 25 x 34 x 0.95 mm
22	3402-025	AR	S	Shim, 25 x 34 x 1.00 mm
22	3402-028	AR		Shim, 25 x 34 x 1.05 mm
22	3402-029	AR		Shim, 25 x 34 x 1.10 mm
22	3402-030	AR		Shim, 25 x 34 x 1.15 mm
22	3402-031	AR		Shim, 25 x 34 x 1.20 mm
23	3402-067	1	S	Bearing, Rear Secondary Driven Shaft
24	3402-072	1		Seal, Oil - Rear Secondary Driven Shaft
25	3402-541	1		Flange, Output Joint - Rear
26	3423-028	1		Washer, Rear Output Flange
27	3423-025	1		Nut, Rear Output Joint

2003 ATV 400 FIS MANUAL TRANSMISSION (4X4 GREEN) (A2003ISH4AUSG) Page 74 of 95
SECONDARY SHIFTING ASSEMBLY



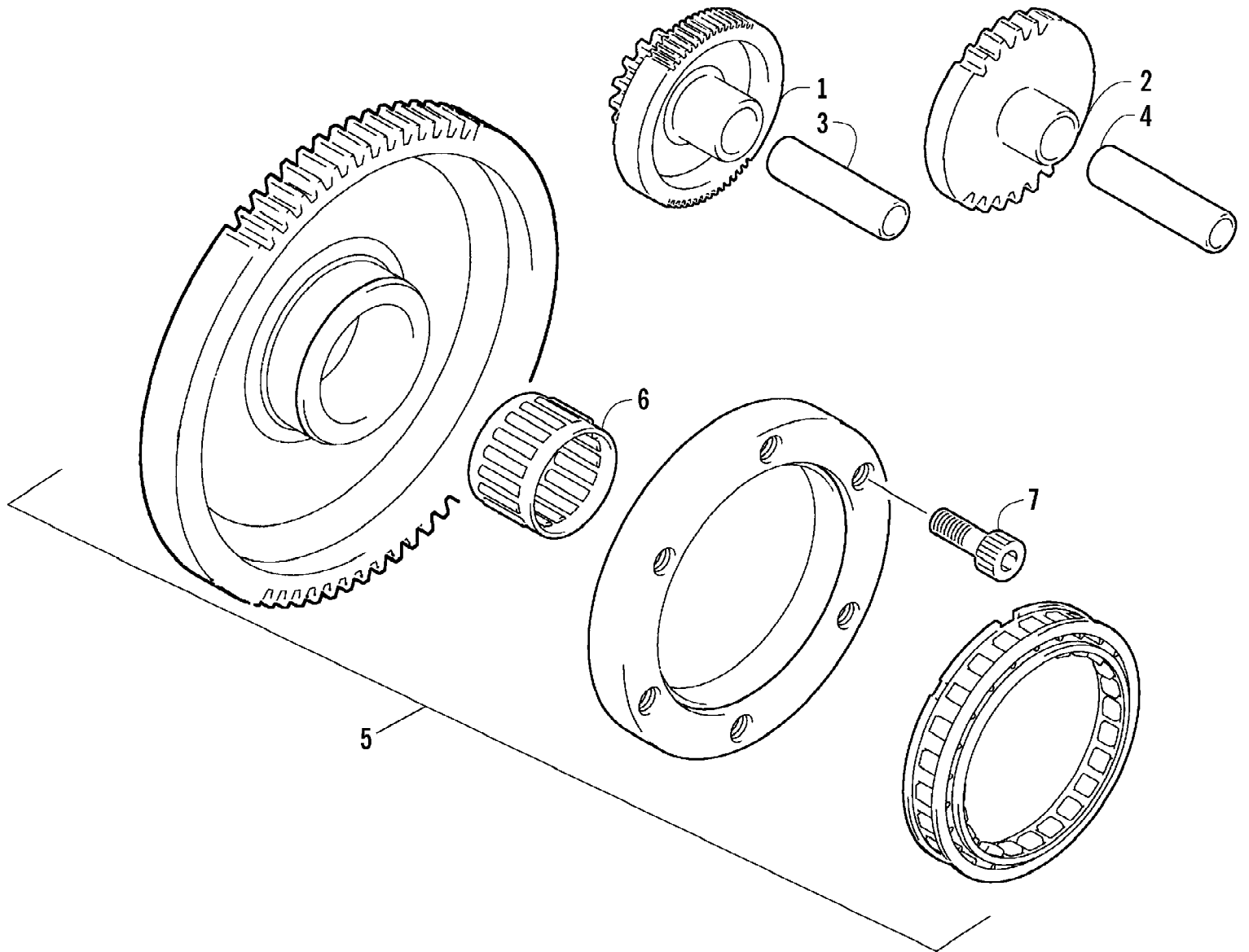
2003 ATV 400 FIS MANUAL TRANSMISSION (4X4 GREEN) (A2003ISH4AUSG) Page 75 of 95
SECONDARY SHIFTING ASSEMBLY

Ref #	Part Number	Qty	S/P/F	Description
1	3446-314	1		Stopper, Gear Shift Cam (inc. 2-3)
2	3446-315	1		Stopper
3	3423-524	1		Spring
4	3402-012	1		Gasket
5	1691-043	2		Washer
6	3423-358	2	S	Circlip
7	3446-322	1		Shaft, Gear Shift
8	3402-076	1		Seal, Oil
9	3402-434	1	/P	Arm, Gear Shift
10	3004-341	1	S/P	Bolt, Gear Shift Arm
11	3423-527	2	/P	Washer
12	3423-190	5	S	Circlip
13	3423-526	3	/P	Spring
14	3446-325	1		Camshaft, Reverse
15	3446-324	1		Plate, Cam Lock
16	3446-323	1		Cam, Reverse
17	3446-321	1		Joint, Camshaft
18	3402-381	2	/P	Washer
19	3446-316	1		Gear, Camshaft
20	3423-533	2		Washer
21	3423-525	1		Cam
22	3446-320	1		Camshaft
23	3446-318	1		Fork, Gear Shift
24	3446-317	1		Shaft, Gear Shift Fork



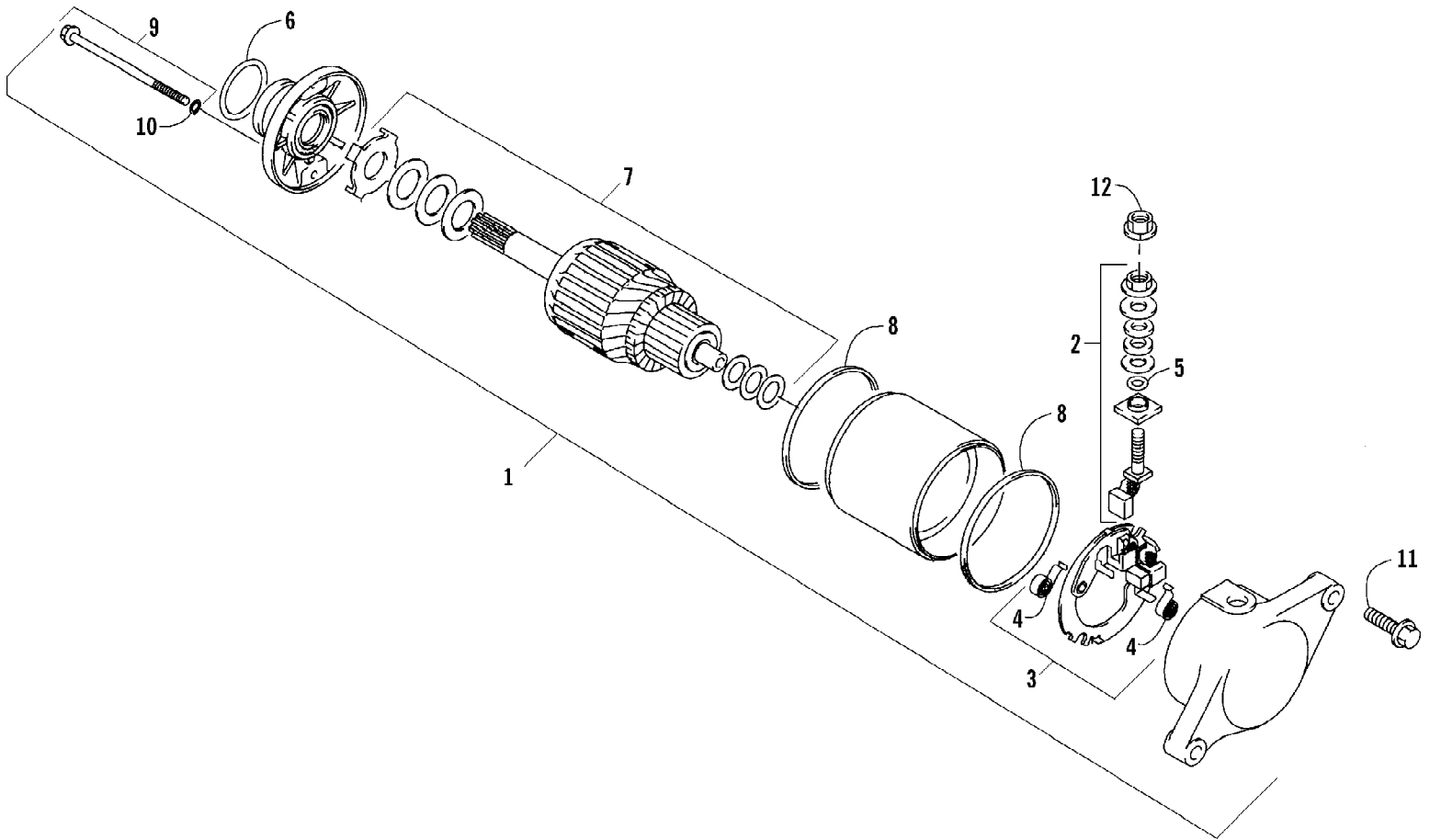
2003 ATV 400 FIS MANUAL TRANSMISSION (4X4 GREEN) (A2003ISH4AUSG) Page 77 of 95
SECONDARY TRANSMISSION ASSEMBLY

Ref #	Part Number	Qty	S/P/F	Description
1	3402-776	1		Bearing
2	3446-300	1		Gear, Drive - No. 1
3	3446-301	1		Bushing, Drive Gear No. 1
4	3423-036	1		Washer
5	3423-066	1	/P	Circlip
6	3446-249	1		Dog, Sliding
7	3423-126	2	/P	Washer
8	3446-302	1		Gear, Drive - No. 2
9	3423-519	1		Spacer, Drive Gear
10	3402-047	1	S	Bearing, Driveshaft
11	3446-299	1		Gear, Idle
12	3402-205	1		Spacer, Idle Gear
13	3423-319	1		Washer
14	3402-217	1		Bearing
15	3423-023	1		Nut, Secondary Drive Gear
16	3005-372	1		Washer, Secondary Drive Gear
17	3446-274	1	/P	Gear, Secondary Drive
18	3446-035	1		Shim, Secondary Drive Gear - Set
19	3423-370	2		Screw
20	3446-031	2	/P	Retainer, Output Shaft
21	3402-180	1	S	Bearing
22	3446-303	1		Shaft, Output
23	3446-304	1		Gear, Driven
24	3402-045	1	/P	Bearing
25	3446-244	1	/P	Gasket, Speedometer Housing
26	3446-060	1		Gear, Speedometer Drive
27	3423-145	1		Washer
28	3446-114	1	/P	Spacer, Speedometer Drive Gear
29	3423-146	1		Washer
30	3446-057	1		Housing, Speedometer
31	3423-346	2	S	Bolt
32	3402-009	1	/P	Washer
33	3423-143	1	S	Bolt
34	3423-056	1		O-Ring
35	3446-058	1		Sleeve
36	3446-061	1		Gear, Speedometer Driven
37	3423-144	1		Washer
38	3402-077	1		Seal, Speedometer Driven Gear



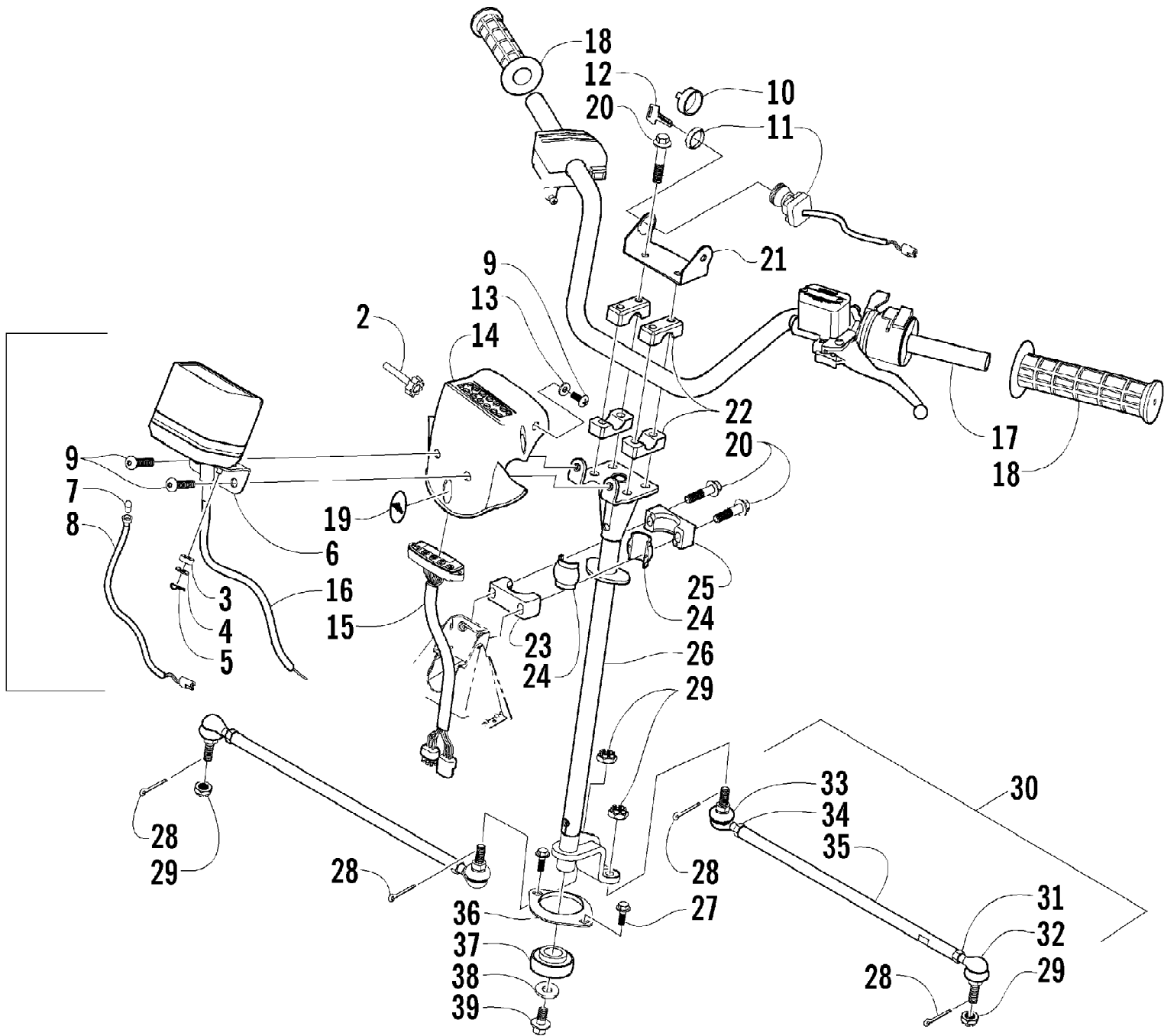
2003 ATV 400 FIS MANUAL TRANSMISSION (4X4 GREEN) (A2003ISH4AUSG) Page 79 of 95
STARTER CLUTCH ASSEMBLY

Ref #	Part Number	Qty	S/P/F	Description
1	3402-603	1		Gear, Starter Idler - No. 1
2	3402-124	1		Gear, Starter Idler - No. 2
3	3423-331	1		Pin, Starter Idler Gear No. 1
4	3423-397	1		Pin, Starter Idler Gear No. 2
5	3402-690	1	S	Clutch, Starter - Set (inc. 6)
6	3402-674	1		Bearing
7	3423-102	6	S	Bolt



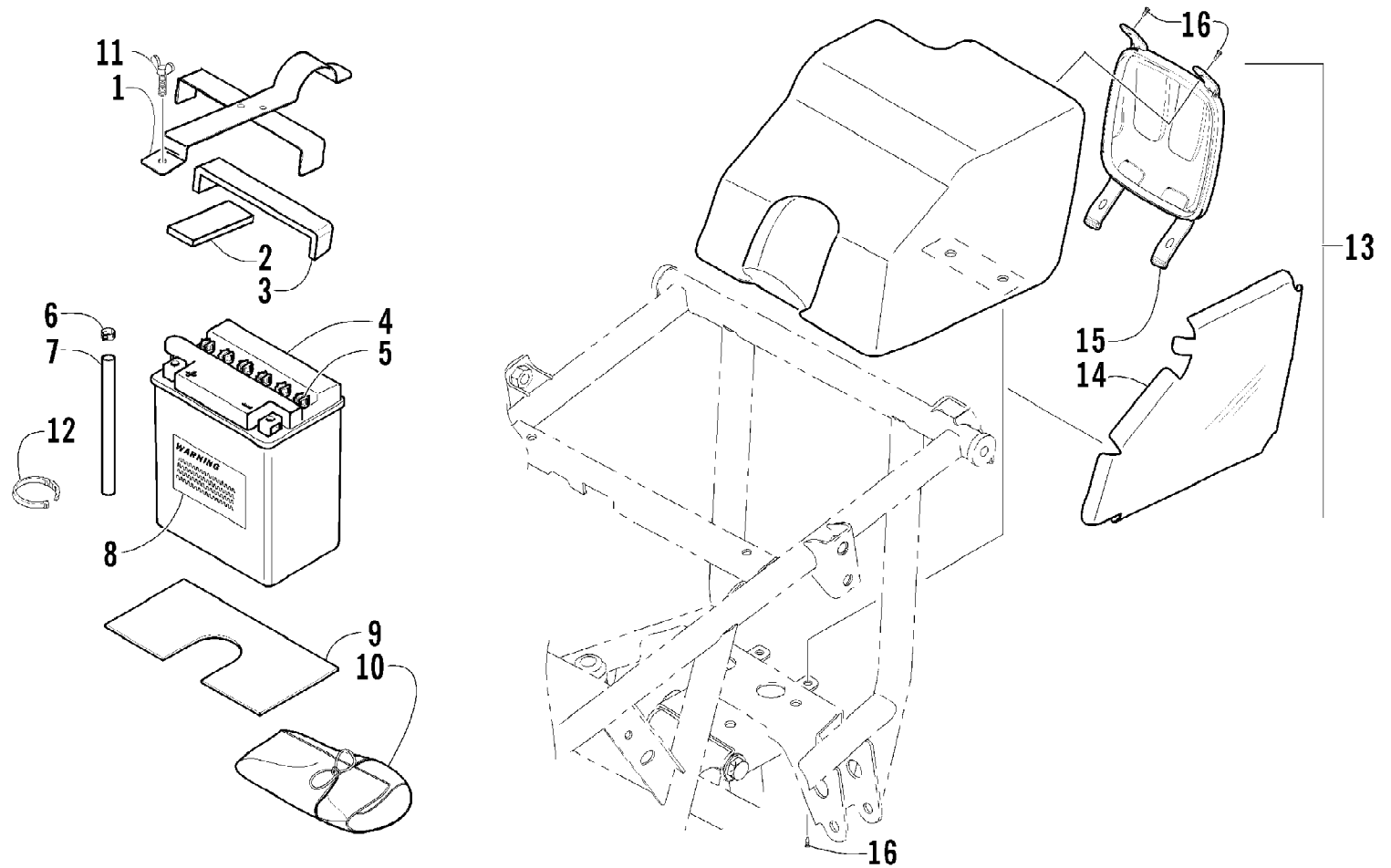
2003 ATV 400 FIS MANUAL TRANSMISSION (4X4 GREEN) (A2003ISH4AUSG)
STARTER MOTOR ASSEMBLY

Ref #	Part Number	Qty	S/P/F	Description
1	3545-016	1		Motor, Starter Assembly (inc. 2-10)
2	3402-671	1		Terminal Set, Brush
3	3402-672	1		Holder Set, Brush
4	3008-551	4		Spring, Brush
5	3008-164	1		O-Ring
6	3423-272	1		O-Ring
7	3008-099	1		Washer Set
8	3423-497	2		O-Ring
9	3423-498	2		Through-Bolt (inc. 10)
10	3423-496	2		O-Ring
11	3004-756	2	S	Bolt
12	3423-195	1	/P	Nut



2003 ATV 400 FIS MANUAL TRANSMISSION (4X4 GREEN) (A2003ISH4AUSG) Page 83 of 95
STEERING ASSEMBLY

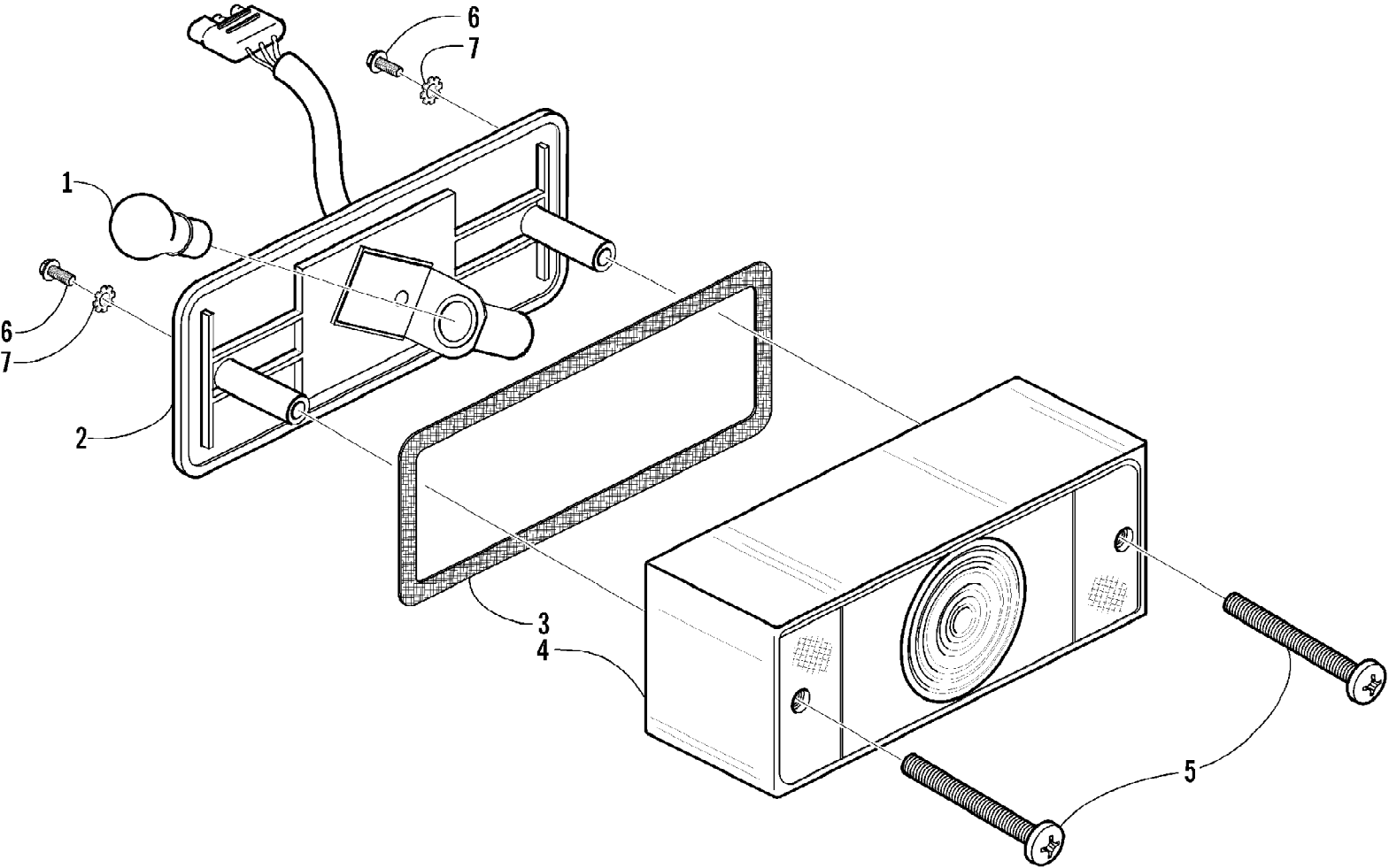
Ref #	Part Number	Qty	S/P/F	Description
1	0420-031	1	/P	Speedometer (inc. 2-8) (4X4)
2	0420-027	1		Knob, Speedometer Trip (4X4)
3	0420-016	2		Mount, Rubber (4X4)
4	0420-017	2		Washer (4X4)
5	0420-015	2		Pin, Retainer (4X4)
6	0420-018	1		Bracket, Speedometer (4X4)
7	0620-149	1	/P	Bulb, Speedometer (4X4)
8	0420-014	1		Harness, Speedometer (4X4)
9	8477-616	3		Screw, Machine
10	0409-013	1		Cover, Key
11	3430-040	1		Switch, Ignition - Assembly (inc. 12)
12	3409-007	1	/P	Key, Ignition - Blank (C Series)
12	3409-011	1		Key, Ignition - Blank (D Series)
12	3409-012	1		Key, Ignition - Blank (E Series)
12	3409-013	1		Key, Ignition - Blank (F Series)
13	0423-052	1		Collar, Body
14	0405-063	1		Instrument Pod
15	0420-035	1	/P	Panel, LED
16	0487-026	1		Cable, Speedometer (4X4)
17	0505-410	1		Tube, Handlebar
18	0405-106	2		Grip, Handlebar
19	0405-042	1		Plug, Instrument Pod (2X4)
20	8408-860	6		Screw, Cap
21	0506-348	1	/P	Bracket, Key Switch
22	0405-035	4		Cap, Steering Adjuster
23	0605-171	1		Housing, Bearing - Lower
24	0405-020	2		Bearing, Steering Post
25	0605-147	1	S	Housing, Bearing - Upper
26	0505-425	1	S	Post, Steering
27	8408-816	2		Screw, Cap
28	0623-175	4		Pin, Cotter
29	0423-157	4		Nut, Lock
30	0505-408	2	S	Tie Rod, Assembly (inc. 31-35)
31	8420-002	2	/P	Nut - Right
32	0405-082	2	S	Ball Joint, Tie Rod - Right
33	0405-083	2	S	Ball Joint, Tie Rod - Left
34	0423-013	2		Nut - Left
35	0405-107	2	S	Tie Rod
36	0602-233	1		Flange, Bearing
37	0405-052	1		Bearing w/Inverted Oil Seal
38	0423-073	1		Washer
39	8409-020	1	/P	Screw, Cap



2003 ATV 400 FIS MANUAL TRANSMISSION (4X4 GREEN) (A2003ISH4AUSG) Page 85 of 95
STORAGE BOX AND BATTERY ASSEMBLY

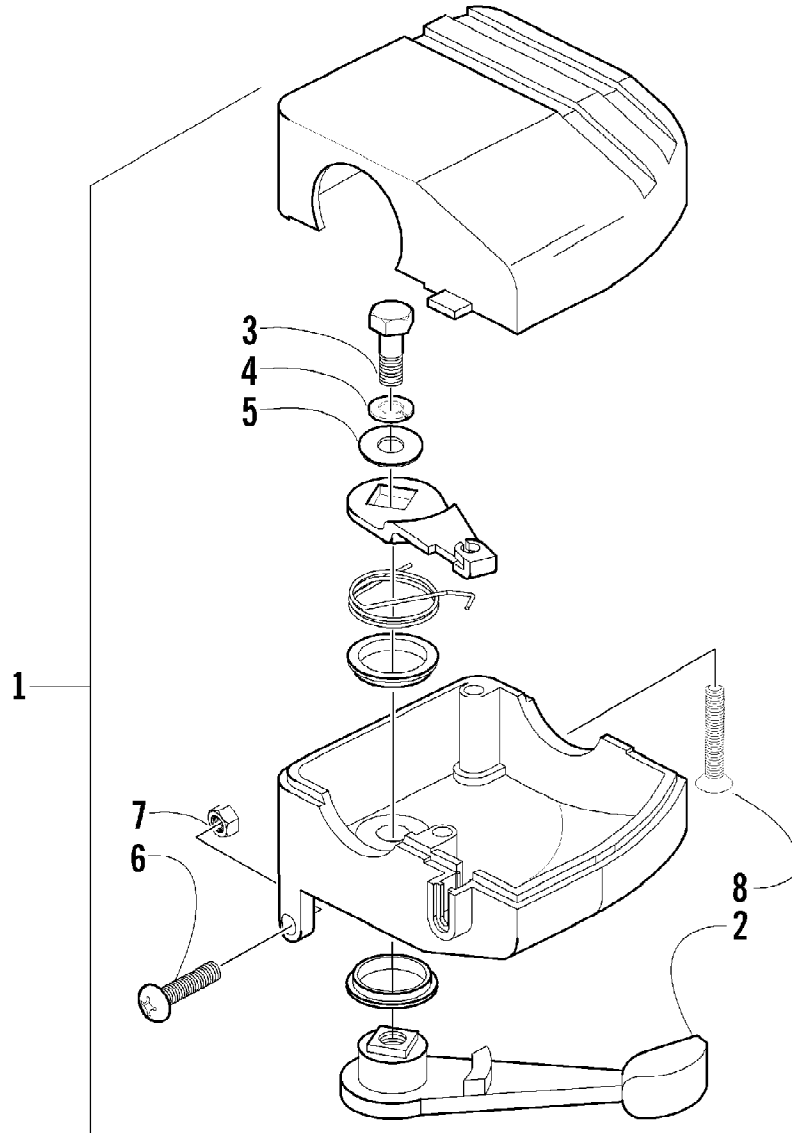
Ref #	Part Number	Qty	S/P/F	Description
1	0506-178	1		Strap, Battery w/Pads (inc. 2-3)
2	0406-288	1		Pad, Battery - Upper Front
3	0406-289	1		Pad, Battery - Upper Rear
4	0745-045	1	/P	Battery Assembly (inc. 5-8)
5	0645-045	6		Cap, Battery
6	0645-152	1		Clamp, Hose
7	0645-263	1	/P	Hose, Battery Vent
8	0645-151	1		Label, Warning - Battery
9	0406-227	1		Pad, Battery - Lower
10	0444-122	1	S/P	Kit, Tool
11	0423-428	1	S	Screw, Thumb
12	0123-903	2		Cable Tie - 11.5 in.
13	0506-797	1		Storage Box - Assembly (inc. 14)
14	1406-140	1		Shield, Heat
15	1406-078	1		Cover, Storage Box
16	0623-797	4		Screw, Self-Tapping

2003 ATV 400 FIS MANUAL TRANSMISSION (4X4 GREEN) (A2003ISH4AUSG) Page 86 of 95
TAILLIGHT ASSEMBLY



2003 ATV 400 FIS MANUAL TRANSMISSION (4X4 GREEN) (A2003ISH4AUSG) Page 87 of 95
TAILLIGHT ASSEMBLY

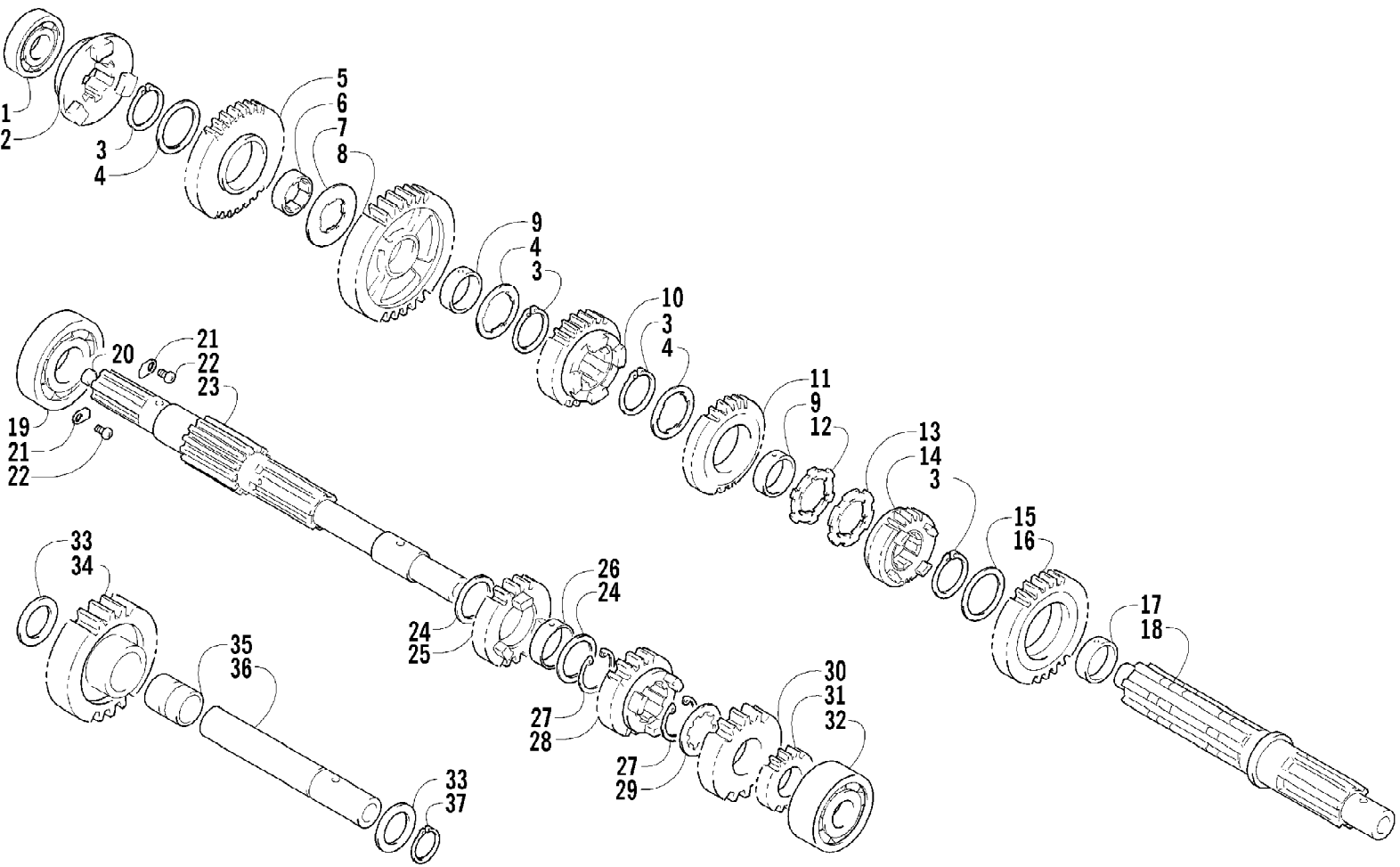
Ref #	Part Number	Qty	S/P/F	Description
	0409-002	1		Complete Taillight Assembly
1	0109-460	1	/P	Bulb, Stop/Taillight
2	0409-011	1		Taillight w/Socket Assembly
3	0409-012	1		Gasket, Taillight Lens
4	0409-007	1		Lens, Taillight
5	0409-010	2		Screw, Machine
6	0623-301	2	/P	Screw, Self-Tapping
7	8053-212	2	/P	Washer, Lock - External Tooth



2003 ATV 400 FIS MANUAL TRANSMISSION (4X4 GREEN) (A2003ISH4AUSG) Page 89 of 95
THROTTLE CASE ASSEMBLY

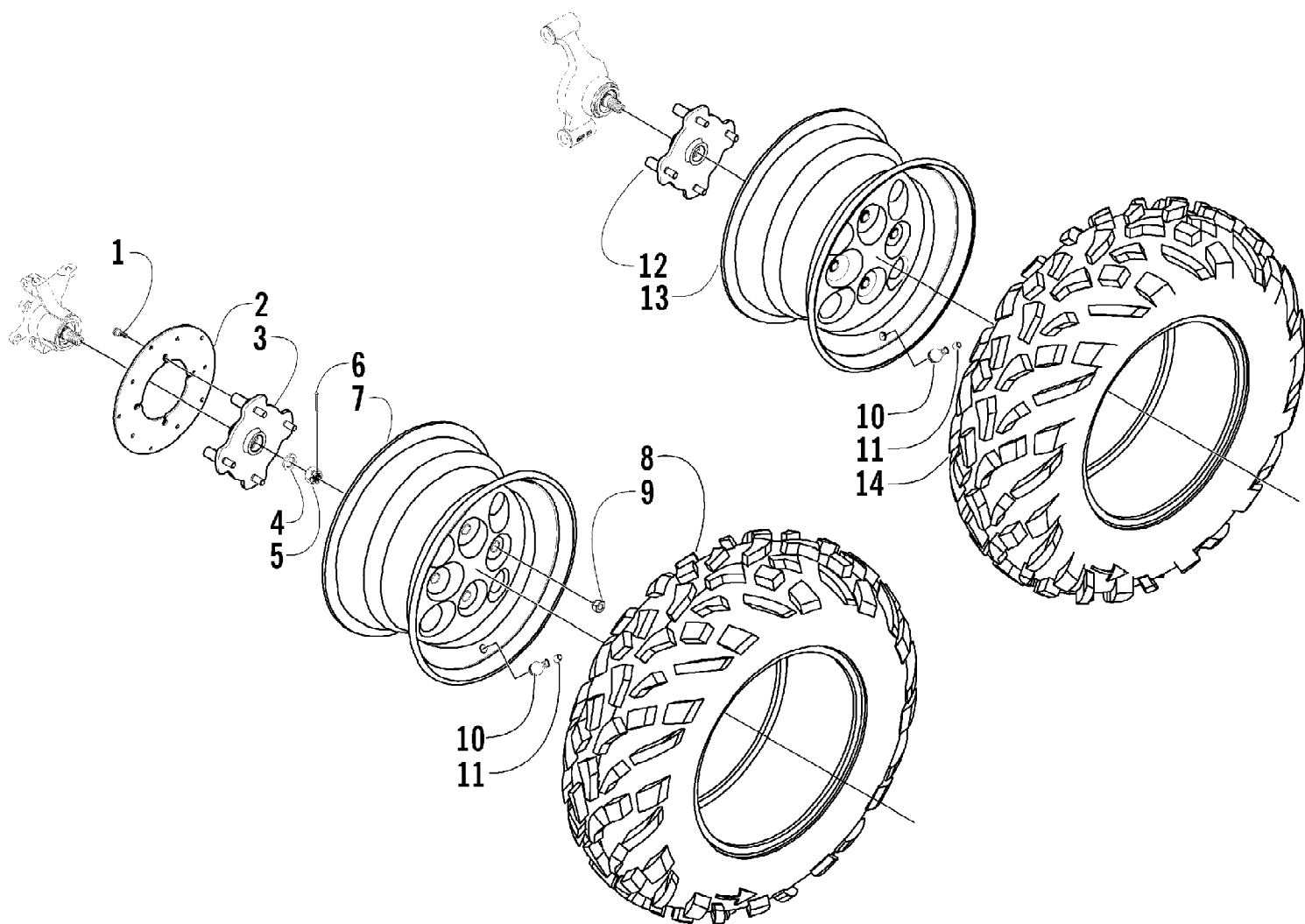
Ref #	Part Number	Qty	S/P/F	Description
1	3509-003	1	/P	Case, Throttle - Assembly (inc. 2-8)
2	3409-001	1		Lever
3	3004-533	1	S/P	Screw, Cap
4	3004-447	1	/P	Washer, Lock
5	3003-030	1	/P	Washer
6	3423-014	1		Screw
7	3423-327	1		Nut
8	3423-199	2		Screw

2003 ATV 400 FIS MANUAL TRANSMISSION (4X4 GREEN) (A2003ISH4AUSG) Page 90 of 95
TRANSMISSION ASSEMBLY



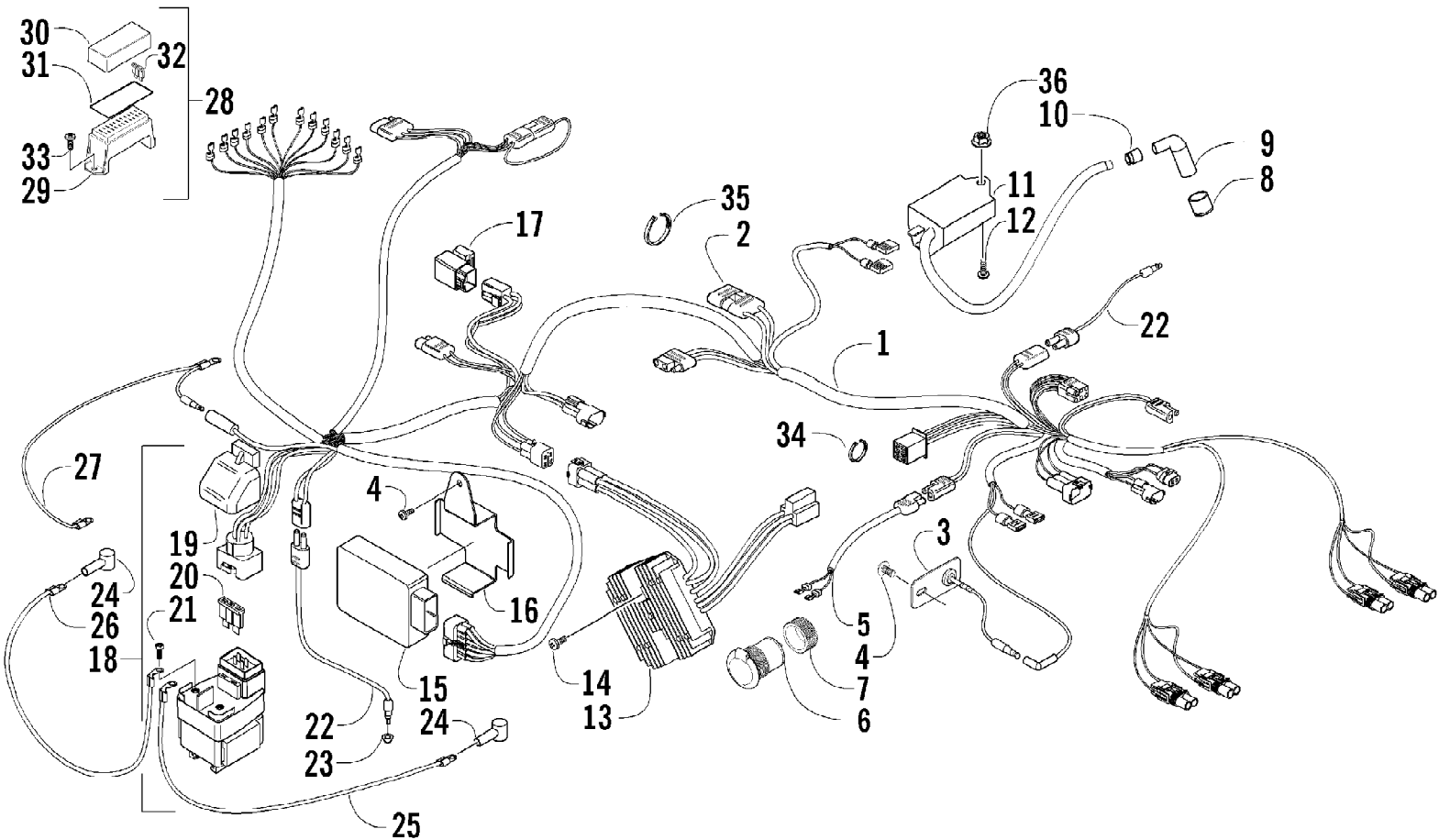
2003 ATV 400 FIS MANUAL TRANSMISSION (4X4 GREEN) (A2003ISH4AUSG)
TRANSMISSION ASSEMBLY Page 91 of 95

Ref #	Part Number	Qty	S/P/F	Description
1	3402-218	1		Bearing
2	3446-297	1		Dog, Reverse
3	3423-066	4	/P	Circlip
4	3423-036	3		Washer, Lock
5	3446-296	1		Gear, Reverse Driven
6	3446-145	1		Bushing
7	3423-263	1		Washer
8	3446-141	1		Gear, 1st Driven
9	3446-273	2	/P	Bushing
10	3446-146	1		Gear, 4th Driven
11	3446-143	1		Gear, 3rd Driven
12	3423-266	1		Washer, Lock
13	3423-262	1		Washer, Lock
14	3446-147	1		Gear, 5th Driven
15	3423-317	1		Washer
16	3446-142	1		Gear, 2nd Driven
17	3402-230	1		Bushing
18	3402-775	1		Driveshaft
19	0691-374	1		Bearing
20	3402-033	1		Plug, Countershaft
21	3446-031	2	/P	Retainer, Bearing
22	3423-370	2		Screw
23	3446-295	1	S	Countershaft
24	3402-210	2		Washer
25	3446-139	1		Gear, 4th Drive
26	3402-229	1		Bushing
27	3423-279	2		Circlip
28	3446-138	1		Gear, 3rd Drive
29	3423-261	1	S	Washer
30	3446-140	1		Gear, 5th Drive
31	3446-137	1		Gear, 2nd Drive
32	3402-224	1		Bearing
33	3402-209	2		Washer
34	3446-149	1		Gear, Reverse Idle
35	3402-228	1		Bushing
36	3446-298	1		Shaft, Reverse Idle
37	3423-518	1		Circlip



2003 ATV 400 FIS MANUAL TRANSMISSION (4X4 GREEN) (A2003ISH4AUSG) Page 93 of 95
WHEEL AND TIRE ASSEMBLY

Ref #	Part Number	Qty	S/P/F	Description
1	0423-029	12		Screw, Machine
2	0402-874	3	S	Disc, Brake
3	0502-361	2		Hub, Wheel - Front
3	0502-360	2	S	Hub, Wheel - Front (4X4)
4	0402-181	4		Seal, Hub
5	0423-394	4		Nut, Castle
6	0423-407	4		Pin, Cotter
7	0402-856	2		Wheel - Front
8	0402-890	2		Tire - Front
9	0423-408	16	/P	Nut, Lug
10	0402-064	4		Stem, Valve (inc. 11)
11	0402-140	4		Cap, Valve Stem
12	0502-359	1	S	Hub, Wheel - Rear - Left
12	0502-360	1	S	Hub, Wheel - Rear - Right
13	0402-858	2		Wheel - Rear
14	0402-926	2		Tire - Rear



2003 ATV 400 FIS MANUAL TRANSMISSION (4X4 GREEN) (A2003ISH4AUSG) Page 95 of 95
WIRING HARNESS ASSEMBLY

Ref #	Part Number	Qty	S/P/F	Description
1	0486-096	1		Harness, Main (inc. 2)
2	0486-029	1		Diode (Start In Gear)
3	0509-011	1	S	Diode Assembly
4	8476-616	3		Screw, Machine
5	0486-004	1		Harness, 12V Receptacle (4X4)
6	0445-022	1	S	Receptacle, 12V (inc. 7) (4X4)
7	0445-034	1		Nut, Retainer (4X4)
8	3430-008	1	/P	Seal, Spark Plug
9	3430-007	1	/P	Cap, Spark Plug
10	3430-009	1	/P	Seal, High Tension Wire
11	3430-055	1		Coil, Ignition - Assembly
12	8476-620	1		Screw, Machine
13	3402-682	1		Regulator, Voltage
14	8476-625	2		Screw, Machine
15	3402-785	1		CDI Unit
16	0506-985	1	/P	Bracket, CDI
17	3530-008	1	S	Relay, Neutral Start - Assembly
18	3530-001	1	/P	Relay, Starter Motor - Assembly (inc. 19-20)
19	3530-010	1		Cover, Starter Motor Relay
20	0630-098	1		Fuse, 30 Amp
21	8477-610	2		Screw, Machine
22	0409-009	2		Switch, Brake - Assembly
23	0402-991	1		Retainer, Switch
24	0645-019	2		Boot, Terminal
25	0445-032	1		Cable, Electric Start Relay/Starter
26	0445-003	1	/P	Cable, Battery/Electric Start Relay
27	0445-035	1		Cable, Battery/Ground
28	0530-001	1		Block, Fuse - Assembly (inc. 29-30)
29	0	1	F	Block, Fuse
30	0	1	F	Cover, Fuse Block
31	0411-271	1		Decal, Fuse Block
32	0630-057	4		Fuse - 10 Amp
32	0630-058	2		Fuse - 15 Amp
33	0623-361	2		Screw, Self-Tapping
34	0123-788	AR	/P	Cable Tie - 7.5 in.
35	0123-903	AR		Cable Tie - 11.5 in.
36	8424-602	2	/P	Nut, Flange