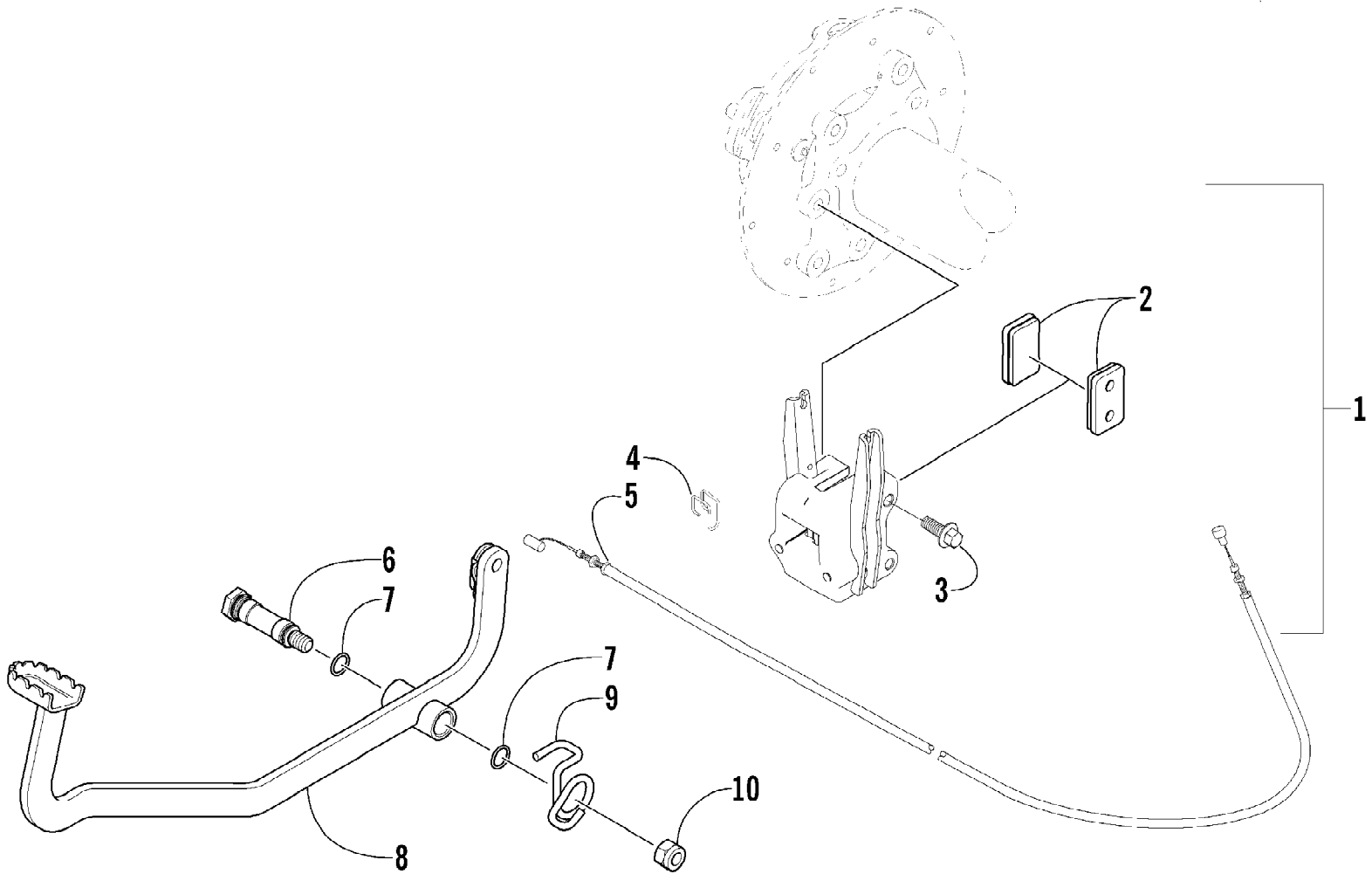


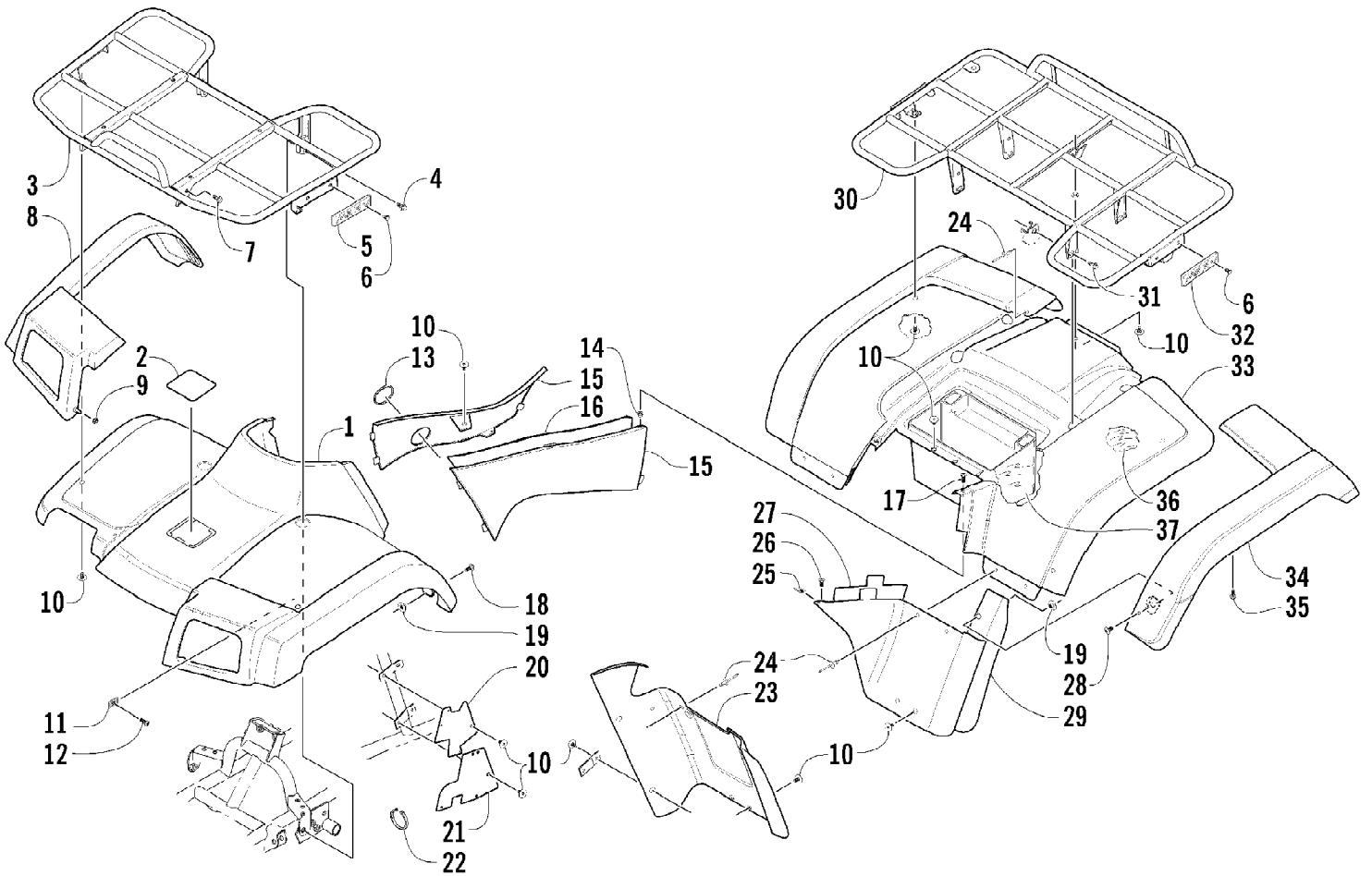
2003 ATV 400 FIS AUTOMATIC TRANSMISSION (4X4 RED) (A2003ISH4BUSR)Page 2 of 91  
AIR INTAKE ASSEMBLY

Ref #	Part Number	Qty	S/P/F	Description
1	0423-379	1		Clamp
2	0470-456	1		Boot, Air Intake
3	0423-018	2		Clamp
4	0470-446	1	/P	Housing, Air Intake
5	0623-101	1		Clip, Retaining
6	0470-343	1		Gasket
7	0470-383	1	/P	Snorkel
8	0470-307	4		Clamp
9	0423-037	4		Spring
10	0623-121	4		Screw, Machine
11	0123-010	4	/P	Nut, Expansion
12	0410-045	1		Hose, Crankcase Vent
13	0470-391	1	/P	Filter, Air
14	0412-141	1		Shield, Heat
15	0470-442	1	/P	Valve, Drain
16	1673-272	1	/P	Cap, Drain Tube
17	0423-047	1		Clamp, Hose
18	0423-045	2		Clamp, Hose
19	0470-351	2		Support, Air Intake Flange



2003 ATV 400 FIS AUTOMATIC TRANSMISSION (4X4 RED) (A2003ISH4BUSR)Page 4 of 91  
AUXILIARY BRAKE ASSEMBLY

Ref #	Part Number	Qty	S/P/F	Description
1	0502-372	1	/P	Auxiliary Brake Assembly (inc. 2)
2	0402-958	2	/P	Pad, Brake
3	8408-825	2		Screw, Cap
4	0402-379	1		Wire Form, Cable
5	0487-006	1		Cable, Brake - Rear
6	0402-872	1		Axle, Brake Lever
7	0423-096	2		O-Ring
8	0502-236	1		Lever, Brake
9	0502-395	1	/P	Spring, Brake Lever
10	8422-002	1		Nut

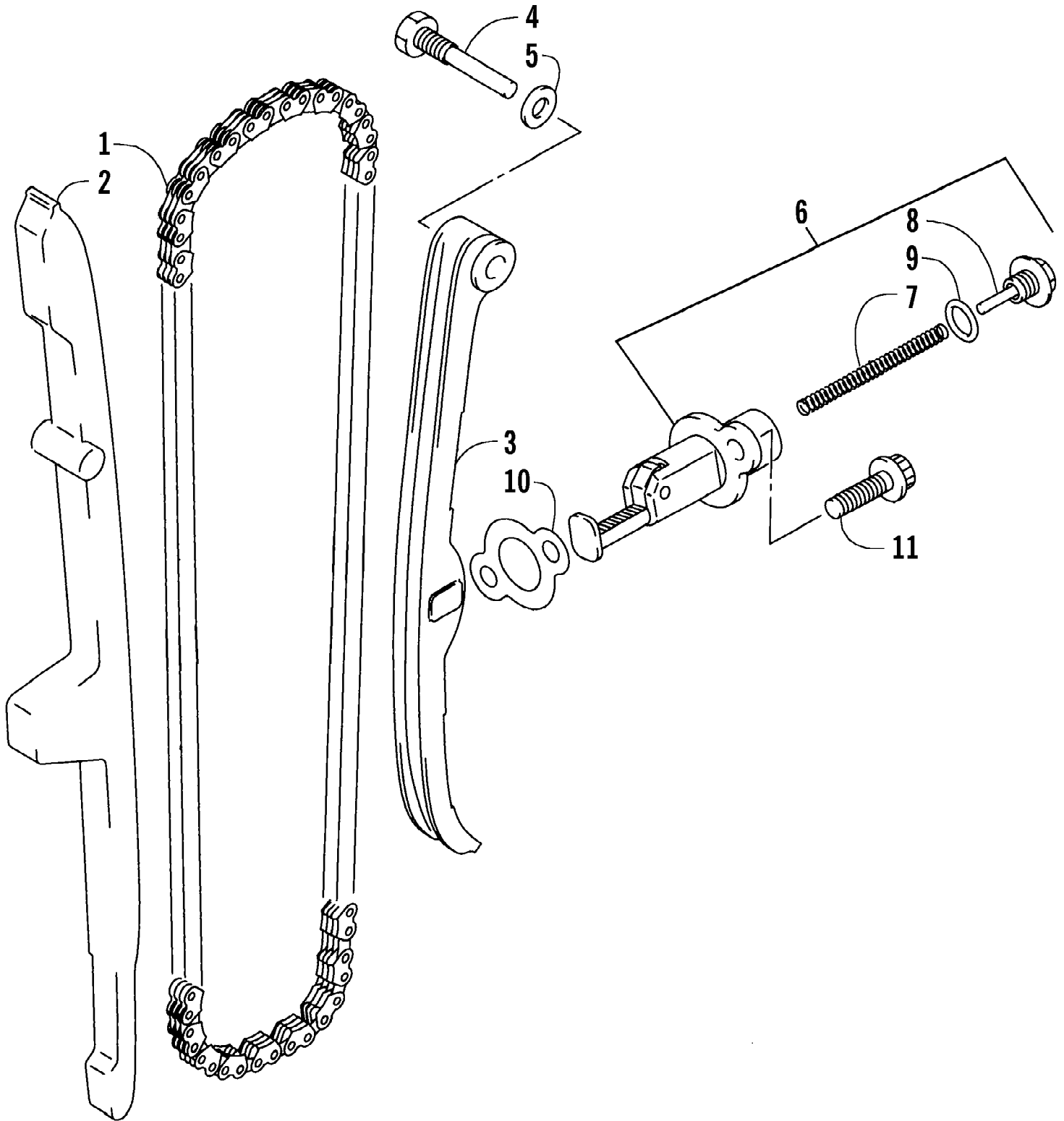


2003 ATV 400 FIS AUTOMATIC TRANSMISSION (4X4 RED) (A2003ISH4BUSR)Page 6 of 91  
BODY PANEL ASSEMBLY

Ref #	Part Number	Qty	S/P/F	Description
1	0506-605	1		Panel, Fender - Front (inc. 2)
1	0506-604	1		Panel, Fender - Front (inc. 2) (2X4 Green)
1	0506-616	1		Panel, Fender - Front (inc. 2) (4X4 Red)
1	0506-584	1		Panel, Fender - Front (inc. 2) (4X4 Green/MRP)
1	0506-721	1		Panel, Fender - Front (inc. 2) (Cat Green)
2	1406-142	1	/P	Cover, Access (Red)
2	1406-141	1	/P	Cover, Access (Green/MRP)
2	1406-041	1		Cover, Access (Cat Green)
3	0506-718	1		Rack - Front (2X4)
3	0506-547	1		Rack - Front (4X4 Red/4X4 Green/ 4X4 Cat Green)
4	8408-816	2		Screw, Cap
5	0606-526	2		Reflector, Front - Amber
6	0623-269	8		Clip, Retaining
7	0423-360	2		Screw, Cap
8	0506-550	1		Flare - Front - Right (4X4)
8	0506-551	1		Flare - Front - Left (4X4)
9	0423-357	2		Nut, Stamped (4X4)
10	0423-101	AR		Screw, Body
11	0423-031	2		Nut, Speed
12	8477-616	2		Screw, Machine
13	0470-404	1		Grommet, Fuel Shut-Off Valve
14	0123-010	2	/P	Nut, Expansion
15	0506-548	1		Panel, Side - Right
15	0506-243	1		Panel, Side - Left
15	0506-549	1		Panel, Side - Right (Green/MRP)
15	0506-673	1		Panel, Side - Left (Green/MRP)
15	0506-722	1		Panel, Side - Right (Cat Green)
15	0506-723	1		Panel, Side - Left (Cat Green)
16	0412-142	1		Shield, Heat
17	0423-068	2		Screw, Machine
18	8477-610	2		Screw, Machine
18	0423-356	2		Screw, Shoulder (4X4)
19	0423-438	4		T-Nut w/Teeth
20	1406-063	1		Panel, Fender - Inner - Right
20	1406-064	1		Panel, Fender - Inner - Left
21	1406-006	2		Panel, Fender - Inner
22	0123-788	AR	/P	Cable Tie - 7.5 in.
23	0406-140	1	/P	Panel, Kick - Right
23	0506-628	1		Panel, Kick - Left
23	0406-941	1	/P	Panel, Kick - Right (4X4)
23	0506-626	1		Panel, Kick - Left (4X4)
24	0423-046	AR		Rivet, Plastic
25	0423-060	2		Clip, Tinerman
26	0623-309	2		Screw, Self-Tapping
27	0412-140	1		Shield, Heat
28	8477-610	2		Screw, Machine
28	0423-355	2		Screw, Shoulder (4X4)
29	0506-750	1	S	Fender Extension - Rear - Right
29	0406-085	1		Fender Extension - Rear - Left

2003 ATV 400 FIS AUTOMATIC TRANSMISSION (4X4 RED) (A2003ISH4BUSR)Page 7 of 91  
BODY PANEL ASSEMBLY

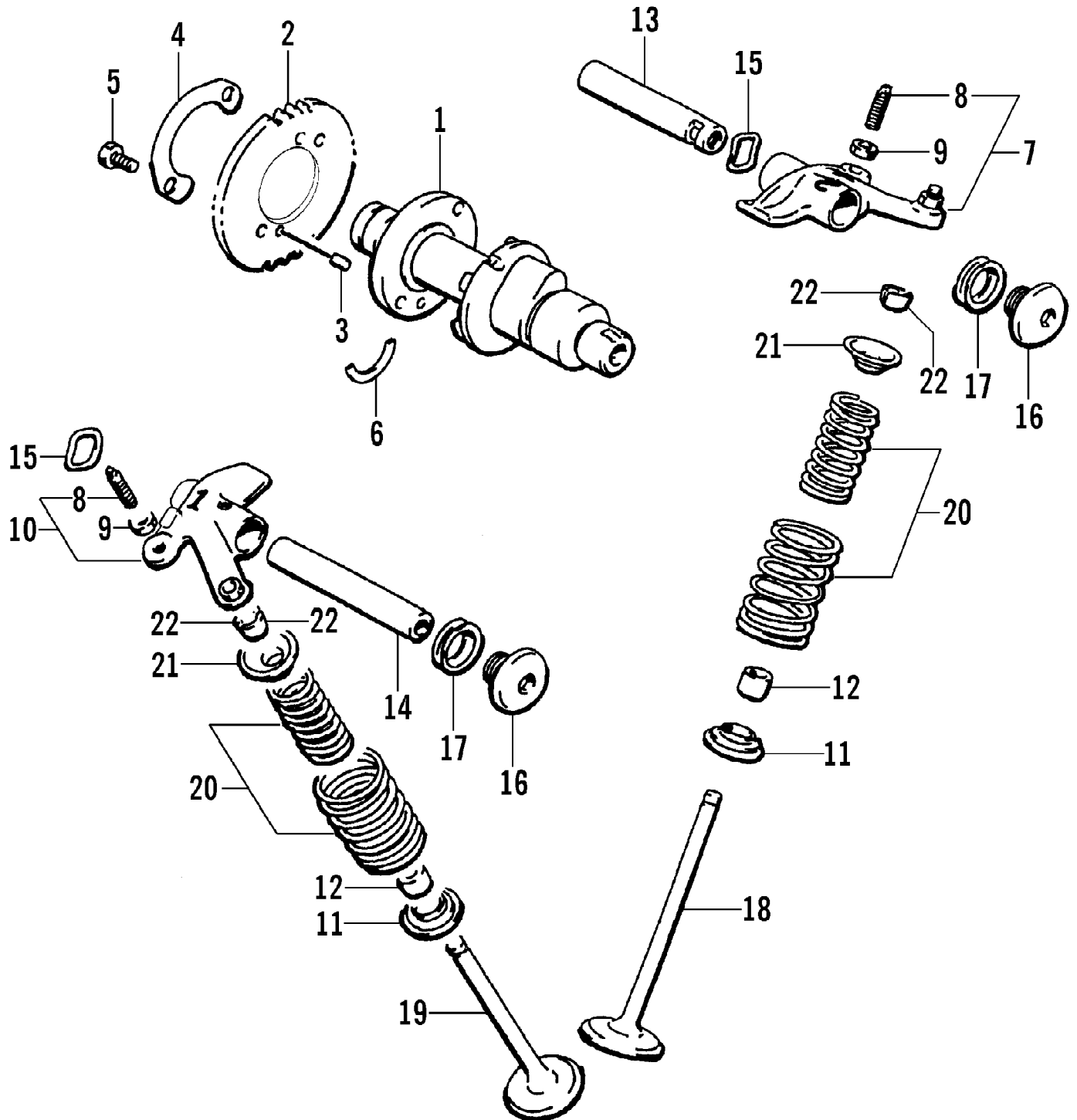
Ref #	Part Number	Qty	S/P/F	Description
30	0506-821	1	/P	Rack - Rear (2X4/4X4 Red/4X4 Green/ 4X4 Cat Green)
31	8409-020	4	/P	Screw, Cap
32	0606-029	2		Reflector, Rear - Red
33	0506-618	1		Panel, Fender - Rear
33	0506-634	1		Panel, Fender - Rear (2X4 Green)
33	0506-620	1	S	Panel, Fender - Rear (4X4 Red)
33	0506-621	1		Panel, Fender - Rear (4X4 Green/MRP)
33	0506-724	1		Panel, Fender - Rear (Cat Green)
34	0506-552	1		Flare, Rear - Right (4X4)
34	0506-553	1		Flare, Rear - Left (4X4)
35	0423-342	16	/P	Screw, Self-Tapping (4X4)
36	0412-124	1		Shield, Heat
37	0412-147	1		Shield, Heat





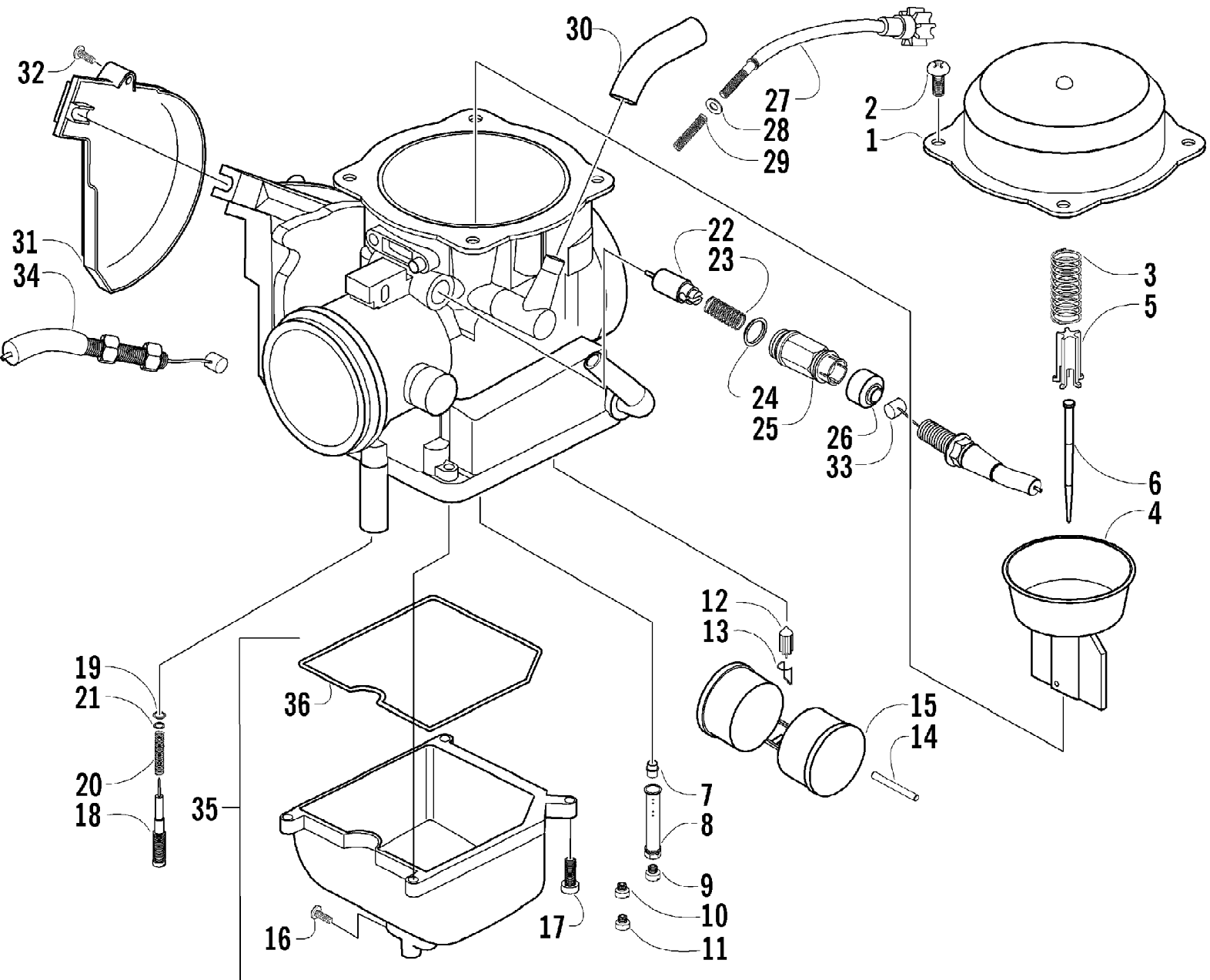
2003 ATV 400 FIS AUTOMATIC TRANSMISSION (4X4 RED) (A2003ISH4BUSR) Page 9 of 91  
CAM CHAIN ASSEMBLY

Ref #	Part Number	Qty	S/P/F	Description
1	3402-281	1		Chain, Cam
2	3402-612	1		Guide, Cam Chain
3	3402-613	1		Tensioner, Cam Chain
4	3423-074	1		Bolt
5	3402-436	1	/P	Washer
6	3402-614	1		Adjuster, Tensioner - Assembly (inc. 7-9)
7	3423-484	1		Spring
8	3423-485	1		Plug
9	3423-286	1		O-Ring
10	3403-020	1		Gasket, Adjuster
11	3004-512	2	S	Bolt



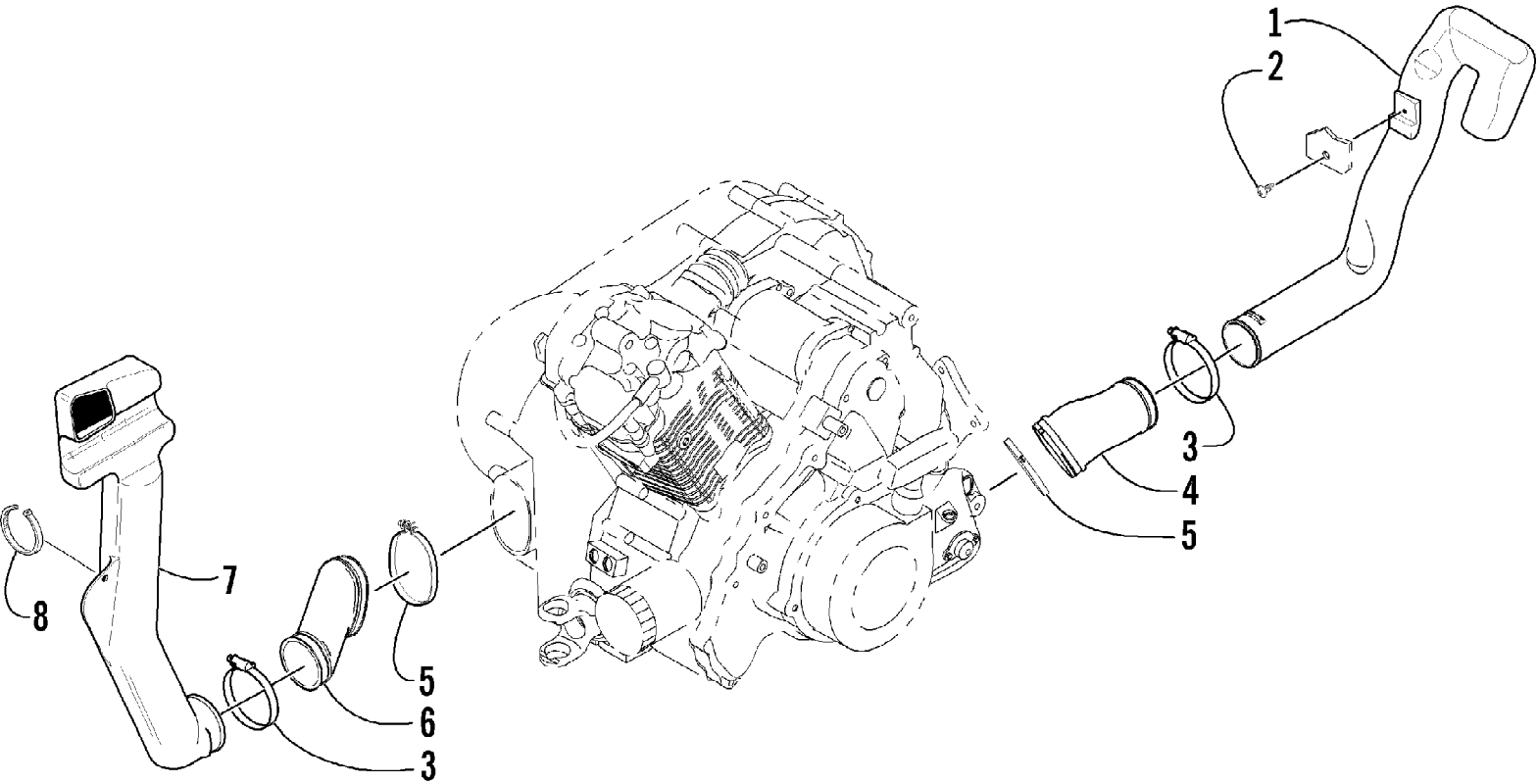
2003 ATV 400 FIS AUTOMATIC TRANSMISSION (4X4 RED) (A2003ISH4BUSR) Page 11 of 91  
 CAMSHAFT/VALVE ASSEMBLY

Ref #	Part Number	Qty	S/P/F	Description
1	3402-831	1	S	Camshaft
2	3402-611	1		Sprocket
3	3423-047	1		Pin
4	3423-073	1		Washer
5	3423-013	2	S	Bolt
6	3423-071	1	/P	C-Ring
7	3402-532	1	S	Arm, Valve Rocker - Intake (inc. two No. 8-9)
8	3423-075	4		Screw
9	3423-076	4		Nut
10	3402-139	1		Arm, Valve Rocker - Exhaust (inc. two No. 8-9)
11	3402-148	4		Seat, Spring
12	3402-078	4		Seal, Oil
13	3402-140	1		Shaft, Rocker Arm
14	3402-141	1		Shaft, Rocker Arm
15	3423-031	2		Washer
16	3402-040	2	/P	Plug, Shaft
17	3402-012	2		Gasket
18	3402-725	2	/P	Valve, Intake
19	3402-143	2		Valve, Exhaust
20	3402-144	4		Spring, Valve - Set
21	3402-146	4	S	Retainer, Spring
22	3402-147	8		Cotter, Valve



2003 ATV 400 FIS AUTOMATIC TRANSMISSION (4X4 RED) (A2003ISH4BUSR) Page 13 of 91  
CARBURETOR

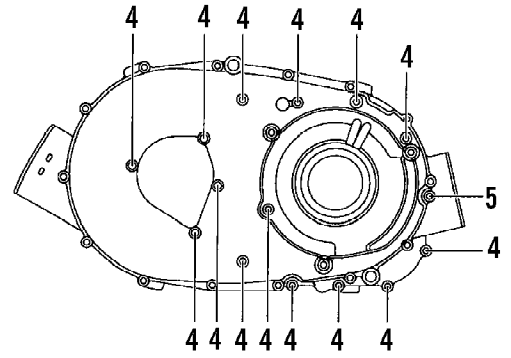
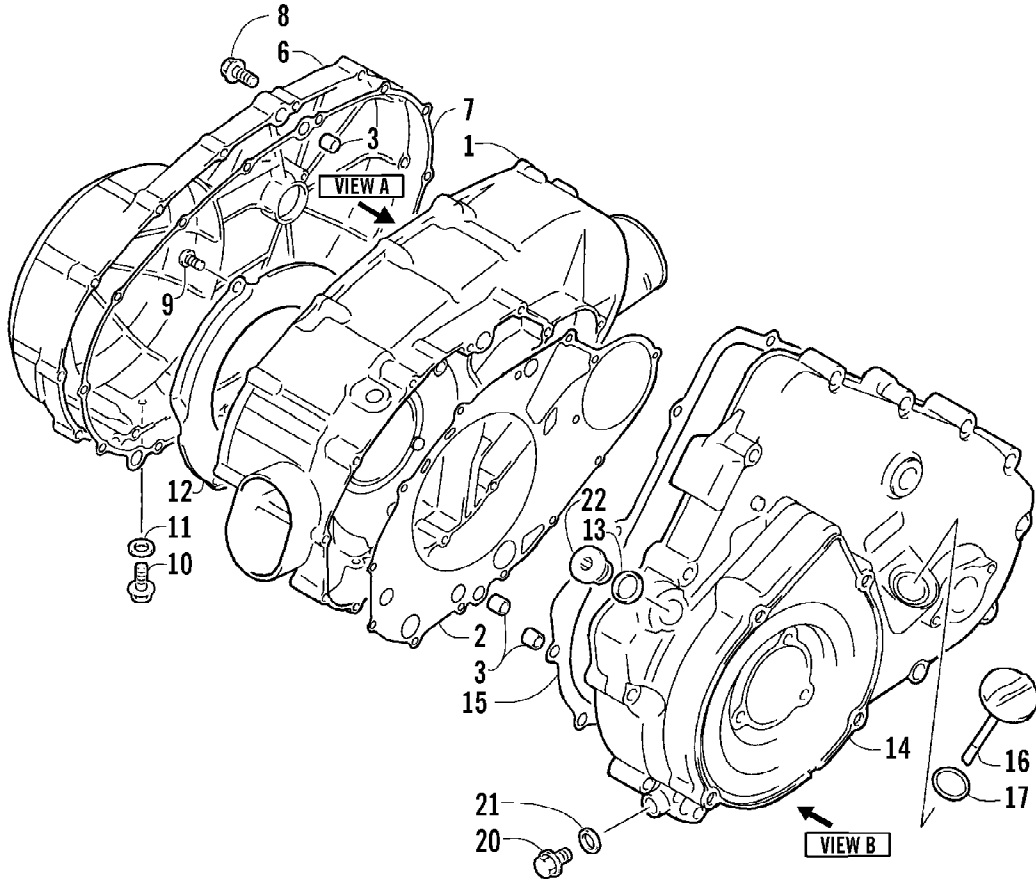
Ref #	Part Number	Qty	S/P/F	Description
	0470-454	1		Complete Assembly
1	5507-001	1		Cover, Top
2	5507-002	3	/P	Screw, Top Cover
3	5507-052	1		Spring
4	5507-053	1		Piston, Vacuum
5	5507-054	1		Spring, Seat
6	5507-080	1		Jet Needle
7	5507-056	1		Needle Jet
8	5507-047	1	/P	Holder, Needle Jet
9	5507-009	1	/P	Main Jet - 150
9	5507-041	1	F	Main Jet - 147
9	5507-042	1	/P/F	Main Jet - 145
9	5507-043	1	F	Main Jet - 142
9	5507-044	1	F	Main Jet - 140
10	5507-010	1	S	Slow Jet
11	5507-090	1		Starter Jet - 60
12	5507-038	1		Valve, Float - Set (inc. 13)
13	0	1	F	Clip
14	0	1	F	Pin, Float
15	5507-039	1		Float Set (inc. 14)
16	5507-050	1	/P	Screw, Drain
17	5507-089	4	S	Screw
18	5507-040	1		Screw, Pilot Air - Set (inc. 19-21)
19	0	1	F	O-Ring
20	0	1	F	Spring
21	0	1	F	Washer
22	5507-022	1		Valve, Starter
23	5507-023	1		Spring
24	5507-024	1		O-Ring
25	5507-025	1		Cap
26	5507-026	1		Cap, Rubber
27	5507-027	1		Screw, Idle Adjust
28	5507-028	1		Washer
29	5507-029	1		Spring
30	5507-083	1	/P	Tube, Vinyl
31	5507-036	1		Cover
32	5507-037	1	/P	Screw
33	0487-016	1		Cable, Choke
34	0487-021	1	S	Cable, Throttle
35	5507-064	1		Chamber, Float - Assembly (inc. 16 and 36)
36	5507-068	1		O-Ring, Float Chamber



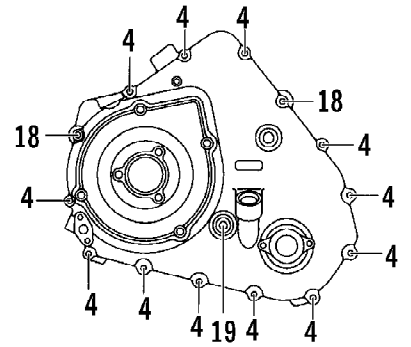
2003 ATV 400 FIS AUTOMATIC TRANSMISSION (4X4 RED) (A2003ISH4BUSR) Page 15 of 91  
CASE/BELT COOLING ASSEMBLY

Ref #	Part Number	Qty	S/P/F	Description
1	0413-061	1	/P	Duct, Belt Cooling - Rear
2	0623-301	1	/P	Screw, Self-Tapping
3	0423-380	2	/P	Clamp
4	0413-060	1		Boot, Duct - Rear
5	3402-449	2	/P	Clamp
6	0413-048	1		Boot, Duct - Front
7	0413-042	1		Duct, Belt Cooling - Front
8	0123-788	2	/P	Cable Tie - 7.5 in.

2003 ATV 400 FIS AUTOMATIC TRANSMISSION (4X4 RED) (A2003ISH4BUS) Page 16 of 91  
CLUTCH/V-BELT/MAGNETO COVER ASSEMBLY



VIEW A

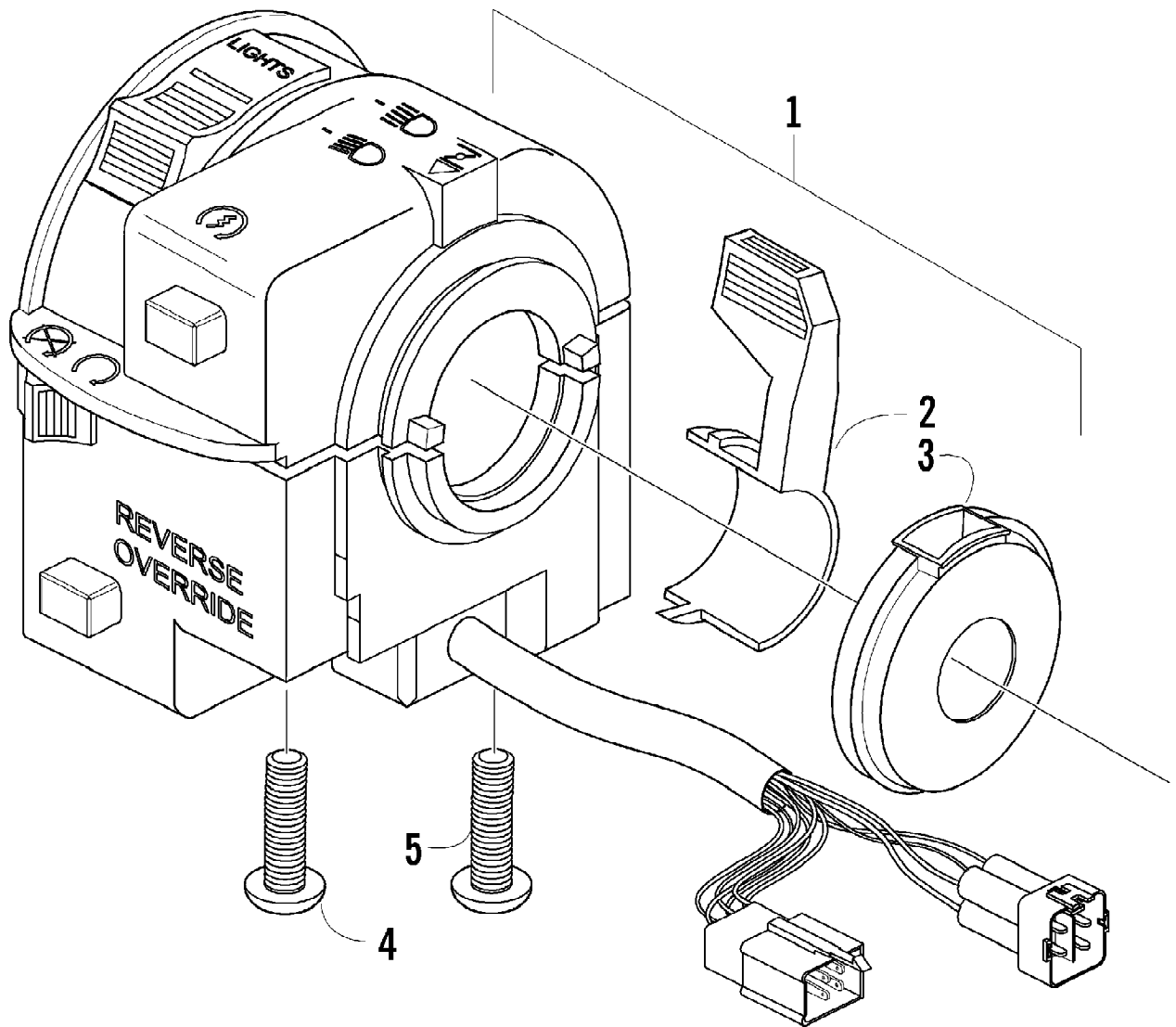


VIEW B



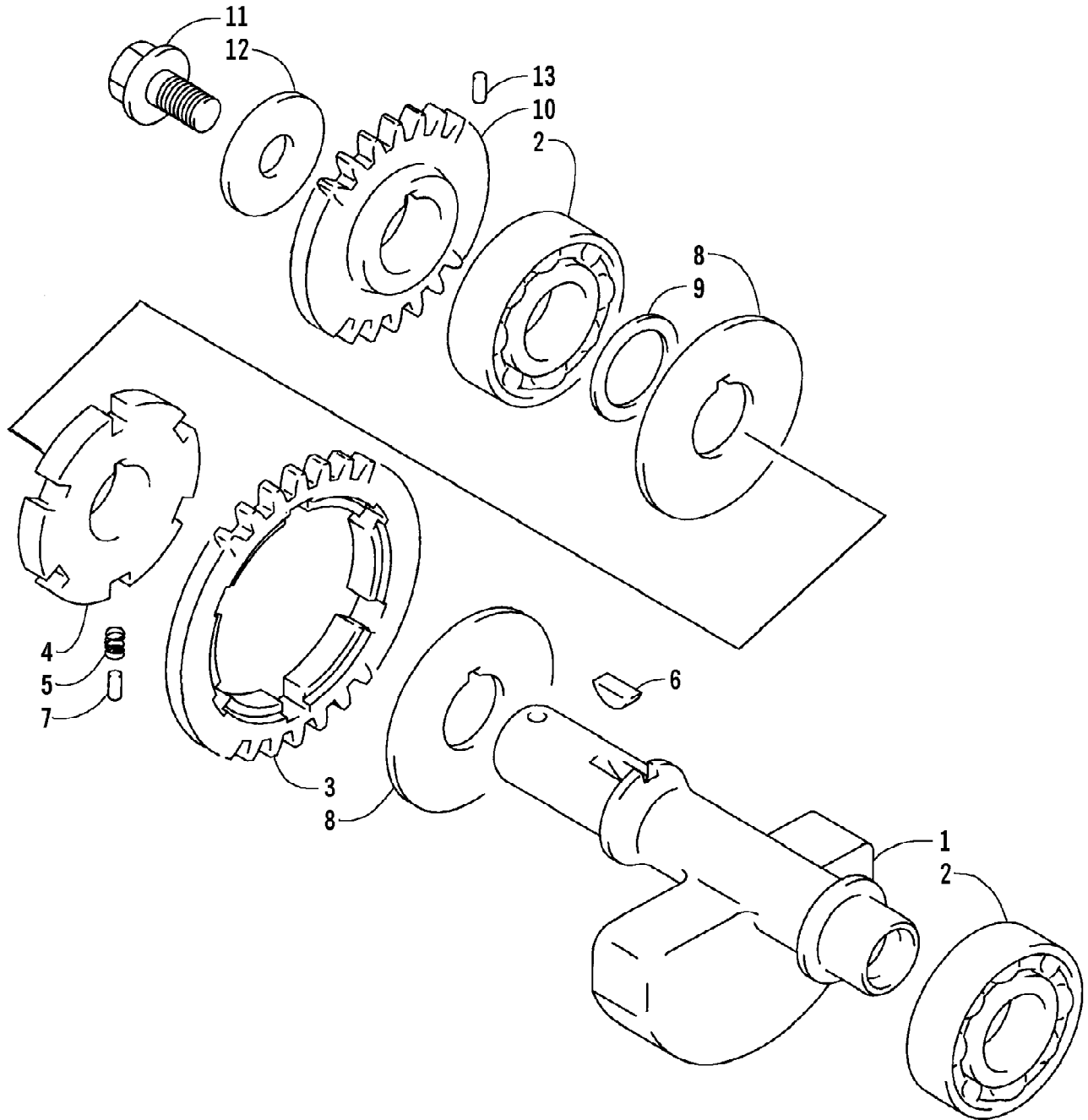
2003 ATV 400 FIS AUTOMATIC TRANSMISSION (4X4 RED) (A2003ISH4BUSR) Page 17 of 91  
CLUTCH/V-BELT/MAGNETO COVER ASSEMBLY

Ref #	Part Number	Qty	S/P/F	Description
1	3402-583	1		Cover, Clutch
2	3402-589	1		Gasket
3	3423-088	6		Pin, Dowel
4	3423-098	26	S	Bolt
5	3423-392	1		Bolt
6	3402-586	1		Cover, V-Belt
7	3402-591	1		Gasket, V-Belt Cover
8	0693-327	14	S	Bolt
9	3004-552	3	S	Screw
10	3004-705	1	S	Plug, Drain
11	3402-444	1		Gasket, Drain Plug
12	3402-445	1		Plate, Air Intake
13	3402-013	1	/P	Gasket
14	3402-585	1		Cover, Magneto
15	3402-590	1		Gasket, Magneto Cover
16	3402-593	1		Stick, Oil Level
17	3423-055	1		O-Ring, Oil Level Stick
18	3423-307	2	S	Bolt
19	3423-430	1		Bolt
20	3004-705	1	S	Plug, Oil Gallery
21	3402-444	1		Gasket
22	3402-041	1	S	Plug



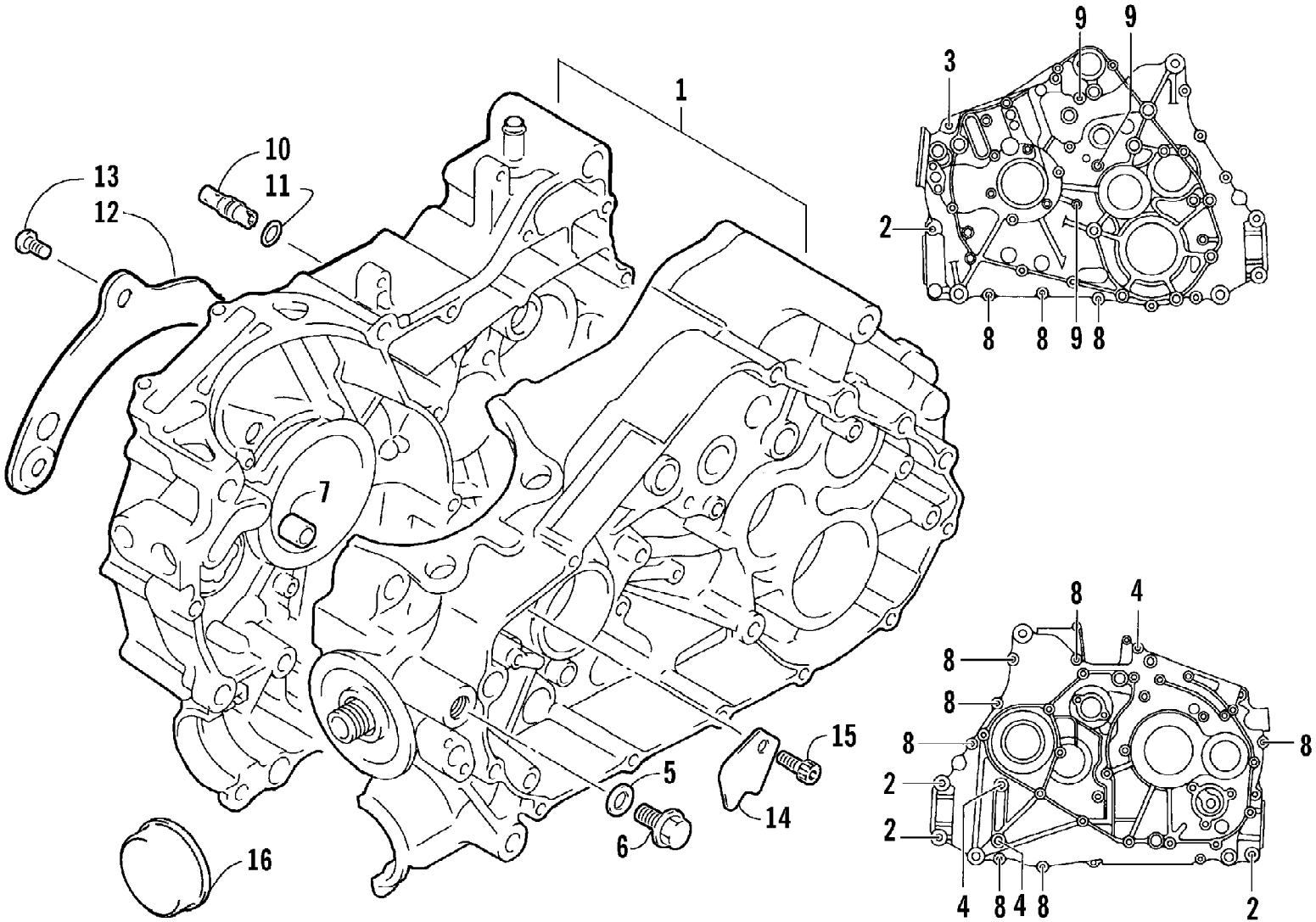
2003 ATV 400 FIS AUTOMATIC TRANSMISSION (4X4 RED) (A2003ISH4BUSR) Page 19 of 91  
CONTROL SWITCH HOUSING ASSEMBLY

Ref #	Part Number	Qty	S/P/F	Description
1	0409-022	1		Switch, Control - Assembly (inc. 2-5)
2	0409-025	1		Lever, Choke
3	0409-026	1		Cover, Choke Lever
4	0409-027	1		Screw, Cap
5	0409-028	1		Screw



2003 ATV 400 FIS AUTOMATIC TRANSMISSION (4X4 RED) (A2003ISH4BUSR) Page 21 of 91  
CRANK BALANCER ASSEMBLY

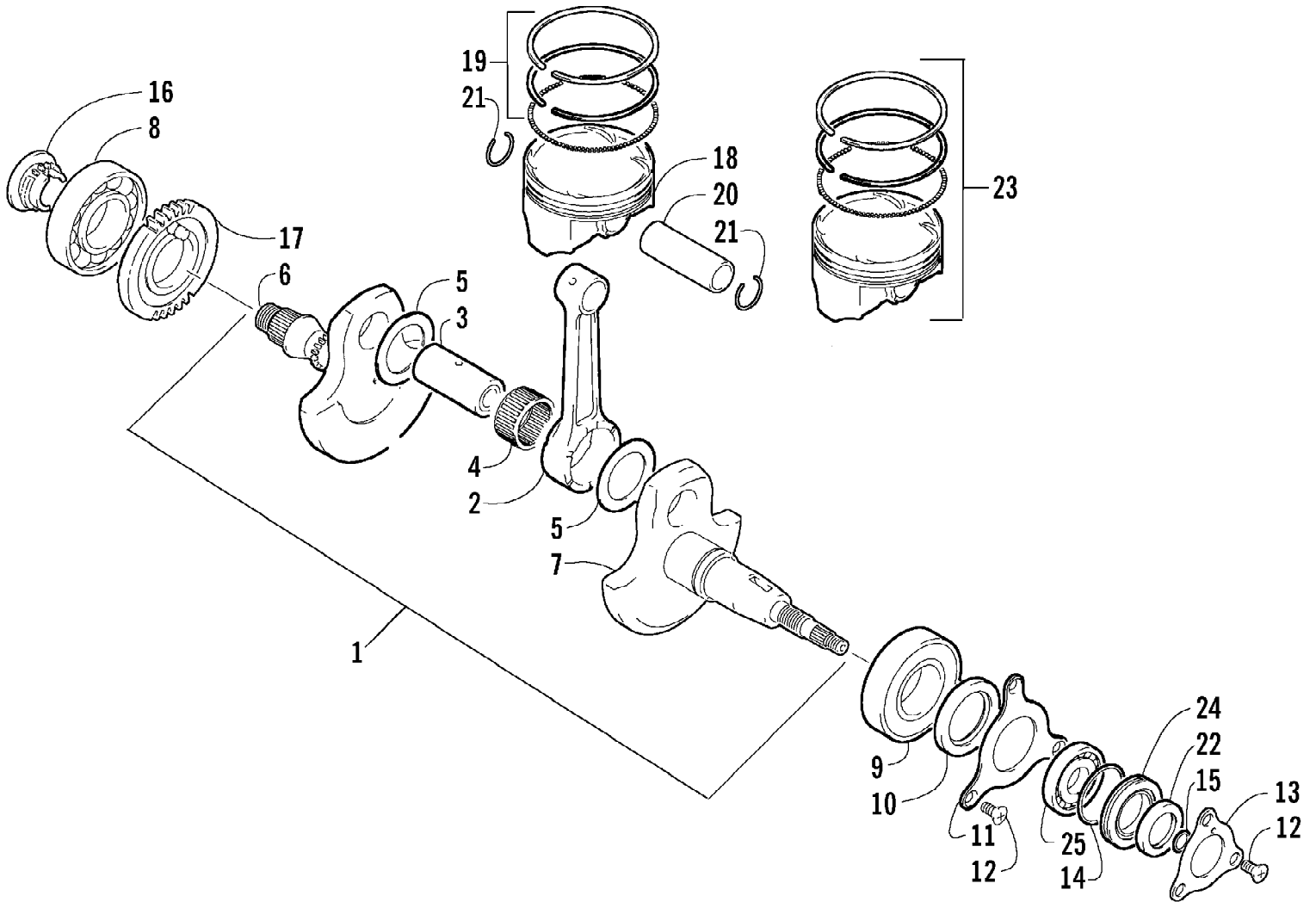
Ref #	Part Number	Qty	S/P/F	Description
1	3402-605	1		Balancer, Crank
2	3402-553	2	/P	Bearing
3	3402-607	1		Gear, Driven - No. 1
4	3402-608	1		Gear, Driven - No. 2
5	3402-090	2		Spring, Driven Gear
6	3004-540	1	/P	Key
7	3423-106	3	/P	Pin, Driven Gear
8	3423-441	2		Washer, Driven Gear No. 1
9	3423-446	1		Washer, Driven Gear No. 2
10	3402-617	1		Gear, Oil Pump Drive
11	3423-400	1		Bolt, Drive Gear
12	3423-401	1		Washer, Drive Gear
13	3423-110	1		Pin, Drive Gear



2003 ATV 400 FIS AUTOMATIC TRANSMISSION (4X4 RED) (A2003ISH4BUSR) Page 23 of 91  
CRANKCASE ASSEMBLY

Ref #	Part Number	Qty	S/P/F	Description
1	3402-580	1		Crankcase Assembly (inc. 2-9)
2	3004-880	4		Bolt
3	3005-332	1		Bolt
4	3005-310	3	S	Bolt
5	3402-012	1		Gasket, Oil Pressure Plug
6	3402-214	1		Plug, Oil Pressure
7	3423-088	2		Pin, Dowel
8	3423-091	10	S	Bolt
9	3423-097	3		Bolt
10	3402-691	1		Jet, Oil Gallery
11	3423-051	1		O-Ring, Oil Gallery Jet
12	3402-581	1		Plate, Oil Guide - Right
13	3004-552	1	S	Screw, Oil Guide Plate - Right
14	3402-582	1		Plate, Oil Guide - Left
15	3423-121	1	S	Bolt, Oil Guide Plate - Left
16	3423-208	1		Plug, Crankcase (2X4)

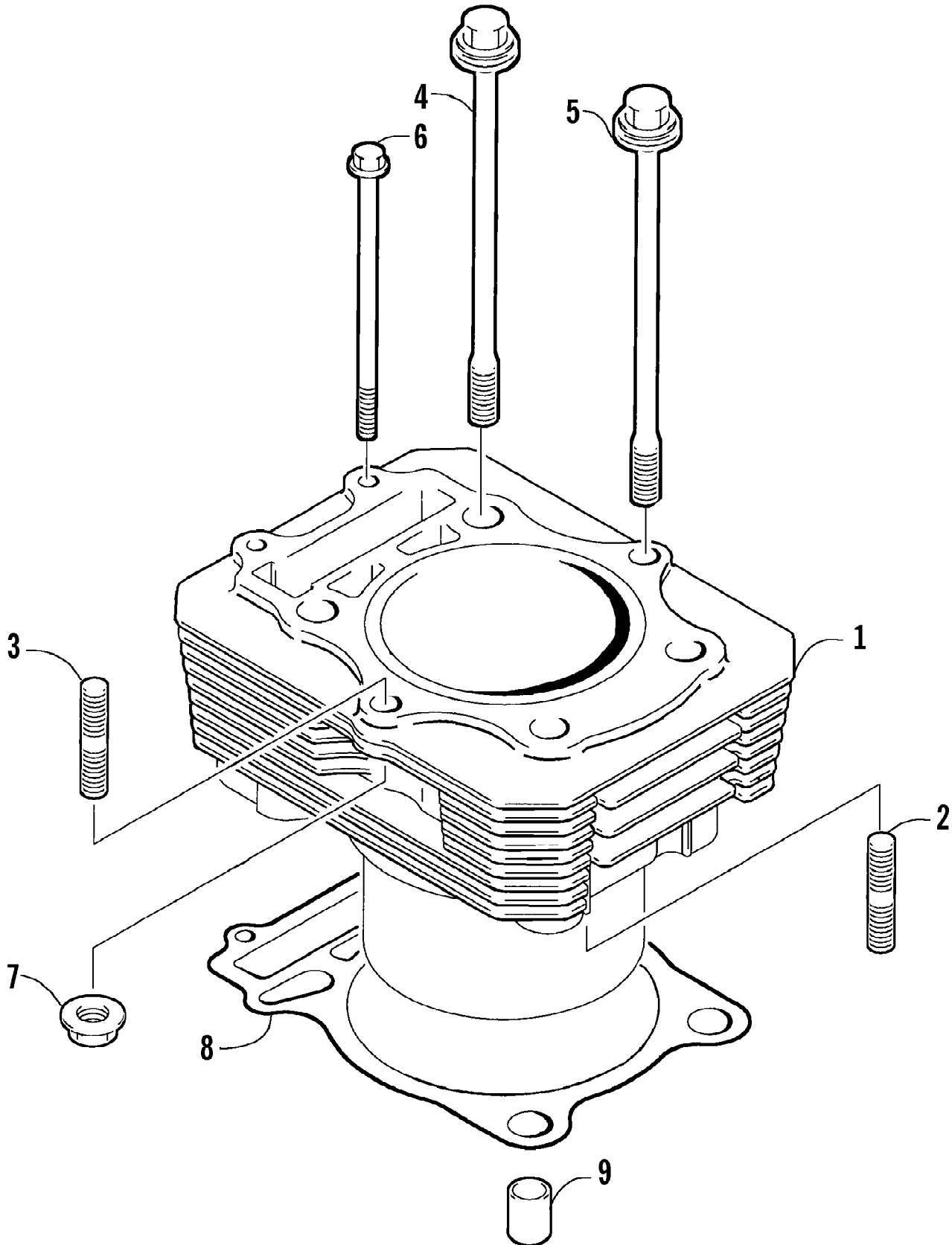
2003 ATV 400 FIS AUTOMATIC TRANSMISSION (4X4 RED) (A2003ISH4BUS) Page 24 of 91  
CRANKSHAFT ASSEMBLY





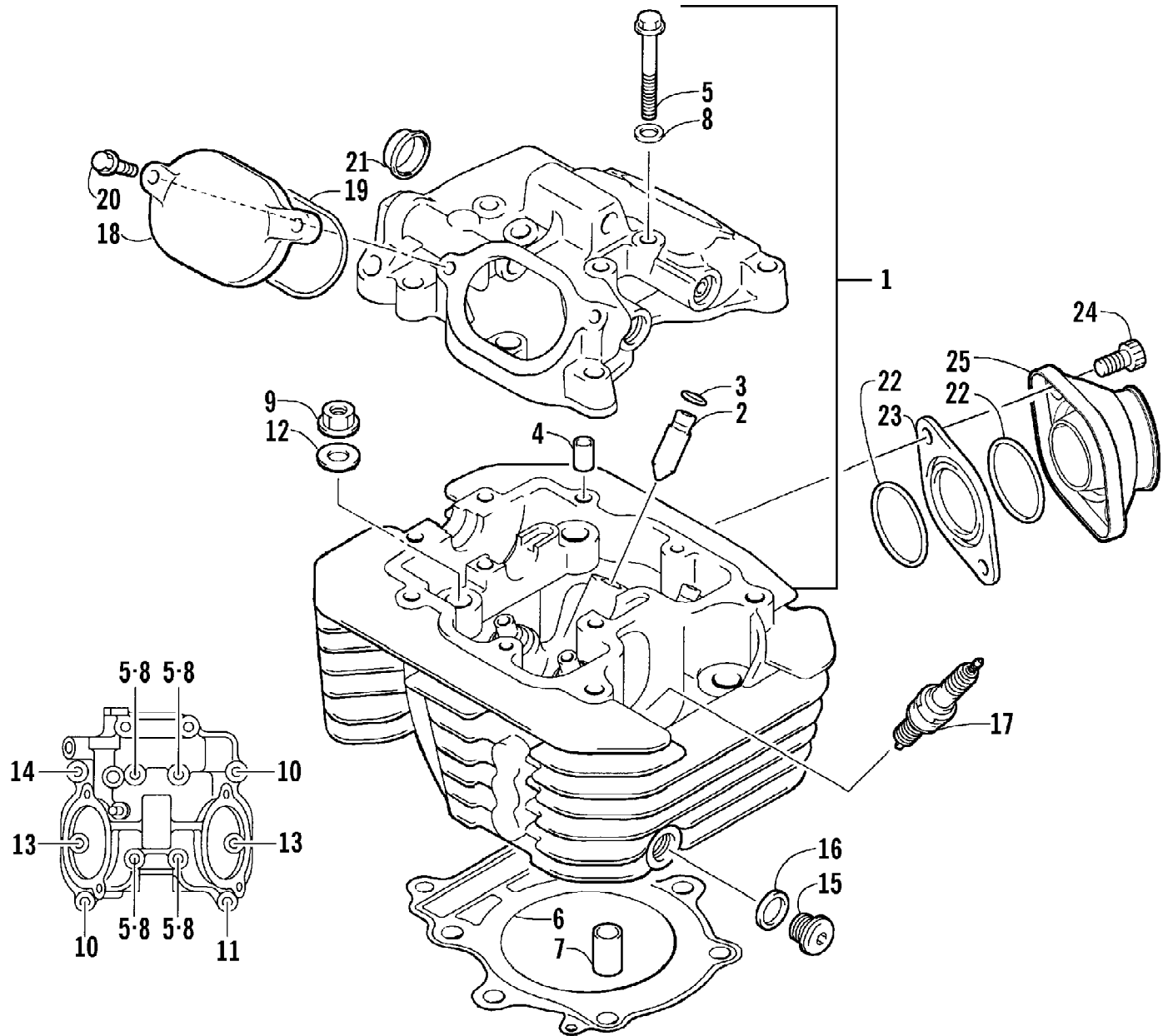
2003 ATV 400 FIS AUTOMATIC TRANSMISSION (4X4 RED) (A2003ISH4BUSR) Page 25 of 91  
CRANKSHAFT ASSEMBLY

Ref #	Part Number	Qty	S/P/F	Description
1	3402-598	1	S	Crankshaft Assembly (inc. 2-7)
2	3402-597	1		Rod, Connecting
3	3402-599	1		Pin, Crank
4	3402-571	1		Bearing
5	3423-440	2		Washer
6	3402-600	1	S	Crankshaft - Right
7	3402-601	1		Crankshaft - Left
8	3402-180	1	S	Bearing - Right
9	3402-566	1		Bearing - Middle
10	3402-573	1		Seal, Crankshaft Oil
11	3402-602	1		Retainer, Crankshaft Oil Seal - Middle
12	3423-018	6		Screw, Retainer
13	3402-188	1	/P	Retainer, Crankshaft Oil Seal - Left
14	3423-063	1		O-Ring
15	3423-053	1	/P	O-Ring
16	3402-610	1		Sprocket, Cam Chain Drive
17	3402-698	1	/P	Gear, Crank Balancer Drive
18	3402-594	1		Piston
19	3402-595	1		Ring, Piston - Set
20	3402-596	1		Pin, Piston
21	3003-439	2	/P	Circlip
22	3402-070	1		Seal, Oil
23	3436-015	1	F	Piston Set (Oversized 0.50 mm)
24	3402-119	1	S	Spacer
25	3402-051	1		Bearing



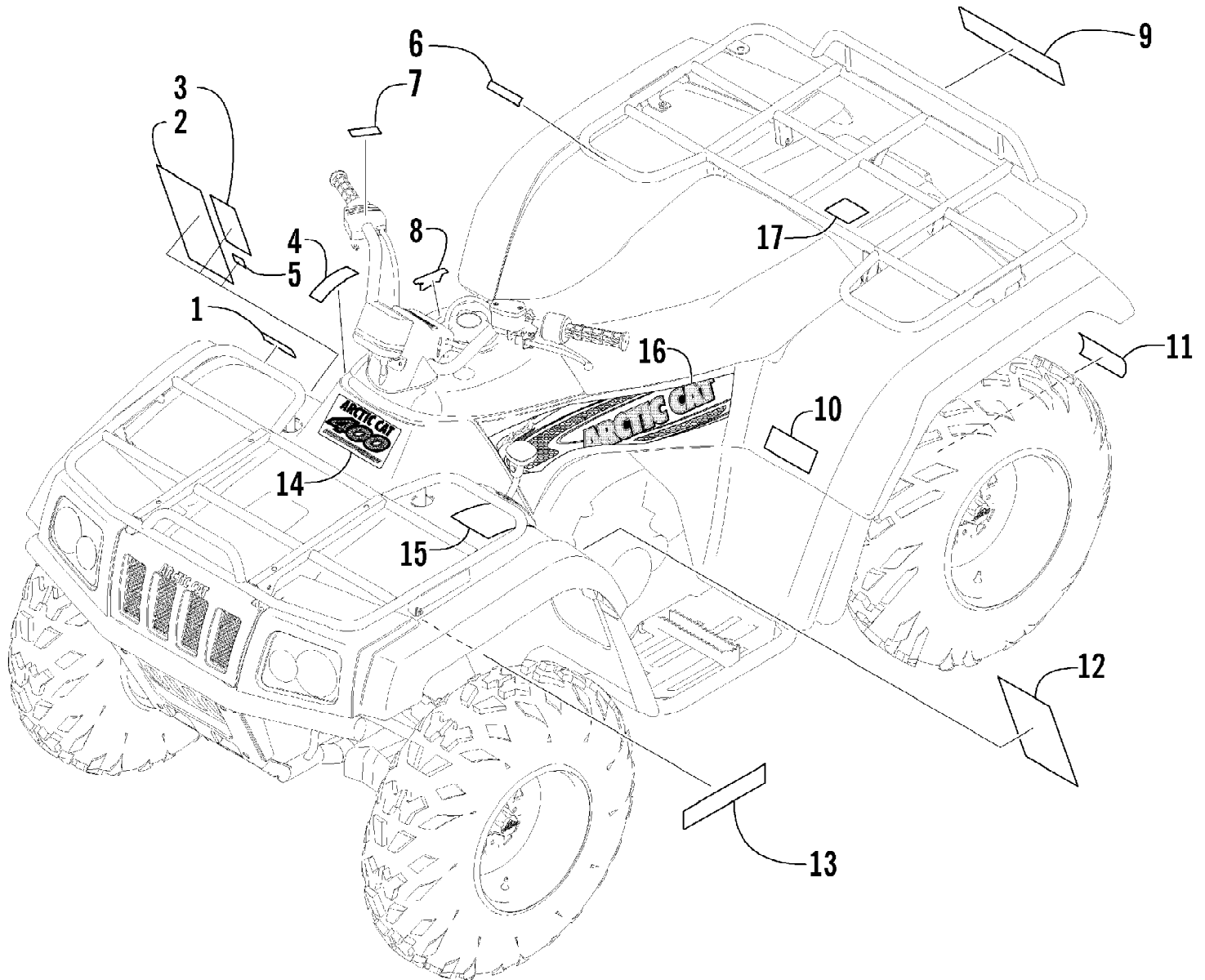
2003 ATV 400 FIS AUTOMATIC TRANSMISSION (4X4 RED) (A2003ISH4BUSR) Page 27 of 91  
CYLINDER ASSEMBLY

Ref #	Part Number	Qty	S/P/F	Description
1	3402-578	1	S	Cylinder
2	3423-384	2	S	Bolt, Stud
3	3004-778	2	S	Bolt, Stud
4	3423-431	2		Bolt
5	3423-432	2		Bolt
6	3423-427	2		Bolt
7	3004-488	2	S/P	Nut
8	3402-579	1		Gasket, Cylinder
9	3423-088	2		Pin, Dowel



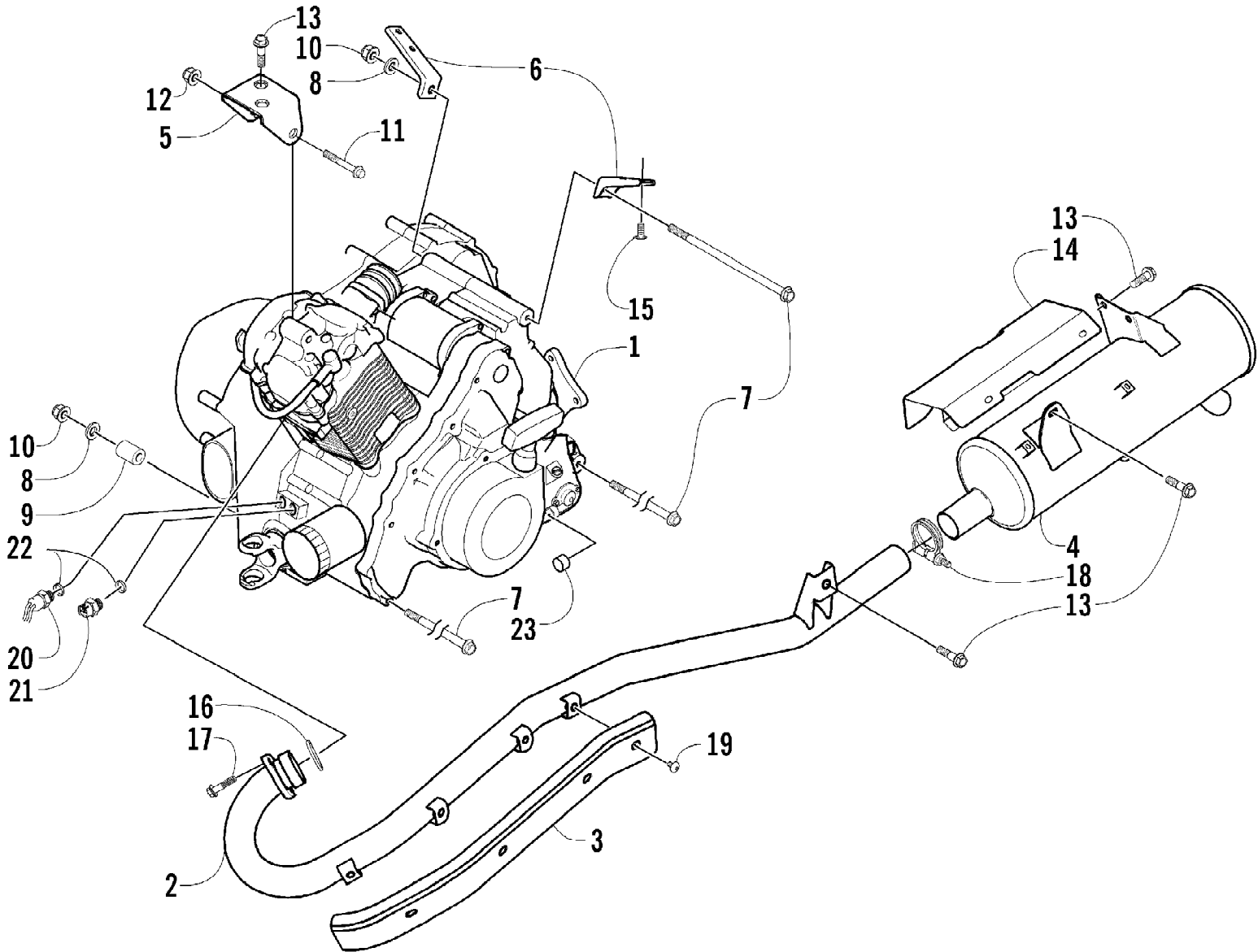
2003 ATV 400 FIS AUTOMATIC TRANSMISSION (4X4 RED) (A2003ISH4BUSR) Page 29 of 91  
CYLINDER HEAD ASSEMBLY

Ref #	Part Number	Qty	S/P/F	Description
1	3402-576	1	S	Head, Cylinder - Assembly (inc. 2-5)
2	3402-099	2		Guide, Valve
3	3423-068	4		Ring, Valve Guide
4	3423-043	2	/P	Pin, Dowel
5	3423-006	4		Bolt
6	3402-577	1		Gasket, Cylinder Head
7	3423-449	2		Pin, Dowel
8	3003-290	4	/P	Gasket
9	3004-326	2	S/P	Nut, Cylinder Head
10	3423-007	2	S	Bolt, Head Cover
11	3423-429	1		Bolt, Head Cover
12	3423-439	4	S	Washer, Cylinder Head Nut
13	3004-376	2	S/P	Bolt, Head Cover
14	3008-376	1	S	Bolt, Head Cover
15	3423-453	1		Plug, Oil Gallery
16	3402-011	1		Gasket, Oil Gallery Plug
17	0217-708	1		Spark Plug (NGK CR7E)
18	3402-100	2		Cap, Inspection
19	3402-101	2		O-Ring
20	3004-341	4	S/P	Bolt, Inspection Cap
21	3402-035	1		Plug, Head
22	3423-353	2	/P	O-Ring
23	3402-616	1		Insulator, Intake Manifold
24	3004-893	2		Screw
25	0570-067	1	S	Manifold, Intake
	3402-048	1	F	Plug, Frost



2003 ATV 400 FIS AUTOMATIC TRANSMISSION (4X4 RED) (A2003ISH4BUSR) Page 31 of 91  
DECALS

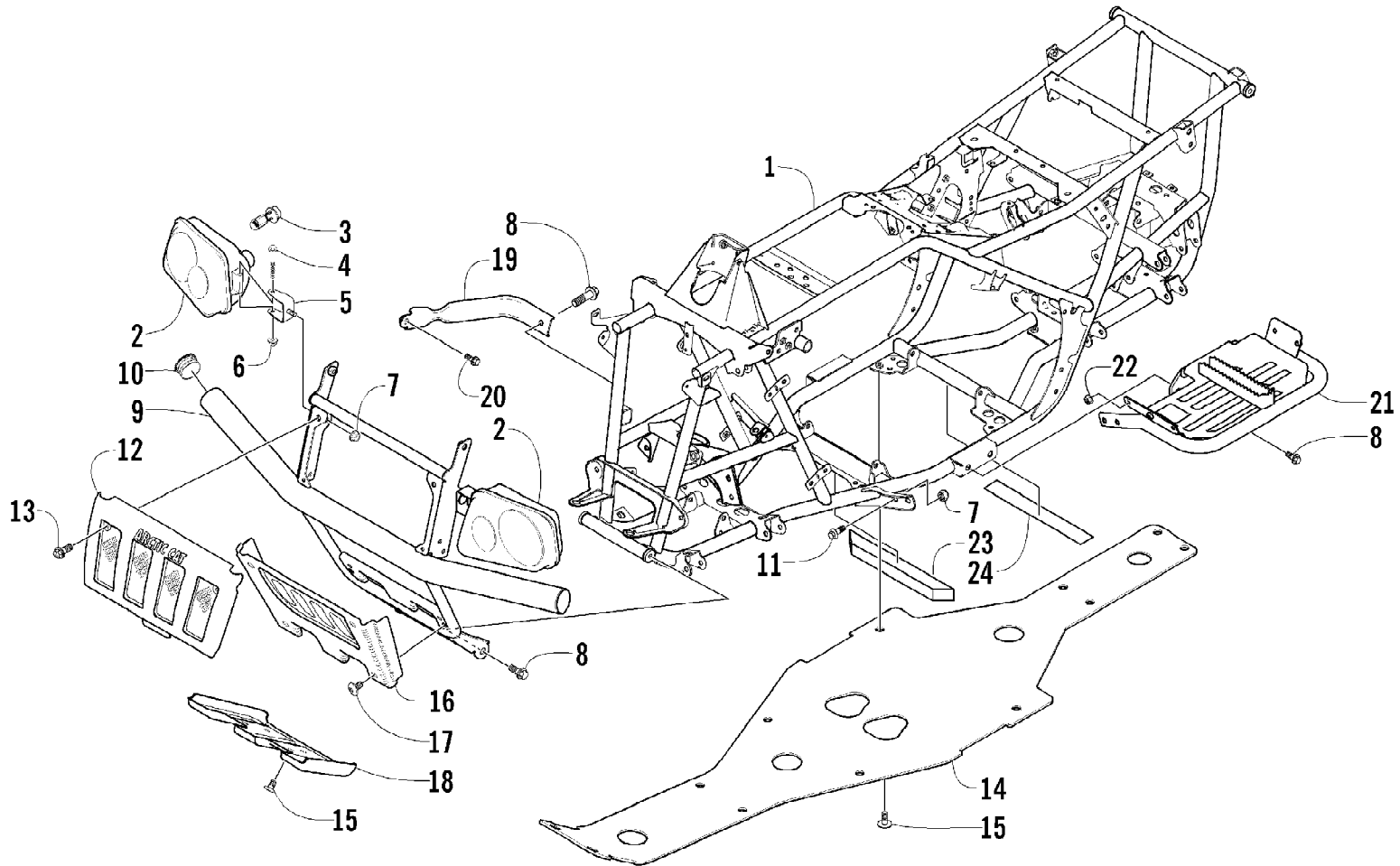
Ref #	Part Number	Qty	S/P/F	Description
1	0411-006	1		Decal, Warning - Front Rack Load
2	0411-045	1		Decal, Warning - Turn
3	0411-008	1	/P	Decal, Warning - Reverse/Pre-Ride
4	0411-011	1		Decal, Caution - Electrical (4X4)
5	0411-426	1		Decal, Warning - Clutch Cover
6	0411-007	1		Decal, Warning - Rear Rack Load
7	0411-324	1		Decal, Instruction - Start In Gear
8	0411-507	1		Decal, "Duramatic"
9	0411-501	1		Decal, "Arctic Cat" (4X4)
10	0411-430	1		Decal, Warning - Tire Pressure
11	0411-267	1		Decal, Warning - Towing
12	0411-218	1		Decal, Warning - General
13	0411-504	1		Decal, CA Emissions
14	0411-532	1		Decal, Front
14	0411-531	1		Decal, Front (Green/MRP)
14	0411-562	1		Decal, Front (Cat Green)
15	0411-401	1		Decal, Warning - Age
16	0411-519	1		Decal, Side - Right
16	0411-520	1		Decal, Side - Left
16	0411-517	1		Decal, Side - Right (2X4 Green)
16	0411-518	1		Decal, Side - Left (2X4 Green)
16	0411-523	1		Decal, Side - Right (4X4 Red)
16	0411-524	1		Decal, Side - Left (4X4 Red)
16	0411-521	1		Decal, Side - Right (4X4 Green/MRP)
16	0411-522	1		Decal, Side - Left (4X4 Green/MRP)
16	0411-560	1		Decal, Side - Right (Cat Green)
16	0411-561	1		Decal, Side - Left (Cat Green)
17	0411-435	1		Decal, Passenger





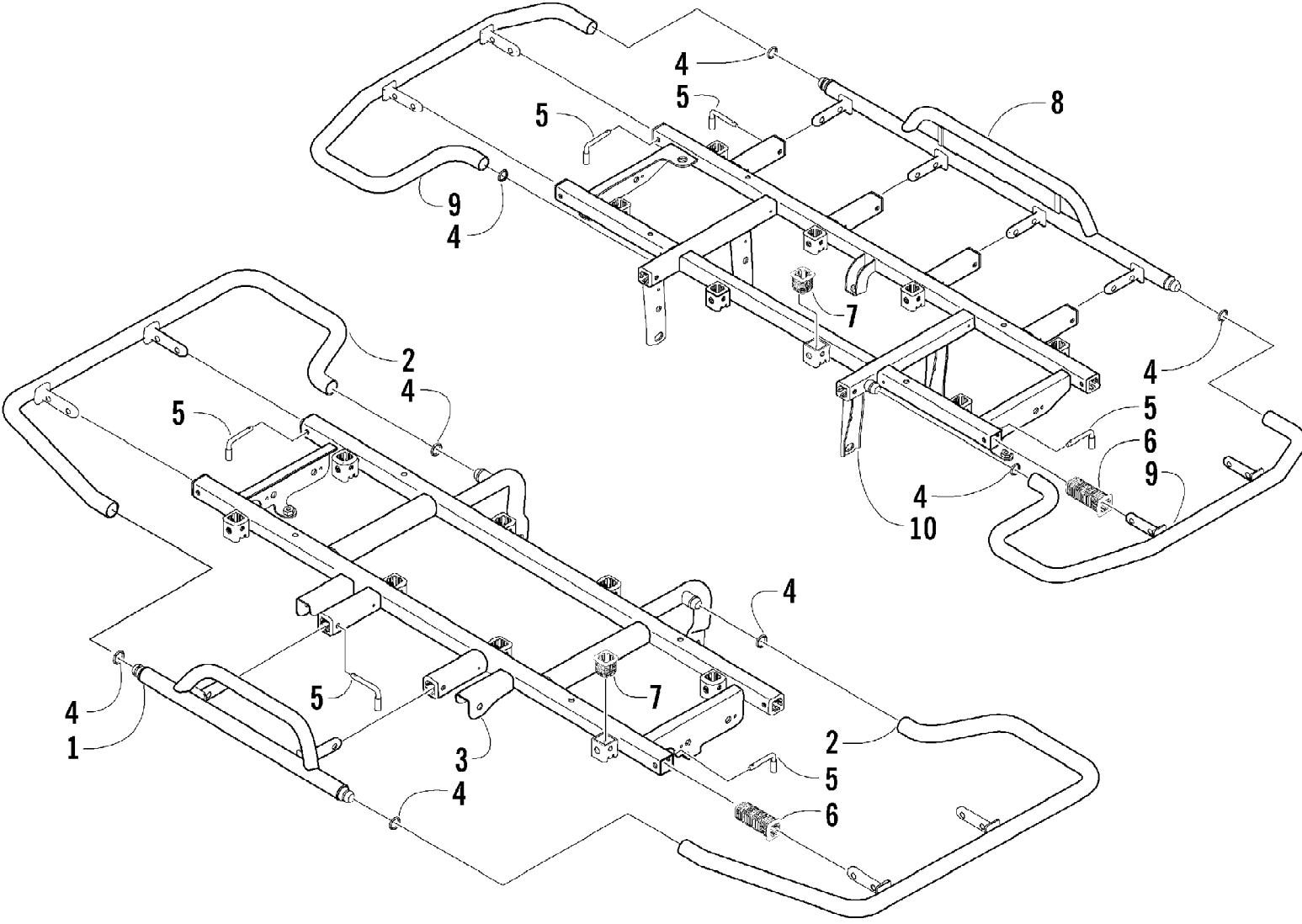
2003 ATV 400 FIS AUTOMATIC TRANSMISSION (4X4 RED) (A2003ISH4BUSR) Page 33 of 91  
ENGINE AND EXHAUST

Ref #	Part Number	Qty	S/P/F	Description
1	0462-018	1	/P	Engine
1	0462-017	1	/P	Engine (4X4)
2	0512-051	1	S	Pipe, Exhaust
3	0412-112	1		Cover, Exhaust
4	0412-184	1	/P	Muffler
5	0506-892	1	/P	Bracket, Engine - Upper
6	0506-983	1	/P	Bracket, Engine - Right
6	0506-984	1	/P	Bracket, Engine - Left
7	0423-405	3		Screw, Cap
8	0423-050	4		Washer
9	0423-042	2	S	Spacer
10	8428-002	3		Nut, Lock
11	8408-860	1		Screw, Cap
12	8424-802	1		Nut
13	8408-816	6		Screw, Cap
14	0412-187	1		Cover, Muffler
15	8408-616	4		Screw, Cap
16	0412-007	1	/P	Seal, Exhaust
17	8408-820	2	/P	Screw, Cap
18	0423-150	1		Clamp, Exhaust
19	8477-610	8		Screw, Machine
20	3430-033	1		Switch, Cooling Fan
21	3530-037	1	/P	Switch, Oil Light
22	3402-556	2	/P	Gasket, Switch
23	0402-160	1		Cap (2X4)



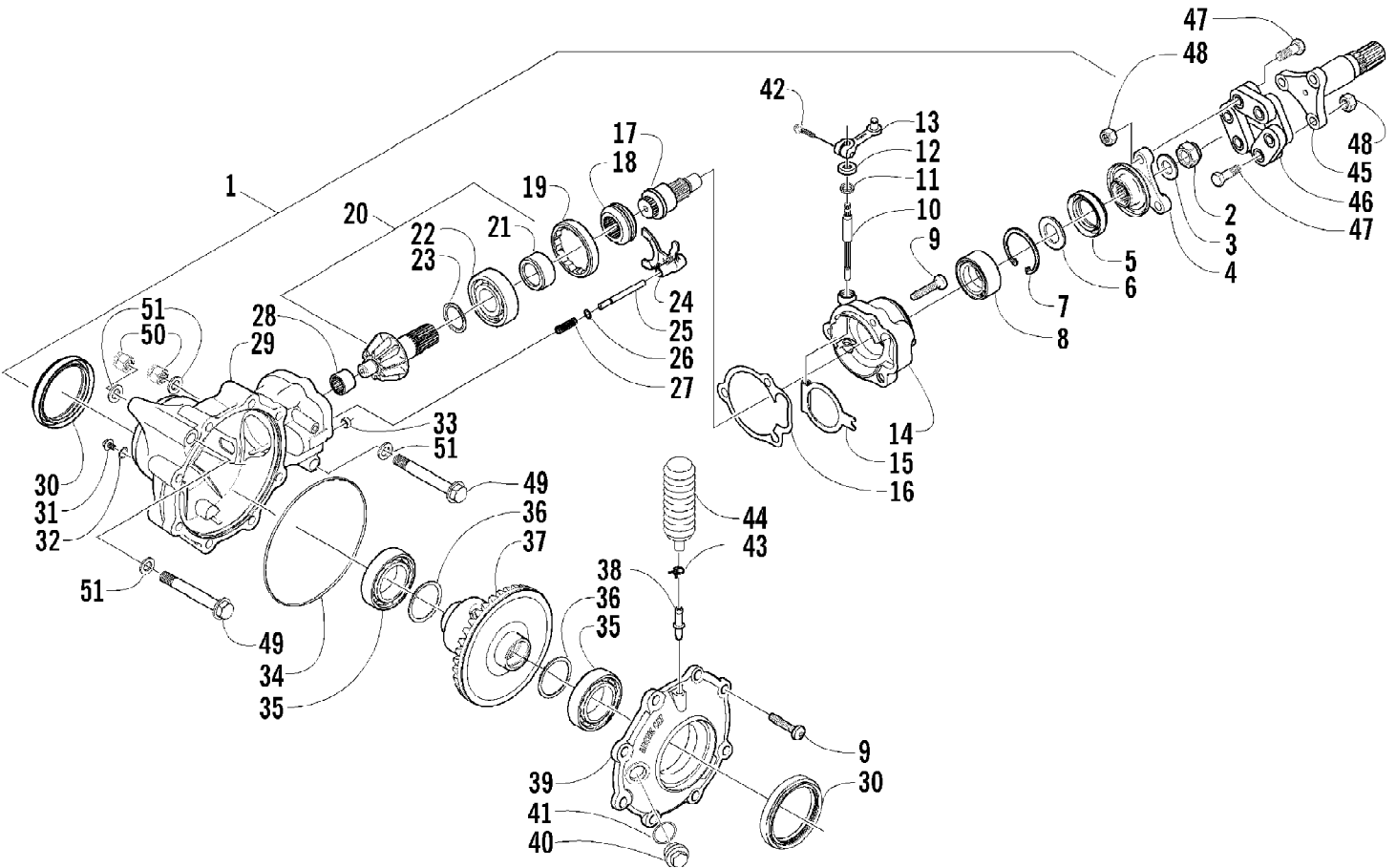
2003 ATV 400 FIS AUTOMATIC TRANSMISSION (4X4 RED) (A2003ISH4BUS) Page 35 of 91  
FRAME AND RELATED PARTS

Ref #	Part Number	Qty	S/P/F	Description
1	0506-815	1		Frame, Main
2	0409-032	2		Headlight Assembly - Right (inc. 3-6)
2	0409-031	2		Headlight Assembly - Left (inc. 3-6)
3	0409-045	2		Bulb, Headlight
4	8410-860	2		Screw, Cap
5	0406-945	2		Bracket, Headlight Mounting
6	0423-375	2		Nut, Lock
7	8424-802	6		Nut
8	8409-020	8	/P	Screw, Cap
9	0506-859	1	/P	Bumper
9	0506-544	1		Bumper (4X4)
10	0406-130	2		Cap, Bumper (4X4)
11	8408-816	4		Screw, Cap
12	0406-832	1		Grille, Upper
13	0423-361	2		Screw, Machine
14	1406-030	1		Panel, Belly
15	0423-101	AR		Screw, Shoulder
16	0406-833	1	S	Grille, Bumper - Lower
17	0423-362	4		Screw, Machine
18	0406-834	1		Plate, Skid
19	0506-653	2	S	Channel, Bumper Mounting
20	8408-812	2		Screw, Cap
21	0506-534	1		Footrest - Right
21	0506-728	1		Footrest - Left
22	8424-602	2	/P	Nut,
23	1506-067	1		Pad, Foam
24	0406-289	1		Pad, Foam



2003 ATV 400 FIS AUTOMATIC TRANSMISSION (4X4 RED) (A2003ISH4BUS) Page 37 of 91  
FRONT AND REAR RACK ASSEMBLIES (MRP)

Ref #	Part Number	Qty	S/P/F	Description
1	0541-133	1		Center, Rack - Front
2	0541-134	2		Side, Rack - Front
3	0541-135	1		Frame, Rack - Front
4	0623-903	8		O-Ring
5	0541-189	14	S	Pin
6	0441-556	18		Bushing, Rack
7	0441-592	16	/P	Bushing, Rack
8	0541-130	1		Center, Rack - Rear
9	0541-131	2		Side, Rack - Rear
10	0541-132	1		Frame, Rack - Rear



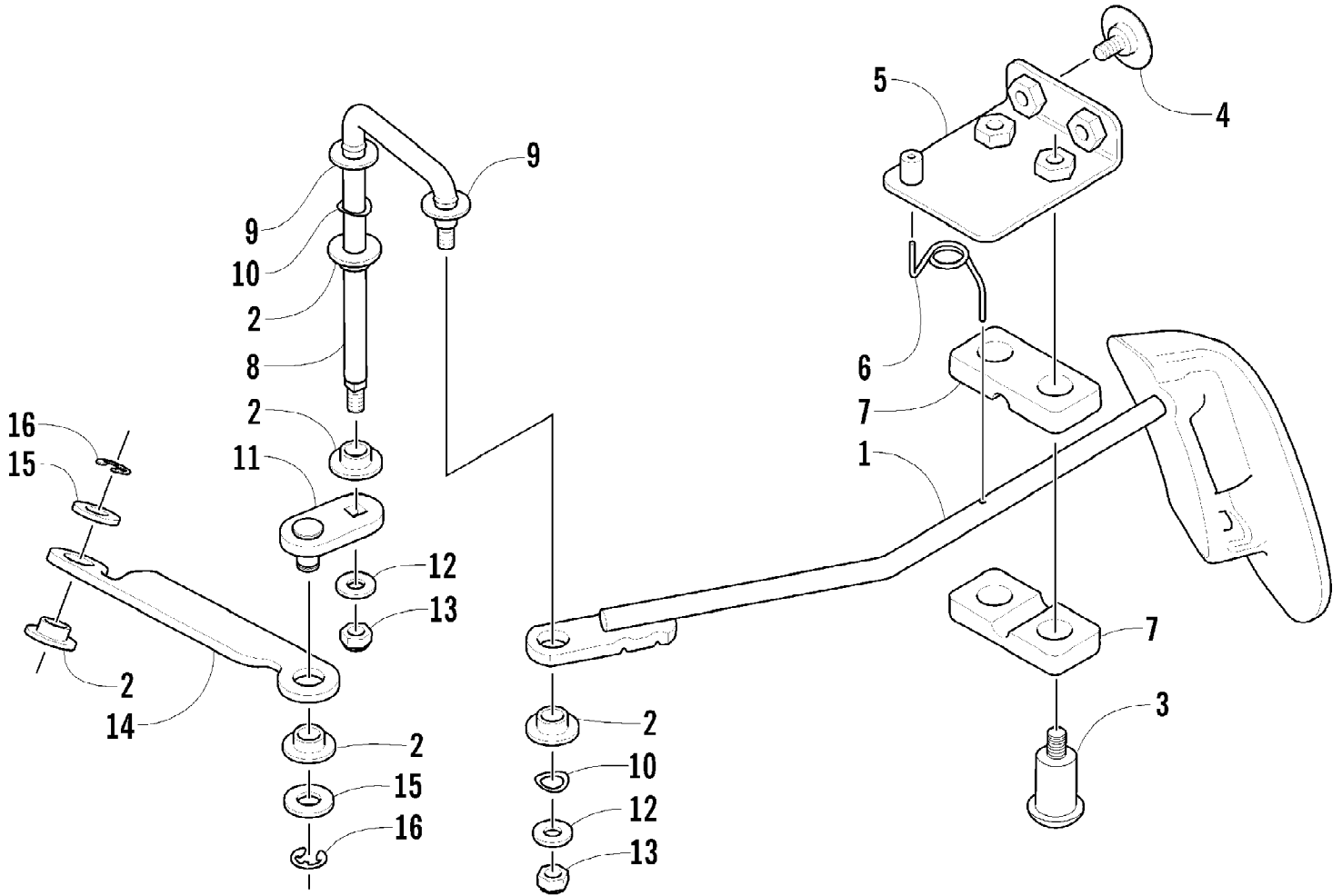
2003 ATV 400 FIS AUTOMATIC TRANSMISSION (4X4 RED) (A2003ISH4BUSR) Page 39 of 91  
FRONT DRIVE GEARCASE ASSEMBLY (4X4)

Ref #	Part Number	Qty	S/P/F	Description
1	0502-119	1		Gearcase, Front Drive - Assembly (inc. 2-42)
2	0423-135	1		Nut
3	0423-134	1		Washer
4	0402-422	1		Flange, Drive
5	0402-395	1		Seal
6	0402-346	1		Spacer, Drive
7	0402-332	1		Ring, Retaining
8	0402-003	1		Bearing
9	0423-118	11		Screw, Self-Tapping
10	0402-412	1		Shaft, Selector
11	0402-416	1		Seal
12	0402-398	1		Plate, Selector Shaft
13	0502-092	1		Arm, Selector
14	0502-122	1		Housing, Selector
15	0402-414	1		Plate, Spring - Selector
16	0402-947	1		Gasket, Flange
17	0402-410	1		Shaft, Thrust
18	0402-413	1		Coupler, Drive
19	0402-357	1		Collar, Lock
20	0502-123	1		Gear, Pinion - Assembly - 10T (inc. 21-23)
21	0402-336	1		Collar, Retaining
22	0402-327	1		Bearing
23	0402-424	AR		Shim
23	0402-425	AR		Shim
23	0402-426	AR		Shim
23	0402-427	AR		Shim
23	0402-428	AR		Shim
24	0402-420	1		Fork, Selector
25	0402-417	1		Shaft, Shuttle
26	0423-147	1		O-Ring
27	0402-418	1		Spring, Return
28	0402-328	1		Bearing
29	0502-120	1		Housing, Gearcase
30	0402-394	2	S	Seal
31	0402-450	1	S	Plug, Magnetic (inc. 32)
32	0423-153	1		O-Ring
33	0402-411	1		Pin, Dowel
34	0423-149	1		O-Ring
35	0402-393	2		Bearing
36	0402-405	AR		Shim
36	0402-406	AR		Shim
36	0402-407	AR		Shim
36	0402-408	AR		Shim
36	0402-409	AR		Shim
37	0502-124	1		Gear, Ring - 36T
38	0402-871	1		Fitting
39	0502-121	1		Cover, Gearcase
40	0402-333	1	/P	Plug, Fill (inc. 41)
41	0423-154	1		O-Ring
42	8410-620	1		Screw, Cap
43	0423-315	1		Clamp, Fitting
44	0402-147	1	S	Bladder, Case
45	0502-321	1		Shaft, Propeller

2003 ATV 400 FIS AUTOMATIC TRANSMISSION (4X4 RED) (A2003ISH4BUSR) Page 40 of 91  
 FRONT DRIVE GEARCASE ASSEMBLY (4X4)

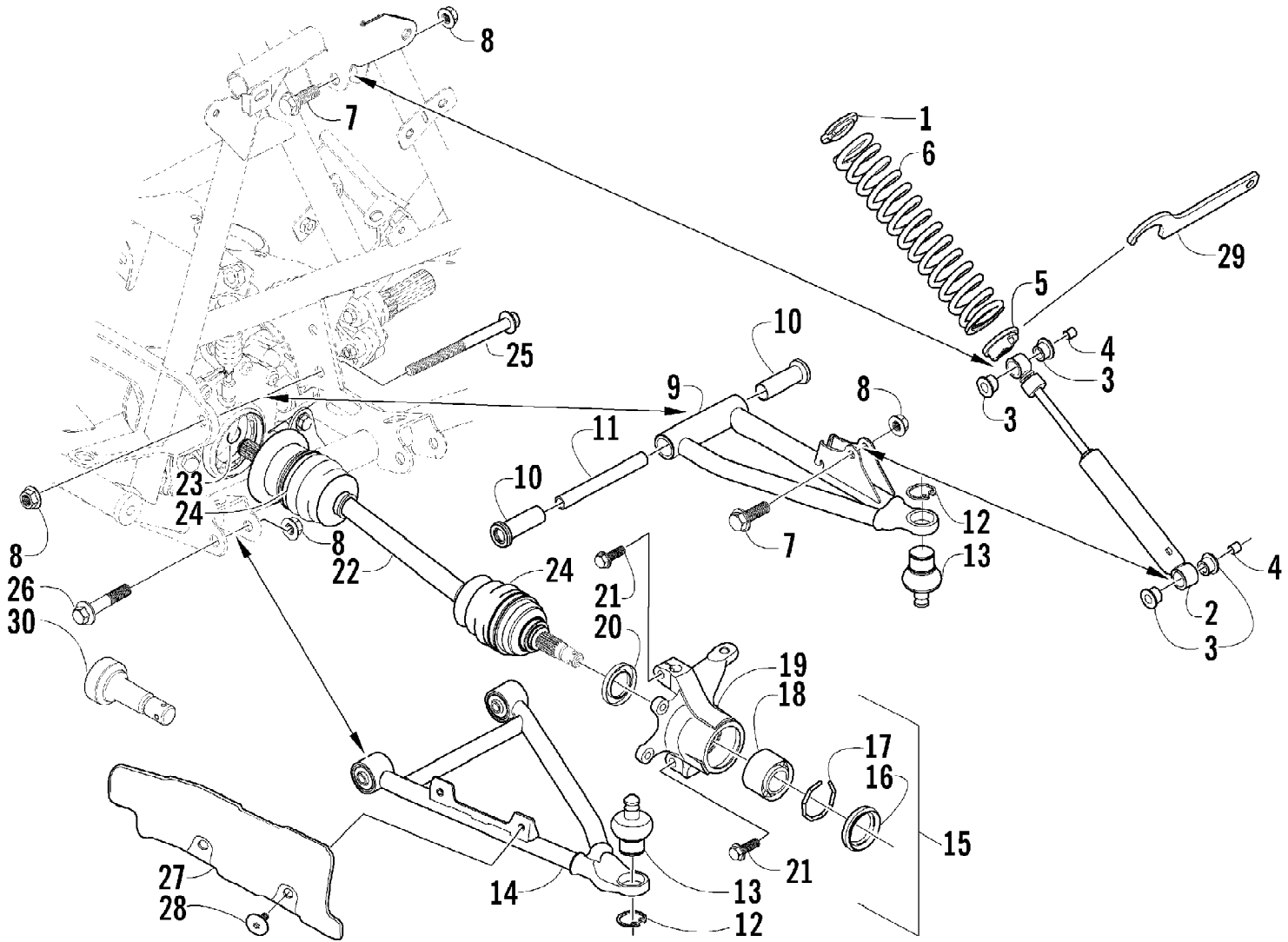
Ref #	Part Number	Qty	S/P/F	Description
46	3435-007	1		Coupler, Propeller Shaft
47	3423-182	6	S	Screw, Cap
48	3004-491	6	S/P	Nut
49	0423-404	2		Screw, Cap
50	8428-002	2		Nut, Lock
51	0423-426	4		Washer





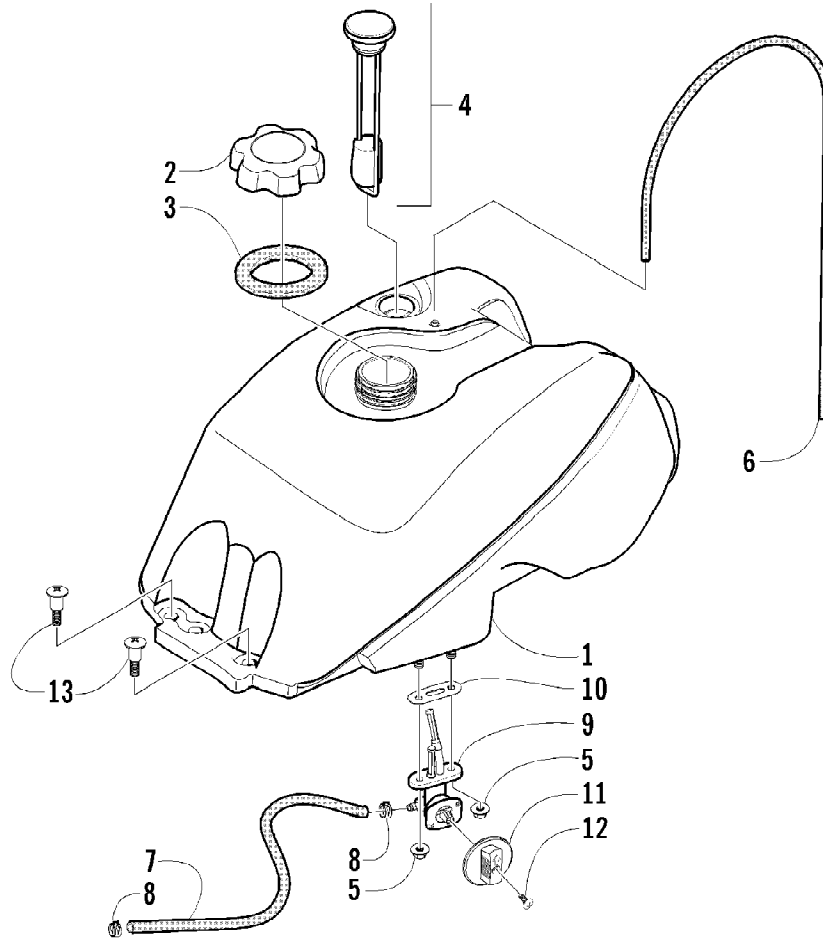
2003 ATV 400 FIS AUTOMATIC TRANSMISSION (4X4 RED) (A2003ISH4BUSR) Page 42 of 91  
FRONT DRIVE SHIFT LINKAGE ASSEMBLY (4X4)

Ref #	Part Number	Qty	S/P/F	Description
1	0502-291	1		Shifter
2	0423-091	5		Bushing
3	0423-329	2		Screw, Shoulder
4	0423-101	2		Screw, Body
5	0502-234	1		Plate, Mounting
6	0402-828	1		Spring, Torsion
7	0406-363	2		Bushing
8	0402-821	1		Arm, Shifter
9	0123-053	2	/P	Washer
10	0423-368	2		Washer, Wave
11	0502-295	1		Arm, Selector
12	0423-348	2		Washer
13	0624-250	2		Nut, Lock
14	0502-396	1	/P	Cross-Link
15	8050-247	2	/P	Washer
16	0124-057	2	/P	E-Ring



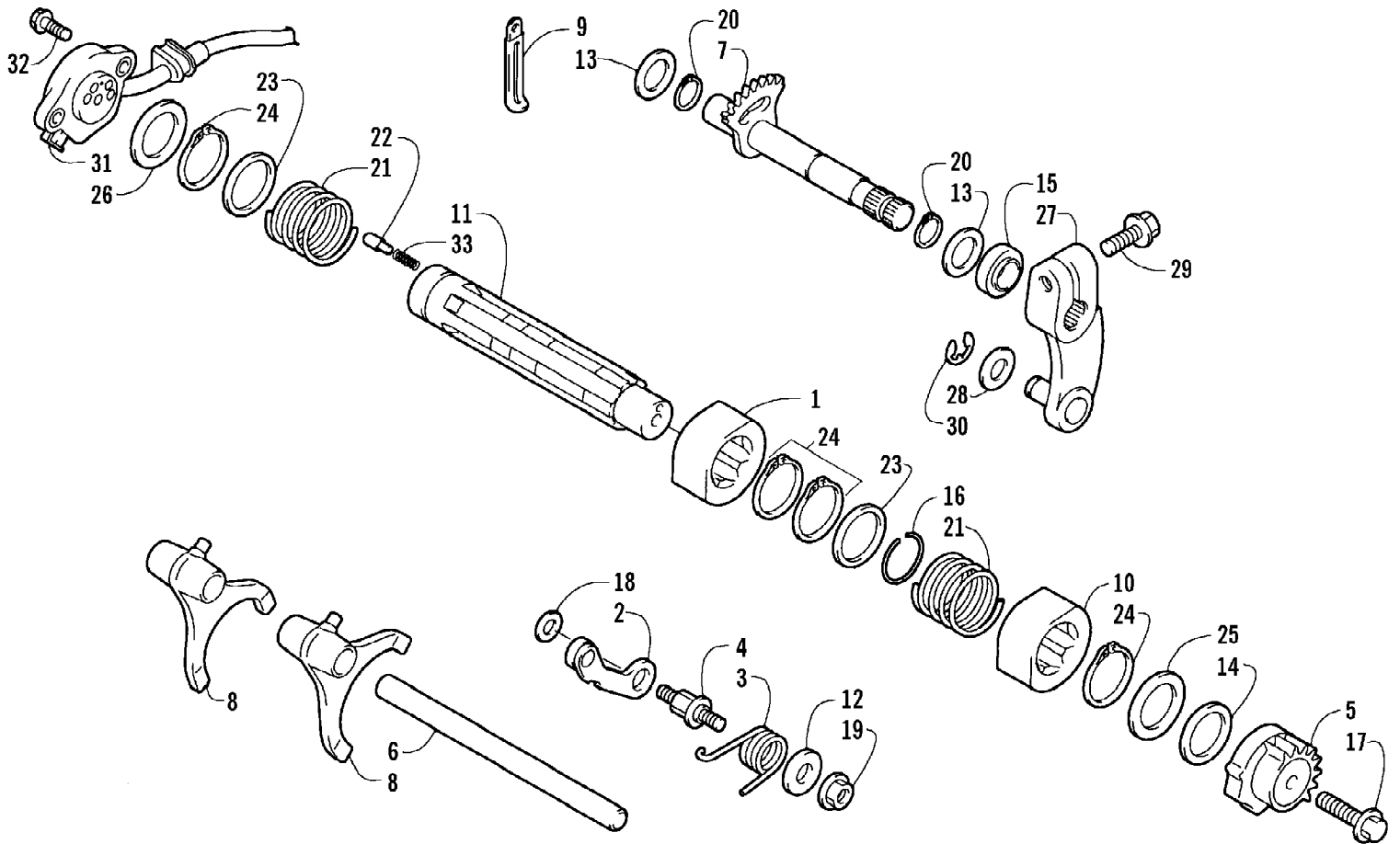
2003 ATV 400 FIS AUTOMATIC TRANSMISSION (4X4 RED) (A2003ISH4BUSR) Page 44 of 91  
FRONT SUSPENSION ASSEMBLY

Ref #	Part Number	Qty	S/P/F	Description
1	1603-889	2	/P	Retainer, Spring
2	0403-110	2	/P	Shock Absorber - Front (inc. 3-4)
2	0403-111	2	/P	Shock Absorber - Front (inc. 3-4) (4X4)
3	0604-310	8		Bushing, Shock Absorber
4	0403-028	4		Sleeve, Shock
5	0403-102	2		Cam, Spring Adjuster
6	0403-096	2		Spring, Shock Absorber
6	0403-091	2		Spring, Shock Absorber (4X4)
7	8409-040	4		Screw, Cap
8	8428-002	10		Nut, Lock
9	0503-196	1	S	A-Arm, Upper Right - Assembly (inc. 10-13)
9	0503-197	1		A-Arm, Upper Left - Assembly (inc. 10-13)
10	0403-081	4	S	Bushing
11	0403-080	2		Collar
12	0423-009	4	/P	Clip, Ball Joint
13	0405-115	4	/P	Ball Joint - Front
14	0503-198	1	/P	A-Arm, Lower Right (inc. 12-13)
14	0503-199	1	/P	A-Arm, Lower Left (inc. 12-13)
14	0503-194	1	/P	A-Arm, Lower Right (inc. 12-13) (4X4)
14	0503-195	1	/P	A-Arm, Lower Left (inc. 12-13) (4X4)
15	0505-026	1	S/P	Knuckle - Assembly - Right (inc. 16-20)
15	0505-027	1	S/P	Knuckle - Assembly - Left (inc. 16-20)
16	0402-089	2		Seal, Wheel Bearing - Front
17	0423-034	2		Clip, Bearing
18	0402-275	2	/P	Bearing, Wheel Hub - Front
19	0505-062	1	S	Knuckle, Steering - Right
19	0505-063	1	S	Knuckle, Steering - Left
20	0402-069	2		Seal, Wheel Bearing - Rear
21	8409-030	4		Screw, Cap
22	0402-907	2	S	Axle, Drive - Front (inc. 23-24) (4X4)
23	0441-400	2	S	Clip, Retaining (4X4)
24	0436-276	4	S	Repair Kit, Boot - Front Axle (4X4)
25	0423-334	2		Screw, Cap
26	8409-060	4		Screw, Cap
27	1406-034	1		Guard, Boot - Axle - Right (4X4)
27	1406-035	1		Guard, Boot - Axle - Left (4X4)
28	0423-101	4		Screw, Body (4X4)
29	0441-587	1		Wrench, Spanner
30	1402-006	2		Axle, Stub (2X4)



2003 ATV 400 FIS AUTOMATIC TRANSMISSION (4X4 RED) (A2003ISH4BUS) Page 46 of 91  
 GAS TANK ASSEMBLY

Ref #	Part Number	Qty	S/P/F	Description
1	0570-066	1	/P	Tank, Gas - Assembly (inc. 2-10)
2	0470-438	1	/P	Cap, Gas Tank (inc. 3)
3	0109-733	1	/P	Gasket, Tank Cap
4	0570-086	1	/P	Gauge, Fuel w/Gasket (Press-Fit)
5	0423-398	2		Nut, Lock
6	0470-416	1	/P	Hose, Vent
7	0610-007	AR	/P	Hose, Gasline - 25 ft
8	0423-152	2		Clamp, Hose
9	0470-445	1	/P	Valve, Fuel Shut-Off (inc. 10)
10	0470-364	1		Gasket, Fuel Shut-Off Valve
11	0470-408	1		Knob, Fuel Shut-Off Valve
12	0423-146	1		Screw, Machine
13	0423-130	2		Screw, Shoulder

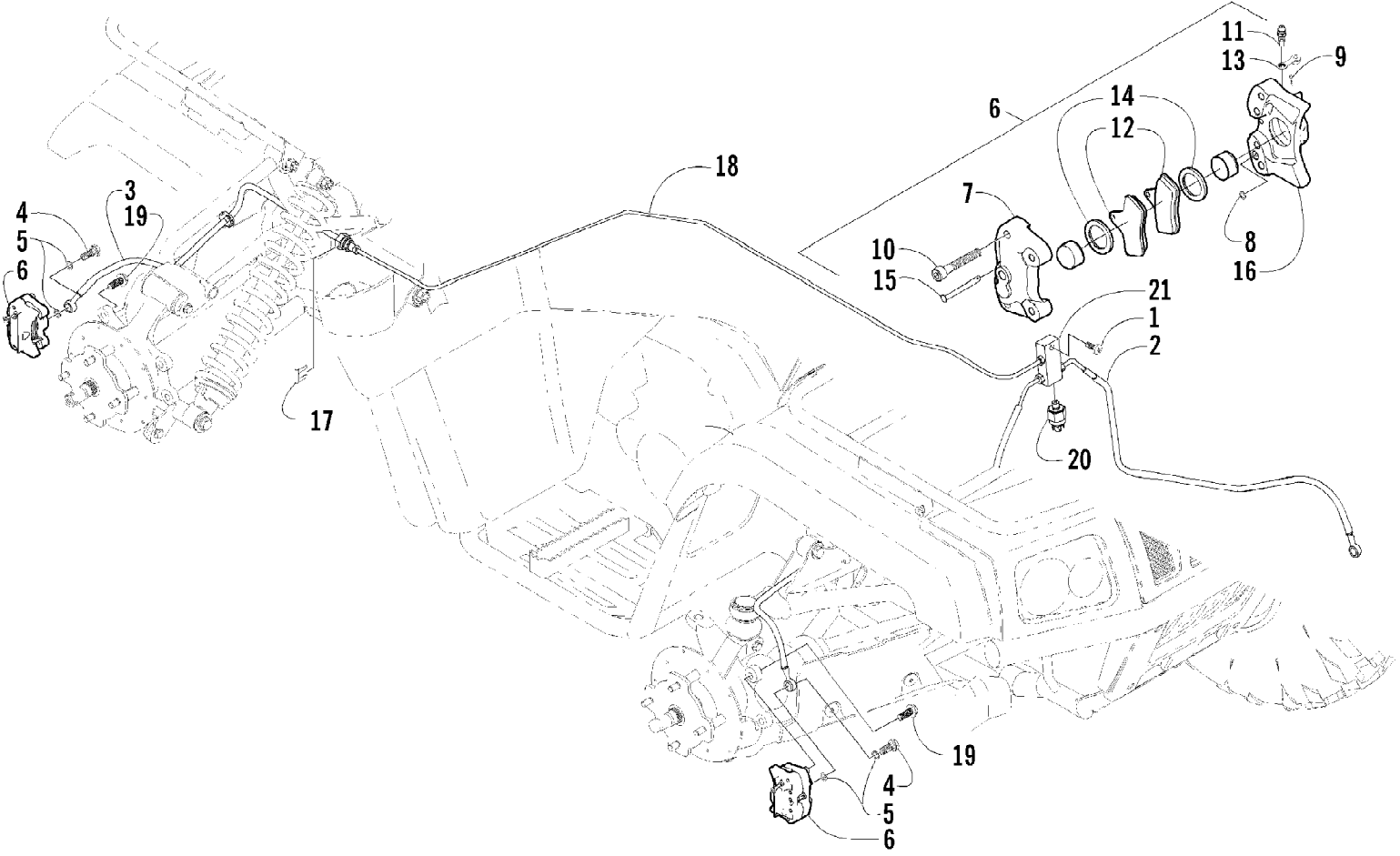


2003 ATV 400 FIS AUTOMATIC TRANSMISSION (4X4 RED) (A2003ISH4BUSR) Page 48 of 91  
GEAR SHIFTING ASSEMBLY

Ref #	Part Number	Qty	S/P/F	Description
1	3402-640	1		Cam, Reverse
2	3446-043	1		Stopper, Cam
3	3446-283	1		Spring, Cam Stopper
4	3446-048	1		Support, Cam Stopper
5	3402-642	1		Plate, Gear Shift Cam
6	3402-643	1		Shaft, Shift Fork
7	3402-644	1		Shaft, Sub-Gear Shift
8	3446-073	2		Fork, Shift
9	3002-964	1	/P	Clamp, Wire
10	3402-670	1		Cam, Gear Shift
11	3446-281	1		Shaft, Gear Shift
12	3423-438	1		Washer, Cam Stopper Spring
13	1691-043	2		Washer, Sub-Gear Shift Shaft
14	3423-446	1		Washer, Gear Shift Cam Plate
15	3402-076	1		Seal, Sub-Gear Shift Shaft
16	3423-416	1		C-Ring, Cam
17	3004-376	1	S/P	Bolt, Gear Shift Cam Plate
18	3423-141	1		Washer, Cam Stopper
19	3004-488	1	S/P	Nut, Cam Stopper Spring
20	3423-358	2	S	Circlip, Sub-Gear Shift Shaft
21	3446-280	2		Spring, Cam
22	3423-044	2		Contact
23	3402-382	2		Washer, Cam Spring
24	3423-191	4	/P	Circlip, Cam Spring
25	3402-195	1		Washer, Shift Shaft
26	3423-421	1	/P	Washer, Shift Shaft
27	3402-434	1	/P	Arm, Select
28	3423-204	1	/P	Washer, Select Arm
29	3004-341	1	S/P	Bolt, Select Arm
30	3423-168	1	S	E-Ring
31	3402-686	1		Base, Gear Shift - Assembly
32	3423-418	2		Bolt
33	3402-087	2		Spring

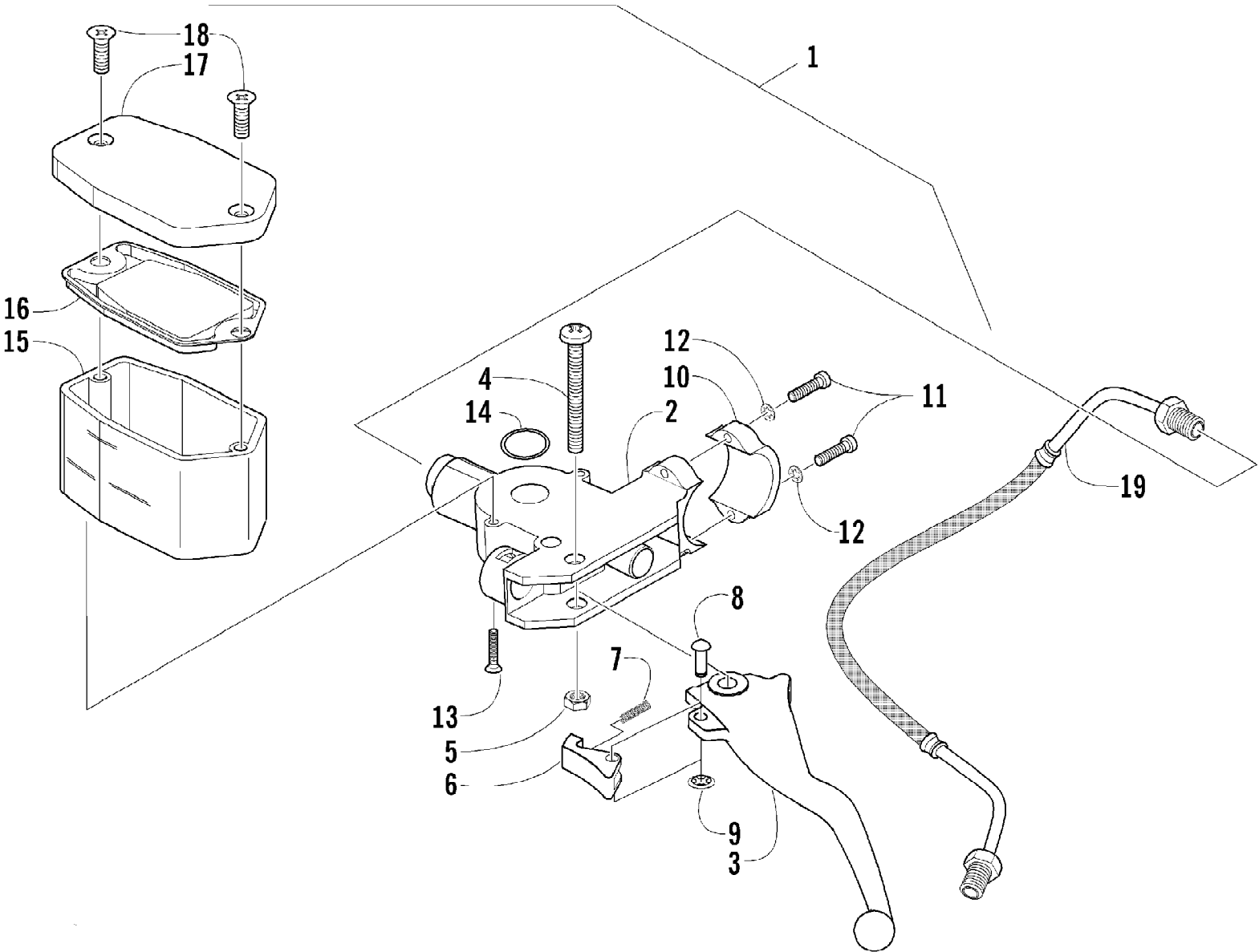


2003 ATV 400 FIS AUTOMATIC TRANSMISSION (4X4 RED) (A2003ISH4BUSR)  
HYDRAULIC BRAKE ASSEMBLY



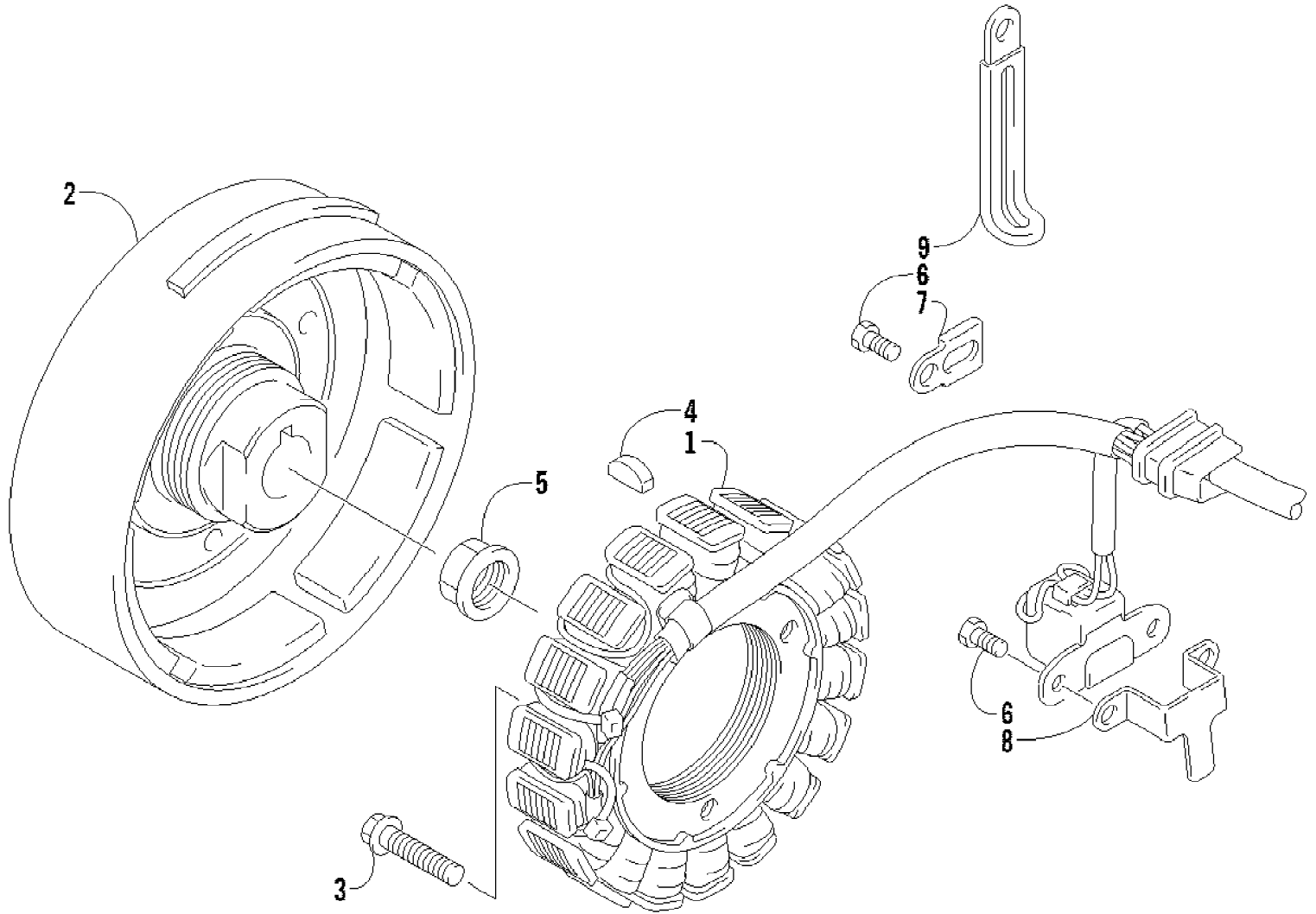
2003 ATV 400 FIS AUTOMATIC TRANSMISSION (4X4 RED) (A2003ISH4BUSR) Page 50 of 91  
 HYDRAULIC BRAKE ASSEMBLY

Ref #	Part Number	Qty	S/P/F	Description
1	8476-630	1		Screw, Cap
2	0402-961	2		Hose, Brake - Front
3	0402-956	1		Hose, Brake - Rear
4	0423-413	3		Bolt, Banjo-Fitting
5	0423-178	6		Washer, Crush
6	0502-335	1	S	Caliper, Brake - Right Front (inc. 7-16)
6	0502-336	2	S	Caliper, Brake - Left Front and Right Rear (inc. 7-16)
7	0	3	F	Housing, Caliper
8	0402-490	3		O-Ring
9	0402-496	3	S	Pin, Cotter
10	0402-492	12		Screw, Cap
11	0402-493	3		Cap, Bleed Valve
12	0402-882	6	/P	Pad, Brake
13	0402-491	3	S	Valve, Bleed
14	0402-980	6		O-Ring, Brake Caliper
15	0402-495	3		Pin, Brake Caliper
16	0	3	F	Housing, Caliper
17	0402-597	1	/P	Clip, Brake Line
18	1402-008	1		Tube, Brake Line - Rear
19	8408-825	6		Screw, Cap
20	0402-306	1	/P	Switch, Brake Pressure
21	1406-086	1		Block, Junction



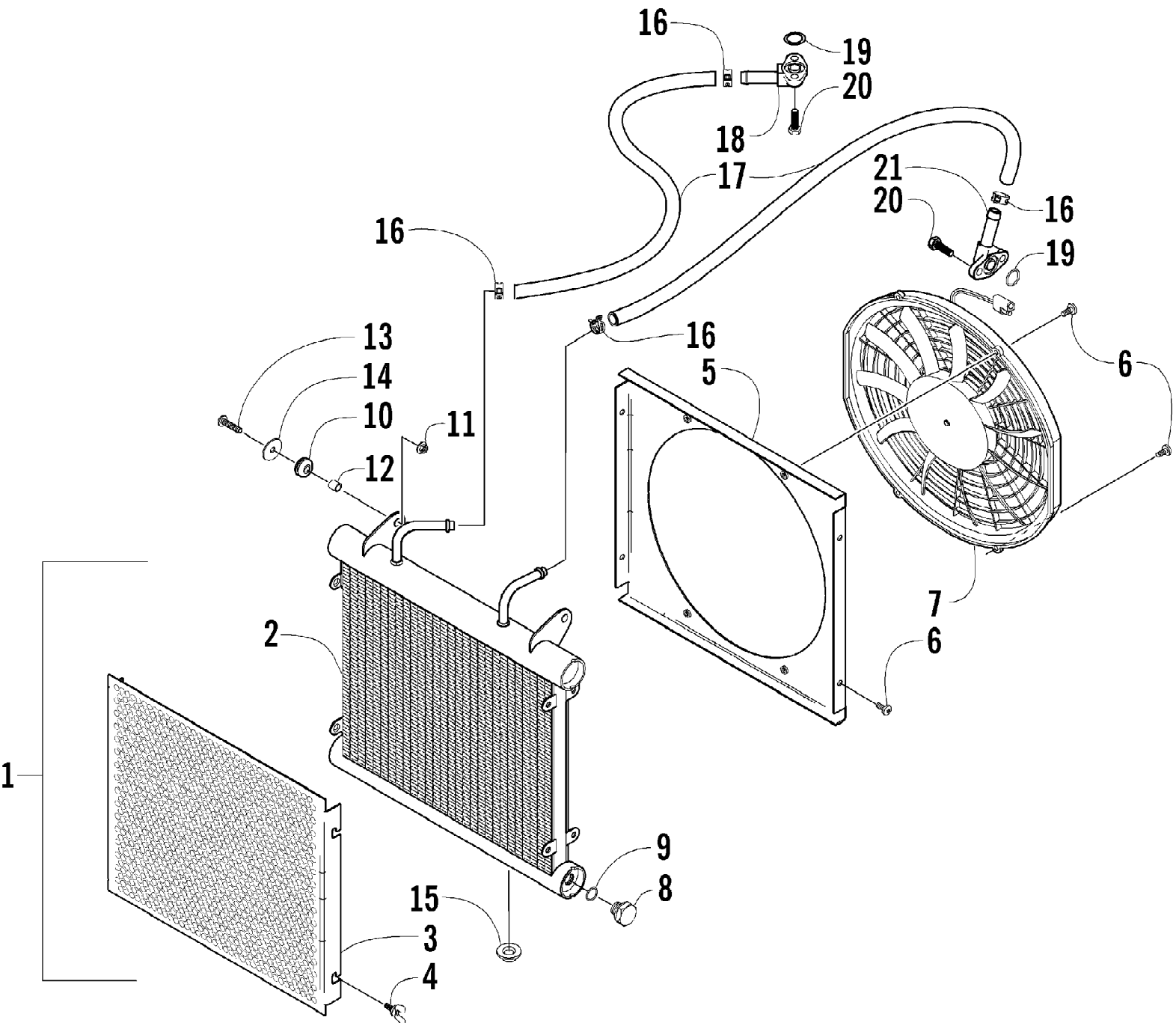
2003 ATV 400 FIS AUTOMATIC TRANSMISSION (4X4 RED) (A2003ISH4BUSR) Page 52 of 91  
HYDRAULIC HAND BRAKE ASSEMBLY

Ref #	Part Number	Qty	S/P/F	Description
	0502-429	1		Master Cylinder Rebuild Kit
1	0502-387	1	/P	Brake Assembly (inc. 2-18)
2	0	1	F	Master Cylinder
3	0402-818	1	/P	Lever, Brake
4	0623-430	1	/P	Screw, Lever Mounting
5	0623-056	1		Nut, Lock
6	1402-034	1	/P	Lock, Brake Lever
7	0402-245	1		Spring, Brake Lever Lock
8	0402-246	1		Pin, Brake Lever Lock
9	0423-090	1		Nut, Press-On - Brake Lever Lock
10	0602-907	1		Clamp, Master Cylinder
11	0623-613	2	/P	Screw, Machine
12	8052-212	2		Washer, Lock - Internal Tooth
13	0623-432	2		Screw, Master Cylinder Mounting
14	0602-587	1		O-Ring
15	0602-740	1		Reservoir
16	0602-741	1		Gasket, Cover
17	0602-742	1		Cover, Reservoir
18	0623-506	2		Screw, Cover
19	0402-962	1		Brakeline, Hydraulic



2003 ATV 400 FIS AUTOMATIC TRANSMISSION (4X4 RED) (A2003ISH4BUSI) Page 54 of 91  
MAGNETO ASSEMBLY

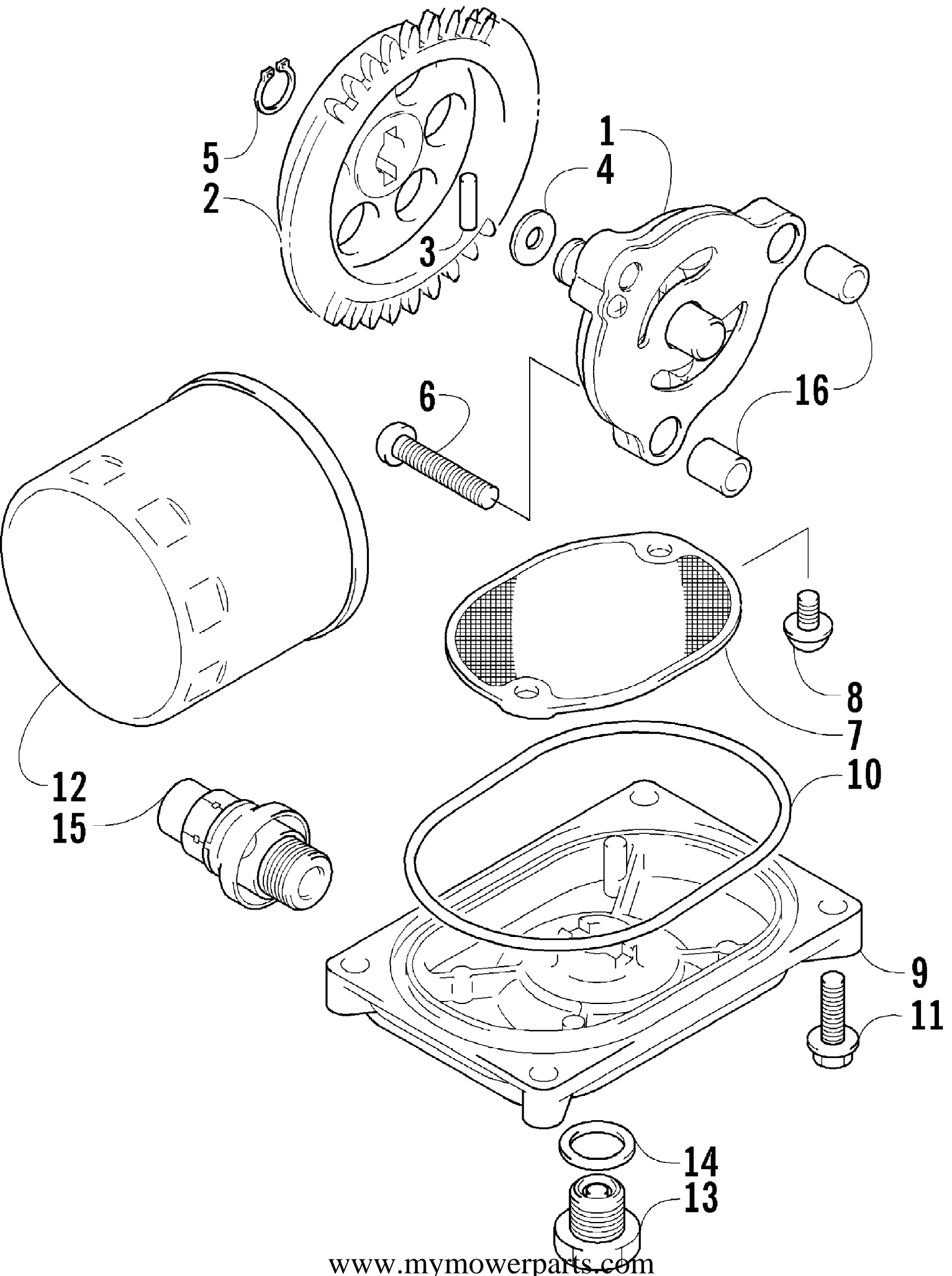
Ref #	Part Number	Qty	S/P/F	Description
1	3430-053	1		Stator Assembly
2	3430-054	1	S	Rotor/Flywheel
3	3004-756	3	S	Bolt
4	0691-785	1		Key
5	3423-086	1		Nut
6	3423-005	3	/P	Bolt
7	3430-005	1		Clamp
8	3430-006	1		Clamp
9	3002-964	1	/P	Clamp, Wire



2003 ATV 400 FIS AUTOMATIC TRANSMISSION (4X4 RED) (A2003ISH4BUS) Page 56 of 91  
 OIL COOLER ASSEMBLY

Ref #	Part Number	Qty	S/P/F	Description
1	0413-052	1		Cooler, Oil - Assembly (inc. 2-9)
2	0413-053	1		Cooler, Oil
3	0413-007	1		Screen, Oil Cooler
4	0413-009	1		Screw, Thumb
5	0413-064	1		Shroud, Fan
6	8475-512	8		Screw, Machine
7	0413-044	1	S	Fan, Cooling
8	0413-058	1		Plug, Drain
9	0413-059	1		O-Ring
10	0423-030	2		Grommet
11	0623-038	2		Nut w/Washer
12	0423-036	2		Collar
13	8476-625	2		Screw, Machine
14	0623-184	2		Washer
15	0423-028	2		Bushing, Stem
16	0423-098	4	/P	Clamp, Hose
17	0410-044	2		Hose, Oil
18	0410-013	1		Fitting, Oil
19	0423-089	2		O-Ring
20	8471-616	4		Screw, Machine
21	0410-012	1		Fitting, Oil - Angled

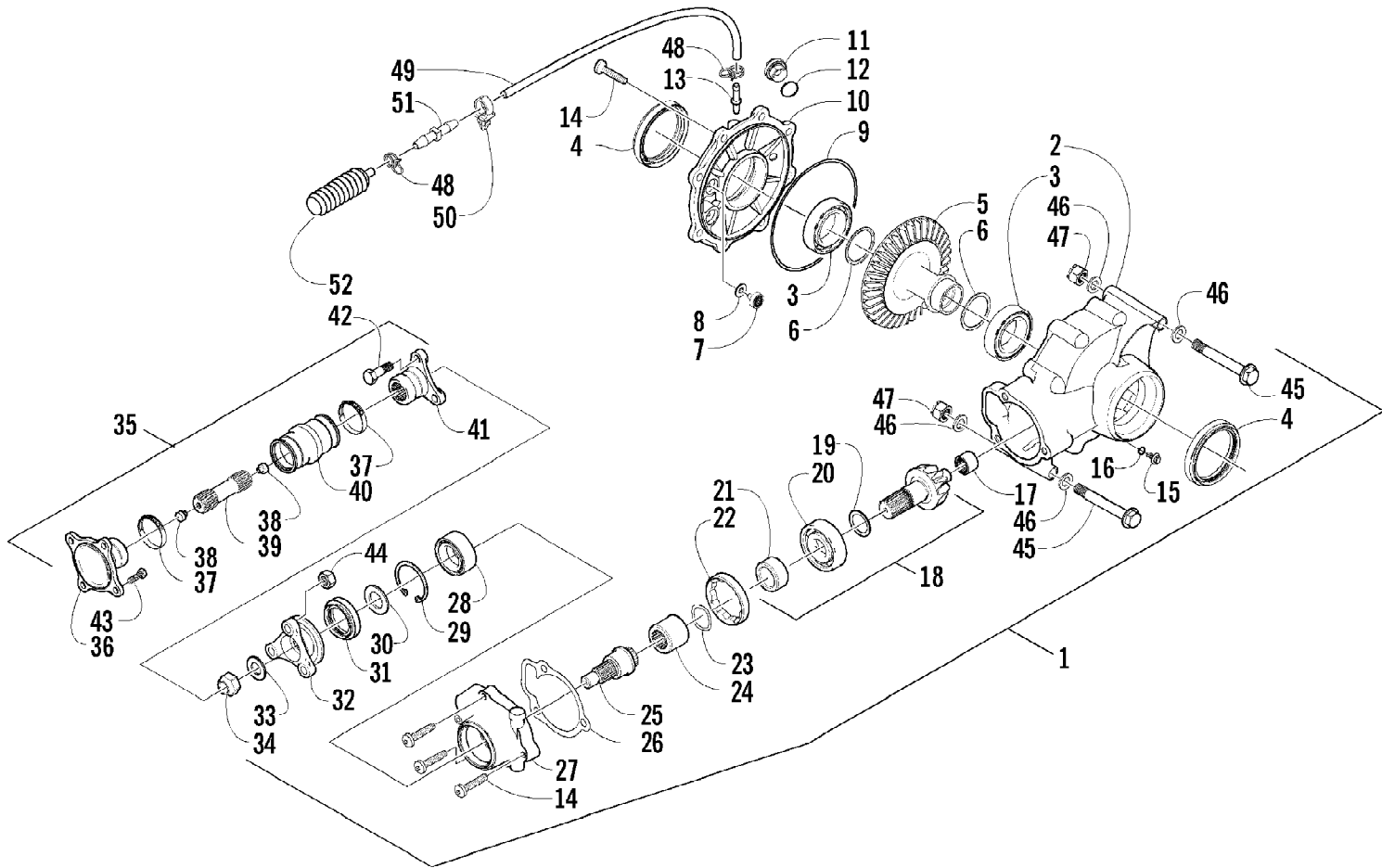




2003 ATV 400 FIS AUTOMATIC TRANSMISSION (4X4 RED) (A2003ISH4BUSR) Page 58 of 91  
 OIL FILTER/PUMP ASSEMBLY

Ref #	Part Number	Qty	S/P/F	Description
1	3402-619	1		Pump, Oil
2	3402-618	1		Gear, Driven
3	3423-046	1		Pin
4	3423-443	1		Washer
5	3423-184	1	S	Circlip
6	3423-113	3	S/P	Screw
7	3402-156	1		Strainer, Oil
8	0693-389	2	S	Screw
9	3402-157	1		Cap, Oil Strainer
10	3423-077	1		O-Ring
11	3004-756	4	S	Screw, Cap
12	0436-146	1	S	Filter, Oil
13	3403-021	1	/P	Plug, Drain
14	3402-012	1		Gasket, Drain Plug
15	3402-773	1		Valve, Assembly - Oil Relief
16	3005-206	2	/P	Pin, Oil Pump

2003 ATV 400 FIS AUTOMATIC TRANSMISSION (4X4 RED) (A2003ISH4BUSI) Page 59 of 91  
REAR DRIVE GEARCASE ASSEMBLY

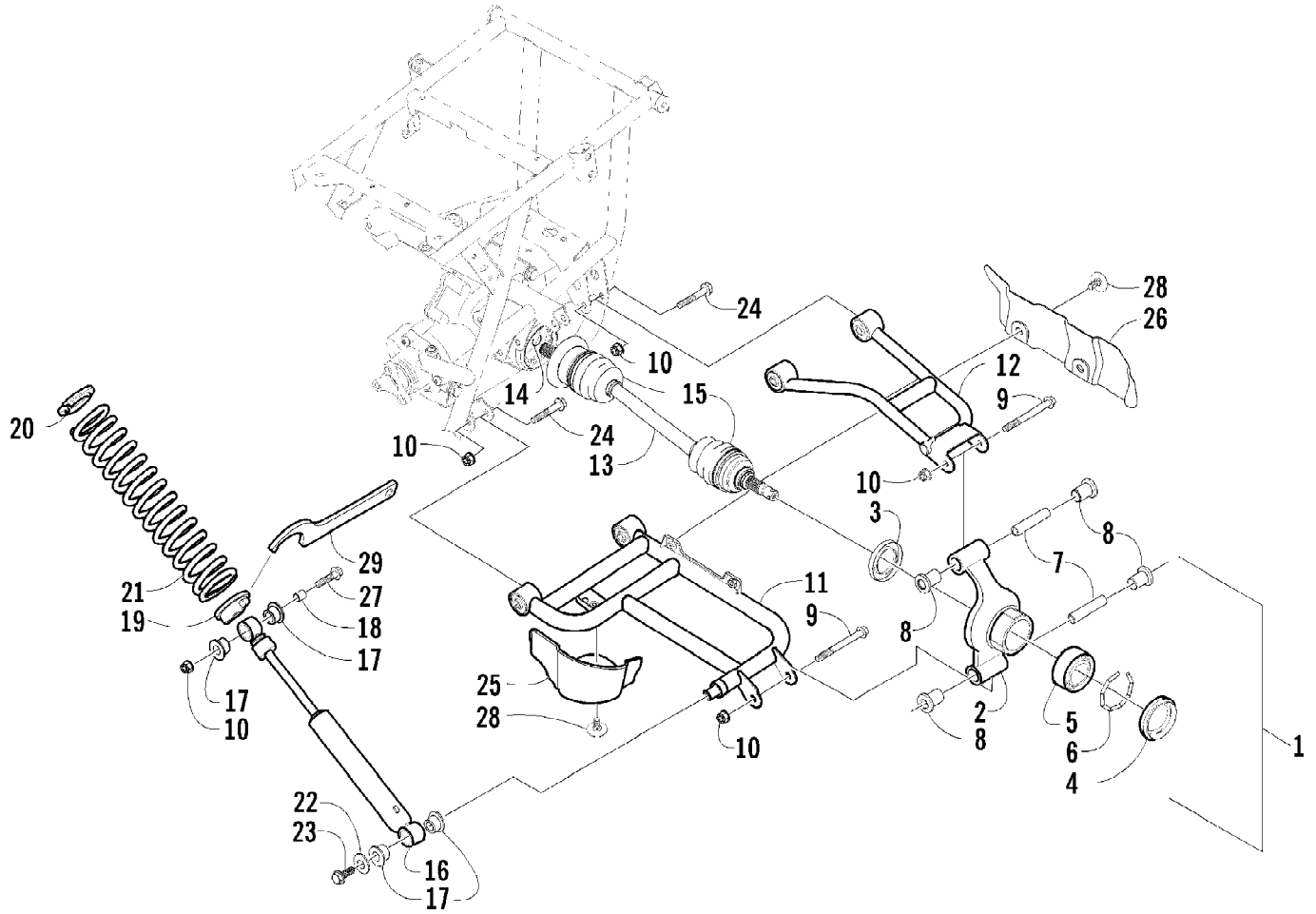


2003 ATV 400 FIS AUTOMATIC TRANSMISSION (4X4 RED) (A2003ISH4BUSR) Page 60 of 91  
REAR DRIVE GEARCASE ASSEMBLY

Ref #	Part Number	Qty	S/P/F	Description
	0502-294	1		Complete Assembly
1	0502-294	1		Gearcase, Rear Drive - Assembly (inc. 2-34)
2	0502-352	1		Housing, Gearcase
3	0402-393	2		Bearing
4	0402-394	2	S	Seal
5	0402-965	1		Gear, Ring - 36T
6	0402-405	AR		Shim
6	0402-406	AR		Shim
6	0402-407	AR		Shim
6	0402-408	AR		Shim
6	0402-409	AR		Shim
7	0402-326	1		Button, Thrust
8	0402-429	AR		Shim
8	0402-430	AR		Shim
8	0402-431	AR		Shim
8	0402-432	AR		Shim
8	0402-433	AR		Shim
9	0423-149	1		O-Ring
10	0502-346	1		Cover, Gearcase
11	0402-333	1	/P	Plug, Fill (inc. 12)
12	0423-154	1		O-Ring
13	0402-871	1		Fitting
14	0423-118	11		Screw, Self-Tapping
15	0402-450	1	S	Plug, Magnetic (inc. 16)
16	0423-153	1		O-Ring
17	0402-328	1		Bearing
18	0502-123	1		Gear, Pinion - Assembly - 10T (inc. 19-21)
19	0402-424	AR		Shim
19	0402-425	AR		Shim
19	0402-426	AR		Shim
19	0402-427	AR		Shim
19	0402-428	AR		Shim
20	0402-327	1		Bearing
21	0402-336	1		Collar, Retaining
22	0402-331	1		Collar, Lock
23	0402-982	1		Washer, Wave
24	0402-981	1		Collar, Shaft
25	0402-410	1		Shaft, Thrust
26	0402-947	1		Gasket, Flange
27	0502-345	1		Housing, Pinion
28	0402-003	1		Bearing
29	0402-332	1		Ring, Retaining
30	0402-346	1		Spacer, Drive
31	0402-395	1		Seal
32	0402-422	1		Flange, Drive - Assembly
33	0423-134	1		Washer
34	0423-135	1		Nut
35	0502-325	1		Coupler, Drive (inc. 36-41)
36	0	1	F	Flange, Output
37	0423-393	2		Clamp, Boot
38	0673-618	2	/P	Bumper, Propeller Shaft
39	0	1	F	Shaft, Propeller
40	0402-953	1		Pin

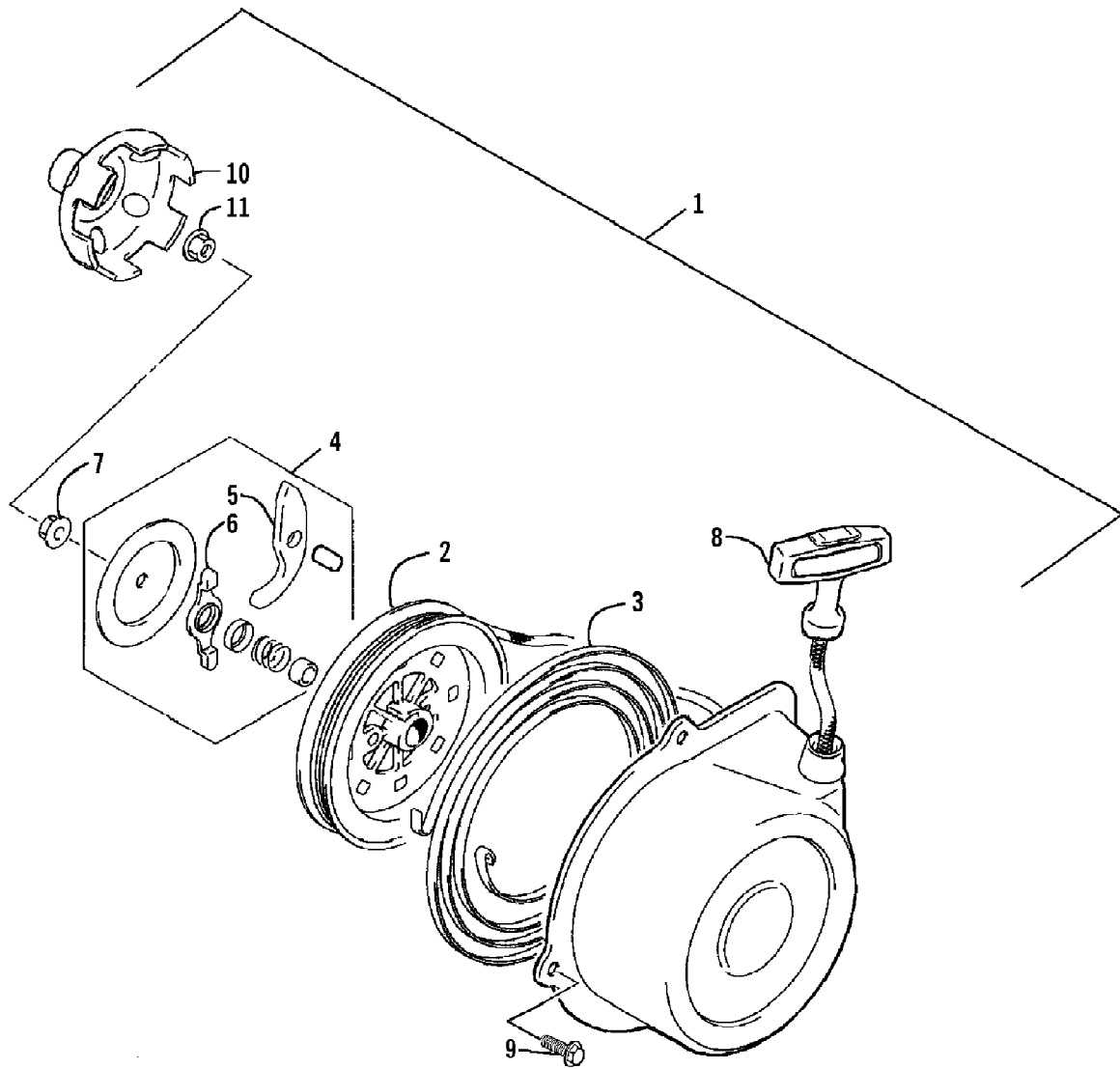
2003 ATV 400 FIS AUTOMATIC TRANSMISSION (4X4 RED) (A2003ISH4BUSR) Page 61 of 91  
 REAR DRIVE GEARCASE ASSEMBLY

Ref #	Part Number	Qty	S/P/F	Description
41	0	1	F	Flange, Input
42	8409-030	3		Screw, Cap
43	8408-820	4	/P	Screw, Cap
44	0423-157	3		Nut, Lock
45	0423-404	2		Bolt
46	0423-426	4		Washer
47	8428-002	2		Nut, Lock
48	0423-315	3		Clamp, Fitting
49	0410-049	AR		Hose, Vent
50	0623-101	1		Clip, Routing - Snap-In
51	0470-462	1		Fitting, Vent
52	0402-147	1	S	Bladder, Gearcase



2003 ATV 400 FIS AUTOMATIC TRANSMISSION (4X4 RED) (A2003ISH4BUSR) Page 63 of 91  
REAR SUSPENSION ASSEMBLY

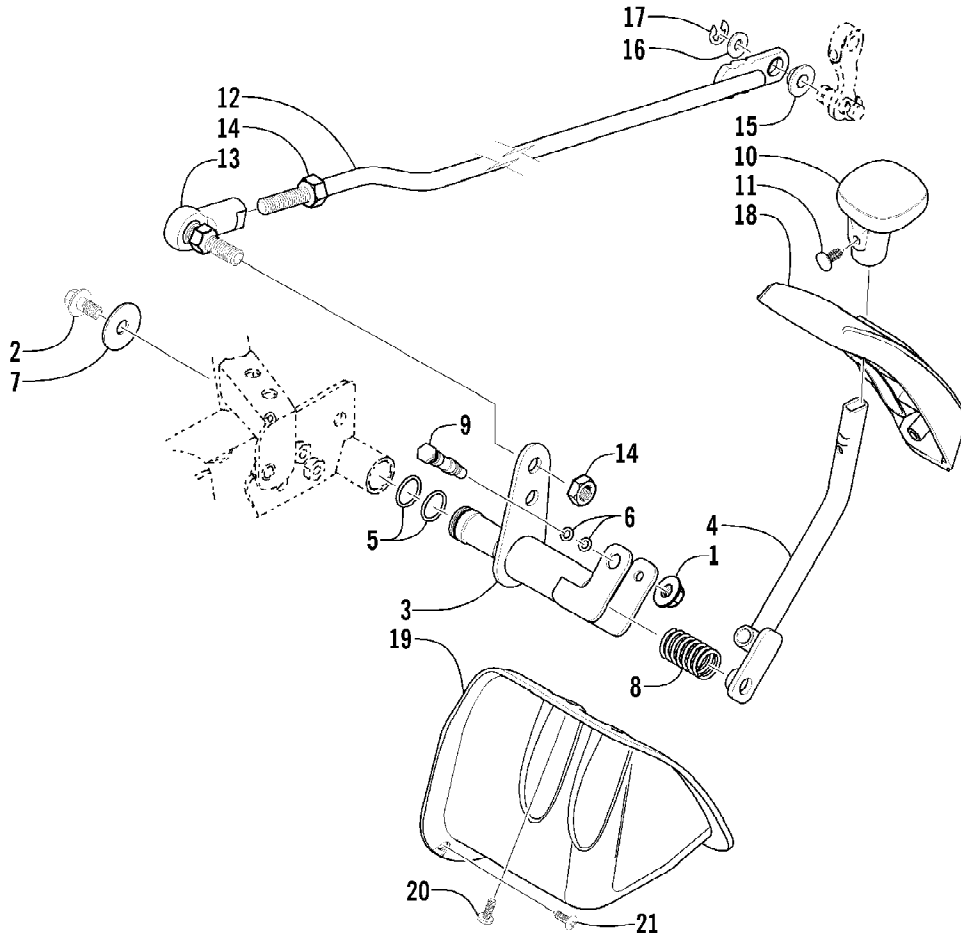
Ref #	Part Number	Qty	S/P/F	Description
1	0504-226	1	S	Knuckle, Right Rear - Assembly (inc. 2-6)
1	0504-227	1	S	Knuckle, Left Rear - Assembly (inc. 2-6)
2	0504-224	1	S	Knuckle - Right
2	0504-225	1	S	Knuckle - Left
3	0402-069	2		Seal
4	0402-089	2		Seal
5	0402-275	2	/P	Bearing, Wheel
6	0423-034	2		Clip, Bearing
7	0403-038	4	S/P	Collar, Suspension Bushing
8	0403-032	8	S	Bushing, Suspension
9	8409-000	4		Screw, Cap
10	8428-002	14		Nut, Lock
11	0504-228	1		A-Arm, Rear - Lower Right
11	0504-229	1		A-Arm, Rear - Lower Left
12	0504-232	1		Arm, Rear - Upper Right
12	0504-233	1		Arm, Rear - Upper Left
13	0402-907	2	S	Axle, Drive (inc. 14-15)
14	0441-400	2	S	Clip, Retaining
15	0436-276	4	S	Repair Kit, Boot - Rear Axle
16	0404-045	2		Shock Absorber - Rear (inc. 17-18)
17	0604-310	8		Bushing, Shock Absorber
18	0403-028	2		Sleeve, Shock Absorber
19	0404-057	2		Cam, Spring Adjuster
20	1603-889	2	/P	Retainer, Spring
21	0404-046	2		Spring, Suspension
22	0423-087	2		Washer
23	8408-820	2	/P	Screw, Cap
24	8409-060	8		Screw, Cap
25	1406-071	1		Guard, Boot - Right
25	1406-072	1		Guard, Boot - Left
26	1406-068	1		Guard, Boot - Right
26	1406-069	1		Guard, Boot - Left
27	8409-040	2		Screw, Cap
28	0423-101	6		Screw, Body
29	0441-587	1		Wrench, Spanner





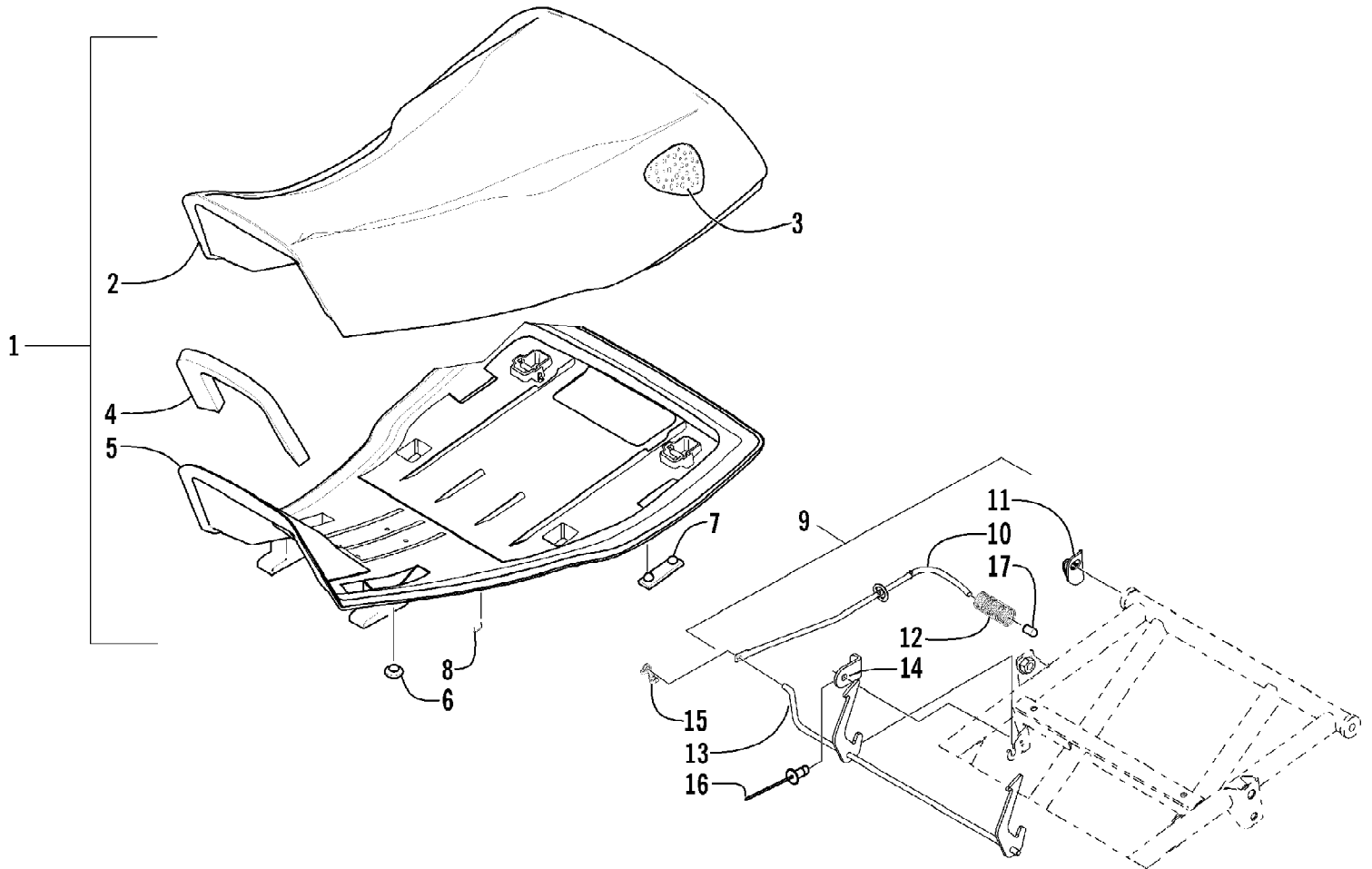
2003 ATV 400 FIS AUTOMATIC TRANSMISSION (4X4 RED) (A2003ISH4BUSR) Page 65 of 91  
RECOIL STARTER ASSEMBLY

Ref #	Part Number	Qty	S/P/F	Description
1	3445-003	1		Starter, Recoil - Assembly (inc. 2-8)
2	3445-004	1		Reel
3	3445-007	1		Spring, Sprial
4	3445-016	1		Ratchet - Assembly (inc. 5-6)
5	3445-005	1		Ratchet
6	3445-006	1		Guide, Ratchet
7	3004-488	1	S/P	Nut
8	3445-011	1		Rope Assembly
9	3423-428	4		Screw, Cap
10	3445-027	1	S	Cup, Starter
11	3004-491	1	S/P	Nut



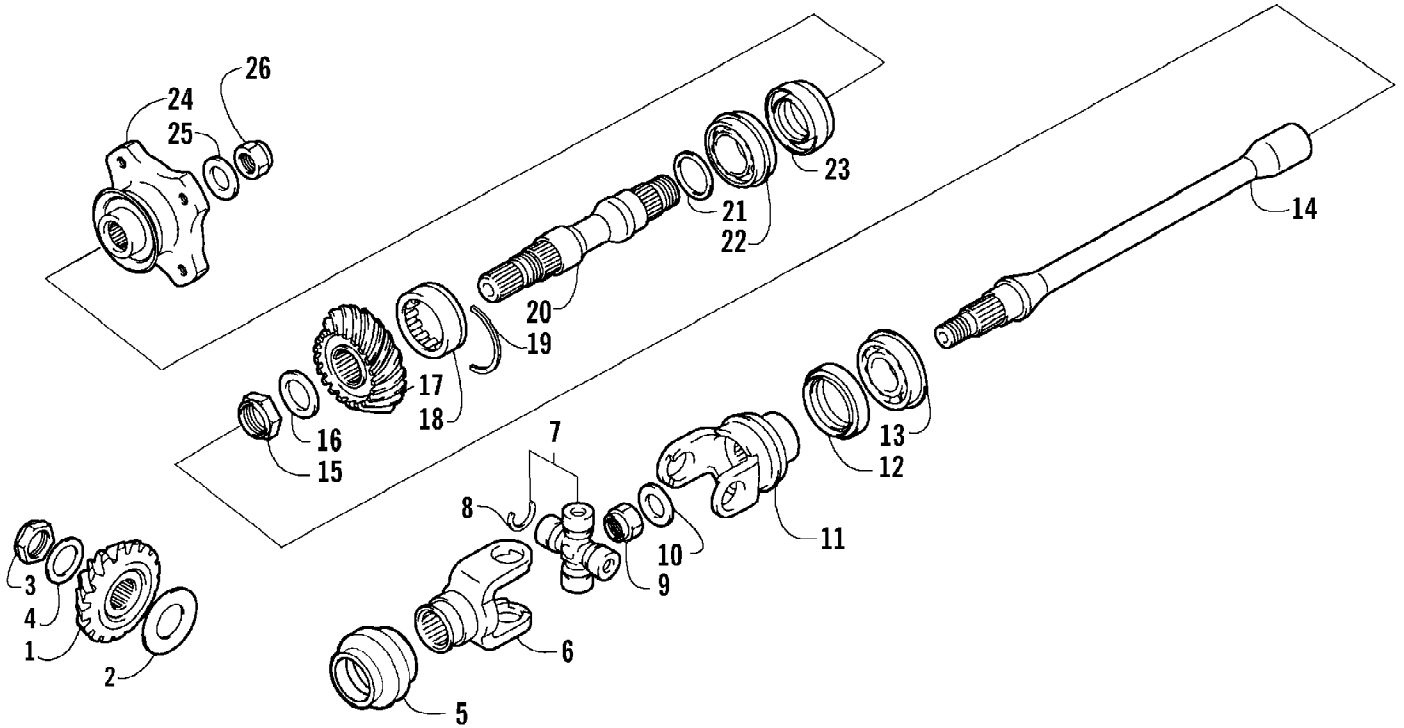
2003 ATV 400 FIS AUTOMATIC TRANSMISSION (4X4 RED) (A2003ISH4BUSR)  
REVERSE SHIFT LEVER ASSEMBLY

Ref #	Part Number	Qty	S/P/F	Description
1	8424-602	1	/P	Nut
2	8408-812	1		Screw, Cap
3	0502-187	1		Axle, Reverse Shift Lever
4	0502-185	1		Lever, Reverse Shift
5	0423-299	2	/P	O-Ring
6	0423-182	2	/P	O-Ring
7	0423-087	1		Washer
8	0502-410	1	S	Spring
9	0402-675	1		Axle, Pivot
10	0402-843	1	/P	Handle, Reverse Shift Lever
11	0423-345	1		Clip, Push
12	0502-311	1	S	Linkage, Shift
13	0402-844	1		End, Rod
14	0623-294	2		Nut
15	0423-091	1		Bushing
16	3423-204	1	/P	Washer
17	0423-169	1	/P	E-Ring
18	0402-685	1		Plate, Shift
19	0406-943	1		Shield, Linkage
20	0423-371	3		Screw, Machine
21	0623-309	1		Screw, Self-Tapping



2003 ATV 400 FIS AUTOMATIC TRANSMISSION (4X4 RED) (A2003ISH4BUSR) Page 69 of 91  
SEAT ASSEMBLY

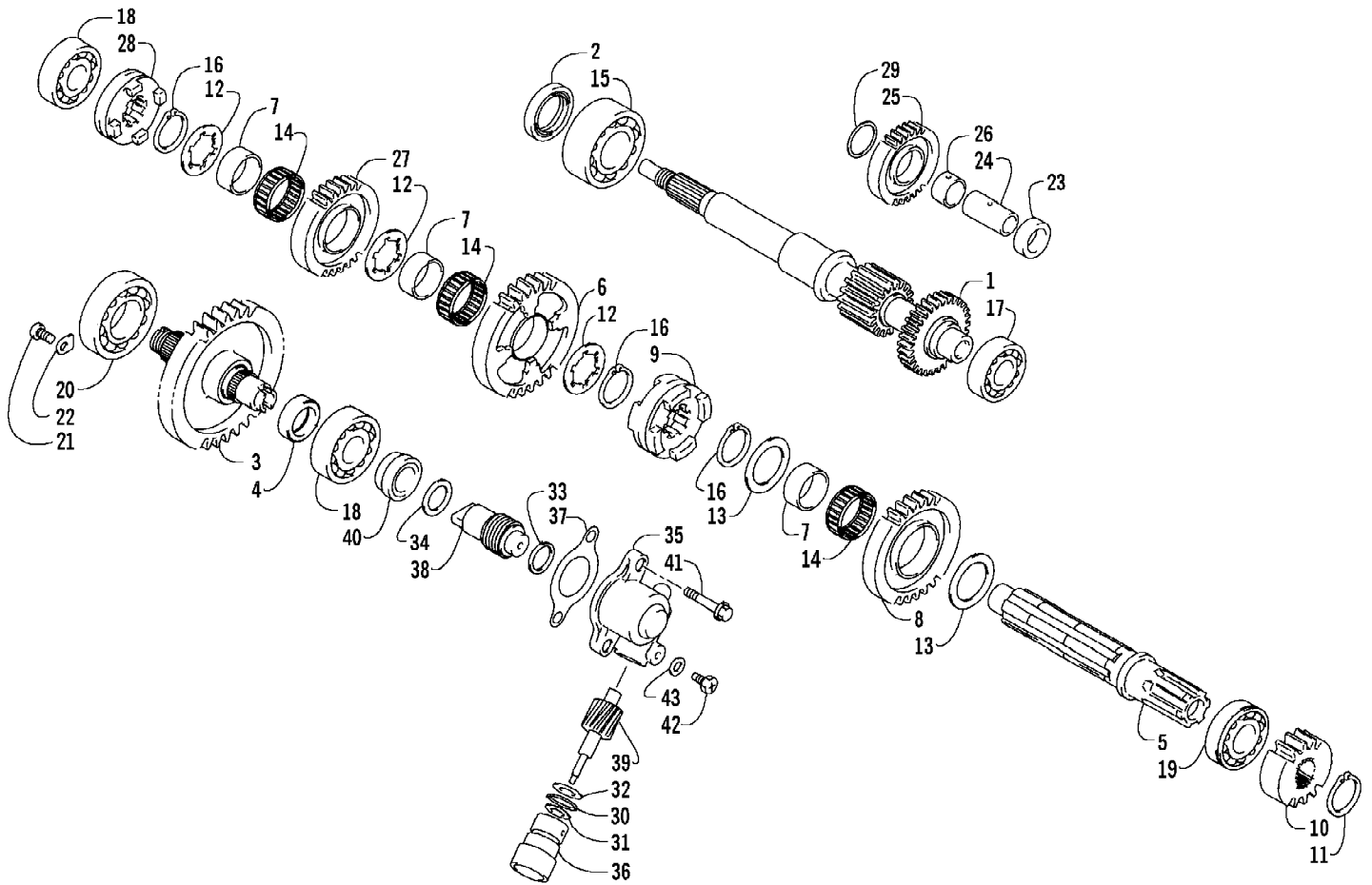
Ref #	Part Number	Qty	S/P/F	Description
1	0506-558	1		Seat Assembly (inc. 2-8)
2	0506-556	1		Cover, Seat
3	0506-555	1		Foam, Seat
4	1406-060	1		Foam, Sound
5	0406-878	1		Base, Seat Assembly (inc. 6-7)
6	0406-877	2	/P	Bumper, Seat - Front
7	0406-879	2		Bumper, Seat - Rear
8	0624-100	AR		Staple
9	0506-702	1	/P	Rod, Seat Release - Assembly (inc. 10-12)
10	0506-701	1	S	Rod, Seat Release
11	1406-004	1		Bracket, Seat Release
12	1406-005	1		Spring, Seat Release
13	0506-796	1		Latch, Seat
14	1406-087	1		Plate, Retainer
15	0423-358	1		Clip, Retainer
16	8060-284	1		Rivet
17	0623-404	1		Cap, Protector



2003 ATV 400 FIS AUTOMATIC TRANSMISSION (4X4 RED) (A2003ISH4BUSR) Page 71 of 91  
SECONDARY DRIVE ASSEMBLY

Ref #	Part Number	Qty	S/P/F	Description
1	3402-637	1		Gear, Secondary Drive
2	3446-035	1		Shim, Secondary Drive Gear - Set
3	3423-023	1		Nut
4	3005-372	1		Washer
5	3402-518	2	S	Boot, Propeller Shaft (4X4)
6	3402-549	1	S	Yoke, Propeller Shaft (4X4)
7	3402-562	1		Joint, Universal - Set (inc. 8) (4X4)
8	3423-479	4		Circlip (4X4)
9	3423-025	1		Nut, Yoke - Front (4X4)
10	3423-028	1		Washer, Yoke - Front (4X4)
11	3402-560	1		Yoke, Drive Output - Front (4X4)
12	3402-072	1		Seal, Oil - Front Secondary Driven Shaft (4X4)
13	3402-558	1		Bearing, Front Secondary Driven Shaft (4X4)
14	3402-559	1		Shaft, Secondary Driven - Front (4X4)
15	3423-136	1		Nut, Secondary Driven Gear
16	3423-137	1		Washer, Secondary Driven Gear
17	3402-638	1		Gear, Secondary Driven
18	3402-515	1	/P	Bearing, Driven Gear
19	3423-072	1		C-Ring, Driven Bearing
20	3402-639	1		Shaft, Secondary Driven - Rear
21	3402-017	AR		Shim, 25 x 34 x 0.60 mm
21	3402-018	AR		Shim, 25 x 34 x 0.65 mm
21	3402-019	AR		Shim, 25 x 34 x 0.70 mm
21	3402-020	AR		Shim, 25 x 34 x 0.75 mm
21	3402-021	AR	S	Shim, 25 x 34 x 0.80 mm
21	3402-022	AR		Shim, 25 x 34 x 0.85 mm
21	3402-023	AR		Shim, 25 x 34 x 0.90 mm
21	3402-024	AR		Shim, 25 x 34 x 0.95 mm
21	3402-025	AR	S	Shim, 25 x 34 x 1.00 mm
21	3402-028	AR		Shim, 25 x 34 x 1.05 mm
21	3402-029	AR		Shim, 25 x 34 x 1.10 mm
21	3402-030	AR		Shim, 25 x 34 x 1.15 mm
21	3402-031	AR		Shim, 25 x 34 x 1.20 mm
22	3402-067	1	S	Bearing, Rear Secondary Driven Shaft
23	3402-072	1		Seal, Oil - Rear Secondary Driven Shaft
24	3402-514	1	/P	Flange, Output Joint - Rear
25	3423-028	1		Washer, Rear Output Joint Flange
26	3423-025	1		Nut, Rear Output Joint Flange

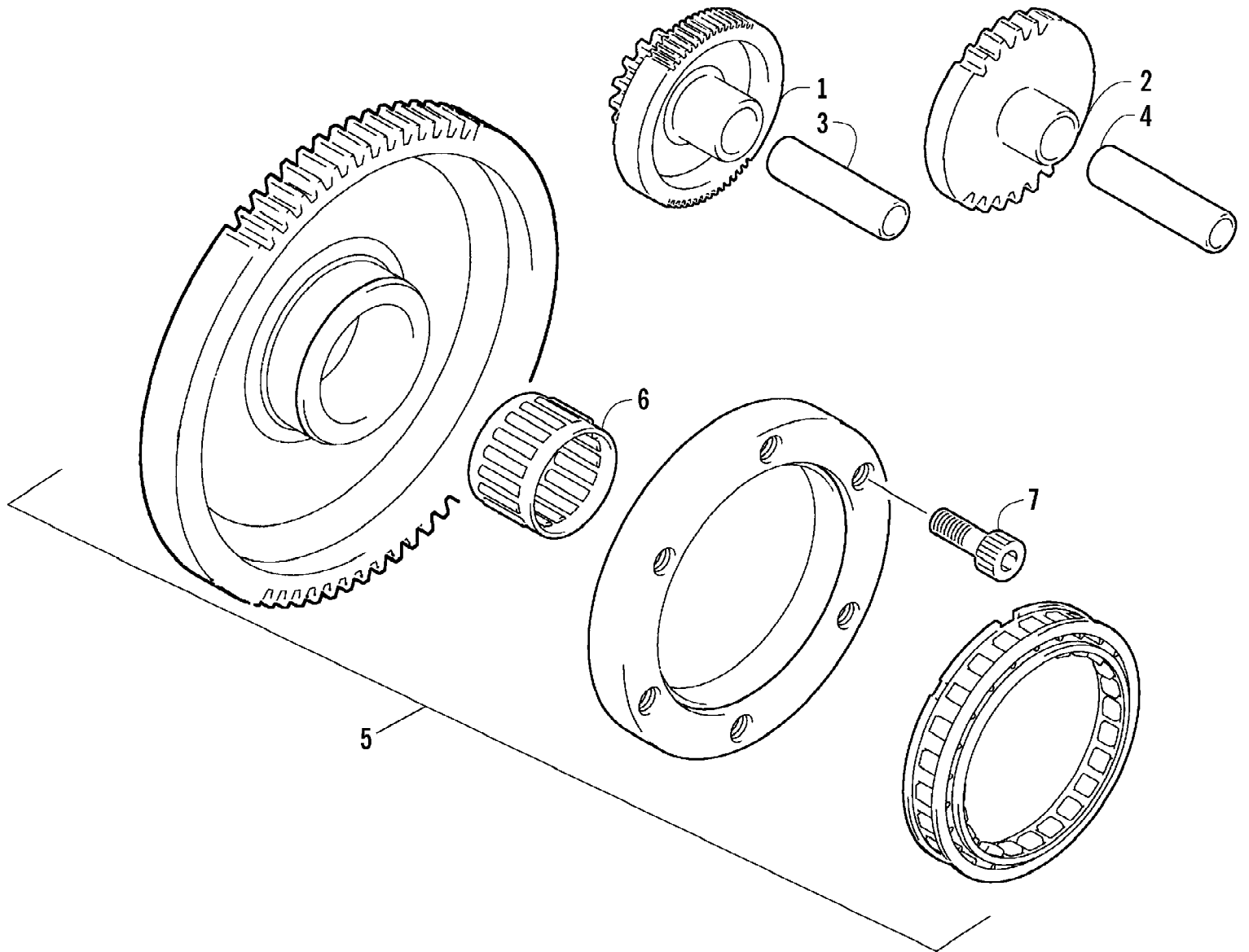
2003 ATV 400 FIS AUTOMATIC TRANSMISSION (4X4 RED) (A2003ISH4BUSR) Page 72 of 91  
SECONDARY TRANSMISSION ASSEMBLY





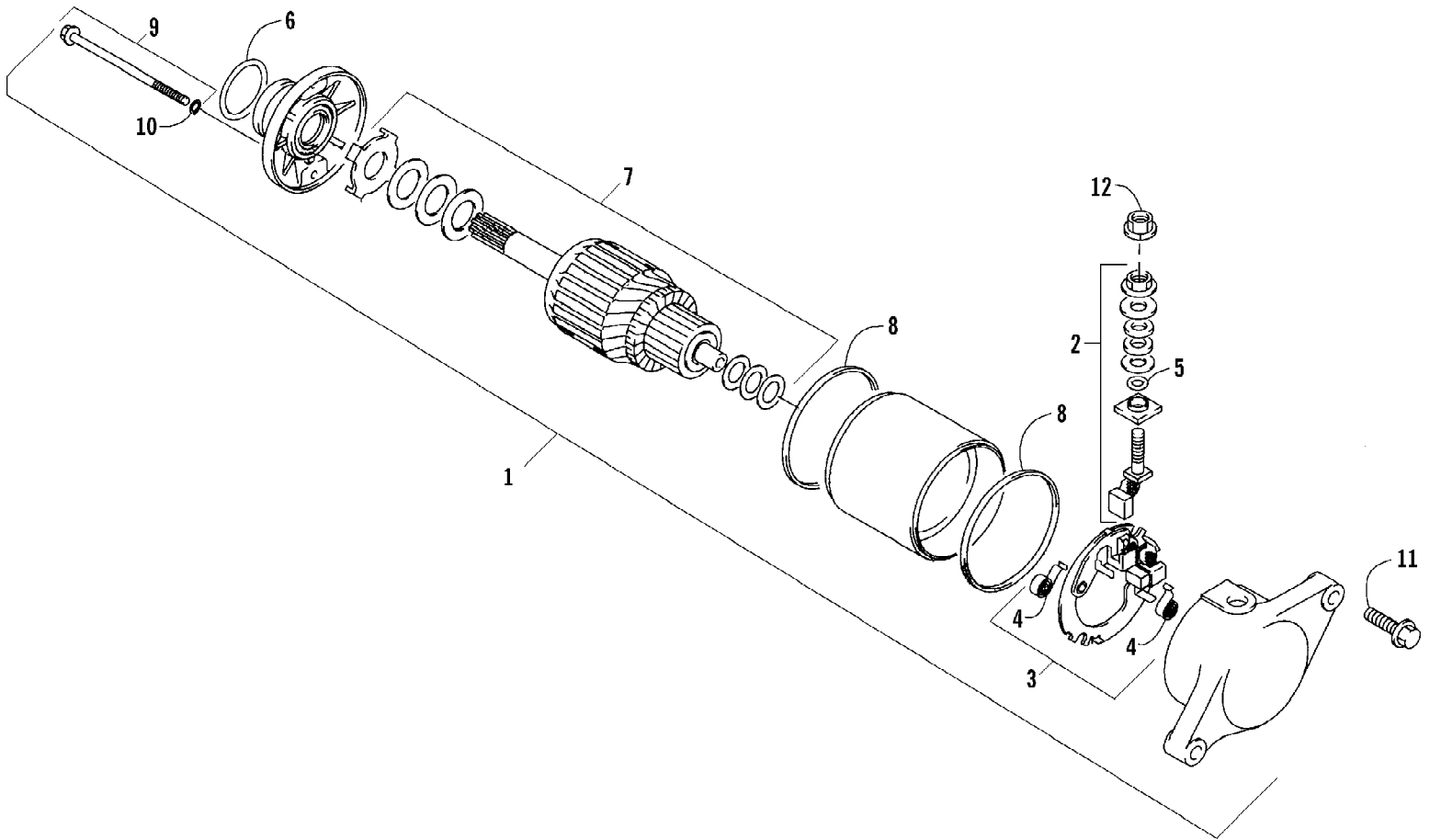
2003 ATV 400 FIS AUTOMATIC TRANSMISSION (4X4 RED) (A2003ISH4BUSR) Page 73 of 91  
SECONDARY TRANSMISSION ASSEMBLY

Ref #	Part Number	Qty	S/P/F	Description
1	3402-665	1		Driveshaft
2	3402-500	1	S	Seal, Driveshaft
3	3402-666	1		Shaft, Output
4	3423-494	1		Spacer, Output Shaft
5	3402-667	1		Countershaft
6	3402-668	1	/P	Gear, Driven - Low
7	3402-494	3		Bushing
8	3402-495	1		Gear, Driven - High
9	3402-496	1		Dog, Sliding
10	3402-669	1		Gear, Drive - No. 2
11	3423-191	1	/P	Circlip
12	3423-263	3		Washer
13	3423-448	2		Washer
14	3402-498	3		Bearing
15	3402-499	1		Bearing, Driveshaft
16	3423-066	3	/P	Circlip
17	3003-261	1	/P	Bearing, Driveshaft - Left
18	3402-045	2	/P	Bearing, Shaft
19	3004-209	1	/P	Bearing, Shaft
20	3402-180	1	S	Bearing, Output Shaft
21	3423-435	2		Screw, Bearing Retainer
22	3446-031	2	/P	Retainer, Bearing
23	3423-442	1		Spacer, Reverse Idle Gear
24	3402-634	1		Shaft, Reverse Idle
25	3402-503	1		Gear, Reverse Idle
26	3446-103	1		Bushing, Reverse Idle Gear
27	3402-635	1		Gear, Reverse Driven
28	3402-636	1		Dog, Reverse Driven Gear
29	3402-195	2		Washer, Reverse Idle Gear
30	3423-056	1		O-Ring
31	3402-077	1		Seal, Driven Gear
32	3423-144	1		Washer, Driven Gear
33	3423-336	1		Washer
34	3423-502	1	/P	Washer
35	3446-057	1		Housing, Speedometer Gear
36	3446-058	1		Sleeve
37	3446-244	1	/P	Gasket, Housing
38	3446-284	1		Gear, Drive
39	3446-285	1		Gear, Driven
40	3446-114	1	/P	Spacer, Driven Gear
41	3423-346	2	S	Bolt, Housing
42	3423-143	1	S	Bolt, Driven Gear
43	3402-009	1	/P	Washer, Driven Gear



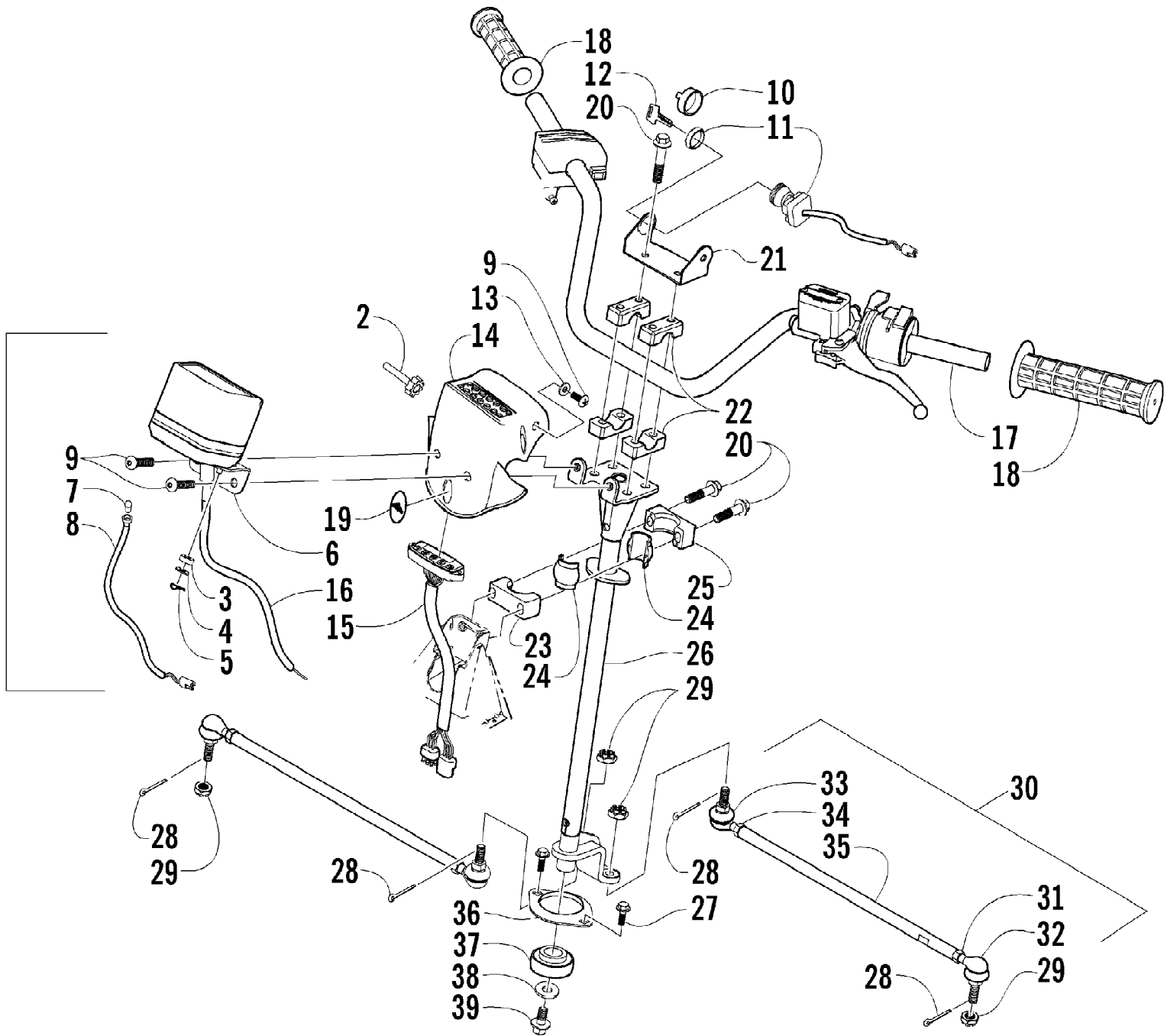
2003 ATV 400 FIS AUTOMATIC TRANSMISSION (4X4 RED) (A2003ISH4BUSR) Page 75 of 91  
STARTER CLUTCH ASSEMBLY

Ref #	Part Number	Qty	S/P/F	Description
1	3402-603	1		Gear, Starter Idler - No. 1
2	3402-124	1		Gear, Starter Idler - No. 2
3	3423-331	1		Pin, Starter Idler Gear No. 1
4	3423-397	1		Pin, Starter Idler Gear No. 2
5	3402-690	1	S	Clutch, Starter - Set (inc. 6)
6	3402-674	1		Bearing
7	3423-102	6	S	Bolt



2003 ATV 400 FIS AUTOMATIC TRANSMISSION (4X4 RED) (A2003ISH4BUSR) Page 77 of 91  
STARTER MOTOR ASSEMBLY

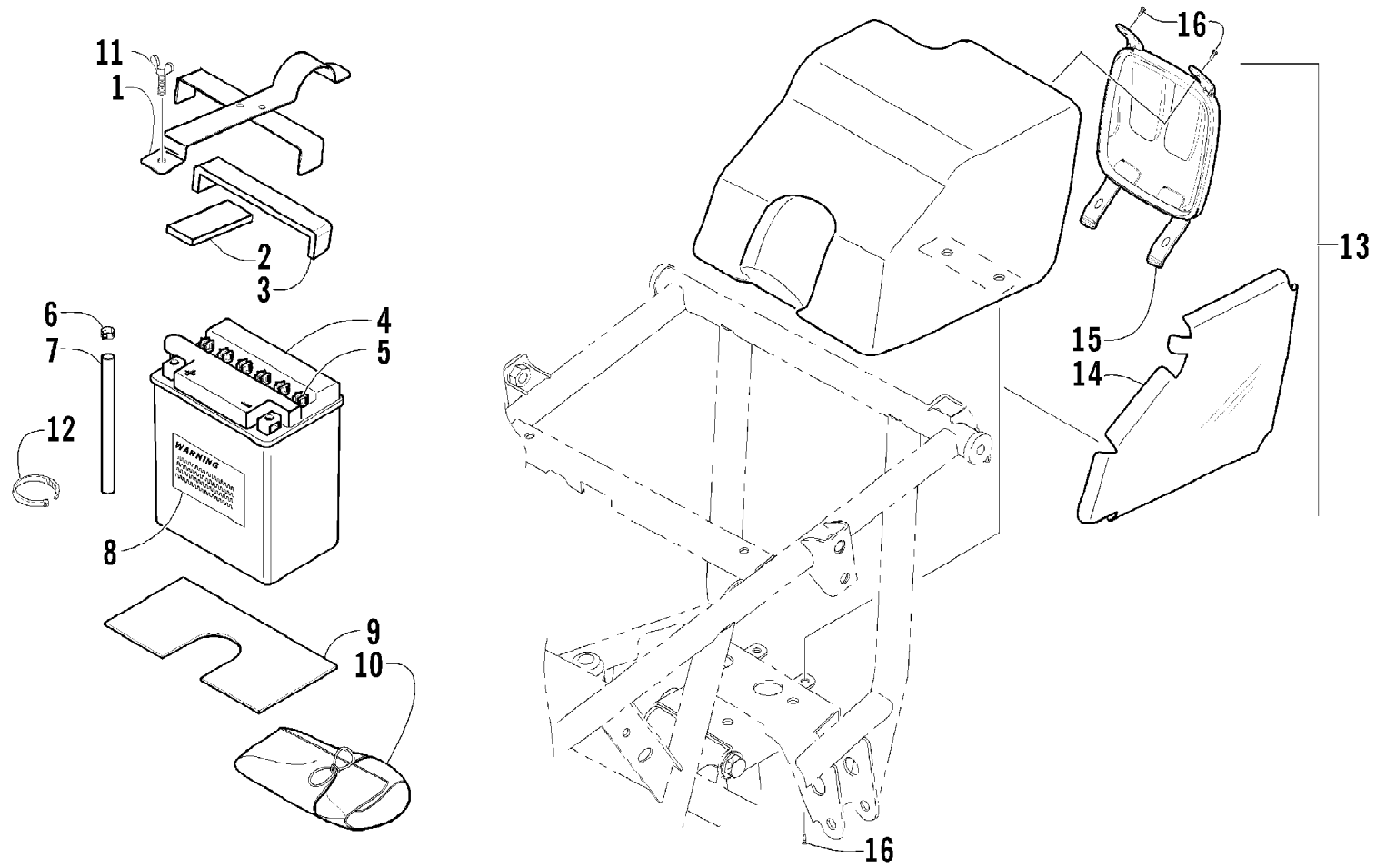
Ref #	Part Number	Qty	S/P/F	Description
1	3545-016	1		Motor, Starter Assembly (inc. 2-10)
2	3402-671	1		Terminal Set, Brush
3	3402-672	1		Holder Set, Brush
4	3008-551	4		Spring, Brush
5	3008-164	1		O-Ring
6	3423-272	1		O-Ring
7	3008-099	1		Washer Set
8	3423-497	2		O-Ring
9	3423-498	2		Through-Bolt (inc. 10)
10	3423-496	2		O-Ring
11	3004-756	2	S	Bolt
12	3423-195	1	/P	Nut



2003 ATV 400 FIS AUTOMATIC TRANSMISSION (4X4 RED) (A2003ISH4BUSR) Page 79 of 91  
STEERING ASSEMBLY

Ref #	Part Number	Qty	S/P/F	Description
1	0420-031	1	/P	Speedometer (inc. 2-8) (4X4)
2	0420-027	1		Knob, Speedometer Trip (4X4)
3	0420-016	2		Mount, Rubber (4X4)
4	0420-017	2		Washer (4X4)
5	0420-015	2		Pin, Retainer (4X4)
6	0420-018	1		Bracket, Speedometer (4X4)
7	0620-149	1	/P	Bulb, Speedometer (4X4)
8	0420-014	1		Harness, Speedometer (4X4)
9	8477-616	3		Screw, Machine
10	0409-013	1		Cover, Key
11	3430-040	1		Switch, Ignition - Assembly (inc. 12)
12	3409-007	1	/P	Key, Ignition - Blank (C Series)
12	3409-011	1		Key, Ignition - Blank (D Series)
12	3409-012	1		Key, Ignition - Blank (E Series)
12	3409-013	1		Key, Ignition - Blank (F Series)
13	0423-052	1		Collar, Body
14	0405-063	1		Instrument Pod
15	0420-035	1	/P	Panel, LED
16	0487-026	1		Cable, Speedometer (4X4)
17	0505-410	1		Tube, Handlebar
18	0405-106	2		Grip, Handlebar
19	0405-042	1		Plug, Instrument Pod (2X4)
20	8408-860	6		Screw, Cap
21	0506-348	1	/P	Bracket, Key Switch
22	0405-035	4		Cap, Steering Adjuster
23	0605-171	1		Housing, Bearing - Lower
24	0405-020	2		Bearing, Steering Post
25	0605-147	1	S	Housing, Bearing - Upper
26	0505-425	1	S	Post, Steering
27	8408-816	2		Screw, Cap
28	0623-175	4		Pin, Cotter
29	0423-157	4		Nut, Lock
30	0505-408	2	S	Tie Rod, Assembly (inc. 31-35)
31	8420-002	2	/P	Nut - Right
32	0405-082	2	S	Ball Joint, Tie Rod - Right
33	0405-083	2	S	Ball Joint, Tie Rod - Left
34	0423-013	2		Nut - Left
35	0405-107	2	S	Tie Rod
36	0602-233	1		Flange, Bearing
37	0405-052	1		Bearing w/Inverted Oil Seal
38	0423-073	1		Washer
39	8409-020	1	/P	Screw, Cap

2003 ATV 400 FIS AUTOMATIC TRANSMISSION (4X4 RED) (A2003ISH4BUSI) Page 80 of 91  
STORAGE BOX AND BATTERY ASSEMBLY

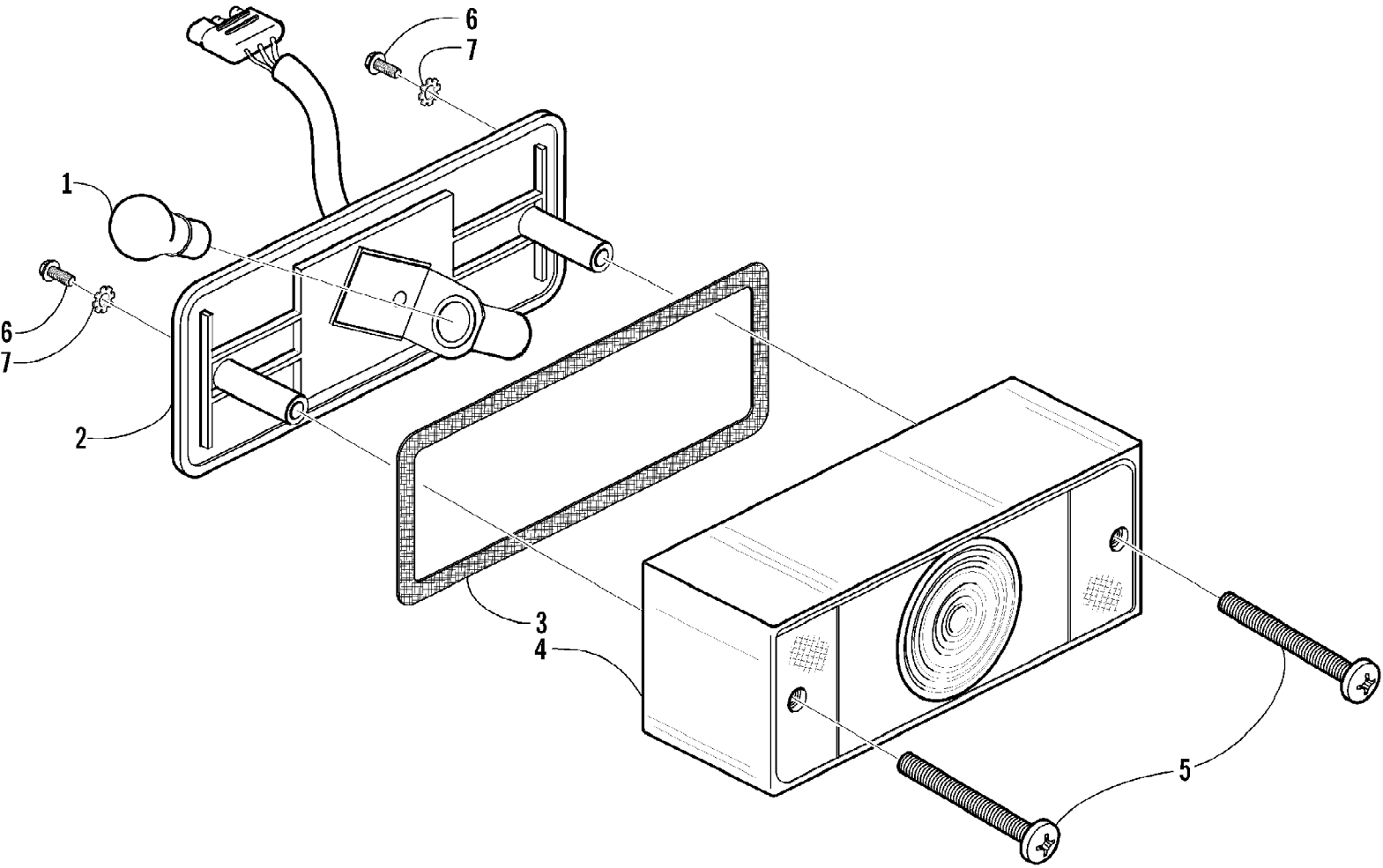




2003 ATV 400 FIS AUTOMATIC TRANSMISSION (4X4 RED) (A2003ISH4BUSR)  
STORAGE BOX AND BATTERY ASSEMBLY

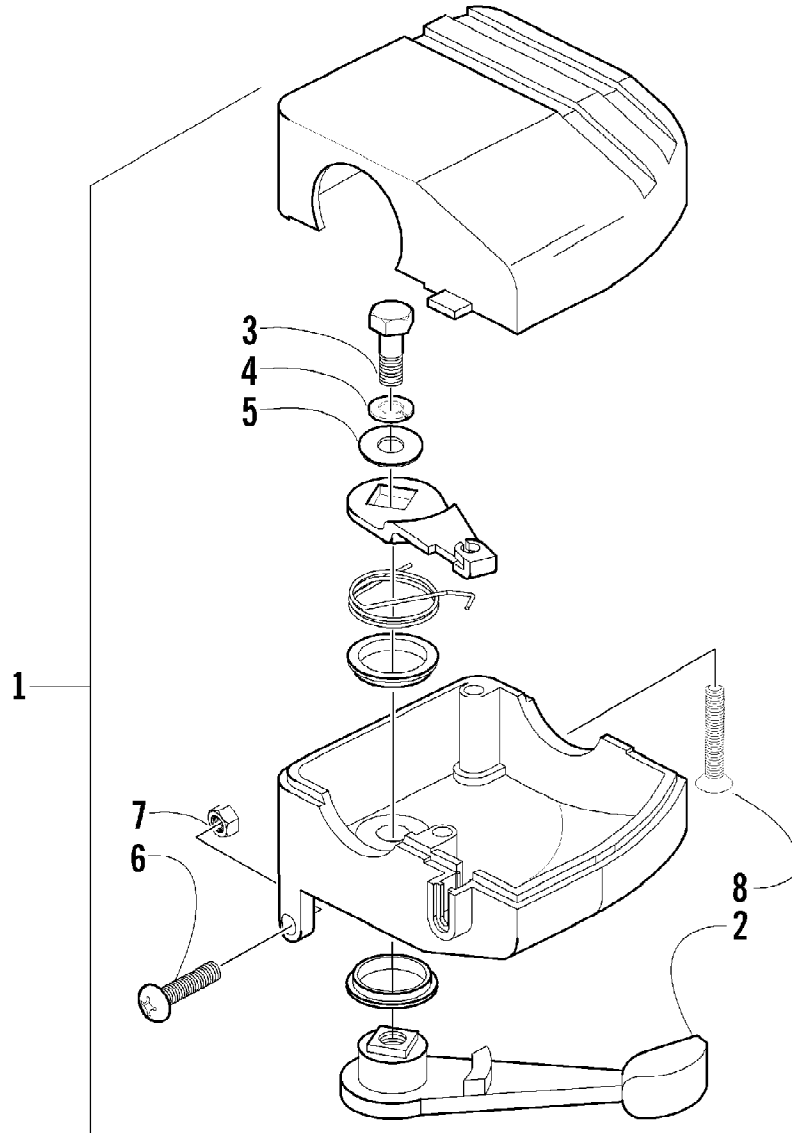
Ref #	Part Number	Qty	S/P/F	Description
1	0506-178	1		Strap, Battery w/Pads (inc. 2-3)
2	0406-288	1		Pad, Battery - Upper Front
3	0406-289	1		Pad, Battery - Upper Rear
4	0745-045	1	/P	Battery Assembly (inc. 5-8)
5	0645-045	6		Cap, Battery
6	0645-152	1		Clamp, Hose
7	0645-263	1	/P	Hose, Battery Vent
8	0645-151	1		Label, Warning - Battery
9	0406-227	1		Pad, Battery - Lower
10	0444-122	1	S/P	Kit, Tool
11	0423-428	1	S	Screw, Thumb
12	0123-903	2		Cable Tie - 11.5 in.
13	0506-797	1		Storage Box - Assembly (inc. 14)
14	1406-140	1		Shield, Heat
15	1406-078	1		Cover, Storage Box
16	0623-727	4		Screw, Self-Tapping

2003 ATV 400 FIS AUTOMATIC TRANSMISSION (4X4 RED) (A2003ISH4BUSI) Page 82 of 91  
TAILLIGHT ASSEMBLY



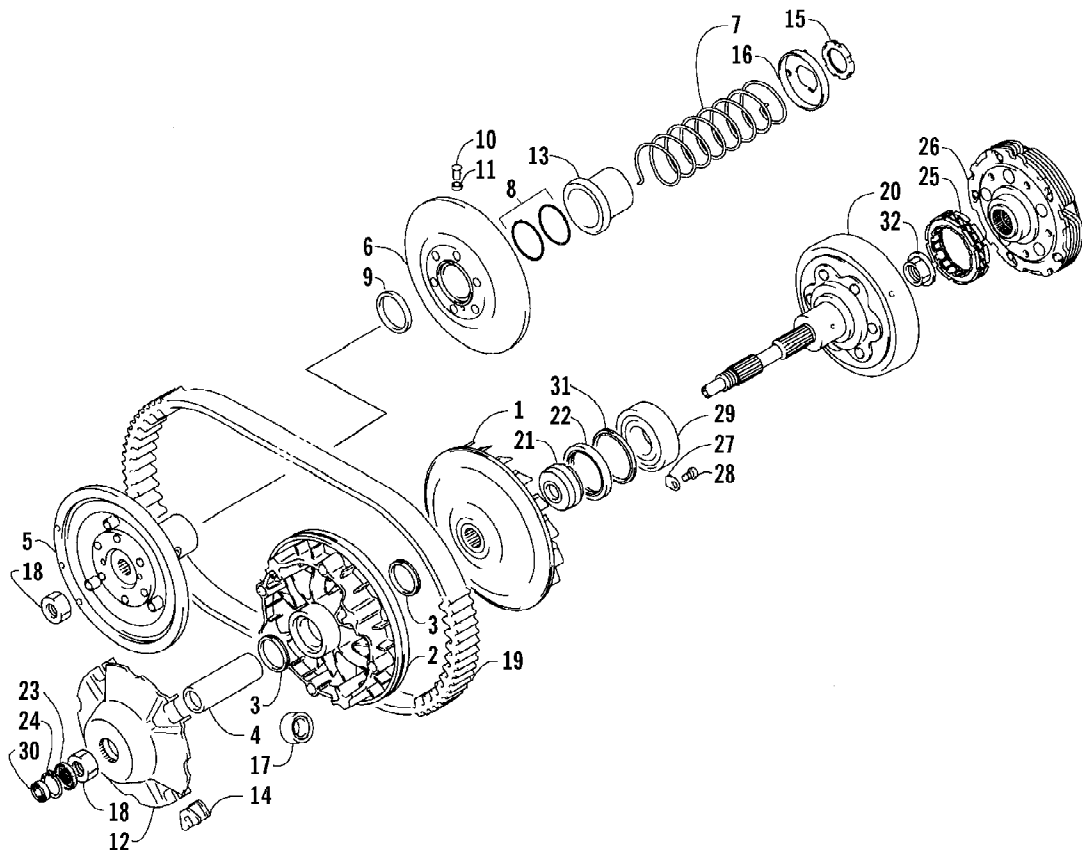
2003 ATV 400 FIS AUTOMATIC TRANSMISSION (4X4 RED) (A2003ISH4BUSR) Page 83 of 91  
TAILLIGHT ASSEMBLY

Ref #	Part Number	Qty	S/P/F	Description
	0409-002	1		Complete Taillight Assembly
1	0109-460	1	/P	Bulb, Stop/Taillight
2	0409-011	1		Taillight w/Socket Assembly
3	0409-012	1		Gasket, Taillight Lens
4	0409-007	1		Lens, Taillight
5	0409-010	2		Screw, Machine
6	0623-301	2	/P	Screw, Self-Tapping
7	8053-212	2	/P	Washer, Lock - External Tooth



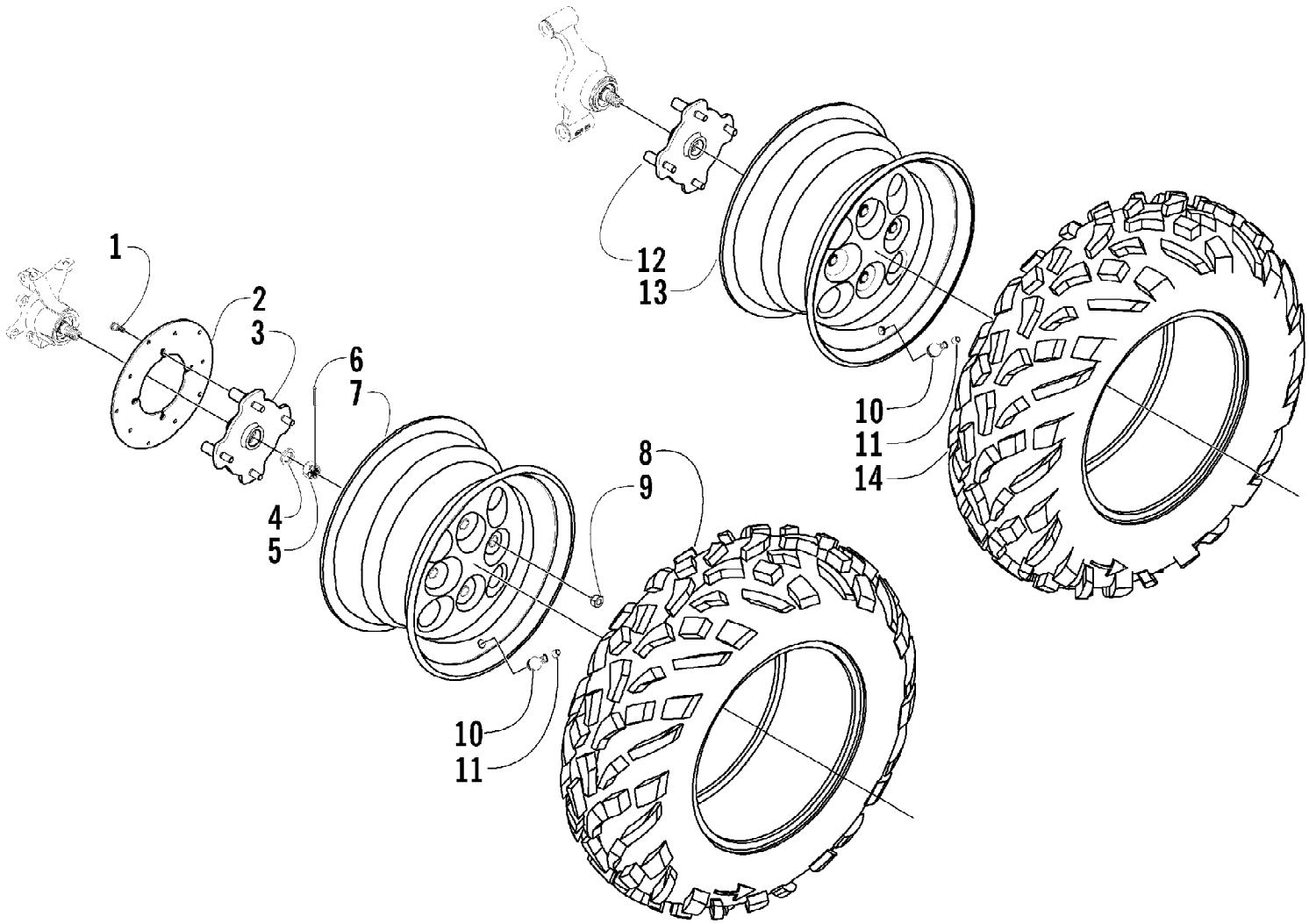
2003 ATV 400 FIS AUTOMATIC TRANSMISSION (4X4 RED) (A2003ISH4BUSR) Page 85 of 91  
THROTTLE CASE ASSEMBLY

Ref #	Part Number	Qty	S/P/F	Description
1	3509-003	1	/P	Case, Throttle - Assembly (inc. 2-8)
2	3409-001	1		Lever
3	3004-533	1	S/P	Screw, Cap
4	3004-447	1	/P	Washer, Lock
5	3003-030	1	/P	Washer
6	3423-014	1		Screw
7	3423-327	1		Nut
8	3423-199	2		Screw



2003 ATV 400 FIS AUTOMATIC TRANSMISSION (4X4 RED) (A2003ISH4BUSI)  
TRANSMISSION ASSEMBLY Page 87 of 91

Ref #	Part Number	Qty	S/P/F	Description
1	3402-622	1		Face, Fixed Drive
2	3402-623	1		Face, Movable Drive
3	3402-624	2		Seal, Movable Drive Face
4	3402-625	1		Spacer, Movable Drive Face
5	3402-626	1	S	Face, Fixed Driven
6	3402-627	1		Face, Movable Driven
7	3423-486	1		Spring, Movable Driven Face
8	3423-487	2		O-Ring, Movable Driven Face
9	3402-629	2		Seal, Movable Driven Face
10	3402-477	3		Pin, Movable Driven Face
11	3402-478	3		Spacer, Movable Driven Face
12	3402-630	1		Plate, Movable Drive Face
13	3402-631	1		Sleeve, Movable Driven Face
14	3402-481	4		Damper, Movable Drive Face
15	3423-489	1		Nut, Driven Pulley
16	3402-632	1		Holder, Movable Driven Face Spring
17	3402-633	8		Roller, Movable Drive Face
18	3423-437	2		Nut
19	3402-664	1		V-Belt
20	3402-620	1		Housing, Clutch
21	3402-621	1		Spacer, Fixed Drive Face
22	3402-535	1	S	Seal, Clutch Housing
23	3402-574	1		Seal, Clutch Housing
24	3423-505	1	S	Circlip
25	3446-003	1		Clutch, One Way
26	3446-278	1	S	Shoe, Clutch - Assembly
27	3446-031	2	/P	Retainer, Bearing
28	3423-435	2		Screw, Bearing Retainer
29	3402-567	1		Bearing
30	3402-693	1		Bearing
31	3423-353	1	/P	O-Ring
32	3423-501	1		Nut

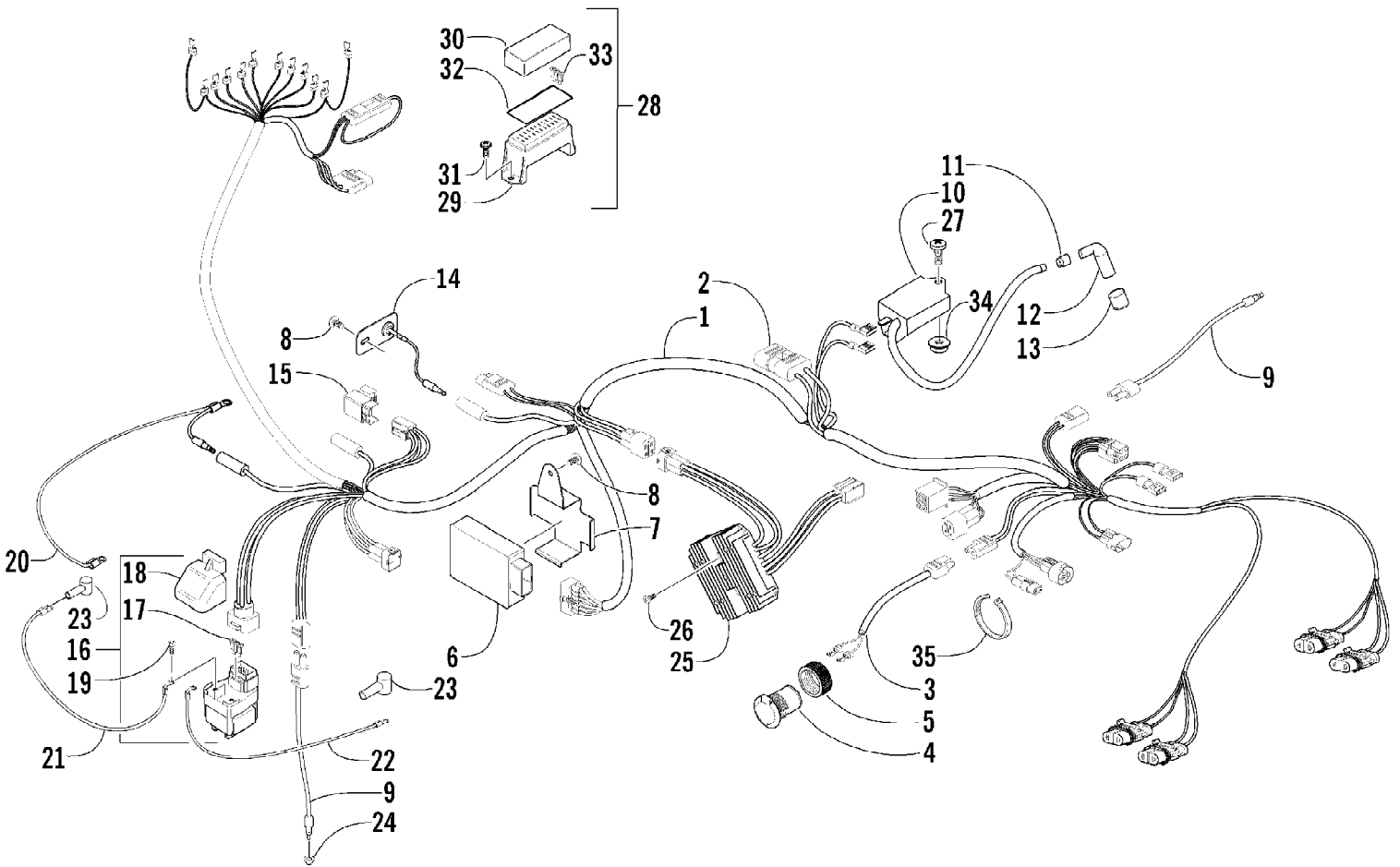




2003 ATV 400 FIS AUTOMATIC TRANSMISSION (4X4 RED) (A2003ISH4BUSR) Page 89 of 91  
 WHEEL AND TIRE ASSEMBLY

Ref #	Part Number	Qty	S/P/F	Description
1	0423-029	12		Screw, Machine
2	0402-874	3	S	Disc, Brake
3	0502-361	2		Hub, Wheel - Front
3	0502-360	2	S	Hub, Wheel - Front (4X4)
4	0402-181	4		Seal, Hub
5	0423-394	4		Nut, Castle
6	0423-407	4		Pin, Cotter
7	0402-856	2		Wheel - Front
8	0402-890	2		Tire - Front
9	0423-408	16	/P	Nut, Lug
10	0402-064	4		Stem, Valve (inc. 11)
11	0402-140	4		Cap, Valve Stem
12	0502-359	1	S	Hub, Wheel - Rear - Left
12	0502-360	1	S	Hub, Wheel - Rear - Right
13	0402-858	2		Wheel - Rear
14	0402-926	2		Tire - Rear

2003 ATV 400 FIS AUTOMATIC TRANSMISSION (4X4 RED) (A2003ISH4BUSI) Page 90 of 91  
WIRING HARNESS ASSEMBLY



2003 ATV 400 FIS AUTOMATIC TRANSMISSION (4X4 RED) (A2003ISH4BUSR) Page 91 of 91  
WIRING HARNESS ASSEMBLY

Ref #	Part Number	Qty	S/P/F	Description
1	0486-093	1		Harness, Main (inc. 2)
2	0486-029	1		Diode (Start In Gear)
3	0486-004	1		Harness, 12V Receptacle (4X4)
4	0445-022	1	S	Receptacle, 12V (inc. 5) (4X4)
5	0445-034	1		Nut, Retainer (4X4)
6	3402-683	1		CDI Unit
7	0506-985	1	/P	Bracket, CDI Unit
8	8476-616	2		Screw, Machine
9	0409-009	2		Switch, Brake
10	3430-055	1		Coil, Ignition - Assembly
11	3430-009	1	/P	Seal, High Tension Wire
12	3430-007	1	/P	Cap, Spark Plug
13	3430-008	1	/P	Seal, Spark Plug Cap
14	0509-011	1	S	Diode Assembly
15	3530-008	1	S	Relay, Neutral Start - Assembly
16	3530-001	1	/P	Relay, Starter Motor - Assembly (inc. 17-18)
17	0630-098	1		Fuse, 30 Amp
18	3530-010	1		Cover, Starter Motor Relay
19	8476-610	2		Screw, Machine
20	0445-002	1		Cable, Battery/Ground
21	0445-032	1		Cable, Electric Start Relay/Starter
22	0445-003	1	/P	Cable, Battery/Electric Start Relay
23	0645-019	2		Boot, Terminal
24	0402-991	2		Retainer, Brake Switch
25	3402-682	1		Regulator, Voltage
26	8476-625	2		Screw, Machine
27	8476-620	2		Screw, Machine
28	0530-001	1		Block, Fuse - Assembly (inc. 29-30)
29	0	1	F	Block, Fuse
30	0	1	F	Cover, Fuse Block
31	0623-361	2		Screw, Self-Tapping
32	0411-271	1		Decal, Fuse Block
33	0630-057	4		Fuse, 10 Amp
33	0630-058	2		Fuse, 15 Amp
34	8424-602	1	/P	Nut, Flange
35	0123-788	AR	/P	Cable Tie - 7 in.