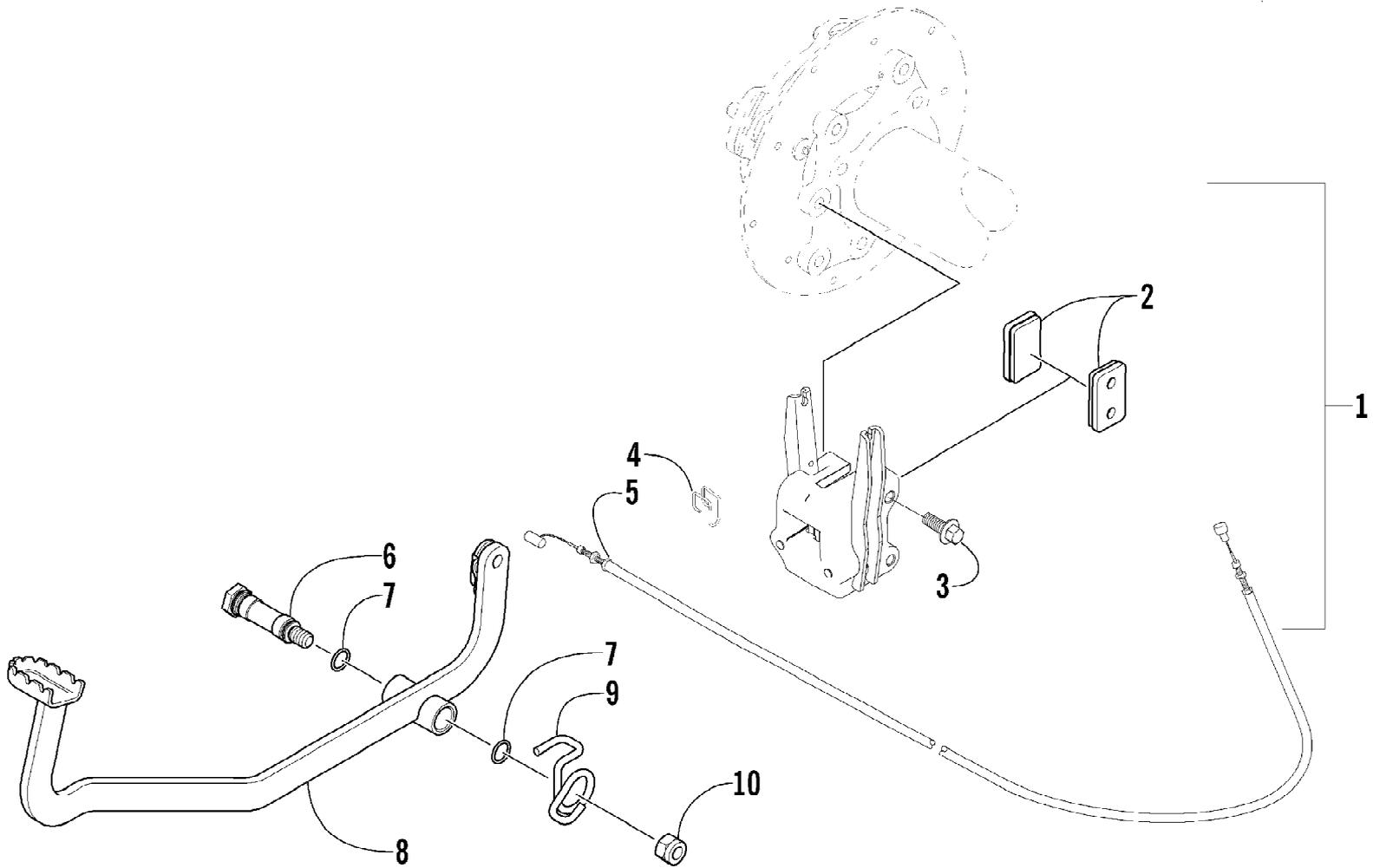
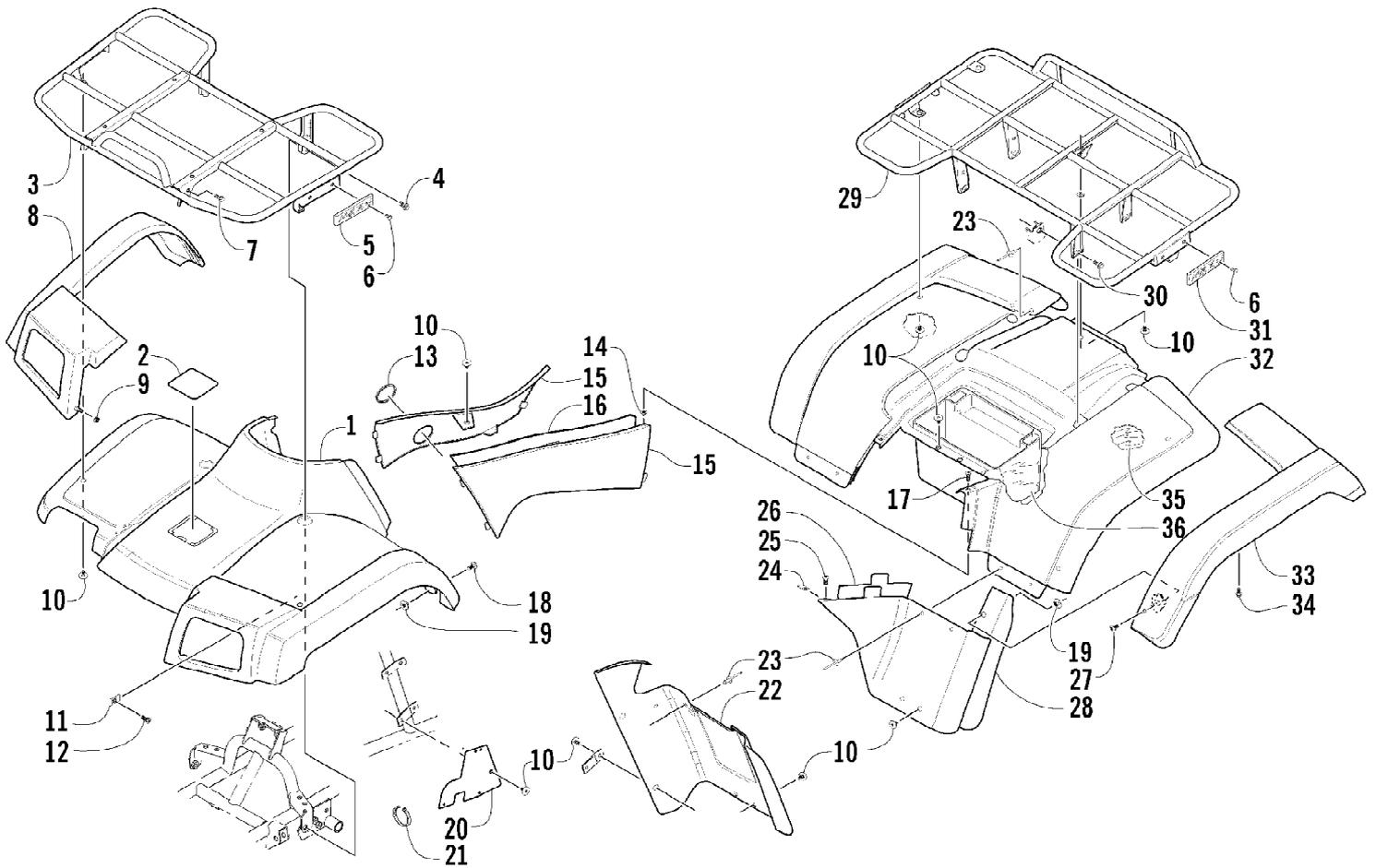


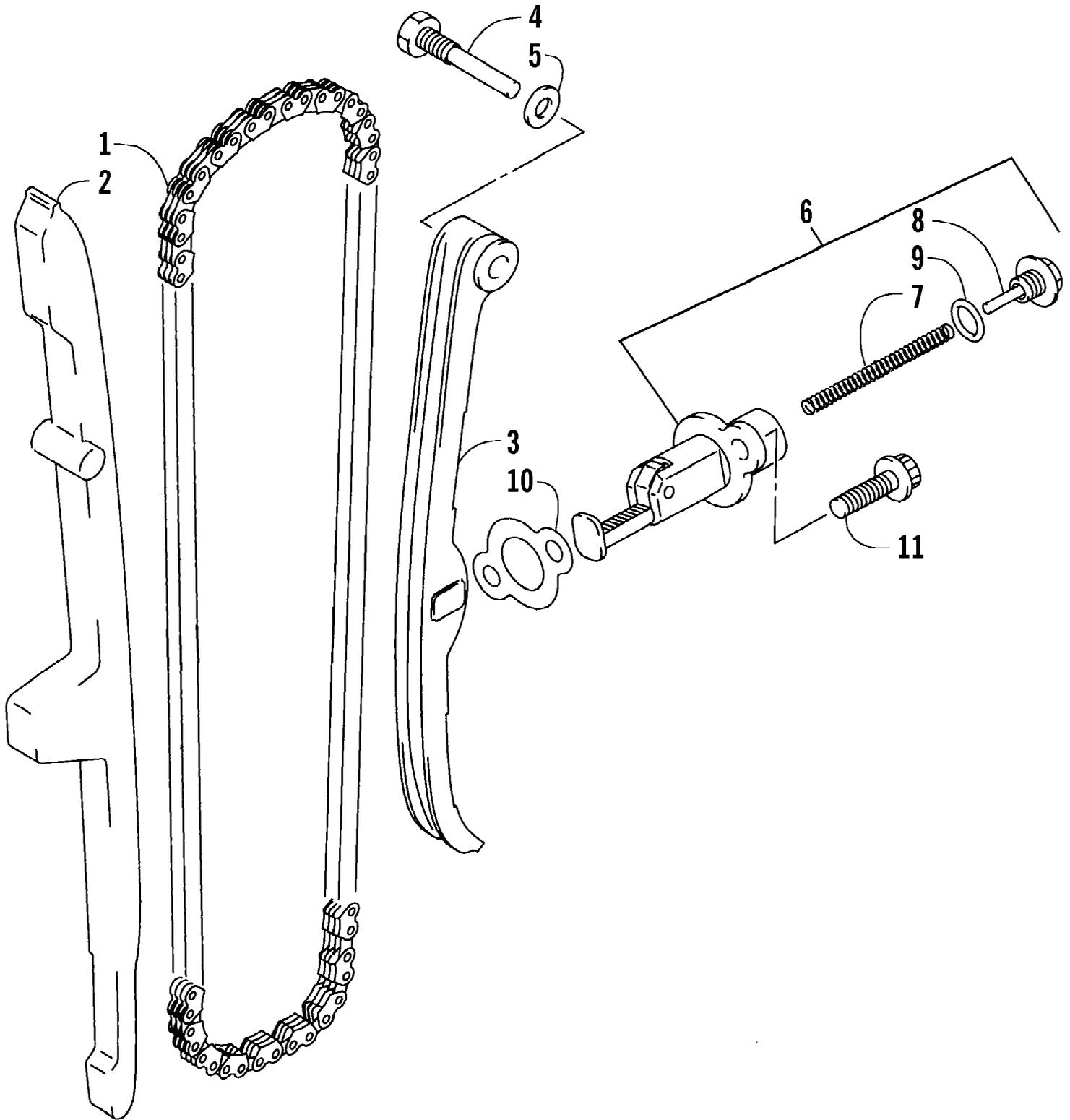
| Ref # | Part Number | Qty | S/P/F | Description |
|-------|-------------|-----|-------|----------------------------|
| 1 | 0423-379 | 1 | | Clamp |
| 2 | 0470-456 | 1 | | Boot, Air Intake |
| 3 | 0423-018 | 2 | | Clamp |
| 4 | 0470-446 | 1 | /P | Housing, Air Intake |
| 5 | 0623-101 | 1 | | Clip, Retaining |
| 6 | 0470-343 | 1 | | Gasket |
| 7 | 0470-383 | 1 | /P | Snorkel |
| 8 | 0470-307 | 4 | | Clamp |
| 9 | 0423-037 | 4 | | Spring |
| 10 | 0623-121 | 4 | | Screw, Machine |
| 11 | 0123-010 | 4 | /P | Nut, Expansion |
| 12 | 0410-045 | 1 | | Hose, Crankcase Vent |
| 13 | 0470-391 | 1 | /P | Filter, Air |
| 14 | 0412-141 | 1 | | Shield, Heat |
| 15 | 0470-442 | 1 | /P | Valve, Drain |
| 16 | 1673-272 | 1 | /P | Cap, Drain Tube |
| 17 | 0423-047 | 1 | | Clamp, Hose |
| 18 | 0423-045 | 2 | | Clamp, Hose |
| 19 | 0470-351 | 2 | | Support, Air Intake Flange |



| Ref # | Part Number | Qty | S/P/F | Description |
|-------|-------------|-----|-------|-----------------------------------|
| 1 | 0502-372 | 1 | /P | Auxiliary Brake Assembly (inc. 2) |
| 2 | 0402-958 | 2 | /P | Pad, Brake |
| 3 | 8408-820 | 2 | /P | Screw, Cap |
| 4 | 0402-379 | 1 | | Wire Form, Cable |
| 5 | 0487-006 | 1 | | Cable, Brake - Rear |
| 6 | 0402-872 | 1 | | Axle, Brake Lever |
| 7 | 0423-096 | 2 | | O-Ring |
| 8 | 0502-252 | 1 | | Lever, Brake |
| 9 | 0502-395 | 1 | /P | Spring, Brake Lever |
| 10 | 8422-002 | 1 | | Nut |



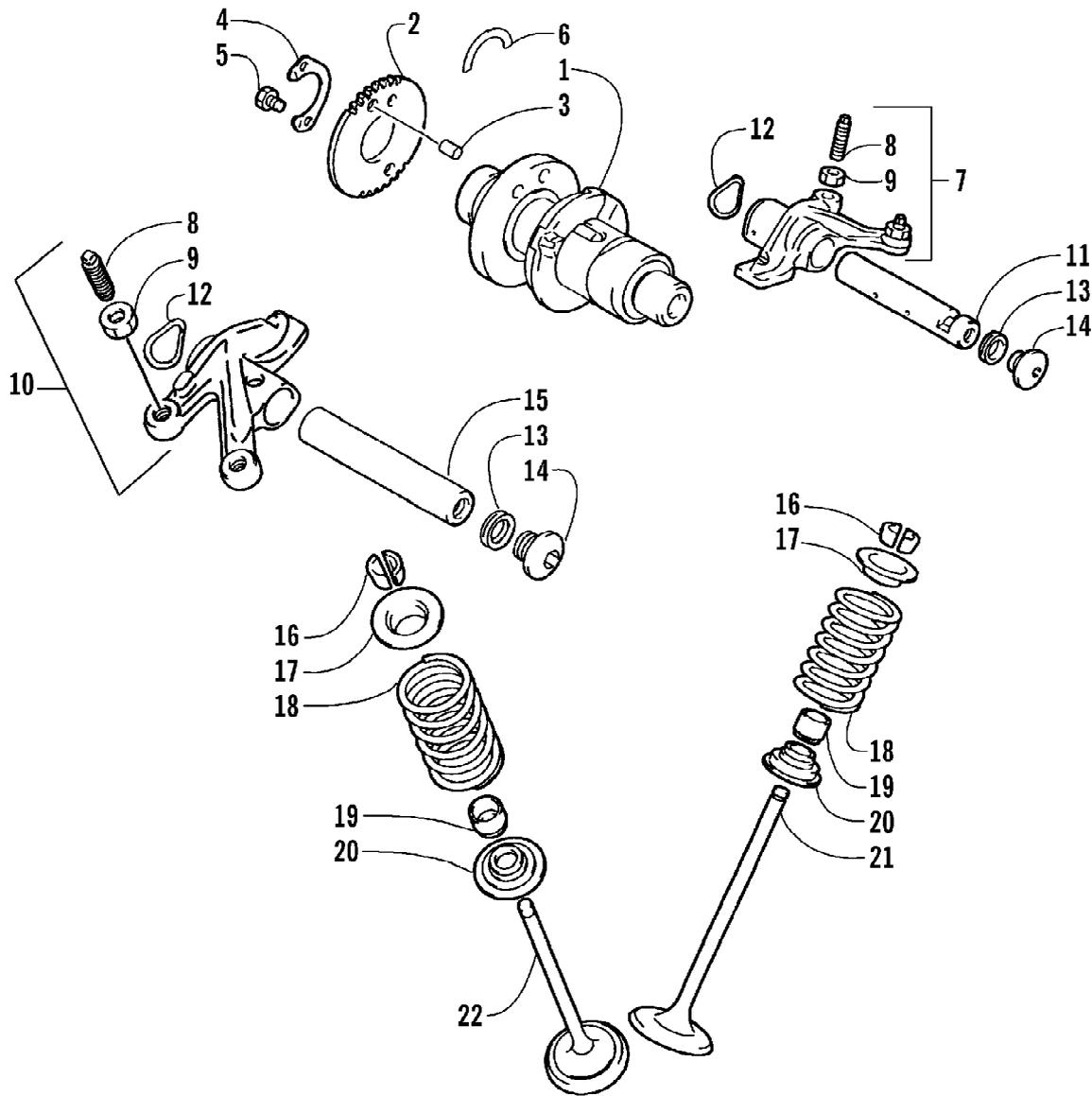
| Ref # | Part Number | Qty | S/P/F | Description |
|-------|-------------|-----|-------|--|
| 1 | 0506-616 | 1 | | Panel, Fender - Front (inc. 2) |
| 1 | 0506-584 | 1 | | Panel, Fender - Front (inc. 2) (Green) |
| 2 | 1406-142 | 1 | /P | Cover, Access |
| 2 | 1406-141 | 1 | /P | Cover, Access (Green) |
| 3 | 0506-547 | 1 | | Rack - Front |
| 4 | 8408-816 | 2 | | Screw, Cap |
| 5 | 0606-526 | 2 | | Reflector, Front - Amber |
| 6 | 0623-269 | 8 | | Clip, Retaining |
| 7 | 0423-360 | 2 | | Screw, Cap |
| 8 | 0506-550 | 1 | | Flare - Front - Right |
| 8 | 0506-551 | 1 | | Flare - Front - Left |
| 9 | 0423-357 | 2 | | Nut, Stamped |
| 10 | 0423-101 | AR | | Screw, Body |
| 11 | 0423-031 | 2 | | Nut, Speed |
| 12 | 8477-616 | 2 | | Screw, Machine |
| 13 | 0470-404 | 1 | | Grommet, Fuel Shut-Off Valve |
| 14 | 0123-010 | 2 | /P | Nut, Expansion |
| 15 | 0506-548 | 1 | | Panel, Side - Right |
| 15 | 0506-243 | 1 | | Panel, Side - Left |
| 15 | 0506-549 | 1 | | Panel, Side - Right (Green) |
| 15 | 0506-673 | 1 | | Panel, Side - Left (Green) |
| 16 | 0412-142 | 1 | | Shield, Heat |
| 17 | 0423-068 | 2 | | Screw, Machine |
| 18 | 0423-356 | 2 | | Screw, Shoulder |
| 19 | 0423-077 | 4 | /P | T-Nut w/Teeth |
| 20 | 1406-006 | 2 | | Panel, Fender - Inner |
| 21 | 0123-788 | AR | /P | Cable Tie - 7.5 in. |
| 22 | 0506-625 | 1 | | Panel, Kick - Right |
| 22 | 0506-626 | 1 | | Panel, Kick - Left |
| 23 | 0423-046 | AR | | Rivet, Plastic |
| 24 | 0423-060 | 2 | | Clip, Tinerman |
| 25 | 0623-309 | 2 | | Screw, Self-Tapping |
| 26 | 0412-140 | 1 | | Shield, Heat |
| 27 | 0423-355 | 2 | | Screw, Shoulder |
| 28 | 0406-084 | 1 | | Fender Extension - Rear - Right |
| 28 | 0406-085 | 1 | | Fender Extension - Rear - Left |
| 29 | 0506-821 | 1 | /P | Rack - Rear |
| 30 | 8409-020 | 4 | /P | Screw, Cap |
| 31 | 0606-029 | 2 | | Reflector, Rear - Red |
| 32 | 0506-620 | 1 | S | Panel, Fender - Rear |
| 32 | 0506-621 | 1 | | Panel, Fender - Rear (Green) |
| 33 | 0506-552 | 1 | | Flare, Rear - Right |
| 33 | 0506-553 | 1 | | Flare, Rear - Left |
| 34 | 0423-342 | 12 | /P | Screw, Self-Tapping |
| 35 | 0412-124 | 1 | | Shield, Heat |
| 36 | 0412-147 | 1 | | Shield, Heat |



2003 ATV 400 4X4 MANUAL TRANSMISSION (GREEN) (A2003ATH4AUSG) Page 8 of 93
CAM CHAIN ASSEMBLY

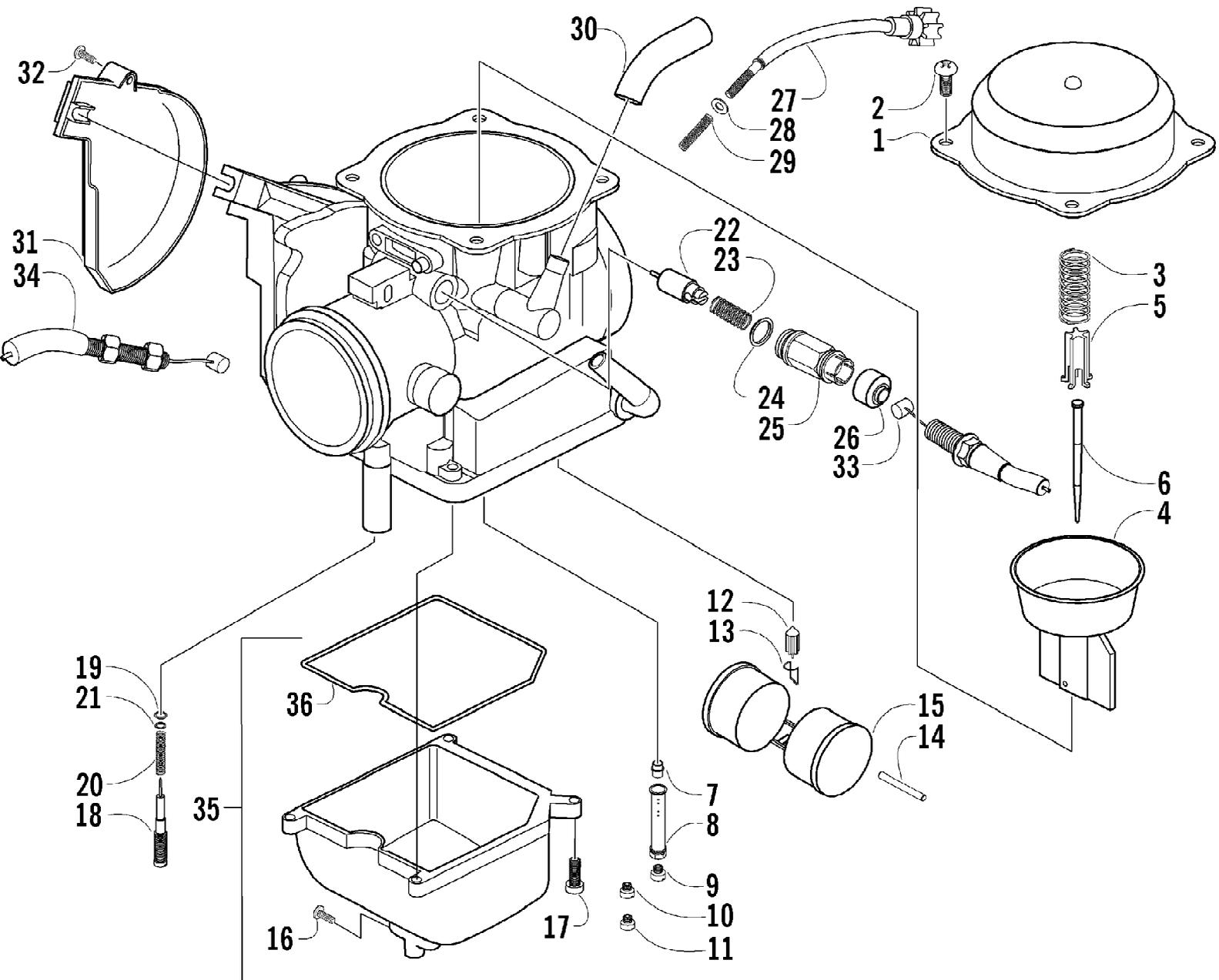
| Ref # | Part Number | Qty | S/P/F | Description |
|-------|-------------|-----|-------|---|
| 1 | 3402-281 | 1 | | Chain, Cam |
| 2 | 3402-612 | 1 | | Guide, Cam Chain |
| 3 | 3402-613 | 1 | | Tensioner, Cam Chain |
| 4 | 3423-074 | 1 | | Bolt |
| 5 | 3003-188 | 1 | S/P | Washer |
| 6 | 3402-614 | 1 | | Adjuster, Tensioner - Assembly (inc. 7-9) |
| 7 | 3423-484 | 1 | | Spring |
| 8 | 3423-285 | 1 | | Plug |
| 9 | 3423-286 | 1 | | O-Ring |
| 10 | 3402-287 | 1 | | Gasket, Adjuster |
| 11 | 3004-576 | 2 | S | Bolt |

2003 ATV 400 4X4 MANUAL TRANSMISSION (GREEN) (A2003ATH4AUSG) Page 9 of 93
CAMSHAFT/VALVE ASSEMBLY



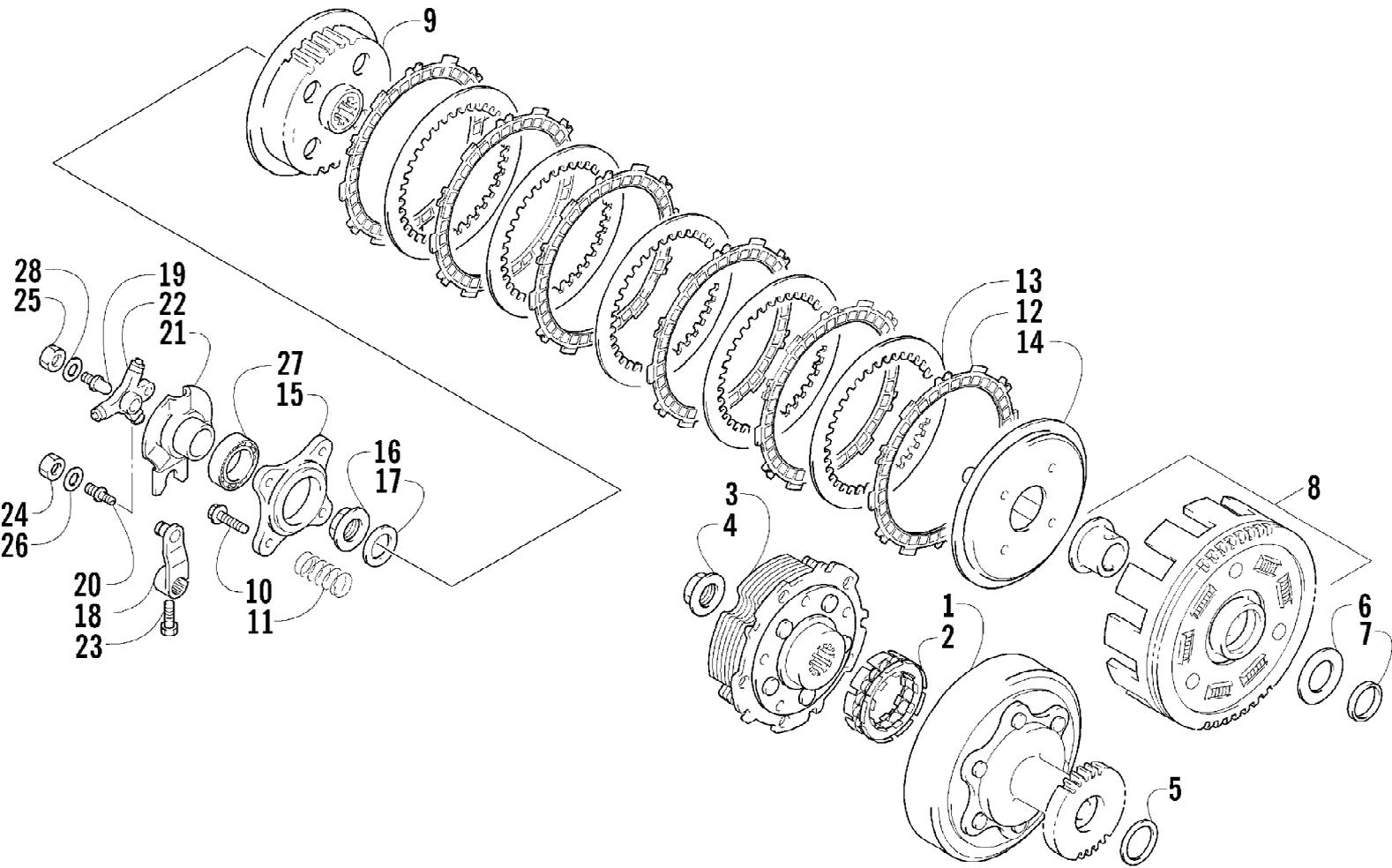
2003 ATV 400 4X4 MANUAL TRANSMISSION (GREEN) (A2003ATH4AUSG) Page 10 of 93
CAMSHAFT/VALVE ASSEMBLY

| Ref # | Part Number | Qty | S/P/F | Description |
|-------|-------------|-----|-------|--|
| 1 | 3402-609 | 1 | S | Camshaft |
| 2 | 3402-611 | 1 | | Sprocket |
| 3 | 3423-047 | 1 | | Pin |
| 4 | 3423-073 | 1 | | Washer |
| 5 | 3423-013 | 2 | S | Bolt |
| 6 | 3423-071 | 1 | /P | C-Ring |
| 7 | 3402-532 | 1 | S | Arm, Valve Rocker - Intake (inc. two No. 8-9) |
| 8 | 3423-075 | 4 | | Screw |
| 9 | 3423-076 | 4 | | Nut |
| 10 | 3402-139 | 1 | | Arm, Valve Rocker - Exhaust (inc. two No. 8-9) |
| 11 | 3402-140 | 1 | | Shaft, Rocker Arm |
| 12 | 3423-031 | 2 | | Washer |
| 13 | 3402-012 | 2 | | Gasket |
| 14 | 3402-040 | 2 | /P | Plug, Shaft |
| 15 | 3402-141 | 1 | | Shaft, Rocker Arm |
| 16 | 3402-147 | 8 | | Cotter, Valve |
| 17 | 3402-146 | 4 | S | Retainer, Spring |
| 18 | 3402-726 | 4 | | Spring, Valve |
| 19 | 3402-078 | 4 | | Seal, Oil |
| 20 | 3402-148 | 4 | | Seat, Spring |
| 21 | 3402-725 | 2 | /P | Valve, Intake |
| 22 | 3402-143 | 2 | | Valve, Exhaust |



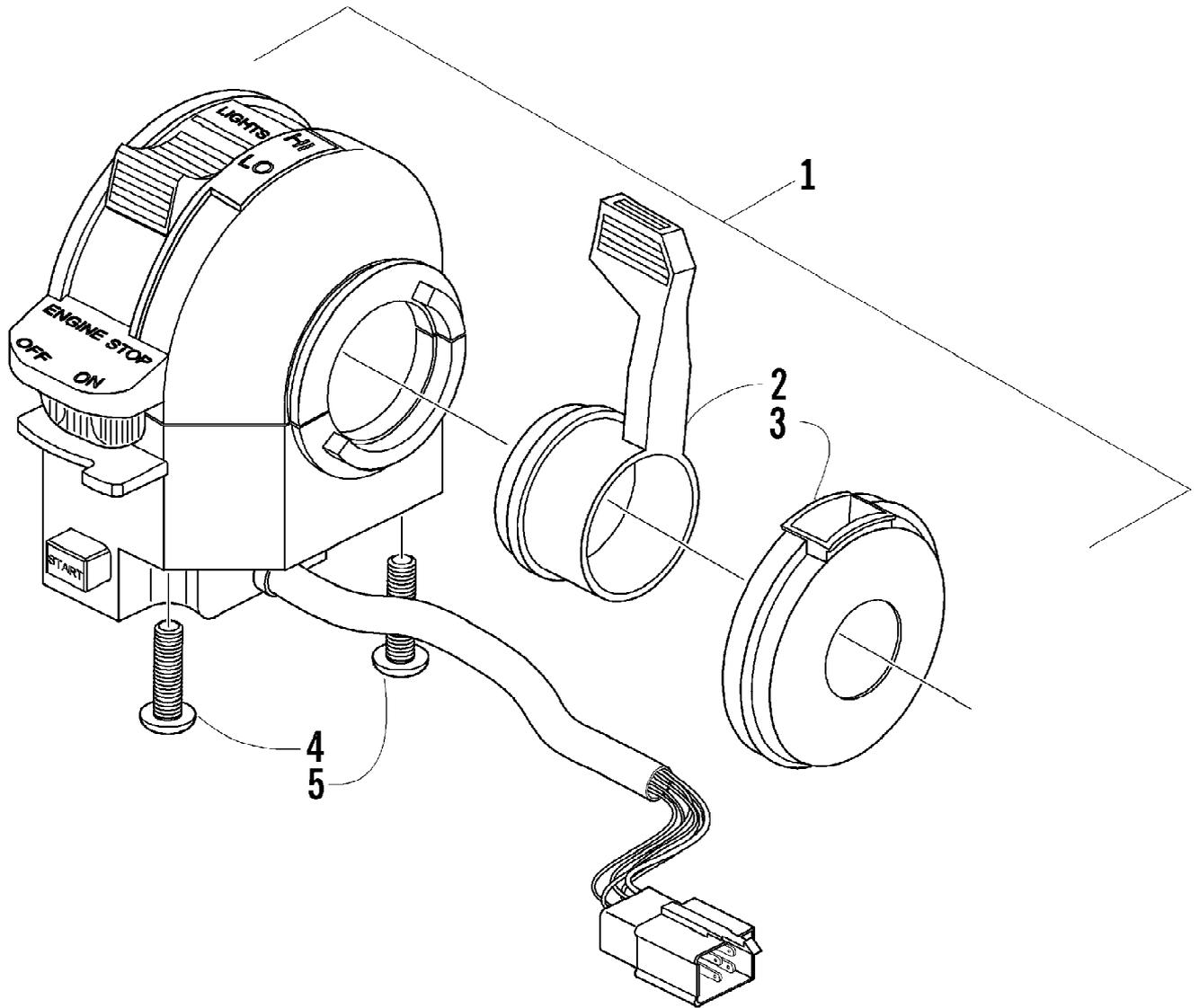
| Ref # | Part Number | Qty | S/P/F | Description |
|-------|-------------|-----|-------|--|
| | 0470-454 | 1 | | Complete Assembly |
| 1 | 5507-001 | 1 | | Cover, Top |
| 2 | 5507-002 | 3 | /P | Screw, Top Cover |
| 3 | 5507-052 | 1 | | Spring |
| 4 | 5507-053 | 1 | | Piston, Vacuum |
| 5 | 5507-054 | 1 | | Spring, Seat |
| 6 | 5507-080 | 1 | | Jet Needle |
| 7 | 5507-056 | 1 | | Needle Jet |
| 8 | 5507-047 | 1 | /P | Holder, Needle Jet |
| 9 | 5507-009 | 1 | /P | Main Jet - 150 |
| 9 | 5507-041 | 1 | F | Main Jet - 147 |
| 9 | 5507-042 | 1 | /P/F | Main Jet - 145 |
| 9 | 5507-043 | 1 | F | Main Jet - 142 |
| 9 | 5507-044 | 1 | F | Main Jet - 140 |
| 10 | 5507-010 | 1 | S | Slow Jet |
| 11 | 5507-090 | 1 | | Starter Jet - 60 |
| 12 | 5507-038 | 1 | | Valve, Float - Set (inc. 13) |
| 13 | 0 | 1 | F | Clip |
| 14 | 0 | 1 | F | Pin, Float |
| 15 | 5507-039 | 1 | | Float Set (inc. 14) |
| 16 | 5507-050 | 1 | /P | Screw, Drain |
| 17 | 5507-089 | 4 | S | Screw |
| 18 | 5507-040 | 1 | | Screw, Pilot Air - Set (inc. 19-21) |
| 19 | 0 | 1 | F | O-Ring |
| 20 | 0 | 1 | F | Spring |
| 21 | 0 | 1 | F | Washer |
| 22 | 5507-022 | 1 | | Valve, Starter |
| 23 | 5507-023 | 1 | | Spring |
| 24 | 5507-024 | 1 | | O-Ring |
| 25 | 5507-025 | 1 | | Cap |
| 26 | 5507-026 | 1 | | Cap, Rubber |
| 27 | 5507-027 | 1 | | Screw, Idle Adjust |
| 28 | 5507-028 | 1 | | Washer |
| 29 | 5507-029 | 1 | | Spring |
| 30 | 5507-083 | 1 | /P | Tube, Vinyl |
| 31 | 5507-036 | 1 | | Cover |
| 32 | 5507-037 | 1 | /P | Screw |
| 33 | 0487-016 | 1 | | Cable, Choke |
| 34 | 0487-021 | 1 | S | Cable, Throttle |
| 35 | 5507-064 | 1 | | Chamber, Float - Assembly (inc. 16 and 36) |
| 36 | 5507-068 | 1 | | O-Ring, Float Chamber |

2003 ATV 400 4X4 MANUAL TRANSMISSION (GREEN) (A2003ATH4AUSG) Page 13 of 93
CLUTCH ASSEMBLY



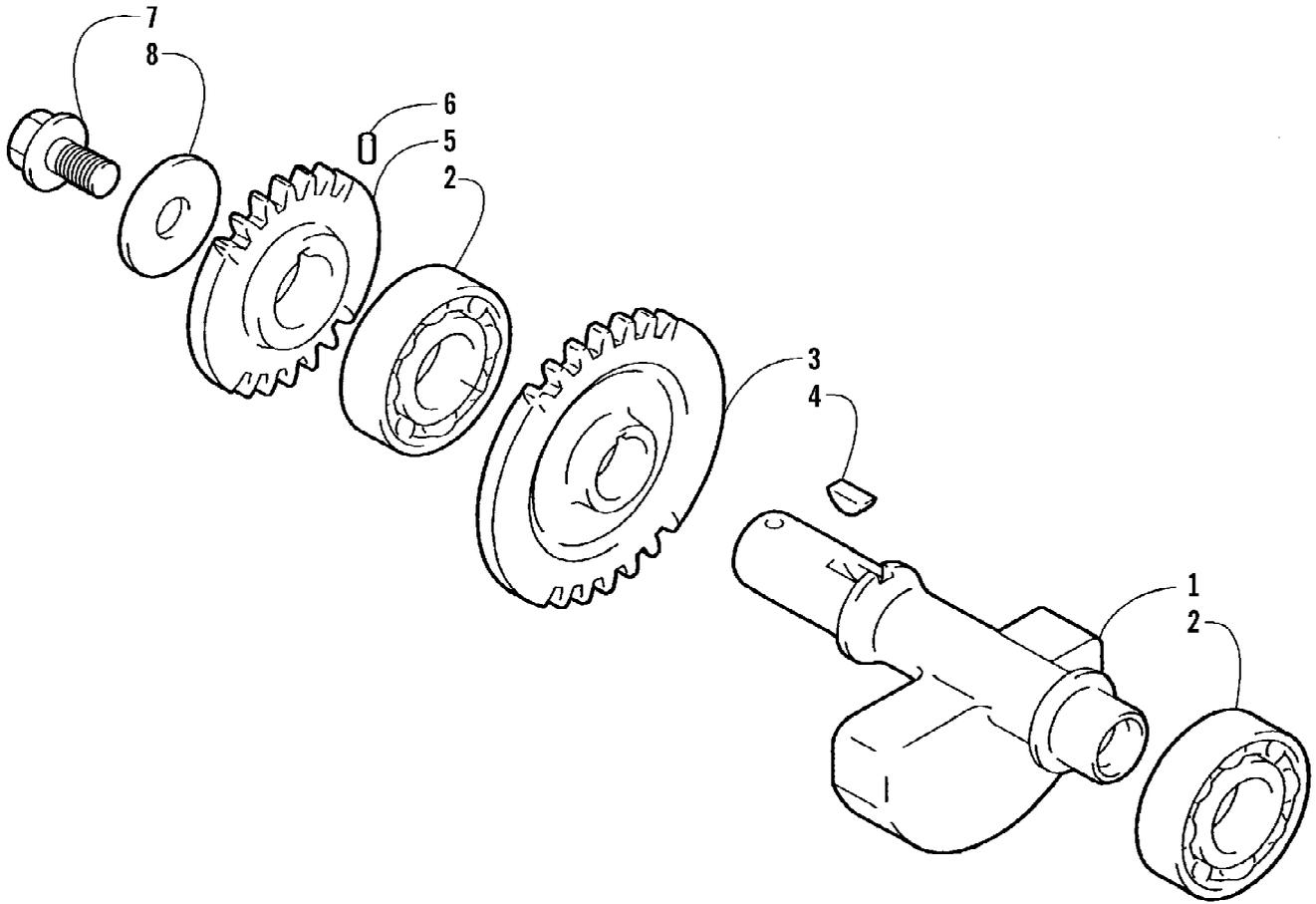
2003 ATV 400 4X4 MANUAL TRANSMISSION (GREEN) (A2003ATH4AUSG) Page 14 of 93
CLUTCH ASSEMBLY

| Ref # | Part Number | Qty | S/P/F | Description |
|-------|-------------|-----|-------|-----------------------------------|
| 1 | 3446-001 | 1 | S | Housing, Starter Clutch |
| 2 | 3446-003 | 1 | | Clutch, Primary Drive One Way |
| 3 | 3446-290 | 1 | | Shoe, Starter Clutch |
| 4 | 3423-501 | 1 | | Nut, Starter Clutch Shoe |
| 5 | 3423-209 | 1 | | Washer, Primary Driven |
| 6 | 3423-515 | 1 | | Washer, Primary Driven |
| 7 | 3423-516 | 1 | | Washer |
| 8 | 3446-291 | 1 | | Gear, Primary Driven - Assembly |
| 9 | 3446-004 | 1 | | Hub, Clutch Sleeve |
| 10 | 3423-330 | 4 | | Screw, Cap - Clutch Spring |
| 11 | 3423-517 | 4 | | Spring, Clutch |
| 12 | 3446-006 | 6 | | Plate, Clutch Drive |
| 13 | 3446-007 | 5 | | Plate, Clutch Driven |
| 14 | 3446-008 | 1 | | Disc, Clutch Pressure |
| 15 | 3446-009 | 1 | | Plate, Clutch Release |
| 16 | 3423-080 | 1 | | Nut, Clutch Sleeve Hub |
| 17 | 3423-032 | 1 | | Washer, Sleeve Hub |
| 18 | 3446-292 | 1 | | Arm, Clutch Release |
| 19 | 3423-361 | 1 | | Bolt, Clutch Release (No. 1) |
| 20 | 3423-083 | 1 | | Bolt, Clutch Release (No. 2) |
| 21 | 3446-293 | 1 | | Guide, Release Roller |
| 22 | 3446-294 | 1 | | Roller, Clutch Release - Assembly |
| 23 | 3423-125 | 1 | S | Bolt, Clutch Release Arm |
| 24 | 3008-014 | 1 | | Nut, Clutch Release (No. 2) |
| 25 | 3423-359 | 1 | | Nut, Clutch Release (No. 1) |
| 26 | 3423-027 | 1 | | Washer, Clutch Release (No. 2) |
| 27 | 3402-186 | 1 | /P | Bearing |
| 28 | 3423-360 | 1 | | Washer, Clutch Release (No. 1) |



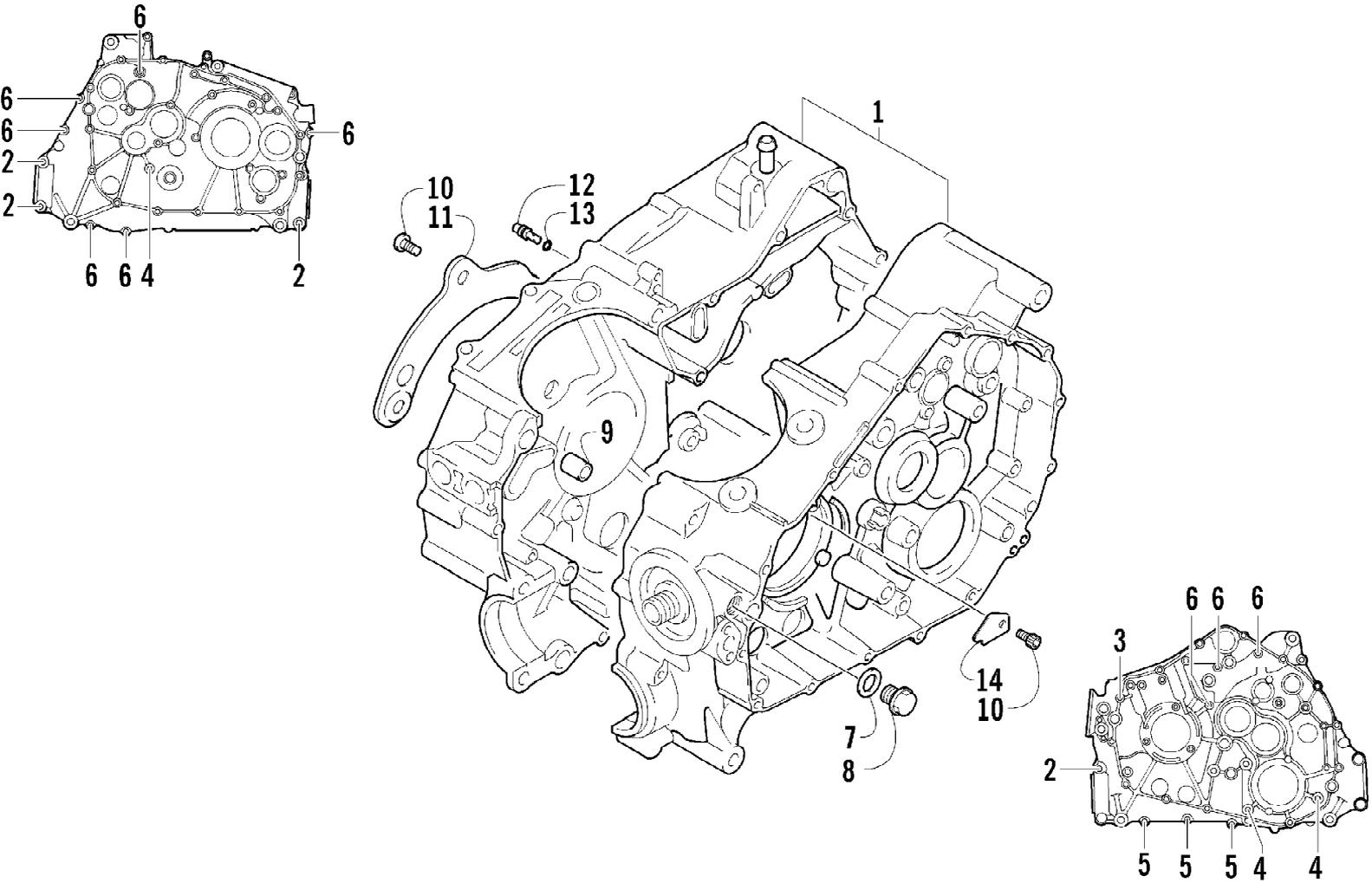
2003 ATV 400 4X4 MANUAL TRANSMISSION (GREEN) (A2003ATH4AUSG) Page 16 of 93
CONTROL SWITCH HOUSING ASSEMBLY

| Ref # | Part Number | Qty | S/P/F | Description |
|-------|-------------|-----|-------|---------------------------------------|
| 1 | 3509-001 | 1 | S | Switch, Control - Assembly (inc. 2-5) |
| 2 | 3409-009 | 1 | | Lever, Choke |
| 3 | 3409-010 | 1 | | Cover, Choke Lever |
| 4 | 3423-196 | 1 | | Screw, Cap |
| 5 | 3423-197 | 1 | | Screw, Cap |



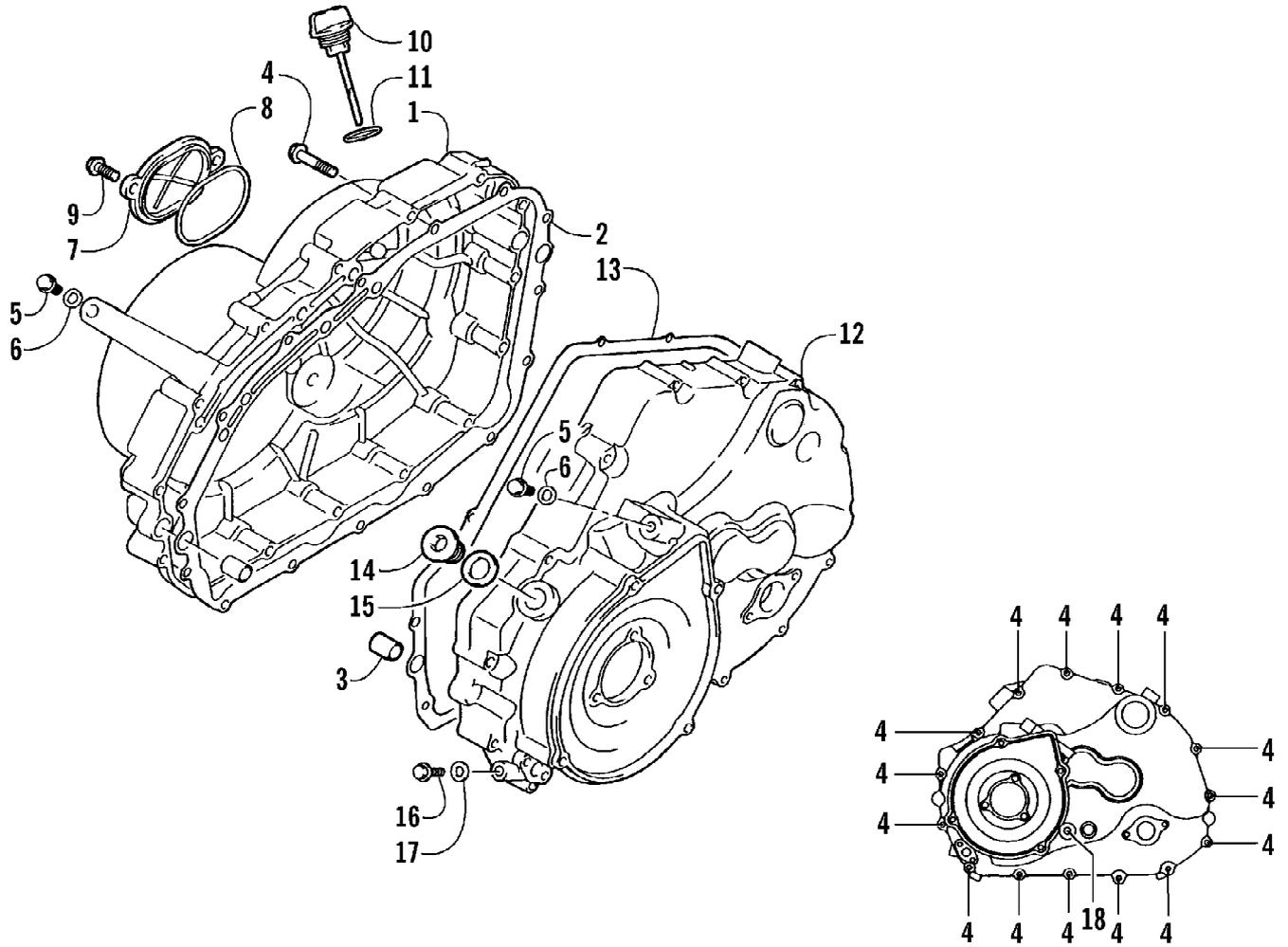
2003 ATV 400 4X4 MANUAL TRANSMISSION (GREEN) (A2003ATH4AUSG) Page 18 of 93
CRANK BALANCER ASSEMBLY

| Ref # | Part Number | Qty | S/P/F | Description |
|-------|-------------|-----|-------|----------------------|
| 1 | 3402-605 | 1 | | Balancer, Crank |
| 2 | 3402-553 | 2 | /P | Bearing |
| 3 | 3402-772 | 1 | | Gear, Driven |
| 4 | 3004-540 | 1 | /P | Key |
| 5 | 3402-617 | 1 | | Gear, Oil Pump Drive |
| 6 | 3423-110 | 1 | | Pin, Drive Gear |
| 7 | 3423-400 | 1 | | Bolt, Drive Gear |
| 8 | 3423-401 | 1 | | Washer, Drive Gear |



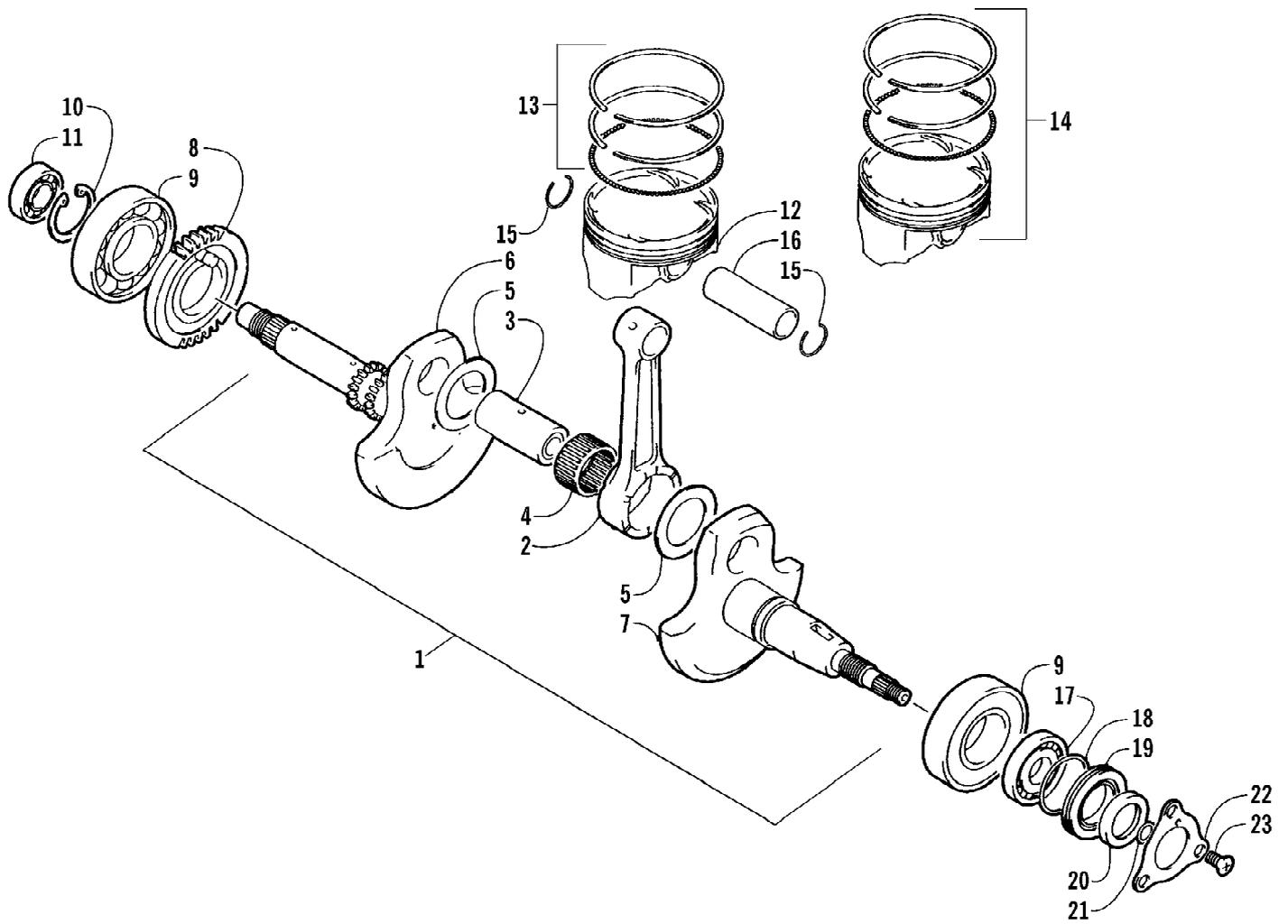
2003 ATV 400 4X4 MANUAL TRANSMISSION (GREEN) (A2003ATH4AUSG) Page 20 of 93
CRANKCASE ASSEMBLY

| Ref # | Part Number | Qty | S/P/F | Description |
|-------|-------------|-----|-------|--------------------------------|
| 1 | 3402-763 | 1 | | Crankcase Assembly (inc. 2-9) |
| 2 | 3004-880 | 4 | | Bolt |
| 3 | 3005-332 | 1 | | Bolt |
| 4 | 3005-410 | 3 | | Bolt |
| 5 | 3423-097 | 3 | | Bolt |
| 6 | 3423-091 | 9 | S | Bolt |
| 7 | 3402-012 | 1 | | Gasket, Oil Pressure Plug |
| 8 | 3402-214 | 1 | | Plug, Oil Pressure |
| 9 | 3423-088 | 2 | | Pin, Dowel |
| 10 | 3004-552 | 4 | S | Screw, Oil Guide Plate - Right |
| 11 | 3402-764 | 1 | | Plate, Oil Guide - Right |
| 12 | 3402-691 | 1 | | Jet, Oil Gallery |
| 13 | 3423-051 | 1 | | O-Ring, Oil Gallery Jet |
| 14 | 3402-582 | 1 | | Plate, Oil Guide - Left |



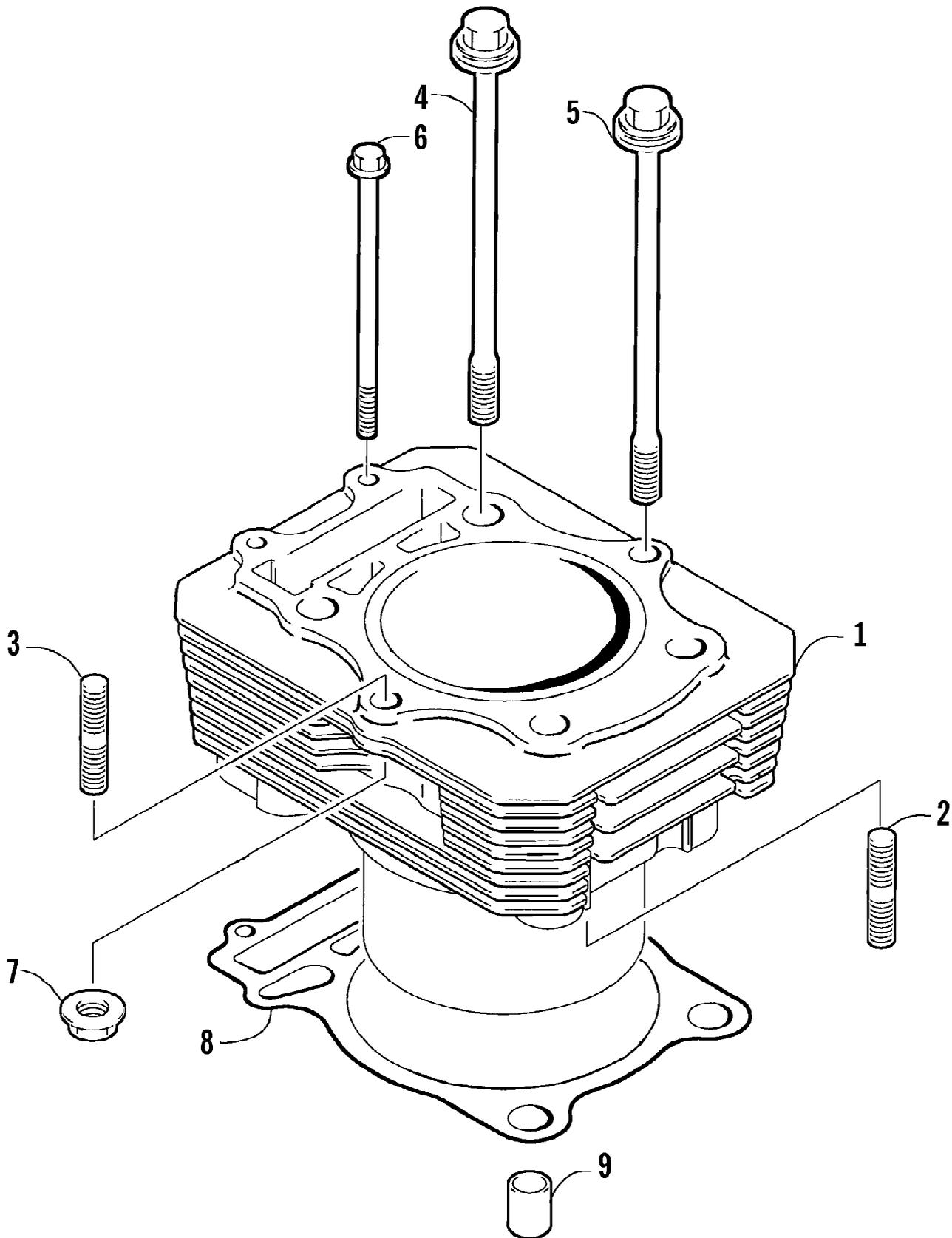
2003 ATV 400 4X4 MANUAL TRANSMISSION (GREEN) (A2003ATH4AUSG) Page 22 of 93
CRANKCASE COVER ASSEMBLY

| Ref # | Part Number | Qty | S/P/F | Description |
|-------|-------------|-----|-------|-------------------------|
| 1 | 3402-765 | 1 | | Cover, Clutch |
| 2 | 3402-766 | 1 | | Gasket |
| 3 | 3423-088 | 4 | | Pin, Dowel |
| 4 | 3423-098 | 30 | S | Bolt |
| 5 | 3004-338 | 2 | S/P | Plug, Oil Gallery |
| 6 | 3003-290 | 2 | /P | Gasket |
| 7 | 3402-100 | 1 | | Cap, Inspection |
| 8 | 3402-101 | 1 | | O-Ring, Inspection Cap |
| 9 | 3004-341 | 2 | S/P | Bolt, Inspection Cap |
| 10 | 3402-593 | 1 | | Stick, Oil Level |
| 11 | 3423-055 | 1 | | O-Ring, Oil Level Stick |
| 12 | 3402-767 | 1 | | Cover, Magneto |
| 13 | 3402-768 | 1 | | Gasket, Magneto Cover |
| 14 | 3423-180 | 1 | S | Plug |
| 15 | 3402-013 | 1 | /P | Gasket |
| 16 | 3004-705 | 1 | S | Plug, Drain |
| 17 | 3402-444 | 1 | | Gasket, Drain Plug |
| 18 | 3423-430 | 1 | | Bolt |



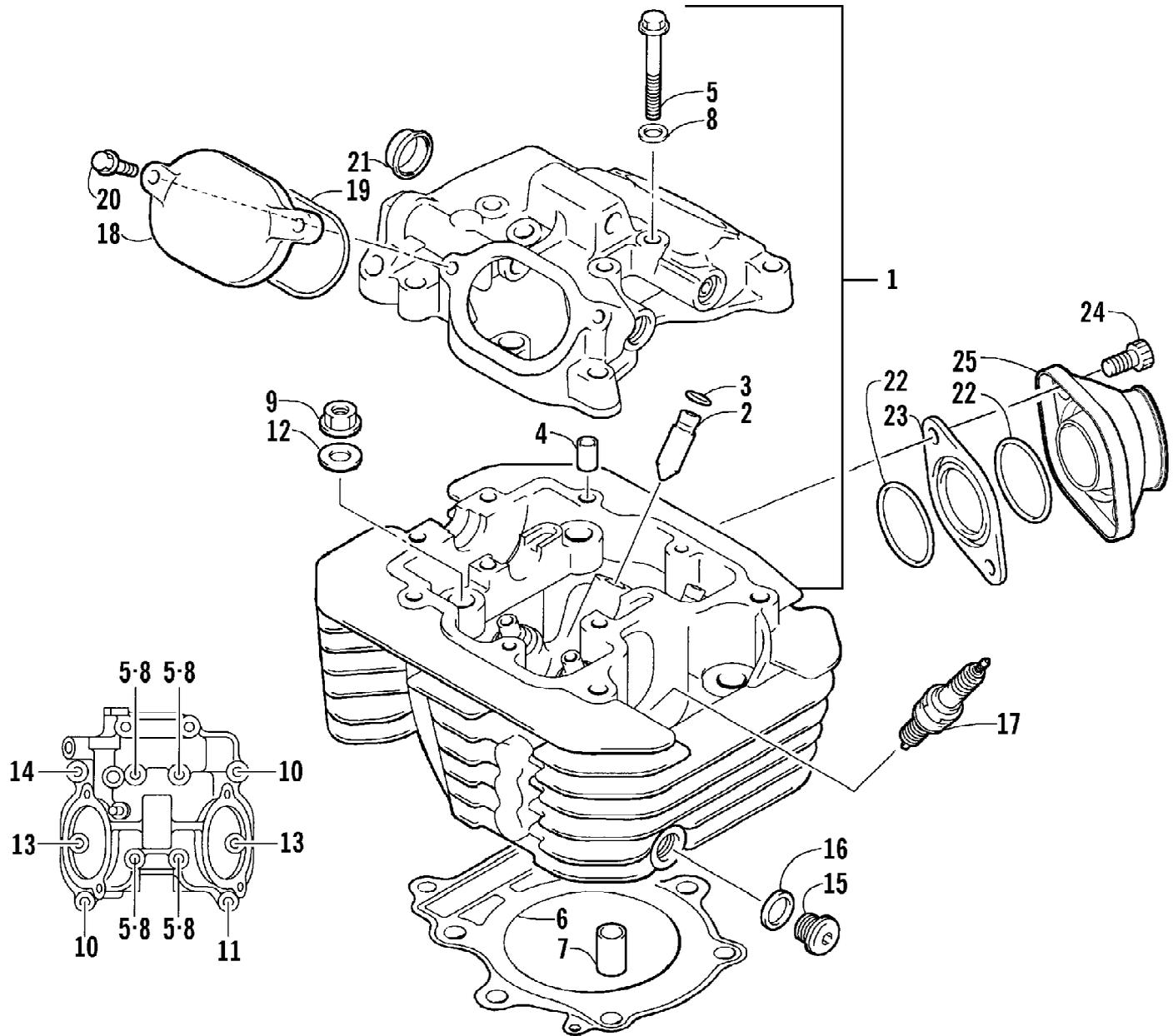
2003 ATV 400 4X4 MANUAL TRANSMISSION (GREEN) (A2003ATH4AUSG) Page 24 of 93
CRANKSHAFT ASSEMBLY

| Ref # | Part Number | Qty | S/P/F | Description |
|-------|-------------|-----|-------|--------------------------------------|
| 1 | 3402-716 | 1 | S | Crankshaft Assembly (inc. 2-7) |
| 2 | 3402-597 | 1 | | Rod, Connecting |
| 3 | 3402-769 | 1 | | Pin, Crank |
| 4 | 3402-571 | 1 | | Bearing |
| 5 | 3423-440 | 2 | | Washer |
| 6 | 3402-718 | 1 | S | Crankshaft - Right |
| 7 | 3402-770 | 1 | S | Crankshaft - Left |
| 8 | 3402-698 | 1 | /P | Gear, Crank Balancer Drive |
| 9 | 3402-180 | 2 | S | Bearing - Middle |
| 10 | 3402-771 | 1 | | Circlip |
| 11 | 3402-216 | 1 | | Bearing - Right |
| 12 | 3402-594 | 1 | | Piston |
| 13 | 3402-595 | 1 | | Ring, Piston - Set |
| 14 | 3436-015 | 1 | F | Piston Set (Oversized 0.50 mm) |
| 15 | 3003-439 | 2 | /P | Circlip |
| 16 | 3402-596 | 1 | | Pin, Piston |
| 17 | 3402-051 | 1 | | Bearing |
| 18 | 3423-063 | 1 | | O-Ring |
| 19 | 3402-119 | 1 | S | Spacer |
| 20 | 3402-070 | 1 | | Seal, Oil |
| 21 | 3423-053 | 1 | /P | O-Ring |
| 22 | 3402-188 | 1 | /P | Retainer, Crankshaft Oil Seal - Left |
| 23 | 3423-018 | 3 | | Screw, Retainer |



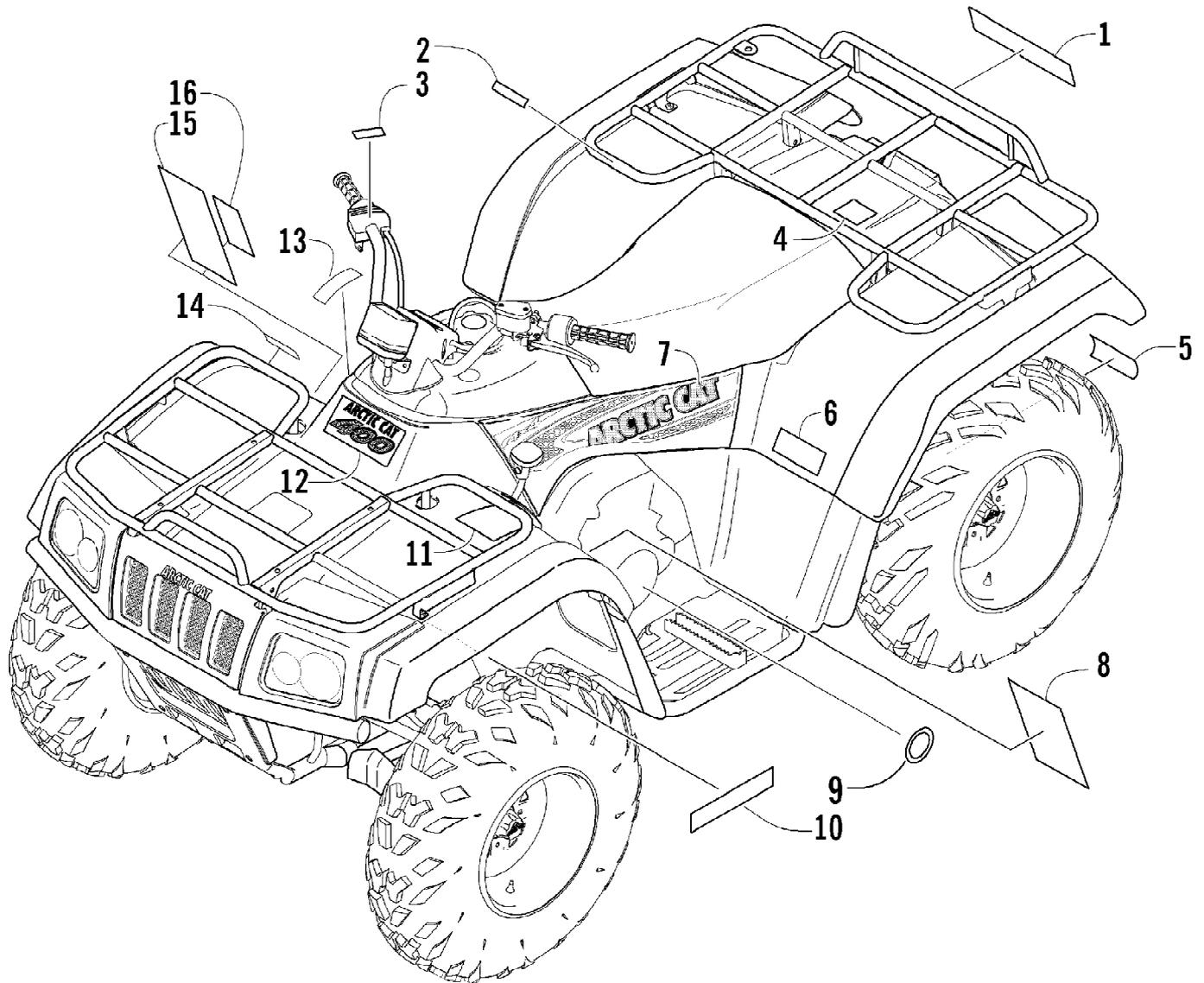
2003 ATV 400 4X4 MANUAL TRANSMISSION (GREEN) (A2003ATH4AUSG) Page 26 of 93
CYLINDER ASSEMBLY

| Ref # | Part Number | Qty | S/P/F | Description |
|-------|-------------|-----|-------|------------------|
| 1 | 3402-578 | 1 | S | Cylinder |
| 2 | 3423-384 | 2 | S | Bolt, Stud |
| 3 | 3004-778 | 2 | S | Bolt, Stud |
| 4 | 3423-431 | 2 | | Bolt |
| 5 | 3423-432 | 2 | | Bolt |
| 6 | 3423-427 | 2 | | Bolt |
| 7 | 3004-488 | 4 | S/P | Nut |
| 8 | 3402-579 | 1 | | Gasket, Cylinder |
| 9 | 3423-088 | 2 | | Pin, Dowel |

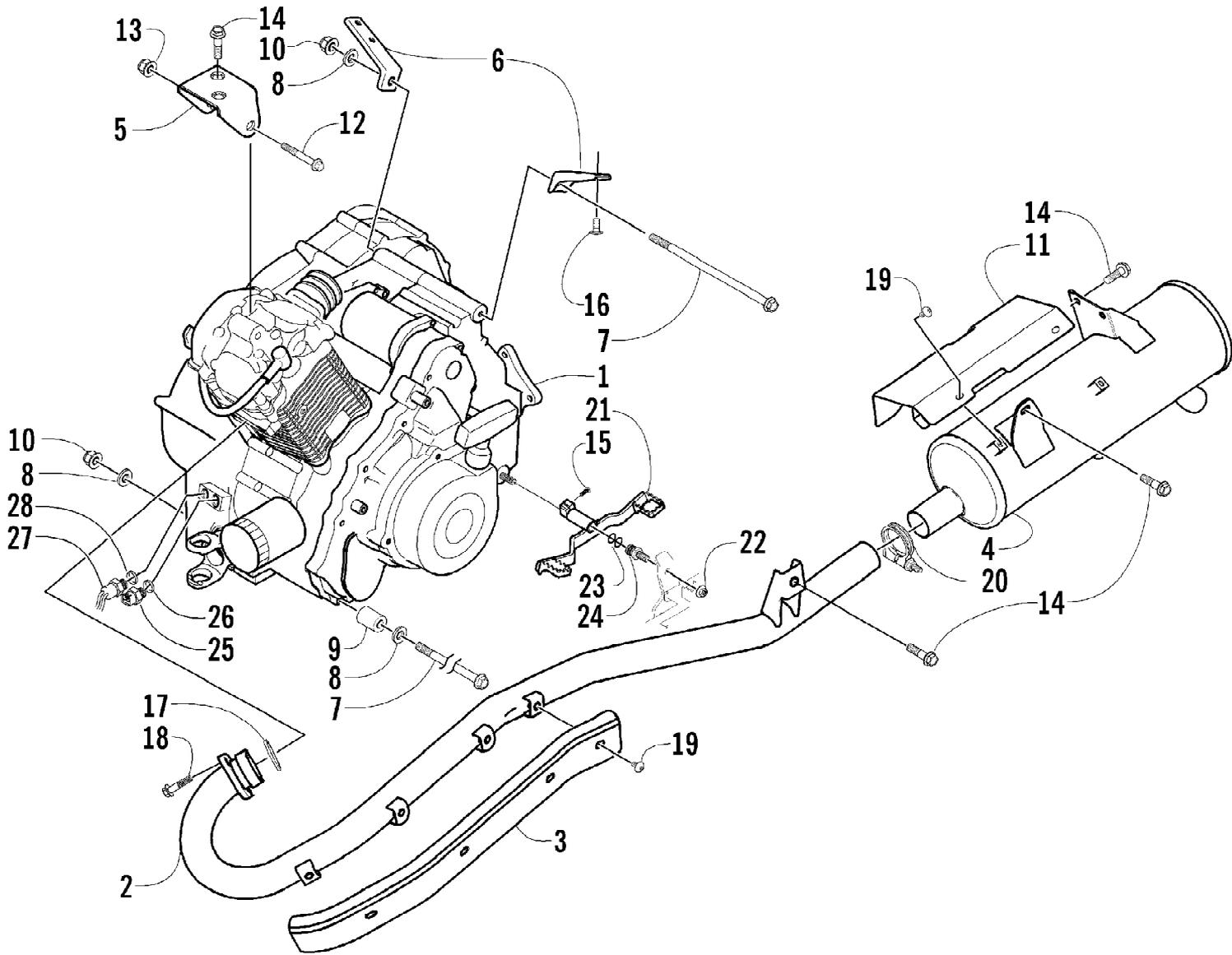


2003 ATV 400 4X4 MANUAL TRANSMISSION (GREEN) (A2003ATH4AUSG) Page 28 of 93
CYLINDER HEAD ASSEMBLY

| Ref # | Part Number | Qty | S/P/F | Description |
|-------|-------------|-----|-------|--------------------------------------|
| 1 | 3402-576 | 1 | S | Head, Cylinder - Assembly (inc. 2-5) |
| 2 | 3402-099 | 2 | | Guide, Valve |
| 3 | 3423-068 | 4 | | Ring, Valve Guide |
| 4 | 3423-043 | 2 | /P | Pin, Dowel |
| 5 | 3423-006 | 4 | | Bolt |
| 6 | 3402-577 | 1 | | Gasket, Cylinder Head |
| 7 | 3423-449 | 2 | | Pin, Dowel |
| 8 | 3003-290 | 4 | /P | Gasket |
| 9 | 3004-326 | 2 | S/P | Nut, Cylinder Head |
| 10 | 3423-007 | 2 | S | Bolt, Head Cover |
| 11 | 3423-429 | 1 | | Bolt, Head Cover |
| 12 | 3423-439 | 4 | S | Washer, Cylinder Head Nut |
| 13 | 3004-376 | 2 | S/P | Bolt, Head Cover |
| 14 | 3008-376 | 1 | S | Bolt, Head Cover |
| 15 | 3423-453 | 1 | | Plug, Oil Gallery |
| 16 | 3402-011 | 1 | | Gasket, Oil Gallery Plug |
| 17 | 0217-708 | 1 | | Spark Plug (NGK CR7E) |
| 18 | 3402-100 | 2 | | Cap, Inspection |
| 19 | 3402-101 | 2 | | O-Ring |
| 20 | 3004-341 | 4 | S/P | Bolt, Inspection Cap |
| 21 | 3402-035 | 1 | | Plug, Head |
| 22 | 3423-353 | 2 | /P | O-Ring |
| 23 | 3402-616 | 1 | | Insulator, Intake Manifold |
| 24 | 3004-893 | 2 | | Screw |
| 25 | 0570-067 | 1 | S | Manifold, Intake |

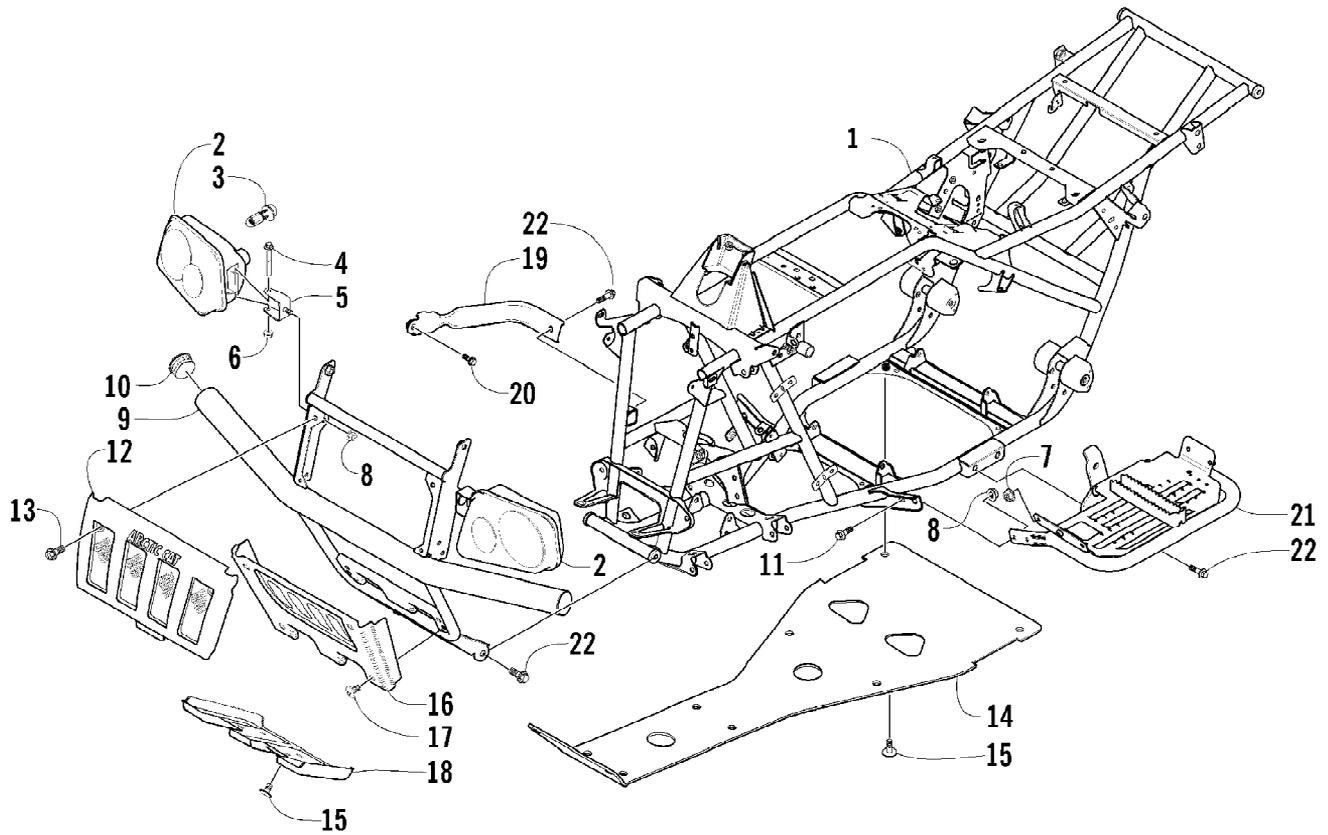


| Ref # | Part Number | Qty | S/P/F | Description |
|-------|-------------|-----|-------|------------------------------------|
| 1 | 0411-501 | 1 | | Decal, "Arctic Cat" |
| 2 | 0411-007 | 1 | | Decal, Warning - Rear Rack Load |
| 3 | 0411-324 | 1 | | Decal, Instruction - Start In Gear |
| 4 | 0411-435 | 1 | | Decal, Passenger |
| 5 | 0411-267 | 1 | | Decal, Warning - Towing |
| 6 | 0411-427 | 1 | | Decal, Warning - Tire Pressure |
| 7 | 0411-515 | 1 | | Decal, Side - Right |
| 7 | 0411-516 | 1 | | Decal, Side - Left |
| 7 | 0411-513 | 1 | | Decal, Side - Right (Green) |
| 7 | 0411-514 | 1 | | Decal, Side - Left (Green) |
| 8 | 0411-218 | 1 | | Decal, Warning - General |
| 9 | 0411-003 | 1 | | Decal, Shift Pattern |
| 10 | 0411-504 | 1 | | Decal, CA Emissions |
| 11 | 0411-401 | 1 | | Decal, Warning - Age |
| 12 | 0411-530 | 1 | | Decal, Front |
| 12 | 0411-529 | 1 | /P | Decal, Front (Green) |
| 13 | 0411-011 | 1 | | Decal, Caution - Electrical |
| 14 | 0411-006 | 1 | | Decal, Warning - Front Rack Load |
| 15 | 0411-045 | 1 | | Decal, Warning - Turn |
| 16 | 0411-008 | 1 | /P | Decal, Warning Reverse/Pre-Ride |



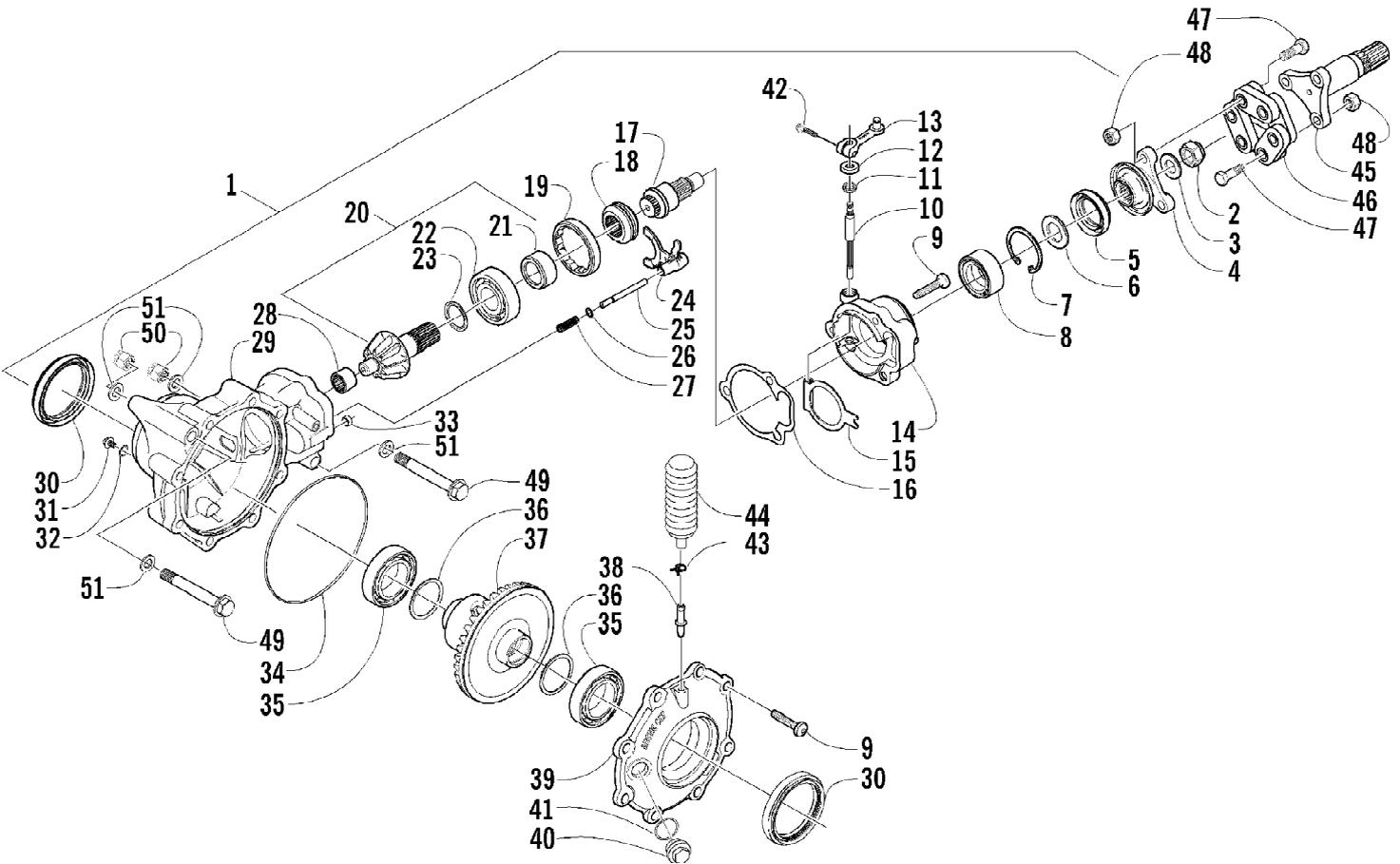
2003 ATV 400 4X4 MANUAL TRANSMISSION (GREEN) (A2003ATH4AUSG) Page 32 of 93
ENGINE AND EXHAUST

| Ref # | Part Number | Qty | S/P/F | Description |
|-------|-------------|-----|-------|-------------------------|
| 1 | 0462-025 | 1 | S | Engine |
| 2 | 0512-066 | 1 | | Pipe, Exhaust |
| 3 | 0412-112 | 1 | | Cover, Exhaust |
| 4 | 0412-182 | 1 | | Muffler |
| 5 | 0506-631 | 1 | | Bracket, Engine - Upper |
| 6 | 0506-983 | 1 | /P | Bracket, Engine - Right |
| 6 | 0506-984 | 1 | /P | Bracket, Engine - Left |
| 7 | 3423-009 | 3 | /P | Screw, Cap |
| 8 | 0423-050 | 4 | | Washer |
| 9 | 0423-042 | 2 | S | Spacer |
| 10 | 8428-002 | 3 | | Nut, Lock |
| 11 | 1406-023 | 1 | | Cover, Muffler |
| 12 | 8408-860 | 1 | | Screw, Cap |
| 13 | 8424-802 | 1 | | Nut |
| 14 | 8408-816 | 6 | | Screw, Cap |
| 15 | 8476-620 | 1 | | Screw, Machine |
| 16 | 8408-616 | 4 | | Screw, Cap |
| 17 | 0412-007 | 1 | /P | Seal, Exhaust |
| 18 | 8408-820 | 2 | /P | Screw, Cap |
| 19 | 8477-610 | 9 | | Screw, Machine |
| 20 | 0423-150 | 1 | | Clamp, Exhaust |
| 21 | 0502-354 | 1 | | Lever, Shift |
| 22 | 8422-002 | 1 | | Nut, Lock |
| 23 | 0423-096 | 2 | | O-Ring |
| 24 | 0402-994 | 1 | | Pin, Shift Lever |
| 25 | 3430-033 | 1 | | Switch, Cooling Fan |
| 26 | 3402-774 | 1 | S | Gasket |
| 27 | 3530-037 | 1 | /P | Switch, Oil Light |
| 28 | 3402-556 | 1 | /P | Gasket |



2003 ATV 400 4X4 MANUAL TRANSMISSION (GREEN) (A2003ATH4AUSG) Page 34 of 93
FRAME AND RELATED PARTS

| Ref # | Part Number | Qty | S/P/F | Description |
|-------|-------------|-----|-------|---------------------------------------|
| 1 | 0506-816 | 1 | | Frame, Main |
| 2 | 0409-032 | 2 | | Headlight Assembly - Right (inc. 3-6) |
| 2 | 0409-031 | 2 | | Headlight Assembly - Left (inc. 3-6) |
| 3 | 0409-045 | 2 | | Bulb, Headlight |
| 4 | 8410-860 | 2 | | Screw, Cap |
| 5 | 0406-945 | 2 | | Bracket, Headlight Mounting |
| 6 | 0423-375 | 2 | | Nut, Lock |
| 7 | 8424-602 | 2 | /P | Nut |
| 8 | 8424-802 | 6 | | Nut |
| 9 | 0506-544 | 1 | | Bumper |
| 10 | 0406-130 | 2 | | Cap, Bumper |
| 11 | 8408-816 | 4 | | Screw, Cap |
| 12 | 0406-832 | 1 | | Grille, Upper |
| 13 | 0423-361 | 2 | | Screw, Machine |
| 14 | 0406-864 | 1 | | Panel, Belly |
| 15 | 0423-101 | AR | | Screw, Shoulder |
| 16 | 0406-833 | 1 | S | Grille, Bumper - Lower |
| 17 | 0423-362 | 4 | | Screw, Machine |
| 18 | 0406-834 | 1 | | Plate, Skid |
| 19 | 0506-653 | 2 | S | Channel, Bumper Mounting |
| 20 | 8408-812 | 2 | | Screw, Cap |
| 21 | 0506-534 | 1 | | Footrest - Right |
| 21 | 0506-827 | 1 | | Footrest - Left |
| 22 | 8409-020 | 8 | /P | Screw, Cap |



2003 ATV 400 4X4 MANUAL TRANSMISSION (GREEN) (A2003ATH4AUSG) Page 36 of 93
FRONT DRIVE GEARCASE ASSEMBLY

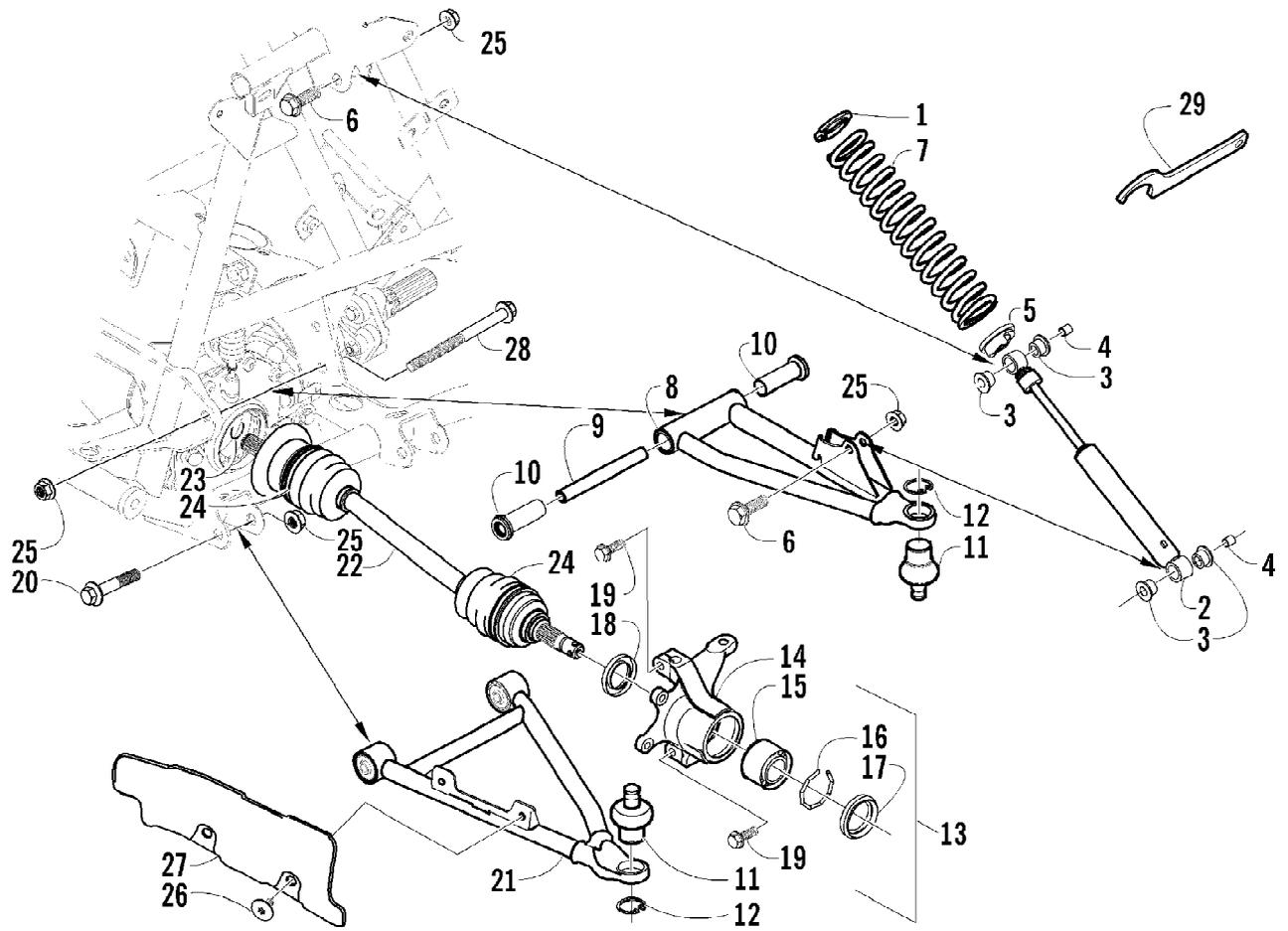
| Ref # | Part Number | Qty | S/P/F | Description |
|-------|-------------|-----|-------|--|
| 1 | 0502-119 | 1 | | Gearcase, Front Drive - Assembly (inc. 2-42) |
| 2 | 0423-135 | 1 | | Nut |
| 3 | 0423-134 | 1 | | Washer |
| 4 | 0402-422 | 1 | | Flange, Drive |
| 5 | 0402-395 | 1 | | Seal |
| 6 | 0402-346 | 1 | | Spacer, Drive |
| 7 | 0402-332 | 1 | | Ring, Retaining |
| 8 | 0402-003 | 1 | | Bearing |
| 9 | 0423-118 | 11 | | Screw, Self-Tapping |
| 10 | 0402-412 | 1 | | Shaft, Selector |
| 11 | 0402-416 | 1 | | Seal |
| 12 | 0402-398 | 1 | | Plate, Selector Shaft |
| 13 | 0502-092 | 1 | | Arm, Selector |
| 14 | 0502-122 | 1 | | Housing, Selector |
| 15 | 0402-414 | 1 | | Plate, Spring - Selector |
| 16 | 0402-947 | 1 | | Gasket, Flange |
| 17 | 0402-410 | 1 | | Shaft, Thrust |
| 18 | 0402-413 | 1 | | Coupler, Drive |
| 19 | 0402-357 | 1 | | Collar, Lock |
| 20 | 0502-123 | 1 | | Gear, Pinion - Assembly - 10T (inc. 21-23) |
| 21 | 0402-336 | 1 | | Collar, Retaining |
| 22 | 0402-327 | 1 | | Bearing |
| 23 | 0402-424 | AR | | Shim |
| 23 | 0402-425 | AR | | Shim |
| 23 | 0402-426 | AR | | Shim |
| 23 | 0402-427 | AR | | Shim |
| 23 | 0402-428 | AR | | Shim |
| 24 | 0402-420 | 1 | | Fork, Selector |
| 25 | 0402-417 | 1 | | Shaft, Shuttle |
| 26 | 0423-147 | 1 | | O-Ring |
| 27 | 0402-418 | 1 | | Spring, Return |
| 28 | 0402-328 | 1 | | Bearing |
| 29 | 0502-120 | 1 | | Housing, Gearcase |
| 30 | 0402-394 | 2 | S | Seal |
| 31 | 0402-450 | 1 | S | Plug, Magnetic (inc. 32) |
| 32 | 0423-153 | 1 | | O-Ring |
| 33 | 0402-411 | 1 | | Pin, Dowel |
| 34 | 0423-149 | 1 | | O-Ring |
| 35 | 0402-393 | 2 | | Bearing |
| 36 | 0402-405 | AR | | Shim |
| 36 | 0402-406 | AR | | Shim |
| 36 | 0402-407 | AR | | Shim |
| 36 | 0402-408 | AR | | Shim |
| 36 | 0402-409 | AR | | Shim |
| 37 | 0502-124 | 1 | | Gear, Ring - 36T |
| 38 | 0402-871 | 1 | | Fitting |
| 39 | 0502-121 | 1 | | Cover, Gearcase |
| 40 | 0402-333 | 1 | /P | Plug, Fill (inc. 41) |
| 41 | 0423-154 | 1 | | O-Ring |
| 42 | 8410-620 | 1 | | Screw, Cap |
| 43 | 0423-315 | 1 | | Clamp, Fitting |
| 44 | 0402-147 | 1 | S | Bladder, Gearcase |
| 45 | 0502-321 | 1 | | Shaft, Propeller |

2003 ATV 400 4X4 MANUAL TRANSMISSION (GREEN) (A2003ATH4AUSG) Page 37 of 93
FRONT DRIVE GEARCASE ASSEMBLY

| Ref # | Part Number | Qty | S/P/F | Description |
|-------|-------------|-----|-------|--------------------------|
| 46 | 3435-007 | 1 | | Coupler, Propeller Shaft |
| 47 | 3423-182 | 6 | S | Screw, Cap |
| 48 | 3004-491 | 6 | S/P | Nut |
| 49 | 0423-404 | 2 | | Screw, Cap |
| 50 | 8428-002 | 2 | | Nut, Lock |
| 51 | 0423-426 | 4 | | Washer |

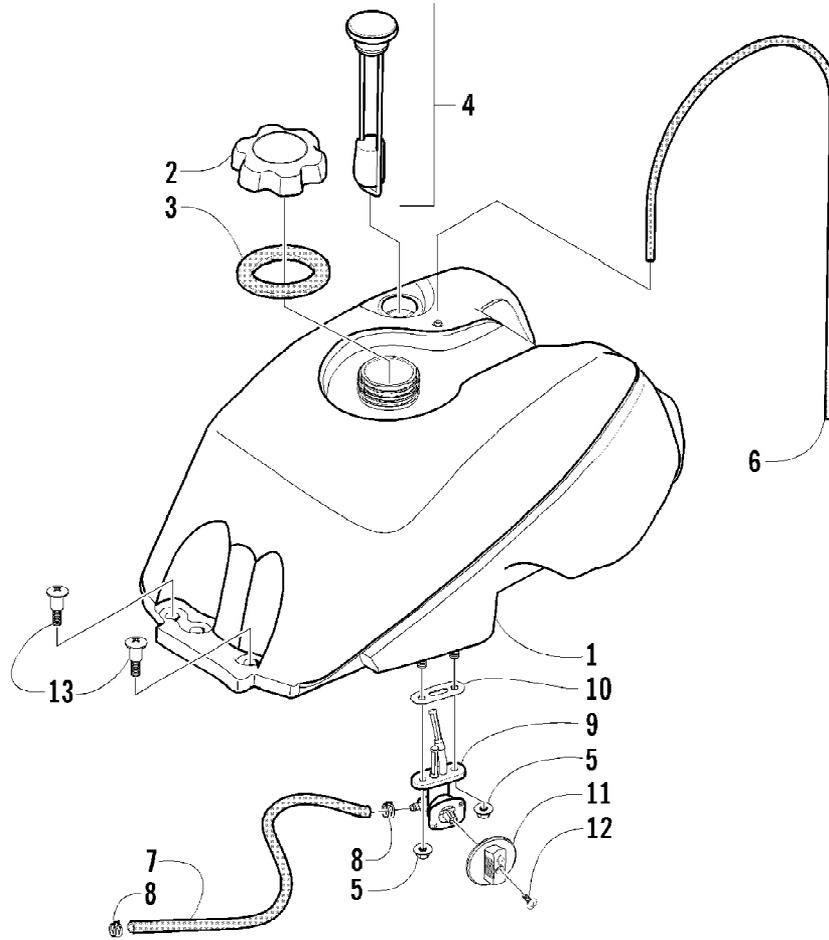
2003 ATV 400 4X4 MANUAL TRANSMISSION (GREEN) (A2003ATH4AUSG) Page 39 of 93
FRONT DRIVE SHIFT LINKAGE ASSEMBLY

| Ref # | Part Number | Qty | S/P/F | Description |
|-------|-------------|-----|-------|-----------------|
| 1 | 0502-291 | 1 | | Shifter |
| 2 | 0423-091 | 5 | | Bushing |
| 3 | 8050-247 | 2 | /P | Washer |
| 4 | 0402-821 | 1 | | Arm, Shifter |
| 5 | 0502-234 | 1 | | Plate, Mounting |
| 6 | 0402-828 | 1 | | Spring, Torsion |
| 7 | 0406-363 | 2 | | Bushing |
| 8 | 0402-256 | 2 | | Collar |
| 9 | 8476-630 | 2 | | Screw, Machine |
| 10 | 8050-222 | 2 | /P | Washer |
| 11 | 0624-250 | 2 | | Nut, Lock |
| 12 | 0124-057 | 2 | /P | E-Ring |
| 13 | 0502-295 | 1 | | Arm, Selector |
| 14 | 0423-368 | 2 | | Washer, Wave |
| 15 | 0502-396 | 1 | /P | Cross-Link |
| 16 | 0423-348 | 2 | | Washer |
| 17 | 0423-101 | 2 | | Screw, Body |
| 18 | 0123-053 | 2 | /P | Washer |



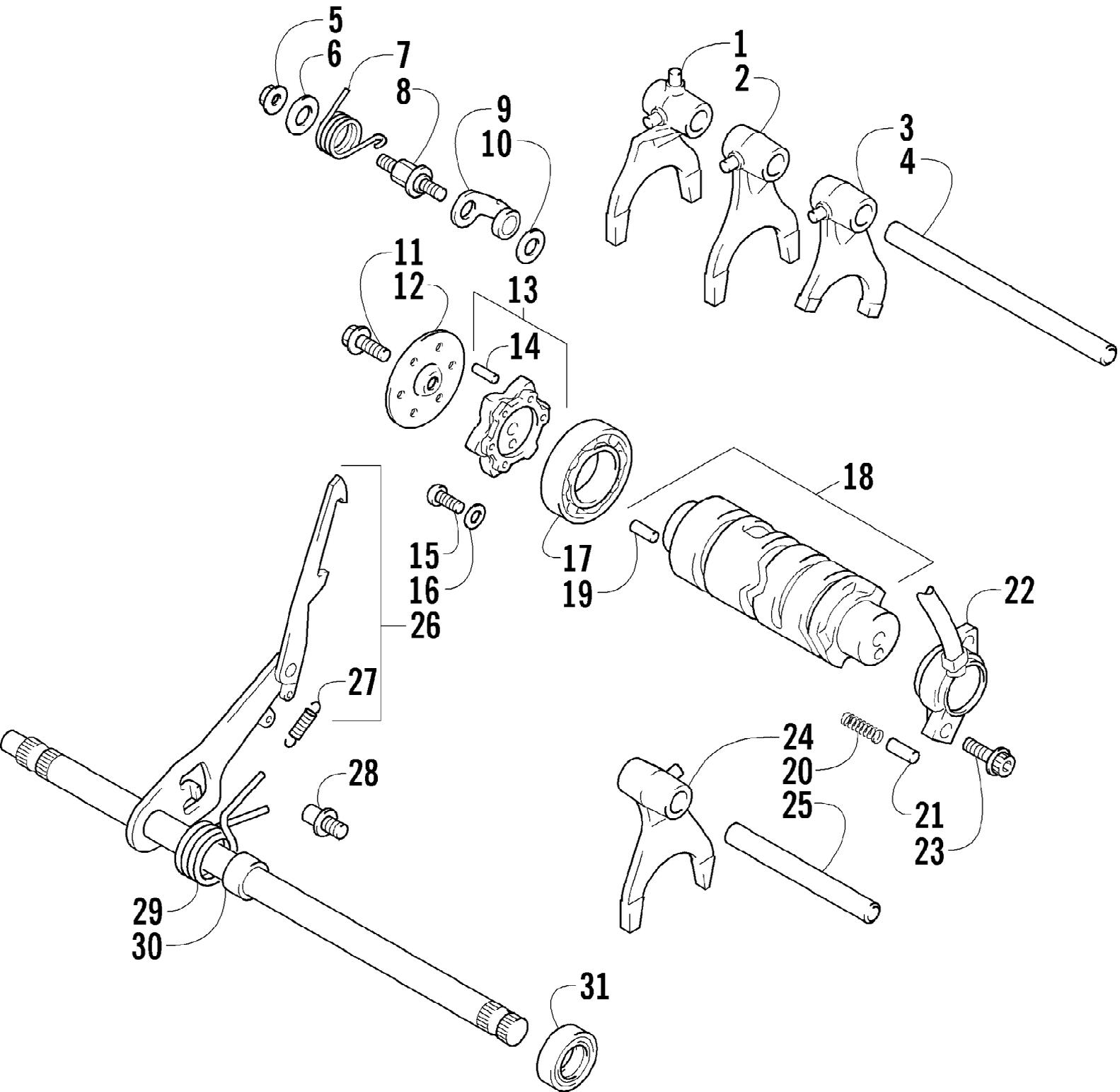
2003 ATV 400 4X4 MANUAL TRANSMISSION (GREEN) (A2003ATH4AUSG) Page 41 of 93
FRONT SUSPENSION ASSEMBLY

| Ref # | Part Number | Qty | S/P/F | Description |
|-------|-------------|-----|-------|---|
| 1 | 1603-889 | 2 | /P | Retainer, Spring |
| 2 | 0403-101 | 2 | | Shock Absorber - Front (inc. 3-4) |
| 3 | 0604-310 | 8 | | Bushing, Shock Absorber |
| 4 | 0403-028 | 4 | | Sleeve, Shock |
| 5 | 0403-102 | 2 | | Cam, Spring Adjuster |
| 6 | 8409-040 | 4 | | Screw, Cap |
| 7 | 0403-103 | 2 | | Spring, Shock Absorber |
| 8 | 0503-120 | 1 | S | A-Arm, Upper Right - Assembly (inc. 9-12) |
| 8 | 0503-121 | 1 | S | A-Arm, Upper Left - Assembly (inc. 9-12) |
| 9 | 0403-080 | 2 | | Collar |
| 10 | 0403-081 | 4 | S | Bushing |
| 11 | 0405-068 | 4 | S | Ball Joint - Front |
| 12 | 0423-009 | 4 | /P | Clip, Ball Joint |
| 13 | 0505-026 | 1 | S/P | Knuckle - Assembly - Right (inc. 14-18) |
| 13 | 0505-027 | 1 | S/P | Knuckle - Assembly - Left (inc. 14-18) |
| 14 | 0505-062 | 1 | S | Knuckle, Steering - Right |
| 14 | 0505-063 | 1 | S | Knuckle, Steering - Left |
| 15 | 0402-275 | 2 | /P | Bearing, Wheel Hub - Front |
| 16 | 0423-034 | 2 | | Clip, Bearing |
| 17 | 0402-089 | 2 | | Seal, Wheel Bearing - Front |
| 18 | 0402-069 | 2 | | Seal, Wheel Bearing - Rear |
| 19 | 8409-030 | 4 | | Screw, Cap |
| 20 | 8409-060 | 4 | | Screw, Cap |
| 21 | 0503-118 | 1 | S | A-Arm, Lower Right (inc. 11-12) |
| 21 | 0503-119 | 1 | S | A-Arm, Lower Left (inc. 11-12) |
| 22 | 0402-987 | 2 | S | Axle, Drive - Front (inc. 23-24) |
| 23 | 0441-400 | 2 | S | Clip, Retaining |
| 24 | 0436-276 | 4 | S | Repair Kit, Boot - Front Axle |
| 25 | 8428-002 | 10 | | Nut, Lock |
| 26 | 0423-101 | 4 | | Screw, Body |
| 27 | 0406-944 | 1 | | Guard, Boot - Axle - Right |
| 27 | 0406-927 | 1 | | Guard, Boot - Axle - Left |
| 28 | 0423-334 | 2 | | Screw, Cap |
| 29 | 0441-587 | 1 | | Wrench, Spanner |



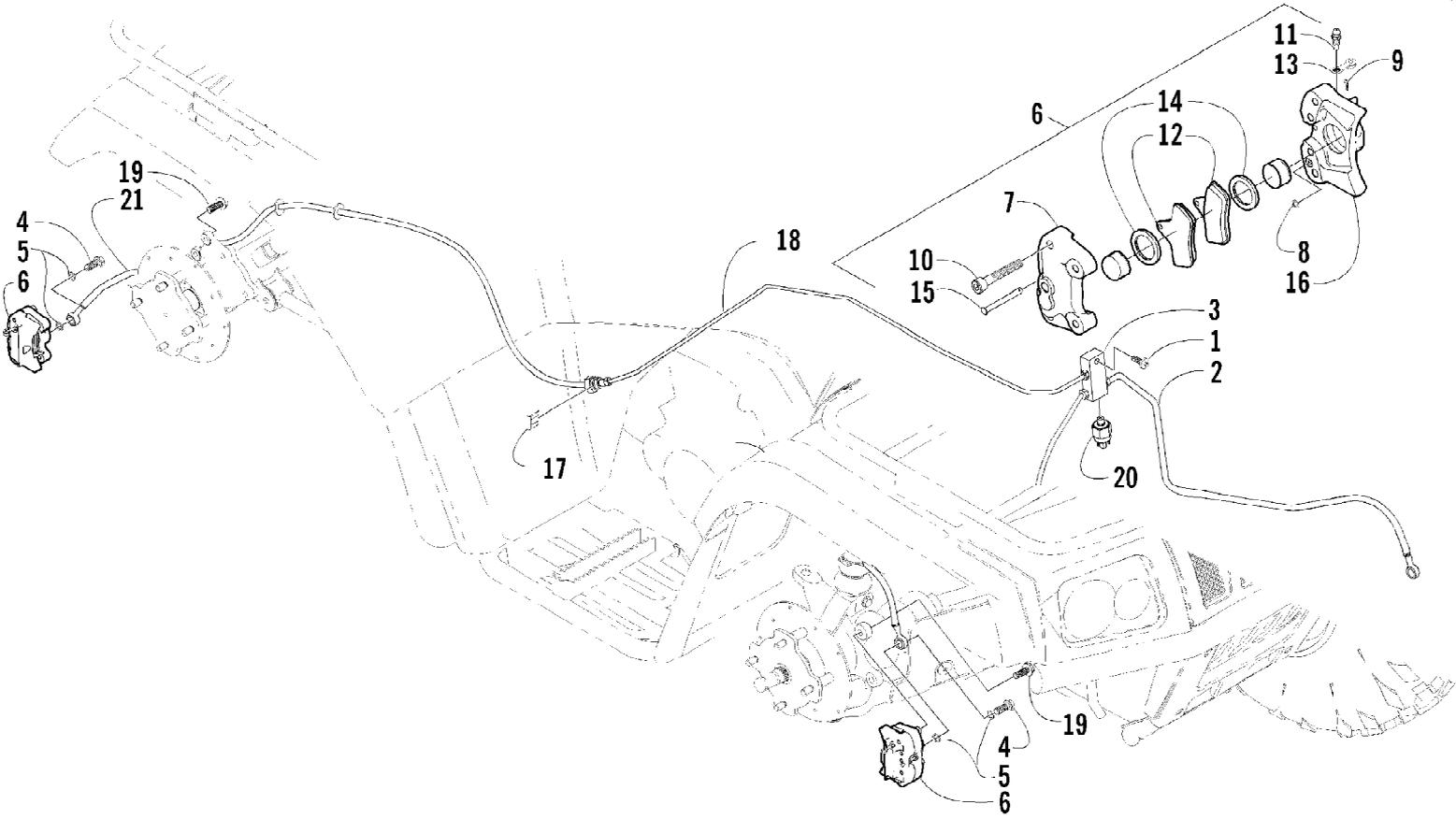
2003 ATV 400 4X4 MANUAL TRANSMISSION (GREEN) (A2003ATH4AUSG) Page 43 of 93
GAS TANK ASSEMBLY

| Ref # | Part Number | Qty | S/P/F | Description |
|-------|-------------|-----|-------|----------------------------------|
| 1 | 0570-066 | 1 | /P | Tank, Gas - Assembly (inc. 2-10) |
| 2 | 0470-438 | 1 | /P | Cap, Gas Tank (inc. 3) |
| 3 | 0109-733 | 1 | /P | Gasket, Tank Cap |
| 4 | 0470-444 | 1 | S | Gauge, Fuel w/Gasket (Press-Fit) |
| 5 | 0423-398 | 2 | | Nut, Lock |
| 6 | 0470-416 | 1 | /P | Hose, Vent |
| 7 | 0610-007 | AR | /P | Hose, Gasline - 25 ft |
| 8 | 0423-152 | 2 | | Clamp, Hose |
| 9 | 0470-445 | 1 | /P | Valve, Fuel Shut-Off (inc. 10) |
| 10 | 0470-364 | 1 | | Gasket, Fuel Shut-Off Valve |
| 11 | 0470-408 | 1 | | Knob, Fuel Shut-Off Valve |
| 12 | 0423-146 | 1 | | Screw, Fuel Shut-Off Valve Knob |
| 13 | 0423-130 | 2 | | Screw, Shoulder |



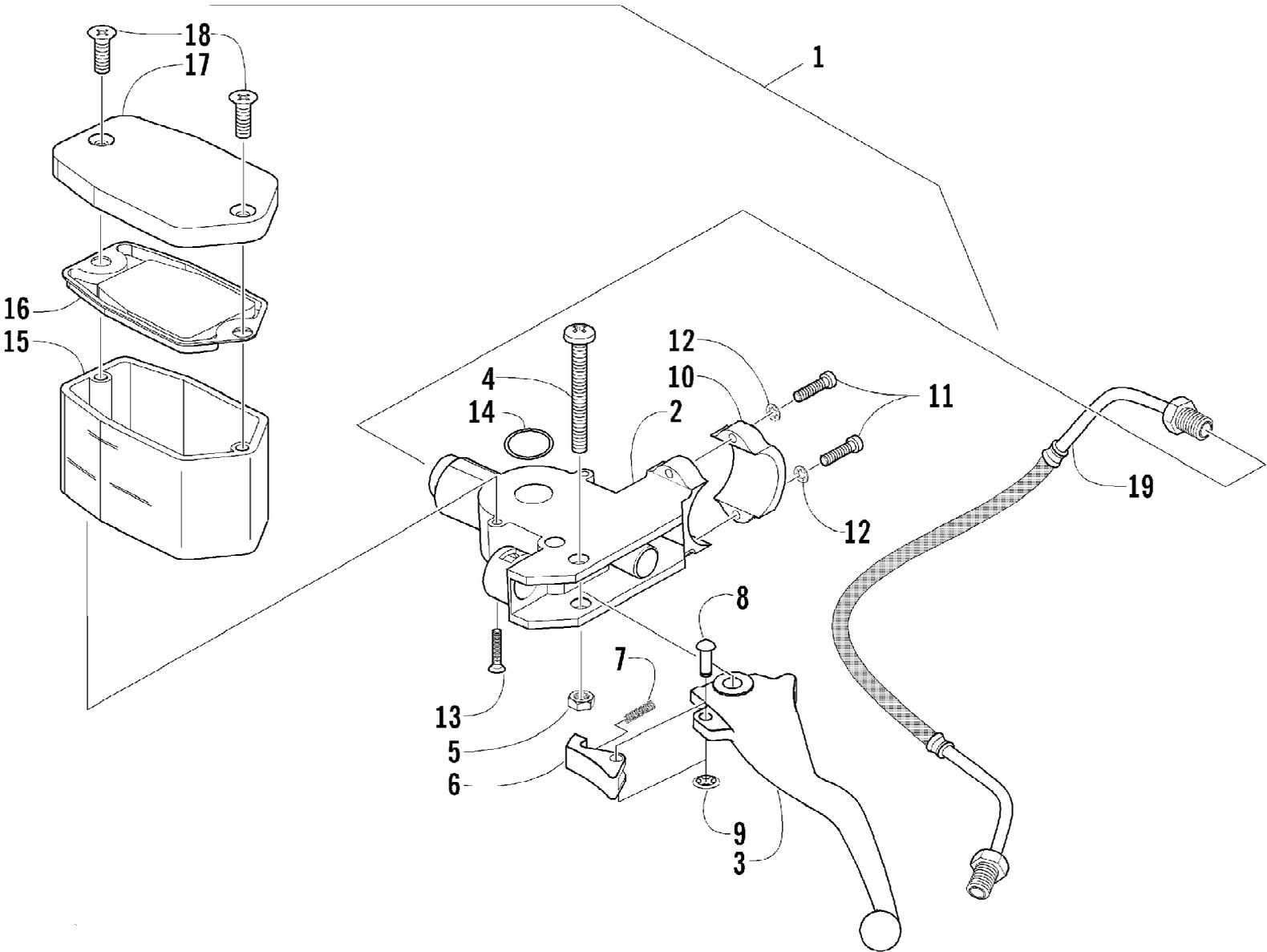
2003 ATV 400 4X4 MANUAL TRANSMISSION (GREEN) (A2003ATH4AUSG) Page 45 of 93
GEAR SHIFTING ASSEMBLY

| Ref # | Part Number | Qty | S/P/F | Description |
|-------|-------------|-----|-------|---------------------------------|
| 1 | 3446-306 | 1 | | Fork, Gear Shift - Reverse |
| 2 | 3446-155 | 1 | | Fork, Gear Shift - No. 1 |
| 3 | 3446-156 | 1 | | Fork, Gear Shift - No. 2 |
| 4 | 3402-643 | 1 | | Shaft, Gear Shift Fork - No. 2 |
| 5 | 3004-488 | 1 | S/P | Nut |
| 6 | 3423-142 | 1 | | Washer |
| 7 | 3423-521 | 1 | S | Spring, Gear Shift Cam Stopper |
| 8 | 3446-048 | 1 | | Support, Gear Shift Cam Stopper |
| 9 | 3402-746 | 1 | | Stopper, Gear Shift Cam |
| 10 | 3423-141 | 1 | | Washer |
| 11 | 3423-125 | 1 | S | Bolt |
| 12 | 3446-309 | 1 | /P | Guide, Gear Shift Cam Plate |
| 13 | 3446-049 | 1 | | Plate, Gear Shift Cam (inc. 14) |
| 14 | 3423-045 | 5 | | Pin |
| 15 | 3423-370 | 2 | | Screw |
| 16 | 3423-135 | 2 | | Retainer |
| 17 | 3402-051 | 1 | | Bearing, Gear Shift Cam |
| 18 | 3446-308 | 1 | | Cam, Gear Shift (inc. 19) |
| 19 | 3423-114 | 1 | /P | Pin |
| 20 | 3402-087 | 2 | | Spring |
| 21 | 3423-044 | 2 | | Contact |
| 22 | 3446-313 | 1 | | Base, Neutral Switch |
| 23 | 3423-418 | 2 | | Bolt |
| 24 | 3446-157 | 1 | | Fork, Gear Shift - No. 3 |
| 25 | 3446-307 | 1 | | Shaft, Gear Shift Fork - No. 1 |
| 26 | 3446-310 | 1 | | Shaft, Gear Shift (inc. 27) |
| 27 | 3402-093 | 1 | | Spring |
| 28 | 3446-056 | 1 | | Stopper, Gear Shift Shaft |
| 29 | 3402-094 | 1 | | Spring, Return |
| 30 | 3446-054 | 1 | | Spacer, Gear Shift Shaft |
| 31 | 3402-068 | 1 | /P | Seal, Oil |



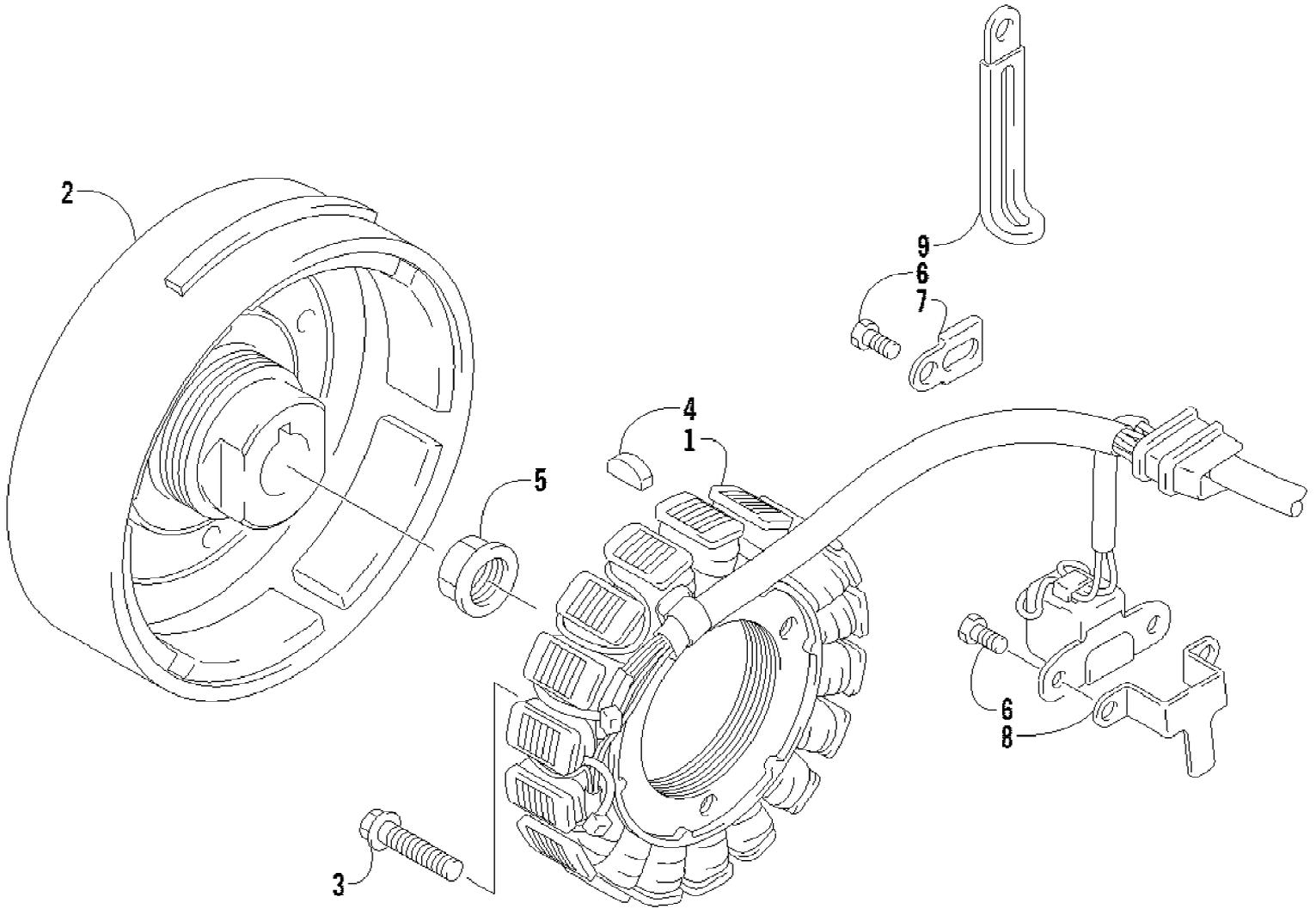
2003 ATV 400 4X4 MANUAL TRANSMISSION (GREEN) (A2003ATH4AUSG) Page 47 of 93
HYDRAULIC BRAKE ASSEMBLY

| Ref # | Part Number | Qty | S/P/F | Description |
|-------|-------------|-----|-------|--|
| 1 | 8476-625 | 1 | | Screw, Cap |
| 2 | 0402-986 | 2 | | Hose, Brake - Front |
| 3 | 1402-086 | 1 | | Block, Junction |
| 4 | 0423-409 | 3 | | Bolt, Banjo Fitting |
| 5 | 0423-039 | 6 | | Washer, Crush |
| 6 | 0502-335 | 1 | S | Caliper, Brake - Right Front (inc. 7-16) |
| 6 | 0502-336 | 2 | S | Caliper, Brake - Left Front and Right Rear (inc. 7-16) |
| 7 | 0 | 3 | F | Housing, Caliper |
| 8 | 0402-490 | 3 | | O-Ring |
| 9 | 0402-496 | 3 | S | Pin, Cotter |
| 10 | 0402-492 | 12 | | Screw, Cap |
| 11 | 0402-493 | 3 | | Cap, Bleed Valve |
| 12 | 0402-882 | 6 | /P | Pad, Brake |
| 13 | 0402-491 | 3 | S | Valve, Bleed |
| 14 | 0402-980 | 6 | | O-Ring, Brake Caliper |
| 15 | 0402-495 | 3 | | Pin, Brake Caliper |
| 16 | 0 | 3 | F | Housing, Caliper |
| 17 | 0402-597 | 1 | /P | Clip, Brake Line |
| 18 | 0402-932 | 1 | | Tube, Brake Line - Rear |
| 19 | 8408-825 | 6 | | Screw, Cap |
| 20 | 0402-306 | 1 | /P | Switch, Brake Pressure |
| 21 | 0402-990 | 1 | | Hose, Brake - Rear |

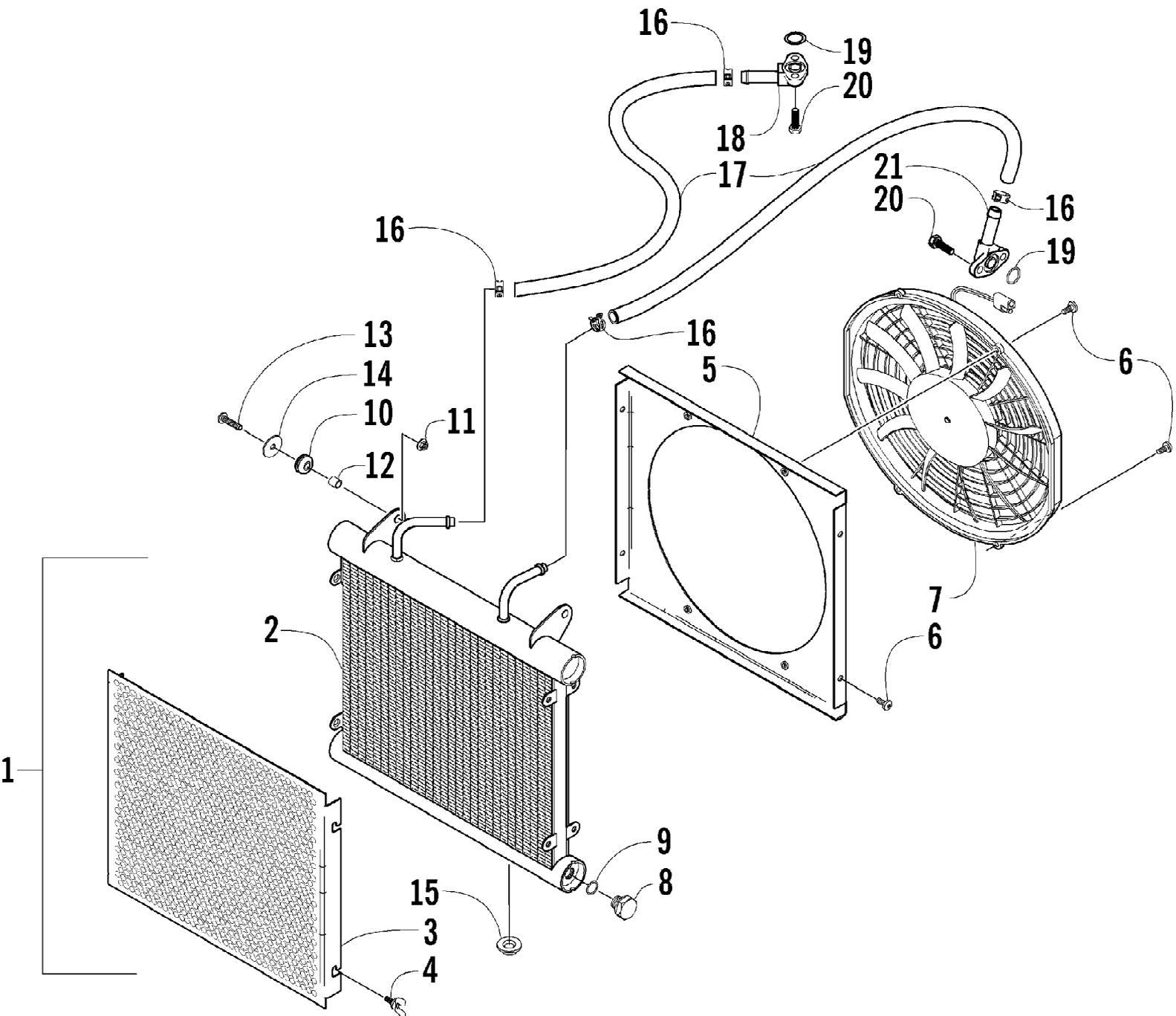


2003 ATV 400 4X4 MANUAL TRANSMISSION (GREEN) (A2003ATH4AUSG) Page 49 of 93
HYDRAULIC HAND BRAKE ASSEMBLY

| Ref # | Part Number | Qty | S/P/F | Description |
|-------|-------------|-----|-------|-------------------------------|
| | 0502-429 | 1 | | Master Cylinder Rebuild Kit |
| 1 | 0502-387 | 1 | /P | Brake Assembly (inc. 2-18) |
| 2 | 0 | 1 | F | Master Cylinder |
| 3 | 0402-818 | 1 | /P | Lever, Brake |
| 4 | 0623-430 | 1 | /P | Screw, Machine |
| 5 | 0623-056 | 1 | | Nut, Lock |
| 6 | 1402-034 | 1 | /P | Lock, Brake Lever |
| 7 | 0402-245 | 1 | | Spring, Brake Lever Lock |
| 8 | 0402-246 | 1 | | Pin, Brake Lever Lock |
| 9 | 0423-090 | 1 | | Nut, Push |
| 10 | 0602-907 | 1 | | Clamp, Master Cylinder |
| 11 | 0623-613 | 2 | /P | Screw, Machine |
| 12 | 8052-212 | 2 | | Washer, Lock - Internal Tooth |
| 13 | 0623-432 | 2 | | Screw, Machine |
| 14 | 0602-587 | 1 | | O-Ring |
| 15 | 0602-740 | 1 | | Reservoir |
| 16 | 0602-741 | 1 | | Gasket, Cover |
| 17 | 0602-742 | 1 | | Cover, Reservoir |
| 18 | 0623-506 | 2 | | Screw, Machine |
| 19 | 0402-962 | 1 | | Brakeline, Hydraulic |

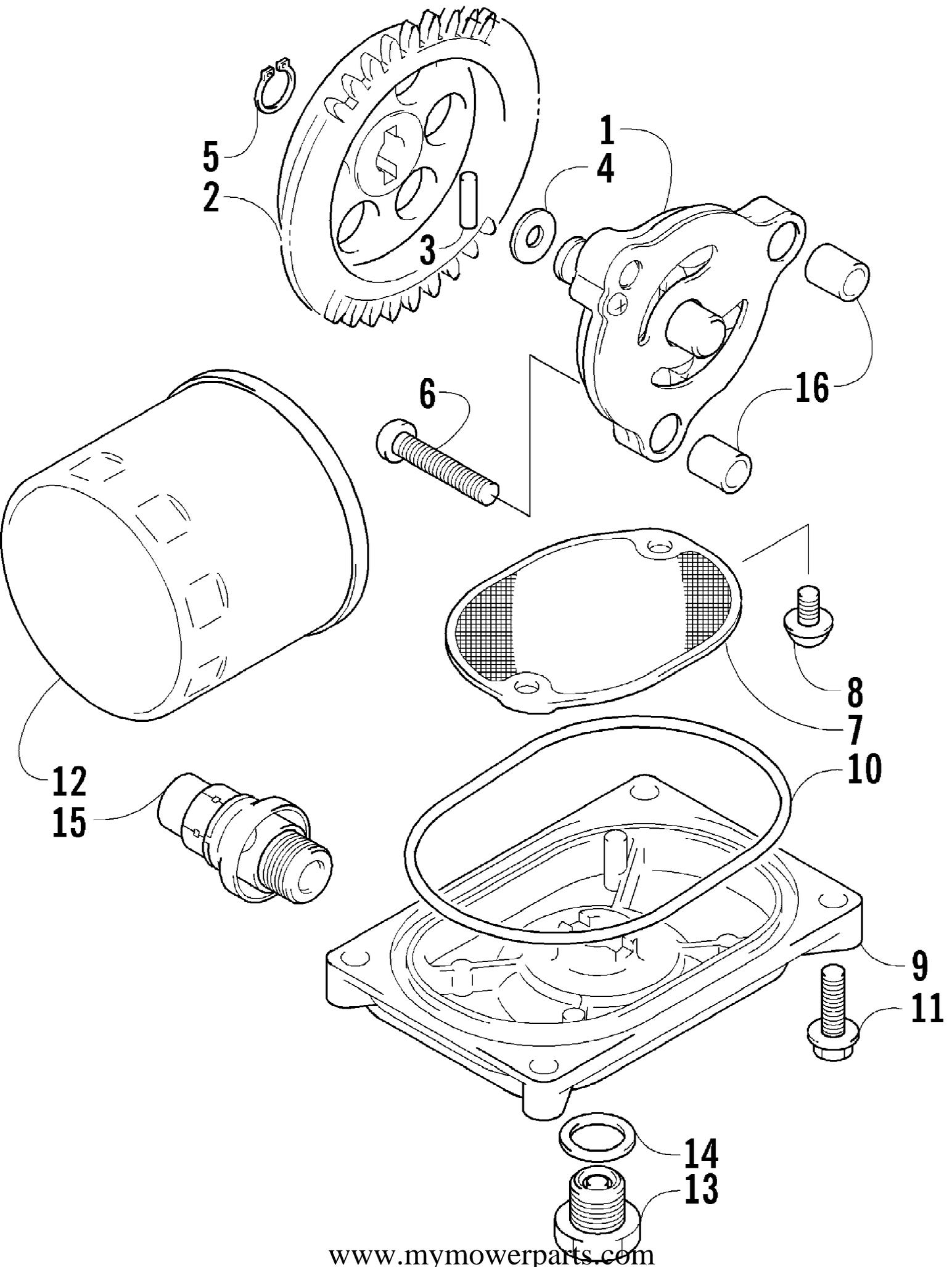


| Ref # | Part Number | Qty | S/P/F | Description |
|-------|-------------|-----|-------|-----------------|
| 1 | 3430-053 | 1 | | Stator Assembly |
| 2 | 3430-054 | 1 | S | Rotor/Flywheel |
| 3 | 3004-756 | 3 | S | Bolt |
| 4 | 0691-785 | 1 | | Key |
| 5 | 3423-086 | 1 | | Nut |
| 6 | 3423-005 | 3 | /P | Bolt |
| 7 | 3430-005 | 1 | | Clamp |
| 8 | 3430-006 | 1 | | Clamp |
| 9 | 3002-964 | 1 | /P | Clamp, Wire |



2003 ATV 400 4X4 MANUAL TRANSMISSION (GREEN) (A2003ATH4AUSG) Page 53 of 93
OIL COOLER ASSEMBLY

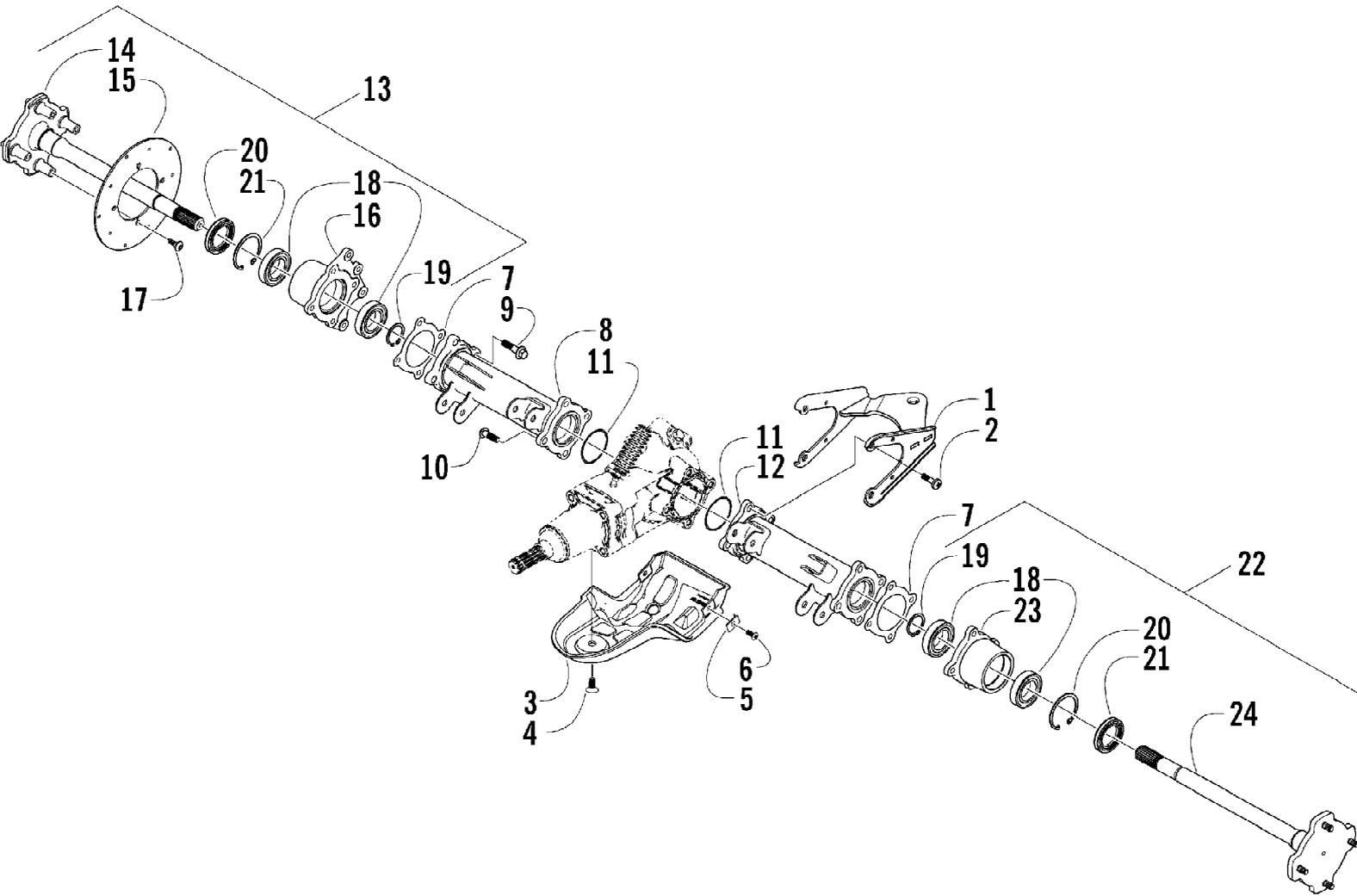
| Ref # | Part Number | Qty | S/P/F | Description |
|-------|-------------|-----|-------|-----------------------------------|
| 1 | 0413-052 | 1 | | Cooler, Oil - Assembly (inc. 2-9) |
| 2 | 0413-053 | 1 | | Cooler, Oil |
| 3 | 0413-007 | 1 | | Screen, Oil Cooler |
| 4 | 0413-009 | 1 | | Screw, Thumb |
| 5 | 0413-064 | 1 | | Shroud, Fan |
| 6 | 8475-512 | 8 | | Screw, Machine |
| 7 | 0413-044 | 1 | S | Fan, Cooling |
| 8 | 0413-058 | 1 | | Plug, Drain |
| 9 | 0413-059 | 1 | | O-Ring |
| 10 | 0423-030 | 2 | | Grommet |
| 11 | 0623-038 | 2 | | Nut w/Washer |
| 12 | 0423-036 | 2 | | Collar |
| 13 | 8476-625 | 2 | | Screw, Machine |
| 14 | 0623-184 | 2 | | Washer |
| 15 | 0423-028 | 2 | | Bushing, Stem |
| 16 | 0423-098 | 4 | /P | Clamp, Hose |
| 17 | 0410-044 | 2 | | Hose, Oil |
| 18 | 0410-013 | 1 | | Fitting, Oil |
| 19 | 0423-089 | 2 | | O-Ring |
| 20 | 8471-616 | 4 | | Screw, Machine |
| 21 | 0410-012 | 1 | | Fitting, Oil - Angled |



2003 ATV 400 4X4 MANUAL TRANSMISSION (GREEN) (A2003ATH4AUSG) Page 55 of 93
OIL FILTER/PUMP ASSEMBLY

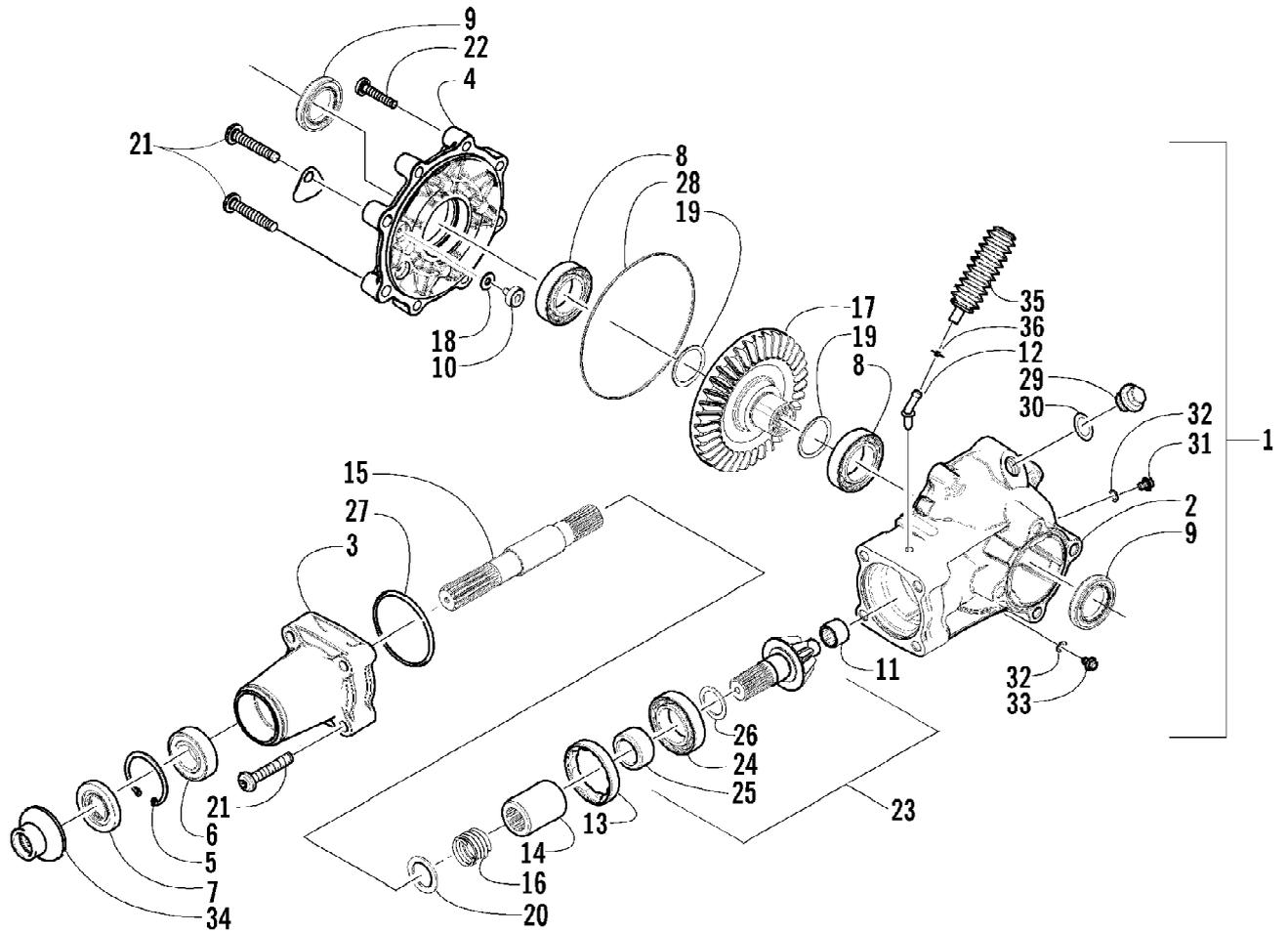
| Ref # | Part Number | Qty | S/P/F | Description |
|-------|-------------|-----|-------|------------------------------|
| 1 | 3402-619 | 1 | | Pump, Oil |
| 2 | 3402-618 | 1 | | Gear, Driven |
| 3 | 3423-046 | 1 | | Pin |
| 4 | 3423-443 | 1 | | Washer |
| 5 | 3423-184 | 1 | S | Circlip |
| 6 | 3423-113 | 3 | S/P | Screw |
| 7 | 3402-156 | 1 | | Strainer, Oil |
| 8 | 0693-389 | 2 | S | Screw |
| 9 | 3402-157 | 1 | | Cap, Oil Strainer |
| 10 | 3423-077 | 1 | | O-Ring |
| 11 | 3004-756 | 4 | S | Screw, Cap |
| 12 | 0436-146 | 1 | S | Filter, Oil |
| 13 | 3402-036 | 1 | S | Plug, Drain |
| 14 | 3402-012 | 1 | | Gasket, Drain Plug |
| 15 | 3402-773 | 1 | | Valve, Assembly - Oil Relief |
| 16 | 3005-206 | 2 | /P | Pin, Oil Pump |

2003 ATV 400 4X4 MANUAL TRANSMISSION (GREEN) (A2003ATH4AUSG) Page 56 of 93
REAR AXLE ASSEMBLY



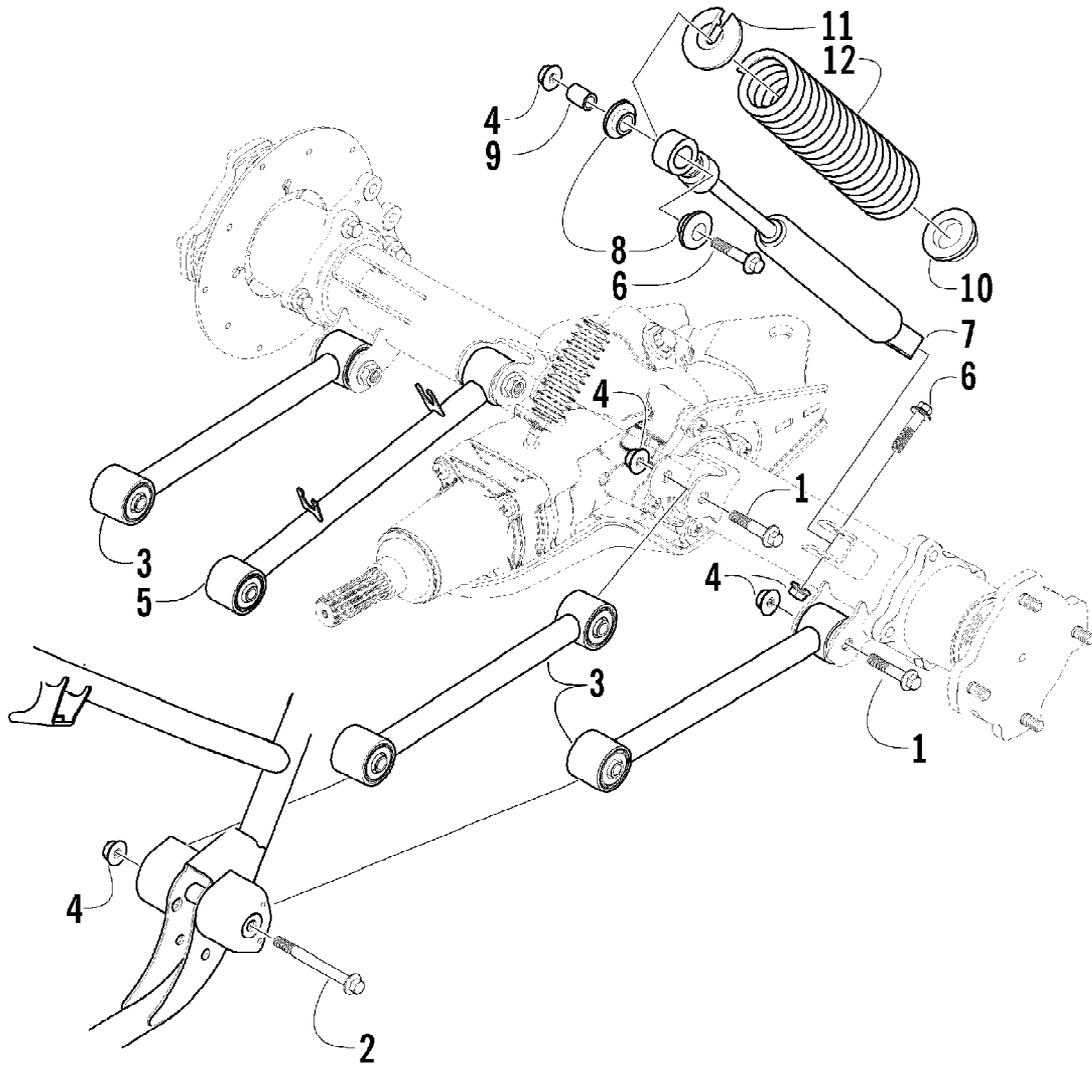
2003 ATV 400 4X4 MANUAL TRANSMISSION (GREEN) (A2003ATH4AUSG) Page 57 of 93
REAR AXLE ASSEMBLY

| Ref # | Part Number | Qty | S/P/F | Description |
|-------|-------------|-----|-------|---|
| 1 | 0506-675 | 1 | | Hitch, Trailer |
| 2 | 0423-116 | 4 | | Screw, Self-Tapping |
| 3 | 0406-415 | 1 | | Panel, Gearcase |
| 4 | 0423-101 | 1 | | Screw, Body |
| 5 | 0423-031 | 2 | | Nut, Speed |
| 6 | 8477-616 | 2 | | Screw, Machine |
| 7 | 0402-374 | 2 | | Gasket, Axle Housing |
| 8 | 0502-090 | 1 | | Housing, Axle - Right |
| 9 | 8409-025 | 8 | | Screw, Cap |
| 10 | 0423-117 | 4 | | Screw, Self-Tapping |
| 11 | 0423-119 | 2 | | O-Ring |
| 12 | 0502-091 | 1 | | Housing, Axle - Left |
| 13 | 0502-365 | 1 | | Retainer, Axle - Assembly - Right (inc. 14-17, two No. 18, and one No. 19-21) |
| 14 | 0502-366 | 1 | | Axle Assembly - Right |
| 15 | 0402-874 | 1 | S | Disc, Brake |
| 16 | 0502-096 | 1 | S | Housing, Bearing - Right |
| 17 | 0423-029 | 4 | | Screw, Shoulder |
| 18 | 0402-339 | 4 | | Bearing |
| 19 | 0402-351 | 2 | | Ring, Retaining |
| 20 | 0402-347 | 2 | | Ring, Retaining |
| 21 | 0402-348 | 2 | | Seal |
| 22 | 0502-367 | 1 | /P | Retainer, Axle - Assembly - Left (inc. two No. 18, one No. 19-21, and 23-24) |
| 23 | 0502-097 | 1 | S | Housing, Bearing - Left |
| 24 | 0502-368 | 1 | S | Axle Assembly - Left |



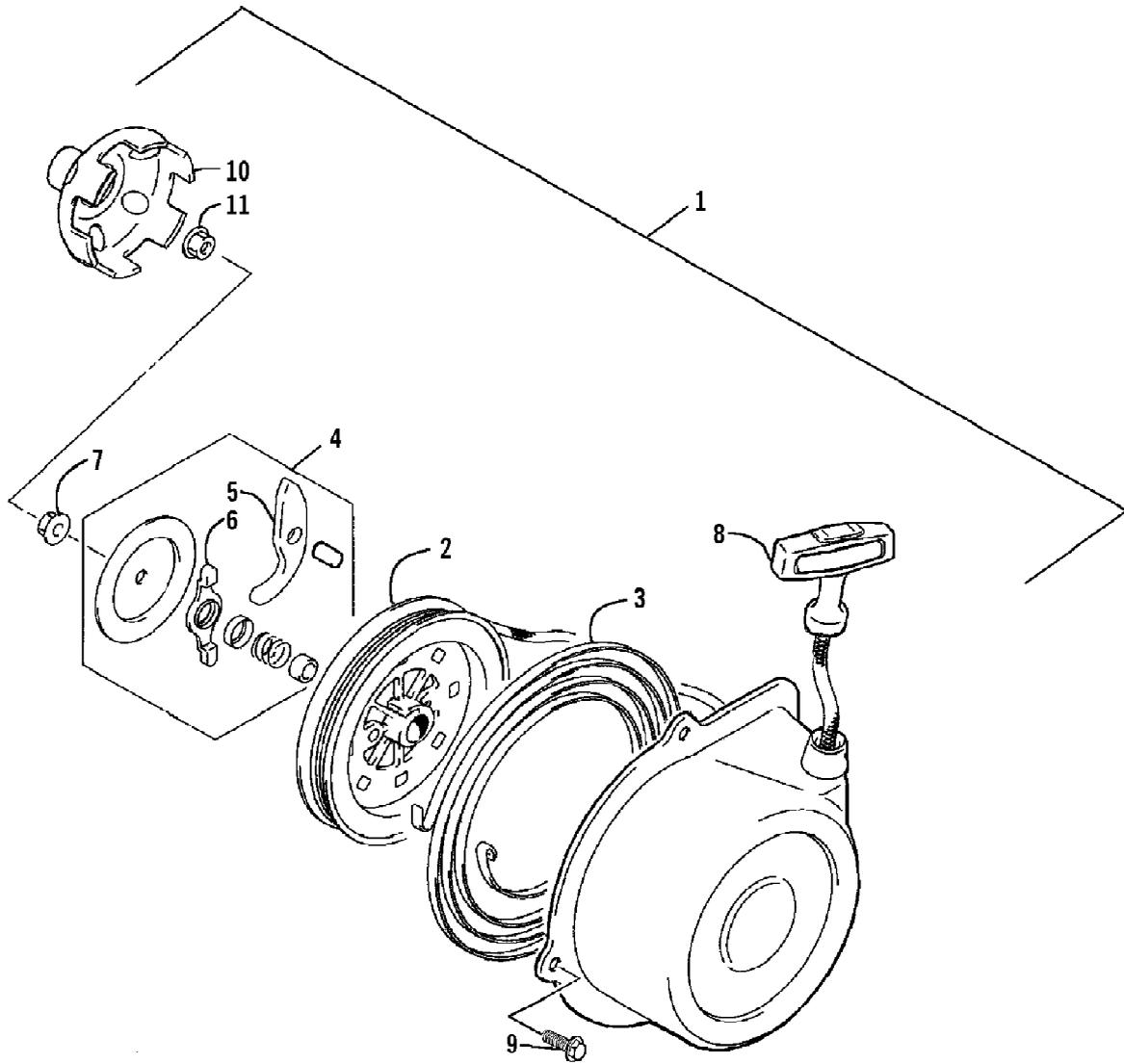
2003 ATV 400 4X4 MANUAL TRANSMISSION (GREEN) (A2003ATH4AUSG) Page 59 of 93
REAR DRIVE GEARCASE ASSEMBLY

| Ref # | Part Number | Qty | S/P/F | Description |
|-------|-------------|-----|-------|---|
| | 0502-292 | 1 | | Complete Assembly |
| 1 | 0502-292 | 1 | | Gearcase, Rear Drive - Assembly (inc. 2-33) |
| 2 | 0502-088 | 1 | | Housing, Gearcase |
| 3 | 0502-239 | 1 | | Housing, Pinion |
| 4 | 0502-089 | 1 | | Cover, Gearcase |
| 5 | 0402-321 | 1 | | Ring, Retaining |
| 6 | 0402-322 | 1 | | Bearing |
| 7 | 0402-323 | 1 | | Seal |
| 8 | 0402-324 | 2 | | Bearing |
| 9 | 0402-325 | 2 | | Seal |
| 10 | 0402-326 | 1 | | Button, Thrust |
| 11 | 0402-328 | 1 | | Bearing, Needle |
| 12 | 0402-330 | 1 | | Fitting |
| 13 | 0402-331 | 1 | | Collar, Lock |
| 14 | 0402-335 | 1 | | Collar, Shaft |
| 15 | 0402-851 | 1 | | Shaft, Thrust |
| 16 | 0402-338 | 1 | | Spring, Compression |
| 17 | 0402-381 | 1 | | Gear, Ring - 36T |
| 18 | 0402-429 | AR | | Shim |
| 18 | 0402-430 | AR | | Shim |
| 18 | 0402-431 | AR | | Shim |
| 18 | 0402-432 | AR | | Shim |
| 18 | 0402-433 | AR | | Shim |
| 19 | 0402-434 | AR | | Shim |
| 19 | 0402-435 | AR | | Shim |
| 19 | 0402-436 | AR | | Shim |
| 19 | 0402-437 | AR | | Shim |
| 19 | 0402-438 | AR | | Shim |
| 20 | 0423-111 | 1 | | Washer |
| 21 | 0423-115 | 6 | | Screw, Self-Tapping |
| 22 | 0423-118 | 6 | | Screw, Self-Tapping |
| 23 | 0502-123 | 1 | | Gear, Pinion - Assembly - 10T (inc. 24-26) |
| 24 | 0402-327 | 1 | | Bearing |
| 25 | 0402-336 | 1 | | Collar, Retaining |
| 26 | 0402-424 | AR | | Shim |
| 26 | 0402-425 | AR | | Shim |
| 26 | 0402-426 | AR | | Shim |
| 26 | 0402-427 | AR | | Shim |
| 26 | 0402-428 | AR | | Shim |
| 27 | 0423-148 | 1 | | O-Ring |
| 28 | 0423-149 | 1 | | O-Ring |
| 29 | 0402-333 | 1 | /P | Plug, Fill (inc. 30) |
| 30 | 0423-154 | 1 | | O-Ring |
| 31 | 0402-334 | 1 | | Plug, Drain (inc. one No. 32) |
| 32 | 0423-153 | 2 | | O-Ring |
| 33 | 0402-450 | 1 | S | Plug, Drain - Magnetic (inc. one No. 32) |
| 34 | 0402-352 | 1 | | Boot, Rear Drive |
| 35 | 0402-147 | 1 | S | Bladder, Gearcase |
| 36 | 0423-315 | 1 | | Clamp, Hose |



2003 ATV 400 4X4 MANUAL TRANSMISSION (GREEN) (A2003ATH4AUSG) Page 61 of 93
REAR SUSPENSION ASSEMBLY

| Ref # | Part Number | Qty | S/P/F | Description |
|-------|-------------|-----|-------|----------------------------------|
| 1 | 8409-060 | 4 | | Screw, Cap |
| 2 | 0423-335 | 2 | | Screw, Cap |
| 3 | 0504-218 | 3 | | Arm, Swing |
| 4 | 8428-002 | 10 | | Nut, Lock |
| 5 | 0504-246 | 1 | | Arm, Swing |
| 6 | 8409-040 | 4 | | Screw, Cap |
| 7 | 0404-056 | 2 | | Shock Absorber - Rear (inc. 8-9) |
| 8 | 0604-310 | 8 | | Bushing, Shock Absorber |
| 9 | 0403-028 | 4 | | Sleeve, Shock Absorber |
| 10 | 0403-102 | 2 | | Cam, Spring Adjuster |
| 11 | 1603-889 | 2 | /P | Retainer, Spring - Upper |
| 12 | 0404-058 | 2 | | Spring, Shock Absorber |



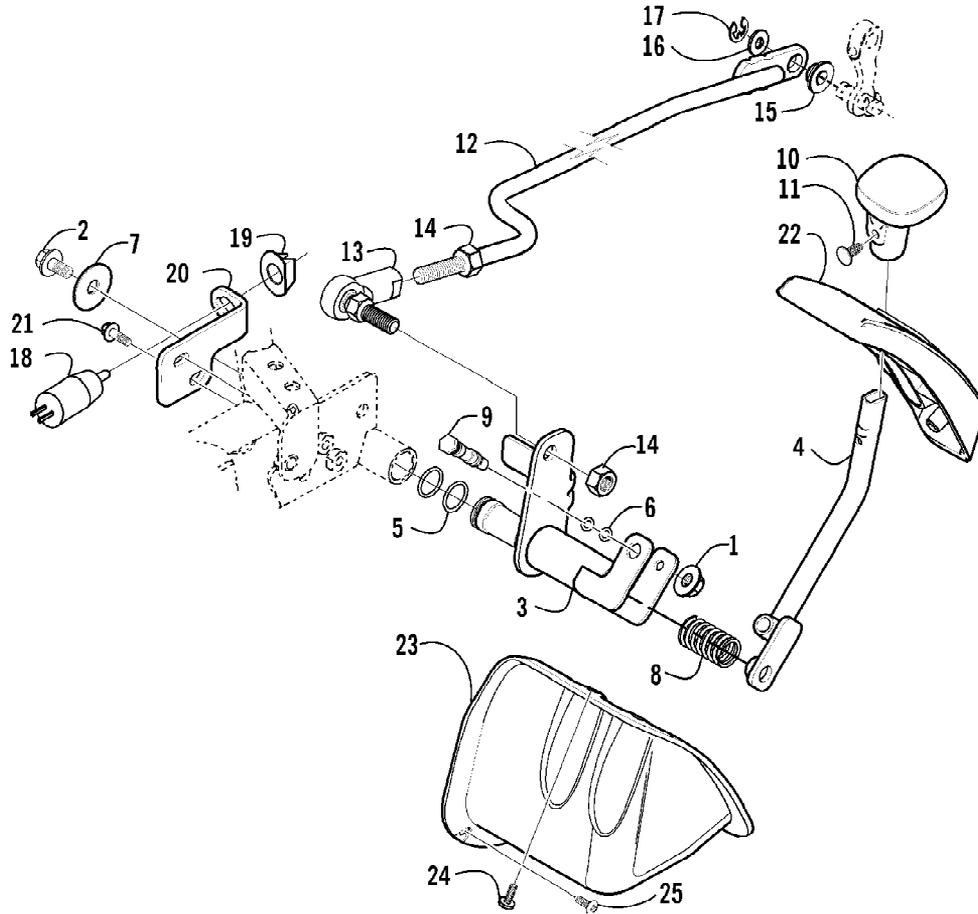
2003 ATV 400 4X4 MANUAL TRANSMISSION (GREEN) (A2003ATH4AUSG) Page 63 of 93
RECOIL STARTER ASSEMBLY

| Ref # | Part Number | Qty | S/P/F | Description |
|-------|-------------|-----|-------|---------------------------------------|
| 1 | 3445-003 | 1 | | Starter, Recoil - Assembly (inc. 2-8) |
| 2 | 3445-004 | 1 | | Reel |
| 3 | 3445-007 | 1 | | Spring, Spiral |
| 4 | 3445-016 | 1 | | Ratchet - Assembly (inc. 5-6) |
| 5 | 3445-007 | 1 | | Ratchet |
| 6 | 3445-006 | 1 | | Guide, Ratchet |
| 7 | 3004-488 | 1 | S/P | Nut |
| 8 | 3445-011 | 1 | | Rope Assembly |
| 9 | 3423-428 | 4 | | Screw, Cap |
| 10 | 3445-029 | 1 | /P | Cup, Starter |
| 11 | 3004-491 | 1 | S/P | Nut |

No
Diagram
Available

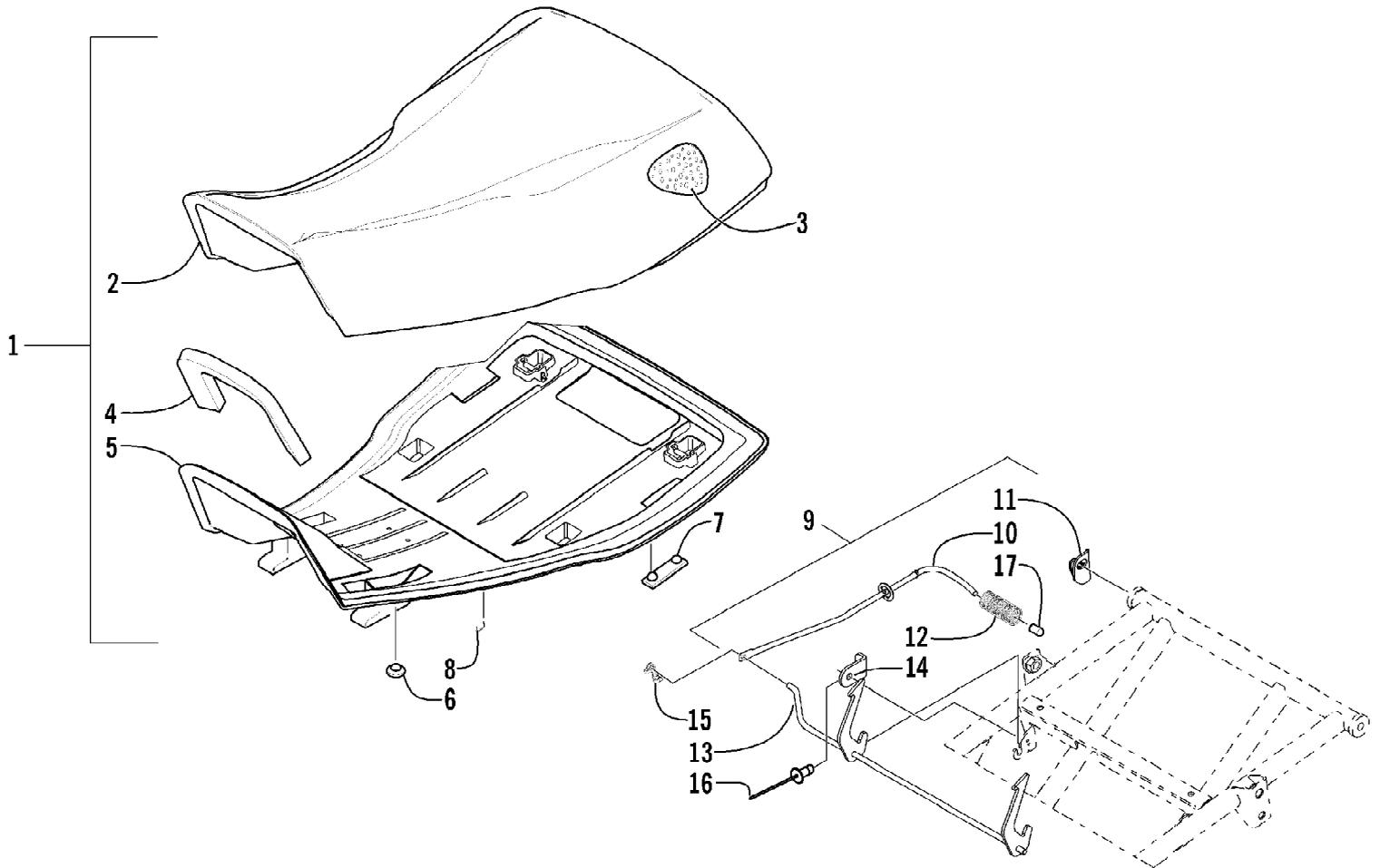
Parts List
Only

| Ref # | Part Number | Qty | S/P/F | Description |
|-------|-------------|-----|-------|---|
| | 0436-337 | 1 | | Bag, Rack, Front, Black |
| | 0436-336 | 1 | | Bag, Rack, Rear, Black |
| | 0436-185 | 1 | | Bag, Tank, Black |
| | 0436-183 | 1 | /P | Battery, Heavy Duty |
| | 0436-432 | 1 | S | Brush Guard/Bumper, Deluxe (4x4) |
| | 0436-330 | 1 | | Bumper (Rear) |
| | 0436-139 | 1 | | Cargo Trailer - Deluxe |
| | 0436-381 | 1 | | Cover, Black and Green |
| | 0436-125 | 1 | | Cover, Gray Universal |
| | 0436-087 | 1 | /P | Electrical Plug |
| | 0436-199 | 1 | | Gun Scabbard w/Mount |
| | 0436-352 | 1 | | Hand/Thumb Warmers |
| | 0436-103 | 1 | | Hourmeter |
| | 2256-724 | 1 | | Illustrated Parts Manual |
| | 0436-122 | 1 | S | Lunch Pack, Black |
| | 2256-593 | 1 | | Operator's Manual |
| | 0652-024 | 1 | | Paint, Metal - Black |
| | 0436-176 | 1 | | Prefilter, Air Filter |
| | 0436-351 | 1 | | Rack Basket (Front) |
| | 0436-350 | 1 | | Rack Basket (Rear) |
| | 0436-349 | 1 | | Rack Extension, 4 in. (Front) |
| | 0436-225 | 1 | | Rack Extension, 4 in. (Rear) |
| | 0436-226 | 1 | | Rack Extension, 8 in. (Rear) |
| | 0436-201 | 1 | | Rack Pouch, Standard Rack, Black |
| | 0436-014 | 1 | /P | Safety Flag |
| | 0436-386 | 1 | | Snowplow Attachment Kit |
| | 0436-228 | 1 | | Snowplow Blade, 50 in. - |
| | 0436-287 | 1 | | Snowplow Blade, 50 in. - |
| | 0436-296 | 1 | | Snowplow Blade, 60 in. - |
| | 0436-360 | 1 | | Snowplow Blade, 60 in. - One-Way |
| | 0436-356 | 1 | S | Snowplow, Push Frame |
| | 0436-233 | 1 | | Snowplow Remote Angle Adjust |
| | 0436-384 | 1 | | Snowplow, Hand Lift Lever Kit |
| | 0436-026 | 1 | | Tire Chains, Size B (24 in. and 25 in. Tires) |
| | 0436-027 | 1 | | Tire Chains, Size C (26 in. Tires) |
| | 0402-154 | 1 | | Tire, Titan AT471 (25x8-12, Deep Lug) |
| | 0402-155 | 1 | | Tire, Titan AT471 (25x10-12, Deep Lug) |
| | 0402-926 | 1 | | Tire, Dunlop KT (25x11-12) |
| | 0402-890 | 1 | | Tire, Dunlop KT (25x8-12) |
| | 0402-227 | 1 | | Tire, Titan AT495 (26x10.5-12) |
| | 1402-028 | 1 | | Tire, Titan AT589 (25x8-12, Mud & Snow) |
| | 0402-563 | 1 | | Tire, Titan AT589 (25x10-12, Mud & Snow) |
| | 0436-297 | 1 | | Tool Holder - Double (Pair) |
| | 0436-263 | 1 | /P | Tool Holder - Single (Pair) |
| | 0436-068 | 1 | | Winch Accessories Kit |
| | 0436-329 | 1 | S | Winch Kit, 2500 lb |
| | 0436-361 | 1 | | Winch Mounting Kit |
| | 0436-303 | 1 | | Windshield, Clear |
| | 0436-301 | 1 | | Windshield, Clear w/Accent |
| | 0436-302 | 1 | | Windshield, Smoke w/Accent |



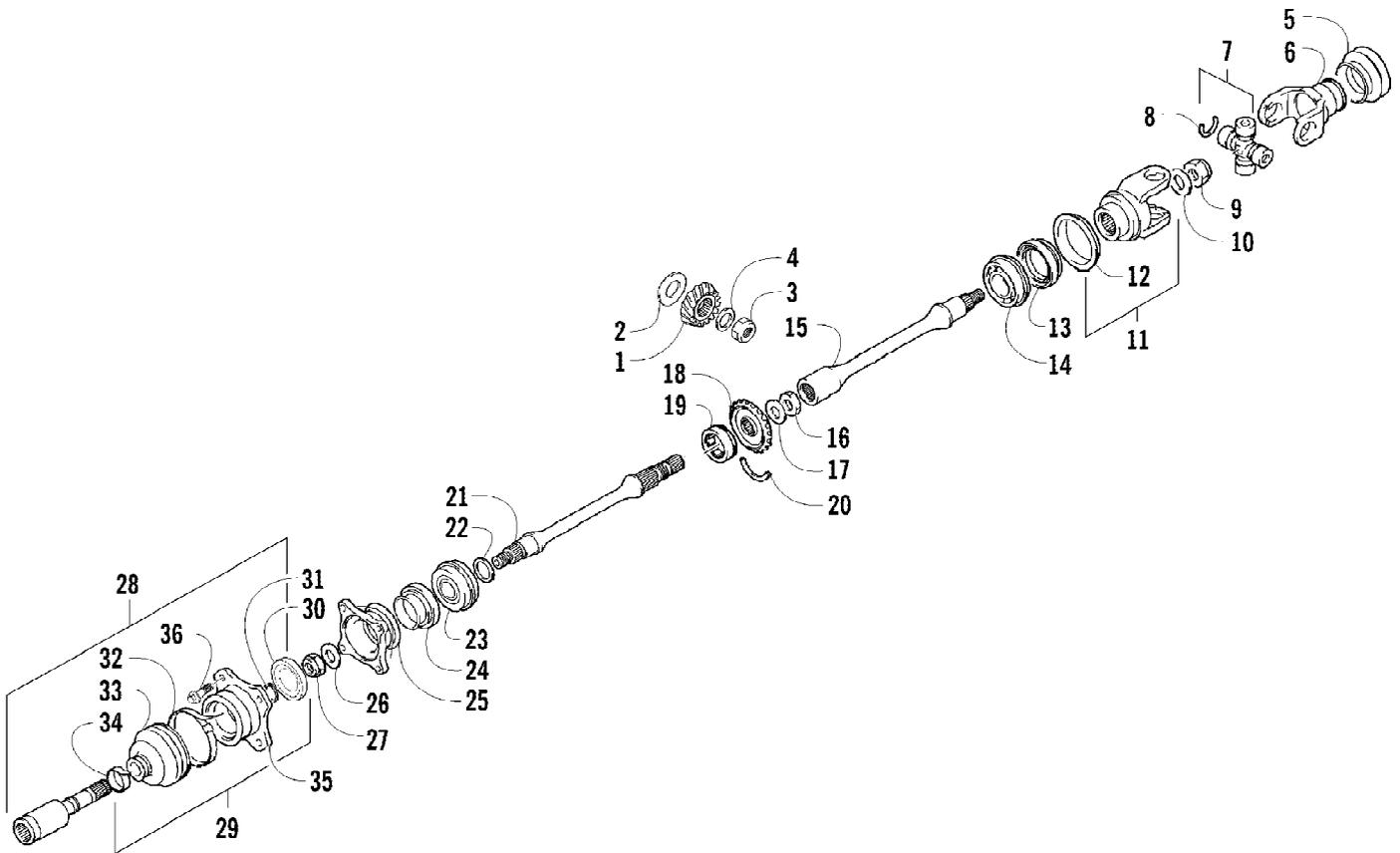
2003 ATV 400 4X4 MANUAL TRANSMISSION (GREEN) (A2003ATH4AUSG) Page 67 of 93
REVERSE SHIFT LEVER ASSEMBLY

| Ref # | Part Number | Qty | S/P/F | Description |
|-------|-------------|-----|-------|-----------------------------|
| 1 | 8424-602 | 1 | /P | Nut |
| 2 | 8408-812 | 1 | | Screw, Cap |
| 3 | 0502-237 | 1 | | Axle, Reverse Shift Lever |
| 4 | 0502-185 | 1 | | Lever, Reverse Shift |
| 5 | 0423-299 | 2 | /P | O-Ring |
| 6 | 0423-182 | 2 | /P | O-Ring |
| 7 | 0423-087 | 1 | | Washer |
| 8 | 0502-410 | 1 | S | Spring |
| 9 | 0402-675 | 1 | | Axle, Pivot |
| 10 | 0402-843 | 1 | /P | Handle, Reverse Shift Lever |
| 11 | 0423-345 | 1 | | Clip, Push |
| 12 | 0502-311 | 1 | S | Linkage, Shift |
| 13 | 0402-844 | 1 | | End, Rod |
| 14 | 0623-294 | 2 | | Nut |
| 15 | 0423-091 | 1 | | Bushing |
| 16 | 3423-204 | 1 | /P | Washer |
| 17 | 0423-169 | 1 | /P | E-Ring |
| 18 | 0409-008 | 1 | | Reverse Switch |
| 19 | 0402-168 | 1 | /P | Retainer, Reverse Switch |
| 20 | 1406-202 | 1 | | Bracket, Reverse Switch |
| 21 | 8408-616 | 2 | | Screw, Cap |
| 22 | 0402-983 | 1 | | Plate, Shift |
| 23 | 0406-943 | 1 | | Shield, Linkage |
| 24 | 0423-371 | 3 | | Screw, Machine |
| 25 | 0623-309 | 1 | | Screw, Self-Tapping |



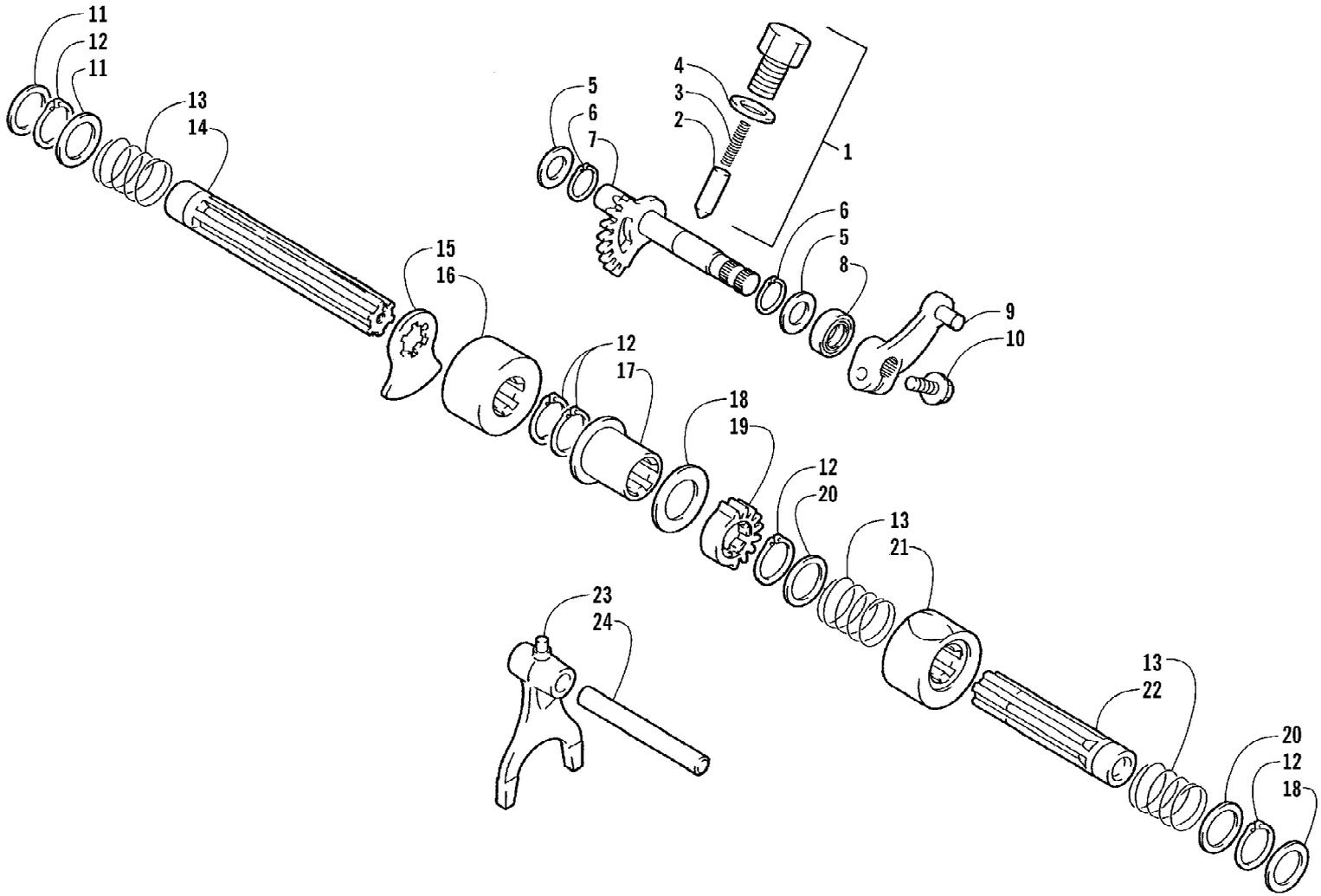
2003 ATV 400 4X4 MANUAL TRANSMISSION (GREEN) (A2003ATH4AUSG) Page 69 of 93
SEAT ASSEMBLY

| Ref # | Part Number | Qty | S/P/F | Description |
|-------|-------------|-----|-------|---|
| 1 | 0506-558 | 1 | | Seat Assembly (inc. 2-8) |
| 2 | 0506-556 | 1 | | Cover, Seat |
| 3 | 0506-555 | 1 | | Foam, Seat |
| 4 | 1406-060 | 1 | | Foam, Sound |
| 5 | 0406-878 | 1 | | Base, Seat Assembly (inc. 6-7) |
| 6 | 0406-877 | 2 | /P | Bumper, Seat - Front |
| 7 | 0406-879 | 2 | | Bumper, Seat - Rear |
| 8 | 0624-100 | AR | | Staple |
| 9 | 0506-702 | 1 | /P | Rod, Seat Release - Assembly (inc. 10-12) |
| 10 | 0506-701 | 1 | S | Rod, Seat Release |
| 11 | 1406-004 | 1 | | Bracket, Seat Release |
| 12 | 1406-005 | 1 | | Spring, Seat Release |
| 13 | 0506-796 | 1 | | Latch, Seat |
| 14 | 1406-087 | 1 | | Plate, Retainer |
| 15 | 0423-358 | 1 | | Clip, Retainer |
| 16 | 8060-284 | 1 | | Rivet |
| 17 | 0623-404 | 1 | | Cap, Protector |



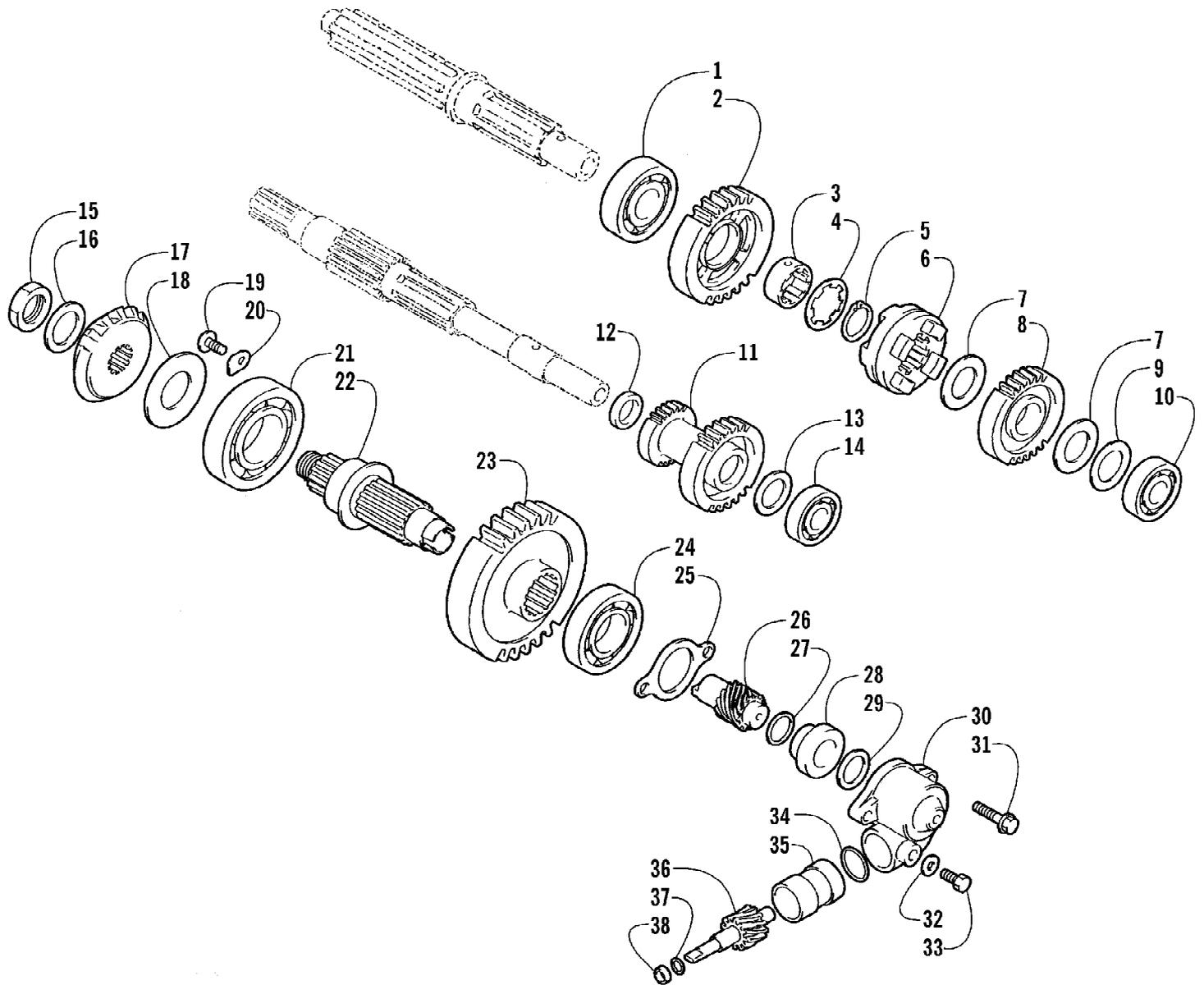
2003 ATV 400 4X4 MANUAL TRANSMISSION (GREEN) (A2003ATH4AUSG) Page 71 of 93
SECONDARY DRIVE ASSEMBLY

| Ref # | Part Number | Qty | S/P/F | Description |
|-------|-------------|-----|-------|--|
| 1 | 3446-274 | 1 | /P | Gear, Secondary Drive |
| 2 | 3446-035 | 1 | | Shim, Secondary Drive Gear - Set |
| 3 | 3423-023 | 1 | | Nut |
| 4 | 3005-372 | 1 | | Washer |
| 5 | 3402-518 | 1 | S | Boot, Propeller Shaft |
| 6 | 3446-327 | 1 | /P | Yoke, Propeller Shaft |
| 7 | 3402-562 | 1 | | Joint, Universal - Set (inc. 8) |
| 8 | 3423-479 | 4 | | Circlip |
| 9 | 3423-025 | 1 | | Nut |
| 10 | 3423-028 | 1 | | Washer, Yoke - Front |
| 11 | 3402-744 | 1 | S | Yoke, Drive Output - Front (inc. 12) |
| 12 | 3402-743 | 1 | | Plate, Drive Output Yoke |
| 13 | 3402-072 | 1 | | Seal, Oil - Front Secondary Driven Shaft |
| 14 | 3402-067 | 1 | S | Bearing, Front Secondary Driven Shaft |
| 15 | 3402-559 | 1 | | Shaft, Secondary Driven - Front |
| 16 | 3423-136 | 1 | | Nut, Secondary Driven Gear |
| 17 | 3423-520 | 1 | | Washer, Secondary Driven Gear |
| 18 | 3446-222 | 1 | /P | Gear, Secondary Driven |
| 19 | 3402-515 | 1 | /P | Bearing, Driven Gear |
| 20 | 3423-072 | 1 | | C-Ring, Driven Bearing |
| 21 | 3446-305 | 1 | | Shaft, Secondary Driven - Rear |
| 22 | 3402-017 | AR | | Shim, 25 x 34 x 0.60 mm |
| 22 | 3402-018 | AR | | Shim, 25 x 34 x 0.65 mm |
| 22 | 3402-019 | AR | | Shim, 25 x 34 x 0.70 mm |
| 22 | 3402-020 | AR | | Shim, 25 x 34 x 0.75 mm |
| 22 | 3402-021 | AR | S | Shim, 25 x 34 x 0.80 mm |
| 22 | 3402-022 | AR | | Shim, 25 x 34 x 0.85 mm |
| 22 | 3402-023 | AR | | Shim, 25 x 34 x 0.90 mm |
| 22 | 3402-024 | AR | | Shim, 25 x 34 x 0.95 mm |
| 22 | 3402-025 | AR | S | Shim, 25 x 34 x 1.00 mm |
| 22 | 3402-028 | AR | | Shim, 25 x 34 x 1.05 mm |
| 22 | 3402-029 | AR | | Shim, 25 x 34 x 1.10 mm |
| 22 | 3402-030 | AR | | Shim, 25 x 34 x 1.15 mm |
| 22 | 3402-031 | AR | | Shim, 25 x 34 x 1.20 mm |
| 23 | 3402-067 | 1 | S | Bearing, Rear Secondary Driven Shaft |
| 24 | 3402-072 | 1 | | Seal, Oil - Rear Secondary Driven Shaft |
| 25 | 3402-514 | 1 | /P | Flange, Output Joint - Rear |
| 26 | 3423-028 | 1 | | Washer, Rear Output Flange |
| 27 | 3423-025 | 1 | | Nut |
| 28 | 3435-010 | 1 | | Joint, Rear Output - Assembly (inc. 29-35) |
| 29 | 3435-066 | 1 | | Boot, Joint - Set (inc. 30-34) |
| 30 | 3423-356 | 1 | | Seal, Plate |
| 31 | 3423-210 | 1 | | Ring, Snap |
| 32 | 3423-211 | 1 | | Band |
| 33 | 3435-067 | 1 | | Boot |
| 34 | 3423-212 | 1 | | Band |
| 35 | 0 | 1 | F | Flange, Output |
| 36 | 8408-820 | 4 | /P | Screw, Cap |



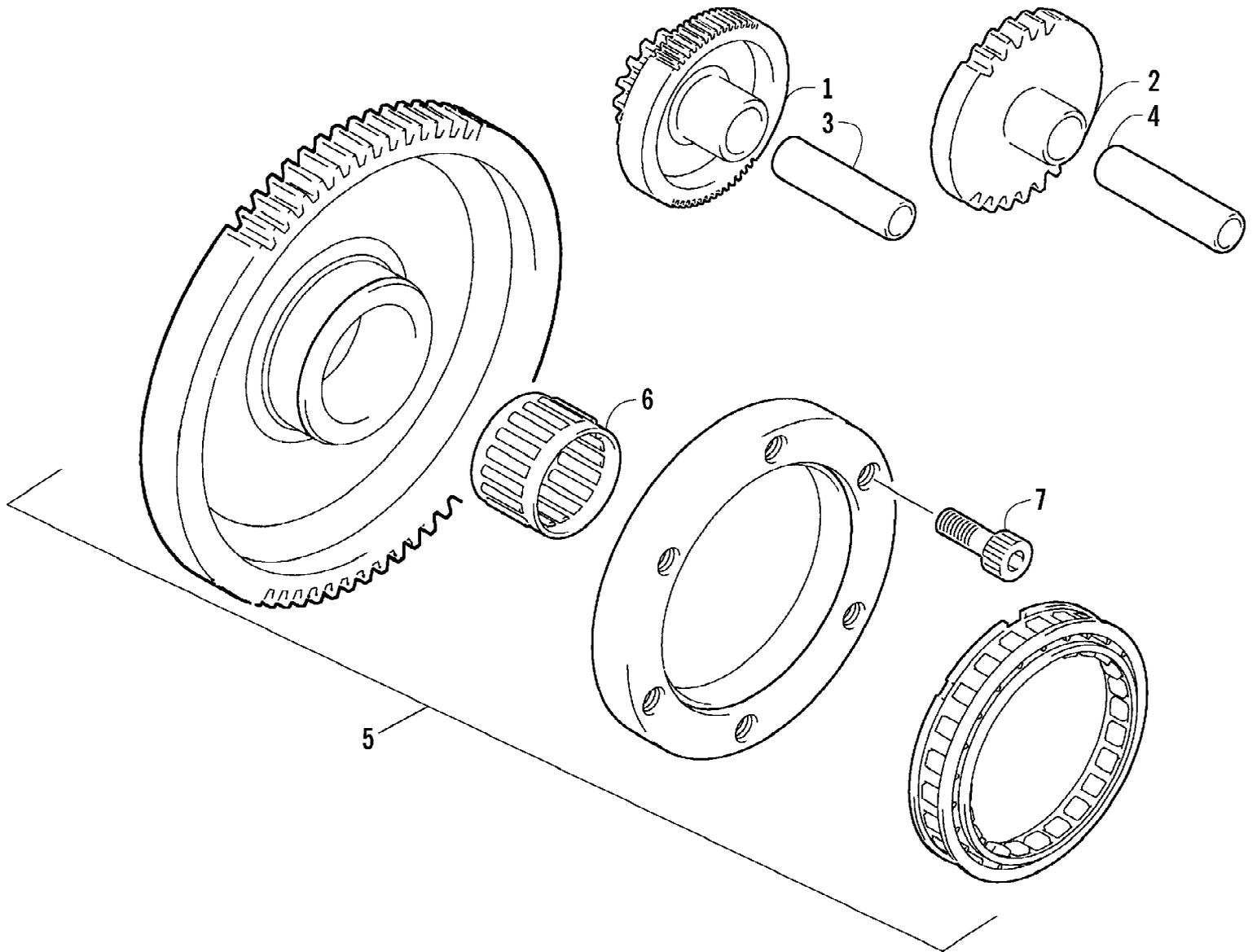
2003 ATV 400 4X4 MANUAL TRANSMISSION (GREEN) (A2003ATH4AUSG) Page 73 of 93
SECONDARY SHIFTING ASSEMBLY

| Ref # | Part Number | Qty | S/P/F | Description |
|-------|-------------|-----|-------|------------------------------------|
| 1 | 3446-314 | 1 | | Stopper, Gear Shift Cam (inc. 2-3) |
| 2 | 3446-315 | 1 | | Stopper |
| 3 | 3423-524 | 1 | | Spring |
| 4 | 3402-012 | 1 | | Gasket |
| 5 | 1691-043 | 2 | | Washer |
| 6 | 3423-358 | 2 | S | Circlip |
| 7 | 3446-322 | 1 | | Shaft, Gear Shift |
| 8 | 3402-076 | 1 | | Seal, Oil |
| 9 | 3402-434 | 1 | /P | Arm, Gear Shift |
| 10 | 3004-341 | 1 | S/P | Bolt, Gear Shift Arm |
| 11 | 3423-527 | 2 | /P | Washer |
| 12 | 3423-190 | 5 | S | Circlip |
| 13 | 3423-526 | 3 | /P | Spring |
| 14 | 3446-325 | 1 | | Camshaft, Reverse |
| 15 | 3446-324 | 1 | | Plate, Cam Lock |
| 16 | 3446-323 | 1 | | Cam, Reverse |
| 17 | 3446-321 | 1 | | Joint, Camshaft |
| 18 | 3402-381 | 2 | /P | Washer |
| 19 | 3446-316 | 1 | | Gear, Camshaft |
| 20 | 3423-533 | 2 | | Washer |
| 21 | 3423-525 | 1 | | Cam |
| 22 | 3446-320 | 1 | | Camshaft |
| 23 | 3446-318 | 1 | | Fork, Gear Shift |
| 24 | 3446-317 | 1 | | Shaft, Gear Shift Fork |



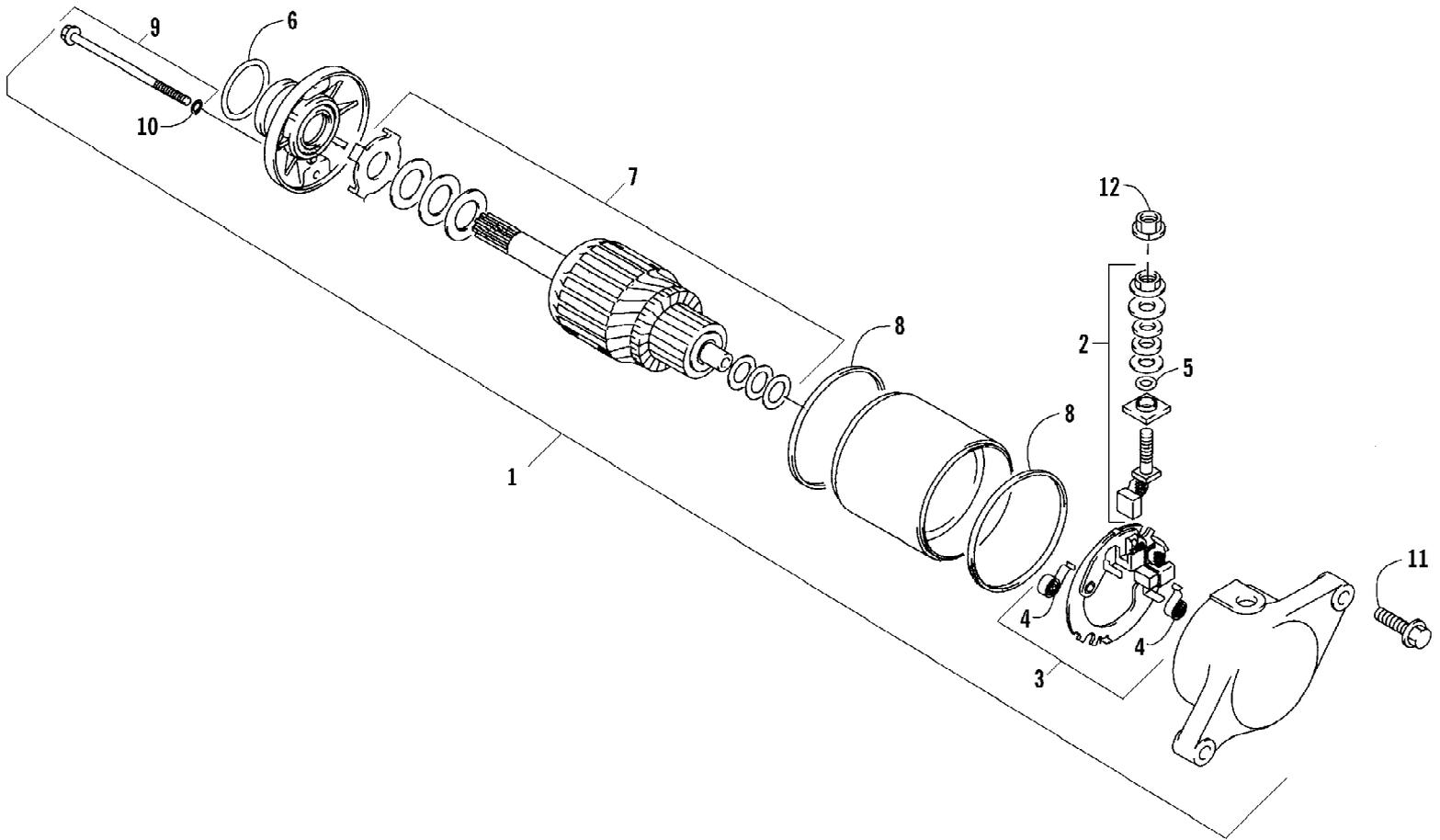
2003 ATV 400 4X4 MANUAL TRANSMISSION (GREEN) (A2003ATH4AUSG) Page 75 of 93
SECONDARY TRANSMISSION ASSEMBLY

| Ref # | Part Number | Qty | S/P/F | Description |
|-------|-------------|-----|-------|----------------------------------|
| 1 | 3402-776 | 1 | | Bearing |
| 2 | 3446-300 | 1 | | Gear, Drive - No. 1 |
| 3 | 3446-301 | 1 | | Bushing, Drive Gear No. 1 |
| 4 | 3423-036 | 1 | | Washer |
| 5 | 3423-066 | 1 | /P | Circlip |
| 6 | 3446-249 | 1 | | Dog, Sliding |
| 7 | 3423-126 | 2 | /P | Washer |
| 8 | 3446-302 | 1 | | Gear, Drive - No. 2 |
| 9 | 3423-519 | 1 | | Spacer, Drive Gear |
| 10 | 3402-047 | 1 | S | Bearing, Driveshaft |
| 11 | 3446-299 | 1 | | Gear, Idle |
| 12 | 3402-205 | 1 | | Spacer, Idle Gear |
| 13 | 3423-319 | 1 | | Washer |
| 14 | 3402-217 | 1 | | Bearing |
| 15 | 3423-023 | 1 | | Nut, Secondary Drive Gear |
| 16 | 3005-372 | 1 | | Washer, Secondary Drive Gear |
| 17 | 3446-274 | 1 | /P | Gear, Secondary Drive |
| 18 | 3446-035 | 1 | | Shim, Secondary Drive Gear - Set |
| 19 | 3423-370 | 2 | | Screw |
| 20 | 3446-031 | 2 | /P | Retainer, Output Shaft |
| 21 | 3402-180 | 1 | S | Bearing |
| 22 | 3446-303 | 1 | | Shaft, Output |
| 23 | 3446-304 | 1 | | Gear, Driven |
| 24 | 3402-045 | 1 | /P | Bearing |
| 25 | 3446-244 | 1 | /P | Gasket, Speedometer Housing |
| 26 | 3446-060 | 1 | | Gear, Speedometer Drive |
| 27 | 3423-145 | 1 | | Washer |
| 28 | 3446-114 | 1 | /P | Spacer, Speedometer Drive Gear |
| 29 | 3423-146 | 1 | | Washer |
| 30 | 3446-057 | 1 | | Housing, Speedometer |
| 31 | 3423-346 | 2 | S | Bolt |
| 32 | 3402-009 | 1 | /P | Washer |
| 33 | 3423-143 | 1 | S | Bolt |
| 34 | 3423-056 | 1 | | O-Ring |
| 35 | 3446-058 | 1 | | Sleeve |
| 36 | 3446-061 | 1 | | Gear, Speedometer Driven |
| 37 | 3423-144 | 1 | | Washer |
| 38 | 3402-077 | 1 | | Seal, Speedometer Driven Gear |



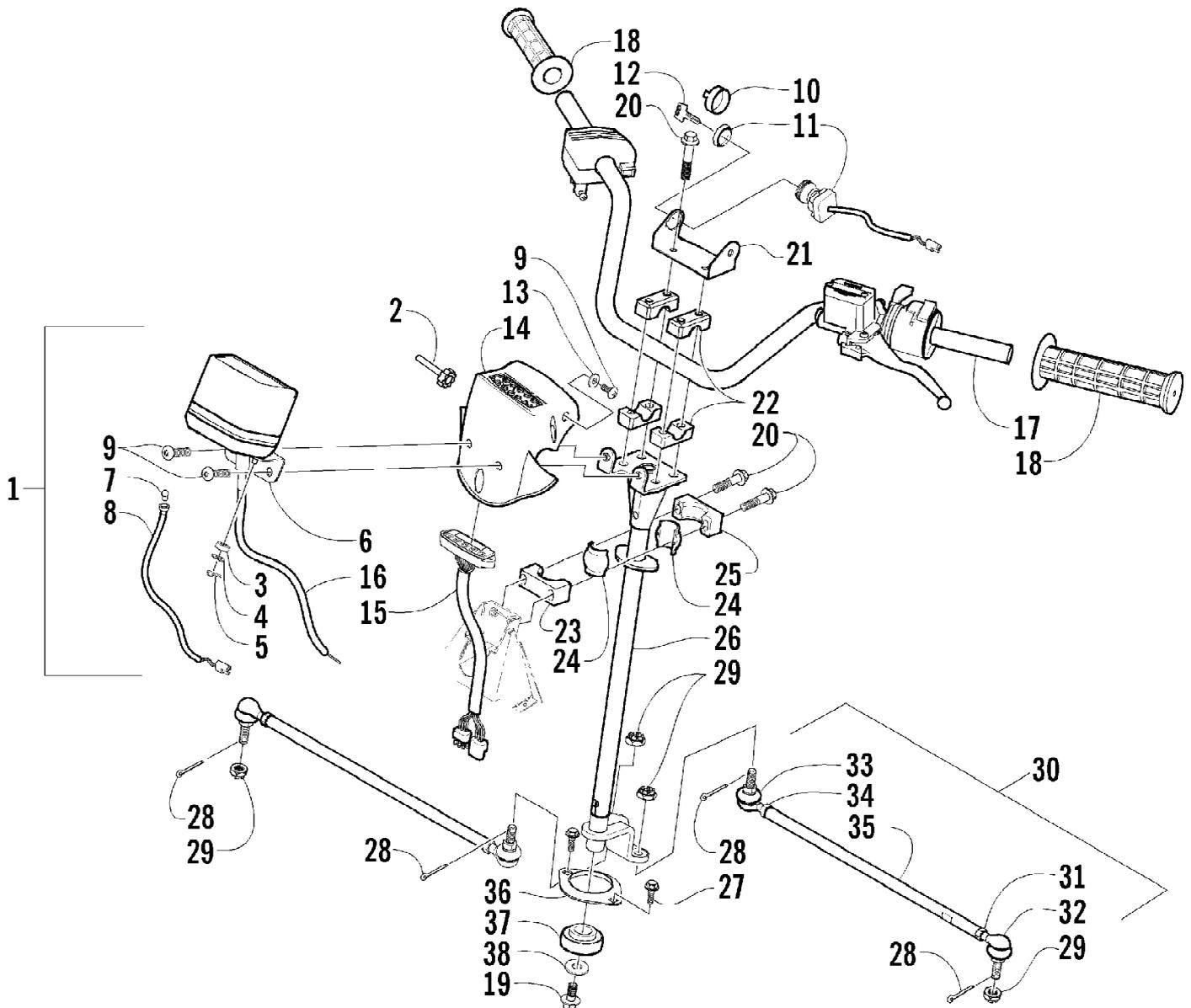
2003 ATV 400 4X4 MANUAL TRANSMISSION (GREEN) (A2003ATH4AUSG) Page 77 of 93
STARTER CLUTCH ASSEMBLY

| Ref # | Part Number | Qty | S/P/F | Description |
|-------|-------------|-----|-------|--------------------------------|
| 1 | 3402-603 | 1 | | Gear, Starter Idler - No. 1 |
| 2 | 3402-124 | 1 | | Gear, Starter Idler - No. 2 |
| 3 | 3423-331 | 1 | | Pin, Starter Idler Gear No. 1 |
| 4 | 3423-397 | 1 | | Pin, Starter Idler Gear No. 2 |
| 5 | 3402-690 | 1 | S | Clutch, Starter - Set (inc. 6) |
| 6 | 3402-674 | 1 | | Bearing |
| 7 | 3423-102 | 6 | S | Bolt |



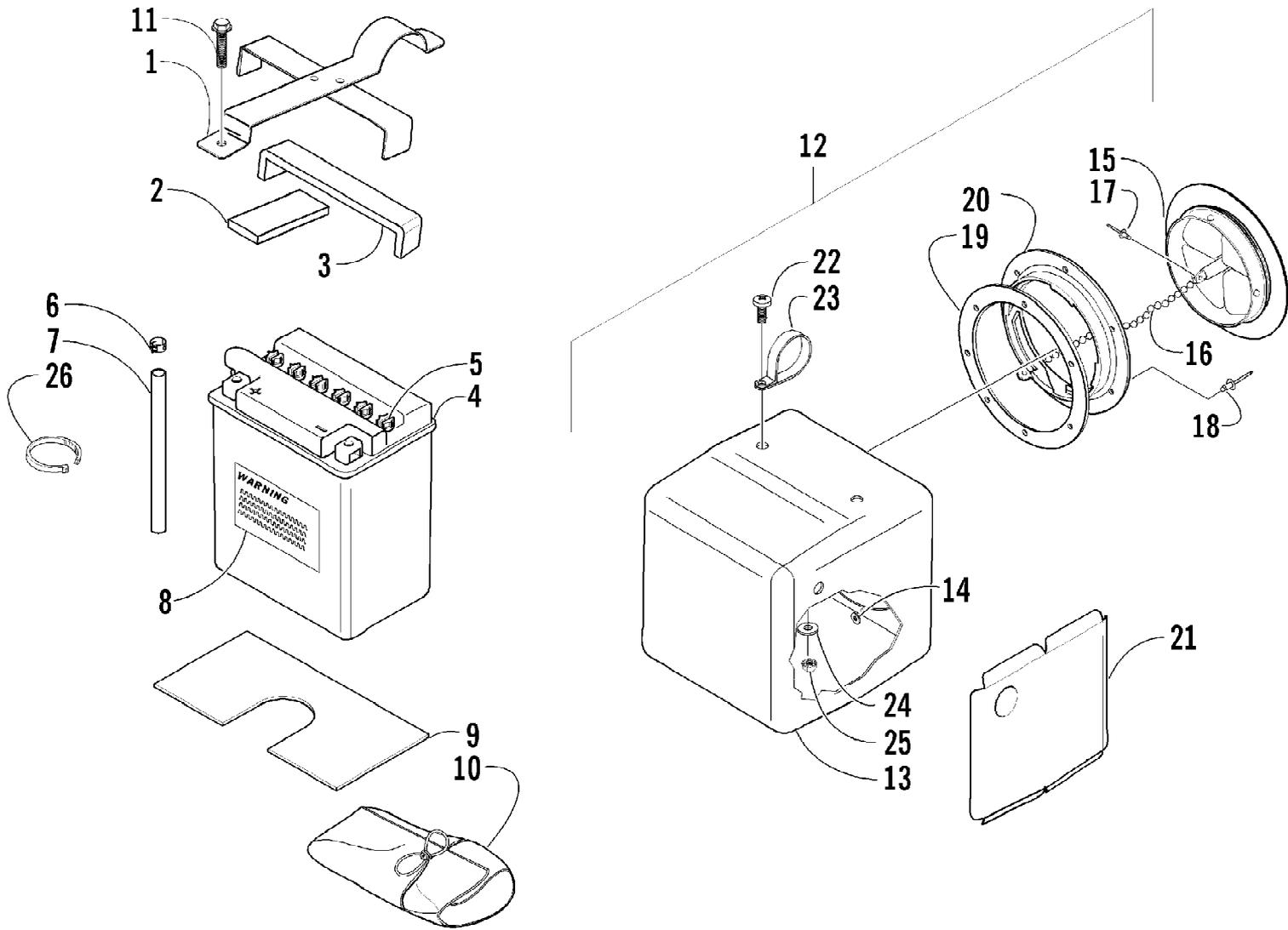
2003 ATV 400 4X4 MANUAL TRANSMISSION (GREEN) (A2003ATH4AUSG) Page 79 of 93
STARTER MOTOR ASSEMBLY

| Ref # | Part Number | Qty | S/P/F | Description |
|-------|-------------|-----|-------|-------------------------------------|
| 1 | 3545-016 | 1 | | Motor, Starter Assembly (inc. 2-10) |
| 2 | 3402-671 | 1 | | Terminal Set, Brush |
| 3 | 3402-672 | 1 | | Holder Set, Brush |
| 4 | 3008-551 | 2 | | Spring, Brush |
| 5 | 3008-164 | 1 | | O-Ring |
| 6 | 3423-272 | 1 | | O-Ring |
| 7 | 3008-099 | 1 | | Washer Set |
| 8 | 3423-497 | 2 | | O-Ring |
| 9 | 3423-498 | 2 | | Through-Bolt (inc. 10) |
| 10 | 3423-496 | 2 | | O-Ring |
| 11 | 3004-756 | 2 | S | Bolt |
| 12 | 3423-195 | 1 | /P | Nut |



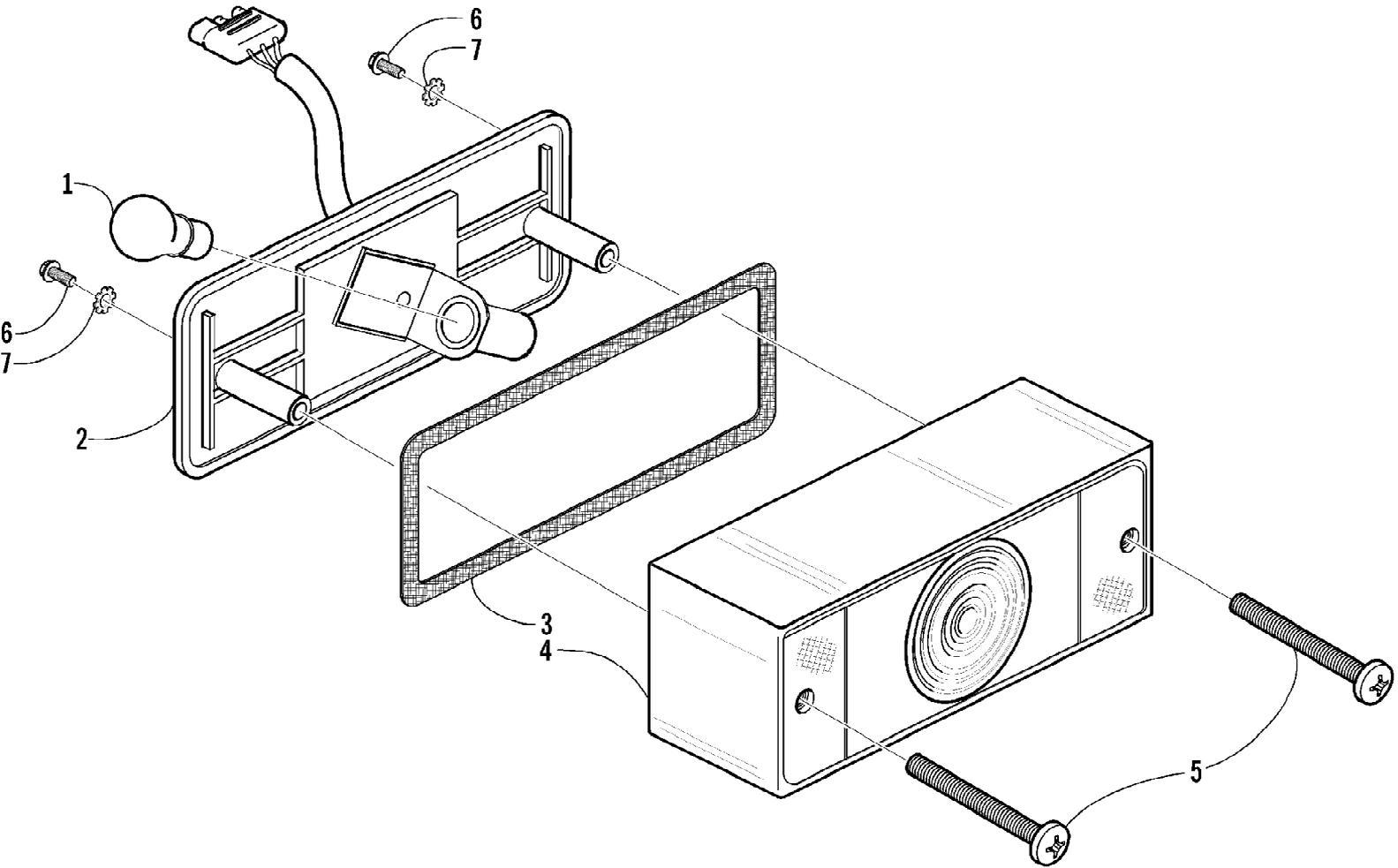
2003 ATV 400 4X4 MANUAL TRANSMISSION (GREEN) (A2003ATH4AUSG) Page 81 of 93
STEERING ASSEMBLY

| Ref # | Part Number | Qty | S/P/F | Description |
|-------|-------------|-----|-------|---------------------------------------|
| 1 | 0420-031 | 1 | /P | Speedometer (inc. 2-8) |
| 2 | 0420-027 | 1 | | Knob, Speedometer Trip |
| 3 | 0420-016 | 2 | | Mount, Rubber |
| 4 | 0420-017 | 2 | | Washer |
| 5 | 0420-015 | 2 | | Pin, Retainer |
| 6 | 0420-018 | 1 | | Bracket, Speedometer |
| 7 | 0620-149 | 1 | /P | Bulb, Speedometer |
| 8 | 0420-014 | 1 | | Harness, Speedometer |
| 9 | 8477-616 | 3 | | Screw, Machine |
| 10 | 0409-013 | 1 | | Cover, Key |
| 11 | 3430-040 | 1 | | Switch, Ignition - Assembly (inc. 12) |
| 12 | 3409-007 | 1 | /P | Key, Ignition - Blank (C Series) |
| 12 | 3409-011 | 1 | | Key, Ignition - Blank (D Series) |
| 12 | 3409-012 | 1 | | Key, Ignition - Blank (E Series) |
| 12 | 3409-013 | 1 | | Key, Ignition - Blank (F Series) |
| 13 | 0423-052 | 1 | | Collar, Body |
| 14 | 0405-063 | 1 | | Instrument Pod |
| 15 | 0420-035 | 1 | /P | Panel, LED |
| 16 | 0487-026 | 1 | | Cable, Speedometer |
| 17 | 0505-410 | 1 | | Tube, Handlebar |
| 18 | 0405-106 | 2 | | Grip, Handlebar |
| 19 | 8409-020 | 1 | /P | Screw, Cap |
| 20 | 8408-860 | 6 | | Screw, Cap |
| 21 | 0506-348 | 1 | /P | Bracket, Key Switch |
| 22 | 0405-035 | 4 | | Cap, Steering Adjuster |
| 23 | 0605-171 | 1 | | Housing, Bearing - Lower |
| 24 | 0405-020 | 2 | | Bearing, Steering Post |
| 25 | 0605-147 | 1 | S | Housing, Bearing - Upper |
| 26 | 0505-423 | 1 | S | Post, Steering |
| 27 | 8408-816 | 2 | | Screw, Cap |
| 28 | 0623-175 | 4 | | Pin, Cotter |
| 29 | 0423-157 | 4 | | Nut, Lock |
| 30 | 0505-072 | 2 | /P | Tie Rod, Assembly (inc. 31-35) |
| 31 | 8420-002 | 2 | /P | Nut - Right |
| 32 | 0405-082 | 2 | S | Ball Joint, Tie Rod - Right |
| 33 | 0405-083 | 2 | S | Ball Joint, Tie Rod - Left |
| 34 | 0423-013 | 2 | | Nut - Left |
| 35 | 0405-032 | 2 | | Tie Rod |
| 36 | 0602-233 | 1 | | Flange, Bearing |
| 37 | 0405-052 | 1 | | Bearing w/Inverted Oil Seal |
| 38 | 0423-073 | 1 | | Washer |



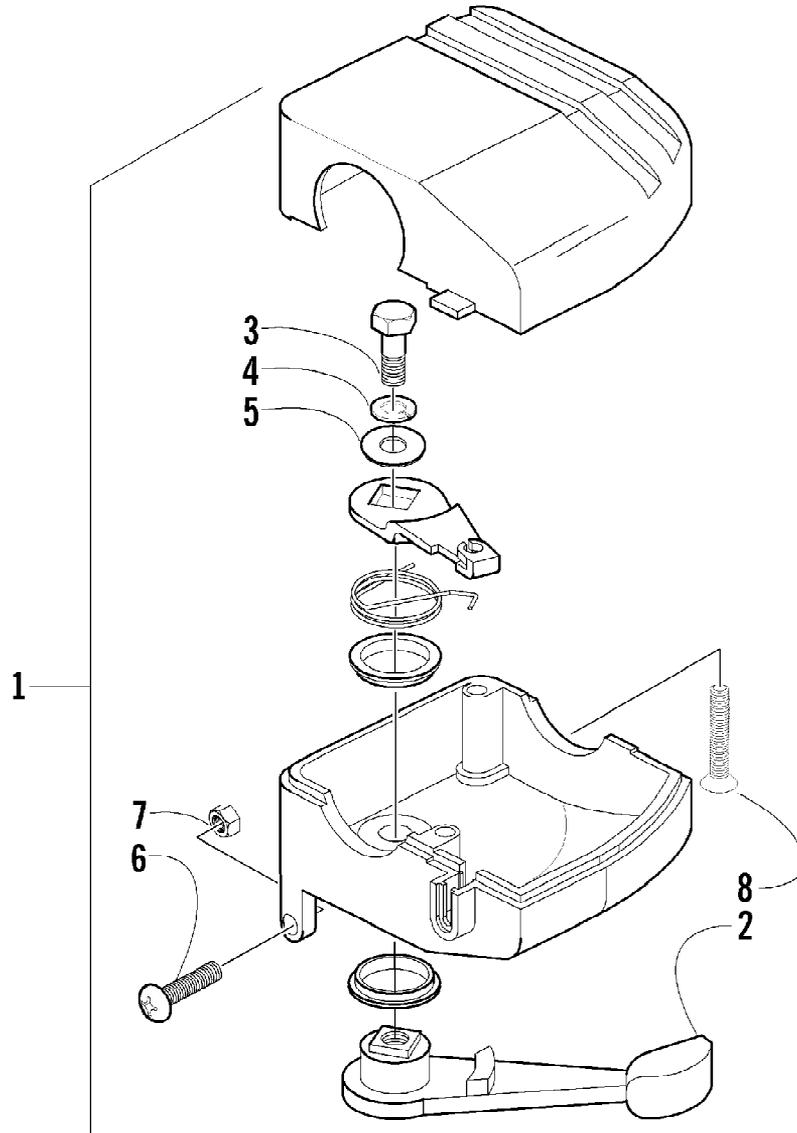
2003 ATV 400 4X4 MANUAL TRANSMISSION (GREEN) (A2003ATH4AUSG) Page 83 of 93
STORAGE BOX AND BATTERY ASSEMBLY

| Ref # | Part Number | Qty | S/P/F | Description |
|-------|-------------|-----|-------|-------------------------------------|
| 1 | 0506-178 | 1 | | Strap, Battery w/Pads (inc. 2-3) |
| 2 | 0406-288 | 1 | | Pad, Battery - Upper Front |
| 3 | 0406-289 | 1 | | Pad, Battery - Upper Rear |
| 4 | 0745-045 | 1 | /P | Battery Assembly (inc. 5-8) |
| 5 | 0645-045 | 6 | | Cap, Battery |
| 6 | 0645-152 | 1 | | Clamp, Hose |
| 7 | 0645-263 | 1 | /P | Hose, Vent |
| 8 | 0645-151 | 1 | | Label, Warning - Battery |
| 9 | 0406-227 | 1 | | Pad, Battery - Lower |
| 10 | 0444-122 | 1 | S/P | Kit, Tool |
| 11 | 8477-616 | 1 | | Screw, Machine |
| 12 | 1506-032 | 1 | | Storage Box - Assembly (inc. 13-21) |
| 13 | 1406-236 | 1 | | Box, Storage |
| 14 | 0123-802 | 6 | | Washer |
| 15 | 0406-208 | 1 | | Cover, Storage Box |
| 16 | 0773-401 | 1 | | Chain, Cover |
| 17 | 8060-223 | 2 | S | Rivet |
| 18 | 8060-630 | 6 | | Rivet |
| 19 | 0673-973 | 1 | | Seal, Cover |
| 20 | 0406-205 | 1 | /P | Ring, Mounting - Cover |
| 21 | 1406-237 | 1 | | Shield, Heat |
| 22 | 8476-620 | 4 | | Screw, Cap |
| 23 | 0423-044 | 4 | | Clamp, Tube |
| 24 | 0623-184 | 4 | | Washer |
| 25 | 0623-038 | 4 | | Nut w/Washer |
| 26 | 0123-903 | 2 | | Cable Tie - 11.5 in. |



2003 ATV 400 4X4 MANUAL TRANSMISSION (GREEN) (A2003ATH4AUSG) Page 85 of 93
TAILLIGHT ASSEMBLY

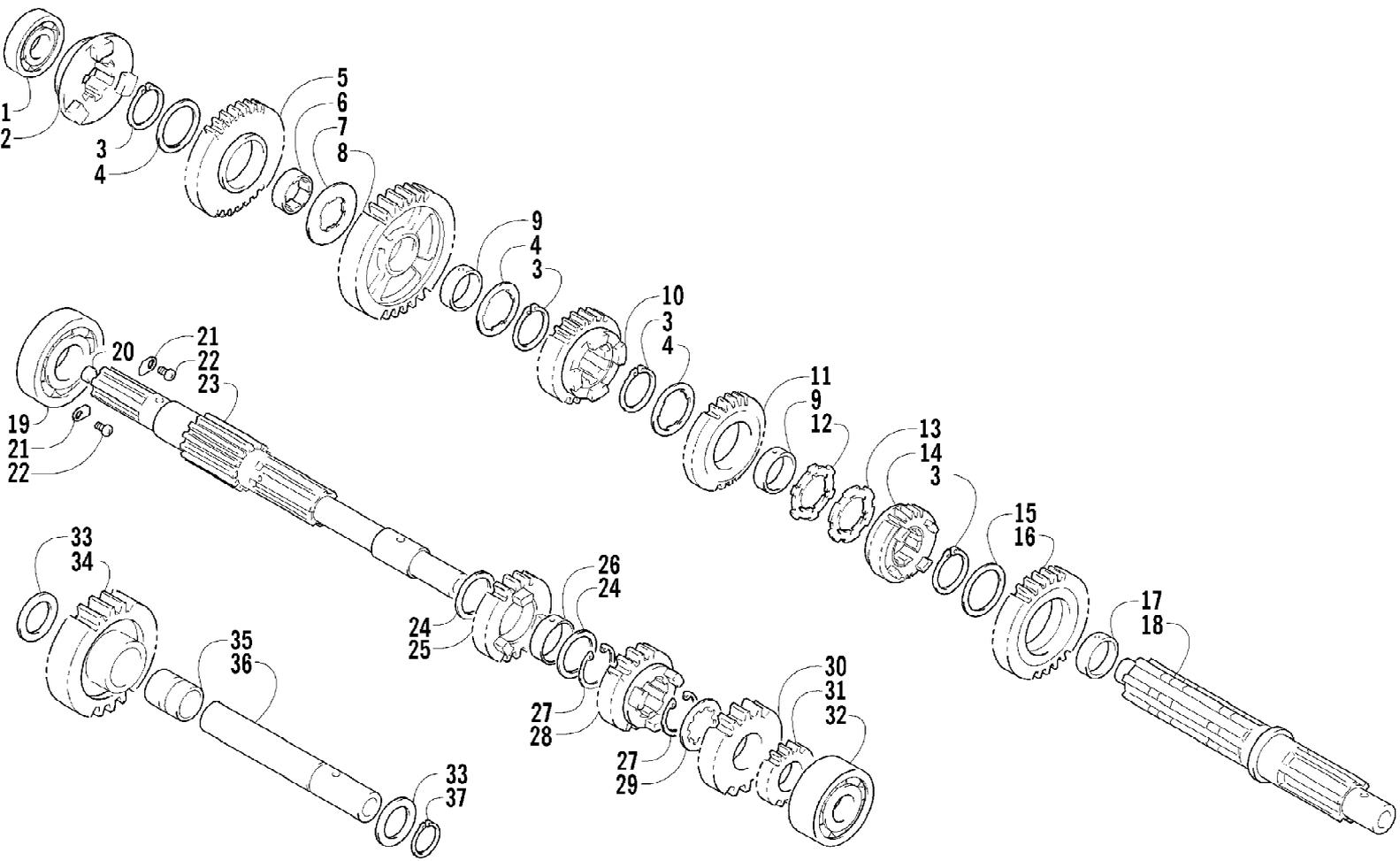
| Ref # | Part Number | Qty | S/P/F | Description |
|-------|-------------|-----|-------|-------------------------------|
| | 0409-002 | 1 | | Complete Taillight Assembly |
| 1 | 0109-460 | 1 | /P | Bulb, Stop/Taillight |
| 2 | 0409-011 | 1 | | Taillight w/Socket Assembly |
| 3 | 0409-012 | 1 | | Gasket, Taillight Lens |
| 4 | 0409-007 | 1 | | Lens, Taillight |
| 5 | 0409-010 | 2 | | Screw, Machine |
| 6 | 0623-301 | 2 | /P | Screw, Self-Tapping |
| 7 | 8053-212 | 2 | /P | Washer, Lock - External Tooth |



2003 ATV 400 4X4 MANUAL TRANSMISSION (GREEN) (A2003ATH4AUSG) Page 87 of 93
THROTTLE CASE ASSEMBLY

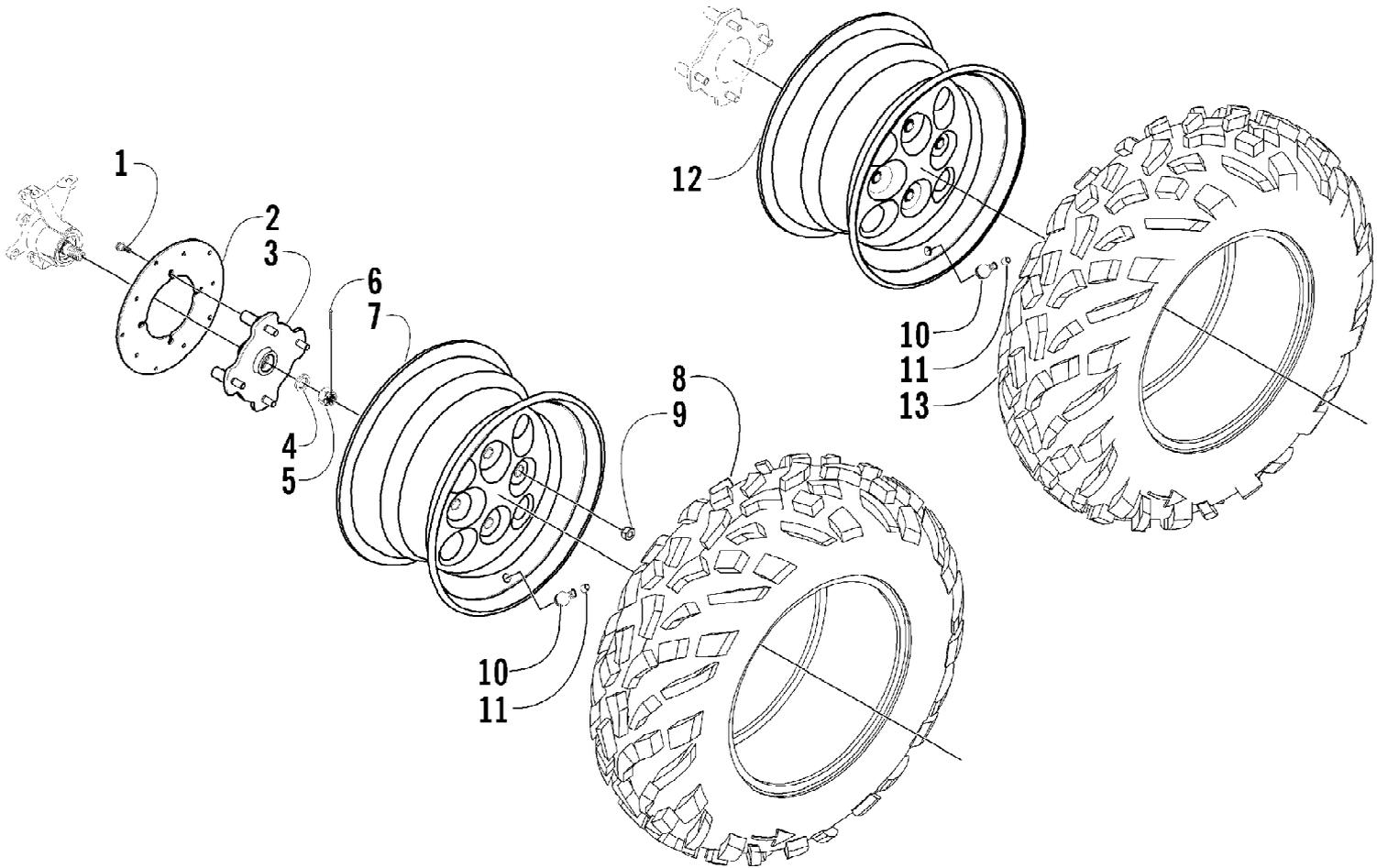
| Ref # | Part Number | Qty | S/P/F | Description |
|-------|-------------|-----|-------|--------------------------------------|
| 1 | 3509-003 | 1 | /P | Case, Throttle - Assembly (inc. 2-8) |
| 2 | 3409-001 | 1 | | Lever |
| 3 | 3004-533 | 1 | S/P | Screw, Cap |
| 4 | 3004-447 | 1 | /P | Washer, Lock |
| 5 | 3003-030 | 1 | /P | Washer |
| 6 | 3423-014 | 1 | | Screw |
| 7 | 3423-327 | 1 | | Nut |
| 8 | 3423-199 | 2 | | Screw |

2003 ATV 400 4X4 MANUAL TRANSMISSION (GREEN) (A2003ATH4AUSG) Page 88 of 93
TRANSMISSION ASSEMBLY



2003 ATV 400 4X4 MANUAL TRANSMISSION (GREEN) (A2003ATH4AUSG) Page 89 of 93
TRANSMISSION ASSEMBLY

| Ref # | Part Number | Qty | S/P/F | Description |
|-------|-------------|-----|-------|----------------------|
| 1 | 3402-218 | 1 | | Bearing |
| 2 | 3446-297 | 1 | | Dog, Reverse |
| 3 | 3423-066 | 4 | /P | Circlip |
| 4 | 3423-036 | 3 | | Washer, Lock |
| 5 | 3446-296 | 1 | | Gear, Reverse Driven |
| 6 | 3446-145 | 1 | | Bushing |
| 7 | 3423-263 | 1 | | Washer |
| 8 | 3446-141 | 1 | | Gear, 1st Driven |
| 9 | 3446-273 | 2 | /P | Bushing |
| 10 | 3446-146 | 1 | | Gear, 4th Driven |
| 11 | 3446-143 | 1 | | Gear, 3rd Driven |
| 12 | 3423-266 | 1 | | Washer, Lock |
| 13 | 3423-262 | 1 | | Washer, Lock |
| 14 | 3446-147 | 1 | | Gear, 5th Driven |
| 15 | 3423-317 | 1 | | Washer |
| 16 | 3446-142 | 1 | | Gear, 2nd Driven |
| 17 | 3402-230 | 1 | | Bushing |
| 18 | 3402-775 | 1 | | Driveshaft |
| 19 | 0691-374 | 1 | | Bearing |
| 20 | 3402-033 | 1 | | Plug, Countershaft |
| 21 | 3446-031 | 2 | /P | Retainer, Bearing |
| 22 | 3423-370 | 2 | | Screw |
| 23 | 3446-295 | 1 | S | Countershaft |
| 24 | 3402-210 | 2 | | Washer |
| 25 | 3446-139 | 1 | | Gear, 4th Drive |
| 26 | 3402-229 | 1 | | Bushing |
| 27 | 3423-279 | 2 | | Circlip |
| 28 | 3446-138 | 1 | | Gear, 3rd Drive |
| 29 | 3423-261 | 1 | S | Washer |
| 30 | 3446-140 | 1 | | Gear, 5th Drive |
| 31 | 3446-137 | 1 | | Gear, 2nd Drive |
| 32 | 3402-224 | 1 | | Bearing |
| 33 | 3402-209 | 2 | | Washer |
| 34 | 3446-149 | 1 | | Gear, Reverse Idle |
| 35 | 3402-228 | 1 | | Bushing |
| 36 | 3446-298 | 1 | | Shaft, Reverse Idle |
| 37 | 3423-518 | 1 | | Circlip |



2003 ATV 400 4X4 MANUAL TRANSMISSION (GREEN) (A2003ATH4AUSG) Page 91 of 93
WHEEL AND TIRE ASSEMBLY

| Ref # | Part Number | Qty | S/P/F | Description |
|-------|-------------|-----|-------|-----------------------|
| 1 | 0423-029 | 8 | | Screw, Machine |
| 2 | 0402-874 | 2 | S | Disc, Brake |
| 3 | 0502-360 | 2 | S | Hub, Wheel - Front |
| 4 | 0402-181 | 2 | | Seal, Hub |
| 5 | 0423-394 | 2 | | Nut, Castle |
| 6 | 0123-458 | 2 | /P | Pin, Cotter |
| 7 | 0402-856 | 2 | | Wheel - Front |
| 8 | 0402-890 | 2 | | Tire - Front |
| 9 | 0423-408 | 16 | /P | Nut, Lug |
| 10 | 0402-064 | 4 | | Stem, Valve (inc. 11) |
| 11 | 0402-140 | 4 | | Cap, Valve Stem |
| 12 | 0402-989 | 2 | | Wheel - Rear |
| 13 | 0402-887 | 2 | | Tire - Rear |

2003 ATV 400 4X4 MANUAL TRANSMISSION (GREEN) (A2003ATH4AUSG) Page 93 of 93
WIRING HARNESS ASSEMBLY

| Ref # | Part Number | Qty | S/P/F | Description |
|-------|-------------|-----|-------|--|
| 1 | 0486-100 | 1 | | Harness, Main (inc. 2) |
| 2 | 0486-029 | 1 | | Diode (Start In Gear) |
| 3 | 0509-011 | 1 | S | Diode Assembly |
| 4 | 8476-616 | 2 | | Screw, Machine |
| 5 | 0486-004 | 1 | | Harness, 12V Receptacle |
| 6 | 0445-022 | 1 | S | Receptacle, 12V (inc. 7) |
| 7 | 0445-034 | 1 | | Nut, Retainer |
| 8 | 3430-008 | 1 | /P | Seal, Spark Plug |
| 9 | 3430-007 | 1 | /P | Cap, Spark Plug |
| 10 | 3430-009 | 1 | /P | Seal, High Tension Wire |
| 11 | 3430-055 | 1 | | Coil, Ignition - Assembly |
| 12 | 8476-620 | 2 | | Screw, Machine |
| 13 | 3402-682 | 1 | | Regulator, Voltage |
| 14 | 8476-625 | 1 | | Screw, Machine |
| 15 | 3402-785 | 1 | | CDI Unit |
| 16 | 0406-909 | 1 | S | Bracket, CDI |
| 17 | 3530-008 | 1 | S | Relay, Neutral Start - Assembly |
| 18 | 3530-001 | 1 | /P | Relay, Starter Motor - Assembly (inc. 19-20) |
| 19 | 3530-010 | 1 | | Cover, Starter Motor Relay |
| 20 | 0630-098 | 1 | | Fuse, 30 Amp |
| 21 | 3423-020 | 2 | /P | Screw, Cap |
| 22 | 0409-009 | 2 | | Switch, Brake - Assembly |
| 23 | 0402-168 | 1 | /P | Retainer, Switch |
| 24 | 0645-019 | 2 | | Boot, Terminal |
| 25 | 0445-003 | 1 | /P | Cable, Battery/Electric Start Relay |
| 26 | 0445-019 | 1 | | Cable, Electric Start Relay/Starter |
| 27 | 0445-020 | 1 | | Cable, Battery/Ground |
| 28 | 0530-001 | 1 | | Block, Fuse - Assembly (inc. 29-30) |
| 29 | 0 | 1 | F | Block, Fuse |
| 30 | 0 | 1 | F | Cover, Fuse Block |
| 31 | 0411-271 | 1 | | Decal, Fuse Block |
| 32 | 0630-057 | 4 | | Fuse - 10 Amp |
| 32 | 0630-058 | 2 | | Fuse - 15 Amp |
| 33 | 0623-361 | 2 | | Screw, Self-Tapping |
| 34 | 0123-788 | AR | /P | Cable Tie - 7.5 in. |
| 35 | 0123-903 | AR | | Cable Tie - 11.5 in. |
| 36 | 8424-602 | 2 | /P | Nut, Flange |